

ETSI TS 137 145-1 V15.5.0 (2019-10)



**Universal Mobile Telecommunications System (UMTS);
LTE;
Active Antenna System (AAS) Base Station (BS)
conformance testing;
Part 1: conducted conformance testing
(3GPP TS 37.145-1 version 15.5.0 Release 15)**



Reference

RTS/TSGR-0437145-1v15.0

Keywords

LTE,UMTS

ETSI

650 Route des Lucioles
F-06921 Sophia Antipolis Cedex - FRANCE

Tel.: +33 4 92 94 42 00 Fax: +33 4 93 65 47 16

Siret N° 348 623 562 00017 - NAF 742 C
Association à but non lucratif enregistrée à la
Sous-Préfecture de Grasse (06) N° 7803/88

Important notice

The present document can be downloaded from:

<http://www.etsi.org/standards-search>

The present document may be made available in electronic versions and/or in print. The content of any electronic and/or print versions of the present document shall not be modified without the prior written authorization of ETSI. In case of any existing or perceived difference in contents between such versions and/or in print, the prevailing version of an ETSI deliverable is the one made publicly available in PDF format at www.etsi.org/deliver.

Users of the present document should be aware that the document may be subject to revision or change of status.

Information on the current status of this and other ETSI documents is available at

<https://portal.etsi.org/TB/ETSIDeliverableStatus.aspx>

If you find errors in the present document, please send your comment to one of the following services:

<https://portal.etsi.org/People/CommitteeSupportStaff.aspx>

Copyright Notification

No part may be reproduced or utilized in any form or by any means, electronic or mechanical, including photocopying and microfilm except as authorized by written permission of ETSI.

The content of the PDF version shall not be modified without the written authorization of ETSI.

The copyright and the foregoing restriction extend to reproduction in all media.

© ETSI 2019.

All rights reserved.

DECT™, **PLUGTESTS™**, **UMTS™** and the ETSI logo are trademarks of ETSI registered for the benefit of its Members.

3GPP™ and **LTE™** are trademarks of ETSI registered for the benefit of its Members and of the 3GPP Organizational Partners.

oneM2M™ logo is a trademark of ETSI registered for the benefit of its Members and of the oneM2M Partners.

GSM® and the GSM logo are trademarks registered and owned by the GSM Association.

Intellectual Property Rights

Essential patents

IPRs essential or potentially essential to normative deliverables may have been declared to ETSI. The information pertaining to these essential IPRs, if any, is publicly available for **ETSI members and non-members**, and can be found in ETSI SR 000 314: *"Intellectual Property Rights (IPRs); Essential, or potentially Essential, IPRs notified to ETSI in respect of ETSI standards"*, which is available from the ETSI Secretariat. Latest updates are available on the ETSI Web server (<https://ipr.etsi.org/>).

Pursuant to the ETSI IPR Policy, no investigation, including IPR searches, has been carried out by ETSI. No guarantee can be given as to the existence of other IPRs not referenced in ETSI SR 000 314 (or the updates on the ETSI Web server) which are, or may be, or may become, essential to the present document.

Trademarks

The present document may include trademarks and/or tradenames which are asserted and/or registered by their owners. ETSI claims no ownership of these except for any which are indicated as being the property of ETSI, and conveys no right to use or reproduce any trademark and/or tradename. Mention of those trademarks in the present document does not constitute an endorsement by ETSI of products, services or organizations associated with those trademarks.

Legal Notice

This Technical Specification (TS) has been produced by ETSI 3rd Generation Partnership Project (3GPP).

The present document may refer to technical specifications or reports using their 3GPP identities. These shall be interpreted as being references to the corresponding ETSI deliverables.

The cross reference between 3GPP and ETSI identities can be found under <http://webapp.etsi.org/key/queryform.asp>.

Modal verbs terminology

In the present document "**shall**", "**shall not**", "**should**", "**should not**", "**may**", "**need not**", "**will**", "**will not**", "**can**" and "**cannot**" are to be interpreted as described in clause 3.2 of the [ETSI Drafting Rules](#) (Verbal forms for the expression of provisions).

"**must**" and "**must not**" are **NOT** allowed in ETSI deliverables except when used in direct citation.

Contents

| | |
|--|----|
| Intellectual Property Rights | 2 |
| Legal Notice | 2 |
| Modal verbs terminology..... | 2 |
| Foreword..... | 12 |
| 1 Scope | 13 |
| 2 References | 13 |
| 3 Definitions, symbols and abbreviations | 15 |
| 3.1 Definitions | 15 |
| 3.2 Symbols..... | 19 |
| 3.3 Abbreviations | 21 |
| 4 General test conditions and declarations | 22 |
| 4.1 Measurement uncertainties and test requirements | 22 |
| 4.1.1 General..... | 22 |
| 4.1.2 Acceptable uncertainty of Test System..... | 23 |
| 4.1.2.1 General | 23 |
| 4.1.2.2 Measurement of transmitter | 24 |
| 4.1.2.3 Measurement of receiver | 25 |
| 4.1.3 Interpretation of measurement results..... | 27 |
| 4.2 Conducted and radiated requirement reference points | 28 |
| 4.3 Base station classes for AAS BS | 28 |
| 4.4 Regional requirements..... | 29 |
| 4.5 Operating bands and band categories | 29 |
| 4.6 Channel arrangements | 30 |
| 4.7 Requirements for AAS BS capable of multi-band operation | 30 |
| 4.8 AAS BS configurations | 31 |
| 4.8.1 Transmit configurations | 31 |
| 4.8.2 Receive configurations | 31 |
| 4.8.3 Power supply options..... | 32 |
| 4.8.4 BS with integrated Iuant BS modem | 32 |
| 4.9 Capability sets | 32 |
| 4.10 Manufacturer declarations for AAS BS testing..... | 33 |
| 4.11 Test signal configurations for AAS BS | 39 |
| 4.11.1 General..... | 39 |
| 4.11.1a NR Test signal used to build Test Configurations | 39 |
| 4.11.2 Test signal configurations..... | 40 |
| 4.11.2.1 ATC1: UTRA multicarrier operation | 40 |
| 4.11.2.1.1 General | 40 |
| 4.11.2.1.2 ATC1a generation | 40 |
| 4.11.2.1.3 ATC1b generation | 40 |
| 4.11.2.1.4 ATC1 power allocation | 40 |
| 4.11.2.2 ANTC1: UTRA FDD multicarrier non-contiguous operation | 40 |
| 4.11.2.2.1 General | 40 |
| 4.11.2.2.2 ANTC1 generation | 40 |
| 4.11.2.2.3 ANTC1 power allocation..... | 41 |
| 4.11.2.3 ATC2: E-UTRA multicarrier operation | 41 |
| 4.11.2.3.1 General | 41 |
| 4.11.2.3.2 ATC2a generation | 41 |
| 4.11.2.3.3 ATC2b generation | 41 |
| 4.11.2.3.4 ATC2 power allocation | 42 |
| 4.11.2.4 ANTC2: E-UTRA multicarrier non-contiguous operation..... | 42 |
| 4.11.2.4.1 General | 42 |
| 4.11.2.4.2 ANTC2 generation | 42 |
| 4.11.2.4.3 ANTC2 power allocation..... | 43 |
| 4.11.2.5 ATC3: UTRA and E-UTRA multi RAT operation | 43 |

| | | |
|-------------|--|----|
| 4.11.2.5.1 | General | 43 |
| 4.11.2.5.2 | ATC3a generation | 43 |
| 4.11.2.5.3 | ATC3b generation | 43 |
| 4.11.2.5.4 | ATC3 power allocation | 43 |
| 4.11.2.6 | ANTC3: UTRA and E-UTRA multi RAT non-contiguous operation..... | 44 |
| 4.11.2.6.1 | General | 44 |
| 4.11.2.6.2 | ANTC3a generation..... | 44 |
| 4.11.2.6.3 | ANTC3 power allocation..... | 44 |
| 4.11.2.7 | ATC4: Single carrier for receiver tests..... | 45 |
| 4.11.2.7.1 | ATC4a generation | 45 |
| 4.11.2.7.2 | ATC4b generation | 45 |
| 4.11.2.7.3 | ATC4c generation | 45 |
| 4.11.2.7.4 | ATC4d generation | 45 |
| 4.11.2.8 | Generation of MB-MSR test configurations | 45 |
| 4.11.2.8.1 | ATC5a: MB-MSR test configuration for full carrier allocation | 45 |
| 4.11.2.8.2 | ATC5b: MB-MSR test configuration with high PSD per carrier | 46 |
| 4.11.2.9 | ATC6: E-UTRA and NR multi RAT operation | 47 |
| 4.11.2.9.1 | General | 47 |
| 4.11.2.9.2 | ATC6 generation | 47 |
| 4.11.2.9.3 | ATC6 power allocation | 48 |
| 4.11.2.10 | ANTC6: E-UTRA and NR multi RAT non-contiguous operation..... | 48 |
| 4.11.2.10.1 | General | 48 |
| 4.11.2.10.2 | ANTC6 generation | 48 |
| 4.11.2.10.3 | ANTC6 power allocation..... | 48 |
| 4.11.2.11 | ATC7: NR multicarrier operation | 48 |
| 4.11.2.11.1 | General | 48 |
| 4.11.2.11.2 | ATC7 generation | 48 |
| 4.11.2.11.3 | ATC7 power allocation | 49 |
| 4.11.2.12 | ANTC7: NR multicarrier non-contiguous operation..... | 49 |
| 4.11.2.12.1 | General | 49 |
| 4.11.2.12.2 | ANTC7 generation | 49 |
| 4.11.2.12.3 | ANTC7 power allocation..... | 49 |
| 4.12 | RF channels and test models | 50 |
| 4.12.1 | RF channels | 50 |
| 4.12.2 | Test models..... | 51 |
| 4.13 | Format and interpretation of tests..... | 52 |
| 5 | Applicability of Requirements | 53 |
| 5.1 | General | 53 |
| 5.2 | Test configurations for TAB connectors for operating bands where MSR is supported | 54 |
| 5.3 | Test configurations for multi-carrier capable TAB connector(s) in operating bands where one RAT capability sets are supported..... | 59 |
| 5.3.1 | General..... | 59 |
| 5.3.2 | TAB connector supporting one RAT only MSR in the operating band..... | 59 |
| 5.3.3 | TAB connector supporting Single-RAT UTRA in the operating band..... | 63 |
| 5.3.4 | TAB connector supporting Single-RAT E-UTRA in the operating band | 64 |
| 5.4 | Test configurations for <i>Multi-band TAB connectors</i> | 65 |
| 5.4.1 | Multi-band TAB connector supporting MSR operation | 65 |
| 5.4.2 | Multi-band TAB connector supporting Single-RAT only | 67 |
| 6 | Conducted transmitter characteristics | 68 |
| 6.1 | General | 68 |
| 6.2 | Base station output power | 69 |
| 6.2.1 | General..... | 69 |
| 6.2.2 | Maximum output power..... | 69 |
| 6.2.2.1 | Definition and applicability..... | 69 |
| 6.2.2.2 | Minimum Requirement | 69 |
| 6.2.2.3 | Test Purpose | 69 |
| 6.2.2.4 | Method of test | 69 |
| 6.2.2.4.1 | Initial conditions | 69 |
| 6.2.2.4.2 | Procedure..... | 70 |
| 6.2.2.5 | Test Requirements..... | 70 |

| | | |
|-----------|---|----|
| 6.2.3 | UTRA FDD primary CPICH power | 70 |
| 6.2.3.1 | Definition and applicability..... | 70 |
| 6.2.3.2 | Minimum requirement | 71 |
| 6.2.3.3 | Test purpose | 71 |
| 6.2.3.4 | Method of test | 71 |
| 6.2.3.4.1 | Initial conditions..... | 71 |
| 6.2.3.4.2 | Procedure..... | 71 |
| 6.2.3.5 | Test requirements..... | 71 |
| 6.2.4 | UTRA TDD primary CCPCH power..... | 72 |
| 6.2.4.1 | Definition and applicability..... | 72 |
| 6.2.4.2 | Minimum requirement | 72 |
| 6.2.4.3 | Test purpose | 72 |
| 6.2.4.4 | Method of test | 72 |
| 6.2.4.4.1 | Initial conditions..... | 72 |
| 6.2.4.4.2 | Procedure..... | 73 |
| 6.2.4.5 | Test requirements..... | 73 |
| 6.2.5 | UTRA FDD additional CPICH power for MIMO mode | 74 |
| 6.2.5.1 | Definition and applicability..... | 74 |
| 6.2.5.2 | Minimum requirement | 75 |
| 6.2.5.3 | Test purpose | 75 |
| 6.2.5.4 | Method of test | 75 |
| 6.2.5.4.1 | Initial conditions..... | 75 |
| 6.2.5.4.2 | Procedure..... | 75 |
| 6.2.5.5 | Test requirements..... | 76 |
| 6.2.6 | E-UTRA DL RS power..... | 76 |
| 6.2.6.1 | Definition and applicability..... | 76 |
| 6.2.6.2 | Minimum requirement | 76 |
| 6.2.6.3 | Test purpose | 76 |
| 6.2.6.4 | Method of test | 77 |
| 6.2.6.4.1 | Initial conditions..... | 77 |
| 6.2.6.4.2 | Procedure..... | 77 |
| 6.2.6.5 | Test requirements..... | 77 |
| 6.3 | Output power dynamics..... | 77 |
| 6.3.1 | General..... | 77 |
| 6.3.2 | UTRA Inner loop power control in the downlink..... | 78 |
| 6.3.2.1 | Definition and applicability..... | 78 |
| 6.3.2.2 | Minimum requirement | 78 |
| 6.3.2.3 | Test purpose | 78 |
| 6.3.2.4 | Method of test | 78 |
| 6.3.2.4.1 | Initial conditions..... | 78 |
| 6.3.2.4.2 | Procedure..... | 79 |
| 6.3.2.5 | Test requirements..... | 80 |
| 6.3.2.5.1 | UTRA FDD | 80 |
| 6.3.2.5.2 | UTRA TDD | 80 |
| 6.3.3 | Power control dynamic range | 81 |
| 6.3.3.1 | Definition and applicability..... | 81 |
| 6.3.3.2 | Minimum requirement | 81 |
| 6.3.3.3 | Test purpose | 81 |
| 6.3.3.4 | Method of test | 81 |
| 6.3.3.4.1 | Initial conditions..... | 81 |
| 6.3.3.4.2 | Procedure..... | 82 |
| 6.3.3.5 | Test requirements..... | 83 |
| 6.3.3.5.1 | UTRA FDD | 83 |
| 6.3.3.5.2 | UTRA TDD | 83 |
| 6.3.4 | Total power dynamic range | 83 |
| 6.3.4.1 | Definition and applicability..... | 83 |
| 6.3.4.2 | Minimum requirement | 84 |
| 6.3.4.3 | Test purpose | 84 |
| 6.3.4.4 | Method of test | 84 |
| 6.3.4.4.1 | Initial conditions..... | 84 |
| 6.3.4.4.2 | Procedure..... | 84 |
| 6.3.4.5 | Test requirements..... | 86 |

| | | |
|-----------|--------------------------------------|----|
| 6.3.4.5.1 | UTRA FDD | 86 |
| 6.3.4.5.2 | E-UTRA | 86 |
| 6.3.4.5.3 | NR | 86 |
| 6.3.5 | IPDL time mask | 87 |
| 6.3.5.1 | Definition and applicability..... | 87 |
| 6.3.5.2 | Minimum requirement | 87 |
| 6.3.5.3 | Test purpose | 87 |
| 6.3.5.4 | Method of test | 87 |
| 6.3.5.4.1 | Initial conditions | 87 |
| 6.3.5.4.2 | Procedure..... | 87 |
| 6.3.5.5 | Test requirements | 88 |
| 6.3.6 | RE Power control dynamic range | 88 |
| 6.3.6.1 | Definition and applicability..... | 88 |
| 6.3.6.2 | Minimum requirement | 88 |
| 6.3.6.3 | Method of test | 88 |
| 6.4 | Transmit ON/OFF power | 89 |
| 6.4.1 | General..... | 89 |
| 6.4.2 | Transmitter OFF power | 89 |
| 6.4.2.1 | Definition and applicability..... | 89 |
| 6.4.2.2 | Minimum requirement | 89 |
| 6.4.2.3 | Test purpose | 89 |
| 6.4.2.4 | Method of test | 89 |
| 6.4.2.4.1 | Initial conditions | 89 |
| 6.4.2.4.2 | Procedure..... | 90 |
| 6.4.2.5 | Test requirements | 90 |
| 6.4.3 | Transmitter transient period..... | 90 |
| 6.4.3.1 | Definition and applicability..... | 90 |
| 6.4.3.2 | Minimum requirement | 91 |
| 6.4.3.3 | Test purpose | 91 |
| 6.4.3.4 | Method of test | 91 |
| 6.4.3.4.1 | Initial conditions | 91 |
| 6.4.3.4.2 | Procedure..... | 92 |
| 6.4.3.5 | Test requirements | 93 |
| 6.4.3.5.1 | MSR operation | 93 |
| 6.4.3.5.1 | UTRA TDD operation..... | 93 |
| 6.4.3.5.1 | E-UTRA operation | 93 |
| 6.5 | Transmitted signal quality | 93 |
| 6.5.1 | General..... | 93 |
| 6.5.2 | Frequency error..... | 94 |
| 6.5.2.1 | Definition and applicability..... | 94 |
| 6.5.2.2 | Minimum Requirement | 94 |
| 6.5.2.3 | Test purpose | 94 |
| 6.5.2.4 | Method of test | 94 |
| 6.5.2.5 | Test Requirements..... | 94 |
| 6.5.2.5.1 | UTRA FDD test requirement | 94 |
| 6.5.2.5.2 | UTRA TDD test requirement | 94 |
| 6.5.2.5.3 | E-UTRA and NR test requirement | 94 |
| 6.5.3 | Time alignment error | 95 |
| 6.5.3.1 | Definition and applicability..... | 95 |
| 6.5.3.2 | Minimum requirement | 95 |
| 6.5.3.3 | Test purpose | 95 |
| 6.5.3.4 | Method of test | 95 |
| 6.5.3.4.1 | Initial conditions | 95 |
| 6.5.3.4.2 | Procedure..... | 96 |
| 6.5.3.5 | Test requirement | 97 |
| 6.5.3.5.1 | UTRA FDD test requirement | 97 |
| 6.5.3.5.2 | UTRA TDD test requirement | 98 |
| 6.5.3.5.3 | E-UTRA test requirement..... | 98 |
| 6.5.3.5.4 | NR test requirement..... | 98 |
| 6.5.4 | Modulation quality..... | 98 |
| 6.5.4.1 | Definition and applicability..... | 98 |
| 6.5.4.2 | Minimum Requirement | 98 |

| | | |
|-----------|--|-----|
| 6.5.4.3 | Test purpose | 98 |
| 6.5.4.4 | UTRA FDD method of test | 99 |
| 6.5.4.4.1 | Initial conditions | 99 |
| 6.5.4.4.2 | Procedure | 99 |
| 6.5.4.5 | UTRA TDD method of test | 100 |
| 6.5.4.5.1 | Initial conditions | 100 |
| 6.5.4.5.2 | Procedure | 101 |
| 6.5.4.6 | E-UTRA and NR method of test | 102 |
| 6.5.4.6.1 | Initial conditions | 102 |
| 6.5.4.6.2 | Procedure | 103 |
| 6.5.4.7 | Test Requirements | 104 |
| 6.5.4.7.1 | UTRA FDD test requirement | 104 |
| 6.5.4.7.2 | UTRA TDD test requirement | 104 |
| 6.5.4.7.3 | E-UTRA and NR test requirement | 104 |
| 6.6 | Unwanted Emissions | 105 |
| 6.6.1 | General | 105 |
| 6.6.2 | Occupied bandwidth | 105 |
| 6.6.2.1 | Definition and applicability | 105 |
| 6.6.2.2 | Minimum requirement | 106 |
| 6.6.2.3 | Test purpose | 106 |
| 6.6.2.4 | Method of test | 106 |
| 6.6.2.4.1 | Initial conditions | 106 |
| 6.6.2.4.2 | Procedure | 107 |
| 6.6.2.5 | Test requirements | 109 |
| 6.6.2.5.1 | MSR | 109 |
| 6.6.2.5.2 | UTRA FDD | 109 |
| 6.6.2.5.3 | UTRA TDD | 109 |
| 6.6.2.5.4 | E-UTRA | 109 |
| 6.6.3 | Adjacent Channel Leakage power Ratio | 110 |
| 6.6.3.1 | Definition and applicability | 110 |
| 6.6.3.2 | Minimum requirement | 110 |
| 6.6.3.3 | Test purpose | 110 |
| 6.6.3.4 | Method of test | 110 |
| 6.6.3.4.1 | Initial conditions | 110 |
| 6.6.3.4.2 | Procedure | 112 |
| 6.6.3.5 | Test requirements | 114 |
| 6.6.3.5.1 | General Requirements | 114 |
| 6.6.3.5.2 | Absolute Limits | 114 |
| 6.6.3.5.3 | MSR | 114 |
| 6.6.3.5.4 | UTRA FDD | 119 |
| 6.6.3.5.5 | UTRA TDD, 1,28Mcps option | 121 |
| 6.6.3.5.6 | E-UTRA | 121 |
| 6.6.4 | Spectrum emission mask | 124 |
| 6.6.4.1 | Definition and applicability | 124 |
| 6.6.4.2 | Minimum requirement | 124 |
| 6.6.4.3 | Test purpose | 124 |
| 6.6.4.4 | Method of test | 124 |
| 6.6.4.4.1 | Initial conditions | 124 |
| 6.6.4.4.2 | Procedure | 125 |
| 6.6.4.5 | Test requirements | 127 |
| 6.6.4.5.1 | General | 127 |
| 6.6.4.5.2 | Basic Limits | 127 |
| 6.6.5 | Operating band unwanted emission | 138 |
| 6.6.5.1 | Definition and applicability | 138 |
| 6.6.5.2 | Minimum requirement | 138 |
| 6.6.5.3 | Test purpose | 139 |
| 6.6.5.4 | Method of test | 139 |
| 6.6.5.4.1 | Initial conditions | 139 |
| 6.6.5.4.2 | Procedure | 139 |
| 6.6.5.5 | Test requirements | 140 |
| 6.6.5.5.1 | General | 140 |
| 6.6.5.5.2 | Basic Limits for MSR Band Categories 1 and 3 | 140 |

| | | |
|-----------|---|-----|
| 6.6.5.5.3 | Basic Limits for MSR Band Category 2..... | 149 |
| 6.6.5.5.4 | Basic Limits for MSR Additional requirements..... | 156 |
| 6.6.5.5.5 | Basic Limits for E-UTRA..... | 158 |
| 6.6.6 | Spurious emission..... | 182 |
| 6.6.6.1 | Definition and applicability..... | 182 |
| 6.6.6.2 | Minimum requirement..... | 183 |
| 6.6.6.3 | Test purpose..... | 183 |
| 6.6.6.4 | Method of test..... | 183 |
| 6.6.6.4.1 | Initial conditions..... | 183 |
| 6.6.6.4.2 | Procedure..... | 183 |
| 6.6.6.5 | Test requirements..... | 184 |
| 6.6.6.5.1 | General..... | 184 |
| 6.6.6.5.2 | Basic limits..... | 184 |
| 6.7 | Transmitter intermodulation..... | 205 |
| 6.7.1 | Definition and applicability..... | 205 |
| 6.7.1.1 | General..... | 205 |
| 6.7.2 | Minimum requirement..... | 206 |
| 6.7.3 | Test purpose..... | 206 |
| 6.7.4 | Method of test..... | 206 |
| 6.7.4.1 | Initial conditions..... | 206 |
| 6.7.4.2 | Procedure..... | 206 |
| 6.7.5 | Test requirements..... | 209 |
| 6.7.5.1 | MSR test requirements..... | 209 |
| 6.7.5.1.1 | General test requirement..... | 209 |
| 6.7.5.1.2 | Additional test requirement (BC1 and BC2)..... | 210 |
| 6.7.5.1.3 | Additional test requirement (BC3)..... | 210 |
| 6.7.5.1.4 | Intra-system test requirement..... | 210 |
| 6.7.5.2 | Single RAT UTRA operation..... | 210 |
| 6.7.5.2.1 | General test requirement for UTRA FDD..... | 210 |
| 6.7.5.2.2 | General test requirement for UTRA TDD..... | 211 |
| 6.7.5.2.3 | Intra-system test requirement..... | 211 |
| 6.7.5.4 | Single RAT E-UTRA operation..... | 211 |
| 6.7.5.4.1 | General test requirement..... | 211 |
| 6.7.5.4.2 | Additional test requirement for Band 41..... | 211 |
| 6.7.5.4.3 | Intra-system test requirement..... | 211 |
| 7 | Conducted receiver characteristics..... | 212 |
| 7.1 | General..... | 212 |
| 7.2 | Reference sensitivity level..... | 212 |
| 7.2.1 | Definition and applicability..... | 212 |
| 7.2.2 | Minimum Requirement..... | 212 |
| 7.2.3 | Test Purpose..... | 213 |
| 7.2.4 | Method of test..... | 213 |
| 7.2.4.1 | Initial conditions..... | 213 |
| 7.2.4.2 | Procedure..... | 213 |
| 7.2.5 | Test Requirements..... | 214 |
| 7.2.5.1 | UTRA FDD operation..... | 214 |
| 7.2.5.2 | UTRA TDD 1,28 Mcps option operation..... | 214 |
| 7.2.5.3 | E-UTRA operation..... | 215 |
| 7.2.5.4 | NR operation..... | 216 |
| 7.3 | Dynamic range..... | 217 |
| 7.3.1 | Definition and applicability..... | 217 |
| 7.3.2 | Minimum requirement..... | 217 |
| 7.3.3 | Test purpose..... | 218 |
| 7.3.4 | Method of test..... | 218 |
| 7.3.4.1 | Initial conditions..... | 218 |
| 7.3.4.2 | Procedure..... | 218 |
| 7.3.5 | Test requirements..... | 219 |
| 7.3.5.1 | UTRA FDD operation..... | 219 |
| 7.3.5.2 | UTRA TDD 1,28 Mcps option operation..... | 219 |
| 7.3.5.3 | E-UTRA operation..... | 219 |
| 7.3.5.4 | NR operation..... | 221 |

| | | |
|-----------|---|-----|
| 7.4 | Adjacent channel selectivity and narrowband blocking | 223 |
| 7.4.1 | Definition and applicability | 223 |
| 7.4.2 | Minimum requirement | 224 |
| 7.4.4 | Method of test | 224 |
| 7.4.4.1 | Initial conditions | 224 |
| 7.4.4.2 | Procedure | 225 |
| 7.4.4.2.1 | General procedure | 225 |
| 7.4.4.2.2 | MSR operation | 225 |
| 7.4.4.2.3 | Single RAT UTRA FDD operation | 226 |
| 7.4.4.2.4 | Single RAT UTRA TDD 1,28Mcps option operation | 226 |
| 7.4.4.2.5 | Single RAT E-UTRA operation | 226 |
| 7.4.5 | Test requirements | 227 |
| 7.4.5.1 | MSR operation | 227 |
| 7.4.5.1.1 | General blocking test requirement | 227 |
| 7.4.5.1.2 | General narrowband blocking test requirement | 228 |
| 7.4.5.1.3 | Additional BC3 blocking test requirement | 229 |
| 7.4.5.2 | Single RAT UTRA FDD operation | 230 |
| 7.4.5.3 | Single RAT UTRA TDD 1,28 Mcps option operation | 230 |
| 7.4.5.4 | Single RAT E-UTRA operation | 231 |
| 7.5 | Blocking | 233 |
| 7.5.1 | Definition and applicability | 233 |
| 7.5.2 | Minimum requirement | 233 |
| 7.5.3 | Test purpose | 234 |
| 7.5.4 | Method of test | 234 |
| 7.5.4.1 | Initial conditions | 234 |
| 7.5.4.2 | Procedure | 234 |
| 7.5.4.2.1 | General Procedure | 234 |
| 7.5.4.2.2 | MSR operation | 234 |
| 7.5.4.2.3 | Single RAT UTRA FDD operation | 235 |
| 7.5.4.2.4 | Single RAT UTRA TDD 1,28 Mcps option operation | 235 |
| 7.5.4.2.5 | Single RAT E-UTRA operation | 236 |
| 7.5.5 | Test requirements | 236 |
| 7.5.5.1 | MSR operation | 236 |
| 7.5.5.1.1 | General out-of-band blocking test requirements | 236 |
| 7.5.5.1.2 | Co-location test requirements | 237 |
| 7.5.5.2 | Single RAT UTRA FDD operation | 241 |
| 7.5.5.3 | Single RAT UTRA TDD 1,28 Mcps option operation | 257 |
| 7.5.5.3.1 | General requirements | 257 |
| 7.5.5.3.2 | Co-location with GSM, DCS, UTRA FDD and/or E-UTRA FDD, UTRA TDD and/or E-UTRA TDD | 261 |
| 7.5.5.4 | Single RAT E-UTRA operation | 265 |
| 7.5.5.4.1 | General test requirement | 265 |
| 7.5.5.4.2 | Co-location with other base stations | 269 |
| 7.6 | Receiver spurious emissions | 273 |
| 7.6.1 | Definition and applicability | 273 |
| 7.6.2 | Minimum Requirement | 274 |
| 7.6.3 | Test Purpose | 274 |
| 7.6.4 | Method of test | 274 |
| 7.6.4.1 | Initial conditions | 274 |
| 7.6.4.2 | Procedure | 274 |
| 7.6.4.2.1 | General procedure | 274 |
| 7.6.4.2.2 | MSR operation | 275 |
| 7.6.4.2.3 | Single RAT UTRA FDD operation | 275 |
| 7.6.4.2.4 | Single RAT UTRA TDD 1,28Mcps option operation | 275 |
| 7.6.4.2.5 | Single RAT E-UTRA operation | 276 |
| 7.6.5 | Test Requirements | 276 |
| 7.6.5.1 | General | 276 |
| 7.6.5.2 | Basic limits | 277 |
| 7.6.5.2.1 | MSR operation | 277 |
| 7.6.5.2.2 | Single RAT UTRA FDD operation | 277 |
| 7.6.5.2.3 | Single RAT UTRA TDD 1,28Mcps option operation | 278 |
| 7.6.5.2.4 | Single RAT E-UTRA operation | 278 |

| | | |
|-----------|---|-----|
| 7.7 | Receiver intermodulation | 279 |
| 7.7.1 | Definition and applicability | 279 |
| 7.7.2 | Minimum requirement | 279 |
| 7.7.3 | Test purpose..... | 280 |
| 7.7.4 | Method of test | 280 |
| 7.7.4.1 | Initial conditions | 280 |
| 7.7.4.2 | Procedure | 280 |
| 7.7.4.2.1 | General procedure | 280 |
| 7.7.4.2.2 | MSR operation | 280 |
| 7.7.4.2.3 | Single RAT UTRA FDD operation..... | 281 |
| 7.7.4.2.4 | Single RAT UTRA TDD 1,28Mcps option operation..... | 281 |
| 7.7.4.2.5 | Single RAT E-UTRA operation | 281 |
| 7.7.5 | Test requirements..... | 282 |
| 7.7.5.1 | MSR operation | 282 |
| 7.7.5.1.1 | General intermodulation test requirement | 282 |
| 7.7.5.1.2 | General narrowband intermodulation test requirement | 283 |
| 7.7.5.2 | Single RAT UTRA FDD operation..... | 285 |
| 7.7.5.3 | Single RAT UTRA TDD 1,28Mcps option operation..... | 286 |
| 7.7.5.4 | Single RAT E-UTRA operation..... | 287 |
| 7.8 | In-channel selectivity | 290 |
| 7.8.1 | Definition and applicability | 290 |
| 7.8.2 | Minimum requirement | 290 |
| 7.8.3 | Test purpose..... | 290 |
| 7.8.4 | Method of test | 291 |
| 7.8.4.1 | Initial conditions | 291 |
| 7.8.4.2 | Procedure | 291 |
| 7.8.5 | Test requirements..... | 291 |
| 8 | Performance requirements..... | 295 |
| 8.1 | General | 295 |
| 8.2 | Performance requirements for MSR..... | 296 |
| 8.3 | Performance requirements for UTRA FDD | 296 |
| 8.3.1 | Definition and applicability | 296 |
| 8.3.2 | Minimum Requirement..... | 297 |
| 8.3.3 | Test purpose..... | 297 |
| 8.3.4 | Method of test | 297 |
| 8.3.4.1 | Initial Conditions..... | 297 |
| 8.3.4.2 | Procedure | 297 |
| 8.3.5 | Test Requirement..... | 297 |
| 8.4 | Performance requirements for UTRA TDD | 298 |
| 8.4.1 | Definition and applicability | 298 |
| 8.4.2 | Minimum Requirement..... | 298 |
| 8.4.3 | Test purpose..... | 298 |
| 8.4.4 | Method of test | 299 |
| 8.4.4.1 | Initial Conditions..... | 299 |
| 8.4.4.2 | Procedure | 299 |
| 8.4.5 | Test Requirement..... | 299 |
| 8.5 | Performance requirements for E-UTRA..... | 299 |
| 8.5.1 | Definition and applicability | 299 |
| 8.5.2 | Minimum Requirement..... | 300 |
| 8.5.3 | Test purpose..... | 300 |
| 8.5.4 | Method of test | 300 |
| 8.5.4.1 | Initial Conditions..... | 300 |
| 8.5.4.2 | Procedure | 300 |
| 8.5.5 | Test Requirement..... | 300 |
| 8.6 | Performance requirements for NR..... | 300 |
| 8.6.1 | Definition and applicability | 300 |
| 8.6.2 | Minimum Requirement..... | 301 |
| 8.6.3 | Test purpose..... | 301 |
| 8.6.4 | Method of test | 301 |
| 8.6.4.1 | Initial conditions | 301 |
| 8.6.4.2 | Procedure | 301 |

| | | |
|-------------------------------|--|------------|
| 8.6.5 | Test Requirement..... | 301 |
| Annex A (normative): | Characteristics of interfering signals | 303 |
| Annex B (normative): | Environmental requirements for the BS equipment | 304 |
| B.1 | General | 304 |
| B.2 | Normal test environment..... | 304 |
| B.3 | Extreme test environment..... | 304 |
| B.3.1 | General | 304 |
| B.3.2 | Extreme temperature | 304 |
| B.4 | Vibration..... | 305 |
| B.5 | Power supply | 305 |
| B.6 | Measurement of test environments..... | 305 |
| Annex C (informative): | Test tolerances and derivation of test requirements..... | 306 |
| Annex D (informative): | Measurement system set-up | 307 |
| D.1 | Transmitter | 307 |
| D.1.1 | AAS BS output power, transmitter ON/OFF power, modulation quality, frequency error and operating band unwanted emissions | 307 |
| D.1.2 | Transmitter intermodulation..... | 308 |
| D.1.3 | Transmitter spurious emissions | 308 |
| D.2 | Receiver..... | 310 |
| D.2.1 | Reference sensitivity level..... | 310 |
| D.2.2 | Receiver Dynamic Range | 310 |
| D.2.3 | Receiver Adjacent channel selectivity and narrowband blocking | 311 |
| D.2.4 | Receiver spurious emissions..... | 311 |
| D.2.5 | Receiver In-channel selectivity | 312 |
| D.2.6 | Receiver Intermodulation | 313 |
| Annex E (informative): | Change history | 314 |
| History | | 317 |

Foreword

This Technical Specification has been produced by the 3rd Generation Partnership Project (3GPP).

The contents of the present document are subject to continuing work within the TSG and may change following formal TSG approval. Should the TSG modify the contents of the present document, it will be re-released by the TSG with an identifying change of release date and an increase in version number as follows:

Version x.y.z

where:

- x the first digit:
 - 1 presented to TSG for information;
 - 2 presented to TSG for approval;
 - 3 or greater indicates TSG approved document under change control.
- y the second digit is incremented for all changes of substance, i.e. technical enhancements, corrections, updates, etc.
- z the third digit is incremented when editorial only changes have been incorporated in the document.

1 Scope

The present document specifies the conducted test methods and conformance requirements for *single RAT E-UTRA operation*, *single RAT UTRA operation* (FDD and TDD) and Multi-Standard Radio (MSR) UTRA, E-UTRA and NR Active Antenna System (AAS) Base Station (BS). These have been derived from, and are consistent with the non-AAS BS specifications in 3GPP TS 25.104 [2], 3GPP TS 25.105 [3], 3GPP TS 36.104 [4], 3GPP TS 38.104 [36] or 3GPP TS 37.104 [5]. The technical specification 3GPP TS 37.145 is in 2 parts, part 3GPP TS 37.145-1 (the present document) covers conducted requirements and part 3GPP TS 37.145-2 [40] covers radiated requirements.

The present document does not establish conducted test methods and conformance requirements for Band 46 operation as it is not supported by AAS BS, but Band 46 test requirements are still applicable for AAS BS for protection of and against Band 46 operation.

The present document does not establish conducted test methods and conformance requirements for Narrow-Band Internet of Things (NB-IoT) in band, NB-IoT guard band, or standalone NB-IoT operation, for AAS BS in *single RAT E-UTRA operation* as defined in 3GPP TS 36.141 [14], or for AAS BS in *MSR operation* using E-UTRA as defined in 3GPP TS 37.141 [13].

2 References

The following documents contain provisions which, through reference in this text, constitute provisions of the present document.

- References are either specific (identified by date of publication, edition number, version number, etc.) or non-specific.
- For a specific reference, subsequent revisions do not apply.
- For a non-specific reference, the latest version applies. In the case of a reference to a 3GPP document (including a GSM document), a non-specific reference implicitly refers to the latest version of that document *in the same Release as the present document*.

- [1] 3GPP TR 21.905: "Vocabulary for 3GPP Specifications"
- [2] 3GPP TS 25.104: "Base Station (BS) radio transmission and reception (FDD)"
- [3] 3GPP TS 25.105: "Base Station (BS) radio transmission and reception (TDD)"
- [4] 3GPP TS 36.104: "Evolved Universal Terrestrial Radio Access (E-UTRA); Base Station (BS) radio transmission and reception"
- [5] 3GPP TS 37.104: "NR, E-UTRA, UTRA and GSM/EDGE; Multi-Standard Radio (MSR) Base Station (BS) radio transmission and reception"
- [6] 3GPP TS 37.105: "Active Antenna System (AAS) Base Station (BS) transmission and reception"
- [7] Recommendation ITU-R M.1545: "Measurement uncertainty as it applies to test limits for the terrestrial component of International Mobile Telecommunications-2000"
- [8] 3GPP TS 37.105 (V14.1.0): "Active Antenna System (AAS) Base Station (BS) radio transmission and reception (Release 14)"
- [9] 3GPP TS 25.104 (V14.2.0): "Base Station (BS) radio transmission and reception (FDD) (Release 14)"
- [10] 3GPP TS 25.105 (V14.0.0): "Base Station (BS) radio transmission and reception (TDD) (Release 14)"
- [11] 3GPP TS 36.104 (V14.4.0): "Evolved Universal Terrestrial Radio Access (E-UTRA); Base Station (BS) radio transmission and reception (Release 14)"
- [12] 3GPP TS 37.104 (V14.4.0): "E-UTRA, UTRA and GSM/EDGE Multi-Standard Radio (MSR) Base Station (BS) radio transmission and reception (Release 14)"

- [13] 3GPP TS 37.141: "NR, E-UTRA, UTRA and GSM/EDGE; Multi-Standard Radio (MSR) Base Station (BS) conformance testing"
- [14] 3GPP TS 36.141: "Evolved Universal Terrestrial Radio Access (E-UTRA); Base Station (BS) conformance testing"
- [15] 3GPP TS 25.141: "Base Station (BS) conformance testing (FDD)"
- [16] 3GPP TS 37.141 (V14.4.0): "E-UTRA, UTRA and GSM/EDGE; Multi-Standard Radio (MSR) Base Station (BS) conformance testing (Release 14)"
- [17] 3GPP TS 36.141 (V14.4.0): "Evolved Universal Terrestrial Radio Access (E-UTRA); Base Station (BS) conformance testing (Release 14)"
- [18] 3GPP TS 25.141 (V14.2.0): "Base Station (BS) conformance testing (FDD) (Release 14)"
- [19] 3GPP TS 25.142: "Base Station (BS) conformance testing (TDD)"
- [20] 3GPP TS 25.142 (V14.0.0): "Base Station (BS) conformance testing (TDD) (Release 14)"
- [21] 3GPP TR 25.942: "Radio Frequency (RF) system scenarios"
- [22] 3GPP TS 45.004: "Digital cellular telecommunications system (Phase 2+); Modulation"
- [23] 3GPP TS 25.214: "Physical layer procedures (FDD)"
- [24] "Title 47 of the Code of Federal Regulations (CFR)", Federal Communications Commission
- [25] CEPT ECC Decision (13)03: "The harmonised use of the frequency band 1452-1492 MHz for Mobile/Fixed Communications Networks Supplemental Downlink (MFCN SDL)"
- [26] IEC 60721: "Classification of environmental conditions"
- [27] IEC 60721-3-3: "Classification of environmental conditions - Part 3-3: Classification of groups of environmental parameters and their severities - Stationary use at weather protected locations"
- [28] IEC 60721-3-4: "Classification of environmental conditions - Part 3: Classification of groups of environmental parameters and their severities - Section 4: Stationary use at non-weather protected locations"
- [29] ETSI EN 300 019-1-3: "Environmental Engineering (EE); Environmental conditions and environmental tests for telecommunications equipment; Part 1-3: Classification of environmental conditions; Stationary use at weatherprotected locations"
- [30] ETSI EN 300 019-1-4: "Environmental Engineering (EE); Environmental conditions and environmental tests for telecommunications equipment; Part 1-4: Classification of environmental conditions; Stationary use at non-weatherprotected locations"
- [31] IEC 60068-2-1 (2007): "Environmental testing - Part 2: Tests. Tests A: Cold"
- [32] IEC 60068-2-2 (2007): "Environmental testing - Part 2: Tests. Tests B: Dry heat"
- [33] IEC 60068-2-6 (2007): "Environmental testing - Part 2: Tests - Test Fc: Vibration (sinusoidal)"
- [34] Recommendation ITU-T O.153: "Basic parameters for the measurement of error performance at bit rates below the primary rate"
- [35] Recommendation ITU-R SM.329: "Unwanted emissions in the spurious domain"
- [36] 3GPP TS 38.104: "NR; Base Station (BS) radio transmission and reception"
- [37] 3GPP TS 38.141-1: "NR;Base Station (BS) conformance testing; Part 1: Conducted conformance testing"
- [38] FCC publication number 662911: "Emissions Testing of Transmitters with Multiple Outputs in the Same Band"

- [39] 3GPP TS 36.211: "Evolved Universal Terrestrial Radio Access (E-UTRA); Physical channels and modulation"
- [40] 3GPP TS 37.145-2: "Active Antenna System (AAS) Base Station (BS) conformance testing; Part 2: radiated conformance testing"
- [41] 3GPP TS 38.104 (V15.6.0): "NR; Base Station (BS) radio transmission and reception (Release 15)"

3 Definitions, symbols and abbreviations

3.1 Definitions

For the purposes of the present document, the terms and definitions given in 3GPP TR 21.905 [1] and the following apply. A term defined in the present document takes precedence over the definition of the same term, if any, in 3GPP TR 21.905 [1].

active antenna system base station: base station system which combines an Antenna Array with an Active transceiver unit array and a *Radio Distribution Network*

active receiver unit: number of active receivers is the same as the [number of receiver diversity branches] to which compliance is declared for clause 8 performance requirements

active transmitter unit: transmitter unit which is ON, and has the ability to send modulated data streams that are parallel and distinct to those sent from other transmitter units to one or more *TAB connectors* at the *transceiver array boundary*

band category: group of operating bands for which the same MSR scenarios apply

Base Station RF Bandwidth: bandwidth in which a base station transmits and/or receives single or multiple carrier(s) and/or RATs simultaneously within a supported operating band

NOTE: In single carrier operation, the *Base Station RF Bandwidth* is equal to the channel bandwidth.

Base Station RF Bandwidth edge: frequency of one of the edges of the *Base Station RF Bandwidth*

basic limit: emissions limit taken from the non AAS specifications that is converted into a per *TAB connector TX cell group* AAS emissions limit by scaling

beam: main lobe of a radiation pattern from an AAS BS

NOTE: For certain AAS antenna array, there may be more than one beam.

beam centre direction: direction equal to the geometric centre of the -3 dB EIRP contour of the beam

beam direction pair: data set consisting of the *beam centre direction* and the related *beam peak direction*

beam peak direction: direction where the maximum EIRP is supposed to be found

beamwidth: angles describing the major and minor axes of an ellipsoid closest fit to an essentially elliptic half-power contour of a beam

carrier: modulated waveform conveying the physical channels

carrier aggregation: aggregation of two or more NR or E-UTRA component carriers in order to support wider *transmission bandwidths*

channel bandwidth: RF bandwidth supporting a single RF carrier with the *transmission bandwidth* configured in the uplink or downlink of a cell

NOTE 1: The *channel bandwidth* is measured in MHz and is used as a reference for transmitter and receiver RF requirements.

NOTE 2: For UTRA FDD, the *channel bandwidth* is the nominal channel spacing specified in 3GPP TS 25.104 [2], For UTRA TDD 1,28 Mcps option, the *channel bandwidth* is the nominal channel spacing specified in 3GPP TS 25.105 [3].

NOTE 3: For E-UTRA, the *channel bandwidths* are specified in 3GPP TS 36.104 [4]. Standalone NB-IoT channel bandwidths specified in 3GPP TS 36.104 [4] are not applicable to AAS BS.

NOTE 4: In TS 38.104 [33] for NR, *channel bandwidths* are referred to as BS channel bandwidths, since for NR BS and UE channel bandwidths may differ.

channel edge: lowest or highest frequency of an NR carrier, separated by the *BS channel bandwidth*

code domain power: part of the mean power which correlates with a particular (OVSF) code channel in a UTRA signal

NOTE: The sum of all powers in the code domain equals the mean power in a bandwidth of $(1 + \alpha)$ times the chip rate of the radio access mode.

contiguous spectrum: spectrum consisting of a contiguous block of spectrum with no *sub-block gap(s)*

downlink operating band: part of the (FDD) operating band designated for downlink

EIRP accuracy directions set: *beam peak directions* for which the EIRP accuracy requirement is intended to be met.

NOTE: The *beam peak directions* are related to a corresponding contiguous range or discrete list of *beam centre directions* by the *beam direction pairs* included in the set.

equivalent isotropic radiated power: equivalent power radiated from an isotropic directivity device producing the same field intensity at a point of observation as the field intensity radiated in the direction of the same point of observation by the discussed device

NOTE: Isotropic directivity is equal in all directions (0 dBi).

equivalent isotropic sensitivity: sensitivity for an isotropic directivity device equivalent to the sensitivity of the discussed device exposed to an incoming wave from a defined AoA

NOTE 1: The sensitivity is the minimum received power level at which a RAT specific requirement is met.

NOTE 2: Isotropic directivity is equal in all directions (0 dBi).

highest carrier: The carrier with the highest carrier frequency transmitted/received in a specified operating band

hybrid AAS BS: AAS BS which has both a conducted RF interface and a radiated RF interface in the far field and conforms to a *hybrid requirements set*

NOTE: For NR operation, a *hybrid AAS BS* corresponds to NR *type 1-H* in [37].

hybrid requirements set: complete set of requirements applied to a *hybrid AAS BS* with both conducted and radiated requirements.

inter-band gap: frequency gap between two supported consecutive operating bands

inter-band carrier aggregation: carrier aggregation of component carriers in different operating bands

NOTE: Carriers aggregated in each band can be contiguous or non-contiguous.

intra-band contiguous carrier aggregation: *contiguous carriers* aggregated in the same operating band

intra-band non-contiguous carrier aggregation: non-contiguous carriers aggregated in the same operating band

Inter RF Bandwidth gap: frequency gap between two consecutive *Base Station RF Bandwidths* that are placed within two supported operating bands

lowest carrier: the carrier with the lowest carrier frequency transmitted/received in a specified operating band

maximum carrier output power per TAB connector: *mean power level measured on a particular carrier at the array boundary antenna connectors, during the transmitter ON period in a specified reference condition*

maximum throughput: maximum achievable throughput for a reference measurement channel

MSR operation: operation of AAS BS declared to be MSR in particular *operating band(s)*

multi-band requirements: requirements applying per one single operating band with exclusion bands or other multi-band provisions as defined for each requirement

multi-band TAB connector: *TAB connector* supporting operation in multiple *operating bands* through common active electronic component(s)

NOTE: For common TX and RX *TAB connectors*, the definition applies where common active electronic components are in the transmit path and/or in the receive path.

NB-IoT in-band operation: NB-IoT is operating in-band when it utilizes the resource block(s) within a normal E-UTRA carrier

NB-IoT guard band operation: NB-IoT is operating in guard band when it utilizes the unused resource block(s) within a E-UTRA carrier's guard-band

NB-IoT standalone operation: NB-IoT is operating standalone when it utilizes its own spectrum, for example the spectrum currently being used by GERAN systems as a replacement of one or more GSM carriers, as well as scattered spectrum for potential IoT deployment

non-AAS BS: BS conforming to one of the RF requirement specifications 3GPP TS 25.104 [2], 3GPP TS 25.105 [3], 3GPP TS 36.104 [4] or 3GPP TS 37.104 [5]

NOTE: For AAS BS in *single RAT E-UTRA operation* or in *MSR operation* using E-UTRA, the NB-IoT operation (including in-band, guard band and standalone operation) is excluded from the consideration in the performance comparison among AAS BS and *non-AAS BS* in this specification.

non-contiguous spectrum: *spectrum consisting of two or more sub-blocks separated by sub-block gap(s)*

operating band: frequency range in which the AAS BS operates (paired or unpaired), that is defined with a specific set of technical requirements

OTA sensitivity directions declaration: set of manufacturer declarations comprising one or more EIS values (with related RAT and *channel bandwidth*), and the directions where it (they) applies

NOTE: All the directions apply to all the EIS values in an OSDD.

Radio Bandwidth: frequency difference between the upper edge of the highest used carrier and the lower edge of the lowest used carrier

radio distribution network: passive network which distributes radio signals generated by the transceiver unit array to the antenna array, and/or distributes the radio signals collected by the antenna array to the transceiver unit array

NOTE: In the case when the active transceiver units are physically integrated with the array elements of the antenna array, the radio distribution network is a one-to-one mapping

rated carrier output power per TAB connector: mean power level associated with a particular carrier the manufacturer has declared to be available at the *TAB connector*, during the *transmitter ON period* in a specified reference condition

rated total output power per TAB connector: mean power level associated with a particular operating band the manufacturer has declared to be available at the *TAB connector*, during the *transmitter ON period* in a specified reference condition

receiver target: angles of arrival in which reception is performed

receiver target redirection range: union of all the *sensitivity RoAoA* achievable through redirecting the *receiver target* related to the OSDD

receiver target reference direction: direction inside the *receiver target redirection range* declared by the manufacturer for conformance testing. For an OSDD without *receiver target redirection range*, this is a direction inside the *sensitivity RoAoA*

reference beam direction: declared *beam direction pair*, including reference *beam centre direction* and reference *beam peak direction* where the reference *beam peak direction* is the direction for the intended maximum EIRP within the EIRP accuracy compliance directions set

sensitivity RoAoA: RoAoA within which the declared EIS(s) of an OSDD is intended to be achieved at any instance of time for a specific AAS BS direction setting

single band requirements: requirements applying per one single operating band without exclusion bands or other multi-band provisions

single band TAB connector: *TAB connector* supporting operation either in a single operating band only, or in multiple operating bands but without any common active electronic component(s)

single RAT E-UTRA operation: operation of AAS BS declared to be single RAT E-UTRA in the operating band

NOTE: *Single RAT E-UTRA operation* does not cover in-band NB-IoT, nor guardband NB-IoT operation.

single RAT UTRA operation: operation of AAS BS declared to be single RAT UTRA in the operating band

sTTI: A transmission time interval (TTI) of either one slot or one subslot as defined in TS 36.211 [39] on either uplink or downlink.

sub-block: one contiguous allocated block of spectrum for use by the same Base Station

NOTE: There may be multiple instances of *sub-blocks* within an *Base Station RF Bandwidth*.

sub-block gap: frequency gap between two consecutive *sub-blocks* within an *Base Station RF Bandwidth*, where the RF requirements in the gap are based on co-existence for un-coordinated operation

Synchronized operation: Operation of TDD in two different systems, where no simultaneous uplink and downlink occur.

TAB connector: transceiver array boundary connector

TAB connectors beam forming group: Group of *TAB connectors* associated with an EIRP beam declaration, comprising of the complete set of *TAB connectors* from which a declared beam is transmitted

TAB connector RX min cell group: operating band specific declared group of *TAB connectors* to which requirements are applied

NOTE: The group corresponds to the group of *TAB connectors* which are responsible for receiving a cell when the AAS BS setting corresponding to the declared minimum number of cells with transmission on all *TAB connectors* supporting an operating band, but its existence is not limited to that condition.

TAB connector TX min cell group: operating band specific declared group of *TAB connectors* to which requirements are applied.

NOTE: The group corresponds to the group of *TAB connectors* which are responsible for transmitting a cell when the AAS BS setting corresponding to the declared minimum number of cells with transmission on all *TAB connectors* supporting an operating band, but its existence is not limited to that condition.

throughput: number of payload bits successfully received per second for a reference measurement channel in a specified reference condition

total RF bandwidth: maximum sum of Base Station RF Bandwidths in all supported *operating bands*

transceiver array boundary: conducted interface between the transceiver unit array and the composite antenna

transmission bandwidth: bandwidth of an instantaneous E-UTRA transmission from a UE or BS, measured in resource block units

transmitter OFF period: time period during which the transmitter is scheduled not to transmit

NOTE: For AAS BS, this definition applies per *TAB connector* and operating band.

transmitter ON period: time period during which the transmitter is transmitting data and/or reference symbols

NOTE: For AAS BS, this definition applies per *TAB connector* and operating band.

transmitter transient period: time period during which the transmitter is changing from the OFF period to the ON period or vice versa

NOTE: For AAS BS, this definition applies per *TAB connector* and operating band.

Unsynchronized operation: Operation of TDD in two different systems, where the conditions for synchronized operation are not met.

uplink operating band: part of the (FDD) operating band designated for uplink

3.2 Symbols

For the purposes of the present document, the following symbols apply:

| | |
|---------------------------------|---|
| α | Roll-off factor |
| β | Percentage of the mean transmitted power emitted outside the occupied bandwidth on the assigned channel |
| BW_{Channel} | Channel bandwidth (for E-UTRA) |
| $BW_{\text{Channel_CA}}$ | Aggregated channel bandwidth, expressed in MHz. $BW_{\text{Channel_CA}} = F_{\text{edge_high}} - F_{\text{edge_low}}$ |
| BW_{Config} | Transmission bandwidth configuration (for E-UTRA), expressed in MHz, where $BW_{\text{Config}} = N_{\text{RB}} \times 180$ kHz in the uplink and $BW_{\text{Config}} = 15$ kHz + $N_{\text{RB}} \times 180$ kHz in the downlink |
| BW_{tot} | Total RF bandwidth |
| $DwPTS$ | Downlink part of the special subframe (for E-UTRA TDD operation) |
| f | Frequency |
| Δf | Separation between the Base Station RF bandwidth edge frequency and the nominal -3dB point of the measuring filter closest to the carrier frequency |
| Δf_{max} | The largest value of Δf used for defining the requirement |
| Δf_{OBUE} | Maximum offset of the <i>operating band</i> unwanted emissions mask from the downlink <i>operating band</i> edge |
| Δf_{OOB} | Maximum offset of the out-of-band boundary from the uplink <i>operating band</i> edge |
| F_C | Carrier centre frequency |
| F_{filter} | Filter centre frequency |
| f_{offset} | Separation between the Base Station RF bandwidth edge frequency and the centre of the measuring filter |
| $f_{\text{offset_max}}$ | The maximum value of f_{offset} used for defining the requirement |
| $F_{\text{BW RF,high}}$ | Upper RF bandwidth edge, where $F_{\text{BW RF,high}} = F_{C,\text{high}} + F_{\text{offset, RAT}}$ |
| $F_{\text{BW RF,low}}$ | Lower RF bandwidth edge, where $F_{\text{BW RF,low}} = F_{C,\text{low}} - F_{\text{offset, RAT}}$ |
| $F_{C,\text{high}}$ | Centre frequency of the highest transmitted/received carrier |
| $F_{C,\text{low}}$ | Centre frequency of the lowest transmitted/received carrier |
| $F_{\text{edge_low}}$ | The lower edge of aggregated channel bandwidth, expressed in MHz. $F_{\text{edge_low}} = F_{C,\text{low}} - F_{\text{offset}}$ |
| $F_{\text{edge_high}}$ | The upper edge of aggregated channel bandwidth, expressed in MHz. $F_{\text{edge_high}} = F_{C,\text{high}} + F_{\text{offset}}$ |
| | $F_{\text{offset, RAT}}$ Frequency offset from the centre frequency of the <i>highest</i> transmitted/received carrier to the <i>upper</i> RF bandwidth edge, sub-block edge or inter-RF bandwidth edge, or from the centre frequency of the <i>lowest</i> transmitted/received carrier to the <i>lower</i> RF bandwidth edge, sub-block edge or inter-RF bandwidth edge for a specific RAT |
| $F_{\text{UL_low}}$ | The lowest frequency of the <i>uplink operating band</i> |
| $F_{\text{UL_high}}$ | The highest frequency of the <i>uplink operating band</i> |
| F_{uw} | Frequency offset of unwanted signal |
| N_{cells} | A declared number corresponding to the minimum number of cells that can be transmitted by an AAS BS in a particular band with transmission on all TAB connectors supporting the operating band |
| N_{RB} | Transmission bandwidth configuration, expressed in units of resource blocks (for E-UTRA) |
| $N_{\text{RXU,active}}$ | The number of active receiver units. The same as the [number of receiver diversity branches] to which compliance is declared for chapter 8 performance requirements. |
| $N_{\text{RXU,counted}}$ | The number of active receiver units that are taken into account for unwanted emission scaling. |
| $N_{\text{RXU,countedpercell}}$ | The number of active receiver units that are taken into account for unwanted emissions scaling per cell |
| $N_{\text{TXU, active}}$ | The number of <i>active transmitter units</i> |
| $N_{\text{TXU,counted}}$ | The number of <i>active transmitter units</i> , as calculated in subclause 6.1, that are taken into account for conducted TX power limit |

- $N_{TXU, counted\ per\ cell}$ The number of *active transmitter units* that are taken into account for emissions scaling per cell
- $P_{EM, B32, ind}$ Declared emission level in Band 32, ind=a, b, c, d, e (see table 4.10, D6.8)
- $P_{max, c, cell}$ The *maximum carrier output power per TAB connector TX min cell group*
- $P_{max, c, TABC}$ The *maximum carrier output power per TAB connector*
- $P_{Rated, c, TABC}$ The *rated carrier output power per TAB connector*
- $P_{Rated, c, sys}$ The sum of $P_{Rated, c, TABC}$ for all *TAB connectors* for a single carrier
- $P_{Rated, t, group}$ The sum of $P_{Rated, t, TABC}$ for all *TAB connectors* belonging to a specified group
- $P_{Rated, t, TABC}$ The *rated total output power per TAB connector*
- $P_{REFSENS}$ Reference Sensitivity power level
- W_{gap} Sub-block gap size or Inter RF Bandwidth gap size

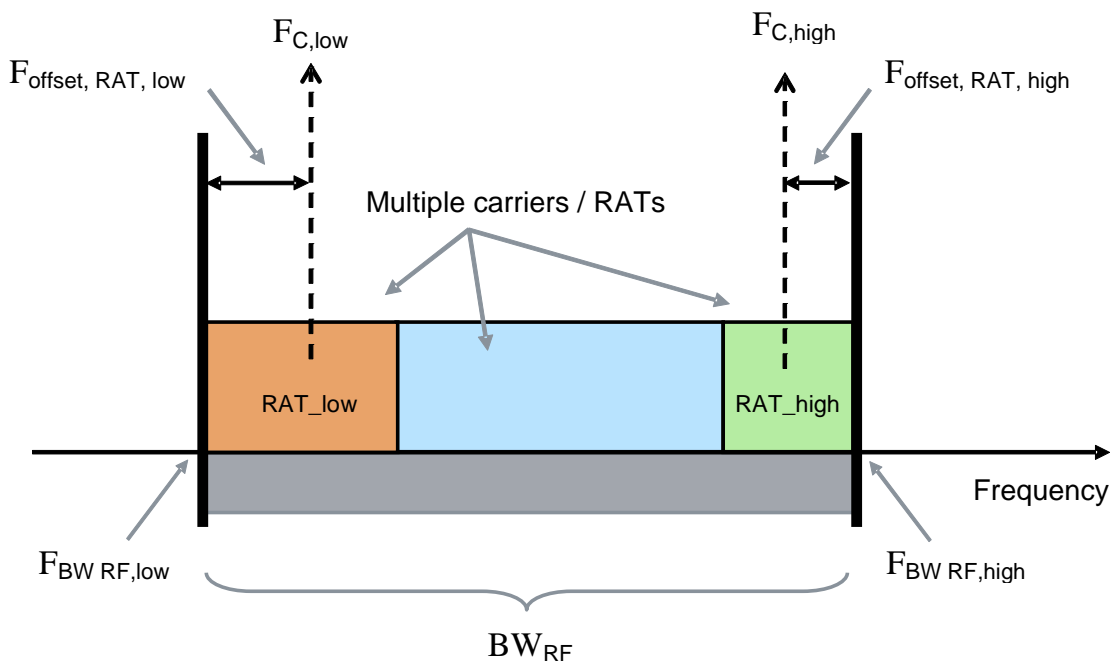


Figure 3.2-1: Illustration of RF bandwidth related symbols and definitions for Multi-standard Radio

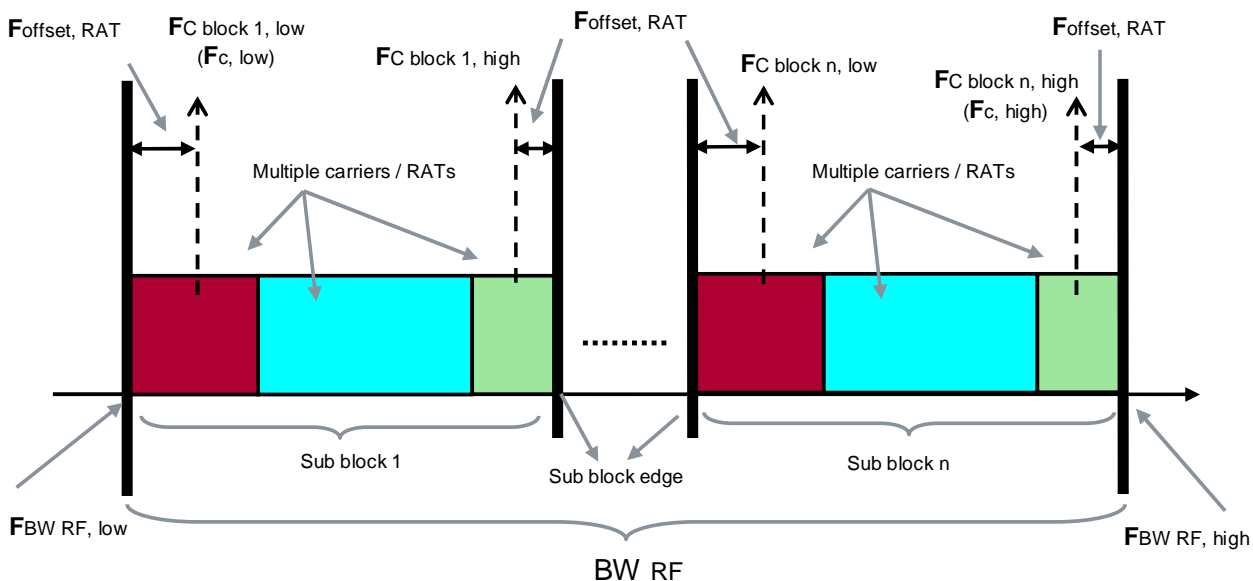


Figure 3.2-2: Illustration of RF bandwidth related symbols and definitions for non-contiguous Multi-standard Radio

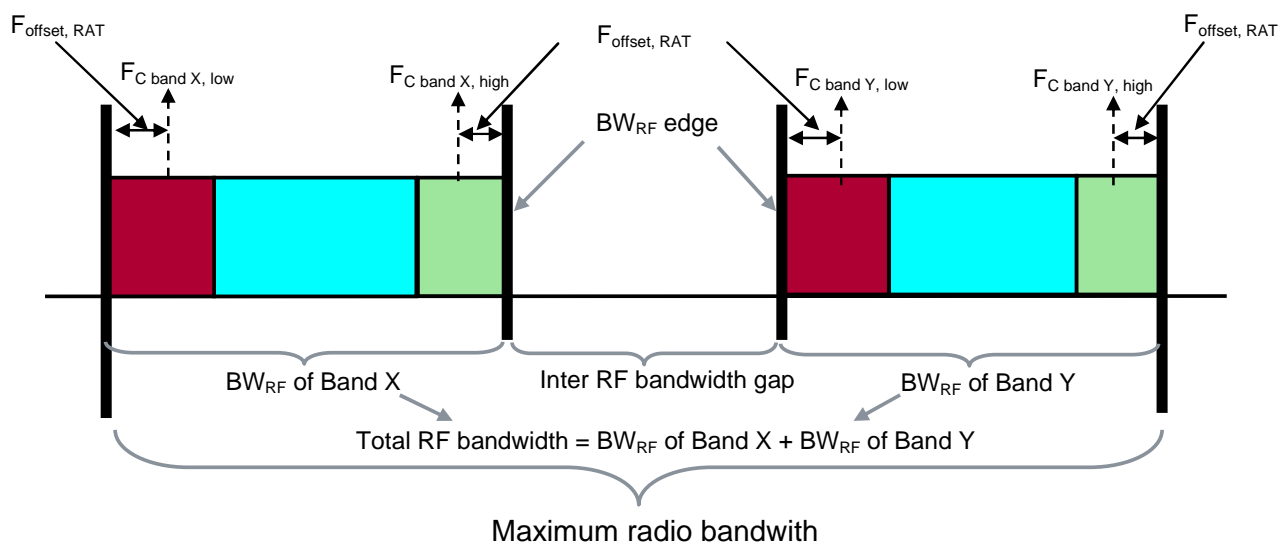


Figure 3.2-3: Illustration of maximum *Radio Bandwidth* and *Total RF bandwidth* for Multi-band Multi-standard Radio

3.3 Abbreviations

For the purposes of the present document, the abbreviations given in 3GPP TR 21.905 [1] and the following apply. An abbreviation defined in the present document takes precedence over the definition of the same abbreviation, if any, in 3GPP TR 21.905 [1].

| | |
|----------|--|
| AAS BS | Active Antenna System Base Station |
| ACLR | Adjacent Channel Leakage power Ratio |
| ACS | Adjacent Channel Selectivity |
| AoA | Angle of Arrival |
| ARFCN | Absolute Radio Frequency Channel Number |
| B | Bottom RF channel (for testing purposes) |
| BC | Band Category |
| BER | Bit Error Rate |
| BLER | Block Error Rate |
| CA | Carrier Aggregation |
| CACLR | Cumulative ACLR |
| CP | Cyclic prefix |
| CRC | Cyclic Redundancy Check |
| CW | Continuous Wave (unmodulated signal) |
| DC-HSDPA | Dual Cell HSDPA |
| D-CPICH | Demodulation Common Pilot Channel |
| DIP | Dominant Interferer Proportion |
| EARFCN | E-UTRA Absolute Radio Frequency Channel Number |
| EIRP | Equivalent Isotropic Radiated Power |
| EIS | Equivalent Isotropic Sensitivity |
| EVM | Error Vector Magnitude |
| FCC | Federal Communications Commission |
| FDD | Frequency Division Duplex |
| FRC | Fixed Reference Channel |
| GSCN | Global Synchronization Channel Number |
| GSM | Global System for Mobile communication |
| HS-DSCH | High Speed Downlink Shared Channel |
| ICS | In-Channel Selectivity |
| Iuant | E-Node B internal logical interface between the implementation specific O&M function and the RET antennas and TMAs control unit function of the E-Node B |
| ITU | International Telecommunication Union |

| | |
|---------|--|
| ITU-R | Radio communication Sector of the ITU |
| LA | Local Area |
| M | Middle RF channel (for testing purposes) |
| MB-MSR | Multi-Band Multi-Standard Radio |
| MBT | Multi-Band Testing |
| MIMO | Multiple Inputs Multiple Outputs |
| MR | Medium Range |
| MSR | Multi-Standard Radio |
| NB-IoT | Narrowband – Internet of Things |
| NR | New Radio |
| OBUE | Operating Band Unwanted Emissions |
| OBW | Occupied Band Width |
| OFDM | Orthogonal Frequency Division Multiplex |
| OSDD | OTA Sensitivity Directions Declaration |
| OTA | Over The Air |
| PCCPCH | Primary Common Control Physical CHannel |
| QAM | Quadrature Amplitude Modulation |
| QPSK | Quadrature Phase-Shift Keying |
| RAT | Radio Access Technology |
| RB | Resource Block (for E-UTRA) |
| RDN | Radio Distribution Network |
| RE | Resource Element |
| REFSENS | Reference Sensitivity |
| RF | Radio Frequency |
| RMS | Root Mean Square (value) |
| RoAoA | Range of Angles of Arrival |
| RRC | Root Raised Cosine |
| RS | Reference Symbol |
| RX | Receiver |
| SBT | Single Band Testing |
| SC | Single Carrier |
| SCS | Sub-Carrier Spacing |
| SNR | Signal-to-Noise Ratio |
| sPDSCH | shortened Physical Downlink Shared Channel |
| T | Top RF channel (for testing purposes) |
| TAB | Tranceiver Array Boundary |
| TAE | Time Alignment Error |
| TDD | Time Division Duplex |
| TT | Test Tolerance |
| TX | Transmitter |
| UARFCN | UTRA Absolute Radio Frequency Channel Number |
| UE | User Equipment |
| WA | Wide Area |

4 General test conditions and declarations

4.1 Measurement uncertainties and test requirements

4.1.1 General

The requirements of this clause apply to all applicable tests in part 1 of this specification, i.e. to all conducted test

The minimum requirements are given in 3GPP TS 37.105 [6] and the references therein. Test requirements are given in this specification or are included by reference to 3GPP TS 25.141 [15], 3GPP TS 25.142 [19], 3GPP TS 36.141 [14], 3GPP TS 38.141-1 [37] or 3GPP TS 37.141 [13]. Test Tolerances for the conducted test requirements explicitly stated in the present document are given in annex C of the present document. Test Tolerances for test requirements included

by reference to 3GPP TS 25.141 [15], 3GPP TS 25.142 [19], 3GPP TS 36.141 [14], 3GPP TS 38.141-1 [37] or 3GPP TS 37.141 [13] are defined in the respective referred test specification.

Test requirements and Test Tolerances for NB-IoT in-band, NB-IoT guard band, or standalone NB-IoT operation are not supported by AAS BS and not covered by this specification. When referring to standalone E-UTRA test requirements for *single RAT operation* in 3GPP TS 36.141 [14] or to E-UTRA test requirements for *MSR operation* in 3GPP TS 37.141 [13], any test requirements specified in those specifications for E-UTRA with NB-IoT (in-band or guard band) or for standalone NB-IoT, shall not be considered for the AAS BS. Unless otherwise stated, the exclusion of the NB-IoT test requirements in this specification applies to all operation modes (i.e. *in-band NB-IoT operation*, *guard band NB-IoT operation* and *standalone NB-IoT operation*).

Test Tolerances are individually calculated for each test. The Test Tolerances are used to relax the minimum requirements to create test requirements.

When a test requirement differs from the corresponding minimum requirement, then the Test Tolerance applied for the test is non-zero. The Test Tolerance for the test and the explanation of how the minimum requirement has been relaxed by the Test Tolerance are given in annex C.

4.1.2 Acceptable uncertainty of Test System

4.1.2.1 General

The maximum acceptable uncertainty of the Test System is specified below for each test defined explicitly in the present specification, where appropriate. The maximum acceptable uncertainty of the Test System for test requirements included by reference is defined in the respective referred test specification.

When a requirement is applied per *TAB connector* then the test uncertainty is applied to the measured value. When a requirement is applied for a group of *TAB connectors* then the test uncertainty is applied to sum of the measured power on each *TAB connector* in the group.

The Test System shall enable the stimulus signals in the test case to be adjusted to within the specified tolerance and the equipment under test to be measured with an uncertainty not exceeding the specified values. All tolerances and uncertainties are absolute values, and are valid for a confidence level of 95 %, unless otherwise stated.

A confidence level of 95 % is the measurement uncertainty tolerance interval for a specific measurement that contains 95 % of the performance of a population of test equipment.

For RF tests, it should be noted that the uncertainties in subclause 4.1.2 apply to the Test System operating into a nominal 50 ohm load and do not include system effects due to mismatch between the DUT and the Test System.

4.1.2.2 Measurement of transmitter

Table 4.1.2.2-1: Maximum Test System uncertainty for transmitter tests

| Subclause | Maximum Test System Uncertainty | Derivation of Test System Uncertainty |
|--|---|---|
| 6.2 Base Station output power | ± 0.7 dB for UTRA and E-UTRA and NR, $f \leq 3.0$ GHz ± 1.0 dB, 3.0 GHz $< f \leq 4.2$ GHz for UTRA and E-UTRA and NR | |
| 6.4 Transmit ON/OFF power | ± 2.0 dB, $f \leq 3.0$ GHz ± 2.5 dB, 3.0 GHz $< f \leq 4.2$ GHz | |
| 6.6.6 Transmitter spurious emissions, Mandatory Requirements | 9 kHz $< f \leq 4$ GHz: ± 2.0 dB 4 GHz $< f \leq 19$ GHz: ± 4.0 dB | |
| 6.6.6 Transmitter spurious emissions, Additional BC2 Requirement | 9 kHz $< f \leq 4$ GHz: ± 2.0 dB 4 GHz $< f \leq 12.75$ GHz: ± 4.0 dB | |
| 6.6.6 Transmitter spurious emissions, Protection of BS receiver | ± 3.0 dB | |
| 6.6.6 Transmitter spurious emissions, Additional spurious emission requirements | ± 2.0 dB for > -60 dBm, $f \leq 3.0$ GHz ± 2.5 dB, 3.0 GHz $< f \leq 4.2$ GHz ± 3.0 dB for ≤ -60 dBm, $f \leq 3.0$ GHz ± 3.5 dB, 3.0 GHz $< f \leq 4.2$ GHz | |
| 6.6.6 Transmitter spurious emissions, Co-location | ± 3.0 dB | |
| 6.6.5 Operating band unwanted emissions | ± 1.5 dB, $f \leq 3.0$ GHz ± 1.8 dB, 3.0 GHz $< f \leq 4.2$ GHz | |
| 6.6.2 Occupied bandwidth | For E-UTRA: 1.4 MHz, 3 MHz Channel BW: ± 30 kHz 5 MHz, 10 MHz Channel BW: ± 100 kHz 15 MHz, 20 MHz: Channel BW: ± 300 kHz For UTRA: ± 100 kHz For NR: 5 MHz, 10 MHz BS Channel BW: ± 100 kHz 15 MHz, 20 MHz, 25 MHz, 30 MHz, 40 MHz, 50 MHz BS Channel BW: ± 300 kHz 60 MHz, 70 MHz, 80 MHz, 90 MHz, 100 MHz BS Channel BW: ± 600 kHz | |
| 6.6.3 Adjacent Channel Leakage power Ratio (ACLR) | Relative ACLR: BW ≤ 20 MHz: ± 0.8 dB BW > 20 MHz: ± 1.2 dB ACLR Absolute power ± 2.0 dB, $f \leq 3.0$ GHz ACLR Absolute power ± 2.5 dB, 3.0 GHz $< f \leq 4.2$ GHz Relative CACLR BW ≤ 20 MHz: ± 0.8 dB BW > 20 MHz: ± 1.2 dB CACLR absolute power ± 2.0 dB, $f \leq 3.0$ GHz CACLR absolute power ± 2.5 dB, 3.0 GHz $< f \leq 4.2$ GHz | |
| 6.7 Transmitter intermodulation (interferer requirements) This tolerance applies to the stimulus and not the measurements defined in 6.6.6, 6.6.5 and 6.6.3 | The value below applies only to the interfering signal and is unrelated to the measurement uncertainty of the tests (6.6.1, 6.6.2 and 6.6.4) which have to be carried out in the presence of the interferer. ± 1.0 dB | The uncertainty of interferer has double the effect on the result due to the frequency offset |

4.1.2.3 Measurement of receiver

Table 4.1.2.3-1: Maximum Test System Uncertainty for receiver tests

| Subclause | Maximum Test System Uncertainty | Derivation of Test System Uncertainty |
|--|---|--|
| 7.4 Adjacent channel selectivity, general blocking and narrowband blocking | ± 1.4 dB, $f \leq 3.0$ GHz ± 1.8 dB, 3.0 GHz $< f \leq 4.2$ GHz | <p>Overall system uncertainty comprises three quantities:</p> <ol style="list-style-type: none"> 1. Wanted signal level error 2. Interferer signal level error 3. Additional impact of interferer leakage <p>Items 1 and 2 are assumed to be uncorrelated so can be root sum squared to provide the ratio error of the two signals. The interferer leakage effect is systematic, and is added arithmetically.</p> <p>Test System uncertainty = [SQRT (wanted_level_error² + interferer_level_error²)] + leakage effect.</p> <p>$f \leq 3.0$ GHz Wanted signal level ± 0.7 dB Interferer signal level ± 0.7 dB 3.0 GHz $< f \leq 4.2$ GHz Wanted signal level ± 1.0 dB Interferer signal level ± 1.0 dB</p> <p>$f \leq 4.2$ GHz Impact of interferer leakage 0.4 dB</p> |
| 7.5 Blocking | 1 MHz $\leq f_{\text{interferer}} \leq 3$ GHz: ± 1.3 dB 3 GHz $< f_{\text{interferer}} \leq 12.75$ GHz: ± 3.2 dB | <p>Overall system uncertainty comprises three quantities:</p> <ol style="list-style-type: none"> 1. Wanted signal level error 2. Interferer signal level error 3. Interferer broadband noise <p>Items 1 and 2 are assumed to be uncorrelated so can be root sum squared to provide the ratio error of the two signals. The Interferer Broadband noise effect is systematic, and is added arithmetically.</p> <p>Test System uncertainty = [SQRT (wanted_level_error² + interferer_level_error²)] + Broadband noise effect.</p> <p>Out of band blocking, using CW interferer: Wanted signal level: ± 0.7 dB up to 3 GHz ± 1.0 dB up to 4.2 GHz Interferer signal level: ± 1.0 dB up to 3 GHz ± 3.0 dB up to 12.75 GHz Impact of interferer Broadband noise 0.1 dB</p> |
| 7.6 Receiver spurious emissions | 30 MHz $\leq f \leq 4$ GHz: ± 2.0 dB 4 GHz $< f \leq 19$ GHz: ± 4.0 dB | |

| Subclause | Maximum Test System Uncertainty | Derivation of Test System Uncertainty |
|---|---|---|
| 7.7 Receiver intermodulation (General requirements) | ± 1.8 dB , $f \leq 3.0$ GHz ± 2.4 dB, 3.0 GHz $< f \leq 4.2$ GHz | Overall system uncertainty comprises four quantities: 1. Wanted signal level error 2. CW Interferer level error 3. Modulated Interferer level error 4. Impact of interferer ACLR The effect of the closer CW signal has twice the effect. Items 1, 2 and 3 are assumed to be uncorrelated so can be root sum squared to provide the combined effect of the three signals. The interferer ACLR effect is systematic, and is added arithmetically. Test System uncertainty = SQRT [(2 x CW_level_error) ² +(mod interferer_level_error) ² +(wanted signal_level_error) ²] + ACLR effect. $f \leq 3.0$ GHz Wanted signal level ± 0.7 dB CW interferer level ± 0.5 dB Mod interferer level ± 0.7 dB 3.0 GHz $< f \leq 4.2$ GHz Wanted signal level ± 1.0 dB CW Interferer level ± 0.7 dB Mod Interferer level ± 1.0 dB $f \leq 4.2$ GHz Impact of interferer ACLR 0.4 dB |
| 7.7 Receiver intermodulation (Narrowband requirements) | ± 1.8 dB , $f \leq 3.0$ GHz ± 2.4 dB, 3.0 GHz $< f \leq 4.2$ GHz | Same as Receiver intermodulation (General requirements). |
| NOTE: Unless otherwise noted, only the Test System stimulus error is considered here. The effect of errors in the throughput measurements or the BER/FER due to finite test duration is not considered. | | |

4.1.3 Interpretation of measurement results

The measurement results returned by the Test System are compared - without any modification - against the test requirements as defined by the Shared Risk principle.

The Shared Risk principle is defined in Recommendation ITU-R M.1545 [7].

The actual measurement uncertainty of the Test System for the measurement of each parameter shall be included in the test report.

The recorded value for the Test System uncertainty shall be, for each measurement, equal to or lower than the appropriate figure in subclause 4.1.2 of the present document.

If the Test System for a test is known to have a measurement uncertainty greater than that specified in subclause 4.1.2, it is still permitted to use this apparatus provided that an adjustment is made as follows.

Any additional uncertainty in the Test System over and above that specified in subclause 4.1.2 shall be used to tighten the test requirement, making the test harder to pass. For some tests e.g. receiver tests, this may require modification of stimulus signals. This procedure will ensure that a Test System not compliant with subclause 4.1.2 does not increase the chance of passing a device under test where that device would otherwise have failed the test if a Test System compliant with subclause 4.1.2 had been used.

4.2 Conducted and radiated requirement reference points

AAS BS requirements are defined for two points of reference, signified by radiated requirements and conducted requirements.

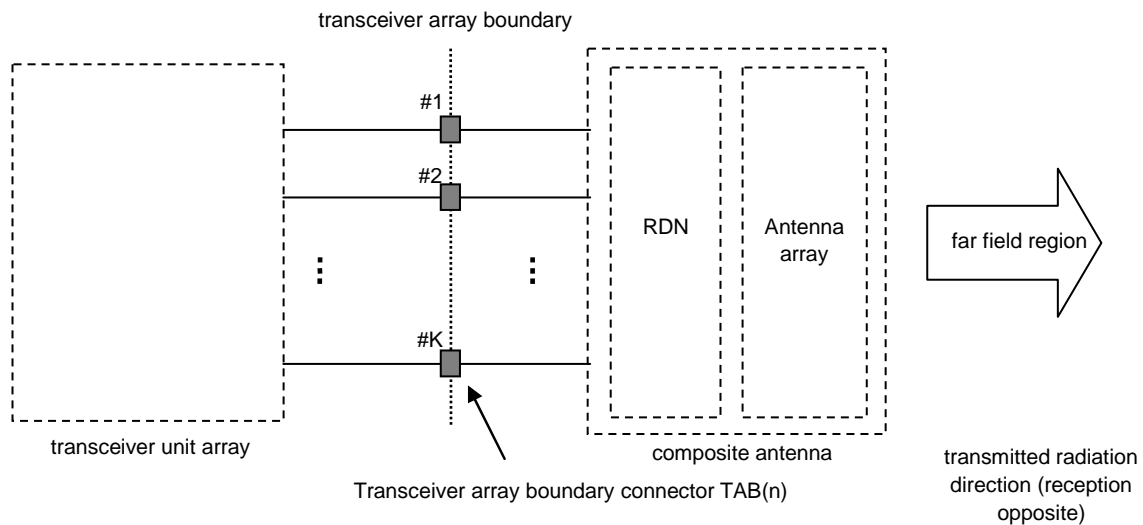


Figure 4.2-1: Radiated and conducted points of reference of AAS BS

Radiated characteristics are defined over the air (OTA) with a point of reference in the far field (Fraunhofer) region. Radiated requirements are also referred to as OTA requirements.

Conducted characteristics are defined at individual or groups of *TAB connectors* at the *transceiver array boundary*, which is the conducted interface between the transceiver unit array and the composite antenna.

The transceiver unit array is part of the composite transceiver functionality generating modulated transmit signal structures and performing receiver combining and demodulation.

The transceiver unit array contains an implementation specific number of transmitter units and an implementation specific number of receiver units. Transmitter units and receiver units may be combined into transceiver units. The transmitter/receiver units have the ability to receive/send parallel independent modulated symbol streams.

The composite antenna contains a *radio distribution network* (RDN) and an antenna array. The RDN is a linear passive network that distributes the RF power between the *transceiver array boundary* and the antenna array, in an implementation specific way.

How a conducted requirement is applied to the *transceiver array boundary* is detailed in the respective requirement subclause.

Part 1 of this specification details the test requirements of the conducted requirements only and hence only requires the conducted reference points.

4.3 Base station classes for AAS BS

The requirements in this specification apply to AAS BS of Wide Area BS, Medium Range BS and Local Area BS classes unless otherwise stated.

Wide Area BS are characterised by requirements derived from Macro Cell scenarios. For a hybrid AAS BS of Wide Area BS class, the minimum coupling loss between any *TAB connector* and the UE is 70 dB.

NOTE: Whenever WA BS is referred in this specification, the NB-IoT Wide Area BS and related requirements as defined in 3GPP TS 36.104 [4], are not applicable for AAS BS.

Medium Range BS are characterised by requirements derived from Micro Cell scenarios. For a hybrid AAS BS of Medium Range BS class, the minimum coupling loss between any *TAB connector* and the UE is 53 dB.

Local Area BS are characterised by requirements derived from Pico Cell scenarios. For a hybrid AAS BS of Local Area BS class, the minimum coupling loss between any *TAB connector* and the UE is 45 dB.

4.4 Regional requirements

Some requirements in the present document may only apply in certain regions either as optional requirements, or set by local and regional regulation as mandatory requirements. It is normally not stated in the 3GPP specifications under what exact circumstances that the requirements apply, since this is defined by local or regional regulation.

Table 4.4-1 lists all requirements in the present specification that may be applied differently in different regions. Non-AAS requirements are applicable as defined in the present document. In many cases, such requirements include regional requirements that are implicitly referenced from the present specification, and listed in the specification for the specifications concerned [2] [5].

Table 4.4-1: List of regional requirements

| Subclause number | Requirement | Comments |
|------------------|-------------------------------------|--|
| 4.5 | Operating bands and Band Categories | Some bands may be applied regionally. |
| 6.2.2.2.1 | Base station output power | These requirements apply in Japan for an E-UTRA BS operating in Band 34 and Band 41. |
| 6.6.2 | Occupied bandwidth | The requirement may be applied regionally. There may also be regional requirements to declare the Occupied bandwidth according to the definition. |
| 6.6.4 | Spectrum emission mask | The mask specified may be mandatory in certain regions. In other regions this mask may not be applied. Additional spectrum protection requirements may apply regionally. |
| 6.6.5 | Operating band unwanted emissions | The BS may have to comply with the applicable emission limits established by FCC Title 47 [15], when deployed in regions where those limits are applied and under the conditions declared by the manufacturer. |
| 6.6.5 | Operating band unwanted emissions | The requirements for protection of DTT may apply regionally. |
| 6.6.5 | Operating band unwanted emissions | Regional requirement as defined in TS 37.104, subclause 6.6.2.4.4 [12] may be applied for the protection of systems operating in frequency bands adjacent to Band 1 as defined in TS 37.104, subclause 4.5, [12] in geographic areas in which both an adjacent band service and UTRA and/or E-UTRA are deployed. |
| 6.6.5 | Operating band unwanted emissions | Additional requirements for Band 41 may apply in certain regions as additional Operating band unwanted emission limits. |
| 6.6.5 | Operating band unwanted emissions | Additional Band 32 unwanted emissions requirements may apply in certain regions. |
| 6.6.6 | Spurious emissions | Category A limits are mandatory for regions where Category A limits for spurious emissions, as defined in Recommendation ITU-R SM.329 [35] apply. Category B limits are mandatory for regions where Category B limits for spurious emissions, as defined in Recommendation ITU-R SM.329 [35] apply. |
| 6.6.6 | Spurious emissions | Additional spurious emissions requirements may be applied for the protection of system operating in frequency ranges other than the AAS BS operating band as described in TS 37.104 [12] subclause 6.6.1.3. |
| 6.6.6 | Spurious emissions | In addition to 3GPP requirements, the BS may have to comply with the applicable emission limits established by FCC Title 47 [15], when deployed in regions where those limits are applied, and under the conditions declared by the manufacturer. |
| 6.6.6 | Spurious emissions | The emission limits specified as the <i>basic limit</i> + X (dB) are applicable, unless stated differently in regional regulation. |
| 6.7 | Transmitter intermodulation | Additional requirements may apply in certain regions. |
| 7.6 | Rx spurious emissions | The emission limits specified as the <i>basic limit</i> + X (dB) are applicable, unless stated differently in regional regulation. |

4.5 Operating bands and band categories

The operating bands and band categories for AAS BS are the same as for *non-AAS BS*, as described in 3GPP TS 37.104 [5].

NOTE 1: AAS BS does not support GSM, but BC2 is still applicable for protection of/against GSM operation in BC2 operating bands.

NOTE 2: AAS BS does not support Band 46 (and all its sub-bands defined in 3GPP TS 36.104 [12], subclause 5.5) operation, but Band 46 test requirements are still applicable for AAS BS for protection of and against Band 46 operation.

NOTE 3: Bands in BC1 and BC2 categories are also used for NB-IoT operation. NB-IoT is not applicable for AAS BS.

4.6 Channel arrangements

The channel arrangements for AAS BS are the same as those for UTRA *non-AAS BS* and/or E-UTRA *non-AAS BS* and/or NR *non-AAS BS* as described in 3GPP TS 37.104 [5].

NOTE: Test requirements for nominal carrier spacing of 19.8 MHz and 20.1 MHz for carriers in Band 46 as specified in 36.104 [12] subclause 5.7.1, are not applicable for AAS BS.

4.7 Requirements for AAS BS capable of multi-band operation

For AAS BS capable of operation in multiple operating bands, the RF requirements in clause 6 and 7 apply separately to each supported operating band unless otherwise stated.

An AAS BS may be capable of supporting operation in multiple operating bands with one of the following implementations of *TAB connectors* in the *transceiver array boundary*:

- All TAB connectors are single band TAB connectors:
 - Different sets of *single band TAB connectors* support different operating bands, but each *TAB connector* supports only operation in one single operating band.
 - Sets of *single band TAB connectors* support operation in multiple operating bands with some *single band TAB connectors* supporting more than one operating band.
- All TAB connectors are multiband TAB connectors.
- A combination of single band sets and multi-band sets of TAB connectors provides support of the AAS BS capability of operation in multiple operating bands.

Unless otherwise stated all requirements specified for an operating band apply only to the set of *TAB connectors* supporting that operating band.

In certain requirements it is explicitly stated that specific additions or exclusions to the requirement apply at *multi-band TAB connectors* as detailed in the requirement subclause.

In the case of an operating band being supported only by *single band TAB connectors* in a *TAB connector TX min cell group* or a *TAB connector RX min cell group*, *single band requirements* apply to that set of *TAB connectors*.

NOTE: Each supported operating band needs to be operated separately during conformance testing on *single band TAB connectors*.

In the case of an operating band being supported only by *multi-band TAB connectors* supporting the same operating band combination in a *TAB connector TX min cell group* or a *TAB connector RX min cell group*, *multi-band requirements* apply to that set of *TAB connectors*.

The case of an operating band being supported by both *multi-band TAB connectors* and *single band TAB connectors* in a *TAB connector TX min cell group* or a *TAB connector RX min cell group* is not covered by the present release of this specification.

The case of an operating band being supported by *multi-band TAB connectors* which are not all supporting the same operating band combination in a *TAB connector TX min cell group* or a *TAB connector RX min cell group* is not covered by the present release of this specification.

For *multi-band TAB connectors* supporting the bands for TDD, the RF requirements in the present specification assume no simultaneous uplink and downlink occur between the bands.

The RF requirements for *multi-band TAB connectors* supporting bands for both FDD and TDD are not covered by the present release of this specification.

4.8 AAS BS configurations

4.8.1 Transmit configurations

Unless otherwise stated, the conducted transmitter characteristics in clause 6 are specified at the AAS BS *transceiver array boundary* at the *TAB connector(s)* antenna connector with a full complement of transceiver units for the configuration in normal operating conditions.

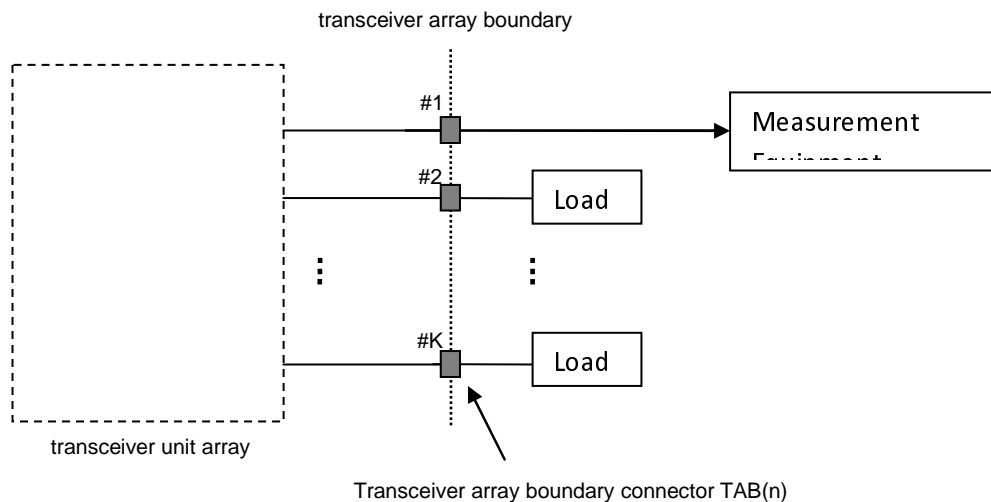


Figure 4.8.1-1: Transmitter test ports

Unless otherwise stated, for the tests in clause 6 of the present document, the requirement applies for each transmit *TAB connector*.

4.8.2 Receive configurations

Unless otherwise stated, the conducted receiver characteristics in clause 7 are specified at the *TAB connector* with a full complement of transceiver units for the configuration in normal operating conditions.

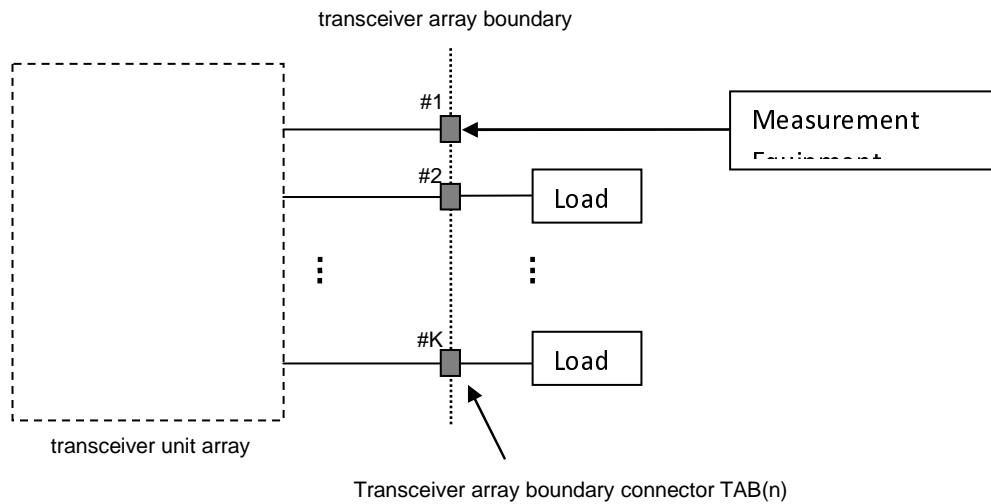


Figure 4.8.2-1: Receiver test ports

For the tests in clause 7 of the present document, the requirement applies at each receive *TAB connector*.

Conducted receive requirements are tested at the *TAB connector*, with the remaining receiver unit(s) disabled or their *TAB connector(s)* being terminated.

4.8.3 Power supply options

If the AAS BS is supplied with a number of different power supply configurations, it may not be necessary to test RF parameters for each of the power supply options, provided that it can be demonstrated that the range of conditions over which the equipment is tested is at least as great as the range of conditions due to any of the power supply configurations.

4.8.4 BS with integrated Iuant BS modem

Unless otherwise stated, for the tests in the present document, the integrated Iuant BS modem shall be switched off. Spurious emissions according to subclauses 6.6.4 and 7.6 shall be measured only for frequencies above 20 MHz with the integrated Iuant BS modem switched on.

4.9 Capability sets

Capability set is defined as the *TAB connectors* capability to support certain RAT combinations in an operating band.

The manufacturer shall declare (D6.12) the supported capability set(s) according to table 4.9-1 for each supported *TAB connector(s)* and supported operating band(s).

Table 4.9-1 Capability sets

| Capability set supported by the AAS BS | CSA1 | CSA2 | CSA3 | CSA3A | CSA4 | CSA5 |
|--|--|--|--|--|---|---|
| Supported RATs | <i>TAB connector</i> supports MSR operation of UTRA only in the band | <i>TAB connector</i> supports MSR operation of E-UTRA only in the band | <i>TAB connector</i> supports UTRA and E-UTRA MSR in the band | <i>TAB connector</i> supports NR and E-UTRA MSR in the band | <i>TAB connector</i> supports single-RAT UTRA in the band | <i>TAB connector</i> supports single-RAT E-UTRA in the band |
| Supported configurations | SR UTRA (SC, MC) | SR E-UTRA (SC, MC, CA) | MR UTRA + E-UTRA SR UTRA (SC, MC) SR E-UTRA (SC, MC, CA) | MR E-UTRA + NR SR NR (SC, MC, CA) SR E-UTRA (SC, MC, CA) | SR UTRA (SC, MC) | SR E-UTRA (SC, MC, CA) |
| Applicable BC | BC1, BC2 or BC3 | BC1, BC2 or BC3 | BC1, BC2 or BC3 | BC1, BC2 or BC3 | BC1, BC2 or BC3 | BC1, BC2 or BC3 |

The applicable test configurations for each RF requirement are defined in subclauses 5.1, 5.2 and 5.3 for the declared capability set(s). For a *multi-band TAB connector* the applicable test configurations for each RF requirement are defined in subclause 5.4 for the declared capability set(s).

NOTE: Not every supported configuration within a capability set is tested, but the tables in subclauses 5.2, 5.3 and 5.4 provide a judicious choice among the supported configurations and test configurations to ensure proper test coverage.

4.10 Manufacturer declarations for AAS BS testing

The following declarations are required.

Table 4.10-1 Manufacturers declarations

| Declaration identifier | Declaration | Description |
|------------------------|--|--|
| D6.1 | Operating bands and frequency ranges | List of operating band(s) supported by <i>TAB connector(s)</i> of the BS and if applicable, frequency range(s) within the <i>operating band(s)</i> that the BS can operate in. Declarations shall be made per <i>TAB connector</i> . |
| D6.3 | Spurious emission category | Declare the AAS BS spurious emission category as either category A or B with respect to the limits for spurious emissions, as defined in Recommendation ITU-R SM.329 [35]. |
| D6.4 | Geographic area support | The manufacturer shall declare the regions the AAS BS may operate in. e.g. CEPT. |
| D6.5 | Band 20 or Band XX support, operating in geographical areas allocated to broadcasting (DTT) | If the AAS BS has <i>TAB connectors</i> declared to support Band 20 the manufacturer shall declare if the AAS BS may operate in geographical areas allocated to broadcasting (DTT). |
| D6.6 | Band 20 or Band XX support, emission level for channel N ($P_{EM,N}$) | If the AAS BS has <i>TAB connectors</i> declared to support Band 20 or Band XX and has been declared to operate in geographical areas allocated to broadcasting (DTT), the emission level for channel N (Annex G of 3GPP TS 36.104 [11]) shall be declared. |
| D6.7 | Band 20 or Band XX support, Maximum output Power in 10 MHz (P_{10MHz}) | If the AAS BS has <i>TAB connectors</i> declared to support Band 20 or Band XX and has been declared to operate in geographical areas allocated to broadcasting (DTT), the maximum output power in 10 MHz (Annex G of 3GPP TS 36.104 [11]) shall be declared. |
| D6.8 | Band 32 or Band XXXII support, Declared emission level in Band 32/XXXII ($P_{EM,B32,ind}$) | If the AAS BS has <i>TAB connectors</i> declared to support Band 32 or Band XXXII the manufacturer shall declare if the AAS BS may operate in geographical areas allocated to broadcasting (DTT), the emission level in Band 32/XXXII ($P_{EM,B32,ind, ind=a, b, c, d, e}$) shall be declared. |
| D6.10 | Co-existence with other systems | The manufacturer shall declare whether the AAS BS under test is intended to operate in geographic areas where one or more of the systems GSM850, GSM900, DCS1800, PCS1900, UTRA FDD, UTRA TDD, E-UTRA and/or PHS operating in another band are deployed. |
| D6.11 | Co-location with other base stations | The manufacturer shall declare whether the AAS BS under test is intended to operate co-located with Base Stations of one or more of the systems GSM850, GSM900, DCS1800, PCS1900, UTRA FDD, UTRA TDD and/or E-UTRA operating in another band. |
| D6.12 | <i>TAB connector</i> capability set (CSA) | The manufacturer shall declare the supported capability set(s) according to table 4.9-1 for all <i>TAB connector(s)</i> and supported operating band(s). NOTE: in case of <i>hybrid AAS BS</i> , set of <i>operating band</i> specific CSA declarations shall be aligned with the set of RCSA's declared by D9.25 in TS 37.145-2 [38] for the radiated testing for the <i>operating band</i> in question. |
| D6.13 | <i>Single or Multi-band TAB connector</i> | <i>Multi-band TAB connector</i> or <i>single band TAB connector</i> . Declared for every <i>TAB connector</i> |
| D6.14 | Contiguous or non-contiguous spectrum | Ability to support contiguous or non-contiguous (or both) frequency distribution of carriers when operating multi-carrier, per <i>TAB connector</i> , per band, per RAT. |
| D6.15 | Contiguous and non-contiguous parameters identical | If contiguous and non-contiguous operation is possible then parameters are the same. |
| D6.16 | Maximum <i>Radio Bandwidth</i> of the <i>multi-band TAB connector</i> . | Largest <i>radio bandwidth</i> that can be supported by the <i>multi-band TAB connector</i> . May be different for transmit and receive. Declared for each supported operating band and operating band combination (D6.41) supported for every <i>multi-band TAB connector</i> . |
| D6.17 | Maximum <i>Base Station RF Bandwidth</i> | Largest <i>Base Station RF Bandwidth</i> in the operating band, declared for each supported operating band for every <i>TAB connector</i> . |
| D6.18 | Maximum <i>Base Station RF Bandwidth</i> for contiguous operation. | Largest <i>Base Station RF Bandwidth</i> for contiguous spectrum operation, declared for each supported operating band and CS for every <i>TAB connector</i> . |
| D6.19 | Maximum <i>Base Station RF Bandwidth</i> for non- contiguous operation. | Largest <i>Base Station RF Bandwidth</i> for non-contiguous spectrum operation, declared for each supported operating band and CS for every <i>TAB connector</i> . |
| D6.20 | E-UTRA supported channel bandwidths | E-UTRA <i>channel bandwidth</i> supported for each supported operating band for every <i>TAB connector</i> . |
| D6.21 | <i>TAB connector</i> operating band support | List of operational bands and band combinations supported by the <i>TAB connector</i> , declared for every <i>TAB connector</i> . |

| Declaration identifier | Declaration | Description |
|------------------------|---|--|
| D6.22 | CA only operation | Capable of operating with CA only but not multiple carriers. Declared per operating band per <i>TAB connector</i> . |
| D6.23 | Single or multiple carrier | Capable of operating with a single carrier (only) or multiple carriers per operating band, per RAT for all <i>TAB connectors</i> . |
| D6.24 | maximum number of supported carriers per band | Maximum number of supported carriers per supported band, made per band, per RAT for all <i>TAB connectors</i> . |
| D6.25 | Total maximum number of supported carriers | Maximum number of supported carriers for all supported bands, declared for every <i>TAB connector</i> . |
| D6.26 | Reduced number of supported carriers at the rated total output power in Multi-RAT operations | Declared for each supported operating band for all <i>TAB connectors</i> . |
| D6.27 | Reduced total output power at the total number of supported carriers in Multi-RAT operations | Declared for each supported operating band for all <i>TAB connectors</i> (Note 1, Note 2). |
| D6.28 | Other band combination multi-band restrictions | Declare any other limitations under simultaneous operation in the declared band combinations (D6.41) for each <i>multi-band TAB connector</i> which have any impact on the test configuration generation. For every <i>multi-band TAB connector</i> . |
| D6.30 | The rated carrier output power for each <i>TAB connector</i> $P_{\text{Rated},c,\text{TABC}}$ | $P_{\text{Rated},c,\text{TABC}}$ is declared per supported operating band, per supported RAT for all <i>TAB connector(s)</i> (Note 1, Note 2). |
| D6.31 | The rated carrier output power per <i>TAB connector</i> , for contiguous spectrum operation | The rated carrier output power per <i>TAB connector</i> , for contiguous spectrum operation. Declared for each supported operational band and CS, for all <i>TAB connectors</i> (Note 1, Note 2). |
| D6.32 | The rated carrier output power per <i>TAB connector</i> , for non-contiguous spectrum operation | The rated carrier output power per <i>TAB connector</i> , for non-contiguous spectrum operation. Declared for each supported operational band and CS, for all <i>TAB connectors</i> (Note 1, Note 2). |
| D6.33 | The rated output power per RAT for each <i>TAB connector</i> , $P_{\text{Rated},\text{RAT},\text{TABC}}$ | $P_{\text{Rated},\text{RAT},\text{TABC}}$ is declared per supported operating band, per supported RAT for all <i>TAB connector(s)</i> (Note 1, Note 2). |
| D6.34 | The <i>rated total output power per TAB connector</i> , $P_{\text{Rated},t,\text{TABC}}$ | The rated total output power $P_{\text{Rated},t,\text{TABC}}$ is declared for supported operating band, for all <i>TAB connector(s)</i> (Note 1, Note 2). For <i>multi-band TAB connectors</i> $P_{\text{Rated},t,\text{TABC}}$ is declared for each supported band in each supported band combination. |
| D6.35 | The <i>rated total output power per TAB connector</i> , for contiguous spectrum operation | The <i>rated total output power per TAB connector</i> , for contiguous spectrum operation. Declared for each supported operational band and CS, for all <i>TAB connectors</i> (Note 1, Note 2). |
| D6.36 | The <i>rated total output power per TAB connector</i> , for non-contiguous spectrum operation | The <i>rated total output power per TAB connector</i> , for non-contiguous spectrum operation. Declared for each supported operational band and CS, for all <i>TAB connectors</i> (Note 1, Note 2). |
| D6.37 | The rated multi-band total output power per <i>TAB connector</i> , $P_{\text{Rated},\text{MB},\text{TABC}}$ | The rated multi-band total output power ($P_{\text{Rated},\text{MB},\text{TABC}}$), declared for all declared operating band combinations for every <i>multi-band TAB connector</i> . (Note 1, Note 2) |
| D6.38 | N_{cells} | Number corresponding to the minimum number of cells that can be transmitted by an AAS BS in a particular band with transmission on all <i>TAB connectors</i> supporting the operating band. |
| D6.39 | Maximum supported power difference between carriers | Maximum supported power difference between carriers in each supported operating band, for all <i>TAB connector(s)</i> . |
| D6.40 | Maximum supported power difference between carriers in different operating bands | Supported power difference between any two carriers in any two different supported operating bands, for all declared operating band combination for every <i>multi-band TAB connector(s)</i> . |
| D6.41 | AAS BS operating band combination support | List of operational bands combinations supported by the AAS BS. |
| D6.42 | Total number of supported carriers for the declared band combinations of the AAS BS | Total number of supported carriers for the declared band combinations (D6.41) of the AAS BS. |
| D6.43 | Intra-system interfering signal <i>TAB connector</i> declaration list | List of <i>TAB connectors</i> for which an intra-system interfering signal level is required to be declared. Declaration is required if the intra-system interfering signal level is larger than the co-location interfering signal level. |
| D6.44 | Intra-system interfering signal level | The interfering signal level in dBm per <i>TAB connector</i> declared for each supported operational band, for all <i>TAB connectors</i> covered by D6.43. |
| D6.45 | P-CPICH transmission group(s) | Groups of <i>TAB connectors</i> which are declared to transmit the P-CPICH. Declared per operating band, UTRA FDD only. |

| Declaration identifier | Declaration | Description |
|------------------------|-----------------------------|---|
| D6.48 | CCPCH transmission group(s) | Groups of <i>TAB connectors</i> which are declared to transmit the CCPCH. Declared per operating band, UTRA TDD only |

| Declaration identifier | Declaration | Description |
|------------------------|---|--|
| D6.51 | UTRA FDD MIMO support. | Number of 'antennas' supported by the UTRA FDD MIMO mode (i.e. 2 or 4). The concept of "antenna 2", "antenna 3" and "antenna 4" is described in 3GPP TS 25.104 [2]. Declared per operating band, UTRA FDD only. |
| D6.52 | S-CPICH transmission group(s) | Groups of <i>TAB connectors</i> which are declared to transmit the S-CPICH for each of the 'antennas' declared in D6.49 For UTRA FDD AAS BS operating only "antenna 1" and "antenna 2", mapping for 'antenna 2' is declared. For UTRA FDD AAS BS operating "antenna 1", "antenna 2", "antenna 3" and "antenna 4", mapping for "antenna 2", "antenna 3", and "antenna 4", is declared. Declared per operating band, UTRA FDD only. NOTE: Mapping for "antenna 1" is the same as D6.45. |
| D6.54 | DL RS transmission groups | Groups of <i>TAB connectors</i> which are declared to transmit the DL RS. Declared per operating band, E-UTRA only. |
| D6.57 | UTRA Inner loop power control dynamic range | Power control dynamic range for UTRA inner loop power control. Declared for each supported operating band, for all <i>TAB connector(s)</i> . UTRA only. |
| D6.58 | TAE groups | Set of declared <i>TAB connector beam forming groups</i> on which the TAE requirements apply. <i>All TAB connectors</i> belong to at least 1 <i>TAB connector beam forming group</i> (even if it's a <i>TAB connector beam forming group</i> consisting of 1 connector). The smallest possible number of <i>TAB connector beam forming groups</i> need to be declared such that there is no <i>TAB connector</i> not contained in at least one of the declared <i>TAB connector beam forming groups</i> . Declared for each supported RAT and operating band. |
| D6.59 | Inter-band CA or HSDPA | Band combinations declared to support inter-band CA or multi-band HSDPA. Declared for every <i>multi-band TAB connector</i> which support CA or multi-band HSDPA. NOTE: Inter-band HSDPA is called multi-band HSDPA in UTRA specifications. Examples of the multi-band HSDPA are DB-DC-HSDPA or Dual band 4C-HSDPA. |
| D6.60 | Intra-band contiguous CA or HSDPA | Bands declared to support intra-band contiguous CA (per CA capable <i>TAB connector</i> , as in D6.22) or contiguous multi-carrier HSDPA. Declared for every <i>TAB connector</i> which support CA or multi-band HSDPA. NOTE: Intra-band HSDPA is called multi-carrier HSDPA in UTRA specifications. Examples of the contiguous multi-carrier HSDPA are DC-HSDPA, 4C-HSDPA, or 8C-HSDPA. |
| D6.61 | Intra-band non-contiguous CA or HSDPA | Bands declared to support intra-band non-contiguous CA (per CA capable <i>TAB connector</i> , as in D6.22) or non-contiguous multi-carrier HSDPA. Declared for every <i>TAB connector</i> which support CA or multi-band HSDPA. NOTE: Intra-band HSDPA is called multi-carrier HSDPA in UTRA specifications. Example of the non-contiguous multi-carrier HSDPA is NC-4C-HSDPA. |
| D6.70 | Equivalent TAB connectors | List of <i>TAB connectors</i> which have been declared equivalent. Equivalent TAB connectors imply that the <i>TAB connectors</i> are expected to behave in the same way when presented with identical signals under the same operating conditions. All declarations made for the <i>TAB connectors</i> are identical and the transmitter unit and/or receiver unit driving the <i>TAB connector</i> are of identical design. |
| D6.71 | BS class | BS Class of the AAS BS, declared as Wide Area BS, Medium Range BS, or Local Area BS. |
| D6.72 | TAB connector RX min cell group | Declared as a group of TAB connectors to which RX requirements are applied. This declaration corresponds to group of TAB connectors which are responsible for receiving a cell when the hybrid AAS BS setting corresponding to the declared minimum number of cells (Ncells) with transmission on all TAB connectors supporting an operating band. |

| Declaration identifier | Declaration | Description |
|---|---|--|
| D6.73 | TAB connector TX min cell group | Declared group of TAB connectors to which TX requirements are applied. This declaration corresponds to group of TAB connectors which are responsible for transmitting a cell when the hybrid AAS BS setting corresponding to the declared minimum number of cells (Ncells) with transmission on all TAB connectors supporting an operating band. |
| D6.74 | TAB connectors used for performance requirement testing | To reduce test complexity, declaration of a representative (sub)set of TAB connectors to be used for performance requirement test purposes. At least one TAB connector mapped to each demodulation branch is declared. |
| D6.75 | NR supported channel bandwidths and SCS | NR channel bandwidth and SCS supported. Declared per supported operating band and TAB connector. |
| D6.76 | Total RF bandwidth (BW_{tot}) | Total RF bandwidth BW_{tot} of transmitter/receiver, declared per the band combination. |
| NOTE 1: If a BS is capable of 256QAM DL operation (and not 1024QAM DL operation) then two rated output power declarations may be made. One declaration is applicable when configured for 256QAM transmissions and the other declaration is applicable when not configured for 256QAM transmissions. | | |
| NOTE 2: If a BS is capable of 1024QAM DL operation then up to three rated output power declarations may be made. One declaration is applicable when configured for 1024QAM transmissions, a different declaration is applicable when configured for 256QAM transmissions and the other declaration is applicable when configured neither for 256 QAM nor 1024QAM transmissions. | | |

4.11 Test signal configurations for AAS BS

4.11.1 General

The test configurations shall be constructed using the methods defined below subject to the parameters declared by the manufacturer as listed in subclause 4.10.

For test contiguous spectrum operation configurations used in receiver tests only the carriers in the outermost frequency positions in the *TAB connector Base Station RF Bandwidth* need to be generated by the test equipment. For non-contiguous spectrum operation test configurations used in receiver tests, outermost carriers for each sub-block need to be generated by the test equipment.

The applicable test models for generation of the carrier transmit test signal are defined in subclause 4.12.2.

NOTE: In case carriers are shifted to align with the channel raster F_{offset} .

4.11.1a NR Test signal used to build Test Configurations

The signal's Channel Bandwidth and Subcarrier spacing used to build NR Test Configurations shall be selected according to table 4.11.1a-1.

Table 4.11.1a-1: Signal to be used to build NR TCs

| Operating Band characteristics | | $F_{DL_high} - F_{DL_low} < 100 \text{ MHz}$ | $F_{DL_high} - F_{DL_low} \geq 100 \text{ MHz}$ |
|--|--------------------|--|---|
| TC signal characteristics | $BW_{channel}$ | 5 MHz (Note 1) | 20 MHz (Note 1) |
| | Subcarrier spacing | Smallest supported subcarrier spacing | |
| Note 1: If this channel bandwidth is not supported, the narrowest supported channel bandwidth shall be used. | | | |

4.11.2 Test signal configurations

4.11.2.1 ATC1: UTRA multicarrier operation

4.11.2.1.1 General

The purpose of ATC1 is to test UTRA multi-carrier aspects.

4.11.2.1.2 ATC1a generation

ATC1 should be constructed using the following method:

- The *Base Station RF Bandwidth* shall be the declared maximum *Base Station RF Bandwidth* for contiguous operation (see table 4.10-1, D6.18).
- Place one UTRA FDD carrier adjacent to the upper *Base Station RF Bandwidth edge* and one UTRA FDD carrier adjacent to the lower *Base Station RF Bandwidth edge*. The specified F_{Offset} shall apply.
- For transmitter tests, alternately place a UTRA FDD carrier adjacent to the already placed carriers at the low and high *Base Station RF Bandwidth edges* until there is no more space to fit a carrier or the *TAB connector* does not support more carriers. The nominal carrier spacing defined in subclause 4.6 shall apply.
- The carrier(s) may be shifted maximum 100 kHz towards lower frequencies for B_{RFBW} and M_{RFBW} and towards higher frequencies for T_{RFBW} to align with the channel raster.

4.11.2.1.3 ATC1b generation

ATC1b is constructed using the following method:

- The *Base Station RF Bandwidth* shall be the declared maximum *Base Station RF Bandwidth* for contiguous operation (see table 4.10-1, D6.18).
- Place one UTRA TDD carrier adjacent to the upper *Base Station RF Bandwidth edge* and one UTRA TDD carrier adjacent to the lower *Base Station RF Bandwidth edge*. The specified F_{Offset} shall apply.
- For transmitter tests, alternately place a UTRA TDD carrier adjacent to the already placed carriers at the low and high *Base Station RF Bandwidth edges* until there is no more space to fit a carrier or the *TAB connector* does not support more carriers. The nominal carrier spacing defined in subclause 4.6 shall apply.

4.11.2.1.4 ATC1 power allocation

Set the power of each carrier to the same power so that the sum of the carrier powers equals $P_{\text{rated,RAT,TABC}}$ for UTRA according to the manufacturer's declaration in subclause 4.10.

4.11.2.2 ANTC1: UTRA FDD multicarrier non-contiguous operation

4.11.2.2.1 General

The purpose of ANTC1 is to test UTRA FDD multicarrier non-contiguous aspects.

4.11.2.2.2 ANTC1 generation

The purpose of NTC1a is to test UTRA multicarrier non-contiguous aspects. NTC1a is constructed using the following method:

- The *Base Station RF Bandwidth* of each supported operating band shall be the declared maximum *Base Station RF Bandwidth* for non-contiguous operation (see table 4.10-1, D6.19) of the *TAB connector*. The *station RF bandwidth* consists of one *sub-block gap* and two sub-blocks located at the edges of the declared maximum *Base Station RF Bandwidth* for non-contiguous operation.

- For transmitter tests, place one UTRA carrier adjacent to the upper *Base Station RF Bandwidth edge* and one UTRA carrier adjacent to the lower *Base Station RF Bandwidth edge*. The specified $F_{\text{Offset-RAT}}$ shall apply.
- For receiver tests, place one UTRA carrier adjacent to the upper *Base Station RF Bandwidth edge* and one UTRA carrier adjacent to the lower *Base Station RF Bandwidth edge*. For single-band operation, if the maximum *Base Station RF Bandwidth* for non-contiguous operation is at least 35 MHz and the *TAB connector* supports at least 4 UTRA FDD carriers, place a UTRA FDD carrier adjacent to each already placed carrier for each sub-block. The nominal carrier spacing defined in subclause 4.6 shall apply.
- The sub-block edges adjacent to the *sub-block gap* shall be determined using the specified $F_{\text{Offset-RAT}}$ for the carrier adjacent to the *sub-block gap*.
- The UTRA FDD carrier in the lower sub-block may be shifted maximum 100 kHz towards lower frequencies and the UTRA FDD carrier in the upper sub-block may be shifted maximum 100 kHz towards higher frequencies to align with the channel raster.

4.11.2.2.3 ANTC1 power allocation

Set the power of each carrier to the same power so that the sum of the carrier powers equals $P_{\text{Rated,RAT,TABC}}$ according to the manufacturer's declaration in subclause 4.10.

4.11.2.3 ATC2: E-UTRA multicarrier operation

4.11.2.3.1 General

The purpose of ATC2a is to test E-UTRA multi-carrier aspects excluding CA occupied bandwidth.

The purpose of ATC2b is to test E-UTRA Contiguous CA occupied bandwidth.

4.11.2.3.2 ATC2a generation

ATC2a is constructed using the following method:

- The *Base Station RF Bandwidth* of each supported operating band shall be the declared maximum *Base Station RF Bandwidth* for contiguous operation (see table 4.10-1, D6.18) of the *TAB connector*.
- Select the narrowest supported E-UTRA carrier and place it adjacent to the low *Base Station RF Bandwidth edge*. Place a 5 MHz E-UTRA carrier adjacent to the high *Base Station RF Bandwidth edge*. The specified $F_{\text{Offset-RAT}}$ shall apply.
- For transmitter tests, select as many 5 MHz E-UTRA carriers that the *TAB connector* supports and that fit in the rest of the *Base Station RF Bandwidth*. Place the carriers adjacent to each other starting from the high *Base Station RF Bandwidth edge*. The nominal carrier spacing defined in subclause 4.6 shall apply. The specified $F_{\text{Offset-RAT}}$ shall apply.
- If 5 MHz E-UTRA carriers are not supported by the *TAB connector* the narrowest supported *channel bandwidth* shall be selected instead.

The test configuration should be constructed on a per band basis for all component carriers of the inter-band CA bands declared to be supported by the *TAB connector* (see table 4.10-1, D6.29). All configured component carriers are transmitted simultaneously in the tests where the transmitter should be on.

4.11.2.3.3 ATC2b generation

ATC2b is constructed on a per band basis using the following method:

- All component carrier combinations supported by the *TAB connector*, which have different sum of *channel bandwidth* of component carrier, shall be tested. For all component carrier combinations which have the same sum of *channel bandwidth* of component carriers, only one of the component carrier combinations shall be tested.
- Of all component carrier combinations which have same sum of *channel bandwidth* of component carrier, select those with the narrowest carrier at the lower *Base Station RF Bandwidth edge*.

- Of the combinations selected in the previous step, select one with the narrowest carrier at the upper *Base Station RF Bandwidth edge*.
- If there are multiple combinations fulfilling previous steps, select the one with the smallest number of component carrier.
- If there are multiple combinations fulfilling previous steps, select the one with the widest carrier being adjacent to the lowest carrier.
- If there are multiple combinations fulfilling previous steps, select the one with the widest carrier being adjacent to the highest carrier.
- If there are multiple combinations fulfilling previous steps, select the one with the widest carrier being adjacent to the carrier which has been selected in the previous step.
- If there are multiple combinations fulfilling previous steps, repeat the previous step until there is only one combination left.
- The nominal carrier spacing defined in subclause 4.6 shall apply.

4.11.2.3.4 ATC2 power allocation

Set the power of each carrier to the same power so that the sum of the carrier powers equals $P_{\text{rated,RAT,TABC}}$ for E-UTRA according to the manufacturer's declaration in subclause 4.10.

For a *TAB connector* declared to support only CA operation (see table 4.10-1, D6.22), set the power spectral density of each carrier to the same level so that the sum of the carrier powers equals the rated total output power ($P_{\text{Rated,t,TABC}}$) according to the manufacturer's declaration in subclause 4.10.

4.11.2.4 ANTC2: E-UTRA multicarrier non-contiguous operation

4.11.2.4.1 General

The purpose of ANTC2 is to test E-UTRA multicarrier non-contiguous aspects.

4.11.2.4.2 ANTC2 generation

ANTC2 is constructed as NTC2 in 3GPP TS 37.141[16] subclause 4.8.2a.1.

The purpose of NTC2 is to test E-UTRA multicarrier non-contiguous aspects. NTC2 is constructed using the following method:

- The *Base Station RF Bandwidth* of each supported operating band shall be the declared maximum *Base Station RF Bandwidth* for non-contiguous operation (D6.19) of the *TAB connector*. The *Base Station RF Bandwidth* consists of one *sub-block gap* and two sub-blocks located at the edges of the declared maximum *Base Station RF Bandwidth* (D.17).
- For transmitter tests, place a 5 MHz E-UTRA carrier adjacent to the upper *Base Station RF Bandwidth edge* and a 5 MHz E-UTRA carrier adjacent to the lower *Base Station RF Bandwidth edge*. The specified $F_{\text{Offset-RAT}}$ shall apply. If 5 MHz E-UTRA carriers are not supported by the *TAB connector*, the narrowest supported *channel bandwidth* shall be selected instead.
- For receiver tests, place a 5 MHz E-UTRA carrier adjacent to the upper *Base Station RF Bandwidth edge* and a 5 MHz E-UTRA carrier adjacent to the lower *Base Station RF Bandwidth edge*. If 5 MHz E-UTRA carriers are not supported by the *TAB connector*, the narrowest supported *channel bandwidth* shall be selected instead.
- For single-band operation receiver tests, if the remaining gap is at least 15 MHz plus two times the *channel bandwidth* used in the previous step and the *TAB connector* supports at least 4 E-UTRA carriers, place a E-UTRA carrier of this *channel bandwidth* adjacent to each already placed carrier for each sub-block. The nominal carrier spacing defined in subclause 4.6 shall apply.
- The sub-block edges adjacent to the *sub-block gap* shall be determined using the specified $F_{\text{Offset-RAT}}$ for the carrier adjacent to the *sub-block gap*.

4.11.2.4.3 ANTC2 power allocation

Set the power of each carrier to the same power so that the sum of the carrier powers equals $P_{\text{rated,RAT,TABC}}$ according to the manufacturer's declaration in subclause 4.10.

4.11.2.5 ATC3: UTRA and E-UTRA multi RAT operation

4.11.2.5.1 General

The purpose of ATC3 is to test UTRA and E-UTRA multi-RAT aspects.

If the rated total output power and total number of supported carriers are not simultaneously supported in Multi-RAT operations, two instances of ATC3 shall be generated using the following values for rated total output power and the total number of supported carriers:

- 1) The rated total output power and the reduced number of supported carriers at the rated total output power in Multi-RAT operations.
- 2) The reduced total output power at the total number of supported carriers in Multi-RAT operations and the total number of supported carriers.

Tests that use ATC3 shall be performed using both instances 1) and 2) of ATC3.

4.11.2.5.2 ATC3a generation

ATC3a is constructed using the following method:

- The *Base Station RF Bandwidth* of each supported operating band shall be the declared maximum *Base Station RF Bandwidth* (D6.17) of the *TAB connector*.
- Select an FDD UTRA carrier to be placed at the lower *Base Station RF Bandwidth edge*. The specified $F_{\text{Offset-RAT}}$ shall apply. The UTRA FDD may be shifted maximum 100 kHz towards lower frequencies to align with the channel raster.
- Place a 5 MHz E-UTRA carrier at the upper *Base Station RF Bandwidth edge*. If that is not possible use the narrowest E-UTRA carrier supported by the *TAB connector*. The specified $F_{\text{Offset-RAT}}$ shall apply.
- For transmitter tests, alternately add FDD UTRA carriers at the low end and 5 MHz E-UTRA carriers at the high end adjacent to the already placed carriers until the *Base Station RF Bandwidth* is filled or the total number of supported carriers (D6.25) is reached. The nominal carrier spacing defined in subclause 4.6 shall apply.

4.11.2.5.3 ATC3b generation

ATC3b is constructed using the following method:

- The *Base Station RF Bandwidth* of each supported operating band shall be the declared maximum *Base Station RF Bandwidth* (D6.17) of the *TAB connector*.
- Select a UTRA TDD carrier to be placed at the lower *Base Station RF Bandwidth edge*. The specified $F_{\text{Offset-RAT}}$ shall apply.
- Place a 5 MHz E-UTRA carrier at the upper *Base Station RF Bandwidth edge*. If that is not possible use the narrowest E-UTRA carrier supported by the *TAB connector*. The specified $F_{\text{Offset-RAT}}$ shall apply.
- For transmitter tests, alternately add UTRA TDD carriers at the low end and 5 MHz E-UTRA carriers at the high end adjacent to the already placed carriers until the *Base Station RF Bandwidth* is filled or the total number of supported carriers is reached. The nominal carrier spacing defined in clause 4.6 shall apply.

4.11.2.5.4 ATC3 power allocation

Set the power of each carrier to the same power so that the sum of the carrier powers equals $P_{\text{Rated,RAT,TABC}}$ according to the manufacturer's declaration in subclause 4.10.

4.11.2.6 ANTC3: UTRA and E-UTRA multi RAT non-contiguous operation

4.11.2.6.1 General

The purpose of ANTC3 is to test UTRA and E-UTRA multi RAT non-contiguous aspects.

If $P_{\text{Rated,t,TABC}}$ and total number of supported carriers are not simultaneously supported in Multi-RAT operations, two instances of ANTC3 shall be generated using the following values for $P_{\text{Rated,t,TABC}}$ and the total number of supported carriers:

- 1) $P_{\text{Rated,t,TAB}}$ and the reduced number of supported carriers (DUID26) at the rated total output power in Multi-RAT operations.
- 2) The reduced total output power at the total number of supported carriers in Multi-RAT operations (DUID27) at the total number of supported carriers (DUID25).

If the reduced number of supported carriers is 4 or more, only instance 1) of ANTC3 shall be used in the tests, otherwise both instances 1) and 2) of ANTC3 shall be used in the tests.

4.11.2.6.2 ANTC3a generation

ANTC3a is constructed using the following method:

- The *Base Station RF Bandwidth* of each supported operating band shall be the declared maximum *Base Station RF Bandwidth* for non-contiguous operation (D6.19) of the *TAB connector*. The *Base Station RF Bandwidth* consists of one *sub-block gap* and two sub-blocks located at the edges of the declared maximum *Base Station RF Bandwidth* for non-contiguous operation (D6.19).
- For transmitter tests, place an UTRA carrier at the lower *Base Station RF Bandwidth edge* and a 5 MHz E-UTRA carrier at the upper *Base Station RF Bandwidth edge*. The specified $F_{\text{Offset-RAT}}$ shall apply. If 5 MHz E-UTRA carriers are not supported by the *TAB connector*, the narrowest supported *channel bandwidth* shall be selected instead. The UTRA FDD may be shifted maximum 100 kHz towards lower frequencies to align with the channel raster.
- For receiver tests, place an UTRA carrier at the lower *Base Station RF Bandwidth edge* and a 5 MHz E-UTRA carrier at the upper *Base Station RF Bandwidth edge*. The specified $F_{\text{Offset-RAT}}$ shall apply. If 5 MHz E-UTRA carriers are not supported by the *TAB connector*, the narrowest supported *channel bandwidth* shall be selected instead. The UTRA FDD may be shifted maximum 100 kHz towards lower frequencies to align with the channel raster.
- For single-band operation receiver tests, if the remaining gap is at least 20 MHz plus the *channel bandwidth* of the E-UTRA carrier used in the previous step and the *TAB connector* supports at least 2 UTRA and 2 E-UTRA carriers, place a E-UTRA carrier of this *channel bandwidth* adjacent to the carrier at the lower *Base Station RF Bandwidth edge* and UTRA carrier adjacent to the carrier at the upper *Base Station RF Bandwidth edge*. The nominal carrier spacing defined in subclause 4.6 shall apply. The UTRA FDD may be shifted maximum 100 kHz towards higher frequencies to align with the channel raster.
- The sub-block edges adjacent to the *sub-block gap* shall be determined using the specified $F_{\text{Offset-RAT}}$ for the carrier adjacent to the *sub-block gap*.

4.11.2.6.3 ANTC3 power allocation

Set the power of each carrier to the same power so that the sum of the carrier powers equals the $P_{\text{Rated,t,TABC}}$ according to the cases in subclause 4.11.2.6.1.

4.11.2.7 ATC4: Single carrier for receiver tests

4.11.2.7.1 ATC4a generation

ATC4a is constructed using the following method:

- Place a single UTRA carrier in the middle of the maximum supported *Base Station RF Bandwidth*. The carrier may be shifted maximum 100 kHz towards lower frequencies for B_{RFBW} and M_{RFBW} and towards higher frequencies for T_{RFBW} to align with the channel raster.

4.11.2.7.2 ATC4b generation

ATC4b is constructed using the following method:

- Place the narrowest supported E-UTRA carrier in the middle of the maximum supported *Base Station RF Bandwidth*.

4.11.2.7.3 ATC4c generation

ATC4c is constructed using the following method:

- Place a single UTRA TDD carrier in the middle of the maximum supported *Base Station RF Bandwidth*.

4.11.2.7.4 ATC4d generation

ATC4d is constructed using the following method:

- Place a single NR carrier as specified in subclause 4.11.1a in the middle of the maximum radiated *Base Station RF Bandwidth*.

4.11.2.8 Generation of MB-MSR test configurations

4.11.2.8.1 ATC5a: MB-MSR test configuration for full carrier allocation

4.11.2.8.1.1 General

The purpose of ATC5a is to test *multi-band TAB connectors*, considering maximum supported number of carriers.

4.11.2.8.1.2 ATC5a generation

ATC5a is based on re-using the existing test configurations applicable per band on *multi-band TAB connectors*. ATC5a is constructed using the following method:

- The *Base Station RF Bandwidth* of each supported operating band shall be the declared maximum *Base Station RF Bandwidth* (see table 4.10-1, D6.17) of the *multi-band TAB connector*.
- The number of carriers of each supported operating band shall be the declared maximum number of supported carriers by the *multi-band TAB connector* in each band (see table 4.10-1, D6.25). Carriers shall first be placed at the outermost edges of the declared maximum *Radio Bandwidth* (see table 4.10-1, D6.16) Additional carriers shall next be placed at the edges of the *Base Station RF Bandwidths*, if possible.
- The allocated *Base Station RF Bandwidth* of the outermost bands shall be located at the outermost edges of the declared maximum *Radio Bandwidth* (see table 4.10-1, D6.16).
- Each concerned band shall be considered as an independent band and the carrier placement in each band shall be according to the test configuration referenced in Table 4.11.2.8.1.2-1, where the declared parameters for multi-band operation shall apply. The mirror image of the single band test configuration shall be used in the highest band being tested for the *TAB connector*.
- If a *multi-band TAB connector* supports three carriers only, two carriers shall be placed in one band according to the relevant test configuration while the remaining carrier shall be placed at the edge of the maximum *Radio Bandwidth* (DUID9) in the other band.

- If the sum of the maximum *Base Station RF bandwidths* of each of the supported operating bands is greater than the declared *Total RF Bandwidth* BW_{tot} (D6.76) of transmitter/receiver for the declared band combinations (see table 4.10-1, D6.41) of the *TAB connector* then repeat the steps above for test configurations where the *Base Station RF Bandwidth* of one of the operating band shall be reduced so that the declared *Total RF Bandwidth* of the *TAB connector* is not exceeded and vice versa.
- If the sum of the maximum number of supported carrier of each supported operating bands for the *multi-band TAB connector* is larger than the declared total number of supported carriers for the declared band combinations (see table 4.10-1, D6.42) of the AAS BS, repeat the steps above for test configurations where in each test configuration the number of carriers of one of the operating band shall be reduced so that the total number of supported carriers is not be exceeded and vice versa.

Table 4.11.2.8.1.2-1: The applicability of test configuration for carrier placement in each band

| BC | CSA 1 | CSA 2 | CSA 3 | CSA 3A | CSA 4 | CSA 5 |
|-----|-------|-------|-------|--------|-------|-------|
| BC1 | ATC1a | ATC2a | ATC3a | ATC6 | ATC1a | ATC2a |
| BC2 | ATC1a | ATC2a | ATC3a | ATC6 | ATC1a | ATC2a |
| BC3 | ATC1b | ATC2a | ATC3b | ATC6 | ATC1b | ATC2a |

4.11.2.8.1.3 ATC5a power allocation

Unless otherwise stated, set the power of each carrier ($P_{Rated,c,TABC}$) in all supported operating bands to the same power so that the sum of the carrier powers equals the rated total output power ($P_{Rated,MB,TABC}$) according to the manufacturer's declaration.

If the allocated power of a supported operating band(s) exceeds the declared rated total output power of the operating band(s) ($P_{Rated,MB,TABC}$) in multi-band operation, the exceeded part shall, if possible, be reallocated into the other band(s). If the power allocated for a carrier exceeds the rated carrier output power declared for that carrier ($P_{Rated,c,TABC}$), the exceeded power shall, if possible, be reallocated into the other carriers.

4.11.2.8.2 ATC5b: MB-MSR test configuration with high PSD per carrier

4.11.2.8.2.1 General

The purpose of ATC5b is to test multi-band operation aspects considering higher PSD cases with reduced number of carriers and non-contiguous operation (if supported) in multi-band mode.

4.11.2.8.2.2 ATC5b generation

ATC5b is based on re-using the existing test configurations applicable per band on *multi-band TAB connectors*. ATC5b is constructed using the following method:

- The *Base Station RF Bandwidth* of each supported operating band shall be the declared maximum *Base Station RF Bandwidth* (see table 4.10-1, D6.16) of the *multi-band TAB connector*.
- The allocated *Radio Bandwidth* of the outermost bands shall be located at the outermost edges of the declared maximum *Radio Bandwidth* (see table 4.10-1, D6.16).
- The maximum number of carriers is limited to two per band. Carriers shall be placed at the outermost edges of the declared maximum *Radio Bandwidth* (see table 4.10-1, D6.16).
- Each concerned band shall be considered as an independent band and the carrier placement in each band shall be according to the test configuration referenced in Table 4.11.2.8.2.2-1, where the declared parameters for multi-band operation shall apply. Narrowest supported E-UTRA *channel bandwidth* shall be used in the test configuration. The mirror image of the single band test configuration shall be used in the highest band being tested for the *TAB connector*.
- For AAS BS supporting CSA4 in the band, if a multi-band TAB connector supports three carriers only, two carriers shall be placed in one band according to AUTC2 while the remaining carrier shall be placed at the edge of the Maximum *Base Station RF Bandwidth* in the other band.

- If the sum of the maximum *Base Station RF bandwidths* of each of the supported operating bands is greater than the declared *Total RF Bandwidth* BW_{tot} (D6.76) of transmitter/receiver for the declared band combinations (see table 4.10-1, D6.41) of the *TAB connector* then repeat the steps above for test configurations where the *Base Station RF Bandwidth* of one of the operating band shall be reduced so that the declared *Total RF Bandwidth* of the *TAB connector* is not exceeded and vice versa.

Table 4.11.2.8.2.2-1: The applicability of test configuration for carrier placement in each band

| BC | CSA 1 | CSA 2 | CSA 3 | CSA 3A | CSA 4 | CSA 5 |
|-----|--------|-------|--------|--------|-------|-------|
| BC1 | ANTC1a | ANTC2 | ANTC3a | ANTC6 | ANTC1 | ANTC2 |
| BC2 | ANTC1a | ANTC2 | ANTC3a | ANTC6 | ANTC1 | ANTC2 |
| BC3 | ATC1b | ANTC2 | ANTC3a | ANTC6 | N/A | ANTC2 |

4.11.2.8.2.3 ATC5b power allocation

Unless otherwise stated, set the power of each carrier ($P_{Rated,c,TABC}$) in all supported operating bands to the same power so that the sum of the carrier powers equals the rated total output power ($P_{Rated,MB,TABC}$) according to the manufacturer's declaration.

If the allocated power of a supported operating band(s) exceeds the declared rated total output power of the operating band(s) ($P_{Rated,t,TABC}$) in multi-band operation, the exceeded part shall, if possible, be reallocated into the other band(s). If the power allocated for a carrier exceeds the rated carrier output power declared for that carrier ($P_{Rated,c,TABC}$), the exceeded power shall, if possible, be reallocated into the other carriers.

4.11.2.9 ATC6: E-UTRA and NR multi RAT operation

4.11.2.9.1 General

The purpose of ATC6 is to test E-UTRA and NR multi-RAT aspects.

If the rated total output power and total number of supported carriers are not simultaneously supported in Multi-RAT operations, two instances of ATC6 shall be generated using the following values for rated total output power and the total number of supported carriers:

- 1) The rated total output power and the reduced number of supported carriers at the rated total output power in Multi-RAT operations.
- 2) The reduced total output power at the total number of supported carriers in Multi-RAT operations and the total number of supported carriers.

Tests that use ATC6 shall be performed using both instances 1) and 2) of ATC6.

4.11.2.9.2 ATC6 generation

ATC6 is constructed using the following method:

- The *Base Station RF Bandwidth* of each supported operating band shall be the declared maximum *Base Station RF Bandwidth* (D6.17) of the *TAB connector*.
- Select a NR carrier as specified in subclause 4.11.1a to be placed at the lower *Base Station RF Bandwidth edge*. The specified $F_{Offset-RAT}$ shall apply.
- Place a 5 MHz E-UTRA carrier at the upper *Base Station RF Bandwidth edge*. If that is not possible use the narrowest E-UTRA carrier supported by the beam. The specified $F_{Offset-RAT}$ shall apply.
- For transmitter tests, alternately add NR carriers as specified in subclause 4.11.1a at the low end and 5 MHz E-UTRA carriers at the high end adjacent to the already placed carriers until the *Base Station RF Bandwidth* is filled or the total number of supported carriers (see table 4.10-1, D9.14) is reached. The nominal carrier spacing defined in subclause 4.6 shall apply.

4.11.2.9.3 ATC6 power allocation

Set the power of each carrier to the same power so that the sum of the carrier powers equals $P_{\text{Rated,RAT,TABC}}$ according to the manufacturer's declaration in subclause 4.10.

4.11.2.10 ANTC6: E-UTRA and NR multi RAT non-contiguous operation

4.11.2.10.1 General

The purpose of ANTC6 is to test E-UTRA and NR multi RAT non-contiguous aspects.

If $P_{\text{Rated,t,TABC}}$ and total number of supported carriers are not simultaneously supported in Multi-RAT operations, two instances of ANTC6 shall be generated using the following values for $P_{\text{Rated,t,TABC}}$ and the total number of supported carriers:

- 1) $P_{\text{Rated,t,TAB}}$ and the reduced number of supported carriers (DUID26) at the rated total output power in Multi-RAT operations.
- 2) The reduced total output power at the total number of supported carriers in Multi-RAT operations (DUID27) at the total number of supported carriers (DUID25).

If the reduced number of supported carriers is 4 or more, only instance 1) of ANTC6 shall be used in the tests, otherwise both instances 1) and 2) of ANTC6 shall be used in the tests.

4.11.2.10.2 ANTC6 generation

ANTC6 is constructed using the following method:

- The *Base Station RF Bandwidth* of each supported operating band shall be the declared maximum *Base Station RF Bandwidth* for non-contiguous operation (D6.19) of the *TAB connector*. The *Base Station RF Bandwidth* consists of one *sub-block gap* and two sub-blocks located at the edges of the declared maximum *Base Station RF Bandwidth* for non-contiguous operation (D6.19).
- For transmitter tests, place an NR carrier as specified in subclause 4.11.1a at the lower *Base Station RF Bandwidth edge* and a 5 MHz E-UTRA carrier at the upper *Base Station RF Bandwidth edge*. The specified $F_{\text{Offset-RAT}}$ shall apply. If 5 MHz E-UTRA carriers are not supported by the beam, the narrowest supported *channel bandwidth* shall be selected instead.
- For receiver tests, place a NR carrier as specified in subclause 4.11.1a at the lower *Base Station RF Bandwidth edge* and a 5 MHz E-UTRA carrier at the upper *Base Station RF Bandwidth edge*. The specified $F_{\text{Offset-RAT}}$ shall apply. If 5 MHz E-UTRA carriers are not supported by the beam, the narrowest supported *channel bandwidth* shall be selected instead.
- The sub-block edges adjacent to the sub-block gap shall be determined using the specified $F_{\text{Offset-RAT}}$ for the carrier adjacent to the sub-block gap.

4.11.2.10.3 ANTC6 power allocation

Set the power of each carrier to the same power so that the sum of the carrier powers equals the $P_{\text{Rated,t,TABC}}$ according to the cases in subclause 4.11.2.6.1.

4.11.2.11 ATC7: NR multicarrier operation

4.11.2.11.1 General

The purpose of ATC7 is to test NR multi-carrier aspects excluding CA occupied bandwidth.

4.11.2.11.2 ATC7 generation

ATC7 is constructed using the following method:

- The *Base Station RF Bandwidth* of each supported operating band shall be the declared maximum *Base Station RF Bandwidth* for contiguous operation (see table 4.10-1, D6.18) of the *TAB connector*.
- Select the NR carrier as specified in subclause 4.11.1a and place it adjacent to the low *Base Station RF Bandwidth edge*. Place a similar NR carrier adjacent to the high *Base Station RF Bandwidth edge*. The specified $F_{\text{Offset-RAT}}$ shall apply.
- For transmitter tests, select as many similar NR carriers that the *TAB connector* supports and that fit in the rest of the *Base Station RF Bandwidth*. Place the carriers adjacent to each other starting from the high *Base Station RF Bandwidth edge*. The nominal carrier spacing defined in subclause 4.6 shall apply. The specified $F_{\text{Offset-RAT}}$ shall apply.

The test configuration should be constructed on a per band basis for all component carriers of the inter-band CA bands declared to be supported by the *TAB connector* (see table 4.10-1, D6.29). All configured component carriers are transmitted simultaneously in the tests where the transmitter should be on.

4.11.2.11.3 ATC7 power allocation

Set the power of each carrier to the same power so that the sum of the carrier powers equals $P_{\text{rated,RAT,TABC}}$ for NR according to the manufacturer's declaration in subclause 4.10.

For a *TAB connector* declared to support only CA operation (see table 4.10-1, D6.22), set the power spectral density of each carrier to the same level so that the sum of the carrier powers equals the rated total output power ($P_{\text{Rated,t,TABC}}$) according to the manufacturer's declaration in subclause 4.10.

4.11.2.12 ANTC7: NR multicarrier non-contiguous operation

4.11.2.12.1 General

The purpose of ANTC7 is to test NR multicarrier non-contiguous aspects.

4.11.2.12.2 ANTC7 generation

ANTC7 is constructed using the following method:

- The *Base Station RF Bandwidth* of each supported operating band shall be the declared maximum *Base Station RF Bandwidth* for non-contiguous operation (D6.19) of the *TAB connector*. The *Base Station RF Bandwidth* consists of one *sub-block gap* and two sub-blocks located at the edges of the declared maximum *Base Station RF Bandwidth* (D.17).
- For transmitter tests, place a NR carrier as specified in subclause 4.11.1a adjacent to the upper *Base Station RF Bandwidth edge* and a similar NR carrier adjacent to the lower *Base Station RF Bandwidth edge*. The specified $F_{\text{Offset-RAT}}$ shall apply.
- For receiver tests, place a similar NR carrier adjacent to the upper *Base Station RF Bandwidth edge* and a similar NR carrier adjacent to the lower *Base Station RF Bandwidth edge*.
- The sub-block edges adjacent to the *sub-block gap* shall be determined using the specified $F_{\text{Offset-RAT}}$ for the carrier adjacent to the *sub-block gap*.

4.11.2.12.3 ANTC7 power allocation

Set the power of each carrier to the same power so that the sum of the carrier powers equals $P_{\text{rated,RAT,TABC}}$ according to the manufacturer's declaration in subclause 4.10.

4.12 RF channels and test models

4.12.1 RF channels

For single carrier tests unless otherwise stated the tests shall be performed with a single carrier at each of the RF channels B, M and T.

Many tests in this TS are performed with the maximum *Base Station RF Bandwidth* located at the bottom, middle and top of the supported frequency range in the operating band. These are denoted as B_{RFBW} (bottom), M_{RFBW} (middle) and T_{RFBW} (top).

Unless otherwise stated, the test shall be performed at B_{RFBW} , M_{RFBW} and T_{RFBW} defined as following:

- B_{RFBW} : maximum *Base Station RF Bandwidth* located at the bottom of the supported frequency range in the operating band.
- M_{RFBW} : maximum *Base Station RF Bandwidth* located in the middle of the supported frequency range in the operating band. M_{RFBW} may be shifted maximum 100 kHz towards lower frequencies to align carriers with the channel raster.
- T_{RFBW} : maximum *Base Station RF Bandwidth* located at the top of the supported frequency range in the operating band.

For the test of certain conducted RF requirements the present specification refers to test procedures defined in the single-RAT specifications [15], [14], [19]. In this case, the interpretation of the RF channels to be tested shall be according to the definitions in the corresponding single-RAT specifications [15], [14], [19].

Occupied bandwidth test in this TS is performed with the Aggregated Channel Bandwidth and sub-block bandwidths located at the bottom, middle and top of the supported frequency range in the operating band. These are denoted as $B_{\text{BW Channel CA}}$ (bottom), $M_{\text{BW Channel CA}}$ (middle) and $T_{\text{BW Channel CA}}$ (top) for contiguous spectrum operation.

Unless otherwise stated, the test for contiguous spectrum operation shall be performed at $B_{\text{BW Channel CA}}$, $M_{\text{BW Channel CA}}$ and $T_{\text{BW Channel CA}}$ defined as following:

- $B_{\text{BW Channel CA}}$: Aggregated Channel Bandwidth located at the bottom of the supported frequency range in each operating band;
- $M_{\text{BW Channel CA}}$: Aggregated Channel Bandwidth located close in the middle of the supported frequency range in each operating band, with the center frequency of each component carrier aligned to the channel raster;
- $T_{\text{BW Channel CA}}$: Aggregated Channel Bandwidth located at the top of the supported frequency range in each operating band.

For a *multi-band TAB connector* capable of dual-band operation, unless otherwise stated, the test shall be performed at $B_{\text{RFBW_T'RFBW}}$ and $B'_{\text{RFBW_T'RFBW}}$ defined as following:

- $B_{\text{RFBW_T'RFBW}}$: the *Base Station RF Bandwidths* located at the bottom of the supported frequency range in the lower operating band and at the highest possible simultaneous frequency position, within the maximum *Radio Bandwidth*, in the upper operating band.
- $B'_{\text{RFBW_T'RFBW}}$: the *Base Station RF Bandwidths* located at the top of the supported frequency range in the upper operating band and at the lowest possible simultaneous frequency position, within the maximum *Radio Bandwidth*, in the lower operating band.

NOTE: $B_{\text{RFBW_T'RFBW}} = B'_{\text{RFBW_T'RFBW}} = B_{\text{RFBW_T'RFBW}}$ when the declared maximum *Radio Bandwidth* (see table 4.10-1, D6.16) spans both operating bands. $B_{\text{RFBW_T'RFBW}}$ means the *Base Station RF Bandwidths* are located at the bottom of the supported frequency range in the lower operating band and at the top of the supported frequency range in the upper operating band.

When a test is performed by a test laboratory, the position of B, M and T for single carrier, B_{RFBW} , M_{RFBW} and T_{RFBW} for single band operation, $B_{\text{BW Channel CA}}$, $M_{\text{BW Channel CA}}$ and $T_{\text{BW Channel CA}}$ for contiguous spectrum operation in each supported operating band, the position of $B_{\text{RFBW_T'RFBW}}$ and $B'_{\text{RFBW_T'RFBW}}$ in the supported operating band combinations shall be specified by the laboratory. The laboratory may consult with operators, the manufacturer or other bodies.

4.12.2 Test models

a) Unless otherwise stated, carriers used for transmitter tests shall be configured as follows:

- UTRA FDD carriers shall be configured according to TM1 as defined in TS 25.141 [18], subclause 6.1.1.1.
- UTRA TDD carriers shall be configured according to table 6.1A as defined in TS 25.142 [20], subclause 6.2.4.1.2.
- E-UTRA carriers shall be configured according to E-TM1 as defined in subclause 6.1.1.1 of TS 36.141 [17], and data content of physical channels and signals as defined in subclause 6.1.2 of TS 36.141 [17].

For BC3 CS3 BS testing, E-UTRA carriers shall be configured according to E-TM1_BC3CS3 defined in Annex E of TS 37.141 [16].

- NR carriers shall be configured according to NR-FR1-TM1.1 as defined in subclause 4.9.2.2 of TS 38.141-1 [37], and data content of physical channels and signals as defined in subclause 4.9.2.3 of TS 38.141-1 [37].

For BC3 BS testing, NR carriers shall be configured according to NR-FR1-TM1_CS3 defined in Annex E of TS 37.141 [13].

b) The configuration of the carriers in test configurations used for testing modulation quality and frequency error shall be as follows:

- For the case that modulation accuracy is measured for UTRA FDD, the UTRA FDD carriers shall be configured according to the supported TM1 and TM4, as defined in TS 25.141 [18], subclause 6.1.1, whilst any remaining carriers from other RAT(s) shall be configured according to bullet a) above.
 - If HS-PDSCH transmission using 16QAM is supported, the UTRA FDD carriers shall be configured according to TM4 and TM5, as defined in TS 25.141 [18], subclauses 6.1.1.
- For the case that modulation accuracy is measured for UTRA TDD, the UTRA TDD carriers shall be configured according to the supported modulation in table 6.2A, table 6.39A, table 6.39B, table 6.39C, table 6.39D, table 6.40A, table 6.40B, table 6.41A, table 6.41B as defined in TS 25.142 [20], subclauses 6.3.4, 6.8.1, 6.8.2 and 6.8.3 whilst any remaining carriers from other RAT(s) shall be configured according to bullet a) above.
- For the case that modulation accuracy is measured for E-UTRA, the E-UTRA carriers shall be configured according to the supported E-TM3.1, E-TM3.2, E-TM3.3 and E-TM2 as defined in subclause 6.1.1 of TS 36.141 [17], and data content of physical channels and signals as defined in subclause 6.1.2 of TS 36.141 [17], whilst any remaining carriers from other RAT(s) shall be configured according to bullet a) above.
 - If transmission using 256QAM is supported, the E-UTRA carriers shall be configured according to E-TM 2a and E-TM3.1a as defined in subclause 6.1.1 of TS 36.141 [17], and data content of physical channels and signals as defined in subclause 6.1.2 of TS 36.141 [17].
 - If transmission using 1024QAM is supported, the E-UTRA carriers shall be configured according to E-TM2b and E-TM3.1b as defined in subclause 6.1.1 of TS 36.141 [17], and data content of physical channels and signals as defined in subclause 6.1.2 of TS 36.141 [17].

For BC3 CS3 BS testing, E-UTRA carriers shall be configured according to E-TM3.1_BC3CS3, E-TM3.2_BC3CS3, E-TM3.3_BC3CS3 and E-TM2_BC3CS3 defined in Annex E of TS 37.141 [16].

- For the case that modulation accuracy is measured for E-UTRA with sTTI, the E-UTRA carriers shall be configured according to the supported sE-TM3.1-1 and sE-TM2-1 (for subslot TTI), or sE-TM3.1-2 and sE-TM2-2 (for slot TTI) as defined in subclause 6.1.1 of TS 36.141 [17], and data content of physical channels and signals as defined in subclause 6.1.2 of TS 36.141 [17], whilst any remaining carriers from other RAT(s) shall be configured according to bullet a) above.
- For the case that modulation accuracy is measured for NR, the NR carriers shall be configured according to the supported NR-FR1-TM3.1, NR-FR1-TM3.2, NR-FR1-TM3.3 and NR-FR1-TM2 as defined in subclause 4.9.2.2 of TS 38.141-1 [37], and data content of physical channels and signals as defined in subclause 4.9.2.3 of TS 38.141-1 [37], whilst any remaining carriers from other RAT(s) shall be configured according to bullet a) above.
 - If transmission using 256QAM is supported, the NR carriers shall be configured according to E-TM2a and E-TM3.1a as defined in subclause 4.9.2.2 of TS 38.141-1 [37], and data content of physical channels and signals as defined in subclause 4.9.2.3 of TS 38.141-1 [37].

For BC3 BS testing, NR carriers shall be configured according to NR-FR1-TM3.1_BC3CS16/17, NR-FR1-TM3.1a_BC3CS16/17, NR-FR1-TM3.2_BC3CS16/17, NR-FR1-TM3.3_BC3CS16/17, NR-FR1-TM2_BC3CS16/17 and NR-FR1-TM2a_BC3CS16/17 defined in Annex E of TS 37.141 [13].

c) Unless otherwise stated, transmitter carriers used for receiver tests shall be configured as follows:

- UTRA FDD carriers shall be configured according to TM1 as defined in TS 25.141 [18], subclause 6.1.1.1.
- UTRA TDD carriers shall be configured according to table 6.1A as defined in TS 25.142 [20], subclause 6.2.4.1.2.
- E-UTRA carriers shall be configured according to E-TM1 as defined in subclause 6.1.1.1 of TS 36.141 [17], and data content of physical channels and signals as defined in subclause 6.1.2 of TS 36.141 [17]. For BC3 CS3 BS testing, E-UTRA carriers shall be configured according to E-TM1_BC3CS3 defined in Annex E of TS 37.141 [16].
- NR carriers shall be configured according to NR-FR1-TM1.1 as defined in subclause 4.9.2.2 of TS 38.141-1 [37], and data content of physical channels and signals as defined in subclause 4.9.2.3 of TS 38.141-1 [37].

For BC3 BS testing, NR carriers shall be configured according to NR-FR1-TM1.1_BC3CS16/17 defined in Annex E of TS 37.141 [16].

For the test of certain RF requirements clause 5 refers to the test configurations as defined in the single-RAT specifications. In this case, the transmitter test signals and test models as defined within the referred test specification for the RF requirement shall be used.

4.13 Format and interpretation of tests

Each test in the following clauses has a standard format:

X Title

All tests are applicable to all equipment within the scope of the present document, unless otherwise stated.

X.1 Definition and applicability

This subclause gives the general definition of the parameter under consideration and specifies whether the test is applicable to all equipment or only to a certain subset. Required manufacturer declarations may be included here.

X.2 Minimum requirement

This subclause contains the reference to the subclause to the 3GPP reference (or core) specification which defines the minimum requirement. For each requirement, there are separate references for MSR and single RAT, where applicable in the core requirement. If the requirement does not apply to a particular RAT, this is explicitly stated here (rather than through a reference).

X.3 Test purpose

This subclause defines the purpose of the test.

X.4 Method of test

X.4.1 General

In some cases there are alternative test procedures or initial conditions. In such cases, guidance for which initial conditions and test procedures can be applied are stated here. In the case only one test procedure is applicable, that is stated here. Guidance to which TAB connectors are subject to the test is also given here.

X.4.2y First test method

X.4.2y.1 Initial conditions

This subclause defines the initial conditions for each test, including the test environment, the RF channels to be tested and the basic measurement set-up. The test system is assumed to be correctly calibrated as part of the initial conditions. Calibration is not explicitly mentioned.

X.4.2y.2 Procedure

This subclause describes the steps necessary to perform the test and provides further details of the test definition like point of access (e.g. test port), domain (e.g. frequency-span), range, weighting (e.g. bandwidth), and algorithms (e.g. averaging). The procedure may comprise data processing of the measurement result before comparison with the test requirement (e.g. average result from several measurement positions).

X.4.3y Alternative test method (if any)

If there are alternative test methods, each is described with its initial conditions and procedures.

X.5 Test requirement

This subclause defines the pass/fail criteria for the equipment under test, see subclause 4.1.3 Interpretation of measurement results. Test requirements for every minimum requirement referred in subclause X.2 are listed here. Cases where minimum requirements do not apply need not be mentioned.

The test requirements may be different depending on the test method applied. A test requirement for each test method applicable to the respective MSR/Single RAT requirement is given in separate subclauses where applicable.

5 Applicability of Requirements

5.1 General

The present clause defines for each conducted test requirement the set of mandatory test configurations which shall be used for demonstrating conformance for each *TAB connector*.

Test configurations for *TAB connectors* supporting multiple RAT in the tested operating band are specified in subclause 5.2.

Test configurations for *TAB connectors* declared to support single RAT requirements (see table 4.10-1, D6.13) by either MSR requirements for UTRA only or E-UTRA only or with a single-RAT UTRA requirements or single RAT E-UTRA requirements are specified in subclause 5.3.

Test configurations for *Multi-band TAB connectors* are specified in subclause 5.4.

Requirements apply to *TAB connectors* according to the declared RAT Capability Set (see table 4.10-1, D6.12) within each supported operating band and capability set of the *TAB connector* and the Band Category of the declared operating band (see table 4.10-1, D6.1), as listed in the heading of each table. Some RF requirements listed in the tables may not be mandatory or they may apply only regionally. This is further specified for each requirement in subclauses 6 and 7, and in table 4.4-1.

For a declared RAT Capability Set (see table 4.10-1, D6.12) in tables 5.2-1, 5.3.2-1, 5.3.3-1, 5.3.4-1, 5.4.1-1 or 5.4.2.1 only the requirements listed in the column for that Capability Set apply. Requirements listed under CSA other than the declared CSA(s) need not be tested.

For a *TAB connector* declared to support MSR and to be capable of contiguous spectrum operation only, the test configuration(s) in tables 5.2-1 and 5.3.2-1 denoted by a "C" and entries that refer to single-RAT specifications shall be used for testing.

For a *TAB connector* that is declared: to support MSR and to be capable of contiguous and non-contiguous spectrum operation (see table 4.10-1, D6.14), where the parameters according to subclause 4.10 are identical for contiguous and non-contiguous operation (see table 4.10-1, D6.15), shall use for each declared operating band the test configuration(s) in tables 5.2-1 and 5.3.2-1 denoted by "CNC" and entries that refer to single-RAT specifications shall be used.

For a *TAB connector* that is declared: to support MSR and to be capable of contiguous and non-contiguous spectrum operation (see table 4.10-1, D6.14), where the parameters according to subclause 4.10 are not identical for contiguous and non-contiguous operation (see table 4.10-1, D6.15), shall use for each declared operating band the test configuration(s) in tables 5.2-1 and 5.3.2-1 denoted by "C/NC" and entries that refer to single-RAT specifications shall be used.

For a MSR capable *multi-band TAB connector* the applicability of the requirement for each operating band is determined by the RAT configuration within that operating band as identified in tables 5.2-1 and 5.3.2-1, unless otherwise stated. The testing of MSR capable *multi-band TAB connectors* shall be according to table 5.4.1-1 as follows:

- For requirements test denoted by SBT (Single Band Test), the test configuration(s) in tables 5.2-1 and 5.3.2-1 shall be used for each operating band depending on the RAT configuration within that band.
- For requirements test denoted by MBT (Multi-Band Test), the test configuration(s) in table 5.4.1-1 shall be used depending on the Band Category of the declared operating band combination.

For a single-RAT UTRA only *TAB connector* for each declared operating band subclause 5.3.3 defines for each conducted test requirement the set of mandatory test configurations which shall be used for demonstrating conformance. The applicable test configurations are specified in table 5.3.3-1 for each supported RF configuration, which shall be declared according to subclause 4.10. The generation and power allocation for each test configuration is defined in subclause 4.11.2.

For a single-RAT E-UTRA only *TAB connector* for each declared operating band subclause 5.3.4 defines for each conducted test requirement the set of mandatory test configurations which shall be used for demonstrating conformance. The applicable test configurations are specified in table 5.3.4-1 for each supported RF configuration, which shall be declared according to subclause 4.10. The generation and power allocation for each test configuration is defined in subclause 4.11.2.

For a *TAB connector* declared to be capable of single carrier operation only in an operating band (see table 4.10-1, D6.23), a single carrier (SC) shall be used for testing.

5.2 Test configurations for TAB connectors for operating bands where MSR is supported

Table 5.2-1: Test configuration applicability to requirements and capability sets for *TAB connectors* supporting MSR operation

| TAB connector test case | UTRA + E-UTRA (CSA3) | | | E-UTRA + NR (CSA3A) | | |
|--|--|---|-----------------|--|--|--|
| | BC1 | BC2 | BC3 | BC1 | BC2 | BC3 |
| 6.2 Base Station output power | - | - | - | | | |
| 6.2.2 Base Station maximum output power | C: ATC3a CNC: ATC3a C/NC: ATC3a, ANTC3a | C: ATC3a CNC: ATC3a C/NC: ATC3a, ANTC3a | C: ATC3b | C: ATC6 CNC: ATC6 C/NC: ATC6, ANTC6 | C: ATC6 CNC: ATC6 C/NC: ATC6, ANTC6 | C: ATC6 CNC: ATC6 C/NC: ATC6, ANTC6 |
| Additional regional requirement (only for band 34) | N/A | N/A | (note) | N/A | N/A | (note) |
| 6.2.3 UTRA FDD primary CPICH power | Subclause 5.3.3 | Subclause 5.3.3 | N/A | N/A | N/A | N/A |
| 6.2.3A UTRA FDD secondary CPICH power | Subclause 5.3.3 | Subclause 5.3.3 | N/A | N/A | N/A | N/A |
| 6.2.4 UTRA TDD primary CCPCH power | N/A | N/A | Subclause 5.3.3 | N/A | N/A | N/A |
| 6.2.6 E-UTRA DL RS power | Subclause 5.3.4 | Subclause 5.3.4 | Subclause 5.3.4 | Subclause 5.3.4 | Subclause 5.3.4 | Subclause 5.3.4 |
| 6.3 Output power dynamics | - | - | - | - | - | - |
| E-UTRA | Subclause 5.3.4 | Subclause 5.3.4 | Subclause 5.3.4 | Subclause 5.3.4 | Subclause 5.3.4 | Subclause 5.3.4 |
| UTRA FDD | Subclause 5.3.3 | Subclause 5.3.3 | N/A | N/A | N/A | N/A |
| UTRA TDD | N/A | N/A | Subclause 5.3.3 | N/A | N/A | N/A |
| NR | N/A | N/A | N/A | SC | SC | SC |
| 6.4 Transmit ON/OFF power | - | - | - | - | - | - |
| 6.4.1 Transmitter OFF power | N/A | N/A | C: ATC3b | N/A | N/A | C: ATC6 CNC: ATC6 C/NC: ATC6, ANTC6 |
| 6.4.2 Transmitter transient period | N/A | N/A | C: ATC3b | N/A | N/A | C: ATC6 CNC: ATC6 |

| TAB connector test case | UTRA + E-UTRA (CSA3) | | | E-UTRA + NR (CSA3A) | | |
|--|--|---|------------------------------------|--|--|--|
| | BC1 | BC2 | BC3 | BC1 | BC2 | BC3 |
| | | | | | | C/NC: ATC6, ANTC6 |
| 6.5 Transmitted signal quality | - | - | - | - | - | - |
| 6.5.2 Frequency error | - | - | - | - | - | - |
| E-UTRA | Same TC as used in subclause 6.5.4 | Same TC as used in subclause 6.5.4 | Same TC as used in subclause 6.5.4 | Same TC as used in subclause 6.5.4 | Same TC as used in subclause 6.5.4 | Same TC as used in subclause 6.5.4 |
| UTRA FDD | Same TC as used in subclause 6.5.4 | Same TC as used in subclause 6.5.4 | N/A | N/A | N/A | N/A |
| UTRA TDD | N/A | N/A | Same TC as used in subclause 6.5.4 | N/A | N/A | N/A |
| NR | N/A | N/A | N/A | Same TC as used in subclause 6.5.4 | Same TC as used in subclause 6.5.4 | Same TC as used in subclause 6.5.4 |
| 6.5.3 Time alignment error | - | - | - | - | - | - |
| E-UTRA | Subclause 5.3.4 | Subclause 5.3.4 | Subclause 5.3.4 | Subclause 5.3.4 | Subclause 5.3.4 | Subclause 5.3.4 |
| UTRA FDD | Subclause 5.3.3 | Subclause 5.3.3 | N/A | N/A | N/A | N/A |
| UTRA TDD | N/A | N/A | Subclause 5.3.3 | N/A | N/A | N/A |
| NR | N/A | N/A | N/A | ATC7 | ATC7 | ATC7, ANTC7 |
| 6.5.4 Modulation quality - EVM | - | - | - | - | - | - |
| E-UTRA | C: ATC3a CNC: ATC3a C/NC: ATC3a, ANTC3a | C: ATC3a CNC: ATC3a C/NC: ATC3a, ANTC3a | C: ATC3b | C: ATC6 CNC: ATC6 C/NC: ATC6, ANTC6 | C: ATC6 CNC: ATC6 C/NC: ATC6, ANTC6 | C: ATC6 CNC: ATC6 C/NC: ATC6, ANTC6 |
| UTRA FDD | C: ATC3a CNC: ATC3a C/NC: ATC3a, ANTC3a | C: ATC3a CNC: ATC3a C/NC: ATC3a, ANTC3a | N/A | N/A | N/A | N/A |
| UTRA TDD | N/A | N/A | C: ATC3b | N/A | N/A | N/A |
| NR | N/A | N/A | N/A | C: ATC6 CNC: ATC6 C/NC: ATC6, ANTC6 | C: ATC6 CNC: ATC6 C/NC: ATC6, ANTC6 | C: ATC6 CNC: ATC6 C/NC: ATC6, ANTC6 |
| 6.5.5 Transmit pulse shape filter | Not tested | Not tested | Not tested | Not tested | Not tested | Not tested |
| 6.6 Unwanted Emissions | - | - | - | - | - | - |
| 6.6.2 Occupied bandwidth | - | - | - | - | - | - |
| Minimum requirement | Subclause 5.3.3 Subclause 5.3.4 | Subclause 5.3.3 Subclause 5.3.4 | Subclause 5.3.3 Subclause 5.3.4 | Subclause 5.3.3 Subclause 5.3.4 | Subclause 5.3.3 Subclause 5.3.4 | Subclause 5.3.3 Subclause 5.3.4 |
| 6.6.3 Adjacent Channel Leakage power Ratio | - | - | - | - | - | - |

| TAB connector test case | UTRA + E-UTRA (CSA3) | | | E-UTRA + NR (CSA3A) | | |
|---|---|--|---|--|--|--|
| | BC1 | BC2 | BC3 | BC1 | BC2 | BC3 |
| E-UTRA | C: ATC2a CNC: ANTC2 C/NC:AT C2a, ANTC2 | C: ATC2a CNC: ANTC2 C/NC:ATC2a, ANTC2 | C: ATC2a CNC: ANTC2 C/NC:A TC2a, ANTC2 | C: ATC2a CNC: ANTC2 C/NC:AT C2a, ANTC2 | C: ATC2a CNC: ANTC2 C/NC:ATC2a, ANTC2 | C: ATC2a CNC: ANTC2 C/NC:A TC2a, ANTC2 |
| UTRA FDD | Subclause 5.3.3 | Subclause 5.3.3 | N/A | N/A | N/A | N/A |
| UTRA TDD | N/A | N/A | Subclau se 5.3.3 | N/A | N/A | N/A |
| NR | N/A | N/A | N/A | C: ATC7 CNC: ANTC7 C/NC: ATC7, ANTC7 | C: ATC7 CNC: ANTC7 C/NC: ATC7, ANTC7 | C: ATC7 CNC: ANTC7 C/NC: ATC7, ANTC7 |
| Cumulative ACLR | CNC: ANTC3a C/NC:AN TC3a | CNC: ANTC3a C/NC:ANTC3 a | | CNC: ANTC6 C/NC:AN TC6 | CNC: ANTC6 C/NC:ANTC6 | CNC: ANTC6 C/NC:A NTC6 |
| 6.6.5 | Operating band unwanted emission | - | - | - | - | - |
| General requirement for Band Categories 1 and 3 | Subclause 5.3.3 Subclause 5.3.4 C: ATC3a CNC: ATC3a, ANTC3a C/NC: ATC3a, ANTC3a | N/A | Subclau se 5.3.3 Subclau se 5.3.4 C: ATC3b | Subclaus e 5.3.3 Subclaus e 5.3.4 C: ATC6 CNC: ATC6, ANTC6 C/NC: ATC6, ANTC6 | N/A | Subclaus e 5.3.3 Subclaus e 5.3.4 C: ATC6 CNC: ATC6, ANTC6 C/NC: ATC6, ANTC6 |
| General requirement for Band Category 2 | N/A | Subclause 5.3.3 Subclause 5.3.4 C: ATC3a CNC: ATC3a, ANTC3a C/NC: ATC3a, ANTC3a | N/A | N/A | Subclause 5.3.3 Subclause 5.3.4 C: ATC6 CNC: ATC6, ANTC6 C/NC: ATC6, ANTC6 | N/A |
| Additional requirements | (note) | (note) | (note) | (note) | (note) | (note) |
| 6.6.6 | Spurious emission | - | - | - | - | - |
| (Category A) | C: ATC3a CNC: ANTC3a C/NC: ATC3a, ANTC3a | C: ATC3a CNC: ANTC3a C/NC: ATC3a, ANTC3a | C: ATC3b | C: ATC6 CNC: ANTC6 C/NC: ATC6, ANTC6 | C: ATC6 CNC: ANTC6 C/NC: ATC6, ANTC6 | C: ATC6 CNC: ANTC6 C/NC: ATC6, ANTC6 |
| (Category B) | C: ATC3a CNC: ANTC3a C/NC: ATC3a, ANTC3a | C: ATC3a CNC: ANTC3a C/NC: ATC3a, ANTC3a | C: ATC3b | C: ATC6 CNC: ANTC6 C/NC: ATC6, ANTC6 | C: ATC6 CNC: ANTC6 C/NC: ATC6, ANTC6 | C: ATC6 CNC: ANTC6 C/NC: ATC6, ANTC6 |
| Additional requirement for BC2 (Category B) | N/A | N/A | N/A | N/A | N/A | N/A |
| Protection of the BS receiver of own or different BS | C: ATC3a CNC: ANTC3a C/NC: ATC3a, ANTC3a | C: ATC3a CNC: ANTC3a C/NC: ATC3a, ANTC3a | C: ATC3b | C: ATC6 CNC: ANTC6 C/NC: ATC6, ANTC6 | C: ATC6 CNC: ANTC6 C/NC: ATC6, ANTC6 | C: ATC6 CNC: ANTC6 C/NC: ATC6, ANTC6 |

| TAB connector test case | UTRA + E-UTRA (CSA3) | | | E-UTRA + NR (CSA3A) | | |
|--|--|---|----------------------------------|---|--|--|
| | BC1 | BC2 | BC3 | BC1 | BC2 | BC3 |
| Additional spurious emissions requirements | C: ATC3a, CNC: ANTC3a, C/NC: ATC3a, ATC3a | C: ATC3a CNC: ANTC3a C/NC: ATC3a, ANTC3a | C: ATC3b | C: ATC6, CNC: ANTC6, C/NC: ATC6, ATC6 | C: ATC6 CNC: ANTC6 C/NC: ATC6, ANTC6 | C: ATC6 CNC: ANTC6 C/NC: ATC6, ANTC6 |
| Co-location with other Base Stations | C: ATC3a CNC: ANTC3a C/NC: ATC3a, ANTC3a | C: ATC3a CNC: ANTC3a C/NC: ATC3a, ANTC3a | C: ATC3b | C: ATC6 CNC: ANTC6 C/NC: ATC6, ANTC6 | C: ATC6 CNC: ANTC6 C/NC: ATC6, ANTC6 | C: ATC6 CNC: ANTC6 C/NC: ATC6, ANTC6 |
| 6.7 Transmitter intermodulation | - | - | - | - | - | - |
| General requirement | Same TC as used in subclause 6.6 | Same TC as used in subclause 6.6 | Same TC as used in subclause 6.6 | Same TC as used in subclause 6.6 | Same TC as used in subclause 6.6 | Same TC as used in subclause 6.6 |
| Additional requirement (BC1 and BC2) | CNC: ANTC3a C/NC: ANTC3a | Same TC as used in subclause 6.6 | N/A | CNC: ANTC6 C/NC: ANTC6 | Same TC as used in subclause 6.6 | N/A |
| Additional requirement (BC3) | N/A | N/A | Same TC as used in subclause 6.6 | N/A | N/A | Same TC as used in subclause 6.6 |
| 7.2 Reference sensitivity level | - | - | - | - | - | - |
| E-UTRA requirement | Subclause 5.3.4 | Subclause 5.3.4 | Subclause 5.3.4 | Subclause 5.3.4 | Subclause 5.3.4 | Subclause 5.3.4 |
| UTRA FDD requirement | Subclause 5.3.3 | Subclause 5.3.3 | N/A | N/A | N/A | N/A |
| UTRA TDD requirement | N/A | N/A | Subclause 5.3.3 | N/A | N/A | N/A |
| NR | N/A | N/A | N/A | SC | SC | SC |
| 7.3 Dynamic range | - | - | - | - | - | - |
| E-UTRA | Subclause 5.3.4 | Subclause 5.3.4 | Subclause 5.3.4 | Subclause 5.3.4 | Subclause 5.3.4 | Subclause 5.3.4 |
| UTRA FDD | Subclause 5.3.3 | Subclause 5.3.3 | N/A | N/A | N/A | N/A |
| UTRA TDD | N/A | N/A | Subclause 5.3.3 | N/A | N/A | N/A |
| NR | N/A | N/A | N/A | SC | SC | SC |
| 7.4 Adjacent channel selectivity and narrowband blocking | - | - | - | - | - | - |
| General blocking requirement | C: ATC3a CNC: ANTC3a C/NC: ATC3a, ANTC3a | C: ATC3a CNC: ANTC3a C/NC: ATC3a, ANTC3a | C: ATC3b | C: ATC6 CNC: ANTC6 C/NC: ATC6, ANTC6 | C: ATC6 CNC: ANTC6 C/NC: ATC6, ANTC6 | C: ATC6 CNC: ANTC6 C/NC: ATC6, ANTC6 |
| General narrowband blocking requirement | C: ATC3a, ATC4b CNC: ANTC3a, ATC4b C/NC: ATC3a, ANTC3a, ATC4b | C: ATC3a, ATC4b CNC: ANTC3a, ATC4b C/NC: ATC3a, ANTC3a, ATC4b | C: ATC3b, ATC4b | C: ATC6, ATC4b, ATC4d CNC: ANTC6, ATC4b, ATC4d C/NC: ATC6, ANTC6, ATC4b, ATC4d | C: ATC6, ATC4b, ATC4d CNC: ANTC6, ATC4b, ATC4d C/NC: ATC6, ANTC6, ATC4b, ATC4d | C: ATC6, ATC4b, ATC4d CNC: ANTC6, ATC4b, ATC4d C/NC: ATC6, ANTC6, ATC4b, ATC4d |

| TAB connector test case | UTRA + E-UTRA (CSA3) | | | E-UTRA + NR (CSA3A) | | |
|--|---|--|-----------------------|---|---|--|
| | BC1 | BC2 | BC3 | BC1 | BC2 | BC3 |
| Additional BC3 blocking minimum requirement | N/A | N/A | C: ATC3b | N/A | N/A | C: ATC6 CNC: ANTC6 C/NC: ATC6, ANTC6 |
| 7.5 Blocking | - | - | - | - | - | - |
| General requirement | C: ATC3a CNC: ANTC3a C/NC: ATC3a, ANTC3a | C: ATC3a CNC: ANTC3a C/NC: ATC3a, ANTC3a | C: ATC3b | C: ATC6 CNC: ANTC6 C/NC: ATC6, ANTC6 | C: ATC6 CNC: ANTC6 C/NC: ATC6, ANTC6 | C: ATC6 CNC: ANTC6 C/NC: ATC6, ANTC6 |
| Co-location requirement | C: ATC3a CNC: ANTC3a C/NC: ATC3a, ANTC3a | C: ATC3a CNC: ANTC3a C/NC: ATC3a, ANTC3a | C: ATC3b | C: ATC6 CNC: ANTC6 C/NC: ATC6, ANTC6 | C: ATC6 CNC: ANTC6 C/NC: ATC6, ANTC6 | C: ATC6 CNC: ANTC6 C/NC: ATC6, ANTC6 |
| 7.6 Receiver spurious emissions | - | - | - | - | - | - |
| General requirement | C: ATC3a CNC: ANTC3a C/NC: ATC3a, ANTC3a | C: ATC3a CNC: ANTC3a C/NC: ATC3a, ANTC3a | C: ATC3b | C: ATC6 CNC: ANTC6 C/NC: ATC6, ANTC6 | C: ATC6 CNC: ANTC6 C/NC: ATC6, ANTC6 | C: ATC6 CNC: ANTC6 C/NC: ATC6, ANTC6 |
| Additional requirement for BC2 (Category B) | N/A | N/A | N/A | N/A | N/A | N/A |
| 7.7 Receiver intermodulation | - | - | - | - | - | - |
| General intermodulation requirement | C: ATC3a CNC: ANTC3a C/NC: ATC3a, ANTC3a | C: ATC3a CNC ANTC3a C/NC: ATC3a, ANTC3a | C: ATC3b | C: ATC6 CNC: ANTC6 C/NC: ATC6, ANTC6 | C: ATC6 CNC ANTC6 C/NC: ATC6, ANTC6 | C: ATC6 CNC: ANTC6 C/NC: ATC6, ANTC6 |
| General narrowband intermodulation requirement | C: ATC3a, ATC4b CNC:ANT C3a, ATC4b C/NC: ATC3a, ANTC3a, ATC4b | C: ATC3a ATC4b CNC:ANTC3a ,ATC4b C/NC: ATC3a, ANTC3a; ATC4b | C: ATC3b, ATC4b | C: ATC6, ATC4b, ATC4d CNC:ANT C6, ATC4b, ATC4d C/NC: ATC6, ANTC6, ATC4b, ATC4d | C: ATC6 ATC4b, ATC4d CNC:ANTC6, ATC4b, ATC4d C/NC: ATC6, ANTC6; ATC4b, ATC4d | C: ATC6, ATC4b, ATC4d CNC: ANTC6 , ATC4b , ATC4d C/NC: ATC6, ANTC6, ATC4b, ATC4d |
| 7.8 In-channel selectivity | Subclause 5.3.4 | Subclause 5.3.4 | Subclau se 5.3.4 | - | - | - |
| E-UTRA requirement | Subclause 5.3.4 | Subclause 5.3.4 | Subclau se 5.3.4 | Subclaus e 5.3.4 | Subclause 5.3.4 | Subclau se 5.3.4 |
| NR requirement | N/A | N/A | N/A | SC | SC | SC |
| NOTE: Compliance stated by manufacturer declaration. | | | | | | |

5.3 Test configurations for multi-carrier capable TAB connector(s) in operating bands where one RAT capability sets are supported

5.3.1 General

A *TAB connector* may support only one RAT operation in an operating band by fulfilling different sets of requirements. Both UTRA and E-UTRA have two complete sets of requirements that may be fulfilled depending on whether the TAB connector is declared to be MSR or single RAT in the operating band. MSR and single RAT requirements are addressed separately by separate test requirements (and corresponding core requirements). They are also identified by different capability sets as described in subclauses 4.11 and 5.2.

5.3.2 TAB connector supporting one RAT only MSR in the operating band

This subclause contains test configuration applicability to requirements and capability sets for *TAB connectors* supporting one RAT only MSR operation operating with multiple carriers (MC).

Table 5.3.2-1: Test configuration applicability to requirements and capability sets for TAB connectors supporting one RAT only MSR operation

| Capability Set | | UTRA (MC) capable BS (CSA1) | | | E-UTRA (MC) capable BS (CSA2) | | |
|-------------------------|--|--|--|-----------------|---|---|---|
| TAB connector test case | | BC1 | BC2 | BC3 | BC1 | BC2 | BC3 |
| 6.2 | Base Station output power | - | - | - | - | - | - |
| 6.2.2 | Base Station maximum output power | C: ATC1a CNC: ATC1a C/NC: ATC1a, ANTC1a | C: ATC1a CNC: ATC1a C/NC: ATC1a, ANTC1a | C: ATC1b | C: ATC2a CNC: ATC2a C/NC: ATC2a, ANTC2 | C: ATC2a CNC: ATC2a C/NC: ATC2a, ANTC2 | C: ATC2a CNC: ATC2a C/NC: ATC2a, ANTC2 |
| | Additional regional requirement (only for band 34) | N/A | N/A | N/A | N/A | N/A | NOTE1 |
| 6.2.3 | UTRA FDD primary CPICH power | Subclause 5.3.3 | Subclause 5.3.3 | N/A | N/A | N/A | N/A |
| 6.2.3A | UTRA FDD secondary CPICH power | Subclause 5.3.3 | Subclause 5.3.3 | N/A | N/A | N/A | N/A |
| 6.2.4 | UTRA TDD primary CCPCH power | N/A | N/A | Subclause 5.3.3 | N/A | N/A | N/A |
| 6.2.5 | UTRA FDD additional CPICH power for MIMO mode | Subclause 5.3.3 | Subclause 5.3.3 | N/A | N/A | N/A | N/A |
| 6.2.6 | E-UTRA DL RS power | N/A | N/A | N/A | Subclause 5.3.4 | Subclause 5.3.4 | Subclause 5.3.4 |
| 6.3 | Output power dynamics | - | - | - | - | - | - |
| 6.3.2 | UTRA Inner loop power control in the downlink | N/A | N/A | N/A | Subclause 5.3.4 | Subclause 5.3.4 | Subclause 5.3.4 |
| 6.3.3 | Power control dynamic range | Subclause 5.3.3 | Subclause 5.3.3 | N/A | N/A | N/A | N/A |
| 6.3.4 | Total power dynamic range | N/A | N/A | Subclause 5.3.3 | N/A | N/A | N/A |
| 6.3.5 | IPDL time mask | Subclause 5.3.3 | Subclause 5.3.3 | N/A | | | |
| 6.3.6 | RE Power control dynamic range | N/A | N/A | N/A | Subclause 5.3.4 | Subclause 5.3.4 | Subclause 5.3.4 |
| 6.4 | Transmit ON/OFF power | - | - | - | - | - | - |
| 6.4.1 | Transmitter OFF power | N/A | N/A | C: ATC1b | N/A | N/A | C: ATC2a CNC: ATC2a C/NC: ATC2a, ANTC2 |
| 6.4.2 | Transmitter transient period | N/A | N/A | C: ATC1b | N/A | N/A | C: ATC2a CNC: ATC2a |

| Capability Set | | UTRA (MC) capable BS (CSA1) | | | E-UTRA (MC) capable BS (CSA2) | | |
|-------------------------|---|--|--|---|---|---|---|
| TAB connector test case | | BC1 | BC2 | BC3 | BC1 | BC2 | BC3 |
| | | | | | | | C/NC: ATC2a, ANTC2 |
| 6.5 | Transmitted signal quality | - | - | - | - | - | - |
| 6.5.2 | Frequency error | - | - | - | - | - | - |
| | E-UTRA | N/A | N/A | N/A | Same TC as used in subclause 6.5.4 | Same TC as used in subclause 6.5.4 | Same TC as used in subclause 6.5.4 |
| | UTRA FDD | Same TC as used in subclause 6.5.4 | Same TC as used in subclause 6.5.4 | N/A | N/A | N/A | N/A |
| | UTRA TDD | N/A | N/A | Same TC as used in subclause 6.5.1 | N/A | N/A | N/A |
| 6.5.3 | Time alignment error | - | - | - | - | - | - |
| | E-UTRA | N/A | N/A | N/A | Subclause 5.3.4 | Subclause 5.3.4 | Subclause 5.3.4 |
| | UTRA FDD | Subclause 5.3.3 | Subclause 5.3.3 | N/A | N/A | N/A | N/A |
| | UTRA TDD | N/A | N/A | Subclause 5.3.3 | N/A | N/A | N/A |
| 6.5.4 | Modulation quality - EVM | - | - | - | - | - | - |
| | E-UTRA | N/A | N/A | N/A | C: ATC2a CNC: ATC2a C/NC: ATC2a, ANTC2 | C: ATC2a CNC: ATC2a C/NC: ATC2a, ANTC2 | C: ATC2a CNC: ATC2aC/N C: ATC2a, ANTC2 |
| | UTRA FDD | C: ATC1a CNC: ATC1a C/NC: ATC1a, ANTC1a | C: ATC1a CNC: ATC1a C/NC: ATC1a, ANTC1a | N/A | N/A | N/A | N/A |
| | UTRA TDD | N/A | N/A | C: ATC1b | N/A | N/A | N/A |
| 6.5.5 | Transmit pulse shape filter | Not tested | Not tested | Not tested | Not tested | Not tested | Not tested |
| 6.6 | Unwanted Emissions | - | - | - | - | - | - |
| 6.6.2 | Occupied bandwidth | - | - | - | - | - | - |
| | Minimum requirement | Subclause 5.3.3 | Subclause 5.3.3 | Subclause 5.3.3 | Subclause 5.3.4 | Subclause 5.3.4 | Subclause 5.3.4 |
| 6.6.3 | Adjacent Channel Leakage power Ratio | | - | - | - | - | - |
| | E-UTRA | N/A | N/A | N/A | C: ATC2a CNC: ANTC2 C/NC: ATC2a, ANTC2 | C: ATC2a CNC: ANTC2 C/NC: ATC2a, ANTC2 | C: ATC2a CNC: ANTC2 C/NC: ATC2a, ANTC2 |
| | UTRA FDD | Subclause 5.3.3 | Subclause 5.3.3 | N/A | N/A | N/A | N/A |
| | UTRA TDD | N/A | N/A | Subclause 5.3.3 | N/A | N/A | N/A |
| | Cumulative ACLR | CNC: ANTC1a C/NC: ANTC1a | CNC: ANTC1a C/NC: ANTC1a | - | CNC: ANTC2 C/NC: ANTC2 | CNC: ANTC2 C/NC: ANTC2 | CNC: ANTC2 C/NC: ANTC2 |
| 6.6.4 | Spectrum emission mask | | | | | | |
| 6.6.5 | Operating band unwanted emission | - | - | - | - | - | - |
| | General requirement for Band Categories 1 and 3 | Subclause 5.3.3 C: ATC1a CNC: | N/A | Subclause 5.3.3 C: ATC1b | Subclause 5.3.4 C: ATC2a CNC: | N/A | Subclause 5.3.4 C: ATC2a CNC: |

| Capability Set | | UTRA (MC) capable BS (CSA1) | | | E-UTRA (MC) capable BS (CSA2) | | |
|-------------------------|--|---|--|----------------------------------|---|--|---|
| TAB connector test case | | BC1 | BC2 | BC3 | BC1 | BC2 | BC3 |
| | | ATC1a, ANTC1a C/NC: ATC1a, ANTC1a | | | ATC2a, ANTC2 C/NC: ATC2a, ANTC2 | | ATC2a, ANTC2 C/NC: ATC2a, ANTC2 |
| | General requirement for Band Category 2 | N/A | Subclause 5.3.3 C: ATC1a CNC: ATC1a, ANTC1a C/NC: ATC1a, ANTC1a | N/A | N/A | Subclause 5.3.4 C: ATC2a CNC: ATC2a, ANTC2 C/NC: ATC2a, ANTC2 | N/A |
| | Additional requirements | (note) | (note) | (note) | (note) | (note) | (note) |
| 6.6.6 | Spurious emission | - | - | - | - | - | - |
| | (Category A) | C: ATC1a CNC: ANTC1a C/NC: ATC1a, ANTC1a | C: ATC1a CNC: ANTC1a C/NC: ATC1a, ANTC1a | C: ATC1b | C: ATC2a CNC: ANTC2 C/NC: ATC2a, ANTC2 | C: ATC2a CNC: ANTC2 C/NC: ATC2a, ANTC2 | C: ATC2a CNC: ANTC2 C/NC: ATC2a, ANTC2 |
| | (Category B) | C: ATC1a CNC: ANTC1a C/NC: ATC1a, ANTC1a | C: ATC1a CNC: ANTC1a C/NC: ATC1a, ANTC1a | C: ATC1b | C: ATC2a CNC: ANTC2 C/NC: ATC2a, ANTC2 | C: ATC2a CNC: ANTC2 C/NC: ATC2a, ANTC2 | C: ATC2a CNC: ANTC2 C/NC: ATC2a, ANTC2 |
| | Additional requirement for BC2 (Category B) | N/A | N/A | N/A | N/A | N/A | N/A |
| | Protection of the BS receiver of own or different BS | C: ATC1a CNC: ANTC1a C/NC: ATC1a, ANTC1a | C: ATC1a CNC: ANTC1a C/NC: ATC1a, ANTC1a | C: ATC1b | C: ATC2a CNC: ANTC2 C/NC: ATC2a, ANTC2 | C: ATC2a CNC: ANTC2 C/NC: ATC2a, ANTC2 | C: ATC2a CNC: ANTC2 C/NC: ATC2a, ANTC2 |
| | Additional spurious emissions requirements | C: ATC1a CNC: ANTC1a C/NC: ATC1a, ANTC1a | C: ATC1a CNC: ANTC1a C/NC: ATC1a, ANTC1a | C: ATC1b | C: ATC2a CNC: ANTC2 C/NC: ATC2a, ANTC2 | C: ATC2a CNC: ANTC2 C/NC: ATC2a, ANTC2 | C: ATC2a CNC: ANTC2 C/NC: ATC2a, ANTC2 |
| | Co-location with other Base Stations | C: ATC1a CNC: ANTC1a C/NC: ATC1a, ANTC1a | C: ATC1a CNC: ANTC1a C/NC: ATC1a, ANTC1a | C: ATC1b | C: ATC2a CNC: ANTC2 C/NC: ATC2a, ANTC2 | C: ATC2a CNC: ANTC2 C/NC: ATC2a, ANTC2 | C: ATC2a CNC: ANTC2C/N C: ATC2a, ANTC2 |
| 6.7 | Transmitter intermodulation | - | - | - | - | - | - |
| | General requirement | Same TC as used in subclause 6.6 | Same TC as used in subclause 6.6 | Same TC as used in subclause 6.6 | Same TC as used in subclause 6.6 | Same TC as used in subclause 6.6 | Same TC as used in subclause 6.6 |
| | Additional requirement (BC1 and BC2) | CNC: ANTC1a C/NC:ANTC1a | Same TC as used in 6.6 | N/A | CNC: ANTC2 C/NC: ANTC2 | Same TC as used in 6.6 | N/A |
| | Additional requirement (BC3) | N/A | N/A | Same TC as used in subclause 6.6 | N/A | N/A | Same TC as used in 6.6 |
| 7.2 | Reference sensitivity level | - | - | - | - | - | - |
| | E-UTRA requirement | N/A | N/A | N/A | Subclause 5.3.4 | Subclause 5.3.4 | Subclause 5.3.4 |
| | UTRA FDD requirement | Subclause 5.3.3 | Subclause 5.3.3 | N/A | N/A | N/A | N/A |

| Capability Set | | UTRA (MC) capable BS (CSA1) | | | E-UTRA (MC) capable BS (CSA2) | | |
|-------------------------|--|---|--|--------------------|--|---|---|
| TAB connector test case | | BC1 | BC2 | BC3 | BC1 | BC2 | BC3 |
| | UTRA TDD requirement | N/A | N/A | Subclause 5.3.3 | N/A | N/A | N/A |
| 7.3 | Dynamic range | - | - | - | - | - | - |
| | E-UTRA | N/A | N/A | N/A | Subclause 5.3.4 | Subclause 5.3.4 | Subclause 5.3.4 |
| | UTRA FDD | Subclause 5.3.3 | Subclause 5.3.3 | N/A | N/A | N/A | N/A |
| | UTRA TDD | N/A | N/A | Subclause 5.3.3 | N/A | N/A | N/A |
| 7.4 | Adjacent channel selectivity and narrowband blocking | - | - | - | - | - | - |
| | General blocking requirement | C: ATC1a CNC: ANTC1a C/NC: ATC1a , ANTC1a | C: ATC1a, ATC4aCN C: ANTC1a C/NC: ATC1a , ANTC1a | C: ATC1b ATC4c | C: ATC2a CNC: ANTC2 C/NC: ATC2a, ANTC2 | C: ATC2a CNC: ANTC2 C/NC: ATC2a, ANTC2 | C: ATC2a CNC: ANTC2 C/NC: ATC2a, ANTC2 |
| | General narrowband blocking requirement | C: ATC1a, ATC4a CNC: ANTC1a, ATC4a C/NC: ATC1a, ANTC1a, ATC4a | C: ATC1a, ATC4a CNC:ANTC 1a, ATC4a C/NC: ATC1a, ANTC1a, ATC4a | C: ATC1b ATC4c | C: ATC2a, ATC4b CNC:ANTC 2, ATC4b C/NC: ATC2a, ANTC2 | C: ATC2a, ATC4b CNC: ANTC2, ATC4b C/NC: ATC2a, ANTC2, ATC4b | C: ATC2a, ATC4b CNC: ANTC2, ATC4b C/NC: ATC2a, ANTC2, ATC4b |
| | Additional BC3 blocking minimum requirement | N/A | N/A | C: ATC1b | N/A | N/A | C: ATC2a CNC: ANTC2 C/NC: ATC2a, ANTC2 |
| 7.5 | Blocking | - | - | - | - | - | - |
| | General requirement | C: ATC1a CNC: ANTC1a C/NC: ATC1a, ANTC1a | C: ATC1a CNC: ANTC1a C/NC: ATC1a, ANTC1a | C: ATC1b | C: ATC2a CNC: ANTC2 C/NC: ATC2a, ANTC2 | C: ATC2a CNC: ANTC2 C/NC: ATC2a, ANTC2 | C: ATC2a CNC: ANTC2 C/NC: ATC2a, ANTC2 |
| | Co-location requirement | C: ATC1a CNC: ANTC1a C/NC: ATC1a, ANTC1a | C: ATC1a CNC: ANTC1a C/NC: ATC1a, ANTC1a | C: ATC1b | C: ATC2a CNC: ANTC2 C/NC: ATC2a, ANTC2 | C: ATC2a CNC: ANTC2 C/NC: ATC2a, ANTC2 | C: ATC2a CNC: ANTC2 C/NC: ATC2a, ANTC2 |
| 7.6 | Receiver spurious emissions | - | - | - | - | - | - |
| | General requirement | C: ATC1a CNC: ANTC1a C/NC: ATC1a, ANTC1a | C: ATC1a CNC: ANTC1a C/NC: ATC1a, ANTC1a | C: ATC1b | C: ATC2a CNC: ANTC2 C/NC: ATC2a, ANTC2 | C: ATC2a CNC: ANTC2 C/NC: ATC2a, ANTC2 | C: ATC2a CNC: ANTC2 C/NC: ATC2a, ANTC2 |
| | Additional requirement for BC2 (Category B) | N/A | N/A | N/A | N/A | N/A | N/A |
| 7.7 | Receiver intermodulation | - | - | - | - | - | - |
| | General intermodulation requirement | C: ATC1a CNC: ANTC1a C/NC: ATC1a , ANTC1a | C: ATC1a CNC: ANTC1a C/NC: ATC1a , ANTC1a | C: ATC1b | C: ATC2a CNC: ANTC2 C/NC: ATC2a, ANTC2 | C: ATC2a CNC: ANTC2 C/NC: ATC2a, ANTC2 | C: ATC2a CNC: ANTC2 C/NC: ATC2a, ANTC2 |
| | General narrowband intermodulation requirement | C: ATC1a, ATC4a CNC:ANTC 1a, ATC4a C/NC: | C: ATC1a, ATC4a CNC:ANTC 1a, ATC4a C/NC: | C: ATC1b, ATC4c | C: ATC2a, ATC4b CNC: ANTC2, ATC4b | C: ATC2a, ATC4b CNC: ANTC2, ATC4b | C: ATC2a, ATC4b CNC: ANTC2, ATC4b |

| Capability Set | | UTRA (MC) capable BS (CSA1) | | | E-UTRA (MC) capable BS (CSA2) | | |
|-------------------------|------------------------|-----------------------------|----------------------------|-----|------------------------------------|------------------------------------|------------------------------------|
| TAB connector test case | | BC1 | BC2 | BC3 | BC1 | BC2 | BC3 |
| | | ATC1a, ANTC1a, ATC4a | ATC1a, ANTC1a, ATC4a | | C/NC: ATC2a, ANTC2, ATC4b | C/NC: ATC2a, ANTC2, ATC4b | C/NC: ATC2a, ANTC2, ATC4b |
| 7.8 | In-channel selectivity | - | - | - | - | - | - |
| | E-UTRA requirement | N/A | N/A | N/A | Subclause 5.3.4 | Subclause 5.3.4 | Subclause 5.3.4 |

NOTE: Compliance stated by manufacturer.

5.3.3 TAB connector supporting Single-RAT UTRA in the operating band

This subclause contains the test configurations for TAB connectors supporting single-RAT UTRA in the operating band. The test configurations apply to *TAB connectors* operating with multiple carriers (MC).

For a *TAB connector* declared to support multi-carrier operation in contiguous spectrum operation in single band only, the test configurations in the second column of table 5.3.3-1 for FDD, and in the fifth column of table 5.3.3-1 for TDD, shall be used for testing.

NOTE: The applicability of test configurations for TDD in this subclause is only applicable to UTRA TDD 1,28 Mcps option.

For FDD a *TAB connector* declared to support multi-carrier operation in contiguous and non-contiguous spectrum in single band and where the parameters in the manufacture's declaration according to subclause 4.10 are identical for contiguous (C) and non-contiguous (NC) spectrum operation, the test configurations in the third column of table 5.3.3-1 shall be used for testing.

For FDD a *TAB connector* declared to support multi-carrier operation in contiguous and non-contiguous spectrum in single band and where the parameters in the manufacture's declaration according to subclause 4.10 are not identical for contiguous and non-contiguous spectrum operation, the test configurations in the fourth column of table 5.3.3-1 shall be used for testing.

Table 5.3.3-1: Test configurations for a *TAB connector* supporting single-RAT UTRA operation

| TAB connector test case | | Single-RAT UTRA FDD MC capable TAB connector (CSA4) C capable only | Single-RAT UTRA FDD MC capable TAB connector (CSA4) C and NC capable with identical parameters | Single-RAT UTRA FDD MC capable TAB connector (CSA4) C and NC capable with different parameters | Single-RAT UTRA TDD MC capable TAB connector (CSA4) C capable only |
|-------------------------|---|---|--|--|---|
| 6.2 | Base Station output power | - | - | - | - |
| 6.2.2 | Base Station maximum output power | ATC1a | ATC1a | ATC1a, ANTC1 | ATC1b |
| 6.2.3 | UTRA FDD primary CPICH power | SC | SC | SC | N/A |
| 6.2.3A | UTRA FDD secondary CPICH power | SC | SC | SC | N/A |
| 6.2.4 | UTRA TDD primary CCPCH power | N/A | N/A | N/A | SC |
| 6.3 | Output power dynamics | - | - | - | - |
| 6.3.2 | UTRA Inner loop power control in the downlink | SC | SC | SC | SC |
| 6.3.3 | Power control dynamic range | SC | SC | SC | SC |
| 6.3.4 | Total power dynamic range | SC or ATC1a | SC or ATC1a | SC or ATC1a | N/A |
| 6.3.5 | IPDL time mask | SC | SC | SC | N/A |
| 6.4 | Transmit ON/OFF power | N/A | N/A | N/A | ATC1b |
| 6.5 | Transmitted signal quality | - | - | - | - |
| 6.5.2 | Frequency error | ATC1a | ATC1a | ATC1a, ANTC1 | ATC1b |
| 6.5.3 | Time alignment error | ATC1a | ATC1a | ATC1a, ANTC1 | ATC1b |
| 6.5.4 | Modulation quality - EVM | ATC1a | ATC1a | ATC1a, ANTC1 | ATC1b |
| 6.5.4 | Modulation quality - PCDE | ATC1a | ATC1a | ATC1a, ANTC1 | ATC1b |

| TAB connector test case | | Single-RAT UTRA FDD MC capable TAB connector (CSA4) C capable only | Single-RAT UTRA FDD MC capable TAB connector (CSA4) C and NC capable with identical parameters | Single-RAT UTRA FDD MC capable TAB connector (CSA4) C and NC capable with different parameters | Single-RAT UTRA TDD MC capable TAB connector (CSA4) C capable only |
|-------------------------|--|--|--|--|--|
| 6.5.4 | Modulation quality - RCDE | ATC1a | ATC1a | ATC1a | ATC1b |
| 6.5.5 | Transmit pulse shape filter | Not tested | Not tested | Not tested | Not tested |
| 6.6 | Unwanted Emissions | - | - | - | - |
| 6.6.2 | Occupied bandwidth | SC | SC | SC | SC |
| 6.6.3 | Adjacent Channel Leakage power Ratio | ATC1a | ANTC1 | ATC1a, ANTC1 | ATC1b |
| | Cumulative ACLR | - | ANTC1 | ANTC1 | N/A |
| 6.6.4 | Spectrum emission mask | ATC1a | ATC1a, ANTC1 | ATC1a, ANTC1 | ATC1b |
| 6.6.6 | Spurious emission | ATC1a | ANTC1 | ATC1a, ANTC1 | ATC1b |
| 6.7 | Transmitter intermodulation | ATC1a | ATC1a, ANTC1 | ATC1a, ANTC1 | ATC1b |
| 7.2 | Reference sensitivity level | SC | SC | SC | SC |
| 7.3 | Dynamic range | SC | SC | SC | SC |
| 7.4 | Adjacent channel selectivity and narrowband blocking | ATC1a | ANTC1 | ATC1a, ANTC1 | ATC1b |
| 7.5 | Blocking | ATC1a | ANTC1 | ATC1a, ANTC1 | ATC1b |
| 7.6 | Receiver spurious emissions | ATC1a | ANTC1 | ATC1a, ANTC1 | ATC1b |
| 7.7 | Receiver intermodulation | ATC1a | ANTC1 | ATC1a, ANTC1 | ATC1b |

5.3.4 TAB connector supporting Single-RAT E-UTRA in the operating band

This subclause contains the test configurations for TAB connectors supporting single-RAT E-UTRA in the operating band. The test configurations apply to *TAB connectors* operating with multiple carriers (MC).

For a *TAB connector* declared to support multi-carrier and/or CA operation in contiguous spectrum operation in single band only, the test configurations in the second column of table 5.3.4-1 shall be used for testing.

For a *TAB connector* declared to support multi-carrier and/or CA operation in contiguous and non-contiguous spectrum in single band and where the parameters in the manufacturer's declaration according to subclause 4.10 are identical for contiguous (C) and non-contiguous (NC) spectrum operation, the test configurations in the third column of table 5.3.4-1 shall be used for testing.

For a *TAB connector* declared to support multi-carrier and/or CA in contiguous and non-contiguous spectrum in single band and where the parameters in the manufacturer's declaration according to subclause 4.10 are not identical for contiguous and non-contiguous spectrum operation, the test configurations in the fourth column of table 5.3.4-1 shall be used for testing.

Table 5.3.4-1: Test configurations for a *TAB connector* supporting single-RAT E-UTRA operation capable of both contiguous and non-contiguous spectrum in multi-carrier and/or CA operation in single band

| TAB connector test case | | Single-RAT E-UTRA MC capable TAB connector (CSA5) C capable only | Single-RAT E-UTRA MC capable TAB connector (CSA5) C and NC capable BS with identical parameters (CNC) | Single-RAT E-UTRA MC capable TAB connector (CSA5) C and NC capable BS with different parameters (CNC) |
|-------------------------|-----------------------------------|--|---|---|
| 6.2 | Base Station output power | - | - | - |
| 6.2.2 | Base Station maximum output power | ATC2a | ATC2a | ATC2a, ANTC2 |
| 6.2.6 | E-UTRA DL RS power | SC | SC | SC |
| 6.3 | Output power dynamics | - | - | - |

| TAB connector test case | | Single-RAT E-UTRA MC capable TAB connector (CSA5) C capable only | Single-RAT E-UTRA MC capable TAB connector (CSA5) C and NC capable BS with identical parameters (CNC) | Single-RAT E-UTRA MC capable TAB connector (CSA5) C and NC capable BS with different parameters (CNC) |
|---|--|--|---|---|
| 6.3.4 | Total power dynamic range | SC | SC | SC |
| 6.3.6 | RE Power control dynamic range | Tested with Error Vector Magnitude | Tested with Error Vector Magnitude | Tested with Error Vector Magnitude |
| 6.4 | Transmit ON/OFF power | ATC2a | ATC2a | ATC2a, ANTC2 |
| 6.5 | Transmitted signal quality | - | - | - |
| 6.5.2 | Frequency error | Tested with Error Vector Magnitude | Tested with Error Vector Magnitude | Tested with Error Vector Magnitude |
| 6.5.3 | Time alignment error | ATC2a | ATC2a | ATC2a, ANTC2 |
| 6.5.4 | Modulation quality - EVM | ATC2a | ATC2a | ATC2a, ANTC2 |
| 6.5.5 | Transmit pulse shape filter | Not Tested | Not Tested | Not Tested |
| 6.6 | Unwanted Emissions | - | - | - |
| 6.6.2 | Occupied bandwidth | SC, ATC2b (Note) | SC, ATC2b (Note) | SC, ATC2b (Note) |
| 6.6.3 | Adjacent Channel Leakage power Ratio | ATC2a | ANTC2 | ATC2a, ANTC2 |
| 6.6.3 | Cumulative ACLR | - | ANTC2 | ANTC2 |
| 6.6.5 | Operating band unwanted emission | ATC2a | ATC2a, ANTC2 | ATC2a, ANTC2 |
| 6.6.6 | Spurious emission | ATC2a | ANTC2 | ATC2a, ANTC2 |
| 6.7 | Transmitter intermodulation | ATC2a | Same TC as used in 6.6 | Same TC as used in 6.6 |
| 7.2 | Reference sensitivity level | SC | SC | SC |
| 7.3 | Dynamic range | SC | SC | SC |
| 7.4 | Adjacent channel selectivity and narrowband blocking | ATC2a | ANTC2 | ATC2a, ANTC2 |
| 7.5 | Blocking | ATC2a | ANTC2 | ATC2a, ANTC2 |
| 7.6 | Receiver spurious emissions | ATC2a | ANTC2 | ATC2a, ANTC2 |
| 7.7 | Receiver intermodulation | ATC2a | ANTC2 | ATC2a, ANTC2 |
| 7.8 | In-channel selectivity | SC | SC | SC |
| NOTE: ATC2b is only applicable when contiguous CA is supported. | | | | |

5.4 Test configurations for *Multi-band TAB connectors*

5.4.1 Multi-band TAB connector supporting MSR operation

Table 5.4.1-1: Test configuration for *multi-band TAB connectors* supporting MSR operation

| TAB connector test case | | Test for <i>Multi-Band TAB connector</i> CSA1, CSA2, CSA3, CSA3A | Test configuration for MBT | |
|-------------------------|--|--|----------------------------|-------|
| | | | BC1/BC2 | BC3 |
| 6.2 | Base Station output power | - | - | - |
| 6.2.2 | Base Station maximum output power | SBT, MBT | ATC5a | ATC5a |
| | Additional regional requirement (only for band 34) | Compliance by declaration | N/A | - |
| 6.2.3 | UTRA FDD primary CPICH power | SBT | - | - |
| 6.2.3A | UTRA FDD secondary CPICH power | | | |
| 6.2.4 | UTRA FDD primary CPICH power | SBT | - | - |
| 6.2.5 | UTRA FDD additional CPICH power for MIMO mode | | | |
| 6.2.6 | E-UTRA DL RS power | E-UTRA for DL RS power | SBT | - |
| 6.3 | Output power dynamics | - | - | - |
| 6.3.2 | UTRA Inner loop power control in the downlink | SBT | - | - |
| 6.3.3 | Power control dynamic range | SBT | - | - |
| 6.3.4 | Total power dynamic range | SBT | - | N/A |

| TAB connector test case | | Test for <i>Multi-Band TAB connector</i> CSA1, CSA2, CSA3, CSA3A | Test configuration for MBT | |
|-------------------------|--|--|----------------------------|-------|
| | | | BC1/BC2 | BC3 |
| 6.3.5 | IPDL time mask | SBT | - | N/A |
| 6.3.6 | RE Power control dynamic range | SBT | - | N/A |
| 6.4 | Transmit ON/OFF power | - | - | - |
| 6.4.1 | Transmitter OFF power | MBT, SBT (note 3) | N/A | ATC5a |
| 6.4.2 | Transmitter transient period | MBT, SBT (note 3) | N/A | ATC5a |
| 6.5 | Transmitted signal quality | - | - | - |
| 6.5.2 | Frequency error | - | - | - |
| | E-UTRA | SBT, MBT | ATC5a | ATC5a |
| | UTRA FDD | SBT, MBT | ATC5a | N/A |
| | UTRA TDD | SBT, MBT | N/A | ATC5a |
| | NR | SBT, MBT | ATC5a | ATC5a |
| 6.5.3 | Time alignment error | - | - | - |
| | E-UTRA | SBT, MBT (note 1) | ATC5b | ATC5b |
| | UTRA FDD | SBT, MBT (note 1) | ATC5b | N/A |
| | UTRA TDD | SBT | N/A | - |
| | NR | SBT, MBT (note 1) | ATC5b | ATC5b |
| 6.5.4 | Modulation quality - EVM | - | - | - |
| | E-UTRA | SBT, MBT | ATC5a | ATC5a |
| | UTRA FDD | SBT, MBT | ATC5a | N/A |
| | UTRA TDD | SBT, MBT | N/A | ATC5a |
| | NR | SBT, MBT | ATC5a | ATC5a |
| 6.5.5 | Transmit pulse shape filter | Not tested | - | - |
| 6.6 | Unwanted Emissions | - | - | - |
| 6.6.2 | Occupied bandwidth | - | - | - |
| | Minimum requirement | SBT | - | - |
| 6.6.3 | Adjacent Channel Leakage power Ratio | - | - | - |
| | E-UTRA | SBT, MBT (note 2) | ATC5b | ATC5b |
| | UTRA FDD | SBT, MBT (note 2) | ATC5b | N/A |
| | UTRA TDD | SBT, MBT (note 2) | N/A | ATC5b |
| | Cumulative ACLR | SBT, MBT (note 2) | ATC5b | ATC5b |
| | NR | SBT, MBT (note 2) | ATC5b | ATC5b |
| 6.6.4 | Spectrum emission mask | - | - | - |
| 6.6.5 | Operating band unwanted emission | - | - | - |
| | General requirement for Band Categories 1 and 3 | SBT, MBT | ATC5b | ATC5b |
| | General requirement for Band Category 2 | SBT, MBT | ATC5b | N/A |
| | Additional requirements | SBT, MBT | - | - |
| 6.6.6 | Spurious emission | - | - | - |
| | (Category A) | SBT, MBT | ATC5b | ATC5b |
| | (Category B) | SBT, MBT | ATC5b | ATC5b |
| | Additional requirement for BC2 (Category B) | SBT, MBT | ATC5b | ATC5b |
| | Protection of the BS receiver of own or different BS | SBT, MBT | ATC5b | ATC5b |
| | Additional spurious emissions requirements | SBT, MBT | ATC5b | ATC5b |
| | Co-location with other Base Stations | - | - | - |
| 6.7 | Transmitter intermodulation | - | - | - |
| | General requirement | SBT | - | - |
| | Additional requirement (BC1 and BC2) | SBT | - | N/A |
| | Additional requirement (BC3) | SBT | N/A | - |
| 7.2 | Reference sensitivity level | - | - | - |
| | E-UTRA requirement | SBT | - | - |
| | UTRA FDD requirement | SBT | - | - |
| | UTRA TDD requirement | SBT | - | - |
| | NR | SBT | - | - |
| 7.3 | Dynamic range | - | - | - |
| | E-UTRA | SBT | - | - |
| | UTRA FDD | SBT | - | - |
| | UTRA TDD | SBT | - | - |
| | NR | SBT | - | - |
| 7.4 | Adjacent channel selectivity and narrowband blocking | - | - | - |
| | General blocking requirement | MBT, SBT (note 3) | ATC5b | ATC5b |
| | General narrowband blocking requirement | MBT, SBT (note 3) | ATC5b | ATC5b |
| | Additional BC3 blocking minimum requirement | MBT, SBT (note 3) | N/A | ATC5b |

| TAB connector test case | | Test for <i>Multi-Band TAB connector</i> CSA1, CSA2, CSA3, CSA3A | Test configuration for MBT | |
|-------------------------|--|--|----------------------------|-------|
| | | | BC1/BC2 | BC3 |
| 7.5 | Blocking | - | - | - |
| | General requirement | MBT, SBT(note 3) | ATC5b | ATC5b |
| | Co-location requirement | MBT, SBT(note 3) | ATC5b | ATC5b |
| 7.6 | Receiver spurious emissions | - | - | - |
| | General requirement | SBT, MBT | ATC5b | ATC5b |
| | Additional requirement for BC2 (Category B) | - | - | - |
| 7.7 | Receiver intermodulation | - | - | - |
| | General intermodulation requirement | MBT, SBT(note 3) | ATC5b | ATC5b |
| | General narrowband intermodulation requirement | MBT, SBT(note 3) | ATC5b | ATC5b |
| 7.8 | In-channel selectivity | - | - | - |
| | E-UTRA requirement | SBT | - | - |
| | NR requirement | SBT | - | - |

NOTE 1: MBT is only applicable when DB-DC-HSDPA/inter-band CA is supported.
NOTE 2: For ACLR, MBT shall be applied for the Inter RF bandwidth gap only.
NOTE 3: SBT is only applicable if different Capability Sets are declared for single-band and multi-band operation.

5.4.2 Multi-band TAB connector supporting Single-RAT only

For a *multi-band TAB connector* supporting single-RAT only in the operational band, the test configurations in table 5.4.2-1, shall be used for testing.

Table 5.4.2-1: Test configuration for *multi-band TAB connectors* supporting Single-RAT only

| TAB connector test case | | UTRA FDD CSA4 | UTRA TDD CSA4 | E-UTRA Test CSA5 |
|-------------------------|---|--------------------------------|--------------------------|---|
| 6.2 | Base Station output power | - | - | - |
| 6.2.2 | Base Station maximum output power | ATC1a/ANTC1 (note 1) ATC5a | ATC1b (note 3), ATC5a | ATC2a/ANTC2 (note 5), ATC5a |
| 6.2.3 | UTRA FDD primary CPICH power | SC | N/A | N/A |
| 6.2.3A | UTRA FDD secondary CPICH power | SC | N/A | N/A |
| 6.2.4 | UTRA TDD primary CCPCH power | N/A | SC | N/A |
| 6.2.5 | UTRA FDD additional CPICH power for MIMO mode | SC | N/A | N/A |
| 6.2.6 | E-UTRA DL RS power | N/A | N/A | SC |
| 6.3 | Output power dynamics | - | - | - |
| 6.3.2 | UTRA Inner loop power control in the downlink | SC | SC | N/A |
| 6.3.3 | Power control dynamic range | SC | SC | SC |
| 6.3.4 | Total power dynamic range | SC or ATC1a | N/A | SC |
| 6.3.5 | IPDL time mask | SC | N/A | N/A |
| 6.3.6 | RE Power control dynamic range | N/A | N/A | Tested with Error Vector Magnitude |
| 6.4 | Transmit ON/OFF power | - | - | - |
| 6.4.1 | Transmitter OFF power | N/A | ATC5a | ATC5a (only applied for E-UTRA TDD BS) |
| 6.4.2 | Transmitter transient period | N/A | SC | SC |
| 6.5 | Transmitted signal quality | - | - | - |
| 6.5.2 | Frequency error | Tested with EVM | ATC1b (note 3), ATC5a | Tested with Error Vector Magnitude |
| 6.5.3 | Time alignment error | ATC1a/ANTC1 (note 1) ATC5b | ATC1b (note 3) | ATC2a/ANTC2 (note 5), ATC5b (note 6) |
| 6.5.4 | Modulation quality - EVM | ATC1a/ANTC1 (note 1), ATC5a | ATC1b (note 3), ATC5a | ATC2a/ANTC2 (note 5), ATC5a |
| 6.5.4 | Modulation quality - PCDE | ATC1a/ANTC1 (note 1) | ATC1b (note 3), ATC5a | N/A |
| 6.5.4 | Modulation quality - RCDE | AUTC1 | ATC1b (note 3), ATC5a | N/A |

| TAB connector test case | | UTRA FDD CSA4 | UTRA TDD CSA4 | E-UTRA Test CSA5 |
|--|--|-------------------------------------|--------------------------------|--------------------------------------|
| 6.5.5 | Transmit pulse shape filter | not tested | not tested | not tested |
| 6.6 | Unwanted Emissions | - | - | - |
| 6.6.2 | Occupied bandwidth | SC | SC | SC, ATC2b (note 7) |
| 6.6.3 | Adjacent Channel Leakage power Ratio | ATC1a/ANTC1 (note 1) ATC5b (note 2) | ATC1b (note 3), ATC5a (note 4) | ATC2a/ANTC2 (note 5), ATC5b (note 8) |
| 6.6.4 | Spectrum emission mask | ATC1a/ANTC1 (note 1) ATC5b | ATC1b (note 3), ATC5a | N/A |
| 6.6.5 | Operating band unwanted emission | N/A | N/A | ATC2a/ANTC2 (note 5), ATC5b |
| 6.6.6 | Spurious emission | ATC1a/ANTC1 (note 1) ATC5b | ATC1b (note 3), ATC5a | ATC2a/ANTC2 (note 5), ATC5b |
| 6.7 | Transmitter intermodulation | ATC1a/ANTC1 (note 1) | ATC1b (note 3) | ATC2a/ANTC2 (note 5) |
| 7.2 | Reference sensitivity level | SC | SC | SC |
| 7.3 | Dynamic range | SC | SC | SC |
| 7.4 | Adjacent channel selectivity and narrowband blocking | ATC5b | ATC5a | ATC5b |
| 7.5 | Blocking | ATC5b | ATC5a | ATC5b |
| 7.6 | Receiver spurious emissions | ATC1a/ANTC1 (note 1) ATC5b | ATC1b (note 3), ATC5a | ATC2a/ANTC2 (note 5), ATC5b |
| 7.7 | Receiver intermodulation | ATC5b | ATC5a | ATC5b |
| 7.8 | In-channel selectivity | N/A | N/A | SC |
| NOTE 1: ATC1a and/or ANTC1 shall be applied in each supported operating band according to table 5.3.3-1. | | | | |
| NOTE 2: ATC5b may be applied for <i>Inter RF Bandwidth gap</i> only. | | | | |
| NOTE 3: ATC1b shall be applied in each supported operating band according to table 5.3.3-1. | | | | |
| NOTE 4: ATC5a may be applied for <i>Inter RF bandwidth gap</i> only. | | | | |
| NOTE 5: ATC2 and/or ANTC2 shall be applied in each supported operating band according to table 5.3.4-1. | | | | |
| NOTE 6: ATC5b is only applicable when inter-band CA is supported. | | | | |
| NOTE 7: ATC2b is only applicable when contiguous CA is supported. | | | | |
| NOTE 8: ATC5b may be applied for <i>Inter RF bandwidth gap</i> only. | | | | |

6 Conducted transmitter characteristics

6.1 General

General test conditions for transmitter tests are given in clause 4, including interpretation of measurement results and configurations for testing. BS configurations for the tests are defined in subclause 4.8.

If a number of *TAB connectors* have been declared equivalent (see table 4.10-1, D6.70), only a representative one is necessary to be tested to demonstrate conformance.

In subclause 6.6.3.1, if representative *TAB connectors* are used then per connector criteria (i.e. option 2) shall be applied.

The manufacturer shall declare the minimum number of supported geographical cells (i.e. geographical areas). The minimum number of supported geographical cells (N_{cells}) relates to the AAS BS setting with the minimum amount of cell splitting supported with transmission on all *TAB connectors* supporting the operating band. The manufacturer shall also declare *TAB connector TX min cell groups*. Every *TAB connector* supporting transmission in an operating band shall map to one *TAB connector TX min cell group* supporting the same operating band. The mapping of *TAB connectors* to cells is implementation dependent.

The number of *active transmitter units* that are considered when calculating the emissions limit ($N_{\text{TXU, counted}}$) for an AAS BS is calculated as follows:

$$N_{\text{TXU, counted}} = \min(N_{\text{TXU, active}}, 8 \cdot N_{\text{cells}}) \text{ for E-UTRA single RAT AAS BS and MSR AAS BS (except UTRA only MSR AAS BS); and}$$

$$N_{\text{TXU, counted}} = \min(N_{\text{TXU, active}}, 4 \cdot N_{\text{cells}}) \text{ for UTRA single RAT AAS BS and UTRA only MSR AAS BS}$$

Further:

$$N_{\text{TXU, counted per cell}} = N_{\text{TXU, counted}} / N_{\text{cells}}$$

$N_{\text{TXU, counted per cell}}$ is used for scaling the *basic limits* as described in subclause 6.6.

NOTE: $N_{\text{TXU, active}}$ depends on the actual number of *active transmitter units* and is independent to the declaration of N_{cells} .

Any transmitter test requirement specified for Band 46 operation in 3GPP TS 36.104 [4] for E-UTRA, or in 3GPP TS 37.104 [5] for E-UTRA in MSR operation, and referred in clause 6, is not applicable for AAS BS.

Any transmitter test requirement specified for NB-IoT in-band, NB-IoT guard band, or standalone NB-IoT operation in 3GPP TS 36.141 [14] for E-UTRA with NB-IoT (in-band or guard band) or for standalone NB-IoT, or in 3GPP TS 37.141 [13] for E-UTRA with NB-IoT or standalone NB-IoT in *MSR operation*, and referred in clause 6, is not applicable for AAS BS.

6.2 Base station output power

6.2.1 General

The configured carrier power is the target maximum power for a specific carrier for the operating mode set in the BS within the limits given by the manufacturer's declaration.

6.2.2 Maximum output power

6.2.2.1 Definition and applicability

The rated carrier output power of the *AAS BS* shall be as specified in table 6.2.2.1-1.

Table 6.2.2.1-1: AAS Base Station rated output power limits for BS classes

| AAS BS class | $P_{\text{Rated, c, sys}}$ (note) | $P_{\text{Rated, c, TABC}}$ (note) |
|--|--|---------------------------------------|
| Wide Area BS | | |
| Medium Range BS | $\leq 38 \text{ dBm} + 10 \log(N_{\text{TXU, counted}})$ | $\leq 38 \text{ dBm}$ |
| Local Area BS | $\leq 24 \text{ dBm} + 10 \log(N_{\text{TXU, counted}})$ | $\leq 24 \text{ dBm}$ |
| NOTE: There is no upper limit for the $P_{\text{Rated, c, sys}}$ or $P_{\text{Rated, c, TABC}}$ of the Wide Area Base Station. | | |

The output power limit for the respective BS classes in table 6.2.2.1-1 shall be compared to the rated output power and the declared BS class. It is not subject to testing.

The requirement in subclause 6.2.2.2 applies per *TAB connector*.

6.2.2.2 Minimum Requirement

The minimum requirement is in 3GPP TS 37.105 [8], subclause 6.2.2.2.

6.2.2.3 Test Purpose

The test purpose is to verify the accuracy of the *maximum carrier output power per TAB connector* ($P_{\text{max, c, TABC}}$) across the frequency range and under normal and extreme conditions for all *TAB connectors* in the AAS BS.

6.2.2.4 Method of test

6.2.2.4.1 Initial conditions

Test environment:

- normal; see clause B.2.

RF channels to be tested:

- B, M and T; see subclause 4.12.1

Base Station RF Bandwidth positions to be tested:

- B_{RFBW} , M_{RFBW} and T_{RFBW} for *single band TAB connector(s)*, see subclause 4.12.1; $B_{\text{RFBW}}T_{\text{RFBW}}$ and $B'_{\text{RFBW}}T_{\text{RFBW}}$ for *multi-band TAB connector(s)*, see subclause 4.12.1.

In addition, a single test case shall be performed under extreme test environment as defined in annex clause B.3 In this case, it is sufficient to test on a single combination of one ARFCN, UARFCN, EARFCN or NR-ARFCN, one RF bandwidth position and with only one applicable test configuration defined in clause 5.

NOTE: Tests under extreme power supply also test extreme temperature.

6.2.2.4.2 Procedure

The minimum requirement is applied to all *TAB connectors*, they may be tested one at a time or multiple *TAB connectors* may be tested in parallel as shown in annex subclause D.1.1. Whichever method is used the procedure is repeated until all *TAB connectors* necessary to demonstrate conformance have been tested.

- 1) Connect the power measuring equipment to the *TAB connector(s)* as shown in annex subclause D.1.1. All *TAB connectors* not under test shall be terminated.
- 2) Set each *TAB connector* to output according to the applicable test configuration in clause 5 using the corresponding test models or set of physical channels in subclause 4.12.2. For single carrier set the *TAB connector* to transmit at manufacturers declared *rated carrier output power per TAB connector* ($P_{\text{Rated,c,TABC}}$).
- 3) Measure the mean power for each carrier at each *TAB connector*.

In addition, for *multi-band TAB connector(s)*, the following steps shall apply:

- 4) For *multi-band TAB connectors* and single band tests, repeat the steps above per involved band where single band test configurations and test models shall apply with no carrier activated in the other band.

6.2.2.5 Test Requirements

In normal conditions, the measurement result in step 3 of subclause 6.2.2.4.3 shall be:

- within +2.7 dB and -2.7 dB of the manufacturer's *rated carrier output power per TAB connector* ($P_{\text{Rated,c,TABC}}$) for carrier frequency $f \leq 3.0$ GHz.
- within +3.0 dB and -3.0 dB of the manufacturer's *rated carrier output power per TAB connector* ($P_{\text{Rated,c,TABC}}$) for carrier frequency $3.0 \text{ GHz} < f \leq 4.2$ GHz.

In extreme conditions, measurement result in step 3 of subclause 6.2.2.4.3 shall be:

- within +3.2 dB and -3.2 dB of the manufacturer's *rated carrier output power per TAB connector* ($P_{\text{Rated,c,TABC}}$) for carrier frequency $f \leq 3.0$ GHz.
- within +3.5 dB and -3.5 dB of the manufacturer's *rated carrier output power per TAB connector* ($P_{\text{Rated,c,TABC}}$) for carrier frequency $3.0 \text{ GHz} < f \leq 4.2$ GHz.

6.2.3 UTRA FDD primary CPICH power

6.2.3.1 Definition and applicability

This requirement applies to the *TAB connector* group(s) transmitting primary CPICH.

Primary CPICH (P-CPICH) power is the code domain power of the Primary Common Pilot Channel summed over the *TAB connectors* transmitting the P-CPICH for a cell. P-CPICH power is indicated on the BCH.

NOTE 1: A *TAB connector* group may comprise all *TAB connectors*.

NOTE 2: A *TAB connector* may be mapped to several groups.

NOTE 3: The manufacturer declares the *TAB connector* mapping to the P-CPICH transmission group(s) as specified in subclause 4.10.

6.2.3.2 Minimum requirement

The minimum requirement for UTRA FDD operation is in 3GPP TS 37.105 [8], subclause 6.2.3.

There is no P-CPICH power requirement for UTRA TDD 1,28 Mcps option operation.

There is no P-CPICH power requirement for E-UTRA operation.

There is no P-CPICH power requirement for NR operation.

6.2.3.3 Test purpose

The test purpose is to verify that the UTRA FDD primary CPICH power is within the limits specified by the minimum requirement.

6.2.3.4 Method of test

6.2.3.4.1 Initial conditions

Test environment:

- normal; see annex B.

RF channels to be tested:

- B, M and T; see subclause 4.12.1.

Disable inner loop power control.

Set the *TAB connectors* in the P-CPICH transmission group (see table 4.10-1, D6.45) to output a signal in accordance to TM2, in 3GPP TS 25.141 [18], subclause 6.1.1.2.

6.2.3.4.2 Procedure

The minimum requirement is applied to all *TAB connectors* in the *TAB connector* group(s) transmitting primary CPICH. *TAB connectors* may be tested one at a time or multiple *TAB connectors* may be tested in parallel as shown in annex subclause D.1.1. Whichever method is used the procedure is repeated until all *TAB connectors* necessary to demonstrate conformance have been tested.

- 1) Connect *TAB connector* to code domain analyser as shown in annex subclause D.1.1. All *TAB connectors* not under test shall be terminated.
- 2) Set the *TAB connector* to transmit at manufacturers declared *rated carrier output power per TAB connector* ($P_{\text{Rated,c,TABC}}$). Measure the P-CPICH power in one timeslot on each of the *TAB connector(s)* transmitting the P-CPICH according to annex E in 3GPP TS 25.141 [18].

In addition, for *multi-band TAB connector(s)*, the following steps shall apply:

- 3) For *multi-band TAB connectors* and single band tests, repeat the steps above per involved band where single band test configurations and test models shall apply with no carrier activated in the other band.

6.2.3.5 Test requirements

For UTRA FDD the test requirement for CPICH power is:

Either:

The sum of the measured P-CPICH code domain power on each of the *TAB connectors* transmitting the P-CPICH shall be:

Within ± 2.9 dB of the configured absolute value for carrier frequency $f \leq 3.0$ GHz.

Within ± 3.2 dB of the configured absolute value for carrier frequency $3.0 \text{ GHz} < f \leq 4.2$ GHz.

Or

The measured P-CPICH code domain power on each of the *TAB connectors* transmitting the P-CPICH shall be:

Within ± 2.9 dB of the configured absolute value for carrier frequency $f \leq 3.0$ GHz.

Within ± 3.2 dB of the configured absolute value for carrier frequency $3.0 \text{ GHz} < f \leq 4.2$ GHz.

NOTE: If the above Test Requirement differs from the Minimum Requirement then the Test Tolerance applied for this test is non-zero. The Test Tolerance for this test is defined in subclause 4.1.2 and the explanation of how the Minimum Requirement has been relaxed by the Test Tolerance is given in annex C.

6.2.4 UTRA TDD primary CCPCH power

6.2.4.1 Definition and applicability

This requirement applies to the *TAB connector* group(s) transmitting primary CCPCH. It comprises primary CCPCH (PCCPCH) absolute power accuracy, and differential accuracy.

Primary CCPCH power is the *code domain power* of the primary common control physical channel averaged over the transmit timeslot and summed over the *TAB connectors* transmitting the PCCPCH for a cell. Primary CCPCH power is signalled over the BCH.

The differential accuracy of the Primary CCPCH power is the relative transmitted power accuracy of PCCPCH in consecutive frames when the nominal PCCPCH power is not changed.

NOTE 1: A *TAB connector* group may comprise all *TAB connectors*.

NOTE 2: A *TAB connector* may be mapped to several groups.

NOTE 3: The manufacturer declares the *TAB connector* mapping to the PCCPCH transmission group(s). See subclause 4.10.

6.2.4.2 Minimum requirement

The minimum requirement for UTRA TDD 1,28 Mcps option operation is in 3GPP TS 37.105 [8], subclause 6.2.4.

There is no PCCPCH power requirement for UTRA FDD operation.

There is no PCCPCH power requirement for E-UTRA operation.

There is no PCCPCH power requirement for NR operation.

6.2.4.3 Test purpose

The test purpose is to verify that the UTRA TDD primary CCPCH power is within the limits specified by the minimum requirement.

6.2.4.4 Method of test

6.2.4.4.1 Initial conditions

Test environment:

- normal; see annex B.

RF channels to be tested:

- B, M and T; see subclause 4.12.1

Set the *TAB connectors* in the PCCPCH transmission group (see table 4.10-1, D6.47) to output a signal in accordance to table 6.2.4.4.1-1.

Table 6.2.4.4.1-1: Parameters of the BS transmitted signal for Primary CCPCH power testing for 1,28 Mcps TDD

| Parameter | Value/description |
|----------------------------|---|
| TDD Duty Cycle | TS i ; $i = 0, 1, 2, \dots, 6$: transmit, if i is 0,4,5,6; receive, if i is 1,2,3. |
| Time slots carrying PCCPCH | TS 0 |
| Relative power of PCCPCH | 1/2 of BS output power |
| Data content of DPCH | real life (sufficient irregular) |

6.2.4.4.2 Procedure

The minimum requirement is applied to all *TAB connectors* in the *TAB connector* group(s) transmitting primary CCPCH. *TAB connectors* may be tested one at a time or multiple *TAB connectors* may be tested in parallel as shown in annex subclause D.1.1. Whichever method is used the procedure is repeated until all *TAB connectors* necessary to demonstrate conformance have been tested.

The requirement has both an absolute accuracy requirement and a differential accuracy requirement which are measured at the same time.

- 1) Connect TAB connector to code domain analyser as shown in subclause D.1.1. All TAB connectors not under test shall be terminated.
- 2) Set the TAB connector to transmit at manufacturers declared rated carrier output power per TAB connector ($PR_{rated,c,TABC}$).
- 3) Measure the CCPCH power in one timeslot on each of the TAB connector(s) transmitting the PCCPCH according to annex E in 3GPP TS 25.142 [20].
- 4) Measure the PCCPCH code domain power in TS 0 of consecutive frames by applying the global in-channel Tx test method described in annex E in 3GPP TS 25.142 [20].
- 5) Calculate the differential accuracy of the Primary CCPCH power by taking the difference between the PCCPCH power measurement results of consecutive frames.

In addition, for *multi-band TAB connector(s)*, the following steps shall apply:

- 6) For multi-band TAB connectors and single band tests, repeat the steps above per involved band where single band test configurations and test models shall apply with no carrier activated in the other band.

6.2.4.5 Test requirements

For UTRA TDD 1,28 Mcps option the test requirement for PCCPCH power is:

Either:

The sum of the measured PCCPCH code domain power on each of the *TAB connectors* transmitting the PCCPCH shall be within the limits defined in table 6.2.4.5-1.

Or

The measured PCCPCH code domain power on each of the *TAB connectors* transmitting the PCCPCH shall be within the tolerance indicated in table 6.2.4.5-1.

Table 6.2.4.5-1: Test Requirements for errors between Primary CCPCH power and the broadcast value

| Output power in slot, dB | PCCPCH power tolerance |
|---|------------------------|
| $P_{\text{Rated,t,group}} - 3 < P_{\text{out}} \leq P_{\text{Rated,t,group}} + 2$ | ± 3.3 dB |
| $P_{\text{Rated,t,group}} - 6 < P_{\text{out}} \leq P_{\text{Rated,t,group}} - 3$ | ± 4.3 dB |
| $P_{\text{Rated,t,group}} - 13 < P_{\text{out}} \leq P_{\text{Rated,t,group}} - 6$ | ± 5.8 dB |
| NOTE: $P_{\text{Rated,t,group}}$ is the power sum of $P_{\text{Rated,t,TABC}}$ of all the <i>TAB connectors</i> in the group transmitting PCCPCH. | |

The differential accuracy of the Primary CCPCH power, shall be within ± 0.6 dB.

NOTE: If the above Test Requirement differs from the Minimum Requirement then the Test Tolerance applied for this test is non-zero. The Test Tolerance for this test is defined in subclause 4.1.2 and the explanation of how the Minimum Requirement has been relaxed by the Test Tolerance is given in annex C.

6.2.5 UTRA FDD additional CPICH power for MIMO mode

6.2.5.1 Definition and applicability

This subclause includes requirements on secondary CPICH power level, for two and four *TAB connector* groups, as well as Demodulation CPICH requirements. The requirements apply to all *TAB connector* groups associated with UTRA FDD MIMO transmission as "antenna 2", "antenna 3" or "antenna 4" in the AAS BS.

The concept of "antenna 2", "antenna 3" and "antenna 4" is described in 3GPP TS 25.104 [2]. The group(s) of *TAB connectors* mapped to P-CPICH transmission (see table 4.10-1 D6.45) represents "antenna 1".

NOTE 1: The manufacturer declares the mapping of *TAB connectors* to "antenna 1", "antenna 2", "antenna 3" and "antenna 4" (as defined in 3GPP TS 25.331 [16]) where applicable for AAS BS capable of UTRA FDD operation. The required declarations are specified subclause 4.10.

For UTRA FDD AAS BS operating only "antenna 1" and "antenna 2", the secondary CPICH (S-CPICH) power is the *code domain power* of the Secondary Common Pilot Channel. S-CPICH power is equal to the (dB) sum of the P-CPICH power and the power offset, which are signalled to the UE. The power offset is signalled in the IE "Power Offset for S-CPICH for MIMO", for MIMO mode as defined in subclause 10.3.6.41b in 3GPP TS 25.331 [16].

When the UE supports MIMO mode with four BS transmit antennas, the power offset of S-CPICH on antenna 2 is signalled in the IE "Power Offset for S-CPICH for MIMO mode with four transmit antennas on Antenna2" as defined in subclause 10.3.6.143 in 3GPP TS 25.331 [16]. The power offset of S-CPICH on antenna 3 and 4 is signalled in the IE "Common Power Offset for S-CPICH for MIMO mode with four transmit antennas on antenna 3 and 4", as defined in subclause 10.3.6.143 in 3GPP TS 25.331 [16].

Demodulation CPICH (D-CPICH) power is the *code domain power* of the Demodulation Common Pilot Channel. D-CPICH power is equal to the (dB) sum of the P-CPICH power and the power offset, which are signalled to the UE. The power offset of D-CPICH on antenna 3 and 4 is signalled in the IE "Common Power Offset for D-CPICH for MIMO mode with four transmit antennas on antenna 3 and 4", as defined in subclause 10.3.6.143 in 3GPP TS 25.331 [16].

NOTE 2: The accuracy level of the power offset for S-CPICH may affect both MIMO HS-DSCH demodulation and CQI reporting performance.

NOTE 3: The accuracy level of the power offset for D-CPICH transmitted on antennas 3 and 4 may affect both MIMO HS-DSCH demodulation and CQI reporting performance.

NOTE 4: At high geometry level PDSCH performance may be affected if D-CPICH is not scheduled.

NOTE 5: A *TAB connector* group may comprise all *TAB connectors*.

NOTE 6: A *TAB connector* may be mapped to several groups.

6.2.5.2 Minimum requirement

The minimum requirement for UTRA FDD operation is in 3GPP TS 37.105 [8], subclause 6.2.5.3.

There is no CPICH power requirement for UTRA TDD 1,28 Mcps option operation.

There is no CPICH power requirement for E-UTRA operation.

There is no CPICH power requirement for NR operation.

6.2.5.3 Test purpose

The test purpose is to verify that the UTRA FDD CPICH power for MIMO mode is within the limits specified by the minimum requirement.

6.2.5.4 Method of test

6.2.5.4.1 Initial conditions

Test environment:

- normal; see annex B.

RF channels to be tested:

- B, M and T; see subclause 4.12.1.

Disable inner loop power control.

Set the *TAB connectors* in the P-CPICH transmission group (see table 4.10-1, D6.45) and the *TAB connectors* in the S-CPICH transmission groups (see table 4.10-1, D6.49), to output a signal in accordance to TM2, in 3GPP TS 25.141 [18], subclause 6.1.1.2.

NOTE: Although the S-CPICH transmission groups are referred to as S-CPICH as the same TM2 is used for the test, the signal being measured on the S-CPICH transmission groups is actually a P-CPICH signal.

6.2.5.4.2 Procedure

The minimum requirement is applied to all *TAB connectors* in the P-CPICH transmission group transmitting primary CPICH and the *TAB connectors* in the S-CPICH transmission groups. *TAB connectors* may be tested one at a time or multiple *TAB connectors* may be tested in parallel as shown in subclause D.1.1. Whichever method is used the procedure is repeated until all *TAB connectors* necessary to demonstrate conformance have been tested.

- 1) Connect *TAB connector* to code domain analyser as shown in subclause D.1.1. All *TAB connectors* not under test shall be terminated.
- 2) Set the *TAB connector* to transmit at manufacturers declared *rated carrier output power per TAB connector* ($P_{\text{Rated,c,TABC}}$).
- 3) Measure the P-CPICH power in one timeslot on each of the *TAB connector(s)* in the P-CPICH transmission groups according to annex E in 3GPP TS 25.141 [18].
- 4) Measure the P-CPICH power in the same timeslot as step 2 on each of the *TAB connector(s)* in each of the S-CPICH transmission groups according to annex E in 3GPP TS 25.141 [18]. Depending on the MIMO support (see table 4.10-1, D6.49), for MIMO mode there is a single S-CPICH transmission group representing "antenna 2" and for MIMO with 4 transmit antennas there are three S-CPICH transmission groups representing "antenna 2", "antenna 3" and "antenna 4".

In addition, for *multi-band TAB connector(s)*, the following steps shall apply:

- 5) For *multi-band TAB connectors* and single band tests, repeat the steps above per involved band where single band test configurations and test models shall apply with no carrier activated in the other band.

6.2.5.5 Test requirements

For UTRA FDD the test requirement for CPICH power for MIMO mode is:

Either:

The difference between the sums of the measured P-CPICH code domain power on each of the *TAB connectors* in the P-CPICH transmission group or the S-CPICH transmission groups shall be:

Within ± 2.7 dB for carrier frequency $f \leq 3.0$ GHz.

Within ± 3.0 dB for carrier frequency $3.0 \text{ GHz} < f \leq 4.2$ GHz.

Or

The difference between the measured P-CPICH code domain power on any 2 *TAB connectors* in either the P-CPICH transmission group or the S-CPICH transmission group(s) with corresponding beamforming weights shall be:

Within ± 2.7 dB for carrier frequency $f \leq 3.0$ GHz.

Within ± 3.0 dB for carrier frequency $3.0 \text{ GHz} < f \leq 4.2$ GHz.

NOTE: If the above Test Requirement differs from the Minimum Requirement then the Test Tolerance applied for this test is non-zero. The Test Tolerance for this test is defined in subclause 4.1.2 and the explanation of how the Minimum Requirement has been relaxed by the Test Tolerance is given in annex C.

6.2.6 E-UTRA DL RS power

6.2.6.1 Definition and applicability

This requirement applies to the *TAB connector* group(s) transmitting primary DL RS.

The DL RS power is the resource element power of the Downlink Reference Symbol summed over the group of *TAB connectors* transmitting the DL RS for a cell.

The absolute DL RS power is indicated on the DL-SCH. The absolute accuracy is defined as the maximum deviation between the DL RS power indicated on the DL-SCH and the DL RS power of each E-UTRA carrier.

NOTE 1: A *TAB connector* group may comprise all *TAB connectors*.

NOTE 2: A *TAB connector* may be mapped to several groups.

NOTE 3: The manufacturer declares the *TAB connector* mapping to the DL RS transmission group(s).

6.2.6.2 Minimum requirement

The minimum requirement for E-UTRA operation is in 3GPP TS 37.105 [8], subclause 6.2.6.

There is no DL RS power requirement for UTRA FDD operation.

There is no DL RS power requirement for UTRA TDD 1,28 Mcps option operation.

There is no DL RS power requirement for NR operation.

6.2.6.3 Test purpose

The test purpose is to verify that the E-UTRA FDD DL RS power is within the limits specified by the minimum requirement.

6.2.6.4 Method of test

6.2.6.4.1 Initial conditions

Test environment:

- normal; see annex B.

RF channels to be tested:

- B, M and T; see subclause 4.12.1.

Set the *TAB connectors* in the DL RS transmission group (see table 4.10-1, D6.54) to output a signal in accordance to E-TM 1.1, in 3GPP TS 36.141 [17] subclause 6.1.1.1.

6.2.6.4.2 Procedure

The minimum requirement is applied to all *TAB connectors* in the *TAB connector* group(s) transmitting primary CPICH. *TAB connectors* may be tested one at a time or multiple *TAB connectors* may be tested in parallel as shown in subclause D.1.1. Whichever method is used the procedure is repeated until all *TAB connectors* necessary to demonstrate conformance have been tested.

- 1) Connect *TAB connector* to code domain analyser as shown in subclause D.1.1. All *TAB connectors* not under test shall be terminated.
- 2) Set the *TAB connector* to transmit at manufacturers declared *rated carrier output power per TAB connector* ($P_{\text{Rated,c,TABC}}$).
- 3) Measure the DL RS power on each of the *TAB connector(s)* transmitting the DL RS according to annex F in 3GPP TS 36.141 [17].

In addition, for *multi-band TAB connector(s)*, the following steps shall apply:

- 4) For *multi-band TAB connectors* and single band tests, repeat the steps above per involved band where single band test configurations and test models shall apply with no carrier activated in the other band.

6.2.6.5 Test requirements

The DL RS power of each E-UTRA carrier shall be:

within ± 2.9 dB of the DL RS power indicated on the DL-SCH for carrier frequency $f \leq 3.0$ GHz.

within ± 3.2 dB of the DL RS power indicated on the DL-SCH for carrier frequency $3.0 \text{ GHz} < f \leq 4.2 \text{ GHz}$.

Alternatively, the DL RS power measured at each *TAB connector* shall be within ± 2.9 dB for $f \leq 3.0$ GHz and within ± 3.2 dB for $3.0 \text{ GHz} < f \leq 4.2 \text{ GHz}$ of the DL RS power level indicated on the DL-SCH multiplied by a *TAB connector* specific beamforming weight. Beamforming weights on P-CPICH are set by the AAS BS to achieve an intended radiated pattern.

6.3 Output power dynamics

6.3.1 General

The requirements in subclause 6.3 apply during the *transmitter ON period*. Transmit signal quality (as specified in subclause 6.5) shall be maintained for the output power dynamics requirements.

6.3.2 UTRA Inner loop power control in the downlink

6.3.2.1 Definition and applicability

Inner loop power control in the downlink is the ability of the AAS BS to adjust the transmitted output power of a code channel in accordance with the corresponding TPC commands received in the uplink.

This requirement applies at each *TAB connector* supporting transmission in the operating band.

6.3.2.2 Minimum requirement

The minimum requirement for UTRA FDD operation is in 3GPP TS 37.105 [8], subclause 6.3.2.

The minimum requirement for UTRA TDD 1,28 Mcps option operation is in 3GPP TS 25.105 [10], subclause 6.4.2.1.

There is no Inner loop power control requirement for E-UTRA or NR operation.

6.3.2.3 Test purpose

The test purpose is to verify that the Inner loop power control in the downlink is within the limits specified by the minimum requirement.

6.3.2.4 Method of test

6.3.2.4.1 Initial conditions

6.3.2.4.1.1 General test conditions

Test environment:

- normal; see annex B.

RF channels to be tested:

- B, M and T; see subclause 4.12.1.

Disable closed loop power control.

6.3.2.4.1.2 UTRA FDD

Set each *TAB connector* to output a signal in accordance to TM2, in 3GPP TS 25.141 [18], subclause 6.1.1.2.

The DPCH intended for power control is on channel 120 starting at -3 dB.

Establish downlink power control with parameters as specified in table 6.3.2.4.1.2-1.

Table 6.3.2.4.1.2-1: DL power control parameters

| Parameter | Level/status | Unit |
|----------------------|--------------------------------------|------|
| UL signal mean power | $P_{\text{REFSENS}} + 10 \text{ dB}$ | dBm |
| Data sequence | PN9 | |

6.3.2.4.1.3 UTRA TDD

Set the initial parameters of the *TAB connector* transmitted signal according to table 6.3.2.4.1.3-1.

Operate the *TAB connector* in such a mode that it is able to interpret received TPC commands.

NOTE: The BS tester used for this test must have the ability:

- to analyze the output signal of the *TAB connector* under test with respect to code domain power, by applying the global in-channel Tx test method described in annex E of 3GPP TS 25.142 [20];
- to simulate an UE with respect to the generation of TPC commands embedded in a valid UE signal.

Table 6.3.2.4.1.3-1: Initial parameters of the *TAB connector* signal for power control steps test for 1,28 Mcps TDD

| Parameter | Value/description |
|---|--|
| TDD Duty Cycle | TS i ; $i = 0, 1, 2, \dots, 6$: transmit, if i is 0, 4,5,6; receive, if i is 1,2,3. |
| Time slots under test | TS4, TS5 and TS6 |
| Number of DPCH in each time slot under test | 1 |
| Data content of DPCH | real life (sufficient irregular) |

6.3.2.4.2 Procedure

6.3.2.4.2.1 General procedure

The minimum requirement is applied to all *TAB connectors*, they may be tested one at a time or multiple *TAB connectors* may be tested in parallel as shown in subclause D.1.1. Whichever method is used the procedure is repeated until all *TAB connectors* necessary to demonstrate conformance have been tested.

- 1) Connect *TAB connector* to measurement equipment as shown in subclause D.1.1. All *TAB connectors* not under test shall be terminated.
- 2) Set the *TAB connector* to transmit at manufacturers *rated carrier output power per TAB connector* ($P_{\text{Rated,c,TABC}}$).

6.3.2.4.2.2 UTRA FDD

- 1) Set and send alternating TPC bits from the UE simulator or UL signal generator.
- 2) Measure mean power level of the code under the test each time TPC command is transmitted. All steps within power control dynamic range declared by manufacturer (see table 4.10-1, D6.57) shall be measured. Use the code domain power measurement method defined in annex E in 3GPP TS 25.141 [18].
- 3) Measure the 10 highest and the 10 lowest power step levels within the power control dynamic range declared by manufacturer by sending 10 consecutive equal commands as described in 3GPP TS 37.105 [8], subclause 6.3.2. Table 6.3.2.3-2

In addition, for *multi-band TAB connector(s)*, the following steps shall apply:

- 1) For *multi-band TAB connectors* and single band tests, repeat the steps above per involved band where single band test configurations and test models shall apply with no carrier activated in the other band.

6.3.2.4.2.3 UTRA TDD

- 1) Configure the *TAB connector* to enable power control steps of size 1 dB.
- 2) Set the BS tester to produce a sequence of TPC commands related to the active DPCH. This sequence shall be transmitted to the AAS BS within receive time slots TS i of the AAS BS and shall consist of a series of TPC commands with content "Decrease Tx power", followed by a series of TPC commands with content "Increase Tx power". Each of these series should be sufficiently long so that the code domain power of the active DPCH is controlled to reach its minimum and its maximum, respectively.
- 3) Measure the code domain power of the active DPCH over the 848 active chips of each transmit time slot AAS TS i of the AAS BS (this excludes the guard period) by applying the global in-channel Tx test method described in annex E in 3GPP TS 25.142 [20].
- 4) Based on the measurement made in step (5), calculate the power control step sizes and the average rate of change per 10 steps.

- 5) Configure the BS transmitter to enable power control steps of 2 dB and of 3 dB, respectively, and repeat steps (4) to (6).

In addition, for *multi-band TAB connector(s)*, the following steps shall apply:

- 6) For *multi-band TAB connectors* and single band tests, repeat the steps above per involved band where single band test configurations and test models shall apply with no carrier activated in the other band.

6.3.2.5 Test requirements

6.3.2.5.1 UTRA FDD

For UTRA FDD the test requirement Inner loop power control is:

- a) *TAB connector* shall fulfil step size requirement shown in table 6.3.2.5.1-1 for all power control steps declared by manufacture in subclause 4.10.
- b) For all measured Up/Down cycles, the difference of code domain power between before and after 10 equal commands (Up and Down), derived in step (3), shall not exceed the prescribed tolerance in table 6.3.2.5.1-2.

Table 6.3.2.5.1-1: UTRA FDD TAB connector power control step tolerance

| Power control commands in the downlink | Transmitter power control step tolerance | | | | | | | |
|--|--|---------|------------------|----------|----------------|---------|------------------|----------|
| | 2 dB step size | | 1.5 dB step size | | 1 dB step size | | 0.5 dB step size | |
| | Lower | Upper | Lower | Upper | Lower | Upper | Lower | Upper |
| Up(TPC command "1") | +0.9 dB | +3.1 dB | +0.65 dB | +2.35 dB | +0.4 dB | +1.6 dB | +0.15 dB | +0.85 dB |
| Down(TPC command "0") | -0.9 dB | -3.1 dB | -0.65 dB | -2.35 dB | -0.4 dB | -1.6 dB | -0.15 dB | -0.85 dB |

Table 6.3.2.5.1-2: UTRA FDD TAB connector aggregated power control step range

| Power control commands in the downlink | Transmitter aggregated power control step range after 10 consecutive equal commands (up or down) | | | | | | | |
|--|--|----------|------------------|----------|----------------|----------|------------------|---------|
| | 2 dB step size | | 1.5 dB step size | | 1 dB step size | | 0.5 dB step size | |
| | Lower | Upper | Lower | Upper | Lower | Upper | Lower | Upper |
| Up(TPC command "1") | +15.9 dB | +24.1 dB | +11.9 dB | +18.1 dB | +7.9 dB | +12.1 dB | +3.9 dB | +6.1 dB |
| Down(TPC command "0") | -15.9 dB | -24.1 dB | -11.9 dB | -18.1 dB | -7.9 dB | -12.1 dB | -3.9 dB | -6.1 dB |

NOTE: If the above Test Requirement differs from the Minimum Requirement then the Test Tolerance applied for this test is non-zero. The Test Tolerance for this test is defined in subclause 4.1.2 and the explanation of how the Minimum Requirement has been relaxed by the Test Tolerance is given in annex C.

6.3.2.5.2 UTRA TDD

For UTRA TDD 1,28 Mcps option the test requirement Inner loop power control is:

For all measurements, the tolerance of the power control step sizes and the average rate of change per 10 steps shall be within the limits given in table 6.3.2.5.2-1.

Table 6.3.2.5.2-1: Test Requirements for power control step size tolerance

| Step size | Single step tolerance | Range of average rate of change in code domain power per 10 steps | |
|-----------|-----------------------|---|----------|
| | | Minimum | maximum |
| 1 dB | ±0,6 dB | ±7,7 dB | ±12,3 dB |
| 2 dB | ±0,85 dB | ±15,7 dB | ±24,3 dB |
| 3 dB | ±1,1 dB | ±23,7 dB | ±36,3 dB |

In case, the power control step size is set to 3 dB, the number of power control steps feasible within the power control dynamic range of the TAB connector under test may be less than 10. In this case, the evaluation of the average rate of change in code domain power shall be based on the number of power control steps actually feasible, and the permitted

range of average rate of change shall be reduced compared to the values given in table 6.3.2.5.2-1 in proportion to the ratio (number of power control steps actually feasible /10).

EXAMPLE: If the number of power control steps actually feasible is 9, the minimum and maximum value of the range of average rate of change in code domain power are given by 21,6 dB and 32,4 dB, respectively.

NOTE: If the above Test Requirement differs from the Minimum Requirement then the Test Tolerance applied for this test is non-zero. The Test Tolerance for this test is defined in subclause 4.1.2 and the explanation of how the Minimum Requirement has been relaxed by the Test Tolerance is given in annex C.

6.3.3 Power control dynamic range

6.3.3.1 Definition and applicability

The power control dynamic range is the difference between the maximum and the minimum *code domain power* of a code channel for a specified reference condition.

This requirement applies at each *TAB connector* supporting transmission in the operating band.

6.3.3.2 Minimum requirement

The minimum requirement for UTRA FDD operation are defined in 3GPP TS 25.104 [9], subclause 6.4.2.1.

The minimum requirement for UTRA TDD 1,28 Mcps option operation is in 3GPP TS 25.105 [10], subclause 6.4.3.1

There is no power control dynamic range requirement for E-UTRA or NR operation.

6.3.3.3 Test purpose

The test purpose is to verify that the power control dynamic range is within the limits specified by the minimum requirement.

6.3.3.4 Method of test

6.3.3.4.1 Initial conditions

6.3.3.4.1.1 General test conditions

Test environment:

- normal; see annex B.

RF channels to be tested:

- B, M and T; see subclause 4.12.1.

6.3.3.4.1.2 UTRA FDD

Set each *TAB connector* to output a signal in accordance to TM2, in 3GPP TS 25.141 [18], subclause 6.1.1.2.

6.3.3.4.1.3 UTRA TDD

Set the initial parameters of the *TAB connector* transmitted signal according to table 6.3.3.4.1.3-1.

Operate the *TAB connector* in such a mode that it is able to interpret received TPC commands.

NOTE: The BS tester used for this test must have the ability:

- to analyze the output signal of the *TAB connector* under test with respect to code domain power, by applying the global in-channel Tx test method described in annex E of 3GPP TS 25.142 [20];

- to simulate an UE with respect to the generation of TPC commands embedded in a valid UE signal.

Table 6.3.3.4.1.3-1: Parameters of the BS transmitted signal for power control dynamic range test for 1,28 Mcps TDD

| Parameter | Value/description |
|---|--|
| TDD Duty Cycle | TS i ; $i = 0, 1, 2, \dots, 6$: transmit, if i is 0, 4,5,6; receive, if i is 1,2,3. |
| Time slots under test | TS4, TS5 and TS6 |
| Number of DPCH in each time slot under test | 1 |
| Data content of DPCH | real life (sufficient irregular) |

6.3.3.4.2 Procedure

6.3.3.4.2.1 General procedure

The minimum requirement is applied to all *TAB connectors*, they may be tested one at a time or multiple *TAB connectors* may be tested in parallel as shown in subclause D.1.1. Whichever method is used the procedure is repeated until all *TAB connectors* necessary to demonstrate conformance have been tested.

- 1) Connect *TAB connector* to measurement equipment as shown in subclause D.1.1. All *TAB connectors* not under test shall be terminated.
- 2) Set the *TAB connector* to transmit at manufacturers declared *rated carrier output power per TAB connector* ($P_{\text{Rated,c,TABC}}$)

6.3.3.4.2.1 UTRA FDD

- 1) Using TM2, set the code domain power of the DPCH under test to $P_{\text{max,c,TABC}} - 3$ dB. Power levels for other code channels may be adjusted if necessary.
- 2) Measure the code domain power of the code channel under test. Use the code domain power measurement method defined in annex E in 3GPP TS 25.141 [18].
- 3) Set the code domain power of the DPCH under test to $P_{\text{max,c,TABC}} - 28$ dB by means determined by the manufacturer. The power levels for the other code channels used in step 2 shall remain unchanged (the overall output power will drop by approximately 3 dB).
- 4) Measure the code domain power of the code channel under test.

In addition, for *multi-band TAB connector(s)*, the following steps shall apply:

- 5) For *multi-band TAB connectors* and single band tests, repeat the steps above per involved band where single band test configurations and test models shall apply with no carrier activated in the other band.

6.3.3.4.2.2 UTRA TDD

- 1) Configure the *TAB connector* transmitter unit to enable power control steps of size 1 dB.
- 2) Set the BS tester to produce a sequence of TPC commands related to the active DPCH, with content "Decrease Tx power". This sequence shall be sufficiently long so that the code domain power of the active DPCH is controlled to reach its minimum, and shall be transmitted to the AAS BS within the receive time slots TS i of the BS.
- 3) Measure the code domain power of the active DPCH over the 848 active chips of a transmit time slot TS i of the AAS BS (this excludes the guard period) by applying the global in-channel Tx test method described in annex E of 3GPP TS 25.142 [20].
- 4) Set the BS tester to produce a sequence of TPC commands related to the active DPCH, with content "Increase Tx power". This sequence shall be sufficiently long so that the code domain power of the active DPCH is controlled to reach its maximum, and shall be transmitted to the AAS BS within the receive time slots TS i of the AAS BS.

- 5) Measure the code domain power of the active DPCH over the 848 active chips of a transmit time slot TS i of the AAS BS (this excludes the guard period) by applying the global in-channel Tx test method described in annex E in 3GPP TS 25.142 [20].
- 6) Determine the power control dynamic range by calculating the difference between the maximum code domain power measured in step (5) and the minimum code domain power measured in step (7).
- 7) Configure the *TAB connector* transmitter to enable power control steps of 2 dB and of 3 dB, respectively, and repeat steps (4) to (8).

In addition, for *multi-band TAB connector(s)*, the following steps shall apply:

- 8) For *multi-band TAB connectors* and single band tests, repeat the steps above per involved band where single band test configurations and test models shall apply with no carrier activated in the other band.

6.3.3.5 Test requirements

6.3.3.5.1 UTRA FDD

For UTRA FDD the test requirement Inner loop power control is:

Downlink (DL) power control dynamic range:

- maximum code domain power: *TAB connector* maximum output power ($P_{\max,c,TABC}$) -4.1 dB or greater;
- minimum code domain power: *TAB connector* maximum output power ($P_{\max,c,TABC}$) -26.9 dB or less.

NOTE: If the above Test Requirement differs from the Minimum Requirement then the Test Tolerance applied for this test is non-zero. The Test Tolerance for this test is defined in subclause 4.1.2 and the explanation of how the Minimum Requirement has been relaxed by the Test Tolerance is given in annex C.

6.3.3.5.2 UTRA TDD

For UTRA TDD 1,28 Mcps option the power control dynamic range derived according to subclause 6.3.2.4 shall be greater than or equal to 29,7dB.

NOTE: If the above Test Requirement differs from the Minimum Requirement then the Test Tolerance applied for this test is non-zero. The Test Tolerance for this test is defined in subclause 4.1.2 and the explanation of how the Minimum Requirement has been relaxed by the Test Tolerance is given in annex C.

6.3.4 Total power dynamic range

6.3.4.1 Definition and applicability

The total power dynamic range is the difference between the maximum and the minimum output power for a specified reference condition.

This requirement applies at each *TAB connector* supporting transmission in the operating band.

NOTE 1: The upper limit of the dynamic range is the *TAB connector* maximum output power ($P_{\text{Rated},c,TABC}$). The lower limit of the dynamic range is the lowest minimum power from the *TAB connector* when no traffic channels are activated.

Particularly for E-UTRA, the total power dynamic range is the difference between the maximum and the minimum transmit power of an OFDM symbol for a specified reference condition.

NOTE 2: The upper limit of the dynamic range at a *TAB connector* is the OFDM symbol power at maximum output power ($P_{\text{Rated},c,TABC}$) when transmitting on all RBs. The lower limit of the dynamic range at a *TAB connector* is the OFDM symbol power when one resource block is transmitted. The OFDM symbol carries PDSCH or sPDSCH (for sTTI) and not contain RS, PBCH or synchronization signals.

6.3.4.2 Minimum requirement

The minimum requirement for UTRA FDD operation are defined in 3GPP TS 25.104 [9], subclause 6.4.3.1.

There is no total power dynamic range requirement for UTRA TDD 1,28 Mcps option operation.

The minimum requirement for E-UTRA operation is in TS 36.104 [11], subclause 6.3.2.1.

The minimum requirement for NR operation is in TS 38.104 [36], subclause 6.3.3.2.

6.3.4.3 Test purpose

The test purpose is to verify that the total power dynamic range is within the limits specified by the minimum requirement.

6.3.4.4 Method of test

6.3.4.4.1 Initial conditions

6.3.4.4.1.1 General test conditions

Test environment: normal; see annex B.

RF channels to be tested: M; see subclause 4.12.1.

6.3.4.4.1.2 UTRA FDD

Base Station RF Bandwidth positions to be tested for multi-carrier: B_{RFBW} , M_{RFBW} and T_{RFBW} in single band operation; see subclause 4.12.1.

Set each *TAB connector* to output a signal in accordance to TM2, in TS 25.141 [18], subclause 6.1.1.2.

6.3.4.4.1.3 E-UTRA

Set the Channel set-up of the *TAB connector* transmitted signal according to:

- E-TM3.1, or
- sE-TM3.1-1 for subslot TTI, or
- sE-TM3.1-2 for slot TTI.

6.3.4.4.1.4 NR

Set the Channel set-up of the *TAB connector* transmitted signal according to:

- NR-FR1-TM3.1a if 256QAM is supported by BS without power back off, or
- NR-FR1-TM3.1 if 256QAM is not supported by BS, or
- NR-FR1-TM3.1 if 256QAM is supported by BS with power back off.

6.3.4.4.2 Procedure

6.3.4.4.2.1 General procedure

The minimum requirement is applied to all *TAB connectors*, they may be tested one at a time or multiple *TAB connectors* may be tested in parallel as shown in annex D.1.1. Whichever method is used the procedure is repeated until all *TAB connectors* necessary to demonstrate conformance have been tested.

- 1) Connect *TAB connector* to measurement equipment as shown in annex D.1.1. All *TAB connectors* not under test shall be terminated.

- 2) Set the *TAB connector* to transmit at manufacturers declared *rated carrier output power per TAB connector* ($P_{\text{Rated,c,TABC}}$).

6.3.4.4.2.2 UTRA FDD

The downlink total dynamic range is computed as the difference of the maximum carrier output power, measured as defined in step 3 in subclause 6.2.2.4.3 and the carrier power measured at step 3 of the Error Vector Magnitude test, as described in subclause 6.5.4.4.2.1.

In addition, for *multi-band TAB connector(s)*, the following steps shall apply:

- 1) For *multi-band TAB connectors* and single band tests, repeat the steps above per involved band where single band test configurations and test models shall apply with no carrier activated in the other band.

6.3.4.4.2.3 E-UTRA

- 1) Measure the average OFDM symbol power as defined in annex F of TS 36.141 [17].
- 2) Set the *TAB connector* to transmit a signal according to the same selection as in subclause 6.3.4.4.1.3:
 - E-TM2, or
 - sE-TM2-1 for subslot TTI, or
 - sE-TM2-2 for slot TTI.
- 3) Measure the average OFDM symbol power as defined in annex F of TS 36.141 [17]. The measured OFDM symbols shall not contain RS, PBCH or synchronisation signals.
- 4) If BS supports 256QAM, set the channel set-up of the *TAB connector* transmitted signal according to E-TM3.1a (or sE-TM3.1a-1 for subslot TTI, or sE-TM3.1a-2 for slot TTI) and repeat step 1. Set the *TAB connector* to transmit a signal according to E-TM2a (or sE-TM2a-1 for subslot TTI, or sE-TM2a-2 for slot TTI) and repeat step 3.
- 5) If BS supports 1024QAM, set the channel set-up of the *TAB connector* transmitted signal according to E-TM3.1b and repeat step 1. Set the *TAB connector* to transmit a signal according to E-TM2b and repeat step 3.

In addition, for *multi-band TAB connector(s)*, the following steps shall apply:

- 6) For *multi-band TAB connectors* and single band tests, repeat the steps above per involved band where single band test configurations and test models shall apply with no carrier activated in the other band.

6.3.4.4.2.4 NR

- 1) Measure the average OFDM symbol power as defined in annex D in TS 38.141-1 [37].
- 2) Set the BS to transmit a signal according to:
 - NR-FR1-TM2a if 256QAM is supported by BS, or;
 - NR-FR1-TM2 if 256QAM is not supported by BS;
- 3) Measure the average OFDM symbol power as defined in annex D in TS 38.141-1 [37].

The measured OFDM symbols shall not contain RS or SSB.

In addition, for *multi-band connectors*, the following steps shall apply:

- 4) For a multi-band connectors and single band tests, repeat the steps above per involved operating band where single band test configurations and test models shall apply with no carrier activated in the other operating band.

6.3.4.5 Test requirements

6.3.4.5.1 UTRA FDD

For UTRA FDD the downlink total power dynamic range shall be 17.7 dB or greater.

NOTE: If the above Test Requirement differs from the Minimum Requirement then the Test Tolerance applied for this test is non-zero. The Test Tolerance for this test is defined in subclause 4.1.2 and the explanation of how the Minimum Requirement has been relaxed by the Test Tolerance is given in annex C.

6.3.4.5.2 E-UTRA

The downlink (DL) total power dynamic range for each E-UTRA carrier shall be larger than or equal to the level in table 6.3.4.5.1-1.

Table 6.3.4.5.2-1 E-UTRA TAB connector total power dynamic range, paired spectrum

| E-UTRA channel bandwidth (MHz) | Total power dynamic range (dB) |
|--------------------------------|--------------------------------|
| 1.4 | 7.3 |
| 3 | 11.3 |
| 5 | 13.5 |
| 10 | 16.5 |
| 15 | 18.3 |
| 20 | 19.6 |

NOTE 1: If the above Test Requirement differs from the Minimum Requirement then the Test Tolerance applied for this test is non-zero. The Test Tolerance for this test is defined in subclause 4.1.2 and the explanation of how the Minimum Requirement has been relaxed by the Test Tolerance is given in annex C.

NOTE 2: Additional test requirements for the Error Vector Magnitude (EVM) at the lower limit of the dynamic range are defined in subclause 6.5.4.

6.3.4.5.3 NR

The downlink (DL) total power dynamic range for each NR carrier shall be larger than or equal to the level in table 6.3.4.5.3-1.

Table 6.3.4.5.3-1: NR TAB connector total power dynamic range

| NR channel bandwidth (MHz) | Total power dynamic range (dB) | | |
|----------------------------|--------------------------------|------------|------------|
| | 15 kHz SCS | 30 kHz SCS | 60 kHz SCS |
| 5 | 13.5 | 10 | N/A |
| 10 | 16.7 | 13.4 | 10 |
| 15 | 18.5 | 15.3 | 12.1 |
| 20 | 19.8 | 16.6 | 13.4 |
| 25 | 20.8 | 17.7 | 14.5 |
| 30 | 21.6 | 18.5 | 15.3 |
| 40 | 22.9 | 19.8 | 16.6 |
| 50 | 23.9 | 20.8 | 17.7 |
| 60 | N/A | 21.6 | 18.5 |
| 70 | N/A | 22.3 | 19.2 |
| 80 | N/A | 22.9 | 19.8 |
| 90 | N/A | 23.4 | 20.4 |
| 100 | N/A | 23.9 | 20.9 |

NOTE 1: If the above Test Requirement differs from the Minimum Requirement then the Test Tolerance applied for this test is non-zero. The Test Tolerance for this test is defined in subclause 4.1.2 and the explanation of how the Minimum Requirement has been relaxed by the Test Tolerance is given in annex C.

NOTE 2: Additional test requirements for the Error Vector Magnitude (EVM) at the lower limit of the dynamic range are defined in subclause 6.5.4.

6.3.5 IPDL time mask

6.3.5.1 Definition and applicability

To support IPDL location method in UTRA FDD operation, the AAS BS shall interrupt all transmitted signals in the downlink (i.e. common and dedicated channels). The IPDL time mask specifies the limits of the *TAB connector* output power during these idle periods.

This requirement applies only to AAS BS supporting IPDL. The requirement applies at each *TAB connector* supporting transmission in the operating band.

6.3.5.2 Minimum requirement

The minimum requirement for UTRA FDD operation are defined in 3GPP TS 25.104 [9], subclause 6.4.5.1.

There is no IPDL requirement for UTRA TDD 1,28 Mcps option operation.

There is no IPDL requirement for E-UTRA or NR operation.

6.3.5.3 Test purpose

The test purpose is to verify the ability of the AAS BS to temporarily reduce its output power on each *TAB connector* below a specified value to improve time difference measurements made by UE for location services.

6.3.5.4 Method of test

6.3.5.4.1 Initial conditions

Test environment:

- normal; see annex B.

RF channels to be tested:

- B, M and T; see subclause 4.12.1.

Set each *TAB connector* to output a signal in accordance to TM1, in subclause 4.12.2.

Configure the *TAB connector* to produce idle periods in continuous mode. The IPDL parameters as defined in 3GPP TS 25.214 [23] shall have the following values:

- IP_Spacing = 5
- IP_Length = 10 CPICH symbols
- Seed = 0

6.3.5.4.2 Procedure

The minimum requirement is applied to all *TAB connectors*, they may be tested one at a time or multiple *TAB connectors* may be tested in parallel as shown in subclause D.1.1. Whichever method is used the procedure is repeated until all *TAB connectors* necessary to demonstrate conformance have been tested.

- 1) Connect *TAB connector* to measurement equipment as shown in subclause D.1.1. All *TAB connectors* not under test shall be terminated.
- 2) Set the *TAB connector* to transmit at manufacturers declared *rated carrier output power per TAB connector* ($P_{\text{Rated,c,TABC}}$).

- 3) Measure the mean power at the *TAB connector* over a period starting 27 chips after the beginning of the IPDL period and ending 27 chips before the expiration of the IPDL period.

In addition, for *multi-band TAB connector(s)*, the following steps shall apply:

- 4) For *multi-band TAB connectors* and single band tests, repeat the steps above per involved band where single band test configurations and test models shall apply with no carrier activated in the other band.

6.3.5.5 Test requirements

The mean power measured according to step (3) in clause 6.3.5.4.2 shall be equal to or less than

$$\text{TAB connector maximum output power (P}_{\text{max,c,TABC}}) - 34.3 \text{ dB.}$$

See also figure 6.3.5.5-1.

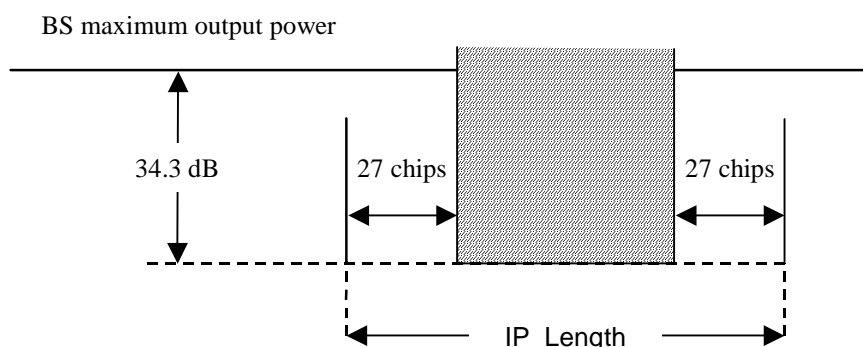


Figure 6.3.5.5-1: IPDL Time Mask

NOTE: If the above Test Requirement differs from the Minimum Requirement then the Test Tolerance applied for this test is non-zero. The Test Tolerance for this test is defined in subclause 4.1.2 and the explanation of how the Minimum Requirement has been relaxed by the Test Tolerance is given in annex C.

6.3.6 RE Power control dynamic range

6.3.6.1 Definition and applicability

The RE power control dynamic range is the difference between the power of an RE and the average RE power for a *TAB connector* at maximum output power ($P_{\text{Rated,c,TABC}}$) for a specified reference condition.

This requirement applies at each *TAB connector* supporting transmission in the operating band.

6.3.6.2 Minimum requirement

There is no RE Power control dynamic range requirement for UTRA FDD operation.

There is no RE Power control dynamic range requirement for UTRA TDD 1,28 Mcps option operation.

The minimum requirement for E-UTRA operation are defined in 3GPP TS 36.104 [11], subclause 6.3.1.1.

The minimum requirement for NR operation are defined in 3GPP TS 38.104 [36], subclause 6.3.2.2.

6.3.6.3 Method of test

No specific test or test requirements are defined for RE Power control dynamic range. The Error Vector Magnitude test, as described in subclause 6.5.4 provides sufficient test coverage for this requirement.

6.4 Transmit ON/OFF power

6.4.1 General

Transmitter ON/OFF power requirements apply only to TDD operation of UTRA and E-UTRA.

6.4.2 Transmitter OFF power

6.4.2.1 Definition and applicability

Transmitter OFF power is defined as the mean power measured over $70/N$ μ s filtered with a square filter of bandwidth equal to the RF bandwidth(s) of the BS centred on the central frequency of the RF bandwidth(s) during the *transmitter OFF period*. N is equal to 1 for UTRA and E-UTRA SCS/15 for NR, where SCS is Sub Carrier Spacing in kHz.

The requirement applies at each *TAB connector* supporting transmission in the operating band.

For *multi-band TAB connectors* and for *single band TAB connectors* supporting transmission in multiple operating bands, the requirement is only applicable during the *transmitter OFF period* in all supported operating bands.

For AAS BS supporting intra-band contiguous CA, the transmitter OFF power is defined as the mean power measured over $70/N$ μ s filtered with a square filter of bandwidth equal to the *Aggregated BS Channel Bandwidth* $BW_{\text{Channel_CA}}$ centred on $(F_{\text{edge,high}}+F_{\text{edge,low}})/2$ during the *transmitter OFF period*. N is equal to 1 if there are any UTRA or E-UTRA carriers, or for NR $N = \text{SCS}/15$, where SCS is the smallest supported Sub Carrier Spacing in kHz in the *Aggregated BS Channel Bandwidth*.

6.4.2.2 Minimum requirement

There is no transmitter off power requirement for UTRA FDD operation.

The minimum requirement for UTRA TDD 1,28 Mcps option operation are defined in 3GPP TS 37.105 [8], subclause 6.4.2.3.

The minimum requirement for E-UTRA operation are defined in 3GPP TS 37.105 [8], subclause 6.4.2.4.

The minimum requirement for MSR and NR operation are defined in 3GPP TS 37.105 [8], subclause 6.4.2.2.

6.4.2.3 Test purpose

The purpose of this test is to verify the *TAB connector* transmitter OFF power is within the limits of the minimum requirements.

6.4.2.4 Method of test

6.4.2.4.1 Initial conditions

Test environment:

- normal; see annex B.

RF channels to be tested:

- B, M and T; see subclause 4.12.1.

Base Station RF Bandwidth positions to be tested:

- M_{RFBW} in single band operation, see subclause 4.12.1; $B_{\text{RFBW_T'RFBW}}$ and $B'_{\text{RFBW_T'RFBW}}$ in multi-band operation; see subclause 4.12.1.

6.4.2.4.2 Procedure

The minimum requirement is applied to all *TAB connectors*, they may be tested one at a time or multiple *TAB connectors* may be tested in parallel as shown in subclause D.1.1. Whichever method is used the procedure is repeated until all *TAB connectors* necessary to demonstrate conformance have been tested.

- 1) Connect *TAB connector* to measurement equipment as shown in subclause D.1.1. All *TAB connectors* not under test shall be terminated.
- 2) Set each *TAB connector* to output according to the applicable test configuration in clause 5 using the corresponding test models or set of physical channels in subclause 4.12.2. For single carrier set the *TAB connector* to transmit at manufacturers declared *rated carrier output power per TAB connector* ($P_{\text{Rated,c,TABC}}$).
- 3) For UTRA and E-UTRA, measure the mean power spectral density measured over $70\mu\text{s}$ filtered with a square filter of bandwidth equal to the RF bandwidth of the *TAB connector* centred on the central frequency of the RF bandwidth. $70\mu\text{s}$ average window centre is set from $35\mu\text{s}$ after end of one transmitter ON period + $17\mu\text{s}$ to $35\mu\text{s}$ before start of next transmitter ON period - $6.25\mu\text{s}$.

For NR, measure the mean power spectral density over $70/N \mu\text{s}$ filtered with a square filter of bandwidth equal to the RF bandwidth of the *TAB connector* centred on the central frequency of the RF bandwidth. $70/N \mu\text{s}$ average window centre is set from $35/N \mu\text{s}$ after end of one transmitter ON period + $10 \mu\text{s}$ to $35/N \mu\text{s}$ before start of next transmitter ON period - $10 \mu\text{s}$. $N = \text{SCS}/15$, where SCS is Sub Carrier Spacing in kHz.

In addition, for *multi-band TAB connector(s)*, the following steps shall apply:

- 4) For *multi-band TAB connectors* and single band tests, repeat the steps above per involved band where single band test configurations and test models shall apply with no carrier activated in the other band.

6.4.2.5 Test requirements

The measured mean power spectral density according to subclause 6.4.2.4.2 shall be less than -83 dBm/MHz for carrier frequency $f \leq 3.0 \text{ GHz}$.

The measured mean power spectral density according to subclause 6.4.2.4.2 shall be less than -82.5 dBm/MHz for carrier frequency $3.0 \text{ GHz} < f \leq 4.2 \text{ GHz}$.

For *multi-band TAB connector*, the requirement is only applicable during the transmitter OFF period in all supported operating bands.

NOTE: If the above Test Requirement differs from the Minimum Requirement then the Test Tolerance applied for this test is non-zero. The Test Tolerance for this test is defined in subclause 4.1.2 and the explanation of how the Minimum Requirement has been relaxed by the Test Tolerance is given in annex C.

6.4.3 Transmitter transient period

6.4.3.1 Definition and applicability

The *transmitter transient period* is the time period during which the transmitter unit is changing from the OFF period to the ON period or vice versa. The *transmitter transient period* is illustrated in figure 6.4.3.1-1.

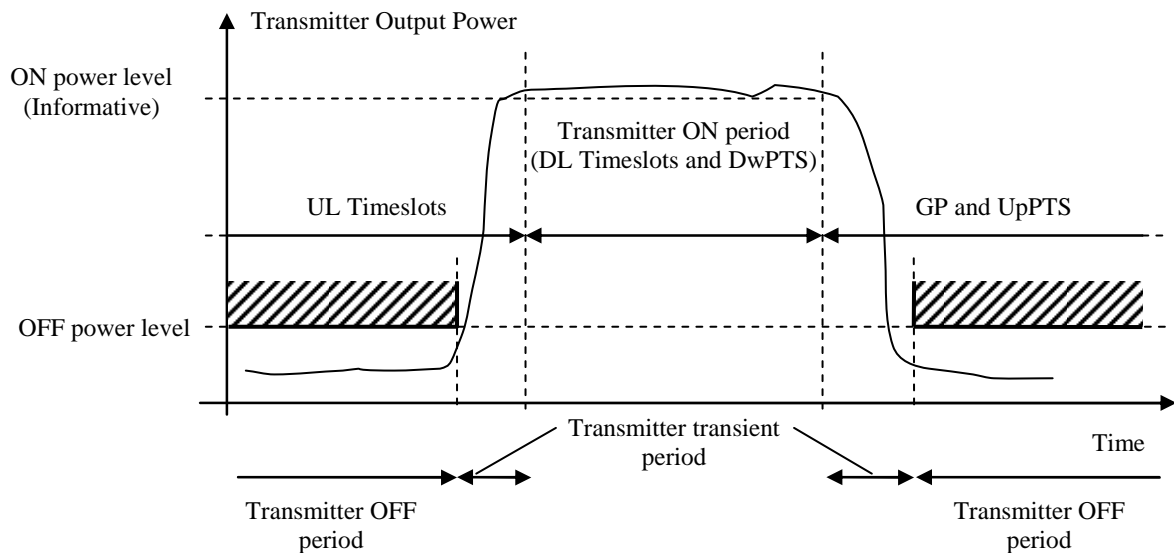


Figure 6.4.3.1-1: Illustration of the relations of transmitter ON period, transmitter OFF period and transmitter transient period

This requirement applies at each *TAB connector* supporting transmission in the operating band.

6.4.3.2 Minimum requirement

The minimum requirement for MSR operation is in 3GPP TS 37.104 [12], subclause 6.4.2.1.

There is no Transmitter transient period requirement for UTRA FDD operation.

The minimum requirement for single RAT UTRA TDD 1,28 Mcps option operation are defined in 3GPP TS 25.105 [10], subclause 6.5.2.1.2.

The minimum requirement for single RAT E-UTRA operation are defined in 3GPP TS 36.104 [11], subclause 6.4.2.1.

6.4.3.3 Test purpose

The purpose of this test is to verify the *TAB connector* transmitter transient periods are within the limits of the minimum requirements.

6.4.3.4 Method of test

6.4.3.4.1 Initial conditions

6.4.3.4.1.1 MSR operation

For MSR operation the test for transmitter off power in subclause 6.4.2 demonstrates compliance.

6.4.3.4.1.2 UTRA TDD operation

Test environment:

- normal; see clause B.2.

RF channels to be tested for single carrier (SC):

- M; see subclause 4.12.1.

RF bandwidth positions to be tested:

- M_{RFBW} in single band operation; see subclause 4.12.1; $B_{RFBW_T'_{RFBW}}$ and $B'_{RFBW_T_{RFBW}}$ in multi-band operation, see subclause 4.12.1.

Table 6.4.3.4.1.2-1: Parameters of the transmitted signal for transmit ON/OFF time mask test for 1,28 Mcps TDD

| Parameter | Value/description |
|---|---|
| TDD Duty Cycle | TS i ; $i = 0, 1, 2, 3, 4, 5, 6$: transmit, if i is 0,4,5,6; receive, if i is UpPCH,1,2,3. |
| Time slots under test | TS4, TS5 and TS6 |
| Number of DPCH in each time slot under test | 8 |
| Data content of DPCH | real life (sufficient irregular) |

6.4.3.4.1.3 E-UTRA operation

Test environment:

- normal; see clause B.2.

RF channels to be tested for single carrier:

- M; see subclause 4.12.1.

RF bandwidth positions to be tested for multi-carrier and/or CA:

- M_{RFBW} in single-band operation, see subclause 4.12.1; $B_{RFBW_T'_{RFBW}}$ and $B'_{RFBW_T_{RFBW}}$ in multi-band operation, see subclause 4.12.1.

6.4.3.4.2 Procedure

6.4.3.4.2.1 MSR operation

For MSR operation the test for transmitter off power in subclause 6.4.2 demonstrates compliance.

6.4.3.4.2.2 UTRA TDD operation

The minimum requirement is applied to all *TAB connectors*, they may be tested one at a time or multiple *TAB connectors* may be tested in parallel as shown in subclause D.1.1. Whichever method is used the procedure is repeated until all *TAB connectors* necessary to demonstrate conformance have been tested.

- 1) Connect *TAB connector* to measurement equipment as shown in subclause D.1.1. All *TAB connectors* not under test shall be terminated.
- 2) Set each *TAB connector* to output according to the applicable test configuration in clause 5 using the corresponding test models or set of physical channels in subclause 4.12.2. For single carrier set the *TAB connector* to transmit at manufacturers declared *rated carrier output power per TAB connector* ($P_{Rated,c,TABC}$).
- 3) Measure the RRC filtered mean power of the *TAB connector* output signal chipwise (i.e. averaged over time intervals of one chip duration) over the transmit off power period starting 11 chips before the start of the receive time slot TS $i = \text{UpPCH}$, and ending 8 chips before the next transmit time slot TS $i=4$ starts.

6.4.3.4.2.3 E-UTRA operation

The minimum requirement is applied to all *TAB connectors*, they may be tested one at a time or multiple *TAB connectors* may be tested in parallel as shown in subclause D.1.1. Whichever method is used the procedure is repeated until all *TAB connectors* necessary to demonstrate conformance have been tested.

- 1) Connect *TAB connector* to measurement equipment as shown in subclause D.1.1. All *TAB connectors* not under test shall be terminated.

As a general rule, the resolution bandwidth of the measuring equipment should be equal to the measurement bandwidth. However, to improve measurement accuracy, sensitivity, efficiency and avoiding e.g. carrier leakage,

the resolution bandwidth may be smaller than the measurement bandwidth. When the resolution bandwidth is smaller than the measurement bandwidth, the result should be integrated over the measurement bandwidth in order to obtain the equivalent noise bandwidth of the measurement bandwidth.

- 2) For a Set each *TAB connector* to output according to the applicable test configuration in clause 5 using the corresponding test models or set of physical channels in subclause 4.12.2. For single carrier set the *TAB connector* to transmit at manufacturers declared *rated carrier output power per TAB connector* ($P_{\text{Rated,c,TABC}}$).
- 3) Measure the mean power spectral density over $70\mu\text{s}$ filtered with a square filter of bandwidth equal to the RF bandwidth of the *TAB connector* centred on the central frequency of the RF bandwidth. $70\mu\text{s}$ average window centre is set from $35\mu\text{s}$ after end of one transmitter ON period + $17\mu\text{s}$ to $35\mu\text{s}$ before start of next transmitter ON period - $17\mu\text{s}$.
- 4) For a *TAB connector* supporting contiguous CA, measure the mean power spectral density over $70\mu\text{s}$ filtered with a square filter of bandwidth equal to the Aggregated Channel Bandwidth $BW_{\text{Channel_CA}}$ centred on $(F_{\text{edge_high}}+F_{\text{edge_low}})/2$. $70\mu\text{s}$ average window centre is set from $35\mu\text{s}$ after end of one transmitter ON period + $17\mu\text{s}$ to $35\mu\text{s}$ before start of next transmitter ON period - $17\mu\text{s}$.

In addition, for *multi-band TAB connector(s)*, the following steps shall apply:

- 5) For *multi-band TAB connectors* and single band tests, repeat the steps above per involved band where single band test configurations and test models shall apply with no carrier activated in the other band.

6.4.3.5 Test requirements

6.4.3.5.1 MSR operation

For MSR operation the test for transmitter off power in subclause 6.4.2 demonstrates compliance.

6.4.3.5.1 UTRA TDD operation

Each value of the power measured according to subclause 6.4.3.4.2.2 shall be below $-41,3\text{ dBm}$ in the period from 85 chips to 88 chips after the burst and below -80 dBm in the period where the Tx OFF power specification is applicable.

For *multi-band TAB connector*, the requirement is only applicable during the transmitter OFF period in all supported operating bands.

6.4.3.5.1 E-UTRA operation

The measured mean power spectral density according to subclause 6.3.5.4.3 shall be less than -83 dBm/MHz for carrier frequency $f \leq 3.0\text{ GHz}$.

The measured mean power spectral density according to subclause 6.3.5.4.3 shall be less than -82.5 dBm/MHz for carrier frequency $3.0\text{ GHz} < f \leq 4.2\text{ GHz}$.

For *multi-band TAB connector*, the requirement is only applicable during the transmitter OFF period in all supported operating bands.

NOTE: If the above Test Requirement differs from the Minimum Requirement then the Test Tolerance applied for this test is non-zero. The Test Tolerance for this test is defined in subclause 4.1.2 and the explanation of how the Minimum Requirement has been relaxed by the Test Tolerance is given in annex C.

6.5 Transmitted signal quality

6.5.1 General

The requirements apply per *TAB connector* unless otherwise stated differently.

The requirement applies during the transmitter ON period.

6.5.2 Frequency error

6.5.2.1 Definition and applicability

Frequency error is the measure of the difference between the actual AAS BS transmit frequency and the assigned frequency. The same source shall be used for RF frequency and data clock generation.

It is not possible to verify by testing that the data clock is derived from the same frequency source as used for RF generation. This may be confirmed by the manufacturer's declaration.

6.5.2.2 Minimum Requirement

For AAS BS in *MSR operation* the minimum requirement is defined in TS 37.105 [6], subclause 6.52.2.

For AAS BS in *single RAT UTRA operation* the minimum requirement is defined in TS 37.105 [6], subclause 6.5.2.3.

For AAS BS in *single RAT E-UTRA operation* the minimum requirement is defined in TS 37.105 [6], subclause 6.5.2.4.

6.5.2.3 Test purpose

The test purpose is to verify that frequency error is within the limit specified by the minimum requirement.

6.5.2.4 Method of test

Requirement is tested together with modulation quality test, as described in subclause 6.5.4.

6.5.2.5 Test Requirements

6.5.2.5.1 UTRA FDD test requirement

The frequency error for every measured slot shall be between the minimum and maximum value specified in table 6.5.2.5.1-1.

Table 6.5.2.5.1-1: Frequency error test requirement

| BS class | Accuracy |
|-----------------|---|
| Wide Area BS | $\pm(0.05 \text{ ppm} + 12 \text{ Hz})$ |
| Medium Range BS | $\pm(0.1 \text{ ppm} + 12 \text{ Hz})$ |
| Local Area BS | $\pm(0.1 \text{ ppm} + 12 \text{ Hz})$ |

NOTE: If the above Test Requirement differs from the Minimum Requirement then the Test Tolerance applied for this test is non-zero. The Test Tolerance for this test is defined in subclause 4.1.2 and the explanation of how the Minimum Requirement has been relaxed by the Test Tolerance is given in annex C.

6.5.2.5.2 UTRA TDD test requirement

The frequency error for every measured slot shall be between the minimum and maximum value specified in table 6.5.2.5.2-1.

Table 6.5.2.5.2-1: Frequency error test requirement

| BS class | Accuracy |
|-----------------|---|
| Wide Area BS | $\pm(0.05 \text{ ppm} + 12 \text{ Hz})$ |
| Medium Range BS | $\pm(0.1 \text{ ppm} + 12 \text{ Hz})$ |

6.5.2.5.3 E-UTRA and NR test requirement

The modulated carrier frequency of each E-UTRA or NR carrier configured by the AAS BS shall be accurate to within the accuracy range given in table 6.5.2.5.3-1 observed over a period of one subframe (1 ms).

Table 6.5.2.5.3-1: Frequency error test requirement

| BS class | Accuracy |
|-----------------|---|
| Wide Area BS | $\pm(0.05 \text{ ppm} + 12 \text{ Hz})$ |
| Medium Range BS | $\pm(0.1 \text{ ppm} + 12 \text{ Hz})$ |
| Local Area BS | $\pm(0.1 \text{ ppm} + 12 \text{ Hz})$ |

NOTE: If the above Test Requirement differs from the Minimum Requirement then the Test Tolerance applied for this test is non-zero. The Test Tolerance for this test is defined in subclause 4.1.2 and the explanation of how the Minimum Requirement has been relaxed by the Test Tolerance is given in annex C.

6.5.3 Time alignment error

6.5.3.1 Definition and applicability

This requirement applies to frame timing in:

- UTRA single/multi-carrier transmissions and their combinations with MIMO or TX diversity.
- E-UTRA single/multi-carrier transmissions and their combinations with MIMO or TX diversity.
- E-UTRA *carrier aggregation*, with or without MIMO or TX diversity.
- NR single/multi-carrier transmissions, and their combinations with MIMO.
- NR *carrier aggregation*, with or without MIMO.

Frames of the UTRA/E-UTRA/NR signals present at the *TAB connectors* are not perfectly aligned in time. In relation to each other, the RF signals present at the *transceiver array boundary* may experience certain timing differences.

For a specific set of signals/transmitter configuration/transmission mode, the Time Alignment Error (TAE) is defined as the largest timing difference between any two different E-UTRA signals or any two different UTRA signals or any two different NR signals belonging to different *TAB Connectors* belonging to different transmitter groups at the *transceiver array boundary*, where transmitter groups are associated with the *TAB connectors* in the transceiver unit array corresponding to TX diversity (except NR), MIMO transmission, *carrier aggregation*, etc.

6.5.3.2 Minimum requirement

For AAS BS in *MSR operation* the minimum requirement is defined in TS 37.105 [6], subclause 6.5.3.2.

For AAS BS in *single RAT UTRA operation* the minimum requirement is defined in TS 37.105 [6], subclause 6.5.3.3.

For AAS BS in *single RAT E-UTRA operation* the minimum requirement is defined in TS 37.105 [6], subclause 6.5.3.4.

6.5.3.3 Test purpose

To verify that the time alignment error is within the limit specified by the minimum requirement.

6.5.3.4 Method of test

6.5.3.4.1 Initial conditions

6.5.3.4.1.1 General test conditions

Test environment: normal; see annex B.2.

RF channels to be tested for single carrier: M; see subclause 4.12.1.

6.5.3.4.1.2 UTRA FDD

Base Station RF Bandwidth positions to be tested for multi-carrier: B_{RFBW} , M_{RFBW} and T_{RFBW} ; $B_{\text{RFBW}}T_{\text{RFBW}}$ and $B'_{\text{RFBW}}T_{\text{RFBW}}$ in multi-band operation; see subclause 4.12.1.

Refer to subclause D.1.3 for a functional block diagram of the test set-up.

6.5.3.4.1.3 UTRA TDD

RF bandwidth positions to be tested for multi-carrier: M_{RFBW} in single band operation, see subclause 4.12.1.

- For a *TAB connectors* declared to be capable of single carrier operation only, set the base station to transmit according to table 6.5.3.4.1.3-1 on one cell using MIMO.
- For a *multi-carrier TAB connectors*, set to transmit according to table 6.5.3.4.1.3-1 on all carriers configured using the applicable test configuration and corresponding power setting specified in subclause 5.3.

Table 6.5.3.4.1.3-1: Parameters of the BS transmitted signal for 1,28 Mcps TDD

| Parameter | Value/description |
|-----------------------|---|
| TDD Duty Cycle | TS i ; $i = 0, 1, 2, \dots, 6$: transmit, if i is 0,4,5,6; receive, if i is 1,2,3. |
| Time slots under test | TS0 and DwPTS |
| Spreading factor | 16 |

6.5.3.4.1.4 E-UTRA and NR

RF bandwidth positions to be tested for multi-carrier and/or CA:

- M_{RFBW} in single-band operation, see subclause 4.12.1;
- $B_{\text{RFBW}}T_{\text{RFBW}}$ and $B'_{\text{RFBW}}T_{\text{RFBW}}$ in multi-band operation, see subclause 4.7.

6.5.3.4.2 Procedure

6.5.3.4.2.1 General procedure

TAB connectors to be tested are identified from the declared sets of *TAB connector beam forming groups* (see subclause 4.10 D.6.58).

Connect two representative *TAB connectors* one from each of the declared groups to the measurement equipment according to annex D.1.3. Terminate any unused *TAB connector(s)*.

Compliance is to be demonstrated between all pairs of *TAB connectors beam forming groups*, however it is not required to exhaustively measure the time alignment error between every combination of pairs of representative *TAB connectors*. Compliance can be demonstrated by comparison of a reduced set of representative measurement results.

6.5.3.4.2.2 UTRA FDD procedure

- 1) If the AAS BS supports TX diversity or MIMO, set the *TAB connectors* to transmit TM1, subclause 4.12.2, at manufacturer's declared rated output power, $P_{\text{Rated,c,TABC}}$ on one cell using TX diversity or MIMO.
- 2) Measure the time alignment error between the signals using the P-CPICH on one of the representative *TAB connector* from the main signal conveyed via a *TAB connectors beam forming group* and the CPICH on the *TAB connector* from the diversity signal conveyed via another *TAB connectors beam forming group*.
- 3) If the AAS BS supports DC-HSDPA, 4C-HSDPA, NC-4C-HSDPA or 8C-HSDPA set the *TAB connectors* to transmit according to TM1, without using TX diversity or MIMO, on all carriers configured using the applicable test configuration and corresponding power setting specified in subclause 4.11.
- 4) Measure the time alignment error between the signals using the P-CPICH on one of the representative *TAB connector* and CPICH signals on representative *TAB connector* from another group.

- 5) If the AAS BS supports DB-DC-HSDPA or any of the multi-band 4C-HSDPA or 8C-HSDPA configurations set the *TAB connectors* to transmit TM1 on two carriers belonging to different frequency bands, without using TX diversity or MIMO on any of the carriers.
- 6) Measure the time alignment error between the signals using the P-CPICH and CPICH signals on the *TAB connectors*.

In addition, for *multi-band TAB connector(s)*, the following steps shall apply:

- 7) For *multi-band TAB connectors* and single band tests, repeat the steps above per involved band where single band test configurations and test models shall apply with no carrier activated in the other band.

6.5.3.4.2.3 UTRA TDD procedure

- 1) Start the *TAB connector beam forming groups* transmission at the manufacturer's specified rated output power, $P_{\text{Rated,c,TABC}}$ at the *TAB connector*.
- 2) Measure the time alignment error between the P-CCPCH and DwPTS on the representative *TAB connectors* under test.

In addition, for *multi-band TAB connector(s)*, the following steps shall apply:

- 3) For *multi-band TAB connectors* and single band tests, repeat the steps above per involved band where single band test configurations and test models shall apply with no carrier activated in the other band.

6.5.3.4.2.4 E-UTRA and NR procedure

- 1) Set the AAS BS to transmit E-TM1.1 or NR-FR1-TM 1.1 or any DL signal using TX diversity (except NR), MIMO transmission or carrier aggregation.

NOTE: For TX diversity (except NR) and MIMO transmission, different ports may be configured in E-TM (using CRS ports $p = 0$ and 1 with FDM) or NR-FR1-TM (using DMRS ports $p = 1000$ and 1001 with CDM).

For an AAS BS declared to be capable of single carrier operation only, set the representative *TAB connectors* to transmit according to manufacturer's declared rated output power, $P_{\text{Rated,c,TABC}}$.

If the AAS BS supports intra band contiguous or non-contiguous Carrier Aggregation set the representative *TAB connectors* to transmit using the applicable test configuration and corresponding power setting specified in subclauses 4.10 and 4.11.

If the AAS BS supports inter band carrier aggregation set the representative *TAB connectors* to transmit, for each band, a single carrier or all carriers, using the applicable test configuration and corresponding power setting specified in subclauses 4.10 and 4.11.

- 2) Measure the time alignment error between the reference symbols on the carrier(s) from the representative *TAB connector(s)*.

In addition, for *multi-band TAB connector(s)*, the following steps shall apply:

- 3) For *multi-band TAB connectors* and single band tests, repeat the steps above per involved band where single band test configurations and test models shall apply with no carrier activated in the other band.

6.5.3.5 Test requirement

6.5.3.5.1 UTRA FDD test requirement

For Tx diversity and MIMO transmission, in the tested cell, TAE shall not exceed $0.35 T_c$.

For transmission of multiple cells within a frequency band TAE shall not exceed $0.6 T_c$.

For transmission of multiple cells in different frequency bands TAE shall not exceed $5.1 T_c$.

NOTE: If the above Test Requirement differs from the Minimum Requirement then the Test Tolerance applied for this test is non-zero. The Test Tolerance for this test is defined in subclause 4.1.2 and the explanation of how the Minimum Requirement has been relaxed by the Test Tolerance is given in annex C.

6.5.3.5.2 UTRA TDD test requirement

The time alignment error shall be less than $65 + 78$ ns.

NOTE: If the above Test Requirement differs from the Minimum Requirement then the Test Tolerance applied for this test is non-zero. The Test Tolerance for this test is defined in subclause 4.1.2 and the explanation of how the Minimum Requirement has been relaxed by the Test Tolerance is given in annex C.

6.5.3.5.3 E-UTRA test requirement

For MIMO or TX diversity transmissions, at each carrier frequency, TAE shall not exceed 90 ns.

For intra-band carrier aggregation, with or without MIMO or TX diversity, TAE shall not exceed 155 ns.

For intra-band non-contiguous carrier aggregation, with or without MIMO or TX diversity, TAE shall not exceed 285 ns.

For inter-band carrier aggregation, with or without MIMO or TX diversity, TAE shall not exceed 285 ns.

NOTE: If the above Test Requirement differs from the Minimum Requirement then the Test Tolerance applied for this test is non-zero. The Test Tolerance for this test is defined in subclause 4.1.2 and the explanation of how the Minimum Requirement has been relaxed by the Test Tolerance is given in annex C.

6.5.3.5.4 NR test requirement

For MIMO transmissions, at each carrier frequency, TAE shall not exceed 90 ns.

For intra-band contiguous CA, with or without MIMO, TAE shall not exceed 285 ns.

For intra-band non-contiguous CA, with or without MIMO, TAE shall not exceed 3.025 μ s.

For inter-band CA, with or without MIMO, TAE shall not exceed 3.025 μ s.

NOTE: If the above Test Requirement differs from the Minimum Requirement then the Test Tolerance applied for this test is non-zero. The Test Tolerance for this test is defined in subclause 4.1.2 and the explanation of how the Minimum Requirement has been relaxed by the Test Tolerance is given in annex C.

6.5.4 Modulation quality

6.5.4.1 Definition and applicability

Modulation quality is defined by the difference between the measured carrier signal and a reference signal. Modulation quality can be expressed e.g. as Peak Code domain Error (PCDE) or Relative Code domain Error (RCDE) or Error Vector Magnitude (EVM) for UTRA and Error Vector Magnitude (EVM) for E-UTRA and NR.

6.5.4.2 Minimum Requirement

The minimum requirement for UTRA operation are defined in TS 37.105 [8], subclause 6.5.4.3.

The minimum requirement for E-UTRA operation are defined in TS 37.105 [8], subclause 6.5.4.4.

The minimum requirement for NR operation are defined in TS 37.105 [8], subclause 6.5.4.2.

6.5.4.3 Test purpose

The test purpose is to verify that modulation quality is within the limit specified by the minimum requirement.

6.5.4.4 UTRA FDD method of test

6.5.4.4.1 Initial conditions

Test environment: normal; see annex B.2.

RF channels to be tested for single carrier: B, M and T; see subclause 4.12.1.

Base Station RF Bandwidth position to be tested: B_{RFBW} , M_{RFBW} and T_{RFBW} single-band operation, see subclause 4.12.1 single-band operation.

6.5.4.4.2 Procedure

6.5.4.4.2.1 EVM procedure

The minimum requirement is applied to all *TAB connectors*, they may be tested one at a time or multiple *TAB connectors* may be tested in parallel as shown in subclause D.1.1. Whichever method is used the procedure is repeated until all *TAB connectors* necessary to demonstrate conformance have been tested.

- 1) For a *TAB connector* declared to be capable of single carrier operation only, set the *TAB connector* to transmit a signal according to TM1 according to subclause 4.12.2 at manufacturer's declared rated output power, $P_{Rated,c,TABC}$.

For a *TAB connector* declared to be capable of multi-carrier operation, set the *TAB connector* to transmit according to subclause 4.12.2 on all carriers configured using the applicable test configuration and corresponding power setting specified in subclause 4.11.

- 2) For each carrier, measure the Error Vector Magnitude and frequency error as defined in annex D.1.1 and the mean power of the signal. The measurement shall be performed on all 15 slots of the frame defined by the Test Model.
- 3) Using the same setting as in step 1), set the *TAB connector* to transmit a signal according to TM4, subclause 4.12.2, with X value equal to 18, and repeat step 2). If the requirement in subclause 6.5.4.5 is not fulfilled, decrease the total output power by setting the base station to transmit a signal according to TM4 with X greater than 18, and repeat step 2).

The following test shall be additionally performed if the base station supports HS-PDSCH transmission using 16QAM:

- 4) Using the same setting as in step 1), set the base station to transmit according to TM5, subclause 4.12.2.
- 5) Repeat step 2).

In addition, for *multi-band TAB connector(s)*, the following steps shall apply:

- 6) For *multi-band TAB connectors* and single band tests, repeat the steps above per involved band where single band test configurations and test models shall apply with no carrier activated in the other band.

6.5.4.4.2.2 PCDE procedure

The minimum requirement is applied to all *TAB connectors*, they may be tested one at a time or multiple *TAB connectors* may be tested in parallel as shown in annex D.1.1. Whichever method is used the procedure is repeated until all *TAB connectors* necessary to demonstrate conformance have been tested.

- 1) For a *TAB connector* declared to be capable of single carrier operation only, set the *TAB connector* to transmit a signal according to TM3, subclause 4.12.2, at manufacturer's declared rated output power, $P_{Rated,c,TABC}$

For a *TAB connector* declared to be capable of multi-carrier operation, set the *TAB connector* to transmit according to TM3 on all carriers configured using the applicable test configuration and corresponding power setting specified in subclause 4.11.

- 2) Measure Peak code domain error according to annexD.1.1. The measurement shall be performed on all 15 slots of the frame defined by TM3. For a *TAB connector* declared to be capable of multi-carrier operation the measurement is performed on one of the carriers under test.

In addition, for *multi-band TAB connector(s)*, the following steps shall apply:

- 3) For *multi-band TAB connectors* and single band tests, repeat the steps above per involved band where single band test configurations and test models shall apply with no carrier activated in the other band.

6.5.4.4.2.3 RCDE procedure

The minimum requirement is applied to all *TAB connectors*, they may be tested one at a time or multiple *TAB connectors* may be tested in parallel as shown in annex D.1.1. Whichever method is used the procedure is repeated until all *TAB connectors* necessary to demonstrate conformance have been tested.

- 1) For a *TAB connector* declared to be capable of single carrier operation only, set the *TAB connector* to transmit a signal according to TM6, subclause 4.12.2, at manufacturer's declared rated output power, $P_{\text{Rated,c,TABC}}$

For a *TAB connector* declared to be capable of multi-carrier operation, set the *TAB connector* to transmit according to TM6, subclause 4.12.2, on all carriers configured using the applicable test configuration and corresponding power setting specified in subclause 4.11.

- 2) Measure average Relative code domain error according to annex E. The measurement shall be performed over one frame defined by TM6 and averaged as specified in subclause 4.12.2. For a *TAB connector* declared to be capable of multi-carrier operation the measurement is performed on one of the carriers under test.

In addition, for *multi-band TAB connector(s)*, the following steps shall apply:

- 3) For *multi-band TAB connectors* and single band tests, repeat the steps above per involved band where single band test configurations and test models shall apply with no carrier activated in the other band.

6.5.4.5 UTRA TDD method of test

6.5.4.5.1 Initial conditions

Test environment: normal; see annex B.2.

RF channels to be tested for single carrier: B, M and T; see subclause 4.12.1.

Base Station RF Bandwidth position to be tested: B_{RFBW} , M_{RFBW} and T_{RFBW} single-band operation, see subclause 4.12.1 single-band operation.

Table 6.5.4.5.1-1: Parameters of the *TAB connector* transmitted signal for modulation accuracy testing at maximum *TAB connector* output power for 1,28 Mcps TDD

| Parameter | Value/description |
|---|---|
| TDD Duty Cycle | TS i ; $i = 0, 1, 2, \dots, 6$: Transmit, if i is 0,4,5,6; receive, if i is 1,2,3. |
| Time slots under test | TS4, TS5 and TS6 |
| Number of DPCH in each time slot under test | 10 |
| Power of each DPCH | 1/10 of Base Station output power |
| Data content of DPCH | real life (sufficient irregular) |
| Spreading factor | 16 |

In addition the following test set up only applies for 16QAM capable BS.

Table 6.5.4.5.1-2: Parameters of the *TAB connector* transmitted signal for modulation accuracy testing at maximum *TAB connector* output power setting for 1,28 Mcps TDD - 16QAM capable BS

| Parameter | Value/description |
|---|---|
| TDD Duty Cycle | TS i ; $i = 0, 1, 2, 3, 4, 5, 6$: transmit, if i is 0,4,5,6; receive, if i is 1,2,3. |
| Time slots under test | TS4, TS5 and TS6 |
| HS-PDSCH modulation | 16QAM |
| Number of HS-PDSCH in each time slot under test | 10 |
| Power of each HS-PDSCH | 1/10 of Base Station output power |
| Data content of HS-PDSCH | Real life (sufficient irregular) |
| Spreading factor | 16 |

6.5.4.5.2 Procedure

6.5.4.5.2.1 EVM procedure

The minimum requirement is applied to all *TAB connectors*, they may be tested one at a time or multiple *TAB connectors* may be tested in parallel as shown in annex D.1.1. Whichever method is used the procedure is repeated until all *TAB connectors* necessary to demonstrate conformance have been tested.

- 1) For a *TAB connector* declared to be capable of single carrier operation only, set the parameters of the *TAB connector* transmitted signal according to table 6.5.4.5.1-1 at manufacturer's declared output power, $P_{\text{Rated,c,TABC}}$.

For a *TAB connector* declared to be capable of multi-carrier operation, set the *TAB connector* to transmit according to table 6.5.4.5.1-1 on all carriers configured using the applicable test configuration and corresponding power setting specified in subclauses 5.3.

- 2) Measure the error vector magnitude (EVM) for each carrier by applying the global in-channel Tx test method described in annex E with the *TAB connector* transmitted signal set as described in table 6.5.4.5.1-1.
- 3) Measure the error vector magnitude (EVM) for each carrier by applying the global in-channel Tx test method described in annex C with the *TAB connector* transmitted signal on each carrier set as described in table 6.5.4.5.2.1-1.
- 4) For *TAB connector* declared to be capable of 16QAM repeat steps 2 and 3 using transmitted signal set as described in tables 6.5.4.5.1-2 and 6.5.4.5.2.1-2.

In addition, for *multi-band TAB connector(s)*, the following steps shall apply:

- 5) For *multi-band TAB connectors* and single band tests, repeat the steps above per involved band where single band test configurations and test models shall apply with no carrier activated in the other band.

Table 6.5.4.5.2.1-1: Parameters of the *TAB connector* transmitted signal for modulation accuracy testing at minimum *TAB connector* output power for 1,28 Mcps TDD

| Parameter | Value/description |
|---|---|
| TDD Duty Cycle | TS i ; $i = 0, 1, 2, \dots, 6$: Transmit, if i is 0,4,5,6; receive, if i is 1,2,3. |
| Time slot under test | TS4, TS5 and TS6 |
| Number of DPCH in each time slot under test | 1 |
| BS output power setting on each carrier | Maximum output power - 30 dB |
| Data content of DPCH | Real life (sufficient irregular) |

Table 6.5.4.5.2.1-2: Parameters of the *TAB connector* transmitted signal for modulation accuracy testing at minimum *TAB connector* output power setting for 1,28 Mcps TDD - 16QAM capable BS

| Parameter | Value/description |
|---|---|
| TDD Duty Cycle | TS i ; $i = 0, 1, 2, 3, 4, 5, 6$: transmit, if i is 0,4,5,6; receive, if i is 1,2,3. |
| HS-PDSCH modulation | 16QAM |
| Time slots under test | TS4, TS5 and TS6 |
| Number of HS-PDSCH in each time slot under test | 1 |
| BS output power setting on each carrier | Maximum output power - 30 dB |
| Data content of HS-PDSCH | Real life (sufficient irregular) |
| Spreading factor | 16 |

6.5.4.5.2.2 PCDE procedure

The minimum requirement is applied to all *TAB connectors*, they may be tested one at a time or multiple *TAB connectors* may be tested in parallel as shown in annex D.1.1. Whichever method is used the procedure is repeated until all *TAB connectors* necessary to demonstrate conformance have been tested.

- 1) For a *TAB connector* declared to be capable of single carrier operation only, set the parameters of the *TAB connector* transmitted signal according to table 6.5.4.5.2.1-1 at manufacturer's declared output power, $P_{\text{Rated,c,TABC}}$.

For a *TAB connector* declared to be capable of multi-carrier operation, set the *TAB connector* to transmit according to table 6.5.4.5.2.1-1 on all carriers configured using the applicable test configuration and corresponding power setting specified in subclause 5.3.

- 2) Measure the Peak code domain error by applying the global in-channel Tx test method described in annex E.

In addition, for *multi-band TAB connector(s)*, the following steps shall apply:

- 3) For *multi-band TAB connectors* and single band tests, repeat the steps above per involved band where single band test configurations and test models shall apply with no carrier activated in the other band.

6.5.4.5.2.3 RCDE procedure

The minimum requirement is applied to all *TAB connectors*, they may be tested one at a time or multiple *TAB connectors* may be tested in parallel as shown in annex D.1.1. Whichever method is used the procedure is repeated until all *TAB connectors* necessary to demonstrate conformance have been tested.

- 1) For a *TAB connector* declared to be capable of single carrier operation only, set the parameters of the *TAB connector* transmitted signal according to table 6.5.4.5.2.1-1 at manufacturer's declared output power, $P_{\text{Rated,c,TABC}}$.

For a *TAB connector* declared to be capable of multi-carrier operation, set the *TAB connector* to transmit according to table 6.5.4.5.2.1-1 on all carriers configured using the applicable test configuration and corresponding power setting specified in subclauses 5.3.

- 2) Measure the Relative code domain error by applying the global in-channel Tx test method described in annex E.

In addition, for *multi-band TAB connector(s)*, the following steps shall apply:

- 3) For *multi-band TAB connectors* and single band tests, repeat the steps above per involved band where single band test configurations and test models shall apply with no carrier activated in the other band.

6.5.4.6 E-UTRA and NR method of test

6.5.4.6.1 Initial conditions

Test environment: normal; see annex B.2.

RF channels to be tested for single carrier: B, M and T; see subclause 4.12.1.

RF bandwidth positions to be tested for multi-carrier and/or CA:

- B_{RFBW} , M_{RFBW} and T_{RFBW} in single-band operation, see subclause 4.12.1;
- $B'_{\text{RFBW}}T'_{\text{RFBW}}$ and $B'_{\text{RFBW}}T_{\text{RFBW}}$ in multi-band operation, see subclause 4.12.1.

6.5.4.6.2 Procedure

The minimum requirement is applied to all *TAB connectors*, they may be tested one at a time or multiple *TAB connectors* may be tested in parallel as shown in annex D.1.1. Whichever method is used the procedure is repeated until all *TAB connectors* necessary to demonstrate conformance have been tested.

- 1) For a *TAB connector* declared to be capable of single carrier operation only, set the *TAB connector* to transmit a signal according to E-TM 3.1 for E-UTRA (or sE-TM3.1-1 for subslot TTI, or sE-TM3.1-2 for slot TTI) or NR-FR1-TM 3.1 for NR at manufacturer's declared rated output power.

For a *TAB connector* declared to be capable of multi-carrier and/or CA operation, set the *TAB connector* to transmit according to E-TM3.1 for E-UTRA (or sE-TM3.1-1 for subslot TTI, or sE-TM3.1-2 for slot TTI) or NR-FR1-TM 3.1 for NR on all carriers configured using the applicable test configuration and corresponding power setting specified in subclause 4.10 and 4.11.

- 2) Measure the EVM and frequency error as defined in annex F.
- 3) Repeat steps 1 and 2 for the following test models:

- For E-UTRA: repeat steps 1 and 2 for E-TM 3.2, E-TM 3.3 and E-TM 2,
- For E-UTRA with subslot TTI: repeat steps 1 and 2 for sE-TM3.2-1, sE-TM3.3-1 and sE-TM2-1,
- For E-UTRA with slot TTI: repeat steps 1 and 2 for sE-TM3.2-2, sE-TM3.3-2 and sE-TM2-2.
- For NR: repeat steps 1 and 2 for NR-FR1-TM 3.2, NR-FR1-TM 3.3 and NR-FR1-TM 2

If 256QAM is supported by BS:

- For E-UTRA: repeat steps 1 and 2 for E-TM3.1a and E-TM2a,
- For E-UTRA with subslot TTI: repeat steps 1 and 2 for sE-TM3.1a-1 and sE-TM2a-1,
- For E-UTRA with slot TTI: repeat steps 1 and 2 for sE-TM3.1a-2 and sE-TM2a-2.
- For NR: repeat steps 1 and 2 for NR-FR1-TM3.1a and NR-FR1-TM2a,

For E-UTRA test model E-TM2 and E-TM2a the OFDM symbol power shall be at the lower limit of the dynamic range according to the test procedure in subclause 6.3.4.4.2 and test requirements in subclause 6.3.4.5.2.

For subslot TTI test model sE-TM2-1 and sE-TM2a-1 (or for sE-TM2-2 and sE-TM2a-2 for slot TTI) the OFDM symbol power shall be at the lower limit of the dynamic range according to the test procedure in subclause 6.3.4.4.2 and test requirements in subclause 6.3.4.5.2.

For NR test model NR-FR1-TM2 and NR-FR1-TM2a the OFDM symbol power shall be at the lower limit of the dynamic range according to the test procedure in subclause 6.3.4.4.2 and test requirements in subclause 6.3.4.5.3.

If 1024QAM is supported by BS:

- For E-UTRA: repeat steps 1 and 2 for E-TM3.1b and E-TM2b.

For 1024QAM test model E-TM2b the OFDM symbol power shall be at the lower limit of the dynamic range according to the test procedure in subclause 6.3.4.4.2.3 and test requirements in subclause 6.3.4.5.2.

In addition, for *multi-band TAB connector(s)*, the following steps shall apply:

- 4) For *multi-band TAB connectors* and single band tests, repeat the steps above per involved band where single band test configurations and test models shall apply with no carrier activated in the other band.

6.5.4.7 Test Requirements

6.5.4.7.1 UTRA FDD test requirement

The Error Vector Magnitude for each UTRA carrier and every measured slot shall be less than 17.5 % when the *TAB connector* is transmitting a composite signal using only QPSK modulation and shall be less than 12.5 % when the *TAB connector* is transmitting a composite signal that includes 16QAM modulation.

The peak code domain error for every measured slot shall not exceed -32 dB at spreading factor 256.

The average Relative Code Domain Error for 64QAM modulated codes shall not exceed -20 dB at spreading factor 16.

NOTE: If the above Test Requirement differs from the Minimum Requirement then the Test Tolerance applied for this test is non-zero. The Test Tolerance for this test is defined in subclause 4.1.2 and the explanation of how the Minimum Requirement has been relaxed by the Test Tolerance is given in annex C.

6.5.4.7.2 UTRA TDD test requirement

The error vector magnitude (EVM) for each carrier measured according to subclause 6.5.4.5.2.1 shall not exceed 12.5 %.

The peak code domain error measured according to subclause 6.5.4.5.2.2 shall not exceed -27 dB.

The Relative code domain error measured according to subclause 6.5.4.5.2.3 shall not exceed -20.9 dB.

NOTE: If the above Test Requirement differs from the Minimum Requirement then the Test Tolerance applied for this test is non-zero. The Test Tolerance for this test is defined in subclause 4.1.2 and the explanation of how the Minimum Requirement has been relaxed by the Test Tolerance is given in annex C.

6.5.4.7.3 E-UTRA and NR test requirement

The EVM of each E-UTRA carrier for different modulation schemes on PDSCH or sPDSCH shall be less than the limits in table 6.5.4.7.3-1.

The EVM of each NR carrier for different modulation schemes on PDSCH shall be less than the limits in table 6.5.4.7.3-1a.

Table 6.5.4.7.3-1 EVM requirements for E-UTRA

| Modulation scheme for PDSCH | Required EVM (%) |
|-----------------------------|------------------|
| QPSK | 18.5 |
| 16QAM | 13.5 |
| 64QAM | 9 |
| 256QAM | 4.5 |
| 1024QAM | 3.5 |
| 1024QAM | 3.5 |

Table 6.5.4.7.3-1a EVM: requirements for NR

| Modulation scheme for PDSCH | Required EVM (%) |
|-----------------------------|------------------|
| QPSK | 18.5 |
| 16QAM | 13.5 |
| 64QAM | 9 |
| 256QAM | 4.5 |

NOTE: If the above Test Requirement differs from the Minimum Requirement then the Test Tolerance applied for this test is non-zero. The Test Tolerance for this test is defined in subclause 4.1.2 and the explanation of how the Minimum Requirement has been relaxed by the Test Tolerance is given in annex C.

The EVM requirement shall be applicable within a time period around the centre of the CP therefore the EVM requirement is tested against the maximum of the RMS average of 10 subframes at the two window W extremities.

For E-UTRA, the EVM window length (W) for normal CP and extended CP is specified in TS 36.104 [4], annex E.5.1.

Table 6.5.4.7.3-2 Void

For NR, the EVM window length (W) for normal CP and extended CP is specified in TS 38.104 [36], annex B.5.2.

6.6 Unwanted Emissions

6.6.1 General

Unwanted emissions consist of so-called out-of-band emissions and spurious emissions according to ITU definitions [14]. In ITU terminology, out of band emissions are unwanted emissions immediately outside the *channel bandwidth* resulting from the modulation process and non-linearity in the transmitter but excluding spurious emissions. Spurious emissions are emissions which are caused by unwanted transmitter effects such as harmonics emission, parasitic emission, intermodulation products and frequency conversion products, but exclude out of band emissions.

For AAS BS in *single RAT E-UTRA operation* and *MSR operation*, the out-of-band emissions requirement for the AAS BS transmitter is specified in terms of an operating band unwanted emissions requirement that defines limits for emissions in each supported *downlink operating band* plus the frequency ranges Δf_{OBUE} above and Δf_{OBUE} below each band, where Δf_{OBUE} is the maximum offset of the operating band unwanted emission mask from the operating band edge. Emissions outside of this frequency range are limited by a spurious emissions requirement. For UTRA FDD single RAT AAS BS, the out of band emission requirement for AAS BS transmitter is specified in terms of spectrum emission mask requirement.

The values of Δf_{OBUE} are defined for *hybrid AAS BS* for E-UTRA and UTRA operating bands in Table 6.6.1-1.

Table 6.6.1-1: Maximum offset of OBUE outside the downlink operating band

| BS type | Operating band characteristics | Δf_{OBUE} [MHz] |
|---------------|--|--------------------------------|
| Hybrid AAS BS | $F_{\text{DL_high}} - F_{\text{DL_low}} < 100$ MHz | 10 |
| | $100 \text{ MHz} \leq F_{\text{DL_high}} - F_{\text{DL_low}} \leq 900$ MHz | 40 |

The unwanted emission level limit of a *TAB connector TX min cell group* is in general defined by the unwanted emission *basic limit* which is the same as the corresponding applicable *Non-AAS BS* per transmitter requirement specified in [2], [3], [4] or [5], and its scaling by $N_{\text{TXU, counted per cell}}$. The unwanted emission requirements are applied per the *TAB connector TX min cell groups* for all the configurations supported by the AAS BS. The *basic limits* and corresponding scaling are defined in each relevant subclause.

There are in addition a requirement for occupied bandwidth and an ACLR requirement.

6.6.2 Occupied bandwidth

6.6.2.1 Definition and applicability

The occupied bandwidth is the width of a frequency band such that, below the lower and above the upper frequency limits, the mean powers emitted are each equal to a specified percentage $\beta/2$ of the total mean transmitted power. See also Recommendation ITU-R SM.328 [17].

The value of $\beta/2$ shall be taken as 0.5%.

The occupied bandwidth requirement applies during the *transmitter ON period* for a single transmitted carrier. The minimum requirement below may be applied regionally. There may also be regional requirements to declare the occupied bandwidth according to the definition in the present clause.

6.6.2.2 Minimum requirement

For MSR AAS BS, the minimum requirement for occupied bandwidth is the same as that stated in 3GPP TS 37.104 [12], subclause 6.6.3.

For single RAT UTRA FDD AAS BS, the minimum requirement for occupied bandwidth is the same as that stated in 3GPP TS 25.104 [9], subclause 6.6.1.

For single RAT UTRA TDD, 1,28Mcps option AAS BS, the minimum requirement for occupied bandwidth is the same as that stated in 3GPP TS 25.105 [10], subclause 6.6.1.

For single RAT E-UTRA AAS BS, the minimum requirement for occupied bandwidth is the same as that stated in 3GPP TS 36.104 [11], subclause 6.6.1.

6.6.2.3 Test purpose

The test purpose is to verify that the emission of the *TAB connector* does not occupy an excessive bandwidth for the service to be provided and is, therefore, not likely to create interference to other users of the spectrum beyond undue limits.

6.6.2.4 Method of test

6.6.2.4.1 Initial conditions

6.6.2.4.1.1 General test conditions

Test environment:

- normal; see clause B.2.

RF channels to be tested:

- M; see subclause 4.12.1.

6.6.2.4.1.2 UTRA FDD

Set the *TAB connector* to transmit a signal in accordance to TM1, subclause 4.12.2.

6.6.2.4.1.3 UTRA TDD

Set the parameters of the BS transmitted signal according to table 6.6.2.4.1.3-1.

Table 6.6.2.4.1.3-1: Parameters of the *TAB connector* transmitted signal for occupied bandwidth testing for 1,28 Mcps TDD

| Parameter | Value/description |
|---|---|
| TDD Duty Cycle | TS i ; $i = 0, 1, 2, 3, 4, 5, 6$: transmit, if i is 0,4,5,6; receive, if i is 1,2,3. |
| Time slots under test | TS4, TS5 and TS6 |
| Number of DPCH in each time slot under test | 8 |
| Power of each DPCH | 1/8 of Base Station output power |
| Data content of DPCH | real life (sufficient irregular) |

6.6.2.4.1.4 E-UTRA and NR

Aggregated Channel Bandwidth positions to be tested for contiguous carrier aggregation:

- $B_{\text{BW Channel CA}}$, $M_{\text{BW Channel CA}}$ and $T_{\text{BW Channel CA}}$; see subclause 4.12.1.

For a AAS BS declared to be capable of single carrier operation, start transmission according to E- TM1.1 for E-UTRA or [NR-FR1-TM 1.1] for NR, subclause 4.12.2.

6.6.2.4.2 Procedure

6.6.2.4.2.1 General Procedure

The minimum requirement is applied to all *TAB connectors*, they may be tested one at a time or multiple *TAB connectors* may be tested in parallel as shown in subclause D.1.1. Whichever method is used the procedure is repeated until all *TAB connectors* necessary to demonstrate conformance have been tested.

- 1) Connect *TAB connector* to measurement equipment as shown in subclause D.1.1. All *TAB connectors* not under test shall be terminated.
- 2) For UTRA and E-UTRA and NR declared capable of single carrier operation set the *TAB connector* to transmit at manufacturers declared rated carrier output power per *TAB connector* ($P_{\text{Rated,c,TABC}}$).

For E-UTRA and NR declared capable of contiguous carrier aggregation operation set the *TAB connector* to transmit on all carriers configured using the applicable test configuration and corresponding power setting specified in clause 5.

6.6.2.4.2.2 UTRA FDD

- 1) Measure the spectrum of the transmitted signal across a span of 10 MHz, based on an occupied bandwidth requirement of 5 MHz. The selected resolution bandwidth (RBW) filter of the analyser shall be 30 kHz or less. The spectrum shall be measured at 400 or more points across the measurement span.

NOTE: The detection mode of the spectrum analyzer will not have any effect on the result if the statistical properties of the out-of-OBW power are the same as those of the inside-OBW power. Both are expected to have the Rayleigh distribution of the amplitude of Gaussian noise. In any case where the statistics are not the same, though, the detection mode is power responding. There are at least two ways to be power responding. The spectrum analyser can be set to "sample" detection, with its video bandwidth setting at least three times its RBW setting. Or the analyser may be set to respond to the average of the power (root-mean-square of the voltage) across the measurement cell.

- 2) Compute the total of the power, P_0 , (in power units, not decibel units) of all the measurement cells in the measurement span. Compute P_1 , the power outside the occupied bandwidth on each side. P_1 is half of the total power outside the bandwidth. P_1 is half of $(100\% - (\text{occupied percentage}))$ of P_0 . For the occupied percentage of 99 %, P_1 is 0.005 times P_0 .
- 3) Determine the lowest frequency, f_1 , for which the sum of all power in the measurement cells from the beginning of the span to f_1 exceeds P_1 .
- 4) Determine the highest frequency, f_2 , for which the sum of all power in the measurement cells from the end of the span to f_2 exceeds P_1 .
- 5) Compute the occupied bandwidth as $f_2 - f_1$.

In addition, for *multi-band TAB connector(s)*, the following steps shall apply:

- 6) For *multi-band TAB connectors* and single band tests, repeat the steps above per involved band where single band test configurations and test models shall apply with no carrier activated in the other band.

6.6.2.4.2.3 UTRA TDD

- 1) Measure the power of the transmitted signal with a measurement filter of bandwidth 30 kHz. The characteristic of the filter shall be approximately Gaussian (typical spectrum analyser filter). The centre frequency of the filter shall be stepped in contiguous 30 kHz steps from a minimum frequency, which shall be $(2,4 - 0,015)$ MHz below the assigned channel frequency of the transmitted signal, up to a maximum frequency, which shall be $(2,4 + 0,015)$ MHz above the assigned channel frequency of the transmitted signal. The time duration of each step shall be sufficiently long to capture one active time slot. The measured power shall be recorded for each step.
- 2) Determine the total output power by accumulating the recorded power measurement results of all steps.
- 3) Sum up the recorded power measurement results, starting from the step at the minimum frequency defined in (3) up to the step at a lower limit frequency by which this sum is equal to or greater than 0,5 % of the total output power determined in (4). This limit frequency is recorded as "Lower Frequency".

- 4) Sum up the recorded power measurement results, starting from the step at the maximum frequency defined in (3) down to the step at an upper limit frequency by which this sum is equal to or greater than 0,5 % of the total output power determined in (4). This limit frequency is recorded as "Upper Frequency".
- 5) Calculate the occupied bandwidth as the difference between the "Upper Frequency" obtained in (5) and the "Lower Frequency" obtained in (6).

In addition, for *multi-band TAB connector(s)*, the following steps shall apply:

- 6) For *multi-band TAB connectors* and single band tests, repeat the steps above per involved band where single band test configurations and test models shall apply with no carrier activated in the other band.

6.6.2.4.2.4 E-UTRA and NR

- 1) Measure the spectrum emission of the transmitted signal using at least the number of measurement points, and across a span, as listed in table 6.6.2.4.2.4-1 for E-UTRA and 6.6.2.4.2.4-2 for NR. The selected resolution bandwidth (RBW) filter of the analyser shall be 30 kHz or less.

Table 6.6.2.4.2.4-1: Span and number of measurement points for OBW measurements

| Bandwidth | E-UTRA channel bandwidth BW _{Channel} (MHz) | | | | | | Aggregated channel bandwidth BW _{Channel_CA} (MHz) |
|--------------------------------------|---|-----|-----|-----|-----|-----|---|
| | 1.4 | 3 | 5 | 10 | 15 | 20 | > 20 |
| Span (MHz) | 10 | 10 | 10 | 20 | 30 | 40 | $2 \times BW_{Channel_CA}$ |
| Minimum number of measurement points | 1429 | 667 | 400 | 400 | 400 | 400 | $\left\lceil \frac{2 \times BW_{Channel_CA}}{100kHz} \right\rceil$ |

Table 6.6.2.4.2.4-2: Span and number of measurement points for OBW measurements for NR

| Bandwidth | BS channel bandwidth BW _{Channel} (MHz) | | | | | Aggregated BS channel bandwidth BW _{Channel_CA} (MHz) |
|---|---|-----|-----|-----|--|---|
| | 5 | 10 | 15 | 20 | > 20 | > 20 |
| Span (MHz) | 10 | 20 | 30 | 40 | $2 \times BW_{Channel}$ | $2 \times BW_{Channel_CA}$ |
| Minimum number of measurement points | 400 | 400 | 400 | 400 | $\left\lceil \frac{2 \times BW_{Channel}}{T} \right\rceil$ | $\left\lceil \frac{2 \times BW_{Channel}}{T} \right\rceil$ |
| [NOTE 1: T = 200 kHz, when the BS channel bandwidth of outermost carriers are both larger than 50 MHz; Otherwise, T = 100 kHz.] | | | | | | |

NOTE: The detection mode of the spectrum analyzer will not have any effect on the result if the statistical properties of the out-of-OBW power are the same as those of the inside-OBW power. Both are expected to have the Rayleigh distribution of the amplitude of Gaussian noise. In any case where the statistics are not the same, though, the detection mode is power responding. The analyser may be set to respond to the average of the power (root-mean-square of the voltage) across the measurement cell.

- 2) Compute the total of the power, P0, (in power units, not decibel units) of all the measurement cells in the measurement span. Compute P1, the power outside the occupied bandwidth on each side. P1 is half of the total power outside the bandwidth. P1 is half of (100 % - (occupied percentage)) of P0. For the occupied percentage of 99 %, P1 is 0.005 times P0.
- 3) Determine the lowest frequency, f1, for which the sum of all power in the measurement cells from the beginning of the span to f1 exceeds P1.
- 4) Determine the highest frequency, f2, for which the sum of all power in the measurement cells from f2 to the end of the span exceeds P1.
- 5) Compute the occupied bandwidth as f2 - f1.

In addition, for *multi-band TAB connector(s)*, the following steps shall apply:

- 6) For *multi-band TAB connectors* and single band tests, repeat the steps above per involved band where single band test configurations and test models shall apply with no carrier activated in the other band.

6.6.2.5 Test requirements

6.6.2.5.1 MSR

The occupied bandwidth of a single carrier shall be less than the values listed in table 6.6.2.5.1-1. In addition, for E-UTRA and NR intra-band contiguous carrier aggregation, test requirement in clause 6.6.1.5 of 3GPP TS 36.141 [17] or subclause 6.6.2.5 of 3GPP TS 38.141-1 [37] applies for the E-UTRA or NR component carriers that are aggregated.

Table 6.6.2.5.1-1: Occupied bandwidth

| RAT | Occupied bandwidth limit |
|--------------------|--------------------------|
| E-UTRA and NR | BW_{Channel} |
| UTRA FDD | 5 MHz |
| 1.28 Mcps UTRA TDD | 1.6 MHz |

6.6.2.5.2 UTRA FDD

The occupied bandwidth shall be less than 5 MHz based on a chip rate of 3,84 Mcps.

- NOTE: If the above Test Requirement differs from the Minimum Requirement then the Test Tolerance applied for this test is non-zero. The Test Tolerance for this test is defined in subclause 4.1.2 and the explanation of how the Minimum Requirement has been relaxed by the Test Tolerance is given in annex C.

6.6.2.5.3 UTRA TDD

The occupied bandwidth shall be less than 1,6 MHz.

- NOTE: If the above Test Requirement differs from the Minimum Requirement then the Test Tolerance applied for this test is non-zero. The Test Tolerance for this test is defined in subclause 4.1.2 and the explanation of how the Minimum Requirement has been relaxed by the Test Tolerance is given in annex C.

6.6.2.5.4 E-UTRA

The occupied bandwidth for each E-UTRA carrier shall be less than the channel bandwidth. For contiguous CA, the occupied bandwidth shall be less than or equal to the Aggregated Channel Bandwidth as defined in 3GPP TS 36.141 [17] subclause 5.6.

- NOTE: If the above Test Requirement differs from the Minimum Requirement then the Test Tolerance applied for this test is non-zero. The Test Tolerance for this test is defined in subclause 4.1.2 and the explanation of how the Minimum Requirement has been relaxed by the Test Tolerance is given in annex C.

6.6.3 Adjacent Channel Leakage power Ratio

6.6.3.1 Definition and applicability

Adjacent Channel Leakage power Ratio (ACLR) is the ratio of the filtered mean power centred on the assigned channel frequency to the filtered mean power centred on an adjacent channel frequency.

NOTE: Conformance to the AAS ACLR requirement can be demonstrated by meeting at least one of the following criteria as determined by the manufacturer:

- 1) The ratio of the sum of the filtered mean power measured on each *TAB connector* in the *TAB connector TX min cell group* at the assigned channel frequency to the sum of the filtered mean power measured on each *TAB connector* in the *TAB connector TX min cell group* at the adjacent channel frequency shall be greater than or equal to the AAS ACLR limit. This applies for each *TAB connector TX min cell group*.

Or

- 2) The ratio of the filtered mean power at the *TAB connector* centred on the assigned channel frequency to the filtered mean power at each *TAB connector* centred on the adjacent channel frequency shall be greater than or equal to the AAS limit for every *TAB connector* in the *TAB connector TX min cell group*, for each *TAB connector TX min cell group*.

6.6.3.2 Minimum requirement

For MSR operation the AAS BS minimum requirements are the same as those specified in 3GPP TS 37.105 [8], subclause 6.6.3.2.

For single RAT UTRA FDD operation, the AAS BS minimum requirements are the same as those specified in 3GPP TS 25.104 [9], subclauses 6.6.2.2.1 and 6.6.2.2.2.

For single RAT UTRA TDD 1,28 Mcps option operation, the AAS BS minimum requirements are the same as those specified in 3GPP TS 25.105 [10], subclause 6.6.2.2.

For *single RAT E-UTRA operation*, the AAS BS minimum requirements are the same as those specified in 3GPP TS 36.104 [11], subclauses 6.6.2.1 and 6.6.2.2.

6.6.3.3 Test purpose

To verify that the adjacent channel leakage power ratio requirement shall be met as specified by the minimum requirement.

6.6.3.4 Method of test

6.6.3.4.1 Initial conditions

6.6.3.4.1.1 General test conditions

Test environment:

- normal; see clause B.2.

RF channels to be tested for single carrier:

- B, M and T; see subclause 4.12.1.

Base Station RF Bandwidth positions to be tested for multi-carrier:

- B_{RFBW} , M_{RFBW} and T_{RFBW} in single-band operation; see subclause 4.12.1; $B_{\text{RFBW}}T_{\text{RFBW}}$ and $B'_{\text{RFBW}}T_{\text{RFBW}}$ in multi-band operation, see subclause 4.12.1.

6.6.3.4.1.2 MSR

For E-UTRA and NR ACLR requirement outside the *Base Station RF Bandwidth edges* and the ACLR requirement applied inside sub-block gap, in addition, for non-contiguous spectrum operation or *Inter RF Bandwidth gap* for multi-band operation using, the test configurations defined in subclause 4.8, the method of test described in subclauses 6.6.4.4.1 and 6.6.4.4.2 applies.

6.6.3.4.1.3 UTRA FDD

Set the base station to transmit a signal modulated in accordance to TM1, in subclause 4.12.2.

For a *TAB connector* declared to be capable of multi-carrier operation, set the base station to transmit according to TM1 on all carriers configured

6.6.3.4.1.4 UTRA TDD

For a *TAB connector* declared to be capable of single carrier operation only, set the parameters of the transmitted signal according to table 6.6.3.4.1.4-1.

For a *TAB connector* declared to be capable of multi-carrier operation set the parameters of the transmitted signal according to table 6.6.3.4.1.4-1 on all carriers.

Table 6.6.3.4.1.4-1: Parameters of the transmitted signal for ACLR testing for 1,28 Mcps TDD

| Parameter | Value/description |
|---|---|
| TDD Duty Cycle | TS i ; $i = 0, 1, 2, 3, 4, 5, 6$: transmit, if i is 0,4,5,6; receive, if i is 1,2,3. |
| Time slots under test | TS4, TS5 and TS6 |
| Number of DPCH in each time slot under test | 8 |
| Power of each DPCH | 1/8 of Base Station output power |
| Data content of DPCH | real life (sufficient irregular) |

For a *TAB connector* declared capable of supporting 16QAM capable.

For a *TAB connector* declared to be capable of single carrier operation only, set the parameters of the transmitted signal according to table 6.6.3.4.1.4-2.

For a *TAB connector* declared to be capable of multi-carrier operation, set the parameters of the transmitted signal according to table 6.6.3.4.1.4-2 on all carriers.

Table 6.6.3.4.1.4-2: Parameters of the transmitted signal for ACLR testing for 1,28 Mcps TDD- 16QAM capable BS

| Parameter | Value/description |
|---|---|
| TDD Duty Cycle | TS i ; $i = 0, 1, 2, 3, 4, 5, 6$: transmit, if i is 0,4,5,6; receive, if i is 1,2,3. |
| Time slots under test | TS4, TS5 and TS6 |
| HS-PDSCH modulation | 16QAM |
| Number of HS-PDSCH in each time slot under test | 8 |
| Power of each HS-PDSCH | 1/8 of Base Station output power |
| Data content of HS-PDSCH | real life (sufficient irregular) |
| Spreading factor | 16 |

6.6.3.4.1.3 E-UTRA

For a *TAB connector* declared to be capable of single carrier operation only set to transmit a signal according to E-TM1.1. in subclause 4.12.2.

For a *TAB connector* declared to be capable of multi-carrier and/or CA operation, set to transmit according to E-TM1.1 on all carriers configured.

6.6.3.4.2 Procedure

6.6.3.4.2.1 General procedure

The minimum requirement is applied to all *TAB connectors*, they may be tested one at a time or multiple *TAB connectors* may be tested in parallel as shown in subclause D.1.1. Whichever method is used the procedure is repeated until all *TAB connectors* necessary to demonstrate conformance have been tested.

- 1) Connect *TAB connector* to measurement equipment as shown in subclause D.1.1. All *TAB connectors* not under test shall be terminated.

The measurement device characteristics shall be:

- measurement filter bandwidth: defined in subclause 6.6.3.5;
- detection mode: true RMS voltage or true average power.

- 2) For single carrier operation set the *TAB connector* to transmit at manufacturers declared rated carrier output power per *TAB connector* ($P_{\text{Rated,c,TABC}}$).

For a *TAB connector* declared to be capable of multi-carrier and/or CA operation set the *TAB connector* to transmit on all carriers configured using the applicable test configuration and corresponding power setting specified in clause 5 using the corresponding test models or set of physical channels in subclause 4.12.

6.6.3.4.2.2 MSR

- 1) For E-UTRA and NR, measure ACLR:

- outside the Base Station RF Bandwidth edges;
- inside sub-block gap for non-contiguous spectrum operation as specified in subclause 6.6.4.5.1;
- inside Inter RF Bandwidth gap for multi-band operation.

- 2) For UTRA FDD, measure ACLR inside sub-block gap or Inter RF Bandwidth gap as specified in subclause 6.6.4.5.2.

- 3) Measure Cumulative Adjacent Channel Leakage power Ratio (CACLR) inside sub-block gap or the *Inter RF Bandwidth gap* as specified in subclause 6.6.4.5.4.

In addition, for *multi-band TAB connector(s)*, the following steps shall apply:

- 4) For *multi-band TAB connectors* and single band tests, repeat the steps above per involved band where single band test configurations and test models shall apply with no carrier activated in the other band.

6.6.3.4.2.3 UTRA FDD

- 1) Measure Adjacent channel leakage power ratio for 5 MHz and 10 MHz offsets both side of channel frequency. In multiple carrier case only offset frequencies below the lowest and above the highest carrier frequency used shall be measured.

- 2) For the ACLR requirement applied inside sub-block gap for non-contiguous spectrum operation or inside *Inter RF Bandwidth gap* for multi-band operation:

- a) Measure ACLR inside sub-block gap or *Inter RF Bandwidth gap* as specified in clause 6.6.3.5.4.1, if applicable.

- b) Measure Cumulative Adjacent Channel Leakage power Ratio (CACLR) inside sub-block gap or *Inter RF Bandwidth gap* as specified in clause 6.6.3.5.4.2, if applicable.

In addition, for *multi-band TAB connector(s)*, the following steps shall apply:

- 3) For *multi-band TAB connectors* and single band tests, repeat the steps above per involved band where single band test configurations and test models shall apply with no carrier activated in the other band.

6.6.3.4.2.4 UTRA TDD 1,28Mcps option

- 1) Measure the RRC filtered mean power centred on the lowest assigned channel frequency of a operating band over the 848 active chips of the transmit time slots TS i (this excludes the guard period).
- 2) Average over at least one time slot.
- 3) Measure the RRC filtered mean power at the first lower adjacent RF channel (centre frequency 1,6 MHz below the lowest assigned channel frequency of the transmitted signal) over the useful part of the burst within the transmit time slots TS i (this excludes the guard period).
- 4) Average over at least one time slot.
- 5) Calculate the ACLR by the ratio:

$$\text{ACLR} = \text{average power acc. to (4)} / \text{average interference power acc. to (6)}.$$

- 6) Repeat steps (5), (6) and (7) for the second lower adjacent RF channel (centre frequency 3,2 MHz below the lowest assigned channel frequency of the transmitted signal) and also for the first and second upper adjacent RF channel (centre frequency 1,6 MHz and 3,2 MHz above the assigned channel frequency of the transmitted signal, respectively).
- 7) In case of a *multi-carrier TAB connector*, repeat steps (3) and (4) for the highest assigned channel frequency. Otherwise, use the result obtained in step (4) above for further calculation in step (12).
- 8) Measure the RRC filtered mean power at the first higher adjacent RF channel (centre frequency 1,6 MHz above the highest assigned channel frequency of the transmitted signal) over the useful part of the burst within the transmit time slots TS i (this excludes the guard period).
- 9) Average over at least one time slot.
- 10) Calculate the ACLR by the ratio

$$\text{ACLR} = \text{average power acc. to (9)} / \text{average interference power acc. to (11)}.$$

- 11) Repeat steps (10) to (12) for the second upper adjacent RF channel (centre frequency 3,2 MHz above the highest assigned channel frequency of the transmitted signal).

In addition, for *multi-band TAB connector(s)*, the following steps shall apply:

- 12) For *multi-band TAB connectors* and single band tests, repeat the steps above per involved band where single band test configurations and test models shall apply with no carrier activated in the other band.

In addition for a 16QAM capable TAB connector

The same procedure applies to 1,28 Mcps TDD option supporting 16QAM.

6.6.3.4.2.5 E-UTRA

- 1) Measure Adjacent channel leakage power ratio for the frequency offsets both side of channel frequency as specified in table 6.6.3.5.6.1-1 (Paired spectrum case) or Table 6.6.3.5.6.1-2 (Unpaired spectrum case) respectively. In multiple carrier case only offset frequencies below the lowest and above the highest carrier frequency used shall be measured.
- 2) For the ACLR requirement applied inside sub-block gap for non-contiguous spectrum operation: or inside *Inter RF Bandwidth gap* for multi-band operation:
 - a) Measure ACLR inside sub-block gap or *Inter RF Bandwidth gap* as specified in subclause 6.6.3.5.6.1, if applicable.
 - b) Measure CACLR inside sub-block gap or *Inter RF Bandwidth gap* as specified in subclause 6.6.3.5.6.2, if applicable.
- 3) Repeat the test with the channel set-up according to E- TM1.2 in subclause 4.12.2.

In addition, for *multi-band TAB connector(s)*, the following steps shall apply:

- 4) For *multi-band TAB connectors* and single band tests, repeat the steps above per involved band where single band test configurations and test models shall apply with no carrier activated in the other band.

6.6.3.5 Test requirements

6.6.3.5.1 General Requirements

For the ACLR requirement either the ACLR/CACLR limits in subclauses 6.6.3.5.3, 6.6.3.5.4, 6.6.3.5.5 and 6.6.3.5.6, or the absolute limit in subclause 6.6.3.5.2 shall apply, whichever is less stringent.

Conformance to the relative ACLR/CACLR requirement may be shown to either the measure and sum test requirement or the per *TAB connector* test requirement.

- 1) The relative ACLR/CACLR test requirements for an AAS BS when using the measure and sum alternative are that for each *TAB connector TX cell group* and each applicable limit, the ratio of the power summation of wanted signal at the *TAB connectors* of the *TAB connector TX cell group* to the power sum of the emissions at the *TAB connectors* of the *TAB connector TX cell group* shall not exceed the limit.
- 2) The relative ACLR/CACLR test requirements for an AAS BS when using the per *TAB connector* alternative are that for each *TAB connector TX cell group* and each applicable limit, ratio of the wanted signal to the emissions at each of the *TAB connectors* of the *TAB connector TX cell group* shall not exceed the limit.

6.6.3.5.2 Absolute Limits

The absolute limits apply for ACLR and CACLR.

Conformance may be shown to either the measure and sum test requirement or the per *TAB connector* test requirement.

- 1) The ACLR/CACLR test requirements for an AAS BS when using the measure and sum alternative are that for each *TAB connector TX cell group* and each applicable absolute *basic limit* as specified in this subclause, the power summation of emissions at the *TAB connectors* of the *TAB connector TX cell group* shall not exceed the specified absolute *basic limit* + $10\log_{10}(N_{\text{TXU, countedpercell}})$.
- 2) The ACLR/CACLR test requirements for an AAS BS when using the per *TAB connector* alternative are that for each *TAB connector TX cell group* and each applicable absolute *basic limit* as specified in this subclause, the emissions at each of the *TAB connectors* of the *TAB connector TX cell group* shall not exceed the specified absolute *basic limit* + $10\log_{10}(N_{\text{TXU, countedpercell}}) - 10\log_{10}(n)$ where n is the number of *TAB connectors* in the *TAB connector TX cell group*.

The basic limit for the ACLR/CACLR absolute value is specified in table 6.6.3.5.2-1.

Table 6.6.3.5.2-1: Base station ACLR/CACLR absolute *basic limit*

| BS category / BS class | ACLR/CACLR absolute <i>basic limit</i> |
|-------------------------|--|
| Category A Wide Area BS | -13 dBm/MHz |
| Category B Wide Area BS | -15 dBm/MHz |
| Medium Range BS | -25 dBm/MHz |
| Local Area BS | -32 dBm/MHz |

6.6.3.5.3 MSR

6.6.3.5.3.1 MSR E-UTRA test requirement

For E-UTRA, the test requirement is specified in tables 6.6.3.5.3.1-1 and 6.6.3.5.3.1-2, and applies outside the *Base Station RF Bandwidth* or *Maximum Radio Bandwidth*.

For a *TAB connector* operating in non-contiguous spectrum, the ACLR also applies for the first adjacent channel inside any sub-blockgap with a gap size $W_{\text{gap}} \geq 15$ MHz. The ACLR requirement for the second adjacent channel applies inside any sub-block gap with a gap size $W_{\text{gap}} \geq 20$ MHz. The CACLR test requirement in subclause 6.6.3.5.6.2 applies in sub block gaps for the frequency ranges defined in table 6.6.3.5.6.2-1.

For a *multi-band TAB connector*, the ACLR also applies for the first adjacent channel inside any *Inter RF Bandwidth gap* with a gap size $W_{\text{gap}} \geq 15$ MHz. The ACLR requirement for the second adjacent channel applies inside any *Inter RF Bandwidth gap* with a gap size $W_{\text{gap}} \geq 20$ MHz. The CAACLR requirement in subclause 6.6.3.5.6.2 applies in *Inter RF Bandwidth gaps* for the frequency ranges defined in table 6.6.3.5.6.2-1.

The requirement applies during the transmitter on period.

The ACLR is defined with a square filter of bandwidth equal to the transmission bandwidth configuration of the transmitted signal (BW_{Config}) centred on the assigned channel frequency and a filter centred on the adjacent channel frequency according to the tables below.

For operation in paired spectrum, the ACLR shall be higher than the value specified in table 6.6.3.5.3.1-1.

Table 6.6.3.5.3.1-1: Base Station ACLR in paired spectrum

| Channel bandwidth of E-UTRA Lowest/Highest Carrier transmitted BW_{Channel} (MHz) | adjacent channel centre frequency offset below the lower or above the upper <i>Base Station RF Bandwidth edge</i> | Assumed adjacent channel carrier | Filter on the adjacent channel frequency and corresponding filter bandwidth | ACLR limit |
|---|---|----------------------------------|---|------------|
| 1.4, 3.0, 5, 10, 15, 20 | $0.5 \times BW_{\text{Channel}}$ | E-UTRA of same BW | Square (BW_{Config}) | 44.2 dB |
| | $1.5 \times BW_{\text{Channel}}$ | E-UTRA of same BW | Square (BW_{Config}) | 44.2 dB |
| | 2.5 MHz | 3.84 Mcps UTRA | RRC (3.84 Mcps) | 44.2 dB |
| | 7.5 MHz | 3.84 Mcps UTRA | RRC (3.84 Mcps) | 44.2 dB |
| NOTE 1: BW_{Channel} and BW_{Config} are the channel bandwidth and transmission bandwidth configuration of the E-UTRA Lowest/Highest Carrier transmitted on the assigned channel frequency. | | | | |
| NOTE 2: The RRC filter shall be equivalent to the transmit pulse shape filter defined in 3GPP TS 25.104 [2], with a chip rate as defined in this table. | | | | |

For operation in unpaired spectrum, the ACLR shall be higher than the value specified in table 6.6.3.5.3.1-2.

Table 6.6.3.5.3.1-2: Base Station ACLR in unpaired spectrum with synchronized operation

| Channel bandwidth of E-UTRA Lowest/Highest Carrier transmitted BW_{Channel} (MHz) | adjacent channel centre frequency offset below the lower or above the upper <i>Base Station RF Bandwidth edge</i> | Assumed adjacent channel carrier | Filter on the adjacent channel frequency and corresponding filter bandwidth | ACLR limit |
|---|---|----------------------------------|---|------------|
| 1.4, 3 | $0.5 \times BW_{\text{Channel}}$ | E-UTRA of same BW | Square (BW_{Config}) | 44.2 dB |
| | $1.5 \times BW_{\text{Channel}}$ | E-UTRA of same BW | Square (BW_{Config}) | 44.2 dB |
| | 0.8 MHz | 1.28 Mcps UTRA | RRC (1.28 Mcps) | 44.2 dB |
| | 2.4 MHz | 1.28 Mcps UTRA | RRC (1.28 Mcps) | 44.2 dB |
| 5, 10, 15, 20 | $0.5 \times BW_{\text{Channel}}$ | E-UTRA of same BW | Square (BW_{Config}) | 44.2 dB |
| | $1.5 \times BW_{\text{Channel}}$ | E-UTRA of same BW | Square (BW_{Config}) | 44.2 dB |
| | 0.8 MHz | 1.28 Mcps UTRA | RRC (1.28 Mcps) | 44.2 dB |
| | 2.4 MHz | 1.28 Mcps UTRA | RRC (1.28 Mcps) | 44.2 dB |
| | 2.5 MHz | 3.84 Mcps UTRA | RRC (3.84 Mcps) | 44.2 dB |
| | 7.5 MHz | 3.84 Mcps UTRA | RRC (3.84 Mcps) | 44.2 dB |
| | 5 MHz | 7.68 Mcps UTRA | RRC (7.68 Mcps) | 44.2 dB |
| 15 MHz | 7.68 Mcps UTRA | RRC (7.68 Mcps) | 44.2 dB | |
| NOTE 1: BW_{Channel} and BW_{Config} are the channel bandwidth and transmission bandwidth configuration of the E-UTRA Lowest/Highest Carrier transmitted on the assigned channel frequency. | | | | |
| NOTE 2: The RRC filter shall be equivalent to the transmit pulse shape filter defined in 3GPP TS 25.105 [3], with a chip rate as defined in this table. | | | | |

For operation in non-contiguous paired spectrum, the ACLR shall be higher than the value specified in table 6.6.3.5.3.1-3.

Table 6.6.3.5.3.1-3: Base Station ACLR in non-contiguous paired spectrum

| Sub-block gap size (W_{gap}) where the limit applies | adjacent channel centre frequency offset below or above the sub-block edge (inside the gap) | Assumed adjacent channel carrier | Filter on the adjacent channel frequency and corresponding filter bandwidth | ACLR limit |
|---|---|----------------------------------|---|------------|
| $W_{\text{gap}} \geq 15$ MHz | 2.5 MHz | 3.84 Mcps UTRA | RRC (3.84 Mcps) | 44.2 dB |
| $W_{\text{gap}} \geq 20$ MHz | 7.5 MHz | 3.84 Mcps UTRA | RRC (3.84 Mcps) | 44.2 dB |
| NOTE: The RRC filter shall be equivalent to the transmit pulse shape filter defined in 3GPP TS 25.104 [2], with a chip rate as defined in this table. | | | | |

For operation in non-contiguous unpaired spectrum, the ACLR shall be higher than the value specified in table 6.6.3.5.3.1-4.

Table 6.6.3.5.3.1-4: Base Station ACLR in non-contiguous unpaired spectrum

| Sub-block gap size (W_{gap}) where the limit applies | BS adjacent channel centre frequency offset below or above the sub-block edge (inside the gap) | Assumed adjacent channel carrier | Filter on the adjacent channel frequency and corresponding filter bandwidth | ACLR limit |
|---|--|----------------------------------|---|------------|
| $W_{\text{gap}} \geq 15$ MHz | 2.5 MHz | 5 MHz E-UTRA | Square (BW_{Config}) | 44.2 dB |
| $W_{\text{gap}} \geq 20$ MHz | 7.5 MHz | 5 MHz E-UTRA | Square (BW_{Config}) | 44.2 dB |

6.6.3.5.3.1A NR test requirement

For NR, the test requirement is specified in tables 6.6.3.5.3.1A-1 and applies outside the *Base Station RF Bandwidth* or *Maximum Radio Bandwidth*.

For a *TAB connector* operating in non-contiguous spectrum, the ACLR also applies for the first adjacent channel inside any sub-block gap with a gap size as indicated in table 6.6.3.5.3.1A-2. The ACLR requirement for the second adjacent channel applies inside any sub-block gap with a gap size as indicated in table 6.6.3.5.3.1A-2. The CACLR test requirement in subclause 6.6.3.5.3.4 applies in sub block gaps for the frequency ranges defined in table 6.6.3.5.3.4-2.

For a *multi-band TAB connector*, the ACLR also applies for the first adjacent channel inside any *Inter RF Bandwidth gap* with a gap size as indicated in table 6.6.3.5.3.1A-2. The ACLR requirement for the second adjacent channel applies inside any *Inter RF Bandwidth gap* with a gap size as indicated in table 6.6.3.5.3.1A-2. The CACLR test requirement in subclause 6.6.3.5.3.4 applies in sub block gaps for the frequency ranges defined in table 6.6.3.5.3.4-2.

The requirement applies during the transmitter on period.

The ACLR is defined with a square filter of bandwidth equal to the transmission bandwidth configuration of the transmitted signal (BW_{Config}) centred on the assigned channel frequency and a filter centred on the adjacent channel frequency according to the tables below.

For operation in paired or unpaired spectrum, the ACLR shall be higher than the value specified in table 6.6.3.5.3.1A-1.

Table 6.6.3.5.3.1A-1: Base Station ACLR limit

| BS channel bandwidth of lowest/highest NR carrier transmitted BW_{Channel} [MHz] | BS adjacent channel centre frequency offset below the lowest or above the highest carrier centre frequency transmitted | Assumed adjacent channel carrier (informative) | Filter on the adjacent channel frequency and corresponding filter bandwidth | ACLR limit |
|---|--|--|---|------------------|
| 5, 10, 15, 20 | BW_{Channel} | NR of same BW (Note 2) | Square (BW_{Config}) | 44.2 dB |
| | $2 \times BW_{\text{Channel}}$ | NR of same BW (Note 2) | Square (BW_{Config}) | 44.2 dB |
| | $BW_{\text{Channel}}/2 + 2.5$ MHz | 5 MHz E-UTRA | Square (4.5 MHz) | 44.2 dB (NOTE 3) |

| | | | | |
|---|---|---------------------------|---------------------------------|---------------------|
| | $BW_{\text{Channel}}/2 + 7.5 \text{ MHz}$ | 5 MHz E-UTRA | Square (4.5 MHz) | 44.2 dB (NOTE 3) |
| 25, 30, 40, 50, 60, 70, 80,90, 100 | BW_{Channel} | NR of same BW (Note 2) | Square (BW_{Config}) | 43.8 dB |
| | $2 \times BW_{\text{Channel}}$ | NR of same BW (Note 2) | Square (BW_{Config}) | 43.8 dB |
| | $BW_{\text{Channel}}/2 + 2.5 \text{ MHz}$ | 5 MHz E-UTRA | Square (4.5 MHz) | 43.8 dB (NOTE 3) |
| | $BW_{\text{Channel}}/2 + 7.5 \text{ MHz}$ | 5 MHz E-UTRA | Square (4.5 MHz) | 43.8 dB (NOTE 3) |
| NOTE 1: BW_{Channel} and BW_{Config} are the <i>BS channel bandwidth</i> and transmission bandwidth configuration of the lowest/highest NR carrier transmitted on the assigned channel frequency. NOTE 2: With SCS that provides largest transmission bandwidth configuration (BW_{Config}). NOTE 3: The requirements are applicable when the band is also defined for E-UTRA or UTRA. | | | | |

For operation in non-contiguous paired or unpaired spectrum, the ACLR shall be higher than the value specified in table 6.6.3.5.3.1A-2.

Table 6.6.3.5.3.1A-2: Base Station ACLR limit in non-contiguous spectrum or multiple bands

| <i>BS channel bandwidth of lowest/highest NR carrier transmitted</i> BW_{Channel} [MHz] | <i>Sub-block or Inter RF Bandwidth gap size (W_{gap}) where the limit applies</i> [MHz] | <i>BS adjacent channel centre frequency offset below or above the sub-block or Base Station RF Bandwidth edge (inside the gap)</i> | <i>Assumed adjacent channel carrier</i> | <i>Filter on the adjacent channel frequency and corresponding filter bandwidth</i> | <i>ACLR limit</i> |
|--|--|--|---|--|-------------------|
| 5, 10, 15, 20 | $W_{\text{gap}} \geq 15$ (Note 3) $W_{\text{gap}} \geq 45$ (Note 4) | 2.5 MHz | 5 MHz NR (Note 2) | Square (BW_{Config}) | 44.2 dB |
| | $W_{\text{gap}} \geq 20$ (Note 3) $W_{\text{gap}} \geq 50$ (Note 4) | 7.5 MHz | 5 MHz NR (Note 2) | | |
| 25, 30, 40, 50, 60, 70, 80, 90, 100 | $W_{\text{gap}} \geq 60$ (Note 4) $W_{\text{gap}} \geq 30$ (Note 3) | 10 MHz | 20 MHz NR (Note 2) | Square (BW_{Config}) | 43.8 dB |
| | $W_{\text{gap}} \geq 80$ (Note 4) $W_{\text{gap}} \geq 50$ (Note 3) | 30 MHz | 20 MHz NR (Note 2) | | |
| NOTE 1: BW_{Config} is the transmission bandwidth configuration of the assumed adjacent channel carrier. NOTE 2: With SCS that provides largest transmission bandwidth configuration (BW_{Config}). NOTE 3: Applicable in case the <i>BS channel bandwidth</i> of the NR carrier transmitted at the other edge of the gap is 5, 10, 15, 20 MHz. NOTE 4: Applicable in case the <i>BS channel bandwidth</i> of the NR carrier transmitted at the other edge of the gap is 25, 30, 40, 50, 60, 70, 80, 90, 100 MHz. | | | | | |

6.6.3.5.3.2 MSR UTRA FDD test requirement

For UTRA FDD, the test requirement is specified in 3GPP TS 25.141 [18], subclause 6.5.2.2.5, and applies outside the *Base Station RF Bandwidth* or Maximum Radio Bandwidth.

For a *TAB connector* operating in non-contiguous spectrum, ACLR requirement also applies for the first adjacent channel, inside any sub-block gap with a gap size $W_{\text{gap}} \geq 15$ MHz. The ACLR requirement for the second adjacent channel applies inside any sub-block gap with a gap size $W_{\text{gap}} \geq 20$ MHz. The CACLR test requirement in subclause 6.6.3.5.6.2 applies in sub block gaps for the frequency ranges defined in table 6.6.3.5.6.2-1.

For a *multi-band TAB connector* ACLR requirement also applies for the first adjacent channel, inside any *Inter RF Bandwidth gap* with a gap size $W_{\text{gap}} \geq 15$ MHz. The ACLR requirement for the second adjacent channel applies inside any *Inter RF Bandwidth gap* with a gap size $W_{\text{gap}} \geq 20$ MHz. The CACLR requirement in subclause 6.6.3.5.6.2 applies in *Inter RF Bandwidth gaps* for the frequency ranges defined in table 6.6.3.5.6.2-1.

6.6.3.5.3.3 MSR UTRA TDD test requirement

For UTRA TDD, the test requirement is specified in subclause 6.6.3.5.5, and applies outside the *Base Station RF Bandwidth* or Maximum Radio Bandwidth.

6.6.3.5.3.4 Cumulative ACLR requirement in non-contiguous spectrum

The following test requirement applies for sub-block or *Inter RF Bandwidth gap* sizes listed in table 6.6.3.5.3.4-1 for UTRA FDD, UTRA TDD or E-UTRA operation or table 6.6.3.5.3.4-1A for NR operation:

- Inside a sub-block gap within an operating band for a BS operating in non-contiguous spectrum.
- Inside an *Inter RF Bandwidth gap* for a BS operating in multiple bands, where multiple bands are mapped on the same antenna connector.

The Cumulative Adjacent Channel Leakage power Ratio (CACLR) in a sub-block gap or the *Inter RF Bandwidth gap* is the ratio of:

- a) the sum of the filtered mean power centred on the assigned channel frequencies for the two carriers adjacent to each side of the sub-block gap or the *Inter RF Bandwidth gap*; and
- b) the filtered mean power centred on a frequency channel adjacent to one of the respective sub-block edges or *Base Station RF Bandwidth edges*.

The requirement applies to adjacent channels of E-UTRA or UTRA or NR carriers allocated adjacent to each side of the sub-block gap or the *Inter RF Bandwidth gap*. In case of mixed UTRA and E-UTRA (but not NR) carriers on either side of the gap, table 6.6.3.5.3.4-1 is applicable. In case of mixed NR and E-UTRA or UTRA or NR only carriers on either side of the gap, table 6.6.3.5.3.4-1A is applicable. The assumed filter for the adjacent channel frequency is defined in tables 6.6.3.5.3.4-1 and 6.6.3.5.3.4-1A and the filters on the assigned channels are defined in table 6.6.3.5.3.4-2.

NOTE: If the RAT on the assigned channel frequencies is different, the filters used are also different.

The CACLR for E-UTRA and UTRA carriers located on either side of the sub-block gap or the *Inter RF Bandwidth gap* shall be higher than the value specified in table 6.6.3.5.3.4-1.

Table 6.6.3.5.3.4-1: CACLR in non-contiguous spectrum or multiple bands for UTRA and E-UTRA only

| Band Category | Sub-block or <i>Inter RF Bandwidth gap</i> size (W_{gap}) where the limit applies | adjacent channel centre frequency offset below or above the sub-block edge or the <i>Base Station RF Bandwidth edge</i> (inside the gap) | Assumed adjacent channel carrier (informative) | Filter on the adjacent channel frequency and corresponding filter bandwidth | CACLR limit |
|---|--|--|--|---|-------------|
| BC1, BC2 | $5 \text{ MHz} \leq W_{\text{gap}} < 15 \text{ MHz}$ | 2.5 MHz | 3.84 Mcps UTRA | RRC (3.84 Mcps) | 44.2 dB |
| BC1, BC2 | $10 \text{ MHz} \leq W_{\text{gap}} < 20 \text{ MHz}$ | 7.5 MHz | 3.84 Mcps UTRA | RRC (3.84 Mcps) | 44.2 dB |
| BC3 | $5 \text{ MHz} \leq W_{\text{gap}} < 15 \text{ MHz}$ | 2.5 MHz | 5 MHz E-UTRA | Square (BW_{Config}) | 44.2 dB |
| BC3 | $10 \text{ MHz} < W_{\text{gap}} < 20 \text{ MHz}$ | 7.5 MHz | 5 MHz E-UTRA | Square (BW_{Config}) | 44.2 dB |
| NOTE: For BC1 and BC2 the RRC filter shall be equivalent to the transmit pulse shape filter defined in 3GPP TS 25.104 [2], with a chip rate as defined in this table. | | | | | |

Table 6.6.3.5.3.4-1A: CACLR in non-contiguous spectrum or multiple bands for E-UTRA and NR combinations

| BS channel bandwidth of lowest/highest NR carrier transmitted BW_{Channel} [MHz] | Sub-block or Inter RF Bandwidth gap size (W_{gap}) where the limit applies [MHz] | BS adjacent channel centre frequency offset below or above the sub-block or Base Station RF Bandwidth edge (inside the gap) | Assumed adjacent channel carrier | Filter on the adjacent channel frequency and corresponding filter bandwidth | CACLR limit |
|---|---|--|---|--|--------------------|
| 5, 10, 15, 20 | $5 \leq W_{\text{gap}} < 15$ (Note 3) | 2.5 MHz | 5 MHz NR (Note 2) | Square (BW_{Config}) | 44.2 dB |
| | $5 \leq W_{\text{gap}} < 45$ (Note 4) | | | | |
| | $10 < W_{\text{gap}} < 20$ (Note 3) | 7.5 MHz | 5 MHz NR (Note 2) | Square (BW_{Config}) | 44.2 dB |
| | $10 \leq W_{\text{gap}} < 50$ (Note 4) | | | | |
| 25, 30, 40, 50, 60, 70, 80, 90, 100 | $20 \leq W_{\text{gap}} < 60$ (Note 4) | 10 MHz | 20 MHz NR (Note 2) | Square (BW_{Config}) | 43.8 dB |
| | $20 \leq W_{\text{gap}} < 30$ (Note 3) | | | | |
| | $40 < W_{\text{gap}} < 80$ (Note 4) | 30 MHz | 20 MHz NR (Note 2) | Square (BW_{Config}) | 43.8 dB |
| | $40 \leq W_{\text{gap}} < 50$ (Note 3) | | | | |

NOTE 1: BW_{Config} is the transmission bandwidth configuration of the assumed adjacent channel carrier.
NOTE 2: With SCS that provides largest transmission bandwidth configuration (BW_{Config}).
NOTE 3: Applicable in case the BS channel bandwidth of the UTRA, E-UTRA or NR carrier transmitted at the other edge of the gap is 5, 10, 15, 20 MHz.
NOTE 4: Applicable in case the BS channel bandwidth of the NR carrier transmitted at the other edge of the gap is 25, 30, 40, 50, 60, 70, 80, 90, 100 MHz.

Table 6.6.3.5.3.4-2: Filter parameters for the assigned channel for UTRA, E-UTRA only combinations

| RAT of the carrier adjacent to the sub-block or Inter RF Bandwidth gap | Filter on the assigned channel frequency and corresponding filter bandwidth |
|---|--|
| E-UTRA | E-UTRA of same BW |
| UTRA FDD | RRC (3.84 Mcps) |

NOTE: The RRC filter shall be equivalent to the transmit pulse shape filter defined in 3GPP TS 25.104 [2], with a chip rate as defined in this table.

6.6.3.5.4 UTRA FDD

6.6.3.5.4.1 ACLR

The measurement result shall not be less than the ACLR limit specified in tables 6.6.3.5.4.1-1.

Table 6.6.3.5.4.1-1: BS ACLR

| BS channel offset below the first or above the last carrier frequency used | ACLR limit |
|--|------------|
| 5 MHz | 44.2 dB |
| 10 MHz | 49.2 dB |
| NOTE 1: In certain regions, the adjacent channel power (the RRC filtered mean power centred on an adjacent channel frequency) shall be less than or equal to -7.2 dBm/3.84 MHz (for Band I, III, IX, XI and XXI) or +2.8 dBm/3.84 MHz (for Band VI, VIII and XIX) or as specified by the ACLR limit, whichever is the higher. This note is not applicable for Home BS. | |
| NOTE 2: For Home BS, the adjacent channel power (the RRC filtered mean power centred on an adjacent channel frequency) shall be less than or equal to -42.7 dBm/3.84 MHz $f \leq 3.0$ GHz and -42.4 dBm/3.84 MHz for 3.0 GHz $< f \leq 4.2$ GHz or as specified by the ACLR limit, whichever is the higher. | |

NOTE: If the above Test Requirement differs from the Minimum Requirement then the Test Tolerance applied for this test is non-zero. The Test Tolerance for this test is defined in subclause 4.1.2 and the explanation of how the Minimum Requirement has been relaxed by the Test Tolerance is given in annex C.

The measurement result in shall not be less than the ACLR limit specified in table 6.6.3.5.4.1-2.

Table 6.6.3.5.4.1-2: ACLR in non-contiguous spectrum or multiple bands

| Sub-block or <i>Inter RF Bandwidth gap</i> size (W_{gap}) where the limit applies | adjacent channel centre frequency offset below or above the sub-block edge or the <i>Base Station RF Bandwidth edge</i> (inside the gap) | Assumed adjacent channel carrier (informative) | Filter on the adjacent channel frequency and corresponding filter bandwidth | ACLR limit |
|---|--|--|---|------------|
| $W_{\text{gap}} \geq 15$ MHz | 2.5 MHz | 3.84 Mcps UTRA | RRC (3.84 Mcps) | 44.2 dB |
| $W_{\text{gap}} \geq 20$ MHz | 7.5 MHz | 3.84 Mcps UTRA | RRC (3.84 Mcps) | 44.2 dB |
| NOTE: The RRC filter shall be equivalent to the transmit pulse shape filter defined in 3GPP TS 25.104 [2], with a chip rate as defined in this table. | | | | |

6.6.3.5.4.2 Cumulative ACLR test requirement in non-contiguous spectrum or multiple-bands

The following test requirement applies for a *TAB connector* operating in non-contiguous spectrum or multiple bands.

The following requirement applies for the gap sizes listed in table 6.6.3.5.4.2-1:

- inside a sub-block gap within an operating band for a *TAB connector* operating in non-contiguous spectrum;
- inside an *Inter RF Bandwidth gap* for a *multi-band TAB connector*.

The Cumulative Adjacent Channel Leakage power Ratio (CACLR) in a sub-block gap or *Inter RF Bandwidth gap* is the ratio of:

- a) the sum of the filtered mean power centred on the assigned channel frequencies for the two carriers adjacent to each side of the sub-block gap or *Inter RF Bandwidth gap*; and
- b) the filtered mean power centred on a frequency channel adjacent to one of the respective sub-block edges or *Base Station RF Bandwidth edges*.

The assumed filter for the adjacent channel frequency is defined in table 6.6.3.5.4.2-1 and the filters on the assigned channels are defined in table 6.6.3.5.4.2-2.

The CACLR for UTRA carriers located on either side of the sub-block gap or *Inter RF Bandwidth gap* shall be higher than the value specified in table 6.6.3.5.4.2-1.

Table 6.6.3.5.4.2-1: Base Station CACLR in non-contiguous spectrum or multiple bands

| Sub-block or <i>Inter RF Bandwidth gap</i> size (W_{gap}) where the limit applies | BS adjacent channel centre frequency offset below or above the sub-block edge or the <i>Base Station RF Bandwidth edge</i> (inside the gap) | Assumed adjacent channel carrier (informative) | Filter on the adjacent channel frequency and corresponding filter bandwidth | CACLR limit |
|--|---|--|---|-------------|
| $5 \text{ MHz} \leq W_{\text{gap}} < 15 \text{ MHz}$ | 2.5 MHz | 3.84 Mcps UTRA | RRC (3.84 Mcps) | 44.2 dB |
| $10 \text{ MHz} < W_{\text{gap}} < 20 \text{ MHz}$ | 7.5 MHz | 3.84 Mcps UTRA | RRC (3.84 Mcps) | 44.2 dB |

NOTE: The RRC filter shall be equivalent to the transmit pulse shape filter defined in 3GPP TS 25.104 [2], with a chip rate as defined in this table.

Table 6.6.3.5.4.2-2: Filter parameters for the assigned channel

| RAT of the carrier adjacent to the sub-block or <i>Inter RF Bandwidth gap</i> | Filter on the assigned channel frequency and corresponding filter bandwidth |
|---|---|
| UTRA FDD | RRC (3.84 Mcps) |

NOTE: The RRC filter shall be equivalent to the transmit pulse shape filter defined in 3GPP TS 25.104 [2], with a chip rate as defined in this table.

6.6.3.5.5 UTRA TDD, 1,28Mcps option

The ACLR shall be equal or greater than the limits given in table 6.6.3.5.5-1. In case the equipment is tested against the requirements defined for operation in the same geographic area or co-sited with unsynchronised TDD or FDD on adjacent channels, the adjacent channel leakage power measured shall not exceed the maximum levels specified in tables 6.27B, 6.27C, 6.27D, 6.28B, 6.28C or 6.28D, respectively.

Table 6.6.3.5.5-1: BS ACLR Test Requirements (1,28 Mcps option)

| BS adjacent channel offset below the first or above the last carrier frequency used | ACLR limit |
|---|------------|
| 1,6 MHz | 39.2 dB |
| 3,2 MHz | 44.2 dB |

The requirements shall apply outside the *Base Station RF bandwidth* or *maximum radio bandwidth* edges whatever the type of transmitter considered (single carrier, multi-carrier). It applies for all transmission modes foreseen by the manufacturer's specification.

For a *multi-band TAB connector* the ACLR requirement also applies for the first adjacent channel inside any *Inter RF Bandwidth gap* with a gap size $W_{\text{gap}} \geq 4.8 \text{ MHz}$. The ACLR requirement for the second adjacent channel applies inside any *Inter RF Bandwidth gap* with a gap size $W_{\text{gap}} \geq 6.4 \text{ MHz}$.

The same test requirements apply to 1,28 Mcps TDD option BS supporting 16QAM.

6.6.3.5.6 E-UTRA

6.6.3.5.6.1 ACLR

The ACLR is defined with a square filter of bandwidth equal to the transmission bandwidth configuration of the transmitted signal (BW_{Config}) centred on the assigned channel frequency and a filter centred on the adjacent channel frequency according to the tables below.

For operation in paired spectrum, the ACLR shall be higher than the value specified in table 6.6.3.5.6.1-1.

Table 6.6.3.5.6.1-1: ACLR in paired spectrum

| Channel bandwidth of E-UTRA lowest/highest carrier transmitted BW_{Channel} (MHz) | adjacent channel centre frequency offset below the lowest or above the highest carrier centre frequency transmitted | Assumed adjacent channel carrier (informative) | Filter on the adjacent channel frequency and corresponding filter bandwidth | ACLR limit |
|--|---|--|---|------------|
| 1.4, 3.0, 5, 10, 15, 20 | BW_{Channel} | E-UTRA of same BW | Square (BW_{Config}) | 44.2 dB |
| | $2 \times BW_{\text{Channel}}$ | E-UTRA of same BW | Square (BW_{Config}) | 44.2 dB |
| | $BW_{\text{Channel}}/2 + 2.5$ MHz | 3.84 Mcps UTRA | RRC (3.84 Mcps) | 44.2 dB |
| | $BW_{\text{Channel}}/2 + 7.5$ MHz | 3.84 Mcps UTRA | RRC (3.84 Mcps) | 44.2 dB |
| NOTE 1: BW_{Channel} and BW_{Config} are the channel bandwidth and transmission bandwidth configuration of the E-UTRA lowest/highest/ carrier transmitted on the assigned channel frequency. | | | | |
| NOTE 2: The RRC filter shall be equivalent to the transmit pulse shape filter defined in 3GPP TS 25.014 [3] with a chip rate as defined in this table. | | | | |

For operation in unpaired spectrum, the ACLR shall be higher than the value specified in table 6.6.3.5.6.1-2.

Table 6.6.3.5.6.1-2: ACLR in unpaired spectrum with synchronized operation

| Channel bandwidth of E-UTRA lowest/highest carrier transmitted BW_{Channel} (MHz) | adjacent channel centre frequency offset below the lowest or above the highest carrier centre frequency transmitted | Assumed adjacent channel carrier (informative) | Filter on the adjacent channel frequency and corresponding filter bandwidth | ACLR limit |
|---|---|--|---|------------|
| 1.4, 3.0 | BW_{Channel} | E-UTRA of same BW | Square (BW_{Config}) | 44.2 dB |
| | $2 \times BW_{\text{Channel}}$ | E-UTRA of same BW | Square (BW_{Config}) | 44.2 dB |
| | $BW_{\text{Channel}}/2 + 0.8$ MHz | 1.28 Mcps UTRA | RRC (1.28 Mcps) | 44.2 dB |
| | $BW_{\text{Channel}}/2 + 2.4$ MHz | 1.28 Mcps UTRA | RRC (1.28 Mcps) | 44.2 dB |
| 5, 10, 15, 20 | BW_{Channel} | E-UTRA of same BW | Square (BW_{Config}) | 44.2 dB |
| | $2 \times BW_{\text{Channel}}$ | E-UTRA of same BW | Square (BW_{Config}) | 44.2 dB |
| | $BW_{\text{Channel}}/2 + 0.8$ MHz | 1.28 Mcps UTRA | RRC (1.28 Mcps) | 44.2 dB |
| | $BW_{\text{Channel}}/2 + 2.4$ MHz | 1.28 Mcps UTRA | RRC (1.28 Mcps) | 44.2 dB |
| | $BW_{\text{Channel}}/2 + 7.5$ MHz | 3.84 Mcps UTRA | RRC (3.84 Mcps) | 44.2 dB |
| | $BW_{\text{Channel}}/2 + 7.5$ MHz | 3.84 Mcps UTRA | RRC (3.84 Mcps) | 44.2 dB |
| | $BW_{\text{Channel}}/2 + 15$ MHz | 7.68 Mcps UTRA | RRC (7.68 Mcps) | 44.2 dB |
| NOTE 1: BW_{Channel} and BW_{Config} are the channel bandwidth and transmission bandwidth configuration of the E-UTRA lowest/highest carrier transmitted on the assigned channel frequency. | | | | |
| NOTE 2: The RRC filter shall be equivalent to the transmit pulse shape filter defined in 3GPP TS 25.014 [3] with a chip rate as defined in this table. | | | | |

For operation in non-contiguous paired spectrum or multiple bands, the ACLR shall be higher than the value specified in table 6.6.3.5.6.1-3.

Table 6.6.3.5.6.1-3: Base Station ACLR in non-contiguous paired spectrum or multiple bands

| Sub-block or <i>Inter RF Bandwidth gap</i> size (W_{gap}) where the limit applies | BS adjacent channel centre frequency offset below or above the sub-block edge or the <i>Base Station RF Bandwidth edge</i> (inside the gap) | Assumed adjacent channel carrier (informative) | Filter on the adjacent channel frequency and corresponding filter bandwidth | ACLR limit |
|---|---|--|---|------------|
| $W_{\text{gap}} \geq 15$ MHz | 2.5 MHz | 3.84 Mcps UTRA | RRC (3.84 Mcps) | 44.2 dB |
| $W_{\text{gap}} \geq 20$ MHz | 7.5 MHz | 3.84 Mcps UTRA | RRC (3.84 Mcps) | 44.2 dB |
| NOTE: The RRC filter shall be equivalent to the transmit pulse shape filter defined in 3GPP TS 25.104 [2], with a chip rate as defined in this table. | | | | |

For operation in non-contiguous unpaired spectrum or multiple bands, the ACLR shall be higher than the value specified in table 6.6.3.5.6.1-4.

Table 6.6.3.5.6.1-4: ACLR in non-contiguous unpaired spectrum or multiple bands

| Sub-block or <i>Inter RF Bandwidth gap</i> size (W_{gap}) where the limit applies | adjacent channel centre frequency offset below or above the sub-block edge or the <i>Base Station RF Bandwidth edge</i> (inside the gap) | Assumed adjacent channel carrier (informative) | Filter on the adjacent channel frequency and corresponding filter bandwidth | ACLR limit |
|--|--|--|---|------------|
| $W_{\text{gap}} \geq 15$ MHz | 2.5 MHz | 5 MHz E-UTRA | Square (BW_{Config}) | 44.2 dB |
| $W_{\text{gap}} \geq 20$ MHz | 7.5 MHz | 5 MHz E-UTRA | Square (BW_{Config}) | 44.2 dB |

6.6.3.5.6.2 Cumulative ACLR test requirement in non-contiguous spectrum

The following test requirement applies for the sub-block or *Inter RF Bandwidth gap* sizes listed in table 6.6.3.5.6.2-1,

- Inside a sub-block gap within an operating band for a BS operating in non-contiguous spectrum.
- Inside an *Inter RF Bandwidth gap* for a *multi-band TAB connector*.

The Cumulative Adjacent Channel Leakage power Ratio (CACLR) in a sub-block gap or *Inter RF Bandwidth gap* is the ratio of:

- a) the sum of the filtered mean power centred on the assigned channel frequencies for the two carriers adjacent to each side of the sub-block gap or *Inter RF Bandwidth gap*; and
- b) the filtered mean power centred on a frequency channel adjacent to one of the respective sub-block edges or *Base Station RF Bandwidth edges*.

The assumed filter for the adjacent channel frequency is defined in tables 6.6.3.5.6.2-1 and 6.6.3.5.6.2-2. Filters on the assigned channels are defined in table 6.6.3.5.6.2-3.

For operation in non-contiguous spectrum or multiple bands, the CACLR for E-UTRA carriers located on either side of the sub-block gap or *Inter RF Bandwidth gap* shall be higher than the value specified in tables 6.6.3.5.6.2-1 and 6.6.3.5.6.2-2.

Table 6.6.3.5.6.2-1: Base Station CACLR in non-contiguous paired spectrum or multiple bands

| Sub-block or <i>Inter RF Bandwidth gap</i> size (W_{gap}) where the limit applies | BS adjacent channel centre frequency offset below or above the sub-block edge or the <i>Base Station RF Bandwidth edge</i> (inside the gap) | Assumed adjacent channel carrier (informative) | Filter on the adjacent channel frequency and corresponding filter bandwidth | CACLR limit |
|---|---|--|---|-------------|
| $5 \text{ MHz} \leq W_{\text{gap}} < 15 \text{ MHz}$ | 2.5 MHz | 3.84 Mcps UTRA | RRC (3.84 Mcps) | 44.2 dB |
| $10 \text{ MHz} < W_{\text{gap}} < 20 \text{ MHz}$ | 7.5 MHz | 3.84 Mcps UTRA | RRC (3.84 Mcps) | 44.2 dB |
| NOTE: The RRC filter shall be equivalent to the transmit pulse shape filter defined in 3GPP TS 25.104 [2], with a chip rate as defined in this table. | | | | |

Table 6.6.3.5.6.2-2: Base Station CA CLR in non-contiguous unpaired spectrum or multiple bands

| Sub-block or <i>Inter RF Bandwidth gap</i> size (W_{gap}) where the limit applies | BS adjacent channel centre frequency offset below or above the sub-block edge or the <i>Base Station RF Bandwidth edge</i> (inside the gap) | Assumed adjacent channel carrier (informative) | Filter on the adjacent channel frequency and corresponding filter bandwidth | CA CLR limit |
|--|---|--|---|--------------|
| $5 \text{ MHz} \leq W_{\text{gap}} < 15 \text{ MHz}$ | 2.5 MHz | 5 MHz E-UTRA carrier | Square (BW_{Config}) | 44.2 dB |
| $10 \text{ MHz} < W_{\text{gap}} < 20 \text{ MHz}$ | 7.5 MHz | 5 MHz E-UTRA carrier | Square (BW_{Config}) | 44.2 dB |

Table 6.6.3.5.6.2-3: Filter parameters for the assigned channel

| RAT of the carrier adjacent to the sub-block or <i>Inter RF Bandwidth gap</i> | Filter on the assigned channel frequency and corresponding filter bandwidth |
|---|---|
| E-UTRA | E-UTRA of same BW |

NOTE: If the above Test Requirement differs from the Minimum Requirement then the Test Tolerance applied for this test is non-zero. The Test Tolerance for this test is defined in subclause 4.1.2 and the explanation of how the Minimum Requirement has been relaxed by the Test Tolerance is given in annex C.

6.6.4 Spectrum emission mask

6.6.4.1 Definition and applicability

This requirement is applicable for single RAT UTRA AAS BS operation only.

6.6.4.2 Minimum requirement

The minimum requirement for UTRA operation are defined in 3GPP TS 37.105 [8], subclause 6.6.4.3.

6.6.4.3 Test purpose

This test measures the emissions of the *TAB connector*, close to the assigned channel bandwidth of the wanted signal, while the transmitter unit associated with the *TAB connector* under test is in operation.

6.6.4.4 Method of test

6.6.4.4.1 Initial conditions

6.6.4.4.1.1 General test conditions

Test environment:

- normal; see clause B.2.

RF channels to be tested for single carrier:

- B, M and T; see subclause 4.12.1.

Base Station RF Bandwidth positions to be tested for multi-carrier:

- B_{RFBW} , M_{RFBW} and T_{RFBW} in single-band operation; see subclause 4.12.1; $B_{\text{RFBW}}T_{\text{RFBW}}$ and $B'_{\text{RFBW}}T_{\text{RFBW}}$ in multi-band operation, see subclause 4.12.1.

6.6.4.4.1.2 UTRA FDD

For a *TAB connector* declared to be capable of single carrier operation only, set to transmit a signal according to TM1, in subclause 4.12.2.

For a *multi-carrier TAB connector*, set to transmit according to TM1 on all carriers configured using the applicable test configuration.

6.6.4.4.1.3 UTRA TDD

For a *TAB connector* declared to be capable of single carrier operation only, set the parameters of the transmitted signal according to table 6.6.4.4.1.3-1.

For a *multi-carrier TAB connector* set to transmit according to table 6.6.4.4.1.3-1 on all carriers configured using the applicable test configuration.

Table 6.6.4.4.1.3-1: Parameters of the transmitted signal for spectrum emission mask testing for 1,28 Mcps TDD

| Parameter | Value/description |
|---|---|
| TDD Duty Cycle | TS i ; $i = 0, 1, 2, 3, 4, 5, 6$: transmit, if i is 0,4,5,6; receive, if i is 1,2,3. |
| Time slots under test | TS4, TS5 and TS6 |
| Number of DPCH in each time slot under test | 8 |
| Power of each DPCH | 1/8 of Base Station output power |
| Data content of DPCH | real life (sufficient irregular) |

In addition for a *TAB connector* declared capable of 16QAM.

For a *TAB connector* declared to be capable of single carrier operation only, set the parameters of the transmitted signal according to table 6.6.4.4.1.3-2.

For a *multi-carrier TAB connector* set to transmit according to table 6.6.4.4.1.3-2 on all carriers configured using the applicable test configuration.

Table 6.6.4.4.1.3-2: Parameters of the transmitted signal for spectrum emission mask testing for 1,28 Mcps TDD - 16QAM capable *TAB connector*

| Parameter | Value/description |
|---|---|
| TDD Duty Cycle | TS i ; $i = 0, 1, 2, 3, 4, 5, 6$: transmit, if i is 0,4,5,6; receive, if i is 1,2,3. |
| Time slots under test | TS4, TS5 and TS6 |
| HS-PDSCH modulation | 16QAM |
| Number of HS-PDSCH in each time slot under test | 8 |
| Power of each HS-PDSCH | 1/8 of Base Station output power |
| Data content of HS-PDSCH | real life (sufficient irregular) |
| Spreading factor | 16 |

6.6.4.4.2 Procedure

6.6.4.4.2.1 General procedure

The minimum requirement is applied to all *TAB connectors*, they may be tested one at a time or multiple *TAB connectors* may be tested in parallel as shown in subclause D.1.1. Whichever method is used the procedure is repeated until all *TAB connectors* necessary to demonstrate conformance have been tested.

a) Connect *TAB connector* to measurement equipment as shown in subclause D.1.1. All *TAB connectors* not under test shall be terminated.

As a general rule, the resolution bandwidth of the measuring equipment should be equal to the measurement bandwidth. However, to improve measurement accuracy, sensitivity, efficiency and avoiding e.g. carrier leakage, the resolution bandwidth may be smaller than the measurement bandwidth. When the resolution bandwidth is smaller than the measurement bandwidth, the result should be integrated over the measurement bandwidth in order to obtain the equivalent noise bandwidth of the measurement bandwidth.

The measurement device characteristics shall be:

- Measurements with an offset from the carrier centre frequency between 2,515 MHz and 4.0 MHz shall use a 30 kHz measurement bandwidth.
- Measurements with an offset from the carrier centre frequency between 4.0 MHz and ($f_{\text{offsetmax}} - 500 \text{ kHz}$).shall use a 1 MHz measurement bandwidth.
- Detection mode: True RMS.

b) For single carrier operation set the *TAB connector* to transmit at manufacturers declared rated carrier output power per *TAB connector* ($P_{\text{Rated,c,TABC}}$)

For a *TAB connector* declared to be capable of multi-carrier and/or CA operation set the *TAB connector* to transmit on all carriers configured using the applicable test configuration and corresponding power setting specified in clause 5 using the corresponding test models or set of physical channels in subclause 4.12.

6.6.4.4.2.1 UTRA FDD

- 1) Step the centre frequency of the measurement filter in contiguous steps and measure the emission within the specified frequency ranges with the specified measurement bandwidth. For *multi-band TAB connector* or *TAB connector* operating in non-contiguous spectrum, the emission within the Inter RF Bandwidth or sub-block gap shall be measured using the specified measurement bandwidth from the closest *Base Station RF Bandwidth* or sub block edge.

In addition, for *multi-band TAB connector(s)*, the following steps shall apply:

- 2) For *multi-band TAB connectors* and single band tests, repeat the steps above per involved band where single band test configurations and test models shall apply with no carrier activated in the other band.

6.6.4.4.2.2 UTRA TDD

- 1) Measure the power of the *TAB connector* spectrum emissions by applying measurement filters with bandwidths as specified in the relevant table in subclause 6.6.4.5.2.2. The characteristic of the filters shall be approximately Gaussian (typical spectrum analyzer filters). The centre frequency of the filter shall be stepped in contiguous steps over the ranges of frequency offsets f_{offset} as given in the tables. The step width shall be equal to the respective measurement bandwidth. The time duration of each step shall be sufficiently long to capture one active time slot.
- 2) The measurement shall be performed by applying filters with measurement bandwidth of 50 kHz or less and integrating the measured results over the nominal measurement bandwidth 1 MHz specified in the tables in subclause 6.6.4.5.2.2 when the measurement bandwidth is 1 MHz.

In addition, for *multi-band TAB connector(s)*, the following steps shall apply:

- 3) For *multi-band TAB connectors* and single band tests, repeat the steps above per involved band where single band test configurations and test models shall apply with no carrier activated in the other band.

The same procedure applies to *TAB connectors* declared to support 16QAM.

6.6.4.5 Test requirements

6.6.4.5.1 General

Conformance may be shown to either the measure and sum test requirement or the per *TAB connector* test requirement.

- 1) The spurious emission test requirements for an AAS BS when using the measure and sum alternative are that for each *TAB connector TX cell group* and each applicable *basic limit* as specified in this subclause, the power summation of emissions at the *TAB connectors* of the *TAB connector TX cell group* shall not exceed a limit specified as the *basic limit* + $10\log_{10}(N_{\text{TXU,countedpercell}})$.
- 2) The spurious emission test requirements for an AAS BS when using the per *TAB connector* alternative are that for each *TAB connector TX cell group* and each applicable *basic limit* as specified in this subclause, the emissions at each of the *TAB connectors* of the *TAB connector TX cell group* shall not exceed a limit specified as the *basic limit* + $10\log_{10}(N_{\text{TXU,countedpercell}}) - 10\log(n)$ where n is the number of *TAB connectors* in the *TAB connector TX cell group*.

The appropriate table for the basic limit is based on the same power level ($P_{\text{Rated,c,sys}}$) as used for the AAS BS rated power limits for BS classes in table 6.2.2.1-1 the same method of scaling the power level using $N_{\text{TXU,counted}}$ is used.

6.6.4.5.2 Basic Limits

6.6.4.5.2.1 UTRA FDD

The *basic limit* is specified in tables 6.6.4.5.2.1-1 to 6.6.4.5.2.1-11 for the appropriate $P_{\text{Rated,c,sys}}$, where:

- Δf is the separation between the carrier frequency and the nominal -3 dB point of the measuring filter closest to the carrier frequency.
- f_{offset} is the separation between the carrier frequency and the centre of the measurement filter;
- $f_{\text{offset,max}}$ is either 12.5 MHz or the offset to the UMTS Tx band edge as defined in clause 3.4.1, whichever is the greater.
- Δf_{max} is equal to $f_{\text{offset,max}}$ minus half of the bandwidth of the measuring filter.

Inside any *Inter RF Bandwidth gap* s with $W_{\text{gap}} < 2 \times \Delta f_{\text{OBUE}}$ MHz for BS operating in multiple bands, emissions shall not exceed the cumulative sum of the test requirements specified at the *Base Station RF Bandwidth edges* on each side of the *Inter RF Bandwidth gap*. The *basic limit* for *Base Station RF Bandwidth edge* is specified in tables 6.6.4.5.2.1-1 to 6.6.4.5.2.1-11 below, where in this case:

- Δf is equal to 2.5 MHz plus the separation between the *Base Station RF Bandwidth edge* frequency and the nominal -3dB point of the measuring filter closest to the *Base Station RF Bandwidth edge*.
- f_{offset} is equal to 2.5 MHz plus the separation between the *Base Station RF Bandwidth edge* frequency and the centre of the measuring filter.
- $f_{\text{offset,max}}$ is either 12.5 MHz or the offset to the UMTS Tx band edge as defined in section 5.2, whichever is the greater.
- Δf_{max} is equal to $f_{\text{offset,max}}$ minus half of the bandwidth of the measuring filter.

For a *multi-band TAB connector*, the operating band unwanted emission limits apply also in a supported operating band without any carrier transmitted, in the case where there are carrier(s) transmitted in another supported operating band. In this case, no cumulative limit is applied in the *inter-band gap* between a supported downlink operating band with carrier(s) transmitted and a supported downlink operating band without any carrier transmitted and

- In case the *inter-band gap* between a downlink band with carrier(s) transmitted and a downlink band without any carrier transmitted is less than $2 \times \Delta f_{\text{OBUE}}$ MHz, $f_{\text{offset,max}}$ shall be the offset to the frequency 10 MHz outside the outermost edges of the two downlink operating bands and the operating band unwanted emission limit of the band where there are carriers transmitted, as defined in the tables of the present subclause, shall apply across both downlink bands.

- In other cases, the operating band unwanted emission limit of the band where there are carriers transmitted, as defined in the tables of the present subclause for the largest frequency offset (Δf_{\max}), shall apply from Δf_{OBUE} MHz below the lowest frequency, up to Δf_{OBUE} MHz above the highest frequency of the downlink operating band without any carrier transmitted.

Inside any sub-block gap for a *TAB connector* operating in non-contiguous spectrum, the measurement results shall not exceed the cumulative sum of the test requirements specified for the adjacent sub blocks on each side of the sub block gap. The *basic limit* for each sub block is specified in tables 6.6.4.5.2.1-1 to 6.6.4.5.2.1-11 below, where in this case:

- Δf is equal to 2.5 MHz plus the separation between the sub block edge frequency and the nominal -3 dB point of the measuring filter closest to the sub block edge.
- f_{offset} is equal to 2.5 MHz plus the separation between the sub block edge frequency and the centre of the measuring filter.
- $f_{\text{offset}_{\max}}$ is equal to the sub block gap bandwidth minus half of the bandwidth of the measuring filter plus 2.5 MHz.
- Δf_{\max} is equal to $f_{\text{offset}_{\max}}$ minus half of the bandwidth of the measuring filter.

Table 6.6.4.5.2.1-1: Spectrum emission mask values, $P_{\text{rated,c,cell}} - 10 \cdot \log_{10}(N_{\text{TXU,countedpercell}}) \geq 43$ dBm for UTRA FDD bands ≤ 3 GHz

| Frequency offset of measurement filter - 3 dB point, Δf | Frequency offset of measurement filter centre frequency, f_{offset} | <i>basic limit</i> (notes 1 and 2) | Measurement bandwidth (Note 5) |
|---|--|---|--------------------------------|
| $2.5 \text{ MHz} \leq \Delta f < 2.7 \text{ MHz}$ | $2.515 \text{ MHz} \leq f_{\text{offset}} < 2.715 \text{ MHz}$ | -12.5 dBm | 30 kHz |
| $2.7 \text{ MHz} \leq \Delta f < 3.5 \text{ MHz}$ | $2.715 \text{ MHz} \leq f_{\text{offset}} < 3.515 \text{ MHz}$ | $-12.5 \text{ dBm} - 15 \cdot \left(\frac{f_{\text{offset}}}{\text{MHz}} - 2.715 \right) \text{ dB}$ | 30 kHz |
| (Note 4) | $3.515 \text{ MHz} \leq f_{\text{offset}} < 4.0 \text{ MHz}$ | -24.5 dBm | 30 kHz |
| $3.5 \text{ MHz} \leq \Delta f < 7.5 \text{ MHz}$ | $4.0 \text{ MHz} \leq f_{\text{offset}} < 8.0 \text{ MHz}$ | -11.5 dBm | 1 MHz |
| $7.5 \text{ MHz} \leq \Delta f \leq \Delta f_{\max}$ | $8.0 \text{ MHz} \leq f_{\text{offset}} < f_{\text{offset}_{\max}}$ | -11.5 dBm | 1 MHz |
| <p>NOTE 1: For a <i>TAB connector</i> supporting non-contiguous spectrum operation the <i>basic limit</i> within sub-block gaps within any operating band is calculated as a cumulative sum of contributions from adjacent sub blocks on each side of the sub block gap, where the contribution from the far-end sub-block shall be scaled according to the measurement bandwidth of the near-end sub-block. Exception is $\Delta f \geq 12.5$ MHz from both adjacent sub blocks on each side of the sub-block gap, where the spurious emission <i>basic limits</i> in subclauses 6.6.6.5.2.2 and 6.6.6.5.5.3 shall be met.</p> <p>NOTE 2: For a <i>multi-band TAB connector</i> with <i>Inter RF Bandwidth gap</i> $< 2 \times \Delta f_{\text{OBUE}}$ MHz the minimum requirement within the <i>Inter RF Bandwidth gaps</i> is calculated as a cumulative sum of contributions from adjacent sub-blocks or RF Bandwidth on each side of the <i>Inter RF Bandwidth gap</i>, where the contribution from the far-end sub-block or <i>Base Station RF Bandwidth</i> shall be scaled according to the measurement bandwidth of the near-end sub-block or <i>Base Station RF Bandwidth</i>.</p> <p>NOTE 4: This frequency range ensures that the range of values of f_{offset} is continuous.</p> <p>NOTE 5: As a general rule, the resolution bandwidth of the measuring equipment should be equal to the measurement bandwidth. However, to improve measurement accuracy, sensitivity and efficiency, the resolution bandwidth can be smaller than the measurement bandwidth. When the resolution bandwidth is smaller than the measurement bandwidth, the result should be integrated over the measurement bandwidth in order to obtain the equivalent noise bandwidth of the measurement bandwidth.</p> | | | |

**Table 6.6.4.5.2.1-2: Spectrum emission mask values, $P_{\text{rated,c,cell}} - 10 \cdot \log_{10}(N_{\text{TXU,countedpercell}}) \geq 43$ dBm
UTRA FDD bands > 3 GHz**

| Frequency offset of measurement filter -3 dB point, Δf | Frequency offset of measurement filter centre frequency, f_{offset} | <i>basic limit</i> (notes 1 and 2) | Measurement bandwidth (Note 5) |
|--|--|---|--------------------------------|
| $2.5 \text{ MHz} \leq \Delta f < 2.7 \text{ MHz}$ | $2.515 \text{ MHz} \leq f_{\text{offset}} < 2.715 \text{ MHz}$ | -12.2 dBm | 30 kHz |
| $2.7 \text{ MHz} \leq \Delta f < 3.5 \text{ MHz}$ | $2.715 \text{ MHz} \leq f_{\text{offset}} < 3.515 \text{ MHz}$ | $-12.2 \text{ dBm} - 15 \cdot \left(\frac{f_{\text{offset}} - 2.715}{\text{MHz}} \right) \text{ dB}$ | 30 kHz |
| (Note 4) | $3.515 \text{ MHz} \leq f_{\text{offset}} < 4.0 \text{ MHz}$ | -24.2 dBm | 30 kHz |
| $3.5 \text{ MHz} \leq \Delta f < 7.5 \text{ MHz}$ | $4.0 \text{ MHz} \leq f_{\text{offset}} < 8.0 \text{ MHz}$ | -11.2 dBm | 1 MHz |
| $7.5 \text{ MHz} \leq \Delta f \leq \Delta f_{\text{max}}$ | $8.0 \text{ MHz} \leq f_{\text{offset}} < f_{\text{offset}_{\text{max}}}$ | -11.2 dBm | 1 MHz |

NOTE 1: For a *TAB connector* supporting non-contiguous spectrum operation the *basic limit* within sub-block gaps within any operating band is calculated as a cumulative sum of contributions from adjacent sub blocks on each side of the sub block gap, where the contribution from the far-end sub-block shall be scaled according to the measurement bandwidth of the near-end sub-block. Exception is $\Delta f \geq 12.5$ MHz from both adjacent sub blocks on each side of the sub-block gap, where the spurious emission *basic limits* in clause 6.6.6.5.2.2 and 6.6.6.5.5.3 shall be met.

NOTE 2: For a *multi-band TAB connector* with *Inter RF Bandwidth gap* < $2 \times \Delta f_{\text{OBUe}}$ MHz the minimum requirement within the *Inter RF Bandwidth gaps* is calculated as a cumulative sum of contributions from adjacent sub-blocks or *Base Station RF Bandwidth* on each side of the *Inter RF Bandwidth gap*, where the contribution from the far-end sub-block or *Base Station RF Bandwidth* shall be scaled according to the measurement bandwidth of the near-end sub-block or *Base Station RF Bandwidth*.

NOTE 4: This frequency range ensures that the range of values of f_{offset} is continuous.

NOTE 5: As a general rule, the resolution bandwidth of the measuring equipment should be equal to the measurement bandwidth. However, to improve measurement accuracy, sensitivity and efficiency, the resolution bandwidth can be smaller than the measurement bandwidth. When the resolution bandwidth is smaller than the measurement bandwidth, the result should be integrated over the measurement bandwidth in order to obtain the equivalent noise bandwidth of the measurement bandwidth.

**Table 6.6.4.5.2.1-3: Spectrum emission mask values,
 $39 \text{ dBm} \leq P_{\text{rated,c,cell}} - 10^* \log_{10}(N_{\text{TXU,countedpercell}}) < 43 \text{ dBm}$ for UTRA FDD bands $\leq 3 \text{ GHz}$**

| Frequency offset of measurement filter -3 dB point, Δf | Frequency offset of measurement filter centre frequency, f_{offset} | <i>basic limit</i> (notes 1 and 2) | Measurement bandwidth (Note 5) |
|--|--|---|--------------------------------|
| $2.5 \text{ MHz} \leq \Delta f < 2.7 \text{ MHz}$ | $2.515 \text{ MHz} \leq f_{\text{offset}} < 2.715 \text{ MHz}$ | -12.5 dBm | 30 kHz |
| $2.7 \text{ MHz} \leq \Delta f < 3.5 \text{ MHz}$ | $2.715 \text{ MHz} \leq f_{\text{offset}} < 3.515 \text{ MHz}$ | $-12.5 \text{ dBm} - 15 \cdot \left(\frac{f_{\text{offset}}}{\text{MHz}} - 2.715 \right) \text{ dB}$ | 30 kHz |
| (Note 4) | $3.515 \text{ MHz} \leq f_{\text{offset}} < 4.0 \text{ MHz}$ | -24.5 dBm | 30 kHz |
| $3.5 \text{ MHz} \leq \Delta f < 7.5 \text{ MHz}$ | $4.0 \text{ MHz} \leq f_{\text{offset}} < 8.0 \text{ MHz}$ | -11.5 dBm | 1 MHz |
| $7.5 \text{ MHz} \leq \Delta f \leq \Delta f_{\text{max}}$ | $8.0 \text{ MHz} \leq f_{\text{offset}} < f_{\text{offset}_{\text{max}}}$ | $P_{\text{rated,c,cell}} - 10^* \log_{10}(N_{\text{TXU,countedpercell}}) - 54.5 \text{ dB}$ | 1 MHz |

NOTE 1: For a *TAB connector* supporting non-contiguous spectrum operation the *basic limit* within sub-block gaps within any operating band is calculated as a cumulative sum of contributions from adjacent sub blocks on each side of the sub block gap, where the contribution from the far-end sub-block shall be scaled according to the measurement bandwidth of the near-end sub-block. Exception is $\Delta f \geq 12.5 \text{ MHz}$ from both adjacent sub blocks on each side of the sub-block gap, where the spurious emission *basic limits* in subclauses 6.6.6.5.2.2 and 6.6.6.5.5.3 shall be met.

NOTE 2: For a *multi-band TAB connector* with *Inter RF Bandwidth gap* $< 2 \times \Delta f_{\text{OBUE}}$ MHz the minimum requirement within the *Inter RF Bandwidth gaps* is calculated as a cumulative sum of contributions from adjacent sub-blocks or *Base Station RF Bandwidth* on each side of the *Inter RF Bandwidth gap*, where the contribution from the far-end sub-block or *Base Station RF Bandwidth* shall be scaled according to the measurement bandwidth of the near-end sub-block or *Base Station RF Bandwidth*.

NOTE 4: This frequency range ensures that the range of values of f_{offset} is continuous.

NOTE 5: As a general rule, the resolution bandwidth of the measuring equipment should be equal to the measurement bandwidth. However, to improve measurement accuracy, sensitivity and efficiency, the resolution bandwidth can be smaller than the measurement bandwidth. When the resolution bandwidth is smaller than the measurement bandwidth, the result should be integrated over the measurement bandwidth in order to obtain the equivalent noise bandwidth of the measurement bandwidth.

**Table 6.6.4.5.2.1-4: Spectrum emission mask values,
 $39 \text{ dBm} \leq P_{\text{rated,c,cell}} - 10 \cdot \log_{10}(N_{\text{TXU,countedpercell}}) < 43 \text{ dBm}$ for UTRA FDD bands > 3 GHz**

| Frequency offset of measurement filter -3 dB point, Δf | Frequency offset of measurement filter centre frequency, f_{offset} | <i>basic limit</i> (notes 1 and 2) | Measurement bandwidth (Note 5) |
|--|--|---|--------------------------------|
| $2.5 \text{ MHz} \leq \Delta f < 2.7 \text{ MHz}$ | $2.515 \text{ MHz} \leq f_{\text{offset}} < 2.715 \text{ MHz}$ | -12.2 dBm | 30 kHz |
| $2.7 \text{ MHz} \leq \Delta f < 3.5 \text{ MHz}$ | $2.715 \text{ MHz} \leq f_{\text{offset}} < 3.515 \text{ MHz}$ | $-12.2 \text{ dBm} - 15 \cdot \left(\frac{f_{\text{offset}} - 2.715}{\text{MHz}} \right) \text{ dB}$ | 30 kHz |
| (Note 4) | $3.515 \text{ MHz} \leq f_{\text{offset}} < 4.0 \text{ MHz}$ | -24.2 dBm | 30 kHz |
| $3.5 \text{ MHz} \leq \Delta f < 7.5 \text{ MHz}$ | $4.0 \text{ MHz} \leq f_{\text{offset}} < 8.0 \text{ MHz}$ | -11.2 dBm | 1 MHz |
| $7.5 \text{ MHz} \leq \Delta f \leq \Delta f_{\text{max}}$ | $8.0 \text{ MHz} \leq f_{\text{offset}} < f_{\text{offset}_{\text{max}}}$ | $P_{\text{max,c,cell}} - 10 \cdot \log_{10}(N_{\text{TXU,countedpercell}}) - 54.2 \text{ dB}$ | 1 MHz |

NOTE 1: For a *TAB connector* supporting non-contiguous spectrum operation the *basic limit* within sub-block gaps within any operating band is calculated as a cumulative sum of contributions from adjacent sub blocks on each side of the sub block gap, where the contribution from the far-end sub-block shall be scaled according to the measurement bandwidth of the near-end sub-block. Exception is $\Delta f \geq 12.5 \text{ MHz}$ from both adjacent sub blocks on each side of the sub-block gap, where the spurious emission *basic limits* in clause 6.6.6.5.2.2 and 6.6.6.5.5.3 shall be met.

NOTE 2: For a *multi-band TAB connector* with *Inter RF Bandwidth gap* $< 2 \times \Delta f_{\text{OBUe}}$ MHz the minimum requirement within the *Inter RF Bandwidth gaps* is calculated as a cumulative sum of contributions from adjacent sub-blocks or *Base Station RF Bandwidth* on each side of the *Inter RF Bandwidth gap*, where the contribution from the far-end sub-block or *Base Station RF Bandwidth* shall be scaled according to the measurement bandwidth of the near-end sub-block or *Base Station RF Bandwidth*.

NOTE 4: This frequency range ensures that the range of values of f_{offset} is continuous.

NOTE 5: As a general rule, the resolution bandwidth of the measuring equipment should be equal to the measurement bandwidth. However, to improve measurement accuracy, sensitivity and efficiency, the resolution bandwidth can be smaller than the measurement bandwidth. When the resolution bandwidth is smaller than the measurement bandwidth, the result should be integrated over the measurement bandwidth in order to obtain the equivalent noise bandwidth of the measurement bandwidth.

Table 6.6.4.5.2.1-5: Spectrum emission mask values, $31 \text{ dBm} \leq P_{\text{rated,c,cell}} - 10 \cdot \log_{10}(N_{\text{TXU,countedpercell}}) < 39 \text{ dBm}$ for UTRA FDD bands $\leq 3 \text{ GHz}$

| Frequency offset of measurement filter - 3 dB point, Δf | Frequency offset of measurement filter centre frequency, f_{offset} | <i>basic limit</i> (notes 1 and 2) | Measurement bandwidth (Note 5) |
|---|--|---|--------------------------------|
| $2.5 \text{ MHz} \leq \Delta f < 2.7 \text{ MHz}$ | $2.515 \text{ MHz} \leq f_{\text{offset}} < 2.715 \text{ MHz}$ | $P_{\text{rated,c,cell}} - 10 \cdot \log_{10}(N_{\text{TXU,countedpercell}}) - 51.5 \text{ dB}$ | 30 kHz |
| $2.7 \text{ MHz} \leq \Delta f < 3.5 \text{ MHz}$ | $2.715 \text{ MHz} \leq f_{\text{offset}} < 3.515 \text{ MHz}$ | $P_{\text{rated,c,cell}} - 10 \cdot \log_{10}(N_{\text{TXU,countedpercell}}) - 51.5 \text{ dB} - 15 \cdot \left(\frac{f_{\text{offset}}}{\text{MHz}} - 2.715 \right) \text{ dB}$ | 30 kHz |
| (Note 4) | $3.515 \text{ MHz} \leq f_{\text{offset}} < 4.0 \text{ MHz}$ | $P_{\text{rated,c,cell}} - 10 \cdot \log_{10}(N_{\text{TXU,countedpercell}}) - 63.5 \text{ dB}$ | 30 kHz |
| $3.5 \text{ MHz} \leq \Delta f < 7.5 \text{ MHz}$ | $4.0 \text{ MHz} \leq f_{\text{offset}} < 8.0 \text{ MHz}$ | $P_{\text{rated,c,cell}} - 10 \cdot \log_{10}(N_{\text{TXU,countedpercell}}) - 50.5 \text{ dB}$ | 1 MHz |
| $7.5 \text{ MHz} \leq \Delta f \leq \Delta f_{\text{max}}$ | $8.0 \text{ MHz} \leq f_{\text{offset}} < f_{\text{offset}_{\text{max}}}$ | $P_{\text{rated,c,cell}} - 10 \cdot \log_{10}(N_{\text{TXU,countedpercell}}) - 54.5 \text{ dB}$ | 1 MHz |
| <p>NOTE 1: For a <i>TAB connector</i> supporting non-contiguous spectrum operation the <i>basic limit</i> within sub-block gaps within any operating band is calculated as a cumulative sum of contributions from adjacent sub blocks on each side of the sub block gap, where the contribution from the far-end sub-block shall be scaled according to the measurement bandwidth of the near-end sub-block. Exception is $\Delta f \geq 12.5 \text{ MHz}$ from both adjacent sub blocks on each side of the sub-block gap, where the spurious emission <i>basic limits</i> in subclauses 6.6.6.5.2.2 and 6.6.6.5.5.3 shall be met.</p> <p>NOTE 2: For a <i>multi-band TAB connector</i> with <i>Inter RF Bandwidth gap</i> $< 2 \times \Delta f_{\text{OBUE}}$ MHz the minimum requirement within the <i>Inter RF Bandwidth gaps</i> is calculated as a cumulative sum of contributions from adjacent sub-blocks or <i>Base Station RF Bandwidth</i> on each side of the <i>Inter RF Bandwidth gap</i>, where the contribution from the far-end sub-block or <i>Base Station RF Bandwidth</i> shall be scaled according to the measurement bandwidth of the near-end sub-block or <i>Base Station RF Bandwidth</i>.</p> <p>NOTE 4: This frequency range ensures that the range of values of f_{offset} is continuous.</p> <p>NOTE 5: As a general rule, the resolution bandwidth of the measuring equipment should be equal to the measurement bandwidth. However, to improve measurement accuracy, sensitivity and efficiency, the resolution bandwidth can be smaller than the measurement bandwidth. When the resolution bandwidth is smaller than the measurement bandwidth, the result should be integrated over the measurement bandwidth in order to obtain the equivalent noise bandwidth of the measurement bandwidth.</p> | | | |

**Table 6.6.4.5.2.1-6: Spectrum emission mask values,
31 dBm ≤ P_{rated,c,cell} - 10*log₁₀(N_{TXU,countedpercell}) < 39 dBm for UTRA FDD bands > 3 GHz**

| Frequency offset of measurement filter - 3 dB point, Δf | Frequency offset of measurement filter centre frequency, f _{offset} | <i>basic limit</i> (notes 1 and 2) | Measurement bandwidth (Note 5) |
|--|--|---|--------------------------------|
| 2.5 MHz ≤ Δf < 2.7 MHz | 2.515 MHz ≤ f _{offset} < 2.715 MHz | P _{rated,c,cell} - 10*log ₁₀ (N _{TXU,countedpercell}) - 51.2 dB | 30 kHz |
| 2.7 MHz ≤ Δf < 3.5 MHz | 2.715 MHz ≤ f _{offset} < 3.515 MHz | P _{rated,c,cell} - 10*log ₁₀ (N _{TXU,countedpercell}) - 51.2 dB - 15 * ((f _{offset} / MHz) - 2.715) dB | 30 kHz |
| (Note 4) | 3.515 MHz ≤ f _{offset} < 4.0 MHz | P _{rated,c,cell} - 10*log ₁₀ (N _{TXU,countedpercell}) - 63.2 dB | 30 kHz |
| 3.5 MHz ≤ Δf < 7.5 MHz | 4.0 MHz ≤ f _{offset} < 8.0 MHz | P _{rated,c,cell} - 10*log ₁₀ (N _{TXU,countedpercell}) - 50.2 dB | 1 MHz |
| 7.5 MHz ≤ Δf ≤ Δf _{max} | 8.0 MHz ≤ f _{offset} < f _{offset} _{max} | P _{rated,c,cell} - 10*log ₁₀ (N _{TXU,countedpercell}) - 54.2 dB | 1 MHz |
| <p>NOTE 1: For a <i>TAB connector</i> supporting non-contiguous spectrum operation the <i>basic limit</i> within sub-block gaps within any operating band is calculated as a cumulative sum of contributions from adjacent sub blocks on each side of the sub block gap, where the contribution from the far-end sub-block shall be scaled according to the measurement bandwidth of the near-end sub-block. Exception is Δf ≥ 12.5 MHz from both adjacent sub blocks on each side of the sub-block gap, where the spurious emission <i>basic limits</i> in subclauses 6.6.6.5.2.2 and 6.6.6.5.5.3 shall be met.</p> <p>NOTE 2: For a <i>multi-band TAB connector</i> with <i>Inter RF Bandwidth gap</i> < 2*Δf_{OBUE} MHz the minimum requirement within the <i>Inter RF Bandwidth gaps</i> is calculated as a cumulative sum of contributions from adjacent sub-blocks or <i>Base Station RF Bandwidth</i> on each side of the <i>Inter RF Bandwidth gap</i>, where the contribution from the far-end sub-block or <i>Base Station RF Bandwidth</i> shall be scaled according to the measurement bandwidth of the near-end sub-block or <i>Base Station RF Bandwidth</i>.</p> <p>NOTE 4: This frequency range ensures that the range of values of f_{offset} is continuous.</p> <p>NOTE 5: As a general rule, the resolution bandwidth of the measuring equipment should be equal to the measurement bandwidth. However, to improve measurement accuracy, sensitivity and efficiency, the resolution bandwidth can be smaller than the measurement bandwidth. When the resolution bandwidth is smaller than the measurement bandwidth, the result should be integrated over the measurement bandwidth in order to obtain the equivalent noise bandwidth of the measurement bandwidth.</p> | | | |

Table 6.6.4.5.2.1-7: Spectrum emission mask values, $P_{\text{rated,c,cell}} - 10 \cdot \log_{10}(N_{\text{TXU,countedpercell}}) < 31$ dBm for UTRA FDD bands ≤ 3 GHz

| Frequency offset of measurement filter - 3 dB point, Δf | Frequency offset of measurement filter centre frequency, f_{offset} | <i>basic limit</i> (Notes 1 and 2) | Measurement bandwidth (Note 5) |
|---|--|---|--------------------------------|
| $2.5 \text{ MHz} \leq \Delta f < 2.7 \text{ MHz}$ | $2.515 \text{ MHz} \leq f_{\text{offset}} < 2.715 \text{ MHz}$ | -20.5 dBm | 30 kHz |
| $2.7 \leq \Delta f < 3.5 \text{ MHz}$ | $2.715 \text{ MHz} \leq f_{\text{offset}} < 3.515 \text{ MHz}$ | $-20.5 \text{ dBm} - 15 \cdot \left(\frac{f_{\text{offset}}}{\text{MHz}} - 2.715 \right) \text{ dB}$ | 30 kHz |
| (Note 4) | $3.515 \text{ MHz} \leq f_{\text{offset}} < 4.0 \text{ MHz}$ | -32.5 dBm | 30 kHz |
| $3.5 \text{ MHz} \leq \Delta f < 7.5 \text{ MHz}$ | $4.0 \text{ MHz} \leq f_{\text{offset}} < 8.0 \text{ MHz}$ | -19.5 dBm | 1 MHz |
| $7.5 \text{ MHz} \leq \Delta f \leq \Delta f_{\text{max}}$ | $8.0 \text{ MHz} \leq f_{\text{offset}} < f_{\text{offset}_{\text{max}}}$ | -23.5 dBm | 1 MHz |

NOTE 1: For a *TAB connector* supporting non-contiguous spectrum operation the *basic limit* within sub-block gaps within any operating band is calculated as a cumulative sum of contributions from adjacent sub blocks on each side of the sub block gap, where the contribution from the far-end sub-block shall be scaled according to the measurement bandwidth of the near-end sub-block. Exception is $\Delta f \geq 12.5$ MHz from both adjacent sub blocks on each side of the sub-block gap, where the spurious emission *basic limits* in subclauses 6.6.6.5.2.2 and 6.6.6.5.5.3 shall be met.

NOTE 2: For a *multi-band TAB connector* with *Inter RF Bandwidth gap* $< 2 \times \Delta f_{\text{OBUe}}$ MHz the minimum requirement within the *Inter RF Bandwidth gaps* is calculated as a cumulative sum of contributions from adjacent sub-blocks or *Base Station RF Bandwidth* on each side of the *Inter RF Bandwidth gap*, where the contribution from the far-end sub-block or *Base Station RF Bandwidth* shall be scaled according to the measurement bandwidth of the near-end sub-block or *Base Station RF Bandwidth*.

NOTE 4: This frequency range ensures that the range of values of f_{offset} is continuous.

NOTE 5: As a general rule, the resolution bandwidth of the measuring equipment should be equal to the measurement bandwidth. However, to improve measurement accuracy, sensitivity and efficiency, the resolution bandwidth can be smaller than the measurement bandwidth. When the resolution bandwidth is smaller than the measurement bandwidth, the result should be integrated over the measurement bandwidth in order to obtain the equivalent noise bandwidth of the measurement bandwidth.

Table 6.6.4.5.2.1-8: Spectrum emission mask values, $P_{\text{rated,c,cell}} - 10 \cdot \log_{10}(N_{\text{TXU,countedpercell}}) < 31$ dBm for UTRA FDD bands > 3 GHz

| Frequency offset of measurement filter - 3 dB point, Δf | Frequency offset of measurement filter centre frequency, f_{offset} | <i>basic limit</i> (notes 1 and 2) | Measurement bandwidth (Note 5) |
|---|--|---|--------------------------------|
| $2.5 \text{ MHz} \leq \Delta f < 2.7 \text{ MHz}$ | $2.515 \text{ MHz} \leq f_{\text{offset}} < 2.715 \text{ MHz}$ | -20.2 dBm | 30 kHz |
| $2.7 \leq \Delta f < 3.5 \text{ MHz}$ | $2.715 \text{ MHz} \leq f_{\text{offset}} < 3.515 \text{ MHz}$ | $-20.2 \text{ dBm} - 15 \cdot \left(\frac{f_{\text{offset}}}{\text{MHz}} - 2.715 \right) \text{ dB}$ | 30 kHz |
| (Note 4) | $3.515 \text{ MHz} \leq f_{\text{offset}} < 4.0 \text{ MHz}$ | -32.2 dBm | 30 kHz |
| $3.5 \text{ MHz} \leq \Delta f < 7.5 \text{ MHz}$ | $4.0 \text{ MHz} \leq f_{\text{offset}} < 8.0 \text{ MHz}$ | -19.2 dBm | 1 MHz |
| $7.5 \text{ MHz} \leq \Delta f \leq \Delta f_{\text{max}}$ | $8.0 \text{ MHz} \leq f_{\text{offset}} < f_{\text{offset}_{\text{max}}}$ | -23.2 dBm | 1 MHz |

NOTE 1: For a *TAB connector* supporting non-contiguous spectrum operation the *basic limit* within sub-block gaps within any operating band is calculated as a cumulative sum of contributions from adjacent sub blocks on each side of the sub block gap, where the contribution from the far-end sub-block shall be scaled according to the measurement bandwidth of the near-end sub-block. Exception is $\Delta f \geq 12.5$ MHz from both adjacent sub blocks on each side of the sub-block gap, where the spurious emission *basic limits* in subclauses 6.6.6.5.2.2 and 6.6.6.5.5.3 shall be met.

NOTE 2: For a *multi-band TAB connector* with *Inter RF Bandwidth gap* $< 2 \times \Delta f_{\text{OBUE}}$ MHz the minimum requirement within the *Inter RF Bandwidth gaps* is calculated as a cumulative sum of contributions from adjacent sub-blocks or *Base Station RF Bandwidth* on each side of the *Inter RF Bandwidth gap*, where the contribution from the far-end sub-block or *Base Station RF Bandwidth* shall be scaled according to the measurement bandwidth of the near-end sub-block or *Base Station RF Bandwidth*.

NOTE 4: This frequency range ensures that the range of values of f_{offset} is continuous.

NOTE 5: As a general rule, the resolution bandwidth of the measuring equipment should be equal to the measurement bandwidth. However, to improve measurement accuracy, sensitivity and efficiency, the resolution bandwidth can be smaller than the measurement bandwidth. When the resolution bandwidth is smaller than the measurement bandwidth, the result should be integrated over the measurement bandwidth in order to obtain the equivalent noise bandwidth of the measurement bandwidth.

For operation in band II, IV, V, X, XII, XIII, XIV, XXV and XXVI, the applicable additional requirement in tables 6.6.4.5.2.1-9 to 6.6.4.5.2.1-11 apply in addition to the minimum requirements in tables 6.6.4.5.2.1-1 to 6.6.4.5.2.1-8.

Table 6.6.4.5.2.1-9: Additional spectrum emission limits for Bands II, IV, X, XXV

| Frequency offset of measurement filter -3dB point, Δf | Frequency offset of measurement filter centre frequency, f_{offset} | Additional requirement | Measurement bandwidth (Note 5) |
|---|--|------------------------|--------------------------------|
| $2.5 \text{ MHz} \leq \Delta f < 3.5 \text{ MHz}$ | $2.515 \text{ MHz} \leq f_{\text{offset}} < 3.515 \text{ MHz}$ | -15 dBm | 30 kHz |
| $3.5 \text{ MHz} \leq \Delta f \leq \Delta f_{\text{max}}$ | $4.0 \text{ MHz} \leq f_{\text{offset}} < f_{\text{offset}_{\text{max}}}$ | -13 dBm | 1 MHz |

NOTE 5: As a general rule, the resolution bandwidth of the measuring equipment should be equal to the measurement bandwidth. However, to improve measurement accuracy, sensitivity and efficiency, the resolution bandwidth can be smaller than the measurement bandwidth. When the resolution bandwidth is smaller than the measurement bandwidth, the result should be integrated over the measurement bandwidth in order to obtain the equivalent noise bandwidth of the measurement bandwidth.

Table 6.6.4.5.2.1-10: Additional spectrum emission limits for Bands V, XXVI

| Frequency offset of measurement filter -3dB point, Δf | Frequency offset of measurement filter centre frequency, f_{offset} | Additional requirement | Measurement bandwidth (Note 5) |
|---|--|------------------------|--------------------------------|
| $2.5 \text{ MHz} \leq \Delta f < 3.5 \text{ MHz}$ | $2.515 \text{ MHz} \leq f_{\text{offset}} < 3.515 \text{ MHz}$ | -15 dBm | 30 kHz |
| $3.5 \text{ MHz} \leq \Delta f \leq \Delta f_{\text{max}}$ | $3.55 \text{ MHz} \leq f_{\text{offset}} < f_{\text{offset}_{\text{max}}}$ | -13 dBm | 100 kHz |

NOTE 5: As a general rule, the resolution bandwidth of the measuring equipment should be equal to the measurement bandwidth. However, to improve measurement accuracy, sensitivity and efficiency, the resolution bandwidth can be smaller than the measurement bandwidth. When the resolution bandwidth is smaller than the measurement bandwidth, the result should be integrated over the measurement bandwidth in order to obtain the equivalent noise bandwidth of the measurement bandwidth.

Table 6.6.4.5.2.1-11: Additional spectrum emission limits for Bands XII, XIII, XIV

| Frequency offset of measurement filter -3dB point, Δf | Frequency offset of measurement filter centre frequency, f_{offset} | Additional requirement | Measurement bandwidth (Note 5) |
|---|--|------------------------|--------------------------------|
| $2.5 \text{ MHz} \leq \Delta f < 2.6 \text{ MHz}$ | $2.515 \text{ MHz} \leq f_{\text{offset}} < 2.615 \text{ MHz}$ | -13 dBm | 30 kHz |
| $2.6 \text{ MHz} \leq \Delta f \leq \Delta f_{\text{max}}$ | $2.65 \text{ MHz} \leq f_{\text{offset}} < f_{\text{offset}_{\text{max}}}$ | -13 dBm | 100 kHz |

NOTE 5: As a general rule, the resolution bandwidth of the measuring equipment should be equal to the measurement bandwidth. However, to improve measurement accuracy, sensitivity and efficiency, the resolution bandwidth can be smaller than the measurement bandwidth. When the resolution bandwidth is smaller than the measurement bandwidth, the result should be integrated over the measurement bandwidth in order to obtain the equivalent noise bandwidth of the measurement bandwidth.

In certain regions the following requirement may apply for protection of DTT. For a *TAB connector* operating in Band XX, the level of emissions in the band 470-790 MHz, measured in an 8MHz filter bandwidth on centre frequencies F_{filter} according to table 6.21F, shall not exceed the maximum emission level $P_{\text{EM},N}$ declared by the manufacturer.

Table 6.6.4.5.2.1-12: Declared emissions levels for protection of DTT

| Filter centre frequency, F_{filter} | Measurement bandwidth | Declared emission level (dBm) |
|--|-----------------------|-------------------------------|
| $F_{\text{filter}} = 8 \cdot N + 306 \text{ (MHz)}$; $21 \leq N \leq 60$ | 8 MHz | $P_{\text{EM},N}$ |

NOTE 1: The regional requirement is defined in terms of EIRP (effective isotropic radiated power), which is dependent on both the BS emissions at the antenna connector and the deployment (including antenna gain and feeder loss). The requirement defined above provides the characteristics of the basestation needed to verify compliance with the regional requirement. Compliance with the regional requirement can be determined using the method outlined in annex D of [1].

In certain regions, the following requirements may apply to a *TAB connector* operating in Band XXXII within 1452-1492 MHz. The level of unwanted emissions, measured on centre frequencies f_{offset} with filter bandwidth, according to table 6.6.4.5.2.1-13, shall neither exceed the maximum emission level $P_{\text{EM},B32,a}$, $P_{\text{EM},B32,b}$ nor $P_{\text{EM},B32,c}$ declared by the manufacturer.

Table 6.6.4.5.2.1-13: Declared frequency band XXXII unwanted emission within 1452-1492 MHz

| Frequency offset of measurement filter centre frequency, f_{offset} | Declared emission level (dBm) | Measurement bandwidth |
|--|-------------------------------|-----------------------|
| 5 MHz | $P_{\text{EM},B32,a}$ | 5 MHz |
| 10 MHz | $P_{\text{EM},B32,b}$ | 5 MHz |
| $15 \text{ MHz} \leq f_{\text{offset}} \leq f_{\text{offset}_{\text{max}, B32}}$ | $P_{\text{EM},B32,c}$ | 5 MHz |

NOTE: $f_{\text{offset}_{\text{max}, B32}}$ denotes the frequency difference between the lower channel carrier frequency and 1454.5 MHz, and the frequency difference between the upper channel carrier frequency and 1489.5 MHz for the set channel position.

NOTE 2: The regional requirement, included in [17], is defined in terms of EIRP per antenna, which is dependent on both the BS emissions at the antenna connector and the deployment (including antenna gain and feeder loss). The requirement defined above provides the characteristics of the base station needed to verify compliance with the regional requirement. The assessment of the EIRP level is described in annex H of 3GPP TS 36.104 [11].

In certain regions, the following requirement may apply to *TAB connector* operating in Band XXXII within 1452-1492MHz for the protection of services in spectrum adjacent to the frequency range 1452-1492 MHz. The level of emissions, measured on centre frequencies F_{filter} with filter bandwidth according to table 6.6.4.5.2.1-14, shall neither exceed the maximum emission level $P_{\text{EM},\text{B32},\text{d}}$ nor $P_{\text{EM},\text{B32},\text{e}}$ declared by the manufacturer. This requirement applies in the frequency range 1429-1518MHz even though part of the range falls in the spurious domain.

Table 6.6.4.5.2.1-14: Frequency band XXXII declared emission outside 1452-1492 MHz

| Filter centre frequency, F_{filter} | Declared emission level (dBm) | Measurement bandwidth |
|---|-------------------------------------|-----------------------|
| $1429.5 \text{ MHz} \leq F_{\text{filter}} \leq 1448.5 \text{ MHz}$ | $P_{\text{EM},\text{B32},\text{d}}$ | 1 MHz |
| $F_{\text{filter}} = 1450.5 \text{ MHz}$ | $P_{\text{EM},\text{B32},\text{e}}$ | 3 MHz |
| $F_{\text{filter}} = 1493.5 \text{ MHz}$ | $P_{\text{EM},\text{B32},\text{e}}$ | 3 MHz |
| $1495.5 \text{ MHz} \leq F_{\text{filter}} \leq 1517.5 \text{ MHz}$ | $P_{\text{EM},\text{B32},\text{d}}$ | 1 MHz |

NOTE 3: The regional requirement, included in [17], is defined in terms of EIRP, which is dependent on both the BS emissions at the antenna connector and the deployment (including antenna gain and feeder loss). The requirement defined above provides the characteristics of the base station needed to verify compliance with the regional requirement. The assessment of the EIRP level is described in annex H of 3GPP TS 36.104 [11].

6.6.4.5.2.2 UTRA TDD

The *basic limit* is specified in tables 6.6.4.5.2.2-1 to 6.6.4.5.2.2-3 for the appropriate $P_{\text{Rated},\text{c},\text{sy}}$, where:

**Table 6.6.4.5.2.2-1: *basic limits* for spectrum emission mask values,
 $P_{\text{rated},\text{c},\text{cell}} - 10 \cdot \log_{10}(N_{\text{TXU},\text{countedpercell}}) \geq 34 \text{ dBm}$ for 1,28 Mcps TDD**

| Frequency offset of measurement filter centre frequency, f_{offset} | <i>basic limit</i> | Measurement bandwidth |
|--|---|-----------------------|
| $0.815 \text{ MHz} \leq f_{\text{offset}} < 1.015 \text{ MHz}$ | -18.5 dBm | 30 kHz |
| $1.015 \text{ MHz} \leq f_{\text{offset}} < 1.815 \text{ MHz}$ | $-18.5 \text{ dBm} - 10 \cdot \left(\frac{f_{\text{offset}}}{\text{MHz}} - 1,015 \right) \text{ dB}$ | 30 kHz |
| $1.815 \text{ MHz} \leq f_{\text{offset}} < 2.3 \text{ MHz}$ | -26.5 dBm | 30 kHz |
| $2.3 \text{ MHz} \leq f_{\text{offset}} < f_{\text{offset}_{\text{max}}}$ | -11.5 dBm | 1 MHz |
| NOTE: For a <i>multi-band TAB connector</i> with <i>Inter RF Bandwidth gap</i> less than 8MHz, the <i>basic limit</i> within the <i>Inter RF Bandwidth gap</i> is calculated as a cumulative sum of emissions from the two adjacent carriers on each side of the <i>Inter RF Bandwidth gap</i> . | | |

**Table 6.6.4.5.2.2-2: basic limits for spectrum emission mask values,
 $26 \text{ dBm} \leq P_{\text{rated,c,cell}} - 10 \cdot \log_{10}(N_{\text{TXU,countedpercell}}) < 34 \text{ dBm}$ for 1,28 Mcps TDD**

| Frequency offset of measurement filter centre frequency, f_{offset} | basic limit | Measurement bandwidth |
|--|---|-----------------------|
| $0.815 \text{ MHz} \leq f_{\text{offset}} < 1.015 \text{ MHz}$ | $P_{\text{rated,c,cell}} - 10 \cdot \log_{10}(N_{\text{TXU,countedpercell}}) - 52.5 \text{ dB}$ | 30 kHz |
| $1.015 \text{ MHz} \leq f_{\text{offset}} < 1.815 \text{ MHz}$ | $P_{\text{rated,c,cell}} - 10 \cdot \log_{10}(N_{\text{TXU,countedpercell}}) - 52.5 \text{ dB} - 10 \cdot \left(\frac{f_{\text{offset}} - 1.015}{\text{MHz}} \right) \text{ dB}$ | 30 kHz |
| $1.815 \text{ MHz} \leq f_{\text{offset}} < 2.3 \text{ MHz}$ | $P_{\text{rated,c,cell}} - 10 \cdot \log_{10}(N_{\text{TXU,countedpercell}}) - 60.5 \text{ dB}$ | 30 kHz |
| $2.3 \text{ MHz} \leq f_{\text{offset}} < f_{\text{offset,max}}$ | $P_{\text{rated,c,cell}} - 10 \cdot \log_{10}(N_{\text{TXU,countedpercell}}) - 45.5 \text{ dB}$ | 1 MHz |
| NOTE: For a multi-band TAB connector with Inter RF Bandwidth gap less than 8MHz, the basic limit within the Inter RF Bandwidth gap is calculated as a cumulative sum of emissions from the two adjacent carriers on each side of the Inter RF Bandwidth gap. | | |

**Table 6.6.4.5.2.2-3: basic limits for spectrum emission mask values,
 $P_{\text{rated,c,cell}} - 10 \cdot \log_{10}(N_{\text{TXU,countedpercell}}) < 26 \text{ dBm}$ for 1,28 Mcps TDD**

| Frequency offset of measurement filter centre frequency, f_{offset} | Maximum level | Measurement bandwidth |
|--|---|-----------------------|
| $0.815 \text{ MHz} \leq f_{\text{offset}} < 1.015 \text{ MHz}$ | -26.5 dBm | 30 kHz |
| $1.015 \text{ MHz} \leq f_{\text{offset}} < 1.815 \text{ MHz}$ | $-26.5 \text{ dBm} - 10 \cdot \left(\frac{f_{\text{offset}} - 1.015}{\text{MHz}} \right) \text{ dB}$ | 30 kHz |
| $1.815 \text{ MHz} \leq f_{\text{offset}} < 2.3 \text{ MHz}$ | -34.5 dBm | 30 kHz |
| $2.3 \text{ MHz} \leq f_{\text{offset}} < f_{\text{offset,max}}$ | -19.5 dBm | 1 MHz |
| NOTE: For a multi-band TAB connector with Inter RF Bandwidth gap less than 8MHz, the basic limit within the Inter RF Bandwidth gap is calculated as a cumulative sum of emissions from the two adjacent carriers on each side of the Inter RF Bandwidth gap. | | |

The basic limits for a TAB connector declared capable of 16QAM are the same as those defined in the subclause.

6.6.5 Operating band unwanted emission

6.6.5.1 Definition and applicability

Unless otherwise stated, for E-UTRA single band and MSR the operating band unwanted emission limits are defined from Δf_{OBUE} below the lowest frequency of each supported *downlink operating band* to the lower *Base Station RF Bandwidth edge* located at $F_{\text{BW RF,low}}$ and from the upper *Base Station RF Bandwidth edge* located at $F_{\text{BW RF,high}}$ up to Δf_{OBUE} above the highest frequency of each supported *downlink operating band*. The values of Δf_{OBUE} are defined in table 6.6.1-1.

For AAS BS capable of operation in multiple operating bands, using *single band TAB connectors*, the single-band requirements apply to those connectors and the cumulative evaluation of the emission limit in the *inter RF bandwidth gap* is not applicable.

The requirements shall apply whatever the type of transmitter considered and for all transmission modes foreseen by the manufacturer's specification.

6.6.5.2 Minimum requirement

The minimum requirement for MSR operation are defined in 3GPP TS 37.105 [8], subclause 6.6.5.2.

There is no Operating band unwanted emission requirement for UTRA operation.

The minimum requirement for E-UTRA operation is in 3GPP TS 37.105 [8], subclause 6.6.5.4.

6.6.5.3 Test purpose

This test measures the emissions of the *TAB connector*, close to the assigned channel bandwidth of the wanted signal, while the transmitter is in operation.

6.6.5.4 Method of test

6.6.5.4.1 Initial conditions

6.6.5.4.1.1 General test conditions

Test environment:

- normal; see clause B.2.

RF channels to be tested for single carrier:

- B, M and T; see subclause 4.12.1.

Base Station RF Bandwidth positions to be tested for multi-carrier:

- B_{RFBW} , M_{RFBW} and T_{RFBW} in single-band operation; see subclause 4.12.1; $B_{\text{RFBW}}T_{\text{RFBW}}$ and $B'_{\text{RFBW}}T_{\text{RFBW}}$ in multi-band operation, see subclause 4.12.1.

6.6.5.4.1.2 UTRA FDD

6.6.5.4.1.3 E-UTRA and NR

6.6.5.4.2 Procedure

The minimum requirement is applied to all *TAB connectors*, they may be tested one at a time or multiple *TAB connectors* may be tested in parallel as shown in subclause D.1.1. Whichever method is used the procedure is repeated until all *TAB connectors* necessary to demonstrate conformance have been tested.

- 1) Connect *TAB connector* to measurement equipment as shown in subclause D.1.1. All *TAB connectors* not under test shall be terminated.

As a general rule, the resolution bandwidth of the measuring equipment should be equal to the measurement bandwidth. However, to improve measurement accuracy, sensitivity, efficiency and avoiding e.g. carrier leakage, the resolution bandwidth may be smaller than the measurement bandwidth. When the resolution bandwidth is smaller than the measurement bandwidth, the result should be integrated over the measurement bandwidth in order to obtain the equivalent noise bandwidth of the measurement bandwidth.

The measurement device characteristics shall be:

- Detection mode: True RMS.

- 2) Set the set the *TAB connector* to transmit:

a) For MSR:

- Set the *TAB connector* to transmit maximum power according to the applicable test configuration in clause 5 using the corresponding test models or set of physical channels in subclause 4.12.

b) For E-UTRA:

- *TAB connector* declared to be capable of single carrier operation only, set the *TAB connector* to transmit a signal according to E-TM1.1 (subclause 4.12.2) at manufacturer's declared rated output power $P_{\text{rated,c,TABC}}$.
- For a *TAB connector* declared to be capable of multi-carrier and/or CA operation, set the set the *TAB connector* to transmit according to E-TM1.1 on all carriers configured using the applicable test configuration and corresponding power setting specified in subclause 4.11.

- 3) Step the centre frequency of the measurement filter in contiguous steps and measure the emission within the specified frequency ranges with the specified measurement bandwidth.
- 4) Repeat the test for the remaining test cases:
 - a) For MSR with channel set-up according to clause 5 and subclause 4.12.2.
 - b) For E-UTRA with the channel set-up according to E-TM 1.2

In addition, for *multi-band TAB connector(s)*, the following steps shall apply:

- 5) For *multi-band TAB connectors* and single band tests, repeat the steps above per involved band where single band test configurations and test models shall apply with no carrier activated in the other band.

6.6.5.5 Test requirements

6.6.5.5.1 General

Conformance may be shown to either the measure and sum test requirement or the per *TAB connector* test requirement.

- 1) The spurious emission test requirements for an AAS BS when using the measure and sum alternative are that for each *TAB connector TX cell group* and each applicable *basic limit* as specified in this subclause, the power summation of emissions at the *TAB connectors* of the *TAB connector TX cell group* shall not exceed a limit specified as the *basic limit* + $10\log_{10}(N_{\text{TXU,countedpercell}})$.
- 2) The spurious emission test requirements for an AAS BS when using the per *TAB connector* alternative are that for each *TAB connector TX cell group* and each applicable *basic limit* as specified in this subclause, the emissions at each of the *TAB connectors* of the *TAB connector TX cell group* shall not exceed a limit specified as the *basic limit* + $10\log_{10}(N_{\text{TXU,countedpercell}}) - 10\log(n)$ where n is the number of *TAB connectors* in the *TAB connector TX cell group*.

The appropriate table for the basic limit is based on the same power level ($P_{\text{Rated,c,sys}}$) as used for the AAS BS rated power limits for BS classes in table 6.2.2.1-1 the same method of scaling the power level using $N_{\text{TXU,counted}}$ is used.

As a general rule, the resolution bandwidth of the measuring equipment should be equal to the measurement bandwidth. However, to improve measurement accuracy, sensitivity and efficiency, the resolution bandwidth can be smaller than the measurement bandwidth. When the resolution bandwidth is smaller than the measurement bandwidth, the result should be integrated over the measurement bandwidth in order to obtain the equivalent noise bandwidth of the measurement bandwidth.

6.6.5.5.2 Basic Limits for MSR Band Categories 1 and 3

For an AAS BS of Wide Area BS class operating in Band Category 1 or Band Category 3, the requirement applies outside the *Base Station RF Bandwidth edges*. In addition, for a Wide Area BS operating in non-contiguous spectrum, it applies inside any sub-block gap. In addition, for an AAS BS of Wide Area BS class operating in multiple bands, it applies inside any *Inter RF Bandwidth gap*.

For an AAS BS of Medium Range BS class operating in Band Category 1 the requirement applies outside the *Base Station RF Bandwidth edges*. In addition, for a Medium Range BS operating in non-contiguous spectrum, it applies inside any sub-block gap. In addition, for an AAS BS of Medium Range BS class operating in multiple bands, it applies inside any *Inter RF Bandwidth gap*.

For an AAS BS of Local Area BS class operating in Band Category 1 the requirement applies outside the *Base Station RF Bandwidth edges*. In addition, for a Local Area BS operating in non-contiguous spectrum, it applies inside any sub-block gap. In addition, for an AAS BS of Local Area BS class operating in multiple bands, it applies inside any *Inter RF Bandwidth gap*.

Outside the *Base Station RF Bandwidth edges*, emissions *basic limits* are specified in tables 6.6.2.5.1-1 to 6.6.2.5.1-4 below, where:

- Δf is the separation between the *Base Station RF Bandwidth edge* frequency and the nominal -3 dB point of the measuring filter closest to the carrier frequency.

- f_{offset} is the separation between the *Base Station RF Bandwidth edge* frequency and the centre of the measuring filter.
- $f_{\text{offset}_{\text{max}}}$ is the offset to the frequency Δf_{OBUE} outside the downlink operating band.
- Δf_{max} is equal to $f_{\text{offset}_{\text{max}}}$ minus half of the bandwidth of the measuring filter.

For a *multi-band TAB connector*, inside any *Inter RF Bandwidth gaps* with $W_{\text{gap}} < 2 * \Delta f_{\text{OBUE}}$, a combined *basic limit* shall be applied which is the cumulative sum of the test requirements specified at the *Base Station RF Bandwidth edges* on each side of the *Inter RF Bandwidth gap*. The *basic limit* for *Base Station RF Bandwidth edge* is specified in tables 6.6.5.5.2-1 to 6.6.5.5.2-8, where in this case:

- Δf is the separation between the *Base Station RF Bandwidth edge* frequency and the nominal -3 dB point of the measuring filter closest to the carrier frequency.
- f_{offset} is the separation between the *Base Station RF Bandwidth edge* frequency and the centre of the measuring filter.
- $f_{\text{offset}_{\text{max}}}$ is equal to the *Inter RF Bandwidth gap* divided by two.
- Δf_{max} is equal to $f_{\text{offset}_{\text{max}}}$ minus half of the bandwidth of the measuring filter.

For a *multi-band TAB connector*, the operating band unwanted emission limits apply also in a supported operating band without any carriers transmitted, in the case where there are carriers transmitted in another operating band. In this case where there is no carrier transmitted in an operating band, no cumulative *basic limits* are applied in the *inter-band gap* between a supported downlink band with carrier(s) transmitted and a supported downlink band without any carrier transmitted and

- In case the *Inter RF Bandwidth gap* between a supported downlink band with carrier(s) transmitted and a supported downlink band without any carrier transmitted is less than $2 * \Delta f_{\text{OBUE}}$ MHz, $f_{\text{offset}_{\text{max}}}$ shall be the offset to the frequency Δf_{OBUE} outside the outermost edges of the two supported downlink operating bands and the operating band unwanted emission limit of the band where there are carriers transmitted, as defined in the tables of the present subclause, shall apply across both supported downlink bands.
- In other cases, the operating band unwanted emission limit of the band where there are carriers transmitted, as defined in the tables of the present subclause for the largest frequency offset (Δf_{max}), shall apply from Δf_{OBUE} below the lowest frequency, up to Δf_{OBUE} above the highest frequency of the supported downlink operating band without any carrier transmitted.

Inside any sub-block gap for a *TAB connector* operating in non-contiguous spectrum, a combined *basic limit* shall be applied which is the cumulative sum of the test requirements specified for the adjacent sub blocks on each side of the sub block gap. The *basic limit* for each sub block is specified in tables 6.6.5.5.2-1 to 6.6.5.5.2-8, where in this case:

- Δf is the separation between the sub block edge frequency and the nominal -3 dB point of the measuring filter closest to the sub block edge frequency.
- f_{offset} is the separation between the sub block edge frequency and the centre of the measuring filter.
- $f_{\text{offset}_{\text{max}}}$ is equal to the sub block gap bandwidth divided by two.
- Δf_{max} is equal to $f_{\text{offset}_{\text{max}}}$ minus half of the bandwidth of the measuring filter.

Table 6.6.5.2-1: Wide Area operating band unwanted emission mask (UEM) for BC1 and BC3 bands ≤ 3 GHz for BS not supporting NR or BS supporting NR in Band n1

| Frequency offset of measurement filter -3dB point, Δf | Frequency offset of measurement filter centre frequency, f_{offset} | <i>basic limit</i> (Notes 1 and 2) | Measurement bandwidth |
|--|---|---|-----------------------|
| $0 \text{ MHz} \leq \Delta f < 0.2 \text{ MHz}$ | $0.015 \text{ MHz} \leq f_{\text{offset}} < 0.215 \text{ MHz}$ | -12.5 dBm | 30 kHz |
| $0.2 \text{ MHz} \leq \Delta f < 1 \text{ MHz}$ | $0.215 \text{ MHz} \leq f_{\text{offset}} < 1.015 \text{ MHz}$ | $-12.5 \text{ dBm} - 15 \cdot \left(\frac{f_{\text{offset}}}{\text{MHz}} - 0.215 \right) \text{ dB}$ | 30 kHz |
| (Note 3) | $1.015 \text{ MHz} \leq f_{\text{offset}} < 1.5 \text{ MHz}$ | -24.5 dBm | 30 kHz |
| $1 \text{ MHz} \leq \Delta f \leq \min(\Delta f_{\text{max}}, 10 \text{ MHz})$ | $1.5 \text{ MHz} \leq f_{\text{offset}} < \min(f_{\text{offset}_{\text{max}}}, 10.5 \text{ MHz})$ | -11.5 dBm | 1 MHz |
| $10 \text{ MHz} \leq \Delta f \leq \Delta f_{\text{max}}$ | $10.5 \text{ MHz} \leq f_{\text{offset}} < f_{\text{offset}_{\text{max}}}$ | -15 dBm (Note 5) | 1 MHz |

NOTE 1: For MSR *TAB connector* supporting non-contiguous spectrum operation within any operating band the *basic limit* within sub-block gaps is calculated as a cumulative sum of contributions from adjacent sub blocks on each side of the sub block gap. Exception is $\Delta f \geq 10 \text{ MHz}$ from both adjacent sub blocks on each side of the sub-block gap, where the *basic limit* within sub-block gaps shall be -15 dBm/MHz.

NOTE 2: For MSR *multi-band TAB connector* with *Inter RF Bandwidth gap* $< 2 \times \Delta f_{\text{OBUE}}$ MHz the *basic limit* within the *Inter RF Bandwidth gaps* is calculated as a cumulative sum of contributions from adjacent sub-blocks on each side of the *Inter RF Bandwidth gap*.

NOTE 3: This frequency range ensures that the range of values of f_{offset} is continuous.

NOTE 5: The requirement is not applicable when $\Delta f_{\text{max}} < 10 \text{ MHz}$.

Table 6.6.5.2-2: : Wide Area operating band unwanted emission mask (UEM) for BC1 and BC3 bands > 3 GHz for BS not supporting NR or BS supporting NR in Band n1

| Frequency offset of measurement filter -3dB point, Δf | Frequency offset of measurement filter centre frequency, f_{offset} | <i>basic limit</i> (Notes 1 and 2) | Measurement bandwidth |
|--|---|---|-----------------------|
| $0 \text{ MHz} \leq \Delta f < 0.2 \text{ MHz}$ | $0.015 \text{ MHz} \leq f_{\text{offset}} < 0.215 \text{ MHz}$ | -12.2 dBm | 30 kHz |
| $0.2 \text{ MHz} \leq \Delta f < 1 \text{ MHz}$ | $0.215 \text{ MHz} \leq f_{\text{offset}} < 1.015 \text{ MHz}$ | $-12.2 \text{ dBm} - 15 \cdot \left(\frac{f_{\text{offset}}}{\text{MHz}} - 0.215 \right) \text{ dB}$ | 30 kHz |
| (Note 3) | $1.015 \text{ MHz} \leq f_{\text{offset}} < 1.5 \text{ MHz}$ | -24.2 dBm | 30 kHz |
| $1 \text{ MHz} \leq \Delta f \leq \min(\Delta f_{\text{max}}, 10 \text{ MHz})$ | $1.5 \text{ MHz} \leq f_{\text{offset}} < \min(f_{\text{offset}_{\text{max}}}, 10.5 \text{ MHz})$ | -11.2 dBm | 1 MHz |
| $10 \text{ MHz} \leq \Delta f \leq \Delta f_{\text{max}}$ | $10.5 \text{ MHz} \leq f_{\text{offset}} < f_{\text{offset}_{\text{max}}}$ | -15 dBm (Note 5) | 1 MHz |

NOTE 1: For MSR *TAB connector* supporting non-contiguous spectrum operation within any operating band the *basic limit* within sub-block gaps is calculated as a cumulative sum of contributions from adjacent sub blocks on each side of the sub block gap. Exception is $\Delta f \geq 10 \text{ MHz}$ from both adjacent sub blocks on each side of the sub-block gap, where the *basic limit* within sub-block gaps shall be -15 dBm/MHz.

NOTE 2: For MSR *multi-band TAB connector* with *Inter RF Bandwidth gap* $< 2 \cdot \Delta f_{\text{OBUE}}$ MHz the *basic limit* within the *Inter RF Bandwidth gaps* is calculated as a cumulative sum of contributions from adjacent sub-blocks on each side of the *Inter RF Bandwidth gap*.

NOTE 3: This frequency range ensures that the range of values of f_{offset} is continuous.

NOTE 5: The requirement is not applicable when $\Delta f_{\text{max}} < 10 \text{ MHz}$.

Table 6.6.5.2-2a: Wide Area operating band unwanted emission mask (UEM) for BS supporting NR and not supporting UTRA in BC1 and BC3 bands below 1GHz

| Frequency offset of measurement filter -3dB point, Δf | Frequency offset of measurement filter centre frequency, f_{offset} | Basic limit (Note 1, 2) | Measurement bandwidth |
|--|---|--|-----------------------|
| $0 \text{ MHz} \leq \Delta f < 5 \text{ MHz}$ | $0.05 \text{ MHz} \leq f_{\text{offset}} < 5.05 \text{ MHz}$ | $-5.5 \text{ dBm} - \frac{7}{5} \cdot \left(\frac{f_{\text{offset}}}{\text{MHz}} - 0.05 \right) \text{ dB}$ | 100 kHz |
| $5 \text{ MHz} \leq \Delta f < \min(10 \text{ MHz}, \Delta f_{\text{max}})$ | $5.05 \text{ MHz} \leq f_{\text{offset}} < \min(10.05 \text{ MHz}, f_{\text{offset}_{\text{max}}})$ | -12.5 dBm | |
| $10 \text{ MHz} \leq \Delta f \leq \Delta f_{\text{max}}$ | $10.05 \text{ MHz} \leq f_{\text{offset}} < f_{\text{offset}_{\text{max}}}$ | -16 dBm (Note 3) | |
| <p>NOTE 1: For a BS supporting non-contiguous spectrum operation within any <i>operating band</i>, the emission limits within sub-block gaps is calculated as a cumulative sum of contributions from adjacent sub blocks on each side of the sub block gap, where the contribution from the far-end sub-block shall be scaled according to the measurement bandwidth of the near-end sub-block. Exception is $\Delta f \geq 10 \text{ MHz}$ from both adjacent sub blocks on each side of the sub-block gap, where the emission limits within sub-block gaps shall be -16 dBm/100 kHz.</p> <p>NOTE 2: For a <i>multi-band connector</i> with Inter RF Bandwidth gap $< 2 \cdot \Delta f_{\text{OBUe}}$ the emission limits within the Inter RF Bandwidth gaps is calculated as a cumulative sum of contributions from adjacent sub-blocks or RF Bandwidth on each side of the Inter RF Bandwidth gap, where the contribution from the far-end sub-block or RF Bandwidth shall be scaled according to the measurement bandwidth of the near-end sub-block or RF Bandwidth.</p> <p>NOTE 3: The requirement is not applicable when $\Delta f_{\text{max}} < 10 \text{ MHz}$.</p> | | | |

Table 6.6.5.2-2b: Wide Area operating band unwanted emission mask (UEM) for BS supporting NR (except operation in band n1) and not supporting UTRA in BC1 and BC3 bands > 1GHz.

| Frequency offset of measurement filter -3dB point, Δf | Frequency offset of measurement filter centre frequency, f_{offset} | Basic limit (Note 1, 2) | Measurement bandwidth |
|--|---|--|-----------------------|
| $0 \text{ MHz} \leq \Delta f < 5 \text{ MHz}$ | $0.05 \text{ MHz} \leq f_{\text{offset}} < 5.05 \text{ MHz}$ | $-5.5 \text{ dBm} - \frac{7}{5} \cdot \left(\frac{f_{\text{offset}}}{\text{MHz}} - 0.05 \right) \text{ dB}$ | 100 kHz |
| $5 \text{ MHz} \leq \Delta f < \min(10 \text{ MHz}, \Delta f_{\text{max}})$ | $5.05 \text{ MHz} \leq f_{\text{offset}} < \min(10.05 \text{ MHz}, f_{\text{offset}_{\text{max}}})$ | -12.5 dBm | 100 kHz |
| $10 \text{ MHz} \leq \Delta f \leq \Delta f_{\text{max}}$ | $10.5 \text{ MHz} \leq f_{\text{offset}} < f_{\text{offset}_{\text{max}}}$ | -15 dBm (Note 3) | 1MHz |
| <p>NOTE 1: For a BS supporting non-contiguous spectrum operation within any <i>operating band</i>, the emission limits within sub-block gaps is calculated as a cumulative sum of contributions from adjacent sub blocks on each side of the sub block gap, where the contribution from the far-end sub-block shall be scaled according to the measurement bandwidth of the near-end sub-block. Exception is $\Delta f \geq 10 \text{ MHz}$ from both adjacent sub blocks on each side of the sub-block gap, where the emission limits within sub-block gaps shall be -15 dBm/1 MHz.</p> <p>NOTE 2: For a <i>multi-band connector</i> with Inter RF Bandwidth gap $< 2 \cdot \Delta f_{\text{OBUe}}$ the emission limits within the Inter RF Bandwidth gaps is calculated as a cumulative sum of contributions from adjacent sub-blocks or RF Bandwidth on each side of the Inter RF Bandwidth gap, where the contribution from the far-end sub-block or RF Bandwidth shall be scaled according to the measurement bandwidth of the near-end sub-block or RF Bandwidth.</p> <p>NOTE 3: The requirement is not applicable when $\Delta f_{\text{max}} < 10 \text{ MHz}$.</p> | | | |

Table 6.6.5.2-3: Medium Range BS operating band unwanted emission mask (UEM) for BC1 for bands ≤ 3 GHz, $31 < P_{\text{rated,c,cell}} - 10 \cdot \log_{10}(N_{\text{TXU,countedpercell}}) \leq 38$ dBm for BS not supporting NR

| Frequency offset of measurement filter -3dB point, Δf | Frequency offset of measurement filter centre frequency, f_{offset} | <i>basic limit</i> (Notes 1 and 2) | Measurement bandwidth |
|--|---|--|-----------------------|
| $0 \text{ MHz} \leq \Delta f < 0.6 \text{ MHz}$ | $0.015 \text{ MHz} \leq f_{\text{offset}} < 0.615 \text{ MHz}$ | $P_{\text{rated,c,cell}} - 10 \cdot \log_{10}(N_{\text{TXU,countedpercell}}) - 56.5 \text{ dB} - \frac{5}{3} \left(\frac{f_{\text{offset}}}{\text{MHz}} - 0.015 \right) \text{ dB}$ | 30 kHz |
| $0.6 \text{ MHz} \leq \Delta f < 1 \text{ MHz}$ | $0.615 \text{ MHz} \leq f_{\text{offset}} < 1.015 \text{ MHz}$ | $P_{\text{rated,c,cell}} - 10 \cdot \log_{10}(N_{\text{TXU,countedpercell}}) - 51.5 \text{ dB} - 15 \left(\frac{f_{\text{offset}}}{\text{MHz}} - 0.215 \right) \text{ dB}$ | 30 kHz |
| (Note 3) | $1.015 \text{ MHz} \leq f_{\text{offset}} < 1.5 \text{ MHz}$ | $P_{\text{rated,c,cell}} - 10 \cdot \log_{10}(N_{\text{TXU,countedpercell}}) - 63.5 \text{ dB}$ | 30 kHz |
| $1 \text{ MHz} \leq \Delta f \leq 2.6 \text{ MHz}$ | $1.5 \text{ MHz} \leq f_{\text{offset}} < 3.1 \text{ MHz}$ | $P_{\text{rated,c,cell}} - 10 \cdot \log_{10}(N_{\text{TXU,countedpercell}}) - 50.5 \text{ dB}$ | 1 MHz |
| $2.6 \text{ MHz} \leq \Delta f \leq 5 \text{ MHz}$ | $3.1 \text{ MHz} \leq f_{\text{offset}} < 5.5 \text{ MHz}$ | $\min(P_{\text{rated,c,cell}} - 10 \cdot \log_{10}(N_{\text{TXU,countedpercell}}) - 50.5 \text{ dB}, -13.5 \text{ dBm})$ | 1 MHz |
| $5 \text{ MHz} \leq \Delta f \leq \min(\Delta f_{\text{max}}, 10 \text{ MHz})$ | $5.5 \text{ MHz} \leq f_{\text{offset}} < \min(f_{\text{offset}_{\text{max}}}, 10.5 \text{ MHz})$ | $P_{\text{rated,c,cell}} - 10 \cdot \log_{10}(N_{\text{TXU,countedpercell}}) - 54.5 \text{ dB}$ | 1 MHz |
| $10 \text{ MHz} \leq \Delta f \leq \Delta f_{\text{max}}$ | $10.5 \text{ MHz} \leq f_{\text{offset}} < f_{\text{offset}_{\text{max}}}$ | $P_{\text{rated,c,cell}} - 10 \cdot \log_{10}(N_{\text{TXU,countedpercell}}) - 56 \text{ dB}$ (Note 5) | 1 MHz |

NOTE 1: For MSR *TAB connector* supporting non-contiguous spectrum operation within any operating band the *basic limit* within sub-block gaps is calculated as a cumulative sum of contributions from adjacent sub blocks on each side of the sub block gap. Exception is $\Delta f \geq 10$ MHz from both adjacent sub blocks on each side of the sub-block gap, where the *basic limit* within sub-block gaps shall be $(P_{\text{rated,c,cell}} - 10 \cdot \log_{10}(N_{\text{TXU,countedpercell}}) - 56 \text{ dB})/\text{MHz}$.

NOTE 2: For MSR *multi-band TAB connector* with *Inter RF Bandwidth gap* $< 2 \cdot \Delta f_{\text{OBUe}}$ MHz the *basic limit* within the *Inter RF Bandwidth gaps* is calculated as a cumulative sum of contributions from adjacent sub-blocks on each side of the *Inter RF Bandwidth gap*.

NOTE 3: This frequency range ensures that the range of values of f_{offset} is continuous.

NOTE 5: The requirement is not applicable when $\Delta f_{\text{max}} < 10$ MHz.

Table 6.6.5.2-3a: Medium Range BS operating band unwanted emission mask (UEM) for BS supporting NR and not supporting UTRA in BC1 bands ≤ 3 GHz, BS maximum output power $31 < P_{\text{rated,c,cell}} - 10 \cdot \log_{10}(N_{\text{TXU,countedpercell}}) \leq 38$ dBm

| Frequency offset of measurement filter -3dB point, Δf | Frequency offset of measurement filter centre frequency, f_{offset} | <i>Basic limit</i> (Note 1, 2) | Measurement bandwidth |
|---|---|--|-----------------------|
| $0 \text{ MHz} \leq \Delta f < 5 \text{ MHz}$ | $0.05 \text{ MHz} \leq f_{\text{offset}} < 5.05 \text{ MHz}$ | $P_{\text{rated,c,cell}} - 10 \cdot \log_{10}(N_{\text{TXU,countedpercell}}) - 51.5 \text{ dB} - 7/5(f_{\text{offset}} - 0.05) \text{ dB}$ | 100 kHz |
| $5 \text{ MHz} \leq \Delta f < \min(10 \text{ MHz}, \Delta f_{\text{max}})$ | $5.05 \text{ MHz} \leq f_{\text{offset}} < \min(10.05 \text{ MHz}, f_{\text{offset}_{\text{max}}})$ | $P_{\text{rated,c,cell}} - 10 \cdot \log_{10}(N_{\text{TXU,countedpercell}}) - 58.5 \text{ dB}$ | 100 kHz |
| $10 \text{ MHz} \leq \Delta f \leq \Delta f_{\text{max}}$ | $10.05 \text{ MHz} \leq f_{\text{offset}} < f_{\text{offset}_{\text{max}}}$ | $\min(P_{\text{rated,c,cell}} - 10 \cdot \log_{10}(N_{\text{TXU,countedpercell}}) - 60 \text{ dB}, -25 \text{ dBm})$ (Note 3) | 100 kHz |

NOTE 1: For a BS supporting non-contiguous spectrum operation within any *operating band* the emission limits within sub-block gaps is calculated as a cumulative sum of contributions from adjacent sub blocks on each side of the sub block gap. Exception is $\Delta f \geq 10$ MHz from both adjacent sub blocks on each side of the sub-block gap, where the emission limits within sub-block gaps shall be $\min(P_{\text{rated,c,cell}} - 10 \cdot \log_{10}(N_{\text{TXU,countedpercell}}) - 60 \text{ dB}, -25 \text{ dBm}) / 100 \text{ kHz}$.

NOTE 2: For a *multi-band connector* with *Inter RF Bandwidth gap* $< 2 \cdot \Delta f_{\text{OBUe}}$ the emission limits within the *Inter RF Bandwidth gaps* is calculated as a cumulative sum of contributions from adjacent sub-blocks or RF Bandwidth on each side of the *Inter RF Bandwidth gap*.

NOTE 3: The requirement is not applicable when $\Delta f_{\text{max}} < 10$ MHz.

**Table 6.6.5.2-4: Medium Range BS operating band unwanted emission mask (UEM)
for BC1 for bands > 3 GHz, $31 < P_{\text{rated,c,cell}} - 10 \cdot \log_{10}(N_{\text{TXU,countedpercell}}) \leq 38$ dBm for BS not supporting NR**

| Frequency offset of measurement filter -3dB point, Δf | Frequency offset of measurement filter centre frequency, f_{offset} | <i>basic limit</i> (Notes 1 and 2) | Measurement bandwidth |
|--|---|--|-----------------------|
| $0 \text{ MHz} \leq \Delta f < 0.6 \text{ MHz}$ | $0.015 \text{ MHz} \leq f_{\text{offset}} < 0.615 \text{ MHz}$ | $P_{\text{rated,c,cell}} - 10 \cdot \log_{10}(N_{\text{TXU,countedpercell}}) - 56.2 \text{ dB} - \frac{5}{3} \left(\frac{f_{\text{offset}}}{\text{MHz}} - 0.015 \right) \text{ dB}$ | 30 kHz |
| $0.6 \text{ MHz} \leq \Delta f < 1 \text{ MHz}$ | $0.615 \text{ MHz} \leq f_{\text{offset}} < 1.015 \text{ MHz}$ | $P_{\text{rated,c,cell}} - 10 \cdot \log_{10}(N_{\text{TXU,countedpercell}}) - 51.2 \text{ dB} - 15 \left(\frac{f_{\text{offset}}}{\text{MHz}} - 0.215 \right) \text{ dB}$ | 30 kHz |
| (Note 3) | $1.015 \text{ MHz} \leq f_{\text{offset}} < 1.5 \text{ MHz}$ | $P_{\text{rated,c,cell}} - 10 \cdot \log_{10}(N_{\text{TXU,countedpercell}}) - 63.2 \text{ dB}$ | 30 kHz |
| $1 \text{ MHz} \leq \Delta f \leq 2.6 \text{ MHz}$ | $1.5 \text{ MHz} \leq f_{\text{offset}} < 3.1 \text{ MHz}$ | $P_{\text{rated,c,cell}} - 10 \cdot \log_{10}(N_{\text{TXU,countedpercell}}) - 50.2 \text{ dB}$ | 1 MHz |
| $2.6 \text{ MHz} \leq \Delta f \leq 5 \text{ MHz}$ | $3.1 \text{ MHz} \leq f_{\text{offset}} < 5.5 \text{ MHz}$ | $\min(P_{\text{rated,c,cell}} - 10 \cdot \log_{10}(N_{\text{TXU,countedpercell}}) - 50.2 \text{ dB}, -13.2 \text{ dBm})$ | 1 MHz |
| $5 \text{ MHz} \leq \Delta f \leq \min(\Delta f_{\text{max}}, 10 \text{ MHz})$ | $5.5 \text{ MHz} \leq f_{\text{offset}} < \min(f_{\text{offset}_{\text{max}}}, 10.5 \text{ MHz})$ | $P_{\text{rated,c,cell}} - 10 \cdot \log_{10}(N_{\text{TXU,countedpercell}}) - 54.2 \text{ dB}$ | 1 MHz |
| $10 \text{ MHz} \leq \Delta f \leq \Delta f_{\text{max}}$ | $10.5 \text{ MHz} \leq f_{\text{offset}} < f_{\text{offset}_{\text{max}}}$ | $P_{\text{rated,c,cell}} - 10 \cdot \log_{10}(N_{\text{TXU,countedpercell}}) - 56 \text{ dB}$ (Note 5) | 1 MHz |
| <p>NOTE 1: For MSR <i>TAB connector</i> supporting non-contiguous spectrum operation within any operating band the <i>basic limit</i> within sub-block gaps is calculated as a cumulative sum of contributions from adjacent sub blocks on each side of the sub block gap. Exception is $\Delta f \geq 10$ MHz from both adjacent sub blocks on each side of the sub-block gap, where the <i>basic limit</i> within sub-block gaps shall be $(P_{\text{rated,c,cell}} - 10 \cdot \log_{10}(N_{\text{TXU,countedpercell}}) - 56 \text{ dB})/\text{MHz}$.</p> <p>NOTE 2: For MSR multi-band <i>TAB connector</i> with <i>Inter RF Bandwidth gap</i> < $2 \cdot \Delta f_{\text{OBUe}}$ MHz the <i>basic limit</i> within the <i>Inter RF Bandwidth gaps</i> is calculated as a cumulative sum of contributions from adjacent sub-blocks on each side of the <i>Inter RF Bandwidth gap</i>.</p> <p>NOTE 3: This frequency range ensures that the range of values of f_{offset} is continuous.</p> <p>NOTE 5: The requirement is not applicable when $\Delta f_{\text{max}} < 10$ MHz.</p> | | | |

Table 6.6.5.5.2-4a: Medium Range BS operating band unwanted emission mask (UEM) for BS supporting NR and not supporting UTRA in BC1 bands > 3 GHz, BS maximum output power $31 < P_{\text{rated,c,cell}} - 10 \cdot \log_{10}(N_{\text{TXU,countedpercell}}) \leq 38$ dBm

| Frequency offset of measurement filter -3dB point, Δf | Frequency offset of measurement filter centre frequency, f_{offset} | Basic limit (Note 1, 2) | Measurement bandwidth |
|---|--|---|-----------------------|
| $0 \text{ MHz} \leq \Delta f < 5 \text{ MHz}$ | $0.05 \text{ MHz} \leq f_{\text{offset}} < 5.05 \text{ MHz}$ | $P_{\text{rated,c,cell}} - 10 \cdot \log_{10}(N_{\text{TXU,countedpercell}}) - 51.2 \text{ dB} - 7/5(f_{\text{offset}} - 0.05)$ | 100 kHz |
| $5 \text{ MHz} \leq \Delta f < \min(10 \text{ MHz}, \Delta f_{\text{max}})$ | $5.05 \text{ MHz} \leq f_{\text{offset}} < \min(10.05 \text{ MHz}, f_{\text{offset,max}})$ | $P_{\text{rated,c,cell}} - 10 \cdot \log_{10}(N_{\text{TXU,countedpercell}}) - 58.2 \text{ dB}$ | 100 kHz |
| $10 \text{ MHz} \leq \Delta f \leq \Delta f_{\text{max}}$ | $10.05 \text{ MHz} \leq f_{\text{offset}} < f_{\text{offset,max}}$ | $\text{Min}(P_{\text{rated,c,cell}} - 60 \text{ dB}, -25 \text{ dBm})$ $\text{Min}(P_{\text{rated,c,cell}} - 10 \cdot \log_{10}(N_{\text{TXU,countedpercell}}) - 60 \text{ dB}, -25 \text{ dBm})$ (Note 3) | 100 kHz |

NOTE 1: For a BS supporting non-contiguous spectrum operation within any *operating band* the emission limits within sub-block gaps is calculated as a cumulative sum of contributions from adjacent sub blocks on each side of the sub block gap. Exception is $\Delta f \geq 10$ MHz from both adjacent sub blocks on each side of the sub-block gap, where the emission limits within sub-block gaps shall be $\text{Min}(P_{\text{rated,c,cell}} - 10 \cdot \log_{10}(N_{\text{TXU,countedpercell}}) - 60 \text{ dB}, -25 \text{ dBm}) / 100$ kHz.

NOTE 2: For a *multi-band connector* with Inter RF Bandwidth gap $< 2 \cdot \Delta f_{\text{OBUE}}$ the emission limits within the Inter RF Bandwidth gaps is calculated as a cumulative sum of contributions from adjacent sub-blocks or RF Bandwidth on each side of the Inter RF Bandwidth gap.

NOTE 3: The requirement is not applicable when $\Delta f_{\text{max}} < 10$ MHz.

Table 6.6.5.5.2-5: Medium Range BS operating band unwanted emission mask (UEM) for BC1 for bands ≤ 3 GHz, $P_{\text{rated,c,cell}} - 10 \cdot \log_{10}(N_{\text{TXU,countedpercell}}) \leq 31$ dBm for BS not supporting NR

| Frequency offset of measurement filter -3dB point, Δf | Frequency offset of measurement filter centre frequency, f_{offset} | basic limit (Notes 1 and 2) | Measurement bandwidth |
|--|--|--|-----------------------|
| $0 \text{ MHz} \leq \Delta f < 0.6 \text{ MHz}$ | $0.015 \text{ MHz} \leq f_{\text{offset}} < 0.615 \text{ MHz}$ | $-25.5 \text{ dBm} - \frac{7}{5} \left(\frac{f_{\text{offset}}}{\text{MHz}} - 0.015 \right) \text{ dB}$ | 30 kHz |
| $0.6 \text{ MHz} \leq \Delta f < 1 \text{ MHz}$ | $0.615 \text{ MHz} \leq f_{\text{offset}} < 1.015 \text{ MHz}$ | $-20.5 \text{ dBm} - 15 \cdot \left(\frac{f_{\text{offset}}}{\text{MHz}} - 0.215 \right) \text{ dB}$ | 30 kHz |
| (Note 3) | $1.015 \text{ MHz} \leq f_{\text{offset}} < 1.5 \text{ MHz}$ | -32.5 dBm | 30 kHz |
| $1 \text{ MHz} \leq \Delta f \leq 5 \text{ MHz}$ | $1.5 \text{ MHz} \leq f_{\text{offset}} < 5.5 \text{ MHz}$ | -19.5 dBm | 1 MHz |
| $5 \text{ MHz} \leq \Delta f \leq \min(\Delta f_{\text{max}}, 10 \text{ MHz})$ | $5.5 \text{ MHz} \leq f_{\text{offset}} < \min(f_{\text{offset,max}}, 10.5 \text{ MHz})$ | -23.5 dBm | 1 MHz |
| $10 \text{ MHz} \leq \Delta f \leq \Delta f_{\text{max}}$ | $10.5 \text{ MHz} \leq f_{\text{offset}} < f_{\text{offset,max}}$ | -25 dBm (Note 5) | 1 MHz |

NOTE 1: For MSR *TAB connector* supporting non-contiguous spectrum operation within any operating band the *basic limit* within sub-block gaps is calculated as a cumulative sum of contributions from adjacent sub blocks on each side of the sub block gap. Exception is $\Delta f \geq 10$ MHz from both adjacent sub blocks on each side of the sub-block gap, where the *basic limit* within sub-block gaps shall be -25 dBm/MHz.

NOTE 2: For MSR *multi-band TAB connector* with Inter RF Bandwidth gap $< 2 \cdot \Delta f_{\text{OBUE}}$ MHz the *basic limit* within the Inter RF Bandwidth gaps is calculated as a cumulative sum of contributions from adjacent sub-blocks on each side of the Inter RF Bandwidth gap.

NOTE 3: This frequency range ensures that the range of values of f_{offset} is continuous.

NOTE 5: The requirement is not applicable when $\Delta f_{\text{max}} < 10$ MHz.

Table 6.6.5.5.2-5a: Medium Range BS operating band unwanted emission mask (UEM) for BS supporting NR and not supporting UTRA in BC1 bands ≤ 3 GHz, BS maximum output power $P_{\text{rated,c,cell}} - 10 \cdot \log_{10}(N_{\text{TXU,countedpercell}}) \leq 31$ dBm

| Frequency offset of measurement filter -3dB point, Δf | Frequency offset of measurement filter centre frequency, f_{offset} | Basic limit (Note 1, 2) | Measurement bandwidth |
|---|--|---|-----------------------|
| $0 \text{ MHz} \leq \Delta f < 5 \text{ MHz}$ | $0.05 \text{ MHz} \leq f_{\text{offset}} < 5.05 \text{ MHz}$ | $-20.5 \text{ dBm} - \frac{7}{5} \left(\frac{f_{\text{offset}}}{\text{MHz}} - 0.05 \right) \text{ dB}$ | 100 kHz |
| $5 \text{ MHz} \leq \Delta f < \min(10 \text{ MHz}, \Delta f_{\text{max}})$ | $5.05 \text{ MHz} \leq f_{\text{offset}} < \min(10.05 \text{ MHz}, f_{\text{offset,max}})$ | -27.5 dBm | 100 kHz |
| $10 \text{ MHz} \leq \Delta f \leq \Delta f_{\text{max}}$ | $10.05 \text{ MHz} \leq f_{\text{offset}} < f_{\text{offset,max}}$ | -29 dBm (Note 3) | 100 kHz |

NOTE 1: For a BS supporting non-contiguous spectrum operation within any *operating band* the emission limits within sub-block gaps is calculated as a cumulative sum of contributions from adjacent sub blocks on each side of the sub block gap. Exception is $\Delta f \geq 10$ MHz from both adjacent sub blocks on each side of the sub-block gap, where the emission limits within sub-block gaps shall be -29dBm/100kHz.

NOTE 2: For a *multi-band connector* with Inter RF Bandwidth gap $< 2 \cdot \Delta f_{\text{OBUE}}$ the emission limits within the Inter RF Bandwidth gaps is calculated as a cumulative sum of contributions from adjacent sub-blocks or RF Bandwidth on each side of the Inter RF Bandwidth gap.

NOTE 3: The requirement is not applicable when $\Delta f_{\text{max}} < 10$ MHz.

Table 6.6.5.5.2-6: Medium Range BS operating band unwanted emission mask (UEM) for BC1 for bands > 3 GHz, $P_{\text{rated,c,cell}} - 10 \cdot \log_{10}(N_{\text{TXU,countedpercell}}) \leq 31$ dBm

| Frequency offset of measurement filter -3dB point, Δf | Frequency offset of measurement filter centre frequency, f_{offset} | basic limit (Notes 1 and 2) | Measurement bandwidth |
|--|--|--|-----------------------|
| $0 \text{ MHz} \leq \Delta f < 0.6 \text{ MHz}$ | $0.015 \text{ MHz} \leq f_{\text{offset}} < 0.615 \text{ MHz}$ | $-25.2 \text{ dBm} - \frac{7}{5} \left(\frac{f_{\text{offset}}}{\text{MHz}} - 0.015 \right) \text{ dB}$ | 30 kHz |
| $0.6 \text{ MHz} \leq \Delta f < 1 \text{ MHz}$ | $0.615 \text{ MHz} \leq f_{\text{offset}} < 1.015 \text{ MHz}$ | $-20.2 \text{ dBm} - 15 \cdot \left(\frac{f_{\text{offset}}}{\text{MHz}} - 0.215 \right) \text{ dB}$ | 30 kHz |
| (Note 3) | $1.015 \text{ MHz} \leq f_{\text{offset}} < 1.5 \text{ MHz}$ | -32.2 dBm | 30 kHz |
| $1 \text{ MHz} \leq \Delta f \leq 5 \text{ MHz}$ | $1.5 \text{ MHz} \leq f_{\text{offset}} < 5.5 \text{ MHz}$ | -19.2 dBm | 1 MHz |
| $5 \text{ MHz} \leq \Delta f \leq \min(\Delta f_{\text{max}}, 10 \text{ MHz})$ | $5.5 \text{ MHz} \leq f_{\text{offset}} < \min(f_{\text{offset,max}}, 10.5 \text{ MHz})$ | -23.2 dBm | 1 MHz |
| $10 \text{ MHz} \leq \Delta f \leq \Delta f_{\text{max}}$ | $10.5 \text{ MHz} \leq f_{\text{offset}} < f_{\text{offset,max}}$ | -25 dBm (Note 5) | 1 MHz |

NOTE 1: For MSR *TAB connector* supporting non-contiguous spectrum operation within any operating band the *basic limit* within sub-block gaps is calculated as a cumulative sum of contributions from adjacent sub blocks on each side of the sub block gap. Exception is $\Delta f \geq 10$ MHz from both adjacent sub blocks on each side of the sub-block gap, where the *basic limit* within sub-block gaps shall be -25 dBm/MHz.

NOTE 2: For MSR *multi-band TAB connector* with Inter RF Bandwidth gap $< 2 \cdot \Delta f_{\text{OBUE}}$ MHz the *basic limit* within the Inter RF Bandwidth gaps is calculated as a cumulative sum of contributions from adjacent sub-blocks on each side of the Inter RF Bandwidth gap.

NOTE 3: This frequency range ensures that the range of values of f_{offset} is continuous.

NOTE 5: The requirement is not applicable when $\Delta f_{\text{max}} < 10$ MHz.

Table 6.6.5.5.2-6a: Medium Range BS operating band unwanted emission mask (UEM) for BS supporting NR and not supporting UTRA in BC1 bands > 3 GHz, BS maximum output power $P_{\text{rated,c,cell}} = 10 \cdot \log_{10}(N_{\text{TXU,countedpercell}}) \leq 31$ dBm

| Frequency offset of measurement filter -3dB point, Δf | Frequency offset of measurement filter centre frequency, f_{offset} | Basic limit (Note 1, 2) | Measurement bandwidth |
|---|---|---|-----------------------|
| $0 \text{ MHz} \leq \Delta f < 5 \text{ MHz}$ | $0.05 \text{ MHz} \leq f_{\text{offset}} < 5.05 \text{ MHz}$ | $-20.2 \text{ dBm} - \frac{7}{5} \left(\frac{f_{\text{offset}}}{\text{MHz}} - 0.05 \right) \text{ dB}$ | 100 kHz |
| $5 \text{ MHz} \leq \Delta f < \min(10 \text{ MHz}, \Delta f_{\text{max}})$ | $5.05 \text{ MHz} \leq f_{\text{offset}} < \min(10.05 \text{ MHz}, f_{\text{offset}_{\text{max}}})$ | -27.2 dBm | 100 kHz |
| $10 \text{ MHz} \leq \Delta f \leq \Delta f_{\text{max}}$ | $10.05 \text{ MHz} \leq f_{\text{offset}} < f_{\text{offset}_{\text{max}}}$ | -29 dBm (Note 3) | 100 kHz |
| <p>NOTE 1: For a BS supporting non-contiguous spectrum operation within any <i>operating band</i> the emission limits within sub-block gaps is calculated as a cumulative sum of contributions from adjacent sub blocks on each side of the sub block gap. Exception is $\Delta f \geq 10$ MHz from both adjacent sub blocks on each side of the sub-block gap, where the emission limits within sub-block gaps shall be -29dBm/100kHz.</p> <p>NOTE 2: For a <i>multi-band connector</i> with Inter RF Bandwidth gap $< 2 \cdot \Delta f_{\text{OBUe}}$ the emission limits within the Inter RF Bandwidth gaps is calculated as a cumulative sum of contributions from adjacent sub-blocks or RF Bandwidth on each side of the Inter RF Bandwidth gap.</p> <p>NOTE 3: The requirement is not applicable when $\Delta f_{\text{max}} < 10$ MHz.</p> | | | |

Table 6.6.5.5.2-7: Local Area operating band unwanted emission mask (UEM) for BC1 for bands ≤ 3 GHz

| Frequency offset of measurement filter -3dB point, Δf | Frequency offset of measurement filter centre frequency, f_{offset} | basic limit (Notes 1 and 2) | Measurement bandwidth |
|--|---|---|-----------------------|
| $0 \text{ MHz} \leq \Delta f < 5 \text{ MHz}$ | $0.05 \text{ MHz} \leq f_{\text{offset}} < 5.05 \text{ MHz}$ | $-28.5 \text{ dBm} - \frac{7}{5} \left(\frac{f_{\text{offset}}}{\text{MHz}} - 0.05 \right) \text{ dB}$ | 100 kHz |
| $5 \text{ MHz} \leq \Delta f < \min(10 \text{ MHz}, \Delta f_{\text{max}})$ | $5.05 \text{ MHz} \leq f_{\text{offset}} < \min(10.05 \text{ MHz}, f_{\text{offset}_{\text{max}}})$ | -35.5 dBm | 100 kHz |
| $10 \text{ MHz} \leq \Delta f \leq \Delta f_{\text{max}}$ | $10.05 \text{ MHz} \leq f_{\text{offset}} < f_{\text{offset}_{\text{max}}}$ | -37 dBm (Note 5) | 100 kHz |
| <p>NOTE 1: For MSR <i>TAB connector</i> supporting non-contiguous spectrum operation within any operating band the <i>basic limit</i> within sub-block gaps is calculated as a cumulative sum of contributions from adjacent sub blocks on each side of the sub block gap. Exception is $\Delta f \geq 10$ MHz from both adjacent sub blocks on each side of the sub-block gap, where the <i>basic limit</i> within sub-block gaps shall be -37 dBm/100 kHz.</p> <p>NOTE 2: For MSR <i>multi-band TAB connector</i> with Inter RF Bandwidth gap $< 2 \cdot \Delta f_{\text{OBUe}}$ MHz the <i>basic limit</i> within the Inter RF Bandwidth gaps is calculated as a cumulative sum of contributions from adjacent sub-blocks on each side of the Inter RF Bandwidth gap.</p> <p>NOTE 3: Void.</p> <p>NOTE 5: The requirement is not applicable when $\Delta f_{\text{max}} < 10$ MHz.</p> | | | |

**Table 6.6.5.5.2-8: Local Area operating band unwanted emission mask (UEM)
for BC1 for bands > 3 GHz**

| Frequency offset of measurement filter -3dB point, Δf | Frequency offset of measurement filter centre frequency, f_{offset} | <i>basic limit</i> (Note 1, 2) | Measurement bandwidth |
|---|---|---|-----------------------|
| $0 \text{ MHz} \leq \Delta f < 5 \text{ MHz}$ | $0.05 \text{ MHz} \leq f_{\text{offset}} < 5.05 \text{ MHz}$ | $-28.2 \text{ dBm} - \frac{7}{5} \left(\frac{f_{\text{offset}}}{\text{MHz}} - 0.05 \right) \text{ dB}$ | 100 kHz |
| $5 \text{ MHz} \leq \Delta f < \min(10 \text{ MHz}, \Delta f_{\text{max}})$ | $5.05 \text{ MHz} \leq f_{\text{offset}} < \min(10.05 \text{ MHz}, f_{\text{offset}_{\text{max}}})$ | -35.2 dBm | 100 kHz |
| $10 \text{ MHz} \leq \Delta f \leq \Delta f_{\text{max}}$ | $10.05 \text{ MHz} \leq f_{\text{offset}} < f_{\text{offset}_{\text{max}}}$ | -37 dBm (Note 5) | 100 kHz |
| <p>NOTE 1: For MSR <i>TAB connector</i> supporting non-contiguous spectrum operation within any operating band the <i>basic limit</i> within sub-block gaps is calculated as a cumulative sum of contributions from adjacent sub blocks on each side of the sub block gap. Exception is $\Delta f \geq 10 \text{ MHz}$ from both adjacent sub blocks on each side of the sub-block gap, where the <i>basic limit</i> within sub-block gaps shall be -37 dBm/100 kHz.</p> <p>NOTE 2: For MSR <i>multi-band TAB connector</i> with <i>Inter RF Bandwidth gap</i> $< 2 * \Delta f_{\text{OBUE}}$ MHz the <i>basic limit</i> within the <i>Inter RF Bandwidth gaps</i> is calculated as a cumulative sum of contributions from adjacent sub-blocks on each side of the <i>Inter RF Bandwidth gap</i>.</p> <p>NOTE 3: Void.</p> <p>NOTE 5: The requirement is not applicable when $\Delta f_{\text{max}} < 10 \text{ MHz}$.</p> | | | |

6.6.5.5.3 Basic Limits for MSR Band Category 2

For a *TAB connector* operating in Band Category 2 the requirement applies outside the *Base Station RF Bandwidth edges*. In addition, for a *TAB connector* operating in non-contiguous spectrum, it applies inside any sub-block gap.

Outside the *Base Station RF Bandwidth edges*, *basic limits* are specified in tables 6.6.5.5.3-1 to 6.6.5.5.3-8, where:

- Δf is the separation between the *Base Station RF Bandwidth edge* frequency and the nominal -3dB point of the measuring filter closest to the carrier frequency.
- f_{offset} is the separation between the *Base Station RF Bandwidth edge* frequency and the centre of the measuring filter.
- $f_{\text{offset}_{\text{max}}}$ is the offset to the frequency Δf_{OBUE} MHz outside the downlink operating band.
- Δf_{max} is equal to $f_{\text{offset}_{\text{max}}}$ minus half of the bandwidth of the measuring filter.

For a *multi-band TAB connector*, inside any *Inter RF Bandwidth gaps* with $W_{\text{gap}} < 2 * \Delta f_{\text{OBUE}}$ MHz, a combined *basic limit* shall be applied which is the cumulative sum of the test requirements specified at the *Base Station RF Bandwidth edges* on each side of the *Inter RF Bandwidth gap*. The *basic limit* for *Base Station RF Bandwidth edge* is specified in tables 6.6.5.5.3-1 to 6.6.5.5.3-8, where in this case:

- Δf is the separation between the *Base Station RF Bandwidth edge* frequency and the nominal -3 dB point of the measuring filter closest to the carrier frequency.
- f_{offset} is the separation between the *Base Station RF Bandwidth edge* frequency and the centre of the measuring filter.
- $f_{\text{offset}_{\text{max}}}$ is equal to the *Inter RF Bandwidth gap* divided by two.
- Δf_{max} is equal to $f_{\text{offset}_{\text{max}}}$ minus half of the bandwidth of the measuring filter.

For a *multi-band TAB connector* and where there is no carrier transmitted in an operating band, no cumulative *basic limits* are applied in the *inter-band gap* between a supported downlink band with carrier(s) transmitted and a supported downlink band without any carrier transmitted and

- In case the *inter-band gap* between a supported downlink band with carrier(s) transmitted and a supported downlink band without any carrier transmitted less than is $2 * \Delta f_{\text{OBUE}}$ MHz, $f_{\text{offset}_{\text{max}}}$ shall be the offset to the frequency Δf_{OBUE} MHz outside the outermost edges of the two supported downlink operating bands and the operating band unwanted emission limit of the band where there are carriers transmitted, as defined in the tables of the present subclause, shall apply across both supported downlink bands.

- In other cases, the operating band unwanted emission limit of the band where there are carriers transmitted, as defined in the tables of the present subclause for the largest frequency offset (Δf_{\max}), shall apply from Δf_{OBUE} MHz below the lowest frequency, up to Δf_{OBUE} MHz above the highest frequency of the supported downlink operating band without any carrier transmitted.

Inside any sub-block gap for a *TAB connector* operating in non-contiguous spectrum, a combined *basic* limit shall be applied which is the cumulative sum of the test requirement specified for the adjacent sub blocks on each side of the sub block gap. The *basic limit* for each sub block is specified in tables 6.6.5.5.3-1 to 6.6.5.5.3-8, where in this case:

- Δf is the separation between the sub block edge frequency and the nominal -3 dB point of the measuring filter closest to the sub block edge.
- f_{offset} is the separation between the sub block edge frequency and the centre of the measuring filter.
- $f_{\text{offset}_{\max}}$ is equal to the sub block gap bandwidth divided by two.
- Δf_{\max} is equal to $f_{\text{offset}_{\max}}$ minus half of the bandwidth of the measuring filter.

Table 6.6.5.5.3-1: Wide Area BS operating band unwanted emission mask (UEM) for BC2 for BS not supporting NR or BS supporting NR in Band n3 or n8

| Frequency offset of measurement filter -3dB point, Δf | Frequency offset of measurement filter centre frequency, f_{offset} | <i>basic limit</i> (Notes 2 and 3) | Measurement bandwidth |
|---|---|---|-----------------------|
| $0 \text{ MHz} \leq \Delta f < 0.2 \text{ MHz}$ (Note 1) | $0.015 \text{ MHz} \leq f_{\text{offset}} < 0.215 \text{ MHz}$ | -12.5 dBm | 30 kHz |
| $0.2 \text{ MHz} \leq \Delta f < 1 \text{ MHz}$ | $0.215 \text{ MHz} \leq f_{\text{offset}} < 1.015 \text{ MHz}$ | $-12.5 \text{ dBm} - 15 \cdot \left(\frac{f_{\text{offset}}}{\text{MHz}} - 0.215 \right) \text{ dB}$ | 30 kHz |
| (Note 8) | $1.015 \text{ MHz} \leq f_{\text{offset}} < 1.5 \text{ MHz}$ | -24.5 dBm | 30 kHz |
| $1 \text{ MHz} \leq \Delta f \leq \min(\Delta f_{\max}, 10 \text{ MHz})$ | $1.5 \text{ MHz} \leq f_{\text{offset}} < \min(f_{\text{offset}_{\max}}, 10.5 \text{ MHz})$ | -11.5 dBm | 1 MHz |
| $10 \text{ MHz} \leq \Delta f \leq \Delta f_{\max}$ | $10.5 \text{ MHz} \leq f_{\text{offset}} < f_{\text{offset}_{\max}}$ | -15 dBm (Note 10) | 1 MHz |
| NOTE 1: For operation with an E-UTRA 1.4 or 3 MHz carrier adjacent to the <i>Base Station RF Bandwidth edge</i> , the limits in table 6.6.5.5.3-2 apply for $0 \text{ MHz} \leq \Delta f < 0.15 \text{ MHz}$. | | | |
| NOTE 2: For MSR <i>TAB connector</i> supporting non-contiguous spectrum operation within any operating band the <i>basic limit</i> within sub-block gaps is calculated as a cumulative sum of contributions from adjacent sub blocks on each side of the sub block gap. Exception is $\Delta f \geq 10 \text{ MHz}$ from both adjacent sub blocks on each side of the sub-block gap, where the <i>basic limit</i> within sub-block gaps shall be -15 dBm/MHz. | | | |
| NOTE 3: For MSR <i>multi-band TAB connector</i> with <i>Inter RF Bandwidth gap</i> $< 2 \times \Delta f_{\text{OBUE}}$ MHz operation the <i>basic limit</i> within the <i>Inter RF Bandwidth gaps</i> is calculated as a cumulative sum of contributions from adjacent sub-blocks on each side of the <i>Inter RF Bandwidth gap</i> . | | | |
| NOTE 8: This frequency range ensures that the range of values of f_{offset} is continuous. | | | |
| NOTE 10: The requirement is not applicable when $\Delta f_{\max} < 10 \text{ MHz}$ | | | |

Table 6.6.5.3-1a: Wide Area operating band unwanted emission mask (UEM) for BS supporting NR (except operation in band n8) but not supporting UTRA in BC2 bands below 1GHz.

| Frequency offset of measurement filter -3dB point, Δf | Frequency offset of measurement filter centre frequency, f_{offset} | Basic limit (Note 1, 2) | Measurement bandwidth (Note 10) |
|--|---|--|---------------------------------|
| $0 \text{ MHz} \leq \Delta f < 5 \text{ MHz}$ | $0.05 \text{ MHz} \leq f_{\text{offset}} < 5.05 \text{ MHz}$ | $-5.5 - 7/5(f_{\text{offset}}/\text{MHz} - 0.05) \text{ dB}$ | 100 kHz |
| $5 \text{ MHz} \leq \Delta f < \min(10 \text{ MHz}, \Delta f_{\text{max}})$ | $5.05 \text{ MHz} \leq f_{\text{offset}} < \min(10.05 \text{ MHz}, f_{\text{offset}_{\text{max}}})$ | -12.5 dBm | 100 kHz |
| $10 \text{ MHz} \leq \Delta f \leq \Delta f_{\text{max}}$ | $10.05 \text{ MHz} \leq f_{\text{offset}} < f_{\text{offset}_{\text{max}}}$ | -16 dBm (Note 11) | 100 kHz |
| <p>NOTE 1: For MSR <i>TAB connector</i> supporting non-contiguous spectrum operation within any operating band, the <i>basic limit</i> within <i>sub-block gaps</i> is calculated as a cumulative sum of contributions from adjacent sub blocks on each side of the sub block gap, where the contribution from the far-end sub-block or <i>RF Bandwidth</i> shall be scaled according to the measurement bandwidth of the near-end sub-block or <i>RF Bandwidth</i>. Exception is $\Delta f \geq 10\text{MHz}$ from both adjacent sub blocks on each side of the <i>sub-block gap</i>, where the <i>basic limit</i> within sub-block gaps shall be -16dBm/100kHz.</p> <p>NOTE 2: For MSR <i>multi band TAB connector</i> with <i>Inter RF Bandwidth gap</i> $< 2 \times \Delta f_{\text{OBU}}$ the <i>basic limit</i> within the <i>Inter RF Bandwidth gaps</i> is calculated as a cumulative sum of contributions from adjacent sub-blocks or <i>RF Bandwidth</i> on each side of the <i>Inter RF Bandwidth gap</i>, where the contribution from the far-end sub-block or <i>RF Bandwidth</i> shall be scaled according to the measurement bandwidth of the near-end sub-block or <i>RF Bandwidth</i>.</p> <p>NOTE 3: For operation with an E-UTRA 1.4 or 3 MHz carrier adjacent to the <i>Base Station RF Bandwidth edge</i>, the limits in table 6.6.5.2.3-2 apply for $0 \text{ MHz} \leq \Delta f < 0.15 \text{ MHz}$.</p> | | | |

Table 6.6.5.3-1b: Wide Area operating band unwanted emission mask (UEM) for BS supporting NR (except operation in band n3) but not supporting UTRA in BC2 bands above 1GHz.

| Frequency offset of measurement filter -3dB point, Δf | Frequency offset of measurement filter centre frequency, f_{offset} | Basic limit (Note 1, 2) | Measurement bandwidth (Note 10) |
|--|---|--|---------------------------------|
| $0 \text{ MHz} \leq \Delta f < 5 \text{ MHz}$ | $0.05 \text{ MHz} \leq f_{\text{offset}} < 5.05 \text{ MHz}$ | $-5.5 - 7/5(f_{\text{offset}}/\text{MHz} - 0.05) \text{ dB}$ | 100 kHz |
| $5 \text{ MHz} \leq \Delta f < \min(10 \text{ MHz}, \Delta f_{\text{max}})$ | $5.05 \text{ MHz} \leq f_{\text{offset}} < \min(10.05 \text{ MHz}, f_{\text{offset}_{\text{max}}})$ | -12.5 dBm | 100 kHz |
| $10 \text{ MHz} \leq \Delta f \leq \Delta f_{\text{max}}$ | $10.5 \text{ MHz} \leq f_{\text{offset}} < f_{\text{offset}_{\text{max}}}$ | -15 dBm (Note 11) | 1MHz |
| <p>NOTE 1: For MSR <i>TAB connectors</i> supporting non-contiguous spectrum operation within any operating band, the <i>basic limit</i> within <i>sub-block gaps</i> is calculated as a cumulative sum of contributions from adjacent sub blocks on each side of the <i>sub block gap</i>, where the contribution from the far-end sub-block shall be scaled according to the measurement bandwidth of the near-end sub-block. Exception is $\Delta f \geq 10\text{MHz}$ from both adjacent sub blocks on each side of the <i>sub-block gap</i>, where the <i>basic limit</i> within sub-block gaps shall be -15dBm/1MHz.</p> <p>NOTE 2: For MSR <i>multi band TAB connector</i> with <i>Inter RF Bandwidth gap</i> $< 2 \times \Delta f_{\text{OBU}}$ the <i>basic limit</i> within the <i>Inter RF Bandwidth gaps</i> is calculated as a cumulative sum of contributions from adjacent sub-blocks or <i>RF Bandwidth</i> on each side of the <i>Inter RF Bandwidth gap</i>, where the contribution from the far-end sub-block or <i>RF Bandwidth</i> shall be scaled according to the measurement bandwidth of the near-end sub-block or <i>RF Bandwidth</i>.</p> <p>NOTE 3: For operation with an E-UTRA 1.4 or 3 MHz carrier adjacent to the <i>Base Station RF Bandwidth edge</i>, the limits in table 6.6.5.3-2 apply for $0 \text{ MHz} \leq \Delta f < 0.15 \text{ MHz}$.</p> | | | |

Table 6.6.5.3-2: Wide Area BS operating band unwanted emission limits for operation in BC2 with E-UTRA 1.4 or 3 MHz carriers adjacent to the *Base Station RF Bandwidth edge*

| Frequency offset of measurement filter -3dB point, Δf | Frequency offset of measurement filter centre frequency, f_{offset} | <i>basic limit</i> (Note 2, 3 and 4) | Measurement bandwidth |
|---|--|--|-----------------------|
| $0 \text{ MHz} \leq \Delta f < 0.05 \text{ MHz}$ | $0.015 \text{ MHz} \leq f_{\text{offset}} < 0.065 \text{ MHz}$ | $\text{Max}(6.5\text{dBm} - 60 \cdot \left(\frac{f_{\text{offset}}}{\text{MHz}} - 0.015 \right) \text{dB}, -12.5\text{dBm})$ | 30 kHz |
| $0.05 \text{ MHz} \leq \Delta f < 0.15 \text{ MHz}$ | $0.065 \text{ MHz} \leq f_{\text{offset}} < 0.165 \text{ MHz}$ | $\text{Max}(3.5\text{dBm} - 160 \cdot \left(\frac{f_{\text{offset}}}{\text{MHz}} - 0.065 \right) \text{dB}, -12.5\text{dBm})$ | 30 kHz |

NOTE 1: The limits in this table only apply for operation with an E-UTRA 1.4 or 3 MHz carrier adjacent to the *Base Station RF Bandwidth edge*.

NOTE 2: For MSR *TAB connector* supporting non-contiguous spectrum operation within any operating band the *basic limit* within sub-block gaps is calculated as a cumulative sum of contributions from adjacent sub blocks on each side of the sub block gap.

NOTE 3: For MSR *multi-band TAB connector* with *Inter RF Bandwidth gap* $< 2 \times \Delta f_{\text{OBUE}}$ MHz the *basic limit* within the *Inter RF Bandwidth gaps* is calculated as a cumulative sum of contributions from adjacent sub-blocks on each side of the *Inter RF Bandwidth gap*.

NOTE 4: Void.

NOTE 8: Void.

NOTE 10: The requirement is not applicable when $\Delta f_{\text{max}} < 10 \text{ MHz}$

Table 6.6.5.3-3: Medium Range BS operating band unwanted emission mask (UEM) for BC2, $31 < P_{\text{rated,c,cell}} - 10 \cdot \log_{10}(N_{\text{TXU,countedpercell}}) \leq 38 \text{ dBm}$ for a BS not supporting NR

| Frequency offset of measurement filter -3dB point, Δf | Frequency offset of measurement filter centre frequency, f_{offset} | <i>basic limit</i> (Notes 2 and 3) | Measurement bandwidth |
|--|--|---|-----------------------|
| $0 \text{ MHz} \leq \Delta f < 0.6 \text{ MHz}$ (Note 1) | $0.015 \text{ MHz} \leq f_{\text{offset}} < 0.615 \text{ MHz}$ | $P_{\text{rated,c,cell}} - 10 \cdot \log_{10}(N_{\text{TXU,countedpercell}}) - 56.5\text{dB} - \frac{5}{3} \left(\frac{f_{\text{offset}}}{\text{MHz}} - 0.015 \right) \text{dB}$ | 30 kHz |
| $0.6 \text{ MHz} \leq \Delta f < 1 \text{ MHz}$ | $0.615 \text{ MHz} \leq f_{\text{offset}} < 1.015 \text{ MHz}$ | $P_{\text{rated,c,cell}} - 10 \cdot \log_{10}(N_{\text{TXU,countedpercell}}) - 51.5\text{dB} - 15 \left(\frac{f_{\text{offset}}}{\text{MHz}} - 0.215 \right) \text{dB}$ | 30 kHz |
| (Note 8) | $1.015 \text{ MHz} \leq f_{\text{offset}} < 1.5 \text{ MHz}$ | $P_{\text{rated,c,cell}} - 10 \cdot \log_{10}(N_{\text{TXU,countedpercell}}) - 63.5 \text{ dB}$ | 30 kHz |
| $1 \text{ MHz} \leq \Delta f \leq 2.8 \text{ MHz}$ | $1.5 \text{ MHz} \leq f_{\text{offset}} < 3.3 \text{ MHz}$ | $P_{\text{rated,c,cell}} - 10 \cdot \log_{10}(N_{\text{TXU,countedpercell}}) - 50.5 \text{ dB}$ | 1 MHz |
| $2.8 \text{ MHz} \leq \Delta f \leq 5 \text{ MHz}$ | $3.3 \text{ MHz} \leq f_{\text{offset}} < 5.5 \text{ MHz}$ | $\min(P_{\text{rated,c,cell}} - 10 \cdot \log_{10}(N_{\text{TXU,countedpercell}}) - 50.5 \text{ dB}, -13.5 \text{ dBm})$ | 1 MHz |
| $5 \text{ MHz} \leq \Delta f \leq \min(\Delta f_{\text{max}}, 10 \text{ MHz})$ | $5.5 \text{ MHz} \leq f_{\text{offset}} < \min(f_{\text{offset,max}}, 10.5 \text{ MHz})$ | $P_{\text{rated,c,cell}} - 10 \cdot \log_{10}(N_{\text{TXU,countedpercell}}) - 54.5 \text{ dB}$ | 1 MHz |
| $10 \text{ MHz} \leq \Delta f \leq \Delta f_{\text{max}}$ | $10.5 \text{ MHz} \leq f_{\text{offset}} < f_{\text{offset,max}}$ | $P_{\text{rated,c,cell}} - 10 \cdot \log_{10}(N_{\text{TXU,countedpercell}}) - 56 \text{ dB (Note 10)}$ | 1 MHz |

NOTE 1: For operation with an E-UTRA 1.4 or 3 MHz carrier adjacent to the *Base Station RF Bandwidth edge*, the limits in table 6.6.5.3-5 apply for $0 \text{ MHz} \leq \Delta f < 0.15 \text{ MHz}$.

NOTE 2: For MSR *TAB connector* supporting non-contiguous spectrum operation within any operating band the *basic limit* within sub-block gaps is calculated as a cumulative sum of contributions from adjacent sub blocks on each side of the sub block gap. Exception is $\Delta f \geq 10 \text{ MHz}$ from both adjacent sub blocks on each side of the sub-block gap, where the *basic limit* within sub-block gaps shall be $(P_{\text{rated,c,cell}} - 10 \cdot \log_{10}(N_{\text{TXU,countedpercell}}) - 56 \text{ dB})/\text{MHz}$.

NOTE 3: For MSR *multi-band TAB connector* with *Inter RF Bandwidth gap* $< 2 \times \Delta f_{\text{OBUE}}$ MHz the *basic limit* within the *Inter RF Bandwidth gaps* is calculated as a cumulative sum of contributions from adjacent sub-blocks on each side of the *Inter RF Bandwidth gap*.

NOTE 8: This frequency range ensures that the range of values of f_{offset} is continuous.

NOTE 10: The requirement is not applicable when $\Delta f_{\text{max}} < 10 \text{ MHz}$

Table 6.6.5.5.3-3a: Medium Range BS operating band unwanted emission mask (UEM) for BS supporting NR and not supporting UTRA in BC2 bands, BS maximum output power $31 < P_{\text{rated,c,cell}} - 10 \cdot \log_{10}(N_{\text{TXU,countedpercell}}) \leq 38$ dBm

| Frequency offset of measurement filter -3dB point, Δf | Frequency offset of measurement filter centre frequency, f_{offset} | Basic limit (Note 1, 2) | Measurement bandwidth (Note 10) |
|---|--|--|---------------------------------|
| $0 \text{ MHz} \leq \Delta f < 5 \text{ MHz}$ | $0.05 \text{ MHz} \leq f_{\text{offset}} < 5.05 \text{ MHz}$ | $P_{\text{rated,c,cell}} - 10 \cdot \log_{10}(N_{\text{TXU,countedpercell}}) - 51.5 \text{ dB} - (7/5) \cdot (f_{\text{offset}}/\text{MHz} - 0,05) \text{ dB}$ | 100 kHz |
| $5 \text{ MHz} \leq \Delta f < \min(10 \text{ MHz}, \Delta f_{\text{max}})$ | $5.05 \text{ MHz} \leq f_{\text{offset}} < \min(10.05 \text{ MHz}, f_{\text{offset,max}})$ | $P_{\text{rated,c,cell}} - 10 \cdot \log_{10}(N_{\text{TXU,countedpercell}}) - 61.5 \text{ dB}$ | 100 kHz |
| $10 \text{ MHz} \leq \Delta f \leq \Delta f_{\text{max}}$ | $10.05 \text{ MHz} \leq f_{\text{offset}} < f_{\text{offset,max}}$ | $\text{Min}(P_{\text{rated,c,cell}} - 10 \cdot \log_{10}(N_{\text{TXU,countedpercell}}) - 60 \text{ dB}, -25 \text{ dBm})$ (Note 11) | 100 kHz |

NOTE 1: For MSR *TAB connectors* supporting non-contiguous spectrum operation within any operating band the *basic limit* within *sub-block gaps* is calculated as a cumulative sum of contributions from adjacent sub blocks on each side of the *sub block gap*, where the contribution from the far-end sub-block shall be scaled according to the measurement bandwidth of the near-end sub-block. Exception is $\Delta f \geq 10$ MHz from both adjacent sub blocks on each side of the *sub-block gap*, where the *basic limit* within sub-block gaps shall be $\text{Min}(P_{\text{rated,c,cell}} - 10 \cdot \log_{10}(N_{\text{TXU,countedpercell}}) - 60 \text{ dB}, -25 \text{ dBm}) / 100 \text{ kHz}$.

NOTE 2: For MSR *multi band TAB connector* with *Inter RF Bandwidth gap* $< 2 \times \Delta f_{\text{OBUE}}$ the *basic limit* within the *Inter RF Bandwidth gaps* is calculated as a cumulative sum of contributions from adjacent sub-blocks or *RF Bandwidth* on each side of the *Inter RF Bandwidth gap*, where the contribution from the far-end sub-block shall be scaled according to the measurement bandwidth of the near-end sub-block.

NOTE 3: For operation with an E-UTRA 1.4 or 3 MHz carrier adjacent to the *Base Station RF Bandwidth edge*, the limits in table 6.6.5.5.3-5 apply for $0 \text{ MHz} \leq \Delta f < 0.15 \text{ MHz}$.

Table 6.6.5.5.3-4: Medium Range BS operating band unwanted emission mask (UEM) for BC2, $P_{\text{rated,c,cell}} - 10 \cdot \log_{10}(N_{\text{TXU,countedpercell}}) \leq 31$ dBm for a BS not supporting NR.

| Frequency offset of measurement filter -3dB point, Δf | Frequency offset of measurement filter centre frequency, f_{offset} | basic limit (Notes 2 and 3) | Measurement bandwidth |
|--|--|--|-----------------------|
| $0 \text{ MHz} \leq \Delta f < 0.6 \text{ MHz}$ (Note 1) | $0.015 \text{ MHz} \leq f_{\text{offset}} < 0.615 \text{ MHz}$ | $-25.5 \text{ dBm} - \frac{5}{3} \left(\frac{f_{\text{offset}}}{\text{MHz}} - 0.015 \right) \text{ dB}$ | 30 kHz |
| $0.6 \text{ MHz} \leq \Delta f < 1 \text{ MHz}$ | $0.615 \text{ MHz} \leq f_{\text{offset}} < 1.015 \text{ MHz}$ | $-20.5 \text{ dBm} - 15 \cdot \left(\frac{f_{\text{offset}}}{\text{MHz}} - 0.215 \right) \text{ dB}$ | 30 kHz |
| (Note 8) | $1.015 \text{ MHz} \leq f_{\text{offset}} < 1.5 \text{ MHz}$ | -32.5 dBm | 30 kHz |
| $1 \text{ MHz} \leq \Delta f \leq 5 \text{ MHz}$ | $1.5 \text{ MHz} \leq f_{\text{offset}} < 5.5 \text{ MHz}$ | -19.5 dBm | 1 MHz |
| $5 \text{ MHz} \leq \Delta f \leq \min(\Delta f_{\text{max}}, 10 \text{ MHz})$ | $5.5 \text{ MHz} \leq f_{\text{offset}} < \min(f_{\text{offset,max}}, 10.5 \text{ MHz})$ | -23.5 dBm | 1 MHz |
| $10 \text{ MHz} \leq \Delta f \leq \Delta f_{\text{max}}$ | $10.5 \text{ MHz} \leq f_{\text{offset}} < f_{\text{offset,max}}$ | -25 dBm (Note 10) | 1 MHz |

NOTE 1: For operation with an E-UTRA 1.4 or 3 MHz carrier adjacent to the *Base Station RF Bandwidth edge*, the limits in table 6.6.5.5.3-6 apply for $0 \text{ MHz} \leq \Delta f < 0.15 \text{ MHz}$.

NOTE 2: For MSR *TAB connector* supporting non-contiguous spectrum operation within any operating band the *basic limit* within sub-block gaps is calculated as a cumulative sum of contributions from adjacent sub blocks on each side of the sub block gap. Exception is $\Delta f \geq 10$ MHz from both adjacent sub blocks on each side of the sub-block gap, where the *basic limit* within sub-block gaps shall be -25 dBm/MHz.

NOTE 3: For MSR *multi-band TAB connector* with *Inter RF Bandwidth gap* $< 2 \times \Delta f_{\text{OBUE}}$ MHz the *basic limit* within the *Inter RF Bandwidth gaps* is calculated as a cumulative sum of contributions from adjacent sub-blocks on each side of the *Inter RF Bandwidth gap*.

NOTE 8: This frequency range ensures that the range of values of f_{offset} is continuous.

NOTE 10: The requirement is not applicable when $\Delta f_{\text{max}} < 10 \text{ MHz}$

Table 6.6.5.5.3-4a: Medium Range BS operating band unwanted emission mask (UEM) for BS supporting NR but not supporting UTRA in BC2 bands, BS maximum output power $P_{\text{rated,c,cell}}$
 $10 \cdot \log_{10}(N_{\text{TXU,countedpercell}}) \leq 31 \text{ dBm}$

| Frequency offset of measurement filter -3dB point, Δf | Frequency offset of measurement filter centre frequency, f_{offset} | Basic limit (Note 1, 2) | Measurement bandwidth (Note 10) |
|---|---|---|---------------------------------|
| $0 \text{ MHz} \leq \Delta f < 5 \text{ MHz}$ | $0.05 \text{ MHz} \leq f_{\text{offset}} < 5.05 \text{ MHz}$ | $-20.5 \text{ dBm} - 7/5(f_{\text{offset}}/\text{MHz} - 0.05) \text{ dB}$ | 100 kHz |
| $5 \text{ MHz} \leq \Delta f < \min(10 \text{ MHz}, \Delta f_{\text{max}})$ | $5.05 \text{ MHz} \leq f_{\text{offset}} < \min(10.05 \text{ MHz}, f_{\text{offset}_{\text{max}}})$ | -27.5 dBm | 100 kHz |
| $10 \text{ MHz} \leq \Delta f \leq \Delta f_{\text{max}}$ | $10.05 \text{ MHz} \leq f_{\text{offset}} < f_{\text{offset}_{\text{max}}}$ | -29 dBm (Note 11) | 100 kHz |

NOTE 1: For MSR *TAB connectors* supporting non-contiguous spectrum operation within any operating band the *basic limit* within *sub-block gaps* is calculated as a cumulative sum of contributions from adjacent sub blocks on each side of the *sub block gap*, where the contribution from the far-end sub-block shall be scaled according to the measurement bandwidth of the near-end sub-block. Exception is $\Delta f \geq 10\text{MHz}$ from both adjacent sub blocks on each side of the *sub-block gap*, where the *basic limit* within sub-block gaps shall be $-29\text{dBm}/100\text{kHz}$.

NOTE 2: For MSR *multi band TAB connector* with *Inter RF Bandwidth gap* $< 2 \times \Delta f_{\text{OBUE}}$ the *basic limit* within the *Inter RF Bandwidth gaps* is calculated as a cumulative sum of contributions from adjacent sub-blocks or *RF Bandwidth* on each side of the *Inter RF Bandwidth gap*, where the contribution from the far-end sub-block shall be scaled according to the measurement bandwidth of the near-end sub-block.

NOTE 3: For operation with an E-UTRA 1.4 or 3 MHz carrier adjacent to the *Base Station RF Bandwidth edge*, the limits in table 6.6.5.5.3-5 apply for $0 \text{ MHz} \leq \Delta f < 0.15 \text{ MHz}$.

Table 6.6.5.5.3-5: Medium Range operating band unwanted emission limits for operation in BC2 with E-UTRA 1.4 or 3 MHz carriers adjacent to the *Base Station RF Bandwidth edge*,
 $31 < P_{\text{rated,c,cell}} - 10 \cdot \log_{10}(N_{\text{TXU,countedpercell}}) \leq 38 \text{ dBm}$

| Frequency offset of measurement filter -3dB point, Δf | Frequency offset of measurement filter centre frequency, f_{offset} | basic limit (Notes 2 and 3) | Measurement bandwidth |
|---|--|--|-----------------------|
| $0 \text{ MHz} \leq \Delta f < 0.05 \text{ MHz}$ | $0.015 \text{ MHz} \leq f_{\text{offset}} < 0.065 \text{ MHz}$ | $P_{\text{rated,c,cell}} - 10 \cdot \log_{10}(N_{\text{TXU,countedpercell}}) - 36.5 \text{ dB} - 60 \left(\frac{f_{\text{offset}}}{\text{MHz}} - 0.015 \right) \text{ dB}$ | 30 kHz |
| $0.05 \text{ MHz} \leq \Delta f < 0.15 \text{ MHz}$ | $0.065 \text{ MHz} \leq f_{\text{offset}} < 0.165 \text{ MHz}$ | $P_{\text{rated,c,cell}} - 10 \cdot \log_{10}(N_{\text{TXU,countedpercell}}) - 39.5 \text{ dB} - 160 \left(\frac{f_{\text{offset}}}{\text{MHz}} - 0.065 \right) \text{ dB}$ | 30 kHz |

NOTE 1: The limits in this table only apply for operation with an E-UTRA 1.4 or 3 MHz carrier adjacent to the *Base Station RF Bandwidth edge*.

NOTE 2: For MSR *TAB connector* supporting non-contiguous spectrum operation within any operating band the *basic limit* within sub-block gaps is calculated as a cumulative sum of contributions from adjacent sub blocks on each side of the sub block gap.

NOTE 3: For MSR *multi-band TAB connector* with *Inter RF Bandwidth gap* $< 2 \times \Delta f_{\text{OBUE}}$ MHz the *basic limit* within the *Inter RF Bandwidth gaps* is calculated as a cumulative sum of contributions from adjacent sub-blocks on each side of the *Inter RF Bandwidth gap*.

NOTE 8: Void.

NOTE 10: The requirement is not applicable when $\Delta f_{\text{max}} < 10 \text{ MHz}$

**Table 6.6.5.3-6: Medium Range operating band unwanted emission limits for operation in BC2 with E-UTRA 1.4 or 3 MHz carriers adjacent to the *Base Station RF Bandwidth edge*,
 $P_{\text{rated,c,cell}} - 10 \cdot \log_{10}(N_{\text{TXU,countedpercell}}) \leq 31 \text{ dBm}$**

| Frequency offset of measurement filter -3dB point, Δf | Frequency offset of measurement filter centre frequency, f_{offset} | <i>basic limit</i> (Notes 2, 3 and 4) | Measurement bandwidth |
|---|--|---|-----------------------|
| $0 \text{ MHz} \leq \Delta f < 0.05 \text{ MHz}$ | $0.015 \text{ MHz} \leq f_{\text{offset}} < 0.065 \text{ MHz}$ | $\text{Max}(-5.5\text{dBm} - 60 \cdot \left(\frac{f_{\text{offset}}}{\text{MHz}} - 0.015\right) \text{dB}, -25.5\text{dBm})$ | 30 kHz |
| $0.05 \text{ MHz} \leq \Delta f < 0.15 \text{ MHz}$ | $0.065 \text{ MHz} \leq f_{\text{offset}} < 0.165 \text{ MHz}$ | $\text{Max}(-8.5\text{dBm} - 160 \cdot \left(\frac{f_{\text{offset}}}{\text{MHz}} - 0.065\right) \text{dB}, -25.5\text{dBm})$ | 30 kHz |

NOTE 1: The limits in this table only apply for operation with an E-UTRA 1.4 or 3 MHz carrier adjacent to the *Base Station RF Bandwidth edge*.

NOTE 2: For MSR *TAB connector* supporting non-contiguous spectrum operation within any operating band the *basic limit* within sub-block gaps is calculated as a cumulative sum of contributions from adjacent sub blocks on each side of the sub block gap.

NOTE 3: For *multi-band TAB connector* with *Inter RF Bandwidth gap* $< 2 \times \Delta f_{\text{OBUe}}$ MHz the *basic limit* within the *Inter RF Bandwidth gaps* is calculated as a cumulative sum of contributions from adjacent sub-blocks on each side of the *Inter RF Bandwidth gap*.

NOTE 4: Void.

NOTE 8: Void.

NOTE 10: The requirement is not applicable when $\Delta f_{\text{max}} < 10 \text{ MHz}$

Table 6.6.5.3-7: Local Area operating band unwanted emission mask (UEM) for BC2

| Frequency offset of measurement filter -3dB point, Δf | Frequency offset of measurement filter centre frequency, f_{offset} | <i>basic limit</i> (Notes 2 and 3) | Measurement bandwidth |
|---|---|--|-----------------------|
| $0 \text{ MHz} \leq \Delta f < 5 \text{ MHz}$ (Note 1) | $0.05 \text{ MHz} \leq f_{\text{offset}} < 5.05 \text{ MHz}$ | $-28.5\text{dBm} - \frac{7}{5} \left(\frac{f_{\text{offset}}}{\text{MHz}} - 0.05 \right) \text{dB}$ | 100 kHz |
| $5 \text{ MHz} \leq \Delta f < \min(10 \text{ MHz}, \Delta f_{\text{max}})$ | $5.05 \text{ MHz} \leq f_{\text{offset}} < \min(10.05 \text{ MHz}, f_{\text{offset}_{\text{max}}})$ | -35.5 dBm | 100 kHz |
| $10 \text{ MHz} \leq \Delta f \leq \Delta f_{\text{max}}$ | $10.05 \text{ MHz} \leq f_{\text{offset}} < f_{\text{offset}_{\text{max}}}$ | -37 dBm (Note 7) | 100 kHz |

NOTE 1: For operation with an E-UTRA 1.4 or 3 MHz carrier adjacent to the *Base Station RF Bandwidth edge*, the limits in table 6.6.5.3-8 apply for $0 \text{ MHz} \leq \Delta f < 0.16 \text{ MHz}$.

NOTE 2: For MSR *TAB connector* supporting non-contiguous spectrum operation within any operating band the *basic limit* within sub-block gaps is calculated as a cumulative sum of contributions from adjacent sub blocks on each side of the sub block gap. Exception is $\Delta f \geq 10 \text{ MHz}$ from both adjacent sub blocks on each side of the sub-block gap, where the *basic limit* within sub-block gaps shall be -37 dBm/100 kHz.

NOTE 3: For MSR *multi-band TAB connector* with *Inter RF Bandwidth gap* $< 2 \times \Delta f_{\text{OBUe}}$ MHz the *basic limit* within the *Inter RF Bandwidth gaps* is calculated as a cumulative sum of contributions from adjacent sub-blocks on each side of the *Inter RF Bandwidth gap*.

NOTE 8: Void.

NOTE 10: The requirement is not applicable when $\Delta f_{\text{max}} < 10 \text{ MHz}$

Table 6.6.5.5.3-8: Local Area operating band unwanted emission limits for operation in BC2 with E-UTRA 1.4 or 3 MHz carriers adjacent to the *Base Station RF Bandwidth edge*

| Frequency offset of measurement filter -3dB point, Δf | Frequency offset of measurement filter centre frequency, f_{offset} | <i>basic limit</i> (Notes 2, 3 and 4) | Measurement bandwidth |
|---|--|--|-----------------------|
| $0 \text{ MHz} \leq \Delta f < 0.05 \text{ MHz}$ | $0.015 \text{ MHz} \leq f_{\text{offset}} < 0.065 \text{ MHz}$ | $Max(-12.5 \text{ dBm} - 60 \cdot \left(\frac{f_{\text{offset}}}{\text{MHz}} - 0.015\right) \text{ dB}, -33.5 \text{ dBm})$ | 30 kHz |
| $0.05 \text{ MHz} \leq \Delta f < 0.16 \text{ MHz}$ | $0.065 \text{ MHz} \leq f_{\text{offset}} < 0.175 \text{ MHz}$ | $Max(-15.5 \text{ dBm} - 160 \cdot \left(\frac{f_{\text{offset}}}{\text{MHz}} - 0.065\right) \text{ dB}, -33.5 \text{ dBm})$ | 30 kHz |

NOTE 1: The limits in this table only apply for operation with an E-UTRA 1.4 or 3 MHz carrier adjacent to the *Base Station RF Bandwidth edge*.

NOTE 2: For MSR *TAB connector* supporting non-contiguous spectrum operation within any operating band the *basic limit* within sub-block gaps is calculated as a cumulative sum of contributions from adjacent sub blocks on each side of the sub block gap.

NOTE 3: For MSR *multi-band TAB connector* with *Inter RF Bandwidth gap* $< 2 \times \Delta f_{\text{OBUE}}$ MHz the *basic limit* within the *Inter RF Bandwidth gaps* is calculated as a cumulative sum of contributions from adjacent sub-blocks on each side of the *Inter RF Bandwidth gap*.

NOTE 4: Void.

NOTE 8: Void.

NOTE 10: The requirement is not applicable when $\Delta f_{\text{max}} < 10 \text{ MHz}$

6.6.5.5.4 Basic Limits for MSR Additional requirements

6.6.5.5.4.1 Limits in FCC Title 47

In addition to the requirements in subclauses 6.6.5.5.2 and 6.6.5.5.3, the *TAB connector* may have to comply with the applicable *basic limits* established by FCC Title 47 [24], when deployed in regions where those limits are applied, and under the conditions declared by the manufacturer.

6.6.5.5.4.2 Unsynchronized operation for BC3

In certain regions, the following requirements may apply to a TDD *TAB connector* operating in BC3 in the same geographic area and in the same operating band as another TDD system without synchronisation. For this case the emissions *basic limit* is -52 dBm/MHz in each supported downlink operating band except in:

- The frequency range from 10 MHz below the lower *Base Station RF Bandwidth edge* to the frequency 10 MHz above the upper *Base Station RF Bandwidth edge* of each supported band.

NOTE 1: Local or regional regulations may specify another excluded frequency range, which may include frequencies where synchronised TDD systems operate.

NOTE 2: TDD Base Stations that are synchronized and operating in BC3 can transmit without these additional co-existence requirements.

6.6.5.5.4.3 Protection of DTT

In certain regions the following requirement may apply for protection of DTT. For a *TAB connector* operating in Band 20/n20, the level of emissions in the band 470-790 MHz, measured in an 8 MHz filter bandwidth on centre frequencies F_{filter} according to table 6.6.5.5.4.3-1, a *basic limit* $P_{\text{EM,N}}$ is declared by the manufacturer. This requirement applies in the frequency range 470-790 MHz even though part of the range falls in the spurious domain.

Table 6.6.5.5.4.3-1: Declared emissions *basic limit* for protection of DTT

| Filter centre frequency, F_{filter} | Measurement bandwidth | Declared emission <i>basic limit</i> (dBm) |
|--|-----------------------|--|
| $F_{\text{filter}} = 8 \cdot N + 306 \text{ (MHz)}$; $21 \leq N \leq 60$ | 8 MHz | $P_{\text{EM,N}}$ |

NOTE: The regional requirement is defined in terms of EIRP (effective isotropic radiated power), which is dependent on both the BS emissions at the *TAB connector* and radiated in the far field. The requirement defined above provides the characteristics of the AAS BS needed to verify compliance with the regional requirement. Compliance with the regional requirement can be determined using the method outlined in annex G of 3GPP TS 36.104 [11].

6.6.5.5.4.4 Co-existence with services in adjacent frequency bands

This requirement may be applied for the protection of systems operating in frequency bands adjacent to Band 1 as defined in subclause 4.5, in geographic areas in which both an adjacent band service and UTRA and/or E-UTRA are deployed.

The *basic limit* shall be.

Table 6.6.5.5.4.4-1: Emissions *basic limits* for protection of adjacent band services

| Operating Band | Frequency range | <i>Basic limit</i> | Measurement Bandwidth |
|----------------|-----------------|---|-----------------------|
| 1 | 2100-2105 MHz | $-30 + 3.4 \times (f - 2100 \text{ MHz}) \text{ dBm}$ | 1 MHz |
| | 2175-2180 MHz | $-30 + 3.4 \times (2180 \text{ MHz} - f) \text{ dBm}$ | 1 MHz |

6.6.5.5.4.5 Additional requirements for band 41

The following requirement may apply to a *TAB connector* operating in Band 41 in certain regions. *Basic limits* are specified in table 6.6.5.5.4.5-1, where:

- Δf is the separation between the *Base Station RF Bandwidth edge* frequency and the nominal -3dB point of the measuring filter closest to the carrier frequency.
- f_{offset} is the separation between the *Base Station RF Bandwidth edge* frequency and the centre of the measuring filter.

Table 6.6.5.5.4.5-1: Additional operating band unwanted emission *basic limits* Band 41

| Channel bandwidth | Frequency offset of measurement filter -3dB point, Δf | Frequency offset of measurement filter centre frequency, f_{offset} | <i>basic limit</i> | Measurement bandwidth |
|-------------------|---|--|--------------------|-----------------------|
| 10 MHz | $10 \text{ MHz} \leq \Delta f < 20 \text{ MHz}$ | $10.5 \text{ MHz} \leq f_{\text{offset}} < 19.5 \text{ MHz}$ | -22 dBm | 1 MHz |
| 20 MHz | $20 \text{ MHz} \leq \Delta f < 40 \text{ MHz}$ | $20.5 \text{ MHz} \leq f_{\text{offset}} < 39.5 \text{ MHz}$ | -22 dBm | 1 MHz |

NOTE: This requirement applies for E-UTRA carriers allocated within 2545-2575 MHz or 2595-2645 MHz.

6.6.5.5.4.6 Additional band 32 unwanted emissions

In certain regions, the following requirements may apply to a *TAB connector* operating in Band 32 within 1452-1492 MHz. The maximum level of operating band unwanted emissions, measured on centre frequencies f_{offset} with filter bandwidth, according to table 6.6.5.5.4.6-1, shall be defined according to the *basic limits* $P_{\text{EM},\text{B32},\text{a}}$, $P_{\text{EM},\text{B32},\text{b}}$ and $P_{\text{EM},\text{B32},\text{c}}$ declared by the manufacturer.

Table 6.6.5.5.4.6-1: Declared operating band 32 unwanted emission within 1452-1492 MHz

| Frequency offset of measurement filter centre frequency, f_{offset} | Declared emission <i>basic limit</i> (dBm) | Measurement bandwidth |
|---|--|-----------------------|
| 2.5 MHz | $P_{\text{EM},\text{B32},\text{a}}$ | 5 MHz |
| 7.5 MHz | $P_{\text{EM},\text{B32},\text{b}}$ | 5 MHz |
| $12.5 \text{ MHz} \leq f_{\text{offset}} \leq f_{\text{offset,max},\text{B32}}$ | $P_{\text{EM},\text{B32},\text{c}}$ | 5 MHz |

NOTE: $f_{\text{offset,max},\text{B32}}$ denotes the frequency difference between the lower *Base Station RF Bandwidth edge* and 1454.5 MHz, and the frequency difference between the upper *Base Station RF Bandwidth edge* and 1489.5 MHz for the set channel position.

NOTE: The regional requirement, included in [25], is defined in terms of EIRP per antenna, which is dependent on both the BS emissions at the *TAB connector* and radiated in the far field. The requirement defined above provides the characteristics of the AAS BS needed to verify compliance with the regional requirement. The assessment of the EIRP level is described in annex H of 3GPP TS 36.104 [11].

In certain regions, the following requirement may apply to a *TAB connector* operating in Band 32 within 1452-1492MHz for the protection of services in spectrum adjacent to the frequency range 1452-1492 MHz. The maximum level of emissions, measured on centre frequencies F_{filter} with filter bandwidth according to table 6.6.5.5.4.6-2, shall be defined according to the *basic limits* $P_{\text{EM,B32,d}}$ and $P_{\text{EM,B32,e}}$ declared by the manufacturer. This requirement applies in the frequency range 1429-1518MHz even though part of the range falls in the spurious domain.

Table 6.6.5.5.4.6-2: Operating band 32 declared emission outside 1452-1492 MHz

| Filter centre frequency, F_{filter} | Declared emission <i>basic limit</i> (dBm) | Measurement bandwidth |
|---|--|-----------------------|
| $1429.5 \text{ MHz} \leq F_{\text{filter}} \leq 1448.5 \text{ MHz}$ | $P_{\text{EM,B32,d}}$ | 1 MHz |
| $F_{\text{filter}} = 1450.5 \text{ MHz}$ | $P_{\text{EM,B32,e}}$ | 3 MHz |
| $F_{\text{filter}} = 1493.5 \text{ MHz}$ | $P_{\text{EM,B32,e}}$ | 3 MHz |
| $1495.5 \text{ MHz} \leq F_{\text{filter}} \leq 1517.5 \text{ MHz}$ | $P_{\text{EM,B32,d}}$ | 1 MHz |

NOTE: The regional requirement, included in [23], is defined in terms of EIRP, which is dependent on both the BS emissions at the antenna connector and radiated in the far field. The requirement defined above provides the characteristics of the AAS BS needed to verify compliance with the regional requirement. The assessment of the EIRP level is described in annex H of 3GPP TS 36.104 [11].

6.6.5.5.4.7 Additional requirements for Band 48

The following requirement may apply to AAS BS operating in Band 48 in certain regions. Emissions shall not exceed the maximum levels specified in Table 6.6.2.5.4.7-1.

Table 6.6.2.5.4.7-1: Additional operating band unwanted emission limits for Band 48

| Channel bandwidth | Frequency offset of measurement filter -3dB point, Δf | Frequency offset of measurement filter centre frequency, f_{offset} | Minimum requirement | Measurement bandwidth |
|-------------------|---|--|---------------------|-----------------------|
| All | $0 \text{ MHz} \leq \Delta f < 10 \text{ MHz}$ | $0.5 \text{ MHz} \leq f_{\text{offset}} < 9.5 \text{ MHz}$ | -13 dBm | 1 MHz |

6.6.5.5.5 Basic Limits for E-UTRA

6.6.5.5.5.1 General

The measurement results in subclause 6.6.5.4 shall not exceed the maximum levels based on the *basic limits* in the tables below, where:

- Δf is the separation between the channel edge frequency and the nominal -3dB point of the measuring filter closest to the carrier frequency.
- f_{offset} is the separation between the channel edge frequency and the centre of the measuring filter.
- $f_{\text{offset}_{\text{max}}}$ is the offset to the frequency Δf_{OBUe} MHz outside the downlink operating band.
- Δf_{max} is equal to $f_{\text{offset}_{\text{max}}}$ minus half of the bandwidth of the measuring filter.

For a *multi-band TAB connector*, inside any *Inter RF Bandwidth gaps* with $W_{\text{gap}} < 2 \times \Delta f_{\text{OBUE}}$ MHz, a combined *basic limit* shall be applied which is the cumulative sum of the test requirements specified at the *Base Station RF Bandwidth edges* on each side of the *Inter RF Bandwidth gap*. The *basic limit* for *Base Station RF Bandwidth edge* is specified in tables 6.6.5.5.2-1 to 6.6.5.5.2-9, where in this case:

- Δf is the separation between the *Base Station RF Bandwidth edge* frequency and the nominal -3 dB point of the measuring filter closest to the *Base Station RF Bandwidth edge*.
- f_{offset} is the separation between the *Base Station RF Bandwidth edge* frequency and the centre of the measuring filter.
- $f_{\text{offset}_{\text{max}}}$ is equal to the *Inter RF Bandwidth gap* minus half of the bandwidth of the measuring filter.
- Δf_{max} is equal to $f_{\text{offset}_{\text{max}}}$ minus half of the bandwidth of the measuring filter.

For *multi-band TAB connector*, the operating band unwanted emission limits apply also in a supported operating band without any carrier transmitted, in the case where there are carrier(s) transmitted in another supported operating band. In this case, no cumulative *basic limit* is applied in the *inter-band gap* between a supported downlink operating band with carrier(s) transmitted and a supported downlink operating band without any carrier transmitted and:

- In case the *inter-band gap* between a supported downlink operating band with carrier(s) transmitted and a supported downlink operating band without any carrier transmitted is less than $2 \times \Delta f_{\text{OBUE}}$ MHz, $f_{\text{offset}_{\text{max}}}$ shall be the offset to the frequency Δf_{OBUE} MHz outside the outermost edges of the two supported downlink operating bands and the operating band unwanted emission limit of the band where there are carriers transmitted, as defined in the tables of the present subclause, shall apply across both downlink bands.
- In other cases, the operating band unwanted emission limit of the band where there are carriers transmitted, as defined in the tables of the present subclause for the largest frequency offset (Δf_{max}), shall apply from Δf_{OBUE} MHz below the lowest frequency, up to Δf_{OBUE} MHz above the highest frequency of the supported downlink operating band without any carrier transmitted.

For a multicarrier E-UTRA TAB connector or a *TAB connector* configured for intra-band contiguous or non-contiguous carrier aggregation the definitions above apply to the lower edge of the carrier transmitted at the lowest carrier frequency and the upper edge of the carrier transmitted at the highest carrier frequency within a specified frequency band.

In addition inside any sub-block gap for a *TAB connector* operating in non-contiguous spectrum, measurement results shall not exceed a level based on a combined *basic limit* shall be applied which is the cumulative sum specified for the adjacent sub blocks on each side of the sub block gap. The *basic limit* for each sub block is specified in tables 6.6.5.5.2-1 to 6.6.5.5.2-9, where in this case:

- Δf is the separation between the sub block edge frequency and the nominal -3 dB point of the measuring filter closest to the sub block edge.
- f_{offset} is the separation between the sub block edge frequency and the centre of the measuring filter.
- $f_{\text{offset}_{\text{max}}}$ is equal to the sub block gap bandwidth minus half of the bandwidth of the measuring filter.
- Δf_{max} is equal to $f_{\text{offset}_{\text{max}}}$ minus half of the bandwidth of the measuring filter.

6.6.5.5.2 Basic Limits for Wide Area BS (Category A)

For E-UTRA *TAB connector* operating in Bands 5, 6, 8, 12, 13, 14, 17, 18, 19, 26, 27, 28, 29, 31, 44, 68, 71, 72, 73 *basic limits* are specified in tables 6.6.5.5.2-1 to 6.6.5.5.2-3.

Table 6.6.5.5.2-1: Wide Area BS operating band unwanted emission limits for 1.4 MHz channel bandwidth (E-UTRA bands < 1 GHz) for Category A

| Frequency offset of measurement filter -3dB point, Δf | Frequency offset of measurement filter centre frequency, f_{offset} | <i>basic limit</i> (Notes 1 and 2) | Measurement bandwidth |
|---|--|---|-----------------------|
| $0 \text{ MHz} \leq \Delta f < 1.4 \text{ MHz}$ | $0.05 \text{ MHz} \leq f_{\text{offset}} < 1.45 \text{ MHz}$ | $+0.5 \text{ dBm} - \frac{10}{1.4} \cdot \left(\frac{f_{\text{offset}}}{\text{MHz}} - 0.05 \right) \text{ dB}$ | 100 kHz |
| $1.4 \text{ MHz} \leq \Delta f < 2.8 \text{ MHz}$ | $1.45 \text{ MHz} \leq f_{\text{offset}} < 2.85 \text{ MHz}$ | -9.5 dBm | 100 kHz |
| $2.8 \text{ MHz} \leq \Delta f \leq \Delta f_{\text{max}}$ | $2.85 \text{ MHz} \leq f_{\text{offset}} < f_{\text{offset}_{\text{max}}}$ | -13 dBm (Note 8) | 100 kHz |

NOTE 1: For a *TAB connector* supporting non-contiguous spectrum operation within any operating band the *basic limit* within sub-block gaps is calculated as a cumulative sum of contributions from adjacent sub blocks on each side of the sub block gap. Exception is $\Delta f \geq 10$ MHz from both adjacent sub blocks on each side of the sub-block gap, where the *basic limit* within sub-block gaps shall be -13 dBm/100 kHz.

NOTE 2: For a *multi-band TAB connector* with *Inter RF Bandwidth gap* < $2 \times \Delta f_{\text{OBUE}}$ MHz the *basic limit* within the *Inter RF Bandwidth gaps* is calculated as a cumulative sum of contributions from adjacent sub-blocks or *Base Station RF Bandwidth* on each side of the *Inter RF Bandwidth gap*.

NOTE 8: The requirement is not applicable when $\Delta f_{\text{max}} < 10$ MHz.

Table 6.6.5.5.2-2: Wide Area BS operating band unwanted emission limits for 3 MHz channel bandwidth (E-UTRA bands < 1 GHz) for Category A

| Frequency offset of measurement filter -3dB point, Δf | Frequency offset of measurement filter centre frequency, f_{offset} | <i>basic limit</i> (Notes 1 and 2) | Measurement bandwidth |
|---|--|---|-----------------------|
| $0 \text{ MHz} \leq \Delta f < 3 \text{ MHz}$ | $0.05 \text{ MHz} \leq f_{\text{offset}} < 3.05 \text{ MHz}$ | $-3.5 \text{ dBm} - \frac{10}{3} \cdot \left(\frac{f_{\text{offset}}}{\text{MHz}} - 0.05 \right) \text{ dB}$ | 100 kHz |
| $3 \text{ MHz} \leq \Delta f < 6 \text{ MHz}$ | $3.05 \text{ MHz} \leq f_{\text{offset}} < 6.05 \text{ MHz}$ | -13.5 dBm | 100 kHz |
| $6 \text{ MHz} \leq \Delta f \leq \Delta f_{\text{max}}$ | $6.05 \text{ MHz} \leq f_{\text{offset}} < f_{\text{offset}_{\text{max}}}$ | -13 dBm (Note 8) | 100 kHz |

NOTE 1: For a *TAB connector* supporting non-contiguous spectrum operation within any operating band the *basic limit* within sub-block gaps is calculated as a cumulative sum of contributions from adjacent sub blocks on each side of the sub block gap. Exception is $\Delta f \geq 10$ MHz from both adjacent sub blocks on each side of the sub-block gap, where the *basic limit* within sub-block gaps shall be -13 dBm/100 kHz.

NOTE 2: For a *multi-band TAB connector* with *Inter RF Bandwidth gap* < $2 \times \Delta f_{\text{OBUE}}$ MHz the *basic limit* within the *Inter RF Bandwidth gaps* is calculated as a cumulative sum of contributions from adjacent sub-blocks or *Base Station RF Bandwidth* on each side of the *Inter RF Bandwidth gap*.

NOTE 8: The requirement is not applicable when $\Delta f_{\text{max}} < 10$ MHz.

Table 6.6.5.5.2-3: Wide Area BS operating band unwanted emission limits for 5, 10, 15 and 20 MHz channel bandwidth (E-UTRA bands < 1 GHz) for Category A

| Frequency offset of measurement filter -3dB point, Δf | Frequency offset of measurement filter centre frequency, f_{offset} | Test requirement (Notes 1 and 2) | Measurement bandwidth |
|--|---|--|-----------------------|
| $0 \text{ MHz} \leq \Delta f < 5 \text{ MHz}$ | $0.05 \text{ MHz} \leq f_{\text{offset}} < 5.05 \text{ MHz}$ | $-5.5 \text{ dBm} - \frac{7}{5} \cdot \left(\frac{f_{\text{offset}}}{\text{MHz}} - 0.05 \right) \text{ dB}$ | 100 kHz |
| $5 \text{ MHz} \leq \Delta f < \min(10 \text{ MHz}, \Delta f_{\text{max}})$ | $5.05 \text{ MHz} \leq f_{\text{offset}} < \min(10.05 \text{ MHz}, f_{\text{offset}_{\text{max}}})$ | -12.5 dBm | 100 kHz |
| $10 \text{ MHz} \leq \Delta f \leq \Delta f_{\text{max}}$ | $10.05 \text{ MHz} \leq f_{\text{offset}} < f_{\text{offset}_{\text{max}}}$ | -13 dBm (Note 8) | 100 kHz |
| <p>NOTE 1: For a <i>TAB connector</i> supporting non-contiguous spectrum operation within any operating band the <i>basic limit</i> within sub-block gaps is calculated as a cumulative sum of contributions from adjacent sub blocks on each side of the sub block gap. Exception is $\Delta f \geq 10 \text{ MHz}$ from both adjacent sub blocks on each side of the sub-block gap, where the <i>basic limit</i> within sub-block gaps shall be -13 dBm/100 kHz.</p> <p>NOTE 2: For a <i>multi-band TAB connector</i> with <i>Inter RF Bandwidth gap</i> $< 2 \times \Delta f_{\text{OBU E}}$ MHz the <i>basic limit</i> within the <i>Inter RF Bandwidth gaps</i> is calculated as a cumulative sum of contributions from adjacent sub-blocks or <i>Base Station RF Bandwidth</i> on each side of the <i>Inter RF Bandwidth gap</i>.</p> <p>NOTE 8: The requirement is not applicable when $\Delta f_{\text{max}} < 10 \text{ MHz}$.</p> | | | |

For E-UTRA *TAB connector* operating in Bands 1, 2, 3, 4, 7, 9, 10, 11, 21, 23, 24, 25, 30, 32, 33, 34, 35, 36, 37, 38, 39, 40, 41, 45, 48, 65, 66, 69, 70, *basic limits* are specified in tables 6.6.5.5.2-4, 6.6.5.5.2-6 and 6.6.5.5.2-8.

For E-UTRA *TAB connector* operating in Bands 22, 42, 43, 52 *basic limits* are specified in tables 6.6.5.5.2-5, 6.6.5.5.2-7 and 6.6.5.5.2-9.

Table 6.6.5.5.2-4: Wide Area BS operating band unwanted emission limits for 1.4 MHz channel bandwidth (1GHz < E-UTRA bands \leq 3 GHz) for Category A

| Frequency offset of measurement filter -3dB point, Δf | Frequency offset of measurement filter centre frequency, f_{offset} | <i>basic limit</i> (Notes 1 and 2) | Measurement bandwidth |
|--|--|---|-----------------------|
| $0 \text{ MHz} \leq \Delta f < 1.4 \text{ MHz}$ | $0.05 \text{ MHz} \leq f_{\text{offset}} < 1.45 \text{ MHz}$ | $+0.5 \text{ dBm} - \frac{10}{1.4} \cdot \left(\frac{f_{\text{offset}}}{\text{MHz}} - 0.05 \right) \text{ dB}$ | 100 kHz |
| $1.4 \text{ MHz} \leq \Delta f < 2.8 \text{ MHz}$ | $1.45 \text{ MHz} \leq f_{\text{offset}} < 2.85 \text{ MHz}$ | -9.5 dBm | 100 kHz |
| $2.8 \text{ MHz} \leq \Delta f \leq \Delta f_{\text{max}}$ | $3.3 \text{ MHz} \leq f_{\text{offset}} < f_{\text{offset}_{\text{max}}}$ | -13 dBm (Note 8) | 1 MHz |
| <p>NOTE 1: For a <i>TAB connector</i> supporting non-contiguous spectrum operation within any operating band the <i>basic limit</i> within sub-block gaps is calculated as a cumulative sum of contributions from adjacent sub blocks on each side of the sub block gap, where the contribution from the far-end sub-block shall be scaled according to the measurement bandwidth of the near-end sub-block. Exception is $\Delta f \geq 10 \text{ MHz}$ from both adjacent sub blocks on each side of the sub-block gap, where the <i>basic limit</i> within sub-block gaps shall be -13 dBm/1 MHz.</p> <p>NOTE 2: For a <i>multi-band TAB connector</i> with <i>Inter RF Bandwidth gap</i> $< 2 \times \Delta f_{\text{OBU E}}$ MHz the <i>basic limit</i> within the <i>Inter RF Bandwidth gaps</i> is calculated as a cumulative sum of contributions from adjacent sub-blocks or <i>Base Station RF Bandwidth</i> on each side of the <i>Inter RF Bandwidth gap</i>, where the contribution from the far-end sub-block or <i>Base Station RF Bandwidth</i> shall be scaled according to the measurement bandwidth of the near-end sub-block or <i>Base Station RF Bandwidth</i>.</p> <p>NOTE 8: The requirement is not applicable when $\Delta f_{\text{max}} < 10 \text{ MHz}$.</p> | | | |

Table 6.6.5.5.2-5: Wide Area BS operating band unwanted emission limits for 1.4 MHz channel bandwidth (E-UTRA bands > 3 GHz) for Category A

| Frequency offset of measurement filter -3dB point, Δf | Frequency offset of measurement filter centre frequency, f_{offset} | <i>basic limit</i> (Notes 1 and 2) | Measurement bandwidth |
|---|--|---|-----------------------|
| $0 \text{ MHz} \leq \Delta f < 1.4 \text{ MHz}$ | $0.05 \text{ MHz} \leq f_{\text{offset}} < 1.45 \text{ MHz}$ | $+0.8 \text{ dBm} - \frac{10}{1.4} \cdot \left(\frac{f_{\text{offset}}}{\text{MHz}} - 0.05 \right) \text{ dB}$ | 100 kHz |
| $1.4 \text{ MHz} \leq \Delta f < 2.8 \text{ MHz}$ | $1.45 \text{ MHz} \leq f_{\text{offset}} < 2.85 \text{ MHz}$ | -9.2 dBm | 100 kHz |
| $2.8 \text{ MHz} \leq \Delta f \leq \Delta f_{\text{max}}$ | $3.3 \text{ MHz} \leq f_{\text{offset}} < f_{\text{offset}_{\text{max}}}$ | -13 dBm (Note 8) | 1 MHz |
| <p>NOTE 1: For a <i>TAB connector</i> supporting non-contiguous spectrum operation within any operating band the <i>basic limit</i> within sub-block gaps is calculated as a cumulative sum of contributions from adjacent sub blocks on each side of the sub block gap, where the contribution from the far-end sub-block shall be scaled according to the measurement bandwidth of the near-end sub-block. Exception is $\Delta f \geq 10 \text{ MHz}$ from both adjacent sub blocks on each side of the sub-block gap, where the <i>basic limit</i> within sub-block gaps shall be -13 dBm/1 MHz.</p> <p>NOTE 2: For a <i>multi-band TAB connector</i> with <i>Inter RF Bandwidth gap</i> $< 2 \times \Delta f_{\text{OBUe}}$ MHz the <i>basic limit</i> within the <i>Inter RF Bandwidth gaps</i> is calculated as a cumulative sum of contributions from adjacent sub-blocks or <i>Base Station RF Bandwidth</i> on each side of the <i>Inter RF Bandwidth gap</i>, where the contribution from the far-end sub-block or <i>Base Station RF Bandwidth</i> shall be scaled according to the measurement bandwidth of the near-end sub-block or <i>Base Station RF Bandwidth</i>.</p> <p>NOTE 8: The requirement is not applicable when $\Delta f_{\text{max}} < 10 \text{ MHz}$.</p> | | | |

Table 6.6.5.5.2-6: Wide Area BS operating band unwanted emission limits for 3 MHz channel bandwidth (1GHz < E-UTRA bands \leq 3 GHz) for Category A

| Frequency offset of measurement filter -3dB point, Δf | Frequency offset of measurement filter centre frequency, f_{offset} | <i>basic limit</i> (Notes 1 and 2) | Measurement bandwidth |
|---|--|---|-----------------------|
| $0 \text{ MHz} \leq \Delta f < 3 \text{ MHz}$ | $0.05 \text{ MHz} \leq f_{\text{offset}} < 3.05 \text{ MHz}$ | $-3.5 \text{ dBm} - \frac{10}{3} \cdot \left(\frac{f_{\text{offset}}}{\text{MHz}} - 0.05 \right) \text{ dB}$ | 100 kHz |
| $3 \text{ MHz} \leq \Delta f < 6 \text{ MHz}$ | $3.05 \text{ MHz} \leq f_{\text{offset}} < 6.05 \text{ MHz}$ | -13.5 dBm | 100 kHz |
| $6 \text{ MHz} \leq \Delta f \leq \Delta f_{\text{max}}$ | $6.5 \text{ MHz} \leq f_{\text{offset}} < f_{\text{offset}_{\text{max}}}$ | -13 dBm (Note 8) | 1 MHz |
| <p>NOTE 1: For a <i>TAB connector</i> supporting non-contiguous spectrum operation within any operating band the <i>basic limit</i> within sub-block gaps is calculated as a cumulative sum of contributions from adjacent sub blocks on each side of the sub block gap, where the contribution from the far-end sub-block shall be scaled according to the measurement bandwidth of the near-end sub-block. Exception is $\Delta f \geq 10 \text{ MHz}$ from both adjacent sub blocks on each side of the sub-block gap, where the <i>basic limit</i> within sub-block gaps shall be -13 dBm/1 MHz.</p> <p>NOTE 2: For a <i>multi-band TAB connector</i> with <i>Inter RF Bandwidth gap</i> $< 2 \times \Delta f_{\text{OBUe}}$ MHz the <i>basic limit</i> within the <i>Inter RF Bandwidth gaps</i> is calculated as a cumulative sum of contributions from adjacent sub-blocks or <i>Base Station RF Bandwidth</i> on each side of the <i>Inter RF Bandwidth gap</i>, where the contribution from the far-end sub-block or <i>Base Station RF Bandwidth</i> shall be scaled according to the measurement bandwidth of the near-end sub-block or <i>Base Station RF Bandwidth</i>.</p> <p>NOTE 8: The requirement is not applicable when $\Delta f_{\text{max}} < 10 \text{ MHz}$.</p> | | | |

Table 6.6.5.5.2-7: Wide Area BS operating band unwanted emission limits for 3 MHz channel bandwidth (E-UTRA bands > 3 GHz) for Category A

| Frequency offset of measurement filter -3dB point, Δf | Frequency offset of measurement filter centre frequency, f_{offset} | <i>basic limit</i> (Notes 1 and 2) | Measurement bandwidth |
|---|--|---|-----------------------|
| $0 \text{ MHz} \leq \Delta f < 3 \text{ MHz}$ | $0.05 \text{ MHz} \leq f_{\text{offset}} < 3.05 \text{ MHz}$ | $-3.2 \text{ dBm} - \frac{10}{3} \cdot \left(\frac{f_{\text{offset}}}{\text{MHz}} - 0.05 \right) \text{ dB}$ | 100 kHz |
| $3 \text{ MHz} \leq \Delta f < 6 \text{ MHz}$ | $3.05 \text{ MHz} \leq f_{\text{offset}} < 6.05 \text{ MHz}$ | -13.2 dBm | 100 kHz |
| $6 \text{ MHz} \leq \Delta f \leq \Delta f_{\text{max}}$ | $6.5 \text{ MHz} \leq f_{\text{offset}} < f_{\text{offset}_{\text{max}}}$ | -13 dBm (Note 8) | 1 MHz |
| <p>NOTE 1: For a <i>TAB connector</i> supporting non-contiguous spectrum operation within any operating band the <i>basic limit</i> within sub-block gaps is calculated as a cumulative sum of contributions from adjacent sub blocks on each side of the sub block gap, where the contribution from the far-end sub-block shall be scaled according to the measurement bandwidth of the near-end sub-block. Exception is $\Delta f \geq 10 \text{ MHz}$ from both adjacent sub blocks on each side of the sub-block gap, where the <i>basic limit</i> within sub-block gaps shall be -13 dBm/1 MHz.</p> <p>NOTE 2: For a <i>multi-band TAB connector</i> with <i>Inter RF Bandwidth gap</i> $< 2 \times \Delta f_{\text{OBUe}}$ MHz the <i>basic limit</i> within the <i>Inter RF Bandwidth gaps</i> is calculated as a cumulative sum of contributions from adjacent sub-blocks or <i>Base Station RF Bandwidth</i> on each side of the <i>Inter RF Bandwidth gap</i>, where the contribution from the far-end sub-block or <i>Base Station RF Bandwidth</i> shall be scaled according to the measurement bandwidth of the near-end sub-block or <i>Base Station RF Bandwidth</i>.</p> <p>NOTE 8: The requirement is not applicable when $\Delta f_{\text{max}} < 10 \text{ MHz}$.</p> | | | |

Table 6.6.5.5.2-8: Wide Area BS operating band unwanted emission limits for 5, 10, 15 and 20 MHz channel bandwidth (1GHz < E-UTRA bands \leq 3 GHz) for Category A

| Frequency offset of measurement filter -3dB point, Δf | Frequency offset of measurement filter centre frequency, f_{offset} | <i>basic limit</i> (Notes 1 and 2) | Measurement bandwidth |
|---|---|--|-----------------------|
| $0 \text{ MHz} \leq \Delta f < 5 \text{ MHz}$ | $0.05 \text{ MHz} \leq f_{\text{offset}} < 5.05 \text{ MHz}$ | $-5.5 \text{ dBm} - \frac{7}{5} \cdot \left(\frac{f_{\text{offset}}}{\text{MHz}} - 0.05 \right) \text{ dB}$ | 100 kHz |
| $5 \text{ MHz} \leq \Delta f < \min(10 \text{ MHz}, \Delta f_{\text{max}})$ | $5.05 \text{ MHz} \leq f_{\text{offset}} < \min(10.05 \text{ MHz}, f_{\text{offset}_{\text{max}}})$ | -12.5 dBm | 100 kHz |
| $10 \text{ MHz} \leq \Delta f \leq \Delta f_{\text{max}}$ | $10.5 \text{ MHz} \leq f_{\text{offset}} < f_{\text{offset}_{\text{max}}}$ | -13 dBm (Note 8) | 1 MHz |
| <p>NOTE 1: For a <i>TAB connector</i> supporting non-contiguous spectrum operation within any operating band the <i>basic limit</i> within sub-block gaps is calculated as a cumulative sum of contributions from adjacent sub blocks on each side of the sub block gap, where the contribution from the far-end sub-block shall be scaled according to the measurement bandwidth of the near-end sub-block. Exception is $\Delta f \geq 10 \text{ MHz}$ from both adjacent sub blocks on each side of the sub-block gap, where the <i>basic limit</i> within sub-block gaps shall be -13 dBm/1 MHz.</p> <p>NOTE 2: For a <i>multi-band TAB connector</i> with <i>Inter RF Bandwidth gap</i> $< 2 \times \Delta f_{\text{OBUe}}$ MHz the <i>basic limit</i> within the <i>Inter RF Bandwidth gaps</i> is calculated as a cumulative sum of contributions from adjacent sub-blocks or <i>Base Station RF Bandwidth</i> on each side of the <i>Inter RF Bandwidth gap</i>, where the contribution from the far-end sub-block or <i>Base Station RF Bandwidth</i> shall be scaled according to the measurement bandwidth of the near-end sub-block or <i>Base Station RF Bandwidth</i>.</p> <p>NOTE 8: The requirement is not applicable when $\Delta f_{\text{max}} < 10 \text{ MHz}$.</p> | | | |

Table 6.6.5.5.2-9: Wide Area BS operating band unwanted emission limits for 5, 10, 15 and 20 MHz channel bandwidth (E-UTRA bands > 3 GHz) for Category A

| Frequency offset of measurement filter -3dB point, Δf | Frequency offset of measurement filter centre frequency, f_{offset} | <i>basic limit</i> (Notes 1 and 2) | Measurement bandwidth |
|---|---|--|-----------------------|
| $0 \text{ MHz} \leq \Delta f < 5 \text{ MHz}$ | $0.05 \text{ MHz} \leq f_{\text{offset}} < 5.05 \text{ MHz}$ | $-5.2 \text{ dBm} - \frac{7}{5} \cdot \left(\frac{f_{\text{offset}}}{\text{MHz}} - 0.05 \right) \text{ dB}$ | 100 kHz |
| $5 \text{ MHz} \leq \Delta f < \min(10 \text{ MHz}, \Delta f_{\text{max}})$ | $5.05 \text{ MHz} \leq f_{\text{offset}} < \min(10.05 \text{ MHz}, f_{\text{offset}_{\text{max}}})$ | -12.2 dBm | 100 kHz |
| $10 \text{ MHz} \leq \Delta f \leq \Delta f_{\text{max}}$ | $10.5 \text{ MHz} \leq f_{\text{offset}} < f_{\text{offset}_{\text{max}}}$ | -13 dBm (Note 8) | 1 MHz |
| NOTE 1: For a <i>TAB connector</i> supporting non-contiguous spectrum operation within any operating band the <i>basic limit</i> within sub-block gaps is calculated as a cumulative sum of contributions from adjacent sub blocks on each side of the sub block gap, where the contribution from the far-end sub-block shall be scaled according to the measurement bandwidth of the near-end sub-block. Exception is $\Delta f \geq 10 \text{ MHz}$ from both adjacent sub blocks on each side of the sub-block gap, where the <i>basic limit</i> within sub-block gaps shall be -13 dBm/1 MHz. | | | |
| NOTE 2: For a <i>multi-band TAB connector</i> with <i>Inter RF Bandwidth gap</i> $< 2 \times \Delta f_{\text{OBUE}}$ MHz the <i>basic limit</i> within the <i>Inter RF Bandwidth gaps</i> is calculated as a cumulative sum of contributions from adjacent sub-blocks or <i>Base Station RF Bandwidth</i> on each side of the <i>Inter RF Bandwidth gap</i> , where the contribution from the far-end sub-block or <i>Base Station RF Bandwidth</i> shall be scaled according to the measurement bandwidth of the near-end sub-block or <i>Base Station RF Bandwidth</i> . | | | |
| NOTE 8: The requirement is not applicable when $\Delta f_{\text{max}} < 10 \text{ MHz}$. | | | |

6.6.5.5.3 Basic limits for Wide Area BS Category B (Option1)

For Category B Operating band unwanted emissions, there are two options for the limits that may be applied regionally, option 1 is as follows. For E-UTRA *TAB connector* operating in Bands 5, 8, 12, 13, 14, 17, 20, 26, 27, 28, 29, 31, 44, 67, 68, 71, 72, 73 *basic limits* are specified in tables 6.6.5.5.3-1 to 6.6.5.5.3-3.

Table 6.6.5.5.3-1: Wide Area BS operating band unwanted emission limits for 1.4 MHz channel bandwidth (E-UTRA bands < 1 GHz) for Category B

| Frequency offset of measurement filter -3dB point, Δf | Frequency offset of measurement filter centre frequency, f_{offset} | <i>basic limit</i> (Notes 1 and 2) | Measurement bandwidth |
|---|--|---|-----------------------|
| $0 \text{ MHz} \leq \Delta f < 1.4 \text{ MHz}$ | $0.05 \text{ MHz} \leq f_{\text{offset}} < 1.45 \text{ MHz}$ | $+0.5 \text{ dBm} - \frac{10}{1.4} \cdot \left(\frac{f_{\text{offset}}}{\text{MHz}} - 0.05 \right) \text{ dB}$ | 100 kHz |
| $1.4 \text{ MHz} \leq \Delta f < 2.8 \text{ MHz}$ | $1.45 \text{ MHz} \leq f_{\text{offset}} < 2.85 \text{ MHz}$ | -9.5 dBm | 100 kHz |
| $2.8 \text{ MHz} \leq \Delta f \leq \Delta f_{\text{max}}$ | $2.85 \text{ MHz} \leq f_{\text{offset}} < f_{\text{offset}_{\text{max}}}$ | -16 dBm (Note 8) | 100 kHz |
| NOTE 1: For a <i>TAB connector</i> supporting non-contiguous spectrum operation within any operating band the <i>basic limit</i> within sub-block gaps is calculated as a cumulative sum of contributions from adjacent sub blocks on each side of the sub block gap. Exception is $\Delta f \geq 10 \text{ MHz}$ from both adjacent sub blocks on each side of the sub-block gap, where the <i>basic limit</i> within sub-block gaps shall be -16 dBm/100 kHz. | | | |
| NOTE 2: For a <i>multi-band TAB connector</i> with <i>Inter RF Bandwidth gap</i> $< 2 \times \Delta f_{\text{OBUE}}$ MHz the <i>basic limit</i> within the <i>Inter RF Bandwidth gaps</i> is calculated as a cumulative sum of contributions from adjacent sub-blocks or <i>Base Station RF Bandwidth</i> on each side of the <i>Inter RF Bandwidth gap</i> . | | | |
| NOTE 8: The requirement is not applicable when $\Delta f_{\text{max}} < 10 \text{ MHz}$. | | | |

Table 6.6.5.5.3-2: Wide Area BS operating band unwanted emission limits for 3 MHz channel bandwidth (E-UTRA bands < 1 GHz) for Category B

| Frequency offset of measurement filter -3dB point, Δf | Frequency offset of measurement filter centre frequency, f_{offset} | <i>basic limit</i> (Notes 1 and 2) | Measurement bandwidth |
|---|--|---|-----------------------|
| $0 \text{ MHz} \leq \Delta f < 3 \text{ MHz}$ | $0.05 \text{ MHz} \leq f_{\text{offset}} < 3.05 \text{ MHz}$ | $-3.5 \text{ dBm} - \frac{10}{3} \cdot \left(\frac{f_{\text{offset}}}{\text{MHz}} - 0.05 \right) \text{ dB}$ | 100 kHz |
| $3 \text{ MHz} \leq \Delta f < 6 \text{ MHz}$ | $3.05 \text{ MHz} \leq f_{\text{offset}} < 6.05 \text{ MHz}$ | -13.5 dBm | 100 kHz |
| $6 \text{ MHz} \leq \Delta f \leq \Delta f_{\text{max}}$ | $6.05 \text{ MHz} \leq f_{\text{offset}} < f_{\text{offset}_{\text{max}}}$ | -16 dBm (Note 8) | 100 kHz |

NOTE 1: For a *TAB connector* supporting non-contiguous spectrum operation within any operating band the *basic limit* within sub-block gaps is calculated as a cumulative sum of contributions from adjacent sub blocks on each side of the sub block gap. Exception is $\Delta f \geq 10 \text{ MHz}$ from both adjacent sub blocks on each side of the sub-block gap, where the *basic limit* within sub-block gaps shall be -16 dBm/100 kHz.

NOTE 2: For a *multi-band TAB connector* with *Inter RF Bandwidth gap* < $2 \times \Delta f_{\text{OBUE}}$ MHz the *basic limit* within the *Inter RF Bandwidth gaps* is calculated as a cumulative sum of contributions from adjacent sub-blocks or *Base Station RF Bandwidth* on each side of the *Inter RF Bandwidth gap*.

Table 6.6.5.5.3-3: Wide Area BS operating band unwanted emission limits for 5, 10, 15 and 20 MHz channel bandwidth (E-UTRA bands < 1 GHz) for Category B

| Frequency offset of measurement filter -3dB point, Δf | Frequency offset of measurement filter centre frequency, f_{offset} | <i>basic limit</i> (Notes 1 and 2) | Measurement bandwidth |
|---|---|--|-----------------------|
| $0 \text{ MHz} \leq \Delta f < 5 \text{ MHz}$ | $0.05 \text{ MHz} \leq f_{\text{offset}} < 5.05 \text{ MHz}$ | $-5.5 \text{ dBm} - \frac{7}{5} \cdot \left(\frac{f_{\text{offset}}}{\text{MHz}} - 0.05 \right) \text{ dB}$ | 100 kHz |
| $5 \text{ MHz} \leq \Delta f < \min(10 \text{ MHz}, \Delta f_{\text{max}})$ | $5.05 \text{ MHz} \leq f_{\text{offset}} < \min(10.05 \text{ MHz}, f_{\text{offset}_{\text{max}}})$ | -12.5 dBm | 100 kHz |
| $10 \text{ MHz} \leq \Delta f \leq \Delta f_{\text{max}}$ | $10.05 \text{ MHz} \leq f_{\text{offset}} < f_{\text{offset}_{\text{max}}}$ | -16 dBm (Note 8) | 100 kHz |

NOTE 1: For a *TAB connector* supporting non-contiguous spectrum operation within any operating band the *basic limit* within sub-block gaps is calculated as a cumulative sum of contributions from adjacent sub blocks on each side of the sub block gap. Exception is $\Delta f \geq 10 \text{ MHz}$ from both adjacent sub blocks on each side of the sub-block gap, where the *basic limit* within sub-block gaps shall be -16 dBm/100 kHz.

NOTE 2: For a *multi-band TAB connector* with *Inter RF Bandwidth gap* < $2 \times \Delta f_{\text{OBUE}}$ MHz the *basic limit* within the *Inter RF Bandwidth gaps* is calculated as a cumulative sum of contributions from adjacent sub-blocks or *Base Station RF Bandwidth* on each side of the *Inter RF Bandwidth gap*.

NOTE 8: The requirement is not applicable when $\Delta f_{\text{max}} < 10 \text{ MHz}$.

For E-UTRA *TAB connector* operating in Bands 1, 2, 3, 4, 7, 10, 25, 30, 33, 34, 35, 36, 37, 38, 39, 40, 41, 45, 48, 65, 66, 69, 70, *basic limits* are specified in tables 6.6.5.5.3-4, 6.6.5.5.3-6 and 6.6.5.5.3-8.

For E-UTRA *TAB connector* operating in Bands 22, 42, 43, 52 *basic limits* are specified in tables 6.6.5.5.3-5, 6.6.5.5.3-7 and 6.6.5.5.3-9.

Table 6.6.5.5.3-4: Wide Area BS operating band unwanted emission limits for 1.4 MHz channel bandwidth (1GHz < E-UTRA bands ≤ 3 GHz) for Category B

| Frequency offset of measurement filter -3dB point, Δf | Frequency offset of measurement filter centre frequency, f_{offset} | <i>basic limit</i> (Notes 1 and 2) | Measurement bandwidth |
|---|--|---|-----------------------|
| $0 \text{ MHz} \leq \Delta f < 1.4 \text{ MHz}$ | $0.05 \text{ MHz} \leq f_{\text{offset}} < 1.45 \text{ MHz}$ | $+0.5 \text{ dBm} - \frac{10}{1.4} \cdot \left(\frac{f_{\text{offset}}}{\text{MHz}} - 0.05 \right) \text{ dB}$ | 100 kHz |
| $1.4 \text{ MHz} \leq \Delta f < 2.8 \text{ MHz}$ | $1.45 \text{ MHz} \leq f_{\text{offset}} < 2.85 \text{ MHz}$ | -9.5 dBm | 100 kHz |
| $2.8 \text{ MHz} \leq \Delta f \leq \Delta f_{\text{max}}$ | $3.3 \text{ MHz} \leq f_{\text{offset}} < f_{\text{offset}_{\text{max}}}$ | -15 dBm (Note 8) | 1 MHz |
| NOTE 1: For a <i>TAB connector</i> supporting non-contiguous spectrum operation within any operating band the <i>basic limit</i> within sub-block gaps is calculated as a cumulative sum of contributions from adjacent sub blocks on each side of the sub block gap, where the contribution from the far-end sub-block shall be scaled according to the measurement bandwidth of the near-end sub-block. Exception is $\Delta f \geq 10 \text{ MHz}$ from both adjacent sub blocks on each side of the sub-block gap, where the <i>basic limit</i> within sub-block gaps shall be -15 dBm/1 MHz. | | | |
| NOTE 2: For a <i>multi-band TAB connector</i> with <i>Inter RF Bandwidth gap</i> < $2 \times \Delta f_{\text{OBUE}}$ MHz the <i>basic limit</i> within the <i>Inter RF Bandwidth gaps</i> is calculated as a cumulative sum of contributions from adjacent sub-blocks or <i>Base Station RF Bandwidth</i> on each side of the <i>Inter RF Bandwidth gap</i> , where the contribution from the far-end sub-block or <i>Base Station RF Bandwidth</i> shall be scaled according to the measurement bandwidth of the near-end sub-block or <i>Base Station RF Bandwidth</i> . | | | |
| NOTE 8: The requirement is not applicable when $\Delta f_{\text{max}} < 10 \text{ MHz}$. | | | |

Table 6.6.5.5.3-5: Wide Area BS operating band unwanted emission limits for 1.4 MHz channel bandwidth (E-UTRA bands > 3 GHz) for Category B

| Frequency offset of measurement filter -3dB point, Δf | Frequency offset of measurement filter centre frequency, f_{offset} | <i>basic limit</i> (Notes 1 and 2) | Measurement bandwidth |
|---|--|---|-----------------------|
| $0 \text{ MHz} \leq \Delta f < 1.4 \text{ MHz}$ | $0.05 \text{ MHz} \leq f_{\text{offset}} < 1.45 \text{ MHz}$ | $+0.8 \text{ dBm} - \frac{10}{1.4} \cdot \left(\frac{f_{\text{offset}}}{\text{MHz}} - 0.05 \right) \text{ dB}$ | 100 kHz |
| $1.4 \text{ MHz} \leq \Delta f < 2.8 \text{ MHz}$ | $1.45 \text{ MHz} \leq f_{\text{offset}} < 2.85 \text{ MHz}$ | -9.2 dBm | 100 kHz |
| $2.8 \text{ MHz} \leq \Delta f \leq \Delta f_{\text{max}}$ | $3.3 \text{ MHz} \leq f_{\text{offset}} < f_{\text{offset}_{\text{max}}}$ | -15 dBm (Note 8) | 1 MHz |
| NOTE 1: For a <i>TAB connector</i> supporting non-contiguous spectrum operation within any operating band the <i>basic limit</i> within sub-block gaps is calculated as a cumulative sum of contributions from adjacent sub blocks on each side of the sub block gap, where the contribution from the far-end sub-block shall be scaled according to the measurement bandwidth of the near-end sub-block. Exception is $\Delta f \geq 10 \text{ MHz}$ from both adjacent sub blocks on each side of the sub-block gap, where the <i>basic limit</i> within sub-block gaps shall be -15 dBm/1 MHz. | | | |
| NOTE 2: For a <i>multi-band TAB connector</i> with <i>Inter RF Bandwidth gap</i> < $2 \times \Delta f_{\text{OBUE}}$ MHz the <i>basic limit</i> within the <i>Inter RF Bandwidth gaps</i> is calculated as a cumulative sum of contributions from adjacent sub-blocks or <i>Base Station RF Bandwidth</i> on each side of the <i>Inter RF Bandwidth gap</i> , where the contribution from the far-end sub-block or <i>Base Station RF Bandwidth</i> shall be scaled according to the measurement bandwidth of the near-end sub-block or <i>Base Station RF Bandwidth</i> . | | | |
| NOTE 8: The requirement is not applicable when $\Delta f_{\text{max}} < 10 \text{ MHz}$. | | | |

Table 6.6.5.5.3-6: Wide Area BS operating band unwanted emission limits for 3 MHz channel bandwidth (1GHz < E-UTRA bands ≤ 3 GHz) for Category B

| Frequency offset of measurement filter -3dB point, Δf | Frequency offset of measurement filter centre frequency, f_offset | basic limit (Notes 1 and 2) | Measurement bandwidth |
|--|---|--|-----------------------|
| 0 MHz ≤ Δf < 3 MHz | 0.05 MHz ≤ f_offset < 3.05 MHz | $-3.5\text{dBm} - \frac{10}{3} \cdot \left(\frac{f_offset}{\text{MHz}} - 0.05 \right) \text{dB}$ | 100 kHz |
| 3 MHz ≤ Δf < 6 MHz | 3.05 MHz ≤ f_offset < 6.05 MHz | -13.5 dBm | 100 kHz |
| 6 MHz ≤ Δf ≤ Δf _{max} | 6.5 MHz ≤ f_offset < f_offset _{max} | -15 dBm (Note 8) | 1 MHz |
| <p>NOTE 1: For a <i>TAB connector</i> supporting non-contiguous spectrum operation within any operating band the <i>basic limit</i> within sub-block gaps is calculated as a cumulative sum of contributions from adjacent sub blocks on each side of the sub block gap, where the contribution from the far-end sub-block shall be scaled according to the measurement bandwidth of the near-end sub-block. Exception is Δf ≥ 10 MHz from both adjacent sub blocks on each side of the sub-block gap, where the <i>basic limit</i> within sub-block gaps shall be -15 dBm/1 MHz.</p> <p>NOTE 2: For a <i>multi-band TAB connector</i> with <i>Inter RF Bandwidth gap</i> < 2×Δf_{OBUE} MHz the <i>basic limit</i> within the <i>Inter RF Bandwidth gaps</i> is calculated as a cumulative sum of contributions from adjacent sub-blocks or <i>Base Station RF Bandwidth</i> on each side of the <i>Inter RF Bandwidth gap</i>, where the contribution from the far-end sub-block or <i>Base Station RF Bandwidth</i> shall be scaled according to the measurement bandwidth of the near-end sub-block or <i>Base Station RF Bandwidth</i>.</p> <p>NOTE 8: The requirement is not applicable when Δf_{max} < 10 MHz.</p> | | | |

Table 6.6.5.5.3-7: Wide Area BS operating band unwanted emission limits for 3 MHz channel bandwidth (E-UTRA bands > 3 GHz) for Category B

| Frequency offset of measurement filter -3dB point, Δf | Frequency offset of measurement filter centre frequency, f_offset | basic limit (Notes 1 and 2) | Measurement bandwidth |
|--|---|--|-----------------------|
| 0 MHz ≤ Δf < 3 MHz | 0.05 MHz ≤ f_offset < 3.05 MHz | $-3.2\text{dBm} - \frac{10}{3} \cdot \left(\frac{f_offset}{\text{MHz}} - 0.05 \right) \text{dB}$ | 100 kHz |
| 3 MHz ≤ Δf < 6 MHz | 3.05 MHz ≤ f_offset < 6.05 MHz | -13.2 dBm | 100 kHz |
| 6 MHz ≤ Δf ≤ Δf _{max} | 6.5 MHz ≤ f_offset < f_offset _{max} | -15 dBm (Note 8) | 1 MHz |
| <p>NOTE 1: For a <i>TAB connector</i> supporting non-contiguous spectrum operation within any operating band the <i>basic limit</i> within sub-block gaps is calculated as a cumulative sum of contributions from adjacent sub blocks on each side of the sub block gap, where the contribution from the far-end sub-block shall be scaled according to the measurement bandwidth of the near-end sub-block. Exception is Δf ≥ 10 MHz from both adjacent sub blocks on each side of the sub-block gap, where the <i>basic limit</i> within sub-block gaps shall be -15 dBm/1 MHz.</p> <p>NOTE 2: For a <i>multi-band TAB connector</i> with <i>Inter RF Bandwidth gap</i> < 2×Δf_{OBUE} MHz the <i>basic limit</i> within the <i>Inter RF Bandwidth gaps</i> is calculated as a cumulative sum of contributions from adjacent sub-blocks or <i>Base Station RF Bandwidth</i> on each side of the <i>Inter RF Bandwidth gap</i>, where the contribution from the far-end sub-block or <i>Base Station RF Bandwidth</i> shall be scaled according to the measurement bandwidth of the near-end sub-block or <i>Base Station RF Bandwidth</i>.</p> <p>NOTE 8: The requirement is not applicable when Δf_{max} < 10 MHz.</p> | | | |

Table 6.6.5.5.3-8: Wide Area BS operating band unwanted emission limits for 5, 10, 15 and 20 MHz channel bandwidth (1GHz < E-UTRA bands ≤ 3 GHz) for Category B

| Frequency offset of measurement filter -3dB point, Δf | Frequency offset of measurement filter centre frequency, f_{offset} | <i>basic limit</i> (Notes 1 and 2) | Measurement bandwidth |
|---|---|--|-----------------------|
| $0 \text{ MHz} \leq \Delta f < 5 \text{ MHz}$ | $0.05 \text{ MHz} \leq f_{\text{offset}} < 5.05 \text{ MHz}$ | $-5.5 \text{ dBm} - \frac{7}{5} \cdot \left(\frac{f_{\text{offset}}}{\text{MHz}} - 0.05 \right) \text{ dB}$ | 100 kHz |
| $5 \text{ MHz} \leq \Delta f < \min(10 \text{ MHz}, \Delta f_{\text{max}})$ | $5.05 \text{ MHz} \leq f_{\text{offset}} < \min(10.05 \text{ MHz}, f_{\text{offset}_{\text{max}}})$ | -12.5 dBm | 100 kHz |
| $10 \text{ MHz} \leq \Delta f \leq \Delta f_{\text{max}}$ | $10.5 \text{ MHz} \leq f_{\text{offset}} < f_{\text{offset}_{\text{max}}}$ | -15 dBm (Note 8) | 1 MHz |
| NOTE 1: For a <i>TAB connector</i> supporting non-contiguous spectrum operation within any operating band the <i>basic limit</i> within sub-block gaps is calculated as a cumulative sum of contributions from adjacent sub blocks on each side of the sub block gap, where the contribution from the far-end sub-block shall be scaled according to the measurement bandwidth of the near-end sub-block. Exception is $\Delta f \geq 10 \text{ MHz}$ from both adjacent sub blocks on each side of the sub-block gap, where the <i>basic limit</i> within sub-block gaps shall be -15 dBm/1 MHz. | | | |
| NOTE 2: For a <i>multi-band TAB connector</i> with <i>Inter RF Bandwidth gap</i> < $2 \times \Delta f_{\text{OBUe}}$ MHz the <i>basic limit</i> within the <i>Inter RF Bandwidth gaps</i> is calculated as a cumulative sum of contributions from adjacent sub-blocks or <i>Base Station RF Bandwidth</i> on each side of the <i>Inter RF Bandwidth gap</i> , where the contribution from the far-end sub-block or <i>Base Station RF Bandwidth</i> shall be scaled according to the measurement bandwidth of the near-end sub-block or <i>Base Station RF Bandwidth</i> . | | | |
| NOTE 8: The requirement is not applicable when $\Delta f_{\text{max}} < 10 \text{ MHz}$. | | | |

Table 6.6.5.5.3-9: Wide Area BS operating band unwanted emission limits for 5, 10, 15 and 20 MHz channel bandwidth (E-UTRA bands > 3 GHz) for Category B

| Frequency offset of measurement filter -3dB point, Δf | Frequency offset of measurement filter centre frequency, f_{offset} | <i>basic limit</i> (Notes 1 and 2) | Measurement bandwidth |
|---|---|--|-----------------------|
| $0 \text{ MHz} \leq \Delta f < 5 \text{ MHz}$ | $0.05 \text{ MHz} \leq f_{\text{offset}} < 5.05 \text{ MHz}$ | $-5.2 \text{ dBm} - \frac{7}{5} \cdot \left(\frac{f_{\text{offset}}}{\text{MHz}} - 0.05 \right) \text{ dB}$ | 100 kHz |
| $5 \text{ MHz} \leq \Delta f < \min(10 \text{ MHz}, \Delta f_{\text{max}})$ | $5.05 \text{ MHz} \leq f_{\text{offset}} < \min(10.05 \text{ MHz}, f_{\text{offset}_{\text{max}}})$ | -12.2 dBm | 100 kHz |
| $10 \text{ MHz} \leq \Delta f \leq \Delta f_{\text{max}}$ | $10.5 \text{ MHz} \leq f_{\text{offset}} < f_{\text{offset}_{\text{max}}}$ | -15 dBm (Note 8) | 1 MHz |
| NOTE 1: For a <i>TAB connector</i> supporting non-contiguous spectrum operation within any operating band the <i>basic limit</i> within sub-block gaps is calculated as a cumulative sum of contributions from adjacent sub blocks on each side of the sub block gap, where the contribution from the far-end sub-block shall be scaled according to the measurement bandwidth of the near-end sub-block. Exception is $\Delta f \geq 10 \text{ MHz}$ from both adjacent sub blocks on each side of the sub-block gap, where the <i>basic limit</i> within sub-block gaps shall be -15 dBm/1 MHz. | | | |
| NOTE 2: For a <i>multi-band TAB connector</i> with <i>Inter RF Bandwidth gap</i> < $2 \times \Delta f_{\text{OBUe}}$ MHz the <i>basic limit</i> within the <i>Inter RF Bandwidth gaps</i> is calculated as a cumulative sum of contributions from adjacent sub-blocks or <i>Base Station RF Bandwidth</i> on each side of the <i>Inter RF Bandwidth gap</i> , where the contribution from the far-end sub-block or <i>Base Station RF Bandwidth</i> shall be scaled according to the measurement bandwidth of the near-end sub-block or <i>Base Station RF Bandwidth</i> . | | | |
| NOTE 8: The requirement is not applicable when $\Delta f_{\text{max}} < 10 \text{ MHz}$. | | | |

6.6.5.5.4 Basic limits for Wide Area BS Category B (Option 2)

For Category B Operating band unwanted emissions, there are two options for the limits that may be applied regionally, option 2 is as follows.

The limits in this subclause are intended for Europe and may be applied regionally for a *TAB connector* operating in band 1, 3, 8, 32, 33, 34 or 65.

For a *TAB connector* operating in band 1, 3, 8, 32, 33, 34 or 65, *basic limits* are specified in table 6.6.5.5.4-1 below for 5, 10, 15 and 20 MHz channel bandwidth.

Table 6.6.5.5.4-1: Regional Wide Area BS operating band unwanted emission limits in band 1, 3, 8, 32, 33, 34 or 65 for 5, 10, 15 and 20 MHz channel bandwidth for Category B

| Frequency offset of measurement filter -3dB point, Δf | Frequency offset of measurement filter centre frequency, f_{offset} | <i>basic limit</i> (Notes 1 and 2) | Measurement bandwidth |
|---|---|---|-----------------------|
| $0 \text{ MHz} \leq \Delta f < 0.2 \text{ MHz}$ | $0.015 \text{ MHz} \leq f_{\text{offset}} < 0.215 \text{ MHz}$ | -12.5 dBm | 30 kHz |
| $0.2 \text{ MHz} \leq \Delta f < 1 \text{ MHz}$ | $0.215 \text{ MHz} \leq f_{\text{offset}} < 1.015 \text{ MHz}$ | $-12.5 \text{ dBm} - 15 \cdot \left(\frac{f_{\text{offset}}}{\text{MHz}} - 0.215 \right) \text{ dB}$ | 30 kHz |
| (Note 7) | $1.015 \text{ MHz} \leq f_{\text{offset}} < 1.5 \text{ MHz}$ | -24.5 dBm | 30 kHz |
| $1 \text{ MHz} \leq \Delta f \leq \min(10 \text{ MHz}, \Delta f_{\text{max}})$ | $1.5 \text{ MHz} \leq f_{\text{offset}} < \min(10.5 \text{ MHz}, f_{\text{offset}_{\text{max}}})$ | -11.5 dBm | 1 MHz |
| $10 \text{ MHz} \leq \Delta f \leq \Delta f_{\text{max}}$ | $10.5 \text{ MHz} \leq f_{\text{offset}} < f_{\text{offset}_{\text{max}}}$ | -15 dBm (Note 8) | 1 MHz |
| NOTE 1: For a <i>TAB connector</i> supporting non-contiguous spectrum operation within any operating band the <i>basic limit</i> within sub-block gaps is calculated as a cumulative sum of contributions from adjacent sub blocks on each side of the sub block gap, where the contribution from the far-end sub-block shall be scaled according to the measurement bandwidth of the near-end sub-block. Exception is $\Delta f \geq 10 \text{ MHz}$ from both adjacent sub blocks on each side of the sub-block gap, where the <i>basic limit</i> within sub-block gaps shall be -15 dBm/1 MHz. | | | |
| NOTE 2: For a <i>multi-band TAB connector</i> with <i>Inter RF Bandwidth gap</i> $< 2 \times \Delta f_{\text{BUE}}$ MHz the <i>basic limit</i> within the <i>Inter RF Bandwidth gaps</i> is calculated as a cumulative sum of contributions from adjacent sub-blocks or <i>Base Station RF Bandwidth</i> on each side of the <i>Inter RF Bandwidth gap</i> , where the contribution from the far-end sub-block or <i>Base Station RF Bandwidth</i> shall be scaled according to the measurement bandwidth of the near-end sub-block or <i>Base Station RF Bandwidth</i> . | | | |
| NOTE 7: This frequency range ensures that the range of values of f_{offset} is continuous. | | | |
| NOTE 8: The requirement is not applicable when $\Delta f_{\text{max}} < 10 \text{ MHz}$. | | | |

For a *TAB connector* operating in band 3, 8 or 65, *basic limits* are specified in table 6.6.5.5.4-2 for 3 MHz channel bandwidth.

Table 6.6.5.5.4-2: Regional Wide Area BS operating band unwanted emission limits in band 3, 8 or 65 for 3 MHz channel bandwidth for Category B

| Frequency offset of measurement filter -3dB point, Δf | Frequency offset of measurement filter centre frequency, f_{offset} | <i>basic limit</i> (Notes 1 and 2) | Measurement bandwidth |
|---|--|---|-----------------------|
| $0 \text{ MHz} \leq \Delta f < 0.05 \text{ MHz}$ | $0.015 \text{ MHz} \leq f_{\text{offset}} < 0.065 \text{ MHz}$ | $6.5 \text{ dBm} - 60 \cdot \left(\frac{f_{\text{offset}}}{\text{MHz}} - 0.015 \right) \text{ dB}$ | 30 kHz |
| $0.05 \text{ MHz} \leq \Delta f < 0.15 \text{ MHz}$ | $0.065 \text{ MHz} \leq f_{\text{offset}} < 0.165 \text{ MHz}$ | $3.5 \text{ dBm} - 160 \cdot \left(\frac{f_{\text{offset}}}{\text{MHz}} - 0.065 \right) \text{ dB}$ | 30 kHz |
| $0.15 \text{ MHz} \leq \Delta f < 0.2 \text{ MHz}$ | $0.165 \text{ MHz} \leq f_{\text{offset}} < 0.215 \text{ MHz}$ | -12.5 dBm | 30 kHz |
| $0.2 \text{ MHz} \leq \Delta f < 1 \text{ MHz}$ | $0.215 \text{ MHz} \leq f_{\text{offset}} < 1.015 \text{ MHz}$ | $-12.5 \text{ dBm} - 15 \cdot \left(\frac{f_{\text{offset}}}{\text{MHz}} - 0.215 \right) \text{ dB}$ | 30 kHz |
| (Note 7) | $1.015 \text{ MHz} \leq f_{\text{offset}} < 1.5 \text{ MHz}$ | -24.5 dBm | 30 kHz |
| $1 \text{ MHz} \leq \Delta f \leq 6 \text{ MHz}$ | $1.5 \text{ MHz} \leq f_{\text{offset}} < 6.5 \text{ MHz}$, | -11.5 dBm | 1 MHz |
| $6 \text{ MHz} \leq \Delta f \leq \Delta f_{\text{max}}$ | $6.5 \text{ MHz} \leq f_{\text{offset}} < f_{\text{offset}_{\text{max}}}$ | -15 dBm (Note 8) | 1 MHz |
| NOTE 1: For a <i>TAB connector</i> supporting non-contiguous spectrum operation within any operating band the <i>basic limit</i> within sub-block gaps is calculated as a cumulative sum of contributions from adjacent sub blocks on each side of the sub block gap, where the contribution from the far-end sub-block shall be scaled according to the measurement bandwidth of the near-end sub-block. Exception is $\Delta f \geq 10 \text{ MHz}$ from both adjacent sub blocks on each side of the sub-block gap, where the <i>basic limit</i> within sub-block gaps shall be -15 dBm/1 MHz. | | | |
| NOTE 2: For a <i>multi-band TAB connector</i> with <i>Inter RF Bandwidth gap</i> $< 2 \times \Delta f_{\text{BUE}}$ MHz the <i>basic limit</i> within the <i>Inter RF Bandwidth gaps</i> is calculated as a cumulative sum of contributions from adjacent sub-blocks or <i>Base Station RF Bandwidth</i> on each side of the <i>Inter RF Bandwidth gap</i> , where the contribution from the far-end sub-block or <i>Base Station RF Bandwidth</i> shall be scaled according to the measurement bandwidth of the near-end sub-block or <i>Base Station RF Bandwidth</i> . | | | |
| NOTE 7: This frequency range ensures that the range of values of f_{offset} is continuous. | | | |
| NOTE 8: The requirement is not applicable when $\Delta f_{\text{max}} < 10 \text{ MHz}$. | | | |

For a BS operating in band 3, 8 or 65, *basic limits* are specified in table 6.6.5.5.4-3 for 1.4 MHz channel bandwidth.

Table 6.6.5.5.4-3: Regional Wide Area BS operating band unwanted emission limits in band 3, 8 or 65 for 1.4 MHz channel bandwidth for Category B

| Frequency offset of measurement filter -3dB point, Δf | Frequency offset of measurement filter centre frequency, f_{offset} | <i>basic limit</i> (Notes 1 and 2) | Measurement bandwidth |
|---|--|---|-----------------------|
| $0 \text{ MHz} \leq \Delta f < 0.05 \text{ MHz}$ | $0.015 \text{ MHz} \leq f_{\text{offset}} < 0.065 \text{ MHz}$ | $6.5 \text{ dBm} - 60 \cdot \left(\frac{f_{\text{offset}}}{\text{MHz}} - 0.015 \right) \text{ dB}$ | 30 kHz |
| $0.05 \text{ MHz} \leq \Delta f < 0.15 \text{ MHz}$ | $0.065 \text{ MHz} \leq f_{\text{offset}} < 0.165 \text{ MHz}$ | $3.5 \text{ dBm} - 160 \cdot \left(\frac{f_{\text{offset}}}{\text{MHz}} - 0.065 \right) \text{ dB}$ | 30 kHz |
| $0.15 \text{ MHz} \leq \Delta f < 0.2 \text{ MHz}$ | $0.165 \text{ MHz} \leq f_{\text{offset}} < 0.215 \text{ MHz}$ | -12.5 dBm | 30 kHz |
| $0.2 \text{ MHz} \leq \Delta f < 1 \text{ MHz}$ | $0.215 \text{ MHz} \leq f_{\text{offset}} < 1.015 \text{ MHz}$ | $-12.5 \text{ dBm} - 15 \cdot \left(\frac{f_{\text{offset}}}{\text{MHz}} - 0.215 \right) \text{ dB}$ | 30 kHz |
| (Note 7) | $1.015 \text{ MHz} \leq f_{\text{offset}} < 1.5 \text{ MHz}$ | -24.5 dBm | 30 kHz |
| $1 \text{ MHz} \leq \Delta f \leq 2.8 \text{ MHz}$ | $1.5 \text{ MHz} \leq f_{\text{offset}} < 3.3 \text{ MHz}$ | -11.5 dBm | 1 MHz |
| $2.8 \text{ MHz} \leq \Delta f \leq \Delta f_{\text{max}}$ | $3.3 \text{ MHz} \leq f_{\text{offset}} < f_{\text{offset}_{\text{max}}}$ | -15 dBm (Note 8) | 1 MHz |

NOTE 1: For a *TAB connector* supporting non-contiguous spectrum operation within any operating band the *basic limit* within sub-block gaps is calculated as a cumulative sum of contributions from adjacent sub blocks on each side of the sub block gap, where the contribution from the far-end sub-block shall be scaled according to the measurement bandwidth of the near-end sub-block. Exception is $\Delta f \geq 10$ MHz from both adjacent sub blocks on each side of the sub-block gap, where the *basic limit* within sub-block gaps shall be -15 dBm/1 MHz.

NOTE 2: For a *multi-band TAB connector* with *Inter RF Bandwidth gap* $< 2 \times \Delta f_{\text{OBUe}}$ MHz the *basic limit* within the *Inter RF Bandwidth gaps* is calculated as a cumulative sum of contributions from adjacent sub-blocks or *Base Station RF Bandwidth* on each side of the *Inter RF Bandwidth gap*, where the contribution from the far-end sub-block or *Base Station RF Bandwidth* shall be scaled according to the measurement bandwidth of the near-end sub-block or *Base Station RF Bandwidth*.

NOTE 7: This frequency range ensures that the range of values of f_{offset} is continuous.

NOTE 8: The requirement is not applicable when $\Delta f_{\text{max}} < 10$ MHz.

6.6.5.5.5 Basic limits for Local Area BS (Category A and B)

For an AAS BS of Local Area BS class in E-UTRA bands ≤ 3 GHz, *basic limits* are specified in tables 6.6.5.5.5-1, 6.6.5.5.5-3 and 6.6.5.5.5-5.

For an AAS BS of Local Area BS class in E-UTRA bands > 3 GHz, *basic limits* are specified in tables 6.6.5.5.5-2, 6.6.5.5.5-4 and 6.6.5.5.5-6.

Table 6.6.5.5.5-1: Local Area BS operating band unwanted emission limits for 1.4 MHz channel bandwidth (E-UTRA bands ≤ 3 GHz)

| Frequency offset of measurement filter -3dB point, Δf | Frequency offset of measurement filter centre frequency, f_{offset} | <i>basic limit</i> (Notes 1 and 2) | Measurement bandwidth |
|---|--|--|-----------------------|
| $0 \text{ MHz} \leq \Delta f < 1.4 \text{ MHz}$ | $0.05 \text{ MHz} \leq f_{\text{offset}} < 1.45 \text{ MHz}$ | $-19.5 \text{ dBm} - \frac{10}{1.4} \left(\frac{f_{\text{offset}}}{\text{MHz}} - 0.05 \right) \text{ dB}$ | 100 kHz |
| $1.4 \text{ MHz} \leq \Delta f < 2.8 \text{ MHz}$ | $1.45 \text{ MHz} \leq f_{\text{offset}} < 2.85 \text{ MHz}$ | -29.5 dBm | 100 kHz |
| $2.8 \text{ MHz} \leq \Delta f \leq \Delta f_{\text{max}}$ | $2.85 \text{ MHz} \leq f_{\text{offset}} < f_{\text{offset}_{\text{max}}}$ | -31 dBm (Note 8) | 100 kHz |

NOTE 1: For a *TAB connector* supporting non-contiguous spectrum operation within any operating band the *basic limit* within sub-block gaps is calculated as a cumulative sum of contributions from adjacent sub blocks on each side of the sub block gap. Exception is $\Delta f \geq 10$ MHz from both adjacent sub blocks on each side of the sub-block gap, where the *basic limit* within sub-block gaps shall be -31 dBm/100 kHz.

NOTE 2: For a *multi-band TAB connector* with *Inter RF Bandwidth gap* $< 2 \times \Delta f_{\text{OBUe}}$ MHz the *basic limit* within the *Inter RF Bandwidth gaps* is calculated as a cumulative sum of contributions from adjacent sub-blocks or *Base Station RF Bandwidth* on each side of the *Inter RF Bandwidth gap*.

NOTE 8: The requirement is not applicable when $\Delta f_{\text{max}} < 10$ MHz.

Table 6.6.5.5.5-2: Local Area BS operating band unwanted emission limits for 1.4 MHz channel bandwidth (E-UTRA bands > 3 GHz)

| Frequency offset of measurement filter -3dB point, Δf | Frequency offset of measurement filter centre frequency, f_{offset} | <i>basic limit</i> (Notes 1 and 2) | Measurement bandwidth |
|---|--|--|-----------------------|
| $0 \text{ MHz} \leq \Delta f < 1.4 \text{ MHz}$ | $0.05 \text{ MHz} \leq f_{\text{offset}} < 1.45 \text{ MHz}$ | $-19.2 \text{ dBm} - \frac{10}{1.4} \left(\frac{f_{\text{offset}}}{\text{MHz}} - 0.05 \right) \text{ dB}$ | 100 kHz |
| $1.4 \text{ MHz} \leq \Delta f < 2.8 \text{ MHz}$ | $1.45 \text{ MHz} \leq f_{\text{offset}} < 2.85 \text{ MHz}$ | -29.2 dBm | 100 kHz |
| $2.8 \text{ MHz} \leq \Delta f \leq \Delta f_{\text{max}}$ | $2.85 \text{ MHz} \leq f_{\text{offset}} < f_{\text{offset}_{\text{max}}}$ | -31 dBm (Note 8) | 100 kHz |

NOTE 1: For a *TAB connector* supporting non-contiguous spectrum operation within any operating band the *basic limit* within sub-block gaps is calculated as a cumulative sum of contributions from adjacent sub blocks on each side of the sub block gap. Exception is $\Delta f \geq 10$ MHz from both adjacent sub blocks on each side of the sub-block gap, where the *basic limit* within sub-block gaps shall be -31 dBm/100 kHz.

NOTE 2: For a *multi-band TAB connector* with *Inter RF Bandwidth gap* < $2 \times \Delta f_{\text{OBUe}}$ MHz the *basic limit* within the *Inter RF Bandwidth gaps* is calculated as a cumulative sum of contributions from adjacent sub-blocks or *Base Station RF Bandwidth* on each side of the *Inter RF Bandwidth gap*.

NOTE 8: The requirement is not applicable when $\Delta f_{\text{max}} < 10$ MHz.

Table 6.6.5.5.5-3: Local Area BS operating band unwanted emission limits for 3 MHz channel bandwidth (E-UTRA bands ≤ 3 GHz)

| Frequency offset of measurement filter -3dB point, Δf | Frequency offset of measurement filter centre frequency, f_{offset} | <i>basic limit</i> (Notes 1 and 2) | Measurement bandwidth |
|---|--|--|-----------------------|
| $0 \text{ MHz} \leq \Delta f < 3 \text{ MHz}$ | $0.05 \text{ MHz} \leq f_{\text{offset}} < 3.05 \text{ MHz}$ | $-23.5 \text{ dBm} - \frac{10}{3} \left(\frac{f_{\text{offset}}}{\text{MHz}} - 0.05 \right) \text{ dB}$ | 100 kHz |
| $3 \text{ MHz} \leq \Delta f < 6 \text{ MHz}$ | $3.05 \text{ MHz} \leq f_{\text{offset}} < 6.05 \text{ MHz}$ | -33.5 dBm | 100 kHz |
| $6 \text{ MHz} \leq \Delta f \leq \Delta f_{\text{max}}$ | $6.05 \text{ MHz} \leq f_{\text{offset}} < f_{\text{offset}_{\text{max}}}$ | -35 dBm (Note 8) | 100 kHz |

NOTE 1: For a *TAB connector* supporting non-contiguous spectrum operation within any operating band the *basic limit* within sub-block gaps is calculated as a cumulative sum of contributions from adjacent sub blocks on each side of the sub block gap. Exception is $\Delta f \geq 10$ MHz from both adjacent sub blocks on each side of the sub-block gap, where the *basic limit* within sub-block gaps shall be -35 dBm/100 kHz.

NOTE 2: For a *multi-band TAB connector* with *Inter RF Bandwidth gap* < $2 \times \Delta f_{\text{OBUe}}$ MHz the *basic limit* within the *Inter RF Bandwidth gaps* is calculated as a cumulative sum of contributions from adjacent sub-blocks or *Base Station RF Bandwidth* on each side of the *Inter RF Bandwidth gap*.

NOTE 8: The requirement is not applicable when $\Delta f_{\text{max}} < 10$ MHz.

Table 6.6.5.5.5-4: Local Area BS operating band unwanted emission limits for 3 MHz channel bandwidth (E-UTRA bands > 3 GHz)

| Frequency offset of measurement filter -3dB point, Δf | Frequency offset of measurement filter centre frequency, f_{offset} | <i>basic limit</i> (Notes 1 and 2) | Measurement bandwidth |
|---|--|--|-----------------------|
| $0 \text{ MHz} \leq \Delta f < 3 \text{ MHz}$ | $0.05 \text{ MHz} \leq f_{\text{offset}} < 3.05 \text{ MHz}$ | $-23.2 \text{ dBm} - \frac{10}{3} \left(\frac{f_{\text{offset}}}{\text{MHz}} - 0.05 \right) \text{ dB}$ | 100 kHz |
| $3 \text{ MHz} \leq \Delta f < 6 \text{ MHz}$ | $3.05 \text{ MHz} \leq f_{\text{offset}} < 6.05 \text{ MHz}$ | -33.2 dBm | 100 kHz |
| $6 \text{ MHz} \leq \Delta f \leq \Delta f_{\text{max}}$ | $6.05 \text{ MHz} \leq f_{\text{offset}} < f_{\text{offset}_{\text{max}}}$ | -35 dBm (Note 8) | 100 kHz |

NOTE 1: For a *TAB connector* supporting non-contiguous spectrum operation within any operating band the *basic limit* within sub-block gaps is calculated as a cumulative sum of contributions from adjacent sub blocks on each side of the sub block gap. Exception is $\Delta f \geq 10$ MHz from both adjacent sub blocks on each side of the sub-block gap, where the *basic limit* within sub-block gaps shall be -35 dBm/100 kHz.

NOTE 2: For a *multi-band TAB connector* with *Inter RF Bandwidth gap* < $2 \times \Delta f_{\text{OBUe}}$ MHz the *basic limit* within the *Inter RF Bandwidth gaps* is calculated as a cumulative sum of contributions from adjacent sub-blocks or *Base Station RF Bandwidth* on each side of the *Inter RF Bandwidth gap*.

NOTE 8: The requirement is not applicable when $\Delta f_{\text{max}} < 10$ MHz.

Table 6.6.5.5.5-5: Local Area BS operating band unwanted emission limits for 5, 10, 15 and 20 MHz channel bandwidth (E-UTRA bands ≤ 3 GHz)

| Frequency offset of measurement filter -3dB point, Δf | Frequency offset of measurement filter centre frequency, f_{offset} | <i>basic limit</i> (Notes 1 and 2) | Measurement bandwidth |
|---|---|---|-----------------------|
| $0 \text{ MHz} \leq \Delta f < 5 \text{ MHz}$ | $0.05 \text{ MHz} \leq f_{\text{offset}} < 5.05 \text{ MHz}$ | $-28.5 \text{ dBm} - \frac{7}{5} \left(\frac{f_{\text{offset}}}{\text{MHz}} - 0.05 \right) \text{ dB}$ | 100 kHz |
| $5 \text{ MHz} \leq \Delta f < \min(10 \text{ MHz}, \Delta f_{\text{max}})$ | $5.05 \text{ MHz} \leq f_{\text{offset}} < \min(10.05 \text{ MHz}, f_{\text{offset}_{\text{max}}})$ | -35.5 dBm | 100 kHz |
| $10 \text{ MHz} \leq \Delta f \leq \Delta f_{\text{max}}$ | $10.05 \text{ MHz} \leq f_{\text{offset}} < f_{\text{offset}_{\text{max}}}$ | -37 dBm (Note 8) | 100 kHz |
| NOTE 1: For a <i>TAB connector</i> supporting non-contiguous spectrum operation within any operating band the <i>basic limit</i> within sub-block gaps is calculated as a cumulative sum of contributions from adjacent sub blocks on each side of the sub block gap. Exception is $\Delta f \geq 10 \text{ MHz}$ from both adjacent sub blocks on each side of the sub-block gap, where the <i>basic limit</i> within sub-block gaps shall be -37 dBm/100 kHz. | | | |
| NOTE 2: For a <i>multi-band TAB connector</i> with <i>Inter RF Bandwidth gap</i> $< 2 \times \Delta f_{\text{OBUE}}$ MHz the <i>basic limit</i> within the <i>Inter RF Bandwidth gaps</i> is calculated as a cumulative sum of contributions from adjacent sub-blocks or <i>Base Station RF Bandwidth</i> on each side of the <i>Inter RF Bandwidth gap</i> . | | | |
| NOTE 8: The requirement is not applicable when $\Delta f_{\text{max}} < 10 \text{ MHz}$. | | | |

Table 6.6.5.5.5-6: Local Area BS operating band unwanted emission limits for 5, 10, 15 and 20 MHz channel bandwidth (E-UTRA bands > 3 GHz)

| Frequency offset of measurement filter -3dB point, Δf | Frequency offset of measurement filter centre frequency, f_{offset} | <i>basic limit</i> (Notes 1 and 2) | Measurement bandwidth |
|---|---|---|-----------------------|
| $0 \text{ MHz} \leq \Delta f < 5 \text{ MHz}$ | $0.05 \text{ MHz} \leq f_{\text{offset}} < 5.05 \text{ MHz}$ | $-28.2 \text{ dBm} - \frac{7}{5} \left(\frac{f_{\text{offset}}}{\text{MHz}} - 0.05 \right) \text{ dB}$ | 100 kHz |
| $5 \text{ MHz} \leq \Delta f < \min(10 \text{ MHz}, \Delta f_{\text{max}})$ | $5.05 \text{ MHz} \leq f_{\text{offset}} < \min(10.05 \text{ MHz}, f_{\text{offset}_{\text{max}}})$ | -35.2 dBm | 100 kHz |
| $10 \text{ MHz} \leq \Delta f \leq \Delta f_{\text{max}}$ | $10.05 \text{ MHz} \leq f_{\text{offset}} < f_{\text{offset}_{\text{max}}}$ | -37 dBm (Note 8) | 100 kHz |
| NOTE 1: For a <i>TAB connector</i> supporting non-contiguous spectrum operation within any operating band the <i>basic limit</i> within sub-block gaps is calculated as a cumulative sum of contributions from adjacent sub blocks on each side of the sub block gap. Exception is $\Delta f \geq 10 \text{ MHz}$ from both adjacent sub blocks on each side of the sub-block gap, where the <i>basic limit</i> within sub-block gaps shall be -37 dBm/100 kHz. | | | |
| NOTE 2: For BS a <i>multi-band TAB connector</i> with <i>Inter RF Bandwidth gap</i> $< 2 \times \Delta f_{\text{OBUE}}$ MHz the <i>basic limit</i> within the <i>Inter RF Bandwidth gaps</i> is calculated as a cumulative sum of contributions from adjacent sub-blocks or <i>Base Station RF Bandwidth</i> on each side of the <i>Inter RF Bandwidth gap</i> . | | | |
| NOTE 8: The requirement is not applicable when $\Delta f_{\text{max}} < 10 \text{ MHz}$. | | | |

6.6.5.5.6 Basic limits for Medium Range BS (Category A and B)

For an AAS BS of Medium Range BS class in E-UTRA bands ≤ 3 GHz, *basic limits* are specified in tables 6.6.5.5.6-1, 6.6.5.5.6-3, 6.6.5.5.6-5, 6.6.5.5.6-7, 6.6.5.5.6-9 and 6.6.5.5.6-11.

For an AAS BS of Medium Range BS class in E-UTRA bands > 3 GHz, *basic limits* are specified in tables 6.6.5.5.6-2, 6.6.5.5.6-4, 6.6.5.5.6-6, 6.6.5.5.6-8, 6.6.5.5.6-10 and 6.6.5.5.6-12.

Table 6.6.5.5.6-1: Medium Range BS operating band unwanted emission limits for 1.4 MHz channel bandwidth, $31 < P_{\text{rated,c,cell}} - 10 \cdot \log_{10}(N_{\text{TXU,countedpercell}}) \leq 38$ dBm (E-UTRA bands ≤ 3 GHz)

| Frequency offset of measurement filter -3dB point, Δf | Frequency offset of measurement filter centre frequency, f_{offset} | <i>basic limit</i> (Notes 1 and 2) | Measurement bandwidth |
|---|--|--|-----------------------|
| $0 \text{ MHz} \leq \Delta f < 1.4 \text{ MHz}$ | $0.05 \text{ MHz} \leq f_{\text{offset}} < 1.45 \text{ MHz}$ | $P_{\text{rated,c,cell}} - 10 \cdot \log_{10}(N_{\text{TXU,countedpercell}}) - 43.5 \text{ dB} - \frac{10}{1.4} \left(\frac{f_{\text{offset}}}{\text{MHz}} - 0.05 \right) \text{ dB}$ | 100 kHz |
| $1.4 \text{ MHz} \leq \Delta f < 2.8 \text{ MHz}$ | $1.45 \text{ MHz} \leq f_{\text{offset}} < 2.85 \text{ MHz}$ | $P_{\text{rated,c,cell}} - 10 \cdot \log_{10}(N_{\text{TXU,countedpercell}}) - 53.5 \text{ dB}$ | 100 kHz |
| $2.8 \text{ MHz} \leq \Delta f \leq \Delta f_{\text{max}}$ | $2.85 \text{ MHz} \leq f_{\text{offset}} < f_{\text{offset,max}}$ | -25 dBm (Note 8) | 100 kHz |
| <p>NOTE 1: For a <i>TAB connector</i> supporting non-contiguous spectrum operation within any operating band the <i>basic limit</i> within sub-block gaps is calculated as a cumulative sum of contributions from adjacent sub blocks on each side of the sub block gap. Exception is $\Delta f \geq 10$ MHz from both adjacent sub blocks on each side of the sub-block gap, where the <i>basic limit</i> within sub-block gaps shall be -25 dBm/100 kHz.</p> <p>NOTE 2: For a <i>multi-band TAB connector</i> with <i>Inter RF Bandwidth gap</i> $< 2 \times \Delta f_{\text{OBUE}}$ MHz the <i>basic limit</i> within the <i>Inter RF Bandwidth gaps</i> is calculated as a cumulative sum of contributions from adjacent sub-blocks or <i>Base Station RF Bandwidth</i> on each side of the <i>Inter RF Bandwidth gap</i>.</p> <p>NOTE 8: The requirement is not applicable when $\Delta f_{\text{max}} < 10$ MHz.</p> | | | |

Table 6.6.5.5.6-2: Medium Range BS operating band unwanted emission limits for 1.4 MHz channel bandwidth, $31 < P_{\text{rated,c,cell}} - 10 \cdot \log_{10}(N_{\text{TXU,countedpercell}}) \leq 38$ dBm (E-UTRA bands > 3 GHz)

| Frequency offset of measurement filter -3dB point, Δf | Frequency offset of measurement filter centre frequency, f_{offset} | <i>basic limit</i> (Notes 1 and 2) | Measurement bandwidth |
|--|--|--|-----------------------|
| $0 \text{ MHz} \leq \Delta f < 1.4 \text{ MHz}$ | $0.05 \text{ MHz} \leq f_{\text{offset}} < 1.45 \text{ MHz}$ | $P_{\text{rated,c,cell}} - 10 \cdot \log_{10}(N_{\text{TXU,countedpercell}}) - 43.2 \text{ dB} - \frac{10}{1.4} \left(\frac{f_{\text{offset}}}{\text{MHz}} - 0.05 \right) \text{ dB}$ | 100 kHz |
| $1.4 \text{ MHz} \leq \Delta f < 2.8 \text{ MHz}$ | $1.45 \text{ MHz} \leq f_{\text{offset}} < 2.85 \text{ MHz}$ | $P_{\text{rated,c,cell}} - 10 \cdot \log_{10}(N_{\text{TXU,countedpercell}}) - 53.2 \text{ dB}$ | 100 kHz |
| $2.8 \text{ MHz} \leq \Delta f \leq \Delta f_{\text{max}}$ | $2.85 \text{ MHz} \leq f_{\text{offset}} < f_{\text{offset,max}}$ | -25 dBm (Note 8) | 100 kHz |
| <p>NOTE 1: For a <i>TAB connector</i> supporting non-contiguous spectrum operation within any operating band the test requirement within sub-block gaps is calculated as a cumulative sum of contributions from adjacent sub blocks on each side of the sub block gap. Exception is $\Delta f \geq 10$ MHz from both adjacent sub blocks on each side of the sub-block gap, where the test requirement within sub-block gaps shall be -25 dBm/100 kHz.</p> <p>NOTE 2: For a <i>multi-band TAB connector</i> with <i>Inter RF Bandwidth gap</i> <i>basic limit</i> $< 2 \times \Delta f_{\text{OBUE}}$ MHz the <i>basic limit</i> within the <i>Inter RF Bandwidth gaps</i> is calculated as a cumulative sum of contributions from adjacent sub-blocks or <i>Base Station RF Bandwidth</i> on each side of the <i>Inter RF Bandwidth gap</i>.</p> <p>NOTE 8: The requirement is not applicable when $\Delta f_{\text{max}} < 10$ MHz.</p> | | | |

Table 6.6.5.5.6-3: Medium Range BS operating band unwanted emission limits for 1.4 MHz channel bandwidth, $P_{\text{rated,c,cell}} - 10 \cdot \log_{10}(N_{\text{TXU,countedpercell}}) \leq 31$ dBm (E-UTRA bands ≤ 3 GHz)

| Frequency offset of measurement filter -3dB point, Δf | Frequency offset of measurement filter centre frequency, f_{offset} | <i>basic limit</i> (Notes 1 and 2) | Measurement bandwidth |
|---|--|--|-----------------------|
| $0 \text{ MHz} \leq \Delta f < 1.4 \text{ MHz}$ | $0.05 \text{ MHz} \leq f_{\text{offset}} < 1.45 \text{ MHz}$ | $-12.5 \text{ dBm} - \frac{10}{1.4} \left(\frac{f_{\text{offset}}}{\text{MHz}} - 0.05 \right) \text{ dB}$ | 100 kHz |
| $1.4 \text{ MHz} \leq \Delta f < 2.8 \text{ MHz}$ | $1.45 \text{ MHz} \leq f_{\text{offset}} < 2.85 \text{ MHz}$ | -22.5 dBm | 100 kHz |
| $2.8 \text{ MHz} \leq \Delta f \leq \Delta f_{\text{max}}$ | $2.85 \text{ MHz} \leq f_{\text{offset}} < f_{\text{offset,max}}$ | -25 dBm (Note 8) | 100 kHz |

NOTE 1: For a *TAB connector* supporting non-contiguous spectrum operation within any operating band the *basic limit* within sub-block gaps is calculated as a cumulative sum of contributions from adjacent sub blocks on each side of the sub block gap. Exception is $\Delta f \geq 10$ MHz from both adjacent sub blocks on each side of the sub-block gap, where the *basic limit* within sub-block gaps shall be -25 dBm/100 kHz.

NOTE 2: For BS a *multi-band TAB connector with Inter RF Bandwidth gap* $< 2 \times \Delta f_{\text{OBUE}}$ MHz the *basic limit* within the *Inter RF Bandwidth gaps* is calculated as a cumulative sum of contributions from adjacent sub-blocks or *Base Station RF Bandwidth* on each side of the *Inter RF Bandwidth gap*.

NOTE 8: The requirement is not applicable when $\Delta f_{\text{max}} < 10$ MHz.

Table 6.6.5.5.6-4: Medium Range BS operating band unwanted emission limits for 1.4 MHz channel bandwidth, $P_{\text{rated,c,cell}} - 10 \cdot \log_{10}(N_{\text{TXU,countedpercell}}) \leq 31$ dBm (E-UTRA bands > 3 GHz)

| Frequency offset of measurement filter -3dB point, Δf | Frequency offset of measurement filter centre frequency, f_{offset} | <i>basic limit</i> (Notes 1 and 2) | Measurement bandwidth |
|---|--|--|-----------------------|
| $0 \text{ MHz} \leq \Delta f < 1.4 \text{ MHz}$ | $0.05 \text{ MHz} \leq f_{\text{offset}} < 1.45 \text{ MHz}$ | $-12.2 \text{ dBm} - \frac{10}{1.4} \left(\frac{f_{\text{offset}}}{\text{MHz}} - 0.05 \right) \text{ dB}$ | 100 kHz |
| $1.4 \text{ MHz} \leq \Delta f < 2.8 \text{ MHz}$ | $1.45 \text{ MHz} \leq f_{\text{offset}} < 2.85 \text{ MHz}$ | -22.2 dBm | 100 kHz |
| $2.8 \text{ MHz} \leq \Delta f \leq \Delta f_{\text{max}}$ | $2.85 \text{ MHz} \leq f_{\text{offset}} < f_{\text{offset,max}}$ | -25 dBm (Note 8) | 100 kHz |

NOTE 1: For a *TAB connector* supporting non-contiguous spectrum operation within any operating band the *basic limit* within sub-block gaps is calculated as a cumulative sum of contributions from adjacent sub blocks on each side of the sub block gap. Exception is $\Delta f \geq 10$ MHz from both adjacent sub blocks on each side of the sub-block gap, where the *basic limit* within sub-block gaps shall be -25 dBm/100 kHz.

NOTE 2: For a *multi-band TAB connector with Inter RF Bandwidth gap* $< 2 \times \Delta f_{\text{OBUE}}$ MHz the *basic limit* within the *Inter RF Bandwidth gaps* is calculated as a cumulative sum of contributions from adjacent sub-blocks or *Base Station RF Bandwidth* on each side of the *Inter RF Bandwidth gap*.

NOTE 8: The requirement is not applicable when $\Delta f_{\text{max}} < 10$ MHz.

Table 6.6.5.5.6-5: Medium Range BS operating band unwanted emission limits for 3 MHz channel bandwidth, $31 < P_{\text{rated,c,cell}} - 10 \cdot \log_{10}(N_{\text{TXU,countedpercell}}) \leq 38$ dBm (E-UTRA bands ≤ 3 GHz)

| Frequency offset of measurement filter -3dB point, Δf | Frequency offset of measurement filter centre frequency, f_{offset} | <i>basic limit</i> (Notes 1 and 2) | Measurement bandwidth |
|---|--|---|-----------------------|
| $0 \text{ MHz} \leq \Delta f < 3 \text{ MHz}$ | $0.05 \text{ MHz} \leq f_{\text{offset}} < 3.05 \text{ MHz}$ | $P_{\text{rated,c,cell}} - 10 \cdot \log_{10}(N_{\text{TXU,countedper cell}}) - 47.5 \text{ dB} - \frac{10}{3} \left(\frac{f_{\text{offset}}}{\text{MHz}} - 0.05 \right) \text{ dB}$ | 100 kHz |
| $3 \text{ MHz} \leq \Delta f < 6 \text{ MHz}$ | $3.05 \text{ MHz} \leq f_{\text{offset}} < 6.05 \text{ MHz}$ | $P_{\text{rated,c,cell}} - 10 \cdot \log_{10}(N_{\text{TXU,countedpercell}}) - 57.5 \text{ dB}$ | 100 kHz |
| $6 \text{ MHz} \leq \Delta f \leq \Delta f_{\text{max}}$ | $6.05 \text{ MHz} \leq f_{\text{offset}} < f_{\text{offset,max}}$ | $\text{Min}(P_{\text{rated,c,cell}} - 10 \cdot \log_{10}(N_{\text{TXU,countedpercell}}) - 59 \text{ dB}, -25 \text{ dBm})$ (Note 8) | 100 kHz |

NOTE 1: For a *TAB connector* supporting non-contiguous spectrum operation within any operating band the *basic limit* within sub-block gaps is calculated as a cumulative sum of contributions from adjacent sub blocks on each side of the sub block gap. Exception is $\Delta f \geq 10$ MHz from both adjacent sub blocks on each side of the sub-block gap, where the *basic limit* within sub-block gaps shall be $\text{Min}(P_{\text{rated,c,cell}} - 10 \cdot \log_{10}(N_{\text{TXU,countedpercell}}) - 59 \text{ dB}, -25 \text{ dBm})/100$ kHz.

NOTE 2: For a *multi-band TAB connector* with *Inter RF Bandwidth gap* $< 2 \times \Delta f_{\text{OBUe}}$ MHz the *basic limit* within the *Inter RF Bandwidth gaps* is calculated as a cumulative sum of contributions from adjacent sub-blocks or *Base Station RF Bandwidth* on each side of the *Inter RF Bandwidth gap*.

NOTE 8: The requirement is not applicable when $\Delta f_{\text{max}} < 10$ MHz.

Table 6.6.5.5.6-6: Medium Range BS operating band unwanted emission limits for 3 MHz channel bandwidth, $31 < P_{\text{rated,c,cell}} - 10 \cdot \log_{10}(N_{\text{TXU,countedpercell}}) \leq 38$ dBm (E-UTRA bands > 3 GHz)

| Frequency offset of measurement filter -3dB point, Δf | Frequency offset of measurement filter centre frequency, f_{offset} | <i>basic limit</i> (Notes 1 and 2) | Measurement bandwidth |
|---|--|---|-----------------------|
| $0 \text{ MHz} \leq \Delta f < 3 \text{ MHz}$ | $0.05 \text{ MHz} \leq f_{\text{offset}} < 3.05 \text{ MHz}$ | $P_{\text{rated,c,cell}} - 10 \cdot \log_{10}(N_{\text{TXU,countedper cell}}) - 47.2 \text{ dB} - \frac{10}{3} \left(\frac{f_{\text{offset}}}{\text{MHz}} - 0.05 \right) \text{ dB}$ | 100 kHz |
| $3 \text{ MHz} \leq \Delta f < 6 \text{ MHz}$ | $3.05 \text{ MHz} \leq f_{\text{offset}} < 6.05 \text{ MHz}$ | $P_{\text{rated,c,cell}} - 10 \cdot \log_{10}(N_{\text{TXU,countedpercell}}) - 57.2 \text{ dB}$ | 100 kHz |
| $6 \text{ MHz} \leq \Delta f \leq \Delta f_{\text{max}}$ | $6.05 \text{ MHz} \leq f_{\text{offset}} < f_{\text{offset,max}}$ | $\text{Min}(P_{\text{rated,c,cell}} - 10 \cdot \log_{10}(N_{\text{TXU,countedpercell}}) - 59 \text{ dB}, -25 \text{ dBm})$ (Note 8) | 100 kHz |

NOTE 1: For a *TAB connector* supporting non-contiguous spectrum operation within any operating band the *basic limit* within sub-block gaps is calculated as a cumulative sum of contributions from adjacent sub blocks on each side of the sub block gap. Exception is $\Delta f \geq 10$ MHz from both adjacent sub blocks on each side of the sub-block gap, where the *basic limit* within sub-block gaps shall be $\text{Min}(P_{\text{rated,c,cell}} - 10 \cdot \log_{10}(N_{\text{TXU,countedpercell}}) - 59 \text{ dB}, -25 \text{ dBm})/100$ kHz.

NOTE 2: For a *multi-band TAB connector* with *Inter RF Bandwidth gap* $< 2 \times \Delta f_{\text{OBUe}}$ MHz the *basic limit* within the *Inter RF Bandwidth gaps* is calculated as a cumulative sum of contributions from adjacent sub-blocks or *Base Station RF Bandwidth* on each side of the *Inter RF Bandwidth gap*.

NOTE 8: The requirement is not applicable when $\Delta f_{\text{max}} < 10$ MHz.

Table 6.6.5.5.6-7: Medium Range BS operating band unwanted emission limits for 3 MHz channel bandwidth, $P_{\text{rated,c,cell}} - 10 \cdot \log_{10}(N_{\text{TXU,countedpercell}}) \leq 31$ dBm (E-UTRA bands ≤ 3 GHz)

| Frequency offset of measurement filter -3dB point, Δf | Frequency offset of measurement filter centre frequency, f_{offset} | <i>basic limit</i> (Notes 1 and 2) | Measurement bandwidth |
|---|--|--|-----------------------|
| $0 \text{ MHz} \leq \Delta f < 3 \text{ MHz}$ | $0.05 \text{ MHz} \leq f_{\text{offset}} < 3.05 \text{ MHz}$ | $-16.5 \text{ dBm} - \frac{10}{3} \left(\frac{f_{\text{offset}}}{\text{MHz}} - 0.05 \right) \text{ dB}$ | 100 kHz |
| $3 \text{ MHz} \leq \Delta f < 6 \text{ MHz}$ | $3.05 \text{ MHz} \leq f_{\text{offset}} < 6.05 \text{ MHz}$ | -26.5 dBm | 100 kHz |
| $6 \text{ MHz} \leq \Delta f \leq \Delta f_{\text{max}}$ | $6.05 \text{ MHz} \leq f_{\text{offset}} < f_{\text{offset,max}}$ | -28 dBm (Note 8) | 100 kHz |

NOTE 1: For a *TAB connector* supporting non-contiguous spectrum operation within any operating band the *basic limit* within sub-block gaps is calculated as a cumulative sum of contributions from adjacent sub blocks on each side of the sub block gap. Exception is $\Delta f \geq 10$ MHz from both adjacent sub blocks on each side of the sub-block gap, where the *basic limit* within sub-block gaps shall be -28 dBm/100 kHz.

NOTE 2: For a *multi-band TAB connector* with *Inter RF Bandwidth gap* $< 2 \times \Delta f_{\text{OBUE}}$ MHz the *basic limit* within the *Inter RF Bandwidth gaps* is calculated as a cumulative sum of contributions from adjacent sub-blocks or *Base Station RF Bandwidth* on each side of the *Inter RF Bandwidth gap*.

NOTE 8: The requirement is not applicable when $\Delta f_{\text{max}} < 10$ MHz.

Table 6.6.5.5.6-8: Medium Range BS operating band unwanted emission limits for 3 MHz channel bandwidth, $P_{\text{rated,c,cell}} - 10 \cdot \log_{10}(N_{\text{TXU,countedpercell}}) \leq 31$ dBm (E-UTRA bands > 3 GHz)

| Frequency offset of measurement filter -3dB point, Δf | Frequency offset of measurement filter centre frequency, f_{offset} | <i>basic limit</i> (Notes 1 and 2) | Measurement bandwidth |
|---|--|--|-----------------------|
| $0 \text{ MHz} \leq \Delta f < 3 \text{ MHz}$ | $0.05 \text{ MHz} \leq f_{\text{offset}} < 3.05 \text{ MHz}$ | $-16.2 \text{ dBm} - \frac{10}{3} \left(\frac{f_{\text{offset}}}{\text{MHz}} - 0.05 \right) \text{ dB}$ | 100 kHz |
| $3 \text{ MHz} \leq \Delta f < 6 \text{ MHz}$ | $3.05 \text{ MHz} \leq f_{\text{offset}} < 6.05 \text{ MHz}$ | -26.2 dBm | 100 kHz |
| $6 \text{ MHz} \leq \Delta f \leq \Delta f_{\text{max}}$ | $6.05 \text{ MHz} \leq f_{\text{offset}} < f_{\text{offset,max}}$ | -28 dBm (Note 8) | 100 kHz |

NOTE 1: For a *TAB connector* supporting non-contiguous spectrum operation within any operating band the *basic limit* within sub-block gaps is calculated as a cumulative sum of contributions from adjacent sub blocks on each side of the sub block gap. Exception is $\Delta f \geq 10$ MHz from both adjacent sub blocks on each side of the sub-block gap, where the *basic limit* within sub-block gaps shall be -28 dBm/100 kHz.

NOTE 2: For a *multi-band TAB connector* with *Inter RF Bandwidth gap* $< 2 \times \Delta f_{\text{OBUE}}$ MHz the *basic limit* within the *Inter RF Bandwidth gaps* is calculated as a cumulative sum of contributions from adjacent sub-blocks or *Base Station RF Bandwidth* on each side of the *Inter RF Bandwidth gap*.

NOTE 8: The requirement is not applicable when $\Delta f_{\text{max}} < 10$ MHz.

Table 6.6.5.5.6-9: Medium Range BS operating band unwanted emission limits for 5, 10, 15 and 20 MHz channel bandwidth, $31 < P_{\text{rated,c,cell}} - 10 \cdot \log_{10}(N_{\text{TXU,countedpercell}}) \leq 38$ dBm (E-UTRA bands ≤ 3 GHz)

| Frequency offset of measurement filter -3dB point, Δf | Frequency offset of measurement filter centre frequency, f_{offset} | <i>basic limit</i> (Notes 1 and 2) | Measurement bandwidth |
|---|--|--|-----------------------|
| $0 \text{ MHz} \leq \Delta f < 5 \text{ MHz}$ | $0.05 \text{ MHz} \leq f_{\text{offset}} < 5.05 \text{ MHz}$ | $P_{\text{rated,c,cell}} - 10 \cdot \log_{10}(N_{\text{TXU,countedper cell}}) - 51.5 \text{ dB} - \frac{7}{5} \left(\frac{f_{\text{offset}}}{\text{MHz}} - 0.05 \right) \text{ dB}$ | 100 kHz |
| $5 \text{ MHz} \leq \Delta f < \min(10 \text{ MHz}, \Delta f_{\text{max}})$ | $5.05 \text{ MHz} \leq f_{\text{offset}} < \min(10.05 \text{ MHz}, f_{\text{offset,max}})$ | $P_{\text{rated,c,cell}} - 10 \cdot \log_{10}(N_{\text{TXU,countedpercell}}) - 58.5 \text{ dB}$ | 100 kHz |
| $10 \text{ MHz} \leq \Delta f \leq \Delta f_{\text{max}}$ | $10.05 \text{ MHz} \leq f_{\text{offset}} < f_{\text{offset,max}}$ | $\text{Min}(P_{\text{rated,c,cell}} - 10 \cdot \log_{10}(N_{\text{TXU,countedpercell}}) - 60 \text{ dB}, -25 \text{ dBm})$ (Note 8) | 100 kHz |

NOTE 1: For a *TAB connector* supporting non-contiguous spectrum operation within any operating band the *basic limit* within sub-block gaps is calculated as a cumulative sum of contributions from adjacent sub blocks on each side of the sub block gap. Exception is $\Delta f \geq 10$ MHz from both adjacent sub blocks on each side of the sub-block gap, where the *basic limit* within sub-block gaps shall be $\text{Min}(P_{\text{rated,c,cell}} - 10 \cdot \log_{10}(N_{\text{TXU,countedpercell}}) - 60 \text{ dB}, -25 \text{ dBm})/100 \text{ kHz}$.

NOTE 2: For a *multi-band TAB connector* with *Inter RF Bandwidth gap* $< 2 \times \Delta f_{\text{OBUE}}$ MHz the *basic limit* within the *Inter RF Bandwidth gaps* is calculated as a cumulative sum of contributions from adjacent sub-blocks or *Base Station RF Bandwidth* on each side of the *Inter RF Bandwidth gap*.

NOTE 8: The requirement is not applicable when $\Delta f_{\text{max}} < 10$ MHz.

Table 6.6.5.5.6-10: Medium Range BS operating band unwanted emission limits for 5, 10, 15 and 20 MHz channel bandwidth, $31 < P_{\text{rated,c,cell}} - 10 \cdot \log_{10}(N_{\text{TXU,countedpercell}}) \leq 38$ dBm (E-UTRA bands > 3 GHz)

| Frequency offset of measurement filter -3dB point, Δf | Frequency offset of measurement filter centre frequency, f_{offset} | <i>basic limit</i> (Notes 1 and 2) | Measurement bandwidth |
|---|--|--|-----------------------|
| $0 \text{ MHz} \leq \Delta f < 5 \text{ MHz}$ | $0.05 \text{ MHz} \leq f_{\text{offset}} < 5.05 \text{ MHz}$ | $P_{\text{rated,c,cell}} - 10 \cdot \log_{10}(N_{\text{TXU,countedper cell}}) - 51.2 \text{ dB} - \frac{7}{5} \left(\frac{f_{\text{offset}}}{\text{MHz}} - 0.05 \right) \text{ dB}$ | 100 kHz |
| $5 \text{ MHz} \leq \Delta f < \min(10 \text{ MHz}, \Delta f_{\text{max}})$ | $5.05 \text{ MHz} \leq f_{\text{offset}} < \min(10.05 \text{ MHz}, f_{\text{offset,max}})$ | $P_{\text{rated,c,cell}} - 10 \cdot \log_{10}(N_{\text{TXU,countedpercell}}) - 58.2 \text{ dB}$ | 100 kHz |
| $10 \text{ MHz} \leq \Delta f \leq \Delta f_{\text{max}}$ | $10.05 \text{ MHz} \leq f_{\text{offset}} < f_{\text{offset,max}}$ | $\text{Min}(P_{\text{rated,c,cell}} - 10 \cdot \log_{10}(N_{\text{TXU,countedpercell}}) - 60 \text{ dB}, -25 \text{ dBm})$ (Note 8) | 100 kHz |

NOTE 1: For a *TAB connector* supporting non-contiguous spectrum operation within any operating band the *basic limit* within sub-block gaps is calculated as a cumulative sum of contributions from adjacent sub blocks on each side of the sub block gap. Exception is $\Delta f \geq 10$ MHz from both adjacent sub blocks on each side of the sub-block gap, where the *basic limit* within sub-block gaps shall be $\text{Min}(P_{\text{rated,c,cell}} - 10 \cdot \log_{10}(N_{\text{TXU,countedpercell}}) - 60 \text{ dB}, -25 \text{ dBm})/100 \text{ kHz}$.

NOTE 2: For a *multi-band TAB connector* with *Inter RF Bandwidth gap* $< 2 \times \Delta f_{\text{OBUE}}$ MHz the *basic limit* within the *Inter RF Bandwidth gaps* is calculated as a cumulative sum of contributions from adjacent sub-blocks or *Base Station RF Bandwidth* on each side of the *Inter RF Bandwidth gap*.

NOTE 8: The requirement is not applicable when $\Delta f_{\text{max}} < 10$ MHz.

Table 6.6.5.5.6-11: Medium Range BS operating band unwanted emission limits for 5, 10, 15 and 20 MHz channel bandwidth, $P_{\text{rated,c,cell}} - 10^* \log_{10}(N_{\text{TXU,countedpercell}}) \leq 31$ dBm (E-UTRA bands ≤ 3 GHz)

| Frequency offset of measurement filter -3dB point, Δf | Frequency offset of measurement filter centre frequency, f_{offset} | <i>basic limit</i> (Notes 1 and 2) | Measurement bandwidth |
|--|--|---|-----------------------|
| $0 \text{ MHz} \leq \Delta f < 5 \text{ MHz}$ | $0.05 \text{ MHz} \leq f_{\text{offset}} < 5.05 \text{ MHz}$ | $-20.5 \text{ dBm} - \frac{7}{5} \left(\frac{f_{\text{offset}}}{\text{MHz}} - 0.05 \right) \text{ dB}$ | 100 kHz |
| $5 \text{ MHz} \leq \Delta f < \min(10 \text{ MHz}, \Delta f_{\text{max}})$ | $5.05 \text{ MHz} \leq f_{\text{offset}} < \min(10.05 \text{ MHz}, f_{\text{offset,max}})$ | -27.5 dBm | 100 kHz |
| $10 \text{ MHz} \leq \Delta f \leq \Delta f_{\text{max}}$ | $10.05 \text{ MHz} \leq f_{\text{offset}} < f_{\text{offset,max}}$ | -29 dBm (Note 8) | 100 kHz |
| NOTE 1: For a <i>TAB connector</i> supporting non-contiguous spectrum operation within any operating band the <i>basic limit</i> within sub-block gaps is calculated as a cumulative sum of contributions from adjacent sub blocks on each side of the sub block gap. Exception is $\Delta f \geq 10$ MHz from both adjacent sub blocks on each side of the sub-block gap, where the <i>basic limit</i> within sub-block gaps shall be -29dBm/100 kHz. | | | |
| NOTE 2: For a <i>multi-band TAB connector</i> with <i>Inter RF Bandwidth gap</i> $< 2 \times \Delta f_{\text{OBUe}}$ MHz the <i>basic limit</i> within the <i>Inter RF Bandwidth gaps</i> is calculated as a cumulative sum of contributions from adjacent sub-blocks or <i>Base Station RF Bandwidth</i> on each side of the <i>Inter RF Bandwidth gap</i> . | | | |
| NOTE 8: The requirement is not applicable when $\Delta f_{\text{max}} < 10$ MHz. | | | |

Table 6.6.5.5.6-12: Medium Range BS operating band unwanted emission limits for 5, 10, 15 and 20 MHz channel bandwidth, $P_{\text{rated,c,cell}} - 10^* \log_{10}(N_{\text{TXU,countedpercell}}) \leq 31$ dBm (E-UTRA bands > 3 GHz)

| Frequency offset of measurement filter -3dB point, Δf | Frequency offset of measurement filter centre frequency, f_{offset} | <i>basic limit</i> (Notes 1 and 2) | Measurement bandwidth |
|--|--|---|-----------------------|
| $0 \text{ MHz} \leq \Delta f < 5 \text{ MHz}$ | $0.05 \text{ MHz} \leq f_{\text{offset}} < 5.05 \text{ MHz}$ | $-20.2 \text{ dBm} - \frac{7}{5} \left(\frac{f_{\text{offset}}}{\text{MHz}} - 0.05 \right) \text{ dB}$ | 100 kHz |
| $5 \text{ MHz} \leq \Delta f < \min(10 \text{ MHz}, \Delta f_{\text{max}})$ | $5.05 \text{ MHz} \leq f_{\text{offset}} < \min(10.05 \text{ MHz}, f_{\text{offset,max}})$ | -27.2 dBm | 100 kHz |
| $10 \text{ MHz} \leq \Delta f \leq \Delta f_{\text{max}}$ | $10.05 \text{ MHz} \leq f_{\text{offset}} < f_{\text{offset,max}}$ | -29 dBm (Note 8) | 100 kHz |
| NOTE 1: For a <i>TAB connector</i> supporting non-contiguous spectrum operation within any operating band the <i>basic limit</i> within sub-block gaps is calculated as a cumulative sum of contributions from adjacent sub blocks on each side of the sub block gap. Exception is $\Delta f \geq 10$ MHz from both adjacent sub blocks on each side of the sub-block gap, where the <i>basic limit</i> within sub-block gaps shall be -29dBm/100 kHz. | | | |
| NOTE 2: For a <i>multi-band TAB connector</i> with <i>Inter RF Bandwidth gap</i> $< 2 \times \Delta f_{\text{OBUe}}$ MHz the <i>basic limit</i> within the <i>Inter RF Bandwidth gaps</i> is calculated as a cumulative sum of contributions from adjacent sub-blocks or <i>Base Station RF Bandwidth</i> on each side of the <i>Inter RF Bandwidth gap</i> . | | | |
| NOTE 8: The requirement is not applicable when $\Delta f_{\text{max}} < 10$ MHz. | | | |

6.6.5.5.7 Basic limits for Additional requirements

In certain regions the following requirement may apply. For E-UTRA *TAB connector* operating in Bands 5, 26, 27 or 28, *basic limits* are specified in table 6.6.5.5.7-1.

Table 6.6.5.5.7-1: Additional operating band unwanted emission limits for E-UTRA bands < 1 GHz

| Channel bandwidth | Frequency offset of measurement filter -3dB point, Δf | Frequency offset of measurement filter centre frequency, f_{offset} | <i>basic limit</i> | Measurement bandwidth |
|-------------------|---|--|---------------------|-----------------------|
| 1.4 MHz | $0 \text{ MHz} \leq \Delta f < 1 \text{ MHz}$ | $0.005 \text{ MHz} \leq f_{\text{offset}} < 0.995 \text{ MHz}$ | -14 dBm | 10 kHz |
| 3 MHz | $0 \text{ MHz} \leq \Delta f < 1 \text{ MHz}$ | $0.015 \text{ MHz} \leq f_{\text{offset}} < 0.985 \text{ MHz}$ | -13 dBm | 30 kHz |
| 5 MHz | $0 \text{ MHz} \leq \Delta f < 1 \text{ MHz}$ | $0.015 \text{ MHz} \leq f_{\text{offset}} < 0.985 \text{ MHz}$ | -15 dBm | 30 kHz |
| 10 MHz | $0 \text{ MHz} \leq \Delta f < 1 \text{ MHz}$ | $0.05 \text{ MHz} \leq f_{\text{offset}} < 0.95 \text{ MHz}$ | -13 dBm | 100 kHz |
| 15 MHz | $0 \text{ MHz} \leq \Delta f < 1 \text{ MHz}$ | $0.05 \text{ MHz} \leq f_{\text{offset}} < 0.95 \text{ MHz}$ | -13 dBm | 100 kHz |
| 20 MHz | $0 \text{ MHz} \leq \Delta f < 1 \text{ MHz}$ | $0.05 \text{ MHz} \leq f_{\text{offset}} < 0.95 \text{ MHz}$ | -13 dBm | 100 kHz |
| All | $1 \text{ MHz} \leq \Delta f < \Delta f_{\text{max}}$ | $1.05 \text{ MHz} \leq f_{\text{offset}} < f_{\text{offsetmax}}$ | -13 dBm (Note 8) | 100 kHz |

NOTE 8: The requirement is not applicable when $\Delta f_{\text{max}} < 10 \text{ MHz}$.

In certain regions the following requirement may apply. For E-UTRA a *TAB connector* operating in Bands 2, 4, 10, 23, 25, 30, 35, 36, 41, 66, 70 *basic limits* are specified in table 6.6.5.5.7-2.

Table 6.6.5.5.7-2: Additional operating band unwanted emission limits for E-UTRA bands > 1GHz

| Channel bandwidth | Frequency offset of measurement filter -3dB point, Δf | Frequency offset of measurement filter centre frequency, f_{offset} | <i>basic limit</i> | Measurement bandwidth |
|-------------------|---|--|---------------------|-----------------------|
| 1.4 MHz | $0 \text{ MHz} \leq \Delta f < 1 \text{ MHz}$ | $0.005 \text{ MHz} \leq f_{\text{offset}} < 0.995 \text{ MHz}$ | -14 dBm | 10 kHz |
| 3 MHz | $0 \text{ MHz} \leq \Delta f < 1 \text{ MHz}$ | $0.015 \text{ MHz} \leq f_{\text{offset}} < 0.985 \text{ MHz}$ | -13 dBm | 30 kHz |
| 5 MHz | $0 \text{ MHz} \leq \Delta f < 1 \text{ MHz}$ | $0.015 \text{ MHz} \leq f_{\text{offset}} < 0.985 \text{ MHz}$ | -15 dBm | 30 kHz |
| 10 MHz | $0 \text{ MHz} \leq \Delta f < 1 \text{ MHz}$ | $0.05 \text{ MHz} \leq f_{\text{offset}} < 0.95 \text{ MHz}$ | -13 dBm | 100 kHz |
| 15 MHz | $0 \text{ MHz} \leq \Delta f < 1 \text{ MHz}$ | $0.05 \text{ MHz} \leq f_{\text{offset}} < 0.95 \text{ MHz}$ | -15 dBm | 100 kHz |
| 20 MHz | $0 \text{ MHz} \leq \Delta f < 1 \text{ MHz}$ | $0.05 \text{ MHz} \leq f_{\text{offset}} < 0.95 \text{ MHz}$ | -16 dBm | 100 kHz |
| All | $1 \text{ MHz} \leq \Delta f < \Delta f_{\text{max}}$ | $1.5 \text{ MHz} \leq f_{\text{offset}} < f_{\text{offsetmax}}$ | -13 dBm (Note 8) | 1 MHz |

NOTE 8: The requirement is not applicable when $\Delta f_{\text{max}} < 10 \text{ MHz}$.

In certain regions the following requirement may apply. For E-UTRA a *TAB connector* operating in Bands 12, 13, 14, 17, 29, 71 *basic limits* are specified in table 6.6.5.5.7-3.

Table 6.6.5.5.7-3: Additional operating band unwanted emission limits for E-UTRA (bands 12, 13, 14, 17, 29, 71)

| Channel bandwidth | Frequency offset of measurement filter -3dB point, Δf | Frequency offset of measurement filter centre frequency, f_{offset} | <i>basic limit</i> | Measurement bandwidth |
|-------------------|---|--|---------------------|-----------------------|
| All | $0 \text{ MHz} \leq \Delta f < 100 \text{ kHz}$ | $0.015 \text{ MHz} \leq f_{\text{offset}} < 0.085 \text{ MHz}$ | -13 dBm | 30 kHz |
| All | $100 \text{ kHz} \leq \Delta f < \Delta f_{\text{max}}$ | $150 \text{ kHz} \leq f_{\text{offset}} < f_{\text{offsetmax}}$ | -13 dBm (Note 8) | 100 kHz |

NOTE 8: The requirement is not applicable when $\Delta f_{\text{max}} < 10 \text{ MHz}$.

In certain regions, the following requirements may apply to an E-UTRA TDD *TAB connector* operating in the same geographic area and in the same operating band as another E-UTRA TDD system without synchronisation. For this case the basic limit shall be -52 dBm/MHz in each supported downlink operating band, except in:

- The frequency range from 10 MHz below the lower channel edge to the frequency 10 MHz above the upper channel edge of each supported band.

In certain regions the following requirement may apply for protection of DTT. For E-UTRA a *TAB connector* operating in Band 20, the maximum level of emissions in the band 470-790 MHz, measured in an 8MHz filter bandwidth on

centre frequencies F_{filter} according to table 6.6.5.5.7-4, be based upon a declared *basic limit* P_{EM} $P_{\text{EM},N}$ declared by the manufacturer. This requirement applies in the frequency range 470-790 MHz even though part of the range falls in the spurious domain.

Table 6.6.5.5.7-4: Declared emissions *basic limit* for protection of DTT

| Filter centre frequency, F_{filter} | Measurement bandwidth | Declared emission <i>basic limit</i> (dBm) |
|---|-----------------------|--|
| $F_{\text{filter}} = 8 \cdot N + 306$ (MHz); $21 \leq N \leq 60$ | 8 MHz | $P_{\text{EM},N}$ |

NOTE 1: The regional requirement is defined in terms of EIRP, which is dependent on both the BS emissions at the *TAB connector* and the RND and antenna array. The EIRP level is calculated using: $P_{\text{EIRP}} = P_{\text{E}} + G_{\text{ant}}$ where P_{E} denotes the *TAB connector* unwanted emission level at the *TAB connector*, G_{ant} equals the RDN and antenna array gain. The requirement defined above provides the characteristics of the base station needed to verify compliance with the regional requirement. Compliance with the regional requirement can be determined using the method outlined in annex G of 3GPP TS 36.104 [11].

In certain regions the following requirement may apply for the protection of systems operating in frequency bands adjacent to band 1 as defined in clause 5.5, in geographic areas in which both an adjacent band service E-UTRA are deployed.

The *basic limits* shall be:

Table 6.6.5.5.7-5: Emissions limits for protection of adjacent band services

| Operating Band | Frequency range | Maximum Level | Measurement Bandwidth |
|----------------|-----------------|---|-----------------------|
| 1 | 2100-2105 MHz | $-30 + 3.4 \times (f - 2100 \text{ MHz})$ dBm | 1 MHz |
| | 2175-2180 MHz | $-30 + 3.4 \times (2180 \text{ MHz} - f)$ dBm | 1 MHz |

In regions where FCC regulation applies, requirements for protection of GPS according to FCC Order DA 10-534 applies for operation in Band 24. The following normative requirement covers the base station, to be used together with other information about the site installation to verify compliance with the requirement in FCC Order DA 10-534. The requirement applies to a *TAB connector* operating in Band 24 to ensure that appropriate interference protection is provided to the 1559 - 1610 MHz band. This requirement applies to the frequency range 1559-1610 MHz, even though part of this range falls within the spurious domain.

The maximum level of emissions in the 1559 - 1610 MHz band, measured in measurement bandwidth according to table 6.6.5.5.7-6 shall be based upon declared *basic limits* $P_{\text{E},1 \text{ MHz}}$ and $P_{\text{E},1 \text{ kHz}}$ declared by the manufacturer.

Table 6.6.5.5.7-6: Declared emissions *basic limits* for protection of the 1559-1610 MHz band

| Operating Band | Frequency range | Declared emission level [dBW] (Measurement bandwidth = 1 MHz) | Declared emission <i>basic limit</i> [dBW] of discrete emissions of less than 700 Hz bandwidth (Measurement bandwidth = 1 kHz) |
|----------------|-----------------|---|--|
| 24 | 1559 - 1610 MHz | $P_{\text{E},1 \text{ MHz}}$ | $P_{\text{E},1 \text{ kHz}}$ |

NOTE 2: The regional requirement in FCC Order DA 10-534 is defined in terms of EIRP, which is dependent on both the BS emissions at the *TAB connector* and the RND and antenna array. The EIRP level is calculated using: $P_{\text{EIRP}} = P_{\text{E}} + G_{\text{ant}}$ where P_{E} denotes the *TAB connector* unwanted emission level at the *TAB connector*, G_{ant} equals the RDN and antenna array gain. The requirement defined above provides the characteristics of the base station needed to verify compliance with the regional requirement. Compliance with the regional requirement can be determined using the method outlined in annex G of 3GPP TS 36.104 [11].

The following requirement may apply to an E-UTRA *TAB connector* operating in Band 41 in certain regions. *Basic limits* are specified in table 6.6.5.5.7-7.

Table 6.6.5.5.7-7: Additional operating band unwanted emission *basic limits* for Band 41

| Channel bandwidth | Frequency offset of measurement filter -3dB point, Δf | Frequency offset of measurement filter centre frequency, f_{offset} | <i>basic limit</i> | Measurement bandwidth |
|-------------------|---|--|--------------------|-----------------------|
| 10 MHz | $10 \text{ MHz} \leq \Delta f < 20 \text{ MHz}$ | $10.5 \text{ MHz} \leq f_{\text{offset}} < 19.5 \text{ MHz}$ | -22 dBm | 1 MHz |
| 20 MHz | $20 \text{ MHz} \leq \Delta f < 40 \text{ MHz}$ | $20.5 \text{ MHz} \leq f_{\text{offset}} < 39.5 \text{ MHz}$ | -22 dBm | 1 MHz |

NOTE: This requirement applies for E-UTRA carriers allocated within 2545-2575 MHz or 2595-2645 MHz.

In certain regions, the following requirements may apply to E-UTRA *TAB connector* operating in Band 32 within 1452-1492 MHz. The maximum level of operating band unwanted emissions, measured on centre frequencies f_{offset} with filter bandwidth, according to table 6.6.5.5.7-8, shall be defined based on the declared *basic limits* $P_{\text{EM},\text{B32},\text{a}}$, $P_{\text{EM},\text{B32},\text{b}}$ and $P_{\text{EM},\text{B32},\text{c}}$ declared by the manufacturer.

Table 6.6.5.5.7-8: Declared operating band 32 unwanted emission *basic limits* within 1452-1492 MHz

| Frequency offset of measurement filter centre frequency, f_{offset} | Declared emission <i>basic limits</i> (dBm) | Measurement bandwidth |
|--|---|-----------------------|
| 2.5 MHz | $P_{\text{EM},\text{B32},\text{a}}$ | 5 MHz |
| 7.5 MHz | $P_{\text{EM},\text{B32},\text{b}}$ | 5 MHz |
| $12.5 \text{ MHz} \leq f_{\text{offset}} \leq f_{\text{offset}_{\text{max},\text{B32}}}$ | $P_{\text{EM},\text{B32},\text{c}}$ | 5 MHz |

NOTE: $f_{\text{offset}_{\text{max},\text{B32}}}$ denotes the frequency difference between the lower channel edge and 1454.5 MHz, and the frequency difference between the upper channel edge and 1489.5 MHz for the set channel position.

NOTE 3: The regional requirement, included in [25], is defined in terms of EIRP which is dependent on both the BS emissions at the *TAB connector* and the RND and antenna array. The EIRP level is calculated using: $P_{\text{EIRP}} = P_{\text{E}} + G_{\text{ant}}$ where P_{E} denotes the *TAB connector* unwanted emission level at the *TAB connector*, G_{ant} equals the RND and antenna array gain. The requirement defined above provides the characteristics of the base station needed to verify compliance with the regional requirement. Compliance with the regional requirement can be determined using the method outlined in annex G of 3GPP TS 36.104 [11].

In certain regions, the following requirement may apply to an E-UTRA *TAB connector* operating in Band 32 within 1452-1492 MHz for the protection of services in spectrum adjacent to the frequency range 1452-1492 MHz. The maximum level of emissions, measured on centre frequencies F_{filter} with filter bandwidth according to table 6.6.5.5.7-9, shall be based upon the declared *basic limits* $P_{\text{EM},\text{B32},\text{d}}$ and $P_{\text{EM},\text{B32},\text{e}}$ declared by the manufacturer. This requirement applies in the frequency range 1429-1518MHz even though part of the range falls in the spurious domain.

Table 6.6.5.5.7-9: Operating band 32 declared emission outside 1452-1492 MHz

| Filter centre frequency, F_{filter} | Declared emission <i>basic limit</i> (dBm) | Measurement bandwidth |
|---|--|-----------------------|
| $1429.5 \text{ MHz} \leq F_{\text{filter}} \leq 1448.5 \text{ MHz}$ | $P_{\text{EM},\text{B32},\text{d}}$ | 1 MHz |
| $F_{\text{filter}} = 1450.5 \text{ MHz}$ | $P_{\text{EM},\text{B32},\text{e}}$ | 3 MHz |
| $F_{\text{filter}} = 1493.5 \text{ MHz}$ | $P_{\text{EM},\text{B32},\text{e}}$ | 3 MHz |
| $1495.5 \text{ MHz} \leq F_{\text{filter}} \leq 1517.5 \text{ MHz}$ | $P_{\text{EM},\text{B32},\text{d}}$ | 1 MHz |

NOTE 4: The regional requirement, included in [25], is defined in terms of EIRP, which is dependent on both the BS emissions at the *TAB connector* and the RND and antenna array. The EIRP level is calculated using: $P_{\text{EIRP}} = P_{\text{E}} + G_{\text{ant}}$ where P_{E} denotes the *TAB connector* unwanted emission level at the *TAB connector*, G_{ant} equals the RND and antenna array gain. The requirement defined above provides the characteristics of the base station needed to verify compliance with the regional requirement. Compliance with the regional requirement can be determined using the method outlined in annex G of 3GPP TS 36.104 [11].

In certain regions the following requirement may apply to an E-UTRA *TAB connector* operating in Band 45. *Basic limits* are specified in table 6.6.5.5.7-10.

Table 6.6.5.5.7-10: Emissions *basic limits* for protection of adjacent band services

| Operating Band | Filter centre frequency, F_{filter} | Basic limit (dBm) | Measurement Bandwidth |
|----------------|---|-------------------|-----------------------|
| 45 | $F_{\text{filter}} = 1467.5$ | -20 | 1 MHz |
| | $F_{\text{filter}} = 1468.5$ | -23 | 1 MHz |
| | $F_{\text{filter}} = 1469.5$ | -26 | 1 MHz |
| | $F_{\text{filter}} = 1470.5$ | -33 | 1 MHz |
| | $F_{\text{filter}} = 1471.5$ | -40 | 1 MHz |
| | $1472.5 \text{ MHz} \leq F_{\text{filter}} \leq 1491.5 \text{ MHz}$ | -47 | 1 MHz |

The following requirement may apply to E-UTRA BS operating in Band 48 in certain regions. Emissions shall not exceed the maximum levels specified in Table 6.6.5.5.7-11.

Table 6.6.5.5.7-11: Additional operating band unwanted emission limits for Band 48

| Channel bandwidth | Frequency offset of measurement filter -3dB point, Δf | Frequency offset of measurement filter centre frequency, f_{offset} | Minimum requirement | Measurement bandwidth (Note 3) |
|-------------------|---|--|---------------------|--------------------------------|
| All | $0 \text{ MHz} \leq \Delta f < 10 \text{ MHz}$ | $0.5 \text{ MHz} \leq f_{\text{offset}} < 9.5 \text{ MHz}$ | -13 dBm | 1 MHz |

6.6.6 Spurious emission

6.6.6.1 Definition and applicability

The conducted transmitter spurious emission limits apply from 9 kHz to 12.75 GHz, excluding the following RAT-specific frequency ranges:

- UTRA TDD BS, 1.28 Mcps option as specified in TS 25.105 [3]: from 4 MHz below the lowest frequency of each operating band to 4 MHz above the highest frequency of each operating band.
- UTRA FDD BS as specified in TS 25.104 [2]: from 12.5MHz below the lowest carrier frequency used up to 12.5MHz above the highest carrier frequency used.
- E-UTRA BS as specified in TS 36.104 [4]: from Δf_{OBUE} below the lowest frequency of the *downlink operating band* up to Δf_{OBUE} above the highest frequency of the *downlink operating band*, where Δf_{OBUE} is defined subclause 6.6.1.
- MSR BS as specified in TS 37.104 [5]: from Δf_{OBUE} below the lowest frequency of the *downlink operating band* up to Δf_{OBUE} above the highest frequency of the *downlink operating band*, where Δf_{OBUE} is defined subclause 6.6.1.

For some operating bands the upper frequency limit is higher than 12.75 GHz in order to comply with the 5th harmonic limit of the *downlink operating band*, as specified in ITU-R recommendation SM.329 [14]. In some exceptional cases, requirements apply also closer than Δf_{OBUE} MHz from the *downlink operating band*; these cases are highlighted in the requirement tables in respective referenced UTRA, E-UTRA or MSR specifications. For operating bands supported by *multi-band TAB connectors* exclusion bands apply to each supported band.

The requirements applies for both single band and multiband *TAB connectors* (except for frequencies at which exclusion bands or other multi-band provisions apply) and for all transmission modes foreseen by the manufacturer's specification. Unless otherwise stated, all requirements are measured as mean power.

For operation in region 2, where the FCC guidance for MIMO systems in [38] is applicable, $N_{\text{TXU, countedpercell}}$ shall be equal to 1 for the purposes of calculating the spurious emissions limits in subclauses 6.6.6. For all other unwanted emissions requirements, $N_{\text{TXU, countedpercell}}$ shall be the value calculated according to subclause 6.1, unless stated differently in regional regulation.

The AAS BS test requirements for co-location spurious emissions limits which are specified for Band 46 in 3GPP TS 37.104 [5], are applicable for AAS BS.

6.6.6.2 Minimum requirement

The minimum requirement for MSR operation are defined in 3GPP TS 37.105 [8], subclause 6.6.6.2.

The minimum requirement for UTRA operation are defined in 3GPP TS 37.105 [8], subclause 6.6.6.3.

The minimum requirement for E-UTRA operation are defined in 3GPP TS 37.105 [8], subclause 6.6.6.4.

6.6.2.3 Test purpose

This test measures conducted spurious emission from the AAS BS transmit *TAB connector(s)*, while the transmitter unit associated with the *TAB connector* under test is in operation.

6.6.6.4 Method of test

6.6.6.4.1 Initial conditions

Test environment:

- normal; see clause B.2.

RF channels to be tested for single carrier:

- B when testing the spurious frequencies below $F_{DL_low} - \Delta f_{OBUE}$,
- T when testing the spurious frequencies above $F_{DL_high} + \Delta f_{OBUE}$; see subclause 4.12.1.

Base Station RF Bandwidth positions to be tested for multi-carrier:

- B_{RFBW} when testing the spurious frequencies below $F_{DL_low} - \Delta f_{OBUE}$;
- T_{RFBW} when testing the spurious frequencies above $F_{DL_high} + \Delta f_{OBUE}$ in single-band operation; see subclause 4.12.1;
- $B_{RFBW_T_{RFBW}}$ when testing the spurious frequencies below $F_{DL_low} - \Delta f_{OBUE}$ of the lowest operating band;
 $B_{RFBW_T_{RFBW}}$ when testing the spurious frequencies below $F_{DL_low} - \Delta f_{OBUE}$ of the lowest operating band in multi-band operation, see subclause 4.12.1.

6.6.6.4.2 Procedure

The minimum requirement is applied to all *TAB connectors*, they may be tested one at a time or multiple *TAB connectors* may be tested in parallel as shown in subclause D.1.3. Whichever method is used the procedure is repeated until all *TAB connectors* necessary to demonstrate conformance have been tested.

- 1) Connect *TAB connector* to measurement equipment as shown in subclause D.1.3. All *TAB connectors* not under test shall be terminated.
- 2) Measurements shall use a measurement bandwidth in accordance to the conditions in 3GPP TS 37.104 [12] subclause 6.6.1.
- 3) The measurement device characteristics shall be:
 - Detection mode: True RMS.
- 4) Set the *TAB connector* to transmit:
 - a) For MSR:
 - Set the *TAB connector* to transmit maximum power according to the applicable test configuration in clause 5 using the corresponding test models or set of physical channels in subclause 4.11.
 - b) For UTRA:

- For a *TAB connector* declared to be capable of single carrier operation only, set the *TAB connector* to transmit a signal according to TM1, subclause 4.12.2, at the manufacturer's declared rated output power, $P_{\text{rated,c,TABC}}$.
- For a *TAB connector* declared to be capable of multi-carrier operation, set the set the *TAB connector* to transmit according to TM1 on all carriers configured using the applicable test configuration and corresponding power setting specified in subclause 4.11.

c) For E-UTRA:

- *TAB connector* declared to be capable of single carrier operation only, set the *TAB connector* to transmit a signal according to E-TM1.1 in subclause 4.12.2, at manufacturer's declared rated output power $P_{\text{rated,c,TABC}}$.
- For a *TAB connector* declared to be capable of multi-carrier and/or CA operation, set the set the *TAB connector* to transmit according to E-TM1.1 on all carriers configured using the applicable test configuration and corresponding power setting specified in subclause 4.11.

5) Measure the emission at the specified frequencies with specified measurement bandwidth and note that the measured value does not exceed the test requirement in subclause 6.6.6.5.

In addition, for *multi-band TAB connector(s)*, the following steps shall apply:

6) For *multi-band TAB connectors* and single band tests, repeat the steps above per involved band where single band test configurations and test models shall apply with no carrier activated in the other band.

6.6.6.5 Test requirements

6.6.6.5.1 General

Conformance may be shown to either the measure and sum test requirement or the per *TAB connector* test requirement:

- 1) The spurious emission test requirements for an AAS BS when using the measure and sum alternative are that for each *TAB connector TX cell group* and each applicable *basic limit* as specified in this subclause, the power summation of emissions at the *TAB connectors* of the *TAB connector TX cell group* shall not exceed a limit specified as the *basic limit* + X, where $X = 10\log_{10}(N_{\text{TXU,countedpercell}})$, unless stated differently in regional regulation.
- 2) The spurious emission test requirements for an AAS BS when using the per *TAB connector* alternative are that for each *TAB connector TX cell group* and each applicable *basic limit* as specified in this subclause, the emissions at each of the *TAB connectors* of the *TAB connector TX cell group* shall not exceed a limit specified as the *basic limit* + X - $10\log(n)$ where n is the number of *TAB connectors* in the *TAB connector TX cell group* and $X = 10\log_{10}(N_{\text{TXU,countedpercell}})$, unless stated differently in regional regulation.

The appropriate table for the basic limit is based on the same power level ($P_{\text{Rated,c,sys}}$) as used for the AAS BS rated power limits for BS classes in table 6.2.2.1-1 the same method of scaling the power level using $N_{\text{TXU,counted}}$ is used.

6.6.6.5.2 Basic limits

6.6.6.5.2.1 General

The basic limits specified in tables 6.6.6.5.2.2-1 to table 6.6.6.5.2.6-3 are applicable for the *TAB connector* under test.

The test requirements of either subclause 6.6.6.5.2.2 (Category A limits) or subclause 6.6.6.5.2.3 (Category B limits) shall apply. In addition for a *TAB connector* operating in Band Category 2, the test requirements of 6.6.6.5.2.4 shall apply in case of Category B limits.

6.6.6.5.2.2 Spurious emissions (Category A)

The basic limit of any spurious emission shall not exceed the limits in table 6.6.6.5.2.2 -1

Table 6.6.6.5.2.2 -1: Spurious emission limits, Category A

| Frequency range | Maximum level | Measurement Bandwidth | Notes |
|--|---------------|-----------------------|----------------|
| 9kHz - 150 kHz | -13 dBm | 1 kHz | Note 1 |
| 150 kHz - 30 MHz | | 10 kHz | Note 1 |
| 30 MHz - 1GHz | | 100 kHz | Note 1 |
| 1GHz - 12.75 GHz | | 1 MHz | Note 2 |
| 12.75 GHz - 5 th harmonic of the upper frequency edge of the DL operating band in GHz | | 1 MHz | Note 2, Note 3 |
| NOTE 1: Bandwidth as in Recommendation ITU-R SM.329 [13], s4.1 | | | |
| NOTE 2: Bandwidth as in Recommendation ITU-R SM.329 [13], s4.1. Upper frequency as in Recommendation ITU-R SM.329 [13], s2.5 table 1 | | | |
| NOTE 3: For E-UTRA applies only for Bands 22, 42, 43 and 48. | | | |
| NOTE 4: For UTRA applies only for Band XXII. | | | |

6.6.6.5.2.3 Spurious emissions (Category B)

For MSR and E-UTRA the basic limits of is in table 6.6.6.5.2.3-1.

For UTRA FDD the basic limits of is in tables 6.6.6.5.2.3-2 and 6.6.6.5.2.3-3.

For UTRA FDD the basic limits of is in table 6.6.6.5.2.3-2.

Table 6.6.6.5.2.3-1: Spurious emissions limits, Category B

| Frequency range | Maximum Level | Measurement Bandwidth | Notes |
|---|---------------|-----------------------|----------------|
| 9 kHz ↔ 150 kHz | -36 dBm | 1 kHz | Note 1 |
| 150 kHz ↔ 30 MHz | -36 dBm | 10 kHz | Note 1 |
| 30 MHz ↔ 1 GHz | -36 dBm | 100 kHz | Note 1 |
| 1 GHz ↔ 12.75 GHz | -30 dBm | 1 MHz | Note 2 |
| 12.75 GHz ↔ 5 th harmonic of the upper frequency edge of the DL operating band in GHz | -30 dBm | 1 MHz | Note 2, Note 3 |
| NOTE 1: Bandwidth as in Recommendation ITU-R SM.329 [13], s4.1. | | | |
| NOTE 2: Bandwidth as in Recommendation ITU-R SM.329 [13], s4.1. Upper frequency as in Recommendation ITU-R SM.329 [13], s2.5 table 1. | | | |
| NOTE 3: Applies only for Bands 22, 42, 43 and 48. | | | |

Table 6.6.5.2.3-2: Mandatory spurious emissions basic limits, UTRA FDD in operating band I, II, III, IV, VII, X, XXV, XXXII (Category B) and UTRA TDD

| Band | Maximum Level | Measurement Bandwidth | Notes |
|--|---------------|-----------------------|----------------|
| 9 kHz ↔ 150 kHz | -36 dBm | 1 kHz | Note 1 |
| 150 kHz ↔ 30 MHz | -36 dBm | 10 kHz | Note 1 |
| 30 MHz ↔ 1 GHz | -36 dBm | 100 kHz | Note 1 |
| 1 GHz ↔ $F_{low} - 10$ MHz | -30 dBm | 1 MHz | Note 1 |
| $F_{low} - 10$ MHz ↔ $F_{high} + 10$ MHz | -15 dBm | 1 MHz | Note 2 |
| $F_{high} + 10$ MHz ↔ 12.75 GHz | -30 dBm | 1 MHz | Note 3 |
| 12.75 GHz - 5 th harmonic of the upper frequency edge of the DL operating band in GHz | -30 dBm | 1 MHz | Note 3, Note 4 |
| NOTE 1: Bandwidth as in Recommendation ITU-R SM.329 [35], s4.1. | | | |
| NOTE 2: Limit based on Recommendation ITU-R SM.329 [35], s4.3 and Annex 7. | | | |
| NOTE 3: Bandwidth as in Recommendation ITU-R SM.329 [35], s4.1. Upper frequency as in ITU-R SM.329 [35], s2.5 table 1. | | | |
| NOTE 4: UTRA FDD applies only for Band XXII. | | | |
| Key: | | | |
| F_{low} : The lowest downlink frequency of the operating band as defined in subclause 4.5. | | | |
| F_{high} : The highest downlink frequency of the operating band as defined in subclause 4.5. | | | |

Table 6.6.5.2.3-3: Mandatory spurious emissions basic limits, UTRA in operating band V, VIII, XII, XIII, XIV, XX, XXVI (Category B)

| Band | Maximum Level | Measurement Bandwidth | Notes |
|--|---------------|-----------------------|--------|
| 9 kHz ↔ 150 kHz | -36 dBm | 1 kHz | Note 1 |
| 150 kHz ↔ 30 MHz | -36 dBm | 10 kHz | Note 1 |
| 30 MHz ↔ $F_{low} - 10$ MHz | -36 dBm | 100 kHz | Note 1 |
| $F_{low} - 10$ MHz ↔ $F_{high} + 10$ MHz | -16 dBm | 100 kHz | Note 2 |
| $F_{high} + 10$ MHz ↔ 1 GHz | -36 dBm | 100 kHz | Note 1 |
| 1GHz ↔ 12.75GHz | -30 dBm | 1 MHz | Note 3 |
| NOTE 1: Bandwidth as in Recommendation ITU-R SM.329 [35], s4.1. | | | |
| NOTE 2: Limit based on Recommendation ITU-R SM.329 [35], s4.3 and Annex 7. | | | |
| NOTE 3: Bandwidth as in Recommendation ITU-R SM.329 [35], s4.1. Upper frequency as in ITU-R SM.329 [35], s2.5 table 1. | | | |
| Key: | | | |
| F_{low} : The lowest downlink frequency of the operating band as defined in subclause 4.5. | | | |
| F_{high} : The highest downlink frequency of the operating band as defined in subclause 4.5. | | | |

6.6.6.5.2.4 Protection of the BS receiver of own or different BS

This requirement shall be applied for FDD operation in order to prevent the receivers of Base Stations being desensitised by emissions from the transmitter *TAB connector*. It is measured at the transmit *TAB connector* for any type of *TAB connector* which has common or separate Tx/Rx antenna ports.

The basic limit of any spurious emission shall not exceed the limits in table 6.6.6.5.2.4 -1, depending on the declared Base Station class and Band Category.

Table 6.6.6.5.2.4-1: Spurious emissions *basic limits* for protection of the BS receiver

| | Frequency range | UTRA <i>basic limit</i> | E-UTRA <i>basic limit</i> | Measurement bandwidth |
|-----------------|--|-------------------------|---------------------------|-----------------------|
| Wide Area BS | $F_{UL_low} - F_{UL_high}$ | -96 dBm | -96 dBm | 100 kHz |
| Medium Range BS | $F_{UL_low} - F_{UL_high}$ | -86 dBm | -91 dBm | 100 kHz |
| Local Area BS | $F_{UL_low} - F_{UL_high}$ | -82 dBm | -88 dBm | 100 kHz |
| Note: | For E-UTRA Band 28 BS operating in regions where Band 28 is only partially allocated for E-UTRA operations, this requirement only applies in the UL frequency range of the partial allocation. | | | |

6.6.6.5.2.5 Co-existence with other systems in the same geographical area

These requirements may be applied for the protection of system operating in frequency ranges other than the *TAB connector* downlink operating band. The limits may apply as an optional protection of such systems that are deployed in the same geographical area as the AAS BS, or they may be set by local or regional regulation as a mandatory requirement for an operating band. It is in some cases not stated in the present document whether a requirement is mandatory or under what exact circumstances that a limit applies, since this is set by local or regional regulation. An overview of regional requirements in the present document is given in subclause 4.4.

Some requirements may apply for the protection of specific equipment (UE, MS and/or BS) or equipment operating in specific systems (GSM/EDGE, CDMA, UTRA, E-UTRA, NR, etc.) as listed below. The basic limit any spurious emission are in table 6.6.6.5.2.5-1 for *TAB connector(s)* where requirements for co-existence with the system listed in the first column apply. For *multi-band TAB connector(s)*, the exclusions and conditions in the Note column of table 6.6.6.5.2.5-1 apply for each supported operating band.

Table 6.6.6.5.2.5-1: Spurious emissions *basic limits* for co-existence with systems operating in other frequency bands

| System type operating in the same geographical area | Band for co-existence requirement | Basic limit | Measurement Bandwidth | Notes |
|---|-----------------------------------|-------------|-----------------------|---|
| GSM900 | 921 - 960 MHz | -57 dBm | 100 kHz | This requirement does not apply to UTRA FDD operating in band VIII. This requirement does not apply to E-UTRA BS operating in band 8 or NR BS operating in band n8 |
| | 876 - 915 MHz | -61 dBm | 100 kHz | For the frequency range 880-915 MHz, this requirement does not apply to UTRA FDD operating in band VIII, since it is already covered by the requirement in subclause 6.6.6.5.2.4. For the frequency range 880-915 MHz, this requirement does not apply to E-UTRA BS operating in band 8 or NR BS operating in band n8, since it is already covered by the requirement in subclause 6.6.6.5.2.4. |
| DCS1800 | 1805 - 1880 MHz | -47 dBm | 100 kHz | This requirement does not apply to UTRA FDD operating in band III. This requirement does not apply to UTRA TDD operating in Band b and c. For UTRA TDD BS operating in Band f, it applies for 1805 - 1850 MHz This requirement does not apply to E-UTRA BS operating in band 3 or NR BS operating in band n3. |
| | 1710 - 1785 MHz | -61 dBm | 100 kHz | This requirement does not apply to UTRA FDD operating in band III, since it is already covered by the requirement in subclause 6.6.6.5.2.4. This requirement does not apply to UTRA TDD operating in Band b and c. For UTRA TDD BS operating in Band f, it applies for 1710 - 1755 MHz This requirement does not apply to E-UTRA BS operating in band 3 or NR BS operating in band n3, since it is already covered by the requirement in subclause 6.6.6.5.2.4. |
| PCS1900 | 1930 - 1990 MHz | -47 dBm | 100 kHz | This requirement does not apply to UTRA FDD BS operating in frequency band II or band XXV. This requirement does not apply to UTRA TDD This requirement does not apply to E-UTRA BS operating in frequency band 2, band 25 or band 36 or NR BS operating in band n2 or n25. |

| System type operating in the same geographical area | Band for co-existence requirement | Basic limit | Measurement Bandwidth | Notes |
|---|-----------------------------------|---|---------------------------------|--|
| | 1850 - 1910 MHz | -61 dBm | 100 kHz | This requirement does not apply to UTRA FDD BS operating in frequency band II or band XXV, since it is already covered by the requirement in subclause 6.6.6.5.2.4. This requirement does not apply to UTRA TDD This requirement does not apply to E-UTRA BS operating in frequency band 2 or 25 or NR BS operating in band n2 or n25, since it is already covered by the requirement in subclause 6.6.6.5.2.4. This requirement does not apply to E-UTRA BS operating in frequency band 35. |
| GSM850 or CDMA850 | 869 - 894 MHz | -57 dBm | 100 kHz | This requirement does not apply to UTRA FDD BS operating in frequency band V or XXVI. This requirement does not apply to E-UTRA BS operating in frequency band 5 or 26 or NR BS operating in band n5. This requirement applies to E-UTRA BS operating in Band 27 for the frequency range 879-894 MHz. |
| | 824 - 849 MHz | -61 dBm | 100 kHz | This requirement does not apply to UTRA FDD BS operating in frequency band V or XXVI, since it is already covered by the requirement in subclause 6.6.6.5.2.4. This requirement does not apply to E-UTRA BS operating in frequency band 5 or 26 or NR BS operating in band n5, since it is already covered by the requirement in subclause 6.6.6.5.2.4. For E-UTRA BS operating in Band 27, it applies 3 MHz below the Band 27 downlink operating band. |
| UTRA FDD Band I or E-UTRA Band 1 or NR band n1 | 2110 - 2170 MHz | -52 dBm | 1 MHz | This requirement does not apply to UTRA FDD BS operating in band I, This requirement does not apply to E-UTRA BS operating in band 1 or 65 or NR BS operating in band n1. |
| | 1920 - 1980 MHz | -49 dBm (UTRA TDD -43 dBm for WA BS -40 dBm for LA BS) | 1 MHz (UTRA TDD 3.84 MHz) | This requirement does not apply to UTRA FDD BS operating in band I, since it is already covered by the requirement in subclause 6.6.6.5.2.4. This requirement does not apply to E-UTRA BS operating in band 1 or 65 or NR BS operating in band n1, since it is already covered by the requirement in subclause 6.6.6.5.2.4. |
| UTRA FDD Band II or E-UTRA Band 2 or NR band n2 | 1930 - 1990 MHz | -52 dBm | 1 MHz | This requirement does not apply to UTRA FDD BS operating in band II or band XXV4. This requirement does not apply to UTRA TDD This requirement does not apply to E-UTRA BS operating in band 2 or 25 or NR BS operating in band n2 or n25. |
| | 1850 - 1910 MHz | -49 dBm | 1 MHz | This requirement does not apply to UTRA FDD BS operating in band II or band XXV, since it is already covered by the requirement in subclause 6.6.6.5.2.4. This requirement does not apply to UTRA TDD This requirement does not apply to E-UTRA BS operating in band 2 or 25 or NR BS operating in band n2, since it is already covered by the requirement in subclause 6.6.6.5.2.4 |
| UTRA FDD Band III or E-UTRA Band 3 or NR band n3 | 1805 - 1880 MHz | -52 dBm | 1 MHz | This requirement does not apply to UTRA FDD BS operating in band III or band IX For UTRA TDD BS operating in Band f, it applies for 1805- 1850 MHz This requirement does not apply to E-UTRA BS operating in band 3 or NR BS operating in band n3. |

| System type operating in the same geographical area | Band for co-existence requirement | Basic limit | Measurement Bandwidth | Notes |
|---|-----------------------------------|---|---------------------------------|--|
| | 1710 - 1785 MHz | -49 dBm (UTRA TDD -43 dBm for WA BS -40 dBm for LA BS) | 1 MHz (UTRA TDD 3.84 MHz) | This requirement does not apply to UTRA FDD BS operating in band III, since it is already covered by the requirement in subclause 6.6.6.5.2.4. For UTRA BS operating in band IX, it applies for 1710 MHz to 1749.9 MHz and 1784.9 MHz to 1785 MHz, while the rest is covered in subclause 6.6.6.5.2.4. This requirement does not apply to E-UTRA BS operating in band 3 or 9 or NR BS operating in band n3, since it is already covered by the requirement in subclause 6.6.6.5.2.4. For UTRA TDD BS operating in Band f, it applies for 1710- 1755 MHz For E-UTRA BS operating in band 9, it applies for 1710 MHz to 1749.9 MHz and 1784.9 MHz to 1785 MHz, while the rest is covered in subclause 6.6.6.5.2.4. |
| UTRA FDD Band IV or E-UTRA Band 4 | 2110 - 2155 MHz | -52 dBm | 1 MHz | This requirement does not apply to UTRA FDD BS operating in band IV or band X This requirement does not apply to UTRA TDD This requirement does not apply to E-UTRA BS operating in band 4, 10 or 66 |
| | 1710 - 1755 MHz | -49 dBm | 1 MHz | This requirement does not apply to UTRA FDD BS operating in band IV or band X, since it is already covered by the requirement in subclause 6.6.6.5.2.4. This requirement does not apply to UTRA TDD This requirement does not apply to E-UTRA BS operating in band 4, 10 or 66, since it is already covered by the requirement in subclause 6.6.6.5.2.4. |
| UTRA FDD Band V or E-UTRA Band 5 or NR band n5 | 869 - 894 MHz | -52 dBm | 1 MHz | This requirement does not apply to UTRA FDD BS operating in band V or XXVI This requirement does not apply to E-UTRA BS operating in band 5 or 26 or NR BS operating in band n5. This requirement applies to E-UTRA BS operating in Band 27 for the frequency range 879-894 MHz. |
| | 824 - 849 MHz | -49 dBm (UTRA TDD -43 dBm for WA BS -40 dBm for LA BS) | 1 MHz (UTRA TDD 3.84 MHz) | This requirement does not apply to UTRA FDD BS operating in band V or XXVI, since it is already covered by the requirement in subclause 6.6.6.5.2.4. This requirement does not apply to E-UTRA BS operating in band 5 or 26 or NR BS operating in band n5, since it is already covered by the requirement in subclause 6.6.6.5.2.4. For E-UTRA BS operating in Band 27, it applies 3 MHz below the Band 27 downlink operating band. |
| UTRA FDD Band VI or XIX, or E-UTRA Band 6, 18 or 19 | 860 - 890 MHz | -52 dBm | 1 MHz | This requirement does not apply to UTRA FDD BS operating in band VI or XIX For UTRA TDD applicable in Japan This requirement does not apply to E-UTRA BS operating in band 6, 18, 19. |
| | 815 - 845 MHz | -49 dBm (UTRA TDD -43 dBm) | 1 MHz (UTRA TDD 3.84 MHz) | This requirement does not apply to UTRA FDD BS operating in band VI or XIX, since it is already covered by the requirement in subclause 6.6.6.5.2.4. For UTRA TDD applicable in Japan This requirement does not apply to E-UTRA BS operating in band 18 between 815-830 MHz, since it is already covered by the requirement in subclause 6.6.6.5.2.4. This requirement does not apply to E-UTRA BS operating in band 6, 19 between 830-845 MHz, since it is already covered by the requirement in subclause 6.6.6.5.2.4. |

| System type operating in the same geographical area | Band for co-existence requirement | Basic limit | Measurement Bandwidth | Notes |
|---|-----------------------------------|---|---------------------------------|--|
| UTRA FDD Band VII or E-UTRA Band 7 or NR band n7 | 2620 - 2690 MHz | -52 dBm | 1 MHz | This requirement does not apply to UTRA FDD BS operating in band VII, This requirement does not apply to E-UTRA BS operating in band 7 or NR BS operating in band n7. This requirement does not apply to E-UTRA BS operating in band 7 or NR BS operating in band n7, since it is already covered by the requirement in subclause 6.6.6.5.2.4. |
| | 2500 - 2570 MHz | -49 dBm (UTRA TDD -43 dBm for WA BS -40 dBm for LA BS) | 1 MHz (UTRA TDD 3.84 MHz) | This requirement does not apply to UTRA FDD BS operating in band VII or E-UTRA BS operation in band 7 or NR BS operating in band n7, since it is already covered by the requirement in subclause 6.6.6.5.2.4. |
| UTRA FDD Band VIII or E-UTRA Band 8 or NR band n8 | 925 - 960 MHz | -52 dBm | 1 MHz | This requirement does not apply to UTRA FDD BS operating in band VIII. This requirement does not apply to UTRA TDD This requirement does not apply to E-UTRA BS operating in band 8 or NR BS operating in band n8. |
| | 880 - 915 MHz | -49 dBm | 1 MHz | This requirement does not apply to UTRA FDD BS operating in band VIII, since it is already covered by the requirement in subclause 6.6.6.5.2.4. This requirement does not apply to UTRA TDD This requirement does not apply to E-UTRA BS operating in band 8 or NR BS operating in band n8, since it is already covered by the requirement in subclause 6.6.6.5.2.4. |
| UTRA FDD Band IX or E-UTRA Band 9 | 1844.9 - 1879.9 MHz | -52 dBm (UTRA TDD -43 dBm) | 1 MHz (UTRA TDD 3.84 MHz) | This requirement does not apply to UTRA FDD BS operating in band III or band IX For UTRA TDD applicable in Japan This requirement does not apply to E-UTRA BS operating in band 3 or 9 or NR BS operating in band n3. |
| | 1749.9 - 1784.9 MHz | -49 dBm | 1 MHz | This requirement does not apply to UTRA FDD BS operating in band III or band IX, since it is already covered by the requirement in subclause 6.6.6.5.2.4. This requirement does not apply to E-UTRA BS operating in band 3 or 9 or NR BS operating in band n3, since it is already covered by the requirement in subclause 6.6.6.5.2.4. |
| UTRA FDD Band X or E-UTRA Band 10 | 2110 - 2170 MHz | -52 dBm | 1 MHz | This requirement does not apply to UTRA FDD BS operating in band IV or band X This requirement does not apply to UTRA TDD This requirement does not apply to E-UTRA BS operating in band 4, 10 or 66 |
| | 1710 - 1770 MHz | -49 dBm | 1 MHz | This requirement does not apply to UTRA FDD BS operating in band X, since it is already covered by the requirement in subclause 6.6.6.5.2.4. For UTRA FDD BS operating in Band IV, it applies for 1755 MHz to 1770 MHz, while the rest is covered in subclause 6.6.6.5.2.4. This requirement does not apply to UTRA TDD This requirement does not apply to E-UTRA BS operating in band 10 or 66 or NR BS operating in band n66, since it is already covered by the requirement in subclause 6.6.6.5.2.4. For E-UTRA BS operating in Band 4, it applies for 1755 MHz to 1770 MHz, while the rest is covered in subclause 6.6.6.5.2.4. |
| UTRA FDD Band XI or XXI or | 1475.9 - 1510.9 MHz | -52 dBm | 1 MHz | This requirement does not apply to UTRA FDD BS operating in band XI, XXI, or XXXII. For UTRA TDD applicable in Japan This requirement does not apply to E-UTRA BS operating in band 11, 21 or 32. |

| System type operating in the same geographical area | Band for co-existence requirement | Basic limit | Measurement Bandwidth | Notes |
|---|-----------------------------------|-------------------------------|------------------------------|--|
| E-UTRA Band 11 or 21 | 1427.9 - 1447.9 MHz | -49 dBm (UTRA TDD -43 dBm) | 1 MHz (UTRA TDD 3.84 MHz) | This requirement does not apply to UTRA FDD BS operating in band XI, since it is already covered by the requirement in subclause 6.6.6.5.2.4. For UTRA BS operating in band XXXII, this requirement applies for carriers allocated within 1475.9MHz and 1495.9MHz. For UTRA TDD applicable in Japan This requirement does not apply to E-UTRA BS operating in band 11, since it is already covered by the requirement in subclause 6.6.6.5.2.4. For E-UTRA BS operating in band 32, this requirement applies for carriers allocated within 1475.9MHz and 1495.9MHz. |
| | 1447.9 - 1462.9 MHz | -49 dBm (UTRA TDD -43 dBm) | 1 MHz (UTRA TDD 3.84 MHz) | This requirement does not apply to UTRA FDD BS operating in band XXI, since it is already covered by the requirement in subclause 6.6.6.5.2.4. For UTRA BS operating in band XXXII, this requirement applies for carriers allocated within 1475.9MHz and 1495.9MHz. For UTRA TDD applicable in Japan up to 1462.9MHz. This requirement does not apply to E-UTRA BS operating in band 21, since it is already covered by the requirement in subclause 6.6.6.5.2.4. For E-UTRA BS operating in band 32, this requirement applies for carriers allocated within 1475.9MHz and 1495.9MHz. |
| UTRA FDD Band XII or E-UTRA Band 12 or NR band n12 | 729 - 746 MHz | -52 dBm | 1 MHz | This requirement does not apply to UTRA FDD BS operating in band XII This requirement does not apply to UTRA TDD This requirement does not apply to E-UTRA BS operating in band 12 or 85, nor NR BS operating in band n12. |
| | 699 - 716 MHz | -49 dBm | 1 MHz | This requirement does not apply to UTRA FDD BS operating in band XII, since it is already covered by the requirement in subclause 6.6.6.5.2.4. This requirement does not apply to UTRA TDD This requirement does not apply to E-UTRA BS operating in band 12 or 85, nor NR BS operating in band n12, since it is already covered by the requirement in subclause 6.6.6.5.2.4. For E-UTRA BS operating in Band 29, it applies 1 MHz below the Band 29 downlink operating band (Note 6) |
| UTRA FDD Band XIII or E-UTRA Band 13 | 746 - 756 MHz | -52 dBm | 1 MHz | This requirement does not apply to UTRA FDD BS operating in band XIII This requirement does not apply to UTRA TDD This requirement does not apply to E-UTRA BS operating in band 13. |
| | 777 - 787 MHz | -49 dBm | 1 MHz | This requirement does not apply to UTRA FDD BS operating in band XIII, since it is already covered by the requirement in subclause 6.6.6.5.2.4. This requirement does not apply to UTRA TDD This requirement does not apply to E-UTRA BS operating in band 13, since it is already covered by the requirement in subclause 6.6.6.5.2.4. |
| UTRA FDD Band XIV or E-UTRA Band 14 | 758 - 768 MHz | -52 dBm | 1 MHz | This requirement does not apply to UTRA FDD BS operating in band XIV This requirement does not apply to UTRA TDD This requirement does not apply to E-UTRA BS operating in band 14. |
| | 788 - 798 MHz | -49 dBm | 1 MHz | This requirement does not apply to UTRA FDD BS operating in band XIV, since it is already covered by the requirement in subclause 6.6.6.5.2.4. This requirement does not apply to UTRA TDD This requirement does not apply to E-UTRA BS operating in band 14, since it is already covered by the requirement in subclause 6.6.6.5.2.4. |

| System type operating in the same geographical area | Band for co-existence requirement | Basic limit | Measurement Bandwidth | Notes |
|---|-----------------------------------|-------------|-----------------------|--|
| E-UTRA Band 17 | 734 - 746 MHz | -52 dBm | 1 MHz | This requirement does not apply to UTRA FDD BS operating in band XII This requirement does not apply to UTRA TDD This requirement does not apply to E-UTRA BS operating in band 17. |
| | 704 - 716 MHz | -49 dBm | 1 MHz | This requirement does not apply to UTRA FDD BS operating in band XII, since it is already covered by the requirement in subclause 6.6.6.5.2.4. This requirement does not apply to UTRA TDD This requirement does not apply to E-UTRA BS operating in band 17, since it is already covered by the requirement in subclause 6.6.4.5.3. For E-UTRA BS operating in Band 29, it applies 1 MHz below the Band 29 downlink operating band (Note 6) |
| UTRA FDD Band XX or E-UTRA Band 20 or NR band n20 | 791 - 821 MHz | -52 dBm | 1 MHz | This requirement does not apply to UTRA FDD BS operating in band XX This requirement does not apply to UTRA TDD This requirement does not apply to E-UTRA BS operating in band 20 or 28 or NR BS operating in band n20. |
| | 832 - 862 MHz | -49 dBm | 1 MHz | This requirement does not apply to UTRA FDD BS operating in band XX, since it is already covered by the requirement in subclause 6.6.6.5.2.4. This requirement does not apply to UTRA TDD This requirement does not apply to E-UTRA BS operating in band 20 or NR BS operating in band n20, since it is already covered by the requirement in subclause 6.6.6.5.2.4. |
| UTRA FDD Band XXII or E-UTRA Band 22 | 3510 -3590 MHz | -52 dBm | 1 MHz | This requirement does not apply to UTRA FDD BS operating in band XXII This requirement does not apply to UTRA TDD This requirement does not apply to E-UTRA BS operating in band 22, 42 or 48. |
| | 3410 -3490 MHz | -49 dBm | 1 MHz | This requirement does not apply to UTRA FDD BS operating in band XXII, since it is already covered by the requirement in subclause 6.6.6.5.2.4. This requirement does not apply to UTRA TDD This requirement does not apply to E-UTRA BS operating in band 22, since it is already covered by the requirement in subclause 6.6.4.5.3. This requirement does not apply to E-UTRA BS operating in Band 42 |
| E-UTRA Band 23 | 2180 - 2200 MHz | -52 dBm | 1 MHz | This requirement does not apply to E-UTRA BS operating in band 23 or 66 or NR BS operating in band n66. This requirement does not apply to UTRA TDD |
| | 2000 - 2020 MHz | -49 dBm | 1 MHz | This requirement does not apply to UTRA FDD BS operating in Band II or XXV, where the limits are defined separately. This requirement does not apply to UTRA TDD This requirement does not apply to E-UTRA BS operating in band 23, since it is already covered by the requirement in subclause 6.6.6.5.2.4. This requirement does not apply to BS operating in Bands 2 or 25 or n2 or n25, where the limits are defined separately. |
| | 2000 - 2010 MHz | -30 dBm | 1 MHz | This requirement only applies to UTRA FDD BS operating in Band II or Band XXV. This requirement applies starting 5 MHz above the Band XXV downlink operating band. (Note 3) |
| | 2010 - 2020 MHz | -49 dBm | 1 MHz | This requirement does not apply to UTRA TDD This requirement only applies to E-UTRA BS operating in Band 2 or Band 25 or NR BS operating in band n2 and n25. This requirement applies starting 5 MHz above the Band 25/n25 downlink operating band. (Note 4) |

| System type operating in the same geographical area | Band for co-existence requirement | Basic limit | Measurement Bandwidth | Notes |
|---|-----------------------------------|-------------|-----------------------|---|
| E-UTRA Band 24 | 1525 - 1559 MHz | -52 dBm | 1 MHz | This requirement does not apply to E-UTRA BS operating in band 24. This requirement does not apply to UTRA TDD |
| | 1626.5 - 1660.5 MHz | -49 dBm | 1 MHz | This requirement does not apply to E-UTRA BS operating in band 24, since it is already covered by the requirement in subclause 6.6.6.5.2.4. This requirement does not apply to UTRA TDD |
| UTRA FDD Band XXV or E-UTRA Band 25 or NR band n25 | 1930 - 1995 MHz | -52 dBm | 1 MHz | This requirement does not apply to UTRA FDD BS operating in band II or band XXV This requirement does not apply to UTRA TDD This requirement does not apply to E-UTRA BS operating in band 2 or 25 or NR BS operating in band n2 or n25. |
| | 1850 - 1915 MHz | -49 dBm | 1 MHz | This requirement does not apply to UTRA FDD BS operating in band XXV, since it is already covered by the requirement in subclause 6.6.6.5.2.4. For UTRA FDD BS operating in Band II, it applies for 1910 MHz to 1915 MHz, while the rest is covered in subclause 6.6.6.5.2.4. This requirement does not apply to UTRA TDD This requirement does not apply to E-UTRA BS operating in band 25, since it is already covered by the requirement in subclause 6.6.6.5.2.4. For E-UTRA BS operating in Band 2 or NR BS operating in band n2, it applies for 1910 MHz to 1915 MHz, while the rest is covered in subclause 6.6.6.5.2.4. |
| UTRA FDD Band XXVI or E-UTRA Band 26 | 859-894 MHz | -52 dBm | 1 MHz | This requirement does not apply to UTRA FDD BS operating in band V or band XXVI This requirement does not apply to UTRA TDD This requirement does not apply to E-UTRA BS operating in band 5 or 26 or NR BS operating in band n5. This requirement applies to E-UTRA BS operating in Band 27 for the frequency range 879-894 MHz. |
| | 814-849 MHz | -49 MHz | 1 MHz | This requirement does not apply to UTRA FDD BS operating in band XXVI, since it is already covered by the requirements in subclause 6.6.6.5.2.4. For UTRA FDD BS operating in band V, it applies for 814 MHz to 824 MHz, while the rest is covered in subclause 6.6.3.2 This requirement does not apply to UTRA TDD This requirement does not apply to E-UTRA BS operating in band 26, since it is already covered by the requirement in subclause 6.6.6.5.2.4. For E-UTRA BS operating in Band 5 or NR BS operating in band n5, it applies for 814 MHz to 824 MHz, while the rest is covered in subclause 6.6.6.5.2.4. For E-UTRA BS operating in Band 27, it applies 3 MHz below the Band 27 downlink operating band. |
| E-UTRA Band 27 | 852 - 869 MHz | -52 dBm | 1 MHz | This requirement does not apply to UTRA BS operating in Band V or XXVI. This requirement does not apply to UTRA TDD This requirement does not apply to E-UTRA BS operating in Band 5, 26 or 27 or NR BS operating in band n5. |

| System type operating in the same geographical area | Band for co-existence requirement | Basic limit | Measurement Bandwidth | Notes |
|--|-----------------------------------|-------------|-----------------------|---|
| | 807 - 824 MHz | -49 dBm | 1 MHz | For UTRA BS operating in Band XXVI, it applies for 807 MHz to 814 MHz, while the rest is covered in subclause 6.6.6.5.2.4. This requirement does not apply to UTRA TDD This requirement does not apply to E-UTRA BS operating in Band 27, since it is already covered by the requirement in subclause 6.6.6.5.2.4. For E-UTRA BS operating in Band 26, it applies for 807 MHz to 814 MHz, while the rest is covered in subclause 6.6.6.5.2.4. This requirement also applies to E-UTRA BS operating in Band 28, starting 4 MHz above the Band 28 downlink operating band (Note 5). |
| E-UTRA Band 28 or NR band n28 | 758 - 803 MHz | -52 dBm | 1 MHz | This requirement does not apply to E-UTRA BS operating in band 20, 28, 44, 67 or 68. This requirement does not apply to UTRA TDD |
| | 703 - 748 MHz | -49 MHz | 1 MHz | This requirement does not apply to E-UTRA BS operating in band 28, since it is already covered by the requirement in subclause 6.6.6.5.2.4. This requirement does not apply to E-UTRA BS operating in Band 44. This requirement does not apply to UTRA TDD For E-UTRA BS operating in Band 67, it applies for 703 MHz to 736 MHz. For E-UTRA BS operating in Band 68, it applies for 728MHz to 733 MHz. |
| E-UTRA Band 29 | 717 - 728 MHz | -52 dBm | 1 MHz | This requirement does not apply to UTRA TDD. This requirement does not apply to E-UTRA BS operating in Band 29 or 85 |
| E-UTRA Band 30 | 2350 - 2360 MHz | -52 dBm | 1 MHz | This requirement does not apply to UTRA TDD. This requirement does not apply to E-UTRA BS operating in band 30 or 40 or NR BS operating in band n40. |
| | 2305 - 2315 MHz | -49 dBm | 1 MHz | This requirement does not apply to UTRA TDD. This requirement does not apply to E-UTRA BS operating in band 30, since it is already covered by the requirement in subclause 6.6.6.5.2.4. This requirement does not apply to E-UTRA BS operating in Band 40 or NR BS operating in band n40. |
| E-UTRA Band 31 | 462.5 -467.5 MHz | -52 dBm | 1 MHz | This requirement does not apply to UTRA TDD. This requirement does not apply to E-UTRA BS operating in band 31, 72, 73. |
| | 452.5 -457.5 MHz | -49 dBm | 1 MHz | This requirement does not apply to UTRA TDD. This requirement does not apply to E-UTRA BS operating in band 31, since it is already covered by the requirement in subclause 6.6.6.5.2.4. This requirement does not apply to E-UTRA BS operating in band 72 or 73. |
| UTRA FDD Band XXXII or E-UTRA Band 32 | 1452 - 1496 MHz | -52 dBm | 1 MHz | This requirement does not apply to UTRA BS operating in Band XI, XXI, or XXXII This requirement does not apply to UTRA TDD This requirement does not apply to E-UTRA BS operating in band 11, 21 or 32. |
| UTRA TDD in Band a) or E-UTRA Band 33 | 1900 - 1920 MHz | -52 dBm | 1 MHz | This requirement does not apply to E-UTRA BS operating in Band 33. |
| UTRA TDD in Band a) or E-UTRA Band 34 or NR band n34 | 2010 - 2025 MHz | -52 dBm | 1 MHz | This requirement does not apply to E-UTRA BS operating in Band 34 or NR BS operating in band n34. |

| System type operating in the same geographical area | Band for co-existence requirement | Basic limit | Measurement Bandwidth | Notes |
|--|-----------------------------------|-------------|-----------------------|--|
| UTRA TDD Band b) or E-UTRA Band 35 | 1850 - 1910 MHz | -52 dBm | 1 MHz | This requirement does not apply to UTRA BS. This requirement does not apply to E-UTRA BS operating in Band 35. |
| UTRA TDD Band b) or E-UTRA Band 36 | 1930 - 1990 MHz | -52 dBm | 1 MHz | This requirement does not apply to UTRA BS. This requirement does not apply to E-UTRA BS operating in Band 2 and 36 or NR BS operating in band n2. |
| UTRA TDD Band c) or E-UTRA Band 37 | 1910 - 1930 MHz | -52 dBm | 1 MHz | This requirement does not apply to UTRA BS. This is not applicable to E-UTRA BS operating in Band 37. This unpaired band is defined in ITU-R M.1036, but is pending any future deployment. |
| UTRA TDD in Band d) or E-UTRA Band 38 or NR band n38 | 2570 - 2620 MHz | -52 dBm | 1 MHz | This requirement does not apply to E-UTRA BS operating in Band 38 or 69 or NR BS operating in band n38. |
| UTRA TDD in Band f) or E-UTRA Band 39 or NR band n39 | 1880 - 1920 MHz | -52 dBm | 1 MHz | Applicable in China for UTRA FDD. This is not applicable to E-UTRA BS operating in Band 39. |
| UTRA TDD in Band e) or E-UTRA Band 40 or NR band n40 | 2300 - 2400 MHz | -52 dBm | 1 MHz | This is not applicable to E-UTRA BS operating in Band 30 or 40 or NR BS operating in band n40. |
| E-UTRA Band 41 or NR band n41 | 2496 - 2690 MHz | -52 dBm | 1 MHz | This is not applicable to E-UTRA BS operating in Band 41 or NR BS operating in band n41. |
| E-UTRA Band 42 | 3400 - 3600 MHz | -52 dBm | 1 MHz | This is not applicable to E-UTRA BS operating in Band 22, 42, 43, 48, 52. |
| E-UTRA Band 43 | 3600 - 3800 MHz | -52 dBm | 1 MHz | This requirement does not apply to UTRA TDD. This is not applicable to E-UTRA BS operating in Band 42, 43 or 48. |
| E-UTRA Band 44 | 703 - 803 MHz | -52 dBm | 1 MHz | This is not applicable to E-UTRA BS operating in Band 28 or 44 |
| E-UTRA Band 45 | 1447 - 1467 MHz | -52 dBm | 1 MHz | This requirement does not apply to UTRA BS. This is not applicable to E-UTRA BS operating in Band 45 |
| E-UTRA Band 46 | 5150 - 5925 MHz | -52 dBm | 1 MHz | |
| E-UTRA Band 48 | 3550 – 3700 MHz | -52 dBm | 1 MHz | This is not applicable to E-UTRA BS operating in Band 22, 42, 43 or 48. |
| E-UTRA Band 49 | 3550 – 3700 MHz | -52 dBm | 1 MHz | This is not applicable to E-UTRA BS operating in Band 22, 42, 43, 48. |
| E-UTRA Band 50 or NR band n50 | 1432 – 1517 MHz | -52 dBm | 1 MHz | This requirement does not apply to BS operating in Band n50, n51, n74, n75 or n76. |
| E-UTRA Band 51 or NR Band n51 | 1427 – 1432 MHz | -52 dBm | 1 MHz | This requirement does not apply to BS operating in Band n50, n51, n75 or n76. |
| E-UTRA Band 52 | 3300 – 3400 MHz | -52 dBm | 1 MHz | This is not applicable to E-UTRA BS operating in Band 42 or 52. |
| E-UTRA Band 65 | 2110 - 2200 MHz | -52 dBm | 1 MHz | This requirement does not apply to UTRA BS. This requirement does not apply to E-UTRA BS operating in band 1 or 65 or NR BS operating in band n1. |

| System type operating in the same geographical area | Band for co-existence requirement | Basic limit | Measurement Bandwidth | Notes |
|---|-----------------------------------|-------------|-----------------------|---|
| | 1920 - 2010 MHz | -49 dBm | 1 MHz | This requirement does not apply to UTRA BS. This requirement does not apply to E-UTRA BS operating in band 65, since it is already covered by the requirement in subclause 6.6.6.5.2.4. For E-UTRA BS operating in Band 1 or NR BS operating in band n1, it applies for 1980 MHz to 2010 MHz, while the rest is covered in subclause 6.6.6.5.2.4. |
| E-UTRA Band 66 or NR band n66 | 2110 - 2200 MHz | -52 dBm | 1 MHz | This requirement does not apply to UTRA BS. This requirement does not apply to E-UTRA BS operating in band 4, 10, 23 or 66. |
| | 1710 - 1780 MHz | -49 dBm | 1 MHz | This requirement does not apply to UTRA BS. This requirement does not apply to E-UTRA BS operating in band 66, since it is already covered by the requirement in subclause 6.6.4.5.3. For E-UTRA BS operating in Band 4, it applies for 1755 MHz to 1780 MHz, while the rest is covered in subclause 6.6.6.5.2.4. For E-UTRA BS operating in Band 10, it applies for 1770 MHz to 1780 MHz, while the rest is covered in subclause 6.6.6.5.2.4. |
| E-UTRA Band 67 | 738 - 758 MHz | -52 dBm | 1 MHz | This requirement does not apply to UTRA BS. This requirement does not apply to E-UTRA BS operating in Band 28 or 67. |
| E-UTRA Band 68 | 753 - 783 MHz | -52 dBm | 1 MHz | This requirement does not apply to UTRA BS. This requirement does not apply to E-UTRA BS operating in band 28, or 68. |
| | 698-728 MHz | -49 dBm | 1 MHz | This requirement does not apply to UTRA BS. This requirement does not apply to E-UTRA BS operating in band 68, since it is already covered by the requirement in subclause 6.6.6.5.2.4. For E-UTRA BS operating in Band 28, it applies between 698 MHz and 703 MHz, while the rest is covered in subclause 6.6.6.5.2.4. |
| E-UTRA Band 69 | 2570 - 2620 MHz | -52 dBm | 1 MHz | This requirement does not apply to E-UTRA BS operating in Band 38 or 69. |
| E-UTRA Band 70 or NR band n70 | <u>1995 - 2020 MHz</u> | -52 dBm | 1 MHz | This requirement does not apply to E-UTRA BS operating in band 2, 25 or 70 or NR BS operating in band n2 or n25. |
| | <u>1695 - 1710 MHz</u> | -49 dBm | 1 MHz | This requirement does not apply to E-UTRA BS operating in Band 70, since it is already covered by the requirement in subclause 6.6.6.5.2.4. |
| E-UTRA Band 71 or NR Band n71 | 617 - 652 MHz | -52 dBm | 1 MHz | This requirement does not apply to BS operating in band n71 |
| | 663 - 698 MHz | -49 dBm | 1 MHz | This requirement does not apply to BS operating in band n71, since it is already covered by the requirement in subclause 6.6.6.5.2.4. |
| E-UTRA Band 72 | 461 - 466 MHz | -52 dBm | 1 MHz | This requirement does not apply to E-UTRA BS operating in band 31, 72 and or 73. |
| | 451 - 456 MHz | -49 dBm | 1 MHz | This requirement does not apply to E-UTRA BS operating in band 72, since it is already covered by the requirement in subclause 6.6.6.5.2.4. This requirement does not apply to E-UTRA BS operating in band 73. |
| E-UTRA Band 73 | 460 - 465 MHz | -52 dBm | 1 MHz | This requirement does not apply to E-UTRA BS operating in band 31, 72 or 73. |
| | 450 - 455 MHz | -49 dBm | 1 MHz | This requirement does not apply to E-UTRA BS operating in band 73, since it is already covered by the requirement in subclause 6.6.6.5.2.4. |
| E-UTRA Band 74 or NR Band n74 | 1475 - 1518 MHz | -52 dBm | 1 MHz | This requirement does not apply to BS operating in band n50, n74 or n75. |
| | 1427 - 1470 MHz | -49 dBm | 1MHz | This requirement does not apply to BS operating in band n50, n51, n74, n75 or n76. |
| E-UTRA Band 75 or NR Band n75 | 1432 - 1517 MHz | -52 dBm | 1 MHz | This requirement does not apply to BS operating in Band n50, n51, n74, n75 or n76. |

| System type operating in the same geographical area | Band for co-existence requirement | Basic limit | Measurement Bandwidth | Notes |
|---|-----------------------------------|-------------|-----------------------|--|
| E-UTRA Band 76 or NR Band n76 | 1427 – 1432 MHz | -52 dBm | 1 MHz | This requirement does not apply to BS operating in Band n50, n51, n75 or n76. |
| NR Band n77 | 3.3 – 4.2 GHz | -52 dBm | 1 MHz | This requirement does not apply to BS operating in Band 22, 42, 43, 48, 52, n77 and n78 |
| NR Band n78 | 3.3 – 3.8 GHz | -52 dBm | 1 MHz | This requirement does not apply to BS operating in Band 22, 42, 43, 48, 52, n77 and n78 |
| NR Band n79 | 4.4 – 5.0 GHz | -52 dBm | 1 MHz | This requirement does not apply to BS operating in Band n79 |
| NR Band n80 | 1710 – 1785 MHz | -49 dBm | 1 MHz | This requirement does not apply to BS operating in band n3, since it is already covered by the requirement in subclause 6.6.5.2.4. |
| NR Band n81 | 880 – 915 MHz | -49 dBm | 1 MHz | This requirement does not apply to BS operating in band n8, since it is already covered by the requirement in subclause 6.6.5.2.4. |
| NR Band n82 | 832 – 862 MHz | -49 dBm | 1 MHz | This requirement does not apply to BS operating in band n20, since it is already covered by the requirement in subclause 6.6.5.2.4. |
| NR Band n83 | 703 – 748 MHz | -49 dBm | 1 MHz | This requirement does not apply to BS operating in band n28, since it is already covered by the requirement in subclause 6.6.5.2.4. |
| NR Band n84 | 1920 – 1980 MHz | -49 dBm | 1 MHz | This requirement does not apply to BS operating in band n1, since it is already covered by the requirement in subclause 6.6.5.2.4. |
| E-UTRA Band 85 | 728 - 746 MHz | -52 dBm | 1 MHz | This requirement does not apply to BS operating in band 12/n12, 29 or 85. |
| | 698 - 716 MHz | -49 dBm | 1 MHz | This requirement does not apply to BS operating in band 12/n12 or 85, since it is already covered by the requirement in subclause 6.6.5.2.4. For BS operating in Band 29, it applies 1 MHz below the Band 29 downlink operating band (Note 6). |
| NR Band n86 | 1710 – 1780 MHz | -49 dBm | 1 MHz | This requirement does not apply to BS operating in band n66, since it is already covered by the requirement in subclause 6.6.5.2.4. |
| NOTE 1: The co-existence requirements do not apply for the 10 MHz frequency range immediately outside the downlink operating band (see subclause 4.5.). Emission limits for this excluded frequency range may be covered by local or regional requirements. | | | | |
| NOTE 2: The table above assumes that two operating bands, where the frequency ranges would be overlapping, are not deployed in the same geographical area. For such a case of operation with overlapping frequency arrangements in the same geographical area, special co-existence requirements may apply that are not covered by the 3GPP specifications. | | | | |

NOTE 1: As defined in the scope for spurious emissions in this subclause, except for the cases where the noted requirements apply to a BS operating in Band 25/n25, Band 27, Band 28/n28 or Band 29, the co-existence requirements in Table 6.6.6.5.2.5-1 do not apply for the 10 MHz frequency range immediately outside the downlink operating band (see Tables 4.5-1 and 4.5-2). Emission limits for this excluded frequency range may be covered by local or regional requirements.

NOTE 2: Table 6.6.6.5.2.5-1 assumes that two operating bands, where the frequency ranges in table 4.4-1 or table 4.4-2 would be overlapping, are not deployed in the same geographical area. For such a case of operation with overlapping frequency arrangements in the same geographical area, special co-existence requirements may apply that are not covered by the 3GPP specifications.

NOTE 3: For the protection of DCS1800, UTRA Band III, E-UTRA Band 3 or NR Band n3 in China, the frequency ranges of the downlink and uplink protection requirements are 1805 – 1850 MHz and 1710 – 1755 MHz respectively.

NOTE 4: TDD base stations deployed in the same geographical area, that are synchronized and use the same or adjacent operating bands can transmit without additional co-existence requirements. For unsynchronized

base stations, special co-existence requirements may apply that are not covered by the 3GPP specifications.

NOTE 5: For Band 28/n28 BS, specific solutions may be required to fulfil the spurious emissions limits for BS for co-existence with Band 27 UL operating band.

NOTE 6: For Band 29 BS, specific solutions may be required to fulfil the spurious emissions limits for BS for co-existence with UTRA Band XII or E-UTRA Band 12 UL operating band, E-UTRA Band 17 UL operating band or E-UTRA Band 85 UL operating band.

The following requirement may be applied for the protection of PHS. This requirement is also applicable at specified frequencies falling between Δf_{OBUE} below the lowest BS transmitter frequency of the downlink operating band and Δf_{OBUE} above the highest BS transmitter frequency of the downlink operating band.

The basic limit for any spurious emission is:

Table 6.6.6.5.2.5-2: Spurious emissions *basic limits* for co-existence with PHS

| Frequency range | Basic limit | Measurement Bandwidth | Notes |
|---|-------------|-----------------------|---|
| 1884.5 - 1915.7 MHz | -41 dBm | 300 kHz | Applicable for co-existence with PHS system operating in 1884.5-1915.7MHz |
| NOTE: The requirement is not applicable in China. | | | |

The following requirement shall be applied to UTRA BS for co-existence with services in adjacent frequency bands. This requirement may be applied for the protection in bands adjacent to bands I or VII, as defined in clause 3.4.1, in geographic areas in which both an adjacent band service and UTRA FDD are deployed.

Table 6.6.6.5.2.5-3: spurious emissions basic limits for UTRA FDD protection of adjacent band services

| Operating Band | Band | Basic limit | Measurement Bandwidth |
|----------------|-----------------|--|-----------------------|
| I | 2100 - 2105 MHz | $-30 + 3.4 \cdot (f - 2100 \text{ MHz}) \text{ dBm}$ | 1 MHz |
| | 2175 - 2180 MHz | $-30 + 3.4 \cdot (2180 \text{ MHz} - f) \text{ dBm}$ | 1 MHz |
| VII | 2610 - 2615 MHz | $-30 + 3.4 \cdot (f - 2610 \text{ MHz}) \text{ dBm}$ | 1 MHz |
| | 2695 - 2700 MHz | $-30 + 3.4 \cdot (2700 \text{ MHz} - f) \text{ dBm}$ | 1 MHz |

The following requirement shall be applied to *TAB connectors* operating in Bands 13 and 14 to ensure that appropriate interference protection is provided to 700 MHz public safety operations. This requirement is also applicable at the frequency range from 10 MHz below the lowest frequency of the BS transmitter operating band up to 10 MHz above the highest frequency of the BS transmitter operating band. The basic limit for any spurious emission is:

Table 6.6.6.5.2.5-4: Spurious emissions *basic limits* for protection of 700 MHz public safety operations

| Operating Band | Band | Basic limit | Measurement Bandwidth |
|----------------|---------------|-------------|-----------------------|
| 13 | 763 - 775 MHz | -46 dBm | 6.25 kHz |
| 13 | 793 - 805 MHz | -46 dBm | 6.25 kHz |
| 14 | 769 - 775 MHz | -46 dBm | 6.25 kHz |
| 14 | 799 - 805 MHz | -46 dBm | 6.25 kHz |

The following requirement shall be applied to *TAB connectors* operating in Band 26 to ensure that appropriate interference protection is provided to 800 MHz public safety operations. This requirement is also applicable at the frequency range from 10 MHz below the lowest frequency of the BS downlink operating band up to 10 MHz above the highest frequency of the BS downlink operating band.

The basic limit for any spurious emission is:

Table 6.6.6.5.2.5-5: BS Spurious emissions *basic limits* for protection of 800 MHz public safety operations

| Operating Band | Frequency range | Basic limit | Measurement Bandwidth | Notes |
|----------------|-----------------|-------------|-----------------------|---|
| 26 | 851 - 859 MHz | -13 dBm | 100 kHz | Applicable for offsets > 37.5 kHz from the channel edge |

The following requirement may apply to E-UTRA *TAB connectors* operating in Band 41 in certain regions. This requirement is also applicable at the frequency range from 10 MHz below the lowest frequency of the BS downlink operating band up to 10 MHz above the highest frequency of the BS downlink operating band.

The basic limit for any spurious emission is:

Table 6.6.6.5.2.5-6: Additional Spurious emissions *basic limits* for Band 41

| Frequency range | Basic limit | Measurement Bandwidth | Note |
|--|-------------|-----------------------|--|
| 2505 MHz - 2535 MHz | -42dBm | 1 MHz | |
| 2535 MHz - 2655 MHz | -22dBm | 1 MHz | Applicable at offsets $\geq 250\%$ of channel bandwidth from carrier frequency |
| NOTE: This requirement applies for 10 or 20 MHz E-UTRA carriers allocated within 2545 - 2575 MHz or 2595 - 2645 MHz. | | | |

In addition to the requirements in subclauses 6.6.6.5.2.1 to 6.6.6.5.2.5 and above in the present subclause, the *TAB connector* may have to comply with the applicable emission limits established by FCC Title 47 [24], when deployed in regions where those limits are applied, and under the conditions declared by the manufacturer.

The following requirement may apply to a *TAB connector* operating in Band 30 in certain regions. This requirement is also applicable at the frequency range from 10 MHz below the lowest frequency of the BS downlink operating band up to 10 MHz above the highest frequency of the BS downlink operating band.

The basic limit for any spurious emission is:

Table 6.6.6.5.2.5-7: Additional Spurious emissions *basic limits* for Band 30

| Frequency range | Basic limit | Measurement Bandwidth | |
|-----------------------|-------------|-----------------------|--|
| 2200 MHz - 2345 MHz | -45 dBm | 1 MHz | |
| 2362.5 MHz - 2365 MHz | -25 dBm | 1 MHz | |
| 2365 MHz - 2367.5 MHz | -40 dBm | 1 MHz | |
| 2367.5 MHz - 2370 MHz | -42dBm | 1 MHz | |
| 2370 MHz - 2395 MHz | -45 dBm | 1 MHz | |

The following requirement may apply to E-UTRA BS operating in Band 48 in certain regions. The power of any spurious emission shall not exceed:

Table 6.6.6.5.2.5-8: Additional E-UTRA BS Spurious emissions limits for Band 48

| Frequency range | Maximum Level | Measurement Bandwidth | Note |
|--|---------------|-----------------------|---|
| 3530MHz – 3720MHz | -25dBm | 1 MHz | Applicable 10MHz from the assigned channel edge |
| 3100MHz – 3530MHz 3720MHz – 4200MHz | -40dBm | 1 MHz | |

6.6.6.5.2.6 Co-location with other Base Stations

These requirements may be applied for the protection of other BS receiver units when GSM900, DCS1800, PCS1900, GSM850, CDMA850, UTRA FDD, UTRA TDD, E-UTRA and/or NR BS are co-located with a BS.

The requirements assume a 30 dB coupling loss between transmitter and receiver and are based on co-location with base stations of the same class.

The basic limit for any spurious emission are in table 6.6.6.5.2.6-1 for a MSR, E-UTRA or UTRA FDD *TAB connector* or tables 6.6.6.5.2.6-2 and 6.6.6.5.2.6-3 for UTRA TDD, where requirements for co-location with a BS type listed in the first column apply, depending on the declared Base Station class. For a *multi-band TAB connector*, the exclusions and conditions in the Notes column of table 6.6.6.5.2.6-1 apply for each supported operating band.

Table 6.6.6.5.2.6-1: Spurious emissions *basic limits* for MSR, E-UTRA or UTRA (FDD) or NR BS co-located with another BS

| Type of co-located BS | Frequency range for co-location requirement | Basic limit (WA BS) | Basic limit (MR BS) | Basic limit (LA BS) | Measurement Bandwidth | Notes |
|---|---|---------------------|------------------------|-----------------------------------|-----------------------|-------|
| GSM900 | 876 - 915 MHz | -98 dBm | -91 dBm | MSR -88 dBm, UTRA, E-UTRA -70 dBm | 100 kHz | |
| DCS1800 | 1710 - 1785 MHz | -98 dBm | -91 dBm (UTRA -96 dBm) | MSR -88 dBm, UTRA, E-UTRA -80 dBm | 100 kHz | |
| PCS1900 | 1850 - 1910 MHz | -98 dBm | -91 dBm (UTRA -96 dBm) | MSR -88 dBm, UTRA, E-UTRA -80 dBm | 100 kHz | |
| GSM850 or CDMA850 | 824 - 849 MHz | -98 dBm | -91 dBm | MSR -88 dBm, UTRA, E-UTRA -70 dBm | 100 kHz | |
| UTRA FDD Band I or E-UTRA Band 1 or NR band n1 | 1920 - 1980 MHz | -96 dBm | -91 dBm | -88 dBm | 100 kHz | |
| UTRA FDD Band II or E-UTRA Band 2 or NR band n2 | 1850 - 1910 MHz | -96 dBm | -91 dBm | -88 dBm | 100 kHz | |
| UTRA FDD Band III or E-UTRA Band 3 or NR band n3 | 1710 - 1785 MHz | -96 dBm | -91 dBm | -88 dBm | 100 kHz | |
| UTRA FDD Band IV or E-UTRA Band 4 | 1710 - 1755 MHz | -96 dBm | -91 dBm | -88 dBm | 100 kHz | |
| UTRA FDD Band V or E-UTRA Band 5 or NR band n5 | 824 - 849 MHz | -96 dBm | -91 dBm | -88 dBm | 100 kHz | |
| UTRA FDD Band VI, XIX or E-UTRA Band 6, 19 | 830 - 845 MHz | -96 dBm | -91 dBm | -88 dBm | 100 kHz | |
| UTRA FDD Band VII or E-UTRA Band 7 or NR band n7 | 2500 - 2570 MHz | -96 dBm | -91 dBm | -88 dBm | 100 kHz | |
| UTRA FDD Band VIII or E-UTRA Band 8 or NR band n8 | 880 - 915 MHz | -96 dBm | -91 dBm | -88 dBm | 100 kHz | |
| UTRA FDD Band IX or E-UTRA Band 9 | 1749.9 - 1784.9 MHz | -96 dBm | -91 dBm | -88 dBm | 100 kHz | |
| UTRA FDD Band X or E-UTRA Band 10 | 1710 - 1770 MHz | -96 dBm | -91 dBm | -88 dBm | 100 kHz | |

| Type of co-located BS | Frequency range for co-location requirement | Basic limit (WA BS) | Basic limit (MR BS) | Basic limit (LA BS) | Measurement Bandwidth | Notes |
|--|---|---------------------------|---------------------|---------------------------|-------------------------|---|
| UTRA FDD Band XI or E-UTRA Band 11 | 1427.9 - 1447.9 MHz | -96 dBm | -91 dBm | -88 dBm | 100 kHz | |
| UTRA FDD Band XII or E-UTRA Band 12 or NR band n12 | 699 - 716 MHz | -96 dBm | -91 dBm | -88 dBm | 100 kHz | |
| UTRA FDD Band XIII or E-UTRA Band 13 | 777 - 787 MHz | -96 dBm | -91 dBm | -88 dBm | 100 kHz | |
| UTRA FDD Band XIV or E-UTRA Band 14 | 788 - 798 MHz | -96 dBm | -91 dBm | -88 dBm | 100 kHz | |
| E-UTRA Band 17 | 704 - 716 MHz | -96 dBm | -91 dBm | -88 dBm | 100 kHz | |
| E-UTRA Band 18 | 815 - 830 MHz | -96 dBm | -91 dBm | -88 dBm | 100 kHz | |
| UTRA FDD Band XX or E-UTRA Band 20 or NR band n20 | 832 - 862 MHz | -96 dBm | -91 dBm | -88 dBm | 100 kHz | |
| UTRA FDD Band XXI or E-UTRA Band 21 | 1447.9 - 1462.9 MHz | -96 dBm | -91 dBm | -88 dBm | 100 kHz | |
| UTRA FDD Band XXII or E-UTRA Band 22 | 3410 - 3490 MHz | -96 dBm | -91 dBm | -88 dBm | 100 kHz | This is not applicable to BS operating in Band 42 |
| E-UTRA Band 23 | 2000 - 2020 MHz | -96 dBm | -91 dBm | -88 dBm | 100 kHz | |
| E-UTRA Band 24 | 1626.5 - 1660.5 MHz | -96 dBm | -91 dBm | -88 dBm | 100 kHz | |
| UTRA FDD Band XXV or E-UTRA Band 25 or NR band n25 | 1850 - 1915 MHz | -96 dBm | -91 dBm | -88 dBm | 100 kHz | |
| UTRA FDD Band XXVI or E-UTRA Band 26 | 814 - 849 MHz | -96 dBm | -91 dBm | -88 dBm | 100 kHz | |
| E-UTRA Band 27 | 807 - 824 MHz | -96 dBm | -91 dBm | -88 dBm | 100 kHz | |
| E-UTRA Band 28 or NR band n28 | 703 - 748 MHz | -96 dBm | -91 dBm | -88 dBm | 100 kHz | This is not applicable to BS operating in Band 44 |
| E-UTRA Band 30 | 2305 - 2315 MHz | -96 dBm | -91 dBm | -88 dBm | 100 kHz | This is not applicable to BS operating in Band 40 or n40 |
| E-UTRA Band 31 | 452.5 - 457.5 MHz | -96 dBm | -91 dBm | -88 dBm | 100 kHz | |
| UTRA TDD Band a) or E-UTRA Band 33 | 1900 - 1920 MHz | -96 dBm (UTRA -86 dBm) | Note 4 | -88 dBm (UTRA -78 dBm) | 100 kHz (UTRA 1 MHz) | This is not applicable to BS operating in Band 33 |
| UTRA TDD Band a) or E-UTRA Band 34 or NR band n34 | 2010 - 2025 MHz | -96 dBm (UTRA -86 dBm) | Note 4 | -88 dBm (UTRA -78 dBm) | 100 kHz (UTRA 1 MHz) | This is not applicable to BS operating in Band 34 or n34 |
| UTRA TDD Band b) or E-UTRA Band 35 | 1850 - 1910 MHz | -96 dBm (UTRA -86 dBm) | Note 4 | -88 dBm (UTRA -78 dBm) | 100 kHz (UTRA 1 MHz) | This is not applicable to BS operating in Band 35 |
| UTRA TDD Band b) or E-UTRA Band 36 | 1930 - 1990 MHz | -96 dBm (UTRA -86 dBm) | Note 4 | -88 dBm (UTRA -78 dBm) | 100 kHz (UTRA 1 MHz) | This is not applicable to BS operating in Band 2, n2 and 36 |

| Type of co-located BS | Frequency range for co-location requirement | Basic limit (WA BS) | Basic limit (MR BS) | Basic limit (LA BS) | Measurement Bandwidth | Notes |
|---|---|---------------------------|---------------------|---------------------------|-------------------------|---|
| UTRA TDD Band c) or E-UTRA Band 37 | 1910 - 1930 MHz | -96 dBm (UTRA -86 dBm) | -91 dBm Note 4 | -88 dBm (UTRA -78 dBm) | 100 kHz (UTRA 1 MHz) | This is not applicable to BS operating in Band 37. This unpaired band is defined in ITU-R M.1036, but is pending any future deployment. |
| UTRA TDD Band d) or E-UTRA Band 38 or NR band n38 | 2570 - 2620 MHz | -96 dBm (UTRA -86 dBm) | -91 dBm Note 4 | -88 dBm (UTRA -78 dBm) | 100 kHz (UTRA 1 MHz) | This is not applicable to BS operating in Band 38 or n38. |
| UTRA TDD Band f) or E-UTRA Band 39 or NR band n39 | 1880 - 1920 MHz | -96 dBm (UTRA -86 dBm) | -91 dBm Note 4 | -88 dBm (UTRA -78 dBm) | 100 kHz (UTRA 1 MHz) | This is not applicable to BS operating in Band 33 and 39 |
| UTRA TDD Band e) or E-UTRA Band 40 or NR band n40 | 2300 - 2400 MHz | -96 dBm (UTRA -86 dBm) | -91 dBm Note 4 | -88 dBm (UTRA -78 dBm) | 100 kHz (UTRA 1 MHz) | This is not applicable to BS operating in Band 30 or 40 or n40 |
| E-UTRA Band 41 or NR band n41 | 2496 - 2690 MHz | -96 dBm (UTRA -86 dBm) | -91 dBm Note 4 | -88 dBm (UTRA -78 dBm) | 100 kHz (UTRA 1 MHz) | This is not applicable to BS operating in Band 41 or n41 |
| E-UTRA Band 42 | 3400 - 3600 MHz | -96 dBm (UTRA -86 dBm) | -91 dBm Note 4 | -88 dBm (UTRA -78 dBm) | 100 kHz (UTRA 1 MHz) | This is not applicable to BS operating in Band 22, 42, 43, 48, 52 |
| E-UTRA Band 43 | 3600 - 3800 MHz | -96 dBm (UTRA -86 dBm) | -91 dBm Note 4 | -88 dBm (UTRA -78 dBm) | 100 kHz (UTRA 1 MHz) | This is not applicable to BS operating in Band 42 or 43, or 48 |
| E-UTRA Band 44 | 703 - 803 MHz | -96 dBm (UTRA -86 dBm) | -91 dBm Note 4 | -88 dBm (UTRA -78 dBm) | 100 kHz (UTRA 1 MHz) | This is not applicable to BS operating in Band 28 or 44 |
| E-UTRA Band 45 | 1447 – 1467 MHz | -96 dBm (UTRA -86 dBm) | -91 dBm Note 4 | -88 dBm (UTRA -78 dBm) | 100 kHz (UTRA 1 MHz) | This is not applicable to BS operating in Band 45 |
| E-UTRA Band 48 | 3550 – 3700 MHz | -96 dBm (UTRA -86 dBm) | -91 dBm Note 4 | -88 dBm (UTRA -78 dBm) | 100 kHz (UTRA 1 MHz) | This is not applicable to E-UTRA BS operating in Band 42, 43 or 48 |
| E-UTRA Band 49 | 3550 - 3700 MHz | N/A | N/A | (UTRA -78 dBm) | (UTRA 1 MHz) | |
| E-UTRA Band 50 or NR Band n50 | 1432 – 1517 MHz | -96 dBm | -91 dBm | -88 dBm | 100 kHz | This is not applicable to BS operating in Band n51, n74 or n75 |
| E-UTRA Band 51 or NR Band n51 | 1427 – 1432 MHz | N/A | N/A | -88 dBm | 100 kHz | This is not applicable to BS operating in Band n50, n74, n75 or n76 |

| Type of co-located BS | Frequency range for co-location requirement | Basic limit (WA BS) | Basic limit (MR BS) | Basic limit (LA BS) | Measurement Bandwidth | Notes |
|-------------------------------|---|------------------------|---------------------|------------------------|-----------------------|---|
| E-UTRA Band 52 | 3300 – 3400 MHz | -96 dBm (UTRA -86 dBm) | -91 dBm | -88 dBm (UTRA -78 dBm) | 100 kHz (UTRA 1 MHz) | This is not applicable to E-UTRA BS operating in Band 42 or 52 |
| E-UTRA Band 65 | 1920 - 2010 MHz | -96 dBm | -91 dBm | -88 dBm | 100 kHz | This is not applicable to AAS BS operating in Band 65 |
| E-UTRA Band 66 or NR band n66 | 1710 - 1780 MHz | -96 dBm | -91 dBm | -88 dBm | 100 kHz | This is not applicable to BS operating in Band 66 or n66 |
| E-UTRA Band 68 | 698 - 728 MHz | -96 dBm | -91 dBm | -88 dBm | 100 kHz | This is not applicable to BS operating in Band 68 |
| E-UTRA Band 70 or NR band n70 | 1695 – 1710 MHz | -96 dBm | -91 dBm | -88 dBm | 100 kHz | |
| E-UTRA Band 71 or NR Band n71 | 663 – 698 MHz | -96 dBm | -91 dBm | -88 dBm | 100 kHz | |
| E-UTRA Band 72 | 451 – 456 MHz | -96 dBm | -91 dBm | -88 dBm | 100 kHz | |
| E-UTRA Band 73 | 450 - 455 MHz | -96 dBm | -91 dBm | -88 dBm | 100 kHz | |
| E-UTRA Band 74 or NR Band n74 | 1427 – 1470 MHz | -96 dBm | -91 dBm | -88 dBm | 100 kHz | This is not applicable to BS operating in Band n50 or n51 |
| NR Band n77 | 3.3 – 4.2 GHz | -96 dBm | -91 dBm | -88 dBm | 100 kHz | This is not applicable to BS operating in Band 22, 42, 43, 48, 52 |
| NR Band n78 | 3.3 – 3.8 GHz | -96 dBm | -91 dBm | -88 dBm | 100 kHz | This is not applicable to BS operating in Band 22, 42, 43, 48, 52 |
| NR Band n79 | 4.4 – 5.0 GHz | -96 dBm | -91 dBm | -88 dBm | 100 kHz | |
| NR Band n80 | 1710 – 1785 MHz | -96 dBm | -91 dBm | -88 dBm | 100 kHz | |
| NR Band n81 | 880 – 915 MHz | -96 dBm | -91 dBm | -88 dBm | 100 kHz | |
| NR Band n82 | 832 – 862 MHz | -96 dBm | -91 dBm | -88 dBm | 100 kHz | |
| NR Band n83 | 703 – 748 MHz | -96 dBm | -91 dBm | -88 dBm | 100 kHz | |
| NR Band n84 | 1920 – 1980 MHz | -96 dBm | -91 dBm | -88 dBm | 100 kHz | |
| E-UTRA Band 85 | 698 - 716 MHz | -96 dBm | -91 dBm | -88 dBm | 100 kHz | |
| NR Band n86 | 1710 – 1780 MHz | -96 dBm | -91 dBm | -88 dBm | 100 kHz | |

NOTE 1: As defined in the scope for spurious emissions in this subclause, the co-location requirements in table 6.6.6.5.2.6-1 do not apply for the Δf_{OBUE} frequency range immediately outside the *TAB connector* transmit frequency range of a downlink operating band (subclause 4.5). The current state-of-the-art technology does not allow a single generic solution for co-location with other system on adjacent frequencies for 30 dB BS-BS minimum coupling loss. However, there are certain site-engineering solutions that can be used. These techniques are addressed in 3GPP TR 25.942 [21].

NOTE 2: Table 6.6.6.5.2.6-1 assumes that two operating bands, where the corresponding *TAB connector* transmit and receive frequency ranges in subclause 4.5 would be overlapping, are not deployed in the same geographical area. For such a case of operation with overlapping frequency arrangements in the same geographical area, special co-location requirements may apply that are not covered by the 3GPP specifications.

NOTE 3: Co-located TDD Base Stations that are synchronized and using the same or adjacent operating band can transmit without special co-locations requirements. For unsynchronized Base Stations, special co-location requirements may apply that are not covered by the 3GPP specifications.

NOTE 4: For UTRA MR BS the measurement bandwidth is the same as for E-UTRA (100 kHz).

**Table 6.6.6.5.2.6-2: Spurious emissions basic limits
for UTRA TDD Wide Area BS co-located with another BS**

| System type operating in the same geographical area | Band | Basic limit | Measurement bandwidth | Notes |
|--|-----------------|------------------|-----------------------|--|
| Macro GSM900 | 876 - 915 MHz | -98 dBm | 100 kHz | |
| Macro DCS1800 | 1710 - 1785 MHz | -98 dBm | 100 kHz | This requirement does not apply to UTRA TDD operating in Band b and c. For UTRA TDD BS operating in Band f, it applies for 1710 - 1755 MHz |
| GSM850 or CDMA850 | 824 - 849 MHz | -98 dBm | 100 kHz | |
| WA BS UTRA FDD Band I or E-UTRA Band 1 | 1920 - 1980 MHz | -80 dBm (Note 1) | 3.84 MHz | |
| WA BS UTRA FDD Band III or E-UTRA Band 3 | 1710 - 1785 MHz | -80 dBm | 3.84 MHz | For UTRA TDD BS operating in Band f, it applies for 1710 - 1755 MHz. |
| WA BS UTRA FDD Band V or E-UTRA Band 5 | 824 - 849 MHz | -80 dBm (Note 1) | 3.84 MHz | |
| WA BS UTRA FDD Band VII or E-UTRA Band 7 | 2500 - 2570 MHz | - 80 dBm(Note 2) | 3.84 MHz | |
| <p>NOTE 1: The co-location requirements do not apply for the 10 MHz frequency range immediately outside the BS transmit frequency range of the operating band (see subclause 4.5). The current state-of-the-art technology does not allow a single generic solution for co-location with other system on adjacent frequencies for 30 dB BS-BS minimum coupling loss. However, there are certain site-engineering solutions that can be used. These techniques are addressed in 3GPP TR 25.942 [21].</p> <p>NOTE 2: The requirements in table 6.17 are based on a minimum coupling loss of 30 dB between base stations. The co-location of different base station classes is not considered.</p> <p>NOTE 3: The table above assumes that two operating bands, where the frequency ranges would be overlapping, are not deployed in the same geographical area. For such a case of operation with overlapping frequency arrangements in the same geographical area, special co-existence requirements may apply that are not covered by the 3GPP specifications.</p> | | | | |

For UTRA TDD in geographic areas where 1,28 Mcps TDD is deployed, the RRC filtered mean power of any spurious emission in case of co-location shall not exceed the maximum level given in table 6.6.6.5.2.6-3.

For *multi-band TAB connector*, the exclusions and conditions in the Notes of table 6.6.6.5.2.6-3 for each supported operating band.

Table 6.6.5.2.6-3: Spurious emissions basic limits for co-location with unsynchronised 1,28 Mcps UTRA TDD and/or E-UTRA TDD

| System type operating in the same geographic area | Frequency range | Basic limit | Measurement Bandwidth |
|--|-----------------|-------------|-----------------------|
| WA UTRA TDD Band a) or E-UTRA Band 33 | 1900 - 1920 MHz | -96 dBm | 100 kHz |
| WA UTRA TDD Band a) or E-UTRA Band 34 | 2010 - 2025 MHz | -96 dBm | 100 kHz |
| WA UTRA TDD Band d) or E-UTRA Band 38 | 2570 - 2620 MHz | -96 dBm | 100 kHz |
| WA UTRA TDD Band e) or E-UTRA Band 40 | 2300 - 2400 MHz | -96 dBm | 100 kHz |
| WA UTRA TDD Band f) or E-UTRA Band 39 | 1880 - 1920 MHz | -96 dBm | 100 kHz |
| WA E-UTRA Band 41 | 2496 - 2690 MHz | -96 dBm | 100 kHz |
| WA E-UTRA Band 42 | 3400 - 3600 MHz | -96 dBm | 100 kHz |
| WA E-UTRA Band 44 | 703 - 803 MHz | -96 dBm | 100 kHz |
| LA UTRA TDD Band a) or E-UTRA Band 33 | 1900 - 1920 MHz | -88 dBm | 100 kHz |
| LA UTRA TDD Band a) or E-UTRA Band 34 | 2010 - 2025 MHz | -88 dBm | 100 kHz |
| LA UTRA TDD Band d) or E-UTRA Band 38 | 2570 - 2620 MHz | -88 dBm | 100 kHz |
| LA UTRA TDD Band e) or E-UTRA Band 40 | 2300 - 2400 MHz | -88 dBm | 100 kHz |
| LA UTRA TDD Band f) or E-UTRA Band 39 | 1880 - 1920 MHz | -88 dBm | 100 kHz |
| LA E-UTRA Band 41 | 2496 - 2690 MHz | -88 dBm | 100 kHz |
| LA E-UTRA Band 42 | 3400 - 3600 MHz | -88 dBm | 100 kHz |
| LA E-UTRA Band 44 | 703 - 803 MHz | -88 dBm | 100 kHz |
| NOTE 1: The requirement applies for frequencies more than 10 MHz below or above the supported frequency range declared by the vendor. The current state-of-the-art technology does not allow a single generic solution for co-location with other system on adjacent frequencies for 30 dB BS-BS minimum coupling loss. However, there are certain site-engineering solutions that can be used. These techniques are addressed in 3GPP TR 25.942 [21]. | | | |
| NOTE 2: The requirements in this table are based on a minimum coupling loss of 30 dB between unsynchronised TDD base stations. The scenarios leading to these requirements are addressed in 3GPP TR 25.942 [21]. | | | |
| NOTE 3: The table above assumes that two operating bands, where the frequency ranges would be overlapping, are not deployed in the same geographical area. For such a case of operation with overlapping frequency arrangements in the same geographical area, special co-existence requirements may apply that are not covered by the 3GPP specifications. | | | |

6.7 Transmitter intermodulation

6.7.1 Definition and applicability

6.7.1.1 General

The transmitter intermodulation requirement is a measure of the capability of the transmitter unit to inhibit the generation of signals in its non-linear elements caused by presence of the wanted signal and an interfering signal reaching the transmitter unit via the RDN and antenna array. The requirement applies during the *transmitter ON period* and the *transmitter transient period*.

The requirement applies at each *TAB connector* supporting transmission in the operating band.

The transmitter intermodulation level is the power of the intermodulation products when an interfering signal is injected into the *TAB connector*.

For AAS BS there are two types of transmitter intermodulation cases captured by the transmitter intermodulation requirement:

- 1) Co-location transmitter intermodulation in which the interfering signal is from a co-located base station.
- 2) Intra-system transmitter intermodulation in which the interfering signal is from other transmitter units within the AAS BS.

For AAS BS, the co-location transmitter intermodulation requirement is considered sufficient if the interfering signal for the co-location requirement is higher than the declared interfering signal for intra-system transmitter intermodulation requirement.

For *TAB connectors* capable of multi-band operation where multiple bands are mapped on separate antenna connectors, the single-band requirements apply regardless of the interfering signals position relative to the *Inter RF Bandwidth gap*.

6.7.2 Minimum requirement

The minimum requirement for MSR operation are defined in 3GPP TS 37.105 [8], subclause 6.7.2.

The minimum requirement for UTRA operation are defined in 3GPP TS 37.105 [8], subclause 6.7.3.

The minimum requirement for UTRA operation are defined in 3GPP TS 37.105 [8], subclause 6.7.4.

6.7.3 Test purpose

The test purpose is to verify the ability of the transmitter units associated with the *TAB connector* under test to restrict the generation of intermodulation products in its nonlinear elements caused by presence of the wanted signal and an interfering signal reaching the transmitter via the antenna to below specified levels.

6.7.4 Method of test

6.7.4.1 Initial conditions

Test environment:

- normal; see clause B.2.

RF channels to be tested for single carrier:

- M; see subclause 4.12.1.

Base Station RF Bandwidth positions to be tested for multi-carrier:

- M_{RFBW} in single-band operation; see subclause 4.12.1; B'_{RFBW_T} and B'_{RFBW_T} in multi-band operation, see subclause 4.12.1.

6.7.4.2 Procedure

The minimum requirement is applied to all *TAB connectors*, they may be tested one at a time or multiple *TAB connectors* may be tested in parallel as shown in subclause D.1.1. Whichever method is used the procedure is repeated until all *TAB connectors* necessary to demonstrate conformance have been tested.

- 1) Connect *TAB connector* to measurement equipment as shown in annex D.1.2. All *TAB connectors* not under test shall be terminated.
- 2) The measurement device characteristics shall be:
 - Detection mode: True RMS.
- 3) Set the set the *TAB connector* to transmit:

- a) For MSR:
- Set the *TAB connector* to transmit maximum power according to the applicable test configuration in clause 5 using the corresponding test models or set of physical channels in subclause 4.11.
- b) For UTRA FDD:
- For a *TAB connector* declared to be capable of single carrier operation only, set the *TAB connector* to transmit a signal according to TM1, subclause 4.12.2, at the manufacturer's declared rated output power, $P_{\text{rated,c,TABC}}$.
 - For a *TAB connector* declared to be capable of multi-carrier operation, set the set the *TAB connector* to transmit according to TM1 on all carriers configured using the applicable test configuration and corresponding power setting specified in subclause 4.11.
- c) For UTRA TDD:
- For a *TAB connector* declared to be capable of single carrier operation only, set the parameters of the transmitted signal according to table 6.7.4.2-1.
 - For a *TAB connector* declared to be capable of multi-carrier operation, set to transmit according to table 6.7.4.2-1 on all carriers.

Table 6.7.4.2-1: Parameters of the transmitted signal for transmit intermodulation testing for 1,28 Mcps TDD

| Parameter | Value/description |
|---|---|
| TDD Duty Cycle | TS i ; $i = 0, 1, 2, 3, 4, 5, 6$: transmit, if i is 0,4,5,6; receive, if i is 1,2,3. |
| Time slots under test | TS4, TS5 and TS6 |
| Number of DPCH in each time slot under test | 8 |
| Power of each DPCH | 1/8 of Base Station output power |
| Data content of DPCH | real life (sufficient irregular) |

- d) For E-UTRA:
- *TAB connector* declared to be capable of single carrier operation only, set the *TAB connector* to transmit a signal according to E-TM1.1 in subclause 4.12.2, at manufacturer's declared rated output power $P_{\text{rated,c,TABC}}$.
 - For a *TAB connector* declared to be capable of multi-carrier and/or CA operation, set the set the *TAB connector* to transmit according to E-TM1.1 on all carriers configured using the applicable test configuration and corresponding power setting specified in subclause 4.11.
- 4) Generate the interfering signal:
- a) For MSR:
- using E-TM1.1 as defined in subclause 4.12.2, with 5 MHz channel bandwidth, at a centre frequency offset according to the conditions in table 6.7.2.1-1 in 3GPP TS 37.105 [8], but exclude interfering frequencies that are outside of the allocated downlink operating band or interfering frequencies that are not completely within the sub-block gap or within the *Inter RF Bandwidth gap*.
- b) For UTRA FDD:
- in accordance to TM1, subclause 4.12.2 with a frequency offset of according to the conditions of table 6.7.3.1-1 in 3GPP TS 37.105 [8], but exclude interfering signal frequencies that are outside of the allocated downlink operating band or interfering signal frequencies that are not completely within the sub-block gap or within the *Inter RF Bandwidth gap*.

- c) For UTRA TDD:
- The signal shall be like-modulated as the transmit signal and the active time slots of both signals shall be synchronized, with a frequency offset of according to the conditions of table 6.7.3.2-1 in 3GPP TS 37.105 [8], but exclude interfering signal frequencies that are outside of the allocated downlink operating band or interfering signal frequencies that are not completely within the sub-block gap or within the *Inter RF Bandwidth gap*.
- d) For E-UTRA:
- according to E-TM1.1, as defined in subclause 4.12.2, with 5 MHz channel bandwidth and a centre frequency offset according to the conditions of table 6.7.4.1-1 in 3GPP TS 37.105 [8], but exclude interfering frequencies that are outside of the allocated downlink operating band or interfering frequencies that are not completely within the sub-block gap or within the *Inter RF Bandwidth gap*.
- 5) Adjust ATT1 so that level of the interfering signal is as defined in:
- a) For MSR:
- i. General co-location table 6.7.2.1-1 in 3GPP TS 37.105 [8].
 - ii. Additional co-location (BC1 and BC2) table 6.7.2.2-1 in 3GPP TS 37.105 [8].
 - iii. Additional co-location (BC3) table 6.7.2.3-1 in 3GPP TS 37.105 [8].
 - iv. Intra-system table 6.7.2.5-1 in 3GPP TS 37.105 [8].
- b) For UTRA FDD:
- i. General co-location table 6.7.3.1-1 in 3GPP TS 37.105 [8].
 - ii. Intra-system table 6.7.3.3-1 in 3GPP TS 37.105 [8].
- c) For UTRA TDD:
- i. General co-location for 1,28 Mcps TDD UTRA table 6.7.3.2-1 in 3GPP TS 37.105 [8].
 - ii. Intra-system table 6.7.3.3-1 in 3GPP TS 37.105 [8].
- d) For E-UTRA:
- i. General co-location table 6.7.4.1-1 in 3GPP TS 37.105 [8].
 - ii. Additional requirement for Band 41 table 6.7.4.2-1 in 3GPP TS 37.105 [8].
 - iii. Intra-system table 6.7.4.131 in 3GPP TS 37.105 [8].
- 6) If the test signal is applicable according to clause 5, perform the unwanted emission tests specified in subclauses 6.6.3, 6.6.4 and 6.6.5, for all third and fifth order intermodulation products which appear in the frequency ranges defined in subclauses 6.6.3, 6.6.4 and 6.6.5. The width of the intermodulation products shall be taken into account.
- 7) If the test signal is applicable according to clause 5, perform the Transmitter spurious emissions test as specified in subclause 6.6.6, for all third and fifth order intermodulation products which appear in the frequency ranges defined in subclause 6.6.6. The width of the intermodulation products shall be taken into account.
- 8) Verify that the emission level does not exceed the required level in subclause 6.7.5 with the exception of interfering signal frequencies.
- 9) Repeat the test for the remaining interfering signal centre frequency offsets according to the conditions of:
- a) For MSR:
- i. General co-location table 6.7.2.1-1 in 3GPP TS 37.105 [8].
 - ii. Additional co-location (BC1 and BC2) table 6.7.2.2-1 in 3GPP TS 37.105 [8].

- iii. Additional co-location (BC3) table 6.7.2.3-1 in 3GPP TS 37.105 [8].
 - iv. Intra-system table 6.7.2.5-1 in 3GPP TS 37.105 [8].
- b) For UTRA FDD:
- i. General co-location table 6.7.3.1-1 in 3GPP TS 37.105 [8].
 - ii. Intra-system table 6.7.3.3-1 in 3GPP TS 37.105 [8].
- c) For UTRA TDD:
- i. General co-location for 1,28 Mcps TDD UTRA table 6.7.3.2-1 in 3GPP TS 37.105 [8].
 - ii. Intra-system table 6.7.3.3-1 in 3GPP TS 37.105 [8].
- d) For E-UTRA:
- i. General co-location table 6.7.4.1-1 in 3GPP TS 37.105 [8].
 - ii. Additional requirement for Band 41 table 6.7.4.2-1 in 3GPP TS 37.105 [8].
 - iii. Intra-system table 6.7.4.131 in 3GPP TS 37.105 [8].

10) Repeat the test for the remaining test signals defined in clause 5 for requirements 6.6.1, 6.6.2 and 6.6.4.

In addition, for *multi-band TAB connector(s)*, the following steps shall apply:

11) For *multi-band TAB connectors* and single band tests, repeat the steps above per involved band where single band test configurations and test models shall apply with no carrier activated in the other band.

NOTE: The third order intermodulation products are centred at $2F1 \pm F2$ and $2F2 \pm F1$. The fifth order intermodulation products are centred at $3F1 \pm 2F2$, $3F2 \pm 2F1$, $4F1 \pm F2$, and $4F2 \pm F1$ where $F1$ represents the test signal centre frequency or centre frequency of each sub-block and $F2$ represents the interfering signal centre frequency. The widths of intermodulation products are:

- $(n \cdot BW_{F1} + m \cdot BW_{F2})$ for the $nF1 \pm mF2$ products;
- $(n \cdot BW_{F2} + m \cdot BW_{F1})$ for the $nF2 \pm mF1$ products;

where BW_{F1} represents the test signal RF bandwidth or channel bandwidth in case of single carrier, or sub-block bandwidth, and BW_{F2} represents interfering signal bandwidth.

6.7.5 Test requirements

6.7.5.1 MSR test requirements

6.7.5.1.1 General test requirement

In the frequency range relevant for this test the transmitter intermodulation level shall not exceed the unwanted emission limits specified for transmitter spurious emission in subclause 6.6.6, operating band unwanted emission in subclause 6.6.5 and ACLR in subclause 6.6.3 in the presence of a wanted signal and an interfering signal according subclause 6.7.4. for a *TAB connector* operating in BC1, BC2 and BC3.

The requirement is applicable outside the edges of the *Base Station RF Bandwidth*. The interfering signal offset is defined relative to the *Base Station RF Bandwidth edges* or *radio bandwidth edges*. For *TAB connectors* supporting operation in *non-contiguous spectrum*, the requirement is also applicable inside a *sub-block gap* for interfering signal offsets where the interfering signal falls completely within the *sub-block gap*. The interfering signal offset is defined relative to the *sub-block edges*.

For *TAB connectors* supporting operation in multiple operating bands, the requirement applies relative to the *Base Station RF Bandwidth edges* of each operating band. In case the inter *Base Station RF Bandwidth gap* is less than 15 MHz, the requirement in the gap applies only for interfering signal offsets where the interfering signal falls completely within the inter *Base Station RF Bandwidth gap*.

6.7.5.1.2 Additional test requirement (BC1 and BC2)

In the frequency range relevant for this test the transmitter intermodulation level shall not exceed the unwanted emission limits specified for transmitter spurious emission in subclause 6.6.6, operating band unwanted emission in subclause 6.6.5 and ACLR in subclause 6.6.3 in the presence of a wanted signal and an interfering signal according subclause 6.7.4. for a *TAB connector* operating in BC2.

The requirement is applicable outside the edges of the *Base Station RF Bandwidth* for BC2. The interfering signal offset is defined relative to the *Base Station RF Bandwidth edges*.

For *TAB connectors* supporting operation in *non-contiguous spectrum* in BC1 or BC2, the requirement is also applicable inside a *sub-block gap* with a gap size larger than or equal to two times the interfering signal centre frequency offset. For *TAB connectors* supporting operation in *non-contiguous spectrum* in BC1, the requirement is not applicable inside a *sub-block gap* with a gap size equal to or larger than 5 MHz. The interfering signal offset is defined relative to the *sub-block edges*.

For *TAB connectors* supporting operation in multiple operating bands, the requirement applies relative to the *Base Station RF Bandwidth edges* of a BC2 operating band. The requirement is also applicable for BC1 and BC2 inside an inter *Base Station RF Bandwidth* gap equal to or larger than two times the interfering signal centre frequency offset. For *TAB connectors* supporting operation in multiple operating bands, the requirement is not applicable for BC1 band inside an inter *Base Station RF Bandwidth* gap with a gap size equal to or larger than 5 MHz.

6.7.5.1.3 Additional test requirement (BC3)

In the frequency range relevant for this test, the transmitter intermodulation level shall not exceed the unwanted emission limits specified for transmitter spurious emission in subclause 6.6.6, operating band unwanted emission in subclause 6.6.5 and ACLR in subclause 6.6.3 in the presence of a wanted signal and an interfering signal according subclause 6.7.4.

For *TAB connectors* supporting operation in multiple operating bands, the requirement applies relative to the *Base Station RF Bandwidth edges* of each operating band. In case the *Inter RF Bandwidth gap* is less than 3.2 MHz, the requirement in the gap applies only for interfering signal offsets where the interfering signal falls completely within the inter *Base Station RF Bandwidth* gap.

6.7.5.1.4 Intra-system test requirement

In the frequency range relevant for this test, the transmitter intermodulation level shall not exceed the unwanted emission limits specified for operating band unwanted emission in subclause 6.6.5 and ACLR in subclause 6.6.3 in the presence of a wanted signal and an interfering signal according subclause 6.7.4 for a *TAB connector* operating in BC1, BC2 and BC3.

6.7.5.2 Single RAT UTRA operation

6.7.5.2.1 General test requirement for UTRA FDD

In the frequency range relevant for this test, the transmitter intermodulation level shall not exceed the out of band emission or the spurious emission requirements of subclause 6.6.5 and subclause 6.6.6 in the presence of interfering signal according to according subclause 6.7.4.

For *TAB connectors* supporting operation in *non-contiguous spectrum*, the requirement is also applicable inside a *sub-block gap* for interfering signal offsets where the interfering signal falls completely within the *sub-block gap*. The interfering signal offset is defined relative to the *sub-block edges*.

For *TAB connectors* supporting operation in multiple operating bands, the requirement is also applicable inside an *Inter RF Bandwidth gap* for interfering signal offsets where the interfering signal falls completely within the *Base Station RF Bandwidth* gap.

NOTE: If the above Test Requirement differs from the Minimum Requirement then the Test Tolerance applied for this test is non-zero. The Test Tolerance for this test is defined in subclause 4.1.2 and the explanation of how the Minimum Requirement has been relaxed by the Test Tolerance is given in annex C.

6.7.5.2.2 General test requirement for UTRA TDD

In the frequency range relevant for this test, the transmitter intermodulation level shall not exceed the out of band emission or the spurious emission requirements of subclause 6.6.5 and subclause 6.6.6 in the presence of interfering signal according to according subclause 6.7.4.

For *TAB connectors* supporting operation in *non-contiguous spectrum*, the requirement is also applicable inside a *sub-block gap* for interfering signal offsets where the interfering signal falls completely within the *sub-block gap*. The interfering signal offset is defined relative to the *sub-block* edges.

For *TAB connectors* supporting operation in multiple operating bands, the requirement is also applicable inside an *Inter RF Bandwidth gap* for interfering signal offsets where the interfering signal falls completely within the *Inter RF Bandwidth gap*.

6.7.5.2.3 Intra-system test requirement

In the frequency range relevant for this test, the transmitter intermodulation level shall not exceed the unwanted emission limits specified for operating band unwanted emission in subclause 6.6.5 and ACLR in subclause 6.6.3 in the presence of a wanted signal and an interfering signal according to according subclause 6.7.4.

6.7.5.4 Single RAT E-UTRA operation

6.7.5.4.1 General test requirement

In the frequency range relevant for this test, the transmitter intermodulation level shall not exceed the unwanted emission limits in subclauses 6.6.6, 6.6.5 and 6.6.3 in the presence of an E-UTRA interfering signal according to according subclause 6.7.4.

The requirement is applicable outside the *Base Station RF Bandwidth* or *radio bandwidth*. The interfering signal offset is defined relative to the *Base Station RF Bandwidth edges* or *radio bandwidth edges*.

For *TAB connectors* supporting operation in *non-contiguous spectrum*, the requirement is also applicable inside a *sub-block gap* for interfering signal offsets where the interfering signal falls completely within the *sub-block gap*. The interfering signal offset is defined relative to the *sub-block* edges.

For *TAB connectors* supporting operation in multiple operating bands, the requirement applies relative to the *Base Station RF Bandwidth edges* of each supported operating band. In case the *Inter RF Bandwidth gap* is less than 15 MHz, the requirement in the gap applies only for interfering signal offsets where the interfering signal falls completely within the inter *Base Station RF Bandwidth gap*.

6.7.5.4.2 Additional test requirement for Band 41

In certain regions the following requirement may apply: For E-UTRA single RAT AAS BS operating in operating band 41 in the presence of an interfering signal according subclause 6.7.4. In the frequency range relevant for this test, the transmitter intermodulation level shall not exceed the maximum levels for spurious emission, and operating band unwanted emission specified additionally for operating band 41 *single RAT E-UTRA operation*. Also the ACLR requirements for same carrier type assumed in adjacent channels shall be fulfilled in the presence of the interfering signal.

6.7.5.4.3 Intra-system test requirement

In the frequency range relevant for this test, the transmitter intermodulation level shall not exceed the unwanted emission limits specified for operating band unwanted emission in subclause 6.6.5 and ACLR in subclause 6.6.3 in the presence of a wanted signal and an interfering signal according to according subclause 6.7.4.

7 Conducted receiver characteristics

7.1 General

Unless otherwise stated, the receiver characteristics are specified at the AAS BS *TAB connector* with full complement of transceivers for the configuration in normal operating condition.

The manufacturer shall declare the minimum number of supported geographical cells (i.e. geographical areas) in subclause 4.10. The minimum number of supported geographical cells (N_{cells}) relates to the AAS BS setting with minimum amount of cell splitting. The manufacturer shall also declare *TAB connector RX min cell groups* for this minimum number of cells configuration. Every *TAB connector* supporting reception in an operating band shall map to one *TAB connector RX min cell group* supporting the same. The mapping of *TAB connectors* to cells is implementation dependent.

The number of active receiver units that are considered when calculating the emission limit ($N_{\text{RXU, counted}}$) for an AAS base station is calculated as follows:

- $N_{\text{RXU, counted}} = \min(N_{\text{RXU, active}}, 8 \cdot N_{\text{cells}})$ for E-UTRA single RAT AAS BS and MSR AAS BS (excluding UTRA only MSR AAS BS).

And

- $N_{\text{RXU, counted}} = \min(N_{\text{RXU, active}}, 4 \cdot N_{\text{cells}})$ for UTRA single RAT AAS BS and UTRA only MSR AAS BS.

Further:

- $N_{\text{RXU, counted per cell}} = N_{\text{RXU, counted}} / N_{\text{cells}}$

$N_{\text{RXU, counted per cell}}$ is used for scaling the *basic limits* as described in subclause 7.6.

NOTE: $N_{\text{RXU, active}}$ is the number of actually active receiver units and is independent to the declaration of N_{cells} .

If a number of *TAB connectors* have been declared equivalent (see table 4.10-1, D6.70), only a representative one is necessary to demonstrate conformance.

In subclause 7.6.5.1, if representative *TAB connectors* are used then per connector criteria (option 2) shall be applied.

Any receiver test requirement specified for Band 46 operation in 3GPP TS 36.104 [4] for E-UTRA, or in 3GPP TS 37.104 [5] for E-UTRA in *MSR operation*, and referred in clause 6, is not applicable for AAS BS. The requirements for co-location blocking for Band 46 are applicable for AAS BS.

Any receiver requirement specified for NB-IoT in-band, NB-IoT guard band, or standalone NB-IoT operation in 3GPP TS 36.104 [4] for E-UTRA with NB-IoT (in-band or guard band) or for standalone NB-IoT, or in 3GPP TS 37.104 [5] for E-UTRA with NB-IoT or standalone NB-IoT in *MSR operation*, and referred in clause 7, is not applicable for AAS BS.

7.2 Reference sensitivity level

7.2.1 Definition and applicability

The reference sensitivity power level P_{REFSENS} is the minimum mean power received at the *TAB connector* at which a reference performance requirement shall be met for a specified reference measurement channel.

7.2.2 Minimum Requirement

The single RAT UTRA FDD AAS BS of Wide Area BS class shall fulfil minimum requirements for reference sensitivity specified in 3GPP TS 25.104 [9], subclause 7.2.1.

The single RAT UTRA FDD AAS BS of Medium Range BS class shall fulfil minimum requirements for reference sensitivity specified in 3GPP TS 25.104 [9], subclause 7.2.1.

The single RAT UTRA FDD AAS BS of Local Area BS class shall fulfil minimum requirements for reference sensitivity specified in 3GPP TS 25.104 [9], subclause 7.2.1.

The single RAT UTRA TDD AAS BS of Wide Area BS class shall fulfil minimum requirements for reference sensitivity specified in 3GPP TS 25.105 [10], subclause 7.2.1.1.

The single RAT UTRA TDD AAS BS of Local Area BS class shall fulfil minimum requirements for reference sensitivity specified in 3GPP TS 25.105 [10], subclause 7.2.1.1.

The single RAT E-UTRA AAS BS of Wide Area BS class shall fulfil minimum requirements for reference sensitivity specified in 3GPP TS 36.104 [11], subclause 7.2.1.

The single RAT E-UTRA AAS BS of Medium Range BS class shall fulfil minimum requirements for reference sensitivity specified in 3GPP TS 36.104 [11], subclause 7.2.1.

The single RAT E-UTRA AAS BS of Local Area BS class shall fulfil minimum requirements for reference sensitivity specified in 3GPP TS 36.104 [11], subclause 7.2.1.

The MSR NR AAS BS of Wide Area BS class shall fulfil minimum requirements for reference sensitivity specified in 3GPP TS 38.104 [36], subclause 7.2.1.

The MSR NR AAS BS of Medium Range BS class shall fulfil minimum requirements for reference sensitivity specified in 3GPP TS 38.104 [36], subclause 7.2.1.

The MSR NR AAS BS of Local Area BS class shall fulfil minimum requirements for reference sensitivity specified in 3GPP TS 38.104 [36], subclause 7.2.1.

7.2.3 Test Purpose

To verify that at each *TAB connector* the reference sensitivity level the performance requirements shall be met for a specified reference measurement channel.

7.2.4 Method of test

7.2.4.1 Initial conditions

Test environment:

- normal; see clause B.2.

RF channels to be tested for single carrier:

- B, M and T; see subclause 4.12.1.

On each of B, M and T, the test shall be performed under extreme power supply as defined in annex B.5.

NOTE: Tests under extreme power supply also test extreme temperature.

7.2.4.2 Procedure

The minimum requirement is applied to all *TAB connectors*, the procedure is repeated until all *TAB connectors* necessary to demonstrate conformance have been tested; see subclause 7.1.

- 1) Connect *TAB connector* to measurement equipment as shown in subclause D.2.1. All *TAB connectors* not under test shall be terminated.
- 2) Set all *TAB connectors* declared in the same RAT and operating band to transmit a signal according to subclause 4.12.2 at manufacturers declared rated output power $P_{\text{Rated,c,TABC}}$.
- 3) Start the signal generator for the wanted signal to transmit:

- 12,2kbps DPCH with reference measurement channel defined in annex A in 3GPP TS 25.141 [18] (PN-9 data sequence or longer) for UTRA FDD,
 - UL reference measurement channel (12.2 kbps) defined in subclause A.2.1 in 3GPP TS 25.142 [20] for UTRA TDD 1,28Mcps operation
 - The test signal mean power as specified in subclause 7.2.5.3 for E-UTRA to the *TAB connector*.
 - The test signal mean power as specified in subclause 7.2.5.4 for NR to the *TAB connector*.
- 4) For UTRA FDD disable the TPC function.
- 5) Set the signal generator for the wanted signal power as specified in subclause 7.2.5.
- 6) Measure:
- BER according to annex C in 3GPP TS 25.141 [18] for FDD UTRA.
 - BER according to annex F in 3GPP TS 25.142 [20] for TDD UTRA.
 - Throughput according to annex E in 3GPP TS 36.141 [17] for E-UTRA and NR.

In addition, for *multi-band TAB connector(s)*, the following steps shall apply:

- 7) For *multi-band TAB connectors* and single band tests, repeat the steps above per involved band where single band test configurations and test models shall apply with no carrier activated in the other band.

7.2.5 Test Requirements

7.2.5.1 UTRA FDD operation

The BER measurement result in step 6 of 7.2.4.2 shall not be greater than the limit specified in table 7.2.5.1-1.

Table 7.2.5.1-1: Reference sensitivity levels

| BS class | Reference measurement channel data rate | reference sensitivity level (dBm) | | BER |
|-----------------|---|-----------------------------------|------------------------------|----------------------------|
| | | $f \leq 3.0$ GHz | 3.0 GHz $< f \leq 4.2$ GHz | |
| Wide Area BS | 12.2 kbps | -120.3 | -120.0 | BER shall not exceed 0.001 |
| Medium Range BS | 12.2 kbps | -110.3 | -110.0 | BER shall not exceed 0.001 |
| Local Area BS | 12.2 kbps | -106.3 | -106.0 | BER shall not exceed 0.001 |

NOTE: If the above Test Requirement differs from the Minimum Requirement then the Test Tolerance applied for this test is non-zero. The Test Tolerance for this test is defined in subclause 4.1.2 and the explanation of how the Minimum Requirement has been relaxed by the Test Tolerance is given in annex C.

7.2.5.2 UTRA TDD 1,28 Mcps option operation

The BER measurement result in step 4 of 7.2.4.2.2 shall not be greater than the limit specified in table 7.2.5.1-1.

Table 7.2.5.2-1: Test Requirement for BS reference sensitivity level for 1,28 Mcps option

| BS class | Reference measurement channel data rate | reference sensitivity level | BER |
|---------------|---|-----------------------------|----------------------------|
| Wide Area BS | 12.2 kbps | -109.3 dBm | BER shall not exceed 0.001 |
| Local Area BS | 12.2 kbps | -95.3 dBm | BER shall not exceed 0.001 |

NOTE: If the above Test Requirement differs from the Minimum Requirement then the Test Tolerance applied for this test is non-zero. The Test Tolerance for this test is defined in subclause 4.1.2 and the explanation of how the Minimum Requirement has been relaxed by the Test Tolerance is given in annex C.

7.2.5.3 E-UTRA operation

For each measured E-UTRA carrier, the throughput shall be $\geq 95\%$ of the *maximum throughput* of the reference measurement channel as specified in clause A.1 in 3GPP TS 36.141 [17] with parameters specified in table 7.2.5.3-1 for Wide Area BS, in table 7.2.5.3-2 for Local Area BS, in table 7.2-3 and in table 7.2.5.3-3 for Medium Range BS.

Table 7.2.5.3-1: Wide Area BS class reference sensitivity levels

| E-UTRA channel bandwidth (MHz) | Reference measurement channel (Note 2) | Reference sensitivity power level, P_{REFSENS} (dBm) | |
|--------------------------------|--|---|------------------------------|
| | | $f \leq 3.0$ GHz | 3.0 GHz $< f \leq 4.2$ GHz |
| 1.4 | FRC A1-1 | -106.1 | -105.8 |
| 3 | FRC A1-2 | -102.3 | -102.0 |
| 5 | FRC A1-3 | -100.8 | -100.5 |
| 10 | FRC A1-3 (Note 1) | -100.8 | -100.5 |
| 15 | FRC A1-3 (Note 1) | -100.8 | -100.5 |
| 20 | FRC A1-3 (Note 1) | -100.8 | -100.5 |

NOTE 1: P_{REFSENS} is the power level of a single instance of the reference measurement channel. This requirement shall be met for each consecutive application of a single instance of FRC A1-3 in 3GPP TS 36.141 [17] mapped to disjoint frequency ranges with a width of 25 resource blocks each.

NOTE 2: FRC reference measurement channels as defined in annex A.1 in 3GPP TS 36.141 [17].

Table 7.2.5.3-2: Local Area BS class, reference sensitivity levels

| E-UTRA channel bandwidth (MHz) | Reference measurement channel (Note 2) | Reference sensitivity power level, P_{REFSENS} (dBm) | |
|--------------------------------|--|---|------------------------------|
| | | $f \leq 3.0$ GHz | 3.0 GHz $< f \leq 4.2$ GHz |
| 1.4 | FRC A1-1 | -98.1 | -97.8 |
| 3 | FRC A1-2 | -94.3 | -94.0 |
| 5 | FRC A1-3 | -92.8 | -92.5 |
| 10 | FRC A1-3 (Note 1) | -92.8 | -92.5 |
| 15 | FRC A1-3 (Note 1) | -92.8 | -92.5 |
| 20 | FRC A1-3 (Note 1) | -92.8 | -92.5 |

NOTE 1: P_{REFSENS} is the power level of a single instance of the reference measurement channel. This requirement shall be met for each consecutive application of a single instance of FRC A1-3 in 3GPP TS 36.141 [17] mapped to disjoint frequency ranges with a width of 25 resource blocks each. This reference measurement channel is not applied for Band 46 nor Band 49.

NOTE 2: FRC reference measurement channels as defined in annex A.1 in 3GPP TS 36.141 [17].

Table 7.2.5.3-3: Medium Range BS class, reference sensitivity levels

| E-UTRA channel bandwidth (MHz) | Reference measurement channel (Note 2) | Reference sensitivity power level, P_{REFSENS} (dBm) | |
|--------------------------------|--|---|------------------------------|
| | | $f \leq 3.0$ GHz | 3.0 GHz $< f \leq 4.2$ GHz |
| 1.4 | FRC A1-1 | -101.1 | -100.8 |
| 3 | FRC A1-2 | -97.3 | -97.0 |
| 5 | FRC A1-3 | -95.8 | -95.5 |
| 10 | FRC A1-3 (Note 1) | -95.8 | -95.5 |
| 15 | FRC A1-3 (Note 1) | -95.8 | -95.5 |
| 20 | FRC A1-3 (Note 1) | -95.8 | -95.5 |

NOTE 1: P_{REFSENS} is the power level of a single instance of the reference measurement channel. This requirement shall be met for each consecutive application of a single instance of FRC A1-3 in 3GPP TS 36.141 [17] mapped to disjoint frequency ranges with a width of 25 resource blocks each.

NOTE 2: FRC reference measurement channels as defined in annex A.1 in 3GPP TS 36.141 [17].

NOTE: If the above Test Requirement differs from the Minimum Requirement then the Test Tolerance applied for this test is non-zero. The Test Tolerance for this test is defined in subclause 4.1.2 and the explanation of how the Minimum Requirement has been relaxed by the Test Tolerance is given in annex C.

7.2.5.4 NR operation

For NR, the throughput shall be $\geq 95\%$ of the maximum throughput of the reference measurement channel as specified in Annex A in TS 38.104 [36] with parameters specified in table 7.2.5.4-1 for Wide Area BS, in table 7.2.5.4-2 for Medium Range BS and in table 7.2.5.4-3 for Local Area BS.

Table 7.2.5.4-1: NR Wide Area BS reference sensitivity levels

| BS channel bandwidth (MHz) | Sub-carrier spacing (kHz) | Reference measurement channel | Reference sensitivity power level, P_{REFSENS} (dBm) | | |
|---|---------------------------|-------------------------------|---|------------------------------|------------------------------|
| | | | $f \leq 3.0$ GHz | 3.0 GHz $< f \leq 4.2$ GHz | 4.2 GHz $< f \leq 6.0$ GHz |
| 5, 10, 15 | 15 | G-FR1-A1-1 | -101 | -100.7 | -100.2 |
| 10, 15 | 30 | G-FR1-A1-2 | -101.1 | -100.8 | -100.3 |
| 10, 15 | 60 | G-FR1-A1-3 | -98.2 | -97.9 | -97.4 |
| 20, 25, 30, 40, 50 | 15 | G-FR1-A1-4 | -94.6 | -94.3 | -93.8 |
| 20, 25, 30, 40, 50, 60, 70, 80, 90, 100 | 30 | G-FR1-A1-5 | -94.9 | -94.6 | -94.1 |
| 20, 25, 30, 40, 50, 60, 70, 80, 90, 100 | 60 | G-FR1-A1-6 | -95 | -94.7 | -94.2 |

NOTE: P_{REFSENS} is the power level of a single instance of the reference measurement channel. This requirement shall be met for each consecutive application of a single instance of the reference measurement channel mapped to disjoint frequency ranges with a width corresponding to the number of resource blocks of the reference measurement channel each, except for one instance that might overlap one other instance to cover the full BS channel bandwidth.

Table 7.2.5.4-2: NR Medium Area BS reference sensitivity levels

| BS channel bandwidth (MHz) | Sub-carrier spacing (kHz) | Reference measurement channel | Reference sensitivity power level, P_{REFSENS} (dBm) | | |
|---|---------------------------|-------------------------------|---|------------------------------|------------------------------|
| | | | $f \leq 3.0$ GHz | 3.0 GHz $< f \leq 4.2$ GHz | 4.2 GHz $< f \leq 6.0$ GHz |
| 5, 10, 15 | 15 | G-FR1-A1-1 | -96 | -95.7 | -95.2 |
| 10, 15 | 30 | G-FR1-A1-2 | -96.1 | -95.8 | -95.3 |
| 10, 15 | 60 | G-FR1-A1-3 | -93.2 | -92.9 | -92.4 |
| 20, 25, 30, 40, 50 | 15 | G-FR1-A1-4 | -89.6 | -89.3 | -88.8 |
| 20, 25, 30, 40, 50, 60, 70, 80, 90, 100 | 30 | G-FR1-A1-5 | -89.9 | -89.6 | -89.1 |
| 20, 25, 30, 40, 50, 60, 70, 80, 90, 100 | 60 | G-FR1-A1-6 | -90 | -89.7 | -89.2 |

NOTE: P_{REFSENS} is the power level of a single instance of the reference measurement channel. This requirement shall be met for each consecutive application of a single instance of the reference measurement channel mapped to disjoint frequency ranges with a width corresponding to the number of resource blocks of the reference measurement channel each, except for one instance that might overlap one other instance to cover the full BS channel bandwidth.

Table 7.2.5.4-3: NR Local Area BS reference sensitivity levels

| BS channel bandwidth (MHz) | Sub-carrier spacing (kHz) | Reference measurement channel | Reference sensitivity power level, P_{REFSENS} (dBm) | | |
|----------------------------|---------------------------|-------------------------------|---|------------------------------|------------------------------|
| | | | $f \leq 3.0$ GHz | 3.0 GHz $< f \leq 4.2$ GHz | 4.2 GHz $< f \leq 6.0$ GHz |

| | | | | | |
|--|----|------------|-------|-------|-------|
| 5, 10, 15 | 15 | G-FR1-A1-1 | -93 | -92.7 | -92.2 |
| 10, 15 | 30 | G-FR1-A1-2 | -93.1 | -92.8 | -92.3 |
| 10, 15 | 60 | G-FR1-A1-3 | -90.2 | -89.9 | -89.4 |
| 20, 25, 30, 40, 50 | 15 | G-FR1-A1-4 | -86.6 | -86.3 | -85.8 |
| 20, 25, 30, 40, 50, 60, 70, 80, 90, 100 | 30 | G-FR1-A1-5 | -86.9 | -86.6 | -86.1 |
| 20, 25, 30, 40, 50, 60, 70, 80, 90, 100 | 60 | G-FR1-A1-6 | -87 | -86.7 | -86.2 |
| NOTE: P_{REFSENS} is the power level of a single instance of the reference measurement channel. This requirement shall be met for each consecutive application of a single instance of the reference measurement channel mapped to disjoint frequency ranges with a width corresponding to the number of resource blocks of the reference measurement channel each, except for one instance that might overlap one other instance to cover the full <i>BS channel bandwidth</i> . | | | | | |

NOTE: If the above Test Requirement differs from the Minimum Requirement then the Test Tolerance applied for this test is non-zero. The relationship between Minimum Requirements and Test Requirements is defined in subclause 4.1 and the explanation of how the Minimum Requirement has been adjusted by the Test Tolerance is given in Annex C.

7.3 Dynamic range

7.3.1 Definition and applicability

The dynamic range is a measure of the capability of the receiver unit to receive a wanted signal in the presence of an interfering signal at the *TAB connector* inside the received *channel bandwidth* or the capability of receiving high level of wanted signal.

7.3.2 Minimum requirement

The single RAT UTRA FDD AAS BS of Wide Area BS class shall fulfil minimum requirements for dynamic range specified in 3GPP TS 25.104 [9], subclause 7.3.1.

The single RAT UTRA FDD AAS BS of Medium Range BS class shall fulfil minimum requirements for dynamic range specified in 3GPP TS 25.104 [9], subclause 7.3.1.

The single RAT UTRA FDD AAS BS of Local Area BS class shall fulfil minimum requirements for dynamic range specified in 3GPP TS 25.104 [9], subclause 7.3.1.

The single RAT UTRA TDD AAS BS of Wide Area BS class shall fulfil minimum requirements for dynamic range specified in 3GPP TS 25.105 [10], subclause 7.3.1.1.

The single RAT UTRA TDD AAS BS of Local Area BS class shall fulfil minimum requirements for dynamic range specified in 3GPP TS 25.105 [10], subclause 7.3.1.1.

The single RAT E-UTRA AAS BS of A Wide Area BS class shall fulfil minimum requirements for dynamic range specified in 3GPP TS 36.104 [11], subclause 7.3.1.

The single RAT E-UTRA AAS BS of Medium Range BS class shall fulfil minimum requirements for dynamic range specified in 3GPP TS 36.104 [11], subclause 7.3.1.

The single RAT E-UTRA AAS BS of Local Area BS class shall fulfil minimum requirements for dynamic range specified in 3GPP TS 36.104 [11], subclause 7.3.1.

The MSR NR AAS BS of A Wide Area BS class shall fulfil minimum requirements for dynamic range specified in 3GPP TS 38.104 [36], subclause 7.3.1.

The single RAT E-UTRA AAS BS of Medium Range BS class shall fulfil minimum requirements for dynamic range specified in 3GPP TS 38.104 [36], subclause 7.3.1.

The single RAT E-UTRA AAS BS of Local Area BS class shall fulfil minimum requirements for dynamic range specified in 3GPP TS 38.104 [36], subclause 7.3.1.

7.3.3 Test purpose

To verify that at the dynamic range of the receiver unit associated with each *TAB connector* shall fulfil the specified limit.

7.3.4 Method of test

7.3.4.1 Initial conditions

Test environment:

- normal; see clause B.2.

RF channels to be tested for single carrier:

- M; see subclause 4.12.1.

7.3.4.2 Procedure

The minimum requirement is applied to all *TAB connectors*, the procedure is repeated until all *TAB connectors* necessary to demonstrate conformance have been tested; see subclause 7.1.

- 1) Connect *TAB connector* to measurement equipment as shown in annex D.2.1. All *TAB connectors* not under test shall be terminated.
- 2) Set the signal generator for the wanted signal to transmit:
 - as specified in table 7.3.5.1-1 for UTRA.
 - as specified in table 7.3.5.2-1 for UTRA TDD 1,28Mcps operation.
 - as specified in table 7.3.5.3-1 to table 7.3.5.3-3 for E-UTRA.
 - as specified in table 7.3.5.4-1 to table 7.3.5.4-3 for NR.
- 3) Set the Signal generator for the AWGN interfering signal at the same frequency as the wanted signal to transmit:
 - as specified in table 7.3.5.1-1 for UTRA.
 - as specified in table 7.3.5.2-1 for UTRA TDD 1,28Mcps operation.
 - as specified in table 7.3.5.3-1 to table 7.3.5.3-3 for E-UTRA.
 - as specified in table 7.3.5.1-1 to table 7.3.5.1-3 for NR.
- 4) Measure:
 - BER according to annex C in 3GPP TS 25.141 [18] for FDD UTRA.
 - BER according to annex F in 3GPP TS 25.142 [20] for TDD UTRA.
 - Throughput according to annex E in 3GPP TS 36.141 [17] for E-UTRA.
 - Throughput according 3GPP TS 38.141-1 [37] for NR.

In addition, for *multi-band TAB connector(s)*, the following steps shall apply:

- 5) For *multi-band TAB connectors* and single band tests, repeat the steps above per involved band where single band test configurations and test models shall apply with no carrier activated in the other band.

7.3.5 Test requirements

7.3.5.1 UTRA FDD operation

The BER shall not exceed 0,001 for the parameters specified in table 7.3.5.1-1.

Table 7.3.5.1-1: Dynamic range

| Parameter | Level | Level | Level | Unit |
|---|--------------|-----------------|---------------|--------------|
| | Wide Area BS | Medium Range BS | Local Area BS | |
| Reference measurement channel data rate | 12,2 | 12.2 | 12.2 | Kbps |
| Wanted signal mean power | -89.8 | -79.8 | -75.8 | dBm |
| Interfering AWGN signal | -73 | -63 | -59 | dBm/3.84 MHz |

NOTE: If the above Test Requirement differs from the Minimum Requirement then the Test Tolerance applied for this test is non-zero. The Test Tolerance for this test is defined in subclause 4.1.2 and the explanation of how the Minimum Requirement has been relaxed by the Test Tolerance is given in annex C.

7.3.5.2 UTRA TDD 1,28 Mcps option operation

The BER shall not exceed 0,001 for the parameters specified in table 7.3.5.2-1.

Table 7.3.5.2-1: Test Requirements for Dynamic Range for 1,28 Mcps TDD option

| Parameter | | Level | Unit |
|---|---------------|-------|--------------|
| Reference measurement channel data rate | | 12,2 | kbit/s |
| Wanted signal mean power | Wide Area BS | -78,8 | dBm |
| | Local Area BS | -64,8 | dBm |
| Interfering AWGN signal | Wide Area BS | -76 | dBm/1,28 MHz |
| | Local Area BS | -62 | dBm/1,28 MHz |

NOTE: If the above Test Requirement differs from the Minimum Requirement then the Test Tolerance applied for this test is non-zero. The Test Tolerance for this test is defined in subclause 4.1.2 and the explanation of how the Minimum Requirement has been relaxed by the Test Tolerance is given in annex C.

7.3.5.3 E-UTRA operation

For each measured E-UTRA carrier, the throughput shall be $\geq 95\%$ of the *maximum throughput* of the reference measurement channel as specified in annex A in 3GPP TS 36.141 [17] with parameters specified in table 7.3.5.3-1 for an AAS BS of Wide Area BS class, in Table 7.3.5.3-2 for an AAS BS of Local Area BS class and in table 7.3.5.3-3 for AAS BS of Medium Range BS class.

Table 7.3.5.3-1: AAS BS of Wide Area BS class dynamic range

| E-UTRA channel bandwidth (MHz) | Reference measurement channel | Wanted signal mean power (dBm) | Interfering signal mean power (dBm) / BW_{Config} | Type of interfering signal |
|--------------------------------|-------------------------------|--------------------------------|---|----------------------------|
| 1.4 | FRC A2-1 in annex A.2 | -76.0 | -88.7 | AWGN |
| 3 | FRC A2-2 in annex A.2 | -72.1 | -84.7 | AWGN |
| 5 | FRC A2-3 in annex A.2 | -69.9 | -82.5 | AWGN |
| 10 | FRC A2-3 in annex A.2 (Note) | -69.9 | -79.5 | AWGN |
| 15 | FRC A2-3 in annex A.2 (Note) | -69.9 | -77.7 | AWGN |
| 20 | FRC A2-3 in annex A.2 (Note) | -69.9 | -76.4 | AWGN |

NOTE: The wanted signal mean power is the power level of a single instance of the reference measurement channel. This requirement shall be met for each consecutive application of a single instance of FRC A2-3 mapped to disjoint frequency ranges with a width of 25 resource blocks each.

Table 7.3.5.3-2: AAS BS of Local Area BS class dynamic range

| E-UTRA channel bandwidth (MHz) | Reference measurement channel | Wanted signal mean power (dBm) | Interfering signal mean power (dBm) / BW_{Config} | Type of interfering signal |
|--------------------------------|-------------------------------|--------------------------------|---|----------------------------|
| 1.4 | FRC A2-1 in annex A.2 | -68.0 | -80.7 | AWGN |
| 3 | FRC A2-2 in annex A.2 | -64.1 | -76.7 | AWGN |
| 5 | FRC A2-3 in annex A.2 | -61.9 | -74.5 | AWGN |
| 10 | FRC A2-3 in annex A.2 (Note) | -61.9 | -71.5 | AWGN |
| 15 | FRC A2-3 in annex A.2 (Note) | -61.9 | -69.7 | AWGN |
| 20 | FRC A2-3 in annex A.2 (Note) | -61.9 | -68.4 | AWGN |

NOTE: The wanted signal mean power is the power level of a single instance of the reference measurement channel. This requirement shall be met for each consecutive application of a single instance of FRC A2-3 mapped to disjoint frequency ranges with a width of 25 resource blocks each. This reference measurement channel is not applied for Band 46 nor Band 49.

Table 7.3.5.3-3: AAS BS of Medium Range BS class dynamic range

| E-UTRA channel bandwidth (MHz) | Reference measurement channel | Wanted signal mean power (dBm) | Interfering signal mean power (dBm) / BW_{Config} | Type of interfering signal |
|--------------------------------|-------------------------------|--------------------------------|---|----------------------------|
| 1.4 | FRC A2-1 in annex A.2 | -71.0 | -83.7 | AWGN |
| 3 | FRC A2-2 in annex A.2 | -67.1 | -79.7 | AWGN |
| 5 | FRC A2-3 in annex A.2 | -64.9 | -77.5 | AWGN |
| 10 | FRC A2-3 in annex A.2 (Note) | -64.9 | -74.5 | AWGN |
| 15 | FRC A2-3 in annex A.2 (Note) | -64.9 | -72.7 | AWGN |
| 20 | FRC A2-3 in annex A.2 (Note) | -64.9 | -71.4 | AWGN |

NOTE: The wanted signal mean power is the power level of a single instance of the reference measurement channel. This requirement shall be met for each consecutive application of a single instance of FRC A2-3 mapped to disjoint frequency ranges with a width of 25 resource blocks each.

NOTE: If the above Test Requirement differs from the Minimum Requirement then the Test Tolerance applied for this test is non-zero. The Test Tolerance for this test is defined in subclause 4.1.2 and the explanation of how the Minimum Requirement has been relaxed by the Test Tolerance is given in annex C.

7.3.5.4 NR operation

For NR, the throughput shall be $\geq 95\%$ of the maximum throughput of the reference measurement channel as specified in Annex A in TS 38.104 [36] with parameters specified in table 7.3.5.4-1 for Wide Area BS, in table 7.3.5.4-2 for Medium Range BS and in table 7.3.5.4-3 for Local Area BS.

Table 7.3.5.4-1: Wide Area BS dynamic range

| BS channel bandwidth (MHz) | Subcarrier spacing (kHz) | Reference measurement channel | Wanted signal mean power (dBm) | Interfering signal mean power (dBm) / BW_{Config} | Type of interfering signal |
|----------------------------|--------------------------|-------------------------------|--------------------------------|---|----------------------------|
| 5 | 15 | G-FR1-A2-1 | -70.4 | -82.5 | AWGN |
| | 30 | G-FR1-A2-2 | -71.1 | | |
| 10 | 15 | G-FR1-A2-1 | -70.4 | -79.3 | AWGN |
| | 30 | G-FR1-A2-2 | -71.1 | | |
| | 60 | G-FR1-A2-3 | -68.1 | | |
| 15 | 15 | G-FR1-A2-1 | -70.4 | -77.5 | AWGN |
| | 30 | G-FR1-A2-2 | -71.1 | | |
| | 60 | G-FR1-A2-3 | -68.1 | | |
| 20 | 15 | G-FR1-A2-4 | -64.2 | -76.2 | AWGN |
| | 30 | G-FR1-A2-5 | -64.2 | | |
| | 60 | G-FR1-A2-6 | -64.5 | | |
| 25 | 15 | G-FR1-A2-4 | -64.2 | -75.2 | AWGN |
| | 30 | G-FR1-A2-5 | -64.2 | | |
| | 60 | G-FR1-A2-6 | -64.5 | | |
| 30 | 15 | G-FR1-A2-4 | -64.2 | -74.4 | AWGN |
| | 30 | G-FR1-A2-5 | -64.2 | | |
| | 60 | G-FR1-A2-6 | -64.5 | | |
| 40 | 15 | G-FR1-A2-4 | -64.2 | -73.1 | AWGN |
| | 30 | G-FR1-A2-5 | -64.2 | | |
| | 60 | G-FR1-A2-6 | -64.5 | | |
| 50 | 15 | G-FR1-A2-4 | -64.2 | -72.2 | AWGN |
| | 30 | G-FR1-A2-5 | -64.2 | | |

| | | | | | |
|-----|----|------------|-------|-------|------|
| | 60 | G-FR1-A2-6 | -64.5 | | |
| 60 | 30 | G-FR1-A2-5 | -64.2 | -71.4 | AWGN |
| | 60 | G-FR1-A2-6 | -64.5 | | |
| 70 | 30 | G-FR1-A2-5 | -64.2 | -70.8 | AWGN |
| | 60 | G-FR1-A2-6 | -64.5 | | |
| 80 | 30 | G-FR1-A2-5 | -64.2 | -70.1 | AWGN |
| | 60 | G-FR1-A2-6 | -64.5 | | |
| 90 | 30 | G-FR1-A2-5 | -64.2 | -69.6 | AWGN |
| | 60 | G-FR1-A2-6 | -64.5 | | |
| 100 | 30 | G-FR1-A2-5 | -64.2 | -69.1 | AWGN |
| | 60 | G-FR1-A2-6 | -64.5 | | |

NOTE: The wanted signal mean power is the power level of a single instance of the corresponding reference measurement channel. This requirement shall be met for each consecutive application of a single instance of the reference measurement channel mapped to disjoint frequency ranges with a width corresponding to the number of resource blocks of the reference measurement channel each, except for one instance that might overlap one other instance to cover the full *BS channel bandwidth*.

Table 7.3.5.4-2: Medium Range BS dynamic range

| <i>BS channel bandwidth (MHz)</i> | <i>Subcarrier spacing (kHz)</i> | <i>Reference measurement channel</i> | <i>Wanted signal mean power (dBm)</i> | <i>Interfering signal mean power (dBm) / BW_{Config}</i> | <i>Type of interfering signal</i> |
|-----------------------------------|---------------------------------|--------------------------------------|---------------------------------------|--|-----------------------------------|
| 5 | 15 | G-FR1-A2-1 | -65.4 | -77.5 | AWGN |
| | 30 | G-FR1-A2-2 | -66.1 | | |
| 10 | 15 | G-FR1-A2-1 | -65.4 | -74.3 | AWGN |
| | 30 | G-FR1-A2-2 | -66.1 | | |
| | 60 | G-FR1-A2-3 | -63.1 | | |
| 15 | 15 | G-FR1-A2-1 | -65.4 | -72.5 | AWGN |
| | 30 | G-FR1-A2-2 | -66.1 | | |
| | 60 | G-FR1-A2-3 | -63.1 | | |
| 20 | 15 | G-FR1-A2-4 | -59.2 | -71.2 | AWGN |
| | 30 | G-FR1-A2-5 | -59.2 | | |
| | 60 | G-FR1-A2-6 | -59.5 | | |
| 25 | 15 | G-FR1-A2-4 | -59.2 | -70.2 | AWGN |
| | 30 | G-FR1-A2-5 | -59.2 | | |
| | 60 | G-FR1-A2-6 | -59.5 | | |
| 30 | 15 | G-FR1-A2-4 | -59.2 | -69.4 | AWGN |
| | 30 | G-FR1-A2-5 | -59.2 | | |
| | 60 | G-FR1-A2-6 | -59.5 | | |
| 40 | 15 | G-FR1-A2-4 | -59.2 | -68.1 | AWGN |
| | 30 | G-FR1-A2-5 | -59.2 | | |
| | 60 | G-FR1-A2-6 | -59.5 | | |
| 50 | 15 | G-FR1-A2-4 | -59.2 | -67.2 | AWGN |
| | 30 | G-FR1-A2-5 | 59.8 | | |
| | 60 | G-FR1-A2-6 | -59.5 | | |
| 60 | 30 | G-FR1-A2-5 | -59.2 | -66.4 | AWGN |
| | 60 | G-FR1-A2-6 | -59.5 | | |
| 70 | 30 | G-FR1-A2-5 | -59.2 | -65.8 | AWGN |
| | 60 | G-FR1-A2-6 | -59.5 | | |
| 80 | 30 | G-FR1-A2-5 | -59.2 | -65.1 | AWGN |
| | 60 | G-FR1-A2-6 | -59.5 | | |
| 90 | 30 | G-FR1-A2-5 | -59.2 | -64.6 | AWGN |
| | 60 | G-FR1-A2-6 | -59.5 | | |
| 100 | 30 | G-FR1-A2-5 | -59.2 | -64.1 | AWGN |
| | 60 | G-FR1-A2-6 | -59.5 | | |

NOTE: The wanted signal mean power is the power level of a single instance of the corresponding reference measurement channel. This requirement shall be met for each consecutive application of a single instance of the reference measurement channel mapped to disjoint frequency ranges with a width corresponding to the number of resource blocks of the reference measurement channel each, except for one instance that might overlap one other instance to cover the full *BS channel bandwidth*.

Table 7.3.5.4-3: Local Area BS dynamic range

| <i>BS channel bandwidth (MHz)</i> | <i>Subcarrier spacing (kHz)</i> | <i>Reference measurement channel</i> | <i>Wanted signal mean power (dBm)</i> | <i>Interfering signal mean power (dBm) / BW_{Config}</i> | <i>Type of interfering signal</i> |
|-----------------------------------|---------------------------------|--------------------------------------|---------------------------------------|--|-----------------------------------|
| 5 | 15 | G-FR1-A2-1 | -62.4 | -74.5 | AWGN |
| | 30 | G-FR1-A2-2 | -63.1 | | |
| 10 | 15 | G-FR1-A2-1 | -62.4 | -71.3 | AWGN |
| | 30 | G-FR1-A2-2 | -63.1 | | |
| | 60 | G-FR1-A2-3 | -60.1 | | |
| 15 | 15 | G-FR1-A2-1 | -62.4 | -69.5 | AWGN |
| | 30 | G-FR1-A2-2 | -63.1 | | |
| | 60 | G-FR1-A2-3 | -60.1 | | |
| 20 | 15 | G-FR1-A2-4 | -56.2 | -68.2 | AWGN |
| | 30 | G-FR1-A2-5 | -56.2 | | |
| | 60 | G-FR1-A2-6 | -56.5 | | |
| 25 | 15 | G-FR1-A2-4 | -56.2 | -67.2 | AWGN |
| | 30 | G-FR1-A2-5 | -56.2 | | |
| | 60 | G-FR1-A2-6 | -56.5 | | |
| 30 | 15 | G-FR1-A2-4 | -56.2 | -66.4 | AWGN |
| | 30 | G-FR1-A2-5 | -56.2 | | |
| | 60 | G-FR1-A2-6 | -56.5 | | |
| 40 | 15 | G-FR1-A2-4 | -56.2 | -65.1 | AWGN |
| | 30 | G-FR1-A2-5 | -56.2 | | |
| | 60 | G-FR1-A2-6 | -56.5 | | |
| 50 | 15 | G-FR1-A2-4 | -56.2 | -64.2 | AWGN |
| | 30 | G-FR1-A2-5 | -56.2 | | |
| | 60 | G-FR1-A2-6 | -56.5 | | |
| 60 | 30 | G-FR1-A2-5 | -56.2 | -63.4 | AWGN |
| | 60 | G-FR1-A2-6 | -56.5 | | |
| 70 | 30 | G-FR1-A2-5 | -56.2 | -62.8 | AWGN |
| | 60 | G-FR1-A2-6 | -56.5 | | |
| 80 | 30 | G-FR1-A2-5 | -56.2 | -62.1 | AWGN |
| | 60 | G-FR1-A2-6 | -56.5 | | |
| 90 | 30 | G-FR1-A2-5 | -56.2 | -61.6 | AWGN |
| | 60 | G-FR1-A2-6 | -56.5 | | |
| 100 | 30 | G-FR1-A2-5 | -56.2 | -61.1 | AWGN |
| | 60 | G-FR1-A2-6 | -56.5 | | |

NOTE: The wanted signal mean power is the power level of a single instance of the corresponding reference measurement channel. This requirement shall be met for each consecutive application of a single instance of the reference measurement channel mapped to disjoint frequency ranges with a width corresponding to the number of resource blocks of the reference measurement channel each, except for one instance that might overlap one other instance to cover the full *BS channel bandwidth*.

NOTE: If the above Test Requirement differs from the Minimum Requirement then the Test Tolerance applied for this test is non-zero. The relationship between Minimum Requirements and Test Requirements is defined in subclause 4.1 and the explanation of how the Minimum Requirement has been adjusted by the Test Tolerance is given in Annex C.

7.4 Adjacent channel selectivity and narrowband blocking

7.4.1 Definition and applicability

The adjacent channel selectivity, general blocking and narrowband blocking characteristics are measures of the receiver unit ability to receive a wanted signal at its assigned channel at the *TAB connector* in the presence of an unwanted interferer inside the operating band.

NOTE For Single RAT requirements, the in-band selectivity characteristics is referred to as "adjacent channel selectivity", whereas for the MSR requirements, the corresponding property is referred to as "general blocking" since the adjacent frequency range may not carry a channel addressable from the interfered carrier.

The in-band blocking requirement applies from $F_{UL_low} - \Delta f_{OOB}$ to $F_{UL_high} + \Delta f_{OOB}$, excluding the downlink frequency range of the *operating band*. The values of Δf_{OOB} are defined in table 7.4.1-1.

Table 7.4.1-1: Δf_{OOB} offset for operating bands

| Operating band characteristics | Δf_{OOB} [MHz] |
|--|--|
| $F_{UL_high} - F_{UL_low} < 100$ MHz | 20 |
| 100 MHz $\leq F_{UL_high} - F_{UL_low} \leq 900$ MHz | 60 |

7.4.2 Minimum requirement

The minimum requirement for MSR operation is in 3GPP TS 37.105 [8], subclause 7.4.2.

The single RAT UTRA FDD AAS BS of Wide Area BS class shall fulfil minimum requirements for adjacent channel selectivity and narrow-band blocking specified in 3GPP TS 25.104 [9], subclause 7.4.

The single RAT UTRA FDD AAS BS of Medium Range BS class shall fulfil minimum requirements for adjacent channel selectivity and narrow-band blocking specified in 3GPP TS 25.104 [9], subclause 7.4.

The single RAT UTRA FDD Local Area BS class shall fulfil minimum requirements for adjacent channel selectivity and narrow-band blocking specified in 3GPP TS 25.104 [9], subclause 7.4.

The single RAT UTRA TDD AAS BS of Wide Area BS class shall fulfil minimum requirements for adjacent channel selectivity and narrow-band blocking specified in 3GPP TS 25.105 [10], subclause 7.4.

The single RAT UTRA TDD AAS BS of Local Area BS class shall fulfil minimum requirements for adjacent channel selectivity and narrow-band blocking specified in 3GPP TS 25.105 [10], subclause 7.4.

The single RAT E-UTRA AAS BS of Wide Area BS class shall fulfil minimum requirements for adjacent channel selectivity and narrow-band blocking specified in 3GPP TS 36.104 [11], subclause 7.5.

The single RAT E-UTRA AAS BS of Medium Range BS class shall fulfil minimum requirements for adjacent channel selectivity and narrow-band blocking specified in 3GPP TS 36.104 [11], subclause 7.5.

The single RAT E-UTRA AAS BS of Local Area BS class shall fulfil minimum requirements for adjacent channel selectivity and narrow-band blocking specified in 3GPP TS 36.104 [11], subclause 7.5.

7.4.3 Test purpose

The test stresses the receiver unit ability to withstand high-level interference from unwanted signals at specified frequency offsets at the *TAB connector* without undue degradation of its sensitivity.

7.4.4 Method of test

7.4.4.1 Initial conditions

Test environment:

- Normal; see clause B.2.

RF channels to be tested for single carrier (SC):

- M; see subclause 4.12.1

Base Station RF Bandwidth positions to be tested for multi-carrier (MC):

- M_{RFBW} for *single-band TAB connector(s)*, see subclause 4.12.1, $B_{\text{RFBW}} \cdot T_{\text{RFBW}}$ and $B'_{\text{RFBW}} \cdot T_{\text{RFBW}}$ for *multi-band TAB connector(s)*, see subclause 4.12.1.

7.4.4.2 Procedure

7.4.4.2.1 General procedure

The general procedure steps apply to the procedures for all the RATs.

The minimum requirement is applied to all *TAB connectors*, the procedure is repeated until all *TAB connectors* necessary to demonstrate conformance have been tested; see subclause 7.1.

- 1) Connect *TAB connector* to measurement equipment as shown in annex D.2.3. All *TAB connectors* not under test shall be terminated.
- 2) Generate the wanted signal according to the applicable test configuration (see clause 5) using applicable reference measurement channel to the *TAB connector* under test as follows:
 - For E-UTRA see clause A.1 in 3GPP TS 36.141 [17].
 - For UTRA FDD see clause A.2 in 3GPP TS 25.141 [18].
 - For UTRA TDD see subclause A.2.1 in 3GPP TS 25.142 [20].
 - For NR, see subclause [4.11].
- 3) Set the transmitter unit associated with the *TAB connector* under test to transmit with the carrier set-up and power allocation according to the applicable test configuration(s) (see clause 5).

7.4.4.2.2 MSR operation

7.4.4.2.2.1 Procedure for general blocking

- 1) Adjust the signal generators to the type of interfering signal, levels and the frequency offsets as specified in table 7.4.5.1.1-1.
- 2) The interfering signal shall be swept with a step size of 1 MHz starting from the minimum offset to the channel edges of the wanted signals as specified in table 7.4.5.1.1-1.
- 3) Measure the performance of the wanted signal at the receiver unit associated with the *TAB connector* under test, as defined in subclause 7.4.5.1, for the relevant carriers specified by the test configuration in subclause 4.11.

In addition, for *multi-band TAB connector(s)*, the following steps shall apply:

- 4) For *multi-band TAB connectors* and single band tests, repeat the steps above per involved band where single band test configurations and test models shall apply with no carrier activated in the other band.

7.4.4.2.2.2 Procedure for narrowband blocking

- 1) Adjust the signal generators to the type of interfering signal, levels and the frequency offsets as specified in table 7.4.5.1.2-1.
- 2) Set-up and sweep the interfering RB centre frequency offset to the channel edge of the wanted signal according to table 7.4.5.1.2-1.
- 3) Measure the performance of the wanted signal at the receiver unit associated with the *TAB connector* under test, as defined in subclause 7.4.5.1, for the relevant carriers specified by the test configuration in subclause 4.11.

In addition, for *multi-band TAB connector(s)*, the following steps shall apply:

- 4) For *multi-band TAB connectors* and single band tests, repeat the steps above per involved band where single band test configurations and test models shall apply with no carrier activated in the other band.

7.4.4.2.2.3 Procedure for additional BC3 blocking requirement

- 1) Adjust the signal generators to the type of interfering signal, levels and the frequency offsets as specified in table 7.4.5.5-1.
- 2) Measure the performance of the wanted signal at the receiver unit associated with the *TAB connector* under test, as defined in subclause 7.4.5, for the relevant carriers specified by the test configuration in subclause 4.8.

7.4.4.2.3 Single RAT UTRA FDD operation

- 1) Generate the wanted signal and adjust the ATT1 to set the input level to the base station under test to the level specified in table 7.4.5.2-1 For a *TAB connector* supporting multi-carrier operation, generate the wanted signal according to the applicable test configuration (see clause 4.11) using applicable reference measurement channel to the *TAB connector* under test. Power settings are specified in table 7.4.5.2-1.
- 2) Set-up the interfering signal at the adjacent channel frequency and adjust the ATT2 to obtain the specified level of interfering signal at the base station input defined in table 7.4.5.2-1. Note that the interfering signal shall have an ACLR of at least 63 dB in order to eliminate the impact of interfering signal adjacent channel leakage power on the ACS measurement.
- 3) Measure the BER of the wanted signal at the receiver unit associated with the *TAB connector* under test.

In addition, for *multi-band TAB connector(s)*, the following steps shall apply:

- 4) For *multi-band TAB connectors* and single band tests, repeat the steps above per involved band where single band test configurations and test models shall apply with no carrier activated in the other band.

7.4.4.2.4 Single RAT UTRA TDD 1,28Mcps option operation

- 1) Generate the wanted signal according to the test configurations in subclause 4.11 and adjust the input level to the *TAB connector* under test according to table 7.4.5.3-1. The UL reference measurement channel (12,2 kbps) defined in subclause A.2.1 in 3GPP TS 25.142 [20] shall be used for each wanted carrier.
- 2) Set-up the interfering signal at the adjacent channel frequency and adjust the interfering signal level at the *TAB connector* according to table 7.4.5.3-1. The interfering signal is equivalent to a continuous CDMA signal with one code of chip frequency 1,28 Mchip/s, filtered by an RRC transmit pulse-shaping filter with roll-off $\alpha = 0,22$.
- 3) Measure the BER of the wanted signal at the receiver unit associated with the *TAB connector* under test.

In addition, for *multi-band TAB connector(s)*, the following steps shall apply:

- 4) For *multi-band TAB connectors* and single band tests, repeat the steps above per involved band where single band test configurations and test models shall apply with no carrier activated in the other band.

7.4.4.2.5 Single RAT E-UTRA operation

7.4.4.2.5.1 Procedure for adjacent channel selectivity

- 1) Generate the wanted signal using the applicable test configuration specified in subclause 5.3.4 and adjust the input level to the *TAB connector* under test to the level specified in table 7.4.5.4-1 for the appropriate BS class.
- 2) Set-up the interfering signal at the adjacent channel frequency and adjust the interfering signal level at the *TAB connector* under test to the level defined in table 7.4.5.4-1 for the appropriate BS class.
- 3) Measure the throughput, for multi-carrier and/or CA operation the throughput shall be measured for relevant carriers specified by the test configuration specified in subclause 5.3.4.

In addition, for *multi-band TAB connector(s)*, the following steps shall apply:

- 4) For *multi-band TAB connectors* and single band tests, repeat the steps above per involved band where single band test configurations and test models shall apply with no carrier activated in the other band.

7.4.4.2.5.2 Procedure for narrow-band blocking

- 1) For *TAB connector* operating E-UTRA FDD declared to be capable of single carrier operation only in the operating band, set the transmitter unit associated with the *TAB connector* under test to transmit according to subclause 4.12.2 at manufacturers declared rated output power $P_{\text{Rated,c,TABC}}$.

For a *TAB connector* operating E-UTRA FDD declared to be capable of multi-carrier and/or CA operation in the operating band, set the transmitter unit associated with the *TAB connector* under test to transmit according to subclause 4.12.2 on all carriers configured using the applicable test configuration and corresponding power setting specified in subclause 5.3.4.

- 2) Generate the wanted signal using the applicable test configuration specified in subclause 5.3.4 and adjust the input level to the *TAB connector* under test to the level specified in table 7.4.5.4-1.
- 3) Adjust the interfering signal level at the *TAB connector* input to the level defined in table 7.4.5.4-1. Set-up and sweep the interfering RB centre frequency offset to the channel edge of the wanted signal according to table 7.4.5.4-2.
- 4) Measure the throughput, for multi-carrier and/or CA operation the throughput shall be measured for relevant carriers specified by the test configuration specified in subclause 5.3.4.

In addition, for *multi-band TAB connector(s)*, the following steps shall apply:

- 5) For *multi-band TAB connectors* and single band tests, repeat the steps above per involved band where single band test configurations and test models shall apply with no carrier activated in the other band.

7.4.5 Test requirements

7.4.5.1 MSR operation

7.4.5.1.1 General blocking test requirement

For the general blocking requirement, the interfering signal shall be a UTRA FDD signal as specified in clause A.1 in 3GPP TS 25.141 [18] for a UTRA, E-UTRA or NR (≤ 20 MHz) wanted signal. The interfering signal shall be a 20 MHz E-UTRA signal for NR wanted signal channel bandwidth greater than 20 MHz.

For *TAB connector* operating in non-contiguous spectrum, the requirement applies in addition inside any *sub-block gap*, in case the *sub-block gap* size is at least 15 MHz. The interfering signal offset is defined relative to the sub-block edges inside the *sub-block gap*.

For *multi-band TAB connector* the requirement applies in addition inside any *Inter RF Bandwidth gap*, in case the gap size is at least 15 MHz. The interfering signal offset is defined relative to the *Base Station RF Bandwidth edges* inside the *Inter RF Bandwidth gap*.

For the wanted and interfering signal coupled to the *TAB connector*, using the parameters in tables 7.4.5.1.1-1 and 7.4.5.1.1-2, the following requirements shall be met:

- For any measured E-UTRA carrier, the throughput shall be $\geq 95\%$ of the *maximum throughput* of the reference measurement channel defined in subclause 7.2.5.3.
- For any measured UTRA FDD carrier, the BER shall not exceed 0.001 for the reference measurement channel defined in subclause 7.2.5.1.
- For any measured UTRA TDD carrier, the BER shall not exceed 0.001 for the reference measurement channel defined in subclause 7.2.5.2.
- For any measured NR carrier, the throughput shall be $\geq 95\%$ of the maximum throughput of the reference measurement channel defined in TS 38.104 [17], subclause 7.2.

For a *multi-band TAB connector*, the requirement applies according to table 7.4.5.1-1 for the in-band blocking frequency ranges of each supported operating band.

Table 7.4.5.1.1-1: General blocking requirement

| Base Station class | Mean power of interfering signal (dBm) | Wanted Signal mean power (dBm) (Note 1) | Centre Frequency of Interfering Signal | Interfering signal centre frequency minimum frequency offset from the Base Station RF Bandwidth edge or sub-block edge inside a gap (MHz) |
|--|--|---|--|---|
| Wide Area BS | -40 +y (Note 7) | $P_{\text{REFSENS}} + x$ dB (Note 2, 5) | $F_{\text{UL_low}} - \Delta f_{\text{OOB}}$ to $F_{\text{UL_high}} + \Delta f_{\text{OOB}}$ (Note 8) | $\pm(7.5+z)$ (Note 9) |
| Medium Range BS | -35 +y (Note 7) | $P_{\text{REFSENS}} + x$ dB (Note 3, 5) | | |
| Local Area BS | -30 +y (Note 7) | $P_{\text{REFSENS}} + x$ dB (Note 4, 5) | | |
| <p>NOTE 1: P_{REFSENS} depends on the RAT, the BS class and on the channel bandwidth, see subclause 7.2.</p> <p>NOTE 2: For WA BS not supporting NR, "x" is equal to 6 in case of E-UTRA or UTRA wanted signals.</p> <p>NOTE 3: For MR BS not supporting NR, "x" is equal to 6 in case of UTRA wanted signals, 9 in case of E-UTRA wanted signal.</p> <p>NOTE 4: For LA BS not supporting NR, "x" is equal to 11 in case of E-UTRA wanted signal, 6 in case of UTRA wanted signal.</p> <p>NOTE 5: For a BS supporting NR and not supporting UTRA, x is equal to 6.</p> <p>NOTE 6: For a BS capable of multi-band operation, "x" in Note 2, 3, 4, 5 applies in case of interfering signals that are in the in-band blocking frequency range of the operating band where the wanted signal is present or in an adjacent or overlapping band. For other in-band blocking frequency ranges of the interfering signal for the supported operating bands, "x" is equal to 1.4 dB.</p> <p>NOTE 7: For a BS not supporting NR, "y" is equal to zero for all BS classes. For a BS supporting NR and not supporting UTRA, "y" is equal to -3 for the WA and MR BS class and -5 for the LA BS class.</p> <p>NOTE 8: The downlink frequency range of an FDD operating band is excluded from the general blocking requirement.</p> <p>NOTE 9: For NR wanted signal channel bandwidth greater than 20 MHz, $z = 22.5$ MHz. For all other cases, $z = 0$ MHz.</p> | | | | |

Table 7.4.5.1.1-2: Void

NOTE: The requirement in tables 7.4.5.1.1-1 assumes that two operating bands, where the *downlink operating band* (see table 4.4-1 and table 4.4-2 in 3GPP TS 37.141 [16].) of one band would be within the in-band blocking region of the other band, are not deployed in the same geographical area.

7.4.5.1.2 General narrowband blocking test requirement

For the narrowband blocking requirement, the interfering signal shall be an E-UTRA 1RB signal as specified in clause A.3 in 3GPP TS 37.141 [16].

The requirement is applicable outside the *Base Station RF Bandwidth* or *Maximum Radio Bandwidth*. The interfering signal offset is defined relative to the *Base Station RF Bandwidth edges* or *Maximum Radio Bandwidth edges*.

For a *TAB connector* operating in non-contiguous spectrum, the requirement applies in addition inside any *sub-block gap*, in case the *sub-block gap* size is at least 3 MHz. The interfering signal offset is defined relative to the sub-block edges inside the *sub-block gap*.

For a *multi-band TAB connector*, the requirement applies in addition inside any *Inter RF Bandwidth gap* in case the gap size is at least 3 MHz. The interfering signal offset is defined relative to the *Base Station RF Bandwidth edges* inside the *Inter RF Bandwidth gap*.

For the wanted and interfering signal coupled to the *TAB connector*, using the parameters in table 7.4.5.1.2-1 the following requirements shall be met:

- For any measured E-UTRA carrier, the throughput shall be $\geq 95\%$ of the *maximum throughput* of the reference measurement channel defined in subclause 7.2.5.3.
- For any measured UTRA FDD carrier, the BER shall not exceed 0.001 for the reference measurement channel defined in subclause 7.2.5.1.

- For any measured UTRA TDD carrier, the BER shall not exceed 0.001 for the reference measurement channel defined in subclause 7.2.5.2.
- For any NR carrier, the throughput shall be $\geq 95\%$ of the maximum throughput of the reference measurement channel defined in TS 38.104 [17], subclause 7.2.5.3.

Table 7.4.5.1.2-1: Narrowband blocking requirement

| Base Station Class | RAT of the carrier | Wanted signal mean power (dBm) (Note 1, 2, 6) | Interfering signal mean power (dBm) | Interfering RB (Note 3, 7) centre frequency offset from the <i>Base Station RF Bandwidth edge</i> or <i>sub-block edge</i> inside a gap (kHz) |
|---|---------------------|---|-------------------------------------|---|
| Wide Area BS | NR, E-UTRA and UTRA | $P_{\text{REFSENS}} + x \text{ dB}$ (Note 2) | -49 | $\pm(240 + m \cdot 180)$, $m=0, 1, 2, 3, 4, 9, 14$ (Note 4) |
| Medium Range BS | | | -44 | |
| Local Area BS | | | -41 | $\pm(550 + m \cdot 180)$, $m=0, 1, 2, 3, 4, 29, 54, 79, 99$ (Note 5) |
| <p>NOTE 1: P_{REFSENS} depends on the RAT, the BS class and on the channel bandwidth, see subclause 7.2 in 3GPP TS 37.104 [12].</p> <p>NOTE 2: "x" is equal to 6 in case of E-UTRA, NR or UTRA wanted signals.</p> <p>NOTE 3: Interfering signal (E-UTRA 3 MHz) consisting of one resource block positioned at the stated offset, the channel bandwidth of the interfering signal is located adjacently to the <i>Base Station RF Bandwidth edge</i>.</p> <p>NOTE 4: Applicable for <i>channel bandwidths</i> equal to or below 20 MHz.</p> <p>NOTE 5: Applicable for <i>channel bandwidths</i> above 20 MHz.</p> <p>NOTE 6: 7.5 kHz shift is not applied to the wanted signal of NR.</p> <p>NOTE 7: The centre of the interfering RB refers to the frequency location between the two central subcarriers.</p> | | | | |

7.4.5.1.3 Additional BC3 blocking test requirement

The interfering signal is a 1,28Mcps UTRA TDD modulated signal as specified in clause A.2 in 3GPP TS 37.141 [16].

The requirement is applicable outside the *Base Station RF Bandwidth* or *Maximum Radio Bandwidth*. The interfering signal offset is defined relative to the *Base Station RF Bandwidth edges* or *Maximum Radio Bandwidth edges*.

For a *multi-band TAB connector*, the requirement applies in addition inside any *Inter RF Bandwidth gap*, in case the gap size is at least 4.8MHz. The interfering signal offset is defined relative to the *Base Station RF Bandwidth edges* inside the *Inter RF Bandwidth gap*.

For the wanted and interfering signal coupled to the *TAB connector*, using the parameters in table 7.4.5.1.3-1, the following requirements shall be met:

- For any measured E-UTRA carrier, the throughput shall be $\geq 95\%$ of the *maximum throughput* of the reference measurement channel defined in subclause 7.2.5.3.
- For any measured UTRA TDD carrier, the BER shall not exceed 0.001 for the reference measurement channel defined in subclause 7.2.5.2.

Table 7.4.5.1.3-1: Additional blocking requirement for Band Category 3

| Operating Band | Centre Frequency of Interfering Signal (MHz) | Interfering Signal mean power (dBm) | Wanted Signal mean power (dBm) | Interfering signal centre frequency minimum frequency offset from the <i>Base Station RF Bandwidth edge</i> (MHz) |
|---|---|-------------------------------------|--|---|
| 33 - 40 | (F _{UL_low} - 20) to (F _{UL_high} + 20) | -40, | P _{PREFSENS} + 6 dB (Note) | ±2.4 |
| NOTE: P _{PREFSENS} depends on the RAT and on the channel bandwidth, see subclause 7.2. | | | | |

7.4.5.2 Single RAT UTRA FDD operation

For each measured carrier, the BER shall not exceed 0,001 for the parameters specified in table 7.4.5.2-1.

For *multi-carrier TAB connector* the ACS requirement is applicable outside the *Base Station RF Bandwidth* or *Maximum Radio Bandwidth*. The interfering signal offset is defined relative to the lower/upper *Base Station RF Bandwidth edges* or *Maximum Radio Bandwidth edges*.

For a *TAB connector* operating in non-contiguous spectrum within any operating band, the requirement applies in addition inside any *sub-block gap*, in case the *sub-block gap* size is at least 5 MHz. The interfering signal offset is defined relative to the lower/upper sub-block edge inside the *sub-block gap* and is equal to -2.5 MHz/+2.5 MHz, respectively.

For a *multi-band TAB connector*, the requirement applies in addition inside any *Inter RF Bandwidth gap*, in case the *Inter RF Bandwidth gap* size is at least 5 MHz. The interfering signal offset is defined relative to lower/upper *Base Station RF Bandwidth edges* inside the *Inter RF Bandwidth gap* and is equal to -2.5 MHz/+2.5 MHz, respectively.

Table 7.4.5.2-1: Adjacent channel selectivity

| Parameter | Level Wide Area BS | Level Medium Range BS | Level Local Area BS | Unit |
|---|--------------------|-----------------------|---------------------|------|
| Reference measurement channel data rate | 12.2 | 12.2 | 12.2 | kbps |
| Wanted signal mean power | -115 | -105 | -101 | dBm |
| Interfering signal mean power | -52 | -42 | -38 | dBm |
| F _{uw} (Modulated) | ±5 | ±5 | ±5 | MHz |

NOTE: If the above Test Requirement differs from the Minimum Requirement then the Test Tolerance applied for this test is non-zero. The Test Tolerance for this test is defined in subclause 4.1.2 and the explanation of how the Minimum Requirement has been relaxed by the Test Tolerance is given in annex C.

7.4.5.3 Single RAT UTRA TDD 1,28 Mcps option operation

The BER, measured on the wanted signal in the presence of an interfering signal, shall not exceed 0,001 for the parameters specified in table 7.4.5.3-1.

The ACS requirement is always applicable outside the *Base Station RF Bandwidth* or *Maximum Radio Bandwidth edges*. The interfering signal offset is defined relative to the lower / upper *Base Station RF Bandwidth edges* or *Maximum Radio Bandwidth edges*.

For *multi-band TAB connector*, the requirement applies in addition inside any *Inter RF Bandwidth gap* as long as the *Inter RF Bandwidth gap* size is at least 1.6MHz. The interfering signal offset is defined relative to the lower / upper *Base Station RF Bandwidth edges* inside the *Inter RF Bandwidth gap* and is equal to -0.8MHz/+0.8MHz, respectively.

Table 7.4.5.3-1: Parameters of the wanted signal and the interfering signal for ACS testing for 1,28 Mcps TDD

| Parameter | | Level | Unit |
|---|---------------|-------|--------|
| Reference measurement channel data rate | | 12,2 | kbit/s |
| Wanted signal mean power | Wide Area BS | -104 | dBm |
| | Local Area BS | -90 | dBm |
| Interfering signal mean power | Wide Area BS | -55 | dBm |
| | Local Area BS | -41 | dBm |
| F _w (modulated) | | ±1,6 | MHz |
| NOTE: F _w is the frequency offset of the unwanted interfering signal from the assigned channel frequency of the wanted signal. | | | |

7.4.5.4 Single RAT E-UTRA operation

For each measured E-UTRA carrier, the throughput shall be $\geq 95\%$ of the *maximum throughput* of the reference measurement channel.

For AAS BS of wide area BS class the wanted and the interfering signal coupled to the *TAB connector* are specified in table 7.4.5.4-1 and 7.4.5.4-2 for narrowband blocking and 7.4.5.4-3 for ACS. The reference measurement channel for the wanted signal is specified in table 7.2.5.3-1 for each channel bandwidth and further specified in annex A in 3GPP TS 36.141 [17].

For AAS BS of Medium Range BS class, the wanted and the interfering signal coupled to the *TAB connector* are specified in tables 7.4.5.4-1 and 7.4.5.4-2 for narrowband blocking and in table 7.4.5.4-5 for ACS. The reference measurement channel for the wanted signal is specified in table 7.2.5.3-3 for each channel bandwidth and further specified in annex A in 3GPP TS 36.141 [17].

For AAS BS of Local Area BS class, the wanted and the interfering signal coupled to the *TAB connector* are specified in tables 7.4.5.4-1 and 7.4.5.4-2 for narrowband blocking and 7.4.5.4-4 for ACS. The reference measurement channel for the wanted signal is specified in table 7.2.5.3-2 for each channel bandwidth and further specified in annex A in 3GPP TS 36.141 [17].

The ACS and narrowband blocking requirement is always applicable outside the *Base Station RF Bandwidth* or *Maximum Radio Bandwidth*. The interfering signal offset is defined relative to the *Base station RF Bandwidth edges* or *Maximum Radio Bandwidth edges*.

For a *TAB connector* operating in non-contiguous spectrum within any operating band, the ACS requirement applies in addition inside any *sub-block gap*, in case the *sub-block gap* size is at least as wide as the E-UTRA interfering signal in tables 7.4.5.4-3, 7.4.5.4-4 and 7.4.5.4-5. The interfering signal offset is defined relative to the sub-block edges inside the *sub-block gap*.

For a *multi-band TAB connector*, the ACS requirement applies in addition inside any *Inter RF Bandwidth gap*, in case the *Inter RF Bandwidth gap* size is at least as wide as the E-UTRA interfering signal in tables 7.4.5.4-3, 7.4.5.4-4 and 7.4.5.4-5. The interfering signal offset is defined relative to the *Base Station RF Bandwidth edges* inside the *Inter RF Bandwidth gap*.

For a *TAB connector* operating in non-contiguous spectrum within any operating band, the narrowband blocking requirement applies in addition inside any *sub-block gap*, in case the *sub-block gap* size is at least as wide as the channel bandwidth of the E-UTRA interfering signal in table 7.4.5.4-2. The interfering signal offset is defined relative to the sub-block edges inside the *sub-block gap*.

For a *multi-band TAB connector*, the narrowband blocking requirement applies in addition inside any *Inter RF Bandwidth gap*, in case the *Inter RF Bandwidth gap* size is at least as wide as the E-UTRA interfering signal in table 7.4.5.4-2. The interfering signal offset is defined relative to the *Base Station RF Bandwidth edges* inside the *Inter RF Bandwidth gap*.

Table 7.4.5.4-1: Narrowband blocking requirement

| | Wanted signal mean power (dBm) (Note) | Interfering signal mean power (dBm) | Type of interfering signal |
|---|--|-------------------------------------|----------------------------|
| Wide Area BS | $P_{\text{REFSENS}} + 6$ dB | -49 | See table 7.4.5.4-2 |
| Medium Range BS | $P_{\text{REFSENS}} + 6$ dB | -44 | See table 7.4.5.4-2 |
| Local Area BS | $P_{\text{REFSENS}} + 6$ dB | -41 | See table 7.4.5.4-2 |
| NOTE: P_{REFSENS} depends on the channel bandwidth as specified in 3GPP TS 36.104 [11], subclause 7.2.1. | | | |

Table 7.4.5.4-2: Interfering signal for Narrowband blocking requirement

| E-UTRA channel BW of the lowest/highest carrier received (MHz) | Interfering RB centre frequency offset to the lower/upper <i>Base Station RF Bandwidth edge</i> or sub-block edge inside a <i>sub-block gap</i> (kHz) | Type of interfering signal (Note) |
|---|---|-----------------------------------|
| 1.4 | $\pm(252.5+m \cdot 180)$, $m=0, 1, 2, 3, 4, 5$ | 1.4 MHz E-UTRA signal, 1 RB |
| 3 | $\pm(247.5+m \cdot 180)$, $m=0, 1, 2, 3, 4, 7, 10, 13$ | 3 MHz E-UTRA signal, 1 RB |
| 5 | $\pm(342.5+m \cdot 180)$, $m=0, 1, 2, 3, 4, 9, 14, 19, 24$ | 5 MHz E-UTRA signal, 1 RB |
| 10 | $\pm(347.5+m \cdot 180)$, $m=0, 1, 2, 3, 4, 9, 14, 19, 24$ | 5 MHz E-UTRA signal, 1 RB |
| 15 | $\pm(352.5+m \cdot 180)$, $m=0, 1, 2, 3, 4, 9, 14, 19, 24$ | 5 MHz E-UTRA signal, 1 RB |
| 20 | $\pm(342.5+m \cdot 180)$, $m=0, 1, 2, 3, 4, 9, 14, 19, 24$ | 5 MHz E-UTRA signal, 1 RB |
| NOTE: Interfering signal consisting of one resource block is positioned at the stated offset, the <i>channel bandwidth</i> of the interfering signal is located adjacently to the lower/upper <i>Base Station RF Bandwidth edge</i> . | | |

Table 7.4.5.4-3: Adjacent channel selectivity for Wide Area BS

| E-UTRA channel bandwidth of the lowest/highest carrier received (MHz) | Wanted signal mean power (dBm) (Note) | Interfering signal mean power (dBm) | Interfering signal centre frequency offset from the lower/upper <i>Base Station RF Bandwidth edge</i> or sub-block edge inside a <i>sub-block gap</i> (MHz) | Type of interfering signal |
|---|--|-------------------------------------|---|----------------------------|
| 1.4 | $P_{\text{REFSENS}} + 11$ dB | -52 | ± 0.7025 | 1.4 MHz E-UTRA signal |
| 3 | $P_{\text{REFSENS}} + 8$ dB | -52 | ± 1.5075 | 3 MHz E-UTRA signal |
| 5 | $P_{\text{REFSENS}} + 6$ dB | -52 | ± 2.5025 | 5 MHz E-UTRA signal |
| 10 | $P_{\text{REFSENS}} + 6$ dB | -52 | ± 2.5075 | 5 MHz E-UTRA signal |
| 15 | $P_{\text{REFSENS}} + 6$ dB | -52 | ± 2.5125 | 5 MHz E-UTRA signal |
| 20 | $P_{\text{REFSENS}} + 6$ dB | -52 | ± 2.5025 | 5 MHz E-UTRA signal |
| NOTE: P_{REFSENS} depends on the channel bandwidth as specified in 3GPP TS 36.104 [11], subclause 7.2.1. | | | | |

Table 7.4.5.4-4: Adjacent channel selectivity for Local Area BS

| E-UTRA channel bandwidth of the lowest/highest carrier received (MHz) | Wanted signal mean power (dBm) (Note) | Interfering signal mean power (dBm) | Interfering signal centre frequency offset from the lower/upper Base Station RF Bandwidth edge or sub-block edge inside a sub-block gap (MHz) | Type of interfering signal |
|---|---------------------------------------|-------------------------------------|---|----------------------------|
| 1.4 | $P_{\text{REFSENS}} + 11$ dB | -44 | ± 0.7025 | 1.4 MHz E-UTRA signal |
| 3 | $P_{\text{REFSENS}} + 8$ dB | -44 | ± 1.5075 | 3 MHz E-UTRA signal |
| 5 | $P_{\text{REFSENS}} + 6$ dB | -44 | ± 2.5025 | 5 MHz E-UTRA signal |
| 10 | $P_{\text{REFSENS}} + 6$ dB | -44 | ± 2.5075 | 5 MHz E-UTRA signal |
| 15 | $P_{\text{REFSENS}} + 6$ dB | -44 | ± 2.5125 | 5 MHz E-UTRA signal |
| 20 | $P_{\text{REFSENS}} + 6$ dB | -44 | ± 2.5025 | 5 MHz E-UTRA signal |

NOTE: P_{REFSENS} depends on the channel bandwidth as specified in 3GPP TS 36.104 [11], subclause 7.2.1.

Table 7.4.5.4-5: Adjacent channel selectivity for Medium Range BS

| E-UTRA channel bandwidth of the lowest/highest carrier received (MHz) | Wanted signal mean power (dBm) | Interfering signal mean power (dBm) | Interfering signal centre frequency offset from the lower/upper Base Station RF Bandwidth edge or sub-block edge inside a sub-block gap (MHz) | Type of interfering signal |
|---|--------------------------------|-------------------------------------|---|----------------------------|
| 1.4 | $P_{\text{REFSENS}} + 11$ dB | -47 | ± 0.7025 | 1.4 MHz E-UTRA signal |
| 3 | $P_{\text{REFSENS}} + 8$ dB | -47 | ± 1.5075 | 3 MHz E-UTRA signal |
| 5 | $P_{\text{REFSENS}} + 6$ dB | -47 | ± 2.5025 | 5 MHz E-UTRA signal |
| 10 | $P_{\text{REFSENS}} + 6$ dB | -47 | ± 2.5075 | 5 MHz E-UTRA signal |
| 15 | $P_{\text{REFSENS}} + 6$ dB | -47 | ± 2.5125 | 5 MHz E-UTRA signal |
| 20 | $P_{\text{REFSENS}} + 6$ dB | -47 | ± 2.5025 | 5 MHz E-UTRA signal |

NOTE: P_{REFSENS} depends on the channel bandwidth as specified in 3GPP TS 36.104 [11], subclause 7.2.1.

NOTE: If the above Test Requirement differs from the Minimum Requirement then the Test Tolerance applied for this test is non-zero. The Test Tolerance for this test is defined in subclause 4.1.2 and the explanation of how the Minimum Requirement has been relaxed by the Test Tolerance is given in annex C.

7.5 Blocking

7.5.1 Definition and applicability

The out-of-band blocking characteristic is a measure of the receiver ability to receive a wanted signal at its assigned channel in the presence of an unwanted interferer outside the *uplink operating band*.

7.5.2 Minimum requirement

The minimum requirement for MSR operation is in 3GPP TS 37.105 [8], subclause 7.5.2.

The minimum requirement for single RAT UTRA operation is in 3GPP TS 37.105 [8], subclause 7.5.3.

The minimum requirement for single RAT E-UTRA operation is in 3GPP TS 37.105 [8], subclause 7.5.4.

The minimum requirement for NR operation is in 3GPP TS 38.104 [36], subclause 7.5.2.

7.5.3 Test purpose

The test stresses the ability of the receiver unit associated with the *TAB connector* under test to withstand high-level interference from unwanted signals at specified frequency bands, without undue degradation of its sensitivity.

7.5.4 Method of test

7.5.4.1 Initial conditions

Test environment:

- Normal; see clause B.2.

RF channels to be tested for single carrier (SC):

- M; see subclause 4.12.1

Base Station RF Bandwidth positions to be tested for multi-carrier (MC):

- M_{RFBW} for *single-band TAB connector(s)*, see subclause 4.12.1, $B_{\text{RFBW_T'RFBW}}$ and $B'_{\text{RFBW_T'RFBW}}$ for *multi-band TAB connector(s)*, see subclause 4.12.1.

In addition, for *multi-band TAB connectors*:

- For $B_{\text{RFBW_T'RFBW}}$, out-of-band blocking testing above the highest operating band may be omitted.
- For $B'_{\text{RFBW_T'RFBW}}$, out-of-band blocking testing below the lowest operating band may be omitted.

7.5.4.2 Procedure

7.5.4.2.1 General Procedure

The general procedure steps apply to the procedures for all the RATs.

The minimum requirement is applied to all *TAB connectors*, the procedure is repeated until all *TAB connectors* necessary to demonstrate conformance have been tested; see subclause 7.1:

- 1) Connect *TAB connector* to measurement equipment as shown in annex D.2.3. All *TAB connectors* not under test shall be terminated.

7.5.4.2.2 MSR operation

- 1) Generate the wanted signal according to the applicable test configuration (see clause 5) using applicable reference measurement channel to the *TAB connector* under test as follows:

- For E-UTRA see clause A.1 in 3GPP TS 36.141 [17].
- For UTRA FDD see clause A.2 in 3GPP TS 25.141 [18].
- For UTRA TDD see subclause A.2.1 in 3GPP TS 25.142 [20].
- For NR, see subclause [4.11]

- 2) Set the transmitter unit associated with the *TAB connector* under test to transmit with the carrier set-up and power allocation according to the applicable test configuration(s) (see clause 5).

The transmitter unit associated with the *TAB connector* under test may be turned off for the out-of-band blocker tests when the frequency of the blocker is such that no IM2 or IM3 products fall inside the bandwidth of the wanted signal.

- 3) Adjust the signal generators to the type of interfering signals, levels and the frequency offsets as specified for general test requirements in table 7.5.5.1.1-1 and, when applicable, for co-location test requirements in table 7.5.5.1.2-1.

- 4) The CW interfering signal shall be swept with a step size of 1 MHz within the specified range.
- 5) Measure the performance of the wanted signal at the receiver unit associated with the *TAB connector*, as defined in the subclause 7.5.5, for the relevant carriers specified by the test configuration in subclause 4.11.

In addition, for *multi-band TAB connector(s)*, the following steps shall apply:

- 6) For *multi-band TAB connectors* and single band tests, repeat the steps above per involved band where single band test configurations and test models shall apply with no carrier activated in the other band.

7.5.4.2.3 Single RAT UTRA FDD operation

- 1) Generate the wanted signal according to the applicable test configuration (see clause 5) using applicable reference measurement channel to the *TAB connector* under test as shown in subclause A.2.1 in 3GPP TS 25.141 [18].
- 2) Set the transmitter unit associated with the *TAB connector* under test to transmit with the carrier set-up and power allocation according to the applicable test configuration(s) (see clause 5).

The transmitter unit associated with the *TAB connector* under test may be turned off for the out-of-band blocker tests when the frequency of the blocker is such that no IM2 or IM3 products fall inside the bandwidth of the wanted signal.

- 3) Adjust the signal generators to the type of interfering signals and the frequency offsets as specified in tables 7.5.5.2-1 to 7.5.5.2-9. Note that the GMSK modulated interfering signal shall have an ACLR of at least 72 dB in order to eliminate the impact of interfering signal adjacent channel leakage power on the blocking characteristics measurement. For the tests defined in tables 7.5.5.2-1 to 7.5.5.2-9, the interfering signal shall be at a frequency offset F_{uw} from the assigned channel frequency of the wanted signal which is given by:

$$F_{uw} = \pm (n \times 1 \text{ MHz}),$$

where n shall be increased in integer steps from $n = 10$ up to such a value that the centre frequency of the interfering signal covers the range from 1 MHz to 12,75 GHz.

- 4) Measure the BER of the wanted signal at the receiver unit associated with the *TAB connector* under test.

In addition, for *multi-band TAB connector(s)*, the following steps shall apply:

- 5) For *multi-band TAB connectors* and single band tests, repeat the steps above per involved band where single band test configurations and test models shall apply with no carrier activated in the other band.

7.5.4.2.4 Single RAT UTRA TDD 1,28 Mcps option operation

- 1) Generate the wanted signal according to the applicable test configuration (see clause 5) using applicable reference measurement channel to the *TAB connector* under test as shown in subclause A.2.1 in 3GPP TS 25.142 [20].
- 2) Set the transmitter unit associated with the *TAB connector* under test to transmit with the carrier set-up and power allocation according to the applicable test configuration(s) (see clause 5).

The transmitter unit associated with the *TAB connector* under test may be turned off for the out-of-band blocker tests when the frequency of the blocker is such that no IM2 or IM3 products fall inside the bandwidth of the wanted signal.

- 3) Set the signal generator to produce an interfering signal at a frequency offset F_{uw} from the assigned channel frequency of the wanted signal which is given by

$$F_{uw} = \pm 3,2 \pm n \times 1 \text{ MHz}$$

where n shall be increased in integer steps from $n = 0$ up to such a value that the centre frequency of the interfering signal covers the range from 1 MHz to 12,75 GHz. The interfering signal level measured at the *TAB connector* shall be set in dependency of its centre frequency, as specified in tables 7.5.5.3.1-1 to 7.5.5.3.1-9 and 7.5.5.3.2-1. The type of the interfering signal is either equivalent to a continuous wideband CDMA signal with one code of chip frequency 1,28 Mcps, filtered by an RRC transmit pulse-shaping filter with roll-off $\alpha = 0,22$, or a CW signal; see tables 7.5.5.3.1-1 to 7.5.5.3.1-9 and 7.5.5.3.2-1.

- 4) Measure the BER of the wanted signal at the receiver unit associated with the *TAB connector* under test.

In addition, for *multi-band TAB connector(s)*, the following steps shall apply:

- 5) For *multi-band TAB connectors* and single band tests, repeat the steps above per involved band where single band test configurations and test models shall apply with no carrier activated in the other band.

7.5.4.2.5 Single RAT E-UTRA operation

- 1) Generate the wanted signal according to the applicable test configuration (see clause 5) using applicable reference measurement channel to the *TAB connector* under test as shown in clause A.1 in 3GPP TS 36.141 [17].
- 2) Set the transmitter unit associated with the *TAB connector* under test to transmit with the carrier set-up and power allocation according to the applicable test configuration(s) (see clause 5).

The transmitter unit associated with the *TAB connector* under test may be turned off for the out-of-band blocker tests when the frequency of the blocker is such that no IM2 or IM3 products fall inside the bandwidth of the wanted signal.

- 3) Adjust the signal generators to the type of interfering signals, levels and the frequency offsets as specified for general test requirements in tables 7.5.5.4.1-1 and 7.5.5.4.2-1 for AAS BS of wide area BS class, tables 7.5.5.4.1-2 and 7.5.5.4.2-1 for AAS BS of local area BS class and tables 7.5.5.4.1-3 and 7.5.5.4.2-1 for AAS BS of medium range BS class.
- 4) The CW interfering signal shall be swept with a step size of 1 MHz within the specified range.
- 5) Measure the performance of the wanted signal at the receiver unit associated with the *TAB connector*, as defined in the subclause 7.5.5, for the relevant carriers specified by the test configuration in subclause 4.11.

In addition, for *multi-band TAB connector(s)*, the following steps shall apply:

- 6) For *multi-band TAB connectors* and single band tests, repeat the steps above per involved band where single band test configurations and test models shall apply with no carrier activated in the other band.

7.5.5 Test requirements

7.5.5.1 MSR operation

7.5.5.1.1 General out-of-band blocking test requirements

For a wanted and an interfering signal coupled to a *TAB connector* using the parameters in table 7.5.5.1.1-1, the following requirements shall be met:

- For any measured E-UTRA carrier, the throughput shall be $\geq 95\%$ of the *maximum throughput* of the reference measurement channel defined in subclause 7.2.5.3.
- For any measured NR carrier, the throughput shall be $\geq 95\%$ of the *maximum throughput* of the reference measurement channel defined in subclause 7.2.5.4.
- For any measured UTRA FDD carrier, the BER shall not exceed 0.001 for the reference measurement channel defined in subclause 7.2.5.1.
- For any measured UTRA TDD carrier, the BER shall not exceed 0.001 for the reference measurement channel defined in subclause 7.2.5.2.

The out-of-band blocking requirement applies from 1 MHz to $F_{UL_low} - \Delta f_{OOB}$ and from $F_{UL_high} + \Delta f_{OOB}$ up to 12750 MHz, including the downlink frequency range of the FDD *operating band* for BS supporting FDD. The Δf_{OOB} is defined in table 7.4.1-1.

The in-band blocking frequency ranges of all supported operating bands shall be excluded from the requirement.

Table 7.5.5.1.1-1: Blocking performance requirement

| Wanted Signal mean power [dBm] | Interfering Signal mean power [dBm] | Type of Interfering Signal |
|---|-------------------------------------|----------------------------|
| $P_{\text{REFSENS}} + 6$ dB (Note) | -15 | CW carrier |
| NOTE: P_{REFSENS} depends on the RAT, the BS class and the <i>channel bandwidth</i> ; see subclause 7.2. | | |

7.5.5.1.2 Co-location test requirements

This additional blocking requirement may be applied for the protection of receiver units associated with *TAB connectors* when a E-UTRA, UTRA, CDMA or GSM/EDGE BS operating in a different frequency band are co-located with the AAS BS.

The requirements in this subclause assume a 30 dB coupling loss between the interfering transmitter and the *TAB connector* and are based on co-location with base stations of the same class.

For a wanted and an interfering signal coupled to *TAB connector* using the parameters in table 7.5.5.1.2-1, the following requirements shall be met:

- For any measured E-UTRA carrier, the throughput shall be $\geq 95\%$ of the *maximum throughput* of the reference measurement channel defined in subclause 7.2.5.3.
- For any measured NR carrier, the throughput shall be $\geq 95\%$ of the *maximum throughput* of the reference measurement channel defined in subclause 7.2.5.4.
- For any measured UTRA FDD carrier, the BER shall not exceed 0.001 for the reference measurement channel defined in subclause 7.2.5.1.
- For any measured UTRA TDD carrier, the BER shall not exceed 0.001 for the reference measurement channel defined in subclause 7.2.5.2.

Table 7.5.5.1.2-1: Blocking requirement for co-location with BS in other frequency bands

| Type of co-located BS | Centre Frequency of Interfering Signal (MHz) | Interfering Signal mean power for WA BS (dBm) | Interfering Signal mean power for MR BS (dBm) | Interfering Signal mean power for LA BS (dBm) | Wanted Signal mean power (dBm) (Note 1) | Type of Interfering Signal |
|--|--|---|---|---|---|----------------------------|
| GSM850 or CDMA850 | 869 - 894 | +16 | +8 | -6 | $P_{\text{REFSENS}} + x$ dB | CW carrier |
| GSM900 | 921 - 960 | +16 | +8 | -6 | $P_{\text{REFSENS}} + x$ dB | CW carrier |
| DCS1800 | 1805 - 1880 (Note 4) | +16 | +8 | -6 | $P_{\text{REFSENS}} + x$ dB | CW carrier |
| PCS1900 | 1930 - 1990 | +16 | +8 | -6 | $P_{\text{REFSENS}} + x$ dB | CW carrier |
| UTRA FDD Band I or E-UTRA Band 1 or NR band n1 | 2110 - 2170 | +16 | +8 | -6 | $P_{\text{REFSENS}} + x$ dB | CW carrier |
| UTRA FDD Band II or E-UTRA Band 2 or NR band n2 | 1930 - 1990 | +16 | +8 | -6 | $P_{\text{REFSENS}} + x$ dB | CW carrier |
| UTRA FDD Band III or E-UTRA Band 3 or NR band n3 | 1805 - 1880 (Note 4) | +16 | +8 | -6 | $P_{\text{REFSENS}} + x$ dB | CW carrier |
| UTRA FDD Band IV or E-UTRA Band 4 | 2110 - 2155 | +16 | +8 | -6 | $P_{\text{REFSENS}} + x$ dB | CW carrier |
| UTRA FDD Band V or E-UTRA Band 5 or NR band n5 | 869 - 894 | +16 | +8 | -6 | $P_{\text{REFSENS}} + x$ dB | CW carrier |
| UTRA FDD Band VI or E-UTRA Band 6 | 875 - 885 | +16 | +8 | -6 | $P_{\text{REFSENS}} + x$ dB | CW carrier |
| UTRA FDD Band VII or E-UTRA Band 7 or NR band n7 | 2620 - 2690 | +16 | +8 | -6 | $P_{\text{REFSENS}} + x$ dB | CW carrier |
| UTRA FDD Band VIII or E-UTRA Band 8 or NR band n8 | 925 - 960 | +16 | +8 | -6 | $P_{\text{REFSENS}} + x$ dB | CW carrier |
| UTRA FDD Band IX or E-UTRA Band 9 | 1844.9 - 1879.9 | +16 | +8 | -6 | $P_{\text{REFSENS}} + x$ dB | CW carrier |
| UTRA FDD Band X or E-UTRA Band 10 | 2110 - 2170 | +16 | +8 | -6 | $P_{\text{REFSENS}} + x$ dB | CW carrier |
| UTRA FDD Band XI or E-UTRA Band 11 | 1475.9 - 1495.9 | +16 | +8 | -6 | $P_{\text{REFSENS}} + x$ dB | CW carrier |
| UTRA FDD Band XII or E-UTRA Band 12 or NR band n12 | 729 - 746 | +16 | +8 | -6 | $P_{\text{REFSENS}} + x$ dB | CW carrier |
| UTRA FDD Band XIII or E-UTRA Band 13 | 746 - 756 | +16 | +8 | -6 | $P_{\text{REFSENS}} + x$ dB | CW carrier |
| UTRA FDD Band XIV or E-UTRA Band 14 | 758 - 768 | +16 | +8 | -6 | $P_{\text{REFSENS}} + x$ dB | CW carrier |
| E-UTRA Band 17 | 734 - 746 | +16 | +8 | -6 | $P_{\text{REFSENS}} + x$ dB | CW carrier |
| E-UTRA Band 18 | 860 - 875 | +16 | +8 | -6 | $P_{\text{REFSENS}} + x$ dB | CW carrier |
| UTRA FDD Band XIX or E-UTRA Band 19 | 875 - 890 | +16 | +8 | -6 | $P_{\text{REFSENS}} + x$ dB | CW carrier |
| UTRA FDD Band XX or E-UTRA Band 20 or NR band n20 | 791 - 821 | +16 | +8 | -6 | $P_{\text{REFSENS}} + x$ dB | CW carrier |

| Type of co-located BS | Centre Frequency of Interfering Signal (MHz) | Interfering Signal mean power for WA BS (dBm) | Interfering Signal mean power for MR BS (dBm) | Interfering Signal mean power for LA BS (dBm) | Wanted Signal mean power (dBm) (Note 1) | Type of Interfering Signal |
|--|--|---|---|---|---|----------------------------|
| UTRA FDD Band XXI or E-UTRA Band 21 | 1495.9 - 1510.9 | +16 | +8 | -6 | $P_{\text{REFSENS}} + x \text{ dB}$ | CW carrier |
| UTRA FDD Band XXII or E-UTRA Band 22 | 3510 - 3590 | +16 | +8 | -6 | $P_{\text{REFSENS}} + x \text{ dB}$ | CW carrier |
| E-UTRA Band 23 | 2180 - 2200 | +16 | +8 | -6 | $P_{\text{REFSENS}} + x \text{ dB}$ | CW carrier |
| E-UTRA Band 24 | 1525 - 1559 | +16 | +8 | -6 | $P_{\text{REFSENS}} + x \text{ dB}$ | CW carrier |
| UTRA FDD Band XXV or E-UTRA Band 25 or NR band n25 | 1930 - 1995 | +16 | +8 | -6 | $P_{\text{REFSENS}} + x \text{ dB}$ | CW carrier |
| UTRA FDD Band XXVI or E-UTRA Band 26 | 859 - 894 | +16 | +8 | -6 | $P_{\text{REFSENS}} + x \text{ dB}$ | CW carrier |
| E-UTRA Band 27 | 852 - 869 | +16 | +8 | -6 | $P_{\text{REFSENS}} + x \text{ dB}$ | CW carrier |
| E-UTRA Band 28 or NR band n28 | 758 - 803 | +16 | +8 | -6 | $P_{\text{REFSENS}} + x \text{ dB}$ | CW carrier |
| E-UTRA Band 29 | 717 - 728 | +16 | +8 | -6 | $P_{\text{REFSENS}} + 6 \text{ dB}$ | CW carrier |
| E-UTRA Band 30 | 2350 - 2360 | +16 | +8 | -6 | $P_{\text{REFSENS}} + x \text{ dB}$ | CW carrier |
| E-UTRA Band 31 | 462.5 - 467.5 | +16 | +8 | -6 | $P_{\text{REFSENS}} + 6 \text{ dB}$ | CW carrier |
| UTRA FDD Band XXXII or E-UTRA Band 32 | 1452 - 1496 (Note 5) | +16 | +8 | -6 | $P_{\text{REFSENS}} + 6 \text{ dB}$ | CW carrier |
| UTRA TDD Band a) or E-UTRA Band 33 | 1900-1920 | +16 | +8 | -6 | $P_{\text{REFSENS}} + x \text{ dB}$ | CW carrier |
| UTRA TDD Band a) or E-UTRA Band 34 or NR band n34 | 2010-2025 | +16 | +8 | -6 | $P_{\text{REFSENS}} + x \text{ dB}$ | CW carrier |
| UTRA TDD Band b) or E-UTRA Band 35 | 1850-1910 | +16 | +8 | -6 | $P_{\text{REFSENS}} + x \text{ dB}$ | CW carrier |
| UTRA TDD Band b) or E-UTRA Band 36 | 1930-1990 | +16 | +8 | -6 | $P_{\text{REFSENS}} + x \text{ dB}$ | CW carrier |
| UTRA TDD Band c) or E-UTRA Band 37 | 1910-1930 | +16 | +8 | -6 | $P_{\text{REFSENS}} + x \text{ dB}$ | CW carrier |
| UTRA TDD Band d) or E-UTRA Band 38 or NR band n38 | 2570-2620 | +16 | +8 | -6 | $P_{\text{REFSENS}} + x \text{ dB}$ | CW carrier |
| UTRA TDD Band f) or E-UTRA Band 39 or NR band n39 | 1880-1920 | +16 | +8 | -6 | $P_{\text{REFSENS}} + x \text{ dB}$ | CW carrier |
| UTRA TDD Band e) or E-UTRA Band 40 or NR band n40 | 2300-2400 | +16 | +8 | -6 | $P_{\text{REFSENS}} + x \text{ dB}$ | CW carrier |
| E-UTRA Band 41 or NR band n41 | 2496 - 2690 | +16 | +8 | -6 | $P_{\text{REFSENS}} + x \text{ dB}$ | CW carrier |
| E-UTRA Band 42 | 3400 - 3600 | +16 | +8 | -6 | $P_{\text{REFSENS}} + x \text{ dB}$ | CW carrier |
| E-UTRA Band 43 | 3600 - 3800 | +16 | +8 | -6 | $P_{\text{REFSENS}} + x \text{ dB}$ | CW carrier |
| E-UTRA Band 44 | 703 - 803 | +16 | +8 | -6 | $P_{\text{REFSENS}} + x \text{ dB}$ | CW carrier |
| E-UTRA Band 45 | 1447 - 1467 | +16 | +8 | -6 | $P_{\text{REFSENS}} + x \text{ dB}$ | CW carrier |
| E-UTRA Band 46 | 5150 - 5925 | N/A | +8 | -6 | $P_{\text{REFSENS}} + x \text{ dB}$ | CW carrier |
| E-UTRA Band 48 | 3550 - 3700 | +16 | +8 | -6 | $P_{\text{REFSENS}} + x \text{ dB}$ | CW carrier |
| E-UTRA Band 49 | 3550 - 3700 | N/A | N/A | -6 | $P_{\text{REFSENS}} + x \text{ dB}$ | CW carrier |
| E-UTRA Band 50 or NR band n50 | 1432 – 1517 | +16 | +8 | -6 | $P_{\text{REFSENS}} + x \text{ dB}$ | CW carrier |
| E-UTRA Band 51 or NR band n51 | 1427– 1432 | N/A | N/A | -6 | $P_{\text{REFSENS}} + x \text{ dB}$ | CW carrier |

| Type of co-located BS | Centre Frequency of Interfering Signal (MHz) | Interfering Signal mean power for WA BS (dBm) | Interfering Signal mean power for MR BS (dBm) | Interfering Signal mean power for LA BS (dBm) | Wanted Signal mean power (dBm) (Note 1) | Type of Interfering Signal |
|--|--|---|---|---|---|----------------------------|
| E-UTRA Band 52 | 3300 - 3400 | +16 | +8 | -6 | $P_{\text{REFSENS}} + x$ dB | CW carrier |
| E-UTRA Band 65 | 2110 - 2200 | +16 | +8 | -6 | $P_{\text{REFSENS}} + x$ dB | CW carrier |
| E-UTRA Band 66 or NR band n66 | 2110 - 2200 | +16 | +8 | -6 | $P_{\text{REFSENS}} + x$ dB | CW carrier |
| E-UTRA Band 67 | 738 - 758 | +16 | +8 | -6 | $P_{\text{REFSENS}} + x$ dB | CW carrier |
| E-UTRA Band 68 | 753 - 783 | +16 | +8 | -6 | $P_{\text{REFSENS}} + x$ dB* | CW carrier |
| E-UTRA Band 69 | 2570 - 2620 | +16 | +8 | -6 | $P_{\text{REFSENS}} + x$ dB | CW carrier |
| E-UTRA Band 70 or NR band n70 | 1995 - 2020 | +16 | +8 | -6 | $P_{\text{REFSENS}} + x$ dB | CW carrier |
| E-UTRA Band 71 or or NR band n71 | 617 - 652 | +16 | +8 | -6 | $P_{\text{REFSENS}} + x$ dB | CW carrier |
| E-UTRA Band 72 | 461 - 466 | +16 | +8 | -6 | $P_{\text{REFSENS}} + x$ dB | CW carrier |
| E-UTRA Band 73 | 460 - 465 | +16 | +8 | -6 | $P_{\text{REFSENS}} + x$ dB | CW carrier |
| E-UTRA Band 74 or NR band n74 | 1475 - 1518 | +16 | +8 | -6 | $P_{\text{REFSENS}} + x$ dB | CW carrier |
| E-UTRA Band 75 or or NR band n75 | 1432 - 1517 | +16 | +8 | -6 | $P_{\text{REFSENS}} + x$ dB | CW carrier |
| E-UTRA Band 76 or or NR band n76 | 1427 - 1432 | N/A | N/A | -6 | $P_{\text{REFSENS}} + x$ dB | CW carrier |
| NR band n77 | 3300 - 4200 | +16 | +8 | -6 | $P_{\text{REFSENS}} + x$ dB | CW carrier |
| NR band n78 | 3300 - 3800 | +16 | +8 | -6 | $P_{\text{REFSENS}} + x$ dB | CW carrier |
| NR band n79 | 4400 - 5000 | +16 | +8 | -6 | $P_{\text{REFSENS}} + x$ dB | CW carrier |
| NOTE 1: P_{REFSENS} depends on the RAT, the BS class and the channel bandwidth, see subclause 7.2. "x" is equal to 6 in case of UTRA or E-UTRA or NR wanted signals. | | | | | | |
| NOTE 2: Except for a <i>TAB connector</i> operating in Band 13, these requirements do not apply when the interfering signal falls within any of the supported <i>uplink operating band</i> or in the Δf_{OOB} immediately outside any of the supported <i>uplink operating band</i> . For a <i>TAB connector</i> operating in band 13 the requirements do not apply when the interfering signal falls within the frequency range 768-797MHz. | | | | | | |
| NOTE 3: Some combinations of bands may not be possible to co-site based on the requirements above. The current state-of-the-art technology does not allow a single generic solution for co-location of UTRA TDD or E-UTRA TDD or NR TDD with E-UTRA FDD on adjacent frequencies for 30 dB BS-BS minimum coupling loss. However, there are certain site-engineering solutions that can be used. These techniques are addressed in 3GPP TR 25.942 [21]. | | | | | | |
| NOTE 4: In China, the blocking requirement for co-location with DCS1800 and Band III BS is only applicable in the frequency range 1805-1850 MHz. | | | | | | |
| NOTE 5: For a <i>TAB connector</i> operating in band 11 or 21, this requirement applies for interfering signal within the frequency range 1475.9-1495.9 MHz. | | | | | | |
| NOTE 6: Co-located TDD base stations that are synchronized and using the same or adjacent operating band can receive without special co-location requirements. For unsynchronized base stations, special co-location requirements may apply that are not covered by the 3GPP specifications. | | | | | | |

7.5.5.2 Single RAT UTRA FDD operation

For each measured carrier, the BER shall not exceed 0.001 for the parameters specified in tables 7.5.5.2-1 to 7.5.5.2-9 if applicable for the *TAB connector* under test.

The requirement is applicable outside the *Base Station RF Bandwidth* or *Maximum Radio Bandwidth*. The interfering signal offset is defined relative to the lower/upper *Base Station RF Bandwidth edges* or *Maximum Radio Bandwidth edges*.

For a *TAB connector* operating in non-contiguous spectrum within any operating band, the blocking requirement applies in addition inside any *sub-block gap*, in case the *sub-block gap* size is at least 15 MHz. The interfering signal offset is defined relative to the lower/upper sub-block edge inside the *sub-block gap* and is equal to -7.5 MHz/+7.5 MHz, respectively.

For a *TAB connector* operating in non-contiguous spectrum within any operating band, the narrowband blocking requirements in tables 7.4R-7.4T apply in addition inside any *sub-block gap*, in case the *sub-block gap* size is at least 400 kHz or 600 kHz, depending on the operating band. The interfering signal offset is defined relative to the

lower/upper sub-block edge inside the *sub-block gap* and is equal to $-200\text{ kHz}/+200\text{ kHz}$ or $-300\text{ kHz}/+300\text{ kHz}$, respectively.

For a *multi-band TAB connector*, the requirement in the in-band blocking frequency range applies for each supported operating band. The requirement applies in addition inside any *Inter RF Bandwidth gap*, in case the *Inter RF Bandwidth gap* size is at least 15 MHz. The interfering signal offset is defined relative to lower/upper *Base Station RF bandwidth edges* inside the *Inter RF Bandwidth gap* and is equal to $-7.5\text{ MHz}/+7.5\text{ MHz}$, respectively.

For a *multi-band TAB connector*, the requirement in the out-of-band blocking frequency ranges apply for each operating band, with the exception that the in-band blocking frequency ranges of all supported operating bands according to tables 7.4K - 7.4M shall be excluded from the out-of-band blocking requirement.

For a *multi-band TAB connector*, the narrowband blocking requirement applies in addition inside any *Inter RF Bandwidth gap*, in case the *Inter RF Bandwidth gap* size is at least 400 kHz or 600 kHz, depending on the operating band. The interfering signal offset is defined relative to lower/upper *Base Station RF Bandwidth edges* inside the *Inter RF Bandwidth gap* and is equal to $-200\text{ kHz}/+200\text{ kHz}$ or $-300\text{ kHz}/+300\text{ kHz}$, respectively.

Table 7.5.5.2-1: Blocking characteristics for Wide Area BS

| Operating Band | Centre Frequency of Interfering Signal | Interfering Signal mean power | Wanted Signal mean power | Minimum Offset of Interfering Signal | Type of Interfering Signal |
|----------------|--|-------------------------------|--------------------------|--------------------------------------|----------------------------|
| I | 1920 - 1980 MHz | -40 dBm | -115 dBm | ± 10 MHz | WCDMA signal (Note) |
| | 1900 - 1920 MHz 1980 - 2000 MHz | -40 dBm | -115 dBm | ± 10 MHz | WCDMA signal (Note) |
| | 1 MHz - 1900 MHz 2000 MHz - 12750 MHz | -15 dBm | -115 dBm | — | CW carrier |
| II | 1850 - 1910 MHz | -40 dBm | -115 dBm | ± 10 MHz | WCDMA signal (Note) |
| | 1830 - 1850 MHz 1910 - 1930 MHz | -40 dBm | -115 dBm | ± 10 MHz | WCDMA signal (Note) |
| | 1 MHz - 1830 MHz 1930 MHz - 12750 MHz | -15 dBm | -115 dBm | — | CW carrier |
| III | 1710 - 1785 MHz | -40 dBm | -115 dBm | ± 10 MHz | WCDMA signal (Note) |
| | 1690 - 1710 MHz 1785 - 1805 MHz | -40 dBm | -115 dBm | ± 10 MHz | WCDMA signal (Note) |
| | 1 MHz - 1690 MHz 1805 MHz - 12750 MHz | -15 dBm | -115 dBm | — | CW carrier |
| IV | 1710 - 1755 MHz | -40 dBm | -115 dBm | ± 10 MHz | WCDMA signal (Note) |
| | 1690 - 1710 MHz 1755 - 1775 MHz | -40 dBm | -115 dBm | ± 10 MHz | WCDMA signal (Note) |
| | 1 MHz - 1690 MHz 1775 MHz - 12750 MHz | -15 dBm | -115 dBm | — | CW carrier |
| V | 824-849 MHz | -40 dBm | -115 dBm | ± 10 MHz | WCDMA signal (Note) |
| | 804-824 MHz 849-869 MHz | -40 dBm | -115 dBm | ± 10 MHz | WCDMA signal (Note) |
| | 1 MHz - 804 MHz 869 MHz - 12750 MHz | -15 dBm | -115 dBm | — | CW carrier |
| VI | 810 - 830 MHz 840 - 860 MHz | -40 dBm | -115 dBm | ± 10 MHz | WCDMA signal (Note) |
| | 1 MHz - 810 MHz 860 MHz - 12750 MHz | -15 dBm | -115 dBm | — | CW carrier |
| VII | 2500 - 2570 MHz | -40 dBm | -115 dBm | ± 10 MHz | WCDMA signal (Note) |
| | 2480 - 2500 MHz 2570 - 2590 MHz | -40 dBm | -115 dBm | ± 10 MHz | WCDMA signal (Note) |
| | 1 MHz - 2480 MHz 2590 MHz - 12750 MHz | -15 dBm | -115 dBm | — | CW carrier |
| VIII | 880 - 915 MHz | -40 dBm | -115 dBm | ± 10 MHz | WCDMA signal (Note) |
| | 860 - 880 MHz 915 - 925 MHz | -40 dBm | -115 dBm | ± 10 MHz | WCDMA signal (Note) |
| | 1 MHz - 860 MHz 925 MHz - 12750 MHz | -15 dBm | -115 dBm | — | CW carrier |
| IX | 1749.9 - 1784.9 MHz | -40 dBm | -115 dBm | ± 10 MHz | WCDMA signal (Note) |
| | 1729.9 - 1749.9 MHz 1784.9 - 1804.9 MHz | -40 dBm | -115 dBm | ± 10 MHz | WCDMA signal (Note) |
| | 1 MHz - 1729.9 MHz 1804.9 MHz - 12750 MHz | -15 dBm | -115 dBm | — | CW carrier |
| X | 1710 - 1770 MHz | -40 dBm | -115 dBm | ± 10 MHz | WCDMA signal (Note) |
| | 1690 - 1710 MHz 1770 - 1790 MHz | -40 dBm | -115 dBm | ± 10 MHz | WCDMA signal (Note) |
| | 1 MHz - 1690 MHz 1790 MHz - 12750 MHz | -15 dBm | -115 dBm | — | CW carrier |
| XI | 1427.9 - 1447.9 MHz | -40 dBm | -115 dBm | ± 10 MHz | WCDMA signal (Note) |
| | 1407.9 - 1427.9 MHz 1447.9 - 1467.9 MHz | -40 dBm | -115 dBm | ± 10 MHz | WCDMA signal (Note) |
| | 1 MHz - 1407.9 MHz 1467.9 MHz - 12750 MHz | -15 dBm | -115 dBm | — | CW carrier |

| Operating Band | Centre Frequency of Interfering Signal | Interfering Signal mean power | Wanted Signal mean power | Minimum Offset of Interfering Signal | Type of Interfering Signal |
|----------------|--|-------------------------------|--------------------------|--------------------------------------|----------------------------|
| XII | 699 - 716 MHz | -40 dBm | -115 dBm | ± 10 MHz | WCDMA signal (Note) |
| | 679 - 699 MHz 716 - 729 MHz | -40 dBm | -115 dBm | ± 10 MHz | WCDMA signal (Note) |
| | 1 MHz - 679 MHz 729 MHz - 12750 MHz | -15 dBm | -115 dBm | — | CW carrier |
| XIII | 777 - 787 MHz | -40 dBm | -115 dBm | ± 10 MHz | WCDMA signal (Note) |
| | 757 - 777 MHz 787 - 807 MHz | -40 dBm | -115 dBm | ± 10 MHz | WCDMA signal (Note) |
| | 1 - 757 MHz 807 MHz - 12750 MHz | -15 dBm | -115 dBm | — | CW carrier |
| XIV | 788 - 798 MHz | -40 dBm | -115 dBm | ± 10 MHz | WCDMA signal (Note) |
| | 768 - 788 MHz 798 - 818 MHz | -40 dBm | -115 dBm | ± 10 MHz | WCDMA signal (Note) |
| | 1 - 768 MHz 818 MHz - 12750 MHz | -15 dBm | -115 dBm | — | CW carrier |
| XIX | 830 - 845 MHz | -40 dBm | -115 dBm | ± 10 MHz | WCDMA signal (Note) |
| | 810 - 830 MHz 845 - 865 MHz | -40 dBm | -115 dBm | ± 10 MHz | WCDMA signal (Note) |
| | 1 MHz - 810 MHz 865 MHz - 12750 MHz | -15 dBm | -115 dBm | — | CW carrier |
| XX | 832 - 862 MHz | -40 dBm | -115 dBm | ± 10 MHz | WCDMA signal (Note) |
| | 821 - 832 MHz 862 - 882 MHz | -40 dBm | -115 dBm | ± 10 MHz | WCDMA signal (Note) |
| | 1 MHz - 821 MHz 882 MHz - 12750 MHz | -15 dBm | -115 dBm | — | CW carrier |
| XXI | 1447.9 - 1462.9 MHz | -40 dBm | -115 dBm | ± 10 MHz | WCDMA signal (Note) |
| | 1427.9 - 1447.9 MHz 1462.9 - 1482.9 MHz | -40 dBm | -115 dBm | ± 10 MHz | WCDMA signal (Note) |
| | 1 MHz - 1427.9 MHz 1482.9 MHz - 12750 MHz | -15 dBm | -115 dBm | — | CW carrier |
| XXII | 3410 - 3490 MHz | -40 dBm | -115 dBm | ± 10 MHz | WCDMA signal (Note) |
| | 3390 - 3410 MHz 3490 - 3510 MHz | -40 dBm | -115 dBm | ± 10 MHz | WCDMA signal (Note) |
| | 1 MHz - 3390 MHz 3510 MHz - 12750 MHz | -15 dBm | -115 dBm | — | CW carrier |
| XXV | 1850 - 1915 MHz | -40 dBm | -115 dBm | ± 10 MHz | WCDMA signal (Note) |
| | 1830 - 1850 MHz 1915 - 1930 MHz | -40 dBm | -115 dBm | ± 10 MHz | WCDMA signal (Note) |
| | 1 MHz - 1830 MHz 1930 MHz - 12750 MHz | -15 dBm | -115 dBm | — | CW carrier |
| XXVI | 814-849 MHz | -40 dBm | -115 dBm | ± 10 MHz | WCDMA signal (Note) |
| | 794-814 MHz 849-859 MHz | -40 dBm | -115 dBm | ± 10 MHz | WCDMA signal (Note) |
| | 1 MHz - 794 MHz 859 MHz - 12750 MHz | -15 dBm | -115 dBm | — | CW carrier |

NOTE 1: The characteristics of the W-CDMA interfering signal are specified in annex I of 3GPP TS 25.141 [18].

NOTE 2: For a *multi-band TAB connector*, in case of interfering signal that is not in the in-band blocking frequency range of the operating band where the wanted signal is present, or in an adjacent or overlapping band, the wanted signal mean power is equal to -119.6 dBm.

NOTE: Table 7.5.5.2-1 assumes that two operating bands, where the downlink frequencies (see table 3.0) of one band would be within the in-band blocking region of the other band, are not deployed in the same geographical area.

Table 7.5.5.2-2: Blocking characteristics for Medium Range BS

| Operating Band | Centre Frequency of Interfering Signal | Interfering Signal Level | Wanted Signal mean power | Minimum Offset of Interfering Signal | Type of Interfering Signal |
|----------------|--|--------------------------|--------------------------|--------------------------------------|----------------------------|
| I | 1920 - 1980 MHz | -35 dBm | -105 dBm | ± 10 MHz | WCDMA signal (Note) |
| | 1900 - 1920 MHz 1980 - 2000 MHz | -35 dBm | -105 dBm | ± 10 MHz | WCDMA signal (Note) |
| | 1 MHz - 1900 MHz 2000 MHz - 12750 MHz | -15 dBm | -105 dBm | — | CW carrier |
| II | 1850 - 1910 MHz | -35 dBm | -105 dBm | ± 10 MHz | WCDMA signal (Note) |
| | 1830 - 1850 MHz 1910 - 1930 MHz | -35 dBm | -105 dBm | ± 10 MHz | WCDMA signal (Note) |
| | 1 MHz - 1830 MHz 1930 MHz - 12750 MHz | -15 dBm | -105 dBm | — | CW carrier |
| III | 1710 - 1785 MHz | -35 dBm | -105 dBm | ± 10 MHz | WCDMA signal (Note) |
| | 1690 - 1710 MHz 1785 - 1805 MHz | -35 dBm | -105 dBm | ± 10 MHz | WCDMA signal (Note) |
| | 1 MHz - 1690 MHz 1805 MHz - 12750 MHz | -15 dBm | -105 dBm | — | CW carrier |
| IV | 1710 - 1755 MHz | -35 dBm | -105 dBm | ± 10 MHz | WCDMA signal (Note) |
| | 1690 - 1710 MHz 1755 - 1775 MHz | -35 dBm | -105 dBm | ± 10 MHz | WCDMA signal (Note) |
| | 1 MHz - 1690 MHz 1775 MHz - 12750 MHz | -15 dBm | -105 dBm | — | CW carrier |
| V | 824-849 MHz | -35 dBm | -105 dBm | ± 10 MHz | WCDMA signal (Note) |
| | 804-824 MHz 849-869 MHz | -35 dBm | -105 dBm | ± 10 MHz | WCDMA signal (Note) |
| | 1 MHz - 804 MHz 869 MHz - 12750 MHz | -15 dBm | -105 dBm | — | CW carrier |
| VI | 810 - 830 MHz 840 - 860 MHz | -35 dBm | -105 dBm | ± 10 MHz | WCDMA signal (Note) |
| | 1 MHz - 810 MHz 860 MHz - 12750 MHz | -15 dBm | -105 dBm | — | CW carrier |
| VII | 2500 - 2570 MHz | -35 dBm | -105 dBm | ± 10 MHz | WCDMA signal (Note) |
| | 2480 - 2500 MHz 2570 - 2590 MHz | -35 dBm | -105 dBm | ± 10 MHz | WCDMA signal (Note) |
| | 1 MHz - 2480 MHz 2590 MHz - 12750 MHz | -15 dBm | -105 dBm | — | CW carrier |
| VIII | 880 - 915 MHz | -35 dBm | -105 dBm | ± 10 MHz | WCDMA signal (Note) |
| | 860 - 880 MHz 915 - 925 MHz | -35 dBm | -105 dBm | ± 10 MHz | WCDMA signal (Note) |
| | 1 MHz - 860 MHz 925 MHz - 12750 MHz | -15 dBm | -105 dBm | — | CW carrier |
| IX | 1749.9 - 1784.9 MHz | -35 dBm | -105 dBm | ± 10 MHz | WCDMA signal (Note) |
| | 1729.9 - 1749.9 MHz 1784.9 - 1804.9 MHz | -35 dBm | -105 dBm | ± 10 MHz | WCDMA signal (Note) |
| | 1 MHz - 1729.9 MHz 1804.9 MHz - 12750 MHz | -15 dBm | -105 dBm | — | CW carrier |
| X | 1710 - 1770 MHz | -35 dBm | -105 dBm | ± 10 MHz | WCDMA signal (Note) |
| | 1690 - 1710 MHz 1770 - 1790 MHz | -35 dBm | -105 dBm | ± 10 MHz | WCDMA signal (Note) |
| | 1 MHz - 1690 MHz 1790 MHz - 12750 MHz | -15 dBm | -105 dBm | — | CW carrier |
| XI | 1427.9 - 1447.9 MHz | -35 dBm | -105 dBm | ± 10 MHz | WCDMA signal (Note) |
| | 1407.9 - 1427.9 MHz 1447.9 - 1467.9 MHz | -35 dBm | -105 dBm | ± 10 MHz | WCDMA signal (Note) |
| | 1 MHz - 1407.9 MHz 1467.9 MHz - 12750 MHz | -15 dBm | -105 dBm | — | CW carrier |
| XII | 699 - 716 MHz | -35 dBm | -105 dBm | ± 10 MHz | WCDMA signal (Note) |
| | 679 - 699 MHz 716 - 729 MHz | -35 dBm | -105 dBm | ± 10 MHz | WCDMA signal (Note) |
| | 1 MHz - 679 MHz 729 MHz - 12750 MHz | -15 dBm | -105 dBm | — | CW carrier |
| XIII | 777 - 787 MHz | -35 dBm | -105 dBm | ± 10 MHz | WCDMA signal (Note) |

| Operating Band | Centre Frequency of Interfering Signal | Interfering Signal Level | Wanted Signal mean power | Minimum Offset of Interfering Signal | Type of Interfering Signal |
|---|--|--------------------------|--------------------------|--------------------------------------|----------------------------|
| | 757 - 777 MHz 787 - 807 MHz | -35 dBm | -105 dBm | ± 10 MHz | WCDMA signal (Note) |
| | 1 - 757 MHz 807 MHz - 12750 MHz | -15 dBm | -105 dBm | — | CW carrier |
| XIV | 788 - 798 MHz | -35 dBm | -105 dBm | ± 10 MHz | WCDMA signal (Note) |
| | 768 - 788 MHz 798 - 818 MHz | -35 dBm | -105 dBm | ± 10 MHz | WCDMA signal (Note) |
| | 1 - 768 MHz 818 MHz - 12750 MHz | -15 dBm | -105 dBm | — | CW carrier |
| XIX | 830 - 845 MHz | -35 dBm | -105 dBm | ± 10 MHz | WCDMA signal (Note) |
| | 810 - 830 MHz 845 - 865 MHz | -35 dBm | -105 dBm | ± 10 MHz | WCDMA signal (Note) |
| | 1 MHz - 810 MHz 865 MHz - 12750 MHz | -15 dBm | -105 dBm | — | CW carrier |
| XX | 832 - 862 MHz | -35 dBm | -105 dBm | ± 10 MHz | WCDMA signal (Note) |
| | 821 - 832 MHz 862 - 882 MHz | -35 dBm | -105 dBm | ± 10 MHz | WCDMA signal (Note) |
| | 1 MHz - 821 MHz 882 MHz - 12750 MHz | -15 dBm | -105 dBm | — | CW carrier |
| XXI | 1447.9 - 1462.9 MHz | -35 dBm | -105 dBm | ± 10 MHz | WCDMA signal (Note) |
| | 1427.9 - 1447.9 MHz 1462.9 - 1482.9 MHz | -35 dBm | -105 dBm | ± 10 MHz | WCDMA signal (Note) |
| | 1 MHz - 1427.9 MHz 1482.9 MHz - 12750 MHz | -15 dBm | -105 dBm | — | CW carrier |
| XXII | 3410 - 3490 MHz | -35 dBm | -105 dBm | ± 10 MHz | WCDMA signal (Note) |
| | 3390 - 3410 MHz 3490 - 3510 MHz | -35 dBm | -105 dBm | ± 10 MHz | WCDMA signal (Note) |
| | 1 MHz - 3390 MHz 3510 MHz - 12750 MHz | -15 dBm | -105 dBm | — | CW carrier |
| XXV | 1850 - 1915 MHz | -35 dBm | -105 dBm | ± 10 MHz | WCDMA signal (Note) |
| | 1830 - 1850 MHz 1915 - 1930 MHz | -35 dBm | -105 dBm | ± 10 MHz | WCDMA signal (Note) |
| | 1 MHz - 1830 MHz 1930 MHz - 12750 MHz | -15 dBm | -105 dBm | — | CW carrier |
| XXVI | 814-849 MHz | -35 dBm | -105 dBm | ± 10 MHz | WCDMA signal (Note) |
| | 794-814 MHz 849-859 MHz | -35 dBm | -105 dBm | ± 10 MHz | WCDMA signal (Note) |
| | 1 MHz - 794 MHz 859 MHz - 12750 MHz | -15 dBm | -105 dBm | — | CW carrier |
| NOTE 1: The characteristics of the WCDMA interfering signal are specified in annex I of 3GPP TS 25.141 [18]. | | | | | |
| NOTE 2: For a <i>multi-band TAB connector</i> , in case of interfering signal that is not in the in-band blocking frequency range of the operating band where the wanted signal is present, or in an adjacent or overlapping band, the wanted signal mean power is equal to -109.6 dBm. | | | | | |

NOTE: Table 7.5.5.2-2 assumes that two operating bands, where the downlink frequencies (see Table 3.0) of one band would be within the in-band blocking region of the other band, are not deployed in the same geographical area.

Table 7.5.5.2-3: Blocking characteristics for Local Area

| Operating Band | Centre Frequency of Interfering Signal | Interfering Signal Level | Wanted Signal mean power | Minimum Offset of Interfering Signal | Type of Interfering Signal |
|----------------|--|--------------------------|--------------------------|--------------------------------------|----------------------------|
| I | 1920 - 1980 MHz | -30 dBm | -101 dBm | ± 10 MHz | WCDMA signal (Note 1) |
| | 1900 - 1920 MHz 1980 - 2000 MHz | -30 dBm | -101 dBm | ± 10 MHz | WCDMA signal (Note 1) |
| | 1 MHz -1900 MHz 2000 MHz - 12750 MHz | -15 dBm | -101 dBm | — | CW carrier |
| II | 1850 - 1910 MHz | -30 dBm | -101 dBm | ± 10 MHz | WCDMA signal (Note 1) |
| | 1830 - 1850 MHz 1910 - 1930 MHz | -30 dBm | -101 dBm | ± 10 MHz | WCDMA signal (Note 1) |
| | 1 MHz - 1830 MHz 1930 MHz - 12750 MHz | -15 dBm | -101 dBm | — | CW carrier |
| III | 1710 - 1785 MHz | -30 dBm | -101 dBm | ± 10 MHz | WCDMA signal (Note 1) |
| | 1690 - 1710 MHz 1785 - 1805 MHz | -30 dBm | -101 dBm | ± 10 MHz | WCDMA signal (Note 1) |
| | 1 MHz - 1690 MHz 1805 MHz - 12750 MHz | -15 dBm | -101 dBm | — | CW carrier |
| IV | 1710 - 1755 MHz | -30 dBm | -101 dBm | ± 10 MHz | WCDMA signal (Note 1) |
| | 1690 - 1710 MHz 1755 - 1775 MHz | -30 dBm | -101 dBm | ± 10 MHz | WCDMA signal (Note 1) |
| | 1 MHz - 1690 MHz 1775 MHz - 12750 MHz | -15 dBm | -101 dBm | — | CW carrier |
| V | 824-849 MHz | -30 dBm | -101 dBm | ± 10 MHz | WCDMA signal (Note 1) |
| | 804-824 MHz 849-869 MHz | -30 dBm | -101 dBm | ± 10 MHz | WCDMA signal (Note 1) |
| | 1 MHz - 804 MHz 869 MHz - 12750 MHz | -15 dBm | -101 dBm | — | CW carrier |
| VI | 810 - 830 MHz 840 - 860 MHz | -30 dBm | -101 dBm | ± 10 MHz | WCDMA signal (Note 1) |
| | 1 MHz - 810 MHz 860 MHz - 12750 MHz | -15 dBm | -101 dBm | — | CW carrier |
| VII | 2500 - 2570 MHz | -30 dBm | -101 dBm | ± 10 MHz | WCDMA signal (Note 1) |
| | 2480 - 2500 MHz 2570 - 2590 MHz | -30 dBm | -101 dBm | ± 10 MHz | WCDMA signal (Note 1) |
| | 1 MHz -2480 MHz 2590 MHz - 12750 MHz | -15 dBm | -101 dBm | — | CW carrier |
| VIII | 880 - 915 MHz | -30 dBm | -101 dBm | ± 10 MHz | WCDMA signal (Note 1) |
| | 860 - 880 MHz 915 - 925 MHz | -30 dBm | -101 dBm | ± 10 MHz | WCDMA signal (Note 1) |
| | 1 MHz -860 MHz 925 MHz - 12750 MHz | -15 dBm | -101 dBm | — | CW carrier |
| IX | 1749.9 - 1784.9 MHz | -30 dBm | -101 dBm | ± 10 MHz | WCDMA signal (Note 1) |
| | 1729.9 - 1749.9 MHz 1784.9 - 1804.9 MHz | -30 dBm | -101 dBm | ± 10 MHz | WCDMA signal (Note 1) |
| | 1 MHz - 1729.9 MHz 1804.9 MHz - 12750 MHz | -15 dBm | -101 dBm | — | CW carrier |
| X | 1710 - 1770 MHz | -30 dBm | -101 dBm | ± 10 MHz | WCDMA signal (Note 1) |
| | 1690 - 1710 MHz 1770 - 1790 MHz | -30 dBm | -101 dBm | ± 10 MHz | WCDMA signal (Note 1) |
| | 1 MHz - 1690 MHz 1790 MHz - 12750 MHz | -15 dBm | -101 dBm | — | CW carrier |
| XI | 1427.9 - 1447.9 MHz | -30 dBm | -101 dBm | ± 10 MHz | WCDMA signal (Note 1) |
| | 1407.9 - 1427.9 MHz 1447.9 - 1467.9 MHz | -30 dBm | -101 dBm | ± 10 MHz | WCDMA signal (Note 1) |

| Operating Band | Centre Frequency of Interfering Signal | Interfering Signal Level | Wanted Signal mean power | Minimum Offset of Interfering Signal | Type of Interfering Signal |
|----------------|--|--------------------------|--------------------------|--------------------------------------|----------------------------|
| | 1 MHz - 1407.9 MHz 1467.9 MHz - 12750 MHz | -15 dBm | -101 dBm | — | CW carrier |
| XII | 699 - 716 MHz | -30 dBm | -101 dBm | ±10 MHz | WCDMA signal (Note 1) |
| | 679 - 699 MHz 716 - 729 MHz | -30 dBm | -101 dBm | ±10 MHz | WCDMA signal (Note 1) |
| | 1 MHz - 679 MHz 729 MHz - 12750 MHz | -15 dBm | -101 dBm | — | CW carrier |
| XIII | 777 - 787 MHz | -30 dBm | -101 dBm | ±10 MHz | WCDMA signal (Note 1) |
| | 757 - 777 MHz 787 - 807 MHz | -30 dBm | -101 dBm | ±10 MHz | WCDMA signal (Note 1) |
| | 1 - 757 MHz 807 MHz - 12750 MHz | -15 dBm | -101 dBm | — | CW carrier |
| XIV | 788 - 798 MHz | -30 dBm | -101 dBm | ±10 MHz | WCDMA signal (Note 1) |
| | 768 - 788 MHz 798 - 818 MHz | -30 dBm | -101 dBm | ±10 MHz | WCDMA signal (Note 1) |
| | 1 - 768 MHz 818 MHz - 12750 MHz | -15 dBm | -101 dBm | — | CW carrier |
| XIX | 830 - 845 MHz | -30 dBm | -101 dBm | ±10 MHz | WCDMA signal (Note 1) |
| | 810 - 830 MHz 845 - 865 MHz | -30 dBm | -101 dBm | ±10 MHz | WCDMA signal (Note 1) |
| | 1 MHz - 810 MHz 865 MHz - 12750 MHz | -15 dBm | -101 dBm | — | CW carrier |
| XX | 832 - 862 MHz | -30 dBm | -101 dBm | ±10 MHz | WCDMA signal (Note 1) |
| | 821 - 832 MHz 862 - 882 MHz | -30 dBm | -101 dBm | ±10 MHz | WCDMA signal (Note 1) |
| | 1 MHz - 821 MHz 882 MHz - 12750 MHz | -15 dBm | -101 dBm | — | CW carrier |
| XXI | 1447.9 - 1462.9 MHz | -30 dBm | -101 dBm | ±10 MHz | WCDMA signal (Note 1) |
| | 1427.9 - 1447.9 MHz 1462.9 - 1482.9 MHz | -30 dBm | -101 dBm | ±10 MHz | WCDMA signal (Note 1) |
| | 1 MHz - 1427.9 MHz 1482.9 MHz - 12750 MHz | -15 dBm | -101 dBm | — | CW carrier |
| XXII | 3410 - 3490 MHz | -30 dBm | -101 dBm | ±10 MHz | WCDMA signal (Note 1) |
| | 3390 - 3410 MHz 3490 - 3510 MHz | -30 dBm | -101 dBm | ±10 MHz | WCDMA signal (Note 1) |
| | 1 MHz - 3390 MHz 3510 MHz - 12750 MHz | -15 dBm | -101 dBm | — | CW carrier |
| XXV | 1850 - 1915 MHz | -30 dBm | -101 dBm | ±10 MHz | WCDMA signal (Note 1) |
| | 1830 - 1850 MHz 1915 - 1930 MHz | -30 dBm | -101 dBm | ±10 MHz | WCDMA signal (Note 1) |
| | 1 MHz - 1830 MHz 1930 MHz - 12750 MHz | -15 dBm | -101 dBm | — | CW carrier |
| XXVI | 814-849 MHz | -30 dBm | -101 dBm | ±10 MHz | WCDMA signal (Note 1) |
| | 794-814 MHz 849-859 MHz | -30 dBm | -101 dBm | ±10 MHz | WCDMA signal (Note 1) |
| | 1 MHz - 794 MHz 859 MHz - 12750 MHz | -15 dBm | -101 dBm | — | CW carrier |

NOTE 1: The characteristics of the WCDMA interfering signal are specified in annex I of 3GPP TS 25.141 [18].

NOTE 2: For a *multi-band TAB connector*, in case of interfering signal that is not in the in-band blocking frequency range of the operating band where the wanted signal is present, or in an adjacent or overlapping band, the wanted signal mean power is equal to -105.6 dBm.

NOTE: Table 7.5.5.2-3 assumes that two operating bands, where the downlink frequencies (see table 3.0) of one band would be within the in-band blocking region of the other band, are not deployed in the same geographical area.

Table 7.5.5.2-4: Blocking performance requirement when co-located with BS in other bands

| Type of co-located BS | Centre Frequency of Interfering Signal (MHz) | Interfering Signal mean power for WA BS (dBm) | Interfering Signal mean power for MR BS (dBm) | Interfering Signal mean power for LA BS (dBm) | Wanted Signal mean power (dBm) (Note 1) | Type of Interfering Signal |
|--|--|---|---|---|---|----------------------------|
| GSM850 or CDMA850 | 869 - 894 | +16 | +8 | -6 | $P_{\text{REFSENS}} + x \text{ dB}$ | CW carrier |
| GSM900 | 921 - 960 | +16 | +8 | -6 | $P_{\text{REFSENS}} + x \text{ dB}$ | CW carrier |
| DCS1800 | 1805 - 1880 (Note 4) | +16 | +8 | -6 | $P_{\text{REFSENS}} + x \text{ dB}$ | CW carrier |
| PCS1900 | 1930 - 1990 | +16 | +8 | -6 | $P_{\text{REFSENS}} + x \text{ dB}$ | CW carrier |
| UTRA FDD Band I or E-UTRA Band 1 or NR band n1 | 2110 - 2170 | +16 | +8 | -6 | $P_{\text{REFSENS}} + x \text{ dB}$ | CW carrier |
| UTRA FDD Band II or E-UTRA Band 2 or NR band n2 | 1930 - 1990 | +16 | +8 | -6 | $P_{\text{REFSENS}} + x \text{ dB}$ | CW carrier |
| UTRA FDD Band III or E-UTRA Band 3 or NR band n3 | 1805 - 1880 (Note 4) | +16 | +8 | -6 | $P_{\text{REFSENS}} + x \text{ dB}$ | CW carrier |
| UTRA FDD Band IV or E-UTRA Band 4 | 2110 - 2155 | +16 | +8 | -6 | $P_{\text{REFSENS}} + x \text{ dB}$ | CW carrier |
| UTRA FDD Band V or E-UTRA Band 5 or NR band n5 | 869 - 894 | +16 | +8 | -6 | $P_{\text{REFSENS}} + x \text{ dB}$ | CW carrier |
| UTRA FDD Band VI or E-UTRA Band 6 | 875 - 885 | +16 | +8 | -6 | $P_{\text{REFSENS}} + x \text{ dB}$ | CW carrier |
| UTRA FDD Band VII or E-UTRA Band 7 | 2620 - 2690 | +16 | +8 | -6 | $P_{\text{REFSENS}} + x \text{ dB}$ | CW carrier |
| UTRA FDD Band VIII or E-UTRA Band 8 or NR band n8 | 925 - 960 | +16 | +8 | -6 | $P_{\text{REFSENS}} + x \text{ dB}$ | CW carrier |
| UTRA FDD Band IX or E-UTRA Band 9 | 1844.9 - 1879.9 | +16 | +8 | -6 | $P_{\text{REFSENS}} + x \text{ dB}$ | CW carrier |
| UTRA FDD Band X or E-UTRA Band 10 | 2110 - 2170 | +16 | +8 | -6 | $P_{\text{REFSENS}} + x \text{ dB}$ | CW carrier |
| UTRA FDD Band XI or E-UTRA Band 11 | 1475.9 - 1495.9 | +16 | +8 | -6 | $P_{\text{REFSENS}} + x \text{ dB}$ | CW carrier |
| UTRA FDD Band XII or E-UTRA Band 12 or NR band n12 | 729 - 746 | +16 | +8 | -6 | $P_{\text{REFSENS}} + x \text{ dB}$ | CW carrier |
| UTRA FDD Band XIII or E-UTRA Band 13 | 746 - 756 | +16 | +8 | -6 | $P_{\text{REFSENS}} + x \text{ dB}$ | CW carrier |
| UTRA FDD Band XIV or E-UTRA Band 14 | 758 - 768 | +16 | +8 | -6 | $P_{\text{REFSENS}} + x \text{ dB}$ | CW carrier |
| E-UTRA Band 17 | 734 - 746 | +16 | +8 | -6 | $P_{\text{REFSENS}} + x \text{ dB}$ | CW carrier |
| E-UTRA Band 18 | 860 - 875 | +16 | +8 | -6 | $P_{\text{REFSENS}} + x \text{ dB}$ | CW carrier |
| UTRA FDD Band XIX or E-UTRA Band 19 | 875 - 890 | +16 | +8 | -6 | $P_{\text{REFSENS}} + x \text{ dB}$ | CW carrier |
| UTRA FDD Band XX or E-UTRA Band 20 or NR band n20 | 791 - 821 | +16 | +8 | -6 | $P_{\text{REFSENS}} + x \text{ dB}$ | CW carrier |

| Type of co-located BS | Centre Frequency of Interfering Signal (MHz) | Interfering Signal mean power for WA BS (dBm) | Interfering Signal mean power for MR BS (dBm) | Interfering Signal mean power for LA BS (dBm) | Wanted Signal mean power (dBm) (Note 1) | Type of Interfering Signal |
|--|--|---|---|---|---|----------------------------|
| UTRA FDD Band XXI or E-UTRA Band 21 | 1495.9 - 1510.9 | +16 | +8 | -6 | $P_{\text{REFSENS}} + x \text{ dB}$ | CW carrier |
| UTRA FDD Band XXII or E-UTRA Band 22 | 3510 - 3590 | +16 | +8 | -6 | $P_{\text{REFSENS}} + x \text{ dB}$ | CW carrier |
| E-UTRA Band 23 | 2180 - 2200 | +16 | +8 | -6 | $P_{\text{REFSENS}} + x \text{ dB}$ | CW carrier |
| E-UTRA Band 24 | 1525 - 1559 | +16 | +8 | -6 | $P_{\text{REFSENS}} + x \text{ dB}$ | CW carrier |
| UTRA FDD Band XXV or E-UTRA Band 25 or NR band n25 | 1930 - 1995 | +16 | +8 | -6 | $P_{\text{REFSENS}} + x \text{ dB}$ | CW carrier |
| UTRA FDD Band XXVI or E-UTRA Band 26 | 859 - 894 | +16 | +8 | -6 | $P_{\text{REFSENS}} + x \text{ dB}$ | CW carrier |
| E-UTRA Band 27 | 852 - 869 | +16 | +8 | -6 | $P_{\text{REFSENS}} + x \text{ dB}$ | CW carrier |
| E-UTRA Band 28 or NR band n28 | 758 - 803 | +16 | +8 | -6 | $P_{\text{REFSENS}} + x \text{ dB}$ | CW carrier |
| E-UTRA Band 29 | 717 - 728 | +16 | +8 | -6 | $P_{\text{REFSENS}} + 6 \text{ dB}$ | CW carrier |
| E-UTRA Band 30 | 2350 - 2360 | +16 | +8 | -6 | $P_{\text{REFSENS}} + x \text{ dB}$ | CW carrier |
| E-UTRA Band 31 | 462.5 - 467.5 | +16 | +8 | -6 | $P_{\text{REFSENS}} + 6 \text{ dB}$ | CW carrier |
| UTRA FDD Band XXXII or E-UTRA Band 32 | 1452 - 1496 (Note 5) | +16 | +8 | -6 | $P_{\text{REFSENS}} + 6 \text{ dB}$ | CW carrier |
| UTRA TDD Band a) or E-UTRA Band 33 | 1900-1920 | +16 | +8 | -6 | $P_{\text{REFSENS}} + x \text{ dB}$ | CW carrier |
| UTRA TDD Band a) or E-UTRA Band 34 or NR band n34 | 2010-2025 | +16 | +8 | -6 | $P_{\text{REFSENS}} + x \text{ dB}$ | CW carrier |
| UTRA TDD Band b) or E-UTRA Band 35 | 1850-1910 | +16 | +8 | -6 | $P_{\text{REFSENS}} + x \text{ dB}$ | CW carrier |
| UTRA TDD Band b) or E-UTRA Band 36 | 1930-1990 | +16 | +8 | -6 | $P_{\text{REFSENS}} + x \text{ dB}$ | CW carrier |
| UTRA TDD Band c) or E-UTRA Band 37 | 1910-1930 | +16 | +8 | -6 | $P_{\text{REFSENS}} + x \text{ dB}$ | CW carrier |
| UTRA TDD Band d) or E-UTRA Band 38 or NR band n38 | 2570-2620 | +16 | +8 | -6 | $P_{\text{REFSENS}} + x \text{ dB}$ | CW carrier |
| UTRA TDD Band f) or E-UTRA Band 39 or NR band n39 | 1880-1920 | +16 | +8 | -6 | $P_{\text{REFSENS}} + x \text{ dB}$ | CW carrier |
| UTRA TDD Band e) or E-UTRA Band 40 or NR band n40 | 2300-2400 | +16 | +8 | -6 | $P_{\text{REFSENS}} + x \text{ dB}$ | CW carrier |
| E-UTRA Band 41 or NR band n41 | 2496 - 2690 | +16 | +8 | -6 | $P_{\text{REFSENS}} + x \text{ dB}$ | CW carrier |
| E-UTRA Band 42 | 3400 - 3600 | +16 | +8 | -6 | $P_{\text{REFSENS}} + x \text{ dB}$ | CW carrier |
| E-UTRA Band 43 | 3600 - 3800 | +16 | +8 | -6 | $P_{\text{REFSENS}} + x \text{ dB}$ | CW carrier |
| E-UTRA Band 44 | 703 - 803 | +16 | +8 | -6 | $P_{\text{REFSENS}} + x \text{ dB}$ | CW carrier |
| E-UTRA Band 45 | 1447 - 1467 | +16 | +8 | -6 | $P_{\text{REFSENS}} + x \text{ dB}$ | CW carrier |
| E-UTRA Band 46 | 5150 - 5925 | N/A | +8 | -6 | $P_{\text{REFSENS}} + x \text{ dB}$ | CW carrier |
| E-UTRA Band 48 | 3550 - 3700 | +16 | +8 | -6 | $P_{\text{REFSENS}} + x \text{ dB}$ | CW carrier |
| E-UTRA Band 49 | 3550 - 3700 | N/A | N/A | -6 | $P_{\text{REFSENS}} + x \text{ dB}$ | CW carrier |
| E-UTRA Band 50 or NR band n50 | 1432 – 1517 | +16 | +8 | -6 | $P_{\text{REFSENS}} + x \text{ dB}$ | CW carrier |
| E-UTRA Band 51 or NR band n51 | 1427– 1432 | N/A | N/A | -6 | $P_{\text{REFSENS}} + x \text{ dB}$ | CW carrier |

| Type of co-located BS | Centre Frequency of Interfering Signal (MHz) | Interfering Signal mean power for WA BS (dBm) | Interfering Signal mean power for MR BS (dBm) | Interfering Signal mean power for LA BS (dBm) | Wanted Signal mean power (dBm) (Note 1) | Type of Interfering Signal |
|---|--|---|---|---|---|----------------------------|
| E-UTRA Band 65 | 2110 - 2200 | +16 | +8 | -6 | $P_{\text{REFSENS}} + x \text{ dB}$ | CW carrier |
| E-UTRA Band 66 or NR band n66 | 2110 - 2200 | +16 | +8 | -6 | $P_{\text{REFSENS}} + x \text{ dB}$ | CW carrier |
| E-UTRA Band 67 | 738 - 758 | +16 | +8 | -6 | $P_{\text{REFSENS}} + x \text{ dB}$ | CW carrier |
| E-UTRA Band 68 | 753 - 783 | +16 | +8 | -6 | $P_{\text{REFSENS}} + x \text{ dB}^*$ | CW carrier |
| E-UTRA Band 69 | 2570 - 2620 | +16 | +8 | -6 | $P_{\text{REFSENS}} + x \text{ dB}$ | CW carrier |
| E-UTRA Band 70 or NR band n70 | 1995 - 2020 | +16 | +8 | -6 | $P_{\text{REFSENS}} + x \text{ dB}$ | CW carrier |
| E-UTRA Band 71 or NR band n71 | 617 - 652 | +16 | +8 | -6 | $P_{\text{REFSENS}} + x \text{ dB}$ | CW carrier |
| E-UTRA Band 72 | 461 - 466 | +16 | +8 | -6 | $P_{\text{REFSENS}} + x \text{ dB}$ | CW carrier |
| E-UTRA Band 73 | 460 - 465 | +16 | +8 | -6 | $P_{\text{REFSENS}} + x \text{ dB}$ | CW carrier |
| E-UTRA Band 74 or NR band n74 | 1475 - 1518 | +16 | +8 | -6 | $P_{\text{REFSENS}} + x \text{ dB}$ | CW carrier |
| E-UTRA Band 75 or NR band n75 | 1432 - 1517 | +16 | +8 | -6 | $P_{\text{REFSENS}} + x \text{ dB}$ | CW carrier |
| E-UTRA Band 76 or NR band n76 | 1427 - 1432 | N/A | N/A | -6 | $P_{\text{REFSENS}} + x \text{ dB}$ | CW carrier |
| NR band n77 | 3300 - 4200 | +16 | +8 | -6 | $P_{\text{REFSENS}} + x \text{ dB}$ | CW carrier |
| NR band n78 | 3300 - 3800 | +16 | +8 | -6 | $P_{\text{REFSENS}} + x \text{ dB}$ | CW carrier |
| NR band n79 | 4400 - 5000 | +16 | +8 | -6 | $P_{\text{REFSENS}} + x \text{ dB}$ | CW carrier |
| E-UTRA Band 85 | 728 - 746 | +16 | +8 | -6 | $P_{\text{REFSENS}} + x \text{ dB}$ | CW carrier |
| <p>NOTE 1: P_{REFSENS} depends on, the BS class and the channel bandwidth, see subclause 7.2. "x" is equal to 6 in case of UTRA wanted signals.</p> <p>NOTE 2: Some combinations of bands may not be possible to co-site based on the requirements above. The current state-of-the-art technology does not allow a single generic solution for co-location of UTRA TDD or E-UTRA TDD with E-UTRA FDD on adjacent frequencies for 30 dB BS-BS minimum coupling loss. However, there are certain site-engineering solutions that can be used. These techniques are addressed in 3GPP TR 25.942 [21].</p> <p>NOTE 3: In China, the blocking requirement for co-location with DCS1800 and Band III BS is only applicable in the frequency range 1805-1850 MHz.</p> <p>NOTE 4: For a <i>TAB connector</i> operating in band XI or XXI, this requirement applies for interfering signal within the frequency range 1475.9-1495.9 MHz.</p> | | | | | | |

Table 7.5.5.2-5: Void

Table 7.5.5.2-6: Void

Table 7.5.5.2-7: Blocking performance requirement (narrowband) for Wide Area BS

| Operating Band | Centre Frequency of Interfering Signal | Interfering Signal mean power | Wanted Signal mean power | Minimum Offset of Interfering Signal | Type of Interfering Signal (Note) |
|----------------|--|-------------------------------|--------------------------|--------------------------------------|-----------------------------------|
| II | 1850 - 1910 MHz | - 47 dBm | -115 dBm | ±2.7 MHz | GMSK modulated |
| III | 1710 - 1785 MHz | - 47 dBm | -115 dBm | ±2.8 MHz | GMSK modulated |
| IV | 1710 - 1755 MHz | - 47 dBm | -115 dBm | ±2.7 MHz | GMSK modulated |
| V | 824 - 849 MHz | - 47 dBm | -115 dBm | ±2.7 MHz | GMSK modulated |
| VIII | 880 - 915 MHz | - 47 dBm | -115 dBm | ±2.8 MHz | GMSK modulated |
| X | 1710 - 1770 MHz | - 47 dBm | -115 dBm | ±2.7 MHz | GMSK modulated |
| XII | 699 - 716 MHz | - 47 dBm | -115 dBm | ±2.7 MHz | GMSK modulated |
| XIII | 777 - 787 MHz | - 47 dBm | -115 dBm | ±2.7 MHz | GMSK modulated |
| XIV | 788 - 798 MHz | - 47 dBm | -115 dBm | ±2.7 MHz | GMSK modulated |
| XXV | 1850 - 1915 MHz | - 47 dBm | -115 dBm | ±2.7 MHz | GMSK modulated |
| XXVI | 814-849 MHz | -47 dBm | -115 dBm | ±2.7 MHz | GMSK modulated |

NOTE: GMSK modulation as defined in 3GPP TS 45.004 [22].

Table 7.5.5.2-8: Blocking performance requirement (narrowband) for Medium range BS

| Operating Band | Centre Frequency of Interfering Signal | Interfering Signal mean power | Wanted Signal mean power | Minimum Offset of Interfering Signal | Type of Interfering Signal |
|----------------|--|-------------------------------|--------------------------|--------------------------------------|----------------------------|
| II | 1850 - 1910 MHz | - 42 dBm | -105 dBm | ±2.7 MHz | GMSK modulated |
| III | 1710 - 1785 MHz | - 42 dBm | -105 dBm | ±2.8 MHz | GMSK modulated |
| IV | 1710 - 1755 MHz | - 42 dBm | -105 dBm | ±2.7 MHz | GMSK modulated |
| V | 824 - 849 MHz | - 42 dBm | -105 dBm | ±2.7 MHz | GMSK modulated |
| VIII | 880 - 915 MHz | - 42 dBm | -105 dBm | ±2.8 MHz | GMSK modulated |
| X | 1710 - 1770 MHz | - 42 dBm | -105 dBm | ±2.7 MHz | GMSK modulated |
| XII | 699 - 716 MHz | - 42 dBm | -105 dBm | ±2.7 MHz | GMSK modulated |
| XIII | 777 - 787 MHz | - 42 dBm | -105 dBm | ±2.7 MHz | GMSK modulated |
| XIV | 788 - 798 MHz | - 42 dBm | -105 dBm | ±2.7 MHz | GMSK modulated |
| XXV | 1850 - 1915 MHz | - 42 dBm | -105 dBm | ±2.7 MHz | GMSK modulated |
| XXVI | 814-849 MHz | - 42 dBm | -105 dBm | ±2.7 MHz | GMSK modulated |

NOTE: GMSK modulation as defined in 3GPP TS 45.004 [22].

Table 7.5.5.2-9: Blocking performance requirement (narrowband) for Local Area

| Operating Band | Centre Frequency of Interfering Signal | Interfering Signal mean power | Wanted Signal mean power | Minimum Offset of Interfering Signal | Type of Interfering Signal |
|----------------|--|-------------------------------|--------------------------|--------------------------------------|----------------------------|
| II | 1850 - 1910 MHz | - 37 dBm | -101 dBm | ±2.7 MHz | GMSK modulated |
| III | 1710 - 1785 MHz | - 37 dBm | -101 dBm | ±2.8 MHz | GMSK modulated |
| IV | 1710 - 1755 MHz | - 37 dBm | -101 dBm | ±2.7 MHz | GMSK modulated |
| V | 824 - 849 MHz | - 37 dBm | -101 dBm | ±2.7 MHz | GMSK modulated |
| VIII | 880 - 915 MHz | - 37 dBm | -101 dBm | ±2.8 MHz | GMSK modulated |
| X | 1710 - 1770 MHz | - 37 dBm | -101 dBm | ±2.7 MHz | GMSK modulated |
| XII | 699 - 716 MHz | - 37 dBm | -101 dBm | ±2.7 MHz | GMSK modulated |
| XIII | 777 - 787 MHz | - 37 dBm | -101 dBm | ±2.7 MHz | GMSK modulated |
| XIV | 788 - 798 MHz | - 37 dBm | -101 dBm | ±2.7 MHz | GMSK modulated |
| XXV | 1850 - 1915 MHz | - 37 dBm | -101 dBm | ±2.7 MHz | GMSK modulated |
| XXVI | 814-849 MHz | - 37 dBm | -101 dBm | ±2.7 MHz | GMSK modulated |

NOTE: GMSK modulation as defined in 3GPP TS 45.004 [22].

NOTE 1: If the above Test Requirement differs from the Minimum Requirement then the Test Tolerance applied for this test is non-zero. The Test Tolerance for this test is defined in subclause 4.1.2 and the explanation of how the Minimum Requirement has been relaxed by the Test Tolerance is given in annex C.

NOTE 2: Annex C of 3GPP TS 25.141 [18] describes the procedure for BER tests taking into account the statistical consequence of frequent repetition of BER measurements within the blocking test. The consequence is: a DUT exactly on the limit may fail due to the statistical nature 2.55 times (mean value) in 12750 BER measurements using the predefined wrong decision probability of 0.02%. If the fail cases are ≤ 12 , it is allowed to repeat the fail cases 1 time before the final verdict.

7.5.5.3 Single RAT UTRA TDD 1,28 Mcps option operation

7.5.5.3.1 General requirements

The static reference performance as specified in clause 7.2 shall be met with a wanted and an interfering signal coupled to the *TAB connector* using the parameters specified in table 7.5.5.3.1-1 to table 7.5.5.3.1-12, respectively.

The blocking requirement is always applicable outside the *Base Station RF Bandwidth* or *Maximum Radio Bandwidth* edges. The interfering signal offset is defined relative to the lower / upper *Base Station RF Bandwidth* edges or *Maximum Radio Bandwidth* edges.

For *multi-band TAB connector*, the requirement in the in-band blocking frequency range applies for each supported operating band. The requirements applies in addition inside any *Inter RF Bandwidth gap* as long as the Inter RF Bandwidth gap size is at least 4.8MHz. The interfering signal offset is defined relative to the lower / upper *Base Station RF Bandwidth* edges inside the Inter RF Bandwidth gap and is equal to -2.4 MHz/+2.4 MHz, respectively.

For *multi-band TAB connector*, the requirement in the out-of-band blocking frequency ranges apply for each supported operating band, with the exception that the in-band blocking frequency ranges of all supported operating bands shall be excluded from the out-of-band blocking requirement.

Table 7.5.5.3.1-1: Blocking requirements for Wide Area BS in operating bands defined in subclause 4.5 a) for 1,28 Mcps TDD

| Centre frequency of interfering signal | Interfering signal mean power | Wanted signal mean power | Minimum offset of interfering signal | Type of interfering signal |
|---|-------------------------------|--------------------------|--------------------------------------|------------------------------------|
| 1900 - 1920 MHz, 2010 - 2025 MHz | -40 dBm | -104 dBm | ± 3.2 MHz | 1,28 Mcps TDD signal with one code |
| 1880 - 1900 MHz, 1990 - 2010 MHz, 2025 - 2045 MHz | -40 dBm | -104 dBm | ± 3.2 MHz | 1,28 Mcps TDD signal with one code |
| 1920 - 1980 MHz | -40 dBm | -104 dBm | ± 3.2 MHz | 1,28 Mcps TDD signal with one code |
| 1 - 1880 MHz, 1980 - 1990 MHz, 2045 - 12750 MHz | -15 dBm | -104 dBm | — | CW carrier |

NOTE: For *multi-band TAB connector*, in case the interfering signal for in-band blocking is not in the in-band blocking frequency range of the operating band where the wanted signal is present, the wanted signal mean power shall not exceed -108.6 dBm.

Table 7.5.5.3.1-2: Blocking requirements for Wide Area BS in operating bands defined in subclause 4.5 b) for 1,28 Mcps TDD

| Centre frequency of interfering signal | Interfering signal mean power | Wanted signal mean power | Minimum offset of interfering signal | Type of interfering signal |
|--|-------------------------------|--------------------------|--------------------------------------|------------------------------------|
| 1850 - 1990 MHz | -40 dBm | -104 dBm | ± 3.2 MHz | 1,28 Mcps TDD signal with one code |
| 1830 - 1850 MHz, 1990 - 2010 MHz | -40 dBm | -104 dBm | ± 3.2 MHz | 1,28 Mcps TDD signal with one code |
| 1 - 1830 MHz, 2010 - 12750 MHz | -15 dBm | -104 dBm | — | CW carrier |

NOTE: For *multi-band TAB connector*, in case the interfering signal for in-band blocking is not in the in-band blocking frequency range of the operating band where the wanted signal is present, the wanted signal mean power shall not exceed -108.6 dBm.

**Table 7.5.5.3.1-3: Blocking requirements for Wide Area BS
in operating bands defined in subclause 4.5 c) for 1,28 Mcps TDD**

| Centre frequency of interfering signal | Interfering signal mean power | Wanted signal mean power | Minimum offset of interfering signal | Type of interfering signal |
|--|-------------------------------|--------------------------|--------------------------------------|------------------------------------|
| 1910 - 1930 MHz | -40 dBm | -104 dBm | ±3.2 MHz | 1,28 Mcps TDD signal with one code |
| 1890 - 1910 MHz, 1930 - 1950 MHz | -40 dBm | -104 dBm | ±3.2 MHz | 1,28 Mcps TDD signal with one code |
| 1 - 1890 MHz, 1950 - 12750 MHz | -15 dBm | -104 dBm | — | CW carrier |

NOTE: For *multi-band TAB connector*, in case the interfering signal for in-band blocking is not in the in-band blocking frequency range of the operating band where the wanted signal is present, the wanted signal mean power shall not exceed -108.6 dBm.

**Table 7.5.5.3.1-4: Blocking requirements for Wide Area BS
in operating bands defined in subclause 4.5 d) for 1,28 Mcps TDD**

| Centre Frequency of Interfering Signal | Interfering Signal Mean Power | Wanted Signal Mean Power | Minimum Offset of Interfering Signal | Type of Interfering Signal |
|--|-------------------------------|--------------------------|--------------------------------------|------------------------------------|
| 2570 - 2620 MHz | -40 dBm | -104 dBm | ±3.2MHz | 1,28 Mcps TDD signal with one code |
| 2500 - 2570 MHz, 2620 - 2690 MHz | -40 dBm | -104 dBm | ±3.2 MHz | 1,28 Mcps TDD signal with one code |
| 1 - 2500 MHz, 2690 - 12750 MHz | -15 dBm | -104 dBm | — | CW carrier |

NOTE: For *multi-band TAB connector*, in case the interfering signal for in-band blocking is not in the in-band blocking frequency range of the operating band where the wanted signal is present, the wanted signal mean power shall not exceed -108.6 dBm.

**Table 7.5.5.3.1-5: Blocking requirements for Wide Area BS
in operating bands defined in subclause 4.5 e) for 1,28 Mcps TDD**

| Centre Frequency of Interfering Signal | Interfering Signal Mean Power | Wanted Signal Mean Power | Minimum Offset of Interfering Signal | Type of Interfering Signal |
|--|-------------------------------|--------------------------|--------------------------------------|------------------------------------|
| 2300 - 2400 MHz | -40 dBm | -104 dBm | ±3.2MHz | 1,28 Mcps TDD signal with one code |
| 2280 - 2300 MHz, 2400 - 2420 MHz | -40 dBm | -104 dBm | ±3.2 MHz | 1,28 Mcps TDD signal with one code |
| 1 - 2280 MHz, 2420 - 12750 MHz | -15 dBm | -104 dBm | — | CW carrier |

NOTE: For *multi-band TAB connector*, in case the interfering signal for in-band blocking is not in the in-band blocking frequency range of the operating band where the wanted signal is present, the wanted signal mean power shall not exceed -108.6 dBm.

**Table 7.5.5.3.1-6: Blocking requirements for Wide Area BS
in operating bands defined in subclause 4.5 f) for 1,28Mcps TDD**

| Centre Frequency of Interfering Signal | Interfering Signal Mean Power | Wanted Signal Mean Power | Minimum Offset of Interfering Signal | Type of Interfering Signal |
|--|-------------------------------|--------------------------|--------------------------------------|---------------------------------------|
| 1880 - 1920 MHz | -40 dBm | -104 dBm | ±3.2 MHz | Narrow band CDMA signal with one code |
| 1860 - 1880 MHz, 1920 - 1940 MHz | -40 dBm | -104 dBm | ±3.2 MHz | Narrow band CDMA signal with one code |
| 1 - 1860 MHz, 1940 - 12750 MHz | -15 dBm | -104 dBm | — | CW carrier |
| NOTE: For <i>multi-band TAB connector</i> , in case the interfering signal for in-band blocking is not in the in-band blocking frequency range of the operating band where the wanted signal is present, the wanted signal mean power shall not exceed -108.6 dBm. | | | | |

**Table 7.5.5.3.1-7: Blocking requirements for Local Area BS
in operating bands defined in subclause 4.5 a) for 1,28 Mcps TDD**

| Centre frequency of interfering signal | Interfering signal level | Wanted signal level | Minimum offset of interfering signal | Type of interfering signal |
|---|--------------------------|-------------------------------------|--------------------------------------|------------------------------------|
| 1900 - 1920 MHz, 2010 - 2025 MHz | -30 dBm | $P_{\text{REFSENS}} + 6 \text{ dB}$ | ±3,2 MHz | 1,28 Mcps TDD signal with one code |
| 1880 - 1900 MHz, 1990 - 2010 MHz, 2025 - 2045 MHz | -30 dBm | $P_{\text{REFSENS}} + 6 \text{ dB}$ | ±3,2 MHz | 1,28 Mcps TDD signal with one code |
| 1920 - 1980 MHz | -30 dBm | $P_{\text{REFSENS}} + 6 \text{ dB}$ | ±3,2 MHz | 1,28 Mcps TDD signal with one code |
| 1 - 1880 MHz, 1980 - 1990 MHz, 2045 - 12750 MHz | -15 dBm | $P_{\text{REFSENS}} + 6 \text{ dB}$ | — | CW carrier |
| NOTE: For <i>multi-band TAB connector</i> , in case the interfering signal for in-band blocking is not in the in-band blocking frequency range of the operating band where the wanted signal is present, the wanted signal mean power shall not exceed -94.6 dBm for Local Area BS. | | | | |

**Table 7.5.5.3.1-8: Blocking requirements for Local Area BS
in operating bands defined in subclause 4.5 b) for 1,28 Mcps TDD**

| Centre frequency of interfering signal | Interfering signal level | Wanted signal level | Minimum offset of interfering signal | Type of interfering signal |
|---|--------------------------|-------------------------------------|--------------------------------------|------------------------------------|
| 1850 - 1990 MHz | -30 dBm | $P_{\text{REFSENS}} + 6 \text{ dB}$ | ±3,2 MHz | 1,28 Mcps TDD signal with one code |
| 1830 - 1850 MHz, 1990 - 2010 MHz | -30 dBm | $P_{\text{REFSENS}} + 6 \text{ dB}$ | ±3,2 MHz | 1,28 Mcps TDD signal with one code |
| 1 - 1830 MHz, 2010 - 12750 MHz | -15 dBm | $P_{\text{REFSENS}} + 6 \text{ dB}$ | — | CW carrier |
| NOTE: For <i>multi-band TAB connector</i> , in case the interfering signal for in-band blocking is not in the in-band blocking frequency range of the operating band where the wanted signal is present, the wanted signal mean power shall not exceed -94.6 dBm for Local Area BS. | | | | |

**Table 7.5.5.3.1-9: Blocking requirements for Local Area BS
in operating bands defined in subclause 4.5 c) for 1,28 Mcps TDD**

| Centre frequency of interfering signal | Interfering signal level | Wanted signal level | Minimum offset of interfering signal | Type of interfering signal |
|--|--------------------------|-------------------------------------|--------------------------------------|------------------------------------|
| 1910 - 1930 MHz | -30 dBm | $P_{\text{REFSENS}} + 6 \text{ dB}$ | $\pm 3,2 \text{ MHz}$ | 1,28 Mcps TDD signal with one code |
| 1890 - 1910 MHz, 1930 - 1950 MHz | -30 dBm | $P_{\text{REFSENS}} + 6 \text{ dB}$ | $\pm 3,2 \text{ MHz}$ | 1,28 Mcps TDD signal with one code |
| 1 - 1890 MHz, 1950 - 12750 MHz | -15 dBm | $P_{\text{REFSENS}} + 6 \text{ dB}$ | — | CW carrier |

NOTE: For *multi-band TAB connector*, in case the interfering signal for in-band blocking is not in the in-band blocking frequency range of the operating band where the wanted signal is present, the wanted signal mean power shall not exceed -94.6 dBm for Local Area BS.

**Table 7.5.5.3.1-10: Blocking requirements for Local Area BS
in operating bands defined in subclause 4.5 d) for 1,28 Mcps TDD**

| Centre Frequency of Interfering Signal | Interfering Signal mean power | Wanted Signal mean power | Minimum Offset of Interfering Signal | Type of Interfering Signal |
|--|-------------------------------|-------------------------------------|--------------------------------------|------------------------------------|
| 2570 - 2620 MHz | -30 dBm | $P_{\text{REFSENS}} + 6 \text{ dB}$ | $\pm 3.2 \text{ MHz}$ | 1,28 Mcps TDD signal with one code |
| 2500 - 2570 MHz, 2620 - 2690 MHz | -30 dBm | $P_{\text{REFSENS}} + 6 \text{ dB}$ | $\pm 3.2 \text{ MHz}$ | 1,28 Mcps TDD signal with one code |
| 1 - 2500 MHz, 2690 - 12750 MHz | -15 dBm | $P_{\text{REFSENS}} + 6 \text{ dB}$ | — | CW carrier |

NOTE: For *multi-band TAB connector*, in case the interfering signal for in-band blocking is not in the in-band blocking frequency range of the operating band where the wanted signal is present, the wanted signal mean power shall not exceed -94.6 dBm for Local Area BS.

**Table 7.5.5.3.1-11: Blocking requirements for Local Area BS
in operating bands defined in subclause 4.5 e) for 1,28 Mcps TDD**

| Centre Frequency of Interfering Signal | Interfering Signal mean power | Wanted Signal mean power | Minimum Offset of Interfering Signal | Type of Interfering Signal |
|--|-------------------------------|-------------------------------------|--------------------------------------|------------------------------------|
| 2300 - 2400 MHz | -30 dBm | $P_{\text{REFSENS}} + 6 \text{ dB}$ | $\pm 3.2 \text{ MHz}$ | 1,28 Mcps TDD signal with one code |
| 2280 - 2300 MHz, 2400 - 2420 MHz | -30 dBm | $P_{\text{REFSENS}} + 6 \text{ dB}$ | $\pm 3.2 \text{ MHz}$ | 1,28 Mcps TDD signal with one code |
| 1 - 2280 MHz, 2420 - 12750 MHz | -15 dBm | $P_{\text{REFSENS}} + 6 \text{ dB}$ | — | CW carrier |

NOTE: For *multi-band TAB connector*, in case the interfering signal for in-band blocking is not in the in-band blocking frequency range of the operating band where the wanted signal is present, the wanted signal mean power shall not exceed -94.6 dBm for Local Area BS.

**Table 7.5.5.3.1-12: Blocking requirements for Local Area BS
in operating bands defined in subclause 4.5 f) for 1,28 Mcps TDD**

| Centre Frequency of Interfering Signal | Interfering Signal mean power | Wanted Signal mean power | Minimum Offset of Interfering Signal | Type of Interfering Signal |
|--|-------------------------------|--------------------------|--------------------------------------|---------------------------------------|
| 1880-1920 MHz | -30 dBm | -90 dBm | $\pm 3.2 \text{ MHz}$ | Narrow band CDMA signal with one code |
| 1860 - 1880 MHz, 1920 - 1940 MHz | -30 dBm | -90 dBm | $\pm 3.2 \text{ MHz}$ | Narrow band CDMA signal with one code |
| 1 - 1860 MHz, 1940 - 12750 MHz | -15 dBm | -90 dBm | — | CW carrier |

NOTE: For *multi-band TAB connector*, in case the interfering signal for in-band blocking is not in the in-band blocking frequency range of the operating band where the wanted signal is present, the wanted signal mean power shall not exceed -94.6 dBm for Local Area BS.

7.5.5.3.2 Co-location with GSM, DCS, UTRA FDD and/or E-UTRA FDD, UTRA TDD and/or E-UTRA TDD

This additional blocking requirement may be applied for the protection of receiver units associated with *TAB connectors* with TDD operation when GSM, DCS, UTRA FDD, E-UTRA FDD, FDD unsynchronized UTRA TDD and/or unsynchronized E-UTRA TDD BTS operating in a different frequency band are co-located with UTRA TDD Wide Area BS.

The blocking performance requirement applies to interfering signals with centre frequency within the ranges specified in the tables below, using a 1 MHz step size.

In case this additional blocking requirement is applied, the static reference performance as specified in subclause 7.2.1 shall be met with a wanted and an interfering signal coupled to BS antenna input using the following parameters.

Table 7.5.5.3.2-1: Additional blocking requirements for Wide Area BS

| System type operating in the same geographic area | Centre Frequency of Interfering Signal | Interfering Signal mean power | Wanted Signal mean power | Minimum Offset of Interfering Signal | Type of Interfering Signal | Notes |
|---|--|-------------------------------|--------------------------|--------------------------------------|----------------------------|--|
| Macro GSM900 | 921 - 960 MHz | +16 dBm | -104 dBm | — | CW carrier | |
| Macro DCS1800 | 1805 - 1880 MHz | +16 dBm | -104 dBm | — | CW carrier | For <i>TAB connector operating UTRA TDD</i> in Band 5.2(f), it applies for 1805 - 1850 MHz |
| GSM850 or CDMA850 | 869 - 894 MHz | +16 dBm | -104 dBm | — | CW carrier | |
| WA BS UTRA FDD Band I or E-UTRA Band 1 | 2110 - 2170 MHz | +16 dBm | -104 dBm | — | CW carrier | |
| WA BS UTRA FDD Band iii or E-UTRA Band 3 | 1805 - 1880 MHz | +16 dBm | -104 dBm | — | CW carrier | (NOTE 3) |
| WA BS UTRA FDD Band V or E-UTRA Band 5 | 869 - 894 MHz | +16 dBm | -104 dBm | — | CW carrier | |
| WA BS UTRA FDD Band VII or E-UTRA Band 7 | 2620 - 2690 MHz | +16 dBm | -104 dBm | — | CW carrier | |
| WA UTRA TDD Band a) or E-UTRA Band 33 | 1900 - 1920 MHz | +16 dBm | -104 dBm | — | CW carrier | |
| WA UTRA TDD Band a) or E-UTRA Band 34 | 2010 - 2025 MHz | +16 dBm | -104 dBm | — | CW carrier | |
| WA UTRA TDD Band d) or E-UTRA Band 38 | 2570 - 2620 MHz | +16 dBm | -104 dBm | — | CW carrier | |
| WA UTRA TDD Band f) or E-UTRA Band 39 | 1880 - 1920 MHz | +16 dBm | -104 dBm | — | CW carrier | |
| WA UTRA TDD Band e) or E-UTRA Band 40 | 2300 - 2400 MHz | +16 dBm | -104 dBm | — | CW carrier | |
| WA E-UTRA Band 41 | 2496 - 2690 MHz | +16 dBm | -104 dBm | — | CW carrier | |
| WA E-UTRA Band 42 | 3400 - 3600 MHz | +16 dBm | -104 dBm | — | CW carrier | |
| WA E-UTRA Band 44 | 703 - 803 MHz | +16 dBm | -104 dBm | — | CW carrier | |
| Pico GSM850 | 869 - 894 | -7 dBm | -104 dBm | — | CW carrier | |
| Pico GSM900 | 921 - 960 | -7 dBm | -104 dBm | — | CW carrier | |
| Pico DCS1800 | 1805 - 1880 | -7 dBm | -104 dBm | — | CW carrier | |

| System type operating in the same geographic area | Centre Frequency of Interfering Signal | Interfering Signal mean power | Wanted Signal mean power | Minimum Offset of Interfering Signal | Type of Interfering Signal | Notes |
|---|--|-------------------------------|--------------------------|--------------------------------------|----------------------------|----------|
| LA BS UTRA FDD Band I or E-UTRA Band 1 | 2110 - 2170 | -6 dBm | -104 dBm | — | CW carrier | |
| LA BS UTRA FDD Band III or E-UTRA Band 3 | 1805 - 1880 MHz | -6 dBm | -104 dBm | — | CW carrier | (NOTE 3) |
| LA BS UTRA FDD Band V or E-UTRA Band 5 | 869 - 894 MHz | -6 dBm | -104 dBm | — | CW carrier | |
| LA BS UTRA FDD Band VII or E-UTRA Band 7 | 2620 - 2690 MHz | -6 dBm | -104 dBm | — | CW carrier | |
| LA UTRA TDD Band a) or E-UTRA Band 33 | 1900 - 1920 MHz | -6 dBm | -104 dBm | — | CW carrier | |
| LA UTRA TDD Band a) or E-UTRA Band 34 | 2010 - 2025 MHz | -6 dBm | -104 dBm | — | CW carrier | |
| LA UTRA TDD Band d) or E-UTRA Band 38 | 2570 - 2620 MHz | -6 dBm | -104 dBm | — | CW carrier | |
| LA UTRA TDD Band f) or E-UTRA Band 39 | 1880 - 1920 MHz | -6 dBm | -104 dBm | — | CW carrier | |
| LA UTRA TDD Band e) or E-UTRA Band 40 | 2300 - 2400 MHz | -6 dBm | -104 dBm | — | CW carrier | |
| LA E-UTRA Band 41 | 2496 - 2690 MHz | -6 dBm | -104 dBm | — | CW carrier | |
| LA E-UTRA Band 42 | 3400 - 3600 MHz | -6 dBm | -104 dBm | — | CW carrier | |
| WA E-UTRA Band 44 | 703 - 803 MHz | -6 dBm | -104 dBm | — | CW carrier | |
| <p>NOTE 1: These requirements do not apply when the interfering signal falls within any of the supported <i>uplink operating band</i> or in the 10 MHz frequency range immediately outside the any of the supported <i>uplink operating band</i>.</p> <p>NOTE 2: Some combinations of bands may not be possible to co-site based on the requirements above. The current state-of-the-art technology does not allow a single generic solution for co-location of UTRA TDD with UTRA FDD or E-UTRA FDD on adjacent frequencies for 30 dB BS-BS minimum coupling loss. However, there are certain site-engineering solutions that can be used. These techniques are addressed in 3GPP TR 25.942 [21].</p> <p>NOTE 3: For <i>TAB connector operating</i> UTRA TDD in Band 5.2(f), the requirement is not covered by the present release of this specification. For the source of this requirement, refer to co-location requirements in TS 25.142 [19].</p> | | | | | | |

7.5.5.4 Single RAT E-UTRA operation

7.5.5.4.1 General test requirement

For each measured E-UTRA carrier, the throughput shall be $\geq 95\%$ of the *maximum throughput* of the reference measurement channel, with a wanted and an interfering signal coupled to BS antenna input using the parameters in tables 7.5.5.4.1-1, 7.5.5.4.1-2, 7.5.5.4.1-3 and 7.5.5.4.1-4. The reference measurement channel for the wanted signal is specified in tables 7.2-1, 7.2-2, 7.2-3 and 7.2-4 for each channel bandwidth and further specified in annex A.

The blocking requirement is always applicable outside the *Base Station RF Bandwidth* or *Maximum Radio Bandwidth*. The interfering signal offset is defined relative to the *Base Station RF Bandwidth edges* or *Maximum Radio Bandwidth edges*.

For a *TAB connector* operating in non-contiguous spectrum within any operating band, the blocking requirement applies in addition inside any *sub-block gap*, in case the *sub-block gap* size is at least as wide as twice the interfering signal minimum offset in table 7.6-2. The interfering signal offset is defined relative to the sub-block edges inside the *sub-block gap*.

For a *multi-band TAB connector*, the requirement in the in-band blocking frequency ranges applies for each supported operating band. The requirement applies in addition inside any *Inter RF Bandwidth gap*, in case the *Inter RF Bandwidth gap* size is at least as wide as twice the interfering signal minimum offset in table 7.6-2.

For a *multi-band TAB connector*, the requirement in the out-of-band blocking frequency ranges apply for each operating band, with the exception that the in-band blocking frequency ranges of all supported operating bands according to tables 7.5.5.4.1-1, 7.5.5.4.1-2 and 7.5.5.4.1-3 shall be excluded from the out-of-band blocking requirement.

Table 7.5.5.4.1-1: Blocking performance requirement for Wide Area BS

| Operating Band | Centre Frequency of Interfering Signal (MHz) | Interfering Signal mean power (dBm) | Wanted Signal mean power (dBm) (Note 1) | Interfering signal centre frequency minimum frequency offset from the lower/upper Base Station RF Bandwidth edge or sub-block edge inside a sub-block gap (MHz) | Type of Interfering Signal |
|--|--|-------------------------------------|---|---|----------------------------|
| 1-7, 9-11, 13, 14, 18, 19, 21-23, 24, 27, 30, 33-45, 48, 50, 52, 65, 66, 68, 70 | (F _{UL_low} -20) to (F _{UL_high} +20) | -43 | P _{REFSENS} +6 dB (Note 2) | See table 7.5.5.4.1-4 | See table 7.5.5.4.1-4 |
| | 1 (F _{UL_high} +20) to (F _{UL_low} -20) to 12750 | -15 | P _{REFSENS} +6 dB | — | CW carrier |
| 8, 26, 28 | (F _{UL_low} -20) to (F _{UL_high} +10) | -43 | P _{REFSENS} +6 dB (Note 2) | See table 7.5.5.4.1-4 | See table 7.5.5.4.1-4 |
| | 1 (F _{UL_high} +10) to (F _{UL_low} -20) to 12750 | -15 | P _{REFSENS} +6 dB | — | CW carrier |
| 12 | (F _{UL_low} -20) to (F _{UL_high} +13) | -43 | P _{REFSENS} +6 dB (Note 2) | See table 7.5.5.4.1-4 | See table 7.5.5.4.1-4 |
| | 1 (F _{UL_high} +13) to (F _{UL_low} -20) to 12750 | -15 | P _{REFSENS} +6 dB | — | CW carrier |
| 17 | (F _{UL_low} -20) to (F _{UL_high} +18) | -43 | P _{REFSENS} +6 dB (Note 2) | See table 7.5.5.4.1-4 | See table 7.5.5.4.1-4 |
| | 1 (F _{UL_high} +18) to (F _{UL_low} -20) to 12750 | -15 | P _{REFSENS} +6 dB | — | CW carrier |
| 20, 71 | (F _{UL_low} -11) to (F _{UL_high} +20) | -43 | P _{REFSENS} +6 dB (Note 2) | See table 7.5.5.4.1-4 | See table 7.5.5.4.1-4 |
| | 1 (F _{UL_high} +20) to (F _{UL_low} -11) to 12750 | -15 | P _{REFSENS} +6 dB | — | CW carrier |
| 25 | (F _{UL_low} -20) to (F _{UL_high} +15) | -43 | P _{REFSENS} +6 dB (Note 2) | See table 7.5.5.4.1-4 | See table 7.5.5.4.1-4 |
| | 1 (F _{UL_high} +15) to (F _{UL_low} -20) to 12750 | -15 | P _{REFSENS} +6 dB | — | CW carrier |
| 31, 72, 73, 74 | (F _{UL_low} -20) to (F _{UL_high} +5) | -43 | P _{REFSENS} +6 dB (Note 2) | See table 7.5.5.4.1-4 | See table 7.5.5.4.1-4 |
| | 1 (F _{UL_high} +5) to (F _{UL_low} -20) to 12750 | -15 | P _{REFSENS} +6 dB | — | CW carrier |
| 85 | (F _{UL_low} -20) to (F _{UL_high} +12) | -43 | P _{REFSENS} +6 dB (Note 2) | See table 7.5.5.4.1-4 | See table 7.5.5.4.1-4 |
| | 1 (F _{UL_high} +12) to (F _{UL_low} -20) to 12750 | -15 | P _{REFSENS} +6 dB | — | CW carrier |
| NOTE 1: P _{REFSENS} depends on the channel bandwidth as specified in 3GPP TS 36.104 [11], subclause 7.2.1. | | | | | |
| NOTE 2: For a <i>multi-band TAB connector</i> , in case of interfering signal that is not in the in-band blocking frequency range of the operating band where the wanted signal is present, or in an adjacent or overlapping band, the wanted signal mean power is equal to P _{REFSENS} + 1.4 dB. | | | | | |

NOTE 1: Table 7.5.5.4.1-1 assumes that two operating bands, where the *downlink operating band* see subclause 4.5 of one band would be within the in-band blocking region of the other band, are not deployed in the same geographical area.

Table 7.5.5.4.1-2: Blocking performance requirement for Local Area BS

| Operating Band | Centre Frequency of Interfering Signal (MHz) | Interfering Signal mean power (dBm) | Wanted Signal mean power (dBm) (Note 1) | Interfering signal centre frequency minimum frequency offset from the lower/upper Base Station RF Bandwidth edge or sub-block edge inside a sub-block gap (MHz) | Type of Interfering Signal |
|--|--|-------------------------------------|---|---|----------------------------|
| 1-7, 9-11, 13-14, 18,19,21-23, 24, 27, 30, 33-45, 48, 50, 51, 52, 65, 66, 68, 70 | (F _{UL_low} -20) to (F _{UL_high} +20) | -35 | P _{REFSENS} +6 dB (Note 2) | See table 7.5.5.4.1-4 | See table 7.5.5.4.1-4 |
| | 1 (F _{UL_high} +20) to (F _{UL_low} -20) to 12750 | -15 | P _{REFSENS} +6 dB | — | CW carrier |
| 8, 26, 28 | (F _{UL_low} -20) to (F _{UL_high} +10) | -35 | P _{REFSENS} +6 dB (Note 2) | See table 7.5.5.4.1-4 | See table 7.5.5.4.1-4 |
| | 1 (F _{UL_high} +10) to (F _{UL_low} -20) to 12750 | -15 | P _{REFSENS} +6 dB | — | CW carrier |
| 12 | (F _{UL_low} -20) to (F _{UL_high} +13) | -35 | P _{REFSENS} +6 dB (Note 2) | See table 7.5.5.4.1-4 | See table 7.5.5.4.1-4 |
| | 1 (F _{UL_high} +13) to (F _{UL_low} -20) to 12750 | -15 | P _{REFSENS} +6 dB | — | CW carrier |
| 17 | (F _{UL_low} -20) to (F _{UL_high} +18) | -35 | P _{REFSENS} +6 dB (Note 2) | See table 7.5.5.4.1-4 | See table 7.5.5.4.1-4 |
| | 1 (F _{UL_high} +18) to (F _{UL_low} -20) to 12750 | -15 | P _{REFSENS} +6 dB | — | CW carrier |
| 20, 71 | (F _{UL_low} -11) to (F _{UL_high} +20) | -35 | P _{REFSENS} +6 dB (Note 2) | See table 7.5.5.4.1-4 | See table 7.5.5.4.1-4 |
| | 1 (F _{UL_high} +20) to (F _{UL_low} -11) to 12750 | -15 | P _{REFSENS} +6 dB | — | CW carrier |
| 25 | (F _{UL_low} -20) to (F _{UL_high} +15) | -35 | P _{REFSENS} +6 dB (Note 2) | See table 7.5.5.4.1-4 | See table 7.5.5.4.1-4 |
| | 1 (F _{UL_high} +15) to (F _{UL_low} -20) to 12750 | -15 | P _{REFSENS} +6 dB | — | CW carrier |
| 31, 72, 73, 74 | (F _{UL_low} -20) to (F _{UL_high} +5) | -35 | P _{REFSENS} +6 dB (Note 2) | See table 7.5.5.4.1-4 | See table 7.5.5.4.1-4 |
| | 1 (F _{UL_high} +5) to (F _{UL_low} -20) to 12750 | -15 | P _{REFSENS} +6 dB | — | CW carrier |
| 85 | (F _{UL_low} -20) to (F _{UL_high} +12) | -35 | P _{REFSENS} +6 dB (Note 2) | See table 7.5.5.4.1-4 | See table 7.5.5.4.1-4 |
| | 1 (F _{UL_high} +12) to (F _{UL_low} -20) to 12750 | -15 | P _{REFSENS} +6 dB | — | CW carrier |

NOTE 1: P_{REFSENS} depends on the channel bandwidth as specified in 3GPP TS 36.104 [11], subclause 7.2.1.

NOTE 2: For a *multi-band TAB connector*, in case of interfering signal that is not in the in-band blocking frequency range of the operating band where the wanted signal is present, or in an adjacent or overlapping band, the wanted signal mean power is equal to P_{REFSENS} + 1.4 dB.

NOTE 2: Table 7.5.5.4.1-2 assumes that two operating bands, where the *downlink operating band* see subclause 4.5 of one band would be within the in-band blocking region of the other band, are not deployed in the same geographical area.

Table 7.5.5.4.1-3: Blocking performance requirement for Medium Range BS

| Operating Band | Centre Frequency of Interfering Signal (MHz) | Interfering Signal mean power (dBm) | Wanted Signal mean power (dBm) (Note 1) | Interfering signal centre frequency minimum frequency offset to the lower/upper Base Station RF Bandwidth edge or sub-block edge inside a sub-block gap (MHz) | Type of Interfering Signal |
|---|--|-------------------------------------|---|---|----------------------------|
| 1-7, 9-11, 13, 14, 18,19, 21-23, 24, 27, 30, 33-45, 48, 50, 52, 65, 66, 68, 70 | (F _{UL_low} -20) to (F _{UL_high} +20) | -38 | P _{PREFSENS} +6 dB (Note 2) | See table 7.5.5.4.1-4 | See table 7.5.5.4.1-4 |
| | 1 to (F _{UL_low} -20) (F _{UL_high} +20) to 12750 | -15 | P _{PREFSENS} +6 dB | — | CW carrier |
| 8, 26, 28 | (F _{UL_low} -20) to (F _{UL_high} +10) | -38 | P _{PREFSENS} +6 dB (Note 2) | See table 7.5.5.4.1-4 | See table 7.5.5.4.1-4 |
| | 1 to (F _{UL_low} -20) (F _{UL_high} +10) to 12750 | -15 | P _{PREFSENS} +6 dB | — | CW carrier |
| 12 | (F _{UL_low} -20) to (F _{UL_high} +13) | -38 | P _{PREFSENS} +6 dB (Note 2) | See table 7.5.5.4.1-4 | See table 7.5.5.4.1-4 |
| | 1 to (F _{UL_low} -20) (F _{UL_high} +13) to 12750 | -15 | P _{PREFSENS} +6 dB | — | CW carrier |
| 17 | (F _{UL_low} -20) to (F _{UL_high} +18) | -38 | P _{PREFSENS} +6 dB (Note 2) | See table 7.5.5.4.1-4 | See table 7.5.5.4.1-4 |
| | 1 to (F _{UL_low} -20) (F _{UL_high} +18) to 12750 | -15 | P _{PREFSENS} +6 dB | — | CW carrier |
| 20, 71 | (F _{UL_low} -11) to (F _{UL_high} +20) | -38 | P _{PREFSENS} +6 dB (Note 2) | See table 7.5.5.4.1-4 | See table 7.5.5.4.1-4 |
| | 1 to (F _{UL_low} -11) (F _{UL_high} +20) to 12750 | -15 | P _{PREFSENS} +6 dB | — | CW carrier |
| 25 | (F _{UL_low} -20) to (F _{UL_high} +15) | -38 | P _{PREFSENS} +6 dB (Note 2) | See table 7.5.5.4.1-4 | See table 7.5.5.4.1-4 |
| | 1 to (F _{UL_low} -20) (F _{UL_high} +15) to 12750 | -15 | P _{PREFSENS} +6 dB | — | CW carrier |
| 31, 72, 73, 74 | (F _{UL_low} -20) to (F _{UL_high} +5) | -38 | P _{PREFSENS} +6 dB (Note 2) | See table 7.5.5.4.1-4 | See table 7.5.5.4.1-4 |
| | 1 to (F _{UL_low} -20) (F _{UL_high} +5) to 12750 | -15 | P _{PREFSENS} +6 dB | — | CW carrier |
| 85 | (F _{UL_low} -20) to (F _{UL_high} +12) | -38 | P _{PREFSENS} +6 dB (Note 2) | See table 7.5.5.4.1-4 | See table 7.5.5.4.1-4 |
| | 1 to (F _{UL_low} -20) (F _{UL_high} +12) to 12750 | -15 | P _{PREFSENS} +6 dB | — | CW carrier |
| NOTE 1: P _{PREFSENS} depends on the channel bandwidth as specified in 3GPP TS 36.104 [11], subclause 7.2.1. | | | | | |
| NOTE 2: For a <i>multi-band TAB connector</i> , in case of interfering signal that is not in the in-band blocking frequency range of the operating band where the wanted signal is present, or in an adjacent or overlapping band, the wanted signal mean power is equal to P _{PREFSENS} + 1.4 dB. | | | | | |

NOTE 3: Table 7.5.5.4.1-3 assumes that two operating bands, where the *downlink operating band* see subclause 4.5 of one band would be within the in-band blocking region of the other band, are not deployed in the same geographical area.

Table 7.5.5.4.1-4: Interfering signals for blocking performance requirement

| E-UTRA channel BW of the lowest/highest carrier received (MHz) | Interfering signal centre frequency minimum offset to the lower/upper <i>Base Station RF Bandwidth edge</i> or sub-block edge inside a <i>sub-block gap</i> (MHz) | Type of interfering signal |
|--|---|----------------------------|
| 1.4 | ±2.1 | 1.4 MHz E-UTRA signal |
| 3 | ±4.5 | 3 MHz E-UTRA signal |
| 5 | ±7.5 | 5 MHz E-UTRA signal |
| 10 | ±7.5 | 5 MHz E-UTRA signal |
| 15 | ±7.5 | 5 MHz E-UTRA signal |
| 20 | ±7.5 | 5 MHz E-UTRA signal |

NOTE 4: If the above Test Requirement differs from the Minimum Requirement then the Test Tolerance applied for this test is non-zero. The Test Tolerance for this test is defined in subclause 4.1.2 and the explanation of how the Minimum Requirement has been relaxed by the Test Tolerance is given in annex C.

7.5.5.4.2 Co-location with other base stations

This additional blocking requirement may be applied for the protection of E-UTRA receiver units associated with the *TAB connectors* under test when GSM, CMDA, UTRA or E-UTRA BS operating in a different frequency band are co-located with an E-UTRA BS. The requirement is applicable to all channel bandwidths supported by the E-UTRA BS.

The requirements in this clause assume a 30 dB coupling loss between interfering transmitter and E-UTRA BS receiver and are based on co-location with base stations of the same class.

For each measured E-UTRA carrier, the throughput shall be $\geq 95\%$ of the *maximum throughput* of the reference measurement channel, with a wanted and an interfering signal coupled to the *TAB connector* using the parameters in table 7.5.5.4.2-1 for AAS BS of Wide Area BS class, in table 7.5.5.4.2-2 for AAS BS of Local Area BS class and in table 7.5.5.4.2-3 for AAS BS of Medium Range BS class. The reference measurement channel for the wanted signal is specified in tables 7.2.5.3-1, 7.2.5.3-2 and 7.2.5.3-4 for each channel bandwidth and further specified in annex A of 3GPP TS 36.141 [17].

Table 7.5.5.4.2-1: Blocking performance requirement for E-UTRA when co-located with BS in other frequency bands

| Type of co-located BS | Centre Frequency of Interfering Signal (MHz) | Interfering Signal mean power for WA BS (dBm) | Interfering Signal mean power for MR BS (dBm) | Interfering Signal mean power for LA BS (dBm) | Wanted Signal mean power (dBm) (Note 1) | Type of Interfering Signal |
|--|--|---|---|---|---|----------------------------|
| GSM850 or CDMA850 | 869 - 894 | +16 | +8 | -6 | $P_{\text{REFSENS}} + x \text{ dB}$ | CW carrier |
| GSM900 | 921 - 960 | +16 | +8 | -6 | $P_{\text{REFSENS}} + x \text{ dB}$ | CW carrier |
| DCS1800 | 1805 - 1880 (Note 4) | +16 | +8 | -6 | $P_{\text{REFSENS}} + x \text{ dB}$ | CW carrier |
| PCS1900 | 1930 - 1990 | +16 | +8 | -6 | $P_{\text{REFSENS}} + x \text{ dB}$ | CW carrier |
| UTRA FDD Band I or E-UTRA Band 1 or NR band n1 | 2110 - 2170 | +16 | +8 | -6 | $P_{\text{REFSENS}} + x \text{ dB}$ | CW carrier |
| UTRA FDD Band II or E-UTRA Band 2 or NR band n2 | 1930 - 1990 | +16 | +8 | -6 | $P_{\text{REFSENS}} + x \text{ dB}$ | CW carrier |
| UTRA FDD Band III or E-UTRA Band 3 or NR band n3 | 1805 - 1880 (Note 4) | +16 | +8 | -6 | $P_{\text{REFSENS}} + x \text{ dB}$ | CW carrier |
| UTRA FDD Band IV or E-UTRA Band 4 | 2110 - 2155 | +16 | +8 | -6 | $P_{\text{REFSENS}} + x \text{ dB}$ | CW carrier |
| UTRA FDD Band V or E-UTRA Band 5 or NR band n5 | 869 - 894 | +16 | +8 | -6 | $P_{\text{REFSENS}} + x \text{ dB}$ | CW carrier |
| UTRA FDD Band VI or E-UTRA Band 6 | 875 - 885 | +16 | +8 | -6 | $P_{\text{REFSENS}} + x \text{ dB}$ | CW carrier |
| UTRA FDD Band VII or E-UTRA Band 7 | 2620 - 2690 | +16 | +8 | -6 | $P_{\text{REFSENS}} + x \text{ dB}$ | CW carrier |
| UTRA FDD Band VIII or E-UTRA Band 8 or NR band n8 | 925 - 960 | +16 | +8 | -6 | $P_{\text{REFSENS}} + x \text{ dB}$ | CW carrier |
| UTRA FDD Band IX or E-UTRA Band 9 | 1844.9 - 1879.9 | +16 | +8 | -6 | $P_{\text{REFSENS}} + x \text{ dB}$ | CW carrier |
| UTRA FDD Band X or E-UTRA Band 10 | 2110 - 2170 | +16 | +8 | -6 | $P_{\text{REFSENS}} + x \text{ dB}$ | CW carrier |
| UTRA FDD Band XI or E-UTRA Band 11 | 1475.9 - 1495.9 | +16 | +8 | -6 | $P_{\text{REFSENS}} + x \text{ dB}$ | CW carrier |
| UTRA FDD Band XII or E-UTRA Band 12 or NR band n12 | 729 - 746 | +16 | +8 | -6 | $P_{\text{REFSENS}} + x \text{ dB}$ | CW carrier |
| UTRA FDD Band XIII or E-UTRA Band 13 | 746 - 756 | +16 | +8 | -6 | $P_{\text{REFSENS}} + x \text{ dB}$ | CW carrier |
| UTRA FDD Band XIV or E-UTRA Band 14 | 758 - 768 | +16 | +8 | -6 | $P_{\text{REFSENS}} + x \text{ dB}$ | CW carrier |
| E-UTRA Band 17 | 734 - 746 | +16 | +8 | -6 | $P_{\text{REFSENS}} + x \text{ dB}$ | CW carrier |
| E-UTRA Band 18 | 860 - 875 | +16 | +8 | -6 | $P_{\text{REFSENS}} + x \text{ dB}$ | CW carrier |
| UTRA FDD Band XIX or E-UTRA Band 19 | 875 - 890 | +16 | +8 | -6 | $P_{\text{REFSENS}} + x \text{ dB}$ | CW carrier |
| UTRA FDD Band XX or E-UTRA Band 20 or NR band n20 | 791 - 821 | +16 | +8 | -6 | $P_{\text{REFSENS}} + x \text{ dB}$ | CW carrier |

| Type of co-located BS | Centre Frequency of Interfering Signal (MHz) | Interfering Signal mean power for WA BS (dBm) | Interfering Signal mean power for MR BS (dBm) | Interfering Signal mean power for LA BS (dBm) | Wanted Signal mean power (dBm) (Note 1) | Type of Interfering Signal |
|--|--|---|---|---|---|----------------------------|
| UTRA FDD Band XXI or E-UTRA Band 21 | 1495.9 - 1510.9 | +16 | +8 | -6 | $P_{\text{REFSENS}} + x \text{ dB}$ | CW carrier |
| UTRA FDD Band XXII or E-UTRA Band 22 | 3510 - 3590 | +16 | +8 | -6 | $P_{\text{REFSENS}} + x \text{ dB}$ | CW carrier |
| E-UTRA Band 23 | 2180 - 2200 | +16 | +8 | -6 | $P_{\text{REFSENS}} + x \text{ dB}$ | CW carrier |
| E-UTRA Band 24 | 1525 - 1559 | +16 | +8 | -6 | $P_{\text{REFSENS}} + x \text{ dB}$ | CW carrier |
| UTRA FDD Band XXV or E-UTRA Band 25 or NR band n25 | 1930 - 1995 | +16 | +8 | -6 | $P_{\text{REFSENS}} + x \text{ dB}$ | CW carrier |
| UTRA FDD Band XXVI or E-UTRA Band 26 | 859 - 894 | +16 | +8 | -6 | $P_{\text{REFSENS}} + x \text{ dB}$ | CW carrier |
| E-UTRA Band 27 | 852 - 869 | +16 | +8 | -6 | $P_{\text{REFSENS}} + x \text{ dB}$ | CW carrier |
| E-UTRA Band 28 or NR band n28 | 758 - 803 | +16 | +8 | -6 | $P_{\text{REFSENS}} + x \text{ dB}$ | CW carrier |
| E-UTRA Band 29 | 717 - 728 | +16 | +8 | -6 | $P_{\text{REFSENS}} + 6 \text{ dB}$ | CW carrier |
| E-UTRA Band 30 | 2350 - 2360 | +16 | +8 | -6 | $P_{\text{REFSENS}} + x \text{ dB}$ | CW carrier |
| E-UTRA Band 31 | 462.5 - 467.5 | +16 | +8 | -6 | $P_{\text{REFSENS}} + 6 \text{ dB}$ | CW carrier |
| UTRA FDD Band XXXII or E-UTRA Band 32 | 1452 - 1496 (Note 5) | +16 | +8 | -6 | $P_{\text{REFSENS}} + 6 \text{ dB}$ | CW carrier |
| UTRA TDD Band a) or E-UTRA Band 33 | 1900-1920 | +16 | +8 | -6 | $P_{\text{REFSENS}} + x \text{ dB}$ | CW carrier |
| UTRA TDD Band a) or E-UTRA Band 34 or NR band n34 | 2010-2025 | +16 | +8 | -6 | $P_{\text{REFSENS}} + x \text{ dB}$ | CW carrier |
| UTRA TDD Band b) or E-UTRA Band 35 | 1850-1910 | +16 | +8 | -6 | $P_{\text{REFSENS}} + x \text{ dB}$ | CW carrier |
| UTRA TDD Band b) or E-UTRA Band 36 | 1930-1990 | +16 | +8 | -6 | $P_{\text{REFSENS}} + x \text{ dB}$ | CW carrier |
| UTRA TDD Band c) or E-UTRA Band 37 | 1910-1930 | +16 | +8 | -6 | $P_{\text{REFSENS}} + x \text{ dB}$ | CW carrier |
| UTRA TDD Band d) or E-UTRA Band 38 or NR band n38 | 2570-2620 | +16 | +8 | -6 | $P_{\text{REFSENS}} + x \text{ dB}$ | CW carrier |
| UTRA TDD Band f) or E-UTRA Band 39 or NR band n39 | 1880-1920 | +16 | +8 | -6 | $P_{\text{REFSENS}} + x \text{ dB}$ | CW carrier |
| UTRA TDD Band e) or E-UTRA Band 40 or NR band n40 | 2300-2400 | +16 | +8 | -6 | $P_{\text{REFSENS}} + x \text{ dB}$ | CW carrier |
| E-UTRA Band 41 or NR band n41 | 2496 - 2690 | +16 | +8 | -6 | $P_{\text{REFSENS}} + x \text{ dB}$ | CW carrier |
| E-UTRA Band 42 | 3400 - 3600 | +16 | +8 | -6 | $P_{\text{REFSENS}} + x \text{ dB}$ | CW carrier |
| E-UTRA Band 43 | 3600 - 3800 | +16 | +8 | -6 | $P_{\text{REFSENS}} + x \text{ dB}$ | CW carrier |
| E-UTRA Band 44 | 703 - 803 | +16 | +8 | -6 | $P_{\text{REFSENS}} + x \text{ dB}$ | CW carrier |
| E-UTRA Band 45 | 1447 - 1467 | +16 | +8 | -6 | $P_{\text{REFSENS}} + x \text{ dB}$ | CW carrier |
| E-UTRA Band 46 | 5150 - 5925 | N/A | +8 | -6 | $P_{\text{REFSENS}} + x \text{ dB}$ | CW carrier |
| E-UTRA Band 48 | 3550 - 3700 | +16 | +8 | -6 | $P_{\text{REFSENS}} + x \text{ dB}$ | CW carrier |
| E-UTRA Band 50 or NR band n50 | 1432 – 1517 | +16 | +8 | -6 | $P_{\text{REFSENS}} + x \text{ dB}$ | CW carrier |
| E-UTRA Band 51 or NR band n51 | 1427– 1432 | N/A | N/A | -6 | $P_{\text{REFSENS}} + x \text{ dB}$ | CW carrier |
| E-UTRA Band 52 | 3300 - 3400 | +16 | +8 | -6 | $P_{\text{REFSENS}} + x \text{ dB}$ | CW carrier |

| Type of co-located BS | Centre Frequency of Interfering Signal (MHz) | Interfering Signal mean power for WA BS (dBm) | Interfering Signal mean power for MR BS (dBm) | Interfering Signal mean power for LA BS (dBm) | Wanted Signal mean power (dBm) (Note 1) | Type of Interfering Signal |
|----------------------------------|--|---|---|---|---|----------------------------|
| E-UTRA Band 65 | 2110 - 2200 | +16 | +8 | -6 | $P_{\text{REFSENS}} + x$ dB | CW carrier |
| E-UTRA Band 66 or NR band n66 | 2110 - 2200 | +16 | +8 | -6 | $P_{\text{REFSENS}} + x$ dB | CW carrier |
| E-UTRA Band 67 | 738 - 758 | +16 | +8 | -6 | $P_{\text{REFSENS}} + x$ dB | CW carrier |
| E-UTRA Band 68 | 753 - 783 | +16 | +8 | -6 | $P_{\text{REFSENS}} + x$ dB* | CW carrier |
| E-UTRA Band 69 | 2570 - 2620 | +16 | +8 | -6 | $P_{\text{REFSENS}} + x$ dB | CW carrier |
| E-UTRA Band 70 or NR band n70 | 1995 - 2020 | +16 | +8 | -6 | $P_{\text{REFSENS}} + x$ dB | CW carrier |
| E-UTRA Band 71 or or NR band n71 | 617 - 652 | +16 | +8 | -6 | $P_{\text{REFSENS}} + x$ dB | CW carrier |
| E-UTRA Band 72 | 461 - 466 | +16 | +8 | -6 | $P_{\text{REFSENS}} + x$ dB | CW carrier |
| E-UTRA Band 73 | 460 - 465 | +16 | +8 | -6 | $P_{\text{REFSENS}} + x$ dB | CW carrier |
| E-UTRA Band 74 or NR band n74 | 1475 - 1518 | +16 | +8 | -6 | $P_{\text{REFSENS}} + x$ dB | CW carrier |
| E-UTRA Band 75 or or NR band n75 | 1432 - 1517 | +16 | +8 | -6 | $P_{\text{REFSENS}} + x$ dB | CW carrier |
| E-UTRA Band 76 or or NR band n76 | 1427 - 1432 | N/A | N/A | -6 | $P_{\text{REFSENS}} + x$ dB | CW carrier |
| NR band n77 | 3300 - 4200 | +16 | +8 | -6 | $P_{\text{REFSENS}} + x$ dB | CW carrier |
| NR band n78 | 3300 - 3800 | +16 | +8 | -6 | $P_{\text{REFSENS}} + x$ dB | CW carrier |
| NR band n79 | 4400 - 5000 | +16 | +8 | -6 | $P_{\text{REFSENS}} + x$ dB | CW carrier |
| E-UTRA Band 85 | 728 - 746 | +16 | +8 | -6 | $P_{\text{REFSENS}} + x$ dB | CW carrier |

NOTE 1: P_{REFSENS} depends on the BS class and the channel bandwidth, see subclause 7.2. "x" is equal to 6 in case of E-UTRA wanted signals.

NOTE 2: Except for a *TAB connector* operating in Band 13, these requirements do not apply when the interfering signal falls within any of the supported *uplink operating band* or in the 10 MHz immediately outside any of the supported *uplink operating band*.
For a *TAB connector* operating in band 13 the requirements do not apply when the interfering signal falls within the frequency range 768-797MHz.

NOTE 3: Some combinations of bands may not be possible to co-site based on the requirements above. The current state-of-the-art technology does not allow a single generic solution for co-location of UTRA TDD or E-UTRA TDD with E-UTRA FDD on adjacent frequencies for 30 dB BS-BS minimum coupling loss. However, there are certain site-engineering solutions that can be used. These techniques are addressed in 3GPP TR 25.942 [21].

NOTE 4: In China, the blocking requirement for co-location with DCS1800 and Band III BS is only applicable in the frequency range 1805-1850 MHz.

NOTE 5: For a *TAB connector* operating in band 11 or 21, this requirement applies for interfering signal within the frequency range 1475.9-1495.9 MHz.

NOTE 6: Co-located TDD base stations that are synchronized and using the same or adjacent operating band can receive without special co-location requirements. For unsynchronized base stations, special co-location requirements may apply that are not covered by the 3GPP specifications.

Table 7.5.5.4.2-2: Void

Table 7.5.5.4.2-3: Void

7.6 Receiver spurious emissions

7.6.1 Definition and applicability

The receiver spurious emissions power is the power of emissions generated or amplified in a receiver unit that appear at the *TAB connector*. The requirements apply to all AAS BS with separate RX and TX *TAB connectors*.

NOTE: In this case for FDD AAS BS the test is performed when both TX and RX are on, with the TX *TAB connector* terminated.

For a *TAB connector* supporting both RX and TX in TDD, the requirements apply during the *transmitter OFF period*. For a *TAB connector* supporting both RX and TX in FDD, the receiver spurious requirements are superseded by the TX spurious requirements in 3GPP TS 37.105 [8], subclause 6.6.6.

For RX only *multi-band TAB connector(s)*, the RX spurious emissions requirements are subject to exclusion zones in each supported operating band. For *multi-band TAB connector(s)* that both transmit and receive in operating bands supporting TDD, RX spurious emissions requirements are applicable during the TX OFF period, and are subject to exclusion zones in each supported operating band. The unwanted emission level limit of a *TAB connector RX min cell group* is in general defined by the unwanted emission *basic limit* which is the same as the corresponding applicable *Non-AAS BS* per transmitter requirement specified in [3], [4], or [5], and its scaling by $N_{\text{RXU, counted per cell}}$. The *basic limits* and corresponding scaling are defined in each relevant subclause. The receiver spurious emission requirements are applied per the *TAB connector RX min cell groups* for all the configurations supported by the AAS BS.

7.6.2 Minimum Requirement

The minimum requirement for MSR operation is in 3GPP TS 37.105 [8], subclause 7.6.2.

The minimum requirement for single RAT UTRA operation is defined in 3GPP TS 37.105 [8], subclause 7.6.3.

The minimum requirement for single RAT E-UTRA operation is defined in 3GPP TS 37.105 [8], subclause 7.6.4.

7.6.3 Test Purpose

The test purpose is to verify the ability of the AAS BS to limit the interference caused by receiver spurious emissions to other systems.

7.6.4 Method of test

7.6.4.1 Initial conditions

Test environment:

- normal; see clause B.2

RF channels to be tested for single carrier:

- M; see subclause 4.12.1.

Base Station RF Bandwidth positions to be tested for multi-carrier:

- M_{RFBW} in single-band operation, see subclause 4.12.1, $B_{\text{RFBW}} \cdot T_{\text{RFBW}}$ and $B'_{\text{RFBW}} \cdot T_{\text{RFBW}}$ in multi-band operation, see subclause 4.12.1.

7.6.4.2 Procedure

7.6.4.2.1 General procedure

The general procedure steps apply to the procedures for all the RATs.

The minimum requirement is applied to all *TAB connectors* described in subclause 7.6.1, they may be tested one at a time or multiple *TAB connectors* may be tested in parallel as shown in annex D.2.4. Whichever method is used the procedure is repeated until all *TAB connectors* necessary to demonstrate conformance have been tested; see subclause 7.1.

- 1) Connect *TAB connector* to measurement equipment as shown in annex D.2.4. All *TAB connectors* not under test shall be terminated.

7.6.4.2.2 MSR operation

- 1) Set the measurement equipment parameters as specified in table 7.6.5.2.1-1.
- 2) Set the transmitter unit associated with the *TAB connector* under test to transmit with the carrier set-up and power allocation according to the applicable test configuration(s), see clause 5.
- 3) Measure the spurious emissions over each frequency range described in subclause 7.6.5.2.1.

In addition, for *multi-band TAB connector(s)*, the following steps shall apply:

- 4) For *multi-band TAB connectors* and single band tests, repeat the steps above per involved band where single band test configurations and test models shall apply with no carrier activated in the other band.

7.6.4.2.3 Single RAT UTRA FDD operation

- 1) For *TAB connector(s)* capable of single carrier operation only, set each *TAB connector* declared in the same RAT and operating band to transmit a signal according to TM1, (subclause 4.12.2), at the manufacturer's declared rated output power, $P_{\text{Rated,c,TABC}}$.

For *TAB connector(s)* declared to be capable of multi-carrier operation, set each *TAB connector* declared in the same RAT and operating band to transmit a signal according to TM1 on all carriers configured, using the applicable test configuration and corresponding power setting for receiver tests, as specified in subclause 4.11.

- 2) Set measurement equipment parameters as specified in table 7.6.4.2.3-1.
- 3) Measure the spurious emissions over each frequency range described in clause 7.6.5.2.2

Table 7.6.4.2.3-1: Measurement equipment parameters

| | |
|--------------------------------------|---|
| Measurement Band width | 3.84 MHz (Root raised cosine,0.22) / 100 kHz/ 1 MHz (note) |
| Sweep frequency range | 30 MHz to 12.75GHz |
| Detection | True RMS |
| NOTE: As defined in subclause 7.6.2. | |

In addition, for *multi-band TAB connector(s)*, the following steps shall apply:

- 4) For *multi-band TAB connectors* and single band tests, repeat the steps above per involved band where single band test configurations and test models shall apply with no carrier activated in the other band.

7.6.4.2.4 Single RAT UTRA TDD 1,28Mcps option operation

- 1) For *TAB connector(s)* capable of single carrier operation only, set each *TAB connector* declared in the same RAT and operating band to transmit a signal according to table 7.6.4.2.4-1, at the manufacturer's declared rated output power, $P_{\text{Rated,c,TABC}}$.

For *TAB connector(s)* declared to be capable of multi-carrier operation, set each *TAB connector* declared in the same RAT and operating band to transmit a signal according to table 7.6.4.2.4-1 on all carriers configured, using the applicable test configuration and corresponding power setting for receiver tests, as specified in subclause 4.11.

Table 7.6.4.2.4-1: Parameters of the transmitted signal for Rx spurious emissions test for 1,28 Mcps TDD

| Parameter | Value/description |
|---|---|
| TDD Duty Cycle | TS i ; $i = 0, 1, 2, \dots, 6$: transmit, if i is 0,4,5,6; receive, if i is 1,2,3. |
| Time slots under test | TS1, TS2 and TS3 |
| Number of DPCH in each time slot under test | 8 |
| Power of each DPCH | 1/8 of Base Station output power |
| Data content of DPCH | real life (sufficient irregular) |

- 2) Measure the power of the spurious emissions by applying the measuring equipment with the settings as specified in table 7.6.4.2.4-2. The characteristics of the measurement filter with the bandwidth 1,28 MHz shall be RRC with roll-off $\alpha = 0,22$. The characteristics of the measurement filters with bandwidths 100 kHz and 1 MHz shall be approximately Gaussian (typical spectrum analyzer filter). The centre frequency of the filters shall be stepped in contiguous steps over the frequency bands as specified in table 7.6.4.2.4-2. The time duration of each step shall be sufficiently long to capture one even (transmit) time slot.

In addition, for *multi-band TAB connector(s)*, the following steps shall apply:

- 3) For *multi-band TAB connectors* and single band tests, repeat the steps above per involved band where single band test configurations and test models shall apply with no carrier activated in the other band.

Table 7.6.4.2.4-2: Measurement equipment settings

| Stepped frequency range | Measurement bandwidth | Step width | Note | Detection mode |
|-------------------------|-----------------------|------------|---|----------------|
| 30 MHz - 1 GHz | 100 kHz | 100 kHz | With the exception of frequencies between 4 MHz below the first carrier frequency and 4 MHz above the last carrier frequency used by the BS | true RMS |
| 1 GHz - 1,880 GHz | 1 MHz | 1 MHz | | |
| 1,880 GHz - 1,980 GHz | 1,28 MHz | 200 kHz | | |
| 1,980 GHz - 2,010 GHz | 1 MHz | 1 MHz | | |
| 2,010 GHz - 2,025 GHz | 1,28 MHz | 200 kHz | | |
| 2,025 - 2,300 GHz | 1 MHz | 1 MHz | | |
| 2,300 GHz - 2,400 GHz | 1,28 MHz | 200 kHz | | |
| 2,400 GHz - 2,500 GHz | 1 MHz | 1 MHz | | |
| 2,500 GHz - 2,620 GHz | 1,28 MHz | 200 kHz | | |
| 2,620 GHz - 12,75 GHz | 1 MHz | 1 MHz | | |

7.6.4.2.5 Single RAT E-UTRA operation

- 1) Set the measurement equipment parameters as specified in table 7.6.5.2.5-1.
- 2) Set the *TAB connector(s)* to transmit with the carrier set-up and power allocation according to the applicable test configuration(s), see clause 5.
- 3) Measure the spurious emissions over each frequency range described in subclause 7.6.5.2.4.

In addition, for *multi-band TAB connector(s)*, the following steps shall apply:

- 4) For *multi-band TAB connectors* and single band tests, repeat the steps above per involved band where single band test configurations and test models shall apply with no carrier activated in the other band.

7.6.5 Test Requirements

7.6.5.1 General

Conformance may be shown to either the measure and sum test requirement or the per *TAB connector* test requirement.

- 1) The spurious emission test requirements for an AAS BS when using the measure and sum alternative are that for each *TAB connector RX cell group* and each applicable *basic limit* as specified in subclause 7.6.5.2, the power

summation of emissions at the *TAB connectors* of the *TAB connector RX cell group* shall not exceed a limit specified as the *basic limit* + X, where $X = 10\log_{10}(N_{RXU, \text{countedpercell}})$, unless stated differently in regional regulation.

- 2) The spurious emission test requirements for an AAS BS when using the per *TAB connector* alternative are that for each *TAB connector RX cell group* and each applicable *basic limit* as specified in subclause 7.6.5.2, the emissions at each of the *TAB connectors* of the *TAB connector RX cell group* shall not exceed a limit specified as the *basic limit* + X - 10log(n) where n is the number of *TAB connectors* in the *TAB connector RX cell group* and $X = 10\log_{10}(N_{RXU, \text{countedpercell}})$, unless stated differently in regional regulation.

7.6.5.2 Basic limits

7.6.5.2.1 MSR operation

The basic limit for MSR operation is given below:

Table 7.6.5.2.1-1: General spurious emission test requirement

| Frequency range | Maximum level | Measurement Bandwidth | Notes |
|---|---------------|-----------------------|---|
| 30 MHz - 1 GHz | -57 dBm | 100 kHz | |
| 1 GHz - 12.75 GHz | -47 dBm | 1 MHz | |
| 12.75 GHz - 5 th harmonic of the upper frequency edge of the UL operating band in GHz | -47 dBm | 1 MHz | Applies only for Bands 22, 42, 43 and 48. |
| NOTE: The frequency range from $F_{BW_{RF,DL,low}} - \Delta f_{OBUE}$ to $F_{BW_{RF,DL,high}} + \Delta f_{OBUE}$ may be excluded from the requirement. For BS capable of multi-band operation, the exclusion applies for all supported operating bands. For BS capable of multi-band operation where multiple bands are mapped on separate antenna connectors, the single-band requirements apply and the excluded frequency range is only applicable for the operating band supported on each antenna connector. | | | |

In addition to the *basic limits* in table 7.6.5.2.1-1, Additional spurious emissions requirements in subclause 6.6.6.5.2.5 form *basic limits* for additional receiver spurious emission requirements.

In case of FDD BS (for BC1 and BC2), the levels specified for Protection of the BS receivers of own or different BS in subclause 6.6.6.5.2.4, form basic levels for additional receiver spurious emission requirements.

In addition, the requirements for co-location with other base stations specified in subclause 6.6.6.5.2.6, may also form basic levels for co-location spurious emission requirements.

7.6.5.2.2 Single RAT UTRA FDD operation

The basic limit for UTRA FDD operation is given below:

For *multi-band TAB connectors*, the exclusions and conditions in the Notes column of table 7.6.5.2.1-1 apply for each supported operating band. For BS capable of multi-band operation where multiple bands are mapped on separate antenna connectors, the single-band requirements apply and the excluded frequency range is only applicable for the operating band supported on each antenna connector.

Table 7.6.5.2.2-1: Spurious emission minimum requirement

| Band | Maximum level | Measurement Bandwidth | Notes |
|--|---------------|-----------------------|--|
| 30 MHz - 1 GHz | -57 dBm | 100 kHz | With the exception of frequencies between 12.5 MHz below the first carrier frequency and 12.5 MHz above the last carrier frequency transmitted used by the BS. |
| 1 GHz - 12.75 GHz | -47 dBm | 1 MHz | With the exception of frequencies between 12.5 MHz below the first carrier frequency and 12.5 MHz above the last carrier frequency transmitted used by the BS. |
| 12.75 GHz - 5 th harmonic of the upper frequency edge of the UL operating band in GHz | -47 dBm | 1 MHz | NOTE: Applies only for Band XXII |

In addition to the requirements in table 7.6.5.2.2-1, the power of any spurious emission shall not exceed the levels specified for Protection of the BS receiver of own or different BS in clause 6.6.6.5.2.4 and for Co-existence with other systems in the same geographical area in clause 6.6.6.5.2.5 and 6.6.6.5.2.6. In addition, the co-existence requirements for co-located base stations specified in clause 6.5.3.7.5 and 6.5.3.7.8.2 may also be applied.

NOTE: If the above Test Requirement differs from the Minimum Requirement then the Test Tolerance applied for this test is non-zero. The Test Tolerance for this test is defined in subclause 4.1.2 and the explanation of how the Minimum Requirement has been relaxed by the Test Tolerance is given in annex C.

7.6.5.2.3 Single RAT UTRA TDD 1,28Mcps option operation

The basic limits for UTRA TDD operation are given below:

Table 7.6.5.2.3-1: General receiver spurious emission minimum requirements

| Band | Maximum level | Measurement Bandwidth | Note |
|-------------------|---------------|-----------------------|--|
| 30 MHz - 1 GHz | -57 dBm | 100 kHz | |
| 1 GHz - 12.75 GHz | -47 dBm | 1 MHz | With the exception of frequencies between 4 MHz below the first carrier frequency and 4 MHz above the last carrier frequency used by the BS. |

In addition to the requirements in table 7.6.5.2.3-1, the power of any spurious emission shall not exceed the levels specified for Co-existence with other systems in the same geographical area in subclause 6.6.6.5.2.4. In addition, the co-existence requirements for co-located base stations specified in subclause 6.6.6.5.2.5 and 6.6.6.5.2.6 may also be applied.

NOTE: If the above Test Requirement differs from the Minimum Requirement then the Test Tolerance applied for this test is non-zero. The Test Tolerance for this test is defined in subclause 4.1.2 and the explanation of how the Minimum Requirement has been relaxed by the Test Tolerance is given in annex C.

7.6.5.2.4 Single RAT E-UTRA operation

The basic limit for E-UTRA operation is given below:

Table 7.6.5.2.4-1: General spurious emission test requirement

| Frequency range | Maximum level | Measurement Bandwidth | Note |
|---|---------------|-----------------------|---|
| 30 MHz - 1 GHz | -57 dBm | 100 kHz | |
| 1 GHz - 12.75 GHz | -47 dBm | 1 MHz | |
| 12.75 GHz - 5 th harmonic of the upper frequency edge of the UL operating band in GHz | -47 dBm | 1 MHz | Applies only for Bands 22, 42, 43 and 48. |
| NOTE: The frequency range from $F_{BW\ RF,DL,low} - \Delta f_{OBUE}$ to $F_{BW\ RF,DL,high} + \Delta f_{OBUE}$ may be excluded from the requirement. For a <i>multi-band TAB connector</i> , the exclusion applies for all supported operating bands. | | | |

In addition to the requirements in table 7.6.5.2.4-1, the power of any spurious emission shall not exceed the additional spurious emissions requirements in subclause 6.6.6.5.2.5 and in case of a *TAB connector* operating FDD (for BC1 and BC2) emission shall not exceed the levels specified for protection of the BS receivers of own or different BS in subclause 6.6.6.5.2.4. In addition, the requirements for co-location with other Base Stations specified in subclause 6.6.6.5.2.6 may also be applied.

NOTE: If the above Test Requirement differs from the Minimum Requirement then the Test Tolerance applied for this test is non-zero. The Test Tolerance for this test is defined in subclause 4.1.2 and the explanation of how the Minimum Requirement has been relaxed by the Test Tolerance is given in annex C.

7.7 Receiver intermodulation

7.7.1 Definition and applicability

Third and higher order mixing of the two interfering RF signals can produce an interfering signal in the band of the desired channel. Intermodulation response rejection is a measure of the capability of the receiver unit to receive a wanted signal on its assigned channel frequency in the presence of two interfering signals which have a specific frequency relationship to the wanted signal. The requirement applies per *TAB connector*.

7.7.2 Minimum requirement

The minimum requirement for MSR operation is defined in 3GPP TS 37.105 [8], subclause 7.7.2.

The single RAT UTRA FDD AAS BS of Wide Area BS class shall fulfil minimum requirements for receiver intermodulation specified in 3GPP TS 25.104 [9], subclause 7.6.1.

The single RAT UTRA FDD AAS BS of Medium Range BS class shall fulfil minimum requirements for receiver intermodulation specified in 3GPP TS 25.104 [9], subclause 7.6.1.

The single RAT UTRA FDD AAS BS of Local Area BS class shall fulfil minimum requirements for receiver intermodulation specified in 3GPP TS 25.104 [9], subclause 7.6.1.

The single RAT UTRA TDD AAS BS of Wide Area BS class shall fulfil minimum requirements for receiver intermodulation specified in 3GPP TS 25.105 [10], subclause 7.6.1.2.

The single RAT UTRA TDD AAS BS of Local Area BS class shall fulfil minimum requirements for receiver intermodulation specified in 3GPP TS 25.105 [10], subclause 7.6.1.2.

The single RAT E-UTRA AAS BS of Wide Area BS class shall fulfil minimum requirements for receiver intermodulation specified in 3GPP TS 36.104 [11], subclause 7.8.

The single RAT E-UTRA AAS BS of Medium Range BS class shall fulfil minimum requirements for receiver intermodulation specified in 3GPP TS 36.104 [11], subclause 7.8.

The single RAT E-UTRA AAS BS of Local Area BS class shall fulfil minimum requirements for receiver intermodulation specified in 3GPP TS 36.104 [11], subclause 7.8.

7.7.3 Test purpose

The test purpose is to verify the ability of the receiver unit associated with the *TAB connector* under test to inhibit the generation of intermodulation products in its non-linear elements caused by the presence of two high-level interfering signals at frequencies with a specific relationship to the frequency of the wanted signal.

7.7.4 Method of test

7.7.4.1 Initial conditions

Test environment:

- Normal; see clause B.2.

RF channels to be tested for single carrier (SC):

- M; see subclause 4.12.1

Base Station RF Bandwidth positions to be tested:

- For *single-band TAB connector(s)*: M_{RFBW} if ATC4 is applicable; B_{RFBW} and T_{RFBW} for other ATC, see subclause 4.12.1. For *multi-band TAB connector(s)*: $B_{RFBW_T'_{RFBW}}$ and $B'_{RFBW_T_{RFBW}}$, see subclause 4.12.1.

7.7.4.2 Procedure

7.7.4.2.1 General procedure

The general procedure steps apply to the procedures for all the RATs.

The minimum requirement is applied to all *TAB connectors*, the procedure is repeated until all *TAB connectors* necessary to demonstrate conformance have been tested; see subclause 7.1.

- 1) Connect *TAB connector* to measurement equipment as shown in annex D.2.6. All *TAB connectors* not under test shall be terminated.
- 2) Generate the wanted signal according to the applicable test configuration (see clause 5) using applicable reference measurement channel to the *TAB connector* under test as follows:
 - For E-UTRA see clause A.1 in 3GPP TS 36.141 [17].
 - For UTRA FDD see clause A.2 in 3GPP TS 25.141 [18].
 - For UTRA TDD see subclause A.2.1 in 3GPP TS 25.142 [20].
 - For NR, see subclause [4.11]
- 3) Set the transmitter unit associated with the *TAB connector* under test to transmit with the carrier set-up and power allocation according to the applicable test configuration(s) (see clause 5).

7.7.4.2.2 MSR operation

7.7.4.2.2.1 Procedure for general and narrowband intermodulation

- 1) Adjust the signal generators to the type of interfering signals, levels and the frequency offsets as specified in table 7.7.5.1.1-1 and Table 7.7.5.1.1-2 for general intermodulation requirement, and Table 7.7.5.2.1-1 and Table 7.7.5.2.1-2 for narrowband intermodulation requirement.
- 2) Measure the performance of the wanted signal at the receiver unit associated with the *TAB connector* under test, as defined in subclause 7.7.5.1.1 and 7.7.5.1.2, for the relevant carriers specified by the test configuration in clause 5.

In addition, for *multi-band TAB connector(s)*, the following steps shall apply:

- 3) For *multi-band TAB connectors* and single band tests, repeat the steps above per involved band where single band test configurations and test models shall apply with no carrier activated in the other band.

7.7.4.2.3 Single RAT UTRA FDD operation

- 1) Generate the wanted signal (reference signal) and adjust ATT1 to set the signal level to the *TAB connector* under test to the level specified in table 7.7.5.2-1. For a *TAB connector* supporting multi-carrier operation, generate the wanted signal according to the applicable test configuration (see clause 4.11) using applicable reference measurement channel to the *TAB connector* under test. Power settings are specified in table 7.7.5.2-1.
- 2) Adjust the signal generators to the type of interfering signals and the frequency offsets as specified in tables 7.7.5.2-1 and 7.7.5.2-2. Note that the GMSK modulated interfering signal shall have an ACLR of at least 72 dB in order to eliminate the impact of interfering signal adjacent channel leakage power on the intermodulation characteristics measurement.
- 3) Adjust the ATT2 and ATT3 to obtain the specified level of interfering signal at the *TAB connector*.
- 4) Measure the BER of the wanted signal. For a *TAB connector* supporting multi-carrier operation the BER shall be measured for all relevant carriers specified by the test configuration.

In addition, for *multi-band TAB connector(s)*, the following steps shall apply:

- 5) For *multi-band TAB connectors* and single band tests, repeat the steps above per involved band where single band test configurations and test models shall apply with no carrier activated in the other band.

7.7.4.2.4 Single RAT UTRA TDD 1,28Mcps option operation

- 1) Start transmission from the BS tester to the *TAB connector* using the UL reference measurement channel (12,2 kbps) defined in subclause A.2.1 of 3GPP TS 25.142 [20]. For a *TAB connector* supporting multi-carrier operation, generate the wanted signal using the applicable test configuration specified in subclause 4.11, and the UL reference measurement channel in subclause A.2.1 of 3GPP TS 25.142 [20] shall be used on all carriers for the *TAB connector* under test. The level of the UE simulator signal measured at the *TAB connector* shall be set to 6 dB above the reference sensitivity level specified in subclause 7.2.2.
- 2) Set the first signal generator to produce a CW signal with a level measured at the *TAB connector* as specified in table 7.7.5.3-1.
- 3) Set the second signal generator to produce an interfering signal equivalent to a wideband CDMA signal with one code of chip frequency 1,28 MHz, filtered by an RRC transmit pulse-shaping filter with roll-off $\alpha = 0,22$. The level of the signal measured at the *TAB connector* shall be set as specified in table 7.7.5.3-1.
- 4) Measure the BER of the wanted signal.

In addition, for *multi-band TAB connector(s)*, the following steps shall apply:

- 5) For *multi-band TAB connectors* and single band tests, repeat the steps above per involved band where single band test configurations and test models shall apply with no carrier activated in the other band.

7.7.4.2.5 Single RAT E-UTRA operation

- 1) Generate the wanted signal using the applicable test configuration specified in clause 5 and adjust the signal level to the *TAB connector* under test to the level specified in table 7.7.5.4-1.
- 2) Adjust the signal generators to the type of interfering signals, levels and the frequency offsets as specified in table 7.7.5.4-2 for intermodulation requirement and Table 7.7.5.4-3, Table 7.7.5.4-4 and Table 7.7.5.4-5 for narrowband intermodulation requirement.
- 3) Adjust the signal generators to obtain the specified level of interfering signal at the *TAB connector*.
- 4) Measure the throughput, for multi-carrier and/or CA operation the throughput shall be measured for relevant carriers specified by the test configuration specified in clause 5.

In addition, for *multi-band TAB connector(s)*, the following steps shall apply:

- 5) For *multi-band TAB connectors* and single band tests, repeat the steps above per involved band where single band test configurations and test models shall apply with no carrier activated in the other band.

7.7.5 Test requirements

7.7.5.1 MSR operation

7.7.5.1.1 General intermodulation test requirement

Interfering signals shall be a CW signal and an E-UTRA or UTRA signal, as specified in annex A of 3GPP TS 37.141 [16].

The requirement is applicable outside the *Base Station RF Bandwidth* or *Maximum Radio Bandwidth*. The interfering signal offset is defined relative to the *Base Station RF Bandwidth edges* or *Maximum Radio Bandwidth edges*.

For *multi-band TAB connector*, the requirement applies in addition inside any *Inter RF Bandwidth gap*, in case the gap size is at least twice as wide as the UTRA/E-UTRA interfering signal centre frequency offset from the RF bandwidth edge. The interfering signal offset is defined relative to the *Base Station RF Bandwidth edges* inside the *Inter RF Bandwidth gap*.

For the wanted signal at the assigned channel frequency and two interfering signals coupled to the *TAB connector*, using the parameters in table 7.7.5.1.1-1 and 7.7.5.1.1-2, the following requirements shall be met:

- For any measured E-UTRA carrier, the throughput shall be ≥ 95 % of the *maximum throughput* of the reference measurement channel defined in subclause 7.2.5.3.
- For any measured UTRA FDD carrier, the BER shall not exceed 0.001 for the reference measurement channel defined in subclause 7.2.5.1.
- For any measured UTRA TDD carrier, the BER shall not exceed 0.001 for the reference measurement channel defined in subclause 7.2.5.2.
- For any NR carrier, the throughput shall be ≥ 95 % of the maximum throughput of the reference measurement channel defined in TS 38.104 [36], subclause 7.2.

Table 7.7.5.1.1-1: General intermodulation requirement

| Base Station Type | Mean power of interfering signals (dBm) | Wanted Signal mean power (dBm) | Type of interfering signal |
|---|---|--|----------------------------|
| Wide Area BS | -48 +y (Note 6) | P _{REFSENS} +x dB (Note 2, 5) | See Table 7.7.5.1.1-2 |
| Medium Range BS | -44 +y (Note 6) | P _{REFSENS} +x dB (Note 3, 5) | |
| Local Area BS | -38 +y (Note 6) | P _{REFSENS} +x dB (Note 4, 5) | |
| NOTE 1: P _{REFSENS} depends on the RAT, the BS class and on the channel bandwidth, see subclause 7.2. | | | |
| NOTE 2: For WA BS not supporting NR, "x" is equal to 6 | | | |
| NOTE 3: For MR BS not supporting NR, "x" is equal to 6 in case of UTRA wanted signals, 9 in case of E-UTRA wanted signals. | | | |
| NOTE 4: For LA BS not supporting NR, "x" is equal to 12 in case of E-UTRA wanted signals, 6 in case of UTRA wanted signals. | | | |
| NOTE 5: For a BS that transmits NR in some configurations and does not transmit UTRA in any configuration, x is equal to 6. | | | |
| NOTE 6: For a BS not supporting NR, "y" is equal to zero for all BS classes. For a BS supporting NR and not supporting UTRA; "y" is equal to -4 for the WA BS class, -3 for the MR BS class and -6 for the LA BS class. | | | |

Table 7.7.5.1.1-2: Interfering signals for intermodulation requirement

| RAT of the carrier adjacent to the upper/lower Base Station RF Bandwidth edge | Interfering signal centre frequency offset from the Base Station RF Bandwidth edge [MHz] | Type of interfering signal |
|---|--|----------------------------|
| E-UTRA 1.4 MHz | ± 2.0 (BC1 and BC3) / ± 2.1 (BC2) | CW |
| | ± 4.9 | 1.4MHz E-UTRA signal |
| E-UTRA 3 MHz | ± 4.4 (BC1 and BC3) / ± 4.5 (BC2) | CW |
| | ± 10.5 | 3MHz E-UTRA signal |
| UTRA FDD and E-UTRA 5 MHz | ± 7.5 | CW |
| | ± 17.5 | 5MHz E-UTRA signal |
| E-UTRA 10 MHz | ± 7.375 | CW |
| | ± 17.5 | 5MHz E-UTRA signal |
| E-UTRA 15 MHz | ± 7.25 | CW |
| | ± 17.5 | 5MHz E-UTRA signal |
| E-UTRA 20 MHz | ± 7.125 | CW |
| | ± 17.5 | 5MHz E-UTRA signal |
| 1.28 Mcps UTRA TDD | ± 2.3 (BC3) | CW |
| | ± 5.6 (BC3) | 1.28Mcps UTRA TDD signal |
| NR 5 MHz | $[\pm 7.5]$ | CW |
| | $[\pm 17.5]$ | 5MHz E-UTRA signal |
| NR 10 MHz | $[\pm 7.45]$ | CW |
| | $[\pm 17.5]$ | 5MHz E-UTRA signal |
| NR 15 MHz | $[\pm 7.43]$ | CW |
| | $[\pm 17.5]$ | 5MHz E-UTRA signal |
| NR 20 MHz | $[\pm 7.38]$ | CW |
| | $[\pm 17.5]$ | 5MHz E-UTRA signal |
| NR 25 MHz | $[\pm 7.45]$ | CW |
| | $[\pm 25]$ | 20MHz E-UTRA signal |
| NR 30 MHz | $[\pm 7.43]$ | CW |
| | $[\pm 25]$ | 20MHz E-UTRA signal |
| NR 40 MHz | $[\pm 7.45]$ | CW |
| | $[\pm 25]$ | 20MHz E-UTRA signal |
| NR 50 MHz | $[\pm 7.35]$ | CW |
| | $[\pm 25]$ | 20MHz E-UTRA signal |
| NR 60 MHz | $[\pm 7.49]$ | CW |
| | $[\pm 25]$ | 20MHz E-UTRA signal |
| NR 70 MHz | $[\pm 7.42]$ | CW |
| | $[\pm 25]$ | 20MHz E-UTRA signal |
| NR 80 MHz | $[\pm 7.44]$ | CW |
| | $[\pm 25]$ | 20MHz E-UTRA signal |
| NR 90 MHz | $[\pm 25]$ | CW |
| | $[\pm 7.43]$ | 20MHz E-UTRA signal |
| NR 100 MHz | $[\pm 7.45]$ | CW |
| | $[\pm 25]$ | 20MHz E-UTRA signal |

7.7.5.1.2 General narrowband intermodulation test requirement

Interfering signals shall be a CW signal and an E-UTRA 1RB signal, as specified in annex A of 3GPP TS 37.141 [16].

The requirement is applicable outside the *Base Station RF Bandwidth* or maximum *Radio Bandwidth*. The interfering signal offset is defined relative to the *Base Station RF bandwidth edges* or maximum *Radio Bandwidth edges*.

For a *TAB connector* operating in non-contiguous spectrum within each supported operating band, the requirement applies in addition inside any *sub-block gap* in case the *sub-block gap* is at least as wide as the channel bandwidth of the E-UTRA interfering signal in table 7.7.5.1.2-2. The interfering signal offset is defined relative to the sub-block edges inside the gap.

For a *multi-band TAB connector*, the requirement applies in addition inside any *Inter RF Bandwidth gap* in case the gap size is at least as wide as the E-UTRA interfering signal in table 7.7.5.1.2-2. The interfering signal offset is defined relative to the RF bandwidth edges inside the *Inter RF Bandwidth gap*.

For the wanted signal at the assigned channel frequency and two interfering signals coupled to the Base Station antenna input, using the parameters in table 7.7.5.2-1 and 7.7.5.2-2, the following requirements shall be met:

- For any measured E-UTRA carrier, the throughput shall be $\geq 95\%$ of the *maximum throughput* of the reference measurement channel defined in subclause 7.2.5.3.
- For any NR carrier, the throughput shall be $\geq 95\%$ of the maximum throughput of the reference measurement channel defined in TS 38.104 [36], subclause 7.2.5.4.
- For any measured UTRA FDD carrier, the BER shall not exceed 0.001 for the reference measurement channel defined in subclause 7.2.5.1.
- For any measured UTRA TDD carrier, the BER shall not exceed 0.001 for the reference measurement channel defined in subclause 7.2.5.2.

Table 7.7.5.1.2-1: General narrowband intermodulation requirement

| Base Station Type | Mean power of interfering signals (dBm) | Wanted Signal mean power (dBm) | Type of interfering signal |
|--|---|------------------------------------|----------------------------|
| Wide Area BS | -52 | $P_{\text{REFSENS}} + x$ dB (Note) | See Table 7.7.5.1.2-2 |
| Medium Range BS | -47 | | |
| Local Area BS | -44 | | |
| NOTE: P_{REFSENS} depends on the RAT, the BS class and on the channel bandwidth, see subclause 7.2 in 3GPP TS 37.104 [12]. "x" is equal to 6 in case of NR, E-UTRA or UTRA wanted signals. | | | |

Table 7.7.5.1.2-2: Interfering signals for narrowband intermodulation requirement

| RAT of the carrier adjacent to the upper/lower Base Station RF Bandwidth edge or sub-block edge | CW or 1RB interfering signal centre frequency offset from the Base Station RF Bandwidth edge or sub-block edge inside a gap [kHz] | Type of interfering signal |
|---|---|--------------------------------------|
| E-UTRA 1.4 MHz | ± 260 (BC1 and BC3) / ± 270 (BC2) | CW |
| | ± 970 (BC1 and BC3) / ± 790 (BC2) | 1.4 MHz E-UTRA signal, 1 RB (NOTE 1) |
| E-UTRA or E-UTRA 3 MHz | ± 260 (BC1 and BC3) / ± 270 (BC2) | CW |
| | ± 960 (BC1 and BC3) / ± 780 (BC2) | 3.0 MHz E-UTRA signal, 1 RB (NOTE 1) |
| E-UTRA 5 MHz | ± 360 | CW |
| | ± 1060 | 5 MHz E-UTRA signal, 1 RB (NOTE 1) |
| E-UTRA 10 MHz (NOTE 2) | ± 325 | CW |
| | ± 1240 | 5 MHz E-UTRA signal, 1 RB (NOTE 1) |
| E-UTRA 15 MHz (NOTE 2) | ± 380 | CW |
| | ± 1600 | 5MHz E-UTRA signal, 1 RB (NOTE 1) |
| E-UTRA 20 MHz (NOTE 2) | ± 345 | CW |
| | ± 1780 | 5MHz E-UTRA signal, 1 RB (NOTE 1) |

| | | |
|---|--------------------------|--------------------------------------|
| UTRA FDD | ± 345 (BC1 and BC2) | CW |
| | ± 1780 (BC1 and BC2) | 5MHz E-UTRA signal, 1 RB (NOTE 1) |
| 1.28Mcps UTRA TDD | ± 190 (BC3) | CW |
| | ± 970 (BC3) | 1.4 MHz E-UTRA signal, 1 RB (NOTE 1) |
| NR 5 MHz | $[\pm 360]$ | CW |
| | $[\pm 1420]$ | E-UTRA signal, 1 RB (NOTE 1) |
| NR 10 MHz | $[\pm 325]$ | CW |
| | $[\pm 1780]$ | E-UTRA signal, 1 RB (NOTE 1) |
| NR 15 MHz (Note 2) | $[\pm 380]$ | CW |
| | $[\pm 1600]$ | E-UTRA signal, 1 RB (NOTE 1) |
| NR 20 MHz (Note 2) | $[\pm 345]$ | CW |
| | $[\pm 1780]$ | E-UTRA signal, 1 RB (NOTE 1) |
| NR 25 MHz (Note 2) | $[\pm 325]$ | CW |
| | $[\pm 1990]$ | E-UTRA signal, 1 RB (NOTE 1) |
| NR 30 MHz (Note 2) | $[\pm 320]$ | CW |
| | $[\pm 1990]$ | E-UTRA signal, 1 RB (NOTE 1) |
| NR 40 MHz (Note 2) | $[\pm 310]$ | CW |
| | $[\pm 2710]$ | E-UTRA signal, 1 RB (NOTE 1) |
| NR 50 MHz (Note 2) | $[\pm 330]$ | CW |
| | $[\pm 3250]$ | E-UTRA signal, 1 RB (NOTE 1) |
| NR 60 MHz (Note 2) | $[\pm 350]$ | CW |
| | $[\pm 3790]$ | E-UTRA signal, 1 RB (NOTE 1) |
| NR 70 MHz (Note 2) | $[\pm 400]$ | CW |
| | $[\pm 4870]$ | E-UTRA signal, 1 RB (NOTE 1) |
| NR 80 MHz (Note 2) | $[\pm 390]$ | CW |
| | $[\pm 4870]$ | E-UTRA signal, 1 RB (NOTE 1) |
| NR 90 MHz (Note 2) | $[\pm 340]$ | CW |
| | $[\pm 5770]$ | E-UTRA signal, 1 RB (NOTE 1) |
| NR 100 MHz (Note 2) | $[\pm 340]$ | CW |
| | $[\pm 5770]$ | E-UTRA signal, 1 RB (NOTE 1) |
| NOTE 1: Interfering signal consisting of one resource block positioned at the stated offset, the channel bandwidth of the interfering signal is located adjacently to the Base Station RF Bandwidth edge. | | |
| NOTE 2: This requirement shall apply only for an E-UTRA FRC A1-3 or NR G-FRC mapped to the frequency range at the channel edge adjacent to the interfering signals. | | |

7.7.5.2 Single RAT UTRA FDD operation

For each measured carrier, the BER shall not exceed 0,001 for the parameters specified in tables 7.7.5.2-1 and 7.7.5.2-2.

The intermodulation performance shall be met when the following signals are applied to the receiver.

For a *TAB connector* operating in non-contiguous spectrum within any operating band, the narrowband intermodulation requirement applies in addition inside any *sub-block gap*, in case the *sub-block gap* size is at least 6.8MHz. The CW interfering signal offset is defined relative to the lower/upper sub-block edge inside the *sub-block gap* and is equal to -1 MHz/+1 MHz, respectively. The GMSK modulated interfering signal offset is defined relative to the lower/upper sub-block edge inside the *sub-block gap* and is equal to -3.4 MHz/+3.4 MHz, respectively. The requirement applies separately for both sub-blocks.

For a *multi-band TAB connector*, the narrowband intermodulation requirement applies in addition inside any *Inter RF Bandwidth gap*, in case the *Inter RF Bandwidth gap* size is at least 6.8MHz. The CW interfering signal offset is defined relative to lower/upper *Base Station RF Bandwidth edges* inside the *Inter RF Bandwidth gap* and is equal to -1 MHz/+1 MHz, respectively. The GMSK modulated interfering signal offset is defined relative to lower/upper *Base Station RF Bandwidth edges* inside the *Inter RF Bandwidth gap* and is equal to -3.4 MHz/+3.4 MHz, respectively.

Table 7.7.5.2-1: Intermodulation performance requirement

| Operating Band | Type of Signal | Offset | Signal mean power | | |
|----------------|---------------------|--------------|-------------------|-----------------|------------|
| | | | Wide Area BS | Medium Range BS | Local Area |
| All bands | Wanted signal | - | -115 dBm | -105 dBm | -101 dBm |
| | CW signal | ± 10 MHz | -48 dBm | -44 dBm | -38 dBm |
| | WCDMA signal (Note) | ± 20 MHz | -48 dBm | -44 dBm | -38 dBm |

NOTE: The characteristics of the W-CDMA interfering signal are specified in annex I of 3GPP TS 25.141 [18]

Table 7.7.5.2.-2: Narrowband intermodulation performance requirement

| Operating band | Type of Signal | Offset | Signal mean power | | |
|--|-----------------------|---------------|-------------------|-----------------|------------|
| | | | Wide Area BS | Medium Range BS | Local Area |
| II, III, IV, V, VIII, X, XII, XIII, XIV, XXV, XXVI | Wanted signal | - | -115 dBm | -105 dBm | -101 dBm |
| | CW signal | ± 3.5 MHz | - 47 dBm | - 43 dBm | -37 dBm |
| | GMSK modulated (Note) | ± 5.9 MHz | - 47 dBm | - 43 dBm | -37 dBm |

NOTE: GMSK as defined in 3GPP TS 45.004 [22].

NOTE: If the above Test Requirement differs from the Minimum Requirement then the Test Tolerance applied for this test is non-zero. The Test Tolerance for this test is defined in subclause 4.1.2 and the explanation of how the Minimum Requirement has been relaxed by the Test Tolerance is given in annex C.

7.7.5.3 Single RAT UTRA TDD 1,28Mcps option operation

The BER measured shall not exceed 0,001.

The static reference performance as specified in clause 7.2.5.2 should be met when the following signals are coupled to the *TAB connector*.

- A wanted signal at the assigned channel frequency, with mean power 6 dB above the static reference level.
- Two interfering signals with the parameters specified in table 7.7.5.3-1.

The blocking requirement is always applicable outside the *Base Station RF bandwidth* or maximum *Radio Bandwidth* edges. The interfering signal offset is defined relative to the lower (upper) or maximum *Radio Bandwidth* edges.

For a *multi-band TAB connector*, the requirement applies in addition inside any *Inter RF Bandwidth gap*, in case the gap size is at least 11.2MHz. The CW interfering signal offset is defined relative to lower/upper *Base Station RF bandwidth edges* inside the *Inter RF Bandwidth gap* and is equal to -2.4 MHz/+2.4 MHz, respectively. The modulated interfering signal offset is defined relative to lower/upper *Base Station RF bandwidth edges* inside the *Inter RF Bandwidth gap* and is equal to -5.6MHz/+5.6MHz, respectively.

Table 7.7.5.3-1: Parameters of the interfering signals for intermodulation characteristics testing for 1,28 Mcps TDD

| Interfering Signal mean power | | Offset | Type of Interfering Signal |
|-------------------------------|---------------|---------------|------------------------------------|
| Wide Area BS | Local Area BS | | |
| - 48 dBm | - 38 dBm | $\pm 3,2$ MHz | CW signal |
| - 48 dBm | - 38 dBm | $\pm 6,4$ MHz | 1,28 Mcps TDD signal with one code |

NOTE: If the above Test Requirement differs from the Minimum Requirement then the Test Tolerance applied for this test is non-zero. The Test Tolerance for this test is defined in subclause 4.1.2 and the explanation of how the Minimum Requirement has been relaxed by the Test Tolerance is given in annex C.

7.7.5.4 Single RAT E-UTRA operation

For each measured E-UTRA carrier, the throughput shall be $\geq 95\%$ of the *maximum throughput* of the reference measurement channel, with a wanted signal at the assigned channel frequency and two interfering signals with the conditions specified in tables 7.7.5.4-1 and 7.7.5.4-2 for intermodulation performance and in tables 7.7.5.4-3, 7.7.5.4-4 and 7.7.5.4-5 for narrowband intermodulation performance. The reference measurement channel for the wanted signal is specified in tables 7.2.5.3-1, 7.2.5.3-2 and 7.2.5.3-3 for each channel bandwidth and further specified in annex A of 3GPP TS 36.141 [17].

The receiver intermodulation requirement is always applicable outside the *Base Station RF bandwidth* or maximum *Radio Bandwidth* edges. The interfering signal offset is defined relative to the lower (upper) or maximum *Radio Bandwidth* edges.

For a *TAB connector* operating in non-contiguous spectrum within any operating band, the narrowband intermodulation requirement applies in addition inside any *sub-block gap* in case the *sub-block gap* is at least as wide as the channel bandwidth of the E-UTRA interfering signal in table 7.7.5.4-3. The interfering signal offset is defined relative to the sub-block edges inside the *sub-block gap*. The requirement applies separately for both sub-blocks.

For a *multi-band TAB connector*, the intermodulation requirement applies in addition inside any *Inter RF Bandwidth gap*, in case the gap size is at least twice as wide as the E-UTRA interfering signal centre frequency offset from the *Base Station RF bandwidth edge*.

For a *multi-band TAB connector*, the narrowband intermodulation requirement applies in addition inside any *Inter RF Bandwidth gap* in case the gap size is at least as wide as the E-UTRA interfering signal in tables 7.7.5.4-3, 7.7.5.4-4 and 7.7.5.4-5. The interfering signal offset is defined relative to the *Base Station RF bandwidth edges* inside the *Inter RF Bandwidth gap*.

Table 7.7.5.4-1: Intermodulation performance requirement

| BS type | Wanted signal mean power (dBm) (Note) | Interfering signal mean power (dBm) | Type of interfering signal |
|---|---------------------------------------|-------------------------------------|----------------------------|
| Wide Area BS | $P_{\text{REFSENS}} + 6$ dB | -52 | See Table 7.7.5.4-2 |
| Medium Range BS | $P_{\text{REFSENS}} + 6$ dB | -47 | |
| Local Area BS | $P_{\text{REFSENS}} + 6$ dB | -44 | |
| NOTE: P_{REFSENS} depends on the channel bandwidth as specified in 3GPP TS 36.104 [11], subclause 7.2.1. For E-UTRA channel bandwidths 10, 15 and 20 MHz this requirement shall apply only for a FRC A1-3 mapped to the frequency range at the channel edge adjacent to the interfering signals. | | | |

Table 7.7.5.4-2: Interfering signal for Intermodulation performance requirement

| E-UTRA channel bandwidth of the lowest (highest) carrier received (MHz) | Interfering signal centre frequency offset from the lower (upper) edge (MHz) | Type of interfering signal |
|---|--|----------------------------|
| 1.4 | ± 2.1 | CW |
| | ± 4.9 | 1.4 MHz E-UTRA signal |
| 3 | ± 4.5 | CW |
| | ± 10.5 | 3 MHz E-UTRA signal |
| 5 | ± 7.5 | CW |
| | ± 17.5 | 5 MHz E-UTRA signal |
| 10 | ± 7.375 | CW |
| | ± 17.5 | 5 MHz E-UTRA signal |
| 15 | ± 7.25 | CW |
| | ± 17.5 | 5 MHz E-UTRA signal |
| 20 | ± 7.125 | CW |
| | ± 17.5 | 5 MHz E-UTRA signal |

Table 7.7.5.4-3: Narrowband intermodulation performance requirement for Wide Area BS

| E-UTRA channel bandwidth of the lowest (highest) carrier received (MHz) | Wanted signal mean power (dBm) (Note 1) | Interfering signal mean power (dBm) | Interfering RB centre frequency offset from the lower (upper) edge or sub-block edge inside a <i>sub-block gap</i> (kHz) | Type of interfering signal |
|---|---|-------------------------------------|--|--------------------------------------|
| 1.4 | $P_{\text{REFSENS}} + 6$ dB | -52 | ± 270 | CW |
| | | -52 | ± 790 | 1.4 MHz E-UTRA signal, 1 RB (Note 2) |
| 3 | $P_{\text{REFSENS}} + 6$ | -52 | ± 270 | CW |
| | | -52 | ± 780 | 3.0 MHz E-UTRA signal, 1 RB (Note 2) |
| 5 | $P_{\text{REFSENS}} + 6$ dB | -52 | ± 360 | CW |
| | | -52 | ± 1060 | 5 MHz E-UTRA signal, 1 RB (Note 2) |
| 10 | $P_{\text{REFSENS}} + 6$ dB (Note 3) | -52 | ± 325 | CW |
| | | -52 | ± 1240 | 5 MHz E-UTRA signal, 1 RB (Note 2) |
| 15 | $P_{\text{REFSENS}} + 6$ dB (Note 3) | -52 | ± 380 | CW |
| | | -52 | ± 1600 | 5 MHz E-UTRA signal, 1 RB (Note 2) |
| 20 | $P_{\text{REFSENS}} + 6$ dB (Note 3) | -52 | ± 345 | CW |
| | | -52 | ± 1780 | 5 MHz E-UTRA signal, 1 RB (Note 2) |
| NOTE 1: P_{REFSENS} is related to the channel bandwidth as specified in 3GPP TS 36.104 [11], subclause 7.2.1. | | | | |
| NOTE 2: Interfering signal consisting of one resource block positioned at the stated offset, the channel bandwidth of the interfering signal is located adjacently to the lower (upper) edge. | | | | |
| NOTE 3: This requirement shall apply only for a FRC A1-3 mapped to the frequency range at the channel edge adjacent to the interfering signals | | | | |

Table 7.7.5.4-4: Narrowband intermodulation performance requirement for Local Area BS

| E-UTRA channel bandwidth of the lowest (highest) carrier received (MHz) | Wanted signal mean power (dBm) (Note 1) | Interfering signal mean power (dBm) | Interfering RB centre frequency offset from the lower (upper) edge or sub-block edge inside a sub-block (kHz) | Type of interfering signal |
|---|---|-------------------------------------|---|--------------------------------------|
| 1.4 | $P_{\text{REFSENS}} + 6$ dB | -44 | ± 270 | CW |
| | | -44 | ± 790 | 1.4 MHz E-UTRA signal, 1 RB (Note 2) |
| 3 | $P_{\text{REFSENS}} + 6$ | -44 | ± 275 | CW |
| | | -44 | ± 790 | 3.0 MHz E-UTRA signal, 1 RB (Note 2) |
| 5 | $P_{\text{REFSENS}} + 6$ dB | -44 | ± 360 | CW |
| | | -44 | ± 1060 | 5 MHz E-UTRA signal, 1 RB (Note 2) |
| 10 | $P_{\text{REFSENS}} + 6$ dB (Note 3) | -44 | ± 415 | CW |
| | | -44 | ± 1420 | 5 MHz E-UTRA signal, 1 RB (Note 2) |
| 15 | $P_{\text{REFSENS}} + 6$ dB (Note 3) | -44 | ± 380 | CW |
| | | -44 | ± 1600 | 5 MHz E-UTRA signal, 1 RB (Note 2) |
| 20 | $P_{\text{REFSENS}} + 6$ dB (Note 3) | -44 | ± 345 | CW |
| | | -44 | ± 1780 | 5 MHz E-UTRA signal, 1 RB (Note 2) |
| NOTE 1: P_{REFSENS} is related to the channel bandwidth as specified in 3GPP TS 36.104 [11], subclause 7.2.1. | | | | |
| NOTE 2: Interfering signal consisting of one resource block positioned at the stated offset, the channel bandwidth of the interfering signal is located adjacently to the lower (upper) edge. | | | | |
| NOTE 3: This requirement shall apply only for a FRC A1-3 mapped to the frequency range at the channel edge adjacent to the interfering signals. | | | | |

Table 7.7.5.4-5: Narrowband intermodulation performance requirement for Medium Range BS

| E-UTRA channel bandwidth of the lowest (highest) carrier received (MHz) | Wanted signal mean power (dBm) (Note 1) | Interfering signal mean power (dBm) | Interfering RB centre frequency offset to the lower (higher) edge or sub-block edge inside a <i>sub-block gap</i> (kHz) | Type of interfering signal |
|--|---|-------------------------------------|---|--------------------------------------|
| 1.4 | $P_{\text{REFSENS}} + 6$ dB | -47 | ± 270 | CW |
| | | -47 | ± 790 | 1.4 MHz E-UTRA signal, 1 RB (Note 2) |
| 3 | $P_{\text{REFSENS}} + 6$ | -47 | ± 270 | CW |
| | | -47 | ± 780 | 3.0 MHz E-UTRA signal, 1 RB (Note 2) |
| 5 | $P_{\text{REFSENS}} + 6$ dB | -47 | ± 360 | CW |
| | | -47 | ± 1060 | 5 MHz E-UTRA signal, 1 RB (Note 2) |
| 10 | $P_{\text{REFSENS}} + 6$ dB (Note 3) | -47 | ± 325 | CW |
| | | -47 | ± 1240 | 5 MHz E-UTRA signal, 1 RB (Note 2) |
| 15 | $P_{\text{REFSENS}} + 6$ dB (Note 3) | -47 | ± 380 | CW |
| | | -47 | ± 1600 | 5 MHz E-UTRA signal, 1 RB (Note 2) |
| 20 | $P_{\text{REFSENS}} + 6$ dB (Note 3) | -47 | ± 345 | CW |
| | | -47 | ± 1780 | 5 MHz E-UTRA signal, 1 RB (Note 2) |
| NOTE 1: P_{REFSENS} is related to the channel bandwidth as specified in 3GPP TS 36.104 [11], subclause 7.2.1. | | | | |
| NOTE 2: Interfering signal consisting of one resource block positioned at the stated offset, the channel bandwidth of the interfering signal is located adjacently to the lower (higher) edge. | | | | |
| NOTE 3: This requirement shall apply only for a FRC A1-3 mapped to the frequency range at the channel edge adjacent to the interfering signals | | | | |

NOTE: If the above Test Requirement differs from the Minimum Requirement then the Test Tolerance applied for this test is non-zero. The Test Tolerance for this test is defined in subclause 4.1.2 and the explanation of how the Minimum Requirement has been relaxed by the Test Tolerance is given in annex C.

7.8 In-channel selectivity

7.8.1 Definition and applicability

In-channel selectivity (ICS) is a measure of the receiver unit ability to receive a wanted signal at its assigned resource block locations in the presence of an interfering signal received at a larger power spectral density. In this condition a throughput requirement shall be met for a specified reference measurement channel. The requirement applies per *TAB connector*.

7.8.2 Minimum requirement

The minimum requirement for E-UTRA operation is defined in 3GPP TS 37.105 [8], subclause 7.8.4.

The minimum requirement for MSR operation is defined in 3GPP TS 37.105 [8], subclause 7.8.2.

7.8.3 Test purpose

The purpose of this test is to verify the ability of the receiver unit associated with the *TAB connector* under test to suppress the IQ leakage.

7.8.4 Method of test

7.8.4.1 Initial conditions

Test environment:

- normal; see subclause B.2

RF channels to be tested for single carrier:

- M; see subclause 4.12.1.

7.8.4.2 Procedure

The minimum requirement is applied to all *TAB connectors*, the procedure is repeated until all *TAB connectors* necessary to demonstrate conformance have been tested; see subclause 7.1.

- 1) Connect *TAB connector* to measurement equipment as shown in annex D.2.5. All *TAB connectors* not under test shall be terminated.

For each supported E-UTRA channel BW:

- 2) Adjust the signal generator for the wanted signal as specified in table 7.8.5-1 for AAS BS of Wide Area BS class, in table 7.8.5-2 for AAS BS of Local Area BS class and in table 7.8.5-3 for AAS BS of Medium Range BS class on one side of the F_C .
- 3) Adjust the signal generator for the interfering signal as specified in table 7.8.5-1 for AAS BS of Wide Area BS class, in table 7.8.5-2 for AAS BS of Local Area BS class and in table 7.8.5-3 for AAS BS of Medium Range BS class at opposite side of the F_C and adjacent to the wanted signal.
- 4) Measure throughput.
- 5) Repeat the measurement with the wanted signal on the other side of the F_C , and the interfering signal at opposite side of the F_C and adjacent to the wanted signal.

In addition, for *multi-band TAB connector(s)*, the following steps shall apply:

- 6) For *multi-band TAB connectors* and single band tests, repeat the steps above per involved band where single band test configurations and test models shall apply with no carrier activated in the other band.

7.8.5 Test requirements

For each measured E-UTRA carrier, the throughput shall be $\geq 95\%$ of the *maximum throughput* of the reference measurement channel as specified in [Annex A] with parameters specified in table 7.8.5-1 for AAS BS of Wide Area

BS, class in Table 7.8.5-2 for AAS BS of Local Area BS class and in table 7.8.5-3 for AAS BS of Medium Range BS class.

Table 7.8.5-1: Wide Area BS in-channel selectivity for E-UTRA channels

| E-UTRA channel bandwidth (MHz) | Reference measurement channel | Wanted signal mean power (dBm) | | Interfering signal mean power (dBm) | Type of interfering signal |
|--------------------------------|-------------------------------|--------------------------------|------------------------------------|-------------------------------------|-------------------------------------|
| | | $f \leq 3.0$ GHz | $3.0 \text{ GHz} < f \leq 4.2$ GHz | | |
| 1.4 | A1-4 in clause A.1 | -105.5 | -105.1 | -87 | 1.4 MHz E-UTRA signal, 3 RBs |
| 3 | A1-5 in clause A.1 | -100.7 | -100.3 | -84 | 3 MHz E-UTRA signal, 6 RBs |
| 5 | A1-2 in clause A.1 | -98.6 | -98.2 | -81 | 5 MHz E-UTRA signal, 10 RBs |
| 10 | A1-3 in clause A.1 | -97.1 | -96.7 | -77 | 10 MHz E-UTRA signal, 25 RBs |
| 15 | A1-3 in clause A.1 (Note) | -97.1 | -96.7 | -77 | 15 MHz E-UTRA signal, 25 RBs (Note) |
| 20 | A1-3 in clause A.1 (Note) | -97.1 | -96.7 | -77 | 20 MHz E-UTRA signal, 25 RBs (Note) |

NOTE: Wanted and interfering signal are placed adjacently around F_c .

Table 7.8.5-2: Local Area BS in-channel selectivity for E-UTRA channels

| E-UTRA channel bandwidth (MHz) | Reference measurement channel | Wanted signal mean power (dBm) | | Interfering signal mean power (dBm) | Type of interfering signal |
|--------------------------------|-------------------------------|--------------------------------|------------------------------------|-------------------------------------|-------------------------------------|
| | | $f \leq 3.0$ GHz | $3.0 \text{ GHz} < f \leq 4.2$ GHz | | |
| 1.4 | A1-4 in clause A.1 | -97.5 | -97.1 | -79 | 1.4 MHz E-UTRA signal, 3 RBs |
| 3 | A1-5 in clause A.1 | -92.7 | -92.3 | -76 | 3 MHz E-UTRA signal, 6 RBs |
| 5 | A1-2 in clause A.1 | -90.6 | -90.2 | -73 | 5 MHz E-UTRA signal, 10 RBs |
| 10 | A1-3 in clause A.1 | -89.1 | -88.7 | -69 | 10 MHz E-UTRA signal, 25 RBs |
| 15 | A1-3 in clause A.1 (Note) | -89.1 | -88.7 | -69 | 15 MHz E-UTRA signal, 25 RBs (Note) |
| 20 | A1-3 in clause A.1 (Note) | -89.1 | -88.7 | -69 | 20 MHz E-UTRA signal, 25 RBs (Note) |

NOTE: Wanted and interfering signal are placed adjacently around F_c , this reference measurement channel and interfering signal are not applied for Band 46 and Band 49.

Table 7.8.5-3: Medium Range BS in-channel selectivity for E-UTRA channels

| E-UTRA channel bandwidth (MHz) | Reference measurement channel | Wanted signal mean power (dBm) | | Interfering signal mean power (dBm) | Type of interfering signal |
|--------------------------------|-------------------------------|--------------------------------|------------------------------|-------------------------------------|-------------------------------------|
| | | $f \leq 3.0$ GHz | 3.0 GHz $< f \leq 4.2$ GHz | | |
| 1.4 | A1-4 in clause A.1 | -100.5 | -100.1 | -82 | 1.4 MHz E-UTRA signal, 3 RBs |
| 3 | A1-5 in clause A.1 | -95.7 | -95.3 | -79 | 3 MHz E-UTRA signal, 6 RBs |
| 5 | A1-2 in clause A.1 | -93.6 | -93.2 | -76 | 5 MHz E-UTRA signal, 10 RBs |
| 10 | A1-3 in clause A.1 | -92.1 | -91.7 | -72 | 10 MHz E-UTRA signal, 25 RBs |
| 15 | A1-3 in clause A.1 (Note) | -92.1 | -91.7 | -72 | 15 MHz E-UTRA signal, 25 RBs (Note) |
| 20 | A1-3 in clause A.1 (Note) | -92.1 | -91.7 | -72 | 20 MHz E-UTRA signal, 25 RBs (Note) |

NOTE: Wanted and interfering signal are placed adjacently around F_c , this reference measurement channel and interfering signal are not applied for Band 46.

For NR channels, the throughput shall be $\geq 95\%$ of the maximum throughput of the reference measurement channel as specified in annex A of 3GPP TS 38.104 [36] with parameters specified in Table 7.8.5-4 for Wide Area BS, in Table 7.8.5-5 for Medium Range BS and in Table 7.8.5-6 for Local Area BS. The characteristics of the interfering signal is further specified in annex A of 3GPP TS 38.104 [36].

Table 7.8.5-4: Wide Area BS in-channel selectivity for NR channels

| NR channel bandwidth (MHz) | Subcarrier spacing (kHz) | Reference measurement channel | Wanted signal mean power (dBm) | | | Interfering signal mean power (dBm) | Type of interfering signal |
|----------------------------|--------------------------|-------------------------------|--------------------------------|------------------------------|------------------------------|-------------------------------------|--|
| | | | $f \leq 3.0$ GHz | 3.0 GHz $< f \leq 4.2$ GHz | 4.2 GHz $< f \leq 6.0$ GHz | | |
| 5 | 15 | G-FR1-A1-7 | -99.2 | -98.8 | -98.1 | -81.4 | DFT-s-OFDM NR signal, 15 kHz SCS, 10 PRBs |
| 10,15,20,25,30 | 15 | G-FR1-A1-1 | -97.3 | -96.9 | -96.2 | -77.4 | DFT-s-OFDM NR signal, 15 kHz SCS, 25 PRBs |
| 40,50 | 15 | G-FR1-A1-4 | -90.9 | -90.5 | -89.8 | -71.4 | DFT-s-OFDM NR signal, 15 kHz SCS, 100 PRBs |
| 5 | 30 | G-FR1-A1-8 | -99.9 | -99.5 | -98.8 | -81.4 | DFT-s-OFDM NR signal, 30 kHz SCS, 5 PRBs |
| 10,15,20,25,30 | 30 | G-FR1-A1-2 | -97.4 | -97 | -96.3 | -78.4 | DFT-s-OFDM NR signal, 30 kHz SCS, 10 PRBs |
| 40,50,60,70,80,90,100 | 30 | G-FR1-A1-5 | -91.2 | -90.8 | -90.1 | -71.4 | DFT-s-OFDM NR signal, 30 kHz SCS, 50 PRBs |
| 10,15,20,25,30 | 60 | G-FR1-A1-9 | -96.8 | -96.4 | -95.7 | -78.4 | DFT-s-OFDM NR signal, 60 kHz SCS, 5 PRBs |
| 40,50,60,70,80,90,100 | 60 | G-FR1-A1-6 | -91.3 | -90.9 | -90.2 | -71.6 | DFT-s-OFDM NR signal, 60 kHz SCS, 24 PRBs |

NOTE: Wanted and interfering signal are placed adjacently around F_c , where the F_c is defined for *BS channel bandwidth* of the wanted signal according to the table 5.4.2.2-1 in TS 38.104 [41]. The aggregated wanted and interferer signal shall be centred in the BS channel bandwidth of the wanted signal.

Table 7.8.5-5: Medium Range BS in-channel selectivity for NR channels

| NR channel bandwidth (MHz) | Subcarrier spacing (kHz) | Reference measurement channel | Wanted signal mean power (dBm) | | | Interfering signal mean power (dBm) | Type of interfering signal |
|---|--------------------------|-------------------------------|--------------------------------|--|--|-------------------------------------|--|
| | | | $f \leq 3.0\text{GHz}$ | $3.0\text{GHz} < f \leq 4.2\text{GHz}$ | $4.2\text{GHz} < f \leq 6.0\text{GHz}$ | | |
| 5 | 15 | G-FR1-A1-7 | -94.2 | -93.8 | -93.1 | -76.4 | DFT-s-OFDM NR signal, 15 kHz SCS, 10 PRBs |
| 10,15,20,25,30 | 15 | G-FR1-A1-1 | -92.3 | -91.9 | -91.2 | -72.4 | DFT-s-OFDM NR signal, 15 kHz SCS, 25 PRBs |
| 40,50 | 15 | G-FR1-A1-4 | -85.9 | -85.5 | -84.8 | -66.4 | DFT-s-OFDM NR signal, 15 kHz SCS, 100 PRBs |
| 5 | 30 | G-FR1-A1-8 | -94.9 | -94.5 | -93.8 | -76.4 | DFT-s-OFDM NR signal, 30 kHz SCS, 5 PRBs |
| 10,15,20,25,30 | 30 | G-FR1-A1-2 | -92.4 | -92 | -91.3 | -73.4 | DFT-s-OFDM NR signal, 30 kHz SCS, 10 PRBs |
| 40,50,60,70,80,90,100 | 30 | G-FR1-A1-5 | -86.2 | -85.8 | -85.1 | -66.4 | DFT-s-OFDM NR signal, 30 kHz SCS, 50 PRBs |
| 10,15,20,25,30 | 60 | G-FR1-A1-9 | -91.8 | -91.4 | -90.7 | -73.4 | DFT-s-OFDM NR signal, 60 kHz SCS, 5 PRBs |
| 40,50,60,70,80,90,100 | 60 | G-FR1-A1-6 | -86.3 | -85.9 | -85.2 | -66.6 | DFT-s-OFDM NR signal, 60 kHz SCS, 24 PRBs |
| NOTE: Wanted and interfering signal are placed adjacently around F_c , where the F_c is defined for <i>BS channel bandwidth</i> of the wanted signal according to the table 5.4.2.2-1 in TS 38.104 [41]. The aggregated wanted and interferer signal shall be centred in the BS channel bandwidth of the wanted signal. | | | | | | | |

Table 7.8.5-6: Local area BS in-channel selectivity for NR channels

| NR channel bandwidth (MHz) | Subcarrier spacing (kHz) | Reference measurement channel | Wanted signal mean power (dBm) | | | Interfering signal mean power (dBm) | Type of interfering signal |
|----------------------------|--------------------------|-------------------------------|--------------------------------|--|--|-------------------------------------|--|
| | | | $f \leq 3.0\text{GHz}$ | $3.0\text{GHz} < f \leq 4.2\text{GHz}$ | $4.2\text{GHz} < f \leq 6.0\text{GHz}$ | | |
| 5 | 15 | G-FR1-A1-7 | -91.2 | -90.8 | -90.1 | -73.4 | DFT-s-OFDM NR signal, 15 kHz SCS, 10 PRBs |
| 10,15,20,25,30 | 15 | G-FR1-A1-1 | -89.3 | -88.9 | -88.2 | -69.4 | DFT-s-OFDM NR signal, 15 kHz SCS, 25 PRBs |
| 40,50 | 15 | G-FR1-A1-4 | -82.9 | -82.5 | -81.8 | -63.4 | DFT-s-OFDM NR signal, 15 kHz SCS, 100 PRBs |
| 5 | 30 | G-FR1-A1-8 | -91.9 | -91.5 | -90.8 | -73.4 | DFT-s-OFDM NR signal, 30 kHz SCS, 5 PRBs |
| 10,15,20,25,30 | 30 | G-FR1-A1-2 | -89.4 | -89 | -88.3 | -70.4 | DFT-s-OFDM NR signal, 30 kHz SCS, 10 PRBs |
| 40,50,60,70,80,90,100 | 30 | G-FR1-A1-5 | -83.2 | -82.8 | -82.1 | -63.4 | DFT-s-OFDM NR signal, 30 kHz SCS, 50 PRBs |
| 10,15,20,25,30 | 60 | G-FR1-A1-9 | -88.8 | -88.4 | -87.7 | -70.4 | DFT-s-OFDM NR signal, 60 kHz SCS, 5 PRBs |
| 40,50,60,70,80,90,100 | 60 | G-FR1-A1-6 | -83.3 | -82.9 | -82.2 | -63.6 | DFT-s-OFDM NR signal, 60 kHz SCS, 24 PRBs |

NOTE: Wanted and interfering signal are placed adjacently around F_c , where the F_c is defined for *BS channel bandwidth* of the wanted signal according to the table 5.4.2.2-1 in TS 38.104 [41]. The aggregated wanted and interferer signal shall be centred in the BS channel bandwidth of the wanted signal.

NOTE: If the above Test Requirement differs from the Minimum Requirement then the Test Tolerance applied for this test is non-zero. The Test Tolerance for this test is defined in subclause 4.1.2 and the explanation of how the Minimum Requirement has been relaxed by the Test Tolerance is given in annex C.

8 Performance requirements

8.1 General

Performance requirements specify the ability of the AAS BS to correctly demodulate signals in various conditions and configurations.

The demodulation requirements for an AAS BS are the same as non-AAS BS demodulation requirements specified for:

- *Single RAT UTRA operation* in 3GPP TS 25.104 [9] clause 8 for FDD operation, and in 3GPP TS 25.105 [10] clause 8 for TDD operation,
- *Single RAT E-UTRA operation* in 3GPP TS 36.104 [11], subclauses 8.2 – 8.4 (for PUSCH, PUCCH and PRACH) and 8.6 – 8.7 (for subslot-PUSCH and SPUCCH).
- NR operation in 3GPP TS 38.104 [36], subclauses 8.2-8.5.

The test requirements for the AAS BS performance requirements have hence been referenced from:

- 3GPP TS 25.141 [18] clause 8 for UTRA FDD,
- 3GPP TS 25.142 [20] clause 8 for UTRA TDD,

- 3GPP TS 36.141 [17] subclauses 8.2 – 8.4 (for PUSCH, PUCCH and PRACH) and 8.6 – 8.7 (for subslot-PUSCH and SPUCCH) for E-UTRA, and
- 3GPP TS 38.104 [36] subclauses 8.2 - 8.5 for NR.

Necessary amendments for the AAS BS architecture are made in this subclause.

8.2 Performance requirements for MSR

For *single RAT UTRA operation* in FDD, the minimum performance requirements are specified in subclause 8.3.

For *single RAT UTRA operation* in TDD 1,28Mcps option, the minimum performance requirements are specified in subclause 8.4.

For *single RAT E-UTRA operation*, the minimum performance requirements are specified in subclause 8.5.

For *NR operation*, the minimum performance requirements are specified in subclause 8.6.

8.3 Performance requirements for UTRA FDD

8.3.1 Definition and applicability

Performance requirements for *single RAT UTRA operation* in FDD are specified for the measurement channels defined in 3GPP TS 25.104 [2]. The requirements only apply to those measurement channels that are supported by AAS BS. For FRC8 in 3GPP TS 25.104 [2] the non E-DPCCH boosting and E-DPCCH boosting requirement only apply for the option supported by the AAS BS. The performance requirements for the high speed train scenarios defined in 3GPP TS 25.104 [2] and 3GPP TS 25.105 [3] are optional.

Unless stated otherwise, performance requirements apply for a single cell only. Performance requirements for an AAS BS supporting DC-HSUPA or DB-DC-HSUPA are defined in terms of single carrier requirements. The requirements in clause 8 shall be met with the transmitter unit(s) associated with the *TAB connectors(s)* in the operating band ON.

NOTE: In normal operating conditions the *TAB connector(s)* are configured to transmit and receive at the same time. The transmitter unit(s) associated with the *TAB connectors* may be OFF for some of the tests.

In the referred UTRA specifications and in this section, the term BS with RX diversity refers to performance requirements for two *demodulation branches*, and BS without RX diversity refers to performance requirements for one *demodulation branch*.

For AAS BS with RX diversity, only the BS performance requirements with RX diversity apply, the required E_b/N_0 shall be applied separately for each *demodulation branch*.

For AAS BS without RX diversity, only the BS performance requirements without RX diversity apply. The required E_b/N_0 shall be applied for each AAS BS *demodulation branch*.

The E_b/N_0 used is defined as:

$$E_b / N_o = \frac{E_c}{N_o} \cdot \frac{L_{chip}}{L_{inf}}$$

Where:

E_c is the received total energy of DPDCH, DPCCH, S-DPCCH, HS-DPCCH, E-DPDCH, S-E-DPDCH, E-DPCCH and S-E-DPCCH per PN chip per *demodulation branch* from all branches

N_o is the total one-sided noise power spectral density due to all noise sources

L_{chip} is the number of chips per frame

L_{inf} is the number of information bits in DTCH excluding CRC bits per frame

Table 8.3.1-1: Summary of AAS BS performance targets for *single RAT UTRA operation* in FDD

| Physical channel | Measurement channel | Static | Multi-path Case 1 | Multi-path Case 2 | Multi-path Case 3 | Moving | Birth / Death | High Speed Train (Note) |
|------------------|---------------------|---|---|---|--|--|--|-------------------------|
| | | Performance metric | | | | | | |
| DCH | 12.2 kbps | BLER<10 ⁻² | BLER<10 ⁻² | BLER<10 ⁻² | BLER<10 ⁻² | BLER <10 ⁻² | BLER <10 ⁻² | BLER <10 ⁻² |
| | 64 kbps | BLER<10 ⁻¹ ,10 ⁻² | BLER<10 ⁻¹ ,10 ⁻² | BLER<10 ⁻¹ ,10 ⁻² | BLER <10 ⁻¹ ,10 ⁻² ,10 ⁻³ | BLER <10 ⁻¹ ,10 ⁻² | BLER <10 ⁻¹ ,10 ⁻² | - |
| | 144 kbps | BLER<10 ⁻¹ ,10 ⁻² | BLER<10 ⁻¹ ,10 ⁻² | BLER<10 ⁻¹ ,10 ⁻² | BLER <10 ⁻¹ ,10 ⁻² ,10 ⁻³ | - | - | - |
| | 384 kbps | BLER<10 ⁻¹ ,10 ⁻² | BLER<10 ⁻¹ ,10 ⁻² | BLER<10 ⁻¹ ,10 ⁻² | BLER <10 ⁻¹ ,10 ⁻² ,10 ⁻³ | - | - | - |

NOTE: Optional condition, not applicable for all BSs.

In the referenced test requirements from 3GPP TS 25.141 [15] the method to test describes connection to one or a number of BS antenna connectors. When applying these methods to the AAS BS connection shall be made to the declared *TAB connectors* (see table 4.10-1, D8.1) which represent the *demodulation branches*.

8.3.2 Minimum Requirement

The minimum requirements for the *single RAT UTRA operation* in FDD for each of the tests specified in subclauses 8.2 to 8.13 of 3GPP TS 25.141 [18] are the demodulation performance requirements specified in subclauses 8.2 to 8.12 of 3GPP TS 25.104 [9].

8.3.3 Test purpose

The test shall verify the receiver's ability to achieve the specified performance metrics under the measurement channels and conditions for a given E_c/N_0 or E_b/N_0 for each of the demodulation performance requirements specified in subclauses 8.2 to 8.12 of 3GPP TS 25.104 [9].

8.3.4 Method of test

8.3.4.1 Initial Conditions

The initial conditions for each of the tests as specified in subclauses 8.2 to 8.13 of 3GPP TS 25.141 [18], shall be the same as those specified in subclauses 8.2 to 8.13 of 3GPP TS 25.141 [18].

With the exception that instead of connecting to BS antenna connectors as stated in 3GPP TS 25.141 [18], clause 8 connection shall be made to the declared *TAB connectors* which represent the *demodulation branches* (see table 4.10-1, D6.74).

All unused *TAB connectors* shall be terminated. Receiver units associated with unused *TAB connectors* may be turned OFF.

8.3.4.2 Procedure

The initial conditions shall be the same as those specified in subclauses 8.2 to 8.13 of 3GPP TS 25.141 [18].

8.3.5 Test Requirement

The test requirements for each of the tests, as specified in subclauses 8.2 to 8.13 of 3GPP TS 25.141 [18], shall be the same as those in subclauses 8.2 to 8.13 of 3GPP TS 25.141 [18].

In the referenced test requirements in this section, the term "BS with RX diversity" should be replaced with performance requirements for two *demodulation branches*, and the term "BS without RX diversity" should be replaced with performance requirements for one *demodulation branch*.

8.4 Performance requirements for UTRA TDD

8.4.1 Definition and applicability

Performance requirements for *single RAT UTRA operation* in TDD are specified for the measurement channels defined in 3GPP TS 25.105 [3]. The requirements only apply to those measurement channels that are supported by AAS BS. The performance requirements for the high speed train conditions defined in 3GPP TS 25.105 [3] are optional. All Bit Error Ratio (BER) and Block Error Rate (BLER) measurements shall be carried out according to the general rules for statistical testing defined in recommendation ITU-T O.153 [34] and annex F of 3GPP TS 25.142 [20].

Unless stated otherwise, performance requirements apply for a single carrier only. Performance requirements for a AAS BS supporting MC-HSUPA are defined in terms of single carrier requirements.

The characteristics of the white noise source, simulating interference from other cells (I_{oc}), shall comply with the AWGN interferer definition in 3GPP TS 25.105 [10], subclause 5.18.

In the referred UTRA specifications and in this section, the term BS with dual RX diversity refers to performance requirements for two *demodulation branches*, and BS without RX diversity refers to performance requirements for one *demodulation branch*.

For AAS BS with RX diversity, only the BS performance requirements with dual RX diversity apply, the required \hat{I}_{or}/I_{oc} shall be applied separately for each *demodulation branch*.

For AAS BS without RX diversity, only the BS performance requirements without dual RX diversity apply. The required \hat{I}_{or}/I_{oc} shall be applied for each AAS BS *demodulation branch*.

Table 8.4.1-1: Summary of AAS BS performance targets for *single RAT UTRA operation* in TDD

| Physical channel | Measurement channel | Static | Multi-path Case 1 | Multi-path Case 2 (Note) | Multi-path Case 3 (Note) | High speed train (Note) |
|------------------|---------------------|--|--|--|---|--|
| | | Performance metric | | | | |
| DCH | 12,2 kbps | BLER < 10 ⁻² | BLER < 10 ⁻² | BLER < 10 ⁻² | BLER < 10 ⁻² | BLER < 10 ⁻² |
| | 64 kbps | BLER < 10 ⁻¹ , 10 ⁻² | BLER < 10 ⁻¹ , 10 ⁻² | BLER < 10 ⁻¹ , 10 ⁻² | BLER < 10 ⁻¹ , 10 ⁻² , 10 ⁻³ | BLER < 10 ⁻¹ , 10 ⁻² |
| | 144 kbps | BLER < 10 ⁻¹ , 10 ⁻² | BLER < 10 ⁻¹ , 10 ⁻² | BLER < 10 ⁻¹ , 10 ⁻² | BLER < 10 ⁻¹ , 10 ⁻² , 10 ⁻³ | - |
| | 384 kbps | BLER < 10 ⁻¹ , 10 ⁻² | BLER < 10 ⁻¹ , 10 ⁻² | BLER < 10 ⁻¹ , 10 ⁻² | BLER < 10 ⁻¹ , 10 ⁻² , 10 ⁻³ | - |

NOTE: Optional condition, not applicable for all BSs.

In the referenced test requirements from 3GPP TS 25.142 [19] the method to test describes connection to one or a number of BS antenna connectors. When applying these methods to the AAS BS connection shall be made to the declared *TAB connectors* (see table 4.10-1, D8.1) which represent the *demodulation branches*.

8.4.2 Minimum Requirement

The minimum requirements for the *single RAT UTRA operation* in TDD for each of the tests specified in subclauses 8.2 to 8.5 of 3GPP TS 25.142 [20] are the demodulation performance requirements specified in subclauses 8.2 to 8.5 of 3GPP TS 25.105 [10].

8.4.3 Test purpose

The test shall verify the receiver's ability to achieve the specified performance metrics under the measurement channels and conditions for a given \hat{I}_{or}/I_{oc} for each of the demodulation performance requirements specified in subclauses 8.2 to 8.5 of 3GPP TS 25.105 [10].

8.4.4 Method of test

8.4.4.1 Initial Conditions

The initial conditions for each of the tests as specified in subclauses 8.2 to 8.5 of 3GPP TS 25.142 [20], shall be the same as those specified in subclauses 8.2 to 8.5 of 3GPP TS 25.142 [20].

With the exception that instead of connecting to BS antenna connectors as stated in subclauses 8.2 to 8.5 of 3GPP TS 25.142 [20] connection shall be made to the declared *TAB connectors* which represent the *demodulation branches* (see table 4.10-1, D6.74).

All unused *TAB connectors* shall be terminated. Receiver units associated with unused *TAB connectors* may be turned OFF.

8.4.4.2 Procedure

The initial conditions shall be the same as those specified in subclauses 8.2 to 8.5 of 3GPP TS 25.142 [20].

8.4.5 Test Requirement

The test requirements for each of the tests, as specified in subclauses 8.2 to 8.5 of 3GPP TS 25.142 [20], shall be the same as those in subclauses 8.2 to 8.5 of 3GPP TS 25.142 [20].

In the referenced test requirements in this section, the term "BS with RX diversity" should be replaced with performance requirements for two *demodulation branches*, and the term "BS without RX diversity" should be replaced with performance requirements for one *demodulation branch*.

8.5 Performance requirements for E-UTRA

8.5.1 Definition and applicability

Performance requirements for *single RAT E-UTRA operation* are specified for the fixed reference channels (FRC) and propagation conditions defined in 3GPP TS 36.104 [8] annex A and annex B, respectively. The requirements only apply to those FRCs that are supported by the AAS BS.

Unless stated otherwise, performance requirements apply for a single carrier only. Performance requirements for a *single RAT E-UTRA operation* supporting carrier aggregation are defined in terms of single carrier requirements. For FDD operation the requirements shall be met with the transmitter unit(s) associated with the *TAB connectors(s)* in the operating band ON.

NOTE: In normal operating conditions the *TAB connector(s)* in FDD operation are configured to transmit and receive at the same time. The transmitter unit(s) associated with the *TAB connectors* may be OFF for some of the tests.

In the referred E-UTRA specification, the term "RX antennas" refers to *demodulation branches* (i.e. not physical antennas).

The SNR used in this clause is specified based on a single carrier and defined as:

$$\text{SNR} = S / N$$

Where:

S is the total signal energy in the subframe on a single *TAB connector*.

N is the noise energy in a bandwidth corresponding to the transmission bandwidth over the duration of a subframe.

For enhanced performance requirements type A in 3GPP TS 36.104 [4], the SINR used in this clause is specified based on a single carrier and defined as:

$$\text{SINR} = S / N'$$

Where:

S is the total signal energy in the subframe on a single *TAB connector*.

N' is the summation of the received energy of the strongest interferers explicitly defined in a test procedure plus the white noise energy N , in a bandwidth corresponding to the transmission bandwidth over the duration of a subframe on a single *TAB connector*. The respective energy of each interferer relative to N' is defined by its associated DIP value.

In the referenced test requirements from 3GPP TS 36.141 [14] the method to test describes connection to one or a number of BS antenna connectors. When applying these methods to the AAS BS connection shall be made to the declared *TAB connectors* (see table 4.10-1, D8.1) which represent the *demodulation branches*.

8.5.2 Minimum Requirement

The minimum requirements for *single RAT E-UTRA operation* for each of the tests specified in subclauses 8.2 – 8.4 (for PUSCH, PUCCH and PRACH) and 8.6 – 8.7 (for subslot-PUSCH and SPUCCH) of 3GPP TS 36.141 [17] are the demodulation performance requirements specified in subclauses 8.2 – 8.4 and 8.6 – 8.7 of 3GPP TS 36.104 [11].

8.5.3 Test purpose

The test shall verify the receiver's ability to achieve the specified performance metrics under the measurement channels and conditions for a given SNR or SINR for each of the demodulation performance requirements specified in subclauses 8.2 – 8.4 and 8.6 – 8.7 of 3GPP TS 36.104 [11].

8.5.4 Method of test

8.5.4.1 Initial Conditions

The initial conditions for each of the tests as specified in subclauses 8.2 – 8.4 and 8.6 – 8.7 of 3GPP TS 36.141 [17], shall be the same as those specified in subclauses 8.2 – 8.4 and 8.6 – 8.7 of 3GPP TS 36.141 [17].

With the exception that instead of connecting to BS antenna connectors as stated in 3GPP TS 36.141 [17] clause 8 connection shall be made to the declared *TAB connectors* which represent the *demodulation branches* (see table 4.10-1, D6.74).

All unused *TAB connectors* shall be terminated. Receiver units associated with unused *TAB connectors* may be turned OFF.

8.5.4.2 Procedure

The procedure shall be the same as those specified in subclauses 8.2 – 8.4 and 8.6 – 8.7 of 3GPP TS 36.141 [17].

8.5.5 Test Requirement

The test requirements for each of the tests, as specified in subclauses 8.2 – 8.4 and 8.6 – 8.7 of 3GPP TS 36.141 [17], shall be the same as those in subclauses 8.2 – 8.4 and 8.6 – 8.7 of 3GPP TS 36.141 [17].

In the referenced test requirements in this section, the term "number of RX antennas" should be replaced by the number of *demodulation branches*.

8.6 Performance requirements for NR

8.6.1 Definition and applicability

Conducted performance requirements specify the ability of the *BS type I-H* to correctly demodulate signals in various conditions and configurations. Conducted performance requirements are specified at the *TAB connector(s)*.

Performance requirements for NR operation are specified for the fixed reference channels (FRC) and propagation conditions defined in TS 38.104 [36] annex A and annex G, respectively. The requirements only apply to those FRCs that are supported by the NR BS.

Unless stated otherwise, performance requirements apply for a single carrier only. Performance requirements for a NR operation supporting carrier aggregation are defined in terms of single carrier requirements.

For FDD operation the requirements in clause 8 shall be met with the transmitter units associated with *TAB connectors* in the *operating band* turned ON.

NOTE: In normal operating conditions, transceivers in FDD operation are configured to transmit and receive at the same time. The associated transmitter unit(s) may be OFF for some of the tests as specified in TS 38.141-1 [37].

In the referred NR specification, the term "RX antennas" refers to *demodulation branches* (i.e. not physical antennas).

The SNR used in this clause is specified based on a single carrier and defined as:

$$\text{SNR} = S / N$$

Where:

S is the total signal energy in the slot on a single *TAB connector*.

N is the noise energy in a bandwidth corresponding to the transmission bandwidth over the duration of a slot on a single *TAB connector*.

8.6.2 Minimum Requirement

The minimum requirements for NR operation for each of the tests specified in subclauses 8.2 – 8.4 (for PUSCH, PUCCH and PRACH) of TS 38.141-1 [37] are the demodulation performance requirements specified in subclauses 8.2 – 8.4 of TS 38.104 [36].

8.6.3 Test purpose

The test shall verify the receiver's ability to achieve the specified performance metrics under the measurement channels and conditions for a given SNR for each of the demodulation performance requirements specified in subclauses 8.2 – 8.4 of TS 38.104 [36].

8.6.4 Method of test

8.6.4.1 Initial conditions

The initial conditions for each of the or each of the PUSCH, PUCCH or PRACH requirements shall be the same as those specified in related subclauses 8.2 – 8.4 of TS 38.141-1 [37].

Connection shall be made to the declared *TAB connectors* which represent the *demodulation branches* (see table 4.10-1, D6.74).

All unused *TAB connectors* shall be terminated. Receiver units associated with unused *TAB connectors* may be turned OFF.

8.6.4.2 Procedure

The procedure shall be the same as those specified in subclauses 8.2 – 8.4 of TS 38.141-1 [37].

8.6.5 Test Requirement

The test requirements for each of the PUSCH, PUCCH or PRACH requirements shall be the same as those in related subclauses 8.2 – 8.4 of TS 38.141-1 [37].

In the referenced test requirements, the term "number of RX antennas" should be replaced by the number of *demodulation branches*.

Annex A (normative): Characteristics of interfering signals

Annex B (normative): Environmental requirements for the BS equipment

B.1 General

For each test in the present document, the environmental conditions under which the AAS BS is to be tested are defined. The environmental conditions and class shall be from the relevant IEC specifications or the corresponding ETSI specifications.

B.2 Normal test environment

When a normal test environment is specified for a test, the test should be performed within the minimum and maximum limits of the conditions stated in table B.2-1.

Table B.2-1: Limits of conditions for Normal Test Environment

| Condition | Minimum | Maximum |
|---------------------|--|---------|
| Barometric pressure | 86 kPa | 106 kPa |
| Temperature | 15°C | 30°C |
| Relative Humidity | 20 % | 85 % |
| Power supply | Nominal, as declared by the manufacturer | |
| Vibration | Negligible | |

The ranges of barometric pressure, temperature and humidity represent the maximum variation expected in the uncontrolled environment of a test laboratory. If it is not possible to maintain these parameters within the specified limits, the actual values shall be recorded in the test report.

B.3 Extreme test environment

B.3.1 General

The manufacturer shall declare one of the following:

- 1) the equipment class for the equipment under test, as defined in the IEC 60721-3-3 [27] or ETSI EN 300 019-1-3 [29] ("Stationary use at weather protected locations");
- 2) the equipment class for the equipment under test, as defined in the IEC 60721-3-4 [28] or ETSI EN 300 019-1-4 [30] ("Stationary use at non weather protected locations");
- 3) the equipment that does not comply to the mentioned classes, the relevant classes from IEC 60721 [26] documentation for Temperature, Humidity and Vibration shall be declared.

NOTE: Reduced functionality for conditions that fall outside of the standard operational conditions are not tested in the present document. These may be stated and tested separately.

B.3.2 Extreme temperature

When an extreme temperature test environment is specified for a test, the test shall be performed at the standard minimum and maximum operating temperatures defined by the manufacturer's declaration for the equipment under test.

Minimum temperature:

The test shall be performed with the environment test equipment and methods including the required environmental phenomena into the equipment, conforming to the test procedure of IEC 60068-2-1 [31].

Maximum temperature:

The test shall be performed with the environmental test equipment and methods including the required environmental phenomena into the equipment, conforming to the test procedure of IEC 60068-2-2 [32].

NOTE: It is recommended that the equipment is made fully operational prior to the equipment being taken to its lower operating temperature.

B.4 Vibration

When vibration conditions are specified for a test, the test shall be performed while the equipment is subjected to a vibration sequence as defined by the manufacturer's declaration for the equipment under test. This shall use the environmental test equipment and methods of inducing the required environmental phenomena in to the equipment, conforming to the test procedure of IEC 60068-2-6 [33]. Other environmental conditions shall be within the ranges specified in annex B.2.

NOTE: The higher levels of vibration may induce undue physical stress in to equipment after a prolonged series of tests. The testing body should only vibrate the equipment during the RF measurement process.

B.5 Power supply

When extreme power supply conditions are specified for a test, the test shall be performed at the standard upper and lower limits of operating voltage defined by manufacturer's declaration for the equipment under test.

Upper voltage limit:

The equipment shall be supplied with a voltage equal to the upper limit declared by the manufacturer (as measured at the input terminals to the equipment). The tests shall be carried out at the steady state minimum and maximum temperature limits declared by the manufacturer for the equipment, to the methods described in IEC 60068-2-1 [31] Test Ab/Ad and IEC 60068-2-2 [32] Test Bb/Bd: Dry Heat.

Lower voltage limit:

The equipment shall be supplied with a voltage equal to the lower limit declared by the manufacturer (as measured at the input terminals to the equipment). The tests shall be carried out at the steady state minimum and maximum temperature limits declared by the manufacturer for the equipment, to the methods described in IEC 60068-2-1 [31] Test Ab/Ad and IEC 60068-2-2 [32] Test Bb/Bd: Dry Heat.

B.6 Measurement of test environments

The measurement accuracy of the BS test environments shall be:

| | |
|----------------------|-------------|
| Pressure: | ±5 kPa. |
| Temperature: | ±2 degrees. |
| Relative Humidity: | ±5 %. |
| DC Voltage: | ±1,0 %. |
| AC Voltage: | ±1,5 %. |
| Vibration: | 10 %. |
| Vibration frequency: | 0,1 Hz. |

The above values shall apply unless the test environment is otherwise controlled and the specification for the control of the test environment specifies the uncertainty for the parameter.

Annex C (informative): Test tolerances and derivation of test requirements

Test requirements which are included by reference to 3GPP TS 25.141 [15], 3GPP TS 25.142 [19], 3GPP TS 36.141 [14] or 3GPP TS 37.141 [13] have been calculated within the referred test specification using the Test Tolerances defined therein.

Annex D (informative): Measurement system set-up

D.1 Transmitter

D.1.1 AAS BS output power, transmitter ON/OFF power, modulation quality, frequency error and operating band unwanted emissions

TAB connectors may be connected to the measurement equipment singularly and tested one at a time (figure D.1.1-1), or may be tested simultaneously in groups (figure D.1.1-2) where the group size may range from two to all the *TAB connectors* which are subject to particular transmitter test in this test setup.

In all cases the measurement is per *TAB connector* but the measurement may be done in parallel.

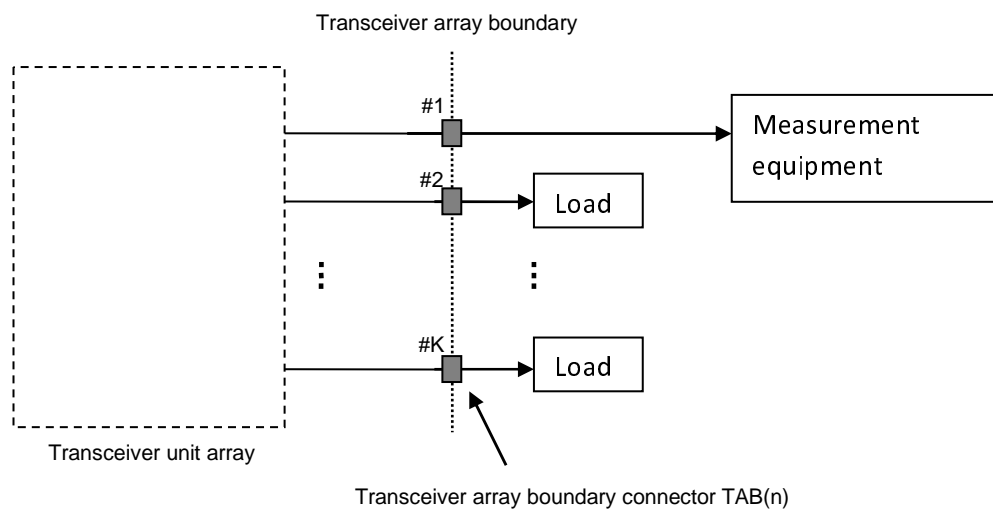


Figure D.1.1-1: Measuring system set-up for AAS BS output power, transmitter ON/OFF power, modulation quality, frequency error and operating band unwanted emissions for a single *TAB connector*

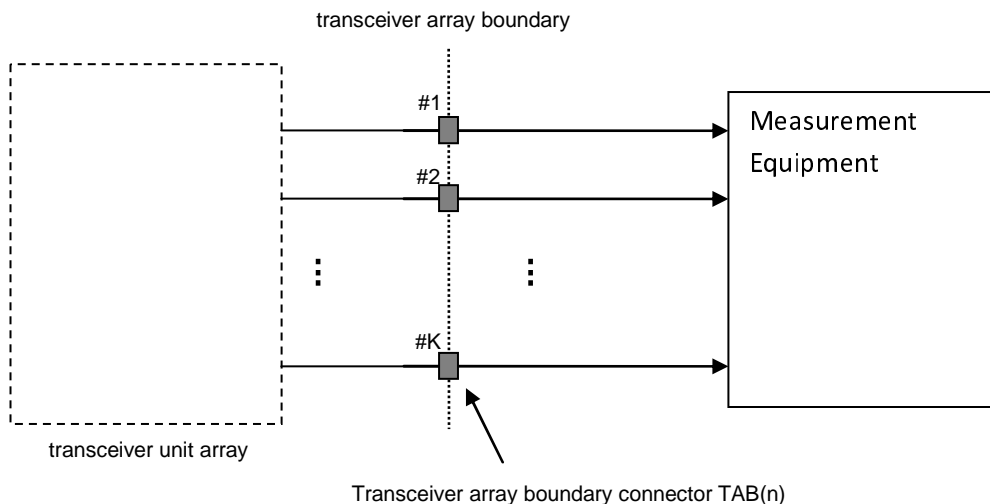


Figure D.1.1-2: Measuring system set-up for AAS BS output power, transmitter ON/OFF power, modulation quality, frequency error and operating band unwanted emissions for multiple TAB connectors

D.1.2 Transmitter intermodulation

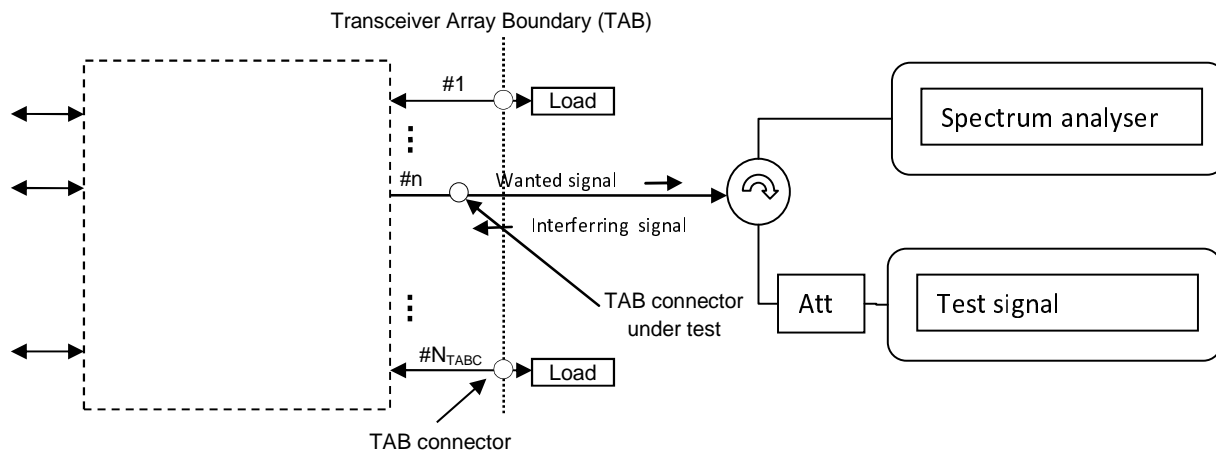


Figure D.1.2-1: Measuring system set-up for transmitter intermodulation

D.1.3 Transmitter spurious emissions

TAB connectors may be connected to the measurement equipment singularly and tested one at a time (figure D.1.3-1), or may be tested simultaneously in groups (figure D.1.3-2) where the group size may range from two to all the TAB connectors which are subject to transmitter spurious emissions test.

In all cases the measurement is per TAB connector but the measurement may be done in parallel.

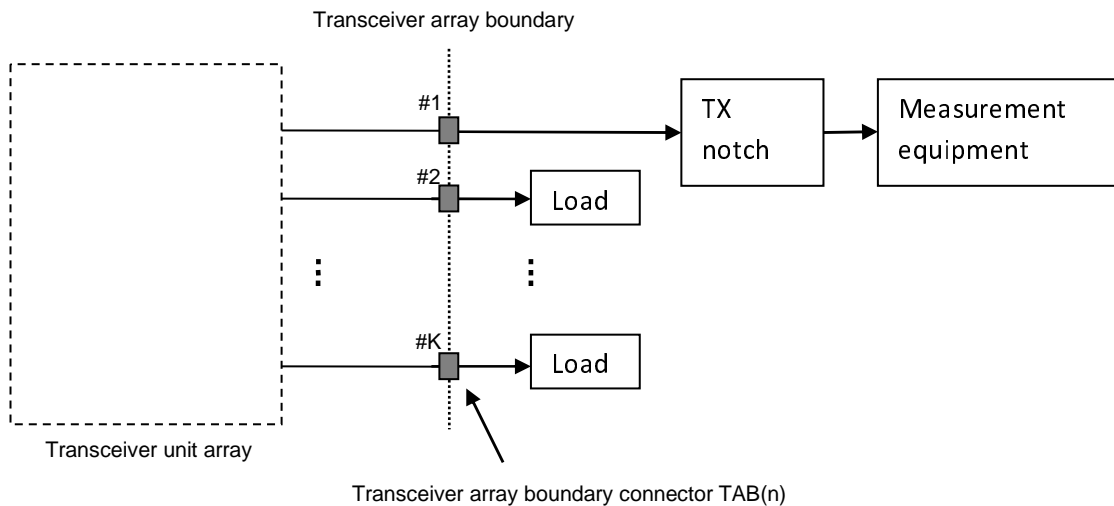


Figure D.1.3-1: Measuring system set-up for transmitter spurious emissions for a single *TAB* connector

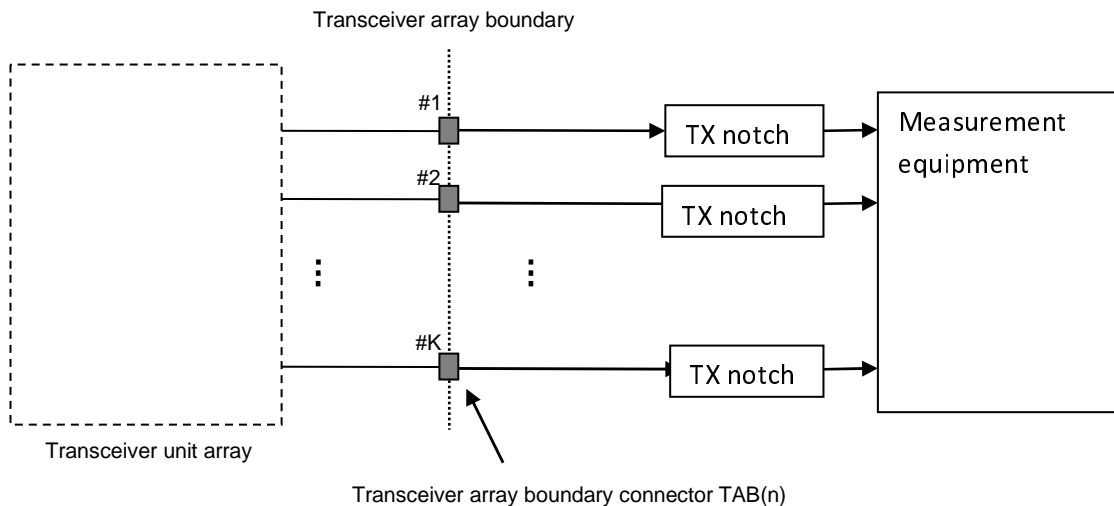


Figure D.1.3-2: Measuring system set-up for transmitter spurious emissions for multiple *TAB* connectors in parallel test

D.2 Receiver

D.2.1 Reference sensitivity level

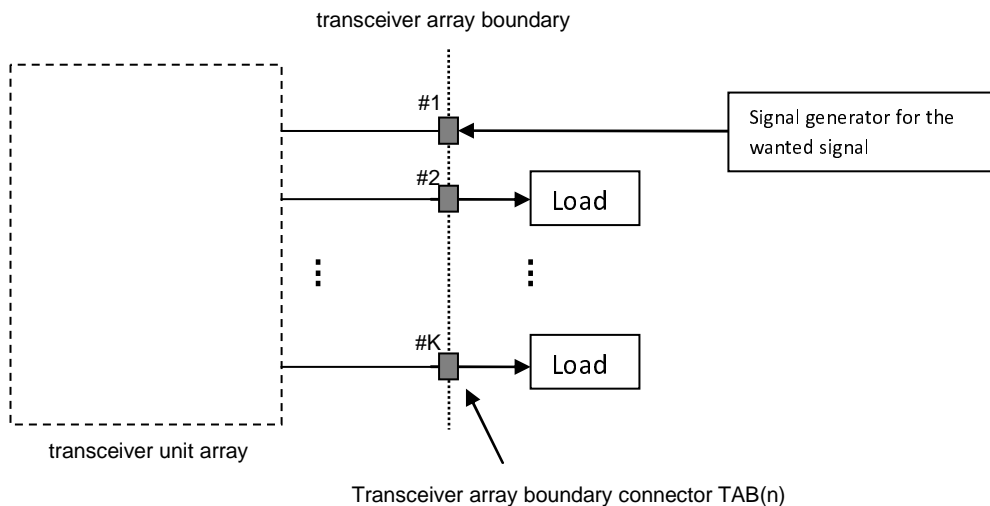


Figure D.2.1-1: Measuring system Set-up for Reference sensitivity level Test

D.2.2 Receiver Dynamic Range

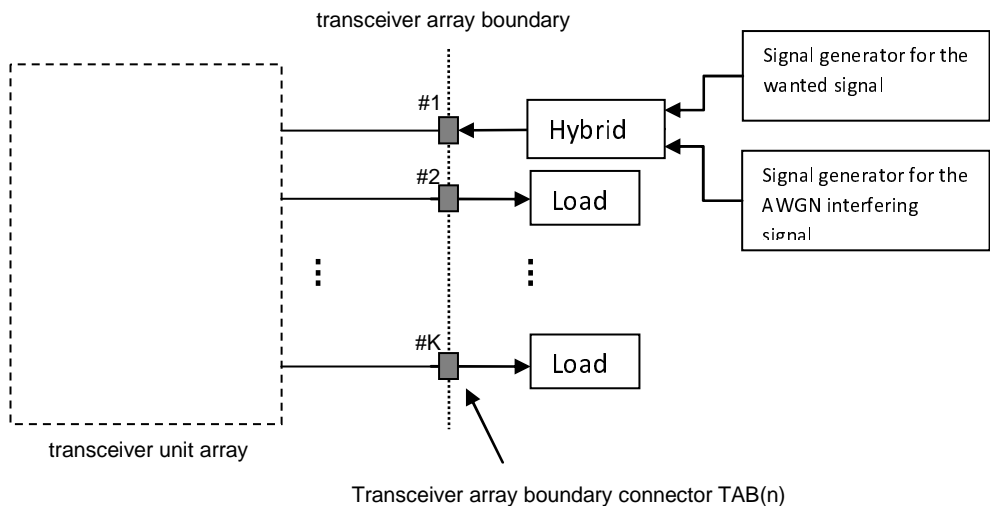


Figure D.2.2-1: Measuring system Set-up for Dynamic Range Test

D.2.3 Receiver Adjacent channel selectivity and narrowband blocking

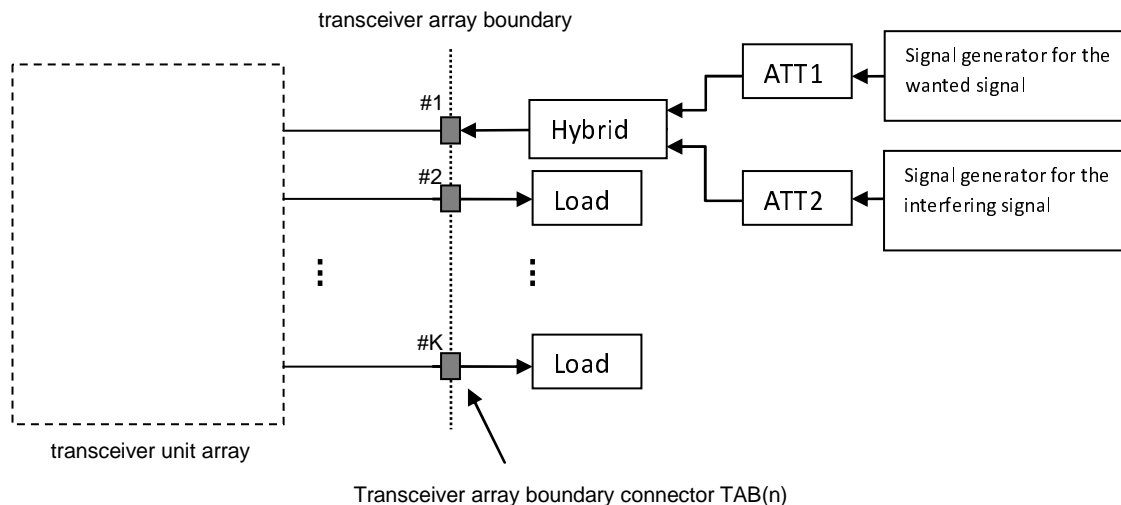


Figure D.2.3-1: Measuring system Set-up for Adjacent channel selectivity and narrowband blocking Test

D.2.4 Receiver spurious emissions

TAB connector(s) may be connected to the measurement equipment singularly and tested one at a time (figure D.2.2-1), or may be tested simultaneously in groups (figure D.2.2-2) where the group size may range from 2 to all the *TAB connectors*.

In all cases the measurement is per *TAB connector* but the measurement may be done in parallel.

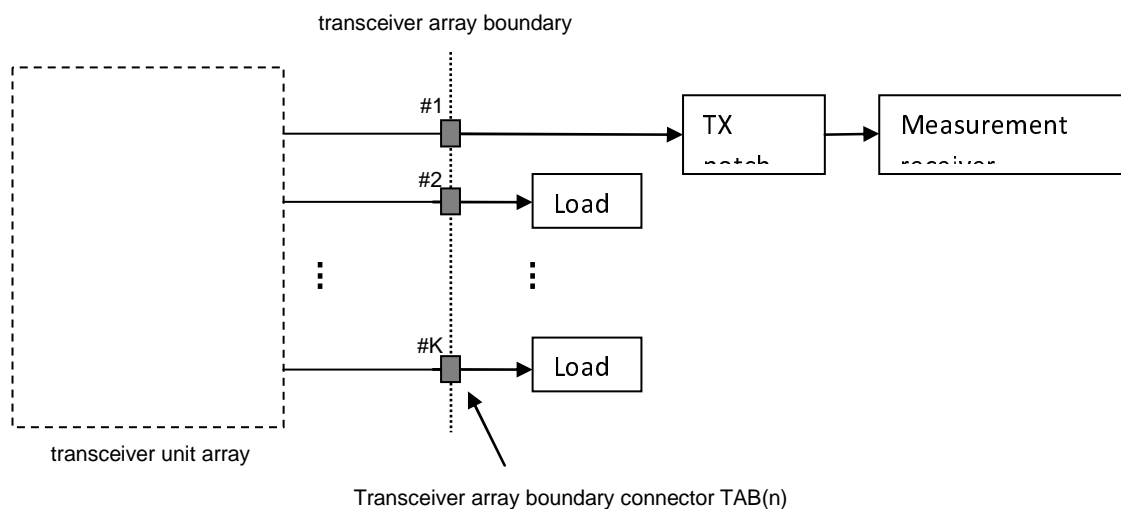


Figure D.2.4-1: Measuring system set-up for receiver spurious emissions for a single *TAB connector*

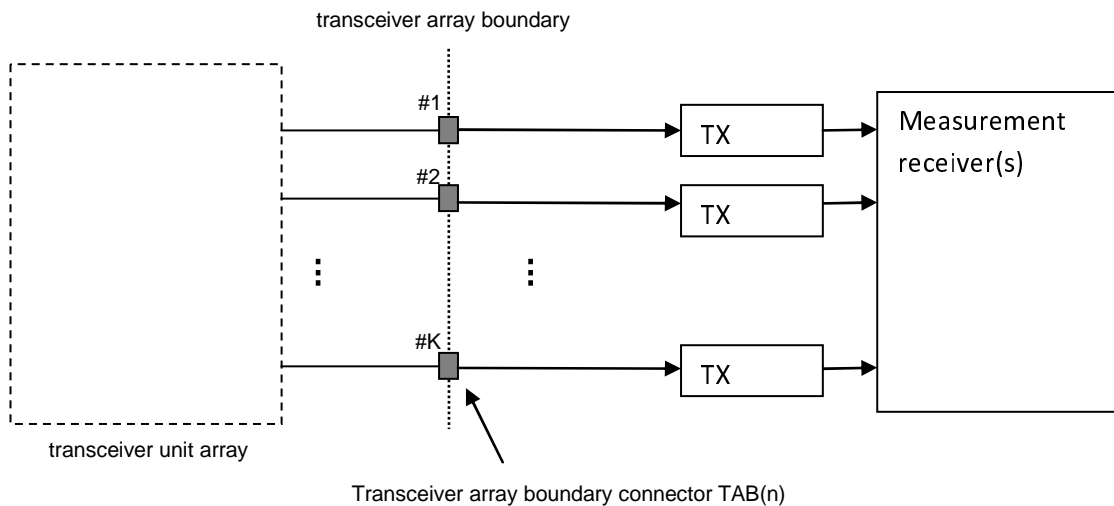


Figure D.2.4-2: Measuring system set-up for receiver spurious emissions for multiple TAB connectors

D.2.5 Receiver In-channel selectivity

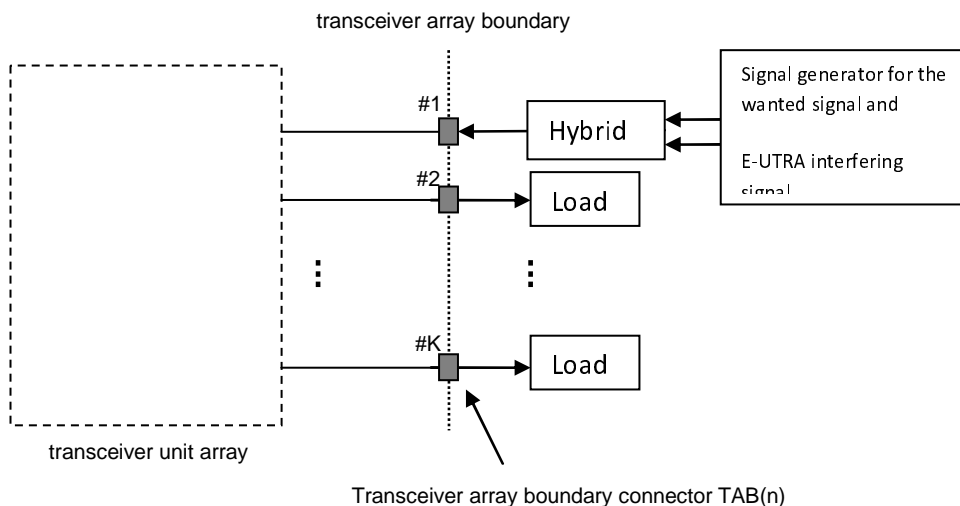


Figure D.2.5-1: Measuring system Set-up for In-channel selectivity Test

D.2.6 Receiver Intermodulation

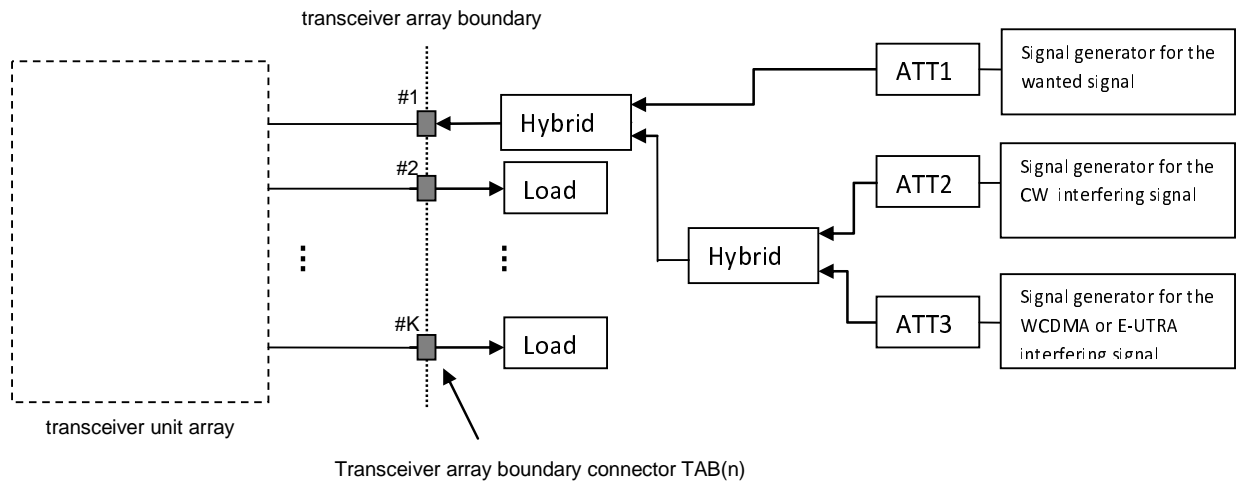


Figure D.2.6-1: Measuring system Set-up for receiver intermodulation Test

Annex E (informative): Change history

| Change history | | | | | | | |
|----------------|---------|-----------|------|-----|-----|---|-------------|
| Date | Meeting | TDoc | CR | Rev | Cat | Subject/Comment | New version |
| 2016-02 | RAN4#78 | R4-161117 | | | | Specification structure | 0.1.0 |
| 2016-04 | RAN4#79 | R4-164273 | | | | Approved text proposals in the following documents were implemented: R4-162956 - TP to TS 37.145 (part 1) - Sections 1-5 R4-162957 - TP to TS 37.145 (part 1) - Sections 6.1, 6.2, 6.3, 6.4 R4-162958 - TP to TS 37.145 (part 1) - Section 6.5 R4-162961 - TP to TS 37.145 (part 1) - Section 7 R4-162962 - TP to TS 37.145 (part 1) - Section 8 R4-162532 - TP to TS 37.145 (part 1) - Annex B | 0.2.0 |
| 2016-05 | RAN4#79 | R4-164926 | | | | R4-164711 - TP to TS 37.145 (part 1) R4-164715 - TP to TS 37.145 (part 1) - Sections 6.5.3 (TAE) R4-164712 - TP to TS 37.145 (part 1) 6.6 and 6.7 | 0.3.0 |
| 2016-08 | RAN4#80 | R4-167178 | | | | R4-166423 - TP to TS37.145-1 - reference corrections R4-166217 - TP for TS 37.145-1: Editorial correction on table numbers R4-166935 TP for TS 37.145-1: AAS BS Performance Target R4-166936 TP to TS 37.145-1: Annex C (Test tolerances and derivation of test requirements) R4-166937 TP to TS 37.145-1 - clean-up | 0.4.0 |
| 2016-09 | RANP#73 | RP-161449 | | | | Editorial corrections after review by ETSI editHelp | 1.0.0 |
| 2016-09 | RP#73 | | | | | TS Approved by RAN plenary | 13.0.0 |
| 2016-12 | RP-74 | RP-162422 | 0001 | - | D | TS 37.145 part 1: Editorial corrections | 13.1.0 |
| 2016-12 | RP-74 | RP-162422 | 0002 | - | F | TS 37.145 part 1: Corrections related to band 65 | 13.1.0 |
| 2016-12 | RP-74 | RP-162422 | 0003 | 1 | F | MB MSR related corrections on receiver blocking | 13.1.0 |
| 2016-12 | RP-74 | RP-162422 | 0005 | - | F | Correction of Manufacturer declaration description list in TS 37.145-1 | 13.1.0 |
| 2016-12 | RP-74 | RP-162422 | 0006 | 1 | F | TS 37.145 part 1: Corrections | 13.1.0 |
| 2016-12 | RP-74 | RP-162422 | 0007 | 1 | D | CR to TS 37.145-1: Frequency error corrections | 13.1.0 |
| 2017-03 | RP-75 | RP-170586 | 0008 | - | F | RF channels for blocking test | 13.2.0 |
| 2017-03 | RP-75 | RP-170586 | 0009 | - | F | Corrections of the power range for SEM and OBUE requirement. | 13.2.0 |
| 2017-03 | RP-75 | RP-170586 | 0010 | 1 | F | TS 37.145-1: Corrections on test procedure related to support for 256QAM | 13.2.0 |
| 2017-03 | RP-75 | RP-170586 | 0011 | - | F | CR to TS 37.145-1: Removal of FFS and TBD's | 13.2.0 |
| 2017-03 | RP-75 | RP-170586 | 0012 | 1 | D | CR to TS 37.145-1: Implementation comments from MCC and drafting rules implementation | 13.2.0 |
| 2017-03 | RP-75 | - | - | - | - | Update to Rel-14 version (MCC) | 14.0.0 |
| 2017-06 | RP-76 | RP-171306 | 0058 | | A | CR to TS 37.145-1: Isolation of Band 46 from the AAS BS specification | 14.1.0 |
| 2017-06 | RP-76 | RP-171306 | 0059 | | A | CR to TS 37.145-1: Isolation of the NB-IoT from the AAS BS specification | 14.1.0 |
| 2017-06 | RP-76 | RP-171306 | 0060 | | A | CR to TS 37.145-1: BS demodulation requirements update | 14.1.0 |
| 2017-06 | RP-76 | RP-171306 | 0061 | | A | CR to TS 37.145-1: Correction of the 256QAM test requirement for EVM | 14.1.0 |
| 2017-06 | RP-76 | RP-171306 | 0062 | | A | CR to TS 37.145-1: Update of Rel-13 references to the UTRA, EUTRA and MSR specifications | 14.1.0 |
| 2017-06 | RP-76 | RP-171306 | 0063 | | A | CR to TS 37.145-1: Introduction of Rel-13 bands: 45, 65, 66 and 68 | 14.1.0 |
| 2017-06 | RP-76 | RP-171306 | 0064 | | A | CR to TS 37.145-1: Correction of the test setup for the Tx spurious emissions requirement | 14.1.0 |
| 2017-06 | RP-76 | RP-171306 | 0065 | | A | CR to TS 37.145-1: MB-MSR update | 14.1.0 |
| 2017-09 | RP-77 | RP-171968 | 0067 | | A | CR to TS 37.145-1: Editorial corrections, Rel-14 | 14.2.0 |
| 2017-09 | RP-77 | RP-171968 | 0068 | 1 | B | CR to TS 37.145-1: introduction of bands 47, 48, 69, 70 | 14.2.0 |
| 2017-09 | RP-77 | RP-171968 | 0069 | | F | CR to TS 37.145-1: versioned references updates to Rel-14 non-AAS specifications | 14.2.0 |
| 2018-06 | RAN#80 | RP-181109 | 0071 | | A | CR to TS 37.145-1: corrections to the existing manufacturers declarations (4.10), Rel-14 | 14.3.0 |
| 2018-06 | RAN#80 | RP-181109 | 0073 | | A | CR to TS 37.145-1: correction of the performance metrics for BS demod, Rel-14 | 14.3.0 |
| 2018-06 | RAN#80 | RP-181109 | 0075 | | F | CR to TS 37.145-1: Correction of regional requirements - removal of co-location and co-existence (4.4), Rel-14 | 14.3.0 |
| 2018-06 | RAN#80 | RP-181109 | 0077 | | | Correction of test scope for ACLR tests | 14.3.0 |
| 2018-06 | SA#80 | | | | | Update to Rel-15 version (MCC) | 15.0.0 |
| 2018-09 | RAN#81 | RP-181910 | 0088 | | A | CR to TS 37.145-1: Clarification on manufacturers declarations | 15.1.0 |
| 2018-09 | RAN#81 | RP-181910 | 0096 | 1 | A | CR to TS 37.145-1: Correction of Occupied BS test applicability for CA, Rel-15 | 15.1.0 |
| 2018-09 | RAN#81 | RP-181910 | 0099 | 1 | A | CR to TS 37.145-1: E-UTRA DL RS power test requirement correction, Rel-15 | 15.1.0 |
| 2018-12 | RAN#82 | RP-182380 | 0102 | | A | CR to TS37.145-1_Adding RF channel for CA OBW (section 4.12.1) Rel.15 | 15.2.0 |
| 2018-12 | RAN#82 | RP-182380 | 0119 | 1 | A | Cleanup to conducted requirements text | 15.2.0 |
| 2018-12 | RAN#82 | RP-182380 | 0122 | | A | Clarification to ACLR test requirements | 15.2.0 |

| | | | | | | | |
|---------|--------|-----------|------|---|---|---|--------|
| 2018-12 | RAN#82 | RP-182362 | 0123 | 1 | B | Introduction of NR to 37.145-1 | 15.2.0 |
| 2018-12 | RAN#82 | RP-182380 | 0124 | | A | Correction of hybrid BS demodulation declarations | 15.2.0 |
| 2019-03 | RAN#83 | RP-190419 | 0126 | 1 | F | Correction to TDD OFF power requirement | 15.3.0 |
| 2019-03 | RAN#83 | RP-190418 | 0128 | | F | CR to TS 37.145-1: Corrections on blocking requirements | 15.3.0 |
| 2019-03 | RAN#83 | RP-190412 | 0131 | | A | CR to TS 37.145-1: Intermodulation product bandwidth in Tx IMD test (Rel-15) | 15.3.0 |
| 2019-03 | RAN#83 | RP-190418 | 0133 | 1 | F | CR to TS 37.145-1: editorial corrections and improving clarity to ACLR test requirements | 15.3.0 |
| 2019-03 | RAN#83 | RP-190412 | 0135 | 1 | A | TS 37.145-1: Editorial corrections | 15.3.0 |
| 2019-03 | RAN#83 | RP-190412 | 0138 | | A | CR to TS 37.145-1 on Correction of unwanted emissions scaling | 15.3.0 |
| 2019-03 | RAN#83 | RP-190418 | 0139 | 1 | F | CR to TS 37.145-1: Implementation of 1024QAM for E-UTRA, Rel-15 | 15.3.0 |
| 2019-03 | RAN#83 | RP-190418 | 0140 | | F | CR to TS 37.145-1: Implementation of sTTI for E-UTRA, Rel-15 | 15.3.0 |
| 2019-03 | RAN#83 | RP-190412 | 0143 | | A | CR to TS 37.145-1: BS Spurious emissions limits for protection of the BS receiver for B28 in Europe, Rel-15 | 15.3.0 |
| 2019-03 | RAN#83 | RP-190418 | 0144 | 1 | F | CR to TS 37.145-1: new Rel-15 bands and isolation of band 49, Tx, Rel-15 | 15.3.0 |
| 2019-03 | RAN#83 | RP-190418 | 0145 | | F | CR to TS 37.145-1: new Rel-15 bands and isolation of band 49, Rx, Rel-15 | 15.3.0 |
| 2019-03 | RAN#83 | RP-190412 | 0147 | | A | CR to TS 37.145-1: Band 48 colocation correction, Rel-15 | 15.3.0 |
| 2019-06 | RAN#84 | RP-191263 | 0148 | 1 | F | CR to TS 37.145-1: Corrections on out-of-band blocking requirement | 15.4.0 |
| 2019-06 | RAN#84 | RP-191263 | 0149 | 1 | F | CR to TS 37.145-1: clarification on CSA and RCSA relations for hybrid AAS BS, Rel-15 | 15.4.0 |
| 2019-06 | RAN#84 | RP-191258 | 0152 | | F | CR to TS 37.145-1: correction of the throughput calculation in test procedures, Rel-15 | 15.4.0 |
| 2019-06 | RAN#84 | RP-191237 | 0156 | | F | CR to TS 37.145-1: updates to Tx spur and co-location blocking | 15.4.0 |
| 2019-06 | RAN#84 | RP-191263 | 0158 | | F | Correction on Δf_{OOB} for 37.145-1 | 15.4.0 |
| 2019-06 | RAN#84 | RP-191262 | 0159 | 2 | F | Addition of power backoff for 256QAM and 1024QAM | 15.4.0 |
| 2019-06 | RAN#84 | RP-191262 | 0160 | 1 | F | Blocking requirement for MSR/NR operation | 15.4.0 |
| 2019-06 | RAN#84 | RP-191237 | 0163 | 2 | F | CR to TS 37.145-01: TAE requirement (section 6.5.3) | 15.4.0 |
| 2019-06 | RAN#84 | RP-191258 | 0166 | | A | CR to TS 37.145-1: mirror of operating band and frequency range declaration from NR, Rel-15 | 15.4.0 |
| 2019-06 | RAN#84 | RP-191263 | 0167 | 1 | B | CR to TS 37.145-1: BS demodulation requirements for NR | 15.4.0 |
| 2019-06 | RAN#84 | RP-191263 | 0168 | | F | Non-AAS CRs mirroring to the AAS specification | 15.4.0 |
| 2019-09 | RAN#85 | RP-192053 | 0174 | 2 | F | Correction to RX spurious emissions applicability range for SR E-UTRA BS | 15.5.0 |
| 2019-09 | RAN#85 | RP-192053 | 0176 | | F | CR for TS37.145-1: definition of synchronization operation | 15.5.0 |
| 2019-09 | RAN#85 | RP-192021 | 0178 | | F | CR to TS 37.145-1: Correction on SEM and operation band unwanted emission | 15.5.0 |
| 2019-09 | RAN#85 | RP-192021 | 0180 | 1 | F | CR to TS 37.145-1: Correction on multi-band test configurations | 15.5.0 |
| 2019-09 | RAN#85 | RP-192021 | 0182 | 1 | F | CR to TS37.145-1: Corrections on ICS requirement (Section 7.8.5) | 15.5.0 |
| 2019-09 | RAN#85 | RP-192021 | 0184 | | F | CR to TS37.145-1 Corrections on NBB requirement (section 7.4.5.1.2) | 15.5.0 |
| 2019-09 | RAN#85 | RP-192021 | 0187 | | F | CR to TS 37.145-1 with addition of reference to data content for test models | 15.5.0 |
| 2019-09 | RAN#85 | RP-192021 | 0189 | 1 | F | CR to TS 37.145-1 with editorial corrections | 15.5.0 |
| 2019-09 | RAN#85 | RP-192050 | 0194 | | A | CR to 37.145-1: correction of equivalent TAB connectors testing, Rel-15 | 15.5.0 |
| 2019-09 | RAN#85 | RP-192021 | 0196 | 1 | F | CR to TS37.145-1 editorial corrections on G-FRC (section 7.2.7.3) | 15.5.0 |

History

| Document history | | |
|-------------------------|--------------|-------------|
| V15.1.0 | October 2018 | Publication |
| V15.2.0 | April 2019 | Publication |
| V15.3.0 | May 2019 | Publication |
| V15.4.0 | July 2019 | Publication |
| V15.5.0 | October 2019 | Publication |