

# ETSI TS 138 115-2 V18.3.0 (2025-01)



**5G;  
NR;  
Repeater conformance testing -  
Part 2: Radiated conformance testing  
(3GPP TS 38.115-2 version 18.3.0 Release 18)**



---

**Reference**

RTS/TSGR-0438115-2v130

---

**Keywords**

5G

**ETSI**

650 Route des Lucioles  
F-06921 Sophia Antipolis Cedex - FRANCE

---

Tel.: +33 4 92 94 42 00 Fax: +33 4 93 65 47 16

Siret N° 348 623 562 00017 - APE 7112B  
Association à but non lucratif enregistrée à la  
Sous-Préfecture de Grasse (06) N° w061004871

---

**Important notice**

The present document can be downloaded from the  
[ETSI Search & Browse Standards application](#).

The present document may be made available in electronic versions and/or in print. The content of any electronic and/or print versions of the present document shall not be modified without the prior written authorization of ETSI. In case of any existing or perceived difference in contents between such versions and/or in print, the prevailing version of an ETSI deliverable is the one made publicly available in PDF format on [ETSI deliver repository](#).

Users should be aware that the present document may be revised or have its status changed, this information is available in the [Milestones listing](#).

If you find errors in the present document, please send your comments to the relevant service listed under [Committee Support Staff](#).

If you find a security vulnerability in the present document, please report it through our [Coordinated Vulnerability Disclosure \(CVD\)](#) program.

---

**Notice of disclaimer & limitation of liability**

The information provided in the present deliverable is directed solely to professionals who have the appropriate degree of experience to understand and interpret its content in accordance with generally accepted engineering or other professional standard and applicable regulations.

No recommendation as to products and services or vendors is made or should be implied.

No representation or warranty is made that this deliverable is technically accurate or sufficient or conforms to any law and/or governmental rule and/or regulation and further, no representation or warranty is made of merchantability or fitness for any particular purpose or against infringement of intellectual property rights.

In no event shall ETSI be held liable for loss of profits or any other incidental or consequential damages.

Any software contained in this deliverable is provided "AS IS" with no warranties, express or implied, including but not limited to, the warranties of merchantability, fitness for a particular purpose and non-infringement of intellectual property rights and ETSI shall not be held liable in any event for any damages whatsoever (including, without limitation, damages for loss of profits, business interruption, loss of information, or any other pecuniary loss) arising out of or related to the use of or inability to use the software.

---

**Copyright Notification**

No part may be reproduced or utilized in any form or by any means, electronic or mechanical, including photocopying and microfilm except as authorized by written permission of ETSI.

The content of the PDF version shall not be modified without the written authorization of ETSI.

The copyright and the foregoing restriction extend to reproduction in all media.

© ETSI 2025.  
All rights reserved.

---

# Intellectual Property Rights

## Essential patents

IPRs essential or potentially essential to normative deliverables may have been declared to ETSI. The declarations pertaining to these essential IPRs, if any, are publicly available for **ETSI members and non-members**, and can be found in ETSI SR 000 314: "*Intellectual Property Rights (IPRs); Essential, or potentially Essential, IPRs notified to ETSI in respect of ETSI standards*", which is available from the ETSI Secretariat. Latest updates are available on the [ETSI IPR online database](#).

Pursuant to the ETSI Directives including the ETSI IPR Policy, no investigation regarding the essentiality of IPRs, including IPR searches, has been carried out by ETSI. No guarantee can be given as to the existence of other IPRs not referenced in ETSI SR 000 314 (or the updates on the ETSI Web server) which are, or may be, or may become, essential to the present document.

## Trademarks

The present document may include trademarks and/or tradenames which are asserted and/or registered by their owners. ETSI claims no ownership of these except for any which are indicated as being the property of ETSI, and conveys no right to use or reproduce any trademark and/or tradename. Mention of those trademarks in the present document does not constitute an endorsement by ETSI of products, services or organizations associated with those trademarks.

**DECT™**, **PLUGTESTS™**, **UMTS™** and the ETSI logo are trademarks of ETSI registered for the benefit of its Members. **3GPP™**, **LTE™** and **5G™** logo are trademarks of ETSI registered for the benefit of its Members and of the 3GPP Organizational Partners. **oneM2M™** logo is a trademark of ETSI registered for the benefit of its Members and of the oneM2M Partners. **GSM®** and the GSM logo are trademarks registered and owned by the GSM Association.

---

# Legal Notice

This Technical Specification (TS) has been produced by the ETSI 3rd Generation Partnership Project (3GPP).

The present document may refer to technical specifications or reports using their 3GPP identities. These shall be interpreted as being references to the corresponding ETSI deliverables.

The cross reference between 3GPP and ETSI identities can be found at [3GPP to ETSI numbering cross-referencing](#).

---

# Modal verbs terminology

In the present document "**shall**", "**shall not**", "**should**", "**should not**", "**may**", "**need not**", "**will**", "**will not**", "**can**" and "**cannot**" are to be interpreted as described in clause 3.2 of the [ETSI Drafting Rules](#) (Verbal forms for the expression of provisions).

"**must**" and "**must not**" are **NOT** allowed in ETSI deliverables except when used in direct citation.

# Contents

Intellectual Property Rights .....	2
Legal Notice .....	2
Modal verbs terminology.....	2
Foreword.....	10
1 Scope .....	12
2 References .....	12
3 Definitions of terms, symbols and abbreviations .....	13
3.1 Terms.....	13
3.2 Symbols.....	15
3.3 Abbreviations .....	15
4 General radiated test conditions and declarations .....	16
4.1 Measurement uncertainties and test requirements .....	16
4.1.1 General.....	16
4.1.2 Acceptable uncertainty of Test System.....	16
4.1.2.1 General .....	16
4.1.2.2 Radiated characteristics measurements .....	17
4.1.3 Interpretation of measurement results.....	20
4.2 Radiated requirement reference points .....	20
4.2.0 NCR type 1-H.....	20
4.2.1 RF repeater type 2-O.....	21
4.2.2 NCR type 2-O .....	22
4.3 RF repeater classes .....	22
4.3.1 RF repeater class for downlink .....	22
4.3.2 RF repeater class for uplink .....	23
4.3A.1 NCR class for downlink.....	23
4.3A.2 NCR class for uplink and MT .....	23
4.4 Regional requirements.....	23
4.5 Repeater configurations.....	24
4.5.1 Downlink configurations .....	24
4.5.2 Uplink configurations .....	24
4.5.3 Power supply options.....	25
4.6 Manufacturer's declarations.....	25
4.7 Test configurations .....	35
4.7.1 General.....	35
4.7.2 Test signal configurations.....	35
4.7.2.1 Test signal used to build Test Configurations .....	35
4.7.2.2 RTC1: Contiguous spectrum operation for RF repeater type 2-O.....	36
4.7.2.2.1 RTC1 generation .....	36
4.7.2.2.2 RTC1 power allocation.....	36
4.7.2.4 RTC2: Non-contiguous spectrum operation for RF repeater type 2-O .....	36
4.7.2.4.1 RTC2 generation .....	36
4.7.2.4.2 RTC2 power allocation.....	36
4.8 Applicability of requirements.....	38
4.9 RF channels and test models .....	39
4.9.1 RF channels .....	39
4.9.2 Test models .....	40
4.9.2.1 General .....	40
4.9.2.2 FR2 test models for repeater type 2-O for DL .....	40
4.9.2.3 FR2 test models for repeater type 2-O for UL .....	40
4.9.2.3.1 FR2 test model 1.1 (RUL-FR2-TM1.1).....	41
4.9.2.3.2 FR2 test model 2 (RUL-FR2-TM2).....	41
4.9.2.3.2a FR2 test model 2a (RUL-FR2-TM2a) .....	42
4.9.2.3.3 FR2 test model 3.1 (RUL-FR2-TM3.1).....	42
4.9.2.3.4 FR2 test model 3.1a (RUL-FR2-TM3.1a) .....	42

4.9.2.4	Data content of physical channels and signals for RUL-FR2-TM .....	42
4.9.2.3.1	PUSCH .....	43
4.9A	RF channels and test models of NCR .....	43
4.9A.1	RF channels .....	43
4.9A.2	Test models .....	44
4.9A.2.1	General .....	44
4.9A.2.2	FR2 test models for NCR type 2-O for DL .....	44
4.9A.2.3	FR2 test models for NCR type 2-O for UL .....	44
4.9A.2.3.1	FR2 test model 1.1 (NCRUL-FR2-TM1.1) .....	45
4.9A.2.3.2	FR2 test model 2 (NCRUL-FR2-TM2) .....	45
4.9A.2.3.2a	FR2 test model 2a (NCRUL-FR2-TM2a) .....	46
4.9A.2.3.3	FR2 test model 3.1 (NCRUL-FR2-TM3.1) .....	46
4.9A.2.3.4	FR2 test model 3.1a (NCRUL-FR2-TM3.1a) .....	46
4.9A.2.4	Data content of physical channels and signals for NCRUL-FR2-TM .....	47
4.9A.2.4.2	PUSCH .....	47
4.10	Requirements for contiguous and non-contiguous spectrum .....	47
4.11	Format and interpretation of tests .....	48
4.12	Reference coordinate system .....	48
5	Operating bands and channel arrangement .....	49
6	Radiated characteristics .....	49
6.1	General .....	49
6.2	OTA output power .....	50
6.2.1	General .....	50
6.2.2	OTA output power (EIRP) .....	50
6.2.2.1	Definition and applicability .....	50
6.2.2.2	Minimum requirement .....	51
6.2.2.3	Test purpose .....	51
6.2.2.4	Method of test .....	51
6.2.2.4.1	Initial conditions .....	51
6.2.2.4.2	Procedure .....	52
6.2.2.5	Test requirement for RF repeater type 2-O and NCR-Fwd type 2-O .....	52
6.2.2.6	Test requirement for NCR .....	53
6.2.2.6.1	Test requirement for NCR-MT .....	53
6.2.2.6.1.1	Test requirement for NCR-MT type 1-H .....	53
6.2.3	OTA repeater output power (TRP) .....	53
6.2.3.1	Definition and applicability .....	53
6.2.3.2	Minimum requirement .....	54
6.2.3.3	Test purpose .....	54
6.2.3.4	Method of test .....	54
6.2.3.4.1	Initial conditions .....	54
6.2.3.4.2	Procedure .....	54
6.2.3.5	Test requirement .....	55
6.2.3.6	Test requirement for NCR .....	55
6.2.3.6.1	Test requirement for NCR-Fwd type 2-O .....	55
6.2.3.6.2	Test requirement for NCR-MT .....	55
6.2.3.6.3	Test requirement for NCR-Fwd .....	56
6.3	OTA frequency stability .....	56
6.3.1	Definition and applicability .....	56
6.3.2	Minimum Requirement .....	56
6.3.3	Test purpose .....	56
6.3.4	Method of test .....	56
6.3.5	Test Requirements for RF repeater and NCR .....	56
6.4	OTA out of band gain .....	56
6.4.1	Definition and applicability .....	56
6.4.2	Minimum Requirement .....	56
6.4.3	Test purpose .....	57
6.4.4	Method of test .....	57
6.4.4.1	Initial conditions .....	57
6.4.4.2	Procedure .....	57
6.4.5	Test Requirements for RF repeater and NCR .....	57

6.5	OTA unwanted emissions .....	58
6.5.1	General.....	58
6.5.2	OTA Adjacent Channel Leakage Power Ratio (ACLR) .....	58
6.5.2.1	Definition and applicability.....	58
6.5.2.2	Minimum requirement .....	58
6.5.2.3	Test purpose .....	59
6.5.2.4	Method of test .....	59
6.5.2.4.1	Initial conditions.....	59
6.5.2.4.2	Procedure.....	59
6.5.2.5	Test requirements.....	60
6.5.3	OTA operating band unwanted emissions .....	65
6.5.3.1	Definition and applicability.....	65
6.5.3.2	Minimum requirement .....	65
6.5.3.3	Test purpose .....	65
6.5.3.4	Method of test .....	66
6.5.3.4.1	Initial conditions.....	66
6.5.3.4.2	Procedure.....	66
6.5.3.5	Test requirements.....	67
6.5.3.5.1	OTA operating band unwanted emission limits (Category A) .....	67
6.5.3.5.2	OTA operating band unwanted emission limits (Category B).....	68
6.5.3.5.3	Additional OTA operating band unwanted emission requirements.....	69
6.5.4	OTA transmitter spurious emissions.....	69
6.5.4.1	Definition and applicability.....	69
6.5.4.2	Minimum requirement .....	69
6.5.4.3	Test purpose .....	70
6.5.4.4	Method of test .....	70
6.5.4.4.1	Initial conditions.....	70
6.5.4.4.2	Procedure.....	70
6.5.4.5	Test requirements.....	71
6.5.4.5.1	General .....	71
6.5.4.5.2	OTA transmitter spurious emissions (Category A) .....	71
6.5.4.5.3	OTA transmitter spurious emissions (Category B).....	72
6.5.4.5.4	Additional OTA transmitter spurious emissions requirements.....	72
6.5.4.5.4.1	Limits for protection of Earth Exploration Satellite Service .....	72
6.6	OTA Repeater Error Vector Magnitude .....	73
6.6.1	Downlink repeater error vector magnitude .....	73
6.6.1.1	General .....	73
6.6.1.2	Minimum requirements.....	73
6.6.1.3	Test purpose .....	73
6.6.1.4	Method of test .....	73
6.6.1.4.1	Initial conditions.....	73
6.6.1.4.2	Procedure.....	74
6.6.1.5	Test requirement .....	75
6.6.2	Uplink Repeater error vector magnitude.....	75
6.6.2.1	General .....	75
6.6.2.2	Minimum requirement .....	76
6.6.2.3	Test purpose .....	76
6.6.2.4	Method of test .....	76
6.6.2.4.1	Initial conditions.....	76
6.6.2.4.2	Procedure.....	76
6.6.2.5	Test requirement .....	77
6.7	OTA input intermodulation .....	77
6.7.1	Definition and applicability .....	77
6.7.1.1	General .....	77
6.7.1.2	Minimum requirements.....	77
6.7.1.3	Test purpose .....	77
6.7.1.4	Method of test .....	78
6.7.1.4.1	Initial conditions.....	78
6.7.1.4.2	Procedure.....	78
6.7.1.5	Test requirements.....	78
6.8	OTA Adjacent Channel Rejection Ratio (ACRR).....	79
6.8.1	Definitions and applicability.....	79

6.8.2	Co-existence with NR	79
6.8.2.1	Minimum requirements	79
6.8.2.2	Test purpose	79
6.8.2.3	Method of test	79
6.8.2.3.1	Initial conditions	79
6.8.2.3.2	Procedure	79
6.8.2.3.3	Test Requirements	80
6.9	OTA transmit ON/OFF power	81
6.9.1	OTA transmitter OFF power	81
6.9.1.1	Definition and applicability	81
6.9.1.2	Minimum requirement for RF repeater	82
6.9.1.3	Test purpose	82
6.9.1.4	Method of test	82
6.9.1.5	Test requirements	82
6.9.2	OTA transient period	82
6.9.2.1	Definition and applicability	82
6.9.2.2	Minimum requirement for RF repeater	83
6.9.2.3	Test purpose	84
6.9.2.4	Method of test	84
6.9.2.4.1	Initial conditions	84
6.9.2.4.2	Procedure	84
6.9.2.5	Test requirements	84
6.11.2.1	Frequency error requirements for NCR-MT	86
6.11.2.1.1	Minimum requirement for NCR-MT type 2-O	86
6.11.2.2	Transmit modulation quality	86
6.11.2.2.1	Minimum requirement for NCR-MT type 2-O	86
6.11.4.1	Initial conditions	87
6.11.4.2	Initial conditions	87
6.12.4.1	Initial conditions	89
6.12.4.2	Procedure	89
6.13	OTA maximum input level	90
6.13.1	Definition and applicability	90
6.13.2	Minimum requirement	90
6.13.3	Test purpose	90
6.13.4	Method of test	90
6.13.4.1	Initial conditions	90
6.13.4.2	Procedure	90
6.13.5	Test requirements	91
6.14	OTA adjacent channel selectivity	91
6.14.1	Definition and applicability	91
6.14.2	Minimum requirement	91
6.14.3	Test purpose	91
6.14.4	Method of test	91
6.14.4.1	Initial conditions	91
6.14.4.2	Procedure	92
6.14.5	Test requirements	92
6.15	OTA blocking characteristics	92
6.15.1	Definition and applicability	92
6.15.2	Minimum requirement	92
6.15.3	Test purpose	93
6.15.4	Method of test	93
6.15.4.1	Initial conditions	93
6.15.4.2	Procedure for general blocking	93
6.15.4.3	Procedure for out of band blocking	93
6.15.5	Test requirements	94
6.16	OTA receiver spurious emissions	94
6.16.1	Definition and applicability	94
6.16.2	Minimum requirement	94
6.16.3	Test purpose	95
6.16.4	Method of test	95
6.16.4.1	Initial conditions	95
6.16.4.2	Procedure	95

6.16.5	Test requirements.....	96
7	Radiated performance requirements.....	96
7.1	NCR-MT performance requirements.....	96
7.1.1	General.....	96
7.1.1.1	Scope and definitions .....	96
7.1.1.2	OTA demodulation branches .....	96
7.1.2	Demodulation performance requirements.....	97
7.1.2.1	General .....	97
7.1.2.1.1	Applicability rule for NCR-MT.....	97
7.1.2.2	Performance requirements for PDSCH.....	97
7.1.2.2.1	Definition and applicability .....	97
7.1.2.2.2	Minimum requirements .....	97
7.1.2.2.3	Test purpose .....	97
7.1.2.2.4	Method of test.....	97
7.1.2.2.5	Test requirements .....	99
7.1.2.3	Demodulation performance requirements for PDCCH .....	99
7.1.2.3.1	Definition and applicability .....	99
7.1.2.3.2	Minimum requirement.....	99
7.1.2.3.3	Test purpose .....	99
7.1.2.3.4	Method of test.....	99
7.1.2.3.5	Test requirements .....	101
7.1.3	CSI reporting requirements.....	101
7.1.3.1	General .....	101
7.1.3.1.1	Applicability of requirements .....	101
7.1.3.1.2	Common test parameters .....	101
7.1.3.2	Reporting of Channel Quality Indicator (CQI) .....	102
7.1.3.2.1	Definition and applicability .....	102
7.1.3.2.2	Minimum requirement.....	102
7.1.3.2.3	Test purpose .....	102
7.1.3.2.4	Method of test.....	103
7.1.3.2.4.1	Initial conditions .....	103
7.1.3.2.4.2	Procedure .....	103
7.1.3.2.5	Test requirement .....	105
7.1.3.2.5.1	Test requirement for NCR type 2-O.....	105
<b>Annex A (normative): Repeater stimulus signals.....</b>		<b>106</b>
A.1	Repeater stimulus signal 1.....	106
A.2	Repeater stimulus signal 2.....	106
A.3	Repeater stimulus signal spectral purity requirements.....	106
<b>Annex B (normative): Environmental requirements for the Repeater equipment.....</b>		<b>108</b>
B.1	General .....	108
B.2	Normal test environment.....	108
B.3	Extreme test environment.....	108
B.3.1	Extreme temperature .....	108
B.4	Vibration.....	109
B.5	Power supply .....	109
B.6	Measurement of test environments.....	109
<b>Annex C (informative): Test tolerances and derivation of test requirements.....</b>		<b>111</b>
C.1	Measurement of radiated characteristics .....	112
<b>Annex D (normative): Calibration.....</b>		<b>116</b>
<b>Annex E (informative): OTA measurement system set-up.....</b>		<b>117</b>



E.1	OTA output power EIRP, OTA Frequency stability, OTA Error Vector Magnitude and OTA Transmit ON/OFF power .....	117
E.2	Out of band gain .....	118
E.3	Unwanted emission: Operating band unwanted emission and ACLR .....	119
E.4	Input intermodulation .....	120
E.5	Adjacent Channel Rejection Ratio .....	121
E.6	NCR-MT type 2-O PDSCH and PDCCH testing .....	121
E.7	NCR-MT type 2-O CQI testing .....	122
<b>Annex F (normative):    In-channel TX tests .....</b>		<b>124</b>
F.1	General .....	124
F.2	Basic principles .....	124
F.2.1	Output signal of the TX under test .....	124
F.2.2	Ideal signal .....	124
F.2.3	Measurement results .....	125
F.2.4	Measurement points .....	125
F.3	Pre-FFT minimization process .....	126
F.4	Timing of the FFT window .....	126
F.5	Resource element TX power .....	127
F.6	Post-FFT equalisation .....	128
F.7	EVM .....	130
F.7.0	General .....	130
F.7.1	Averaged EVM .....	130
<b>Annex G (normative):    TRP measurement procedures .....</b>		<b>132</b>
G.1	General .....	132
G.2	Spherical equal angle grid .....	132
G.2.1	General .....	132
G.2.2	Reference angular step criteria .....	133
G.3	Spherical equal area grid .....	134
G.4	Spherical Fibonacci grid .....	135
G.5	Orthogonal cut grid .....	135
G.5.1	General .....	135
G.5.2	Operating band unwanted emissions .....	136
G.5.3	Spurious unwanted emissions .....	136
G.6	Wave vector space grid .....	137
G.7	Full sphere with sparse sampling .....	137
G.8	Beam-based directions .....	138
G.9	Peak method .....	138
G.10	Equal sector with peak average .....	138
G.11	Pre-scan .....	139
<b>Annex H (normative):    NCR-MT Fixed Reference Channels .....</b>		<b>140</b>
H.1.1	Fixed Reference Channels for PDSCH performance requirements .....	140
H.1.2	Fixed Reference Channels for PDCCH performance requirements .....	140
H.1.3	Fixed Reference Channels for CQI reporting requirements .....	140
<b>Annex I (normative):    Propagation conditions .....</b>		<b>142</b>

I.1	Static propagation condition.....	142
I.1.1	NCR-MT Receiver with 2 Rx.....	142
I.1.2	NCR-MT Receiver with 4Rx.....	142
I.2	Multi-path fading propagation conditions .....	142
I.2.1	Delay profiles.....	143
I.2.1.1	Delay profiles for FR2-1 .....	144
I.2.2	Combinations of channel model parameters .....	144
I.2.3	MIMO channel correlation matrices .....	145
I.2.3.1	MIMO correlation matrices using Uniform Linear Array (ULA).....	145
I.2.3.1.1	Definition of MIMO correlation matrices .....	145
I.2.3.1.2	MIMO correlation matrices at high, medium and low level.....	146
I.2.3.2	Multi-antenna channel models using cross polarized antennas.....	147
I.2.3.2.1	Definition of MIMO correlation matrices using cross polarized antennas .....	148
I.2.3.2.2	Spatial correlation matrices at NCR-MT and gNB sides .....	148
I.2.3.2.2.1	Spatial correlation matrices at NCR-MT side .....	148
I.2.3.2.2.2	Spatial correlation matrices at gNB side .....	148
I.2.3.2.3	MIMO correlation matrices using cross polarized antennas.....	149
I.2.3.2.4	Beam steering approach.....	149
I.3	Physical signals, channels mapping and precoding.....	150
I.3.1	General.....	150
<b>Annex J (informative): Change history .....</b>		<b>152</b>
History .....		154

---

# Foreword

This Technical Specification has been produced by the 3rd Generation Partnership Project (3GPP).

The contents of the present document are subject to continuing work within the TSG and may change following formal TSG approval. Should the TSG modify the contents of the present document, it will be re-released by the TSG with an identifying change of release date and an increase in version number as follows:

Version x.y.z

where:

- x the first digit:
  - 1 presented to TSG for information;
  - 2 presented to TSG for approval;
  - 3 or greater indicates TSG approved document under change control.
- y the second digit is incremented for all changes of substance, i.e. technical enhancements, corrections, updates, etc.
- z the third digit is incremented when editorial only changes have been incorporated in the document.

In the present document, modal verbs have the following meanings:

- shall** indicates a mandatory requirement to do something
- shall not** indicates an interdiction (prohibition) to do something

The constructions "shall" and "shall not" are confined to the context of normative provisions, and do not appear in Technical Reports.

The constructions "must" and "must not" are not used as substitutes for "shall" and "shall not". Their use is avoided insofar as possible, and they are not used in a normative context except in a direct citation from an external, referenced, non-3GPP document, or so as to maintain continuity of style when extending or modifying the provisions of such a referenced document.

- should** indicates a recommendation to do something
- should not** indicates a recommendation not to do something
- may** indicates permission to do something
- need not** indicates permission not to do something

The construction "may not" is ambiguous and is not used in normative elements. The unambiguous constructions "might not" or "shall not" are used instead, depending upon the meaning intended.

- can** indicates that something is possible
- cannot** indicates that something is impossible

The constructions "can" and "cannot" are not substitutes for "may" and "need not".

- will** indicates that something is certain or expected to happen as a result of action taken by an agency the behaviour of which is outside the scope of the present document
- will not** indicates that something is certain or expected not to happen as a result of action taken by an agency the behaviour of which is outside the scope of the present document
- might** indicates a likelihood that something will happen as a result of action taken by some agency the behaviour of which is outside the scope of the present document

**might not** indicates a likelihood that something will not happen as a result of action taken by some agency the behaviour of which is outside the scope of the present document

In addition:

**is** (or any other verb in the indicative mood) indicates a statement of fact

**is not** (or any other negative verb in the indicative mood) indicates a statement of fact

The constructions "is" and "is not" do not indicate requirements.

---

# 1 Scope

The present document specifies the Radio Frequency (RF) test methods and conformance requirements for RF *Repeater type 2-O* and *network controlled repeater (NCR) type 1-H* and *2-O*. These have been derived from, and are consistent with the radiated requirements for *Repeater type 2-O* and *network controlled repeater (NCR) type 1-H* and *2-O* in Repeater specification defined in TS 38.106 [2].

RF *Repeater type 1-C* and *NCR type 1-C* only have conducted requirements so they does not require compliance to this specification.

*NCR type 1-H* has both conducted and radiated requirements so it requires compliance to this specification and TS 38.115-1 [23].

RF *Repeater type 2-O* and *NCR type 2-O* have only radiated requirements so they require compliance to this specification only.

---

# 2 References

The following documents contain provisions which, through reference in this text, constitute provisions of the present document.

- References are either specific (identified by date of publication, edition number, version number, etc.) or non-specific.
- For a specific reference, subsequent revisions do not apply.
- For a non-specific reference, the latest version applies. In the case of a reference to a 3GPP document (including a GSM document), a non-specific reference implicitly refers to the latest version of that document *in the same Release as the present document*.

- [1] 3GPP TR 21.905: "Vocabulary for 3GPP Specifications"
- [2] 3GPP TS 38.106: "NR repeater radio transmission and reception"
- [3] Recommendation ITU-R M.1545: "Measurement uncertainty as it applies to test limits for the terrestrial component of International Mobile Telecommunications-2000"
- [4] ITU-R Recommendation SM.329: "Unwanted emissions in the spurious domain"
- [5] 3GPP TS 38.104: "NR Base Station (BS) radio transmission and reception"
- [6] 3GPP TS 38.141-2: "NR; Base Station (BS) conformance testing; Part 2: Radiated conformance testing"
- [7] IEC 60 721-3-3: "Classification of environmental conditions - Part 3-3: Classification of groups of environmental parameters and their severities - Stationary use at weather protected locations"
- [8] IEC 60 721-3-4: "Classification of environmental conditions - Part 3: Classification of groups of environmental parameters and their severities - Clause 4: Stationary use at non-weather protected locations"
- [9] IEC 60 721: "Classification of environmental conditions"
- [10] IEC 60 068-2-1 (2007): "Environmental testing - Part 2: Tests. Tests A: Cold"
- [11] IEC 60 068-2-2: (2007): "Environmental testing - Part 2: Tests. Tests B: Dry heat"
- [12] IEC 60 068-2-6: (2007): "Environmental testing - Part 2: Tests - Test Fc: Vibration (sinusoidal)"
- [13] 3GPP TR 37.941: "Radio Frequency (RF) conformance testing background for radiated Base Station (BS) requirements"

- [14] 3GPP TS 38.101-2: "NR; User Equipment (UE) radio transmission and reception; Part 2: Range 2 Standalone".
- [15] 3GPP TS 38.214: "NR; Physical layer procedures for data".
- [16] 3GPP TS 38.101-4: "NR; User Equipment (UE) radio transmission and reception; Part 1: Range 1 Standalone"
- [17] 3GPP TR 38.901: "Study on channel model for frequencies from 0.5 to 100 GHz"
- [18] 3GPP TS 38.211: "NR; Physical channels and modulation[19] 3GPP TR 38.174: "NR; Integrated Access and Backhaul (IAB) radio transmission and reception"
- [20] 3GPP TS 38.521-2: "NR; User Equipment (UE) conformance specification; Radio transmission and reception; Part 2: Range 2 standalone"
- [21] 3GPP TS 38.176-2: "NR; Integrated Access and Backhaul (IAB) conformance testing; Part 2: Radiated conformance testing"
- [22] 3GPP TS 38.331: "NR; Radio Resource Control (RRC); Protocol specification"
- [23] 3GPP TS 38.115-1: "NR; Repeater conformance testing, Part 1: Conducted conformance testing"

## 3 Definitions of terms, symbols and abbreviations

### 3.1 Terms

For the purposes of the present document, the terms given in 3GPP TR 21.905 [1] and the following apply. A term defined in the present document takes precedence over the definition of the same term, if any, in 3GPP TR 21.905 [1].

**Beam:** beam (of the antenna) is the main lobe of the radiation pattern of an *antenna array*

**Beam centre direction:** direction equal to the geometric centre of the half-power contour of the beam

**Beam direction pair:** data set consisting of the *beam centre direction* and the related *beam peak direction*

**Beam peak direction:** direction where the maximum EIRP is found

**Beamwidth:** beam which has a half-power contour that is essentially elliptical, the half-power beamwidths in the two pattern cuts that respectively contain the major and minor axis of the ellipse

**directional requirement:** requirement which is applied in a specific direction within the *OTA coverage range*. **Equivalent isotropic radiated power:** equivalent power radiated from an isotropic directivity device producing the same field intensity at a point of observation as the field intensity radiated in the direction of the same point of observation by the discussed device

**Fractional bandwidth:** *fractional bandwidth* FBW is defined as  $FBW = 200 \cdot \frac{F_{FBW\ high} - F_{FBW\ low}}{F_{FBW\ high} + F_{FBW\ low}} \%$

**gap between passbands:** frequency gap between two consecutive passbands that belong to the same *operating band*, where the RF requirements in the gap are based on co-existence for un-coordinated operation

**Inter-passband gap:** The frequency gap between two supported consecutive *passbands* that belong to different operating bands.

**Maximum passband TRP output power:** mean power level measured per passband during the *transmitter ON state* in a specified reference condition and corresponding to the declared *rated passband TRP output power* ( $P_{\text{rated,p,TRP}}$ )

**Measurement bandwidth:** RF bandwidth in which an emission level is specified

**NCR type 1-H:** NCR-MT or NCR-Fwd operating at FR1 with a *requirement set* consisting of conducted requirements defined at individual *TAB connectors* and OTA requirements defined at RIB.

**NCR type 2-O:** NCR-MT or NCR-Fwd operating at FR2 with a *requirement set* consisting only of OTA requirements defined at the RIB.

**Nominal channel bandwidth:** Bandwidth calculated as  $\min(100\text{MHz}, BW_{\text{passband}})$  in FR1 or  $\min(400\text{MHz}, BW_{\text{passband}})$  in FR2. If this bandwidth is not defined for BS channel bandwidth for the operating band, *nominal channel bandwidth* shall be defined as the widest BS channel bandwidth for the operating band which is narrower than  $BW_{\text{passband}}$ .

**Non-contiguous spectrum:** spectrum consisting of two or more *passbands* separated by *inter-passband gap(s)*.

**Operating band:** frequency range in which NR operates (paired or unpaired), that is defined with a specific set of technical requirements

**OTA coverage range:** a common range of directions within which OTA requirements that are neither specified in the *OTA peak directions sets* nor as *TRP requirement* are intended to be met

**OTA peak directions set:** set(s) of *beam peak directions* within which certain OTA requirements are intended to be met, where all *OTA peak directions set(s)* are subsets of the *OTA coverage range***Passband:** The frequency range in which the repeater operates in with operational configuration, this frequency range can correspond to one or several consecutive nominal channels, if they are not consecutive each subset of channels shall be considered as an individual *passband*, a repeater can have one or several *passbands*, all channels within the *passband(s)* shall belong to a single operator or collaborating operators.

**passband edge:** Frequency at the edge of the passband

**Repeater RF Bandwidth:** RF bandwidth in which a repeater transmits and/or receives single or multiple passband(s) within a supported operating band

NOTE: In single passband operation, the Repeater RF Bandwidth is equal to the passband bandwidth.

**Radiated interface boundary:** *operating band* specific radiated requirements reference where the radiated requirements apply

**Rated beam EIRP:** For a declared beam and *beam direction pair*, the *rated beam EIRP* level is the maximum power that the repeater is declared to radiate at the associated *beam peak direction* during the *transmitter ON state*

**Rated passband TRP output power:** mean power level declared by the manufacturer per passband, that the manufacturer has declared to be available at the RIB during the *transmitter ON state*

**Rated total TRP output power:** mean power level associated with a particular *operating band*, that the manufacturer has declared to be available at the RIB during the *transmitter ON state* in a specified reference condition

**Reference beam direction pair:** Beam direction pair in the reference direction declared by the manufacturer.

**Repeater type 2-O:** Repeater operating at FR2 with a requirement set consisting only of OTA requirements defined at the RIB

**Requirement set:** one of the NR requirements set as defined for *NR repeater*

**Sub-band:** A *sub-band* of an operating band contains a part of the uplink and downlink frequency range of the operating band.

**sub-block:** one contiguous allocated block of spectrum for transmission and reception by the repeater.

**Superseding-band:** A *superseding-band* of an operating band includes the whole of the uplink and downlink frequency range of the operating band.

**Total radiated power:** is the total power radiated by the antenna

NOTE: The *total radiated power* is the power radiating in all direction for two orthogonal polarizations. *Total radiated power* is defined in both the near-field region and the far-field region

**Transmitter OFF state:** Time period during which the repeater downlink or uplink is not allowed to transmit in the corresponding direction.

**Transmitter ON state:** Time period during which the repeater is transmitting downlink or uplink signals in the corresponding direction.

**Transmitter transient period:** Time period during which the repeater is changing from the OFF state to the ON state or vice versa.

## 3.2 Symbols

For the purposes of the present document, the following symbols apply:

$BW_{\text{Config}}$	Transmission bandwidth configuration, where $BW_{\text{Config}} = N_{\text{RB}} \times \text{SCS} \times 12$
$BW_{\text{Nominal}}$	Nominal channel bandwidth
$BW_{\text{Passband}}$	<i>Passband</i> bandwidth
$\Delta f$	Separation between the <i>passband edge</i> frequency and the nominal -3 dB point of the measuring filter closest to the carrier frequency
$\Delta f_{\text{max}}$	$f_{\text{offsetmax}}$ minus half of the bandwidth of the measuring filter
$\Delta f_{\text{OBUE}}$	Maximum offset of the <i>operating band</i> unwanted emissions mask from the <i>operating band edge</i> $F_{\text{DL,low}}$ The lowest frequency of the downlink <i>operating band</i>
$F_{\text{DL,high}}$	The highest frequency of the downlink <i>operating band</i>
$F_{\text{FBWhigh}}$	Highest supported frequency within supported <i>operating band</i> , for which <i>fractional bandwidth</i> support was declared
$F_{\text{FBWlow}}$	Lowest supported frequency within supported <i>operating band</i> , for which <i>fractional bandwidth</i> support was declared
$F_{\text{filter}}$	Filter centre frequency
$F_{\text{offset,high}}$	Frequency offset from $F_{\text{C,high}}$ to the upper <i>passband edge</i>
$F_{\text{offset,low}}$	Frequency offset from $F_{\text{C,low}}$ to the lower <i>passband edge</i>
$f_{\text{offset}}$	Separation between the <i>passband edge</i> frequency and the centre of the measuring filter
$f_{\text{offsetmax}}$	The offset to the frequency $\Delta f_{\text{OBUE}}$ outside the <i>operating band</i>
$F_{\text{step,X}}$	Frequency steps for the OTA transmitter spurious emissions (Category B)
$F_{\text{UL,low}}$	The lowest frequency of the uplink <i>operating band</i>
$F_{\text{UL,high}}$	The highest frequency of the uplink <i>operating band</i>
$P_{\text{EM,n50/n75,ind}}$	Declared emission level for Band n50/n75; ind = a, b
$P_{\text{rated,in}}$	Rated pass band input power to the repeater for the test
$P_{\text{rated,p,EIRP}}$	Rated <i>passband EIRP</i> output power
$P_{\text{rated,p,TRP}}$	Rated <i>passband TRP</i> output power declared per RIB
$P_{\text{rated,t,TRP}}$	Rated total TRP output power declared per RIB
$P_{\text{in,p,EIRP}}$	Input power intended to produce the maximum rated output power ( $P_{\text{rated,p,TRP}}$ ) at the RIB $P_{\text{rated,out,FBWhigh}}$ The rated output EIRP for the higher supported frequency range within supported <i>operating band</i> , for which <i>fractional bandwidth</i> support was declared
$P_{\text{rated,out,FBWlow}}$	The rated output EIRP for the lower supported frequency range within supported <i>operating band</i> , for which <i>fractional bandwidth</i> support was declared $P_{\text{max,p,EIRP}}$ Maximum <i>passband EIRP</i> output power when repeater is configured at the rated <i>passband TRP</i> output power ( $P_{\text{rated,p,TRP}}$ )
$P_{\text{max,p,TRP}}$	Maximum <i>passband TRP</i> output power measured per RIB
$W_{\text{gap}}$	<i>Inter passband Bandwidth gap</i> size

## 3.3 Abbreviations

For the purposes of the present document, the abbreviations given in 3GPP TR 21.905 [1] and the following apply. An abbreviation defined in the present document takes precedence over the definition of the same abbreviation, if any, in 3GPP TR 21.905 [1].

ACLR	Adjacent Channel Leakage Ratio
AoA	Angle of Arrival
BW	Bandwidth
CACLR	Cumulative ACLR
CP-OFDM	Cyclic Prefix-OFDM
DFT-s-OFDM	Discrete Fourier Transform-spread-OFDM
DL	Downlink
EIRP	Effective Isotropic Radiated Power
EVM	Error Vector Magnitude
FBW	Fractional Bandwidth
FR	Frequency Range
ITU-R	Radiocommunication Sector of the International Telecommunication Union



LA	Local Area
MR	Medium Range
NCR	Network Controlled Repeater
NCR-MT	NCR Mobile Termination
NCR-Fwd	NCR Forward
NR	New Radio
OBUE	Operating Band Unwanted Emissions
OOB	Out-of-band
OTA	Over-The-Air
QAM	Quadrature Amplitude Modulation
RF	Radio Frequency
RIB	Radiated Interface Boundary
RX	Receiver
SCS	Sub-Carrier Spacing
TX	Transmitter
TRP	Total Radiated Power
UL	Uplink
WA	Wide Area

---

## 4 General radiated test conditions and declarations

### 4.1 Measurement uncertainties and test requirements

#### 4.1.1 General

The requirements of this clause apply to all applicable tests in part 2 of this specification, i.e. to all radiated tests defined for FR2. The FR2 frequency range is defined in clause 5.1 of TS 38.106 [2].

The minimum requirements are given in TS 38.106 [2]. Test Tolerances for the radiated test requirements explicitly stated in the present document are given in annex C of the present document.

Test Tolerances are individually calculated for each test. The Test Tolerances are used to relax the minimum requirements to create test requirements.

When a test requirement differs from the corresponding minimum requirement, then the Test Tolerance applied for the test is non-zero. The Test Tolerance for the test and the explanation of how the minimum requirement has been relaxed by the Test Tolerance are given in annex C.

Reuse of Test Tolerance values from TS 38.521-2 [20] for the purpose of MT-specific test requirements is subject to the following conditions:

- NCR test methodology follows test procedures in TS 38.521-2 [20],
- Maximum device size limit as captured in TS 38.521-2 [20].

Otherwise, reuse of Test Tolerance values from TS 38.521-2 [20] for the purpose of MT-specific test requirements may not be justified for some NCR products.

#### 4.1.2 Acceptable uncertainty of Test System

##### 4.1.2.1 General

The maximum acceptable uncertainty of the Test System is specified below for each test defined explicitly in the present specification, where appropriate. The maximum acceptable uncertainty of the Test System for test requirements included by reference is defined in the respective referred test specification.

The Test System shall enable the stimulus signals in the test case to be adjusted to within the specified tolerance and the equipment under test to be measured with an uncertainty not exceeding the specified values. All tolerances and uncertainties are absolute values, and are valid for a confidence level of 95 %, unless otherwise stated.

A confidence level of 95 % is the measurement uncertainty tolerance interval for a specific measurement that contains 95 % of the performance of a population of test equipment.

#### 4.1.2.2 Radiated characteristics measurements

The maximum OTA Test System uncertainty for radiated characteristics measurements are given in tables 4.1.2.2-1. Details for derivation of OTA Test System uncertainty are given in corresponding clauses in TR 37.941 [13].

**Table 4.1.2.2-1: Maximum Test System uncertainty for radiated characteristics tests**

Clause	Maximum Test System Uncertainty	Derivation of Test System Uncertainty
6.2 Radiated transmit power (EIRP)	Normal condition: ±1.7 dB (24.25 – 29.5 GHz) ±2.0 dB (37 – 43.5 GHz) ±2.2 dB (43.5 GHz < f ≤ 48.2 GHz)	
	Extreme condition: ±3.1 dB (24.25 – 29.5 GHz) ±3.3 dB (37 – 43.5 GHz) ±3.5 dB (43.5 GHz < f ≤ 48.2 GHz)	
6.3 OTA repeater output power (TRP)	±2.1 dB (24.25 – 29.5 GHz) ±2.4 dB (37 – 43.5 GHz) ±2.6 dB (43.5 GHz < f ≤ 48.2 GHz)	
6.4 OTA frequency stability	±1] Hz Measurement results of ± [5000] Hz	
6.5 OTA out of band gain	±2.1 dB, 24.25GHz < f □ 29.5GHz ±2.4 dB, 37GHz < f □ 43,5GHz ±2.6 dB, 43.5GHz < f □ 48.2GHz	
6.6.2 OTA ACLR	Relative ACLR: ±2.3 dB (24.25 – 29.5 GHz) ±2.6 dB (37 – 43.5 GHz) ±2.8 dB (43.5 GHz < f ≤ 48.2 GHz)	
	Absolute ACLR: ±2.7 dB (24.25 – 29.5 GHz) ±2.7 dB (37 – 43.5 GHz) ±2.9 dB (43.5 GHz < f ≤ 48.2 GHz)	
6.6.3 OTA operating band unwanted emission	±2.7 dB (24.25 – 29.5 GHz) ±2.7 dB (37 – 43.5 GHz) ±2.9 dB (43.5 GHz < f ≤ 48.2 GHz)	
6.6.4 OTA spurious emissions	±2.3 dB, 30 MHz ≤ f ≤ 6 GHz ±2.7 dB, 6 GHz < f ≤ 40 GHz ±5.0 dB, 40 GHz < f ≤ 60 GHz	
6.7 OTA EVM	1.25% signal analyser 2% stimulus signal	
6.8 OTA input intermodulation	±2.0 dB, f ≤ 3.0 GHz ±2.6 dB, 3.0 GHz < f ≤ 4.2 GHz ±3.2 dB, 4.2 GHz < f ≤ 6.0 GHz	
6.9 OTA ACRR	±2.7 dB (24.25 – 29.5 GHz) ±2.7 dB (37 – 43.5 GHz) ±2.9 dB (43.5 GHz < f ≤ 48.2 GHz)	
6.10.1 OTA transmitter OFF power	±2.9 dB (24.25 – 29.5 GHz) ±3.3 dB (37 – 43.5 GHz) ±3.6 dB (43.5 GHz < f ≤ 48.2 GHz)	
6.10.2 OTA transient period	N/A	
6.11 OTA Output power dynamics	±0.7 dB, BW ≤ 40MHz	
	±1.0 dB, 40MHz < f ≤ 100MHz	
6.12.1 OTA Frequency Error Requirements for NCR-MT	± 0.01 ppm	
6.12.2 OTA Transmit Modulation Quality	1%	
6.13 OTA Reference Sensitivity	±3.3 dB, 24.25 GHz < f ≤ 29.5 GHz	
	±3.3 dB, 37 GHz < f ≤ 43.5 GHz	
6.15 OTA Adjacent channel selectivity	±4.2 dB, 24.25 GHz < f ≤ 29.5 GHz	
	±4.2 dB, 37 GHz < f ≤ 43.5 GHz	

Clause	Maximum Test System Uncertainty	Derivation of Test System Uncertainty
6.16 OTA Blocking Characteristics	In-band blocking: $\pm 4.2$ dB, $24.25 \text{ GHz} < f \leq 29.5 \text{ GHz}$ $\pm 4.2$ dB, $37 \text{ GHz} < f \leq 43.5 \text{ GHz}$ Out of band blocking: $\pm 4.4$ dB, $24.25 \text{ GHz} < f \leq 29.5 \text{ GHz}$ $\pm 4.4$ dB, $37 \text{ GHz} < f \leq 43.5 \text{ GHz}$	
6.17 OTA spurious emissions	$\pm 2.5$ dB, $30 \text{ MHz} \leq f \leq 6 \text{ GHz}$ $\pm 2.9$ dB, $6 \text{ GHz} < f \leq 40 \text{ GHz}$ $\pm 5.2$ dB, $40 \text{ GHz} < f \leq 60 \text{ GHz}$	

### 4.1.3 Interpretation of measurement results

The measurement results returned by the Test System are compared - without any modification - against the test requirements as defined by the Shared Risk principle.

The Shared Risk principle is defined in Recommendation ITU-R M.1545 [3].

The actual measurement uncertainty of the Test System for the measurement of each parameter shall be included in the test report.

The recorded value for the Test System uncertainty shall be, for each measurement, equal to or lower than the appropriate figure in clause 4.1.2 of the present document.

If the Test System for a test is known to have a measurement uncertainty greater than that specified in clause 4.1.2, it is still permitted to use this apparatus provided that an adjustment is made as follows.

Any additional uncertainty in the Test System over and above that specified in clause 4.1.2 shall be used to tighten the test requirement, making the test harder to pass. For some tests e.g. receiver tests, this may require modification of stimulus signals. This procedure will ensure that a Test System not compliant with clause 4.1.2 does not increase the chance of passing a device under test where that device would otherwise have failed the test if a Test System compliant with clause 4.1.2 had been used.

## 4.2 Radiated requirement reference points

### 4.2.0 NCR type 1-H

For *NCR type 1-H*, the requirements are defined for two points of reference, signified by radiated requirements and conducted requirements.

For *NCR type 1-H*, the NCR-Fwd conducted RF requirements are applied at the NCR individual or groups of *TAB connectors* at the *transceiver array boundary* (BS-side TAB connector or UE-side TAB connector) for downlink or uplink for the configuration in normal operating conditions.

For *NCR type 1-H*, the NCR-MT conducted RF requirements are applied at the NCR individual or groups of *TAB connectors* at the *transceiver array boundary* (BS-side TAB connector) for the configuration in normal operating conditions.

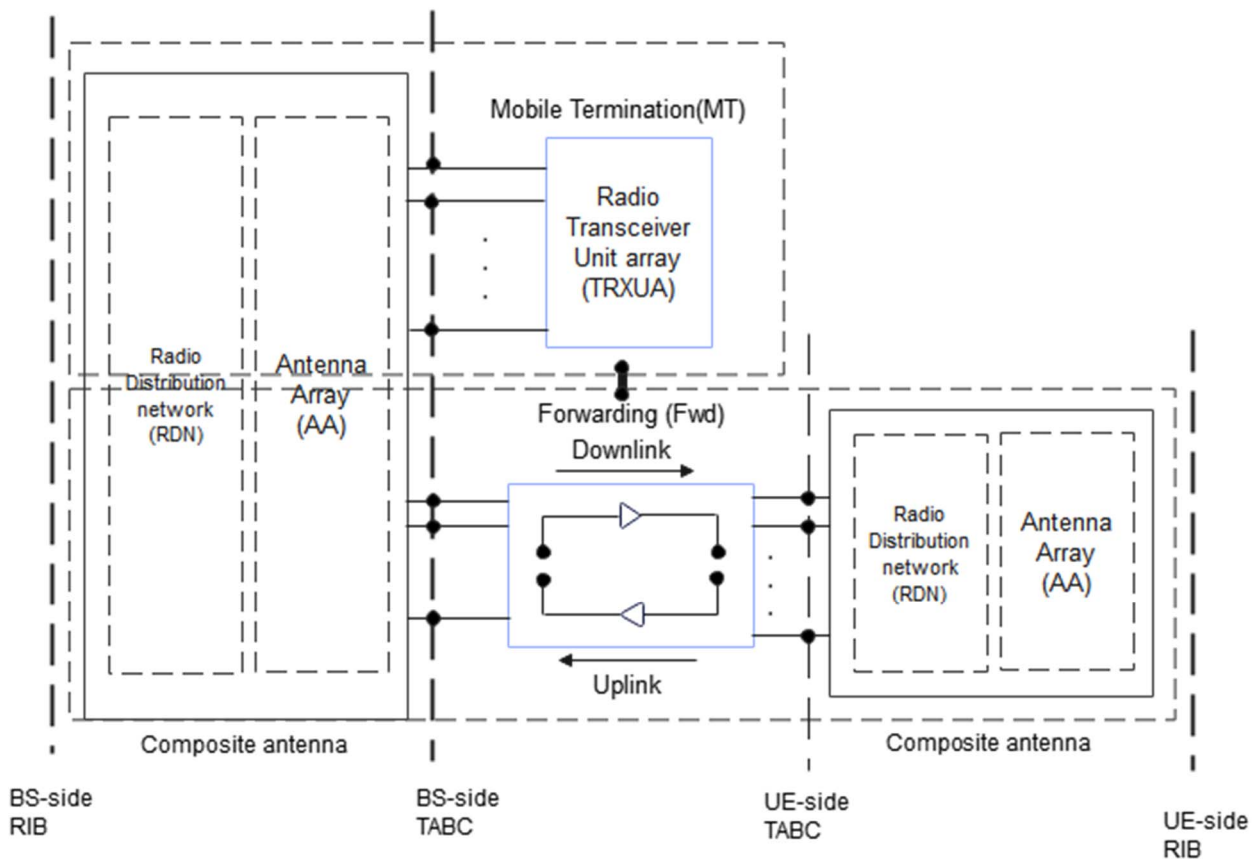


Figure 4.2.0-1: NCR type 1-H reference points

NOTE 1: the NCR-MT and NCR-Fwd may have the same or separate TAB connectors.

### 4.2.1 RF repeater type 2-O

For *repeater type 2-O*, the radiated characteristics are defined over the air (OTA), where the operating band specific radiated interface is referred to as the Radiated Interface Boundary (RIB). Radiated requirements are also referred to as OTA requirements. The (spatial) characteristics in which the OTA requirements apply are detailed for each requirement.

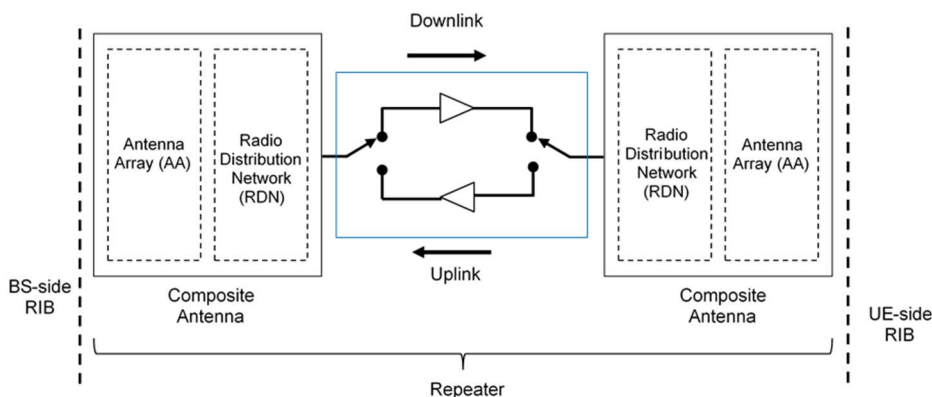


Figure 4.2-1: Radiated reference points for *repeater type 2-O*

## 4.2.2 NCR type 2-O

For *NCR type 2-O*, the radiated characteristics for NCR-Fwd and NCR-MT are defined over the air (OTA), where the operating band specific radiated interface is referred to as the Radiated Interface Boundary (RIB). Radiated requirements are also referred to as OTA requirements. The (spatial) characteristics in which the OTA requirements apply are detailed for each requirement.

For *NCR type 2-O*, the NCR-MT radiated RF requirements are applied at the BS side RIB for the configuration in normal operating conditions.

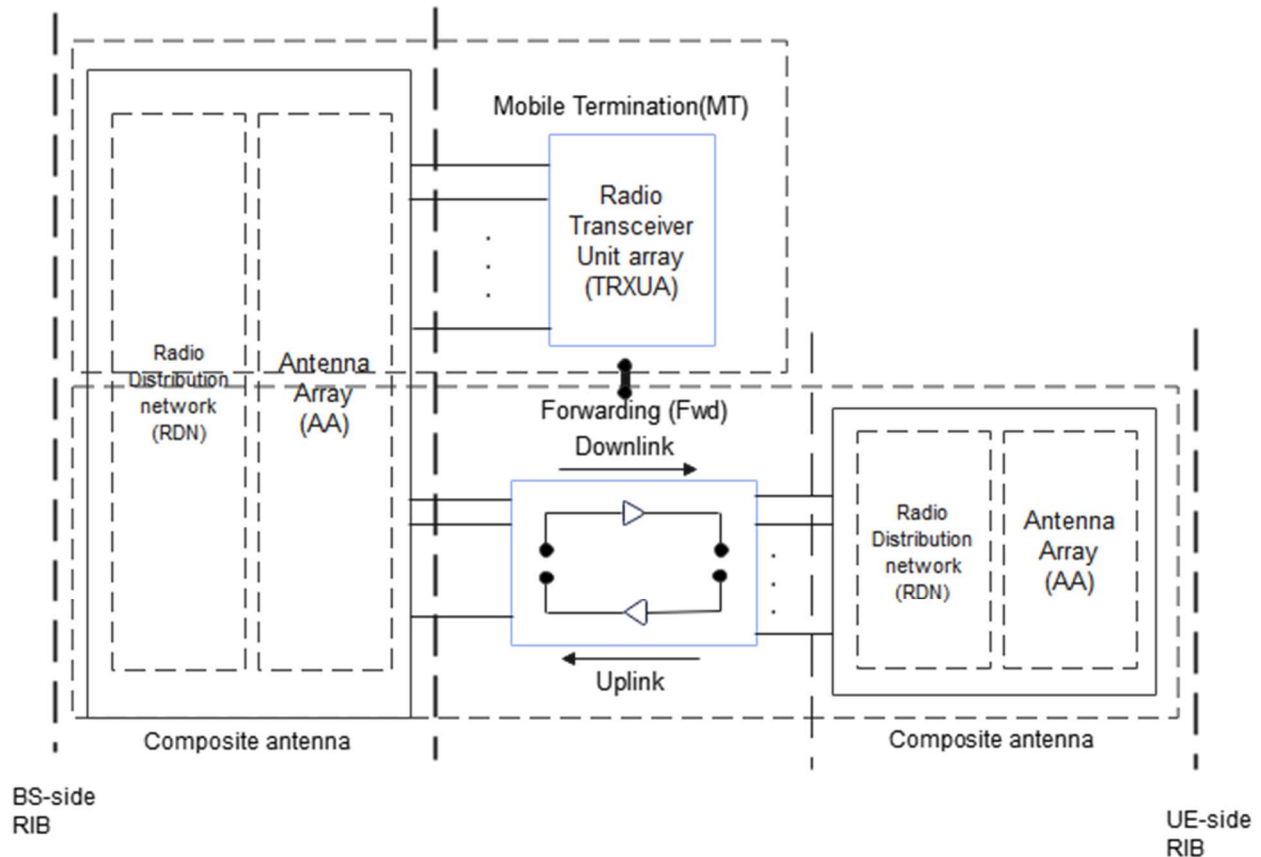


Figure 4.2.2-1: Radiated reference points for *NCR type 2-O*

NOTE: the NCR-MT and NCR-Fwd may have the same or separate RIB.

## 4.3 RF repeater classes

### 4.3.1 RF repeater class for downlink

The requirements in this specification apply to downlink Wide Area repeaters, downlink Medium Range repeaters and downlink Local Area repeaters unless otherwise stated. The associated deployment scenarios for each class are exactly the same for repeater with and without connectors.

For *repeater type 2-O*, repeater downlink classes are defined as indicated below:

- Wide Area repeaters are characterised by requirements derived from Macro Cell scenarios with a repeater to UE minimum distance along the ground equal to 35 m.
- Medium Range repeaters are characterised by requirements derived from Micro Cell scenarios with a repeater to UE minimum distance along the ground equal to 5 m.

- Local Area repeaters are characterised by requirements derived from Pico Cell scenarios with a repeater to UE minimum distance along the ground equal to 2 m.

### 4.3.2 RF repeater class for uplink

The requirements in this specification apply to uplink Wide Area repeaters and uplink Local Area repeaters unless otherwise stated. The associated deployment scenarios for each class are exactly the same for repeater with and without connectors.

For *repeater type 2-O*, repeater uplink classes are defined as indicated below:

- Wide Area repeaters are characterised by requirements derived from Macro Cell and/or Micro Cell scenarios.
- Local Area repeaters are characterised by requirements derived from Pico Cell and/or Micro Cell scenarios.

## 4.3A NCR classes

### 4.3A.1 NCR class for downlink

The requirements in this specification apply to downlink Wide Area NCR, downlink Medium Range NCR and downlink Local Area NCR unless otherwise stated. The associated deployment scenarios for each class are exactly the same for NCR with and without connectors.

For *NCR type 2-O*, NCR downlink classes are defined as indicated below:

- Wide Area NCR are characterised by requirements derived from Macro Cell scenarios with a NCR to UE minimum distance along the ground equal to 35 m.
- Medium Range NCR are characterised by requirements derived from Micro Cell scenarios with a NCR to UE minimum distance along the ground equal to 5 m.
- Local Area NCR are characterised by requirements derived from Pico Cell scenarios with a NCR to UE minimum distance along the ground equal to 2 m or from Femto Cell scenarios.

### 4.3A.2 NCR class for uplink and MT

The requirements in this specification apply to uplink Wide Area NCR and uplink Local Area NCR unless otherwise stated. The associated deployment scenarios for each class are exactly the same for NCR with and without connectors.

For *NCR type 2-O*, NCR uplink classes and MT classes are defined as indicated below:

- Wide Area NCR are characterised by requirements derived from Macro Cell and/or Micro Cell scenarios.
- Local Area NCR are characterised by requirements derived from Pico Cell and/or Micro Cell scenarios.

## 4.4 Regional requirements

Some requirements in the present document may only apply in certain regions either as optional requirements, or as mandatory requirements set by local and regional regulation. It is normally not stated in the 3GPP specifications under what exact circumstances the regional requirements apply, since this is defined by local or regional regulation.

Table 4.4-1 lists all requirements in the present specification that may be applied differently in different regions.



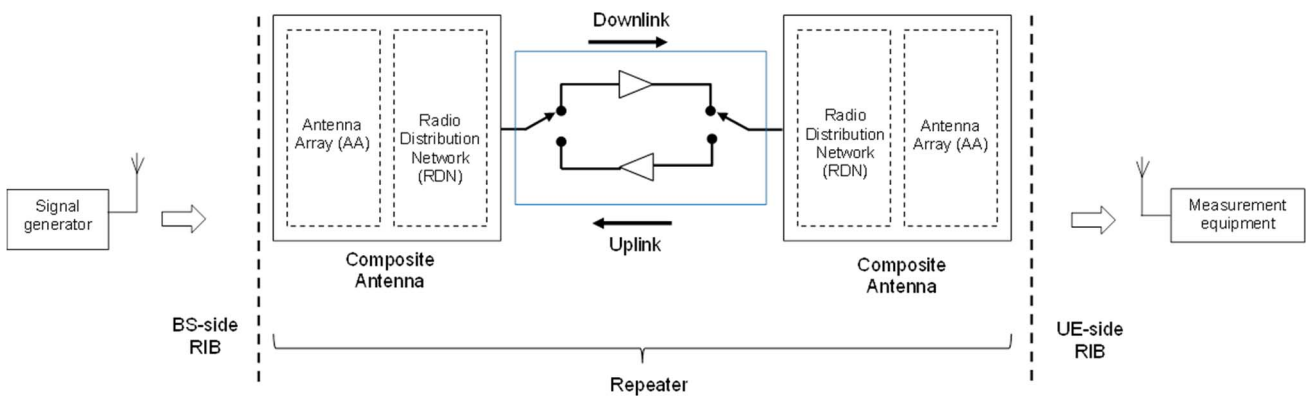
**Table 4.4-1: List of regional requirements**

Clause number	Requirement	Comments
5.2	<i>Operating bands</i>	Some NR <i>operating bands</i> may be applied regionally.
7.3.4	OTA repeater output power: Additional requirements	These requirements may be applied regionally as additional repeater output power requirements.
7.5.3.2	OTA operating band unwanted emissions	Category A or Category B operating band unwanted emissions limits may be applied regionally.
7.5.4.2	OTA Tx spurious emissions	Category A or Category B spurious emission limits, as defined in ITU-R Recommendation SM.329 [4], may apply regionally.
7.5.4.2.3	OTA Tx spurious emissions: additional requirements	These requirements may be applied for the protection of system operating in frequency ranges other than the repeater <i>operating band</i> .

## 4.5 Repeater configurations

### 4.5.1 Downlink configurations

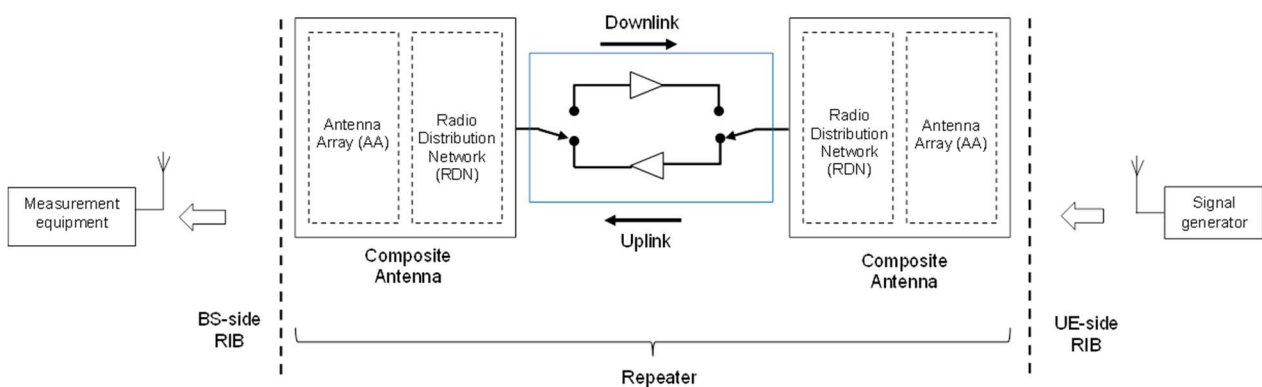
Unless otherwise stated, the radiated downlink characteristics in clause 6 are specified at RIB, with a full complement of transceiver units for the configuration in normal operating conditions.



**Figure 4.5.1-1: Test interface for downlink**

### 4.5.2 Uplink configurations

Unless otherwise stated, the radiated downlink characteristics in clause 6 are specified at RIB, with a full complement of transceiver units for the configuration in normal operating conditions.



**Figure 4.5.2-1: Test interface for uplink**

### 4.5.3 Power supply options

If the repeater is supplied with a number of different power supply configurations, it may not be necessary to test RF parameters for each of the power supply options, provided that it can be demonstrated that the range of conditions over which the equipment is tested is at least as great as the range of conditions due to any of the power supply configurations.

## 4.6 Manufacturer's declarations

The following repeater manufacturer's declarations listed in table 4.6-1, when applicable to the repeater under test, are required to be provided by the manufacturer for radiated requirements testing for *repeater type 2-O*, *NCR type 1-H* and *NCR type 2-O*. Declarations can be made independently for UL and DL.

For the *NCR type 1-H* declarations required for the conducted requirements testing, refer to TS 38.115-1 [3], clause 4.6.

**Table 4.6-1: Manufacturers declarations for *repeater type 2-O* radiated test requirements**

Declaration identifier	Declaration	Description
D.1	Coordinate system reference point	Location of coordinated system reference point in reference to an identifiable physical feature of the repeater enclosure.
D.2	Coordinate system orientation	Orientation of the coordinate system in reference to an identifiable physical feature of the repeater enclosure.
D.3	Beam identifier	A unique title to identify a beam, e.g. a, b, c or 1, 2, 3. The vendor may declare any number of beams with unique identifiers. The minimum set to declare for conformance, corresponds to the beams at the reference beam direction with the highest intended EIRP, and covering the properties listed below: 1) A beam with the narrowest intended $BeW_{\theta}$ and narrowest intended $BeW_{\phi}$ possible when narrowest intended $BeW_{\theta}$ is used. 2) A beam with the narrowest intended $BeW_{\phi}$ and narrowest intended $BeW_{\theta}$ possible when narrowest intended $BeW_{\phi}$ is used. 3) A beam with the widest intended $BeW_{\theta}$ and widest intended $BeW_{\phi}$ possible when widest intended $BeW_{\theta}$ is used. 4) A beam with the widest intended $BeW_{\phi}$ and widest intended $BeW_{\theta}$ possible when widest intended $BeW_{\phi}$ is used. 5) A beam which provides the highest intended EIRP of all possible beams. When selecting the above five beam widths for declaration, all beams that the repeater is intended to produce shall be considered, including beams that during operation may be identified by any kind of cell or UE specific reference signals, with the exception of any type of beam that is created from a group of transmitters that are not all phase synchronised. (Note 1)
D.4	Operating bands and passband frequency ranges	List of NR <i>operating band(s)</i> supported by the repeater and passband frequency range(s) within the <i>operating band(s)</i> that the repeater can operate in. Supported bands declared for every beam (D.3). (Note 2)
D.5	Repeater class	Declared as Wide Area repeater, Medium Range repeater, or Local Area repeater.
D.6	OTA peak directions set reference beam direction pair	The beam direction pair, describing the reference beam peak direction and the reference beam centre direction. Declared for every beam (D.3).
D.7	OTA peak directions set	The OTA peak directions set for each beam. Declared for every beam (D.3).
D.8	OTA peak directions set maximum steering direction(s)	The <i>beam direction pair(s)</i> corresponding to the following points: 1) The beam peak direction corresponding to the maximum steering from the reference beam centre direction in the positive $\Phi$ direction, while the $\theta$ value being the closest possible to the reference beam centre direction. 2) The beam peak direction corresponding to the maximum steering from the reference beam centre direction in the negative $\Phi$ direction, while the $\theta$ value being the closest possible to the reference beam centre direction. 3) The beam peak direction corresponding to the maximum steering from the reference beam centre direction in the positive $\theta$ direction, while the $\Phi$ value being the closest possible to the reference beam centre direction. 4) The beam peak direction corresponding to the maximum steering from the reference beam centre direction in the negative $\theta$ direction, while the $\Phi$ value being the closest possible to the reference beam centre direction. The maximum steering direction(s) may coincide with <i>the reference beam centre direction</i> . Declared for every beam (D.3).
D.9	Rated beam EIRP	The rated EIRP level per passband ( $P_{rated,p,EIRP}$ ) at the <i>beam peak direction</i> associated with a particular <i>beam direction pair</i> for each of the declared maximum steering directions (D.8), as well as the reference <i>beam direction pair</i> (D.8). Declared for every beam (D.3). (Note 5, 6, 7)
D.10	Beamwidth	The <i>beamwidth</i> for the reference <i>beam direction pair</i> and the four maximum steering directions. Declared for every beam (D.3).
D.11	Equivalent beams	List of beams which are declared to be equivalent. Equivalent beams imply that the beams are expected to have identical <i>OTA peak directions sets</i> and intended to have identical spatial properties at all steering directions within the <i>OTA peak directions set</i> when presented with identical signals. All declarations (D.4 – D.10) made for the beams are identical and the transmitter unit, RDN and antenna array responsible for generating the beam are of identical design.
D.12	Parallel beams	List of beams which have been declared equivalent (D.11) and can be generated in parallel using independent RF power resources. Independent power resources mean that the beams are transmitted from mutually exclusive transmitter units.

Declaration identifier	Declaration	Description
D.13	OTA coverage range	Declared as a single range of directions within which selected TX OTA requirements are intended to be met. (Note 3)
D.14	OTA coverage range reference direction	The direction describing the reference direction of the <i>OTA coverage range</i> (D.13). (Note 4)
D.15	OTA coverage range maximum directions	The directions corresponding to the following points: 1) The direction determined by the maximum $\varphi$ value achievable inside the <i>OTA coverage range</i> , while $\theta$ value being the closest possible to the <i>OTA coverage range</i> reference direction. 2) The direction determined by the minimum $\varphi$ value achievable inside the <i>OTA coverage range</i> , while $\theta$ value being the closest possible to the <i>OTA coverage range</i> reference direction. 3) The direction determined by the maximum $\theta$ value achievable inside the <i>OTA coverage range</i> , while $\varphi$ value being the closest possible to the <i>OTA coverage range</i> reference direction. 4) The direction determined by the minimum $\theta$ value achievable inside the <i>OTA coverage range</i> , while $\varphi$ value being the closest possible to the <i>OTA coverage range</i> reference direction.
D.16	The rated passband OTA repeater power, $P_{\text{rated,p,TRP}}$	$P_{\text{rated,p,TRP}}$ is declared as TRP OTA power per passband, declared per supported operating band. (Note 5, 7)
D.17	Rated transmitter TRP, $P_{\text{rated,t,TRP}}$	Rated total radiated output power. Declared per supported <i>operating band</i> . (Note 5, 7)
D.18	Spurious emission category	Declare the repeater spurious emission category as either category A or B with respect to the limits for spurious emissions, as defined in Recommendation ITU-R SM.329 [4].
D.19	Additional operating band unwanted emissions	The manufacturer shall declare whether the repeater under test is intended to operate in geographic areas where the additional operating band unwanted emission limits defined in clause 6.7.4 apply.
D.20	Co-existence with other systems	The manufacturer shall declare whether the repeater under test is intended to operate in geographic areas where one or more of the systems GSM850, GSM900, DCS1800, PCS1900, UTRA FDD, UTRA TDD, E-UTRA and/or PHS operating in another operating band are deployed.
D.21	Supported frequency range of the NR <i>operating band</i>	List of supported frequency ranges representing <i>fractional bandwidths</i> (FBW) of <i>operating bands</i> with FBW larger than 6%.
D.22	Rated beam EIRP at lower end of the <i>fractional bandwidth</i> ( $P_{\text{rated,out,FBWlow}}$ )	The rated EIRP level per passband at lower frequency range of the <i>fractional bandwidth</i> ( $P_{\text{rated,out,FBWlow}}$ ), at the <i>beam peak direction</i> associated with a particular <i>beam direction pair</i> for each of the declared maximum steering directions (D.10), as well as the reference <i>beam direction pair</i> (D.6). Declared per beam for all supported frequency ranges (D.21). (Note 5, 6, 7)
D.23	Rated beam EIRP at higher frequency range of the <i>fractional bandwidth</i> ( $P_{\text{rated,out,FBWhigh}}$ )	The rated EIRP level per passband at higher frequency range of the <i>fractional bandwidth</i> ( $P_{\text{rated,out,FBWhigh}}$ ), at the <i>beam peak direction</i> associated with a particular <i>beam direction pair</i> for each of the declared maximum steering directions (D.10), as well as the reference <i>beam direction pair</i> (D.6). Declared per beam for all supported frequency ranges in (D.21). (Note 5, 6, 7)]
D.24	Long delay repeater	Declared only if the repeater internal delay between the input and output for this repeater does not fit within the TDD transient time. The repeater is intended for situations in which it will not cause interference to other nodes. This is achieved by RF isolation or by reservation of longer guard periods, which degrades frame utilization. The length of repeaters internal delay is declared using this declaration.
D.25	Input signal EIRP for maximum output power	Declaration of input signal EIRP required to reach maximum output power. Declared per passband.
D.26	Repeater radiating direction	Declaration on whether the repeater is intended to radiate in DL, UL or both. Testing shall be performed only for the direction(s) in which the repeater radiates.
D.27	Maximum repeater RF Bandwidth	Maximum <i>repeater RF Bandwidth</i> in the <i>operating band</i> for single-band operation. Declared per supported <i>operating band</i> . (Note 8)

Declaration identifier	Declaration	Description
NOTE 1:		Depending on the capability of the system some of these beams may be the same. For those same beams, testing is not repeated.
NOTE 2:		These <i>operating bands</i> are related to their respective single-band RIBs.
NOTE 3:		<i>OTA coverage range</i> is used for conformance testing of such TX OTA requirements as frequency error or EVM.
NOTE 4:		The <i>OTA coverage range</i> reference direction may be the same as the Reference beam direction pair (D.8) but does not have to be.
NOTE 5:		If a <i>Repeater type 2-O</i> is capable of 64QAM operation but not capable of 256QAM operation, then up to two rated output power declarations may be made. One declaration is applicable when configured for 64QAM operation and the other declaration is applicable when not configured for 64QAM operation.
NOTE 6:		If D.22 and D.23 are declared for certain frequency range (D.21), there shall be no "Rated beam EIRP" declaration (D.9) for the <i>operating band</i> containing that particular frequency range.
NOTE 7:		If a repeater type 2-O is capable of 256QAM operation, then up to three rated output power declarations may be made. One declaration is applicable when configured for 256QAM operation, a different declaration is applicable when configured for 64QAM operation and the other declaration is applicable when not configured neither for 256QAM nor 64QAM operation.
NOTE 8:		Parameters for contiguous or non-contiguous spectrum operation in the operating band are assumed to be the same unless they are separately declared. When separately declared, they shall still use the same declaration identifier.

The following NCR manufacturer's declarations listed in table 4.6-2, when applicable to the NCR under test, are required to be provided by the manufacturer for radiated requirements testing for *NCR type 1-H* and *NCR type 2-O*. Declarations can be made independently for UL and DL.

**Table 4.6-2: Manufacturers declarations for *NCR type 1-H* and *NCR type 2-O* radiated test requirements**

Declaration identifier	Declaration	Description	Applicability		
			NCR type 1-H	NCR-Fwd type 2-O	NCR-MT type 2-O
D.1	Coordinate system reference point	Location of coordinated system reference point in reference to an identifiable physical feature of the NCR enclosure.	X	X	X
D.2	Coordinate system orientation	Orientation of the coordinate system in reference to an identifiable physical feature of the NCR enclosure.	X	x	x
D.3	Beam identifier	<p>A unique title to identify a beam, e.g. a, b, c or 1, 2, 3. The vendor may declare any number of beams with unique identifiers. The minimum set to declare for conformance, corresponds to the beams at the reference beam direction with the highest intended EIRP, and covering the properties listed below:</p> <ol style="list-style-type: none"> <li>1) A beam with the narrowest intended <math>BeW_{\theta}</math> and narrowest intended <math>BeW_{\phi}</math> possible when narrowest intended <math>BeW_{\theta}</math> is used.</li> <li>2) A beam with the narrowest intended <math>BeW_{\phi}</math> and narrowest intended <math>BeW_{\theta}</math> possible when narrowest intended <math>BeW_{\phi}</math> is used.</li> <li>3) A beam with the widest intended <math>BeW_{\theta}</math> and widest intended <math>BeW_{\phi}</math> possible when widest intended <math>BeW_{\theta}</math> is used.</li> <li>4) A beam with the widest intended <math>BeW_{\phi}</math> and widest intended <math>BeW_{\theta}</math> possible when widest intended <math>BeW_{\phi}</math> is used.</li> <li>5) A beam which provides the highest intended EIRP of all possible beams.</li> </ol> <p>When selecting the above five beam widths for declaration, all beams that the NCR is intended to produce shall be considered, including beams that during operation may be identified by any kind of cell or UE specific reference signals, with the exception of any type of beam that is created from a group of transmitters that are not all phase synchronised.</p> <p>(Note 1)</p>	x	x	x
D.4	<i>Operating bands</i> and passband frequency ranges	List of NR <i>operating band(s)</i> supported by the NCR and passband frequency range(s) within the <i>operating band(s)</i> that the NCR can operate in. Supported bands declared for every beam (D.3). (Note 2)	c	x	x
D.5	NCR class	Declared as Wide Area NCR, Medium Range NCR, or Local Area NCR.	c	x	x
D.6	<i>OTA peak directions set</i> reference beam direction pair	The beam direction pair, describing the reference beam peak direction and the reference beam centre direction. Declared for every beam (D.3).	c	x	x
D.7	<i>OTA peak directions set</i>	The OTA peak directions set for each beam. Declared for every beam (D.3).	c	x	x



Declaration identifier	Declaration	Description	Applicability		
			NCR type 1-H	NCR-Fwd type 2-O	NCR-MT type 2-O
D.8	<i>OTA peak directions set</i> maximum steering direction(s)	The <i>beam direction pair(s)</i> corresponding to the following points: 1) The beam peak direction corresponding to the maximum steering from the reference beam centre direction in the positive $\Phi$ direction, while the $\theta$ value being the closest possible to the reference beam centre direction. 2) The beam peak direction corresponding to the maximum steering from the reference beam centre direction in the negative $\Phi$ direction, while the $\theta$ value being the closest possible to the reference beam centre direction. 3) The beam peak direction corresponding to the maximum steering from the reference beam centre direction in the positive $\theta$ direction, while the $\Phi$ value being the closest possible to the reference beam centre direction. 4) The beam peak direction corresponding to the maximum steering from the reference beam centre direction in the negative $\theta$ direction, while the $\Phi$ value being the closest possible to the reference beam centre direction. The maximum steering direction(s) may coincide with <i>the reference beam centre direction</i> . Declared for every beam (D.3).	x	x	x
D.9	Rated beam EIRP	The rated EIRP level per passband ( $P_{\text{rated,p,EIRP}}$ ) at the <i>beam peak direction</i> associated with a particular <i>beam direction pair</i> for each of the declared maximum steering directions (D.8), as well as the reference <i>beam direction pair</i> (D.8). Declared for every beam (D.3). (Note 5, 6, 7)	x	x	x
D.10	Beamwidth	The <i>beamwidth</i> for the reference <i>beam direction pair</i> and the four maximum steering directions. Declared for every beam (D.3).	x	x	x
D.11	Equivalent beams	List of beams which are declared to be equivalent. Equivalent beams imply that the beams are expected to have identical <i>OTA peak directions sets</i> and intended to have identical spatial properties at all steering directions within the <i>OTA peak directions set</i> when presented with identical signals. All declarations (D.4 – D.10) made for the beams are identical and the transmitter unit, RDN and antenna array responsible for generating the beam are of identical design.	x	x	x
D.12	Parallel beams	List of beams which have been declared equivalent (D.11) and can be generated in parallel using independent RF power resources. Independent power resources mean that the beams are transmitted from mutually exclusive transmitter units.	x	x	x
D.13	<i>OTA coverage range</i>	Declared as a single range of directions within which selected TX <i>OTA requirements</i> are intended to be met. (Note 3)	x	x	x
D.14	<i>OTA coverage range reference direction</i>	The direction describing the reference direction of the <i>OTA coverage range</i> (D.13). (Note 4)	x	x	x

Declaration identifier	Declaration	Description	Applicability		
			NCR type 1-H	NCR-Fwd type 2-O	NCR-MT type 2-O
D.15	OTA coverage range maximum directions	The directions corresponding to the following points: 1) The direction determined by the maximum $\varphi$ value achievable inside the <i>OTA coverage range</i> , while $\theta$ value being the closest possible to the <i>OTA coverage range</i> reference direction. 2) The direction determined by the minimum $\varphi$ value achievable inside the <i>OTA coverage range</i> , while $\theta$ value being the closest possible to the <i>OTA coverage range</i> reference direction. 3) The direction determined by the maximum $\theta$ value achievable inside the <i>OTA coverage range</i> , while $\varphi$ value being the closest possible to the <i>OTA coverage range</i> reference direction. 4) The direction determined by the minimum $\theta$ value achievable inside the <i>OTA coverage range</i> , while $\varphi$ value being the closest possible to the <i>OTA coverage range</i> reference direction.	x	x	x
D.16	The rated passband OTA NCR power, $P_{\text{rated,p,TRP}}$	$P_{\text{rated,p,TRP}}$ is declared as TRP OTA power per passband, declared per supported operating band. (Note 5, 7)	N/A	x	x
D.17	Rated transmitter TRP, $P_{\text{rated,t,TRP}}$	Rated total radiated output power. Declared per supported <i>operating band</i> . (Note 5, 7)	N/A	x	x
D.18	Spurious emission category	Declare the NCR spurious emission category as either category A or B with respect to the limits for spurious emissions, as defined in Recommendation ITU-R SM.329 [4].	c	x	x
D.19	Additional operating band unwanted emissions	The manufacturer shall declare whether the NCR under test is intended to operate in geographic areas where the additional operating band unwanted emission limits defined in clause 6.7.4 apply.	c	x	x
D.20	Co-existence with other systems	The manufacturer shall declare whether the NCR under test is intended to operate in geographic areas where one or more of the systems GSM850, GSM900, DCS1800, PCS1900, UTRA FDD, UTRA TDD, E-UTRA and/or PHS operating in another operating band are deployed.	c	x	x
D.21	Supported frequency range of the NR <i>operating band</i>	List of supported frequency ranges representing <i>fractional bandwidths</i> (FBW) of <i>operating bands</i> with FBW larger than 6%.	c	x	x
D.22	Rated beam EIRP at lower end of the <i>fractional bandwidth</i> ( $P_{\text{rated,out,FBWlow}}$ )	The rated EIRP level per passband at lower frequency range of the <i>fractional bandwidth</i> ( $P_{\text{rated,out,FBWlow}}$ ), at the <i>beam peak direction</i> associated with a particular <i>beam direction pair</i> for each of the declared maximum steering directions (D.10), as well as the reference <i>beam direction pair</i> (D.6). Declared per beam for all supported frequency ranges (D.21). (Note 5, 6, 7)	c	x	x

Declaration identifier	Declaration	Description	Applicability		
			NCR type 1-H	NCR-Fwd type 2-O	NCR-MT type 2-O
D.23	Rated beam EIRP at higher frequency range of the <i>fractional bandwidth</i> ( $P_{\text{rated,out,FBWhigh}}$ )	The rated EIRP level per passband at higher frequency range of the <i>fractional bandwidth</i> ( $P_{\text{rated,out,FBWhigh}}$ ), at the <i>beam peak direction</i> associated with a particular <i>beam direction pair</i> for each of the declared maximum steering directions (D.10), as well as the reference <i>beam direction pair</i> (D.6). Declared per beam for all supported frequency ranges in (D.21). (Note 5, 6, 7)]	c	x	x
D.24	Long delay NCR	Declared only if the NCR internal delay between the input and output for this NCR does not fit within the TDD transient time. The NCR is intended for situations in which it will not cause interference to other nodes. This is achieved by RF isolation or by reservation of longer guard periods, which degrades frame utilization. The length of NCRs internal delay is declared using this declaration.	c	x	
D.25	Input signal EIRP for maximum output power	Declaration of input signal EIRP required to reach maximum output power. Declared per passband.	c	x	
D.26	NCR radiating direction	Declaration on whether the NCR is intended to radiate in DL, UL or both. Testing shall be performed only for the direction(s) in which the NCR radiates.	c	x	
D.27	Maximum NCR RF Bandwidth	Maximum <i>NCR RF Bandwidth</i> in the <i>operating band</i> for single-band operation. Declared per supported <i>operating band</i> . (Note 8)	c	x	
D.28	Support of simultaneous Tx of NCR-Fwd and NCR-MT	Declaration on whether the NCR support the simultaneous Tx of NCR-Fwd and NCR-MT	c	x	x
D.29	OTA REFSENS RoAoA	Range of angles of arrival associated with the OTA REFSENS.	N/A	N/A	x
D.30	OTA REFSENS receiver target reference direction	Reference direction inside the OTA REFSENS RoAoA (D.29).	N/A	N/A	x
D.31	OTA REFSENS conformance test directions	The following four OTA REFSENS conformance test directions shall be declared: 1) The direction determined by the maximum $\varphi$ value achievable inside the OTA REFSENS RoAoA, while $\theta$ value being the closest possible to the OTA REFSENS receiver target reference direction. 2) The direction determined by the minimum $\varphi$ value achievable inside the OTA REFSENS RoAoA, while $\theta$ value being the closest possible to the OTA REFSENS receiver target reference direction. 3) The direction determined by the maximum $\theta$ value achievable inside the OTA REFSENS RoAoA, while $\varphi$ value being the closest possible to the OTA REFSENS receiver target reference direction. 4) The direction determined by the minimum $\theta$ value achievable inside the OTA REFSENS RoAoA, while $\varphi$ value being the closest possible to the OTA REFSENS receiver target reference direction.	N/A	N/A	x
D.32	Single-band RIB or multi-band RIB	Declaration whether it is single band RIB or multi-band RIB. (Note 9)	c	x	x

Declaration identifier	Declaration	Description	Applicability		
			NCR type 1-H	NCR-Fwd type 2-O	NCR-MT type 2-O
NOTE 1:	Depending on the capability of the system some of these beams may be the same. For those same beams, testing is not repeated.				
NOTE 2:	These <i>operating bands</i> are related to their respective single-band RIBs.				
NOTE 3:	<i>OTA coverage range</i> is used for conformance testing of such TX OTA requirements as frequency error or EVM.				
NOTE 4:	The <i>OTA coverage range</i> reference direction may be the same as the Reference beam direction pair (D.8) but does not have to be.				
NOTE 5:	If a NCR type 1-H or <i>NCR type 2-O</i> is capable of 64QAM operation but not capable of 256QAM operation, then up to two rated output power declarations may be made. One declaration is applicable when configured for 64QAM operation and the other declaration is applicable when not configured for 64QAM operation.				
NOTE 6:	If D.22 and D.23 are declared for certain frequency range (D.21), there shall be no "Rated beam EIRP" declaration (D.9) for the <i>operating band</i> containing that particular frequency range.				
NOTE 7:	If a NCR type 1-H or NCR type 2-O is capable of 256QAM operation, then up to three rated output power declarations may be made. One declaration is applicable when configured for 256QAM operation, a different declaration is applicable when configured for 64QAM operation and the other declaration is applicable when not configured neither for 256QAM nor 64QAM operation.				
NOTE 8:	Parameters for contiguous or non-contiguous spectrum operation in the operating band are assumed to be the same unless they are separately declared. When separately declared, they shall still use the same declaration identifier.				
NOTE 9:	In case of NCR type 1-H, this declaration applies per TAB connector.				

## 4.7 Test configurations

### 4.7.1 General

Test configurations in this specification refer to the configuration of test signals from test equipment that are provided to the repeater input.

The test configurations shall be constructed using the methods defined below subject to the parameters declared by the manufacturer as listed in clause 4.6.

The applicable test models for generation of the carrier transmit test signal are defined in clause 4.9.2.

NOTE: If required, carriers are shifted to align with the channel raster.

### 4.7.2 Test signal configurations

#### 4.7.2.1 Test signal used to build Test Configurations

The signal's channel bandwidth and subcarrier spacing used to build NR Test Configurations shall be selected according to tables 4.7.2.1-1.

**Table 4.7.2.1-1: Signal to be used to build NR TCs**

Operating band characteristics		F <sub>DL,high</sub> – F <sub>DL,low</sub> ≤ 3250 MHz
TC signal characteristics	BW <sub>channel</sub>	100 MHz (Note 1, Note 2)
	Subcarrier spacing	Smallest supported subcarrier spacing declared per operating band (D.7)
NOTE 1: Repeater vendor can decide to test with 50 MHz channel bandwidth and smallest supported SCS declared per <i>operating band</i> (D.7) instead of 100 MHz channel bandwidth in certain regions, where spectrum allocation and regulation require testing with 50 MHz.		
NOTE 2: The narrowest specified <i>BS channel bandwidth</i> for the <i>operating band</i> (D.7) shall be used if 100MHz channel bandwidth is not specified for the band.		

#### 4.7.2.2 RTC1: Contiguous spectrum operation for RF repeater type 2-O

The purpose of test configuration RTC1 is to test all repeater requirements that need an input signal in the *passband* when there is only one *passband* per *operating band*.

##### 4.7.2.2.1 RTC1 generation

RTC1 shall be constructed on a per band basis using the following method:

- Declared maximum repeater RF Bandwidth supported shall be used (D.27);
- Select the carrier to be tested according to 4.7.2 and place it adjacent to the lower *passband* edge. If the width of the *passband* is at least twice the bandwidth of the signal to be tested then place a second signal adjacent to the upper *passband* edge. Otherwise reposition the carrier to be tested according to the single carrier test frequencies described in section 4.9.1.

The test configuration should be constructed sequentially on a per band basis. All configured component carriers are transmitted simultaneously in the tests where the repeater should be ON.

##### 4.7.2.2.2 RTC1 power allocation

Set the TRP of each carrier to the same level so that the sum of the carrier powers equals the expected input power to the repeater for the test (i.e., either  $P_{\text{rated,in}}$  or  $P_{\text{rated,in}} + 10\text{dB}$ ) according to the manufacturer's declaration in clause 4.6.

#### 4.7.2.4 RTC2: Non-contiguous spectrum operation for RF repeater type 2-O

The purpose of RTC2 is to test all repeater requirements that need an input signal in the *passband* when there is more than one *passband* per *operating band*.

##### 4.7.2.4.1 RTC2 generation

RTC2 is constructed on a per band basis using the following method:

- The repeater *passband* bandwidths shall be the declared maximum repeater RF Bandwidth supported for multiple *passbands* (D.27). The repeater RF Bandwidth consists of one sub-block gap and the two highest and lowest declared *passbands*.
- For each *passband*, select the carrier to be tested according to 4.7.2. If the the width of the *passband* is at least twice that of the carrier to be tested then place a carrier adjacent to the upper *passband* edge and another carrier (as described in 4.7.2) adjacent to the lower *passband* edge. Otherwise, tests shall be applied with one carrier adjacent to the lower sub-block edge and one carrier adjacent to the upper sub-block edge for each sub-block gap.
- The sub-block edges adjacent to the sub-block gap shall be determined using the specified  $F_{\text{offset\_high}}$  and  $F_{\text{offset\_low}}$  for the carriers adjacent to the sub-block gap.

##### 4.7.2.4.2 RTC2 power allocation

Set the power of each carrier to the same level so that the sum of the carrier powers equals the expected input power to the repeater for the test (i.e., either  $P_{\text{in,p,EIRP}}$  or  $P_{\text{in,p,EIRP}} + 10\text{dB}$ ) according to the manufacturer's declaration in clause 4.6.

#### 4.7.2.5 NCRTC1: Contiguous spectrum operation for NCR type 2-O

The purpose of test configuration NCRTC1 is to test all NCR requirements that need an input signal in the *passband* when there is only one *passband* per *operating band*.

##### 4.7.2.5.1 NCRTC1 generation

NCRTC1 shall be constructed on a per band basis using the following method:

- Declared maximum NCR RF Bandwidth supported shall be used (D.27);
- Place an NCR-MT carrier at the lower end of the passband. Generate an NR carrier using test equipment at the upper edge of the passband, and a second NR carrier adjacent to the NCR-MT carrier within the passband. If there is insufficient space for the NR carriers then remove firstly the NR carrier adjacent to the NCR-MT carrier and then if needed the NR carrier at the upper end of the passband.
- Place an NCR-MT carrier at the upper end of the passband. Generate an NR carrier using test equipment at the lower edge of the passband, and a second NR carrier adjacent to the NCR-MT carrier within the passband. If there is insufficient space for the NR carriers then remove firstly the NR carrier adjacent to the NCR-MT carrier and then if needed the NR carrier at the lower end of the passband.

The test configuration should be constructed sequentially on a per band basis. All configured component carriers are transmitted simultaneously in the tests where the NCR should be ON.

#### 4.7.2.5.2 NCRTC1 power allocation

Set the TRP of each carrier to the same level so that the sum of the carrier powers equals the expected input power to the NCR for the test (i.e., either  $P_{\text{rated,in}}$  or  $P_{\text{rated,in}} + 10\text{dB}$ ) according to the manufacturer's declaration in clause 4.6. For the NCR-MT, set the output power according to the manufacturer's declaration in clause 4.6.

#### 4.7.2.6 NCRTC2: Non-contiguous spectrum operation for NCR type 2-O

The purpose of NCRTC2 is to test all NCR requirements that need an input signal in the *passband* when there is more than one *passband* per *operating band*.

##### 4.7.2.6.1 NCRTC2 generation

NCRTC2 is constructed on a per band basis using the following method:

- The NCR *passband* bandwidths shall be the declared maximum NCR RF Bandwidth supported for multiple passbands (D.27). The repeater RF Bandwidth consists of one sub-block gap and the two highest and lowest declared *passbands*.
- Place an NCR-MT carrier at the lower end of each passband. Generate an NR carrier using test equipment at the upper edge of each passband, and a second NR carrier adjacent to the NCR-MT carrier within each passband. For each passband, if there is insufficient space for the NR carriers then remove firstly the NR carrier adjacent to the NCR-MT carrier and then if needed the NR carrier at the upper end of the passband.
- Place an NCR-MT carrier at the upper end of each passband. Generate an NR carrier using test equipment at the lower edge of each passband, and a second NR carrier adjacent to the NCR-MT carrier within each passband. For each passband, if there is insufficient space for the NR carriers then remove firstly the NR carrier adjacent to the NCR-MT carrier and then if needed the NR carrier at the lower end of the passband.
- Place an NCR-MT carrier at the lower end of the lower passband and place an NCR-MT carrier at the upper end of the upper passband. Generate an NR carrier using test equipment at the opposite edge of each passband, and a second NR carrier adjacent to the NCR-MT carrier within each passband. For each passband, if there is insufficient space for the NR carriers then remove firstly the NR carrier adjacent to the NCR-MT carrier and then if needed the NR carrier at the opposite end of the passband.
- Place an NCR-MT carrier at the upper end of the lower passband and place an NCR-MT carrier at the lower end of the upper passband. Generate an NR carrier using test equipment at the opposite edge of each passband, and a second NR carrier adjacent to the NCR-MT carrier within each passband. For each passband, if there is insufficient space for the NR carriers then remove firstly the NR carrier adjacent to the NCR-MT carrier and then if needed the NR carrier at the opposite end of the passband.
- The sub-block edges adjacent to the sub-block gap shall be determined using the specified  $F_{\text{offset\_high}}$  and  $F_{\text{offset\_low}}$  for the carriers adjacent to the sub-block gap.

#### 4.7.2.6.2 NCRTC2 power allocation

Set the power of each carrier to the same level so that the sum of the carrier powers equals the expected input power to the NCR for the test (i.e., either  $P_{in,p,EIRP}$  or  $P_{in,p,EIRP} + 10\text{dB}$ ) according to the manufacturer's declaration in clause 4.6. For the NCR-MT, set the output power according to the manufacturer's declaration in clause 4.6.

## 4.8 Applicability of requirements

### 4.8.1 Applicability of test configurations

The applicable test configurations are specified in the tables below for each the supported RF configuration, which shall be declared according to clause 4.6. The generation and power allocation for each test configuration is defined in clause 4.7. This clause contains the test configurations for a RF repeater or NCR capable of single passband, and/or multi-bandoperation in both contiguous and non-contiguous spectrum in single band.

For a repeater or NCR declared to support a single *passband* within a single band, the test configurations in the second column of table 4.8.1-1 shall be used for testing.

For a repeater or NCR declared to support more than one *passband* within a single band (D.4) and where the parameters in the manufacture's declaration according to clause 4.6 are identical for all passbands, the test configurations in the third column of table 4.8.1-1 shall be used for testing.

For a repeater or NCR declared to support more than one *passband* within a single band (D.4) and where the parameters in the manufacture's declaration according to clause 4.6 are not identical for all passbands, the test configurations in the fourth column of table 4.8.1-1 shall be used for testing.

**Table 4.8.1-1: Test configurations for a repeater capable of single or multiple *passbands* in a single band**

Test case	Single passband repeater	Multiple passband capable repeater with identical parameters per passband	Multiple passband capable repeater with different parameters per passband
Repeater output power	RTC1	RTC1	RTC1, RTC2
Frequency stability	Tested with Error Vector Magnitude	Tested with Error Vector Magnitude	Tested with Error Vector Magnitude
Out of band gain	N/A	N/A	N/A
Transmit ON/OFF power (only applied for NR TDD repeater)	RTC1	RTC1	RTC1, RTC2
Error Vector Magnitude	RTC1	RTC1	RTC1, RTC2
Adjacent Channel Leakage power Ratio (ACLR)	RTC1	RTC1, RTC2	RTC1, RTC2
Cumulative ACLR requirement in non-contiguous spectrum	-	RTC2	RTC2
Operating band unwanted emissions	RTC1	RTC1, RTC2	RTC1, RTC2
Transmitter spurious emissions	RTC1	RTC1, RTC2	RTC1, RTC2
Output intermodulation	RTC1	RTC1, RTC2	RTC1, RTC2
Input intermodulation	N/A	N/A	N/A
Adjacent Channel Rejection Ratio (ACRR)	RTC1	RTC2	RTC1, RTC2
Receiver spurious emissions	RTC1	RTC1, RTC2	RTC1, RTC2

**Table 4.8.1-2: Test configurations for a NCR capable of single or multiple *passbands* in a single band**

Test case	Single passband NCR	Multiple passband capable NCR with identical parameters per passband	Multiple passband capable NCR with different parameters per passband
NCR output power	NCRTC1	NCRTC1	NCRTC1, NCRTC2
Frequency stability	Tested with Error Vector Magnitude	Tested with Error Vector Magnitude	Tested with Error Vector Magnitude
Out of band gain	N/A	N/A	N/A
Transmit ON/OFF power	NCRTC1	NCRTC1	NCRTC1, NCRTC2
Error Vector Magnitude	NCRTC1	NCRTC1	NCRTC1, NCRTC2
Adjacent Channel Leakage power Ratio (ACLR)	NCRTC1	NCRTC1, NCRTC2	NCRTC1, RTC2
Cumulative ACLR requirement in non-contiguous spectrum	-	NCRTC2	NCRTC2
Operating band unwanted emissions	NCRTC1	NCRTC1, NCRTC2	NCRTC1, NCRTC2
Transmitter spurious emissions	NCRTC1	NCRTC1, NCRTC2	NCRTC1, NCRTC2
Input intermodulation	N/A	N/A	N/A
Adjacent Channel Rejection Ratio (ACRR)	NCRTC1	NCRTC2	NCRTC1, NCRTC2
Output power dynamics (Note 1)	SC	SC	SC
Transmitter signal quality (Note 1)	Tested with Error Vector Magnitude	Tested with Error Vector Magnitude	Tested with Error Vector Magnitude
Reference sensitivity (Note 1)	SC	SC	SC
Adjacent channel selectivity (Note 1)	NCRTC1	NCRTC2	NCRTC1, INCRTC2
Reveiver Blocking characteristics (Note 1)	NCRTC1	NCRTC2	NCRTC1, NCRTC2
Receiver spurious emissions (Note 1)	NCRTC1	NCRTC1, NCRTC2	NCRTC1, NCRTC2

## 4.9 RF channels and test models

### 4.9.1 RF channels

For the single passband testing many tests in the present document are performed with appropriate frequencies in the bottom, middle and top channels of the supported frequency range of the repeater. These are denoted as RF channels B (bottom), M (middle) and T (top).

Unless otherwise stated, the test shall be performed with a single passband at each of the RF channels B, M and T.

Many tests in the present document are performed with the maximum *repeater RF Bandwidth* located at the bottom, middle and top of the supported frequency range in the operating band. These are denoted as  $B_{RFBW}$  (bottom),  $M_{RFBW}$  (middle) and  $T_{RFBW}$  (top).

Unless otherwise stated, the test shall be performed at  $B_{RFBW}$ ,  $M_{RFBW}$  and  $T_{RFBW}$  defined as following:

- $B_{RFBW}$ : maximum *repeater RF Bandwidth* located at the bottom of the supported frequency range in the operating band.
- $M_{RFBW}$ : maximum *repeater RF Bandwidth* located in the middle of the supported frequency range in the operating band.
- $T_{RFBW}$ : maximum *repeater RF Bandwidth* located at the top of the supported frequency range in the operating band.

When a test is performed by a test laboratory, the position of B, M and T for single passband,  $B_{RFBW}$ ,  $M_{RFBW}$  and  $T_{RFBW}$  for single band operation shall be specified by the laboratory. The laboratory may consult with operators, the manufacturer or other bodies.



## 4.9.2 Test models

### 4.9.2.1 General

The following clauses will describe the test models needed for *repeater type 2-O*.

### 4.9.2.2 FR2 test models for repeater type 2-O for DL

FR2 test model in clause 4.9.2.2 in TS 38.141-2 [6] applies to *repeater type 2-O* as below:

- NR-FR2-TM1.1 applies to RDL-FR2-TM1.1
- NR-FR2-TM2 applies to RDL-FR2-TM2
- NR-FR2-TM2a applies to RDL-FR2-TM2a
- NR-FR2-TM3.1 applies to RDL-FR2-TM3.1
- NR-FR2-TM3.1a applies to RDL-FR2-TM3.1a

### 4.9.2.3 FR2 test models for repeater type 2-O for UL

The set-up of physical channels for transmitter tests shall be according to one of the test models (R-FR2-TMs) below. A reference to the applicable test model is made within each test.

The following general parameters are used by all NR test models:

- Duration is 2 radio frames for TDD (20 ms)
- The slots are numbered 0 to  $10 \times 2^\mu - 1$  where  $\mu$  is the numerology corresponding to the subcarrier spacing
- $N_{RB}$  is the maximum transmission bandwidth configuration seen in table 5.3.2-2 in TS 38.106 [x].
- Normal CP
- Virtual resource blocks of localized type

For FR2 TDD, repeater test models are derived based on the uplink/downlink configuration as shown in the table 4.9.2.3-1 using information element *TDD-UL-DL-ConfigCommon* as defined in TS 38.331 [22].

**Table 4.9.2.3-1: Configurations of TDD for *repeater type 2-O* test models**

Field name	Value	
referenceSubcarrierSpacing (kHz)	60	120
Periodicity (ms) for dl-UL-TransmissionPeriodicity	1.25	1.25
nrofDownlinkSlots	3	7
nrofDownlinkSymbols	10	6
nrofUplinkSlots	1	2
nrofUplinkSymbols	2	4

Common physical channel parameters for all FR2 test models are specified in table 4.9.2.3-2 and table 4.9.2.3-3 for PUSCH. Specific physical channel parameters for FR2 test models are described in clauses 4.9.2.3.1 to 4.9.2.3.3.

**Table 4.9.2.3-2: Common physical channel parameters for *repeater type 2-O* PUSCH**

Parameter	Value
mapping type	PUSCH mapping type A
<i>dmrs-TypeA-Position</i> for the first DM-RS symbol	'pos2'
<i>dmrs-AdditionalPosition</i> for additional DM-RS symbol(s)	'pos0'
<i>dmrs-Type</i> for comb pattern	Configuration type 1
maxLength	1
Ratio of PUSCH EPRE to DM-RS EPRE	0 dB
PTRS configuration and density	$L_{PT-RS} = 4$ $K_{PT-RS} = 2$ $k_{ref}^{RE} = 00$
Ratio of PT-RS EPRE to DM-RS EPRE	0 dB

**Table 4.9.2.3-3: Common physical channel parameters for PUSCH by RNTI for *repeater type 2-O* test models**

Parameter	Value
PUSCH $n_{RNTI} = 0$	

**4.9.2.3.1 FR2 test model 1.1 (RUL-FR2-TM1.1)**

This model shall be used for tests on:

- OTA output power (EIRP)- OTA Repeater output power (TRP)
- OTA out of band gain
- OTA Unwanted emissions
  - OTA ACLR
  - OTA operating band unwanted emissions
  - OTA transmitter spurious emissions
- OTA input intermodulation
- OTA ACRR
- OTA transmit ON/OFF power

Common physical channel parameters are defined in clause 4.9.2.3. Specific physical channel parameters for RUL-FR2-TM1.1 are defined in table 4.9.2.3.1-1.

**Table 4.9.2.3.1-1: Specific physical channel parameters of RUL-FR2-TM1.1**

Parameter	Value
# of PRBs PUSCH $n_{RNTI} = 0$	$N_{RB}$
Modulation PUSCH $n_{RNTI} = 0$	QPSK

**4.9.2.3.2 FR2 test model 2 (RUL-FR2-TM2)**

This model shall be used for tests on:

- Uplink OTA repeater EVM of single PRB allocation (at lower PSD TX power limit at min power)
- OTA frequency stability (at lower PSD TX power limit at min power)

Common physical channel parameters are defined in clause 4.9.2.3. Specific physical channel parameters for RUL-FR2-TM2 are defined in table 4.9.2.3.2-1 for 64QAM. For 16QAM and QPSK, specific physical channel parameters for

RUL-FR2-TM2 are defined in table 4.9.2.3.2-1 with 64QAM PUSCH PRB replaced with selected modulation order PUSCH PRB according to the corresponding test procedure.

**Table 4.9.2.3.2-1: Specific physical channel parameters of RUL-FR2-TM2**

Parameter	Value		
# of 64QAM PUSCH PRBs	1		
Level of boosting (dB)	0		
Location of 64QAM PRB	Slot	RB	n
	$3n$	0	$n = 0, \dots, \left\lfloor \frac{10 \times 2^\mu}{3} \right\rfloor - 1$
	$3n+1$	$\left\lfloor \frac{N_{RB}}{2} \right\rfloor$	$n = 0, \dots, \left\lfloor \frac{10 \times 2^\mu - 1}{3} \right\rfloor - 1$
	$3n+2$	$N_{RB} - 1$	$n = 0, \dots, \left\lfloor \frac{10 \times 2^\mu - 2}{3} \right\rfloor - 1$
# of PUSCH PRBs which are not allocated	$N_{RB} - 1$		

#### 4.9.2.3.2a FR2 test model 2a (RUL-FR2-TM2a)

This model shall be used for tests on:

- Uplink OTA repeater EVM of single PRB allocation (at lower PSD TX power limit at min power)
- OTA frequency stability (at lower PSD TX power limit at min power)

Common physical channel parameters are defined in clause 4.9.2.3. Specific physical channel parameters for RUL-FR2-TM2a are defined in table 4.9.2.3.2-1 with all 64QAM PUSCH PRBs replaced by 256QAM PUSCH PRBs.

#### 4.9.2.3.3 FR2 test model 3.1 (RUL-FR2-TM3.1)

This model shall be used for tests on:

- Transmitted signal quality
- OTA frequency stability (at max power)
- Uplink OTA repeater EVM for modulation (at max power)

Common physical channel parameters are defined in clause 4.9.2.3. Specific physical channel parameters for RUL-FR2-TM3.1 are defined in table 4.9.2.3.1-1 with all QPSK PUSCH PRBs replaced with selected modulation order PUSCH PRBs according to the corresponding test procedure.

#### 4.9.2.3.4 FR2 test model 3.1a (RUL-FR2-TM3.1a)

This model shall be used for tests on:

- Transmitted signal quality
- OTA frequency stability (at max power)
- Uplink OTA repeater EVM for 256QAM modulation (at max power)

Common physical channel parameters are defined in clause 4.9.2.3. Specific physical channel parameters for RUL-FR2-TM3.1a shall be defined in table 4.9.2.3.1-1 with all QPSK PUSCH PRBs replaced by 256QAM.

#### 4.9.2.4 Data content of physical channels and signals for RUL-FR2-TM

Randomisation of the data content is obtained by utilizing a PN sequence generator and the length-31 Gold sequence scrambling of TS 38.211 [x], clause 5.2.1 which is invoked by all physical channels prior to modulation and mapping to the RE grid.

Initialization of the scrambler and RE-mappers as defined in TS 38.211 [x] use the following additional parameters:

- $N_{ID}^{cell} = 1$
- $q = 0$  (single code word)
- Rank 1, single layer

#### 4.9.2.3.1 PUSCH

- Generate the required amount of bits from the output of the PN23 sequence generator [28]. The PN sequence generator is initialized with a starting seed of "all ones" in the first allocated slot of each frame. The PN sequence is continuous over the slot boundaries.
- Perform user specific scrambling according to TS 38.211 [x], clause 6.3.1.1.
- $n_{ID} = N_{ID}^{cell}$
- Perform modulation of the scrambled bits with the modulation scheme defined for each user according to TS 38.211 [x], clause 6.3.1.3.
- Perform mapping of the complex-valued symbols to layer according to TS 38.211 [x], clause 6.3.1.3.
- Perform PDSCH mapping type A according to TS 38.211 [x].
- DM-RS sequence generation according to TS 38.211 [x], clause 6.4.1.1.1 where  $l$  is the OFDM symbol number within the slot with symbols indicated by table 4.9.2.3-3.
- $N_{ID}^{n_{SCID}} = N_{ID}^{cell}$
- $n_{SCID} = 0$
- DM-RS mapping according to TS 38.211 [7], clause 6.4.1.1.3 with parameters listed in table 4.9.2.3-3.
- For RUL-FR2-TM PT-RS sequence generation according to TS 38.211 [7], clause 6.4.1.2.1, with parameters listed in table 4.9.2.3-3.
- For RUL-FR2-TM PT-RS mapping according to TS 38.211 [7], clause 6.4.1.2.2, with parameters listed in table 4.9.2.3-3.

## 4.9A RF channels and test models of NCR

### 4.9A.1 RF channels

For the single passband or carrier testing many tests in this specification are performed with appropriate frequencies in the bottom, middle and top channels of the supported frequency range of the NCR. These are denoted as RF channels B (bottom), M (middle) and T (top).

Unless otherwise stated, the test shall be performed with a single passband or carrier at each of the RF channels B, M and T.

Many tests in the present document are performed with the maximum NCR RF Bandwidth located at the bottom, middle and top of the supported frequency range in the operating band. These are denoted as  $B_{RFBW}$  (bottom),  $M_{RFBW}$  (middle) and  $T_{RFBW}$  (top).

Unless otherwise stated, the test shall be performed at  $B_{RFBW}$ ,  $M_{RFBW}$  and  $T_{RFBW}$  defined as following:

- $B_{RFBW}$ : maximum NCR RF Bandwidth located at the bottom of the supported frequency range in the operating band.
- $M_{RFBW}$ : maximum NCR RF Bandwidth located in the middle of the supported frequency range in the operating band.
- $T_{RFBW}$ : maximum NCR RF Bandwidth located at the top of the supported frequency range in the operating band.

When a test is performed by a test laboratory, the position of B, M and T for single passband or carrier,  $B_{\text{RFBW}}$ ,  $M_{\text{RFBW}}$  and  $T_{\text{RFBW}}$  for single band operation, the position of  $B_{\text{RFBW}}T_{\text{RFBW}}$  and  $B'_{\text{RFBW}}T_{\text{RFBW}}$  in the supported operating band combinations shall be specified by the laboratory. The laboratory may consult with operators, the manufacturer or other bodies.

## 4.9A.2 Test models

### 4.9A.2.1 General

The following clauses will describe the test models needed for *NCR type 2-O*.

### 4.9A.2.2 FR2 test models for NCR type 2-O for DL

FR2 test model in clause 4.9.2.2 in TS 38.141-2 [6] applies to *NCR type 2-O* as below:

- NR-FR2-TM1.1 applies to NCRDL-FR2-TM1.1
- NR-FR2-TM2 applies to NCRDL-FR2-TM2
- NR-FR2-TM2a applies to NCRDL-FR2-TM2a
- NR-FR2-TM3.1 applies to NCRDL-FR2-TM3.1
- NR-FR2-TM3.1a applies to NCRDL-FR2-TM3.1a

### 4.9A.2.3 FR2 test models for NCR type 2-O for UL

The set-up of physical channels for transmitter tests shall be according to one of the test models (NCRUL-FR2-TM) below. A reference to the applicable test model is made within each test.

The following general parameters are used by all NR test models:

- Duration is 2 radio frames for TDD (20 ms)
- The slots are numbered 0 to  $10 \times 2^\mu - 1$  where  $\mu$  is the numerology corresponding to the subcarrier spacing
- $N_{\text{RB}}$  is the maximum transmission bandwidth configuration seen in table 5.3.2-2 in TS 38.106 [2].
- Normal CP
- Virtual resource blocks of localized type

For FR2 TDD, NCR test models are derived based on the uplink/downlink configuration as shown in the table 4.9A.2.3-1 using information element *TDD-UL-DL-ConfigCommon* as defined in TS 38.331 [22].

**Table 4.9A.2.3-1: Configurations of TDD for NCR type 2-O test models**

Field name	Value	
referenceSubcarrierSpacing (kHz)	60	120
Periodicity (ms) for dl-UL-TransmissionPeriodicity	1.25	1.25
nrofDownlinkSlots	3	7
nrofDownlinkSymbols	10	6
nrofUplinkSlots	1	2
nrofUplinkSymbols	2	4

Common physical channel parameters for all FR2 test models are specified in table 4.9A.2.3-2 and table 4.9A.2.3-3 for PUSCH. Specific physical channel parameters for FR2 test models are described in clauses 4.9A.2.3.1 to 4.9A.2.3.3.

**Table 4.9A.2.3-2: Common physical channel parameters for NCR type 2-O PUSCH**

Parameter	Value
mapping type	PUSCH mapping type A
<i>dmrs-TypeA-Position</i> for the first DM-RS symbol	'pos2'
<i>dmrs-AdditionalPosition</i> for additional DM-RS symbol(s)	'pos0'
<i>dmrs-Type</i> for comb pattern	Configuration type 1
maxLength	1
Ratio of PUSCH EPRE to DM-RS EPRE	0 dB
PTRS configuration and density	$L_{PT-RS} = 4$ $K_{PT-RS} = 2$ $k_{ref}^{RE} = 00$
Ratio of PT-RS EPRE to DM-RS EPRE	0 dB

**Table 4.9A.2.3-3: Common physical channel parameters for PUSCH by RNTI for NCR type 2-O test models**

Parameter	Value
PUSCH $n_{RNTI} = 0$	

#### 4.9A.2.3.1 FR2 test model 1.1 (NCRUL-FR2-TM1.1)

This model shall be used for tests on:

OTA output power (EIRP)- OTA Repeater output power (TRP)

- OTA out of band gain
- OTA Transmit ON/OFF power
- OTA Unwanted emissions
  - OTA ACLR
  - OTA operating band unwanted emissions
  - OTA transmitter spurious emissions
  - OTA Receiver spurious emissions
- OTA input intermodulation
- OTA ACRR
- OTA transmit ON/OFF power

Common physical channel parameters are defined in clause 4.9A.2.3. Specific physical channel parameters for NCRUL-FR2-TM1.1 are defined in table 4.9A.2.3.1-1.

**Table 4.9A.2.3.1-1: Specific physical channel parameters of NCRUL-FR2-TM1.1**

Parameter	Value
# of PRBs PUSCH $n_{RNTI} = 0$	$N_{RB}$
Modulation PUSCH $n_{RNTI} = 0$	QPSK

#### 4.9A.2.3.2 FR2 test model 2 (NCRUL-FR2-TM2)

This model shall be used for tests on:

- Uplink OTA NCR EVM of single PRB allocation (at lower PSD TX power limit at min power)
- OTA frequency stability (at lower PSD TX power limit at min power)

Common physical channel parameters are defined in clause 4.9A.2.3. Specific physical channel parameters for NCRUL-FR2-TM2 are defined in table 4.9A.2.3.2-1 for 64QAM. For 16QAM and QPSK, specific physical channel parameters for NCRUL-FR2-TM2 are defined in table 4.9A.2.3.2-1 with 64QAM PUSCH PRB replaced with selected modulation order PUSCH PRB according to the corresponding test procedure.

**Table 4.9A.2.3.2-1: Specific physical channel parameters of NCRUL-FR2-TM2**

Parameter	Value		
# of 64QAM PUSCH PRBs	1		
Level of boosting (dB)	0		
Location of 64QAM PRB	Slot	RB	n
	3n	0	$n = 0, \dots, \left\lceil \frac{10 \times 2^\mu}{3} \right\rceil - 1$
	3n+1	$\left\lfloor \frac{N_{RB}}{2} \right\rfloor$	$n = 0, \dots, \left\lceil \frac{10 \times 2^\mu - 1}{3} \right\rceil - 1$
	3n+2	$N_{RB} - 1$	$n = 0, \dots, \left\lceil \frac{10 \times 2^\mu - 2}{3} \right\rceil - 1$
# of PUSCH PRBs which are not allocated	$N_{RB} - 1$		

#### 4.9A.2.3.2a FR2 test model 2a (NCRUL-FR2-TM2a)

This model shall be used for tests on:

- Uplink OTA NCR EVM of single PRB allocation (at lower PSD TX power limit at min power)
- OTA frequency stability (at lower PSD TX power limit at min power)

Common physical channel parameters are defined in clause 4.9A.2.3. Specific physical channel parameters for NCRUL-FR2-TM2a are defined in table 4.9A.2.3.2-1 with all 64QAM PUSCH PRBs replaced by 256QAM PUSCH PRBs.

#### 4.9A.2.3.3 FR2 test model 3.1 (NCRUL-FR2-TM3.1)

This model shall be used for tests on:

- OTA Output power dynamics
- OTA Total power dynamic range (upper TX PSD power limit at max power with all 64QAM PRBs allocated)
- OTA Transmitted signal quality
- OTA Frequency error (at max power)
- OTA EVM for modulation (at max power)

Common physical channel parameters are defined in clause 4.9A.2.3. Specific physical channel parameters for NCRUL-FR2-TM3.1 are defined in table 4.9A.2.3.1-1 with all QPSK PUSCH PRBs replaced with selected modulation order PUSCH PRBs according to the corresponding test procedure.

#### 4.9A.2.3.4 FR2 test model 3.1a (NCRUL-FR2-TM3.1a)

This model shall be used for tests on:

- OTA Output power dynamics
- OTA Total power dynamic range (upper TX PSD power limit at max power with all 256QAM PRBs allocated)
- OTA Transmitted signal quality
- OTA Frequency stability (at max power)
- OTA Frequency error (at max power)

- EVM for 256QAM modulation (at max power)

Common physical channel parameters are defined in clause 4.9A.2.3. Specific physical channel parameters for NCRUL-FR2-TM3.1a shall be defined in table 4.9A.2.3.1-1 with all QPSK PUSCH PRBs replaced by 256QAM.

#### 4.9A.2.4 Data content of physical channels and signals for NCRUL-FR2-TM

##### 4.9A.2.4.1 General

Randomisation of the data content is obtained by utilizing a PN sequence generator and the length-31 Gold sequence scrambling of TS 38.211 [18], clause 5.2.1 which is invoked by all physical channels prior to modulation and mapping to the RE grid.

Initialization of the scrambler and RE-mappers as defined in TS 38.211 [18] use the following additional parameters:

- $N_{ID}^{cell} = 1$
- $q = 0$  (single code word)
- Rank 1, single layer

##### 4.9A.2.4.2 PUSCH

- Generate the required amount of bits from the output of the PN23 sequence generator. The PN sequence generator is initialized with a starting seed of "all ones" in the first allocated slot of each frame. The PN sequence is continuous over the slot boundaries.
- Perform user specific scrambling according to TS 38.211 [18], clause 6.3.1.1.
- $n_{ID} = N_{ID}^{cell}$
- Perform modulation of the scrambled bits with the modulation scheme defined for each user according to TS 38.211 [7], clause 6.3.1.3.
- Perform mapping of the complex-valued symbols to layer according to TS 38.211 [18], clause 6.3.1.3.
- Perform PDSCH mapping type A according to TS 38.211 [18].
- DM-RS sequence generation according to TS 38.211 [18], clause 6.4.1.1.1 where  $l$  is the OFDM symbol number within the slot with symbols indicated by table 4.9A.2.2-3.
- $N_{ID}^{n_{SCID}} = N_{ID}^{cell}$
- $n_{SCID} = 0$
- DM-RS mapping according to TS 38.211 [18], clause 6.4.1.1.3 with parameters listed in table 4.9.2.2-3.
- For NCRUL-FR2-TM PT-RS sequence generation according to TS 38.211 [18], clause 6.4.1.2.1, with parameters listed in table 4.9A.2.2-3.
- For NCRUL-FR2-TM PT-RS mapping according to TS 38.211 [18], clause 6.4.1.2.2, with parameters listed in table 4.9A.2.2-3.

## 4.10 Requirements for contiguous and non-contiguous spectrum

A spectrum allocation where a repeater or NCR operates can either be contiguous or non-contiguous. Unless otherwise stated, the requirements in the present specification apply for repeater or NCR configured for both contiguous spectrum operation and non-contiguous spectrum operation.



For repeater or NCR operation in non-contiguous spectrum, some requirements apply both at the repeater or NCR *passband* edges and inside the sub-block gaps. For each such requirement, it is stated how the limits apply relative to the repeater or NCR *passband* edges and the sub-block edges respectively.

## 4.11 Format and interpretation of tests

Each test has a standard format:

### X Title

All tests are applicable to all equipment within the scope of the present document, unless otherwise stated.

#### X.1 Definition and applicability

This clause gives the general definition of the parameter under consideration and specifies whether the test is applicable to all equipment or only to a certain subset. Required manufacturer declarations may be included here.

#### X.2 Minimum requirement

This clause contains the reference to the clause to the 3GPP reference (or core) specification which defines the minimum requirement.

#### X.3 Test purpose

This clause defines the purpose of the test.

#### X.4 Method of test

##### X.4.1 General

In some cases there are alternative test procedures or initial conditions. In such cases, guidance for which initial conditions and test procedures can be applied are stated here. In the case only one test procedure is applicable, that is stated here.

##### X.4.2y First test method

###### X.4.2y.1 Initial conditions

This clause defines the initial conditions for each test, including the test environment, the RF channels to be tested and the basic measurement set-up. The OTA Test System is assumed to be correctly calibrated as part of the initial conditions. Calibration is not explicitly mentioned.

###### X.4.2y.2 Procedure

This clause describes the steps necessary to perform the test and provides further details of the test definition like domain (e.g. frequency-span), range, weighting (e.g. bandwidth), and algorithms (e.g. averaging). The procedure may comprise data processing of the measurement result before comparison with the test requirement (e.g. average result from several measurement positions).

###### X.4.3y Alternative test method (if any)

If there are alternative test methods, each is described with its initial conditions and procedures.

#### X.5 Test requirement

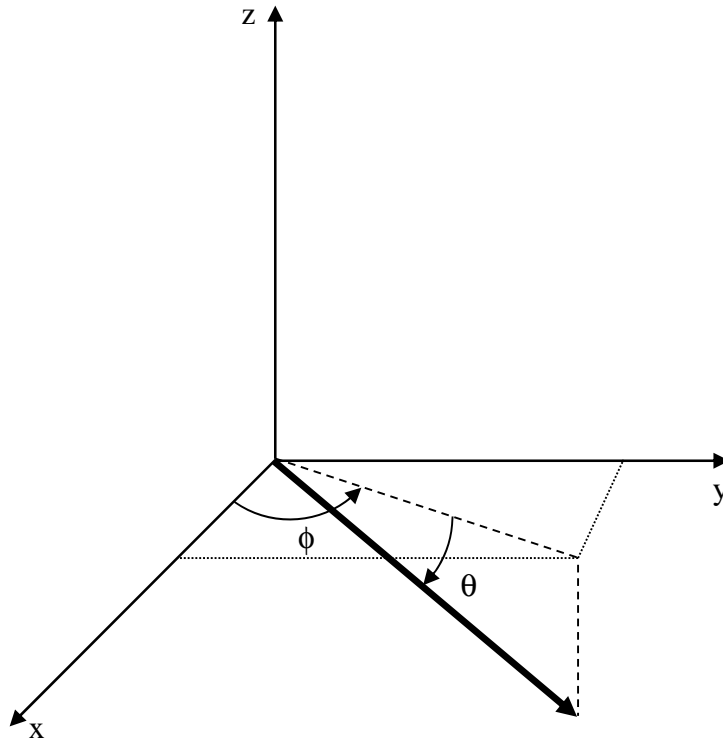
This clause defines the pass/fail criteria for the equipment under test, see clause 4.1.3 (Interpretation of measurement results). Test requirements for every minimum requirement referred in clause X.2 are listed here. Cases where minimum requirements do not apply need not be mentioned.

## 4.12 Reference coordinate system

Radiated requirements are stated in terms of electromagnetic characteristics (e.g. EIRP) at certain angles with respect to the repeater or NCR. To be able to declare radiated characteristics part of radiated requirements a reference coordinate system is required. The reference coordinate system should be associated to an identifiable physical feature on the

repeater or NCR enclosure. The location of the origin and the orientation of the reference coordinate system are for the repeater or NCR manufacturer to declare.

The reference coordinate system is created of a Cartesian coordinate system with rectangular axis (x, y, z) and spherical angles ( $\theta$ ,  $\phi$ ) as showed in figure 4.12-1.



**Figure 4.12-1: Reference coordinate system**

$\phi$  is the angle in the x/y plane, between the x-axis and the projection of the radiating vector onto the x/y plane and is defined between  $-180^\circ$  and  $+180^\circ$ , inclusive.  $\theta$  is the angle between the projection of the vector in the x/y plane and the radiating vector and is defined between  $-90^\circ$  and  $+90^\circ$ , inclusive. Note that  $\theta$  is defined as positive along the down-tilt angle.

---

## 5 Operating bands and channel arrangement

For the NR repeater operation in NR operating bands specification, their channel bandwidth configurations, channel spacing and raster, as well as synchronization raster specification, refer to TS 38.106 [2], clause 5 and its relevant clauses.

For the radiated testing purposes in this specification, only FR2-1 operating bands are considered.

---

## 6 Radiated characteristics

### 6.1 General

Unless otherwise stated, the radiated characteristics are specified at RIB for *repeater type 2-0* configuration in normal operating conditions.

Requirements apply in both DL and UL unless otherwise stated, or declared.

- For the DL the BS-side RIB is the input and the UE-side RIB is the output.

- For the UL the UE-side RIB is the input and the BS-side RIB is the output.

General test conditions for radiated tests of the *repeater type 2-O* are given in clause 4, including interpretation of measurement results and configurations for testing. Repeater configurations for the tests are defined in clause 4.5.

If a number of *single-band RIB* have been declared equivalent (D.32), only a representative one is necessary to be tested to demonstrate conformance.

## 6.2 OTA output power

### 6.2.1 General

OTA output power include both OTA output EIRP power and OTA output TRP.

### 6.2.2 OTA output power (EIRP)

#### 6.2.2.1 Definition and applicability

Radiated transmit power is defined as the EIRP level for a declared beam at a specific *beam peak direction*.

For each declared beam, the requirement is based on declarations captured in clause 4.6 for a beam identifier (D.3), *reference beam direction pair* (D.6), *rated beam EIRP* (D.9) at the beam's reference direction pair, *OTA peak directions set* (D.7), the *beam direction pairs* at the maximum steering directions (D.8) and their associated *rated beam EIRP* and *beamwidth(s)* for *reference beam direction pair* and maximum steering directions (D.10).

For a declared beam and *beam direction pair*, the *rated beam EIRP* level is the maximum power that the repeater is declared to radiate at the associated *beam peak direction*.

For each *beam peak direction* associated with a *beam direction pair* within the *OTA peak directions set*, a specific *rated beam EIRP* level may be claimed. Any claimed value shall be met within the accuracy requirement as described below. *Rated beam EIRP* is only required to be declared for the *beam direction pairs* subject to conformance testing as detailed in clause 6.2.4.

NOTE 1: *OTA peak directions set* is set of *beam peak directions* for which the EIRP accuracy requirement is intended to be met. The *beam peak directions* are related to a corresponding contiguous range or discrete list of *beam centre directions* by the *beam direction pairs* included in the set.

NOTE 2: A *beam direction pair* is data set consisting of the *beam centre direction* and the related *beam peak direction*.

NOTE 3: A declared EIRP value is a value provided by the manufacturer for verification according to the conformance specification declaration requirements, whereas a claimed EIRP value is provided by the manufacturer to the equipment user for normal operation of the equipment and is not subject to formal conformance testing.

For *passbands* where the supported *fractional bandwidth* (FBW) is larger than 6%, two rated beam EIRP may be declared by manufacturer:

- $P_{\text{rated,out,FBWlow}}$  for lower supported frequency range, and
- $P_{\text{rated,out,FBWhigh}}$  for higher supported frequency range.

For frequencies in between  $F_{\text{FBWlow}}$  and  $F_{\text{FBWhigh}}$  the rated beam EIRP is:

- $P_{\text{rated,out,FBWlow}}$ , for the output whose frequency is within frequency range  $F_{\text{FBWlow}} \leq f < (F_{\text{FBWlow}} + F_{\text{FBWhigh}}) / 2$ ,
- $P_{\text{rated,out,FBWhigh}}$ , for the output whose frequency is within frequency range  $(F_{\text{FBWlow}} + F_{\text{FBWhigh}}) / 2 \leq f \leq F_{\text{FBWhigh}}$ .

The repeater radiated transmit power requirements are specified at *single-band RIB*.

If beams have been declared equivalent and parallel (D.11, D.12), only a representative beam is necessary to be tested to demonstrate conformance.

The *repeater rated beam EIRP output power* for *repeater type 2-O* UL transmission shall be within limits as specified in table 6.2.2.1-1.

**Table 6.2.2.1-1: Repeater rated beam EIRP output power limits for repeater type 2-O UL transmission**

Repeater class	$P_{\text{rated,p,EIRP}}$
Wide Area	(note 1)
Local Area	$\leq + 55 + X$ dBm, Note 2
NOTE 1: There is no upper limit for the $P_{\text{rated,p,EIRP}}$ of the <i>repeater type 2-O</i> UL transmission.	
NOTE 2: $X = 10 \cdot \log(\text{ceil}(\text{passband bandwidth}/100\text{MHz}))$	

There is no upper limit for the *rated beam EIRP output power* of *NCR-Fwd type 2-O* DL transmission.

The *rated beam EIRP output power* for *NCR-Fwd type 2-O* UL transmission shall be within limits as specified in table 6.2.2.1-2.

**Table 6.2.2.1-2: Rated beam EIRP output power limits for NCR-Fwd type 2-O for UL transmission**

NCR-Fwd class	$P_{\text{rated,p,EIRP}}$
Wide Area	(note 1)
Local Area	$\leq + 55 + X$ dBm (Note 2)
NOTE 1: There is no upper limit for $P_{\text{rated,p,EIRP}}$ of the <i>NCR type 2-O</i> UL transmission.	
NOTE 2: $X = 10 \cdot \log(\text{ceil}(\text{passband bandwidth}/100\text{MHz}))$	

## 6.2.2.2 Minimum requirement

The minimum requirement applies per *single-band RIB* supporting transmission in the *operating band*.

The minimum requirement for *repeater type 2-O* is defined for normal and extreme conditions in TS 38.106 [2], clause 7.2.2.

The minimum requirement for *NCR type 1-H* and *NCR type 2-O* is defined for normal and extreme conditions in TS 38.106 [2], clause 7.2.3.

## 6.2.2.3 Test purpose

The test purpose is to verify the ability to accurately generate and direct radiated power per beam, across the frequency range, for all declared beams.

## 6.2.2.4 Method of test

### 6.2.2.4.1 Initial conditions

Test environment:

- Normal, see annex A.2,
- Extreme, see annexes A.3 and A.5.

A measurement system set-up is shown in annex E.

RF channels to be tested for single carrier: B, M and T; see clause 4.9.1.

RF channels positions to be tested for multi-carrier and/or CA:

- $B_{\text{RFBW}}$ ,  $M_{\text{RFBW}}$  and  $T_{\text{RFBW}}$  for *single-band RIB*, see clause 4.9.1.

Under extreme test environment, it is sufficient to test on one NR-ARFCN or one RF bandwidth position, and with one applicable test configuration defined in clauses 4.7 and 4.8. Testing shall be performed under extreme power supply conditions, as defined in annex B.5.

NOTE: Tests under extreme power supply conditions also test extreme temperatures.

Directions to be tested:

- OTA peak directions set reference beam direction pair (D.6), and
- OTA peak directions set maximum steering directions (D.8).

Beams to be tested: Declared beam with the highest intended EIRP for the narrowest intended beam corresponding to the smallest  $BeW\theta$ , or for the narrowest intended beam corresponding to the smallest  $BeW\phi$  (D.3, D.9).

Power levels to be tested:

- The lowest input power ( $P_{p,in,EIRP}$ ) that produces the *rated passband TRP output power* ( $P_{rated,p,TRP}$ ).
- The lowest input power ( $P_{p,in,EIRP}$ ) that produces the *rated passband TRP output power* ( $P_{rated,p,TRP}$ ), plus 10 dB.

#### 6.2.2.4.2 Procedure

For normal test environment conditions in OTA domain, the test procedure is as follows:

- 1) Place the DUT at the positioner.
- 2) Align the manufacturer declared coordinate system orientation (D.2) of the DUT with the test system.
- 3) For repeater type 2-O, Orient the positioner (and repeater and test signal generator) in order that the direction to be tested aligns with the test antenna and the correct angle of arrival for the input signal is achieved.

For NCR-Fwd, orient the positioner (and repeater and test signal generator) in order that the direction to be tested aligns with the test antenna and the correct angle of arrival for the input signal is achieved; for NCR-MT, configure the NCR-MT such that the beam peak direction(s) applied during the power measurement step 7.

- 4) Configure the *beam peak direction* of the DUT according to the declared *beam direction pair* if necessary.
- 5) Set the test signal generator power at the RIB as shown in annex E with a power equivalent to the power level to be tested, according to the applicable test configuration in clause 4.8 using the corresponding test model(s) in clause 4.9.2, in the correct direction in respect to the repeater.
- 6) Measure EIRP for any two orthogonal polarizations (denoted p1 and p2) and calculate total radiated transmit power for particular *beam direction pair* as  $EIRP = EIRP_{p1} + EIRP_{p2}$ .
- 7) Test steps 3 to 6 are repeated for all declared beams (D.7) and their reference *beam direction pairs* and *maximum steering directions* (D.6 and D.8), and for all applicable power levels.

For extreme conditions tests the methods in TS 38.141-2 [6], annex B.7 may be used.

#### 6.2.2.5 Test requirement for RF repeater type 2-O and NCR-Fwd type 2-O

For each *single-band RIB* under test, the power measured in clause 6.2.2.4.2 in step 6 shall remain within the values provided in table 6.2.2.5-1 for normal and extreme test environments, relative to the manufacturer's declared  $P_{rated,p,EIRP}$  (D.9) for *repeater type 2-O*:

**Table 6.2.2.5-1: Test requirements for radiated transmit power accuracy**

Normal test environment	Extreme test environment
24.25 GHz < f ≤ 29.5 GHz: ± 5.1 dB	24.25 GHz < f ≤ 29.5 GHz: ± 7.6 dB
37 GHz < f ≤ 43.5 GHz: ± 5.4 dB	37 GHz < f ≤ 43.5 GHz: ± 7.8 dB
43.5 GHz < f ≤ 48.2 GHz: ± 5.6 dB	43.5 GHz < f ≤ 48.2 GHz: ± 8.0 dB

## 6.2.2.6 Test requirement for NCR

### 6.2.2.6.1 Test requirement for NCR-MT

#### 6.2.2.6.1.1 Test requirement for NCR-MT type 1-H

For NCR-MT type 1-H, the IAB requirement specified in clause 9.2.2 in TS 38.174 [19] apply.

For each declared conformance *beam direction pair*, the EIRP measurement results in clause 6.2.4.2 shall remain within the values provided in table 6.2.2.6.1.1-1, relative to the manufacturer's declared rated beam EIRP (D.11) value:

**Table 6.2.2.6.1.1-1: Test requirement for radiated transmit power for NCR-MT**

	Normal test environment	
<i>NCR-MT type 1-H</i>	f ≤ 3 GHz: ± 3.3 dB	
	3 GHz < f ≤ 6 GHz: ± 3.5 dB	

#### 6.2.2.6.1.2 Test requirement for NCR-MT type 2-O

For each declared conformance *beam direction pair*, the EIRP measurement results in clause 6.2.2.4.3 shall remain within the values provided in table 6.2.2.6.1.2-1, relative to the manufacturer's declared rated beam EIRP (D.11) value:

**Table 6.2.2.6.1.2-1: Test requirement for radiated transmit power for NCR-MT**

NCR type	Normal test environment	Extreme test environment
<i>NCR-MT type 2-O</i>	24.15 GHz < f ≤ 29.5 GHz: ± 6 dB 37 GHz < f ≤ 43.5 GHz: ± 6 dB 43.5 GHz < f ≤ 48.2 GHz: ± 6 dB	24.15 GHz < f ≤ 29.5 GHz: ± [7.1] dB 37 GHz < f ≤ 43.5 GHz: ± [7.1] dB 43.5 GHz < f ≤ 48.2 GHz: ± [7.1] dB

## 6.2.3 OTA repeater output power (TRP)

### 6.2.3.1 Definition and applicability

OTA repeater output power is declared as rated carrier TRP, with the output power accuracy requirement defined at the RIB.

The repeater *rated TRP output power* for *repeater type 2-O* UL transmission shall be within limits as specified in table 6.2.3.1-1.

**Table 6.2.3.1-1: Repeater *rated TRP output power* limits for *repeater type 2-O* UL transmission**

Repeater class	$P_{\text{rated,p,TRP}}$
Wide Area	(note 1)
Local Area	≤ + 35 + X dBm (note 2)
NOTE 1: There is no upper limit for the $P_{\text{rated,p,TRP}}$ of the <i>repeater type 2-O</i> UL transmission.	
NOTE 2: X = 10*log (ceil (passband bandwidth/100MHz))	

The output power limit for the respective repeater classes in table 6.2.3.1-1 shall be compared to the rated output power and the declared repeater class. It is not subject to testing.

### 6.2.3.2 Minimum requirement

The minimum requirement applies per *single-band RIB* supporting transmission in the *operating band*.

The minimum requirement for *repeater type 2-O* is defined for normal conditions in TS 38.106 [2], clause 7.2.2.

The minimum requirement for *NCR type 2-O* is defined for normal conditions in TS 38.106 [2], clause 7.2.3.

### 6.2.3.3 Test purpose

The test purpose is to verify the accuracy of the *maximum passband TRP output power* ( $P_{\max,p,TRP}$ ) across the frequency range for all *RIBs*.

### 6.2.3.4 Method of test

#### 6.2.3.4.1 Initial conditions

Test environment: Normal, see annex A.2.

A measurement system set-up is shown in annex E.

RF channels to be tested for single carrier: B, M, T; see clause 4.9.1.

*Base Station RF Bandwidth* positions to be tested for multi-carrier and/or CA:

- $B_{RFBW}$ ,  $M_{RFBW}$  and  $T_{RFBW}$  in single band operation; see clause 4.9.1.

Beams to be tested: As the requirement is TRP the beam pattern(s) may be set up to optimise the TRP measurement procedure (see annex G) as long as the required TRP level is achieved.

Power levels to be tested:

- The lowest input power ( $P_{p,in,EIRP}$ ) that produces the *rated passband TRP output power* ( $P_{rated,p,TRP}$ ).
- The lowest input power ( $P_{p,in,EIRP}$ ) that produces the *rated passband TRP output power* ( $P_{rated,p,TRP}$ ), plus 10 dB.

#### 6.2.3.4.2 Procedure

The following procedure for measuring TRP is based on the directional power measurements as described in annex G. An alternative method to measure TRP is to use a characterized and calibrated reverberation chamber if so follow steps 1, 3, 5, and 7.

- 1) Place the DUT at the positioner.
- 2) Align the manufacturer declared coordinate system orientation (D.2) of the DUT with the test system.
- 3) For repeater type 2-O, orient the positioner (and repeater and test signal generator) in order that the direction to be tested aligns with the test antenna and the correct angle of arrival for the input signal is achieved.

For NCR-Fwd, orient the positioner (and repeater and test signal generator) in order that the direction to be tested aligns with the test antenna and the correct angle of arrival for the input signal is achieved; for NCR-MT, configure the NCR-MT such that the beam peak direction(s) applied during the power measurement step 7 are consistent with the grid and measurement approach for the TRP test.

- 4) Configure the DUT such that the beam peak direction(s) applied during the power measurement step 6 are consistent with the grid and measurement approach for the TRP test.

- 5) Set the test signal generator power at the RIB as shown in annex G with a power equivalent to the tested input power level, transmit according to the applicable test configuration in clause 4.8 using the corresponding test model(s) in clause 4.9.2, in the correct direction in respect to the repeater.
- 6) For repeater type 2-O, orient the positioner (and DUT) in order that the direction to be tested aligns with the test antenna such that measurements to determine TRP can be performed (see annex G) whilst maintaining the correct direction of arrival for the test signal.

For NCR-Fwd, orient the positioner (and DUT) in order that the direction to be tested aligns with the test antenna such that measurements to determine TRP can be performed (see annex G) whilst maintaining the correct direction of arrival for the test signal; for NCR-MT, orient the positioner (NCR) in order that the direction to be tested aligns with the test antenna such that measurements to determine TRP can be performed (see annex I).

- 7) Measure the radiated power for any two orthogonal polarizations (denoted p1 and p2) and calculate total radiated transmit power for particular beam direction pair as  $EIRP = EIRP_{p1} + EIRP_{p2}$ .
- 8) Repeat step 6-7 for all directions in the appropriated TRP measurement grid needed for full TRP estimation (see annex G).
- 9) Calculate TRP using the EIRP measurements.

### 6.2.3.5 Test requirement

The final TRP measurement result in clause 6.2.3.4.2 shall remain:

- within +5.1 dB and -5.1 dB of the manufacturer's declared *rated TRP output power*  $P_{\text{rated,p,TRP}}$  for carrier frequency  $24.25 \text{ GHz} < f \leq 29.5 \text{ GHz}$ .
- within +5.4 dB and -5.4 dB of the manufacturer's declared *rated TRP output power*  $P_{\text{rated,p,TRP}}$  for carrier frequency  $37 \text{ GHz} < f \leq 43.5 \text{ GHz}$ .
- within +5.6 dB and -5.6 dB of the manufacturer's declared *rated TRP output power*  $P_{\text{rated,p,TRP}}$  for carrier frequency  $43.5 \text{ GHz} < f \leq 48.2 \text{ GHz}$ .

### 6.2.3.6 Test requirement for NCR

#### 6.2.3.6.1 Test requirement for NCR-Fwd type 2-O

The final TRP measurement result in clause 6.2.3.4.3 shall remain:

- within +5.1 dB and -5.1 dB of the manufacturer's declared *rated TRP output power*  $P_{\text{rated,p,TRP}}$  for carrier frequency  $24.25 \text{ GHz} < f \leq 29.5 \text{ GHz}$ .
- within +5.4 dB and -5.4 dB of the manufacturer's declared *rated TRP output power*  $P_{\text{rated,p,TRP}}$  for carrier frequency  $37 \text{ GHz} < f \leq 43.5 \text{ GHz}$ .
- within +5.6 dB and -5.6 dB of the manufacturer's declared *rated TRP output power*  $P_{\text{rated,p,TRP}}$  for carrier frequency  $43.5 \text{ GHz} < f \leq 48.2 \text{ GHz}$ .

#### 6.2.3.6.2 Test requirement for NCR-MT

##### 6.2.3.6.2.1 Test requirement for NCR-MT type 2-O

The final TRP measurement result in clause 6.3.4.2 shall remain:

- within +5.1 dB and -5.1 dB of the manufacturer's declared *rated carrier TRP*  $P_{\text{rated,c,TRP}}$  carrier frequency  $24.25 \text{ GHz} < f \leq 29.5 \text{ GHz}$ .



- within +5.4 dB and –5.4 dB of the manufacturer's declared *rated carrier TRP*  $P_{\text{rated,c,TRP}}$  for carrier frequency  $37 \text{ GHz} < f \leq 43.5 \text{ GHz}$ .
- within +5.6 dB and –5.6 dB of the manufacturer's declared *rated TRP output power*  $P_{\text{rated,p,TRP}}$  for carrier frequency  $43.5 \text{ GHz} < f \leq 48.2 \text{ GHz}$ .

### 6.2.3.6.3 Test requirement for NCR-Fwd

#### 6.2.3.6.3.1 Test requirement for NCR-Fwd type 2-O

The final TRP measurement result in clause 6.2.3.4.3 shall remain:

- within +5.1 dB and -5.1 dB of the manufacturer's declared *rated TRP output power*  $P_{\text{rated,p,TRP}}$  for carrier frequency  $24.25 \text{ GHz} < f \leq 29.5 \text{ GHz}$ .
- within +5.4 dB and –5.4 dB of the manufacturer's declared *rated TRP output power*  $P_{\text{rated,p,TRP}}$  for carrier frequency  $37 \text{ GHz} < f \leq 43.5 \text{ GHz}$ .
- within +5.6 dB and –5.6 dB of the manufacturer's declared *rated TRP output power*  $P_{\text{rated,p,TRP}}$  for carrier frequency  $43.5 \text{ GHz} < f \leq 48.2 \text{ GHz}$ .

## 6.3 OTA frequency stability

### 6.3.1 Definition and applicability

Frequency stability is the ability to maintain the same frequency on the output signal with respect to the input signal.

### 6.3.2 Minimum Requirement

The minimum requirement for repeater type 2-O is in TS 38.106 [2], clause 7.3.2.

The minimum requirement for NCR type 2-O is in TS 38.106 [2], clause 7.3.3.

### 6.3.3 Test purpose

The test purpose is to verify that frequency stability is within the limit specified by the minimum requirement.

### 6.3.4 Method of test

Requirement is tested together with modulation quality test, as described in clause 6.6.

### 6.3.5 Test Requirements for RF repeater and NCR

The frequency deviation of the output signal with respect to the input signal shall be accurate to within  $\pm(0.01 \text{ ppm} + 12 \text{ Hz})$  observed over 1 ms.

## 6.4 OTA out of band gain

### 6.4.1 Definition and applicability

Out of band gain refers to the gain of the repeater outside the *passband*.

### 6.4.2 Minimum Requirement

The minimum requirement for RF repeater type 2-O is in TS 38.106 [2], clause 7.4.2.

The minimum requirement for NCR type 2-O is in TS 38.106 [2], clause 7.4.3.

### 6.4.3 Test purpose

The test purpose is to verify that out of band gain is within the limit specified by the minimum requirement.

### 6.4.4 Method of test

#### 6.4.4.1 Initial conditions

Test environment:

- Normal, see annex B.2,

#### 6.4.4.2 Procedure

For normal test environment conditions in OTA domain, the test procedure is as follows:

- 1) Place the RF repeater or NCR at the positioner.
- 2) Align the manufacturer declared coordinate system orientation (D.2) of the RF repeater or NCR with the test system.
- 3) Orient the positioner (and RF repeater or NCR and test signal generator) in order that the direction to be tested aligns with the test antenna and the correct angle of arrival for the input signal is achieved..
- 4) Set the CW generator power at the RIB as shown in annex E with a power equivalent to  $P_{in,p,EIRP}$ , in the correct direction in respect to the RF repeater or NCR.
- 5) Orient the positioner (and RF repeater or NCR and test signal source) in order that the direction to be tested aligns with the test antenna such that measurements to determine TRP can be performed (see annex G) whilst maintaining the correct direction of arrival for the test signal.
- 6) Measure the radiated power for any two orthogonal polarizations (denoted p1 and p2) and calculate total radiated transmit power for particular beam direction pair as  $EIRP = EIRP_{p1} + EIRP_{p2}$ .
- 7) Repeat step 6-7 for all directions in the appropriated TRP measurement grid needed for full TRP estimation (see annex G), whilst maintaining the input signal in the correct direction with respect to the RF repeater or NCR.
- 8) Calculate TRP using the EIRP measurements. The out of band gain at the frequency under test is given by the difference in dB between the measured output TRP and the EIRP of the input signal.
- 9) Repeat steps 2-8, shifting the offset frequency of the CW from the edge of the *passband* from 200kHz to 10MHz in steps of 200kHz for each *passband*.

### 6.4.5 Test Requirements for RF repeater and NCR

The gain outside the *passband* shall not exceed the maximum level specified in table 6.4.5-1, where:

- $f_{offset\_CW}$  is the offset between the outer channel edge frequency of the outer channel in the *passband* and a CW signal.

Table 6.4.5-1: Out of band gain limits

Frequency offset, $f_{\text{offset\_CW}}$	Maximum gain
$0.1 \cdot \text{Minimum}\{400\text{MHz}, \text{passband BW}\} \leq f_{\text{offset\_CW}} < 150$ MHz	70.1 dB (NOTE 1) 70.4 dB (NOTE 2) 70.6 dB (NOTE 3)
$150 \text{ MHz} \leq f_{\text{offset\_CW}} < 400 \text{ MHz}$	57.1 dB (NOTE 1) 57.4 dB (NOTE 2) 57.6 dB (NOTE 3)
$400 \text{ MHz} \leq f_{\text{offset\_CW}} < f_{\text{offset\_max}}$	37.1 dB (NOTE 1) 37.4 dB (NOTE 2) 37.6 dB (NOTE 3)
NOTE 1: Applicable to bands defined within the frequency spectrum range of 24.25–29.5 GHz NOTE 2: Applicable to bands defined within the frequency spectrum range of 37–43.5GHz NOTE 3: Applicable to bands defined within the frequency spectrum range of 43.5–48.2 GHz	

## 6.5 OTA unwanted emissions

### 6.5.1 General

Unwanted emissions consist of so-called out-of-band emissions and spurious emissions according to ITU definitions ITU-R SM.329 [4]. In ITU terminology, out of band emissions are unwanted emissions immediately outside the *passband* resulting from the modulation process and non-linearity in the transmitter but excluding spurious emissions. Spurious emissions are emissions which are caused by unwanted transmitter effects such as harmonics emission, parasitic emission, intermodulation products and frequency conversion products, but exclude out of band emissions.

The OTA out-of-band emissions requirement for the *repeater type 2-O* and *NCR-Fwd type 2-O* transmitter is specified both in terms of Adjacent Channel Leakage power Ratio (ACLR) and operating band unwanted emissions (OBUE). OTA Unwanted emissions outside of this frequency range are limited by an OTA spurious emissions requirement.

The maximum offset of the operating band unwanted emissions mask from the *operating band* edge is  $\Delta f_{\text{OBUE}}$ . The value of  $\Delta f_{\text{OBUE}}$  is defined in table 6.5.1-1 for *repeater type 2-O* for NR *operating bands*.

**Table 6.5.1-1: Maximum offset  $\Delta f_{\text{OBUE}}$  outside the downlink/uplink *operating band* for *repeater type 2-O***

Repeater type	Operating band characteristics	$\Delta f_{\text{OBUE}}$ (MHz)
<i>Repeater type 2-O</i> <i>NCR-Fwd type 2-O</i>	$F_{\text{DL,high}} - F_{\text{DL,low}} \leq 4000 \text{ MHz}$ $F_{\text{UL,high}} - F_{\text{UL,low}} \leq 4000 \text{ MHz}$	1500

The unwanted emission requirements are applied per cell for all the configurations. Requirements for OTA unwanted emissions are captured using TRP, *directional requirements* as described per requirement.

If the NCR supports simultaneous NCR-MT and NCR-Fwd transmission, then the unwanted emissions requirements should be defined on the total emissions from NCR-MT and NCR-Fwd.

### 6.5.2 OTA Adjacent Channel Leakage Power Ratio (ACLR)

#### 6.5.2.1 Definition and applicability

OTA Adjacent Channel Leakage power Ratio (ACLR) is the ratio of the filtered mean power centred on the assigned channel frequency to the filtered mean power centred on an adjacent channel frequency. The measured power is TRP.

The requirement shall be applied per RIB during the *transmitter ON state*.

#### 6.5.2.2 Minimum requirement

The minimum requirement for *repeater type 2-O* is defined in TS 38.106 [2], clause 7.5.2.2.

The minimum requirement for *NCR-Fwd type 2-O* is defined in TS 38.106 [2], clause 7.5.2.3.1.1.

For WA NCR-MT type 2-O, the BS ACLR requirements specified in clause 9.7.3.3 in TS 38.104 [5] apply.

For LA NCR-MT type 2-O, the UE ACLR requirements specified in clause 6.5.2.3 in TS 38.101-2 [14] apply.

For simultaneous transmission the limits apply for sum of NCR-MT transmission and NCR-Fwd transmission

### 6.5.2.3 Test purpose

To verify that the adjacent channel leakage power ratio requirement shall be met as specified by the minimum requirement.

### 6.5.2.4 Method of test

#### 6.5.2.4.1 Initial conditions

Test environment: Normal; see annex B.2.

RF channels to be tested for single carrier: B, M and T; see clause 4.9.1.

#### 6.5.2.4.2 Procedure

The following procedure for measuring TRP is based on the directional power measurements as described in annex G.

- 1) Place the repeater at the positioner.
- 2) Align the manufacturer declared coordinate system orientation (D.2) of the repeater with the test system.
- 3) The measurement devices characteristics shall be:
  - measurement filter bandwidth: defined in clause 6.5.2.5.
  - detection mode: true RMS voltage or true power averaging.
- 4a) for RF repeater, set the input signal at the RIB according to the applicable test configuration and direction in clause 4.8 using the corresponding test models RDL-FR2-TM1.1 and RUL-FR2-TM1.1 in clause 4.9.2 at the input power intended to produce the maximum rated output power,  $P_{in,p,EIRP} + 10\text{dB}$ .
- for NCR-Fwd, set the input signal at the RIB according to the applicable test configuration and direction in clause 4.8 using the corresponding test models RDL-FR2-TM1.1 and RUL-FR2-TM1.1 in clause 4.9.2 at the input power intended to produce the maximum rated output power,  $P_{in,p,EIRP} + 10\text{dB}$ .
- For NCR-MT, set the NCR-MT with the declared maximum output power according to the applicable test configuration and direction in clause 4.8 using the corresponding test models RUL-FR2-TM1.1 in clause 4.9.2.
- 4b) Verify measurement impact from feeding test signal by generating a signal for repeater input with repeater to be turned off. Verify measured result is enough below requirement limit.
- 5) Orient the positioner (and repeater and test signal source) in order that the direction to be tested aligns with the test antenna such that measurements to determine TRP can be performed (see annex G) whilst maintaining the correct direction of arrival for the test signal.
- 6) Measure the absolute power of the assigned channel frequency and the (adjacent channel frequency).
- 7) Repeat step 5-6 for all directions in the appropriated TRP measurement grid needed for  $TRP_{Estimate}$  (see annex G).
- 8) Calculate  $TRP_{Estimate}$  for the absolute total radiated power of the wanted channel and the adjacent channel using the measurements made in Step 7.
- 9) Calculate relative ACLR estimate.

NOTE 1: ACLR is calculated by the ratio of the absolute TRP of the assigned channel frequency and the absolute TRP of the adjacent frequency channel.

10) Measure OTA ACLR for the frequency offsets both side of the passband edge and carrier edge as specified in table 6.5.2.5-1. In multiple carrier case only offset frequencies below the lowest and above the highest carrier frequency used shall be measured.

11) For the OTA ACLR requirement applied inside *gap between passbands*:

- a) Measure OTA ACLR inside *gap between passbands*, if applicable.
- b) Measure OTA CACLR inside *gap between passbands*, if applicable.

### 6.5.2.5 Test requirements

The OTA ACLR limit for *repeater type 2-O* and *NCR-Fwd type 2-O* is specified in table 6.5.2.5-1 for DL and UL for Wide Area class and DL for Local Area class.

The OTA ACLR limit for *repeater type 2-O* and *NCR-Fwd type 2-O* is specified in table 6.5.2.5-1a for UL for Local Area class.

The OTA ACLR absolute limit for *repeater type 2-O* and *NCR-Fwd type 2-O* is specified in table 6.5.2.5-2.

The OTA ACLR (CACLR) absolute limit for *repeater type 2-O* and *NCR-Fwd type 2-O* in table 6.5.2.5-2 or 6.5.2.5-5 or the ACLR (CACLR) limit in table 6.5.2.5-1, 6.5.2.5-3 or 6.5.2.5-4, whichever is less stringent, shall apply.

For a RIB operating in *non-contiguous spectrum*, the OTA ACLR requirement for *repeater type 2-O* and *NCR-Fwd type 2-O* in table 6.5.2.5-3 shall apply in *gaps between passbands* for the frequency ranges defined in the table, while the OTA CACLR requirement for *repeater type 2-O* and *NCR-Fwd type 2-O* in table 6.5.2.5-4 shall apply in *gaps between passbands* for the frequency ranges defined in the table.

The CACLR in a *gap between passbands* is the ratio of:

- a) the sum of the filtered mean power centred on the assigned channel frequencies for the two carriers adjacent to each side of the *gap between passbands*, and
- b) the filtered mean power centred on a frequency channel adjacent to one of the respective passband edges.

The assumed filter for the adjacent channel frequency is defined in table 6.5.2.5-4 and the filters on the assigned channels are defined in table 6.5.2.5-6.

For operation in *non-contiguous spectrum*, the CACLR for NR carriers located on either side of the *gap between passbands* shall be higher than the value specified in table 6.5.2.5-4.

**Table 6.5.2.5-1: Repeater type 2-O and NCR-Fwd type 2-O ACLR limit for DL and UL for WA class and DL for LA class**

Repeater nominal channel bandwidth $BW_{Nominal}$ (MHz)	Repeater adjacent channel centre frequency offset below or above passband edge	Assumed adjacent channel carrier	Filter on the adjacent channel frequency and corresponding filter bandwidth	ACLR limit (dB)
50, 100, 200, 400	$BW_{Nominal}/2$	NR of same BW (Note 2)	Square ( $BW_{Config}$ )	25.7 (Note 3) 23.4 (Note 4) 23.2 (Note 5)
<p>NOTE 1: <math>BW_{Nominal}</math> is the <i>nominal channel bandwidth</i>. <math>BW_{Config}</math> is the <i>transmission bandwidth configuration</i> assumed for the adjacent channel.</p> <p>NOTE 2: With SCS that provides the largest <i>transmission bandwidth configuration</i> (<math>BW_{Config}</math>).</p> <p>NOTE 3: Applicable to bands defined within the frequency spectrum range of 24.25 – 33.4 GHz</p> <p>NOTE 4: Applicable to bands defined within the frequency spectrum range of 37 – 43.5 GHz</p> <p>NOTE 5: Applicable to bands defined within the frequency spectrum range of 43.5 – 48.2 GHz</p> <p>NOTE 6: For simultaneous NCR-Fwd and NCR-MT transmission, if the NCR-MT carrier is within the passband then the nominal channel bandwidth shall be calculated based on the the bandwidth between the lower edge of the passband and the lower edge of the NCR-MT carrier for lower side, or between the upper edge of the passband and the upper edge of the NCR-MT carrier for upper side. If the NCT-MT carrier is adjacent to the passband then ACLR requirement for NCR-MT based on NCR-MT channel bandwidth shall be applied for the NCR-MT carrier side and the nominal channel bandwidth calculated with the passband bandwidth shall be used for the passband side. If the NCR-MT carrier is not adjacent to the passband then CACLR shall be applied in the gap between the passband and the NCR-MT carrier.</p>				

**Table 6.5.2.5-1a: Repeater type 2-O and NCR-Fwd type 2-O ACLR limit for UL LA class**

Repeater nominal channel bandwidth $BW_{Nominal}$ (MHz)	Repeater adjacent channel centre frequency offset below or above passband edge	Assumed adjacent channel carrier	Filter on the adjacent channel frequency and corresponding filter bandwidth	ACLR limit (dB)
50, 100, 200, 400	$BW_{Nominal}/2$	NR of same BW (Note 2)	Square ( $BW_{Config}$ )	14.7 (Note 3) 13.4 (Note 4) 13.2 (Note 5)
<p>NOTE 1: <math>BW_{Nominal}</math> is the <i>nominal channel bandwidth</i>. <math>BW_{Config}</math> is the <i>transmission bandwidth configuration</i> assumed for the adjacent channel.</p> <p>NOTE 2: With SCS that provides the largest <i>transmission bandwidth configuration</i> (<math>BW_{Config}</math>).</p> <p>NOTE 3: Applicable to bands defined within the frequency spectrum range of 24.25 – 33.4 GHz</p> <p>NOTE 4: Applicable to bands defined within the frequency spectrum range of 37 – 43.5 GHz</p> <p>NOTE 5: Applicable to bands defined within the frequency spectrum range of 43.5 – 48.2 GHz</p> <p>NOTE 6: For simultaneous NCR-Fwd and NCR-MT transmission, if the NCR-MT carrier is within the passband then the nominal channel bandwidth shall be calculated based on the the bandwidth between the lower edge of the passband and the lower edge of the NCR-MT carrier for lower side, or between the upper edge of the passband and the upper edge of the NCR-MT carrier for upper side. If the NCT-MT carrier is adjacent to the passband then ACLR requirement for NCR-MT based on NCR-MT channel bandwidth shall be applied for the NCR-MT carrier side and the nominal channel bandwidth calculated with the passband bandwidth shall be used for the passband side. If the NCR-MT carrier is not adjacent to the passband then CACLR shall be applied in the gap between the passband and the NCR-MT carrier.</p>				

**Table 6.5.2.5-2: Repeater type 2-O and NCR-Fwd type 2-O ACLR absolute limit**

Repeater class	ACLR absolute limit (Note 1)	ACLR absolute limit (Note 2)
Wide-area DL and UL	-10.3 dBm/MHz	-10.1 dBm/MHz
Medium-range DL	-17.3 dBm/MHz	-17.1 dBm/MHz
Local-area DL	-17.3 dBm/MHz	-17.1 dBm/MHz

NOTE 1: Applicable to bands defined within the frequency spectrum range of 24.25 – 43.5 GHz  
NOTE 2: Applicable to bands defined within the frequency spectrum range of 43.5 – 48.2 GHz

**Table 6.5.2.5-3: Repeater type 2-O and NCR-Fwd type 2-O ACLR limit in non-contiguous spectrum for DL and UL for WA class and DL for LA class**

Repeater nominal channel bandwidth $BW_{\text{Nominal}}$ (MHz)	Gap between passbands size ( $W_{\text{gap}}$ ) where the limit applies (MHz)	Repeater adjacent channel centre frequency offset below or above passband edge (inside the gap)	Assumed adjacent channel carrier	Filter on the adjacent channel frequency and corresponding filter bandwidth	ACLR limit
50, 100, 200, 400	$W_{\text{gap}} \geq 100$ (Note 6) $W_{\text{gap}} \geq 250$ (Note 7)	25 MHz	50 MHz NR (Note 2)	Square ( $BW_{\text{Config}}$ )	25.7 (Note 3) 23.4 (Note 4) 23.2 (Note 5)
50, 100, 200, 400	$W_{\text{gap}} \geq 400$ (Note 7) $W_{\text{gap}} \geq 250$ (Note 6)	100 MHz	200 MHz NR (Note 2)	Square ( $BW_{\text{Config}}$ )	25.7 (Note 3) 23.4 (Note 4) 23.2 (Note 5)

NOTE 1:  $BW_{\text{Config}}$  is the *transmission bandwidth configuration* assumed for the adjacent channel..  
NOTE 2: With SCS that provides the largest *transmission bandwidth configuration* ( $BW_{\text{Config}}$ ).  
NOTE 3: Applicable to bands defined within the frequency spectrum range of 24.25 – 33.4 GHz.  
NOTE 4: Applicable to bands defined within the frequency spectrum range of 37 – 43.5 GHz.  
NOTE 5: Applicable to bands defined within the frequency spectrum range of 43.5 – 52.6 GHz.  
NOTE 6: Applicable in case the *nominal channel bandwidth* at the other edge of the gap is  $\leq 100$  MHz.  
NOTE 7: Applicable in case the *nominal channel bandwidth* at the other edge of the gap is  $> 100$  MHz.  
NOTE 8: For simultaneous NCR-Fwd and NCR-MT transmission, if the NCR-MT carrier is within the passband then the nominal channel bandwidth shall be calculated based on the the bandwidth between the lower edge of the passband and the lower edge of the NCR-MT carrier for lower side, or between the upper edge of the passband and the upper edge of the NCR-MT carrier for upper side. If the NCT-MT carrier is adjacent to the passband then ACLR requirement for NCR-MT based on NCR-MT channel bandwidth shall be applied for the NCR-MT carrier side and the nominal channel bandwidth calculated with the passband bandwidth shall be used for the passband side. If the NCR-MT carrier is not adjacent to the passband then CACLR shall be applied in the gap between the passband and the NCR-MT carrier.

**Table 6.5.2.2-3a: Repeater type 2-O and NCR-Fwd type 2-O ACLR limit in non-contiguous spectrum for UL for LA class**

Repeater nominal channel bandwidth $BW_{Nominal}$ (MHz)	Gap between passbands size ( $W_{gap}$ ) where the limit applies (MHz)	Repeater adjacent channel centre frequency offset below or above the passband edge (inside the gap)	Assumed adjacent channel carrier	Filter on the adjacent channel frequency and corresponding filter bandwidth	ACLR limit
50, 100, 200, 400	$W_{gap} \geq 100$ (Note 6) $W_{gap} \geq 250$ (Note 7)	25 MHz	50 MHz NR (Note 2)	Square ( $BW_{Config}$ )	14.7 (Note 3) 13.4 (Note 4) 13.2 (Note 5)
50, 100, 200, 400	$W_{gap} \geq 400$ (Note 7) $W_{gap} \geq 250$ (Note 6)	100 MHz	200 MHz NR (Note 2)	Square ( $BW_{Config}$ )	14.7 (Note 3) 13.4 (Note 4) 13.2 (Note 5)

NOTE 1:  $BW_{Config}$  is the *transmission bandwidth configuration* assumed for the adjacent channel.  
NOTE 2: With SCS that provides the largest *transmission bandwidth configuration* ( $BW_{Config}$ ).  
NOTE 3: Applicable to bands defined within the frequency spectrum range of 24.25 – 33.4 GHz.  
NOTE 4: Applicable to bands defined within the frequency spectrum range of 37 – 43.5 GHz.  
NOTE 5: Applicable to bands defined within the frequency spectrum range of 43.5 – 52.6 GHz.  
NOTE 6: Applicable in case the *nominal channel bandwidth* at the other edge of the gap is  $\leq 100$  MHz.  
NOTE 7: Applicable in case the *nominal channel bandwidth* at the other edge of the gap is  $> 100$  MHz.  
NOTE 8: For simultaneous NCR-Fwd and NCR-MT transmission, if the NCR-MT carrier is within the passband then the nominal channel bandwidth shall be calculated based on the the bandwidth between the lower edge of the passband and the lower edge of the NCR-MT carrier for lower side, or between the upper edge of the passband and the upper edge of the NCR-MT carrier for upper side. If the NCT-MT carrier is adjacent to the passband then ACLR requirement for NCR-MT based on NCR-MT channel bandwidth shall be applied for the NCR-MT carrier side and the nominal channel bandwidth calculated with the passband bandwidth shall be used for the passband side. If the NCR-MT carrier is not adjacent to the passband then CACLR shall be applied in the gap between the passband and the NCR-MT carrier.

**Table 6.5.2.5-4: Repeater type 2-O and NCR-Fwd type 2-O CACLR limit in non-contiguous spectrum for DL and UL for WA class and DL for LA class**

Repeater nominal channel bandwidth $BW_{Nominal}$ (MHz)	Gap between passbands size ( $W_{gap}$ ) where the limit applies (MHz)	Repeater adjacent channel centre frequency offset below or above passband edge (inside the gap)	Assumed adjacent channel carrier	Filter on the adjacent channel frequency and corresponding filter bandwidth	CACLR limit
50, 100, 200, 400	$50 \leq W_{gap} < 100$ (Note 6) $50 \leq W_{gap} < 250$ (Note 7)	25 MHz	50 MHz NR (Note 2)	Square ( $BW_{Config}$ )	25.7 (Note 3) 23.4 (Note 4) 23.2 (Note 5)
50, 100, 200, 400	$200 \leq W_{gap} < 400$ (Note 7) $200 \leq W_{gap} < 250$ (Note 6)	100 MHz	200 MHz NR (Note 2)	Square ( $BW_{Config}$ )	25.7 (Note 3) 23.4 (Note 4) 23.2 (Note 5)

NOTE 1:  $BW_{Config}$  is the nominal bandwidth configuration of the assumed adjacent channel carrier.  
NOTE 2: With SCS that provides nominal bandwidth configuration ( $BW_{Config}$ ).  
NOTE 3: Applicable to bands defined within the frequency spectrum range of 24.25 – 33.4 GHz.  
NOTE 4: Applicable to bands defined within the frequency spectrum range of 37 – 43.5 GHz.  
NOTE 5: Applicable to bands defined within the frequency spectrum range of 43.5 – 52.6 GHz.  
NOTE 6: Applicable in case the *nominal channel bandwidth* at the other edge of the gap is  $\leq 100$  MHz.  
NOTE 7: Applicable in case the *nominal channel bandwidth* at the other edge of the gap is  $> 100$  MHz.



**Table 6.5.2.5-4a: Repeater type 2-O and NCR-Fwd type 2-O CACLR limit in non-contiguous spectrum for UL for LA class**

Repeater channel bandwidth BW <sub>Nominal</sub> (MHz)	Gap between passbands size (W <sub>gap</sub> ) where the limit applies (MHz)	Repeater adjacent channel centre frequency offset below or above the passband edge (inside the gap)	Assumed adjacent channel carrier	Filter on the adjacent channel frequency and corresponding filter bandwidth	CACLR limit
50, 100, 200, 400	50 ≤ W <sub>gap</sub> < 100 (Note 6) 50 ≤ W <sub>gap</sub> < 250 (Note 7)	25 MHz	50 MHz NR (Note 2)	Square (BW <sub>Config</sub> )	14.7 (Note 3) 13.4 (Note 4) 13.2 (Note 5)
50, 100, 200, 400	200 ≤ W <sub>gap</sub> < 400 (Note 7) 200 ≤ W <sub>gap</sub> < 250 (Note 6)	100 MHz	200 MHz NR (Note 2)	Square (BW <sub>Config</sub> )	14.7 (Note 3) 13.4 (Note 4) 13.2 (Note 5)

NOTE 1: BW<sub>Config</sub> is the *transmission bandwidth configuration* assumed for the adjacent channel.  
 NOTE 2: With SCS that provides the largest *transmission bandwidth configuration* (BW<sub>Config</sub>).  
 NOTE 3: Applicable to bands defined within the frequency spectrum range of 24.25 – 33.4 GHz.  
 NOTE 4: Applicable to bands defined within the frequency spectrum range of 37 – 43.5 GHz.  
 NOTE 5: Applicable to bands defined within the frequency spectrum range of 43.5 – 52.6 GHz.  
 NOTE 6: Applicable in case the *nominal channel bandwidth* at the other edge of the gap is ≤ 100 MHz.  
 NOTE 7: Applicable in case the *nominal channel bandwidth* at the other edge of the gap is > 100 MHz.

**Table 6.5.2.5-5: Repeater type 2-O and NCR-Fwd type 2-O CACLR absolute limit**

Repeater class	ACLR absolute limit (Note 1)	ACLR absolute limit (Note 2)
Wide-area DL and UL	-10.3 dBm/MHz	-10.1 dBm/MHz
Medium-range DL	-17.3 dBm/MHz	-17.1 dBm/MHz
Local-area DL	-17.3 dBm/MHz	-17.1 dBm/MHz

NOTE 1: Applicable to bands defined within the frequency spectrum range of 24.25 – 43.5 GHz  
 NOTE 2: Applicable to bands defined within the frequency spectrum range of 43.5 – 48.2 GHz

**Table 6.5.2.5-6: Filter parameters for the assigned channel**

RAT of the carrier adjacent to the gap between passbands	Filter on the assigned channel frequency and corresponding filter bandwidth
NR	NR of same BW with SCS that provides largest <i>transmission bandwidth configuration</i>

For OTA ACLR requirement of Wide area NCR-MT, the test requirement defined in clause 6.7.3.5.2 of TS 38.141-2 is applicable.

For OTA ACLR requirement for Local area NCR-MT, the test requirement is defined as UE ACLR requirements specified in clause 6.5.2.3 in TS 38.101-2 [14] plus measurement uncertainty as specified in the following table 6.5.2.5-7.

**Table 6.5.2.5-7: measurement uncertainty for NR<sub>ACLR</sub> for FR2-1**

	The applicable frequency range		
	24.25 – 29.5 GHz	37 – 43.5 GHz	43.5 GHz < f ≤ 48.2 GHz
Relative ACLR	±2.3 dB	±2.6 dB	±2.8 dB
Absolute ACLR:	±2.7 dB	±2.7 dB	±2.9 dB

## 6.5.3 OTA operating band unwanted emissions

### 6.5.3.1 Definition and applicability

The requirements of either clause 6.5.3.4.1 (Category A limits) or clause 6.5.3.4.2 (Category B limits) shall apply. The application of either Category A or Category B limits shall be the same as for General OTA transmitter spurious emissions requirements (*repeater type 2-O* and *NCR-Fwd type 2-O*) in clause 6.5.4. In addition, the limits in clause 6.5.3.4.3 may also apply.

Out-of-band emissions in FR2 are limited by OTA operating band unwanted emission limits.

For *repeater type 2-O* and *NCR-Fwd type 2-O*, unless otherwise stated, the OTA operating band unwanted emission limits in FR2 are defined from  $\Delta f_{\text{OBUE}}$  below the lowest frequency of each supported downlink *operating band* up to  $\Delta f_{\text{OBUE}}$  above the highest frequency of each supported downlink *operating band*.

The values of  $\Delta f_{\text{OBUE}}$  are defined in table 6.5.1-1 for the NR *operating bands*.

The requirements shall apply whatever the type of transmitter considered and for all transmission modes foreseen by the manufacturer's specification. For a *RIB* operating in contiguous CA, the requirements apply to the frequencies ( $\Delta f_{\text{OBUE}}$ ) starting from the edge of the *passband*. In addition, for a *RIB* operating in *non-contiguous spectrum*, the requirements apply inside any *gap between passbands*.

Emissions shall not exceed the maximum levels specified in the tables below, where:

- $\Delta f$  is the separation between the *passband* edge frequency and the nominal -3dB point of the measuring filter closest to the *passband* edge.
- $f_{\text{offset}}$  is the separation between the *passband* edge frequency and the centre of the measuring filter.
- $f_{\text{offset}_{\text{max}}}$  is the offset to the frequency  $\Delta f_{\text{OBUE}}$  outside the downlink *operating band*, where  $\Delta f_{\text{OBUE}}$  is defined in table 6.5.1-1.
- $\Delta f_{\text{max}}$  is equal to  $f_{\text{offset}_{\text{max}}}$  minus half of the bandwidth of the measuring filter.

In addition, inside any *gap between passbands* for a *RIB* operating in *non-contiguous spectrum*, emissions shall not exceed the cumulative sum of the limits specified for the adjacent *sub-blocks* on each side of the *gap between passbands*. The limit for each *sub-block* is specified in clauses 6.5.3.4.1 and 6.5.3.4.2 below, where in this case:

- $\Delta f$  is the separation between the *sub-block* edge frequency and the nominal -3 dB point of the measuring filter closest to the *sub-block* edge.
- $f_{\text{offset}}$  is the separation between the *sub-block* edge frequency and the centre of the measuring filter.
- $f_{\text{offset}_{\text{max}}}$  is equal to the *gap between passbands* bandwidth minus half of the bandwidth of the measuring filter.
- $\Delta f_{\text{max}}$  is equal to  $f_{\text{offset}_{\text{max}}}$  minus half of the bandwidth of the measuring filter.

### 6.5.3.2 Minimum requirement

The minimum requirement for *repeater type 2-O* is defined in TS 38.106 [2], clause 7.5.3.2.

The minimum requirement for *NCR-Fwd type 2-O* is defined in TS 38.106 [2], clause 7.5.3.3.1.1.

For Wide Area *NCR-MT type 2-O*, the BS OBUE requirements specified in clause 9.7.4.3 in TS 38.104 [5] apply.

For Local Area *NCR-MT type 2-O*, the UE SEM requirements specified in clause 6.5.2.1 in TS 38.101-2 [14] apply.

### 6.5.3.3 Test purpose

This test measures the emissions close to the assigned channel bandwidth of the wanted signal, while the transmitter is in operation.

### 6.5.3.4 Method of test

#### 6.5.3.4.1 Initial conditions

Test environment: Normal; see annex B.2.

RF channels to be tested for single carrier: B, M and T; see clause 4.9.1.

#### 6.5.3.4.2 Procedure

The following procedure for measuring TRP is based on the directional power measurements as described in annex I.

- 1) Place the RF repeater or NCR at the positioner.
- 2) Align the manufacturer declared coordinate system orientation (D.2) of the repeater with the test system.
- 3) The measurement devices characteristics shall be:
  - detection mode: true RMS.
  - As a general rule, the resolution bandwidth of the measuring equipment should be equal to the measurement bandwidth. However, to improve measurement accuracy, sensitivity, efficiency and avoiding e.g. carrier leakage, the resolution bandwidth may be smaller than the measurement bandwidth. When the resolution bandwidth is smaller than the measurement bandwidth, the result should be integrated over the measurement bandwidth in order to obtain the equivalent noise bandwidth of the measurement bandwidth.
- 4a) For RF repeater, set the input signal at the RIB according to the applicable test configuration and direction in clause 4.8 using the corresponding test models RDL-FR2-TM1.1 and RUL-FR2-TM1.1 in clause 4.9.2 at the input power intended to produce the maximum rated output power,  $P_{in,p,EIRP} + 10\text{dB}$ .
  - For NCR-Fwd, set the input signal at the RIB according to the applicable test configuration and direction in clause 4.8 using the corresponding test models RDL-FR2-TM1.1 and RUL-FR2-TM1.1 in clause 4.9.2 at the input power intended to produce the maximum rated output power,  $P_{in,p,EIRP} + 10\text{dB}$ .
  - For NCR-MT, set the NCR-MT with the declared maximum output power according to the applicable test configuration and direction in clause 4.8 using the corresponding test models RUL-FR2-TM1.1 in clause 4.9.2.
- 4b) Verify measurement impact from feeding test signal by generating a signal for repeater input with repeater to be turned off. Verify measured result is enough below requirement limit.
- 5) Orient the positioner (and repeater and test signal source) in order that the direction to be tested aligns with the test antenna such that measurements to determine TRP can be performed (see annex G) whilst maintaining the correct direction of arrival for the test signal.
- 6) Step the centre frequency of the measurement filter in contiguous steps and measure the emission within the specified frequency ranges with the specified measurement bandwidth. For connector under test declared to operate in non-contiguous spectrum, the emission within the *sub-block gap* shall be measured using the specified measurement bandwidth from the closest sub block edge.
- 7) Repeat step 5-6 for all directions in the appropriated TRP measurement grid needed for  $TRP_{Estimate}$  (see annex G).
- 8) Calculate  $TRP_{Estimate}$  using the measurements made in Step 7.

### 6.5.3.5 Test requirements

#### 6.5.3.5.1 OTA operating band unwanted emission limits (Category A)

*Repeater type 2-O* and *NCR-Fwd type 2-O* unwanted emissions shall not exceed the maximum levels specified in table 6.5.3.5.1-1 or 6.5.3.5.1-2 or 6.5.3.5.1-3.

**Table 6.5.3.5.1-1: OBUE limits applicable in the frequency range 24.25 – 33.4 GHz**

Frequency offset of measurement filter -3B point, $\Delta f$	Frequency offset of measurement filter centre frequency, $f_{\text{offset}}$	Limit	Measurement bandwidth
$0 \text{ MHz} \leq \Delta f < 0.1 * \text{BW}_{\text{contiguous}}$	$0.5 \text{ MHz} \leq f_{\text{offset}} < 0.1 * \text{BW}_{\text{contiguous}} + 0.5 \text{ MHz}$	Min(-2.3 dBm, Max( $P_{\text{rated,t,TRP}} - 32.3 \text{ dB}$ , -9.3 dBm))	1 MHz
$0.1 * \text{BW}_{\text{contiguous}} \leq \Delta f < \Delta f_{\text{max}}$	$0.1 * \text{BW}_{\text{contiguous}} + 0.5 \text{ MHz} \leq f_{\text{offset}} < f_{\text{offset}_{\text{max}}}$	Min(-13 dBm, Max( $P_{\text{rated,t,TRP}} - 43 \text{ dB}$ , -20 dBm))	1 MHz
NOTE 1: For <i>non-contiguous spectrum</i> operation within any <i>operating band</i> the limit within <i>gaps between passbands</i> is calculated as a cumulative sum of contributions from adjacent <i>sub-blocks</i> on each side of the <i>gap between passbands</i> .			

**Table 6.5.3.5.1-2: OBUE limits applicable in the frequency range 37 – 43.5 GHz**

Frequency offset of measurement filter -3B point, $\Delta f$	Frequency offset of measurement filter centre frequency, $f_{\text{offset}}$	Limit	Measurement bandwidth
$0 \text{ MHz} \leq \Delta f < 0.1 * \text{BW}_{\text{contiguous}}$	$0.5 \text{ MHz} \leq f_{\text{offset}} < 0.1 * \text{BW}_{\text{contiguous}} + 0.5 \text{ MHz}$	Min(-2.3 dBm, Max( $P_{\text{rated,t,TRP}} - 30.3 \text{ dB}$ , -9.3 dBm))	1 MHz
$0.1 * \text{BW}_{\text{contiguous}} \leq \Delta f < \Delta f_{\text{max}}$	$0.1 * \text{BW}_{\text{contiguous}} + 0.5 \text{ MHz} \leq f_{\text{offset}} < f_{\text{offset}_{\text{max}}}$	Min(-13 dBm, Max( $P_{\text{rated,t,TRP}} - 41 \text{ dB}$ , -20 dBm))	1 MHz
NOTE 1: For <i>non-contiguous spectrum</i> operation within any <i>operating band</i> the limit within <i>gaps between passbands</i> is calculated as a cumulative sum of contributions from adjacent <i>sub-blocks</i> on each side of the <i>gap between passbands</i> .			

**Table 6.5.3.5.1-3: OBUE limits applicable in the frequency range 43.5 – 48.2 GHz**

Frequency offset of measurement filter -3B point, $\Delta f$	Frequency offset of measurement filter centre frequency, $f_{\text{offset}}$	Limit	Measurement bandwidth
$0 \text{ MHz} \leq \Delta f < 0.1 * \text{BW}_{\text{contiguous}}$	$0.5 \text{ MHz} \leq f_{\text{offset}} < 0.1 * \text{BW}_{\text{contiguous}} + 0.5 \text{ MHz}$	Min(-2.1 dBm, Max( $P_{\text{rated,t,TRP}} - 30.1 \text{ dB}$ , -9.1 dBm))	1 MHz
$0.1 * \text{BW}_{\text{contiguous}} \leq \Delta f < \Delta f_{\text{max}}$	$0.1 * \text{BW}_{\text{contiguous}} + 0.5 \text{ MHz} \leq f_{\text{offset}} < f_{\text{offset}_{\text{max}}}$	Min(-13 dBm, Max( $P_{\text{rated,t,TRP}} - 41 \text{ dB}$ , -20 dBm))	1 MHz
NOTE 1: For <i>non-contiguous spectrum</i> operation within any <i>operating band</i> the limit within <i>gaps between passbands</i> is calculated as a cumulative sum of contributions from adjacent <i>sub-blocks</i> on each side of the <i>gap between passbands</i> .			

For OTA OBUE requirement of Wide area NCR-MT, the test requirement defined in clause 6.7.4.5.2.2 of TS 38.141-2 [6] is applicable.

For OTA OBUE requirement for Local area NCR-MT, the test requirement is defined as UE OBUE requirements specified in clause 6.5.2.1 in TS 38.101-2 [14] plus measurement uncertainty as specified in the following table 6.5.3.4.1-4.

**Table 6.5.3.5.1-4: measurement uncertainty for OBUE for FR2-1**

	The applicable frequency range		
	24.25 – 29.5 GHz	37 – 43.5 GHz	43.5 GHz < f ≤ 48.2 GHz
OBUE:	±2.7 dB	±2.7 dB	±2.9 dB

### 6.5.3.5.2 OTA operating band unwanted emission limits (Category B)

Repeater type 2-O and NCR-Fwd type 2-O unwanted emissions shall not exceed the maximum levels specified in table 6.5.3.5.2-1 or 6.5.3.5.2-2 or 6.5.3.5.2-3.

**Table 6.5.3.5.2-1: OBUE limits applicable in the frequency range 24.25 – 33.4 GHz**

Frequency offset of measurement filter -3 dB point, $\Delta f$	Frequency offset of measurement filter centre frequency, $f_{\text{offset}}$	Limit	Measurement bandwidth
$0 \text{ MHz} \leq \Delta f < 0.1 * BW_{\text{contiguous}}$	$0.5 \text{ MHz} \leq f_{\text{offset}} < 0.1 * BW_{\text{contiguous}} + 0.5 \text{ MHz}$	Min(-2.3 dBm, Max( $P_{\text{rated,t,TRP}} - 32.3 \text{ dB}$ , -9.3 dBm))	1 MHz
$0.1 * BW_{\text{contiguous}} \leq \Delta f < \Delta f_{\text{B}}$	$0.1 * BW_{\text{contiguous}} + 0.5 \text{ MHz} \leq f_{\text{offset}} < \Delta f_{\text{B}} + 0.5 \text{ MHz}$	Min(-13 dBm, Max( $P_{\text{rated,t,TRP}} - 43 \text{ dB}$ , -20 dBm))	1 MHz
$\Delta f_{\text{B}} \leq \Delta f < \Delta f_{\text{max}}$	$\Delta f_{\text{B}} + 5 \text{ MHz} \leq f_{\text{offset}} < f_{\text{offset}_{\text{max}}}$	Min(-5 dBm, Max( $P_{\text{rated,t,TRP}} - 33 \text{ dB}$ , -10 dBm))	10 MHz
NOTE 1: For non-contiguous spectrum operation within any <i>operating band</i> the limit within gaps between <i>passbands</i> is calculated as a cumulative sum of contributions from adjacent sub-blocks on each side of the gap between <i>passbands</i> .			
NOTE 2: $\Delta f_{\text{B}} = 2 * BW_{\text{contiguous}}$ when $BW_{\text{contiguous}} \leq 500 \text{ MHz}$ , otherwise $\Delta f_{\text{B}} = BW_{\text{contiguous}} + 500 \text{ MHz}$ .			

**Table 6.5.3.5.2-2: OBUE limits applicable in the frequency range 37 – 43.5 GHz**

Frequency offset of measurement filter -3 dB point, $\Delta f$	Frequency offset of measurement filter centre frequency, $f_{\text{offset}}$	Limit	Measurement bandwidth
$0 \text{ MHz} \leq \Delta f < 0.1 * BW_{\text{contiguous}}$	$0.5 \text{ MHz} \leq f_{\text{offset}} < 0.1 * BW_{\text{contiguous}} + 0.5 \text{ MHz}$	Min(-2.3 dBm, Max( $P_{\text{rated,t,TRP}} - 30.3 \text{ dB}$ , -9.3 dBm))	1 MHz
$0.1 * BW_{\text{contiguous}} \leq \Delta f < \Delta f_{\text{B}}$	$0.1 * BW_{\text{contiguous}} + 0.5 \text{ MHz} \leq f_{\text{offset}} < \Delta f_{\text{B}} + 0.5 \text{ MHz}$	Min(-13 dBm, Max( $P_{\text{rated,t,TRP}} - 41 \text{ dB}$ , -20 dBm))	1 MHz
$\Delta f_{\text{B}} \leq \Delta f < \Delta f_{\text{max}}$	$\Delta f_{\text{B}} + 5 \text{ MHz} \leq f_{\text{offset}} < f_{\text{offset}_{\text{max}}}$	Min(-5 dBm, Max( $P_{\text{rated,t,TRP}} - 31 \text{ dB}$ , -10 dBm))	10 MHz
NOTE 1: For non-contiguous spectrum operation within any <i>operating band</i> the limit within gaps between <i>passbands</i> is calculated as a cumulative sum of contributions from adjacent sub-blocks on each side of the gap between <i>passbands</i> .			
NOTE 2: $\Delta f_{\text{B}} = 2 * BW_{\text{contiguous}}$ when $BW_{\text{contiguous}} \leq 500 \text{ MHz}$ , otherwise $\Delta f_{\text{B}} = BW_{\text{contiguous}} + 500 \text{ MHz}$ .			

For OTA OBUE requirement of Wide area NCR-MT, the test requirement defined in clause 6.7.4.5.2.3 of TS 38.141-2 [6] is applicable.

Table 6.5.3.5.2-2: OBUE limits applicable in the frequency range 43.5 - 48.2 GHz

Frequency offset of measurement filter -3 dB point, $\Delta f$	Frequency offset of measurement filter centre frequency, $f_{\text{offset}}$	Limit	Measurement bandwidth
$0 \text{ MHz} \leq \Delta f < 0.1 * BW_{\text{contiguous}}$	$0.5 \text{ MHz} \leq f_{\text{offset}} < 0.1 * BW_{\text{contiguous}} + 0.5 \text{ MHz}$	Min(-2.3 dBm, Max( $P_{\text{rated,t,TRP}} - 30.3 \text{ dB}$ , -9.3 dBm))	1 MHz
$0.1 * BW_{\text{contiguous}} \leq \Delta f < \Delta f_{\text{B}}$	$0.1 * BW_{\text{contiguous}} + 0.5 \text{ MHz} \leq f_{\text{offset}} < \Delta f_{\text{B}} + 0.5 \text{ MHz}$	Min(-13 dBm, Max( $P_{\text{rated,t,TRP}} - 41 \text{ dB}$ , -20 dBm))	1 MHz
$\Delta f_{\text{B}} \leq \Delta f < \Delta f_{\text{max}}$	$\Delta f_{\text{B}} + 5 \text{ MHz} \leq f_{\text{offset}} < f_{\text{offset}_{\text{max}}}$	Min(-5 dBm, Max( $P_{\text{rated,t,TRP}} - 31 \text{ dB}$ , -10 dBm))	10 MHz
NOTE 1: For non-contiguous spectrum operation within any <i>operating band</i> the limit within gaps between <i>passbands</i> is calculated as a cumulative sum of contributions from adjacent sub-blocks on each side of the gap between <i>passbands</i> .			
NOTE 2: $\Delta f_{\text{B}} = 2 * BW_{\text{contiguous}}$ when $BW_{\text{contiguous}} \leq 500 \text{ MHz}$ , otherwise $\Delta f_{\text{B}} = BW_{\text{contiguous}} + 500 \text{ MHz}$ .			

### 6.5.3.5.3 Additional OTA operating band unwanted emission requirements

#### 6.5.3.5.3.1 Protection of Earth Exploration Satellite Service

For repeater operating in the frequency range 24.25 – 27.5 GHz, the power of unwanted emission shall not exceed the limits in table 6.5.3.5.3.1-1 for DL and in table 6.5.3.5.3.1-2 for UL.

Table 6.5.3.5.3.1-1: OBUE limits for protection of Earth Exploration Satellite Service for DL

Frequency range	Limit	Measurement Bandwidth
23.6 – 24 GHz	-3 dBm (Note 1)	200 MHz
23.6 – 24 GHz	-9 dBm (Note 2)	200 MHz
NOTE 1: This limit applies to repeater brought into use on or before 1 September 2027.		
NOTE 2: This limit applies to repeater brought into use after 1 September 2027.		

Table 6.5.3.5.3.1-2: OBUE limits for protection of Earth Exploration Satellite Service for UL

Frequency range	Limit	Measurement Bandwidth
23.6 – 24 GHz	1 dBm	200 MHz

## 6.5.4 OTA transmitter spurious emissions

### 6.5.4.1 Definition and applicability

For *repeater type 2-O* and *NCR-Fwd type 2-O*, the OTA transmitter spurious emission limits apply from 30 MHz to 2<sup>nd</sup> harmonic of the upper frequency edge of the downlink *operating band*, excluding the frequency range from  $\Delta f_{\text{OBUE}}$  below the lowest frequency of the downlink *operating band*, up to  $\Delta f_{\text{OBUE}}$  above the highest frequency of the downlink *operating band*, where the  $\Delta f_{\text{OBUE}}$  is defined in table 6.5.1-1.

### 6.5.4.2 Minimum requirement

The minimum requirement for *repeater type 2-O* is defined in TS 38.106 [2], clause 7.5.4.2..

The minimum requirement for *NCR-Fwd type 2-O* is defined in TS 38.106 [2], clause 7.5.3.1.1.

For Wide Area *NCR-MT type 2-O*, the OTA TX spurious emission requirements are as defined in clause 7.5.4.2 in TS 38.106 [2].

For Local Area *NCR-MT type 2-O*, the OTA TX spurious emission requirements defined for NR UE in clause 6.5.3 in TS 38.101-2 [14] apply.

### 6.5.4.3 Test purpose

This test measures conducted spurious emissions while the transmitter is in operation.

### 6.5.4.4 Method of test

#### 6.5.4.4.1 Initial conditions

Test environment: Normal; see annex B.2.

RF channels to be tested for single carrier:

- B when testing the spurious emissions below  $F_{DL\_low} - \Delta f_{OBUE}$ ,
- T when testing the spurious emissions above  $F_{DL\_high} + \Delta f_{OBUE}$ ; see clause 4.9.1.

#### 6.5.4.4.2 Procedure

The following procedure for measuring TRP is based on the directional power measurements as described in annex.

- 1) Place the repeater at the positioner.
- 2) Align the manufacturer declared coordinate system orientation (D.2) of the repeater with the test system.
- 3) The measurement devices characteristics shall be:
  - detection mode: true RMS.
- 4a) for RF repeater, set the input signal at the RIB according to the applicable test configuration and direction in clause 4.8 using the corresponding test models RDL-FR2-TM1.1 and RUL-FR2-TM1.1 in clause 4.9.2 at the input power intended to produce the maximum rated output power,  $P_{in,p,EIRP} + 10dB$ .
  - For NCR-Fwd, set the input signal at the RIB according to the applicable test configuration and direction in clause 4.8 using the corresponding test models RDL-FR2-TM1.1 and RUL-FR2-TM1.1 in clause 4.9.2 at the input power intended to produce the maximum rated output power,  $P_{in,p,EIRP} + 10dB$ .
  - For NCR-MT, set the NCR-MT with the declared maximum output power according to the applicable test configuration and direction in clause 4.8 using the corresponding test models RUL-FR2-TM1.1 in clause 4.9.2.
- 4b) Verify measurement impact from feeding test signal by generating a signal for repeater input with repeater to be turned off. Verify measured result is enough below requirement limit.
- 5) Orient the positioner (and repeater and test signal source) in order that the direction to be tested aligns with the test antenna such that measurements to determine TRP can be performed with the specified measurement bandwidth (see annex I) whilst maintaining the correct direction of arrival for the test signal.
- 7) Repeat step 5-6 for all directions in the appropriated TRP measurement grid needed for  $TRP_{Estimate}$  (see annex G).
- 8) Calculate  $TRP_{Estimate}$  using the measurements made in Step 7.

## 6.5.4.5 Test requirements

### 6.5.4.5.1 General

The requirements of either clause 6.5.4.5.2 (Category A limits) or clause 6.5.4.5.3 (Category B limits) shall apply. The application of either Category A or Category B limits shall be the same as for Operating band unwanted emissions in clause 6.5.3.

### 6.5.4.5.2 OTA transmitter spurious emissions (Category A)

For RF repeater, NCR-Fwd and Wide-area NCR-MT, the power of any spurious emission shall not exceed the limits in table 6.5.4.5.2-1

**Table 6.5.4.5.2-1: Repeater radiated Tx spurious emission limits in FR2**

Frequency range	Limit	Measurement Bandwidth	Note
30 MHz – 1 GHz	-13 dBm	100 kHz	Note 1
1 GHz – 2 <sup>nd</sup> harmonic of the upper frequency edge of the <i>operating band</i>		1 MHz	Note 1, Note 2
NOTE 1: Bandwidth as in ITU-R SM.329 [4], s4.1			
NOTE 2: Upper frequency as in ITU-R SM.329 [4], s2.5 table 1.			

For Local area NCR-MT, the power of any spurious emission shall not exceed the limits in table 6.5.4.5.2-2 and 6.5.4.5.2-3.

**Table 6.5.4.5.2-2: Boundary between NR out of band and spurious emission domain**

Channel bandwidth	50 MHz	100 MHz	200 MHz	400 MHz
OOB boundary $F_{OOB}$ (MHz)	100	200	400	800

**Table 6.5.4.5.2-3: Spurious emissions limits**

Frequency Range	Maximum Level	Measurement bandwidth
$30 \text{ MHz} \leq f < 1000 \text{ MHz}$	-36 dBm	100 kHz
$1 \text{ GHz} \leq f < 12.75 \text{ GHz}$	-30 dBm	1 MHz
$12.75 \text{ GHz} \leq f \leq 2^{\text{nd}}$ harmonic of the upper frequency edge of the UL operating band in GHz	-13 dBm	1 MHz



## 6.5.4.5.3 OTA transmitter spurious emissions (Category B)

The power of any spurious emission shall not exceed the limits in table 6.5.4.5.3-1.

**Table 6.5.4.5.3-1: Repeater radiated Tx spurious emission limits in FR2 (Category B)**

Frequency range (Note 4)	Limit	Measurement Bandwidth	Note
30 MHz ↔ 1 GHz	-36 dBm	100 kHz	Note 1
1 GHz ↔ 18 GHz	-30 dBm	1 MHz	Note 1
18 GHz ↔ $F_{\text{step},1}$	-20 dBm	10 MHz	Note 2
$F_{\text{step},1}$ ↔ $F_{\text{step},2}$	-15 dBm	10 MHz	Note 2
$F_{\text{step},2}$ ↔ $F_{\text{step},3}$	-10 dBm	10 MHz	Note 2
$F_{\text{step},4}$ ↔ $F_{\text{step},5}$	-10 dBm	10 MHz	Note 2
$F_{\text{step},5}$ ↔ $F_{\text{step},6}$	-15 dBm	10 MHz	Note 2
$F_{\text{step},6}$ ↔ 2 <sup>nd</sup> harmonic of the upper frequency edge of the <i>operating band</i>	-20 dBm	10 MHz	Note 2, Note 3
NOTE 1: Bandwidth as in ITU-R SM.329 [5], s4.1			
NOTE 2: Limit and bandwidth as in ERC Recommendation 74-01 [9], Annex 2.			
NOTE 3: Upper frequency as in ITU-R SM.329 [5], s2.5 table 1.			
NOTE 4: The step frequencies $F_{\text{step},X}$ are defined in Table 6.5.4.5.3-2.			

**Table 6.5.4.5.3-2: Step frequencies for defining the Repeater radiated Tx spurious emission limits in FR2 (Category B)**

Operating band	$F_{\text{step},1}$ (GHz)	$F_{\text{step},2}$ (GHz)	$F_{\text{step},3}$ (GHz) (Note 2)	$F_{\text{step},4}$ (GHz) (Note 2)	$F_{\text{step},5}$ (GHz)	$F_{\text{step},6}$ (GHz)
n257	18	23.5	25	31	32.5	41.5
n258	18	21	22.75	29	30.75	40.5
n259	23.5	35.5	38	45	47.5	59.5
n263	18	43	53.5	74.5	85	127
NOTE 1: $F_{\text{step},X}$ are based on ERC Recommendation 74-01 [9], Annex 2.						
NOTE 2: $F_{\text{step},3}$ and $F_{\text{step},4}$ are aligned with the values for $\Delta f_{\text{OBUe}}$ in Table 6.5.1-1						

## 6.5.4.5.4 Additional OTA transmitter spurious emissions requirements

These requirements may be applied for the protection of systems operating in frequency ranges other than the repeater-Node. The limits may apply as an optional protection of such systems that are deployed in the same geographical area as the repeater-Node, or they may be set by local or regional regulation as a mandatory requirement for an NR *operating band*. It is in some cases not stated in the present document whether a requirement is mandatory or under what exact circumstances that a limit applies, since this is set by local or regional regulation.

## 6.5.4.5.4.1 Limits for protection of Earth Exploration Satellite Service

For repeater operating in the frequency range 24.25 – 27.5 GHz, the power of any spurious emissions shall not exceed the limits in Table 6.5.4.5.4.1-1 and Table 6.5.4.5.4.1-2.

**Table 6.5.4.5.4.1-1: Limits for protection of Earth Exploration Satellite Service for DL**

Frequency range	Limit	Measurement Bandwidth	Note
23.6 – 24 GHz	-3 dBm	200 MHz	Note 1
23.6 – 24 GHz	-9 dBm	200 MHz	Note 2
NOTE 1: This limit applies to Repeater brought into use on or before 1 September 2027.			
NOTE 2: This limit applies to Repeater brought into use after 1 September 2027.			

Table 6.5.4.5.4.1-2: OBUE limits for protection of Earth Exploration Satellite Service for UL

Frequency range	Limit	Measurement Bandwidth
23.6 – 24 GHz	1 dBm	200 MHz

## 6.6 OTA Repeater Error Vector Magnitude

### 6.6.1 Downlink repeater error vector magnitude

#### 6.6.1.1 General

The Repeater Error Vector Magnitude (EVM) is a measure of the difference between the symbols provided at the input of the repeater and the measured signal symbols at the output of the repeater after the equalization by the measurement equipment. This difference is called the error vector. Details about how the RF repeater or NCR EVM is determined are the same as specified in TS 38.104 [5] Annex [C] for FR2. The RF repeater or NCR EVM result is defined as the square root of the ratio of the mean error vector power to the mean reference power expressed in percent. The accuracy of the input symbols is counted in the measurement uncertainty.

OTA modulation quality requirement is defined as a *directional requirement* at the RIB and shall be met within the *OTA coverage range* on the transmit side and the AoA of the incident wave of the received signal is in the reference direction at the receive side.

The RF repeater or NCR EVM requirement is applicable when the RF repeater or NCR is operating with an input power level within the range from what is required to reach the rated beam EIRP output power ( $P_{\text{rated,p,EIRP}}$ ) to the minimum power levels in table 6.6.1.1-1.

Table 6.6.1.1-1: Minimum input power for RF repeater or NCR EVM

RF repeater or NCR class	Minimum input power (dBm/MHz)					
	24.25 – 33.4 GHz			37 – 52.6 GHz		
	Up to 16 QAM	64QAM <sup>1</sup>	256QAM <sup>2</sup>	Up to 16 QAM	64QAM <sup>1</sup>	256QAM <sup>2</sup>
WA, MR, LA	-77- $G_{\text{RX\_ANT}}$	-73- $G_{\text{RX\_ANT}}$	-66- $G_{\text{RX\_ANT}}$	-75- $G_{\text{RX\_ANT}}$	-71- $G_{\text{RX\_ANT}}$	-64- $G_{\text{RX\_ANT}}$
Note 1: support of 64QAM is based on the declaration						
Note 2: support of 256QAM is based on the declaration						

Where  $G_{\text{RX\_ANT}}$  is the gain of the receive side antennas and is based on EIRP and TRP declaration.

#### 6.6.1.2 Minimum requirements

The minimum requirement for *repeater type 2-O* is defined in TS 38.106 [2] clause 7.6.1.2.

The minimum requirement for *NCR-Fwd type 2-O* is defined in TS 38.106 [2], clause 7.6.1.2A.1.1.

#### 6.6.1.3 Test purpose

To verify that the downlink RF repeater or NCR EVM deterioration is within the limit specified by the minimum requirements after the signal passed through the RF Repeater or NCR.

#### 6.6.1.4 Method of test

##### 6.6.1.4.1 Initial conditions

Test environment: normal; see Annex [B.2]

RF channels to be tested for single carrier:

- B and T; see clause 4.9.1.

*Passband* positions to be tested for multi-carrier:

- $B_{\text{RFBW}}$  and  $T_{\text{RFBW}}$  in single-band operation, see clause 4.9.1;

Directions to be tested:

- The OTA coverage range reference direction (D.14).
- The OTA coverage range maximum directions (D.15).

Polarizations to be tested: For dual polarized systems the requirement shall be tested and met for both polarizations.

#### 6.6.1.4.2 Procedure

- 1a) Place the RF repeater or NCR at the positioner.
- 1b) Verify measurement impact from feeding test signal by generating a signal for RF repeater or NCR input with RF repeater or NCR to be turned off. Verify measured result is enough below requirement limit.
- 2) Align the manufacturer declared coordinate system orientation (D.2) of the RF repeater or NCR with the test system.
- 3) Orient the positioner (and RF repeater or NCR) in order that the direction to be tested aligns with the test antenna.

For *repeater type 2-O* or *NCR-Fwd type 2-O* declared to be capable of single carrier operation only, set the RF repeater or NCR to transmit a signal according to the applicable test signal configuration and corresponding power setting specified in clause 4.7.2 and 4.8 using the corresponding test models on all carriers configured:

- RDL-FR2-TM3.1a with 256QAM signal if 256QAM is supported by RF repeater or NCR without power back off, or
- RDL-FR2-TM3.1a at manufacturer's declared rated output power if 256QAM is supported by RF repeater or NCR with power back off, and RDL-FR2-TM3.1 with highest modulation order supported without power back off, or
- RDL-FR2-TM3.1 with 64QAM signal if 64QAM is supported by RF repeater or NCR without power back off, or
- RDL-FR2-TM3.1 with highest modulation order without power back off if 64QAM is not supported by RF repeater or NCR, or
- if 64 QAM is supported by RF repeater or NCR with power back off, RDL-FR2-TM 3.1 with 64QAM at manufacturer's declared rated output power ( $P_{\text{rated,c,EIRP}}$ ) and RDL-FR2-TM3.1 with highest modulation order supported at maximum power.

For *repeater type 2-O* or *NCR-Fwd type 2-O* declared to be capable of multi-carrier, set the RF repeater or NCR to transmit according to:

- RDL-FR2-TM3.1a with 256QAM signal if 256QAM is supported by RF repeater or NCR without power back off, or
- RDL-FR2-TM3.1a at manufacturer's declared rated output power if 256QAM is supported by RF repeater or NCR with power back off, and RDL-FR2-TM3.1 at maximum power, or
- RDL-FR2-TM3.1 with 64QAM signal if 64QAM is supported by RF repeater or NCR without power back off, or
- RDL-FR2-TM3.1 with highest modulation order supported without power back off if 64QAM is not supported by RF repeater or NCR, or
- if 64QAM is supported by RF repeater or NCR with power back off, RDL-FR2-TM3.1 with 64QAM signal at manufacturer's declared rated output power ( $P_{\text{rated,c,EIRP}}$ ) and RDL-FR2-TM3.1 with highest supported modulation order at maximum power

For RDL-FR1-TM 3.1a and RDL-FR2-TM 3.1, power back-off shall be applied if it is declared.

- 5) For each carrier, measure the RF repeater or NCR EVM and frequency error as defined in annex L.
- 6) Adjust the input power to the RF Repeater or NCR to create the maximum nominal RF Repeater or NCR output power at maximum gain.
- 7) Measure the RF repeater or NCR EVM and frequency error as defined in TS 38.141-2 [6] Annex [F].
- 8) Repeat the procedure with all the narrower bandwidths.

### 6.6.1.5 Test requirement

The downlink of the RF Repeater or NCR EVM levels for different modulation schemes shall not exceed values in table 6.6.1.5-1.

**Table 6.6.1.5-1: RF Repeater or NCR EVM test requirements**

Parameter	Required EVM
Up to 16QAM	13.9 %
64QAM	9.5 % <sup>1</sup>
256QAM	5.3 % <sup>2</sup>
Note 1: support of 64QAM is based on the declaration Note 2: support of 256QAM is based on the declaration.	

## 6.6.2 Uplink Repeater error vector magnitude

### 6.6.2.1 General

The RF Repeater or NCR Error Vector Magnitude is a measure of the difference between the reference waveform provided at the input of the RF repeater or NCR and the measured waveform at the output of the RF repeater or NCR. This difference is called the error vector. Details about how the RF repeater or NCR EVM is determined are the same as specified in TS 38.101-2 [14] Annex F. Before calculating the RF repeater or NCR EVM, the measured waveform is corrected by the sample timing offset and RF frequency offset. Then the carrier leakage shall be removed from the measured waveform before calculating the RF repeater or NCR EVM.

The measured waveform is further equalised using the channel estimates subjected to the RF repeater or NCR EVM equaliser spectrum flatness requirement specified in TS 38.101-2 [14] sub-clauses 6.4.2.4 and 6.4.2.5. For DFT-s-OFDM waveforms, the RF repeater or NCR EVM result is defined after the front-end FFT and IDFT as the square root of the ratio of the mean error vector power to the mean reference power expressed as a %. For CP-OFDM waveforms, the RF repeater or NCR EVM result is defined after the front-end FFT as the square root of the ratio of the mean error vector power to the mean reference power expressed as a %. The accuracy of the input waveform is counted in the measurement uncertainty.

The basic RF repeater or NCR EVM measurement interval is one slot in the time domain. The RF repeater or NCR EVM measurement interval is reduced by any symbols that contains an allowable power transient in the measurement interval as defined in TS 38.101-2 clause 6.3.3 for EVM for UE.

All the parameters defined in clause 6.6.2 are defined using the measurement methodology specified in TS 38.101-2 [14] Annex F.

OTA modulation quality requirement is defined as a *directional requirement* at the RIB and shall be met within the *OTA coverage range* on the transmit side and the AoA of the incident wave of the received signal is in the reference direction at the receive side.

The RF repeater or NCR EVM requirement is applicable when the RF repeater or NCR is operating with an input power level within the range from what is required to reach the rated beam EIRP output power ( $P_{\text{rated,p,EIRP}}$ ) to the minimum input power levels in table 6.6.2.1-1.

**Table 6.6.2.1-1: Minimum input power for RF repeater or NCR EVM**

RF repeater or NCR class	Minimum input power (dBm/MHz)			
	24.25 – 33.4 GHz		37 – 52.6 GHz	
	Up to 16 QAM	64QAM <sup>1</sup>	Up to 16 QAM	64QAM <sup>1</sup>
WA, MR, LA	-77- G <sub>RX_ANT</sub>	-73- G <sub>RX_ANT</sub>	-75- G <sub>RX_ANT</sub>	-71- G <sub>RX_ANT</sub>
Note 1:- support of 64QAM is based on the declaration				

Where  $G_{RX\_ANT}$  is the gain of the receive side antennas and is calculated from EIRP and TRP declaration.

### 6.6.2.2 Minimum requirement

The minimum requirement for *repeater type 2-O* is defined in TS 38.106 [2] clause 7.6.2.2.

The minimum requirement for *NCR-Fwd type 2-O* is defined in TS 38.106 [2], clause 7.6.2.3.1.1.

### 6.6.2.3 Test purpose

To verify that the uplink RF repeater or NCR EVM deterioration is within the limit specified by the minimum requirements after the signal passed through the RF Repeater or NCR.

### 6.6.2.4 Method of test

#### 6.6.2.4.1 Initial conditions

RF channels to be tested for single carrier:

- B and T; see clause 4.9.1.

*Passband* positions to be tested for multi-carrier:

- $B_{RFBW}$  and  $T_{RFBW}$  in single-band operation, see clause 4.9.1;

Directions to be tested:

- The OTA coverage range reference direction [(D.14)].
- The OTA coverage range maximum directions [(D.15)].

Polarizations to be tested: For dual polarized systems the requirement shall be tested and met for both polarizations.

#### 6.6.2.4.2 Procedure

- 1a) Place the RF repeater or NCR at the positioner.
- 1b) Verify measurement impact from feeding test signal by generating a signal for RF repeater or NCR input with RF repeater or NCR to be turned off. Verify measured result is enough below requirement limit.
- 2) Align the manufacturer declared coordinate system orientation [(D.2)] of the RF repeater or NCR with the test system.
- 3) Orient the positioner (and RF repeater or NCR) in order that the direction to be tested aligns with the test antenna.

For *repeater type 2-O* or *NCR-Fwd type 2-O* declared to be capable of multi-carrier operation, set the RF repeater or NCR to transmit according to:

- RUL-FR2-TM3.1 with 64QAM signal if 64QAM is supported by RF repeater or NCR without power back off, or
- RUL-FR2-TM3.1 with highest modulation order supported without power back off if 64QAM is not supported by RF repeater or NCR, or
- if 64QAM is supported by RF repeater or NCR with power back off, RUL-FR2-TM3.1 with 64QAM signal at manufacturer's declared rated output power ( $P_{\text{rated,c,EIRP}}$ ) and RUL-FR2-TM3.1 with highest supported modulation order at maximum power

For RUL-FR1-TM 3.1a and RUL-FR2-TM 3.1, power back-off shall be applied if it is declared.

- 6) For each carrier, measure the RF repeater or NCR EVM and frequency error as defined in annex L.
- 7) Repeat steps 5 and 6 for RUL-FR2-TM2 if 256QAM is not supported by RF *repeater or NCR* or for RUL-FR1-TM2a if 256QAM is supported by RF repeater or NCR. For RUL-FR1-TM2 and RUL-FR1-TM2a the OFDM symbol power (in the conformance direction) shall be at the lower limit of the dynamic range according to the test procedure in clause 6.4.3.4.2 and test requirements in clause 6.4.3.5.1.

### 6.6.2.5 Test requirement

The uplink of the RF Repeater or NCR EVM levels for different modulation schemes shall not exceed values in table 6.6.2.5-1.

**Table 6.6.2.5-1: RF Repeater or NCR EVM test requirements**

Parameter	Unit	Average repeater EVM level
Up to 16 QAM	%	13.9
64 QAM	%	9.5 <sup>1</sup>
Note 1: support of 64QAM is based on the declaration		

## 6.7 OTA input intermodulation

### 6.7.1 Definition and applicability

#### 6.7.1.1 General

The input intermodulation is a measure of the capability of the repeater to inhibit the generation of interference in the passband, in the presence of interfering signals on frequencies other than the passband.

Third and higher order mixing of the two interfering RF signals can produce an interfering signal in the band of the desired channel. Intermodulation response rejection is a measure of the capability of the RF repeater or NCR to maintain the wanted frequency free of internally created interference.

The measurements shall apply to both uplink and downlink paths of the RF repeater or NCR, during the *transmitter ON state* at maximum gain.

#### 6.7.1.2 Minimum requirements

The minimum requirement for *repeater type 2-O* is defined in TS 38.106 [2] clause 7.7.2.

The minimum requirement for *NCR-Fwd type 2-O* is defined in TS 38.106 [2], clause 7.7.3.1.1.

#### 6.7.1.3 Test purpose

The purpose of this test is to verify that the RF repeater or NCR meets the intermodulation characteristics requirements as specified by the minimum requirements.

#### 6.7.1.4 Method of test

##### 6.7.1.4.1 Initial conditions

Test environment: normal; see Annex B

A measurement system set-up is shown in Annex E.

##### 6.7.1.4.2 Procedure

- 1a) Verify measurement impact from feeding test signal by generating a signal for RF repeater or NCR input with RF repeater or NCR to be turned off. Verify measured result is enough below requirement limit.
- 1b) Set the RF repeater or NCR to maximum gain.
- 2) Place the RF repeater or NCR with its manufacturer declared coordinate system reference point in the same place as calibrated point in the test system, as shown in Annex E.
- 3) Align the test antennas and RF repeater or NCR both in input and output directions of the RF repeater or NCR.
- 4) Align the RF repeater or NCR and test antennas so that RF repeater or NCR antennas are polarization matched with the test antenna(s)
- 5) Configure the beam peak direction of the RF repeater or NCR according to declared reference beam direction pair for the appropriate beam identifier.
- 6) Adjust the frequency of the input signals, either below or above the passband, so that one carrier,  $f_1$ , is 1 MHz outside the channel edge frequency of the first or last channel in the passband, and the lowest order intermodulation product from the two carriers is positioned in the centre of the passband.
- 7) Measure the increase in output power in the passband when the interferer is applied
- 8) Repeat the measurement for all supported polarizations and all specified measurement directions.
- 9) Repeat the measurement for the opposite path of the RF repeater or NCR.

#### 6.7.1.5 Test requirements

For the parameters specified in table 6.7.1.5-1, the power in the *passband* shall not increase with more than  $[10+TT]$  dB at the output of the RF repeater or NCR as measured with 1 MHz measurement bandwidth, compared to the level obtained without interfering signals applied.

Table 6.7.1.5-1 specifies the parameters for two interfering signals, where:

- $f_1$  offset is the offset from the channel edge frequency of the first or last channel in the *passband* of the closer carrier.
- $G_{RX\_ANT}$  is the gain of the receive side antennas and is calculated from EIRP and TRP declaration.

Table 6.7.1.5-1: Input intermodulation requirement

f <sub>1</sub> offset	Interfering signal levels	Type of signals	Measurement bandwidth
1 MHz	-53dBm – G <sub>RX_ANT</sub>	2 CW carriers	1 MHz

## 6.8 OTA Adjacent Channel Rejection Ratio (ACRR)

### 6.8.1 Definitions and applicability

OTA Adjacent Channel Rejection Ratio (ACRR) is the ratio of the average gain over a carrier of the RF repeater or NCR in the *passband* to the average gain of the RF repeater or NCR over an adjacent channel outside the RF repeater or NCR *passband*. The requirement shall apply to the uplink and downlink of the RF repeater or NCR. The bandwidth of the channel inside the *passband* and the adjacent channel shall be of the same type (reference carrier) with bandwidths as defined by *nominal channel bandwidth*.

The requirement is differentiated between downlink and uplink.

The requirement shall apply during the *transmitter ON state*.

The ACRR is a ratio of gain in the adjacent channel to gain in the wanted channel. The gain in each case is defined as the ratio of TRP output power to directional input power.

### 6.8.2 Co-existence with NR

This requirement shall be applied for the protection of NR signals in geographic areas in which NR RF Repeater or NCR and NR BS are deployed so that they serve adjacent channels. The reference carrier is a NR carrier.

#### 6.8.2.1 Minimum requirements

The minimum requirement for *repeater type 2-O* is defined in TS 38.106 [2] sub-clause 7.8.1.1.

The minimum requirement for *NCR-Fwd type 2-O* is defined in TS 38.106 [2], clause 7.7.3.1.1.

#### 6.8.2.2 Test purpose

To verify that the RF Repeater or NCR OTA ACRR requirement is met as specified in sub-clause 6.8.2.1.

#### 6.8.2.3 Method of test

##### 6.8.2.3.1 Initial conditions

Test environment: normal; see Annex B.2.

RF channels to be tested for single carrier: B, M, T; see clause 4.9.1.

Beams to be tested:

As the requirement is TRP the beam pattern(s) may be set up to optimise the TRP measurement procedure (see annex G) as long as the required TRP level is achieved.

##### 6.8.2.3.2 Procedure

- 1a) Place the RF repeater or NCR with its manufacturer declared coordinate system reference point in the same place as calibrated point in the test system, as shown in annex E.2.7.
- 1b) Verify measurement impact from feeding test signal by generating a signal for RF repeater or NCR input with RF repeater or NCR to be turned off. Verify measured result is enough below requirement limit.
- 2) Align the manufacturer declared coordinate system orientation of the RF repeater or NCR with the test system.



- 3) Align the RF repeater or NCR with the test antenna in the declared direction to be tested.
- 4) Align the RF repeater or NCR to that the wanted signal and interferer signal is *polarization matched* with the test antenna(s).
- 5) Set the signal generator to transmit a signal modulated with test model RDL-FR2-TM1.1 for downlink and test model RUL-FR2-TM1.1 for uplink as defined in section 4.9 at the first or last channel with channel offset from frequency range of passband defined in section 6.8.2.3.3 within the pass band.
- 6) Adjust the input power to the RF Repeater or NCR to create the maximum nominal RF Repeater or NCR output power at maximum gain
- 7) Orient the positioner (and RF repeater or NCR) in order that the direction to be tested aligns with the test antenna such that measurements to determine TRP can be performed (see annex G).
- 8) Measure the absolute power of the assigned channel frequency.
- 9) Repeat step 7-8 for all directions in the appropriated TRP measurement grid needed for  $TRP_{Estimate}$  (see annex G).
- 10) Calculate  $TRP_{Estimate}$  for the absolute total radiated power of a carrier of the RF repeater or NCR in the *passband* and using the measurements made in Step 9.
- 11) Set the signal generator to transmit the same signal and the same input power at one of the channel offsets outside the RF repeater or NCR pass band according to Tables in section 6.8.2.3.3.
- 12) Repeat step 7) to 9) for the measurement of the input signal outside the RF repeater or NCR pass-band.;
- 13) Calculate  $TRP_{Estimate}$  for the absolute total radiated power of a carrier over an adjacent channel outside the RF repeater or NCR *passband* and using the measurements made in Step 9.
- 14) Calculate relative ACRR estimate.
- 15) Repeat step 5) to 14) until all channel offsets in Tables in section 6.8.2.3.3 are measured.

### 6.8.2.3.3 Test Requirements

The requirement shall apply at the RIB when the AoA of the incident wave of a received signal in the *passband* and a received signal on an adjacent channel outside RF repeater or NCR *passband* is from the same direction and are the same as the TX reference direction for the opposite DL/UL setting.

For a RF repeater or NCR operating at passband operating in FR2, the ACRR requirements in table 6.8.2.3.3-1 shall apply in downlink. In normal conditions the ACRR for downlink shall be higher than the value specified in the Table 6.8.2.3.3-1.

Table 6.8.2.3.3-1: RF Repeater or NCR Downlink ACRR

Co-existence with other systems	Repeater or NCR Class	Channel offset from frequency edge of <i>passband</i> (MHz)	Filter on the adjacent channel frequency and corresponding filter bandwidth	ACRR limit (dB)
NR	Wide Area RF repeater or NCR	$BW_{Nominal}/2$	Square ( $BW_{Config}$ )	25.3 (Note 2) 23.3 (Note 3) 23.1 (Note 4)
	Medium Range RF repeater or NCR	$BW_{Nominal}/2$	Square ( $BW_{Config}$ )	25.3 (Note 2) 23.3 (Note 3) 23.1 (Note 4)
	Local Area RF repeater or NCR	$BW_{Nominal}/2$	Square ( $BW_{Config}$ )	25.3 (Note 1,2) 23.3 (Note 1,3) 23.1 (Note 1,4)

NOTE 1: This requirement is not applicable if the *passband* occupies the entire *operating band*.

NOTE 2: Applicable to bands defined within the frequency spectrum range of 24.25-29.5GHz.

NOTE 3: Applicable to bands defined within the frequency spectrum range of 37-43.5 GHz.

NOTE 4: Applicable to bands defined within the frequency spectrum range of 43.5-48.2GHz.

NOTE 5:  $BW_{Nominal}$  is the *nominal channel bandwidth*.  $BW_{Config}$  is the *transmission bandwidth configuration* assumed for the adjacent channel.

NOTE 6: With SCS that provides largest *transmission bandwidth configuration* ( $BW_{Config}$ ).

For a RF repeater or NCR operating at passband operating in FR2, the ACRR requirements in table 6.8.2.3.3-2 shall apply in uplink. In normal conditions the ACRR for uplink shall be higher than the value specified in the Table 6.8.2.3.3-2.

Table 6.8.2.3.3-2: RF Repeater or NCR Uplink ACRR

Co-existence with other systems	Repeater or NCR Class	Channel offset from frequency edge of <i>passband</i> (MHz)	Filter on the adjacent channel frequency and corresponding filter bandwidth	ACRR limit (dB)
NR	Wide Area RF repeater or NCR	$BW_{Nominal}/2$	Square ( $BW_{Config}$ )	25.3 (Note 2) 23.3 (Note 3) 23.1 (Note 4)
	Local Area RF repeater or NCR	$BW_{Nominal}/2$	Square ( $BW_{Config}$ )	14.3 (Note 1, 2) 13.3 (Note 1, 3) 13.1 (Note 1, 4)

NOTE 1: This requirement is not applicable if the *passband* occupies the entire *operating band*.

NOTE 2: Applicable to bands defined within the frequency spectrum range of 24.25-29.5GHz.

NOTE 3: Applicable to bands defined within the frequency spectrum range of 37-43.5 GHz.

NOTE 4: Applicable to bands defined within the frequency spectrum range of 43.5-48.2GHz.

NOTE 5:  $BW_{Nominal}$  is the *nominal channel bandwidth*.  $BW_{Config}$  is the *transmission bandwidth configuration* assumed for the adjacent channel.

NOTE 6: With SCS that provides largest *transmission bandwidth configuration* ( $BW_{Config}$ ).

## 6.9 OTA transmit ON/OFF power

### 6.9.1 OTA transmitter OFF power

#### 6.9.1.1 Definition and applicability

OTA transmitter OFF power is defined as the mean power measured over  $70/N$   $\mu$ s filtered with a square filter of bandwidth equal to the *passband bandwidth* of the RF repeater or NCR ( $BW_{passband}$ ) centred on the assigned channel frequency during the *transmitter OFF state*.  $N = SCS/15$ , where SCS is Sub Carrier Spacing in kHz of the input signal. The OTA transmitter OFF power is defined as TRP.

### 6.9.1.2 Minimum requirement for RF repeater

The minimum requirement is in TS 38.106 [2], clause 7.9.2.2.

#### 6.9.1.2A Minimum requirement for NCR

The OTA transmitter OFF TRP spectral density for *repeater type 2-O* shall be less than -36 dBm/MHz.

##### 6.9.1.2A.1 Minimum requirement for NCR

###### 6.9.1.2A.1.1 Minimum requirement for NCR-Fwd

###### 6.9.1.2A.1.1.1 Minimum requirement for NCR-Fwd *type 2-O*

The requirements in clause 7.9.2.2 in TS 38.106 [2] apply for NCR-Fwd *type 2-O*.

###### 6.9.1.2A.1.2 Minimum requirement for NCR-MT

###### 6.9.1.2A.1.2.1 Minimum requirement for NCR-MT *type 2-O*

For Wide Area *NCR-MT type 2-O*, the OTA transmitter OFF TRP spectral density for shall be less than -36 dBm/MHz. For Local Area *NCR-MT type 2-O*, the transmit OFF power shall not exceed the values specified in Tables 6.9.1.2A.1.2.1-1 for each operating band supported. The requirement is verified with the test metric of TRP (Link=TX beam peak direction, Meas=TRP grid).

**Table 6.9.1.2A.1.2.1-1: Transmit OFF power for FR2-1**

Operating band	Channel bandwidth / Transmit OFF power (dBm) / measurement bandwidth			
	50 MHz	100 MHz	200 MHz	400 MHz
n257, n258, n259, n260, n261, n262	-35	-35	-35	-35
	47.58 MHz	95.16 MHz	190.20 MHz	380.28 MHz

### 6.9.1.3 Test purpose

The purpose of this test is to verify the OTA transmitter OFF power is within the limits of the minimum requirements.

### 6.9.1.4 Method of test

Requirement is tested together with transmitter transient period, as described in clause 6.9.2.4.

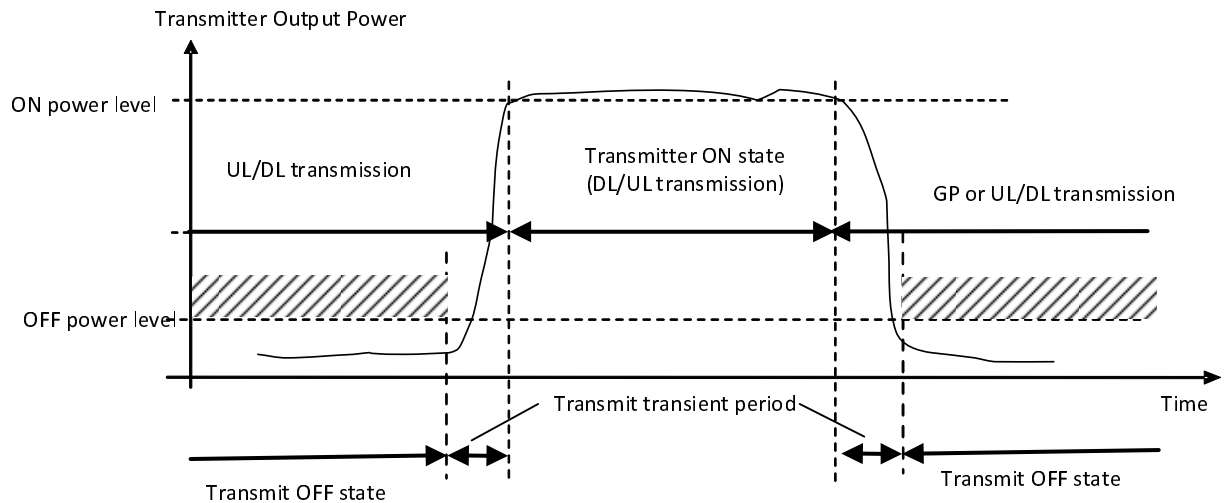
### 6.9.1.5 Test requirements

The conformance testing of transmit OFF power is included in the conformance testing of transmitter transient period; therefore, see clause 6.9.2.5 for test requirements.

## 6.9.2 OTA transient period

### 6.9.2.1 Definition and applicability

The OTA *transmitter transient period* is the time period during which the transmitter is changing from the *transmitter OFF state* to the *transmitter ON state* or vice versa. The *transmitter transient period* is illustrated in figure 6.9.2.1-1.



**Figure 6.9.2.1-1: Example of relations between transmitter *ON state*, transmitter *OFF state* and transmitter *transient period***

This requirement shall be applied at each RIB supporting transmission in the *operating band*.

For a RF repeater or NCR that is not declared to be a long delay repeater (D.24), the beginning and end point of downlink and uplink bursts are referenced to the slot timing at the input.

For a RF repeater or NCR that is declared to be a long delay repeater (D.24), the beginning and end point of downlink and uplink bursts are referenced to the slot timing at the input plus the declared repeater delay.

**6.9.2.2 Minimum requirement for RF repeater**

The minimum requirement is in TS 38.106 [2], clause 7.9.3.2.

**6.9.2.2A Minimum requirement for NCR**

**6.9.2.2A.1 Minimum requirement for NCR-Fwd**

**6.9.2.2A.1.1 Minimum requirement for NCR-Fwd type 2-O**

The requirements in clause 7.9.3.2 in TS 38.106 [2] apply for NCR-Fwd type 2-O.

**6.9.2.2A.1.1 Minimum requirement for NCR-MT**

**6.9.2.2A.1.1.1 Minimum requirement for NCR-MT type 2-O**

For Wide Area NCR-MT type 2-O, the OTA transmitter transient period shall be shorter than the values listed in the minimum requirement table 6.9.2.2A.1.1.1-1.

**Table 6.9.2.2A.1.1.1-1: Minimum requirement for the OTA transmitter transient period for Wide Area NCR-MT type 2-O**

Transition	Transient period length (µs)
OFF to ON	3
ON to OFF	3

For Local Area NCR-MT type 2-O, the requirement from TS 38.101-2 [14] section 6.3.3.2 applies.

### 6.9.2.3 Test purpose

The purpose of this test is to verify the OTA transmitter transient periods are within the limits of the minimum requirements.

### 6.9.2.4 Method of test

#### 6.9.2.4.1 Initial conditions

Test environment: Normal; see annex B.2.

RF channels to be tested: M; see clause 4.9.1.

Directions to be tested:

- The requirement is verified by an EIRP measurement at a direction corresponding to the OTA peak directions set reference beam direction pair (D.6) for the beam identifier (D.3) which provides the highest intended EIRP.

#### 6.9.2.4.2 Procedure

1a) Place the repeater at the positioner.

1b) Verify measurement impact from feeding test signal by generating a signal for repeater input with repeater to be turned off. Verify measured result is enough below requirement limit.

2) Align the manufacturer declared coordinate system orientation (D.2) of the repeater with the test system.

4a) For RF repeater transient period measurement, set the input signal at the RIB according to the applicable test configuration and direction in clause 4.8 using the corresponding test models RDL-FR2-TM 1.1 and RUL-FR2-TM 1.1 in clause 4.9.2 at the input power intended to produce the maximum rated output power,  $P_{\text{rated,in,EIRP}} + 10\text{dB}$ .

For NCR-Fwd transient period measurement, set the input signal at the RIB according to the applicable test configuration and direction in clause 4.8 using the corresponding test models NCRDL-FR2 TM 1.1 and NCRUL-FR2 TM 1.1 in clause 4.9.2 at the input power intended to produce the maximum rated output power,  $P_{\text{rated,in,EIRP}} + 10\text{dB}$ .

For NCR-MT transient period measurement, set according to the applicable test configuration and direction in clause 4.8 using the corresponding test models NCRUL-FR2 TM 1.1 in clause 4.9.2 at the declared maximum output power.

4b) For OFF power measurement for RF repeater and NCR-Fwd, set the signal generator RF output turned off for not to generate input signal.

For OFF power measurement for NCR-Fwd, set the NCR-MT to turn off its transmitter.

6) Measure the mean EIRP spectral density as the power sum over two orthogonal polarizations over  $70/N \mu\text{s}$  filtered with a square filter of bandwidth equal to the *passband* bandwidth of the repeater centred on the central frequency of the *passband*.  $70/N \mu\text{s}$  average window centre is set from  $35/N \mu\text{s}$  after end of one transmitter ON state +  $3 \mu\text{s}$  to  $35/N \mu\text{s}$  before start of next transmitter ON state -  $3 \mu\text{s}$ .  $N = \text{SCS}/15$ , where SCS is Sub Carrier Spacing in kHz.

NOTE: Make sure that the measurement receiver is not overloaded.

### 6.9.2.5 Test requirements

The measured mean EIRP spectral density shall be less than  $-33.1 + P_{\text{rated,c,EIRP}} - P_{\text{rated,c,TRP}}$  dBm/MHz for carrier frequency  $24.15 \text{ GHz} < f \leq 29.5 \text{ GHz}$ , where  $P_{\text{rated,c,EIRP}}$  is the value declared for the *reference beam direction pair* (D.6) for the beam identifier (D.3) which provides the highest intended EIRP.

The measured mean EIRP spectral density shall be less than  $-32.7 + P_{\text{rated,c,EIRP}} - P_{\text{rated,c,TRP}}$  dBm/MHz for carrier frequency  $37 \text{ GHz} < f \leq 43.5 \text{ GHz}$ , where  $P_{\text{rated,c,EIRP}}$  is the value declared for the *reference beam direction pair* (D.6) for the beam identifier (D.3) which provides the highest intended EIRP.

The measured mean EIRP spectral density shall be less than  $-32.4 + P_{\text{rated,c,EIRP}} - P_{\text{rated,c,TRP}}$  dBm/MHz for carrier frequency  $43.5 \text{ GHz} < f \leq 48.2 \text{ GHz}$ , where  $P_{\text{rated,c,EIRP}}$  is the value declared for the *reference beam direction pair* (D.6) for the beam identifier (D.3) which provides the highest intended EIRP

## 6.10 OTA output power dynamics

### 6.10.1 Definition and applicability

OTA output power dynamic for NCR-MT consist of three requirements, transmit OFF power, transmit ON-OFF transition period requirement and power control requirements. The transmit OFF power and transition period requirement is specified in clause 6.9. For power control requirement for NCR-MT, it is the difference between the maximum and the minimum controlled transmit power in the channel bandwidth for a specified reference condition. The maximum and minimum output powers are defined as the mean power in at least one sub-frame 1ms

This requirement shall apply at each RIB supporting transmission in the *operating band*.

### 6.10.2 Minimum requirement

For WA NCR-MT type 2-O, the IAB-MT requirements specified in clause 9.4.2.1.3 output dynamic range requirement in TS 38.174 [19] applies.

For LA NCR-MT type 2-O, the UE requirements specified in clause 6.3.4.3 of relative power tolerance and clause 6.3.4.4 of aggregate power tolerance in TS 38.102-2 [14] applies

### 6.10.3 Test purpose

The test purpose is to verify that the NCR-MT OTA total power dynamic range is within the limits specified by the minimum requirement.

### 6.10.4 Method of test

#### 6.10.4.1 Initial conditions

Test environment: Normal, see annex B.2.

RF channels to be tested for single carrier:

- M; see clause 4.9.1.

Beams to be tested:

- Declared beam with the highest intended EIRP for the narrowest intended beam corresponding to the smallest  $\text{BeW}_\theta$ , or for the narrowest intended beam corresponding to the smallest  $\text{BeW}_\phi$  (D.3, D.11).

Directions to be tested:

- The OTA peak directions set reference beam direction pair (D.8).

#### 6.10.4.2 Procedure

- 1) Place the NCR-MT at the positioner.
- 2) Align the manufacturer declared coordinate system orientation (D.2) of the NCR-MT with the test system.
- 3) Orient the positioner (and NCR-MT) in order that the direction to be tested aligns with the test antenna.
- 4) Configure the beam peak direction of the NCR-MT according to the declared beam direction pair.
- 5) For *NCR type 2-O*, set the NCR-MT to transmit a signal according to the applicable test configuration in clause 4.8 using the corresponding test model:

- NCRUL-FR2-TM3.1;
- 6) Measure the power by measuring the EIRP for any two orthogonal polarizations (denoted p1 and p2) over 1ms and calculate total EIRP for particular *beam direction pair* as  $EIRP = EIRP_{p1} + EIRP_{p2}$ .
- 7) For NCR type 2-O, set the NCR-MT to transmit a signal according to the applicable test configuration in clause 4.8 using the corresponding test models:
  - NCRUL-FR2-TM3.1;
- 8) Measure the power by measuring the EIRP for any two orthogonal polarizations (denoted p1 and p2) over 1ms and calculate total EIRP for particular *beam direction pair* as  $EIRP = EIRP_{p1} + EIRP_{p2}$ .

In addition, for *multi-band RIB(s)*, the following steps shall apply:

- 9) For *multi-band RIBs* and single band tests, repeat the steps above per involved band where single band test configurations and test models shall apply with no carrier activated in the other band.

## 6.10.5 Test requirements

For Wide area NCR-MT the  $\Delta P$  between the power measured in step 6 and step 8 of clause 6.10.5-1 shall be:

**Table 6.10.5-1: NCR-MT type 2-O Output power dynamics test requirements.**

NCR-MT Type	NCR-MT channel bandwidth	Requirement
Wide area	$\leq 40\text{MHz}$	$10 \log(\text{Maximum RB}) - 1.2 < \Delta P \leq 10 \log(\text{Maximum RB}) + 11.2$
	$40\text{MHz} < \text{BW} \leq 100\text{MHz}$	$10 \log(\text{Maximum RB}) - 1.5 < \Delta P \leq 10 \log(\text{Maximum RB}) + 11.5$
Local area	$\leq 40\text{MHz}$	$10 \log(\text{Maximum RB}) + 3.8 < \Delta P \leq 10 \log(\text{Maximum RB}) + 15.2$
	$40\text{MHz} < \text{BW} \leq 100\text{MHz}$	$10 \log(\text{Maximum RB}) + 3.5 < \Delta P \leq 10 \log(\text{Maximum RB}) + 16.5$

For Local area NCR-MT, the test requirement for power control in clause 6.3.4 in TS 38.521-2 [20] is applicable.

## 6.11 OTA transmit signal quality

### 6.11.1 Definition and applicability

Transmit signal quality is specified in terms of: frequency error and transmit modulation quality requirements.

### 6.11.2 Minimum requirement

#### 6.11.2.1 Frequency error requirements for NCR-MT

##### 6.11.2.1.1 Minimum requirement for NCR-MT type 2-O

For NCR-MT type 2-O, the requirements specified in clause 9.6.1.2.3 in TS 38.174 [19] applies.

#### 6.11.2.2 Transmit modulation quality

##### 6.11.2.2.1 Minimum requirement for NCR-MT type 2-O

For NCR-MT type 2-O, the requirements specified in clause 9.6.2.2.3 in TS 38.174 [19] applies.

### 6.11.3 Test purpose

The test purpose is to verify that OTA transmit signal quality is within the limit specified by the minimum requirement.

### 6.11.4 Method of test

#### 6.11.4.1 Initial conditions

Test environment: Normal; see annex B.2.

RF channels to be tested for single carrier:

- B and T; see clause 4.9.1.

*Passband bandwidth* positions to be tested for multi-carrier:

- $B_{\text{RFBW}}$  and  $T_{\text{RFBW}}$  in single-band operation, see clause 4.9.1;
- $B'_{\text{RFBW}}T_{\text{RFBW}}$  and  $B_{\text{RFBW}}T'_{\text{RFBW}}$  in multi-band operation, see clause 4.9.1.

Directions to be tested:

- The OTA coverage range reference direction (D.14).
- The OTA coverage range maximum directions (D.15).

Polarizations to be tested: For dual polarized systems the requirement shall be tested and met for both polarizations.

#### 6.11.4.2 Initial conditions

- 1) Place the NCR-MT at the positioner.
- 2) Align the manufacturer declared coordinate system orientation (D.2) of the NCR-MT with the test system.
- 3) Orient the positioner (and NCR-MT) in order that the direction to be tested aligns with the test antenna.
- 4) Configure the beamforming settings of the NCR-MT according to the direction to be tested.
- 5) Set the NCR-MT to output according to the applicable test configuration in clause 4.8 using the corresponding test models or set of physical channels in clause 4.9.2.

For *NCR-MT type 2-O* declared to be capable of single carrier operation only, set the NCR-MT to transmit a signal according to the applicable test signal configuration and corresponding power setting specified in clause 4.7.2 and 4.8 using the corresponding test models on all carriers configured:

- NCRUL-FR2-TM3.1 with 64QAM signal if 64QAM is supported by NCR-MT without power back off, or
- NCRUL-FR2-TM 3.1 with highest modulation order without power back off if 64QAM is not supported by NCR-MT, or
- if 64 QAM is supported by NCR-MT with power back off, NCRUL-FR2-TM 3.1 with 64QAM at manufacturer's declared rated output power ( $P_{\text{rated,p,EIRP}}$ ) and NCRUL-FR2-TM3.1 with highest modulation order supported at maximum power.

For *NCR-MT type 2-O* declared to be capable of multi-carrier operation, set the NCR-MT to transmit according to:

- NCRUL-FR2-TM3.1 with 64QAM signal if 64QAM is supported by NCR-MT without power back off, or
- NCRUL-FR2-TM3.1 with highest modulation order supported without power back off if 64QAM is not supported by NCR-MT, or



- if 64QAM is supported by NCR-MT with power back off, NCRUL-FR2-TM3.1 with 64QAM signal at manufacturer's declared rated output power ( $P_{\text{rated,p,EIRP}}$ ) and NCRUL-FR2-TM3.1 with highest supported modulation order at maximum power

For NCRUL-FR1-TM 3.1a and NCRUL-FR2-TM 3.1, power back-off shall be applied if it is declared.

- 6) For each carrier, measure the EVM and frequency error as defined in annex L.
- 7) Repeat steps 5 and 6 for NCRUL-FR2-TM2 if 256QAM is not supported by *NCR-MT type 2-O* or for NCRUL-MT-FR2-TM2a if 256QAM is supported by *NCR-MT type 2-O*. For NCRUL-FR2-TM2 and NCRUL-FR1-TM2a the OFDM symbol power (in the conformance direction) shall be at the lower limit of the dynamic range according to the test procedure in clause 6.10.4.2.

### 6.11.5 Test requirements

For *NCR-MT type 2-O*, the EVM of each NR carrier for different modulation schemes on PUSCH shall be less than the limits in table 6.11.5-1.

**Table 6.11.5-1: EVM requirements for *NCR-MT type 2-O***

Modulation scheme for PUSCH	Required EVM (%)
QPSK	18.5
16QAM	13.5
64QAM	9
256QAM	4.5
NOTE: 256QAM is not supported by FR2-1 NCR-MT PUSCH	

EVM requirements shall apply for each NR carrier over all allocated resource blocks and uplink slots for NCR-MT. PT-RS should be configured for localized setting for every fourth symbol for every second RB for NCR-MT. Different modulation schemes listed in table 6.11.5-1 shall be considered for rank 1.

For all bandwidths, the EVM measurement shall be performed for each NR carrier over all allocated resource blocks and uplink slots for NCR-MT within 10 ms measurement periods. The boundaries of the EVM measurement periods need not be aligned with radio frame boundaries.

Tables 6.11.5-2 and 6.11.5-3 below specify the EVM window length ( $W$ ) for normal CP for *NCR-MT type 2-O*.

**Table 6.11.5-2: EVM window length for normal CP, FR2-1, 60 kHz SCS**

Channel bandwidth (MHz)	FFT size	Cyclic prefix length FFT samples	EVM window length $W$	Ratio of $W$ to total CP length (Note) (%)
50	1024	72	36	50
100	2048	144	72	50
200	4096	288	144	50
NOTE: These percentages are informative and apply to all OFDM symbols within subframe except for symbol 0 of slot 0 and slot 2. Symbol 0 of slot 0 and slot 2 may have a longer CP and therefore a lower percentage.				

Table 6.11.5-3: EVM window length for normal CP, FR2-1, 120 kHz SCS

Channel bandwidth (MHz)	FFT size	Cyclic prefix length in FFT samples	EVM window length $W$	Ratio of $W$ to total CP length (Note) (%)
50	512	36	18	50
100	1024	72	36	50
200	2048	144	72	50
400	4096	288	144	50

NOTE: These percentages are informative and apply to all OFDM symbols within subframe except for symbol 0 of slot 0 and slot 4. Symbol 0 of slot 0 and slot 4 may have a longer CP and therefore a lower percentage.

## 6.12 OTA reference sensitivity

### 6.12.1 Definition and applicability

The reference sensitivity power level  $REFSENS$  is defined as the EIS level at the centre of the quiet zone in the RX beam peak direction, at which the throughput shall meet or exceed the requirements for the specified reference measurement channel.

### 6.12.2 Minimum requirement for NCR-MT type 2-O

For *NCR type 2-O* of WA class, the reference sensitivity requirement is specified the same as Wide Area IAB-MT reference sensitivity power level in TS 38.174 [19], clause 10.3.3.3.

For *NCR type 2-O* of LA class, the reference sensitivity requirement is specified the same as reference sensitivity power level for power class 3 in TS 38.101-2 [14], clause 7.3.2.3.

### 6.12.3 Test purpose

The test purpose is to verify that the NCR-MT can meet the throughput requirement for a specified measurement channel at the  $EIS_{REFSENS}$  level and the range of angles of arrival within the *OTA REFSENS RoAoA*.

### 6.12.4 Method of test

#### 6.12.4.1 Initial conditions

Test environment: Normal, see annex B.2.

RF channels to be tested for single carrier:

- B, M and T; see clause 4.9A.1.

Directions to be tested:

- *OTA REFSENS* receiver target reference direction (D.30),
- *OTA REFSENS* conformance test directions (D.31).

#### 6.12.4.2 Procedure

- 1) Place the NCR with its manufacturer declared coordinate system reference point in the same place as calibrated point in the test system
- 2) Align the manufacturer declared coordinate system orientation of the NCR with the test system.
- 3) Align the NCR with the test antenna in the declared direction to be tested.
- 4) Ensure the polarization is accounted for such that all the power from the test antenna is captured by the NCR under test.

- 5) Start the signal generator for the wanted signal to transmit:
  - The test signal as specified in clause 6.12.5.
- 6) Set the test signal mean power so the calibrated radiated power at the BS Antenna Array coordinate system reference point is as specified in clause 6.12.5.
- 7) Measure the throughput.
- 8) Repeat steps 3 to 9 for all OTA REFSENS conformance test directions of the NCR (D.31), and supported polarizations.

## 6.12.5 Test requirements

For *NCR type 2-O* of WA class, the test requirement for OTA reference sensitivity requirement is defined in TS 38.176-2 [21], clause 7.3.5.

For *NCR type 2-O* of LA class, the test requirement for OTA reference sensitivity requirement is defined in TS 38.521-2 [20], clause 7.3.2.5.

This test requirement applies at MT RIB only.

## 6.13 OTA maximum input level

### 6.13.1 Definition and applicability

The maximum input level is defined as the maximum mean power, for which the throughput shall meet or exceed the minimum requirements for the specified reference measurement channel.

This requirement applies at MT RIB only.

### 6.13.2 Minimum requirement

For *NCR type 2-O* of LA class, the maximum input power is specified in TS 38.101-2 [14], clause 7.4.

### 6.13.3 Test purpose

Maximum input level tests ability to receive data with a given average throughput for a specified reference measurement channel, under conditions of high signal level, ideal propagation and no added noise.

### 6.13.4 Method of test

#### 6.13.4.1 Initial conditions

Test environment: Normal: see annex B.2.

RF channels to be tested for single carrier: M; see clause 4.9A.1.

Directions to be tested: OTA REFSENS receiver target reference direction (D.30).

#### 6.13.4.2 Procedure

- 1) Place the NCR with its manufacturer declared coordinate system reference point in the same place as calibrated point in the test system.
- 2) Align the manufacturer declared coordinate system orientation of the NCR with the test system.
- 3) Align the NCR with the test antenna in the declared direction to be tested.

- 4) Ensure the polarization is accounted for such that all the power from the test antenna is captured by the NCR under test.
- 5) Set the test signal mean power so that the calibrated radiated power at the NCR Antenna Array coordinate system reference point is as follows:
  - a) Set the signal generator for the wanted signal to transmit as specified in clause 6.13.5.
- 6) Measure the throughput.

## 6.13.5 Test requirements

For *NCR type 2-O* of LA class, the test requirement for OTA maximum input level is defined in TS 38.521-2 [20], clause 7.4.5.

This test requirement applies at MT RIB only.

NOTE: According to TS 38.521-2 [20], the minimum conformance requirements in OTA maximum input level test cases are not testable due to maximum input level unachievable in IFF OTA test setup.

## 6.14 OTA adjacent channel selectivity

### 6.14.1 Definition and applicability

Adjacent Channel Selectivity (ACS) is a measure of a receiver's ability to receive a NR signal at its assigned channel frequency in the presence of an adjacent channel signal at a given frequency offset from the centre frequency of the assigned channel. ACS is the ratio of the receive filter attenuation on the assigned channel frequency to the receive filter attenuation on the adjacent channel(s).

This requirement applies at MT RIB only.

### 6.14.2 Minimum requirement

For *NCR type 2-O* of WA class, the ACS requirement is specified in TS 38.174 [19], clause 10.5.1.4.

For *NCR type 2-O* of LA class, the ACS requirement is specified in TS 38.101-2 [14], clause 7.5.

### 6.14.3 Test purpose

Adjacent channel selectivity tests the ability to receive data with a given average throughput for a specified reference measurement channel, in the presence of an adjacent channel signal at a given frequency offset from the centre frequency of the assigned channel, under conditions of ideal propagation and no added noise.

### 6.14.4 Method of test

#### 6.14.4.1 Initial conditions

Test environment: Normal, see annex B.2.

RF channels to be tested for single carrier:

- M; see clause 4.9A.1.

*NCR RF Bandwidth* edge position to be tested for multi-carrier:

- $M_{\text{RFBW}}$  in single-band operation, see clause 4.9A.1;

Directions to be tested:

- For *NCR type 2-O*, OTA REFSENS receiver target reference direction (D.30).

### 6.14.4.2 Procedure

- 1) Place the NCR with its manufacturer declared coordinate system reference point in the same place as calibrated point in the test system.
- 2) Align the manufacturer declared coordinate system orientation of the NCR with the test system.
- 3) Align the NCR with the test antenna in the declared direction to be tested.
- 4) Align the NCR so that the wanted signal and interferer signal is *polarization matched* with the test antenna(s).
- 5) Configure the beam peak direction for the transmitter according to the declared reference beam direction pair for the appropriate beam identifier.
- 6) Set the test signal mean power so that the calibrated radiated power at the NCR Antenna Array coordinate system reference point is as follows:
  - a)

For NCR-*MT type 2-O*, set the signal generator for the wanted signal to transmit as specified in clause 6.14.5.
  - b)

For NCR-*MT type 2-O*, set the signal generator for the interfering signal at the adjacent channel frequency of the wanted signal to transmit as specified in clause 6.14.5..
- 7) Measure throughput according to annex A.1 for each supported polarization, for multi-carrier and/or CA operation the throughput shall be measured for relevant carriers specified by the test configuration specified in clauses 4.7.2 and 4.8.

### 6.14.5 Test requirements

For *NCR type 2-O* of WA class, the test requirement for OTA ACS is defined in TS 38.176-2 [21], clause 7.5.1.5.3.

For *NCR type 2-O* of LA class, the test requirement for OTA ACS is defined in TS 38.521-2 [20], clause 7.5.5.

This test requirement applies at MT RIB only.

NOTE: According to TS 38.521-2 [20], multiple cases of the OTA ACS requirement for *NCR type 2-O* of LA class cannot be tested due to testability issue. For more details, refer to TS 38.521-2 [20], clause 7.5.5.

## 6.15 OTA blocking characteristics

### 6.15.1 Definition and applicability

The blocking characteristic is a measure of the receiver's ability to receive a wanted signal at its assigned channel frequency in the presence of an unwanted interferer on frequencies other than those of the spurious response or the adjacent channels, without this unwanted input signal causing a degradation of the performance of the receiver beyond a specified limit. The blocking performance shall apply at all frequencies except those at which a spurious response occurs.

This requirement applies at MT RIB only.

NOTE: According to TS 38.521-2 [20], multiple cases of the OTA blocking requirement for *NCR type 2-O* of LA class cannot be tested due to testability issue. For more details, refer to TS 38.521-2 [20], clause 7.6.2.5.

### 6.15.2 Minimum requirement

For WA class *NCR type 2-O*, the OTA blocking requirement is specified in TS 38.174 [19], clause 10.5.2.4.

For LA class *NCR type 2-O*, the OTA blocking requirement is specified in TS 38.101-2 [14], clause 7.6.

### 6.15.3 Test purpose

In-band blocking is defined for an unwanted interfering signal falling into the receive band or into the spectrum equivalent to twice the channel bandwidth below or above the receive band at which the relative throughput shall meet or exceed the minimum requirement for the specified measurement channels.

### 6.15.4 Method of test

#### 6.15.4.1 Initial conditions

Test environment: Normal, see annex B.2.

RF channels to be tested for single carrier:

- $M$ ; see clause 4.9A.1.

*NCR RF Bandwidth* edge position to be tested for multi-carrier:

- $M_{\text{RFBW}}$  in single-band operation, see clause 4.9A.1;

Directions to be tested:

- For *NCR type 2-O*, OTA REFSENS receiver target reference direction (D.30).

#### 6.15.4.2 Procedure for general blocking

- 1) Place the NCR with its manufacturer declared coordinate system reference point in the same place as calibrated point in the test system.
- 2) Align the manufacturer declared coordinate system orientation of the NCR with the test system.
- 3) Align the NCR with the test antenna in the declared direction to be tested.
- 4) Align the NCR so that the wanted signal and interferer signal is *polarization matched* with the test antenna(s).
- 5) Configure the beam peak direction for the transmitter according to the declared reference beam direction pair for the appropriate beam identifier.
- 6) Set the test signal mean power so that the calibrated radiated power at the NCR Antenna Array coordinate system reference point is as follows:
  - a) For *NCR-MT type 2-O*, set the signal generator for the wanted signal to transmit as specified in clause 6.15.5.
  - b) For *NCR-MT type 2-O*, set the signal generator for the interfering signal at the in-band blocking frequency of the wanted signal to transmit as specified in clause 6.15.5.
- 7) Measure throughput according to annex A.1 for each supported polarization, for multi-carrier and/or CA operation the throughput shall be measured for relevant carriers specified by the test configuration specified in clauses 4.7.2 and 4.8.

#### 6.15.4.3 Procedure for out of band blocking

- 1) Place the NCR with its manufacturer declared coordinate system reference point in the same place as calibrated point in the test system.
- 2) Align the manufacturer declared coordinate system orientation of the NCR with the test system.
- 3) Align the NCR with the test antenna in the declared direction to be tested.

- 4) Align the NCR so that the wanted signal and interferer signal is *polarization matched* with the test antenna(s).
- 5) Configure the beam peak direction for the transmitter according to the declared reference beam direction pair for the appropriate beam identifier.
- 6) Set the test signal mean power so that the calibrated radiated power at the NCR Antenna Array coordinate system reference point is as follows:

a)

For NCR-MT *type 2-O*, set the signal generator for the wanted signal to transmit as specified in clause 6.15.5.

b)

For NCR-MT *type 2-O*, set the signal generator for the interfering signal at the out of band blocking frequency of the wanted signal to transmit as specified in clause 6.15.5. The interfering signal shall be swept within the frequency range specified in clause 6.15.5 with the step size specified in table 6.15.4.3-1.

**Table 6.15.4.3-1: Interferer signal step size**

Frequency range (MHz)	Minimum supported NCR-MT channel bandwidth (MHz)	Measurement step size (MHz)
30 to 6000	50, 100, 200, 400	1
6000 to 60000	50	15
	100	30
	200	60
	400	60

- 7) Measure throughput according to annex A.1 for each supported polarization, for multi-carrier and/or CA operation the throughput shall be measured for relevant carriers specified by the test configuration specified in clauses 4.7.2 and 4.8.

## 6.15.5 Test requirements

For NCR *type 2-O* of WA class, the test requirement for OTA blocking is defined in TS 38.176-2 [21], clause 7.5.2.5.3.

For NCR *type 2-O* of LA class, the test requirement for OTA blocking is defined in TS 38.521-2 [20], clause 7.6.2.5.

This test requirement applies at MT RIB only.

## 6.16 OTA receiver spurious emissions

### 6.16.1 Definition and applicability

The receiver spurious emissions power is the power of emissions generated or amplified in a receiver. The receiver spurious emissions power level is measured as TRP.

This requirement applies at MT RIB only.

### 6.16.2 Minimum requirement

For NCR *type 2-O* of WA class, the OTA receiver spurious emission requirement is specified in TS 38.174 [19], clause 10.7.3.2.

For NCR *type 2-O* of LA class, the OTA receiver spurious emission requirement is specified in TS 38.101-2 [14], clause 7.9.

### 6.16.3 Test purpose

Test verifies whether receiver spurious emissions meet the requirements described in clause 6.16.5. Excess receiver spurious emissions increase the interference to other systems.

### 6.16.4 Method of test

#### 6.16.4.1 Initial conditions

Test environment: Normal; see annex B.2.

RF channels to be tested for single carrier, see clause 4.9A.1:

- For FR2:
  - B when testing from 30 MHz to  $F_{DL\_low} - \Delta f_{OBUE}$
  - T when testing from  $F_{DL\_high} + \Delta f_{OBUE}$  to 2<sup>nd</sup> harmonic (or to 60 GHz)

RF bandwidth positions to be tested in single-band operation, see clause 4.9A.1:

- For FR2:
  - $B_{RFBW}$  when testing from 30 MHz to  $F_{DL\_low} - \Delta f_{OBUE}$
  - $T_{RFBW}$  when testing from  $F_{DL\_high} + \Delta f_{OBUE}$  to 2<sup>nd</sup> harmonic (or to 60 GHz)

Directions to be tested: As the requirement is TRP the beam pattern(s) may be set up to optimise the TRP measurement procedure (see annex I) as long as the required TRP level is achieved.

#### 6.16.4.2 Procedure

The following procedure for measuring TRP is based on the directional power measurements as described in annex I. An alternative method to measure TRP is to use a characterized and calibrated reverberation chamber if so follow steps 1, 3, 4, 5, 7 and 10.

- 1) Place the NCR with its manufacturer declared coordinate system reference point in the same place as calibrated point in the test system.
- 2) Align the manufacturer declared coordinate system orientation of the NCR with the test system.
- 3) Align the NCR with the test antenna in the declared direction to be tested.
- 4) Measurements shall use a measurement bandwidth in accordance to the conditions in clause 6.16.5.
- 5) The measurement device characteristics shall be:
  - Detection mode: True RMS.
- 6) Set the TDD NCR to receive only.
- 7) Orient the positioner (and NCR) in order that the direction to be tested aligns with the test antenna such that measurements to determine TRP can be performed (see annex I).
- 8) Measure the emission at the specified frequencies with specified measurement bandwidth
- 9) Repeat step 7-10 for all directions in the appropriated TRP measurement grid needed for full TRP estimation (see annex I).

NOTE 1: The TRP measurement grid may not be the same for all measurement frequencies.

NOTE 2: The frequency sweep or the TRP measurement grid sweep may be done in any order

- 10) Calculate TRP at each specified frequency using the directional measurements.



## 6.16.5 Test requirements

For *NCR type 2-O* of WA class, the test requirement for OTA receiver spurious emission is defined in TS 38.176-2 [21], clause 7.7.5.

For *NCR type 2-O* of LA class, the test requirement for OTA receiver spurious emission is defined in TS 38.521-2 [20], clause 7.9.5.

This test requirement applies at MT RIB only.

---

# 7 Radiated performance requirements

## 7.1 NCR-MT performance requirements

### 7.1.1 General

#### 7.1.1.1 Scope and definitions

Radiated performance requirements specify the ability of the *NCR-MT type 2-O* to correctly demodulate signals in various conditions and configurations. Radiated performance requirements are specified at the RIB.

Radiated performance requirements for the NCR-MT are specified for the fixed reference channels defined in annex H and the propagation conditions in annex I. The requirements only apply to those FRCs that are supported by the NCR-MT.

The radiated performance requirements for *NCR-MT type 2-O* are limited to two OTA *demodulation branches* as described in clause 7.1.1.2. Conformance requirements can only be tested for 1 or 2 *demodulation branches* depending on the number of polarizations supported by the NCR-MT, with the required SNR applied separately per polarization.

NOTE: NCR-MT can support more than 2 *demodulation branches*, however OTA conformance testing can only be performed for 1 or 2 *demodulation branches*.

The SNR used in this clause is specified based on a single carrier and defined as:

$$\text{SNR} = S / N$$

Where:

*S* is the total signal energy in the slot on a single TAB connector (for NCR-MT type 1-C).

*N* is the noise energy in a bandwidth corresponding to the transmission bandwidth over the duration of a slot on a single TAB connector (for NCR-MT type 1-C).

#### 7.1.1.2 OTA demodulation branches

Radiated performance requirements are only specified for up to 2 *demodulation branches*.

If the *NCR-MT type 2-O* uses polarization diversity and has the ability to maintain isolation between the signals for each of the *demodulation branches*, then radiated performance requirements can be tested for up to two *demodulation branches* (i.e. 1RX or 2RX test setups). When tested for two *demodulation branches*, each demodulation branch maps to one polarization.

If the *NCR-MT type 2-O* does not use polarization diversity then radiated performance requirements can only be tested for a single *demodulation branch* (i.e. 1RX test setup).

## 7.1.2 Demodulation performance requirements

### 7.1.2.1 General

#### 7.1.2.1.1 Applicability rule for NCR-MT

##### 7.1.2.1.1.1 General

Unless otherwise stated, for an NCR-MT declared to support more than 2 demodulation branches (for *NCR-MT type 2-O*), the performance requirement tests for 2 demodulation branches shall apply, and demodulation branches is up to NCR-MT implementation.

The tests requiring more than [20] dB SNR level are set to N/A in the test requirements.

##### 7.1.2.1.1.2 Applicability of requirements for different subcarrier spacings

Unless otherwise stated, the tests shall apply only for each subcarrier spacing declared to be supported (see D.7 in table 4.6-1).

##### 7.1.2.1.1.3 Applicability of requirements for TDD with different UL-DL patterns

Unless otherwise stated, for each subcarrier spacing declared to be supported, if NCR-MT supports multiple TDD UL-DL patterns, only one of the supported TDD UL-DL patterns shall be used for all tests.

### 7.1.2.2 Performance requirements for PDSCH

#### 7.1.2.2.1 Definition and applicability

The performance requirement of PDSCH is determined by a minimum required throughput for a given SNR. The required throughput is expressed as a fraction of maximum throughput for the FRCs listed in annex H.

Which specific test(s) are applicable to NCR-MT is based on the test applicability rules defined in clause 7.1.2.1.1.

#### 7.1.2.2.2 Minimum requirements

For *NCR-MT type 2-O*, the minimum requirement is in TS 38.106 [2], clause 9.3.1.1.

#### 7.1.2.2.3 Test purpose

The test shall verify the receiver's ability to achieve throughput under multipath fading propagation conditions for a given SNR.

#### 7.1.2.2.4 Method of test

##### 7.1.2.2.4.1 Initial conditions

Test environment: Normal, see annex B.2.

RF channels to be tested for single carrier: M, see clause 4.9.1.

RF channels to be tested for carrier aggregation:  $M_{\text{BW Channel CA}}$ ; see clause 4.9.1.

Direction to be tested: OTA REFSSENS *receiver target reference direction* (see D.x in table 4.6-1).

##### 7.1.2.2.4.2 Test procedure

- 1) Place the NCR-MT with its manufacturer declared coordinate system reference point in the same place as calibrated point in the test system, as shown in annex E.6.
- 2) Align the manufacturer declared coordinate system orientation of the NCR-MT with the test system.

- 3) Set the NCR-MT in the declared direction to be tested.
- 4) Connect the NCR-MT tester generating the wanted signal, multipath fading simulators and AWGN generators to a test antenna via a combining network in OTA test setup, as shown in annex E.6. Each of the demodulation branch signals should be transmitted on one polarization of the test antenna(s).
- 5) The characteristics of the wanted signal shall be configured according to the corresponding DL reference measurement channel defined in annex I, and according to additional test parameters listed in table 7.1.2.2.4.2-1.

**Table: 7.1.2.2.4.2-1 Test parameters for testing PDSCH**

Parameter		NCR-MT type 2-O
Cyclic prefix		Normal
Default TDD UL-DL pattern (Note)		3D1S1U, S=10D:2G:2U
HARQ	Maximum number of HARQ transmissions	4 for Table 7.1.2.2.5.2-1 1 for Table 7.1.2.2.5.2-2
	RV sequence	0, 2, 3, 1
DM-RS	DM-RS configuration type	1
	DM-RS duration	single-symbol DM-RS
	DM-RS position ( $l_0$ )	2
	Additional DM-RS position	pos1
	Number of DM-RS CDM group(s) without data	1
	DM-RS port(s)	{1000}
	DM-RS sequence generation	NID0=0
Time domain resource assignment	PDSCH mapping type	A
	Start symbol	1
	Allocation length	13
Frequency domain resource assignment	RB assignment	Full applicable test bandwidth
PT-RS configuration	Frequency density ( $K_{PT-RS}$ )	2
	Time density ( $L_{PT-RS}$ )	1
PRB bundling size		2
VRB-to-PRB mapping type		Not interleaved
PDSCH & PDSCH DMRS Precoding configuration		Single Panel Type I, Random precoder selection updated per slot, with equal probability of each applicable $i_1, i_2$ combination, and with PRB bundling granularity

- 6) The multipath fading emulators shall be configured according to the corresponding channel model defined in annex I.
- 7) Adjust the test signal mean power so the calibrated radiated SNR value at the NCR-MT receiver is as specified in clause 7.1.2.2.5.1 for NCR-MT type 2-O respectively, and that the SNR at the NCR-MT receiver is not impacted by the noise floor.

The power level for the transmission may be set such that the AWGN level at the RIB is equal to the AWGN level in table 7.1.2.2.4.2-2.

Table 7.1.2.2.4.2-2: AWGN power level at the NCR-MT input

NCR-MT type	Sub-carrier spacing (kHz)	Channel bandwidth (MHz)	AWGN power level
NCR-MT type 2-O	120	100	$EIS_{REFSENS\_50M} + \Delta_{FR2\_REFSENS} + 18$ dBm / 95.04 MHz
NOTE 2: $\Delta_{FR2\_REFSENS} = -3$ dB as described in clause 6.1, since the OTA REFSENS reference direction (as declared in D.x in table 4.6-1) is used for testing.			
NOTE 3: $EIS_{REFSENS\_50M}$ as declared in D.y in table 4.6-1.			

8) For reference channels applicable to the NCR-MT, measure the throughput and BLER.

### 7.1.2.2.5 Test requirements

#### 7.1.2.2.5.1 Test requirement for NCR-MT type 2-O

The throughput or BLER shall be equal to or larger than the fraction of maximum throughput of BLER for the FRCs stated in Tables 7.1.2.2.5.2-1 and 7.1.2.2.5.2-2 at the given SNR with the test parameters stated in Table 7.1.2.2.4.2-1.

Table 7.1.2.2.5.2-1: Minimum requirements for PDSCH Type A with Rank 1

Test number	FRC (Annex H)	Bandwidth (MHz) / Subcarrier spacing (kHz)	Propagation conditions (Annex I)	Antenna configuration	Fraction of maximum throughput (%)	SNR (dB)
1-1	M-FR2-NCR.1.1-1	100/120	TDLA30-75	2x2, ULA Low	70	-0.1

Table 7.1.2.2.5.2-2: Minimum requirements for PDSCH Type A with Rank 1

Test number	FRC (Annex H)	Bandwidth (MHz) / Subcarrier spacing (kHz)	Propagation conditions (Annex I)	Antenna configuration	Fraction of maximum BLER (%)	SNR (dB)
1-1	M-FR2-NCR.1.1-1	100/120	TDLA30-75	2x2, ULA Low	1	3.6

### 7.1.2.3 Demodulation performance requirements for PDCCH

#### 7.1.2.3.1 Definition and applicability

The receiver characteristics of the PDCCH are determined by the probability of miss-detection of the Downlink Scheduling Grant (Pm-dsg).

Which specific test(s) are applicable to NCR-MT is based on the test applicability rules defined in clause 7.1.2.1.1.

#### 7.1.2.3.2 Minimum requirement

For NCR-MT type 2-O, the minimum requirement is in TS 38.106 [2], clause 9.3.1.2.

#### 7.1.2.3.3 Test purpose

The test shall verify the receiver's ability to detect the Downlink Scheduling Grant (Pm-dsg) under multipath fading propagation conditions for a given SNR.

#### 7.1.2.3.4 Method of test

##### 7.1.2.3.4.1 Initial conditions

Test environment: Normal, see annex B.2.

RF channels to be tested for single carrier: M, see clause 4.9.1.

RF channels to be tested for carrier aggregation:  $M_{BW\ Channel\ CA}$ ; see clause 4.9.1.

Direction to be tested: OTA REFSENS *receiver target reference direction* (see D.x in table 4.6-1).

#### 7.1.2.3.4.2 Test procedure

- 1) Place the NCR-MT with its manufacturer declared coordinate system reference point in the same place as calibrated point in the test system, as shown in annex E.6.
- 2) Align the manufacturer declared coordinate system orientation of the NCR-MT with the test system.
- 3) Set the NCR-MT in the declared direction to be tested.
- 4) Connect the NCR-MT tester generating the wanted signal, multipath fading simulators and AWGN generators to a test antenna via a combining network in OTA test setup, as shown in annex E.6. Each of the demodulation branch signals should be transmitted on one polarization of the test antenna(s).
- 5) The characteristics of the wanted signal shall be configured according to the corresponding DL reference measurement channel defined in annex H, and according to additional test parameters listed in table 7.1.2.3.4.2-1.

**Table: 7.1.2.3.4.2-1 Test parameters for testing PDCCH**

Parameter	NCR-MT type 2-O
Cyclic prefix	Normal
Default TDD UL-DL pattern (Note)	3D1S1U, S=10D:2G:2U
DM-RS sequence generation	NID=0
Frequency domain resource allocation for CORESET	Start from RB = 0 with contiguous RB allocation
CCE to REG mapping type	Interleaved
Interleaver size	3 for test with aggregation level 2, 8 2 for test with aggregation level 4
REG bundle size	2 for test with aggregation level 2, 8 6 for test with aggregation level 4
Shift Index	0
Slots for PDCCH monitoring	Each slot
Number of PDCCH candidates for the tested aggregation level	1
PDCCH Precoding configuration	Single Panel Type I, Random precoder selection updated per slot, with equal probability of each applicable $i_1, i_2$ combination with REG bundling granularity for number of Tx larger than 1
NOTE: The same requirements are applicable to TDD with different UL-DL patterns.	

- 6) The multipath fading emulators shall be configured according to the corresponding channel model defined in annex I.
- 7) Adjust the test signal mean power so the calibrated radiated SNR value at the NCR-MT receiver is as specified in clause 7.1.2.3.5.1 for *NCR-MT type 2-O* respectively, and that the SNR at the NCR-MT receiver is not impacted by the noise floor.

The power level for the transmission may be set such that the AWGN level at the RIB is equal to the AWGN level in table 7.1.2.3.4.2-2.

**Table 7.1.2.3.4.2-2: AWGN power level at the NCR-MT input**

NCR-MT type	Sub-carrier spacing (kHz)	Channel bandwidth (MHz)	AWGN power level
NCR-MT type 2-O	120	100	$EIS_{REFSENS\_50M} + \Delta_{FR2\_REFSENS} + 18$ dBm / 95.04 MHz
NOTE 1: $\Delta_{FR2\_REFSENS} = -3$ dB as described in clause 7.1, since the OTA REFSENS reference direction (as declared in D.x in table 4.6-1) is used for testing.			
NOTE 2: $EIS_{REFSENS\_50M}$ as declared in D.y in table 4.6-1.			

- 8) For reference channels applicable to the NCR-MT, measure the miss-detection of the Downlink Scheduling Grant (Pm-dsg).

### 7.1.2.3.5 Test requirements

#### 7.1.2.3.5.1 Test requirement for NCR-MT type 2-O

The Pm-dsg shall be equal to or smaller than 1%, for the cases stated in Table 7.1.2.3.5.1-1 at the given SNR with the test parameters stated in Table 7.1.2.3.4.2-1.

**Table 7.1.2.3.5.2-1: Minimum requirements for PDCCH**

Test number	Bandwidth (MHz) / Subcarrier spacing (kHz)	CORESET RB	CORESET duration	Aggregation level	FRC (Annex H)	Propagation conditions (Annex I)	Antenna configuration	Pm-dsg (%)	SNR (dB)
1-1	100/120	60	1	2	M-FR2-NCR. 1.2-1	TDLA30-75	1x2, ULA Low	1	8.1
1-2	100/120	60	1	4	M-FR2-NCR. 1.2-2	TDLA30-75	1x2, ULA Low	1	4.6
1-3	100/120	60	1	8	M-FR2-NCR. 1.2-3	TDLA30-75	2x2, ULA Low	1	1.9

### 7.1.3 CSI reporting requirements

#### 7.1.3.1 General

##### 7.1.3.1.1 Applicability of requirements

Unless otherwise stated, the tests shall apply only for each subcarrier spacing declared to be supported.

Unless otherwise stated, for each subcarrier spacing declared to be supported, if NCR-MT supports multiple TDD UL-DL patterns, only one of the supported TDD UL-DL patterns shall be used for all tests.

##### 7.1.3.1.2 Common test parameters

Parameters specified in Table 7.1.3.1.2-1 are applied for all test cases in this clause unless otherwise stated.

Table 7.1.3.1.2-1: Test parameters for CSI test cases

Parameter		Unit	Value
PDSCH transmission scheme			Transmission scheme 1
Duplex mode			TDD
PTRS epre-Ratio			0
Actual carrier configuration	Offset between Point A and the lowest usable subcarrier on this carrier (Note 3)	RBs	0
	Subcarrier spacing	kHz	120
DL BWP configuration #1	Cyclic prefix		Normal
	RB offset	RBs	0
	Number of contiguous PRB	PRBs	66
Active DL BWP index			1
PDSCH configuration	Mapping type		Type A
	k0		0
	Starting symbol (S)		2
	Length (L)		12
	PDSCH aggregation factor		1
	PRB bundling type		Static
	PRB bundling size		2
	Resource allocation type		type 0
	RBG size		Config 2
	VRB-to-PRB mapping type		Non-interleaved
	VRB-to-PRB mapping interleaver bundle size		N/A
PDSCH DMRS configuration	DMRS Type		Type 1
	Number of additional DMRS		1
	Maximum number of OFDM symbols for DL front loaded DMRS		1
	DMRS ports indexes		{1000} for Rank1 {1000,1001} for Rank2
	Number of PDSCH DMRS CDM group(s) without data		2
PTRS configuration	Frequency density ( $K_{PT-RS}$ )		2
	Time density ( $L_{PT-RS}$ )		1
	Resource Element Offset		2
NZP CSI-RS for CSI acquisition	Frequency Occupation		Start PRB 0 Number of PRB = BWP size
Redundancy version coding sequence			{0,2,3,1}

### 7.1.3.2 Reporting of Channel Quality Indicator (CQI)

#### 7.1.3.2.1 Definition and applicability

The performance requirement of CSI reporting is determined by the reporting variance and the BLER performance using the transport format indicated by the reported CQI. The purpose is to verify that the reported CQI values are in accordance with the CQI definition given in TS 38.214 [15]. To account for sensitivity of the input SNR the reporting definition is considered to be verified if the reporting accuracy is met for at least one of two SNR levels separated by an offset of 1 dB.

#### 7.1.3.2.2 Minimum requirement

The minimum requirement for *NCR-MT type 2-O* is in TS 38.106 [2] clause 9.4.1.

#### 7.1.3.2.3 Test purpose

The test shall verify the receiver's ability to report correct median CQI and expected BLER performance under AWGN conditions.

#### 7.1.3.2.4 Method of test

##### 7.1.3.2.4.1 Initial conditions

Test environment: Normal, see annex B.2.

RF channels to be tested for single carrier:  $M$ ; see clause 4.9.1.

RF channels to be tested for carrier aggregation:  $M_{\text{BW Channel CA}}$ ; see clause 4.9.1.

Direction to be tested: OTA REFSENS *receiver target reference direction* (see D.x in table 4.6-1).

##### 7.1.3.2.4.2 Procedure

- 1) Place the NCR-MT with its manufacturer declared coordinate system reference point in the same place as calibrated point in the test system, as shown in annex E.7.
- 2) Align the manufacturer declared coordinate system orientation of the NCR-MT with the test system.
- 3) Set the NCR-MT in the declared direction to be tested.
- 4) Connect the NCR-MT tester generating the wanted signal and AWGN generators to a test antenna via a combining network in OTA test setup, as shown in annex E.7. Each of the demodulation branch signals should be transmitted on one polarization of the test antenna(s).
- 5) The characteristics of the wanted signal shall be configured according to the corresponding DL reference measurement channel defined in annex H, and according to additional test parameters listed in table 7.1.3.2.4.2-1.



**Table 7.1.3.2.4.2-1: Test parameters for testing CQI reporting requirements for FR2**

Parameter		Unit	Test 1	Test 2
Bandwidth		MHz	100	
Subcarrier spacing		kHz	120	
Duplex Mode			TDD	
SNR <sub>BB</sub>		dB	8	9   14   15
Propagation channel			AWGN	
Antenna configuration			2x2 with static channel specified in Annex I.1	
Beamforming Model			As specified in Annex I.3.1	
NZIP CSI-RS for CSI acquisition	CSI-RS resource Type		Periodic	
	Number of CSI-RS ports (X)		2	
	CDM Type		fd-CDM2	
	Density (ρ)		1	
	First subcarrier index in the PRB used for CSI-RS (k <sub>0</sub> , k <sub>1</sub> )		6	
	First OFDM symbol in the PRB used for CSI-RS (l <sub>0</sub> , l <sub>1</sub> )		13	
	NZIP CSI-RS-timeConfig periodicity and offset	slot	5/1	
ReportConfigType		Periodic		
CQI-table		Table 1		
reportQuantity		cri-RI-PMI-CQI		
timeRestrictionForChannelMeasurements		Not configured		
timeRestrictionForInterferenceMeasurements		Not configured		
cqi-FormatIndicator		Wideband		
pmi-FormatIndicator		Wideband		
Sub-band Size	RB	8		
csi-ReportingBand		111111111		
CSI-Report periodicity and offset	slot	5/4		
Codebook configuration	Codebook Type		type1-SinglePanel	
	Codebook Mode		1	
	(CodebookConfig-N1, CodebookConfig-N2)		Not configured	
	CodebookSubsetRestriction		010000	
	RI Restriction		N/A	
CQI/RI/PMI delay	ms	1.75		
Maximum number of HARQ transmission		1		
Measurement channel		M-FR2-NCR.1.3-1		
Note 1: The same requirements are applicable for TDD with different UL-DL pattern.				
Note 2: SSB, TRS, CSI-RS and/or other unspecified test parameters with respect to TS 38.101-4 [16] are left up to test implementation, if transmitted or needed.				
Note 3: If the NCR-MT reports in an available uplink reporting instance at slot #n based on PMI estimation at a downlink slot not later than slot#(n-4), this reported PMI cannot be applied at the gNB downlink before slot#(n+4).				

- 7) Adjust the test signal mean power so the calibrated radiated SNR value at the NCR-MT receiver is as specified in clause 7.1.3.2.5.1, and that the SNR at the NCR-MT receiver is not impacted by the noise floor.

The power level for the transmission may be set such that the AWGN level at the RIB is equal to the AWGN level in table 7.1.3.2.4.2-2.

**Table 7.2.3.2.4.2-2: AWGN power level at the NCR-MT input**

NCR-MT type	Sub-carrier spacing (kHz)	Channel bandwidth (MHz)	AWGN power level
NCR-MT type 2-O	120	100	EISREFSENS_50M + ΔFR2_REFSENS + 18 dBm / 95.04 MHz
NOTE 1: ΔFR2_REFSENS = -3 dB as described in clause 7.1, since the OTA REFSENS reference direction (as declared in D.x in table 4.6-1) is used for testing.			
NOTE 2: EISREFSENS_50M as declared in D.y in table 4.6-1.			

- 8) For reference channels applicable to the NCR-MT, measure the median CQI and the BLER at (median CQI +1) and (median CQI -1).

#### 7.1.3.2.5 Test requirement

##### 7.1.3.2.5.1 Test requirement for NCR type 2-O

For the parameters specified in Table 7.1.3.2.4.2-1, the minimum requirements are specified by the following:

- a) the reported CQI value shall be in the range of  $\pm 1$  of the reported median more than 90% of the time
- b) if the PDSCH BLER using the transport format indicated by median CQI is less than or equal to 0.1, the BLER using the transport format indicated by the (median CQI + 1) shall be greater than 0.1. If the PDSCH BLER using the transport format indicated by the median CQI is greater than 0.1, the BLER using transport format indicated by (median CQI – 1) shall be less than or equal to 0.1.

## Annex A (normative): Repeater stimulus signals

### A.1 Repeater stimulus signal 1

This repeater stimulus signal shall be used for tests on:

- Uplink maximum output power
- Uplink operating band unwanted emissions
- Uplink spurious emissions

Two uplink fixed reference channels for performance requirements (16QAM  $\frac{3}{4}$ ) for FDD according to the TS38.141-2 [x], [A.4 table A.4-1, channel reference A4-3 of 50 MHz] bandwidth generated on separate centre frequencies with equal power and combined with a time difference of [266,7  $\mu$ s (4 OFDM symbols)].

The PUSCH data payload shall contain only zeroes (0000 0000)

Each reference channel shall be subjected to time windowing and filtering so that it fulfils the spectral purity requirements defined in A.3

### A.2 Repeater stimulus signal 2

This repeater stimulus signal shall be used for tests on:

- Downlink operating band unwanted emissions
- Downlink spurious emissions

Two NR-FR2-TM1.1 channels according to the TS38.141-2 [x] of 50 MHz bandwidth generated on separate centre frequencies with equal power and combined with a time difference of [1400  $\mu$ s (21 OFDM symbols)].

Each NR-FR2-TM1.1 channel shall be subjected to time windowing and filtering so that it fulfils the spectral purity requirements defined in A.3.

### A.3 Repeater stimulus signal spectral purity requirements

The reference channels or test models constituting the repeater stimulus signal shall fulfil the spectral purity requirements defined by tables A.3-1 , A.3-2 and A.3-3, where;

**Table A.3-1: Repeater stimulus signal spectral purity requirements for frequency range 24.25 GHz ~ 33.4 GHz**

Center frequency of measurement filter	Minimum requirements	Measurement filter type and filter bandwidth	Integration bandwidth
0.5 MHz outside from channel edge	28.7 dBc (Note 1)	Square (1 MHz)	1 MHz
Center of adjacent channel frequency with same nominal channel BW	28.7 dBc (Note 2)	Square (nominal channel BW)	Nominal channel BW
NOTE 1: the reference spectral density shall be taken at the carrier center frequency with an integration bandwidth of 1 MHz.			
NOTE 2: the reference spectral density shall be taken at the carrier center frequency with an integration bandwidth of nominal carrier BW			

**Table A.3-2: Repeater stimulus signal spectral purity requirements for frequency range 37.0 GHz ~ 43.5 GHz**

Center frequency of measurement filter	Minimum requirements	Measurement filter type and filter bandwidth	Integration bandwidth
0.5 MHz outside from channel edge	26.4 dBc (Note 1)	Square (1 MHz)	1 MHz
Center of adjacent channel frequency with same nominal channel BW	26.4 dBc (Note 2)	Square (nominal channel BW)	Nominal channel BW
NOTE 1: the reference spectral density shall be taken at the carrier center frequency with an integration bandwidth of 1 MHz. NOTE 2: the reference spectral density shall be taken at the carrier center frequency with an integration bandwidth of nominal carrier BW			

**Table A.3-3: Repeater stimulus signal spectral purity requirements for frequency range 43.5 GHz ~ 48.2 GHz**

Center frequency of measurement filter	Minimum requirements	Measurement filter type and filter bandwidth	Integration bandwidth
0.5 MHz outside from channel edge	26.2 dBc (Note 1)	Square (1 MHz)	1 MHz
Center of adjacent channel frequency with same nominal channel BW	26.2 dBc (Note 2)	Square (nominal channel BW)	Nominal channel BW
NOTE 1: the reference spectral density shall be taken at the carrier center frequency with an integration bandwidth of 1 MHz. NOTE 2: the reference spectral density shall be taken at the carrier center frequency with an integration bandwidth of nominal carrier BW			

---

## Annex B (normative): Environmental requirements for the Repeater equipment

---

### B.1 General

For each test in the present document, the environmental conditions under which the repeater is to be tested are defined.

---

### B.2 Normal test environment

When a normal test environment is specified for a test, the test should be performed within the minimum and maximum limits of the conditions stated in table B.2.1.

**Table B.2-1: Limits of conditions for normal test environment**

Condition	Minimum	Maximum
Barometric pressure	86 kPa	106 kPa
Temperature	15 °C	30 °C
Relative humidity	20 %	85 %
Power supply	Nominal, as declared by the manufacturer	
Vibration	Negligible	

The ranges of barometric pressure, temperature and humidity represent the maximum variation expected in the uncontrolled environment of a test laboratory. If it is not possible to maintain these parameters within the specified limits, the actual values shall be recorded in the test report.

NOTE: This may, for instance, be the case for measurements of radiated emissions performed on an open field test site.

---

### B.3 Extreme test environment

The manufacturer shall declare one of the following:

- 1) The equipment class for the equipment under test, as defined in the IEC 60 721-3-3 [7];
- 2) The equipment class for the equipment under test, as defined in the IEC 60 721-3-4 [8];
- 3) The equipment that does not comply with the mentioned classes, the relevant classes from IEC 60 721 [9] documentation for temperature, humidity and vibration shall be declared.

NOTE: Reduced functionality for conditions that fall outside of the standard operational conditions is not tested in the present document. These may be stated and tested separately.

#### B.3.1 Extreme temperature

When an extreme temperature test environment is specified for a test, the test shall be performed at the standard minimum and maximum operating temperatures defined by the manufacturer's declaration for the equipment under test.

**Minimum temperature:**

The test shall be performed with the environment test equipment and methods including the required environmental phenomena into the equipment, conforming to the test procedure of IEC 60 068-2-1 [10].

**Maximum temperature:**

The test shall be performed with the environmental test equipment and methods including the required environmental phenomena into the equipment, conforming to the test procedure of IEC 60 068-2-2 [11].

NOTE: It is recommended that the equipment is made fully operational prior to the equipment being taken to its lower operating temperature.

---

## B.4 Vibration

When vibration conditions are specified for a test, the test shall be performed while the equipment is subjected to a vibration sequence as defined by the manufacturer's declaration for the equipment under test. This shall use the environmental test equipment and methods of inducing the required environmental phenomena in to the equipment, conforming to the test procedure of IEC 60 068-2-6 [12]. Other environmental conditions shall be within the ranges specified in annex A.2.

NOTE: The higher levels of vibration may induce undue physical stress in to equipment after a prolonged series of tests. The testing body should only vibrate the equipment during the RF measurement process.

---

## B.5 Power supply

When extreme power supply conditions are specified for a test, the test shall be performed at the standard upper and lower limits of operating voltage defined by manufacturer's declaration for the equipment under test.

### Upper voltage limit:

The equipment shall be supplied with a voltage equal to the upper limit declared by the manufacturer (as measured at the input terminals to the equipment). The tests shall be carried out at the steady state minimum and maximum temperature limits declared by the manufacturer for the equipment, to the methods described in IEC 60 068-2-1 [10] Test Ab/Ad and IEC 60 068-2-2 [11] Test Bb/Bd: Dry heat.

### Lower voltage limit:

The equipment shall be supplied with a voltage equal to the lower limit declared by the manufacturer (as measured at the input terminals to the equipment). The tests shall be carried out at the steady state minimum and maximum temperature limits declared by the manufacturer for the equipment, to the methods described in IEC 60 068-2-1 [10] Test Ab/Ad and IEC 60 068-2-2 [11] Test Bb/Bd: Dry heat.

---

## B.6 Measurement of test environments

The measurement accuracy of the repeater test environments defined in annex A shall be:

Pressure:  $\pm 5$  kPa

Temperature:  $\pm 2$  degrees

Relative humidity:  $\pm 5$  %

DC voltage:  $\pm 1.0$  %

AC voltage:  $\pm 1.5$  %

Vibration: 10 %

Vibration frequency: 0.1 Hz

The above values shall apply unless the test environment is otherwise controlled and the specification for the control of the test environment specifies the uncertainty for the parameter.



---

## Annex C (informative): Test tolerances and derivation of test requirements



## C.1 Measurement of radiated characteristics

**Table C.1-1: Derivation of test requirements (radiated tests)**

Test	Minimum requirement in TS 38.106 [2]	Test Tolerance (TT)	Test requirement in the present document
6.2 Radiated transmit power (EIRP)	See TS 38.106 [2], clause 7.2	Normal conditions: 1.7 dB, 24.25GHz < f ≤ 29.5GHz 2.0 dB, 37GHz < f ≤ 43.5GHz 2.2 dB, 43.5GHz < f ≤ 48.2GHz Extreme conditions: 3.1 dB, 24.25GHz < f ≤ 29.5GHz 3.3 dB, 37GHz < f ≤ 43.5GHz 3.5 dB, 43.5GHz < f ≤ 48.2GHz	Formula: Upper limit + TT, Lower limit – TT
6.3 OTA repeater output power (TRP)		2.1 dB, 24.25GHz < f ≤ 29.5GHz 2.4 dB, 37GHz < f ≤ 43.5GHz 2.6 dB, 43.5GHz < f ≤ 48.2GHz	Formula: Upper limit + TT, Lower limit – TT
6.4 OTA frequency stability	See TS 38.106 [2], clause 7.3	12 Hz	Formula: Frequency Error limit + TT
6.5 OTA out of band gain	See TS 38.106 [2], clause 7.4	±2.1 dB, 24.25GHz < f □ 29.5GHz ±2.4 dB, 37GHz < f □ 43.5GHz ±2.6 dB, 43.5GHz < f □ 48.2GHz	Formula: Minimum Requirement + TT
6.6.2 OTA ACLR	See TS 38.106 [2], clause 7.5.2	Relative: 2.3 dB, 24.25GHz < f ≤ 29.5GHz 2.6 dB, 37GHz < f ≤ 43.5GHz 2.8 dB, 43.5GHz < f ≤ 48.2GHz Absolute: 2.7 dB, 24.25GHz < f ≤ 29.5GHz 2.7 dB, 37GHz < f ≤ 43.5GHz 2.9 dB, 43.5GHz < f ≤ 48.2GHz	Formula: Relative limit - TT Absolute limit +TT
6.6.3 OTA operating band unwanted emission	See TS 38.106 [2], clause 7.5.3	0 MHz ≤ Δf < 0.1*BW <sub>contiguous</sub> 2.7 dB, 24.25GHz < f ≤ 29.5GHz 2.7 dB, 37GHz < f ≤ 43.5GHz 2.9 dB, 43.5GHz < f ≤ 48.2GHz 0.1*BW <sub>contiguous</sub> ≤ Δf < Δf <sub>max</sub> 0 dB	Formula: Minimum Requirement + TT
6.6.4 OTA spurious emissions	See TS 38.106 [2], clause 7.5.4	0 dB	Formula: Minimum Requirement + TT
6.7 OTA EVM	See TS 38.106 [2], clause 7.6	1.4%, Up to 16QAM 1.5%, 64QAM NOTE 2 1.8%, 256QAM Note 3	Test requirement limit shifted by RSS of minimum requirement and stimulus signal EVM. Analyser error added to requirement limit. Formula: EVM limit + TT

6.7 OTA input intermodulation	See TS 38.106 [2], clause 7.7	$\pm 2.0$ dB, $f \leq 3.0$ GHz $\pm 2.6$ dB, $3.0$ GHz $< f \leq 4.2$ GHz $\pm 3.2$ dB, $4.2$ GHz $< f \leq 6.0$ GHz	Formula: Minimum Requirement + TT
6.9 OTA ACRR	See TS 38.106 [2], clause 7.8	$\pm 2.7$ dB (24.25 – 29.5 GHz) $\pm 2.7$ dB (37 – 43.5 GHz) $\pm 2.9$ dB (43.5 GHz $< f \leq 48.2$ GHz)	Formula: Minimum Requirement – TT
6.10.1 OTA transmitter OFF power	See TS 38.106 [2], clause 7.9.2	2.9 dB, 24.25GHz $< f \leq 29.5$ GHz 3.3 dB, 37GHz $< f \leq 43.5$ GHz 3.6 dB, 43.5GHz $< f \leq 48.2$ GHz	Formula: Minimum Requirement + TT
6.10 OTA output power dynamics	See TS 38.106 [2], clause 7.10.2	$\pm 0.7$ dB, BW $\leq 40$ MHz $\pm 1.0$ dB, 40MHz $< f \leq 100$ MHz	Formula: Minimum Requirement + TT <b>TBD</b>
6.11 OTA transmit signal quality	See TS 38.106 [2], clause 7.11.2 and 7.11.3	$\pm 0.01$ ppm	Formula: Minimum Requirement + TT <b>TBD</b>
6.12 OTA reference sensitivity	See TS 38.106 [2], clause 7.11.2 and 7.13.2	$\pm 3.3$ dB, 24.25 GHz $< f \leq 29.5$ GHz $\pm 3.3$ dB, 37 GHz $< f \leq 43.5$ GHz	Formula: Minimum Requirement + TT <b>TBD</b>
6.13 OTA maximum input level	See TS 38.106 [2], clause 7.14.2	0dB	Formula: Minimum Requirement + TT <b>TBD</b>
6.14 OTA adjacent channel selectivity	See TS 38.106 [2], clause 7.15.2	$\pm 4.2$ dB, 24.25 GHz $< f \leq 29.5$ GHz $\pm 4.2$ dB, 37 GHz $< f \leq 43.5$ GHz	Formula: Minimum Requirement + TT <b>TBD</b>
6.15 OTA blocking characteristics	See TS 38.106 [2], clause 7.16.2	In-band blocking:  $\pm 4.2$ dB, 24.25 GHz $< f \leq 29.5$ GHz $\pm 4.2$ dB, 37 GHz $< f \leq 43.5$ GHz  Out of band blocking:  $\pm 4.4$ dB, 24.25 GHz $< f \leq 29.5$ GHz $\pm 4.4$ dB, 37 GHz $< f \leq 43.5$ GHz	Formula: Minimum Requirement + TT <b>TBD</b>

6.16 OTA spurious emissions	See TS 38.106 [2], clause 7.17.2	$\pm 2.5$ dB, $30 \text{ MHz} \leq f \leq 6 \text{ GHz}$ $\pm 2.9$ dB, $6 \text{ GHz} < f \leq 40 \text{ GHz}$ $\pm 5.2$ dB, $40 \text{ GHz} < f \leq 60 \text{ GHz}$	Formula: Minimum Requirement + TT <b>TBD</b>
6.10.2 OTA transient period	See TS 38.106 [2], clause 7.9.3	N/A	
<p>NOTE 1: TT values are applicable for normal condition unless otherwise stated.</p> <p>NOTE 2: Support of 64QAM is based on the declaration</p> <p>NOTE 3: Support of 256QAM is based on the declaration.</p>			

---

## Annex D (normative): Calibration

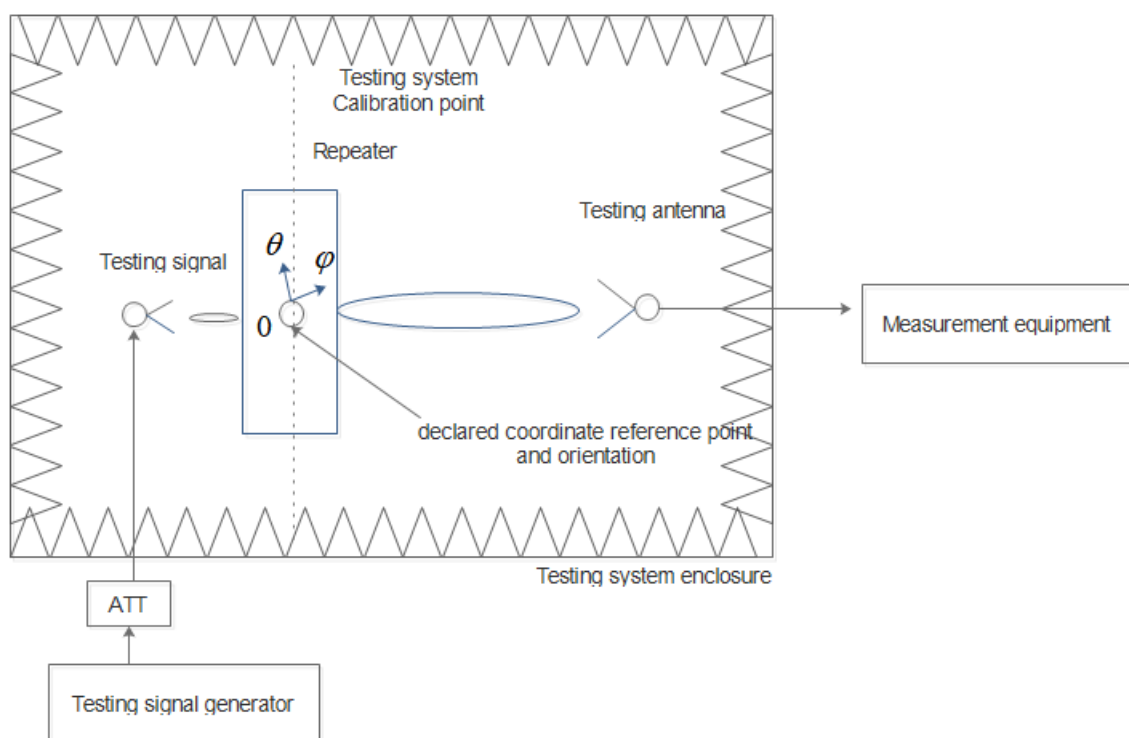
For Repeater type 2-O and NCR type 2-O, OTA test requirements specific and OTA measurement chamber specific calibration (and measurement) procedures were captured in [13] for the following requirements sets:

- TX directional requirements
- within passband and out-of-passband TRP requirements.

## Annex E (informative): OTA measurement system set-up

For the measurement setup for NCR-MT type 2-O, the existing measurement setup in Annex E.1 of TS 38.176-2 [21] is applicable.

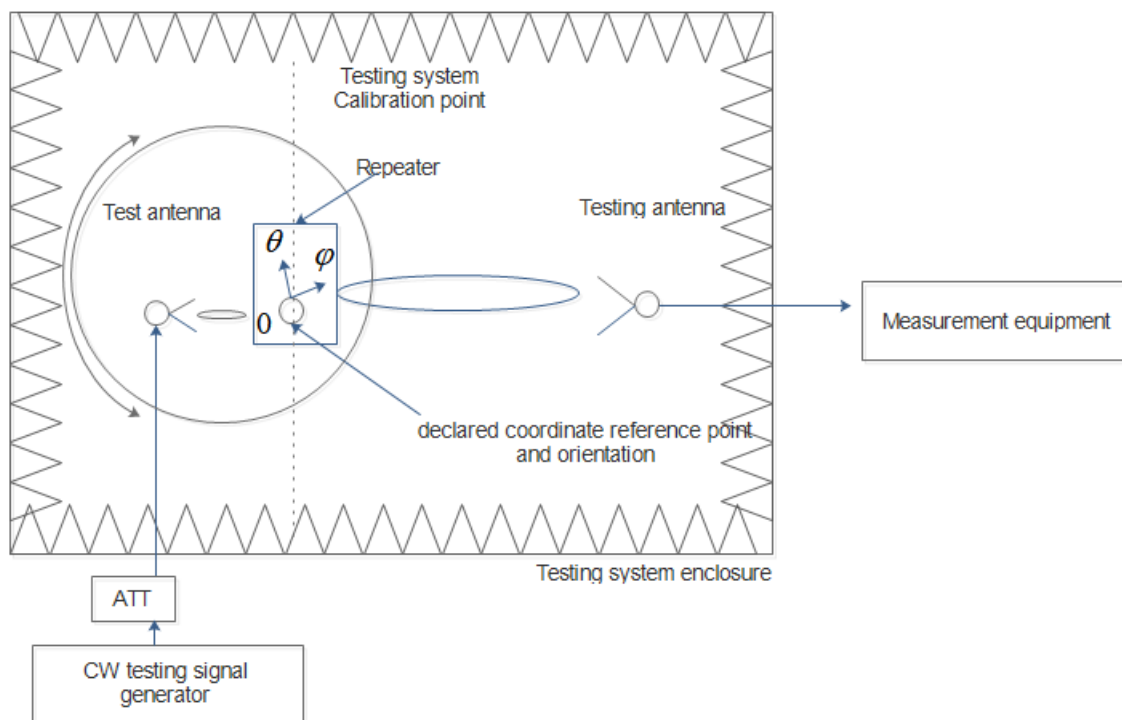
### E.1 OTA output power EIRP, OTA Frequency stability, OTA Error Vector Magnitude and OTA Transmit ON/OFF power



**Figure E.1-1: Measuring system set-up for maximum EIRP testing**

- Note 1: The repeater is a bi-directional device. The signal generator may need protection.
- Note 2: The OTA chamber shown in figure E.1-1 is intended to be generic and can be replaced with any suitable OTA chamber (Far field anechoic chamber, etc.)
- Note 3: UL/DL timing can be provided to the repeater.
- Note 4: This is applicable for both repeater and NCR
- Note 5: For NCR-MT conformance testing, testing signal for NCR-Fwd input should be terminated.

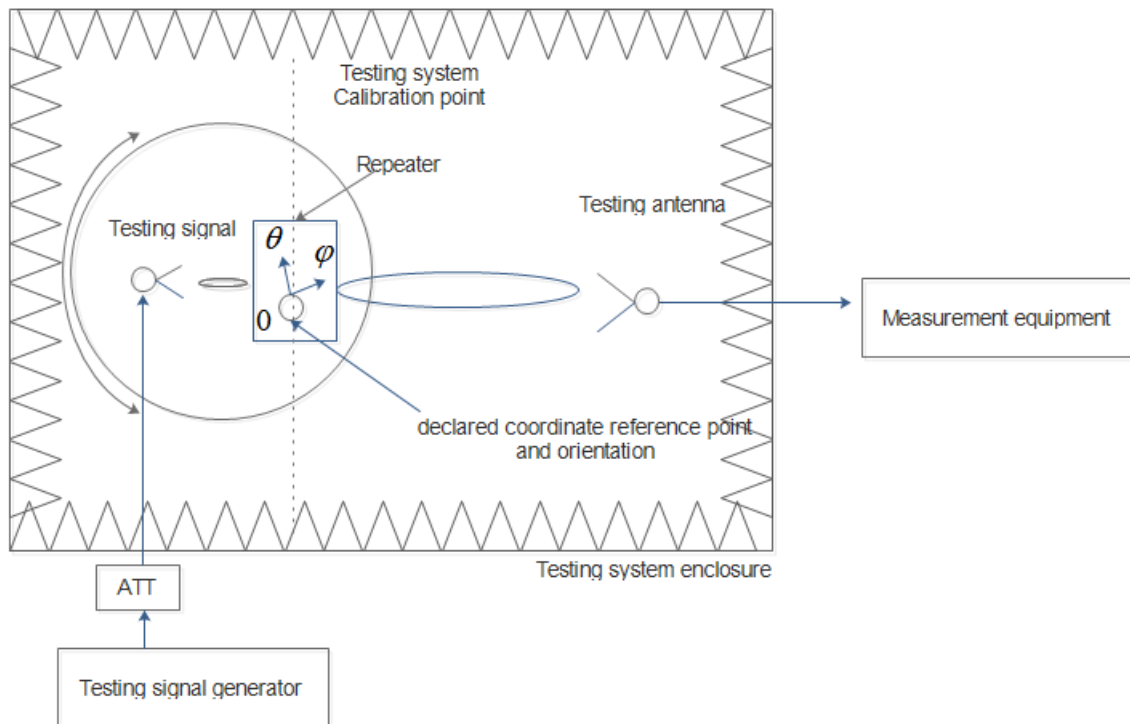
## E.2 Out of band gain



**Figure E.2-1: Measuring system set-up for out of band gain**

- Note 1: That repeater is a bi-directional device. The signal generator may need protection.
- Note 2: The OTA chamber shown in figure E.2-1 is intended to be generic and can be replaced with any suitable OTA chamber (Far field anechoic chamber, etc.)
- Note 3: It is possible to keep the repeater static but move the measurement probes or use multiple probe.
- Note 4: This is applicable for both repeater and NCR.

## E.3 Unwanted emission: Operating band unwanted emission and ACLR

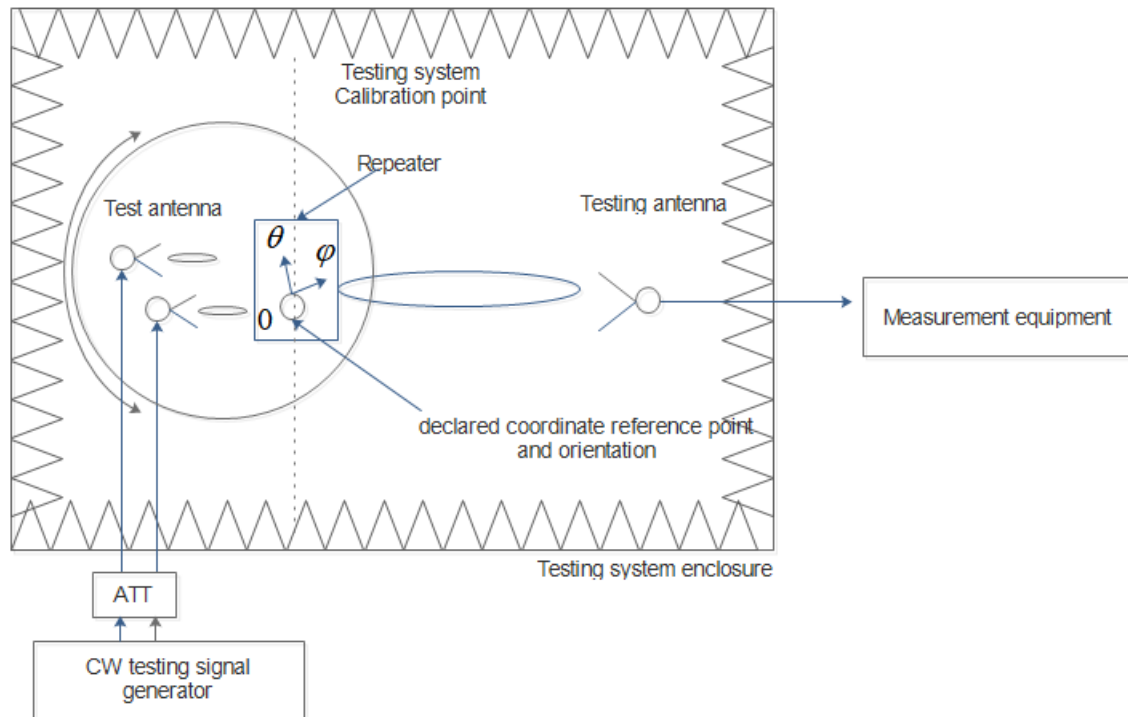


**Figure E.3-1: Measuring system set-up for unwanted emission: ACLR, Operating band unwanted emission and spurious emission requirement**

- Note 1: That repeater is a bi-directional device. The signal generator may need protection.
- Note 2: The OTA chamber shown in figure E.3-1 is intended to be generic and can be replaced with any suitable OTA chamber (Far field anechoic chamber, etc.)
- Note 3: It is possible to keep the repeater static but move the measurement probes or use multiple probe.
- Note 4: UL/DL timing can be provided to the repeater.
- Note 5: This is applicable for both repeater and NCR.
- Note 6: For NCR-MT conformance testing, testing signal for NCR-Fwd input should be terminated.



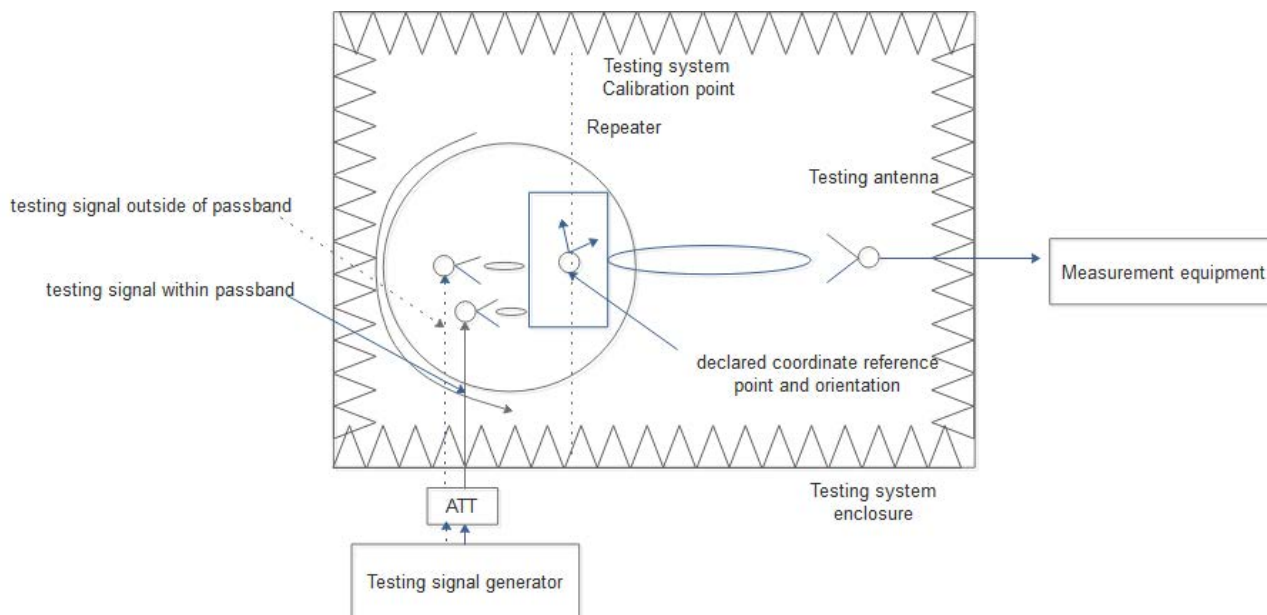
## E.4 Input intermodulation



**Figure E.4-1: Measuring system set-up for input intermodulation.**

- Note 1: That repeater is a bi-directional device. The signal generator may need protection.
- Note 2: The OTA chamber shown in figure E.4-1 is intended to be generic and can be replaced with any suitable OTA chamber (Far field anechoic chamber, etc.)
- Note 3: It is possible to keep the repeater static but move the measurement probes or use multiple probe.
- Note 4: This is applicable for both repeater and NCR.

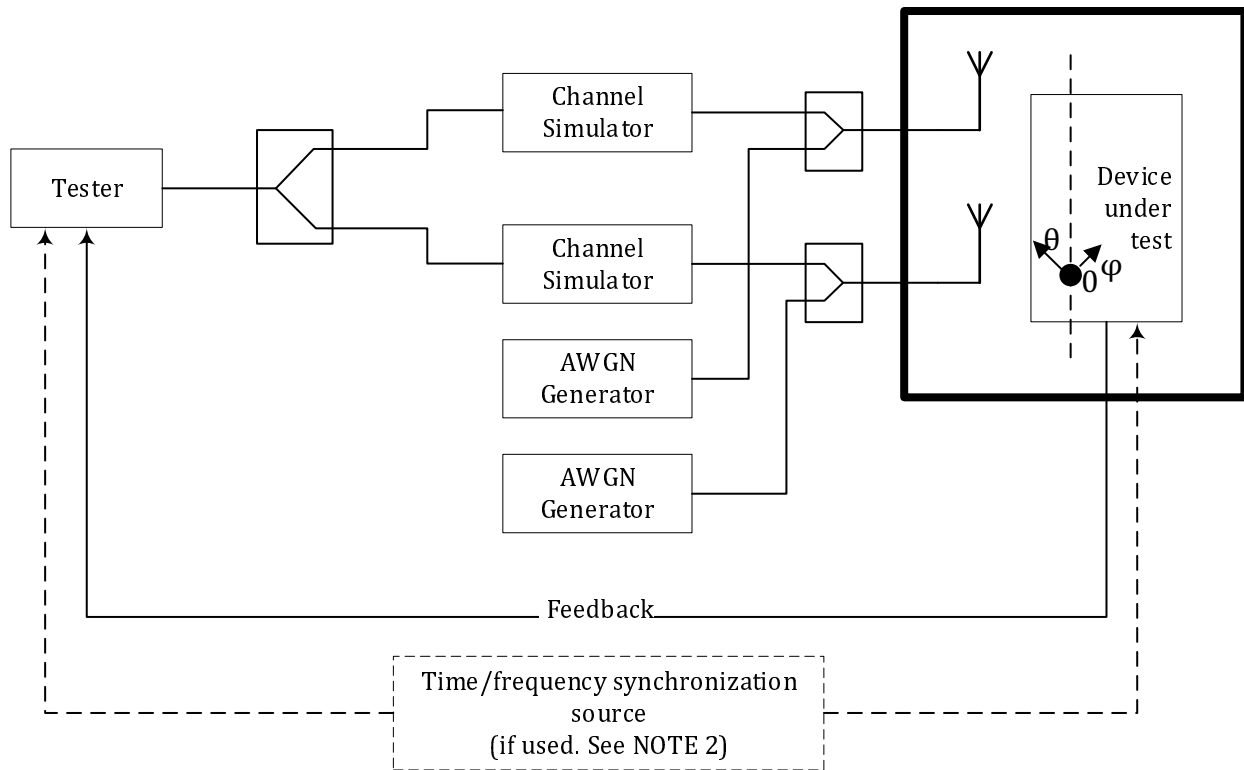
## E.5 Adjacent Channel Rejection Ratio



**Figure E.5-1: Measuring system set-up for Adjacent Channel Rejection Ratio**

- Note 1: That repeater is a bi-directional device. The signal generator may need protection.
- Note 2: The OTA chamber shown in figure E.5-1 is intended to be generic and can be replaced with any suitable OTA chamber (Far field anechoic chamber, etc.)
- Note 3: It is possible to keep the repeater static but move the measurement probes or use multiple probe.
- Note 4: UL/DL timing can be provided to the repeater.
- Note 5: This is applicable for both repeater and NCR.

## E.6 NCR-MT type 2-O PDSCH and PDCCH testing



**Figure E.6-1: Functional set-up for PDCCH, PDSCH performance requirements with Rx diversity (2 Rx case shown)**

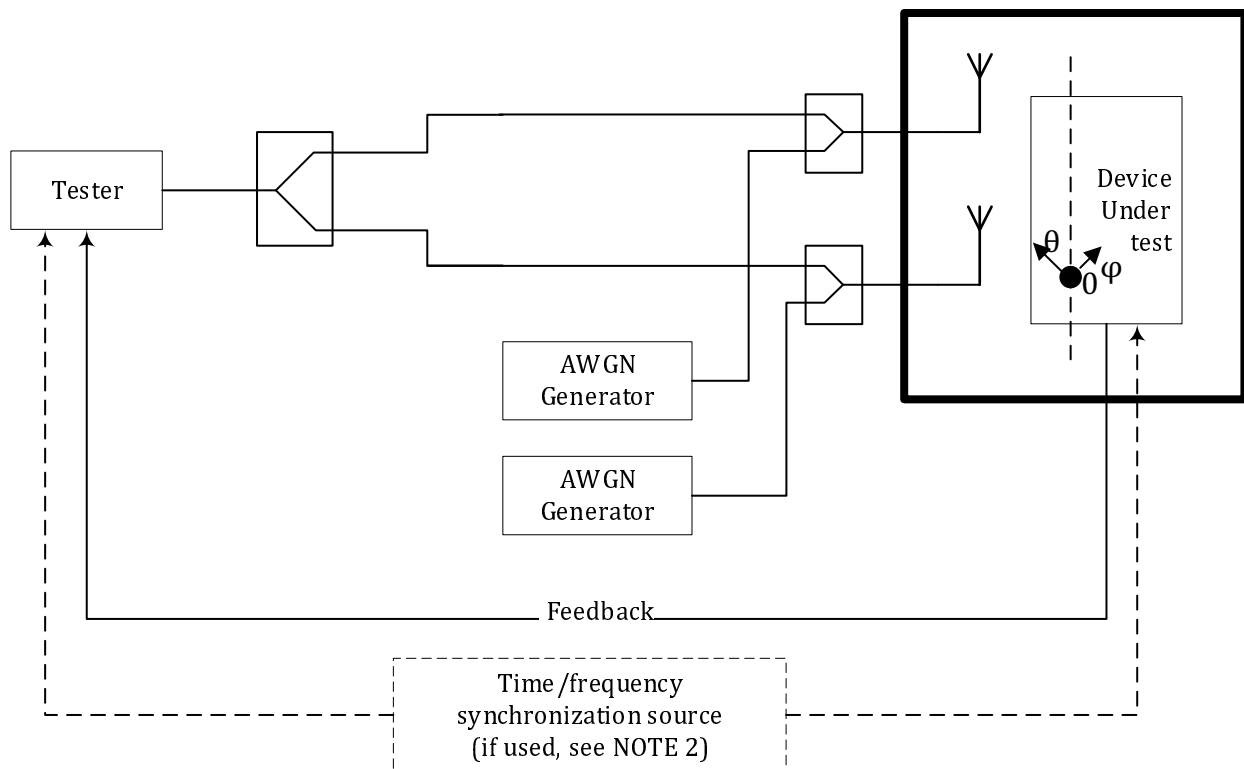
The OTA chamber shown in Figure E.6-1 is intended to be generic and can be replaced with any suitable OTA chamber (e.g. far field anechoic chamber, CATR, etc.).

NOTE 1: The feedback could be done as an RF feedback, either using NR channels or using other means, or as a digital feedback. The HARQ Feedback should be error free.

NOTE 2: In tests performed with signal generators, a synchronization signal may be provided between the NCR node and the signal generator, or a common (e.g., GNSS) source may be provided to both NCR node and the signal generator, to enable correct timing of the wanted signal. The method of synchronization with the TE is left to test implementation.

NOTE 3: It is left up to implementation how L1/L2 is configured for testing.

## E.7 NCR-MT type 2-O CQI testing



**Figure E.7-1: Functional set-up for PUSCH, PRACH, CSI reporting performance requirements in static AWGN channel with Rx diversity (2 Rx case shown)**

The OTA chamber shown in Figure E.7-1 is intended to be generic and can be replaced with any suitable OTA chamber (e.g. far field anechoic chamber, CATR, etc.).

NOTE 1: The feedback could be done as an RF feedback, either using NR channels or using other means, or as a digital feedback. The HARQ Feedback should be error free.

NOTE 2: In tests performed with signal generators, a synchronization signal may be provided between the NCR node and the signal generator, or a common (e.g., GNSS) source may be provided to both NCR node and the signal generator, to enable correct timing of the wanted signal. The method of synchronization with the TE is left to test implementation.

NOTE 3: It is left up to implementation how L1/L2 is configured for testing.

---

# Annex F (normative): In-channel TX tests

---

---

## F.1 General

The in-channel TX test enables the measurement of all relevant parameters that describe the in-channel quality of the output signal of the repeater under test in a single measurement process.

The parameters describing the in-channel quality of a transmitter, however, are not necessarily independent. The algorithm chosen for description inside this annex places particular emphasis on the exclusion of all interdependencies among the parameters.

---

## F.2 Basic principles

The process is based on the comparison of the actual output signal of the TX under test, received by an ideal receiver, with an ideal signal, that is generated by the measuring equipment and represents an ideal error free received signal. All signals are represented as equivalent (generally complex) baseband signals.

The description below uses numbers and illustrations as examples only. These numbers are taken from a TDD frame structure with normal CP length, 120 kHz SCS and a transmission bandwidth configuration of 400 MHz ( $N_{RB} = 264$ ). The application of the text below, however, is not restricted to this parameter set.

### F.2.1 Output signal of the TX under test

The output signal of the TX under test is acquired by the measuring equipment and stored for further processing. It is sampled at a sampling rate which is the product of the SCS and the *FFT size*, and it is named  $z(v)$ .

For FR2, *FFT size* is determined by the transmission bandwidth in table 6.6.3.5-2 for 60 kHz SCS, and table 6.6.3.5-3 in [5] for 120 kHz SCS. In the time domain it comprises at least 10 ms. It is modelled as a signal with the following parameters:

- demodulated data content,
- carrier frequency,
- amplitude and phase for each subcarrier.

For the example in the annex, the *FFT size* is 4096 based on table 6.6.3.5-3 in [5]. The sampling rate of 491.52 Msps is the product of the *FFT size* and SCS.

### F.2.2 Ideal signal

Two types of ideal signals are defined:

The first ideal signal  $i_1(v)$  is constructed by the measuring equipment according to the relevant TX specifications, using the following parameters:

- demodulated data content,
- nominal carrier frequency,
- nominal amplitude and phase for each subcarrier.

It is represented as a sequence of samples at the sampling rate determined from annex F.2.1 in the time domain. The structure of the signal is described in the test models.

The second ideal signal  $i_2(v)$  is constructed by the measuring equipment according to the relevant TX specifications, using the following parameters for FR1 and FR2:

- nominal demodulation reference signal and nominal PT-RS if present (all other modulation symbols are set to 0 V),
- nominal carrier frequency,
- nominal amplitude and phase for each applicable subcarrier,
- nominal timing.

It is represented as a sequence of samples at the sampling rate determined from annex F.2.1 in the time domain.

## F.2.3 Measurement results

The measurement results, achieved by the in-channel TX test are the following:

- Carrier frequency stability.
- EVM.

Other side results are: residual amplitude- and phase response of the TX chain after equalisation.

## F.2.4 Measurement points

The EVM shall be measured at the point after the FFT and a zero-forcing (ZF) equalizer in the receiver, as depicted in figure G.2.4-1. The FFT window of  $FFT\ size$  samples out of  $(FFT\ size + \text{cyclic prefix length})$  samples in the time domain is selected in the "Remove CP" box.

For FR2,  $FFT\ size$  and the cyclic prefix length is determined from table 6.6.3.5-2 for 60 kHz SCS, and table 6.6.3.5-3 in [5] for 120 kHz SCS.

In one subframe, there are two symbols with the length of the cyclic prefix larger than the values listed in tables 6.6.3.5-2 and table 6.6.3.5-3 in [5]. Table F.2.4-1 lists the slot number and the symbol number and the formula how to compute the length of cyclic prefix for those two symbols according to the sampling rate.

**Table F.2.4-1: Slot number and symbol number identifying the longer CP length for normal CP**

SCS (kHz)	Frequency Range	# slots in subframe	Symbol # and slot # with longer CP	Longer CP length
15	FR1	1	(symbol 0, slot 0) (symbol 7, slot 0)	CP length + $FFT\ size / 128$
30		2	(symbol 0, slot 0) (symbol 0, slot 1)	CP length + $FFT\ size / 64$
60		4	(symbol 0, slot 0) (symbol 0, slot 2)	CP length + $FFT\ size / 32$
60	FR2	4	(symbol 0, slot 0) (symbol 0, slot 2)	CP length + $FFT\ size / 32$
120		8	(symbol 0, slot 0) (symbol 0, slot 4)	CP length + $FFT\ size / 16$

For the example used in the annex, the "Remove CP" box selects 4096 samples out of 4384 samples. Symbol 0 of slot 0 and slot 4 has 256 more samples in the cyclic prefix than the other symbols (the longer CP length = 544).

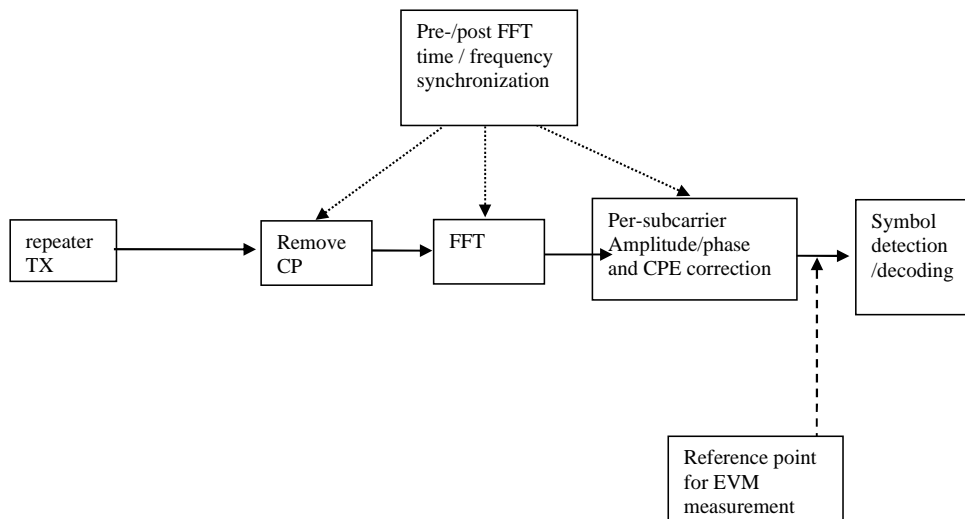


Figure F.2.4-1: Reference point for FR2 EVM measurements

### F.3 Pre-FFT minimization process

Sample timing, carrier frequency in  $z(v)$  are varied in order to minimise the difference between  $z(v)$  and  $i_1(v)$ , after the amplitude ratio of  $z(v)$  and  $i_1(v)$  has been scaled. Best fit (minimum difference) is achieved when the RMS difference value between  $z(v)$  and  $i_1(v)$  is an absolute minimum.

The carrier frequency variation is the measurement result: carrier frequency error.

From the acquired samples, one value of carrier frequency error can be derived.

NOTE 1: The minimisation process, to derive the RF error can be supported by post-FFT operations. However the minimisation process defined in the pre-FFT domain comprises all acquired samples (i.e. it does not exclude the samples inbetween the FFT widths and it does not exclude the bandwidth outside the transmission bandwidth configuration).

NOTE 2: The algorithm would allow to derive carrier frequency error and sample frequency error of the TX under test separately. However there are no requirements for sample frequency error. Hence the algorithm models the RF and the sample frequency commonly (not independently). It returns one error and does not distinguish between both.

After this process the samples  $z(v)$  are called  $z^0(v)$ .

### F.4 Timing of the FFT window

The FFT window length is *FFT size* samples per OFDM symbol. For TDD, the number of FFTs performed is the number of downlink symbols in the measurement interval.

The position in time for the FFT shall be determined.

For the example used in the annex, the FFT window length is 4096 samples per OFDM symbol. 832 FFTs (i.e. 3,407,872 samples) cover less than the acquired number of samples (i.e. 3,651,584 samples in 10 ms). There are 816 symbols with 4384 samples and 16 symbols with 4640 samples.

In an ideal signal, the FFT may start at any instant within the cyclic prefix without causing an error. The TX filter, however, reduces the window. The EVM requirements shall be met within a window  $W < CP$ . There are three different instants for FFT:

- Centre of the reduced window, called  $\Delta\tilde{c}$ ,

- $\Delta c - W/2$ , and
- $\Delta c + W/2$ .

The value of EVM window length  $W$  is obtained from the transmission bandwidth and table 6.6.3.5-2 for 60 kHz SCS, and table 6.6.3.5-3 [5] for 120 kHz SCS.

The repeater shall transmit a signal according to the test models intended for EVM. The demodulation reference signal of the second ideal signal shall be used to find the centre of the FFT window.

The timing of the measured signal is determined in the pre FFT domain as follows, using  $z^0(v)$  and  $i_2(v)$ :

1. The measured signal is delay spread by the TX filter. Hence the distinct borders between the OFDM symbols and between data and CP are also spread and the timing is not obvious.
2. In the ideal signal  $i_2(v)$ , the timing is known.

Correlation between bullet (1) and (2) will result in a correlation peak. The meaning of the correlation peak is approximately the "impulse response" of the TX filter.

3. The meaning of "impulse response" assumes that the autocorrelation of the ideal signal  $i_2(v)$  is a Dirac peak and that the correlation between the ideal signal  $i_2(v)$  and the data in the measured signal is 0. The correlation peak, (the highest, or in case of more than one highest, the earliest) indicates the timing in the measured signal.

The number of samples, used for FFT is reduced compared to  $z^0(v)$ . This subset of samples is called  $z'(v)$ .

From the acquired samples one timing can be derived.

The timing of the centre  $\Delta\tilde{c}$  is determined according to the cyclic prefix length of the OFDM symbols. For normal CP, there are two values for  $\Delta\tilde{c}$  in a 1 ms period:

- $\Delta\tilde{c} = \text{length of cyclic prefix} / 2$ ,
- $\Delta\tilde{c} = \text{Longer CP length} - \text{length of cyclic prefix} / 2$ ,

Where the length of cyclic prefix is obtained from table 6.6.3.5-2 for 60 kHz SCS, and table 6.6.3.5-3 [5] for 120 kHz SCS, and the longer CP length is obtained from table F.2.4-1.

As per the example values.

- $\Delta\tilde{c} = 144$  within the CP of length 288 for most OFDM symbols in 1 ms,
- $\Delta\tilde{c} = 400 (= 544 - 144)$  within the CP of length 544 for OFDM symbol 0 of slot 0 and slot 4.

---

## F.5 Resource element TX power

Perform FFT on  $z'(v)$  with the FFT window timing  $\Delta\tilde{c}$ .

The result is called  $Z'(t, f)$ . The RE TX (RETP) power is then defined as:

$$RETP = |Z'(t, f)|^2 \text{SCS}$$

where SCS is the subcarrier spacing in Hz.

From RETP, the OFDM symbol TX power (OSTP) is derived as follows:

$$OSTP = \frac{1}{N_{sym}} \hat{a} RETP$$

Where the summation accumulates  $N_{RB} N_{SC}^{RB}$  values of all  $N_{sym}$  OFDM symbols that carry PDSCH and not containing PDCCH, RS or SSB within a slot.

$$N_{SC}^{RB} = 12.$$



From the acquired samples  $N_{dl}$  values for each OSTP can be obtained and averaged where  $N_{dl}$  is the number of slots with downlink symbols in a 10 ms measurement interval and is computed according to the values in table 4.9.2.2-1 in [5].

For the example used in the annex,  $N_{dl} = 64$  and  $N_{RB} = 264$ .

## F.6 Post-FFT equalisation

Perform  $14N_{dl}$  FFTs on  $z'(v)$ , one for each OFDM symbol within 10 ms measurement interval with the FFT window timing to produce an array of samples,  $14N_{dl}$  in the time axis  $t$  by *FFT size* in the frequency axis  $f$ .

For the example in the annex, 1120 FFTs are performed on  $z'(v)$ . The result is an array of samples, 1120 in the time axis by 4096 in the frequency axis.

The equalizer coefficients  $\tilde{a}(f)$  and  $\tilde{\varphi}(f)$  are determined as follows:

1. Calculate the complex ratios (amplitude and phase) of the post-FFT acquired signal  $Z'(t, f)$  and the post-FFT ideal signal  $I_2(t, f)$ , for each demodulation reference signal, over 10 ms measurement interval. This process creates a set of complex ratios:

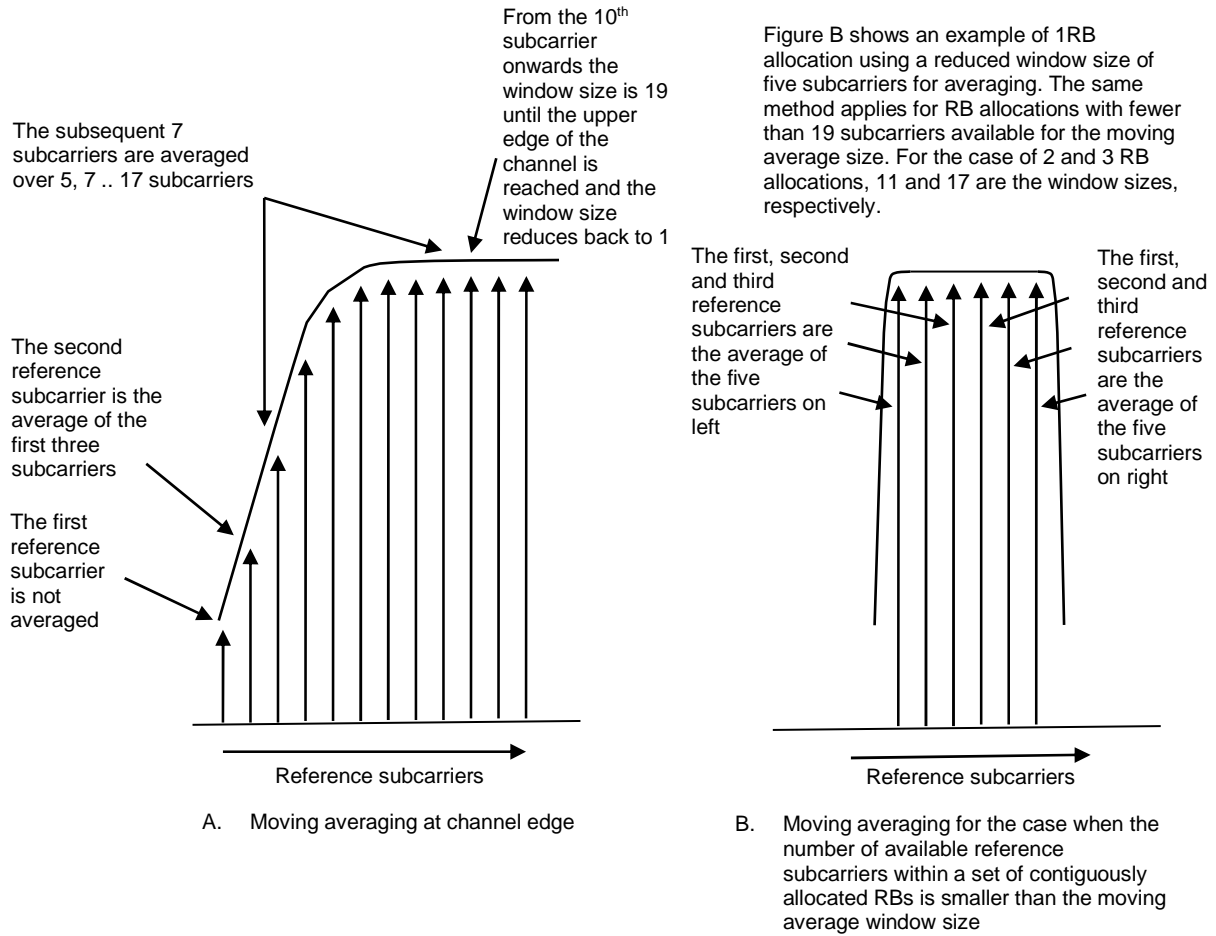
$$a(t, f)e^{j\varphi(t, f)} = \frac{Z'(t, f)}{I_2(t, f)}$$

2. Perform time averaging at each demodulation reference signal subcarrier of the complex ratios, the time-averaging length is 10 ms measurement interval. Prior to the averaging of the phases  $\varphi(t_i, f)$  an unwrap operation must be performed according to the following definition:
  - The unwrap operation corrects the radian phase angles of  $\varphi(t_i, f)$  by adding multiples of  $2 * \pi$  when absolute phase jumps between consecutive time instances  $t_i$  are greater than or equal to the jump tolerance of  $\pi$  radians.
  - This process creates an average amplitude and phase for each demodulation reference signal subcarrier (i.e. every second subcarrier).

$$a(f) = \frac{\sum_{i=1}^N a(t_i, f)}{N}$$

$$\varphi(f) = \frac{\sum_{i=1}^N \varphi(t_i, f)}{N}$$

- Where  $N$  is the number of demodulation reference signal time-domain locations  $t_i$  from  $Z'(t, f)$  for each demodulation reference signal subcarrier  $f$ .
3. The equalizer coefficients for amplitude and phase  $\hat{a}(f)$  and  $\hat{\varphi}(f)$  at the demodulation reference signal subcarriers are obtained by computing the moving average in the frequency domain of the time-averaged demodulation reference signal subcarriers. The moving average window size is 19 and averaging is over the DM-RS subcarriers in the allocated RBs. For DM-RS subcarriers at or near the edge of the channel, or when the number of available DM-RS subcarriers within a set of contiguously allocated RBs is smaller than the moving average window size, the window size is reduced accordingly as per figure F.6-1.
  4. Perform linear interpolation from the equalizer coefficients  $\hat{a}(f)$  and  $\hat{\varphi}(f)$  to compute coefficients  $\tilde{a}(f)$ ,  $\tilde{\varphi}(f)$  for each subcarrier.



**Figure F.6-1: Reference subcarrier smoothing in the frequency domain**

- a) To account for the common phase error (CPE) experienced in millimetre wave frequencies,  $\bar{\varphi}(f)$ , in the estimated coefficients contain phase rotation due to the CPE,  $\theta$ , in addition to the phase of the equalizer coefficient  $\tilde{\varphi}(f)$ , that is:

$$\bar{\varphi}(f) = \tilde{\varphi}(f) + \theta(t)$$

For OFDM symbols where PT-RS does not exist,  $\theta(t)$  can be estimated by performing linear interpolation from neighboring symbols where PT-RS is present.

In order to separate component of the CPE,  $\theta$ , contained in,  $\bar{\varphi}(f)$ , estimation and compensation of the CPE needs to follow.  $\theta(t)$  is the common phase error (CPE), that rotates all the subcarriers of the OFDM symbol at time  $t$ .

Estimate of the CPE,  $\theta(t)$ , at OFDM symbol time,  $t$ , can then be obtained from using the PT-RS employing the expression:

$$\tilde{\theta}(t) = \arg \left\{ \sum_{f \in f^{ptrs}} \left( \frac{z'(t,f)}{I_{ptrs}(t,f)} \right) (\tilde{a}(f) e^{-j\bar{\varphi}(f)}) \right\}$$

In the above equation,  $f^{ptrs}$  is the set of subcarriers where PT-RS are mapped,  $t \in t^{ptrs}$  where  $t^{ptrs}$  is the set of OFDM symbols where PT-RS are mapped while  $Z'(t, f)$  and  $I_{ptrs}(t, f)$  are the post-FFT acquired signal and the ideal PT-RS signal respectively. That is, estimate of the CPE at a given OFDM symbol is obtained from frequency correlation of the complex ratios at the PT-RS positions with the conjugate of the estimated equalizer complex coefficients. The estimated CPE can be subtracted from  $\bar{\varphi}(f)$  to remove influence of the CPE, and obtain estimate of the complex coefficient's phase:

$$\tilde{\varphi}(f) = \bar{\varphi}(f) - \tilde{\theta}(t)$$

## F.7 EVM

### F.7.0 General

For EVM create two sets of  $Z_{eq}'(t, f)$ , according to the timing  $(\Delta c - W/2)$  and  $(\Delta c + W/2)$ , using the equalizer coefficients from G.6.

The equivalent ideal samples are calculated from  $i_1(v)$  (annex G.2.2) and are called  $I(t, f)$ .

The EVM is the difference between the ideal signal and the equalized measured signal.

$$EVM = \sqrt{\frac{\sum_{t \in T} \sum_{f \in F(i)} |Z_{eq}'(t, f) - I(t, f)|^2}{\sum_{t \in T} \sum_{f \in F(i)} |I(t, f)|^2}}$$

Where:

- $T$  is the set of symbols with the considered modulation scheme being active within the slot,
- $F(t)$  is the set of subcarriers within the resource blocks with the considered modulation scheme being active in symbol  $t$ ,
- $I(t, f)$  is the ideal signal reconstructed by the measurement equipment in accordance with relevant test models,
- $Z_{eq}'(t, f)$  is the equalized signal under test.

NOTE: Although the basic unit of measurement is one slot, the equalizer is calculated over the entire 10 ms measurement interval to reduce the impact of noise in the reference signals.

### F.7.1 Averaged EVM

Let  $N_{dl}^{TDD}$  be the number of slots with downlink symbols within a 10 ms measurement interval. For TDD, the averaging in the time domain can be calculated from  $N_{dl}^{TDD}$  slots of different 10 ms measurement intervals and should have a minimum of  $N_{dl}$  slots averaging length where  $N_{dl}$  is the number of slots in a 10 ms measurement interval.

$\overline{EVM}_{frame}$  is derived by: Square the EVM results in each 10 ms measurement interval. Sum the squares, divide the sum by the number of EVM relevant locations, square-root the quotient (RMS).

$$\overline{EVM}_{frame} = \sqrt{\frac{1}{\sum_{i=1}^{N_{dl}^{TDD}} N_i} \sum_{i=1}^{N_{dl}^{TDD}} \sum_{j=1}^{N_i} EVM_{i,j}^2}$$

Where  $N_i$  is the number of resource blocks with the considered modulation scheme in slot  $i$ .

The  $\overline{EVM}_{frame}$  is calculated, using the maximum of  $\overline{EVM}_{frame}$  at the window  $W$  extremities. Thus  $\overline{EVM}_{frame,l}$  is calculated using  $\tilde{t} = \Delta \tilde{t}_l$  and  $\overline{EVM}_{frame,h}$  is calculated using  $\tilde{t} = \Delta \tilde{t}_h$  ( $l$  and  $h$ , low and high; where low is the timing  $(\Delta c - W/2)$  and high is the timing  $(\Delta c + W/2)$ ).

$$EVM_{frame} = \max(\overline{EVM}_{frame,l}, \overline{EVM}_{frame,h})$$

In order to unite at least  $N_{dl}$  slots, consider the minimum integer number of 10 ms measurement intervals, where  $N_{frame}$  is determined by

$$N_{frame} = \left\lceil \frac{10 \times N_{slot}}{N_{dl}^{TDD}} \right\rceil$$

And  $N_{slot} = 4$  for 60 kHz SCS and  $N_{slot} = 8$  for 120 kHz SCS.

Unite by RMS.

$$\overline{EVM} = \sqrt{\frac{1}{N_{frame}} \sum_{k=1}^{N_{frame}} EVM_{frame,k}^2}$$

The resulting  $\overline{EVM}$  is compared against the limit.

# Annex G (normative): TRP measurement procedures

## G.1 General

The annex describes various procedures for NR Repeater OTA TRP measurements. These procedures can provide either an accurate or an over-estimate of TRP values. The procedures for an accurate estimate can be applied to all TRP requirements. However, if a TRP requirement does not need accurate TRP estimate then the procedures for over-estimate of TRP may be used in order to have a reasonable OTA test time. Pre-scan does not provide an accurate TRP estimate or over-estimate of TRP. Pre-scan is a fast but coarse method that is used to identify the spurious emission frequencies with emission power as described in annex G.13. A sequential measurement is then made at the emission frequencies, to assess the TRP as described in annex G.2 to annex G.7.

When making TRP measurements for a repeater, it is important to ensure that a stimulus signal is maintained at the correct power level and direction with respect to the repeater for the whole of the measurement duration. This may be achieved by calibrated rotation of the signal generation equipment together with the repeater, or by means of the movement of probes within the measurement chamber around the repeater whilst the repeater and signal generation equipment are maintained static.

When making TRP measurements the alignment between EUT and measurement antenna is important to achieve expected measurement uncertainty:

1. The measurement antenna needs to be aligned tangential to the measurement surface forming a sphere around the EUT, in order to correctly measure the TRP properly.
2. Test methods described in clauses G.5.1, G.5.2, G.10, G.11 and G.12 require angular alignment between the selected measurement grid and EUT radiation pattern in order to measure peak values in the main beams. Angular misalignment can lead to differences in the actual and measured angular positions of the intended maximum EIRP.
3. Test methods described in clause G.5.3, and G.6 are designed to be independent of rotations of the angular grid, and hence angular alignment between the measurement grid and EUT is not needed.

## G.2 Spherical equal angle grid

### G.2.1 General

$TRP_{Estimate}$  is defined as

$$TRP_{Estimate} = \frac{\pi}{2NM} \sum_{n=0}^{N-1} \sum_{m=0}^{M-1} EIRP(\theta_n, \phi_m) \sin \theta_n$$

when EIRP measurements is used or as

$$TRP_{Estimate} = 4\pi d^2 \frac{\pi}{2NM} \sum_{n=1}^{N-1} \sum_{m=0}^{M-1} P_D(\theta_n, \phi_m) \sin \theta_n$$

when power density measurements are used, and  $d$  is the test distance.  $N$  and  $M$  are the number of samples in the  $\theta$  and  $\phi$  angles. Each  $(\theta_n, \phi_m)$  is a sampling point. The sampling angular intervals for  $\theta$  and  $\phi$  angles are  $\Delta\theta = \frac{\pi}{N}$  and  $\Delta\phi = \frac{2\pi}{M}$ . The sampling intervals  $\Delta\theta$  and  $\Delta\phi$  are described in G.2.2.

## G.2.2 Reference angular step criteria

The reference angular steps  $\Delta\phi_{ref}$  and  $\Delta\theta_{ref}$  in degrees are defined as:

$$\Delta\phi_{ref} = \min\left(\frac{180^\circ}{\pi} \frac{\lambda}{D_{cyl}}, 15^\circ\right)$$

$$\Delta\theta_{ref} = \min\left(\frac{180^\circ}{\pi} \frac{\lambda}{D}, 15^\circ\right)$$

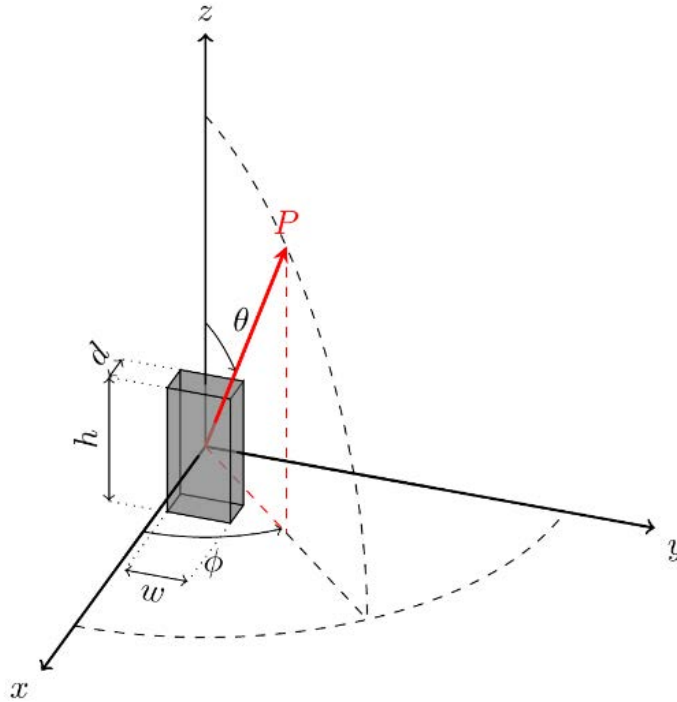
The upper limit for these reference angular steps of  $15^\circ$  ensures a low Summation Error (SE) when  $\lambda$  is large compared to the EUT dimensions.

$D_{cyl}$  and  $D$  are calculated as:

$$D_{cyl} = \sqrt{d^2 + w^2}$$

$$D = \sqrt{d^2 + w^2 + h^2}$$

The definition of  $d$ ,  $w$  and  $h$  is shown in figure G.2.2-1. The radiation source can be EUT antenna array or the whole of EUT.



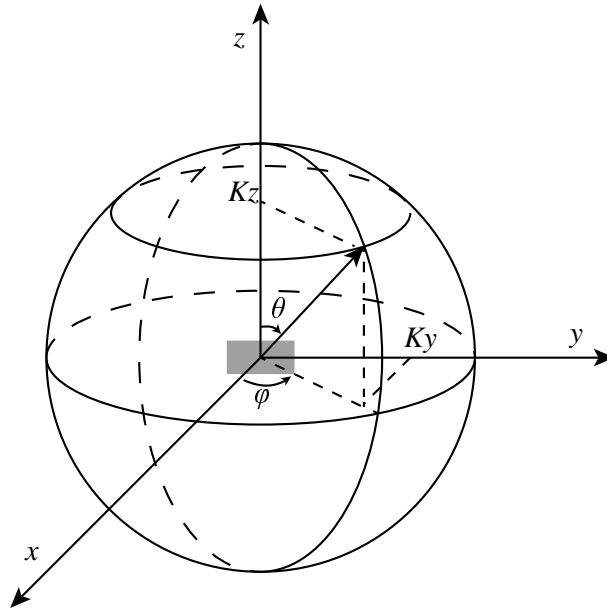
**Figure G.2.2-1: Dimensions of a radiation source: depth (d), width (w) and height (h)**

Optionally, in the case of Uniform Linear Array (ULA), when  $d$  is negligible ( $d \approx 0$ ) and the EUT is mounted along the  $yz$  plane as shown in figure G.2.2-2, the reference angular steps, in degrees, can be determined by

$$\Delta\theta_{ref} = \min\left(\frac{180^\circ}{\pi} \arcsin\left(\frac{\lambda}{D_z}\right), 15^\circ\right)$$

$$\Delta\phi_{ref} = \min\left(\frac{180^\circ}{\pi} \arcsin\left(\frac{\lambda}{D_y}\right), 15^\circ\right)$$

Where  $D_y$  is the length of radiating parts of EUT along  $y$ -axis,  $D_z$  is the length of radiating parts of EUT along the  $z$ -axis and  $\lambda$  is wavelength for the measured frequency.



**Figure G.2.2-2: Spherical coordinate for OTA conformance testing of EUT**

Where due to practical reasons such as time constraints or turn-table precision, measurement with the reference steps is not practical, sparser grids can be used. Use of sparse grids can lead to errors in TRP assessment. In order to characterize these errors, the SF (sparsity factor) of the grid is defined as

$$SF = \max\left(\frac{\Delta\theta_{grid}}{\Delta\theta_{ref}}, \frac{\Delta\phi_{grid}}{\Delta\phi_{ref}}\right)$$

Where  $\Delta\theta_{grid}$  and  $\Delta\phi_{grid}$  are the actual angular steps used in the measurement.

Alternatively, when EUT radiating dimensions are not known, for each frequency within the *downlink operating band* including  $\Delta f_{OBUE}$ , the reference angular steps can be specified in terms of the *beamwidth* of the wanted signal as

$$\Delta\phi_{ref} = \frac{\lambda}{\lambda_o} BeW_{\phi}$$

$$\Delta\theta_{ref} = \frac{\lambda}{\lambda_o} BeW_{\theta}$$

where  $\lambda_o$  is the wavelength of the wanted signal, and  $BeW_{\phi}$  and  $BeW_{\theta}$  are the *beamwidth* of the wanted signal in the  $\phi$ -axis and  $\theta$ -axis, respectively.

$BeW_{\phi}$  and  $BeW_{\theta}$  may be set to *beamwidth* declared for the OTA Repeater radiated transmit power requirement provided the same *beam* is applied to test in-band TRP requirements.

NOTE: *Beamwidth* is approximately equal to half the first-null beam width.

## G.3 Spherical equal area grid

$TRP_{Estimate}$  is defined as

$$TRP_{Estimate} = \frac{1}{N} \sum_{n=1}^N EIRP(\theta_n, \phi_n)$$

N is the total number of samples and specified as

$$N \geq \frac{4\pi}{\Delta\theta_{ref} \Delta\phi_{ref}}$$

The sampling intervals  $\Delta\theta_{ref}$  and  $\Delta\phi_{ref}$  are described in annex G.2.2. Each  $(\theta_n, \phi_n)$  is a sampling point.

## G.4 Spherical Fibonacci grid

$TRP_{Estimate}$  is defined as

$$TRP_{Estimate} = \frac{1}{N} \sum_{n=0}^{N-1} EIRP(\theta_n, \phi_n)$$

$N$  is the total number of samples and specified as

$$N \geq \frac{4\pi}{\Delta\theta_{ref} \Delta\phi_{ref}}$$

The sampling intervals  $\Delta\theta_{ref}$  and  $\Delta\phi_{ref}$  are described in annex G.2.2. Each  $(\theta_n, \phi_n)$  is a sampling point, where  $\theta_n$  and  $\phi_n$ , in degrees, are defined as:

$$\theta_n = \cos^{-1} \left( 1 - \frac{2n+1}{N} \right)$$

$$\phi_n = \frac{360^\circ n}{\Psi}, \quad \Psi = \frac{1 + \sqrt{5}}{2}$$

## G.5 Orthogonal cut grid

### G.5.1 General

Here, at least two cuts (default) shall be used, an optional third cut can be used. The alignment of the cuts must be along the symmetry planes of the antenna array. No alignment is required for spurious emissions.

When alignment is required:

- 1) The first mandatory cut is a horizontal cut passing through the peak direction of the main beam.
- 2) The second mandatory is a vertical cut passing through the peak direction of the main beam. Using the data from these two mandatory cuts, a conditional pattern multiplication can be used.
- 3) The third optional cut is a vertical cut orthogonal to the first and the second cut.

When alignment is not required, the cuts can be aligned arbitrarily.

Once the number and the orientation of the cuts are decided, the total EIRP is measured on the orthogonal cuts and the TRP is then calculated as follows: First the contributions from each cut is calculated as

$$EIRP_{av,cut-n} = \frac{1}{P} \sum_{j=1}^P EIRP(j)$$

where  $P$  is the number of sampling points in the cut. The final contribution for all cuts is calculated as

$$TRP_{Estimate} = \frac{1}{N} \sum_{n=1}^N EIRP_{av,cut-n}$$

where  $N$  is the number of cuts. Note that when orthogonal cuts are measured, the interclause points are measured multiple times and the repeated values can be removed from the samples before averaging.

When two cuts measurements are used, a conditional pattern multiplication can be applied. The following are the conditions for applying pattern multiplication:



- i. The vertical cut (and the main beam) is in the  $xz$  -plane
- ii. The frequency of the emission is within the downlink operating band.
- iii. The bandwidth of the emission is the same as the bandwidth of the in-band modulated signal
- iv. The emission appears/disappears when the Tx power is turned on/off.
- v. The antenna arrays of the EUT
  - 1) Have rectangular grids of antenna element positions
  - 2) Have symmetry planes that are vertical and horizontal.
  - 3) Have parallel antenna planes

The antenna array is here assumed to be placed in the  $yz$ -plane. The pattern multiplication is performed in  $uv$ -coordinates and the data in the two cuts are denoted  $\text{EIRP}_{\text{cut1}}(\phi)$  at  $\theta = \theta_H$  and a vertical cut with data  $\text{EIRP}_{\text{cut2}}(\theta)$  at  $\phi = 0$ . The data is split in two parts corresponding to the forward and backward hemispheres. The  $uv$ -coordinates are the projections of the angular directions onto the antenna plane, here the  $yz$ -plane. Using the spherical coordinates as depicted in figure G.2.2-1 the  $u$  and  $v$  coordinates are defined as:

$$\begin{cases} u = \sin \theta \sin \phi \\ v = \cos \theta \end{cases}$$

Note that only the data on the cuts are measured.

Calculate power density/EIRP values outside the two cardinal cuts as

$$\text{EIRP}(u, v) = \frac{\text{EIRP}_{\text{cut1}}(u)\text{EIRP}_{\text{cut2}}(v)}{\text{EIRP}(0, v_H)}$$

The pattern multiplication is applied separately for the forward (fwd) and backward (bwd) hemisphere. The TRP is then calculated as

$$\text{TRP} = \frac{1}{4\pi} \left[ \iint_{\text{fwd}} \text{EIRP}_{\text{fwd}}(u, v) \frac{dudv}{\sqrt{1-u^2-v^2}} + \iint_{\text{bwd}} \text{EIRP}_{\text{bwd}}(u, v) \frac{dudv}{\sqrt{1-u^2-v^2}} \right]$$

NOTE: The numerical singularity at  $u^2 + v^2 = 1$  must be treated with care, e.g. by change of variables.

## G.5.2 Operating band unwanted emissions

The procedure is as follows:

- 1) Follow steps described in annex G.5.1 for the first two mandatory cuts and calculate the  $\text{TRP}_{\text{Estimate}}$ .
- 2) Compare the  $\text{TRP}_{\text{Estimate}}$  to the limit.
- 3) If the  $\text{TRP}_{\text{Estimate}}$  is above the limit, perform the measurement on an additional third cut and repeat steps 1 to 2.

## G.5.3 Spurious unwanted emissions

The procedure is as follows:

- 1) Follow steps described in annex G.5.1 for two cuts and calculate the preliminary  $\text{TRP}_{\text{Estimate}}$ .
- 2) Add the appropriate correction factor  $\Delta\text{TRP}$  according to table G.5.3-1 to ensure overestimation with 95% confidence.
- 3) Compare the corrected  $\text{TRP}_{\text{Estimate}}$  (including  $\Delta\text{TRP}$ ) to the limit.
- 4) If the corrected  $\text{TRP}_{\text{Estimate}}$  is above the limit, perform the measurement on an additional third cut and repeat steps 1 to 3.

**Table G.5.3-1: The correction factor for two or three cuts dense sampling**

	Three cuts	Two cuts
Correction factor $\Delta\text{TRP}$ (dB)	2.0	2.5

## G.6 Wave vector space grid

If EUT is mounted along the yz plane as shown in figure G.2.2-1, the reference step in wave vector space can be determined by

$$\Delta u_{\text{ref}} = \frac{\lambda}{D_y}$$

$$\Delta v_{\text{ref}} = \frac{\lambda}{D_z}$$

where  $D_y$  is the length of radiating parts of EUT along y-axis,  $D_z$  is the length of radiating parts of EUT along the z-axis.

According to the relationship between the normalized wave vector and spherical coordinate, the wave vector can be represented as following:

$$u = \sin(\theta) \sin(\phi), v = \cos(\theta)$$

The total radiated power (TRP) in the wave vector space is determined by:

$$\text{TRP}_{\text{estimate}} = \frac{\Delta u_{\text{ref}} \Delta v_{\text{ref}}}{4\pi} \left( \sum_{\substack{u^2 + v^2 < 1 \\ \cos\phi > 0}} \frac{\text{EIRP}(\theta_n, \phi_{m,n})}{\sin\theta_n |\cos\phi_{m,n}|} + \sum_{\substack{u^2 + v^2 < 1 \\ \cos\phi < 0}} \frac{\text{EIRP}(\theta_n, \phi_{m,n})}{\sin\theta_n |\cos\phi_{m,n}|} \right)$$

For spurious Tx or Rx emissions and where due to practical reasons such as time constraints or turn-table precision, measurement with the reference steps is not practical, sparser grids can be used. Use of sparse grids can lead to errors in TRP assessment. In order to characterize these errors, the SF (sparsity factor) of the grid is defined as

$$\text{SF} = \max \left( \frac{\Delta u_{\text{grid}}}{\Delta u_{\text{ref}}}, \frac{\Delta v_{\text{grid}}}{\Delta v_{\text{ref}}} \right)$$

Where  $\Delta u_{\text{grid}}$  and  $\Delta v_{\text{grid}}$  are the actual steps used in the wave vector space in the measurement and the upper bound of their value is 1/12, corresponding to 15 degree steps close to boresight.

## G.7 Full sphere with sparse sampling

The procedure is as follows:

- 1) Set the angular grid:
  - a. Non-harmonic frequencies: choose the angular steps  $\Delta\phi$  and  $\Delta\theta$  smaller than or equal to 15 degrees. Calculate the sparsity factor (SF) as

$$\text{SF} = \max \left( \frac{\Delta\phi}{\Delta\phi_{\text{ref}}}, \frac{\Delta\theta}{\Delta\theta_{\text{ref}}} \right)$$

and the correction factor as:

$$\Delta\text{TRP} = \frac{\text{SF} - 1}{\text{SF}_{\text{max}} - 1} \cdot 1.0 \text{ dB},$$

where  $\text{SF}_{\text{max}}$  corresponds to 15 degrees angular step. If the sparsity factor is smaller than 1, the correction factor  $\Delta\text{TRP}$  is 0 dB.

Harmonic frequencies with fixed beam test signal: choose the angular steps smaller than or equal to the reference angular steps  $\Delta\phi_{\text{ref}}$  and  $\Delta\theta_{\text{ref}}$ . Correction factor  $\Delta\text{TRP}$  is 0 dB.

Harmonic frequencies with beam sweeping test signal: set the angular steps to 15 degrees. Correction factor is  $\Delta\text{TRP}$  0 dB.

- 2) Apply a suitable numerical integration to calculate the preliminary  $\text{TRP}_{\text{Estimate}}$ .
- 3) Add the appropriate correction factor  $\Delta\text{TRP}$  according to step 1 to ensure an overestimation with 95 % confidence.
- 4) Compare the corrected  $\text{TRP}_{\text{Estimate}}$  (including  $\Delta\text{TRP}$ ) with the limit. If the corrected  $\text{TRP}_{\text{Estimate}}$  is above the limit, choose a smaller angular step and repeat steps 2-4. If the sparsity factor is less than one, no significant improvement of accuracy is expected.

## G.8 Beam-based directions

Beam-based direction can be used in the base station *operating band* only if the directivity of the radiation pattern of the emissions being measured is known.  $\text{TRP}_{\text{Estimate}}$  is defined as

$\text{TRP}_{\text{Estimate}} = \frac{\text{EIRP}_{\text{peak}}}{D_{\text{EUT}}}$ , where  $\text{EIRP}_{\text{peak}}$  is the maximum EIRP in the beam peak direction within a particular beam direction pair and  $D_{\text{EUT}}$  is the directivity of the EUT.

## G.9 Peak method

The peak method can be used when frequencies with unwanted peak emissions are identified during pre-scan. The method does not provide an estimate of TRP.

For each peak emission frequency identified during pre-scan, measure peak EIRP or power density as follows:

- 1) Move EUT and test antenna to the same position where the peak emission is recorded during the pre-scan.
- 2) Move the EUT around the position and test antenna orientation to find the final peak EIRP or power density.
- 3) The measured peak power density or EIRP shall be used to demonstrate conformance.

NOTE: Peak EIRP is the linear sum of two orthogonal polarized components.

## G.10 Equal sector with peak average

Equal sector with peak average can be performed on frequencies with unwanted peak emission, which are considered by the peak method for further measurements.

The spherical angle  $\phi$  is divided into K equal sectors. If the largest dimension of EUT is less than 60 cm, then each sector is a half quadrant of 45°.

For each peak emission frequency, measure peak EIRP of beams belonging to different sectors of the sphere as follows:

- 1) Move EUT and test antenna to the same position where the emission peak is recorded during the pre-scan.
- 2) Move EUT around the position and test antenna orientation to find the final peak EIRP.
- 3) Repeat Steps 1 to 2 until all sectors are covered.
- 4) Calculate  $\text{TRP}_{\text{Estimate}}$  as

$$\text{TRP}_{\text{Estimate}} = \frac{1}{K} \sum_{k=1}^K \text{EIRP}_k, \text{ where } \text{EIRP}_k \text{ is the peak EIRP in the } k\text{th sector}$$

NOTE: Peak EIRP is the linear sum of two orthogonal polarized components.

---

## G.11 Pre-scan

Pre-scan is used to identify frequencies with unwanted emission power levels above a certain threshold. The pre-scan does not provide an estimate of TRP. An emission frequency identified by a pre-scan may be further investigated by any of the TRP measurement methods in this annex.

The procedure for pre-scan is as follows:

- 1) Scan the entire surface around EUT.
- 2) Rotate test antenna to cover all possible polarizations of emissions to detect maximum emissions.
- 3) Record the list of frequencies and corresponding unwanted emission power levels, EUT spatial positions, and test antenna polarization for which the maximum emission levels occur.
- 4) Emissions which 20 dB or more below the specified limit shall not require further measurements.

## Annex H (normative): NCR-MT Fixed Reference Channels

### H.1.1 Fixed Reference Channels for PDSCH performance requirements

The parameters for the reference measurement channels are specified in table H.1.1-1 for FR2 PDSCH performance requirements.

**Table H.1.1-1: FRC parameters for FR2-1 PDSCH performance requirements, 1 transmission layer, QPSK**

Parameter	Unit	Value
Reference Channel		M-FR2-NCR.1.1-1
Channel bandwidth	MHz	100
Subcarrier spacing	kHz	120
Allocated resource blocks	PRBs	66
Number of consecutive PDSCH symbols		13
MCS table		64QAM
MCS index		4
Modulation		QPSK
Target Coding Rate		0.30
Number of MIMO layers		1
Number of DMRS REs		12
Overhead for TBS determination		6
Information Bit Payload per Slot		5504
Transport block CRC per Slot		24
Number of Code Blocks per Slot		1
Binary Channel Bits Per Slot		18282

### H.1.2 Fixed Reference Channels for PDCCH performance requirements

The parameters for the reference measurement channels are specified in table H.1.2-2 for FR2-1 PDCCH performance requirements.

**Table H.1.2-2: Fixed Reference Channels for FR2-1 PDCCH**

Reference channel	M-FR2-NCR.1.2-1	M-FR2-NCR.1.2-2	M-FR2-NCR.1.2-3
Subcarrier spacing (kHz)	120	120	120
CORESET frequency domain allocation	60	60	60
CORESET time domain allocation	1	1	1
Aggregation level	2	4	8
DCI Format	1_0	1_1	1_1
Payload (without CRC) (bits)	40	56	56

### H.1.3 Fixed Reference Channels for CQI reporting requirements

The parameters for the reference measurement channels are specified in Table H.1.3-1 for FR2-1 CQI reporting requirements with the CQI definition specified in clause 5.2.2.1 of TS 38.214 [15] and with the MCS definition specified in clause 5.1.3 of TS 38.214 [15].

**Table H.1.3-1: FRC for FR2-1 CQI reporting with CQI table 1 and MCS table 1**

Reference channel				M-FR2-NCR.1.3-1
Number of allocated PDSCH resource blocks				66
Number of consecutive PDSCH symbols				12
Number of PDSCH MIMO layers				1
Number of DMRS REs (Note 1)				24
Overhead for TBS determination				6
Available RE-s for PDSCH				7590
CQI index	Spectral efficiency	MCS index	Modulation	Information Bit Payload per Slot
0	OOO	OOO	OOO	N/A
1	0.1523	0	QPSK	1800
2	0.2344	0		1800
3	0.3770	2		2856
4	0.6016	4		4480
5	0.8770	6		6528
6	1.1758	8		8712
7	1.4766	11	16QAM	11016
8	1.9141	13		14343
9	2.4063	15		17928
10	2.7305	18	64QAM	20496
11	3.3223	20		25104
12	3.9023	22		29192
13	4.5234	24		33816
14	5.1152	26		38936
15	5.5547	28		42016
NOTE 1: Number of DMRS REs includes the overhead of the DM-RS CDM groups without data				
NOTE 2: PDSCH is only scheduled on slots which are full DL				

# Annex I (normative): Propagation conditions

## I.1 Static propagation condition

The propagation for the static performance measurement is an Additive White Gaussian Noise (AWGN) environment. No fading or multi-paths exist for this propagation model.

### I.1.1 NCR-MT Receiver with 2 Rx

For 1 port transmission the channel matrix is defined in the frequency domain by:

$$\mathbf{H} = \begin{pmatrix} 1 \\ 1 \end{pmatrix}.$$

For 2 port transmission the channel matrix is defined in the frequency domain by:

$$\mathbf{H} = \begin{pmatrix} 1 & j \\ 1 & -j \end{pmatrix}.$$

### I.1.2 NCR-MT Receiver with 4Rx

For 1 port transmission the channel matrix is defined in the frequency domain by

$$\mathbf{H} = \begin{bmatrix} 1 \\ 1 \\ 1 \\ 1 \end{bmatrix}.$$

For 2 port transmission the channel matrix is defined in the frequency domain by

$$\mathbf{H} = \begin{bmatrix} 1 & j \\ 1 & -j \\ 1 & j \\ 1 & -j \end{bmatrix}.$$

## I.2 Multi-path fading propagation conditions

The multipath propagation conditions consist of several parts:

- A delay profile in the form of a "tapped delay-line", characterized by a number of taps at fixed positions on a sampling grid. The profile can be further characterized by the r.m.s. delay spread and the maximum delay spanned by the taps.
- A combination of channel model parameters that include the Delay profile and the Doppler spectrum that is characterized by a classical spectrum shape and a maximum Doppler frequency.
- Different models are used for FR1 (410 MHz - 7.125GHz) and FR2-1 (24.25 GHz – 52.6 GHz).

## I.2.1 Delay profiles

The delay profiles are simplified from the TR 38.901 [17] TDL models. The simplification steps are shown below for information. These steps are only used when new delay profiles are created. Otherwise, the delay profiles specified in annex I.2.1.1 and I.2.1.2 can be used as such.

Step 1: Use the original TDL model from TR 38.901 [17].

Step 2: Re-order the taps in ascending delays.

Step 3: Perform delay scaling according to the procedure described in clause 7.7.3 in TR 38.901 [17].

Step 4: Apply the quantization to the delay resolution 5 ns. This is done simply by rounding the tap delays to the nearest multiple of the delay resolution.

Step 5: If multiple taps are rounded to the same delay bin, merge them by calculating their linear power sum.

Step 6: If there are more than 12 taps in the quantized model, merge the taps as follows:

- Find the weakest tap from all taps (both merged and unmerged taps are considered)
  - If there are two or more taps having the same value and are the weakest, select the tap with the smallest delay as the weakest tap.
- When the weakest tap is the first delay tap, merge taps as follows:
  - Update the power of the first delay tap as the linear power sum of the weakest tap and the second delay tap.
  - Remove the second delay tap.
- When the weakest tap is the last delay tap, merge taps as follows:
  - Update the power of the last delay tap as the linear power sum of the second-to-last tap and the last tap.
  - Remove the second-to-last tap.
- Otherwise:
  - For each side of the weakest tap, identify the neighbour tap that has the smaller delay difference to the weakest tap.
    - When the delay difference between the weakest tap and the identified neighbour tap on one side equals the delay difference between the weakest tap and the identified neighbour tap on the other side.
      - Select the neighbour tap that is weaker in power for merging.
    - Otherwise, select the neighbour tap that has smaller delay difference for merging.
  - To merge, the power of the merged tap is the linear sum of the power of the weakest tap and the selected tap.
  - When the selected tap is the first tap, the location of the merged tap is the location of the first tap. The weakest tap is removed.
  - When the selected tap is the last tap, the location of the merged tap is the location of the last tap. The weakest tap is removed.
  - Otherwise, the location of the merged tap is based on the average delay of the weakest tap and selected tap. If the average delay is on the sampling grid, the location of the merged tap is the average delay. Otherwise, the location of the merged tap is rounded towards the direction of the selected tap (e.g. 10 ns & 20 ns → 15 ns, 10 ns & 25 ns → 20 ns, if 25 ns had higher or equal power; 15 ns, if 10 ns had higher power). The weakest tap and the selected tap are removed.
- Repeat step 6 until the final number of taps is 12.

Step 7: Round the amplitudes of taps to one decimal (e.g. -8.78 dB → -8.8 dB)



Step 8: If the delay spread has slightly changed due to the tap merge, adjust the final delay spread by increasing or decreasing the power of the last tap so that the delay spread is corrected.

Step 9: Re-normalize the highest tap to 0 dB.

NOTE 1: Some values of the delay profile created by the simplification steps may differ from the values in tables I.2.1.1-2, I.2.1.1-3, I.2.1.1-4, and I.2.1.2-2 for the corresponding model.

NOTE 2: For Step 5 and Step 6, the power values are expressed in the linear domain using 6 digits of precision. The operations are in the linear domain.

### I.2.1.1 Delay profiles for FR2-1

The delay profiles for FR2-1 are specified in I.2.1.1-1 and the tapped delay line models are specified in table I.2.1.1-2.

**Table I.2.1.1-1: Delay profiles for NR channel models**

Model	Number of channel taps	Delay spread (r.m.s.)	Maximum excess tap delay (span)	Delay resolution
TDLA30	12	30 ns	290 ns	5 ns

**Table I.2.1.1-2: TDLA30 (DS = 30 ns)**

Tap #	Delay (ns)	Power (dB)	Fading distribution
1	0	-15.5	Rayleigh
2	10	0	
3	15	-5.1	
4	20	-5.1	
5	25	-9.6	
6	50	-8.2	
7	65	-13.1	
8	75	-11.5	
9	105	-11.0	
10	135	-16.2	
11	150	-16.6	
12	290	-26.2	

### I.2.2 Combinations of channel model parameters

The propagation conditions used for the performance measurements in multi-path fading environment are indicated as a combination of a channel model name and a maximum Doppler frequency, i.e., TDLA<DS>-<Doppler>, TDLB<DS>-<Doppler> or TDLC<DS>-<Doppler> where '<DS>' indicates the desired delay spread and '<Doppler>' indicates the maximum Doppler frequency (Hz).

Table I.2.2-1 and I.2.2-2 show the propagation conditions that are used for the performance measurements in multi-path fading environment for low, medium and high Doppler frequencies for FR1 and FR2, respectively.

**Table I.2.2-1: Channel model parameters for FR1**

Combination name	Model	Maximum Doppler frequency
TDLA30-10	TDLA30	10 Hz

**Table I.2.2-2: Channel model parameters for FR2**

Combination name	Model	Maximum Doppler frequency
TDLA30-75	TDLA30	75 Hz

## I.2.3 MIMO channel correlation matrices

The MIMO channel correlation matrices defined in I.2.3 apply for the antenna configuration using uniform linear arrays at both gNB and NCR-MT and for the antenna configuration using cross polarized antennas.

### I.2.3.1 MIMO correlation matrices using Uniform Linear Array (ULA)

The MIMO channel correlation matrices defined in I.2.3.1 apply for the antenna configuration using uniform linear array (ULA) at both gNB and NCR-MT.

#### I.2.3.1.1 Definition of MIMO correlation matrices

Table I.2.3.1.1-1 defines the correlation matrix for the gNB.

**Table I.2.3.1.1-1: gNB correlation matrix**

	<b>gNB correlation</b>
One antenna	$R_{gNB} = 1$
Two antennas	$R_{gNB} = \begin{pmatrix} 1 & \alpha \\ \alpha^* & 1 \end{pmatrix}$

Table I.2.3.1.1-2 defines the correlation matrix for the NCR-MT:

**Table I.2.3.1.1-2: NCR-MT correlation matrix**

	<b>One antenna</b>	<b>Two antennas</b>	<b>Four antennas</b>
NCR-MT correlation	$R_{UE} = 1$	$R_{UE} = \begin{pmatrix} 1 & \beta \\ \beta^* & 1 \end{pmatrix}$	$R_{UE} = \begin{pmatrix} 1 & \beta^{1/9} & \beta^{4/9} & \beta \\ \beta^{1/9*} & 1 & \beta^{1/9} & \beta^{4/9} \\ \beta^{4/9*} & \beta^{1/9*} & 1 & \beta^{1/9} \\ \beta^* & \beta^{4/9*} & \beta^{1/9*} & 1 \end{pmatrix}$

Table I.2.3.1.1-3 defines the channel spatial correlation matrix  $R_{spat}$ . The parameters,  $\alpha$  and  $\beta$  in table I.2.3.1.1-3 defines the spatial correlation between the antennas at the gNB and NCR-MT respectively.

**Table I.2.3.1.1-3:  $R_{spat}$  correlation matrices**

1x2 case	$R_{spat} = R_{UE} = \begin{bmatrix} 1 & \beta \\ \beta^* & 1 \end{bmatrix}$
1x4 case	$R_{spat} = R_{UE} = \begin{pmatrix} 1 & \beta^{1/9} & \beta^{4/9} & \beta \\ \beta^{1/9*} & 1 & \beta^{1/9} & \beta^{4/9} \\ \beta^{4/9*} & \beta^{1/9*} & 1 & \beta^{1/9} \\ \beta^* & \beta^{4/9*} & \beta^{1/9*} & 1 \end{pmatrix}$
2x2 case	$R_{spat} = R_{gNB} \otimes R_{UE} = \begin{bmatrix} 1 & \alpha \\ \alpha^* & 1 \end{bmatrix} \otimes \begin{bmatrix} 1 & \beta \\ \beta^* & 1 \end{bmatrix} = \begin{bmatrix} 1 & \beta & \alpha & \alpha\beta \\ \beta^* & 1 & \alpha\beta^* & \alpha \\ \alpha^* & \alpha^*\beta & 1 & \beta \\ \alpha^*\beta^* & \alpha^* & \beta^* & 1 \end{bmatrix}$
2x4 case	$R_{spat} = R_{gNB} \otimes R_{UE} = \begin{bmatrix} 1 & \alpha \\ \alpha^* & 1 \end{bmatrix} \otimes \begin{bmatrix} 1 & \beta^{1/9} & \beta^{4/9} & \beta \\ \beta^{1/9*} & 1 & \beta^{1/9} & \beta^{4/9} \\ \beta^{4/9*} & \beta^{1/9*} & 1 & \beta^{1/9} \\ \beta^* & \beta^{4/9*} & \beta^{1/9*} & 1 \end{bmatrix}$

For cases with more antennas at either gNB or NCR-MT or both, the channel spatial correlation matrix can still be expressed as the Kronecker product of  $R_{gNB}$  and  $R_{UE}$  according to  $R_{spat} = R_{gNB} \otimes R_{UE}$ .

**1.2.3.1.2 MIMO correlation matrices at high, medium and low level**

The  $\alpha$  and  $\beta$  for different correlation types are given in table I.2.3.1.2-1.

**Table I.2.3.1.2-1: Correlation for high, medium and low level**

Low correlation		Medium correlation		High correlation	
$\alpha$	$\beta$	$\alpha$	$\beta$	$\alpha$	$\beta$
0	0	0.9	0.3	0.9	0.9

The correlation matrices for high, medium and low correlation are defined in tables I.2.3.1.2-2, I.2.3.1.2-3 and I.2.3.1.2-4 as below.

The values in table I.2.3.1.2-2 have been adjusted for the 2x4 high correlation cases to ensure the correlation matrix is positive semi-definite after round-off to 4 digit precision. This is done using the equation:

$$\mathbf{R}_{high} = [\mathbf{R}_{spatial} + a\mathbf{I}_n] / (1 + a)$$

Where the value "a" is a scaling factor such that the smallest value is used to obtain a positive semi-definite result. For the 2x4 high correlation case, a=0.00010.

**Table I.2.3.1.2-2: MIMO correlation matrices for high correlation**

1x2 case	$R_{high} = \begin{pmatrix} 1 & 0.9 \\ 0.9 & 1 \end{pmatrix}$
2x2 case	$R_{high} = \begin{pmatrix} 1 & 0.9 & 0.9 & 0.81 \\ 0.9 & 1 & 0.81 & 0.9 \\ 0.9 & 0.81 & 1 & 0.9 \\ 0.81 & 0.9 & 0.9 & 1 \end{pmatrix}$
2x4 case	$R_{high} = \begin{pmatrix} 1.0000 & 0.9883 & 0.9542 & 0.8999 & 0.8999 & 0.8894 & 0.8587 & 0.8099 \\ 0.9883 & 1.0000 & 0.9883 & 0.9542 & 0.8894 & 0.8999 & 0.8894 & 0.8587 \\ 0.9542 & 0.9883 & 1.0000 & 0.9883 & 0.8587 & 0.8894 & 0.8999 & 0.8894 \\ 0.8999 & 0.9542 & 0.9883 & 1.0000 & 0.8099 & 0.8587 & 0.8894 & 0.8999 \\ 0.8999 & 0.8894 & 0.8587 & 0.8099 & 1.0000 & 0.9883 & 0.9542 & 0.8999 \\ 0.8894 & 0.8999 & 0.8894 & 0.8587 & 0.9883 & 1.0000 & 0.9883 & 0.9542 \\ 0.8587 & 0.8894 & 0.8999 & 0.8894 & 0.9542 & 0.9883 & 1.0000 & 0.9883 \\ 0.8099 & 0.8587 & 0.8894 & 0.8999 & 0.8999 & 0.9542 & 0.9883 & 1.0000 \end{pmatrix}$

**Table I.2.3.1.2-3: MIMO correlation matrices for medium correlation**

1x2 case	N/A
2x2 case	$R_{medium} = \begin{pmatrix} 1.0000 & 0.9000 & 0.3000 & 0.2700 \\ 0.9000 & 1.0000 & 0.2700 & 0.3000 \\ 0.3000 & 0.2700 & 1.0000 & 0.9000 \\ 0.2700 & 0.3000 & 0.9000 & 1.0000 \end{pmatrix}$
2x4 case	$R_{medium} = \begin{pmatrix} 1.0000 & 0.9884 & 0.9543 & 0.9000 & 0.3000 & 0.2965 & 0.2863 & 0.2700 \\ 0.9884 & 1.0000 & 0.9884 & 0.9543 & 0.2965 & 0.3000 & 0.2965 & 0.2863 \\ 0.9543 & 0.9884 & 1.0000 & 0.9884 & 0.2863 & 0.2965 & 0.3000 & 0.2965 \\ 0.9000 & 0.9543 & 0.9884 & 1.0000 & 0.2700 & 0.2863 & 0.2965 & 0.3000 \\ 0.3000 & 0.2965 & 0.2863 & 0.2700 & 1.0000 & 0.9884 & 0.9543 & 0.9000 \\ 0.2965 & 0.3000 & 0.2965 & 0.2863 & 0.9884 & 1.0000 & 0.9884 & 0.9543 \\ 0.2863 & 0.2965 & 0.3000 & 0.2965 & 0.9543 & 0.9884 & 1.0000 & 0.9884 \\ 0.2700 & 0.2863 & 0.2965 & 0.3000 & 0.9000 & 0.9543 & 0.9884 & 1.0000 \end{pmatrix}$

**Table I.2.3.1.2-4: MIMO correlation matrices for low correlation**

1x2 case	$R_{low} = \mathbf{I}_2$
1x4 case	$R_{low} = \mathbf{I}_4$
2x2 case	$R_{low} = \mathbf{I}_4$
2x4 case	$R_{low} = \mathbf{I}_8$

In table I.2.3.1.2-4,  $\mathbf{I}_d$  is a  $d \times d$  identity matrix.

NOTE: For completeness, the correlation matrices were defined for high, medium and low correlation but performance requirements exist only for low correlation.

### 1.2.3.2 Multi-antenna channel models using cross polarized antennas

The MIMO channel correlation matrices defined in I.2.3.2 apply to two cases as presented below:

- One TX antenna and multiple RX antennas case, with cross polarized antennas used at gNB
- Multiple TX antennas and multiple RX antennas case, with cross polarized antennas used at both UE and gNB

The cross-polarized antenna elements with +/-45 degrees polarization slant angles are deployed at gNB. For one TX antenna case, antenna element with +90 degree polarization slant angle is deployed at UE. For multiple TX antennas case, cross-polarized antenna elements with +90/0 degrees polarization slant angles are deployed at UE.

For the cross-polarized antennas, the N antennas are labelled such that antennas for one polarization are listed from 1 to N/2 and antennas for the other polarization are listed from N/2+1 to N, where N is the number of TX or RX antennas.

### 1.2.3.2.1 Definition of MIMO correlation matrices using cross polarized antennas

For the channel spatial correlation matrix, the following is used:

$$R_{spat} = P_{UL} (R_{UE} \otimes \Gamma_{UL} \otimes R_{gNB}) P_{UL}^T$$

Where

- $R_{UE}$  is the spatial correlation matrix at the UE with same polarization,
- $R_{gNB}$  is the spatial correlation matrix at the gNB with same polarization,
- $\Gamma_{UL}$  is a polarization correlation matrix,
- $P_{UL}$  is a permutation matrix, and
- $(\bullet)^T$  denotes transpose.

Table I.2.3.2.1-1 defines the polarization correlation matrix.

**Table I.2.3.2.1-1 : Polarization correlation matrix**

	One TX antenna	Multiple TX antennas
Polarization correlation matrix	$\Gamma_{UL} = \begin{bmatrix} 1 & -\gamma \\ -\gamma & 1 \end{bmatrix}$	$\Gamma_{UL} = \begin{bmatrix} 1 & -\gamma & 0 & 0 \\ -\gamma & 1 & 0 & 0 \\ 0 & 0 & 1 & \gamma \\ 0 & 0 & \gamma & 1 \end{bmatrix}$

The matrix  $P_{UL}$  is defined as

$$P_{UL}(a,b) = \begin{cases} 1 & \text{for } a = (j-1)Nr + i \text{ and } b = 2(j-1)Nr + i, & i = 1, \dots, Nr, j = 1, \dots, \lceil Nt/2 \rceil \\ 1 & \text{for } a = (j-1)Nr + i \text{ and } b = 2(j - Nt/2)Nr - Nr + i, & i = 1, \dots, Nr, j = \lceil Nt/2 \rceil + 1, \dots, Nt \\ 0 & \text{otherwise} \end{cases}$$

where  $Nt$  and  $Nr$  is the number of TX and RX antennas respectively, and  $\lceil \bullet \rceil$  is the ceiling operator.

The matrix  $P_{UL}$  is used to map the spatial correlation coefficients in accordance with the antenna element labelling system described in I.2.3.2.

### 1.2.3.2.2 Spatial correlation matrices at NCR-MT and gNB sides

#### 1.2.3.2.2.1 Spatial correlation matrices at NCR-MT side

For 2-antenna receiver using one pair of cross-polarized antenna elements,  $R_{UE} = 1$ .

For 4-antenna receiver using two pairs of cross-polarized antenna elements,  $R_{UE} = \begin{pmatrix} 1 & \beta \\ \beta^* & 1 \end{pmatrix}$ .

#### 1.2.3.2.2.2 Spatial correlation matrices at gNB side

For 1-antenna transmitter,  $R_{gNB} = 1$ .

For 2-antenna transmitter using one pair of cross-polarized antenna elements,  $R_{gNB} = 1$ .

### I.2.3.2.3 MIMO correlation matrices using cross polarized antennas

The values for parameters  $\alpha$ ,  $\beta$  and  $\gamma$  for low spatial correlation are given in table I.2.3.2.3-1.

**Table I.2.3.2.3-1: Values for parameters  $\alpha$ ,  $\beta$  and  $\gamma$**

Low spatial correlation		
$\alpha$	$\beta$	$\gamma$
0	0	0
NOTE 1: Value of $\alpha$ applies when more than one pair of cross-polarized antenna elements at gNB side.		
NOTE 2: Value of $\beta$ applies when more than one pair of cross-polarized antenna elements at UE side.		

### I.2.3.2.4 Beam steering approach

For the 2D cross-polarized antenna array at gNB, given the channel spatial correlation matrix in I.2.3.2.1, I.2.3.2.2 and I.2.3.2.3, the corresponding random channel matrix  $H$  can be calculated. The signal model for the  $k$ -th slot is denoted as

$$y = HD_{\theta_{k,1},\theta_{k,2}}Wx + n$$

And the steering matrix is further expressed as following:

$$D_{\theta_{k,1},\theta_{k,2}} = \begin{bmatrix} 1 & 0 \\ 0 & 1 \end{bmatrix} \otimes (D_{\theta_{k,1}}(N_1) \otimes D_{\theta_{k,2}}(N_2))$$

where

- $H$  is the  $N_r \times N_t$  channel matrix per subcarrier.
- $D_{\theta_{k,1},\theta_{k,2}}$  is the steering matrix,
- $D_{\theta_{k,1}}(N_1)$  is the steering matrix in first dimension with same polarization,
- $D_{\theta_{k,2}}(N_2)$  is the steering matrix in second dimension with same polarization,
- $N_1$  is the number of antenna elements in first dimension with same polarization,
- $N_2$  is the number of antenna elements in second dimension with same polarization,
- For antenna array with only one direction, number of antenna element in second direction  $N_2$  equals 1.

For 1 antenna element with the same polarization in one direction,

$$D_{\theta_{k,i}}(1) = 1$$

For 2 antenna elements with the same polarization in one direction,

$$D_{\theta_{k,i}}(2) = \begin{bmatrix} 1 & 0 \\ 0 & e^{j3\theta_{k,i}} \end{bmatrix}$$

For 3 antenna elements with the same polarization in one direction,

$$D_{\theta_{k,i}}(3) = \begin{bmatrix} 1 & 0 & 0 \\ 0 & e^{j1.5\theta_{k,i}} & 0 \\ 0 & 0 & e^{j3\theta_{k,i}} \end{bmatrix}$$

For 4 antenna elements with the same polarization in one direction,

$$D_{\theta_{k,i}}(4) = \begin{bmatrix} 1 & 0 & 0 & 0 \\ 0 & e^{j\theta_{k,i}} & 0 & 0 \\ 0 & 0 & e^{j2\theta_{k,i}} & 0 \\ 0 & 0 & 0 & e^{j3\theta_{k,i}} \end{bmatrix}$$

where the index  $i=1,2$  stands for first dimension and second dimension respectively.

- $\theta_{k,i}$  controls the phase variation in first dimension and second dimension respectively, and the phase for k-th subframe is denoted by  $\theta_{k,i} = \theta_{0,i} + \Delta\theta \cdot k$ , where  $\theta_{0,i}$  is the random start value with the uniform distribution, i.e.,  $\theta_{0,i} \in [0, 2\pi]$ ,  $\Delta\theta$  is the step of phase variation, which is defined in Table I.2.3.2.4-1, and k is the linear increment of  $2^{-\mu}$  for every slot throughout the simulation, the index  $i=1,2$  stands for first dimension and second dimension respectively.
- $W$  is the precoding matrix for Nt transmission antennas,
- $y$  is the received signal,  $x$  is the transmitted signal, and  $n$  is AWGN.
- $\mu$  corresponds to subcarrier spacing configuration,  $\Delta f = 2^\mu \cdot 15[\text{kHz}]$

For the 1D cross-polarized antenna array at gNB, the corresponding random channel matrix  $H$  can be calculated by letting  $N_2=1$ , i.e.,

$$D_{\theta_{k,1}} = \begin{bmatrix} 1 & 0 \\ 0 & 1 \end{bmatrix} \otimes D_{\theta_{k,1}}(N_1)$$

**Table I.2.3.2.4-1: The step of phase variation**

Variation Step	Value (rad/ms)
$\Delta\theta$	$1.2566 \times 10^{-3}$

### 1.3 Physical signals, channels mapping and precoding

#### 1.3.1 General

Unless otherwise stated, the transmission on antenna port(s)  $p = p_0, p_0 + 1, \dots, p_0 + N_p - 1$  is defined by using a precoder matrix  $W(i)$  of size  $N_{ANT} \times N_p$ , where  $N_{ANT}$  is the number of physical transmit antenna elements configured per test,  $N_p$  is the number of ports for a reference signal or physical channel configured per test, and  $p_0$  is the first port for that reference signal or physical channel as defined in clauses 7.3 and 7.4 in TS 38.211 [18]. This precoder takes as an input a block of signals for antenna port(s)  $p = p_0, p_0 + 1, \dots, p_0 + N_p - 1$ ,

$y^{(p)}(l) = [y^{(p_0)}(l) \ y^{(p_0+1)}(l) \ \dots \ y^{(p_0+N_p-1)}(l)]^T$ ,  $i = 0, 1, \dots, M_{\text{sym}}^{\text{ap}} - 1$ , with  $M_{\text{sym}}^{\text{ap}}$  being the number of modulation symbols per antenna port including the reference signal symbols, and generates a block of signals

$x_{\text{ant}}^{(p)}(l) = [x_{\text{ant}}^{(p_0)}(l) \ x_{\text{ant}}^{(p_0+1)}(l) \ \dots \ x_{\text{ant}}^{(p_0+N_p-1)}(l)]^T$  the elements of which are to be mapped onto the frequency-time index pair  $(k, l)$  as per the test configuration but transmitted on different physical antenna elements:

$$y_{bf}^{(q)}(i) = W(i)y^{(p)}(i)$$

For Clause 6 and 8, the transmission of PDCCH and PDCCH DMRS on antenna port  $p = p_0$  is defined by using a precoder matrix  $W(i)$  of size  $2 \times 1$ . This precoder takes as an input a block of signals for antenna port(s)  $p = p_0$ ,

$y^{(p)}(i) = y^{(p_0)}(i)$  and generates a block of signals  $y_{bf}^{(q)}(i) = \left[ y_{bf}^{(q)}(i) \ y_{bf}^{(\frac{N_{ANT}}{2})}(i) \right]^T$  the elements of which are to be mapped onto the frequency-time index pair  $(k, l)$  as per the test configuration but transmitted on different physical antenna elements:

$$y_{bf}^{(q)}(i) = W(i)y^{(p)}(i)$$

The precoder matrix  $W(i)$  is specific to the test case configuration  $W(i)$  is defined in Clause 5.2.2.2 of TS 38.214 [15].

The transmission on PT-RS antenna port is associated (using same precoder) with the lowest indexed DM-RS antenna port among the DM-RS antenna ports assigned for the PDSCH.

The physical antenna elements are identified by indices  $j = 0, 1, \dots, N_{ANT} - 1$ , where  $N_{ANT}$  is the number of physical antenna elements configured per test.

Modulation symbols  $y^{(p)}(i)$  with  $p \in \{4000\}$  (i.e. PSS, SSS, PBCH and DM-RS for PBCH) are directly mapped to first physical antenna element.

Modulation symbols  $a_{k,l}$  for CSI-RS resources which configured for tracking with one port are directly mapped to first physical antenna element.

Modulation symbols  $a_{k,l}^{(p)}$  for CSI-RS resources which configured for beam refinement with one port are directly mapped to first physical antenna element.

Modulation symbols  $a_{k,l}^{(p)}$  for NZP CSI-RS which configured for CSI acquisition with

$p \in \{p_0, p_0 + 1, \dots, p_0 + N_{CSI} - 1\}$  are mapped to the physical antenna index  $j = p - p_0$  where  $N_{CSI}$  is the number of NZP CSI-RS ports configured per tes.



## Annex J (informative): Change history

Change history							
Date	Meeting	TDoc	CR	Rev	Cat	Subject/Comment	New version
2022-05	RAN4#10 3e	R4-2210846				TS skeleton	0.0.1
2022-08	RAN4#10 4e	R4-2214368				Added approved TPs in RAN4#104-e including R4-2211703,TP for TS 38.115-2: Clause 4.2-4.5 R4-2211704,TP for TS 38.115-2: Clause 5 operating bands R4-2213722,TP for TS 38.115-2: section 4.10-4.12 R4-2213977,TP to TS 38.115-2 Annex A Repeater stimulus signals (OTA) R4-2214742,TP for TS 38.115-2: Clause 3 definitions R4-2214788,TP to TS 38.115-2: Frequency Stability, Out of band gain, unwanted emissions R4-2214792,TP to TS 38.115-2: TDD Switching R4-2214802,TP to TS 38.115-2 Manufacturer declarations for NR FR2 repeaters R4-2214804,TP to TS 38.115-2 clause 6.7 OTA Input intermodulation R4-2214842,TP for TS 38.115-2: section 6.8 R4-2214843,TP for TS 38.115-2: Annex D and E R4-2214868,TP to TS 38.115-2 clause 6.6 OTA EVM	0.1.0
2022-10	RAN4#10 4bis-e	R4-2216568				Added approved TPs in RAN4#104-e including R4-2214786,TP to TS 38.115-2: Test Configurations and Requirement applicability R4-2214790,TP to TS 38.115-2: In-band measurements Annex R4-2214866,TP to TS 38.115-2 clause 4.9 RF channels and test models Added approved TPs in RAN4#104bis-e including R4-2217302,TP to TS 38.115-2 – Annex I TRP measurement procedures R4-2217300,TP for TS 38.115-2: Scope, reference and editorial changes R4-2217308,TP to TS 38.115-2: Measurement uncertainties and test requirements (4.1) R4-2217310,TP to TS 38.115-2: OTA output power (6.1, 6.2) R4-2217309,TP to TS 38.115-2: Annex B: Test tolerances and derivation of test requirements R4-2216844,TP to TS 38.115-2: Annex A: Environmental requirements for the repeater	0.2.0
2022-11	RAN4#10 5	R4-2219348				Added approved TPs in RAN4#105 including  R4-2220215 TP to 38.115-2: OTA ACLR requirement R4-2220218 TP to 38.115-2: OTA EVM requirement R4-2220271 TP to 38.115-2: OTA ACRR requirement R4-2220227 Draft CR to 38.115-2: Spectrum purity R4-2220228 TP for TS 38.115-2 OTA Out of band gain requirements R4-2220289 Maintenance TP for TS 38.115-2	0.3.0
2022-12	RAN#98e	RP-223091				Draft version for approval to RAN Plenary meeting: RP-223091, TS 38.115-2 v1.0.0 NR; Repeater conformance testing - Part 2: Radiated conformance testing	1.0.0

Change history							
Date	Meeting	TDoc	CR	Rev	Cat	Subject/Comment	New version
2022-12	RAN#98-e					Approved by plenary – Rel-17 spec under change control	17.0.0
2023-03	RAN#99	RP-230518	0001	1	F	CR for TS 38.115-2: Correction of some errors	17.1.0
2023-03	RAN#99	RP-230518	0002		F	CR to 38.115-2: Correction on OTA repeater EVM test requirements	17.1.0
2023-03	RAN#99	RP-230518	0003		F	CR to 38.115-2: Correction on derivation of test requirements	17.1.0
2023-03	RAN#99	RP-230518	0004		F	CR to 38.115-2: Correction of repeater ACLR test procedure	17.1.0
2023-06	RAN#100	RP-231339	0005	1	F	CR for TS 38.115-2, Add manufacturer declarations for test configurations and RF channels	17.2.0
2023-06	RAN#100	RP-231339	0006		F	CR to 38.115-2: Corrections on repeater output power requirements	17.2.0
2023-06	RAN#100	RP-231339	0007	1	F	CR to TS 38.115-2: Clarifications for repeater test models	17.2.0
2023-09	RAN#101	RP-232496	0008	1	F	[NR_repeater] CR to 38.115-2: Input intermodulation	17.3.0
2023-12	RAN#102	RP-233350	0009		F	CR for TS 38.115-2, Remove multi-band related content for repeater type 2-O	17.4.0
2023-12	RAN#102	RP-233350	0010	1	F	CR to 38.115-2: Correction of terminologies for NR repeaters	17.4.0
2024-03	RAN#103	RP-240574	0011		F	(NR_repeater-Perf) CR for TS 38.115-2, Correction on BS related description issues	17.5.0
2024-03	RAN#103	RP-240574	0012	1	F	CR to 38.115-2: NR repeater transmitter spurious emissions requirements (rel-18)	17.5.0
2024-03	RAN#103	RP-240588	0013		B	Big CR on Performance Requirements for NCR-MT in 38.115-2	18.0.0
2024-06	RAN#104	RP-241422	0015		F	CR on FRCs of NCR MT Demodulation Performance in 38.115-2	18.1.0
2024-06	RAN#104	RP-241422	0016		F	CR on Propagation Condition of NCR-MT for 38.115-2	18.1.0
2024-06	RAN#104	RP-241422	0017		B	Big CR to TS 38.115-2: the introduction of NCR	18.1.0
2024-09	RAN#105	RP-242172	0019	1	F	(NR_netcon_repeater-Perf)CR for TS 38.115-2, Correction on network controlled repeater classes for NCR	18.2.0
2024-09	RAN#105	RP-242172	0023	1	F	Maintenance CR of NCR to TS 38.115-2	18.2.0
2024-09	RAN#105	RP-242172	0024	1	F	CR on 38.115-2 for NCR conformance testing	18.2.0
2024-09	RAN#105	RP-242172	0025	1	F	CR to TS 38.115-2 with updates and corrections	18.2.0
2024-09	RAN#105	RP-242172	0026	1	F	NCR type 2-O testing: MT requirements testing restrictions	18.2.0
2024-12	RAN#106	RP-243053	0028	1	F	CR on Correlation Matrix of NCR Demodulation in 38.115-2	18.3.0
2024-12	RAN#106	RP-243053	0029		F	CR to 38.115-2: Rated TRP output power limit	18.3.0
2024-12	RAN#106	RP-243053	0030	1	F	CR to 38.115-2: ACLR requirements for NCR	18.3.0
2024-12	RAN#106	RP-243053	0031	1	F	CR to TS 38.115-2 with NCR type 1-H missing in some requirements	18.3.0

---

# History

<b>Document history</b>		
V18.3.0	January 2025	Publication