

ETSI TS 138 141-1 V17.10.0 (2023-07)



**5G;
NR;
Base Station (BS) conformance testing
Part 1: Conducted conformance testing
(3GPP TS 38.141-1 version 17.10.0 Release 17)**



Reference

RTS/TSGR-0438141-1vha0

Keywords

5G

ETSI

650 Route des Lucioles
F-06921 Sophia Antipolis Cedex - FRANCE

Tel.: +33 4 92 94 42 00 Fax: +33 4 93 65 47 16

Siret N° 348 623 562 00017 - APE 7112B
Association à but non lucratif enregistrée à la
Sous-Préfecture de Grasse (06) N° w061004871

Important notice

The present document can be downloaded from:

<https://www.etsi.org/standards-search>

The present document may be made available in electronic versions and/or in print. The content of any electronic and/or print versions of the present document shall not be modified without the prior written authorization of ETSI. In case of any existing or perceived difference in contents between such versions and/or in print, the prevailing version of an ETSI deliverable is the one made publicly available in PDF format at www.etsi.org/deliver.

Users of the present document should be aware that the document may be subject to revision or change of status.

Information on the current status of this and other ETSI documents is available at

<https://portal.etsi.org/TB/ETSIDeliverableStatus.aspx>

If you find errors in the present document, please send your comment to one of the following services:

<https://portal.etsi.org/People/CommitteeSupportStaff.aspx>

If you find a security vulnerability in the present document, please report it through our
Coordinated Vulnerability Disclosure Program:

<https://www.etsi.org/standards/coordinated-vulnerability-disclosure>

Notice of disclaimer & limitation of liability

The information provided in the present deliverable is directed solely to professionals who have the appropriate degree of experience to understand and interpret its content in accordance with generally accepted engineering or other professional standard and applicable regulations.

No recommendation as to products and services or vendors is made or should be implied.

No representation or warranty is made that this deliverable is technically accurate or sufficient or conforms to any law and/or governmental rule and/or regulation and further, no representation or warranty is made of merchantability or fitness for any particular purpose or against infringement of intellectual property rights.

In no event shall ETSI be held liable for loss of profits or any other incidental or consequential damages.

Any software contained in this deliverable is provided "AS IS" with no warranties, express or implied, including but not limited to, the warranties of merchantability, fitness for a particular purpose and non-infringement of intellectual property rights and ETSI shall not be held liable in any event for any damages whatsoever (including, without limitation, damages for loss of profits, business interruption, loss of information, or any other pecuniary loss) arising out of or related to the use of or inability to use the software.

Copyright Notification

No part may be reproduced or utilized in any form or by any means, electronic or mechanical, including photocopying and microfilm except as authorized by written permission of ETSI.

The content of the PDF version shall not be modified without the written authorization of ETSI.

The copyright and the foregoing restriction extend to reproduction in all media.

© ETSI 2023.
All rights reserved.

Intellectual Property Rights

Essential patents

IPRs essential or potentially essential to normative deliverables may have been declared to ETSI. The declarations pertaining to these essential IPRs, if any, are publicly available for **ETSI members and non-members**, and can be found in ETSI SR 000 314: "*Intellectual Property Rights (IPRs); Essential, or potentially Essential, IPRs notified to ETSI in respect of ETSI standards*", which is available from the ETSI Secretariat. Latest updates are available on the ETSI Web server (<https://ipr.etsi.org/>).

Pursuant to the ETSI Directives including the ETSI IPR Policy, no investigation regarding the essentiality of IPRs, including IPR searches, has been carried out by ETSI. No guarantee can be given as to the existence of other IPRs not referenced in ETSI SR 000 314 (or the updates on the ETSI Web server) which are, or may be, or may become, essential to the present document.

Trademarks

The present document may include trademarks and/or tradenames which are asserted and/or registered by their owners. ETSI claims no ownership of these except for any which are indicated as being the property of ETSI, and conveys no right to use or reproduce any trademark and/or tradename. Mention of those trademarks in the present document does not constitute an endorsement by ETSI of products, services or organizations associated with those trademarks.

DECT™, **PLUGTESTS™**, **UMTS™** and the ETSI logo are trademarks of ETSI registered for the benefit of its Members. **3GPP™** and **LTE™** are trademarks of ETSI registered for the benefit of its Members and of the 3GPP Organizational Partners. **oneM2M™** logo is a trademark of ETSI registered for the benefit of its Members and of the oneM2M Partners. **GSM®** and the GSM logo are trademarks registered and owned by the GSM Association.

Legal Notice

This Technical Specification (TS) has been produced by ETSI 3rd Generation Partnership Project (3GPP).

The present document may refer to technical specifications or reports using their 3GPP identities. These shall be interpreted as being references to the corresponding ETSI deliverables.

The cross reference between 3GPP and ETSI identities can be found under <https://webapp.etsi.org/key/queryform.asp>.

Modal verbs terminology

In the present document "**shall**", "**shall not**", "**should**", "**should not**", "**may**", "**need not**", "**will**", "**will not**", "**can**" and "**cannot**" are to be interpreted as described in clause 3.2 of the [ETSI Drafting Rules](#) (Verbal forms for the expression of provisions).

"**must**" and "**must not**" are **NOT** allowed in ETSI deliverables except when used in direct citation.

Contents

| | |
|--|----|
| Intellectual Property Rights | 2 |
| Legal Notice | 2 |
| Modal verbs terminology..... | 2 |
| Foreword..... | 16 |
| 1 Scope | 18 |
| 2 References | 18 |
| 3 Definitions, symbols and abbreviations | 20 |
| 3.1 Definitions | 20 |
| 3.2 Symbols..... | 22 |
| 3.3 Abbreviations | 24 |
| 4 General conducted test conditions and declarations..... | 25 |
| 4.1 Measurement uncertainties and test requirements | 25 |
| 4.1.1 General..... | 25 |
| 4.1.2 Acceptable uncertainty of Test System..... | 25 |
| 4.1.2.1 General | 25 |
| 4.1.2.2 Measurement of transmitter | 26 |
| 4.1.2.3 Measurement of receiver | 28 |
| 4.1.2.4 Measurement of performance requirements..... | 32 |
| 4.1.3 Interpretation of measurement results..... | 32 |
| 4.2 Conducted requirement reference points | 32 |
| 4.2.1 <i>BS type I-C</i> | 32 |
| 4.2.2 <i>BS type I-H</i> | 33 |
| 4.3 Base station classes | 34 |
| 4.4 Regional requirements..... | 34 |
| 4.5 BS configurations | 36 |
| 4.5.1 <i>BS type I-C</i> | 36 |
| 4.5.1.1 Transmit configurations | 36 |
| 4.5.1.1.1 General | 36 |
| 4.5.1.1.2 Transmission with multiple transmitter antenna connectors..... | 36 |
| 4.5.1.2 Receive configurations..... | 36 |
| 4.5.1.2.1 General | 36 |
| 4.5.1.2.2 Reception with multiple receiver antenna connectors, receiver diversity..... | 37 |
| 4.5.1.3 Duplexers | 37 |
| 4.5.1.4 Power supply options | 37 |
| 4.5.1.5 Ancillary RF amplifiers..... | 37 |
| 4.5.2 <i>BS type I-H</i> | 38 |
| 4.5.2.1 Transmit configurations | 38 |
| 4.5.2.2 Receive configurations..... | 39 |
| 4.5.2.3 Power supply options | 39 |
| 4.5.3 BS with integrated Iuant BS modem | 40 |
| 4.6 Manufacturer declarations | 40 |
| 4.7 Test configurations | 46 |
| 4.7.1 General..... | 46 |
| 4.7.2 Test signal used to build Test Configurations..... | 46 |
| 4.7.3 NRTC1: Contiguous spectrum operation..... | 47 |
| 4.7.3.1 NRTC1 generation | 47 |
| 4.7.3.2 NRTC1 power allocation | 47 |
| 4.7.4 NRTC2: Contiguous CA occupied bandwidth..... | 47 |
| 4.7.4.1 NRTC2 generation | 47 |
| 4.7.4.2 NRTC2 power allocation | 48 |
| 4.7.5 NRTC3: Non-contiguous spectrum operation | 48 |
| 4.7.5.1 NRTC3 generation | 48 |
| 4.7.5.2 NRTC3 power allocation | 49 |
| 4.7.6 NRTC4: Multi-band test configuration for full carrier allocation..... | 49 |

| | | |
|------------|--|----|
| 4.7.6.1 | NRTC4 generation | 49 |
| 4.7.6.2 | NRTC4 power allocation | 49 |
| 4.7.7 | NRTC5: Multi-band test configuration with high PSD per carrier | 49 |
| 4.7.7.1 | NRTC5 generation | 50 |
| 4.7.7.2 | NRTC5 power allocation | 50 |
| 4.7.8 | NRTC6: Non-contiguous spectrum operation in band n46, n96 and n102 | 50 |
| 4.7.8.1 | NRTC6 generation | 50 |
| 4.7.8.2 | NRTC6 power allocation | 51 |
| 4.8 | Applicability of requirements | 51 |
| 4.8.1 | General | 51 |
| 4.8.2 | Requirement set applicability | 51 |
| 4.8.3 | Applicability of test configurations for single-band operation | 51 |
| 4.8.4 | Applicability of test configurations for multi-band operation | 53 |
| 4.8.5 | Additional conformance | 54 |
| 4.9 | RF channels and test models | 54 |
| 4.9.1 | RF channels | 54 |
| 4.9.2 | Test models | 55 |
| 4.9.2.1 | General | 55 |
| 4.9.2.2 | FR1 test models | 55 |
| 4.9.2.2.1 | FR1 test model 1.1 (NR-FR1-TM1.1) | 57 |
| 4.9.2.2.2 | FR1 test model 1.2 (NR-FR1-TM1.2) | 58 |
| 4.9.2.2.3 | FR1 test model 2 (NR-FR1-TM2) | 58 |
| 4.9.2.2.4 | FR1 test model 2a (NR-FR1-TM2a) | 59 |
| 4.9.2.2.4A | FR1 test model 2b (NR-FR1-TM2b) | 59 |
| 4.9.2.2.5 | FR1 test model 3.1 (NR-FR1-TM3.1) | 59 |
| 4.9.2.2.6 | FR1 test model 3.1a (NR-FR1-TM3.1a) | 60 |
| 4.9.2.2.6A | FR1 test model 3.1b (NR-FR1-TM3.1b) | 60 |
| 4.9.2.2.7 | FR1 test model 3.2 (NR-FR1-TM3.2) | 60 |
| 4.9.2.2.8 | FR1 test model 3.3 (NR-FR1-TM3.3) | 61 |
| 4.9.2.2.9 | NB-IoT operation in NR in-band test model (NR-N-TM) | 62 |
| 4.9.2.3 | Data content of Physical channels and Signals for NR-FR1-TM | 62 |
| 4.9.2.3.1 | PDCCH | 62 |
| 4.9.2.3.2 | PDSCH | 63 |
| 4.9.2.4 | Data content of Physical channels and Signals for NR-N-TM | 64 |
| 4.9.3 | NB-IoT testing | 64 |
| 4.10 | Requirements for contiguous and non-contiguous spectrum | 64 |
| 4.11 | Requirements for BS capable of multi-band operation | 65 |
| 4.12 | Format and interpretation of tests | 65 |
| 5 | Operating bands and channel arrangement | 67 |
| 6 | Conducted transmitter characteristics | 68 |
| 6.1 | General | 68 |
| 6.1.1 | BS type 1-C | 68 |
| 6.1.2 | BS type 1-H | 68 |
| 6.2 | Base station output power | 68 |
| 6.2.1 | Definition and applicability | 68 |
| 6.2.2 | Minimum requirement | 69 |
| 6.2.3 | Test purpose | 69 |
| 6.2.4 | Method of test | 69 |
| 6.2.4.1 | Initial conditions | 69 |
| 6.2.4.2 | Procedure | 70 |
| 6.2.5 | Test requirement | 70 |
| 6.3 | Output power dynamics | 71 |
| 6.3.1 | General | 71 |
| 6.3.2 | RE power control dynamic range | 71 |
| 6.3.2.1 | Definition and applicability | 71 |
| 6.3.2.2 | Minimum requirement | 71 |
| 6.3.2.3 | Test purpose | 71 |
| 6.3.3 | Total power dynamic range | 71 |
| 6.3.3.1 | Definition and applicability | 71 |
| 6.3.3.2 | Minimum requirement | 71 |

| | | |
|-----------|---|----|
| 6.3.3.3 | Test purpose | 71 |
| 6.3.3.4 | Method of test | 71 |
| 6.3.3.4.1 | Initial conditions | 71 |
| 6.3.3.4.2 | Procedure..... | 72 |
| 6.3.3.5 | Test requirements..... | 72 |
| 6.3.4 | NB-IoT RB power dynamic range..... | 73 |
| 6.3.4.1 | Definition and applicability..... | 73 |
| 6.3.4.2 | Minimum requirement | 73 |
| 6.3.4.3 | Test purpose | 73 |
| 6.3.4.4 | Method of test | 73 |
| 6.3.4.5 | Test requirements..... | 73 |
| 6.4 | Transmit ON/OFF power | 74 |
| 6.4.1 | Transmitter OFF power | 74 |
| 6.4.1.1 | Definition and applicability..... | 74 |
| 6.4.1.2 | Minimum requirement | 74 |
| 6.4.1.3 | Test purpose | 74 |
| 6.4.1.4 | Method of test | 74 |
| 6.4.1.5 | Test requirements..... | 74 |
| 6.4.2 | Transmitter transient period..... | 75 |
| 6.4.2.1 | Definition and applicability..... | 75 |
| 6.4.2.2 | Minimum requirement | 75 |
| 6.4.2.3 | Test purpose | 75 |
| 6.4.2.4 | Method of test | 75 |
| 6.4.2.4.1 | Initial conditions..... | 75 |
| 6.4.2.4.2 | Procedure..... | 76 |
| 6.4.2.5 | Test requirements..... | 76 |
| 6.5 | Transmitted signal quality | 76 |
| 6.5.1 | General..... | 76 |
| 6.5.2 | Frequency error..... | 77 |
| 6.5.2.1 | Definition and applicability..... | 77 |
| 6.5.2.2 | Minimum Requirement | 77 |
| 6.5.2.3 | Test purpose | 77 |
| 6.5.2.4 | Method of test | 77 |
| 6.5.2.5 | Test Requirements..... | 77 |
| 6.5.3 | Modulation quality..... | 77 |
| 6.5.3.1 | Definition and applicability..... | 77 |
| 6.5.3.2 | Minimum Requirement | 77 |
| 6.5.3.3 | Test purpose | 78 |
| 6.5.3.4 | Method of test | 78 |
| 6.5.3.4.1 | Initial conditions..... | 78 |
| 6.5.3.4.2 | Procedure..... | 78 |
| 6.5.3.5 | Test requirements..... | 79 |
| 6.5.4 | Time alignment error..... | 81 |
| 6.5.4.1 | Definition and applicability..... | 81 |
| 6.5.4.2 | Minimum requirement | 81 |
| 6.5.4.3 | Test purpose | 81 |
| 6.5.4.4 | Method of test | 81 |
| 6.5.4.4.1 | Initial conditions..... | 81 |
| 6.5.4.4.2 | Procedure..... | 81 |
| 6.5.4.5 | Test requirement | 82 |
| 6.6 | Unwanted emissions..... | 82 |
| 6.6.1 | General..... | 82 |
| 6.6.2 | Occupied bandwidth | 83 |
| 6.6.2.1 | Definition and applicability..... | 83 |
| 6.6.2.2 | Minimum Requirements..... | 83 |
| 6.6.2.3 | Test purpose | 83 |
| 6.6.2.4 | Method of test | 84 |
| 6.6.2.4.1 | Initial conditions..... | 84 |
| 6.6.2.4.2 | Procedure..... | 84 |
| 6.6.2.5 | Test requirements..... | 85 |
| 6.6.3 | Adjacent Channel Leakage Power Ratio (ACLR) | 85 |
| 6.6.3.1 | Definition and applicability..... | 85 |

| | | |
|-------------|--|-----|
| 6.6.3.2 | Minimum requirement | 85 |
| 6.6.3.3 | Test purpose | 85 |
| 6.6.3.4 | Method of test | 85 |
| 6.6.3.4.1 | Initial conditions | 85 |
| 6.6.3.4.2 | Procedure..... | 86 |
| 6.6.3.5 | Test requirements..... | 86 |
| 6.6.3.5.1 | General requirements..... | 86 |
| 6.6.3.5.2 | Limits and <i>basic limits</i> | 86 |
| 6.6.3.5.3 | <i>BS type 1-C</i> | 90 |
| 6.6.3.5.4 | <i>BS type 1-H</i> | 90 |
| 6.6.4 | Operating band unwanted emissions | 91 |
| 6.6.4.1 | Definition and applicability..... | 91 |
| 6.6.4.2 | Minimum requirement | 92 |
| 6.6.4.3 | Test purpose | 92 |
| 6.6.4.4 | Method of test | 93 |
| 6.6.4.4.1 | Initial conditions..... | 93 |
| 6.6.4.4.2 | Procedure..... | 93 |
| 6.6.4.5 | Test requirements..... | 94 |
| 6.6.4.5.1 | General requirements..... | 94 |
| 6.6.4.5.2 | Basic limits for Wide Area BS (Category A)..... | 94 |
| 6.6.4.5.3 | Basic limits for Wide Area BS (Category B) | 95 |
| 6.6.4.5.3.1 | Category B requirements (Option 1)..... | 95 |
| 6.6.4.5.3.2 | Category B requirements (Option 2)..... | 97 |
| 6.6.4.5.4 | Basic limits for Medium Range BS (Category A and B)..... | 98 |
| 6.6.4.5.5 | Basic limits for Local Area BS (Category A and B) | 102 |
| 6.6.4.5.5A | Basic limits for Local Area and Medium Range BS for band n46, n96 and n102 (Category A and B)..... | 104 |
| 6.6.4.5.6 | Basic limits for additional requirements..... | 107 |
| 6.6.4.5.6.1 | Limits in FCC Title 47..... | 107 |
| 6.6.4.5.6.2 | Protection of DTT..... | 107 |
| 6.6.4.5.6.3 | Additional operating band unwanted emissions limits for Band n48..... | 107 |
| 6.6.4.5.6.4 | Additional operating band unwanted emissions limits for Band n53..... | 107 |
| 6.6.4.5.6.5 | Protection of GPS | 108 |
| 6.6.4.5.7 | <i>BS type 1-C</i> | 109 |
| 6.6.4.5.8 | <i>BS type 1-H</i> | 109 |
| 6.6.5 | Transmitter spurious emissions..... | 109 |
| 6.6.5.1 | Definition and applicability..... | 109 |
| 6.6.5.2 | Minimum requirement | 110 |
| 6.6.5.3 | Test purpose | 110 |
| 6.6.5.4 | Method of test | 110 |
| 6.6.5.4.1 | Initial conditions | 110 |
| 6.6.5.4.2 | Procedure..... | 110 |
| 6.6.5.5 | Test requirements..... | 111 |
| 6.6.5.5.1 | Basic limits | 111 |
| 6.6.5.5.1.1 | Tx spurious emissions..... | 111 |
| 6.6.5.5.1.2 | Protection of the BS receiver of own or different BS | 112 |
| 6.6.5.5.1.3 | Additional spurious emissions requirements | 112 |
| 6.6.5.5.1.4 | Co-location with other base stations | 122 |
| 6.6.5.5.2 | (void)..... | 128 |
| 6.6.5.5.3 | <i>BS type 1-C</i> | 128 |
| 6.6.5.5.4 | <i>BS type 1-H</i> | 128 |
| 6.7 | Transmitter intermodulation..... | 128 |
| 6.7.1 | Definition and applicability | 128 |
| 6.7.2 | Minimum requirement | 128 |
| 6.7.3 | Test purpose..... | 129 |
| 6.7.4 | Method of test..... | 129 |
| 6.7.4.1 | Initial conditions | 129 |
| 6.7.4.2 | Procedure | 129 |
| 6.7.5 | Test requirements..... | 130 |
| 6.7.5.1 | <i>BS type 1-C</i> | 130 |
| 6.7.5.1.1 | Co-location minimum requirements..... | 130 |
| 6.7.5.1.2 | Additional requirements | 131 |

| | | |
|-----------|--|-----|
| 6.7.5.2 | <i>BS type I-H</i> | 131 |
| 6.7.5.2.1 | Co-location minimum requirements | 131 |
| 6.7.5.2.2 | Intra-system minimum requirements | 132 |
| 6.7.5.2.3 | Additional requirements | 132 |
| 7 | Conducted receiver characteristics | 133 |
| 7.1 | General | 133 |
| 7.2 | Reference sensitivity level | 133 |
| 7.2.1 | Definition and applicability | 133 |
| 7.2.2 | Minimum requirement | 133 |
| 7.2.3 | Test purpose | 134 |
| 7.2.4 | Method of test | 134 |
| 7.2.4.1 | Initial conditions | 134 |
| 7.2.4.2 | Procedure | 134 |
| 7.2.5 | Test requirements | 134 |
| 7.3 | Dynamic range | 139 |
| 7.3.1 | Definition and applicability | 139 |
| 7.3.2 | Minimum requirement | 139 |
| 7.3.3 | Test purpose | 140 |
| 7.3.4 | Method of test | 140 |
| 7.3.4.1 | Initial conditions | 140 |
| 7.3.4.2 | Procedure | 140 |
| 7.3.5 | Test requirements | 140 |
| 7.4 | In-band selectivity and blocking | 152 |
| 7.4.1 | Adjacent Channel Selectivity (ACS) | 152 |
| 7.4.1.1 | Definition and applicability | 152 |
| 7.4.1.2 | Minimum requirement | 152 |
| 7.4.1.3 | Test purpose | 152 |
| 7.4.1.4 | Method of test | 153 |
| 7.4.1.4.1 | Initial conditions | 153 |
| 7.4.1.4.2 | Procedure | 153 |
| 7.4.1.5 | Test requirements | 153 |
| 7.4.2 | In-band blocking | 155 |
| 7.4.2.1 | Definition and applicability | 155 |
| 7.4.2.2 | Minimum requirement | 156 |
| 7.4.2.3 | Test purpose | 156 |
| 7.4.2.4 | Method of test | 156 |
| 7.4.2.4.1 | Initial conditions | 156 |
| 7.4.2.4.2 | Procedure for general blocking | 156 |
| 7.4.2.4.3 | Procedure for narrowband blocking | 157 |
| 7.4.2.5 | Test requirements | 157 |
| 7.4.2.5.1 | Additional narrowband blocking requirement for Band n100 | 161 |
| 7.5 | Out-of-band blocking | 162 |
| 7.5.1 | Definition and applicability | 162 |
| 7.5.2 | Minimum requirement | 162 |
| 7.5.3 | Test purpose | 162 |
| 7.5.4 | Method of test | 162 |
| 7.5.4.1 | Initial conditions | 162 |
| 7.5.4.2 | Procedure | 162 |
| 7.5.5 | Test requirements | 163 |
| 7.5.5.1 | General requirements | 163 |
| 7.5.5.2 | Co-location requirements | 164 |
| 7.5.5.3 | Additional requirement | 165 |
| 7.5.5.3.1 | Additional requirement for Band n101 | 165 |
| 7.6 | Receiver spurious emissions | 165 |
| 7.6.1 | Definition and applicability | 165 |
| 7.6.2 | Minimum requirement | 166 |
| 7.6.3 | Test purpose | 166 |
| 7.6.4 | Method of test | 166 |
| 7.6.4.1 | Initial conditions | 166 |
| 7.6.4.2 | Procedure | 166 |
| 7.6.5 | Test requirements | 167 |

| | | |
|-----------|---|-----|
| 7.6.5.1 | Basic limits..... | 167 |
| 7.6.5.2 | BS type 1-C..... | 167 |
| 7.6.5.3 | BS type 1-H..... | 168 |
| 7.7 | Receiver intermodulation | 168 |
| 7.7.1 | Definition and applicability | 168 |
| 7.7.2 | Minimum requirement | 168 |
| 7.7.3 | Test purpose..... | 168 |
| 7.7.4 | Method of test | 168 |
| 7.7.4.1 | Initial conditions | 168 |
| 7.7.4.2 | Procedure | 169 |
| 7.7.5 | Test requirements..... | 169 |
| 7.7.5.1 | Additional narrowband intermodulation requirement for Band n100 | 175 |
| 7.8 | In-channel selectivity | 175 |
| 7.8.1 | Definition and applicability | 175 |
| 7.8.2 | Minimum requirement | 175 |
| 7.8.3 | Test purpose..... | 175 |
| 7.8.4 | Method of test | 176 |
| 7.8.4.1 | Initial conditions | 176 |
| 7.8.4.2 | Procedure | 176 |
| 7.8.5 | Test requirements..... | 176 |
| 8 | Conducted performance characteristics..... | 187 |
| 8.1 | General | 187 |
| 8.1.1 | Scope and definitions..... | 187 |
| 8.1.2 | Applicability rule | 188 |
| 8.1.2.0 | General | 188 |
| 8.1.2.1 | Applicability of PUSCH performance requirements..... | 188 |
| 8.1.2.1.1 | Applicability of requirements for different subcarrier spacings | 188 |
| 8.1.2.1.2 | Applicability of requirements for different channel bandwidths | 188 |
| 8.1.2.1.3 | Applicability of requirements for different configurations..... | 188 |
| 8.1.2.1.7 | Applicability of 2-step RA type requirements for different subcarrier spacings | 189 |
| 8.1.2.2 | Applicability of PUCCH performance requirements | 189 |
| 8.1.2.2.1 | Applicability of requirements for different formats..... | 189 |
| 8.1.2.2.2 | Applicability of requirements for different subcarrier spacings | 189 |
| 8.1.2.2.3 | Applicability of requirements for different channel bandwidths | 189 |
| 8.1.2.2.4 | Applicability of requirements for different configurations..... | 189 |
| 8.1.2.2.5 | Applicability of requirements for multi-slot PUCCH..... | 189 |
| 8.1.2.2.6 | Applicability of requirements for PUCCH sub-slot based repetition | 190 |
| 8.1.2.3 | Applicability of PRACH performance requirements | 190 |
| 8.1.2.3.1 | Applicability of requirements for different formats..... | 190 |
| 8.1.2.3.2 | Applicability of requirements for different subcarrier spacings | 190 |
| 8.1.2.3.3 | Applicability of requirements for different channel bandwidths | 190 |
| 8.1.2.3.4 | Applicability of requirements for different restricted set types of long PRACH format 0 | 190 |
| 8.1.2.4 | Applicability of PUSCH for high speed train performance requirements..... | 190 |
| 8.1.2.4.1 | Applicability of requirements for different speeds | 190 |
| 8.1.2.4.2 | Applicability of requirements for 1T1R | 190 |
| 8.1.2.5 | Applicability of interlaced PUSCH performance requirements | 191 |
| 8.1.2.5.1 | General applicability of interlaced PUSCH performance requirements | 191 |
| 8.1.2.5.2 | Applicability of requirements for different subcarrier spacings | 191 |
| 8.1.2.5.3 | Applicability of requirements for different channel bandwidths | 191 |
| 8.1.2.5.4 | Applicability of requirements for different configurations..... | 191 |
| 8.1.2.5.5 | Applicability of CG-UCI multiplexed on PUSCH requirements..... | 191 |
| 8.1.2.6 | Applicability of interlaced PUCCH performance requirements..... | 191 |
| 8.1.2.6.1 | General applicability of interlaced PUCCH performance requirements..... | 191 |
| 8.1.2.6.2 | Applicability of requirements for different formats..... | 191 |
| 8.1.2.6.3 | Applicability of requirements for different subcarrier spacings | 191 |
| 8.1.2.6.4 | Applicability of requirements for different channel bandwidths | 191 |
| 8.1.2.7 | Applicability of performance requirements for PRACH with $L_{RA} = 1151$ and $L_{RA} = 571$ | 192 |
| 8.1.2.7.1 | Applicability of requirements for different formats..... | 192 |
| 8.1.2.7.2 | Applicability of requirements for different subcarrier spacings | 192 |
| 8.1.2.7.3 | Applicability of requirements for different channel bandwidths | 192 |
| 8.1.2.8 | Applicability of performance requirements for PUSCH with TB over Multi-Slots..... | 192 |

| | | |
|------------|--|-----|
| 8.1.2.8.1 | Applicability of requirements for different UL-DL patterns | 192 |
| 8.1.2.9 | Applicability of performance requirements for PUSCH with DM-RS bundling | 192 |
| 8.1.2.9.1 | Applicability of requirements for TDD with different subcarrier spacings | 192 |
| 8.1.2.9.2 | Applicability of requirements for TDD with different UL-DL patterns | 192 |
| 8.1.2.9.3 | Applicability of requirements for different receiver antenna connectors | 192 |
| 8.1.2.10 | Applicability of performance requirements for PUCCH with DM-RS bundling | 193 |
| 8.1.2.10.1 | Applicability of requirements for TDD with different subcarrier spacings | 193 |
| 8.1.2.10.2 | Applicability of requirements for TDD with different UL-DL patterns | 193 |
| 8.2 | Performance requirements for PUSCH | 193 |
| 8.2.1 | Performance requirements for PUSCH with transform precoding disabled | 193 |
| 8.2.1.1 | Definition and applicability | 193 |
| 8.2.1.2 | Minimum Requirement | 193 |
| 8.2.1.3 | Test Purpose | 193 |
| 8.2.1.4 | Method of test | 193 |
| 8.2.1.4.1 | Initial Conditions | 193 |
| 8.2.1.4.2 | Procedure | 193 |
| 8.2.1.5 | Test Requirement | 194 |
| 8.2.2 | Performance requirements for PUSCH with transform precoding enabled | 202 |
| 8.2.2.1 | Definition and applicability | 202 |
| 8.2.2.2 | Minimum Requirement | 202 |
| 8.2.2.3 | Test Purpose | 202 |
| 8.2.2.4 | Method of test | 202 |
| 8.2.2.4.1 | Initial Conditions | 202 |
| 8.2.2.4.2 | Procedure | 203 |
| 8.2.2.5 | Test Requirement | 204 |
| 8.2.3 | Performance requirements for UCI multiplexed on PUSCH | 204 |
| 8.2.3.1 | Definition and applicability | 204 |
| 8.2.3.2 | Minimum Requirements | 205 |
| 8.2.3.3 | Test purpose | 205 |
| 8.2.3.4 | Method of test | 205 |
| 8.2.3.4.1 | Initial conditions | 205 |
| 8.2.3.4.2 | Procedure | 205 |
| 8.2.3.5 | Test Requirement | 206 |
| 8.2.4 | Performance requirements for PUSCH for high speed train | 207 |
| 8.2.4.1 | Definition and applicability | 207 |
| 8.2.4.2 | Minimum Requirement | 208 |
| 8.2.4.3 | Test Purpose | 208 |
| 8.2.4.4 | Method of test | 208 |
| 8.2.4.4.1 | Initial Conditions | 208 |
| 8.2.4.4.2 | Procedure | 208 |
| 8.2.4.5 | Test Requirement | 209 |
| 8.2.5 | Performance requirements for UL timing adjustment | 212 |
| 8.2.5.1 | Definition and applicability | 212 |
| 8.2.5.2 | Minimum Requirement | 212 |
| 8.2.5.3 | Test Purpose | 212 |
| 8.2.5.4 | Method of test | 212 |
| 8.2.5.4.1 | Initial Conditions | 212 |
| 8.2.5.4.2 | Procedure | 212 |
| 8.2.5.5 | Test Requirement for High Speed Train | 215 |
| 8.2.6 | Performance requirements for PUSCH with 0.001% BLER | 216 |
| 8.2.6.1 | Definition and applicability | 216 |
| 8.2.6.2 | Minimum Requirement | 216 |
| 8.2.6.3 | Test Purpose | 216 |
| 8.2.6.4 | Method of test | 216 |
| 8.2.6.4.1 | Initial Conditions | 216 |
| 8.2.6.4.2 | Procedure | 216 |
| 8.2.6.5 | Test Requirement | 217 |
| 8.2.7 | Performance requirements for PUSCH repetition Type A | 218 |
| 8.2.7.1 | Definition and applicability | 218 |
| 8.2.7.2 | Minimum Requirement | 219 |
| 8.2.7.3 | Test Purpose | 219 |
| 8.2.7.4 | Method of test | 219 |

| | | |
|------------|---|-----|
| 8.2.7.4.1 | Initial Conditions..... | 219 |
| 8.2.7.4.2 | Procedure | 219 |
| 8.2.7.5 | Test Requirement | 220 |
| 8.2.8 | Performance requirements for PUSCH Mapping Type B with non-slot transmission..... | 222 |
| 8.2.8.1 | Definition and applicability..... | 222 |
| 8.2.8.2 | Minimum Requirement | 222 |
| 8.2.8.3 | Test Purpose | 222 |
| 8.2.8.4 | Method of test | 222 |
| 8.2.8.4.1 | Initial Conditions..... | 222 |
| 8.2.8.4.2 | Procedure | 222 |
| 8.2.8.5 | Test Requirement | 223 |
| 8.2.9 | Performance requirements for PUSCH msgA for 2-step RA type..... | 224 |
| 8.2.9.1 | Definition and applicability..... | 224 |
| 8.2.9.2 | Minimum Requirement | 224 |
| 8.2.9.3 | Test Purpose | 224 |
| 8.2.9.4 | Method of test | 224 |
| 8.2.9.4.1 | Initial Conditions | 224 |
| 8.2.9.4.2 | Procedure..... | 224 |
| 8.2.9.5 | Test Requirement | 226 |
| 8.2.10 | Requirements for interlaced PUSCH | 227 |
| 8.2.10.1 | Definition and applicability..... | 227 |
| 8.2.10.2 | Minimum Requirement | 227 |
| 8.2.10.3 | Test Purpose | 228 |
| 8.2.10.4 | Method of test | 228 |
| 8.2.10.4.1 | Initial Conditions | 228 |
| 8.2.10.4.2 | Procedure..... | 228 |
| 8.2.10.5 | Test Requirement | 229 |
| 8.2.11 | Performance requirements for CG-UCI multiplexed on interlaced PUSCH..... | 230 |
| 8.2.11.1 | Definition and applicability..... | 230 |
| 8.2.11.2 | Minimum Requirements..... | 230 |
| 8.2.11.3 | Test purpose | 231 |
| 8.2.11.4 | Method of test | 231 |
| 8.2.11.4.1 | Initial conditions | 231 |
| 8.2.11.4.2 | Procedure..... | 231 |
| 8.2.11.5 | Test Requirement | 232 |
| 8.2.12 | Performance requirements for TB processing over multi-slot PUSCH (TBoMS)..... | 233 |
| 8.2.12.1 | Definition and applicability..... | 233 |
| 8.2.12.2 | Minimum Requirement | 233 |
| 8.2.12.3 | Test Purpose | 233 |
| 8.2.12.4 | Method of test | 233 |
| 8.2.12.4.1 | Initial Conditions | 233 |
| 8.2.12.4.2 | Procedure..... | 234 |
| 8.2.12.5 | Test Requirement | 235 |
| 8.2.13 | Performance requirements for PUSCH with DMRS bundling | 236 |
| 8.2.13.1 | Definition and applicability..... | 236 |
| 8.2.13.2 | Minimum Requirement | 236 |
| 8.2.13.3 | Test Purpose | 236 |
| 8.2.13.4 | Method of test | 236 |
| 8.2.13.4.1 | Initial Conditions | 236 |
| 8.2.13.4.2 | Procedure..... | 236 |
| 8.2.13.5 | Test Requirement | 237 |
| 8.3 | Performance requirements for PUCCH..... | 239 |
| 8.3.1 | Performance requirements for PUCCH format 0..... | 239 |
| 8.3.1.1 | Definition and applicability..... | 239 |
| 8.3.1.2 | Minimum Requirement | 240 |
| 8.3.1.3 | Test purpose | 240 |
| 8.3.1.4 | Method of test | 240 |
| 8.3.1.4.1 | Initial conditions | 240 |
| 8.3.1.4.2 | Procedure..... | 240 |
| 8.3.1.5 | Test Requirement | 241 |
| 8.3.2 | Performance requirements for PUCCH format 1..... | 242 |
| 8.3.2.1 | NACK to ACK detection | 242 |

| | | |
|---------------|---|-----|
| 8.3.2.1.1 | Definition and applicability | 242 |
| 8.3.2.1.2 | Minimum Requirement | 242 |
| 8.3.2.1.3 | Test purpose | 242 |
| 8.3.2.1.4 | Method of test..... | 242 |
| 8.3.2.1.4.1 | Initial Conditions | 242 |
| 8.3.2.1.4.2 | Procedure | 242 |
| 8.3.2.1.5 | Test Requirement..... | 243 |
| 8.3.2.2 | ACK missed detection..... | 244 |
| 8.3.2.2.1 | Definition and applicability | 244 |
| 8.3.2.2.2 | Minimum Requirement | 244 |
| 8.3.2.2.3 | Test purpose | 244 |
| 8.3.2.2.4 | Method of test..... | 245 |
| 8.3.2.2.4.1 | Initial Conditions | 245 |
| 8.3.2.2.4.2 | Procedure | 245 |
| 8.3.2.2.5 | Test Requirement..... | 246 |
| 8.3.3 | Performance requirements for PUCCH format 2..... | 246 |
| 8.3.3.1 | ACK missed detection..... | 246 |
| 8.3.3.1.1 | Definition and applicability | 246 |
| 8.3.3.1.2 | Minimum requirements | 246 |
| 8.3.3.1.3 | Test purpose | 247 |
| 8.3.3.1.4 | Method of test..... | 247 |
| 8.3.3.1.4.1 | Initial Condition | 247 |
| 8.3.3.1.4.2 | Procedure | 247 |
| 8.3.3.1.5 | Test requirements | 248 |
| 8.3.3.2 | UCI BLER performance requirements..... | 248 |
| 8.3.3.2.1 | Definition and applicability | 248 |
| 8.3.3.2.2 | Minimum Requirement | 248 |
| 8.3.3.2.3 | Test purpose | 248 |
| 8.3.3.2.4 | Method of test..... | 249 |
| 8.3.3.2.4.1 | Initial Condition | 249 |
| 8.3.3.2.4.2 | Procedure | 249 |
| 8.3.3.2.5 | Test requirements | 250 |
| 8.3.4 | Performance requirements for PUCCH format 3..... | 250 |
| 8.3.4.1 | Definition and applicability..... | 250 |
| 8.3.4.2 | Minimum requirement | 250 |
| 8.3.4.3 | Test purpose | 250 |
| 8.3.4.4 | Method of test | 251 |
| 8.3.4.4.1 | Initial conditions..... | 251 |
| 8.3.4.4.2 | Procedure..... | 251 |
| 8.3.4.5 | Test requirement | 252 |
| 8.3.5 | Performance requirements for PUCCH format 4..... | 253 |
| 8.3.5.1 | Definition and applicability..... | 253 |
| 8.3.5.2 | Minimum requirement | 253 |
| 8.3.5.3 | Test purpose | 253 |
| 8.3.5.4 | Method of test | 253 |
| 8.3.5.4.1 | Initial conditions | 253 |
| 8.3.5.4.2 | Procedure..... | 253 |
| 8.3.5.5 | Test requirement | 254 |
| 8.3.6 | Performance requirements for multi-slot PUCCH..... | 255 |
| 8.3.6.1 | Performance requirements for multi-slot PUCCH format 1..... | 255 |
| 8.3.6.1.1 | NACK to ACK detection..... | 255 |
| 8.3.6.1.1.1 | Definition and applicability | 255 |
| 8.3.6.1.1.2 | Minimum Requirement..... | 255 |
| 8.3.6.1.1.3 | Test purpose..... | 255 |
| 8.3.6.1.1.4 | Method of test | 255 |
| 8.3.6.1.1.4.1 | Initial conditions..... | 255 |
| 8.3.6.1.1.4.2 | Procedure..... | 256 |
| 8.3.6.1.1.5 | Test Requirement..... | 256 |
| 8.3.6.1.2 | ACK missed detection..... | 257 |
| 8.3.6.1.2.1 | Definition and applicability | 257 |
| 8.3.6.1.2.2 | Minimum Requirement..... | 257 |
| 8.3.6.1.2.3 | Test purpose..... | 257 |

| | | |
|---------------|---|-----|
| 8.3.6.1.2.4 | Method of test | 257 |
| 8.3.6.1.2.4.1 | Initial conditions | 257 |
| 8.3.6.1.2.4.2 | Procedure | 257 |
| 8.3.6.1.2.5 | Test Requirement | 258 |
| 8.3.7 | Performance requirements for interlaced PUCCH format 0 | 259 |
| 8.3.7.1 | Definition and applicability | 259 |
| 8.3.7.2 | Minimum Requirement | 259 |
| 8.3.7.3 | Test purpose | 259 |
| 8.3.7.4 | Method of test | 259 |
| 8.3.7.4.1 | Initial conditions | 259 |
| 8.3.7.4.2 | Procedure | 259 |
| 8.3.7.5 | Test Requirement | 260 |
| 8.3.8 | Performance requirements for interlaced PUCCH format 1 | 261 |
| 8.3.8.1 | NACK to ACK detection | 261 |
| 8.3.8.1.1 | Definition and applicability | 261 |
| 8.3.8.1.2 | Minimum Requirement | 261 |
| 8.3.8.1.3 | Test purpose | 261 |
| 8.3.8.1.4 | Method of test | 261 |
| 8.3.8.1.4.1 | Initial Conditions | 261 |
| 8.3.8.1.4.2 | Procedure | 261 |
| 8.3.8.1.5 | Test Requirement | 262 |
| 8.3.8.2 | ACK missed detection | 263 |
| 8.3.8.2.1 | Definition and applicability | 263 |
| 8.3.8.2.2 | Minimum Requirement | 263 |
| 8.3.8.2.3 | Test purpose | 263 |
| 8.3.8.2.4 | Method of test | 263 |
| 8.3.8.2.4.1 | Initial Conditions | 263 |
| 8.3.8.2.4.2 | Procedure | 263 |
| 8.3.8.2.5 | Test Requirement | 264 |
| 8.3.9 | Performance requirements for interlaced PUCCH format 2 | 264 |
| 8.3.9.1 | Definition and applicability | 264 |
| 8.3.9.2 | Minimum requirement | 265 |
| 8.3.9.3 | Test purpose | 265 |
| 8.3.9.4 | Method of test | 265 |
| 8.3.9.4.1 | Initial conditions | 265 |
| 8.3.9.4.2 | Procedure | 265 |
| 8.3.9.5 | Test requirement | 266 |
| 8.3.10 | Performance requirements for interlaced PUCCH format 3 | 266 |
| 8.3.10.1 | Definition and applicability | 266 |
| 8.3.10.2 | Minimum requirement | 267 |
| 8.3.10.3 | Test purpose | 267 |
| 8.3.10.4 | Method of test | 267 |
| 8.3.10.4.1 | Initial conditions | 267 |
| 8.3.10.4.2 | Procedure | 267 |
| 8.3.10.5 | Test requirement | 268 |
| 8.3.11 | Performance requirements for PUCCH sub-slot based repetition format 0 | 268 |
| 8.3.11.1 | Definition and applicability | 268 |
| 8.3.11.2 | Minimum Requirement | 269 |
| 8.3.11.3 | Test purpose | 269 |
| 8.3.11.4 | Method of test | 269 |
| 8.3.11.4.1 | Initial conditions | 269 |
| 8.3.11.4.2 | Procedure | 269 |
| 8.3.11.5 | Test Requirement | 270 |
| 8.3.12 | Performance requirements PUCCH format 1 with DM-RS bundling | 270 |
| 8.3.12.1 | NACK to ACK detection | 270 |
| 8.3.12.1.1 | Definition and applicability | 270 |
| 8.3.12.1.2 | Minimum Requirement | 270 |
| 8.3.12.1.3 | Test purpose | 270 |
| 8.3.12.1.4 | Method of test | 271 |
| 8.3.12.1.4.1 | Initial conditions | 271 |
| 8.3.12.1.4.2 | Procedure | 271 |
| 8.3.12.1.5 | Test Requirement | 272 |

| | | |
|--|---|------------|
| 8.3.12.2 | ACK missed detection..... | 272 |
| 8.3.12.2.1 | Definition and applicability | 272 |
| 8.3.12.2.2 | Minimum Requirement | 272 |
| 8.3.12.2.3 | Test purpose | 272 |
| 8.3.12.2.4 | Method of test..... | 272 |
| 8.3.12.2.4.1 | Initial conditions | 272 |
| 8.3.12.2.4.2 | Procedure | 273 |
| 8.3.12.2.5 | Test Requirement..... | 274 |
| 8.3.13 | Performance requirements for PUCCH format 3 with DM-RS bundling..... | 274 |
| 8.3.13.1 | Definition and applicability..... | 274 |
| 8.3.13.2 | Minimum requirement | 274 |
| 8.3.13.3 | Test purpose | 274 |
| 8.3.13.4 | Method of test | 274 |
| 8.3.13.4.1 | Initial conditions | 274 |
| 8.3.13.4.2 | Procedure..... | 274 |
| 8.3.13.5 | Test requirement | 275 |
| 8.4 | Performance requirements for PRACH..... | 276 |
| 8.4.1 | PRACH false alarm probability and missed detection..... | 276 |
| 8.4.1.1 | Definition and applicability..... | 276 |
| 8.4.1.2 | Minimum requirement | 277 |
| 8.4.1.3 | Test purpose | 277 |
| 8.4.1.4 | Method of test | 277 |
| 8.4.1.4.1 | Initial conditions | 277 |
| 8.4.1.4.2 | Procedure..... | 277 |
| 8.4.1.5 | Test requirement for Normal Mode..... | 278 |
| 8.4.1.6 | Test requirement for high speed train..... | 279 |
| 8.4.1.7 | Test requirement for PRACH with $L_{RA}=1151$ and $L_{RA}=571$ | 280 |
| Annex A (normative): Reference measurement channels | | 282 |
| A.1 | Fixed Reference Channels for reference sensitivity level, ACS, in-band blocking, out-of-band blocking, receiver intermodulation and in-channel selectivity (QPSK, R=1/3)..... | 282 |
| A.2 | Fixed Reference Channels for dynamic range (16QAM, R=2/3)..... | 283 |
| A.3 | Fixed Reference Channels for performance requirements (QPSK, R=193/1024) | 285 |
| A.3A | Fixed Reference Channels for performance requirements (QPSK, R=99/1024) | 288 |
| A.3B | Fixed Reference Channels for performance requirements (QPSK, R=308/1024) | 289 |
| A.4 | Fixed Reference Channels for performance requirements (16QAM, R=658/1024) | 291 |
| A.5 | Fixed Reference Channels for performance requirements (64QAM, R=567/1024) | 293 |
| A.6 | PRACH test preambles..... | 295 |
| A.7 | Fixed Reference Channels for performance requirements (QPSK, R=157/1024) | 296 |
| A.8 | Fixed Reference Channels for performance requirements (256QAM, R=682.5/1024) | 297 |
| Annex B (normative): Environmental requirements for the BS equipment..... | | 299 |
| B.1 | General | 299 |
| B.2 | Normal test environment | 299 |
| B.3 | Extreme test environment..... | 299 |
| B.3.1 | Extreme temperature | 299 |
| B.4 | Vibration..... | 300 |
| B.5 | Power supply | 300 |
| B.6 | Measurement of test environments..... | 300 |
| Annex C (informative): Test tolerances and derivation of test requirements..... | | 301 |

| | | |
|--|---|------------|
| C.1 | Measurement of transmitter..... | 301 |
| C.2 | Measurement of receiver..... | 303 |
| C.3 | Measurement of performance requirements..... | 304 |
| Annex D (informative): Measurement system set-up..... | | 307 |
| D.1 | <i>BS type 1-C</i> transmitter..... | 307 |
| D.1.1 | Base station output power, output power dynamics, transmitter ON/OFF power, frequency error, EVM, unwanted emissions for <i>BS type 1-C</i> | 307 |
| D.1.2 | Transmitter intermodulation for <i>BS type 1-C</i> | 307 |
| D.1.3 | Time alignment error for <i>BS type 1-C</i> | 308 |
| D.2 | <i>BS type 1-C</i> receiver | 308 |
| D.2.1 | Reference sensitivity level for <i>BS type 1-C</i> | 308 |
| D.2.2 | Dynamic range for <i>BS type 1-C</i> | 309 |
| D.2.3 | In-channel selectivity for <i>BS type 1-C</i> | 309 |
| D.2.4 | Adjacent Channel Selectivity (ACS) and narrowband blocking for <i>BS type 1-C</i> | 310 |
| D.2.5 | Blocking characteristics for <i>BS type 1-C</i> | 310 |
| D.2.6 | Receiver spurious emission for <i>BS type 1-C</i> | 311 |
| D.2.7 | Intermodulation characteristics for <i>BS type 1-C</i> | 311 |
| D.3 | <i>BS type 1-H</i> transmitter | 312 |
| D.3.1 | Base station output power, output power dynamics, transmitter ON/OFF power, frequency error, EVM, unwanted emissions for <i>BS type 1-H</i> | 312 |
| D.3.2 | Transmitter intermodulation for <i>BS type 1-H</i> | 313 |
| D.3.3 | Transmitter spurious emissions for <i>BS type 1-H</i> | 313 |
| D.3.4 | Time alignment error for <i>BS type 1-H</i> | 315 |
| D.4 | <i>BS type 1-H</i> receiver | 315 |
| D.4.1 | Reference sensitivity level for <i>BS type 1-H</i> | 315 |
| D.4.2 | Receiver dynamic range for <i>BS type 1-H</i> | 316 |
| D.4.3 | Receiver adjacent channel selectivity and narrowband blocking for <i>BS type 1-H</i> | 316 |
| D.4.4 | Receiver spurious emissions..... | 316 |
| D.4.5 | Receiver In-channel selectivity for <i>BS type 1-H</i> | 318 |
| D.4.6 | Receiver intermodulation for <i>BS type 1-H</i> | 319 |
| D.5 | <i>BS type 1-C</i> performance requirements | 319 |
| D.5.1 | Performance requirements for PUSCH, single user PUCCH, PRACH on single antenna port in multipath fading conditions and for high speed condition | 319 |
| D.5.2 | Performance requirements for PUSCH transmission on two antenna ports in multipath fading conditions .. | 320 |
| D.5.3 | Performance requirements for PUSCH and PRACH in static conditions | 320 |
| D.5.4 | Performance requirements for UL timing adjustment | 321 |
| D.6 | <i>BS type 1-H</i> performance requirements..... | 321 |
| D.6.1 | Performance requirements for PUSCH, single user PUCCH, PRACH on single antenna port in multipath fading conditions and for high speed condition | 321 |
| D.6.2 | Performance requirements for PUSCH transmission on two antenna ports in multipath fading conditions .. | 322 |
| D.6.3 | Performance requirements for PUSCH and PRACH in static conditions | 322 |
| D.6.4 | Performance requirements for UL timing adjustment | 323 |
| Annex E (normative): Characteristics of interfering signals | | 324 |
| Annex F (normative): Void | | 325 |
| Annex G (normative): Propagation conditions..... | | 326 |
| G.1 | Static propagation condition..... | 326 |
| G.2 | Multi-path fading propagation conditions..... | 326 |
| G.2.1 | Delay profiles | 326 |
| G.2.1.1 | Delay profiles for FR1 | 327 |
| G.2.2 | Combinations of channel model parameters | 328 |
| G.2.3 | MIMO channel correlation matrices..... | 329 |
| G.2.3.1 | MIMO correlation matrices using Uniform Linear Array | 329 |

| | | |
|--|--|------------|
| G.2.3.1.1 | Definition of MIMO correlation matrices | 329 |
| G.2.3.1.2 | MIMO correlation matrices at high, medium and low level | 330 |
| G.2.3.2 | Multi-antenna channel models using cross polarized antennas..... | 332 |
| G.2.3.2.1 | Definition of MIMO correlation matrices using cross polarized antennas..... | 333 |
| G.2.3.2.2 | Spatial correlation matrices at UE and gNB sides..... | 333 |
| G.2.3.2.2.1 | Spatial correlation matrices at UE side..... | 333 |
| G.2.3.2.2.2 | Spatial correlation matrices at gNB side | 333 |
| G.2.3.2.3 | MIMO correlation matrices using cross polarized antennas | 334 |
| G.3 | High speed train condition | 334 |
| G.4 | Moving propagation conditions..... | 338 |
| Annex H (normative): In-channel TX tests..... | | 340 |
| H.1 | General | 340 |
| H.2 | Basic principles | 340 |
| H.2.1 | Output signal of the TX under test | 340 |
| H.2.2 | Ideal signal | 340 |
| H.2.3 | Measurement results..... | 341 |
| H.2.4 | Measurement points | 341 |
| H.3 | Pre-FFT minimization process | 342 |
| H.4 | Timing of the FFT window | 342 |
| H.5 | Resource element TX power | 343 |
| H.6 | Post-FFT equalisation..... | 344 |
| H.7 | EVM..... | 345 |
| H.7.0 | General..... | 345 |
| H.7.1 | Averaged EVM (FDD)..... | 346 |
| H.7.2 | Averaged EVM (TDD)..... | 346 |
| Annex I (normative): General rules for statistical testing..... | | 348 |
| I.1 | Testing methodology of PUSCH performance requirements with 0.001% BLER | 348 |
| I.1.1 | General | 348 |
| I.1.2 | Numerical definition of the pass-fail limits for testing PUSCH 0.001% BLER..... | 349 |
| I.1.3 | Theory to derive the early pass/fail limits in I.1.2 (informative)..... | 350 |
| I.1.3.1 | Numerical definition of the pass-fail limits for testing PUSCH 0.001% BLER | 350 |
| I.1.3.2 | Simulation to derive the pass-fail limits for testing PUSCH 0.001% BLER | 350 |
| Annex J (informative): Change history | | 352 |
| History | | 362 |

Foreword

This Technical Specification has been produced by the 3rd Generation Partnership Project (3GPP).

The contents of the present document are subject to continuing work within the TSG and may change following formal TSG approval. Should the TSG modify the contents of the present document, it will be re-released by the TSG with an identifying change of release date and an increase in version number as follows:

Version x.y.z

where:

- x the first digit:
 - 1 presented to TSG for information;
 - 2 presented to TSG for approval;
 - 3 or greater indicates TSG approved document under change control.
- y the second digit is incremented for all changes of substance, i.e. technical enhancements, corrections, updates, etc.
- z the third digit is incremented when editorial only changes have been incorporated in the document.

In the present document, modal verbs have the following meanings:

- shall** indicates a mandatory requirement to do something
- shall not** indicates an interdiction (prohibition) to do something

The constructions "shall" and "shall not" are confined to the context of normative provisions, and do not appear in Technical Reports.

The constructions "must" and "must not" are not used as substitutes for "shall" and "shall not". Their use is avoided insofar as possible, and they are not used in a normative context except in a direct citation from an external, referenced, non-3GPP document, or so as to maintain continuity of style when extending or modifying the provisions of such a referenced document.

- should** indicates a recommendation to do something
- should not** indicates a recommendation not to do something
- may** indicates permission to do something
- need not** indicates permission not to do something

The construction "may not" is ambiguous and is not used in normative elements. The unambiguous constructions "might not" or "shall not" are used instead, depending upon the meaning intended.

- can** indicates that something is possible
- cannot** indicates that something is impossible

The constructions "can" and "cannot" are not substitutes for "may" and "need not".

- will** indicates that something is certain or expected to happen as a result of action taken by an agency the behaviour of which is outside the scope of the present document
- will not** indicates that something is certain or expected not to happen as a result of action taken by an agency the behaviour of which is outside the scope of the present document
- might** indicates a likelihood that something will happen as a result of action taken by some agency the behaviour of which is outside the scope of the present document

might not indicates a likelihood that something will not happen as a result of action taken by some agency the behaviour of which is outside the scope of the present document

In addition:

is (or any other verb in the indicative mood) indicates a statement of fact

is not (or any other negative verb in the indicative mood) indicates a statement of fact

The constructions "is" and "is not" do not indicate requirements.

1 Scope

The present document specifies the Radio Frequency (RF) test methods and conformance requirements for NR and NB-IoT operation in NR in-band Base Station (BS) *Type 1-C* and *Type 1-H*. These have been derived from, and are consistent with the conducted requirements for *BS Type 1-C* and *BS Type 1-H* in NR BS specification defined in TS 38.104 [2].

A *BS type 1-C* only has conducted requirements so it requires compliance to this specification only.

A *BS type 1-H* has both conducted and radiated requirements so it requires compliance to the applicable requirements of this specification and TS 38.141-2 [3].

BS type 1-O and *BS type 2-O* have only radiated requirements so they require compliance to TS 38.141-2 [3] only.

2 References

The following documents contain provisions which, through reference in this text, constitute provisions of the present document.

- References are either specific (identified by date of publication, edition number, version number, etc.) or non-specific.
- For a specific reference, subsequent revisions do not apply.
- For a non-specific reference, the latest version applies. In the case of a reference to a 3GPP document (including a GSM document), a non-specific reference implicitly refers to the latest version of that document *in the same Release as the present document*.

- [1] 3GPP TR 21.905: "Vocabulary for 3GPP Specifications"
- [2] 3GPP TS 38.104: "NR Base Station (BS) radio transmission and reception"
- [3] 3GPP TS 38.141-2: "NR, Base Station (BS) conformance testing, Part 2: Radiated conformance testing"
- [4] ITU-R Recommendation M.1545, "Measurement uncertainty as it applies to test limits for the terrestrial component of International Mobile Telecommunications-2000"
- [5] ITU-R Recommendation SM.329: "Unwanted emissions in the spurious domain"
- [6] IEC 60 721-3-3: "Classification of environmental conditions - Part 3-3: Classification of groups of environmental parameters and their severities - Stationary use at weather protected locations"
- [7] IEC 60 721-3-4: "Classification of environmental conditions - Part 3: Classification of groups of environmental parameters and their severities - Clause 4: Stationary use at non-weather protected locations"
- [8] IEC 60 721: "Classification of environmental conditions"
- [9] IEC 60 068-2-1 (2007): "Environmental testing - Part 2: Tests. Tests A: Cold"
- [10] IEC 60 068-2-2: (2007): "Environmental testing - Part 2: Tests. Tests B: Dry heat"
- [11] IEC 60 068-2-6: (2007): "Environmental testing - Part 2: Tests - Test Fc: Vibration (sinusoidal)"
- [12] ITU-R Recommendation SM.328: "Spectra and bandwidth of emissions"
- [13] Federal Communications Commission: "Title 47 of the Code of Federal Regulations (CFR) "
- [14] ECC/DEC/(17)06: "The harmonised use of the frequency bands 1427-1452 MHz and 1492-1518 MHz for Mobile/Fixed Communications Networks Supplemental Downlink (MFCN SDL)"
- [15] 3GPP TR 25.942: "RF system scenarios"

- [16] 3GPP TS 38.212: "NR; Multiplexing and channel coding"
- [17] 3GPP TS 38.211: "NR; Physical channels and modulation"
- [18] 3GPP TS 38.214: "NR; Physical layer procedures for data"
- [19] 3GPP TS 38.331: "NR; Radio Resource Control (RRC) protocol specification"
- [20] 3GPP TR 38.901: "Study on channel model for frequencies from 0.5 to 100 GHz"
- [21] 3GPP TS 38.101-1: "NR; User Equipment (UE) radio transmission and reception; Part 1: Range 1 Standalone"
- [22] 3GPP TS 36.104: "Evolved Universal Terrestrial Radio Access (E-UTRA); Base Station (BS) radio transmission and reception"
- [23] ITU-T Recommendation O.150, "Equipment for the measurement of digital and analogue/digital parameters"
- [24] 3GPP TS 36.141: "Evolved Universal Terrestrial Radio Access (E-UTRA); Base Station (BS) conformance testing"
- [25] ECC Decision(20)02: "Harmonised use of the paired frequency bands 874.4-880.0 MHz and 919.4-925.0 MHz and of the unpaired frequency band 1900-1910 MHz for Railway Mobile Radio (RMR)"
- [26] 3GPP TS 37.141: "E-UTRA, UTRA and GSM/EDGE; Multi-Standard Radio (MSR) Base Station (BS) conformance testing".
- [27] 3GPP TS 37.145-1: "Active Antenna System (AAS) Base Station (BS) conformance testing; Part 1: Conducted conformance testing".

3 Definitions, symbols and abbreviations

3.1 Definitions

For the purposes of the present document, the terms and definitions given in TR 21.905 [1] and the following apply. A term defined in the present document takes precedence over the definition of the same term, if any, in TR 21.905 [1].

aggregated BS channel bandwidth: the RF bandwidth in which a Base Station transmits and receives multiple contiguously aggregated carriers. The *aggregated BS channel bandwidth* is measured in MHz

antenna connector: connector at the conducted interface of the *BS type 1-C*

active transmitter unit: transmitter unit which is ON, and has the ability to send modulated data streams that are parallel and distinct to those sent from other transmitter units to a *BS type 1-C antenna connector*, or to one or more *BS type 1-H TAB connectors* at the *transceiver array boundary*

Base Station RF Bandwidth: RF bandwidth in which a base station transmits and/or receives single or multiple carrier(s) within a supported *operating band*

NOTE: In single carrier operation, the *Base Station RF Bandwidth* is equal to the *BS channel bandwidth*.

Base Station RF Bandwidth edge: frequency of one of the edges of the *Base Station RF Bandwidth*

basic limit: emissions limit relating to the power supplied by a single transmitter to a single antenna transmission line in ITU-R SM.329 [5] used for the formulation of unwanted emission requirements for FR1

BS channel bandwidth: RF bandwidth supporting a single NR RF carrier with the transmission bandwidth configured in the uplink or downlink

NOTE 1: The *BS channel bandwidth* is measured in MHz and is used as a reference for transmitter and receiver RF requirements.

NOTE 2: It is possible for the BS to transmit to and/or receive from one or more UE bandwidth parts that are smaller than or equal to the BS transmission bandwidth configuration, in any part of the BS transmission bandwidth configuration.

BS type 1-C: NR base station operating at FR1 with requirements set consisting only of conducted requirements defined at individual *antenna connectors*

BS type 1-H: NR base station operating at FR1 with a requirement set consisting of conducted requirements defined at individual *TAB connectors* and OTA requirements defined at RIB

BS type 1-O: NR base station operating at FR1 with a requirement set consisting only of OTA requirements defined at the RIB

NOTE: *BS type 1-O* conformance requirements are captured in TS 38.141-2 [3] and are out of scope of this specification.

BS type 2-O: NR base station operating at FR2 with a requirement set consisting only of OTA requirements defined at the RIB

NOTE: *BS type 2-O* conformance requirements are captured in TS 38.141-2 [3] and are out of scope of this specification.

channel edge: lowest or highest frequency of the NR carrier, separated by the *BS channel bandwidth*

carrier aggregation: aggregation of two or more component carriers in order to support wider transmission bandwidths

carrier aggregation configuration: a set of one or more *operating bands* across which the BS aggregates carriers with a specific set of technical requirements

contiguous carriers: set of two or more carriers configured in a spectrum block where there are no RF requirements based on co-existence for un-coordinated operation within the spectrum block

contiguous spectrum: spectrum consisting of a contiguous block of spectrum with no sub-block gap(s)

highest carrier: The carrier with the highest carrier frequency transmitted/received in a specified frequency band

inter-band carrier aggregation: carrier aggregation of component carriers in different operating bands

NOTE: Carriers aggregated in each band can be contiguous or non-contiguous.

Inter-band gap: The frequency gap between two supported consecutive operating bands

intra-band contiguous carrier aggregation: *contiguous carriers* aggregated in the same operating band

intra-band non-contiguous carrier aggregation: non-contiguous carriers aggregated in the same operating band

Inter RF Bandwidth gap: frequency gap between two consecutive Base Station RF Bandwidths that are placed within two supported *operating bands*

lowest carrier: the carrier with the lowest carrier frequency transmitted/received in a specified frequency band

lower sub-block edge: frequency at the lower edge of one *sub-block*

NOTE: It is used as a frequency reference point for both transmitter and receiver requirements.

maximum carrier output power: mean power level measured per carrier at the indicated interface, during the *transmitter ON period* in a specified reference condition

maximum total output power: mean power level measured within the *operating band* at the indicated interface, during the *transmitter ON period* in a specified reference condition

measurement bandwidth: RF bandwidth in which an emission level is specified

multi-band connector: *antenna* connector of the *BS type 1-C* or *TAB connector* of the *BS type 1-H* associated with a transmitter or receiver that is characterized by the ability to process two or more carriers in common active RF components simultaneously, where at least one carrier is configured at a different *operating band* than the other carrier(s) and where this different *operating band* is not a sub-band or superseding-band of another supported operating band

multi-carrier transmission configuration: set of one or more contiguous or non-contiguous carriers that a BS is able to transmit simultaneously according to the manufacturer's specification

NB-IoT operation in NR in-band: NB-IoT is operating in-band when it is located within a NR transmission bandwidth configuration plus 15 kHz at each edge but not within the NR minimum guard band GB_{Channel} .

NB-IoT operation in NR guard band: NB-IoT is operating in guard band when it is located within a NR BS channel bandwidth but is not NB-IoT operation in NR in-band.

non-contiguous spectrum: spectrum consisting of two or more sub-blocks separated by *sub-block gap(s)*

operating band: frequency range in which NR operates (paired or unpaired), that is defined with a specific set of technical requirements

NOTE: The *operating band(s)* for a BS is declared by the manufacturer according to the designations in TS 38.104 [2], tables 5.2-1 and 5.2-2.

Radio Bandwidth: frequency difference between the upper edge of the highest used carrier and the lower edge of the lowest used carrier

rated carrier output power: mean power level associated with a particular carrier the manufacturer has declared to be available at the indicated interface, during the *transmitter ON period* in a specified reference condition

rated total output power: mean power level associated with a particular *operating band* the manufacturer has declared to be available at the indicated interface, during the *transmitter ON period* in a specified reference condition

requirement set: one of the NR base station requirement's set as defined for *BS type 1-C*, *BS type 1-H*, *BS type 1-O*, and *BS type 2-O*

single-band connector: *antenna connector* of the *BS type I-C* or *TAB connector* of the *BS type I-H* supporting operation either in a single *operating band* only, or in multiple *operating bands* but does not meet the conditions for a *multi-band connector*

sub-band: sub-band of an operating band contains a part of the uplink and downlink frequency range of the operating band

sub-block: one contiguous allocated block of spectrum for transmission and reception by the same base station

NOTE: There may be multiple instances of sub-blocks within a Base Station RF Bandwidth.

sub-block gap: frequency gap between two consecutive sub-blocks within a Base Station RF Bandwidth, where the RF requirements in the gap are based on co-existence for un-coordinated operation

superseding-band: superseding-band of an operating band includes the whole of the uplink and downlink frequency range of the operating band

TAB connector: *transceiver array boundary connector*

TAB connector RX min cell group: *operating band* specific declared group of *TAB connectors* to which *BS type I-H* conducted RX requirements are applied

NOTE: Within this definition, the group corresponds to the group of *TAB connectors* which are responsible for receiving a cell when the *BS type I-H* setting corresponding to the declared minimum number of cells with reception on all *TAB connectors* supporting an *operating band*, but its existence is not limited to that condition

TAB connector TX min cell group: *operating band* specific declared group of *TAB connectors* to which *BS type I-H* conducted TX requirements are applied.

NOTE: Within this definition, the group corresponds to the group of *TAB connectors* which are responsible for transmitting a cell when the *BS type I-H* setting corresponding to the declared minimum number of cells with transmission on all *TAB connectors* supporting an *operating band*, but its existence is not limited to that condition

total RF bandwidth: maximum sum of Base Station RF Bandwidths in all supported *operating bands*

transceiver array boundary: conducted interface between the transceiver unit array and the composite antenna

transmitter OFF period: time period during which the BS transmitter is not allowed to transmit

transmitter ON period: time period during which the BS transmitter is transmitting data and/or reference symbols

transmitter transient period: time period during which the transmitter is changing from the OFF period to the ON period or vice versa

upper sub-block edge: frequency at the upper edge of one *sub-block*

NOTE: It is used as a frequency reference point for both transmitter and receiver requirements.

3.2 Symbols

For the purposes of the present document, the following symbols apply:

| | |
|------------------------------|--|
| β | Percentage of the mean transmitted power emitted outside the occupied bandwidth on the assigned channel |
| BW_{Channel} | <i>BS channel bandwidth</i> |
| $BW_{\text{Channel_CA}}$ | <i>Aggregated BS channel bandwidth</i> , expressed in MHz. $BW_{\text{Channel_CA}} = F_{\text{edge_high}} - F_{\text{edge_low}}$. |
| $BW_{\text{Channel_block}}$ | <i>Sub-block bandwidth</i> , expressed in MHz. $BW_{\text{Channel_block}} = F_{\text{edge_block_high}} - F_{\text{edge_block_low}}$. |
| BW_{Config} | <i>Transmission bandwidth configuration</i> , expressed in MHz, where $BW_{\text{Config}} = N_{\text{RB}} \times \text{SCS} \times 12 \text{ kHz}$ |
| BW_{tot} | <i>Total RF bandwidth</i> |
| Δf | Separation between the channel edge frequency and the nominal -3 dB point of the measuring filter closest to the carrier frequency |

| | |
|--------------------------|--|
| Δf_{BE_offset} | Separation between the edge of the last transmitted channel of the channels assigned for NR-U channel bandwidth and the nominal -3 dB point of the measuring filter closest to the carrier frequency |
| Δf_{max} | f_{offset_max} minus half of the bandwidth of the measuring filter |
| ΔF_{Global} | Global frequency raster granularity |
| Δf_{OBUE} | Maximum offset of the <i>operating band</i> unwanted emissions mask from the downlink <i>operating band</i> edge |
| Δf_{OOB} | Maximum offset of the out-of-band boundary from the uplink <i>operating band</i> edge |
| ΔF_{Raster} | Channel raster granularity |
| Δ_{SUL} | Channel raster offset for SUL |
| F_C | RF reference frequency on the channel raster |
| $F_{C,block,high}$ | Fc of the highest transmitted/received carrier in a sub-block |
| $F_{C,block,low}$ | Fc of the lowest transmitted/received carrier in a sub-block |
| F_{C_low} | The Fc of the lowest carrier, expressed in MHz |
| F_{C_high} | The Fc of the highest carrier, expressed in MHz |
| F_{edge_low} | The lower edge of <i>aggregated BS channel bandwidth</i> , expressed in MHz. $F_{edge_low} = F_{C_low} - F_{offset_low}$ |
| F_{edge_high} | The upper edge of <i>aggregated BS channel bandwidth</i> , expressed in MHz. $F_{edge_high} = F_{C_high} + F_{offset_high}$ |
| $F_{edge,block,low}$ | The lower sub-block edge, where $F_{edge,block,low} = F_{C,block,low} - F_{offset_low}$ |
| $F_{edge,block,high}$ | The upper sub-block edge, where $F_{edge,block,high} = F_{C,block,high} + F_{offset_high}$ |
| F_{offset_high} | Frequency offset from F_{C_high} to the upper <i>Base Station RF Bandwidth edge</i> , or from $F_{C,block,high}$ to the upper sub-block edge |
| F_{offset_low} | Frequency offset from F_{C_low} to the lower <i>Base Station RF Bandwidth edge</i> , or from $F_{C,block,low}$ to the lower sub-block edge |
| F_{DL_low} | The lowest frequency of the downlink <i>operating band</i> |
| F_{DL_high} | The highest frequency of the downlink <i>operating band</i> |
| f_{offset} | Separation between the channel edge frequency and the centre of the measuring filter |
| f_{offset_max} | The offset to the frequency Δf_{OBUE} outside the downlink <i>operating band</i> |
| F_{REF} | RF reference frequency |
| $F_{REF,SUL}$ | RF reference frequency for Supplementary Uplink (SUL) bands |
| F_{DL_low} | The lowest frequency of the downlink <i>operating band</i> |
| F_{DL_high} | The highest frequency of the downlink <i>operating band</i> |
| F_{UL_low} | The lowest frequency of the uplink <i>operating band</i> |
| F_{UL_high} | The highest frequency of the uplink <i>operating band</i> |
| $GB_{Channel}$ | Minimum guard band defined in TS 38.104 [2] clause 5.3.3 |
| Iuant | gNB internal logical interface between the implementation specific O&M function and the RET antennas and TMAs control unit function of the gNB |
| N_{cells} | The declared number corresponding to the minimum number of cells that can be transmitted by an <i>BS type 1-H</i> in a particular <i>operating band</i> |
| N_{RB} | Transmission bandwidth configuration, expressed in resource blocks |
| N_{REF} | NR Absolute Radio Frequency Channel Number (NR-ARFCN) |
| $N_{RXU,active}$ | The number of active receiver units. The same as the number of <i>demodulation branches</i> to which compliance is declared for chapter 8 performance requirements |
| $N_{RXU,counted}$ | The number of active receiver units that are taken into account for conducted Rx spurious emission scaling, as calculated in clause 7.6.1 |
| $N_{RXU,countedpercell}$ | The number of active receiver units that are taken into account for conducted RX spurious emissions scaling per cell, as calculated in clause 7.6.1 |
| $N_{TXU,counted}$ | The number of <i>active transmitter units</i> as calculated in clause 6.1, that are taken into account for conducted TX output power limit in clause 6.2.1, and for unwanted TX emissions scaling |
| $N_{TXU,countedpercell}$ | The number of <i>active transmitter units</i> that are taken into account for conducted TX emissions scaling per cell, as calculated in clause 6.1 |
| $P_{EM,n50,ind}$ | Declared emission level for Band n50 in the band 1518-1559 MHz; ind = a, b |
| $P_{max,c,AC}$ | Maximum carrier output power measured per antenna connector |
| $P_{max,c,cell}$ | The maximum carrier output power per TAB connector TX min cell group |
| $P_{max,c,TABC}$ | The maximum carrier output power per TAB connector |
| $P_{rated,c,AC}$ | The rated carrier output power per antenna connector |
| $P_{rated,c,sys}$ | The sum of $P_{rated,c,TABC}$ for all TAB connectors for a single carrier |
| $P_{rated,c,TABC}$ | The rated carrier output power per TAB connector |
| $P_{rated,t,AC}$ | The rated total output power declared at the antenna connector |
| $P_{rated,t,TABC}$ | The rated total output power declared at TAB connector |
| $P_{REFSENS}$ | Conducted Reference Sensitivity power level |

| | |
|------------|--|
| SS_{REF} | SS block reference frequency position |
| W_{gap} | Sub-block gap or Inter RF Bandwidth gap size |

3.3 Abbreviations

For the purposes of the present document, the abbreviations given in TR 21.905 [1] and the following apply. An abbreviation defined in the present document takes precedence over the definition of the same abbreviation, if any, in TR 21.905 [1].

| | |
|------------|--|
| AAS | Active Antenna System |
| ACLR | Adjacent Channel Leakage Ratio |
| ACS | Adjacent Channel Selectivity |
| AWGN | Additive White Gaussian Noise |
| BS | Base Station |
| BW | Bandwidth |
| CA | Carrier Aggregation |
| CACLR | Cumulative ACLR |
| CP-OFDM | Cyclic Prefix-OFDM |
| CW | Continuous Wave |
| DFT-s-OFDM | Discrete Fourier Transform-spread-OFDM |
| DM-RS | Demodulation Reference Signal |
| E-UTRA | Evolved UTRA |
| EVM | Error Vector Magnitude |
| FDD | Frequency Division Duplex |
| FR | Frequency Range |
| GSCN | Global Synchronization Channel Number |
| GSM | Global System for Mobile communications |
| ITU-R | Radiocommunication Sector of the International Telecommunication Union |
| ICS | In-Channel Selectivity |
| LA | Local Area |
| LNA | Low Noise Amplifier |
| MR | Medium Range |
| NB-IoT | Narrowband – Internet of Things |
| NR | New Radio |
| NR-ARFCN | NR Absolute Radio Frequency Channel Number |
| OBUE | Operating Band Unwanted Emissions |
| OCC | Orthogonal Covering Code |
| OTA | Over The Air |
| RB | Resource Block |
| RDN | Radio Distribution Network |
| REFSENS | Reference Sensitivity |
| RF | Radio Frequency |
| RIB | Radiated Interface Boundary |
| RMS | Root Mean Square (value) |
| RS | Reference Signal |
| RV | Redundancy Version |
| RX | Receiver |
| SCS | Sub-Carrier Spacing |
| SDL | Supplementary Downlink |
| SSB | Synchronization Signal Block |
| SUL | Supplementary Uplink |
| TAB | Transceiver Array Boundary |
| TAE | Time Alignment Error |
| TDD | Time division Duplex |
| TDL | Tapped Delay Line |
| TX | Transmitter |
| TT | Test Tolerance |
| UCI | Uplink Control Information |
| ZF | Zero Forcing |

4 General conducted test conditions and declarations

4.1 Measurement uncertainties and test requirements

4.1.1 General

The requirements of this clause apply to all applicable tests in part 1 of this specification, i.e. to all conducted tests defined for FR1. The frequency ranges FR1 and FR2 are defined in clause 5.1 of TS 38.104 [2].

The minimum requirements are given in TS 38.104 [2] and the references therein. Test Tolerances for the conducted test requirements explicitly stated in the present document are given in annex C of the present document.

Test Tolerances are individually calculated for each test. The Test Tolerances are used to relax the minimum requirements to create test requirements.

When a test requirement differs from the corresponding minimum requirement, then the Test Tolerance applied for the test is non-zero. The Test Tolerance for the test and the explanation of how the minimum requirement has been relaxed by the Test Tolerance are given in annex C.

4.1.2 Acceptable uncertainty of Test System

4.1.2.1 General

The maximum acceptable uncertainty of the Test System is specified below for each test defined explicitly in the present specification, where appropriate. The maximum acceptable uncertainty of the Test System for test requirements included by reference is defined in the respective referred test specification.

For *BS type I-H* when a requirement is applied per *TAB connector* then the test uncertainty is applied to the measured value. When a requirement is applied for a group of *TAB connectors* then the test uncertainty is applied to sum of the measured power on each *TAB connector* in the group.

The Test System shall enable the stimulus signals in the test case to be adjusted to within the specified tolerance and the equipment under test to be measured with an uncertainty not exceeding the specified values. All tolerances and uncertainties are absolute values, and are valid for a confidence level of 95 %, unless otherwise stated.

A confidence level of 95 % is the measurement uncertainty tolerance interval for a specific measurement that contains 95 % of the performance of a population of test equipment.

For RF tests, it should be noted that the uncertainties in clause 4.1.2 apply to the Test System operating into a nominal 50 ohm load and do not include system effects due to mismatch between the DUT and the Test System.

4.1.2.2 Measurement of transmitter

Table 4.1.2.2-1: Maximum Test System uncertainty for transmitter tests

| Clause | Maximum Test System Uncertainty | Derivation of Test System Uncertainty |
|--|---|---|
| 6.2 Base Station output power | ± 0.7 dB, $f \leq 3$ GHz ± 1.0 dB, 3 GHz $< f \leq 7.125$ GHz (Note) ± 1.5 dB, for bands n46, n96 and n102 | |
| 6.3 Output power dynamics | ± 0.4 dB | |
| 6.4.1 Transmit OFF power | ± 2.0 dB, $f \leq 3$ GHz ± 2.5 dB, 3 GHz $< f \leq 7.125$ GHz (Note) ± 3 dB, for bands n46, n96 and n102 | |
| 6.4.2 Transmitter transient period | N/A | |
| 6.5.2 Frequency error | ± 12 Hz | |
| 6.5.3 EVM | $\pm 1\%$ | |
| 6.5.4 Time alignment error | ± 25 ns | |
| 6.6.2 Occupied bandwidth | 5 MHz, 10 MHz BS Channel BW: ± 100 kHz 15 MHz, 20 MHz, 25 MHz, 30 MHz, 35 MHz, 40 MHz, 45 MHz, 50 MHz BS Channel BW: ± 300 kHz 60 MHz, 70 MHz, 80 MHz, 90 MHz, 100 MHz BS Channel BW: ± 600 kHz | |
| 6.6.3 Adjacent Channel Leakage power Ratio (ACLR) | ACLR/ CACLR BW ≤ 20 MHz: ± 0.8 dB BW > 20 MHz: ± 1.2 dB Absolute power ± 2.0 dB, $f \leq 3$ GHz Absolute power ± 2.5 dB, 3 GHz $< f \leq 7.125$ GHz (Note) Absolute power ± 3 dB, for bands n46, n96 and n102 CACLR BW ≤ 20 MHz: ± 0.8 dB BW > 20 MHz: ± 1.2 dB CACLR absolute power ± 2.0 dB, $f \leq 3$ GHz CACLR absolute power ± 2.5 dB, 3 GHz $< f \leq 7.125$ GHz CACLR absolute power ± 3 dB, for bands n46, n96 and n102 (Note) | |
| 6.6.4 Operating band unwanted emissions | ± 1.5 dB, $f \leq 3$ GHz ± 1.8 dB, 3 GHz $< f \leq 7.125$ GHz (Note) ± 2.2 dB, for bands n46, n96 and n102 | |
| 6.6.5.5.1.1 Transmitter spurious emissions, Mandatory Requirements | 9 kHz $< f \leq 4$ GHz: ± 2.0 dB 4 GHz $< f \leq 19$ GHz: ± 4.0 dB 19 GHz $< f \leq 26$ GHz: ± 4.5 dB | |
| 6.6.5.5.1.2 Transmitter spurious emissions, Protection of BS receiver | ± 3.0 dB | |
| 6.6.5.5.1.3 Transmitter spurious emissions, Additional spurious emission requirements | ± 2.0 dB for > -60 dBm, $f \leq 3$ GHz ± 2.5 dB, 3 GHz $< f \leq 4.2$ GHz ± 3.0 dB, 4.2 GHz $< f \leq 7.125$ GHz ± 3.0 dB for ≤ -60 dBm, $f \leq 3$ GHz ± 3.5 dB, 3 GHz $< f \leq 4.2$ GHz ± 4.0 dB, 4.2 GHz $< f \leq 7.125$ GHz ± 4.0 dB, for bands n46 and n96 | |
| 6.6.5.2.4 Transmitter spurious emissions, Co-location | ± 3.0 dB | |
| 6.7 Transmitter intermodulation (interferer requirements) This tolerance applies to the stimulus and not the measurements defined in 6.6.3, 6.6.4 and 6.6.5 | The value below applies only to the interfering signal and is unrelated to the measurement uncertainty of the tests in 6.6.3 (ACLR), 6.6.4 (OBUE) and 6.6.5 (spurious emissions) which have to be carried out in the presence of the interferer. ± 1.0 dB | The uncertainty of interferer has double the effect on the result due to the frequency offset |
| NOTE: Test system uncertainty values for 4.2 GHz $< f \leq 7.125$ GHz apply for BS operates in licensed spectrum only. | | |

4.1.2.3 Measurement of receiver

Table 4.1.2.3-1: Maximum Test System Uncertainty for receiver tests

| Clause | Maximum Test System Uncertainty | Derivation of Test System Uncertainty |
|---|--|---|
| 7.2 Reference sensitivity level | ± 0.7 dB, $f \leq 3$ GHz ± 1.0 dB, $3 \text{ GHz} < f \leq 4.2$ GHz ± 1.2 dB, $4.2 \text{ GHz} < f \leq 6$ GHz ± 1.5 dB, $6 \text{ GHz} < f \leq 7.125$ GHz ± 1.5 dB, for bands n46, n96 and n102 | |
| 7.3 Dynamic range | ± 0.3 dB | |
| 7.4.1 Adjacent channel selectivity | ± 1.4 dB, $f \leq 3$ GHz ± 1.8 dB, $3 \text{ GHz} < f \leq 4.2$ GHz ± 2.1 dB, $4.2 \text{ GHz} < f \leq 6$ GHz (Note 2) ± 2.5 dB, $6 \text{ GHz} < f \leq 7.125$ GHz ± 2.5 dB, for bands n46, n96 and n102 | <p>Overall system uncertainty comprises three quantities:</p> <ol style="list-style-type: none"> 1. Wanted signal level error 2. Interferer signal level error 3. Additional impact of interferer leakage <p>Items 1 and 2 are assumed to be uncorrelated so can be root sum squared to provide the ratio error of the two signals. The interferer leakage effect is systematic, and is added arithmetically.</p> <p>Test System uncertainty = SQRT (wanted_level_error² + interferer_level_error²) + leakage effect.</p> <p>$f \leq 3$ GHz Wanted signal level ± 0.7 dB Interferer signal level ± 0.7 dB $3 \text{ GHz} < f \leq 4.2$ GHz Wanted signal level ± 1.0 dB Interferer signal level ± 1.0 dB $4.2 \text{ GHz} < f \leq 6$ GHz Wanted signal level ± 1.22 dB Interferer signal level ± 1.22 dB $6 \text{ GHz} < f \leq 7.125$ GHz Wanted signal level ± 1.5 dB Interferer signal level ± 1.8 dB Bands n46, n96 and n102 Wanted signal level ± 1.5 dB Interferer signal level ± 1.8 dB</p> <p>$f \leq 7.125$ GHz Impact of interferer leakage 0.4 dB</p> |
| 7.4.2.4.2 In-band blocking (General blocking) | ± 1.6 dB, $f \leq 3$ GHz ± 2.0 dB, $3 \text{ GHz} < f \leq 4.2$ GHz ± 2.2 dB, $4.2 \text{ GHz} < f \leq 6$ GHz (Note 2) ± 2.7 dB, $6 \text{ GHz} < f \leq 7.125$ GHz ± 2.7 dB, for bands n46, n96 and n102 | |
| 7.4.2.4.3 In-band blocking (Narrow band blocking) | ± 1.4 dB, $f \leq 3$ GHz ± 1.8 dB, $3 \text{ GHz} < f \leq 4.2$ GHz ± 2.1 dB, $4.2 \text{ GHz} < f \leq 6$ GHz (Note 2) | |

| | | |
|--|--|---|
| <p>7.5.5.1 Out-of-band blocking (General requirements)</p> | <p>$f_{\text{wanted}} \leq 3\text{GHz}$ $1\text{MHz} < f_{\text{interferer}} \leq 3\text{GHz}$: $\pm 1.3\text{ dB}$ $3.0\text{GHz} < f_{\text{interferer}} \leq 4.2\text{GHz}$: $\pm 1.5\text{ dB}$ $4.2\text{GHz} < f_{\text{interferer}} \leq 12.75\text{GHz}$: $\pm 3.2\text{ dB}$</p> <p>$3\text{GHz} < f_{\text{wanted}} \leq 4.2\text{GHz}$: $1\text{MHz} < f_{\text{interferer}} \leq 3\text{GHz}$: $\pm 1.5\text{ dB}$ $3.0\text{GHz} < f_{\text{interferer}} \leq 4.2\text{GHz}$: $\pm 1.7\text{ dB}$ $4.2\text{GHz} < f_{\text{interferer}} \leq 12.75\text{GHz}$: $\pm 3.3\text{ dB}$</p> <p>$4.2\text{GHz} < f_{\text{wanted}} \leq 6.0\text{GHz}$: $1\text{MHz} < f_{\text{interferer}} \leq 3\text{GHz}$: $\pm 1.7\text{ dB}$ $3.0\text{GHz} < f_{\text{interferer}} \leq 4.2\text{GHz}$: $\pm 1.8\text{ dB}$ $4.2\text{GHz} < f_{\text{interferer}} \leq 12.75\text{GHz}$: $\pm 3.3\text{ dB}$</p> <p>$6\text{GHz} < f_{\text{wanted}} \leq 7.125\text{GHz}$: $1\text{MHz} < f_{\text{interferer}} \leq 3\text{GHz}$: $\pm 1.9\text{ dB}$ $3.0\text{GHz} < f_{\text{interferer}} \leq 4.2\text{GHz}$: $\pm 2.0\text{ dB}$ $4.2\text{GHz} < f_{\text{interferer}} \leq 12.75\text{GHz}$: $\pm 3.5\text{ dB}$</p> <p>f_{wanted}: for bands n46, n96 and n102 $1\text{MHz} < f_{\text{interferer}} \leq 3\text{GHz}$: $\pm 1.9\text{ dB}$ $3.0\text{GHz} < f_{\text{interferer}} \leq 4.2\text{GHz}$: $\pm 2.0\text{ dB}$ $4.2\text{GHz} < f_{\text{interferer}} \leq 12.75\text{GHz}$: $\pm 3.5\text{ dB}$</p> | <p>Overall system uncertainty comprises three quantities:</p> <ol style="list-style-type: none"> 1. Wanted signal level error 2. Interferer signal level error 3. Interferer broadband noise <p>Items 1 and 2 are assumed to be uncorrelated so can be root sum squared to provide the ratio error of the two signals. The Interferer Broadband noise effect is systematic, and is added arithmetically.</p> <p>Test System uncertainty = SQRT (wanted_level_error² + interferer_level_error²) + Broadband noise effect.</p> <p>Out of band blocking, using CW interferer: Wanted signal level: $\pm 0.7\text{ dB}$ up to 3 GHz $\pm 1.0\text{ dB}$ up to 4.2 GHz $\pm 1.22\text{ dB}$ up to 6 GHz $\pm 1.5\text{ dB}$ up to 7.125 GHz Interferer signal level: $\pm 1.0\text{ dB}$ up to 3 GHz $\pm 1.2\text{ dB}$ up to 4.2 GHz $\pm 3.0\text{ dB}$ up to 12.75 GHz Impact of interferer Broadband noise 0.1 dB</p> |
| <p>7.5.5.2 Out-of-band blocking (Co-location requirements)</p> | <p><u>Co-location blocking, using CW interferer:</u> $\pm 2.5\text{ dB}$, $f \leq 3.0\text{ GHz}$ $\pm 2.6\text{ dB}$, $3.0\text{ GHz} < f \leq 4.2\text{ GHz}$ $\pm 2.7\text{ dB}$, $4.2\text{ GHz} < f \leq 6.0\text{ GHz}$ $\pm 2.9\text{ dB}$, $6\text{ GHz} < f \leq 7.125\text{ GHz}$ $\pm 2.9\text{ dB}$, for bands n46, n96 and n102</p> | <p>Co-location blocking, using CW interferer: $f \leq 3.0\text{ GHz}$ Wanted signal level $\pm 0.7\text{ dB}$ $3.0\text{ GHz} < f \leq 4.2\text{ GHz}$ Wanted signal level $\pm 1.0\text{ dB}$ $4.2\text{ GHz} < f \leq 6.0\text{ GHz}$ Wanted signal level $\pm 1.22\text{ dB}$ $6\text{ GHz} < f \leq 7.125\text{ GHz}$ Wanted signal level $\pm 1.5\text{ dB}$ For bands n46, n96 and n102 Wanted signal level $\pm 1.5\text{ dB}$</p> <p>$f \leq 7.125\text{ GHz}$ Interferer signal level: $\pm 2.0\text{ dB}$ Interferer signal level for band n46, n96 and n102: $\pm 2.0\text{ dB}$</p> <p>Interferer ACLR not applicable Impact of interferer Broadband noise 0.4 dB</p> |
| <p>7.6 Receiver spurious emissions</p> | <p>$30\text{ MHz} \leq f \leq 4\text{ GHz}$: $\pm 2.0\text{ dB}$ $4\text{ GHz} < f \leq 19\text{ GHz}$: $\pm 4.0\text{ dB}$ $19\text{ GHz} < f \leq 26\text{ GHz}$: $\pm 4.5\text{ dB}$</p> | |

| | | |
|---|---|--|
| <p>7.7 Receiver intermodulation</p> | <p>±1.8 dB, $f \leq 3.0$ GHz ±2.4 dB, $3.0 \text{ GHz} < f \leq 4.2$ GHz ±3.0 dB, $4.2 \text{ GHz} < f \leq 6.0$ GHz (Note 2) ±3.3 dB, $6 \text{ GHz} < f \leq 7.125$ GHz ±3.3 dB, for bands n46, n96 and n102</p> | <p>Overall system uncertainty comprises four quantities:</p> <ol style="list-style-type: none"> 1. Wanted signal level error 2. CW Interferer level error 3. Modulated Interferer level error 4. Impact of interferer ACLR <p>The effect of the closer CW signal has twice the effect.</p> <p>Items 1, 2 and 3 are assumed to be uncorrelated so can be root sum squared to provide the combined effect of the three signals. The interferer ACLR effect is systematic, and is added arithmetically.</p> <p>Test System uncertainty = $\text{SQRT} [(2 \times \text{CW_level_error})^2 + (\text{mod interferer_level_error})^2 + (\text{wanted signal_level_error})^2] + \text{ACLR effect}$.</p> <p>$f \leq 3.0$ GHz Wanted signal level ± 0.7dB CW interferer level ± 0.5 dB Mod interferer level ± 0.7 dB</p> <p>$3.0 \text{ GHz} < f \leq 4.2$ GHz Wanted signal level ± 1.0 dB CW Interferer level ± 0.7 dB Mod Interferer level ± 1.0 dB</p> <p>$4.2 \text{ GHz} < f \leq 6$ GHz Wanted signal level ± 1.22 dB CW Interferer level ± 0.98 dB Mod Interferer level ± 1.22 dB</p> <p>$6 \text{ GHz} < f \leq 7.125$ GHz Wanted signal level ± 1.5dB CW Interferer level ± 1.0dB Mod Interferer level ± 1.5dB</p> <p>For bands n46, n96 and n102 Wanted signal level ± 1.5dB CW Interferer level ± 1.0dB Mod Interferer level ± 1.5dB</p> <p>$f \leq 7.125$ GHz Impact of interferer ACLR 0.4 dB</p> |
| <p>7.8 In-channel selectivity</p> | <p>±1.4 dB, $f \leq 3$ GHz ±1.8 dB, $3 \text{ GHz} < f \leq 4.2$ GHz ±2.1 dB, $4.2 \text{ GHz} < f \leq 6$ GHz (Note 2) ±2.5 dB, $6 \text{ GHz} < f \leq 7.125$ GHz ±2.5 dB, for bands n46, n96 and n102</p> | |
| <p>NOTE 1: Unless otherwise noted, only the Test System stimulus error is considered here. The effect of errors in the throughput measurements due to finite test duration is not considered.</p> <p>NOTE 2: Test system uncertainty values for $4.2 \text{ GHz} < f \leq 7.125$ GHz apply for BS operates in licensed spectrum only.</p> | | |

4.1.2.4 Measurement of performance requirements

Table 4.1.2.4-1: Maximum Test System Uncertainty for performance requirements

| Clause | Maximum Test System Uncertainty | Derivation of Test System Uncertainty |
|---|---------------------------------|---|
| 8 PUSCH, PUCCH, PRACH with single antenna port and fading channel | ± 0.6 dB | Overall system uncertainty for fading conditions comprises two quantities: 1. Signal-to-noise ratio uncertainty 2. Fading profile power uncertainty Items 1 and 2 are assumed to be uncorrelated so can be root sum squared: Test System uncertainty = [SQRT (Signal-to-noise ratio uncertainty ² + Fading profile power uncertainty ²)] Signal-to-noise ratio uncertainty ± 0.3 dB Fading profile power uncertainty ± 0.5 dB |
| 8 PUSCH, PRACH with single antenna port and AWGN | ± 0.3 dB | Signal-to-noise ratio uncertainty ± 0.3 dB |
| 8 PUSCH with two antenna port and fading channel | ± 0.8 dB | Overall system uncertainty for fading conditions comprises two quantities: 1. Signal-to-noise ratio uncertainty 2. Fading profile power uncertainty Items 1 and 2 are assumed to be uncorrelated so can be root sum squared: Test System uncertainty = [SQRT (Signal-to-noise ratio uncertainty ² + Fading profile power uncertainty ²)] Signal-to-noise ratio uncertainty ± 0.3 dB Fading profile power uncertainty ± 0.7 dB for MIMO |

4.1.3 Interpretation of measurement results

The measurement results returned by the Test System are compared - without any modification - against the test requirements as defined by the Shared Risk principle.

The Shared Risk principle is defined in Recommendation ITU-R M.1545 [4].

The actual measurement uncertainty of the Test System for the measurement of each parameter shall be included in the test report.

The recorded value for the Test System uncertainty shall be, for each measurement, equal to or lower than the appropriate figure in clause 4.1.2 of the present document.

If the Test System for a test is known to have a measurement uncertainty greater than that specified in clause 4.1.2, it is still permitted to use this apparatus provided that an adjustment is made as follows.

Any additional uncertainty in the Test System over and above that specified in clause 4.1.2 shall be used to tighten the test requirement, making the test harder to pass. For some tests e.g. receiver tests, this may require modification of stimulus signals. This procedure will ensure that a Test System not compliant with clause 4.1.2 does not increase the chance of passing a device under test where that device would otherwise have failed the test if a Test System compliant with clause 4.1.2 had been used.

4.2 Conducted requirement reference points

4.2.1 BS type 1-C

BS type 1-C requirements are applied at the BS antenna connector (port A) for a single transmitter or receiver with a full complement of transceivers for the configuration in normal operating conditions. If any external apparatus such as

an amplifier, a filter or the combination of such devices is used, requirements apply at the far end *antenna connector* (port B).

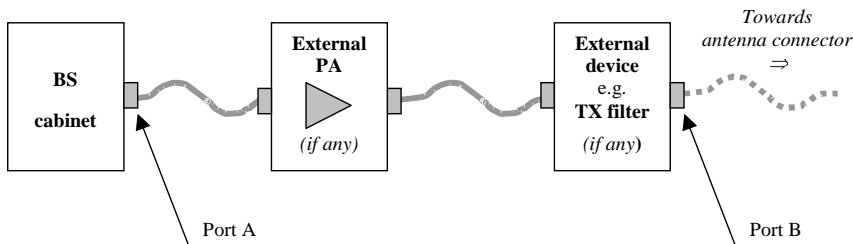


Figure 4.2.1-1: BS type 1-C transmitter interface

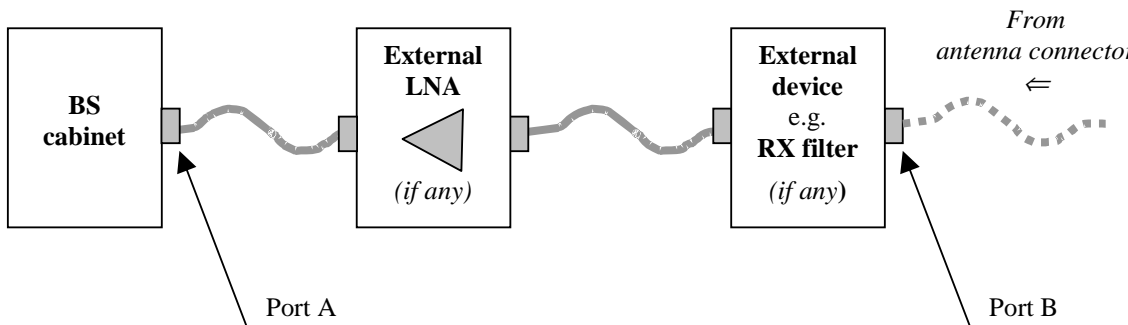


Figure 4.2.1-2: BS type 1-C receiver interface

4.2.2 BS type 1-H

BS type 1-H requirements are defined for two points of reference, signified by radiated requirements and conducted requirements.

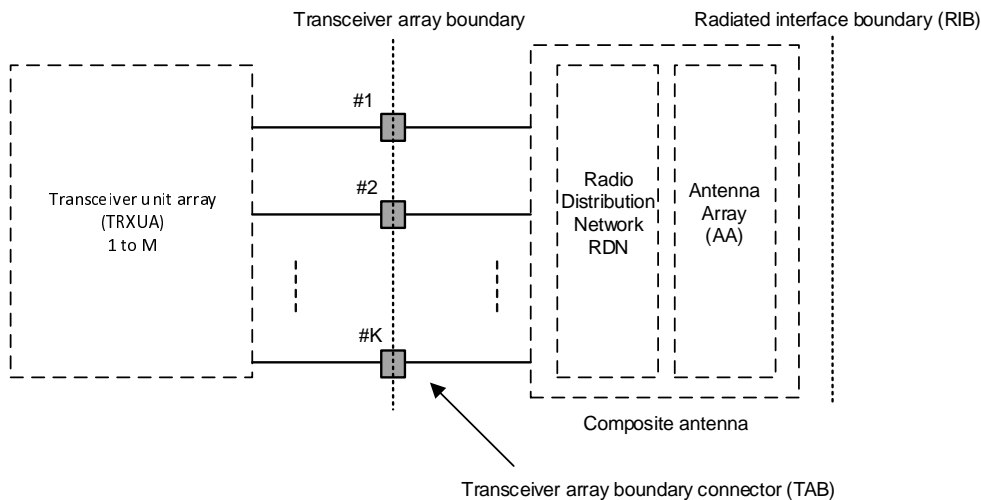


Figure 4.2.2-1: Radiated and conducted reference points for BS type 1-H

Radiated characteristics are defined over the air (OTA), where the *operating band* specific radiated interface is referred to as the *Radiated Interface Boundary* (RIB). Radiated requirements are also referred to as OTA requirements. The (spatial) characteristics in which the OTA requirements apply are detailed for each requirement.

NOTE: Radiated conformance requirements are captured in TS 38.141-2 [3] and are out of scope of this specification.

Conducted characteristics are defined at individual or groups of *TAB connectors* at the *transceiver array boundary*, which is the conducted interface between the transceiver unit array and the composite antenna.

The transceiver unit array is part of the composite transceiver functionality generating modulated transmit signal structures and performing receiver combining and demodulation.

The transceiver unit array contains an implementation specific number of transmitter units and an implementation specific number of receiver units. Transmitter units and receiver units may be combined into transceiver units. The transmitter/receiver units have the ability to transmit/receive parallel independent modulated symbol streams.

The composite antenna contains a radio distribution network (RDN) and an antenna array. The RDN is a linear passive network which distributes the RF power generated by the transceiver unit array to the antenna array, and/or distributes the radio signals collected by the antenna array to the transceiver unit array, in an implementation specific way.

How a conducted requirement is applied to the *transceiver array boundary* is detailed in the respective requirement clause.

4.3 Base station classes

The requirements in this specification apply to Wide Area Base Stations, Medium Range Base Stations and Local Area Base Stations unless otherwise stated.

BS classes for *BS type 1-C* and *1-H* are defined as indicated below:

- Wide Area Base Stations are characterised by requirements derived from Macro Cell scenarios with a BS to UE minimum coupling loss equal to 70 dB.
- Medium Range Base Stations are characterised by requirements derived from Micro Cell scenarios with a BS to UE minimum coupling loss equals to 53 dB.
- Local Area Base Stations are characterised by requirements derived from Pico Cell scenarios with a BS to UE minimum coupling loss equal to 45 dB.

4.4 Regional requirements

Some requirements in the present document may only apply in certain regions either as optional requirements, or as mandatory requirements set by local and regional regulation. It is normally not stated in the 3GPP specifications under what exact circumstances the regional requirements apply, since this is defined by local or regional regulation.

Table 4.4-1 lists all requirements in the present specification that may be applied differently in different regions.

Table 4.4-1: List of regional requirements

| Clause number | Requirement | Comments |
|-------------------------|--|--|
| 5 | Operating bands | Some NR operating bands may be applied regionally. |
| 6.2.1 | Base station output power | Additional output power limits may be applied regionally. |
| 6.6.2 | Occupied bandwidth | The requirement may be applied regionally. There may also be regional requirements to declare the occupied bandwidth according to the definition in present specification. |
| 6.6.3.5.3 | Adjacent Channel Leakage Power Ratio | For Band n41 and n90 operation in Japan, absolute ACLR limits shall be applied to the sum of the absolute ACLR power over all <i>antenna connectors</i> for <i>BS type 1-C</i> . |
| 6.6.4.5 | Operating band unwanted emission | Category A or Category B operating band unwanted emission limits may be applied regionally. For operation with shared spectrum channel access, the BS may have to comply with the applicable BS power limits established regionally, when deployed in regions where those limits apply and under the conditions declared by the manufacturer. |
| 6.6.4.5.6.1 | Operating band unwanted emissions: Limits in FCC Title 47 | The BS may have to comply with the additional requirements, when deployed in regions where those limits are applied, and under the conditions declared by the manufacturer. |
| 6.6.4.5.6.2 | Operating band unwanted emission Protection of DTT | The BS operating in Band n20 may have to comply with the additional requirements for protection of DTT, when deployed in certain regions. |
| 6.6.4.5.6.5 | Operating band unwanted emissions Additional requirements for n24 | The BS operating in Band n24 may have to comply with the additional requirements when deployed in regions where FCC regulation applies. |
| 6.6.4.5.7 | Operating band unwanted emission, | For Band n41 and n90 operation in Japan, the operating band unwanted emissions limits shall be applied to the sum of the emission power over all <i>antenna connectors</i> for <i>BS type 1-C</i> . |
| 6.6.5.5.1.1 | Transmitter spurious emissions | Category A or Category B spurious emission limits, as defined in ITU-R Recommendation SM.329 [5], may apply regionally. The emission limits for BS type 1-H specified as the <i>basic limit</i> + X (dB) are applicable, unless stated differently in regional regulation. In addition, for operation with shared spectrum channel access, the BS may have to comply with the applicable spurious emission limits established regionally, when deployed in regions where those limits apply and under the conditions declared by the manufacturer. |
| 6.6.5.5.1.3 | Transmitter spurious emissions: additional requirements | These requirements may be applied for the protection of system operating in frequency ranges other than the BS operating band. |
| 6.6.5.5.3 | Transmitter spurious emissions | For Band n41 and n90 operation in Japan, the sum of the spurious emissions over all <i>antenna connectors</i> for <i>BS type 1-C</i> shall not exceed the <i>basic limits</i> . |
| 6.7.5.1.1, 6.7.5.2.1 | Transmitter intermodulation | Interfering signal positions that are partially or completely outside of any downlink <i>operating band</i> of the base station are not excluded from the requirement in Japan in Band n77, n78, n79. |
| 6.7.5.1.2, 6.7.5.2.3 | Transmitter intermodulation | The BS may have to comply with the additional requirements, when deployed in certain regions. |
| 7.6.5.2, 7.6.5.3 | Receiver spurious emissions | The emission limits for BS type 1-H specified as the <i>basic limit</i> + X (dB) are applicable, unless stated differently in regional regulation. For Band n41 and n90 operation in Japan, the sum of RX spurious emissions over all <i>antenna connectors</i> for <i>BS type 1-C</i> shall not exceed <i>basic limits</i> |

4.5 BS configurations

4.5.1 BS type 1-C

4.5.1.1 Transmit configurations

4.5.1.1.1 General

Unless otherwise stated, the transmitter characteristics in clause 6 are specified at the BS antenna connector (test port A) with a full complement of transceivers for the configuration in normal operating conditions. If any external apparatus such as a TX amplifier, a filter or the combination of such devices is used, requirements apply at the far end antenna connector (test port B).

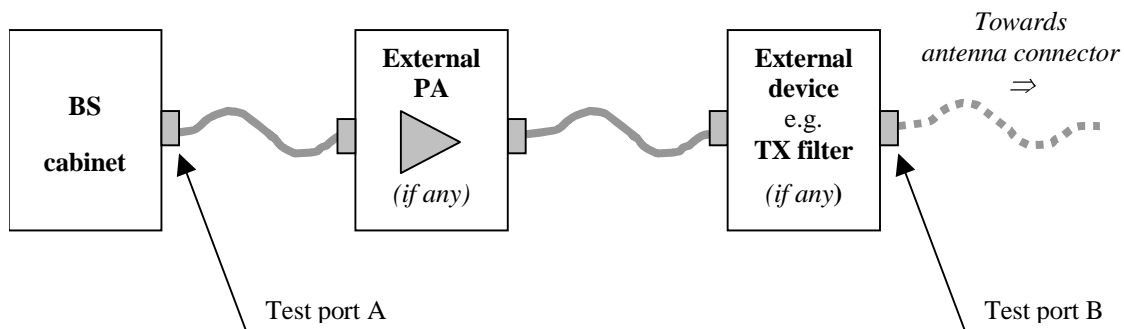


Figure 4.5.1.1.1-1: Transmitter test ports

4.5.1.1.2 Transmission with multiple transmitter antenna connectors

Unless otherwise stated, for the tests in clause 6 of the present document, the requirement applies for each transmitter *antenna connector* in the case of transmission with multiple transmitter *antenna connectors*.

Transmitter requirements are tested at the *antenna connector*, with the remaining *antenna connector(s)* being terminated. If the manufacturer has declared the transmitter paths to be equivalent (D.32), it is sufficient to measure the signal at any one of the transmitter *antenna connectors*.

4.5.1.2 Receive configurations

4.5.1.2.1 General

Unless otherwise stated, the receiver characteristics in clause 7 are specified at the BS *antenna connector* (test port A) with a full complement of transceivers for the configuration in normal operating conditions. If any external apparatus such as a RX amplifier, a filter or the combination of such devices is used, requirements apply at the far end *antenna connector* (test port B).

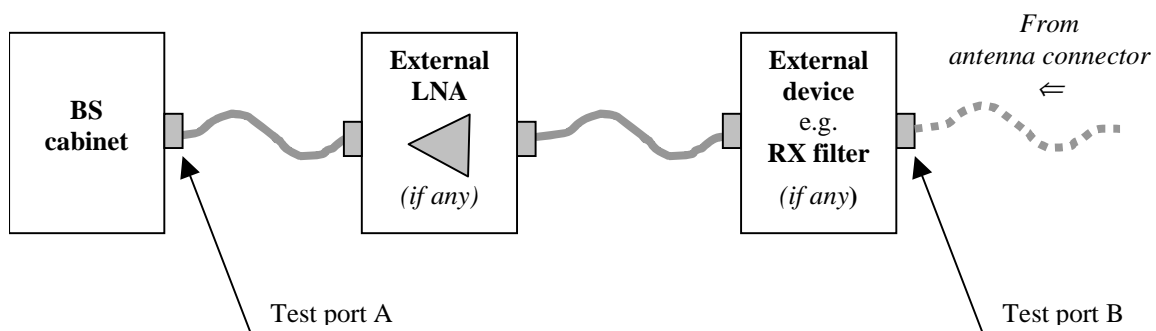


Figure 4.5.1.2.1-1: Receiver test ports

4.5.1.2.2 Reception with multiple receiver antenna connectors, receiver diversity

For the tests in clause 7 of the present document, the requirement applies at each receiver *antenna connector* for receivers with antenna diversity or in the case of multi-carrier reception with multiple receiver *antenna connectors*.

Receiver requirements are tested at the *antenna connector*, with the remaining receiver(s) disabled or their *antenna connector(s)* being terminated. If the manufacturer has declared the receiver paths to be equivalent (D.32), it is sufficient to apply the specified test signal at any one of the receiver *antenna connectors*.

For a *BS type 1-C* supporting multi-band operation, multi-band tests for ACS, blocking and intermodulation are performed with the interferer(s) applied to each *antenna connector* mapped to the receiver for the wanted signal(s), however only to one *antenna connector* at a time. *Antenna connectors* to which no signals are applied are terminated.

4.5.1.3 Duplexers

The requirements of the present document shall be met with a duplexer fitted, if a duplexer is supplied as part of the BS. If the duplexer is supplied as an option by the manufacturer, sufficient tests should be repeated with and without the duplexer fitted to verify that the BS meets the requirements of the present document in both cases.

The following tests shall be performed with the duplexer fitted, and without it fitted if this is an option:

- 1) clause 6.2, base station output power, for the highest static power step only, if this is measured at the antenna connector;
- 2) clause 6.6, unwanted emissions; outside the BS transmit band;
- 3) clause 6.6.5.5.1.2, protection of the BS receiver;
- 4) clause 6.7, transmit intermodulation; for the testing of conformance, the carrier frequencies should be selected to minimize intermodulation products from the transmitters falling in receive channels.

The remaining tests may be performed with or without the duplexer fitted.

NOTE 1: When performing receiver tests with a duplexer fitted, it is important to ensure that the output from the transmitters does not affect the test apparatus. This can be achieved using a combination of attenuators, isolators and filters.

NOTE 2: When duplexers are used, intermodulation products will be generated, not only in the duplexer but also in the antenna system. The intermodulation products generated in the antenna system are not controlled by 3GPP specifications, and may degrade during operation (e.g. due to moisture ingress). Therefore, to ensure continued satisfactory operation of a BS, an operator will normally select NR-ARFCNs to minimize intermodulation products falling on receive channels. For testing of complete conformance, an operator may specify the NR-ARFCNs to be used.

4.5.1.4 Power supply options

If the BS is supplied with a number of different power supply configurations, it may not be necessary to test RF parameters for each of the power supply options, provided that it can be demonstrated that the range of conditions over which the equipment is tested is at least as great as the range of conditions due to any of the power supply configurations.

This applies particularly if a BS contains a DC rail which can be supplied either externally or from an internal mains power supply. In this case, the conditions of extreme power supply for the mains power supply options can be tested by testing only the external DC supply option. The range of DC input voltages for the test should be sufficient to verify the performance with any of the power supplies, over its range of operating conditions within the BS, including variation of mains input voltage, temperature and output current.

4.5.1.5 Ancillary RF amplifiers

The *BS type 1-C* requirements of the present document shall be met with the ancillary RF amplifier fitted. At tests according to clauses 6 and 7 for TX and RX respectively, the ancillary amplifier is connected to the BS by a connecting network (including any cable(s), attenuator(s), etc.) with applicable loss to make sure the appropriate operating conditions of the ancillary amplifier and the BS. The applicable connecting network loss range is declared by the

manufacturer (D.35). Other characteristics and the temperature dependence of the attenuation of the connecting network are neglected. The actual attenuation value of the connecting network is chosen for each test as one of the applicable extreme values. The lowest value is used unless otherwise stated.

Sufficient tests should be repeated with the ancillary amplifier fitted and, if it is optional, without the ancillary RF amplifier to verify that the BS meets the requirements of the present document in both cases.

When testing, the following tests shall be repeated with the optional ancillary amplifier fitted according to the table below, where "x" denotes that the test is applicable:

Table 4.5.1.5-1: Tests applicable to ancillary RF amplifiers

| | Clause | TX amplifier only | RX amplifier only | TX/RX amplifiers combined (Note 1, 2) |
|--------------------------|---------------------------|-------------------|-------------------|---------------------------------------|
| Receiver tests | 7.2 | | x | x |
| | 7.4 (Narrowband blocking) | | x | x |
| | 7.5 | | x | x |
| | 7.6 | | x | x |
| | 7.7 | | x | |
| Transmitter tests | 6.2 | x | | x |
| | 6.6.2 | x | | x |
| | 6.6.3 | x | | x |
| | 6.6.4 | x | | x |
| | 6.6.5 | x | | x |
| | 6.7 | x | | x |

NOTE 1: Combining can be by duplex filters or any other network. The amplifiers can either be in RX or TX branch or in both. Either one of these amplifiers could be a passive network.

NOTE 2: Unless otherwise stated, BS with both TX and RX amplifiers are tested once with both amplifiers active for each test.

In base station output power test (clause 6.2) and reference sensitivity level test (clause 7.2) highest applicable attenuation value is applied.

4.5.2 BS type 1-H

4.5.2.1 Transmit configurations

Unless otherwise stated, the conducted transmitter characteristics in clause 6 are specified at the *transceiver array boundary* at the *TAB connector(s)* with a full complement of transceiver units for the configuration in normal operating conditions.

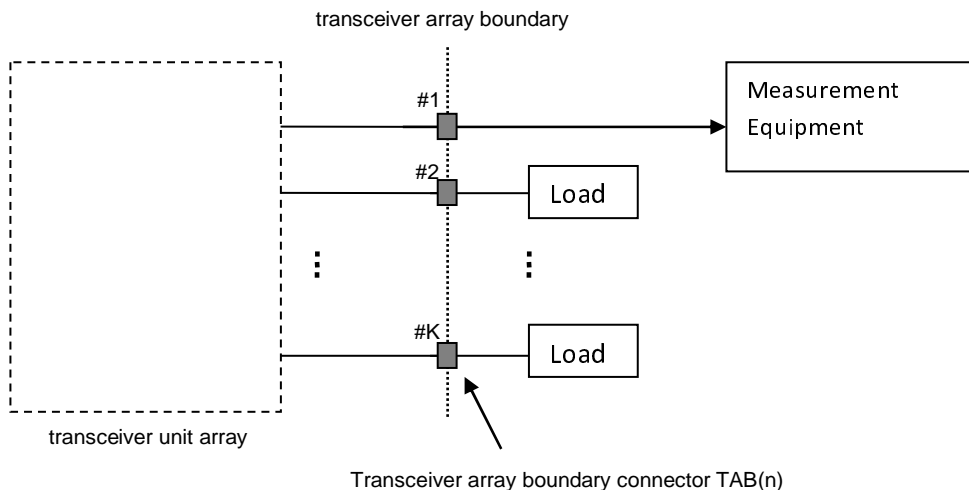


Figure 4.5.2.1-1: Transmitter test ports

Unless otherwise stated, for the tests in clause 6 of the present document, the requirement applies for each transmit *TAB connector*.

4.5.2.2 Receive configurations

Unless otherwise stated, the conducted receiver characteristics in clause 7 are specified at the *TAB connector* with a full complement of transceiver units for the configuration in normal operating conditions.

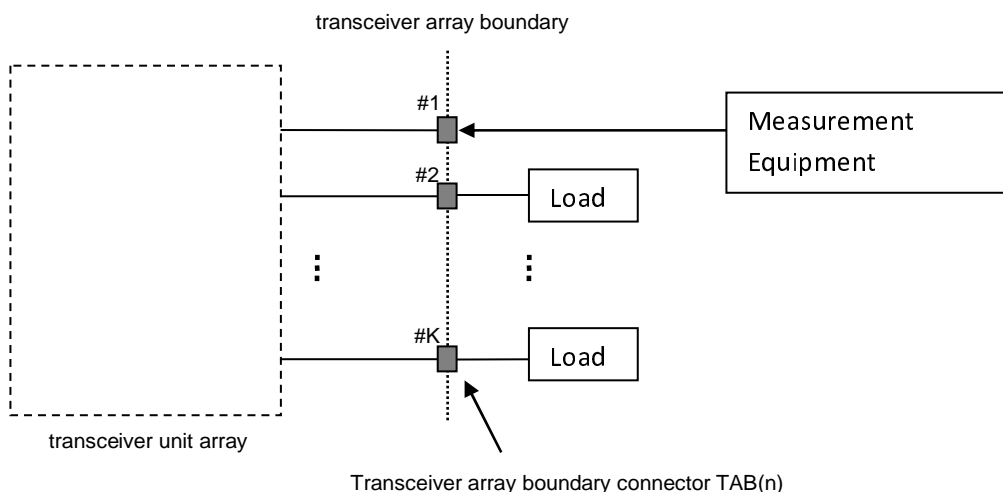


Figure 4.5.2.2-1: Receiver test ports

For the tests in clause 7 of the present document, the requirement applies at each receive *TAB connector*.

Conducted receive requirements are tested at the *TAB connector*, with the remaining receiver units(s) disabled or their *TAB connector(s)* being terminated.

4.5.2.3 Power supply options

If the *BS type 1-H* is supplied with a number of different power supply configurations, it may not be necessary to test RF parameters for each of the power supply options, provided that it can be demonstrated that the range of conditions over which the equipment is tested is at least as great as the range of conditions due to any of the power supply configurations.

4.5.3 BS with integrated Iuant BS modem

Unless otherwise stated, for the tests in the present document, the integrated Iuant BS modem shall be switched OFF. Spurious emissions according to clauses 6.6.5 and 7.6 shall be measured only for frequencies above 20 MHz with the integrated Iuant BS modem switched ON.

4.6 Manufacturer declarations

The following BS declarations listed in table 4.6-1, when applicable to the BS under test, are required to be provided by the manufacturer for the conducted requirements testing of the *BS type 1-C* and *BS type 1-H*.

For the *BS type 1-H* declarations required for the radiated requirements testing, refer to TS 38.141-2 [3].

Table 4.6-1 Manufacturer declarations for *BS type 1-C* and *BS type 1-H* conducted test requirements

| Declaration identifier | Declaration | Description | Applicability | |
|------------------------|---|---|---------------|-------------|
| | | | BS type 1-C | BS type 1-H |
| D.1 | BS requirements set | Declaration of one of the NR base station <i>requirements set</i> as defined for <i>BS type 1-C</i> , or <i>BS type 1-H</i> . | x | x |
| D.2 | BS class | BS class of the BS, declared as Wide Area BS, Medium Range BS, or Local Area BS. | x | x |
| D.3 | <i>Operating bands and frequency ranges</i> | List of NR <i>operating band(s)</i> supported by <i>single-band connector(s)</i> and/or <i>multi-band connector(s)</i> of the BS and if applicable, frequency range(s) within the <i>operating band(s)</i> that the BS can operate in. Declarations shall be made per <i>antenna connector</i> for <i>BS type 1-C</i> , or <i>TAB connector</i> for <i>BS type 1-H</i> . | x | x |
| D.4 | Spurious emission category | Declare the BS spurious emission category as either category A or B with respect to the limits for spurious emissions, as defined in Recommendation ITU-R SM.329 [5]. | x | x |
| D.5 | Additional operating band unwanted emissions | The manufacturer shall declare whether the BS under test is intended to operate in geographic areas where the additional operating band unwanted emission limits defined in clause 6.6.4.5.6 apply. (Note 3, Note 6). | x | x |
| D.6 | Co-existence with other systems | The manufacturer shall declare whether the BS under test is intended to operate in geographic areas where one or more of the systems GSM850, GSM900, DCS1800, PCS1900, UTRA FDD, UTRA TDD, E-UTRA, PHS and/or NR operating in another band are deployed. | x | x |
| D.7 | Co-location with other base stations | The manufacturer shall declare whether the BS under test is intended to operate co-located with Base Stations of one or more of the systems GSM850, GSM900, DCS1800, PCS1900, UTRA FDD, UTRA TDD, E-UTRA and/or NR operating in another band. | x | x |
| D.8 | <i>Single band connector or multi-band connector</i> | Declaration of the single band or multi-band capability of <i>single band connector(s)</i> or <i>multi-band connector(s)</i> , declared for every connector. | x | x |
| D.9 | Contiguous or non-contiguous spectrum operation support | Ability to support contiguous or non-contiguous (or both) frequency distribution of carriers when operating multi-carrier. Declared per <i>single band connector</i> or <i>multi-band connector</i> , per <i>operating band</i> . | x | x |
| D.10 | void | void | x | x |
| D.11 | Maximum <i>Base Station RF Bandwidth</i> | Maximum <i>Base Station RF Bandwidth</i> in the <i>operating band</i> for single-band operation. Declared per supported <i>operating band</i> , per <i>antenna connector</i> for <i>BS type 1-C</i> , or <i>TAB connector</i> for <i>BS type 1-H</i> . (Note 2) | x | x |
| D.12 | Maximum <i>Base Station RF Bandwidth</i> for multi-band operation | Maximum <i>Base Station RF Bandwidth</i> for multi-band operation. Declared per supported <i>operating band</i> , per <i>antenna connector</i> for <i>BS type 1-C</i> , or <i>TAB connector</i> for <i>BS type 1-H</i> . | x | x |
| D.13 | Total RF bandwidth (BW_{tot}) | Total RF bandwidth BW_{tot} of transmitter and receiver, declared per the band combinations (D.27). | x | x |
| D.14 | NR supported channel bandwidths and SCS | NR supported SCS and channel bandwidths per supported SCS. Declared per supported <i>operating band</i> , per <i>antenna connector</i> for <i>BS type 1-C</i> , or <i>TAB connector</i> for <i>BS type 1-H</i> . | x | x |

| | | | | |
|------|---|---|---|---|
| D.15 | CA only operation | Declaration of CA-only operation (with equal power spectral density among carriers) but not multiple carriers, declared per <i>operating band</i> per <i>antenna connector</i> for <i>BS type 1-C</i> , or <i>TAB connector</i> for <i>BS type 1-H</i> . | x | x |
| D.16 | Single or multiple carrier | Capable of operating with a single carrier (only) or multiple carriers. Declared per supported <i>operating band</i> , per <i>antenna connector</i> for <i>BS type 1-C</i> , or <i>TAB connector</i> for <i>BS type 1-H</i> . | x | x |
| D.17 | Maximum number of supported carriers per operating band in single band operation | Maximum number of supported carriers per supported <i>operation band</i> in single band operation. Declared per supported <i>operating band</i> , per <i>antenna connector</i> for <i>BS type 1-C</i> , or <i>TAB connector</i> for <i>BS type 1-H</i> . (Note 2) | x | x |
| D.18 | Maximum number of supported carriers per operating band in multi-band operation | Maximum number of supported carriers per supported <i>operation band</i> in multi-band operation. (Note 2) | x | x |
| D.19 | Total maximum number of supported carriers in multi-band operation | Maximum number of supported carriers for all supported <i>operating bands</i> in multi-band operation. Declared for all connectors (D.18). | x | x |
| D.20 | Other band combination multi-band restrictions | Declare any other limitations under simultaneous operation in the declared band combinations (D.35) for each <i>multi-band connector</i> which have any impact on the test configuration generation. Declared for every <i>multi-band connector</i> . | x | x |
| D.21 | Rated carrier output power ($P_{\text{rated,c,AC}}$, or $P_{\text{rated,c,TABC}}$) | Conducted rated carrier output power, per <i>single band connector</i> or <i>multi-band connector</i> . Declared per supported <i>operating band</i> , per <i>antenna connector</i> for <i>BS type 1-C</i> , or <i>TAB connector</i> for <i>BS type 1-H</i> . (Note 1, 2, 7) | x | x |
| D.22 | Rated total output power ($P_{\text{rated,t,AC}}$, or $P_{\text{rated,t,TABC}}$) | Conducted total rated output power. Declared per supported <i>operating band</i> , per <i>antenna connector</i> for <i>BS type 1-C</i> , or <i>TAB connector</i> for <i>BS type 1-H</i> . For <i>multi-band connectors</i> declared for each supported <i>operating band</i> in each supported band combination. (Note 1, 2, 7) | x | x |
| D.23 | Rated multi-band total output power, $P_{\text{rated,MB,TABC}}$ | Conducted multi-band rated total output power. Declared per supported operating band combinations, per <i>multi-band connector</i> . (Note 1, 7) | x | x |
| D.24 | N_{cells} | Number corresponding to the minimum number of cells that can be transmitted by a BS in a particular <i>operating band</i> with transmission on all <i>TAB connectors</i> supporting the <i>operating band</i> . | | x |
| D.25 | Maximum supported power difference between carriers | Maximum supported power difference between carriers. Declared per supported <i>operating band</i> , per <i>antenna connector</i> for <i>BS type 1-C</i> , or <i>TAB connector</i> for <i>BS type 1-H</i> . | x | x |
| D.26 | Maximum supported power difference between carriers is different <i>operating bands</i> | Supported power difference between any two carriers in any two different supported <i>operating bands</i> . Declared per supported operating band combination, per <i>multi-band connector</i> . | x | x |
| D.27 | Operating band combination support | List of operating bands combinations supported by <i>single-band connector(s)</i> and/or <i>multi-band connector(s)</i> of the BS. Declared per <i>antenna connector</i> for <i>BS type 1-C</i> , or <i>TAB connector</i> for <i>BS type 1-H</i> . | x | x |
| D.28 | void | void | x | x |
| D.29 | Intra-system interfering signal declaration list | List of <i>single band connector(s)</i> or <i>multi-band connector(s)</i> for which an intra-system interfering signal level is required to be declared. Declaration is required if the intra-system interfering signal level is larger than the co-location interfering signal level. | | x |

| | | | | |
|------|--|--|---|---|
| D.30 | Intra-system interfering signal level | The interfering signal level in dBm. Declared per supported <i>operating band</i> , per <i>TAB connector</i> for <i>BS type 1-H</i> covered by D.29. | | x |
| D.31 | TAE groups | Set of declared <i>TAB connector beam forming groups</i> on which the TAE requirements apply. All <i>TAB connectors</i> belong to at least one <i>TAB connector beam forming group</i> (even if it's a <i>TAB connector beam forming group</i> consisting of one connector). The smallest possible number of <i>TAB connector beam forming groups</i> need to be declared such that there is no <i>TAB connector</i> not contained in at least one of the declared <i>TAB connector beam forming groups</i> . Declared per supported <i>operating band</i> . | | x |
| D.32 | Equivalent connectors | List of <i>antenna connectors</i> of <i>BS type 1-C</i> , or <i>TAB connector</i> of <i>BS type 1-H</i> , which have been declared equivalent. Equivalent connectors imply that the <i>antenna connector</i> of <i>BS type 1-C</i> , or <i>TAB connector</i> of <i>BS type 1-H</i> , are expected to behave in the same way when presented with identical signals under the same operating conditions. All declarations made for the <i>antenna connector</i> of <i>BS type 1-C</i> , or <i>TAB connector</i> of <i>BS type 1-H</i> are identical and the transmitter unit and/or receiver unit driving the <i>antenna connector</i> of <i>BS type 1-C</i> or <i>TAB connector</i> of <i>BS type 1-H</i> are of identical design. | x | x |
| D.33 | <i>TAB connector RX min cell group</i> | Declared as a group of <i>TAB connectors</i> to which RX requirements are applied. This declaration corresponds to group of <i>TAB connectors</i> which are responsible for receiving a cell when the <i>BS type 1-H</i> setting corresponding to the declared minimum number of cells (N_{cells}) with transmission on all <i>TAB connectors</i> supporting an <i>operating band</i> . | | x |
| D.34 | <i>TAB connector TX min cell group</i> | Declared group of <i>TAB connectors</i> to which TX requirements are applied. This declaration corresponds to group of <i>TAB connectors</i> which are responsible for transmitting a cell when the <i>BS type 1-H</i> setting corresponding to the declared minimum number of cells (N_{cells}) with transmission on all <i>TAB connectors</i> supporting an <i>operating band</i> . | | x |
| D.35 | Connecting network loss range for BS testing with ancillary RF amplifiers | Declaration of the range of connecting network losses (in dB) for <i>BS type 1-C</i> testing with ancillary Tx RF amplifier only, or with Rx RF amplifier only, or with combined Tx/Rx RF amplifiers. (Note 4) | x | |
| D.36 | Relation between supported maximum RF bandwidth, number of carriers and Rated total output power | If the rated total output power and total number of supported carriers are not simultaneously supported, the manufacturer shall declare the following additional parameters: - The reduced number of supported carriers at the rated total output power; - The reduced total output power at the maximum number of supported carriers. | x | x |
| D.37 | <i>TAB connectors</i> used for performance requirement testing | To reduce test complexity, declaration of a representative (sub)set of <i>TAB connectors</i> to be used for performance requirement test purposes. At least one <i>TAB connector</i> mapped to each <i>demodulation branch</i> is declared. | | x |
| D.38 | Inter-band CA | Band combinations declared to support inter-band CA (per CA capable <i>multi-band connector(s)</i> , as in D.15). Declared for every <i>multi-band connector</i> which support CA. | x | x |

| | | | | |
|-------|---|---|---|---|
| D.39 | Intra-band contiguous CA | Bands declared to support intra-band contiguous CA (per CA capable <i>single band connector(s)</i> or <i>multi-band connector(s)</i> , as in D.15). Declared per <i>antenna connector</i> for BS type 1-C, or <i>TAB connector</i> for BS type 1-H. | x | x |
| D.40 | Intra-band non-contiguous CA | Bands declared to support intra-band non-contiguous CA (per CA capable <i>single band connector(s)</i> or <i>multi-band connector(s)</i> , as in D.15). Declared per <i>antenna connector</i> for BS type 1-C, or <i>TAB connector</i> for BS type 1-H. | x | x |
| D.41 | NB-IoT operation | Manufacturer shall declare the support of NB-IoT operation in NR in-band and the number of supported NB-IoT carriers in total and for each supported band, frequency range and channel bandwidth. | x | |
| D.42 | NB-IoT sub-carrier spacing | If the BS supports NB-IoT operation in NR in-band, manufacturer shall declare if it supports 15 kHz sub-carrier spacing, 3.75 kHz sub-carrier spacing, or both for NPUSCH. | x | |
| D.43 | NB-IoT power dynamic range | If the BS supports NB-IoT operation in NR in-band, manufacturer shall declare the maximum power dynamic range it could support with a minimum of +6dB or +3dB as specified in clause 6.3.4 of TS 38.104 [2] (Note 5). | x | |
| D.100 | PUSCH mapping type | Declaration of the supported PUSCH mapping type as specified in TS 38.211 [17], i.e., type A, type B or both. | x | x |
| D.101 | PUSCH additional DM-RS positions | Declaration of the supported additional DM-RS position(s), i.e., pos0, pos1 or both. | | |
| D.102 | PUCCH format | Declaration of the supported PUCCH format(s) as specified in TS 38.211 [17], i.e., format 0, format 1, format 2, format 3, format 4. | x | x |
| D.103 | PRACH format and SCS | Declaration of the supported PRACH format(s) as specified in TS 38.211 [17], i.e., format: 0, A1, A2, A3, B4, C0, C2. Declaration of the supported SCS(s) per supported PRACH format with short sequence, as specified in TS 38.211 [17], i.e., 15 kHz, 30 kHz or both. | x | x |
| D.104 | Additional DM-RS for PUCCH format 3 | Declaration of the supported additional DM-RS for PUCCH format 3: without additional DM-RS, with additional DM-RS or both. | x | x |
| D.105 | Additional DM-RS for PUCCH format 4 | Declaration of the supported additional DM-RS for PUCCH format 4: without additional DM-RS, with additional DM-RS or both. | x | x |
| D.106 | PUCCH multi-slot | Declaration of multi-slot PUCCH support. | x | x |
| D.107 | UL CA | For the highest supported SCS, declaration of the carrier combination with the largest aggregated bandwidth. If there is more than one combination, the carrier combination with the largest number of carriers shall be declared. | x | x |
| D.108 | High speed train | Declaration of high speed train scenario support, i.e. HST support or no HST support | x | x |
| D.109 | Maximum speed of high speed train for PUSCH | Declaration of supported maximum speed for high speed train scenario, i.e. 350 km/h or 500 km/h. This declaration is applicable to PUSCH for high speed train and UL timing adjustment only if BS declares to support high speed train in D.108. | x | X |
| D.110 | PRACH format for high speed train | Declaration of supported PRACH format(s) for high speed train scenario, i.e. format 0 restricted set type A, format 0 restricted set type B, format A2, format B4, format C2. This declaration is applicable to PRACH for high speed train only if BS declares to support high speed train in D.108. | x | x |
| D.111 | Interlaced formats | Declaration of support of interlaced PUSCH and PUCCH formats. | x | x |

| | | | | |
|---|--|--|---|---|
| D.112 | PRACH format with $L_{RA} = 1151$ for 15 kHz SCS and $L_{RA} = 571$ for 30 kHz SCS | Declaration of the supported PRACH format(s) as specified in TS 38.211 [17], i.e., format: A2, B4, C2. Declaration of the supported SCS(s) per supported PRACH format as specified in TS 38.211 [17], i.e., 15 kHz, 30 kHz or both. | x | x |
| D.113 | CG-UCI | Declaration of support of GC-UCI multiplexed on PUSCH as specified in TS 38.211 [17]. | x | x |
| D.114 | 2-step RA | Declaration of support of 2-step RA type. | x | x |
| D.115 | PUSCH 256QAM | Declaration of PUSCH 256QAM support | x | x |
| D.116 | PUCCH sub-slot based repetition formats | Declaration of PUCCH sub-slot based repetition formats | x | x |
| D.117 | PUSCH TB over Multi-slots | BS support TBoMS over physical consecutive UL slots | x | x |
| D.118 | PUSCH TB over Multi-slots | BS support TBoMS over physical non-consecutive UL slots | x | x |
| D.119 | Supported SCS for TDD PUSCH DM-RS bundling and PUCCH DM-RS bundling | Declaration of supported SCS for TDD PUSCH DM-RS bundling and and PUCCH DM-RS bundling and, i.e. {15kHz, 30kHz, 60kHz 120kHz} | x | x |
| D.120 | Supported FDD PUSCH DM-RS bundling and and PUCCH DM-RS bundling and | Declaration of supporting FDD PUSCH DM-RS bundling and PUCCH DM-RS bundling | x | x |
| <p>NOTE 1: If a BS is capable of 1024QAM DL operation then up to three rated output power declarations may be made. One declaration is applicable when configured for 1024QAM transmissions, a different declaration is applicable when configured for 256QAM transmissions and the other declaration is applicable when configured neither for 256QAM nor 1024QAM transmissions.</p> <p>NOTE 2: Parameters for contiguous or non-contiguous spectrum operation in the operating band are assumed to be the same unless they are separately declared. When separately declared, they shall still use the same declaration identifier.</p> <p>NOTE 3: If BS is declared to support Band n20 (D.3), the manufacturer shall declare if the BS may operate in geographical areas allocated to broadcasting (DTT). Additionally, related declarations of the emission levels and maximum output power shall be declared.</p> <p>NOTE 4: This manufacturer declaration is optional.</p> <p>NOTE 5: This manufacturer may declare two values, one with a minimum of +6dB and the other with a minimum of +3dB.</p> <p>NOTE 6: If BS is declared to support Band n24 (D.3), the manufacturer shall declare if the BS may operate in geographical areas where FCC regulations apply. Additionally, related declarations of the emission levels and maximum output power shall be declared.</p> <p>NOTE 7: If a BS is capable of 256QAM DL operation but not capable of 1024QAM DL operation then up to two rated output power declarations may be made. One declaration is applicable when configured for 256QAM transmissions, and the other declaration is applicable when not configured for 256QAM transmissions</p> | | | | |

4.7 Test configurations

4.7.1 General

The test configurations shall be constructed using the methods defined below, subject to the parameters declared by the manufacturer for the supported RF configurations as listed in clause 4.6. The test configurations to use for conformance testing are defined for each supported RF configuration in clauses 4.8.3 and 4.8.4.

The applicable test models for generation of the carrier transmit test signal are defined in clause 4.9.

NOTE: If required, carriers are shifted to align with the channel raster.

4.7.2 Test signal used to build Test Configurations

The signal's channel bandwidth and subcarrier spacing used to build NR Test Configurations shall be selected according to table 4.7.2-1.

Table 4.7.2-1: Signal to be used to build NR TCs

| Operating Band characteristics | | $F_{DL_high} - F_{DL_low} < 100 \text{ MHz}$ | $F_{DL_high} - F_{DL_low} \geq 100 \text{ MHz}$ |
|--|--------------------|--|---|
| TC signal characteristics | $BW_{channel}$ | 5 MHz (Note 1) | 20 MHz (Note 1) |
| | Subcarrier spacing | Smallest supported subcarrier spacing | |
| NOTE 1: If this channel bandwidth is not supported, the narrowest supported channel bandwidth shall be used. | | | |

4.7.3 NRTC1: Contiguous spectrum operation

The purpose of test configuration NRTC1 is to test all BS requirements excluding CA occupied bandwidth.

For NRTC1 used in receiver tests only the two outermost carriers within each supported operating band need to be generated by the test equipment;

4.7.3.1 NRTC1 generation

NRTC1 shall be constructed on a per band basis using the following method:

- Declared maximum Base Station RF Bandwidth supported for contiguous spectrum operation (D.11) shall be used;
- Select the carrier to be tested according to 4.7.2 and place it adjacent to the lower Base Station RF Bandwidth edge. Place same signal adjacent to the upper Base Station RF Bandwidth edge.
- If NB-IoT operation in NR in-band is supported, place the power boosted NB-IoT RB at the lower outermost RB at the lower Base Station RF Bandwidth edge eligible for NB-IoT operation in NR in-band according to clause 5.7.3 of TS 36.104 [22] and the definition in clause 3.1. If more than one NB-IoT carrier is supported with NB-IoT operation in NR in-band, place the power boosted NB-IoT RB at the upper outermost RB at the upper Base Station RF Bandwidth edge eligible for NB-IoT operation in NR in-band.
- For transmitter tests, select as many carriers (according to 4.7.2) that the BS supports within an *operating band* and fit in the rest of the declared maximum Base Station RF Bandwidth (D.11). Place the carriers adjacent to each other starting from the upper Base Station RF Bandwidth edge. The nominal channel spacing defined in TS 38.104 [2], clause 5.4.1 shall apply.

The test configuration should be constructed sequentially on a per band basis for all component carriers of the inter-band CA bands declared to be supported by the BS and are transmitted using the same *antenna connector*. All configured component carriers are transmitted simultaneously in the tests where the transmitter should be ON.

4.7.3.2 NRTC1 power allocation

Set the power spectral density of each carrier to the same level so that the sum of the carrier powers equals the rated total output power ($P_{rated,t,AC}$, or $P_{rated,t,TABC}$, D.22) according to the manufacturer's declaration in clause 4.6.

4.7.4 NRTC2: Contiguous CA occupied bandwidth

NRTC2 in this clause is used to test CA occupied bandwidth.

4.7.4.1 NRTC2 generation

The CA specific test configuration should be constructed on a per band basis using the following method:

- Of all component carrier combinations supported by the BS, those which have smallest and largest sum of channel bandwidth of component carriers, shall be tested. Of all component carrier combinations which have smallest or largest sum of channel bandwidth of component carriers supported by the BS, only one combination having largest sum and one combination having smallest sum shall be tested *irrespective of the number of component carriers*

- Of all component carrier combinations which have same sum of channel bandwidth of component carrier, select those with the narrowest carrier with the smallest supported subcarrier spacing at the lower Base Station RF Bandwidth edge.
- Of the combinations selected in the previous step, select one with the narrowest carrier with the smallest supported subcarrier spacing at the upper Base Station RF Bandwidth edge.
- If there are multiple combinations fulfilling previous steps, select the one with the smallest number of component carrier.
- If there are multiple combinations fulfilling previous steps, select the one with the widest carrier with the smallest supported subcarrier spacing being adjacent to the lowest carrier.
- If there are multiple combinations fulfilling previous steps, select the one with the widest carrier with the smallest supported subcarrier spacing being adjacent to the highest carrier.
- If there are multiple combinations fulfilling previous steps, select the one with the widest carrier with the smallest supported subcarrier spacing being adjacent to the carrier which has been selected in the previous step.
- If there are multiple combinations fulfilling previous steps, repeat the previous step until there is only one combination left.
- The nominal channel spacing defined in TS 38.104 [2], clause 5.4.1 shall apply.

4.7.4.2 NRTC2 power allocation

Set the power spectral density of each carrier to be the same level so that the sum of the carrier powers equals the rated total output power ($P_{\text{rated,t,AC}}$, or $P_{\text{rated,t,TABC}}$, D.22) for NR according to the manufacturer's declaration in clause 4.6.

4.7.5 NRTC3: Non-contiguous spectrum operation

The purpose of NRTC3 is to test all BS requirements excluding CA occupied bandwidth.

For NRTC3 used in receiver tests, outermost carriers for each sub-block need to be generated by the test equipment; other supported carriers are optional to be generated.

4.7.5.1 NRTC3 generation

NRTC3 is constructed on a per band basis using the following method:

- The Base Station RF Bandwidth shall be the maximum Base Station RF Bandwidth supported for non-contiguous spectrum operation (D.11). The Base Station RF Bandwidth consists of one sub-block gap and two sub-blocks located at the edges of the declared maximum supported Base Station RF Bandwidth (D.11).
- Select the carrier to be tested according to 4.7.2. Place it adjacent to the upper Base Station RF Bandwidth edge and another carrier (as described in 4.7.2) adjacent to the lower Base Station RF Bandwidth edge.
- If NB-IoT operation in NR in-band is supported, place the power boosted NB-IoT RB at the lower outermost RB at the lower Base Station RF Bandwidth edge eligible for NB-IoT operation in NR in-band according to clause 5.7.3 of TS 36.104 [22] and the definition in clause 3.1. If more than one NB-IoT carrier is supported with NB-IoT operation in NR in-band, place the power boosted NB-IoT RB at the upper outermost RB at the upper Base Station RF Bandwidth edge eligible for NB-IoT operation in NR in-band.
- For single-band operation receiver tests, if the remaining gap is at least 15 MHz (or 60 MHz if channel bandwidth of the carrier to be tested is 20 MHz) plus two times the channel BW used in the previous step and the BS supports at least 4 carriers, place a carrier of this BW adjacent to each already placed carrier for each sub-block. The nominal channel spacing defined in TS 38.104 [2], clause 5.4.1 shall apply.
- The sub-block edges adjacent to the sub-block gap shall be determined using the specified $F_{\text{offset_high}}$ and $F_{\text{offset_low}}$ for the carriers adjacent to the sub-block gap.

4.7.5.2 NRTC3 power allocation

Set the power of each carrier to the same level so that the sum of the carrier powers equals the rated total output power ($P_{\text{rated,t,AC}}$, or $P_{\text{rated,t,TABC}}$, D.22) according to the manufacturer's declaration in clause 4.6.

4.7.6 NRTC4: Multi-band test configuration for full carrier allocation

The purpose of NRTC4 is to test multi-band operation aspects considering maximum supported number of carriers.

4.7.6.1 NRTC4 generation

NRTC4 is based on re-using the previously specified test configurations applicable per band involved in multi-band operation. It is constructed using the following method:

- The Base Station RF Bandwidth of each supported operating band shall be the declared maximum Base Station RF Bandwidth in multi-band operation (D.12).
- The number of carriers of each supported *operating band* shall be the declared maximum number of supported carriers per operating band in multi-band operation (D. 18). Carriers shall be selected according to 4.7.2 and shall first be placed at the outermost edges of the declared maximum Radio Bandwidth. Additional carriers shall next be placed at the Base Station RF Bandwidths edges, if possible.
- The allocated Base Station RF Bandwidth of the outermost bands shall be located at the outermost edges of the declared maximum Radio Bandwidth.
- Each concerned band shall be considered as an independent band and the carrier placement in each band shall be according to NRTC1, where the declared parameters for multi-band operation shall apply. The mirror image of the single-band test configuration shall be used in each alternate band(s) and in the highest band being.
- If only three carriers are supported, two carriers shall be placed in one band according to the relevant test configuration while the remaining carrier shall be placed at the edge of the maximum *Radio Bandwidth* in the other band.
- If the sum of the maximum Base Station RF Bandwidths of each supported *operating bands* is larger than the declared *Total RF Bandwidth* BW_{tot} (D.13) of transmitter and receiver for the declared band combinations of the BS, repeat the steps above for test configurations where the Base Station RF Bandwidth of one of the operating band shall be reduced so that the *Total RF Bandwidth* of transmitter and receiver is not exceeded and vice versa.
- If the sum of the maximum number of supported carriers per operating band in multi-band operation (D.18) is larger than the declared total maximum number of supported carriers in multi-band operation (D. 19), repeat the steps above for test configurations where in each test configuration the number of carriers of one of the operating band shall be reduced so that the total number of supported carriers is not exceeded and vice versa.

4.7.6.2 NRTC4 power allocation

Unless otherwise stated, set the power of each carrier in all supported *operating bands* to the same power so that the sum of the carrier powers equals the rated total output power ($P_{\text{rated,t,AC}}$ or $P_{\text{rated,t,TABC}}$, D.22) according to the manufacturer's declaration.

If the allocated power of a supported *operating band(s)* exceeds the declared rated total output power of the *operating band(s)* in multi-band operation, the exceeded part shall, if possible, be reallocated into the other band(s). If the power allocated for a carrier exceeds the rated output power declared for that carrier, the exceeded power shall, if possible, be reallocated into the other carriers.

4.7.7 NRTC5: Multi-band test configuration with high PSD per carrier

The purpose of NRTC5 is to test multi-band operation aspects considering higher PSD cases with reduced number of carriers and non-contiguous operation (if supported) in multi-band mode.

4.7.7.1 NRTC5 generation

NRTC5 is based on re-using the existing test configuration applicable per band involved in multi-band operation. It is constructed using the following method:

- The Base Station RF Bandwidth of each supported *operating band* shall be the declared maximum Base Station RF Bandwidth in multi-band operation (D.12).
- The allocated Base Station RF Bandwidth of the outermost bands shall be located at the outermost edges of the declared Maximum Radio Bandwidth.
- The maximum number of carriers is limited to two per band. Carriers shall be selected according to 4.7.2 and shall first be placed at the outermost edges of the declared Maximum Radio Bandwidth for outermost bands and at the Base Station RF Bandwidths edges for middle band(s) if any. Additional carriers shall next be placed at the Base Station RF Bandwidths edges, if possible.
- Each concerned band shall be considered as an independent band and the carrier placement in each band shall be according to NRTC3, where the declared parameters for multi-band operation shall apply. Narrowest supported NR channel bandwidth and smallest subcarrier spacing shall be used in the test configuration.
- If only one carrier can be placed for the concerned band(s), the carrier(s) shall be placed at the outermost edges of the declared maximum radio bandwidth for outermost band(s) and at one of the outermost edges of the supported frequency range within the Base Station RF Bandwidths for middle band(s) if any.
- If the sum of the maximum Base Station RF Bandwidth of each supported operating bands is larger than the declared *Total RF Bandwidth* BW_{tot} (D.13) of transmitter and receiver for the declared band combinations of the BS, repeat the steps above for test configurations where the Base Station RF Bandwidth of one of the operating band shall be reduced so that the *Total RF Bandwidth* BW_{tot} of transmitter and receiver is not exceeded and vice versa.

4.7.7.2 NRTC5 power allocation

Unless otherwise stated, set the power of each carrier in all supported *operating bands* to the same power so that the sum of the carrier powers equals the total rated output power ($P_{rated,t,AC}$ or $P_{rated,t,TABC}$, D.22) according to the manufacturer's declaration.

If the allocated power of a supported *operating band(s)* exceeds the declared rated total output power of the *operating band(s)* in multi-band operation, the exceeded part shall, if possible, be reallocated into the other band(s). If the power allocated for a carrier exceeds the rated output power declared for that carrier, the exceeded power shall, if possible, be reallocated into the other carriers.

4.7.8 NRTC6: Non-contiguous spectrum operation in band n46, n96 and n102

The purpose of test configuration NRTC6 is to test operating band unwanted emission (OBUE) for one or two non-transmitted 20 MHz channels for band n46, n96 and n102 operation with 60 MHz and or 80 MHz channel bandwidth.

4.7.8.1 NRTC6 generation

NRTC6 shall be constructed on a per band basis using the following method:

- Declared maximum Base Station RF Bandwidth supported for contiguous spectrum operation (D.11) shall be used.
- For 60 MHz channel bandwidth, place 60 MHz carrier with ON-OFF-ON pattern for non-contiguous transmission at the upper edge of the BS channel bandwidth for the carrier adjacent to the upper Base Station RF Bandwidth edge and 60 MHz carrier with ON-OFF-ON pattern for non-contiguous transmission at the lower edge of the BS channel bandwidth for the carrier adjacent to the lower Base Station RF Bandwidth edge.
- For 80MHz channel bandwidth, place 80 MHz carrier with ON-OFF-OFF-ON pattern for non-contiguous transmission at the upper edge of the BS channel bandwidth for the carrier adjacent to the upper Base Station RF

Bandwidth edge and 80 MHz carrier with ON-OFF-OFF-ON pattern for non-contiguous transmission at the lower edge of the BS channel bandwidth for the carrier adjacent to the lower Base Station RF Bandwidth edge.

- For transmitter tests, select as many 60 MHz channel bandwidth (with ON-OFF-ON pattern for non-contiguous transmission) or 80 MHz channel bandwidth (with ON-OFF-OFF-ON pattern for non-contiguous transmission) that the BS supports within an *operating band* and fit in the rest of the declared maximum Base Station RF Bandwidth (D.11). Place the 60 MHz channel bandwidth (with ON-OFF-ON pattern for non-contiguous transmission) or 80 MHz channel bandwidth (with ON-OFF-OFF-ON pattern for non-contiguous transmission) adjacent to each other starting from the upper Base Station RF Bandwidth edge. The nominal channel spacing defined in TS 38.104 [2], clause 5.4.1 shall apply.

The test configuration should be constructed sequentially on a per band basis for all component carriers of the inter-band CA bands declared to be supported by the BS and are transmitted using the same *antenna connector*. All configured component carriers are transmitted simultaneously in the tests where the transmitter should be ON.

4.7.8.2 NRTC6 power allocation

Set the power spectral density of each carrier to the same level so that the sum of the carrier powers equals the rated total output power ($P_{\text{rated,t,AC}}$, or $P_{\text{rated,t,TABC}}$, D.22) according to the manufacturer's declaration in clause 4.6.

4.8 Applicability of requirements

4.8.1 General

4.8.2 Requirement set applicability

In table 4.8.2-1, the requirement applicability for each requirement set is defined. For each requirement, the applicable requirement clause in the specification is identified.

Table 4.8.2-1: Requirement set applicability

| Requirement | Requirement set | |
|-----------------------------------|-----------------|-----------|
| | 1-C | 1-H |
| BS output power | 6.2 | 6.2 |
| Output power dynamics | 6.3 | 6.3 |
| Transmit ON/OFF power | 6.4 | 6.4 |
| Transmitted signal quality | 6.5 | 6.5 |
| Occupied bandwidth | 6.6.2 | 6.6.2 |
| ACLR | 6.6.3.5.3 | 6.6.3.5.4 |
| Operating band unwanted emissions | 6.6.4.5.7 | 6.6.4.5.8 |
| Transmitter spurious emissions | 6.6.5.5.3 | 6.6.5.5.4 |
| Transmitter intermodulation | 6.7.5.1 | 6.7.5.2 |
| Reference sensitivity level | 7.2 | 7.2 |
| Dynamic range | 7.3 | 7.3 |
| In-band selectivity and blocking | 7.4 | 7.4 |
| Out-of-band blocking | 7.5 | 7.5 |
| Receiver spurious emissions | 7.6.5.2 | 7.6.5.3 |
| Receiver intermodulation | 7.7 | 7.7 |
| In-channel selectivity | 7.8 | 7.8 |
| Performance requirements | 8 | 8 |

4.8.3 Applicability of test configurations for single-band operation

The applicable test configurations are specified in the tables below for each the supported RF configuration, which shall be declared according to clause 4.6. The generation and power allocation for each test configuration is defined in

clause 4.7. This clause contains the test configurations for a BS capable of single carrier, multi-carrier and/or CA operation in both contiguous and non-contiguous spectrum in single band.

For a BS declared to be capable of single carrier operation only (D.16), a single carrier (SC) shall be used for testing.

For a BS declared to support multi-carrier and/or CA operation in contiguous spectrum within a single band (D.15-D.16), the test configurations in the second column of table 4.8.3-1 shall be used for testing.

For a BS declared to support multi-carrier and/or CA operation in contiguous and non-contiguous spectrum within a single band (D.15-D.16) and where the parameters in the manufacture's declaration according to clause 4.6 are identical for contiguous (C) and non-contiguous (NC) spectrum operation (D.9), the test configurations in the third column of table 4.8.3-1 shall be used for testing.

For a BS declared to support multi-carrier and/or CA in operation contiguous and non-contiguous spectrum within a single band (D.15-D.16) and where the parameters in the manufacture's declaration according to clause 4.6 are not identical for contiguous (C) and non-contiguous (NC) spectrum operation (D.9), the test configurations in the fourth column of table 4.8.3-1 shall be used for testing.

For a BS declared to support band n46, n96 and/or band n102 operation with 60 MHz and or 80 MHz channel bandwidth with non-contiguous transmission, the test configuration NRTC6 shall be used for operation band unwanted emission.

Unless otherwise stated, single carrier configuration (SC) tests shall be performed using signal with narrowest supported channel bandwidth and the smallest supported sub-carrier spacing.

Table 4.8.3-1: Test configurations for a BS capable of multi-carrier and/or CA in a single band

| BS test case | Contiguous spectrum capable BS | C and NC capable BS with identical parameters | C and NC capable BS with different parameters |
|---|--------------------------------------|--|--|
| Base station output power | NRTC1 | NRTC1 | NRTC1, NRTC3 |
| RE Power control dynamic range | Tested with Error Vector Magnitude | Tested with Error Vector Magnitude | Tested with Error Vector Magnitude |
| Total power dynamic range (Note 3) | SC | SC | SC |
| Transmit ON/OFF power (only applied for NR TDD BS) | NRTC1 | NRTC1 | NRTC1, NRTC3 |
| Frequency error | Tested with Error Vector Magnitude | Tested with Error Vector Magnitude | Tested with Error Vector Magnitude |
| Error Vector Magnitude (Note 3) | NRTC1 | NRTC1 | NRTC1, NRTC3 |
| Time alignment error (Note 3) | NRTC1 | NRTC1 | NRTC1, NRTC3 |
| Occupied bandwidth | SC, NRTC2 (Note 1) | SC, NRTC2 (Note 1) | SC, NRTC2 (Note 1) |
| Adjacent Channel Leakage power Ratio (ACLR) | NRTC1 | NRTC3 | NRTC1, NRTC3 |
| Cumulative ACLR requirement in non-contiguous spectrum | - | NRTC3 | NRTC3 |
| Operating band unwanted emissions | NRTC1, SC (Note 2) NRTC6 (Note 4) | NRTC1, NRTC3, SC (Note 2) NRTC6 (Note 4) | NRTC1, NRTC3, SC (Note 2) NRTC6 (Note 4) |
| Transmitter spurious emissions | NRTC1 | NRTC3 | NRTC1, NRTC3 |
| Transmitter intermodulation | NRTC1 | NRTC1, NRTC3 | NRTC1, NRTC3 |
| Reference sensitivity level | SC | SC | SC |
| Dynamic range | SC | SC | SC |
| Adjacent Channel Selectivity (ACS) | NRTC1 | NRTC3 | NRTC1, NRTC3 |
| In-band blocking | NRTC1 | NRTC3 | NRTC1, NRTC3 |
| Out-of-band blocking | NRTC1 | NRTC3 | NRTC1, NRTC3 |
| Receiver spurious emissions | NRTC1 | NRTC3 | NRTC1, NRTC3 |
| Receiver intermodulation | NRTC1 | NRTC3 | NRTC1, NRTC3 |
| In-channel selectivity | SC | SC | SC |
| Note 1: NRTC2 is only applicable when contiguous CA is supported. Note 2: OBUE SC shall be tested using the widest supported channel bandwidth and the highest supported sub-carrier spacing. Note 3: There is no specific test for NB-IoT operation in NR in-band for these requirements, tests could be performed using NR signal only, without NB-IoT. Note 4: NRTC6 is only applicable for band n46, n96 and n102 when 60 MHz or 80 MHz channel bandwidth with non-contiguous transmission is supported. | | | |

4.8.4 Applicability of test configurations for multi-band operation

For a BS declared to be capable of multi-band operation, the test configuration in table 4.8.4-1 and/or table 4.8.3-1 shall be used for testing. In the case where multiple bands are mapped on common *multi-band connector*, the test configuration in the second column of table 4.8.4-1 shall be used. In the case where multiple bands are mapped on common *single-band connector*, the test configuration in table 4.8.3-1 shall be used. In the case where multiple bands are mapped on separate *single-band connector* or *multi-band connector*, the test configuration in the third column of table 4.8.4-1 shall be used.

Unless otherwise stated, single carrier configuration (SC) tests shall be performed using signal with narrowest supported channel bandwidth and the smallest supported sub-carrier spacing.

Table 4.8.4-1: Test configuration for a BS capable of multi-band operation

| BS test case | Test configuration | |
|--|--|---|
| | Common connector | Separate connectors |
| Base station output power | NRTC1/3 (Note 1), NRTC4 | NRTC1/3 (Note 1), NRTC4 |
| RE Power control dynamic range | Tested with Error Vector Magnitude | Tested with Error Vector Magnitude |
| Total power dynamic range (Note 8) | SC | SC |
| Transmit ON/OFF power (only applied for NR TDD BS) | NRTC4 | NRTC4 |
| Frequency error | Tested with Error Vector Magnitude | Tested with Error Vector Magnitude |
| Error Vector Magnitude (Note 8) | NRTC1/3 (Note 1), NRTC4 | NRTC1/3 (Note 1), NRTC4 |
| Time alignment error (Note 8) | NRTC1/3 (Note 1), NRTC5 (Note 2) | NRTC1/3 (Note 1), NRTC5 (Note 2) |
| Occupied bandwidth | SC, NRTC2 (Note 3) | SC, NRTC2 (Note 3) |
| Adjacent Channel Leakage power Ratio (ACLR) | NRTC1/3 (Note 1), NRTC5 (Note 4) | NRTC1/3 (Note 1, 5), NRTC5 (Note 4, 5) |
| Cumulative ACLR requirement in non-contiguous spectrum | NRTC3 (Note 1), NRTC5 (Note 4) | NRTC3 (Note 1, 5) |
| Operating band unwanted emissions | NRTC1/3 (Note 1), NRTC5, SC (Note 7) NRTC6 (Note 9) | NRTC1/3 (Note 1, 5), NRTC5 (Note 5), SC (Note 7) NRTC6 (Note 9) |
| Transmitter spurious emissions | NRTC1/3 (Note 1), NRTC5 | NRTC1/3 (Note 1, 5), NRTC5 (Note 5) |
| Transmitter intermodulation | NRTC1/3 (Note 1) | NRTC1/3 (Note 1, 5) |
| Reference sensitivity level | SC | SC |
| Dynamic range | SC | SC |
| Adjacent Channel Selectivity(ACS) | NRTC5 | NRTC1/3 (Note 1), NRTC5 (Note 6) |
| In-band blocking | NRTC5 | NRTC1/3 (Note 1), NRTC5 (Note 6) |
| Out-of-band blocking | NRTC5 | NRTC1/3 (Note 1), NRTC5 (Note 6) |
| Receiver spurious emissions | NRTC1/3 (Note 1), NRTC5 | NRTC1/3 (Note 1, 5), NRTC5 (Note 5) |
| Receiver intermodulation | NRTC5 | NRTC1/3 (Note 1), NRTC5 (Note 6) |
| In-channel selectivity | SC | SC |
| Note 1: NRTC1 and/or NRTC3 shall be applied in each supported operating band. Note 2: NRTC5 is only applicable when inter-band CA is supported. Note 3: NRTC2 is only applicable when contiguous CA is supported. Note 4: NRTC5 may be applied for Inter RF Bandwidth gap only. Note 5: For single-band operation test, other antenna connector(s) is (are) terminated. Note 6: NRTC5 is only applicable for multi-band receiver. Note 7: OBUE SC shall be tested using the widest supported channel bandwidth and the highest supported sub-carrier spacing. Note 8: There is no specific test for NB-IoT operation in NR in-band for these requirements, tests could be performed using NR signal only, without NB-IoT. Note 9: NRTC6 is only applicable for band n46, n96 and n102 when 60 MHz or 80 MHz channel bandwidth with non-contiguous transmission is supported. | | |

4.8.5 Additional conformance

For a *BS type I-C* additionally conforming to TS 37.141 [26], conformance to some of the RF requirements in the present document can be demonstrated through the corresponding requirements in TS 37.141 [26] as listed in Table 4.8.5-1.

Table 4.8.5-1: Alternative RF test requirements for a BS additionally conforming to TS 37.141 [26]

| RF requirement | Clause in the present document | Alternative clause in TS 37.141 [26] |
|--------------------------------------|--------------------------------|--|
| Base station output power | 6.2.5 | 6.2.1.5 |
| Transmit ON/OFF power | 6.4 | 6.4 |
| Unwanted emissions | | |
| Transmitter spurious emissions | 6.6.5.5(except for 6.6.5.5.4) | 6.6.1.5 (except for 6.6.1.5.3) |
| Operating band unwanted emissions | 6.6.4.5(except for 6.6.4.5.8) | 6.6.2.5 (except for 6.6.2.5.3 and 6.6.2.5.4) |
| Transmitter intermodulation | 6.7.5.1 | 6.7.5.1 |
| Narrowband blocking | 7.4.2.5 | 7.4.5.2 |
| Blocking | 7.4.2.5 | 7.4.5.1 |
| Out-of-band blocking | 7.5.5.1 | 7.5.5.1 |
| Co-location with other base stations | 7.5.5.2 | 7.5.5.2 |
| Receiver spurious emissions | 7.6.5(except for 7.6.5.3) | 7.6.5.1 |
| Intermodulation | 7.7.5 | 7.7.5.1 |
| Narrowband intermodulation | 7.7.5 | 7.7.5.2 |

For a *BS type I-H* additionally conforming to TS 37.145-1 [27], conformance to some of the RF requirements in the present document can be demonstrated through the corresponding requirements in TS 37.145-1 [27] as listed in Table 4.8.5-2.

Table 4.8.5-2: Alternative RF test requirements for a BS additionally conforming to TS 37.145-1 [27]

| RF requirement | Clause in the present document | Alternative clause in TS 37.145-1 [27] |
|--------------------------------------|--------------------------------|--|
| Base station output power | 6.2.5 | 6.2.2.5 |
| Transmit ON/OFF power | 6.4 | 6.4 |
| Unwanted emissions | | |
| Transmitter spurious emissions | 6.6.5.5(except for 6.6.5.5.3) | 6.6.6.5 |
| Operating band unwanted emissions | 6.6.4.5(except for 6.6.4.5.7) | 6.6.5.5 (except for 6.6.5.5.5) |
| Transmitter intermodulation | 6.7.5.2 | 6.7.5.1 |
| Narrowband blocking | 7.4.2.5 | 7.4.5.1.2 |
| Blocking | 7.4.2.5 | 7.4.5.1.1 |
| Out-of-band blocking | 7.5.5.1 | 7.5.5.1.1 |
| Co-location with other base stations | 7.5.5.2 | 7.5.5.1.2 |
| Receiver spurious emissions | 7.6.5(except for 7.6.5.2) | 7.6.5.2.1 |
| Intermodulation | 7.7.5 | 7.7.5.1.1 |
| Narrowband intermodulation | 7.7.5 | 7.7.5.1.2 |

4.9 RF channels and test models

4.9.1 RF channels

For the single carrier testing many tests in this TS are performed with appropriate frequencies in the bottom, middle and top channels of the supported frequency range of the BS. These are denoted as RF channels B (bottom), M (middle) and T (top).

Unless otherwise stated, the test shall be performed with a single carrier at each of the RF channels B, M and T.

Many tests in this TS are performed with the maximum Base Station RF Bandwidth located at the bottom, middle and top of the supported frequency range in the operating band. These are denoted as B_{RFBW} (bottom), M_{RFBW} (middle) and T_{RFBW} (top).

Unless otherwise stated, the test shall be performed at B_{RFBW} , M_{RFBW} and T_{RFBW} defined as following:

- B_{RFBW} : maximum Base Station RF Bandwidth located at the bottom of the supported frequency range in the operating band.
- M_{RFBW} : maximum Base Station RF Bandwidth located in the middle of the supported frequency range in the operating band.
- T_{RFBW} : maximum Base Station RF Bandwidth located at the top of the supported frequency range in the operating band.

Occupied bandwidth test in this TS is performed with the *aggregated BS channel bandwidth* and sub-block bandwidths located at the bottom, middle and top of the supported frequency range in the operating band. These are denoted as $B_{\text{BW Channel CA}}$ (bottom), $M_{\text{BW Channel CA}}$ (middle) and $T_{\text{BW Channel CA}}$ (top) for contiguous spectrum operation.

Unless otherwise stated, the test for contiguous spectrum operation shall be performed at $B_{\text{BW Channel CA}}$, $M_{\text{BW Channel CA}}$ and $T_{\text{BW Channel CA}}$ defined as following:

- $B_{\text{BW Channel CA}}$: *aggregated BS channel bandwidth* located at the bottom of the supported frequency range in each operating band;
- $M_{\text{BW Channel CA}}$: *aggregated BS channel bandwidth* located close in the middle of the supported frequency range in each operating band;
- $T_{\text{BW Channel CA}}$: *aggregated BS channel bandwidth* located at the top of the supported frequency range in each operating band.

For BS capable of multi-band operation, unless otherwise stated, the test shall be performed at $B_{\text{RFBW}_T\text{RFBW}}$ and $B'_{\text{RFBW}_T\text{RFBW}}$ defined as following:

- $B_{\text{RFBW}_T\text{RFBW}}$: the *Base Station RF Bandwidths* located at the bottom of the supported frequency range in the lowest operating band and at the highest possible simultaneous frequency position, within the Maximum Radio Bandwidth, in the highest operating band.
- $B'_{\text{RFBW}_T\text{RFBW}}$: the *Base Station RF Bandwidths* located at the top of the supported frequency range in the highest operating band and at the lowest possible simultaneous frequency position, within the Maximum Radio Bandwidth, in the lowest operating band.

NOTE: $B_{\text{RFBW}_T\text{RFBW}} = B'_{\text{RFBW}_T\text{RFBW}} = B_{\text{RFBW}_T\text{RFBW}}$ when the declared Maximum Radio Bandwidth spans all operating bands. $B_{\text{RFBW}_T\text{RFBW}}$ means the *Base Station RF Bandwidths* are located at the bottom of the supported frequency range in the lower operating band and at the top of the supported frequency range in the upper operating band.

When a test is performed by a test laboratory, the position of B, M and T for single carrier, B_{RFBW} , M_{RFBW} and T_{RFBW} for single band operation, $B_{\text{BW Channel CA}}$, $M_{\text{BW Channel CA}}$ and $T_{\text{BW Channel CA}}$ for contiguous spectrum operation in each supported operating band, the position of $B_{\text{RFBW}_T\text{RFBW}}$ and $B'_{\text{RFBW}_T\text{RFBW}}$ in the supported operating band combinations shall be specified by the laboratory. The laboratory may consult with operators, the manufacturer or other bodies.

4.9.2 Test models

4.9.2.1 General

The following clauses will describe the NR FR1 test models needed for *BS type I-C* and *BS type I-H*. Note that the NR FR1 test models are also applicable to *BS type I-O* conformance testing in TS 38.141-2 [3].

4.9.2.2 FR1 test models

The set-up of physical channels for transmitter tests shall be according to one of the NR FR1 test models (NR-FR1-TM) below. A reference to the applicable test model is made within each test.

The following general parameters are used by all NR test models:

- Duration is 1 radio frame (10 ms) for FDD and 2 radio frames for TDD (20 ms)
- The slots are numbered 0 to $10 \times 2^\mu - 1$ where μ is the numerology corresponding to the subcarrier spacing
- N_{RB} is the maximum transmission bandwidth configuration seen in table 5.3.2-1 in TS 38.104 [2].
- Normal CP
- Virtual resource blocks of localized type

For FR1-TDD without NB-IoT operation in NR in-band, test models are derived based on the uplink/downlink configuration as shown in the table 4.9.2.2-1 using information element *TDD-UL-DL-ConfigCommon* as defined in TS 38.331 [19].

Table 4.9.2.2-1: Configurations of TDD for BS type 1-C and BS type 1-H test models

| Field name | Value | | |
|--|-------|----|----|
| referenceSubcarrierSpacing (kHz) | 15 | 30 | 60 |
| Periodicity (ms) for dl-UL-TransmissionPeriodicity | 5 | 5 | 5 |
| nrofDownlinkSlots | 3 | 7 | 14 |
| nrofDownlinkSymbols | 10 | 6 | 12 |
| nrofUplinkSlots | 1 | 2 | 4 |
| nrofUplinkSymbols | 2 | 4 | 8 |

For FR1-TDD with NB-IoT operation in NR in-band, test models are derived based on the uplink/downlink configuration as shown in the table 4.9.2.2-1a using information elements *TDD-UL-DL-ConfigCommon* and *TDD-UL-DL-ConfigDedicated* as defined in TS 38.331 [19].

Table 4.9.2.2-1a: Configurations of TDD for NR with NB-IoT operation in NR in-band test models

| Field name | Value |
|---|----------------|
| <i>Tdd-UL-DL-Configuration</i> | |
| <i>referenceSubcarrierSpacing</i> | 15 |
| Periodicity (ms) for dl-UL-TransmissionPeriodicity | 5 |
| <i>nrofDownlinkSlots</i> | 1 |
| <i>nrofDownlinkSymbols</i> | 0 |
| <i>nrofUplinkSlots</i> | 0 |
| <i>nrofUplinkSymbols</i> | 0 |
| <i>Tdd-UL-DL-ConfigDedicated</i> | |
| <i>nrofDownlinkSymbols</i> | For Slot#1: 10 |
| <i>nrofUplinkSymbols</i> | For Slot#1: 2 |
| <i>slotIndex</i> | 1 |
| <i>nrofDownlinkSymbols</i> | 10 |
| <i>nrofUplinkSymbols</i> | 2 |
| <i>slotIndex</i> | 2,3 |
| <i>symbols</i> | allUplink |
| <i>slotIndex</i> | 4 |
| <i>symbols</i> | allDownlink |

Common physical channel parameters for all NR FR1 test models are specified in the following tables: table 4.9.2.2-2 for PDCCH, table 4.9.2.2-3 and table 4.9.2.2-4 for PDSCH. Specific physical channel parameters for NR FR1 test models are described in clauses 4.9.2.2.1 to 4.9.2.2.8.

Table 4.9.2.2-2: Common physical channel parameters for PDCCH for *BS type 1-C* and *BS type 1-H* test models

| Parameter | Value |
|---|--------------|
| # of symbols used for control channel | 2 |
| Starting symbol number for control channel | 0 |
| # of CCEs allocated to PDCCH | 1 |
| Starting RB location for PDCCH | 0 |
| # of available REGs | 6 |
| Aggregation level | 1 |
| # of RBs not allocated for PDCCH in each symbol | $N_{RB} - 3$ |
| Ratio of PDCCH EPRE to DM-RS EPRE | 0 dB |
| Boosting level of control channel | 0 dB |

Table 4.9.2.2-3: Common physical channel parameters for PDSCH for *BS type 1-C* and *BS type 1-H* test models

| Parameter | Value |
|---|----------------------|
| Mapping type | PDSCH mapping type A |
| <i>dmrs-TypeA-Position</i> for the first DM-RS symbol | pos2 |
| <i>dmrs-AdditionalPosition</i> for additional DM-RS symbol(s) | 1 |
| <i>dmrs-Type</i> for comb pattern | Configuration type 1 |
| <i>maxLength</i> | 1 |
| Ratio of PDSCH EPRE to DM-RS EPRE | 0 dB |

Table 4.9.2.2-4: Common physical channel parameters for PDSCH by RNTI for *BS type 1-C* and *BS type 1-H* test models

| Parameter | Value |
|-----------------------------------|-------|
| PDSCH $n_{RNTI} = 0$ | |
| Starting symbol | 0 |
| Ratio of PDSCH EPRE to PDCCH EPRE | 0 dB |
| PDSCH $n_{RNTI} = 1$ | |
| Starting symbol | 0 |
| Ratio of PDSCH EPRE to PDCCH EPRE | 0 dB |
| PDSCH $n_{RNTI} = 2$ | |
| Starting symbol | 2 |
| Ratio of PDSCH EPRE to PDCCH EPRE | 0 dB |
| Starting PRB location | 0 |
| Number of PRBs | 3 |

4.9.2.2.1 FR1 test model 1.1 (NR-FR1-TM1.1)

This model shall be used for tests on:

- BS output power
- Transmit ON/OFF power
- TAE
- Unwanted emissions
 - Occupied bandwidth
 - ACLR
 - Operating band unwanted emissions

- Transmitter spurious emissions
- Transmitter intermodulation
- Receiver spurious emissions

Common physical channel parameters are defined in clause 4.9.2.2. Specific physical channel parameters for NR-FR1-TM1.1 are defined in table 4.9.2.2.1-1.

Table 4.9.2.2.1-1: Specific physical channel parameters of NR-FR1-TM1.1

| Parameter | Value |
|---|---------------------|
| # of PRBs PDSCH $n_{\text{RNTI}} = 0$ | $N_{\text{RB}} - 3$ |
| Modulation PDSCH $n_{\text{RNTI}} = 0$ | QPSK |
| Starting RB location of PDSCH $n_{\text{RNTI}} = 0$ | 3 |
| Modulation of PDSCH $n_{\text{RNTI}} = 2$ | QPSK |
| Starting RB location of PDSCH $n_{\text{RNTI}} = 2$ | 0 |

4.9.2.2.2 FR1 test model 1.2 (NR-FR1-TM1.2)

This model shall be used for tests on:

- Unwanted emissions
 - ACLR
 - Operating band unwanted emissions

Common physical channel parameters are defined in clause 4.9.2.2. Specific physical channel parameters for NR-FR1-TM1.2 are defined in table 4.9.2.2.2-1.

Table 4.9.2.2.2-1: Specific physical channel parameters of NR-FR1-TM1.2

| Parameter | Value |
|---|---|
| Target percent of QPSK PDSCH PRBs boosted | $x=40\%$ |
| # of QPSK PDSCH RBGs which are boosted | $N_{\text{RBG}} = \min \left(\left\lfloor \frac{x(N_{\text{RB}}-3)}{P} \right\rfloor, \frac{1}{2} \left(\left\lfloor \frac{N_{\text{RB}}-3+3\text{mod}P-P}{P} \right\rfloor - \left\lfloor \frac{N_{\text{RB}}-3+3\text{mod}P-P}{P} \right\rfloor \text{mod} 2 \right) + 1 \right)$, where P is determined from table 5.1.2.2.1-1 from TS 38.214 [18], configuration 1 column using $N_{\text{BWP}}^{\text{size}} = N_{\text{RB}} - 3$ as the size of the bandwidth part and $N_{\text{BWP}}^{\text{start}} = 3$ |
| Locations of PDSCH RBGs which are boosted | $\left\lfloor \frac{N_{\text{RB}}-3+3\text{mod}P}{P} \right\rfloor - 1$ and if $N_{\text{RBG}} > 1$, 1, 3, ..., $2(N_{\text{RBG}} - 2) + 1$ |
| Level of boosting (dB) | 3 |
| # of QPSK PDSCH PRBs which are deboosted | $N_{\text{RB}} - 3 - PN_{\text{RBG}}$ |
| Locations of PDSCH RBGs which are deboosted | Starting at RB#3 and excluding PRBs of RBGs which are boosted |
| Level of deboosting (dB) | $10 \log_{10} \frac{N_{\text{RB}} - 3 - 10^{3/10} PN_{\text{RBG}}}{N_{\text{RB}} - 3 - PN_{\text{RBG}}}$ |
| Modulation of PDSCH PRBs with $n_{\text{RNTI}} = 2$ | QPSK |

4.9.2.2.3 FR1 test model 2 (NR-FR1-TM2)

This model shall be used for tests on:

- Total power dynamic range (lower OFDM symbol TX power limit (OSTP) at min power)

- EVM of single 64QAM PRB allocation (at min power)
- Frequency error (at min power)

Common physical channel parameters are defined in clause 4.9.2.2. Specific physical channel parameters for NR-FR1-TM2 are defined in table 4.9.2.2.3-1.

Table 4.9.2.2.3-1: Specific physical channel parameters of NR-FR1-TM2

| Parameter | Value | | |
|---|--------------|---|--|
| # of 64QAM PDSCH PRBs | 1 | | |
| Level of boosting (dB) | 0 | | |
| Location of 64QAM PRB | Slot | RB | n |
| | 3n | 0 | $n = 0, \dots, \left\lfloor \frac{10 \times 2^\mu}{3} \right\rfloor - 1$ |
| | 3n+1 | $\left\lfloor \frac{N_{RB}}{2} \right\rfloor$ | $n = 0, \dots, \left\lfloor \frac{10 \times 2^\mu - 1}{3} \right\rfloor - 1$ |
| | 3n+2 | $N_{RB} - 1$ | $n = 0, \dots, \left\lfloor \frac{10 \times 2^\mu - 2}{3} \right\rfloor - 1$ |
| # of PDSCH PRBs which are not allocated | $N_{RB} - 1$ | | |

4.9.2.2.4 FR1 test model 2a (NR-FR1-TM2a)

This model shall be used for tests on:

- Total power dynamic range (lower OFDM symbol TX power limit (OSTP) at min power)
- EVM of single 256QAM PRB allocation (at min power)
- Frequency error (at min power)

Common physical channel parameters are defined in clause 4.9.2.2. Physical channel parameters and numbers of the allocated PRB are defined in table 4.9.2.2.3-1 with all 64QAM PDSCH PRBs replaced by 256QAM PDSCH PRBs.

4.9.2.2.4A FR1 test model 2b (NR-FR1-TM2b)

This model shall be used for tests on:

- Total power dynamic range (lower OFDM symbol TX power limit (OSTP) at min power)
- EVM of single 1024QAM PRB allocation (at min power)
- Frequency error (at min power)

Common physical channel parameters are defined in clause 4.9.2.2. Physical channel parameters and numbers of the allocated PRB are defined in table 4.9.2.2.3-1 with all 64QAM PDSCH PRBs replaced by 1024QAM PDSCH PRBs.

4.9.2.2.5 FR1 test model 3.1 (NR-FR1-TM3.1)

This model shall be used for tests on:

- Output power dynamics
- Total power dynamic range (upper OFDM symbol TX power limit (OSTP) at max power with all 64QAM PRBs allocated)
- Transmitted signal quality
- Frequency error
- EVM for 64QAM modulation (at max power)

NOTE: EVM shall be evaluated over PDSCH allocated PRBs with $n_{\text{RNTI}} = 0$ and $n_{\text{RNTI}} = 2$.

Common physical channel parameters are defined in clause 4.9.2.2. Physical channel parameters are defined in table 4.9.2.2.1-1 with all QPSK PDSCH PRBs replaced by 64QAM PDSCH PRBs.

4.9.2.2.6 FR1 test model 3.1a (NR-FR1-TM3.1a)

This model shall be used for tests on:

- Output power dynamics
 - Total power dynamic range (upper OFDM symbol TX power limit (OSTP) at max power with all 256QAM PRBs allocated)
- Transmitted signal quality
 - Frequency error
 - EVM for 256QAM modulation (at max power)

NOTE: EVM shall be evaluated over PDSCH allocated PRBs with $n_{\text{RNTI}} = 0$ and $n_{\text{RNTI}} = 2$.

Common physical channel parameters are defined in clause 4.9.2.2. Physical channel parameters are defined in table 4.9.2.2.1-1 with all QPSK PDSCH PRBs replaced by 256QAM PDSCH PRBs.

4.9.2.2.6A FR1 test model 3.1b (NR-FR1-TM3.1b)

This model shall be used for tests on:

- Output power dynamics
 - Total power dynamic range (upper OFDM symbol TX power limit (OSTP) at max power with all 1024QAM PRBs allocated)
- Transmitted signal quality
 - Frequency error
 - EVM for 1024QAM modulation (at max power)

NOTE: EVM shall be evaluated over PDSCH allocated PRBs with $n_{\text{RNTI}} = 0$ and $n_{\text{RNTI}} = 2$.

Common physical channel parameters are defined in clause 4.9.2.2. Physical channel parameters are defined in table 4.9.2.2.1-1 with all QPSK PDSCH PRBs replaced by 1024QAM PDSCH PRBs.

4.9.2.2.7 FR1 test model 3.2 (NR-FR1-TM3.2)

This model shall be used for tests on:

- Transmitted signal quality
 - Frequency error
 - EVM for 16QAM modulation

Common physical channel parameters are defined in clause 4.9.2.2. Specific physical channel parameters for NR-FR1-TM3.2 are defined in table 4.9.2.2.7-1.

Table 4.9.2.2-1: Specific physical channel parameters of NR-FR1-TM3.2

| Parameter | Value |
|--|---|
| Target percent of 16QAM PDSCH PRBs deboosted | $x = 60\%$ |
| # of 16QAM PDSCH RBGs within a slot for which EVM is measured | $N_{RBG} = \min \left(\left\lfloor \frac{x(N_{RB}-3)}{P} \right\rfloor, \frac{1}{2} \left(\left\lfloor \frac{N_{RB}-3+3modP-P}{P} \right\rfloor - \left\lfloor \frac{N_{RB}-3+3modP-P}{P} \right\rfloor \bmod 2 \right) + 1 \right)$, where P is determined from table 5.1.2.2.1-1 from TS 38.214 [18], configuration 1 column using $N_{BWP}^{size} = N_{RB} - 3$ as the size of the bandwidth part and $N_{BWP}^{start} = 3$ |
| Locations of 16QAM RBGs which are deboosted | $\left\lfloor \frac{N_{RB}-3+3modP}{P} \right\rfloor - 1$ and if $N_{RBG} > 1, 1, 3, \dots, 2(N_{RBG} - 2) + 1$ |
| Level of deboosting (dB) | -3 |
| # of QPSK PDSCH PRBs within a slot for which EVM is not measured (used for power balancing only) | $N_{RB} - 3 - PN_{RBG}$ |
| Locations of PDSCH RBGs which are boosted | Starting at RB#3 and excluding PRBs of RBGs which are deboosted |
| Level of boosting (dB) | $10 \log_{10} \frac{N_{RB} - 3 - 10^{-3/10} PN_{RBG}}{N_{RB} - 3 - PN_{RBG}}$ |
| Modulation of PDSCH PRBs with $n_{RNTI} = 2$ for which EVM is not measured | QPSK |

4.9.2.2.8 FR1 test model 3.3 (NR-FR1-TM3.3)

This model shall be used for tests on:

- Transmitted signal quality
 - Frequency error
 - EVM for QPSK modulation

Common physical channel parameters are defined in clause 4.9.2.2. Specific physical channel parameters for NR-FR1-TM3.3 are defined in table 4.9.2.2.8-1.

Table 4.9.2.2.8-1: Specific physical channel parameters of NR-FR1-TM3.3

| Parameter | Value |
|--|---|
| Target percent of QPSK PDSCH PRBs deboosted | $x = 50\%$ |
| # of QPSK PDSCH RBGs within a slot for which EVM is measured | $N_{RBG} = \min \left(\left\lfloor \frac{x(N_{RB}-3)}{P} \right\rfloor, \frac{1}{2} \left(\left\lfloor \frac{N_{RB}-3+3modP-P}{P} \right\rfloor - \left\lfloor \frac{N_{RB}-3+3modP-P}{P} \right\rfloor \bmod 2 \right) + 1 \right)$, where P is determined from table 5.1.2.2.1-1 from TS 38.214 [18], configuration 1 column using $N_{BWP}^{size} = N_{RB} - 3$ as the size of the bandwidth part and $N_{BWP}^{start} = 3$ |
| Level of deboosting (dB) | -6 |
| Locations of QPSK RBGs which are deboosted | $\left\lfloor \frac{N_{RB}-3+3modP}{P} \right\rfloor - 1$ and if $N_{RBG} > 1, 1, 3, \dots, 2(N_{RBG} - 2) + 1$ |
| Level of deboosting (dB) | -6 |
| # of QPSK PDSCH PRBs within a slot for which EVM is not measured (used for power balancing only) | $N_{RB} - 3 - PN_{RBG}$ |
| Locations of QPSK RBGs for power balancing | Starting at RB#3 and excluding PRBs of RBGs which are deboosted |
| Level of boosting (dB) | $10 \log_{10} \frac{N_{RB} - 3 - 10^{-6/10} PN_{RBG}}{N_{RB} - 3 - PN_{RBG}}$ |
| Modulation of PDSCH PRBs with $n_{RNTI} = 2$ for which EVM is not measured | QPSK |

4.9.2.2.9 NB-IoT operation in NR in-band test model (NR-N-TM)

The NB-IoT operation in NR in-band test shall be performed by puncturing one NR RB at the eligible (according to clause 5.7.3 of TS 36.104 [22] and the definition in clause 3.1) in-band position closest to NR minimum guard band.

The set-up of physical channels for transmitter tests shall be according to the FR1 test model 1.1 (NR-FR1-TM1.1) on all NR carriers and the NB-IoT Test Model (N-TM) defined in TS 36.141 [24] on all NB-IoT carriers.

The power for NR RE and NB-IoT RE is set by following procedures:

- The average power per RE over all RBs (both NR and NB-IoT) is calculated according to manufacturer's declared rated carrier output power ($P_{rated,c,AC}$, D.21);

$$\text{Average power per RE } (P_{avg}) = \frac{P_{rated,c,AC}}{N_{RB} \times N_{SC}^{RB}} [W]$$

- The power of boosted NB-IoT RE (P_{NB-IoT}) is calculated according to manufacturer's declared rated NB-IoT maximum power dynamic range (X dB \geq 6 dB or 3 dB), with the power boosting only applies on the N_{NB-IoT} REs containing NB-IoT signal.

$$\text{Power of boosted NB-IoT RE } (P_{NB-IoT}) = P_{avg} * 10^{(X/10)} [W]$$

- The remaining power is allocated to N_{NR} NR REs.

$$\text{Power of per NR RE} = \frac{(P_{rated,c,AC} - P_{NB-IoT} \times N_{NB-IoT})}{N_{NR}} [W]$$

4.9.2.3 Data content of Physical channels and Signals for NR-FR1-TM

Randomisation of the data content is obtained by utilizing a PN sequence generator and the length-31 Gold sequence scrambling of TS 38.211 [17], clause 5.2.1 which is invoked by all physical channels prior to modulation and mapping to the RE grid.

Initialization of the scrambler and RE-mappers as defined in TS 38.211 [17] use the following additional parameters:

- $N_{ID}^{cell} = 1$ for the lowest configured carrier, $N_{ID}^{cell} = 2$ for the 2nd lowest configured carrier, ..., $N_{ID}^{cell} = n$ for the nth configured carrier
- Antenna ports starting with 2000 for PDCCH
- $q = 0$ (single code word)

For NR-FR1-TM1.1 when used for TAE requirement of two layers MIMO transmission

- Rank 2, two layers, no precoding
- Antenna ports starting with 1000 and 1001 for PDSCH

Otherwise

- Rank 1, single layer
- Antenna port starting with 1000 for PDSCH
- Rank 1, single layer (except for TAE requirement of 2 layer MIMO transmission)

4.9.2.3.1 PDCCH

- $N_{symb}^{CORESET} = 2$
- PDCCH modulation to be QPSK as described in TS 38.211 [17], clause 5.1.3

- For each slot the required amount of bits for all PDCCHs is as follows: $1(\# \text{ of PDCCH}) * 1(\# \text{ of CCE per PDCCH}) * 6(\text{REG per CCE}) * 9(\text{data RE per REG}) * 2(\text{bits per RE})$ with these parameters according to the NR-FR1-TM definitions in clause 4.9.2.2
- Generate this amount of bits from the output of the PN23 sequence generator [23]. The PN sequence generator is initialized with a starting seed of "all ones" in the first allocated slot of each frame. The PN sequence is continuous over the slot boundaries.
- 1 CCE shall be according to TS 38.211 [17], clause 7.3.2 using non-interleaved CCE-to-REG mapping. PDCCH occupies the first 2 symbols for 6 resource-element groups, where a resource element group equals one resource block during one OFDM symbol.
- Perform PDCCH scrambling according to TS 38.211 [17], clause 7.3.2.3
- $N_{ID} = N_{ID}^{\text{cell}}$ in DM-RS sequence generation in TS 38.211 [17], clause 7.4.1.3
- $n_{RNTI} = 0$ in scrambling sequence generation in TS 38.211 [17], clause 7.3.2.3
- Perform mapping to REs according to TS 38.211 [17], clause 7.3.2.5.

4.9.2.3.2 PDSCH

- Generate the required amount of bits from the output of the PN23 sequence generator [23]. The PN sequence generator is initialized with a starting seed of "all ones" in the first allocated slot of each frame. The PN sequence is continuous over the slot boundaries. For TDD TMs, the PN sequence can be generated for all symbols (in the DL, UL or special slots) or only DL symbols (in the DL or special slots). For TMs with multi-users, the PN sequence can be generated per user (n_{RNTI}).
- NR-FR1-TMs utilize 1, 2 or 3 user PDSCH transmissions distinguished by n_{RNTI} . For each NR-FR1-TM, PRBs are mapped to user (n_{RNTI}) as follows:

Table 4.9.2.3.2-1: Mapping of PRBs to n_{RNTI} for NR-FR1-TM

| Test model | n_{RNTI} | Number of users |
|---------------|---|-----------------|
| NR-FR1-TM1.1 | 2 for PRBs located in PRB#0-2 0 for remaining PRBs | 2 |
| NR-FR1-TM1.2 | 0 for boosted PRBs 1 for de-boosted PRBs 2 for PRBs located in PRB#0-2 | 3 |
| NR-FR1-TM2 | 2 for all PRBs | 1 |
| NR-FR1-TM2a | 2 for all PRBs | 1 |
| NR-FR1-TM2b | 2 for all PRBs | 1 |
| NR-FR1-TM3.1 | 2 for PRBs located in PRB#0-2 0 for remaining PRBs | 2 |
| NR-FR1-TM3.1a | 2 for PRBs located in PRB#0-2 0 for remaining PRBs | 2 |
| NR-FR1-TM3.1b | 2 for PRBs located in PRB#0-2 0 for remaining PRBs | 2 |
| NR-FR1-TM3.2 | 0 for QPSK PRBs 1 for 16QAM PRBs 2 for PRBs located in PRB#0-2 | 3 |
| NR-FR1-TM3.3 | 0 for QPSK PRBs for which EVM is not measured 1 for QPSK PRBs for which EVM is measured 2 for PRBs located in PRB#0-2 | 3 |

- Perform user specific scrambling according to TS 38.211 [17], clause 7.3.1.1.
- Perform modulation of the scrambled bits with the modulation scheme defined for each user according to TS 38.211 [17], clause 7.3.1.1
- $n_{ID} = N_{ID}^{\text{cell}}$

- Perform mapping of the complex-valued symbols to layer according to TS 38.211 [17], clause 7.3.1.3.
 $x^{(0)}(i) = d^{(0)}(i)$ $M_{\text{symb}}^{\text{layer}} = M_{\text{symb}}^{(0)}$ Complex-valued modulation symbols $d^{(q)}(0), \dots, d^{(q)}(M_{\text{symb}}^{(q)} - 1)$ for codeword q shall be mapped onto the layers $x(i) = [x^{(0)}(i) \ \dots \ x^{(v-1)}(i)]^T$, $i = 0, 1, \dots, M_{\text{symb}}^{\text{layer}} - 1$ where v is equal to number of layers.
- Perform PDSCH mapping according to TS 38.211 [17] using parameters listed in table 4.9.2.2-3.
- PDSCH resource allocation according to TS 38.214 [18] as following;
 - NR-FR1-TM1.1, NR-FR1-TM3.1, NR-FR1-TM3.1a, NR-FR1-TM3.1b: type 1 for PDSCH with $n_{\text{RNTI}} = 0$ and $n_{\text{RNTI}} = 2$,
 - NR-FR1-TM1.2, NR-FR1-TM3.2, NR-FR1-TM3.3: type 0 for PDSCH with $n_{\text{RNTI}} = 0$ and $n_{\text{RNTI}} = 1$, type 1 for PDSCH with $n_{\text{RNTI}} = 2$,
 - NR-FR1-TM2, NR-FR1-TM2a, NR-FR1-TM2b: type 1 for PDSCH with $n_{\text{RNTI}} = 2$.
- DM-RS sequence generation according to TS 38.211 [17], clause 7.4.1.1.1 where l is the OFDM symbol number within the slot with the symbols indicated by table 4.9.2.2-3.
- $N_{\text{ID}}^{\text{nSCID}} = N_{\text{ID}}^{\text{cell}}$
- $n_{\text{SCID}} = 0$
- DM-RS mapping according to TS 38.211 [17], clause 7.4.1.1.2 using parameters listed in table 4.9.2.2-3.

4.9.2.4 Data content of Physical channels and Signals for NR-N-TM

Detailed configuration for the transmitter characteristic tests are defined in TS 36.141 [24],

4.9.3 NB-IoT testing

Unless otherwise stated, the NB-IoT operation in NR in-band test shall be performed by puncturing one NR RB at the eligible (according to clause 5.7.3 of TS 36.104 [22] and the definition in clause 3.1) in-band position closest to NR minimum guard band; those are denoted $L_{\text{NB-IoT}}$ (Left) and $R_{\text{NB-IoT}}$ (Right).

Unless otherwise stated, the NB-IoT operation in NR in-band receiver tests shall be performed by using the tone located on the NB-IoT RB's edge, which is closest to NR minimum guard band; those are denoted $B_{\text{NB-IoT}}$ for $L_{\text{NB-IoT}}$ and $T_{\text{NB-IoT}}$ for $R_{\text{NB-IoT}}$.

Unless otherwise stated, a BS declared to be capable of NB-IoT operation in NR in-band is only required to pass the transmitter tests for NR with NB-IoT operation in NR in-band; it is not required to perform the transmitter tests again for NR only.

Unless otherwise stated, a BS declared to be capable of NB-IoT operation in NR in-band is only required to pass the receiver tests for NR with NB-IoT operation in NR in-band; it is not required to perform the receiver tests again for NR only.

NOTE: The BS should be configured (RRC signalling) for the NB-IoT E-UTRA *guardband* mode during the tests.

4.10 Requirements for contiguous and non-contiguous spectrum

A spectrum allocation where a BS operates can either be contiguous or non-contiguous. Unless otherwise stated, the requirements in the present specification apply for BS configured for both contiguous spectrum operation and non-contiguous spectrum operation.

For BS operation in non-contiguous spectrum, some requirements apply both at the Base Station RF Bandwidth edges and inside the sub-block gaps. For each such requirement, it is stated how the limits apply relative to the Base Station RF Bandwidth edges and the sub-block edges respectively.

4.11 Requirements for BS capable of multi-band operation

For *multi-band connector* the conducted test requirements in clause 6 and 7 apply separately to each supported *operating band* unless otherwise stated. For some conducted test requirements, it is explicitly stated that specific additions or exclusions to the requirement apply at *multi-band connector(s)* as detailed in the requirement clause. For BS capable of multi-band operation, various structures in terms of combinations of different transmitter and receiver implementations (multi-band or single band) with mapping of transceivers to one or more *antenna connectors* for *BS type I-C* or *TAB connectors* for *BS type I-H* in different ways are possible. For *multi-band connector(s)* the exclusions or provisions for multi-band apply. For *single-band connector(s)*, the following applies:

- Single-band transmitter spurious emissions, *operating band* unwanted emissions, ACLR, transmitter intermodulation and receiver spurious emissions requirements apply to this connector that is mapped to single-band.
- If the BS is configured for single-band operation, *single-band requirements* shall apply to this connector configured for single-band operation and no exclusions or provisions for multi-band capable BS are applicable. *Single-band requirements* are tested separately at the connector configured for single-band operation, with all other connectors terminated.

A *BS type I-H* may be capable of supporting operation in multiple *operating bands* with one of the following implementations of *TAB connectors* in the *transceiver array boundary*:

- All *TAB connectors* are *single-band connectors*.
 - Different sets of *single-band connectors* support different *operating bands*, but each *TAB connector* supports only operation in one single *operating band*.
 - Sets of *single-band connectors* support operation in multiple *operating bands* with some *single-band connectors* supporting more than one *operating band*.
- All *TAB connectors* are *multi-band connectors*.
- A combination of single-band sets and multi-band sets of *TAB connectors* provides support of the type *BS type I-H* capability of operation in multiple *operating bands*.

Unless otherwise stated all conducted test requirements specified for an *operating band* apply only to the set of *TAB connectors* supporting that *operating band*.

In the case of an *operating band* being supported only by *single-band connectors* in a *TAB connector TX min cell group* or a *TAB connector RX min cell group*, *single-band requirements* apply to that set of *TAB connectors*.

In the case of an *operating band* being supported only by *multi-band connectors* supporting the same *operating band* combination in a *TAB connector TX min cell group* or a *TAB connector RX min cell group*, *multi-band requirements* apply to that set of *TAB connectors*.

For *multi-band connectors* supporting the bands for TDD, the RF requirements in the present specification assume no simultaneous uplink and downlink occur between the bands.

NOTE 1: The case of an *operating band* being supported by both *multi-band connectors* and *single-band connectors* in a *TAB connector TX min cell group* or a *TAB connector RX min cell group* is not covered by the present release of this specification.

NOTE 2: The case of an *operating band* being supported by *multi-band connectors* which are not all supporting the same *operating band* combination in a *TAB connector TX min cell group* or a *TAB connector RX min cell group* is not covered by the present release of this specification.

NOTE 3: The conducted test requirements for *multi-band connectors* supporting bands for both FDD and TDD are not covered by the present release of this specification.

4.12 Format and interpretation of tests

Each test has a standard format:

X Title

All tests are applicable to all equipment within the scope of the present document, unless otherwise stated.

X.1 Definition and applicability

This clause gives the general definition of the parameter under consideration and specifies whether the test is applicable to all equipment or only to a certain subset. Required manufacturer declarations may be included here.

X.2 Minimum requirement

This clause contains the reference to the clause to the 3GPP reference (or core) specification which defines the minimum requirement.

X.3 Test purpose

This clause defines the purpose of the test.

X.4 Method of test

X.4.1 General

In some cases there are alternative test procedures or initial conditions. In such cases, guidance for which initial conditions and test procedures can be applied are stated here. In the case only one test procedure is applicable, that is stated here.

X.4.2y First test method

X.4.2y.1 Initial conditions

This clause defines the initial conditions for each test, including the test environment, the RF channels to be tested and the basic measurement set-up.

X.4.2y.2 Procedure

This clause describes the steps necessary to perform the test and provides further details of the test definition like domain (e.g. frequency-span), range, weighting (e.g. bandwidth), and algorithms (e.g. averaging). The procedure may comprise data processing of the measurement result before comparison with the test requirement (e.g. average result from several measurement positions).

X.4.3y Alternative test method (if any)

If there are alternative test methods, each is described with its initial conditions and procedures.

X.5 Test requirement

This clause defines the pass/fail criteria for the equipment under test, see clause 4.1.3 (Interpretation of measurement results). Test requirements for every minimum requirement referred in clause X.2 are listed here. Cases where minimum requirements do not apply need not be mentioned.

5 Operating bands and channel arrangement

For the NR and NB-IoT operation in NR in-band operating bands specification, their channel bandwidth configurations, channel spacing and raster, as well as synchronization raster specification, refer to TS 38.104 [2], clause 5 and its relevant clauses.

For the conducted testing purposes in this specification, only FR1 operating bands are considered.

6 Conducted transmitter characteristics

6.1 General

6.1.1 BS type 1-C

General test conditions for conducted transmitter tests are given in clause 4, including interpretation of measurement results and configurations for testing. BS configurations for the tests are defined in clause 4.5.

If a number of *single-band connectors*, or *multi-band connectors* have been declared equivalent (D.32), only a representative one is necessary to be tested to demonstrate conformance.

6.1.2 BS type 1-H

General test conditions for conducted transmitter tests are given in clause 4, including interpretation of measurement results and configurations for testing. BS configurations for the tests are defined in clause 4.5.

If a number of *single-band connectors*, or *multi-band connectors* have been declared equivalent (D.32), only a representative one is necessary to be tested to demonstrate conformance.

In clause 6.6.3.5.4, if representative *TAB connectors* are used then per connector criteria (i.e. option 2) shall be applied.

The manufacturer shall declare the minimum number of supported geographical cells (i.e. geographical areas). The minimum number of supported geographical cells (N_{cells} , D.24) relates to the BS setting with the minimum amount of cell splitting supported with transmission on all *TAB connectors* supporting the *operating band*. The manufacturer shall also declare *TAB connector TX min cell groups* (D.34). Every *TAB connector* supporting transmission in an *operating band* shall map to one *TAB connector TX min cell group* supporting the same *operating band*. The mapping of *TAB connectors* to cells is implementation dependent.

The number of *active transmitter units* that are considered when calculating the emissions limit ($N_{\text{TXU, counted}}$) for *BS type 1-H* is calculated as follows:

$$N_{\text{TXU, counted}} = \min(N_{\text{TXU, active}}, 8 \cdot N_{\text{cells}})$$

Further:

$$N_{\text{TXU, counted per cell}} = N_{\text{TXU, counted}} / N_{\text{cells}}$$

$N_{\text{TXU, counted per cell}}$ is used for scaling the *basic limits* as described in clause 6.6.

NOTE: $N_{\text{TXU, active}}$ depends on the actual number of *active transmitter units* and is independent to the declaration of N_{cells} .

For *BS type 1-H* there is no requirement specified for band n46, n100, n101 and n102.

6.2 Base station output power

6.2.1 Definition and applicability

The conducted BS output power requirements are specified at *single-band connector*, or at *multi-band connector*.

The *rated carrier output power* of the *BS type 1-C* shall be as specified in table 6.2.1-1.

Table 6.2.1-1: Rated carrier output power limits for BS type 1-C

| BS class | $P_{\text{rated,c,AC}}$ |
|---|-------------------------|
| Wide Area BS | (Note) |
| Medium Range BS | ≤ 38 dBm |
| Local Area BS | ≤ 24 dBm |
| NOTE: There is no upper limit for the $P_{\text{rated,c,AC}}$ rated output power of the Wide Area Base Station. | |

The rated carrier output power of the BS type 1-H shall be as specified in table 6.2.1-2.

Table 6.2.1-2: Rated carrier output power limits for BS type 1-H

| BS class | $P_{\text{rated,c,sys}}$ | $P_{\text{rated,c,TABC}}$ |
|--|--|---------------------------|
| Wide Area BS | (Note) | (Note) |
| Medium Range BS | ≤ 38 dBm + $10\log(N_{\text{TXU,counted}})$ | ≤ 38 dBm |
| Local Area BS | ≤ 24 dBm + $10\log(N_{\text{TXU,counted}})$ | ≤ 24 dBm |
| NOTE: There is no upper limit for the $P_{\text{rated,c,sys}}$ or $P_{\text{rated,c,TABC}}$ of the Wide Area Base Station. | | |

In addition, for operation with shared spectrum channel access operation, the BS may have to comply with the applicable BS power limits established regionally, when deployed in regions where those limits apply and under the conditions declared by the manufacturer.

For Band n41 and n90 operation in Japan, the rated output power, $P_{\text{rated,c,sys}}$ for BS type 1-H or the sum of $P_{\text{rated,c,AC}}$ over all *antenna connectors* for BS type 1-C declared by the manufacturer shall be equal to or less than 20 W per 10 MHz bandwidth.

For band n100 in CEPT countries, $P_{\text{rated,c,AC}}$ shall not exceed 51.5 dBm/5MHz + $(f_{\text{DL}} - 922.1) \times 40/3$ dB, with f_{DL} being the centre frequency in MHz. This limit is derived from ECC Decision (20)02 [25] assuming a 17 dBi maximum antenna gain and 4dB losses, and assuming one antenna connector.

For band n101 in CEPT countries, $P_{\text{rated,c,AC}}$ shall not exceed 51 dBm/10MHz or 48 dBm/5MHz. This limit is derived from ECC Decision (20)02 [25] assuming a 18 dBi maximum antenna gain and 4dB losses, and assuming one antenna connector.

The output power limit for the respective BS classes in tables 6.2.1.-1 and 6.2.1-2 shall be compared to the rated output power and the declared BS class. It is not subject to testing.

6.2.2 Minimum requirement

The minimum requirement applies per *single-band connector*, or per *multi-band connector* supporting transmission in the *operating band*.

The minimum requirement for BS type 1-C is defined in TS 38.104 [2], clause 6.2.2.

The minimum requirement for BS type 1-H is defined in TS 38.104 [2], clause 6.2.3.

6.2.3 Test purpose

The test purpose is to verify the accuracy of the *maximum carrier output power* across the frequency range and under normal and extreme conditions.

6.2.4 Method of test

6.2.4.1 Initial conditions

Test environment:

- Normal, see annex B.2,
- Extreme, see annexes B.3 and B.5.

RF channels to be tested for single carrier: B, M and T; see clause 4.9.1

Base Station RF Bandwidth positions to be tested for multi-carrier and/or CA:

- B_{RFBW} , M_{RFBW} and T_{RFBW} for *single-band connector(s)*, see clause 4.9.1.
- $B'_{\text{RFBW}}T_{\text{RFBW}}$ and $B'_{\text{RFBW}}T_{\text{RFBW}}$ for *multi-band connector(s)*, see clause 4.9.1.

Under extreme test environment, it is sufficient to test on one NR-ARFCN or one RF bandwidth position, and with one applicable test configuration defined in clauses 4.7 and 4.8. Testing shall be performed under extreme power supply conditions, as defined in Annex B.5.

NOTE: Tests under extreme power supply conditions also test extreme temperatures.

6.2.4.2 Procedure

For *BS type 1-H* where there may be multiple *TAB connectors*, they may be tested one at a time or multiple *TAB connectors* may be tested in parallel as shown in annex D.3.1. Whichever method is used the procedure is repeated until all *TAB connectors* necessary to demonstrate conformance have been tested.

- 1) Connect the power measuring equipment to *single-band connector(s)* or to *multi-band connector(s)* under test as shown in annex D.1.1 for *BS type 1-C* or in annex D.3.1 for *BS type 1-H*. All connectors not under test shall be terminated.
- 2) For single carrier set the connector under test to transmit according to the applicable test configuration in clause 4.8 using the corresponding test models or set of physical channels in clause 4.9.2 at *rated carrier output power* $P_{\text{rated,c,AC}}$ for *BS type 1-C* and $P_{\text{rated,c,TABC}}$ for *BS type 1-H* (D.21).

For a connector under test declared to be capable of multi-carrier and/or CA operation (D.15-D.16) set the connector under test to transmit on all carriers configured using the applicable test configuration and corresponding power setting specified in clauses 4.7 and 4.8 using the corresponding test models or set of physical channels in clause 4.9.2.

- 3) Measure the *maximum carrier output power* ($P_{\text{max,c,AC}}$ for *BS type 1-C* and $P_{\text{max,c,TABC}}$ for *BS type 1-H*) for each carrier at each connector under test.

In addition, for *multi-band connectors*, the following steps shall apply:

- 4) For a *multi-band connectors* and single band tests, repeat the steps above per involved *operating band* where single band test configurations and test models shall apply with no carrier activated in the other *operating band*.

6.2.5 Test requirement

For each *single-band connector* or *multi-band connector* under test, the power measured in clause 6.2.4.2 in step 3 shall remain within the values provided in table 6.2.5-1 for normal and extreme test environments, relative to the manufacturer's declared $P_{\text{rated,c,AC}}$ for *BS type 1-C*, or relative to the manufacturer's declared $P_{\text{rated,c,TABC}}$ for *BS type 1-H* (D.21):

Table 6.2.5-1: Test requirement for conducted BS output power

| | Normal test environment | Extreme test environment |
|---------------------|--|--|
| <i>BS type 1-C,</i> | $f \leq 3.0 \text{ GHz}: \pm 2.7 \text{ dB}$ | $f \leq 3.0 \text{ GHz}: \pm 3.2 \text{ dB}$ |
| <i>BS type 1-H</i> | $3.0 \text{ GHz} < f \leq 7.125 \text{ GHz}: \pm 3.0 \text{ dB}$ | $3.0 \text{ GHz} < f \leq 7.125 \text{ GHz}: \pm 3.5 \text{ dB}$ |

NOTE: For NB-IoT operation in NR in-band, the NR carrier and NB-IoT carrier shall be seen as a single carrier occupied NR channel bandwidth, the output power over this carrier is shared between NR and NB-IoT. This note shall apply for $P_{\text{max,c,AC}}$ and $P_{\text{rated,c,AC}}$.

6.3 Output power dynamics

6.3.1 General

The requirements in clause 6.3 apply during the *transmitter ON period*. Transmit signal quality requirements (as specified in clause 6.5) shall be maintained for the output power dynamics requirements of this clause.

6.3.2 RE power control dynamic range

6.3.2.1 Definition and applicability

The RE power control dynamic range is the difference between the power of an RE and the average RE power for a BS at *maximum carrier output power* ($P_{\max,c,TABC}$, or $P_{\max,c,AC}$) for a specified reference condition.

6.3.2.2 Minimum requirement

The minimum requirement applies per *single-band connector*, or per *multi-band connector* supporting transmission in the *operating band*.

The minimum requirement for *BS type I-C* and for *BS type I-H* is defined in TS 38.104 [2], clause 6.3.2.2.

6.3.2.3 Test purpose

No specific test or test requirements are defined for conducted RE power control dynamic range. The Error Vector Magnitude (EVM) test, as described in clause 6.5.4 provides sufficient test coverage for this requirement.

6.3.3 Total power dynamic range

6.3.3.1 Definition and applicability

The BS total power dynamic range is the difference between the maximum and the minimum transmit power of an OFDM symbol for a specified reference condition.

NOTE 1: The upper limit of the total power dynamic range is the OFDM symbol TX power (OSTP) for a BS at maximum output power when transmitting on all RBs. The lower limit of the total power dynamic range is the average power for single RB transmission. The OFDM symbols shall carry PDSCH and not contain PDCCH, RS, or SSB.

NOTE 2: The requirement does not apply to operation with shared spectrum channel access.

6.3.3.2 Minimum requirement

The minimum requirement applies per *single-band connector*, or per *multi-band connector*.

The minimum requirement for *BS type I-C* and for *BS type I-H* is in TS 38.104 [2], clause 6.3.3.2.

6.3.3.3 Test purpose

The test purpose is to verify that the total power dynamic range is within the limits specified by the minimum requirement.

6.3.3.4 Method of test

6.3.3.4.1 Initial conditions

Test environment: Normal, see annex B.2.

RF channels to be tested: M; see clause 4.9.1.

Set the channel set-up of the connector under as shown in annex D.1 for BS type 1-C and annex D.3 for BS type 1-H.

6.3.3.4.2 Procedure

For *BS type 1-H* where there may be multiple *TAB connectors*, they may be tested one at a time or multiple *TAB connectors* may be tested in parallel as shown in annex D.3.1. Whichever method is used the procedure is repeated until all *TAB connectors* necessary to demonstrate conformance have been tested.

- 1) Connect the *single-band connector(s)* under test as shown in annex D.1.1 for *BS type 1-C* and in annex D.3.1 for *BS type 1-H*. All connectors not under test shall be terminated.
- 2) Set each connector under test to transmit according to the applicable test configuration in clause 4.8 using the corresponding test models in clause 4.9.2 at *rated carrier output power* $P_{\text{rated,c,AC}}$ for *BS type 1-C* and $P_{\text{rated,c,TABC}}$ for *BS type 1-H* (D.21).
- 3) For *BS type 1-C* and *BS type 1-H*, set the BS to transmit a signal according to:
 - NR-FR1-TM3.1b if 1024QAM is supported by BS without power back off, or
 - NR-FR1-TM3.1a if 1024QAM is not supported by BS without power back off but 256QAM is supported by BS without power back off, or
 - NR-FR1-TM3.1 if 1024QAM and 256QAM are both not supported by BS without power back off.
- 4) Measure the OFDM symbol TX power (OSTP) as defined in the annex H.
- 5) For *BS type 1-C* and *BS type 1-H*, set the BS to transmit a signal according to:
 - NR-FR1-TM2b if 1024QAM is supported by BS, or
 - NR-FR1-TM2a if 1024QAM is not supported by BS and 256QAM is supported;
 - NR-FR1-TM2 if 1024QAM and 256QAM are both not supported;
- 6) Measure the OFDM symbol TX power (OSTP) as defined in the annex H.

In addition, for *multi-band connectors*, the following steps shall apply:

- 7) For a *multi-band connectors* and single band tests, repeat the steps above per involved *operating band* where single band test configurations and test models shall apply with no carrier activated in the other *operating band*.

6.3.3.5 Test requirements

The downlink (DL) total power dynamic range for each NR carrier shall be larger than or equal to the level in table 6.3.4.5-1.

Table 6.3.3.5-1: BS total power dynamic range

| NR channel bandwidth (MHz) | Total power dynamic range (dB) | | |
|-------------------------------|--------------------------------|------------|------------|
| | 15 kHz SCS | 30 kHz SCS | 60 kHz SCS |
| 5 | 13.5 | 10 | N/A |
| 10 | 16.7 | 13.4 | 10 |
| 15 | 18.5 | 15.3 | 12.1 |
| 20 | 19.8 | 16.6 | 13.4 |
| 25 | 20.8 | 17.7 | 14.5 |
| 30 | 21.6 | 18.5 | 15.3 |
| 35 | 22.7 | 19.6 | 16.4 |
| 40 | 22.9 | 19.8 | 16.6 |
| 45 | 23.8 | 20.7 | 17.6 |
| 50 | 23.9 | 20.8 | 17.7 |
| 60 | N/A | 21.6 | 18.5 |
| 70 | N/A | 22.3 | 19.2 |
| 80 | N/A | 22.9 | 19.8 |
| 90 | N/A | 23.4 | 20.4 |
| 100 | N/A | 23.9 | 20.9 |

NOTE: Additional test requirements for the EVM at the lower limit of the dynamic range are defined in clause 6.5.4.

6.3.4 NB-IoT RB power dynamic range

6.3.4.1 Definition and applicability

The NB-IoT RB power dynamic range (or NB-IoT power boosting) is the difference between the average power of NB-IoT REs (which occupy certain REs within a NR transmission bandwidth configuration plus 15 kHz at each edge but not within the NR minimum guard band GB_{Channel}) and the average power over all REs (from both NB-IoT and the NR carrier containing the NB-IoT REs).

6.3.4.2 Minimum requirement

The minimum requirement applies per *single-band connector*, or per *multi-band connector*.

The minimum requirement for *BS type I-C* is in TS 38.104 [2], clause 6.3.4.2.

6.3.4.3 Test purpose

The test purpose is to verify that the NB-IoT RB power dynamic range for NB-IoT operation in NR in-band is met as specified by the minimum requirement.

6.3.4.4 Method of test

Requirement is tested together with operating band unwanted emissions test, as described in clause 6.6.4.

6.3.4.5 Test requirements

NB-IoT RB power dynamic range for NB-IoT operation in NR in-band shall be larger than or equal to the level specified in Table 6.3.4.5-1 or the NB-IoT power dynamic range declared by the BS manufacturer (D.43). This power dynamic range level is only required for one NB-IoT RB.

Table 6.3.4.5-1: NB-IoT RB power dynamic range for NB-IoT operation in NR in-band

| BS channel bandwidth (MHz) | NB-IoT RB frequency position | NB-IoT RB power dynamic range (dB) |
|---|---|------------------------------------|
| 5, 10 | Any | +5.6 |
| 15 | Within center $77 \cdot 180\text{kHz} + 15\text{kHz}$ at each edge | +5.6 |
| | Other | +2.6 |
| 20 | Within center $102 \cdot 180\text{kHz} + 15\text{kHz}$ at each edge | +5.6 |
| | Other | +2.6 |
| 25, 30, 35, 40, 45, 50, 60, 70, 80, 90, 100 | Within center 90% of BS channel bandwidth | +5.6 |
| | Other | +2.6 |

6.4 Transmit ON/OFF power

6.4.1 Transmitter OFF power

6.4.1.1 Definition and applicability

Transmit OFF power requirements apply only to TDD operation of the BS.

Transmitter OFF power is defined as the mean power measured over $70/N$ us filtered with a square filter of bandwidth equal to the transmission bandwidth configuration of the BS (BW_{Config}) centred on the assigned channel frequency during the *transmitter OFF period*. $N = \text{SCS}/15$, where SCS is Sub Carrier Spacing in kHz.

For *multi-band connectors* and for *single band connectors* supporting transmission in multiple operating bands, the requirement is only applicable during the *transmitter OFF period* in all supported operating bands.

For BS supporting intra-band contiguous CA, the transmitter OFF power is defined as the mean power measured over $70/N$ us filtered with a square filter of bandwidth equal to the *aggregated BS channel bandwidth* $BW_{\text{Channel_CA}}$ centred on $(F_{\text{edge_high}} + F_{\text{edge_low}})/2$ during the *transmitter OFF period*. $N = \text{SCS}/15$, where SCS is the smallest supported Sub Carrier Spacing in kHz in the *aggregated BS channel bandwidth*.

6.4.1.2 Minimum requirement

The minimum requirement for *BS type I-C* is in TS 38.104 [2], clause 6.4.1.2.

The minimum requirement for *BS type I-H* is in TS 38.104 [2], clause 6.4.1.3.

6.4.1.3 Test purpose

The purpose of this test is to verify the transmitter OFF power is within the limits of the minimum requirements.

6.4.1.4 Method of test

Requirement is tested together with transmitter transient period, as described in clause 6.4.2.4.

6.4.1.5 Test requirements

The conformance testing of transmit OFF power is included in the conformance testing of transmitter transient period; therefore, see clause 6.4.2.5 for test requirements.

6.4.2 Transmitter transient period

6.4.2.1 Definition and applicability

Transmitter transient period requirements apply only to TDD operation of the BS.

The *transmitter transient period* is the time period during which the transmitter unit is changing from the OFF period to the ON period or vice versa. The *transmitter transient period* is illustrated in figure 6.4.2.1-1.

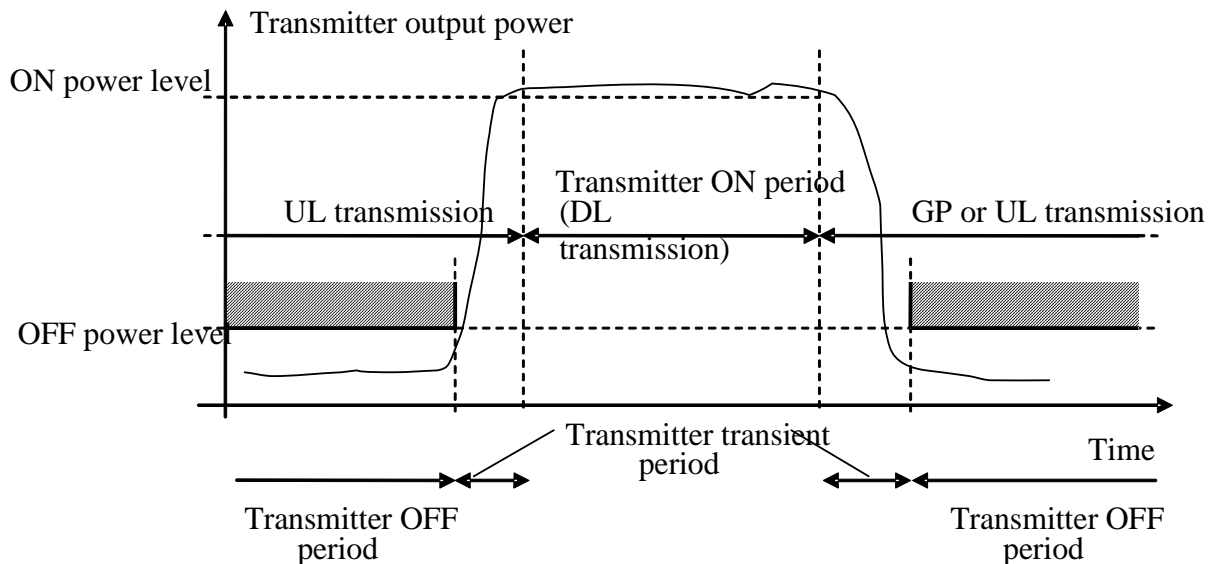


Figure 6.4.2.1-1: Illustration of the relations of transmitter ON period, transmitter OFF period and transmitter transient period

This requirement applies at each *antenna connector* or *TAB connector* supporting transmission in the operating band.

6.4.2.2 Minimum requirement

The minimum requirement for *BS type 1-C* and *BS type 1-H* is in TS 38.104 [2], clause 6.4.2.2.

6.4.2.3 Test purpose

The purpose of this test is to verify the transmitter transient periods are within the limits of the minimum requirements.

6.4.2.4 Method of test

6.4.2.4.1 Initial conditions

Test environment:

- normal; see annex B.2.

RF channels to be tested for single carrier:

- M; see clause 4.9.1.

RF bandwidth positions to be tested for multi-carrier and/or CA:

- M_{RFBW} in single-band operation, see clause 4.9.1;
- B_{RFBW_T} and B'_{RFBW_T} in multi-band operation, see clause 4.9.1.

6.4.2.4.2 Procedure

The minimum requirement is applied to all *antenna connectors* or *TAB connectors*, they may be tested one at a time or multiple *antenna connectors* or *TAB connectors* may be tested in parallel as shown in annex D.1.1 for *BS type I-C* or in annex D.3.1 for *BS type I-H*. Whichever method is used the procedure is repeated until all *antenna connectors* or *TAB connectors* necessary to demonstrate conformance have been tested.

1) Connect *antenna connector* or *TAB connector* to measurement equipment as shown in annex D.1.1 for *BS type I-C* or in annex D.3.1 for *BS type I-H*. All *antenna connectors* or *TAB connectors* not under test shall be terminated.

As a general rule, the resolution bandwidth of the measuring equipment should be equal to the measurement bandwidth. However, to improve measurement accuracy, sensitivity, efficiency and avoiding e.g. carrier leakage, the resolution bandwidth may be smaller than the measurement bandwidth. When the resolution bandwidth is smaller than the measurement bandwidth, the result should be integrated over the measurement bandwidth in order to obtain the equivalent noise bandwidth of the measurement bandwidth.

2) For single carrier set the *antenna connector* or *TAB connector* under test to transmit according to the applicable test configuration in clause 4.8 using the corresponding test models or set of physical channels in clause 4.9.2 at manufacturers declared *rated carrier output power per antenna connector* or *TAB connector* ($P_{\text{rated,c,AC}}$, or $P_{\text{rated,c,TABC}}$, D.21).

For a connector under test declared to be capable of multi-carrier and/or CA operation (D.15-D.16) set the connector under test to transmit on all carriers configured using the applicable test configuration and corresponding power setting specified in clauses 4.7 and 4.8 using the corresponding test models or set of physical channels in clause 4.9.2.

3) Measure the mean power spectral density over $70/N \mu\text{s}$ filtered with a square filter of bandwidth equal to the RF bandwidth of the *antenna connector* or *TAB connector* centred on the central frequency of the RF bandwidth. $70/N \mu\text{s}$ average window centre is set from $35/N \mu\text{s}$ after end of one transmitter ON period + $10 \mu\text{s}$ to $35/N \mu\text{s}$ before start of next transmitter ON period – $10 \mu\text{s}$. $N = \text{SCS}/15$, where SCS is Sub Carrier Spacing in kHz.

4) For an *antenna connector* or *TAB connector* supporting contiguous CA, measure the mean power spectral density over $70/N \mu\text{s}$ filtered with a square filter of bandwidth equal to the *aggregated BS channel bandwidth* $\text{BW}_{\text{Channel,CA}}$ centred on $(F_{\text{edge_high}} + F_{\text{edge_low}})/2$. $70/N \mu\text{s}$ average window centre is set from $35/N \mu\text{s}$ after end of one transmitter ON period + $10 \mu\text{s}$ to $35/N \mu\text{s}$ before start of next transmitter ON period – $10 \mu\text{s}$. $N = \text{SCS}/15$, where SCS is the smallest supported Sub Carrier Spacing in kHz in the *aggregated BS channel bandwidth*.

In addition, for *multi-band connector(s)*, the following steps shall apply:

5) For *multi-band connectors* and single band tests, repeat the steps above per involved band where single band test configurations and test models shall apply with no carrier activated in the other band.

6.4.2.5 Test requirements

The measured mean power spectral density according to clause 6.4.2.4.2 shall be less than -83 dBm/MHz for carrier frequency $f \leq 3.0 \text{ GHz}$.

The measured mean power spectral density according to clause 6.4.2.4.2 shall be less than -82.5 dBm/MHz for carrier frequency $3.0 \text{ GHz} < f \leq 7.125 \text{ GHz}$.

For *multi-band connector*, the requirement is only applicable during the transmitter OFF period in all supported operating bands.

6.5 Transmitted signal quality

6.5.1 General

Unless otherwise stated, the requirements in clause 6.5 apply during the *transmitter ON period*.

6.5.2 Frequency error

6.5.2.1 Definition and applicability

Frequency error is the measure of the difference between the actual BS transmit frequency and the assigned frequency. The same source shall be used for RF frequency and data clock generation.

It is not possible to verify by testing that the data clock is derived from the same frequency source as used for RF generation. This may be confirmed by the manufacturer's declaration.

For *BS type I-C* this requirement shall be applied at the *antenna connector* supporting transmission in the *operating band*.

For *BS type I-H* this requirement shall be applied at each *TAB connector* supporting transmission in the *operating band*.

6.5.2.2 Minimum Requirement

The minimum requirement is in TS 38.104 [2], clause 6.5.1.2.

6.5.2.3 Test purpose

The test purpose is to verify that frequency error is within the limit specified by the minimum requirement.

6.5.2.4 Method of test

Requirement is tested together with modulation quality test, as described in clause 6.5.3.

6.5.2.5 Test Requirements

The modulated carrier frequency of each NR carrier configured by the BS shall be accurate to within the accuracy range given in table 6.5.2.5-1 observed over 1 ms.

Table 6.5.2.5-1: Frequency error test requirement

| BS class | Accuracy |
|-----------------|---|
| Wide Area BS | $\pm(0.05 \text{ ppm} + 12 \text{ Hz})$ |
| Medium Range BS | $\pm(0.1 \text{ ppm} + 12 \text{ Hz})$ |
| Local Area BS | $\pm(0.1 \text{ ppm} + 12 \text{ Hz})$ |

The frequency error requirement for NB-IoT is specified in TS 36.141 [24] clause 6.5.1.5.

6.5.3 Modulation quality

6.5.3.1 Definition and applicability

Modulation quality is defined by the difference between the measured carrier signal and an ideal signal. Modulation quality can e.g. be expressed as Error Vector Magnitude (EVM). The Error Vector Magnitude is a measure of the difference between the ideal symbols and the measured symbols after the equalization. This difference is called the error vector.

For *BS type I-C* this requirement shall be applied at the *antenna connector* supporting transmission in the *operating band*.

For *BS type I-H* this requirement shall be applied at each *TAB connector* supporting transmission in the *operating band*.

6.5.3.2 Minimum Requirement

The minimum requirement is in TS 38.104 [2], clause 6.5.2.2.

6.5.3.3 Test purpose

The test purpose is to verify that modulation quality is within the limit specified by the minimum requirement.

6.5.3.4 Method of test

6.5.3.4.1 Initial conditions

Test environment: Normal; see annex B.2.

RF channels to be tested for single carrier: B, M and T; see clause 4.9.1.

RF bandwidth positions to be tested for multi-carrier and/or CA:

- B_{RFBW} , M_{RFBW} and T_{RFBW} in single-band operation, see clause 4.9.1;
- $B_{\text{RFBW}}T'_{\text{RFBW}}$ and $B'_{\text{RFBW}}T_{\text{RFBW}}$ in multi-band operation, see clause 4.9.1.

6.5.3.4.2 Procedure

The minimum requirement is applied to all *antenna connectors* or *TAB connectors*, they may be tested one at a time or multiple *antenna connectors* or *TAB connectors* may be tested in parallel as shown in annex D.1.1 for *BS type I-C* or in annex D.3.1 for *BS type I-H*. Whichever method is used the procedure is repeated until all *antenna connectors* or *TAB connectors* necessary to demonstrate conformance have been tested.

- 1) For an *antenna connector* or *TAB connector* declared to be capable of single carrier operation only (D.16), set the *antenna connector* or the *TAB connector* under test to transmit a signal according to the applicable test configuration in clause 4.8 using the corresponding test models:
 - NR-FR1-TM 3.1b if 1024QAM is supported by BS without power back off, or
 - NR-FR1-TM 3.1b at manufacturer's declared rated output power if 1024QAM is supported by BS with power back off, and NR-FR1-TM 3.1a if 256QAM is supported by BS without power back off, or
 - NR-FR1-TM 3.1b at manufacturer's declared rated output power if 1024QAM is supported by BS with power back off and NR-FR1-TM 3.1a at manufacturer's declared rated output power if 256QAM is supported by BS with power back off, and NR-FR1-TM3.1 at maximum power or
 - NR-FR1-TM 3.1a if 1024QAM is not supported by BS and 256QAM is supported by BS without power back off, or
 - NR-FR1-TM3.1a at manufacturer's declared rated output power if 256QAM is supported by BS with power back off and 1024QAM is not supported, and NR-FR1-TM3.1 at maximum power, or
 - NR-FR1-TM3.1 if highest modulation order supported by BS is 64QAM, or
 - NR-FR1-TM3.2 if highest modulation order supported by BS is 16QAM, or
 - NR-FR1-TM3.3 if highest modulation order supported by BS is QPSK.

For an *antenna connector* or *TAB connector* declared to be capable of multi-carrier and/or CA operation (D.15-D.16), set the *antenna connector* or the *TAB connector* under test to transmit according to the applicable test configuration and corresponding power setting specified in clauses 4.7 and 4.8 using the corresponding test models on all carriers configured:

- NR-FR1-TM 3.1b if 1024QAM is supported by BS without power back off, or
- NR-FR1-TM 3.1b at manufacturer's declared rated output power if 1024QAM is supported by BS with power back off, and NR-FR1-TM 3.1a if 256QAM is supported by BS without power back off, or
- NR-FR1-TM 3.1b at manufacturer's declared rated output power if 1024QAM is supported by BS with power back off and NR-FR1-TM 3.1a at manufacturer's declared rated output power if 256QAM is supported by BS with power back off, and NR-FR1-TM3.1 at maximum power or

- NR-FR1-TM 3.1a if 1024QAM is not supported by BS and 256QAM is supported by BS without power back off, or
- NR-FR1-TM3.1a at manufacturer's declared rated output power if 256QAM is supported by BS with power back off and 1024QAM is not supported, and NR-FR1-TM3.1 at maximum power, or
- NR-FR1-TM3.1 if highest modulation order supported by BS is 64QAM, or
- NR-FR1-TM3.2 if highest modulation order supported by BS is 16QAM, or
- NR-FR1-TM3.3 if highest modulation order supported by BS is QPSK.

For NR-FR1-TM3.1a and NR-FR1-TM3.1b, power back-off shall be applied if it is declared.

- 2) Measure the EVM and frequency error as defined in annex H.
- 3) Repeat steps 1 and 2 for NR-FR1-TM2 if 256QAM and 1024QAM is not supported by BS or for NR-FR1-TM2a if 256QAM is supported by BS and 1024QAM is not supported by BS or for NR-FR1-TM2b if 1024QAM is supported. For NR-FR1-TM2, NR-FR1-TM2a and NR-FR1-TM2b, the OFDM symbol TX power (OSTP) shall be at the lower limit of the dynamic range according to the test procedure in clause 6.3.3.4 and test requirements in clause 6.3.3.5.

In addition, for *multi-band connector(s)*, the following steps shall apply:

- 4) For *multi-band connectors* and single band tests, repeat the steps above per involved band where single band test configurations and test models shall apply with no carrier activated in the other band.

6.5.3.5 Test requirements

The EVM of each NR carrier for different modulation schemes on PDSCH shall be less than the limits in table 6.5.3.5-1.

Table 6.5.3.5-1 EVM requirements for *BS type 1-C* and *BS type 1-H*

| Modulation scheme for PDSCH | Required EVM (%) |
|---|--|
| QPSK | 18.5 % |
| 16QAM | 13.5 % |
| 64QAM | 9 % |
| 256QAM | 4.5 % |
| 1024QAM | 3.5 % ¹ 3.8 % ² |
| NOTE 1: This requirement is applicable for frequencies equal to or below 4.2 GHz. | |
| NOTE 2: This requirement is applicable for frequencies above 4.2 GHz. | |

EVM shall be evaluated for each NR carrier over all allocated resource blocks and downlink slots. Different modulation schemes listed in table 6.5.3.5-1 shall be considered for rank 1.

For all bandwidths, the EVM measurement shall be performed for each NR carrier over all allocated resource blocks and downlink slots within 10 ms measurement periods. The boundaries of the EVM measurement periods need not be aligned with radio frame boundaries.

Table 6.5.3.5-2, 6.5.3.5-3, 6.5.3.5-4 below specify the EVM window length (*W*) for normal CP for *BS type 1-C* and *BS type 1-H*.

Table 6.5.3.5-2 EVM window length for normal CP for NR, FR1, 15 kHz SCS

| Channel bandwidth (MHz) | FFT size | Cyclic prefix length for symbols 1-6 and 8-13 in FFT samples | EVM window length <i>W</i> | Ratio of <i>W</i> to total CP length for symbols 1-6 and 8-13 (%) (Note) |
|-------------------------|----------|--|----------------------------|--|
| 5 | 512 | 36 | 14 | 40 |
| 10 | 1024 | 72 | 28 | 40 |
| 15 | 1536 | 108 | 44 | 40 |
| 20 | 2048 | 144 | 58 | 40 |
| 25 | 2048 | 144 | 72 | 50 |
| 30 | 3072 | 216 | 108 | 50 |
| 35 | 3072 | 216 | 108 | 50 |
| 40 | 4096 | 288 | 144 | 50 |
| 45 | 4096 | 288 | 144 | 50 |
| 50 | 4096 | 288 | 144 | 50 |

Note: These percentages are informative and apply to a slot's symbols 1 to 6 and 8 to 13. Symbols 0 and 7 have a longer CP and therefore a lower percentage.

Table 6.5.3.5-3 EVM window length for normal CP for NR, FR1, 30 kHz SCS

| Channel bandwidth (MHz) | FFT size | Cyclic prefix length for symbols 1-13 in FFT samples | EVM window length <i>W</i> | Ratio of <i>W</i> to total CP length for symbols 1-13 (%) (Note) |
|-------------------------|----------|--|----------------------------|--|
| 5 | 256 | 18 | 8 | 40 |
| 10 | 512 | 36 | 14 | 40 |
| 15 | 768 | 54 | 22 | 40 |
| 20 | 1024 | 72 | 28 | 40 |
| 25 | 1024 | 72 | 36 | 50 |
| 30 | 1536 | 108 | 54 | 50 |
| 35 | 1536 | 108 | 54 | 50 |
| 40 | 2048 | 144 | 72 | 50 |
| 45 | 2048 | 144 | 72 | 50 |
| 50 | 2048 | 144 | 72 | 50 |
| 60 | 3072 | 216 | 130 | 60 |
| 70 | 3072 | 216 | 130 | 60 |
| 80 | 4096 | 288 | 172 | 60 |
| 90 | 4096 | 288 | 172 | 60 |
| 100 | 4096 | 288 | 172 | 60 |

Note: These percentages are informative and apply to a slot's symbols 1 through 13. Symbol 0 has a longer CP and therefore a lower percentage.

Table 6.5.3.5-4 EVM window length for normal CP for NR, FR1, 60 kHz SCS

| Channel bandwidth (MHz) | FFT size | Cyclic prefix length in FFT samples | EVM window length <i>W</i> | Ratio of <i>W</i> to total CP length (%) (Note) |
|-------------------------|----------|-------------------------------------|----------------------------|---|
| 10 | 256 | 18 | 8 | 40 |
| 15 | 384 | 27 | 11 | 40 |
| 20 | 512 | 36 | 14 | 40 |
| 25 | 512 | 36 | 18 | 50 |
| 30 | 768 | 54 | 26 | 50 |
| 35 | 768 | 54 | 26 | 50 |
| 40 | 1024 | 72 | 36 | 50 |
| 45 | 1024 | 72 | 36 | 50 |
| 50 | 1024 | 72 | 36 | 50 |
| 60 | 1536 | 108 | 64 | 60 |
| 70 | 1536 | 108 | 64 | 60 |
| 80 | 2048 | 144 | 86 | 60 |
| 90 | 2048 | 144 | 86 | 60 |
| 100 | 2048 | 144 | 86 | 60 |

Note: These percentages are informative and apply to all OFDM symbols within subframe except for symbol 0 of slot 0 and slot 2. Symbol 0 of slot 0 and slot 2 has a longer CP and therefore a lower percentage.

The modulation quality requirements for NB-IoT are specified in TS 36.141 [24] clause 6.5.2.5.

6.5.4 Time alignment error

6.5.4.1 Definition and applicability

This requirement applies to frame timing in MIMO transmission, carrier aggregation and their combinations.

Frames of the NR signals present at the BS transmitter *antenna connectors* or *TAB connectors* are not perfectly aligned in time and may experience certain timing differences in relation to each other.

For *BS type 1-C*, the TAE is defined as the largest timing difference between any two signals belonging to different *antenna connectors* for a specific set of signals/transmitter configuration/transmission mode.

For *BS type 1-H*, the TAE is defined as the largest timing difference between any two signals belonging to *TAB connectors* belonging to different transmitter groups at the *transceiver array boundary*, where transmitter groups are associated with the *TAB connectors* in the transceiver unit array corresponding to MIMO transmission, *carrier aggregation* for a specific set of signals/transmitter configuration/transmission mode.

6.5.4.2 Minimum requirement

The minimum requirements for *BS type 1-C* and *BS type 1-H* are in TS 38.104 [2], clause 6.5.3.2.

6.5.4.3 Test purpose

To verify that the time alignment error is within the limit specified by the minimum requirement.

6.5.4.4 Method of test

6.5.4.4.1 Initial conditions

Test environment: Normal, see annex B.2.

RF channels to be tested for single carrier:M; see clause 4.9.1.

RF bandwidth positions to be tested for multi-carrier and/or CA:

- M_{RFBW} in single-band operation, see clause 4.9.1.
- $B'_{\text{RFBW_T'RFBW}}$ and $B'_{\text{RFBW_T'RFBW}}$ in multi-band operation, see clause 4.9.1.

6.5.4.4.2 Procedure

For *BS type 1-C antenna connectors* to be tested are for a specific set of signals/transmitter configuration/transmission mode.

For *BS type 1-H TAB connectors* to be tested are identified from the declared sets of *TAB connector beam forming groups* in the TAE groups declaration (D.31).

Compliance is to be demonstrated between all pairs of *single-band connectors and/or multi-band connectors*, however it is not required to exhaustively measure TAE between every combination of pairs of representative connectors.

Compliance can be demonstrated by comparison of a reduced set of representative measurement results.

1) Conducted measurement setup:

- For *BS type 1-C*: Connect two *antenna connectors* to the measurement equipment according to annex D.1.3. Terminate any unused *antenna connector(s)*.
- For *BS type 1-H*: Connect two representative *TAB connectors* one from separate TAE group (D.31) to the measurement equipment according to annex D.3.4. Terminate any unused *TAB connector(s)*.

2) Set the connectors under test to transmit NR-FR1-TM 1.1 or any DL signal using MIMO transmission or carrier aggregation.

NOTE: For MIMO transmission, different ports may be configured in NR-FR1-TM 1.1 (using *PDSCH DMRS ports 1000 and 1001*).

3) For a connectors declared to be capable of single carrier operation only (D.16), set the representative connectors under test to transmit according to the applicable test configuration in clause 4.8 using the corresponding test models in clause 4.9.2 at *rated carrier output power* ($P_{\text{rated,c,AC}}$, or $P_{\text{rated,c,TABC}}$, D.21).

If the connector under test supports intra band contiguous or non-contiguous CA, set the representative connectors to transmit using the applicable test configuration and corresponding power setting specified in clauses 4.7 and 4.8.

If the BS supports inter band CA, set the representative connectors to transmit, for each band, a single carrier or all carriers, using the applicable test configuration and corresponding power setting specified in clauses 4.7 and 4.8.

For a connector declared to be capable of multi-carrier operation (D.15), set the BS to transmit according to the applicable test signal configuration and corresponding power setting specified in clauses 4.7 and 4.8 using the corresponding test model in clause 4.9.2 on all carriers configured.

4) Measure the time alignment error between the different PDSCH demodulation reference signals on different antenna ports belonging to different connectors on the carrier(s) from the representative connectors under test.

5) Repeat step 1 - 4 for any other configuration of connectors, which could be required to demonstrate compliance.

In addition, for *multi-band connectors*, the following steps shall apply:

6) For a *multi-band connectors* and single band tests, repeat the steps above per involved *operating band* where single band test configurations and test models shall apply with no carrier activated in the other *operating band*.

6.5.4.5 Test requirement

For MIMO transmission, at each carrier frequency, TAE shall not exceed 90 ns.

For intra-band contiguous CA, with or without MIMO, TAE shall not exceed 285 ns.

For intra-band non-contiguous CA, with or without MIMO, TAE shall not exceed 3.025 μs .

For inter-band CA, with or without MIMO, TAE shall not exceed 3.025 μs .

The time alignment error requirements for NB-IoT are specified in TS 36.141 [24] clause 6.5.3.5.

6.6 Unwanted emissions

6.6.1 General

Unwanted emissions consist of out-of-band emissions and spurious emissions according to ITU definitions in recommendation ITU-R SM.329 [5]. In ITU terminology, out of band emissions are unwanted emissions immediately outside the channel bandwidth resulting from the modulation process and non-linearity in the transmitter but excluding spurious emissions. Spurious emissions are emissions which are caused by unwanted transmitter effects such as harmonics emission, parasitic emission, intermodulation products and frequency conversion products, but exclude out of band emissions.

The out-of-band emissions requirement for the BS transmitter is specified both in terms of Adjacent Channel Leakage power Ratio (ACLR) and operating band unwanted emissions (OBUE).

The maximum offset of the operating band unwanted emissions mask from the operating band edge is Δf_{OBUE} . The operating band unwanted emissions define all unwanted emissions in each supported downlink *operating band* plus the frequency ranges Δf_{OBUE} above and Δf_{OBUE} below each band. Unwanted emissions outside of this frequency range are limited by a spurious emissions requirement.

The values of Δf_{OBUE} are defined in table 6.6.1-1 for the NR *operating bands*.

Table 6.6.1-1: Maximum offset of OBUE outside the downlink operating band

| BS type | Operating band characteristics | Δf_{OBUE} (MHz) |
|-------------|--|--------------------------------|
| BS type 1-C | $F_{\text{DL_high}} - F_{\text{DL_low}} \leq 200$ MHz | 10 |
| | $200 \text{ MHz} < F_{\text{DL_high}} - F_{\text{DL_low}} \leq 900$ MHz | 40 |
| BS type 1-H | $F_{\text{DL_high}} - F_{\text{DL_low}} < 100$ MHz | 10 |
| | $100 \text{ MHz} \leq F_{\text{DL_high}} - F_{\text{DL_low}} \leq 900$ MHz | 40 |

For band n46, n96 and n102, the values of Δf_{OBUE} are defined in table 6.6.1-1a.

Table 6.6.1-1a: Maximum offset of OBUE outside the downlink operating band

| Operating band | Δf_{OBUE} (MHz) |
|----------------|--------------------------------|
| n46, n102 | 40 |
| n96 | 50 |

For band n104, the values of Δf_{OBUE} are defined in table 6.6.1-1b.

Table 6.6.1-1b: Maximum offset of OBUE outside the downlink operating band for band n104

| BS type | Operating band | Δf_{OBUE} (MHz) |
|-------------|----------------|--------------------------------|
| BS type 1-H | n104 | 100 |
| BS type 1-C | n104 | 40 |

For *BS type 1-H* the unwanted emission requirements are applied per the *TAB connector TX min cell groups* for all the configurations supported by the BS. The *basic limits* and corresponding emissions scaling are defined in each relevant clause.

There is in addition a requirement for occupied bandwidth.

6.6.2 Occupied bandwidth

6.6.2.1 Definition and applicability

The occupied bandwidth is the width of a frequency band such that, below the lower and above the upper frequency limits, the mean powers emitted are each equal to a specified percentage $\beta/2$ of the total mean transmitted power. See also Recommendation ITU-R SM.328 [12].

The value of $\beta/2$ shall be taken as 0.5%.

The occupied bandwidth requirement shall apply during the *transmitter ON period* for a single transmitted carrier. The minimum requirement below may be applied regionally. There may also be regional requirements to declare the occupied bandwidth according to the definition in the present clause.

For *BS type 1-C* this requirement shall be applied at the *antenna connector* supporting transmission in the *operating band*.

For *BS type 1-H* this requirement shall be applied at each *TAB connector* supporting transmission in the *operating band*.

6.6.2.2 Minimum Requirements

The minimum requirement for *BS type 1-C* and *BS type 1-H* is in TS 38.104 [2] clause 6.6.2

6.6.2.3 Test purpose

The test purpose is to verify that the emission at the *antenna connector* or *TAB connector* does not occupy an excessive bandwidth for the service to be provided and is, therefore, not likely to create interference to other users of the spectrum beyond undue limits.

6.6.2.4 Method of test

6.6.2.4.1 Initial conditions

Test environment: Normal; see annex B.2.

RF channels to be tested for single carrier: M; see clause 4.9.1.

Aggregated BS channel bandwidth positions to be tested for contiguous carrier aggregation: $M_{BW_{Channel\ CA}}$; see clause 4.9.1.

- 1) Connect the measurement device to the BS *antenna connector* or *TAB connector* as shown in annex D1.1 for BS type I-C or D3.1 for BS type I-H.
- 2) For a BS declared to be capable of single carrier operation (D.16), start transmission according to the applicable test configuration in clause 4.8 using the corresponding test model NR-FR1-TM1.1 at manufacturer's declared rated output power ($P_{rated,c,AC}$, or $P_{rated,c,TABC}$, D.21).

For a BS declared to be capable of contiguous CA operation, set the BS to transmit according to NR-FR1-TM1.1 on all carriers configured using the applicable test configuration and corresponding power setting specified in clauses 4.7.4 and 4.8.

For a BS declared to be capable of NB-IoT operation in NR in-band (D.41), test shall be performed using N-TM according to clause 4.9.2.2.9.

6.6.2.4.2 Procedure

- 1) Measure the spectrum emission of the transmitted signal using at least the number of measurement points, and across a span, as listed in table 6.6.2.4.2-1. The selected resolution bandwidth (RBW) filter of the analyser shall be 30 kHz or less.

Table 6.6.2.4.2-1: Span and number of measurement points for OBW measurements

| Bandwidth | BS channel bandwidth $BW_{Channel}$ (MHz) | | | | | Aggregated BS channel bandwidth $BW_{Channel_CA}$ (MHz) |
|--------------------------------------|--|-----|-----|-----|---|---|
| | 5 | 10 | 15 | 20 | > 20 | > 20 |
| Span (MHz) | 10 | 20 | 30 | 40 | $2 \times BW_{Channel}$ | $2 \times BW_{Channel_CA}$ |
| Minimum number of measurement points | 400 | 400 | 400 | 400 | $\left\lceil \frac{2 \times BW_{Channel}}{100kHz} \right\rceil$ | $\left\lceil \frac{2 \times BW_{Channel_CA}}{100kHz} \right\rceil$ |

NOTE: The detection mode of the spectrum analyzer will not have any effect on the result if the statistical properties of the out-of-OBW power are the same as those of the inside-OBW power. Both are expected to have the Rayleigh distribution of the amplitude of Gaussian noise. In any case where the statistics are not the same, though, the detection mode must be power responding. The analyser may be set to respond to the average of the power (root-mean-square of the voltage) across the measurement cell.

- 2) Compute the total of the power, P0, (in power units, not decibel units) of all the measurement cells in the measurement span. Compute P1, the power outside the occupied bandwidth on each side. P1 is half of the total power outside the bandwidth. P1 is half of (100 % - (occupied percentage)) of P0. For the occupied percentage of 99 %, P1 is 0.005 times P0.
- 3) Determine the lowest frequency, f1, for which the sum of all power in the measurement cells from the beginning of the span to f1 exceeds P1.
- 4) Determine the highest frequency, f2, for which the sum of all power in the measurement cells from f2 to the end of the span exceeds P1.
- 5) Compute the occupied bandwidth as f2 - f1.

In addition, for a multi-band capable BS, the following step shall apply:

- 6) For multi-band capable BS and single band tests, repeat the steps above per involved band where single carrier test models shall apply, with no carrier activated in the other band. In addition, when contiguous CA is supported, single band test configurations and test models shall apply with no carrier activated in the other band.

6.6.2.5 Test requirements

The occupied bandwidth for each carrier shall be less than the channel bandwidth as defined in TS 38.104 [2], table 5.3.5-1 for *BS type I-C* and *BS type I-H*. For contiguous CA, the occupied bandwidth shall be less than or equal to the *aggregated BS channel bandwidth* as defined in TS 38.104 [2], clause 5.3A.

6.6.3 Adjacent Channel Leakage Power Ratio (ACLR)

6.6.3.1 Definition and applicability

Adjacent Channel Leakage power Ratio (ACLR) is the ratio of the filtered mean power centred on the assigned channel frequency to the filtered mean power centred on an adjacent channel frequency.

The requirements shall apply outside the Base Station RF Bandwidth or Radio Bandwidth whatever the type of transmitter considered (single carrier or multi-carrier) and for all transmission modes foreseen by the manufacturer's specification.

The requirements shall also apply if the BS supports NB-IoT operation in NR in-band.

For a BS operating in non-contiguous spectrum, the ACLR requirement in clause 6.6.3.2 shall apply in *sub block gaps*, while the CACLR requirement in clause 6.6.3.2 shall apply in *sub block gaps*.

For a *multi-band connector*, the ACLR requirement in clause 6.6.3.2 shall apply in *Inter RF Bandwidth gaps*, while the CACLR requirement in clause 6.6.3.2 shall apply in *Inter RF Bandwidth gaps*.

The requirement applies during the *transmitter ON period*.

6.6.3.2 Minimum requirement

The minimum requirement applies per *single-band connector*, or per *multi-band connector* supporting transmission in the *operating band*.

The minimum requirement for *BS type I-C* is defined in TS 38.104 [2], clause 6.6.3.3.

The minimum requirement for *BS type I-H* is defined in TS 38.104 [2], clause 6.6.3.4.

6.6.3.3 Test purpose

To verify that the adjacent channel leakage power ratio requirement shall be met as specified by the minimum requirement.

6.6.3.4 Method of test

6.6.3.4.1 Initial conditions

Test environment: Normal; see annex B.2.

RF channels to be tested for single carrier: B, M and T; see clause 4.9.1.

Base Station RF Bandwidth positions to be tested for multi-carrier and/or CA:

- B_{RFBW} , M_{RFBW} and T_{RFBW} in single-band operation; see clause 4.9.1.
- $B'_{\text{RFBW}}T_{\text{RFBW}}$ and $B_{\text{RFBW}}T_{\text{RFBW}}$ in multi-band operation, see clause 4.9.1.

6.6.3.4.2 Procedure

For *BS type I-H* where there may be multiple *TAB connectors*, they may be tested one at a time or multiple *TAB connectors* may be tested in parallel as shown in annex D.1.1 for *BS type I-C* or in annex D.3.1 for *BS type I-H*. Whichever method is used the procedure is repeated until all *TAB connectors* necessary to demonstrate conformance have been tested.

- 1) Connect the *single-band connector* or *multi-band connector* under test to measurement equipment as shown in annex D.1.1 for *BS type I-C* and in annex D.3.1 for *BS type I-H*. All connectors not under test shall be terminated.

The measurement device characteristics shall be:

- Measurement filter bandwidth: defined in clause 6.6.3.5.
- Detection mode: true RMS voltage or true average power.

The emission power should be averaged over an appropriate time duration to ensure the measurement is within the measurement uncertainty in Table 4.1.2.2-1.

- 2) For a connectors declared to be capable of single carrier operation only (D.16), set the representative connectors under test to transmit according to the applicable test configuration in clause 4.8 using the corresponding test models NR-FR1-TM 1.1 in clause 4.9.2 at *rated carrier output power* $P_{\text{rated,c,AC}}$ for *BS type I-C* and $P_{\text{rated,c,TABC}}$ for *BS type I-H* (D.21).

For a connector under test declared to be capable of multi-carrier and/or CA operation (D.15-D.16) set the connector under test to transmit on all carriers configured using the applicable test configuration and corresponding power setting specified in clauses 4.7 and 4.8 using the corresponding test models or set of physical channels in clause 4.9.2.

For a BS declared to be capable of NB-IoT operation in NR in-band (D.41), test shall be performed using N-TM according to clause 4.9.2.2.9.

- 3) Measure ACLR for the frequency offsets both side of channel frequency as specified in table 6.6.3.5.2-1. In multiple carrier case only offset frequencies below the lowest and above the highest carrier frequency used shall be measured.
- 4) For the ACLR requirement applied inside sub-block gap for non-contiguous spectrum operation, or inside *Inter RF Bandwidth gap* for multi-band operation:
 - a) Measure ACLR inside sub-block gap or *Inter RF Bandwidth gap* as specified in clause 6.6.3.5.2, if applicable.
 - b) Measure CAACLR inside sub-block gap or *Inter RF Bandwidth gap* as specified in clause 6.6.3.5.2, if applicable.
- 5) Repeat the test with the channel set-up according to NR-FR1-TM 1.2 in clause 4.9.2.

In addition, for *multi-band connectors*, the following steps shall apply:

- 6) For a *multi-band connectors* and single band tests, repeat the steps above per involved *operating band* where single band test configurations and test models shall apply with no carrier activated in the other *operating band*.

6.6.3.5 Test requirements

6.6.3.5.1 General requirements

The ACLR requirements in clause 6.6.3.5.2 shall apply as described in clauses 6.6.3.5.3 or 6.6.3.5.4.

6.6.3.5.2 Limits and *basic limits*

The ACLR is defined with a square filter of bandwidth equal to the transmission bandwidth configuration of the transmitted signal (BW_{Config}) centred on the assigned channel frequency and a filter centred on the adjacent channel frequency according to the tables below.

For operation in paired and unpaired spectrum except for band n46, n96 and n102, the ACLR shall be higher than the value specified in table 6.6.3.5.2-1.

Table 6.6.3.5.2-1: Base station ACLR limit

| BS channel bandwidth of lowest/highest NR carrier transmitted BW_{Channel} (MHz) | BS adjacent channel centre frequency offset below the lowest or above the highest carrier centre frequency transmitted | Assumed adjacent channel carrier (informative) | Filter on the adjacent channel frequency and corresponding filter bandwidth | ACLR limit |
|---|---|---|--|--------------------------------|
| 5, 10, 15, 20 | BW _{Channel} | NR of same BW (Note 2) | Square (BW _{Config}) | 44.2 dB 37.2 dB (NOTE 4) |
| | 2 x BW _{Channel} | NR of same BW (Note 2) | Square (BW _{Config}) | 44.2 dB 37.2 dB (NOTE 4) |
| | BW _{Channel} / 2 + 2.5 MHz | 5 MHz E-UTRA | Square (4.5 MHz) | 44.2 dB (NOTE 3) |
| | BW _{Channel} / 2 + 7.5 MHz | 5 MHz E-UTRA | Square (4.5 MHz) | 44.2 dB (NOTE 3) |
| 25, 30, 35, 40, 45, 50, 60, 70, 80, 90, 100 | BW _{Channel} | NR of same BW (Note 2) | Square (BW _{Config}) | 43.8 dB 36.8 dB (NOTE 4) |
| | 2 x BW _{Channel} | NR of same BW (Note 2) | Square (BW _{Config}) | 43.8 dB 36.8 dB (NOTE 4) |
| | BW _{Channel} / 2 + 2.5 MHz | 5 MHz E-UTRA | Square (4.5 MHz) | 43.8 dB (NOTE 3) |
| | BW _{Channel} / 2 + 7.5 MHz | 5 MHz E-UTRA | Square (4.5 MHz) | 43.8 dB (NOTE 3) |
| Note 1: BW _{Channel} and BW _{Config} are the <i>BS channel bandwidth</i> and transmission bandwidth configuration of the lowest/highest NR carrier transmitted on the assigned channel frequency. Note 2: With SCS that provides largest transmission bandwidth configuration (BW _{Config}). Note 3: The requirements are applicable when the band is also defined for E-UTRA or UTRA. Note 4: For BS operating in band n104, ACLR requirement 37.2 or 36.8 dB applies. For BS operating in other bands, ACLR requirement 44.2 or 43.8 dB applies. | | | | |

For band n46, n96 and n102, the ACLR shall be higher than the value specified in Table 6.6.3.5.2-1a.

Table 6.6.3.5.2-1a: Base station ACLR limit for band n46, n96 and n102

| BS channel bandwidth of lowest/highest NR carrier transmitted BW_{Channel} (MHz) | BS adjacent channel centre frequency offset below the lowest or above the highest carrier centre frequency transmitted | Assumed adjacent channel carrier (informative) | Filter on the adjacent channel frequency and corresponding filter bandwidth | ACLR limit |
|---|---|---|--|-------------------|
| 10, 20, 40, 60, 80 | BW _{Channel} | NR of same BW (Note 2) | Square (BW _{Config}) | 35 dB |
| | 2 x BW _{Channel} | NR of same BW (Note 2) | Square (BW _{Config}) | 40 dB |
| Note 1: BW _{Channel} and BW _{Config} are the <i>BS channel bandwidth</i> and transmission bandwidth configuration of the lowest/highest NR carrier transmitted on the assigned channel frequency. Note 2: With SCS that provides largest transmission bandwidth configuration (BW _{Config}). | | | | |

The ACLR absolute *basic limit* is specified in table 6.6.3.5.2-2.

Table 6.6.3.5.2-2: Base station ACLR absolute *basic limit*

| BS category / BS class | ACLR absolute <i>basic limit</i> |
|-------------------------|----------------------------------|
| Category A Wide Area BS | -13 dBm/MHz |
| Category B Wide Area BS | -15 dBm/MHz |
| Medium Range BS | -25 dBm/MHz |
| Local Area BS | -32 dBm/MHz |

For operation in non-contiguous spectrum or multiple bands except for band n46, n96 and n102, the ACLR shall be higher than the value specified in table 6.6.3.5.2-3.

Table 6.6.3.5.2-3: Base Station ACLR limit in non-contiguous spectrum or multiple bands

| BS channel bandwidth of NR carrier transmitted adjacent to sub-block gap or inter RF Bandwidth gap BW_{Channel} (MHz) | Sub-block or Inter RF Bandwidth gap size (W_{gap}) where the limit applies (MHz) | BS adjacent channel centre frequency offset below or above the sub-block or Base Station RF Bandwidth edge (inside the gap) | Assumed adjacent channel carrier | Filter on the adjacent channel frequency and corresponding filter bandwidth | ACLR limit |
|---|---|---|----------------------------------|---|-----------------------------|
| 5, 10, 15, 20 | $W_{\text{gap}} \geq 15$ (Note 3) $W_{\text{gap}} \geq 45$ (Note 4) | 2.5 MHz | 5 MHz NR (Note 2) | Square (BW_{Config}) | 44.2 dB 37.2 dB (Note 5) |
| | $W_{\text{gap}} \geq 20$ (Note 3) $W_{\text{gap}} \geq 50$ (Note 4) | 7.5 MHz | 5 MHz NR (Note 2) | | |
| 25, 30, 35, 40, 45, 50, 60, 70, 80, 90, 100 | $W_{\text{gap}} \geq 60$ (Note 4) $W_{\text{gap}} \geq 30$ (Note 3) | 10 MHz | 20 MHz NR (Note 2) | Square (BW_{Config}) | 43.8 dB 36.8 dB (Note 5) |
| | $W_{\text{gap}} \geq 80$ (Note 4) $W_{\text{gap}} \geq 50$ (Note 3) | 30 MHz | 20 MHz NR (Note 2) | | |
| Note 1: BW_{Config} is the transmission bandwidth configuration of the assumed adjacent channel carrier. Note 2: With SCS that provides largest transmission bandwidth configuration (BW_{Config}). Note 3: Applicable in case the BS channel bandwidth of the NR carrier transmitted at the other edge of the gap is 5, 10, 15, 20 MHz. Note 4: Applicable in case the BS channel bandwidth of the NR carrier transmitted at the other edge of the gap is 25, 30, 35, 40, 45, 50, 60, 70, 80, 90, 100 MHz. Note 5: For BS operating in band n104, ACLR requirement 37.2 or 36.8 dB applies. For BS operating in other bands, ACLR requirement 44.2 or 43.8 dB applies. | | | | | |

For operation in non-contiguous spectrum for band n46, n96 and n102, the ACLR shall be higher than the value specified in Table 6.6.3.2-3a.

Table 6.6.3.5.2-3a: Base Station ACLR limit in non-contiguous spectrum for band n46, n96 and n102

| BS channel bandwidth of lowest/highest NR carrier transmitted BW_{Channel} (MHz) | Sub-block or Inter RF Bandwidth gap size (W_{gap}) where the limit applies (MHz) | BS adjacent channel centre frequency offset below or above the sub-block or Base Station RF Bandwidth edge (inside the gap) | Assumed adjacent channel carrier | Filter on the adjacent channel frequency and corresponding filter bandwidth | ACLR limit |
|--|---|---|----------------------------------|---|------------|
| 10, 20, 40, 60, 80 | $W_{\text{gap}} \geq 60$ | 10 MHz | 20 MHz NR (Note 2) | Square (BW_{Config}) | 35 dB |
| | $W_{\text{gap}} \geq 80$ | 30 MHz | 20 MHz NR (Note 2) | Square (BW_{Config}) | 40 dB |
| Note 1: BW_{Config} is the transmission bandwidth configuration of the assumed adjacent channel carrier. Note 2: With SCS that provides largest transmission bandwidth configuration (BW_{Config}). | | | | | |

The Cumulative Adjacent Channel Leakage power Ratio (CACLR) in a sub-block gap or the Inter RF Bandwidth gap is the ratio of:

- a) the sum of the filtered mean power centred on the assigned channel frequencies for the two carriers adjacent to each side of the sub-block gap or the Inter RF Bandwidth gap, and
- b) the filtered mean power centred on a frequency channel adjacent to one of the respective sub-block edges or Base Station RF Bandwidth edges.

The assumed filter for the adjacent channel frequency is defined in table 6.6.3.5.2-4 and the filters on the assigned channels are defined in table 6.6.3.5.2-6.

For operation in non-contiguous spectrum or multiple bands except for band n46, n96 and n102, the CACLR for NR carriers located on either side of the sub-block gap or the Inter RF Bandwidth gap shall be higher than the value specified in table 6.6.3.5.2-4.

Table 6.6.3.5.2-4: Base station CACLR limit

| BS channel bandwidth of NR carrier transmitted adjacent to sub-block gap or inter RF Bandwidth gap BW_{Channel} (MHz) | Sub-block or Inter RF Bandwidth gap size (W_{gap}) where the limit applies (MHz) | BS adjacent channel centre frequency offset below or above the sub-block or Base Station RF Bandwidth edge (inside the gap) | Assumed adjacent channel carrier | Filter on the adjacent channel frequency and corresponding filter bandwidth | CACLR limit |
|---|---|--|---|--|-----------------------------|
| 5, 10, 15, 20 | $5 \leq W_{\text{gap}} < 15$ (Note 3) $5 \leq W_{\text{gap}} < 45$ (Note 4) | 2.5 MHz | 5 MHz NR (Note 2) | Square (BW_{Config}) | 44.2 dB 37.2 dB (Note 5) |
| | $10 < W_{\text{gap}} < 20$ (Note 3) $10 \leq W_{\text{gap}} < 50$ (Note 4) | 7.5 MHz | 5 MHz NR (Note 2) | | |
| 25, 30, 35, 40, 45, 50, 60, 70, 80, 90, 100 | $20 \leq W_{\text{gap}} < 60$ (Note 4) $20 \leq W_{\text{gap}} < 30$ (Note 3) | 10 MHz | 20 MHz NR (Note 2) | Square (BW_{Config}) | 43.8 dB 36.8 dB (Note 5) |
| | $40 < W_{\text{gap}} < 80$ (Note 4) $40 \leq W_{\text{gap}} < 50$ (Note 3) | 30 MHz | 20 MHz NR (Note 2) | | |
| Note 1: BW_{Config} is the transmission bandwidth configuration of the assumed adjacent channel carrier. Note 2: With SCS that provides largest transmission bandwidth configuration (BW_{Config}). Note 3: Applicable in case the BS channel bandwidth of the NR carrier transmitted at the other edge of the gap is 5, 10, 15, 20 MHz. Note 4: Applicable in case the BS channel bandwidth of the NR carrier transmitted at the other edge of the gap is 25, 30, 35, 40, 45, 50, 60, 70, 80, 90, 100 MHz. Note 5: For BS operating in band n104, ACLR requirement 37.2 or 36.8 dB applies. For BS operating in other bands, ACLR requirement 44.2 or 43.8 dB applies. | | | | | |

For operation in non-contiguous spectrum for band n46, n96 and n102, the CACLR for NR carriers located on either side of the sub-block gap shall be higher than the value specified in Table 6.6.3.5.2-4a.

Table 6.6.3.5.2-4a: Base Station CACLR limit for band n46, n96 and n102

| BS channel bandwidth of lowest/highest NR carrier transmitted BW_{Channel} (MHz) | Sub-block or Inter RF Bandwidth gap size (W_{gap}) where the limit applies (MHz) | BS adjacent channel centre frequency offset below or above the sub-block or Base Station RF Bandwidth edge (inside the gap) | Assumed adjacent channel carrier | Filter on the adjacent channel frequency and corresponding filter bandwidth | CACLR limit |
|---|---|---|----------------------------------|---|-------------|
| 10, 20, 40, 60, 80 | $20 \leq W_{\text{gap}} < 60$ | 10 MHz | 20 MHz NR (Note 2) | Square (BW_{Config}) | 35 dB |
| | $40 < W_{\text{gap}} < 80$ | 30 MHz | 20 MHz NR (Note 2) | Square (BW_{Config}) | 40 dB |
| Note 1: BW_{Config} is the transmission bandwidth configuration of the assumed adjacent channel carrier. | | | | | |
| Note 2: With SCS that provides largest transmission bandwidth configuration (BW_{Config}). | | | | | |

The CACLR absolute *basic limit* is specified in table 6.6.3.5.2-5.

Table 6.6.3.5.2-5: Base station CACLR absolute *basic limit*

| BS category / BS class | CACLR absolute <i>basic limit</i> |
|-------------------------|-----------------------------------|
| Category A Wide Area BS | -13 dBm/MHz |
| Category B Wide Area BS | -15 dBm/MHz |
| Medium Range BS | -25 dBm/MHz |
| Local Area BS | -32 dBm/MHz |

Table 6.6.3.5.2-6: Filter parameters for the assigned channel

| RAT of the carrier adjacent to the sub-block or Inter RF Bandwidth gap | Filter on the assigned channel frequency and corresponding filter bandwidth |
|--|---|
| NR | NR of same BW with SCS that provides largest transmission bandwidth configuration |

6.6.3.5.3 BS type 1-C

The ACLR test requirements for *BS type 1-C* are given in table 6.6.3.5.2-1 or 6.6.3.5.2-3 applies per *antenna connector*. Conformance can be shown by meeting the ACLR limit in table 6.6.3.5.2-1 or 6.6.3.5.2-3, or the absolute *basic limits* in table 6.6.3.5.2-2, whichever is less stringent.

The CACLR test requirements for *BS type 1-C* are given in table 6.6.3.5.2-4 applies per *antenna connector*. Conformance can be shown by meeting the CACLR limit in table 6.6.3.5.2-4 or the absolute *basic limits* in table 6.6.3.5.2-5, whichever is less stringent.

For Band n41 and n90 operation in Japan, absolute ACLR limits shall be applied to the sum of the absolute ACLR power over all *antenna connectors* for *BS type 1-C*.

6.6.3.5.4 BS type 1-H

The ACLR absolute *basic limits* in table 6.6.3.5.2-2+ X (where $X = 10\log_{10}(N_{\text{TXU, counted per cell}})$) or the ACLR *limits* in table 6.6.3.5.2-1, or 6.6.3.5.2-3, whichever is less stringent, shall apply for each *TAB connector TX min cell group*.

The CACLR absolute *basic limits* in table 6.6.3.5.2-5 + X, (where $X = 10\log_{10}(N_{\text{TXU, counted per cell}})$) or the CACLR *limits* in table 6.6.3.5.2-4, whichever is less stringent, shall apply for each *TAB connector TX min cell group*.

Conformance to the *BS type 1-H* ACLR (CACLR) limit can be demonstrated by meeting at least one of the following criteria as determined by the manufacturer

- 1) The ratio of the sum of the filtered mean power measured on each *TAB connector* in the *TAB connector TX min cell group* at the assigned channel frequency to the sum of the filtered mean power measured on each *TAB connector* in the *TAB connector TX min cell group* at the adjacent

channel frequency shall be greater than or equal to the ACLR (CACLR) limit of the BS. This shall apply for each *TAB connector TX min cell group*.

Or

- 2) The ratio of the filtered mean power at the *TAB connector* centred on the assigned channel frequency to the filtered mean power at this *TAB connector* centred on the adjacent channel frequency shall be greater than or equal to the ACLR (CACLR) limit of the BS for every *TAB connector* in the *TAB connector TX min cell group*, for each *TAB connector TX min cell group*.

In case the ACLR (CACLR) absolute *basic limit* of *BS type 1-H* are applied, the conformance can be demonstrated by meeting at least one of the following criteria as determined by the manufacturer:

- 1) The sum of the filtered mean power measured on each *TAB connector* in the *TAB connector TX min cell group* at the adjacent channel frequency shall be less than or equal to the ACLR (CACLR) absolute *basic limit* + X (where $X = 10\log_{10}(N_{\text{TXU, counted per cell}})$) of the BS. This shall apply to each *TAB connector TX min cell group*.

Or

- 2) The filtered mean power at each *TAB connector* centred on the adjacent channel frequency shall be less than or equal to the ACLR (CACLR) absolute *basic limit* of the BS scaled by $X - 10\log_{10}(n)$ for every *TAB connector* in the *TAB connector TX min cell group*, for each *TAB connector TX min cell group*, where n is the number of *TAB connectors* in the *TAB connector TX min cell group*.

6.6.4 Operating band unwanted emissions

6.6.4.1 Definition and applicability

Unless otherwise stated, the operating band unwanted emission (OBUE) limits in FR1 are defined from Δf_{OBUE} below the lowest frequency of each supported downlink *operating band* up to Δf_{OBUE} above the highest frequency of each supported downlink *operating band*. The values of Δf_{OBUE} are defined in table 6.6.1-1 for the NR *operating bands*.

The requirements shall apply whatever the type of transmitter considered and for all transmission modes foreseen by the manufacturer's specification. In addition, for a BS operating in non-contiguous spectrum, the requirements apply inside any sub-block gap. In addition, for a BS operating in multiple bands, the requirements apply inside any Inter RF Bandwidth gap.

Basic limits are specified in the tables below, where:

- Δf is the separation between the channel edge frequency and the nominal -3 dB point of the measuring filter closest to the carrier frequency.
- f_{offset} is the separation between the channel edge frequency and the centre of the measuring filter.
- $f_{\text{offset}_{\text{max}}}$ is the offset to the frequency Δf_{OBUE} outside the downlink *operating band*, where Δf_{OBUE} is defined in table 6.6.1-1.
- Δf_{max} is equal to $f_{\text{offset}_{\text{max}}}$ minus half of the bandwidth of the measuring filter.

For a *multi-band connector* inside any *Inter RF Bandwidth gaps* with $W_{\text{gap}} < 2 * \Delta f_{\text{OBUE}}$, a combined *basic limit* shall be applied which is the cumulative sum of the *basic limits* specified at the *Base Station RF Bandwidth edges* on each side of the *Inter RF Bandwidth gap*. The *basic limit* for *Base Station RF Bandwidth edge* is specified in the clauses 6.6.4.5.2 to 6.6.4.5.5 below, where in this case:

- Δf is the separation between the *Base Station RF Bandwidth edge* frequency and the nominal -3 dB point of the measuring filter closest to the *Base Station RF Bandwidth edge*.
- f_{offset} is the separation between the *Base Station RF Bandwidth edge* frequency and the centre of the measuring filter.
- $f_{\text{offset}_{\text{max}}}$ is equal to the *Inter RF Bandwidth gap* minus half of the bandwidth of the measuring filter.
- Δf_{max} is equal to $f_{\text{offset}_{\text{max}}}$ minus half of the bandwidth of the measuring filter.

For a *multi-band connector*, the operating band unwanted emission *basic limits* apply also in a supported operating band without any carrier transmitted, in the case where there are carrier(s) transmitted in another supported operating band. In this case, no cumulative *basic limit* is applied in the *inter-band gap* between a supported downlink operating band with carrier(s) transmitted and a supported downlink operating band without any carrier transmitted and

- In case the *inter-band gap* between a supported downlink operating band with carrier(s) transmitted and a supported downlink operating band without any carrier transmitted is less than $2 \cdot \Delta f_{\text{OBUE}}$, $f_{\text{offset}_{\text{max}}}$ shall be the offset to the frequency Δf_{OBUE} MHz outside the outermost edges of the two supported downlink operating bands and the operating band unwanted emission *basic limit* of the band where there are carriers transmitted, as defined in the tables of the present clause, shall apply across both downlink bands.
- In other cases, the operating band unwanted emission *basic limits* of the band where there are carriers transmitted, as defined in the tables of the present clause for the largest frequency offset (Δf_{max}), shall apply from Δf_{OBUE} MHz below the lowest frequency, up to Δf_{OBUE} MHz above the highest frequency of the supported downlink operating band without any carrier transmitted.

For a multicarrier *single-band connector* or a *single-band connector* configured for intra-band contiguous or non-contiguous carrier aggregation the definitions above apply to the lower edge of the carrier transmitted at the lowest carrier frequency and the upper edge of the carrier transmitted at the highest carrier frequency within a specified frequency band.

In addition inside any sub-block gap for a *single-band connector* operating in non-contiguous spectrum, a combined *basic limit* shall be applied which is the cumulative sum of the *basic limits* specified for the adjacent sub blocks on each side of the sub block gap. The *basic limit* for each sub block is specified in the subclauses 6.6.4.5.2 to 6.6.4.5.5 below, where in this case:

- Δf is the separation between the sub block edge frequency and the nominal -3 dB point of the measuring filter closest to the sub block edge.
- f_{offset} is the separation between the sub block edge frequency and the centre of the measuring filter.
- $f_{\text{offset}_{\text{max}}}$ is equal to the sub block gap bandwidth minus half of the bandwidth of the measuring filter.
- Δf_{max} is equal to $f_{\text{offset}_{\text{max}}}$ minus half of the bandwidth of the measuring filter.

For Wide Area BS, the requirements of either clause 6.6.4.5.2 (Category A limits) or clause 6.6.4.5.3 (Category B limits) shall apply.

For Medium Range BS, the requirements in clause 6.6.4.5.4 shall apply (Category A and B).

For Local Area BS, the requirements of clause 6.6.4.5.5 shall apply (Category A and B).

The requirements shall also apply if the BS supports NB-IoT operation in NR in-band.

The application of either Category A or Category B *basic limits* shall be the same as for transmitter spurious emissions in clause 6.6.5.

6.6.4.2 Minimum requirement

The minimum requirement applies per *single-band connector*, or per *multi-band connector* supporting transmission in the *operating band*.

The minimum requirement for *BS type I-C* is defined in TS 38.104 [2], clause 6.6.4.3.

The minimum requirement for *BS type I-H* is defined in TS 38.104 [2], clause 6.6.4.4.

6.6.4.3 Test purpose

This test measures the emissions close to the assigned channel bandwidth of the wanted signal, while the transmitter is in operation.

6.6.4.4 Method of test

6.6.4.4.1 Initial conditions

Test environment: Normal; see annex B.2.

RF channels to be tested for single carrier: B, M and T; see clause 4.9.1.

Base Station RF Bandwidth positions to be tested for multi-carrier:

- B_{RFBW} , M_{RFBW} and T_{RFBW} in single-band operation; see clause 4.9.1.
- B'_{RFBW} , T'_{RFBW} and $B'_{\text{RFBW}}T_{\text{RFBW}}$ in multi-band operation, see clause 4.9.1.

6.6.4.4.2 Procedure

For *BS type 1-H* where there may be multiple *TAB connectors*, they may be tested one at a time or multiple *TAB connectors* may be tested in parallel as shown in annex D.3.1. Whichever method is used the procedure is repeated until all *TAB connectors* necessary to demonstrate conformance have been tested.

- 1) Connect the *single-band connector* or *multi-band connector* under test to measurement equipment as shown in annex D.1.1 for *BS type 1-C* or in annex D.3.1 for *BS type 1-H*. All connectors not under test shall be terminated.

As a general rule, the resolution bandwidth of the measuring equipment should be equal to the measurement bandwidth. However, to improve measurement accuracy, sensitivity, efficiency and avoiding e.g. carrier leakage, the resolution bandwidth may be smaller than the measurement bandwidth. When the resolution bandwidth is smaller than the measurement bandwidth, the result should be integrated over the measurement bandwidth in order to obtain the equivalent noise bandwidth of the measurement bandwidth.

The measurement device characteristics shall be:

- Detection mode: True RMS.

The emission power should be averaged over an appropriate time duration to ensure the measurement is within the measurement uncertainty in Table 4.1.2.2-1.

- 2) For a connectors declared to be capable of single carrier operation only, set the representative connectors under test to transmit according to the applicable test configuration in clause 4.8 at *rated carrier output power* $P_{\text{rated,c,AC}}$ for *BS type 1-C* and $P_{\text{rated,c,TABC}}$ for *BS type 1-H* (D.21). Channel set-up shall be according to NR-FR1-TM 1.1.

For a connector under test declared to be capable of multi-carrier and/or CA operation set the connector under test to transmit on all carriers configured using the applicable test configuration and corresponding power setting specified in clauses 4.7 and 4.8 using the corresponding test models or set of physical channels in clause 4.9.2.

For a BS declared to be capable of NB-IoT operation in NR in-band (D.41), test shall be performed using N-TM according to clause 4.9.2.2.9.

- 3) Step the centre frequency of the measurement filter in contiguous steps and measure the emission within the specified frequency ranges with the specified measurement bandwidth. For connector under test declared to operate in multiple bands or non-contiguous spectrum, the emission within the *Inter RF Bandwidth* or *sub-block gap* shall be measured using the specified measurement bandwidth from the closest RF Bandwidth or sub block edge.
- 4) Repeat the test for the remaining test cases, with the channel set-up according to NR-FR1-TM 1.2.

In addition, for *multi-band connectors*, the following steps shall apply:

- 5) For a *multi-band connectors* and single band tests, repeat the steps above per involved *operating band* where single band test configurations and test models shall apply with no carrier activated in the other *operating band*.

6.6.4.5 Test requirements

6.6.4.5.1 General requirements

6.6.4.5.2 Basic limits for Wide Area BS (Category A)

For BS operating in Bands n5, n8, n12, n13, n14, n18, n26, n28, n29, n71, n85, *basic limits* are specified in table 6.6.4.5.2-1.

Table 6.6.4.5.2-1: Wide Area BS operating band unwanted emission limits (NR bands below 1 GHz) for Category A

| Frequency offset of measurement filter -3dB point, Δf | Frequency offset of measurement filter centre frequency, f_{offset} | Basic limit (Note 1, 2) | Measurement bandwidth |
|--|---|--|-----------------------|
| $0 \text{ MHz} \leq \Delta f < 5 \text{ MHz}$ | $0.05 \text{ MHz} \leq f_{\text{offset}} < 5.05 \text{ MHz}$ | $-5.5 \text{ dBm} - \frac{7}{5} \cdot \left(\frac{f_{\text{offset}}}{\text{MHz}} - 0.05 \right) \text{ dB}$ | 100 kHz |
| $5 \text{ MHz} \leq \Delta f < \min(10 \text{ MHz}, \Delta f_{\text{max}})$ | $5.05 \text{ MHz} \leq f_{\text{offset}} < \min(10.05 \text{ MHz}, f_{\text{offset}_{\text{max}}})$ | -12.5 dBm | |
| $10 \text{ MHz} \leq \Delta f \leq \Delta f_{\text{max}}$ | $10.05 \text{ MHz} \leq f_{\text{offset}} < f_{\text{offset}_{\text{max}}}$ | -13 dBm (Note 3) | |
| NOTE 1: For a BS supporting non-contiguous spectrum operation within any <i>operating band</i> , the emission limits within sub-block gaps is calculated as a cumulative sum of contributions from adjacent sub blocks on each side of the sub block gap. Exception is $\Delta f \geq 10 \text{ MHz}$ from both adjacent sub blocks on each side of the sub-block gap, where the emission limits within sub-block gaps shall be -13 dBm/100 kHz. | | | |
| NOTE 2: For a <i>multi-band connector</i> with Inter RF Bandwidth gap $< 2 \cdot \Delta f_{\text{OBUe}}$ the emission limits within the Inter RF Bandwidth gaps is calculated as a cumulative sum of contributions from adjacent sub-blocks or RF Bandwidth on each side of the Inter RF Bandwidth gap. | | | |
| NOTE 3: The requirement is not applicable when $\Delta f_{\text{max}} < 10 \text{ MHz}$. | | | |

For BS operating in Bands n1, n2, n3, n7, n24, n25, n30, n34, n38, n39, n40, n41, n50, n65, n66, n70, n74, n75, n92, n94, *basic limits* are specified in table 6.6.4.5.2-2:

Table 6.6.4.5.2-2: Wide Area BS operating band unwanted emission limits (1GHz < NR bands ≤ 3GHz) for Category A

| Frequency offset of measurement filter -3dB point, Δf | Frequency offset of measurement filter centre frequency, f_{offset} | Basic limit (Note 1, 2) | Measurement bandwidth |
|--|---|--|-----------------------|
| $0 \text{ MHz} \leq \Delta f < 5 \text{ MHz}$ | $0.05 \text{ MHz} \leq f_{\text{offset}} < 5.05 \text{ MHz}$ | $-5.5 \text{ dBm} - \frac{7}{5} \cdot \left(\frac{f_{\text{offset}}}{\text{MHz}} - 0.05 \right) \text{ dB}$ | 100 kHz |
| $5 \text{ MHz} \leq \Delta f < \min(10 \text{ MHz}, \Delta f_{\text{max}})$ | $5.05 \text{ MHz} \leq f_{\text{offset}} < \min(10.05 \text{ MHz}, f_{\text{offset}_{\text{max}}})$ | -12.5 dBm | 100 kHz |
| $10 \text{ MHz} \leq \Delta f \leq \Delta f_{\text{max}}$ | $10.05 \text{ MHz} \leq f_{\text{offset}} < f_{\text{offset}_{\text{max}}}$ | -13 dBm (Note 3) | 1MHz |
| NOTE 1: For a BS supporting non-contiguous spectrum operation within any <i>operating band</i> , the emission limits within sub-block gaps is calculated as a cumulative sum of contributions from adjacent sub blocks on each side of the sub block gap, where the contribution from the far-end sub-block shall be scaled according to the measurement bandwidth of the near-end sub-block. Exception is $\Delta f \geq 10 \text{ MHz}$ from both adjacent sub blocks on each side of the sub-block gap, where the emission limits within sub-block gaps shall be -13 dBm/1 MHz. | | | |
| NOTE 2: For a <i>multi-band connector</i> with Inter RF Bandwidth gap $< 2 \cdot \Delta f_{\text{OBUe}}$ the emission limits within the Inter RF Bandwidth gaps is calculated as a cumulative sum of contributions from adjacent sub-blocks or RF Bandwidth on each side of the Inter RF Bandwidth gap, where the contribution from the far-end sub-block or RF Bandwidth shall be scaled according to the measurement bandwidth of the near-end sub-block or RF Bandwidth. | | | |
| NOTE 3: The requirement is not applicable when $\Delta f_{\text{max}} < 10 \text{ MHz}$. | | | |

For BS operating in Bands n48, n77, n78, n79, *basic limits* are specified in table 6.6.4.5.2-3:

Table 6.6.4.5.2-3: Wide Area BS *operating band* unwanted emission limits (NR bands >3GHz) for Category A

| Frequency offset of measurement filter -3dB point, Δf | Frequency offset of measurement filter centre frequency, f_{offset} | <i>Basic limit</i> (Note 1, 2) | Measurement bandwidth |
|--|---|--|-----------------------|
| $0 \text{ MHz} \leq \Delta f < 5 \text{ MHz}$ | $0.05 \text{ MHz} \leq f_{\text{offset}} < 5.05 \text{ MHz}$ | $-5.2 \text{ dBm} - \frac{7}{5} \cdot \left(\frac{f_{\text{offset}}}{\text{MHz}} - 0.05 \right) \text{ dB}$ | 100 kHz |
| $5 \text{ MHz} \leq \Delta f < \min(10 \text{ MHz}, \Delta f_{\text{max}})$ | $5.05 \text{ MHz} \leq f_{\text{offset}} < \min(10.05 \text{ MHz}, f_{\text{offset}_{\text{max}}})$ | -12.2 dBm | 100 kHz |
| $10 \text{ MHz} \leq \Delta f \leq \Delta f_{\text{max}}$ | $10.5 \text{ MHz} \leq f_{\text{offset}} < f_{\text{offset}_{\text{max}}}$ | -13 dBm (Note 3) | 1 MHz |
| <p>NOTE 1: For a BS supporting non-contiguous spectrum operation within any <i>operating band</i>, the emission limits within sub-block gaps is calculated as a cumulative sum of contributions from adjacent sub blocks on each side of the sub block gap, where the contribution from the far-end sub-block shall be scaled according to the measurement bandwidth of the near-end sub-block. Exception is $\Delta f \geq 10 \text{ MHz}$ from both adjacent sub blocks on each side of the sub-block gap, where the emission limits within sub-block gaps shall be -13 dBm/1 MHz.</p> <p>NOTE 2: For a <i>multi-band connector</i> with Inter RF Bandwidth gap $< 2 \cdot \Delta f_{\text{OBUe}}$ the emission limits within the Inter RF Bandwidth gaps is calculated as a cumulative sum of contributions from adjacent sub-blocks or RF Bandwidth on each side of the Inter RF Bandwidth gap, where the contribution from the far-end sub-block or RF Bandwidth shall be scaled according to the measurement bandwidth of the near-end sub-block or RF Bandwidth.</p> <p>NOTE 3: The requirement is not applicable when $\Delta f_{\text{max}} < 10 \text{ MHz}$.</p> | | | |

6.6.4.5.3 Basic limits for Wide Area BS (Category B)

For Category B *Operating band* unwanted emissions, there are two options for the *basic limits* that may be applied regionally. Either the *basic limits* in clause 6.6.4.5.3.1 or clause 6.6.4.5.3.2 shall be applied.

6.6.4.5.3.1 Category B requirements (Option 1)

For BS operating in Bands n5, n8, n12, n20, n26, n28, n29, n67, n71, n85, *basic limits* are specified in table 6.6.4.5.3.1-1:

Table 6.6.4.5.3.1-1: Wide Area BS *operating band* unwanted emission limits (NR bands below 1 GHz) for Category B

| Frequency offset of measurement filter -3dB point, Δf | Frequency offset of measurement filter centre frequency, f_{offset} | <i>Basic limit</i> (Note 1, 2) | Measurement bandwidth |
|--|---|--|-----------------------|
| $0 \text{ MHz} \leq \Delta f < 5 \text{ MHz}$ | $0.05 \text{ MHz} \leq f_{\text{offset}} < 5.05 \text{ MHz}$ | $-5.5 \text{ dBm} - \frac{7}{5} \cdot \left(\frac{f_{\text{offset}}}{\text{MHz}} - 0.05 \right) \text{ dB}$ | 100 kHz |
| $5 \text{ MHz} \leq \Delta f < \min(10 \text{ MHz}, \Delta f_{\text{max}})$ | $5.05 \text{ MHz} \leq f_{\text{offset}} < \min(10.05 \text{ MHz}, f_{\text{offset}_{\text{max}}})$ | -12.5 dBm | |
| $10 \text{ MHz} \leq \Delta f \leq \Delta f_{\text{max}}$ | $10.05 \text{ MHz} \leq f_{\text{offset}} < f_{\text{offset}_{\text{max}}}$ | -16 dBm (Note 3) | |
| <p>NOTE 1: For a BS supporting non-contiguous spectrum operation within any <i>operating band</i>, the emission limits within sub-block gaps is calculated as a cumulative sum of contributions from adjacent sub blocks on each side of the sub block gap. Exception is $\Delta f \geq 10 \text{ MHz}$ from both adjacent sub blocks on each side of the sub-block gap, where the emission limits within sub-block gaps shall be -16 dBm/100 kHz.</p> <p>NOTE 2: For a <i>multi-band connector</i> with Inter RF Bandwidth gap $< 2 \cdot \Delta f_{\text{OBUe}}$ the emission limits within the Inter RF Bandwidth gaps is calculated as a cumulative sum of contributions from adjacent sub-blocks or RF Bandwidth on each side of the Inter RF Bandwidth gap, where the contribution from the far-end sub-block or RF Bandwidth shall be scaled according to the measurement bandwidth of the near-end sub-block or RF Bandwidth.</p> <p>NOTE 3: The requirement is not applicable when $\Delta f_{\text{max}} < 10 \text{ MHz}$.</p> | | | |

For BS operating in Bands n1, n2, n3, n7, n25, n34, n38, n39, n40, n41, n50, n65, n66, n70, n75, n92, n94, *basic limits* are specified in tables 6.6.4.5.3.1-2:

Table 6.6.4.5.3.1-2: Wide Area BS operating band unwanted emission limits (1GHz < NR bands ≤ 3GHz) for Category B

| Frequency offset of measurement filter -3dB point, Δf | Frequency offset of measurement filter centre frequency, f_{offset} | Basic limit (Note 1, 2) | Measurement bandwidth |
|--|---|--|-----------------------|
| $0 \text{ MHz} \leq \Delta f < 5 \text{ MHz}$ | $0.05 \text{ MHz} \leq f_{\text{offset}} < 5.05 \text{ MHz}$ | $-5.5 \text{ dBm} - \frac{7}{5} \cdot \left(\frac{f_{\text{offset}}}{\text{MHz}} - 0.05 \right) \text{ dB}$ | 100 kHz |
| $5 \text{ MHz} \leq \Delta f < \min(10 \text{ MHz}, \Delta f_{\text{max}})$ | $5.05 \text{ MHz} \leq f_{\text{offset}} < \min(10.05 \text{ MHz}, f_{\text{offset}_{\text{max}}})$ | -12.5 dBm | 100 kHz |
| $10 \text{ MHz} \leq \Delta f \leq \Delta f_{\text{max}}$ | $10.5 \text{ MHz} \leq f_{\text{offset}} < f_{\text{offset}_{\text{max}}}$ | -15 dBm (Note 3) | 1MHz |
| <p>NOTE 1: For a BS supporting non-contiguous spectrum operation within any <i>operating band</i>, the emission limits within sub-block gaps is calculated as a cumulative sum of contributions from adjacent sub blocks on each side of the sub block gap, where the contribution from the far-end sub-block shall be scaled according to the measurement bandwidth of the near-end sub-block. Exception is $\Delta f \geq 10\text{MHz}$ from both adjacent sub blocks on each side of the sub-block gap, where the emission limits within sub-block gaps shall be -15 dBm/1 MHz.</p> <p>NOTE 2: For a <i>multi-band connector</i> with Inter RF Bandwidth gap < $2 \cdot \Delta f_{\text{OBUe}}$ the emission limits within the Inter RF Bandwidth gaps is calculated as a cumulative sum of contributions from adjacent sub-blocks or RF Bandwidth on each side of the Inter RF Bandwidth gap, where the contribution from the far-end sub-block or RF Bandwidth shall be scaled according to the measurement bandwidth of the near-end sub-block or RF Bandwidth.</p> <p>NOTE 3: The requirement is not applicable when $\Delta f_{\text{max}} < 10 \text{ MHz}$.</p> | | | |

For BS operating in Bands n48, n77, n78, n79, *basic limits* are specified in tables 6.6.4.5.3.1-3:

Table 6.6.4.5.3.1-3: Wide Area BS operating band unwanted emission limits (NR bands >3GHz) for Category B

| Frequency offset of measurement filter -3dB point, Δf | Frequency offset of measurement filter centre frequency, f_{offset} | Basic limit (Note 1, 2) | Measurement bandwidth |
|--|---|--|-----------------------|
| $0 \text{ MHz} \leq \Delta f < 5 \text{ MHz}$ | $0.05 \text{ MHz} \leq f_{\text{offset}} < 5.05 \text{ MHz}$ | $-5.2 \text{ dBm} - \frac{7}{5} \cdot \left(\frac{f_{\text{offset}}}{\text{MHz}} - 0.05 \right) \text{ dB}$ | 100 kHz |
| $5 \text{ MHz} \leq \Delta f < \min(10 \text{ MHz}, \Delta f_{\text{max}})$ | $5.05 \text{ MHz} \leq f_{\text{offset}} < \min(10.05 \text{ MHz}, f_{\text{offset}_{\text{max}}})$ | -12.2 dBm | 100 kHz |
| $10 \text{ MHz} \leq \Delta f \leq \Delta f_{\text{max}}$ | $10.5 \text{ MHz} \leq f_{\text{offset}} < f_{\text{offset}_{\text{max}}}$ | -15 dBm (Note 3) | 1MHz |
| <p>NOTE 1: For a BS supporting non-contiguous spectrum operation within any <i>operating band</i>, the emission limits within sub-block gaps is calculated as a cumulative sum of contributions from adjacent sub blocks on each side of the sub block gap, where the contribution from the far-end sub-block shall be scaled according to the measurement bandwidth of the near-end sub-block. Exception is $\Delta f \geq 10\text{MHz}$ from both adjacent sub blocks on each side of the sub-block gap, where the emission limits within sub-block gaps shall be -15 dBm/1 MHz.</p> <p>NOTE 2: For a <i>multi-band connector</i> with Inter RF Bandwidth gap < $2 \cdot \Delta f_{\text{OBUe}}$ the emission limits within the Inter RF Bandwidth gaps is calculated as a cumulative sum of contributions from adjacent sub-blocks or RF Bandwidth on each side of the Inter RF Bandwidth gap, where the contribution from the far-end sub-block or RF Bandwidth shall be scaled according to the measurement bandwidth of the near-end sub-block or RF Bandwidth.</p> <p>NOTE 3: The requirement is not applicable when $\Delta f_{\text{max}} < 10 \text{ MHz}$.</p> | | | |

For *BS type I-C* operating in Band n104, the limits are specified in table 6.6.4.5.3.1-4:

Table 6.6.4.5.3.1-4: Wide Area BS type 1-C operating band unwanted emission limits for band n104 for Category B

| Frequency offset of measurement filter -3dB point, Δf | Frequency offset of measurement filter centre frequency, f_{offset} | Basic limits | Measurement bandwidth |
|---|--|--|-----------------------|
| $0 \text{ MHz} \leq \Delta f < 20 \text{ MHz}$ | $0.05 \text{ MHz} \leq f_{\text{offset}} < 20.05 \text{ MHz}$ | $-5.2 \text{ dBm} - \frac{7}{20} \left(\frac{f_{\text{offset}}}{\text{MHz}} - 0.05 \right)$ | 100 kHz |
| $20 \text{ MHz} \leq \Delta f < \min(40 \text{ MHz}, \Delta f_{\text{max}})$ | $20.05 \text{ MHz} \leq f_{\text{offset}} < \min(40.05 \text{ MHz}, f_{\text{offset}_{\text{max}}})$ | -12.2 dBm | 100 kHz |
| $40 \text{ MHz} \leq \Delta f \leq \Delta f_{\text{max}}$ | $40.5 \text{ MHz} \leq f_{\text{offset}} < f_{\text{offset}_{\text{max}}}$ | -15 dBm (Note 3) | 1MHz |
| NOTE 1: For a BS supporting <i>non-contiguous spectrum</i> operation within any <i>operating band</i> the emission limits within <i>sub-block gaps</i> is calculated as a cumulative sum of contributions from adjacent <i>sub-blocks</i> on each side of the <i>sub-block gap</i> . Exception is $\Delta f \geq 40 \text{ MHz}$ from both adjacent <i>sub-blocks</i> on each side of the <i>sub-block gap</i> , where the emission limits within <i>sub-block gaps</i> shall be -15 dBm/1 MHz. | | | |
| NOTE 2: For a <i>multi-band connector</i> with <i>Inter RF Bandwidth gap</i> $< 2 * \Delta f_{\text{OBUe}}$ the emission limits within the <i>Inter RF Bandwidth gaps</i> is calculated as a cumulative sum of contributions from adjacent <i>sub-blocks</i> or RF Bandwidth on each side of the <i>Inter RF Bandwidth gap</i> . | | | |
| NOTE 3: The requirement is not applicable when $\Delta f_{\text{max}} < 40 \text{ MHz}$. | | | |

For BS type 1-H operating in Band n104, *basic limits* are specified in table 6.6.4.5.3.1-5:

Table 6.6.4.5.3.1-5: Wide Area BS type 1-H operating band unwanted emission limits for band n104 for Category B

| Frequency offset of measurement filter -3dB point, Δf | Frequency offset of measurement filter centre frequency, f_{offset} | Basic limits | Measurement bandwidth |
|--|---|--|-----------------------|
| $0 \text{ MHz} \leq \Delta f < 50 \text{ MHz}$ | $0.05 \text{ MHz} \leq f_{\text{offset}} < 50.05 \text{ MHz}$ | $-5.2 \text{ dBm} - \frac{7}{50} \left(\frac{f_{\text{offset}}}{\text{MHz}} - 0.05 \right)$ | 100 kHz |
| $50 \text{ MHz} \leq \Delta f < \min(100 \text{ MHz}, \Delta f_{\text{max}})$ | $50.05 \text{ MHz} \leq f_{\text{offset}} < \min(100.05 \text{ MHz}, f_{\text{offset}_{\text{max}}})$ | -12.2 dBm | 100 kHz |
| $100 \text{ MHz} \leq \Delta f \leq \Delta f_{\text{max}}$ | $100.5 \text{ MHz} \leq f_{\text{offset}} < f_{\text{offset}_{\text{max}}}$ | -15 dBm (Note 3) | 1MHz |
| NOTE 1: For a BS supporting <i>non-contiguous spectrum</i> operation within any <i>operating band</i> the emission limits within <i>sub-block gaps</i> is calculated as a cumulative sum of contributions from adjacent <i>sub-blocks</i> on each side of the <i>sub-block gap</i> . Exception is $\Delta f \geq 100 \text{ MHz}$ from both adjacent <i>sub-blocks</i> on each side of the <i>sub-block gap</i> , where the emission limits within <i>sub-block gaps</i> shall be -15 dBm/1 MHz. | | | |
| NOTE 2: For a <i>multi-band connector</i> with <i>Inter RF Bandwidth gap</i> $< 2 * \Delta f_{\text{OBUe}}$ the emission limits within the <i>Inter RF Bandwidth gaps</i> is calculated as a cumulative sum of contributions from adjacent <i>sub-blocks</i> or RF Bandwidth on each side of the <i>Inter RF Bandwidth gap</i> . | | | |
| NOTE 3: The requirement is not applicable when $\Delta f_{\text{max}} < 100 \text{ MHz}$. | | | |

6.6.4.5.3.2 Category B requirements (Option 2)

The limits in this clause are intended for Europe and may be applied regionally for BS operating in Bands n1, n3, n7, n8, n38, n65, n100 or n101.

For a BS operating in Bands n1, n3, n8, n65 or BS type 1-C operating in bands n7, n38, n100 or n101, *basic limits* are specified in table 6.6.4.5.3.2-1:

Table 6.6.4.5.3.2-1: Regional Wide Area BS operating band unwanted emission limits for Category B

| Frequency offset of measurement filter -3dB point, Δf | Frequency offset of measurement filter centre frequency, f_{offset} | Basic limit (Note 1, 2) | Measurement bandwidth |
|---|---|---|-----------------------|
| $0 \text{ MHz} \leq \Delta f < 0.2 \text{ MHz}$ | $0.015 \text{ MHz} \leq f_{\text{offset}} < 0.215 \text{ MHz}$ | -12.5dBm | 30 kHz |
| $0.2 \text{ MHz} \leq \Delta f < 1 \text{ MHz}$ | $0.215 \text{ MHz} \leq f_{\text{offset}} < 1.015 \text{ MHz}$ | $-12.5 \text{ dBm} - 15 \cdot \left(\frac{f_{\text{offset}}}{\text{MHz}} - 0.215 \right) \text{ dB}$ (Note 5) | 30 kHz |
| (Note 4) | $1.015 \text{ MHz} \leq f_{\text{offset}} < 1.5 \text{ MHz}$ | -24.5dBm (Note 5) | 30 kHz |
| $1 \text{ MHz} \leq \Delta f \leq \min(10 \text{ MHz}, \Delta f_{\text{max}})$ | $1.5 \text{ MHz} \leq f_{\text{offset}} < \min(10.5 \text{ MHz}, f_{\text{offset}_{\text{max}}})$ | -11.5dBm (Note 5) | 1 MHz |
| $10 \text{ MHz} \leq \Delta f \leq \Delta f_{\text{max}}$ | $10.5 \text{ MHz} \leq f_{\text{offset}} < f_{\text{offset}_{\text{max}}}$ | -15 dBm (Note 3) | 1 MHz |
| <p>NOTE 1: For a BS supporting non-contiguous spectrum operation within any operating band, the minimum requirement within sub-block gaps is calculated as a cumulative sum of contributions from adjacent sub blocks on each side of the sub block gap, where the contribution from the far-end sub-block shall be scaled according to the measurement bandwidth of the near-end sub-block. Exception is $\Delta f \geq 10\text{MHz}$ from both adjacent sub blocks on each side of the sub-block gap, where the minimum requirement within sub-block gaps shall be -15dBm/1MHz. For BS supporting multi-band operation, either this limit or -16dBm/100kHz (f_{offset} adjusted according to the measurement bandwidth), whichever is less stringent, shall apply at $\Delta f \geq 10\text{MHz}$ for operating bands <1GHz.</p> <p>NOTE 2: For a <i>multi-band connector</i> with Inter RF Bandwidth gap < $2 \cdot \Delta f_{\text{OBUe}}$ the minimum requirement within the Inter RF Bandwidth gaps is calculated as a cumulative sum of contributions from adjacent sub-blocks or RF Bandwidth on each side of the Inter RF Bandwidth gap, where the contribution from the far-end sub-block or RF Bandwidth shall be scaled according to the measurement bandwidth of the near-end sub-block or RF Bandwidth.</p> <p>NOTE 3: The requirement is not applicable when $\Delta f_{\text{max}} < 10 \text{ MHz}$.</p> <p>NOTE 4: This frequency range ensures that the range of values of f_{offset} is continuous.</p> <p>NOTE 5: For BS supporting multi-band operation, either this limit or -16dBm/100kHz (f_{offset} adjusted according to the measurement bandwidth), whichever is less stringent, shall apply for operating bands <1GHz.</p> | | | |

6.6.4.5.4 Basic limits for Medium Range BS (Category A and B)

For Medium Range BS in NR bands $\leq 3 \text{ GHz}$, *basic limits* are specified in table 6.6.4.5.4-1 and table 6.6.4.5.4-2, except for Band n104.

For Medium Range BS in NR bands $> 3 \text{ GHz}$, *basic limits* are specified in table 6.6.4.5.4-3 and table 6.6.4.5.4-4, except for Band n104.

For the tables in this clause for *BS type I-C* $P_{\text{rated},x} = P_{\text{rated},c,AC}$, and for *BS type I-H* $P_{\text{rated},x} = P_{\text{rated},c,cell} - 10 \cdot \log_{10}(N_{\text{TXU,countedpercell}})$, and for *BS type I-O* $P_{\text{rated},x} = P_{\text{rated},c,TRP} - 9 \text{ dB}$.

Table 6.6.4.5.4-1: Medium Range BS operating band unwanted emission limits, $31 < P_{\text{rated},x} \leq 38 \text{ dBm}$ (NR bands $\leq 3 \text{ GHz}$)

| Frequency offset of measurement filter -3dB point, Δf | Frequency offset of measurement filter centre frequency, f_{offset} | Basic limit (Note 1, 2) | Measurement bandwidth |
|--|---|--|-----------------------|
| $0 \text{ MHz} \leq \Delta f < 5 \text{ MHz}$ | $0.05 \text{ MHz} \leq f_{\text{offset}} < 5.05 \text{ MHz}$ | $P_{\text{rated},x} - 51.5 \text{ dB} - \frac{7}{5} \left(\frac{f_{\text{offset}}}{\text{MHz}} - 0.05 \right) \text{ dB}$ | 100 kHz |
| $5 \text{ MHz} \leq \Delta f < \min(10 \text{ MHz}, \Delta f_{\text{max}})$ | $5.05 \text{ MHz} \leq f_{\text{offset}} < \min(10.05 \text{ MHz}, f_{\text{offset}_{\text{max}}})$ | $P_{\text{rated},x} - 58.5 \text{ dB}$ | 100 kHz |
| $10 \text{ MHz} \leq \Delta f \leq \Delta f_{\text{max}}$ | $10.05 \text{ MHz} \leq f_{\text{offset}} < f_{\text{offset}_{\text{max}}}$ | $\text{Min}(P_{\text{rated},x} - 60 \text{ dB}, -25 \text{ dBm})$ (Note 3) | 100 kHz |
| <p>NOTE 1: For a BS supporting non-contiguous spectrum operation within any <i>operating band</i> the emission limits within sub-block gaps is calculated as a cumulative sum of contributions from adjacent sub blocks on each side of the sub block gap. Exception is $\Delta f \geq 10\text{MHz}$ from both adjacent sub blocks on each side of the sub-block gap, where the emission limits within sub-block gaps shall be $\text{Min}(P_{\text{rated},x} - 60 \text{ dB}, -25 \text{ dBm})/100\text{kHz}$.</p> <p>NOTE 2: For a <i>multi-band connector</i> with Inter RF Bandwidth gap < $2 \cdot \Delta f_{\text{OBUe}}$ the emission limits within the Inter RF Bandwidth gaps is calculated as a cumulative sum of contributions from adjacent sub-blocks or RF Bandwidth on each side of the Inter RF Bandwidth gap.</p> <p>NOTE 3: The requirement is not applicable when $\Delta f_{\text{max}} < 10 \text{ MHz}$.</p> | | | |

Table 6.6.4.5.4-2: Medium Range BS operating band unwanted emission limits, $P_{\text{rated},x} \leq 31$ dBm (NR bands ≤ 3 GHz)

| Frequency offset of measurement filter -3dB point, Δf | Frequency offset of measurement filter centre frequency, f_{offset} | Basic limit (Note 1, 2) | Measurement bandwidth |
|--|---|---|-----------------------|
| $0 \text{ MHz} \leq \Delta f < 5 \text{ MHz}$ | $0.05 \text{ MHz} \leq f_{\text{offset}} < 5.05 \text{ MHz}$ | $-20.5 \text{ dBm} - \frac{7}{5} \left(\frac{f_{\text{offset}}}{\text{MHz}} - 0.05 \right) \text{ dB}$ | 100 kHz |
| $5 \text{ MHz} \leq \Delta f < \min(10 \text{ MHz}, \Delta f_{\text{max}})$ | $5.05 \text{ MHz} \leq f_{\text{offset}} < \min(10.05 \text{ MHz}, f_{\text{offset}_{\text{max}}})$ | -27.5 dBm | 100 kHz |
| $10 \text{ MHz} \leq \Delta f \leq \Delta f_{\text{max}}$ | $10.05 \text{ MHz} \leq f_{\text{offset}} < f_{\text{offset}_{\text{max}}}$ | -29 dBm (Note 3) | 100 kHz |
| NOTE 1: For a BS supporting non-contiguous spectrum operation within any <i>operating band</i> the emission limits within sub-block gaps is calculated as a cumulative sum of contributions from adjacent sub blocks on each side of the sub block gap. Exception is $\Delta f \geq 10$ MHz from both adjacent sub blocks on each side of the sub-block gap, where the emission limits within sub-block gaps shall be -29dBm/100kHz. | | | |
| NOTE 2: For a <i>multi-band connector</i> with Inter RF Bandwidth gap $< 2^* \Delta f_{\text{OBUe}}$ the emission limits within the Inter RF Bandwidth gaps is calculated as a cumulative sum of contributions from adjacent sub-blocks or RF Bandwidth on each side of the Inter RF Bandwidth gap. | | | |
| NOTE 3: The requirement is not applicable when $\Delta f_{\text{max}} < 10$ MHz. | | | |

Table 6.6.4.5.4-3: Medium Range BS operating band unwanted emission limits, $31 < P_{\text{rated},x} \leq 38$ dBm (NR bands > 3 GHz)

| Frequency offset of measurement filter -3dB point, Δf | Frequency offset of measurement filter centre frequency, f_{offset} | Basic limit (Note 1, 2) | Measurement bandwidth |
|---|---|--|-----------------------|
| $0 \text{ MHz} \leq \Delta f < 5 \text{ MHz}$ | $0.05 \text{ MHz} \leq f_{\text{offset}} < 5.05 \text{ MHz}$ | $P_{\text{rated},x} - 51.2 \text{ dB} - \frac{7}{5} \left(\frac{f_{\text{offset}}}{\text{MHz}} - 0.05 \right) \text{ dB}$ | 100 kHz |
| $5 \text{ MHz} \leq \Delta f < \min(10 \text{ MHz}, \Delta f_{\text{max}})$ | $5.05 \text{ MHz} \leq f_{\text{offset}} < \min(10.05 \text{ MHz}, f_{\text{offset}_{\text{max}}})$ | $P_{\text{rated},x} - 58.2 \text{ dB}$ | 100 kHz |
| $10 \text{ MHz} \leq \Delta f \leq \Delta f_{\text{max}}$ | $10.05 \text{ MHz} \leq f_{\text{offset}} < f_{\text{offset}_{\text{max}}}$ | Min($P_{\text{rated},x} - 60 \text{ dB}$, -25 dBm) (Note 3) | 100 kHz |
| NOTE 1: For a BS supporting non-contiguous spectrum operation within any <i>operating band</i> the emission limits within sub-block gaps is calculated as a cumulative sum of contributions from adjacent sub blocks on each side of the sub block gap. Exception is $\Delta f \geq 10$ MHz from both adjacent sub blocks on each side of the sub-block gap, where the emission limits within sub-block gaps shall be Min($P_{\text{rated},x} - 60 \text{ dB}$, -25 dBm)/100kHz. | | | |
| NOTE 2: For a <i>multi-band connector</i> with Inter RF Bandwidth gap $< 2^* \Delta f_{\text{OBUe}}$ the emission limits within the Inter RF Bandwidth gaps is calculated as a cumulative sum of contributions from adjacent sub-blocks or RF Bandwidth on each side of the Inter RF Bandwidth gap. | | | |
| NOTE 3: The requirement is not applicable when $\Delta f_{\text{max}} < 10$ MHz. | | | |

Table 6.6.4.5.4-4: Medium Range BS operating band unwanted emission limits, $P_{\text{rated},x} \leq 31$ dBm (NR bands >3GHz)

| Frequency offset of measurement filter -3dB point, Δf | Frequency offset of measurement filter centre frequency, f_{offset} | Basic limit (Note 1, 2) | Measurement bandwidth |
|--|---|---|-----------------------|
| $0 \text{ MHz} \leq \Delta f < 5 \text{ MHz}$ | $0.05 \text{ MHz} \leq f_{\text{offset}} < 5.05 \text{ MHz}$ | $-20.2 \text{ dBm} - \frac{7}{5} \left(\frac{f_{\text{offset}}}{\text{MHz}} - 0.05 \right) \text{ dB}$ | 100 kHz |
| $5 \text{ MHz} \leq \Delta f < \min(10 \text{ MHz}, \Delta f_{\text{max}})$ | $5.05 \text{ MHz} \leq f_{\text{offset}} < \min(10.05 \text{ MHz}, f_{\text{offset}_{\text{max}}})$ | -27.2 dBm | 100 kHz |
| $10 \text{ MHz} \leq \Delta f \leq \Delta f_{\text{max}}$ | $10.05 \text{ MHz} \leq f_{\text{offset}} < f_{\text{offset}_{\text{max}}}$ | -29 dBm (Note 3) | 100 kHz |
| NOTE 1: For a BS supporting non-contiguous spectrum operation within any <i>operating band</i> the emission limits within sub-block gaps is calculated as a cumulative sum of contributions from adjacent sub blocks on each side of the sub block gap. Exception is $\Delta f \geq 10\text{MHz}$ from both adjacent sub blocks on each side of the sub-block gap, where the emission limits within sub-block gaps shall be -29dBm/100kHz. | | | |
| NOTE 2: For a <i>multi-band connector</i> with Inter RF Bandwidth gap $< 2 \cdot \Delta f_{\text{OBUe}}$ the emission limits within the Inter RF Bandwidth gaps is calculated as a cumulative sum of contributions from adjacent sub-blocks or RF Bandwidth on each side of the Inter RF Bandwidth gap. | | | |
| NOTE 3: The requirement is not applicable when $\Delta f_{\text{max}} < 10 \text{ MHz}$. | | | |

For BS type 1-C operating in Band n104, the limits are specified in Table 6.6.4.5.4-5 and Table 6.6.4.5.4-7.

Table 6.6.4.5.4-5: Medium Range BS type 1-C operating band unwanted emission limits for band n104, $31 < P_{\text{rated},x} \leq 38$ dBm

| Frequency offset of measurement filter -3dB point, Δf | Frequency offset of measurement filter centre frequency, f_{offset} | Basic limits | Measurement bandwidth |
|--|--|--|-----------------------|
| $0 \text{ MHz} \leq \Delta f < 20 \text{ MHz}$ | $0.05 \text{ MHz} \leq f_{\text{offset}} < 20.05 \text{ MHz}$ | $P_{\text{rated},x} - 51.2 \text{ dB} - \frac{7}{20} \left(\frac{f_{\text{offset}}}{\text{MHz}} - 0.05 \right)$ | 100 kHz |
| $20 \text{ MHz} \leq \Delta f < \min(40 \text{ MHz}, \Delta f_{\text{max}})$ | $20.05 \text{ MHz} \leq f_{\text{offset}} < \min(40.05 \text{ MHz}, f_{\text{offset}_{\text{max}}})$ | $P_{\text{rated},x} - 58.2 \text{ dB}$ | 100 kHz |
| $40 \text{ MHz} \leq \Delta f \leq \Delta f_{\text{max}}$ | $40.05 \text{ MHz} \leq f_{\text{offset}} < f_{\text{offset}_{\text{max}}}$ | $\text{Min}(P_{\text{rated},x} - 60 \text{ dB}, -25 \text{ dBm})$ (Note 3) | 100 kHz |
| NOTE 1: For a BS supporting <i>non-contiguous spectrum</i> operation within any <i>operating band</i> the emission limits within sub-block gaps is calculated as a cumulative sum of contributions from adjacent sub-blocks on each side of the sub-block gap. Exception is $\Delta f \geq 40\text{MHz}$ from both adjacent sub-blocks on each side of the sub-block gap, where the emission limits within sub-block gaps shall be $\text{Min}(P_{\text{rated},x} - 60 \text{ dB}, -25 \text{ dBm})/100\text{kHz}$. | | | |
| NOTE 2: For a <i>multi-band connector</i> with Inter RF Bandwidth gap $< 2 \cdot \Delta f_{\text{OBUe}}$ the emission limits within the Inter RF Bandwidth gaps is calculated as a cumulative sum of contributions from adjacent sub-blocks or RF Bandwidth on each side of the Inter RF Bandwidth gap. | | | |
| NOTE 3: The requirement is not applicable when $\Delta f_{\text{max}} < 40 \text{ MHz}$. | | | |

For BS type 1-H operating in Band n104, basic limits are specified in Table 6.6.4.5.4-6 and Table 6.6.4.5.4-8:

Table 6.6.4.5.4-6: Medium Range BS type 1-H operating band unwanted emission limits for band n104, $31 < P_{\text{rated},x} \leq 38$ dBm

| Frequency offset of measurement filter -3dB point, Δf | Frequency offset of measurement filter centre frequency, f_{offset} | Basic limits | Measurement bandwidth |
|---|---|--|-----------------------|
| $0 \text{ MHz} \leq \Delta f < 50 \text{ MHz}$ | $0.05 \text{ MHz} \leq f_{\text{offset}} < 50.05 \text{ MHz}$ | $P_{\text{rated},x} - 51.2 \text{ dB} - \frac{7}{50} \left(\frac{f_{\text{offset}}}{\text{MHz}} - 0.05 \right)$ | 100 kHz |
| $50 \text{ MHz} \leq \Delta f < \min(100 \text{ MHz}, \Delta f_{\text{max}})$ | $50.05 \text{ MHz} \leq f_{\text{offset}} < \min(100.05 \text{ MHz}, f_{\text{offset}_{\text{max}}})$ | $P_{\text{rated},x} - 58.2 \text{ dB}$ | 100 kHz |
| $100 \text{ MHz} \leq \Delta f \leq \Delta f_{\text{max}}$ | $100.05 \text{ MHz} \leq f_{\text{offset}} < f_{\text{offset}_{\text{max}}}$ | $\text{Min}(P_{\text{rated},x} - 60 \text{ dB}, -25 \text{ dBm})$ (Note 3) | 100 kHz |
| <p>NOTE 1: For a BS supporting <i>non-contiguous spectrum</i> operation within any <i>operating band</i> the emission limits within <i>sub-block gaps</i> is calculated as a cumulative sum of contributions from adjacent <i>sub-blocks</i> on each side of the <i>sub-block gap</i>. Exception is $\Delta f \geq 100 \text{ MHz}$ from both adjacent <i>sub-blocks</i> on each side of the <i>sub-block gap</i>, where the emission limits within <i>sub-block gaps</i> shall be $\text{Min}(P_{\text{rated},x} - 60 \text{ dB}, -25 \text{ dBm})/100 \text{ kHz}$.</p> <p>NOTE 2: For a <i>multi-band connector</i> with <i>Inter RF Bandwidth gap</i> $< 2 * \Delta f_{\text{OBUe}}$ the emission limits within the <i>Inter RF Bandwidth gaps</i> is calculated as a cumulative sum of contributions from adjacent <i>sub-blocks</i> or RF Bandwidth on each side of the <i>Inter RF Bandwidth gap</i>.</p> <p>NOTE 3: The requirement is not applicable when $\Delta f_{\text{max}} < 100 \text{ MHz}$.</p> | | | |

Table 6.6.4.5.4-7: Medium Range BS type 1-C operating band unwanted emission limits for band 104, $P_{\text{rated},x} \leq 31$ dBm

| Frequency offset of measurement filter -3dB point, Δf | Frequency offset of measurement filter centre frequency, f_{offset} | Basic limits | Measurement bandwidth |
|---|--|---|-----------------------|
| $0 \text{ MHz} \leq \Delta f < 20 \text{ MHz}$ | $0.05 \text{ MHz} \leq f_{\text{offset}} < 20.05 \text{ MHz}$ | $-20.2 \text{ dBm} - \frac{7}{20} \left(\frac{f_{\text{offset}}}{\text{MHz}} - 0.05 \right)$ | 100 kHz |
| $20 \text{ MHz} \leq \Delta f < \min(40 \text{ MHz}, \Delta f_{\text{max}})$ | $20.05 \text{ MHz} \leq f_{\text{offset}} < \min(40.05 \text{ MHz}, f_{\text{offset}_{\text{max}}})$ | -27.2 dBm | 100 kHz |
| $40 \text{ MHz} \leq \Delta f \leq \Delta f_{\text{max}}$ | $40.05 \text{ MHz} \leq f_{\text{offset}} < f_{\text{offset}_{\text{max}}}$ | -29 dBm (Note 3) | 100 kHz |
| <p>NOTE 1: For a BS supporting <i>non-contiguous spectrum</i> operation within any <i>operating band</i> the emission limits within <i>sub-block gaps</i> is calculated as a cumulative sum of contributions from adjacent <i>sub-blocks</i> on each side of the <i>sub-block gap</i>. Exception is $\Delta f \geq 40 \text{ MHz}$ from both adjacent <i>sub-blocks</i> on each side of the <i>sub-block gap</i>, where the emission limits within <i>sub-block gaps</i> shall be $-29 \text{ dBm}/100 \text{ kHz}$.</p> <p>NOTE 2: For a <i>multi-band connector</i> with <i>Inter RF Bandwidth gap</i> $< 2 * \Delta f_{\text{OBUe}}$ the emission limits within the <i>Inter RF Bandwidth gaps</i> is calculated as a cumulative sum of contributions from adjacent <i>sub-blocks</i> or RF Bandwidth on each side of the <i>Inter RF Bandwidth gap</i>.</p> <p>NOTE 3: The requirement is not applicable when $\Delta f_{\text{max}} < 40 \text{ MHz}$.</p> | | | |

Table 6.6.4.5.4-8: Medium Range BS type 1-H operating band unwanted emission limits for band 104, $P_{\text{rated},x} \leq 31$ dBm

| Frequency offset of measurement filter -3dB point, Δf | Frequency offset of measurement filter centre frequency, f_{offset} | Basic limits | Measurement bandwidth |
|---|---|---|-----------------------|
| $0 \text{ MHz} \leq \Delta f < 50 \text{ MHz}$ | $0.05 \text{ MHz} \leq f_{\text{offset}} < 50.05 \text{ MHz}$ | $-20.2 \text{ dBm} - \frac{7}{50} \left(\frac{f_{\text{offset}}}{\text{MHz}} - 0.05 \right)$ | 100 kHz |
| $50 \text{ MHz} \leq \Delta f < \min(100 \text{ MHz}, \Delta f_{\text{max}})$ | $50.05 \text{ MHz} \leq f_{\text{offset}} < \min(100.05 \text{ MHz}, f_{\text{offset}_{\text{max}}})$ | -27.2 dBm | 100 kHz |
| $100 \text{ MHz} \leq \Delta f \leq \Delta f_{\text{max}}$ | $100.5 \text{ MHz} \leq f_{\text{offset}} < f_{\text{offset}_{\text{max}}}$ | -29 dBm (Note 3) | 100 kHz |
| NOTE 1: For a BS supporting <i>non-contiguous spectrum</i> operation within any <i>operating band</i> the emission limits within <i>sub-block gaps</i> is calculated as a cumulative sum of contributions from adjacent <i>sub-blocks</i> on each side of the <i>sub-block gap</i> . Exception is $\Delta f \geq 100 \text{ MHz}$ from both adjacent <i>sub-blocks</i> on each side of the <i>sub-block gap</i> , where the emission limits within <i>sub-block gaps</i> shall be -29 dBm/100kHz. | | | |
| NOTE 2: For a <i>multi-band connector</i> with <i>Inter RF Bandwidth gap</i> $< 2 * \Delta f_{\text{OBUe}}$ the emission limits within the <i>Inter RF Bandwidth gaps</i> is calculated as a cumulative sum of contributions from adjacent <i>sub-blocks</i> or RF Bandwidth on each side of the <i>Inter RF Bandwidth gap</i> . | | | |
| NOTE 3: The requirement is not applicable when $\Delta f_{\text{max}} < 100 \text{ MHz}$. | | | |

6.6.4.5.5 Basic limits for Local Area BS (Category A and B)

For Local Area BS in NR bands $\leq 3 \text{ GHz}$, *basic limits* are specified in table 6.6.4.5.5-1 except for n46, n96, n102 and n104.

For Local Area BS in NR bands $> 3 \text{ GHz}$, *basic limits* are specified in table 6.6.4.5.5-2 except for n46, n96, n102 and n104.

Table 6.6.4.5.5-1: Local Area BS operating band unwanted emission limits (NR bands $\leq 3 \text{ GHz}$)

| Frequency offset of measurement filter -3dB point, Δf | Frequency offset of measurement filter centre frequency, f_{offset} | Basic limit (Note 1, 2) | Measurement bandwidth |
|--|---|---|-----------------------|
| $0 \text{ MHz} \leq \Delta f < 5 \text{ MHz}$ | $0.05 \text{ MHz} \leq f_{\text{offset}} < 5.05 \text{ MHz}$ | $-28.5 \text{ dBm} - \frac{7}{5} \left(\frac{f_{\text{offset}}}{\text{MHz}} - 0.05 \right) \text{ dB}$ | 100 kHz |
| $5 \text{ MHz} \leq \Delta f < \min(10 \text{ MHz}, \Delta f_{\text{max}})$ | $5.05 \text{ MHz} \leq f_{\text{offset}} < \min(10.05 \text{ MHz}, f_{\text{offset}_{\text{max}}})$ | -35.5 dBm | |
| $10 \text{ MHz} \leq \Delta f \leq \Delta f_{\text{max}}$ | $10.05 \text{ MHz} \leq f_{\text{offset}} < f_{\text{offset}_{\text{max}}}$ | -37 dBm (Note 3) | |
| NOTE 1: For a BS supporting non-contiguous spectrum operation within any <i>operating band</i> the emission limits within <i>sub-block gaps</i> is calculated as a cumulative sum of contributions from adjacent <i>sub blocks</i> on each side of the <i>sub block gap</i> . Exception is $\Delta f \geq 10 \text{ MHz}$ from both adjacent <i>sub blocks</i> on each side of the <i>sub-block gap</i> , where the emission limits within <i>sub-block gaps</i> shall be -37dBm/100kHz. | | | |
| NOTE 2: For a <i>multi-band connector</i> with <i>Inter RF Bandwidth gap</i> $< 2 * \Delta f_{\text{OBUe}}$ the emission limits within the <i>Inter RF Bandwidth gaps</i> is calculated as a cumulative sum of contributions from adjacent <i>sub-blocks</i> or RF Bandwidth on each side of the <i>Inter RF Bandwidth gap</i> . | | | |
| NOTE 3: The requirement is not applicable when $\Delta f_{\text{max}} < 10 \text{ MHz}$. | | | |

Table 6.6.4.5.5-2: Local Area BS operating band unwanted emission limits (NR bands >3GHz)

| Frequency offset of measurement filter -3dB point, Δf | Frequency offset of measurement filter centre frequency, f_{offset} | Basic limit (Note 1, 2) | Measurement bandwidth |
|--|---|---|-----------------------|
| $0 \text{ MHz} \leq \Delta f < 5 \text{ MHz}$ | $0.05 \text{ MHz} \leq f_{\text{offset}} < 5.05 \text{ MHz}$ | $-28.2 \text{ dBm} - \frac{7}{5} \left(\frac{f_{\text{offset}}}{\text{MHz}} - 0.05 \right) \text{ dB}$ | 100 kHz |
| $5 \text{ MHz} \leq \Delta f < \min(10 \text{ MHz}, \Delta f_{\text{max}})$ | $5.05 \text{ MHz} \leq f_{\text{offset}} < \min(10.05 \text{ MHz}, f_{\text{offset}_{\text{max}}})$ | -35.2 dBm | |
| $10 \text{ MHz} \leq \Delta f \leq \Delta f_{\text{max}}$ | $10.05 \text{ MHz} \leq f_{\text{offset}} < f_{\text{offset}_{\text{max}}}$ | -37 dBm (Note 3) | |
| NOTE 1: For a BS supporting non-contiguous spectrum operation within any <i>operating band</i> the emission limits within sub-block gaps is calculated as a cumulative sum of contributions from adjacent sub blocks on each side of the sub block gap. Exception is $\Delta f \geq 10 \text{ MHz}$ from both adjacent sub blocks on each side of the sub-block gap, where the emission limits within sub-block gaps shall be -37dBm/100kHz. | | | |
| NOTE 2: For a <i>multi-band connector</i> with Inter RF Bandwidth gap $< 2 * \Delta f_{\text{OBUe}}$ the emission limits within the Inter RF Bandwidth gaps is calculated as a cumulative sum of contributions from adjacent sub-blocks or RF Bandwidth on each side of the Inter RF Bandwidth gap | | | |
| NOTE 3: The requirement is not applicable when $\Delta f_{\text{max}} < 10 \text{ MHz}$. | | | |

For BS type I-C operating in Band n104, the limits are specified in Table 6.6.4.5.5-3.

Table 6.6.4.5.5-3: Local Area BS type 1-C operating band unwanted emission limits for band n104

| Frequency offset of measurement filter -3dB point, Δf | Frequency offset of measurement filter centre frequency, f_{offset} | Basic limits (Note 1, 2) | Measurement bandwidth |
|---|--|---|-----------------------|
| $0 \text{ MHz} \leq \Delta f < 20 \text{ MHz}$ | $0.05 \text{ MHz} \leq f_{\text{offset}} < 20.05 \text{ MHz}$ | $-28.2 \text{ dBm} - \frac{7}{20} \left(\frac{f_{\text{offset}}}{\text{MHz}} - 0.05 \right)$ | 100 kHz |
| $20 \text{ MHz} \leq \Delta f < \min(40 \text{ MHz}, \Delta f_{\text{max}})$ | $20.05 \text{ MHz} \leq f_{\text{offset}} < \min(40.05 \text{ MHz}, f_{\text{offset}_{\text{max}}})$ | -35.2 dBm | 100 kHz |
| $40 \text{ MHz} \leq \Delta f \leq \Delta f_{\text{max}}$ | $40.05 \text{ MHz} \leq f_{\text{offset}} < f_{\text{offset}_{\text{max}}}$ | -37 dBm (Note 3) | 100 kHz |
| NOTE 1: For a BS supporting <i>non-contiguous spectrum</i> operation within any <i>operating band</i> the emission limits within sub-block gaps is calculated as a cumulative sum of contributions from adjacent sub-blocks on each side of the sub-block gap. Exception is $\Delta f \geq 40 \text{ MHz}$ from both adjacent sub-blocks on each side of the sub-block gap, where the emission limits within sub-block gaps shall be -37dBm/100kHz. | | | |
| NOTE 2: For a <i>multi-band connector</i> with Inter RF Bandwidth gap $< 2 * \Delta f_{\text{OBUe}}$ the emission limits within the Inter RF Bandwidth gaps is calculated as a cumulative sum of contributions from adjacent sub-blocks or RF Bandwidth on each side of the Inter RF Bandwidth gap | | | |
| NOTE 3: The requirement is not applicable when $\Delta f_{\text{max}} < 40 \text{ MHz}$. | | | |

For BS type I-H operating in Band n104, basic limits are specified in Table 6.6.4.5.5-4:

Table 6.6.4.5-4: Local Area BS type 1-H operating band unwanted emission limits for band n104

| Frequency offset of measurement filter -3dB point, Δf | Frequency offset of measurement filter centre frequency, f_{offset} | Basic limits (Note 1, 2) | Measurement bandwidth |
|--|---|---|-----------------------|
| $0 \text{ MHz} \leq \Delta f < 50 \text{ MHz}$ | $0.05 \text{ MHz} \leq f_{\text{offset}} < 50.05 \text{ MHz}$ | $-28.2 \text{ dBm} - \frac{7}{50} \left(\frac{f_{\text{offset}}}{\text{MHz}} - 0.05 \right)$ | 100 kHz |
| $50 \text{ MHz} \leq \Delta f < \min(100 \text{ MHz}, \Delta f_{\text{max}})$ | $50.05 \text{ MHz} \leq f_{\text{offset}} < \min(100.05 \text{ MHz}, f_{\text{offset}_{\text{max}}})$ | -35.2 dBm | 100 kHz |
| $100 \text{ MHz} \leq \Delta f \leq \Delta f_{\text{max}}$ | $100.05 \text{ MHz} \leq f_{\text{offset}} < f_{\text{offset}_{\text{max}}}$ | -37 dBm (Note 3) | 100 kHz |
| NOTE 1: For a BS supporting <i>non-contiguous spectrum</i> operation within any <i>operating band</i> the emission limits within <i>sub-block gaps</i> is calculated as a cumulative sum of contributions from adjacent <i>sub-blocks</i> on each side of the <i>sub-block gap</i> . Exception is $\Delta f \geq 100 \text{ MHz}$ from both adjacent <i>sub-blocks</i> on each side of the <i>sub-block gap</i> , where the emission limits within <i>sub-block gaps</i> shall be -37dBm/100kHz. | | | |
| NOTE 2: For a <i>multi-band connector</i> with <i>Inter RF Bandwidth gap</i> $< 2 * \Delta f_{\text{OBUe}}$ the emission limits within the <i>Inter RF Bandwidth gaps</i> is calculated as a cumulative sum of contributions from adjacent <i>sub-blocks</i> or RF Bandwidth on each side of the <i>Inter RF Bandwidth gap</i> | | | |
| NOTE 3: The requirement is not applicable when $\Delta f_{\text{max}} < 100 \text{ MHz}$. | | | |

6.6.4.5.5A Basic limits for Local Area and Medium Range BS for band n46, n96 and n102 (Category A and B)

For Local Area and Medium Range BS operating in Band n46, basic limits for 10 MHz channel bandwidth are specified in table 6.6.4.5.5A-1. For Local Area and Medium Range BS operating in Band n46, n96 and Band n102, basic limits for 20 MHz, 40 MHz, 60 MHz and 80 MHz channel bandwidth are specified in table 6.6.4.5.5A-2. The nominal bandwidth $N = \text{BW}_{\text{Channel}}$ of the transmitted carrier. For one non-transmitted channel basic limits are specified in table 6.6.4.5.5A-3, and for two non-transmitted channels basic limits are specified in table 6.6.4.5.5A-4.

Table 6.6.4.5.5A-1: Medium Range BS and Local Area BS operating band unwanted emission limits for 10 MHz channel bandwidth for band n46

| Frequency offset of measurement filter -3dB point, Δf | Frequency offset of measurement filter centre frequency, f_{offset} | Basic limits (Note 1) | Measurement bandwidth |
|--|---|--|-----------------------|
| $0 \text{ MHz} \leq \Delta f < 0.5 \text{ MHz}$ | $0.05 \text{ MHz} \leq f_{\text{offset}} < 0.55 \text{ MHz}$ | $\text{Max}(P_{\text{rated},x} - 17.3 \text{ dB} - 20 \left(\frac{f_{\text{offset}}}{\text{MHz}} - 0.05 \right) \text{ dB}, -40 \text{ dBm})$ | 100 kHz |
| $0.5 \text{ MHz} \leq \Delta f < 5 \text{ MHz}$ | $0.55 \text{ MHz} \leq f_{\text{offset}} < \min(5.05 \text{ MHz}, f_{\text{offset}_{\text{max}}})$ | $\text{Max}(P_{\text{rated},x} - 27.3 \text{ dB} - \frac{16}{9} \left(\frac{f_{\text{offset}}}{\text{MHz}} - 0.55 \right) \text{ dB}, -40 \text{ dBm})$ | 100 kHz |
| $5 \text{ MHz} \leq \Delta f < \min(10 \text{ MHz}, \Delta f_{\text{max}})$ | $5.05 \text{ MHz} \leq f_{\text{offset}} < \min(10.05 \text{ MHz}, f_{\text{offset}_{\text{max}}})$ | $\text{Max}(P_{\text{rated},x} - 35.3 \text{ dB} - \frac{12}{5} \left(\frac{f_{\text{offset}}}{\text{MHz}} - 5.05 \right) \text{ dB}, -40 \text{ dBm})$ | 100 kHz |
| $10 \text{ MHz} \leq \Delta f < \min(85 \text{ MHz}, \Delta f_{\text{max}})$ | $10.05 \text{ MHz} \leq f_{\text{offset}} < \min(85.05 \text{ MHz}, f_{\text{offset}_{\text{max}}})$ | $\text{Max}(P_{\text{rated},x} - 57.3 \text{ dB}, -40 \text{ dBm})$ | 100 kHz |
| $85 \text{ MHz} \leq \Delta f < \min(103 \text{ MHz}, \Delta f_{\text{max}})$ | $85.05 \text{ MHz} \leq f_{\text{offset}} < \min(103.05 \text{ MHz}, f_{\text{offset}_{\text{max}}})$ | $\text{Max}(P_{\text{rated},x} - 59.3 \text{ dB}, -40 \text{ dBm})$ | 100 kHz |
| $103 \text{ MHz} \leq \Delta f \leq \Delta f_{\text{max}}$ | $103.05 \text{ MHz} \leq f_{\text{offset}} < f_{\text{offset}_{\text{max}}}$ | $\text{Max}(P_{\text{rated},x} - 64.3 \text{ dB}, -40 \text{ dBm})$ | 100 kHz |
| NOTE 1: For a BS supporting non-contiguous spectrum operation within any operating band, the minimum requirement within sub-block gaps is calculated as a cumulative sum of contributions from adjacent sub blocks on each side of the sub block gap. Exception is $\Delta f \geq 10 \text{ MHz}$ from both adjacent sub blocks on each side of the sub-block gap, where the minimum requirement within sub-block gaps shall be $\text{Max} \text{Max}(P_{\text{rated},x} - 57.3 \text{ dB}, -40 \text{ dBm})/100 \text{ kHz}$. | | | |

Table 6.6.4.5A-2: Medium Range BS and Local Area BS operating band unwanted emission limits for 20 MHz, 40 MHz, 60 MHz and 80 MHz channel bandwidth for band n46, n96 and n102

| Frequency offset of measurement filter -3dB point, Δf | Frequency offset of measurement filter centre frequency, f_{offset} | Basic limits (Note 1) | Measurement bandwidth |
|--|---|---|-----------------------|
| $0 \text{ MHz} \leq \Delta f < 1 \text{ MHz}$ | $0.05 \text{ MHz} \leq f_{\text{offset}} < 1.05 \text{ MHz}$ | $\text{Max}(P_{\text{rated},x} - 10 \log_{10} \left(\frac{BW_{\text{channel}}}{100 \text{ kHz}} \right) - 20 \left(\frac{f_{\text{offset}}}{\text{MHz}} - 0.05 \right) + 2.2 \text{ dB}, -40 \text{ dBm})$ | 100 kHz |
| $1 \text{ MHz} \leq \Delta f < \min(0.5N \text{ MHz}, \Delta f_{\text{max}})$ | $1.05 \text{ MHz} \leq f_{\text{offset}} < \min((0.5N+0.05) \text{ MHz}, f_{\text{offset}_{\text{max}}})$ | $\text{Max}(P_{\text{rated},x} - 10 \log_{10} \left(\frac{BW_{\text{channel}}}{100 \text{ kHz}} \right) - 17.8 - \frac{8}{0.5N - 1} \left(\frac{f_{\text{offset}}}{\text{MHz}} - 1.05 \right) \text{ dB}, -40 \text{ dBm})$ | 100 kHz |
| $0.5N \text{ MHz} \leq \Delta f < \min(N \text{ MHz}, \Delta f_{\text{max}})$ | $(0.5N+0.05) \text{ MHz} \leq f_{\text{offset}} < \min((N+0.05) \text{ MHz}, f_{\text{offset}_{\text{max}}})$ | $\text{Max}(P_{\text{rated},x} - 10 \log_{10} \left(\frac{BW_{\text{channel}}}{100 \text{ kHz}} \right) - 25.8 - \frac{12}{0.5N} \left(\frac{f_{\text{offset}}}{\text{MHz}} - 0.5N - 0.05 \right) \text{ dB}, -40 \text{ dBm})$ | 100 kHz |
| $0 \text{ MHz} \leq \Delta f < 1 \text{ MHz}$ | $0.05 \text{ MHz} \leq f_{\text{offset}} < 1.05 \text{ MHz}$ | $\text{Max}(P_{\text{rated},x} - 10 \log_{10} \left(\frac{BW_{\text{channel}}}{100 \text{ kHz}} \right) - 20 \left(\frac{f_{\text{offset}}}{\text{MHz}} - 0.05 \right) + 2.2 \text{ dB}, -40 \text{ dBm})$ | 100 kHz |
| $8.5N \text{ MHz} \leq \Delta f < \min(10.3N \text{ MHz}, \Delta f_{\text{max}})$ | $(8.5N+0.05) \text{ MHz} \leq f_{\text{offset}} < \min((10.3N+0.05) \text{ MHz}, f_{\text{offset}_{\text{max}}})$ | $\text{Max}(P_{\text{rated},x} - 10 \log_{10} \left(\frac{BW_{\text{channel}}}{100 \text{ kHz}} \right) - 39.8 \text{ dB}, -40 \text{ dBm})$ | 100 kHz |
| $10.3N \text{ MHz} \leq \Delta f \leq \Delta f_{\text{max}}$ | $(10.3N+0.05) \text{ MHz} \leq f_{\text{offset}} \leq f_{\text{offset}_{\text{max}}}$ | $\text{Max}(P_{\text{rated},x} - 10 \log_{10} \left(\frac{BW_{\text{channel}}}{100 \text{ kHz}} \right) - 44.8 \text{ dB}, -40 \text{ dBm})$ | 100 kHz |
| NOTE 1: For a BS supporting non-contiguous spectrum operation within any operating band, the minimum requirement within sub-block gaps is calculated as a cumulative sum of contributions from adjacent sub blocks on each side of the sub block gap. Exception is $\Delta f \geq N \text{ MHz}$ from both adjacent sub blocks on each side of the sub-block gap, where the minimum requirement within sub-block gaps shall be $\text{Max}(P_{\text{rated},x} - 10 \log_{10} \left(\frac{BW_{\text{channel}}}{100 \text{ kHz}} \right) - 37.8 \text{ dB}, -40 \text{ dBm})$. | | | |

In the case of one or two non-transmitted 20 MHz channels between transmitted channels, when a NR-U channel bandwidth of 60 MHz or 80 MHz have been assigned, the spectrum emission mask for non-transmitted channels specified in Table 6.6.4.5A-3 and Table 6.6.4.5A-4 applies for one and two non-transmitted channels respectively. The spectrum emission mask for non-transmitted channels apply to frequencies ($\Delta f_{\text{BE_offset}}$) starting from the edge of the last transmitted channel of the channels assigned for NR-U channel bandwidth. The relative power of any BS emission shall not exceed the most stringent levels given by Table 6.6.4.5A-2 and Table 6.6.4.5A-3 in the case of non-transmitted channels between transmitted channels.

Table 6.6.4.5.5A-3: Medium Range BS operating band unwanted emission limits for one non-transmitted channel for 60 MHz and 80MHz channel bandwidth for band n46, n96 and n102

| Frequency offset of measurement filter -3dB point, Δf_{BE_offset} | Frequency offset of measurement filter centre frequency, f_{BE_offset} | Basic limits | Measurement bandwidth |
|--|---|---|-----------------------|
| $0 \text{ MHz} \leq \Delta f_{BE_offset} < 1 \text{ MHz}$ | $0.05 \text{ MHz} \leq f_{BE_offset} < 1.05 \text{ MHz}$ | $P_{rated,x} - 10 \log_{10} \left(\frac{BW_{Channel}}{100k\text{Hz}} \right) - 20 \left(\frac{f_{BE_offset}}{\text{MHz}} - 0.05 \right) + 2.2 \text{ dB}$ | 100 kHz |
| $1 \text{ MHz} \leq \Delta f_{BE_offset} < 10 \text{ MHz}$ | $1.05 \text{ MHz} \leq f_{BE_offset} < 10.05 \text{ MHz}$ | $P_{rated,x} - 10 \log_{10} \left(\frac{BW_{Channel}}{100k\text{Hz}} \right) - 17.8 - \frac{1}{3} \left(\frac{f_{BE_offset}}{\text{MHz}} - 1.05 \right) \text{ dB}$ | 100 kHz |
| $10 \text{ MHz} \leq \Delta f_{BE_offset} < 19 \text{ MHz}$ | $10.05 \text{ MHz} \leq f_{BE_offset} < 19.05 \text{ MHz}$ | $P_{rated,x} - 10 \log_{10} \left(\frac{BW_{Channel}}{100k\text{Hz}} \right) - 20.8 + \frac{1}{3} \left(\frac{f_{BE_offset}}{\text{MHz}} - 10.05 \right) \text{ dB}$ | 100 kHz |
| $19 \text{ MHz} \leq \Delta f_{BE_offset} < 19.9 \text{ MHz}$ | $19.05 \text{ MHz} \leq f_{BE_offset} < 19.95 \text{ MHz}$ | $P_{rated,x} - 10 \log_{10} \left(\frac{BW_{Channel}}{100k\text{Hz}} \right) - 17.8 + 20 \left(\frac{f_{BE_offset}}{\text{MHz}} - 19.05 \right) \text{ dB}$ | 100 kHz |

Table 6.6.4.5.5A-4: Medium Range BS and Local Area BS operating band unwanted emission limits for two non-transmitted channels of 80 MHz channel bandwidth for band n46, n96 and n102

| Frequency offset of measurement filter -3dB point, Δf_{BE_offset} | Frequency offset of measurement filter centre frequency, f_{BE_offset} | Basic limits | Measurement bandwidth |
|--|---|---|-----------------------|
| $0 \text{ MHz} \leq \Delta f_{BE_offset} < 1 \text{ MHz}$ | $0.05 \text{ MHz} \leq f_{BE_offset} < 1.05 \text{ MHz}$ | $P_{rated,x} - 10 \log_{10} \left(\frac{BW_{Channel}}{100k\text{Hz}} \right) - 20 \left(\frac{f_{BE_offset}}{\text{MHz}} - 0.05 \right) + 2.2 \text{ dB}$ | 100 kHz |
| $1 \text{ MHz} \leq \Delta f_{BE_offset} < 10 \text{ MHz}$ | $1.05 \text{ MHz} \leq f_{BE_offset} < 10.05 \text{ MHz}$ | $P_{rated,x} - 10 \log_{10} \left(\frac{BW_{Channel}}{100k\text{Hz}} \right) - 17.8 - \frac{5}{9} \left(\frac{f_{BE_offset}}{\text{MHz}} - 1.05 \right) \text{ dB}$ | 100 kHz |
| $10 \text{ MHz} \leq \Delta f_{BE_offset} < 30 \text{ MHz}$ | $10.05 \text{ MHz} \leq f_{BE_offset} < 30.05 \text{ MHz}$ | $P_{rated,x} - 10 \log_{10} \left(\frac{BW_{Channel}}{100k\text{Hz}} \right) - 22.8$ | 100 kHz |
| $30 \text{ MHz} \leq \Delta f_{BE_offset} < 39 \text{ MHz}$ | $30.05 \text{ MHz} \leq f_{BE_offset} < 39.05 \text{ MHz}$ | $P_{rated,x} - 10 \log_{10} \left(\frac{BW_{Channel}}{100k\text{Hz}} \right) - 22.8 + \frac{5}{9} \left(\frac{f_{BE_offset}}{\text{MHz}} - 30.05 \right) \text{ dB}$ | 100 kHz |
| $39 \text{ MHz} \leq \Delta f_{BE_offset} < 39.9 \text{ MHz}$ | $39.05 \text{ MHz} \leq f_{BE_offset} < 39.95 \text{ MHz}$ | $P_{rated,x} - 10 \log_{10} \left(\frac{BW_{Channel}}{100k\text{Hz}} \right) - 17.8 + 20 \left(\frac{f_{BE_offset}}{\text{MHz}} - 39.05 \right) \text{ dB}$ | 100 kHz |

In the case of non-transmitted 20 MHz channel(s) on the edges of an assigned NR-U channel bandwidth the general spectrum emission mask specified in Table 6.6.4.5.5A-2 is applied to the remaining transmitted channels to form an additional spectrum emission mask. The additional spectrum emission mask is applied to the total bandwidth of the remaining transmitted channels.

The additional spectrum emission mask is floored at $P_{rated,x} - 10 \log_{10} \left(\frac{BW_{Channel}}{100k\text{Hz}} \right) - 25.8 \text{ dB}$.

The relative power of any BS emission shall not exceed the most stringent levels given by the initial general spectrum emission mask with full channel bandwidth and the additional spectrum emission mask with the channel bandwidth of the transmitted channels in the case of non-transmitted channels at the edge of an assigned NR-U channel bandwidth.

6.6.4.5.6 Basic limits for additional requirements

6.6.4.5.6.1 Limits in FCC Title 47

In addition to the requirements in clauses 6.6.4.5.2 to 6.6.4.5.5, the BS may have to comply with the applicable emission limits established by FCC Title 47 [13], when deployed in regions where those limits are applied, and under the conditions declared by the manufacturer.

6.6.4.5.6.2 Protection of DTT

In certain regions the following requirement may apply for protection of DTT. For *BS type I-C* or *BS type I-H* operating in Band n20, the level of emissions in the band 470-790 MHz, measured in an 8 MHz filter bandwidth on centre frequencies F_{filter} according to table 6.6.4.5.6.2-1, *basic limit* is $P_{\text{EM,N}}$ declared by the manufacturer. This requirement applies in the frequency range 470-790 MHz even though part of the range falls in the spurious domain.

Table 6.6.4.5.6.2-1: Declared emissions *basic limit* for protection of DTT

| Filter centre frequency, F_{filter} | Measurement bandwidth | Declared emission <i>basic limit</i> (dBm) |
|---|-----------------------|--|
| $F_{\text{filter}} = 8 \cdot N + 306$ (MHz); $21 \leq N \leq 60$ | 8 MHz | $P_{\text{EM,N}}$ |

Note: The regional requirement is defined in terms of EIRP (effective isotropic radiated power), which is dependent on both the BS emissions at the *antenna connector* and the deployment (including antenna gain and feeder loss). The requirement defined above provides the characteristics of the BS needed to verify compliance with the regional requirement. Compliance with the regional requirement can be determined using the method outlined in TS 36.104 [22], annex G.

6.6.4.5.6.3 Additional operating band unwanted emissions limits for Band n48

The following requirement may apply to BS operating in Band n48 in certain regions. Emissions shall not exceed the maximum levels specified in Table 6.6.4.5.6.3-1.

Table 6.6.4.5.6.3-1: Additional operating band unwanted emission limits for Band n48

| Channel bandwidth | Frequency offset of measurement filter -3dB point, Δf | Frequency offset of measurement filter centre frequency, f_{offset} | Minimum requirement | Measurement bandwidth (Note) |
|-------------------|---|--|---------------------|------------------------------|
| All | $0 \text{ MHz} \leq \Delta f < 10 \text{ MHz}$ | $0.5 \text{ MHz} \leq f_{\text{offset}} < 9.5 \text{ MHz}$ | -13 dBm | 1 MHz |

NOTE: The resolution bandwidth of the measuring equipment should be equal to the measurement bandwidth. However, to improve measurement accuracy, sensitivity and efficiency, the resolution bandwidth may be smaller than the measurement bandwidth. When the resolution bandwidth is smaller than the measurement bandwidth, the result should be integrated over the measurement bandwidth in order to obtain the equivalent noise bandwidth of the measurement bandwidth.

6.6.4.5.6.4 Additional operating band unwanted emissions limits for Band n53

The following requirement may apply to BS operating in Band n53 in certain regions. Emissions shall not exceed the maximum levels specified in table 6.6.4.5.6.4-1.

Table 6.6.4.5.6.4-1: Additional operating band unwanted emission limits for Band n53

| Channel bandwidth (MHz) | Frequency range (MHz) | Frequency offset of measurement filter -3dB point, Δf | Frequency offset of measurement filter centre frequency, f_{offset} | Minimum requirement | Measurement bandwidth (Note) |
|-------------------------|-----------------------|---|--|---------------------|------------------------------|
| 5 | 2400 - 2477.5 | $6 \text{ MHz} \leq \Delta f < 83.5 \text{ MHz}$ | $6.5 \text{ MHz} \leq f_{\text{offset}} < 83 \text{ MHz}$ | -25 dBm | 1 MHz |
| 10 | 2400 - 2473.5 | $10 \text{ MHz} \leq \Delta f < 83.5 \text{ MHz}$ | $10.5 \text{ MHz} \leq f_{\text{offset}} < 83 \text{ MHz}$ | -25 dBm | 1 MHz |
| 5 | 2477.5 - 2478.5 | $5 \text{ MHz} \leq \Delta f < 6 \text{ MHz}$ | 5.5 MHz | -13 dBm | 1 MHz |
| 10 | 2473.5 - 2478.5 | $5 \text{ MHz} \leq \Delta f < 10 \text{ MHz}$ | $5.5 \text{ MHz} \leq f_{\text{offset}} < 9.5 \text{ MHz}$ | -13 dBm | 1 MHz |
| All | 2478.5 - 2483.5 | $0 \text{ MHz} \leq \Delta f < 5 \text{ MHz}$ | $0.5 \text{ MHz} \leq f_{\text{offset}} < 4.5 \text{ MHz}$ | -10 dBm | 1 MHz |
| 5 | 2495 - 2501 | $0 \text{ MHz} \leq \Delta f < 6 \text{ MHz}$ | $0.5 \text{ MHz} \leq f_{\text{offset}} < 5.5 \text{ MHz}$ | -13 dBm | 1 MHz |
| 10 | 2495 - 2505 | $0 \text{ MHz} \leq \Delta f < 10 \text{ MHz}$ | $0.5 \text{ MHz} \leq f_{\text{offset}} < 9.5 \text{ MHz}$ | -13 dBm | 1 MHz |
| 5 | 2501 - 2690 | $6 \text{ MHz} \leq \Delta f < 195 \text{ MHz}$ | $6.5 \text{ MHz} \leq f_{\text{offset}} < 194.5 \text{ MHz}$ | -25 dBm | 1 MHz |
| 10 | 2505 - 2690 | $10 \text{ MHz} \leq \Delta f < 195 \text{ MHz}$ | $10.5 \text{ MHz} \leq f_{\text{offset}} < 194.5 \text{ MHz}$ | -25 dBm | 1 MHz |

NOTE: The resolution bandwidth of the measuring equipment should be equal to the *measurement bandwidth*. However, to improve measurement accuracy, sensitivity and efficiency, the resolution bandwidth may be smaller than the *measurement bandwidth*. When the resolution bandwidth is smaller than the *measurement bandwidth*, the result should be integrated over the *measurement bandwidth* in order to obtain the equivalent noise bandwidth of the *measurement bandwidth*.

6.6.4.5.6.5 Protection of GPS

In regions where FCC regulation applies, requirements for protection of GPS according to FCC Order DA 10-48 applies for operation in Band n24. The following normative requirement covers *BS type I-C* or *BS type I-H* operating in Band n24, to be used together with other information about the site installation to verify compliance with the requirement in FCC Order DA 10-48.

The level of emissions in the 1541 – 1650 MHz band, measured in measurement bandwidth according to Table 6.6.4.5.6.5-1 shall not exceed the *basic limits* $P_{EM_B24,a}$, $P_{EM_B24,b}$, $P_{EM_B24,c}$, $P_{EM_B24,d}$, $P_{EM_B24,e}$, and $P_{EM_B24,f}$ declared by the manufacturer.

Table 6.6.4.5.6.5-1: Declared emissions *basic limits* for protection of GPS

| Operating Band | Frequency range (MHz) | Declared emission level (dBW) (Measurement bandwidth = 1 MHz) | Declared emission <i>basic limit</i> (dBW) of discrete emissions of less than 700 Hz bandwidth (Measurement bandwidth = 1 kHz) | Declared emission <i>basic limit</i> (dBW) of discrete emissions of less than 2 kHz bandwidth (Measurement bandwidth = 1 kHz) |
|----------------|-----------------------|--|---|--|
| n24 | 1541 - 1559 | $P_{EM_B24,a}$ | | $P_{EM_B24,f}$ |
| | 1559 - 1610 | $P_{EM_B24,b}$ | $P_{EM_B24,d}$ | |
| | 1610 - 1650 | $P_{EM_B24,c}$ | $P_{EM_B24,e}$ | |

Note: The regional requirements in FCC Order DA 20-48 are defined in terms of EIRP (effective isotropic radiated power), which is dependent on both the BS emissions at the antenna connector and the deployment (including antenna gain and feeder loss). The EIRP level is calculated using: $P_{EIRP} = P_{EM} + G_{ant}$ where P_{EM} denotes the unwanted emission level at the antenna connector and G_{ant} equals the RDN and antenna array gain. The requirement defined above provides the characteristics of the base station needed to verify compliance with the regional requirement.

6.6.4.5.6.6 Additional operating band unwanted emissions limits for operation with shared spectrum channel access

In addition, for operation with shared spectrum channel access, the BS may have to comply with the applicable operating band unwanted emission limits established regionally, when deployed in regions where those limits apply and under the conditions declared by the manufacturer. The regional requirements may be in the form of conducted power, power spectral density, EIRP and other types of limits. In case of regulatory limits based on EIRP, assessment of the EIRP level is described in Annex F.2.

6.6.4.5.6.7 Additional operating band unwanted emissions limits for Band n100

In CEPT countries where ECC Decision (20)02 ([25]) applies, the emissions shall not exceed the maximum levels specified in table 6.6.4.5.6.7-1.

Table 6.6.4.5.6.7-1: Additional operating band unwanted emission limits for Band n100

| Frequency offset of measurement filter -3dB point, Δf | Frequency offset of measurement filter centre frequency, f_{offset} | Basic limits (Note) | Measurement bandwidth |
|---|--|---------------------|-----------------------|
| $0 \text{ MHz} \leq \Delta f < 0.2 \text{ MHz}$ | $0.1 \text{ MHz} \leq f_{\text{offset}} < 0.3 \text{ MHz}$ | 19.5 dBm | 200 kHz |
| $0.2 \text{ MHz} \leq \Delta f < 1 \text{ MHz}$ | $0.6 \text{ MHz} \leq f_{\text{offset}} < 1.4 \text{ MHz}$ | 1 dBm | 800 kHz |
| $1 \text{ MHz} \leq \Delta f \leq 10 \text{ MHz}$ | $1.5 \text{ MHz} \leq f_{\text{offset}} < 10.5$ | -8 dBm | 1 MHz |

NOTE: The basic limits are derived from ECC Decision(20)02 [25] assuming a 17 dBi maximum antenna gain and 4dB losses, and assuming one antenna connector.

6.6.4.5.7 BS type 1-C

The operating band unwanted emissions for *BS type 1-C* for each *antenna connector* shall be below the applicable *basic limits* defined in clauses 6.6.4.5.2 – 6.6.4.5.6.

For Band n41 and n90 operation in Japan, the operating band unwanted emissions limits shall be applied to the sum of the emission power over all *antenna connectors* for *BS type 1-C*.

6.6.4.5.8 BS type 1-H

The operating band unwanted emissions requirements for *BS type 1-H* are that for each *TAB connector TX min cell group* and each applicable *basic limit* in clauses 6.6.4.5.2 – 6.6.4.5.6, the power summation emissions at the *TAB connectors* of the *TAB connector TX min cell group* shall not exceed a BS limit specified as the *basic limit* + X, where $X = 10 \log_{10}(N_{\text{TXU, counted per cell}})$.

NOTE: Conformance to the *BS type 1-H* spurious emission requirement can be demonstrated by meeting at least one of the following criteria as determined by the manufacturer:

1) The sum of the emissions power measured on each *TAB connector* in the *TAB connector TX min cell group* shall be less than or equal to the limit as defined in this clause for the respective frequency span.

Or

2) The unwanted emissions power at each *TAB connector* shall be less than or equal to the *BS type 1-H* limit as defined in this clause for the respective frequency span, scaled by $-10 \log_{10}(n)$, where n is the number of *TAB connectors* in the *TAB connector TX min cell group*.

6.6.5 Transmitter spurious emissions

6.6.5.1 Definition and applicability

The transmitter spurious emission limits shall apply from 9 kHz to 12.75 GHz, excluding the frequency range from Δf_{OBUE} below the lowest frequency of each supported downlink *operating band*, up to Δf_{OBUE} above the highest frequency of each supported downlink *operating band*, where the Δf_{OBUE} is defined in table 6.6.1. For some *operating bands*, the upper limit is higher than 12.75 GHz in order to comply with the 5th harmonic limit of the downlink *operating band*, as specified in ITU-R recommendation SM.329 [5].

For a *multi-band connector*, each supported *operating band* together with Δf_{OBUE} around the band is excluded from the transmitter spurious emissions requirement.

The requirements shall apply whatever the type of transmitter considered (single carrier or multi-carrier). It applies for all transmission modes foreseen by the manufacturer's specification.

The requirements shall apply to BS that support NR or NR with NB-IoT operation in NR in-band.

Unless otherwise stated, all requirements are measured as mean power (RMS).

For operation in region 2, where the FCC guidance for MIMO systems in FCC Title 47 [13] is applicable, $N_{\text{TXU, countedpercell}}$ shall be equal to one for the purposes of calculating the spurious emissions limits in clauses 6.6.5. For all other unwanted emissions requirements, $N_{\text{TXU, countedpercell}}$ shall be the value calculated according to clause 6.1.

6.6.5.2 Minimum requirement

The minimum requirement applies per *single-band connector*, or per *multi-band connector* supporting transmission in the *operating band*.

The minimum requirement for *BS type I-C* is defined in TS 38.104 [2], clause 6.6.5.3.

The minimum requirement for *BS type I-H* is defined in TS 38.104 [2], clause 6.6.5.4.

6.6.5.3 Test purpose

This test measures conducted spurious emissions while the transmitter is in operation.

6.6.5.4 Method of test

6.6.5.4.1 Initial conditions

Test environment: Normal; see annex B.2.

RF channels to be tested for single carrier:

- B when testing the spurious emissions below $F_{\text{DL_low}} - \Delta f_{\text{OBUE}}$,
- T when testing the spurious emissions above $F_{\text{DL_high}} + \Delta f_{\text{OBUE}}$; see clause 4.9.1.

Base Station RF Bandwidth positions to be tested for multi-carrier and/or CA:

- B_{RFBW} when testing the spurious frequencies below $F_{\text{DL_low}} - \Delta f_{\text{OBUE}}$; T_{RFBW} when testing the spurious frequencies above $F_{\text{DL_high}} + \Delta f_{\text{OBUE}}$ in single-band operation; see clause 4.9.1.
- $B_{\text{RFBW}}T_{\text{RFBW}}$ when testing the spurious frequencies below $F_{\text{DL_low}} - \Delta f_{\text{OBUE}}$ of the lowest operating band; $B'_{\text{RFBW}}T_{\text{RFBW}}$ when testing the spurious frequencies above $F_{\text{DL_high}} + \Delta f_{\text{OBUE}}$ of the highest operating band in multi-band operation, see clause 4.9.1.

6.6.5.4.2 Procedure

For *BS type I-H* where there may be multiple *TAB connectors*, they may be tested one at a time or multiple *TAB connectors* may be tested in parallel as shown in annex D.3.1. Whichever method is used the procedure is repeated until all *TAB connectors* necessary to demonstrate conformance have been tested.

- 1) Connect the *single-band connector* or *multi-band connector* under test to measurement equipment as shown in annex D.1.1 for *BS type I-C* and in annex D.3.1 for *BS type I-H*. All connectors not under test shall be terminated.
- 2) Measurements shall use a measurement bandwidth in accordance to the conditions in clause 6.6.5.5.

The measurement device characteristics shall be:

- Detection mode: True RMS.

The emission power should be averaged over an appropriate time duration to ensure the measurement is within the measurement uncertainty in Table 4.1.2.2-1.

- 3) For a connectors declared to be capable of single carrier operation only (D.16), set the representative connectors under test to transmit according to the applicable test configuration in clause 4.8 at *rated carrier output power* ($P_{\text{rated,c,AC}}$, or $P_{\text{rated,c,TABC}}$, D.21). Channel set-up shall be according to NR-FR1-TM 1.1.

For a connector under test declared to be capable of multi-carrier and/or CA operation (D.15-D.16) set the connector under test to transmit on all carriers configured using the applicable test configuration and

corresponding power setting specified in clauses 4.7 and 4.8 using the corresponding test models or set of physical channels in clause 4.9.2.

For a BS declared to be capable of NB-IoT operation in NR in-band (D.41), test shall be performed using N-TM according to clause 4.9.2.2.9.

- 4) Measure the emission at the specified frequencies with specified measurement bandwidth.

In addition, for *multi-band connectors*, the following steps shall apply:

- 5) For a *multi-band connectors* and single band tests, repeat the steps above per involved *operating band* where single band test configurations and test models shall apply with no carrier activated in the other *operating band*.

6.6.5.5 Test requirements

6.6.5.5.1 Basic limits

6.6.5.5.1.1 Tx spurious emissions

The limits of either table 6.6.5.5.1.1-1 (Category A limits) or table 6.6.5.5.1.1-2 (Category B limits) shall apply. The application of either Category A or Category B limits shall be the same as for operating band unwanted emissions in clause 6.6.4, and as declared by the manufacturer (D.4).

Table 6.6.5.5.1.1-1: General BS transmitter spurious emission limits in FR1, Category A

| Spurious frequency range | Basic limit | Measurement bandwidth | Notes |
|---|-------------|-----------------------|------------------------|
| 9 kHz – 150 kHz | -13 dBm | 1 kHz | Note 1, Note 4 |
| 150 kHz – 30 MHz | | 10 kHz | Note 1, Note 4 |
| 30 MHz – 1 GHz | | 100 kHz | Note 1 |
| 1 GHz – 12.75 GHz | | 1 MHz | Note 1, Note 2 |
| 12.75 GHz – 5 th harmonic of the upper frequency edge of the DL <i>operating band</i> in GHz | | 1 MHz | Note 1, Note 2, Note 3 |
| 12.75 GHz - 26 GHz | -13 dBm | 1 MHz | Note 1, Note 2, Note 5 |
| NOTE 1: Measurement bandwidths as in ITU-R SM.329 [5], s4.1. | | | |
| NOTE 2: Upper frequency as in ITU-R SM.329 [5], s2.5 table 1. | | | |
| NOTE 3: Applies for Band for which the upper frequency edge of the DL <i>operating band</i> is greater than 2.55 GHz and less than or equal to 5.2 GHz. | | | |
| NOTE 4: This spurious frequency range applies only to <i>BS type 1-C</i> and <i>BS type 1-H</i> . | | | |
| NOTE 5: Applies for Band for which the upper frequency edge of the DL <i>operating band</i> is greater than 5.2 GHz. | | | |

Table 6.6.5.5.1.1-2: General BS transmitter spurious emission limits in FR1, Category B

| Spurious frequency range | Basic limit | Measurement bandwidth | Notes |
|---|-------------|-----------------------|------------------------|
| 9 kHz – 150 kHz | -36 dBm | 1 kHz | Note 1, Note 4 |
| 150 kHz – 30 MHz | | 10 kHz | Note 1, Note 4 |
| 30 MHz – 1 GHz | | 100 kHz | Note 1 |
| 1 GHz – 12.75 GHz | -30 dBm | 1 MHz | Note 1, Note 2 |
| 12.75 GHz – 5 th harmonic of the upper frequency edge of the DL <i>operating band</i> in GHz | -30 dBm | 1 MHz | Note 1, Note 2, Note 3 |
| 12.75 GHz - 26 GHz | | 1 MHz | Note 1, Note 2, Note 5 |
| NOTE 1: Measurement bandwidths as in ITU-R SM.329 [5], s4.1. | | | |
| NOTE 2: Upper frequency as in ITU-R SM.329 [5], s2.5 table 1. | | | |
| NOTE 3: Applies for Band for which the upper frequency edge of the DL <i>operating band</i> is greater than 2.55 GHz and less than or equal to 5.2 GHz. | | | |
| NOTE 4: This spurious frequency range applies only to <i>BS type 1-C</i> and <i>BS type 1-H</i> . | | | |
| NOTE 5: Applies for Band for which the upper frequency edge of the DL <i>operating band</i> is greater than 5.2 GHz. | | | |

6.6.5.5.1.2 Protection of the BS receiver of own or different BS

This requirement shall be applied for NR FDD operation in order to prevent the receivers of the BSs being desensitised by emissions from a BS transmitter. It is measured at the transmit *antenna connector* for *BS type 1-C* or at the *TAB connector* for *BS type 1-H* for any type of BS which has common or separate Tx/Rx *antenna connectors / TAB connectors*.

The *basic limits* are provided in table 6.6.5.5.1.2-1.

Table 6.6.5.5.1.2-1: BS spurious emissions *basic limits* for protection of the BS receiver

| BS class | Frequency range | Basic limit | Measurement bandwidth |
|---|--|-------------|-----------------------|
| Wide Area BS | F _{UL,low} – F _{UL,high} | -96 dBm | 100 kHz |
| Medium Range BS | | -91 dBm | |
| Local Area BS | | -88 dBm | |
| NOTE 1: For BS operating in band n104, the basic limit is increased by 1dB. | | | |

6.6.5.5.1.3 Additional spurious emissions requirements

These requirements may be applied for the protection of system operating in frequency ranges other than the BS downlink *operating band*. The limits may apply as an optional protection of such systems that are deployed in the same geographical area as the BS, or they may be set by local or regional regulation as a mandatory requirement for an NR *operating band*. It is in some cases not stated in the present document whether a requirement is mandatory or under what exact circumstances that a limit applies, since this is set by local or regional regulation. An overview of regional requirements in the present document is given in clause 4.4.

Some requirements may apply for the protection of specific equipment (UE, MS and/or BS) or equipment operating in specific systems (GSM, CDMA, UTRA, E-UTRA, NR, etc.) as listed below.

The power of any spurious emission shall not exceed the *basic limits* of table 6.6.5.5.1.3-1 for a BS where requirements for co-existence with the system listed in the first column apply. For a *multi-band connector*, the exclusions and conditions in the Note column of table 6.6.5.5.1.3-1 apply for each supported *operating band*.

Table 6.6.5.5.1.3-1: BS spurious emissions limits for BS for co-existence with systems operating in other frequency bands

| System type for NR to co-exist with | Frequency range for co-existence requirement | Basic limit | Measurement bandwidth | Note |
|---|--|-------------|-----------------------|--|
| GSM900 | 921 – 960 MHz | -57 dBm | 100 kHz | This requirement does not apply to BS operating in band n8 |
| | 876 – 915 MHz | -61 dBm | 100 kHz | For the frequency range 880-915 MHz, this requirement does not apply to BS operating in band n8, since it is already covered by the requirement in clause 6.6.5.5.1.2. |
| DCS1800 | 1805 – 1880 MHz | -47 dBm | 100 kHz | This requirement does not apply to BS operating in band n3. |
| | 1710 – 1785 MHz | -61 dBm | 100 kHz | This requirement does not apply to BS operating in band n3, since it is already covered by the requirement in clause 6.6.5.5.1.2. |
| PCS1900 | 1930 – 1990 MHz | -47 dBm | 100 kHz | This requirement does not apply to BS operating in band n2, n25 or band n70. |
| | 1850 – 1910 MHz | -61 dBm | 100 kHz | This requirement does not apply to BS operating in band n2 or n25 since it is already covered by the requirement in clause 6.6.5.5.1.2. |
| GSM850 or CDMA850 | 869 – 894 MHz | -57 dBm | 100 kHz | This requirement does not apply to BS operating in band n5 or n26. |
| | 824 – 849 MHz | -61 dBm | 100 kHz | This requirement does not apply to BS operating in band n5 or n26, since it is already covered by the requirement in clause 6.6.5.5.1.2. |
| UTRA FDD Band I or E-UTRA Band 1 or NR Band n1 | 2110 – 2170 MHz | -52 dBm | 1 MHz | This requirement does not apply to BS operating in band n1 or n65 |
| | 1920 – 1980 MHz | -49 dBm | 1 MHz | This requirement does not apply to BS operating in band n1 or n65, since it is already covered by the requirement in clause 6.6.5.5.1.2. |
| UTRA FDD Band II or E-UTRA Band 2 or NR Band n2 | 1930 – 1990 MHz | -52 dBm | 1 MHz | This requirement does not apply to BS operating in band n2 or n70. |
| | 1850 – 1910 MHz | -49 dBm | 1 MHz | This requirement does not apply to BS operating in band n2, since it is already covered by the requirement in clause 6.6.5.5.1.2. |
| UTRA FDD Band III or E-UTRA Band 3 or NR Band n3 | 1805 – 1880 MHz | -52 dBm | 1 MHz | This requirement does not apply to BS operating in band n3. |
| | 1710 – 1785 MHz | -49 dBm | 1 MHz | This requirement does not apply to BS operating in band n3, since it is already covered by the requirement in clause 6.6.5.5.1.2. |
| UTRA FDD Band IV or E-UTRA Band 4 | 2110 – 2155 MHz | -52 dBm | 1 MHz | This requirement does not apply to BS operating in band n66 |
| | 1710 – 1755 MHz | -49 dBm | 1 MHz | This requirement does not apply to BS operating in band n66, since it is already covered by the requirement in clause 6.6.5.5.1.2. |
| UTRA FDD Band V or E-UTRA Band 5 or NR Band n5 | 869 – 894 MHz | -52 dBm | 1 MHz | This requirement does not apply to BS operating in band n5 or n26. |
| | 824 – 849 MHz | -49 dBm | 1 MHz | This requirement does not apply to BS operating in band n5 or n26, since it is already covered by the requirement in clause 6.6.5.5.1.2. |
| UTRA FDD Band VI, XIX or E-UTRA Band 6, 18, 19 or NR Band n18 | 860 – 890 MHz | -52 dBm | 1 MHz | This requirement does not apply to BS operating in band n18. |
| | 815 – 830 MHz | -49 dBm | 1 MHz | This requirement does not apply to BS operating in band n18, since it is already covered by the requirement in clause 6.6.5.2.2. |
| | 830 – 845 MHz | -49 dBm | 1 MHz | |
| UTRA FDD Band VII or E-UTRA Band 7 or NR Band n7 | 2620 – 2690 MHz | -52 dBm | 1 MHz | This requirement does not apply to BS operating in band n7. |
| | 2500 – 2570 MHz | -49 dBm | 1 MHz | This requirement does not apply to BS operating in band n7, since it is already covered by the requirement in clause 6.6.5.5.1.2. |
| UTRA FDD Band VIII or E-UTRA Band 8 or NR Band n8 | 925 – 960 MHz | -52 dBm | 1 MHz | This requirement does not apply to BS operating in band n8 or n100. |
| | 880 – 915 MHz | -49 dBm | 1 MHz | This requirement does not apply to BS operating in band n8, since it is already covered by the requirement in clause 6.6.5.5.1.2. |

| | | | | |
|--|------------------------|---------|-------|--|
| UTRA FDD Band IX or E-UTRA Band 9 | 1844.9 – 1879.9 MHz | -52 dBm | 1 MHz | This requirement does not apply to BS operating in band n3. |
| | 1749.9 – 1784.9 MHz | -49 dBm | 1 MHz | This requirement does not apply to BS operating in band n3, since it is already covered by the requirement in clause 6.6.5.5.1.2. |
| UTRA FDD Band X or E-UTRA Band 10 | 2110 – 2170 MHz | -52 dBm | 1 MHz | This requirement does not apply to BS operating in band n66 |
| | 1710 – 1770 MHz | -49 dBm | 1 MHz | This requirement does not apply to BS operating in band n66, since it is already covered by the requirement in clause 6.6.5.5.1.2. |
| UTRA FDD Band XI or XXI or E-UTRA Band 11 or 21 | 1475.9 – 1510.9 MHz | -52 dBm | 1 MHz | This requirement does not apply to BS operating in Band n50, n74, n75, n92 or n94. |
| | 1427.9 – 1447.9 MHz | -49 dBm | 1 MHz | This requirement does not apply to BS operating in Band n50, n51, n74, n75, n76, n91, n92, n93 or n94. |
| | 1447.9 – 1462.9 MHz | -49 dBm | 1 MHz | This requirement does not apply to BS operating in Band n50, n74, n75, n92 or n94. |
| UTRA FDD Band XII or E-UTRA Band 12 or NR Band n12 | 729 – 746 MHz | -52 dBm | 1 MHz | This requirement does not apply to BS operating in band n12 or n85. |
| | 699 – 716 MHz | -49 dBm | 1 MHz | This requirement does not apply to BS operating in band n12 or n85, since it is already covered by the requirement in clause 6.6.5.5.1.2. For NR BS operating in n29, it applies 1 MHz below the Band n29 downlink operating band (Note 5). |
| UTRA FDD Band XIII or E-UTRA Band 13 or NR Band n13 | 746 – 756 MHz | -52 dBm | 1 MHz | This requirement does not apply to BS operating in band n13. |
| | 777 – 787 MHz | -49 dBm | 1 MHz | This requirement does not apply to BS operating in band n13, since it is already covered by the requirement in clause 6.6.5.5.1.2 |
| UTRA FDD Band XIV or E-UTRA Band 14 or NR Band n14 | 758 – 768 MHz | -52 dBm | 1 MHz | This requirement does not apply to BS operating in band n14. |
| | 788 – 798 MHz | -49 dBm | 1 MHz | This requirement does not apply to BS operating in band n14, since it is already covered by the requirement in clause 6.6.5.5.1.2 |
| E-UTRA Band 17 | 734 – 746 MHz | -52 dBm | 1 MHz | |
| | 704 – 716 MHz | -49 dBm | 1 MHz | For NR BS operating in n29, it applies 1 MHz below the Band n29 downlink operating band (Note 5). |
| UTRA FDD Band XX or E-UTRA Band 20 or NR Band n20 | 791 – 821 MHz | -52 dBm | 1 MHz | This requirement does not apply to BS operating in band n20 or n28. |
| | 832 – 862 MHz | -49 dBm | 1 MHz | This requirement does not apply to BS operating in band n20, since it is already covered by the requirement in clause 6.6.5.5.1.2. |
| UTRA FDD Band XXII or E-UTRA Band 22 | 3510 – 3590 MHz | -52 dBm | 1 MHz | This requirement does not apply to BS operating in band n48, n77 or n78. |
| | 3410 – 3490 MHz | -49 dBm | 1 MHz | This is not applicable to BS operating in Band n77 or n78. |
| E-UTRA Band 24 or NR Band n24 | 1525 – 1559 MHz | -52 dBm | 1 MHz | |
| | 1626.5 – 1660.5 MHz | -49 dBm | 1 MHz | |
| UTRA FDD Band XXV or E-UTRA Band 25 or NR band n25 | 1930 – 1995 MHz | -52 dBm | 1 MHz | This requirement does not apply to BS operating in band n2, n25 or n70. |
| | 1850 – 1915 MHz | -49 dBm | 1 MHz | This requirement does not apply to BS operating in band n25 since it is already covered by the requirement in clause 6.6.5.5.1.2. For BS operating in Band n2, it applies for 1910 MHz to 1915 MHz, while the rest is covered in clause 6.6.5.5.1.2. |

| | | | | |
|---|------------------|---------|-------|--|
| UTRA FDD Band XXVI or E-UTRA Band 26 or NR Band n26 | 859 – 894 MHz | -52 dBm | 1 MHz | This requirement does not apply to BS operating in band n5 or n26. |
| | 814 – 849 MHz | -49 dBm | 1 MHz | This requirement does not apply to BS operating in band n26 since it is already covered by the requirement in clause 6.6.5.5.1.2. For BS operating in Band n5, it applies for 814 MHz to 824 MHz, while the rest is covered in clause 6.6.5.5.1.2. |
| E-UTRA Band 27 | 852 – 869 MHz | -52 dBm | 1 MHz | This requirement does not apply to BS operating in Band n5. |
| | 807 – 824 MHz | -49 dBm | 1 MHz | This requirement also applies to BS operating in Band n28, starting 4 MHz above the Band n28 downlink <i>operating band</i> (Note 5). |
| E-UTRA Band 28 or NR Band n28 | 758 – 803 MHz | -52 dBm | 1 MHz | This requirement does not apply to BS operating in band n20, n67 or n28. |
| | 703 – 748 MHz | -49 dBm | 1 MHz | This requirement does not apply to BS operating in band n28, since it is already covered by the requirement in clause 6.6.5.5.1.2. For BS operating in band n67, it applies for 703 MHz to 736 MHz. |
| E-UTRA Band 29 or NR Band n29 | 717 – 728 MHz | -52 dBm | 1 MHz | This requirement does not apply to BS operating in Band n29 or n85. |
| E-UTRA Band 30 or NR Band n30 | 2350 – 2360 MHz | -52 dBm | 1 MHz | This requirement does not apply to BS operating in band n30. |
| | 2305 – 2315 MHz | -49 dBm | 1 MHz | This requirement does not apply to BS operating in band n30, since it is already covered by the requirement in clause 6.6.5.5.1.2. |
| E-UTRA Band 31 | 462.5 -467.5 MHz | -52 dBm | 1 MHz | |
| | 452.5 -457.5 MHz | -49 dBm | 1 MHz | |
| UTRA FDD band XXXII or E-UTRA band 32 | 1452 – 1496 MHz | -52 dBm | 1 MHz | This requirement does not apply to BS operating in Band n50, n74, n75, n92 or n94. |
| UTRA TDD Band a) or E-UTRA Band 33 | 1900 – 1920 MHz | -52 dBm | 1 MHz | |
| UTRA TDD Band a) or E-UTRA Band 34 or NR band n34 | 2010 – 2025 MHz | -52 dBm | 1 MHz | This requirement does not apply to BS operating in Band n34. |
| UTRA TDD Band b) or E-UTRA Band 35 | 1850 – 1910 MHz | -52 dBm | 1 MHz | |
| UTRA TDD Band b) or E-UTRA Band 36 | 1930 – 1990 MHz | -52 dBm | 1 MHz | This requirement does not apply to BS operating in Band n2 or n25. |
| UTRA TDD Band c) or E-UTRA Band 37 | 1910 – 1930 MHz | -52 dBm | 1 MHz | |
| UTRA TDD Band d) or E-UTRA Band 38 or NR Band n38 | 2570 – 2620 MHz | -52 dBm | 1 MHz | This requirement does not apply to BS operating in Band n38. |
| UTRA TDD Band f) or E-UTRA Band 39 or NR band n39 | 1880 – 1920MHz | -52 dBm | 1 MHz | This requirement does not apply to BS operating in Band n39. |

| | | | | |
|---|-------------------|---------|-------|--|
| UTRA TDD Band e) or E-UTRA Band 40 or NR Band n40 | 2300 – 2400MHz | -52 dBm | 1 MHz | This requirement does not apply to BS operating in Bands n30 or n40. |
| E-UTRA Band 41 or NR Band n41 | 2496 – 2690 MHz | -52 dBm | 1 MHz | This is not applicable to BS operating in Band n41 or n53. |
| E-UTRA Band 42 | 3400 – 3600 MHz | -52 dBm | 1 MHz | This is not applicable to BS operating in Band n48, n77 or n78. |
| E-UTRA Band 43 | 3600 – 3800 MHz | -52 dBm | 1 MHz | This is not applicable to BS operating in Band n48, n77 or n78. |
| E-UTRA Band 44 | 703 – 803 MHz | -52 dBm | 1 MHz | This is not applicable to BS operating in Band n28. |
| E-UTRA Band 45 | 1447 – 1467 MHz | -52 dBm | 1 MHz | |
| E-UTRA Band 46 or NR Band n46 | 5150 – 5925 MHz | -52 dBm | 1 MHz | This is not applicable to BS operating in Band n46, n96 or n102. |
| E-UTRA Band 47 | 5855 – 5925 MHz | -52 dBm | 1 MHz | |
| E-UTRA Band 48 or NR Band n48 | 3550 – 3700 MHz | -52 dBm | 1 MHz | This requirement does not apply to BS operating in Band n48, n77 and n78. |
| E-UTRA Band 50 or NR band n50 | 1432 – 1517 MHz | -52 dBm | 1 MHz | This requirement does not apply to BS operating in Band n50, n51, n74, n75, n76, n91, n92, n93 or n94. |
| E-UTRA Band 51 or NR Band n51 | 1427 – 1432 MHz | -52 dBm | 1 MHz | This requirement does not apply to BS operating in Band n50, n51, n75, n76, n91, n92, n93 or n94. |
| E-UTRA Band 53 or NR Band n53 | 2483.5 - 2495 MHz | -52 dBm | 1 MHz | This requirement does not apply to BS operating in Band n41, n53 or n90. |
| E-UTRA Band 65 or NR Band n65 | 2110 – 2200 MHz | -52 dBm | 1 MHz | This requirement does not apply to BS operating in Band n1 or n65 |
| | 1920 – 2010 MHz | -49 dBm | 1 MHz | For BS operating in Band n1, it applies for 1980 MHz to 2010 MHz, while the rest is covered in clause 6.6.5.5.1.2. This requirement does not apply to BS operating in band n65, since it is already covered by the requirement in clause 6.6.5.5.1.2. |
| E-UTRA Band 66 or NR Band n66 | 2110 – 2200 MHz | -52 dBm | 1 MHz | This requirement does not apply to BS operating in band n66. |
| | 1710 – 1780 MHz | -49 dBm | 1 MHz | This requirement does not apply to BS operating in band n66, since it is already covered by the requirement in clause 6.6.5.5.1.2. |
| E-UTRA Band 67 or NR Band n67 | 738 – 758 MHz | -52 dBm | 1 MHz | This requirement does not apply to BS operating in Band n28 or n67. |
| E-UTRA Band 68 | 753 -783 MHz | -52 dBm | 1 MHz | This requirement does not apply to BS operating in band n28. |
| | 698-728 MHz | -49 dBm | 1 MHz | For BS operating in Band n28, this requirement applies between 698 MHz and 703 MHz, while the rest is covered in clause 6.6.5.5.1.2. |
| E-UTRA Band 69 | 2570 – 2620 MHz | -52 dBm | 1 MHz | This requirement does not apply to BS operating in Band n38. |
| E-UTRA Band 70 or NR Band n70 | 1995 – 2020 MHz | -52 dBm | 1 MHz | This requirement does not apply to BS operating in band n2, n25 or n70 |
| | 1695 – 1710 MHz | -49 dBm | 1 MHz | This requirement does not apply to BS operating in band n70, since it is already covered by the requirement in clause 6.6.5.5.1.2. |
| E-UTRA Band 71 or NR Band n71 | 617 – 652 MHz | -52 dBm | 1 MHz | This requirement does not apply to BS operating in band n71 |

| | | | | |
|-------------------------------|-----------------|---------|-------|--|
| | 663 – 698 MHz | -49 dBm | 1 MHz | This requirement does not apply to BS operating in band n71, since it is already covered by the requirement in clause 6.6.5.5.1.2. |
| E-UTRA Band 72 | 461 – 466 MHz | -52 dBm | 1 MHz | |
| | 451 – 456 MHz | -49 dBm | 1 MHz | |
| E-UTRA Band 74 or NR Band n74 | 1475 – 1518 MHz | -52 dBm | 1 MHz | This requirement does not apply to BS operating in Band n50, n75, n75, n92 or n94. |
| | 1427 – 1470 MHz | -49 dBm | 1MHz | This requirement does not apply to BS operating in Band n50, n51, n74, n75, n76, n91, n92, n93 or n94. |
| E-UTRA Band 75 or NR Band n75 | 1432 – 1517 MHz | -52 dBm | 1 MHz | This requirement does not apply to BS operating in Band n50, n51, n74, n75, n76, n91, n92, n93 or n94. |
| E-UTRA Band 76 or NR Band n76 | 1427 – 1432 MHz | -52 dBm | 1 MHz | This requirement does not apply to BS operating in Band n50, n51, n75, n76, n91, n92, n93 or n94. |
| NR Band n77 | 3.3 – 4.2 GHz | -52 dBm | 1 MHz | This requirement does not apply to BS operating in Band n48, n77 or n78 |
| NR Band n78 | 3.3 – 3.8 GHz | -52 dBm | 1 MHz | This requirement does not apply to BS operating in Band n48, n77 or n78 |
| NR Band n79 | 4.4 – 5.0 GHz | -52 dBm | 1 MHz | This requirement does not apply to BS operating in Band n79 |
| NR Band n80 | 1710 – 1785 MHz | -49 dBm | 1 MHz | This requirement does not apply to BS operating in band n3, since it is already covered by the requirement in clause 6.6.5.5.1.2. |
| NR Band n81 | 880 – 915 MHz | -49 dBm | 1 MHz | This requirement does not apply to BS operating in band n8, since it is already covered by the requirement in clause 6.6.5.5.1.2. |
| NR Band n82 | 832 – 862 MHz | -49 dBm | 1 MHz | This requirement does not apply to BS operating in band n20, since it is already covered by the requirement in clause 6.6.5.5.1.2. |
| NR Band n83 | 703 – 748 MHz | -49 dBm | 1 MHz | This requirement does not apply to BS operating in band n28, since it is already covered by the requirement in clause 6.6.5.5.1.2. For BS operating in Band n67, it applies for 703 MHz to 736 MHz. |
| NR Band n84 | 1920 – 1980 MHz | -49 dBm | 1 MHz | This requirement does not apply to BS operating in band n1, since it is already covered by the requirement in clause 6.6.5.5.1.2. |
| E-UTRA Band 85 or NR Band n85 | 728 - 746 MHz | -52 dBm | 1 MHz | This requirement does not apply to BS operating in band n12 or n85. |
| | 698 - 716 MHz | -49 dBm | 1 MHz | This requirement does not apply to BS operating in band n12 or n85, since it is already covered by the requirement in clause 6.6.5.5.1.2. For NR BS operating in n29, it applies 1 MHz below the Band n29 downlink operating band (Note 5). |
| NR Band n86 | 1710 – 1780 MHz | -49 dBm | 1 MHz | This requirement does not apply to BS operating in band n66, since it is already covered by the requirement in clause 6.6.5.5.1.2. |
| NR Band n89 | 824 – 849 MHz | -49 dBm | 1 MHz | This requirement does not apply to BS operating in band n5, since it is already covered by the requirement in clause 6.6.5.5.1.2. |
| NR Band n91 | 1427 – 1432 MHz | -52 dBm | 1 MHz | This requirement does not apply to BS operating in Band n50, n51, n75 or n76. |
| | 832 – 862 MHz | -49 dBm | 1 MHz | This requirement does not apply to BS operating in band n20, since it is already covered by the requirement in clause 6.6.5.5.1.2. |
| NR Band n92 | 1432 – 1517 MHz | -52 dBm | 1 MHz | This requirement does not apply to BS operating in Band n50, n51, n74, n75 or n76. |
| | 832 – 862 MHz | -49 dBm | 1 MHz | This requirement does not apply to BS operating in band n20, since it is already covered by the requirement in clause 6.6.5.5.1.2. |
| NR Band n93 | 1427 – 1432 MHz | -52 dBm | 1 MHz | This requirement does not apply to BS operating in Band n50, n51, n75 or n76. |

| | | | | |
|-----------------|---------------------|---------|-------|---|
| | 880 – 915 MHz | -49 dBm | 1 MHz | This requirement does not apply to BS operating in band n8, since it is already covered by the requirement in clause 6.6.5.5.1.2. |
| NR Band n94 | 1432 – 1517 MHz | -52 dBm | 1 MHz | This requirement does not apply to BS operating in Band n50, n51, n74, n75 or n76. |
| | 880 – 915 MHz | -49 dBm | 1 MHz | This requirement does not apply to BS operating in band n8, since it is already covered by the requirement in clause 6.6.5.5.1.2. |
| NR Band n95 | 2010 – 2025 MHz | -52 dBm | 1 MHz | |
| NR Band n96 | 5925 – 7125 MHz | -52 dBm | 1 MHz | This requirement does not apply to BS operating in Band n46, n96, n102 or n104. |
| NR Band n97 | 2300 – 2400MHz | -52 dBm | 1 MHz | |
| NR Band n98 | 1880 – 1920MHz | -52 dBm | 1 MHz | |
| NR Band n99 | 1626.5 – 1660.5 MHz | -49 dBm | 1 MHz | This requirement does not apply to BS operating in band n24, since it is already covered by the requirement in clause 6.6.5.5.1.2. |
| NR Band n100 | 919.4 – 925 MHz | -52 dBm | 1 MHz | This requirement does not apply to E-UTRA BS operating in Band n8 or n100. |
| | 874.4 – 880 MHz | -49 dBm | 1 MHz | This requirement does not apply to BS operating in band n100, since it is already covered by the requirement in clause 6.6.5.5.1.2. |
| NR Band n101 | 1900 – 1910 MHz | -52 dBm | 1 MHz | This requirement does not apply to BS operating in Band n101. |
| NR Band n102 | 5925 – 6425 MHz | -52 dBm | 1 MHz | This requirement does not apply to BS operating in Band n46, n96, n102 or n104. |
| E-UTRA Band 103 | 757 – 758 MHz | -52 dBm | 1 MHz | |
| | 787 – 788 MHz | -49 dBm | 1 MHz | |
| NR Band n104 | 6425 – 7125 MHz | -52 dBm | 1 MHz | This requirement does not apply to BS operating in Band n96, n102 or n104 |

NOTE 1: As defined in the scope for spurious emissions in this clause, except for the cases where the noted requirements apply to a BS operating in Band n28, the co-existence requirements in table 6.6.5.5.1.3-1 do not apply for the Δf_{OBUE} frequency range immediately outside the downlink *operating band* (see TS 38.104 [2], table 5.2-1). Emission limits for this excluded frequency range may be covered by local or regional requirements.

NOTE 2: Table 6.6.5.5.1.3-1 assumes that two *operating bands*, where the frequency ranges in TS 38.104 [2], table 5.2-1 would be overlapping, are not deployed in the same geographical area. For such a case of operation with overlapping frequency arrangements in the same geographical area, special co-existence requirements may apply that are not covered by the 3GPP specifications.

NOTE 3: TDD base stations deployed in the same geographical area, that are synchronized and use the same or adjacent *operating bands* can transmit without additional co-existence requirements. For unsynchronized base stations, special co-existence requirements may apply that are not covered by the 3GPP specifications.

NOTE 4: For Band n28 BS, specific solutions may be required to fulfil the spurious emissions limits for BS for co-existence with E-UTRA Band 27 UL *operating band*.

NOTE 5: For NR Band n29 BS, specific solutions may be required to fulfil the spurious emissions limits for NR BS for co-existence with UTRA Band XII, E-UTRA Band 12 or NR Band n12 UL *operating band*, E-UTRA Band 17 UL *operating band* or E-UTRA Band 85 UL or NR Band n85 UL *operating band*.

The following requirement may be applied for the protection of PHS. This requirement is also applicable at specified frequencies falling between Δf_{OBUE} below the lowest BS transmitter frequency of the downlink *operating band* and Δf_{OBUE} above the highest BS transmitter frequency of the downlink *operating band*. Δf_{OBUE} is defined in clause 6.6.1.

The *basic limits* for this requirement is:

Table 6.6.5.5.1.3-2: BS spurious emissions *basic limits* for BS for co-existence with PHS

| Frequency range | Basic limit | Measurement bandwidth | Note |
|---------------------|-------------|-----------------------|---|
| 1884.5 – 1915.7 MHz | -41 dBm | 300 kHz | Applicable when co-existence with PHS system operating in 1884.5 - 1915.7 MHz |

Table 6.6.5.5.1.3-3: Void

In certain regions, the following requirement may apply to BS operating in Band n50 and n75 within 1432-1452 MHz, and in Band n51 and Band n76. The *basic limits* are specified in table 6.6.5.5.1.3-4. This requirement is also applicable at the frequency range from Δf_{OBUE} below the lowest frequency of the BS downlink *operating band* up to Δf_{OBUE} above the highest frequency of the BS downlink *operating band*.

Table 6.6.5.5.1.3-4: Additional operating band unwanted emission *basic limits* for BS operating in Band n50 and n75 within 1432-1452 MHz, and in Band 51 and 76

| Filter centre frequency, filter | Basic limit | Measurement bandwidth |
|----------------------------------|-------------|-----------------------|
| $F_{\text{filter}} = 1413.5$ MHz | -42 dBm | 27 MHz |

In certain regions, the following requirement may apply to BS operating in NR Band n50 within 1492-1517 MHz. The maximum level of emissions, measured on centre frequencies F_{filter} with filter bandwidth according to table 6.6.5.5.1.3-5, shall be defined according to the *basic limits* $P_{\text{EM},n50,a}$ and $P_{\text{EM},B50,b}$ declared by the manufacturer.

Table 6.6.5.5.1.3-5: Operating band n50, n74 and n75 declared emission above 1518 MHz

| Filter centre frequency, F_{filter} | Declared emission <i>basic limit</i> (dBm) | Measurement bandwidth |
|---|--|-----------------------|
| $1518.5 \text{ MHz} \leq F_{\text{filter}} \leq 1519.5 \text{ MHz}$ | $P_{\text{EM},n50,a}$ | 1 MHz |
| $1520.5 \text{ MHz} \leq F_{\text{filter}} \leq 1558.5 \text{ MHz}$ | $P_{\text{EM},n50,b}$ | 1 MHz |

NOTE: The regional requirement, included in ECC/DEC/(17)06 [14], is defined in terms of EIRP, which is dependent on both the BS emissions at the antenna connector and the deployment (including antenna gain and feeder loss). The requirement defined above provides the characteristics of the base station needed to verify compliance with the regional requirement. The assessment of the EIRP level is described in TS 38.104 [2] annex E.

In certain regions, the following requirement shall be applied to BS operating in Band n13 and n14 to ensure that appropriate interference protection is provided to 700 MHz public safety operations. This requirement is also applicable at the frequency range from 10 MHz below the lowest frequency of the BS downlink operating band up to 10 MHz above the highest frequency of the BS downlink operating band.

The power of any spurious emission shall not exceed:

Table 6.6.5.5.1.3-6: BS Spurious emissions limits for protection of 700 MHz public safety operations

| Operating Band | Frequency range | Maximum Level | Measurement Bandwidth |
|----------------|-----------------|---------------|-----------------------|
| n13 | 763 - 775 MHz | -46 dBm | 6.25 kHz |
| n13 | 793 - 805 MHz | -46 dBm | 6.25 kHz |
| n14 | 769 – 775 MHz | -46 dBm | 6.25 kHz |
| n14 | 799 – 805 MHz | -46 dBm | 6.25 kHz |

The following requirement may apply to NR BS operating in Band n30 in certain regions. This requirement is also applicable at the frequency range from 10 MHz below the lowest frequency of the BS downlink operating band up to 10 MHz above the highest frequency of the BS downlink operating band.

The power of any spurious emission shall not exceed:

Table 6.6.5.5.1.3-7: Additional NR BS Spurious emissions limits for Band n30

| Frequency range | Basic limit | Measurement bandwidth |
|-------------------|-------------|-----------------------|
| 2200 – 2345 MHz | -45 dBm | 1 MHz |
| 2362.5 – 2365 MHz | -25 dBm | |
| 2365 – 2367.5 MHz | -40 dBm | |
| 2367.5 – 2370 MHz | -42 dBm | |
| 2370 – 2395 MHz | -45 dBm | |

The following requirement may apply to BS operating in Band n48 in certain regions. The power of any spurious emission shall not exceed:

Table 6.6.5.2.3-8: Additional BS Spurious emissions limits for Band n48

| Frequency range | Maximum Level | Measurement Bandwidth (NOTE) | Note |
|--|---------------|------------------------------|---|
| 3530MHz – 3720MHz | -25dBm | 1 MHz | Applicable 10MHz from the assigned channel edge |
| 3100MHz – 3530MHz 3720MHz – 4200MHz | -40dBm | 1 MHz | |

NOTE: The resolution bandwidth of the measuring equipment should be equal to the measurement bandwidth. However, to improve measurement accuracy, sensitivity and efficiency, the resolution bandwidth may be smaller than the measurement bandwidth. When the resolution bandwidth is smaller than the measurement bandwidth, the result should be integrated over the measurement bandwidth in order to obtain the equivalent noise bandwidth of the measurement bandwidth.

The following requirement shall be applied to BS operating in Band n26 to ensure that appropriate interference protection is provided to 800 MHz public safety operations. This requirement is also applicable at the frequency range from 10 MHz below the lowest frequency of the BS downlink operating band up to 10 MHz above the highest frequency of the BS downlink operating band.

The power of any spurious emission shall not exceed:

Table 6.6.5.2.3-9: BS Spurious emissions limits for protection of 800 MHz public safety operations

| Operating Band | Frequency range | Maximum Level | Measurement Bandwidth | Note |
|----------------|-----------------|---------------|-----------------------|--|
| n26 | 851 - 859 MHz | -13 dBm | 100 kHz | Applicable for offsets > 37.5kHz from the channel edge |

The following requirement may apply to BS for Band n41 and n90 operation in Japan. This requirement is also applicable at the frequency range from Δf_{OBUE} below the lowest frequency of the BS downlink operating band up to Δf_{OBUE} above the highest frequency of the BS downlink operating band.

The power of any spurious emission shall not exceed:

Table 6.6.5.5.1.3-10: Additional BS Spurious emissions limits for Band n41 and n90

| Frequency range | Basic limit | Measurement Bandwidth |
|---|-------------|-----------------------|
| 2505 MHz – 2535 MHz | -42 dBm | 1 MHz |
| NOTE: This requirement applies for carriers allocated within 2545-2645 MHz. | | |

The following requirement may apply to BS operating in 3.45-3.55 GHz in Band n77 in certain regions. Emissions shall not exceed the maximum levels specified in table 6.6.5.5.1.3-11.

Table 6.6.5.5.1.3-11: Additional BS spurious emissions limits for Band n77

| Channel bandwidth [MHz] | Frequency range [MHz] | Filter centre frequency, F_{filter} [MHz] | Minimum requirement [dBm] | Measurement bandwidth [MHz] |
|-------------------------|----------------------------|--|---------------------------|-----------------------------|
| All | 3430 – 3440 3560 – 3570 | $3430.5 \leq F_{\text{filter}} < 3439.5$ $3560.5 \leq F_{\text{filter}} < 3569.5$ | -25 | 1 |
| All | ≤ 3430 > 3570 | $F_{\text{filter}} < 3429.5$ $3570.5 \leq F_{\text{filter}}$ | -40 | 1 |

NOTE: The resolution bandwidth of the measuring equipment should be equal to the measurement bandwidth. However, to improve measurement accuracy, sensitivity and efficiency, the resolution bandwidth may be smaller than the measurement bandwidth. When the resolution bandwidth is smaller than the measurement bandwidth, the result should be integrated over the measurement bandwidth in order to obtain the equivalent noise bandwidth of the measurement bandwidth.

The following requirement shall apply to BS operating in Band n101 in CEPT countries. The power of any spurious emission shall not exceed:

Table 6.6.5.5.1.3-12: Additional BS Spurious emissions limits for Band n101

| Frequency range | Maximum Level | Measurement Bandwidth | Note |
|---------------------|---------------|-----------------------|---|
| 1920 MHz – 1980 MHz | -57 dBm | 5 MHz | This limit is derived from ECC Decision (20)02 [25] assuming a 18 dBi maximum antenna gain and 4dB losses, and assuming one antenna connector |

The following requirement shall apply to BS operating in Band n100 in CEPT countries. The power of any spurious emission shall not exceed:

Table 6.6.5.5.1.3-13: Additional BS Spurious emissions limits for Band n100

| Frequency range | Maximum Level | Measurement Bandwidth | Note |
|-------------------|---------------|-----------------------|--|
| 880 MHz – 915 MHz | -62 dBm | 5 MHz | This limit is derived from ECC Decision (20)02 [25] assuming a 17 dBi maximum antenna gain and 4dB losses, and assuming one antenna connector. |

6.6.5.5.1.4 Co-location with other base stations

These requirements may be applied for the protection of other BS receivers when GSM900, DCS1800, PCS1900, GSM850, CDMA850, UTRA FDD, UTRA TDD, E-UTRA and/or NR BS are co-located with a BS.

The requirements assume a 30 dB coupling loss between transmitter and receiver and are based on co-location with base stations of the same class.

The *basic limits* are in table 6.6.5.5.1.4-1 for a BS where requirements for co-location with a BS type listed in the first column apply, depending on the declared BS class (D.2). For a *multi-band connector*, the exclusions and conditions in the Note column of table 6.6.5.5.1.4-1 shall apply for each supported *operating band*.

Table 6.6.5.5.1.4-1: BS spurious emissions *basic limits* for BS co-located with another BS

| Type of co-located BS | Frequency range for co-location requirement | Basic limit | | | Measurement bandwidth | Note |
|---|---|-------------|---------|---------|-----------------------|---|
| | | WA BS | MR BS | LA BS | | |
| GSM900 | 876-915 MHz | -98 dBm | -91 dBm | -70 dBm | 100 kHz | |
| DCS1800 | 1710 – 1785 MHz | -98 dBm | -91 dBm | -80 dBm | 100 kHz | |
| PCS1900 | 1850 – 1910 MHz | -98 dBm | -91 dBm | -80 dBm | 100 kHz | |
| GSM850 or CDMA850 | 824 – 849 MHz | -98 dBm | -91 dBm | -70 dBm | 100 kHz | |
| UTRA FDD Band I or E-UTRA Band 1 or NR Band n1 | 1920 – 1980 MHz | -96 dBm | -91 dBm | -88 dBm | 100 kHz | |
| UTRA FDD Band II or E-UTRA Band 2 or NR Band n2 | 1850 – 1910 MHz | -96 dBm | -91 dBm | -88 dBm | 100 kHz | |
| UTRA FDD Band III or E-UTRA Band 3 or NR Band n3 | 1710 – 1785 MHz | -96 dBm | -91 dBm | -88 dBm | 100 kHz | |
| UTRA FDD Band IV or E-UTRA Band 4 | 1710 – 1755 MHz | -96 dBm | -91 dBm | -88 dBm | 100 kHz | |
| UTRA FDD Band V or E-UTRA Band 5 or NR Band n5 | 824 – 849 MHz | -96 dBm | -91 dBm | -88 dBm | 100 kHz | |
| UTRA FDD Band VI, XIX or E-UTRA Band 6, 19 | 830 – 845 MHz | -96 dBm | -91 dBm | -88 dBm | 100 kHz | |
| UTRA FDD Band VII or E-UTRA Band 7 or NR Band n7 | 2500 – 2570 MHz | -96 dBm | -91 dBm | -88 dBm | 100 kHz | |
| UTRA FDD Band VIII or E-UTRA Band 8 or NR Band n8 | 880 – 915 MHz | -96 dBm | -91 dBm | -88 dBm | 100 kHz | |
| UTRA FDD Band IX or E-UTRA Band 9 | 1749.9 – 1784.9 MHz | -96 dBm | -91 dBm | -88 dBm | 100 kHz | |
| UTRA FDD Band X or E-UTRA Band 10 | 1710 – 1770 MHz | -96 dBm | -91 dBm | -88 dBm | 100 kHz | |
| UTRA FDD Band XI or E-UTRA Band 11 | 1427.9 – 1447.9 MHz | -96 dBm | -91 dBm | -88 dBm | 100 kHz | This is not applicable to BS operating in Band n50, n75, n91, n92, n93 or n94 |
| UTRA FDD Band XII or E-UTRA Band 12 or NR Band n12 | 699 – 716 MHz | -96 dBm | -91 dBm | -88 dBm | 100 kHz | |
| UTRA FDD Band XIII or E-UTRA Band 13 or NR Band n13 | 777 – 787 MHz | -96 dBm | -91 dBm | -88 dBm | 100 kHz | |
| UTRA FDD Band XIV or E-UTRA Band 14 or NR Band n14 | 788 – 798 MHz | -96 dBm | -91 dBm | -88 dBm | 100 kHz | |
| E-UTRA Band 17 | 704 – 716 MHz | -96 dBm | -91 dBm | -88 dBm | 100 kHz | |
| E-UTRA Band 18 or NR Band n18 | 815 – 830 MHz | -96 dBm | -91 dBm | -88 dBm | 100 kHz | |
| UTRA FDD Band XX or E-UTRA Band 20 or NR Band n20 | 832 – 862 MHz | -96 dBm | -91 dBm | -88 dBm | 100 kHz | |
| UTRA FDD Band XXI or E-UTRA Band 21 | 1447.9 – 1462.9 MHz | -96 dBm | -91 dBm | -88 dBm | 100 kHz | This is not applicable to BS operating in Band n50, n75, n92 or n94 |

| | | | | | | |
|---|---------------------|---------|---------|---------|---------|--|
| UTRA FDD Band XXII or E-UTRA Band 22 | 3410 – 3490 MHz | -96 dBm | -91 dBm | -88 dBm | 100 kHz | This is not applicable to BS operating in Band n48, n77 or n78 |
| E-UTRA Band 24 or NR Band n24 | 1626.5 – 1660.5 MHz | -96 dBm | -91 dBm | -88 dBm | 100 kHz | |
| UTRA FDD Band XXV or E-UTRA Band 25 or NR Band n25 | 1850 – 1915 MHz | -96 dBm | -91 dBm | -88 dBm | 100 kHz | |
| UTRA FDD Band XXVI or E-UTRA Band 26 or NR Band n26 | 814 – 849 MHz | -96 dBm | -91 dBm | -88 dBm | 100 kHz | |
| E-UTRA Band 27 | 807 – 824 MHz | -96 dBm | -91 dBm | -88 dBm | 100 kHz | |
| E-UTRA Band 28 or NR Band n28 | 703 – 748 MHz | -96 dBm | -91 dBm | -88 dBm | 100 kHz | |
| E-UTRA Band 30 or NR Band n30 | 2305 – 2315 MHz | -96 dBm | -91 dBm | -88 dBm | 100 kHz | |
| E-UTRA Band 31 | 452.5 -457.5 MHz | -96 dBm | -91 dBm | -88 dBm | 100 kHz | |
| UTRA TDD Band a) or E-UTRA Band 33 | 1900 – 1920 MHz | -96 dBm | -91 dBm | -88 dBm | 100 kHz | |
| UTRA TDD Band a) or E-UTRA Band 34 or NR band n34 | 2010 – 2025 MHz | -96 dBm | -91 dBm | -88 dBm | 100 kHz | This is not applicable to BS operating in Band n34 |
| UTRA TDD Band b) or E-UTRA Band 35 | 1850 – 1910 MHz | -96 dBm | -91 dBm | -88 dBm | 100 kHz | |
| UTRA TDD Band b) or E-UTRA Band 36 | 1930 – 1990 MHz | -96 dBm | -91 dBm | -88 dBm | 100 kHz | This is not applicable to BS operating in Band n2 or band n25 |
| UTRA TDD Band c) or E-UTRA Band 37 | 1910 – 1930 MHz | -96 dBm | -91 dBm | -88 dBm | 100 kHz | |
| UTRA TDD Band d) or E-UTRA Band 38 or NR Band n38 | 2570 – 2620 MHz | -96 dBm | -91 dBm | -88 dBm | 100 kHz | This is not applicable to BS operating in Band n38. |
| UTRA TDD Band f) or E-UTRA Band 39 or NR band n39 | 1880 – 1920MHz | -96 dBm | -91 dBm | -88 dBm | 100 kHz | This is not applicable to BS operating in Band n39 |
| UTRA TDD Band e) or E-UTRA Band 40 or NR Band n40 | 2300 – 2400MHz | -96 dBm | -91 dBm | -88 dBm | 100 kHz | This is not applicable to BS operating in Bands n30 or n40. |
| E-UTRA Band 41 or NR Band n41 | 2496 – 2690 MHz | -96 dBm | -91 dBm | -88 dBm | 100 kHz | This is not applicable to BS operating in Band n41 or n53 |
| E-UTRA Band 42 | 3400 – 3600 MHz | -96 dBm | -91 dBm | -88 dBm | 100 kHz | This is not applicable to BS operating in Band n48, n77 or n78 |
| E-UTRA Band 43 | 3600 – 3800 MHz | -96 dBm | -91 dBm | -88 dBm | 100 kHz | This is not applicable to BS operating in Band n48, n77 or n78 |
| E-UTRA Band 44 | 703 – 803 MHz | -96 dBm | -91 dBm | -88 dBm | 100 kHz | This is not applicable to BS operating in Band n28 |

| | | | | | | |
|-------------------------------|-------------------|---------|---------|---------|---------|---|
| E-UTRA Band 45 | 1447 – 1467 MHz | -96 dBm | -91 dBm | -88 dBm | 100 kHz | |
| E-UTRA Band 46 or NR Band n46 | 5150 – 5925 MHz | N/A | -91 dBm | -88 dBm | 100 kHz | This is not applicable to BS operating in Band n46, n96 or n102 |
| E-UTRA Band 48 or NR Band n48 | 3550 – 3700 MHz | -96 dBm | -91 dBm | -88 dBm | 100 kHz | This is not applicable to BS operating in Band n48, n77 or n78 |
| E-UTRA Band 50 or NR band n50 | 1432 – 1517 MHz | -96 dBm | -91 dBm | -88 dBm | 100 kHz | This is not applicable to BS operating in Band n51, n74, n75, n91, n92, n93 or n94 |
| E-UTRA Band 51 or NR Band n51 | 1427 – 1432 MHz | N/A | N/A | -88 dBm | 100 kHz | This is not applicable to BS operating in Band n50, n74, n75, n76, n91, n92, n93 or n94 |
| E-UTRA Band 53 or NR Band n53 | 2483.5 – 2495 MHz | N/A | -91 dBm | -88 dBm | 100 kHz | This is not applicable to BS operating in Band n41, n53 or n90 |
| E-UTRA Band 65 or NR Band n65 | 1920 – 2010 MHz | -96 dBm | -91 dBm | -88 dBm | 100 kHz | |
| E-UTRA Band 66 or NR Band n66 | 1710 – 1780 MHz | -96 dBm | -91 dBm | -88 dBm | 100 kHz | |
| E-UTRA Band 68 | 698 – 728 MHz | -96 dBm | -91 dBm | -88 dBm | 100 kHz | |
| E-UTRA Band 70 or NR Band n70 | 1695 – 1710 MHz | -96 dBm | -91 dBm | -88 dBm | 100 kHz | |
| E-UTRA Band 71 or NR Band n71 | 663 – 698 MHz | -96 dBm | -91 dBm | -88 dBm | 100 kHz | |
| E-UTRA Band 72 | 451 – 456 MHz | -96 dBm | -91 dBm | -88 dBm | 100 kHz | |
| E-UTRA Band 74 or NR Band n74 | 1427 – 1470 MHz | -96 dBm | -91 dBm | -88 dBm | 100 kHz | This is not applicable to BS operating in Band n50, n51, n91, n92, n93 or n94 |
| NR Band n77 | 3.3 – 4.2 GHz | -96 dBm | -91 dBm | -88 dBm | 100 kHz | This is not applicable to BS operating in Band n48, n77 or n78 |
| NR Band n78 | 3.3 – 3.8 GHz | -96 dBm | -91 dBm | -88 dBm | 100 kHz | This is not applicable to BS operating in Band n48, n77 or n78 |
| NR Band n79 | 4.4 – 5.0 GHz | -96 dBm | -91 dBm | -88 dBm | 100 kHz | |
| NR Band n80 | 1710 – 1785 MHz | -96 dBm | -91 dBm | -88 dBm | 100 kHz | |
| NR Band n81 | 880 – 915 MHz | -96 dBm | -91 dBm | -88 dBm | 100 kHz | |
| NR Band n82 | 832 – 862 MHz | -96 dBm | -91 dBm | -88 dBm | 100 kHz | |
| NR Band n83 | 703 – 748 MHz | -96 dBm | -91 dBm | -88 dBm | 100 kHz | |

| | | | | | | |
|-------------------------------|---------------------|---------|---------|---------|---------|--|
| NR Band n84 | 1920 – 1980 MHz | -96 dBm | -91 dBm | -88 dBm | 100 kHz | |
| E-UTRA Band 85 or NR Band n85 | 698 - 716 MHz | -96 dBm | -91 dBm | -88 dBm | 100 kHz | |
| NR Band n86 | 1710 – 1780 MHz | -96 dBm | -91 dBm | -88 dBm | 100 kHz | |
| NR Band n89 | 824 – 849 MHz | -96 dBm | -91 dBm | -88 dBm | 100 kHz | |
| NR Band n91 | 832 – 862 MHz | N/A | N/A | -88 dBm | 100 kHz | |
| NR Band n92 | 832 – 862 MHz | -96 dBm | -91 dBm | -88 dBm | 100 kHz | |
| NR Band n93 | 880 – 915 MHz | N/A | N/A | -88 dBm | 100 kHz | |
| NR Band n94 | 880 – 915 MHz | -96 dBm | -91 dBm | -88 dBm | 100 kHz | |
| NR Band n95 | 2010 – 2025 MHz | -96 dBm | -91 dBm | -88 dBm | 100 kHz | |
| NR Band n96 | 5925 – 7125 MHz | N/A | -90 dBm | -87 dBm | 100 kHz | This is not applicable to BS operating in Band n46, n96, n102 or n104 |
| NR Band n97 | 2300 – 2400MHz | -96 dBm | -91 dBm | -88 dBm | 100 kHz | |
| NR Band n98 | 1880 – 1920MHz | -96 dBm | -91 dBm | -88 dBm | 100 kHz | |
| NR Band n99 | 1626.5 – 1660.5 MHz | -96 dBm | -91 dBm | -88 dBm | 100 kHz | |
| NR Band n100 | 874.4 – 880 MHz | -96 dBm | N/A | N/A | 100 kHz | |
| NR Band n101 | 1900 – 1910 MHz | -96 dBm | N/A | N/A | 100 kHz | |
| NR Band n102 | 5925 – 6425 MHz | N/A | -90 dBm | -87 dBm | 100 kHz | This is not applicable to BS operating in Band n46, n96, n102 or n104 |
| E-UTRA Band 103 | 787 – 788 MHz | -96 dBm | -91 dBm | -88 dBm | 100 kHz | |
| NR Band n104 | 6425 – 7125 MHz | -95 dBm | -90 dBm | -87 dBm | 100 kHz | This requirement does not apply to BS operating in Band n96, n102 or n104. |

NOTE 1: As defined in the scope for spurious emissions in this clause, the co-location requirements in table 6.6.5.5.1.4-1 do not apply for the frequency range extending Δf_{OBUE} immediately outside the BS transmit frequency range of a downlink *operating band* (see TS 38.104 [2] table 5.2-1). The current state-of-the-art technology does not allow a single generic solution for co-location with other system on adjacent frequencies for 30dB BS-BS minimum coupling loss. However, there are certain site-engineering solutions that can be used. These techniques are addressed in TR 25.942 [15].

NOTE 2: Table 6.6.5.5.1.4-1 assumes that two *operating bands*, where the corresponding BS transmit and receive frequency ranges in TS 38.104 [2] table 5.2-1 would be overlapping, are not deployed in the same geographical area. For such a case of operation with overlapping frequency arrangements in the same geographical area, special co-location requirements may apply that are not covered by the 3GPP specifications.

NOTE 3: Co-located TDD base stations that are synchronized and using the same or adjacent *operating band* can transmit without special co-locations requirements. For unsynchronized base stations, special co-location requirements may apply that are not covered by the 3GPP specifications.

6.6.5.5.2 (void)

6.6.5.5.3 *BS type 1-C*

The Tx spurious emissions for *BS type 1-C* for each *antenna connector* shall not exceed the *basic limits* specified in clause 6.6.5.5.1.

For Band n41 and n90 operation in Japan, the sum of the spurious emissions over all *antenna connectors* for *BS type 1-C* shall not exceed the *basic limits* defined in clause 6.6.5.5.1.

6.6.5.5.4 *BS type 1-H*

The Tx spurious emissions requirements for *BS type 1-H* are that for each *TAB connector TX min cell group* and each applicable *basic limit* in clause 6.6.5.5.1, the power summation emissions at the *TAB connectors* of the *TAB connector TX min cell group* shall not exceed a limit specified as the *basic limit* + X, where $X = 10\log_{10}(N_{\text{TXU, counted per cell}})$, unless stated differently in regional regulation.

NOTE: Conformance to the *BS type 1-H* spurious emission requirement can be demonstrated by meeting at least one of the following criteria as determined by the manufacturer:

1) The sum of the emissions power measured on each *TAB connector* in the *TAB connector TX min cell group* shall be less than or equal to the limit as defined in this clause for the respective frequency span.

Or

2) The unwanted emissions power at each *TAB connector* shall be less than or equal to the *BS type 1-H* limit as defined in this clause for the respective frequency span, scaled by $-10\log_{10}(n)$, where n is the number of *TAB connectors* in the *TAB connector TX min cell group*.

6.7 Transmitter intermodulation

6.7.1 Definition and applicability

The transmitter intermodulation requirement is a measure of the capability of the transmitter unit to inhibit the generation of signals in its non-linear elements caused by presence of the wanted signal and an interfering signal reaching the transmitter unit via the antenna, RDN and antenna array. The requirement shall apply during the transmitter ON period and the *transmitter transient period*.

For *BS type 1-C*, the transmitter intermodulation level is the power of the intermodulation products when an interfering signal is injected into the *antenna connector*.

For *BS type 1-H*, the transmitter intermodulation level is the power of the intermodulation products when an interfering signal is injected into the *TAB connector*.

For *BS type 1-H*, there are two types of transmitter intermodulation cases captured by the transmitter intermodulation requirement:

- 1) Co-location transmitter intermodulation in which the interfering signal is from a co-located base station.
- 2) Intra-system transmitter intermodulation in which the interfering signal is from other transmitter units within the *BS type 1-H*.

For *BS type 1-H*, the co-location transmitter intermodulation requirement is considered sufficient if the interference signal for the co-location requirement is higher than the declared interference signal for intra-system transmitter (D.30) intermodulation requirement.

6.7.2 Minimum requirement

The minimum requirement applies per *single-band connector*, or per *multi-band connector* supporting transmission in the *operating band*.

The minimum requirement for *BS type 1-C* is defined in TS 38.104 [2], clause 6.7.2.

The minimum requirement for *BS type 1-H* is defined in TS 38.104 [2], clause 6.7.3.

6.7.3 Test purpose

The test purpose is to verify the ability of the transmitter units associated with the *single-band connectors* or *multi-band connector* under test to restrict the generation of intermodulation products in its nonlinear elements caused by presence of the wanted signal and an interfering signal reaching the transmitter via the antenna to below specified levels.

6.7.4 Method of test

6.7.4.1 Initial conditions

Test environment: Normal; see annex B.2.

RF channels to be tested for single carrier: M; see clause 4.9.1.

Base Station RF Bandwidth positions to be tested for multi-carrier and/or CA:

- M_{RFBW} in single-band operation; see clause 4.9.1.
- $B_{\text{RFBW}}T_{\text{RFBW}}$ and $B'_{\text{RFBW}}T_{\text{RFBW}}$ in multi-band operation, see clause 4.9.1.

NOTE: When testing in M (or M_{RFBW}), if the interferer is fully or partially located outside the supported frequency range, then the test shall be done instead in B (or B_{RFBW}) and T (or T_{RFBW}), and only with the interferer located inside the supported frequency range.

6.7.4.2 Procedure

For *BS type 1-H* where there may be multiple *TAB connectors*, they may be tested one at a time or multiple *TAB connectors* may be tested in parallel as shown in annex D.3.1. Whichever method is used the procedure is repeated until all *TAB connectors* necessary to demonstrate conformance have been tested.

- 1) Connect the *single-band connector* or *multi-band connector* under test to measurement equipment as shown in annex D.1.2 for *BS type 1-C* and in annex D.3.2 for *BS type 1-H*. All connectors not under test shall be terminated.
- 2) The measurement device characteristics shall be:
 - Detection mode: True RMS.

The emission power should be averaged over an appropriate time duration to ensure the measurement is within the measurement uncertainty in Table 4.1.2.2-1.

- 3) For a connectors declared to be capable of single carrier operation only (D.16), set the representative connectors under test to transmit according to the applicable test configuration in clause 4.8 at *rated carrier output power* $P_{\text{rated,c,AC}}$ for *BS type 1-C* and $P_{\text{rated,c,TABC}}$ for *BS type 1-H* (D.21). Channel set-up shall be according to NR-FR1-TM 1.1.

For a connector under test declared to be capable of multi-carrier and/or CA operation (D.15-D.16) set the connector under test to transmit on all carriers configured using the applicable test configuration and corresponding power setting specified in clauses 4.7 and 4.8 using the corresponding test models or set of physical channels in clause 4.9.2.

For a BS declared to be capable of NB-IoT operation in NR in-band (D.41), test shall be performed using N-TM according to clause 4.9.2.2.9.

- 4) Generate the interfering signal according to NR-FR1-TM-1.1, as defined in clause 4.9.2, with the minimum channel bandwidth (BW_{Channel}) with 15 kHz SCS of the band defined in clause 5.3.5 of TS 38.104 [2] and a centre frequency offset from the lower/upper edge of the wanted signal or edge of sub-block inside a sub-block

gap $f_{\text{offset}} = \pm BW_{\text{Channel}} \left(n - \frac{1}{2} \right)$, for $n = 1, 2$ and 3 , but exclude interfering frequencies that are outside of the

allocated downlink operating band or interfering frequencies that are not completely within the sub-block gap or within the *Inter RF Bandwidth gap*.

- 5) Adjust ATT attenuator (as in the test setup in annex D.1.2 for *BS type 1-C* and in annex D.3.2 for *BS type 1-H*) so that level of the interfering signal is as defined in clause 6.7.5.
- 6) Perform the unwanted emission tests specified in clauses 6.6.3 and 6.6.4 for all third and fifth order intermodulation products which appear in the frequency ranges defined in clauses 6.6.3 and 6.6.4. The width of the intermodulation products shall be taken into account.
- 7) Perform the transmitter spurious emissions test as specified in clause 6.6.5, for all third and fifth order intermodulation products which appear in the frequency ranges defined in clause 6.6.5. The width of the intermodulation products shall be taken into account.
- 8) Verify that the emission level does not exceed the required level in clause 6.7.5 with the exception of interfering signal frequencies.
- 9) Repeat the test for the remaining interfering signal centre frequency offsets according to step 4.
- 10) Repeat the test for the remaining test signals defined in clause 6.7.5 for additional requirements and for *BS type 1-H* intra-system requirements.

In addition, for *multi-band connectors*, the following steps shall apply:

- 11) For a *multi-band connectors* and single band tests, repeat the steps above per involved *operating band* where single band test configurations and test models shall apply with no carrier activated in the other *operating band*.

NOTE: The third order intermodulation products are centred at $2F1 \pm F2$ and $2F2 \pm F1$. The fifth order intermodulation products are centred at $3F1 \pm 2F2$, $3F2 \pm 2F1$, $4F1 \pm F2$, and $4F2 \pm F1$ where $F1$ represents the test signal centre frequency or centre frequency of each sub-block and $F2$ represents the interfering signal centre frequency. The widths of intermodulation products are:

- $(n \cdot BW_{F1} + m \cdot BW_{F2})$ for the $nF1 \pm mF2$ products;
- $(n \cdot BW_{F2} + m \cdot BW_{F1})$ for the $nF2 \pm mF1$ products;

where BW_{F1} represents the test wanted signal RF bandwidth or channel bandwidth in case of single carrier, or sub-block bandwidth and BW_{F2} represents the interfering signal channel bandwidth.

6.7.5 Test requirements

6.7.5.1 BS type 1-C

6.7.5.1.1 Co-location minimum requirements

For *BS type 1-C*, the wanted signal and interfering signal centre frequency is specified in table 6.7.5.1.1-1, where interfering signal level is *rated total output power* ($P_{\text{rated,t,AC}}$) at *antenna connector* in the *operating band* – 30 dB.

The requirement is applicable outside the Base Station RF Bandwidth or Radio Bandwidth. The interfering signal offset is defined relative to the Base Station RF Bandwidth edges or Radio Bandwidth edges.

For a BS operating in non-contiguous spectrum, the requirement is also applicable inside a sub-block gap for interfering signal offsets where the interfering signal falls completely within the sub-block gap. The interfering signal offset is defined relative to the sub-block edges.

For a *multi-band connector*, the requirement shall apply relative to the Base Station RF Bandwidth edges of each supported operating band. In case the *Inter RF Bandwidth gap* is less than $3 \cdot BW_{\text{Channel}}$ MHz (where BW_{Channel} is the minimal *BS channel bandwidth* of the band), the requirement in the gap shall apply only for interfering signal offsets where the interfering signal falls completely within the *Inter RF Bandwidth gap*.

The transmitter intermodulation level shall not exceed the unwanted emission limits in clauses 6.6.3, 6.6.4 and 6.6.5 in the presence of an NR interfering signal according to table 6.7.5.1.1-1.

Table 6.7.5.1.1-1: Interfering and wanted signals for the co-location transmitter intermodulation requirement

| Parameter | Value |
|---|---|
| Wanted signal type | NR single carrier, or multi-carrier, or multiple intra-band contiguously or non-contiguously aggregated carriers, with NB-IoT operation in NR in-band if supported. |
| Interfering signal type | NR signal, the minimum <i>BS channel bandwidth</i> (BW_{Channel}) with 15 kHz SCS of the band defined in clause 5.3.5 of TS 38.104 [2]. |
| Interfering signal level | Rated total output power ($P_{\text{rated,t,AC}}$) in the <i>operating band</i> – 30 dB |
| Interfering signal centre frequency offset from the lower/upper edge of the wanted signal or edge of sub-block inside a sub-block gap | $f_{\text{offset}} = \pm BW_{\text{Channel}} \left(n - \frac{1}{2} \right)$, for $n=1, 2$ and 3 |
| NOTE 1: Interfering signal positions that are partially or completely outside of any downlink <i>operating band</i> of the BS are excluded from the requirement, unless the interfering signal positions fall within the frequency range of adjacent downlink <i>operating bands</i> in the same geographical area. | |
| NOTE 2: In Japan, NOTE 1 is not applied in Band n77, n78, n79. | |

6.7.5.1.2 Additional requirements

For Band n41 and n90 operation in Japan, the sum of transmitter intermodulation level over all *antenna connectors* shall not exceed the unwanted emission limits in clauses 6.6.3, 6.6.4 and 6.6.5 in the presence of an NR interfering signal according to table 6.7.5.1.2-1.

Table 6.7.5.1.2-1 Interfering and wanted signals for the additional transmitter intermodulation requirement for Band n41 and n90

| Parameter | Value |
|---|---|
| Wanted signal | NR single carrier (NOTE) |
| Interfering signal type | NR signal of 10 MHz <i>channel bandwidth</i> |
| Interfering signal level | Rated total output power in the <i>operating band</i> – 30 dB |
| Interfering signal centre frequency offset from the lower/upper carrier centre frequency of the wanted signal | ± 5 MHz ± 15 MHz ± 25 MHz |
| NOTE: This requirement applies for NR carriers allocated within 2545-2645 MHz. | |

6.7.5.2 BS type 1-H

6.7.5.2.1 Co-location minimum requirements

The transmitter intermodulation level shall not exceed the unwanted emission limits in clauses 6.6.3, 6.6.4 and 6.6.5 in the presence of an NR interfering signal according to table 6.7.5.2.1-1.

The requirement is applicable outside the *Base Station RF Bandwidth edges*. The interfering signal offset is defined relative to the *Base Station RF Bandwidth edges* or *Radio Bandwidth edges*.

For *TAB connectors* supporting operation in *non-contiguous spectrum*, the requirement is also applicable inside a *sub-block gap* for interfering signal offsets where the interfering signal falls completely within the *sub-block gap*. The interfering signal offset is defined relative to the *sub-block edges*.

For *multi-band connector*, the requirement shall apply relative to the *Base Station RF Bandwidth edges* of each operating band. In case the inter *RF Bandwidth gap* is less than $3 \cdot BW_{\text{Channel}}$ MHz (where BW_{Channel} is the minimal *BS channel bandwidth* of the band), the requirement in the gap shall apply only for interfering signal offsets where the interfering signal falls completely within the inter *RF Bandwidth gap*.

Table 6.7.5.2.1-1: Interfering and wanted signals for the co-location transmitter intermodulation requirement

| Parameter | Value |
|--|---|
| Wanted signal type | NR single carrier, or multi-carrier, or multiple intra-band contiguously or non-contiguously aggregated carriers |
| Interfering signal type | NR signal, the minimum <i>BS channel bandwidth</i> ($BW_{Channel}$) with 15 kHz SCS of the band defined in clause 5.3.5 of TS 38.104 [2]. |
| Interfering signal level | Rated total output power per <i>TAB connector</i> ($P_{rated,t,TABC}$) in the <i>operating band</i> – 30 dB |
| Interfering signal centre frequency offset from the lower/upper edge of the wanted signal or edge of <i>sub-block</i> inside a gap | $f_{offset} = \pm BW_{Channel} \left(n - \frac{1}{2} \right)$, for $n=1, 2$ and 3 |
| NOTE 1: Interfering signal positions that are partially or completely outside of any downlink <i>operating band</i> of the TAB connector are excluded from the requirement, unless the interfering signal positions fall within the frequency range of adjacent downlink <i>operating bands</i> in the same geographical area. | |
| NOTE 2: In Japan, NOTE 1 is not applied in Band n77, n78, n79. | |

6.7.5.2.2 Intra-system minimum requirements

The transmitter intermodulation level shall not exceed the unwanted emission limits in clauses 6.6.3 and 6.6.4 in the presence of an NR interfering signal according to table 6.7.5.2.2-1.

Table 6.7.5.2.2-1: Interfering and wanted signals for intra-system transmitter intermodulation requirement

| Parameter | Value |
|---|--|
| Wanted signal type | NR signal |
| Interfering signal type | NR signal of the same <i>BS channel bandwidth</i> and SCS as the wanted signal (Note 1). |
| Interfering signal level | Power level declared by the BS manufacturer in D.29 (Note 2). |
| Frequency offset between interfering signal and wanted signal | 0 MHz |
| NOTE 1: The interfering signal shall be incoherent with the wanted signal. | |
| NOTE 2: The declared interfering signal power level at each <i>TAB connector</i> is the sum of the co-channel leakage power coupled via the combined RDN and Antenna Array from all the other <i>TAB connectors</i> , but does not comprise power radiated from the Antenna Array and reflected back from the environment. The power at each of the interfering <i>TAB connectors</i> is $P_{rated,c,TABC}$. | |

6.7.5.2.3 Additional requirements

For Band n41 operation in Japan, the transmitter intermodulation level shall not exceed the unwanted emission limits in clauses 6.6.3, 6.6.4 and 6.6.5 in the presence of an NR interfering signal according to table 6.7.5.2.3-1.

Table 6.7.5.2.3-1 Interfering and wanted signals for the additional transmitter intermodulation requirement for Band n41 and n90

| Parameter | Value |
|---|---|
| Wanted signal | NR single carrier (NOTE) |
| Interfering signal type | NR signal of 10 MHz <i>channel bandwidth</i> |
| Interfering signal level | Rated total output power in the <i>operating band</i> – 30 dB |
| Interfering signal centre frequency offset from the lower/upper carrier centre frequency of the wanted signal | ± 5 MHz ± 15 MHz ± 25 MHz |
| NOTE: This requirement applies for NR carriers allocated within 2545-2645 MHz. | |

7 Conducted receiver characteristics

7.1 General

Conducted receiver characteristics are specified at the *antenna connector* for *BS type 1-C* and at the *TAB connector* for *BS type 1-H*, with full complement of transceivers for the configuration in normal operating condition.

Unless otherwise stated, the following arrangements apply for conducted receiver characteristics requirements in clause 7:

- Requirements apply during the BS receive period.
- Requirements shall be met for any transmitter setting.
- For FDD operation the requirements shall be met with the transmitter unit(s) ON.
- Throughput requirements defined for the conducted receiver characteristics do not assume HARQ retransmissions.
- When BS is configured to receive multiple carriers, all the throughput requirements are applicable for each received carrier.
- For ACS, blocking and intermodulation characteristics, the negative offsets of the interfering signal apply relative to the lower *Base Station RF Bandwidth* edge or *sub-block* edge inside a *sub-block gap*, and the positive offsets of the interfering signal apply relative to the upper *Base Station RF Bandwidth* edge or *sub-block* edge inside a *sub-block gap*.
- Requirements shall also apply for BS supporting NB-IoT operation in NR in-band. The corresponding NB-IoT requirements are specified in clause 7 of TS 36.141 [24].

NOTE 1: In normal operating condition the BS in FDD operation is configured to transmit and receive at the same time.

NOTE 2: In normal operating condition the BS in TDD operation is configured to TX OFF power during *receive period*.

For *BS type 1-H* if a number of *TAB connectors* have been declared equivalent (D.32), only a representative one is necessary to demonstrate conformance.

In clause 7.6.5.3, if representative *TAB connectors* are used then per connector criteria (option 2) shall be applied.

For *BS type 1-H* there is no requirement specified for band n46, n100, n101 and n102.

7.2 Reference sensitivity level

7.2.1 Definition and applicability

The reference sensitivity power level P_{REFSENS} is the minimum mean power received at the *antenna connector* for *BS type 1-C* or *TAB connector* for *BS type 1-H* at which a throughput requirement shall be met for a specified reference measurement channel.

7.2.2 Minimum requirement

The minimum requirement for *BS type 1-C* is in TS 38.104 [2], clause 7.2.2.

The minimum requirement for *BS type 1-H* is in TS 38.104 [2], clause 7.2.2.

7.2.3 Test purpose

To verify that for the *BS type I-C* receiver and each *BS type I-H TAB connector* at the reference sensitivity level the throughput requirement shall be met for a specified reference measurement channel.

7.2.4 Method of test

7.2.4.1 Initial conditions

Test environment:

- Normal; see annex B.2.
- Extreme, see annexes B.3 and B.5.

RF channels to be tested for single carrier: B, M and T; see clause 4.9.1.

Under extreme test environment, the test shall be performed on each of B, M and T under extreme power supply conditions as defined in annex B.5.

NOTE: Tests under extreme power supply conditions also test extreme temperatures.

7.2.4.2 Procedure

The minimum requirement is applied to all connectors under test.

For *BS type I-H* the procedure is repeated until all *TAB connectors* necessary to demonstrate conformance have been tested; see clause 7.1.

- 1) Connect the connector under test to measurement equipment as shown in annex D.2.1 for *BS type I-C* and in annex D.4.1 for *BS type I-H*.
- 2) For FDD operation, set the BS to transmit a signal using the applicable test configuration and corresponding power setting specified in clauses 4.7 and 4.8 using the corresponding test models or set of physical channels in clause 4.9.2, for *BS type I-C* set the *antenna connector* to the manufacturers declared *rated carrier output power* ($P_{\text{rated,c,AC}}$ or $P_{\text{rated,c,TABC}}$, D.21).
- 3) Start the signal generator for the wanted signal to transmit the Fixed Reference Channels for reference sensitivity according to annex A.1, as well as annex A.14 of TS 36.141 [24] for a BS declared to be capable of NB-IoT operation in NR in-band (D.41).
- 4) Set the signal generator for the wanted signal power as specified in clause 7.2.5.
- 5) Measure the throughput according to annex A.1, as well as annex A.14 of TS 36.141 [24] for a BS declared to be capable of NB-IoT operation in NR in-band (D.41).

In addition, for a *multi-band connector*, the following steps shall apply:

- 6) For *multi-band connector* and single band tests, repeat the steps above per involved band where single band test configurations and test models shall apply with no carrier activated in the other band.

7.2.5 Test requirements

The throughput shall be $\geq 95\%$ of the maximum throughput of the reference measurement channel as specified in annex A.1 with parameters specified in table 7.2.5-1 for Wide Area BS, in table 7.2.5-2 for Medium Range BS and in table 7.2.5-3 for Local Area BS in any operating band except for band n46, n96, n102, and n104.

The throughput shall be $\geq 95\%$ of the maximum throughput of the reference measurement channel as specified in annex A.2 with parameters specified in table 7.2.5-2a for Medium Range BS and in table 7.3.5-3a for Local Area BS, for band n46.

The throughput shall be $\geq 95\%$ of the maximum throughput of the reference measurement channel as specified in annex A.2 with parameters specified in table 7.2.5-2b for Medium Range BS and in table 7.2.5-3b for Local Area BS, for band n96 and n102.

The throughput shall be $\geq 95\%$ of the maximum throughput of the reference measurement channel as specified in annex A.1 with parameters specified in table 7.2.5-1a for Wide Area BS, in table 7.2.5-2c for Medium Range BS and in table 7.2.5-3c for Local Area BS for band n104.

The reference sensitivity level requirements for NB-IoT are specified in clause 7.2.5 of TS 36.141 [24].

Table 7.2.5-1: NR Wide Area BS reference sensitivity levels

| BS channel bandwidth (MHz) | Sub-carrier spacing (kHz) | Reference measurement channel | Reference sensitivity power level, P_{REFSENS} (dBm) | | |
|---|---------------------------|-------------------------------|---|------------------------------|------------------------------|
| | | | $f \leq 3.0$ GHz | 3.0 GHz $< f \leq 4.2$ GHz | 4.2 GHz $< f \leq 6.0$ GHz |
| 5, 10, 15 | 15 | G-FR1-A1-1 (Note 1) | -101 | -100.7 | -100.5 |
| | | G-FR1-A1-10 (Note 3) | -101 (Note 2) | -100.7 (Note 2) | -100.5 (Note 2) |
| 10, 15 | 30 | G-FR1-A1-2 (Note 1) | -101.1 | -100.8 | -100.6 |
| 10, 15 | 60 | G-FR1-A1-3 (Note 1) | -98.2 | -97.9 | -97.7 |
| 20, 25, 30, 35, 40, 45, 50 | 15 | G-FR1-A1-4 (Note 1) | -94.6 | -94.3 | -94.1 |
| | | G-FR1-A1-11 (Note 4) | -94.6 (Note 2) | -94.3 (Note 2) | -94.1 (Note 2) |
| 20, 25, 30, 35, 40, 45, 50, 60, 70, 80, 90, 100 | 30 | G-FR1-A1-5 (Note 1) | -94.9 | -94.6 | -94.4 |
| 20, 25, 30, 35, 40, 45, 50, 60, 70, 80, 90, 100 | 60 | G-FR1-A1-6 (Note 1) | -95 | -94.7 | -94.5 |

NOTE 1: P_{REFSENS} is the power level of a single instance of the reference measurement channel. This requirement shall be met for each consecutive application of a single instance of the reference measurement channel mapped to disjoint frequency ranges with a width corresponding to the number of resource blocks of the reference measurement channel each, except for one instance that might overlap one other instance to cover the full BS channel bandwidth.

NOTE 2: The requirements apply to BS that supports NB-IoT operation in NR in-band.

NOTE 3: P_{REFSENS} is the power level of a single instance of the reference measurement channel. This requirement shall be met for a single instance of G-FR1-A1-10 mapped to the 24 NR resource blocks adjacent to the NB-IoT PRB, and for each consecutive application of a single instance of G-FR1-A1-1 mapped to disjoint frequency ranges with a width of 25 resource blocks each.

NOTE 4: P_{REFSENS} is the power level of a single instance of the reference measurement channel. This requirement shall be met for a single instance of G-FR1-A1-11 mapped to the 105 NR resource blocks adjacent to the NB-IoT PRB, and for each consecutive application of a single instance of G-FR1-A1-4 mapped to disjoint frequency ranges with a width of 106 resource blocks each.

Table 7.2.5-1a: NR Wide Area BS reference sensitivity levels for band n104

| BS channel bandwidth (MHz) | Sub-carrier spacing (kHz) | Reference measurement channel | Reference sensitivity power level, P_{REFSENS} (dBm) (Note 6) |
|-------------------------------------|---------------------------|-------------------------------|--|
| 20, 30, 40, 50 | 15 | G-FR1-A1-4 (Note 1) | -92.8 |
| 20, 30, 40, 50, 60, 70, 80, 90, 100 | 30 | G-FR1-A1-5 (Note 1) | -93.1 |
| 20, 30, 40, 50, 60, 70, 80, 90, 100 | 60 | G-FR1-A1-6 (Note 1) | -93.2 |

Note 1: P_{REFSENS} is the power level of a single instance of the reference measurement channel. This requirement shall be met for each consecutive application of a single instance of the reference measurement channel mapped to disjoint frequency ranges with a width corresponding to the number of resource blocks of the reference measurement channel each, except for one instance that might overlap one other instance to cover the full BS channel bandwidth.

Table 7.2.5-2: NR Medium Range BS reference sensitivity levels

| BS channel bandwidth (MHz) | Sub-carrier spacing (kHz) | Reference measurement channel (Note 5) | Reference sensitivity power level, P _{REFSENS} (dBm) | | |
|---|---------------------------|--|---|-----------------------|-----------------------|
| | | | f ≤ 3.0 GHz | 3.0 GHz < f ≤ 4.2 GHz | 4.2 GHz < f ≤ 6.0 GHz |
| 5, 10, 15 | 15 | G-FR1-A1-1 (Note 1) | -96 | -95.7 | -95.5 |
| | | G-FR1-A1-10 (Note 3) | -96 (Note 2) | -95.7 (Note 2) | -95.5 (Note 2) |
| 10, 15 | 30 | G-FR1-A1-2 (Note 1) | -96.1 | -95.8 | -95.6 |
| 10, 15 | 60 | G-FR1-A1-3 (Note 1) | -93.2 | -92.9 | -92.7 |
| 20, 25, 30, 35, 40, 45, 50 | 15 | G-FR1-A1-4 (Note 1) | -89.6 | -89.3 | -89.1 |
| | | G-FR1-A1-11 (Note 4) | -89.6 (Note 2) | -89.3 (Note 2) | -89.1 (Note 2) |
| 20, 25, 30, 35, 40, 45, 50, 60, 70, 80, 90, 100 | 30 | G-FR1-A1-5 (Note 1) | -89.9 | -89.6 | -89.4 |
| 20, 25, 30, 35, 40, 45, 50, 60, 70, 80, 90, 100 | 60 | G-FR1-A1-6 (Note 1) | -90 | -89.7 | -89.5 |

NOTE 1: P_{REFSENS} is the power level of a single instance of the reference measurement channel. This requirement shall be met for each consecutive application of a single instance of the reference measurement channel mapped to disjoint frequency ranges with a width corresponding to the number of resource blocks of the reference measurement channel each, except for one instance that might overlap one other instance to cover the full BS channel bandwidth.

NOTE 2: The requirements apply to BS that supports NB-IoT operation in NR in-band.

NOTE 3: P_{REFSENS} is the power level of a single instance of the reference measurement channel. This requirement shall be met for a single instance of G-FR1-A1-10 mapped to the 24 NR resource blocks adjacent to the NB-IoT PRB, and for each consecutive application of a single instance of G-FR1-A1-1 mapped to disjoint frequency ranges with a width of 25 resource blocks each.

NOTE 4: P_{REFSENS} is the power level of a single instance of the reference measurement channel. This requirement shall be met for a single instance of G-FR1-A1-11 mapped to the 105 NR resource blocks adjacent to the NB-IoT PRB, and for each consecutive application of a single instance of G-FR1-A1-4 mapped to disjoint frequency ranges with a width of 106 resource blocks each.

NOTE 5: These reference measurement channels are not applied for band n46, n96 and n102.

Table 7.2.5-2a: NR Medium Range BS reference sensitivity levels for band n46

| BS channel bandwidth (MHz) | Sub-carrier spacing (kHz) | Reference measurement channel | Reference sensitivity power level, P _{REFSENS} (dBm) |
|----------------------------|---------------------------|-------------------------------|---|
| 10 | 15 | G-FR1-A1-12 (Note 2) | -101.5 |
| | 30 | G-FR1-A1-13 (Note 2) | -99.2 |
| | 60 | G-FR1-A1-3 (Note 1, 3) | -92.4 |
| 20 | 15 | G-FR1-A1-14 (Note 2) | -98.6 |
| | 30 | G-FR1-A1-15 (Note 2) | -95.6 |
| | 60 | G-FR1-A1-6 (Note 1, 3) | -89.2 |
| 40 | 15 | G-FR1-A1-16 (Note 2) | -95.5 |
| | 30 | G-FR1-A1-17 (Note 2) | -92.5 |
| | 60 | G-FR1-A1-6 (Note 1, 3) | -89.2 |
| 60 | 30 | G-FR1-A1-18 (Note 2) | -90.9 |
| | 60 | G-FR1-A1-6 (Note 1, 3) | -89.2 |
| 80 | 30 | G-FR1-A1-19 (Note 2) | -89.6 |
| | 60 | G-FR1-A1-6 (Note 1, 3) | -89.2 |

NOTE 1: P_{REFSENS} is the power level of a single instance of the reference measurement channel. This requirement shall be met for each consecutive application of a single instance of the reference measurement channel mapped to disjoint frequency ranges with a width corresponding to the number of resource blocks of the reference measurement channel each, except for one instance that might overlap one other instance to cover the full BS channel bandwidth.

NOTE 2: P_{REFSENS} is the power level of a single instance of the reference measurement channel. This requirement shall be met for each interleaved application of a single instance of the reference measurement channel mapped to disjoint frequency ranges with a width corresponding to the number of resource blocks of the reference measurement channel each, except for one instance that might overlap one other instance to cover the full BS channel bandwidth.

NOTE 3: For 60kHz SCS reference measurement channel is reused from Table 7.2.5-2.

Table 7.2.5-2b: NR Medium Range BS reference sensitivity levels for band n96 and n102

| <i>BS channel bandwidth</i> (MHz) | Sub-carrier spacing (kHz) | Reference measurement channel | Reference sensitivity power level, P_{REFSENS} (dBm) |
|--|------------------------------|-------------------------------|---|
| 20 | 15 | G-FR1-A1-14 (Note 2) | -97.6 |
| | 30 | G-FR1-A1-15 (Note 2) | -94.6 |
| | 60 | G-FR1-A1-6 (Note 1, 3) | -88.2 |
| 40 | 15 | G-FR1-A1-16 (Note 2) | -94.5 |
| | 30 | G-FR1-A1-17 (Note 2) | -91.5 |
| | 60 | G-FR1-A1-6 (Note 1, 3) | -88.2 |
| 60 | 30 | G-FR1-A1-18 (Note 2) | -89.9 |
| | 60 | G-FR1-A1-6 (Note 1, 3) | -88.2 |
| 80 | 30 | G-FR1-A1-19 (Note 2) | -88.6 |
| | 60 | G-FR1-A1-6 (Note 1, 3) | -88.2 |
| <p>NOTE 1: P_{REFSENS} is the power level of a single instance of the reference measurement channel. This requirement shall be met for each consecutive application of a single instance of the reference measurement channel mapped to disjoint frequency ranges with a width corresponding to the number of resource blocks of the reference measurement channel each, except for one instance that might overlap one other instance to cover the full <i>BS channel bandwidth</i>.</p> <p>NOTE 2: P_{REFSENS} is the power level of a single instance of the reference measurement channel. This requirement shall be met for each interleaved application of a single instance of the reference measurement channel mapped to disjoint frequency ranges with a width corresponding to the number of resource blocks of the reference measurement channel each, except for one instance that might overlap one other instance to cover the full <i>BS channel bandwidth</i>.</p> <p>NOTE 3: For 60kHz SCS reference measurement channel is reused from Table 7.2.5-2.</p> | | | |

Table 7.2.5-2c: NR Medium Range BS reference sensitivity levels for band n104

| <i>BS channel bandwidth</i> (MHz) | Sub-carrier spacing (kHz) | Reference measurement channel (Note 5) | Reference sensitivity power level, P_{REFSENS} (dBm) |
|---|------------------------------|---|---|
| 20, 30, 40, 50 | 15 | G-FR1-A1-4 (Note 1) | -87.8 |
| 20, 30, 40, 50, 60, 70, 80, 90, 100 | 30 | G-FR1-A1-5 (Note 1) | -88.1 |
| 20, 30, 40, 50, 60, 70, 80, 90, 100 | 60 | G-FR1-A1-6 (Note 1) | -88.2 |
| <p>Note 1: P_{REFSENS} is the power level of a single instance of the reference measurement channel. This requirement shall be met for each consecutive application of a single instance of the reference measurement channel mapped to disjoint frequency ranges with a width corresponding to the number of resource blocks of the reference measurement channel each, except for one instance that might overlap one other instance to cover the full <i>BS channel bandwidth</i>.</p> | | | |

Table 7.2.5-3: NR Local Area BS reference sensitivity levels

| BS channel bandwidth (MHz) | Sub-carrier spacing (kHz) | Reference measurement channel (Note 5) | Reference sensitivity power level, P _{REFSENS} (dBm) | | |
|--|---------------------------|--|---|-----------------------|-----------------------|
| | | | f ≤ 3.0 GHz | 3.0 GHz < f ≤ 4.2 GHz | 4.2 GHz < f ≤ 6.0 GHz |
| 5, 10, 15 | 15 | G-FR1-A1-1 (Note 1) | -93 | -92.7 | -92.5 |
| | | G-FR1-A1-10 (Note 3) | -93 (Note 2) | -92.7 (Note 2) | -92.5 (Note 2) |
| 10, 15 | 30 | G-FR1-A1-2 (Note 1) | -93.1 | -92.8 | -92.6 |
| 10, 15 | 60 | G-FR1-A1-3 (Note 1) | -90.2 | -89.9 | -89.7 |
| 20, 25, 30, 35, 40, 45, 50 | 15 | G-FR1-A1-4 (Note 1) | -86.6 | -86.3 | -86.1 |
| | | G-FR1-A1-11 (Note 4) | -86.6 (Note 2) | -86.3 (Note 2) | -86.1 (Note 2) |
| 20, 25, 30, 35, 40, 45, 50, 60, 70, 80, 90, 100 | 30 | G-FR1-A1-5 (Note 1) | -86.9 | -86.6 | -86.4 |
| 20, 25, 30, 35, 40, 45, 50, 60, 70, 80, 90, 100 | 60 | G-FR1-A1-6 (Note 1) | -87 | -86.7 | -86.5 |
| <p>Note 1: P_{REFSENS} is the power level of a single instance of the reference measurement channel. This requirement shall be met for each consecutive application of a single instance of the reference measurement channel mapped to disjoint frequency ranges with a width corresponding to the number of resource blocks of the reference measurement channel each, except for one instance that might overlap one other instance to cover the full BS channel bandwidth.</p> <p>Note 2: The requirements apply to BS that supports NB-IoT operation in NR in-band.</p> <p>Note 3: P_{REFSENS} is the power level of a single instance of the reference measurement channel. This requirement shall be met for a single instance of G-FR1-A1-10 mapped to the 24 NR resource blocks adjacent to the NB-IoT PRB, and for each consecutive application of a single instance of G-FR1-A1-1 mapped to disjoint frequency ranges with a width of 25 resource blocks each.</p> <p>Note 4: P_{REFSENS} is the power level of a single instance of the reference measurement channel. This requirement shall be met for a single instance of G-FR1-A1-11 mapped to the 105 NR resource blocks adjacent to the NB-IoT PRB, and for each consecutive application of a single instance of G-FR1-A1-4 mapped to disjoint frequency ranges with a width of 106 resource blocks each.</p> <p>Note 5: These reference measurement channels are not applied for band n46, n96 and n102.</p> | | | | | |

Table 7.2.5-3a: NR Local Area BS reference sensitivity levels for band n46

| BS channel bandwidth (MHz) | Sub-carrier spacing (kHz) | Reference measurement channel | Reference sensitivity power level, P _{REFSENS} (dBm) |
|---|---------------------------|-------------------------------|---|
| 10 | 15 | G-FR1-A1-12 (Note 2) | -98.5 |
| | 30 | G-FR1-A1-13 (Note 2) | -96.2 |
| | 60 | G-FR1-A1-3 (Note 1, 3) | -89.4 |
| 20 | 15 | G-FR1-A1-14 (Note 2) | -95.6 |
| | 30 | G-FR1-A1-15 (Note 2) | -92.6 |
| | 60 | G-FR1-A1-6 (Note 1, 3) | -86.2 |
| 40 | 15 | G-FR1-A1-16 (Note 2) | -92.5 |
| | 30 | G-FR1-A1-17 (Note 2) | -89.5 |
| | 60 | G-FR1-A1-6 (Note 1, 3) | -86.2 |
| 60 | 30 | G-FR1-A1-18 (Note 2) | -87.9 |
| | 60 | G-FR1-A1-6 (Note 1, 3) | -86.2 |
| 80 | 30 | G-FR1-A1-19 (Note 2) | -86.6 |
| | 60 | G-FR1-A1-6 (Note 1, 3) | -86.2 |
| <p>NOTE 1: P_{REFSENS} is the power level of a single instance of the reference measurement channel. This requirement shall be met for each consecutive application of a single instance of the reference measurement channel mapped to disjoint frequency ranges with a width corresponding to the number of resource blocks of the reference measurement channel each, except for one instance that might overlap one other instance to cover the full BS channel bandwidth.</p> <p>NOTE 2: P_{REFSENS} is the power level of a single instance of the reference measurement channel. This requirement shall be met for each interleaved application of a single instance of the reference measurement channel mapped to disjoint frequency ranges with a width corresponding to the number of resource blocks of the reference measurement channel each, except for one instance that might overlap one other instance to cover the full BS channel bandwidth.</p> <p>NOTE 3: For 60kHz SCS reference measurement channel is reused from Table 7.2.5-3..</p> | | | |

Table 7.2.5-3b: NR Local Area BS reference sensitivity levels for band n96 and n102

| <i>BS channel bandwidth</i> (MHz) | Sub-carrier spacing (kHz) | Reference measurement channel | Reference sensitivity power level, P_{REFSENS} (dBm) |
|--|------------------------------|-------------------------------|---|
| 20 | 15 | G-FR1-A1-14 (Note 2) | -94.6 |
| | 30 | G-FR1-A1-15 (Note 2) | -91.6 |
| | 60 | G-FR1-A1-6 (Note 1, 3) | -85.2 |
| 40 | 15 | G-FR1-A1-16 (Note 2) | -91.5 |
| | 30 | G-FR1-A1-17 (Note 2) | -88.5 |
| | 60 | G-FR1-A1-6 (Note 1, 3) | -85.2 |
| 60 | 30 | G-FR1-A1-18 (Note 2) | -86.9 |
| | 60 | G-FR1-A1-6 (Note 1, 3) | -85.2 |
| 80 | 30 | G-FR1-A1-19 (Note 2) | -85.6 |
| | 60 | G-FR1-A1-6 (Note 1, 3) | -85.2 |
| <p>NOTE 1: P_{REFSENS} is the power level of a single instance of the reference measurement channel. This requirement shall be met for each consecutive application of a single instance of the reference measurement channel mapped to disjoint frequency ranges with a width corresponding to the number of resource blocks of the reference measurement channel each, except for one instance that might overlap one other instance to cover the full <i>BS channel bandwidth</i>.</p> <p>NOTE 2: P_{REFSENS} is the power level of a single instance of the reference measurement channel. This requirement shall be met for each interleaved application of a single instance of the reference measurement channel mapped to disjoint frequency ranges with a width corresponding to the number of resource blocks of the reference measurement channel each, except for one instance that might overlap one other instance to cover the full <i>BS channel bandwidth</i>.</p> <p>NOTE 3: For 60kHz SCS reference measurement channel is reused from Table 7.2.5-3.</p> | | | |

Table 7.2.5-3c: NR Local Area BS reference sensitivity levels for band n104

| <i>BS channel bandwidth</i> (MHz) | Sub-carrier spacing (kHz) | Reference measurement channel (Note 5) | Reference sensitivity power level, P_{REFSENS} (dBm) |
|---|------------------------------|---|---|
| 20, 30, 40, 50 | 15 | G-FR1-A1-4 (Note 1) | -84.8 |
| 20, 30, 40, 50, 60, 70, 80, 90, 100 | 30 | G-FR1-A1-5 (Note 1) | -85.1 |
| 20, 30, 40, 50, 60, 70, 80, 90, 100 | 60 | G-FR1-A1-6 (Note 1) | -85.2 |
| <p>Note 1: P_{REFSENS} is the power level of a single instance of the reference measurement channel. This requirement shall be met for each consecutive application of a single instance of the reference measurement channel mapped to disjoint frequency ranges with a width corresponding to the number of resource blocks of the reference measurement channel each, except for one instance that might overlap one other instance to cover the full <i>BS channel bandwidth</i>.</p> | | | |

7.3 Dynamic range

7.3.1 Definition and applicability

The dynamic range is specified as a measure of the capability of the receiver to receive a wanted signal in the presence of an interfering signal at the *antenna connector* for *BS type I-C* or *TAB connector* for *BS type I-H* inside the received *BS channel bandwidth*. In this condition, a throughput requirement shall be met for a specified reference measurement channel. The interfering signal for the dynamic range requirement is an AWGN signal.

7.3.2 Minimum requirement

The minimum requirement for *BS type I-C* is in TS 38.104 [2], clause 7.3.2.

The minimum requirement for *BS type I-H* is in TS 38.104 [2], clause 7.3.2.

7.3.3 Test purpose

To verify that the *BS type 1-C* receiver and each *BS type 1-H TAB connector* receiver dynamic range, the relative throughput shall fulfil the specified limit.

7.3.4 Method of test

7.3.4.1 Initial conditions

Test environment: Normal; see annex B.2.

RF channels to be tested for single carrier: M; see clause 4.9.1.

7.3.4.2 Procedure

The minimum requirement is applied to all connectors under test.

For *BS type 1-H* the procedure is repeated until all *TAB connectors* necessary to demonstrate conformance have been tested; see clause 7.1.

- 1) Connect the connector under test to measurement equipment as shown in annex D.2.2 for *BS type 1-C* and in annex D.4.2 for *BS type 1-H*.
- 2) Set the signal generator for the wanted signal to transmit as specified in table 7.3.5-1 to table 7.3.5-3 according to the appropriate BS class, as well as table 7.3.5-1a to table 7.3.5-3a for a BS declared to be capable of NB-IoT operation in NR in-band (D.41).
- 3) Set the Signal generator for the AWGN interfering signal at the same frequency as the wanted signal to transmit as specified in table 7.3.5-1 to table 7.3.5-3 according to the appropriate BS class, as well as table 7.3.5-1a to table 7.3.5-3a for a BS declared to be capable of NB-IoT operation in NR in-band (D.41).
- 4) Measure the throughput according to annex A.2, as well as annex A.15 of TS 36.141 [24] for a BS declared to be capable of NB-IoT operation in NR in-band (D.41).

In addition, for a *multi-band connector*, the following steps shall apply:

- 5) For *multi-band connector* and single band tests, repeat the steps above per involved band where single band test configurations and test models shall apply with no carrier activated in the other band.

7.3.5 Test requirements

The throughput shall be $\geq 95\%$ of the maximum throughput of the reference measurement channel as specified in annex A.2 with parameters specified in table 7.3.2-1 for Wide Area BS, in table 7.3.2-2 for Medium Range BS and in table 7.3.2-3 for Local Area BS in any operating band except for band n46, n96, n102 and n104.

The throughput shall be $\geq 95\%$ of the maximum throughput of the reference measurement channel as specified in annex A.2 with parameters specified in table 7.3.5-2b for Medium Range BS and in table 7.3.5-3b for Local Area BS, for band n46.

The throughput shall be $\geq 95\%$ of the maximum throughput of the reference measurement channel as specified in annex A.2 with parameters specified in table 7.3.5-2c for Medium Range BS and in table 7.3.5-3c for Local Area BS, for band n96 and n102.

The throughput shall be $\geq 95\%$ of the maximum throughput of the reference measurement channel as specified in annex A.2 with parameters specified in table 7.3.5-1b for Wide Area BS, in table 7.3.5-2d for Medium Range BS and in table 7.3.5-3d for Local Area BS in band n104.

For NB-IoT operation in NR in-band, the throughput shall be $\geq 95\%$ of the maximum throughput of the reference measurement channel as specified in Annex A of TS 36.141 [24] with parameters specified in table 7.3.5-1a for Wide Area BS, in table 7.3.5-2a for Medium Range BS and in table 7.3.5-3a for Local Area BS.

Table 7.3.5-1: Wide Area BS dynamic range

| <i>BS channel bandwidth</i> (MHz) | <i>Subcarrier spacing</i> (kHz) | <i>Reference measurement channel</i> | <i>Wanted signal mean power</i> (dBm) | <i>Interfering signal mean power</i> (dBm) / BW_{Config} | <i>Type of interfering signal</i> |
|-----------------------------------|---------------------------------|--------------------------------------|---------------------------------------|--|-----------------------------------|
| 5 | 15 | G-FR1-A2-1 | -70.4 | -82.5 | AWGN |
| | 30 | G-FR1-A2-2 | -71.1 | | |
| 10 | 15 | G-FR1-A2-1 | -70.4 | -79.3 | AWGN |
| | 30 | G-FR1-A2-2 | -71.1 | | |
| | 60 | G-FR1-A2-3 | -68.1 | | |
| 15 | 15 | G-FR1-A2-1 | -70.4 | -77.5 | AWGN |
| | 30 | G-FR1-A2-2 | -71.1 | | |
| | 60 | G-FR1-A2-3 | -68.1 | | |
| 20 | 15 | G-FR1-A2-4 | -64.2 | -76.2 | AWGN |
| | 30 | G-FR1-A2-5 | -64.2 | | |
| | 60 | G-FR1-A2-6 | -64.5 | | |
| 25 | 15 | G-FR1-A2-4 | -64.2 | -75.2 | AWGN |
| | 30 | G-FR1-A2-5 | -64.2 | | |
| | 60 | G-FR1-A2-6 | -64.5 | | |
| 30 | 15 | G-FR1-A2-4 | -64.2 | -74.4 | AWGN |
| | 30 | G-FR1-A2-5 | -64.2 | | |
| | 60 | G-FR1-A2-6 | -64.5 | | |
| 35 | 15 | G-FR1-A2-4 | -64.2 | -73.7 | AWGN |
| | 30 | G-FR1-A2-5 | -64.2 | | |
| | 60 | G-FR1-A2-6 | -64.5 | | |
| 40 | 15 | G-FR1-A2-4 | -64.2 | -73.1 | AWGN |
| | 30 | G-FR1-A2-5 | -64.2 | | |
| | 60 | G-FR1-A2-6 | -64.5 | | |
| 45 | 15 | G-FR1-A2-4 | -64.2 | -72.6 | AWGN |
| | 30 | G-FR1-A2-5 | -64.2 | | |
| | 60 | G-FR1-A2-6 | -64.5 | | |
| 50 | 15 | G-FR1-A2-4 | -64.2 | -72.1 | AWGN |
| | 30 | G-FR1-A2-5 | -64.2 | | |
| | 60 | G-FR1-A2-6 | -64.5 | | |
| 60 | 30 | G-FR1-A2-5 | -64.2 | -71.3 | AWGN |
| | 60 | G-FR1-A2-6 | -64.5 | | |
| 70 | 30 | G-FR1-A2-5 | -64.2 | -70.7 | AWGN |
| | 60 | G-FR1-A2-6 | -64.5 | | |
| 80 | 30 | G-FR1-A2-5 | -64.2 | -70.1 | AWGN |
| | 60 | G-FR1-A2-6 | -64.5 | | |
| 90 | 30 | G-FR1-A2-5 | -64.2 | -69.5 | AWGN |
| | 60 | G-FR1-A2-6 | -64.5 | | |
| 100 | 30 | G-FR1-A2-5 | -64.2 | -69.1 | AWGN |
| | 60 | G-FR1-A2-6 | -64.5 | | |

NOTE: The wanted signal mean power is the power level of a single instance of the corresponding reference measurement channel. This requirement shall be met for each consecutive application of a single instance of the reference measurement channel mapped to disjoint frequency ranges with a width corresponding to the number of resource blocks of the reference measurement channel each, except for one instance that might overlap one other instance to cover the full *BS channel bandwidth*.

Table 7.3.5-1a: Wide Area BS dynamic range for NB-IoT operation in NR in-band

| BS channel bandwidth (MHz) | Reference measurement channel | Wanted signal mean power (dBm) | Interfering signal mean power (dBm) / BW _{Config} | Type of interfering signal |
|----------------------------|---|--------------------------------|--|----------------------------|
| 5 | FRC A15-1 in Annex A.15 in TS 36.141 [24] | -99.4 | -82.5 | AWGN |
| 10 | | | -79.3 | |
| 15 | | | -77.5 | |
| 20 | | | -76.2 | |
| 25 | | | -75.2 | |
| 30 | | | -74.4 | |
| 35 | | | -73.7 | |
| 40 | | | -73.1 | |
| 45 | | | -72.6 | |
| 50 | | | -72.1 | |
| 5 | FRC A15-2 in Annex A.15 in TS 36.141 [24] | -105.3 | -82.5 | AWGN |
| 10 | | | -79.3 | |
| 15 | | | -77.5 | |
| 20 | | | -76.2 | |
| 25 | | | -75.2 | |
| 30 | | | -74.4 | |
| 35 | | | -73.7 | |
| 40 | | | -73.1 | |
| 45 | | | -72.6 | |
| 50 | | | -72.1 | |

Table 7.3.5-1b: Wide Area BS dynamic range for n104

| BS channel bandwidth (MHz) | Subcarrier spacing (kHz) | Reference measurement channel | Wanted signal mean power (dBm) | Interfering signal mean power (dBm) / BW _{Config} | Type of interfering signal |
|----------------------------|--------------------------|-------------------------------|--------------------------------|--|----------------------------|
| 20 | 15 | G-FR1-A2-4 | -63.2 | -75.2 | AWGN |
| | 30 | G-FR1-A2-5 | -63.2 | | |
| | 60 | G-FR1-A2-6 | -63.5 | | |
| 30 | 15 | G-FR1-A2-4 | -63.2 | -73.4 | AWGN |
| | 30 | G-FR1-A2-5 | -63.2 | | |
| | 60 | G-FR1-A2-6 | -63.5 | | |
| 40 | 15 | G-FR1-A2-4 | -63.2 | -72.1 | AWGN |
| | 30 | G-FR1-A2-5 | -63.2 | | |
| | 60 | G-FR1-A2-6 | -63.5 | | |
| 50 | 15 | G-FR1-A2-4 | -63.2 | -71.1 | AWGN |
| | 30 | G-FR1-A2-5 | -63.2 | | |
| | 60 | G-FR1-A2-6 | -63.5 | | |
| 60 | 30 | G-FR1-A2-5 | -63.2 | -70.3 | AWGN |
| | 60 | G-FR1-A2-6 | -63.5 | | |
| 70 | 30 | G-FR1-A2-5 | -63.2 | -69.7 | AWGN |
| | 60 | G-FR1-A2-6 | -63.5 | | |
| 80 | 30 | G-FR1-A2-5 | -63.2 | -69.1 | AWGN |
| | 60 | G-FR1-A2-6 | -63.5 | | |
| 90 | 30 | G-FR1-A2-5 | -63.2 | -68.5 | AWGN |
| | 60 | G-FR1-A2-6 | -63.5 | | |
| 100 | 30 | G-FR1-A2-5 | -63.2 | -68.1 | AWGN |
| | 60 | G-FR1-A2-6 | -63.5 | | |

NOTE 1: The wanted signal mean power is the power level of a single instance of the corresponding reference measurement channel. This requirement shall be met for each consecutive application of a single instance of the reference measurement channel mapped to disjoint frequency ranges with a width corresponding to the number of resource blocks of the reference measurement channel each, except for one instance that might overlap one other instance to cover the full BS channel bandwidth.

Table 7.3.5-2: Medium Range BS dynamic range

| <i>BS channel bandwidth</i> (MHz) | <i>Subcarrier spacing</i> (kHz) | <i>Reference measurement channel</i> (Note 2) | <i>Wanted signal mean power</i> (dBm) | <i>Interfering signal mean power</i> (dBm) / <i>BW_{Config}</i> | <i>Type of interfering signal</i> |
|-----------------------------------|---------------------------------|---|---------------------------------------|---|-----------------------------------|
| 5 | 15 | G-FR1-A2-1 | -65.4 | -77.5 | AWGN |
| | 30 | G-FR1-A2-2 | -66.1 | | |
| 10 | 15 | G-FR1-A2-1 | -65.4 | -74.3 | AWGN |
| | 30 | G-FR1-A2-2 | -66.1 | | |
| | 60 | G-FR1-A2-3 | -63.1 | | |
| 15 | 15 | G-FR1-A2-1 | -65.4 | -72.5 | AWGN |
| | 30 | G-FR1-A2-2 | -66.1 | | |
| | 60 | G-FR1-A2-3 | -63.1 | | |
| 20 | 15 | G-FR1-A2-4 | -59.2 | -71.2 | AWGN |
| | 30 | G-FR1-A2-5 | -59.2 | | |
| | 60 | G-FR1-A2-6 | -59.5 | | |
| 25 | 15 | G-FR1-A2-4 | -59.2 | -70.2 | AWGN |
| | 30 | G-FR1-A2-5 | -59.2 | | |
| | 60 | G-FR1-A2-6 | -59.5 | | |
| 30 | 15 | G-FR1-A2-4 | -59.2 | -69.4 | AWGN |
| | 30 | G-FR1-A2-5 | -59.2 | | |
| | 60 | G-FR1-A2-6 | -59.5 | | |
| 35 | 15 | G-FR1-A2-4 | -59.2 | -68.7 | AWGN |
| | 30 | G-FR1-A2-5 | -59.2 | | |
| | 60 | G-FR1-A2-6 | -59.5 | | |
| 40 | 15 | G-FR1-A2-4 | -59.2 | -68.1 | AWGN |
| | 30 | G-FR1-A2-5 | -59.2 | | |
| | 60 | G-FR1-A2-6 | -59.5 | | |
| 45 | 15 | G-FR1-A2-4 | -59.2 | -67.6 | AWGN |
| | 30 | G-FR1-A2-5 | -59.2 | | |
| | 60 | G-FR1-A2-6 | -59.5 | | |
| 50 | 15 | G-FR1-A2-4 | -59.2 | -67.1 | AWGN |
| | 30 | G-FR1-A2-5 | 59.8 | | |
| | 60 | G-FR1-A2-6 | -59.5 | | |
| 60 | 30 | G-FR1-A2-5 | -59.2 | -66.3 | AWGN |
| | 60 | G-FR1-A2-6 | -59.5 | | |
| 70 | 30 | G-FR1-A2-5 | -59.2 | -65.7 | AWGN |
| | 60 | G-FR1-A2-6 | -59.5 | | |
| 80 | 30 | G-FR1-A2-5 | -59.2 | -65.1 | AWGN |
| | 60 | G-FR1-A2-6 | -59.5 | | |
| 90 | 30 | G-FR1-A2-5 | -59.2 | -64.5 | AWGN |
| | 60 | G-FR1-A2-6 | -59.5 | | |
| 100 | 30 | G-FR1-A2-5 | -59.2 | -64.1 | AWGN |
| | 60 | G-FR1-A2-6 | -59.5 | | |

NOTE 1: The wanted signal mean power is the power level of a single instance of the corresponding reference measurement channel. This requirement shall be met for each consecutive application of a single instance of the reference measurement channel mapped to disjoint frequency ranges with a width corresponding to the number of resource blocks of the reference measurement channel each, except for one instance that might overlap one other instance to cover the full *BS channel bandwidth*.

NOTE 2: These reference measurement channels are not applied for band n46, n96 and n102.

Table 7.3.5-2a: Medium Range BS dynamic range for NB-IoT operation in NR in-band

| <i>BS channel bandwidth (MHz)</i> | Reference measurement channel | Wanted signal mean power (dBm) | Interfering signal mean power (dBm) / BW_{Config} | Type of interfering signal |
|-----------------------------------|---|--------------------------------|---|----------------------------|
| 5 | FRC A15-1 in Annex A.15 in TS 36.141 [24] | -94.4 | -77.5 | AWGN |
| 10 | | | -74.3 | |
| 15 | | | -72.5 | |
| 20 | | | -71.2 | |
| 25 | | | -70.2 | |
| 30 | | | -69.4 | |
| 35 | | | -68.7 | |
| 40 | | | -68.1 | |
| 45 | | | -67.6 | |
| 50 | | | -67.1 | |
| 5 | FRC A15-2 in Annex A.15 in TS 36.141 [24] | -100.3 | -77.5 | AWGN |
| 10 | | | -74.3 | |
| 15 | | | -72.5 | |
| 20 | | | -71.2 | |
| 25 | | | -70.2 | |
| 30 | | | -69.4 | |
| 35 | | | -68.7 | |
| 40 | | | -68.1 | |
| 45 | | | -67.6 | |
| 50 | | | -67.1 | |

Table 7.3.5-2b: Medium Range BS dynamic range for band n46

| <i>BS channel bandwidth (MHz)</i> | <i>Subcarrier spacing (kHz)</i> | <i>Reference measurement channel</i> | <i>Wanted signal mean power (dBm)</i> | <i>Interfering signal mean power (dBm) / BW_{Config}</i> | <i>Type of interfering signal</i> |
|-----------------------------------|---------------------------------|--------------------------------------|---------------------------------------|--|-----------------------------------|
| 10 | 15 | G-FR1-A2-7 (Note 2) | -72.5 | -74.3 | AWGN |
| | 30 | G-FR1-A2-8 (Note 2) | -70.3 | | |
| | 60 | G-FR1-A2-3 (Note 1, 3) | -63.1 | | |
| 20 | 15 | G-FR1-A2-9 (Note 2) | -69.5 | -71.2 | AWGN |
| | 30 | G-FR1-A2-10 (Note 2) | -66.5 | | |
| | 60 | G-FR1-A2-6 (Note 1, 3) | -59.5 | | |
| 40 | 15 | G-FR1-A2-11 (Note 2) | -66.4 | -68.1 | AWGN |
| | 30 | G-FR1-A2-12 (Note 2) | -63.4 | | |
| | 60 | G-FR1-A2-6 (Note 1, 3) | -59.5 | | |
| 60 | 30 | G-FR1-A2-13 (Note 2) | -61.6 | -66.3 | AWGN |
| | 60 | G-FR1-A2-6 (Note 1, 3) | -59.5 | | |
| 80 | 30 | G-FR1-A2-14 (Note 2) | -60.4 | -65.1 | AWGN |
| | 60 | G-FR1-A2-6 (Note 1, 3) | -59.5 | | |

NOTE 1: The wanted signal mean power is the power level of a single instance of the corresponding reference measurement channel. This requirement shall be met for each consecutive application of a single instance of the reference measurement channel mapped to disjoint frequency ranges with a width corresponding to the number of resource blocks of the reference measurement channel each, except for one instance that might overlap one other instance to cover the full *BS channel bandwidth*.

NOTE 2: The wanted signal mean power is the power level of a single instance of the corresponding reference measurement channel. This requirement shall be met for each interleaved application of a single instance of the reference measurement channel mapped to disjoint frequency ranges with a width corresponding to the number of resource blocks of the reference measurement channel each, except for one instance that might overlap one other instance to cover the full *BS channel bandwidth*.

NOTE 3: For 60kHz SCS reference measurement channel is reused from Table 7.3.5-2.

Table 7.3.5-2c: Medium Range BS dynamic range for band n96 and n102

| BS channel bandwidth (MHz) | Subcarrier spacing (kHz) | Reference measurement channel | Wanted signal mean power (dBm) | Interfering signal mean power (dBm) / BW_{Config} | Type of interfering signal |
|--|---------------------------------|--------------------------------------|---------------------------------------|---|-----------------------------------|
| 20 | 15 | G-FR1-A2-9 (Note 2) | -68.5 | -70.2 | AWGN |
| | 30 | G-FR1-A2-10 (Note 2) | -65.5 | | |
| | 60 | G-FR1-A2-6 (Note 1, 3) | -58.5 | | |
| 40 | 15 | G-FR1-A2-11 (Note 2) | -65.4 | -67.1 | AWGN |
| | 30 | G-FR1-A2-12 (Note 2) | -62.4 | | |
| | 60 | G-FR1-A2-6 (Note 1, 3) | -58.5 | | |
| 60 | 30 | G-FR1-A2-13 (Note 2) | -60.6 | -65.3 | AWGN |
| | 60 | G-FR1-A2-6 (Note 1, 3) | -58.5 | | |
| 80 | 30 | G-FR1-A2-14 (Note 2) | -59.4 | -64.1 | AWGN |
| | 60 | G-FR1-A2-6 (Note 1, 3) | -58.5 | | |
| <p>NOTE 1: The wanted signal mean power is the power level of a single instance of the corresponding reference measurement channel. This requirement shall be met for each consecutive application of a single instance of the reference measurement channel mapped to disjoint frequency ranges with a width corresponding to the number of resource blocks of the reference measurement channel each, except for one instance that might overlap one other instance to cover the full BS channel bandwidth.</p> <p>NOTE 2: The wanted signal mean power is the power level of a single instance of the corresponding reference measurement channel. This requirement shall be met for each interleaved application of a single instance of the reference measurement channel mapped to disjoint frequency ranges with a width corresponding to the number of resource blocks of the reference measurement channel each, except for one instance that might overlap one other instance to cover the full BS channel bandwidth.</p> <p>NOTE 3: For 60kHz SCS reference measurement channel is reused from Table 7.3.5-2.</p> | | | | | |

Table 7.3.5-2d: Medium Range BS dynamic range for n104

| <i>BS channel bandwidth (MHz)</i> | <i>Subcarrier spacing (kHz)</i> | <i>Reference measurement channel (Note 2)</i> | <i>Wanted signal mean power (dBm)</i> | <i>Interfering signal mean power (dBm) / BW_{Config}</i> | <i>Type of interfering signal</i> |
|-----------------------------------|---------------------------------|---|---------------------------------------|--|-----------------------------------|
| 20 | 15 | G-FR1-A2-4 | -58.2 | -70.2 | AWGN |
| | 30 | G-FR1-A2-5 | -58.2 | | |
| | 60 | G-FR1-A2-6 | -58.5 | | |
| 30 | 15 | G-FR1-A2-4 | -58.2 | -68.4 | AWGN |
| | 30 | G-FR1-A2-5 | -58.2 | | |
| | 60 | G-FR1-A2-6 | -58.5 | | |
| 40 | 15 | G-FR1-A2-4 | -58.2 | -67.1 | AWGN |
| | 30 | G-FR1-A2-5 | -58.2 | | |
| | 60 | G-FR1-A2-6 | -58.5 | | |
| 50 | 15 | G-FR1-A2-4 | -58.2 | -66.1 | AWGN |
| | 30 | G-FR1-A2-5 | -58.2 | | |
| | 60 | G-FR1-A2-6 | -58.5 | | |
| 60 | 30 | G-FR1-A2-5 | -58.2 | -65.3 | AWGN |
| | 60 | G-FR1-A2-6 | -58.5 | | |
| 70 | 30 | G-FR1-A2-5 | -58.2 | -64.7 | AWGN |
| | 60 | G-FR1-A2-6 | -58.5 | | |
| 80 | 30 | G-FR1-A2-5 | -58.2 | -64.1 | AWGN |
| | 60 | G-FR1-A2-6 | -58.5 | | |
| 90 | 30 | G-FR1-A2-5 | -58.2 | -63.5 | AWGN |
| | 60 | G-FR1-A2-6 | -58.5 | | |
| 100 | 30 | G-FR1-A2-5 | -58.2 | -63.1 | AWGN |
| | 60 | G-FR1-A2-6 | -58.5 | | |

NOTE 1: The wanted signal mean power is the power level of a single instance of the corresponding reference measurement channel. This requirement shall be met for each consecutive application of a single instance of the reference measurement channel mapped to disjoint frequency ranges with a width corresponding to the number of resource blocks of the reference measurement channel each, except for one instance that might overlap one other instance to cover the full *BS channel bandwidth*.

Table 7.3.5-3: Local Area BS dynamic range

| <i>BS channel bandwidth (MHz)</i> | <i>Subcarrier spacing (kHz)</i> | <i>Reference measurement channel (Note 2)</i> | <i>Wanted signal mean power (dBm)</i> | <i>Interfering signal mean power (dBm) / BW_{Config}</i> | <i>Type of interfering signal</i> |
|-----------------------------------|---------------------------------|---|---------------------------------------|--|-----------------------------------|
| 5 | 15 | G-FR1-A2-1 | -62.4 | -74.5 | AWGN |
| | 30 | G-FR1-A2-2 | -63.1 | | |
| 10 | 15 | G-FR1-A2-1 | -62.4 | -71.3 | AWGN |
| | 30 | G-FR1-A2-2 | -63.1 | | |
| | 60 | G-FR1-A2-3 | -60.1 | | |
| 15 | 15 | G-FR1-A2-1 | -62.4 | -69.5 | AWGN |
| | 30 | G-FR1-A2-2 | -63.1 | | |
| | 60 | G-FR1-A2-3 | -60.1 | | |
| 20 | 15 | G-FR1-A2-4 | -56.2 | -68.2 | AWGN |
| | 30 | G-FR1-A2-5 | -56.2 | | |
| | 60 | G-FR1-A2-6 | -56.5 | | |
| 25 | 15 | G-FR1-A2-4 | -56.2 | -67.2 | AWGN |
| | 30 | G-FR1-A2-5 | -56.2 | | |
| | 60 | G-FR1-A2-6 | -56.5 | | |
| 30 | 15 | G-FR1-A2-4 | -56.2 | -66.4 | AWGN |
| | 30 | G-FR1-A2-5 | -56.2 | | |
| | 60 | G-FR1-A2-6 | -56.5 | | |
| 35 | 15 | G-FR1-A2-4 | -56.2 | -65.7 | AWGN |
| | 30 | G-FR1-A2-5 | -56.2 | | |
| | 60 | G-FR1-A2-6 | -56.5 | | |
| 40 | 15 | G-FR1-A2-4 | -56.2 | -65.1 | AWGN |
| | 30 | G-FR1-A2-5 | -56.2 | | |
| | 60 | G-FR1-A2-6 | -56.5 | | |
| 45 | 15 | G-FR1-A2-4 | -56.2 | -64.6 | AWGN |
| | 30 | G-FR1-A2-5 | -56.2 | | |
| | 60 | G-FR1-A2-6 | -56.5 | | |
| 50 | 15 | G-FR1-A2-4 | -56.2 | -64.1 | AWGN |
| | 30 | G-FR1-A2-5 | -56.2 | | |
| | 60 | G-FR1-A2-6 | -56.5 | | |
| 60 | 30 | G-FR1-A2-5 | -56.2 | -63.3 | AWGN |
| | 60 | G-FR1-A2-6 | -56.5 | | |
| 70 | 30 | G-FR1-A2-5 | -56.2 | -62.7 | AWGN |
| | 60 | G-FR1-A2-6 | -56.5 | | |
| 80 | 30 | G-FR1-A2-5 | -56.2 | -62.1 | AWGN |
| | 60 | G-FR1-A2-6 | -56.5 | | |
| 90 | 30 | G-FR1-A2-5 | -56.2 | -61.5 | AWGN |
| | 60 | G-FR1-A2-6 | -56.5 | | |
| 100 | 30 | G-FR1-A2-5 | -56.2 | -61.1 | AWGN |
| | 60 | G-FR1-A2-6 | -56.5 | | |

NOTE 1: The wanted signal mean power is the power level of a single instance of the corresponding reference measurement channel. This requirement shall be met for each consecutive application of a single instance of the reference measurement channel mapped to disjoint frequency ranges with a width corresponding to the number of resource blocks of the reference measurement channel each, except for one instance that might overlap one other instance to cover the full *BS channel bandwidth*.

NOTE 2: These reference measurement channels are not applied for band n46, n96 and n102.

Table 7.3.5-3a: Local Area BS dynamic range for NB-IoT operation in NR in-band

| <i>BS channel bandwidth (MHz)</i> | Reference measurement channel | Wanted signal mean power (dBm) | Interfering signal mean power (dBm) / BW_{Config} | Type of interfering signal |
|-----------------------------------|---|---------------------------------------|---|-----------------------------------|
| 5 | FRC A15-1 in Annex A.15 in TS 36.141 [24] | -91.4 | -74.5 | AWGN |
| 10 | | | -71.3 | |
| 15 | | | -69.5 | |
| 20 | | | -68.2 | |
| 25 | | | -67.2 | |
| 30 | | | -66.4 | |
| 35 | | | -65.7 | |
| 40 | | | -65.1 | |
| 45 | | | -64.6 | |
| 50 | | | -64.1 | |
| 5 | FRC A15-2 in Annex A.15 in TS 36.141 [24] | -97.3 | -74.5 | AWGN |
| 10 | | | -71.3 | |
| 15 | | | -69.5 | |
| 20 | | | -68.2 | |
| 25 | | | -67.2 | |
| 30 | | | -66.4 | |
| 35 | | | -65.7 | |
| 40 | | | -65.1 | |
| 45 | | | -64.6 | |
| 50 | | | -64.1 | |

Table 7.3.5-3b: Local Area BS dynamic range for band n46

| BS channel bandwidth (MHz) | Subcarrier spacing (kHz) | Reference measurement channel | Wanted signal mean power (dBm) | Interfering signal mean power (dBm) / BW_{Config} | Type of interfering signal |
|--|---------------------------------|--------------------------------------|---------------------------------------|---|-----------------------------------|
| 10 | 15 | G-FR1-A2-7 (Note 2) | -69.5 | -71.3 | AWGN |
| | 30 | G-FR1-A2-8 (Note 2) | -67.3 | | |
| | 60 | G-FR1-A2-3 (Note 1, 3) | -60.1 | | |
| 20 | 15 | G-FR1-A2-9 (Note 2) | -66.5 | -68.2 | AWGN |
| | 30 | G-FR1-A2-10 | -63.5 | | |
| | 60 | G-FR1-A2-6 (Note 1, 3) | -56.5 | | |
| 40 | 15 | G-FR1-A2-11 (Note 2) | -63.4 | -65.1 | AWGN |
| | 30 | G-FR1-A2-12 (Note 2) | -60.4 | | |
| | 60 | G-FR1-A2-6 (Note 1, 3) | -56.5 | | |
| 60 | 30 | G-FR1-A2-13 (Note 2) | -58.6 | -63.3 | AWGN |
| | 60 | G-FR1-A2-6 (Note 1, 3) | -56.5 | | |
| 80 | 30 | G-FR1-A2-14 (Note 2) | -57.4 | -62.1 | AWGN |
| | 60 | G-FR1-A2-6 (Note 1, 3) | -56.5 | | |
| <p>NOTE 1: The wanted signal mean power is the power level of a single instance of the corresponding reference measurement channel. This requirement shall be met for each consecutive application of a single instance of the reference measurement channel mapped to disjoint frequency ranges with a width corresponding to the number of resource blocks of the reference measurement channel each, except for one instance that might overlap one other instance to cover the full <i>BS channel bandwidth</i>.</p> <p>NOTE 2: The wanted signal mean power is the power level of a single instance of the corresponding reference measurement channel. This requirement shall be met for each interleaved application of a single instance of the reference measurement channel mapped to disjoint frequency ranges with a width corresponding to the number of resource blocks of the reference measurement channel each, except for one instance that might overlap one other instance to cover the full <i>BS channel bandwidth</i>.</p> <p>NOTE 3: For 60kHz SCS reference measurement channel is reused from Table 7.3.5-2.</p> | | | | | |

Table 7.3.5-3c: Local area BS dynamic range for band n96 and n102

| <i>BS channel bandwidth (MHz)</i> | <i>Subcarrier spacing (kHz)</i> | <i>Reference measurement channel</i> | <i>Wanted signal mean power (dBm)</i> | <i>Interfering signal mean power (dBm) / BW_{Config}</i> | <i>Type of interfering signal</i> |
|--|---------------------------------|--------------------------------------|---------------------------------------|--|-----------------------------------|
| 20 | 15 | G-FR1-A2-9 (Note 2) | -65.5 | -67.2 | AWGN |
| | 30 | G-FR1-A2-10 (Note 2) | -62.5 | | |
| | 60 | G-FR1-A2-6 (Note 1, 3) | -55.5 | | |
| 40 | 15 | G-FR1-A2-11 (Note 2) | -62.4 | -64.1 | AWGN |
| | 30 | G-FR1-A2-12 (Note 2) | -59.4 | | |
| | 60 | G-FR1-A2-6 (Note 1, 3) | -55.5 | | |
| 60 | 30 | G-FR1-A2-13 (Note 2) | -57.6 | -62.3 | AWGN |
| | 60 | G-FR1-A2-6 (Note 1, 3) | -55.5 | | |
| 80 | 30 | G-FR1-A2-14 (Note 2) | -56.4 | -61.1 | AWGN |
| | 60 | G-FR1-A2-6 (Note 1, 3) | -55.5 | | |
| <p>NOTE 1: The wanted signal mean power is the power level of a single instance of the corresponding reference measurement channel. This requirement shall be met for each consecutive application of a single instance of the reference measurement channel mapped to disjoint frequency ranges with a width corresponding to the number of resource blocks of the reference measurement channel each, except for one instance that might overlap one other instance to cover the full <i>BS channel bandwidth</i>.</p> <p>NOTE 2: The wanted signal mean power is the power level of a single instance of the corresponding reference measurement channel. This requirement shall be met for each interleaved application of a single instance of the reference measurement channel mapped to disjoint frequency ranges with a width corresponding to the number of resource blocks of the reference measurement channel each, except for one instance that might overlap one other instance to cover the full <i>BS channel bandwidth</i>.</p> <p>NOTE 3: For 60kHz SCS reference measurement channel is reused from Table 7.3.5-2.</p> | | | | | |

Table 7.3.5-3d: Local Area BS dynamic range for n104

| BS channel bandwidth (MHz) | Subcarrier spacing (kHz) | Reference measurement channel | Wanted signal mean power (dBm) | Interfering signal mean power (dBm) / BW_{Config} | Type of interfering signal |
|----------------------------|--------------------------|-------------------------------|--------------------------------|---|----------------------------|
| 20 | 15 | G-FR1-A2-4 | -55.2 | -67.2 | AWGN |
| | 30 | G-FR1-A2-5 | -55.2 | | |
| | 60 | G-FR1-A2-6 | -55.5 | | |
| 30 | 15 | G-FR1-A2-4 | -55.2 | -65.4 | AWGN |
| | 30 | G-FR1-A2-5 | -55.2 | | |
| | 60 | G-FR1-A2-6 | -55.5 | | |
| 40 | 15 | G-FR1-A2-4 | -55.2 | -64.1 | AWGN |
| | 30 | G-FR1-A2-5 | -55.2 | | |
| | 60 | G-FR1-A2-6 | -55.5 | | |
| 50 | 15 | G-FR1-A2-4 | -55.2 | -63.1 | AWGN |
| | 30 | G-FR1-A2-5 | -55.2 | | |
| | 60 | G-FR1-A2-6 | -55.5 | | |
| 60 | 30 | G-FR1-A2-5 | -55.2 | -62.3 | AWGN |
| | 60 | G-FR1-A2-6 | -55.5 | | |
| 70 | 30 | G-FR1-A2-5 | -55.2 | -61.7 | AWGN |
| | 60 | G-FR1-A2-6 | -55.5 | | |
| 80 | 30 | G-FR1-A2-5 | -55.2 | -61.1 | AWGN |
| | 60 | G-FR1-A2-6 | -55.5 | | |
| 90 | 30 | G-FR1-A2-5 | -55.2 | -60.5 | AWGN |
| | 60 | G-FR1-A2-6 | -55.5 | | |
| 100 | 30 | G-FR1-A2-5 | -55.2 | -60.1 | AWGN |
| | 60 | G-FR1-A2-6 | -55.5 | | |

NOTE 1: The wanted signal mean power is the power level of a single instance of the corresponding reference measurement channel. This requirement shall be met for each consecutive application of a single instance of the reference measurement channel mapped to disjoint frequency ranges with a width corresponding to the number of resource blocks of the reference measurement channel each, except for one instance that might overlap one other instance to cover the full BS channel bandwidth.

7.4 In-band selectivity and blocking

7.4.1 Adjacent Channel Selectivity (ACS)

7.4.1.1 Definition and applicability

Adjacent channel selectivity (ACS) is a measure of the receiver's ability to receive a wanted signal at its assigned channel frequency at the *antenna connector* for BS type 1-C or *TAB connector* for BS type 1-H in the presence of an adjacent channel signal with a specified centre frequency offset of the interfering signal to the band edge of a victim system.

7.4.1.2 Minimum requirement

The minimum requirement for BS type 1-C and BS type 1-H are in TS 38.104 [2], clause 7.4.1.2.

7.4.1.3 Test purpose

The test purpose is to verify the ability of the BS receiver filter to suppress interfering signals in the channels adjacent to the wanted channel.

7.4.1.4 Method of test

7.4.1.4.1 Initial conditions

Test environment: Normal; see annex B.2.

RF channels to be tested for single carrier (SC): M; see clause 4.9.1.

Base Station RF Bandwidth positions to be tested for multi-carrier (MC):

- M_{RFBW} for *single-band connector(s)*, see clause 4.9.1,
- $B'_{\text{RFBW}}T'_{\text{RFBW}}$ and $B''_{\text{RFBW}}T''_{\text{RFBW}}$ for *multi-band connector(s)*, see clause 4.9.1.

7.4.1.4.2 Procedure

The minimum requirement is applied to all connectors under test.

For *BS type 1-H* the procedure is repeated until all *TAB connectors* necessary to demonstrate conformance have been tested; see clause 7.1.

- 1) Connect the connector under test to measurement equipment as shown in annex D.2.3 for *BS type 1-C* and in annex D.4.3 for *BS type 1-H*.
- 2) For FDD operation, set the BS to transmit:
 - For single carrier operation set the connector under test to transmit at manufacturers declared *rated carrier output power* ($P_{\text{rated,c,AC}}$ or $P_{\text{rated,c,TABC}}$, D.21).
 - For a connector under test declared to be capable of multi-carrier and/or CA operation (D.15-D.16) set the connector under test to transmit on all carriers configured using the applicable test configuration and corresponding power setting specified in clauses 4.7 and 4.8 using the corresponding test models or set of physical channels in clause 4.9.2
- 3) Set the signal generator for the wanted signal to transmit as specified in table 7.4.1.5-1.
- 4) Set the signal generator for the interfering signal to transmit at the frequency offset and as specified in table 7.4.1.5-1 and 7.4.1.5-2.
- 5) Measure the throughput according to annex A.1, as well as annex A.14 of TS 36.141 [24] for a BS declared to be capable of NB-IoT operation in NR in-band (D.41).

In addition, for a *multi-band connector*, the following steps shall apply:

- 6) For *multi-band connector* and single band tests, repeat the steps above per involved band where single band test configurations and test models shall apply with no carrier activated in the other band.

7.4.1.5 Test requirements

The throughput shall be $\geq 95\%$ of the maximum throughput of the reference measurement channel.

For BS operating except for band n46, n96, n102 and n104, the wanted and the interfering signal coupled to the *BS type 1-C antenna connector* or *BS type 1-H TAB connector* are specified in table 7.4.1.5-1 and the frequency offset between the wanted and interfering signal in table 7.4.1.5-2 for ACS. The reference measurement channel for the wanted signal is identified in table 7.2.5-1, 7.2.5-2 and 7.2.5-3 for each channel bandwidth in any operating band except for band n46, n96, n102 and n104 and further specified in annex A.1. The characteristics of the interfering signal is further specified in annex E.

For BS operating in band n46, n96 and n102, the wanted and the interfering signal coupled to the BS type 1-C antenna connector or BS type 1-H TAB connector are specified in table 7.4.1.5-1a, 7.4.1.5-1b and the frequency offset between the wanted and interfering signal in table 7.4.1.5-2a for ACS. The reference measurement channel for the wanted signal is identified in table 7.2.5-2a, 7.2.5-3a and 7.2.5-3b for each BS channel bandwidth and further specified in annex A.1a. The characteristics of the interfering signal is further specified in annex D.

For BS operating in band n104, the wanted and the interfering signal coupled to the BS type 1-C antenna connector or BS type 1-H TAB connector are specified in table 7.4.1.5-1b and the frequency offset between the wanted and interfering signal in table 7.4.1.5-2 for ACS. The reference measurement channel for the wanted signal is identified in table 7.2.5-1a, 7.2.5-2c, and 7.2.5-3c for each *BS channel bandwidth* and further specified in annex A.1. The characteristics of the interfering signal is further specified in annex D.

For BS supporting NB-IoT operation in NR in-band, the wanted and the interfering signal coupled to the *BS type 1-C antenna connector* are specified in table 7.4.1.5-1 and the frequency offset between the wanted and interfering signal in table 7.4.1.5-2 for ACS. The reference measurement channel for the NB-IoT wanted signal is identified in clause 7.2.5 of TS 36.141 [24]. The characteristics of the interfering signal is further specified in annex E.

The ACS requirement is applicable outside the Base Station RF Bandwidth or Radio Bandwidth. The interfering signal offset is defined relative to the Base station RF Bandwidth edges or Radio Bandwidth edges.

For a BS operating in non-contiguous spectrum within any *operating band*, the ACS requirement shall apply in addition inside any sub-block gap, in case the sub-block gap size is at least as wide as the NR interfering signal in table 7.4.1.5-2. The interfering signal offset is defined relative to the sub-block edges inside the sub-block gap.

For a *multi-band connector*, the ACS requirement shall apply in addition inside any Inter RF Bandwidth gap, in case the Inter RF Bandwidth gap size is at least as wide as the NR interfering signal in table 7.4.1.5-2. The interfering signal offset is defined relative to the Base Station RF Bandwidth edges inside the Inter RF Bandwidth gap

Conducted requirement is defined at the *antenna connector* for *BS type 1-C* and at the *TAB connector* for *BS type 1-H*.

Table 7.4.1.5-1: Base station ACS requirement

| <i>BS channel bandwidth of the lowest/highest carrier received (MHz)</i> | <i>Wanted signal mean power (dBm)</i> | <i>Interfering signal mean power (dBm)</i> |
|--|---------------------------------------|---|
| 5, 10, 15, 20, 25, 30, 35, 40, 45, 50, 60, 70, 80, 90, 100 | $P_{\text{REFSENS}} + 6 \text{ dB}$ | Wide Area BS: -52 Medium Range BS: -47 Local Area BS: -44 |
| NOTE 1: The SCS for the lowest/highest carrier received is the lowest SCS supported by the BS for that bandwidth. NOTE 2: P_{REFSENS} depends on the RAT. For NR, P_{REFSENS} depends also on the <i>BS channel bandwidth</i> as specified in TS 38.104 [2], table 7.2.2-1, 7.2.2-2 and 7.2.2-3. For NB-IoT, P_{REFSENS} depends also on the <i>sub-carrier spacing</i> as specified in tables 7.2-5, 7.2-6 and 7.2-8 of TS 36.141 [24]. | | |

Table 7.4.1.5-1a: Base station ACS requirement for band n46, n96 and n102

| <i>BS channel bandwidth of the lowest/highest carrier received (MHz)</i> | <i>Wanted signal mean power (dBm)</i> | <i>Interfering signal mean power (dBm)</i> |
|--|---------------------------------------|--|
| 10, 20, 40, 60, 80 (Note 1) | $P_{\text{REFSENS}} + 6 \text{ dB}$ | Medium Range BS: -47 Local Area BS: -44 |
| NOTE 1: The SCS for the lowest/highest carrier received is the lowest SCS supported by the BS for that bandwidth. NOTE 2: P_{REFSENS} depends on the RAT. For NR, P_{REFSENS} depends also on the <i>BS channel bandwidth</i> as specified in tables 7.2.5-2a, 7.2.5-2b, 7.2.5-3a and 7.2.5-3b. | | |

Table 7.4.1.5-1b: Base station ACS requirement for band n104

| BS channel bandwidth of the lowest/highest carrier received (MHz) | Wanted signal mean power (dBm) | Interfering signal mean power (dBm) |
|--|---------------------------------------|---|
| 20, 30, 40, 50, 60, 70, 80, 90, 100 (Note 1) | $P_{\text{REFSENS}} + 6$ dB | Wide Area BS: -55 Medium Range BS: -50 Local Area BS: -47 |
| NOTE 1: The SCS for the lowest/highest carrier received is the lowest SCS supported by the BS for that bandwidth. | | |
| NOTE 2: P_{REFSENS} depends on the RAT. For NR, P_{REFSENS} depends also on the <i>BS channel bandwidth</i> as specified in tables 7.2.5-1a, 7.2.5-2c, and 7.2.5-3c. | | |

Table 7.4.1.5-2: Base Station ACS interferer frequency offset values

| BS channel bandwidth of the lowest/highest carrier received (MHz) | Interfering signal centre frequency offset from the lower/upper Base Station RF Bandwidth edge or sub-block edge inside a sub-block gap (MHz) | Type of interfering signal |
|--|--|---|
| 5 | ± 2.5025 | 5 MHz DFT-s-OFDM NR signal, 15 kHz SCS, 25 RBs |
| 10 | ± 2.5075 | |
| 15 | ± 2.5125 | |
| 20 | ± 2.5025 | |
| 25 | ± 9.4675 | 20 MHz DFT-s-OFDM NR signal, 15 kHz SCS, 100 RBs |
| 30 | ± 9.4725 | |
| 35 | ± 9.4625 | |
| 40 | ± 9.4675 | |
| 45 | ± 9.4725 | |
| 50 | ± 9.4625 | |
| 60 | ± 9.4725 | |
| 70 | ± 9.4675 | |
| 80 | ± 9.4625 | |
| 90 | ± 9.4725 | |
| 100 | ± 9.4675 | |

Table 7.4.1.5-2a: Base Station ACS interferer frequency offset values for band n46, n96 and n102

| BS channel bandwidth of the lowest/highest carrier received (MHz) | Interfering signal centre frequency offset from the lower/upper Base Station RF Bandwidth edge or sub-block edge inside a sub-block gap (MHz) | Type of interfering signal |
|--|--|--|
| 10 | ± 9.4675 | 20 MHz DFT-s-OFDM NR signal 15 kHz SCS, 100 RBs |
| 20 | ± 9.4625 | |
| 40 | ± 9.4675 | |
| 60 | ± 9.4725 | |
| 80 | ± 9.4625 | |

7.4.2 In-band blocking

7.4.2.1 Definition and applicability

The in-band blocking characteristics is a measure of the receiver's ability to receive a wanted signal at its assigned channel at the *antenna connector* for *BS type I-C* or *TAB connector* for *BS type I-H* in the presence of an unwanted

interferer, which is an NR signal for general blocking or an NR signal with one resource block for narrowband blocking.

7.4.2.2 Minimum requirement

The minimum requirements for *BS type I-C* and *BS type I-H* are in TS 38.104 [2], clause 7.4.2.2.

7.4.2.3 Test purpose

The test purpose is to verify the ability of the BS receiver to withstand high-levels of in-band interference from unwanted signals at specified frequency offsets without undue degradation of its sensitivity.

7.4.2.4 Method of test

7.4.2.4.1 Initial conditions

Test environment: Normal; see annex B.2.

RF channels to be tested for single carrier (SC): M; see clause 4.9.1

Base Station RF Bandwidth positions to be tested for multi-carrier (MC) and/or CA:

- M_{RFBW} for *single-band connector(s)*, see clause 4.9.1,
- $B_{\text{RFBW_T_RFBW}}$ and $B'_{\text{RFBW_T_RFBW}}$ for *multi-band connector(s)*, see clause 4.9.1.

NOTE: When testing in M (or M_{RFBW}), if the interferer is fully or partially located outside the supported frequency range, then the test shall be done instead in B (or B_{RFBW}) and T (or T_{RFBW}), and only with the interferer located inside the supported frequency range.

7.4.2.4.2 Procedure for general blocking

The minimum requirement is applied to all connectors under test.

For *BS type I-H* the procedure is repeated until all *TAB connectors* necessary to demonstrate conformance have been tested; see clause 7.1.

- 1) Connect the connector under test to measurement equipment as shown in annex D.2.3 for *BS type I-C* and in annex D.4.3 for *BS type I-H*.
- 2) For FDD operation, set the BS to transmit:
 - For single carrier operation set the connector under test to transmit at manufacturers declared *rated carrier output power* ($P_{\text{rated,c,AC}}$ Or $P_{\text{rated,c,TABC}}$, D.21).
 - For a connector under test declared to be capable of multi-carrier and/or CA operation (D.15-D.16) set the connector under test to transmit on all carriers configured using the applicable test configuration and corresponding power setting specified in clauses 4.7 and 4.8 using the corresponding test models or set of physical channels in clause 4.9.2.
- 3) Set the signal generator for the wanted signal to transmit as specified in table 7.4.2.5-1.
- 4) Set the signal generator for the interfering signal to transmit at the frequency offset and as specified in table 7.4.2.5-1. The interfering signal shall be swept with a step size of 1 MHz starting from the minimum offset to the channel edges of the wanted signals as specified in table 7.4.2.5-1.
- 5) Measure the throughput according to annex A.1, as well as annex A.14 of TS 36.141 [24] for a BS declared to be capable of NB-IoT operation in NR in-band (D.41).

In addition, for a *multi-band connector*, the following steps shall apply:

- 6) For *multi-band connector* and single band tests, repeat the steps above per involved band where single band test configurations and test models shall apply with no carrier activated in the other band.

7.4.2.4.3 Procedure for narrowband blocking

The minimum requirement is applied to all connectors under test.

For *BS type 1-H* the procedure is repeated until all *TAB connectors* necessary to demonstrate conformance have been tested; see clause 7.1.

- 1) Connect the connector under test to measurement equipment as shown in annex D.2.3 for *BS type 1-C* and in annex D.4.3 for *BS type 1-H*.
- 2) For FDD operation, set the BS to transmit:
 - For single carrier operation set the connector under test to transmit at manufacturers declared *rated carrier output power* ($P_{\text{rated,c,AC}}$ Or $P_{\text{rated,c,TABC}}$, D.21).
 - For a connector under test declared to be capable of multi-carrier and/or CA operation (D.15-D.16) set the connector under test to transmit on all carriers configured using the applicable test configuration and corresponding power setting specified in clauses 4.7 and 4.8 using the corresponding test models or set of physical channels in clause 4.9.2.
- 3) Set the signal generator for the wanted signal to transmit as specified in table 7.4.2.5-2, as well as table 7.4.2.5-2a for a BS declared to be capable of NB-IoT operation in NR in-band (D.41).
- 4) Set the signal generator for the interfering signal to transmit at the frequency offset and as specified in table 7.4.2.5-2 and 7.4.2.5-3, as well as table 7.4.2.5-2a for a BS declared to be capable of NB-IoT operation in NR in-band (D.41). Set-up and sweep the interfering RB centre frequency offset to the channel edge of the wanted signal according to table 7.4.2.5-3.
- 5) Measure the throughput according to annex A.1, as well as annex A.14 of TS 36.141 [24] for a BS declared to be capable of NB-IoT operation in NR in-band (D.41).

In addition, for a *multi-band connector*, the following steps shall apply:

- 6) For *multi-band connector* and single band tests, repeat the steps above per involved band where single band test configurations and test models shall apply with no carrier activated in the other band.

7.4.2.5 Test requirements

The throughput shall be $\geq 95\%$ of the maximum throughput of the reference measurement channel, with a wanted and an interfering signal coupled to *BS type 1-C antenna connector* or *BS type 1-H TAB connector* using the parameters in tables 7.4.2.5-1, 7.4.2.5-2 and 7.4.2.5-3 for general blocking and narrowband blocking requirements. Narrowband blocking requirements are not applied for band n46, n96, n102 and n104. The reference measurement channel for the wanted signal is identified in clause 7.2.5 for each channel bandwidth and further specified in annex A.1. The characteristics of the interfering signal is further specified in annex E.

For NB-IoT operation in NR in-band, the throughput shall be $\geq 95\%$ of the maximum throughput of the reference measurement channel, with a wanted and an interfering signal coupled to *BS type 1-C antenna connector* using the parameters in tables 7.4.2.5-1, 7.4.2.5-2a and 7.4.2.5-3 for general blocking and narrowband blocking requirements. The reference measurement channel for the NB-IoT wanted signal is identified in clause 7.2.5 of TS 36.141 [24]. The characteristics of the interfering signal is further specified in annex E.

The in-band blocking requirements apply outside the Base Station RF Bandwidth or Radio Bandwidth. The interfering signal offset is defined relative to the Base Station RF Bandwidth edges or Radio Bandwidth edges.

For *BS type 1-C* and *BS type 1-H*, the in-band blocking requirement applies from $F_{\text{UL,low}} - \Delta f_{\text{OOB}}$ to $F_{\text{UL,high}} + \Delta f_{\text{OOB}}$, excluding the downlink frequency range of the *operating band*. The Δf_{OOB} for *BS type 1-C* and *BS type 1-H* is defined in table 7.4.2.5-0.

Minimum conducted requirement is defined at the *antenna connector* for *BS type 1-C* and at the *TAB connector* for *BS type 1-H*.

Table 7.4.2.5-0: Δf_{OOB} offset for NR operating bands

| BS type | Operating band characteristics | Δf_{OOB} (MHz) |
|-------------|--|-------------------------------|
| BS type 1-C | $F_{\text{UL_high}} - F_{\text{UL_low}} \leq 200$ MHz | 20 |
| | $200 \text{ MHz} < F_{\text{UL_high}} - F_{\text{UL_low}} \leq 900$ MHz | 60 |
| BS type 1-H | $F_{\text{UL_high}} - F_{\text{UL_low}} < 100$ MHz | 20 |
| | $100 \text{ MHz} \leq F_{\text{UL_high}} - F_{\text{UL_low}} \leq 900$ MHz | 60 |
| | $100 \text{ MHz} \leq F_{\text{UL_high}} - F_{\text{UL_low}} \leq 900$ MHz | 60 |

For band n46, n96 and n102, Δf_{OOB} is defined in table 7.4.2.5-0a.

Table 7.4.2.5-0a: Δf_{OOB} offset for NR operating bands

| Operating band | Δf_{OOB} (MHz) |
|----------------|-------------------------------|
| n46, n102 | 60 |
| n96 | 70 |

For band n104, Δf_{OOB} for BS type 1-C and BS type 1-H is defined in table 7.4.2.5-0b.

Table 7.4.2.5-0b: Δf_{OOB} offset for NR operating bands for band n104

| BS type | Operating band | Δf_{OOB} (MHz) |
|-------------|----------------|-------------------------------|
| BS type 1-H | n104 | 100 |
| BS type 1-C | n104 | 60 |

For a BS operating in non-contiguous spectrum within any *operating band*, the in-band blocking requirements apply in addition inside any sub-block gap, in case the sub-block gap size is at least as wide as twice the interfering signal minimum offset in table 7.4.2.5-1. The interfering signal offset is defined relative to the sub-block edges inside the sub-block gap.

For a *multi-band connector*, the blocking requirements apply in the in-band blocking frequency ranges for each supported *operating band*. The requirement applies in addition inside any Inter RF Bandwidth gap, in case the Inter RF Bandwidth gap size is at least as wide as twice the interfering signal minimum offset in table 7.4.2.5-1.

For a BS operating in non-contiguous spectrum within any operating band, the narrowband blocking requirement applies in addition inside any sub-block gap, in case the sub-block gap size is at least as wide as the channel bandwidth of the NR interfering signal in table 7.4.2.5-3. The interfering signal offset is defined relative to the sub-block edges inside the sub-block gap.

For a *multi-band connector*, the narrowband blocking requirement applies in addition inside any Inter RF Bandwidth gap, in case the Inter RF Bandwidth gap size is at least as wide as the NR interfering signal in table 7.4.2.5-3. The interfering signal offset is defined relative to the Base Station RF Bandwidth edges inside the Inter RF Bandwidth gap.

Table 7.4.2.5-1: Base station general blocking requirement

| BS channel bandwidth of the lowest/highest carrier received (MHz) | Wanted signal mean power (dBm) (Note 2) | Interfering signal mean power (dBm) | Interfering signal centre frequency minimum offset from the lower/upper Base Station RF Bandwidth edge or sub-block edge inside a sub-block gap (MHz) | Type of interfering signal |
|---|--|---|--|--|
| 5, 10, 15, 20 | $P_{\text{REFSENS}} + x$ dB | Wide Area BS: -43 Medium Range BS: -38 Local Area BS: -35 | ± 7.5 | 5 MHz DFT-s-OFDM NR signal, 15 kHz SCS, 25 RBs |
| 25, 30, 35, 40, 45, 50, 60, 70, 80, 90, 100 | $P_{\text{REFSENS}} + x$ dB | Wide Area BS: -43 Medium Range BS: -38 Local Area BS: -35 | ± 30 | 20 MHz DFT-s-OFDM NR signal, 15 kHz SCS, 100 RBs |
| NOTE 1: P_{REFSENS} depends on the RAT. For NR, P_{REFSENS} depends also on the <i>BS channel bandwidth</i> as specified in TS 38.104 [2], table 7.2.2-1, 7.2.2-2 and 7.2.2-3. For band n104, P_{REFSENS} depends on the <i>BS channel bandwidth</i> as specified in tables 7.2.5-1a, 7.2.5-2c and 7.2.5-3c. For NB-IoT, P_{REFSENS} depends also on the <i>sub-carrier spacing</i> as specified in tables 7.2-5, 7.2-6 and 7.2-8 of TS 36.141 [24]. | | | | |
| NOTE 2: For a BS capable of single band operation only, "x" is equal to 6 dB. For a BS capable of multi-band operation, "x" is equal to 6 dB in case of interfering signals that are in the in-band blocking frequency range of the operating band where the wanted signal is present or in the in-band blocking frequency range of an adjacent or overlapping operating band. For other in-band blocking frequency ranges of the interfering signal for the supported operating bands, "x" is equal to 1.4 dB. | | | | |

Table 7.4.2.5-1a: Base station general blocking requirement for n46

| BS channel bandwidth of the lowest/highest carrier received (MHz) | Wanted signal mean power (dBm) | Interfering signal mean power (dBm) | Interfering signal centre frequency minimum offset from the lower/upper Base Station RF Bandwidth edge or sub-block edge inside a sub-block gap (MHz) | Type of interfering signal |
|--|---------------------------------------|--|--|--|
| 10, 20, 40, 60, 80 | $P_{\text{REFSENS}} + 6$ dB | Medium Range BS: -38 Local Area BS: -35 | ± 30 | 20 MHz DFT-s-OFDM NR signal 15 kHz SCS, 100 RBs |
| NOTE: P_{REFSENS} depends on the RAT. For NR, P_{REFSENS} depends also on the <i>BS channel bandwidth</i> as specified in tables 7.2.5-2a, 7.2.5-3a. | | | | |

Table 7.4.2.5-1b: Base station general blocking requirement for n96 and n102

| BS channel bandwidth of the lowest/highest carrier received (MHz) | Wanted signal mean power (dBm) | Interfering signal mean power (dBm) | Interfering signal centre frequency minimum offset from the lower/upper Base Station RF Bandwidth edge or sub-block edge inside a sub-block gap (MHz) | Type of interfering signal |
|--|--------------------------------|--|---|--|
| 20, 40, 60, 80 | $P_{\text{REFSENS}} + 6$ dB | Medium Range BS: -38 Local Area BS: -35 | ± 30 | 20 MHz DFT-s-OFDM NR signal 15 kHz SCS, 100 RBs |
| NOTE: P_{REFSENS} depends on the RAT. For NR, P_{REFSENS} depends also on the <i>BS channel bandwidth</i> as specified in tables 7.2.5-2b, 7.2.5-3b. | | | | |

Table 7.4.2.5-2: Base station narrowband blocking requirement

| <i>BS channel bandwidth</i> of the lowest/highest carrier received (MHz) | Wanted signal mean power (dBm) | Interfering signal mean power (dBm) |
|--|--------------------------------|---|
| 5, 10, 15, 20, 25, 30, 35, 40, 45, 50, 60, 70, 80, 90, 100 (Note 1) | $P_{\text{REFSENS}} + 6$ dB | Wide Area BS: -49 Medium Range BS: -44 Local Area BS: -41 |
| NOTE 1: The SCS for the lowest/highest carrier received is the lowest SCS supported by the BS for that <i>BS channel bandwidth</i> | | |
| NOTE 2: P_{REFSENS} depends on the <i>BS channel bandwidth</i> as specified in TS 38.104 [2], table 7.2.2-1, 7.2.2-2 and 7.2.2-3. | | |
| NOTE 3: 7.5 kHz shift is not applied to the wanted signal. | | |

Table 7.4.2.5-2a: Base Station narrowband blocking requirement for NB-IoT operation in NR in-band

| <i>BS channel bandwidth</i> (MHz) | Wanted signal mean power (dBm) | Interfering signal mean power (dBm) |
|---|---|--|
| 5, 10, 15, 20, 25, 30, 35, 40, 45, 50 | $P_{\text{REFSENS}} + x$ dB (Note 2) | Wide Area: -49 Medium Range: -44 Local Area: -41 |
| NOTE 1: P_{REFSENS} depends on the <i>sub-carrier spacing</i> as specified in tables 7.2-5, 7.2-6 and 7.2-8 of TS 36.141 [24]. | | |
| NOTE 2: "x" is equal to 8 in case of 5 MHz channel bandwidth and equal to 6 otherwise. | | |

Table 7.4.2.5-3: Base station narrowband blocking interferer frequency offsets

| BS channel bandwidth of the lowest/highest carrier received (MHz) | Interfering RB centre frequency offset to the lower/upper Base Station RF Bandwidth edge or sub-block edge inside a sub-block gap (kHz) (Note 2) | Type of interfering signal | |
|---|---|---|--|
| 5 | $\pm(350+m*180)$, m=0, 1, 2, 3, 4, 9, 14, 19, 24 | 5 MHz DFT-s-OFDM NR signal, 15 kHz SCS, 1 RB | |
| 10 | $\pm(355+m*180)$, m=0, 1, 2, 3, 4, 9, 14, 19, 24 | | |
| 15 | $\pm(360+m*180)$, m=0, 1, 2, 3, 4, 9, 14, 19, 24 | | |
| 20 | $\pm(350+m*180)$, m=0, 1, 2, 3, 4, 9, 14, 19, 24 | | |
| 25 | $\pm(565+m*180)$, m=0, 1, 2, 3, 4, 29, 54, 79, 99 | 20 MHz DFT-s-OFDM NR signal, 15 kHz SCS, 1 RB | |
| 30 | $\pm(570+m*180)$, m=0, 1, 2, 3, 4, 29, 54, 79, 99 | | |
| 35 | $\pm(560+m*180)$, m=0, 1, 2, 3, 4, 29, 54, 79, 99 | | |
| 40 | $\pm(565+m*180)$, m=0, 1, 2, 3, 4, 29, 54, 79, 99 | | |
| 45 | $\pm(570+m*180)$, m=0, 1, 2, 3, 4, 29, 54, 79, 99 | | |
| 50 | $\pm(560+m*180)$, m=0, 1, 2, 3, 4, 29, 54, 79, 99 | | |
| 60 | $\pm(570+m*180)$, m=0, 1, 2, 3, 4, 29, 54, 79, 99 | | |
| 70 | $\pm(565+m*180)$, m=0, 1, 2, 3, 4, 29, 54, 79, 99 | | |
| 80 | $\pm(560+m*180)$, m=0, 1, 2, 3, 4, 29, 54, 79, 99 | | |
| 90 | $\pm(570+m*180)$, m=0, 1, 2, 3, 4, 29, 54, 79, 99 | | |
| 100 | $\pm(565+m*180)$, m=0, 1, 2, 3, 4, 29, 54, 79, 99 | | |
| NOTE 1: Interfering signal consisting of one resource block positioned at the stated offset, the <i>channel bandwidth</i> of the interfering signal is located adjacently to the lower/upper Base Station RF Bandwidth edge or sub-block edge inside a sub-block gap. | | | |
| NOTE 2: The centre of the interfering RB refers to the frequency location between the two central subcarriers. | | | |

7.4.2.5.1 Additional narrowband blocking requirement for Band n100

The following requirement shall apply to BS operating in Band n100 in CEPT countries. For the wanted and interfering signal coupled to the *antenna connector*, using the parameters in table 7.4.2.5.1-1 and 7.4.2.5.1-2, the throughput shall be $\geq 95\%$ of the *maximum throughput* of the reference measurement channel.

Table 7.4.2.5.1-1: Additional narrowband blocking requirement for n100

| BS channel bandwidth of the lowest carrier received (MHz) | Wanted signal mean power (dBm) | Interfering signal mean power (dBm) |
|--|--------------------------------|-------------------------------------|
| 5 | P _{REFSENS} + 6 dB | Wide Area BS: -39 (Note 2) |
| NOTE 1: P _{REFSENS} depends on the <i>BS channel bandwidth</i> as specified in clause 7.2.2. | | |
| NOTE 2: Interfering signal mean power level was derived considering an interfering signal with 10% duty cycle. For more details, refer to TR 38.853. | | |

Table 7.4.2.5.1-2: Interferer frequency for additional narrowband blocking requirement for n100

| BS channel bandwidth of the lowest carrier received (MHz) | Interfering RB centre frequency (Note 2) | Type of interfering signal |
|---|---|---|
| 5 | 874.4 MHz - (350 kHz +m*180 kHz), m=0, 1, 2, 3, 4, 9, 14, 19 | 5 MHz DFT-s-OFDM NR signal, 15 kHz SCS, 1 RB |
| NOTE 1: Interfering signal consisting of one resource block positioned at the stated frequency, the <i>channel bandwidth</i> of the interfering signal is located adjacently to the lower UL <i>operating band edge</i> . | | |
| NOTE 2: The centre of the interfering RB refers to the frequency location between the two central subcarriers. | | |

7.5 Out-of-band blocking

7.5.1 Definition and applicability

The out-of-band blocking characteristics is a measure of the receiver ability to receive a wanted signal at its assigned channel at the *antenna connector* for *BS type I-C* or *TAB connector* for *BS type I-H* in the presence of an unwanted interferer out of the *operating band*, which is a CW signal for out-of-band blocking.

7.5.2 Minimum requirement

The minimum requirements for *BS type I-C* and *BS type I-H* are in TS 38.104 [2], clause 7.5.2.

7.5.3 Test purpose

To verify that the *BS type I-C* receiver and each *BS type I-H TAB connector* receiver dynamic range, the relative throughput shall fulfil the specified limit.

7.5.4 Method of test

7.5.4.1 Initial conditions

Test environment: Normal; see annex B.2.

RF channels to be tested for single carrier (SC):

- M ; see clause 4.9.1

Base Station RF Bandwidth positions to be tested for multi-carrier (MC):

- M_{RFBW} for *single-band connector(s)*, see clause 4.9.1,
- $B'_{\text{RFBW}}T'_{\text{RFBW}}$ and $B'_{\text{RFBW}}T_{\text{RFBW}}$ for *multi-band connector(s)*, see clause 4.9.1.

In addition, for a multi-band *connector*:

- For $B'_{\text{RFBW}}T'_{\text{RFBW}}$, out-of-band blocking testing above the highest operating band may be omitted.
- For $B'_{\text{RFBW}}T_{\text{RFBW}}$, out-of-band blocking testing below the lowest operating band may be omitted.

7.5.4.2 Procedure

The minimum requirement is applied to all connectors under test.

For *BS type I-H* the procedure is repeated until all *TAB connectors* necessary to demonstrate conformance have been tested; see clause 7.1.

- 1) Connect the connector under test to measurement equipment as shown in annex D.2.5 for *BS type I-C* and in annex D.4.3 for *BS type I-H*.

- 2) For FDD operation, set the BS to transmit a signal according to clause 4.9.2, connector under test to transmit on all carriers configured using the applicable test configuration and corresponding power setting specified in clauses 4.7 and 4.8.

The transmitter may be turned off for the out-of-band blocker tests when the frequency of the blocker is such that no IM2 or IM3 products fall inside the bandwidth of the wanted signal.

- 3) Set the signal generator for the wanted signal as defined in clause 7.5.5 to transmit as specified in table 7.5.5.1-1 and 7.5.5.2-1.
- 4) Set the Signal generator for the interfering signal to transmit at the frequency offset and as specified in table 7.5.5.1-1 and 7.5.5.2-1. The CW interfering signal shall be swept with a step size of 1 MHz over than range 1 MHz to $(F_{UL_low} - \Delta f_{OOB})$ MHz and $(F_{UL_high} + \Delta f_{OOB})$ MHz to 12750 MHz.
- 5) Measure the throughput according to annex A.1, as well as annex A.14 of TS 36.141 [24] for a BS declared to be capable of NB-IoT operation in NR in-band (D.41).

In addition, for a *multi-band connector*, the following steps shall apply:

- 6) For *multi-band connector* and single band tests, repeat the steps above per involved band where single band test configurations and test models shall apply with no carrier activated in the other band.

7.5.5 Test requirements

7.5.5.1 General requirements

Except for band n46, n96, n102 and n104, the throughput shall be $\geq 95\%$ of the maximum throughput of the reference measurement channel, with a wanted and an interfering signal coupled to *BS type 1-C antenna connector* or *BS type 1-H TAB connector* using the parameters in table 7.5.5.1-1. The reference measurement channel for the wanted signal is identified in clause 7.2.2 for each channel bandwidth and further specified in annex A.1.

For band n46, n96 and n102, the throughput shall be $\geq 95\%$ of the maximum throughput of the reference measurement channel, with a wanted and an interfering signal coupled to BS type 1-C antenna connector or BS type 1-H TAB connector using the parameters in table 7.5.5.1-1a.

For *BS type 1-C* operating in band n104, the throughput shall be $\geq 95\%$ of the maximum throughput of the reference measurement channel, with a wanted and an interfering signal coupled to BS type 1-C antenna connector using the parameters in table 7.5.5.1-1a.

For *BS type 1-H* operating in band n104, the throughput shall be $\geq 95\%$ of the maximum throughput of the reference measurement channel, with a wanted and an interfering signal coupled to BS type 1-H TAB connector using the parameters in table 7.5.5.1-1.

For NB-IoT operation in NR in-band, the throughput shall be $\geq 95\%$ of the maximum throughput of the reference measurement channel, with a wanted and an interfering signal coupled to *BS type 1-C antenna connector* using the parameters in table 7.5.5.1-1. The reference measurement channel for the NB-IoT wanted signal is identified in clause 7.2.5 of TS 36.141 [24]. The characteristics of the interfering signal is further specified in annex E.

For *BS type 1-C* and *BS type 1-H* the out-of-band blocking requirement apply from 1 MHz to $F_{UL_low} - \Delta f_{OOB}$ and from $F_{UL_high} + \Delta f_{OOB}$ up to 12750 MHz, including the downlink frequency range of the *FDD operating band* for BS supporting FDD. The Δf_{OOB} for *BS type 1-C* and *BS type 1-H* is defined in table 7.4.2.5-0.

Minimum conducted requirement is defined at the *antenna connector* for *BS type 1-C* and at the *TAB connector* for *BS type 1-H*.

For a BS capable of multi-band operation, the requirement in the out-of-band blocking frequency ranges apply for each *operating band*, with the exception that the in-band blocking frequency ranges of all supported *operating bands* according to clause 7.4.2.5 shall be excluded from the out-of-band blocking requirement.

Table 7.5.5.1-1: Out-of-band blocking performance requirement

| Wanted signal mean power (dBm) | Interfering signal mean power (dBm) | Type of interfering signal |
|---|-------------------------------------|----------------------------|
| $P_{\text{REFSENS}} + 6$ dB (Note 1) | -15 | CW carrier |
| NOTE 1: P_{REFSENS} depends on the RAT. For NR, P_{REFSENS} depends also on the <i>BS channel bandwidth</i> as specified in TS 38.104 [2], table 7.2.2-1, 7.2.2-2 and 7.2.2-3. For band n104, P_{REFSENS} depends also on the <i>BS channel bandwidth</i> as specified in TS 38.104 [2], table 7.2.2-1a, 7.2.2-2c and 7.2.2-3c. For NB-IoT, P_{REFSENS} depends also on the <i>sub-carrier spacing</i> as specified in tables 7.2-5, 7.2-6 and 7.2-8 of TS 36.141 [24]. NOTE 2: For NB-IoT, up to 24 exceptions are allowed for spurious response frequencies in each wanted signal frequency when measured using a 1MHz step size. For these exceptions the above throughput requirement shall be met when the blocking signal is set to a level of -40 dBm for 15 kHz subcarrier spacing and -46 dBm for 3.75 kHz subcarrier spacing. In addition, each group of exceptions shall not exceed three contiguous measurements using a 1MHz step size. | | |

Table 7.5.5.1-1a: Out-of-band blocking performance requirement for NR band n46, n96, n102 and n104 for BS type 1-C

| Operating Band | Centre Frequency of Interfering Signal [MHz] | Wanted Signal mean power (dBm) | Interfering Signal mean power (dBm) | Type of Interfering Signal |
|--|--|--------------------------------|-------------------------------------|----------------------------|
| n46, n96, n102 | $(F_{\text{UL_low}} - 500)$ to $(F_{\text{UL_low}} - \Delta f_{\text{OOB}})$ $(F_{\text{UL_high}} + \Delta f_{\text{OOB}})$ to $(F_{\text{UL_high}} + 500)$ | $P_{\text{REFSENS}} + 6$ dB | -35 | CW carrier |
| | 1 to $(F_{\text{UL_low}} - 500)$ $(F_{\text{UL_high}} + 500)$ to 12750 | $P_{\text{REFSENS}} + 6$ dB | -15 | CW carrier |
| n104 | $(F_{\text{UL_low}} - 100)$ to $(F_{\text{UL_low}} - \Delta f_{\text{OOB}})$ $(F_{\text{UL_high}} + \Delta f_{\text{OOB}})$ to $(F_{\text{UL_high}} + 100)$ | $P_{\text{REFSENS}} + 6$ dB | -35 | CW carrier |
| | 1 to $(F_{\text{UL_low}} - 100)$ $(F_{\text{UL_high}} + 100)$ to 12750 | $P_{\text{REFSENS}} + 6$ dB | -15 | CW carrier |
| NOTE 1: For band n46, n96, n102, P_{REFSENS} depends on the <i>BS channel bandwidth</i> as specified in tables 7.2.5-2a, 7.2.5-2b, 7.2.5-3a and 7.2.5-3b. NOTE 2: For band n104, P_{REFSENS} depends on the <i>BS channel bandwidth</i> as specified in tables 7.2.5-1a, 7.2.5-2c and 7.2.5-3c. | | | | |

7.5.5.2 Co-location requirements

This additional blocking requirement may be applied for the protection of NR BS receivers when GSM, CDMA, UTRA, E-UTRA BS or NR BS operating in a different frequency band are co-located with a NR BS. The requirement is applicable to all channel bandwidths supported by the NR BS.

The requirements in this clause assume a 30 dB coupling loss between interfering transmitter and NR BS receiver and are based on co-location with base stations of the same class.

The throughput shall be $\geq 95\%$ of the maximum throughput of the reference measurement channel, with a wanted and an interfering signal coupled to BS antenna input using the parameters in table 7.5.5.2-1 for all the BS classes. The reference measurement channel for the wanted signal is identified in tables 7.2.5-1, 7.2.5-2 and 7.2.5-3 for each channel bandwidth and further specified in annex A.1.

For *BS type 1-C* and *BS type 1-H* blocking requirement for co-location with BS in other bands is applied for all operating bands for which co-location protection is provided.

Minimum conducted requirement is defined at the *antenna connector* for *BS type 1-C* and at the *TAB connector* for *BS type 1-H*.

Table 7.5.5.2-1: Blocking performance requirement for NR BS when co-located with BS in other frequency bands.

| Frequency range of interfering signal | Wanted signal mean power for WA BS (dBm) | Interfering signal mean power for WA BS (dBm) | Interfering signal mean power for MR BS (dBm) | Interfering signal mean power for LA BS (dBm) | Type of interfering signal |
|--|--|---|---|---|----------------------------|
| Frequency range of co-located downlink operating band | $P_{\text{PRESENSE}} + 6\text{dB}$ (Note 1) | +16 | +8 | x (Note 2) | CW carrier |
| NOTE 1: P_{PRESENSE} depends on the <i>BS channel bandwidth</i> as specified in TS 38.104 [2], table 7.2.2-1, 7.2.2-2 and 7.2.2-3. | | | | | |
| NOTE 2: x = -7 dBm for NR BS co-located with Pico GSM850 or Pico CDMA850 x = -4 dBm for NR BS co-located with Pico DCS1800 or Pico PCS1900 x = -6 dBm for NR BS co-located with UTRA bands or E-UTRA bands or NR bands | | | | | |
| NOTE 3: The requirement does not apply when the interfering signal falls within any of the supported uplink operating band(s) or in Δf_{OOB} immediately outside any of the supported uplink operating band(s). | | | | | |
| NOTE 4: For unsynchronized base stations (except in band n46, n96 and n102), special co-location requirements may apply that are not covered by the 3GPP specifications | | | | | |

7.5.5.3 Additional requirement

7.5.5.3.1 Additional requirement for Band n101

The following requirement may apply to BS operating in Band n101 in CEPT countries. For the wanted and interfering signal coupled to the *antenna connector*, using the parameters in table 7.5.5.3.1-1, the throughput shall be $\geq 95\%$ of the *maximum throughput* of the reference measurement channel.

Table 7.5.5.3.1-1: Additional out-of-band blocking requirement for n101

| BS channel bandwidth of the lowest/highest carrier received (MHz) | Wanted signal mean power (dBm) | Interfering signal mean power (dBm) | Interfering signal centre frequency minimum offset from the lower/upper Base Station RF Bandwidth edge or sub-block edge inside a sub-block gap (MHz) | Type of interfering signal |
|---|-------------------------------------|-------------------------------------|---|----------------------------|
| 5, 10 | $P_{\text{PRESENSE}} + 3\text{ dB}$ | -20 | 1807.5 - 1877.5 | 5 MHz LTE signal |
| NOTE: P_{PRESENSE} depends on the <i>BS channel bandwidth</i> as specified in table 7.2.5-1. | | | | |

7.6 Receiver spurious emissions

7.6.1 Definition and applicability

The receiver spurious emissions power is the power of emissions generated or amplified in a receiver unit that appear at the *antenna connector* (for *BS type 1-C*) or at the *TAB connector* (for *BS type 1-H*). The requirements apply to all BS with separate RX and TX *antenna connectors* / *TAB connectors*.

NOTE: In this case for FDD operation the test is performed when both TX and RX are ON, with the TX *antenna connectors* / *TAB connectors* terminated.

For *antenna connectors / TAB connectors* supporting both RX and TX in TDD, the requirements apply during the *transmitter OFF period*. For *antenna connectors / TAB connectors* supporting both RX and TX in FDD, the RX spurious emissions requirements are superseded by the TX spurious emissions requirements, as specified in clause 6.6.5.

For RX-only *multi-band connectors*, the spurious emissions requirements are subject to exclusion zones in each supported *operating band*. For *multi-band connectors* that both transmit and receive in *operating band* supporting TDD, RX spurious emissions requirements are applicable during the *TX OFF period*, and are subject to exclusion zones in each supported *operating band*.

For *BS type 1-H* manufacturer shall declare *TAB connector RX min cell groups* (D.33). Every *TAB connector* of *BS type 1-H* supporting reception in an *operating band* shall map to one *TAB connector RX min cell group*, where mapping of *TAB connectors* to cells/beams is implementation dependent.

The number of active receiver units that are considered when calculating the conducted RX spurious emission limits ($N_{\text{RXU,counted}}$) for *BS type 1-H* is calculated as follows:

$$N_{\text{RXU,counted}} = \min(N_{\text{RXU,active}}, 8 \times N_{\text{cells}})$$

$N_{\text{RXU,countedpercell}}$ is used for scaling of *basic limits* and is derived as $N_{\text{RXU,countedpercell}} = N_{\text{RXU,counted}} / N_{\text{cells}}$, where N_{cells} is defined in clause 6.1.

NOTE: $N_{\text{RXU,active}}$ is the number of actually active receiver units and is independent to the declaration of N_{cells} .

7.6.2 Minimum requirement

The minimum requirements for *BS type 1-C* and *BS type 1-H* are in TS 38.104 [2], clause 7.6.2.

7.6.3 Test purpose

The test purpose is to verify the ability of the BS to limit the interference caused by receiver spurious emissions to other systems.

7.6.4 Method of test

7.6.4.1 Initial conditions

Test environment: Normal; see annex B.2.

RF channels to be tested for single carrier: M; see clause 4.9.1.

Base Station RF Bandwidth positions to be tested for multi-carrier:

- M_{RFBW} in single-band operation, see clause 4.9.1,
- B_{RFBW_T} and B'_{RFBW_T} in multi-band operation, see clause 4.9.1.

7.6.4.2 Procedure

The minimum requirement is applied to all connectors under test,

For *BS type 1-H* where there may be multiple *TAB connectors* they may be tested one at a time or multiple *TAB connectors* may be tested in parallel as shown in annex D.4.4. Whichever method is used the procedure is repeated until all *TAB connectors* necessary to demonstrate conformance have been tested.

- 1) Connect the connector under test to measurement equipment as shown in annex D.2.6 for *BS type 1-C* and in annex D.4.4 for *BS type 1-H*.
- 2) For FDD operation, for separate RX only connectors with single carrier operation set the connector under test to transmit at manufacturers declared *rated carrier output power* ($P_{\text{rated,c,AC}}$ or $P_{\text{rated,c,TABC}}$, D.21). Channel set-up shall be according to NR-FR1-TM 1.1.

For FDD operation, for separate RX only connectors declared to be capable of multi-carrier and/or CA operation (D.15-D.16) set the connector under test to transmit on all carriers configured using the applicable test configuration and corresponding power setting specified in clauses 4.7 and 4.8 using the corresponding test models or set of physical channels in clause 4.9.

For separate RX only connectors declared to be capable of NB-IoT operation in NR in-band (D.41), test shall be performed using N-TM according to clause 4.9.2.2.9.

For TDD connectors capable of transmit and receive ensure the transmitter is OFF.

- 3) Set the measurement equipment parameters as specified in table 7.6.5.1-1.

The measurement device characteristics shall be:

- Detection mode: True RMS.

The emission power should be averaged over an appropriate time duration to ensure the measurement is within the measurement uncertainty in Table 4.1.2.3-1.

- 4) Measure the spurious emissions over each frequency range described in table 7.6.5.1-1.

In addition, for a *multi-band connector*, the following steps shall apply:

- 5) For *multi-band connector* and single band tests, repeat the steps above per involved band where single band test configurations and test models shall apply with no carrier activated in the other band.

7.6.5 Test requirements

7.6.5.1 Basic limits

The receiver spurious emissions limits are provided in table 7.6.5.1-1.

Table 7.6.5.1-1: General BS receiver spurious emissions limits

| Spurious frequency range | Basic limit | Measurement bandwidth | Notes |
|--|-------------|-----------------------|------------------------|
| 30 MHz – 1 GHz | -57 dBm | 100 kHz | Note 1 |
| 1 GHz – 12.75 GHz | -47 dBm | 1 MHz | Note 1, Note 2 |
| 12.75 GHz – 5 th harmonic of the upper frequency edge of the UL <i>operating band</i> in GHz | -47 dBm | 1 MHz | Note 1, Note 2, Note 3 |
| 12.75 GHz - 26 GHz | -47 dBm | 1 MHz | Note 1, Note 2, Note 6 |
| NOTE 1: Measurement bandwidths as in ITU-R SM.329 [5], s4.1. | | | |
| NOTE 2: Upper frequency as in ITU-R SM.329 [5], s2.5 table 1. | | | |
| NOTE 3: Applies for Band for which the upper frequency edge of the UL <i>operating band</i> is greater than 2.55 GHz and less than or equal to 5.2 GHz. | | | |
| NOTE 4: The frequency range from Δf_{OBUE} below the lowest frequency of the BS transmitter operating band to Δf_{OBUE} above the highest frequency of the BS transmitter <i>operating band</i> may be excluded from the requirement. Δf_{OBUE} is defined in clause 6.6.1. For <i>multi-band connectors</i> , the exclusion applies for all supported <i>operating bands</i> . | | | |
| NOTE 5: Void | | | |
| NOTE 6: Applies for Band for which the upper frequency edge of the UL <i>operating band</i> is greater than 5.2 GHz. | | | |

7.6.5.2 BS type 1-C

The RX spurious emissions requirements for *BS type 1-C* are that for each *antenna connector*, the power of emissions shall not exceed *basic limits* specified in table 7.6.5.1-1.

For Band n41 and n90 operation in Japan, the sum of RX spurious emissions over all *antenna connectors* for *BS type 1-C* shall not exceed *basic limits* specified in table 7.6.5.1-1. The Rx spurious emissions requirements shall apply to BS that support NR or NR with NB-IoT operation in NR in-band.

7.6.5.3 BS type 1-H

The RX spurious emissions requirements for *BS type 1-H* are that for each applicable *basic limit* specified in table 7.6.5.1-1 for each *TAB connector RX min cell group*, the power sum of emissions at respective *TAB connectors* shall not exceed the BS limits specified as the *basic limits* + X, where $X = 10\log_{10}(N_{\text{RXU, counted per cell}})$, unless stated differently in regional regulation.

The RX spurious emission requirements are applied per the *TAB connector RX min cell group* for all the configurations supported by the BS.

NOTE: Conformance to the BS receiver spurious emissions requirement can be demonstrated by meeting at least one of the following criteria as determined by the manufacturer:

1) The sum of the spurious emissions power measured on each *TAB connector* in the *TAB connector RX min cell group* shall be less than or equal to the BS limit above for the respective frequency span.

Or

2) The spurious emissions power at each *TAB connector* shall be less than or equal to the BS limit as defined above for the respective frequency span, scaled by $-10\log_{10}(n)$, where n is the number of *TAB connectors* in the *TAB connector RX min cell group*.

7.7 Receiver intermodulation

7.7.1 Definition and applicability

Third and higher order mixing of the two interfering RF signals can produce an interfering signal in the band of the desired channel. Intermodulation response rejection is a measure of the capability of the receiver to receive a wanted signal on its assigned channel frequency at the *antenna connector* for *BS type 1-C* or *TAB connector* for *BS type 1-H* in the presence of two interfering signals which have a specific frequency relationship to the wanted signal.

7.7.2 Minimum requirement

The minimum requirements for *BS type 1-C* and *BS type 1-H* are in TS 38.104 [2], clause 7.7.2.

7.7.3 Test purpose

The test purpose is to verify the ability of the BS receiver to inhibit the generation of intermodulation products in its non-linear elements caused by the presence of two high-level interfering signals at frequencies with a specific relationship to the frequency of the wanted signal.

7.7.4 Method of test

7.7.4.1 Initial conditions

Test environment: Normal; see annex B.2.

RF channels to be tested for single carrier (SC): M; see clause 4.9.1

Base Station RF Bandwidth positions to be tested for multi-carrier (MC) and/or CA:

- M_{RFBW} for *single-band connector(s)*, see clause 4.9.1,
- $B_{\text{RFBW_T'RFBW}}$ and $B'_{\text{RFBW_T'RFBW}}$ for *multi-band connector(s)*, see clause 4.9.1.

NOTE: When testing in M (or M_{RFBW}), if the interferer is fully or partially located outside the supported frequency range, then the test shall be done instead in B (or B_{RFBW}) and T (or T_{RFBW}), and only with the interferer located inside the supported frequency range.

7.7.4.2 Procedure

The minimum requirement is applied to all connectors under test.

For *BS type 1-H* the procedure is repeated until all *TAB connectors* necessary to demonstrate conformance have been tested; see clause 7.1.

- 1) Connect the connector under test to measurement equipment as shown in annex D.2.7 for *BS type 1-C* and in annex D.4.6 for *BS type 1-H*.
- 2) For FDD operation, set the BS to transmit:
 - For single carrier operation set the connector under test to transmit at manufacturers declared *rated carrier output power* ($P_{\text{rated,c,AC}}$ or $P_{\text{rated,c,TABC}}$, D.21).
 - For a connector under test declared to be capable of multi-carrier and/or CA operation (D.15-D.16) set the connector under test to transmit on all carriers configured using the applicable test configuration and corresponding power setting specified in clauses 4.7 and 4.8 using the corresponding test models or set of physical channels in clause 4.9.2.
- 3) Set the signal generator for the wanted signal to transmit as specified in table 7.7.5-1 and 7.7.5-3.
- 4) Set the signal generator for the interfering signal to transmit at the frequency offset and as specified in table 7.7.5-2 and 7.7.5-4.
- 5) Measure the throughput according to annex A.1, as well as annex A.14 of TS 36.141 [24] for a BS declared to be capable of NB-IoT operation in NR in-band (D.41).

In addition, for a *multi-band connector*, the following steps shall apply:

- 6) For *multi-band connector* and single band tests, repeat the steps above per involved band where single band test configurations and test models shall apply with no carrier activated in the other band.

7.7.5 Test requirements

The throughput shall be $\geq 95\%$ of the maximum throughput of the reference measurement channel, with a wanted signal at the assigned channel frequency and two interfering signals coupled to the *BS type 1-C antenna connector* or *BS type 1-H TAB connector*, with the conditions specified in tables 7.7.5-1 and 7.7.5-2 for intermodulation performance in any operating band except for band n46, n96 and n102, and 7.7.5-1a for band n46, n96 and n102 and in tables 7.7.5-3, and 7.7.5-4 for narrowband intermodulation performance. Narrowband intermodulation requirements are not applied for band n46, n96, n102 and n104. The reference measurement channel for the wanted signal is identified in tables 7.2.5-1 to 7.2.5-3 for each channel bandwidth and further specified in annex A.1. The characteristics of the interfering signal is further specified in annex E.

For NB-IoT operation in NR in-band, the throughput shall be $\geq 95\%$ of the maximum throughput of the reference measurement channel, with a wanted signal at the assigned channel frequency and two interfering signals coupled to the *BS type 1-C antenna connector*, with the conditions specified in tables 7.7.5-1 and 7.7.5-2 for intermodulation performance and in tables 7.7.5-3, and 7.7.5-4 for narrowband intermodulation performance. The reference measurement channel for the NB-IoT wanted signal is identified in clause 7.2.5 of TS 36.141 [24]. The characteristics of the interfering signal is further specified in annex E.

The subcarrier spacing for the modulated interfering signal shall in general be the same as the subcarrier spacing for the wanted signal, except for the case of wanted signal subcarrier spacing 60 kHz and BS channel bandwidth ≤ 20 MHz, for which the subcarrier spacing of the interfering signal should be 30 kHz.

The receiver intermodulation requirement is applicable outside the Base Station RF Bandwidth or Radio Bandwidth edges. The interfering signal offset is defined relative to the Base Station RF Bandwidth edges or Radio Bandwidth edges.

For a BS operating in non-contiguous spectrum within any *operating band*, the narrowband intermodulation requirement applies in addition inside any sub-block gap in case the sub-block gap is at least as wide as the channel bandwidth of the NR interfering signal in table 7.7.5-2 or 7.7.5-4. The interfering signal offset is defined relative to the sub-block edges inside the sub-block gap.

For a *multi-band connectors*, the intermodulation requirement applies in addition inside any Inter RF Bandwidth gap, in case the gap size is at least twice as wide as the NR interfering signal centre frequency offset from the Base Station RF Bandwidth edge.

For a *multi-band connectors*, the narrowband intermodulation requirement applies in addition inside any Inter RF Bandwidth gap in case the gap size is at least as wide as the NR interfering signal in tables 7.7.5-2 and 7.7.5-4. The interfering signal offset is defined relative to the Base Station RF Bandwidth edges inside the Inter RF Bandwidth gap.

Table 7.7.5-1: General intermodulation requirement

| Base Station type | Wanted Signal mean power (dBm) | Mean power of interfering signals (dBm) | Type of interfering signals |
|--|--------------------------------|---|-----------------------------|
| Wide Area BS | $P_{\text{REFSENS}} + 6$ dB | -52 | See table 7.7.5-2 |
| Medium Range BS | $P_{\text{REFSENS}} + 6$ dB | -47 | |
| Local Area BS | $P_{\text{REFSENS}} + 6$ dB | -44 | |
| NOTE: P_{REFSENS} depends on the RAT and the BS class. For NR, P_{REFSENS} depends also on the <i>BS channel bandwidth</i> as specified in TS 38.104 [2], table 7.2.2-1, 7.2.2-2 and 7.2.2-3. For NB-IoT, P_{REFSENS} depends also on the <i>sub-carrier spacing</i> as specified in tables 7.2-5, 7.2-6 and 7.2-8 of TS 36.141 [24]. | | | |

Table 7.7.5-1a: General intermodulation requirement for band n46, n96 and n102

| Base Station Type | Wanted Signal mean power (dBm) | Mean power of interfering signals (dBm) | Type of interfering signals |
|--|--------------------------------|---|-----------------------------|
| Medium Range BS | $P_{\text{REFSENS}} + 6$ dB | -47 | See Table 7.7.5-2a |
| Local Area BS | $P_{\text{REFSENS}} + 6$ dB | -44 | |
| NOTE: P_{REFSENS} depends on the RAT and the BS class. For NR, P_{REFSENS} depends also on the <i>BS channel bandwidth</i> , see clause 7.2.5. | | | |

Table 7.7.5-2: Interfering signals for intermodulation requirement

| <i>BS channel bandwidth of the lowest/highest carrier received (MHz)</i> | <i>Interfering signal centre frequency offset from the lower/upper Base Station RF Bandwidth edge (MHz)</i> | <i>Type of interfering signal (Note 3)</i> |
|---|---|--|
| 5 | ± 7.5 | CW |
| | ± 17.5 | 5 MHz DFT-s-OFDM NR signal, (Note 1) |
| 10 | ± 7.465 | CW |
| | ± 17.5 | 5 MHz DFT-s-OFDM NR signal, (Note 1) |
| 15 | ± 7.43 | CW |
| | ± 17.5 | 5 MHz DFT-s-OFDM NR signal, (Note 1) |
| 20 | ± 7.395 | CW |
| | ± 17.5 | 5 MHz DFT-s-OFDM NR signal, (Note 1) |
| 25 | ± 7.465 | CW |
| | ± 25 | 20MHz DFT-s-OFDM NR signal, (Note 2) |
| 30 | ± 7.43 | CW |
| | ± 25 | 20 MHz DFT-s-OFDM NR signal, (Note 2) |
| 35 | ± 7.44 | CW |
| | ± 25 | 20 MHz DFT-s-OFDM NR signal, (Note 2) |
| 40 | ± 7.45 | CW |
| | ± 25 | 20 MHz DFT-s-OFDM NR signal, (Note 2) |
| 45 | ± 7.37 | CW |
| | ± 25 | 20 MHz DFT-s-OFDM NR signal, (Note 2) |
| 50 | ± 7.35 | CW |
| | ± 25 | 20 MHz DFT-s-OFDM NR signal, (Note 2) |
| 60 | ± 7.49 | CW |
| | ± 25 | 20 MHz DFT-s-OFDM NR signal, (Note 2) |
| 70 | ± 7.42 | CW |
| | ± 25 | 20 MHz DFT-s-OFDM NR signal, (Note 2) |
| 80 | ± 7.44 | CW |
| | ± 25 | 20 MHz DFT-s-OFDM NR signal, (Note 2) |
| 90 | ± 7.46 | CW |
| | ± 25 | 20 MHz DFT-s-OFDM NR signal, (Note 2) |
| 100 | ± 7.48 | CW |
| | ± 25 | 20 MHz DFT-s-OFDM NR signal, (Note 2) |
| NOTE 1: For the 15 kHz subcarrier spacing, the number of RB is 25. For the 30 kHz subcarrier spacing, the number of RB is 10. | | |
| NOTE 2: For the 15 kHz subcarrier spacing, the number of RB is 100. For the 30 kHz subcarrier spacing, the number of RB is 50. For the 60 kHz subcarrier spacing, the number of RB is 24. | | |
| NOTE 3: The RBs shall be placed adjacent to the transmission bandwidth configuration edge which is closer to the <i>Base Station RF Bandwidth</i> edge. | | |

Table 7.7.5-2a: Interfering signals for intermodulation requirement for band n46, n96 and n102

| <i>BS channel bandwidth of the lowest/highest carrier received (MHz)</i> | <i>Interfering signal centre frequency offset from the lower/upper Base Station RF Bandwidth edge (MHz)</i> | <i>Type of interfering signal (Note 2)</i> |
|---|---|--|
| 10 | ±7.57 | CW (Note 3) |
| | ±25 | 20 MHz DFT-s-OFDM NR signal (Note 1, 3) |
| 20 | ±7.50 | CW |
| | ±25 | 20 MHz DFT-s-OFDM NR signal (Note 1) |
| 40 | ±7.45 | CW |
| | ±25 | 20 MHz DFT-s-OFDM NR signal (Note 1) |
| 60 | ±7.49 | CW |
| | ±25 | 20 MHz DFT-s-OFDM NR signal (Note 1) |
| 80 | ±7.44 | CW |
| | ±25 | 20 MHz DFT-s-OFDM NR signal (Note 1) |
| NOTE 1: Number of RBs is 100 for 15 kHz subcarrier spacing and 50 for 30 kHz subcarrier spacing. NOTE 2: The RBs shall be placed adjacent to the transmission bandwidth configuration edge which is closer to the <i>Base Station RF Bandwidth edge</i> . NOTE 3: This type of interfering signal is only applied for band n46, n96 and n102. | | |

Table 7.7.5-3: Narrowband intermodulation performance requirement in FR1

| BS type | Wanted signal mean power (dBm) (Note 1) | Mean power of interfering signals (dBm) | Type of interfering signal |
|--|--|--|-----------------------------------|
| Wide Area BS | $P_{\text{REFSENS}} + 6 \text{ dB}$ | -52 | See table 7.7.5-4 |
| Medium Range BS | $P_{\text{REFSENS}} + 6 \text{ dB}$ | -47 | |
| Local Area BS | $P_{\text{REFSENS}} + 6 \text{ dB}$ | -44 | |
| NOTE 1: P_{REFSENS} depends on the RAT. For NR, P_{REFSENS} depends also on the <i>BS channel bandwidth</i> as specified in TS 38.104 [2], table 7.2.2-1, 7.2.2-2 and 7.2.2-3. For NB-IoT, P_{REFSENS} depends also on the <i>sub-carrier spacing</i> as specified in tables 7.2-5, 7.2-6 and 7.2-8 of TS 36.141 [24]. NOTE 2: For NB-IoT, the requirement shall apply only for a FRC A1-3 of TS 36.141 [24] mapped to the frequency range at the channel edge adjacent to the interfering signals. NOTE 3: For NB-IoT, the frequency offset shall be adjusted to accommodate the IMD product to fall in the NB-IoT RB for NB-IoT operation in NR in-band. NOTE 4: For NB-IoT, if a BS RF receiver fails the test of the requirement, the test shall be performed with the CW interfering signal frequency shifted away from the wanted signal by 180 kHz and the NR interfering signal frequency shifted away from the wanted signal by 360 kHz. If the BS RF receiver still fails the test after the frequency shift, then the BS RF receiver shall be deemed to fail the requirement. | | | |

Table 7.7.5-4: Interfering signals for narrowband intermodulation requirement in FR1

| BS channel bandwidth of the lowest/highest carrier received (MHz) | Interfering RB centre frequency offset from the lower/upper Base Station RF Bandwidth edge or sub-block edge inside a sub-block gap (kHz) (Note 3) | Type of interfering signals |
|--|---|--|
| 5 | ±360 | CW |
| | ±1420 | 5 MHz DFT-s-OFDM NR signal, 1 RB (Note 1) |
| 10 | ±370 | CW |
| | ±1960 | 5 MHz DFT-s-OFDM NR signal, 1 RB (Note 1) |
| 15 (Note 2) | ±380 | CW |
| | ±1960 | 5 MHz DFT-s-OFDM NR signal, 1 RB (Note 1) |
| 20 (Note 2) | ±390 | CW |
| | ±2320 | 5 MHz DFT-s-OFDM NR signal, 1 RB (Note 1) |
| 25 (Note 2) | ±325 | CW |
| | ±2350 | 20 MHz DFT-s-OFDM NR signal, 1 RB (Note 1) |
| 30 (Note 2) | ±335 | CW |
| | ±2350 | 20 MHz DFT-s-OFDM NR signal, 1 RB (Note 1) |
| 35 (Note 2) | ±345 | CW |
| | ±2350 | 20MHz DFT-s-OFDM NR signal, 1 RB (Note 1) |
| 40 (Note 2) | ±355 | CW |
| | ±2710 | 20 MHz DFT-s-OFDM NR signal, 1 RB (Note 1) |
| 45 (Note 2) | ±365 | CW |
| | ±2710 | 20MHz DFT-s-OFDM NR signal, 1 RB (Note 1) |
| 50 (Note 2) | ±375 | CW |
| | ±2710 | 20 MHz DFT-s-OFDM NR signal, 1 RB (Note 1) |
| 60 (Note 2) | ±395 | CW |
| | ±2710 | 20 MHz DFT-s-OFDM NR signal, 1 RB (Note 1) |
| 70 (Note 2) | ±415 | CW |
| | ±2710 | 20 MHz DFT-s-OFDM NR signal, 1 RB (Note 1) |
| 80 (Note 2) | ±435 | CW |
| | ±2710 | 20 MHz DFT-s-OFDM NR signal, 1 RB (Note 1) |
| 90 (Note 2) | ±365 | CW |
| | ±2530 | 20 MHz DFT-s-OFDM NR signal, 1 RB (Note 1) |
| 100 (Note 2) | ±385 | CW |
| | ±2530 | 20 MHz DFT-s-OFDM NR signal, 1 RB (Note 1) |

| | |
|---------|--|
| Note 1: | Interfering signal consisting of one resource block positioned at the stated offset, the <i>BS channel bandwidth</i> of the interfering signal is located adjacently to the lower/upper Base Station RF Bandwidth edge or sub-block edge inside a sub-block gap. |
| Note 2: | This requirement shall apply only for a G-FRC mapped to the frequency range at the channel edge adjacent to the interfering signals. |
| Note 3: | The centre of the interfering RB refers to the frequency location between the two central subcarriers. |

7.7.5.1 Additional narrowband intermodulation requirement for Band n100

The following requirement shall apply to BS operating in Band n100 in CEPT countries. For the wanted and interfering signals coupled to the *antenna connector*, using the parameters in table 7.7.5.1-1 and 7.7.5.1-2, the throughput shall be $\geq 95\%$ of the *maximum throughput* of the reference measurement channel.

Table 7.7.5.1-1: Additional narrowband intermodulation requirement for n100

| Wanted signal mean power (dBm) | Interfering signal mean power (dBm) | Type of interfering signals |
|--|-------------------------------------|-----------------------------|
| $P_{\text{PREFSENS}} + 6\text{dB}$ | Wide Area BS: -39 (Note 2) | See Table 7.7.5.1-2 |
| NOTE 1: P_{PREFSENS} depends on the <i>BS channel bandwidth</i> as specified in clause 7.2.2. | | |
| NOTE 2: Interfering signal mean power level was derived considering an interfering signal with 10% duty cycle. For more details, refer to TR 38.853. | | |

Table 7.7.5.1-2: Interferer frequency offset for additional narrowband intermodulation requirement for n100

| BS channel bandwidth of the lowest carrier received (MHz) | Interfering RB centre frequency offset from the lower Base Station RF Bandwidth edge (kHz) (Note 3) | Type of interfering signal |
|---|---|---|
| 5 | -360 | CW |
| | -1420 | 5 MHz DFT-s-OFDM NR signal, 15 kHz SCS, 1 RB (Note 1) |
| NOTE 1: Interfering signal consisting of one resource block positioned at the stated offset, the <i>BS channel bandwidth</i> of the interfering signal is located adjacently to the lower <i>Base Station RF Bandwidth edge</i> . | | |
| NOTE 2: This requirement shall apply only for a G-FRC mapped to the frequency range at the <i>channel edge</i> adjacent to the interfering signals. | | |
| NOTE 3: The centre of the interfering RB refers to the frequency location between the two central subcarriers. | | |

7.8 In-channel selectivity

7.8.1 Definition and applicability

In-channel selectivity (ICS) is a measure of the receiver ability to receive a wanted signal at its assigned resource block locations at the *antenna connector* for *BS type 1-C* or *TAB connector* for *BS type 1-H* in the presence of an interfering signal received at a larger power spectral density. In this condition a throughput requirement shall be met for a specified reference measurement channel. The interfering signal shall be an NR signal which is time aligned with the wanted signal.

7.8.2 Minimum requirement

The minimum requirements for *BS type 1-C* and *BS type 1-H* are in TS 38.104 [2], clause 7.8.2.

7.8.3 Test purpose

The purpose of this test is to verify the BS receiver ability to suppress the IQ leakage.

7.8.4 Method of test

7.8.4.1 Initial conditions

Test environment: Normal; see annex B.2.

RF channels to be tested for single carrier: M; see clause 4.9.1.

7.8.4.2 Procedure

The minimum requirement is applied to all connectors under test.

For *BS type 1-H* the procedure is repeated until all *TAB connectors* necessary to demonstrate conformance have been tested; see clause 7.1.

- 1) Set the signal generator for the wanted signal to transmit as specified from table 7.8.5-1 to 7.8.5-3, as well as table 7.8.5-1a to 7.8.5-3a for a BS declared to be capable of NB-IoT operation in NR in-band (D.41).
- 2) Set the signal generator for the interfering signal to transmit at the frequency offset and as specified from table 7.8.5-1 to 7.8.5-3, as well as table 7.8.5-1a to 7.8.5-3a for a BS declared to be capable of NB-IoT operation in NR in-band (D.41).
- 3) Measure the throughput according to annex A.1, as well as annex A.14 of TS 36.141 [24] for a BS declared to be capable of NB-IoT operation in NR in-band (D.41).

In addition, for a *multi-band connector*, the following steps shall apply:

- 4) For *multi-band connector* and single band tests, repeat the steps above per involved band where single band test configurations and test models shall apply with no carrier activated in the other band.

7.8.5 Test requirements

For *BS type 1-C* and *BS type 1-H*, the throughput shall be $\geq 95\%$ of the maximum throughput of the reference measurement channel as specified in annex A.1 with parameters specified in table 7.8.5-1 for Wide Area BS except for band n104, in table 7.8.5-1b for Wide Area BS for band n104, in table 7.8.5-2 for Medium Range BS except for band n46, n96, n102 and n104, in table 7.8.5-2b for Medium Range BS for band n46, in table 7.8.5-2c for Medium Range BS for band n96 and n102, in table 7.8.5-2d for Medium Range BS for band n104, in table 7.8.5-3 for Local Area BS except for band n46, n96, n102 and n104, in table 7.8.5-3b for Local Area BS for band n46, in table 7.8.5-3c for Local Area BS for band n96 and n102, and in table 7.8.5-3d for Local Area BS for band 104. The characteristics of the interfering signal is further specified in annex E.

For NB-IoT operation in NR in-band, the throughput shall be $\geq 95\%$ of the maximum throughput of the NB-IoT reference measurement channel as specified in Annex A of TS 36.141 [24] with parameters specified in table 7.8.5-1a for Wide Area BS, in table 7.8.5-2a for Medium Range BS and in table 7.8.5-3a for Local Area BS.

Table 7.8.5-1: Wide Area BS in-channel selectivity

| NR channel bandwidth (MHz) | Subcarrier spacing (kHz) | Reference measurement channel | Wanted signal mean power (dBm) | | | Interfering signal mean power (dBm) | Type of interfering signal |
|---------------------------------|--------------------------|-------------------------------|---------------------------------|--|--|-------------------------------------|---|
| | | | $f \leq 3.0 \text{ GHz}$ z | $3.0 \text{ GHz} < z < 4.2 \text{ GHz}$ z | $4.2 \text{ GHz} < f \leq 6.0 \text{ GHz}$ | | |
| 5 | 15 | G-FR1-A1-7 | -99.2 | -98.8 | -98.5 | -81.4 | DFT-s-OFDM NR signal, 15 kHz SCS, 10 RBs |
| 10, 15, 20, 25, 30, 35 | 15 | G-FR1-A1-1 | -97.3 | -96.9 | -96.6 | -77.4 | DFT-s-OFDM NR signal, 15 kHz SCS, 25 RBs |
| 40, 45, 50 | 15 | G-FR1-A1-4 | -90.9 | -90.5 | -90.2 | -71.4 | DFT-s-OFDM NR signal, 15 kHz SCS, 100 RBs |
| 5 | 30 | G-FR1-A1-8 | -99.9 | -99.5 | -99.2 | -81.4 | DFT-s-OFDM NR signal, 30 kHz SCS, 5 RBs |
| 10, 15, 20, 25, 30, 35 | 30 | G-FR1-A1-2 | -97.4 | -97 | -96.7 | -78.4 | DFT-s-OFDM NR signal, 30 kHz SCS, 10 RBs |
| 40, 45, 50, 60, 70, 80, 90, 100 | 30 | G-FR1-A1-5 | -91.2 | -90.8 | -90.5 | -71.4 | DFT-s-OFDM NR signal, 30 kHz SCS, 50 RBs |
| 10, 15, 20, 25, 30, 35 | 60 | G-FR1-A1-9 | -96.8 | -96.4 | -96.1 | -78.4 | DFT-s-OFDM NR signal, 60 kHz SCS, 5 RBs |
| 40, 45, 50, 60, 70, 80, 90, 100 | 60 | G-FR1-A1-6 | -91.3 | -90.9 | -90.6 | -71.6 | DFT-s-OFDM NR signal, 60 kHz SCS, 24 RBs |

NOTE: Wanted and interfering signal are placed adjacently around F_c , where the F_c is defined for BS channel bandwidth of the wanted signal according to the table 5.4.2.2-1 in TS 38.104 [2]. The aggregated wanted and interferer signal shall be centred in the BS channel bandwidth of the wanted signal.

Table 7.8.5-1a: Wide Area BS in-channel selectivity for NB-IoT operation in NR in-band

| BS channel bandwidth (MHz) | Reference measurement channel | Wanted signal mean power (dBm) | Interfering signal mean power (dBm) / BW_{Config} | Type of interfering signal |
|----------------------------|---|--------------------------------|--|---|
| 5 | FRC A14-1 in Annex A.14 in TS 36.141 [24] | -122.9 | -81.4 | DFT-s-OFDM NR signal, 15 kHz SCS, 10 RBs |
| 10, 15, 20, 25, 30, 35 | | | -77.4 | DFT-s-OFDM NR signal, 15 kHz SCS, 25 RBs |
| 40, 45, 50 | | | -71.4 | DFT-s-OFDM NR signal, 15 kHz SCS, 100 RBs |
| 5 | FRC A14-2 in Annex A.14 in TS 36.141 [24] | -128.8 | -81.4 | DFT-s-OFDM NR signal, 15 kHz SCS, 10 RBs |
| 10, 15, 20, 25, 30, 35 | | | -77.4 | DFT-s-OFDM NR signal, 15 kHz SCS, 25 RBs |
| 40, 45, 50 | | | -71.4 | DFT-s-OFDM NR signal, 15 kHz SCS, 100 RBs |

NOTE: Interfering signal is placed in one side of the F_c , while the NB-IoT PRB is placed on the other side. Both interfering signal and NB-IoT PRB are placed at the middle of the available PRB locations. The wanted NB-IoT tone is placed at the centre of this NB-IoT PRB.

Table 7.8.5-1b: Wide Area BS in-channel selectivity for band n104

| <i>BS channel bandwidth (MHz)</i> | <i>Subcarrier spacing (kHz)</i> | <i>Reference measurement channel</i> | <i>Wanted signal mean power (dBm)</i> | <i>Interfering signal mean power (dBm)</i> | <i>Type of interfering signal</i> |
|--|--|---|--|---|---|
| 20, 30 | 15 | G-FR1-A1-1 | -95.2 | -76.4 | DFT-s-OFDM NR signal, 15 kHz SCS, 25 RBs |
| 40, 50 | 15 | G-FR1-A1-4 | -88.8 | -70.4 | DFT-s-OFDM NR signal, 15 kHz SCS, 100 RBs |
| 20, 30 | 30 | G-FR1-A1-2 | -95.3 | -77.4 | DFT-s-OFDM NR signal, 30 kHz SCS, 10 RBs |
| 40, 50, 60, 70, 80, 90, 100 | 30 | G-FR1-A1-5 | -89.1 | -70.4 | DFT-s-OFDM NR signal, 30 kHz SCS, 50 RBs |
| 20, 30 | 60 | G-FR1-A1-9 | -94.7 | -77.4 | DFT-s-OFDM NR signal, 60 kHz SCS, 5 RBs |
| 40, 50, 60, 70, 80, 90, 100 | 60 | G-FR1-A1-6 | -89.2 | -70.6 | DFT-s-OFDM NR signal, 60 kHz SCS, 24 RBs |
| NOTE 1: Wanted and interfering signal are placed adjacently around F_c , where the F_c is defined for <i>BS channel bandwidth</i> of the wanted signal according to the table 5.4.2.2-1. The aggregated wanted and interferer signal shall be centred in the <i>BS channel bandwidth</i> of the wanted signal. | | | | | |

Table 7.8.5-2: Medium Range BS in-channel selectivity

| NR channel bandwidth (MHz) | Subcarrier spacing (kHz) | Reference measurement channel | Wanted signal mean power (dBm) | | | Interfering signal mean power (dBm) | Type of interfering signal |
|---------------------------------|--------------------------|-------------------------------|---------------------------------|---|--|-------------------------------------|---|
| | | | $f \leq 3.0 \text{ GHz}$ z | $3.0 \text{ GHz} < z < f \leq 4.2 \text{ GHz}$ z | $4.2 \text{ GHz} < f \leq 6.0 \text{ GHz}$ | | |
| 5 | 15 | G-FR1-A1-7 | -94.2 | -93.8 | -93.5 | -76.4 | DFT-s-OFDM NR signal, 15 kHz SCS, 10 RBs |
| 10, 15, 20, 25, 30, 35 | 15 | G-FR1-A1-1 | -92.3 | -91.9 | -91.6 | -72.4 | DFT-s-OFDM NR signal, 15 kHz SCS, 25 RBs |
| 40, 45, 50 | 15 | G-FR1-A1-4 | -85.9 | -85.5 | -85.2 | -66.4 | DFT-s-OFDM NR signal, 15 kHz SCS, 100 RBs |
| 5 | 30 | G-FR1-A1-8 | -94.9 | -94.5 | -94.2 | -76.4 | DFT-s-OFDM NR signal, 30 kHz SCS, 5 RBs |
| 10, 15, 20, 25, 30, 35 | 30 | G-FR1-A1-2 | -92.4 | -92 | -91.7 | -73.4 | DFT-s-OFDM NR signal, 30 kHz SCS, 10 RBs |
| 40, 45, 50, 60, 70, 80, 90, 100 | 30 | G-FR1-A1-5 | -86.2 | -85.8 | -85.5 | -66.4 | DFT-s-OFDM NR signal, 30 kHz SCS, 50 RBs |
| 10, 15, 20, 25, 30, 35 | 60 | G-FR1-A1-9 | -91.8 | -91.4 | -91.1 | -73.4 | DFT-s-OFDM NR signal, 60 kHz SCS, 5 RBs |
| 40, 45, 50, 60, 70, 80, 90, 100 | 60 | G-FR1-A1-6 | -86.3 | -85.9 | -85.6 | -66.6 | DFT-s-OFDM NR signal, 60 kHz SCS, 24 RBs |

NOTE: Wanted and interfering signal are placed adjacently around F_c , where the F_c is defined for *BS channel bandwidth* of the wanted signal according to the table 5.4.2.2-1 in TS 38.104 [2]. The aggregated wanted and interferer signal shall be centred in the BS channel bandwidth of the wanted signal.

Table 7.8.5-2a: Medium Range BS in-channel selectivity for NB-IoT operation in NR in-band

| BS channel bandwidth (MHz) | Reference measurement channel | Wanted signal mean power (dBm) | Interfering signal mean power (dBm) / BW_{Config} | Type of interfering signal |
|----------------------------|---|--------------------------------|--|---|
| 5 | FRC A14-1 in Annex A.14 in TS 36.141 [24] | -117.9 | -76.4 | DFT-s-OFDM NR signal, 15 kHz SCS, 10 RBs |
| 10, 15, 20, 25, 30, 35 | | | -72.4 | DFT-s-OFDM NR signal, 15 kHz SCS, 25 RBs |
| 40, 45, 50 | | | -66.4 | DFT-s-OFDM NR signal, 15 kHz SCS, 100 RBs |
| 5 | FRC A14-2 in Annex A.14 in TS 36.141 [24] | -123.8 | -76.4 | DFT-s-OFDM NR signal, 15 kHz SCS, 10 RBs |
| 10, 15, 20, 25, 30, 35 | | | -72.4 | DFT-s-OFDM NR signal, 15 kHz SCS, 25 RBs |
| 40, 45, 50 | | | -66.4 | DFT-s-OFDM NR signal, 15 kHz SCS, 100 RBs |

NOTE: Interfering signal is placed in one side of the F_c , while the NB-IoT PRB is placed on the other side. Both interfering signal and NB-IoT PRB are placed at the middle of the available PRB locations. The wanted NB-IoT tone is placed at the centre of this NB-IoT PRB.

Table 7.8.5-2b: Medium Range BS in-channel selectivity for band n46

| <i>BS channel bandwidth</i> (MHz) | Subcarrier spacing (kHz) | Reference measurement channel | Wanted signal mean power (dBm) | Interfering signal mean power (dBm) | Type of interfering signal |
|---|--------------------------|-------------------------------|--------------------------------|-------------------------------------|--|
| 10 | 15 | G-FR1-A1-12 | -97.5 | -79.5 | CP-OFDM NR signal, 15 kHz SCS, 10 RBs |
| | 30 | G-FR1-A1-13 | -95.2 | -77.4 | CP-OFDM NR signal, 30 kHz SCS, 10 RBs |
| | 60 | G-FR1-A1-9 | -90.7 | -73.4 | DFT-s-OFDM NR signal, 60 kHz SCS, 5 RBs |
| 20 | 15 | G-FR1-A1-14 | -94.6 | -76.4 | CP-OFDM NR signal, 15 kHz SCS, 10 RBs |
| | 30 | G-FR1-A1-15 | -91.6 | -73.4 | CP-OFDM NR signal, 30 kHz SCS, 10 RBs |
| | 60 | G-FR1-A1-9 | -90.7 | -73.4 | DFT-s-OFDM NR signal, 60 kHz SCS, 5 RBs |
| 40 | 15 | G-FR1-A1-16 | -91.5 | -73.2 | CP-OFDM NR signal, 15 kHz SCS, 20 RBs |
| | 30 | G-FR1-A1-17 | -88.5 | -70.2 | CP-OFDM NR signal, 30 kHz SCS, 10 RBs |
| | 60 | G-FR1-A1-6 | -85.2 | -66.6 | DFT-s-OFDM NR signal, 60 kHz SCS, 24 RBs |
| 60 | 30 | G-FR1-A1-18 | -86.9 | -68.4 | CP-OFDM NR signal, 30 kHz SCS, 20 RBs |
| | 60 | G-FR1-A1-6 | -85.2 | -66.6 | DFT-s-OFDM NR signal, 60 kHz SCS, 24 RBs |
| 80 | 30 | G-FR1-A1-19 | -85.6 | -67.1 | CP-OFDM NR signal, 30 kHz SCS, 20 RBs |
| | 60 | G-FR1-A1-6 | -85.2 | -66.6 | DFT-s-OFDM NR signal, 60 kHz SCS, 24 RBs |
| NOTE: Wanted and interfering signal are placed adjacently around F_c , where the F_c is defined for <i>BS channel bandwidth</i> of the wanted signal according to the table 5.4.2.2-1. The aggregated wanted and interferer signal shall be centred in the BS channel bandwidth of the wanted signal. | | | | | |

Table 7.8.5-2c: Medium Range BS in-channel selectivity for band n96 and n102

| <i>BS channel bandwidth</i> (MHz) | Subcarrier spacing (kHz) | Reference measurement channel | Wanted signal mean power (dBm) | Interfering signal mean power (dBm) | Type of interfering signal |
|---|--------------------------|-------------------------------|--------------------------------|-------------------------------------|--|
| 20 | 15 | G-FR1-A1-14 | -93.6 | -75.4 | CP-OFDM NR signal, 15 kHz SCS, 10 RBs |
| | 30 | G-FR1-A1-15 | -90.6 | -72.4 | CP-OFDM NR signal, 30 kHz SCS, 10 RBs |
| | 60 | G-FR1-A1-9 | -89.7 | -72.4 | DFT-s-OFDM NR signal, 60 kHz SCS, 5 RBs |
| 40 | 15 | G-FR1-A1-16 | -90.5 | -72.2 | CP-OFDM NR signal, 15 kHz SCS, 20 RBs |
| | 30 | G-FR1-A1-17 | -87.5 | -69.2 | CP-OFDM NR signal, 30 kHz SCS, 10 RBs |
| | 60 | G-FR1-A1-6 | -84.2 | -65.6 | DFT-s-OFDM NR signal, 60 kHz SCS, 24 RBs |
| 60 | 30 | G-FR1-A1-18 | -85.9 | -67.4 | CP-OFDM NR signal, 30 kHz SCS, 20 RBs |
| | 60 | G-FR1-A1-6 | -84.2 | -65.6 | DFT-s-OFDM NR signal, 60 kHz SCS, 24 RBs |
| 80 | 30 | G-FR1-A1-19 | -84.6 | -66.1 | CP-OFDM NR signal, 30 kHz SCS, 20 RBs |
| | 60 | G-FR1-A1-6 | -84.2 | -65.6 | DFT-s-OFDM NR signal, 60 kHz SCS, 24 RBs |
| NOTE: Wanted and interfering signal are placed adjacently around F_c , where the F_c is defined for <i>BS channel bandwidth</i> of the wanted signal according to the table 5.4.2.2-1. The aggregated wanted and interferer signal shall be centred in the BS channel bandwidth of the wanted signal. | | | | | |

Table 7.8.5-2d: Medium Range BS in-channel selectivity for band n104

| <i>BS channel bandwidth (MHz)</i> | <i>Subcarrier spacing (kHz)</i> | <i>Reference measurement channel</i> | <i>Wanted signal mean power (dBm)</i> | <i>Interfering signal mean power (dBm)</i> | <i>Type of interfering signal</i> |
|--|---------------------------------|--------------------------------------|---------------------------------------|--|---|
| 20, 30 | 15 | G-FR1-A1-1 | -90.2 | -71.4 | DFT-s-OFDM NR signal, 15 kHz SCS, 25 RBs |
| 40, 50 | 15 | G-FR1-A1-4 | -83.8 | -65.4 | DFT-s-OFDM NR signal, 15 kHz SCS, 100 RBs |
| 20, 30 | 30 | G-FR1-A1-2 | -90.3 | -72.4 | DFT-s-OFDM NR signal, 30 kHz SCS, 10 RBs |
| 40, 50, 60, 70, 80, 90, 100 | 30 | G-FR1-A1-5 | -84.1 | -65.4 | DFT-s-OFDM NR signal, 30 kHz SCS, 50 RBs |
| 20, 30 | 60 | G-FR1-A1-9 | -89.7 | -72.4 | DFT-s-OFDM NR signal, 60 kHz SCS, 5 RBs |
| 40, 50, 60, 70, 80, 90, 100 | 60 | G-FR1-A1-6 | -84.2 | -65.6 | DFT-s-OFDM NR signal, 60 kHz SCS, 24 RBs |
| NOTE: Wanted and interfering signal are placed adjacently around F_c , where the F_c is defined for <i>BS channel bandwidth</i> of the wanted signal according to the table 5.4.2.2-1. The aggregated wanted and interferer signal shall be centred in the <i>BS channel bandwidth</i> of the wanted signal. | | | | | |

Table 7.8.5-3: Local area BS in-channel selectivity

| NR channel bandwidth (MHz) | Subcarrier spacing (kHz) | Reference measurement channel | Wanted signal mean power (dBm) | | | Interfering signal mean power (dBm) | Type of interfering signal |
|--|--------------------------|-------------------------------|---------------------------------|--|--|-------------------------------------|---|
| | | | $f \leq 3.0 \text{ GHz}$ z | $3.0 \text{ GHz} < z < 4.2 \text{ GHz}$ z | $4.2 \text{ GHz} < f \leq 6.0 \text{ GHz}$ | | |
| 5 | 15 | G-FR1-A1-7 | -91.2 | -90.8 | -90.5 | -73.4 | DFT-s-OFDM NR signal, 15 kHz SCS, 10 RBs |
| 10, 15, 20, 25, 30, 35 | 15 | G-FR1-A1-1 | -89.3 | -88.9 | -88.6 | -69.4 | DFT-s-OFDM NR signal, 15 kHz SCS, 25 RB |
| 40, 45, 50 | 15 | G-FR1-A1-4 | -82.9 | -82.5 | -82.2 | -63.4 | DFT-s-OFDM NR signal, 15 kHz SCS, 100 RBs |
| 5 | 30 | G-FR1-A1-8 | -91.9 | -91.5 | -91.2 | -73.4 | DFT-s-OFDM NR signal, 30 kHz SCS, 5 RBs |
| 10, 15, 20, 25, 30, 35 | 30 | G-FR1-A1-2 | -89.4 | -89 | -88.7 | -70.4 | DFT-s-OFDM NR signal, 30 kHz SCS, 10 RBs |
| 40, 45, 50, 60, 70, 80, 90, 100 | 30 | G-FR1-A1-5 | -83.2 | -82.8 | -82.5 | -63.4 | DFT-s-OFDM NR signal, 30 kHz SCS, 50 RBs |
| 10, 15, 20, 25, 30, 35 | 60 | G-FR1-A1-9 | -88.8 | -88.4 | -88.1 | -70.4 | DFT-s-OFDM NR signal, 60 kHz SCS, 5 RBs |
| 40, 45, 50, 60, 70, 80, 90, 100 | 60 | G-FR1-A1-6 | -83.3 | -82.9 | -82.6 | -63.6 | DFT-s-OFDM NR signal, 60 kHz SCS, 24 RBs |
| NOTE: Wanted and interfering signal are placed adjacently around F_c , where the F_c is defined for <i>BS channel bandwidth</i> of the wanted signal according to the table 5.4.2.2-1 in TS 38.104 [2]. The aggregated wanted and interferer signal shall be centred in the BS channel bandwidth of the wanted signal. | | | | | | | |

Table 7.8.5-3a: Local Area BS in-channel selectivity for NB-IoT operation in NR in-band

| <i>BS channel bandwidth (MHz)</i> | Reference measurement channel | Wanted signal mean power (dBm) | Interfering signal mean power (dBm) / BW_{Config} | Type of interfering signal |
|--|---|--------------------------------|---|---|
| 5 | FRC A14-1 in Annex A.14 in TS 36.104 [13] | -114.9 | -73.4 | DFT-s-OFDM NR signal, 15 kHz SCS, 10 RBs |
| 10, 15, 20, 25, 30, 35 | | | -69.4 | DFT-s-OFDM NR signal, 15 kHz SCS, 25 RBs |
| 40, 45, 50 | | | -63.4 | DFT-s-OFDM NR signal, 15 kHz SCS, 100 RBs |
| 5 | FRC A14-2 in Annex A.14 in TS 36.104 [13] | -120.8 | -73.4 | DFT-s-OFDM NR signal, 15 kHz SCS, 10 RBs |
| 10, 15, 20, 25, 30, 35 | | | -69.4 | DFT-s-OFDM NR signal, 15 kHz SCS, 25 RBs |
| 40, 45, 50 | | | -63.4 | DFT-s-OFDM NR signal, 15 kHz SCS, 100 RBs |
| NOTE: Interfering signal is placed in one side of the F_c , while the NB-IoT PRB is placed on the other side. Both interfering signal and NB-IoT PRB are placed at the middle of the available PRB locations. The wanted NB-IoT tone is placed at the centre of this NB-IoT PRB. | | | | |

Table 7.8.2-3b: Local Area BS in-channel selectivity for band n46

| <i>BS channel bandwidth (MHz)</i> | Subcarrier spacing (kHz) | Reference measurement channel | Wanted signal mean power (dBm) | Interfering signal mean power (dBm) | Type of interfering signal |
|-----------------------------------|--|-------------------------------|--------------------------------|-------------------------------------|--|
| 10 | 15 | G-FR1-A1-12 | -94.5 | -76.5 | CP-OFDM NR signal, 15 kHz SCS, 10 RBs |
| | 30 | G-FR1-A1-13 | -92.2 | -74.4 | CP-OFDM NR signal, 30 kHz SCS, 10 RBs |
| | 60 | G-FR1-A1-9 | -87.7 | -70.4 | DFT-s-OFDM NR signal, 60 kHz SCS, 5 RBs |
| 20 | 15 | G-FR1-A1-14 | -91.6 | -73.4 | CP-OFDM NR signal, 15 kHz SCS, 10 RBs |
| | 30 | G-FR1-A1-15 | -88.6 | -70.4 | CP-OFDM NR signal, 30 kHz SCS, 10 RBs |
| | 60 | G-FR1-A1-9 | -87.7 | -70.4 | DFT-s-OFDM NR signal, 60 kHz SCS, 5 RBs |
| 40 | 15 | G-FR1-A1-16 | -88.5 | -70.2 | CP-OFDM NR signal, 15 kHz SCS, 20 RBs |
| | 30 | G-FR1-A1-17 | -85.5 | -67.2 | CP-OFDM NR signal, 30 kHz SCS, 10 RBs |
| | 60 | G-FR1-A1-6 | -82.2 | -63.6 | DFT-s-OFDM NR signal, 60 kHz SCS, 24 RBs |
| 60 | 30 | G-FR1-A1-18 | -83.9 | -65.4 | CP-OFDM NR signal, 30 kHz SCS, 20 RBs |
| | 60 | G-FR1-A1-6 | -82.2 | -63.6 | DFT-s-OFDM NR signal, 60 kHz SCS, 24 RBs |
| 80 | 30 | G-FR1-A1-19 | -82.6 | -64.1 | CP-OFDM NR signal, 30 kHz SCS, 20 RBs |
| | 60 | G-FR1-A1-6 | -82.2 | -63.6 | DFT-s-OFDM NR signal, 60 kHz SCS, 24 RBs |
| NOTE: | Wanted and interfering signal are placed adjacently around F_c , where the F_c is defined for BS channel bandwidth of the wanted signal according to the table 5.4.2.2-1. The aggregated wanted and interferer signal shall be centred in the BS channel bandwidth of the wanted signal. | | | | |

Table 7.8.2-3c: Local Area BS in-channel selectivity for band n96 and n102

| <i>BS channel bandwidth</i> (MHz) | Subcarrier spacing (kHz) | Reference measurement channel | Wanted signal mean power (dBm) | Interfering signal mean power (dBm) | Type of interfering signal |
|---|--------------------------|-------------------------------|--------------------------------|-------------------------------------|--|
| 20 | 15 | G-FR1-A1-14 | -90.6 | -72.4 | CP-OFDM NR signal, 15 kHz SCS, 10 RBs |
| | 30 | G-FR1-A1-15 | -87.6 | -69.4 | CP-OFDM NR signal, 30 kHz SCS, 10 RBs |
| | 60 | G-FR1-A1-9 | -86.7 | -69.4 | DFT-s-OFDM NR signal, 60 kHz SCS, 5 RBs |
| 40 | 15 | G-FR1-A1-16 | -87.5 | -69.2 | CP-OFDM NR signal, 15 kHz SCS, 20 RBs |
| | 30 | G-FR1-A1-17 | -84.5 | -66.2 | CP-OFDM NR signal, 30 kHz SCS, 10 RBs |
| | 60 | G-FR1-A1-6 | -81.2 | -62.6 | DFT-s-OFDM NR signal, 60 kHz SCS, 24 RBs |
| 60 | 30 | G-FR1-A1-18 | -82.9 | -64.4 | CP-OFDM NR signal, 30 kHz SCS, 20 RBs |
| | 60 | G-FR1-A1-6 | -81.2 | -62.6 | DFT-s-OFDM NR signal, 60 kHz SCS, 24 RBs |
| 80 | 30 | G-FR1-A1-19 | -81.6 | -63.1 | CP-OFDM NR signal, 30 kHz SCS, 20 RBs |
| | 60 | G-FR1-A1-6 | -81.2 | -62.6 | DFT-s-OFDM NR signal, 60 kHz SCS, 24 RBs |
| NOTE: Wanted and interfering signal are placed adjacently around F_c , where the F_c is defined for <i>BS channel bandwidth</i> of the wanted signal according to the table 5.4.2.2-1. The aggregated wanted and interferer signal shall be centred in the BS channel bandwidth of the wanted signal. | | | | | |

Table 7.8.5-3d: Local area BS in-channel selectivity for band n104

| <i>BS channel bandwidth (MHz)</i> | <i>Subcarrier spacing (kHz)</i> | <i>Reference measurement channel</i> | <i>Wanted signal mean power (dBm)</i> | <i>Interfering signal mean power (dBm)</i> | <i>Type of interfering signal</i> |
|--|---------------------------------|--------------------------------------|---------------------------------------|--|---|
| 20, 30 | 15 | G-FR1-A1-1 | -87.2 | -68.4 | DFT-s-OFDM NR signal, 15 kHz SCS, 25 RBs |
| 40, 50 | 15 | G-FR1-A1-4 | -80.8 | -62.4 | DFT-s-OFDM NR signal, 15 kHz SCS, 100 RBs |
| 20, 30 | 30 | G-FR1-A1-2 | -87.3 | -69.4 | DFT-s-OFDM NR signal, 30 kHz SCS, 10 RBs |
| 40, 50, 60, 70, 80, 90, 100 | 30 | G-FR1-A1-5 | -81.1 | -62.4 | DFT-s-OFDM NR signal, 30 kHz SCS, 50 RBs |
| 20, 30 | 60 | G-FR1-A1-9 | -86.7 | -69.4 | DFT-s-OFDM NR signal, 60 kHz SCS, 5 RBs |
| 40, 50, 60, 70, 80, 90, 100 | 60 | G-FR1-A1-6 | -81.2 | -62.6 | DFT-s-OFDM NR signal, 60 kHz SCS, 24 RBs |
| NOTE: Wanted and interfering signal are placed adjacently around F_c , where the F_c is defined for <i>BS channel bandwidth</i> of the wanted signal according to the table 5.4.2.2-1. The aggregated wanted and interferer signal shall be centred in the <i>BS channel bandwidth</i> of the wanted signal. | | | | | |

8 Conducted performance characteristics

8.1 General

8.1.1 Scope and definitions

Conducted performance requirements specify the ability of the *BS type 1-C* or *BS type 1-H* to correctly demodulate signals in various conditions and configurations. Conducted performance requirements are specified at the *antenna connector(s)* (for *BS type 1-C*) and at the *TAB connector(s)* (for *BS type 1-H*).

Conducted performance requirements for the BS are specified for the fixed reference channels and the propagation conditions defined in TS 38.104 [2] annex A and annex H, respectively. The requirements only apply to those FRCs that are supported by the BS.

Unless stated otherwise, performance requirements apply for a single carrier only. Performance requirements for a BS supporting CA are defined in terms of single carrier requirements.

For FDD operation the requirements in clause 8 shall be met with the transmitter units associated with *antenna connectors* (for *BS type 1-C*) or *TAB connectors* (for *BS type 1-H*) in the *operating band* turned ON.

NOTE: In normal operating conditions *antenna connectors* (for *BS type 1-C*) or *TAB connectors* (for *BS type 1-H*) in FDD operation are configured to transmit and receive at the same time. The associated transmitter unit(s) may be OFF for some of the tests.

In tests performed with signal generators a synchronization signal may be provided between the BS and the signal generator, to enable correct timing of the wanted signal.

The SNR used in this clause is specified based on a single carrier and defined as:

$$\text{SNR} = S / N$$

Where:

- S is the total signal energy in a slot on a single *antenna connector* (for *BS type 1-C*) or on a single *TAB connector* (for *BS type 1-H*).
- N is the noise energy in a bandwidth corresponding to the transmission bandwidth over the same duration where signal energy exists.

8.1.2 Applicability rule

8.1.2.0 General

Unless otherwise stated, for a BS supporting more than 8 antenna connectors (for *BS type 1-C*) or *TAB connectors* (for *BS type 1-H*) (see D.37 in table 4.6-1), the performance requirement tests for 8 RX antennas shall apply, and the specific connectors used for testing are based on manufacturer declaration.

Unless otherwise stated, for a BS supporting different numbers of antenna connectors (for *BS type 1-C*) or *TAB connectors* (for *BS type 1-H*) (see D.37 in table 4.6-1), the tests with low MIMO correlation level shall apply only for the lowest and highest numbers of supported connectors, and the specific connectors used for testing are based on manufacturer declaration.

8.1.2.1 Applicability of PUSCH performance requirements

8.1.2.1.1 Applicability of requirements for different subcarrier spacings

Unless otherwise stated, PUSCH requirement tests shall apply only for each subcarrier spacing declared to be supported (see D.14 in table 4.6-1).

Unless otherwise stated, PUSCH requirement tests with 30% of maximum throughput shall apply only for the lowest subcarrier spacing declared to be supported (see D.14 in table 4.6-1) for each frequency range.

8.1.2.1.2 Applicability of requirements for different channel bandwidths

For each subcarrier spacing declared to be supported, the test requirements for a specific channel bandwidth shall apply only if the BS supports it (see D.14 in table 4.6-1).

Unless otherwise stated, for each subcarrier spacing declared to be supported, the tests shall be done only for the widest supported channel bandwidth. If performance requirement is not specified for this widest supported channel bandwidth, the tests shall be done by using performance requirement for the closest channel bandwidth lower than this widest supported bandwidth; the tested PRBs shall then be centered in this widest supported channel bandwidth.

8.1.2.1.3 Applicability of requirements for different configurations

Unless otherwise stated, PUSCH requirement tests shall apply only for the mapping type declared to be supported (see D.100 in table 4.6-1). If both mapping type A and type B are declared to be supported, the tests shall be done for either type A or type B; the same chosen mapping type shall then be used for all tests except the requirement for PUSCH mapping Type B with 2 symbol length allocated.

8.1.2.1.4 Applicability of requirements for uplink carrier aggregation

The tests for uplink carrier aggregation shall be carried out according to the declaration (see D.107 in table 4.6-1).

Unless otherwise stated, the tests for uplink carrier aggregation shall apply only for PUSCH with transform precoding disabled, and shall be conducted on per component carrier basis.

8.1.2.1.5 Applicability of requirements for TDD with different UL-DL patterns

Unless otherwise stated, for each subcarrier spacing declared to be supported, if BS supports multiple TDD UL-DL patterns, only one of the supported TDD UL-DL patterns shall be used for all tests.

Note: For PUSCH Performance test cases, FRCs are not expected to be defined for the special slots, unless otherwise stated.

8.1.2.1.6 Applicability of UL timing adjustment requirements for different scenarios

Unless otherwise stated, the tests for UL timing adjustment for scenario Y and scenario Z shall apply only if high speed train is declared to be supported (see D.109 in table 4.6-1). A BS that passes the tests for scenario Y or scenario Z, can also consider the tests for scenario X passed.

8.1.2.1.7 Applicability of 2-step RA type requirements for different subcarrier spacings

In 2-step RA type requirements, unless otherwise stated, MsgA PUSCH tests shall be done for a BS declaring support of 2-step RA (see D.114 in table 4.6-1) only for one (freely selected) subcarrier spacing declared to be supported (see D.14 in table 4.6-1).

8.1.2.2 Applicability of PUCCH performance requirements

8.1.2.2.1 Applicability of requirements for different formats

Unless otherwise stated, PUCCH requirement tests shall apply only for each PUCCH format declared to be supported (see D.102 in table 4.6-1).

8.1.2.2.2 Applicability of requirements for different subcarrier spacings

Unless otherwise stated, PUCCH requirement tests shall apply only for each subcarrier spacing declared to be supported (see D.14 in table 4.6-1).

8.1.2.2.3 Applicability of requirements for different channel bandwidths

For each subcarrier spacing declared to be supported by the BS, the test requirements for a specific channel bandwidth shall apply only if the BS supports it (see D.14 in table 4.6-1).

Unless otherwise stated, for each subcarrier spacing declared to be supported, the tests shall be done only for the widest supported channel bandwidth. If performance requirement is not specified for this widest supported channel bandwidth, the tests shall be done by using performance requirement for the closest channel bandwidth lower than this widest supported bandwidth; the tested PRBs shall then be centered in this widest supported channel bandwidth.

8.1.2.2.4 Applicability of requirements for different configurations

Unless otherwise stated, PUCCH format 3 requirement tests shall apply only for the additional DM-RS configuration declared to be supported (see D.104 in table 4.6-1). If both options (without and with additional DM-RS) are declared to be supported, the tests shall be done for either without or with additional DM-RS; the same chosen option shall then be used for all tests.

Unless otherwise stated, PUCCH format 4 requirement tests shall apply only for the additional DM-RS configuration declared to be supported (see D.105 in table 4.6-1). If both options (without and with additional DM-RS) are declared to be supported, the tests shall be done for either without or with additional DM-RS; the same chosen option shall then be used for all tests.

8.1.2.2.5 Applicability of requirements for multi-slot PUCCH

Unless otherwise stated, multi-slot PUCCH requirement tests shall apply only if the BS supports it (see D.106 in table 4.6-1).

8.1.2.2.6 Applicability of requirements for PUCCH sub-slot based repetition

Unless otherwise stated, PUCCH sub-slot based repetition requirement tests shall apply only if the BS supports it (see D.116 in table 4.6-1).

8.1.2.3 Applicability of PRACH performance requirements

8.1.2.3.1 Applicability of requirements for different formats

Unless otherwise stated, PRACH requirement tests shall apply only for each PRACH format declared to be supported (see D.103 in table 4.6-1).

Unless otherwise stated, PRACH requirement tests for high speed train shall apply only for each PRACH formats declared to be supported (see D.110 in table 4.6-1).

8.1.2.3.2 Applicability of requirements for different subcarrier spacings

Unless otherwise stated, for each PRACH format with short sequence declared to be supported, for each FR, the tests shall apply only for the smallest supported subcarrier spacing in the FR (see D.103 in table 4.6-1).

8.1.2.3.3 Applicability of requirements for different channel bandwidths

Unless otherwise stated, for the subcarrier spacing to be tested, the test requirements shall apply only for anyone channel bandwidth declared to be supported (see D.14 in table 4.6-1).

8.1.2.3.4 Applicability of requirements for different restricted set types of long PRACH format 0

Unless otherwise stated, PRACH requirement tests for long PRACH preamble format 0 with restricted set Type A and B shall apply only for the restricted set type declared to be supported (see D.110 in table 4.6-1). If both restricted set type A and type B are declared to be supported, the tests shall be done for type B; the same chosen mapping type shall then be used for all tests.

8.1.2.4 Applicability of PUSCH for high speed train performance requirements

8.1.2.4.1 Applicability of requirements for different speeds

Unless otherwise stated, a BS that declares to support 500km/h (see D.109 in table 4.6-1) and passes the tests for 500km/h, can also consider the tests for 350km/h as passed.

8.1.2.4.2 Applicability of requirements for 1T1R

In high speed train requirements, unless otherwise stated, for a BS supporting different numbers of antenna connectors (for BS type 1-C) or TAB connectors (for BS type 1-H) (see D.37 in table 4.6-1), if the BS supports 1RX, the tests with low MIMO correlation level shall apply only for either one connector or the second lowest number of supported connectors, in addition to the highest numbers of supported connectors, and the specific connectors used for testing are based on manufacturer declaration.

If the BS doesn't support 1RX, the tests with low MIMO correlation level shall apply only for the lowest and highest numbers of supported connectors, and the specific connectors used for testing are based on manufacturer declaration.

Note: The highest number of connectors can simultaneously be second lowest number.

8.1.2.5 Applicability of interlaced PUSCH performance requirements

8.1.2.5.1 General applicability of interlaced PUSCH performance requirements

Interlaced PUSCH requirement tests shall apply only for a BS declaring support of interlaced formats (see D.111 in table 4.6-1).

8.1.2.5.2 Applicability of requirements for different subcarrier spacings

Unless otherwise stated, PUSCH requirement tests shall apply only for each subcarrier spacing declared to be supported (see D.14 in table 4.6-1).

Unless otherwise stated, for each subcarrier-spacing declared to be supported for interlaced PUSCH, the tests shall apply only for the supported subcarrier spacing. If both 15kHz and 30kHz SCS are declared to be supported, the tests shall be done for 30kHz SCS (see D.14 in table 4.6-1).

8.1.2.5.3 Applicability of requirements for different channel bandwidths

For each subcarrier spacing declared to be supported, the tests for a specific channel bandwidth shall apply only if the BS supports it (see D.14 in table 4.6-1).

Unless otherwise stated, for each subcarrier spacing declared to be supported, the tests shall be done only for the widest supported channel bandwidth. If performance requirement is not specified for this widest supported channel bandwidth, the tests shall be done by using performance requirement defined for 20 MHz channel bandwidth. For 15kHz subcarrier spacing, the tested RB's are uniformly spaced over the channel bandwidth at RB index {110, 120, ..., 210}. For 30kHz subcarrier spacing, the tested RB's are uniformly spaced over the channel bandwidth at RB index {55, 60, ..., 105}.

8.1.2.5.4 Applicability of requirements for different configurations

Unless otherwise stated, PUSCH requirement tests shall apply only for the mapping type declared to be supported (see D.100 in table 4.6-1). If both mapping type A and type B are declared to be supported, the tests shall be done for either type A or type B; the same chosen mapping type shall then be used for all tests.

8.1.2.5.5 Applicability of CG-UCI multiplexed on PUSCH requirements

Unless otherwise stated, interlaced CG-UCI multiplexed on interlaced PUSCH requirements shall apply only for a BS declaring support of CG-UCI (see D.113 in table 4.6-1).

8.1.2.6 Applicability of interlaced PUCCH performance requirements

8.1.2.6.1 General applicability of interlaced PUCCH performance requirements

Interlaced PUCCH requirement tests shall apply only for a BS declaring support of interlaced formats (see D.111 in table 4.6-1).

8.1.2.6.2 Applicability of requirements for different formats

Unless otherwise stated, interlaced PUCCH requirement tests shall apply only for each interlaced PUCCH format declared to be supported (see D.102 in table 4.6-1).

8.1.2.6.3 Applicability of requirements for different subcarrier spacings

Unless otherwise stated, PUCCH requirement tests shall apply only for each subcarrier spacing declared to be supported (see D.14 in table 4.6-1).

8.1.2.6.4 Applicability of requirements for different channel bandwidths

For each subcarrier spacing declared to be supported by the BS, the tests for a specific channel bandwidth shall apply only if the BS supports it (see D.14 in table 4.6-1).

Unless otherwise stated, for each subcarrier spacing declared to be supported, the tests shall be done only for the widest supported channel bandwidth. If performance requirement is not specified for this widest supported channel bandwidth, the tests shall be done by using performance requirement defined for 20 MHz channel bandwidth. For 15kHz subcarrier spacing, the tested RB's are uniformly spaced over the channel bandwidth at RB index {110, 120, ..., 210} for PUCCH formats 0, 1, and 2, and {110, 120, ..., 200} for PUCCH format 3. For 30kHz subcarrier spacing, the tested RB's are uniformly spaced over the channel bandwidth at RB index {55, 60, ..., 105} for PUCCH formats 0, 1, and 2, and {55, 60, ..., 100} for PUCCH format 3.

8.1.2.7 Applicability of performance requirements for PRACH with $L_{RA} = 1151$ and $L_{RA} = 571$

8.1.2.7.1 Applicability of requirements for different formats

Unless otherwise stated, PRACH requirement tests shall apply only for each PRACH format declared to be supported (see D.112 in table 4.6-1).

8.1.2.7.2 Applicability of requirements for different subcarrier spacings

Unless otherwise stated, for each PRACH format with $L_{RA} = 1151$ and $L_{RA} = 571$ declared to be supported, the tests shall apply only for the supported subcarrier spacing. If both 15kHz and 30kHz SCS are declared to be supported, the tests shall be done for 30kHz SCS (see D.112 in table 4.6-1).

8.1.2.7.3 Applicability of requirements for different channel bandwidths

Unless otherwise stated, for the subcarrier spacing to be tested, the tests shall apply only for anyone channel bandwidth declared to be supported (see D.14 in table 4.6-1).

8.1.2.8 Applicability of performance requirements for PUSCH with TB over Multi-Slots

8.1.2.8.1 Applicability of requirements for different UL-DL patterns

Unless otherwise stated, PUSCH with TB over Multi-slots requirement tests shall apply only for UL-DL pattern characters declared to be supported (see D.117 and D.118 in table 4.6-1).

Unless otherwise stated, for each UL-DL patten character declared to be supported, if BS supports multiple TDD UL-DL patterns, only one of the supported TDD UL-DL patterns shall be used for PUSCH with TB over Multi-slots performance tests.

8.1.2.9 Applicability of performance requirements for PUSCH with DM-RS bundling

8.1.2.9.1 Applicability of requirements for TDD with different subcarrier spacings

Unless otherwise stated, PUSCH with DM-RS bundling requirement tests shall apply only for each subcarrier spcaing declared to be supported (see D.119 and D.120 in table 4.6-1).

8.1.2.9.2 Applicability of requirements for TDD with different UL-DL patterns

Unless otherwise stated, for each subcarrier spacing declared to be supported, if BS supports multiple TDD UL-DL patterns, only one of the supported TDD UL-DL patterns with more than one concecutive UL slots shall be used for the PUSCH with DM-RS bundling performance tests.

8.1.2.9.3 Applicability of requirements for different receiver antenna connectors

Unless otherwise stated, for a BS supporting different numbers of antenna connectors (for *BS type I-C*) or *TAB connectors* (for *BS type I-H*) (see D.37 in table 4.6-1), the PUSCH with DM-RS bundling performance tests with low MIMO correlation level shall apply only for the highest numbers of supported connectors, and the specific connectors used for testing are based on manufacturer declaration.

8.1.2.10 Applicability of performance requirements for PUCCH with DM-RS bundling

8.1.2.10.1 Applicability of requirements for TDD with different subcarrier spacings

Unless otherwise stated, PUCCH with DM-RS bundling requirement tests shall apply only for each subcarrier spacing declared to be supported (see D.119 and D.120 in table 4.6-1).

8.1.2.10.2 Applicability of requirements for TDD with different UL-DL patterns

Unless otherwise stated, for each subcarrier spacing declared to be supported, if BS supports multiple TDD UL-DL patterns, only one of the supported TDD UL-DL patterns with more than one consecutive UL slots shall be used for the PUCCH with DM-RS bundling performance tests.

8.2 Performance requirements for PUSCH

8.2.1 Performance requirements for PUSCH with transform precoding disabled

8.2.1.1 Definition and applicability

The performance requirement of PUSCH is determined by a minimum required throughput for a given SNR. The required throughput is expressed as a fraction of maximum throughput for the FRCs listed in annex A. The performance requirements assume HARQ re-transmissions.

Which specific test(s) are applicable to BS is based on the test applicability rules defined in clause 8.1.2.1.

8.2.1.2 Minimum Requirement

The minimum requirement is in TS 38.104 [2] clause 8.2.1.

8.2.1.3 Test Purpose

The test shall verify the receiver's ability to achieve throughput under multipath fading propagation conditions for a given SNR.

8.2.1.4 Method of test

8.2.1.4.1 Initial Conditions

Test environment: Normal, see annex B.2.

RF channels to be tested for single carrier: M ; see clause 4.9.1.

RF channels to be tested for carrier aggregation: $M_{\text{BW Channel CA}}$; see clause 4.9.1.

8.2.1.4.2 Procedure

- 1) Connect the BS tester generating the wanted signal, multipath fading simulators and AWGN generators to all BS antenna connectors for diversity reception via a combining network as shown in annex D.5 and D.6 for *BS type I-C* and *type I-H* respectively.
- 2) Adjust the AWGN generator, according to the channel bandwidth, defined in table 8.2.1.4.2-1.

Table 8.2.1.4.2-1: AWGN power level at the BS input

| Sub-carrier spacing (kHz) | Channel bandwidth (MHz) | AWGN power level |
|---------------------------|-------------------------|----------------------|
| 15 kHz | 5 | -86.5 dBm / 4.5MHz |
| | 10 | -83.3 dBm / 9.36MHz |
| | 20 | -80.2 dBm / 19.08MHz |
| 30 kHz | 10 | -83.6 dBm / 8.64MHz |
| | 20 | -80.4 dBm / 18.36MHz |
| | 40 | -77.2 dBm / 38.16MHz |
| | 100 | -73.1 dBm / 98.28MHz |

NOTE: The AWGN power level contains an AWGN offset of 16dB by default. If needed for test purposes, the AWGN level can be reduced from the default by any value in the range 0dB to 16dB. Changing the AWGN level does not impact the validity of the test, as it reduces the effective base band SNR level.

- 3) The characteristics of the wanted signal shall be configured according to the corresponding UL reference measurement channel defined in annex A and the test parameters in table 8.2.1.4.2-2.

Table 8.2.1.4.2-2: Test parameters for testing PUSCH

| Parameter | | Value |
|--|---|---|
| Transform precoding | | Disabled |
| Default TDD UL-DL pattern (Note 1) | | 15 kHz SCS: 3D1S1U, S=10D:2G:2U 30 kHz SCS: 7D1S2U, S=6D:4G:4U |
| HARQ | Maximum number of HARQ transmissions | 4 |
| | RV sequence | 0, 2, 3, 1 |
| DM-RS | DM-RS configuration type | 1 |
| | DM-RS duration | single-symbol DM-RS |
| | Additional DM-RS position | pos1 |
| | Number of DM-RS CDM group(s) without data | 2 |
| | Ratio of PUSCH EPRE to DM-RS EPRE | -3 dB |
| | DM-RS port(s) | {0}, {0, 1} |
| Time domain resource assignment | DM-RS sequence generation | $N_{ID}^0=0, n_{SCID}=0$ |
| | PUSCH mapping type | A, B |
| | Start symbol | 0 |
| | Allocation length | 14 |
| Frequency domain resource assignment | RB assignment | Full applicable test bandwidth |
| | Frequency hopping | Disabled |
| TPMI index for 2Tx two layer spatial multiplexing transmission | | 0 |
| Code block group based PUSCH transmission | | Disabled |
| NOTE 1: The same requirements are applicable to FDD and TDD with different UL-DL patterns. | | |

- 4) The multipath fading emulators shall be configured according to the corresponding channel model defined in annex G.
- 5) Adjust the equipment so that required SNR specified in table 8.2.1.5-1 to 8.2.1.5-18 is achieved at the BS input.
- 6) For each of the reference channels in table 8.2.1.5-1 to 8.2.1.5-18 applicable for the base station, measure the throughput.

8.2.1.5 Test Requirement

The throughput measured according to clause 8.2.1.4.2 shall not be below the limits for the SNR levels specified in table 8.2.1.5-1 to 8.2.1.5-18.

Table 8.2.1.5-1: Test requirements for PUSCH with 70% of maximum throughput, Type A, 5 MHz channel bandwidth, 15 kHz SCS

| Number of TX antennas | Number of RX antennas | Cyclic prefix | Propagation conditions and correlation matrix (annex G) | Fraction of maximum throughput | FRC (annex A) | Additional DM-RS position | SNR (dB) |
|-----------------------|-----------------------|---------------|---|--------------------------------|---------------|---------------------------|----------|
| 1 | 2 | Normal | TDLB100-400 Low | 70 % | G-FR1-A3-8 | pos1 | -1.7 |
| | | Normal | TDLC300-100 Low | 70 % | G-FR1-A4-8 | pos1 | 10.7 |
| | | Normal | TDLA30-10 Low | 70 % | G-FR1-A5-8 | pos1 | 12.9 |
| | | Normal | TDLA30-10 Low | 70% | G-FR1-A8-1 | pos1 | 19.7 |
| | 4 | Normal | TDLB100-400 Low | 70 % | G-FR1-A3-8 | pos1 | -5.2 |
| | | Normal | TDLC300-100 Low | 70 % | G-FR1-A4-8 | pos1 | 6.8 |
| | | Normal | TDLA30-10 Low | 70 % | G-FR1-A5-8 | pos1 | 9.4 |
| | | Normal | TDLA30-10 Low | 70% | G-FR1-A8-1 | pos1 | 16.1 |
| | 8 | Normal | TDLB100-400 Low | 70 % | G-FR1-A3-8 | pos1 | -8.1 |
| | | Normal | TDLC300-100 Low | 70 % | G-FR1-A4-8 | pos1 | 3.6 |
| | | Normal | TDLA30-10 Low | 70 % | G-FR1-A5-8 | pos1 | 6.2 |
| | | Normal | TDLA30-10 Low | 70% | G-FR1-A8-1 | pos1 | 13.0 |
| 2 | 2 | Normal | TDLB100-400 Low | 70 % | G-FR1-A3-22 | pos1 | 1.8 |
| | | Normal | TDLC300-100 Low | 70 % | G-FR1-A4-22 | pos1 | 19.0 |
| | 4 | Normal | TDLB100-400 Low | 70 % | G-FR1-A3-22 | pos1 | -1.5 |
| | | Normal | TDLC300-100 Low | 70 % | G-FR1-A4-22 | pos1 | 11.8 |
| | 8 | Normal | TDLB100-400 Low | 70 % | G-FR1-A3-22 | pos1 | -4.5 |
| | | Normal | TDLC300-100 Low | 70 % | G-FR1-A4-22 | pos1 | 7.6 |

Table 8.2.1.5-2: Test requirements for PUSCH with 70% of maximum throughput, Type A, 10 MHz channel bandwidth, 15 kHz SCS

| Number of TX antennas | Number of RX antennas | Cyclic prefix | Propagation conditions and correlation matrix (annex G) | Fraction of maximum throughput | FRC (annex A) | Additional DM-RS position | SNR (dB) |
|-----------------------|-----------------------|---------------|---|--------------------------------|---------------|---------------------------|----------|
| 1 | 2 | Normal | TDLB100-400 Low | 70 % | G-FR1-A3-9 | pos1 | -1.9 |
| | | Normal | TDLC300-100 Low | 70 % | G-FR1-A4-9 | pos1 | 10.8 |
| | | Normal | TDLA30-10 Low | 70 % | G-FR1-A5-9 | pos1 | 12.8 |
| | | Normal | TDLA30-10 Low | 70% | G-FR1-A8-2 | pos1 | 20.1 |
| | 4 | Normal | TDLB100-400 Low | 70 % | G-FR1-A3-9 | pos1 | -5.4 |
| | | Normal | TDLC300-100 Low | 70 % | G-FR1-A4-9 | pos1 | 6.9 |
| | | Normal | TDLA30-10 Low | 70 % | G-FR1-A5-9 | pos1 | 9.2 |
| | | Normal | TDLA30-10 Low | 70% | G-FR1-A8-2 | pos1 | 16.5 |
| | 8 | Normal | TDLB100-400 Low | 70 % | G-FR1-A3-9 | pos1 | -8.1 |
| | | Normal | TDLC300-100 Low | 70 % | G-FR1-A4-9 | pos1 | 3.7 |
| | | Normal | TDLA30-10 Low | 70 % | G-FR1-A5-9 | pos1 | 6.1 |
| | | Normal | TDLA30-10 Low | 70% | G-FR1-A8-2 | pos1 | 13.2 |
| 2 | 2 | Normal | TDLB100-400 Low | 70 % | G-FR1-A3-23 | pos1 | 2.5 |
| | | Normal | TDLC300-100 Low | 70 % | G-FR1-A4-23 | pos1 | 19.1 |
| | 4 | Normal | TDLB100-400 Low | 70 % | G-FR1-A3-23 | pos1 | -1.2 |
| | | Normal | TDLC300-100 Low | 70 % | G-FR1-A4-23 | pos1 | 12.0 |
| | 8 | Normal | TDLB100-400 Low | 70 % | G-FR1-A3-23 | pos1 | -4.7 |
| | | Normal | TDLC300-100 Low | 70 % | G-FR1-A4-23 | pos1 | 7.6 |

Table 8.2.1.5-3: Test requirements for PUSCH with 70% of maximum throughput, Type A, 20 MHz channel bandwidth, 15 kHz SCS

| Number of TX antennas | Number of RX antennas | Cyclic prefix | Propagation conditions and correlation matrix (annex G) | Fraction of maximum throughput | FRC (annex A) | Additional DM-RS position | SNR (dB) |
|-----------------------|-----------------------|---------------|---|--------------------------------|---------------|---------------------------|----------|
| 1 | 2 | Normal | TDLB100-400 Low | 70 % | G-FR1-A3-10 | pos1 | -1.5 |
| | | Normal | TDLC300-100 Low | 70 % | G-FR1-A4-10 | pos1 | 10.6 |
| | | Normal | TDLA30-10 Low | 70 % | G-FR1-A5-10 | pos1 | 13.0 |
| | 4 | Normal | TDLB100-400 Low | 70 % | G-FR1-A3-10 | pos1 | -4.9 |
| | | Normal | TDLC300-100 Low | 70 % | G-FR1-A4-10 | pos1 | 6.8 |
| | | Normal | TDLA30-10 Low | 70 % | G-FR1-A5-10 | pos1 | 9.2 |
| | 8 | Normal | TDLB100-400 Low | 70 % | G-FR1-A3-10 | pos1 | -7.9 |
| | | Normal | TDLC300-100 Low | 70 % | G-FR1-A4-10 | pos1 | 3.6 |
| | | Normal | TDLA30-10 Low | 70 % | G-FR1-A5-10 | pos1 | 6.1 |
| 2 | 2 | Normal | TDLB100-400 Low | 70 % | G-FR1-A3-24 | pos1 | 2.9 |
| | | Normal | TDLC300-100 Low | 70 % | G-FR1-A4-24 | pos1 | 19.1 |
| | 4 | Normal | TDLB100-400 Low | 70 % | G-FR1-A3-24 | pos1 | -1.0 |
| | | Normal | TDLC300-100 Low | 70 % | G-FR1-A4-24 | pos1 | 11.9 |
| | 8 | Normal | TDLB100-400 Low | 70 % | G-FR1-A3-24 | pos1 | -4.5 |
| | | Normal | TDLC300-100 Low | 70 % | G-FR1-A4-24 | pos1 | 7.7 |

Table 8.2.1.5-4: Test requirements for PUSCH with 70% of maximum throughput, Type A, 10 MHz channel bandwidth, 30 kHz SCS

| Number of TX antennas | Number of RX antennas | Cyclic prefix | Propagation conditions and correlation matrix (annex G) | Fraction of maximum throughput | FRC (annex A) | Additional DM-RS position | SNR (dB) |
|-----------------------|-----------------------|---------------|---|--------------------------------|---------------|---------------------------|----------|
| 1 | 2 | Normal | TDLB100-400 Low | 70 % | G-FR1-A3-11 | pos1 | -1.7 |
| | | Normal | TDLC300-100 Low | 70 % | G-FR1-A4-11 | pos1 | 10.8 |
| | | Normal | TDLA30-10 Low | 70 % | G-FR1-A5-11 | pos1 | 13.4 |
| | | Normal | TDLA30-10 Low | 70% | G-FR1-A8-3 | pos1 | 19.9 |
| | 4 | Normal | TDLB100-400 Low | 70 % | G-FR1-A3-11 | pos1 | -5.0 |
| | | Normal | TDLC300-100 Low | 70 % | G-FR1-A4-11 | pos1 | 7.0 |
| | | Normal | TDLA30-10 Low | 70 % | G-FR1-A5-11 | pos1 | 9.2 |
| | | Normal | TDLA30-10 Low | 70% | G-FR1-A8-3 | pos1 | 16.2 |
| | 8 | Normal | TDLB100-400 Low | 70 % | G-FR1-A3-11 | pos1 | -8.0 |
| | | Normal | TDLC300-100 Low | 70 % | G-FR1-A4-11 | pos1 | 3.9 |
| | | Normal | TDLA30-10 Low | 70 % | G-FR1-A5-11 | pos1 | 6.1 |
| | | Normal | TDLA30-10 Low | 70% | G-FR1-A8-3 | pos1 | 13.2 |
| 2 | 2 | Normal | TDLB100-400 Low | 70 % | G-FR1-A3-25 | pos1 | 2.1 |
| | | Normal | TDLC300-100 Low | 70 % | G-FR1-A4-25 | pos1 | 19.2 |
| | 4 | Normal | TDLB100-400 Low | 70 % | G-FR1-A3-25 | pos1 | -1.4 |
| | | Normal | TDLC300-100 Low | 70 % | G-FR1-A4-25 | pos1 | 12.0 |
| | 8 | Normal | TDLB100-400 Low | 70 % | G-FR1-A3-25 | pos1 | -4.4 |
| | | Normal | TDLC300-100 Low | 70 % | G-FR1-A4-25 | pos1 | 7.8 |

Table 8.2.1.5-5: Test requirements for PUSCH with 70% of maximum throughput, Type A, 20 MHz channel bandwidth, 30 kHz SCS

| Number of TX antennas | Number of RX antennas | Cyclic prefix | Propagation conditions and correlation matrix (annex G) | Fraction of maximum throughput | FRC (annex A) | Additional DM-RS position | SNR (dB) |
|-----------------------|-----------------------|---------------|---|--------------------------------|---------------|---------------------------|----------|
| 1 | 2 | Normal | TDLB100-400 Low | 70 % | G-FR1-A3-12 | pos1 | -2.3 |
| | | Normal | TDLC300-100 Low | 70 % | G-FR1-A4-12 | pos1 | 10.8 |
| | | Normal | TDLA30-10 Low | 70 % | G-FR1-A5-12 | pos1 | 13.1 |
| | 4 | Normal | TDLB100-400 Low | 70 % | G-FR1-A3-12 | pos1 | -5.4 |
| | | Normal | TDLC300-100 Low | 70 % | G-FR1-A4-12 | pos1 | 7.0 |
| | | Normal | TDLA30-10 Low | 70 % | G-FR1-A5-12 | pos1 | 9.2 |
| | 8 | Normal | TDLB100-400 Low | 70 % | G-FR1-A3-12 | pos1 | -8.2 |
| | | Normal | TDLC300-100 Low | 70 % | G-FR1-A4-12 | pos1 | 3.8 |
| | | Normal | TDLA30-10 Low | 70 % | G-FR1-A5-12 | pos1 | 6.1 |
| 2 | 2 | Normal | TDLB100-400 Low | 70 % | G-FR1-A3-26 | pos1 | 2.1 |
| | | Normal | TDLC300-100 Low | 70 % | G-FR1-A4-26 | pos1 | 18.9 |
| | 4 | Normal | TDLB100-400 Low | 70 % | G-FR1-A3-26 | pos1 | -1.4 |
| | | Normal | TDLC300-100 Low | 70 % | G-FR1-A4-26 | pos1 | 12.1 |
| | 8 | Normal | TDLB100-400 Low | 70 % | G-FR1-A3-26 | pos1 | -4.5 |
| | | Normal | TDLC300-100 Low | 70 % | G-FR1-A4-26 | pos1 | 7.7 |

Table 8.2.1.5-6: Test requirements for PUSCH with 70% of maximum throughput, Type A, 40 MHz channel bandwidth, 30 kHz SCS

| Number of TX antennas | Number of RX antennas | Cyclic prefix | Propagation conditions and correlation matrix (annex G) | Fraction of maximum throughput | FRC (annex A) | Additional DM-RS position | SNR (dB) |
|-----------------------|-----------------------|---------------|---|--------------------------------|---------------|---------------------------|----------|
| 1 | 2 | Normal | TDLB100-400 Low | 70 % | G-FR1-A3-13 | pos1 | -1.9 |
| | | Normal | TDLC300-100 Low | 70 % | G-FR1-A4-13 | pos1 | 10.6 |
| | | Normal | TDLA30-10 Low | 70 % | G-FR1-A5-13 | pos1 | 13.0 |
| | | Normal | TDLA30-10 Low | 70% | G-FR1-A8-4 | pos1 | 20.5 |
| | 4 | Normal | TDLB100-400 Low | 70 % | G-FR1-A3-13 | pos1 | -5.2 |
| | | Normal | TDLC300-100 Low | 70 % | G-FR1-A4-13 | pos1 | 6.9 |
| | | Normal | TDLA30-10 Low | 70 % | G-FR1-A5-13 | pos1 | 9.1 |
| | | Normal | TDLA30-10 Low | 70% | G-FR1-A8-4 | pos1 | 16.7 |
| | 8 | Normal | TDLB100-400 Low | 70 % | G-FR1-A3-13 | pos1 | -8.1 |
| | | Normal | TDLC300-100 Low | 70 % | G-FR1-A4-13 | pos1 | 3.7 |
| | | Normal | TDLA30-10 Low | 70 % | G-FR1-A5-13 | pos1 | 6.0 |
| | | Normal | TDLA30-10 Low | 70% | G-FR1-A8-4 | pos1 | 13.2 |
| 2 | 2 | Normal | TDLB100-400 Low | 70 % | G-FR1-A3-27 | pos1 | 2.1 |
| | | Normal | TDLC300-100 Low | 70 % | G-FR1-A4-27 | pos1 | 20.3 |
| | 4 | Normal | TDLB100-400 Low | 70 % | G-FR1-A3-27 | pos1 | -1.5 |
| | | Normal | TDLC300-100 Low | 70 % | G-FR1-A4-27 | pos1 | 12.1 |
| | 8 | Normal | TDLB100-400 Low | 70 % | G-FR1-A3-27 | pos1 | -4.4 |
| | | Normal | TDLC300-100 Low | 70 % | G-FR1-A4-27 | pos1 | 7.7 |

Table 8.2.1.5-7: Test requirements for PUSCH with 70% of maximum throughput, Type A, 100 MHz channel bandwidth, 30 kHz SCS

| Number of TX antennas | Number of RX antennas | Cyclic prefix | Propagation conditions and correlation matrix (annex G) | Fraction of maximum throughput | FRC (annex A) | Additional DM-RS position | SNR (dB) |
|-----------------------|-----------------------|---------------|---|--------------------------------|---------------|---------------------------|----------|
| 1 | 2 | Normal | TDLB100-400 Low | 70 % | G-FR1-A3-14 | pos1 | -2.2 |
| | | Normal | TDLC300-100 Low | 70 % | G-FR1-A4-14 | pos1 | 10.8 |
| | | Normal | TDLA30-10 Low | 70 % | G-FR1-A5-14 | pos1 | 13.6 |
| | | Normal | TDLA30-10 Low | 70% | G-FR1-A8-5 | pos1 | 21.7 |
| | 4 | Normal | TDLB100-400 Low | 70 % | G-FR1-A3-14 | pos1 | -5.2 |
| | | Normal | TDLC300-100 Low | 70 % | G-FR1-A4-14 | pos1 | 7.1 |
| | | Normal | TDLA30-10 Low | 70 % | G-FR1-A5-14 | pos1 | 9.6 |
| | | Normal | TDLA30-10 Low | 70% | G-FR1-A8-5 | pos1 | 17.3 |
| | 8 | Normal | TDLB100-400 Low | 70 % | G-FR1-A3-14 | pos1 | -8.1 |
| | | Normal | TDLC300-100 Low | 70 % | G-FR1-A4-14 | pos1 | 3.8 |
| | | Normal | TDLA30-10 Low | 70 % | G-FR1-A5-14 | pos1 | 6.4 |
| | | Normal | TDLA30-10 Low | 70% | G-FR1-A8-5 | pos1 | 13.7 |
| 2 | 2 | Normal | TDLB100-400 Low | 70 % | G-FR1-A3-28 | pos1 | 2.2 |
| | | Normal | TDLC300-100 Low | 70 % | G-FR1-A4-28 | pos1 | 20.0 |
| | 4 | Normal | TDLB100-400 Low | 70 % | G-FR1-A3-28 | pos1 | -1.4 |
| | | Normal | TDLC300-100 Low | 70 % | G-FR1-A4-28 | pos1 | 12.4 |
| | 8 | Normal | TDLB100-400 Low | 70 % | G-FR1-A3-28 | pos1 | -4.4 |
| | | Normal | TDLC300-100 Low | 70 % | G-FR1-A4-28 | pos1 | 7.9 |

Table 8.2.1.5-8: Test requirements for PUSCH with 70% of maximum throughput, Type B, 5 MHz channel bandwidth, 15 kHz SCS

| Number of TX antennas | Number of RX antennas | Cyclic prefix | Propagation conditions and correlation matrix (annex G) | Fraction of maximum throughput | FRC (annex A) | Additional DM-RS position | SNR (dB) |
|-----------------------|-----------------------|---------------|---|--------------------------------|---------------|---------------------------|----------|
| 1 | 2 | Normal | TDLB100-400 Low | 70 % | G-FR1-A3-8 | pos1 | -1.7 |
| | | Normal | TDLC300-100 Low | 70 % | G-FR1-A4-8 | pos1 | 10.8 |
| | | Normal | TDLA30-10 Low | 70 % | G-FR1-A5-8 | pos1 | 13.1 |
| | | Normal | TDLA30-10 Low | 70% | G-FR1-A8-1 | pos1 | 19.7 |
| | 4 | Normal | TDLB100-400 Low | 70 % | G-FR1-A3-8 | pos1 | -5.1 |
| | | Normal | TDLC300-100 Low | 70 % | G-FR1-A4-8 | pos1 | 6.9 |
| | | Normal | TDLA30-10 Low | 70 % | G-FR1-A5-8 | pos1 | 9.5 |
| | | Normal | TDLA30-10 Low | 70% | G-FR1-A8-1 | pos1 | 16.1 |
| | 8 | Normal | TDLB100-400 Low | 70 % | G-FR1-A3-8 | pos1 | -8.1 |
| | | Normal | TDLC300-100 Low | 70 % | G-FR1-A4-8 | pos1 | 3.6 |
| | | Normal | TDLA30-10 Low | 70 % | G-FR1-A5-8 | pos1 | 6.3 |
| | | Normal | TDLA30-10 Low | 70% | G-FR1-A8-1 | pos1 | 12.9 |
| 2 | 2 | Normal | TDLB100-400 Low | 70 % | G-FR1-A3-22 | pos1 | 2.3 |
| | | Normal | TDLC300-100 Low | 70 % | G-FR1-A4-22 | pos1 | 19.1 |
| | 4 | Normal | TDLB100-400 Low | 70 % | G-FR1-A3-22 | pos1 | -1.5 |
| | | Normal | TDLC300-100 Low | 70 % | G-FR1-A4-22 | pos1 | 11.9 |
| | 8 | Normal | TDLB100-400 Low | 70 % | G-FR1-A3-22 | pos1 | -4.6 |
| | | Normal | TDLC300-100 Low | 70 % | G-FR1-A4-22 | pos1 | 7.6 |

Table 8.2.1.5-9: Test requirements for PUSCH with 70% of maximum throughput, Type B, 10 MHz channel bandwidth, 15 kHz SCS

| Number of TX antennas | Number of RX antennas | Cyclic prefix | Propagation conditions and correlation matrix (annex G) | Fraction of maximum throughput | FRC (annex A) | Additional DM-RS position | SNR (dB) |
|-----------------------|-----------------------|---------------|---|--------------------------------|---------------|---------------------------|----------|
| 1 | 2 | Normal | TDLB100-400 Low | 70 % | G-FR1-A3-9 | pos1 | -1.7 |
| | | Normal | TDLC300-100 Low | 70 % | G-FR1-A4-9 | pos1 | 11.1 |
| | | Normal | TDLA30-10 Low | 70 % | G-FR1-A5-9 | pos1 | 13.2 |
| | | Normal | TDLA30-10 Low | 70% | G-FR1-A8-2 | pos1 | 20.1 |
| | 4 | Normal | TDLB100-400 Low | 70 % | G-FR1-A3-9 | pos1 | -5.1 |
| | | Normal | TDLC300-100 Low | 70 % | G-FR1-A4-9 | pos1 | 7.1 |
| | | Normal | TDLA30-10 Low | 70 % | G-FR1-A5-9 | pos1 | 9.5 |
| | | Normal | TDLA30-10 Low | 70% | G-FR1-A8-2 | pos1 | 16.5 |
| | 8 | Normal | TDLB100-400 Low | 70 % | G-FR1-A3-9 | pos1 | -8.4 |
| | | Normal | TDLC300-100 Low | 70 % | G-FR1-A4-9 | pos1 | 3.8 |
| | | Normal | TDLA30-10 Low | 70 % | G-FR1-A5-9 | pos1 | 6.4 |
| | | Normal | TDLA30-10 Low | 70% | G-FR1-A8-2 | pos1 | 13.1 |
| 2 | 2 | Normal | TDLB100-400 Low | 70 % | G-FR1-A3-23 | pos1 | 2.8 |
| | | Normal | TDLC300-100 Low | 70 % | G-FR1-A4-23 | pos1 | 19.5 |
| | 4 | Normal | TDLB100-400 Low | 70 % | G-FR1-A3-23 | pos1 | -1.5 |
| | | Normal | TDLC300-100 Low | 70 % | G-FR1-A4-23 | pos1 | 12.1 |
| | 8 | Normal | TDLB100-400 Low | 70 % | G-FR1-A3-23 | pos1 | -4.4 |
| | | Normal | TDLC300-100 Low | 70 % | G-FR1-A4-23 | pos1 | 7.8 |

Table 8.2.1.5-10: Test requirements for PUSCH with 70% of maximum throughput, Type B, 20 MHz channel bandwidth, 15 kHz SCS

| Number of TX antennas | Number of RX antennas | Cyclic prefix | Propagation conditions and correlation matrix (annex G) | Fraction of maximum throughput | FRC (annex A) | Additional DM-RS position | SNR (dB) |
|-----------------------|-----------------------|---------------|---|--------------------------------|---------------|---------------------------|----------|
| 1 | 2 | Normal | TDLB100-400 Low | 70 % | G-FR1-A3-10 | pos1 | -1.5 |
| | | Normal | TDLC300-100 Low | 70 % | G-FR1-A4-10 | pos1 | 11.0 |
| | | Normal | TDLA30-10 Low | 70 % | G-FR1-A5-10 | pos1 | 12.9 |
| | 4 | Normal | TDLB100-400 Low | 70 % | G-FR1-A3-10 | pos1 | -5.1 |
| | | Normal | TDLC300-100 Low | 70 % | G-FR1-A4-10 | pos1 | 6.9 |
| | | Normal | TDLA30-10 Low | 70 % | G-FR1-A5-10 | pos1 | 9.4 |
| | 8 | Normal | TDLB100-400 Low | 70 % | G-FR1-A3-10 | pos1 | -7.9 |
| | | Normal | TDLC300-100 Low | 70 % | G-FR1-A4-10 | pos1 | 3.7 |
| | | Normal | TDLA30-10 Low | 70 % | G-FR1-A5-10 | pos1 | 6.3 |
| 2 | 2 | Normal | TDLB100-400 Low | 70 % | G-FR1-A3-24 | pos1 | 2.4 |
| | | Normal | TDLC300-100 Low | 70 % | G-FR1-A4-24 | pos1 | 18.9 |
| | 4 | Normal | TDLB100-400 Low | 70 % | G-FR1-A3-24 | pos1 | -1.2 |
| | | Normal | TDLC300-100 Low | 70 % | G-FR1-A4-24 | pos1 | 12.0 |
| | 8 | Normal | TDLB100-400 Low | 70 % | G-FR1-A3-24 | pos1 | -4.5 |
| | | Normal | TDLC300-100 Low | 70 % | G-FR1-A4-24 | pos1 | 7.7 |

Table 8.2.1.5-11: Test requirements for PUSCH with 70% of maximum throughput, Type B, 10 MHz channel bandwidth, 30 kHz SCS

| Number of TX antennas | Number of RX antennas | Cyclic prefix | Propagation conditions and correlation matrix (annex G) | Fraction of maximum throughput | FRC (annex A) | Additional DM-RS position | SNR (dB) |
|-----------------------|-----------------------|---------------|---|--------------------------------|---------------|---------------------------|----------|
| 1 | 2 | Normal | TDLB100-400 Low | 70 % | G-FR1-A3-11 | pos1 | -1.8 |
| | | Normal | TDLC300-100 Low | 70 % | G-FR1-A4-11 | pos1 | 10.7 |
| | | Normal | TDLA30-10 Low | 70 % | G-FR1-A5-11 | pos1 | 13.1 |
| | | Normal | TDLA30-10 Low | 70% | G-FR1-A8-3 | pos1 | 19.8 |
| | 4 | Normal | TDLB100-400 Low | 70 % | G-FR1-A3-11 | pos1 | -5.1 |
| | | Normal | TDLC300-100 Low | 70 % | G-FR1-A4-11 | pos1 | 7.0 |
| | | Normal | TDLA30-10 Low | 70 % | G-FR1-A5-11 | pos1 | 9.2 |
| | | Normal | TDLA30-10 Low | 70% | G-FR1-A8-3 | pos1 | 16.3 |
| | 8 | Normal | TDLB100-400 Low | 70 % | G-FR1-A3-11 | pos1 | -8.2 |
| | | Normal | TDLC300-100 Low | 70 % | G-FR1-A4-11 | pos1 | 3.8 |
| | | Normal | TDLA30-10 Low | 70 % | G-FR1-A5-11 | pos1 | 6.2 |
| | | Normal | TDLA30-10 Low | 70% | G-FR1-A8-3 | pos1 | 13.0 |
| 2 | 2 | Normal | TDLB100-400 Low | 70 % | G-FR1-A3-25 | pos1 | 1.9 |
| | | Normal | TDLC300-100 Low | 70 % | G-FR1-A4-25 | pos1 | 19.3 |
| | 4 | Normal | TDLB100-400 Low | 70 % | G-FR1-A3-25 | pos1 | -1.7 |
| | | Normal | TDLC300-100 Low | 70 % | G-FR1-A4-25 | pos1 | 12.1 |
| | 8 | Normal | TDLB100-400 Low | 70 % | G-FR1-A3-25 | pos1 | -4.8 |
| | | Normal | TDLC300-100 Low | 70 % | G-FR1-A4-25 | pos1 | 7.8 |

Table 8.2.1.5-12: Test requirements for PUSCH with 70% of maximum throughput, Type B, 20 MHz channel bandwidth, 30 kHz SCS

| Number of TX antennas | Number of RX antennas | Cyclic prefix | Propagation conditions and correlation matrix (annex G) | Fraction of maximum throughput | FRC (annex A) | Additional DM-RS position | SNR (dB) |
|-----------------------|-----------------------|---------------|---|--------------------------------|---------------|---------------------------|----------|
| 1 | 2 | Normal | TDLB100-400 Low | 70 % | G-FR1-A3-12 | pos1 | -2.3 |
| | | Normal | TDLC300-100 Low | 70 % | G-FR1-A4-12 | pos1 | 10.7 |
| | | Normal | TDLA30-10 Low | 70 % | G-FR1-A5-12 | pos1 | 13.1 |
| | 4 | Normal | TDLB100-400 Low | 70 % | G-FR1-A3-12 | pos1 | -5.4 |
| | | Normal | TDLC300-100 Low | 70 % | G-FR1-A4-12 | pos1 | 6.9 |
| | | Normal | TDLA30-10 Low | 70 % | G-FR1-A5-12 | pos1 | 9.2 |
| | 8 | Normal | TDLB100-400 Low | 70 % | G-FR1-A3-12 | pos1 | -8.4 |
| | | Normal | TDLC300-100 Low | 70 % | G-FR1-A4-12 | pos1 | 3.7 |
| | | Normal | TDLA30-10 Low | 70 % | G-FR1-A5-12 | pos1 | 6.2 |
| 2 | 2 | Normal | TDLB100-400 Low | 70 % | G-FR1-A3-26 | pos1 | 2.1 |
| | | Normal | TDLC300-100 Low | 70 % | G-FR1-A4-26 | pos1 | 19.0 |
| | 4 | Normal | TDLB100-400 Low | 70 % | G-FR1-A3-26 | pos1 | -1.5 |
| | | Normal | TDLC300-100 Low | 70 % | G-FR1-A4-26 | pos1 | 12.0 |
| | 8 | Normal | TDLB100-400 Low | 70 % | G-FR1-A3-26 | pos1 | -4.6 |
| | | Normal | TDLC300-100 Low | 70 % | G-FR1-A4-26 | pos1 | 7.8 |

Table 8.2.1.5-13: Test requirements for PUSCH with 70% of maximum throughput, Type B, 40 MHz channel bandwidth, 30 kHz SCS

| Number of TX antennas | Number of RX antennas | Cyclic prefix | Propagation conditions and correlation matrix (annex G) | Fraction of maximum throughput | FRC (annex A) | Additional DM-RS position | SNR (dB) |
|-----------------------|-----------------------|---------------|---|--------------------------------|---------------|---------------------------|----------|
| 1 | 2 | Normal | TDLB100-400 Low | 70 % | G-FR1-A3-13 | pos1 | -1.9 |
| | | Normal | TDLC300-100 Low | 70 % | G-FR1-A4-13 | pos1 | 10.6 |
| | | Normal | TDLA30-10 Low | 70 % | G-FR1-A5-13 | pos1 | 13.1 |
| | | Normal | TDLA30-10 Low | 70% | G-FR1-A8-4 | pos1 | 20.5 |
| | 4 | Normal | TDLB100-400 Low | 70 % | G-FR1-A3-13 | pos1 | -5.2 |
| | | Normal | TDLC300-100 Low | 70 % | G-FR1-A4-13 | pos1 | 6.8 |
| | | Normal | TDLA30-10 Low | 70 % | G-FR1-A5-13 | pos1 | 9.3 |
| | | Normal | TDLA30-10 Low | 70% | G-FR1-A8-4 | pos1 | 16.6 |
| | 8 | Normal | TDLB100-400 Low | 70 % | G-FR1-A3-13 | pos1 | -8.2 |
| | | Normal | TDLC300-100 Low | 70 % | G-FR1-A4-13 | pos1 | 3.6 |
| | | Normal | TDLA30-10 Low | 70 % | G-FR1-A5-13 | pos1 | 6.1 |
| | | Normal | TDLA30-10 Low | 70% | G-FR1-A8-4 | pos1 | 13.3 |
| 2 | 2 | Normal | TDLB100-400 Low | 70 % | G-FR1-A3-27 | pos1 | 2.5 |
| | | Normal | TDLC300-100 Low | 70 % | G-FR1-A4-27 | pos1 | 19.5 |
| | 4 | Normal | TDLB100-400 Low | 70 % | G-FR1-A3-27 | pos1 | -1.3 |
| | | Normal | TDLC300-100 Low | 70 % | G-FR1-A4-27 | pos1 | 12.0 |
| | 8 | Normal | TDLB100-400 Low | 70 % | G-FR1-A3-27 | pos1 | -4.4 |
| | | Normal | TDLC300-100 Low | 70 % | G-FR1-A4-27 | pos1 | 7.7 |

Table 8.2.1.5-14: Test requirements for PUSCH with 70% of maximum throughput, Type B, 100 MHz channel bandwidth, 30 kHz SCS

| Number of TX antennas | Number of RX antennas | Cyclic prefix | Propagation conditions and correlation matrix (annex G) | Fraction of maximum throughput | FRC (annex A) | Additional DM-RS position | SNR (dB) |
|-----------------------|-----------------------|---------------|---|--------------------------------|---------------|---------------------------|----------|
| 1 | 2 | Normal | TDLB100-400 Low | 70 % | G-FR1-A3-14 | pos1 | -1.9 |
| | | Normal | TDLC300-100 Low | 70 % | G-FR1-A4-14 | pos1 | 10.7 |
| | | Normal | TDLA30-10 Low | 70 % | G-FR1-A5-14 | pos1 | 13.7 |
| | | Normal | TDLA30-10 Low | 70% | G-FR1-A8-5 | pos1 | 21.7 |
| | 4 | Normal | TDLB100-400 Low | 70 % | G-FR1-A3-14 | pos1 | -5.2 |
| | | Normal | TDLC300-100 Low | 70 % | G-FR1-A4-14 | pos1 | 6.9 |
| | | Normal | TDLA30-10 Low | 70 % | G-FR1-A5-14 | pos1 | 9.8 |
| | | Normal | TDLA30-10 Low | 70% | G-FR1-A8-5 | pos1 | 17.5 |
| | 8 | Normal | TDLB100-400 Low | 70 % | G-FR1-A3-14 | pos1 | -8.1 |
| | | Normal | TDLC300-100 Low | 70 % | G-FR1-A4-14 | pos1 | 3.7 |
| | | Normal | TDLA30-10 Low | 70 % | G-FR1-A5-14 | pos1 | 6.5 |
| | | Normal | TDLA30-10 Low | 70% | G-FR1-A8-5 | pos1 | 13.8 |
| 2 | 2 | Normal | TDLB100-400 Low | 70 % | G-FR1-A3-28 | pos1 | 2.4 |
| | | Normal | TDLC300-100 Low | 70 % | G-FR1-A4-28 | pos1 | 20.1 |
| | 4 | Normal | TDLB100-400 Low | 70 % | G-FR1-A3-28 | pos1 | -1.4 |
| | | Normal | TDLC300-100 Low | 70 % | G-FR1-A4-28 | pos1 | 12.4 |
| | 8 | Normal | TDLB100-400 Low | 70 % | G-FR1-A3-28 | pos1 | -4.5 |
| | | Normal | TDLC300-100 Low | 70 % | G-FR1-A4-28 | pos1 | 7.9 |

Table 8.2.1.5-15: Test requirements for PUSCH with 30% of maximum throughput, Type A, 5 MHz channel bandwidth, 15 kHz SCS

| Number of TX antennas | Number of RX antennas | Cyclic prefix | Propagation conditions and correlation matrix (annex G) | Fraction of maximum throughput | FRC (annex A) | Additional DM-RS position | SNR (dB) |
|-----------------------|-----------------------|---------------|---|--------------------------------|---------------|---------------------------|----------|
| 1 | 2 | Normal | TDLC300-100 Low | 30 % | G-FR1-A4-8 | pos1 | 3.5 |

Table 8.2.1.5-16: Test requirements for PUSCH with 30% of maximum throughput, Type A, 10 MHz channel bandwidth, 30 kHz SCS

| Number of TX antennas | Number of RX antennas | Cyclic prefix | Propagation conditions and correlation matrix (annex G) | Fraction of maximum throughput | FRC (annex A) | Additional DM-RS position | SNR (dB) |
|-----------------------|-----------------------|---------------|---|--------------------------------|---------------|---------------------------|----------|
| 1 | 2 | Normal | TDLC300-100 Low | 30 % | G-FR1-A4-11 | pos1 | 3.4 |

Table 8.2.1.5-17: Test requirements for PUSCH with 30% of maximum throughput, Type B, 5 MHz channel bandwidth, 15 kHz SCS

| Number of TX antennas | Number of RX antennas | Cyclic prefix | Propagation conditions and correlation matrix (annex G) | Fraction of maximum throughput | FRC (annex A) | Additional DM-RS position | SNR (dB) |
|-----------------------|-----------------------|---------------|---|--------------------------------|---------------|---------------------------|----------|
| 1 | 2 | Normal | TDLC300-100 Low | 30 % | G-FR1-A4-8 | pos1 | 3.4 |

Table 8.2.1.5-18: Test requirements for PUSCH with 30% of maximum throughput, Type B, 10 MHz channel bandwidth, 30 kHz SCS

| Number of TX antennas | Number of RX antennas | Cyclic prefix | Propagation conditions and correlation matrix (annex G) | Fraction of maximum throughput | FRC (annex A) | Additional DM-RS position | SNR (dB) |
|-----------------------|-----------------------|---------------|---|--------------------------------|---------------|---------------------------|----------|
| 1 | 2 | Normal | TDLC300-100 Low | 30 % | G-FR1-A4-11 | pos1 | 3.5 |

8.2.2 Performance requirements for PUSCH with transform precoding enabled

8.2.2.1 Definition and applicability

The performance requirement of PUSCH is determined by a minimum required throughput for a given SNR. The required throughput is expressed as a fraction of maximum throughput for the FRCs listed in annex A. The performance requirements assume HARQ re-transmissions.

Which specific test(s) are applicable to BS is based on the test applicability rules defined in clause 8.1.2.

8.2.2.2 Minimum Requirement

The minimum requirement is in TS 38.104 [2] clause 8.2.2.

8.2.2.3 Test Purpose

The test shall verify the receiver's ability to achieve throughput under multipath fading propagation conditions for a given SNR.

8.2.2.4 Method of test

8.2.2.4.1 Initial Conditions

Test environment: Normal, see annex B.2.

RF channels to be tested for single carrier: M; see clause 4.9.1.

8.2.2.4.2 Procedure

- 1) Connect the BS tester generating the wanted signal, multipath fading simulators and AWGN generators to all BS antenna connectors for diversity reception via a combining network as shown in annex D.5 and D.6 for *BS type 1-C* and *type 1-H* respectively.
- 2) Adjust the AWGN generator, according to the SCS and channel bandwidth, defined in table 8.2.2.4.2-1.

Table 8.2.2.4.2-1: AWGN power level at the BS input

| Sub-carrier spacing (kHz) | Channel bandwidth (MHz) | AWGN power level |
|--|-------------------------|---------------------|
| 15 | 5 | -86.5 dBm / 4.5MHz |
| 30 | 10 | -83.6 dBm / 8.64MHz |
| NOTE: The AWGN power level contains an AWGN offset of 16dB by default. If needed for test purposes, the AWGN level can be reduced from the default by any value in the range 0dB to 16dB. Changing the AWGN level does not impact the validity of the test, as it reduces the effective base band SNR level. | | |

- 3) The characteristics of the wanted signal shall be configured according to the corresponding UL reference measurement channel defined in annex A and the test parameters in table 8.2.2.4.2-2.

Table 8.2.2.4.2-2: Test parameters for testing PUSCH

| Parameter | | Value |
|--|---|--|
| Transform precoding | | Enabled |
| Default TDD UL-DL pattern (Note 1) | | 15 kHz SCS: 3D1S1U, S=10D:2G:2U 30 kHz SCS: 7D1S2U, S=6D:4G:4U |
| HARQ | Maximum number of HARQ transmissions | 4 |
| | RV sequence | 0, 2, 3, 1 |
| DM-RS | DM-RS configuration type | 1 |
| | DM-RS duration | single-symbol DM-RS |
| | Additional DM-RS position | pos1 |
| | Number of DM-RS CDM group(s) without data | 2 |
| | Ratio of PUSCH EPRE to DM-RS EPRE | -3 dB |
| | DM-RS port(s) | 0 |
| Time domain resource assignment | DM-RS sequence generation | $N_{ID}^0=0$, group hopping and sequence hopping are disabled |
| | PUSCH mapping type | A, B |
| | Start symbol | 0 |
| Frequency domain resource assignment | Allocation length | 14 |
| | RB assignment | 15 kHz SCS: 25 PRBs in the middle of the test bandwidth 30 kHz SCS: 24 PRBs in the middle of the test bandwidth |
| | Frequency hopping | Disabled |
| Code block group based PUSCH transmission | | Disabled |
| NOTE 1: The same requirements are applicable to FDD and TDD with different UL-DL patterns. | | |

- 4) The multipath fading emulators shall be configured according to the corresponding channel model defined in annex G.
- 5) Adjust the equipment so that required SNR specified in table 8.2.2.5-1 to 8.2.2.5-4 is achieved at the BS input.
- 6) For each of the reference channels in table 8.2.2.5-1 to 8.2.2.5-4 applicable for the base station, measure the throughput.

8.2.2.5 Test Requirement

The throughput measured according to clause 8.2.2.4.2 shall not be below the limits for the SNR levels specified in table 8.2.2.5-1 to 8.2.2.5-4.

Table 8.2.2.5-1: Test requirements for PUSCH with 70% of maximum throughput, Type A, 5 MHz channel bandwidth, 15 kHz SCS

| Number of TX antennas | Number of RX antennas | Cyclic prefix | Propagation conditions and correlation matrix (annex G) | Fraction of maximum throughput | FRC (annex A) | Additional DM-RS position | SNR (dB) |
|-----------------------|-----------------------|---------------|---|--------------------------------|---------------|---------------------------|----------|
| 1 | 2 | Normal | TDLB100-400 Low | 70 % | G-FR1-A3-31 | pos1 | -1.8 |
| | 4 | Normal | TDLB100-400 Low | 70 % | G-FR1-A3-31 | pos1 | -5.1 |
| | 8 | Normal | TDLB100-400 Low | 70 % | G-FR1-A3-31 | pos1 | -7.9 |

Table 8.2.2.5-2: Test requirements for PUSCH with 70% of maximum throughput, Type A, 10 MHz channel bandwidth, 30 kHz SCS

| Number of TX antennas | Number of RX antennas | Cyclic prefix | Propagation conditions and correlation matrix (annex G) | Fraction of maximum throughput | FRC (annex A) | Additional DM-RS position | SNR (dB) |
|-----------------------|-----------------------|---------------|---|--------------------------------|---------------|---------------------------|----------|
| 1 | 2 | Normal | TDLB100-400 Low | 70 % | G-FR1-A3-32 | pos1 | -1.9 |
| | 4 | Normal | TDLB100-400 Low | 70 % | G-FR1-A3-32 | pos1 | -5.1 |
| | 8 | Normal | TDLB100-400 Low | 70 % | G-FR1-A3-32 | pos1 | -7.8 |

Table 8.2.2.5-3: Test requirements for PUSCH with 70% of maximum throughput, Type B, 5 MHz channel bandwidth, 15 kHz SCS

| Number of TX antennas | Number of RX antennas | Cyclic prefix | Propagation conditions and correlation matrix (annex G) | Fraction of maximum throughput | FRC (annex A) | Additional DM-RS position | SNR (dB) |
|-----------------------|-----------------------|---------------|---|--------------------------------|---------------|---------------------------|----------|
| 1 | 2 | Normal | TDLB100-400 Low | 70 % | G-FR1-A3-31 | pos1 | -1.7 |
| | 4 | Normal | TDLB100-400 Low | 70 % | G-FR1-A3-31 | pos1 | -5.2 |
| | 8 | Normal | TDLB100-400 Low | 70 % | G-FR1-A3-31 | pos1 | -8.0 |

Table 8.2.2.5-4: Test requirements for PUSCH with 70% of maximum throughput, Type B, 10 MHz channel bandwidth, 30 kHz SCS

| Number of TX antennas | Number of RX antennas | Cyclic prefix | Propagation conditions and correlation matrix (annex G) | Fraction of maximum throughput | FRC (annex A) | Additional DM-RS position | SNR (dB) |
|-----------------------|-----------------------|---------------|---|--------------------------------|---------------|---------------------------|----------|
| 1 | 2 | Normal | TDLB100-400 Low | 70 % | G-FR1-A3-32 | pos1 | -2.1 |
| | 4 | Normal | TDLB100-400 Low | 70 % | G-FR1-A3-32 | pos1 | -5.4 |
| | 8 | Normal | TDLB100-400 Low | 70 % | G-FR1-A3-32 | pos1 | -8.2 |

8.2.3 Performance requirements for UCI multiplexed on PUSCH

8.2.3.1 Definition and applicability

The performance requirement of UCI multiplexed on PUSCH is determined by two parameters: block error probability (BLER) of CSI part 1 and block error probability of CSI part 2. The performance is measured by the required SNR at block error probability of CSI part 1 not exceeding 0.1 %, and the required SNR at block error probability of CSI part 2 not exceeding 1 %.

The CSI part 1 BLER is defined as the probability of incorrectly decoding the CSI part 1 information when the CSI part 1 information is sent.

The CSI part 2 BLER is defined as the probability of incorrectly decoding the CSI part 2 information when the CSI part 2 information is sent.

In the test of UCI multiplexed on PUSCH, the UCI information only contains CSI part 1 and CSI part 2 information, there is no HACK/ACK information transmitted.

The number of UCI information bit payload per slot is defined for two cases as follows:

- 7 bits: 5 bits in CSI part 1, 2 bits in CSI part 2,
- 40 bits: 20 bits in CSI part 1, 20 bits in CSI part 2.

The 7 bits UCI information case is further defined with the bitmap $[c_0 c_1 c_2 c_3 c_4] = [0 1 0 1 0]$ for CSI part 1 information, where c_0 is mapping to the RI information, and with the bitmap $[c_0 c_1] = [1 0]$ for CSI part 2 information.

The 40 bits UCI information case is assumed random information bit selection.

In both tests, PUSCH data, CSI part 1 and CSI part 2 are transmitted simultaneously.

Which specific test(s) is applicable to BS is based on the test applicability rule defined in clause 8.1.2.

8.2.3.2 Minimum Requirements

The minimum requirements are in TS 38.104 [2] clause 8.2.3.

8.2.3.3 Test purpose

The test shall verify the receiver's ability to detect UCI with CSI part 1 and CSI part 2 bits multiplexed on PUSCH under multipath fading propagation conditions for a given SNR.

8.2.3.4 Method of test

8.2.3.4.1 Initial conditions

Test environment: Normal, see annex B.2.

RF channels to be tested for single carrier: M; see clause 4.9.1.

8.2.3.4.2 Procedure

- 1) Connect the BS tester generating the wanted signal, multipath fading simulators and AWGN generators to all BS antenna connectors for diversity reception via a combining network as shown in annex D.5 and D.6 for *BS type 1-C* and *type 1-H* respectively.
- 2) Adjust the AWGN generator, according to combination of SCS and channel bandwidth defined in table 8.2.3.4.2-1.

Table 8.2.3.4.2-1: AWGN power level at the BS input

| Sub-carrier spacing (kHz) | Channel bandwidth (MHz) | AWGN power level |
|--|-------------------------|----------------------|
| 30 | 10 | -80.6 dBm / 8.64 MHz |
| NOTE: The AWGN power level contains an AWGN offset of 16dB by default. If needed for test purposes, the AWGN level can be reduced from the default by any value in the range 0dB to 16dB. Changing the AWGN level does not impact the validity of the test, as it reduces the effective base band SNR level. | | |

- 3) The characteristics of the wanted signal shall be configured according to the corresponding UL reference measurement channel defined in annex A and the specific test parameters are configured as below. The UCI

information bit payload per slot is equal to 7 bits with CSI part 1 5bits, CSI part 2 2bit; and the UCI information bit payload per slot is equal to 40 bits with CSI part 1 20bits, CSI part 2 20bits.

Table: 8.2.3.4.2-2: Test parameters for testing UCI multiplexed on PUSCH

| Parameter | | Value |
|--|--|-----------------------------------|
| Transform precoding | | Disabled |
| Default TDD UL-DL pattern (Note 1) | | 30 kHz SCS: 7D1S2U, S=6D:4G:4U |
| HARQ | Maximum number of HARQ transmissions | 1 |
| | RV sequence | 0 |
| DM-RS | DM-RS configuration type | 1 |
| | DM-RS duration | Single-symbol DM-RS |
| | Additional DM-RS position | pos1 |
| | Number of DM-RS CDM group(s) without data | 2 |
| | Ratio of PUSCH EPRE to DM-RS EPRE | -3 dB |
| | DM-RS port(s) | {0} |
| | DM-RS sequence generation | $N_{ID}^0 = 0, n_{SCID} = 0$ |
| Time domain resource assignment | PUSCH mapping type | A, B |
| | Start symbol | 0 |
| | Allocation length | 14 |
| Frequency domain resource assignment | RB assignment | Full applicable test bandwidth |
| | Frequency hopping | Disabled |
| Code block group based PUSCH transmission | | Disabled |
| UC | Number of CSI part 1 and CSI part 2 information bit payload | {5,2}, {20, 20} |
| | <i>scaling</i> | 1 |
| | <i>betaOffsetACK-Index1</i> | 11 |
| | <i>betaOffsetCSI-Part1-Index1 and betaOffsetCSI-Part1-Index2</i> | 13 |
| | <i>betaOffsetCSI-Part2-Index1 and betaOffsetCSI-Part2-Index2</i> | 13 |
| | UCI partition for frequency hopping | Disabled |
| NOTE 1: The same requirements are applicable to FDD and TDD with different UL-DL patterns. | | |

- 4) The multipath fading emulators shall be configured according to the corresponding channel model defined in annex G.
- 5) Adjust the equipment so that required SNR specified in table 8.2.3.5-1 to 8.2.3.5-4 is achieved at the BS input during the UCI multiplexed on PUSCH transmissions.
- 6) The signal generators sends a test pattern where UCI with CSI part 1 and CSI part 2 information can be multiplexed on PUSCH. The following statistics are kept: the number of incorrectly decoded CSI part 1 information transmission, the number of incorrectly decoded CSI part 2 information transmission during UCI multiplexed on PUSCH transmission.

8.2.3.5 Test Requirement

The fractional of incorrectly decoded UCI with CSI part 1 according to clause 8.2.3.4.2 shall be less than 0.1 % for SNR listed in table 8.2.3.5-1 and table 8.2.3.5-2. The fractional of incorrectly decoded UCI with CSI part 2 according to clause 8.2.3.4.2 shall be less than 1 % for SNR listed in table 8.2.3.5-3 and table 8.2.3.5-4.

Table 8.2.3.5-1: Test requirements for UCI multiplexed on PUSCH, Type A, CSI part 1, 10 MHz channel bandwidth, 30 kHz SCS

| Number of TX antennas | Number of RX antennas | Cyclic Prefix | Propagation conditions and correlation matrix (Annex G) | UCI bits (CSI part 1, CSI part 2) | Additional DM-RS position | FRC (Annex A) | SNR (dB) |
|-----------------------|-----------------------|---------------|---|-----------------------------------|---------------------------|---------------|----------|
| 1 | 2 | Normal | TDLC300-100 Low | 7 (5, 2) | pos1 | G-FR1-A4-11 | 6.0 |
| | 2 | Normal | TDLC300-100 Low | 40 (20,20) | pos1 | G-FR1-A4-11 | 4.9 |

Table 8.2.3.5-2: Test requirements for UCI multiplexed on PUSCH, Type B, CSI part 1, 10 MHz channel bandwidth, 30 kHz SCS

| Number of TX antennas | Number of RX antennas | Cyclic Prefix | Propagation conditions and correlation matrix (Annex G) | UCI bits (CSI part 1, CSI part 2) | Additional DM-RS position | FRC (Annex A) | SNR (dB) |
|-----------------------|-----------------------|---------------|---|-----------------------------------|---------------------------|---------------|----------|
| 1 | 2 | Normal | TDLC300-100 Low | 7 (5, 2) | pos1 | G-FR1-A4-11 | 6.4 |
| | 2 | Normal | TDLC300-100 Low | 40 (20,20) | pos1 | G-FR1-A4-11 | 4.7 |

Table 8.2.3.5-3: Test requirements for UCI multiplexed on PUSCH, Type A, CSI part 2, 10 MHz channel bandwidth, 30 kHz SCS

| Number of TX antennas | Number of RX antennas | Cyclic Prefix | Propagation conditions and correlation matrix (Annex G) | UCI bits (CSI part 1, CSI part 2) | Additional DM-RS position | FRC (Annex A) | SNR (dB) |
|-----------------------|-----------------------|---------------|---|-----------------------------------|---------------------------|---------------|----------|
| 1 | 2 | Normal | TDLC300-100 Low | 7 (5, 2) | pos1 | G-FR1-A4-11 | 0.4 |
| | 2 | Normal | TDLC300-100 Low | 40 (20,20) | pos1 | G-FR1-A4-11 | 3.0 |

Table 8.2.3.5-4: Test requirements for UCI multiplexed on PUSCH, Type B, CSI part 2, 10 MHz channel bandwidth, 30 kHz SCS

| Number of TX antennas | Number of RX antennas | Cyclic Prefix | Propagation conditions and correlation matrix (Annex G) | UCI bits (CSI part 1, CSI part 2) | Additional DM-RS position | FRC (Annex A) | SNR (dB) |
|-----------------------|-----------------------|---------------|---|-----------------------------------|---------------------------|---------------|----------|
| 1 | 2 | Normal | TDLC300-100 Low | 7 (5, 2) | pos1 | G-FR1-A4-11 | 0.9 |
| | 2 | Normal | TDLC300-100 Low | 40 (20,20) | pos1 | G-FR1-A4-11 | 3.2 |

8.2.4 Performance requirements for PUSCH for high speed train

8.2.4.1 Definition and applicability

The performance requirement of PUSCH is determined by a minimum required throughput for a given SNR. The required throughput is expressed as a fraction of maximum throughput for the FRCs listed in annex A. The performance requirements assume HARQ re-transmissions. The performance requirements for high speed train conditions are optional.

Which specific test(s) are applicable to BS is based on the test applicability rules defined in clause 8.1.2.1 and clause 8.1.2.4.

The performance requirements for PUSCH for high speed train only apply to Wide Area Base Stations and Medium Range Base Stations (Subject to declaration).

8.2.4.2 Minimum Requirement

The minimum requirement is in TS 38.104 [2] clause 8.2.4.

8.2.4.3 Test Purpose

The test shall verify the receiver's ability to achieve throughput under high speed train conditions for a given SNR.

8.2.4.4 Method of test

8.2.4.4.1 Initial Conditions

Test environment: Normal, see annex B.2.

RF channels to be tested: M ; see clause 4.9.1.

RF channels to be tested for carrier aggregation: $M_{\text{BW Channel CA}}$; see clause 4.9.1.

8.2.4.4.2 Procedure

- 1) Connect the BS tester generating the wanted signal, channel simulators and AWGN generators to all BS antenna connectors (depending on HST scenario) for diversity reception via a combining network as shown in annex D.5 and D.6 for *BS type I-C* and *type I-H* respectively.
- 2) Adjust the AWGN generator, according to the channel bandwidth, defined in table 8.2.4.4.2-1.

Table 8.2.4.4.2-1: AWGN power level at the BS input

| Sub-carrier spacing (kHz) | Channel bandwidth (MHz) | AWGN power level |
|--|-------------------------|----------------------|
| 15 kHz | 5 | -86.5dBm / 4.5MHz |
| | 10 | -83.3 dBm / 9.36MHz |
| 30 kHz | 10 | -83.6dBm / 8.64MHz |
| | 40 | -77.2 dBm / 38.16MHz |
| NOTE: The AWGN power level contains an AWGN offset of 16dB by default. If needed for test purposes, the AWGN level can be reduced from the default by any value in the range 0dB to 16dB. Changing the AWGN level does not impact the validity of the test, as it reduces the effective base band SNR level. | | |

- 3) The characteristics of the wanted signal shall be configured according to the corresponding UL reference measurement channel defined in annex A and the test parameters in table 8.2.4.4.2-2.

Table 8.2.4.4.2-2: Test parameters for testing high speed train PUSCH

| Parameter | | Value |
|--|---|---|
| Transform precoding | | Disabled |
| Uplink-downlink allocation for TDD (Note 1) | | 15 kHz SCS: 3D1S1U, S=10D:2G:2U 30 kHz SCS: 7D1S2U, S=6D:4G:4U |
| HARQ | Maximum number of HARQ transmissions | 4 |
| | RV sequence | 0, 2, 3, 1 |
| DM-RS | DM-RS configuration type | 1 |
| | DM-RS duration | single-symbol DM-RS |
| | First DM-RS position | pos2 or pos3 (NOTE2) |
| | Additional DM-RS position | pos2 |
| | Number of DM-RS CDM group(s) without data | 2 |
| | Ratio of PUSCH EPRE to DM-RS EPRE | -3 dB |
| | DM-RS port | {0} |
| | DM-RS sequence generation | $N_{ID}^0=0, n_{SCID}=0$ |
| Time domain resource assignment | PUSCH mapping type | A |
| | Start symbol | 0 |
| | Allocation length | 14 |
| Frequency domain resource assignment | RB assignment | Full applicable test bandwidth |
| | Frequency hopping | Disabled |
| Code block group based PUSCH transmission | | Disabled |
| NOTE 1: The same requirements are applicable to FDD and TDD with different UL-DL patterns. | | |
| NOTE 2: Either pos2 or pos3 may be selected for conformance testing. | | |

- 4) The channel simulators shall be configured according to the corresponding channel model defined in annex G.
- 5) Adjust the equipment so that required SNR specified in table 8.2.4.5-1 to 8.2.4.5-10 is achieved at the BS input.
- 6) For each of the reference channels in table 8.2.4.5-1 to 8.2.4.5-10 applicable for the base station, measure the throughput.

8.2.4.5 Test Requirement

The throughput measured according to clause 8.2.4.4.2 shall not be below the limits for the SNR levels specified in table 8.2.4.5-1 to 8.2.4.5-10. Unless stated otherwise, the MIMO correlation matrices for the gNB are defined in annex G for low correlation.

Table 8.2.4.5-1: Test requirements for PUSCH, Type A, 10 MHz channel bandwidth, 15 kHz SCS, 350km/h

| Number of TX antennas | Number of RX antennas | Cyclic prefix | Propagation conditions (Annex G) | Fraction of maximum throughput | FRC (Annex A) | Additional DM-RS position | SNR (dB) |
|-----------------------|-----------------------|---------------|----------------------------------|--------------------------------|---------------|---------------------------|----------|
| 1 | 1 | Normal | HST Scenario 3-NR350 | 70 % | G-FR1-A3-33 | pos2 | -0.5 |
| | | Normal | HST Scenario 1-NR350 | 70 % | G-FR1-A3-33 | pos2 | -3.4 |
| | 2 | Normal | HST Scenario 1-NR350 | 70 % | G-FR1-A4-29 | pos2 | 8.7 |
| | | Normal | HST Scenario 3-NR350 | 70 % | G-FR1-A3-33 | pos2 | -3.3 |
| | | Normal | HST Scenario 3-NR350 | 70 % | G-FR1-A4-29 | pos2 | 9.0 |
| | 8 | Normal | HST Scenario 1-NR350 | 70 % | G-FR1-A3-33 | pos2 | -8.9 |
| | | Normal | HST Scenario 1-NR350 | 70 % | G-FR1-A4-29 | pos2 | 2.9 |

Table 8.2.4.5-2: Test requirements for PUSCH, Type A, 40 MHz channel bandwidth, 30 kHz SCS, 350km/h

| Number of TX antennas | Number of RX antennas | Cyclic prefix | Propagation conditions (Annex G) | Fraction of maximum throughput | FRC (Annex A) | Additional DM-RS position | SNR (dB) |
|-----------------------|-----------------------|---------------|----------------------------------|--------------------------------|---------------|---------------------------|----------|
| 1 | 1 | Normal | HST Scenario 3-NR350 | 70% | G-FR1-A3-34 | pos2 | -0.3 |
| | 2 | Normal | HST Scenario 1-NR350 | 70 % | G-FR1-A3-34 | pos2 | -3.4 |
| | | Normal | HST Scenario 1-NR350 | 70 % | G-FR1-A4-30 | pos2 | 8.8 |
| | | Normal | HST Scenario 3-NR350 | 70 % | G-FR1-A3-34 | pos2 | -3.2 |
| | | Normal | HST Scenario 3-NR350 | 70 % | G-FR1-A4-30 | pos2 | 9.1 |
| | | Normal | HST Scenario 1-NR350 | 70 % | G-FR1-A3-34 | pos2 | -8.8 |
| | 8 | Normal | HST Scenario 1-NR350 | 70 % | G-FR1-A4-30 | pos2 | 3.0 |

Table 8.2.4.5-3: Test requirements for PUSCH, Type A, 10 MHz channel bandwidth, 15 kHz SCS, 500km/h

| Number of TX antennas | Number of RX antennas | Cyclic prefix | Propagation conditions (Annex G) | Fraction of maximum throughput | FRC (Annex A) | Additional DM-RS position | SNR (dB) |
|-----------------------|-----------------------|---------------|----------------------------------|--------------------------------|---------------|---------------------------|----------|
| 1 | 1 | Normal | HST Scenario 3-NR500 | 70% | G-FR1-A3-33 | pos2 | -0.4 |
| | 2 | Normal | HST Scenario 1-NR500 | 70 % | G-FR1-A3-33 | pos2 | -3.6 |
| | | Normal | HST Scenario 1-NR500 | 70 % | G-FR1-A4-29 | pos2 | 8.8 |
| | | Normal | HST Scenario 3-NR500 | 70 % | G-FR1-A3-33 | pos2 | -3.3 |
| | | Normal | HST Scenario 3-NR500 | 70 % | G-FR1-A4-29 | pos2 | 9.5 |
| | | Normal | HST Scenario 1-NR500 | 70 % | G-FR1-A3-33 | pos2 | -9.1 |
| | 8 | Normal | HST Scenario 1-NR500 | 70 % | G-FR1-A4-29 | pos2 | 3.0 |

Table 8.2.4.5-4: Test requirements for PUSCH, Type A, 40 MHz channel bandwidth, 30 kHz SCS, 500km/h

| Number of TX antennas | Number of RX antennas | Cyclic prefix | Propagation conditions (Annex G) | Fraction of maximum throughput | FRC (Annex A) | Additional DM-RS position | SNR (dB) |
|-----------------------|-----------------------|---------------|----------------------------------|--------------------------------|---------------|---------------------------|----------|
| 1 | 1 | Normal | HST Scenario 3-NR500 | 70% | G-FR1-A3-34 | pos2 | -0.2 |
| | 2 | Normal | HST Scenario 1-NR500 | 70 % | G-FR1-A3-34 | pos2 | -3.6 |
| | | Normal | HST Scenario 1-NR500 | 70 % | G-FR1-A4-30 | pos2 | 9.0 |
| | | Normal | HST Scenario 3-NR500 | 70 % | G-FR1-A3-34 | pos2 | -3.1 |
| | | Normal | HST Scenario 3-NR500 | 70 % | G-FR1-A4-30 | pos2 | 10.5 |
| | | Normal | HST Scenario 1-NR500 | 70 % | G-FR1-A3-34 | pos2 | -8.9 |
| | 8 | Normal | HST Scenario 1-NR500 | 70 % | G-FR1-A4-30 | pos2 | 3.1 |

Table 8.2.4.5-5: Test requirements for PUSCH, Type A, 5 MHz channel bandwidth, 15 kHz SCS, 350km/h

| Number of TX antennas | Number of RX antennas | Cyclic prefix | Propagation conditions (Annex G) | Fraction of maximum throughput | FRC (Annex A) | Additional DM-RS position | SNR (dB) |
|-----------------------|-----------------------|---------------|----------------------------------|--------------------------------|---------------|---------------------------|----------|
| 1 | 1 | Normal | HST Scenario 3-NR350 | 70% | G-FR1-A3-33A | pos2 | -0.4 |
| | 2 | Normal | HST Scenario 1-NR350 | 70% | G-FR1-A3-33A | pos2 | -3.4 |
| | | Normal | HST Scenario 1-NR350 | 70% | G-FR1-A4-29A | pos2 | 8.8 |
| | | Normal | HST Scenario 3-NR350 | 70% | G-FR1-A3-33A | pos2 | -3.3 |
| | | Normal | HST Scenario 3-NR350 | 70% | G-FR1-A4-29A | pos2 | 8.9 |
| | | Normal | HST Scenario 1-NR350 | 70% | G-FR1-A3-33A | pos2 | -8.8 |
| | 8 | Normal | HST Scenario 1-NR350 | 70% | G-FR1-A4-29A | pos2 | 3.1 |

Table 8.2.4.5-6: Test requirements for PUSCH, Type A, 10 MHz channel bandwidth, 30 kHz SCS, 350km/h

| Number of TX antennas | Number of RX antennas | Cyclic prefix | Propagation conditions (Annex G) | Fraction of maximum throughput | FRC (Annex A) | Additional DM-RS position | SNR (dB) |
|-----------------------|-----------------------|---------------|----------------------------------|--------------------------------|---------------|---------------------------|----------|
| 1 | 1 | Normal | HST Scenario 3-NR350 | 70 % | G-FR1-A3-34A | pos2 | -0.4 |
| | 2 | Normal | HST Scenario 1-NR350 | 70 % | G-FR1-A3-34A | pos2 | -3.3 |
| | | Normal | HST Scenario 1-NR350 | 70 % | G-FR1-A4-30A | pos2 | 8.6 |
| | | Normal | HST Scenario 3-NR350 | 70 % | G-FR1-A3-34A | pos2 | -3.3 |
| | | Normal | HST Scenario 3-NR350 | 70 % | G-FR1-A4-30A | pos2 | 8.9 |
| | 8 | Normal | HST Scenario 1-NR350 | 70 % | G-FR1-A3-34A | pos2 | -8.7 |
| | | Normal | HST Scenario 1-NR350 | 70 % | G-FR1-A4-30A | pos2 | 2.9 |

Table 8.2.4.5-7: Test requirements for PUSCH, Type A, 5 MHz channel bandwidth, 15 kHz SCS, 500km/h

| Number of TX antennas | Number of RX antennas | Cyclic prefix | Propagation conditions (Annex G) | Fraction of maximum throughput | FRC (Annex A) | Additional DM-RS position | SNR (dB) |
|-----------------------|-----------------------|---------------|----------------------------------|--------------------------------|---------------|---------------------------|----------|
| 1 | 1 | Normal | HST Scenario 3-NR500 | 70 % | G-FR1-A3-33A | pos2 | -0.3 |
| | 2 | Normal | HST Scenario 1-NR500 | 70 % | G-FR1-A3-33A | pos2 | -3.3 |
| | | Normal | HST Scenario 1-NR500 | 70 % | G-FR1-A4-29A | pos2 | 9.0 |
| | | Normal | HST Scenario 3-NR500 | 70 % | G-FR1-A3-33A | pos2 | -3.2 |
| | | Normal | HST Scenario 3-NR500 | 70 % | G-FR1-A4-29A | pos2 | 9.1 |
| | 8 | Normal | HST Scenario 1-NR500 | 70 % | G-FR1-A3-33A | pos2 | -8.8 |
| | | Normal | HST Scenario 1-NR500 | 70 % | G-FR1-A4-29A | pos2 | 3.3 |

Table 8.2.4.5-8: Test requirements for PUSCH, Type A, 10 MHz channel bandwidth, 30 kHz SCS, 500km/h

| Number of TX antennas | Number of RX antennas | Cyclic prefix | Propagation conditions (Annex G) | Fraction of maximum throughput | FRC (Annex A) | Additional DM-RS position | SNR (dB) |
|-----------------------|-----------------------|---------------|----------------------------------|--------------------------------|---------------|---------------------------|----------|
| 1 | 1 | Normal | HST Scenario 3-NR500 | 70 % | G-FR1-A3-34A | pos2 | -0.2 |
| | 2 | Normal | HST Scenario 1-NR500 | 70 % | G-FR1-A3-34A | pos2 | -3.3 |
| | | Normal | HST Scenario 1-NR500 | 70 % | G-FR1-A4-30A | pos2 | 8.9 |
| | | Normal | HST Scenario 3-NR500 | 70 % | G-FR1-A3-34A | pos2 | -3.1 |
| | | Normal | HST Scenario 3-NR500 | 70 % | G-FR1-A4-30A | pos2 | 8.9 |
| | 8 | Normal | HST Scenario 1-NR500 | 70 % | G-FR1-A3-34A | pos2 | -8.5 |
| | | Normal | HST Scenario 1-NR500 | 70 % | G-FR1-A4-30A | pos2 | 3.2 |

Table 8.2.4.5-9: Test requirements for PUSCH, Type A, 5 MHz channel bandwidth, 15 kHz SCS, multi-path fading channel under high Doppler value

| Number of TX antennas | Number of RX antennas | Cyclic prefix | Propagation conditions (Annex G) | Fraction of maximum throughput | FRC (Annex A) | Additional DM-RS position | SNR (dB) |
|-----------------------|-----------------------|---------------|----------------------------------|--------------------------------|---------------|---------------------------|----------|
| 1 | 2 | Normal | TDLC300-600 | 70 % | G-FR1-A3-33A | pos2 | -1.3 |

Table 8.2.4.5-10: Test requirements for PUSCH, Type A, 10 MHz channel bandwidth, 30 kHz SCS, multi-path fading channel under high Doppler value

| Number of TX antennas | Number of RX antennas | Cyclic prefix | Propagation conditions (Annex G) | Fraction of maximum throughput | FRC (Annex A) | Additional DM-RS position | SNR (dB) |
|-----------------------|-----------------------|---------------|----------------------------------|--------------------------------|---------------|---------------------------|----------|
| 1 | 2 | Normal | TDLC300-1200 | 70 % | G-FR1-A3-34A | pos2 | -1.4 |

8.2.5 Performance requirements for UL timing adjustment

8.2.5.1 Definition and applicability

The performance requirement of UL timing adjustment is determined by a minimum required throughput measured for the moving UE at given SNR. The performance requirements assume HARQ retransmissions. The performance requirements for UL timing adjustment scenario Y and scenario Z defined in Annex G.4 are optional.

In the tests for UL timing adjustment, two signals are configured, one being transmitted by a moving UE and the other being transmitted by a stationary UE. The transmission of SRS from UE is optional. FRC parameters in Table A.4-2B are applied for both UEs. The received power for both UEs is the same. The resource blocks allocated for both UEs are consecutive. In Scenario Y and Scenario Z, Doppler shift is not taken into account.

Which specific test(s) are applicable to BS is based on the test applicability rules defined in clause 8.1.2.1.

8.2.5.2 Minimum Requirement

The minimum requirement is in TS 38.104 [2] clause 8.2.5.

8.2.5.3 Test Purpose

The test shall verify the receiver's ability to achieve throughput measured for the moving UE at given SNR under moving propagation conditions.

8.2.5.4 Method of test

8.2.5.4.1 Initial Conditions

Test environment: Normal, see annex B.2.

RF channels to be tested: M; see clause 4.9.1.

RF channels to be tested for carrier aggregation: MBW Channel CA; see clause 4.9.1.

8.2.5.4.2 Procedure

- 1) Connect the BS tester generating the wanted signal, multipath fading simulators and AWGN generators to all BS antenna connectors for diversity reception via a combining network as shown in annex D.5 and D.6 for BS type 1-C and type 1-H respectively.

- 2) Adjust the AWGN generator, according to combination of SCS and channel bandwidth defined in table 8.2.5.4.2-1.

Table 8.2.5.4.2-1: AWGN power level at the BS input

| Sub-carrier spacing (kHz) | Channel bandwidth (MHz) | AWGN power level |
|---------------------------|-------------------------|----------------------|
| 15 | 5 | -86.5 dBm / 4.5MHz |
| | 10 | -83.3 dBm / 9.36MHz |
| 30 | 10 | -83.6 dBm / 8.64MHz |
| | 40 | -77.2 dBm / 38.16MHz |

NOTE: The AWGN power level contains an AWGN offset of 16dB by default. If needed for test purposes, the AWGN level can be reduced from the default by any value in the range 0dB to 16dB. Changing the AWGN level does not impact the validity of the test, as it reduces the effective base band SNR level.

- 3) The characteristics of the wanted signals (transmitted by moving UE) shall be configured according to the corresponding UL reference measurement channel defined in annex A and the test parameters in Table 8.2.5.4.2-2.

Table 8.2.5.4.2-2 Test parameters for testing UL timing adjustment

| Parameter | | Value |
|--|---|--|
| Transform precoding | | Disabled |
| Uplink-downlink allocation for TDD (Note1) | | 15 kHz SCS: 3D1S1U, S=10D:2G:2U 30 kHz SCS: 7D1S2U, S=6D:4G:4U |
| HARQ | Maximum number of HARQ transmissions | 4 |
| | RV sequence | 0, 2, 3, 1 |
| DM-RS | DM-RS configuration type | 1 |
| | DM-RS duration | single-symbol DM-RS |
| | Additional DM-RS position | Pos2 |
| | Number of DM-RS CDM group(s) without data | 2 |
| | Ratio of PUSCH EPRE to DM-RS EPRE | -3 dB |
| | DM-RS port(s) | {0} |
| | DM-RS sequence generation | $N_{ID}^0=0$, $n_{SCID}=0$ for moving UE $N_{ID}^0=1$, $n_{SCID}=1$ for stationary UE |
| Time domain resource assignment | PUSCH mapping type | A, B |
| | Allocation length | 14 |
| Frequency domain resource assignment | RB assignment | 5 MHz CBW/15kHz SCS: 12 RB for each UE 10MHz CBW/15kHz SCS: 25 RB for each UE 10MHz CBW/30kHz SCS: 12 RB for each UE 40MHz CBW/30kHz SCS: 50 RB for each UE |
| | Starting PRB index | Moving UE: 0 Stationary UE: 12 for 5MHz CBW/15kHz SCS, 25 for 10 MHz CBW/15kHz SCS, 12 for 10MHz CBW/30kHz SCS and 50 for 40 MHz CBW/30kHz SCS |
| | Frequency hopping | Disabled |
| SRS resource allocation | Slots in which sounding RS is transmitted (Note2) | For FDD: slot #1 in radio frames For TDD: last symbol in slot #3 in radio frames for 15kHz last symbol in slot #7 in radio frames for 30kHz |
| | SRS resource allocation | 15 kHz SCS: $C_{SRS}=5$, $B_{SRS}=0$, for 20 RB $C_{SRS}=11$, $B_{SRS}=0$, for 40 RB 30 kHz SCS: $C_{SRS}=5$, $B_{SRS}=0$, for 20 RB $C_{SRS}=21$, $B_{SRS}=0$, for 80 RB |
| NOTE 1: The same requirements are applicable to FDD and TDD with different UL-DL patterns. | | |
| NOTE 2: The transmission of SRS is optional. And the transmission comb and SRS periodicity are configured as $K_{TC}=2$, and $T_{SRS}=10$ for 15 kHz SCS, $T_{SRS}=20$ for 30 kHz SCS respectively. | | |

- 4) The multipath fading emulators shall be configured according to the corresponding channel model defined in annex G.4.
- 5) Adjust the equipment so that required SNR specified in Table 8.2.5.5-1 to Table 8.2.5.5-2 is achieved at the BS input for high speed train.

Adjust the equipment so that required SNR specified in Table 8.2.5.6-1 to Table 8.2.5.6-2 is achieved at the BS input for normal mode.

- 6) For each of the reference channels in Table 8.2.5.5-1 to Table 8.2.5.5-2 applicable for the base station, measure the throughput for high speed train.

For each of the reference channels in Table 8.2.5.6-1 to Table 8.2.5.6-2 applicable for the base station, measure the throughput for normal mode.

8.2.5.5 Test Requirement for High Speed Train

The throughput shall be $\geq 70\%$ of the maximum throughput of the reference measurement channel as specified in annex A for the moving UE at the SNR given in table 8.2.5.5-1 for mapping type A and table 8.2.5.5-2 for mapping type B respectively.

Table 8.2.5.5-1: Test requirements for UL timing adjustment with mapping type A for high speed train

| Number of TX antennas | Number of RX antennas | Cyclic prefix | Channel Bandwidth [MHz] | SCS [kHz] | Moving propagation conditions and correlation matrix (Annex G) | FRC (Annex A) | SNR [dB] |
|-----------------------|-----------------------|---------------|-------------------------|-----------|--|---------------|----------|
| 1 | 2 | Normal | 5 | 15 | Scenario Y | G-FR1-A4-31A | 8.5 |
| | | | | | Scenario Z | G-FR1-A4-31A | 8.6 |
| | | | 10 | 15 | Scenario Y | G-FR1-A4-31 | 8.8 |
| | | | | | Scenario Z | G-FR1-A4-31 | 8.7 |
| | | | 10 | 30 | Scenario Y | G-FR1-A4-32A | 8.6 |
| | | | | | Scenario Z | G-FR1-A4-32A | 8.6 |
| | | | 40 | 30 | Scenario Y | G-FR1-A4-32 | 8.7 |
| | | | | | Scenario Z | G-FR1-A4-32 | 8.8 |

Table 8.2.5.5-2: Test requirements for UL timing adjustment with mapping type B for high speed train

| Number of TX antennas | Number of RX antennas | Cyclic prefix | Channel Bandwidth [MHz] | SCS [kHz] | Moving propagation conditions and correlation matrix (Annex G) | FRC (Annex A) | SNR [dB] |
|-----------------------|-----------------------|---------------|-------------------------|-----------|--|---------------|----------|
| 1 | 2 | Normal | 5 | 15 | Scenario Y | G-FR1-A4-31A | 8.6 |
| | | | | | Scenario Z | G-FR1-A4-31A | 8.6 |
| | | | 10 | 15 | Scenario Y | G-FR1-A4-31 | 8.8 |
| | | | | | Scenario Z | G-FR1-A4-31 | 8.8 |
| | | | 10 | 30 | Scenario Y | G-FR1-A4-32A | 8.6 |
| | | | | | Scenario Z | G-FR1-A4-32A | 8.7 |
| | | | 40 | 30 | Scenario Y | G-FR1-A4-32 | 8.7 |
| | | | | | Scenario Z | G-FR1-A4-32 | 8.8 |

8.2.5.6 Test Requirement for Normal Mode

The throughput shall be $\geq 70\%$ of the maximum throughput of the reference measurement channel as specified in annex A for the moving UE at the SNR given in table 8.2.5.6-1 for mapping type A and table 8.2.5.6-2 for mapping type B respectively.

Table 8.2.5.6-1: Test requirements for UL timing adjustment with mapping type A

| Number of TX antennas | Number of RX antennas | Cyclic prefix | Channel Bandwidth [MHz] | SCS [kHz] | Moving propagation conditions and correlation matrix (Annex G) | FRC (Annex A) | SNR [dB] |
|-----------------------|-----------------------|---------------|-------------------------|-----------|--|---------------|----------|
| 1 | 2 | Normal | 5 | 15 | Scenario X | G-FR1-A4-31A | 11.2 |
| | | | 10 | 15 | Scenario X | G-FR1-A4-31 | 11.8 |
| | | | 10 | 30 | Scenario X | G-FR1-A4-32A | 11.4 |
| | | | 40 | 30 | Scenario X | G-FR1-A4-32 | 12.6 |

Table 8.2.5.6-2: Test requirements for UL timing adjustment with mapping type B

| Number of TX antennas | Number of RX antennas | Cyclic prefix | Channel Bandwidth [MHz] | SCS [kHz] | Moving propagation conditions and correlation matrix (Annex G) | FRC (Annex A) | SNR [dB] |
|-----------------------|-----------------------|---------------|-------------------------|-----------|--|---------------|----------|
| 1 | 2 | Normal | 5 | 15 | Scenario X | G-FR1-A4-31A | 11.2 |
| | | | 10 | 15 | Scenario X | G-FR1-A4-31 | 11.9 |
| | | | 10 | 30 | Scenario X | G-FR1-A4-32A | 11.3 |
| | | | 40 | 30 | Scenario X | G-FR1-A4-32 | 13.0 |

8.2.6 Performance requirements for PUSCH with 0.001% BLER

8.2.6.1 Definition and applicability

The performance requirement of PUSCH is determined by a maximum required transport block error rate (BLER) for a given SNR. The required BLER is defined as the probability of incorrectly decoding the transport block after reaching the maximum number of HARQ transmissions for the FRCs listed in annex A.

Which specific test(s) are applicable to BS is based on the test applicability rules defined in clause 8.1.2.1.

8.2.6.2 Minimum Requirement

The minimum requirement is in TS 38.104 [2] clause 8.2.6.2.

8.2.6.3 Test Purpose

The test shall verify the receiver's ability to achieve 0.001% BLER under AWGN conditions for a given SNR.

8.2.6.4 Method of test

8.2.6.4.1 Initial Conditions

Test environment: Normal, see annex B.2.

RF channels to be tested for single carrier: M; see clause 4.9.1.

RF channels to be tested for carrier aggregation: $M_{\text{BW Channel CA}}$; see clause 4.9.1.

8.2.6.4.2 Procedure

- 1) Connect the BS tester generating the wanted signal and AWGN generators to all BS antenna connectors for diversity reception via a combining network as shown in annex D.5 and D.6 for *BS type I-C* and *type I-H* respectively.
- 2) Adjust the AWGN generator, according to the channel bandwidth, defined in table 8.2.6.4.2-1.

Table 8.2.6.4.2-1: AWGN power level at the BS input

| Sub-carrier spacing (kHz) | Channel bandwidth (MHz) | AWGN power level |
|---------------------------|-------------------------|----------------------|
| 15 kHz | 5 | -86.5 dBm / 4.5MHz |
| | 10 | -83.3 dBm / 9.36MHz |
| 30 kHz | 10 | -83.6 dBm / 8.64MHz |
| | 40 | -77.2 dBm / 38.16MHz |

NOTE: The AWGN power level contains an AWGN offset of 16dB by default. If needed for test purposes, the AWGN level can be reduced from the default by any value in the range 0dB to 16dB. Changing the AWGN level does not impact the validity of the test, as it reduces the effective base band SNR level.

- 3) The characteristics of the wanted signal shall be configured according to the corresponding UL reference measurement channel defined in annex A and the test parameters in table 8.2.6.4.2-2.

Table 8.2.6.4.2-2: Test parameters for testing PUSCH with 0.001% BLER

| Parameter | | Value |
|--|---|---|
| Transform precoding | | Disabled |
| Default TDD UL-DL pattern (Note 1) | | 15 kHz SCS: 3D1S1U, S=10D:2G:2U 30 kHz SCS: 7D1S2U, S=6D:4G:4U |
| HARQ | Maximum number of HARQ transmissions | 1 |
| | RV sequence | 0 |
| DM-RS | DM-RS configuration type | 1 |
| | DM-RS duration | single-symbol DM-RS |
| | Additional DM-RS position | Pos1 |
| | Number of DM-RS CDM group(s) without data | 1 |
| | Ratio of PUSCH EPRE to DM-RS EPRE | -3 dB |
| | DM-RS port(s) | {0} |
| | DM-RS sequence generation | $N_{ID}^0=0, n_{SCID}=0$ |
| Time domain resource assignment | PUSCH mapping type | A, B |
| | Start symbol | 0 |
| | Allocation length | 14 |
| Frequency domain resource assignment | RB assignment | Full applicable test bandwidth |
| | Frequency hopping | Disabled |
| Code block group based PUSCH transmission | | Disabled |
| Note 1: The same requirements are applicable to FDD and TDD with different UL-DL patterns. | | |

- 4) No multipath fading channel is included in the test.
- 5) Adjust the equipment so that required SNR specified in table 8.2.6.5-1 to 8.2.6.5-8 is achieved at the BS input.
- 6) For each of the reference channels in table 8.2.6.5-1 to 8.2.6.5-8 applicable for the base station, measure the BLER. BLER is evaluated based on the test methodology described in Annex I.

8.2.6.5 Test Requirement

The BLER according to clause 8.2.6.4.2 shall not be below the limits for the SNR levels specified in table 8.2.6.5-1 to 8.2.6.5-8.

Table 8.2.6.5-1: Test requirements for PUSCH with 0.001% BLER, Type A, 5 MHz channel bandwidth, 15 kHz SCS

| Number of TX antennas | Number of RX antennas | Cyclic prefix | Propagation conditions | BLER | FRC (annex A) | Additional DM-RS position | SNR (dB) |
|-----------------------|-----------------------|---------------|------------------------|--------|---------------|---------------------------|----------|
| 1 | 2 | Normal | AWGN | 0.001% | G-FR1-A3A-1 | Pos1 | -3.8 |

Table 8.2.6.5-2: Test requirements for PUSCH with 0.001% BLER, Type A, 10 MHz channel bandwidth, 15 kHz SCS

| Number of TX antennas | Number of RX antennas | Cyclic prefix | Propagation conditions | BLER | FRC (annex A) | Additional DM-RS position | SNR (dB) |
|-----------------------|-----------------------|---------------|------------------------|--------|---------------|---------------------------|----------|
| 1 | 2 | Normal | AWGN | 0.001% | G-FR1-A3A-2 | Pos1 | -4.6 |

Table 8.2.6.5-3: Test requirements for PUSCH with 0.001% BLER, Type A, 10 MHz channel bandwidth, 30 kHz SCS

| Number of TX antennas | Number of RX antennas | Cyclic prefix | Propagation conditions | BLER | FRC (annex A) | Additional DM-RS position | SNR (dB) |
|-----------------------|-----------------------|---------------|------------------------|--------|---------------|---------------------------|----------|
| 1 | 2 | Normal | AWGN | 0.001% | G-FR1-A3A-3 | Pos1 | -4.1 |

Table 8.2.6.5-4: Test requirements for PUSCH with 0.001% BLER, Type A, 40 MHz channel bandwidth, 30 kHz SCS

| Number of TX antennas | Number of RX antennas | Cyclic prefix | Propagation conditions | BLER | FRC (annex A) | Additional DM-RS position | SNR (dB) |
|-----------------------|-----------------------|---------------|------------------------|--------|---------------|---------------------------|----------|
| 1 | 2 | Normal | AWGN | 0.001% | G-FR1-A3A-4 | Pos1 | -4.9 |

Table 8.2.6.5-5: Test requirements for PUSCH with 0.001% BLER, Type B, 5 MHz channel bandwidth, 15 kHz SCS

| Number of TX antennas | Number of RX antennas | Cyclic prefix | Propagation conditions | BLER | FRC (annex A) | Additional DM-RS position | SNR (dB) |
|-----------------------|-----------------------|---------------|------------------------|--------|---------------|---------------------------|----------|
| 1 | 2 | Normal | AWGN | 0.001% | G-FR1-A3A-1 | Pos1 | -3.9 |

Table 8.2.6.5-6: Test requirements for PUSCH with 0.001% BLER, Type B, 10 MHz channel bandwidth, 15 kHz SCS

| Number of TX antennas | Number of RX antennas | Cyclic prefix | Propagation conditions | BLER | FRC (annex A) | Additional DM-RS position | SNR (dB) |
|-----------------------|-----------------------|---------------|------------------------|--------|---------------|---------------------------|----------|
| 1 | 2 | Normal | AWGN | 0.001% | G-FR1-A3A-2 | Pos1 | -4.6 |

Table 8.2.6.5-7: Test requirements for PUSCH with 0.001% BLER, Type B, 10 MHz channel bandwidth, 30 kHz SCS

| Number of TX antennas | Number of RX antennas | Cyclic prefix | Propagation conditions | BLER | FRC (annex A) | Additional DM-RS position | SNR (dB) |
|-----------------------|-----------------------|---------------|------------------------|--------|---------------|---------------------------|----------|
| 1 | 2 | Normal | AWGN | 0.001% | G-FR1-A3A-3 | Pos1 | -4.1 |

Table 8.2.6.5-8: Test requirements for PUSCH with 0.001% BLER, Type B, 40 MHz channel bandwidth, 30 kHz SCS

| Number of TX antennas | Number of RX antennas | Cyclic prefix | Propagation conditions | BLER | FRC (annex A) | Additional DM-RS position | SNR (dB) |
|-----------------------|-----------------------|---------------|------------------------|--------|---------------|---------------------------|----------|
| 1 | 2 | Normal | AWGN | 0.001% | G-FR1-A2A-4 | Pos1 | -4.9 |

8.2.7 Performance requirements for PUSCH repetition Type A

8.2.7.1 Definition and applicability

The performance requirement of PUSCH with slot aggregation factor configured is determined by a maximum target BLER for a given SNR. The required BLER is defined as the probability of incorrectly decoding the PUSCH information when the PUSCH information is sent for the FRCs listed in annex A. The performance requirements assume HARQ re-transmissions.

Which specific test(s) are applicable to BS is based on the test applicability rules defined in clause 8.1.2.1.

8.2.7.2 Minimum Requirement

The minimum requirement is in TS 38.104 [2] clause 8.2.7.

8.2.7.3 Test Purpose

The test shall verify the receiver's ability to achieve 1% BLER with PUSCH repetition Type A under multipath fading propagation conditions for a given SNR.

8.2.7.4 Method of test

8.2.7.4.1 Initial Conditions

Test environment: Normal, see annex B.2.

RF channels to be tested for single carrier: M; see clause 4.9.1.

RF channels to be tested for carrier aggregation: $M_{\text{BW Channel CA}}$; see clause 4.9.1.

8.2.7.4.2 Procedure

- 1) Connect the BS tester generating the wanted signal, multipath fading simulators and AWGN generators to all BS antenna connectors for diversity reception via a combining network as shown in annex D.5 and D.6 for *BS type I-C* and *type I-H* respectively.
- 2) Adjust the AWGN generator, according to the channel bandwidth, defined in table 8.2.7.4.2-1.

Table 8.2.7.4.2-1: AWGN power level at the BS input

| Sub-carrier spacing (kHz) | Channel bandwidth (MHz) | AWGN power level |
|---------------------------|-------------------------|----------------------|
| 15 kHz | 5 | -86.5 dBm / 4.5MHz |
| | 10 | -83.3 dBm / 9.36MHz |
| 30 kHz | 10 | -83.6 dBm / 8.64MHz |
| | 40 | -77.2 dBm / 38.16MHz |

NOTE: The AWGN power level contains an AWGN offset of 16dB by default. If needed for test purposes, the AWGN level can be reduced from the default by any value in the range 0dB to 16dB. Changing the AWGN level does not impact the validity of the test, as it reduces the effective base band SNR level.

- 3) The characteristics of the wanted signal shall be configured according to the corresponding UL reference measurement channel defined in annex A and the test parameters in table 8.2.7.4.2-2.

Table 8.2.7.4.2-2: Test parameters for testing PUSCH repetition Type A

| Parameter | | Value |
|---|---|---|
| Transform precoding | | Disabled |
| Default TDD UL-DL pattern (Note 1) | | 15 kHz SCS: 3D1S1U, S=10D:2G:2U 30 kHz SCS: 7D1S2U, S=6D:4G:4U |
| HARQ | Maximum number of HARQ transmissions | 4 |
| | RV sequence | 0, 3, 0, 3 [Note 2] |
| DM-RS | DM-RS configuration type | 1 |
| | DM-RS duration | single-symbol DM-RS |
| | Additional DM-RS position | pos1 |
| | Number of DM-RS CDM group(s) without data | 2 |
| | Ratio of PUSCH EPRE to DM-RS EPRE | -3 dB |
| | DM-RS port | 0 |
| DM-RS sequence generation | | $N_{ID}^0=0, n_{SCID}=0$ |
| Time domain resource assignment | PUSCH mapping type | A, B |
| | Start symbol | 0 |
| | Allocation length | 14 |
| | PUSCH aggregation factor | 30 kHz SCS: n2 15 kHz SCS: n2 for FDD and n8 for TDD [Note 3] |
| Frequency domain resource assignment | RB assignment | Full applicable test bandwidth |
| | Frequency hopping | Disabled |
| Code block group based PUSCH transmission | | Disabled |
| Note 1: The same requirements are applicable to FDD and TDD with different UL-DL pattern. | | |
| Note 2: The effective RV sequence is {0, 2, 3, 1} with slot aggregation. | | |
| Note 3: The intention of this configuration is to have two effective transmissions of the transport block. To achieve this for the standard TDD pattern captured in this table, a value of n8 is necessary, while for FDD a value of n2 is necessary. | | |

- 4) The multipath fading emulators shall be configured according to the corresponding channel model defined in annex G.
- 5) Adjust the equipment so that required SNR specified in table 8.2.7.5-1 to 8.2.7.5-8 is achieved at the BS input.
- 6) For each of the reference channels in table 8.2.7.5-1 to 8.2.7.5-8 applicable for the base station, measure the BLER.

8.2.7.5 Test Requirement

The BLER measured according to clause 8.2.7.4.2 shall not be above the limits for the SNR levels specified in table 8.2.7.5-1 to 8.2.7.5-14.

Table 8.2.7.5-1: Minimum requirements for PUSCH, Type A, 5 MHz channel bandwidth, 15 kHz SCS

| Number of TX antennas | Number of RX antennas | Cyclic prefix | Propagation conditions and correlation matrix (Annex G) | Target BLER | FRC (Annex A) | Additional DM-RS position | SNR (dB) |
|---|-----------------------|---------------|---|-------------|---------------|---------------------------|----------|
| 1 | 2 | Normal | TDLB100-400 Low | 1% (Note 1) | G-FR1-A3A-1 | pos1 | -7.8 |
| Note 1: BLER is defined as residual BLER; i.e. ratio of incorrectly received transport blocks / sent transport blocks, independently of the number HARQ transmission(s) for each transport block. | | | | | | | |

Table 8.2.7.5-2: Minimum requirements for PUSCH, Type A, 10 MHz channel bandwidth, 15 kHz SCS

| Number of TX antennas | Number of RX antennas | Cyclic prefix | Propagation conditions and correlation matrix (Annex G) | Target BLER | FRC (Annex A) | Additional DM-RS position | SNR (dB) |
|---|-----------------------|---------------|---|-------------|---------------|---------------------------|----------|
| 1 | 2 | Normal | TDLB100-400 Low | 1% (Note 1) | G-FR1- A3A -2 | pos1 | -9.6 |
| Note 1: BLER is defined as residual BLER; i.e. ratio of incorrectly received transport blocks / sent transport blocks, independently of the number HARQ transmission(s) for each transport block. | | | | | | | |

Table 8.2.7.5-3: Minimum requirements for PUSCH, Type A, 10 MHz channel bandwidth, 30 kHz SCS

| Number of TX antennas | Number of RX antennas | Cyclic prefix | Propagation conditions and correlation matrix (Annex G) | Target BLER | FRC (Annex A) | Additional DM-RS position | SNR (dB) |
|---|-----------------------|---------------|---|-------------|---------------|---------------------------|----------|
| 1 | 2 | Normal | TDLB100-400 Low | 1% (Note 1) | G-FR1- A3A -3 | pos1 | -10.2 |
| Note 1: BLER is defined as residual BLER; i.e. ratio of incorrectly received transport blocks / sent transport blocks, independently of the number HARQ transmission(s) for each transport block. | | | | | | | |

Table 8.2.7.5-4: Minimum requirements for PUSCH, Type A, 40 MHz channel bandwidth, 30 kHz SCS

| Number of TX antennas | Number of RX antennas | Cyclic prefix | Propagation conditions and correlation matrix (Annex G) | Target BLER | FRC (Annex A) | Additional DM-RS position | SNR (dB) |
|---|-----------------------|---------------|---|-------------|---------------|---------------------------|----------|
| 1 | 2 | Normal | TDLB100-400 Low | 1% (Note 1) | G-FR1- A3A -4 | pos1 | -10.9 |
| Note 1: BLER is defined as residual BLER; i.e. ratio of incorrectly received transport blocks / sent transport blocks, independently of the number HARQ transmission(s) for each transport block. | | | | | | | |

Table 8.2.7.5-5: Minimum requirements for PUSCH, Type B, 5 MHz channel bandwidth, 15 kHz SCS

| Number of TX antennas | Number of RX antennas | Cyclic prefix | Propagation conditions and correlation matrix (Annex G) | Target BLER | FRC (Annex A) | Additional DM-RS position | SNR (dB) |
|---|-----------------------|---------------|---|-------------|---------------|---------------------------|----------|
| 1 | 2 | Normal | TDLB100-400 Low | 1% (Note 1) | G-FR1- A3A -1 | pos1 | -7.6 |
| Note 1: BLER is defined as residual BLER; i.e. ratio of incorrectly received transport blocks / sent transport blocks, independently of the number HARQ transmission(s) for each transport block. | | | | | | | |

Table 8.2.7.5-6: Minimum requirements for PUSCH, Type B, 10 MHz channel bandwidth, 15 kHz SCS

| Number of TX antennas | Number of RX antennas | Cyclic prefix | Propagation conditions and correlation matrix (Annex G) | Target BLER | FRC (Annex A) | Additional DM-RS position | SNR (dB) |
|---|-----------------------|---------------|---|-------------|---------------|---------------------------|----------|
| 1 | 2 | Normal | TDLB100-400 Low | 1% (Note 1) | G-FR1- A3A -2 | pos1 | -9.5 |
| Note 1: BLER is defined as residual BLER; i.e. ratio of incorrectly received transport blocks / sent transport blocks, independently of the number HARQ transmission(s) for each transport block. | | | | | | | |

Table 8.2.7.5-7: Minimum requirements for PUSCH, Type B, 10 MHz channel bandwidth, 30 kHz SCS

| Number of TX antennas | Number of RX antennas | Cyclic prefix | Propagation conditions and correlation matrix (Annex G) | Target BLER | FRC (Annex A) | Additional DM-RS position | SNR (dB) |
|---|-----------------------|---------------|---|-------------|---------------|---------------------------|----------|
| 1 | 2 | Normal | TDLB100-400 Low | 1% (Note 1) | G-FR1- A3A -3 | pos1 | -10.2 |
| Note 1: BLER is defined as residual BLER; i.e. ratio of incorrectly received transport blocks / sent transport blocks, independently of the number HARQ transmission(s) for each transport block. | | | | | | | |

Table 8.2.7.5-8: Minimum requirements for PUSCH, Type B, 40 MHz channel bandwidth, 30 kHz SCS

| Number of TX antennas | Number of RX antennas | Cyclic prefix | Propagation conditions and correlation matrix (Annex G) | Target BLER | FRC (Annex A) | Additional DM-RS position | SNR (dB) |
|---|-----------------------|---------------|---|-------------|---------------|---------------------------|----------|
| 1 | 2 | Normal | TDLB100-400 Low | 1% (Note 1) | G-FR1- A3A -4 | pos1 | -10.8 |
| Note 1: BLER is defined as residual BLER; i.e. ratio of incorrectly received transport blocks / sent transport blocks, independently of the number HARQ transmission(s) for each transport block. | | | | | | | |

8.2.8 Performance requirements for PUSCH Mapping Type B with non-slot transmission

8.2.8.1 Definition and applicability

The performance requirement of PUSCH mapping Type B is determined by a minimum required throughput for a given SNR. The required throughput is expressed as a fraction of maximum throughput for the FRCs listed in annex A.

Which specific test(s) are applicable to BS is based on the test applicability rules defined in clause 8.1.2.1.

8.2.8.2 Minimum Requirement

The minimum requirement is in TS 38.104 [2] clause 8.2.8.

8.2.8.3 Test Purpose

The test shall verify the receiver's ability to achieve throughput for PUSCH mapping Type B with 2 symbol length allocated in time domain under multipath fading propagation conditions for a given SNR.

8.2.8.4 Method of test

8.2.8.4.1 Initial Conditions

Test environment: Normal, see annex B.2.

RF channels to be tested for single carrier: M; see clause 4.9.1.

RF channels to be tested for carrier aggregation: $M_{\text{BW Channel CA}}$; see clause 4.9.1.

8.2.8.4.2 Procedure

- 1) Connect the BS tester generating the wanted signal, multipath fading simulators and AWGN generators to all BS antenna connectors for diversity reception via a combining network as shown in annex D.5 and D.6 for *BS type I-C* and *type I-H* respectively.
- 2) Adjust the AWGN generator, according to the channel bandwidth, defined in table 8.2.8.4.2-1.

Table 8.2.8.4.2-1: AWGN power level at the BS input

| Sub-carrier spacing (kHz) | Channel bandwidth (MHz) | AWGN power level |
|--|-------------------------|----------------------|
| 15 kHz | 5 | -86.5 dBm / 4.5MHz |
| | 10 | -83.3 dBm / 9.36MHz |
| 30 kHz | 10 | -83.6 dBm / 8.64MHz |
| | 40 | -77.2 dBm / 38.16MHz |
| NOTE: The AWGN power level contains an AWGN offset of 16dB by default. If needed for test purposes, the AWGN level can be reduced from the default by any value in the range 0dB to 16dB. Changing the AWGN level does not impact the validity of the test, as it reduces the effective base band SNR level. | | |

- 3) The characteristics of the wanted signal shall be configured according to the corresponding UL reference measurement channel defined in annex A and the test parameters in table 8.2.8.4.2-2.

Table 8.2.8.4.2-2: Test parameters for testing PUSCH Mapping Type B with non-slot transmission

| Parameter | | Value |
|---|---|---|
| Transform precoding | | Disabled |
| Default TDD UL-DL pattern (Note 1) | | 15 kHz SCS: 3D1S1U, S=10D:2G:2U 30 kHz SCS: 7D1S2U, S=6D:4G:4U |
| HARQ | Maximum number of HARQ transmissions | 1 |
| | RV sequence | 0 |
| DM-RS | DM-RS configuration type | 1 |
| | DM-RS duration | single-symbol DM-RS |
| | Number of additional DM-RS | 0 |
| | Number of DM-RS CDM group(s) without data | 2 |
| | Ratio of PUSCH EPRE to DM-RS EPRE | -3 dB |
| | DM-RS port | {0} |
| Time domain resource assignment | DM-RS sequence generation | $N_{ID}^0=0, n_{SCID}=0$ |
| | PUSCH mapping type | B |
| | Start symbol | 0 |
| | Allocation length | 2 |
| Frequency domain resource assignment | PUSCH aggregation factor | 1 |
| | RB assignment | Full applicable test bandwidth |
| | Frequency hopping | Disabled |
| Code block group based PUSCH transmission | | Disabled |
| Note 1: The same requirements are applicable to FDD and TDD with different UL-DL pattern. | | |

- 4) The multipath fading emulators shall be configured according to the corresponding channel model defined in annex G.
- 5) Adjust the equipment so that required SNR specified in table 8.2.8.5-1 to 8.2.8.5-4 is achieved at the BS input.
- 6) For each of the reference channels in table 8.2.8.5-1 to 8.2.8.5-8 applicable for the base station, measure the throughput.

8.2.8.5 Test Requirement

The throughput measured according to clause 8.2.8.4.2 shall not be below the limits for the SNR levels specified in table 8.2.8.5-1 to 8.2.8.5-4.

Table 8.2.8.5-1: Minimum requirements for PUSCH, Type B, 5 MHz channel bandwidth, 15 kHz SCS

| Number of TX antennas | Number of RX antennas | Cyclic prefix | Propagation conditions and correlation matrix (Annex G) | Fraction of maximum throughput | FRC (Annex A) | SNR (dB) |
|-----------------------|-----------------------|---------------|---|--------------------------------|---------------|----------|
| 1 | 2 | Normal | TDLC300-100 Low | 70% | G-FR1-A3B-1 | 1.1 |

Table 8.2.8.5-2: Minimum requirements for PUSCH, Type B, 10 MHz channel bandwidth, 15 kHz SCS

| Number of TX antennas | Number of RX antennas | Cyclic prefix | Propagation conditions and correlation matrix (Annex G) | Fraction of maximum throughput | FRC (Annex A) | SNR (dB) |
|-----------------------|-----------------------|---------------|---|--------------------------------|---------------|----------|
| 1 | 2 | Normal | TDLC300-100 Low | 70% | G-FR1- A3B -2 | 0.9 |

Table 8.2.8.5-3: Minimum requirements for PUSCH, Type B, 10 MHz channel bandwidth, 30 kHz SCS

| Number of TX antennas | Number of RX antennas | Cyclic prefix | Propagation conditions and correlation matrix (Annex G) | Fraction of maximum throughput | FRC (Annex A) | SNR (dB) |
|-----------------------|-----------------------|---------------|---|--------------------------------|---------------|----------|
| 1 | 2 | Normal | TDLC300-100 Low | 70% | G-FR1- A3B -3 | 0.9 |

Table 8.2.8.5-4: Minimum requirements for PUSCH, Type B, 40 MHz channel bandwidth, 30 kHz SCS

| Number of TX antennas | Number of RX antennas | Cyclic prefix | Propagation conditions and correlation matrix (Annex G) | Fraction of maximum throughput | FRC (Annex A) | SNR (dB) |
|-----------------------|-----------------------|---------------|---|--------------------------------|---------------|----------|
| 1 | 2 | Normal | TDLC300-100 Low | 70% | G-FR1- A3B -4 | 0.6 |

8.2.9 Performance requirements for PUSCH msgA for 2-step RA type

8.2.9.1 Definition and applicability

The performance requirement of MsgA PUSCH is determined by a minimum required block error rate of MsgA received by BS at given SNR for FRCs listed in annex A. The performance requirements assume that the precedent preamble of MsgA is correctly detected. The performance requirements of assume no HARQ retransmission.

These requirements are applicable for wide area and medium range BS that support 2-step RA type. The requirements are not applied for a local area BS that supports 2-step RA type.

Which specific test(s) are applicable to BS is based on the test applicability rules defined in clause 8.1.2.1.

8.2.9.2 Minimum Requirement

The minimum requirement is in TS 38.104 [2] clause 8.2.9.

8.2.9.3 Test Purpose

The test shall verify the receiver's ability to achieve maximum BLER for a given SNR.

8.2.9.4 Method of test

8.2.9.4.1 Initial Conditions

Test environment: Normal, see annex B.2.

RF channels to be tested: M; see clause 4.9.1.

RF channels to be tested for carrier aggregation: $M_{\text{BW Channel CA}}$; see clause 4.9.1.

8.2.9.4.2 Procedure

- 1) Connect the BS tester generating the wanted signal, channel simulators and AWGN generators to all BS antenna connectors for diversity reception via a combining network as shown in annex D.5 and D.6 for BS type I-C and type I-H respectively.
- 2) Adjust the AWGN generator, according to the channel bandwidth, defined in table 8.2.9.4.2-1.

Table 8.2.9.4.2-1: AWGN power level at the BS input

| Sub-carrier spacing (kHz) | Channel bandwidth (MHz) | AWGN power level |
|---------------------------|-------------------------|----------------------|
| 15 kHz | 10 | -83.3 dBm / 9.36MHz |
| 30 kHz | 40 | -77.2 dBm / 38.16MHz |

NOTE: The AWGN power level contains an AWGN offset of 16dB by default. If needed for test purposes, the AWGN level can be reduced from the default by any value in the range 0dB to 16dB. Changing the AWGN level does not impact the validity of the test, as it reduces the effective base band SNR level.

- 3) The characteristics of the wanted signal shall be configured according to the corresponding UL reference measurement channel defined in annex A and the test parameters in table 8.2.9.4.2-2.

Table 8.2.9.4.2-2: Test parameters for testing msgA PUSCH for 2-step RA type

| Parameter | | Value |
|--|---|--|
| Transform precoding | | Disabled |
| Channel bandwidth | | 15 kHz SCS: 10 MHz 30 kHz SCS: 40 MHz |
| MCS | | 1 |
| DM-RS | DM-RS configuration type | 1 |
| | DM-RS duration | single-symbol DM-RS |
| | DM-RS position (l_0) | 2 |
| | Additional DM-RS position | pos2 or pos1 (Note 2) |
| | Number of DM-RS CDM group(s) without data | 2 |
| | Ratio of PUSCH EPRE to DM-RS EPRE | -3 dB |
| | DM-RS port | {0} |
| Time domain resource assignment | PUSCH mapping type | Both A and B |
| | Allocation length | 14 |
| Frequency domain resource assignment | RB assignment | 2 PRBs |
| | Starting PRB index | 0 |
| | Frequency hopping | Disabled |
| Time offset (TO) Cycling (μ s) | start:step:end | 15k SCS: 0:0.2:3.8 |
| | | 30k SCS: 0:0.1:2 |
| Test Metric | BLER | 0.01 |
| <p>Note 1: The same requirements are applicable to FDD and TDD with different UL-DL patterns.</p> <p>Note 2: For FR1, either pos 1 or pos 2 may be used for the test FRC. A pass with either of these possibilities is sufficient to demonstrate compliance to the core requirement.</p> <p>Note 3: The power ratio between preamble and msgA (msgA-DeltaPreamble) is set to be sufficient to achieve 100% preamble detection. The SNR for the requirement is defined on the msgA PUSCH.</p> | | |

- 4) The channel simulators shall be configured according to the corresponding channel model defined in annex G.3.
- 5) Adjust the equipment so that required SNR specified in table 8.2.9.5-1 to 8.2.9.5-4 is achieved at the BS input.

6) The test signal generator send a MsgA including a preamble and PUSCH signal and the receiver tries to detect the MsgA signal. The MsgA signal is sent with a timing offset as described below.

The timing offset base value for MsgA signal is set to 0. For each newly transmitted MsgA, this offset is increased within the loop. For 15 kHz SCS, add a value of 0.2 us in each step until the end of the tested range which is 3.8 us. For 30 kHz SCS, add a value of 0.1 us in each step until the end of tested range which is 2 us. At the end of the testing range, the offset is reset to zero. The timing offset scheme for MsgA transmission is presented in Figure 8.2.9.4.2-1 for 30 kHz SCS and in Figure 8.2.9.4.2-2 for 15 kHz SCS.

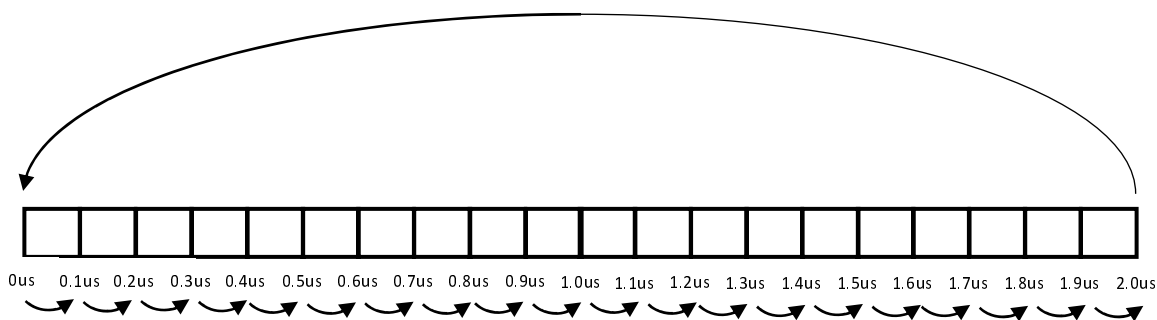


Figure 8.2.9.4.2-1: Timing offset scheme for MsgA transmission for BS type 1-C and type 1-H with 30 kHz SCS

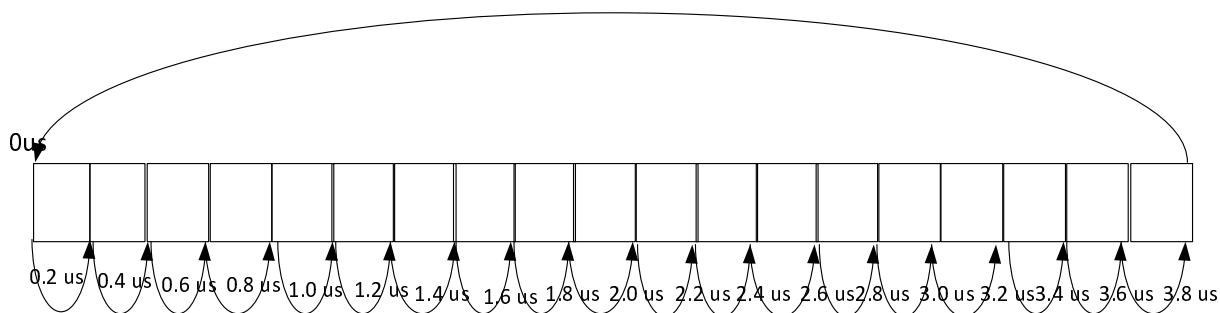


Figure 8.2.9.4.2-2: Timing offset scheme for MsgA transmission for BS type 1-C and type 1-H with 15 kHz SCS

7) For each of the reference channels in table 8.2.9.5-1 to 8.2.9.5-4 applicable for the base station, measure the BLER.

8.2.9.5 Test Requirement

The BLER measured according to clause 8.2.9.4.2 shall not be below the limits for the SNR levels specified in Table 8.2.9.5-1 to 8.2.9.5-4. Unless stated otherwise, the MIMO correlation metrics for the gNB are defined in Annex G for low correlation.

Table 8.2.9.5-1: Test requirements for msgA PUSCH for 2-step RA type, Type A, 15 kHz SCS

| Number of TX antennas | Number of RX antennas | Cyclic prefix | Propagation conditions (Annex G) | BLER | FRC (Annex A) | Time offset [μ s] (Note 1) | SNR (dB) |
|-----------------------|-----------------------|---------------|----------------------------------|------|--------------------------|---------------------------------|----------|
| 1 | 2 | Normal | TDLC300-100 | 1% | G-FR1-A7-1 or G-FR1-A7-3 | 0, 0.2, 3.8 | 7.9 |

Note 1: The time offset values are described as X, Y, Z where X is the first TO value, Y is the step in which the TO should be incremented, and Z is the largest TO value in the range.

Table 8.2.9.5-2: Test requirements for msgA PUSCH for 2-step RA type, Type A, 30 kHz SCS

| Number of TX antennas | Number of RX antennas | Cyclic prefix | Propagation conditions (Annex G) | BLER | FRC (Annex A) | Time offset [μ s] (Note 1) | SNR (dB) |
|-----------------------|-----------------------|---------------|----------------------------------|------|--------------------------|---------------------------------|----------|
| 1 | 2 | Normal | TDLC300-100 | 1% | G-FR1-A7-2 or G-FR1-A7-4 | 0, 0.1, 2.0 | 7.7 |

Note 1: The time offset values are described as X, Y, Z where X is the first TO value, Y is the step in which the TO should be incremented, and Z is the largest TO value in the range.

Table 8.2.9.5-3: Test requirements for msgA PUSCH for 2-step RA type, Type B, 15 kHz SCS

| Number of TX antennas | Number of RX antennas | Cyclic prefix | Propagation conditions (Annex G) | BLER | FRC (Annex A) | Time offset [μ s] (Note 1) | SNR (dB) |
|-----------------------|-----------------------|---------------|----------------------------------|------|--------------------------|---------------------------------|----------|
| 1 | 2 | Normal | TDLC300-100 | 1% | G-FR1-A7-1 or G-FR1-A7-3 | 0, 0.2, 3.8 | 7.6 |

Note 1: The time offset values are described as X, Y, Z where X is the first TO value, Y is the step in which the TO should be incremented, and Z is the largest TO value in the range.

Table 8.2.9.5-4: Test requirements for msgA PUSCH for 2-step RA type, Type B, 30 kHz SCS

| Number of TX antennas | Number of RX antennas | Cyclic prefix | Propagation conditions (Annex G) | BLER | FRC (Annex A) | Time offset [μ s] (Note 1) | SNR (dB) |
|-----------------------|-----------------------|---------------|----------------------------------|------|--------------------------|---------------------------------|----------|
| 1 | 2 | Normal | TDLC300-100 | 1% | G-FR1-A7-2 or G-FR1-A7-4 | 0, 0.1, 2.0 | 8.2 |

Note 1: The time offset values are described as X, Y, Z where X is the first TO value, Y is the step in which the TO should be incremented, and Z is the largest TO value in the range.

8.2.10 Requirements for interlaced PUSCH

8.2.10.1 Definition and applicability

The performance requirement of PUSCH with interlace allocation is determined by a minimum required throughput for a given SNR. The required throughput is expressed as a fraction of maximum throughput for the FRCs listed in annex A. The performance requirements assume HARQ retransmissions.

Which specific test(s) are applicable to BS is based on the test applicability rules defined in clause 8.1.2.5.

8.2.10.2 Minimum Requirement

The minimum requirement is in TS 38.104 [2] clause 8.2.10.

8.2.10.3 Test Purpose

The test shall verify the receiver's ability to achieve throughput under multipath fading propagation conditions for a given SNR

8.2.10.4 Method of test

8.2.10.4.1 Initial Conditions

Test environment: Normal, see annex B.2.

RF channels to be tested for single carrier: M ; see clause 4.9.1.

RF channels to be tested for carrier aggregation: $M_{\text{BW Channel CA}}$; see clause 4.9.1.

8.2.10.4.2 Procedure

- 1) Connect the BS tester generating the wanted signal, multipath fading simulators and AWGN generators to all BS antenna connectors for diversity reception via a combining network as shown in annex D.5 and D.6 for *BS type 1-C* and *type 1-H* respectively.
- 2) Adjust the AWGN generator, according to the channel bandwidth, defined in table 8.2.10.4.2-1.

Table 8.2.10.4.2-1: AWGN power level at the BS input

| Sub-carrier spacing (kHz) | Channel bandwidth (MHz) | AWGN power level |
|--|-------------------------|----------------------|
| 15 | 20 | -80.2 dBm / 19.08MHz |
| 30 | 20 | -80.4 dBm / 18.36MHz |
| NOTE: The AWGN power level contains an AWGN offset of 16dB by default. If needed for test purposes, the AWGN level can be reduced from the default by any value in the range 0dB to 16dB. Changing the AWGN level does not impact the validity of the test, as it reduces the effective base band SNR level. | | |

- 3) The characteristics of the wanted signal shall be configured according to the corresponding UL reference measurement channel defined in annex A and the test parameters in table 8.2.10.4-2-2

Table 8.2.10.4.2-2: Test parameters for testing PUSCH

| Parameter | | Value |
|--|---|---|
| Transform precoding | | Disabled |
| Default TDD UL-DL pattern (Note 1) | | 15 kHz SCS: 3D1S1U, S=10D:2G:2U 30 kHz SCS: 7D1S2U, S=6D:4G:4U |
| HARQ | Maximum number of HARQ transmissions | 4 |
| | RV sequence | 0, 2, 3, 1 |
| DM-RS | DM-RS configuration type | 1 |
| | DM-RS duration | single-symbol DM-RS |
| | Additional DM-RS position | pos1 |
| | Number of DM-RS CDM group(s) without data | 2 |
| | Ratio of PUSCH EPRE to DM-RS EPRE | -3 dB |
| | DM-RS port(s) | 0 |
| | DM-RS sequence generation | $N_{ID}^0=0, n_{SCID}=0$ |
| Time domain resource assignment | PUSCH mapping type | A, B |
| | Start symbol | 0 |
| | Allocation length | 14 |
| Frequency domain resource assignment | RB assignment | Full applicable test bandwidth. First interlace with RBs 0,10,20,...,100 are allocated for tests with 15kHz and first interlace with RBs 0,5,10,...50 are allocated for tests with 30kHz. |
| | Frequency hopping | Disabled |
| Code block group based PUSCH transmission | | Disabled |
| NOTE 1: The same requirements are applicable to FDD and TDD with different UL-DL patterns. | | |

- 4) The multipath fading emulators shall be configured according to the corresponding channel model defined in annex G.
- 5) Adjust the equipment so that required SNR specified in table 8.2.1.5-1 to 8.2.1.5-18 is achieved at the BS input.
- 6) For each of the reference channels in table 8.2.1.5-1 to 8.2.1.5-18 applicable for the base station, measure the throughput.

8.2.10.5 Test Requirement

The throughput measured according to clause 8.2.10.4.2 shall not be below the limits for the SNR levels specified in tables 8.2.10.5-1 to 8.2.10.5-4.

Table 8.2.10.5-1: Minimum requirements for PUSCH with 70% of maximum throughput, Type A, 20 MHz channel bandwidth, 15 kHz SCS

| Number of TX antennas | Number of RX antennas | Cyclic prefix | Propagation conditions and correlation matrix (Annex G) | Fraction of maximum throughput | FRC (Annex A) | Additional DM-RS position | SNR (dB) |
|-----------------------|-----------------------|---------------|---|--------------------------------|---------------|---------------------------|----------|
| 1 | 2 | Normal | TDLA30-10 Low | 70% | G-FR1-A5-15 | pos1 | 12.9 |

Table 8.2.10.5-2: Minimum requirements for PUSCH with 70% of maximum throughput, Type A, 20 MHz channel bandwidth, 30 kHz SCS

| Number of TX antennas | Number of RX antennas | Cyclic prefix | Propagation conditions and correlation matrix (Annex G) | Fraction of maximum throughput | FRC (Annex A) | Additional DM-RS position | SNR (dB) |
|-----------------------|-----------------------|---------------|---|--------------------------------|---------------|---------------------------|----------|
| 1 | 2 | Normal | TDLA30-10 Low | 70% | G-FR1-A5-16 | pos1 | 12.8 |

Table 8.2.10.2-3: Minimum requirements for PUSCH with 70% of maximum throughput, Type B, 20 MHz channel bandwidth, 15 kHz SCS

| Number of TX antennas | Number of RX antennas | Cyclic prefix | Propagation conditions and correlation matrix (Annex G) | Fraction of maximum throughput | FRC (Annex A) | Additional DM-RS position | SNR (dB) |
|-----------------------|-----------------------|---------------|---|--------------------------------|---------------|---------------------------|----------|
| 1 | 2 | Normal | TDLA30-10 Low | 70% | G-FR1-A5-15 | pos1 | 12.9 |

Table 8.2.10.2-4: Minimum requirements for PUSCH with 70% of maximum throughput, Type B, 20 MHz channel bandwidth, 30 kHz SCS

| Number of TX antennas | Number of RX antennas | Cyclic prefix | Propagation conditions and correlation matrix (Annex G) | Fraction of maximum throughput | FRC (Annex A) | Additional DM-RS position | SNR (dB) |
|-----------------------|-----------------------|---------------|---|--------------------------------|---------------|---------------------------|----------|
| 1 | 2 | Normal | TDLA30-10 Low | 70% | G-FR1-A5-16 | pos1 | 12.8 |

8.2.11 Performance requirements for CG-UCI multiplexed on interlaced PUSCH

8.2.11.1 Definition and applicability

The performance requirement of CG-UCI multiplexed on interlaced PUSCH is determined by the parameter: block error probability (BLER) of CG-UCI. The performance is measured by the required SNR at block error probability of CG-UCI not exceeding 1 %.

The CG-UCI BLER is defined as the probability of incorrectly decoding the CG-UCI information when the CG-UCI information is sent.

In the test of UCI multiplexed on interlaced PUSCH, the UCI information only contains CG-UCI information, there is no HACK/ACK, CSI part 1 or CSI part 2 information transmitted.

The 18 bits CG-UCI information is further defined with the bitmap [c0 c1 c2 ... c17] as follows:

- HARQ process number: [c0 c1 c2 c3] = [0 0 0 1]
- RV sequence: [c4 c5] = [0 0]
- NDI: [c6] = [1]
- COT sharing information field: [c7 c8 ... c17] = [0 0 0 0 0 0 0 0 0 0]

In the test, PUSCH data and CG-UCI are transmitted simultaneously.

Which specific test(s) is applicable to BS is based on the test applicability rule defined in clause 8.1.2

8.2.11.2 Minimum Requirements

The minimum requirements are in TS 38.104 [2] clause 8.2.11.

8.2.11.3 Test purpose

The test shall verify the receiver's ability to detect CG-UCI multiplexed on interlaced PUSCH under multipath fading propagation conditions for a given SNR.

8.2.11.4 Method of test

8.2.11.4.1 Initial conditions

Test environment: Normal, see annex B.2.

RF channels to be tested for single carrier: M; see clause 4.9.1.

8.2.11.4.2 Procedure

- 1) Connect the BS tester generating the wanted signal, multipath fading simulators and AWGN generators to all BS antenna connectors for diversity reception via a combining network as shown in annex D.5 and D.6 for *BS type 1-C* and *type 1-H* respectively.
- 2) Adjust the AWGN generator, according to combination of SCS and channel bandwidth defined in table 8.2.11.4.2-1.

Table 8.2.11.4.2-1: AWGN power level at the BS input

| Sub-carrier spacing (kHz) | Channel bandwidth (MHz) | AWGN power level |
|---------------------------|-------------------------|-----------------------|
| 15 | 20 | -80.2 dBm / 19.08MHz |
| 30 | 20 | -80.4 dBm / 18.36 MHz |

- 3) The characteristics of the wanted signal shall be configured according to the corresponding UL reference measurement channel defined in annex A and the specific test parameters are configured as below. The CG-UCI information bit payload per slot is equal to 18 bits.

Table: 8.2.11.4.2-2: Test parameters for testing CG-UCI multiplexed on interlaced PUSCH

| Parameter | | Value |
|---|---|--|
| Transform precoding | | Disabled |
| Default TDD UL-DL pattern | | 15 kHz SCS: 3D1S1U, S=10D:2G:2U 30 kHz SCS: 7D1S2U, S=6D:4G:4U |
| HARQ | Maximum number of HARQ transmissions | 1 |
| | RV sequence | 0 |
| DM-RS | DM-RS configuration type | 1 |
| | DM-RS duration | Single-symbol DM-RS |
| | Additional DM-RS position | pos1 |
| | Number of DM-RS CDM group(s) without data | 2 |
| | Ratio of PUSCH EPRE to DM-RS EPRE | -3 dB |
| | DM-RS port(s) | {0} |
| | DM-RS sequence generation | $N_{ID}^0 = 0, n_{SCID} = 0$ |
| Time domain resource assignment | PUSCH mapping type | A, B |
| | Start symbol | 0 |
| | Allocation length | 14 |
| Frequency domain resource assignment | RB assignment | Full applicable test bandwidth. First interlace with RBs 0, 10, 20, ..., 100 are allocated for tests with 15kHz SCS and first interlace with RBs 0, 5, 10, ..., 50 are allocated for tests with 30kHz SCS. |
| | Frequency hopping | Disabled |
| Code block group based PUSCH transmission | | Disabled |
| CG-UCI | <i>Number of CG-UCI information bits</i> | 18 |
| | Scaling | 1 |
| | <i>betaOffsetCG-UCI-Index1</i> | 8 |
| | UCI pattern for frequency hopping | Disabled |

- 4) The multipath fading emulators shall be configured according to the corresponding channel model defined in annex G.
- 5) Adjust the equipment so that required SNR specified in table 8.2.11.5-1 to 8.2.11.5-4 is achieved at the BS input during the CG-UCI multiplexed on interlaced PUSCH transmissions.
- 6) The signal generators send a test pattern where CG-UCI can be multiplexed on interlaced PUSCH. The following statistics are kept: the number of incorrectly decoded CG-UCI information during UCI multiplexed on PUSCH transmission.

8.2.11.5 Test Requirement

The fractional of incorrectly decoded CG-UCI according to clause 8.2.11.4.2 shall be less than 1 % for SNR listed in table 8.2.11.5-1 to table 8.2.11.5-4.

Table 8.2.11.5-1: Test requirements for CG-UCI multiplexed on interlace PUSCH, Type A, 20 MHz channel bandwidth, 15 kHz SCS

| Number of TX antennas | Number of RX antennas | Cyclic Prefix | Propagation conditions and correlation matrix (Annex G) | CG-UCI bits | Additional DM-RS position | FRC (Annex A) | SNR (dB) |
|-----------------------|-----------------------|---------------|---|-------------|---------------------------|---------------|----------|
| 1 | 2 | Normal | TDLA30-10 Low | 18 | pos1 | G-FR1-A5-15 | 5.2 |

Table 8.2.11.5-2: Test requirements for CG-UCI multiplexed on interlaced PUSCH, Type A, 20 MHz channel bandwidth, 30 kHz SCS

| Number of TX antennas | Number of RX antennas | Cyclic Prefix | Propagation conditions and correlation matrix (Annex G) | CG-UCI bits | Additional DM-RS position | FRC (Annex A) | SNR (dB) |
|-----------------------|-----------------------|---------------|---|-------------|---------------------------|---------------|----------|
| 1 | 2 | Normal | TDLA30-10 Low | 18 | pos1 | G-FR1-A5-16 | 5.3 |

Table 8.2.11.5-3: Test requirements for CG-UCI multiplexed on interlaced PUSCH, Type B, 20 MHz channel bandwidth, 15 kHz SCS

| Number of TX antennas | Number of RX antennas | Cyclic Prefix | Propagation conditions and correlation matrix (Annex G) | CG-UCI bits | Additional DM-RS position | FRC (Annex A) | SNR (dB) |
|-----------------------|-----------------------|---------------|---|-------------|---------------------------|---------------|----------|
| 1 | 2 | Normal | TDLA30-10 Low | 18 | pos1 | G-FR1-A5-15 | 5.2 |

Table 8.2.11.5-4: Test requirements for CG-UCI multiplexed on interlaced PUSCH, Type B, 20 MHz channel bandwidth, 30 kHz SCS

| Number of TX antennas | Number of RX antennas | Cyclic Prefix | Propagation conditions and correlation matrix (Annex G) | CG-UCI bits | Additional DM-RS position | FRC (Annex A) | SNR (dB) |
|-----------------------|-----------------------|---------------|---|-------------|---------------------------|---------------|----------|
| 1 | 2 | Normal | TDLA30-10 Low | 18 | pos1 | G-FR1-A5-16 | 5.6 |

8.2.12 Performance requirements for TB processing over multi-slot PUSCH (TBoMS)

8.2.12.1 Definition and applicability

The performance requirement of PUSCH TBoMS is determined by a minimum required throughput for a given SNR. The required throughput is expressed as a fraction of maximum throughput for the FRCs listed in annex A. The performance requirements assume HARQ retransmissions.

Which specific test(s) are applicable to BS is based on the test applicability rules defined in clause 8.1.2.8.

8.2.12.2 Minimum Requirement

The minimum requirement is in TS 38.104 [2] clause 8.2.12.

8.2.12.3 Test Purpose

The test shall verify the receiver's ability to achieve throughput under multipath fading propagation conditions for a given SNR.

8.2.12.4 Method of test

8.2.12.4.1 Initial Conditions

Test environment: Normal, see annex B.2.

RF channels to be tested for single carrier: M ; see clause 4.9.1.

RF channels to be tested for carrier aggregation: $M_{\text{BW Channel CA}}$; see clause 4.9.1.

8.2.12.4.2 Procedure

- 1) Connect the BS tester generating the wanted signal, multipath fading simulators and AWGN generators to all BS antenna connectors for diversity reception via a combining network as shown in annex D.5 and D.6 for *BS type 1-C* and *type 1-H* respectively.
- 2) Adjust the AWGN generator, according to the channel bandwidth, defined in table 8.2.12.4.2-1.

Table 8.2.12.4.2-1: AWGN power level at the BS input

| Sub-carrier spacing (kHz) | Channel bandwidth (MHz) | AWGN power level |
|--|-------------------------|---------------------|
| 15 kHz | 5 | -86.5 dBm / 4.5MHz |
| 30 kHz | 10 | -83.6 dBm / 8.64MHz |
| NOTE: The AWGN power level contains an AWGN offset of 16dB by default. If needed for test purposes, the AWGN level can be reduced from the default by any value in the range 0dB to 16dB. Changing the AWGN level does not impact the validity of the test, as it reduces the effective base band SNR level. | | |

- 3) The characteristics of the wanted signal shall be configured according to the corresponding UL reference measurement channel defined in annex A and the test parameters in table 8.2.12.4.2-2.

Table 8.2.12.4.2-2: Test parameters for testing PUSCH TBoMS

| Parameter | | Value |
|---|---|---|
| Transform precoding | | Disabled |
| Default TDD UL-DL pattern (Note 1) | | 15 kHz SCS: 3D1S1U, S=10D:2G:2U 30 kHz SCS: 7D1S2U, S=6D:4G:4U |
| HARQ | Maximum number of HARQ transmissions | 4 |
| | RV sequence | 0, 2, 3, 1 |
| DM-RS | DM-RS configuration type | 1 |
| | DM-RS duration | single-symbol DM-RS |
| | Additional DM-RS position | pos1 |
| | Number of DM-RS CDM group(s) without data | 2 |
| | Ratio of PUSCH EPRE to DM-RS EPRE | -3 dB |
| | DM-RS port | 0 |
| DM-RS sequence generation | | $N_{ID}^0=0, n_{SCID}=0$ |
| Time domain resource assignment | PUSCH mapping type | A, B |
| | Start symbol | 0 |
| | Allocation length | 14 |
| | Number of slots allocated for TBoMS PUSCH | 8 for FDD 2 for TDD |
| | Number of repetitions of a single TBoMS | 1 |
| Frequency domain resource assignment | RB assignment | 5 RBs in the middle of the test bandwidth |
| | Frequency hopping | Disabled |
| Code block group based PUSCH transmission | | Disabled |
| Note 1: The same requirements are applicable to TDD with different UL-DL pattern. | | |

- 4) The multipath fading emulators shall be configured according to the corresponding channel model defined in annex G.
- 5) Adjust the equipment so that required SNR specified in table 8.2.12.5-1 to 8.2.12.5-4 is achieved at the BS input.
- 6) For each of the reference channels in table 8.2.12.5-1 to 8.2.12.5-4 applicable for the base station, measure the throughput.

8.2.12.5 Test Requirement

The throughput measured according to clause 8.2.12.4.2 shall not be below the limits for the SNR levels specified in table 8.2.12.5-1 to 8.2.12.5-4.

Table 8.2.12.5-1: Test requirements for PUSCH TBoMS, Type A, 5 MHz channel bandwidth, 15 kHz SCS

| Number of TX antennas | Number of RX antennas | Cyclic prefix | Duplex | Propagation conditions and correlation matrix (Annex G) | Fraction of maximum throughput | FRC (Annex A) | Additional DM-RS position | SNR (dB) |
|-----------------------|-----------------------|---------------|--------|---|--------------------------------|---------------|---------------------------|----------|
| 1 | 2 | Normal | FDD | TDLB100-400 Low | 70% | G-FR1-A3-36 | pos1 | -1.7 |
| 1 | 2 | Normal | TDD | TDLB100-400 Low | 70% | G-FR1-A3-35 | pos1 | -1.9 |

Table 8.2.12.5-2: Test requirements for PUSCH TBoMS, Type A, 10 MHz channel bandwidth, 30 kHz SCS

| Number of TX antennas | Number of RX antennas | Cyclic prefix | Duplex | Propagation conditions and correlation matrix (Annex G) | Fraction of maximum throughput | FRC (Annex A) | Additional DM-RS position | SNR (dB) |
|-----------------------|-----------------------|---------------|--------|---|--------------------------------|---------------|---------------------------|----------|
| 1 | 2 | Normal | FDD | TDLB100-400 Low | 70% | G-FR1-A3-38 | pos1 | -1.8 |
| 1 | 2 | Normal | TDD | TDLB100-400 Low | 70% | G-FR1-A3-37 | pos1 | -1.9 |

Table 8.2.12.5-3: Test requirements for PUSCH TBoMS, Type B, 5 MHz channel bandwidth, 15 kHz SCS

| Number of TX antennas | Number of RX antennas | Cyclic prefix | Duplex | Propagation conditions and correlation matrix (Annex G) | Fraction of maximum throughput | FRC (Annex A) | Additional DM-RS position | SNR (dB) |
|-----------------------|-----------------------|---------------|--------|---|--------------------------------|---------------|---------------------------|----------|
| 1 | 2 | Normal | FDD | TDLB100-400 Low | 70% | G-FR1-A3-36 | pos1 | -1.5 |
| 1 | 2 | Normal | TDD | TDLB100-400 Low | 70% | G-FR1-A3-35 | pos1 | -1.9 |

Table 8.2.12.5-4: Test requirements for PUSCH TBoMS, Type B, 10 MHz channel bandwidth, 30 kHz SCS

| Number of TX antennas | Number of RX antennas | Cyclic prefix | Duplex | Propagation conditions and correlation matrix (Annex G) | Fraction of maximum throughput | FRC (Annex A) | Additional DM-RS position | SNR (dB) |
|-----------------------|-----------------------|---------------|--------|---|--------------------------------|---------------|---------------------------|----------|
| 1 | 2 | Normal | FDD | TDLB100-400 Low | 70% | G-FR1-A3-38 | pos1 | -1.8 |
| 1 | 2 | Normal | TDD | TDLB100-400 Low | 70% | G-FR1-A3-37 | pos1 | -1.9 |

8.2.13 Performance requirements for PUSCH with DMRS bundling

8.2.13.1 Definition and applicability

The performance requirement of PUSCH with DMRS bundling is determined by a minimum required throughput for a given SNR. The required throughput is expressed as a fraction of maximum throughput for the FRCs listed in annex A. The performance requirements assume HARQ re-transmissions.

Which specific test(s) are applicable to BS is based on the test applicability rules defined in clause 8.1.2.9.

8.2.13.2 Minimum Requirement

The minimum requirement is in TS 38.104 [2] clause 8.2.13.

8.2.13.3 Test Purpose

The test shall verify the receiver's ability to achieve throughput under multipath fading propagation conditions for a given SNR with DMRS bundling.

8.2.13.4 Method of test

8.2.13.4.1 Initial Conditions

Test environment: Normal, see annex B.2.

RF channels to be tested for single carrier: M ; see clause 4.9.1.

RF channels to be tested for carrier aggregation: $M_{\text{BW Channel CA}}$; see clause 4.9.1.

8.2.13.4.2 Procedure

- 1) Connect the BS tester generating the wanted signal, multipath fading simulators and AWGN generators to all BS antenna connectors for diversity reception via a combining network as shown in annex D.5 and D.6 for *BS type I-C* and *type I-H* respectively.
- 2) Adjust the AWGN generator, according to the channel bandwidth, defined in table 8.2.13.4.2-1.

Table 8.2.13.4.2-1: AWGN power level at the BS input

| Sub-carrier spacing (kHz) | Channel bandwidth (MHz) | AWGN power level |
|--|-------------------------|---------------------|
| 15kHz | 5 | -86.5 dBm / 4.5MHz |
| 30kHz | 10 | -83.6 dBm / 8.64MHz |
| NOTE: The AWGN power level contains an AWGN offset of 16dB by default. If needed for test purposes, the AWGN level can be reduced from the default by any value in the range 0dB to 16dB. Changing the AWGN level does not impact the validity of the test, as it reduces the effective base band SNR level. | | |

- 3) The characteristics of the wanted signal shall be configured according to the corresponding UL reference measurement channel defined in annex A and the test parameters in table 8.2.13.4.2-2.

Table 8.2.13.4.2-2: Test parameters for testing PUSCH with DMRS bundling

| Parameter | | Value |
|---|---|--|
| Transform precoding | | Disabled |
| Example TDD UL-DL pattern (Note 1) | | 7D1S2U, S=6D:4G:4U |
| HARQ | Maximum number of HARQ transmissions | 4 |
| | RV sequence (Note 2) | 0, 3, 0, 3 for TDD 0, 0, 0, 0 for FDD |
| DM-RS | DM-RS configuration type | 1 |
| | DM-RS duration | single-symbol DM-RS |
| | Additional DM-RS position | pos0, pos1 |
| | Number of DM-RS CDM group(s) without data | 2 |
| | Ratio of PUSCH EPRE to DM-RS EPRE | -3 dB |
| | DM-RS port(s) | {0} |
| | DM-RS sequence generation | $N_{ID^0}=0, n_{SCID}=0$ |
| Time domain resource assignment | PUSCH mapping type | A, B |
| | Start symbol | 0 |
| | Allocation length | 14 |
| pusch-TimeDomainWindowLength | | 2 for TDD 8 for FDD |
| Frequency domain resource assignment | RB assignment | Full applicable test bandwidth |
| | Frequency hopping | Disabled |
| Code block group based PUSCH transmission | | Disabled |
| NOTE 1: The same TDD requirements are applicable to different UL-DL patterns with more than one consecutive UL slots when both pusch-TimeDomainWindowLength and PUSCH aggregation factor are configured as 2 slots. The UL (re)transmission of PUSCH is only scheduled for the actual TDW including 2 consecutive UL slots. | | |
| NOTE 2: The effective RV sequence is {0, 2, 3, 1} with slot aggregation. | | |

- 4) The multipath fading emulators shall be configured according to the corresponding channel model defined in annex G.
- 5) Adjust the equipment so that required SNR specified in table 8.2.13.5-1 to table 8.2.13.5-8 is achieved at the BS input.
- 6) For each of the reference channels in table 8.2.13.5-1 to table 8.2.13.5-8 applicable for the base station, measure the throughput.

8.2.13.5 Test Requirement

The throughput measured according to clause 8.2.13.4.2 shall not be below the limits for the SNR levels specified in table 8.2.13.5-1 to table 8.2.13.5-8.

Table 8.2.13.5-1: Test requirements for PUSCH with 70% of maximum throughput, Type A, 5 MHz channel bandwidth, FDD 15 kHz SCS

| Number of TX antennas | Number of RX antennas | Cyclic prefix | Propagation conditions and correlation matrix (annex G) | Fraction of maximum throughput | FRC (annex A) | Additional DM-RS position | SNR (dB) |
|-----------------------|-----------------------|---------------|---|--------------------------------|---------------|---------------------------|----------|
| 1 | 2 | Normal | TDLA30-10 Low | 70 % | G-FR1-A3B-7 | pos0 | -9.3 |
| | | Normal | TDLA30-10 Low | 70 % | G-FR1-A3B-5 | pos1 | -7.3 |
| | 4 | Normal | TDLA30-10 Low | 70 % | G-FR1-A3B-7 | pos0 | -11.7 |
| | | Normal | TDLA30-10 Low | 70 % | G-FR1-A3B-5 | pos1 | -11.2 |
| | 8 | Normal | TDLA30-10 Low | 70 % | G-FR1-A3B-7 | pos0 | -15.0 |
| | | Normal | TDLA30-10 Low | 70 % | G-FR1-A3B-5 | pos1 | -14.4 |

Table 8.2.13.5-2: Test requirements for PUSCH with 70% of maximum throughput, Type A, 5 MHz channel bandwidth, TDD 15 kHz SCS

| Number of TX antennas | Number of RX antennas | Cyclic prefix | Propagation conditions and correlation matrix (annex G) | Fraction of maximum throughput | FRC (annex A) | Additional DM-RS position | SNR (dB) |
|-----------------------|-----------------------|---------------|---|--------------------------------|---------------|---------------------------|----------|
| 1 | 2 | Normal | TDLA30-10 Low | 70 % | G-FR1-A3B-7 | pos0 | -3.0 |
| | | Normal | TDLA30-10 Low | 70 % | G-FR1-A3B-5 | pos1 | -2.0 |
| | 4 | Normal | TDLA30-10 Low | 70 % | G-FR1-A3B-7 | pos0 | -6.2 |
| | | Normal | TDLA30-10 Low | 70 % | G-FR1-A3B-5 | pos1 | -5.6 |
| | 8 | Normal | TDLA30-10 Low | 70 % | G-FR1-A3B-7 | pos0 | -10.0 |
| | | Normal | TDLA30-10 Low | 70 % | G-FR1-A3B-5 | pos1 | -8.8 |

Table 8.2.13.5-3: Test requirements for PUSCH with 70% of maximum throughput, Type A, 10 MHz channel bandwidth, FDD 30 kHz SCS

| Number of TX antennas | Number of RX antennas | Cyclic prefix | Propagation conditions and correlation matrix (annex G) | Fraction of maximum throughput | FRC (annex A) | Additional DM-RS position | SNR (dB) |
|-----------------------|-----------------------|---------------|---|--------------------------------|---------------|---------------------------|----------|
| 1 | 2 | Normal | TDLA30-10 Low | 70 % | G-FR1-A3B-8 | pos0 | -8.9 |
| | | Normal | TDLA30-10 Low | 70 % | G-FR1-A3B-6 | pos1 | -9.2 |
| | 4 | Normal | TDLA30-10 Low | 70 % | G-FR1-A3B-8 | pos0 | -12.5 |
| | | Normal | TDLA30-10 Low | 70 % | G-FR1-A3B-6 | pos1 | -12.4 |
| | 8 | Normal | TDLA30-10 Low | 70 % | G-FR1-A3B-8 | pos0 | -15.2 |
| | | Normal | TDLA30-10 Low | 70 % | G-FR1-A3B-6 | pos1 | -14.7 |

Table 8.2.13.5-4: Test requirements for PUSCH with 70% of maximum throughput, Type A, 10 MHz channel bandwidth, TDD 30 kHz SCS

| Number of TX antennas | Number of RX antennas | Cyclic prefix | Propagation conditions and correlation matrix (annex G) | Fraction of maximum throughput | FRC (annex A) | Additional DM-RS position | SNR (dB) |
|-----------------------|-----------------------|---------------|---|--------------------------------|---------------|---------------------------|----------|
| 1 | 2 | Normal | TDLA30-10 Low | 70 % | G-FR1-A3B-8 | pos0 | -3.2 |
| | | Normal | TDLA30-10 Low | 70 % | G-FR1-A3B-6 | pos1 | -2.3 |
| | 4 | Normal | TDLA30-10 Low | 70 % | G-FR1-A3B-8 | pos0 | -6.4 |
| | | Normal | TDLA30-10 Low | 70 % | G-FR1-A3B-6 | pos1 | -5.9 |
| | 8 | Normal | TDLA30-10 Low | 70 % | G-FR1-A3B-8 | pos0 | -9.7 |
| | | Normal | TDLA30-10 Low | 70 % | G-FR1-A3B-6 | pos1 | -9.1 |

Table 8.2.13.5-5: Test requirements for PUSCH with 70% of maximum throughput, Type B, 5 MHz channel bandwidth, FDD 15 kHz SCS

| Number of TX antennas | Number of RX antennas | Cyclic prefix | Propagation conditions and correlation matrix (annex G) | Fraction of maximum throughput | FRC (annex A) | Additional DM-RS position | SNR (dB) |
|-----------------------|-----------------------|---------------|---|--------------------------------|---------------|---------------------------|----------|
| 1 | 2 | Normal | TDLA30-10 Low | 70 % | G-FR1-A3B-7 | pos0 | -9.3 |
| | | Normal | TDLA30-10 Low | 70 % | G-FR1-A3B-5 | pos1 | -7.7 |
| | 4 | Normal | TDLA30-10 Low | 70 % | G-FR1-A3B-7 | pos0 | -11.7 |
| | | Normal | TDLA30-10 Low | 70 % | G-FR1-A3B-5 | pos1 | -11.2 |
| | 8 | Normal | TDLA30-10 Low | 70 % | G-FR1-A3B-7 | pos0 | -15.0 |
| | | Normal | TDLA30-10 Low | 70 % | G-FR1-A3B-5 | pos1 | -14.4 |

Table 8.2.13.5-6: Test requirements for PUSCH with 70% of maximum throughput, Type B, 5 MHz channel bandwidth, TDD 15 kHz SCS

| Number of TX antennas | Number of RX antennas | Cyclic prefix | Propagation conditions and correlation matrix (annex G) | Fraction of maximum throughput | FRC (annex A) | Additional DM-RS position | SNR (dB) |
|-----------------------|-----------------------|---------------|---|--------------------------------|---------------|---------------------------|----------|
| 1 | 2 | Normal | TDLA30-10 Low | 70 % | G-FR1-A3B-7 | pos0 | -2.8 |
| | | Normal | TDLA30-10 Low | 70 % | G-FR1-A3B-5 | pos1 | -2.0 |
| | 4 | Normal | TDLA30-10 Low | 70 % | G-FR1-A3B-7 | pos0 | -6.2 |
| | | Normal | TDLA30-10 Low | 70 % | G-FR1-A3B-5 | pos1 | -5.7 |
| | 8 | Normal | TDLA30-10 Low | 70 % | G-FR1-A3B-7 | pos0 | -10.0 |
| | | Normal | TDLA30-10 Low | 70 % | G-FR1-A3B-5 | pos1 | -8.8 |

Table 8.2.13.5-7: Test requirements for PUSCH with 70% of maximum throughput, Type B, 10 MHz channel bandwidth, FDD 30 kHz SCS

| Number of TX antennas | Number of RX antennas | Cyclic prefix | Propagation conditions and correlation matrix (annex G) | Fraction of maximum throughput | FRC (annex A) | Additional DM-RS position | SNR (dB) |
|-----------------------|-----------------------|---------------|---|--------------------------------|---------------|---------------------------|----------|
| 1 | 2 | Normal | TDLA30-10 Low | 70 % | G-FR1-A3B-8 | pos0 | -8.9 |
| | | Normal | TDLA30-10 Low | 70 % | G-FR1-A3B-6 | pos1 | -9.2 |
| | 4 | Normal | TDLA30-10 Low | 70 % | G-FR1-A3B-8 | pos0 | -12.5 |
| | | Normal | TDLA30-10 Low | 70 % | G-FR1-A3B-6 | pos1 | -12.7 |
| | 8 | Normal | TDLA30-10 Low | 70 % | G-FR1-A3B-8 | pos0 | -15.2 |
| | | Normal | TDLA30-10 Low | 70 % | G-FR1-A3B-6 | pos1 | -14.9 |

Table 8.2.13.5-8: Test requirements for PUSCH with 70% of maximum throughput, Type B, 10 MHz channel bandwidth, TDD 30 kHz SCS

| Number of TX antennas | Number of RX antennas | Cyclic prefix | Propagation conditions and correlation matrix (annex G) | Fraction of maximum throughput | FRC (annex A) | Additional DM-RS position | SNR (dB) |
|-----------------------|-----------------------|---------------|---|--------------------------------|---------------|---------------------------|----------|
| 1 | 2 | Normal | TDLA30-10 Low | 70 % | G-FR1-A3B-8 | pos0 | -2.7 |
| | | Normal | TDLA30-10 Low | 70 % | G-FR1-A3B-6 | pos1 | -2.2 |
| | 4 | Normal | TDLA30-10 Low | 70 % | G-FR1-A3B-8 | pos0 | -6.4 |
| | | Normal | TDLA30-10 Low | 70 % | G-FR1-A3B-6 | pos1 | -5.9 |
| | 8 | Normal | TDLA30-10 Low | 70 % | G-FR1-A3B-8 | pos0 | -9.7 |
| | | Normal | TDLA30-10 Low | 70 % | G-FR1-A3B-6 | pos1 | -9.1 |

8.3 Performance requirements for PUCCH

8.3.1 Performance requirements for PUCCH format 0

8.3.1.1 Definition and applicability

The performance requirement of single user PUCCH format 0 for ACK missed detection is determined by the two parameters: probability of false detection of the ACK and the probability of detection of ACK. The performance is measured by the required SNR at probability of detection equal to 0.99. The probability of false detection of the ACK shall be 0.01 or less.

The probability of false detection of the ACK is defined as a conditional probability of erroneous detection of the ACK when input is only noise.

The probability of detection of ACK is defined as conditional probability of detection of the ACK when the signal is present.

The transient period as specified in TS 38.101-1 [21] clause 6.3.3.1 is not taken into account for performance requirement testing, where the RB hopping is symmetric to the CC center, i.e. intra-slot frequency hopping is enabled.

Which specific test(s) are applicable to BS is based on the test applicability rules defined in clause 8.1.2.

8.3.1.2 Minimum Requirement

The minimum requirements are in TS 38.104 [2] clause 8.3.1 and 8.3.2.

8.3.1.3 Test purpose

The test shall verify the receiver's ability to detect ACK under multipath fading propagation conditions for a given SNR.

8.3.1.4 Method of test

8.3.1.4.1 Initial conditions

Test environment: Normal, see annex B.2.

RF channels to be tested: single carrier M; see clause 4.9.1.

8.3.1.4.2 Procedure

- 1) Connect the BS tester generating the wanted signal, multipath fading simulators and AWGN generators to all BS antenna connectors for diversity reception via a combining network as shown in annex D.5 and D.6 for *BS type 1-C* and *type 1-H* respectively.
- 2) Adjust the AWGN generator, according to the channel bandwidth and sub-carrier spacing defined in table 8.3.1.4.2-1.

Table 8.3.1.4.2-1: AWGN power level at the BS input

| Subcarrier spacing (kHz) | Channel bandwidth (MHz) | AWGN power level |
|--------------------------|-------------------------|-----------------------|
| 15 | 5 | -83.5 dBm / 4.5 MHz |
| | 10 | -80.3 dBm / 9.36 MHz |
| | 20 | -77.2 dBm / 19.08 MHz |
| 30 | 10 | -80.6 dBm / 8.64 MHz |
| | 20 | -77.4 dBm / 18.36 MHz |
| | 40 | -74.2 dBm / 38.16 MHz |
| | 100 | -70.1 dBm / 98.28 MHz |

NOTE: The AWGN power level contains an AWGN offset of 16dB by default. If needed for test purposes, the AWGN level can be reduced from the default by any value in the range 0dB to 16dB. Changing the AWGN level does not impact the validity of the test, as it reduces the effective base band SNR level.

- 3) The characteristics of the wanted signal shall be configured according to TS 38.211 [17] and the specific test parameters are configured as mentioned in table 8.3.1.4.2-2:

Table 8.3.1.4.2-2: Test Parameters

| Parameter | Test |
|--------------------------------------|--|
| number of UCI information bits | 1 |
| Number of PRBs | 1 |
| First PRB prior to frequency hopping | 0 |
| Intra-slot frequency hopping | N/A for 1 symbol Enabled for 2 symbols |
| First PRB after frequency hopping | The largest PRB index – (Number of PRBs – 1) |
| Group and sequence hopping | neither |
| Hopping ID | 0 |
| Initial cyclic shift | 0 |
| First symbol | 13 for 1 symbol 12 for 2 symbols |

- 4) The multipath fading emulators shall be configured according to the corresponding channel model defined in annex B.
- 5) Adjust the equipment so that the SNR specified in table 8.3.1.5-1 or table 8.3.1.5-2 is achieved at the BS input during the ACK transmissions.
- 6) The signal generator sends a test pattern with the pattern outlined in figure 8.3.1.4.2-1. The following statistics are kept: the number of ACKs detected in the idle periods and the number of missed ACKs.



Figure 8.3.1.4.2-1: Test signal pattern for single user PUCCH format 0 demodulation tests

8.3.1.5 Test Requirement

The fraction of falsely detected ACKs shall be less than 1% and the fraction of correctly detected ACKs shall be larger than 99% for the SNR listed in table 8.3.1.5-1 and in table 8.3.1.5-2.

Table 8.3.1.5-1: Test requirements for PUCCH format 0 and 15 kHz SCS

| Number of TX antennas | Number of RX antennas | Propagation conditions and correlation matrix (annex G) | Number of OFDM symbols | Channel bandwidth / SNR (dB) | | |
|-----------------------|-----------------------|---|------------------------|------------------------------|--------|--------|
| | | | | 5 MHz | 10 MHz | 20 MHz |
| 1 | 2 | TDLC-300-100 Low | 1 | 10.0 | 9.4 | 9.9 |
| | | | 2 | 3.4 | 4.3 | 3.9 |
| 1 | 4 | TDLC-300-100 Low | 1 | 3.6 | 3.5 | 3.8 |
| | | | 2 | -0.4 | 0.1 | -0.2 |
| 1 | 8 | TDLC-300-100 Low | 1 | -0.5 | -0.5 | -0.5 |
| | | | 2 | -3.5 | -3.3 | -3.4 |

Table 8.3.1.5-2: Test requirements for PUCCH format 0 and 30 kHz SCS

| Number of TX antennas | Number of RX antennas | Propagation conditions and correlation matrix (annex G) | Number of OFDM symbols | Channel bandwidth / SNR (dB) | | | |
|-----------------------|-----------------------|---|------------------------|------------------------------|--------|--------|---------|
| | | | | 10 MHz | 20 MHz | 40 MHz | 100 MHz |
| 1 | 2 | TDLC-300-100 Low | 1 | 10.4 | 10.4 | 10.1 | 9.8 |
| | | | 2 | 4.8 | 4.2 | 4.4 | 4.1 |
| 1 | 4 | TDLC-300-100 Low | 1 | 4.0 | 4.0 | 3.6 | 3.9 |
| | | | 2 | 0.3 | 0.2 | 0.1 | -0.2 |
| 1 | 8 | TDLC-300-100 Low | 1 | -0.4 | -0.4 | -0.5 | -0.4 |
| | | | 2 | -3.1 | -3.2 | -3.4 | -3.3 |

8.3.2 Performance requirements for PUCCH format 1

8.3.2.1 NACK to ACK detection

8.3.2.1.1 Definition and applicability

The performance requirement of PUCCH format 1 for NACK to ACK detection is determined by the two parameters: probability of false detection of the ACK and the NACK to ACK detection probability. The performance is measured by the required SNR at probability of the NACK to ACK detection equal to 0.1% or less. The probability of false detection of the ACK shall be 0.01 or less.

The probability of false detection of the ACK is defined as a conditional probability of erroneous detection of the ACK at particular bit position when input is only noise. Each false bit detection is counted as one error.

The NACK to ACK detection probability is the probability of detecting an ACK bit when an NACK bit was sent on particular bit position. Each NACK bit erroneously detected as ACK bit is counted as one error. Erroneously detected NACK bits in the definition do not contain the NACK bits which are mapped from DTX, i.e. NACK bits received when DTX is sent should not be considered.

The transient period as specified in TS 38.101-1 [21] clause 6.3.3.1 is not taken into account for performance requirement testing, where the RB hopping is symmetric to the CC center, i.e. intra-slot frequency hopping is enabled.

Which specific test(s) are applicable to BS is based on the test applicability rules defined in clause 8.1.2.

8.3.2.1.2 Minimum Requirement

The minimum requirement is in TS 38.104 [2] clause 8.3.3.

8.3.2.1.3 Test purpose

The test shall verify the receiver's ability not to falsely detect NACK bits as ACK bits under multipath fading propagation conditions for a given SNR.

8.3.2.1.4 Method of test

8.3.2.1.4.1 Initial Conditions

Test environment: Normal; see annex B.2.

RF channels to be tested: for single carrier: M; see clause 4.9.1.

8.3.2.1.4.2 Procedure

- 1) Connect the BS tester generating the wanted signal, multipath fading simulators and AWGN generators to all BS antenna connectors for diversity reception via a combining network as shown in annex D.5 and D.6 for *BS type I-C* and *type I-H* respectively.

- 2) Adjust the AWGN generator, according to the combinations of SCS and channel bandwidth defined in table 8.3.2.1.4.2-1.

Table 8.3.2.1.4.2-1: AWGN power level at the BS input

| Sub-carrier spacing (kHz) | Channel bandwidth (MHz) | AWGN power level |
|--|-------------------------|-----------------------|
| 15 kHz | 5 | -83.5 dBm / 4.5 MHz |
| | 10 | -80.3 dBm / 9.36 MHz |
| | 20 | -77.2 dBm / 19.08 MHz |
| 30 kHz | 10 | -80.6 dBm / 8.64 MHz |
| | 20 | -77.4 dBm / 18.36 MHz |
| | 40 | -74.2 dBm / 38.16 MHz |
| | 100 | -70.1 dBm / 98.28 MHz |
| NOTE: The AWGN power level contains an AWGN offset of 16dB by default. If needed for test purposes, the AWGN level can be reduced from the default by any value in the range 0dB to 16dB. Changing the AWGN level does not impact the validity of the test, as it reduces the effective base band SNR level. | | |

- 3) The characteristics of the wanted signal shall be configured according to TS 38.211 [17], and the specific test parameters are configured as below:

Table 8.3.2.1.4.2-2: Test parameters

| Parameter | Values |
|---|---------------------------------------|
| Number of information bits | 2 |
| Number of PRBs | 1 |
| Number of symbols | 14 |
| First PRB prior to frequency hopping | 0 |
| Intra-slot frequency hopping | enabled |
| First PRB after frequency hopping | The largest PRB index - (nrofPRBs -1) |
| Group and sequence hopping | neither |
| Hopping ID | 0 |
| Initial cyclic shift | 0 |
| First symbol | 0 |
| Index of orthogonal cover code (<i>timeDomainOCC</i>) | 0 |

- 4) The multipath fading emulators shall be configured according to the corresponding channel model defined in annex G.
- 5) Adjusting the equipment so that the SNR specified in table 8.3.2.1.5-1 and table 8.3.2.1.5-2 is achieved at the BS input during the transmissions.
- 6) The signal generator sends random codeword from applicable codebook, in regular time periods. The following statistics are kept: the number of ACK bits detected in the idle periods and the number of NACK bits detected as ACK.

8.3.2.1.5 Test Requirement

The fraction of falsely detected ACK bits shall be less than 1% and the fraction of NACK bits falsely detected as ACK shall be less than 0.1% for the SNR listed in tables 8.3.2.1.5-1 and table 8.3.2.1.5-2.

Table 8.3.2.1.5-1: Required SNR for PUCCH format 1 with 15 kHz SCS

| Number of TX antennas | Number of RX antennas | Cyclic Prefix | Propagation conditions and correlation matrix (annex G) | Channel bandwidth / SNR (dB) | | |
|-----------------------|-----------------------|---------------|---|------------------------------|--------|--------|
| | | | | 5 MHz | 10 MHz | 20 MHz |
| 1 | 2 | Normal | TDLC-300-100 Low | -3.2 | -3.0 | -3.0 |
| | 4 | Normal | TDLC-300-100 Low | -7.8 | -7.0 | -7.8 |
| | 8 | Normal | TDLC-300-100 Low | -11.2 | -10.8 | -10.8 |

Table 8.3.2.1.5-2: Required SNR for PUCCH format 1 with 30 kHz SCS

| Number of TX antennas | Number of RX antennas | Cyclic Prefix | Propagation conditions and correlation matrix (annex G) | Channel bandwidth / SNR (dB) | | | |
|-----------------------|-----------------------|---------------|---|------------------------------|--------|--------|---------|
| | | | | 10 MHz | 20 MHz | 40 MHz | 100 MHz |
| 1 | 2 | Normal | TDLC-300-100 Low | -2.2 | -2.7 | -3.3 | -2.9 |
| | 4 | Normal | TDLC-300-100 Low | -7.5 | -7.7 | -6.9 | -7.4 |
| | 8 | Normal | TDLC-300-100 Low | -10.9 | -10.6 | -10.1 | -10.7 |

8.3.2.2 ACK missed detection

8.3.2.2.1 Definition and applicability

The performance requirement of PUCCH format 1 for ACK missed detection is determined by the two parameters: probability of false detection of the ACK and the probability of detection of ACK. The performance is measured by the required SNR at probability of detection equal to 0.99. The probability of false detection of the ACK shall be 0.01 or less.

The probability of false detection of the ACK is defined as a conditional probability of erroneous detection of the ACK when input is only noise.

The probability of detection of ACK is defined as conditional probability of detection of the ACK when the signal is present.

The transient period as specified in TS 38.101-1 [21] clause 6.3.3.1 is not taken into account for performance requirement testing, where the RB hopping is symmetric to the CC center, i.e. intra-slot frequency hopping is enabled.

Which specific test(s) are applicable to BS is based on the test applicability rules defined in clause 8.1.2.

8.3.2.2.2 Minimum Requirement

The minimum requirement is in TS 38.104 [2] clause 8.3.3.

8.3.2.2.3 Test purpose

The test shall verify the receiver's ability to detect ACK bits under multipath fading propagation conditions for a given SNR.

8.3.2.2.4 Method of test

8.3.2.2.4.1 Initial Conditions

Test environment: Normal; see annex B.2.

RF channels to be tested: for single carrier (SC): M; see clause 4.9.1.

8.3.2.2.4.2 Procedure

- 1) Connect the BS tester generating the wanted signal, multipath fading simulators and AWGN generators to all BS antenna connectors for diversity reception via a combining network as shown in annex D.5 and D.6 for *BS type 1-C* and *type 1-H* respectively.
- 2) Adjust the AWGN generator, according to the combinations of SCS and channel bandwidth defined in table 8.3.2.2.4.2-1.

Table 8.3.2.2.4.2-1: AWGN power level at the BS input

| Sub-carrier spacing (kHz) | Channel bandwidth (MHz) | AWGN power level |
|---------------------------|-------------------------|-----------------------|
| 15 kHz | 5 | -83.5 dBm / 4.5 MHz |
| | 10 | -80.3 dBm / 9.36 MHz |
| | 20 | -77.2 dBm / 19.08 MHz |
| 30 kHz | 10 | -80.6 dBm / 8.64 MHz |
| | 20 | -77.4 dBm / 18.36 MHz |
| | 40 | -74.2 dBm / 38.16 MHz |
| | 100 | -70.1 dBm / 98.28 MHz |

NOTE: The AWGN power level contains an AWGN offset of 16dB by default. If needed for test purposes, the AWGN level can be reduced from the default by any value in the range 0dB to 16dB. Changing the AWGN level does not impact the validity of the test, as it reduces the effective base band SNR level.

- 3) The characteristics of the wanted signal shall be configured according to TS 38.211 [17], and the specific test parameters are configured as below:

Table 8.3.2.2.4.2-2: Test parameters

| Parameter | Values |
|---|--|
| Number of information bits | 2 |
| Number of PRBs | 1 |
| Number of symbols | 14 |
| First PRB prior to frequency hopping | 0 |
| Intra-frequency hopping | enabled |
| First PRB after frequency hopping | The largest PRB index - (nrofPRBs - 1) |
| Group and sequence hopping | neither |
| Hopping ID | 0 |
| Initial cyclic shift | 0 |
| First symbol | 0 |
| Index of orthogonal cover code (<i>timeDomainOCC</i>) | 0 |

- 4) The multipath fading emulators shall be configured according to the corresponding channel model defined in annex G.
- 5) Adjusting the equipment so that the SNR specified in table 8.3.2.2.5-1 and table 8.3.2.2.5-2 is achieved at the BS input during the transmissions.
- 6) The signal generator sends random codewords from applicable codebook, in regular time periods. The following statistics are kept: the number of ACK bits falsely detected in the idle periods and the number of missed ACK bits. Each falsely detected ACK bit in the idle periods is accounted as one error for the statistics of false ACK detection, and each missed ACK bit is accounted as one error for the statistics of missed ACK detection.

Note that the procedure described in this clause for ACK missed detection has the same condition as that described in clause 8.3.2.1.4.2 for NACK to ACK detection. Both statistics are measured in the same testing.

Figure 8.3.2.2.4.2-1: Void

8.3.2.2.5 Test Requirement

The fraction of falsely detected ACK bits shall be less than 1% and the fraction of correctly detected ACK bits shall be larger than 99% for the SNR listed in tables 8.3.2.2.5-1 and table 8.3.2.2.5-2.

Table 8.3.2.2.5-1 Required SNR for PUCCH format 1 with 15 kHz SCS

| Number of TX antennas | Number of RX antennas | Cyclic Prefix | Propagation conditions and correlation matrix (annex G) | Channel bandwidth / SNR (dB) | | |
|-----------------------|-----------------------|---------------|---|------------------------------|--------|--------|
| | | | | 5 MHz | 10 MHz | 20 MHz |
| 1 | 2 | Normal | TDLC300-100 Low | -4.4 | -3.8 | -4.4 |
| | 4 | Normal | TDLC300-100 Low | -8.0 | -7.6 | -7.9 |
| | 8 | Normal | TDLC300-100 Low | -10.1 | -10.9 | -10.9 |

Table 8.3.2.2.5-2 Required SNR for PUCCH format 1 with 30 kHz SCS

| Number of TX antennas | Number of RX antennas | Cyclic Prefix | Propagation conditions and correlation matrix (annex G) | Channel bandwidth / SNR (dB) | | | |
|-----------------------|-----------------------|---------------|---|------------------------------|--------|--------|---------|
| | | | | 10 MHz | 20 MHz | 40 MHz | 100 MHz |
| 1 | 2 | Normal | TDLC300-100 Low | -3.3 | -3.8 | -3.8 | -3.6 |
| | 4 | Normal | TDLC300-100 Low | -7.4 | -7.5 | -7.8 | -7.7 |
| | 8 | Normal | TDLC300-100 Low | -10.8 | -10.8 | -10.8 | -10.8 |

8.3.3 Performance requirements for PUCCH format 2

8.3.3.1 ACK missed detection

8.3.3.1.1 Definition and applicability

The performance requirement of PUCCH format 2 for ACK missed detection is determined by the two parameters: probability of false detection of the ACK and the probability of detection of ACK. The performance is measured by the required SNR at probability of detection equal to 0.99. The probability of false detection of the ACK shall be 0.01 or less.

The probability of false detection of the ACK is defined as a probability of erroneous detection of the ACK when input is only noise.

The probability of detection of ACK is defined as probability of detection of the ACK when the signal is present.

Which specific test(s) are applicable to BS is based on the test applicability rules defined in clause 8.1.2.

8.3.3.1.2 Minimum requirements

The minimum requirements are in TS 38.104 [2] clause 8.3.4.

8.3.3.1.3 Test purpose

The test shall verify the receiver's ability to detect ACK bits under multipath fading propagation conditions for a given SNR.

8.3.3.1.4 Method of test

8.3.3.1.4.1 Initial Condition

Test environment: Normal, see annex B.2.

RF channels to be tested for single carrier; M; see clause 4.9.1

8.3.3.1.4.2 Procedure

- 1) Connect the BS tester generating the wanted signal, multipath fading simulators and AWGN generators to all BS antenna connectors for diversity reception via a combining network as shown in annex D.5 and D.6 for BS type 1-C and type 1-H respectively.
- 2) Adjust the AWGN generator, according to the channel bandwidth defined in table 8.3.3.1.4.2-1.

Table 8.3.3.1.4.2-1: AWGN power level at the BS input

| Sub-carrier spacing (kHz) | Channel bandwidth (MHz) | AWGN power level |
|---------------------------|-------------------------|-----------------------|
| 15 | 5 | -83.5 dBm / 4.5 MHz |
| | 10 | -80.3 dBm / 9.36 MHz |
| | 20 | -77.2 dBm / 19.08MHz |
| 30 | 10 | -80.6 dBm / 8.64 MHz |
| | 20 | -77.4 dBm / 18.36 MHz |
| | 40 | -74.2 dBm / 38.16 MHz |
| | 100 | -70.1 dBm / 98.28 MHz |

NOTE: The AWGN power level contains an AWGN offset of 16dB by default. If needed for test purposes, the AWGN level can be reduced from the default by any value in the range 0dB to 16dB. Changing the AWGN level does not impact the validity of the test, as it reduces the effective base band SNR level.

- 3) The characteristics of the wanted signal shall be configured according to TS 38.211 [17], and the specific test parameters are configured as blow:

Table 8.3.3.1.4.2-2: Test parameters

| Parameter | Values |
|------------------------------------|--------------|
| Modulation order | QPSK |
| Starting RB location | 0 |
| Intra-slot frequency hopping | N/A |
| Number of PRBs | 4 |
| Number of symbols | 1 |
| The number of UCI information bits | 4 |
| First symbol | 13 |
| DM-RS sequence generation | $N_{ID}^0=0$ |

- 4) The multipath fading emulators shall be configured according to the corresponding channel model defined in annex G.
- 5) Adjust the equipment so that the SNR specified in table 8.3.3.1.5-1 and table 8.3.3.1.5-2 is achieved at the BS input during the UCI transmissions.
- 6) The signal generator sends a test pattern with the pattern outlined in figure 8.3.3.1.4.2-1. The following statistics are kept: the number of ACKs detected in the idle periods and the number of missed ACKs.



Figure 8.3.3.1.4.2-1: Test signal pattern for PUCCH format 2 demodulation tests

8.3.3.1.5 Test requirements

The fraction of falsely detected ACKs shall be less than 1% and the fraction of correctly detected ACKs shall be larger than 99% for the SNR listed in table 8.3.3.1.5-1 and table 8.3.3.1.5-2.

Table 8.3.3.1.5-1: Required SNR for PUCCH format 2 with 15 kHz SCS

| Number of TX antennas | Number of RX antennas | Cyclic Prefix | Propagation conditions and correlation matrix (annex G) | Channel bandwidth / SNR (dB) | | |
|-----------------------|-----------------------|---------------|---|------------------------------|--------|--------|
| | | | | 5 MHz | 10 MHz | 20 MHz |
| 1 | 2 | Normal | TDLC300-100 Low | 6.4 | 6.2 | 6.5 |
| | 4 | Normal | TDLC300-100 Low | 1.0 | 1.1 | 0.9 |
| | 8 | Normal | TDLC300-100 Low | -2.9 | -2.9 | -2.9 |

Table 8.3.3.1.5-2: Required SNR for PUCCH format 2 with 30 kHz SCS

| Number of TX antennas | Number of RX antennas | Cyclic Prefix | Propagation conditions and correlation matrix (annex G) | Channel bandwidth / SNR (dB) | | | |
|-----------------------|-----------------------|---------------|---|------------------------------|-------|-------|--------|
| | | | | 10MHz | 20MHz | 40MHz | 100MHz |
| 1 | 2 | Normal | TDLC300-100 Low | 6.1 | 6.2 | 6.1 | 6.3 |
| | 4 | Normal | TDLC300-100 Low | 0.9 | 0.8 | 0.9 | 1.0 |
| | 8 | Normal | TDLC300-100 Low | -3.0 | -3.0 | -2.9 | -2.7 |

8.3.3.2 UCI BLER performance requirements

8.3.3.2.1 Definition and applicability

The performance is measured by the required SNR at UCI block error probability not exceeding 1%.

The UCI block error probability is defined as the probability of incorrectly decoding the UCI information when the UCI information is sent. The UCI information does not contain CSI part 2.

Which specific test(s) are applicable to BS is based on the test applicability rules defined in clause 8.1.2

The transient period as specified in TS 38.101-1 [21] clause 6.3.3.1 is not taken into account for performance requirement testing, where the RB hopping is symmetric to the CC center, i.e. intra-slot frequency hopping is enabled.

8.3.3.2.2 Minimum Requirement

The minimum requirement is TS 38.104 [2] clause 8.3.4.

8.3.3.2.3 Test purpose

The test shall verify the receiver's ability to detect UCI under multipath fading propagation conditions for a given SNR.

8.3.3.2.4 Method of test

8.3.3.2.4.1 Initial Condition

Test environment: Normal, see annex B.2.

RF channels to be tested for single carrier; M; see clause 4.9.1

8.3.3.2.4.2 Procedure

- 1) Connect the BS tester generating the wanted signal, multipath fading simulators and AWGN generators to all BS antenna connectors for diversity reception via a combining network as shown in annex D.5 and D.6 for BS type 1-C and BS type 1-H respectively.
- 2) Adjust the AWGN generator, according to the channel bandwidth defined in table 8.3.3.2.4.2-1.

Table 8.3.3.2.4.2-1: AWGN power level at the BS input

| Sub-carrier spacing (kHz) | Channel bandwidth (MHz) | AWGN power level |
|---------------------------|-------------------------|-----------------------|
| 15 | 5 | -83.5 dBm / 4.5 MHz |
| | 10 | -80.3 dBm / 9.36 MHz |
| | 20 | -77.2 dBm / 19.08 MHz |
| 30 | 10 | -80.6 dBm / 8.64 MHz |
| | 20 | -77.4 dBm / 18.36 MHz |
| | 40 | -74.2 dBm / 38.16 MHz |
| | 100 | -70.1 dBm / 98.28 MHz |

NOTE: The AWGN power level contains an AWGN offset of 16dB by default. If needed for test purposes, the AWGN level can be reduced from the default by any value in the range 0dB to 16dB. Changing the AWGN level does not impact the validity of the test, as it reduces the effective base band SNR level.

- 3) The characteristics of the wanted signal shall be configured according to TS 38.211 [17], and the specific test parameters are configured as blow:

Table 8.3.3.2.4.2-2: Test parameters

| Parameter | Values |
|--------------------------------------|--|
| Modulation order | QPSK |
| First PRB prior to frequency hopping | 0 |
| Intra-slot frequency hopping | enabled |
| First PRB after frequency hopping | The largest PRB index – (Number of PRBs - 1) |
| Number of PRBs | 9 |
| Number of symbols | 2 |
| The number of UCI information bits | 22 |
| First symbol | 12 |
| DM-RS sequence generation | $N_{ID}^0=0$ |

- 4) The multipath fading emulators shall be configured according to the corresponding channel model defined in annex G.
- 5) Adjust the equipment so that the SNR specified in table 8.3.3.2.5-1 or table 8.3.3.2.5-2 is achieved at the BS input during the UCI transmissions.
- 6) The signal generator sends a test pattern with the pattern outlined in figure 8.3.3.2.4.2-1. The following statistics are kept: the number of incorrectly decoded UCI.



Figure 8.3.3.2.4.2-1: Test signal pattern for PUCCH format 2 demodulation tests

8.3.3.2.5 Test requirements

The fraction of incorrectly decoded UCI shall be less than 1% for the SNR listed in table 8.3.3.2.5-1 and table 8.3.3.2.5-2.

Table 8.3.3.2.5-1: Required SNR for PUCCH format 2 with 15 kHz SCS

| Number of TX antennas | Number of RX antennas | Cyclic Prefix | Propagation conditions and correlation matrix (annex G) | Channel bandwidth / SNR (dB) | | |
|-----------------------|-----------------------|---------------|---|------------------------------|--------|--------|
| | | | | 5 MHz | 10 MHz | 20 MHz |
| 1 | 2 | Normal | TDLC300-100 Low | 0.8 | 1.4 | 1.8 |
| | 4 | Normal | TDLC300-100 Low | -3.0 | -2.6 | -2.6 |
| | 8 | Normal | TDLC300-100 Low | -6.2 | -6.1 | -6.2 |

Table 8.3.3.2.5-2: Required SNR for PUCCH format 2 with 30 kHz SCS

| Number of TX antennas | Number of RX antennas | Cyclic Prefix | Propagation conditions and correlation matrix (annex G) | Channel bandwidth / SNR (dB) | | | |
|-----------------------|-----------------------|---------------|---|------------------------------|-------|-------|--------|
| | | | | 10MHz | 20MHz | 40MHz | 100MHz |
| 1 | 2 | Normal | TDLC300-100 Low | 1.1 | 1.7 | 1.0 | 0.9 |
| | 4 | Normal | TDLC300-100 Low | -2.7 | -2.3 | -2.7 | -2.8 |
| | 8 | Normal | TDLC300-100 Low | -5.2 | -5.2 | -6.1 | -5.3 |

8.3.4 Performance requirements for PUCCH format 3

8.3.4.1 Definition and applicability

The performance is measured by the required SNR at UCI block error probability not exceeding 1%.

The UCI block error probability is defined as the conditional probability of incorrectly decoding the UCI information when the UCI information is sent. The UCI information does not contain CSI part 2.

The transient period as specified in TS 38.101-1 [21] clause 6.3.3.1 is not taken into account for performance requirement testing, where the RB hopping is symmetric to the CC center, i.e. intra-slot frequency hopping is enabled.

Which specific test(s) are applicable to BS is based on the test applicability rules defined in clause 8.1.2.2.

8.3.4.2 Minimum requirement

The minimum requirement is in TS 38.104 [2] clause 8.3.5.

8.3.4.3 Test purpose

The test shall verify the receiver's ability to detect UCI under multipath fading propagation conditions for a given SNR.

8.3.4.4 Method of test

8.3.4.4.1 Initial conditions

Test environment: Normal; see annex B.2.

RF channels to be tested for single carrier: M; see clause 4.9.1

8.3.4.4.2 Procedure

- 1) Connect the BS tester generating the wanted signal, multipath fading simulators and AWGN generators to all BS antenna connectors for diversity reception via a combining network as shown in annex D.5 and D.6 for *BS type 1-C* and *BS type 1-H* respectively.
- 2) Adjust the AWGN generator, according to the subcarrier spacing and channel bandwidth defined in table 8.3.4.4.2-1.

Table 8.3.4.4.2-1: AWGN power level at the BS input

| Sub-carrier spacing (kHz) | Channel bandwidth (MHz) | AWGN power level |
|---------------------------|-------------------------|-----------------------|
| 15 | 5 | -83.5 dBm / 4.5 MHz |
| | 10 | -80.3 dBm / 9.36 MHz |
| | 20 | -77.2 dBm / 19.08 MHz |
| 30 | 10 | -80.6 dBm / 8.64 MHz |
| | 20 | -77.4 dBm / 18.36 MHz |
| | 40 | -74.2 dBm / 38.16 MHz |
| | 100 | -70.1 dBm / 98.28 MHz |

NOTE: The AWGN power level contains an AWGN offset of 16dB by default. If needed for test purposes, the AWGN level can be reduced from the default by any value in the range 0dB to 16dB. Changing the AWGN level does not impact the validity of the test, as it reduces the effective base band SNR level.

- 3) The characteristics of the wanted signal shall be configured according to TS 38.211 [17]. The specific test parameters are configured as below:

Table 8.3.4.4.2-2: Test parameters

| Parameter | Test 1 | Test 2 |
|--------------------------------------|--|--------|
| Modulation order | QPSK | |
| First PRB prior to frequency hopping | 0 | |
| Intra-slot frequency hopping | enabled | |
| First PRB after frequency hopping | The largest PRB index - (Number of PRBs - 1) | |
| Group and sequence hopping | neither | |
| Hopping ID | 0 | |
| Number of PRBs | 1 | 3 |
| Number of symbols | 14 | 4 |
| The number of UCI information bits | 16 | 16 |
| First symbol | 0 | 0 |

- 4) The multipath fading emulators shall be configured according to the corresponding channel model defined in annex G.
- 5) Adjust the equipment so that the SNR specified in table 8.3.4.5-1 or table 8.3.4.5-2 is achieved at the BS input during the UCI transmissions.
- 6) The signal generator sends a test pattern with the pattern outlined in figure 8.3.4.4.2-1. The following statistics are kept: the number of incorrectly decoded UCI.



Figure 8.3.4.4.2-1: Test signal pattern for PUCCH format 3 demodulation tests

8.3.4.5 Test requirement

The fraction of incorrectly decoded UCI is shall be less than 1% for the SNR listed in table 8.3.4.5-1 and table 8.3.4.5-2.

Table 8.3.4.5-1: Required SNR for PUCCH format 3 with 15 kHz SCS

| Test Number | Number of TX antennas | Number of RX antennas | Cyclic Prefix | Propagation conditions and correlation matrix (annex G) | Additional DM-RS configuration | Channel bandwidth / SNR (dB) | | |
|-------------|-----------------------|-----------------------|---------------|---|--------------------------------|------------------------------|--------|--------|
| | | | | | | 5 MHz | 10 MHz | 20 MHz |
| 1 | 1 | 2 | Normal | TDLC300-100 Low | No additional DM-RS | 0.8 | 1.7 | 0.9 |
| | | | | | Additional DM-RS | 0.5 | 1.1 | 0.5 |
| | | 4 | Normal | TDLC300-100 Low | No additional DM-RS | -3.2 | -2.7 | -3.2 |
| | | | | | Additional DM-RS | -3.7 | -3.4 | -3.4 |
| | | 8 | Normal | TDLC300-100 Low | No additional DM-RS | -6.4 | -6.1 | -6.3 |
| | | | | | Additional DM-RS | -7.1 | -6.9 | -7.1 |
| 2 | 1 | 2 | Normal | TDLC300-100 Low | No additional DM-RS | 2.0 | 2.8 | 2.6 |
| | | 4 | Normal | TDLC300-100 Low | No additional DM-RS | -2.5 | -1.9 | -1.9 |
| | | 8 | Normal | TDLC300-100 Low | No additional DM-RS | -5.9 | -5.4 | -5.6 |

Table 8.3.4.5-2: Required SNR for PUCCH format 3 with 30 kHz SCS

| Test Number | Number of TX antennas | Number of RX antennas | Cyclic Prefix | Propagation conditions and correlation matrix (annex G) | Additional DM-RS configuration | Channel bandwidth / SNR (dB) | | | |
|-------------|-----------------------|-----------------------|---------------|---|--------------------------------|------------------------------|--------|--------|---------|
| | | | | | | 10 MHz | 20 MHz | 40 MHz | 100 MHz |
| 1 | 1 | 2 | Normal | TDLC300-100 Low | No additional DM-RS | 1.5 | 1.2 | 1.2 | 1.5 |
| | | | | | Additional DM-RS | 1.1 | 0.9 | 0.6 | 0.7 |
| | | 4 | Normal | TDLC300-100 Low | No additional DM-RS | -2.5 | -2.8 | -2.6 | -2.9 |
| | | | | | Additional DM-RS | -3.1 | -3.5 | -3.4 | -3.6 |
| | | 8 | Normal | TDLC300-100 Low | No additional DM-RS | -6.0 | -6.1 | -6.2 | -6.2 |
| | | | | | Additional DM-RS | -6.9 | -7.0 | -7.0 | -7.1 |
| 2 | 1 | 2 | Normal | TDLC300-100 Low | No additional DM-RS | 2.4 | 2.6 | 2.6 | 2.1 |
| | | 4 | Normal | TDLC300-100 Low | No additional DM-RS | -2.3 | -2.4 | -1.8 | -2.4 |
| | | 8 | Normal | TDLC300-100 Low | No additional DM-RS | -5.8 | -5.4 | -5.8 | -5.6 |

8.3.5 Performance requirements for PUCCH format 4

8.3.5.1 Definition and applicability

The performance is measured by the required SNR at UCI block error probability not exceeding 1%.

The UCI block error probability is defined as the conditional probability of incorrectly decoding the UCI information when the UCI information is sent. The UCI information does not contain CSI part 2.

The transient period as specified in TS 38.101-1 [21] clause 6.3.3.1 is not taken into account for performance requirement testing, where the RB hopping is symmetric to the CC center, i.e. intra-slot frequency hopping is enabled.

Which specific test(s) are applicable to BS is based on the test applicability rules defined in clause 8.1.2.2.

8.3.5.2 Minimum requirement

The minimum requirement is in TS 38.104 [2] clause 8.3.6.

8.3.5.3 Test purpose

The test shall verify the receiver's ability to detect UCI under multipath fading propagation conditions for a given SNR.

8.3.5.4 Method of test

8.3.5.4.1 Initial conditions

Test environment: Normal; see annex B.2.

RF channels to be tested for single carrier: M; see clause 4.9.1

8.3.5.4.2 Procedure

- 1) Connect the BS tester generating the wanted signal, multipath fading simulators and AWGN generators to all BS antenna connectors for diversity reception via a combining network as shown in annex D.5 and D.6 for *BS type I-C* and *BS type I-H* respectively.
- 2) Adjust the AWGN generator, according to the subcarrier spacing and channel bandwidth defined in table 8.3.5.4.2-1.

Table 8.3.5.4.2-1: AWGN power level at the BS input

| Sub-carrier spacing (kHz) | Channel bandwidth (MHz) | AWGN power level |
|---------------------------|-------------------------|-----------------------|
| 15 | 5 | -83.5 dBm / 4.5 MHz |
| | 10 | -80.3 dBm / 9.36 MHz |
| | 20 | -77.2 dBm / 19.08 MHz |
| 30 | 10 | -80.6 dBm / 8.64 MHz |
| | 20 | -77.4 dBm / 18.36 MHz |
| | 40 | -74.2 dBm / 38.16 MHz |
| | 100 | -70.1 dBm / 98.28 MHz |

NOTE: The AWGN power level contains an AWGN offset of 16dB by default. If needed for test purposes, the AWGN level can be reduced from the default by any value in the range 0dB to 16dB. Changing the AWGN level does not impact the validity of the test, as it reduces the effective base band SNR level.

- 3) The characteristics of the wanted signal shall be configured according to TS 38.211 [17]. The test parameters are configured as below:

Table 8.3.5.4.2-2: Test parameters

| Parameter | Values |
|--------------------------------------|--|
| Modulation order | QPSK |
| First PRB prior to frequency hopping | 0 |
| Number of PRBs | 1 |
| Intra-slot frequency hopping | enabled |
| First PRB after frequency hopping | The largest PRB index - (Number of PRBs - 1) |
| Group and sequence hopping | neither |
| Hopping ID | 0 |
| Number of symbols | 14 |
| The number of UCI information bits | 22 |
| First symbol | 0 |
| Length of the orthogonal cover code | n2 |
| Index of the orthogonal cover code | n0 |

- 4) The multipath fading emulators shall be configured according to the corresponding channel model defined in annex G.
- 5) Adjust the equipment so that the SNR specified in table 8.3.5.5-1 or table 8.3.5.5-2 is achieved at the BS input during the UCI transmissions.
- 6) The signal generator sends a test pattern with the pattern outlined in figure 8.3.5.4.2-1. The following statistics are kept: the number of incorrectly decoded UCI.



Figure 8.3.5.4.2-1: Test signal pattern for PUCCH format 4 demodulation tests

8.3.5.5 Test requirement

The fraction of incorrectly decoded UCI is shall be less than 1% for the SNR listed in table 8.3.5.5-1 and table 8.3.5.5-2.

Table 8.3.5.5-1: Required SNR for PUCCH format 4 with 15 kHz SCS

| Number of TX antennas | Number of RX antennas | Cyclic Prefix | Propagation conditions and correlation matrix (annex G) | Additional DM-RS configuration | Channel bandwidth / SNR (dB) | | |
|-----------------------|-----------------------|---------------|---|--------------------------------|------------------------------|--------|--------|
| | | | | | 5 MHz | 10 MHz | 20 MHz |
| 1 | 2 | Normal | TDLC300-100 Low | No additional DM-RS | 2.4 | 3.2 | 2.8 |
| | | | | Additional DM-RS | 2.2 | 3.0 | 2.4 |
| | 4 | Normal | TDLC300-100 Low | No additional DM-RS | -1.7 | -1.3 | -1.6 |
| | | | | Additional DM-RS | -2.3 | -2.0 | -2.1 |
| | 8 | Normal | TDLC300-100 Low | No additional DM-RS | -5.3 | -5.1 | -5.2 |
| | | | | Additional DM-RS | -6.0 | -5.8 | -5.7 |

Table 8.3.5.5-2: Required SNR for PUCCH format 4 with 30 kHz SCS

| Number of TX antennas | Number of RX antennas | Cyclic Prefix | Propagation conditions and correlation matrix (annex G) | Additional DM-RS configuration | Channel bandwidth / SNR (dB) | | | |
|-----------------------|-----------------------|---------------|---|--------------------------------|------------------------------|--------|--------|---------|
| | | | | | 10 MHz | 20 MHz | 40 MHz | 100 MHz |
| 1 | 2 | Normal | TDLC300-100 Low | No additional DM-RS | 3.7 | 3.4 | 3.7 | 3.4 |
| | | | | Additional DM-RS | 3.4 | 2.9 | 3.7 | 2.8 |
| | 4 | Normal | TDLC300-100 Low | No additional DM-RS | -1.1 | -1.3 | -1.1 | -1.5 |
| | | | | Additional DM-RS | -1.4 | -1.9 | -1.9 | -1.8 |
| | 8 | Normal | TDLC300-100 Low | No additional DM-RS | -5.0 | -4.9 | -4.9 | -4.9 |
| | | | | Additional DM-RS | -5.6 | -5.5 | -5.8 | -5.6 |

8.3.6 Performance requirements for multi-slot PUCCH

8.3.6.1 Performance requirements for multi-slot PUCCH format 1

8.3.6.1.1 NACK to ACK detection

8.3.6.1.1.1 Definition and applicability

The performance requirement of multi-slot PUCCH format 1 for NACK to ACK detection is determined by the two parameters: probability of false detection of the ACK and the NACK to ACK detection probability. The performance is measured by the required SNR at probability of the NACK to ACK detection equal to 0.1 % or less. The probability of false detection of the ACK shall be 1 % or less.

The probability of false detection of the ACK is defined as a conditional probability of erroneous detection of the ACK at particular bit position when input is only noise. Each false bit detection is counted as one error.

The NACK to ACK detection probability is the probability of detecting an ACK bit when an NACK bit was sent on particular bit position. Each NACK bit erroneously detected as ACK bit is counted as one error. Erroneously detected NACK bits in the definition do not contain the NACK bits which are mapped from DTX, i.e. NACK bits received when DTX is sent should not be considered.

Which specific test(s) are applicable to BS is based on the test applicability rules defined in clause 8.1.2.2.

8.3.6.1.1.2 Minimum Requirement

The minimum requirement is in TS 38.104 [2] clause 8.3.3.

8.3.6.1.1.3 Test purpose

The test shall verify the receiver's ability not to falsely detect NACK bits as ACK bits under multipath fading propagation conditions for a given SNR.

8.3.6.1.1.4 Method of test

8.3.6.1.1.4.1 Initial conditions

Test environment: Normal; see annex B.2.

RF channels to be tested: for single carrier: M; see clause 4.9.1.

8.3.6.1.1.4.2 Procedure

- 1) Connect the BS tester generating the wanted signal, multipath fading simulators and AWGN generators to all BS antenna connectors for diversity reception via a combining network as shown in annex D.5 and D.6 for *BS type 1-C* and *BS type 1-H* respectively.
- 2) Adjust the AWGN generator, according to the combinations of SCS and channel bandwidth defined in Table 8.3.6.1.1.4.2-1.

Table 8.3.6.1.1.4.2-1: AWGN power level at the BS input

| Sub-carrier spacing (kHz) | Channel bandwidth (MHz) | AWGN power level |
|--|-------------------------|-----------------------|
| 15 | 5 | -83.5 dBm / 4.5 MHz |
| | 10 | -80.3 dBm / 9.36 MHz |
| | 20 | -77.2 dBm / 19.08 MHz |
| 30 | 10 | -80.6 dBm / 8.64 MHz |
| | 20 | -77.4 dBm / 18.36 MHz |
| | 40 | -74.2 dBm / 38.16 MHz |
| | 100 | -70.1 dBm / 98.28 MHz |
| NOTE: The AWGN power level contains an AWGN offset of 16dB by default. If needed for test purposes, the AWGN level can be reduced from the default by any value in the range 0dB to 16dB. Changing the AWGN level does not impact the validity of the test, as it reduces the effective base band SNR level. | | |

- 3) The characteristics of the wanted signal shall be configured according to TS 38.211 [17], and the specific test parameters are configured as below:

Table 8.3.6.1.1.4.2-2: Test parameters for multi-slot PUCCH format 1

| Parameter | Test |
|---|--|
| Number of information bits | 2 |
| Number of PRBs | 1 |
| Number of symbols | 14 |
| First PRB prior to frequency hopping | 0 |
| Intra-slot frequency hopping | disabled |
| Inter-slot frequency hopping | enabled |
| First PRB after frequency hopping | The largest PRB index - (nrofPRBs - 1) |
| Group and sequence hopping | neither |
| Hopping ID | 0 |
| Initial cyclic shift | 0 |
| First symbol | 0 |
| Index of orthogonal cover code (<i>timeDomainOCC</i>) | 0 |
| Number of slots for PUCCH repetition | 2 |

- 4) The multipath fading emulators shall be configured according to the corresponding channel model defined in annex G.
- 5) Adjusting the equipment so that the SNR specified in table 8.3.6.1.1.5-1 is achieved at the BS input during the transmissions.
- 6) The signal generator sends random codeword from applicable codebook, in regular time periods. The following statistics are kept: the number of ACK bits detected in the idle periods and the number of NACK bits detected as ACK.

8.3.6.1.1.5 Test Requirement

The fraction of falsely detected ACK bits shall be less than 1 % and the fraction of NACK bits falsely detected as ACK shall be less than 0.1 % for the SNR listed in table 8.3.6.1.1.5-1.

Table 8.3.6.1.1.5-1: Minimum requirements for multi-slot PUCCH format 1 with 30 kHz SCS

| Number of TX antennas | Number of RX antennas | Cyclic Prefix | Propagation conditions and correlation matrix (annex G) | Channel bandwidth / SNR (dB) |
|-----------------------|-----------------------|---------------|---|------------------------------|
| | | | | 40 MHz |
| 1 | 2 | Normal | TDLC-300-100 Low | -5.7 |

8.3.6.1.2 ACK missed detection

8.3.6.1.2.1 Definition and applicability

The performance requirement of PUCCH format 1 for ACK missed detection is determined by the two parameters: probability of false detection of the ACK and the probability of detection of ACK. The performance is measured by the required SNR at probability of detection equal to 0.99. The probability of false detection of the ACK shall be 0.01 or less.

The probability of false detection of the ACK is defined as a conditional probability of erroneous detection of the ACK when input is only noise.

The probability of detection of ACK is defined as conditional probability of detection of the ACK when the signal is present.

8.3.6.1.2.2 Minimum Requirement

The minimum requirement is in TS 38.104 [2] clause 8.3.3.

8.3.6.1.2.3 Test purpose

The test shall verify the receiver's ability to detect ACK bits under multipath fading propagation conditions for a given SNR.

8.3.6.1.2.4 Method of test

8.3.6.1.2.4.1 Initial conditions

Test environment: Normal; see annex B.2.

RF channels to be tested: for single carrier: M; see clause 4.9.1.

8.3.6.1.2.4.2 Procedure

- 1) Connect the BS tester generating the wanted signal, multipath fading simulators and AWGN generators to all BS antenna connectors for diversity reception via a combining network as shown in annex D.5 and D.6 for *BS type I-C* and *BS type I-H* respectively.
- 2) Adjust the AWGN generator, according to the combinations of SCS and channel bandwidth defined in table 8.3.6.1.2.4.2-1.

Table 8.3.6.1.2.4.2-1: AWGN power level at the BS input

| Sub-carrier spacing (kHz) | Channel bandwidth (MHz) | AWGN power level |
|--|-------------------------|-----------------------|
| 15 | 5 | -83.5 dBm / 4.5 MHz |
| | 10 | -80.3 dBm / 9.36 MHz |
| | 20 | -77.2 dBm / 19.08 MHz |
| 30 | 10 | -80.6 dBm / 8.64 MHz |
| | 20 | -77.4 dBm / 18.36 MHz |
| | 40 | -74.2 dBm / 38.16 MHz |
| | 100 | -70.1 dBm / 98.28 MHz |
| NOTE: The AWGN power level contains an AWGN offset of 16dB by default. If needed for test purposes, the AWGN level can be reduced from the default by any value in the range 0dB to 16dB. Changing the AWGN level does not impact the validity of the test, as it reduces the effective base band SNR level. | | |

- 3) The characteristics of the wanted signal shall be configured according to TS 38.211 [17], and the specific test parameters are configured as below:

Table 8.3.6.1.2.4.2-2: Test parameters for multi-slot PUCCH format 1

| Parameter | Test |
|---|--|
| Number of information bits | 2 |
| Number of PRBs | 1 |
| Number of symbols | 14 |
| First PRB prior to frequency hopping | 0 |
| Intra-slot frequency hopping | disabled |
| Inter-slot frequency hopping | enabled |
| First PRB after frequency hopping | The largest PRB index - (nrofPRBs - 1) |
| Group and sequence hopping | neither |
| Hopping ID | 0 |
| Initial cyclic shift | 0 |
| First symbol | 0 |
| Index of orthogonal cover code (<i>timeDomainOCC</i>) | 0 |
| Number of slots for PUCCH repetition | 2 |

- 4) The multipath fading emulators shall be configured according to the corresponding channel model defined in annex G.
- 5) Adjusting the equipment so that the SNR specified in table 8.3 is achieved at the BS input during the transmissions.
- 6) The signal generator sends random codewords from applicable codebook, in regular time periods. The following statistics are kept: the number of ACK bits falsely detected in the idle periods and the number of missed ACK bits. Each falsely detected ACK bit in the idle periods is accounted as one error for the statistics of false ACK detection, and each missed ACK bit is accounted as one error for the statistics of missed ACK detection.

Note that the procedure described in this clause for ACK missed detection has the same condition as that described in clause 8.3.6.1.1.4.2 for NACK to ACK detection. Both statistics are measured in the same testing.

8.3.6.1.2.5 Test Requirement

The fraction of falsely detected ACK bits shall be less than 1 % and the fraction of correctly detected ACK bits shall be larger than 99 % for the SNR listed in table 8.3.6.1.2.5-1.

Table 8.3.6.1.2.5-1: Minimum requirements for multi-slot PUCCH format 1 with 30 kHz SCS

| Number of TX antennas | Number of RX antennas | Cyclic Prefix | Propagation conditions and correlation matrix (annex G) | Channel bandwidth / SNR (dB) |
|-----------------------|-----------------------|---------------|---|------------------------------|
| | | | | 40 MHz |
| 1 | 2 | Normal | TDLC-300-100 Low | -7.0 |

8.3.7 Performance requirements for interlaced PUCCH format 0

8.3.7.1 Definition and applicability

The performance requirement of single user interlaced PUCCH format 0 for ACK missed detection is determined by the two parameters: probability of false detection of the ACK and the probability of detection of ACK. The performance is measured by the required SNR at probability of detection equal to 0.99. The probability of false detection of the ACK shall be 0.01 or less.

The probability of false detection of the ACK is defined as a conditional probability of erroneous detection of the ACK when input is only noise.

The probability of detection of ACK is defined as conditional probability of detection of the ACK when the signal is present.

The ACK missed detection requirement only applies to the PUCCH format 0 with 1 UCI bits. The UCI information only constrains ACK information

The 1bit UCI information is further defined with bitmap as [1].

Which specific test(s) are applicable to BS is based on the test applicability rules defined in clause 8.1.2.6.

8.3.7.2 Minimum Requirement

The minimum requirements are in TS 38.104 [2] clause 8.3.8.

8.3.7.3 Test purpose

The test shall verify the receiver's ability to detect ACK under multipath fading propagation conditions for a given SNR.

8.3.7.4 Method of test

8.3.7.4.1 Initial conditions

Test environment: Normal, see annex B.2.

RF channels to be tested: single carrier M; see clause 4.9.1.

8.3.7.4.2 Procedure

- 1) Connect the BS tester generating the wanted signal, multipath fading simulators and AWGN generators to all BS antenna connectors for diversity reception via a combining network as shown in annex D.5 and D.6 for *BS type I-C* and *type I-H* respectively.
- 2) Adjust the AWGN generator, according to the channel bandwidth and sub-carrier spacing defined in table 8.3.7.4.2-1.

Table 8.3.7.4.2-1: AWGN power level at the BS input

| Subcarrier spacing (kHz) | Channel bandwidth (MHz) | AWGN power level |
|--------------------------|-------------------------|-----------------------|
| 15 | 20 | -77.2 dBm / 19.08 MHz |
| 30 | 20 | -77.4 dBm / 18.36 MHz |

3) The characteristics of the wanted signal shall be configured according to TS 38.211 [17] and the specific test parameters are configured as mentioned in table 8.3.7.4.2-2:

Table 8.3.7.4.2-2: Test Parameters

| Parameter | Test |
|--|--------------------|
| Number of UCI information bits | 1 |
| Number of symbols | 1 |
| Intra-slot frequency hopping | N/A |
| Group and sequence hopping | neither |
| Hopping ID | 0 |
| Initial cyclic shift | 0 |
| First symbol | 13 |
| Number of interlaces | 1 |
| Interlace index | 0 ^{Note1} |
| NOTE 1: RBs 0, 10, 20, ..., 100 are allocated for 15kHz SCS and RBs 0, 5, 10, ..., 50 are allocated for 30kHz SCS. | |

- 4) The multipath fading emulators shall be configured according to the corresponding channel model defined in annex B.
- 5) Adjust the equipment so that the SNR specified in table 8.3.7.5-1 or table 8.3.7.5-2 is achieved at the BS input during the ACK transmissions.
- 6) The signal generator sends a test pattern with the pattern outlined in figure 8.3.7.4.2-1. The following statistics are kept: the number of ACKs detected in the idle periods and the number of missed ACKs.



Figure 8.3.7.4.2-1: Test signal pattern for single user interlaced PUCCH format 0 demodulation tests

8.3.7.5 Test Requirement

The fraction of falsely detected ACKs shall be less than 1% and the fraction of correctly detected ACKs shall be larger than 99% for the SNR listed in table 8.3.7.5-1.

Table 8.3.7.5-1: Test requirements for interlaced PUCCH format 0 with 15 kHz SCS, 20MHz channel bandwidth

| Number of Tx antennas | Number of RX antennas | Propagation conditions and correlation matrix (Annex G) | Number of OFDM symbols | SNR (dB) |
|-----------------------|-----------------------|---|------------------------|----------|
| 1 | 2 | TDLA30-10 Low | 1 | -2.2 |

Table 8.3.7.5-2: Test requirements for interlaced PUCCH format 0 with 30 kHz SCS, 20MHz channel bandwidth

| Number of Tx antennas | Number of RX antennas | Propagation conditions and correlation matrix (Annex G) | Number of OFDM symbols | SNR (dB) |
|-----------------------|-----------------------|---|------------------------|----------|
| 1 | 2 | TDLA30-10 Low | 1 | -1.4 |

8.3.8 Performance requirements for interlaced PUCCH format 1

8.3.8.1 NACK to ACK detection

8.3.8.1.1 Definition and applicability

The performance requirement of interlaced PUCCH format 1 for NACK to ACK detection is determined by the two parameters: probability of false detection of the ACK and the NACK to ACK detection probability. The performance is measured by the required SNR at probability of the NACK to ACK detection equal to 0.1% or less. The probability of false detection of the ACK shall be 0.01 or less.

The probability of false detection of the ACK is defined as a conditional probability of erroneous detection of the ACK at particular bit position when input is only noise. Each false bit detection is counted as one error.

The NACK to ACK detection probability is the probability of detecting an ACK bit when a NACK bit was sent on particular bit position. Each NACK bit erroneously detected as ACK bit is counted as one error. Erroneously detected NACK bits in the definition do not contain the NACK bits which are mapped from DTX, i.e. NACK bits received when DTX is sent should not be considered.

The NACK to ACK detection requirement only applies to the PUCCH format 1 with 2 UCI bits. The UCI information only contains ACK/NACK information

The 2bits UCI information is further defined with bitmap as [0 1].

Which specific test(s) are applicable to BS is based on the test applicability rules defined in clause 8.1.2.6.

8.3.8.1.2 Minimum Requirement

The minimum requirement is in TS 38.104 [2] clause 8.3.9.

8.3.8.1.3 Test purpose

The test shall verify the receiver's ability not to falsely detect NACK bits as ACK bits under multipath fading propagation conditions for a given SNR.

8.3.8.1.4 Method of test

8.3.8.1.4.1 Initial Conditions

Test environment: Normal; see annex B.2.

RF channels to be tested: for single carrier: M; see clause 4.9.1.

8.3.8.1.4.2 Procedure

- 1) Connect the BS tester generating the wanted signal, multipath fading simulators and AWGN generators to all BS antenna connectors for diversity reception via a combining network as shown in annex D.5 and D.6 for *BS type 1-C* and *type 1-H* respectively.
- 2) Adjust the AWGN generator, according to the combinations of SCS and channel bandwidth defined in table 8.3.8.1.4.2-1.

Table 8.3.8.1.4.2-1: AWGN power level at the BS input

| Sub-carrier spacing (kHz) | Channel bandwidth (MHz) | AWGN power level |
|---------------------------|-------------------------|-----------------------|
| 15 | 20 | -77.2 dBm / 19.08 MHz |
| 30 | 20 | -77.4 dBm / 18.36 MHz |

- 3) The characteristics of the wanted signal shall be configured according to TS 38.211 [17], and the specific test parameters are configured as below:

Table 8.3.8.1.4.2-2: Test parameters

| Parameter | Test |
|--|--------------------|
| Number of information bits | 2 |
| Number of symbols | 14 |
| Intra-slot frequency hopping | N/A |
| Group and sequence hopping | neither |
| Hopping ID | 0 |
| Initial cyclic shift | 0 |
| First symbol | 0 |
| Index of orthogonal cover code (<i>timeDomainOCC</i>) | 0 |
| Number of interlace | 1 |
| Interlace index | 0 ^{Note1} |
| NOTE 1: RBs 0, 10, 20, ..., 100 are allocated for 15kHz SCS and RBs 0, 5, 10, ..., 50 are allocated for 30kHz SCS. | |

- 4) The multipath fading emulators shall be configured according to the corresponding channel model defined in annex G.
- 5) Adjusting the equipment so that the SNR specified in table 8.3.8.1.5-1 and table 8.3.8.1.5-2 is achieved at the BS input during the transmissions.
- 6) The signal generator sends random codeword from applicable codebook, in regular time periods. The following statistics are kept: the number of ACK bits detected in the idle periods and the number of NACK bits detected as ACK.

8.3.8.1.5 Test Requirement

The fraction of falsely detected ACK bits shall be less than 1% and the fraction of NACK bits falsely detected as ACK shall be less than 0.1% for the SNR listed in tables 8.3.8.1.5-1.

Table 8.3.8.1.5-1: Required SNR for interlaced PUCCH format 1 with 15 kHz SCS, 20MHz channel bandwidth

| Number of Tx antennas | Number of RX antennas | Cyclic-Prefix | Propagation conditions and correlation matrix (Annex G) | SNR (dB) |
|-----------------------|-----------------------|---------------|---|----------|
| 1 | 2 | Normal | TDLA30-10 Low | -13.2 |

Table 8.3.8.1.5-2: Required SNR for interlaced PUCCH format 1 with 30 kHz SCS, 20MHz channel bandwidth

| Number of Tx antennas | Number of RX antennas | Cyclic-Prefix | Propagation conditions and correlation matrix (Annex G) | SNR (dB) |
|-----------------------|-----------------------|---------------|---|----------|
| 1 | 2 | Normal | TDLA30-10 Low | -12.7 |

8.3.8.2 ACK missed detection

8.3.8.2.1 Definition and applicability

The performance requirement of interlaced PUCCH format 1 for ACK missed detection is determined by the two parameters: probability of false detection of the ACK and the probability of detection of ACK. The performance is measured by the required SNR at probability of detection equal to 0.99. The probability of false detection of the ACK shall be 0.01 or less.

The probability of false detection of the ACK is defined as a conditional probability of erroneous detection of the ACK when input is only noise.

The probability of detection of ACK is defined as conditional probability of detection of the ACK when the signal is present.

The ACK missed detection requirement only applies to the PUCCH format 1 with 2 UCI bits. The UCI information only contains ACK/NACK information.

The 2bits UCI information is further defined with bitmap as [0 1].

Which specific test(s) are applicable to BS is based on the test applicability rules defined in clause 8.1.2.6.

8.3.8.2.2 Minimum Requirement

The minimum requirement is in TS 38.104 [2] clause 8.3.9.

8.3.8.2.3 Test purpose

The test shall verify the receiver's ability to detect ACK bits under multipath fading propagation conditions for a given SNR.

8.3.8.2.4 Method of test

8.3.8.2.4.1 Initial Conditions

Test environment: Normal; see annex B.2.

RF channels to be tested: for single carrier (SC): M; see clause 4.9.1.

8.3.8.2.4.2 Procedure

- 1) Connect the BS tester generating the wanted signal, multipath fading simulators and AWGN generators to all BS antenna connectors for diversity reception via a combining network as shown in annex D.5 and D.6 for *BS type 1-C* and *type 1-H* respectively.
- 2) Adjust the AWGN generator, according to the combinations of SCS and channel bandwidth defined in table 8.3.8.2.4.2-1.

Table 8.3.8.2.4.2-1: AWGN power level at the BS input

| Sub-carrier spacing (kHz) | Channel bandwidth (MHz) | AWGN power level |
|---------------------------|-------------------------|-----------------------|
| 15 | 20 | -77.2 dBm / 19.08 MHz |
| 30 | 20 | -77.4 dBm / 18.36 MHz |

- 3) The characteristics of the wanted signal shall be configured according to TS 38.211 [17], and the specific test parameters are configured as below:

Table 8.3.8.2.4.2-2: Test parameters

| Parameter | Test |
|---|--------------------|
| Number of information bits | 2 |
| Number of symbols | 14 |
| Intra-slot frequency hopping | N/A |
| Group and sequence hopping | neither |
| Hopping ID | 0 |
| Initial cyclic shift | 0 |
| First symbol | 0 |
| Index of orthogonal cover code (<i>timeDomainOCC</i>) | 0 |
| Number of interlace | 1 |
| Interlace index | 0 ^{Note1} |
| NOTE 1: RBs 0, 10, 20, ..., 100 are allocated for 15kHz SCS and RBs 0, 5, 10, ..., 50 are allocated for 30kHz SCS. | |

- 4) The multipath fading emulators shall be configured according to the corresponding channel model defined in annex G.
- 5) Adjusting the equipment so that the SNR specified in table 8.3.8.2.5-1 and table 8.3.8.2.5-2 is achieved at the BS input during the transmissions.
- 6) The signal generator sends random codewords from applicable codebook, in regular time periods. The following statistics are kept: the number of ACK bits falsely detected in the idle periods and the number of missed ACK bits. Each falsely detected ACK bit in the idle periods is accounted as one error for the statistics of false ACK detection, and each missed ACK bit is accounted as one error for the statistics of missed ACK detection.

Note that the procedure described in this clause for ACK missed detection has the same condition as that described in clause 8.3.8.1.4.2 for NACK to ACK detection. Both statistics are measured in the same testing.

8.3.8.2.5 Test Requirement

The fraction of falsely detected ACK bits shall be less than 1% and the fraction of correctly detected ACK bits shall be larger than 99% for the SNR listed in tables 8.3.8.2.5-1.

Table 8.3.8.2.5-1 Required SNR for interlaced PUCCH format 1 with 15 kHz SCS, 20MHz channel bandwidth

| Number of Tx antennas | Number of RX antennas | Cyclic-Prefix | Propagation conditions and correlation matrix (Annex G) | SNR (dB) |
|-----------------------|-----------------------|---------------|---|----------|
| 1 | 2 | Normal | TDLA30-10 Low | -13.8 |

Table 8.3.8.2.5-2 Required SNR for interlaced PUCCH format 1 with 30 kHz SCS, 20MHz channel bandwidth

| Number of Tx antennas | Number of RX antennas | Cyclic-Prefix | Propagation conditions and correlation matrix (Annex G) | SNR (dB) |
|-----------------------|-----------------------|---------------|---|----------|
| 1 | 2 | Normal | TDLA30-10 Low | -13.5 |

8.3.9 Performance requirements for interlaced PUCCH format 2

8.3.9.1 Definition and applicability

The performance is measured by the required SNR at UCI block error probability not exceeding 1%.

The UCI block error probability (BLER) is defined as the probability of incorrectly decoding the UCI information when the UCI information is sent. The UCI information does not contain CSI part 2.

The UCI block error probability performance requirement only applies to the PUCCH format 2 with 22 UCI bits.

The 22bits UCI information case is assumed random information bit selection.

Which specific test(s) are applicable to BS is based on the test applicability rules defines in clause 8.1.2.6.

8.3.9.2 Minimum requirement

The minimum requirement is in TS 38.104 [2] clause 8.3.10.

8.3.9.3 Test purpose

The test shall verify the receiver's ability to detect UCI under multipath fading propagation conditions for a given SNR.

8.3.9.4 Method of test

8.3.9.4.1 Initial conditions

Test environment: Normal; see annex B.2.

RF channels to be tested for single carrier: M; see clause 4.9.1

8.3.9.4.2 Procedure

- 1) Connect the BS tester generating the wanted signal, multipath fading simulators and AWGN generators to all BS antenna connectors for diversity reception via a combining network as shown in annex D.5 and D.6 for *BS type I-C* and *BS type I-H* respectively.
- 2) Adjust the AWGN generator, according to the subcarrier spacing and channel bandwidth defined in table 8.3.9.4.2-1.

Table 8.3.9.4.2-1: AWGN power level at the BS input

| Sub-carrier spacing (kHz) | Channel bandwidth (MHz) | AWGN power level |
|--|-------------------------|-----------------------|
| 15 | 20 | -77.2 dBm / 19.08 MHz |
| 30 | 20 | -77.4 dBm / 18.36 MHz |
| NOTE 1: The AWGN power level contains an AWGN offset of 16dB by default. If needed for test purposes, the AWGN level can be reduced from the default by any value in the range 0dB to 16dB. Changing the AWGN level does not impact the validity of the test, as it reduces the effective base band SNR level. | | |

- 3) The characteristics of the wanted signal shall be configured according to TS 38.211 [17]. The specific test parameters are configured as below:

Table 8.3.9.4.2-2: Test parameters

| Parameter | Value |
|---|----------------|
| Modulation order | QSPK |
| Intra-slot frequency hopping | N/A |
| Number of symbols | 1 |
| The number of UCI information bits | 22 |
| First symbol | 13 |
| DM-RS sequence generation | $N_{ID}^0=0$ |
| Number of interlaces | 1 |
| Interlace index | 0(note 1) |
| OCC-length-r16 | Not configured |
| NOTE 1: RBs 0,10,20,...,100 are allocated for 15kHz SCS and RBs 0, 5, 10,...,50 are allocated for 30kHz SCS | |

- 4) The multipath fading emulators shall be configured according to the corresponding channel model defined in annex G.
- 5) Adjust the equipment so that the SNR specified in table 8.3.9.5-1 or table 8.3.9.5-2 is achieved at the BS input during the UCI transmissions.
- 6) The signal generator sends a test pattern with the pattern outlined in figure 8.3.9.4.2-1. The following statistics are kept: the number of incorrectly decoded UCI.



Figure 8.3.9.4.2-1: Test signal pattern for interlaced PUCCH format 2 demodulation tests

8.3.9.5 Test requirement

The fraction of incorrectly decoded UCI is shall be less than 1% for the SNR listed in table 8.3.9.5-1 and table 8.3.9.5-2.

Table 8.3.9.5-1: Required SNR for interlaced PUCCH format 2 with 15 kHz SCS, 20 MHz channel bandwidth

| Number of TX antennas | Number of RX antennas | Cyclic Prefix | Propagation conditions and correlation matrix (Annex G) | SNR(dB) |
|-----------------------|-----------------------|---------------|---|---------|
| 1 | 2 | Normal | TDLA30-10 Low | 4.1 |

Table 8.3.9.5-2: Required SNR for interlaced PUCCH format 2 with 30 kHz SCS, 20 MHz channel bandwidth

| Number of TX antennas | Number of RX antennas | Cyclic Prefix | Propagation conditions and correlation matrix (Annex G) | SNR(dB) |
|-----------------------|-----------------------|---------------|---|---------|
| 1 | 2 | Normal | TDLA30-10 Low | 4.5 |

8.3.10 Performance requirements for interlaced PUCCH format 3

8.3.10.1 Definition and applicability

The performance requirement of interlaced PUCCH format 3 for ACK missed detection is determined by the two parameters: probability of false detection of the ACK and the probability of detection of ACK. The performance is measured by the required SNR at probability of detection equal to 0.99. The probability of false detection of the ACK shall be 0.01 or less.

The probability of false detection of the ACK is defined as a probability of erroneous detection of the ACK when input is only noise.

The probability of detection of ACK is defined as probability of detection of the ACK when the signal is present.

The ACK missed detection requirement only applies to the PUCCH format 3 with 4 UCI bits. The UCI information only contains ACK information.

The 4bits UCI information case is further defined with the bitmap as [1 1 1 1].

Which specific test(s) are applicable to BS is based on the test applicability rules defines in clause 8.1.2.6.

8.3.10.2 Minimum requirement

The minimum requirement is in TS 38.104 [2] clause 8.3.11.

8.3.10.3 Test purpose

The test shall verify the receiver's ability to detect ACK bits under multipath fading propagation conditions for a given SNR.

8.3.10.4 Method of test

8.3.10.4.1 Initial conditions

Test environment: Normal; see annex B.2.

RF channels to be tested for single carrier: M; see clause 4.9.1

8.3.10.4.2 Procedure

- 1) Connect the BS tester generating the wanted signal, multipath fading simulators and AWGN generators to all BS antenna connectors for diversity reception via a combining network as shown in annex D.5 and D.6 for *BS type I-C* and *BS type I-H* respectively.
- 2) Adjust the AWGN generator, according to the subcarrier spacing and channel bandwidth defined in table 8.3.10.4.2-1.

Table 8.3.10.4.2-1: AWGN power level at the BS input

| Sub-carrier spacing (kHz) | Channel bandwidth (MHz) | AWGN power level |
|---------------------------|-------------------------|-----------------------|
| 15 | 20 | -77.2 dBm / 19.08 MHz |
| 30 | 20 | -77.4 dBm / 18.36 MHz |

NOTE 1: The AWGN power level contains an AWGN offset of 16dB by default. If needed for test purposes, the AWGN level can be reduced from the default by any value in the range 0dB to 16dB. Changing the AWGN level does not impact the validity of the test, as it reduces the effective base band SNR level.

- 3) The characteristics of the wanted signal shall be configured according to TS 38.211 [17]. The specific test parameters are configured as below:

Table 8.3.10.4.2-2: Test parameters

| Parameter | Value |
|--|----------------|
| Modulation order | QPSK |
| Intra-slot frequency hopping | N/A |
| Group and sequence hopping | Neither |
| Hopping ID | 0 |
| Number of symbols | 4 |
| The number of UCI information bits | 4 |
| Index of OCC | Not configured |
| Length of OCC | Not configured |
| Cyclic shift index for DMRS | 0 |
| Number of Interlace | 1 |
| Interlace index | 0(note 1) |
| NOTE 1: RBs 0,10,20,...,90 are allocated for 15kHz SCS and RBs 0,5,10,...,45 are allocated for 30kHz SCS | |

- 4) The multipath fading emulators shall be configured according to the corresponding channel model defined in annex G.
- 5) Adjust the equipment so that the SNR specified in table 8.3.10.5-1 or table 8.3.10.5-2 is achieved at the BS input during the UCI transmissions.
- 6) The signal generator sends a test pattern with the pattern outlined in figure 8.3.10.4.2-1. The following statistics are kept: the number of ACKs detected in the idle periods and the number of missed ACKs.



Figure 8.3.10.4.2-1: Test signal pattern for interlaced PUCCH format 3 demodulation tests

8.3.10.5 Test requirement

The fraction of falsely detected ACKs shall be less than 1% and the fraction of correctly detected ACKs shall be larger than 99% for the SNR listed in table 8.3.10.5-1 and table 8.3.10.5-2.

Table 8.3.10.5-1: Required SNR for interlaced PUCCH format 3 with 15 kHz SCS, 20 MHz channel bandwidth

| Number of TX antennas | Number of RX antennas | Cyclic Prefix | Propagation conditions and correlation matrix (Annex G) | Additional DM-RS configuration | SNR(dB) |
|-----------------------|-----------------------|---------------|---|--------------------------------|---------|
| 1 | 2 | Normal | TDLA30-10 Low | No additional DM-RS | -5.4 |

Table 8.3.10.5-2: Required SNR for interlaced PUCCH format 3 with 30 kHz SCS, 20 MHz channel bandwidth

| Number of TX antennas | Number of RX antennas | Cyclic Prefix | Propagation conditions and correlation matrix (Annex G) | Additional DM-RS configuration | SNR(dB) |
|-----------------------|-----------------------|---------------|---|--------------------------------|---------|
| 1 | 2 | Normal | TDLA30-10 Low | No additional DM-RS | -4.8 |

8.3.11 Performance requirements for PUCCH sub-slot based repetition format 0

8.3.11.1 Definition and applicability

The performance requirement of single user PUCCH sub-slot based repetition format 0 for ACK missed detection is determined by the parameters: probability of detection of ACK. The performance is measured by the required SNR at probability of detection equal to 0.99. The probability of false detection of the ACK shall be 0.01 or less.

The probability of false detection of the ACK is defined as a conditional probability of erroneous detection of the ACK when input is only noise.

The probability of detection of ACK is defined as conditional probability of detection of the ACK when the signal is present.

The ACK missed detection requirement only applies to the PUCCH format 0 with 1 UCI bits. The UCI information only constrains ACK information

The 1bit UCI information is further defined with bitmap as [1].

Which specific test(s) are applicable to BS is based on the test applicability rules defined in clause 8.1.2.2.6.

8.3.11.2 Minimum Requirement

The minimum requirements are in TS 38.104 [2] clause 8.3.14.

8.3.11.3 Test purpose

The test shall verify the receiver's ability to detect ACK under multipath fading propagation conditions for a given SNR.

8.3.11.4 Method of test

8.3.11.4.1 Initial conditions

Test environment: Normal, see annex B.2.

RF channels to be tested: single carrier M; see clause 4.9.1.

8.3.11.4.2 Procedure

- 1) Connect the BS tester generating the wanted signal, multipath fading simulators and AWGN generators to all BS antenna connectors for diversity reception via a combining network as shown in annex D.5 and D.6 for *BS type I-C* and *type I-H* respectively.
- 2) Adjust the AWGN generator, according to the channel bandwidth and sub-carrier spacing defined in table 8.3.11.4.2-1.

Table 8.3.11.4.2-1: AWGN power level at the BS input

| Subcarrier spacing (kHz) | Channel bandwidth (MHz) | AWGN power level |
|--------------------------|-------------------------|-----------------------|
| 30 | 10 | -80.6 dBm / 18.36 MHz |

- 3) The characteristics of the wanted signal shall be configured according to TS 38.211 [17] and the specific test parameters are configured as mentioned in table 8.3.11.4.2-2:

Table 8.3.11.4.2-2: Test Parameters

| Parameter | Test |
|--|---|
| Number of UCI information bits | 1 |
| Number of PRBs | 1 |
| Number of PUCCH symbols (<i>nrofSymbols</i>) | 2 |
| Number of sub-slot PUCCH repetitions (<i>nrofSlots</i>) | 2 |
| Number of Sub-slot symbols (<i>subslotLengthForPUCCH-r16</i>) | 7 |
| First symbol of sub-slot (<i>startingSymbolIndex</i>) | 5 |
| First PRB prior to frequency hopping | 0 |
| First PRB after frequency hopping | The largest PRB index – (Number of PRBs – 1) |
| Intra-slot frequency hopping | disabled |
| Inter-slot frequency hopping | enabled |
| Group and sequence hopping | neither |
| Hopping ID | 0 |
| Initial cyclic shift | 0 |

- 4) The multipath fading emulators shall be configured according to the corresponding channel model defined in annex B.

- 5) Adjust the equipment so that the SNR specified in table 8.3.11.5-1 is achieved at the BS input during the ACK transmissions.
- 6) The signal generator sends a test pattern with the pattern outlined in figure 8.3.11.4.2-1. The following statistics are kept: the number of ACKs detected in the idle periods and the number of missed ACKs.



Figure 8.3.11.4.2-1: Test signal pattern for PUCCH sub-slot based repetition format 0 demodulation tests

8.3.11.5 Test Requirement

The ACK missed detection probability shall not exceed 1% at the SNR listed in table 8.3.11.5-1.

Table 8.3.11.5-1: Test requirements for sub-slot PUCCH format 0 repetition with 30 kHz SCS, 10MHz channel bandwidth

| Number of Tx antennas | Number of RX antennas | Cyclic Prefix | Propagation conditions and correlation matrix (Annex G) | SNR (dB) |
|-----------------------|-----------------------|---------------|---|----------|
| 1 | 2 | Normal | TDLC300-100 Low | 2.1 |

8.3.12 Performance requirements PUCCH format 1 with DM-RS bundling

8.3.12.1 NACK to ACK detection

8.3.12.1.1 Definition and applicability

The performance requirement of PUCCH format 1 with DM-RS bundling for NACK to ACK detection is determined by the two parameters: probability of false detection of the ACK and the NACK to ACK detection probability. The performance is measured by the required SNR at probability of the NACK to ACK detection equal to 0.1 % or less. The probability of false detection of the ACK shall be 1 % or less.

The probability of false detection of the ACK is defined as a conditional probability of erroneous detection of the ACK at particular bit position when input is only noise. Each false bit detection is counted as one error.

The NACK to ACK detection probability is the probability of detecting an ACK bit when a NACK bit was sent on particular bit position. Each NACK bit erroneously detected as ACK bit is counted as one error. Erroneously detected NACK bits in the definition do not contain the NACK bits which are mapped from DTX, i.e. NACK bits received when DTX is sent should not be considered.

Which specific test(s) are applicable to BS is based on the test applicability rules defined in clause 8.1.2.10.

8.3.12.1.2 Minimum Requirement

The minimum requirement is in TS 38.104 [2] clause 8.3.3.

8.3.12.1.3 Test purpose

The test shall verify the receiver's ability not to falsely detect NACK bits as ACK bits under multipath fading propagation conditions for a given SNR.

8.3.12.1.4 Method of test

8.3.12.1.4.1 Initial conditions

Test environment: Normal; see annex B.2.

RF channels to be tested: for single carrier: M; see clause 4.9.1.

8.3.12.1.4.2 Procedure

- 1) Connect the BS tester generating the wanted signal, multipath fading simulators and AWGN generators to all BS antenna connectors for diversity reception via a combining network as shown in annex D.5 and D.6 for *BS type I-C* and *BS type I-H* respectively.
- 2) Adjust the AWGN generator, according to the combinations of SCS and channel bandwidth defined in Table 8.3.12.1.4.2-1.

Table 8.3.12.1.4.2-1: AWGN power level at the BS input

| Sub-carrier spacing (kHz) | Channel bandwidth (MHz) | AWGN power level |
|--|-------------------------|----------------------|
| 15 | 5 | -83.5 dBm / 4.5 MHz |
| 30 | 10 | -80.6 dBm / 8.64 MHz |
| NOTE: The AWGN power level contains an AWGN offset of 16dB by default. If needed for test purposes, the AWGN level can be reduced from the default by any value in the range 0dB to 16dB. Changing the AWGN level does not impact the validity of the test, as it reduces the effective base band SNR level. | | |

- 3) The characteristics of the wanted signal shall be configured according to TS 38.211 [17], and the specific test parameters are configured as below:

Table 8.3.12.1.4.2-2: Test parameters for PUCCH format 1 with DM-RS bundling

| Parameter | Test 1 [TDD] | Test 2 [FDD] |
|---|-------------------------------------|--------------|
| Example TDD UL-DL pattern (Note1) | 15 / 30 kHz SCS: 7D1S2U, S=6D:4G:4U | |
| Number of information bits | 2 | 2 |
| Number of PRBs | 1 | 1 |
| Number of symbols | 14 | 14 |
| Intra-slot frequency hopping | disabled | disabled |
| Inter-slot frequency hopping | disabled | disabled |
| Hopping ID | 0 | 0 |
| Initial cyclic shift | 0 | 0 |
| First symbol | 0 | 0 |
| Index of orthogonal cover code (<i>timeDomainOCC</i>) | 0 | 0 |
| Number of slots for PUCCH repetition | 2 | 8 |
| PUCCH-TimeDomainWindowLength | 2 | 8 |
| Note 1: The same TDD requirements are applicable to different UL-DL patterns with more than one consecutive UL slots when both <i>pucch-TimeDomainWindowLength</i> and PUCCH aggregation factor are configured as 2 slots. The UL (re)transmission of PUCCH is only scheduled for the actual TDW including 2 consecutive UL slots. | | |

- 4) The multipath fading emulators shall be configured according to the corresponding channel model defined in annex G.
- 5) Adjusting the equipment so that the SNR specified in table 8.3.12.1.5-1 is achieved at the BS input during the transmissions.

- 6) The signal generator sends random codeword from applicable codebook, in regular time periods that conform with the required *actual Time Domain Window* (aTDW) needed by the tests (see subclause 8.2.xxx). The following statistics are kept: the number of ACK bits detected in the idle periods and the number of NACK bits detected as ACK.

8.3.12.1.5 Test Requirement

The fraction of falsely detected ACK bits shall be less than 1 % and the fraction of NACK bits falsely detected as ACK shall be less than 0.1 % for the SNR listed in table 8.3.12.1.5-1.

Table 8.3.12.1.5-1: Minimum requirements for PUCCH format 1 with DM-RS bundling with 15 kHz SCS

| Test Number | Number of TX antennas | Number of RX antennas | Cyclic Prefix | Propagation conditions and correlation matrix (annex G) | Channel bandwidth / SNR (dB) |
|-------------|-----------------------|-----------------------|---------------|---|------------------------------|
| | | | | | 5 MHz |
| 1 | 1 | 2 | Normal | TDLA30-10 Low | -2.4 |
| 2 | 1 | 2 | Normal | TDLA30-10 Low | -8.5 |

Table 8.3.12.1.5-1: Minimum requirements for PUCCH format 1 with DM-RS bundling with 30 kHz SCS

| Test Number | Number of TX antennas | Number of RX antennas | Cyclic Prefix | Propagation conditions and correlation matrix (annex G) | Channel bandwidth / SNR (dB) |
|-------------|-----------------------|-----------------------|---------------|---|------------------------------|
| | | | | | 10 MHz |
| 1 | 1 | 2 | Normal | TDLA30-10 Low | -2.4 |
| 2 | 1 | 2 | Normal | TDLA30-10 Low | -8.1 |

8.3.12.2 ACK missed detection

8.3.12.2.1 Definition and applicability

The performance requirement of PUCCH format 1 for ACK missed detection is determined by the two parameters: probability of false detection of the ACK and the probability of detection of ACK. The performance is measured by the required SNR at probability of detection equal to 0.99. The probability of false detection of the ACK shall be 0.01 or less.

The probability of false detection of the ACK is defined as a conditional probability of erroneous detection of the ACK when input is only noise.

The probability of detection of ACK is defined as conditional probability of detection of the ACK when the signal is present.

8.3.12.2.2 Minimum Requirement

The minimum requirement is in TS 38.104 [2] clause 8.3.3.

8.3.12.2.3 Test purpose

The test shall verify the receiver's ability to detect ACK bits under multipath fading propagation conditions for a given SNR.

8.3.12.2.4 Method of test

8.3.12.2.4.1 Initial conditions

Test environment: Normal; see annex B.2.

RF channels to be tested: for single carrier: M; see clause 4.9.1.

8.3.12.2.4.2 Procedure

- 1) Connect the BS tester generating the wanted signal, multipath fading simulators and AWGN generators to all BS antenna connectors for diversity reception via a combining network as shown in annex D.5 and D.6 for *BS type 1-C* and *BS type 1-H* respectively.
- 2) Adjust the AWGN generator, according to the combinations of SCS and channel bandwidth defined in table 8.3.12.2.4.2-1.

Table 8.3.12.2.4.2-1: AWGN power level at the BS input

| Sub-carrier spacing (kHz) | Channel bandwidth (MHz) | AWGN power level |
|--|-------------------------|----------------------|
| 15 | 5 | -83.5 dBm / 4.5 MHz |
| 30 | 10 | -80.6 dBm / 8.64 MHz |
| NOTE: The AWGN power level contains an AWGN offset of 16dB by default. If needed for test purposes, the AWGN level can be reduced from the default by any value in the range 0dB to 16dB. Changing the AWGN level does not impact the validity of the test, as it reduces the effective base band SNR level. | | |

- 3) The characteristics of the wanted signal shall be configured according to TS 38.211 [17], and the specific test parameters are configured as below:

Table 8.3.12.2.4.2-2: Test parameters for PUCCH format 1 with DM-RS bundling

| Parameter | Test 1 [TDD] | Test 2 [FDD] |
|---|---|--------------|
| Example TDD UL-DL pattern (Note1) | 15 / 30 kHz SCS: 7D1S2U, S=6D:4G:4U | |
| Number of information bits | 2 | 2 |
| Number of PRBs | 1 | 1 |
| Number of symbols | 14 | 14 |
| Intra-slot frequency hopping | disabled | disabled |
| Inter-slot frequency hopping | disabled | disabled |
| Group and sequence hopping | neither | neither |
| Hopping ID | 0 | 0 |
| Initial cyclic shift | 0 | 0 |
| First symbol | 0 | 0 |
| Index of orthogonal cover code (<i>timeDomainOCC</i>) | 0 | 0 |
| Number of slots for PUCCH repetition | 2 | 8 |
| PUCCH-TimeDomainWindowLength | 2 | 8 |
| Note 1: | The same TDD requirements are applicable to different UL-DL patterns with more than one consecutive UL slots when both <i>pucch-TimeDomainWindowLength</i> and PUCCH aggregation factor are configured as 2 slots. The UL (re)transmission of PUCCH is only scheduled for the actual TDW including 2 consecutive UL slots. | |

- 4) The multipath fading emulators shall be configured according to the corresponding channel model defined in annex G.
- 5) Adjusting the equipment so that the SNR specified in table 8.3.12.2.5-1 is achieved at the BS input during the transmissions.
- 6) The signal generator sends random codewords from applicable codebook, in regular time periods. The following statistics are kept: the number of ACK bits falsely detected in the idle periods and the number of missed ACK bits. Each falsely detected ACK bit in the idle periods is accounted as one error for the statistics of false ACK detection, and each missed ACK bit is accounted as one error for the statistics of missed ACK detection.

Note that the procedure described in this clause for ACK missed detection has the same condition as that described in clause 8.3.12.1.4.2 for NACK to ACK detection. Both statistics are measured in the same testing.

8.3.12.2.5 Test Requirement

The fraction of falsely detected ACK bits shall be less than 1 % and the fraction of correctly detected ACK bits shall be larger than 99 % for the SNR listed in table 8.3.12.2.5-1 and table 8.3.12.2.5-2.

Table 8.3.12.2.5-1: Minimum requirements for PUCCH format 1 with DM-RS bundling with 15 kHz SCS

| Test Number | Number of TX antennas | Number of RX antennas | Cyclic Prefix | Propagation conditions and correlation matrix (annex G) | Channel bandwidth / SNR (dB) |
|-------------|-----------------------|-----------------------|---------------|---|------------------------------|
| | | | | | 5 MHz |
| 1 | 1 | 2 | Normal | TDLA30-10 | -3.3 |
| 2 | 1 | 2 | Normal | TDLA30-10 | -8.3 |

Table 8.3.12.2.5-2: Minimum requirements for PUCCH format 1 with DM-RS bundling with 30 kHz SCS

| Test Number | Number of TX antennas | Number of RX antennas | Cyclic Prefix | Propagation conditions and correlation matrix (annex G) | Channel bandwidth / SNR (dB) |
|-------------|-----------------------|-----------------------|---------------|---|------------------------------|
| | | | | | 10 MHz |
| 1 | 1 | 2 | Normal | TDLA30-10 | -3.2 |
| 2 | 1 | 2 | Normal | TDLA30-10 | -7.9 |

8.3.13 Performance requirements for PUCCH format 3 with DM-RS bundling

8.3.13.1 Definition and applicability

The performance is measured by the required SNR at UCI block error probability not exceeding 1%.

The UCI block error probability is defined as the conditional probability of incorrectly decoding the UCI information when the UCI information is sent. The UCI information does not contain CSI part 2.

Which specific test(s) are applicable to BS is based on the test applicability rules defined in clause 8.1.2.10.

8.3.13.2 Minimum requirement

The minimum requirement is in TS 38.104 [2] clause 8.3.5.

8.3.13.3 Test purpose

The test shall verify the receiver's ability to detect UCI under multipath fading propagation conditions for a given SNR.

8.3.13.4 Method of test

8.3.13.4.1 Initial conditions

Test environment: Normal; see annex B.2.

RF channels to be tested for single carrier: M; see clause 4.9.1

8.3.13.4.2 Procedure

- 1) Connect the BS tester generating the wanted signal, multipath fading simulators and AWGN generators to all BS antenna connectors for diversity reception via a combining network as shown in annex D.5 and D.6 for *BS type I-C* and *BS type I-H* respectively.
- 2) Adjust the AWGN generator, according to the subcarrier spacing and channel bandwidth defined in table 8.3.13.4.2-1.

Table 8.3.13.4.2-1: AWGN power level at the BS input

| Sub-carrier spacing (kHz) | Channel bandwidth (MHz) | AWGN power level |
|--|-------------------------|----------------------|
| 15 | 5 | -83.5 dBm / 4.5 MHz |
| 30 | 10 | -80.6 dBm / 8.64 MHz |
| NOTE: The AWGN power level contains an AWGN offset of 16dB by default. If needed for test purposes, the AWGN level can be reduced from the default by any value in the range 0dB to 16dB. Changing the AWGN level does not impact the validity of the test, as it reduces the effective base band SNR level. | | |

- 3) The characteristics of the wanted signal shall be configured according to TS 38.211 [17]. The specific test parameters are configured as below:

Table 8.3.13.4.2-2: Test parameters

| Parameter | Test 1 [TDD] | Test 2 [FDD] |
|--|--|--------------|
| Example TDD UL-DL pattern (Note1) | 15 / 30 kHz SCS: 7D1S2U, S=6D:4G:4U | |
| Modulation order | QPSK | QPSK |
| Intra-slot frequency hopping | disabled | disabled |
| Number of PRBs | 1 | 1 |
| Number of symbols | 14 | 14 |
| The number of UCI information bits | 16 | 16 |
| First symbol | 0 | 0 |
| Number of slots for PUCCH repetition | 2 | 8 |
| PUCCH-TimeDomainWindowLength | 2 | 8 |
| Note 1: The same TDD requirements are applicable to different UL-DL patterns with more than one consecutive UL slots when both pucch-TimeDomainWindowLength and PUCCH aggregation factor are configured as 2 slots. The UL (re)transmission of PUCCH is only scheduled for the actual TDW including 2 consecutive UL slots. | | |

- 4) The multipath fading emulators shall be configured according to the corresponding channel model defined in annex G.
- 5) Adjust the equipment so that the SNR specified in table 8.3.13.5-1 or table 8.3.13.5-2 is achieved at the BS input during the UCI transmissions.
- 6) The signal generator sends a test pattern with the pattern outlined in figure 8.3.13.4.2-1. The following statistics are kept: the number of incorrectly decoded UCI.



Figure 8.3.13.4.2-1: Test signal pattern for PUCCH format 3 demodulation tests

8.3.13.5 Test requirement

The fraction of incorrectly decoded UCI shall be less than 1% for the SNR listed in table 8.3.13.5-1 and table 8.3.13.5-2.

Table 8.3.13.5-1: Required SNR for PUCCH format 3 with 15 kHz SCS

| Test Number | Number of TX antennas | Number of RX antennas | Cyclic Prefix | Propagation conditions and correlation matrix (annex G) | Additional DM-RS configuration | Channel bandwidth / SNR (dB) |
|-------------|-----------------------|-----------------------|---------------|---|--------------------------------|------------------------------|
| | | | | | | 5 MHz |
| 1 | 1 | 2 | Normal | TDLA30-10 Low | No additional DM-RS | -0.9 |
| | | | | | Additional DM-RS | 0.5 |
| 2 | 1 | 2 | Normal | TDLA30-10 Low | No additional DM-RS | -4.7 |
| | | | | | Additional DM-RS | -5.2 |

Table 8.3.13.5-2: Required SNR for PUCCH format 3 with 30 kHz SCS

| Test Number | Number of TX antennas | Number of RX antennas | Cyclic Prefix | Propagation conditions and correlation matrix (annex G) | Additional DM-RS configuration | Channel bandwidth / SNR (dB) |
|-------------|-----------------------|-----------------------|---------------|---|--------------------------------|------------------------------|
| | | | | | | 10 MHz |
| 1 | 1 | 2 | Normal | TDLA30-10 Low | No additional DM-RS | 0.8 |
| | | | | | Additional DM-RS | 0.6 |
| 2 | 1 | 2 | Normal | TDLA30-10 Low | No additional DM-RS | -4.6 |
| | | | | | Additional DM-RS | -5 |

8.4 Performance requirements for PRACH

8.4.1 PRACH false alarm probability and missed detection

8.4.1.1 Definition and applicability

The performance requirement of PRACH for preamble detection is determined by the two parameters: total probability of false detection of the preamble (Pfa) and the probability of detection of preamble (Pd). The performance is measured by the required SNR at probability of detection, Pd of 99%. Pfa shall be 0.1% or less.

Pfa is defined as a conditional total probability of erroneous detection of the preamble (i.e. erroneous detection from any detector) when input is only noise.

Pd is defined as conditional probability of detection of the preamble when the signal is present. The erroneous detection consists of several error cases – detecting only different preamble(s) than the one that was sent, not detecting any preamble at all, or detecting the correct preamble but with the out-of-bounds timing estimation value.

For AWGN and TDLC300-100, and TDLA30-10, a timing estimation error occurs if the estimation error of the timing of the strongest path is larger than the time error tolerance values given in table 8.4.1.1-1.

Table 8.4.1.1-1: Time error tolerance for AWGN and TDLC300-100

| PRACH preamble | PRACH SCS (kHz) | Time error tolerance | | |
|------------------------|-----------------|----------------------|-------------|-----------|
| | | AWGN | TDLC300-100 | TDLA30-10 |
| 0 | 1.25 | 1.04 us | 2.55 us | N/A |
| A1, A2, A3, B4, C0, C2 | 15 | 0.52 us | 2.03 us | 0.67 us |
| | 30 | 0.26 us | 1.77 us | 0.41 us |

The test preambles for normal mode are listed in table A.6-1. The test preambles for high speed train restricted set type A are listed in table A.6-3 and the test preambles for high speed train restricted set type B are listed in table A.6-4. The test preambles for high speed train short formats are listed in table A.6-5. The test preambles for PRACH with $L_{RA}=1151$ and $L_{RA}=571$ are listed in table A.6-6.

Which specific test(s) are applicable to BS is based on the test applicability rules defined in clause 8.1.2. The performance requirements for high speed train (table 8.4.1. 6-1 to 8.4.1.6-4) are optional.

8.4.1.2 Minimum requirement

The minimum requirement is in TS 38.104 [2] clause 8.4.1.2 and 8.4.2.2, 8.4.2.3, and 8.4.2.4.

8.4.1.3 Test purpose

The test shall verify the receiver's ability to detect PRACH preamble under static conditions and multipath fading propagation conditions for a given SNR.

8.4.1.4 Method of test

8.4.1.4.1 Initial conditions

Test environment: Normal; see annex B.2.

RF channels to be tested: for single carrier: M; see clause 4.9.1.

8.4.1.4.2 Procedure

- 1) Connect the BS tester generating the wanted signal, multipath fading simulators and AWGN generators to all BS antenna connectors for diversity reception via a combining network as shown in annex D.5 and D.6 for *BS type I-C* and *BS type I-H* respectively.
- 2) Adjust the AWGN generator, according to the SCS and channel bandwidth.

Table 8.4.1.4.2-1: AWGN power level at the BS input

| Sub-carrier spacing (kHz) | Channel bandwidth (MHz) | AWGN power level |
|--|-------------------------|----------------------|
| 15 | 5 | -83.5 dBm / 4.5MHz |
| | 10 | -80.3 dBm / 9.36MHz |
| | 20 | -77.2 dBm / 19.08MHz |
| 30 | 10 | -80.6 dBm / 8.64MHz |
| | 20 | -77.4 dBm / 18.36MHz |
| | 40 | -74.2 dBm / 38.16MHz |
| | 100 | -70.1 dBm / 98.28MHz |
| NOTE: The AWGN power level contains an AWGN offset of 16dB by default. If needed for test purposes, the AWGN level can be reduced from the default by any value in the range 0dB to 16dB. Changing the AWGN level does not impact the validity of the test, as it reduces the effective base band SNR level. | | |

- 3) The characteristics of the wanted signal shall be configured according to the corresponding UL reference measurement channel defined in annex A and the test parameter *msg1-FrequencyStart* is set to 0.
- 4) The multipath fading emulators shall be configured according to the corresponding channel model defined in annex G.
- 5) Adjust the frequency offset of the test signal according to table 8.4.1.5-1 or 8.4.1.5-2 or 8.4.1.5-3 or 8.4.1.6-1 or 8.4.1.6-2 or 8.4.1.6-3 or 8.4.1.6-4 or 8.4.1.7-1 or 8.4.1.7-2.
- 6) Adjust the equipment so that the SNR specified in table 8.4.1.5-1 or 8.4.1.5-2 or 8.4.1.5-3 or 8.4.1.6-1 or 8.4.1.6-2 or 8.4.1.6-3 or 8.4.1.6-4 or 8.4.1.7-1 or 8.4.1.7-2 is achieved at the BS input during the PRACH preambles.
- 7) The test signal generator sends a preamble and the receiver tries to detect the preamble. This pattern is repeated as illustrated in figure 8.4.1.4.2-1. The preambles are sent with certain timing offsets as described below. The

following statistics are kept: the number of preambles detected in the idle period and the number of missed preambles.



Figure 8.4.1.4.2-1: PRACH preamble test pattern

The timing offset base value for PRACH preamble format 0 is set to 50% of Ncs. This offset is increased within the loop, by adding in each step a value of 0.1us, until the end of the tested range, which is 0.9us. Then the loop is being reset and the timing offset is set again to 50% of Ncs. The timing offset scheme for PRACH preamble format 0 is presented in figure 8.4.1.4.2-2.

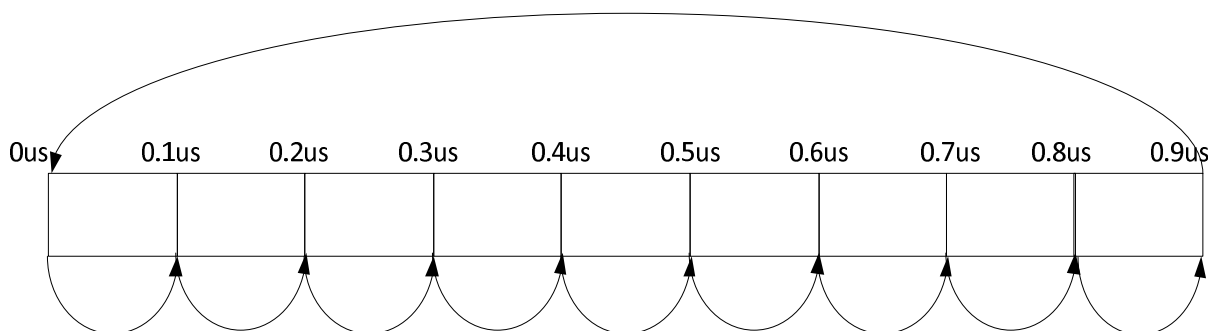


Figure 8.4.1.4.2-2: Timing offset scheme for PRACH preamble format 0

The timing offset base value for PRACH preamble format A1, A2, A3, B4, C0 and C2 is set to 0. This offset is increased within the loop, by adding in each step a value of 0.1us, until the end of the tested range, which is 0.8 us. Then the loop is being reset and the timing offset is set again to 0. The timing offset scheme for PRACH preamble format A1, A2, A3, B4, C0 and C2 is presented in figure 8.4.1.4.2-3.

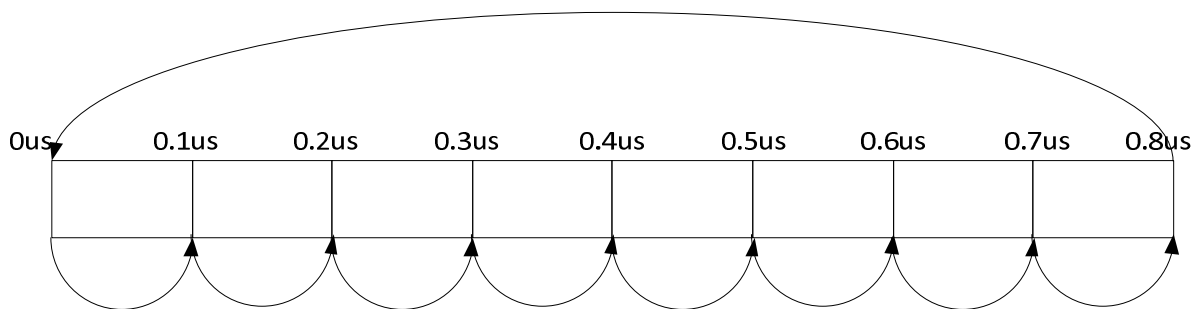


Figure 8.4.1.4.2-3: Timing offset scheme for PRACH preamble format A1 A2, A3, B4, C0 and C2

8.4.1.5 Test requirement for Normal Mode

Pfa shall not exceed 0.1%. Pd shall not be below 99% for the SNRs in tables 8.4.1.5-1 to 8.4.1.5-3.

Table 8.4.1.5-1: PRACH missed detection test requirements for Normal Mode, 1.25 kHz SCS

| Number of TX antennas | Number of RX antennas | Propagation conditions and correlation matrix (annex G) | Frequency offset | SNR (dB) |
|-----------------------|-----------------------|---|------------------|----------------|
| | | | | Burst format 0 |
| 1 | 2 | AWGN | 0 | -14.2 |
| | | TDLC300-100 Low | 400 Hz | -6.0 |
| | 4 | AWGN | 0 | -16.4 |
| | | TDLC300-100 Low | 400 Hz | -11.3 |
| | 8 | AWGN | 0 | -18.6 |
| | | TDLC300-100 Low | 400 Hz | -15.2 |

Table 8.4.1.5-2: PRACH missed detection test requirements for Normal Mode, 15 kHz SCS

| Number of TX antennas | Number of RX antennas | Propagation conditions and correlation matrix (annex G) | Frequency offset | SNR (dB) | | | | | |
|-----------------------|-----------------------|---|------------------|-----------------|-----------------|-----------------|-----------------|-----------------|-----------------|
| | | | | Burst format A1 | Burst format A2 | Burst format A3 | Burst format B4 | Burst format C0 | Burst format C2 |
| 1 | 2 | AWGN | 0 | -9.0 | -12.3 | -13.9 | -16.5 | -6.0 | -12.2 |
| | | TDLC300-100 Low | 400 Hz | -1.5 | -4.2 | -6.0 | -8.2 | 1.4 | -4.3 |
| | 4 | AWGN | 0 | -11.3 | -14.0 | -15.7 | -18.7 | -8.4 | -13.8 |
| | | TDLC300-100 Low | 400 Hz | -6.7 | -9.7 | -11.1 | -13.2 | -3.7 | -9.6 |
| | 8 | AWGN | 0 | -13.5 | -16.4 | -17.9 | -20.9 | -10.8 | -16.3 |
| | | TDLC300-100 Low | 400 Hz | -10.4 | -13.3 | -14.6 | -16.7 | -7.5 | -13.3 |

Table 8.4.1.5-3: PRACH missed detection test requirements for Normal Mode, 30 kHz SCS

| Number of TX antennas | Number of RX antennas | Propagation conditions and correlation matrix (annex G) | Frequency offset | SNR (dB) | | | | | |
|-----------------------|-----------------------|---|------------------|-----------------|-----------------|-----------------|-----------------|-----------------|-----------------|
| | | | | Burst format A1 | Burst format A2 | Burst format A3 | Burst format B4 | Burst format C0 | Burst format C2 |
| 1 | 2 | AWGN | 0 | -8.8 | -11.7 | -13.5 | -16.2 | -5.8 | -11.6 |
| | | TDLC300-100 Low | 400 Hz | -2.2 | -5.1 | -6.8 | -9.3 | 0.7 | -5.0 |
| | 4 | AWGN | 0 | -11.1 | -13.9 | -15.6 | -18.7 | -8.3 | -13.8 |
| | | TDLC300-100 Low | 400 Hz | -6.6 | -9.8 | -11.4 | -13.9 | -3.9 | -9.8 |
| | 8 | AWGN | 0 | -13.4 | -16.3 | -17.8 | -20.8 | -10.7 | -16.2 |
| | | TDLC300-100 Low | 400 Hz | -10.1 | -13.1 | -14.5 | -17.0 | -7.2 | -13.1 |

Table 8.4.1.5-4: Void

Table 8.4.1.5-5: Void

8.4.1.6 Test requirement for high speed train

Pfa shall not exceed 0.1%. Pd shall not be below 99% for the SNRs in tables 8.4.1.6-1 to 8.4.1.6-4.

Table 8.4.1.6-1: PRACH missed detection requirements for high speed train, burst format 0, restricted set type A, 1.25 kHz SCS

| Number of TX antennas | Number of RX antennas | Propagation conditions and correlation matrix (annex G) | Frequency offset | SNR (dB) |
|-----------------------|-----------------------|---|------------------|----------------|
| | | | | Burst format 0 |
| 1 | 2 | AWGN | 625 Hz | -11.7 |
| | | AWGN | 1340 Hz | -13.5 |
| | | TDLC300-100 Low | 0 Hz | -5.7 |
| | 4 | AWGN | 625 Hz | -14.2 |
| | | AWGN | 1340 Hz | -15.9 |
| | | TDLC300-100 Low | 0 Hz | -11.2 |
| | 8 | AWGN | 625 Hz | -16.2 |
| | | AWGN | 1340 Hz | -18.1 |
| | | TDLC300-100 Low | 0 Hz | -15.6 |

Table 8.4.1.6-2: PRACH missed detection requirements for high speed train, burst format 0, restricted set type B, 1.25 kHz SCS

| Number of TX antennas | Number of RX antennas | Propagation conditions and correlation matrix (annex G) | Frequency offset | SNR (dB) |
|-----------------------|-----------------------|---|------------------|----------------|
| | | | | Burst format 0 |
| 1 | 2 | AWGN | 625 Hz | -11.3 |
| | | AWGN | 2334 Hz | -12.8 |
| | | TDLC300-100 Low | 0 Hz | -5.4 |
| | 4 | AWGN | 625 Hz | -13.7 |
| | | AWGN | 2334 Hz | -15.1 |
| | | TDLC300-100 Low | 0 Hz | -11.1 |
| | 8 | AWGN | 625 Hz | -16.0 |
| | | AWGN | 2334 Hz | -17.1 |
| | | TDLC300-100 Low | 0 Hz | -15.4 |

Table 8.4.1.6-3: PRACH missed detection requirements for high speed train, 15 kHz SCS

| Number of TX antennas | Number of RX antennas | Propagation conditions and correlation matrix (Annex G) | Frequency offset | SNR (dB) | | |
|-----------------------|-----------------------|---|------------------|-----------------|-----------------|-----------------|
| | | | | Burst format A2 | Burst format B4 | Burst format C2 |
| 1 | 2 | AWGN | 1740 Hz | -11.0 | -14.0 | -10.8 |
| | 4 | AWGN | 1740 Hz | -13.2 | -16.4 | -13.1 |
| | 8 | AWGN | 1740 Hz | -15.3 | -17.9 | -15.2 |

Table 8.4.1.6-4: PRACH missed detection requirements for high speed train, 30 kHz SCS

| Number of TX antennas | Number of RX antennas | Propagation conditions and correlation matrix (Annex G) | Frequency offset | SNR (dB) | | |
|-----------------------|-----------------------|---|------------------|-----------------|-----------------|-----------------|
| | | | | Burst format A2 | Burst format B4 | Burst format C2 |
| 1 | 2 | AWGN | 3334 Hz | -10.9 | -14.3 | -10.7 |
| | 4 | AWGN | 3334 Hz | -13.1 | -16.4 | -13.1 |
| | 8 | AWGN | 3334 Hz | -15.1 | -18.1 | -15.1 |

8.4.1.7 Test requirement for PRACH with $L_{RA}=1151$ and $L_{RA}=571$

P_{fa} shall not exceed 0.1%. P_d shall not be below 99% for the SNRs in tables 8.4.1.7-1 and 8.4.1.7-2.

Table 8.4.1.7-1: Missed detection requirements for PRACH with $L_{RA}=1151$, 15 kHz SCS

| Number of TX antennas | Number of RX antennas | Propagation conditions and correlation matrix (Annex G) | Frequency offset | SNR (dB) | | |
|-----------------------|-----------------------|---|------------------|-----------------|-----------------|-----------------|
| | | | | Burst format A2 | Burst format B4 | Burst format C2 |
| 1 | 2 | AWGN | 0 | -20.8 | -24.8 | -20.8 |
| | | TDLA30-10 Low | 400 Hz | -14.5 | -17.7 | -14.6 |

Table 8.4.1.7-2: Missed detection requirements for PRACH with $L_{RA}=571$, 30 kHz SCS

| Number of TX antennas | Number of RX antennas | Propagation conditions and correlation matrix (Annex G) | Frequency offset | SNR (dB) | | |
|-----------------------|-----------------------|---|------------------|-----------------|-----------------|-----------------|
| | | | | Burst format A2 | Burst format B4 | Burst format C2 |
| 1 | 2 | AWGN | 0 | -17.8 | -21.7 | -17.8 |
| | | TDLA30-10 Low | 400 Hz | -11.5 | -15.2 | -11.5 |

Annex A (normative): Reference measurement channels

A.1 Fixed Reference Channels for reference sensitivity level, ACS, in-band blocking, out-of-band blocking, receiver intermodulation and in-channel selectivity (QPSK, R=1/3)

The parameters for the reference measurement channels are specified in table A.1-1 for FR1 reference sensitivity level, ACS, in-band blocking, out-of-band blocking, receiver intermodulation and in-channel selectivity. The parameters for the band n46, n96 and n102 reference measurement channels are specified in table A.1-1a for reference sensitivity level, ACS, in-band blocking, out-of-band blocking, receiver intermodulation, in-channel selectivity.

Table A.1-1: FRC parameters for FR1 reference sensitivity level, ACS, in-band blocking, out-of-band blocking, receiver intermodulation and in-channel selectivity

| Reference channel | G-FR1-A1-1 | G-FR1-A1-2 | G-FR1-A1-3 | G-FR1-A1-4 | G-FR1-A1-5 | G-FR1-A1-6 | G-FR1-A1-7 | G-FR1-A1-8 | G-FR1-A1-9 | G-FR1-A1-10 | G-FR1-A1-11 |
|--|------------|------------|------------|------------|------------|------------|------------|------------|------------|-------------|-------------|
| Subcarrier spacing (kHz) | 15 | 30 | 60 | 15 | 30 | 60 | 15 | 30 | 60 | 15 | 15 |
| Allocated resource blocks | 25 | 11 | 11 | 106 | 51 | 24 | 15 | 6 | 6 | 24 | 105 |
| CP-OFDM Symbols per slot (Note 1) | 12 | 12 | 12 | 12 | 12 | 12 | 12 | 12 | 12 | 12 | 12 |
| Modulation | QPSK | QPSK | QPSK | QPSK | QPSK | QPSK | QPSK | QPSK | QPSK | QPSK | QPSK |
| Code rate (Note 2) | 1/3 | 1/3 | 1/3 | 1/3 | 1/3 | 1/3 | 1/3 | 1/3 | 1/3 | 1/3 | 1/3 |
| Payload size (bits) | 2152 | 984 | 984 | 9224 | 4352 | 2088 | 1320 | 528 | 528 | [2088] | [8968] |
| Transport block CRC (bits) | 16 | 16 | 16 | 24 | 24 | 16 | 16 | 16 | 16 | 16 | 24 |
| Code block CRC size (bits) | - | - | - | 24 | - | - | - | - | - | - | 24 |
| Number of code blocks - C | 1 | 1 | 1 | 2 | 1 | 1 | 1 | 1 | 1 | 1 | 2 |
| Code block size including CRC (bits) (Note 3) | 2168 | 1000 | 1000 | 4648 | 4376 | 2104 | 1336 | 544 | 544 | [2104] | [4520] |
| Total number of bits per slot | 7200 | 3168 | 3168 | 30528 | 14688 | 6912 | 4320 | 1728 | 1728 | [6912] | [30240] |
| Total symbols per slot | 3600 | 1584 | 1584 | 15264 | 7344 | 3456 | 2160 | 864 | 864 | [3456] | [15120] |
| NOTE 1: DM-RS configuration type = 1 with DM-RS duration = single-symbol DM-RS, additional DM-RS position = pos1 with $l_0 = 2$, $l = 11$ as per table 6.4.1.1.3-3 of TS 38.211 [17]. | | | | | | | | | | | |
| NOTE 2: MCS index 4 and target coding rate = 308/1024 are adopted to calculate payload size. | | | | | | | | | | | |
| NOTE 3: Code block size including CRC (bits) equals to K' in TS 38.212 [16], clause 5.2.2. | | | | | | | | | | | |

Table A.1-1a: FRC parameters for band n46, n96 and n102 reference sensitivity level, ACS, in-band blocking, out-of-band blocking, receiver intermodulation, in-channel selectivity

| Reference channel | G-FR1-A1-12 | G-FR1-A1-13 | G-FR1-A1-14 | G-FR1-A1-15 | G-FR1-A1-16 | G-FR1-A1-17 | G-FR1-A1-18 | G-FR1-A1-19 |
|---|-------------|-------------|-------------|-------------|-------------|-------------|-------------|-------------|
| Channel bandwidth (MHz) | 10 | 10 | 20 | 20 | 40 | 40 | 60 | 80 |
| Subcarrier spacing (kHz) | 15 | 30 | 15 | 30 | 15 | 30 | 30 | 30 |
| Allocated resource blocks | 5 | 4 | 10 | 10 | 21 | 21 | 32 | 43 |
| CP-OFDM Symbols per slot (Note 1) | 12 | 12 | 12 | 12 | 12 | 12 | 12 | 12 |
| Modulation | QPSK | QPSK | QPSK | QPSK | QPSK | QPSK | QPSK | QPSK |
| Code rate (Note 2) | 1/3 | 1/3 | 1/3 | 1/3 | 1/3 | 1/3 | 1/3 | 1/3 |
| Payload size (bits) | 432 | 352 | 888 | 888 | 1864 | 1864 | 2792 | 3752 |
| Transport block CRC (bits) | 16 | 16 | 16 | 16 | 16 | 16 | 16 | 16 |
| Code block CRC size (bits) | - | - | - | - | - | - | - | - |
| Number of code blocks - C | 1 | 1 | 1 | 1 | 1 | 1 | 1 | 1 |
| Code block size including CRC (bits) (Note 3) | 448 | 368 | 904 | 904 | 1880 | 1880 | 2808 | 3768 |
| Total number of bits per slot | 1440 | 1152 | 2880 | 2880 | 6048 | 6048 | 9216 | 12384 |
| Total symbols per slot | 720 | 576 | 1440 | 1440 | 3024 | 3024 | 4608 | 6192 |
| <p>NOTE 1: $UL-DMRS-config-type = 1$ with $UL-DMRS-max-len = 1$, $UL-DMRS-add-pos = 1$ with $l_0 = 2$, $l = 11$ as per table 6.4.1.1.3-3 of TS 38.211 [17].</p> <p>NOTE 2: MCS index 4 and target coding rate = 308/1024 are adopted to calculate payload size for receiver sensitivity and in-channel selectivity</p> <p>NOTE 3: Code block size including CRC (bits) equals to K' in sub-clause 5.2.2 of TS 38.212 [16].</p> <p>NOTE 4: For reference channel A1-12, the allocated RB's are uniformly spaced over the channel bandwidth at RB index $N, N+10, N+20, N+30, N+40$ where $N=\{0,1,2,3,4,\dots,9\}$.</p> <p>NOTE 5: For reference channel A1-13, the allocated RB's are uniformly spaced over the channel bandwidth at RB index $N, N+5, N+10, N+15$ where $N=\{0,1,2,3,4\}$.</p> <p>NOTE 7: For reference channel A1-14, the allocated RB's are uniformly spaced over the channel bandwidth at RB index $N, N+10, N+20, \dots, N+90$ where $N=\{0,1,2,3,\dots,9\}$.</p> <p>NOTE 8: For reference channel A1-15, the allocated RB's are uniformly spaced over the channel bandwidth at RB index $N, N+5, N+10, \dots, N+45$ where $N=\{0,1,2,3,4\}$.</p> <p>NOTE 10: For reference channel A1-16, the allocated RB's are uniformly spaced over the channel bandwidth at RB index $N, N+10, N+20, \dots, N+200$ where $N=\{0,1,2,3,4,\dots,9\}$.</p> <p>NOTE 11: For reference channel A1-17, the allocated RB's are uniformly spaced over the channel bandwidth at RB index $N, N+5, N+10, \dots, N+100$ where $N=\{0,1,2,3,4\}$.</p> <p>NOTE 12: For reference channel A1-18, the allocated RB's are uniformly spaced over the channel bandwidth at RB index $N, N+5, N+10, \dots, N+155$ where $N=\{0,1,2,3,4\}$.</p> <p>NOTE 13: For reference channel A1-19, the allocated RB's are uniformly spaced over the channel bandwidth at RB index $N, N+5, N+10, \dots, N+210$ where $N=\{0,1,2,3,4\}$.</p> | | | | | | | | |

A.2 Fixed Reference Channels for dynamic range (16QAM, R=2/3)

The parameters for the reference measurement channels are specified in table A.2-1 for FR1 dynamic range. The parameters for the band n46, n96 and n102 reference measurement channels are specified in table A.2-1a and A.2-1b for band n46, n96 and n102 dynamic range.

Table A.2-1: FRC parameters for FR1 dynamic range

| Reference channel | G-FR1-A2-1 | G-FR1-A2-2 | G-FR1-A2-3 | G-FR1-A2-4 | G-FR1-A2-5 | G-FR1-A2-6 |
|--|------------|------------|------------|------------|------------|------------|
| Subcarrier spacing (kHz) | 15 | 30 | 60 | 15 | 30 | 60 |
| Allocated resource blocks | 25 | 11 | 11 | 106 | 51 | 24 |
| CP-OFDM Symbols per slot (Note 1) | 12 | 12 | 12 | 12 | 12 | 12 |
| Modulation | 16QAM | 16QAM | 16QAM | 16QAM | 16QAM | 16QAM |
| Code rate (Note 2) | 2/3 | 2/3 | 2/3 | 2/3 | 2/3 | 2/3 |
| Payload size (bits) | 9224 | 4032 | 4032 | 38936 | 18960 | 8968 |
| Transport block CRC (bits) | 24 | 24 | 24 | 24 | 24 | 24 |
| Code block CRC size (bits) | 24 | - | - | 24 | 24 | 24 |
| Number of code blocks - C | 2 | 1 | 1 | 5 | 3 | 2 |
| Code block size including CRC (bits) (Note 3) | 4648 | 4056 | 4056 | 7816 | 6352 | 4520 |
| Total number of bits per slot | 14400 | 6336 | 6336 | 61056 | 29376 | 13824 |
| Total symbols per slot | 3600 | 1584 | 1584 | 15264 | 7344 | 3456 |
| NOTE 1: DM-RS configuration type = 1 with DM-RS duration = single-symbol DM-RS, additional DM-RS position = pos1 with $l_0 = 2$, $l = 11$ as per table 6.4.1.1.3-3 of TS 38.211 [17]. | | | | | | |
| NOTE 2: MCS index 16 and target coding rate = 658/1024 are adopted to calculate payload size. | | | | | | |
| NOTE 3: Code block size including CRC (bits) equals to K' in TS 38.212 [16], clause 5.2.2. | | | | | | |

Table A.2-1a: FRC parameters for dynamic range for band n46, n96 and n102

| Reference channel | G-FR1-A2-7 | G-FR1-A2-8 | G-FR1-A2-9 | G-FR1-A2-10 | G-FR1-A2-11 | G-FR1-A2-12 | G-FR1-A2-13 | G-FR1-A2-14 |
|---|------------|------------|------------|-------------|-------------|-------------|-------------|-------------|
| Channel bandwidth (MHz) | 10 | 10 | 20 | 20 | 40 | 40 | 60 | 80 |
| Subcarrier spacing (kHz) | 15 | 30 | 15 | 30 | 15 | 30 | 30 | 30 |
| Allocated resource blocks | 5 | 4 | 10 | 10 | 21 | 21 | 32 | 43 |
| CP-OFDM Symbols per slot (Note 1) | 12 | 12 | 12 | 12 | 12 | 12 | 12 | 12 |
| Modulation | 16QAM | 16QAM | 16QAM | 16QAM | 16QAM | 16QAM | 16QAM | 16QAM |
| Code rate (Note 2) | 2/3 | 2/3 | 2/3 | 2/3 | 2/3 | 2/3 | 2/3 | 2/3 |
| Payload size (bits) | 1864 | 1480 | 3752 | 3752 | 7808 | 7808 | 11784 | 15880 |
| Transport block CRC (bits) | 16 | 16 | 16 | 16 | 24 | 24 | 24 | 24 |
| Code block CRC size (bits) | - | - | - | - | - | - | 24 | 24 |
| Number of code blocks - C | 1 | 1 | 1 | 1 | 1 | 1 | 2 | 2 |
| Code block size including CRC (bits) (Note 3) | 1880 | 1496 | 3768 | 3768 | 7832 | 7832 | 5928 | 7976 |
| Total number of bits per slot | 2880 | 2304 | 5760 | 5760 | 12096 | 12096 | 18432 | 24768 |
| Total symbols per slot | 720 | 576 | 1440 | 1440 | 3024 | 3024 | 4608 | 6192 |
| NOTE 1: DM-RS configuration type = 1 with DM-RS duration = single-symbol DM-RS, additional DM-RS position = pos1 with $l_0=2$, $l=11$ as per table 6.4.1.1.3-3 of TS 38.211 [17]. | | | | | | | | |
| NOTE 2: MCS index 16 and target coding rate = 658/1024 are adopted to calculate payload size. | | | | | | | | |
| NOTE 3: Code block size including CRC (bits) equals to 'K' in sub-clause 5.2.2 of TS 38.212 [16]. | | | | | | | | |
| NOTE 4: For reference channel A2-7, the allocated RB's are uniformly spaced over the channel bandwidth at RB index $N, N+10, N+20, N+30, N+40$ where $N=\{0,1,2,3,4,5,6,7,8,9\}$. | | | | | | | | |
| NOTE 5: For reference channel A2-8, the allocated RB's are uniformly spaced over the channel bandwidth at RB index $N, N+5, N+10, N+15$ where $N=\{0,1,2,3,4\}$. | | | | | | | | |
| NOTE 6: For reference channel A2-9, the allocated RB's are uniformly spaced over the channel bandwidth at RB index $N, N+10, N+20, \dots, N+90$ where $N=\{0,1,2,3, \dots, 9\}$. | | | | | | | | |
| NOTE 7: For reference channel A2-10, the allocated RB's are uniformly spaced over the channel bandwidth at RB index $N, N+5, N+10, \dots, N+45$ where $N=\{0,1,2,3,4\}$. | | | | | | | | |
| NOTE 8: For reference channel A2-11, the allocated RB's are uniformly spaced over the channel bandwidth at RB index $N, N+10, N+20, \dots, N+200$ where $N=\{0,1,2,3,4, \dots, 9\}$. | | | | | | | | |
| NOTE 9: For reference channel A2-12, the allocated RB's are uniformly spaced over the channel bandwidth at RB index $N, N+5, N+10, \dots, N+100$ where $N=\{0,1,2,3,4\}$. | | | | | | | | |
| NOTE 10: For reference channel A2-13, the allocated RB's are uniformly spaced over the channel bandwidth at RB index $N, N+5, N+10, \dots, N+155$ where $N=\{0,1,2,3,4\}$. | | | | | | | | |
| NOTE 11: For reference channel A2-14, the allocated RB's are uniformly spaced over the channel bandwidth at RB index $N, N+5, N+10, \dots, N+210$ where $N=\{0,1,2,3,4\}$. | | | | | | | | |

A.3 Fixed Reference Channels for performance requirements (QPSK, R=193/1024)

The parameters for the reference measurement channels are specified in table A.3-2, table A.3-2A, table A.3-4 and table A.3-6 for FR1 PUSCH performance requirements:

- FRC parameters are specified in table A.3-2 for FR1 PUSCH with transform precoding disabled, additional DM-RS position = pos1 and 1 transmission layer.
- FRC parameters are specified in table A.3-2A for FR1 PUSCH with transform precoding disabled, additional DM-RS position = pos2 and 1 transmission layer.
- FRC parameters are specified in table A.3-4 for FR1 PUSCH with transform precoding disabled, additional DM-RS position = pos1 and 2 transmission layers.

- FRC parameters are specified in table A.3-6 for FR1 PUSCH with transform precoding enabled, additional DM-RS position = pos1 and 1 transmission layer.

The parameters for the reference measurement channels are specified in table A.3-7 for FR1 PUSCH performance requirements for TBoMS:

- FRC parameters are specified in table A.3-7 for FR1 PUSCH with transform precoding disabled, *Additional DM-RS position = pos1* and 1 transmission layer.

Table A.3-1: Void

Table A.3-2: FRC parameters for FR1 PUSCH performance requirements, transform precoding disabled, additional DM-RS position = pos1 and 1 transmission layer (QPSK, R=193/1024)

| Reference channel | G-FR1-A3-8 | G-FR1-A3-9 | G-FR1-A3-10 | G-FR1-A3-11 | G-FR1-A3-12 | G-FR1-A3-13 | G-FR1-A3-14 |
|---|------------|------------|-------------|-------------|-------------|-------------|-------------|
| Subcarrier spacing (kHz) | 15 | 15 | 15 | 30 | 30 | 30 | 30 |
| Allocated resource blocks | 25 | 52 | 106 | 24 | 51 | 106 | 273 |
| CP-OFDM Symbols per slot (Note 1) | 12 | 12 | 12 | 12 | 12 | 12 | 12 |
| Modulation | QPSK | QPSK | QPSK | QPSK | QPSK | QPSK | QPSK |
| Code rate (Note 2) | 193/1024 | 193/1024 | 193/1024 | 193/1024 | 193/1024 | 193/1024 | 193/1024 |
| Payload size (bits) | 1352 | 2856 | 5768 | 1320 | 2792 | 5768 | 14856 |
| Transport block CRC (bits) | 16 | 16 | 24 | 16 | 16 | 24 | 24 |
| Code block CRC size (bits) | - | - | 24 | - | - | 24 | 24 |
| Number of code blocks - C | 1 | 1 | 2 | 1 | 1 | 2 | 4 |
| Code block size including CRC (bits) (Note 2) | 1368 | 2872 | 2920 | 1336 | 2808 | 2920 | 3744 |
| Total number of bits per slot | 7200 | 14976 | 30528 | 6912 | 14688 | 30528 | 78624 |
| Total symbols per slot | 3600 | 7488 | 15264 | 3456 | 7344 | 15264 | 39312 |
| NOTE 1: DM-RS configuration type = 1 with DM-RS duration = single-symbol DM-RS and the number of DM-RS CDM groups without data is 2, additional DM-RS position = pos1, $l_0 = 2$ and $l = 11$ for PUSCH mapping type A, $l_0 = 0$ and $l = 10$ for PUSCH mapping type B as per table 6.4.1.1.3-3 of TS 38.211 [17]. | | | | | | | |
| NOTE 2: Code block size including CRC (bits) equals to K' in clause 5.2.2 of TS 38.212 [16]. | | | | | | | |

Table A.3-2A: FRC parameters for FR1 PUSCH performance requirements, transform precoding disabled, additional DM-RS position = pos2 and 1 transmission layer (QPSK, R=193/1024)

| Reference channel | G-FR1-A3-33 | G-FR1-A3-33A | G-FR1-A3-34 | G-FR1-A3-34A |
|---|-------------|--------------|-------------|--------------|
| Subcarrier spacing (kHz) | 15 | 15 | 30 | 30 |
| Allocated resource blocks | 52 | 25 | 106 | 24 |
| Data bearing CP-OFDM Symbols per slot (Note 1) | 11 | 11 | 11 | 11 |
| Modulation | QPSK | QPSK | QPSK | QPSK |
| Code rate (Note 2) | 193/1024 | 193/1024 | 193/1024 | 193/1024 |
| Payload size (bits) | 2600 | 1256 | 5256 | 1192 |
| Transport block CRC (bits) | 16 | 16 | 24 | 16 |
| Code block CRC size (bits) | - | - | 24 | - |
| Number of code blocks - C | 1 | 1 | 2 | 1 |
| Code block size including CRC (bits) (Note 2) | 2616 | 1272 | 2664 | 1208 |
| Total number of bits per slot | 13728 | 6600 | 27984 | 6336 |
| Total resource elements per slot | 6846 | 3300 | 13992 | 3168 |
| NOTE 1: DM-RS configuration type = 1 with DM-RS duration = single-symbol DM-RS and the number of DM-RS CDM groups without data is 2, <i>Additional DM-RS position = pos2</i> , and $l_0 = 2$ or 3 for PUSCH mapping type A, as per table 6.4.1.1.3-3 of TS 38.211 [17]. | | | | |
| NOTE 2: Code block size including CRC (bits) equals to K' in clause 5.2.2 of TS 38.212 [16]. | | | | |

Table A.3-3: Void

Table A.3-4: FRC parameters for FR1 PUSCH performance requirements, transform precoding disabled, additional DM-RS position = pos1 and 2 transmission layers (QPSK, R=193/1024)

| Reference channel | G-FR1-A3-22 | G-FR1-A3-23 | G-FR1-A3-24 | G-FR1-A3-25 | G-FR1-A3-26 | G-FR1-A3-27 | G-FR1-A3-28 |
|---|-------------|-------------|-------------|-------------|-------------|-------------|-------------|
| Subcarrier spacing (kHz) | 15 | 15 | 15 | 30 | 30 | 30 | 30 |
| Allocated resource blocks | 25 | 52 | 106 | 24 | 51 | 106 | 273 |
| CP-OFDM Symbols per slot (Note 1) | 12 | 12 | 12 | 12 | 12 | 12 | 12 |
| Modulation | QPSK | QPSK | QPSK | QPSK | QPSK | QPSK | QPSK |
| Code rate (Note 2) | 193/1024 | 193/1024 | 193/1024 | 193/1024 | 193/1024 | 193/1024 | 193/1024 |
| Payload size (bits) | 2728 | 5640 | 11528 | 2600 | 5512 | 11528 | 29736 |
| Transport block CRC (bits) | 16 | 24 | 24 | 16 | 24 | 24 | 24 |
| Code block CRC size (bits) | - | 24 | 24 | - | 24 | 24 | 24 |
| Number of code blocks - C | 1 | 2 | 4 | 1 | 2 | 4 | 8 |
| Code block size including CRC (bits) (Note 2) | 2744 | 2856 | 2912 | 2616 | 2792 | 2912 | 3744 |
| Total number of bits per slot | 14400 | 29952 | 61056 | 13824 | 29376 | 61056 | 157248 |
| Total symbols per slot | 7200 | 14976 | 30528 | 6912 | 14688 | 30528 | 78624 |
| NOTE 1: DM-RS configuration type = 1 with DM-RS duration = single-symbol DM-RS and the number of DM-RS CDM groups without data is 2, additional DM-RS position = pos1, $l_0 = 2$ and $l = 11$ for PUSCH mapping type A, $l_0 = 0$ and $l = 10$ for PUSCH mapping type B as per table 6.4.1.1.3-3 of TS 38.211 [17]. | | | | | | | |
| NOTE 2: Code block size including CRC (bits) equals to K' in clause 5.2.2 of TS 38.212 [16]. | | | | | | | |

Table A.3-5: Void

Table A.3-6: FRC parameters for FR1 PUSCH performance requirements, transform precoding enabled, additional DM-RS position = pos1 and 1 transmission layer (QPSK, R=193/1024)

| Reference channel | G-FR1-A3-31 | G-FR1-A3-32 |
|---|-------------|-------------|
| Subcarrier spacing (kHz) | 15 | 30 |
| Allocated resource blocks | 25 | 24 |
| DFT-s-OFDM Symbols per slot (Note 1) | 12 | 12 |
| Modulation | QPSK | QPSK |
| Code rate (Note 2) | 193/1024 | 193/1024 |
| Payload size (bits) | 1352 | 1320 |
| Transport block CRC (bits) | 16 | 16 |
| Code block CRC size (bits) | - | - |
| Number of code blocks - C | 1 | 1 |
| Code block size including CRC (bits) (Note 2) | 1368 | 1336 |
| Total number of bits per slot | 7200 | 6912 |
| Total symbols per slot | 3600 | 3456 |
| NOTE 1: DM-RS configuration type = 1 with DM-RS duration = single-symbol DM-RS and the number of DM-RS CDM groups without data is 2, additional DM-RS position = pos1, $l_0 = 2$ and $l = 11$ for PUSCH mapping type A, $l_0 = 0$ and $l = 10$ for PUSCH mapping type B as per table 6.4.1.1.3-3 of TS 38.211 [17]. | | |
| NOTE 2: Code block size including CRC (bits) equals to K' in clause 5.2.2 of TS 38.212 [16]. | | |

Table A.3-7: FRC parameters for FR1 PUSCH performance requirements, transform precoding disabled, Additional DM-RS position = pos1 and 1 transmission layer (QPSK, R=193/1024)

| Reference channel | G-FR1-A3-35 | G-FR1-A3-36 | G-FR1-A3-37 | G-FR1-A3-38 |
|---|-------------|-------------|-------------|-------------|
| Number of TBoMS slots | 2 | 4 | 2 | 4 |
| Subcarrier spacing [kHz] | 15 | 15 | 30 | 30 |
| Allocated resource blocks per slot | 5 | 5 | 5 | 5 |
| Data bearing CP-OFDM Symbols per slot (Note 1) | 12 | 12 | 12 | 12 |
| Modulation | QPSK | QPSK | QPSK | QPSK |
| Code rate (Note 2) | 193/1024 | 193/1024 | 193/1024 | 193/1024 |
| Payload size (bits) | 552 | 1128 | 552 | 1128 |
| Transport block CRC (bits) | 16 | 16 | 16 | 16 |
| Code block CRC size (bits) | - | - | - | - |
| Number of code blocks - C | 1 | 1 | 1 | 1 |
| Code block size including CRC (bits) (Note 2) | 568 | 1144 | 568 | 1144 |
| Total number of bits over all TBoMS slots | 2880 | 5760 | 2880 | 5760 |
| Total resource elements over all TBoMS slots | 1440 | 2880 | 1440 | 2880 |
| NOTE 1: DM-RS configuration type = 1 with DM-RS duration = single-symbol DM-RS and the number of DM-RS CDM groups without data is 2, additional DM-RS position = pos1, $l_0 = 2$ and $l = 11$ for PUSCH mapping type A, $l_0 = 0$ and $l = 10$ for PUSCH mapping type B as per table 6.4.1.1.3-3 of TS 38.211 [17]. | | | | |
| NOTE 2: Code block size including CRC (bits) equals to K' in sub-clause 5.2.2 of TS 38.212 [16]. | | | | |

A.3A Fixed Reference Channels for performance requirements (QPSK, R=99/1024)

The parameters for the reference measurement channel are specified in table A.3A-1 for FR1 PUSCH performance requirements:

- FRC parameters are specified in table A.3A-1 for FR1 PUSCH with transform precoding disabled, additional DM-RS position = pos1 and 1 transmission layer.

Table A.3A-1: FRC parameters for FR1 PUSCH performance requirements, transform precoding disabled, additional DM-RS position = pos1 and 1 transmission layer (QPSK, R=99/1024)

| Reference channel | G-FR1-A3A-1 | G-FR1-A3A-2 | G-FR1-A3A-3 | G-FR1-A3A-4 |
|---|-------------|-------------|-------------|-------------|
| Subcarrier spacing (kHz) | 15 | 15 | 30 | 30 |
| Allocated resource blocks | 25 | 52 | 24 | 106 |
| CP-OFDM Symbols per slot (Note 1) | 12 | 12 | 12 | 12 |
| Modulation | QPSK | QPSK | QPSK | QPSK |
| Code rate (Note 2) | 99/1024 | 99/1024 | 99/1024 | 99/1024 |
| Payload size (bits) | 704 | 1480 | 672 | 2976 |
| Transport block CRC (bits) | 16 | 16 | 16 | 16 |
| Code block CRC size (bits) | - | - | - | - |
| Number of code blocks - C | 1 | 1 | 1 | 1 |
| Code block size including CRC (bits) (Note 2) | 720 | 1496 | 688 | 2992 |
| Total number of bits per slot | 7200 | 14976 | 6912 | 30528 |
| Total symbols per slot | 3600 | 7488 | 3456 | 15264 |
| NOTE 1: DM-RS configuration type = 1 with DM-RS duration = single-symbol DM-RS and the number of DM-RS CDM groups without data is 2, additional DM-RS position = pos1, $l_0 = 2$ and $l = 11$ for PUSCH mapping type A, $l_0 = 0$ and $l = 10$ for PUSCH mapping type B as per table 6.4.1.1.3-3 of TS 38.211 [17]. | | | | |
| NOTE 2: Code block size including CRC (bits) equals to K' in clause 5.2.2 of TS 38.212 [16]. | | | | |

A.3B Fixed Reference Channels for performance requirements (QPSK, R=308/1024)

The parameters for the reference measurement channel is specified in table A.3B-1 for FR1 PUSCH performance requirements:

- FRC parameters are specified in table A.3B-1 for FR1 PUSCH with transform precoding disabled, additional DM-RS position = pos0 and 1 transmission layer.

The parameters for the reference measurement channel are specified in table A.3B-2 and table A3.B-3 for FR1 PUSCH performance requirements with DM-RS bundling:

- FRC parameters are specified in table A.3B-2 for FR1 PUSCH with transform precoding disabled, additional DM-RS position = pos1 and 1 transmission layer.
- FRC parameters are specified in table A.3B-3 for FR1 PUSCH with transform precoding disabled, additional DM-RS position = pos0 and 1 transmission layer.

Note: The FRC table A.3B-4, table A.3B-5, table A.3B-6 and table A.3B-7 defined in TS38.104 [2] and TS38.141-2 [3] are not used in this specification.

Table A.3B-1: FRC parameters for FR1 PUSCH performance requirements, transform precoding disabled, additional DM-RS position = pos0 and 1 transmission layer (QPSK, R=308/1024)

| Reference channel | G-FR1-A3B-1 | G-FR1-A3B-2 | G-FR1-A3B-3 | G-FR1-A3B-4 |
|--|-------------|-------------|-------------|-------------|
| Subcarrier spacing (kHz) | 15 | 15 | 30 | 30 |
| Allocated resource blocks | 25 | 52 | 24 | 106 |
| CP-OFDM Symbols per slot (Note 1) | 1 | 1 | 1 | 1 |
| Modulation | QPSK | QPSK | QPSK | QPSK |
| Code rate (Note 2) | 308/1024 | 308/1024 | 308/1024 | 308/1024 |
| Payload size (bits) | 176 | 368 | 168 | 768 |
| Transport block CRC (bits) | 16 | 16 | 16 | 16 |
| Code block CRC size (bits) | - | - | - | - |
| Number of code blocks - C | 1 | 1 | 1 | 1 |
| Code block size including CRC (bits) (Note 2) | 192 | 384 | 184 | 784 |
| Total number of bits per slot | 600 | 1248 | 576 | 2544 |
| Total symbols per slot | 300 | 624 | 288 | 1272 |
| NOTE 1: DM-RS configuration type = 1 with DM-RS duration = single-symbol DM-RS and the number of DM-RS CDM groups without data is 2, additional DM-RS position = pos0, $l_0 = 0$ as per table 6.4.1.1.3-3 of TS 38.211 [17]. | | | | |
| NOTE 2: Code block size including CRC (bits) equals to K' in clause 5.2.2 of TS 38.212 [16]. | | | | |

Table A.3B-2: FRC parameters for FR1 PUSCH performance requirements, transform precoding disabled, Additional DM-RS position = pos1 and 1 transmission layer (QPSK, R=308/1024)

| Reference channel | G-FR1-A3B-5 | G-FR1-A3B-6 |
|---|-------------|-------------|
| Subcarrier spacing [kHz] | 15 | 30 |
| Allocated resource blocks | 25 | 24 |
| CP-OFDM Symbols per slot (Note 1) | 12 | 12 |
| Modulation | QPSK | QPSK |
| Code rate (Note 2) | 308/1024 | 308/1024 |
| Payload size (bits) | 2152 | 2088 |
| Transport block CRC (bits) | 16 | 16 |
| Code block CRC size (bits) | - | - |
| Number of code blocks - C | 1 | 1 |
| Code block size including CRC (bits) (Note 2) | 2168 | 2104 |
| Total number of bits per slot | 7200 | 6912 |
| Total resource elements per slot | 3600 | 3456 |
| NOTE 1: DM-RS configuration type = 1 with DM-RS duration = single-symbol DM-RS and the number of DM-RS CDM groups without data is 2, additional DM-RS position = pos1, $l_0 = 2$ and $l = 11$ for PUSCH mapping type A, $l_0 = 0$ and $l = 10$ for PUSCH mapping type B as per table 6.4.1.1.3-3 of TS 38.211 [20]. | | |
| NOTE 2: Code block size including CRC (bits) equals to K' in sub-clause 5.2.2 of TS 38.212 [15]. | | |

Table A.3B-3: FRC parameters for FR1 PUSCH performance requirements, transform precoding disabled, Additional DM-RS position = pos0 and 1 transmission layer (QPSK, R=308/1024)

| Reference channel | G-FR1-A3B-7 | G-FR1-A3B-8 |
|---|-------------|-------------|
| Subcarrier spacing [kHz] | 15 | 30 |
| Allocated resource blocks | 25 | 24 |
| CP-OFDM Symbols per slot (Note 1) | 13 | 13 |
| Modulation | QPSK | QPSK |
| Code rate (Note 2) | 308/1024 | 308/1024 |
| Payload size (bits) | 2408 | 2280 |
| Transport block CRC (bits) | 16 | 16 |
| Code block CRC size (bits) | - | - |
| Number of code blocks - C | 1 | 1 |
| Code block size including CRC (bits) (Note 2) | 2424 | 2296 |
| Total number of bits per slot | 7800 | 7488 |
| Total resource elements per slot | 3900 | 3744 |
| NOTE 1: DM-RS configuration type = 1 with DM-RS duration = single-symbol DM-RS and the number of DM-RS CDM groups without data is 2, additional DM-RS position = pos0 with $l_0 = 2$ for PUSCH mapping type A, $l_0 = 0$ for PUSCH mapping type B as per table 6.4.1.1.3-3 of TS 38.211 [20]. | | |
| NOTE 2: Code block size including CRC (bits) equals to K' in sub-clause 5.2.2 of TS 38.212 [15]. | | |

A.4 Fixed Reference Channels for performance requirements (16QAM, R=658/1024)

The parameters for the reference measurement channels are specified in table A.4-2, table A.4-2A and table A.4-4 for FR1 PUSCH performance requirements:

- FRC parameters are specified in table A.4-2 for FR1 PUSCH with transform precoding disabled, additional DM-RS position = pos1 and 1 transmission layer.
- FRC parameters are specified in table A.4-2A for FR1 PUSCH with transform precoding disabled, additional DM-RS position = pos2 and 1 transmission layer.
- FRC parameters are specified in table A.4-2B for FR1 PUSCH with transform precoding disabled, additional DM-RS position = pos2 and 1 transmission layers.
- FRC parameters are specified in table A.4-4 for FR1 PUSCH with transform precoding disabled, additional DM-RS position = pos1 and 2 transmission layers.

Table A.4-1: Void

Table A.4-2: FRC parameters for FR1 PUSCH performance requirements, transform precoding disabled, additional DM-RS position = pos1 and 1 transmission layer (16QAM, R=658/1024)

| Reference channel | G-FR1-A4-8 | G-FR1-A4-9 | G-FR1-A4-10 | G-FR1-A4-11 | G-FR1-A4-12 | G-FR1-A4-13 | G-FR1-A4-14 |
|---|------------|------------|-------------|-------------|-------------|-------------|-------------|
| Subcarrier spacing (kHz) | 15 | 15 | 15 | 30 | 30 | 30 | 30 |
| Allocated resource blocks | 25 | 52 | 106 | 24 | 51 | 106 | 273 |
| CP-OFDM Symbols per slot (Note 1) | 12 | 12 | 12 | 12 | 12 | 12 | 12 |
| Modulation | 16QAM | 16QAM | 16QAM | 16QAM | 16QAM | 16QAM | 16QAM |
| Code rate (Note 2) | 658/1024 | 658/1024 | 658/1024 | 658/1024 | 658/1024 | 658/1024 | 658/1024 |
| Payload size (bits) | 9224 | 19464 | 38936 | 8968 | 18960 | 38936 | 100392 |
| Transport block CRC (bits) | 24 | 24 | 24 | 24 | 24 | 24 | 24 |
| Code block CRC size (bits) | 24 | 24 | 24 | 24 | 24 | 24 | 24 |
| Number of code blocks - C | 2 | 3 | 5 | 2 | 3 | 5 | 12 |
| Code block size including CRC (bits) (Note 2) | 4648 | 6520 | 7816 | 4520 | 6352 | 7816 | 8392 |
| Total number of bits per slot | 14400 | 29952 | 61056 | 13824 | 29376 | 61056 | 157248 |
| Total symbols per slot | 3600 | 7488 | 15264 | 3456 | 7344 | 15264 | 39312 |
| NOTE 1: DM-RS configuration type = 1 with DM-RS duration = single-symbol DM-RS and the number of DM-RS CDM groups without data is 2, additional DM-RS position = pos1, $l_0 = 2$ and $l = 11$ for PUSCH mapping type A, $l_0 = 0$ and $l = 10$ for PUSCH mapping type B as per table 6.4.1.1.3-3 of TS 38.211 [17]. | | | | | | | |
| NOTE 2: Code block size including CRC (bits) equals to K' in clause 5.2.2 of TS 38.212 [16]. | | | | | | | |

Table A.4-2A: FRC parameters for FR1 PUSCH performance requirements, transform precoding disabled, additional DM-RS position = pos2 and 1 transmission layer (16QAM, R=658/1024)

| Reference channel | G-FR1-A4-29 | G-FR1-A4-29A | G-FR1-A4-30 | G-FR1-A4-30A |
|---|-------------|--------------|-------------|--------------|
| Subcarrier spacing (kHz) | 15 | 15 | 30 | 30 |
| Allocated resource blocks | 52 | 25 | 106 | 24 |
| Data bearing CP-OFDM Symbols per slot (Note 1) | 11 | 11 | 11 | 11 |
| Modulation | 16QAM | 16QAM | 16QAM | 16QAM |
| Code rate (Note 2) | 658/1024 | 658/1024 | 658/1024 | 658/1024 |
| Payload size (bits) | 17424 | 8456 | 35856 | 8064 |
| Transport block CRC (bits) | 24 | 24 | 24 | 24 |
| Code block CRC size (bits) | 24 | 24 | 24 | - |
| Number of code blocks - C | 3 | 2 | 5 | 1 |
| Code block size including CRC (bits) (Note 2) | 5840 | 4264 | 7200 | 8088 |
| Total number of bits per slot | 27456 | 13200 | 55968 | 12672 |
| Total resource elements per slot | 6846 | 3300 | 13992 | 3168 |
| NOTE 1: DM-RS configuration type = 1 with DM-RS duration = single-symbol DM-RS and the number of DM-RS CDM groups without data is 2, Additional DM-RS position = pos2, and $l_0 = 2$ or 3 for PUSCH mapping type A, as per table 6.4.1.1.3-3 of TS 38.211 [17]. | | | | |
| NOTE 2: Code block size including CRC (bits) equals to K' in clause 5.2.2 of TS 38.212 [16]. | | | | |

Table A.4-2B: FRC parameters for FR1 PUSCH performance requirements, transform precoding disabled, Additional DM-RS position = pos2 and 1 transmission layer (16QAM, R=658/1024)

| Reference channel | G-FR1-A4-31A | G-FR1-A4-31 | G-FR1-A4-32A | G-FR1-A4-32 |
|--|--------------|-------------|--------------|-------------|
| Subcarrier spacing [kHz] | 15 | 15 | 30 | 30 |
| Allocated resource blocks | 12 | 25 | 12 | 50 |
| CP-OFDM Symbols per slot (Note 1) | 11 | 11 | 11 | 11 |
| Modulation | 16QAM | 16QAM | 16QAM | 16QAM |
| Code rate (Note 2) | 658/1024 | 658/1024 | 658/1024 | 658/1024 |
| Payload size (bits) | 4032 | 8456 | 4032 | 16896 |
| Transport block CRC (bits) | 24 | 24 | 24 | 24 |
| Code block CRC size (bits) | - | 24 | - | 24 |
| Number of code blocks - C | 1 | 2 | 1 | 3 |
| Code block size including CRC (bits) (Note 2) | 4056 | 4264 | 4056 | 5664 |
| Total number of bits per slot | 6336 | 13200 | 6336 | 26400 |
| Total symbols per slot | 1584 | 3300 | 1584 | 6600 |
| NOTE 1: DM-RS configuration type = 1 with DM-RS duration = single-symbol DM-RS and the number of DM-RS CDM groups without data is 2, Additional DM-RS position = pos2, $l_0 = 2$ for PUSCH mapping type A, $l_0 = 2$ for PUSCH mapping type B, as per table 6.4.1.1.3-3 of TS 38.211 [17]. | | | | |
| NOTE 2: Code block size including CRC (bits) equals to K' in clause 5.2.2 of TS 38.212 [16]. | | | | |

Table A.4-3: Void**Table A.4-4: FRC parameters for FR1 PUSCH performance requirements, transform precoding disabled, additional DM-RS position = pos1 and 2 transmission layers (16QAM, R=658/1024)**

| Reference channel | G-FR1-A4-22 | G-FR1-A4-23 | G-FR1-A4-24 | G-FR1-A4-25 | G-FR1-A4-26 | G-FR1-A4-27 | G-FR1-A4-28 |
|---|-------------|-------------|-------------|-------------|-------------|-------------|-------------|
| Subcarrier spacing (kHz) | 15 | 15 | 15 | 30 | 30 | 30 | 30 |
| Allocated resource blocks | 25 | 52 | 106 | 24 | 51 | 106 | 273 |
| CP-OFDM Symbols per slot (Note 1) | 12 | 12 | 12 | 12 | 12 | 12 | 12 |
| Modulation | 16QAM | 16QAM | 16QAM | 16QAM | 16QAM | 16QAM | 16QAM |
| Code rate (Note 2) | 658/1024 | 658/1024 | 658/1024 | 658/1024 | 658/1024 | 658/1024 | 658/1024 |
| Payload size (bits) | 18432 | 38936 | 77896 | 17928 | 37896 | 77896 | 200808 |
| Transport block CRC (bits) | 24 | 24 | 24 | 24 | 24 | 24 | 24 |
| Code block CRC size (bits) | 24 | 24 | 24 | 24 | 24 | 24 | 24 |
| Number of code blocks - C | 3 | 5 | 10 | 3 | 5 | 10 | 24 |
| Code block size including CRC (bits) (Note 2) | 6176 | 7816 | 7816 | 6008 | 7608 | 7816 | 8392 |
| Total number of bits per slot | 28800 | 59904 | 122112 | 27648 | 58752 | 122112 | 314496 |
| Total symbols per slot | 7200 | 14976 | 30528 | 6912 | 14688 | 30528 | 78624 |
| NOTE 1: DM-RS configuration type = 1 with DM-RS duration = single-symbol DM-RS and the number of DM-RS CDM groups without data is 2, additional DM-RS position = pos1, $l_0 = 2$ and $l = 11$ for PUSCH mapping type A, $l_0 = 0$ and $l = 10$ for PUSCH mapping type B as per table 6.4.1.1.3-3 of TS 38.211 [17]. | | | | | | | |
| NOTE 2: Code block size including CRC (bits) equals to K' in clause 5.2.2 of TS 38.212 [16]. | | | | | | | |

A.5 Fixed Reference Channels for performance requirements (64QAM, R=567/1024)

The parameters for the reference measurement channels are specified in table A.5-2 and table A.5-3 for FR1 PUSCH performance requirements:

- FRC parameters are specified in table A.5-2 for FR1 PUSCH with transform precoding disabled, *Additional DM-RS position = pos1* and 1 transmission layer.
- -FRC parameters are specified in table A.5-3 for FR1 interlaced PUSCH with transform precoding disabled, *Additional DM-RS position = pos1* and 1 transmission layer.

Table A.5-1: Void

Table A.5-2: FRC parameters for FR1 PUSCH performance requirements, transform precoding disabled, additional DM-RS position = pos1 and 1 transmission layer (64QAM, R=567/1024)

| Reference channel | G-FR1-A5-8 | G-FR1-A5-9 | G-FR1-A5-10 | G-FR1-A5-11 | G-FR1-A5-12 | G-FR1-A5-13 | G-FR1-A5-14 |
|---|------------|------------|-------------|-------------|-------------|-------------|-------------|
| Subcarrier spacing (kHz) | 15 | 15 | 15 | 30 | 30 | 30 | 30 |
| Allocated resource blocks | 25 | 52 | 106 | 24 | 51 | 106 | 273 |
| CP-OFDM Symbols per slot (Note 1) | 12 | 12 | 12 | 12 | 12 | 12 | 12 |
| Modulation | 64QAM | 64QAM | 64QAM | 64QAM | 64QAM | 64QAM | 64QAM |
| Code rate (Note 2) | 567/1024 | 567/1024 | 567/1024 | 567/1024 | 567/1024 | 567/1024 | 567/1024 |
| Payload size (bits) | 12040 | 25104 | 50184 | 11528 | 24576 | 50184 | 131176 |
| Transport block CRC (bits) | 24 | 24 | 24 | 24 | 24 | 24 | 24 |
| Code block CRC size (bits) | 24 | 24 | 24 | 24 | 24 | 24 | 24 |
| Number of code blocks - C | 2 | 3 | 6 | 2 | 3 | 6 | 16 |
| Code block size including CRC (bits) (Note 2) | 6056 | 8400 | 8392 | 5800 | 8224 | 8392 | 8224 |
| Total number of bits per slot | 21600 | 44928 | 91584 | 20736 | 44064 | 91584 | 235872 |
| Total symbols per slot | 3600 | 7488 | 15264 | 3456 | 7344 | 15264 | 39312 |
| NOTE 1: DM-RS configuration type = 1 with DM-RS duration = single-symbol DM-RS and the number of DM-RS CDM groups without data is 2, additional DM-RS position = pos1, $l_0 = 2$ and $l = 11$ for PUSCH mapping type A, $l_0 = 0$ and $l = 10$ for PUSCH mapping type B as per table 6.4.1.1.3-3 of TS 38.211 [17]. | | | | | | | |
| NOTE 2: Code block size including CRC (bits) equals to K' in clause 5.2.2 of TS 38.212 [16]. | | | | | | | |

Table A.5-3: FRC parameters for FR1 interlaced PUSCH performance requirements, transform precoding disabled, *additional DM-RS position = pos1* and 1 transmission layer (64QAM, R=567/1024)

| Reference channel | G-FR1-A5-15 | G-FR1-A5-16 |
|--|-------------|-------------|
| Subcarrier spacing [kHz] | 15 | 30 |
| Allocated resource blocks | 11 | 11 |
| CP-OFDM Symbols per slot (Note 1) | 12 | 12 |
| Modulation | 64QAM | 64QAM |
| Code rate | 567/1024 | 567/1024 |
| Payload size (bits) | 5248 | 5248 |
| Transport block CRC (bits) | 24 | 24 |
| Code block CRC size (bits) | 24 | 24 |
| Number of code blocks - C | 1 | 1 |
| Code block size including CRC (bits) (Note 2) | 5272 | 5272 |
| Total number of bits per slot (Note 3) | 9504 | 9504 |
| Total symbols per slot (Note 3) | 1584 | 1584 |
| <p>NOTE 1: <i>DM-RS configuration type = 1</i> with <i>DM-RS duration = single-symbol DM-RS</i> and the number of DM-RS CDM groups without data is 2, <i>Additional DM-RS position = pos1</i>, $l_0 = 2$ and $l = 11$ for PUSCH mapping type A, $l_0 = 0$ and $l = 10$ for PUSCH mapping type B as per table 6.4.1.1.3-3 of TS 38.211 [17].</p> <p>NOTE 2: Code block size including CRC (bits) equals to K' in clause 5.2.2 of TS 38.212 [16].</p> <p>NOTE 3: The calculation of the "Total number of bits per slot" and "Total symbols per slot" fields include the REs taken up by CG-UCI, if present.</p> | | |

A.6 PRACH test preambles

Table A.6-1 Test preambles for Normal Mode in FR1

| Burst format | SCS (kHz) | Ncs | Logical sequence index | v |
|------------------------|-----------|-----|------------------------|----|
| 0 | 1.25 | 13 | 22 | 32 |
| A1, A2, A3, B4, C0, C2 | 15 | 23 | 0 | 0 |
| | 30 | 46 | 0 | 0 |

Table A.6-2: Void

Table A.6-3: Test preambles for high speed train restricted set type A

| Burst format | SCS (kHz) | Ncs | Logical sequence index | v |
|--------------|-----------|-----|------------------------|---|
| 0 | 1.25 | 15 | 384 | 0 |

Table A.6-4: Test preambles for high speed train restricted set type B

| Burst format | SCS (kHz) | Ncs | Logical sequence index | v |
|--------------|-----------|-----|------------------------|----|
| 0 | 1.25 | 15 | 30 | 30 |

Table A.6-5: Test preambles for high speed train short formats

| Burst format | SCS (kHz) | Ncs | Logical sequence index | v |
|--------------|-----------|-----|------------------------|---|
| A2, B4, C2 | 15 | 23 | 0 | 0 |
| | 30 | 46 | 0 | 0 |

Table A.6-6: Test preambles for PRACH with $L_{RA}=1151$ and $L_{RA}=571$

| Burst format | SCS (kHz) | Ncs | Logical sequence index | v |
|--------------|-----------|-----|------------------------|---|
| A2, B4, C2 | 15 | 164 | 0 | 0 |
| | 30 | 190 | 0 | 0 |

A.7 Fixed Reference Channels for performance requirements (QPSK, $R=157/1024$)

Note: Different FRC numbers are assigned in TS 38.104 [2] and TS 38.141-2 [3] for the FRCs in this annex.

The parameters for the reference measurement channels are specified in table A.7-1 for FR1 PUSCH performance requirements for 2-step RA type:

- FRC parameters are specified in table A.7-1 for FR1 PUSCH with transform precoding disabled, additional DM-RS position = pos2 and 1 transmission layer.
- FRC parameters are specified in table A.7-2 for FR1 PUSCH with transform precoding disabled, additional DM-RS position = pos1 and 1 transmission layer.

Table A.7-1: FRC parameters for FR1 PUSCH performance requirements, transform precoding disabled, additional DM-RS position = pos2 and 1 transmission layer (QPSK, $R=157/1024$)

| Reference channel | G-FR1-A7-1 | G-FR1-A7-2 |
|--|------------|------------|
| Subcarrier spacing (kHz) | 15 | 30 |
| Allocated resource blocks | 2 | 2 |
| Data bearing CP-OFDM Symbols per slot (Note 1) | 11 | 11 |
| Modulation | QPSK | QPSK |
| Code rate (Note 2) | 157/1024 | 157/1024 |
| Payload size (bits) | 80 | 80 |
| Transport block CRC (bits) | 16 | 16 |
| Code block CRC size (bits) | - | - |
| Number of code blocks – C | 1 | 1 |
| Code block size including CRC (bits) (Note 2) | 96 | 96 |
| Total number of bits per slot | 528 | 528 |
| Total resource elements per slot | 264 | 264 |
| NOTE 1: DM-RS configuration type = 1 with DM-RS duration = single-symbol DM-RS and the number of DM-RS CDM groups without data is 2, additional DM-RS position = pos2, and $l_0 = 2$ or 3 for PUSCH mapping type A, $l_0 = 0$ for PUSCH mapping type B as per table 6.4.1.1.3-3 of TS 38.211 [17]. | | |
| NOTE 2: Code block size including CRC (bits) equals to K' in clause 5.2.2 of TS 38.212 [16]. | | |

Table A.7-2: FRC parameters for FR1 PUSCH performance requirements, transform precoding disabled, additional DM-RS position = pos1 and 1 transmission layer (QPSK, R=157/1024)

| Reference channel | G-FR1-A7-3 | G-FR1-A7-4 |
|--|------------|------------|
| Subcarrier spacing (kHz) | 15 | 30 |
| Allocated resource blocks | 2 | 2 |
| Data bearing CP-OFDM Symbols per slot (Note 1) | 12 | 12 |
| Modulation | QPSK | QPSK |
| Code rate (Note 2) | 157/1024 | 157/1024 |
| Payload size (bits) | 88 | 88 |
| Transport block CRC (bits) | 16 | 16 |
| Code block CRC size (bits) | - | - |
| Number of code blocks - C | 1 | 1 |
| Code block size including CRC (bits) (Note 2) | 104 | 104 |
| Total number of bits per slot | 576 | 576 |
| Total resource elements per slot | 288 | 288 |
| NOTE 1: <i>DM-RS configuration type = 1 with DM-RS duration = single-symbol DM-RS and the number of DM-RS CDM groups without data is 2, additional DM-RS position = pos1, $l_0 = 2$ and $l = 11$ for PUSCH mapping type A, $l_0 = 0$ and $l = 10$ for PUSCH mapping type B as per table 6.4.1.1.3-3 of TS 38.211 [17].</i> | | |
| NOTE 2: Code block size including CRC (bits) equals to K' in clause 5.2.2 of TS 38.212 [16]. | | |

A.8 Fixed Reference Channels for performance requirements (256QAM, R=682.5/1024)

Note: Different FRC numbers are assigned in TS 38.104 [2] and TS 38.141-2 [3] for the FRCs in this annex.

The parameters for the reference measurement channels are specified in table A.8-1 for FR1 PUSCH performance requirements:

- FRC parameters are specified in table A.8-1 for FR1 PUSCH with transform precoding disabled, *Additional DM-RS position = pos1* and 1 transmission layer.

Table A.8-1: FRC parameters for FR1 PUSCH performance requirements, transform precoding disabled, Additional DM-RS position = pos1 and 1 transmission layer (256QAM, R=682.5/1024)

| Reference channel | G-FR1-A8-1 | G-FR1-A8-2 | G-FR1-A8-3 | G-FR1-A8-4 | G-FR1-A8-5 |
|--|------------|------------|------------|------------|------------|
| Subcarrier spacing [kHz] | 15 | 15 | 30 | 30 | 30 |
| Allocated resource blocks | 25 | 52 | 24 | 106 | 273 |
| CP-OFDM Symbols per slot (Note 1) | 12 | 12 | 12 | 12 | 12 |
| Modulation | 256QAM | 256QAM | 256QAM | 256QAM | 256QAM |
| Code rate (Note 2) | 682.5/1024 | 682.5/1024 | 682.5/1024 | 682.5/1024 | 682.5/1024 |
| Payload size (bits) | 18960 | 39936 | 18432 | 81976 | 208976 |
| Transport block CRC (bits) | 24 | 24 | 24 | 24 | 24 |
| Code block CRC size (bits) | 24 | 24 | 24 | 24 | 24 |
| Number of code blocks - C | 3 | 5 | 3 | 10 | 25 |
| Code block size including CRC (bits) (Note 2) | 6352 | 8016 | 6176 | 8224 | 8384 |
| Total number of bits per slot | 28800 | 59904 | 27648 | 122112 | 314496 |
| Total symbols per slot | 3600 | 7488 | 3456 | 15264 | 39312 |
| NOTE 1: <i>DM-RS configuration type = 1 with DM-RS duration = single-symbol DM-RS and the number of DM-RS CDM groups without data is 2, Additional DM-RS position = pos1, $l_0 = 2$ and $l = 11$ for PUSCH mapping type A, $l_0 = 0$ and $l = 10$ for PUSCH mapping type B as per table 6.4.1.1.3-3 of TS 38.211 [17].</i> | | | | | |
| NOTE 2: Code block size including CRC (bits) equals to K' in clause 5.2.2 of TS 38.212 [16]. | | | | | |

Annex B (normative): Environmental requirements for the BS equipment

B.1 General

For each test in the present document, the environmental conditions under which the BS is to be tested are defined.

B.2 Normal test environment

When a normal test environment is specified for a test, the test should be performed within the minimum and maximum limits of the conditions stated in table B.1.

Table B.1: Limits of conditions for normal test environment

| Condition | Minimum | Maximum |
|---------------------|--|---------|
| Barometric pressure | 86 kPa | 106 kPa |
| Temperature | 15 °C | 30 °C |
| Relative humidity | 20 % | 85 % |
| Power supply | Nominal, as declared by the manufacturer | |
| Vibration | Negligible | |

The ranges of barometric pressure, temperature and humidity represent the maximum variation expected in the uncontrolled environment of a test laboratory. If it is not possible to maintain these parameters within the specified limits, the actual values shall be recorded in the test report.

NOTE: This may, for instance, be the case for measurements of radiated emissions performed on an open field test site.

B.3 Extreme test environment

The manufacturer shall declare one of the following:

- 1) The equipment class for the equipment under test, as defined in the IEC 60 721-3-3 [6];
- 2) The equipment class for the equipment under test, as defined in the IEC 60 721-3-4 [7];
- 3) The equipment that does not comply with the mentioned classes, the relevant classes from IEC 60 721 [8] documentation for temperature, humidity and vibration shall be declared.

NOTE: Reduced functionality for conditions that fall outside of the standard operational conditions is not tested in the present document. These may be stated and tested separately.

B.3.1 Extreme temperature

When an extreme temperature test environment is specified for a test, the test shall be performed at the standard minimum and maximum operating temperatures defined by the manufacturer's declaration for the equipment under test.

Minimum temperature:

The test shall be performed with the environment test equipment and methods including the required environmental phenomena into the equipment, conforming to the test procedure of IEC 60 068-2-1 [9].

Maximum temperature:

The test shall be performed with the environmental test equipment and methods including the required environmental phenomena into the equipment, conforming to the test procedure of IEC 60 068-2-2 [10].

NOTE: It is recommended that the equipment is made fully operational prior to the equipment being taken to its lower operating temperature.

B.4 Vibration

When vibration conditions are specified for a test, the test shall be performed while the equipment is subjected to a vibration sequence as defined by the manufacturer's declaration for the equipment under test. This shall use the environmental test equipment and methods of inducing the required environmental phenomena in to the equipment, conforming to the test procedure of IEC 60 068-2-6 [11]. Other environmental conditions shall be within the ranges specified in annex B.2.

NOTE: The higher levels of vibration may induce undue physical stress in to equipment after a prolonged series of tests. The testing body should only vibrate the equipment during the RF measurement process.

B.5 Power supply

When extreme power supply conditions are specified for a test, the test shall be performed at the standard upper and lower limits of operating voltage defined by manufacturer's declaration for the equipment under test.

Upper voltage limit:

The equipment shall be supplied with a voltage equal to the upper limit declared by the manufacturer (as measured at the input terminals to the equipment). The tests shall be carried out at the steady state minimum and maximum temperature limits declared by the manufacturer for the equipment, to the methods described in IEC 60 068-2-1 [9] Test Ab/Ad and IEC 60 068-2-2 [10] Test Bb/Bd: Dry heat.

Lower voltage limit:

The equipment shall be supplied with a voltage equal to the lower limit declared by the manufacturer (as measured at the input terminals to the equipment). The tests shall be carried out at the steady state minimum and maximum temperature limits declared by the manufacturer for the equipment, to the methods described in IEC 60 068-2-1 [9] Test Ab/Ad and IEC 60 068-2-2 [10] Test Bb/Bd: Dry heat.

B.6 Measurement of test environments

The measurement accuracy of the BS test environments defined in annex B shall be:

| | |
|----------------------|------------|
| Pressure: | ±5 kPa |
| Temperature: | ±2 degrees |
| Relative humidity: | ±5 % |
| DC voltage: | ±1.0 % |
| AC voltage: | ±1.5 % |
| Vibration: | 10 % |
| Vibration frequency: | 0.1 Hz |

The above values shall apply unless the test environment is otherwise controlled and the specification for the control of the test environment specifies the uncertainty for the parameter.

Annex C (informative): Test tolerances and derivation of test requirements

C.1 Measurement of transmitter

Table C.1-1: Derivation of test requirements (Transmitter tests)

| Test | Minimum requirement in TS 38.104 [2] | Test Tolerance (TT) | Test requirement in the present document |
|---|--------------------------------------|---|---|
| 6.2 Base station output power | See TS 38.104 [2], clause 6.2 | Normal and extreme conditions: 0.7 dB, $f \leq 3.0$ GHz 1.0 dB, $3.0 \text{ GHz} < f \leq 7.125 \text{ GHz}$ (Note) 1.5 dB, for bands n46, n96 and n102 | Formula: Upper limit + TT, Lower limit - TT |
| 6.3 Output power dynamics | See TS 38.104 [2], clause 6.3 | 0.4 dB | Formula: Total power dynamic range - TT (dB) |
| 6.4.1 Transmitter OFF power | See TS 38.104 [2], clause 6.4.1 | 2.0 dB, $f \leq 3.0$ GHz 2.5 dB, $3.0 \text{ GHz} < f \leq 7.125 \text{ GHz}$ (Note) 3 dB, for bands n46, n96 and n102 | Formula: Minimum Requirement + TT |
| 6.4.2 Transient period | See TS 38.104 [2], clause 6.4.2 | N/A | |
| 6.5.2 Frequency error | See TS 38.104 [2], clause 6.5.1 | 12 Hz | Formula: Frequency Error limit + TT |
| 6.5.4 Time alignment error | See TS 38.104 [2], clause 6.5.3 | 25ns | Formula: Time alignment error limit + TT+ TT |
| 6.5.3 Modulation quality (EVM) | See TS 38.104 [2], clause 6.5.2 | 1% | Formula: EVM limit + TT |
| 6.6.2 Occupied bandwidth | See TS 38.104 [2], clause 6.6.2 | 0 Hz | Formula: Minimum Requirement + TT |
| 6.6.3 Adjacent Channel Leakage Power Ratio (ACLR) | See TS 38.104 [2], clause 6.6.3 | ACLR/CACLR: BW ≤ 20 MHz: 0.8dB BW > 20 MHz: 1.2 dB Absolute ACLR/CACLR: 0 dB | Formula: ACLR Minimum Requirement - TT Absolute limit +TT |
| 6.6.4 Operating band unwanted emissions | See TS 38.104 [2], clause 6.6.4 | Offsets < 10 MHz 1.5 dB, $f \leq 3.0$ GHz 1.8 dB, $3.0 \text{ GHz} < f \leq 7.125 \text{ GHz}$ (Note) 2.2 dB, for bands n46, n96 and n102 Offsets ≥ 10 MHz 0dB | Formula: Minimum Requirement + TT |
| 6.6.5.5.1.1 General transmitter spurious emissions requirements Category A | See TS 38.104 [2], clause 6.6.5.1 | 0dB | Formula: Minimum Requirement + TT |
| 6.6.5.5.1.1 General transmitter spurious emissions requirements Category B | See TS 38.104 [2], clause 6.6.5.1 | 0dB | Formula: Minimum Requirement + TT |
| 6.6.5.5.1.2 Protection of the BS receiver of own or different BS | See TS 38.104 [2], clause 6.6.5.2.2 | 0dB | Formula: Minimum Requirement + TT |
| 6.6.5.5.1.3 Additional spurious emissions requirements | See TS 38.104 [2], clause 6.6.5.2.3 | 0dB | Formula: Minimum Requirement + TT |
| 6.6.5.5.1.4 Co-location with other base stations | See TS 38.104 [2], clause 6.6.5.2.4 | 0dB | Formula: Minimum Requirement + TT |
| 6.7 Transmitter intermodulation | See TS 38.104 [2], clause 6.7 | 0dB | Formula: Ratio + TT |
| NOTE 1: TT values for $4.2 \text{ GHz} < f \leq 7.125 \text{ GHz}$ apply for BS operates in licensed spectrum only. | | | |
| NOTE 2: TT values are applicable for normal condition unless otherwise stated. | | | |

C.2 Measurement of receiver

Table C.2-1: Derivation of test requirements (Receiver tests)

| Test | Minimum requirement in TS 38.104 [2] | Test Tolerance (TT) | Test requirement in the present document |
|--|--------------------------------------|---|---|
| 7.2 Reference sensitivity level | See TS 38.104 [2], clause 7.2 | Normal and extreme conditions: 0.7 dB, $f \leq 3.0$ GHz 1.0 dB, $3.0 \text{ GHz} < f \leq 4.2$ GHz 1.2 dB, $4.2 \text{ GHz} < f \leq 6.0$ GHz 1.5 dB, $6 \text{ GHz} < f \leq 7.125$ GHz 1.5 dB, for bands n46, n96 and n102 | Formula: Reference sensitivity power level + TT |
| 7.3 Dynamic range | See TS 38.104 [2], clause 7.3 | 0.3 dB | Formula: Wanted signal power + TT |
| 7.4 In-band selectivity and blocking | See TS 38.104 [2], clause 7.4 | 0dB | Formula: Wanted signal power + TT |
| 7.5 Out-of-band blocking | See TS 38.104 [2], clause 7.5 | 0dB | Formula: Wanted signal power + TT |
| 7.6 Receiver spurious emissions | See TS 38.104 [2], clause 7.6 | 0dB | Formula: Minimum Requirement + TT |
| 7.7 Receiver intermodulation | See TS 38.104 [2], clause 7.7 | 0dB | Formula: Wanted signal power + TT |
| 7.8 In-channel selectivity | See TS 38.104 [2], clause 7.8 | 1.4 dB, $f \leq 3.0$ GHz 1.8 dB, $3.0 \text{ GHz} < f \leq 4.2$ GHz 2.1 dB, $4.2 \text{ GHz} < f \leq 6.0$ GHz 2.5 dB, $6 \text{ GHz} < f \leq 7.125$ GHz 2.5 dB, for bands n46, n96 and n102 | Formula: Wanted signal power + TT |
| NOTE: TT values are applicable for normal condition unless otherwise stated. | | | |

C.3 Measurement of performance requirements

Table C.3-1: Derivation of Test Requirements (Performance tests)

| Test | Minimum Requirement in TS 38.104 [2] | Test Tolerance (TT) | Test requirement in the present document |
|--|--------------------------------------|--|--|
| 8.2.1 Performance requirements for PUSCH with transform precoding disabled | SNRs as specified | 0.6 dB for 1Tx cases 0.8 dB for 2Tx cases | Formula: SNR + TT T-put limit unchanged |
| 8.2.2 Performance requirements for PUSCH with transform precoding enabled | SNRs as specified | 0.6 dB | Formula: SNR + TT T-put limit unchanged |
| 8.2.3 Performance requirements for UCI multiplexed on PUSCH | SNRs as specified | 0.6 dB | Formula: SNR + TT BLER limit unchanged |
| 8.2.4 Performance requirements for PUSCH for high speed train | SNRs as specified | 0.3 dB | Formula: SNR + TT T-put limit unchanged |
| 8.2.5 Performance requirements for UL timing adjustment | SNRs as specified | 0.3 dB for AWGN | Formula: SNR + TT T-put limit unchanged |
| 8.2.6 Performance requirements for PUSCH with 0.001% BLER | SNRs as specified | 0.3 dB | Formula: SNR + TT + 1dB 1dB is added to the test requirement to facilitate early test pass. The BLER delivered by the device during the test will be lower than the test requirement, which enables compliance to the requirement to be demonstrated with a number of observed block errors lower than a certain threshold. |
| 8.2.7 Performance requirements for PUSCH repetition Type A | SNRs as specified | 0.6 dB | Formula: SNR + TT BLER limit unchanged |
| 8.2.8 Performance requirements for PUSCH Mapping Type B with non-slot transmission | SNRs as specified | 0.6 dB | Formula: SNR + TT T-put limit unchanged |
| 8.2.12 Performance requirements for PUSCH TB over Multi-Slots | SNRs as specified | 0.6 dB | Formula: SNR + TT T-put limit unchanged |
| 8.2.13 Performance requirements for PUSCH with DM-RS bundling | SNRs as specified | 0.6 dB | Formula: SNR + TT T-put limit unchanged |
| 8.3.1 Performance requirements for PUCCH format 0 | SNRs as specified | 0.6 dB | Formula: SNR + TT False ACK limit unchanged Correct ACK limit unchanged |
| 8.3.2 Performance requirements for PUCCH format 1 | SNRs as specified | 0.6 dB | Formula: SNR + TT False ACK limit unchanged False NACK limit unchanged Correct ACK limit unchanged |
| 8.3.3 Performance requirements for PUCCH format 2 | SNRs as specified | 0.6 dB | Formula: SNR + TT False ACK limit unchanged Correct ACK limit unchanged UCI BLER limit unchanged |
| 8.3.4 Performance requirements for PUCCH format 3 | SNRs as specified | 0.6 dB | Formula: SNR + TT UCI BLER limit unchanged |

| | | | |
|--|-------------------|--|---|
| 8.3.5 Performance requirements for PUCCH format 4 | SNRs as specified | 0.6 dB | Formula: SNR + TT UCI BLER limit unchanged |
| 8.3.6 Performance requirements for multi-slot PUCCH | SNRs as specified | 0.6 dB | Formula: SNR + TT False ACK limit unchanged False NACK limit unchanged Correct ACK limit unchanged |
| 8.3.12 Performance requirements for PUCCH format 1 with DM-RS bundling | SNRs as specified | 0.6 dB | Formula: SNR + TT False ACK limit unchanged False NACK limit unchanged Correct ACK limit unchanged UCI BLER limit unchanged |
| 8.3.13 Performance requirements for PUCCH format 3 with DM-RS bundling | SNRs as specified | 0.6 dB | Formula: SNR + TT UCI BLER limit unchanged |
| 8.4.1 PRACH false alarm probability and missed detection | SNRs as specified | 0.6 dB for fading cases 0.3 dB for AWGN cases | Formula: SNR + TT PRACH false detection limit unchanged PRACH detection limit unchanged |

Annex D (informative): Measurement system set-up

D.1 *BS type 1-C* transmitter

D.1.1 Base station output power, output power dynamics, transmitter ON/OFF power, frequency error, EVM, unwanted emissions for BS type 1-C

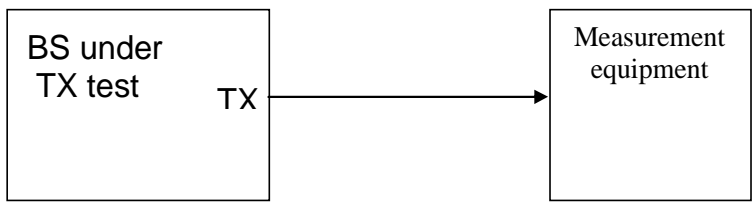


Figure D.1.1-1: Measuring system set-up for *BS type 1-C* output power, output power dynamics, frequency error, EVM, unwanted emissions

D.1.2 Transmitter intermodulation for BS type 1-C

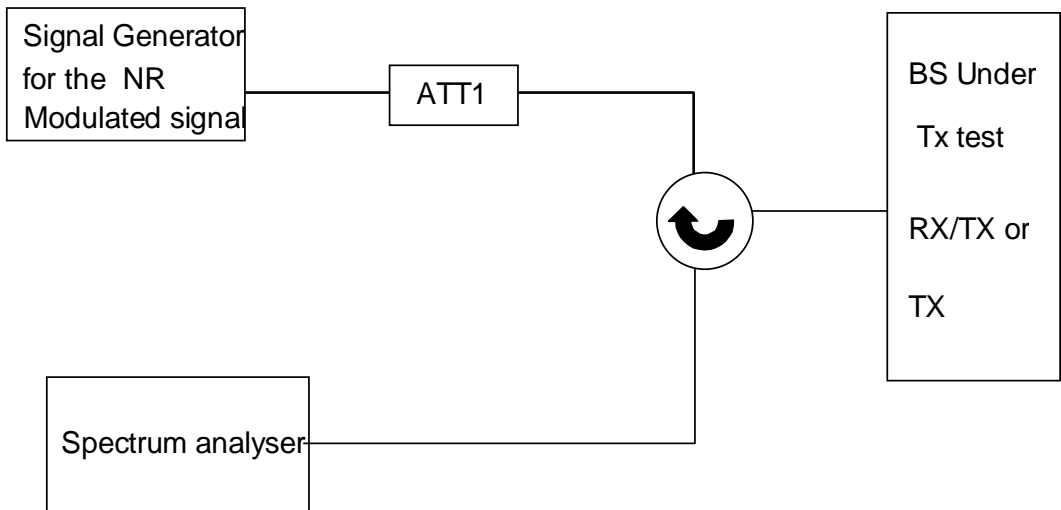


Figure D.1.2-1: Measuring system set-up for *BS type 1-C* transmitter intermodulation

D.1.3 Time alignment error for *BS type 1-C*

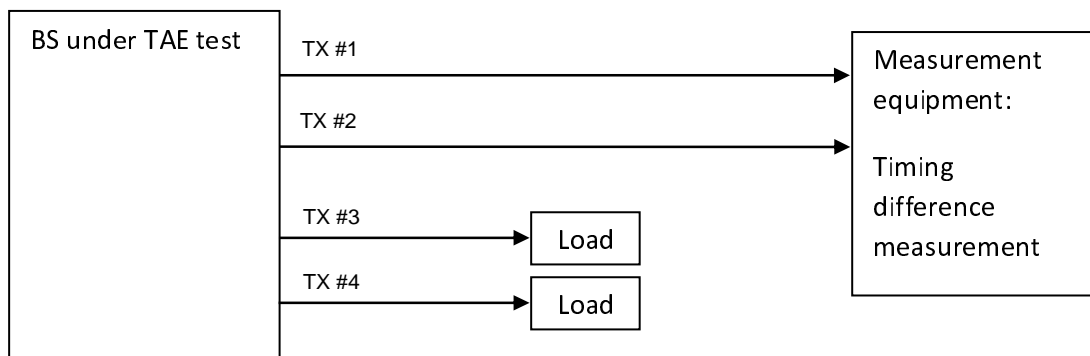


Figure D.1.3-1: Measuring system set-up for *BS type 1-C* test of time alignment error

D.2 BS type 1-C receiver

D.2.1 Reference sensitivity level for *BS type 1-C*

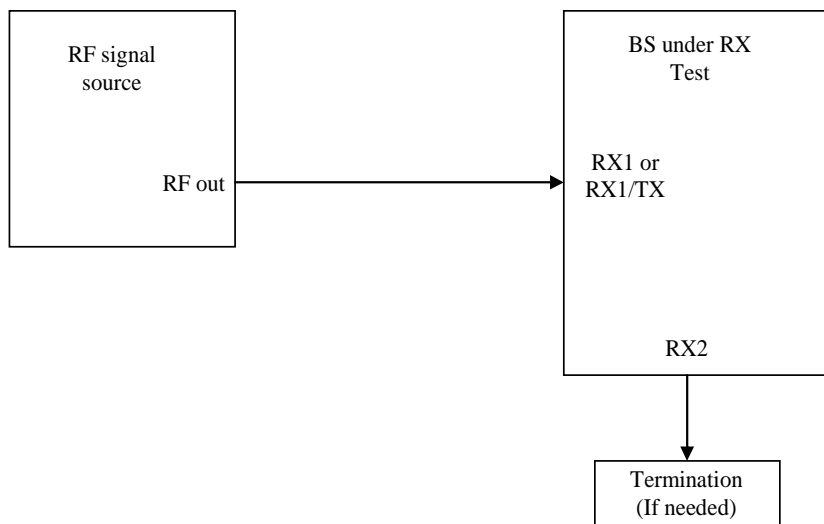


Figure D.2.1-1: Measuring system set-up for *BS type 1-C* reference sensitivity level test

D.2.2 Dynamic range for BS type 1-C

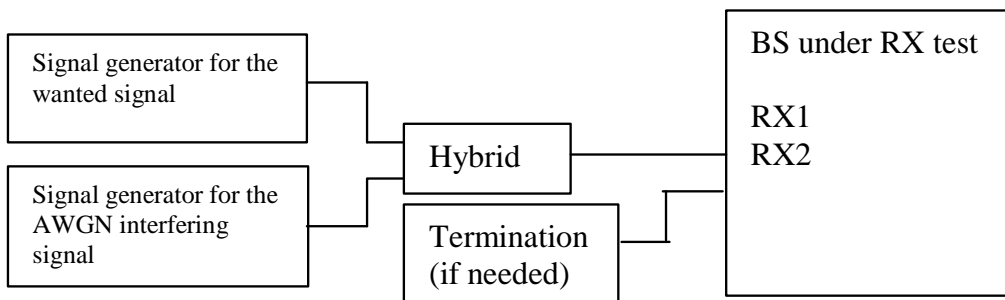


Figure D.2.2-1: Measuring system set-up for *BS type 1-C* dynamic range

D.2.3 In-channel selectivity for BS type 1-C

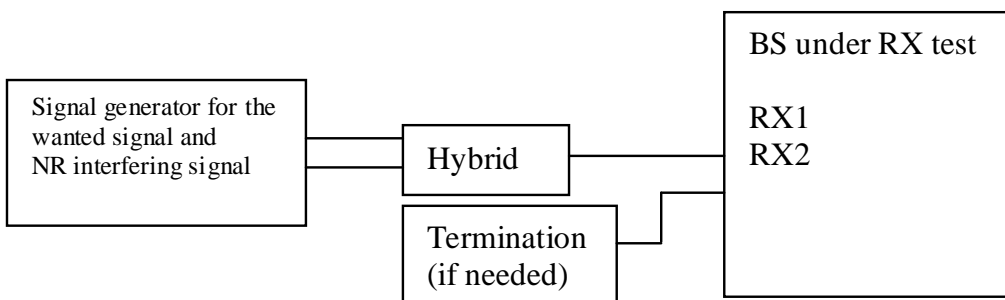


Figure D.2.3-1: Measuring system Set-up for *BS type 1-C* in-channel selectivity

D.2.4 Adjacent Channel Selectivity (ACS) and narrowband blocking for BS type 1-C

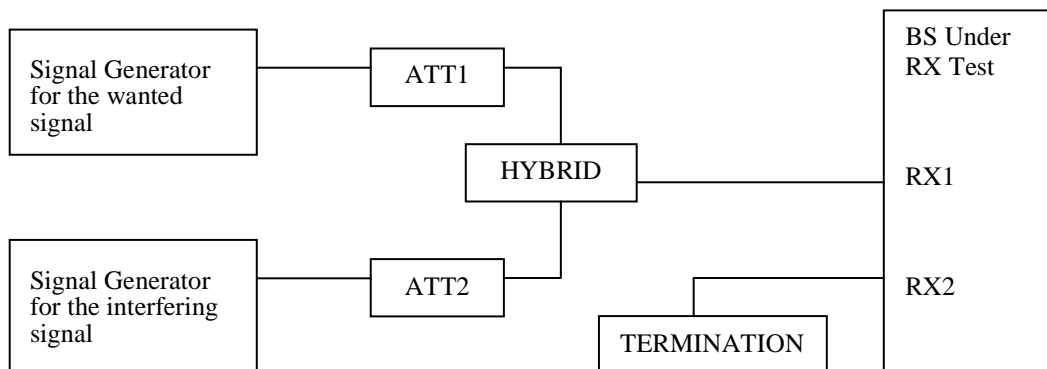


Figure D.2.4-1: Measuring system set-up for *BS type 1-C* adjacent channel selectivity and narrowband blocking

D.2.5 Blocking characteristics for BS type 1-C

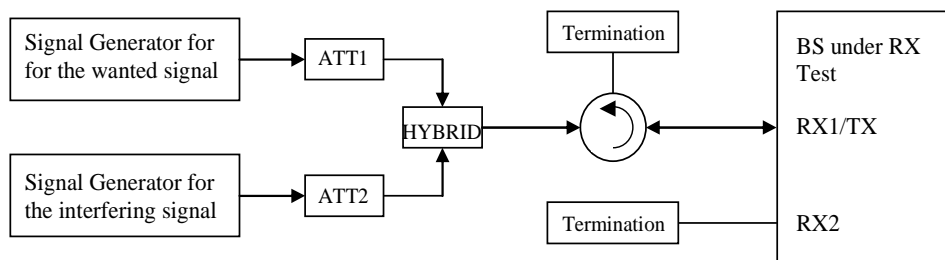


Figure D.2.5-1: Measuring system set-up for *BS type 1-C* blocking characteristics

D.2.6 Receiver spurious emission for BS type 1-C

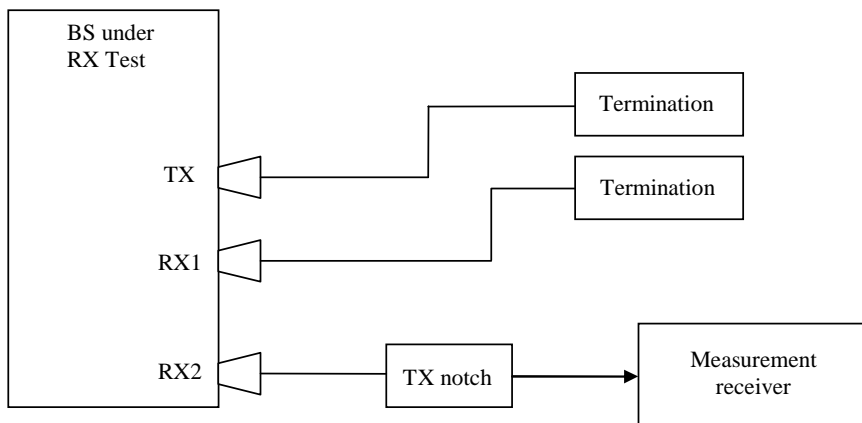


Figure D.2.6-1: Measuring system set-up for BS type 1-C receiver spurious emission

D.2.7 Intermodulation characteristics for BS type 1-C

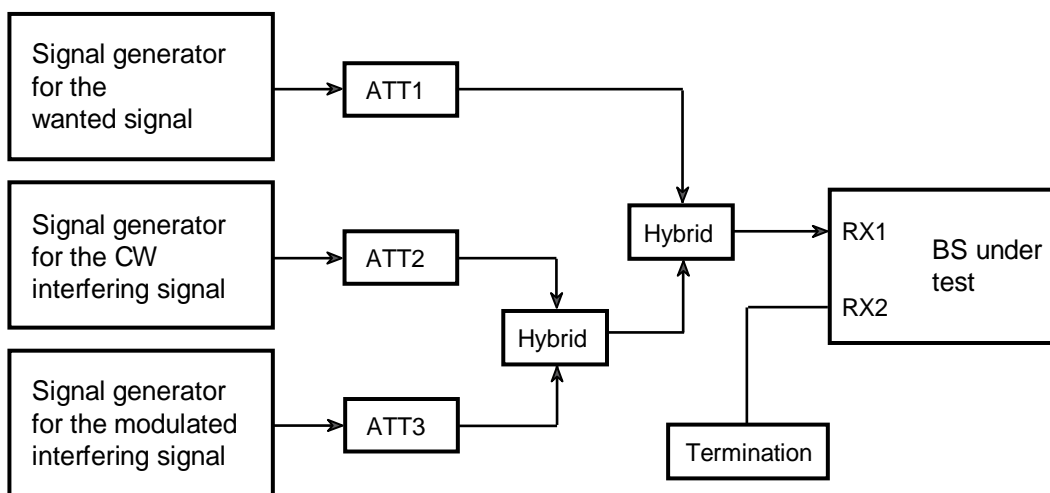


Figure D.2.7-1: Measuring system set-up for BS type 1-C intermodulation characteristics

D.3 *BS type 1-H* transmitter

D.3.1 Base station output power, output power dynamics, transmitter ON/OFF power, frequency error, EVM, unwanted emissions for BS type 1-H

TAB connectors may be connected to the measurement equipment singularly and tested one at a time (figure D.3.1-1), or may be tested simultaneously in groups (figure D.3.1-2) where the group size may range from two to all the *TAB connectors* which are subject to particular transmitter test in this test setup.

In all cases the measurement is per *TAB connector* but the measurement may be done in parallel.

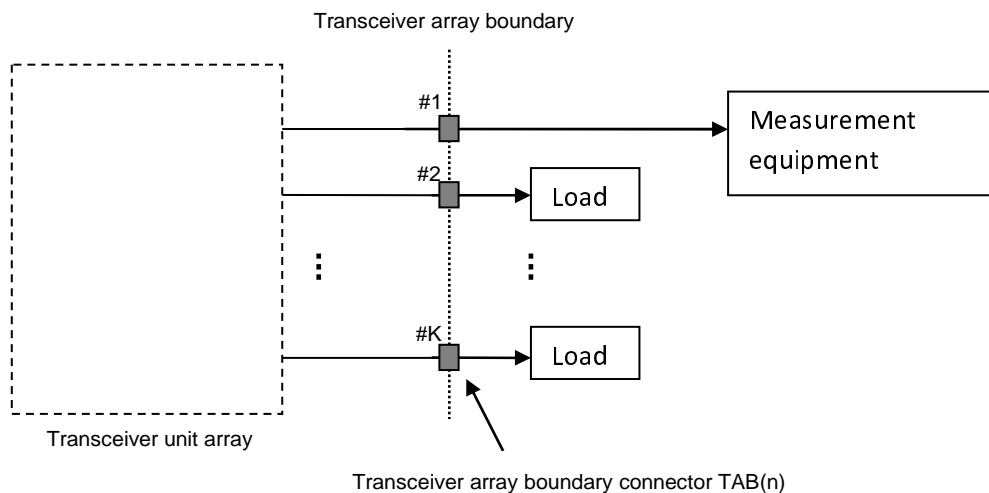


Figure D.3.1-1: Measuring system set-up for *BS type 1-H* output power, output power dynamics, transmitter ON/OFF power, frequency error, EVM, unwanted emissions for a single *TAB connector*

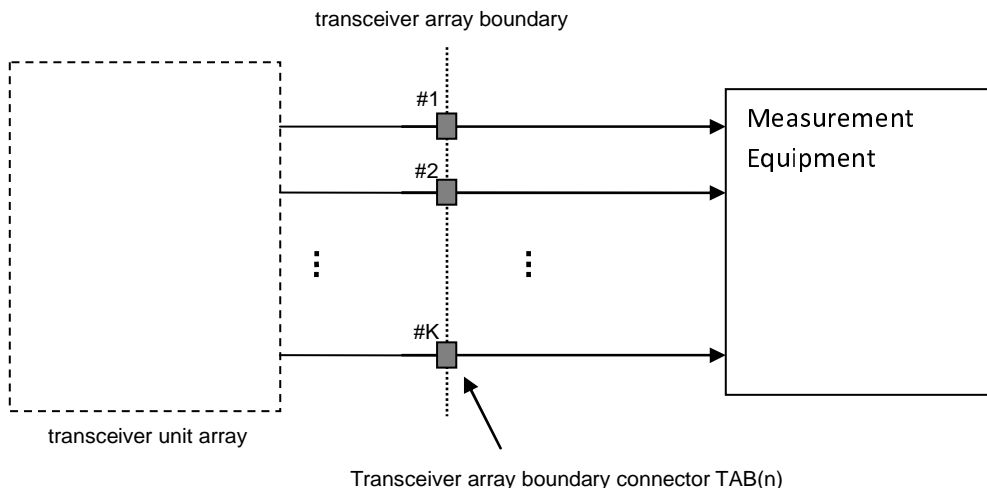


Figure D.3.1-2: Measuring system set-up for *BS type 1-H* output power, output power dynamics, transmitter ON/OFF power, frequency error, EVM, unwanted emissions for multiple *TAB connectors*

D.3.2 Transmitter intermodulation for BS type 1-H

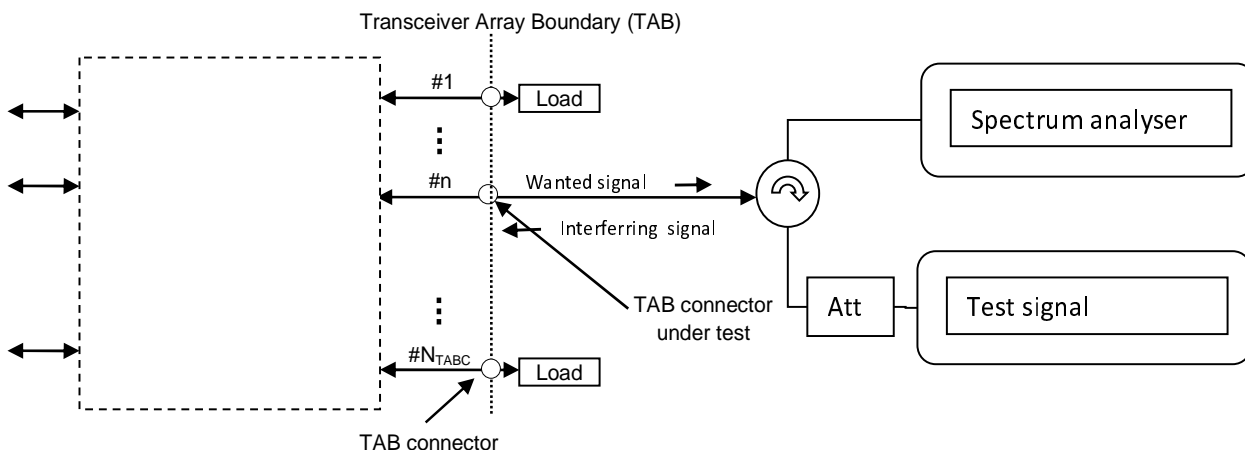


Figure D.3.2-1: Measuring system set-up for *BS type 1-H* transmitter intermodulation

D.3.3 Transmitter spurious emissions for BS type 1-H

TAB connectors may be connected to the measurement equipment singularly and tested one at a time (figure D.3.3-1), or may be tested simultaneously in groups (figure D.3.3-2) where the group size may range from two to all the *TAB connectors* which are subject to transmitter spurious emissions test.

In all cases the measurement is per *TAB connector* but the measurement may be done in parallel.

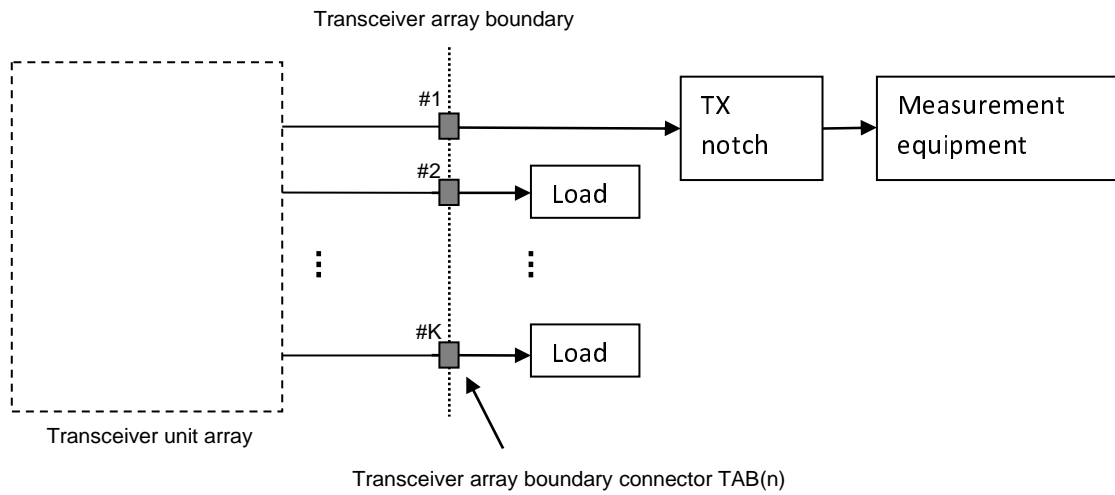


Figure D.3.3-1: Measuring system set-up for transmitter spurious emissions for a single *TAB* connector

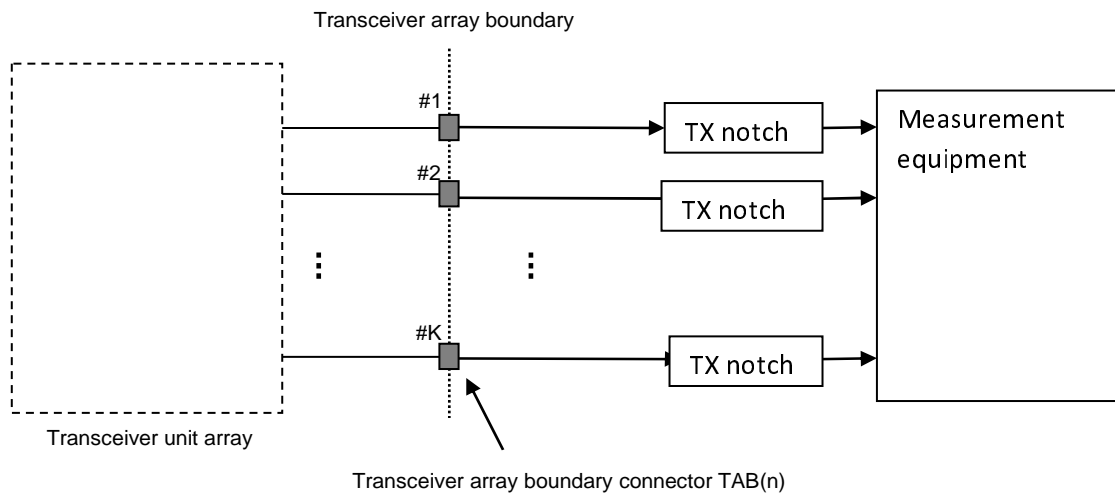


Figure D.3.3-2: Measuring system set-up for transmitter spurious emissions for multiple *TAB* connectors in parallel test

D.3.4 Time alignment error for *BS type 1-H*

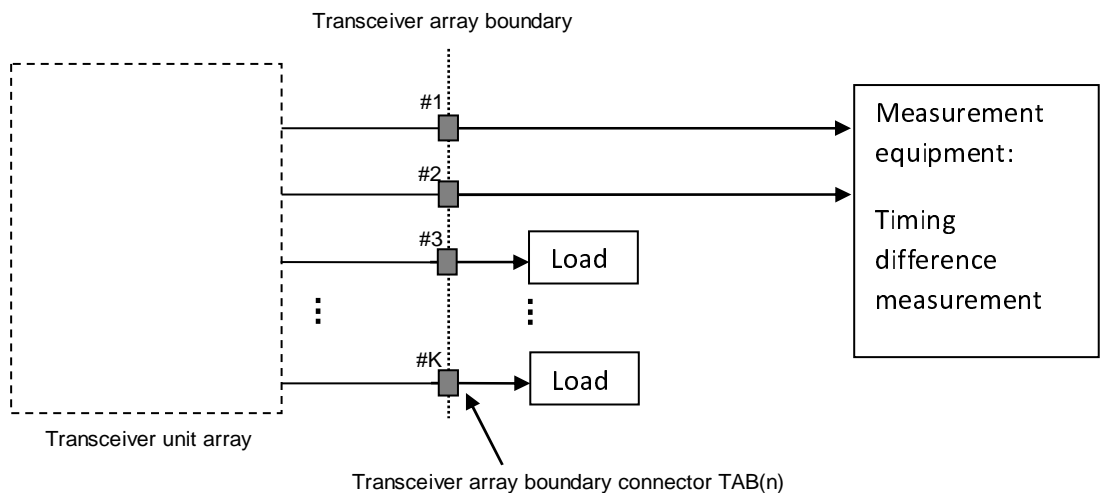


Figure D.3.4-1: Measuring system set-up for *BS type 1-H* test of time alignment error

D.4 BS type 1-H receiver

D.4.1 Reference sensitivity level for BS type 1-H

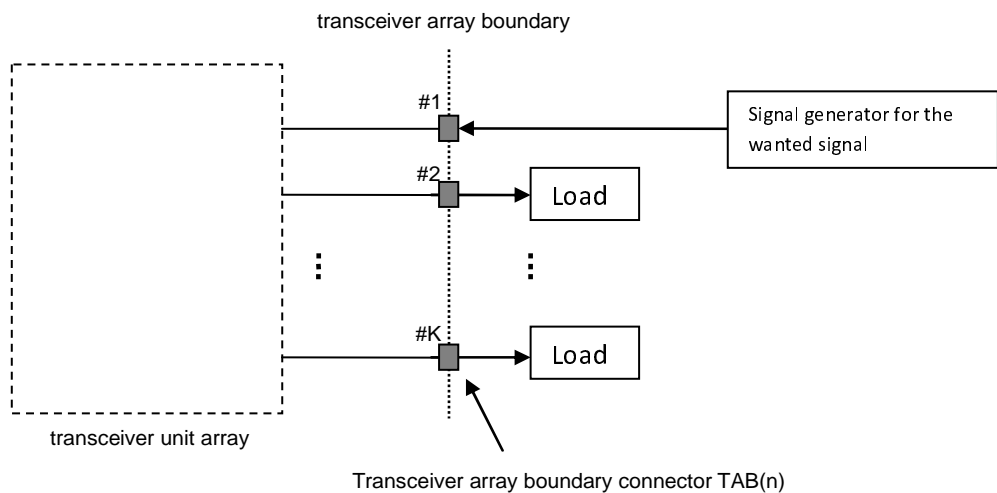


Figure D.4.1-1: Measuring system set-up for *BS type 1-H* reference sensitivity level test

D.4.2 Receiver dynamic range for BS type 1-H

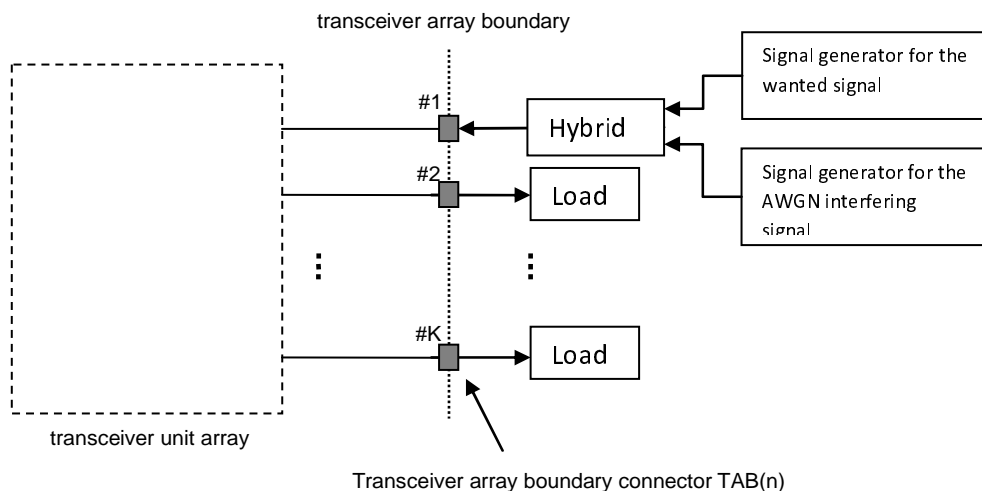


Figure D.4.2-1: Measuring system set-up for BS type 1-H dynamic range test

D.4.3 Receiver adjacent channel selectivity and narrowband blocking for BS type 1-H

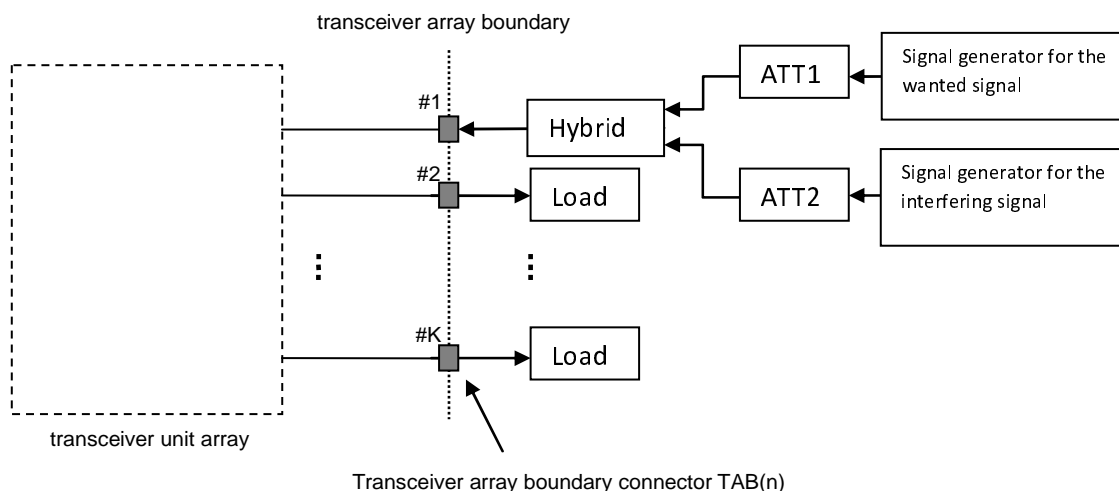


Figure D.4.3-1: Measuring system set-up for BS type 1-H adjacent channel selectivity and narrowband blocking test

D.4.4 Receiver spurious emissions

TAB connector(s) may be connected to the measurement equipment singularly and tested one at a time (figure D.4.2-1), or may be tested simultaneously in groups (figure D.4.2-2) where the group size may range from 2 to all the TAB connectors.

In all cases the measurement is per TAB connector but the measurement may be done in parallel.

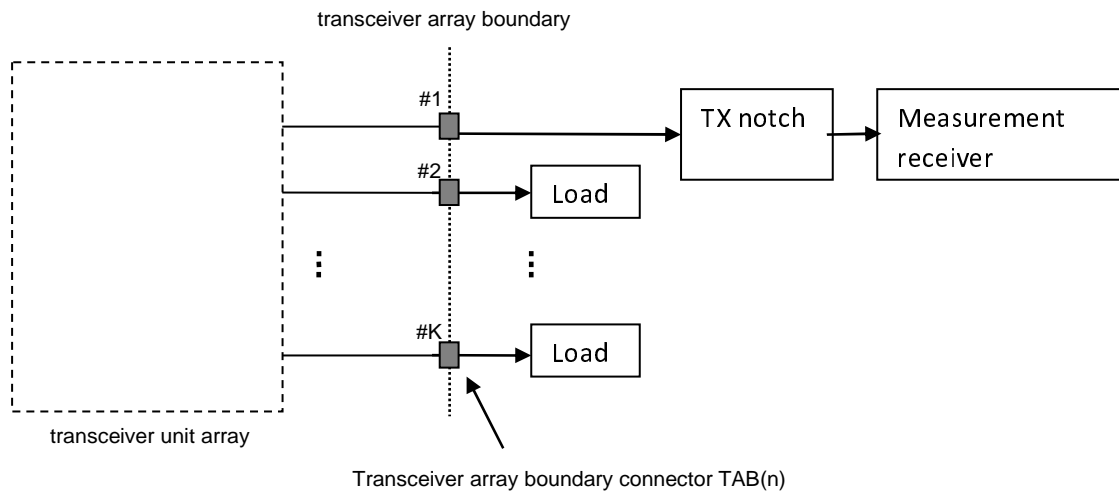


Figure D.4.4-1: Measuring system set-up for *BS type 1-H* receiver spurious emissions for a single *TAB* connector

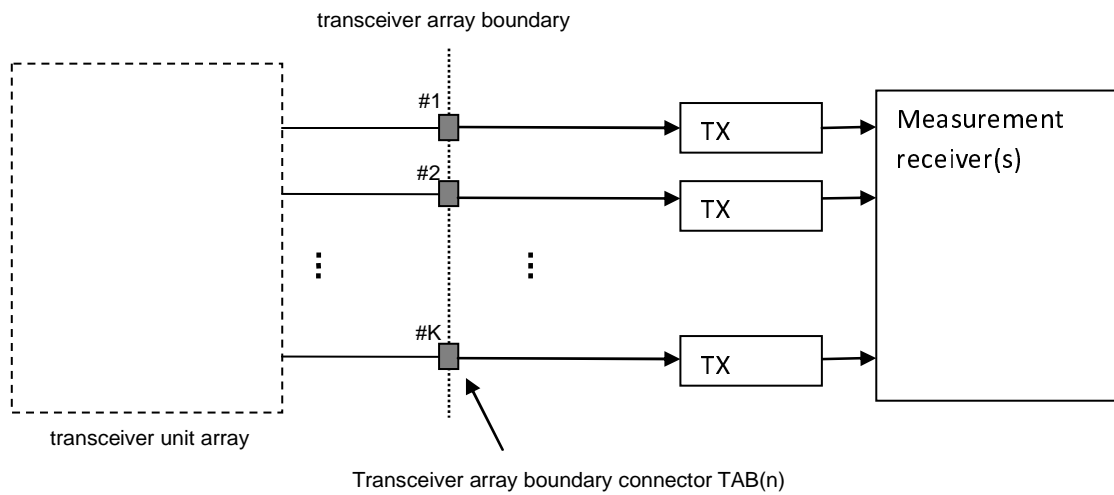


Figure D.4.4-2: Measuring system set-up for *BS type 1-H* receiver spurious emissions for multiple *TAB* connectors

D.4.5 Receiver In-channel selectivity for BS type 1-H

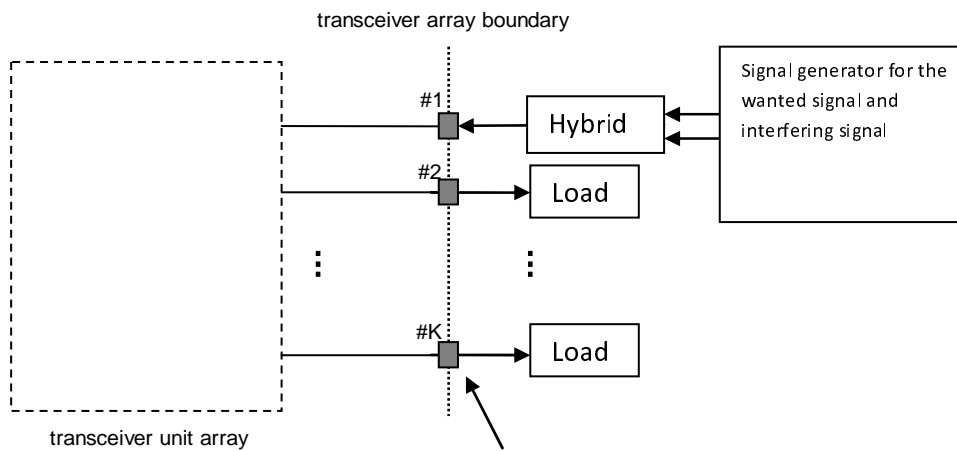


Figure D.4.5-1: Measuring system set-up for *BS type 1-H* in-channel selectivity test

D.4.6 Receiver intermodulation for BS type 1-H

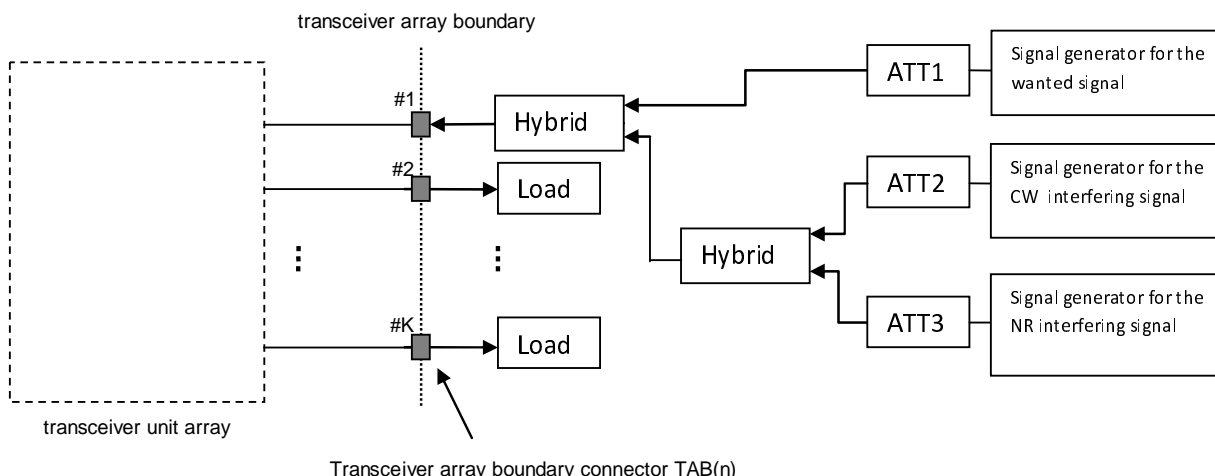


Figure D.4.6-1: Measuring system set-up for *BS type 1-H* receiver intermodulation test

D.5 *BS type 1-C* performance requirements

D.5.1 Performance requirements for PUSCH, single user PUCCH, PRACH on single antenna port in multipath fading conditions and for high speed condition

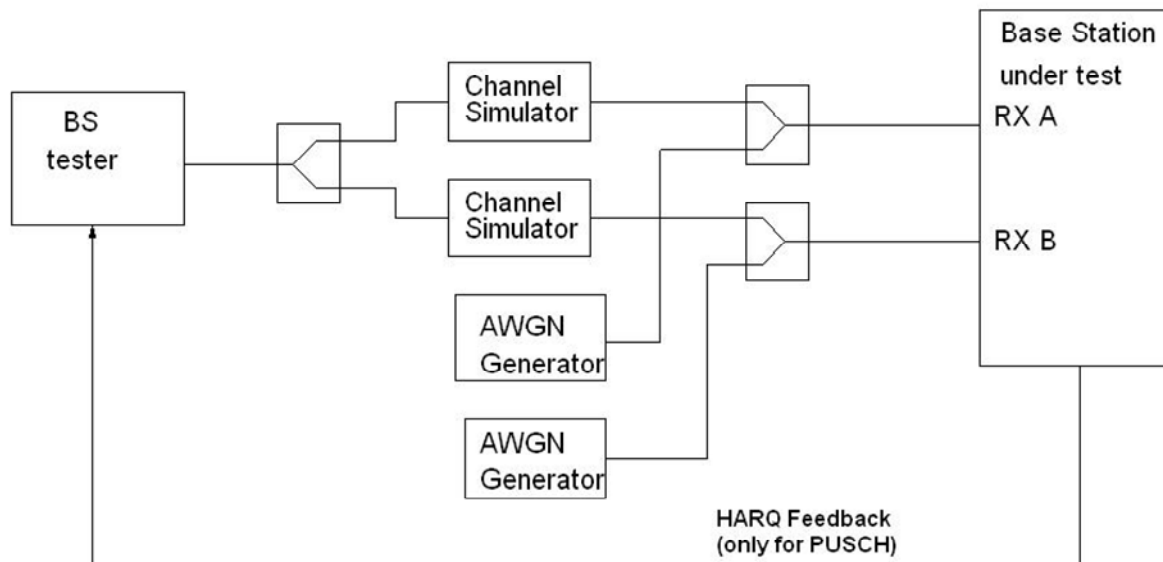


Figure D.5.1-1: Functional set-up for performance requirements for PUSCH, single user PUCCH, PRACH on single antenna port in multipath fading conditions and for High Speed Train conditions for BS with Rx diversity (2 Rx case shown)

NOTE 1: For HST tests which are specified in static conditions, the Channel Simulators are assumed to simulate the Doppler shift.

NOTE 2: The HARQ Feedback could be done as an RF feedback or as a digital feedback. The HARQ Feedback should be error free.

D.5.2 Performance requirements for PUSCH transmission on two antenna ports in multipath fading conditions

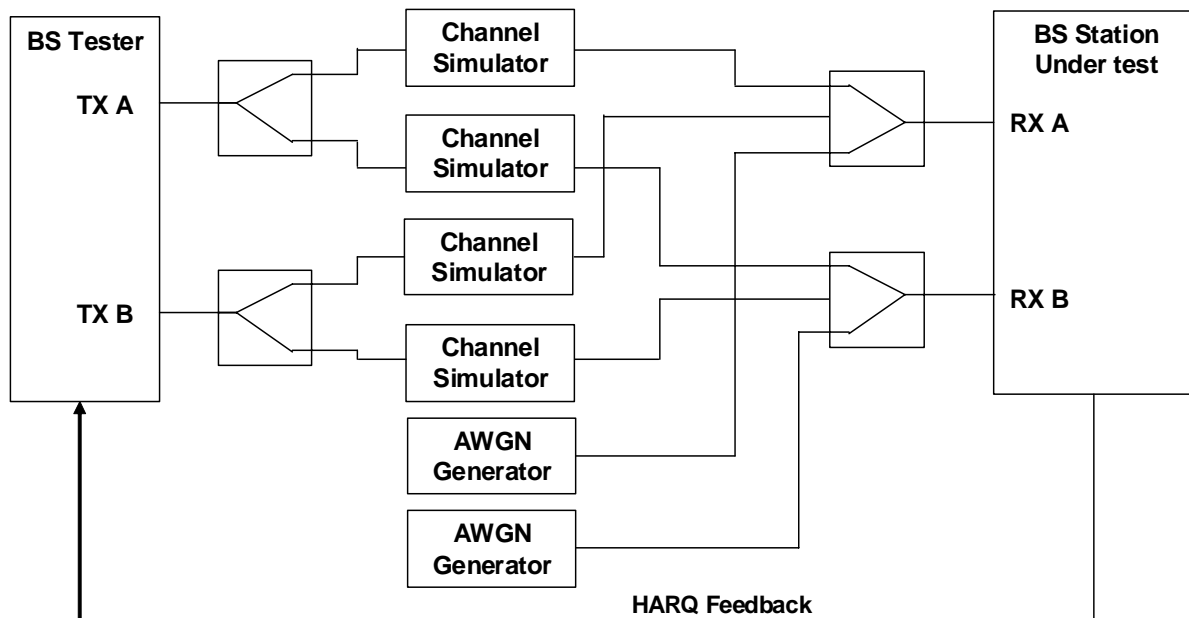


Figure D.5.2-1: Functional set-up for performance requirements for PUSCH transmission on two antenna ports in multipath fading conditions (2 Rx case shown)

D.5.3 Performance requirements for PUSCH and PRACH in static conditions

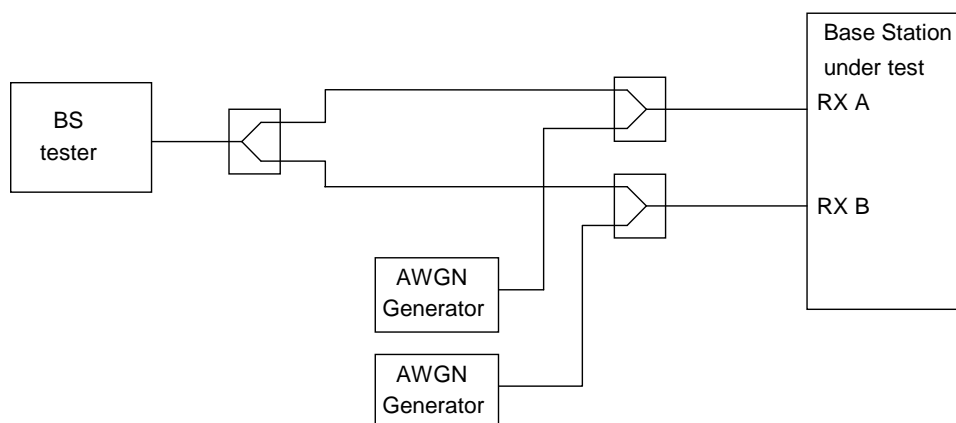


Figure D.5.3-1: Functional set-up for performance requirements for PUSCH and PRACH in static conditions for BS with Rx diversity (2 Rx case shown)

D.5.4 Performance requirements for UL timing adjustment

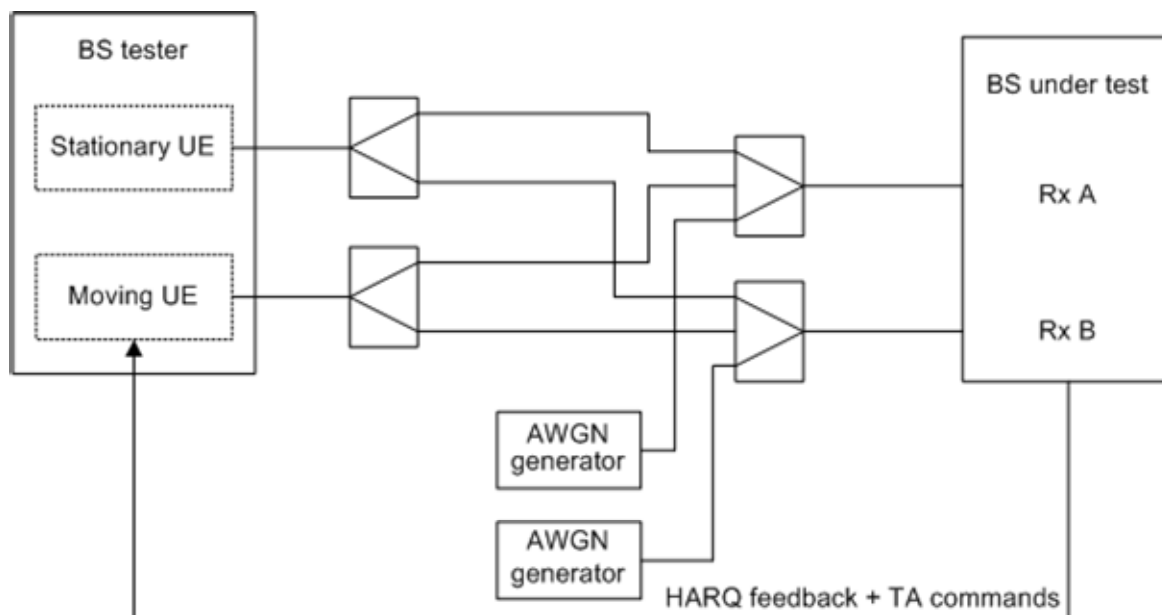


Figure D.5.4-1: Functional set-up for performance requirement for UL timing adjustment (Scenario Y case shown)

NOTE: The HARQ feedback and TA commands could be done as an RF feedback or as a digital feedback. The HARQ feedback and TA commands should be error free.

D.6 BS type 1-H performance requirements

D.6.1 Performance requirements for PUSCH, single user PUCCH, PRACH on single antenna port in multipath fading conditions and for high speed condition

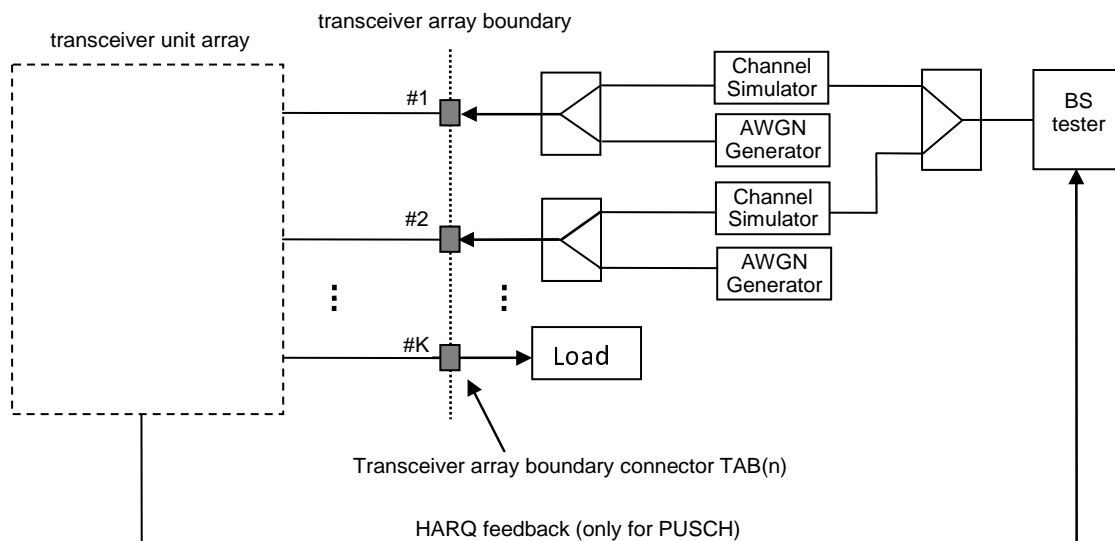


Figure D.6.1-1: Functional set-up for performance requirements for PUSCH, single user PUCCH, PRACH on single antenna port in multipath fading conditions and for High Speed Train conditions for BS with Rx diversity (2 Rx case shown)

NOTE 1: For HST tests which are specified in static conditions, the Channel Simulators are assumed to simulate the Doppler shift.

NOTE 2: The HARQ Feedback could be done as an RF feedback or as a digital feedback. The HARQ Feedback should be error free.

D.6.2 Performance requirements for PUSCH transmission on two antenna ports in multipath fading conditions

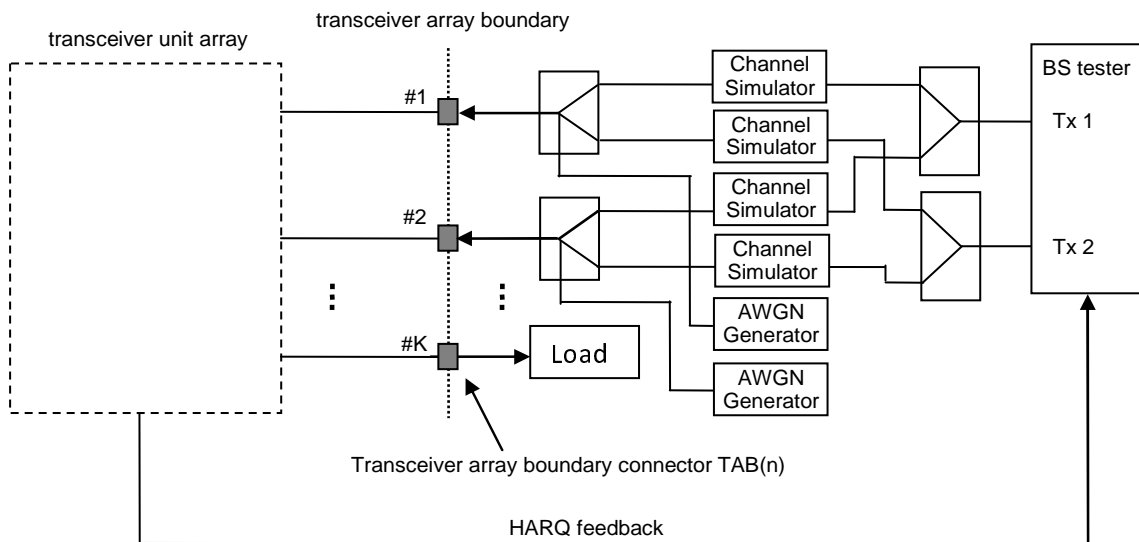


Figure D.6.2-1: Functional set-up for performance requirements for PUSCH transmission on two antenna ports in multipath fading conditions (2 Rx case shown)

D.6.3 Performance requirements for PUSCH and PRACH in static conditions

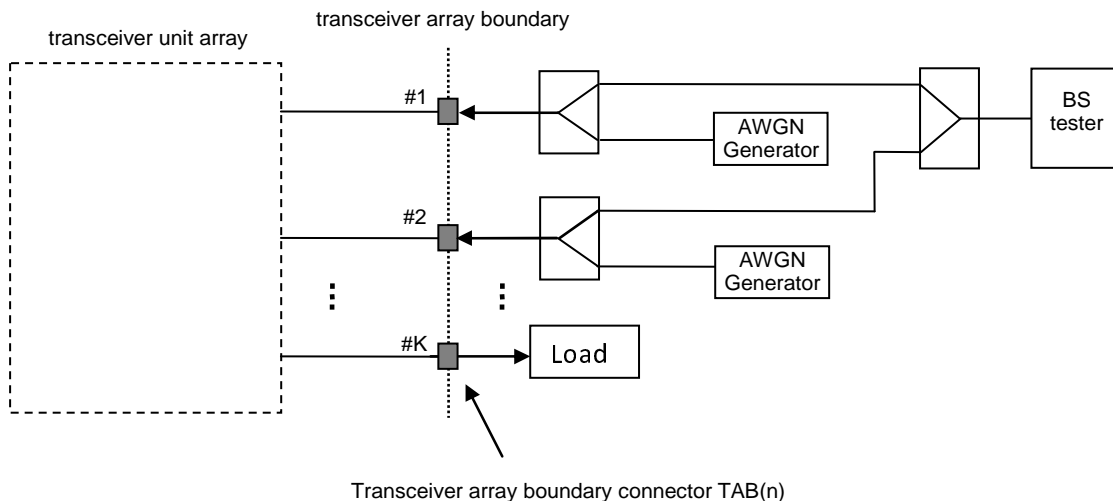


Figure D.6.3-1: Functional set-up for performance requirements for PUSCH and PRACH in static conditions for BS with Rx diversity (2 Rx case shown)

D.6.4 Performance requirements for UL timing adjustment

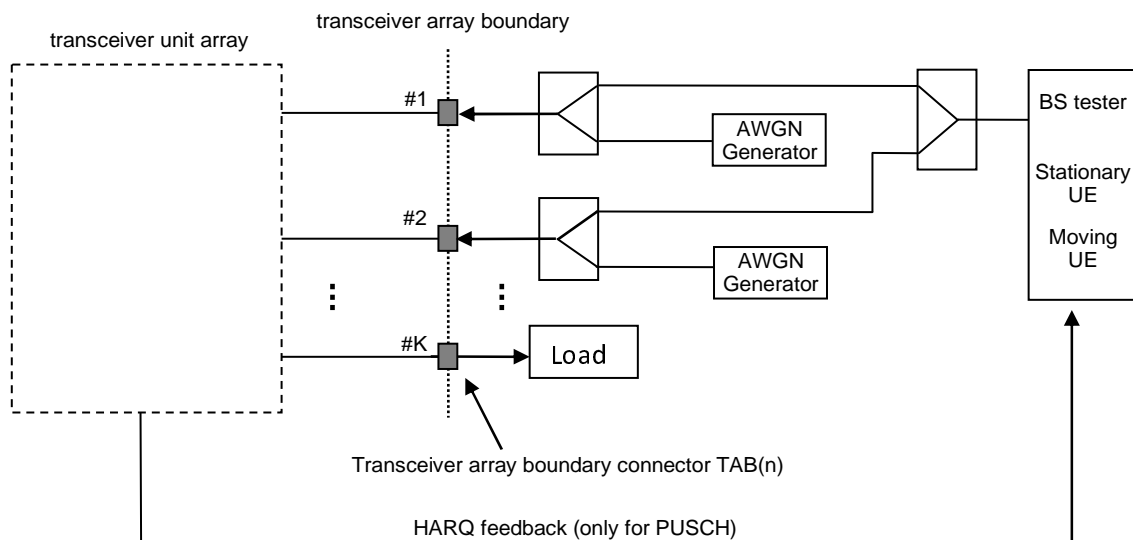


Figure D.6.4-1: Functional set-up for performance requirement for UL timing adjustment (Scenario Y case shown)

NOTE: The HARQ feedback and TA commands could be done as an RF feedback or as a digital feedback. The HARQ feedback and TA commands should be error free.

Annex E (normative): Characteristics of interfering signals

The interfering signal shall be a PUSCH containing data and DMRS symbols. Normal cyclic prefix is used. The data content shall be uncorrelated to the wanted signal and modulated according to clause 6 of TS 38.211 [17]. Mapping of PUSCH modulation to receiver requirement are specified in table E-1.

Table E-1: Modulation of the interfering signal

| Receiver requirement | Modulation |
|---|-------------------|
| In-channel selectivity | 16QAM |
| Adjacent channel selectivity and narrow-band blocking | QPSK |
| General blocking | QPSK |
| Receiver intermodulation | QPSK |

Annex F (normative):
Void

Annex G (normative): Propagation conditions

G.1 Static propagation condition

The propagation for the static performance measurement is an Additive White Gaussian Noise (AWGN) environment. No fading or multi-paths exist for this propagation model.

G.2 Multi-path fading propagation conditions

The multipath propagation conditions consist of several parts:

- A delay profile in the form of a "tapped delay-line", characterized by a number of taps at fixed positions on a sampling grid. The profile can be further characterized by the r.m.s. delay spread and the maximum delay spanned by the taps.
- A combination of channel model parameters that include the Delay profile and the Doppler spectrum that is characterized by a classical spectrum shape and a maximum Doppler frequency.
- Different models are used for FR1 (410 MHz - 7.125 GHz) and FR2 (24.25 GHz – 52.6 GHz).

G.2.1 Delay profiles

The delay profiles are simplified from the TR 38.901 [20] TDL models. The simplification steps are shown below for information. These steps are only used when new delay profiles are created. Otherwise, the delay profiles specified in G.2.1.1 can be used as such.

- Step 1: Use the original TDL model from TR 38.901 [20].
- Step 2: Re-order the taps in ascending delays
- Step 3: Perform delay scaling according to the procedure described in clause 7.7.3 in TR 38.901 [20].
- Step 4: Apply the quantization to the delay resolution 5 ns. This is done simply by rounding the tap delays to the nearest multiple of the delay resolution.
- Step 5: If multiple taps are rounded to the same delay bin, merge them by calculating their linear power sum.
- Step 6: If there are more than 12 taps in the quantized model, merge the taps as follows
 - Find the weakest tap from all taps (both merged and unmerged taps are considered)
 - If there are two or more taps having the same value and are the weakest, select the tap with the smallest delay as the weakest tap.
 - When the weakest tap is the first delay tap, merge taps as follows
 - Update the power of the first delay tap as the linear power sum of the weakest tap and the second delay tap.
 - Remove the second delay tap.
 - When the weakest tap is the last delay tap, merge taps as follows
 - Update the power of the last delay tap as the linear power sum of the second-to-last tap and the last tap.
 - Remove the second-to-last tap.

- Otherwise
 - For each side of the weakest tap, identify the neighbour tap that has the smaller delay difference to the weakest tap.
 - When the delay difference between the weakest tap and the identified neighbour tap on one side equals the delay difference between the weakest tap and the identified neighbour tap on the other side.
 - Select the neighbour tap that is weaker in power for merging.
 - Otherwise, select the neighbour tap that has smaller delay difference for merging.
 - To merge, the power of the merged tap is the linear sum of the power of the weakest tap and the selected tap.
 - When the selected tap is the first tap, the location of the merged tap is the location of the first tap. The weakest tap is removed.
 - When the selected tap is the last tap, the location of the merged tap is the location of the last tap. The weakest tap is removed.
 - Otherwise, the location of the merged tap is based on the average delay of the weakest tap and selected tap. If the average delay is on the sampling grid, the location of the merged tap is the average delay. Otherwise, the location of the merged tap is rounded towards the direction of the selected tap (e.g. 10 ns & 20 ns → 15 ns, 10 ns & 25 ns → 20 ns, if 25 ns had higher or equal power; 15 ns, if 10 ns had higher power). The weakest tap and the selected tap are removed.
- Repeat step 6 until the final number of taps is 12.
- Step 7: Round the amplitudes of taps to one decimal (e.g. -8.78 dB → -8.8 dB)
- Step 8: If the delay spread has slightly changed due to the tap merge, adjust the final delay spread by increasing or decreasing the power of the last tap so that the delay spread is corrected.
- Step 9: Re-normalize the highest tap to 0 dB.

Note 1: Some values of the delay profile created by the simplification steps may differ from the values in tables G.2.1.1-2, G.2.1.1-3, and G.2.1.1-4 for the corresponding model.

Note 2: For Step 5 and Step 6, the power values are expressed in the linear domain using 6 digits of precision. The operations are in the linear domain.

G.2.1.1 Delay profiles for FR1

The delay profiles for FR1 are selected to be representative of low, medium and high delay spread environment. The resulting model parameters are specified in G.2.1.1-1 and the tapped delay line models are specified in tables G.2.1.1-2 ~ table G.2.1.1-4.

Table G.2.1.1-1: Delay profiles for NR channel models

| Model | Number of channel taps | Delay spread (r.m.s.) | Maximum excess tap delay (span) | Delay resolution |
|---------|------------------------|-----------------------|---------------------------------|------------------|
| TDLA30 | 12 | 30 ns | 290 ns | 5 ns |
| TDLB100 | 12 | 100 ns | 480 ns | 5 ns |
| TDLC300 | 12 | 300 ns | 2595 ns | 5 ns |

Table G.2.1.1-2: TDLA30 (DS = 30 ns)

| Tap # | Delay (ns) | Power (dB) | Fading distribution |
|-------|------------|------------|---------------------|
| 1 | 0 | -15.5 | Rayleigh |
| 2 | 10 | 0 | |
| 3 | 15 | -5.1 | |
| 4 | 20 | -5.1 | |
| 5 | 25 | -9.6 | |
| 6 | 50 | -8.2 | |
| 7 | 65 | -13.1 | |
| 8 | 75 | -11.5 | |
| 9 | 105 | -11.0 | |
| 10 | 135 | -16.2 | |
| 11 | 150 | -16.6 | |
| 12 | 290 | -26.2 | |

Table G.2.1.1-3: TDLB100 (DS = 100ns)

| Tap # | Delay (ns) | Power (dB) | Fading distribution |
|-------|------------|------------|---------------------|
| 1 | 0 | 0 | Rayleigh |
| 2 | 10 | -2.2 | |
| 3 | 20 | -0.6 | |
| 4 | 30 | -0.6 | |
| 5 | 35 | -0.3 | |
| 6 | 45 | -1.2 | |
| 7 | 55 | -5.9 | |
| 8 | 120 | -2.2 | |
| 9 | 170 | -0.8 | |
| 10 | 245 | -6.3 | |
| 11 | 330 | -7.5 | |
| 12 | 480 | -7.1 | |

Table G.2.1.1-4: TDLC300 (DS = 300 ns)

| Tap # | Delay (ns) | Power (dB) | Fading distribution |
|-------|------------|------------|---------------------|
| 1 | 0 | -6.9 | Rayleigh |
| 2 | 65 | 0 | |
| 3 | 70 | -7.7 | |
| 4 | 190 | -2.5 | |
| 5 | 195 | -2.4 | |
| 6 | 200 | -9.9 | |
| 7 | 240 | -8.0 | |
| 8 | 325 | -6.6 | |
| 9 | 520 | -7.1 | |
| 10 | 1045 | -13.0 | |
| 11 | 1510 | -14.2 | |
| 12 | 2595 | -16.0 | |

G.2.2 Combinations of channel model parameters

The propagation conditions used for the performance measurements in multi-path fading environment are indicated as a combination of a channel model name and a maximum Doppler frequency, i.e., TDLA<DS>-<Doppler>, TDLB<DS>-<Doppler> or TDLC<DS>-<Doppler> where '<DS>' indicates the desired delay spread and '<Doppler>' indicates the maximum Doppler frequency (Hz).

Table G.2.2-1 show the propagation conditions that are used for the performance measurements in multi-path fading environment for low, medium and high Doppler frequencies for FR1.

Table G.2.2-1: Channel model parameters for FR1

| Combination name | Model | Maximum Doppler frequency |
|------------------|---------|---------------------------|
| TDLA30-5 | TDLA30 | 5 Hz |
| TDLA30-10 | TDLA30 | 10 Hz |
| TDLB100-400 | TDLB100 | 400 Hz |
| TDLC300-100 | TDLC300 | 100 Hz |
| TDLC300-600 | TDLC300 | 600 Hz |
| TDLC300-1200 | TDLC300 | 1200 Hz |

G.2.3 MIMO channel correlation matrices

The MIMO channel correlation matrices defined in annex G.2.3 apply for the antenna configuration using uniform linear arrays at both gNB and UE and for the antenna configuration using cross polarized antennas.

G.2.3.1 MIMO correlation matrices using Uniform Linear Array

The MIMO channel correlation matrices defined in annex G.2.3.1 apply for the antenna configuration using uniform linear array (ULA) at both gNB and UE.

G.2.3.1.1 Definition of MIMO correlation matrices

Table G.2.3.1.1-1 defines the correlation matrix for the gNB.

Table G.2.3.1.1-1: gNB correlation matrix

| gNB correlation | |
|-----------------|---|
| One antenna | $R_{gNB} = 1$ |
| Two antennas | $R_{gNB} = \begin{pmatrix} 1 & \alpha \\ \alpha^* & 1 \end{pmatrix}$ |
| Four antennas | $R_{gNB} = \begin{pmatrix} 1 & \alpha^{1/9} & \alpha^{4/9} & \alpha \\ \alpha^{1/9*} & 1 & \alpha^{1/9} & \alpha^{4/9} \\ \alpha^{4/9*} & \alpha^{1/9*} & 1 & \alpha^{1/9} \\ \alpha^* & \alpha^{4/9*} & \alpha^{1/9*} & 1 \end{pmatrix}$ |
| Eight antennas | $R_{gNB} = \begin{pmatrix} 1 & \alpha^{1/49} & \alpha^{4/49} & \alpha^{9/49} & \alpha^{16/49} & \alpha^{25/49} & \alpha^{36/49} & \alpha \\ \alpha^{1/49*} & 1 & \alpha^{1/49} & \alpha^{4/49} & \alpha^{9/49} & \alpha^{16/49} & \alpha^{25/49} & \alpha^{36/49} \\ \alpha^{4/49*} & \alpha^{1/49*} & 1 & \alpha^{1/49} & \alpha^{4/49} & \alpha^{9/49} & \alpha^{16/49} & \alpha^{25/49} \\ \alpha^{9/49*} & \alpha^{4/49*} & \alpha^{1/49*} & 1 & \alpha^{1/49} & \alpha^{4/49} & \alpha^{9/49} & \alpha^{16/49} \\ \alpha^{16/49*} & \alpha^{9/49*} & \alpha^{4/49*} & \alpha^{1/49*} & 1 & \alpha^{1/49} & \alpha^{4/49} & \alpha^{9/49} \\ \alpha^{25/49*} & \alpha^{16/49*} & \alpha^{9/49*} & \alpha^{4/49*} & \alpha^{1/49*} & 1 & \alpha^{1/49} & \alpha^{4/49} \\ \alpha^{36/49*} & \alpha^{25/49*} & \alpha^{16/49*} & \alpha^{9/49*} & \alpha^{4/49*} & \alpha^{1/49*} & 1 & \alpha^{1/49} \\ \alpha^* & \alpha^{36/49*} & \alpha^{25/49*} & \alpha^{16/49*} & \alpha^{9/49*} & \alpha^{4/49*} & \alpha^{1/49*} & 1 \end{pmatrix}$ |

Table G.2.3.1.1-2 defines the correlation matrix for the UE:

Table G.2.3.1.1-2: UE correlation matrix

| | One antenna | Two antennas | Four antennas |
|----------------|--------------|---|--|
| UE correlation | $R_{UE} = 1$ | $R_{UE} = \begin{pmatrix} 1 & \beta \\ \beta^* & 1 \end{pmatrix}$ | $R_{UE} = \begin{pmatrix} 1 & \beta^{1/9} & \beta^{4/9} & \beta \\ \beta^{1/9*} & 1 & \beta^{1/9} & \beta^{4/9} \\ \beta^{4/9*} & \beta^{1/9*} & 1 & \beta^{1/9} \\ \beta^* & \beta^{4/9*} & \beta^{1/9*} & 1 \end{pmatrix}$ |

Table G.2.3.1.1-3 defines the channel spatial correlation matrix R_{spat} . The parameters, α and β in table G.2.3.1.1-3 defines the spatial correlation between the antennas at the gNB and UE respectively.

Table G.2.3.1.1-3: R_{spat} correlation matrices

| | |
|----------|---|
| 1x2 case | $R_{spat} = R_{gNB} = \begin{bmatrix} 1 & \alpha \\ \alpha^* & 1 \end{bmatrix}$ |
| 1x4 case | $R_{spat} = R_{gNB} = \begin{pmatrix} 1 & \alpha^{1/9} & \alpha^{4/9} & \alpha \\ \alpha^{1/9*} & 1 & \alpha^{1/9} & \alpha^{4/9} \\ \alpha^{4/9*} & \alpha^{1/9*} & 1 & \alpha^{1/9} \\ \alpha^* & \alpha^{4/9*} & \alpha^{1/9*} & 1 \end{pmatrix}$ |
| 2x2 case | $R_{spat} = R_{UE} \otimes R_{gNB} = \begin{pmatrix} 1 & \beta \\ \beta^* & 1 \end{pmatrix} \otimes \begin{pmatrix} 1 & \alpha \\ \alpha^* & 1 \end{pmatrix} = \begin{pmatrix} 1 & \alpha & \beta & \beta\alpha \\ \alpha^* & 1 & \beta\alpha^* & \beta \\ \beta^* & \beta^*\alpha & 1 & \alpha \\ \beta^*\alpha^* & \beta^* & \alpha^* & 1 \end{pmatrix}$ |
| 2x4 case | $R_{spat} = R_{UE} \otimes R_{gNB} = \begin{pmatrix} 1 & \beta \\ \beta^* & 1 \end{pmatrix} \otimes \begin{pmatrix} 1 & \alpha^{1/9} & \alpha^{4/9} & \alpha \\ \alpha^{1/9*} & 1 & \alpha^{1/9} & \alpha^{4/9} \\ \alpha^{4/9*} & \alpha^{1/9*} & 1 & \alpha^{1/9} \\ \alpha^* & \alpha^{4/9*} & \alpha^{1/9*} & 1 \end{pmatrix}$ |
| 4x4 case | $R_{spat} = R_{UE} \otimes R_{gNB} = \begin{pmatrix} 1 & \beta^{1/9} & \beta^{4/9} & \beta \\ \beta^{1/9*} & 1 & \beta^{1/9} & \beta^{4/9} \\ \beta^{4/9*} & \beta^{1/9*} & 1 & \beta^{1/9} \\ \beta^* & \beta^{4/9*} & \beta^{1/9*} & 1 \end{pmatrix} \otimes \begin{pmatrix} 1 & \alpha^{1/9} & \alpha^{4/9} & \alpha \\ \alpha^{1/9*} & 1 & \alpha^{1/9} & \alpha^{4/9} \\ \alpha^{4/9*} & \alpha^{1/9*} & 1 & \alpha^{1/9} \\ \alpha^* & \alpha^{4/9*} & \alpha^{1/9*} & 1 \end{pmatrix}$ |

For cases with more antennas at either gNB or UE or both, the channel spatial correlation matrix can still be expressed as the Kronecker product of R_{UE} and R_{gNB} according to $R_{spat} = R_{UE} \otimes R_{gNB}$.

G.2.3.1.2 MIMO correlation matrices at high, medium and low level

The α and β for different correlation types are given in table G.2.3.1.2-1.

Table G.2.3.1.2-1: Correlation for high, medium and low level

| Low correlation | | Medium correlation | | High correlation | |
|-----------------|---------|--------------------|---------|------------------|---------|
| α | β | α | β | α | β |
| 0 | 0 | 0.9 | 0.3 | 0.9 | 0.9 |

The correlation matrices for high, medium and low correlation are defined in table G.2.3.1.2-2, G.2.3.1.2-3 and G.2.3.1.2-4 as below.

The values in table G.2.3.1.2-2 have been adjusted for the 2x4 and 4x4 high correlation cases to insure the correlation matrix is positive semi-definite after round-off to 4 digit precision. This is done using the equation:

$$R_{high} = [R_{spatial} + aI_n]/(1 + a)$$

Where the value "a" is a scaling factor such that the smallest value is used to obtain a positive semi-definite result. For the 2x4 high correlation case, a = 0.00010. For the 4x4 high correlation case, a = 0.00012.

The same method is used to adjust the 4x4 medium correlation matrix in table G.2.3.1.2-3 to insure the correlation matrix is positive semi-definite after round-off to 4 digit precision with a = 0.00012.

Table G.2.3.1.2-2: MIMO correlation matrices for high correlation

| | |
|----------|---|
| 1x2 case | $R_{high} = \begin{pmatrix} 1 & 0.9 \\ 0.9 & 1 \end{pmatrix}$ |
| 2x2 case | $R_{high} = \begin{pmatrix} 1 & 0.9 & 0.9 & 0.81 \\ 0.9 & 1 & 0.81 & 0.9 \\ 0.9 & 0.81 & 1 & 0.9 \\ 0.81 & 0.9 & 0.9 & 1 \end{pmatrix}$ |
| 2x4 case | $R_{high} = \begin{bmatrix} 1.0000 & 0.9883 & 0.9542 & 0.8999 & 0.8999 & 0.8894 & 0.8587 & 0.8099 \\ 0.9883 & 1.0000 & 0.9883 & 0.9542 & 0.8894 & 0.8999 & 0.8894 & 0.8587 \\ 0.9542 & 0.9883 & 1.0000 & 0.9883 & 0.8587 & 0.8894 & 0.8999 & 0.8894 \\ 0.8999 & 0.9542 & 0.9883 & 1.0000 & 0.8099 & 0.8587 & 0.8894 & 0.8999 \\ 0.8999 & 0.8894 & 0.8587 & 0.8099 & 1.0000 & 0.9883 & 0.9542 & 0.8999 \\ 0.8894 & 0.8999 & 0.8894 & 0.8587 & 0.9883 & 1.0000 & 0.9883 & 0.9542 \\ 0.8587 & 0.8894 & 0.8999 & 0.8894 & 0.9542 & 0.9883 & 1.0000 & 0.9883 \\ 0.8099 & 0.8587 & 0.8894 & 0.8999 & 0.8999 & 0.9542 & 0.9883 & 1.0000 \end{bmatrix}$ |
| 4x4 case | $R_{high} = \begin{bmatrix} 1.0000 & 0.9882 & 0.9541 & 0.8999 & 0.9882 & 0.9767 & 0.9430 & 0.8894 & 0.9541 & 0.9430 & 0.9105 & 0.8587 & 0.8999 & 0.8894 & 0.8587 & 0.8099 \\ 0.9882 & 1.0000 & 0.9882 & 0.9541 & 0.9767 & 0.9882 & 0.9767 & 0.9430 & 0.9430 & 0.9541 & 0.9430 & 0.9105 & 0.8894 & 0.8999 & 0.8894 & 0.8587 \\ 0.9541 & 0.9882 & 1.0000 & 0.9882 & 0.9430 & 0.9767 & 0.9882 & 0.9767 & 0.9105 & 0.9430 & 0.9541 & 0.9430 & 0.8587 & 0.8894 & 0.8999 & 0.8894 \\ 0.8999 & 0.9541 & 0.9882 & 1.0000 & 0.8894 & 0.9430 & 0.9767 & 0.9882 & 0.8587 & 0.9105 & 0.9430 & 0.9541 & 0.8099 & 0.8587 & 0.8894 & 0.8999 \\ 0.9882 & 0.9767 & 0.9430 & 0.8894 & 1.0000 & 0.9882 & 0.9541 & 0.8999 & 0.9882 & 0.9767 & 0.9430 & 0.8894 & 0.9541 & 0.9430 & 0.9105 & 0.8587 \\ 0.9767 & 0.9882 & 0.9767 & 0.9430 & 0.9882 & 1.0000 & 0.9882 & 0.9541 & 0.9767 & 0.9882 & 0.9767 & 0.9430 & 0.9430 & 0.9541 & 0.9430 & 0.9105 \\ 0.9430 & 0.9767 & 0.9882 & 0.9767 & 0.9541 & 0.9882 & 1.0000 & 0.9882 & 0.9430 & 0.9767 & 0.9882 & 0.9767 & 0.9105 & 0.9430 & 0.9541 & 0.9430 \\ 0.8894 & 0.9430 & 0.9767 & 0.9882 & 0.8999 & 0.9541 & 0.9882 & 1.0000 & 0.8894 & 0.9430 & 0.9767 & 0.9882 & 0.8587 & 0.9105 & 0.9430 & 0.9541 \\ 0.9541 & 0.9430 & 0.9105 & 0.8587 & 0.9882 & 0.9767 & 0.9430 & 0.8894 & 1.0000 & 0.9882 & 0.9541 & 0.8999 & 0.9882 & 0.9767 & 0.9430 & 0.8894 \\ 0.9430 & 0.9541 & 0.9430 & 0.9105 & 0.9767 & 0.9882 & 0.9767 & 0.9430 & 0.9882 & 1.0000 & 0.9882 & 0.9541 & 0.9767 & 0.9882 & 0.9767 & 0.9430 \\ 0.9105 & 0.9430 & 0.9541 & 0.9430 & 0.9430 & 0.9767 & 0.9882 & 0.9767 & 0.9541 & 0.9882 & 1.0000 & 0.9882 & 0.9430 & 0.9767 & 0.9882 & 0.9767 \\ 0.8587 & 0.9105 & 0.9430 & 0.9541 & 0.8894 & 0.9430 & 0.9767 & 0.9882 & 0.8999 & 0.9541 & 0.9882 & 1.0000 & 0.8894 & 0.9430 & 0.9767 & 0.9882 \\ 0.8999 & 0.8894 & 0.8587 & 0.8099 & 0.9541 & 0.9430 & 0.9105 & 0.8587 & 0.9882 & 0.9767 & 0.9430 & 0.8894 & 1.0000 & 0.9882 & 0.9541 & 0.8999 \\ 0.8894 & 0.8999 & 0.8894 & 0.8587 & 0.9430 & 0.9541 & 0.9430 & 0.9105 & 0.9767 & 0.9882 & 0.9767 & 0.9430 & 0.9882 & 1.0000 & 0.9882 & 0.9541 \\ 0.8587 & 0.8894 & 0.8999 & 0.8894 & 0.9105 & 0.9430 & 0.9541 & 0.9430 & 0.9430 & 0.9767 & 0.9882 & 0.9767 & 0.9541 & 0.9882 & 1.0000 & 0.9882 \\ 0.8099 & 0.8587 & 0.8894 & 0.8999 & 0.8587 & 0.9105 & 0.9430 & 0.9541 & 0.8894 & 0.9430 & 0.9767 & 0.9882 & 0.8999 & 0.9541 & 0.9882 & 1.0000 \end{bmatrix}$ |

Table G.2.3.1.2-3: MIMO correlation matrices for medium correlation

| | |
|----------|---|
| 1x2 case | [N/A] |
| 2x2 case | $R_{medium} = \begin{pmatrix} 1.0000 & 0.9000 & 0.3000 & 0.2700 \\ 0.9000 & 1.0000 & 0.2700 & 0.3000 \\ 0.3000 & 0.2700 & 1.0000 & 0.9000 \\ 0.2700 & 0.3000 & 0.9000 & 1.0000 \end{pmatrix}$ |
| 2x4 case | $R_{medium} = \begin{pmatrix} 1.0000 & 0.9884 & 0.9543 & 0.9000 & 0.3000 & 0.2965 & 0.2863 & 0.2700 \\ 0.9884 & 1.0000 & 0.9884 & 0.9543 & 0.2965 & 0.3000 & 0.2965 & 0.2863 \\ 0.9543 & 0.9884 & 1.0000 & 0.9884 & 0.2863 & 0.2965 & 0.3000 & 0.2965 \\ 0.9000 & 0.9543 & 0.9884 & 1.0000 & 0.2700 & 0.2863 & 0.2965 & 0.3000 \\ 0.3000 & 0.2965 & 0.2863 & 0.2700 & 1.0000 & 0.9884 & 0.9543 & 0.9000 \\ 0.2965 & 0.3000 & 0.2965 & 0.2863 & 0.9884 & 1.0000 & 0.9884 & 0.9543 \\ 0.2863 & 0.2965 & 0.3000 & 0.2965 & 0.9543 & 0.9884 & 1.0000 & 0.9884 \\ 0.2700 & 0.2863 & 0.2965 & 0.3000 & 0.9000 & 0.9543 & 0.9884 & 1.0000 \end{pmatrix}$ |
| 4x4 case | $R_{medium} = \begin{pmatrix} 1.0000 & 0.9882 & 0.9541 & 0.8999 & 0.8747 & 0.8645 & 0.8347 & 0.7872 & 0.5855 & 0.5787 & 0.5588 & 0.5270 & 0.3000 & 0.2965 & 0.2862 & 0.2700 \\ 0.9882 & 1.0000 & 0.9882 & 0.9541 & 0.8645 & 0.8747 & 0.8645 & 0.8347 & 0.5787 & 0.5855 & 0.5787 & 0.5588 & 0.2965 & 0.3000 & 0.2965 & 0.2862 \\ 0.9541 & 0.9882 & 1.0000 & 0.9882 & 0.8347 & 0.8645 & 0.8747 & 0.8645 & 0.5588 & 0.5787 & 0.5855 & 0.5787 & 0.2862 & 0.2965 & 0.3000 & 0.2965 \\ 0.8999 & 0.9541 & 0.9882 & 1.0000 & 0.7872 & 0.8347 & 0.8645 & 0.8747 & 0.5270 & 0.5588 & 0.5787 & 0.5855 & 0.2700 & 0.2862 & 0.2965 & 0.3000 \\ 0.8747 & 0.8645 & 0.8347 & 0.7872 & 1.0000 & 0.9882 & 0.9541 & 0.8999 & 0.8747 & 0.8645 & 0.8347 & 0.7872 & 0.5855 & 0.5787 & 0.5588 & 0.5270 \\ 0.8645 & 0.8747 & 0.8645 & 0.8347 & 0.9882 & 1.0000 & 0.9882 & 0.9541 & 0.8645 & 0.8747 & 0.8645 & 0.8347 & 0.5787 & 0.5855 & 0.5787 & 0.5588 \\ 0.8347 & 0.8645 & 0.8747 & 0.8645 & 0.9541 & 0.9882 & 1.0000 & 0.9882 & 0.8347 & 0.8645 & 0.8747 & 0.8645 & 0.5588 & 0.5787 & 0.5855 & 0.5787 \\ 0.7872 & 0.8347 & 0.8645 & 0.8747 & 0.8999 & 0.9541 & 0.9882 & 1.0000 & 0.7872 & 0.8347 & 0.8645 & 0.8747 & 0.5270 & 0.5588 & 0.5787 & 0.5855 \\ 0.5855 & 0.5787 & 0.5588 & 0.5270 & 0.8747 & 0.8645 & 0.8347 & 0.7872 & 1.0000 & 0.9882 & 0.9541 & 0.8999 & 0.8747 & 0.8645 & 0.8347 & 0.7872 \\ 0.5787 & 0.5855 & 0.5787 & 0.5588 & 0.8645 & 0.8747 & 0.8645 & 0.8347 & 0.9882 & 1.0000 & 0.9882 & 0.9541 & 0.8645 & 0.8747 & 0.8645 & 0.8347 \\ 0.5588 & 0.5787 & 0.5855 & 0.5787 & 0.8347 & 0.8645 & 0.8747 & 0.8645 & 0.9541 & 0.9882 & 1.0000 & 0.9882 & 0.8347 & 0.8645 & 0.8747 & 0.8645 \\ 0.5270 & 0.5588 & 0.5787 & 0.5855 & 0.7872 & 0.8347 & 0.8645 & 0.8747 & 0.8999 & 0.9541 & 0.9882 & 1.0000 & 0.7872 & 0.8347 & 0.8645 & 0.8747 \\ 0.3000 & 0.2965 & 0.2862 & 0.2700 & 0.5855 & 0.5787 & 0.5588 & 0.5270 & 0.8747 & 0.8645 & 0.8347 & 0.7872 & 1.0000 & 0.9882 & 0.9541 & 0.8999 \\ 0.2965 & 0.3000 & 0.2965 & 0.2862 & 0.5787 & 0.5855 & 0.5787 & 0.5588 & 0.8645 & 0.8747 & 0.8645 & 0.8347 & 0.9882 & 1.0000 & 0.9882 & 0.9541 \\ 0.2862 & 0.2965 & 0.3000 & 0.2965 & 0.5588 & 0.5787 & 0.5855 & 0.5787 & 0.8347 & 0.8645 & 0.8747 & 0.8645 & 0.9541 & 0.9882 & 1.0000 & 0.9882 \\ 0.2700 & 0.2862 & 0.2965 & 0.3000 & 0.5270 & 0.5588 & 0.5787 & 0.5855 & 0.7872 & 0.8347 & 0.8645 & 0.8747 & 0.8999 & 0.9541 & 0.9882 & 1.0000 \end{pmatrix}$ |

Table G.2.3.1.2-4: MIMO correlation matrices for low correlation

| | |
|----------|-----------------------------|
| 1x2 case | $R_{low} = \mathbf{I}_2$ |
| 1x4 case | $R_{low} = \mathbf{I}_4$ |
| 1x8 case | $R_{low} = \mathbf{I}_8$ |
| 2x2 case | $R_{low} = \mathbf{I}_4$ |
| 2x4 case | $R_{low} = \mathbf{I}_8$ |
| 2x4 case | $R_{low} = \mathbf{I}_{16}$ |
| 4x4 case | $R_{low} = \mathbf{I}_{16}$ |

In table G.2.3.1.2-4, \mathbf{I}_d is a $d \times d$ identity matrix.

NOTE: For completeness, the correlation matrices were defined for high, medium and low correlation but performance requirements exist only for low correlation.

G.2.3.2 Multi-antenna channel models using cross polarized antennas

The MIMO channel correlation matrices defined in annex G.2.3.2 apply to two cases as presented below:

- One TX antenna and multiple RX antennas case, with cross polarized antennas used at gNB
- Multiple TX antennas and multiple RX antennas case, with cross polarized antennas used at both UE and gNB

The cross-polarized antenna elements with +/-45 degrees polarization slant angles are deployed at gNB. For one TX antenna case, antenna element with +90 degree polarization slant angle is deployed at UE. For multiple TX antennas case, cross-polarized antenna elements with +90/0 degrees polarization slant angles are deployed at UE.

For the cross-polarized antennas, the N antennas are labelled such that antennas for one polarization are listed from 1 to N/2 and antennas for the other polarization are listed from N/2+1 to N, where N is the number of TX or RX antennas.

G.2.3.2.1 Definition of MIMO correlation matrices using cross polarized antennas

For the channel spatial correlation matrix, the following is used:

$$R_{spat} = P_{UL} (R_{UE} \otimes \Gamma_{UL} \otimes R_{gNB}) P_{UL}^T$$

Where

- R_{UE} is the spatial correlation matrix at the UE with same polarization,
- R_{gNB} is the spatial correlation matrix at the gNB with same polarization,
- Γ_{UL} is a polarization correlation matrix,
- P_{UL} is a permutation matrix, and
- $(\bullet)^T$ denotes transpose.

Table G.2.3.2.1-1 defines the polarization correlation matrix.

Table G.2.3.2.1-1: Polarization correlation matrix

| | One TX antenna | Multiple TX antennas |
|---------------------------------|--|--|
| Polarization correlation matrix | $\Gamma_{UL} = \begin{bmatrix} 1 & -\gamma \\ -\gamma & 1 \end{bmatrix}$ | $\Gamma_{UL} = \begin{bmatrix} 1 & -\gamma & 0 & 0 \\ -\gamma & 1 & 0 & 0 \\ 0 & 0 & 1 & \gamma \\ 0 & 0 & \gamma & 1 \end{bmatrix}$ |

The matrix P_{UL} is defined as

$$P_{UL}(a,b) = \begin{cases} 1 & \text{for } a = (j-1)Nr + i \text{ and } b = 2(j-1)Nr + i, & i = 1, \dots, Nr, j = 1, \dots, \lceil Nt/2 \rceil \\ 1 & \text{for } a = (j-1)Nr + i \text{ and } b = 2(j - Nt/2)Nr - Nr + i, & i = 1, \dots, Nr, j = \lceil Nt/2 \rceil + 1, \dots, Nt \\ 0 & \text{otherwise} \end{cases}$$

where Nt and Nr is the number of TX and RX antennas respectively, and $\lceil \bullet \rceil$ is the ceiling operator.

The matrix P_{UL} is used to map the spatial correlation coefficients in accordance with the antenna element labelling system described in G.2.3.2.

G.2.3.2.2 Spatial correlation matrices at UE and gNB sides

G.2.3.2.2.1 Spatial correlation matrices at UE side

For 1-antenna transmitter, $R_{UE} = 1$.

For 2-antenna transmitter using one pair of cross-polarized antenna elements, $R_{UE} = 1$.

For 4-antenna transmitter using two pairs of cross-polarized antenna elements, $R_{UE} = \begin{pmatrix} 1 & \beta \\ \beta^* & 1 \end{pmatrix}$.

G.2.3.2.2.2 Spatial correlation matrices at gNB side

For 2-antenna receiver using one pair of cross-polarized antenna elements, $R_{gNB} = 1$.

For 4-antenna receiver using two pairs of cross-polarized antenna elements, $R_{gNB} = \begin{bmatrix} 1 & \alpha \\ \alpha^* & 1 \end{bmatrix}$.

For 8-antenna receiver using four pairs of cross-polarized antenna elements, $R_{gNB} = \begin{pmatrix} 1 & \alpha^{1/9} & \alpha^{4/9} & \alpha \\ \alpha^{1/9*} & 1 & \alpha^{1/9} & \alpha^{4/9} \\ \alpha^{4/9*} & \alpha^{1/9*} & 1 & \alpha^{1/9} \\ \alpha^* & \alpha^{4/9*} & \alpha^{1/9*} & 1 \end{pmatrix}$.

G.2.3.2.3 MIMO correlation matrices using cross polarized antennas

The values for parameters α , β and γ for low spatial correlation are given in table G.2.3.2.3-1.

Table G.2.3.2.3-1: Values for parameters α , β and γ

| Low spatial correlation | | |
|--|---------|----------|
| α | β | γ |
| 0 | 0 | 0 |
| Note 1: Value of α applies when more than one pair of cross-polarized antenna elements at gNB side. | | |
| Note 2: Value of β applies when more than one pair of cross-polarized antenna elements at UE side. | | |

The correlation matrices for low spatial correlation are defined in table G.2.3.2.3-2 as below.

Table G.2.3.2.3-2: MIMO correlation matrices for low spatial correlation

| | |
|----------|-----------------------------|
| 1x8 case | $R_{low} = \mathbf{I}_8$ |
| 2x8 case | $R_{low} = \mathbf{I}_{16}$ |

In table G.2.3.2.3-2, \mathbf{I}_d is a $d \times d$ identity matrix.

G.3 High speed train condition

High speed train conditions are as follows:

- Scenario 1-NR350 / Scenario 1-NR500: Open space
- Scenario 3-NR350 / Scenario 3-NR500: Tunnel

The high speed train conditions for the test of the baseband performance are two non-fading propagation channels. For BS with Rx diversity, the Doppler shift time variation is the same for each antenna at each time instant.

Doppler shift for both scenarios is given by:

$$f_s(t) = f_d \cos \theta(t) \quad (\text{G.3.1})$$

where $f_s(t)$ is the Doppler shift and f_d is the maximum Doppler frequency. The cosine of angle $\theta(t)$ is given by:

$$\cos \theta(t) = \frac{D_s/2 - vt}{\sqrt{D_{\min}^2 + (D_s/2 - vt)^2}}, \quad 0 \leq t \leq D_s/v \quad (\text{G.3.2})$$

$$\cos\theta(t) = \frac{-1.5D_s + vt}{\sqrt{D_{\min}^2 + (-1.5D_s + vt)^2}}, \quad D_s/v < t \leq 2D_s/v \quad (\text{G.3.3})$$

$$\cos\theta(t) = \cos\theta(t \bmod (2D_s/v)), \quad t > 2D_s/v \quad (\text{G.3.4})$$

where $D_s/2$ is the initial distance of the train from BS, and D_{\min} is BS-Railway track distance, both in meters; V is the velocity of the train in m/s, t is time in seconds.

The required input parameters are listed in table G.3-1 and G.3-2. The resulting time varying Doppler shift is shown in Figure G.3-1, G.3-2, G.3-3 and G.3-4 for 350km/h scenarios, and in Figure G.3-5, G.3-6, G.3-7 and G.3-8 for 500km/h scenarios. For 350km/h scenarios, the Doppler shift was derived such that it corresponds to a velocity of around 350km/h for band n1 for the 15kHz SCS and for band n77 for the 30kHz SCS. For 500km/h scenarios, the Doppler shift was derived such that it corresponds to a velocity of around 500km/h for band n3 for the 15kHz SCS and for band n77 for the 30kHz SCS. However, the same Doppler shift requirement shall be applied regardless of the frequency of operation of the base station and thus for lower frequencies, the supported speed is higher.

Table G.3-1: Parameters for high speed train conditions for UE velocity 350 km/h

| Parameter | Value | |
|------------|--|--|
| | Scenario 1-NR350 | Scenario 3-NR350 |
| D_s | 700 m | 300 m |
| D_{\min} | 150 m | 2 m |
| V | 350 km/h | 350 km/h |
| f_d | 1340 Hz for 15kHz SCS 2334 Hz for 30kHz SCS | 1340 Hz for 15kHz SCS 2334 Hz for 30kHz SCS |

Table G.3-2: Parameters for high speed train conditions for UE velocity 500 km/h

| Parameter | Value | |
|------------|--|--|
| | Scenario 1-NR500 | Scenario 3-NR500 |
| D_s | 700 m | 300 m |
| D_{\min} | 150 m | 2 m |
| v | 500 km/h | 500 km/h |
| f_d | 1740 Hz for 15kHz SCS 3334 Hz for 30kHz SCS | 1740 Hz for 15kHz SCS 3334 Hz for 30kHz SCS |

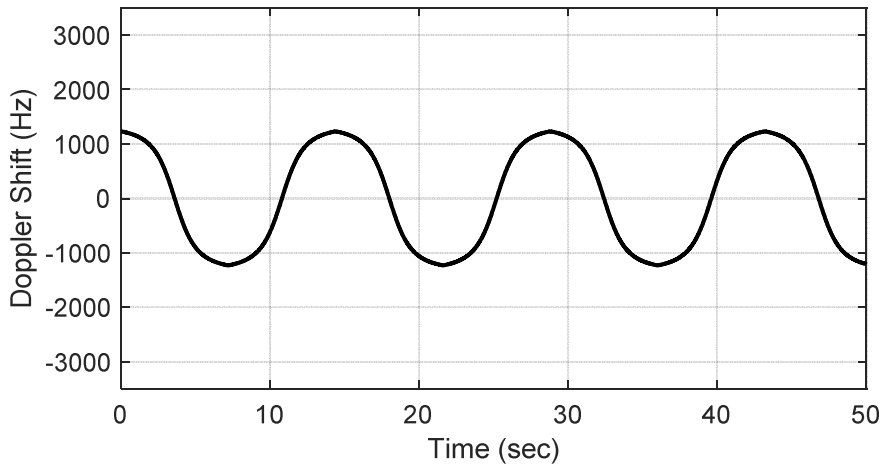


Figure G.3-1: Doppler shift trajectory for scenario 1-NR350 (15 kHz SCS)

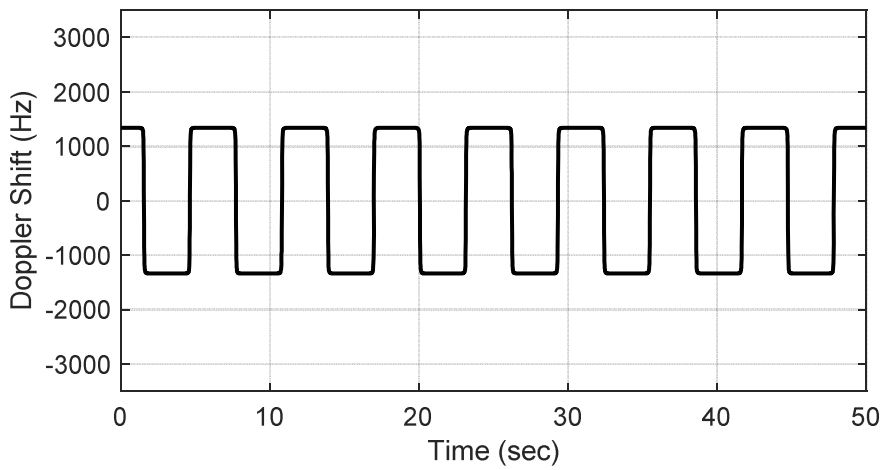


Figure G.3-2: Doppler shift trajectory for scenario 3-NR350 (15 kHz SCS)

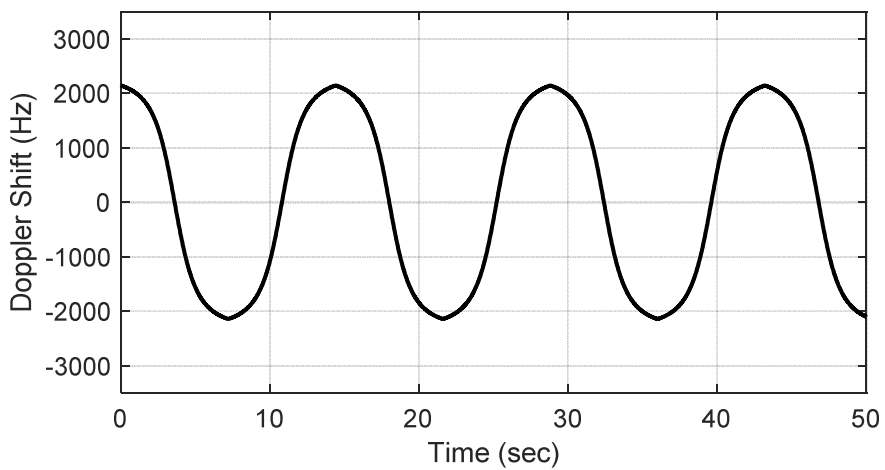


Figure G.3-3: Doppler shift trajectory for scenario 1-NR350 (30 kHz SCS)

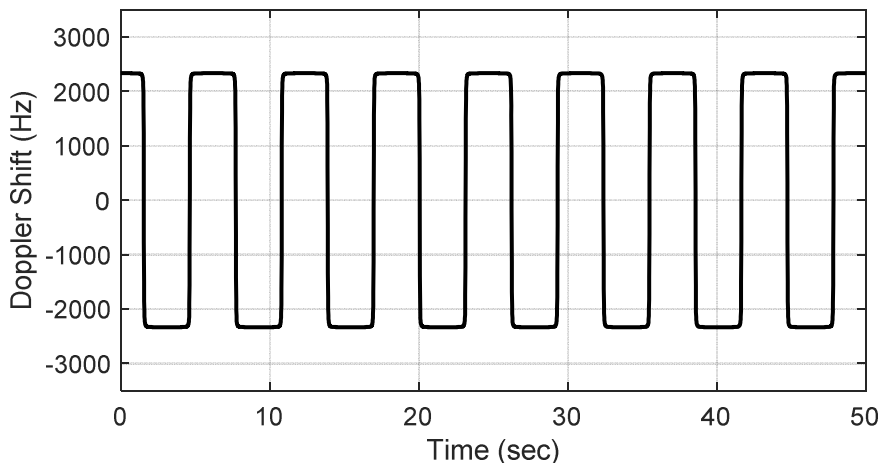


Figure G.3-4: Doppler shift trajectory for scenario 3-NR350 (30 kHz SCS)

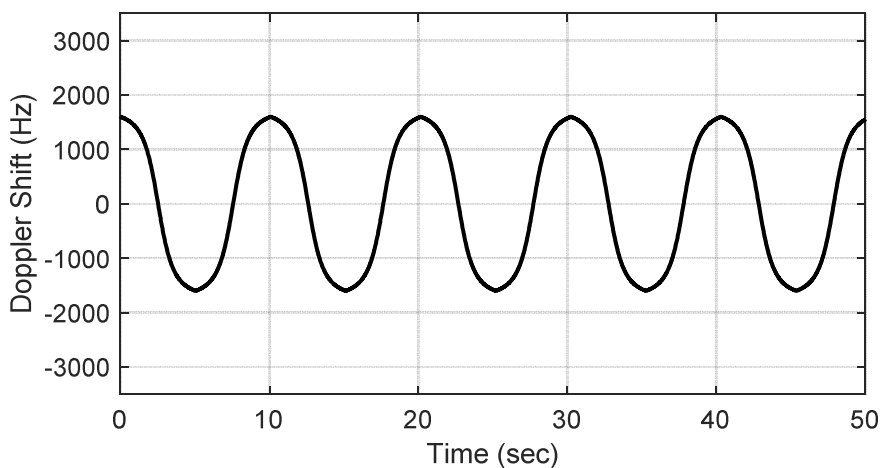


Figure G.3-5: Doppler shift trajectory for scenario 1-NR500 (15 kHz SCS)

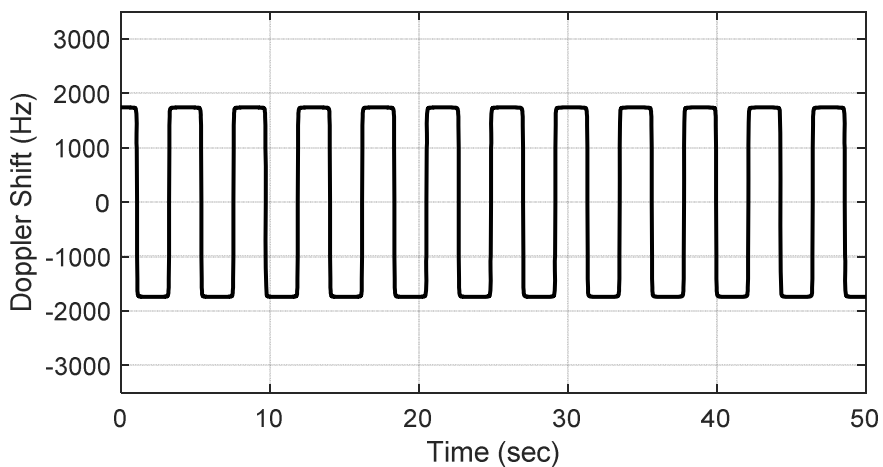


Figure G.3-6: Doppler shift trajectory for scenario 3-NR500 (15 kHz SCS)

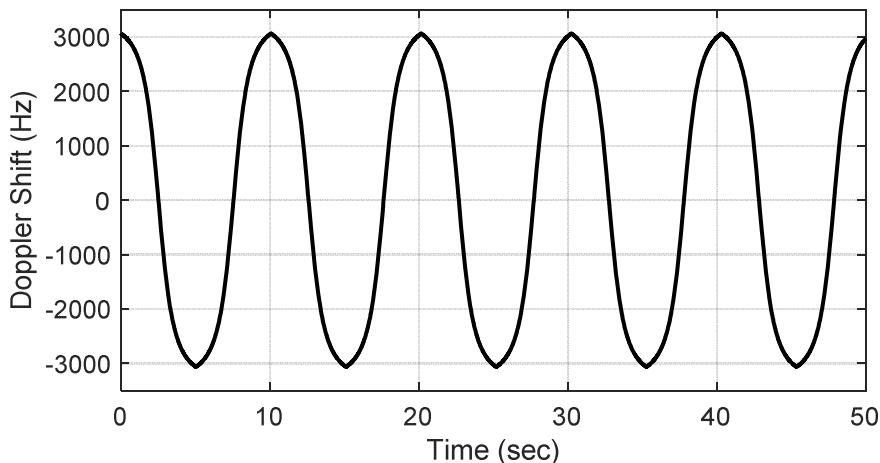


Figure G.3-7: Doppler shift trajectory for scenario 1-NR500 (30 kHz SCS)

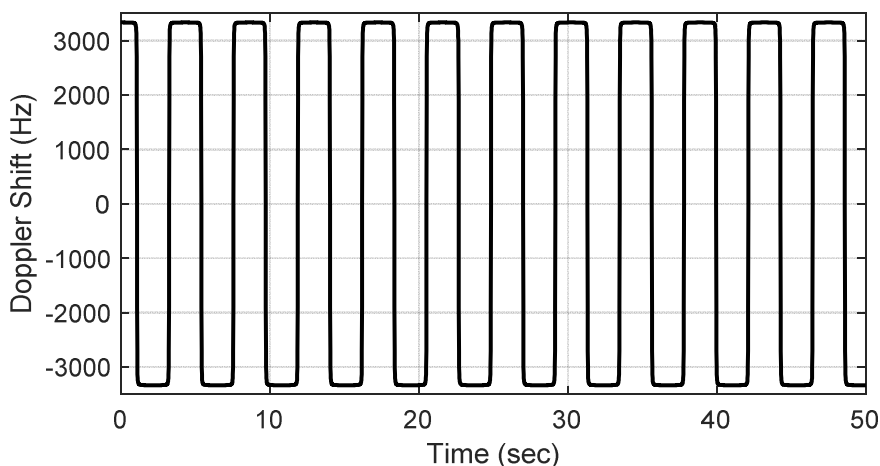


Figure G.3-8: Doppler shift trajectory for scenario 3-NR500 (30 kHz SCS)

G.4 Moving propagation conditions

Figure G.4-1 illustrate the moving propagation conditions for the test of the UL timing adjustment performance. The time difference between the reference timing and the first tap is according Equation (G.4-1). The timing difference between moving UE and stationary UE is equal to $\Delta\tau - (T_A - 31) \times 16 \times 64 T_c$ for 15kHz SCS and $\Delta\tau - (T_A - 31) \times 16 \times 32 T_c$ for 30kHz SCS. The relative timing among all taps is fixed. The parameters for the moving propagation conditions are shown in Table G.4-1.

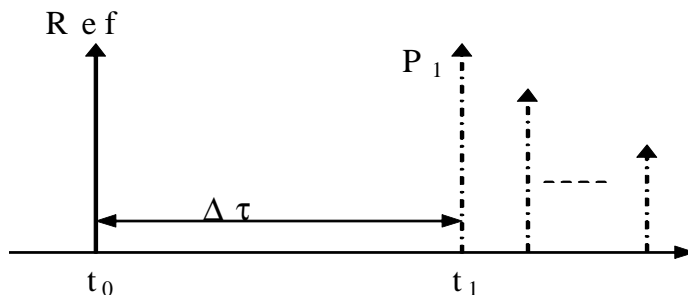


Figure G.4-1: Moving propagation conditions

$$\Delta\tau = \frac{A}{2} \cdot \sin(\Delta\omega \cdot t) \quad (\text{G.4-1})$$

Table G.4-1: Parameters for UL timing adjustment

| Parameter | Scenario X | Scenario Y | Scenario Z |
|----------------|--|--|--|
| Channel model | Stationary UE: AWGN Moving UE: TDLC300-400 | Stationary UE: AWGN Moving UE: AWGN | Stationary UE: AWGN Moving UE: AWGN |
| UE speed | 120 km/h | 350 km/h | 500 km/h |
| CP length | Normal | Normal | Normal |
| A | 15 kHz: 10 μs 30 kHz: 5 μs | 15 kHz: 10 μs 30 kHz: 5 μs | 15 kHz: 10 μs 30 kHz: 5 μs |
| $\Delta\omega$ | 15 kHz: 0.04 s^{-1} 30 kHz: 0.08 s^{-1} | 15 kHz: 0.13 s^{-1} 30 kHz: 0.26 s^{-1} | 15 kHz: 0.18 s^{-1} 30 kHz: 0.36 s^{-1} |

NOTE: Doppler shift is not taken into account in UL TA scenario Y and scenario Z.

Annex H (normative): In-channel TX tests

H.1 General

The in-channel TX test enables the measurement of all relevant parameters that describe the in-channel quality of the output signal of the TX under test in a single measurement process.

The parameters describing the in-channel quality of a transmitter, however, are not necessarily independent. The algorithm chosen for description inside this annex places particular emphasis on the exclusion of all interdependencies among the parameters.

H.2 Basic principles

The process is based on the comparison of the actual output signal of the TX under test, received by an ideal receiver, with an ideal signal, that is generated by the measuring equipment and represents an ideal error free received signal. All signals are represented as equivalent (generally complex) baseband signals.

The description below uses numbers and illustrations as examples only. These numbers are taken from a FDD frame structure with normal CP length, 30 kHz SCS and a transmission bandwidth configuration of 100 MHz ($N_{RB} = 273$). The application of the text below, however, is not restricted to this parameter set.

H.2.1 Output signal of the TX under test

The output signal of the TX under test is acquired by the measuring equipment and stored for further processing. It is sampled at a sampling rate which is the product of the SCS and the *FFT size*, and it is named $z(v)$. The *FFT size* is determined by the transmission bandwidth in table 6.5.3.5-2 for 15 kHz SCS, table 6.5.3.5-3 for 30 kHz SCS and table 6.5.3.5-4 for 60 kHz SCS. In the time domain, it comprises at least 10 ms. It is modelled as a signal with the following parameters:

- demodulated data content,
- carrier frequency,
- amplitude and phase for each subcarrier.

For the example in the annex, the *FFT size* is 4096 based on table 6.5.3.5-3. The sampling rate of 122.88 Msps is the product of the *FFT size* and SCS.

H.2.2 Ideal signal

Two types of ideal signals are defined:

The first ideal signal $i_1(v)$ is constructed by the measuring equipment according to the relevant TX specifications, using the following parameters:

- demodulated data content,
- nominal carrier frequency,
- nominal amplitude and phase for each subcarrier.

It is represented as a sequence of samples at the sampling rate determined from annex H.2.1 in the time domain. The structure of the signal is described in the test models.

The second ideal signal $i_2(v)$ is constructed by the measuring equipment according to the relevant TX specifications, using the following parameters:

- nominal demodulation reference signals (all other modulation symbols are set to 0 V),
- nominal carrier frequency,
- nominal amplitude and phase for each applicable subcarrier,
- nominal timing.

It is represented as a sequence of samples at the sampling rate determined from annex H.2.1 in the time domain.

H.2.3 Measurement results

The measurement results, achieved by the in-channel TX test are the following:

- Carrier frequency error
- EVM
- Resource element TX power
 - OFDM symbol TX power (OSTP)

Other side results are: residual amplitude- and phase response of the TX chain after equalisation.

H.2.4 Measurement points

The resource element TX power is measured after the FFT box as described in figure H.2.4-1. The EVM shall be measured at the point after the FFT and a zero-forcing (ZF) equalizer in the receiver, as depicted for FR1 in figure H.2.4-1. The FFT window of $FFT\ size$ samples out of $(FFT\ size + cyclic\ prefix\ length)$ samples in the time domain is selected in the "Remove CP" box. The $FFT\ size$ and the cyclic prefix length are obtained from table 6.5.3.5-2 for 15 kHz SCS, table 6.5.3.5-3 for 30 kHz SCS and table 6.5.3.5-4 for 60 kHz SCS.

In one subframe, there are two symbols with the length of the cyclic prefix larger than the values listed in tables 6.5.3.5-2, 6.5.3.5-3 and 6.5.3.5-4. Table H.2.4-1 lists the slot number and the symbol number and the formula how to compute the length of cyclic prefix for those two symbols according to the sampling rate.

Table H.2.4-1: Slot number and symbol number identifying the longer CP length for normal CP

| SCS (kHz) | # slots in subframe | Symbol # and slot # with longer CP | Longer CP length |
|-----------|---------------------|--|--------------------------------|
| 15 | 1 | (symbol 0, slot 0) (symbol 7, slot 0) | $CP\ length + FFT\ size / 128$ |
| 30 | 2 | (symbol 0, slot 0) (symbol 0, slot 1) | $CP\ length + FFT\ size / 64$ |
| 60 | 4 | (symbol 0, slot 0) (symbol 0, slot 2) | $CP\ length + FFT\ size / 32$ |

For the example used in the annex, the "Remove CP" box selects 4096 samples out of 4384 samples. Symbol 0 has 64 more samples in the cyclic prefix than the other 13 symbols in the slot (the longer CP length = 352).

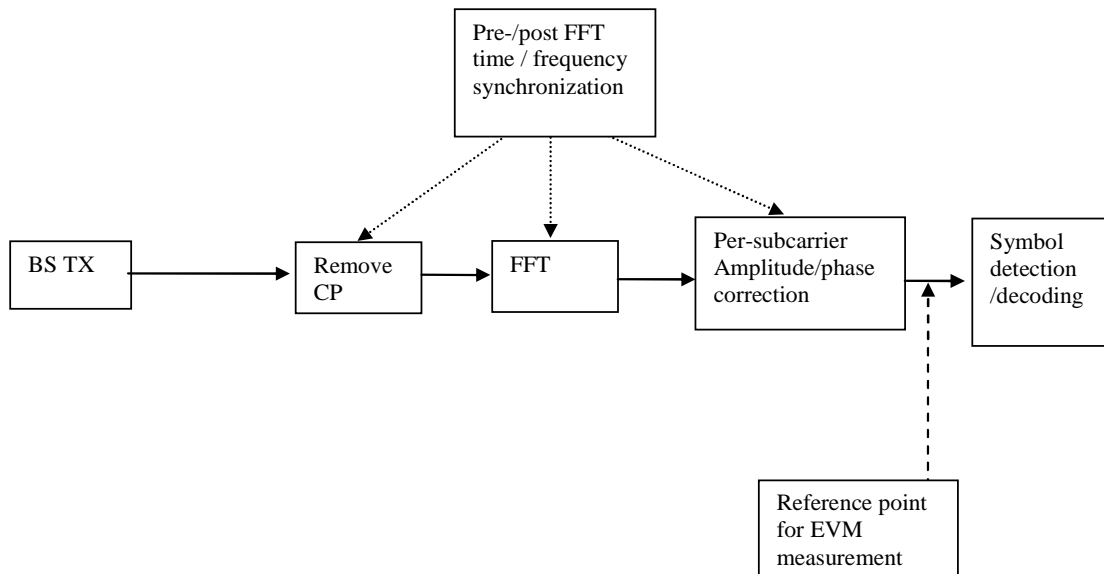


Figure H.2.4-1: Reference point for FR1 EVM measurements

H.3 Pre-FFT minimization process

Sample Timing, Carrier Frequency in $z(v)$ are varied in order to minimise the difference between $z(v)$ and $i_1(v)$, after the amplitude ratio of $z(v)$ and $i_1(v)$ has been scaled. Best fit (minimum difference) is achieved when the RMS difference value between $z(v)$ and $i_1(v)$ is an absolute minimum.

The carrier frequency variation is the measurement result: carrier frequency error.

From the acquired samples, one value of carrier frequency error can be derived.

Note 1: The minimisation process, to derive the RF error can be supported by post-FFT operations. However the minimisation process defined in the pre-FFT domain comprises all acquired samples (i.e. it does not exclude the samples inbetween the FFT widths and it does not exclude the bandwidth outside the transmission bandwidth configuration).

Note 2: The algorithm would allow to derive carrier frequency error and sample frequency error of the TX under test separately. However there are no requirements for sample frequency error. Hence the algorithm models the RF and the sample frequency commonly (not independently). It returns one error and does not distinguish between both.

After this process, the samples $z(v)$ are called $z^0(v)$.

H.4 Timing of the FFT window

The FFT window length is *FFT size* samples per OFDM symbol. For FDD, there are $14N_{dl}$ FFTs performed where N_{dl} is the number of slots in a 10 ms measurement interval, and the number of symbols in a slot for normal CP is 14.

The position in time for the FFT shall be determined.

For the example used in the annex, the FFT window length is 4096 samples per OFDM symbol. 280 FFTs (i.e. 1,146,880 samples) cover less than the acquired number of samples (i.e. 1,228,800 samples in 10 ms).

In an ideal signal, the FFT may start at any instant within the cyclic prefix without causing an error. The TX filter, however, reduces the window. The EVM requirements shall be met within a window $W < CP$. There are three different instants for FFT:

- Centre of the reduced window, called $\Delta\tilde{c}$,

- $\Delta c - W/2$, and
- $\Delta c + W/2$.

The value of EVM window length W is obtained from tables 6.5.3.5-2 for 15 kHz SCS, 6.5.3.5-3 for 30 kHz SCS and 6.5.3.5-4 for 60 kHz SCS and the transmission bandwidth.

The BS shall transmit a signal according to the test models intended for EVM. The demodulation reference signal of the second ideal signal shall be used to find the centre of the FFT window.

The timing of the measured signal is determined in the pre-FFT domain as follows, using $z^0(v)$ and $i_2(v)$:

1. The measured signal is delay spread by the TX filter. Hence the distinct borders between the OFDM symbols and between data and CP are also spread and the timing is not obvious.
2. In the ideal signal $i_2(v)$, the timing is known.

Correlation between bullet (1) and (2) will result in a correlation peak. The meaning of the correlation peak is approximately the "impulse response" of the TX filter.

3. The meaning of "impulse response" assumes that the autocorrelation of the ideal signal $i_2(v)$ is a Dirac peak and that the correlation between the ideal signal $i_2(v)$ and the data in the measured signal is 0. The correlation peak, (the highest, or in case of more than one highest, the earliest) indicates the timing in the measured signal.

The number of samples used for FFT is reduced compared to $z^0(v)$. This subset of samples is called $z'(v)$.

From the acquired samples one timing can be derived.

The timing of the centre $\Delta\tilde{c}$ is determined according to the cyclic prefix length of the OFDM symbols. For normal CP, there are two values for $\Delta\tilde{c}$ in a 1 ms period:

- $\Delta\tilde{c} = \text{length of cyclic prefix} / 2$,
- $\Delta\tilde{c} = \text{Longer CP length} - \text{length of cyclic prefix} / 2$,

Where the length of cyclic prefix is obtained from table 6.5.3.5-2 for 15 kHz SCS, table 6.5.3.5-3 for 30 kHz SCS and table 6.5.3.5-4 for 60 kHz SCS, and the longer CP length is obtained from table H.2.4-1.

As per the example values:

- $\Delta\tilde{c} = 144$ within the CP of length 288 for OFDM symbols 1 to 13 of a slot,
- $\Delta\tilde{c} = 208 = 352 - 144$ within the CP of length 352 for OFDM symbol 0 of a slot.

H.5 Resource element TX power

Perform FFT on $z'(v)$ with the FFT window timing $\Delta\tilde{c}$. The result is called $Z'(t, f)$. The RE TX power (RETP) is then defined as:

$$RETP = |Z'(t, f)|^2 SCS$$

Where SCS is the subcarrier spacing in Hz.

From RETP the OFDM Symbol TX power (OSTP) is derived as follows:

$$OSTP = \frac{1}{N_{sym}} \sum RETP$$

Where the summation accumulates $N_{RB} N_{sc}^{RB}$ RETP values of all N_{sym} OFDM symbols that carry PDSCH and not containing PDCCH, RS or SSB within a slot.

From the acquired samples, N_{dl} values for each OSTP can be obtained and averaged where N_{dl} is the number of slots in a 10 ms measurement interval for FDD. For TDD, N_{dl} is the number of slots with downlink symbols in a 10 ms measurement interval and is computed according to the values in table 4.9.2.2-1.

For the example used in the annex, $N_{dl} = 20$ and $N_{RB} = 273$.

H.6 Post-FFT equalisation

Perform $14N_{dl}$ FFTs on $z'(v)$, one for each OFDM symbol within 10 ms measurement interval with the FFT window timing to produce an array of samples, $14N_{dl}$ in the time axis t by *FFT size* in the frequency axis f .

For the example in the annex, 280 FFTs are performed on $z'(v)$. The result is an array of samples, 280 in the time axis by 4096 in the frequency axis.

The equalizer coefficients $\tilde{a}(f)$ and $\tilde{\varphi}(f)$ are determined as follows:

1. Calculate the complex ratios (amplitude and phase) of the post-FFT acquired signal $Z'(t, f)$ and the post-FFT ideal signal $I_2(t, f)$ for each demodulation reference signal, over 10 ms measurement interval. This process creates a set of complex ratios:

$$a(t, f)e^{j\varphi(t, f)} = \frac{Z'(t, f)}{I_2(t, f)}$$

2. Perform time averaging at each demodulation reference signal subcarrier of the complex ratios, the time-averaging length is 10 ms measurement interval. Prior to the averaging of the phases $\varphi(t_i, f)$ an unwrap operation must be performed according to the following definition:

- The unwrap operation corrects the radian phase angles of $\varphi(t_i, f)$ by adding multiples of $2 * \pi$ when absolute phase jumps between consecutive time instances t_i are greater than or equal to the jump tolerance of π radians.
- This process creates an average amplitude and phase for each demodulation reference signal subcarrier (i.e. every second subcarrier).

$$a(f) = \frac{\sum_{i=1}^N a(t_i, f)}{N}$$

and

$$\varphi(f) = \frac{\sum_{i=1}^N \varphi(t_i, f)}{N}$$

Where N is the number of demodulation reference signals time-domain locations t_i from $Z'(t, f)$ for each demodulation reference signal subcarrier f .

3. The equalizer coefficients for amplitude and phase $\hat{a}(f)$ and $\hat{\varphi}(f)$ at the demodulation reference signal subcarriers are obtained by computing the moving average in the frequency domain of the time-averaged demodulation reference signal subcarriers. The moving average window size is 19 and averaging is over the DM-RS subcarriers in the allocated RBs. For DM-RS subcarriers at or near the edge of the channel, or when the number of available DM-RS subcarriers within a set of contiguously allocated RBs is smaller than the moving average window size, the window size is reduced accordingly as per figure H.6-1.

4. Perform linear interpolation from the equalizer coefficients $\hat{a}(f)$ and $\hat{\varphi}(f)$ to compute coefficients $\tilde{a}(f)$, $\tilde{\varphi}(f)$ for each subcarrier.

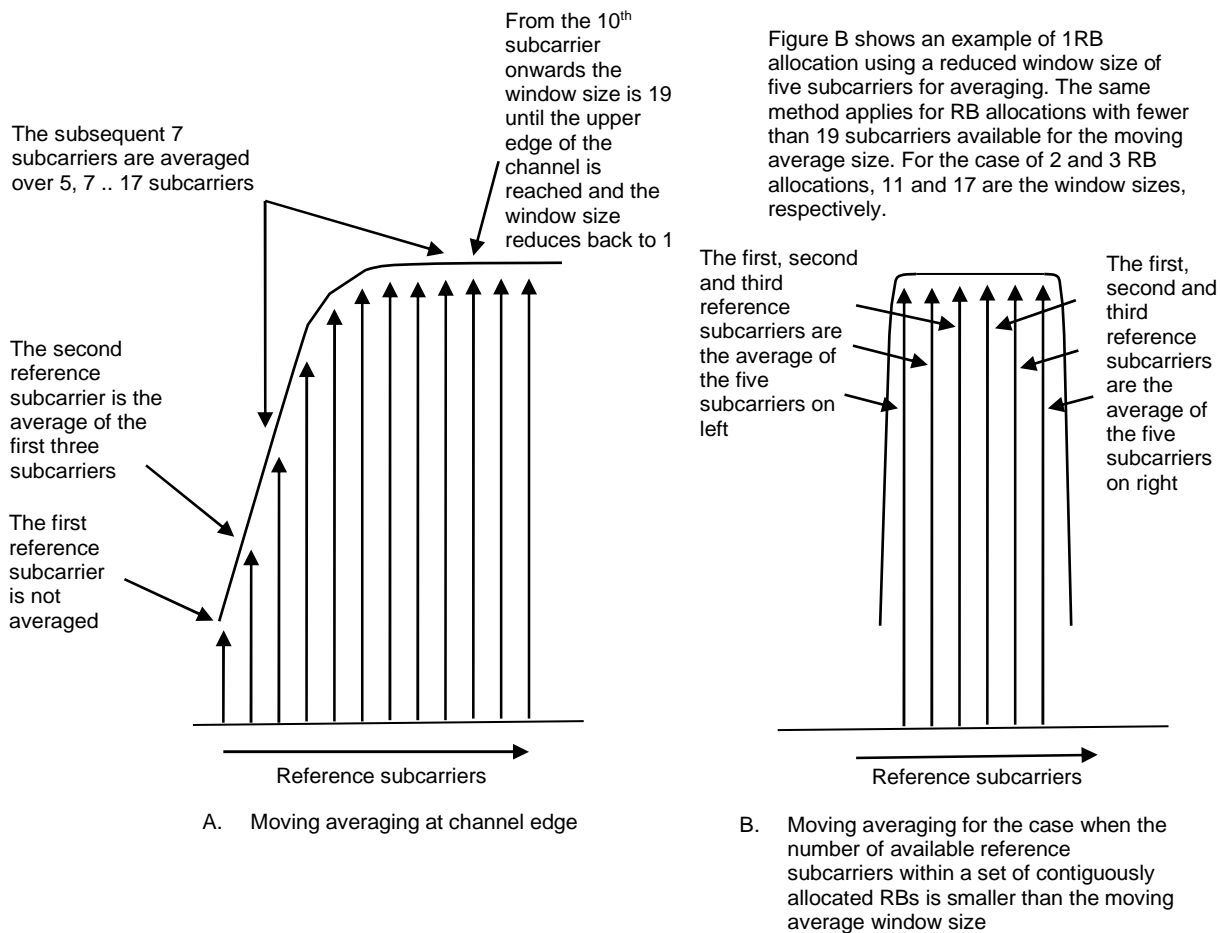


Figure H.6-1: Reference subcarrier smoothing in the frequency domain

H.7 EVM

H.7.0 General

For EVM create two sets of $Z_{eq}'(t, f)$, according to the timing $(\Delta c - W/2)$ and $(\Delta c + W/2)$, using the equalizer coefficients from H.6.

The equivalent ideal samples are calculated from $i_1(v)$ (annex H.2.2) and are called $I(t, f)$.

The EVM is the difference between the ideal signal and the equalized measured signal.

$$EVM = \sqrt{\frac{\sum_{t \in T} \sum_{f \in F(i)} |Z_{eq}'(t, f) - I(t, f)|^2}{\sum_{t \in T} \sum_{f \in F(i)} |I(t, f)|^2}}$$

Where:

- T is the set of symbols with the considered modulation scheme being active within the slot,
- $F(t)$ is the set of subcarriers within the resource blocks with the considered modulation scheme being active in symbol t ,
- $I(t, f)$ is the ideal signal reconstructed by the measurement equipment in accordance with relevant test models,
- $Z_{eq}'(t, f)$ is the equalized signal under test.

NOTE: Although the basic unit of measurement is one slot, the equalizer is calculated over the entire 10 ms measurement interval to reduce the impact of noise in the reference signals.

H.7.1 Averaged EVM (FDD)

EVM is averaged over all allocated downlink resource blocks with the considered modulation scheme in the frequency domain, and a minimum of N_{dl} slots where N_{dl} is the number of slots in a 10 ms measurement interval. The averaging in the time domain equals the N_{dl} slot duration of the 10 ms measurement interval from the equalizer estimation step.

$$\overline{EVM}_{\text{frame}} = \sqrt{\frac{1}{\sum_{i=1}^{N_{dl}} \sum_{j=1}^{N_i} EVM_{i,j}^2}}$$

Where N_i is the number of resource blocks with the considered modulation scheme in slot i .

The EVM requirements shall be tested against the maximum of the RMS average at the window W extremities of the EVM measurements:

Thus $\overline{EVM}_{\text{frame},l}$ is calculated using $\tilde{t} = \Delta\tilde{t}_l$ in the expressions above and $\overline{EVM}_{\text{frame},h}$ is calculated using $\tilde{t} = \Delta\tilde{t}_h$ in the $\overline{EVM}_{\text{frame}}$ calculation where (l and h , low and high; where low is the timing ($\Delta c - W/2$) and high is the timing ($\Delta c + W/2$)).

Thus:

$$\overline{EVM} = \max(\overline{EVM}_{\text{frame},l}, \overline{EVM}_{\text{frame},h})$$

The resulting \overline{EVM} is compared against the limit.

H.7.2 Averaged EVM (TDD)

Let N_{dl}^{TDD} be the number of slots with downlink symbols within a 10 ms measurement interval. For TDD, the averaging in the time domain can be calculated from N_{dl}^{TDD} slots of different 10 ms measurement intervals and should have a minimum of N_{dl} slots averaging length where N_{dl} is the number of slots in a 10 ms measurement interval.

$\overline{EVM}_{\text{frame}}$ is derived by: Square the EVM results in each 10 ms measurement interval. Sum the squares, divide the sum by the number of EVM relevant locations, square-root the quotient (RMS).

$$\overline{EVM}_{\text{frame}} = \sqrt{\frac{1}{\sum_{i=1}^{N_{dl}^{TDD}} \sum_{j=1}^{N_i} EVM_{i,j}^2}}$$

Where N_i is the number of resource blocks with the considered modulation scheme in slot i .

The EVM_{frame} is calculated, using the maximum of $\overline{EVM}_{\text{frame}}$ at the window W extremities. Thus $\overline{EVM}_{\text{frame},l}$ is calculated using $\tilde{t} = \Delta\tilde{t}_l$ and $\overline{EVM}_{\text{frame},h}$ is calculated using $\tilde{t} = \Delta\tilde{t}_h$ (l and h , low and high; where low is the timing ($\Delta c - W/2$) and high is the timing ($\Delta c + W/2$)).

$$EVM_{\text{frame}} = \max(\overline{EVM}_{\text{frame},l}, \overline{EVM}_{\text{frame},h})$$

In order to unite at least N_{dl} slots, consider the minimum integer number of 10 ms measurement intervals, where N_{frame} is determined by.

$$N_{\text{frame}} = \left\lceil \frac{10 \times N_{\text{slot}}}{N_{dl}^{TDD}} \right\rceil$$

and $N_{\text{slot}} = 1$ for 15 kHz SCS, $N_{\text{slot}} = 2$ for 30 kHz SCS and $N_{\text{slot}} = 4$ for 60 kHz SCS normal CP.

Unite by RMS.

$$\overline{EVM} = \sqrt{\frac{1}{N_{\text{frame}}} \sum_{k=1}^{N_{\text{frame}}} EVM_{\text{frame},k}^2}$$

The resulting \overline{EVM} is compared against the limit.

Annex I (normative): General rules for statistical testing

I.1 Testing methodology of PUSCH performance requirements with 0.001% BLER

I.1.1 General

The test framework for the 0.001% BLER test is based upon examining received blocks and determining pass, fail or continue each time a block error occurs.

The pass/fail decision is made based on so-called decision co-ordinates (n_e , n_s). n_e is the number of block errors encountered during the test and n_s is the total number of received blocks during the test, up to the current block error. The n_s is compared with the n_{sp} and n_{sf} entries corresponding to n_e in table I.1.1-1. If n_s is greater than the n_{sp} value in I.1.1-1, a pass may be declared. If n_s is lower than the n_{sf} value, a fail may be declared. Otherwise, the test continues.

The objective of the approach is to minimize testing time and the basis of the approach is an early termination statistical framework described in clause I.1.3.1. The minimum testing time is defined by the possible decision coordinates detailed in clause I.1.2.

As with all statistical tests, there is a non-zero risk of the test result being incorrect due to statistical variations. There are two possibilities for an incorrect decision:

- As BS, whose BLER is greater than the requirement (i.e., the BS does not comply to the requirement), is declared to pass the test.
- A BS, whose BLER is lower than the requirement (i.e., a BS that does comply to the requirement), is declared to fail the test.

The outcome of the statistical test is a decision. This decision may be correct with confidence level of 99.999%, i.e., BSs whose BLER is greater than 0.001% being declared to fail, and BSs whose BLER is smaller or equal to 0.001% being declared to pass, or in-correct (as detailed above).

I.1.2 Numerical definition of the pass-fail limits for testing PUSCH 0.001% BLER

Table I.1.2-1: Pass fail limits

| ne | ns _p | ns _f | ne | ns _p | ns _f | ne | ns _p | ns _f |
|----|-----------------|-----------------|----|-----------------|-----------------|-----------------------------|-----------------|-----------------|
| 0 | 1074532 | 1067 | 39 | 5369517 | 1508043 | (*) | (*) | (*) |
| 1 | 1074532 | 1067 | 40 | 5463478 | 1568438 | 608 | 49669522 | 49113220 |
| 2 | 1274645 | 1067 | 41 | 5557107 | 1629304 | 609 | 49743206 | 49202955 |
| 3 | 1444583 | 1067 | 42 | 5650414 | 1690627 | 610 | 49816884 | 49292699 |
| 4 | 1599072 | 4727 | 43 | 5743410 | 1752389 | 611 | 49890556 | 49382451 |
| 5 | 1743641 | 12160 | 44 | 5836108 | 1814577 | 612 | 49964222 | 49472211 |
| 6 | 1881111 | 23683 | 45 | 5928516 | 1877177 | 613 | 50037883 | 49561980 |
| 7 | 2013164 | 39190 | 46 | 6020643 | 1940175 | 614 | 50111538 | 49651757 |
| 8 | 2140902 | 58403 | 47 | 6112500 | 2003560 | 615 | 50185187 | 49741542 |
| 9 | 2265092 | 81000 | 48 | 6204094 | 2067319 | 616 | 50258831 | 49831335 |
| 10 | 2386297 | 106667 | 49 | 6295434 | 2131442 | 617 | 50332469 | 49921137 |
| 11 | 2504945 | 135116 | 50 | 6386526 | 2195916 | 618 | 50406101 | 50010947 |
| 12 | 2621369 | 166089 | 51 | 6477380 | 2260734 | 619 | 50479728 | 50100765 |
| 13 | 2735834 | 199360 | 52 | 6568000 | 2325884 | 620 | 50553349 | 50190592 |
| 14 | 2848557 | 234730 | 53 | 6658395 | 2391358 | 621 | 50626965 | 50280427 |
| 15 | 2959718 | 272025 | 54 | 6748569 | 2457146 | 622 | 50700575 | 50370269 |
| 16 | 3069467 | 311091 | 55 | 6838530 | 2523241 | 623 | 50774179 | 50460120 |
| 17 | 3177931 | 351792 | 56 | 6928283 | 2589634 | 624 | 50847778 | 50549980 |
| 18 | 3285220 | 394009 | 57 | 7017834 | 2656318 | 625 | 50921372 | 50639847 |
| 19 | 3391428 | 437636 | 58 | 7107187 | 2723285 | 626 | 50994959 | 50729722 |
| 20 | 3496637 | 482577 | 59 | 7196348 | 2790528 | 627 | 51068542 | 50819605 |
| 21 | 3600921 | 528746 | 60 | 7285321 | 2858041 | 628 | 51142119 | 50909497 |
| 22 | 3704343 | 576068 | 61 | 7374112 | 2925816 | 629 | 51215690 | 50999396 |
| 23 | 3806960 | 624473 | 62 | 7462724 | 2993848 | 630 | 51289256 | 51089304 |
| 24 | 3908823 | 673898 | 63 | 7551162 | 3062130 | 631 | 51362816 | 51179219 |
| 25 | 4009977 | 724286 | 64 | 7639430 | 3130657 | 632 | 51436371 | 51269143 |
| 26 | 4110465 | 775585 | 65 | 7727532 | 3199424 | 633 | 51509921 | 51359074 |
| 27 | 4210324 | 827748 | 66 | 7815471 | 3268424 | 634 | 51583465 | 51449013 |
| 28 | 4309587 | 880730 | 67 | 7903252 | 3337653 | 635 | 51657003 | 51538961 |
| 29 | 4408285 | 934492 | 68 | 7990878 | 3407105 | 636 | 51730537 | 51628916 |
| 30 | 4506448 | 988997 | 69 | 8078352 | 3476777 | 637 | 51804065 | 51718879 |
| 31 | 4604101 | 1044211 | 70 | 8165677 | 3546663 | 638 | 51877587 | 51808850 |
| 32 | 4701268 | 1100101 | 71 | 8252857 | 3616759 | 639 | 51951104 | 51898828 |
| 33 | 4797972 | 1156638 | 72 | 8339894 | 3687060 | 640 | 52024616 | 51988815 |
| 34 | 4894232 | 1213795 | 73 | 8426792 | 3757563 | 641 | 52098123 | 52078809 |
| 35 | 4990069 | 1271547 | 74 | 8513553 | 3828263 | 642 | 52171624 | 52168811 |
| 36 | 5085500 | 1329869 | 75 | 8600181 | 3899156 | | | |
| 37 | 5180542 | 1388740 | 76 | 8686677 | 3970239 | | | |
| 38 | 5275209 | 1448137 | 77 | 8773044 | 4041508 | *) Follow I.1.3.2 to derive | | |

NOTE 1: The first column is the number of errors (ne = number of NACK)

NOTE 2: The second column is the number of samples for the pass limit (ns_p, ns=Number of Samples= number of NACK + ACK)

NOTE 3: The third column is the number of samples for the fail limit (ns_f)

NOTE 4: An ideal DUT passes after 1074532 samples. The maximum test time is 52171625 samples. A DUT passes, if the maximum number of samples is reached and it did not fail before.

1.1.3 Theory to derive the early pass/fail limits in 1.1.2 (informative)

Editor's note: This clause of the Annex I is for information only and it describes the background theory and information for statistical testing.

1.1.3.1 Numerical definition of the pass-fail limits for testing PUSCH 0.001% BLER

A statistical test is characterized by test time, selectivity and confidence level. The outcome of the statistical test is a decision. This decision may be correct, i.e., BSs whose BLER is greater than 0.001% being declared to fail, and BSs whose BLER is smaller or equal to 0.001% being declared to pass, or in-correct (as detailed above). The Confidence Level (CL) describes the probability that the decision is a correct one. The complement is the wrong decision probability (risk) $D = 1 - CL$.

When testing BLER, transport blocks or "samples" are observed and the numbers of correctly and erroneously received blocks are recorded. For a "standard" test, a pre-defined number of samples are observed, and a pass/fail decision is made based on the number of observed errors being above/below a threshold. This threshold is based on the targeted BLER and the design target CL. There is always some risk of a statistical variation leading to an incorrect pass/fail decision. The greater the number of samples that are recorded, the lower is the risk of such an error. The number of samples that are observed in a standard test is dimensioned to achieve an acceptable low risk of error (i.e., an acceptable high confidence level) for BS that just meet the BLER limit.

The standard test works well where the BLER level is relatively high and confidence level relatively low (both are chosen to be on a comparable order of magnitude). However, for ultra-low BLER testing the length of time required for observing sufficient samples to achieve a 99.999% confidence level is excessive. In many cases, the BS will in fact have a much lower true BLER than the limit, i.e., design target of the test, (in which case, the number of samples needed to achieve high confidence that the BLER is lower than the limit is much smaller) or, if failing the requirement will have a much higher true BLER (in which case, errors occur more frequently and it can be demonstrated that the BS is above the BLER limit with fewer samples).

To avoid long test times, an alternative test method called early pass/fail is adopted. With the early pass/fail, each time a block error is encountered, a decision is made on whether the BS can be passed/failed with 99.999% CL or the test needs to continue until another error is encountered. In the case of very good BSs, the test can also be passed, when the number of samples permissible for one error event is reached and no error event is recorded. Pass/Fail is decided based on the total number of observed samples and errors, and a statistical calculation based on an inverse binomial cumulative distribution. The calculation involves one parameter, one variable and the result:

- Parameter: d (per step decision probability).
- Variable: n_e (number of observed errors).
- Result: n_s (number of expected samples for pass/fail, depending on which one is calculated).

The per step decision probability risk, d , expresses the probability of making an incorrect pass/fail decision in the current step (i.e., for the current decision coordinate). d is determined by simulation such that the overall risk of making a wrong decision over all steps of each test of a large number of tests on a large number of BSs that exactly meet the BLER limit is $D=0.001\%$ (and hence the CL 99.999%).

It should be noted that d is determined separately considering early pass and early fail testing.

For a marginal BS (i.e., a BS almost exactly meeting the BLER), the unmodified early pass/early fail approach is unable to distinguish whether the BS has just passed or just failed the BLER ($\epsilon \rightarrow 0$), and can thus terminate with an "undecided" result. To avoid this undecided result and provide selectivity, a so-called "bad device factor" (M) is introduced into the early pass calculation. This factor biases the decision towards avoiding failing good BS.

1.1.3.2 Simulation to derive the pass-fail limits for testing PUSCH 0.001% BLER

There is freedom to design the decision co-ordinates (n_e , n_s), as captured in clause 1.1.2.

The binomial distribution and its inverse are used to design the pass and fail limits. Note that this method is not unique and that other methods exist.

$$\text{fail}(ne, d_f) := \frac{ne}{ns_f} = \frac{ne}{(ne + \text{qnbinom}(d_f, ne, ER))}$$

$$\text{pass}(ne, cl_p, M) := \frac{ne}{ns_p} = \frac{ne}{(ne + \text{qnbinom}(cl_p, ne, ER \cdot M))}$$

Where

- fail(.) is the error ratio for the fail limit.
- pass(.) is the error ratio for the pass limit.
- ER is the specified error ratio 1e-5.
- ne is the number of bad results. This is the variable in both equations.
- M is the Bad DUT factor M=1.5.
- d_f is the wrong decision probability of a single (ne, ns) co-ordinate for the fail limit. It is found by simulation to be d_f = 2e-7.
- cl_p is the confidence level of a single (ne, ns) co-ordinate for the pass limit. It is found by simulation to be cl_p = 0.9999999.
- qnbinom(.): The inverse cumulative function of the negative binomial distribution.

The simulation works as follows:

- A large population of limit DUTs with true ER = 1e-5 is decided against the pass and fail limits.
- cl_p and d_f are tuned such that CL (99.999 %) of the population passes and D (0.001 %) of the population fails.
- A population of Bad DUTs with true ER = M*1e-5 is decided against the same pass and fail limits.
- cl_p and d_f are tuned such that CL (99.999 %) of the population fails and D (0.001 %) of the population passes.
- The number of DUTs decrease during the simulation, as the decided DUTs leave the population. That number decreases with an approximately exponential characteristics. After 642 bad results all DUTs of the population are decided.

NOTE: The exponential decrease of the population is an optimal design goal for the decision co-ordinates (ne, ns), which can be achieved with other formulas or methods as well.

Annex J (informative): Change history

| Change history | | | | | | | |
|----------------|------------------|---|----|---------|-----|--|----------------|
| Date | Meeting | TDoc | CR | Re v | Cat | Subject/Comment | New version |
| 2017-11 | RAN4#84 bis | R4-1711982 | - | - | - | TS skeleton | 0.0.1 |
| 2018-04 | RAN4#86 bis | R4-1803913 | - | - | - | R4-1803410 Draft CR to TS 38.141-1: Addition of applicability table in clause 4.7 R4-1803411 TP to TS 38.141-1 Applicability of requirements clause (4.7) | 0.1.0 |
| 2018-04 | RAN4#86 bis | R4-1805424, R4-1806022 | - | - | - | Implementation of TPs agreed during RAN4#86bis, on top of the agreed R4-1803913: - R4-1805424 TP to TS 38.141-1 v0.1.0 Clauses 1-3 - R4-1806022 TP to TS 38.141-1 v0.1.0 Clause 4 | 0.2.0 |
| 2018-06 | RAN4#87 | R4-1808321, R4-1808322, R4-1808324, R4-1808326, R4-1808482 | - | - | - | Implementation of TPs agreed during RAN4#87, on top of R4-1807254: - R4-1808321 TP to TS 38.141-1: conducted manufacturers declarations for NR BS (4.6) - R4-1808322 TP to TS 38.141-1: removal of OTA terms and definitions - R4-1808324 TP to TS 38.141-1: NR channel numbering correction - R4-1808326 TP to TS 38.141-1: Correction of the BS type 1-H architecture figure - R4-1808482 TP to TS 38.141-1: multi-band operation | 0.3.0 |
| 2018-07 | RAN4- AH-1807 | R4-1808980, R4-1808981, R4-1808987, R4-1808991, R4-1808992, R4-1808994, R4-1808995, R4-1808997, R4-1809464, R4-1809469, R4-1809470, R4-1809471, R4-1809472, R4-1809474, R4-1809475, R4-1809476, R4-1809478, R4-1809479, R4-1809481, R4-1809482, R4-1809483, R4-1809484, R4-1809558, R4-1809560, R4-1809563, R4-1809564 | - | - | - | Implementation of TPs approved during RAN4-AH-1807, on top of R4-1809264 (TS 38.141-1, v0.3.0): - R4-1808980 TP to TS 38.141-1: Conducted TAE requirements (6.5.4) - R4-1808981 TP to TS 38.141-1: General clause for unwanted emission requirements (6.6.1) - R4-1808987 TP to TS 38.141-1: General (7.1) - R4-1808991 TP to TS 38.141-1: Out-of-band blocking (7.5) - R4-1808992 TP to TS 38.141-1: Receiver spurious emissions (7.6) - R4-1808994 TP to TS 38.141-1: In-channel selectivity (7.8) - R4-1808995 TP to TS 38.141-1: Environmental requirements for the BS equipment (Annex B) - R4-1808997 TP to TS 38.141-1: General clauses (1-5) - R4-1809464 TP to TS 38.141-1 - 4.7 Test Configurations - R4-1809469 TP to TS 38.141-1: MU and TT for NR BS - R4-1809470 TP to TS 38.141-1: Applicability of test configurations - R4-1809471 TP to TS 38.141-1: Conducted BS output power requirements (6.2) - R4-1809472 TP to TS 38.141-1: Conducted output power dynamics requirements (6.3) - R4-1809474 TP to TS38.141-1: Frequency error (6.5.2) - R4-1809475 TP to TS38.141-1: Modulation quality (6.5.3) - R4-1809476 TP to TS 38.141-1: Conducted ACLR requirements (6.6.3) - R4-1809478 TP to TS 38.141-1: Conducted Tx spurious emission requirements (6.6.5) - R4-1809479 TP to TS 38.141-1: Conducted Tx IMD requirements (6.7) - R4-1809481 TP to TS 38.141-1: Reference sensitivity level (7.2) - R4-1809482 TP to TS 38.141-1: Dynamic range (7.3) - R4-1809483 TP to TS 38.141-1: In-band selectivity and blocking (7.4) - R4-1809484 TP to TS 38.141-1: Receiver intermodulation (7.7) - R4-1809558 TP to TS 38.141-1: General clause for conducted Tx requirements (6.1) - R4-1809560 TP to TS38.141-1: Transmit ON/OFF power (6.4) - R4-1809563 TP to TS 38.141-1: NR BS conducted declarations corrections - R4-1809564 TP for TS38.141-1: Occupied bandwidth (clause 4.1.2 and 6.7.2) | 0.4.0 |
| 2018-08 | RAN4#88 | R4-1809711, R4-1810355, R4-1810813, R4-1810814, R4-1810825, | - | - | - | Implementation of TPs approved during RAN4#88, on top of R4-1810575 (TS 38.141-1, v0.4.0): - R4-1809711 TP to TR 38.141-1: NR BS manufacturers declarations for conducted test requirements (4.6) | 0.5.0 |

| | | | | | | | |
|---------|-------------|--|---|---|---|--|-------|
| | | R4-1811537, R4-1811617, R4-1811622, R4-1811625, R4-1811627, R4-1811628, R4-1811630, R4-1811631, R4-1811632, R4-1811761, R4-1811764, R4-1811765, R4-1811843 | | | | <ul style="list-style-type: none"> - R4-1810355 TP to TS 38.141-1: NR BS occupied bandwidth (6.6.2) - R4-1810813 TP to TS 38.141-1: Operating bands and channel arrangement (5) - R4-1810814 TP to TS 38.141-1: Requirements for contiguous and non-contiguous spectrum (4.10) - R4-1810825 TP to TS 38.141-1: cleanup - R4-1811537 TP for introduction of band n74 for TS38.141-1 - R4-1811617 Correction on general clause for 38.141-1 - R4-1811622 TP to TS 38.141-1 Test configuration(Clauses 4.7) - R4-1811625 TP to TS 38.141-1: NR Test Models - R4-1811627 TBDs on acceptable uncertainty of Test System (4.1.2) - R4-1811628 TP to TS 38.141-1:Annex - R4-1811630 TP to TS 38.141-1: Regional requirements (4.4) - R4-1811631 TP to TS 38.141-1: Ancillary RF amplifiers (4.5.1.5) - R4-1811632 TP to TS 38.141-1: 6.6.4 Operating band unwanted emissions - R4-1811761 TP: Add parameters band n50 in TS 38.141-1 - R4-1811764 TP to TS 38.141-1: Remaining issues on conducted declarations (4.6) - R4-1811765 TP to TS 38.141-1: Conducted declarations renumbering (4.6) - R4-1811843 TP for TR38.141-1: RF channel for BS conducted conformance test | |
| 2018-09 | RAN#81 | RP-181663 | - | - | - | Presented to TSG RAN for information. | 1.0.0 |
| 2018-11 | RAN4#88 bis | R4-1812583 R4-1812675 R4-1812676 R4-1812680 R4-1813307 R4-1813531 R4-1813535 R4-1813746 R4-1813748 R4-1813750 R4-1813751 R4-1813752 R4-1813753 R4-1813876 R4-1813880 R4-1813886 R4-1813887 R4-1813888 R4-1813889 R4-1813891 R4-1813892 R4-1813893 R4-1813894 R4-1814063 R4-1814119 R4-1814178 | - | - | - | <ul style="list-style-type: none"> Implementation of TPs approved during RAN4#88bis, on top of RP-181663 (TS 38.141-1, v1.0.0): - R4-1812583 TP to TS 38.141-1: Correction on NOTE for wanted signal mean power for NR BS RX requirements - R4-1812675 TP to TS 38.141-1: Update on MU and TT - R4-1812676 TP to TS 38.141-1: Correction on reference sensitivity level - R4-1812680 TP to TS 38.141-1: Clarification Note on non-zero Test Tolerance - R4-1813307 TP to TS 38.141-1: connecting network loss declaration for BS type 1-C - R4-1813531 TP to TS 38.141-1: Corrections to Modulation quality test in Clause 6.5.3 - R4-1813535 TP to TS 38.141-1: Correction to clause 4.7.2 Test signal used to build Test Configurations - R4-1813746 TP to TS 38.141-1: Conducted performance requirements (8) - R4-1813748 TP to TS 38.141-1: Conducted performance requirements for DFT-s-OFDM based PUSCH - R4-1813750 TP for TS38.141-1: PUCCH format 1 conducted conformance test - R4-1813751 Draft TP for 38.141-1 clause 8 about PUCCH formats 3 and 4 conformance testing - R4-1813752 TP to TS38.141-1: Performance requirements for PRACH - R4-1813753 TP to TS 38.141-1: FRC definitions for NR FR1 PUSCH demodulation requirements - R4-1813876 TP for TS38.141-1: Adding a note for some specific requirements on RF channel - R4-1813880 TP to TS 38.141-1: Data content for FR1 - R4-1813886 TP to TS 38.141-1: Corrections to align with 38.104 update - R4-1813887 TP to 38.141-1: Clause 4.6 - correction for manufacturer declaration - R4-1813888 TP to TS 38.141-1: operating bands applicable for spurious emissions testing above 12.75 GHz - R4-1813889 TP to TS 38.141-1: Update for NR BS occupied bandwidth requirement (6.6.2) - R4-1813891 TP to TS 38.141-1: Correction of interferer for the RX intermodulation requirement - R4-1813892 TP to TS 38.141-1: In-channel selectivity (7.8) - R4-1813893 TP to TS 38.141-1: Measurement system set-up and test tolerances for NR BS performance requirements - R4-1813894 TP to TS 38.141-1: Inclusion of MU for performance requirements - R4-1814063 TP for 38.141 on NR PUSCH test requirements with CP-OFDM and FR1 - R4-1814119 TP to TS 38.141-1: Correction on the FRCs in Annex A1 and A2 - R4-1814178 TP to TS 38.141-1: Clean up on method of test | 1.1.0 |

| | | | | | | | |
|---------|---------|--|------|---|---|---|--------|
| 2018-11 | RAN4#89 | R4-1815282 R4-1814435 R4-1814443 R4-1814620 R4-1815284 R4-1815292 R4-1815295 R4-1815372 R4-1815688 R4-1816273 R4-1816276 R4-1816282 R4-1816283 R4-1816284 R4-1816287 R4-1816308 R4-1816352 R4-1816355 R4-1816358 R4-1816373 R4-1816378 R4-1816442 R4-1816592 R4-1816691 R4-1816719 R4-1816724 R4-1816725 R4-1816730 R4-1816731 | - | - | - | Implementation of TPs approved during RAN4#89, on top of R4-1815276 (TS 38.141-1, v1.1.0): - R4-1815282 TP to TS 38.141-1: Cleanup - R4-1814435 TP to TS 38.141-1: Measurement system set-up for BS type 1-H performance requirements - R4-1814443 TP to TS 38.141-1: FRC definitions for FR1 DFT-s-OFDM based PUSCH - R4-1814620 TP to TS 38.141-1 on Characteristics of the interfering signals - R4-1815284 TP to TS 38.141-1: Corrections on additional spurious emissions requirements - R4-1815292 TP to 38.141-1: Clause 6.6.5 – correction of RF channels for test - R4-1815295 TP to 38.141-1: Correction to Clause 7.1 Conducted receiver characteristics - R4-1815372 TP to TS 38.141-1: Interpretation of measurement results and the Shared Risk principle - R4-1815688 TP to 38.141-1: Out-of-band blocking co-location requirement (7.5) - R4-1816273 TP to TS 38.141-1: Transmit ON/OFF power (Clause 6.4) - R4-1816276 TP to TS 38.141-1: Remaining annexes - R4-1816282 TP to TS 38.141-1 on manufacturer declarations for NR conducted requirements testing - R4-1816283 TP to TS 38.141-1: On Applicability of test configurations - R4-1816284 TP to TS 38.141-1: Correction to description of ACLR test limits - R4-1816287 TP to TS 38.141-1: Addition of declaration of TAB connectors used for demodulation testing - R4-1816308 TP to TS 38.141-1 Corrections on transmitter intermodulation (clause 3.2 and 6.7) - R4-1816352 TP to TS 38.141-1: Update of AWGN power level and FRC index for DFT-s-OFDM based PUSCH demodulation requirements - R4-1816355 TP for TS 38.141-1 on NR PUCCH format2 conducted performance requirements - R4-1816358 TP to TS38.141-1: Performance requirements for PRACH - R4-1816373 TP for 38.141-1 on PUSCH requirements with CP-OFDM and FR1 - R4-1816378 TP for introducing propagation conditions in TS 38.141-1 - R4-1816442 TP to TS 38.141-1: Cleanup to conducted requirements text - R4-1816592 TP to TS 38.141-1: PUCCH format 0 requirement testing - R4-1816691 TP for TS38.141-1 conductive requirements for PUCCH format 1 performance - R4-1816719 TP for updating 38.141-1 clause 8 about PUCCH formats 3 and 4 conformance testing - R4-1816724 TP for TS38.141-1 base conformation test models (Clause 4.9.2.2) - R4-1816725 TP to TS 38.141-1: 4.9.2.3 Data content of Physical channels and Signals for NR-FR1-TM - R4-1816730 TP to TS38.141-1: total power dynamic range(Clause 6.3.3) - R4-1816731 TP to TS 38.141-1: transmitted signal quality (Clause 6.5) | 1.2.0 |
| 2018-12 | RAN#82 | RP-182583 | | | | Presented to TSG RAN for approval. | 2.0.0 |
| 2018-12 | RAN#82 | | | | | Approved by plenary – Rel-15 spec under change control | 15.0.0 |
| 2019-03 | RAN#83 | RP-190403 | 0001 | | B | CR to TS 38.141-1 Implementation of the following draft CRs, which were Endorsed during RAN4#90, on top of v15.0.0: - R4-1900285 Draft CR on NR PUCCH format2 conducted performance requirements for TS 38.141-1 - R4-1900390 CR to 38.141-1: Introduction of n48 - R4-1900764 Draft CR to TS 38.141-1: Update of test requirement numbers for DFT-s-OFDM based PUSCH - R4-1900969 Draft CR for 38.141-1: Conducted test requirements for NR PUCCH format 1 - R4-1901324 Draft CR to 38.141-1: 6.3.3 Total power dynamic range - correction - R4-1901331 Draft CR to 38.141-1: Updates for Abbreviations clause | 15.1.0 |

| | | | | | | |
|--|--|--|--|--|---|--|
| | | | | | <ul style="list-style-type: none"> - R4-1901373 CR to TS 38.141-1: Editorial Changes to Align Texts Throughout - R4-1901388 Draft CR to TS 38.141-1 BS demodulation PUCCH format 0 requirements - R4-1901475 Draft CR to TS 38.141-1: Corrections on transmitter co-existence and co-location requirements - R4-1901484 Draft CR to TS 38.141-1: Corrections on in-band blocking requirements - R4-1901744 DraftCR to TS 38.141-1: Removal of FR2 remainings - R4-1901748 DraftCR to TS 38.141-1: Band 85 correction for Tx spur coexistence - R4-1902266 DraftCR to TS 38.141-1: addition of the lunt BS modem clause - R4-1902269 CR to TS 38.141-1: Adding clause 4.8 reference to test procedures - R4-1902270 Draft CR to TS 38.141-1_Correction on test procedures for single-carrier and multi-carrier operation for Tx requirements - R4-1902292 Draft CR for TS 38.141-1: Correction on TM applicability - R4-1902294 Corrections to 38.141-1 clause 4.9.2 base conformation test models - R4-1902326 Draft CR to TS 38.141-1 on Correction of unwanted emissions scaling - R4-1902342 CR to TS 38.141-1: FR frequency limit corrections - R4-1902384 Draft CR to TS 38.141-1: Applicability rule for BS conducted demodulation test - R4-1902390 draftCR for 38.141-1: Conducted test requirements for CP-OFDM based PUSCH in FR1 - R4-1902397 draftCR: Updates to PUCCH formats 3 and 4 conducted conformance testing in TS 38.141-1 - R4-1902400 Draft CR for updating PRACH performance requirements in TS38.141-1 - R4-1902572 Corrections to 38.141-1 Delay profile calculation - R4-1902646 Draft CR to TS 38.141-1: Data Content of physical channels and signals for NR-FR1-TM (Clause 4.9.2.3) - R4-1902654 DraftCR to TS 38.141-1: corrections for the single-band / multi-band connector terminology | |
|--|--|--|--|--|---|--|

| | | | | | | |
|---------|--------|-----------|------|---|--|--------|
| 2019-06 | RAN#84 | RP-191240 | 0007 | B | <p>CR to TS 38.141-1: Implementation of endorsed draft CRs from RAN4#90bis and RAN4#91</p> <p>Implementation of Draft CRs into the draft merged CR based on the endorsed tdocs during RAN4#90bis, on top of TS 38.141-1, v15.1.0:</p> <ul style="list-style-type: none"> - R4-1902842 Draft CR to TS 38.141-1: Removal of the square brackets on MU and TT for FR1 conducted BS demodulation test - R4-1903323 Draft CR to TS 38.141-1: performance measure correction for the Rx requirements - R4-1903324 Draft CR to TS 38.141-1: cleanup - R4-1903330 Draft CR to TS 38.141-1: OSDD information correction - R4-1903500 Draft CR to 38.141-1: Correction to unwanted emissions mask for bands n7 and n38 - R4-1904235 draftCR: Correlation matrix for 8Rx in TS 38.141-1 - R4-1904721 Draft CR to TS 38.141-1: Update of applicability rule for BS conducted demodulation test - R4-1904724 Draft CR to TS 38.141-1: Update of conducted test requirements for DFT-s-OFDM based PUSCH - R4-1904727 draftCR for 38.141-1: Conducted test requirements for CP-OFDM based PUSCH in FR1 - R4-1904730 Draft CR on PRACH performance requirements in TS38.141-1 - R4-1904732 Draft CR on TS 38.141-1 Conducted test requirements for PUCCH format 1 - R4-1904736 Draft CR on NR PUCCH format2 conducted performance requirements for TS 38.141-1 - R4-1904740 Draft CR to TS 38.141-1 BS demodulation PUCCH format 0 requirements - R4-1904746 draftCR: Updates to PUCCH formats 3 and 4 conducted conformance testing in TS 38.141-1 - R4-1904798 Draft CR to TS 38.141-1 Adding required vendor declaration items for BS demodulation - R4-1904802 Draft CR to TS 38.141-1: FRC update for PUSCH FR1 mapping type B - R4-1904817 Draft CR: Clarification on step 5 and step 6 for delay profiles calculation (38.141-1) - R4-1905121 draft CR to TS38.141-1 on test model(Clause 4.9.2) - R4-1905124 draft CR to 38.141-1 for TAE requirements - R4-1905141 Draft CR: editorial correction on FR1 spurious emission requirement in TS38.141-1 - R4-1905146 Draft CR to TS 38.141-1: Clarification on application of interfering signal offsets for ACS, blocking and intermodulation requirements - R4-1905149 Draft CR to TS 38.141-1: Corrections on out-of-band blocking requirement - R4-1905172 Editorial corrections to TS 38.141-1 - R4-1905174 Draft CR to TS 38.141-1: FRC reference corrections for the Rx requirements - R4-1905176 Draft CR to TS 38.141-1: consideration of supported frequency range of the operating band - R4-1905178 Draft CR to TS 38.141-1: test setup for TAE - R4-1905179 Draft CR for TS 38.141-1: Addition of NOTE for transmitter intermodulation requirements in certain regions - R4-1905188 draft CR to introduce n18 to TS 38.141-1 - R4-1905214 Corrections to TS38.141-1 clause 6.5.3.5 EVM measurement <p>Implementation of Draft CRs into the merged CR based on the endorsed tdocs during RAN4#91, on top of TS 38.141-1 in R4-1905215:</p> <ul style="list-style-type: none"> - R4-1906003 Draft CR to 38.141-1: 6.7 Transmitter intermodulation – correction of interfering signal type - R4-1906312 Draft CR to 38.141-1: Correction on FRC (Annex A) - R4-1906919 Draft CR to TS 38.141-1: Clarification on type of interfering signal for ACS, in-band blocking and ICS requirements - R4-1907056 Draft CR to 38.141-1: Removal of n48 in Rel'15 - R4-1907111 Draft CR to TS 38.141-1: correction of the fundamental frequency limit of 2.55GHz for the spurious emissions - R4-1907244 Draft CR to TS 38.141-1: Update of applicability rule for BS conducted demodulation test - R4-1907247 Draft CR to TS 38.141-1: Update of conducted test requirements for DFT-s-OFDM based PUSCH - R4-1907250 Draft CR to TS 38.141-1: Correction on the terminology in PUSCH FRC tables - R4-1907253 Draft CR to TS38.141-1: Updates of PRACH performance requirements | 15.2.0 |
|---------|--------|-----------|------|---|--|--------|

| | | | | | | |
|--|--|--|--|--|--|--|
| | | | | | <ul style="list-style-type: none"> - R4-1907256 Draft CR on NR PUCCH format2 conducted performance requirements for TS 38.141-1 - R4-1907259 Draft CR on NR UCI on PUSCH conducted performance requirements for TS 38.141-1 - R4-1907262 draftCR: Updates to PUCCH formats 3 and 4 conducted conformance testing in TS 38.141-1 - R4-1907264 Draft CR on TS 38.141-1 Conducted test requirements for PUCCH format 1 - R4-1907268 Draft CR on TS 38.141-1 Conducted test requirements for multi-slot PUCCH format 1 - R4-1907270 Draft CR to TS 38.141-1 Manufacturer declaration for BS demodulation - R4-1907273 Draft CR to TS 38.141-1 BS demodulation PUCCH format 0 requirements - R4-1907278 draftCR for 38.141-1: Conducted test requirements for CP-OFDM based PUSCH in FR1 - R4-1907624 Draft CR for TS38.141-1: adding demodulation reference signals for PDSCH for TAE requirement - R4-1907630 Draft CR to 38.141-1: Term "reference signal" replacing by term "ideal signal" in EVM context - R4-1907632 Draft CR to 38.141-1: corrections to the Annex F structure - R4-1907636 Draft CR to TS38.141-1 on target resource block clarification for EVM measurement (4.9.2.2, 4.9.2.3, 6.5.3.5) - R4-1907638 Draft CR to TS38.141-1: Correction on test model TM1.2, 3.2, 3.3 (4.9.2.2, 4.9.2.3) - R4-1907665 Draft CR to 38.141-1: Clarification of interferer RB frequency for narrowband blocking - R4-1907674 DraftCR to TS 38.141-1: removal of Rel-16 CRs from Rel-15 specification | |
|--|--|--|--|--|--|--|

| | | | | | | | |
|---------|--------|-----------|------|---|---|---|--------|
| 2019-06 | RAN#84 | RP-191242 | 0002 | | B | CR to TS 38.141-1: Introduction of band n14 | 16.0.0 |
| 2019-06 | RAN#84 | RP-191246 | 0003 | | B | Introduction of band n30 - CR to TS 38.141-1 | 16.0.0 |
| 2019-06 | RAN#84 | RP-191244 | 0004 | | B | introduce n18 into TS38.141-1 | 16.0.0 |
| 2019-06 | RAN#84 | RP-191250 | 0005 | 1 | B | n65 introduction to 38.141-1 | 16.0.0 |
| 2019-06 | RAN#84 | RP-191248 | 0006 | | B | CR to 38.141-1: Introduction of n48 | 16.0.0 |
| 2019-09 | RAN#85 | RP-192029 | 0008 | | F | CR on Protection of SUL band n89 to TS 38.141-1 | 16.1.0 |
| 2019-09 | RAN#85 | RP-192034 | 0009 | | B | n29 introduction to 38.141-1 | 16.1.0 |
| 2019-09 | RAN#85 | RP-192022 | 0011 | 1 | A | CR to TS 38.141-1: Implementation of endorsed draft CRs from RAN4#92 (Rel-16) - Mirrors changes in R4-1910359 for Rel-15 TS 38.141-1 | 16.1.0 |
| 2019-12 | RAN#86 | RP-193000 | 0015 | 1 | A | CR to TS 38.141-1: Further update of applicability rule for BS conducted demodulation test (Rel-16) | 16.2.0 |
| 2019-12 | RAN#86 | RP-193000 | 0017 | 1 | A | CR to TS 38.141-1: Update of conducted test requirements for DFT-s-OFDM based PUSCH (Rel-16) | 16.2.0 |
| 2019-12 | RAN#86 | RP-193013 | 0018 | | B | Introduction of 2010-2025MHz SUL band into Rel-16 TS 38.141-1 | 16.2.0 |
| 2019-12 | RAN#86 | RP-193000 | 0022 | 1 | A | CR on correction of NR PUCCH format2 conducted performance requirements (Rel-16) for TS 38.141-1 | 16.2.0 |
| 2019-12 | RAN#86 | RP-193000 | 0024 | 1 | A | CR on correction of NR UCI on PUSCH conducted performance requirements (Rel-16) for TS 38.141-1 | 16.2.0 |
| 2019-12 | RAN#86 | RP-193000 | 0026 | | A | CR on correction on FRC table for FR1 PUSCH conducted performance requirements (Rel-16) for TS 38.141-1 | 16.2.0 |
| 2019-12 | RAN#86 | RP-193000 | 0028 | 1 | A | CR for 38.141-1: Conducted test requirements for CP-OFDM based PUSCH in FR1 | 16.2.0 |
| 2019-12 | RAN#86 | RP-193000 | 0031 | | A | Updates to PRACH conducted tests in TS 38.141-1 for Rel-16 | 16.2.0 |
| 2019-12 | RAN#86 | RP-192988 | 0034 | | A | CR for TS38.141-1: correction on NR TM1.1 | 16.2.0 |
| 2019-12 | RAN#86 | RP-192987 | 0036 | | A | CR to TS 38.141-1: Correction on interference level of receiver dynamic range requirement | 16.2.0 |
| 2019-12 | RAN#86 | RP-192987 | 0038 | | A | CR to TS 38.141-1: Finalization of interfering RB centre frequency offsets in receiver narrowband blocking requirement | 16.2.0 |
| 2019-12 | RAN#86 | RP-192987 | 0040 | | A | CR to TS 38.141-1: Correction on interfering signal frequency offsets for receiver intermodulation requirements | 16.2.0 |
| 2019-12 | RAN#86 | RP-192987 | 0046 | | A | CR to TS38.141-1: further updates on the abbreviations (clause 3.3)-R16 | 16.2.0 |
| 2019-12 | RAN#86 | RP-192988 | 0052 | | A | CR to 38.141-1: Annex H.5 Resource element TX power | 16.2.0 |
| 2019-12 | RAN#86 | RP-193000 | 0054 | | A | CR to TS 38.141-1 BS demodulation PUCCH format 0 requirements | 16.2.0 |
| 2019-12 | RAN#86 | RP-192987 | 0058 | 1 | A | CR to TS 38.141-1: Correcting TM 3.3 Definition | 16.2.0 |
| 2019-12 | RAN#86 | RP-192988 | 0060 | 2 | A | CR to TS 38.141-1: Editorial Changes of NR TM Power Balancing Readability | 16.2.0 |
| 2019-12 | RAN#86 | RP-192987 | 0062 | | A | CR Corrections to EVM 38.141-1 Annex H.7 | 16.2.0 |
| 2019-12 | RAN#86 | RP-192987 | 0064 | | A | CR to TS 38.141-1: removal of [] for multiple requirements, Rel-16 | 16.2.0 |
| 2019-12 | RAN#86 | RP-192988 | 0066 | | A | CR to TS 38.141-1: MR BS class terminology correction, Rel-16 | 16.2.0 |
| 2019-12 | RAN#86 | RP-193000 | 0068 | | A | CR: Updates to manufacture's declarations for demodulation requirements in TS 38.141-1 (Rel-16) | 16.2.0 |
| 2019-12 | RAN#86 | RP-193000 | 0070 | | A | CR: Updates for PUCCH formats 3 and 4 conducted conformance testing in TS 38.141-1 (Rel-16) | 16.2.0 |
| 2019-12 | RAN#86 | RP-192988 | 0072 | | A | Corrections of references in measurement uncertainty table | 16.2.0 |
| 2019-12 | RAN#86 | RP-192988 | 0074 | | A | Clarification for the number of interfering signals | 16.2.0 |
| 2019-12 | RAN#86 | RP-192988 | 0076 | | A | Editorial corrections | 16.2.0 |
| 2019-12 | RAN#86 | RP-192988 | 0080 | | A | Removal of FFS and brackets in RF requirements | 16.2.0 |
| 2019-12 | RAN#86 | RP-193000 | 0081 | | A | CR for 38.141-1 Conducted test requirements for NR PUCCH format 1 | 16.2.0 |
| 2019-12 | RAN#86 | RP-192987 | 0082 | | A | CR for 38.141-1 Conducted test requirements for NR multi-slot PUCCH format 1 | 16.2.0 |
| 2019-12 | RAN#86 | RP-192987 | 0083 | | A | CR to TS 38.141-1: Corrections to BS classes and transmit configurations | 16.2.0 |
| 2020-03 | RAN#87 | RP-200402 | 0085 | | A | CR on correction of NR UCI on PUSCH conducted performance requirements for TS 38.141-1 | 16.3.0 |
| 2020-03 | RAN#87 | RP-200402 | 0090 | 1 | A | CR to TS 38.141-1: Corrections on rated carrier output power symbols | 16.3.0 |
| 2020-03 | RAN#87 | RP-200402 | 0100 | | A | IntraSlot frequency hopping applicability in the one OFDM symbol test case | 16.3.0 |
| 2020-03 | RAN#87 | RP-200402 | 0103 | | A | CR to 38.141-1 updates for OSTP calculations | 16.3.0 |
| 2020-03 | RAN#87 | RP-200402 | 0105 | | A | CR to 38.141-1 Corrections to test models, TPDR and modulation quality tests clauses | 16.3.0 |
| 2020-03 | RAN#87 | RP-200402 | 0107 | | A | CR to TS 38.141-1: Random data content for NR BS Test Models | 16.3.0 |
| 2020-03 | RAN#87 | RP-200381 | 0086 | | B | Introduction of n26 | 16.3.0 |
| 2020-03 | RAN#87 | RP-200382 | 0087 | | B | Introduction of n53 | 16.3.0 |
| 2020-03 | RAN#87 | RP-200410 | 0093 | 1 | B | CR to TS 38.141-1: Introduction of NB-IoT operation in NR channel bandwidth | 16.3.0 |

| | | | | | | | |
|---------|--------|-----------|------|---|---|--|--------|
| 2020-03 | RAN#87 | RP-200407 | 0101 | 1 | B | CR for TS 38.141-1: Introduction of PRACH demodulation requirements for NR HST | 16.3.0 |
| 2020-03 | RAN#87 | RP-200407 | 0109 | 1 | B | CR for TS 38.141-1: Introduction of NR PUSCH performance requirements for HST | 16.3.0 |
| 2020-03 | RAN#87 | RP-200471 | 0110 | | B | CR for TS 38.141-1: Introduction of NR PUSCH performance Annex including both FRC and channel model for HST | 16.3.0 |
| 2020-06 | RAN#88 | RP-200986 | 0118 | | A | CR to TS 38.141-1: Corrections on generation of test configurations | 16.4.0 |
| 2020-06 | RAN#88 | RP-200986 | 0120 | | A | CR to TS 38.141-1: Clarifications and corrections on extreme test environment | 16.4.0 |
| 2020-06 | RAN#88 | RP-200986 | 0124 | | A | CR 38.141-1 Rel16 4.9.2.3 corrections for random data generation | 16.4.0 |
| 2020-06 | RAN#88 | RP-200986 | 0126 | | A | CR to TS 38.141-1: Correction to out-of-band blocking requirement is clause 7.5 | 16.4.0 |
| 2020-06 | RAN#88 | RP-200986 | 0134 | | A | CR to 38.141-1: Adding missing TT value for BS demod testing (C.3) | 16.4.0 |
| 2020-06 | RAN#88 | RP-200986 | 0136 | | A | CR to 38.141-1 Rel-16 with correction to TPDR test procedure | 16.4.0 |
| 2020-06 | RAN#88 | RP-200975 | 0127 | 1 | B | CR for TS 38.141-1: Introduction of NR PUSCH performance requirements for HST | 16.4.0 |
| 2020-06 | RAN#88 | RP-200975 | 0128 | 1 | B | CR for TS 38.141-1: Introduction of NR PUSCH performance Annex including FRC and channel model for HST | 16.4.0 |
| 2020-06 | RAN#88 | RP-200975 | 0129 | 1 | F | CR for 38.141-1 Introduction of PRACH conducted conformance testing for NR HST | 16.4.0 |
| 2020-06 | RAN#88 | RP-201043 | 0121 | 1 | B | CR for TS 38.141-1: Introduce PUSCH performance requirements at 30% throughput test point | 16.4.0 |
| 2020-06 | RAN#88 | RP-200975 | 0122 | 1 | B | CR for TS 38.141-1, Introduction of high speed support declaration for NR HST | 16.4.0 |
| 2020-06 | RAN#88 | RP-200986 | 0118 | | A | CR to TS 38.141-1: Corrections on generation of test configurations | 16.4.0 |
| 2020-09 | RAN#89 | RP-201497 | 0141 | 1 | B | CR for TS 38.141-1: Updates of NR PUSCH performance requirements for HST | 16.5.0 |
| 2020-09 | RAN#89 | RP-201497 | 0142 | 1 | B | CR for TS 38.141-1: Updates of NR PUSCH performance Annex including FRC and channel model for HST | 16.5.0 |
| 2020-09 | RAN#89 | RP-201497 | 0143 | | F | CR for TS 38.141-1: Add maximum test system uncertainty for NR HST PUSCH with single port and AWGN | 16.5.0 |
| 2020-09 | RAN#89 | RP-201497 | 0144 | 1 | B | CR for TS 38.141-1, Introduction of high speed support declaration for NR HST PRACH | 16.5.0 |
| 2020-09 | RAN#89 | RP-201497 | 0145 | 1 | B | CR on UL timing adjustment conducted performance requirement for TS 38.141-1 | 16.5.0 |
| 2020-09 | RAN#89 | RP-201497 | 0148 | 1 | F | CR for TS 38.141-1: Introduction of test tolerance for HST PRACH and update measurement setup of performance requirements for NR HST | 16.5.0 |
| 2020-09 | RAN#89 | RP-201512 | 0150 | 1 | A | CR to 38.141-1: Annex H clarification on equalisation calculation (H.6) | 16.5.0 |
| 2020-12 | RAN#90 | RP-202422 | 0153 | 1 | B | CR for TS 38.141-1: Updates of NR PUSCH performance requirements for Multi-path fading channel models under high Doppler values and applicability rules. | 16.6.0 |
| 2020-12 | RAN#90 | RP-202415 | 0154 | 1 | B | Introduction of 2-step RACH FRC tables in 38.141-1 | 16.6.0 |
| 2020-12 | RAN#90 | RP-202416 | 0155 | 1 | B | FRCs for URLLC | 16.6.0 |
| 2020-12 | RAN#90 | RP-202416 | 0156 | 1 | B | Test requirements for 0.001% BLER | 16.6.0 |
| 2020-12 | RAN#90 | RP-202416 | 0157 | 1 | B | CR for 38.141-1: URLLC testing methodology appendix | 16.6.0 |
| 2020-12 | RAN#90 | RP-202422 | 0158 | 1 | B | CR on UL timing adjustment conducted performance requirement for TS 38.141-1 | 16.6.0 |
| 2020-12 | RAN#90 | RP-202416 | 0162 | 1 | B | CR to TS 38.141-1: Addition of BS conformance testing for URLLC demodulation requirements with higher BLER | 16.6.0 |
| 2020-12 | RAN#90 | RP-202416 | 0163 | 1 | F | CR to TS 38.141-1: Applicability of URLLC BS demodulation requirements | 16.6.0 |
| 2020-12 | RAN#90 | RP-202422 | 0166 | 1 | B | CR for 38.141-1 Introduction of conformance testing for NR HST PRACH under fading channel | 16.6.0 |
| 2020-12 | RAN#90 | RP-202415 | 0167 | 1 | B | CR to 38.141-1 Introduction of test procedure and requirements for 2-step RACH | 16.6.0 |
| 2020-12 | RAN#90 | RP-202451 | 0151 | - | B | Introduction of 1880-1920MHz SUL band into Rel-17 TS 38.141-1 | 17.0.0 |
| 2020-12 | RAN#90 | RP-202452 | 0152 | - | B | Introduction of 2300-2400MHz SUL band into Rel-17 TS 38.141-1 | 17.0.0 |
| 2020-12 | RAN#90 | RP-202448 | 0164 | - | B | CR to TS 38.141-1: introduction of NR band n13 | 17.0.0 |
| 2021-03 | RAN#91 | RP-210097 | 0168 | | B | CR for TS 38.141-1 introduction of NR band n24 | 17.1.0 |
| 2021-03 | RAN#91 | RP-210096 | 0169 | | B | CR to 38.141-1 on introducing new SUL band n99 | 17.1.0 |
| 2021-03 | RAN#91 | RP-210116 | 0172 | | A | CR for 38.141-1: BS demodulation synchronization in test setup | 17.1.0 |
| 2021-03 | RAN#91 | RP-210116 | 0175 | | A | CR for 38.141-1: BS demodulation different channel bandwidths applicability rules | 17.1.0 |
| 2021-03 | RAN#91 | RP-210073 | 0177 | | A | Corrections on 2-step RACH demodulation requirements | 17.1.0 |
| 2021-03 | RAN#91 | RP-210078 | 0179 | | A | CR on UL timing adjustment conducted performance requirement for TS 38.141-1 | 17.1.0 |
| 2021-03 | RAN#91 | RP-210078 | 0181 | | A | CR for TS 38.141-1 Updates of NR PUSCH performance requirements for HST | 17.1.0 |
| 2021-03 | RAN#91 | RP-210116 | 0184 | | A | CR to TS 38.141-1: Additions of regional requirements for n41 and n90 in Japan Rel-17 | 17.1.0 |
| 2021-03 | RAN#91 | RP-210073 | 0186 | | A | CR on update applicability rule for 2-step RACH in 38.141-1 (Rel-17) | 17.1.0 |

| | | | | | | | |
|---------|----------|-----------|------|---|---|---|---------|
| 2021-03 | RAN#91 | RP-210078 | 0188 | | A | CR for 38.141-1 Cleanup of conformance testing for NR HST PRACH under fading channel (Rel-17) | 17.1.0 |
| 2021-03 | RAN#91 | RP-210068 | 0190 | | A | CR to TS38.141-1 Correction of BS conformance testing for URLLC demodulation requirements with higher BLER (Rel-17) | 17.1.0 |
| 2021-03 | RAN#91 | RP-210116 | 0194 | | A | CR to TS 141-1 clarification on PN23 sequence generation | 17.1.0 |
| 2021-03 | RAN#91 | RP-210116 | 0200 | | A | CR to TS38.141-1: Receiver requirement corrections | 17.1.0 |
| 2021-03 | RAN#91 | RP-210068 | 0202 | | A | CR to TS 38.141-1 Update of 0.001% BLER test requirements | 17.1.0 |
| 2021-06 | RAN#92 | RP-211094 | 0209 | | A | Big CR for NR-U BS conducted conformance testing in TS38.141-1 (catA) | 17.2.0 |
| 2021-06 | RAN#92 | RP-211105 | 0213 | | A | CR for TS 38.141-1 Updates of NR PUSCH performance requirements for HST | 17.2.0 |
| 2021-06 | RAN#92 | RP-211105 | 0215 | | A | CR on correction of UL timing adjustment conducted performance requirement for TS 38.141-1 | 17.2.0 |
| 2021-06 | RAN#92 | RP-211086 | 0218 | | A | CR to TS 38.141-1: NRTC2 correction | 17.2.0 |
| 2021-06 | RAN#92 | RP-211116 | 0219 | 1 | B | CR to TS 38.141-1: Introduction of band n67 | 17.2.0 |
| 2021-06 | RAN#92 | RP-211116 | 0220 | 1 | B | CR to TS 38.141-1: Introduction of band n85 | 17.2.0 |
| 2021-06 | RAN#92 | RP-211087 | 0224 | | A | CR to 38.141-1: BS PUCCH Format 3 demod requirement error correction (8.3.4) | 17.2.0 |
| 2021-06 | RAN#92 | RP-211103 | 0227 | 1 | F | CR to TS38.141-1 Cleanup of BS conformance testing for URLLC demodulation requirements with higher BLER (Rel-17) | 17.2.0 |
| 2021-06 | RAN#92 | RP-211108 | 0229 | | A | CR for 38.141-1: HST demodulation specification maintenance | 17.2.0 |
| 2021-06 | RAN#92 | RP-211094 | 0231 | | A | CR to TS 38.141-1: introduction of NR-U BS | 17.2.0 |
| 2021-06 | RAN#92 | RP-211088 | 0234 | | A | CR to TS 38.141-1: Receiver IMD requirement corrections | 17.2.0 |
| 2021-06 | RAN#92 | RP-211090 | 0237 | | A | CR to 38.141-1: In-band blocking for multi-band Base Stations | 17.2.0 |
| 2021-06 | RAN#92 | RP-211083 | 0240 | | A | CR for 38.141-1: Add AWGN Offset note to FR1 demod noise levels | 17.2.0 |
| 2021-09 | RAN#93 | RP-211909 | 0241 | | B | CR to TS 38.141-1: Introduction of CBWs 35 MHz and 45 MHz | 17.3.0 |
| 2021-09 | RAN#93 | RP-211926 | 0246 | | A | Big CR for TS 38.141-1 Maintenance RF part (Rel-17, CAT A) | 17.3.0 |
| 2021-09 | RAN#93 | RP-211926 | 0249 | | A | Big CR for TS 38.141-1 Maintenance Demod part (Rel-17, CAT A) | 17.3.0 |
| 2021-12 | RAN#94 | RP-212855 | 0254 | | A | Big CR for TS 38.141-1 Maintenance RF part (Rel-17, CAT A) | 17.4.0 |
| 2021-12 | RAN#94 | RP-212847 | 0257 | | A | Big CR for TS 38.141-1 Maintenance Demod part (Rel-17, CAT A) | 17.4.0 |
| 2022-03 | RAN#95 | RP-220349 | 0258 | | B | CR to TS 38.141-1: Introduction of 1024 QAM in FR1 | 17.5.0 |
| 2022-03 | RAN#95 | RP-220361 | 0259 | | B | BigCR for FR1 PUSCH 256QAM requirements in TS 38.141-1 | 17.5.0 |
| 2022-03 | RAN#95 | RP-220357 | 0261 | | B | CR to 38.141-1 on introduction of n102 requirements | 17.5.0 |
| 2022-03 | RAN#95 | RP-220347 | 0262 | 1 | B | CR to TS 38.141-1: implementation of LTE_upper_700MHz_A band 103 | 17.5.0 |
| 2022-03 | RAN#95 | RP-220337 | 0265 | 1 | A | Big CR for TS 38.141-1 Maintenance RF part (Rel-17, CAT A) | 17.5.0 |
| 2022-03 | RAN#95 | RP-220337 | 0268 | | A | Big CR for TS 38.141-1 Maintenance Demod part (Rel-17, CAT A) | 17.5.0 |
| 2022-03 | RAN#95 | RP-220376 | 0269 | | B | CR to TS 38.141-1: RMR 1900MHz band n101 introduction | 17.5.0 |
| 2022-06 | RAN#96 | RP-221675 | 0271 | | F | CR to 38.141-1: BS RF conformance requirements for 1024QAM in FR1 | 17.6.0 |
| 2022-06 | RAN#96 | RP-221684 | 0272 | 1 | B | CR to 38.141-1 on introduction of n100 requirements | 17.6.0 |
| 2022-06 | RAN#96 | RP-221659 | 0274 | | F | Big CR for TS 38.141-1 Maintenance RF part (Rel-17, CAT F) | 17.6.0 |
| 2022-09 | RAN#97 | RP-222038 | 0278 | 1 | F | CR to 38.141-1 on n100 corrections | 17.7.0 |
| 2022-09 | RAN#97 | RP-222037 | 0275 | 1 | B | Introducing 6GHz licensed operation into TS 38.141-1 (Rel-17) | 17.7.0 |
| 2022-09 | RAN#97 | RP-222026 | 0287 | | F | Big CR for TS 38.141-1 Maintenance RF part (Rel-17, CAT F) | 17.7.0 |
| 2022-09 | RAN#97 | RP-222026 | 0290 | | F | Big CR for TS 38.141-1 Maintenance Demod part (Rel-17, CAT F) | 17.7.0 |
| 2022-12 | RAN#98-e | RP-223290 | 0291 | | F | CR for TS 38.141-1, Correct Mapping of PRBs to n_RNTI for NR-FR1-TM in clause 4.9.2.3.2 | 17.8.0 |
| 2022-12 | RAN#98-e | RP-223300 | 0293 | | B | Big CR for TS38.141-1 NR coverage enhancement demodulation requirement | 17.8.0 |
| 2022-12 | RAN#98-e | RP-223302 | 0294 | | B | Big CR for TS38.141-1 URLLC and IIoT requirements | 17.8.0 |
| 2022-12 | RAN#98-e | RP-223309 | 0296 | 1 | F | CR to 38.141-1: Spurious emission requirements, Rel-17 | 17.8.0 |
| 2022-12 | RAN#98-e | RP-223293 | 0299 | | A | CR to 38.141-1: Additional BS conformance to other standards | 17.8.0 |
| 2023-03 | RAN#99 | RP-230509 | 0301 | 1 | F | CR for TS38.141-1 correction on the value of SNR in test requirements for PUSCH | 17.9.0 |
| 2023-03 | RAN#99 | RP-230513 | 0302 | | F | CR for TS38.141 NR coverage enh demod requirement (cat F) | 17.9.0 |
| 2023-03 | RAN#99 | RP-230515 | 0304 | | F | CR for TS38.141-1 NR URLLC IIoT enh demod (cat F) | 17.9.0 |
| 2023-03 | RAN#99 | RP-230506 | 0308 | 1 | F | CR to 38.141-1: FRC number corrections (Rel-17) | 17.9.0 |
| 2023-03 | RAN#99 | RP-230501 | 0311 | | A | CR to 38.141-1: BS Demod Step size correction on 2-Step RACH (8.2.9) | 17.9.0 |
| 2023-03 | RAN#99 | RP-230514 | 0316 | | F | CR to 38.141-1: MU values for OBW requirements (Rel-17) | 17.9.0 |
| 2023-06 | RAN#100 | RP-231357 | 0325 | | A | CR to TS 38.141-1 on corrections of Wide Area BS Category B operating band unwanted emission limits | 17.10.0 |
| 2023-06 | RAN#100 | RP-231348 | 0327 | | F | CR to TS 38.141-1 on corrections and clarifications of operating band unwanted emission limits for band n104 | 17.10.0 |
| 2023-06 | RAN#100 | RP-231348 | 0329 | 1 | F | CR for TR 38.141-1, Correction on reference of PREFSENS for in-band blocking and out-of-band blocking for band n104 | 17.10.0 |
| 2023-06 | RAN#100 | RP-231357 | 0333 | | A | CR for TS 38.141-1, Add sweep time for true RMS detection mode for receiver spurious emissions | 17.10.0 |
| 2023-06 | RAN#100 | RP-231347 | 0338 | | F | CR for TS38.141-1 FRC tables for FR2-2 PUSCH demodulation_Rel-17 | 17.10.0 |

| | | | | | | | |
|---------|---------|-----------|------|---|---|---|---------|
| 2023-06 | RAN#100 | RP-231352 | 0341 | 1 | A | CR for TS 38.141-1: Operating band unwanted emissions for Single RAT BS supporting multi-band operation | 17.10.0 |
| 2023-06 | RAN#100 | RP-231339 | 0343 | | F | CR to TS 38.141-1 - Maintenance related to bands n100 and n101 | 17.10.0 |
| 2023-06 | RAN#100 | RP-231358 | 0348 | | A | Update to PUSCH performance test cases | 17.10.0 |
| 2023-06 | RAN#100 | RP-231358 | 0352 | | A | CR to 38.141-1: Correction to ACLR and CACLR requirement | 17.10.0 |

History

| Document history | | |
|-------------------------|--------------|-------------|
| V17.5.0 | April 2022 | Publication |
| V17.6.0 | August 2022 | Publication |
| V17.7.0 | October 2022 | Publication |
| V17.8.0 | January 2023 | Publication |
| V17.9.0 | May 2023 | Publication |
| V17.10.0 | July 2023 | Publication |