

ETSI TS 138 521-1 V18.3.0 (2024-08)



**5G;
NR;
User Equipment (UE) conformance specification;
Radio transmission and reception;
Part 1: Range 1 standalone
(3GPP TS 38.521-1 version 18.3.0 Release 18)**



Reference

RTS/TSGR-0538521-1vi30

Keywords

5G

ETSI

650 Route des Lucioles
F-06921 Sophia Antipolis Cedex - FRANCE

Tel.: +33 4 92 94 42 00 Fax: +33 4 93 65 47 16

Siret N° 348 623 562 00017 - APE 7112B
Association à but non lucratif enregistrée à la
Sous-Préfecture de Grasse (06) N° w061004871

Important notice

The present document can be downloaded from the
ETSI [Search & Browse Standards](#) application.

The present document may be made available in electronic versions and/or in print. The content of any electronic and/or print versions of the present document shall not be modified without the prior written authorization of ETSI. In case of any existing or perceived difference in contents between such versions and/or in print, the prevailing version of an ETSI deliverable is the one made publicly available in PDF format on [ETSI deliver](#).

Users should be aware that the present document may be revised or have its status changed,
this information is available in the [Milestones listing](#).

If you find errors in the present document, please send your comments to
the relevant service listed under [Committee Support Staff](#).

If you find a security vulnerability in the present document, please report it through our
[Coordinated Vulnerability Disclosure \(CVD\)](#) program.

Notice of disclaimer & limitation of liability

The information provided in the present deliverable is directed solely to professionals who have the appropriate degree of experience to understand and interpret its content in accordance with generally accepted engineering or other professional standard and applicable regulations.

No recommendation as to products and services or vendors is made or should be implied.

No representation or warranty is made that this deliverable is technically accurate or sufficient or conforms to any law and/or governmental rule and/or regulation and further, no representation or warranty is made of merchantability or fitness for any particular purpose or against infringement of intellectual property rights.

In no event shall ETSI be held liable for loss of profits or any other incidental or consequential damages.

Any software contained in this deliverable is provided "AS IS" with no warranties, express or implied, including but not limited to, the warranties of merchantability, fitness for a particular purpose and non-infringement of intellectual property rights and ETSI shall not be held liable in any event for any damages whatsoever (including, without limitation, damages for loss of profits, business interruption, loss of information, or any other pecuniary loss) arising out of or related to the use of or inability to use the software.

Copyright Notification

No part may be reproduced or utilized in any form or by any means, electronic or mechanical, including photocopying and microfilm except as authorized by written permission of ETSI.

The content of the PDF version shall not be modified without the written authorization of ETSI.

The copyright and the foregoing restriction extend to reproduction in all media.

© ETSI 2024.
All rights reserved.

Intellectual Property Rights

Essential patents

IPRs essential or potentially essential to normative deliverables may have been declared to ETSI. The declarations pertaining to these essential IPRs, if any, are publicly available for **ETSI members and non-members**, and can be found in ETSI SR 000 314: "*Intellectual Property Rights (IPRs); Essential, or potentially Essential, IPRs notified to ETSI in respect of ETSI standards*", which is available from the ETSI Secretariat. Latest updates are available on the ETSI Web server (<https://ipr.etsi.org/>).

Pursuant to the ETSI Directives including the ETSI IPR Policy, no investigation regarding the essentiality of IPRs, including IPR searches, has been carried out by ETSI. No guarantee can be given as to the existence of other IPRs not referenced in ETSI SR 000 314 (or the updates on the ETSI Web server) which are, or may be, or may become, essential to the present document.

Trademarks

The present document may include trademarks and/or tradenames which are asserted and/or registered by their owners. ETSI claims no ownership of these except for any which are indicated as being the property of ETSI, and conveys no right to use or reproduce any trademark and/or tradename. Mention of those trademarks in the present document does not constitute an endorsement by ETSI of products, services or organizations associated with those trademarks.

DECT™, **PLUGTESTS™**, **UMTS™** and the ETSI logo are trademarks of ETSI registered for the benefit of its Members. **3GPP™** and **LTE™** are trademarks of ETSI registered for the benefit of its Members and of the 3GPP Organizational Partners. **oneM2M™** logo is a trademark of ETSI registered for the benefit of its Members and of the oneM2M Partners. **GSM®** and the GSM logo are trademarks registered and owned by the GSM Association.

Legal Notice

This Technical Specification (TS) has been produced by the ETSI 3rd Generation Partnership Project (3GPP).

The present document may refer to technical specifications or reports using their 3GPP identities. These shall be interpreted as being references to the corresponding ETSI deliverables.

The cross reference between 3GPP and ETSI identities can be found under <https://webapp.etsi.org/key/queryform.asp>.

Modal verbs terminology

In the present document "**shall**", "**shall not**", "**should**", "**should not**", "**may**", "**need not**", "**will**", "**will not**", "**can**" and "**cannot**" are to be interpreted as described in clause 3.2 of the [ETSI Drafting Rules](#) (Verbal forms for the expression of provisions).

"**must**" and "**must not**" are **NOT** allowed in ETSI deliverables except when used in direct citation.

Contents

Intellectual Property Rights	2
Legal Notice	2
Modal verbs terminology.....	2
Foreword.....	21
1 Scope	22
2 References	22
3 Definitions, symbols and abbreviations	23
3.1 Definitions	23
3.2 Symbols.....	24
3.3 Abbreviations	26
4 General	28
4.1 Relationship between minimum requirements and test requirements	28
4.2 Applicability of minimum requirements	28
4.3 Specification suffix information.....	29
4.4 Test points analysis	29
4.5 Applicability and test coverage rules.....	29
4.6 Pass fail decision rule of test case	30
5 Operating bands and Channel arrangement.....	30
5.1 General	30
5.2 Operating bands.....	30
5.2A Operating bands for CA	32
5.2A.1 Intra-band CA	32
5.2A.2 Inter-band CA	32
5.2A.2.1 Inter-band CA (two bands).....	33
5.2A.2.2 Inter-band CA (three bands).....	34
5.2A.2.3 Inter-band CA (four bands).....	35
5.2B Operating bands for DC	35
5.2C Operating band combination for SUL	36
5.2D Operating bands for UL MIMO	37
5.2E Operating band for V2X.....	37
5.2E.1 V2X operating bands	37
5.2E.2 V2X operating bands for concurrent operation.....	37
5.2J Operating band for ATG	38
5.3 UE channel bandwidth	38
5.3.1 General.....	38
5.3.2 Maximum transmission bandwidth configuration	39
5.3.3 Minimum guard band and transmission bandwidth configuration.....	39
5.3.4 RB alignment	41
5.3.5 UE channel bandwidth per operating band	41
5.3.6 Asymmetric channel bandwidths.....	46
5.3A UE channel bandwidth for CA	47
5.3A.1 General.....	47
5.3A.2 Maximum transmission bandwidth configuration for CA	47
5.3A.3 Minimum guard band and transmission bandwidth configuration for CA.....	47
5.3A.4 Void	49
5.3A.5 UE channel bandwidth per operating band for CA.....	49
5.3E Channel bandwidth for V2X	50
5.3E.1 General.....	50
5.3E.2 Channel bandwidth for V2X concurrent operation.....	51
5.3I Channel bandwidth for RedCap	51
5.4 Channel arrangement.....	51
5.4.1 Channel spacing.....	51
5.4.1.1 Channel spacing for adjacent NR carriers	51

5.4.2	Channel raster	52
5.4.2.1	NR-ARFCN and channel raster.....	52
5.4.2.2	Channel raster to resource element mapping.....	52
5.4.2.3	Channel raster entries for each operating band	52
5.4.3	Synchronization raster	55
5.4.3.1	Synchronization raster and numbering.....	55
5.4.3.2	Synchronization raster to synchronization block resource element mapping.....	55
5.4.3.3	Synchronization raster entries for each operating band.....	56
5.4.4	TX–RX frequency separation	57
5.4A	Channel arrangement for CA.....	58
5.4A.1	Channel spacing for CA.....	58
5.4A.2	Channel raster for CA.....	59
5.4A.3	Synchronization raster for CA	59
5.4A.4	Tx-Rx frequency separation for CA.....	59
5.4E	Channel arrangement for V2X	59
5.4E.1	Channel spacing.....	59
5.4E.2	Channel raster	59
5.4E.2.1	NR-ARFCN and channel raster.....	59
5.4E.2.2	Channel raster to resource element mapping.....	59
5.4E.2.3	Channel raster entries for each operating band	59
5.4E.3	Synchronization raster for V2X	59
5.5	Void.....	60
5.5A	Configurations for CA.....	60
5.5A.0	General.....	60
5.5A.1	Configurations for intra-band contiguous CA.....	60
5.5A.2	Configurations for intra-band non-contiguous CA	62
5.5A.3	Configurations for inter-band CA.....	62
5.5A.3.1	Configurations for inter-band CA (two bands)	64
5.5A.3.2	Configurations for inter-band CA (three bands)	73
5.5A.3.3	Configurations for inter-band CA (four bands).....	83
5.5B	Configurations for DC.....	86
5.5C	Configurations for SUL.....	87
6	Transmitter characteristics	90
6.1	General	90
6.1A	General	92
6.1E	General	101
6.1F	General	104
6.1J	General	105
6.2	Transmitter power	105
6.2.1	UE maximum output power.....	105
6.2.2	UE maximum output power reduction.....	112
6.2.3	UE additional maximum output power reduction	140
6.2.4	Configured transmitted power	310
6.2A	Transmitter power for CA	316
6.2A.1	UE maximum output power for CA.....	316
6.2A.1.0	Minimum conformance requirements	316
6.2A.1.0.1	Void.....	316
6.2A.1.0.2	Void.....	316
6.2A.1.0.3	UE maximum output power for Inter-band CA.....	316
6.2A.1.0.4	UE maximum output power for Intra-band contiguous CA	318
6.2A.1.0.5	UE maximum output power for Intra-band non-contiguous CA	318
6.2A.1.1	UE maximum output power for CA (2UL CA).....	318
6.2A.2	UE maximum output power reduction for CA.....	323
6.2A.2.0	Minimum conformance requirements	323
6.2A.2.0.1	FFS	323
6.2A.2.0.2	FFS	323
6.2A.2.0.3	Maximum Power Reduction for Inter-band CA	323
6.2A.2.0.4	Maximum Power Reduction for Intra-band contiguous CA.....	323
6.2A.2.0.5	Maximum Power Reduction for Intra-band non-contiguous CA.....	326
6.2A.2.1	UE maximum output power reduction for CA (2UL CA).....	328
6.2A.3	UE additional maximum output power reduction for CA.....	349

6.2A.3.0	Minimum conformance requirements	349
6.2A.3.0.1	UE additional maximum output power reduction for Intra-band contiguous CA.....	349
6.2A.3.0.1.1	A-MPR for CA_NS_04.....	350
6.2A.3.0.1.1.2	Non-contiguous allocations.....	350
6.2A.3.0.1.1.3	AMPR _{IM3} to meet -25dBm/MHz.....	351
6.2A.3.0.2	FFS	351
6.2A.3.0.3	UE additional maximum output power reduction for inter-band CA	351
6.2A.3.1	UE additional maximum output power reduction for CA (2UL CA).....	353
6.2A.4	Configured output power for CA	363
6.2A.4.0	Minimum conformance requirements	363
6.2A.4.0.1	Configured transmitted power level	363
6.2A.4.0.2	$\Delta T_{IB,c}$ for CA	370
6.2A.4.0.2.1	FFS	370
6.2A.4.0.2.2	FFS	370
6.2A.4.0.2.3	$\Delta T_{IB,c}$ for Inter-band CA.....	370
6.2A.4.1	Configured transmitted power for CA (2UL CA)	374
6.2B	Transmitter power for NR-DC	381
6.2B.0	General.....	381
6.2B.1	UE maximum output power for NR-DC.....	381
6.2B.1.0	Minimum conformance requirements	381
6.2B.1.0.1	FFS	381
6.2B.1.0.2	FFS	381
6.2B.1.0.3	UE maximum output power for inter-band NR-DC	381
6.2B.1.1	UE maximum output power for NR-DC	381
6.2B.2	UE maximum output power reduction for NR-DC.....	384
6.2B.2.0	Minimum conformance requirements	384
6.2B.2.0.1	FFS	384
6.2B.2.0.2	FFS	384
6.2B.2.0.3	UE maximum output power reduction for Inter-band NR-DC.....	384
6.2B.2.1	UE maximum output power reduction for NR-DC	384
6.2B.3	UE additional maximum output power reduction for NR-DC.....	385
6.2B.3.0	Minimum conformance requirements	385
6.2B.3.0.1	FFS	385
6.2B.3.0.2	FFS	385
6.2B.3.0.3	UE additional maximum output power reduction for inter-band NR-DC	385
6.2B.3.1	UE additional maximum output power reduction for NR-DC	386
6.2B.4	Configured output power for NR-DC	387
6.2B.4.0	Minimum conformance requirements	387
6.2B.4.0.1	Configured transmitted power level for NR-DC	387
6.2B.4.0.2	$\Delta T_{IB,c}$ for NR-DC.....	390
6.2B.4.0.2.1	FFS.....	391
6.2B.4.0.2.2	FFS.....	391
6.2B.4.0.2.3	Void	391
6.2B.4.1	Configured transmitted power level for NR-DC.....	391
6.2C	Transmitter power for SUL	393
6.2C.1	Configured transmitted power for SUL	393
6.2C.2	$\Delta T_{IB,c}$	397
6.2C.3	UE maximum output power for SUL.....	397
6.2C.3_1	Void	400
6.2C.4	UE maximum output power reduction for SUL.....	400
6.2C.5	UE additional maximum output power reduction for SUL.....	408
6.2D	Transmitter power for UL MIMO	441
6.2D.1	UE maximum output power for UL MIMO.....	441
6.2D.1_1	UE maximum output power for SUL with UL MIMO	445
6.2D.2	UE maximum output power reduction for UL MIMO.....	449
6.2D.2_1	UE maximum output power reduction for SUL with UL MIMO	467
6.2D.3	UE additional maximum output power reduction for UL MIMO.....	472
6.2D.3_1	UE additional maximum output power reduction for SUL with UL MIMO	509
6.2D.4	Configured transmitted power for UL MIMO	518
6.2D.4_1	Configured transmitted power for SUL with UL MIMO.....	521
6.2E	Transmitter power for V2X.....	524
6.2E.1	UE maximum output power for V2X	524

6.2E.1.0	Minimum conformance requirements	524
6.2E.1.1	UE maximum output power for V2X / non-concurrent operation	525
6.2E.1.1D	UE maximum output power for V2X / non-concurrent operation / SL-MIMO	526
6.2E.1.2	UE maximum output power for V2X / concurrent operation.....	526
6.2E.2	UE maximum output power reduction for V2X	530
6.2E.2.0	Minimum conformance requirements	530
6.2E.2.1	UE maximum output power reduction for V2X / non-concurrent operation	534
6.2E.2.1D	UE maximum output power reduction for V2X / non-concurrent operation / SL-MIMO	539
6.2E.2.2	UE maximum output power reduction for V2X / concurrent operation.....	540
6.2E.3	UE additional maximum output power reduction for V2X.....	545
6.2E.3.0	Minimum conformance requirements	545
6.2E.3.1	UE additional maximum output power reduction for V2X / non-concurrent operation.....	552
6.2E.3.1D	UE additional maximum output power reduction for V2X / non-concurrent operation / SL-MIMO	563
6.2E.3.2	UE maximum output power reduction for V2X / concurrent operation.....	566
6.2E.4	Configured transmitted power for V2X.....	568
6.2E.4.0	Minimum conformance requirements	568
6.2E.4.1	Configured transmitted power for V2X / non-concurrent operation	569
6.2E.4.1D	Configured transmitted power for V2X / non-concurrent operation / SL-MIMO.....	571
6.2E.4.2	Configured transmitted power for V2X / concurrent operation	571
6.2F	Transmitter power for shared spectrum channel access	574
6.2F.1	UE maximum output power for shared spectrum channel access.....	574
6.2F.1A	UE maximum output power for CA for shared spectrum access	577
6.2F.2	UE maximum output power reduction for shared spectrum access	578
6.2F.3	UE additional maximum output power reduction for shared spectrum access	582
6.2F.4	Configured transmitted power for shared spectrum access.....	590
6.2G	Transmitter power for Tx Diversity.....	593
6.2G.1	UE maximum output power for Tx Diversity	593
6.2G.2	UE maximum output power reduction for Tx Diversity	603
6.2G.3	UE additional maximum output power reduction for Tx Diversity	626
6.2G.4	Configured transmitted power for Tx Diversity.....	646
6.2H	Transmitter power for CA with UL MIMO.....	650
6.2H.1	Transmitter power for intra-band UL contiguous CA with UL MIMO	650
6.2H.1.1	UE maximum output power for intra-band UL contiguous CA with UL MIMO	650
6.2H.1.2	UE maximum output power reduction for intra-band UL contiguous CA with UL MIMO	651
6.2H.1.3	UE additional maximum output power reduction for intra-band UL contiguous CA with UL MIMO	654
6.2H.1.4	Configured transmitted power for intra-band UL contiguous CA with UL MIMO	657
6.2H.2	661	
6.2H.3	Transmitter power for inter-band UL CA with UL MIMO	661
6.2H.3.1	UE maximum output power for inter-band UL CA with UL MIMO.....	661
6.2H.3.2	UE maximum output power reduction for inter-band UL CA with UL MIMO.....	666
6.2H.3.3	UE additional maximum output power reduction for inter-band UL CA with UL MIMO.....	667
6.2H.3.4	Configured transmitted power for inter-band UL CA with UL MIMO	667
6.2I	Transmitter power for RedCap.....	668
6.2I.1	UE maximum output power for RedCap	668
6.2I.2	Void	670
6.2I.3	Void	670
6.2I.4	Void	670
6.2J	Transmitter power for ATG.....	670
6.2J.1	UE maximum output power for ATG	670
6.2J.2	Configured transmitted power	672
6.2L	Transmitter power for CA with Tx Diversity	675
6.2L.1	675	
6.2L.2	675	
6.2L.3	Transmitter power for inter-band UL CA with Tx Diversity.....	675
6.2L.3.1	UE maximum output power for inter-band UL CA with Tx Diversity	675
6.2L.3.2	UE maximum output power reduction for inter-band UL CA with Tx Diversity	680
6.2L.3.3	UE additional maximum output power reduction for inter-band UL CA with Tx Diversity	680
6.2L.3.4	Configured transmitted power for inter-band UL CA with Tx Diversity.....	681
6.3	Output power dynamics.....	681
6.3.1	Minimum output power	681

6.3.2	Transmit OFF power.....	683
6.3.3	Transmit ON/OFF time mask	685
6.3.3.1	General	685
6.3.3.2	General ON/OFF time mask	685
6.3.3.3	Transmit power time mask for slot and short or subslot boundaries	690
6.3.3.4	PRACH time mask.....	690
6.3.3.5	Void.....	696
6.3.3.6	SRS time mask.....	696
6.3.3.7	PUSCH-PUCCH and PUSCH-SRS time masks	704
6.3.3.8	Transmit power time mask for consecutive slot or long subslot transmission and short subslot transmission boundaries	704
6.3.3.9	Transmit power time mask for consecutive short subslot transmissions boundaries	704
6.3.4	Power control.....	704
6.3.4.1	General	704
6.3.4.2	Absolute power tolerance.....	704
6.3.4.3	Relative power tolerance.....	707
6.3.4.4	Aggregate power tolerance.....	722
6.3A	Output power dynamics for CA	726
6.3A.1	Minimum output power for CA	726
6.3A.1.0	Minimum conformance requirements	726
6.3A.1.1	Minimum output power for CA (2UL CA)	726
6.3A.2	Transmit OFF power for CA.....	729
6.3A.2.0	Minimum conformance requirements	729
6.3A.2.1	Transmit OFF power for CA (2UL CA)	729
6.3A.3	Transmit ON/OFF time mask for CA	730
6.3A.3.0	Minimum conformance requirements	730
6.3A.3.0.1	Transmit ON/OFF time mask for intra-band contiguous CA	730
6.3A.3.0.2	Transmit ON/OFF time mask for intra-band non-contiguous CA	730
6.3A.3.0.3	Transmit ON/OFF time mask for inter-band CA.....	731
6.3A.3.1	Transmit ON/OFF time mask for CA (2UL CA)	740
6.3A.3.1_1	Void.....	746
6.3A.3.2	Time mask for switching between two uplink carriers.....	746
6.3A.3.3	Time mask for switching between two uplink carriers with two transmit antenna connectors ..	751
6.3A.3.4	Time mask for switching between one uplink band with one transmit antenna connector and one uplink band with two transmit antenna connectors (3UL CA).....	755
6.3A.3.5	Time mask for switching between two uplink bands with two transmit antenna connectors (3UL CA).....	760
6.3A.3.6	Time mask for switching across three uplink bands	766
6.3A.3.7	Time mask for switching across four uplink bands	769
6.3A.4	Power control for CA.....	772
6.3A.4.1	Absolute power tolerance for CA.....	772
6.3A.4.1.0	Minimum conformance requirements.....	772
6.3A.4.1.1	Absolute power tolerance for CA (2UL CA).....	772
6.3A.4.2	Relative power tolerance for CA.....	775
6.3A.4.2.0	Minimum conformance requirements.....	775
6.3A.4.2.1	Relative power tolerance for CA (2UL CA).....	776
6.3A.4.3	Aggregate power tolerance for CA	783
6.3A.4.3.0	Minimum conformance requirements.....	783
6.3A.4.3.1	Aggregate power tolerance for CA (2UL CA)	783
6.3B	Output power dynamics for NR-DC.....	787
6.3B.1	Minimum output power for NR-DC	787
6.3B.2	Transmit OFF power for NR-DC.....	787
6.3B.3	Transmit ON/OFF time mask for NR-DC	787
6.3C	Output power dynamics for SUL	787
6.3C.1	Minimum output power for SUL	787
6.3C.2	Transmit OFF power for SUL.....	789
6.3C.3	Transmit ON/OFF time mask for SUL	790
6.3C.3.0	Minimum conformance requirements	790
6.3C.3.0.1	General ON/OFF time mask for SUL.....	790
6.3C.3.0.2	Time mask for switching between two uplink carriers	790
6.3C.3.0.3	Time mask for switching between two uplink carriers with two transmit antenna connectors.....	791

6.3C.3.0.4	Time mask for switching between one uplink band with one transmit antenna connector and one uplink band with two transmit antenna connectors.....	792
6.3C.3.0.5	Time mask for switching between two uplink carriers.....	793
6.3C.3.0.6	Time mask for switching across up to four uplink bands.....	794
6.3C.3.0.6a	Additional requirements for three-band switching with dual TAG.....	798
6.3C.3.1	General transmit ON/OFF time mask for SUL.....	799
6.3C.3.2	General transmit ON/OFF time mask for switching between two uplink carriers.....	800
6.3C.3.3	General transmit ON/OFF time mask for switching between two uplink carriers with two transmit antenna connectors.....	804
6.3C.3.4	General transmit ON/OFF time mask for switching between one uplink band with one transmit antenna connector and one uplink band with two transmit antenna connectors.....	808
6.3C.3.5	General transmit ON/OFF time mask for switching between two uplink bands with two transmit antenna connectors.....	811
6.3C.3.6	Time mask for switching across three uplink bands.....	815
6.3C.3.7	Time mask for switching across four uplink bands.....	819
6.3C.4	Power control for SUL.....	820
6.3C.4.1	Absolute power tolerance for SUL.....	820
6.3C.4.2	Relative power tolerance for SUL.....	822
6.3C.4.3	Aggregate power tolerance for SUL.....	827
6.3D	Output power dynamics for UL MIMO.....	831
6.3D.1	Minimum output power for UL MIMO.....	831
6.3D.1_1	Minimum output power for SUL with UL MIMO.....	833
6.3D.2	Transmit OFF power for UL MIMO.....	835
6.3D.2_1	Transmit OFF power for SUL with UL MIMO.....	836
6.3D.3	Transmit ON/OFF time mask for UL MIMO.....	837
6.3D.3_1	Transmit ON/OFF time mask for SUL with UL MIMO.....	842
6.3D.4	Power control for UL MIMO.....	847
6.3D.4.1	Absolute power tolerance for UL MIMO.....	847
6.3D.4.1_1	Absolute power tolerance for SUL with UL MIMO.....	850
6.3D.4.2	Relative power tolerance for UL MIMO.....	852
6.3D.4.2_1	Relative power tolerance for SUL with UL MIMO.....	861
6.3D.4.3	Aggregate power tolerance for UL MIMO.....	865
6.3D.4.3_1	Aggregate power tolerance for SUL with UL MIMO.....	867
6.3E	Output power dynamics for V2X.....	869
6.3E.1	Minimum output power for V2X.....	869
6.3E.1.0	Minimum conformance requirements.....	869
6.3E.1.1	Minimum output power for V2X / non-concurrent operation.....	870
6.3E.1.1D	Minimum output power for V2X / non-concurrent operation / SL-MIMO.....	872
6.3E.1.2	Minimum output power for V2X con-current operation.....	874
6.3E.2	Transmit OFF power for V2X.....	874
6.3E.2.0	Minimum conformance requirements.....	874
6.3E.2.1	Transmit OFF power for V2X / non-concurrent operation.....	874
6.3E.2.1D	Transmit OFF power for V2X / non-concurrent operation / SL-MIMO.....	875
6.3E.2.2	Transmit OFF power for V2X / con-current operation.....	876
6.3E.3	Transmit ON/OFF time mask for V2X.....	876
6.3E.3.0	Minimum conformance requirements.....	876
6.3E.3.1	Transmit ON/OFF time mask for V2X / non-concurrent operation.....	877
6.3E.3.1D	Transmit ON/OFF time mask for V2X / non-concurrent operation / SL-MIMO.....	880
6.3E.3.2	Transmit ON/OFF time mask for V2X / concurrent operation.....	881
6.3F	Output power dynamics for shared spectrum channel access.....	881
6.3F.1	Minimum output power.....	881
6.3F.2	Transmit OFF power for shared spectrum channel access.....	883
6.3F.3	Transmit ON/OFF time mask for shared spectrum channel access.....	884
6.3F.3.1	General.....	884
6.3F.3.2	General ON/OFF time mask.....	885
6.3F.4	Power control for shared spectrum access.....	887
6.3F.4.1	General.....	887
6.3F.4.2	Absolute power tolerance for shared spectrum access.....	887
6.3F.4.3	Relative power tolerance for shared spectrum channel access.....	890
6.3F.4.4	Aggregate power tolerance for shared spectrum channel access.....	900
6.3G	Output power dynamics for Tx Diversity.....	903
6.3G.1	Minimum output power for Tx Diversity.....	903

6.3G.2	Transmit OFF power for Tx Diversity	904
6.3G.3	Transmit ON/OFF time mask for Tx Diversity	905
6.3G.3.1	General ON/OFF time mask for Tx Diversity	905
6.3G.3.2	PRACH time mask for Tx Diversity	907
6.3G.3.3	SRS time mask for Tx Diversity	909
6.3G.4	Power control for Tx Diversity	911
6.3G.4.1	Absolute power tolerance for Tx Diversity	911
6.3G.4.2	Relative power tolerance for Tx Diversity	912
6.3G.4.3	Aggregate power tolerance for Tx Diversity	918
6.3H	Output power dynamics for CA with UL MIMO	919
6.3H.1	Output power dynamics for intra-band UL contiguous CA with UL MIMO	919
6.3H.1.1	Minimum output power for intra-band UL contiguous CA with UL MIMO	919
6.3H.1.2	Transmit OFF power for intra-band UL contiguous CA with UL MIMO	921
6.3H.1.3	Transmit ON/OFF time mask for intra-band UL contiguous CA with UL MIMO	922
6.3H.1.4	Power control for intra-band UL contiguous CA with UL MIMO	927
6.3H.1.4.0	Minimum conformance requirements	927
6.3H.1.4.1	Absolute power tolerance for intra-band UL contiguous CA with UL MIMO	927
6.3H.1.4.2	Relative power tolerance for intra-band UL contiguous CA with UL MIMO	927
6.3H.1.4.3	Aggregate power tolerance for intra-band UL contiguous CA with UL MIMO	928
6.3H.3	Output power dynamics for inter-band UL CA with UL MIMO	928
6.3H.3.1	Minimum output power for inter-band UL CA with UL MIMO	928
6.3J	Output power dynamics for ATG	928
6.3J.1	Minimum output power for ATG	928
6.3J.2	Transmit OFF power for ATG	931
6.4	Transmit signal quality	932
6.4.1	Frequency error	932
6.4.2	Transmit modulation quality	934
6.4.2.1	Error Vector Magnitude	934
6.4.2.1a	Error Vector Magnitude including symbols with transient period	941
6.4.2.2	Carrier leakage	945
6.4.2.3	In-band emissions	948
6.4.2.4	EVM equalizer spectrum flatness	953
6.4.2.5	EVM equalizer spectrum flatness for Pi/2 BPSK	957
6.4.2.6	Phase continuity requirements for DMRS bundling	960
6.4A	Transmit signal quality for CA	964
6.4A.1	Frequency error for CA	964
6.4A.1.0	Minimum conformance requirements	964
6.4A.1.1	Frequency error for CA (2UL CA)	965
6.4A.2	Transmit modulation quality for CA	967
6.4A.2.0	General	967
6.4A.2.0.1	Transmit modulation quality for intra-band contiguous CA	967
6.4A.2.0.2	Transmit modulation quality for intra-band contiguous CA	968
6.4A.2.1	Error Vector Magnitude for CA	968
6.4A.2.1.0	Minimum conformance requirements	968
6.4A.2.1.1	Error Vector Magnitude for CA (2UL CA)	968
6.4A.2.2	Carrier leakage for CA	972
6.4A.2.2.0	Minimum conformance requirements	972
6.4A.2.2.1	Carrier leakage for CA (2UL CA)	972
6.4A.2.3	In-band emissions for CA	976
6.4A.2.3.0	Minimum conformance requirements	976
6.4A.2.3.1	In-band emissions for CA (2UL CA)	979
6.4B	Transmit signal quality for NR-DC	984
6.4B.1	Frequency error for NR-DC	985
6.4B.2	Transmit modulation quality for NR-DC	985
6.4B.2.1	Error Vector Magnitude for NR-DC	985
6.4B.2.2	Carrier leakage for NR-DC	985
6.4B.2.3	In-band emissions for NR-DC	985
6.4C	Transmit signal quality for SUL	985
6.4C.1	Frequency error for SUL	985
6.4C.2	Transmit modulation quality for SUL	986
6.4C.2.1	Error Vector Magnitude for SUL	986
6.4C.2.2	Carrier leakage for SUL	988

6.4C.2.3	In-band emissions for SUL	990
6.4C.2.4	EVM equalizer spectrum flatness for SUL	991
6.4C.2.5	EVM equalizer spectrum flatness for Pi/2 BPSK for SUL	992
6.4D	Transmit signal quality for UL MIMO	995
6.4D.1	Frequency error for UL MIMO	995
6.4D.1_1	Frequency error for SUL with UL MIMO	996
6.4D.2	Transmit modulation quality for UL MIMO	998
6.4D.2.1	Error Vector Magnitude for UL MIMO	999
6.4D.2.1_1	Error Vector Magnitude for SUL with UL MIMO	1001
6.4D.2.2	Carrier leakage for UL MIMO	1004
6.4D.2.2_1	Carrier leakage for SUL with UL MIMO	1007
6.4D.2.3	In-band emissions for UL MIMO	1009
6.4D.2.3_1	In-band emissions for SUL with UL MIMO	1012
6.4D.2.4	EVM equalizer spectrum flatness for UL MIMO	1013
6.4D.2.4_1	EVM equalizer spectrum flatness for SUL with UL MIMO	1016
6.4D.3	Time alignment error for UL MIMO	1019
6.4D.3_1	Time alignment error for SUL with UL MIMO	1020
6.4D.4	Requirements for coherent UL MIMO	1022
6.4E	Transmit signal quality for V2X	1024
6.4E.1	Frequency error for V2X	1024
6.4E.2	Transmit modulation quality for V2X	1024
6.4E.2.1	General	1024
6.4E.2.2	Error Vector Magnitude for V2X	1025
6.4E.2.2.1	Error Vector Magnitude for V2X / non-concurrent operation	1025
6.4E.2.2.1D	Error Vector Magnitude for V2X / non-concurrent operation / SL-MIMO	1026
6.4E.2.4	In-band emissions for V2X	1028
6.4E.2.4.1	In-band emissions for V2X / non-concurrent operation	1028
6.4E.2.4.1D	In-band emissions for V2X / non-concurrent operation / SL-MIMO	1030
6.4E.2.4.2	In-band emissions for V2X / con-current operation	1032
6.4E.2.5	EVM equalizer spectrum flatness for V2X	1033
6.4E.2.5.1	EVM equalizer spectrum flatness for V2X / non-concurrent operation	1033
6.4E.2.5.1D	EVM equalizer spectrum flatness for V2X / non-concurrent operation / SL-MIMO	1036
6.4E.2.5.2	EVM equalizer spectrum flatness for V2X / con-current operation	1037
6.4F	Transmit signal quality for shared spectrum channel access	1038
6.4F.1	Frequency error	1038
6.4F.2	Transmit modulation quality	1040
6.4F.2.0	General	1040
6.4F.2.1	Error Vector Magnitude	1040
6.4F.2.2	Carrier leakage	1042
6.4F.2.3	In-band emissions	1045
6.4F.2.4	EVM equalizer spectrum flatness	1051
6.4G	Transmit signal quality for Tx Diversity	1053
6.4G.1	Frequency error for Tx Diversity	1053
6.4G.2	Transmit modulation quality for Tx Diversity	1054
6.4G.2.1	Error Vector Magnitude for Tx Diversity	1054
6.4G.2.2	Carrier leakage for Tx Diversity	1057
6.4G.2.3	In-band emissions for Tx Diversity	1059
6.4G.2.4	EVM equalizer spectrum flatness for Tx Diversity	1060
6.4H	Transmit signal quality for CA with UL MIMO	1062
6.4H.1	Transmit signal quality for intra-band UL contiguous CA with UL MIMO	1062
6.4H.1.1	Frequency error for intra-band UL contiguous CA with UL MIMO	1062
6.4H.1.2	Transmit modulation quality for intra-band UL contiguous CA with UL MIMO	1064
6.4H.1.2.0	General	1064
6.4H.1.2.1	Error Vector Magnitude for intra-band UL contiguous CA with UL MIMO	1064
6.4H.1.2.2	Carrier leakage for intra-band UL contiguous CA with UL MIMO	1066
6.4H.1.2.3	In-band emissions for intra-band UL contiguous CA with UL MIMO	1068
6.4H.1.3	Time alignment error for intra-band UL contiguous CA with UL MIMO	1071
6.4H.1.4	Coherent UL MIMO for intra-band UL contiguous CA with UL MIMO	1073
6.5	Output RF spectrum emissions	1075
6.5.0	General	1075
6.5.1	Occupied bandwidth	1075
6.5.2	Out of band emission	1077

6.5.2.1	General	1077
6.5.2.2	Spectrum emission mask	1077
6.5.2.3	Additional spectrum emission mask	1084
6.5.2.4	Adjacent channel leakage ratio	1091
6.5.2.4.1	NR ACLR	1091
6.5.2.4.2	UTRA ACLR	1094
6.5.3	Spurious emissions	1096
6.5.3.1	General spurious emissions	1096
6.5.3.2	Spurious emissions for UE co-existence	1099
6.5.3.3	Additional spurious emissions	1126
6.5.4	Transmit intermodulation	1152
6.5A	Output RF spectrum emissions for CA	1154
6.5A.1	Occupied bandwidth for CA	1154
6.5A.1.0	Minimum conformance requirements	1154
6.5A.1.0.1	Void	1154
6.5A.1.0.1a	Occupied bandwidth for Intra-band contiguous CA	1154
6.5A.1.0.2	Occupied bandwidth for Intra-band non-contiguous CA	1155
6.5A.1.0.3	Occupied bandwidth for Inter-band CA	1155
6.5A.1.1	Occupied bandwidth for CA (2UL CA)	1155
6.5A.2	Out of band emission for CA	1158
6.5A.2.1	General	1158
6.5A.2.2	Spectrum emission mask	1158
6.5A.2.2.0	Minimum conformance requirements	1158
6.5A.2.2.1	Spectrum emission mask for CA (2UL CA)	1159
6.5A.2.3	Additional spectrum emission mask for CA	1164
6.5A.2.3.0	Minimum conformance requirements	1164
6.5A.2.3.1	Additional spectrum emission mask for CA (2UL CA)	1164
6.5A.2.4	Adjacent channel leakage ratio	1166
6.5A.2.4.1	NR ACLR	1166
6.5A.2.4.1.0	Minimum conformance requirements	1166
6.5A.2.4.1.0.3	NR ACLR for Inter-band CA	1168
6.5A.2.4.1.1	NR ACLR for CA (2UL CA)	1168
6.5A.2.4.2	UTRA ACLR	1171
6.5A.2.4.2.0	Minimum conformance requirements	1171
6.5A.2.4.2.1	UTRA ACLR for CA (2UL CA)	1171
6.5A.3	Spurious emission for CA	1173
6.5A.3.1	General spurious emissions for CA	1173
6.5A.3.1.0	Minimum conformance requirements	1173
6.5A.3.1.1	General spurious emissions for CA (2UL CA)	1174
6.5A.3.2	Spurious emission for UE co-existence	1184
6.5A.3.2.0	Minimum conformance requirements	1184
6.5A.3.2.0.0	General	1184
6.5A.3.2.0.1	Spurious emissions for UE co-existence for intra-band contiguous CA	1184
6.5A.3.2.0.2	Void	1187
6.5A.3.2.0.2a	Spurious emissions for UE co-existence for Intra-band non-contiguous CA	1187
6.5A.3.2.0.3	Spurious emissions for UE co-existence for Inter-band CA	1187
6.5A.3.2.1	Spurious emissions for UE co-existence for CA (2UL CA)	1192
6.5A.3.3	Additional spurious emissions for CA	1200
6.5A.3.3.0	Minimum conformance requirements	1200
6.5A.3.3.1	Additional spurious emissions for CA (2UL CA)	1200
6.5A.4	Transmit intermodulation for CA	1202
6.5A.4.0	Minimum conformance requirements	1202
6.5A.4.1	Transmit intermodulation for CA (2UL CA)	1203
6.5B	Output RF spectrum emissions for NR-DC	1206
6.5B.1	Occupied bandwidth for NR-DC	1206
6.5B.2	Out of band emission for NR-DC	1206
6.5B.2.1	General	1206
6.5B.2.2	Spectrum emission mask	1206
6.5B.2.4	Adjacent channel leakage ratio	1207
6.5B.3	Spurious emission for NR-DC	1207
6.5B.4	Transmit intermodulation for NR-DC	1207
6.5C	Output RF spectrum emissions for SUL	1207

6.5C.1	Occupied bandwidth for SUL	1207
6.5C.2	Out of band emission for SUL	1208
6.5C.2.1	General	1208
6.5C.2.2	Spectrum emission mask for SUL	1208
6.5C.2.3	Additional spectrum emission mask for SUL	1211
6.5C.2.4	Adjacent channel leakage ratio for SUL	1212
6.5C.2.4.1	NR ACLR for SUL	1212
6.5C.2.4.2	UTRA ACLR for SUL	1213
6.5C.3	Spurious emissions for SUL	1214
6.5C.3.1	General spurious emissions for SUL	1214
6.5C.3.2	Spurious emissions for UE co-existence for SUL	1215
6.5C.3.3	Additional spurious emissions for SUL	1217
6.5C.4	Transmit intermodulation for SUL	1228
6.5D	Output RF spectrum emissions for UL MIMO	1229
6.5D.1	Occupied bandwidth for UL MIMO	1229
6.5D.1_1	Void	1231
6.5D.1_2	Occupied bandwidth for SUL with UL MIMO	1231
6.5D.2	Out of band emission for UL MIMO	1233
6.5D.2.1	General	1233
6.5D.2.2	Spectrum emission mask for UL MIMO	1233
6.5D.2.2_1	Spectrum emission mask for SUL with UL MIMO	1238
6.5D.2.3	Additional spectrum emission mask for UL MIMO	1242
6.5D.2.4	Adjacent channel leakage ratio for UL MIMO	1245
6.5D.2.4.1	NR ACLR for UL MIMO	1245
6.5D.2.4.1_1	NR ACLR for SUL with UL MIMO	1246
6.5D.2.4.2	UTRA ACLR for UL MIMO	1248
6.5D.2.4.2_1	UTRA ACLR for SUL with UL MIMO	1249
6.5D.2_1	Void	1253
6.5D.3	Spurious emissions for UL MIMO	1253
6.5D.3.1	General spurious emissions for UL MIMO	1253
6.5D.3.2	Spurious emissions for UE co-existence for UL MIMO	1255
6.5D.3.3	Additional spurious emissions for UL MIMO	1256
6.5D.3_1	Spurious emissions for UL MIMO (Rel-16 onward)	1261
6.5D.3_1.1	General spurious emissions for UL MIMO (Rel-16 onward)	1261
6.5D.3_1.2	Spurious emission for UE co-existence for UL MIMO (Rel-16 onward)	1262
6.5D.3_1.3	Additional spurious emissions for UL MIMO (Rel-16 onward)	1263
6.5D.3_2	Spurious emissions for SUL with UL MIMO	1265
6.5D.3_2.1	General spurious emissions for SUL with UL MIMO	1265
6.5D.3_2.2	Spurious emissions for UE co-existence for SUL with UL MIMO	1267
6.5D.3_2.3	Additional spurious emissions for SUL with UL MIMO	1269
6.5D.4	Transmit intermodulation for UL MIMO	1274
6.5D.4_1	Transmit intermodulation for SUL with UL MIMO	1276
6.5E	Output RF spectrum emissions for V2X	1278
6.5E.1	Occupied bandwidth for V2X	1278
6.5E.2	Out of band emission for V2X	1278
6.5E.2.1	General	1278
6.5E.2.2	Spectrum emission mask for V2X	1278
6.5E.2.2.1	Spectrum emission mask for V2X / non-concurrent operation	1278
6.5E.2.2.1D	Spectrum emission mask for V2X / non-concurrent operation / SL-MIMO	1282
6.5E.2.3	Additional Spectrum emission mask for V2X	1284
6.5E.2.3.0	Minimum conformance requirements	1284
6.5E.2.3.1	Additional Spectrum emission mask for V2X / non-concurrent operation	1285
6.5E.2.3.1D	Additional Spectrum emission mask for V2X / non-concurrent operation / SL-MIMO	1288
6.5E.2.4	Adjacent channel leakage ratio for V2X	1290
6.5E.2.4.1	Adjacent channel leakage ratio for V2X / non-concurrent operation	1290
6.5E.2.4.1D	Adjacent channel leakage ratio for V2X / non-concurrent operation / SL-MIMO	1292
6.5E.3	Spurious emissions for V2X	1294
6.5E.3.1	General spurious emissions for V2X	1294
6.5E.3.2	Spurious emissions for UE co-existence for V2X	1294
6.5E.3.2.1	Spurious emissions for UE co-existence for V2X / non-concurrent operation	1294
6.5E.3.2.1D	Spurious emissions for UE co-existence for V2X / non-concurrent operation / SL-MIMO	1296

6.5E.3.3	Additional spurious emissions requirements for V2X	1297
6.5E.3.3.0	Minimum conformance requirements.....	1297
6.5E.3.3.0.1	Requirements for network signalling value "NS_33".....	1297
6.5E.3.3.1	Additional spurious emissions requirements for V2X / non-concurrent operation	1297
6.5F	Output RF spectrum emissions for shared spectrum channel access.....	1299
6.5F.1	Occupied bandwidth for shared spectrum channel access	1299
6.5F.2	Out of band emission for shared spectrum channel access	1301
6.5F.2.1	General	1301
6.5F.2.2	Spectrum emission mask for operation with shared spectrum channel access.....	1301
6.5F.2.4	Adjacent channel leakage ratio for operation with shared spectrum channel access	1305
6.5F.2.4.1	Shared spectrum channel access ACLR	1305
6.5F.2.4.2	Shared spectrum channel access ACLR with additional requirement for NS_29.....	1307
6.5F.3	Spurious emissions for shared spectrum channel access	1309
6.5F.3.1	General spurious emissions.....	1309
6.5F.3.2	Spurious emissions for UE co-existence	1311
6.5F.3.3	Additional spurious emissions for shared spectrum channel access	1311
6.5F.4	Transmit intermodulation for shared spectrum channel access	1316
6.5G	Output RF spectrum emissions for Tx Diversity	1318
6.5G.1	Occupied bandwidth for Tx Diversity	1318
6.5G.2	Out of band emission for Tx Diversity	1319
6.5G.2.1	Spectrum emission mask for Tx Diversity	1319
6.5G.2.2	Additional spectrum emission mask for Tx Diversity.....	1325
6.5G.2.3	Adjacent channel leakage ratio for Tx Diversity.....	1328
6.5G.2.3.1	NR ACLR for Tx Diversity	1328
6.5G.2.3.2	UTRA ACLR for Tx Diversity.....	1330
6.5G.3	Spurious emission for Tx Diversity	1331
6.5G.3.1	General spurious emissions for Tx Diversity	1331
6.5G.3.2	Spurious emissions for UE co-existence for Tx Diversity	1332
6.5G.3.3	Additional spurious emissions for Tx Diversity.....	1333
6.5G.4	Transmit intermodulation for Tx Diversity.....	1334
6.5H	Output RF spectrum emissions for CA with UL MIMO	1335
6.5H.1	Output RF spectrum emissions for intra-band UL contiguous CA with UL MIMO	1335
6.5H.1.1	Occupied bandwidth for intra-band UL contiguous CA for UL MIMO	1335
6.5H.1.2	Out of band emission for intra-band UL contiguous CA for UL MIMO	1336
6.5H.1.2.0	Minimum conformance requirements.....	1336
6.5H.1.2.1	Spectrum emission mask for intra-band UL contiguous CA for UL MIMO	1337
6.5H.1.2.2	Additional spectrum emission mask for intra-band UL contiguous CA for UL MIMO.....	1339
6.5H.1.2.3	NR ACLR for intra-band UL contiguous CA for UL MIMO.....	1340
6.5H.1.3	Spurious emission for intra-band UL contiguous CA for UL MIMO	1343
6.5H.1.3.0	Minimum conformance requirements.....	1343
6.5H.1.3.1	General spurious emissions for intra-band UL contiguous CA for UL MIMO	1343
6.5H.1.3.2	Spurious emissions for UE co-existence for intra-band UL contiguous CA for UL MIMO.....	1344
6.5H.1.3.3	Additional spurious emissions for intra-band UL contiguous CA for UL MIMO.....	1346
6.5H.1.4	Transmit intermodulation for intra-band UL contiguous CA for UL MIMO.....	1348
6.5H.3	Output RF spectrum emissions for inter-band UL CA with UL MIMO	1350
6.5H.3.1	Occupied bandwidth for inter-band UL CA with UL MIMO	1350
6.5J	Output RF spectrum emissions for ATG.....	1350
6.5J.0	General.....	1350
6.5J.1	Occupied bandwidth for ATG	1351
6.5J.2	Out of band emission for ATG	1353
6.5J.2.1	General	1353
6.5J.3	Spurious emissions for ATG.....	1353
6.5J.3.0	General	1353
6.5J.3.1	General spurious emissions for ATG	1353
7	Receiver characteristics.....	1356
7.1	General	1356
7.1A	General	1357
7.1I	General	1357
7.1J	General for ATG	1357
7.2	Diversity characteristics	1357

7.2J	Diversity characteristics for ATG	1357
7.3	Reference sensitivity	1357
7.3.1	General.....	1357
7.3.2	Reference sensitivity power level	1358
7.3.3	$\Delta R_{IB,c}$	1387
7.3A	Reference sensitivity for CA	1387
7.3A.0	Minimum conformance requirements.....	1387
7.3A.0.1	General.....	1387
7.3A.0.2	Reference sensitivity power level for CA	1388
7.3A.0.2.1	Reference sensitivity power level for Intra-band contiguous CA.....	1388
7.3A.0.2.2	Reference sensitivity power level for Intra-band non-contiguous CA.....	1388
7.3A.0.2.3	Reference sensitivity power level for Inter-band CA	1389
7.3A.0.2.4	Void.....	1389
7.3A.0.3	$\Delta R_{IB,c}$ for CA.....	1390
7.3A.0.3.1	General	1390
7.3A.0.3.2	$\Delta R_{IB,c}$ for Inter-band CA.....	1390
7.3A.0.4	Reference sensitivity exceptions due to UL harmonic interference for CA.....	1393
7.3A.0.5	Reference sensitivity exceptions due to intermodulation interference due to 2UL CA	1398
7.3A.0.6	Reference sensitivity exceptions due to cross band isolation for CA.....	1409
7.3A.1	Reference sensitivity power level for 2DL CA without exception	1411
7.3A.1_1	Reference sensitivity power level for 2DL CA exceptions	1418
7.3A.2	Reference sensitivity power level for 3DL CA without exceptions.....	1441
7.3A.2_1	Reference sensitivity power level for 3DL CA exceptions.....	1448
7.3A.3	Reference sensitivity power level for 4DL CA.....	1464
7.3A.4	Reference sensitivity power level for 5DL CA.....	1472
7.3B	Reference sensitivity for NR-DC	1472
7.3C	Reference sensitivity for SUL	1472
7.3C.0	Minimum conformance requirements.....	1472
7.3C.0.1	General.....	1472
7.3C.0.2	Minimum conformance requirements for Reference sensitivity power level.....	1472
7.3C.0.3	$\Delta R_{IB,c}$ for SUL	1474
7.3C.1	General.....	1475
7.3C.2	Reference sensitivity power level for SUL	1475
7.3C.3	Reference sensitivity power level for SUL (3CC)	1488
7.3D	Reference sensitivity for UL MIMO	1488
7.3D.1	General.....	1488
7.3D.2	Reference sensitivity power level for UL MIMO	1489
7.3D.2_1	Reference sensitivity power level for SUL with UL MIMO	1490
7.3D.2_2	Reference sensitivity power level for SUL with UL MIMO (3CC).....	1492
7.3E	Reference sensitivity for V2X.....	1493
7.3E.1	General.....	1493
7.3E.2	Reference sensitivity for V2X / non-concurrent operation	1493
7.3F	Reference sensitivity for shared spectrum channel access	1495
7.3F.1	General.....	1495
7.3F.2	Reference sensitivity power level	1496
7.3F.3	$\Delta R_{IB,c}$	1500
7.3G	Reference sensitivity for Tx Diversity.....	1500
7.3I	Reference sensitivity for RedCap	1500
7.3I.1	General.....	1500
7.3I.2	Reference sensitivity power level for RedCap.....	1500
7.3J	Reference sensitivity for ATG.....	1513
7.3J.1	General.....	1513
7.4	Maximum input level	1513
7.4A	Maximum input level for CA	1516
7.4A.0	Minimum conformance requirements.....	1516
7.4A.0.1	Maximum input level for Intra-band contiguous CA	1516
7.4A.0.2	Maximum input level for Intra-band non-contiguous CA.....	1516
7.4A.0.3	Maximum input level for Inter-band CA	1516
7.4A.1	Maximum input level for CA (2DL CA)	1517
7.4A.2	Maximum input level for CA (3DL CA)	1521
7.4A.3	Maximum input level for CA (4DL CA)	1524
7.4A.4	Maximum input level for CA (5DL CA)	1528

7.4B	Maximum input level for NR-DC	1530
7.4D	Maximum input level for UL MIMO	1531
7.4D_1	Maximum input level for SUL with UL MIMO.....	1533
7.4F	Maximum input level for shared spectrum channel access	1535
7.4J	Maximum input level for ATG.....	1538
7.5	Adjacent channel selectivity.....	1540
7.5A	Adjacent channel selectivity for CA.....	1546
7.5A.0	Minimum conformance requirements.....	1546
7.5A.0.1	Adjacent channel selectivity for Intra-band contiguous CA	1546
7.5A.0.2	Adjacent channel selectivity Intra-band non-contiguous CA.....	1548
7.5A.0.3	Adjacent channel selectivity Inter-band CA	1548
7.5A.1	Adjacent channel selectivity for CA (2DL CA).....	1549
7.5A.2	Adjacent channel selectivity for CA (3DL CA).....	1559
7.5A.3	Adjacent channel selectivity for CA (4DL CA).....	1567
7.5A.4	Adjacent channel selectivity for CA (5DL CA).....	1574
7.5B	Adjacent channel selectivity for NR-DC.....	1581
7.5D	Adjacent channel selectivity for UL MIMO.....	1581
7.5D_1	Adjacent channel selectivity for SUL with UL MIMO	1582
7.5F	Adjacent channel selectivity.....	1584
7.5F.1	Adjacent channel selectivity for shared spectrum channel access	1584
7.5J	Adjacent channel selectivity for ATG.....	1586
7.6	Blocking characteristics	1592
7.6.1	General.....	1592
7.6.2	In-band blocking.....	1592
7.6.3	Out-of-band blocking.....	1598
7.6.4	Narrow band blocking	1604
7.6A	Blocking characteristics for CA	1607
7.6A.1	General.....	1607
7.6A.2	Inband blocking for CA	1607
7.6A.2.0	Minimum requirements.....	1607
7.6A.2.0.1	In-band blocking for Intra-band contiguous CA.....	1607
7.6A.2.0.2	In-band blocking for Intra-band non-contiguous CA	1609
7.6A.2.0.3	In-band blocking for Inter-band CA.....	1609
7.6A.2.1	In-band blocking for CA (2DL CA).....	1609
7.6A.2.2	In-band Blocking for CA (3DL CA).....	1616
7.6A.2.3	In-band Blocking for CA (4DL CA).....	1624
7.6A.3	Out-of-band blocking for CA.....	1631
7.6A.3.0	Minimum conformance requirements	1631
7.6A.3.0.1	Out-of-band blocking for Intra-band contiguous CA	1631
7.6A.3.0.2	Out-of-band blocking for Intra-band non-contiguous CA.....	1632
7.6A.3.0.3	Out-of-band blocking for Inter-band CA.....	1633
7.6A.3.1	Out-of-band blocking for CA (2DL CA)	1634
7.6A.3.2	Out-of-band blocking for CA (3DL CA)	1640
7.6A.3.3	Out-of-band blocking for CA (4DL CA)	1647
7.6A.4	Narrow band blocking for CA	1653
7.6A.4.0	Minimum conformance requirements	1653
7.6A.4.0.1	Narrow band blocking for Intra-band contiguous CA	1653
7.6A.4.0.2	Narrow band blocking for Intra-band non-contiguous CA.....	1653
7.6A.4.0.3	Narrow band blocking for Inter-band CA.....	1653
7.6A.4.1	Narrow band blocking for CA (2DL CA)	1654
7.6A.4.2	Narrow band blocking for CA (3DL CA)	1657
7.6A.4.3	Narrow band blocking for CA (4DL CA)	1660
7.6B	Blocking characteristics for NR-DC.....	1662
7.6C	Blocking characteristics for SUL	1662
7.6C.1	General.....	1662
7.6C.2	In-band blocking for SUL.....	1662
7.6C.2_1	Inband Blocking for SUL with DL CA.....	1664
7.6C.2_1.1	Inband Blocking for SUL with 2 DL CA	1664
7.6C.3	Out-of-band blocking for SUL.....	1666
7.6C.3_1	Out-of-band blocking for SUL with DL CA.....	1668
7.6C.3_1.1	Out-of-band Blocking for SUL with 2 DL CA	1668
7.6D	Blocking characteristics for UL MIMO	1672

7.6D.1	General.....	1672
7.6D.2	In-band blocking for UL MIMO.....	1672
7.6D.2_1	In-band blocking for SUL with UL MIMO.....	1673
7.6D.3	Out-of-band blocking for UL MIMO.....	1675
7.6D.3_1	Out-of-band blocking for SUL with UL MIMO.....	1676
7.6D.4	Narrow band blocking for UL MIMO.....	1677
7.6D.4_1	Void.....	1679
7.6E	Blocking characteristics for V2X.....	1679
7.6E.1	General.....	1679
7.6E.2	In-band blocking for V2X.....	1679
7.6E.2.0	Minimum conformance requirements.....	1679
7.6E.2.1	In-band blocking for V2X / non-concurrent operation.....	1680
7.6E.2.2	In-band blocking for V2X / con-current operation.....	1680
7.6E.3	Out-of-band blocking for V2X.....	1680
7.6E.3.0	Minimum conformance requirements.....	1680
7.6E.3.1	Out-of-band blocking for V2X / non-concurrent operation.....	1681
7.6E.3.2	Out-of-band blocking for V2X / con-current operation.....	1681
7.6F	Blocking characteristics for shared spectrum channel access.....	1681
7.6F.1	General.....	1681
7.6F.2	In-band blocking.....	1681
7.6F.2.1	In-band blocking for shared spectrum channel access.....	1681
7.6F.2.1.1	Test purpose.....	1681
7.6F.2.1.2	Test applicability.....	1681
7.6F.2.1.3	Minimum conformance requirements.....	1681
7.6F.2.1.4	Test description.....	1682
7.6F.2.1.5	Test requirement.....	1683
7.6F.2.2	In-band blocking for Intra-band contiguous shared spectrum channel access CA.....	1684
7.6F.3	Out-of-band blocking.....	1684
7.6J.2	In-band blocking for ATG.....	1687
7.6J.3	Out-of-band blocking for ATG.....	1692
7.7	Spurious response.....	1697
7.7A	Spurious response for CA.....	1700
7.7A.0	Minimum conformance requirements.....	1700
7.7A.0.1	Minimum conformance requirements for intra-band contiguous CA.....	1700
7.7A.0.2	Void.....	1700
7.7A.0.3	Minimum conformance requirements for inter-band CA.....	1700
7.7A.0.4	Minimum conformance requirements for intra-band non-contiguous CA.....	1701
7.7A.1	Spurious response for CA (2DL CA).....	1701
7.7A.2	Spurious response for CA (3DL CA).....	1702
7.7A.3	Spurious response for CA (4DL CA).....	1703
7.7B	Spurious response for NR-DC.....	1704
7.7C	Spurious response for SUL.....	1704
7.7D	Spurious response for UL MIMO.....	1705
7.7D_1	Spurious response for SUL with UL MIMO.....	1706
7.7E	Spurious response for V2X.....	1707
7.7E.0	Minimum conformance requirements.....	1707
7.7E.1	Spurious response for V2X / non-concurrent operation.....	1707
7.7E.2	Spurious response for V2X / con-current operation.....	1707
7.7F	Spurious response for shared spectrum channel access.....	1707
7.7F.1	Spurious response for shared spectrum channel access.....	1707
7.7F.1.1	Test Purpose.....	1707
7.7F.1.2	Test Applicability.....	1707
7.7F.1.3	Minimum Conformance Requirements.....	1708
7.7F.1.4	Test Description.....	1708
7.7F.1.5	Test Requirements.....	1709
7.7F.2	Intra-band contiguous shared spectrum channel access CA.....	1709
7.7J	Spurious response for ATG.....	1709
7.8	Intermodulation characteristics.....	1711
7.8.1	General.....	1711
7.8.2	Wide band Intermodulation.....	1711
7.8A	Intermodulation characteristics for CA.....	1715
7.8A.1	General.....	1715

7.8A.2	Wide band Intermodulation for CA	1715
7.8A.2.0	Minimum conformance requirements	1715
7.8A.2.0.1	Wide band Intermodulation for Intra-band contiguous CA	1715
7.8A.2.0.2	Wide band intermodulation for Intra-band non-contiguous CA	1716
7.8A.2.0.3	Wide band Intermodulation for Inter-band CA	1716
7.8A.2.1	Wide band Intermodulation for CA (2DL CA)	1717
7.8A.2.2	Wide band Intermodulation for CA (3DL CA)	1722
7.8A.2.3	Wide band Intermodulation for CA (4DL CA)	1727
7.8B	Intermodulation characteristics for NR-DC	1730
7.8D	Intermodulation characteristics for UL MIMO	1730
7.8D.1	General	1730
7.8D.2	Wide band Intermodulation for UL MIMO	1731
7.8D.2_1	Wide band Intermodulation for SUL with UL MIMO	1732
7.8E	Intermodulation characteristics for V2X	1733
7.8E.1	General	1733
7.8E.2	Wide band Intermodulation for V2X	1733
7.8E.2.0	Minimum conformance requirements	1733
7.8E.2.1	Wide band Intermodulation for V2X / non-concurrent operation	1734
7.8E.2.2	Wide band Intermodulation for V2X / con-current operation	1734
7.8F	Intermodulation characteristics for shared spectrum channel access	1734
7.8F.1	General	1734
7.8F.2	Wide band Intermodulation for shared spectrum channel access	1734
7.8J	Intermodulation characteristics for ATG	1737
7.8J.1	General	1737
7.8J.2	Wide band intermodulation for ATG	1737
7.9	Spurious emissions	1740
7.9A	Spurious emissions for CA	1742
7.9A.0	Minimum conformance requirements	1742
7.9A.1	Spurious emissions for CA (2DL CA)	1742
7.9B	Spurious emissions for NR-DC	1744
7.9J	Spurious emissions for ATG	1744

Annex A (normative): Measurement channels.....1746

A.1	General	1746
A.2	UL reference measurement channels	1746
A.2.1	General	1746
A.2.2	Reference measurement channels for FDD	1748
A.2.2.1	DFT-s-OFDM Pi/2-BPSK	1748
A.2.2.2	DFT-s-OFDM QPSK	1749
A.2.2.3	DFT-s-OFDM 16QAM	1750
A.2.2.4	DFT-s-OFDM 64QAM	1751
A.2.2.5	DFT-s-OFDM 256QAM	1752
A.2.2.6	CP-OFDM QPSK	1753
A.2.2.7	CP-OFDM 16QAM	1754
A.2.2.8	CP-OFDM 64QAM	1756
A.2.2.9	CP-OFDM 256QAM	1757
A.2.3	Reference measurement channels for TDD	1759
A.2.3.1	DFT-s-OFDM Pi/2-BPSK	1759
A.2.3.2	DFT-s-OFDM QPSK	1759
A.2.3.3	DFT-s-OFDM 16QAM	1759
A.2.3.4	DFT-s-OFDM 64QAM	1759
A.2.3.5	DFT-s-OFDM 256QAM	1759
A.2.3.6	CP-OFDM QPSK	1759
A.2.3.7	CP-OFDM 16QAM	1759
A.2.3.8	CP-OFDM 64QAM	1759
A.2.3.9	CP-OFDM 256QAM	1759
A.3	DL reference measurement channels	1759
A.3.1	General	1759
A.3.2	DL reference measurement channels for FDD	1761
A.3.2.1	General	1761

A.3.2.2	FRC for receiver requirements for QPSK.....	1762
A.3.2.3	FRC for maximum input level for 64QAM.....	1764
A.3.2.4	FRC for maximum input level for 256 QAM.....	1766
A.3.2.5	FRC for maximum input level for 1024 QAM.....	1769
A.3.3	DL reference measurement channels for TDD.....	1772
A.3.3.1	General.....	1772
A.3.3.2	FRC for receiver requirements for QPSK.....	1773
A.3.3.3	FRC for maximum input level for 64QAM.....	1776
A.3.3.4	FRC for maximum input level for 256 QAM.....	1778
A.3.3.5	FRC for maximum input level for 1024 QAM.....	1781
A.4	CSI reference measurement channels.....	1785
A.5	OFDMA Channel Noise Generator (OCNG).....	1785
A.5.1	OCNG Patterns for FDD.....	1785
A.5.1.1	OCNG FDD pattern 1: Generic OCNG FDD Pattern for all unused REs.....	1785
A.5.2	OCNG Patterns for TDD.....	1785
A.5.2.1	OCNG TDD pattern 1: Generic OCNG TDD Pattern for all unused REs.....	1785
A.6	1785	
A.7	V2X reference measurement channels.....	1786
A.7.1	General.....	1786
A.7.2	FRC for V2X receiver requirements for QPSK.....	1786
A.7.3	FRC for maximum input level for 64QAM.....	1787
A.7.4	FRC for maximum input level for 256QAM.....	1789
A.7.5	FRC for transmitter requirements.....	1790
Annex B (normative):	Propagation Conditions.....	1793
B.0	No interference.....	1793
Annex C (normative):	Downlink physical channels.....	1794
C.0	Downlink signal levels.....	1794
C.1	General.....	1794
C.2	Setup.....	1794
C.3	Connection.....	1796
C.3.0	Measurement of Transmitter Characteristics.....	1796
C.3.1	Measurement of Receiver Characteristics.....	1796
Annex D (normative):	Characteristics of the Interfering Signal.....	1798
D.1	General.....	1798
D.2	Interference signals.....	1798
Annex E (normative):	Global In-Channel TX-Test.....	1800
E.1	General.....	1800
E.2	Signals and results.....	1800
E.2.1	Basic principle.....	1800
E.2.2	Output signal of the TX under test.....	1800
E.2.3	Reference signal.....	1800
E.2.4	Measurement results.....	1801
E.2.5	Measurement points.....	1801
E.3	Signal processing.....	1802
E.3.1	Pre FFT minimization process.....	1802
E.3.2	Timing of the FFT window.....	1802
E.3.3	Post FFT equalisation.....	1803
E.4	Derivation of the results.....	1804
E.4.1	EVM.....	1804

E.4.2	Averaged EVM	1804
E.4.3	In-band emissions measurement.....	1805
E.4.4	EVM equalizer	1807
E.4.4.1	EVM equalizer spectrum flatness.....	1807
E.4.4.2	EVM equalizer spectral shaping filter	1808
E.4.5	Frequency error and Carrier leakage	1808
E.4.6	EVM of Demodulation reference symbols (EVM _{DMRS})	1808
E.4.6.1	1 st average for EVM _{DMRS}	1809
E.4.6.2	Final average for EVM _{DMRS}	1809
E.4.7	Modified signal under test.....	1809
E.4.8	EVM measurement for dual Tx	1812
E.4.9	Phase offset measurement for DMRS bundling	1812
E.4.9.1	Measurement point	1812
E.4.9.2	Symbols used	1812
E.4.9.3	Modified test signal	1812
E.4.9.4	Phase offset measurement.....	1812
E.5	EVM and inband emissions for PUCCH.....	1812
E.5.1	Basic principle	1813
E.5.2	Output signal of the TX under test	1813
E.5.3	Reference signal	1813
E.5.4	Measurement results.....	1813
E.5.5	Measurement points	1813
E.5.6	Pre FFT minimization process.....	1813
E.5.7	Timing of the FFT window	1813
E.5.8	Post FFT equalisation.....	1813
E.5.9	Derivation of the results	1814
E.5.9.1	EVM _{PUCCH}	1814
E.5.9.2	Averaged EVM _{PUCCH}	1815
E.5.9.3	In-band emissions measurement	1815
E.5.9.4	EVM measurement for dual Tx	1816
E.6	EVM for PRACH	1816
E.6.1	Basic principle	1817
E.6.2	Output signal of the TX under test	1817
E.6.3	Reference signal	1817
E.6.4	Measurement results.....	1817
E.6.5	Measurement points	1817
E.6.6	Pre FFT minimization process.....	1817
E.6.7	Timing of the FFT window	1818
E.6.8	Post FFT equalisation.....	1819
E.6.9	Derivation of the results	1819
E.6.9.1	EVM _{PRACH}	1819
E.6.9.2	Averaged EVM _{PRACH}	1819
E.6.9.3	EVM measurement for dual Tx	1820
E.7	reserved	1820
E.8	EVM for UL MIMO.....	1820
E.8.1	General	1820
E.8.2	MIMO Equalization	1821
E.8.3	Layer processing	1821
Annex F (normative): Measurement uncertainties and Test Tolerances		1822
F.1	Acceptable uncertainty of Test System (normative)	1822
F.1.0	General	1822
F.1.1	Measurement of test environments.....	1822
F.1.2	Measurement of transmitter.....	1822
F.1.3	Measurement of receiver	1840
F.2	Interpretation of measurement results (normative)	1844
F.3	Test Tolerance and Derivation of Test Requirements (informative).....	1845

F.3.1	Measurement of test environments.....	1845
F.3.2	Measurement of transmitter.....	1845
F.3.3	Measurement of receiver.....	1859
F.4	Uplink power window.....	1862
F.4.1	Introduction.....	1862
F.4.2	Setting the power window above a requirement.....	1862
F.4.2.1	NR FR1.....	1862
F.4.3	Setting the power window below a requirement.....	1862
F.4.3.1	NR FR1.....	1862
F.4.4	Setting the power window centred on a target value.....	1862
F.4.4.1	NR FR1.....	1862
Annex G (normative): Uplink Physical Channels		1863
G.0	Uplink Signal Levels.....	1863
G.1	General.....	1863
G.2	Set-up.....	1864
G.3	Connection.....	1864
G.3.0	Measurement of Transmitter Characteristics.....	1865
G.3.1	Measurement of Receiver Characteristics.....	1865
G.3.2	Measurement of Performance Requirements.....	1865
Annex H (normative): Statistical Testing.....		1866
H.1	General.....	1866
H.2	Statistical testing of receiver characteristics.....	1866
H.2.1	General.....	1866
H.2.2	Mapping throughput to error ratio.....	1866
H.2.3	Design of the test.....	1867
H.2.4	Numerical definition of the pass fail limits.....	1867
H.2.5	Pass fail decision rules.....	1868
H.2.6	Theory to derive the pass fail limits (Informative).....	1868
H.2.6.1	Numerical definition of the pass-fail limits.....	1868
H.2.6.2	Simulation to derive the pass-fail limits for testing 95% throughput.....	1869
H.2A	Statistical testing of receiver characteristics with CA.....	1870
H.2A.1	General.....	1870
H.2A.2	Mapping throughput to error ratio.....	1870
H.2A.3	Design of the test.....	1870
H.2A.4	Pass fail decision rules.....	1871
Annex I (normative): ModifiedMPR-Behaviour.....		1872
I.1	Indication of modified MPR behaviour.....	1872
Annex J (normative):		1875
J.0	General.....	1875
J.1	Measurement Point.....	1875
J.2	Relative Phase Error Measurement.....	1876
J.2.1	Symbols and subcarriers used.....	1876
J.2.2	CFO (carrier frequency offset) correction.....	1876
J.2.3	Steps of the measurement method.....	1876
Annex K (informative): Change history		1878
History.....		1929

Foreword

This Technical Specification has been produced by the 3rd Generation Partnership Project (3GPP).

The contents of the present document are subject to continuing work within the TSG and may change following formal TSG approval. Should the TSG modify the contents of the present document, it will be re-released by the TSG with an identifying change of release date and an increase in version number as follows:

Version x.y.z

where:

- x the first digit:
 - 1 presented to TSG for information;
 - 2 presented to TSG for approval;
 - 3 or greater indicates TSG approved document under change control.
- y the second digit is incremented for all changes of substance, i.e. technical enhancements, corrections, updates, etc.
- z the third digit is incremented when editorial only changes have been incorporated in the document.

The present document is one part of a multi-part Technical Specification (TS) covering the New Radio (NR) User Equipment (UE) conformance specification, which is divided in the following parts:

- 3GPP TS 38.521-1: " NR; User Equipment (UE) conformance specification; Radio transmission and reception; Part 1: Range 1 Standalone" (the present document).
- 3GPP TS 38.521-2 [13]: " NR; User Equipment (UE) conformance specification; Radio transmission and reception; Part 2: Range 2 Standalone".
- 3GPP TS 38.521-3 [14]: "NR; User Equipment (UE) conformance specification; Radio transmission and reception; Part 3: Range 1 and Range 2 Interworking operation with other radios"
- 3GPP TS 38.521-4 [15]: "NR; User Equipment (UE) conformance specification; Radio transmission and reception; Part 4: Performance".
- 3GPP TS 38.522 [16]: NR; User Equipment (UE) conformance specification; Applicability of RF and RRM test cases;
- 3GPP TS 38.533 [17]: NR; User Equipment (UE) conformance specification; Radio resource management;

1 Scope

The present document specifies the measurement procedures for the conformance test of the user equipment (UE) that contain RF characteristics for frequency Range 1 as part of the 5G-NR.

The requirements are listed in different clauses only if the corresponding parameters deviate. More generally, tests are only applicable to those mobiles that are intended to support the appropriate functionality. To indicate the circumstances in which tests apply, this is noted in the "*definition and applicability*" part of the test.

For example only Release 15 and later UE declared to support 5G-NR shall be tested for this functionality. In the event that for some tests different conditions apply for different releases, this is indicated within the text of the test itself.

2 References

The following documents contain provisions which, through reference in this text, constitute provisions of the present document.

References are either specific (identified by date of publication, edition number, version number, etc.) or non-specific.

For a specific reference, subsequent revisions do not apply.

For a non-specific reference, the latest version applies. In the case of a reference to a 3GPP document (including a GSM document), a non-specific reference implicitly refers to the latest version of that document in the same Release as the present document.

- [1] 3GPP TR 21.905: "Vocabulary for 3GPP Specifications".
- [2] 3GPP TS 38.101-1: "NR; User Equipment (UE) radio transmission and reception; Part 1: Range 1 Standalone".
- [3] 3GPP TS 38.101-2: " NR; User Equipment (UE) radio transmission and reception; Part 2: Range 2 Standalone".
- [4] 3GPP TS 38.101-3: " NR; User Equipment (UE) radio transmission and reception; Part 3: Range 1 and Range 2 Interworking operation with other radios".
- [5] 3GPP TS 38.508-1: "5GS; User Equipment (UE) conformance specification; Part 1: Common test environment".
- [6] 3GPP TS 38.331: "NR; Radio Resource Control (RRC); Protocol specification".
- [7] Recommendation ITU-R M.1545: "Measurement uncertainty as it applies to test limits for the terrestrial component of International Mobile Telecommunications-2000".
- [8] 3GPP TS 38.211: "NR; Physical channels and modulation".
- [9] 3GPP TS 38.213: "NR; Physical layer procedures for control".
- [10] 3GPP TR 38.903: "NR; Derivation of test tolerances and measurement uncertainty for User Equipment (UE) conformance tests".
- [11] 3GPP TR 38.905: "NR; Derivation of test points for radio transmission and reception conformance test cases".
- [12] 3GPP TS 38.214: "NR; Physical layer procedures for data".
- [13] 3GPP TS 38.521-2: "NR; User Equipment (UE) conformance specification; Radio transmission and reception; Part 2: Range 2 Standalone".
- [14] 3GPP TS 38.521-3: "NR; User Equipment (UE) conformance specification; Radio transmission and reception; Part 3: Range 1 and Range 2 Interworking operation with other radios".
- [15] 3GPP TS 38.521-4: "NR; User Equipment (UE) conformance specification; Radio transmission and reception; Part 4: Performance".

- [16] 3GPP TS 38.522: "NR; User Equipment (UE) conformance specification; Applicability of RF and RRM test cases".
- [17] 3GPP TS 38.533: "NR; User Equipment (UE) conformance specification; Applicability of RF and RRM test cases".
- [18] 3GPP TS 38.321: "NR; Medium Access Control (MAC) protocol specification".
- [19] 3GPP TS 38.133: "NR; Requirements for support of radio resource management".
- [20] 3GPP TS 38.215: "NR; Physical layer measurements".
- [21] 3GPP TS 36.521-1: "Evolved Universal Terrestrial Radio Access (E-UTRA); User Equipment (UE) conformance specification; Radio transmission and reception; Part 1: Conformance Testing".
- [22] ITU-R Recommendation SM.329-10, "Unwanted emissions in the spurious domain".
- [23] 3GPP TS 38.307: "NR; Requirements on User Equipments (UEs) supporting a release-independent frequency band".
- [24] 3GPP TS 37.213: "Physical layer procedures for shared spectrum channel access".
- [25] 3GPP TS 36.508: "Common test environments for User Equipment (UE)".
- [26] 3GPP TS 38.306: "NR; User Equipment (UE) radio access capabilities".
- [27] 3GPP TS 38.104: "NR; Base Station (BS) radio transmission and reception".
- [28] 3GPP TS 36.101: "NR; User Equipment (UE) radio access capabilities".

3 Definitions, symbols and abbreviations

3.1 Definitions

For the purposes of the present document, the terms and definitions given in TR 21.905 [1] and the following apply. A term defined in the present document takes precedence over the definition of the same term, if any, in TR 21.905 [1].

Aggregated Allocation Bandwidth: Total bandwidth of all allocated RBs in a transmission occasion. Can be calculated for two aggregated CCs as $L_{CRB,1} * 12 * SCS_1 + L_{CRB,2} * 12 * SCS_2$.

Aggregated Channel Bandwidth: The RF bandwidth in which a UE transmits and receives multiple contiguously aggregated carriers.

ATG UE: The terminals or user equipments which are mounted in aircraft and support ATG feature (i.e. UE capability [*airToGroundNetwork-r18*]) as defined in clause 4.2.2. from TS38.306 [26].

Carrier aggregation: Aggregation of two or more component carriers in order to support wider transmission bandwidths.

Carrier aggregation band: A set of one or more operating bands across which multiple carriers are aggregated with a specific set of technical requirements.

Carrier aggregation bandwidth class: A class defined by the aggregated transmission bandwidth configuration and maximum number of component carriers supported by a UE.

Carrier aggregation configuration: A combination of CA operating band(s) and CA bandwidth class(es) supported by a UE.

Con-current operation: The simultaneous transmission and reception of sidelink and Uu interfaces while operation is agnostic of the service used on each interface.

Contiguous carriers: A set of two or more carriers configured in a spectrum block where there are no RF requirements based on co-existence for un-coordinated operation within the spectrum block.

Contiguous resource allocation: A resource allocation of consecutive resource blocks within one carrier or across contiguously aggregated carriers. The gap between contiguously aggregated carriers due to the nominal channel spacing is allowed.

Contiguous spectrum: Spectrum consisting of a contiguous block of spectrum with no sub-block gaps.

Inter-band carrier aggregation: Carrier aggregation of component carriers in different operating bands.

NOTE: Carriers aggregated in each band can be contiguous or non-contiguous.

Intra-band contiguous carrier aggregation: Contiguous carriers aggregated in the same operating band.

Intra-band non-contiguous carrier aggregation: Non-contiguous carriers aggregated in the same operating band.

RedCap UE: The UE with reduced capabilities as defined in clause 4.2.21.1 from TS 38.306 [15].

Sub-band: For a UE that supports shared spectrum channel access in wideband operation, a sub-band is the set of RBs within an approximately 20 MHz segment of the channel where the wideband channel is uniformly divided into an integer number of 20 MHz sub-bands. Sub-bands may be separately allocated in uplink and downlink.

Sub-block: This is one contiguous allocated block of spectrum for transmission and reception by the same UE. There may be multiple instances of sub-blocks within an RF bandwidth.

Sub-block bandwidth: The bandwidth of one sub-block.

Sub-block gap: A frequency gap between two consecutive sub-blocks within an RF bandwidth, where the RF requirements in the gap are based on co-existence for un-coordinated operation.

UE transmission bandwidth configuration: Set of resource blocks located within the UE channel bandwidth which may be used for transmitting or receiving by the UE.

Vehicular UE: A UE embedded in a vehicle, permanently connected to an embedded antenna system that radiates externally for NR operating bands.

NOTE: Vehicular UE does not refer to other UE form factors placed inside the vehicle.

Wideband operation: For a UE that supports shared spectrum channel access, wideband operation refers to operation within a channel larger than 20 MHz in which intra-cell guard bands may be configured to distinguish individual RB-sets

3.2 Symbols

For the purposes of the present document, the following symbols apply:

ΔF_{Global}	Granularity of the global frequency raster
ΔF_{Raster}	Band dependent channel raster granularity
Δf_{OOB}	Δ Frequency of Out Of Band emission
$\Delta F_{\text{TX-RX}}$	Δ Frequency of default TX-RX separation of the FDD operating band
ΔMPR_c	Allowed Maximum Power Reduction relaxation for serving cell c
$\Delta P_{\text{PowerClass}}$	Adjustment to maximum output power for a given power class
ΔR_{1R}	Reference sensitivity adjustment due to support for 1 antenna ports
ΔR_B	The starting frequency offset between the allocated RB and the measured non-allocated RB
$\Delta R_{\text{IB},c}$	Allowed reference sensitivity relaxation due to support for inter-band CA operation, for serving cell c
$\Delta R_{\text{IB},4R}$	Reference sensitivity adjustment due to support for 4 antenna ports
ΔShift	Channel raster offset
ΔT_C	Allowed operating band edge transmission power relaxation
$\Delta T_{C,c}$	Allowed operating band edge transmission power relaxation for serving cell c
$\Delta T_{\text{IB},c}$	Allowed maximum configured output power relaxation due to support for inter-band CA operation, inter-band NR-DC operation and due to support for SUL operations, for serving cell c
BW_{Channel}	Channel bandwidth
$BW_{\text{Channel,block}}$	Sub-block bandwidth, expressed in MHz. $BW_{\text{Channel,block}} = F_{\text{edge,block,high}} - F_{\text{edge,block,low}}$
$BW_{\text{Channel_CA}}$	Aggregated channel bandwidth, expressed in MHz
$BW_{\text{Channel,max}}$	Maximum channel bandwidth supported among all bands in a release
BW_{GB}	$\max(BW_{\text{GB,Channel}(k)})$

$BW_{GB,Channel(k)}$	Minimum guard band defined in clause 5.3A.1 of carrier k
BW_{DL}	Channel bandwidth for DL
BW_{UL}	Channel bandwidth for UL
$BW_{interferer}$	Bandwidth of the interferer
$Ceil(x)$	Rounding upwards; $ceil(x)$ is the smallest integer such that $ceil(x) \geq x$
$Floor(x)$	Rounding downwards; $floor(x)$ is the greatest integer such that $floor(x) \leq x$
F_C	RF reference frequency on the channel raster, given in table 5.4.2.2-1
$F_{C,block,high}$	Fc of the highest transmitted/received carrier in a sub-block
$F_{C,block,low}$	Fc of the lowest transmitted/received carrier in a sub-block
$F_{C,low}$	The Fc of the lowest carrier, expressed in MHz
$F_{C,high}$	The Fc of the highest carrier, expressed in MHz
$F_{DL,low}$	The lowest frequency of the downlink operating band
$F_{DL,high}$	The highest frequency of the downlink operating band
$F_{UL,low}$	The lowest frequency of the uplink operating band
$F_{UL,high}$	The highest frequency of the uplink operating band
$F_{edge,block,low}$	The lower sub-block edge, where $F_{edge,block,low} = F_{C,block,low} - F_{offset,low}$
$F_{edge,block,high}$	The upper sub-block edge, where $F_{edge,block,high} = F_{C,block,high} + F_{offset,high}$
$F_{edge,low}$	The <i>lower edge</i> of aggregated channel bandwidth, expressed in MHz. $F_{edge,low} = F_{C,low} - F_{offset,low}$
$F_{edge,high}$	The <i>higher edge</i> of aggregated channel bandwidth, expressed in MHz. $F_{edge,high} = F_{C,high} + F_{offset,high}$
$F_{interferer} (offset)$	Frequency offset of the interferer (between the center frequency of the interferer and the carrier frequency of the carrier measured)
$F_{interferer}$	Frequency of the interferer
$F_{ioffset}$	Frequency offset of the interferer (between the centre frequency of the interferer and the closest edge of the carrier measured)
F_{offset}	Frequency offset from $F_{C,high}$ to the <i>higher edge</i> or $F_{C,low}$ to the <i>lower edge</i>
$F_{offset,high}$	Frequency offset from $F_{C,high}$ to the upper <i>UE RF Bandwidth edge</i> , or from $F_{C,block,high}$ to the upper sub-block edge
$F_{offset,low}$	Frequency offset from $F_{C,low}$ to the lower <i>UE RF Bandwidth edge</i> , or from $F_{C,block,low}$ to the lower sub-block edge
F_{OOB}	The boundary between the NR out of band emission and spurious emission domains
F_{REF}	RF reference frequency
$F_{REF-Offs}$	Offset used for calculating F_{REF}
$F_{REF,Shift}$	RF reference frequency for Supplementary Uplink (SUL) bands and for the uplink for all FDD bands
$F_{uw} (offset)$	The frequency separation of the center frequency of the carrier closest to the interferer and the center frequency of the interferer
$GB_{Channel}$	Minimum guard band defined in clause 5.3.3, expressed in kHz
L_{CRB}	Transmission bandwidth which represents the length of a contiguous resource block allocation expressed in units of resource blocks
$Max()$	The largest of given numbers
$Min()$	The smallest of given numbers
n_{PRB}	Physical resource block number
NR_{ACLR}	NR ACLR
N_{RB}	Transmission bandwidth configuration, expressed in units of resource blocks
$N_{RB,agg}$	The number of the aggregated RBs within the fully allocated aggregated channel bandwidth
$N_{RB,agg} = \sum_1^j N_{RB_j} * 2^{\mu_j}$	for carrier 1 to j , where μ is defined in TS 38.211 [8]
$N_{RB,c}$	The transmission bandwidth configuration of component carrier c , expressed in units of resource blocks
$N_{RB,cj} = N_{RB_j} * 2^{\mu_j}$	for carrier j , where μ is defined in TS 38.211 [8]
$N_{RB,largest BW}$	The largest transmission bandwidth configuration of the component carriers in the bandwidth combination, expressed in units of resource blocks
$N_{RB,low}$	The transmission bandwidth configurations according to Table 5.3.2-1 for the lowest assigned component carrier in clause 5.3A.1
$N_{RB,high}$	The transmission bandwidth configurations according to Table 5.3.2-1 for the highest assigned component carrier in clause 5.3A.1
N_{REF}	NR Absolute Radio Frequency Channel Number (NR-ARFCN)
$N_{REF-Offs}$	Offset used for calculating N_{REF}
P_{CMAX}	The configured maximum UE output power
$P_{CMAX,c}$	The configured maximum UE output power for serving cell c
$P_{CMAX,f,c}$	The configured maximum UE output power for carrier f of serving cell c in each slot
P_{EMAX}	Maximum allowed UE output power signalled by higher layers

$P_{EMAX, c}$	Maximum allowed UE output power signalled by higher layers for serving cell c
$P_{Interferer}$	Modulated mean power of the interferer
$P_{largest\ BW}$	Power of the largest transmission bandwidth configuration of the component carriers in the bandwidth combination
$P_{PowerClass}$	The nominal UE power (i.e., no tolerance)
$P\text{-MPR}_c$	Power Management Maximum Power Reduction for serving cell c
P_{RB}	The transmitted power per allocated RB, measured in dBm
P_{UMAX}	The measured configured maximum UE output power
P_{uw}	Power of an unwanted DL signal
P_w	Power of a wanted DL signal
RB_{Start}	Indicates the lowest RB index of transmitted resource blocks
RB_{start_CA}	Indicates the lowest RB index of transmitted resource blocks for intra-band contiguous CA
SCS_c	SCS for the component carrier c , expressed in kHz
$SCS_{largest\ BW}$	SCS for the largest transmission bandwidth configuration of the component carriers in the bandwidth combination, expressed in kHz
SCS_{low}	SCS for the lowest assigned component carrier in section 5.3A.1, expressed in kHz
SCS_{high}	SCS for the highest assigned component carrier in section 5.3A.1, expressed in kHz
tp	Transient Period value signalled by the UE
tp_{start}	Start position of transient period relative to the symbol boundary
$T(P_{CMAX, f, c})$	Tolerance for applicable values of $P_{CMAX, f, c}$ for configured maximum UE output power for carrier f of serving cell c
$T_{L, c}$	Absolute value of the lower tolerance for the applicable <i>operating band</i> as specified in section 6.2.1
SS_{REF}	SS block reference frequency position
$UTRA_{ACLR}$	UTRA ACLR

3.3 Abbreviations

For the purposes of the present document, the abbreviations given in 3GPP TR 21.905 [1] and the following apply. An abbreviation defined in the present document takes precedence over the definition of the same abbreviation, if any, in 3GPP TR 21.905 [1].

ACLR	Adjacent Channel Leakage Ratio
ACS	Adjacent Channel Selectivity
A-MPR	Additional Maximum Power Reduction
ATG	Air-To-Ground
BS	Base Station
BW	Bandwidth
BWP	Bandwidth Part
CA	Carrier Aggregation
CA_nX-nY	Inter-band CA of component carrier(s) in one sub-block within Band nX and component carrier(s) in one sub-block within Band nY where nX and nY are the applicable NR <i>operating bands</i>
CC	Component Carriers
CG	Carrier Groups
CM	Cubic Metric
CORESET	Control Resource Set
CP-OFDM	Cyclic Prefix-OFDM
CW	Continuous Wave
DC	Dual Connectivity
DCI	Downlink Control Information
DFT-s-OFDM	Discrete Fourier Transform-spread-OFDM
DL	Downlink
DM-RS	Demodulation Reference Signal
DTX	Discontinuous Transmission
EIRP	Equivalent Isotropically Radiated Power
E-UTRA	Evolved UTRA
EVM	Error Vector Magnitude
FFT	Fast Fourier Transformation
FR	Frequency Range
FRC	Fixed Reference Channel
GNSS	Global Navigation Satellite System

GSCN	Global Synchronization Channel Number
HARQ	Hybrid Automatic Repeat Request
IBB	In-band Blocking
IDFT	Inverse Discrete Fourier Transformation
IE	Information Element
ITS	Intelligent Transportation System
ITU-R	Radio communication Sector of the International Telecommunication Union
MBW	Measurement bandwidth defined for the protected band
MCG	Master Cell Group
MOP	Maximum Output Power
MPR	Allowed maximum power reduction
MSD	Maximum Sensitivity Degradation
MU	Measurement Uncertainty
NR	New Radio
NR/5GC	NR connected to 5GC
NR-ARFCN	NR Absolute Radio Frequency Channel Number
NS	Network Signalling
NSA	Non-Standalone
OCNG	OFDMA Channel Noise Generator
OOB	Out-of-band
PBCH	Physical Broadcast Channel
PDCCH	Physical Downlink Control Channel
PDSCH	Physical Downlink Shared Channel
P-MPR	Power Management Maximum Power Reduction
PRACH	Physical Random Access Channel
PRB	Physical Resource Block
PSCCH	Physical Sidelink Control Channel
PSSCH	Physical Sidelink Shared Channel
QAM	Quadrature Amplitude Modulation
RB	Resource Block
RE	Resource Element
RedCap	Reduced Capability
REFSENS	Reference Sensitivity
RF	Radio Frequency
RMC	Reference Measurement Channel
RMS	Root Mean Square (value)
RNTI	Radio Network Temporary Identity
RoT	Rise Over Thermal
RSRP	Reference Signal Receiving Power
Rx	Receiver
SA	Standalone
SC	Single Carrier
SCG	Secondary Cell Group
SCS	Subcarrier spacing
SDL	Supplementary Downlink
SEM	Spectrum Emission Mask
SL	Sidelink
SL-MIMO	Sidelink-Multiple Antenna transmission
SNR	Signal-to-Noise Ratio
SRS	Sounding Reference Symbol
SUL	Supplementary uplink
SS	Synchronization Symbol
SS	System Simulator
TAB	Transceiver Array Boundary
TAE	Time Alignment Error
TAG	Timing Advance Group
TPC	Transmit Power Control
TT	Test Tolerances
Tx	Transmitter
TxD	Tx Diversity
UE	User Equipment
UL	Uplink

UL MIMO	Uplink Multiple Antenna transmission
ULFPTx	Uplink Full Power Transmission
V2X	Vehicle to Everything

4 General

4.1 Relationship between minimum requirements and test requirements

The TS 38.101-1 [2] is a Single-RAT specification for NR UE, covering RF characteristics and minimum performance requirements. Conformance to the TS 38.101-1 [2] is demonstrated by fulfilling the test requirements specified in the present document.

The Minimum Requirements given in TS 38.101-1 [2] make no allowance for measurement uncertainty (MU). The present document defines test tolerances (TT) and measurement uncertainty. These test tolerances are individually defined for each test. The test tolerances are used to relax the minimum requirements in TS 38.101-1 [2] to create test requirements. For some requirements, including regulatory requirements, the test tolerance is set to zero.

The measurement results returned by the test system are compared - without any modification - against the test requirements as defined by various levels of “Shared Risk” principle as described below.

- a) Core specification value is not relaxed by any relaxation value ($TT=0$). For each single measurement, the probability of a borderline good UE being judged as FAIL equals the probability of a borderline bad UE being judged as PASS.
 - Test tolerances equal to 0 ($TT=0$) are considered in this specification.
- b) Core specification value is relaxed by a relaxation value ($TT>0$). For each single measurement, the probability of a borderline bad UE being judged as PASS is greater than the probability of a borderline good UE being judged as FAIL.
 - Test tolerances lower than measurement uncertainty and greater than 0 ($0 < TT < MU$) are considered in this specification.
 - Test tolerances high up to measurement uncertainty ($TT = MU$) are considered in this specification which is also known as “Never fail a good DUT” principle.
- c) Core specification value is tightened by a stringent value ($TT<0$). For each single measurement, the probability of a borderline good UE being judged as FAIL is greater than the probability of a borderline bad UE being judged as PASS.

Test tolerances lower than 0 ($TT<0$) are not considered in this specification. The “Never fail a good DUT” and the “Shared Risk” principles are defined in Recommendation ITU-R M.1545 [7].

4.2 Applicability of minimum requirements

- a) In TS 38.101-1 [2] the Minimum Requirements are specified as general requirements and additional requirements. Where the Requirement is specified as a general requirement, the requirement is mandated to be met in all scenarios
- b) For specific scenarios for which an additional requirement is specified, in addition to meeting the general requirement, the UE is mandated to meet the additional requirements.
- c) The spurious emissions power requirements are for the long-term average of the power. For the purpose of reducing measurement uncertainty it is acceptable to average the measured power over a period of time sufficient to reduce the uncertainty due to the statistical nature of the signal.
- d) All the requirements for intra-band contiguous and non-contiguous CA apply under the assumption of the same slot format indicated by UL-DL-configuration-common in the PCell and SCells for NR/5GC.
- e) The requirements for Tx diversity in this release are applied for UE which indicates IE *txDiversity-r16*.

4.3 Specification suffix information

Unless stated otherwise the following suffixes are used for indicating at 2nd level subclause, shown in Table 4.3-1.

Table 4.3-1: Definition of suffixes

Clause suffix	Variant
None	Single Carrier
A	Carrier Aggregation (CA)
B	Dual-Connectivity (DC)
C	Supplementary Uplink (SUL)
D	UL MIMO
E	V2X
F	Shared spectrum channel access
G	Tx Diversity (TxD)
H	Carrier Aggregation (CA) with UL MIMO
I	RedCap
J	ATG
L	Carrier Aggregation (CA) with Tx Diversity

A terminal which supports the above features needs to meet both the general requirements and the additional requirement applicable to the additional subclause (suffixes A to J) in clauses 5, 6 and 7. Where there is a difference in requirement between the general requirements and the additional subclause requirements (suffixes A to I) in clauses 5, 6 and 7, the tighter requirements are applicable unless stated otherwise in the additional subclause.

A terminal which supports more than one feature in clauses 5, 6 and 7 shall meet all of the separate corresponding requirements.

For a terminal that supports SUL for the band combination specified in Table 5.2C-1, the current version of the specification assumes the terminal is configured with active transmission either on UL carrier or SUL carrier at any time in one serving cell and the UE requirements for single carrier shall apply for the active UL or SUL carrier accordingly.

For a terminal that supports operation in shared spectrum, the current version of this specification assumes in the uplink sub-bands within a wideband channel shall be contiguously allocated to the UE. The uplink requirements for one or more non-transmitted sub-bands between two transmitted sub-bands does not form a part of the current version of this specification.

A terminal which supports intra-band contiguous UL CA with UL MIMO shall meet the corresponding requirements in suffix H with all UL CCs with UL MIMO.

Terminal that supports inter-band NR-DC configuration shall meet the minimum requirements for corresponding CA configuration (suffix A), unless otherwise specified.

For a terminal that supports inter-band Carrier Aggregation (CA) with UL MIMO or Tx diversity operation, the requirements are targeted for FWA form factor in current version of specification.

A terminal which supports inter-band UL CA with UL MIMO shall meet the corresponding requirements in suffix H with all UL CCs with UL MIMO for the frequency band(s) said to be with UL MIMO.

4.4 Test points analysis

The information on test point analysis and test point selection including number of test points for each test case is shown in TR 38.905 [11] clause 4.1.

4.5 Applicability and test coverage rules

The applicability and test coverage rules for NR/5GC and EN-DC capable devices shall include the following:

If a test case for a FR1 NR band in a device is tested in EN-DC mode inter-band operation for non-exceptional requirement as per TS 38.521-3 [14], it shall fulfil the coverage requirement for that test case for NR/5GC FR1 test requirements for that NR band and need not be retested.

Unless there are exception requirements defined within the NR-DC test cases in clause 6 and 7 of this spec: if a DUT is tested on an FR1 NR-CA configuration, the DUT need not be re-tested for the FR1 NR-DC configuration involving the same bands within the component carriers/carrier groups (CGs).

Editor's Note: The Clause number 4.5 already exists in the specification. so the clause number was changed to 4.6:

4.6 Pass fail decision rule of test case

Unless explicitly specified, a test case is passed only when all the measurements in the test case are passed. A measurement is one execution of the test procedures using a specific combination of various conditions, including test configuration, testing UL/DL power level, frequency location of interference and sweeping frequency location of emission measurement etc. If multiple component carriers are involved in one measurement, the measurement is passed only when all the component carriers are passed.

5 Operating bands and Channel arrangement

5.1 General

The channel arrangements presented in this clause are based on the operating bands and channel bandwidths defined in the present release of specifications.

NOTE: Other operating bands and channel bandwidths may be considered in future releases.

Requirements throughout the RF specifications are in many cases defined separately for different frequency ranges (FR). The frequency ranges in which NR can operate according to this version of the specification are identified as described in Table 5.1-1.

Table 5.1-1: Definition of frequency ranges

Frequency range designation	Corresponding frequency range
FR1	410 MHz – 7125 MHz
FR2	24250 MHz – 52600 MHz

The present specification covers FR1 operating bands.

5.2 Operating bands

NR is designed to operate in the FR1 operating bands defined in Table 5.2-1.

Table 5.2-1: NR operating bands in FR1

NR operating band	Uplink (UL) operating band BS receive / UE transmit $F_{UL_low} - F_{UL_high}$	Downlink (DL) operating band BS transmit / UE receive $F_{DL_low} - F_{DL_high}$	Duplex Mode
n1	1920 MHz – 1980 MHz	2110 MHz – 2170 MHz	FDD
n2	1850 MHz – 1910 MHz	1930 MHz – 1990 MHz	FDD
n3	1710 MHz – 1785 MHz	1805 MHz – 1880 MHz	FDD
n5	824 MHz – 849 MHz	869 MHz – 894 MHz	FDD
n7	2500 MHz – 2570 MHz	2620 MHz – 2690 MHz	FDD
n8	880 MHz – 915 MHz	925 MHz – 960 MHz	FDD
n12	699 MHz – 716 MHz	729 MHz – 746 MHz	FDD
n13	777 MHz – 787 MHz	746 MHz – 756 MHz	FDD
n14	788 MHz – 798 MHz	758 MHz – 768 MHz	FDD
n20	832 MHz – 862 MHz	791 MHz – 821 MHz	FDD
n24 ¹⁶	1626.5 MHz – 1660.5 MHz	1525 MHz – 1559 MHz	FDD
n25	1850 MHz – 1915 MHz	1930 MHz – 1995 MHz	FDD
n26	814 MHz – 849 MHz	859 MHz – 894 MHz	FDD

n28	703 MHz – 748 MHz	758 MHz – 803 MHz	FDD
n29	N/A	717 MHz – 728 MHz	SDL
n30 ³	2305 MHz – 2315 MHz	2350 MHz – 2360 MHz	FDD
n34	2010 MHz – 2025 MHz	2010 MHz – 2025 MHz	TDD
n38 ¹⁰	2570 MHz – 2620 MHz	2570 MHz – 2620 MHz	TDD
n39	1880 MHz – 1920 MHz	1880 MHz – 1920 MHz	TDD
n40	2300 MHz – 2400 MHz	2300 MHz – 2400 MHz	TDD
n41	2496 MHz – 2690 MHz	2496 MHz – 2690 MHz	TDD
n46	5150 MHz – 5925 MHz	5150 MHz – 5925 MHz	TDD ¹³
n47 ¹¹	5855 MHz – 5925 MHz	5855 MHz – 5925 MHz	TDD
n48	3550 MHz – 3700 MHz	3550 MHz – 3700 MHz	TDD
n50	1432 MHz – 1517 MHz	1432 MHz – 1517 MHz	TDD ¹
n51	1427 MHz – 1432 MHz	1427 MHz – 1432 MHz	TDD
n53	2483.5 MHz – 2495 MHz	2483.5 MHz – 2495 MHz	TDD
n65	1920 MHz – 2010 MHz	2110 MHz – 2200 MHz	FDD ⁴
n66	1710 MHz – 1780 MHz	2110 MHz – 2200 MHz	FDD
n70	1695 MHz – 1710 MHz	1995 MHz – 2020 MHz	FDD
n71	663 MHz – 698 MHz	617 MHz – 652 MHz	FDD
n74	1427 MHz – 1470 MHz	1475 MHz – 1518 MHz	FDD
n75	N/A	1432 MHz – 1517 MHz	SDL
n76	N/A	1427 MHz – 1432 MHz	SDL
n77 ¹²	3300 MHz – 4200 MHz	3300 MHz – 4200 MHz	TDD
n78	3300 MHz – 3800 MHz	3300 MHz – 3800 MHz	TDD
n79	4400 MHz – 5000 MHz	4400 MHz – 5000 MHz	TDD
n80	1710 MHz – 1785 MHz	N/A	SUL
n81	880 MHz – 915 MHz	N/A	SUL
n82	832 MHz – 862 MHz	N/A	SUL
n83	703 MHz – 748 MHz	N/A	SUL
n84	1920 MHz – 1980 MHz	N/A	SUL
n85	698 MHz – 716 MHz	728 MHz – 746 MHz	FDD
n86	1710 MHz – 1780 MHz	N/A	SUL
n91	832 MHz – 862 MHz	1427 MHz – 1432 MHz	FDD ⁹
n92	832 MHz – 862 MHz	1432 MHz – 1517 MHz	FDD ⁹
n93	880 MHz – 915 MHz	1427 MHz – 1432 MHz	FDD ⁹
n94	880 MHz – 915 MHz	1432 MHz – 1517 MHz	FDD ⁹
n95 ⁸	2010 MHz – 2025 MHz	N/A	SUL
n96 ¹⁴	5925 MHz – 7125 MHz	5925 MHz – 7125 MHz	TDD ¹³
n97 ¹⁵	2300 MHz – 2400 MHz	N/A	SUL
n99 ¹⁶	1626.5 MHz – 1660.5 MHz	N/A	SUL
n100	874.4 MHz – 880 MHz	919.4 MHz – 925 MHz	FDD
n101	1900 MHz – 1910 MHz	1900 MHz – 1910 MHz	TDD
n106	896 MHz – 901 MHz	935 MHz – 940 MHz	FDD
NOTE 1: UE that complies with the NR Band n50 minimum requirements in this specification. Shall also comply with the NR Band n51 minimum requirements.			
NOTE 2: UE that complies with the NR Band n75 minimum requirements in this specification. Shall also comply with the NR Band n76 minimum requirements.			
NOTE 3: Uplink transmission is not allowed at this band for UE with external vehicle-mounted antennas.			
NOTE 4: A UE that complies with the NR Band n65 minimum requirements in this specification shall also comply with the NR Band n1 minimum requirements.			
NOTE 5: FFS.			
NOTE 6: A UE that supports NR Band n66 shall receive in the entire DL operating band.			
NOTE 7: A UE that supports NR Band n66 and CA operation in any CA band shall also comply with the minimum requirements specified for the DL CA configurations CA_n66B and CA_n66(2A) in the current version of the specification.			
NOTE 8: This band is applicable in China only.			
NOTE 9: Variable duplex operation does not enable dynamic variable duplex configuration by the network, and is used such that DL and UL frequency ranges are supported independently in any valid frequency range for the band.			
NOTE 10: When this band is used for V2X SL service, the band is exclusively used for NR V2X in particular regions.			
NOTE 11: This band is unlicensed band used for V2X service. There is no expected network deployment in this band.			
NOTE 12: In the USA this band is restricted to 3450 – 3550 MHz and 3700 – 3980 MHz. In Canada this band is restricted to 3450 – 3650 MHz and 3650 – 3980 MHz.			

NOTE 13: This band is restricted to operation with shared spectrum channel access as defined in 37.213 [24].
NOTE 14: This band is applicable only in countries/regions designating this band for shared spectrum access use subject to country-specific conditions.
NOTE 15: The requirements for this band are applicable only where no other NR or E-UTRA TDD operating band(s) are used within the frequency range of this band in the same geographical area. For scenarios where other NR or E-UTRA TDD operating band(s) are used within the frequency range of this band in the same geographical area, special co-existence requirements may apply that are not covered by the 3GPP specifications.
NOTE 16: DL operation in this band is restricted to 1526 – 1536 MHz and UL operation is restricted to 1627.5 – 1637.5 MHz and 1646.5 – 1656.5 MHz.

5.2A Operating bands for CA

5.2A.1 Intra-band CA

NR intra-band contiguous carrier aggregation is designed to operate in the operating bands defined in Table 5.2A.1-1 and Table 5.2A.1-2, where all operating bands are within FR1.

Table 5.2A.1-1: Intra-band contiguous CA operating bands in FR1

NR CA Band	NR Band (Table 5.2-1)
CA_n5	n5
CA_n40	n40
CA_n41 ¹	n41
CA_n46 ¹	n46
CA_n48	n48
CA_n66	n66
CA_n77 ¹	n77
CA_n78 ¹	n78
CA_n79 ¹	n79
NOTE 1: The minimum requirements only apply for non-simultaneous Tx/Rx between all carriers for TDD combinations.	

Table 5.2A.1-2: Intra-band non-contiguous CA operating bands in FR1

NR CA Band	NR Band (Table 5.2-1)
CA_n2(*)	n2
CA_n48(*)	n48
CA_n66(*)	n66
CA_n71(*)	n71
CA_n77(*)	n77
CA_n78(*)	n78
NOTE 1: The minimum requirements only apply for non simultaneous Tx/Rx between all carriers. for TDD combinations.	
NOTE 2: The notation CA_nX(*) in this table indicates intra-band non-contiguous CA for band nX. The configurations for each band are in 5.5A.2.	

5.2A.2 Inter-band CA

NR inter-band carrier aggregation is designed to operate in the operating bands defined in Table 5.2A.2.1-1, 5.2A.2.2-1 and Table 5.2A.2.3-1, where all operating bands are within FR1.

If the mandatory simultaneous Rx/Tx capability applies for a lower order band combination, when the applicable lower order band combination is a band pair in a higher order band combination, the mandatory simultaneous Rx/Tx capability also applies for the band pair in the higher order band combination.

Table 5.2A.2-1: Void

Table 5.2A.2-2: Void

Table 5.2A.2-3: Void

5.2A.2.1 Inter-band CA (two bands)

Table 5.2A.2.1-1: Inter-band CA operating bands involving FR1 (two bands)

NR CA Band	NR Band (Table 5.2-1)	DL interruption allowed (Note 8)
CA_n1-n3	n1, n3	
CA_n1-n8	n1, n8	
CA_n1-n28	n1, n28	
CA_n1-n41 ¹	n1, n41	
CA_n1-n77 ¹	n1, n77	No
CA_n1-n78 ¹	n1, n78	No
CA_n1-n79 ¹	n1, n79	No
CA_n2-n5	n2, n5	
CA_n2-n14	n2, n14	
CA_n2-n30	n2, n30	
CA_n2-n48	n2, n48	
CA_n2-n66	n2, n66	
CA_n2-n77	n2, n77	
CA_n3-n5	n3, n5	
CA_n3-n8	n3, n8	
CA_n3-n28	n3, n28	
CA_n3-n41 ¹	n3, n41	No
CA_n3-n77 ¹	n3, n77	No
CA_n3-n78 ¹	n3, n78	No
CA_n5-n7	n5, n7	
CA_n5-n30	n5, n30	
CA_n5-n48	n5, n48	
CA_n5-n66	n5, n66	
CA_n5-n77 ¹	n5, n77	
CA_n5-n78 ¹	n5, n78	No
CA_n7-n78 ¹	n7, n78	
CA_n8-n78 ¹	n8, n78	No
CA_n14-n30	n14, n30	
CA_n14-n66	n14, n66	
CA_n14-n77	n14, n77	
CA_n20-n78	n20, n78	
CA_n24-n41	n24, n41	
CA_n24-n48	n24, n48	
CA_n24-n77	n24, n77	
CA_n25-n66	n25, n66	
CA_n25-n77	n25, n77	
CA_n25-n78	n25, n78	
CA_n25-n46 ⁶	n25, n46	
CA_n26-n66	n26, n66	
CA_n26-n70	n26, n70	
CA_n28-n40 ¹	n28, n40	
CA_n28-n41 ¹	n28, n41	
CA_n28-n77 ¹	n28, n77	No
CA_n28_n78 ¹	n28, n78	No
CA_n28-n79 ¹	n28, n79	
CA_n29-n66	n29, n66	
CA_n29-n70	n29, n70	
CA_n29-n71	n29, n71	

CA_n30-n66	n30, n66	
CA_n30-n77	n30, n77	
CA_n39-n41	n39, n41	No
CA_n41-n66	n41, n66	
CA_n41-n71 ¹	n41, n71	
CA_n41-n77 ¹	n41, n77	
CA_n41-n79 ^{1,3}	n41, n79	No
CA_n46-n48 ^{1,6}	n46, n48	
CA_n46-n66 ⁶	n46, n66	
CA_n48-n66	n48, n66	
CA_n48-n70	n48, n70	
CA_n48-n71	n48, n71	
CA_n48-n77 ^{13,14,18}	n48, n77	
CA_n66-n70	n66, n70	
CA_n66-n71	n66, n71	
CA_n66-n77	n66, n77	
CA_n66-n78	n66, n78	
CA_n70-n71	n70, n71	
CA_n71-n77	n70, n71	
CA_n71-n78	n71, n78	
CA_n77-n79 ^{5,7}	n77, n79	
CA_n78-n79 ⁵	n78, n79	
<p>NOTE 1: Applicable for UE supporting inter-band carrier aggregation with mandatory simultaneous Rx/Tx capability.</p> <p>NOTE 2: FFS.</p> <p>NOTE 3: The frequency range below 2506MHz for Band n41 is not used in this combination.</p> <p>NOTE 4: Applicable for frequency range above 4800 MHz for Band n79 in this combination.</p> <p>NOTE 5: For UEs supporting band n77, the minimum requirements apply only when there is non-simultaneous Rx/Tx operation between n78-n79 NR carriers. This restriction applies also for these carriers when applicable NR CA configuration is part of a higher order configuration.</p> <p>NOTE 6: The PCell is allocated in the licensed band in this combination.</p> <p>NOTE 7: The minimum requirements apply only when there is non-simultaneous Rx/Tx operation between n77-n79 NR carriers. This restriction applies also for these carriers when applicable NR CA configuration is part of a higher order configuration.</p> <p>NOTE 8: Applicable when dynamic Tx switching is conducted. The DL interruption requirement is specified in clause 8.2.2.2.10 of 38.133 [13].</p> <p>NOTE 9: FFS</p> <p>NOTE 10: FFS</p> <p>NOTE 11: FFS</p> <p>NOTE 12: FFS</p> <p>NOTE 13: Simultaneous Rx/Tx capability for TDD combinations does not apply for UEs supporting band n48 with an n77 implementation.</p> <p>NOTE 14: The band n48 and n77 will synchronize their uplink and downlink configurations and in commonly TDD network coordination</p> <p>NOTE 15: FFS</p> <p>NOTE 16: FFS</p> <p>NOTE 17: FFS</p> <p>NOTE 18: The minimum requirements for inter-band CA apply when the maximum power spectral density imbalance between downlink carriers is within 6 dB. The power spectral density imbalance condition also applies for these carriers when applicable CA configuration is a subset of a higher order CA configuration.</p>		

5.2A.2.2 Inter-band CA (three bands)

Table 5.2A.2.2-1: Inter-band CA operating bands involving FR1 (three bands)

NR CA Band	NR Band (Table 5.2-1)	DL interruption allowed (Note 4)
CA_n1-n3-n28	n1, n3, n28	
CA_n1-n3-n77	n1, n3, n77	
CA_n1-n3-n78 ³	n1, n3, n78	No for CA_n1-n78, CA_n3-n78

CA_n1-n8-n78 ³	n1, n8, n78	
CA_n1-n28-n77 ³	n1, n28, n77	
CA_n1-n28-n78 ³	n1, n28, n78	
CA_n1-n41-n77 ³	n1, n41, n77	
CA_n1-n78-n79	n1, n78, n79	
CA_n2-n5-n48	n2, n5, n48	
CA_n2-n5-n77	n2, n5, n77	
CA_n2-n48-n66	n2, n48, n66	
CA_n2-n48-n77	n2, n48, n77	
CA_n2-n66-n77	n2, n66, n77	
CA_n3-n8-n78 ³	n3, n8, n78	
CA_n3-n28-n41 ³	n3, n28, n41	
CA_n3-n28-n77 ³	n3, n28, n77	
CA_n3-n28-n78 ³	n3, n28, n78	
CA_n3-n41-n77 ³	n3, n41, n77	
CA_n5-n48-n66	n5, n48, n66	
CA_n5-n48-n77	n5, n48, n77	
CA_n5-n66-n77	n5, n66, n77	
CA_n25-n66-n77	n25, n66, n77	
CA_n25-n66-n78	n25, n66, n78	
CA_n26-n66-n70	n26, n66, n70	
CA_n28-n41-n79 ³	n28, n41, n79	
CA_n29-n66-n70	n29, n66, n70	
CA_n41-n66-n71	n41, n66, n71	
CA_n48-n66-n70	n48, n66, n70	
CA_n48-n66-n71	n48, n66, n71	
CA_n48-n66-n77	n48, n66, n77	
CA_n48-n70-n71	n48, n70, n71	
CA_n66-n70-n71	n66, n70, n71	
CA_n66-n71-n77	n66, n71, n77	
CA_n66-n71-n78	n66, n71, n78	
NOTE 1: FFS		
NOTE 2: FFS		
NOTE 3: Applicable for UE supporting inter-band carrier aggregation with mandatory simultaneous Rx/Tx capability.		
NOTE 4: Applicable when dynamic Tx switching is conducted. The DL interruption requirement is specified in clause 8.2.2.2.10 of 38.133 [13].		

5.2A.2.3 Inter-band CA (four bands)

Table 5.2A.2.3-1: Inter-band CA operating bands involving FR1 (four bands)

NR CA Band	NR Band (Table 5.2-1)
CA_n1-n3-n28-n78 ¹	n1, n3, n28, n78
CA_n2-n5-n48-n66	n2, n5, n48, n66
CA_n2-n5-n48-n77	n2, n5, n48, n77
CA_n2-n5-n66-n77	n2, n5, n66, n77
CA_n2-n48-n66-n77	n2, n48, n66, n77
CA_n3-n28-n41-n77	n3, n28, n41, n77
CA_n5-n48-n66-n77	n5, n48, n66, n77
NOTE 1: Applicable for UE supporting inter-band carrier aggregation with mandatory simultaneous Rx/Tx capability.	

5.2B Operating bands for DC

The operating bands are specified in clause 5.5B for operation with NR dual connectivity configured, where all operating bands are within FR1.

If the mandatory simultaneous Rx/Tx capability applies for a band combination, the mandatory simultaneous Rx/Tx capability also applies for the band combination when the applicable band combination is a subset of a higher order band combination.

5.2C Operating band combination for SUL

NR operation is designed to operate in the operating band combination defined in Table 5.2C-1, Table 5.2C-2, Table 5.2C-3 and Table 5.2C-4, where all operating bands are within FR1.

If the mandatory simultaneous Rx/Tx capability applies for a band combination, the mandatory simultaneous Rx/Tx capability also applies for the band combination when the applicable band combination is a subset of a higher order band combination.

Table 5.2C-1: Operating band combination for SUL in FR1

NR Band combination for SUL	NR Band (Table 5.2-1)
SUL_n41-n83 ²	n41, n83
SUL_n78-n80 ²	n78, n80
SUL_n78-n81 ²	n78, n81
SUL_n78-n82 ²	n78, n82
SUL_n78-n83 ²	n78, n83
SUL_n78-n84 ²	n78, n84
SUL_n78-n86 ²	n78, n86
SUL_n79-n80 ²	n79, n80
SUL_n79-n81 ²	n79, n81
SUL_n79-n83 ²	n79, n83
NOTE 1: If a UE is configured with both NR UL and NR SUL carriers in a cell, the switching time between NR UL carrier and NR SUL carrier is 0us.	
NOTE 2: For UE supporting SUL band combination simultaneous Rx/Tx capability is mandatory.	
NOTE 3: For release 15 and release 16 UE supporting SUL band combination, UL MIMO is not configured on SUL carrier.	

Table 5.2C-2: Operating SUL band combination with intra-band non-contiguous CA in FR1

FFS

Table 5.2C-3: Operating SUL band combination with intra-band contiguous CA in FR1

NR Band combination for SUL	NR Band (Table 5.2-1)
SUL_n41-n83	n41, n83
SUL_n78-n80	n78, n80
SUL_n78-n84	n78, n84
SUL_n79-n83	n79, n83
NOTE 1: If a UE is configured with both NR UL and NR SUL carriers in a cell, the switching time between NR UL carrier and NR SUL carrier is 0 us.	
NOTE 2: For UE supporting SUL band combination simultaneous Rx/Tx capability is mandatory.	

Table 5.2C-4: Operating SUL band combination with inter-band CA in FR1

NR Band combination for SUL	NR Band (Table 5.2-1)
CA_n1_n78-n80	n1, n78, n80
CA_n1_SUL_n78-n84	n1, n78, n84
CA_n3_n78-n80	n3, n78, n80
CA_n28_n41-n83	n28, n41, n83
CA_n28_n79-n83	n28, n79, n83
NOTE 1: If a UE is configured with both NR UL and NR SUL carriers in a cell, the switching time	

between NR UL carrier and NR SUL carrier is 0 us.

NOTE 2: For UE supporting SUL band combination simultaneous Rx/Tx capability is mandatory.

5.2D Operating bands for UL MIMO

NR is designed to support UL MIMO where all of the operating bands are in FR1 defined in Table 5.2D-1.

Table 5.2D-1: NR operating bands for UL MIMO in FR1

NR operating band
n1
n2
n3
n5
n7
n8
n25
n28
n30 ¹
n34
n38
n39
n40
n41
n46
n48
n66
n70
n71
n77
n78
n79
n80
n84
n95
n97
NOTE 1: Uplink transmission is not allowed at this band for UE with external vehicle-mounted antennas.
NOTE 2: Void.

5.2E Operating band for V2X

5.2E.1 V2X operating bands

NR V2X is designed to operate in the operating bands in FR1 defined in Table 5.2E.1-1.

Table 5.2E.1-1: V2X operating bands in FR1

V2X Operating Band	Sidelink (SL) Transmission operating band	Sidelink (SL) Reception operating band	Duplex Mode	Interface
	F _{UL_low} – F _{UL_high}	F _{DL_low} – F _{DL_high}		
n38 ¹	2570 MHz - 2620 MHz	2570 MHz - 2620 MHz	HD	PC5
n47	5855 MHz - 5925 MHz	5855 MHz - 5925 MHz	HD	PC5
NOTE 1: When this band is used for V2X SL service, the band is exclusively used for NR V2X in particular regions.				

5.2E.2 V2X operating bands for concurrent operation

NR V2X operation is designed to operate concurrent with NR uplink/downlink on the operating bands combinations listed in Table 5.2E.2-1.

Table 5.2E.2-1: Inter-band con-current V2X operating bands

V2X con-current operating Band	NR or V2X Operating Band	Interface
V2X_n71-n47	n71	Uu
	n47	PC5

5.2J Operating band for ATG

NR is designed to support ATG where all of the operating bands are in FR1 defined in Table 5.2J-1.

Table 5.2J-1: NR operating bands for ATG in FR1

NR operating band
n1
n3
n34
n39
n41
n78
n79

5.3 UE channel bandwidth

5.3.1 General

The UE channel bandwidth supports a single NR RF carrier in the uplink or downlink at the UE. From a BS perspective, different UE channel bandwidths may be supported within the same spectrum for transmitting to and receiving from UEs connected to the BS. Transmission of multiple carriers to the same UE (CA) or multiple carriers to different UEs within the BS channel bandwidth can be supported.

From a UE perspective, the UE is configured with one or more BWP / carriers, each with its own UE channel bandwidth. The UE does not need to be aware of the BS channel bandwidth or how the BS allocates bandwidth to different UEs.

The placement of the UE channel bandwidth for each UE carrier is flexible but can only be completely within the BS channel bandwidth.

The relationship between the channel bandwidth, the guardband and the maximum transmission bandwidth configuration is shown in Figure 5.3.1-1.

3 MHz channel bandwidth is only applicable for single-carrier operation in Release 18.

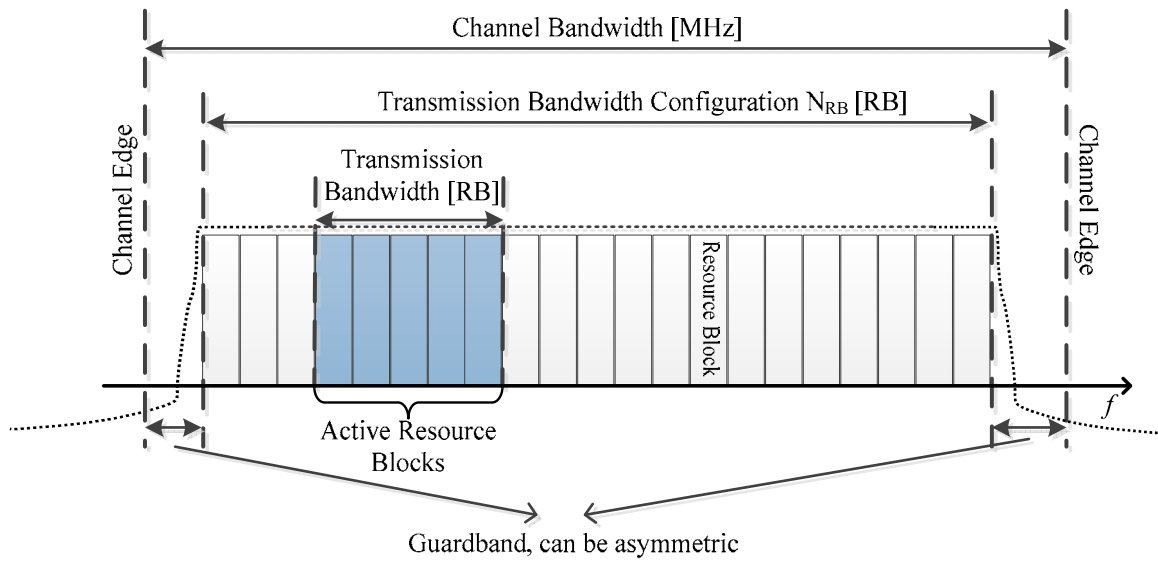


Figure 5.3.1-1: Definition of the channel bandwidth and the maximum transmission bandwidth configuration for one NR channel

5.3.2 Maximum transmission bandwidth configuration

The maximum transmission bandwidth configuration N_{RB} for each UE channel bandwidth and subcarrier spacing is specified in Table 5.3.2-1.

Table 5.3.2-1: Maximum transmission bandwidth configuration N_{RB}

SCS (kHz)	3 MHz	5 MHz	10 MHz	15 MHz	20 MHz	25 MHz	30 MHz	35 MHz	40 MHz	45 MHz	50 MHz	60 MHz	70 MHz	80 MHz	90 MHz	100 MHz
	N_{RB}	N_{RB}	N_{RB}	N_{RB}	N_{RB}	N_{RB}	N_{RB}	N_{RB}	N_{RB}	N_{RB}	N_{RB}	N_{RB}	N_{RB}	N_{RB}	N_{RB}	N_{RB}
15	15	25	52	79	106	133	160	188	216	242	270	N/A	N/A	N/A	N/A	N/A
30	N/A	11	24	38	51	65	78	92	106	119	133	162	189	217	245	273
60	N/A	N/A	11	18	24	31	38	44	51	58	65	79	93	107	121	135

5.3.3 Minimum guard band and transmission bandwidth configuration

The minimum guard band for each UE channel bandwidth and SCS is specified in Table 5.3.3-1.

Table 5.3.3-1: Minimum guard band for each UE channel bandwidth and SCS (kHz)

SCS (kHz)	3 MHz	5 MHz	10 MHz	15 MHz	20 MHz	25 MHz	30 MHz	35 MHz	40 MHz	45 MHz	50 MHz	60 MHz	70 MHz	80 MHz	90 MHz	100 MHz
15	142.5	242.5	312.5	382.5	452.5	522.5	592.5	672.5	752.5	832.5	912.5	N/A	N/A	N/A	N/A	N/A
30	N/A	505	665	825	985	1145	1305	1465	1625	1785	1945	2105	2265	2425	2585	2745
60	N/A	N/A	1010	1320	1630	1940	2250	2560	2870	3180	3490	3800	4110	4420	4730	5040

NOTE: The minimum guard bands have been calculated using the following equation: $GB_{channel} = (BW_{channel} \times 1000 \text{ (kHz)} - N_{RB} \times SCS \times 12) / 2 - SCS/2$, where N_{RB} are from Table 5.3.2-1 and $GB_{channel}$ expressed in kHz.

Figure 5.3.3-1: Void

The number of RBs configured in any channel bandwidth shall ensure that the minimum guard band specified in this clause is met.

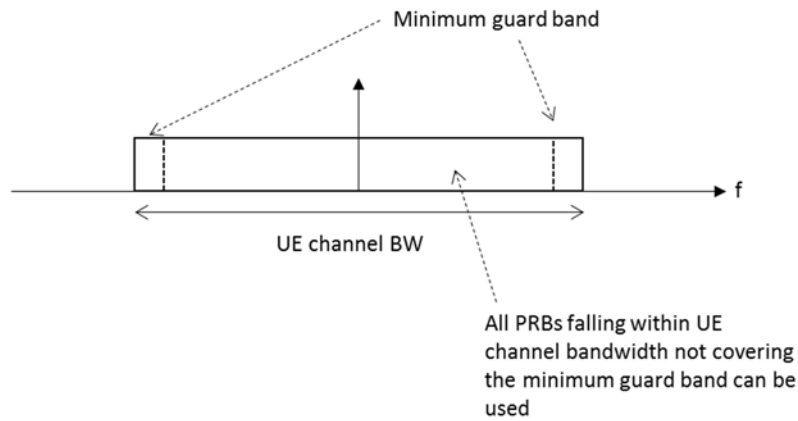


Figure 5.3.3-2: UE PRB utilization

In the case that multiple numerologies are multiplexed in the same symbol due to BS transmission of SSB, the minimum guard band on each side of the carrier is the guard band applied at the configured channel bandwidth for the numerology that is received immediately adjacent to the guard.

If multiple numerologies are multiplexed in the same symbol and the UE channel bandwidth is >50 MHz, the minimum guardband applied adjacent to 15 kHz SCS shall be the same as the minimum guardband defined for 30 kHz SCS for the same UE channel bandwidth.

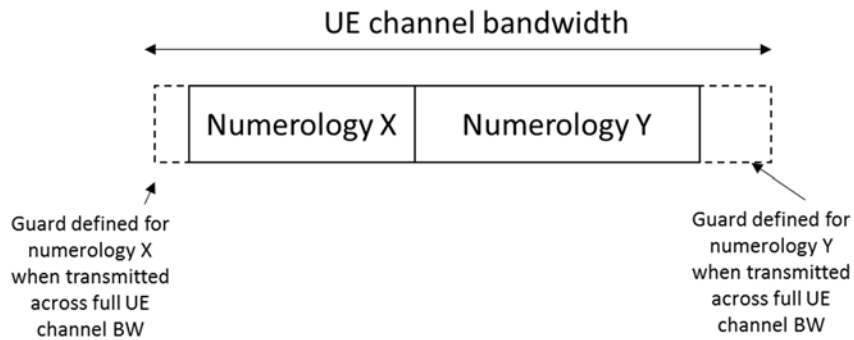


Figure 5.3.3-3: Guard band definition when transmitting multiple numerologies

NOTE: Figure 5.3.3-3 is not intended to imply the size of any guard between the two numerologies. Inter-numerology guard band within the carrier is implementation dependent.

[For a UE supporting wideband operation], the nominal intra-cell guard bands and the corresponding sizes of the RB sets separated by the said guard bands are as specified in Table 5.3.3-2 for each UE channel bandwidth and sub-carrier spacing for the downlink and uplink. The nominal intra-cell guard bands in Table 5.3.3-2 are applicable when the respective IE *intraCellGuardBandsUL-List* and *intraCellGuardBandsDL-List* [6] for the uplink and downlink are not provided, as specified in [12] clause 7.

Table 5.3.3-2: Nominal intra-cell guard bands for wideband operation

SCS (kHz)	40 MHz	60 MHz	80 MHz
15	105-6-105 (216)	N/A	N/A
30	50-6-50 (106)	50-6-50-6-50 (162)	50-6-50-5-50-6-50 (217)
60	23-5-23 (51)	23-5-23-5-23 (79)	23-5-23-5-23-5-23 (107)

NOTE 1: The intra-cell guard band is denoted $TBW_0-GB_0-\dots-GB_{N_RBset-2}-TBW_{N_RBset-1}$ for $N_RBset > 1$ number of RB-sets with TBW_r the maximum transmission bandwidth (PRB) of RB-set r and GB_r the guard band (PRB) above the upper edge of RB-set r . The RB-set 0 is starting at the first common resource block (CRB) of the carrier as indicated by *offsetToCarrier*. The total transmission bandwidth configuration (size of resource grid) including guard bands is given in between parentheses.

For a UE that supports shared spectrum channel access, there are no uplink or downlink intra-cell guard bands for operation with 10 MHz and 20 MHz channel bandwidths; the maximum transmission bandwidth configurations for these channel bandwidths are in accordance with clause 5.3.2.

For each UE channel bandwidth and sub-carrier spacing given by Table 5.3.3-2, the maximum transmission bandwidth configuration of the carrier including intra-cell guard bands, if configured for the uplink and downlink by the respective IE *intraCellGuardBandsUL-List* and *intraCellGuardBandsDL-List* [6], and corresponding RB-set(s) shall be in accordance with clause 5.3.2 with a minimum inter-cell guard band of the UE channel bandwidth as specified in Table 5.3.3-1 for the uplink and downlink. Minimum requirements specified for wideband operation in Clause 6 and Clause 7 also apply for intra-cell guard bands larger than the nominal sizes in Table 5.3.3-2 as listed in Table 5.3.3-3 for each sub-carrier spacing; each guard band in order of CRB index must be larger than or equal to the corresponding nominal guard band specified in Table 5.3.3-2 for each channel bandwidth.

Table 5.3.3-3: Applicable intra-cell guard bands for wideband operation

Parameter	Unit	SCS	
		15 kHz	30 kHz
Intra-cell guard band (size)	PRB	6,7	5,6,7
Transmission bandwidth (size) of RB-set	PRB	104,105	49,50,51

If the UE is configured with zero width intra-cell guard bands for the uplink and downlink by the IE *intraCellGuardBandsUL-List* and *intraCellGuardBandsDL-List* [6] on a carrier greater than 20 MHz, the maximum transmission bandwidth configuration for the uplink and downlink shall be in accordance with clause 5.3.2 with a minimum inter-cell guard band of the UE channel bandwidth as specified in Table 5.3.3-1.

5.3.4 RB alignment

For each numerology, its common resource blocks are specified in Clause 4.4.4.3 in TS 38.211 [8], and the starting point of its transmission bandwidth configuration on the common resource block grid for a given channel bandwidth is indicated by an offset to “Reference point A” in the unit of the numerology. The *UE transmission bandwidth configuration* is indicated by the higher layer parameter *carrierBandwidth* [6] and will fulfil the minimum UE guard band requirement specified in Clause 5.3.3.

5.3.5 UE channel bandwidth per operating band

The requirements in this specification apply to the combination of channel bandwidths, SCS and operating bands shown in Table 5.3.5-1. The transmission bandwidth configuration in Table 5.3.2-1 shall be supported for each of the specified channel bandwidths. The channel bandwidths are specified for both the TX and RX path.

Table 5.3.5-1: Channel Bandwidths for each NR band

NR Band	SCS (kHz)	UE Channel bandwidth (MHz)															
		3	5	10	15	20	25	30	35	40	45	50	60	70 ⁶	80	90 ⁶	100
n1	15		5	10	15	20	25 ⁶	30 ⁶		40 ₆	45 ¹²	50 ₆					
	30			10	15	20	25 ⁶	30 ⁶		40 ₆	45 ¹²	50 ₆					
	60			10	15	20	25 ⁶	30 ⁶		40 ₆	45 ¹²	50 ₆					
n2	15		5	10	15	20	25	30		40							
	30			10	15	20	25	30		40							

	60			10	$\frac{1}{5}$	20	25	30		40							
n3	15		5	10	$\frac{1}{5}$	20	25	30	35^{12}	40	45^{12}	50					
	30			10	$\frac{1}{5}$	20	25	30	35^{12}	40	45^{12}	50					
	60			10	$\frac{1}{5}$	20	25	30	35^{12}	40	45^{12}	50					
n5	15		5	10	$\frac{1}{5}$	20	25^3										
	30			10	$\frac{1}{5}$	20	25^3										
	60																
n7	15		5	10	$\frac{1}{5}$	20	25	30		40		50					
	30			10	$\frac{1}{5}$	20	25	30		40		50					
	60			10	$\frac{1}{5}$	20	25	30		40		50					
n8	15		5	10	$\frac{1}{5}$	20			$35^{3,12}$								
	30			10	$\frac{1}{5}$	20			$35^{3,12}$								
	60																
n12	15		5	10	$\frac{1}{5}$												
	30			10	$\frac{1}{5}$												
	60																
n13	15		5	10													
	30			10													
	60																
n14 ₁	15		5	10													
	30			10													
	60																
n18	15		5	10	$\frac{1}{5}$												
	30			10	$\frac{1}{5}$												
	60																
n20	15		5	10	$\frac{1}{5}$	20											
	30			10	$\frac{1}{5}$	20											
	60																
n24	15		5	10													
	30			10													
	60			10													
n25	15		5	10	$\frac{1}{5}$	20	25^6	30^6	35^{12}	40_6	$45^{3,1}_2$						
	30			10	$\frac{1}{5}$	20	25^6	30^6	35^{12}	40_6	$45^{3,1}_2$						
	60			10	$\frac{1}{5}$	20	25^6	30^6	35^{12}	40_6	$45^{3,1}_2$						
n26	15	3^1_4	5	10	$\frac{1}{5}$	20											
	30			10	$\frac{1}{5}$	20											
n28	15	3^1_4	5	10	$\frac{1}{5}$	20_9		$30^{6,9}$									
	30			10	$\frac{1}{5}$	20_9		$30^{6,9}$									
	60																
n29	15		5	10													
	30			10													
	60																

n30	15		5	10													
	30			10													
	60																
n34	15		5	10	1 5												
	30			10	1 5												
	60			10	1 5												
n38 ¹ ₁	15		5	10	1 5	20	25	30		40							
	30			10	1 5	20	25	30		40							
	60			10	1 5	20	25	30		40							
n39	15		5	10	1 5	20	25	30		40							
	30			10	1 5	20	25	30		40							
	60			10	1 5	20	25	30		40							
n40	15		5 ⁷	10	1 5	20	25	30		40		50					
	30			10	1 5	20	25	30		40		50	60	70	80	90	100
	60			10	1 5	20	25	30		40		50	60	70	80	90	100
n41	15			10	1 5	20		30		40		50					
	30			10	1 5	20		30		40		50	60	70	80	90	100
	60			10	1 5	20		30		40		50	60	70	80	90	100
n46	15			10 ⁷		20				40							
	30			10 ⁷		20				40		60		80			
	60			10 ⁷		20				40		60		80			
n47 ¹ ₁	15			10		20		30		40							
	30			10		20		30		40							
	60			10		20		30		40							
n48	15		5 ⁷	10	1 5	20		30		40		50 ₈					
	30			10	1 5	20		30		40		50 ₈	60 ₈	70 ⁸	80 ₈	90 ^{8,1} ₀	100 ₈
	60			10	1 5	20		30		40		50 ₈	60 ₈	70 ⁸	80 ₈	90 ^{8,1} ₀	100 ₈
n50	15		5 ⁷	10	1 5	20				40		50					
	30			10	1 5	20				40		50	60		80 ₃		
	60			10	1 5	20				40		50	60		80 ₃		
n51	15		5														
	30																
	60																
n53	15		5	10													
	30			10													
	60			10													
n65	15		5	10	1 5	20											
	30			10	1 5	20											
	60			10	1 5	20											
n66	15		5	10	1 5	20	25 ⁶	30 ⁶		40							

	30			10	$\frac{1}{5}$	20	25^6	30^6		40							
	60			10	$\frac{1}{5}$	20	25^6	30^6		40							
n70	15		5	10	$\frac{1}{5}$	$\frac{20}{3}$	25^3										
	30			10	$\frac{1}{5}$	$\frac{20}{3}$	25^3										
	60			10	$\frac{1}{5}$	$\frac{20}{3}$	25^3										
n71	15		5	10	$\frac{1}{5}$	20	$25^{14,1}_5$	$30^{14,1}_5$		$35^{12,14,15}$							
	30			10	$\frac{1}{5}$	20	$25^{14,1}_5$	$30^{14,1}_5$		$35^{12,14,15}$							
	60																
n74	15		5	10	$\frac{1}{5}$	20											
	30			10	$\frac{1}{5}$	20											
	60			10	$\frac{1}{5}$	20											
n75	15		5	10	$\frac{1}{5}$	20											
	30			10	$\frac{1}{5}$	20											
	60			10	$\frac{1}{5}$	20											
n76	15		5														
	30																
	60																
n77	15			10	$\frac{1}{5}$	20	25	30		40		50					
	30			10	$\frac{1}{5}$	20	25	30		40		50	60	70^1_0	80	90^{10}	100
	60			10	$\frac{1}{5}$	20	25	30		40		50	60	70^1_0	80	90^{10}	100
n78	15			10	$\frac{1}{5}$	20	25	30		40		50					
	30			10	$\frac{1}{5}$	20	25	30		40		50	60	70^1_0	80	90	100
	60			10	$\frac{1}{5}$	20	25	30		40		50	60	70^1_0	80	90	100
n79 ₁	15			10		20				40		50					
	30			10		20				40		50	60		80		100
	60			10		20				40		50	60		80		100
n80	15		5	10	$\frac{1}{5}$	20	25	30									
	30			10	$\frac{1}{5}$	20	25	30									
	60			10	$\frac{1}{5}$	20	25	30									
n81	15		5	10	$\frac{1}{5}$	20											
	30			10	$\frac{1}{5}$	20											
	60																
n82	15		5	10	$\frac{1}{5}$	20											
	30			10	$\frac{1}{5}$	20											
	60																
n83	15		5	10	$\frac{1}{5}$	$\frac{20}{9}$		30^9									
	30			10	$\frac{1}{5}$	$\frac{20}{9}$		30^9									
	60																

n84	15		5	10	$\frac{1}{5}$	20	25	30		40		50					
	30			10	$\frac{1}{5}$	20	25	30		40		50					
	60			10	$\frac{1}{5}$	20	25	30		40		50					
n85	15	$\frac{3^1}{4}$															
n85	15	5	$\frac{1}{0}$	15													
	30		$\frac{1}{0}$	15													
	60																
n86	15		5	10	$\frac{1}{5}$	20				40							
	30			10	$\frac{1}{5}$	20				40							
	60			10	$\frac{1}{5}$	20				40							
n91	15		5	$\frac{10^1}{3}$													
	30																
	60																
n92	15		5	10	$\frac{1}{5}$	20											
	30			10	$\frac{1}{5}$	20											
	60																
n93	15		5	$\frac{10^1}{3}$													
	30																
	60																
n94	15		5	10	$\frac{1}{5}$	20											
	30			10	$\frac{1}{5}$	20											
	60																
n95	15		5	10	$\frac{1}{5}$												
	30			10	$\frac{1}{5}$												
	60			10	$\frac{1}{5}$												
n96	15					20				40							
	30					20				40		60		80			
	60					20				40		60		80			
n97	15		5	10	$\frac{1}{5}$	20	25	30		40		50					
	30			10	$\frac{1}{5}$	20	25	30		40		50	60	70	80	90	100
	60			10	$\frac{1}{5}$	20	25	30		40		50	60	70	80	90	100
n99	15		5	10													
	30			10													
	60			10													
n100	15	$\frac{3^1}{4}$	5														
	30																
	60																
n101	15		5	10													
	30			10													
	60																
n106	15	3															
	30																
	60																

NOTE 1: Void.

- NOTE 2: Void.
- NOTE 3: This UE channel bandwidth is applicable only to downlink.
- NOTE 4: For test configuration tables from the transmitter and receiver tests in Section 6 and 7 that refer to this table for test SCS, the Lowest SCS refers to lowest supported SCS per channel bandwidth, Highest SCS refers to highest supported SCS per channel bandwidth.
- NOTE 5: For test configuration tables from the transmitter and receiver tests in Section 6 and 7 that refer to this table and list and list the test SCS as Mid or any other value; if that value is not supported by the UE in UL and/or DL, select the closest SCS supported by the UE in both UL and DL.
- NOTE 6: This UE channel bandwidth is optional in R15.
- NOTE 7: For this bandwidth, the minimum requirements are restricted to operation when carrier is configured as an SCell part of DC or CA configuration.
- NOTE 8: For this bandwidth, the minimum requirements are restricted to operation when carrier is configured as a downlink SCell part of CA configuration.
- NOTE 9: For the 20 MHz bandwidth, the minimum requirements are specified for NR UL carrier frequencies confined to either 713-723 MHz or 728-738 MHz. For the 30MHz bandwidth, the minimum requirements are specified for NR UL transmission bandwidth configuration confined to either 703-733 or 718-748 MHz.
- NOTE 10: This UE channel bandwidth is optional in R16.
- NOTE 11: For this band, UE channel bandwidths which are applicable to sidelink operation are specified in Table 5.3E.1-1.
- NOTE 12: This UE channel bandwidth is optional in R17.
- NOTE 13: This UE channel bandwidth is applicable only to uplink.
- NOTE 14: This UE channel bandwidth is optional in R18.
- NOTE 14: This UE channel bandwidth is applicable only to downlink in R17.
- NOTE 15: This UE channel bandwidth is optional for uplink in R18.

5.3.6 Asymmetric channel bandwidths

The UE channel bandwidth can be asymmetric in downlink and uplink. In asymmetric channel bandwidth operation, the narrower carrier shall be confined within the frequency range of the wider channel bandwidth.

In FDD, the confinement is defined as a maximum deviation to the default Tx-Rx carrier centre frequency separation (defined in Table 5.4.4-1) as following:

$$\Delta F_{\text{TX-RX}} = | (BW_{\text{DL}} - BW_{\text{UL}}) / 2 |$$

The operating bands and supported asymmetric channel bandwidth combinations are defined in Table 5.3.6-1.

Table 5.3.6-1: FDD asymmetric UL and DL channel bandwidth combinations

NR Band	Channel bandwidths for UL (MHz)	Channel bandwidths for DL (MHz)	Asymmetric channel bandwidth combination set
n5	20	25	0
n8	20	35	0
n24	10	5	0
n25	40	45	0
n66	5, 10	20, 40	0
	20	40	
	5, 10	20, 25, 30, 40	1
	20, 25, 30	40	
n70	5,10	15	0
	5, 10, 15	20, 25	
n71	5	10	0
	10	15	
	15	20	
	20	25, 30, 35	2
n91 ¹	10	5	0
n92 ¹	5	10, 15, 20	0
	10	15, 20	
n93 ¹	10	5	0
n94 ¹	5	10, 15, 20	0
	10	15, 20	

NOTE 1: The assignment of the paired UL and DL channels are subject to a TX-RX separation as specified in clause 5.4.4.

NOTE 2: As indicated in TS38.306 [26], it is mandatory for UEs to support asymmetric channel BCS0 if there is an asymmetric BCS0 defined for the band.

In TDD, the operating bands and supported asymmetric channel bandwidth combinations are defined in Table 5.3.6-2.

Table 5.3.6-2: TDD asymmetric UL and DL channel bandwidth combinations

NR Band	Channel bandwidths for UL (MHz)	Channel bandwidths for DL (MHz)
n50	60	80
NOTE 1: Both centre frequency and BWP-ID shall match between DL and UL carriers as defined in TS 38.331 [6] cl. 6.3.2 and TS 38.213 [9] clause 12.		
NOTE 2: In a case a UE is configured with a full width of BWP within both UL/ DL channels, the centre frequency of UL/ DL channels shall be same.		
NOTE 3: A position of Point A is common between UL and DL carriers as defined in TS 38.331 [6] cl. 6.3.2.		

5.3A UE channel bandwidth for CA

5.3A.1 General

Figure 5.3A.1-1: Void

Figure 5.3A.1-2: Void

5.3A.2 Maximum transmission bandwidth configuration for CA

For carrier aggregation, the maximum transmission bandwidth configuration is defined per component carrier and the requirement is specified in subclause 5.3.2.

5.3A.3 Minimum guard band and transmission bandwidth configuration for CA

For intra-band contiguous carrier aggregation, *Aggregated Channel Bandwidth* and *Guard Bands* are defined as follows, see Figure 5.3A.3-1.

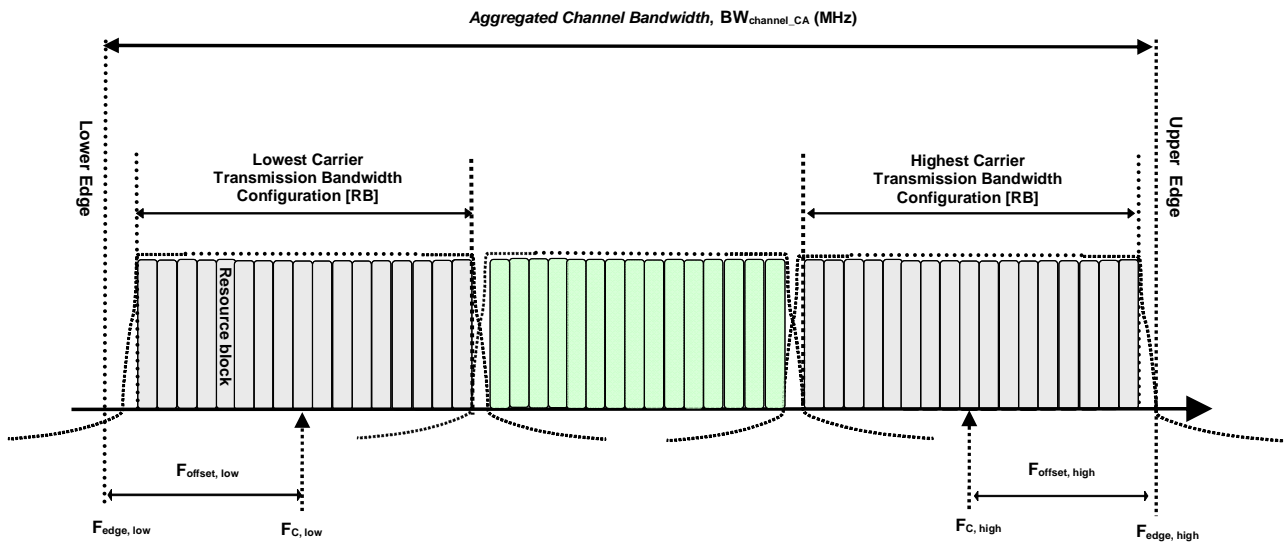


Figure 5.3A.3-1: Definition of *Aggregated Channel Bandwidth* for intra-band carrier aggregation

The *aggregated channel bandwidth*, $BW_{\text{Channel_CA}}$, is defined as

$$BW_{\text{Channel_CA}} = F_{\text{edge,high}} - F_{\text{edge,low}} \text{ (MHz)}.$$

The lower bandwidth edge $F_{\text{edge,low}}$ and the upper bandwidth edge $F_{\text{edge,high}}$ of the aggregated channel bandwidth are used as frequency reference points for transmitter and receiver requirements and are defined by

$$F_{\text{edge,low}} = F_{\text{c,low}} - F_{\text{offset,low}}$$

$$F_{\text{edge,high}} = F_{\text{c,high}} + F_{\text{offset,high}}$$

The lower and upper frequency offsets depend on the transmission bandwidth configurations of the lowest and highest assigned edge component carrier and are defined as

$$F_{\text{offset,low}} = (N_{\text{RB,low}} * 12 + 1) * SCS_{\text{low}} / 2 + BW_{\text{GB}} \text{ (MHz)}$$

$$F_{\text{offset,high}} = (N_{\text{RB,high}} * 12 - 1) * SCS_{\text{high}} / 2 + BW_{\text{GB}} \text{ (MHz)}$$

$$BW_{\text{GB}} = \max(BW_{\text{GB,Channel}(k)})$$

$N_{\text{RB,low}}$ and $N_{\text{RB,high}}$ are the transmission bandwidth configurations according to Table 5.3.2-1 for the lowest and highest assigned component carrier, SCS_{low} and SCS_{high} are the sub-carrier spacing for the lowest and highest assigned component carrier respectively. SCS_{low} , SCS_{high} , $N_{\text{RB,low}}$, $N_{\text{RB,high}}$, and $BW_{\text{GB,Channel}(k)}$ use the largest μ value among the subcarrier spacing configurations supported in the operating band for both of the channel bandwidths according to Table 5.3.5-1 and $BW_{\text{GB,Channel}(k)}$ is the minimum guard band for carrier k according to Table 5.3.3-1 for the said μ value. In case there is no common μ value for both of the channel bandwidths, $\mu=1$ is used for SCS_{low} , SCS_{high} , $N_{\text{RB,low}}$, $N_{\text{RB,high}}$, and $BW_{\text{GB,Channel}(k)}$.

For intra-band non-contiguous carrier aggregation *Sub-block Bandwidth* and *Sub-block edges* are defined as follows, see Figure 5.3A.3-2.

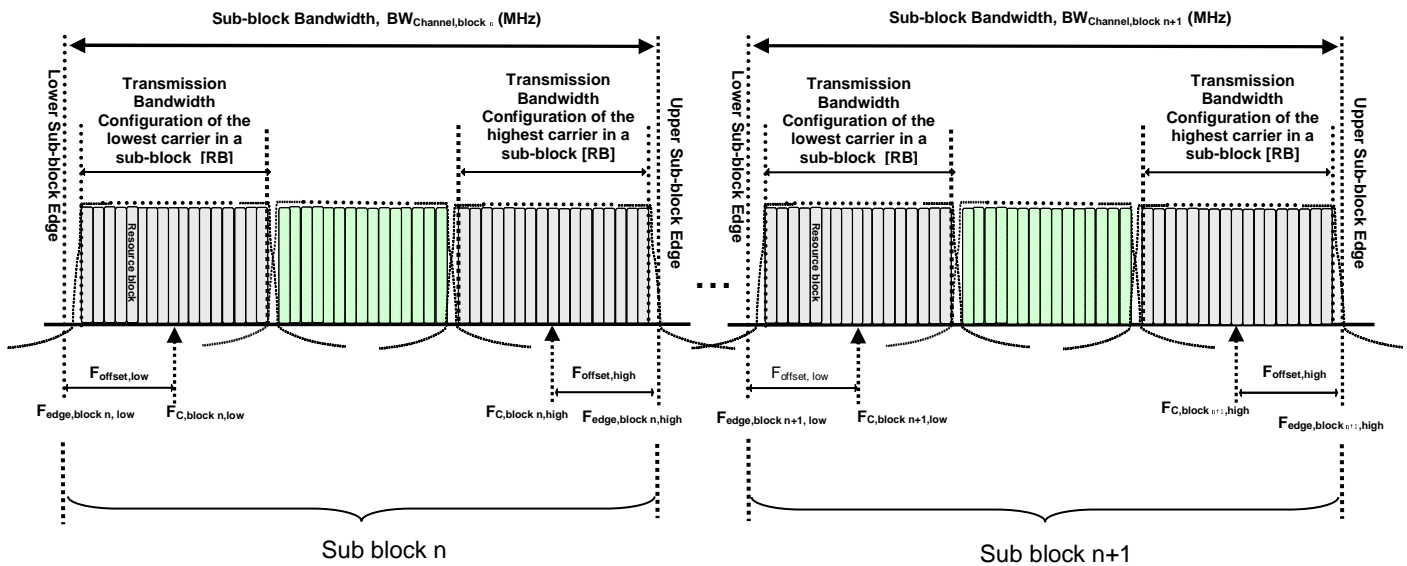


Figure 5.3A.3-2: Definition of sub-block bandwidth for intra-band non-contiguous spectrum

The lower sub-block edge of the Sub-block Bandwidth ($BW_{Channel,block}$) is defined as

$$F_{edge,block,low} = F_{C,block,low} - F_{offset,low}$$

The upper sub-block edge of the Sub-block Bandwidth is defined as

$$F_{edge,block,high} = F_{C,block,high} + F_{offset,high}$$

The Sub-block Bandwidth, $BW_{Channel,block}$, is defined as follows:

$$BW_{Channel,block} = F_{edge,block,high} - F_{edge,block,low} \text{ (MHz)}$$

The lower and upper frequency offsets $F_{offset,block,low}$ and $F_{offset,block,high}$ depend on the transmission bandwidth configurations of the lowest and highest assigned edge component carriers within a sub-block and are defined as

$$F_{offset,block,low} = (N_{RB,low} * 12 + 1) * SCS_{low} / 2 + BW_{GB} \text{ (MHz)}$$

$$F_{offset,block,high} = (N_{RB,high} * 12 - 1) * SCS_{high} / 2 + BW_{GB} \text{ (MHz)}$$

$$BW_{GB} = \max(BW_{GB,Channel(k)})$$

where $N_{RB,low}$ and $N_{RB,high}$ are the transmission bandwidth configurations according to Table 5.3.2-1 for the lowest and highest assigned component carrier within a sub-block, respectively. SCS_{low} and SCS_{high} are the sub-carrier spacing for the lowest and highest assigned component carrier within a sub-block, respectively. SCS_{low} , SCS_{high} , $N_{RB,low}$, $N_{RB,high}$, and $BW_{GB,Channel(k)}$ use the largest μ value among the subcarrier spacing configurations supported in the operating band for both of the channel bandwidths according to Table 5.3.5-1 and $BW_{GB,Channel(k)}$ is the minimum guard band for carrier k according to Table 5.3.3-1 for the said μ value. In case there is no common μ value for both of the channel bandwidths, $\mu=1$ is used for SCS_{low} , SCS_{high} , $N_{RB,low}$, $N_{RB,high}$, and $BW_{GB,Channel(k)}$.

The sub-block gap size between two consecutive sub-blocks W_{gap} is defined as

$$W_{gap} = F_{edge,block n+1,low} - F_{edge,block n,high} \text{ (MHz)}$$

5.3A.4 Void

5.3A.5 UE channel bandwidth per operating band for CA

The requirements for carrier aggregation in this specification are defined for carrier aggregation configurations.

For intra-band contiguous carrier aggregation, a carrier aggregation configuration is a single operating band supporting a carrier aggregation bandwidth class with associated bandwidth combination sets specified in clause 5.5A.1. For each

carrier aggregation configuration, requirements are specified for all aggregated channel bandwidths contained in a bandwidth combination set, a UE can indicate support of several bandwidth combination sets per carrier aggregation configuration. For intra-band non-contiguous carrier aggregation, a carrier aggregation configuration is a single operating band supporting two or more sub-blocks, each supporting a carrier aggregation bandwidth class.

For intra-band non-contiguous uplink carrier aggregation, frequency separation class (Fs) specified in Table 5.3A.5-2 indicates the maximum frequency span between lower edge of lowest component carrier and upper edge of highest component carrier that UE can support per band combination in uplink in non-contiguous intra-band operation when the signalling is absent for dualPA-Architecture IE.

For inter-band carrier aggregation, a carrier aggregation configuration is a combination of operating bands, each supporting a carrier aggregation bandwidth class.

Table 5.3A.5-1: NR CA bandwidth classes

NR CA bandwidth class	Aggregated channel bandwidth	Number of contiguous CC	Fallback group
A	$BW_{\text{Channel}} \leq BW_{\text{Channel,max}}$	1	1, 2, 3 ⁴
B	$20 \text{ MHz} \leq BW_{\text{Channel_CA}} \leq 100 \text{ MHz}$	2	2, 3 ⁴
C	$100 \text{ MHz} < BW_{\text{Channel_CA}} \leq 2 \times BW_{\text{Channel,max}}$	2	1, 3 ⁴
D	$200 \text{ MHz} < BW_{\text{Channel_CA}} \leq 3 \times BW_{\text{Channel,max}}$	3	
E	$300 \text{ MHz} < BW_{\text{Channel_CA}} \leq 4 \times BW_{\text{Channel,max}}$	4	
G	$100 \text{ MHz} < BW_{\text{Channel_CA}} \leq 150 \text{ MHz}$	3	2
H	$150 \text{ MHz} < BW_{\text{Channel_CA}} \leq 200 \text{ MHz}$	4	
I	$200 \text{ MHz} < BW_{\text{Channel_CA}} \leq 250 \text{ MHz}$	5	
J	$250 \text{ MHz} < BW_{\text{Channel_CA}} \leq 300 \text{ MHz}$	6	
K	$300 \text{ MHz} < BW_{\text{Channel_CA}} \leq 350 \text{ MHz}$	7	
L	$350 \text{ MHz} < BW_{\text{Channel_CA}} \leq 400 \text{ MHz}$	8	
M ³	$50 \text{ MHz} \leq BW_{\text{Channel_CA}} \leq 200 \text{ MHz}$	3	
N ³	$80 \text{ MHz} \leq BW_{\text{Channel_CA}} \leq 300 \text{ MHz}$	4	
O ³	$100 \text{ MHz} \leq BW_{\text{Channel_CA}} \leq 400 \text{ MHz}$	5	

NOTE 1: $BW_{\text{Channel,max}}$ is maximum channel bandwidth supported among all bands in a release
NOTE 2: It is mandatory for a UE to be able to fallback to lower order NR CA bandwidth class configuration within a fallback group. It is not mandatory for a UE to be able to fallback to lower order NA CA bandwidth class configuration that belong to a different fallback group.
NOTE 3: This bandwidth class is only applicable to bands identified for use with shared spectrum channel access in Table 5.2-1.
NOTE 4: Fallback group 3 is only applicable to bands identified for use with shared spectrum channel access in Table 5.2-1.

Table 5.3A.5-2: NR intra-band non-contiguous UL CA frequency separation classes

NR NC CA frequency separation class	Maximum allowed frequency separation
I	100 MHz
II	200 MHz
III	[600MHz]

5.3E Channel bandwidth for V2X

5.3E.1 General

NR V2X operation channel bandwidths for each operating band are specified in Table 5.3E.1-1 in subclause 5.3E.1. The same (symmetrical) channel bandwidth is specified for both the transmission and reception path. The maximum channel bandwidth for SL operation in licensed band is 40MHz.

Table 5.3E.1-1: NR V2X operation channel bandwidths for each operating band

NR Band	SCS (kHz)	NR band / SCS / UE Channel bandwidth (MHz)				
		5	10	20	30	40
n38	15		10	20	30	40
	30		10	20	30	40
	60		10	20	30	40
n47	15		10	20	30	40
	30		10	20	30	40
	60		10	20	30	40

5.3E.2 Channel bandwidth for V2X concurrent operation

For NR V2X inter-band con-current operation in FR1, the NR V2X channel bandwidths for each operating band are specified in Table 5.3E.2-1.

Table 5.3E.2-1: Inter-band con-current V2X configurations

NR V2X inter-band con-current operating configuration	NR Band	Interface	Channel bandwidth (MHz) (NOTE 1)	Bandwidth combination set
V2X_n71A-n47A	n71	Uu	5, 10, 15, 20	0
	n47	PC5	10, 20, 30, 40	

NOTE 1: The SCS of each channel bandwidth for NR band refers to Table 5.3.5-1.

5.3I Channel bandwidth for RedCap

The requirements in this specification apply to the combination of channel bandwidths, SCS and operating bands shown in Table 5.3.5-1 with maximum channel bandwidth of 20MHz. The transmission bandwidth configuration in Table 5.3.2-1 shall be supported for each of the specified channel bandwidths up to 20 MHz. The channel bandwidths are specified for both the TX and RX path.

3MHz channel bandwidth is not applicable for RedCap UE in Release 18.

5.4 Channel arrangement

5.4.1 Channel spacing

5.4.1.1 Channel spacing for adjacent NR carriers

The spacing between carriers will depend on the deployment scenario, the size of the frequency block available and the channel bandwidths. The nominal channel spacing between two adjacent NR carriers is defined as following:

- For NR operating bands with 100 kHz channel raster,

$$\text{Nominal Channel spacing} = (\text{BW}_{\text{Channel}(1)} + \text{BW}_{\text{Channel}(2)})/2$$

- For NR operating bands with 15 kHz channel raster,

$$\text{Nominal Channel spacing} = (\text{BW}_{\text{Channel}(1)} + \text{BW}_{\text{Channel}(2)})/2 + \{-5\text{kHz}, 0\text{kHz}, 5\text{kHz}\} \text{ for } \Delta F_{\text{Raster}} \text{ equals } 15 \text{ kHz}$$

$$\text{Nominal Channel spacing} = (\text{BW}_{\text{Channel}(1)} + \text{BW}_{\text{Channel}(2)})/2 + \{-10 \text{ kHz}, 0 \text{ kHz}, 10 \text{ kHz}\} \text{ for } \Delta F_{\text{Raster}} \text{ equals } 30 \text{ kHz}$$

where $\text{BW}_{\text{Channel}(1)}$ and $\text{BW}_{\text{Channel}(2)}$ are the channel bandwidths of the two respective NR carriers. The channel spacing can be adjusted depending on the channel raster to optimize performance in a particular deployment scenario.

5.4.2 Channel raster

5.4.2.1 NR-ARFCN and channel raster

The global frequency channel raster defines a set of RF reference frequencies F_{REF} . The RF reference frequency is used in signalling to identify the position of RF channels, SS blocks and other elements.

The global frequency raster is defined for all frequencies from 0 to 100 GHz. The granularity of the global frequency raster is ΔF_{Global} .

RF reference frequencies are designated by an NR Absolute Radio Frequency Channel Number (NR-ARFCN) in the range (0...2016666) on the global frequency raster. The relation between the NR-ARFCN and the RF reference frequency F_{REF} in MHz is given by the following equation, where $F_{\text{REF-Offs}}$ and $N_{\text{REF-Offs}}$ are given in Table 5.4.2.1-1 and N_{REF} is the NR-ARFCN.

$$F_{\text{REF}} = F_{\text{REF-Offs}} + \Delta F_{\text{Global}} (N_{\text{REF}} - N_{\text{REF-Offs}})$$

Table 5.4.2.1-1: NR-ARFCN parameters for the global frequency raster

Frequency range (MHz)	ΔF_{Global} (kHz)	$F_{\text{REF-Offs}}$ (MHz)	$N_{\text{REF-Offs}}$	Range of N_{REF}
0 – 3000	5	0	0	0 – 599999
3000 – 24250	15	3000	600000	600000 – 2016666

The channel raster defines a subset of RF reference frequencies that can be used to identify the RF channel position in the uplink and downlink. The RF reference frequency for an RF channel maps to a resource element on the carrier. For each operating band, a subset of frequencies from the global frequency raster are applicable for that band and forms a channel raster with a granularity ΔF_{Raster} , which may be equal to or larger than ΔF_{Global} .

For SUL expect n95, n97 bands and for the uplink of all FDD bands defined in Table 5.2-1, and for TDD bands n34, n39, n48, n90 and n38,.

$$F_{\text{REF, shift}} = F_{\text{REF}} + \Delta_{\text{shift}}, \Delta_{\text{shift}} = 0 \text{ kHz or } 7.5 \text{ kHz.}$$

where Δ_{shift} is signalled by the network in higher layer parameter frequencyShift7p5khz [6]. For Band n34, n38, n39, n48, $F_{\text{REF, shift}}$ is only applicable to uplink transmissions using a 15 kHz SCS.

The mapping between the channel raster and corresponding resource element is given in Section 5.4.2.2. The applicable entries for each operating band are defined in Section 5.4.2.3

5.4.2.2 Channel raster to resource element mapping

The mapping between the RF reference frequency on the channel raster and the corresponding resource element is given in Table 5.4.2.2-1 and can be used to identify the RF channel position. The mapping depends on the total number of RBs that are allocated in the channel and applies to both UL and DL. The mapping must apply to at least one numerology supported by the UE.

Table 5.4.2.2-1: Channel raster to resource element mapping

	$N_{\text{RB} \bmod 2} = 0$	$N_{\text{RB} \bmod 2} = 1$
Resource element index k	0	6
Physical resource block number n_{PRB}	$n_{\text{PRB}} = \left\lfloor \frac{N_{\text{RB}}}{2} \right\rfloor$	$n_{\text{PRB}} = \left\lfloor \frac{N_{\text{RB}}}{2} \right\rfloor$

k , n_{PRB} , N_{RB} are as defined in TS 38.211[8].

5.4.2.3 Channel raster entries for each operating band

The RF channel positions on the channel raster in each NR operating band are given through the applicable NR-ARFCN in Table 5.4.2.3-1, using the channel raster to resource element mapping in subclause 5.4.2.2.

For NR operating bands with 100 kHz channel raster, $\Delta F_{\text{Raster}} = 20 \times \Delta F_{\text{Global}}$. In this case every 20th NR-ARFCN within the operating band are applicable for the channel raster within the operating band and the step size for the channel raster in Table 5.4.2.3-1 is given as <20>.

For NR operating bands with 15 kHz channel raster below 3GHz, $\Delta F_{\text{Raster}} = I \times \Delta F_{\text{Global}}$, where $I \in \{3,6\}$. Every I^{th} NR-ARFCN within the operating band are applicable for the channel raster within the operating band and the step size for the channel raster in Table 5.4.2.3-1 is given as <I>.

For NR operating bands with 15 kHz channel raster above 3GHz, $\Delta F_{\text{Raster}} = I \times \Delta F_{\text{Global}}$, where $I \in \{1,2\}$. Every I^{th} NR-ARFCN within the operating band are applicable for the channel raster within the operating band and the step size for the channel raster in table 5.4.2.3-1 is given as <I>.

In frequency bands with two or more ΔF_{Raster} . For 15 kHz and 30 kHz channel raster, the higher ΔF_{Raster} applies to channels using only the SCS that is equals to or larger than the higher ΔF_{Raster} and SSB SCS is equal to the higher ΔF_{Raster} .

Table 5.4.2.3-1: Applicable NR-ARFCN per operating band

NR operating band	ΔF_{Raster} (kHz)	Uplink Range of N_{REF} (First – <Step size> – Last)	Downlink Range of N_{REF} (First – <Step size> – Last)
n1	100	384000 – <20> – 396000	422000 – <20> – 434000
n2	100	370000 – <20> – 382000	386000 – <20> – 398000
n3	100	342000 – <20> – 357000	361000 – <20> – 376000
n5	100	164800 – <20> – 169800	173800 – <20> – 178800
n7	100	500000 – <20> – 514000	524000 – <20> – 538000
n8	100	176000 – <20> – 183000	185000 – <20> – 192000
n12	100	139800 – <20> – 143200	145800 – <20> – 149200
n13	100	155400 – <20> – 157400	149200 – <20> – 151200
n14	100	157600 – <20> – 159600	151600 – <20> – 153600
n20	100	166400 – <20> – 172400	158200 – <20> – 164200
n24	100	325300 – <20> – 332100	305000 – <20> – 311800
n25	100	370000 – <20> – 383000	386000 – <20> – 399000
n26	100	162800 – <20> – 169800	171800 – <20> – 178800
n28	100	140600 – <20> – 149600	151600 – <20> – 160600
n29	100	N/A	143400 – <20> – 145600
n30	100	461000 – <20> – 463000	470000 – <20> – 472000
n34	100	402000 – <20> – 405000	402000 – <20> – 405000
n38	100	514000 – <20> – 524000	514000 – <20> – 524000
n39	100	376000 – <20> – 384000	376000 – <20> – 384000
n40	100	460000 – <20> – 480000	460000 – <20> – 480000
n41	15	499200 – <3> – 537999	499200 – <3> – 537999
	30	499200 – <6> – 537996	499200 – <6> – 537996
n46 ²	15	743334 – <1> – 795000	743334 – <1> – 795000
n47	15	790334 – <1> – 795000	790334 – <1> – 795000
n48	15	636667 – <1> – 646666	636667 – <1> – 646666
	30	636668 – <2> – 646666	636668 – <2> – 646666
n50	100	286400 – <20> – 303400	286400 – <20> – 303400
n51	100	285400 – <20> – 286400	285400 – <20> – 286400
n53	100	496700 – <20> – 499000	496700 – <20> – 499000
n65	100	384000 – <20> – 402000	422000 – <20> – 440000
n66	100	342000 – <20> – 356000	422000 – <20> – 440000
n70	100	339000 – <20> – 342000	399000 – <20> – 404000
n71	100	132600 – <20> – 139600	123400 – <20> – 130400
n75	100	N/A	286400 – <20> – 303400
n76	100	N/A	285400 – <20> – 286400
n77	15	620000 – <1> – 680000	620000 – <1> – 680000
	30	620000 – <2> – 680000	620000 – <2> – 680000
n78	15	620000 – <1> – 653333	620000 – <1> – 653333
	30	620000 – <2> – 653332	620000 – <2> – 653332
n79	15	693334 – <1> – 733333	693334 – <1> – 733333
	30	693334 – <2> – 733332	693334 – <2> – 733332
n80	100	342000 – <20> – 357000	N/A
n81	100	176000 – <20> – 183000	N/A
n82	100	166400 – <20> – 172400	N/A

n83	100	140600 – <20> – 149600	N/A
n84	100	384000 – <20> – 396000	N/A
n85	100	139600 – <20> – 143200	145600 – <20> – 149200
n86	100	342000 – <20> – 356000	N/A
n91	100	166400 – <20> – 172400	285400 – <20> – 286400
n92	100	166400 – <20> – 172400	286400 – <20> – 303400
n93	100	176000 – <20> – 183000	285400 – <20> – 286400
n94	100	176000 – <20> – 183000	286400 – <20> – 303400
n95	100	402000 – <20> – 405000	N/A
n96 ³	15	795000 – <1> – 875000	795000 – <1> – 875000
n97	100	460000 – <20> – 480000	N/A
n99	100	325300 – <20> – 332100	N/A
n100	100	174880 – <20> – 176000	183880 – <20> – 185000
n101	100	380000 – <20> – 382000	380000 – <20> – 382000
n106 ⁴	100	179200 – <20> – 180200	187000 – <20> – 188000

NOTE 1: The channel numbers that designate carrier frequencies so close to the operating band edges that the carrier extends beyond the operating band edge shall not be used.
 NOTE 2: The following N_{REF} are allowed for operation in Band n46: see Table 5.4.2.3-2.
 NOTE 3: The following N_{REF} are allowed for operation in Band n96: see Table 5.4.2.3-3.
 NOTE 4: In the Rel-18 version of the specification, only N_{REF} 179800 and 187600 is applicable for 3 MHz channel bandwidth.

Table 5.4.2.3-2: Allowed N_{REF} (NR-ARFCN) for operation in Band n46

Channel Bandwidth	Allowed N _{REF}
10 MHz	782000, 788668
20 MHz	744000, 745332, 746668, 748000, 749332, 750668, 752000, 753332, 754668, 756000, 765332, 766668, 768000, 769332, 770668, 772000, 773332, 774668, 776000, 777332, 778668, 780000, 781332, 783000, 784332, 785668, 787000, 788332, 789668, 791000, 792332, 793668
40 MHz	744668, 746000, 748668, 751332, 754000, 755332, 766000, 767332, 770000, 772668, 775332, 778000, 780668, 783668, 786332, 787668, 790332, 793000
60 MHz	745332, 746668, 748000, 752000, 753332, 754668, 766668, 768000, 769332, 773332, 774668, 778668, 780000, 784332, 785668, 787000, 791000, 792332
80 MHz	746000, 747332, 752668, 754000, 767332, 768668, 774000, 779332, 785000, 786332, 791668

NOTE: 10 MHz channel bandwidth shall only apply in certain regions where the absence of non 3GPP technologies can be guaranteed on a long-term basis in this version of specification.

Table 5.4.2.3-3: Allowed N_{REF} (NR-ARFCN) for operation in Band n96

Channel Bandwidth	Allowed N _{REF}
20 MHz	797000, 798332, 799668, 801000, 802332, 803668, 805000, 806332, 807668, 809000, 810332, 811668, 813000, 814332, 815668, 817000, 818332, 819668, 821000, 822332, 823668, 825000, 826332, 827668, 829000, 830332, 831668, 833000, 834332, 835668, 837000, 838332, 839668, 841000, 842332, 843668, 845000, 846332, 847668, 849000, 850332, 851668, 853000, 854332, 855668, 857000, 858332, 859668, 861000, 862332, 863668, 865000, 866332, 867668, 869000, 870332, 871668, 873000, 874332
40 MHz	797668, 800332, 803000, 805668, 808332, 811000, 813668, 816332, 819000, 821668, 824332, 827000, 829668, 832332, 835000, 837668, 840332, 843000, 845668, 848332, 851000, 853668, 856332, 859000, 861668, 864332, 867000, 869668, 872332
60 MHz	798332, 799668, 803668, 805000, 809000, 810332, 814332, 815668, 819668, 821000, 825000, 826332, 830332, 831668, 835668, 837000, 841000, 842332, 846332, 847668, 851668,

	853000, 857000, 858332, 862332, 863668, 867668, 869000, 873000
80 MHz	799000, 804332, 809668, 815000, 820332, 825668, 831000, 836332, 841668, 847000, 852332, 857668, 863000, 868332

5.4.3 Synchronization raster

5.4.3.1 Synchronization raster and numbering

The synchronization raster indicates the frequency positions of the synchronization block that can be used by the UE for system acquisition when explicit signalling of the synchronization block position is not present.

A global synchronization raster is defined for all frequencies. The frequency position of the SS block is defined as SS_{REF} with corresponding number GSCN. The parameters defining the SS_{REF} and GSCN for all the frequency ranges are in Table 5.4.3.1-1 for above 3 MHz channel bandwidth and in table 5.4.3.1-2 for 3 MHz channel bandwidth.

For band n100, additional parameters defining the SS_{REF} and GSCN are specified in table 5.4.3.1-3.

The resource element corresponding to the SS block reference frequency SS_{REF} is given in subclause 5.4.3.2. The synchronization raster and the subcarrier spacing of the synchronization block are defined separately for each band.

Table 5.4.3.1-1: GSCN parameters for the global frequency raster for above 3 MHz channel bandwidth

Frequency range	SS Block frequency position SS_{REF}	GSCN	Range of GSCN
0 – 3000 MHz	$N * 1200\text{kHz} + M * 50\text{ kHz}$, $N=1:2499$, $M \in \{1,3,5\}$ (Note 1)	$3N + (M-3)/2$	2 – 7498
3000 - 24250 MHz	$3000\text{ MHz} + N * 1.44\text{ MHz}$ $N = 0:14756$	$7499 + N$	7499 – 22255

NOTE 1: The default value for operating bands with SCS spaced channel raster is $M=3$.

Table 5.4.3.1-2: GSCN parameters for the global frequency for 3 MHz channel bandwidth

Range of frequencies (MHz)	SS block frequency position SS_{REF}	GSCN	Range of GSCN
0 – 1000	$N * 600\text{ kHz} + M * 50\text{ kHz} + 300\text{ kHz}$, $N = 1:1665$, $M \in \{1,3,5\}$ (Note 1)	$26638+3N + (M-3)/2$	26640 – 31634

NOTE 1: Only applicable for 15 PRB transmission bandwidth configuration within 3 MHz channel bandwidth with punctured PBCH defined in TS 38.211 [8] clause 7.4.3.1.

Table 5.4.3.1-3: Additional GSCN parameters for band n100

SS Block frequency position SS_{REF} (MHz)	GSCN	Note
920.73	41637	Only applicable for 12 PRB transmission bandwidth configuration within 3 MHz channel with punctured PBCH defined in TS 38.211 [8] clause 7.4.3.1.
921.45	41638	Only applicable for 20 PRB transmission bandwidth configuration within 5 MHz channel with unpunctured PBCH defined in TS 38.211 [8] clause 7.4.3.1.

5.4.3.2 Synchronization raster to synchronization block resource element mapping

The mapping between the synchronization raster and the corresponding resource element of the SS block is given in Table 5.4.3.2-1.

Table 5.4.3.2-1: Synchronization raster to SS block resource element mapping

Resource element index k	120

k is the subcarrier number of SS/PBCH block defined in TS 38.211 clause 7.4.3.1[8].

5.4.3.3 Synchronization raster entries for each operating band

The synchronization raster for above 3 MHz channel bandwidth for each band is given in Table 5.4.3.3-1. The distance between applicable GSCN entries is given by the <Step size> indicated in Table 5.4.3.3-1.

Table 5.4.3.3-1: Applicable SS raster entries per operating band for above 3 MHz channel bandwidth

NR operating band	SS Block SCS	SS Block pattern ¹	Range of GSCN (First – <Step size> – Last)
n1	15kHz	Case A	5279 – <1> – 5419
n2	15kHz	Case A	4829 – <1> – 4969
n3	15kHz	Case A	4517 – <1> – 4693
n5	15kHz	Case A	2177 – <1> – 2230
	30kHz	Case B	2183 – <1> – 2224
n7	15kHz	Case A	6554 – <1> – 6718
n8	15kHz	Case A	2318 – <1> – 2395
n12	15kHz	Case A	1828 – <1> – 1858
n13	15kHz	Case A	1871 – <1> – 1885
n14	15 kHz	Case A	1901 – <1> – 1915
n20	15kHz	Case A	1982 – <1> – 2047
n24	15 kHz	Case A	3818 – <1> – 3892
	30 kHz	Case B	3824 – <1> – 3886
n25	15 kHz	Case A	4829 – <1> – 4981
n26	15 kHz	Case A	2153 – <1> – 2230
n28	15kHz	Case A	1901 – <1> – 2002
n29	15 kHz	Case A	1798 – <1> – 1813
n30	15 kHz	Case A	5879 – <1> – 5893
n34	15kHz	Case A	NOTE 5
	30kHz	Case C	5036 – <1> – 5050
n38	15kHz	Case A	NOTE 2
	30 kHz	Case C	6437 – <1> – 6538
n39	15kHz	Case A	NOTE 6
	30 kHz	Case C	4712 – <1> – 4789
n40	30kHz	Case C	5762 – <1> – 5989
n41	15kHz	Case A	6246 – <3> – 6717
	30 kHz	Case C	6252 – <3> – 6714
n46 ³	30 kHz	Case C	8993 – <1> – 9530
n50	30kHz	Case C	3590 – <1> – 3781
n48	30 kHz	Case C	7884 – <1> – 7982
n51	15kHz	Case A	3572 – <1> – 3574
n53	15 kHz	Case A	6215 – <1> – 6232
	30 kHz	Case C	6221 – <1> – 6226
n65	15 kHz	Case A	5279 – <1> – 5494
n66	15kHz	Case A	5279 – <1> – 5494
	30kHz	Case B	5285 – <1> – 5488
n70	15kHz	Case A	4993 – <1> – 5044
n71	15kHz	Case A	1547 – <1> – 1624
n74	15kHz	Case A	3692 – <1> – 3790
n75	15kHz	Case A	3584 – <1> – 3787
n76	15kHz	Case A	3572 – <1> – 3574
n77	30kHz	Case C	7711 – <1> – 8329
n78	30kHz	Case C	7711 – <1> – 8051
n79	30kHz	Case C	8480 – <16> – 8880 ⁷
			8475 – <1> – 8884 ⁸
n85	15 kHz	Case A	1826 – <1> – 1858
n91	15 kHz	Case A	3572 – <1> – 3574
n92	15 kHz	Case A	3584 – <1> – 3787
n93	15 kHz	Case A	3572 – <1> – 3574
n94	15 kHz	Case A	3584 – <1> – 3787
n96 ⁴	30 kHz	Case C	9531 – <1> – 10363
n100	15 kHz	Case A	2303 – <1> – 2307,
			41638 ⁹
n101	15 kHz	Case A	4754 – <1> – 4768

	30 kHz	Case C	4760 – <1> – 4764
NOTE 1:	SS Block pattern is defined in section 4.1 in TS 38.213 [9]		
NOTE 2:	The applicable SS raster entries are GSCN = {6432, 6443, 6457, 6468, 6479, 6493, 6507, 6518, 6532, 6543}.		
NOTE 3:	The following GSCN are allowed for operation in band n46: GSCN = {8996, 9010, 9024, 9038, 9051, 9065, 9079, 9093, 9107, 9121, 9218, 9232, 9246, 9260, 9274, 9288, 9301, 9315, 9329, 9343, 9357, 9371, 9385, 9402, 9416, 9430, 9444, 9458, 9472, 9485, 9499, 9513}.		
NOTE 4:	The following GSCN are allowed for operation in band n96: GSCN = {9548, 9562, 9576, 9590, 9603, 9617, 9631, 9645, 9659, 9673, 9687, 9701, 9714, 9728, 9742, 9756, 9770, 9784, 9798, 9812, 9826, 9840, 9853, 9867, 9881, 9895, 9909, 9923, 9937, 9951, 9964, 9978, 9992, 10006, 10020, 10034, 10048, 10062, 10076, 10090, 10103, 10117, 10131, 10145, 10159, 10173, 10187, 10201, 10214, 10228, 10242, 10256, 10270, 10284, 10298, 10312, 10325, 10339, 10353}.		
NOTE 5:	The applicable SS raster entries are GSCN = {5032, 5043, 5054}		
NOTE 6:	The applicable SS raster entries are GSCN = {4707, 4715, 4718, 4729, 4732, 4743, 4747, 4754, 4761, 4768, 4772, 4782, 4786, 4793}		
NOTE 7:	The SS raster entries apply for channel bandwidths larger than or equal to 40 MHz.		
NOTE 8:	The SS raster entries apply for channel bandwidths smaller than 40 MHz.		
NOTE 9:	Only applicable for 20 PRB transmission bandwidth configuration within 5 MHz channel with unpunctured PBCH defined in TS 38.211 [8] clause 7.4.3.1.		

The synchronization raster for channel bandwidth 3 MHz for each band is given in table 5.4.3.3-2. The distance between applicable GSCN entries is given by the <Step size> indicated in table 5.4.3.3-2.

Table 5.4.3.3-2: Applicable SS raster entries per operating band for 3 MHz channel bandwidth

NR operating band	SS Block SCS	SS Block pattern ¹	Range of GSCN (First – <Step size> – Last)
n26	15 kHz	Case A	30937 – <1> – 31100
n28	15 kHz	Case A	30432 – <1> – 30644
n85	15 kHz	Case A	30282 – <1> – 30359
n100	15 kHz	Case A	31240 – <1> – 31242, 31244 – <1> – 31253, 41637 ²
n106	15 kHz	Case A	31317 – <1> – 31329
NOTE 1: SS Block pattern is defined in clause 4.1 in TS 38.213 [9].			
NOTE 2: Only applicable for 12 PRB transmission bandwidth configuration within 3 MHz channel with punctured PBCH defined in TS 38.211 [8] clause 7.4.3.1.			

5.4.4 TX–RX frequency separation

The default TX channel (carrier centre frequency) to RX channel (carrier centre frequency) separation for operating bands is specified in Table 5.4.4-1.

Table 5.4.4-1: UE TX-RX frequency separation

NR Operating Band	TX – RX carrier centre frequency separation
n1	190 MHz
n2	80 MHz
n3	95 MHz
n5	45 MHz
n7	120 MHz
n8	45 MHz
n12	30 MHz
n13	-31 MHz
n14	-30 MHz
n20	-41 MHz
n24	-101.5, -120.5 MHz
n25	80 MHz
n26	45 MHz
n28	55 MHz
n30	45 MHz

NR Operating Band	TX – RX carrier centre frequency separation
n65	190 MHz
n66	400 MHz
n70	300 MHz
n71	-46 MHz
n74	48 MHz
n85	30 MHz
n91	570 MHz – 595 MHz (NOTE 2)
n92	575 MHz – 680 MHz ($\mu = 0$) 580 MHz – 675 MHz ($\mu = 1$) (NOTE 2)
n93	517 MHz – 547 MHz (NOTE 2)
n94	522 MHz – 632 MHz ($\mu = 0$) 527 MHz – 627 MHz ($\mu = 1$) (NOTE 2)
n100	45MHz
n106	39 MHz
NOTE 1: Default TX-RX carrier centre frequency separation. NOTE 2: The range of TX-RX frequency separation given paired UL and DL channel bandwidths BW_{UL} and BW_{DL} is given by the respective lower and upper limit $F_{DL_low} - F_{UL_high} + 0.5(BW_{DL} + BW_{UL})$ and $F_{DL_high} - F_{UL_low} - 0.5(BW_{DL} + BW_{UL})$. The UL and DL channel bandwidth combinations specified in Table 5.3.5-1 and 5.3.6-1 depend on the subcarrier spacing configuration μ [6].	

5.4A Channel arrangement for CA

5.4A.1 Channel spacing for CA

For intra-band contiguous carrier aggregation with two or more component carriers, the nominal channel spacing between two adjacent NR component carriers is defined as the following unless stated otherwise:

For NR operating bands with a 100 kHz channel raster:

$$\text{Nominal channel spacing} = \left\lfloor \frac{BW_{Channel(1)} + BW_{Channel(2)} - 2|GB_{Channel(1)} - GB_{Channel(2)}|}{0.6} \right\rfloor 0.3 \text{ [MHz]}$$

while for NR operating bands with 15 kHz channel raster:

$$\text{Nominal channel spacing} = \left\lfloor \frac{BW_{Channel(1)} + BW_{Channel(2)} - 2|GB_{Channel(1)} - GB_{Channel(2)}|}{0.015 * 2^{n+1}} \right\rfloor 0.015 * 2^n \text{ [MHz]}$$

with $n = \mu_0$

where $BW_{Channel(1)}$ and $BW_{Channel(2)}$ are the channel bandwidths of the two respective NR component carriers according to Table 5.3.2-1 with values in MHz, μ_0 is the largest μ value among the subcarrier spacing configurations supported in the operating band for both of the channel bandwidths according to Table 5.3.5-1 and $GB_{Channel(i)}$ is the minimum guard band for channel bandwidth i according to Table 5.3.3-1 for the said μ value with μ as defined in TS 38.211. In case there is no common μ value for both of the channel bandwidths, $\mu_0=1$ is selected and $GB_{Channel(i)}$ is the minimum guard band for channel bandwidth i according to Table 5.3.3-1 for $\mu=1$ with μ as defined in TS 38.211.

The channel spacing for intra-band contiguous carrier aggregation can be adjusted to any multiple of least common multiple of channel raster and sub-carrier spacing less than the nominal channel spacing to optimize performance in a particular deployment scenario.

For intra-band non-contiguous carrier aggregation, the channel spacing between two NR component carriers in different sub-blocks shall be larger than the nominal channel spacing defined in this subclause

5.4A.2 Channel raster for CA

For inter-band and intra-band contiguous carrier aggregation, the channel raster requirements in clause 5.4.2 apply for each operating band.

5.4A.3 Synchronization raster for CA

For inter-band and intra-band contiguous carrier aggregation, the synchronization raster requirements in clause 5.4.3 apply for each operating band.

5.4A.4 Tx-Rx frequency separation for CA

For inter-band carrier aggregation, the Tx-Rx frequency separation requirements in subclause 5.4.4 apply for each operating band.

For intra-band contiguous carrier aggregation, the same TX-RX frequency separation as specified in Table 5.4.4-1 is applied to PCC and SCC, respectively.

5.4E Channel arrangement for V2X

5.4E.1 Channel spacing

For NR V2X, the channel spacing requirements in clause 5.4.1 apply for each operating band.

5.4E.2 Channel raster

5.4E.2.1 NR-ARFCN and channel raster

For NR V2X, the NR-ARFCN and channel raster requirements in clause 5.4.2.1 apply for each operating band.

For NR V2X UE, the reference frequency can be shifted by configuration.

$$F_{\text{REF_V2X}} = F_{\text{REF}} + \Delta_{\text{shift}} + N * 5 \text{ kHz}$$

where

$\Delta_{\text{shift}} = 0 \text{ kHz}$ or 7.5 kHz indicated in IE (*frequencyShift7p5khz*), and

N can be set as one of following values $\{-1, 0, 1\}$, which are signalled by the network in higher layer parameters or configured by pre-configuration parameters.

5.4E.2.2 Channel raster to resource element mapping

For NR V2X, the channel raster to resource element mapping requirements in clause 5.4.2.2 apply for each operating band.

5.4E.2.3 Channel raster entries for each operating band

For NR V2X, the channel raster entries, the channel raster entries requirements in clause 5.4.2.3 apply for each operating band.

The RF channel positions on the channel raster in each NR V2X operating band are given through the applicable NR-ARFCN in Table 5.4.2.3-1, using the channel raster to resource element mapping in subclause 5.4E.2.2.

For NR V2X operating band n47, $\Delta F_{\text{Raster}} = I \times \Delta F_{\text{Global}}$, where $I \in \{1\}$. Every I^{th} NR-ARFCN within the operating band are applicable for the channel raster within the operating band and the step size for the channel raster in Table 5.4.2.3-1 is given as $\langle I \rangle$.

5.4E.3 Synchronization raster for V2X

There is no synchronization raster definition for NR V2X for both licensed bands and unlicensed bands.

5.5 Void

5.5A Configurations for CA

5.5A.0 General

The configurations for CA operating band including Band n41 also apply for the corresponding CA operating bands with Band n90 replacing Band n41 but with otherwise identical parameters. For brevity the said configuration for CA operating bands with Band n90 are not listed in the tables below but are covered by this specification.

Non-contiguous resource allocation and almost contiguous allocation are not applicable for each NR carrier of intra-band contiguous and non-contiguous CA configurations.

For a CA configuration with one or more operating band supporting asymmetric channel bandwidths as specified in sub-clause 5.3.6, requirements are defined for an asymmetric UL and DL channel bandwidth combination of a supported asymmetric channel bandwidth combination set for an operating band of the CA configuration when the said UL and DL channel bandwidths are also contained in a supported bandwidth combination set of the CA configuration.

5.5A.1 Configurations for intra-band contiguous CA

Power class 3 is supported for all uplinks. Power classes other than power class 3 are supported as indicated in Table 5.5A.1-1.

Table 5.5A.1-1: NR CA configurations and bandwidth combination sets defined for intra-band contiguous CA

NR CA configuration / Bandwidth combination set								
NR CA configuration	Uplink CA configuration or single uplink carrier ⁶	Channel bandwidths for carrier (MHz)	Channel bandwidths for carrier (MHz)	Channel bandwidths for carrier (MHz)	Channel bandwidths for carrier (MHz)	Channel bandwidths for carrier (MHz)	Maximum aggregated bandwidth (MHz)	Bandwidth combination set
CA_n5B	-	5, 10, 15	5, 10, 15				20	0
		5, 10, 15, 20	5, 10, 15, 20				25	1
CA_n40B	-	20	80				100	0
		50	50					
CA_n41C ⁴	n41 ^{4,5} CA_n41 C	40	80, 100				180	0
		50, 60, 80	60, 80, 100					
		10	100				190	1
		15, 20	90, 100					
		40	80, 90, 100					
		50, 60, 80, 90	60, 80, 90, 100					
CA_n46B	-	20, 40, 60	20, 40				100	0
CA_n46C	-	60, 80	60, 80				160	0
CA_n46D	-	60, 80	80	80			240	0
CA_n46M	-	20, 40, 60	20, 40	20, 40			140	0
CA_n46N	-	20, 40, 80	20, 40	20, 40	20, 40		200	0
CA_n46O	-	20, 60	20, 40	20, 40	20, 40	20, 40	220	0
CA_n48B	CA_n48B	5	15, 20				40	0
		10, 15, 20	10, 15, 20					
		15, 20	15, 20					
	-	10	50, 60, 80, 90				100	1

		15, 20	40, 50, 60, 80				100	2
		40	40, 50, 60					
	-	10, 15, 20, 30, 40	10, 15, 20, 30, 40, 50, 60, 70, 80, 90					
CA_n66B	-	5	20, 40				50	0
		10	15, 20, 40					
		15	15, 20					
CA_n77C	CA_n77 C	50	60, 80, 100				200	0
		60	60, 80, 100					
		80	80, 100					
		100	100					
		10	100				200	1
		15, 20	90, 100					
		25, 30	80, 90, 100					
		40	70, 80, 90, 100					
50, 60, 70, 80, 90, 100	60, 70, 80, 90, 100							
CA_n77D	-	100	100	100			300	0
CA_n78B	-	20	50				70	0
CA_n78C	CA_n78 C ⁴	50	60, 80, 100				200	0
		60	60, 80, 100					
		80	80, 100					
		100	100					
		10	100				200	1
		15, 20	90, 100					
		25, 30	80, 90, 100					
		40	70, 80, 90, 100					
50, 60, 70, 80, 90, 100	60, 70, 80, 90, 100							
CA_n78D	-	100	100	100			300	0
CA_n79C	CA_n79 C	50	60, 80, 100				200	0
		60	60, 80, 100					
		80	80, 100					
		100	100					
CA_n79D	-	100	100	100			300	0

NOTE 1: Void.

NOTE 2: For each channel bandwidth of each component carrier, refer to Table 5.3.5-1 for the applicable SCSs. For a given band, not all UE channel bandwidths support the same SCSs.

NOTE 3: The aggregated bandwidth must be greater than or equal to the minimum for the bandwidth class defined in Table 5.3A.5-1, and smaller than or equal to the maximum aggregated bandwidth.

NOTE 4: Power Class 2 is allowed for this uplink combination or single uplink carrier in this downlink/uplink combination

NOTE 5: Power Class 1.5 is allowed for this uplink combination or single uplink carrier in this downlink/uplink combination

NOTE 6: Only single uplink carriers with power class other than PC3 are listed.

Table 5.5A.1-2: Void

5.5A.2 Configurations for intra-band non-contiguous CA

Table 5.5A.2-1: NR CA configurations and bandwidth combination sets defined for intra-band non-contiguous CA

NR CA Configuration	Uplink CA Configurations or single uplink carrier	Channel bandwidths for carrier (MHz)	Channel bandwidths for carrier (MHz)	Channel bandwidths for carrier (MHz)	Maximum Aggregated bandwidth (MHz)	Bandwidth combination set
CA_n2(2A)	-	5, 10, 15, 20	5, 10, 15, 20		40	0
CA_n48(2A)		10, 15, 20, 40, 50, 60	10, 15, 20, 40, 50, 60, 80, 90, 100		140 ²	0
		10, 15, 20, 30, 40, 50, 60, 70, 80, 90, 100	10, 15, 20, 30, 40, 50, 60, 70, 80, 90, 100		140 ²	1
CA_n66(2A)	-	5, 10, 15, 20	5, 10, 15, 20, 40		60	0
		5, 10, 15, 20, 25, 30, 40	5, 10, 15, 20, 25, 30, 40		80	1
		5, 10, 15, 20, 40	5, 10, 15, 20, 40		80	2
CA_n66(3A)	-	5, 10, 15, 20, 40	5, 10, 15, 20, 40	5, 10, 15, 20, 40	80	0
CA_n71(2A)	-	5,10, 15, 20	5,10,15, 20		30	0
CA_n77(2A)	n77 ³ CA_n77(2A)	20, 40, 80, 100	20, 40, 80, 100		200	0
		10, 15, 20, 25, 30, 40, 50, 60, 70, 80, 90, 100	10, 15, 20, 25, 30, 40, 50, 60, 70, 80, 90, 100		200	1
		See n77 channel bandwidths in Table 5.3.5-1 for each carrier			200	4 and 5
CA_n78(2A)		10, 20, 40, 50, 60, 80, 90, 100	10, 20, 40, 50, 60, 80, 90, 100		200	0
		10, 20, 25, 30, 40, 50, 60, 80, 90, 100	10, 20, 25, 30, 40, 50, 60, 80, 90, 100		200	1
		10, 20, 25, 30, 40, 50, 60, 70, 80, 90, 100	10, 20, 25, 30, 40, 50, 60, 70, 80, 90, 100		200	2

NOTE 1: For each channel bandwidth of each component carrier, refer to Table 5.3.5-1 for the applicable SCSs. For a given band, not all UE channel bandwidths support the same SCSs.

NOTE 2: Parameter value accounts for both, the maximum frequency range of band n48 (150 MHz), and the minimum frequency gaps in between NR non-contiguous component carriers.

NOTE 3: Minimum requirements for Power Class 2 are applicable for this uplink combination or single uplink carrier in this downlink/uplink combination

5.5A.3 Configurations for inter-band CA

Table 5.5A.3-1: Void

Table 5.5A.3-2: Void

Table 5.5A.3-3: Void

5.5A.3.0 General For the NR inter-band CA configurations in sub-clause 5.5A.3, when the capability [BandCombination-UplinkTxSwitch-r18] is present, three or four bands can be configured in the uplink with simultaneous uplink transmission on up to two bands, and the corresponding inter-band CA requirements with uplink

assigned to one or two bands shall apply. For each uplink band pair in the NR inter-band CA configurations, according to the capability [*uplinkTxSwitchingOptionForBandPair*],

- if *switchedUL* is supported, uplink transmission on any one band of the band pair in the band combination shall be supported according to the scheduling commands, and the corresponding inter-band CA requirements with uplink assigned to one band on band X or band Y apply;
- if *dualUL* is supported, simultaneous uplink transmission on the two NR UL bands from the band pair for which *dualUL* is declared in the band combination shall be supported according to the scheduling commands, and the corresponding inter-band CA requirements with uplink CA between the two uplink bands apply. For a UE supporting [BandOrdering1T1Tto1T1T] for parallel uplink transmission switching for a band combination consisting with four different bands, the UE is allowed to report capability [*preferredBandPairs*] via band-ordering approach to indicate the UE's preferred switching band pairs for which it supports *dualUL* and perform the switching case configured by network.

5.5A.3.1 Configurations for inter-band CA (two bands)

Table 5.5A.3.1-1: NR CA configurations and bandwidth combinations sets defined for inter-band CA (two bands)

NR CA configuration	Uplink CA configuration or single uplink carrier ⁵	NR Band	Channel bandwidth (MHz)	Bandwidth combination set
CA_n1A-n3A	CA_n1A-n3A	n1	5, 10, 15, 20	0
		n3	5, 10, 15, 20, 25, 30	
		n1	5, 10, 15, 20, 25, 30, 40, 50	1
		n3	5, 10, 15, 20, 25, 30, 40	
CA_n1(2A)-n3A	-	n1	CA_n1(2A)_BCS0	0
		n3	5, 10, 15, 20, 25, 30, 40	
CA_n1(2A)-n5A	-	n1	CA_n1(2A)_BCS0	0
		n5	5, 10, 15, 20	
CA_n1A-n8A	CA_n1A-n8A	n1	5, 10, 15, 20	0
		n8	5, 10, 15, 20	
		n1	5, 10, 15, 20, 25, 30, 40	1
		n8	5, 10, 15, 20	
CA_n1(2A)-n8A	-	n1	CA_n1(2A)_BCS0	0
		n8	5, 10, 15, 20	
CA_n1A-n28A	-	n1	5, 10, 15, 20	0
		n28	5, 10, 15, 20	
CA_n1A-n41A	CA_n1A-n41A	n1	5, 10, 15, 20	0
		n41	10, 15, 20, 40, 50, 60, 80, 90, 100	
		n1	5, 10, 15, 20, 25, 30, 40, 50	1
		n41	10, 15, 20, 30, 40, 50, 60, 80, 90, 100	
CA_n1A-n77A	-	n1	5, 10, 15, 20	0
		n77	10, 15, 20, 40, 50, 60, 80, 90, 100	
CA_n1A-n78A	n78 ⁴ CA_n1A-n78A	n1	5, 10, 15, 20	0
		n78	10, 15, 20, 40, 50, 60, 80, 90, 100	
		n1	5, 10, 15, 20, 25, 30, 40	1
		n78	10, 15, 20, 40, 50, 60, 80, 90, 100	
		n1	5, 10, 15, 20, 25, 30, 40	2
		n78	10, 15, 20, 40, 50, 60, 80, 90, 100	
		n1	5, 10, 15, 20	3
n78	10, 15, 20, 25, 30, 40, 50, 60, 70, 80, 90, 100			
CA_n1A-n78(2A)	CA_n1A-n78A	n1	5, 10, 15, 20	0
		n78	CA_n78(2A)_BCS0	
		n1	5, 10, 15, 20, 25, 30, 40, 50	1
		n78	CA_n78(2A)_BCS1	
		n1	5, 10, 15, 20	2
n78	CA_n78(2A)_BCS2			
CA_n1A-n78C	CA_n1A-n78A	n1	5, 10, 15, 20	0

		n78	CA_n78C_BCS0	
		n1	5, 10, 15, 20, 25, 30, 40, 50	1
		n78	CA_n78C_BCS0	
		n1	5, 10, 15, 20, 25, 30, 40	2
		n78	CA_n78C_BCS0	
CA_n1(2A)-n78A	-	n1	CA_n1(2A)_BCS0	0
		n78	10, 15, 20, 25, 30, 40, 50, 60, 70, 80, 90, 100	
CA_n1A-n79A	CA_n1A-n79A	n1	5, 10, 15, 20	0
		n79	40, 50, 60, 80, 100	
CA_n2A-n5A	CA_n2A-n5A	n2	5, 10, 15, 20	0
		n5	5, 10, 15, 20	
CA_n2A-n14A	CA_n2A-n14A	n2	5, 10, 15, 20	0
		n14	5, 10	
CA_n2A-n30A	CA_n2A-n30A	n2	5, 10, 15, 20	0
		n30	5, 10	
CA_n2A-n48A	CA_n2A-n48A	n2	5, 10, 15, 20	0
		n48	5, 10, 15, 20, 40, 50 ⁷ , 60 ⁷ , 80 ⁷ , 90 ⁷ , 100 ⁷	
CA_n2A-n48(2A)	CA_n2A-n48A	n2	5, 10, 15, 20	0
		n48	CA_n48(2A)_BCS0	
		n2	5, 10, 15, 20	1
		n48	CA_n48(2A)_BCS1	
CA_n2A-n48B	CA_n48B CA_n2A-n48A	n2	5, 10, 15, 20	0
		n48	CA_n48B_BCS0	
		n2	5, 10, 15, 20	1
		n48	CA_n48B_BCS2	
CA_n2A-n66A	-	n2	5, 10, 15, 20	0
		n66	5, 10, 15, 20, 40	
	CA_n2A-n66A	n2	5, 10, 15, 20	1
		n66	5, 10, 15, 20, 25, 30, 40	
CA_n2(2A)-n66A	-	n2	CA_n2(2A)_BCS0	0
		n66	5, 10, 15, 20, 25, 30, 40	
CA_n2A-n77A ^{13,14}	n77 ⁴ CA_n2A-n77A ^{4,13,14}	n2	5, 10, 15, 20	0
		n77	10, 15, 20, 25, 30, 40, 50, 60, 70, 80, 90, 100	
CA_n2A-n77C	n77 ⁴ CA_n77C CA_n2A-n77A ⁴	n2	5, 10, 15, 20	0
		n77	CA_n77C_BCS0	
		n2	n2 channel bandwidths in Table 5.3.5-1	4 and 5
		n77	CA_n77C_BCS 4 and 5	
CA_n3A-n5A	CA_n3A-n5A	n3	5, 10, 15, 20, 25, 30, 40, 50	0
		n5	5, 10, 15, 20	
CA_n3(2A)-n5A	-	n3	CA_n3(2A)_BCS0	0
		n5	5, 10, 15,	
CA_n3A-n8A	CA_n3A-n8A	n3	5, 10, 15, 20, 25, 30	0
		n8	5, 10, 15, 20	

		n3	5, 10, 15, 20, 25, 30, 40, 50	1
		n8	5, 10, 15, 20	
CA_n3(2A)-n8A	-	n3	CA_n3(2A)_BCS0	0
		n8	5, 10, 15, 20	
CA_n3A-n28A	CA_n3A-n28A	n3	5, 10, 15, 20, 25, 30	0
		n28	5, 10, 15, 20	
CA_n3A-n41A	n41 ⁴ CA_n3A-n41A ⁴	n3	5, 10, 15, 20, 25, 30	0
		n41	10, 15, 20, 40, 50, 60, 80, 90, 100	
CA_n3A-n77A	CA_n3A-n77A	n3	5, 10, 15, 20, 25, 30	0
		n77	10, 15, 20, 40, 50, 60, 80, 90, 100	
CA_n3A-n77(2A)	CA_n77(2A) CA_n3A-n77A	n3	5, 10, 15, 20, 25, 30	0
		n77	CA_n77(2A)_BCS0	
CA_n3A-n78A	n78 ⁴ CA_n3A-n78A ⁴	n3	5, 10, 15, 20, 25, 30	0
		n78	10, 15, 20, 40, 50, 60, 80, 90, 100	
		n3	5, 10, 15, 20, 25, 30, 40,	1
		n78	10, 15, 20, 25, 30, 40, 50, 60, 70, 80, 90, 100	
CA_n3A-n78(2A)	CA_n3A-n78A CA_n78(2A)	n3	5, 10, 15, 20, 25, 30	0
		n78	CA_n78(2A)_BCS0	
	CA_n3A-n78A	n3	5, 10, 15, 20, 25, 30, 40	1
		n78	CA_n78(2A)_BCS2	
CA_n3(2A)-n78A	-	n3	CA_n3(2A)_BCS0	0
		n78	10, 15, 20, 25, 30, 40, 50, 60, 70, 80, 90, 100	
CA_n3A-n79A	CA_n3A-n79A	n3	5, 10, 15, 20, 25, 30	0
		n79	40, 50, 60, 80, 100	
CA_n5A-n7A	-	n5	5, 10, 15, 20	0
		n7	5, 10, 15, 20, 25, 30, 40, 50	
CA_n5A-n30A	CA_n5A-n30A	n5	5, 10, 15, 20	0
		n30	5, 10	
CA_n5A-n48A	CA_n5A-n48A	n5	5, 10, 15, 20	0
		n48	5, 10, 15, 20, 40, 50 ⁷ , 60 ⁷ , 80 ⁷ , 90 ⁷ , 100 ⁷	
CA_n5A-n48(2A)	CA_n5A-n48A	n5	5, 10, 15, 20	0
		n48	CA_n48(2A)_BCS0	
		n5	5, 10, 15, 20	1
		n48	CA_n48(2A)_BCS1	
CA_n5A-n48B	CA_n48B CA_n5A-n48A	n5	5, 10, 15, 20	0
		n48	CA_n48B_BCS0	
		n5	5, 10, 15, 20	1
		n48	CA_n48B_BCS2	
CA_n5A-n66A	CA_n5A-n66A	n5	5, 10, 15, 20	0
		n66	5, 10, 15, 20, 40	

		n5	5, 10, 15, 20	1
		n66	5, 10, 15, 20, 25, 30, 40	
CA_n5A-n77A	n77 ⁴ CA_n5A-n77A ^{4,13,14}	n5	5, 10, 15, 20	0
		n77	10, 15, 20, 25, 30, 40, 50, 60, 70, 80, 90, 100	
CA_n5A-n77C	n77 ⁴ CA_n5A-n77A ⁴ CA_n77C	n5	5, 10, 15, 20	0
		n77	CA_n77C_BCS0	
		n5	5, 10, 15, 20	1
		n77	CA_n77C_BCS1	
CA_n5A-n78A	CA_n5A-n78A	n5	5, 10, 15, 20	0
		n78	10, 15, 20, 40, 50, 60, 80, 90, 100	
		n5	5, 10, 15, 20	1
		n78	10, 15, 20, 25, 30, 40, 50, 60, 70, 80, 90, 100	
CA_n5A-n78(2A)	CA_n5A-n78A	n5	5, 10, 15, 20	0
		n78	CA_n78(2A)_BCS2	
CA_n5B-n77A	CA_n5A-n77A	n5	CA_n5B_BCS0	0
		n77	10, 15, 20, 25, 30, 40, 50, 60, 70, 80, 90, 100	
CA_n5B-n77C	CA_n5A-n77A	n5	CA_n5B_BCS0	0
		n77	CA_n77C_BCS0	
		n5	CA_n5B_BCS0	1
		n77	CA_n77C_BCS1	
CA_n7A-n78A	CA_n7A-n78A	n7	5, 10, 15, 20	0
		n78	10, 15, 20, 40, 50, 60, 80, 90, 100	
CA_n8A-n78A	CA_n8A-n78A ¹³	n8	5, 10, 15, 20	0
		n78	10, 15, 20, 40, 50, 60, 80, 90, 100	
		n8	5, 10, 15, 20	1
		n78	10, 15, 20, 25, 30, 40, 50, 60, 80, 90, 100	
CA_n8A-n78(2A)	CA_n8A-n78A	n8	5, 10, 15, 20	0
		n78	CA_n78(2A)_BCS1	
CA_n14A-n30A	CA_n14A-n30A	n14	5, 10	0
		n30	5, 10	
CA_n14A-n66A	CA_n14A-n66A	n14	5, 10	0
		n66	5, 10, 15, 20, 25, 30, 40	
CA_n14A-n77A	n77 ⁴ CA_n14A-n77A ⁴	n14	5, 10	0
		n77	10, 15, 20, 25, 30, 40, 50, 60, 70, 80, 90, 100	
CA_n20A-n78A	CA_n20A-n78A	n20	5, 10, 15, 20	0
		n78	10, 15, 20, 40, 50, 60, 80, 90, 100	
CA_n24A-n41A	CA_n24A-n41A	n24	5, 10	0
		n41	10, 15, 20, 30, 40, 50, 60, 80, 90, 100	
CA_n24A-n41(2A)	CA_n24A-n41A	n24	5, 10	0
		n41	CA_n41(2A)_BCS1	
CA_n24A-n48A	CA_n24A-n48A	n24	5, 10	0
		n48	5, 10, 15, 20, 40, 50 ⁷ , 60 ⁷ , 80 ⁷ , 90 ⁷ , 100 ⁷	
CA_n24A-n48B	CA_n24A-n48A	n24	5, 10	0

CA_n24A-n48(2A)	CA_n24A-n48A	n48	CA_n48B_BCS1	0
		n24	5, 10	
CA_n24A-n77A	CA_n24A-n77A	n48	CA_n48(2A)_BCS0	0
		n24	5, 10	
CA_n24A-n77C	CA_n24A-n77A	n77	10, 15, 20, 25, 30, 40, 50, 60, 70, 80, 90, 100	0
		n24	5, 10	
CA_n25A-n46A	-	n77	CA_n77C_BCS1	0
		n25	5, 10, 15, 20	
CA_n25A-n66A	CA_n25A-n66A	n46	20, 40, 60, 80	0
		n25	5, 10, 15, 20, 25, 30, 40	
CA_n25A-n66A	CA_n25A-n66A	n66	5, 10, 15, 20, 30, 40	0
		n25	5, 10, 15, 20, 25, 30, 40	
CA_n25A-n66A	CA_n25A-n66A	n66	5, 10, 15, 20, 25, 30, 40	1
		n25	5, 10, 15, 20, 25, 30, 40	
CA_n25A-n77A	CA_n25A-n77A ^{4,13,14}	n25	n25 channel bandwidths in Table 5.3.5-1	4 and 5
		n66	n66 channel bandwidths in Table 5.3.5-1	
CA_n25A-n77A	CA_n25A-n77A ^{4,13,14}	n25	5, 10, 15, 20	0
		n77	10, 15, 20, 25, 30, 40, 50, 60, 70, 80, 90, 100	
CA_n25A-n77A	CA_n25A-n77A ^{4,13,14}	n25	5, 10, 15, 20, 25, 30, 40	1
		n77	10, 15, 20, 25, 30, 40, 50, 60, 70, 80, 90, 100	
CA_n25A-n77(2A)	CA_n25A-n77A ⁴ CA_n77(2A)	n25	n25 channel bandwidths in Table 5.3.5-1	4 and 5
		n77	n77 channel bandwidths in Table 5.3.5-1	
CA_n25A-n77(2A)	CA_n25A-n77A ⁴ CA_n77(2A)	n25	5, 10, 15, 20, 25, 30, 40	0
		n77	CA_n77(2A)_BCS1	
CA_n25A-n77(2A)	CA_n25A-n77A ⁴ CA_n77(2A)	n25	n25 channel bandwidths in Table 5.3.5-1	4 and 5
		n77	CA_n77(2A)_BCS 4 and 5	
CA_n25A-n78A	CA_n25A-n78A	n25	5, 10, 15, 20, 25, 30, 40	0
		n78	10, 15, 20, 25, 30, 40, 50, 60, 80, 90, 100	
CA_n25A-n78A	CA_n25A-n78A	n25	5, 10, 15, 20, 25, 30, 40	1
		n78	10, 15, 20, 25, 30, 40, 50, 60, 70, 80, 90, 100	
CA_n25A-n78(2A)	CA_n25A-n78A	n25	5, 10, 15, 20, 25, 30, 40	0
		n78	CA_n78(2A)_BCS0	
CA_n25A-n78(2A)	CA_n25A-n78A	n25	5, 10, 15, 20, 25, 30, 40	1
		n78	CA_n78(2A)_BCS2	
CA_n26A-n66A	CA_n26A-n66A	n26	5, 10, 15, 20	0
		n66	5, 10, 15, 20, 25, 30, 40	
CA_n26A-n66(2A)	CA_n26A-n66A	n26	5, 10, 15, 20	0
		n66	CA_n66(2A)_BCS0	
CA_n26A-n70A	CA_n26A-n70A	n26	5, 10, 15, 20	0
		n70	5, 10, 15, 20 ¹ , 25 ¹	
CA_n28A-n40A	CA_n28A-n40A	n28	5, 10, 15, 20	0
		n40	5, 10, 15, 20, 25, 30, 40, 50, 60, 80	
CA_n28A-n41A	n41 ⁴ CA_n28A-n41A ^{4,13}	n28	5, 10, 15, 20	0

		n41	10, 15, 20, 40, 50, 60, 80, 90, 100	
		n28	5, 10, 15, 20, 30	1
		n41	10, 15, 20, 25, 30, 40, 50, 60, 80, 90, 100	
CA_n28A-n77A	CA_n28A-n77A	n28	5, 10, 15, 20	0
		n77	10, 15, 20, 40, 50, 60, 80, 90, 100	
CA_n28A-n77(2A)	CA_n77(2A) CA_n28A-n77A	n28	5, 10, 15, 20	0
		n77	CA_n77(2A)_BCS0	
CA_n28A-n78A	CA_n28A-n78A ^{4,13}	n28	5, 10, 15, 20	0
		n78	10, 15, 20, 40, 50, 60, 80, 90, 100	
CA_n28A-n78(2A)	CA_n28A-n78A	n28	5, 10, 15, 20	0
		n78	CA_n78(2A)_BCS0	
CA_n28A-n79A	n79 ⁴ CA_n28A-n79A ⁴	n28	5, 10, 15, 20, 30	0
		n79	40, 50, 60, 80, 100	
CA_n29A-n66A	-	n29	5, 10	0
		n66	5, 10, 15, 20, 40	
CA_n29A-n66B	-	n29	5, 10	0
		n66	CA_n66B_BCS0	
CA_n29A-n66(2A)	-	n29	5, 10	0
		n66	CA_n66(2A)_BCS0	
CA_n29A-n70A	-	n29	5, 10	0
		n70	5, 10, 15, 20 ¹ , 25 ¹	
CA_n29A-n71A	-	n29	5, 10	0
		n71	5, 10, 15, 20	
CA_n30A-n66A	CA_n30A-n66A	n30	5, 10	0
		n66	5, 10, 15, 20, 25, 30, 40	
CA_n30A-n77A	CA_n30A-n77A	n30	5, 10	0
		n77	10, 15, 20, 25, 30, 40, 50, 60, 70, 80, 90, 100	
CA_n39A-n41A	CA_n39A-n41A	n39	5, 10, 15, 20, 25, 30, 40	0
		n41	10, 15, 20, 40, 50, 60, 80, 90, 100	
CA_n41A-n66A	-	n41	10, 15, 20, 40, 50, 60, 80, 90, 100	0
		n66	5, 10, 15, 20, 40	
CA_n41A-n71A	-	n41	10, 15, 20, 40, 50, 60, 80, 90, 100	0
		n71	5, 10, 15, 20	
CA_n41A-n77A	CA_n41A-n77A	n41	10, 15, 20, 30, 40, 50, 60, 80, 90, 100	0
		n77	10, 15, 20, 25, 30, 40, 50, 60, 70, 80, 90, 100	
		n41	10, 15, 20, 30, 40, 50, 60, 70, 80, 90, 100	1
		n77	10, 15, 20, 25, 30, 40, 50, 60, 70, 80, 90, 100	
CA_n41A-n79A	n41 ⁴ , n79 ⁴ CA_n41A-n79A ⁴	n41	10, 15, 20, 40, 50, 60, 80, 90, 100	0
		n79	40, 50, 60, 80, 100	
		n41	10, 15, 20, 40, 50, 60	1
		n79	40, 50, 60, 80, 100	

		n41	10, 15, 20, 30, 40, 50, 60, 80, 90, 100	2
		n79	40, 50, 60, 80, 100	
CA_n41C-n79A	CA_n41A-n79A CA_n41C	n41	CA_n41C_BCS0	0
		n79	40, 50, 60, 80, 100	
CA_n46A-n48A	CA_n46A-n48A	n46	20, 40, 60, 80	0
		n48	20	
CA_n46B-n48A	CA_n46A-n48A	n46	CA_n46B_BCS0	0
		n48	20	
CA_n46C-n48A	CA_n46A-n48A	n46	CA_n46C_BCS0	0
		n48	20	
CA_n46D-n48A	CA_n46A-n48A	n46	CA_n46D_BCS0	0
		n48	20	
CA_n46A-n66A	-	n46	20, 40, 60, 80	0
		n66	5, 10, 15, 20, 25, 30, 40	
CA_n48A-n66A	CA_n48A-n66A	n48	5, 10, 15, 20, 40, 50 ⁷ , 60 ⁷ , 80 ⁷ , 90 ⁷ , 100 ⁷	0
		n66	5, 10, 15, 20, 40	
		n48	5, 10, 15, 20, 40, 50 ⁷ , 60 ⁷ , 80 ⁷ , 90 ⁷ , 100 ⁷	1
		n66	5, 10, 15, 20, 25, 30, 40	
		n48	5, 10, 15, 20, 30, 40, 50 ⁷ , 60 ⁷ , 70 ⁷ , 80 ⁷ , 90 ⁷ , 100 ⁷	2
		n66	5, 10, 15, 20, 25, 30, 40,	
CA_n48A-n66(2A)	CA_n48A-n66A	n48	5, 10, 15, 20, 30, 40, 50 ⁷ , 60 ⁷ , 70 ⁷ , 80 ⁷ , 90 ⁷ , 100 ⁷	0
		n66	CA_n66(2A)_BCS0	
CA_n48B-n66A	CA_n48A-n66A	n48	CA_n48B_BCS0	0
		n66	5, 10, 15, 20, 40	
		n48	CA_n48B_BCS1	1
		n66	5, 10, 15, 20, 25, 30, 40	
		n48	CA_n48B_BCS2	2
		n66	5, 10, 15, 20, 25, 30, 40	
CA_n48(2A)-n66A	CA_n48A-n66A	n48	CA_n48(2A)_BCS0	0
		n66	5, 10, 15, 20, 25, 30, 40	
		n48	CA_n48(2A)_BCS0	1
		n66	5, 10, 15, 20, 25, 30, 40	
		n48	CA_n48(2A)_BCS1	2
		n66	5, 10, 15, 20, 25, 30, 40	
CA_n48(2A)-n66(2A)	CA_n48A-n66A	n48	CA_n48(2A)_BCS1	0
		n66	CA_n66(2A)_BCS0	
CA_n48A-n70A ⁶	CA_n48A-n70A	n48	5, 10, 15, 20, 30, 40, 50 ⁷ , 60 ⁷ , 70 ⁷ , 80 ⁷ , 90 ⁷ , 100 ⁷	0
		n70	5, 10, 15, 20 ¹ , 25 ¹	
CA_n48(2A)-n70A	CA_n48A-n70A	n48	CA_n48(2A)_BCS1	0
		n70	5, 10, 15, 20 ¹ , 25 ¹	
CA_n48B-n70A	CA_n48A-n70A	n48	CA_n48B_BCS2	0
		n70	5, 10, 15, 20 ¹ , 25 ¹	
CA_n48A-n71A	CA_n48A-n71A	n48	5, 10, 15, 20, 30, 40, 50 ⁷ , 60 ⁷ , 70 ⁷ , 80 ⁷ , 90 ⁷ , 100 ⁷	0

CA_n48A-n71(2A)	CA_n48A-n71A	n71	5, 10, 15, 20	0
		n48	5, 10, 15, 20, 30, 40, 50 ⁷ , 60 ⁷ , 70 ⁷ , 80 ⁷ , 90 ⁷ , 100 ⁷	
CA_n48(2A)-n71A	CA_n48A-n71A	n71	CA_n71(2A)_BCS0	0
		n48	CA_n48(2A)_BCS1	
CA_n48(2A)-n71(2A)	CA_n48A-n71A	n71	5, 10, 15, 20	0
		n48	CA_n48(2A)_BCS1	
CA_n48B-n71A	CA_n48A-n71A	n71	CA_n71(2A)_BCS0	0
		n48	CA_n48B_BCS2	
CA_n48A-n77A	n77 ⁴	n71	5, 10, 15, 20	0
		n48	5, 10, 15, 20, 30, 40, 50 ⁷ , 60 ⁷ , 70 ⁷ , 80 ⁷ , 90 ⁷ , 100 ⁷	
CA_n48A-n77C	CA_n77C	n77	10, 15, 20, 25, 30, 40, 50, 60, 70, 80, 90, 100	0
		n48	5, 10, 15, 20, 30, 40, 50 ⁷ , 60 ⁷ , 70 ⁷ , 80 ⁷ , 90 ⁷ , 100 ⁷	
CA_n48(2A)-n77A	-	n77	CA_n77C_BCS0	1
		n48	5, 10, 15, 20, 30, 40, 50 ⁷ , 60 ⁷ , 70 ⁷ , 80 ⁷ , 90 ⁷ , 100 ⁷	
CA_n48B-n77A	CA_n48B	n77	CA_n77C_BCS1	0
		n48	CA_n48(2A)_BCS0	
CA_n48B-n77A	CA_n48B	n77	10, 15, 20, 25, 30, 40, 50, 60, 70, 80, 90, 100	1
		n48	CA_n48(2A)_BCS1	
CA_n66A-n70A	-	n77	10, 15, 20, 25, 30, 40, 50, 60, 70, 80, 90, 100	4 and 5
		n48	CA_n48(2A)_BCS4 and 5	
CA_n48B-n77A	CA_n48B	n77	See n77 channel bandwidths in Table 5.3.5-1	0
		n48	CA_n48B_BCS0	
CA_n66A-n70A	-	n77	10, 15, 20, 25, 30, 40, 50, 60, 70, 80, 90, 100	1
		n48	CA_n48B_BCS1	
CA_n66B-n70A	-	n77	10, 15, 20, 25, 30, 40, 50, 60, 70, 80, 90, 100	2
		n48	CA_n48B_BCS2	
CA_n66(2A)-n70A	-	n77	10, 15, 20, 25, 30, 40, 50, 60, 70, 80, 90, 100	0
		n66	5, 10, 15, 20, 40	
CA_n66A-n71A	CA_n66A-n71A	n70	5, 10, 15, 20 ¹ , 25 ¹	0
		n66	CA_n66B_BCS0	
CA_n66A-n71A	CA_n66A-n71A	n70	5, 10, 15, 20 ¹ , 25 ¹	0
		n66	CA_n66(2A)_BCS0	
CA_n66A-n71(2A)	-	n66	5, 10, 15, 20, 40	0
		n71	5, 10, 15, 20	
CA_n66A-n71A	CA_n66A-n71A	n66	5, 10, 15, 20, 25, 30, 40	1
		n71	5, 10, 15, 20	
CA_n66A-n71(2A)	-	n66	n66 channel bandwidths in Table 5.3.5-1	4 and 5
		n71	n71 channel bandwidths in Table 5.3.5-1	
CA_n66(2A)-n71A	CA_n66A-n71A	n66	5, 10, 15, 20, 40	0
		n71	CA_n71(2A)_BCS0	
CA_n66(2A)-n71A	CA_n66A-n71A	n66	5, 10, 15, 20, 25, 30, 40	1
		n71	CA_n71(2A)_BCS0	
CA_n66(2A)-n71A	CA_n66A-n71A	n66	CA_n66(2A)_BCS0	0

CA_n66(2A)-n71(2A)	CA_n66A-n71A	n71	5, 10, 15, 20	0	
		n66	CA_n66(2A)_BCS1		
CA_n66B-n71A	CA_n66A-n71A	n71	CA_n71(2A)_BCS0	0	
		n66	CA_n66B_BCS0		
CA_n66A-n77A	n77 ⁴ CA_n66A-n77A ^{4,13,14}	n71	5, 10, 15, 20	0	
		n66	5, 10, 15, 20, 40		
		n77	10, 15, 20, 25, 30, 40, 50, 60, 70, 80, 90, 100		
		n66	5, 10, 15, 20, 25, 30, 40		1
		n77	10, 15, 20, 25, 30, 40, 50, 60, 70, 80, 90, 100		
CA_n66A-n77(2A)	CA_n66A-n77A ⁴ CA_n77(2A)	n66	5, 10, 15, 20, 40	0	
		n77	CA_n77(2A)_BCS0		
		n66	5, 10, 15, 20, 25, 30, 40		1
		n77	CA_n77(2A)_BCS1		
		n66	n66 channel bandwidths in Table 5.3.5-1		4 and 5
CA_n66A-n78A	CA_n66A-n78A	n77	n77 channel bandwidths in Table 5.3.5-1	0	
		n66	5, 10, 15, 20, 40		
		n77	CA_n77(2A)_BCS0		
		n66	5, 10, 15, 20, 25, 30, 40		1
		n77	CA_n77(2A)_BCS1		
CA_n66A-n78(2A)	CA_n66A-n78A	n66	n66 channel bandwidths in Table 5.3.5-1	4 and 5	
		n77	CA_n77(2A)_BCS 4 and 5		
		n66	5, 10, 15, 20, 40		0
		n78	10, 15, 20, 40, 50, 60, 80, 90, 100		
		n66	5, 10, 15, 20, 25, 30, 40		
CA_n66A-n77C	n77 CA_n77C CA_n66A-n77A	n78	10, 15, 20, 25, 30, 40, 50, 60, 70, 80, 90, 100	1	
		n66	5, 10, 15, 20, 30, 40		
		n78	CA_n78(2A)_BCS1		
		n66	5, 10, 15, 20, 25, 30, 40		1
		n78	CA_n78(2A)_BCS2		
CA_n70A-n71A	CA_n70A-n71A	n66	5, 10, 15, 20, 25, 30, 40	0	
		n77	CA_n77C_BCS1		
		n66	5, 10, 15, 20, 25, 30, 40		
		n77	CA_n77C_BCS1		
CA_n70A-n71(2A)	CA_n70A-n71A	n70	5, 10, 15, 20 ¹ , 25 ¹	0	
		n71	5, 10, 15, 20		
		n70	5, 10, 15, 20 ¹		
CA_n71A-n77A	n77 ⁴ CA_n71A-n77A ^{4,13}	n71	CA_n71(2A)_BCS0	0	
		n71	5, 10, 15, 20		
		n77	10, 15, 20, 25, 30, 40, 50, 60, 70, 80, 90, 100		
		n71	n71 channel bandwidths in Table 5.3.5-1		4 and 5
CA_n71A-n77(2A)	CA_n71A-n77A	n77	n77 channel bandwidths in Table 5.3.5-1	0	
		n71	5, 10, 15, 20		
		n77	CA_n77(2A)_BCS1		

		n71	n71 channel bandwidths in Table 5.3.5-1	4 and 5
		n77	CA_n77(2A)_BCS 4 and 5	
CA_n71A-n78A	CA_n71A-n78A	n71	5, 10, 15, 20	0
		n78	10, 15, 20, 25, 30, 40, 50, 60, 70, 80, 90, 100	
		n71	See n71 channel bandwidths in Table 5.3.5-1	4 and 5
		n78	See n78 channel bandwidths in Table 5.3.5-1	
CA_n71A-n78(2A)	CA_n71A-n78A	n71	10, 15, 20	0
		n78	CA_n78(2A)_BCS2	
		n71	See n71 channel bandwidths in Table 5.3.5-1	4 and 5
		n78	CA_n78(2A)_BCS4 and 5	
CA_n77A-n79A	-	n77	10, 15, 20, 40, 50, 60, 80, 90, 100	0
		n79	40, 50, 60, 80, 100	
CA_n78A-n79A	n78 ⁴ n79 ⁴	n78	10, 15, 20, 40, 50, 60, 80, 90, 100	0
		n79	40, 50, 60, 80, 100	

NOTE 1: This UE channel bandwidth is applicable only to downlink.

NOTE 2: The minimum requirements for intra-band contiguous or non-contiguous CA apply.

NOTE 3: For each channel bandwidth of each component carrier, refer to Table 5.3.5-1 for the applicable SCSs. For a given band, not all UE channel bandwidths support the same SCSs.

NOTE 4: Minimum requirements for Power Class 2 are applicable for this uplink combination with 1Tx antenna connector in each band or single uplink carrier with up to 2Tx antenna connectors in this downlink/uplink combination.

NOTE 5: Only single uplink carriers with power class other than PC3 are listed.

NOTE 6: The same configuration applies to corresponding NR-DC configuration in Table 5.5B.1-1. If UE supporting NR-DC configuration do not support the corresponding CA configuration, NR-DC configuration is used in CA test cases.

NOTE 7: For this bandwidth, the minimum requirements are restricted to operation when carrier is configured as a downlink SCell part of CA configuration.

NOTE 8: Reserved

NOTE 9: Reserved

NOTE 10: Reserved

NOTE 11: Reserved

NOTE 12: Reserved

NOTE 13: Minimum requirements for Power Class 2 are applicable for this uplink configuration with 1Tx antenna connector in one band and 2Tx antenna connectors in the other band.

NOTE 14: Minimum requirements for Power Class 1.5 are applicable for this uplink configuration with 1Tx antenna connector in one band and 2Tx antenna connectors in the other band.

5.5A.3.2 Configurations for inter-band CA (three bands)

Table 5.5A.3.2-1: NR CA configurations and bandwidth combinations sets defined for inter-band CA (three bands)

NR CA configuration	Uplink CA configuration or single uplink carrier ⁶	NR Band	Channel bandwidth (MHz)	Bandwidth combination set
CA_n1A-n3A-n28A	-	n1	5, 10, 15, 20	0
		n3	5, 10, 15, 20, 25, 30	

CA_n1A-n3A-n77A	CA_n1A-n3A CA_n1A-n77A CA_n3A-n77A	n28	5, 10, 15, 20 ²	0	
		n1	5, 10, 15, 20		
		n3	5, 10, 15, 20, 25, 30		
		n77	10, 15, 20, 40, 50, 60, 80, 90, 100	1	
		n1	5, 10, 15, 20, 25, 30, 40, 50		
		n3	5, 10, 15, 20, 25, 30, 40		
		n77	10, 15, 20, 40, 50, 60, 80, 90, 100	2	
		n1	5, 10, 15, 20		
		n3	5, 10, 15, 20, 25, 30, 35, 40		
n77	10, 15, 20, 25, 30, 40, 50, 60, 70, 80, 90, 100				
CA_n1A-n3A-n78A	CA_n1A-n3A CA_n1A-n78A CA_n3A-n78A	n1	5, 10, 15, 20	0	
		n3	5, 10, 15, 20, 25, 30		
		n78	10, 15, 20, 40, 50, 60, 80, 90, 100		
CA_n1A-n8A-n78A	CA_n1A-n8A CA_n1A-n78A CA_n8A-n78A	n1	5, 10, 15, 20	0	
		n8	5, 10, 15, 20		
		n78	10, 15, 20, 40, 50, 60, 80, 90, 100		
	-	-	n1	5, 10, 15, 20	1
			n8	5, 10, 15, 20	
			n78	10, 15, 20, 25, 30, 40, 50, 60, 80, 90, 100	
CA_n1A-n28A-n77A	CA_n1A-n28A CA_n1A-n77A CA_n28A-n77A	n1	5, 10, 15, 20	0	
		n28	5, 10, 15, 20		
		n77	10, 15, 20, 40, 50, 60, 80, 90, 100		
		n1	5, 10, 15, 20	1	
		n28	5, 10, 15, 20, 25, 30		
		n77	10, 15, 20, 25, 30, 40, 50, 60, 70, 80, 90, 100		
CA_n1A-n28A-n78A	CA_n1A-n28A CA_n1A-n78A CA_n28A-n78A	n1	5, 10, 15, 20	0	
		n28	5, 10, 15, 20 ²		
		n78	10, 15, 20, 40, 50, 60, 80, 90, 100		
CA_n1A-n41A-n77A	CA_n1A-n41A CA_n1A-n77A CA_n41A-n77A	n1	5, 10, 15, 20	0	
		n41	10, 15, 20, 30, 40, 50, 60, 80, 90, 100		
		n77	10, 15, 20, 40, 50, 60, 80, 90, 100		
CA_n1A-n78A-n79A ⁴	CA_n1A-n78A	n1	5, 10, 15, 20	0	

	CA_n1A-n79A CA_n78A-n79A	n78	10, 15, 20, 40, 50, 60, 80, 90	
		n79	40, 50, 60, 80	
		n2	5, 10, 15, 20	
CA_n2A-n5A-n48A	CA_n2A-n5A CA_n2A-n48A CA_n5A-n48A	n5	5, 10, 15, 20	0
		n48	5, 10, 15, 20, 30, 40, 50 ¹⁰ , 60 ¹⁰ , 70 ¹⁰ , 80 ¹⁰ , 90 ¹⁰ , 100 ¹⁰	
		n2	5, 10, 15, 20	
CA_n2A-n5A-n48B	CA_n2A-n5A CA_n2A-n48A CA_n5A-n48A	n5	5, 10, 15, 20	0
		n48	CA_n48B_BCS0	
		n2	5, 10, 15, 20	
		n5	5, 10, 15, 20	1
		n48	CA_n48B_BCS1	
		n2	5, 10, 15, 20	2
		n5	5, 10, 15, 20	
		n48	CA_n48B_BCS2	
CA_n2A-n5A-n48(2A)	CA_n2A-n5A CA_n2A-n48A CA_n5A-n48A	n2	5, 10, 15, 20	0
		n5	5, 10, 15, 20	
		n48	CA_n48(2A)_BCS0	
		n2	5, 10, 15, 20	1
		n5	5, 10, 15, 20	
		n48	CA_n48(2A)_BCS1	
CA_n2A-n5A-n77A	n77 ^{7,9} CA_n2A-n5A CA_n2A-n77A ⁷ CA_n5A-n77A ⁷	n2	5, 10, 15, 20	0
		n5	5, 10, 15, 20	
		n77	10, 15, 20, 25, 30, 40, 50, 60, 70, 80, 90, 100	
CA_n2A-n5A-n77C	CA_n2A-n5A CA_n2A-n77A CA_n5A-n77A CA_n77C	n2	5, 10, 15, 20, 25, 30, 40	0
		n5	5, 10, 15, 20, 25 ¹	
		n77	CA_n77C_BCS0	
		n2	5, 10, 15, 20, 25, 30, 40	1
		n5	5, 10, 15, 20, 25 ¹	
		n77	CA_n77C_BCS1	
CA_n2A-n48A-n66A	CA_n2A-n48A CA_n2A-n66A CA_n48A-n66A	n2	5, 10, 15, 20	0
		n48	5, 10, 15, 20, 30, 40, 50 ¹⁰ , 60 ¹⁰ , 70 ¹⁰ , 80 ¹⁰ , 90 ¹⁰ , 100 ¹⁰	
		n66	5, 10, 15, 20, 25, 30, 40	

CA_n2A-n48B-n66A	CA_n2A-n48A CA_n2A-n66A CA_n48A-n66A	n2	5, 10, 15, 20	0	
		n48	CA_n48B_BCS0		
		n66	5, 10, 15, 20, 25, 30, 40		
		1		n2	5, 10, 15, 20
				n48	CA_n48B_BCS1
				n66	5, 10, 15, 20, 25, 30, 40
		2		n2	5, 10, 15, 20
				n48	CA_n48B_BCS2
				n66	5, 10, 15, 20, 25, 30, 40
CA_n2A-n48(2A)-n66A	CA_n2A-n48A CA_n2A-n66A CA_n48A-n66A	n2	5, 10, 15, 20	0	
		n48	CA_n48(2A)_BCS0		
		n66	5, 10, 15, 20, 25, 30, 40		
		1		n2	5, 10, 15, 20
				n48	CA_n48(2A)_BCS1
				n66	5, 10, 15, 20, 25, 30, 40
CA_n2A-n48A-n77A	n77 CA_n2A-n48A CA_n2A-n77A	n2	5, 10, 15, 20	0	
		n48	5, 10, 15, 20, 30, 40, 50 ¹⁰ , 60 ¹⁰ , 70 ¹⁰ , 80 ¹⁰ , 90 ¹⁰ , 100 ¹⁰		
		n77	10, 15, 20, 25, 30, 40, 50, 60, 70, 80, 90, 100		
CA_n2A-n48A-n77C	CA_n2A-n48A CA_n2A-n77A CA_n77C	n2	5, 10, 15, 20, 25, 30, 40	0	
		n48	5, 10, 15, 20, 30, 40, 50 ¹⁰ , 60 ¹⁰ , 70 ¹⁰ , 80 ¹⁰ , 90 ¹⁰ , 100 ¹⁰		
		n77	CA_n77C_BCS0		
		1		n2	5, 10, 15, 20, 25, 30, 40
				n48	5, 10, 15, 20, 30, 40, 50 ¹⁰ , 60 ¹⁰ , 70 ¹⁰ , 80 ¹⁰ , 90 ¹⁰ , 100 ¹⁰
				n77	CA_n77C_BCS1
CA_n2A-n48B-n77A	CA_n2A-n48A CA_n2A-n77A	n2	5, 10, 15, 20	0	
		n48	CA_n48B_BCS0		
		n77	10, 15, 20, 25, 30, 40, 50, 60, 70, 80, 90, 100		
		1		n2	5, 10, 15, 20
				n48	CA_n48B_BCS1
				n77	10, 15, 20, 25, 30, 40, 50, 60, 70, 80, 90, 100
		2		n2	5, 10, 15, 20
				n48	CA_n48B_BCS2
				n77	10, 15, 20, 25, 30, 40, 50, 60, 70, 80, 90, 100
CA_n2A-n48(2A)-n77A	CA_n2A-n48A CA_n2A-n77A	n2	5, 10, 15, 20	0	
		n48	CA_n48(2A)_BCS0		
		n77	10, 15, 20, 25, 30, 40, 50, 60, 70, 80, 90, 100		

		n2	5, 10, 15, 20	1
		n48	CA_n48(2A)_BCS1	
		n77	10, 15, 20, 25, 30, 40, 50, 60, 70, 80, 90, 100	
CA_n2A-n66A-n77A	n77 ⁹ CA_n2A-n66A CA_n66A-n77A ⁷ CA_n2A-n77A ⁷	n2	5, 10, 15, 20	0
		n66	5, 10, 15, 20, 25, 30, 40	
		n77	10, 15, 20, 25, 30, 40, 50, 60, 70, 80, 90, 100	
CA_n2A-n66A-n77C	CA_n2A-n66A CA_n2A-n77A CA_n66A-n77A	n2	5, 10, 15, 20, 25, 30, 40	0
		n66	5, 10, 15, 20, 25, 30, 40	
		n77	CA_n77C_BCS0	
		n2	5, 10, 15, 20, 25, 30, 40	1
		n66	5, 10, 15, 20, 25, 30, 40	
		n77	CA_n77C_BCS1	
CA_n3A-n8A-n78A	CA_n3A-n8A CA_3A-n78A CA_n8A-n78A	n3	5, 10, 15, 20, 25, 30	0
		n8	5, 10, 15, 20	
		n78	10, 15, 20, 40, 50, 60, 80, 90, 100	
CA_n3A-n28A-n41A	CA_n3A-n28A CA_n3A-n41A CA_n28A-n41A	n3	5, 10, 15, 20, 25, 30, 40	0
		n28	5, 10, 15, 20, 30	
		n41	10, 15, 20, 30, 40, 50, 60, 80, 90, 100	
CA_n3A-n28A-n77A	CA_n3A-n28A CA_n3A-n77A CA_n28A-n77A	n3	5, 10, 15, 20, 25, 30	0
		n28	5, 10	
		n77	CA_n41B_BCS0	
CA_n3A-n28A-n78A	-	n3	5, 10, 15, 20	0
		n28	5, 10, 15, 20 ²	
		n78	10, 15, 20, 40, 50, 60, 80, 90, 100	
CA_n3A-n41A-n77A	CA_n3A-n41A CA_n3A-n77A CA_n41A-n77A	n3	5, 10, 15, 20, 25, 30, 40	0
		n41	10, 15, 20, 30, 40, 50, 60, 80, 90, 100	
		n77	10, 15, 20, 25, 30, 40, 50, 60, 70, 80, 90, 100	
CA_n5A-n48A-n66A	CA_n5A-n48A CA_n5A-n66A CA_n48A-n66A	n5	5, 10, 15, 20	0
		n48	5, 10, 15, 20, 30, 40, 50 ¹⁰ , 60 ¹⁰ , 70 ¹⁰ , 80 ¹⁰ , 90 ¹⁰ , 100 ¹⁰	
		n66	5, 10, 15, 20, 25, 30, 40	
CA_n5A-n48B-n66A	CA_n5A-n48A CA_n5A-n66A CA_n48A-n66A	n5	5, 10, 15, 20	0

		n48	CA_n48B_BCS0	
		n66	5, 10, 15, 20, 25, 30, 40	
		n5	5, 10, 15, 20	1
		n48	CA_n48B_BCS1	
		n66	5, 10, 15, 20, 25, 30, 40	
		n5	5, 10, 15, 20	2
		n48	CA_n48B_BCS2	
		n66	5, 10, 15, 20, 25, 30, 40	
CA_n5A-n48(2A)-n66A	CA_n5A-n48A CA_n5A-n66A CA_n48A-n66A	n5	5, 10, 15, 20	0
		n48	CA_n48(2A)_BCS0	
		n66	5, 10, 15, 20, 25, 30, 40	
		n5	5, 10, 15, 20	1
		n48	CA_n48(2A)_BCS1	
		n66	5, 10, 15, 20, 25, 30, 40	
CA_n5A-n48A-n77A	n77 CA_n5A-n48A CA_n5A-n77A	n5	5, 10, 15, 20	
		n48	5, 10, 15, 20, 30, 40, 50 ¹⁰ , 60 ¹⁰ , 70 ¹⁰ , 80 ¹⁰ , 90 ¹⁰ , 100 ¹⁰	0
		n77	10, 15, 20, 25, 30, 40, 50, 60, 70, 80, 90, 100	
CA_n5A-n48A-n77C	CA_n5A-n48A CA_n5A-n77A CA_n77C	n5	5, 10, 15, 20, 25 ¹	0
		n48	5, 10, 15, 20, 30, 40, 50 ¹⁰ , 60 ¹⁰ , 70 ¹⁰ , 80 ¹⁰ , 90 ¹⁰ , 100 ¹⁰	
		n77	CA_n77C_BCS0	
		n5	5, 10, 15, 20, 25 ¹	1
		n48	5, 10, 15, 20, 30, 40, 50 ¹⁰ , 60 ¹⁰ , 70 ¹⁰ , 80 ¹⁰ , 90 ¹⁰ , 100 ¹⁰	
		n77	CA_n77C_BCS1	
CA_n5A-n48B-n77A	CA_n5A-n48A CA_n5A-n77A	n5	5, 10, 15, 20	0
		n48	CA_n48B_BCS0	
		n77	10, 15, 20, 25, 30, 40, 50, 60, 70, 80, 90, 100	
		n5	5, 10, 15, 20	1
		n48	CA_n48B_BCS1	
		n77	10, 15, 20, 25, 30, 40, 50, 60, 70, 80, 90, 100	
		n5	5, 10, 15, 20	2
		n48	CA_n48B_BCS2	
		n77	10, 15, 20, 25, 30, 40, 50, 60, 70, 80, 90, 100	
CA_n5A-n48(2A)-n77A	CA_n5A-n48A CA_n5A-n77A	n5	5, 10, 15, 20	0
		n48	CA_n48(2A)_BCS0	
		n77	10, 15, 20, 25, 30, 40, 50, 60, 70, 80, 90, 100	
		n5	5, 10, 15, 20	1
		n48	CA_n48(2A)_BCS1	
		n77	10, 15, 20, 25, 30, 40, 50, 60, 70, 80, 90, 100	

CA_n5A-n66A-n77A	n77 ^{7,9} CA_n5A-n66A CA_n66A-n77A ⁷ CA_n5A-n77A ⁷	n5	5, 10, 15, 20	0
		n66	5, 10, 15, 20, 25, 30, 40	
		n77	10, 15, 20, 25, 30, 40, 50, 60, 70, 80, 90, 100	
CA_n5A-n66A-n77C	CA_n5A-n66A CA_n5A-n77A CA_n66A-n77A CA_n77C	n5	5, 10, 15, 20, 25 ¹	0
		n66	5, 10, 15, 20, 25, 30, 40	
		n77	CA_n77C_BCS0	
		n5	5, 10, 15, 20, 25 ¹	1
		n66	5, 10, 15, 20, 25, 30, 40	
n77	CA_n77C_BCS1			
CA_n25A-n66A-n77A	CA_n25A-n66A CA_n25A-n77A CA_n66A-n77A	n25	5, 10, 15, 20, 25, 30, 40	0
		n66	5, 10, 15, 20, 25, 30, 40	
		n77	10, 15, 20, 25, 30, 40, 50, 60, 70, 80, 90, 100	
	CA_n25A-n66A CA_n25A-n77A CA_n66A-n77A	n25	n25 channel bandwidths in Table 5.3.5-1	4 and 5
		n66	n66 channel bandwidths in Table 5.3.5-1	
		n77	n77 channel bandwidths in Table 5.3.5-1	
CA_n25A-n66A-n77(2A)	CA_n25A-n66A CA_n25A-n77A CA_n66A-n77A	n25	5, 10, 15, 20, 25, 30, 40	0
		n66	5, 10, 15, 20, 25, 30, 40	
		n77	CA_n77(2A)_BCS1	
	CA_n25A-n66A CA_n25A-n77A CA_n66A-n77A	n25	n25 channel bandwidths in Table 5.3.5-1	4 and 5
		n66	n66 channel bandwidths in Table 5.3.5-1	
		n77	CA_n77(2A)_BCS 4 and 5	
CA_n25A-n66A-n78A	CA_n25A-n66A CA_n25A-n78A CA_n66A-n78A	n25	5, 10, 15, 20, 25, 30, 40	0
		n66	5, 10, 15, 20, 25, 30, 40	
		n78	10, 15, 20, 25, 30, 40, 50, 60, 80, 90, 100	
		n25	5, 10, 15, 20, 25, 30, 40	1
		n66	5, 10, 15, 20, 25, 30, 40	
		n78	10, 15, 20, 25, 30, 40, 50, 60, 70, 80, 90, 100	

CA_n25A-n66A-n78(2A)	CA_n25A-n66A CA_n25A-n78A CA_n66A-n78A	n25	5, 10, 15, 20, 25, 30, 40	0
		n66	5, 10, 15, 20, 25, 30, 40	
		n78	CA_n78(2A)_BCS2	
CA_n26A-n66A-n70A	CA_n26A-n66A CA_n26A-n70A	n26	5, 10, 15, 20	0
		n66	5, 10, 15, 20, 25, 30, 40	
		n70	5, 10, 15, 20 ¹ , 25 ¹	
CA_n26A-n66(2A)-n70A	CA_n26A-n66A CA_n26A-n70A	n26	5, 10, 15, 20	0
		n66	CA_n66(2A)_BCS0	
		n70	5, 10, 15, 20 ¹ , 25 ¹	
CA_n28A-n41A-n79A	CA_n28A-n41A CA_n28A-n79A CA_n41A-n79A	n28	5, 10, 15, 20, 30	0
		n41	10, 15, 20, 30, 40, 50, 60, 70, 80, 90, 100	
		n79	40, 50, 60, 80, 100	
CA_n29A-n66A-n70A	-	n29	5, 10	0
		n66	5, 10, 15, 20, 40	
		n70	5, 10, 15, 20 ¹ , 25 ¹	
CA_n29A-n66B-n70A	-	n29	5, 10	0
		n66	CA_n66B_BCS0.	
		n70	5, 10, 15, 20 ¹ , 25 ¹	
CA_n29A-n66(2A)-n70A	-	n29	5, 10	0
		n66	CA_n66(2A)_BCS0	
		n70	5, 10, 15, 20 ¹ , 25 ¹	
CA_n41A-n66A-n71A		n41	10, 15, 20, 30, 40, 50, 60, 80, 90, 100	0
		n66	5, 10, 15, 20, 40	
		n71	5, 10, 15, 20	
CA_n48A-n66A-n70A	CA_n48A-n66A CA_n48A-n70A	n48	5, 10, 15, 20, 30, 40, 50 ¹⁰ , 60 ¹⁰ , 80 ¹⁰ , 90 ¹⁰ , 100 ¹⁰	0
		n66	5, 10, 15, 20, 25, 30, 40	
		n70	5, 10, 15, 20 ¹ , 25 ¹	
CA_n48A-n66(2A)-n70A	CA_n48A-n66A CA_n48A-n70A	n48	5, 10, 15, 20, 30, 40, 50 ¹⁰ , 60 ¹⁰ , 80 ¹⁰ , 90 ¹⁰ , 100 ¹⁰	0
		n66	CA_n66(2A)_BCS0	
		n70	5, 10, 15, 20 ¹ , 25 ¹	
CA_n48(2A)-n66A-n70A	CA_n48A-n66A CA_n48A-n70A	n48	CA_n48(2A)_BCS1	0
		n66	5, 10, 15, 20, 25, 30, 40	
		n70	5, 10, 15, 20 ¹ , 25 ¹	
CA_n48B-n66A-n70A	CA_n48A-n66A CA_n48A-n70A	n48	CA_n48B_BCS2	0
		n66	5, 10, 15, 20, 25, 30, 40	
		n70	5, 10, 15, 20 ¹ , 25 ¹	

CA_n48A-n66A-n71A	CA_n48A-n71A CA_n66A-n71A CA_n48A-n66A	n48	5, 10, 15, 20, 30, 40, 50 ¹⁰ , 60 ¹⁰ , 80 ¹⁰ , 90 ¹⁰ , 100 ¹⁰	0	
		n66	5, 10, 15, 20, 25, 30, 40		
		n71	5, 10, 15, 20		
CA_n48A-n66(2A)-n71A	CA_n48A-n71A CA_n66A-n71A CA_n48A-n66A	n48	5, 10, 15, 20, 30, 40, 50 ¹⁰ , 60 ¹⁰ , 80 ¹⁰ , 90 ¹⁰ , 100 ¹⁰	0	
		n66	CA_n66(2A)_BCS0		
		n71	5, 10, 15, 20		
CA_n48(2A)-n66A-n71A	CA_n48A-n71A CA_n66A-n71A CA_n48A-n66A	n48	CA_n48(2A)_BCS1	0	
		n66	5, 10, 15, 20, 25, 30, 40		
		n71	5, 10, 15, 20		
CA_n48B-n66A-n71A	CA_n48A-n71A CA_n66A-n71A CA_n48A-n66A	n48	CA_n48B_BCS2	0	
		n66	5, 10, 15, 20, 25, 30, 40		
		n71	5, 10, 15, 20		
CA_n48A-n66A-n71(2A)	CA_n48A-n71A CA_n66A-n71A CA_n48A-n66A	n48	5, 10, 15, 20, 30, 40, 50 ¹⁰ , 60 ¹⁰ , 80 ¹⁰ , 90 ¹⁰ , 100 ¹⁰	0	
		n66	5, 10, 15, 20, 25, 30, 40		
		n71	CA_n71(2A)_BCS0		
CA_n48A-n66A-n77A	n77 CA_n48A-n66A CA_n66A-n77A	n48	5, 10, 15, 20, 30, 40, 50 ¹⁰ , 60 ¹⁰ , 70 ¹⁰ , 80 ¹⁰ , 90 ¹⁰ , 100 ¹⁰	0	
		n66	5, 10, 15, 20, 25, 30, 40		
		n77	10, 15, 20, 25, 30, 40, 50, 60, 70, 80, 90, 100		
CA_n48A-n66A-n77C	CA_n48A-n66A CA_n66A-n77A CA_n77C	n48	5, 10, 15, 20, 30, 40, 50 ¹⁰ , 60 ¹⁰ , 70 ¹⁰ , 80 ¹⁰ , 90 ¹⁰ , 100 ¹⁰	0	
		n66	5, 10, 15, 20, 25, 30, 40		
		n77	CA_n77C_BCS0		
		n48	5, 10, 15, 20, 30, 40, 50 ¹⁰ , 60 ¹⁰ , 70 ¹⁰ , 80 ¹⁰ , 90 ¹⁰ , 100 ¹⁰		1
		n66	5, 10, 15, 20, 25, 30, 40		
CA_n48B-n66A-n77A	CA_n48A-n66A CA_n66A-n77A	n48	CA_n48B_BCS0	0	
		n66	5, 10, 15, 20, 25, 30, 40		
		n77	10, 15, 20, 25, 30, 40, 50, 60, 70, 80, 90, 100		
		n48	CA_n48B_BCS1	1	
		n66	5, 10, 15, 20, 25, 30, 40		
		n77	CA_n48B_BCS2		
n48	CA_n48B_BCS2	2			

		n66	5, 10, 15, 20, 25, 30, 40	
		n77	10, 15, 20, 25, 30, 40, 50, 60, 70, 80, 90, 100	
CA_n48(2A)-n66A-n77A	CA_n48A-n66A CA_n66A-n77A	n48	CA_n48(2A)_BCS0	0
		n66	5, 10, 15, 20, 25, 30, 40	
		n77	10, 15, 20, 25, 30, 40, 50, 60, 70, 80, 90, 100	
		n48	CA_n48(2A)_BCS1	1
		n66	5, 10, 15, 20, 25, 30, 40	
		n77	10, 15, 20, 25, 30, 40, 50, 60, 70, 80, 90, 100	
CA_n48A-n70A-n71A	CA_n48A-n71A CA_n70A-n71A CA_n48A-n70A	n48	5, 10, 15, 20, 30, 40, 50 ¹⁰ , 60 ¹⁰ , 80 ¹⁰ , 90 ¹⁰ , 100 ¹⁰	0
		n70	5, 10, 15, 20 ¹ , 25 ¹	
		n71	5, 10, 15, 20	
CA_n48(2A)-n70A-n71A	CA_n48A-n71A CA_n70A-n71A CA_n48A-n70A	n48	CA_n48(2A)_BCS1	0
		n70	5, 10, 15, 20 ¹ , 25 ¹	
		n71	5, 10, 15, 20	
CA_n48A-n70A-n71(2A)	CA_n48A-n71A CA_n70A-n71A CA_n48A-n70A	n48	5, 10, 15, 20, 30, 40, 50 ¹⁰ , 60 ¹⁰ , 80 ¹⁰ , 90 ¹⁰ , 100 ¹⁰	0
		n70	5, 10, 15, 20 ¹ , 25 ¹	
		n71	CA_n71(2A)_BCS0	
CA_n66A-n70A-n71A	CA_n66A-n71A CA_n70A-n71A	n66	5, 10, 15, 20, 40	0
		n70	5, 10, 15, 20 ¹ , 25 ¹	
		n71	5, 10, 15, 20	
CA_n66A-n70A-n71(2A)	CA_n66A-n71A CA_n70A-n71A	n66	5, 10, 15, 20, 25, 30, 40	0
		n70	5, 10, 15, 20 ¹ , 25 ¹	
		n71	CA_n71(2A)_BCS0	
CA_n66A-n71A-n77A	CA_n66A-n71A CA_n66A-n77A CA_n71A-n77A	n66	5, 10, 15, 20, 25, 30, 40	0
		n71	5, 10, 15, 20	
		n77	10, 15, 20, 25, 30, 40, 50, 60, 70, 80, 90, 100	
		n66	n66 channel bandwidths in Table 5.3.5-1	4 and 5
		n71	n71 channel bandwidths in Table 5.3.5-1	
		n77	n77 channel bandwidths in Table 5.3.5-1	
CA_n66A-n71A-n77(2A)	CA_n66A-n71A CA_n66A-n77A CA_n71A-n77A	n66	5, 10, 15, 20, 25, 30, 40	0
		n71	5, 10, 15, 20	

NR CA configuration	Uplink CA configuration or single uplink carrier ⁴	NR Band	Channel bandwidth (MHz)	Bandwidth combination set
		n77	CA_n77(2A)_BCS1	
CA_n66A-n71A-n78A	CA_n66A-n71A CA_n66A-n78A CA_n71A-n78A	n66	n66 channel bandwidths in Table 5.3.5-1	4 and 5
		n71	n71 channel bandwidths in Table 5.3.5-1	
		n77	CA_n77(2A) BCS 4 and 5	
		n66	5, 10, 15, 20, 25, 30, 40	
CA_n66A-n71A-n78(2A)	CA_n66A-n71A CA_n66A-n78A CA_n71A-n78A	n71	5, 10, 15, 20	0
		n78	10, 15, 20, 25, 30, 40, 50, 60, 70, 80, 90, 100	
		n66	5, 10, 15, 20, 25, 30, 40	
CA_n66B-n70A-n71A	CA_n66A-n71A CA_n70A-n71A	n71	5, 10, 15, 20	0
		n78	CA_n78(2A)_BCS2	
		n66	CA_n66B_BCS0	
CA_n66(2A)-n70A-n71A	CA_n66A-n71A CA_n70A-n71A	n70	5, 10, 15, 20 ¹ , 25 ¹	0
		n71	5, 10, 15, 20	
		n66	CA_n66(2A)_BCS0	
CA_n66(2A)-n70A-n71A	CA_n66A-n71A CA_n70A-n71A	n70	5, 10, 15, 20 ¹ , 25 ¹	0
		n71	5, 10, 15, 20	
		n66	CA_n66(2A)_BCS0	

NOTE 1: This UE channel bandwidth is applicable only to downlink

NOTE 2: For the 20 MHz bandwidth, the minimum requirements are specified for NR UL carrier frequencies confined to either 713-723 MHz or 728-738 MHz.

NOTE 3: For each channel bandwidth of each component carrier, refer to Table 5.3.5-1 for the applicable SCSs. For a given band, not all UE channel bandwidths support the same SCSs.

NOTE 4: Simultaneous Rx/Tx capability for TDD combinations does not apply for UEs supporting band n78 with an n77 implementation.

NOTE 5: FFS

NOTE 6: FFS

NOTE 7: Power Class 2 is allowed for this uplink combination or single uplink carrier in this downlink/uplink combination

NOTE 8: FFS

NOTE 9: Power Class 1.5 is allowed for single uplink carrier in this downlink/uplink combination.

NOTE 10: For this bandwidth, the minimum requirements are restricted to operation when carrier is configured as a downlink SCell part of CA configuration.

5.5A.3.3 Configurations for inter-band CA (four bands)

Table 5.5A.3.3-1: NR CA configurations and bandwidth combinations sets defined for inter-band CA (four bands)

NR CA configuration	Uplink CA configuration or single uplink carrier ⁴	NR Band	Channel bandwidth (MHz)	Bandwidth combination set
CA_n1A-n3A-n28A-n78A	-	n1	5, 10, 15, 20	0
		n3	5, 10, 15, 20, 25, 30	
		n28	5, 10, 15, 20 ²	
		n78	10, 15, 20, 40, 50, 60, 80, 90 ¹ , 100	

CA_n2A-n5A-n48A-n66A	-	n2	5, 10, 15, 20	0
		n5	5, 10, 15, 20	
		n48	5, 10, 15, 20, 30, 40, 50 ⁶ , 60 ⁶ , 70 ⁶ , 80 ⁶ , 90 ⁶ , 100 ⁶	
		n66	10, 15, 20, 25, 30, 40	
	CA_n2A-n5A CA_n2A-n48A CA_n2A-n66A CA_n5A-n48A CA_n5A-n66A CA_n48A-n66A	n2	5, 10, 15, 20, 25, 30, 40	1
		n5	5, 10, 15, 20, 25	
		n48	5, 10, 15, 20, 30, 40, 50 ⁶ , 60 ⁶ , 70 ⁶ , 80 ⁶ , 90 ⁶ , 100 ⁶	
		n66	5, 10, 15, 20, 25, 30, 40	
CA_n2A-n5A-n48B-n66A	-	n2	5, 10, 15, 20	0
		n5	5, 10, 15, 20	
		n48	CA_n48B_BCS2	
		n66	10, 15, 20, 25, 30, 40	
	CA_n2A-n5A CA_n2A-n48A CA_n2A-n66A CA_n5A-n48A CA_n5A-n66A CA_n48A-n66A	n2	5, 10, 15, 20, 25, 30, 40	1
		n5	5, 10, 15, 20, 25	
		n48	CA_n48B_BCS0	
		n66	5, 10, 15, 20, 25, 30, 40	
CA_n2A-n5A-n48A-n77A	-	n2	5, 10, 15, 20	0
		n5	5, 10, 15, 20	
		n48	5, 10, 15, 20, 30, 40, 50 ⁶ , 60 ⁶ , 70 ⁶ , 80 ⁶ , 90 ⁶ , 100 ⁶	
		n77	10, 15, 20, 25, 30, 40, 50, 60, 70, 80, 90, 100	
	CA_n2A-n5A CA_n2A-n48A CA_n2A-n77A CA_n5A-n48A CA_n5A-n77A	n2	5, 10, 15, 20, 25, 30, 40	1
		n5	5, 10, 15, 20, 25	
		n48	5, 10, 15, 20, 30, 40, 50 ⁶ , 60 ⁶ , 70 ⁶ , 80 ⁶ , 90 ⁶ , 100 ⁶	
		n77	10, 15, 20, 25, 30, 40, 50, 60, 70, 80, 90, 100	
CA_n2A-n5A-n48A-n77C	CA_n2A-n5A CA_n2A-n48A CA_n2A-n77A CA_n5A-n48A CA_n5A-n77A	n2	5, 10, 15, 20, 25, 30, 40	0
		n5	5, 10, 15, 20, 25	
		n48	5, 10, 15, 20, 30, 40, 50 ⁶ , 60 ⁶ , 70 ⁶ , 80 ⁶ , 90 ⁶ , 100 ⁶	

		n77	CA_n77C_BCS0	
		n2	5, 10, 15, 20, 25, 30, 40	1
		n5	5, 10, 15, 20, 25	
		n48	5, 10, 15, 20, 30, 40, 50 ⁶ , 60 ⁶ , 70 ⁶ , 80 ⁶ , 90 ⁶ , 100 ⁶	
		n77	CA_n77C_BCS1	
CA_n2A-n5A-n66A-n77A	CA_n2A-n5A CA_n2A-n66A CA_n2A-n77A ⁵ CA_n5A-n66A CA_n5A-n77A ⁵ CA_n66A-n77A ⁵	n2	5, 10, 15, 20	0
		n5	5, 10, 15, 20	
		n66	5, 10, 15, 20, 25, 30, 40	
		n77	10, 15, 20, 25, 30, 40, 50, 60, 70, 80, 90, 100	
CA_n2A-n48A-n66A-n77A	-	n2	5, 10, 15, 20	0
		n48	5, 10, 15, 20, 30, 40, 50 ⁶ , 60 ⁶ , 70 ⁶ , 80 ⁶ , 90 ⁶ , 100 ⁶	
		n66	5, 10, 15, 20, 25, 30, 40	
		n77	10, 15, 20, 25, 30, 40, 50, 60, 70, 80, 90, 100	
	CA_n2A-n48A CA_n2A-n66A CA_n2A-n77A CA_n48A-n66A CA_n66A-n77A	n2	5, 10, 15, 20, 25, 30, 40	1
		n48	5, 10, 15, 20, 30, 40, 50 ⁶ , 60 ⁶ , 70 ⁶ , 80 ⁶ , 90 ⁶ , 100 ⁶	
		n66	5, 10, 15, 20, 25, 30, 40	
		n77	10, 15, 20, 25, 30, 40, 50, 60, 70, 80, 90, 100	
CA_n2A-n48A-n66A-n77C	-	n2	5, 10, 15, 20	0
		n48	5, 10, 15, 20, 30, 40, 50 ⁶ , 60 ⁶ , 70 ⁶ , 80 ⁶ , 90 ⁶ , 100 ⁶	
		n66	5, 10, 15, 20, 25, 30, 40	
		n77	CA_n77C_BCS0	
	CA_n2A-n48A CA_n2A-n66A CA_n2A-n77A CA_n48A-n66A CA_n66A-n77A	n2	5, 10, 15, 20, 25, 30, 40	1
		n48	5, 10, 15, 20, 30, 40, 50 ⁶ , 60 ⁶ , 70 ⁶ , 80 ⁶ , 90 ⁶ , 100 ⁶	
		n66	5, 10, 15, 20, 25, 30, 40	
		n77	CA_n77C_BCS1	
		n2	5, 10, 15, 20, 25, 30, 40	2
		n48	5, 10, 15, 20, 30, 40, 50 ⁶ , 60 ⁶ , 70 ⁶ , 80 ⁶ , 90 ⁶ , 100 ⁶	
		n66	5, 10, 15, 20, 25, 30, 40	
		n77	CA_n77C_BCS1	
CA_n3A-n28A-n41A-n77A	CA_n3A-n28A CA_n3A-n41A CA_n3A-n77A	n3	5, 10, 15, 20, 25, 30, 40	0

	CA_n28A-n41A CA_n28A-n77A CA_n41A-n77A	n28	5, 10, 15, 20, 30	
		n41	10, 15, 20, 30, 40, 50, 60, 80, 90, 100	
		n77	10, 15, 20, 25, 30, 40, 50, 60, 70, 80, 90, 100	
		n5	5, 10, 15, 20, 25	
CA_n5A-n48A-n66A-n77A	-	n48	5, 10, 15, 20, 30, 40, 50 ⁶ , 60 ⁶ , 70 ⁶ , 80 ⁶ , 90 ⁶ , 100 ⁶	0
		n66	5, 10, 15, 20, 25, 30, 40	
		n77	10, 15, 20, 25, 30, 40, 50, 60, 70, 80, 90, 100	
		n5	5, 10, 15, 20, 25	
	CA_n5A-n48A CA_n5A-n66A CA_n5A-n77A CA_n48A-n66A CA_n66A-n77A	n48	5, 10, 15, 20, 30, 40, 50 ⁶ , 60 ⁶ , 70 ⁶ , 80 ⁶ , 90 ⁶ , 100 ⁶	1
		n66	5, 10, 15, 20, 25, 30, 40	
		n77	10, 15, 20, 25, 30, 40, 50, 60, 70, 80, 90, 100	
		n5	5, 10, 15, 20	
CA_n5A-n48A-n66A-n77C	CA_n5A-n48A CA_n5A-n66A CA_n5A-n77A CA_n48A-n66A CA_n66A-n77A	n48	5, 10, 15, 20, 30, 40, 50 ⁶ , 60 ⁶ , 70 ⁶ , 80 ⁶ , 90 ⁶ , 100 ⁶	0
		n66	5, 10, 15, 20, 25, 30, 40	
		n77	CA_n77C_BCS1	
		n5	5, 10, 15, 20	
<p>NOTE 1: This UE channel bandwidth is optional in this release of the specification.</p> <p>NOTE 2: For the 20 MHz bandwidth, the minimum requirements are specified for NR UL carrier frequencies confined to either 713-723 MHz or 728-738 MHz.</p> <p>NOTE 3: For each channel bandwidth of each component carrier, refer to Table 5.3.5-1 for the applicable SCSs. For a given band, not all UE channel bandwidths support the same SCSs.</p> <p>NOTE 4: Only single uplink carriers with power class other than PC3 are listed.</p> <p>NOTE 5: Minimum requirements for Power Class 2 are applicable for this uplink combination or single uplink carrier in this downlink/uplink combination.</p> <p>NOTE 6: For this bandwidth, the minimum requirements are restricted to operation when carrier is configured as a downlink SCell part of CA configuration.</p>				

5.5B Configurations for DC

For an NR-DC configuration specified in Table 5.5B-1, the bandwidth combination sets for the corresponding NR CA configuration in 5.5A.3, i.e., dual uplink inter-band carrier aggregation with uplink assigned to two NR bands, are applicable to Dual Connectivity. If UE supporting NR-DC configuration do not support the corresponding CA configuration, NR-DC configuration is used in CA test cases.

Table 5.5B-1: Inter-band NR-DC configurations (two bands)

NR-DC configuration	Uplink NR-DC configuration
DC_n48A-n70A	DC_n48A-n70A

5.5C Configurations for SUL

For the NR SUL band configurations with inter-band CA in sub-clause 5.5C, when the capability [*BandCombination-UplinkTxSwitch-r18*] is present, three or four bands can be configured in the uplink with simultaneous uplink transmission on up to two bands, and the corresponding requirements for SUL band configurations with inter-band CA and with uplink assigned to one or two bands shall apply. For each uplink band pair in the NR SUL band configurations with inter-band CA, according to the capability [*uplinkTxSwitchingOptionForBandPair*],

- if *switchedUL* is supported, uplink transmission on any one band of the band pair in the band combination shall be supported according to the scheduling commands, and the corresponding requirements for SUL band configuration with inter-band CA and with uplink assigned to one band on band X or band Y apply;
- if *dualUL* is supported, simultaneous uplink transmission on the two NR UL bands from the band pair for which *dualUL* is declared in the band combination shall be supported according to the scheduling commands, and the corresponding requirements for SUL band configuration with inter-band CA and with uplink CA between the two uplink bands apply.

For SUL band configuration with inter-band CA, band pair(s) of two non-SUL bands with *switchedUL* or *dualUL* by the parameter [*uplinkTxSwitchingOption*] is supported, and any other band pair(s) including SUL with *switchedUL* is supported, in release 18.

Table 5.5C-1: Supported channel bandwidths per SUL band combination

SUL configuration	NR Band	Channel bandwidth (MHz) (NOTE 1)	Bandwidth combination set
SUL_n41A-n83A	n41	10, 15, 20, 30, 40, 50, 60, 80, 90, 100	0
	n83	5, 10, 15, 20, 30	
SUL_n78A-n80A	n78	10, 15, 20, 40, 50, 60, 80, 90, 100	0
	n80	5, 10, 15, 20, 25, 30	
	n78	10, 15, 20, 25, 30, 40, 50, 60, 70, 80, 90, 100	1
	n80	5, 10, 15, 20, 25, 30, 40	
SUL_n78A-n81A	n78	10, 15, 20, 40, 50, 60, 80, 90, 100	0
	n81	5, 10, 15, 20	
	n78	10, 15, 20, 25, 30, 40, 50, 60, 70, 80, 90, 100	1
	n81	5, 10, 15, 20	
SUL_n78A-n82A	n78	10, 15, 20, 40, 50, 60, 80, 90, 100	0
	n82	5, 10, 15, 20	
SUL_n78A-n83A	n78	10, 15, 20, 40, 50, 60, 80, 90, 100	0
	n83	5, 10, 15, 20	
	n78	10, 15, 20, 25, 30, 40, 50, 60, 70, 80, 90, 100	1
	n83	5, 10, 15, 20, 30	

SUL configuration	NR Band	Channel bandwidth (MHz) (NOTE 1)	Bandwidth combination set
SUL_n78A-n84A	n78	10, 15, 20, 40, 50, 60, 80, 90, 100	0
	n84	5, 10, 15, 20	
	n78	10, 15, 20, 25, 30, 40, 50, 60, 70, 80, 90, 100	1
	n84	5, 10, 15, 20, 25, 30, 40, 50	
SUL_n78A-n86A	n78	10, 15, 20, 40, 50, 60, 70, 80, 90, 100	0
	n86	5, 10, 15, 20	
SUL_n79A-n80A	n79	40, 50, 60, 80, 100	0
	n80	5, 10, 15, 20, 25, 30	
	n79	40, 50, 60, 80, 100	1
	n80	5, 10, 15, 20, 25, 30, 40	
SUL_n79A-n81A	n79	40, 50, 60, 80, 100	0
	n81	5, 10, 15, 20	
SUL_n79A-n83A	n79	40, 50, 60, 80, 100	0
	n83	5, 10, 15, 20, 30	

NOTE 1: The SCS of each channel bandwidth for NR band refers to Table 5.3.5-1.

Table 5.5C-2: Supported channel bandwidths per SUL band combination with intra-band non-contiguous CA

FFS

Table 5.5C-3: Supported channel bandwidths per SUL band combination with intra-band contiguous CA

SUL band combination with CA	SUL configuration	NR Band	Channel bandwidth (MHz) (NOTE 1)	Bandwidth combination set
SUL_n41C-n83A	SUL_n41A-n83A	n41	CA_n41C_BCS1	0
		n83	5, 10, 15, 20, 30	
SUL_n78C-n80A	SUL_n78A-n80A	n78	CA_n78C_BCS1	0
		n80	5, 10, 15, 20, 25, 30, 40	
SUL_n78C-n84A	SUL_n78A-n84A	n78	CA_n78C_BCS1	0
		n84	5, 10, 15, 20, 25, 30, 40, 50	
SUL_n79C-n83A	SUL_n79A-n83A	n79	CA_n79C_BCS0	0
		n83	5, 10, 15, 20, 30	

NOTE 1: The SCS of each channel bandwidth for NR band refers to Table 5.3.5-1.

Table 5.5C-4: Supported channel bandwidths per SUL band combination with inter-band CA

SUL band combination with CA	SUL configuration	NR Band	Channel bandwidth (MHz) (NOTE 1)	Bandwidth combination set
CA_n1A_SUL_n78A-n80A	SUL_n78A-n80A	n1	5, 10, 15, 20, 25, 30, 40, 50	0
		n78	10, 15, 20, 25, 30, 40, 50, 60, 70, 80, 90, 100	
		n80	5, 10, 15, 20, 25, 30, 40	
CA_n1A_SUL_n78A-n84A	SUL_n78A-n84A	n1	5, 10, 15, 20, 25, 30, 40, 50	0

SUL band combination with CA	SUL configuration	NR Band	Channel bandwidth (MHz) (NOTE 1)	Bandwidth combination set
		n78	10, 15, 20, 25, 30, 40, 50, 60, 70, 80, 90, 100	
		n84	5, 10, 15, 20, 25, 30, 40, 50	
CA_n3A_SUL_n78A-n80A	SUL_n78A-n80A	n3	5, 10, 15, 20, 25, 30, 40	0
		n78	10, 15, 20, 25, 30, 40, 50, 60, 70, 80, 90, 100	
		n80	5, 10, 15, 20, 25, 30, 40	
CA_n28A_SUL_n41A-n83A	SUL_n41A-n83A	n28	5, 10, 15, 20, 30	0
		n41	10, 15, 20, 30, 40, 50, 60, 80, 90, 100	
		n83	5, 10, 15, 20, 30	
CA_n28A_SUL_n79A-n83A	SUL_n79A-n83A	n28	5, 10, 15, 20, 30	0
		n79	40, 50, 60, 80, 100	
		n83	5, 10, 15, 20, 30	

NOTE 1: The SCS of each channel bandwidth for NR band refers to Table 5.3.5-1.

6 Transmitter characteristics

6.1 General

Unless otherwise stated, the transmitter characteristics are specified at the antenna connector of the UE with a single or multiple transmit antenna(s). For UE with integral antenna only, a reference antenna with a gain of 0 dBi is assumed.

For UEs that do not indicate IE *dualPA-Architecture*, transmitter requirements for CA operation apply only when the DMRS initialization parameters (including the case when the UE applies cell ID as DMRS scrambling ID) are different across all CCs. The UE may use higher MPR values outside this limitation.

Transmitter requirements for UL MIMO operation apply when the UE transmits on 2 ports on the same CDM group. The UE may use higher MPR values outside this limitation.

Unless otherwise stated, Channel Bandwidth shall be prioritized in the selecting of test points. Subcarrier spacing shall be selected after Test Channel Bandwidth is selected.

The transmitter requirements other than UL MIMO (suffix D), Tx Diversity (suffix G) and Carrier Aggregation with UL MIMO (suffix H) shall be measured on a single UL antenna connector for each configured UL band. In case of UL CA or NR-DC (suffix A, suffix B) the requirements shall be measured on a single UL antenna connector for each UL band. In case the UE supports *dualPA-Architecture* according to the corresponding IE, the requirements are measured on the corresponding antenna connector for each carrier, except for the Output RF spectrum emissions (clause 6.5A) which are measured across all antenna connectors for a given band.

Uplink RB allocations given in Table 6.1-1 are used throughout this section, unless otherwise stated by the test case.

Table 6.1-1: Common uplink configuration

Channel Bandwidth	SCS(kHz)	OFDM	RB allocation							
			Edge_Full_Left (Note 2)	Edge_Full_Right (Note 2)	Edge_1RB_Left	Edge_1RB_Right	Outer_Full	Inner_Full	Inner_1RB_Left	Inner_1RB_Right
3MHz	15	DFT-s	2@0	2@13	1@0	1@14	15@0	6@4	1@1	1@13
		CP	2@0	2@13	1@0	1@14	15@0	7@4	1@1	1@13
5MHz	15	DFT-s	2@0	2@23	1@0	1@24	25@0	12@6	1@1	1@23
		CP	2@0	2@23	1@0	1@24	25@0	13@6	1@1	1@23
	30	DFT-s	2@0	2@9	1@0	1@10	10@0	5@2 ¹	1@1	1@9
		CP	2@0	2@9	1@0	1@10	11@0	5@2 ¹	1@1	1@9
	60	DFT-s	N/A	N/A	N/A	N/A	N/A	N/A	N/A	N/A
		CP	N/A	N/A	N/A	N/A	N/A	N/A	N/A	N/A
10MHz	15	DFT-s	2@0	2@50	1@0	1@51	50@0	25@12	1@1	1@50
		CP	2@0	2@50	1@0	1@51	52@0	26@13	1@1	1@50
	30	DFT-s	2@0	2@22	1@0	1@23	24@0	12@6	1@1	1@22
		CP	2@0	2@22	1@0	1@23	24@0	12@6	1@1	1@22
	60	DFT-s	2@0	2@9	1@0	1@10	10@0	5@2 ¹	1@1	1@9
		CP	2@0	2@9	1@0	1@10	11@0	5@2 ¹	1@1	1@9
15MHz	15	DFT-s	2@0	2@77	1@0	1@78	75@0	36@18 ¹	1@1	1@77
		CP	2@0	2@77	1@0	1@78	79@0	39@19 ¹	1@1	1@77
	30	DFT-s	2@0	2@36	1@0	1@37	36@0	18@9	1@1	1@36
		CP	2@0	2@36	1@0	1@37	38@0	19@9	1@1	1@36
	60	DFT-s	2@0	2@16	1@0	1@17	18@0	9@4	1@1	1@16
		CP	2@0	2@16	1@0	1@17	18@0	9@4	1@1	1@16
20MHz	15	DFT-s	2@0	2@104	1@0	1@105	100@0	50@25	1@1	1@104
		CP	2@0	2@104	1@0	1@105	106@0	53@26	1@1	1@104
	30	DFT-s	2@0	2@49	1@0	1@50	50@0	25@12	1@1	1@49
		CP	2@0	2@49	1@0	1@50	51@0	25@12 ¹	1@1	1@49
	60	DFT-s	2@0	2@22	1@0	1@23	24@0	12@6	1@1	1@22

		CP	2@0	2@22	1@0	1@23	24@0	12@6	1@1	1@22
25MHz	15	DFT-s	2@0	2@131	1@0	1@132	128@0	64@32	1@1	1@131
		CP	2@0	2@131	1@0	1@132	133@0	67@33	1@1	1@131
	30	DFT-s	2@0	2@63	1@0	1@64	64@0	32@16	1@1	1@63
		CP	2@0	2@63	1@0	1@64	65@0	33@16	1@1	1@63
	60	DFT-s	2@0	2@29	1@0	1@30	30@0	15@7 ¹	1@1	1@29
		CP	2@0	2@29	1@0	1@30	31@0	15@7 ¹	1@1	1@29
30MHz	15	DFT-s	2@0	2@158	1@0	1@159	160@0	80@40	1@1	1@158
		CP	2@0	2@158	1@0	1@159	160@0	80@40	1@1	1@158
	30	DFT-s	2@0	2@76	1@0	1@77	75@0	36@18	1@1	1@76
		CP	2@0	2@76	1@0	1@77	78@0	39@19	1@1	1@76
	60	DFT-s	2@0	2@36	1@0	1@37	36@0	18@9	1@1	1@36
		CP	2@0	2@36	1@0	1@37	38@0	19@9	1@1	1@36
35MHz	15	DFT-s	2@0	2@186	1@0	1@187	180@0	90@45	1@1	1@186
		CP	2@0	2@186	1@0	1@187	188@0	94@47	1@1	1@186
	30	DFT-s	2@0	2@90	1@0	1@91	90@0	45@22	1@1	1@90
		CP	2@0	2@90	1@0	1@91	92@0	46@23	1@1	1@90
	60	DFT-s	2@0	2@42	1@0	1@43	40@0	20@10	1@1	1@42
		CP	2@0	2@42	1@0	1@43	44@0	22@11	1@1	1@42
40MHz	15	DFT-s	2@0	2@214	1@0	1@215	216@0	108@54	1@1	1@214
		CP	2@0	2@214	1@0	1@215	216@0	108@54	1@1	1@214
	30	DFT-s	2@0	2@104	1@0	1@105	100@0	50@25	1@1	1@104
		CP	2@0	2@104	1@0	1@105	106@0	53@26	1@1	1@104
	60	DFT-s	2@0	2@49	1@0	1@50	50@0	25@12	1@1	1@49
		CP	2@0	2@49	1@0	1@50	51@0	25@12 ¹	1@1	1@49
45MHz	15	DFT-s	2@0	2@240	1@0	1@241	240@0	120@60	1@1	1@240
		CP	2@0	2@240	1@0	1@241	242@0	121@60	1@1	1@240
	30	DFT-s	2@0	2@117	1@0	1@118	108@0	54@27 ¹	1@1	1@117
		CP	2@0	2@117	1@0	1@118	119@0	59@29 ¹	1@1	1@117
	60	DFT-s	2@0	2@56	1@0	1@57	54@0	27@13	1@1	1@56
		CP	2@0	2@56	1@0	1@57	58@0	29@14	1@1	1@56

Channel Bandwidth	SCS(kHz)	OFDM	RB allocation							
			Edge_Full_Left (Note 2)	Edge_Full_Right (Note 2)	Edge_1RB_Left	Edge_1RB_Right	Outer_Full	Inner_Full	Inner_1RB_Left	Inner_1RB_Right
50MHz	15	DFT-s	2@0	2@268	1@0	1@269	270@0	135@67	1@1	1@268
		CP	2@0	2@268	1@0	1@269	270@0	135@67	1@1	1@268
	30	DFT-s	2@0	2@131	1@0	1@132	128@0	64@32	1@1	1@131
		CP	2@0	2@131	1@0	1@132	133@0	67@33	1@1	1@131
	60	DFT-s	2@0	2@63	1@0	1@64	64@0	32@16	1@1	1@63
		CP	2@0	2@63	1@0	1@64	65@0	33@16	1@1	1@63
60MHz	15	DFT-s	N/A	N/A	N/A	N/A	N/A	N/A	N/A	N/A
		CP	N/A	N/A	N/A	N/A	N/A	N/A	N/A	N/A
	30	DFT-s	2@0	2@160	1@0	1@161	162@0	81@40	1@1	1@160
		CP	2@0	2@160	1@0	1@161	162@0	81@40	1@1	1@160
	60	DFT-s	2@0	2@77	1@0	1@78	75@0	36@18 ¹	1@1	1@77
		CP	2@0	2@77	1@0	1@78	79@0	39@19 ¹	1@1	1@77
70MHz	15	DFT-s	N/A	N/A	N/A	N/A	N/A	N/A	N/A	N/A
		CP	N/A	N/A	N/A	N/A	N/A	N/A	N/A	N/A
	30	DFT-s	2@0	2@187	1@0	1@188	180@0	90@45	1@1	1@187
		CP	2@0	2@187	1@0	1@188	189@0	95@47	1@1	1@187
	60	DFT-s	2@0	2@91	1@0	1@92	90@0	45@22	1@1	1@91
		CP	2@0	2@91	1@0	1@92	93@0	47@23	1@1	1@91
80MHz	15	DFT-s	N/A	N/A	N/A	N/A	N/A	N/A	N/A	N/A
		CP	N/A	N/A	N/A	N/A	N/A	N/A	N/A	N/A
	30	DFT-s	2@0	2@215	1@0	1@216	216@0	108@54	1@1	1@215
		CP	2@0	2@215	1@0	1@216	217@0	109@54	1@1	1@215
	60	DFT-s	2@0	2@105	1@0	1@106	100@0	50@25 ¹	1@1	1@105

90MHz	15	CP	2@0	2@105	1@0	1@106	107@0	53@26 ¹	1@1	1@105
		DFT-s	N/A	N/A	N/A	N/A	N/A	N/A	N/A	N/A
		CP	N/A	N/A	N/A	N/A	N/A	N/A	N/A	N/A
	30	DFT-s	2@0	2@243	1@0	1@244	243@0	120@60	1@1	1@243
		CP	2@0	2@243	1@0	1@244	245@0	123@61	1@1	1@243
	60	DFT-s	2@0	2@119	1@0	1@120	120@0	60@30	1@1	1@119
CP		2@0	2@119	1@0	1@120	121@0	61@30	1@1	1@119	
100MHz	15	DFT-s	N/A	N/A	N/A	N/A	N/A	N/A	N/A	N/A
		CP	N/A	N/A	N/A	N/A	N/A	N/A	N/A	N/A
	30	DFT-s	2@0	2@271	1@0	1@272	270@0	135@67	1@1	1@271
		CP	2@0	2@271	1@0	1@272	273@0	137@68	1@1	1@271
	60	DFT-s	2@0	2@133	1@0	1@134	135@0	64@32	1@1	1@133
		CP	2@0	2@133	1@0	1@134	135@0	67@33 ¹	1@1	1@133

Note 1: The allocated RB number L_{CRB} is $\text{ceil}(N_{RB}/2) - 1$ in order to meet Inner RB allocation definition ($RB_{Start,Low} \leq RB_{Start} \leq RB_{Start,High}$) described in subclause 6.2.2 of TS 38.101-1 [2].

Note 2: For power class 1.5, Edge_Full_Left is defined as 4 RBs allocated at the left edge of the transmission bandwidth (4@0), and Edge_Full_Right is defined as 4 RBs allocated at the right edge of the transmission bandwidth (4@ $N_{RB}-4$).

6.1A General

Editor’s note:

Uplink RB allocations for intra-band UL CA with mixed numerology is FFS

The minimum requirements for band combinations including Band n41 also apply for the corresponding band combinations with Band n90 replacing Band n41 but with otherwise identical parameters. For brevity the said band combinations with Band n90 are not listed in the tables below but are covered by this specification.

Uplink RB allocations for intra-band CA given in Table 6.1A-1a are used throughout this section, unless otherwise stated by the test case.

Table 6.1A-1a: Common uplink configuration for intra-band contiguous 2UL CA (contiguous RB allocation)

BW _{channel_CA} (MHz)	SCS for all CC (kHz)	Channel bandwidth combination (MHz)	OFDM	RB allocation (Inner Full)			RB allocation (Outer Full)				
				N _{RB_al} loc	CC1 L _{CRB1} @RB _s tart1	CC2 L _{CRB2} @RB _{Star} t2	N _{RB_al} loc	CC1 L _{CRB1} @RB _{Star} t1	CC2 L _{CRB2} @RB _{Star} Start2		
20	15	5+15	CP	52	0@0	52@1	104	25@0	79@0		
			DFT-s	50	0@0	50@0	100	25@0	75@0		
		10+10	CP	52	26@26	26@0	104	52@0	52@0		
			DFT-s	50	25@27	25@0	100	50@2	50@0		
		15+5	CP	52	52@26	0@0	104	79@0	25@0		
			DFT-s	50	50@29	0@0	100	75@4	25@0		
25	15	5+20	CP	65 ⁴	0@0	65@7	131	25@0	106@0		
			DFT-s	64	0@0	64@7	125	25@0	100@0		
		10+15	CP	65 ⁴	20@32	45@0	131	52@0	79@0		
			DFT-s	65	20@32	45@0	125	50@2	75@0		
		15+10	CP	65 ⁴	47@32	18@0	131	79@0	52@0		
			DFT-s	65	45@34	20@0	125	75@4	50@0		
		20+5	CP	65 ⁴	65@32	0@0	131	106@0	25@0		
			DFT-s	64	64@35	0@0	125	100@6	25@0		
		15	30	10+15	CP	60 ⁴	9@15	21@0	124	24@0	38@0
					DFT-s	58	9@15	20@0	120	24@0	36@0
				15+10	CP	60 ⁴	23@15	7@0	124	38@0	24@0
					DFT-s	58	20@18	9@0	120	36@2	24@0
10+20	CP			79	13@39	66@0	158	52@0	106@0		
	DFT-s			76	12@40	64@0	150	50@2	100@0		
15+15	CP	79	40@39	39@0	158	79@0	79@0				
	DFT-s	76	40@39	36@0	150	75@4	75@0				
20+10	CP	79	67@39	12@0	158	106@0	52@0				

BW _{channel_CA} (MHz)	SCS for all CC (kHz)	Channel bandwidth combination (MHz)	OFDM	RB allocation (Inner Full)			RB allocation (Outer Full)		
				N _{RB_al} loc	CC1 L _{CRB1} @RB _s tart1	CC2 L _{CRB2} @RB _{Star} t2	N _{RB_al} loc	CC1 L _{CRB1} @RB _{Star} t1	CC2 L _{CRB2} @RB _{Star} Start2
30	30	10+20	DFT-s	76	64@42	12@0	150	100@6	50@0
			CP	74	5@19	32@0	150	24@0	51@0
		15+15	DFT-s	74	5@19	32@0	148	24@0	50@0
			CP	76	19@19	19@0	152	38@0	38@0
		20+10	DFT-s	72	20@18	16@0	144	36@2	36@0
			CP	74	32@19	5@0	150	51@0	24@0
35	15	15+20	DFT-s	74	32@19	5@0	148	50@1	24@0
			CP	93	33@46	60@0	185	79@0	106@0
		20+15	DFT-s	92	32@47	60@0	175	75@4	100@0
			CP	93	60@46	33@0	185	106@0	79@0
			DFT-s	92	60@46	32@0	175	100@6	75@0
			CP	88	16@22	28@0	178	38@0	51@0
	30	15+20	DFT-s	86	16@22	27@0	172	36@2	50@0
			CP	88	29@22	15@0	178	51@0	38@0
		20+15	DFT-s	86	27@24	16@0	172	50@1	36@0
			CP	88	29@22	15@0	178	51@0	38@0

BW _{channel_CA} (MHz)	SCS for all CC (kHz)	Channel bandwidth combination (MHz)	OFDM	RB allocation (Inner Full)			RB allocation (Outer Full)		
				N _{RB_al} loc	CC1 L _{CRB1} @RB _s tart1	CC2 L _{CRB2} @RB _{Star} t2	N _{RB_al} loc	CC1 L _{CRB1} @RB _{Star} t1	CC2 L _{CRB2} @RB _{Star} Start2
40	15	10+30	DFT-s	106	0@0	106@1	212	52@0	160@0
			CP	100	0@52	100@0	210	50@2	160@0
		20+20	DFT-s	106	53@53	53@0	212	106@0	106@0
			CP	104	54@52	50@0	200	100@6	100@0
		30+10	DFT-s	106	106@53	0@0	212	160@0	52@0
			CP	100	100@60	0@0	210	160@0	50@0
	30	10+30	DFT-s	100 ⁴	0@0	50@1	204	24@0	78@0
			CP	100	0@0	50@1	198	24@0	75@0
		20+20	DFT-s	100 ⁴	26@25	24@0	204	51@0	51@0
			CP	100	25@26	25@0	200	50@1	50@0
		30+10	DFT-s	100 ⁴	50@25	0@0	204	78@0	24@0
			CP	100	50@27	0@0	198	75@3	24@0
45	15	15+30	DFT-s	106 ⁴	26@53	80@0	239	79@0	160@0
			CP	118	18@61	100@0	235	75@4	160@0
	30	15+30	DFT-s	116	9@29	49@0	232	38@0	78@0
			CP	114	9@29	48@0	222	36@2	75@0
50	15	10+40	DFT-s	134	0@0	134@15	268	52@0	216@0
			CP	128	0@0	128@12	266	50@2	216@0
		20+30	DFT-s	133	40@66	93@0	266	106@0	160@0
			CP	130	40@66	90@0	260	100@6	160@0
		30+20	DFT-s	133	94@66	39@0	266	160@0	106@0
			CP	130	90@70	40@0	260	160@0	100@0
		40+10	DFT-s	134	134@67	0@0	268	216@0	52@0
			CP	128	128@76	0@0	266	216@0	50@0
	30	10+40	DFT-s	128 ⁴	0@0	64@8	260	24@0	106@0
			CP	128	0@0	64@8	248	24@0	100@0
		20+30	DFT-s	128	19@32	45@0	258	51@0	78@0
			CP	126	18@33	45@0	250	50@1	75@0
		30+20	DFT-s	128	46@32	18@0	258	78@0	51@0
			CP	126	45@33	18@0	250	75@3	50@0
40+10	DFT-s	128 ⁴	64@32	0@0	260	106@0	24@0		
	CP	128	64@34	0@0	248	100@6	24@0		
55	15	15+40	DFT-s	147 ⁴	6@73	141@0	295	79@0	216@0
			CP	143	8@71	135@0	291	75@4	216@0
	30	15+40	DFT-s	144	2@36	70@0	288	38@0	106@0
			CP	136	4@34	64@0	272	36@2	100@0

BW _{channel_CA} (MHz)	SCS for all CC (kHz)	Channel bandwidth combination (MHz)	OFDM	RB allocation (Inner Full)			RB allocation (Outer Full)		
				N _{RB_al} loc	CC1 LCRB1@RBs tart1	CC2 LCRB2@RBStar t2	N _{RB_al} loc	CC1 LCRB1@RBStar t1	CC2 LCRB2@RB Start2
60	15	10+50	CP	161	0@0	161@28	322	52@0	270@0
			DFT-s	160	0@0	160@28	320	50@2	270@0
		20+40	CP	161	26@80	135@0	322	106@0	216@0
			DFT-s	160	25@81	135@0	316	100@6	216@0
		30+30	CP	160	80@80	80@0	320	160@0	160@0
			DFT-s	160	80@80	80@0	320	160@0	160@0
	40+20	CP	161	136@80	25@0	322	216@0	106@0	
		DFT-s	160	135@81	25@0	316	216@0	100@0	
	50+10	CP	161	161@80	0@0	322	270@0	52@0	
		DFT-s	160	160@82	0@0	320	270@0	50@0	
	30	10+50	CP	156	0@0	78@15	314	24@0	133@0
			DFT-s	150	0@0	75@14	304	24@0	128@0
		20+40	CP	156	12@39	66@0	314	51@0	106@0
			DFT-s	152	12@39	64@0	300	50@1	100@0
		30+30	CP	156	39@39	39@0	312	78@0	78@0
			DFT-s	152	40@38	36@0	300	75@3	75@0
	40+20	CP	156	67@39	11@0	314	106@0	51@0	
		DFT-s	152	64@42	12@0	300	100@6	50@0	
50+10	CP	156	78@39	0@0	314	133@0	24@0		
	DFT-s	150	75@44	0@0	304	128@5	24@0		
70	15	20+50	CP	188	12@94	176@0	376	106@0	270@0
			DFT-s	181	1@105	180@0	370	100@6	270@0
		30+40	CP	188	66@94	122@0	376	160@0	216@0
			DFT-s	184	64@96	120@0	376	160@0	216@0
		40+30	CP	188	122@94	66@0	376	216@0	160@0
			DFT-s	184	120@96	64@0	376	216@0	160@0
	50+20	CP	188	176@94	12@0	376	270@0	106@0	
		DFT-s	181	180@90	1@0	370	270@0	100@0	
	30	20+50	CP	184	5@46	87@0	368	51@0	133@0
			DFT-s	174	6@45	81@0	356	50@1	128@0
		30+40	CP	184	32@46	60@0	368	78@0	106@0
			DFT-s	184	32@46	60@0	350	75@3	100@0
		40+30	CP	184	60@46	32@0	368	106@0	78@0
			DFT-s	184	60@46	32@0	350	100@6	75@0
	50+20	CP	184	87@46	5@0	368	133@0	51@0	
		DFT-s	174	81@52	6@0	356	128@5	50@0	

BW _{channel_CA} (MHz)	SCS for all CC (kHz)	Channel bandwidth combination (MHz)	OFDM	RB allocation (Inner Full)			RB allocation (Outer Full)		
				N _{RB_al} loc	CC1 LCRB1@RBs tart1	CC2 LCRB2@RBStar t2	N _{RB_al} loc	CC1 LCRB1@RBStar t1	CC2 LCRB2@RB Start2
80	15	30+50	CP	215	53@107	162@0	430	160@0	270@0
			DFT-s	210	50@110	160@0	430	160@0	270@0
		40+40	CP	216	108@108	108@0	432	216@0	216@0
			DFT-s	216	108@108	108@0	432	216@0	216@0
		50+30	CP	215	163@107	52@0	430	270@0	160@0
			DFT-s	210	162@108	48@0	430	270@0	160@0
	30	30+50	CP	210	25@53	80@0	422	78@0	133@0
			DFT-s	210	25@53	80@0	406	75@3	128@0
		40+40	CP	212	53@53	53@0	424	106@0	106@0
			DFT-s	208	54@52	50@0	400	100@6	100@0
		50+30	CP	210	80@53	25@0	422	133@0	78@0
			DFT-s	210	80@53	25@0	406	128@5	75@0
15	40+50	CP	243	95@121	148@0	486	216@0	270@0	

BW _{channel_CA} (MHz)	SCS for all CC (kHz)	Channel bandwidth combination (MHz)	OFDM	RB allocation (Inner Full)			RB allocation (Outer Full)			
				N _{RB_al} loc	CC1 L _{CRB1} @RB _s tart1	CC2 L _{CRB2} @RB _{Star} t2	N _{RB_al} loc	CC1 L _{CRB1} @RB _{Star} t1	CC2 L _{CRB2} @RB _{Star} Start2	
90	50+40	DFT-s	CP	240	96@120	144@0	486	216@0	270@0	
			CP	243	149@121	94@0	486	270@0	216@0	
		DFT-s	CP	240	150@120	90@0	486	270@0	216@0	
	30	40+50	DFT-s	CP	238	46@60	73@0	478	106@0	133@0
				CP	234	45@61	72@0	456	100@6	128@0
		DFT-s	CP	238	73@60	46@0	478	133@0	106@0	
100	50+50	DFT-s	CP	270	135@135	135@0	540	270@0	270@0	
			CP	270	135@135	135@0	540	270@0	270@0	
		DFT-s	CP	264 ⁴	67@66	65@0	532	133@0	133@0	
	30	50+50	DFT-s	CP	256	64@69	64@0	512	128@5	128@0
				CP	256	64@69	64@0	512	128@5	128@0
		DFT-s	CP	256	64@69	64@0	512	128@5	128@0	
105	15	N/A								
	30	15+90	CP	282	0@0	141@33	566	38@0	245@0	
			DFT-s	270	0@0	135@30	558	36@2	243@0	
	25+80	DFT-s	CP	280 ⁴	0@0	140@5	564	65@0	217@0	
			CP	270	0@0	135@3	560	64@1	216@0	

BW _{channel_CA} (MHz)	SCS for all CC (kHz)	Channel bandwidth combination (MHz)	OFDM	RB allocation (Inner Full)			RB allocation (Outer Full)		
				N _{RB_al} loc	CC1 L _{CRB1} @RB _s tart1	CC2 L _{CRB2} @RB _{Star} t2	N _{RB_al} loc	CC1 L _{CRB1} @RB _{Star} t1	CC2 L _{CRB2} @RB _{Star} Start2
110	15	N/A							
	30	10+100	CP	296	0@0	148@50	594	24@0	273@0
			DFT-s	288	0@0	144@48	588	24@0	270@0
	20+90	DFT-s	CP	296	0@0	148@23	592	51@0	245@0
			CP	288	0@0	144@21	586	50@1	243@0
	30+80	DFT-s	CP	294	4@74	143@0	590	78@0	217@0
			CP	294	3@74	144@0	582	75@3	216@0
	40+70	DFT-s	CP	294	32@74	115@0	590	106@0	189@0
			CP	N/A	N/A	N/A	N/A	N/A	N/A
	50+60	DFT-s	CP	294	59@74	88@0	590	133@0	162@0
			CP	282	60@73	81@0	580	128@5	162@0
	60+50	DFT-s	CP	294	88@74	59@0	590	162@0	133@0
			CP	282	81@81	60@0	580	162@0	128@0
	70+40	DFT-s	CP	294	115@74	32@0	590	189@0	106@0
			CP	N/A	N/A	N/A	N/A	N/A	N/A
	80+30	DFT-s	CP	294	143@74	4@0	590	217@0	78@0
			CP	292	144@73	2@0	582	216@1	75@0
	90+20	DFT-s	CP	296	148@74	0@0	592	245@0	51@0
			CP	288	144@80	0@0	586	243@2	50@0
	100+10	DFT-s	CP	296	148@74	0@0	594	273@0	24@0
			CP	288	144@81	0@0	588	270@3	24@0

BW _{channel_CA} (MHz)	SCS for all CC (kHz)	Channel bandwidth combination (MHz)	OFDM	RB allocation (Inner Full)			RB allocation (Outer Full)		
				N _{RB_al} loc	CC1 L _{CRB1} @RB _s tart1	CC2 L _{CRB2} @RB _{Star} t2	N _{RB_al} loc	CC1 L _{CRB1} @RB _{Star} t1	CC2 L _{CRB2} @RB _{Star} Start2
	15	N/A							
	30	15+100	CP	310	0@0	155@40	622	38@0	273@0
			DFT-s	300	0@0	150@37	612	36@2	270@0
	25+90	DFT-s	CP	308 ⁴	0@0	154@12	620	65@0	245@0
			CP	300	0@0	150@10	614	64@1	243@0
	90+25	CP	308 ⁴	154@77	0@0	620	245@0	65@0	

BW _{channel_CA} (MHz)	SCS for all CC (kHz)	Channel bandwidth combination (MHz)	OFDM	RB allocation (Inner Full)			RB allocation (Outer Full)		
				N _{RB_al loc}	CC1 L _{CRB1@RBs tart1}	CC2 L _{CRB2@RBStar t2}	N _{RB_al loc}	CC1 L _{CRB1@RBStar t1}	CC2 L _{CRB2@RB Start2}
115		100+15	DFT-s	300	150@85	0@0	614	243@2	64@0
			CP	310	155@78	0@0	622	273@0	38@0
			DFT-s	300	150@86	0@0	612	270@3	36@0
120	15	N/A							
	30	20+100	CP	324	0@0	162@30	648	51@0	273@0
			DFT-s	324	0@0	162@30	640	50@1	270@0
		30+90	CP	322	0@0	161@3	646	78@0	245@0
			DFT-s	320	0@0	160@2	636	75@3	243@0
		40+80	CP	322	25@81	136@0	646	106@0	217@0
			DFT-s	320	25@81	135@0	632	100@6	216@0
		50+70	CP	320 ⁴	53@80	107@0	644	133@0	189@0
			DFT-s	N/A	N/A	N/A	N/A	N/A	N/A
		60+60	CP	324	81@81	81@0	648	162@0	162@0
			DFT-s	324	81@81	81@0	648	162@0	162@0
		70+50	CP	320 ⁴	109@80	51@0	644	189@0	133@0
			DFT-s	N/A	N/A	N/A	N/A	N/A	N/A
		80+40	CP	322	136@81	25@0	646	217@0	106@0
			DFT-s	318	135@82	24@0	632	216@1	100@0
		90+30	CP	322	161@81	0@0	646	245@0	78@0
			DFT-s	320	160@83	0@0	636	243@2	75@0
		100+20	CP	324	162@81	0@0	648	273@0	51@0
			DFT-s	324	162@81	0@0	640	270@3	50@0

BW _{channel_CA} (MHz)	SCS for all CC (kHz)	Channel bandwidth combination (MHz)	OFDM	RB allocation (Inner Full)			RB allocation (Outer Full)		
				N _{RB_al loc}	CC1 L _{CRB1@RBs tart1}	CC2 L _{CRB2@RBStar t2}	N _{RB_al loc}	CC1 L _{CRB1@RBStar t1}	CC2 L _{CRB2@RB Start2}
125	15	N/A							
	30	25+100	CP	336 ⁴	0@0	168@19	676	65@0	273@0
			DFT-s	324	0@0	162@16	668	64@1	270@0
		100+25	CP	336 ⁴	168@84	0@0	676	273@0	65@0
DFT-s			324	162@95	0@0	668	270@3	64@0	
130	15	N/A							
	30	30+100	CP	350	0@0	175@10	702	78@0	273@0
			DFT-s	324	0@0	162@3	690	75@3	270@0
		40+90	CP	350	18@88	157@0	702	106@0	245@0
			DFT-s	340	20@86	150@0	686	100@6	243@0
		50+80	CP	348 ⁴	46@87	128@0	700	133@0	217@0
			DFT-s	346	45@88	128@0	688	128@5	216@0
		60+70	CP	350	74@88	101@0	702	162@0	189@0
			DFT-s	N/A	N/A	N/A	N/A	N/A	N/A
		70+60	CP	350	101@88	74@0	702	189@0	162@0
			DFT-s	N/A	N/A	N/A	N/A	N/A	N/A
		80+50	CP	348 ⁴	130@87	44@0	700	217@0	133@0
			DFT-s	346	128@89	45@0	688	216@1	128@0
		90+40	CP	350	157@88	18@0	702	245@0	106@0
			DFT-s	340	160@85	10@0	686	243@2	100@0
		100+30	CP	350	175@88	0@0	702	273@0	78@0
DFT-s			324	162@108	0@0	690	270@3	75@0	

BW _{channel_CA} (MHz)	SCS for all CC (kHz)	Channel bandwidth combination (MHz)	OFDM	RB allocation (Inner Full)			RB allocation (Outer Full)		
				N _{RB_al loc}	CC1 L _{CRB1@RBs tart1}	CC2 L _{CRB2@RBStar t2}	N _{RB_al loc}	CC1 L _{CRB1@RBStar t1}	CC2 L _{CRB2@RB Start2}
140	15	N/A							
	30	40+100	CP	378	11@95	178@0	758	106@0	273@0
			DFT-s	372	6@100	180@0	740	100@6	270@0
	50+90	CP	376 ⁴	39@94	149@0	756	133@0	245@0	
		DFT-s	372	36@97	150@0	742	128@5	243@0	
	60+80	CP	378	67@95	122@0	758	162@0	217@0	
		DFT-s	368	64@98	120@0	756	162@0	216@0	
	70+70	CP	376 ⁴	95@94	93@0	756	189@0	189@0	
		DFT-s	N/A	N/A	N/A	N/A	N/A	N/A	
	80+60	CP	378	122@95	67@0	758	217@0	162@0	
		DFT-s	368	120@97	64@0	756	216@1	162@0	
	90+50	CP	376 ⁴	151@94	37@0	756	245@0	133@0	
		DFT-s	372	150@95	36@0	742	243@2	128@0	
	100+40	CP	378	178@95	11@0	758	273@0	106@0	
DFT-s		372	180@93	6@0	740	270@3	100@0		
150	15	N/A							
	30	50+100	CP	404 ⁴	32@101	170@0	812	133@0	273@0
			DFT-s	388	32@101	162@0	796	128@5	270@0
	60+90	CP	406	60@102	143@0	814	162@0	245@0	
		DFT-s	396	54@108	144@0	810	162@0	243@0	
	70+80	CP	404 ⁴	88@101	114@0	812	189@0	217@0	
		DFT-s	N/A	N/A	N/A	N/A	N/A	N/A	
	80+70	CP	404 ⁴	116@101	86@0	812	217@0	189@0	
		DFT-s	N/A	N/A	N/A	N/A	N/A	N/A	
	90+60	CP	406	143@102	60@0	814	245@0	162@0	
		DFT-s	396	144@101	54@0	810	243@2	162@0	
	100+50	CP	404 ⁴	172@101	30@0	812	273@0	133@0	
		DFT-s	388	162@111	32@0	796	270@3	128@0	

BW _{channel_CA} (MHz)	SCS for all CC (kHz)	Channel bandwidth combination (MHz)	OFDM	RB allocation (Inner Full)			RB allocation (Outer Full)			
				N _{RB_al loc}	CC1 L _{CRB1@RBs tart1}	CC2 L _{CRB2@RBStar t2}	N _{RB_al loc}	CC1 L _{CRB1@RBStar t1}	CC2 L _{CRB2@RB Start2}	
160	15	N/A								
	30	60+100	CP	434	53@109	164@0	870	162@0	273@0	
			DFT-s	432	54@108	162@0	864	162@0	270@0	
	70+90	CP	432 ⁴	81@108	135@0	868	189@0	245@0		
		DFT-s	N/A	N/A	N/A	N/A	N/A	N/A		
	80+80	CP	432 ⁴	109@108	107@0	864	216@1	216@0		
		DFT-s	432	108@109	108@0	864	216@1	216@0		
	90+70	CP	432 ⁴	137@108	79@0	868	245@0	189@0		
		DFT-s	N/A	N/A	N/A	N/A	N/A	N/A		
	100+60	CP	434	164@109	53@0	870	273@0	162@0		
		DFT-s	432	162@111	54@0	864	270@3	162@0		
	170	15	N/A							
		30	70+100	CP	460 ⁴	74@115	156@0	924	189@0	273@0
				DFT-s	N/A	N/A	N/A	N/A	N/A	N/A
80+90		CP	460 ⁴	102@115	128@0	924	217@0	245@0		
		DFT-s	456	100@117	128@0	918	216@1	243@0		
90+80		CP	460 ⁴	130@115	100@0	924	245@0	217@0		
		DFT-s	456	128@117	100@0	918	243@2	216@0		
100+70		CP	460 ⁴	158@115	72@0	924	273@0	189@0		
		DFT-s	N/A	N/A	N/A	N/A	N/A	N/A		
30		80+100	CP	488 ⁴	95@122	149@0	980	217@0	273@0	
	DFT-s		480	96@121	144@0	972	216@1	270@0		

BW _{channel_CA} (MHz)	SCS for all CC (kHz)	Channel bandwidth combination (MHz)	OFDM	RB allocation (Inner Full)			RB allocation (Outer Full)		
				N _{RB_alloc}	CC1 L _{CRB1} @RB _{Start1}	CC2 L _{CRB2} @RB _{Start2}	N _{RB_alloc}	CC1 L _{CRB1} @RB _{Start1}	CC2 L _{CRB2} @RB _{Start2}
180		90+90	CP	488 ⁴	123@122	121@0	980	245@0	245@0
			DFT-s	480	120@125	120@0	972	243@2	243@0
		100+80	CP	488 ⁴	151@122	93@0	980	273@0	217@0
			DFT-s	480	150@123	90@0	972	270@3	216@0

BW _{channel_CA} (MHz)	SCS for all CC (kHz)	Channel bandwidth combination (MHz)	OFDM	RB allocation (Inner Full)			RB allocation (Outer Full)			
				N _{RB_alloc}	CC1 L _{CRB1} @RB _{Start1}	CC2 L _{CRB2} @RB _{Start2}	N _{RB_alloc}	CC1 L _{CRB1} @RB _{Start1}	CC2 L _{CRB2} @RB _{Start2}	
190	15	90+100	CP	516	116@129	142@0	1036	245@0	273@0	
			DFT-s	504	108@137	144@0	1026	243@2	270@0	
			100+90	CP	516 ⁴	144@129	114@0	1036	273@0	245@0
				DFT-s	504	144@129	108@0	1026	270@3	243@0
200	30	100+100	CP	544	137@136	135@0	1092	273@0	273@0	
			DFT-s	540	135@138	135@0	1080	270@3	270@0	

NOTE 1: BW_{channel_CA} is defined in clause 5.3A.3
 NOTE 2: N_{RB_alloc} for intra-band contiguous UL CA is defined in 6.2A.2.0
 NOTE 3: RB allocation for configurations where at least one CC is DFT-s-OFDM with CBW=70MHz is FFS
 NOTE 4: The allocated RB number N_{RB_alloc} is ceil(N_{RB_agg}/2) - 1·2^μ in order to meet Inner RB allocation definition (RB_{Start,Low} ≤ RB_{Start} ≤ RB_{Start,High}) described in subclause 6.2A.2.0.

Table 6.1A-1b: Common uplink configuration for intra-band contiguous 2UL CA (non-contiguous RB allocation)

BW _{channel_CA} (MHz)	SCS for all CC (kHz)	Channel bandwidth combination (MHz)	RB allocation (Inner)			RB allocation (Outer1)			RB allocation (Outer2)		
			N _{RB_alloc}	CC1 L _{CRB1} @RB _{Start1}	CC2 L _{CRB2} @RB _{Start2}	N _{RB_alloc}	CC1 L _{CRB1} @RB _{Start1}	CC2 L _{CRB2} @RB _{Start2}	N _{RB_alloc}	CC1 L _{CRB1} @RB _{Start1}	CC2 L _{CRB2} @RB _{Start2}
20	15	5+15	30	1@24	1@29	66	1@17	1@57	104	1@0	1@78
		10+10	34	1@35	1@16	63	1@20	1@30	104	1@0	1@51
		15+5	37	1@52	1@9	66	1@37	1@23	104	1@0	1@24
25	15	5+20	34	1@24	1@33	85	1@21	1@80	131	1@0	1@106
		10+15	43	1@44	1@34	80	1@26	1@53	131	1@0	1@78
		15+10	43	1@43	1@6	80	1@25	1@25	131	1@0	1@51
		20+5	48	1@67	1@8	85	1@49	1@24	131	1@0	1@24
	30	10+15	40	1@21	1@16	76	1@12	1@25	124	1@0	1@37
15+10		40	1@21	1@2	76	1@12	1@11	124	1@0	1@23	
30	15	10+20	54	1@51	1@52	98	1@28	1@73	158	1@0	1@105
		15+15	51	1@53	1@24	95	1@30	1@45	158	1@0	1@78
		20+10	54	1@53	1@0	99	1@31	1@23	158	1@0	1@51
	30	10+20	48	1@24	1@23	94	1@13	1@35	150	1@0	1@50
		15+15	46	1@25	1@9	92	1@15	1@22	152	1@0	1@37
35	15	10+20	46	1@29	1@0	94	1@14	1@9	150	1@0	1@23
		15+20	62	1@60	1@42	114	1@35	1@69	185	1@0	1@105
		20+15	62	1@61	1@16	113	1@35	1@41	185	1@0	1@78
	30	15+20	58	1@29	1@19	110	1@17	1@33	178	1@0	1@50
		20+15	58	1@30	1@7	110	1@17	1@20	178	1@0	1@37
40	15	10+30	53	1@52	1@52	130	1@40	1@117	212	1@0	1@159
		20+20	70	1@71	1@34	129	1@42	1@64	212	1@0	1@105
		30+10	52	1@110	1@1	130	1@40	1@9	212	1@0	1@51
	30	10+30	66	1@34	1@42	126	1@19	1@57	204	1@0	1@77
		20+20	64	1@34	1@14	124	1@19	1@29	204	1@0	1@50
		30+10	46	1@56	1@0	126	1@19	1@3	204	1@0	1@23

BW _{chan} nel_CA (MHz)	SCS for all CC (kHz)	Channel bandwidth combinati on (MHz)	RB allocation (Inner)			RB allocation (Outer1)			RB allocation (Outer2)		
			N _{RB} _alloc	CC1 LCRB1@ RB _{Start1}	CC2 LCRB2@R B _{Start2}	N _{RB} _alloc	CC1 LCRB1@ RB _{Start1}	CC2 LCRB2@R B _{Start2}	N _{RB} _alloc	CC1 LCRB1@ RB _{Start1}	CC2 LCRB2@ RB _{Start2}
45	15	15+30	79	1@79	1@78	146	1@46	1@112	239	1@0	1@159
	30	15+30	74	1@38	1@36	142	1@22	1@54	232	1@0	1@77
50	15	10+40	57	1@52	1@56	165	1@50	1@162	268	1@0	1@215
		20+30	87	1@89	1@69	161	1@53	1@107	266	1@0	1@159
		30+20	87	1@88	1@14	161	1@52	1@52	266	1@0	1@105
		40+10	55	1@162	1@0	165	1@52	1@0	268	1@0	1@51
	30	10+40	50	1@24	1@24	160	1@23	1@78	260	1@0	1@105
		20+30	82	1@43	1@32	156	1@25	1@51	258	1@0	1@77
		30+20	82	1@43	1@5	156	1@24	1@23	258	1@0	1@50
55	15	15+40	84	1@79	1@83	182	1@55	1@157	295	1@0	1@215
	30	15+40	78	1@38	1@38	178	1@27	1@77	288	1@0	1@105
60	15	10+50	108	1@52	1@54	197	1@61	1@205	322	1@0	1@269
		20+40	107	1@106	1@106	195	1@61	1@149	322	1@0	1@215
		30+30	104	1@107	1@50	193	1@63	1@95	320	1@0	1@159
		40+20	105	1@112	1@0	195	1@62	1@40	322	1@0	1@105
		50+10	52	1@220	1@0	192	1@79	1@0	322	1@0	1@51
	30	10+50	48	1@24	1@23	192	1@29	1@100	314	1@0	1@132
		20+40	100	1@51	1@49	190	1@29	1@72	314	1@0	1@105
		30+30	98	1@52	1@22	188	1@30	1@45	312	1@0	1@77
		40+20	96	1@59	1@0	190	1@29	1@17	314	1@0	1@50
		50+10	44	1@112	1@0	186	1@41	1@0	314	1@0	1@23
70	15	20+50	107	1@106	1@106	229	1@73	1@195	376	1@0	1@269
		30+40	126	1@121	1@89	229	1@72	1@140	376	1@0	1@215
		40+30	126	1@126	1@35	229	1@74	1@86	376	1@0	1@159
		50+20	106	1@165	1@0	229	1@73	1@31	376	1@0	1@105
	30	20+50	100	1@51	1@49	224	1@35	1@95	368	1@0	1@132
		30+40	122	1@61	1@43	224	1@34	1@67	368	1@0	1@105
		40+30	122	1@62	1@16	224	1@35	1@40	368	1@0	1@77
		50+20	98	1@85	1@0	224	1@35	1@13	368	1@0	1@50
80	15	30+50	143	1@143	1@125	261	1@83	1@183	430	1@0	1@269
		40+40	142	1@144	1@69	260	1@84	1@127	432	1@0	1@215
		50+30	143	1@144	1@16	261	1@84	1@74	430	1@0	1@159
	30	30+50	138	1@70	1@60	256	1@40	1@89	422	1@0	1@132
		40+40	136	1@70	1@31	256	1@41	1@62	424	1@0	1@105
		50+30	138	1@71	1@6	256	1@40	1@34	422	1@0	1@77
90	15	40+50	161	1@163	1@107	294	1@96	1@173	486	1@0	1@269
		50+40	161	1@162	1@52	294	1@95	1@118	486	1@0	1@215
	30	40+50	156	1@80	1@51	290	1@47	1@85	478	1@0	1@132
		50+40	156	1@80	1@24	290	1@47	1@58	478	1@0	1@105
100	15	50+50	178	1@180	1@87	326	1@106	1@161	540	1@0	1@269
	30	20+80	98	1@51	1@48	324	1@53	1@163	536	1@0	1@216
		50+50	172	1@88	1@40	322	1@52	1@79	532	1@0	1@132
		80+20	94	1@171	1@0	320	1@58	1@0	536	1@0	1@50
105	15	N/A									
	30	15+90	76	1@38	1@37	344	1@55	1@188	566	1@0	1@244
		25+80	126	1@64	1@61	340	1@54	1@158	564	1@0	1@216
110	15	N/A									
	30	10+100	48	1@24	1@23	360	1@58	1@213	594	1@0	1@272
		20+90	96	1@50	1@46	356	1@57	1@183	592	1@0	1@244
		30+80	154	1@78	1@76	358	1@58	1@158	590	1@0	1@216
		40+70	194	1@99	1@89	358	1@59	1@131	590	1@0	1@188
		50+60	192	1@98	1@60	356	1@58	1@102	590	1@0	1@161
		60+50	192	1@99	1@32	356	1@59	1@74	590	1@0	1@132
		70+40	194	1@98	1@5	358	1@58	1@47	590	1@0	1@105
		80+30	152	1@142	1@0	358	1@59	1@20	590	1@0	1@77
		90+20	95	1@199	1@0	348	1@72	1@0	592	1@0	1@50
		100+10	52	1@248	1@0	324	1@112	1@0	594	1@0	1@23
115	15	N/A									
	30	15+100	76	1@38	1@37	376	1@60	1@209	622	1@0	1@272

BW _{chan} nel_CA (MHz)	SCS for all CC (kHz)	Channel bandwidth combinati on (MHz)	RB allocation (Inner)			RB allocation (Outer1)			RB allocation (Outer2)		
			N _{RB} _alloc	CC1 LCRB1@ RBStart1	CC2 LCRB2@R BStart2	N _{RB} _alloc	CC1 LCRB1@ RBStart1	CC2 LCRB2@R BStart2	N _{RB} _alloc	CC1 LCRB1@ RBStart1	CC2 LCRB2@ RBStart2
		25+90	127	1@65	1@62	374	1@61	1@182	620	1@0	1@244
		90+25	122	1@185	1@0	374	1@61	1@2	620	1@0	1@64
		100+15	74	1@237	1@0	354	1@97	1@0	622	1@0	1@37
120	15	N/A									
	30	20+100	98	1@50	1@47	392	1@64	1@208	648	1@0	1@272
		30+90	154	1@78	1@76	390	1@63	1@179	646	1@0	1@244
		40+80	208	1@106	1@103	390	1@63	1@151	646	1@0	1@216
		50+70	210	1@107	1@78	390	1@64	1@125	644	1@0	1@188
		60+60	210	1@107	1@49	390	1@64	1@96	648	1@0	1@161
		70+50	210	1@107	1@22	390	1@64	1@69	644	1@0	1@132
		80+40	206	1@115	1@0	390	1@63	1@40	646	1@0	1@105
		90+30	152	1@170	1@0	390	1@63	1@12	646	1@0	1@77
100+20	94	1@227	1@0	378	1@85	1@0	648	1@0	1@50		
125	15	N/A									
	30	25+100	126	1@65	1@62	406	1@66	1@203	676	1@0	1@272
		100+25	122	1@213	1@0	404	1@72	1@0	676	1@0	1@64
130	15	N/A									
	30	30+100	152	1@78	1@75	424	1@70	1@203	702	1@0	1@272
		40+90	208	1@106	1@103	424	1@70	1@175	702	1@0	1@244
		50+80	228	1@116	1@96	422	1@68	1@145	700	1@0	1@216
		60+70	230	1@117	1@69	424	1@70	1@119	702	1@0	1@188
		70+60	230	1@117	1@42	424	1@70	1@92	702	1@0	1@161
		80+50	228	1@116	1@12	422	1@68	1@61	700	1@0	1@132
		90+40	206	1@143	1@0	424	1@69	1@35	702	1@0	1@105
		100+30	150	1@199	1@0	424	1@70	1@8	702	1@0	1@77
140	15	N/A									
	30	40+100	210	1@106	1@104	458	1@75	1@197	758	1@0	1@272
		50+90	248	1@125	1@115	456	1@73	1@167	756	1@0	1@244
		60+80	250	1@127	1@89	456	1@75	1@140	758	1@0	1@216
		70+70	246	1@125	1@58	456	1@75	1@113	756	1@0	1@188
		80+60	248	1@126	1@32	456	1@74	1@84	758	1@0	1@161
		90+50	248	1@125	1@3	456	1@73	1@55	756	1@0	1@132
100+40	208	1@170	1@0	458	1@74	1@29	758	1@0	1@105		
150	15	N/A									
	30	50+100	262	1@133	1@130	490	1@80	1@191	812	1@0	1@272
		60+90	268	1@136	1@107	490	1@80	1@162	814	1@0	1@244
		70+80	266	1@135	1@78	490	1@80	1@135	812	1@0	1@216
		80+70	266	1@135	1@50	490	1@80	1@107	812	1@0	1@188
		90+60	268	1@135	1@23	490	1@79	1@78	814	1@0	1@161
100+50	262	1@143	1@0	490	1@80	1@51	812	1@0	1@132		
160	15	N/A									
	30	60+100	288	1@145	1@125	524	1@86	1@185	870	1@0	1@272
		70+90	286	1@145	1@98	522	1@85	1@156	868	1@0	1@244
		80+80	284	1@144	1@68	522	1@85	1@128	868	1@0	1@216
		90+70	286	1@145	1@42	522	1@85	1@100	868	1@0	1@188
100+60	288	1@145	1@15	524	1@86	1@74	870	1@0	1@161		
170	15	N/A									
	30	70+100	304	1@153	1@115	558	1@92	1@181	924	1@0	1@272
		80+90	304	1@154	1@88	556	1@91	1@151	924	1@0	1@244
		90+80	304	1@154	1@60	556	1@91	1@123	924	1@0	1@216
100+70	304	1@153	1@31	558	1@92	1@97	924	1@0	1@188		
180	15	N/A									
	30	80+100	322	1@163	1@106	590	1@96	1@173	980	1@0	1@272
		90+90	322	1@164	1@79	588	1@96	1@144	980	1@0	1@244
100+80	324	1@164	1@52	590	1@96	1@117	980	1@0	1@216		
190	15	N/A									
	30	90+100	342	1@173	1@98	624	1@103	1@169	1036	1@0	1@272
100+90		342	1@173	1@70	624	1@103	1@141	1036	1@0	1@244	
200	15	N/A									

BW _{channel, CA} (MHz)	SCS for all CC (kHz)	Channel bandwidth combination (MHz)	RB allocation (Inner)			RB allocation (Outer1)			RB allocation (Outer2)		
			N _{RB, alloc}	CC1 L _{CRB1} @RB _{Start1}	CC2 L _{CRB2} @RB _{Start2}	N _{RB, alloc}	CC1 L _{CRB1} @RB _{Start1}	CC2 L _{CRB2} @RB _{Start2}	N _{RB, alloc}	CC1 L _{CRB1} @RB _{Start1}	CC2 L _{CRB2} @RB _{Start2}
	30	100+100	360	1@182	1@88						
						656	1@108	1@162	109 2	1@0	1@272

NOTE 1: BW_{channel, CA} is defined in clause 5.3A.3
 NOTE 2: N_{RB, alloc} for intra-band contiguous UL CA is defined in 6.2A.2.0

6.1E General

Sidelink RB allocations given in Table 6.1E-1 are used for V2X test cases, unless otherwise stated by the test case.

Table 6.1E-1: Sidelink configuration for PSSCH/PSCCH

BW _{channel} (MHz)	SCS (kHz)	Parameters	RB allocation			
			Outer_Full	Outer_10RB_Left	Outer_10RB_Right	Inner_Full
10MHz	15	PSSCH allocation	50@0	10@0	10@42	25@12
		PSCCH allocation	10@0	10@0	10@42	10@12
		sl-StartRB-Subchannel-r16	0	0	42	12
		sl-SubchannelSize-r16	10	10	10	25
		sl-NumSubchannel-r16	5	1	1	1
		sl-FreqResourcePSCCH-r16	10	10	10	10
	sl-TimeResourcePSCCH-r16	3	3	3	3	
	30	PSSCH allocation	24@0	10@0	10@14	12@6
		PSCCH allocation	10@0	10@0	10@14	10@6
		sl-StartRB-Subchannel-r16	0	0	14	6
		sl-SubchannelSize-r16	12	10	10	12
		sl-NumSubchannel-r16	2	1	1	1
		sl-FreqResourcePSCCH-r16	10	10	10	10
	sl-TimeResourcePSCCH-r16	3	3	3	3	
	60	PSSCH allocation	10@0	10@0	10@1	N/A
		PSCCH allocation	10@0	10@0	10@1	N/A
		sl-StartRB-Subchannel-r16	0	0	1	N/A
		sl-SubchannelSize-r16	10	10	10	N/A
sl-NumSubchannel-r16		1	1	1	N/A	
sl-FreqResourcePSCCH-r16		10	10	10	10	
sl-TimeResourcePSCCH-r16	3	3	3	3		
20MHz	15	PSSCH allocation	105@0	10@0	10@96	50@25
		PSCCH allocation	10@0	10@0	10@96	10@25
		sl-StartRB-Subchannel-r16	0	0	96	25
		sl-SubchannelSize-r16	15	10	10	10
		sl-NumSubchannel-r16	7	1	1	5
		sl-FreqResourcePSCCH-r16	10	10	10	10
	sl-TimeResourcePSCCH-r16	3	3	3	3	
	30	PSSCH allocation	50@0	10@0	10@41	25@12
		PSCCH allocation	10@0	10@0	10@41	10@12
		sl-StartRB-Subchannel-r16	0	0	41	12
		sl-SubchannelSize-r16	10	10	10	25
		sl-NumSubchannel-r16	5	1	1	1
		sl-FreqResourcePSCCH-r16	10	10	10	10
	sl-TimeResourcePSCCH-r16	3	3	3	3	
	60	PSSCH allocation	24@0	10@0	10@14	12@6
		PSCCH allocation	10@0	10@0	10@14	10@6
		sl-StartRB-Subchannel-r16	0	0	14	6

	sl-SubchannelSize-r16	12	10	10	12
	sl-NumSubchannel-r16	2	1	1	1
	sl-FreqResourcePSCCH-r16	10	10	10	10
	sl-TimeResourcePSCCH-r16	3	3	3	3

BW _{channel} (MHz)	SCS (kHz)	Parameters	RB allocation			
			Outer_Full	Outer_10RB_Left	Outer_10RB_Right	Inner_Full
30MHz	15	PSSCH allocation	160@0	10@0	10@150	80@40
		PSCCH allocation	10@0	10@0	10@150	10@40
		sl-StartRB-Subchannel-r16	0	0	150	40
		sl-SubchannelSize-r16	10	10	10	10
		sl-NumSubchannel-r16	16	1	1	8
		sl-FreqResourcePSCCH-r16	10	10	10	10
	sl-TimeResourcePSCCH-r16	3	3	3	3	
	30	PSSCH allocation	75@0	10@0	10@68	36@18
		PSCCH allocation	10@0	10@0	10@68	10@18
		sl-StartRB-Subchannel-r16	0	0	68	18
		sl-SubchannelSize-r16	15	10	10	12
		sl-NumSubchannel-r16	5	1	1	3
		sl-FreqResourcePSCCH-r16	10	10	10	10
	60	PSSCH allocation	36@0	10@0	10@28	15@7
		PSCCH allocation	10@0	10@0	10@28	10@7
		sl-StartRB-Subchannel-r16	0	0	28	7
		sl-SubchannelSize-r16	12	10	10	15
		sl-NumSubchannel-r16	3	1	1	1
sl-FreqResourcePSCCH-r16		10	10	10	10	
40MHz	15	PSSCH allocation	216@0	10@0	10@206	105@52
		PSCCH allocation	10@0	10@0	10@206	10@52
		sl-StartRB-Subchannel-r16	0	0	206	52
		sl-SubchannelSize-r16	12	10	10	15
		sl-NumSubchannel-r16	18	1	1	7
		sl-FreqResourcePSCCH-r16	10	10	10	10
	sl-TimeResourcePSCCH-r16	3	3	3	3	
	30	PSSCH allocation	105@0	10@0	10@96	50@25
		PSCCH allocation	10@0	10@0	10@96	10@25
		sl-StartRB-Subchannel-r16	0	0	96	25
		sl-SubchannelSize-r16	15	10	10	10
		sl-NumSubchannel-r16	7	1	1	5
		sl-FreqResourcePSCCH-r16	10	10	10	10
	60	PSSCH allocation	50@0	10@0	10@41	25@12
		PSCCH allocation	10@0	10@0	10@41	10@12
		sl-StartRB-Subchannel-r16	0	0	41	12
		sl-SubchannelSize-r16	10	10	10	25
		sl-NumSubchannel-r16	5	1	1	1
sl-FreqResourcePSCCH-r16		10	10	10	10	
sl-TimeResourcePSCCH-r16	3	3	3	3		

Table 6.1E-2: Sidelink configuration for PSFCH

	Parameters	RB allocation
--	------------	---------------

BW _{channel} (MHz)	SCS (kHz)		PSFCH_1RB_Left	PSFCH_1RB_Right	PSFCH_2RB_Left	PSFCH_2RB_Right	PSFCH_Max_Gap		
10MHz	15	PSFCH allocation	1@0	1@51	2@0	2@50	1@0	1@49	
		sl-StartRB-Subchannel-r16	0	2	0	2	0		
		sl-SubchannelSize-r16	25	25	25	25	25		
		sl-NumSubchannel-r16	2	2	2	2	2		
		sl-PSFCH-RB-Set-r16	Bitstring of length 50, The leftmost 4 bits and rightmost 4 bits are set to "1" and the rest are set to "0"						
	30	PSFCH allocation	1@0	1@23	2@0	2@22	1@0	1@23	
		sl-StartRB-Subchannel-r16	0	0	0	0	0		
		sl-SubchannelSize-r16	12	12	12	12	12		
		sl-NumSubchannel-r16	2	2	2	2	2		
		sl-PSFCH-RB-Set-r16	Bitstring of length 24, The leftmost 4 bits and rightmost 4 bits are set to "1" and the rest are set to "0"						
	60	PSFCH allocation	10@0	1@10	2@0	2@9	1@0	1@9	
		sl-StartRB-Subchannel-r16	0	1	0	1	0		
sl-SubchannelSize-r16		10	10	10	10	10			
sl-NumSubchannel-r16		1	1	1	1	1			
	sl-PSFCH-RB-Set-r16	Bitstring of length 10, The leftmost 2 bits and rightmost 2 bits are set to "1" and the rest are set to "0"							
20MHz	15	PSFCH allocation	1@0	1@105	2@0	2@104	1@0	1@104	
		sl-StartRB-Subchannel-r16	0	1	0	1	0		
		sl-SubchannelSize-r16	15	15	15	15	15		
		sl-NumSubchannel-r16	7	7	7	7	7		
		sl-PSFCH-RB-Set-r16	Bitstring of length 105, The leftmost 14 bits and rightmost 14 bits are set to "1" and the rest are set to "0"						
	30	PSFCH allocation	1@0	1@50	2@0	2@49	1@0	1@49	
		sl-StartRB-Subchannel-r16	0	1	0	1	0		
		sl-SubchannelSize-r16	25	25	25	25	25		
		sl-NumSubchannel-r16	2	2	2	2	2		
		sl-PSFCH-RB-Set-r16	Bitstring of length 50, The leftmost 4 bits and rightmost 4 bits are set to "1" and the rest are set to "0"						
	60	PSFCH allocation	1@0	1@23	2@0	2@22	1@0	1@23	
		sl-StartRB-Subchannel-r16	0	0	0	0	0		
sl-SubchannelSize-r16		12	12	12	12	12			
sl-NumSubchannel-r16		2	2	2	2	2			
	sl-PSFCH-RB-Set-r16	Bitstring of length 24, The leftmost 4 bits and rightmost 4 bits are set to "1" and the rest are set to "0"							
30MHz	15	PSFCH allocation	1@0	1@159	2@0	2@158	1@0	1@159	
		sl-StartRB-Subchannel-r16	0	0	0	0	0		
		sl-SubchannelSize-r16	20	20	20	20	20		
		sl-NumSubchannel-r16	8	8	8	8	8		
		sl-PSFCH-RB-Set-r16	Bitstring of length 160, The leftmost 16 bits and rightmost 16 bits are set to "1" and the rest are set to "0"						
	30	PSFCH allocation	1@0	1@77	2@0	2@76	1@0	1@74	
		sl-StartRB-Subchannel-r16	0	3	0	3	0		
		sl-SubchannelSize-r16	25	25	25	25	25		
		sl-NumSubchannel-r16	3	3	3	3	3		
		sl-PSFCH-RB-Set-r16	Bitstring of length 75, The leftmost 6 bits and rightmost 6 bits are set to "1" and the rest are set to "0"						
	60	PSFCH allocation	1@0	1@37	2@0	2@36	1@0	1@35	
		sl-StartRB-Subchannel-r16	0	2	0	2	0		
sl-SubchannelSize-r16		12	12	12	12	12			
sl-NumSubchannel-r16		3	3	3	3	3			
	sl-PSFCH-RB-Set-r16	Bitstring of length 36, The leftmost 6 bits and rightmost 6 bits are set to "1" and the rest are set to "0"							

		Parameters	RB allocation					
--	--	-------------------	----------------------	--	--	--	--	--

BW _{channel} (MHz)	SCS (kHz)		PSFCH_1RB_Left	PSFCH_1RB_Right	PSFCH_2RB_Left	PSFCH_2RB_Right	PSFCH_Max_Gap	
40MHz	15	PSFCH allocation	1@0	1@215	2@0	2@214	1@0	1@215
		sl-StartRB-Subchannel-r16	0	0	0	0	0	
		sl-SubchannelSize-r16	12	12	12	12	12	
		sl-NumSubchannel-r16	18	18	18	18	18	
		sl-PSFCH-RB-Set-r16	Bitstring of length 216, The leftmost 36 bits and rightmost 36 bits are set to "1" and the rest are set to "0"					
	30	PSFCH allocation	1@0	1@105	2@0	2@104	1@0	1@104
		sl-StartRB-Subchannel-r16	0	1	0	1	0	
		sl-SubchannelSize-r16	15	15	15	15	15	
		sl-NumSubchannel-r16	7	7	7	7	7	
		sl-PSFCH-RB-Set-r16	Bitstring of length 105, The leftmost 14 bits and rightmost 14 bits are set to "1" and the rest are set to "0"					
	60	PSFCH allocation	1@0	1@50	2@0	2@49	1@0	1@49
		sl-StartRB-Subchannel-r16	0	1	0	1	0	
		sl-SubchannelSize-r16	25	25	25	25	25	
		sl-NumSubchannel-r16	2	2	2	2	2	
		sl-PSFCH-RB-Set-r16	Bitstring of length 50, The leftmost 4 bits and rightmost 4 bits are set to "1" and the rest are set to "0"					

Table 6.1E-2: Sidelink configuration for S-SSB (PSBCH)

BW _{channel} (MHz)	SCS (kHz)	RB allocation		
		S-SSB_Low	S-SSB_Mid	S-SSB_High
10MHz	15	11@0	11@21	11@41
	30	11@0	11@7	11@13
	60	11@0	11@0	11@0
20MHz	15	11@0	11@48	11@95
	30	11@0	11@20	11@40
	60	11@0	11@7	11@13
30MHz	15	11@0	11@75	11@149
	30	11@0	11@34	11@67
	60	11@0	11@14	11@27
40MHz	15	11@0	11@103	11@205
	30	11@0	11@48	11@95
	60	11@0	11@20	11@40
NOTE: sl-AbsoluteFrequencySSB-r16 for each S-SSB allocation is specified in TS 38.508-1 [5] 4.3.1.8.				

6.1F General

For wideband operations, the minimum requirements for the transmitter characteristics are specified for transmissions on one scheduled RB set or ≥ 1 scheduled contiguous RB set(s) within the UE channel. The requirements apply with configured UL intra-cell guard bands of non-zero size according to Table 5.3.3-2, with the union of the scheduled RB sets and the intra-cell guard bands.

Unless stated otherwise, when a clause is not present for shared spectrum channel access, the general requirements and the additional clause requirements (suffices A, B, D) in clause 6 apply.

Table 6.1F-1: Common uplink configuration for shared spectrum access

Channel Bandwidth	SCS (kHz)	OFDM	RB allocation		
			Full	[Partial_Left] ²	[Partial_Right] ³
20MHz	15	DFT-s	100@0	N/A ¹	N/A ¹
		CP	106@0	11	11
	30	DFT-s	50@0	N/A ¹	N/A ¹
		CP	51@0	11	11
40MHz	15	DFT-s	216@0	N/A ¹	N/A ¹
		CP	216@0	22	22
	30	DFT-s	100@0	N/A ¹	N/A ¹
		CP	106@0	22	22
60MHz	15	DFT-s	N/A	N/A ¹	N/A ¹
		CP	N/A	N/A	N/A
	30	DFT-s	162@0	N/A ¹	N/A ¹
		CP	162@0	33	33
80MHz	15	DFT-s	N/A	N/A ¹	N/A ¹
		CP	N/A	N/A	N/A
	30	DFT-s	216@0	N/A ¹	N/A ¹
		CP	217@0	44	44
<p>Note 1: Partial RB allocation consists of non-contiguous RB allocation in one or several interlaces and therefore DFT-s-OFDM is not applicable.</p> <p>Note 2: A set of distributed RBs over the channel bandwidth for one Interlace only. The lowest RB index in the channel bandwidth is part of the distributed RB set.</p> <p>Note 3: A set of distributed RBs over the channel bandwidth for one Interlace only. The highest RB index in the channel bandwidth is part of the distributed RB set.</p>					

6.1J General

Unless otherwise stated, the transmitter characteristics are specified at the antenna connector(s) of the ATG UE with one or multiple omni-directional antenna(s) or at the *transceiver array boundary* (TAB) connectors of the ATG UE with the antenna array. The definition about *transceiver array boundary* (TAB) is specified in clause 4.3.2 of TS 38.104 [27].

For the ATG UE with multiple omni-directional antennas not indicating the capability [*antennaArrayType-r18*], the transmitter RF requirements are defined as the sum of measurement of all antenna connectors.

For the ATG UE with the antenna array indicating the capability [*antennaArrayType-r18*], the transmitter RF requirements are defined as the sum of measurement of all TAB connectors.

6.2 Transmitter power

6.2.1 UE maximum output power

6.2.1.1 Test purpose

To verify that the error of the UE maximum output power does not exceed the range prescribed by the specified nominal maximum output power and tolerance.

An excess maximum output power has the possibility to interfere to other channels or other systems. A small maximum output power decreases the coverage area.

6.2.1.2 Test applicability

This test case applies to all types of NR Power Class 1 UE release 15 and forward.

This test case applies to all types of NR Power Class 2 and Power Class 3 UE release 15 and forward that don't support Tx diversity and don't support Redcap.

6.2.1.3 Minimum conformance requirements

The following UE Power Classes define the maximum output power for any transmission bandwidth within the channel bandwidth of NR carrier unless otherwise stated. The period of measurement shall be at least one sub frame (1ms).

Table 6.2.1.3-1: UE Power Class

NR band	Class 1 (dBm)	Tolerance (dB)	Class 2 (dBm)	Tolerance (dB)	Class 3 (dBm)	Tolerance (dB)
n1			26	+2/-3	23	± 2
n2					23	± 2 ³
n3			26	+2/-3 ³	23	± 2 ³
n5					23	± 2
n7	31 ⁶	+2/-3			23	± 2 ³
n8			26	+2/-3 ³	23	± 2 ³
n12					23	± 2 ³
n13					23	± 2
n14	31 ⁶	+2/-3			23	± 2
n20					23	± 2 ³
n24					23	+2/-3 ³
n25					23	± 2 ³
n26					23	± 2 ³
n28					23	+2/-2.5
n30					23	± 2
n34			26	+2/-3	23	± 2
n38					23	± 2
n39			26	+2/-3	23	± 2
n40			26	+2/-3	23	± 2
n41	31 ⁶	+2/-3	26	+2/-3 ³	23	± 2 ³
n48					23	+2/-3
n50					23	± 2
n51					23	± 2
n53					23	± 2
n65					23	± 2
n66					23	± 2
n70					23	± 2
n71					23	+2/-2.5
n74					23	± 2
n77			26	+2/-3	23	+2/-3
n78	31 ⁶	+2/-3	26	+2/-3	23	+2/-3
n79			26	+2/-3	23	+2/-3
n80					23	± 2
n81					23	± 2
n82					23	± 2
n83					23	+ 2/-2.5
n84					23	± 2
n85					23	± 2 ³
n86					23	± 2
n91					23	± 2 ^{3, 4}
n92					23	± 2 ^{3, 4}
n93					23	± 2 ^{3, 4}
n94					23	± 2 ^{3, 4}
n95					23	± 2
n97					23	± 2
n99					23	+2/-3 ³
n100	31 ⁶	+2/-3			23	± 2
n101	31 ⁶	+2/-3			23	± 2
n106					23	± 2

NOTE 1:	$P_{PowerClass}$ is the maximum UE power specified without taking into account the tolerance.
NOTE 2:	Power class 3 is default power class unless otherwise stated.
NOTE 3:	Refers to the transmission bandwidths confined within F_{UL_low} and $F_{UL_low} + 4$ MHz or $F_{UL_high} - 4$ MHz and F_{UL_high} , the maximum output power requirement is relaxed by reducing the lower tolerance limit by 1.5 dB.
NOTE 4:	The maximum output power requirement is relaxed by reducing the lower tolerance limit by 0.3 dB.
NOTE 5:	FFS
NOTE 6:	Generally, PC1 UE is not targeted for smartphone form factor. The UE power class 1 requirements for Band n14 are applicable for public safety scenario only.

If a UE supports a different power class than the default UE power class for the band and the supported power class enables the higher maximum output power than that of the default power class:

- if the field of UE capability *maxUplinkDutyCycle-PC2-FR1* is absent and the percentage of uplink symbols transmitted in a certain evaluation period is larger than 50% (The exact evaluation period is no less than one radio frame); or
- if the field of UE capability *maxUplinkDutyCycle-PC2-FR1* is not absent and the percentage of uplink symbols transmitted in a certain evaluation period is larger than *maxUplinkDutyCycle-PC2-FR1* as defined in TS 38.331 [6] (The exact evaluation period is no less than one radio frame); or
- if the IE *P-Max* as defined in TS 38.331 [6] is provided and set to the maximum output power of the default power class or lower;
- shall apply all requirements for the default power class to the supported power class and set the configured transmitted power as specified in sub-clause 6.2.4;
- else if the UE does not support a power class with higher maximum output power than PC2; or
- if the IE *P-Max* as defined in TS 38.331 [6] is provided and set to the maximum output power of the power class 2 or lower;
 - shall apply all requirements for power class 2 to the supported power class and set the configured transmitted power as specified in clause 6.2.4;
- else shall apply all requirements for the supported power class and set the configured transmitted power class as specified in sub-clause 6.2.4;

The normative reference for this requirement is TS 38.101-1 [2] clause 6.2.1.

6.2.1.4 Test description

6.2.1.4.1 Initial conditions

Initial conditions are a set of test configurations the UE needs to be tested in and the steps for the SS to take with the UE to reach the correct measurement state.

The initial test configurations consist of environmental conditions, test frequencies, test channel bandwidths and sub-carrier spacing based on NR operating bands specified in table 5.3.5-1. All of these configurations shall be tested with applicable test parameters for each combination of test channel bandwidth and sub-carrier spacing, and are shown in table 6.2.1.4.1-1. The details of the uplink reference measurement channels (RMCs) are specified in Annexes A.2. Configurations of PDSCH and PDCCH before measurement are specified in Annex C.2.

Table 6.2.1.4.1-1: Test Configuration Table

Initial Conditions	
Test Environment as specified in TS 38.508-1 [5] subclause 4.1	Normal, TL/VL, TL/VH, TH/VL, TH/VH
Test Frequencies as specified in TS 38.508-1 [5] subclause 4.3.1	Low range, Mid range, High range
Test Channel Bandwidths as specified in TS 38.508-1 [5] subclause 4.3.1	Lowest, Mid, Highest (NOTE 3)
Test SCS as specified in Table 5.3.5-1	Lowest, Highest
Test Parameters	

Test ID	Downlink Configuration	Uplink Configuration	
		Modulation (NOTE 2)	RB allocation (NOTE 1)
1	N/A for maximum output power test case	DFT-s-OFDM PI/2 BPSK	Inner Full
2		DFT-s-OFDM PI/2 BPSK	Inner 1RB Left
3		DFT-s-OFDM PI/2 BPSK	Inner 1RB Right
4		DFT-s-OFDM QPSK	Inner Full
5		DFT-s-OFDM QPSK	Inner 1RB Left
6		DFT-s-OFDM QPSK	Inner 1RB Right

NOTE 1: The specific configuration of each RB allocation is defined in Table 6.1-1.
 NOTE 2: DFT-s-OFDM PI/2 BPSK test applies only for UEs which supports half Pi BPSK in FR1.
 NOTE 3: For band n28, the Highest test channel bandwidth is replaced by 20MHz due to MPR is always larger than 0dB for 30MHz bandwidth.
 NOTE 4: For *P-Max* test (Step 4 in Section 6.2.1.4.2) and *maxUplinkDutyCycle* test (Step 5 in Section 6.2.1.4.2), only "Normal" test environment, "Low range" test frequencies, "Lowest" Test Channel Bandwidth, "Lowest" test SCS and "Inner Full" RB allocation to be used.

1. Connect the SS to the UE antenna connectors as shown in TS 38.508-1 [5] Annex A, Figure A.3.1.1.1 for TE diagram and section A.3.2 for UE diagram.
2. The parameter settings for the cell are set up according to TS 38.508-1 [5] subclause 4.4.3.
3. Downlink signals are initially set up according to Annex C.0, C.1, C.2, and uplink signals according to Annex G.0, G.1, G.2, G.3.0.
4. The UL Reference Measurement Channel is set according to Table 6.2.1.4.1-1.
5. Propagation conditions are set according to Annex B.0.
6. Ensure the UE is in state RRC_CONNECTED with generic procedure parameters Connectivity *NR*, Connected without release *On*, Test Mode *On* and Test Loop Function *On* according to TS 38.508-1 [5] clause 4.5. Message contents are defined in clause 6.2.1.4.3.

6.2.1.4.2 Test procedure

1. SS sends uplink scheduling information for each UL HARQ process via PDCCH DCI format 0_1 for C_RNTI to schedule the UL RMC according to Table 6.2.1.4.1-1. Since the UE has no payload and no loopback data to send the UE sends uplink MAC padding bits on the UL RMC.
2. Send continuously uplink power control "up" commands in every uplink scheduling information to the UE; allow at least 200ms starting from the first TPC command in this step for the UE to reach P_{UMAX} level.
3. Measure the mean power of the UE in the channel bandwidth of the radio access mode. The period of measurement shall be at least the continuous duration of one active sub-frame (1ms) and in the uplink symbols. For TDD symbols with transient periods are not under test.
4. For UEs supporting Power Class 2 or Power Class 1, repeat steps 1~3 on the applicable bands with message exception of P-Max defined in Table 6.2.1.4.3-2.
5. For TDD UEs supporting Power Class 2 with UE capability *maxUplinkDutyCycle-PC2-FRI*, repeat steps 1~3 on the applicable bands with message exception of TDD UL-DL pattern defined in Table 6.2.1.4.3-4 and Table 6.2.1.4.3-5 which the UplinkDutyCycle is closest less than or equal to the *maxUplinkDutyCycle-PC2-FRI* reported by UE. Before Step 3, wait for at least 10ms for the UE to complete the evaluation period.

6.2.1.4.3 Message contents

Message contents are according to TS 38.508-1 [5] subclause 4.6 and 5.4 with the following exceptions.

Table 6.2.1.4.3-1: PUSCH-Config

Derivation Path: TS 38.508-1 [5], Table 4.6.3-118 with condition TRANSFORM_PRECODER_ENABLED

Table 6.2.1.4.3-2: P-Max (Step 4)

Derivation Path: TS 38.508-1 [5], Table 4.6.3-89			
Information Element	Value/remark	Comment	Condition

P-Max	23	PC2 UE or PC1 UE will fallback to PC3 UE with P-Max=23	PC2 UE or PC1 UE
-------	----	--	------------------

Table 6.2.1.4.3-3: Void

Table 6.2.1.4.3-4: TDD UL-DL pattern for SCS 15 KHz (*UplinkDutyCycle=60%*)

Parameter		Unit	Value	Comment
TDD Slot Configuration pattern (Note 1)			DSUUU	
Special Slot Configuration (Note 2)			10D+2G+2U	
UL-DL configuration (<i>tdt-UL-DL-ConfigurationCommon</i>)	<i>referenceSubcarrierSpacing</i>	kHz	15	
	<i>dl-UL-TransmissionPeriodicity</i>	ms	5	
	<i>nrofDownlinkSlots</i>		1	
	<i>nrofDownlinkSymbols</i>		10	
	<i>nrofUplinkSlot</i>		3	
	<i>nrofUplinkSymbols</i>		2	
K1 value (PDSCH-to-HARQ-timing-indicator)			[4] if mod(i,5) = 0	
PUCCH resource indicator			<i>PUCCH-ResourceId</i> [8] = 7 in <i>pucch-ResourceSetID</i> [1] as defined in TS 38.508-1 [5] Table 4.6.3-112 (Mapping as per Table 9.2.3-2 in TS 38.213)	'111'B value in binary
SS/PBCH block index			0	SSB#0
<p>Note 1: D denotes a slot with all DL symbols; S denotes a slot with a mix of DL, UL and guard symbols; U denotes a slot with all UL symbols. The field is for information.</p> <p>Note 2: D, G, U denote DL, guard and UL symbols, respectively. The field is for information.</p> <p>Note 3: i is the slot index per frame; i = {0,...,9}</p> <p>Note 4: There shall be no PUSCH or PUCCH or SRS transmitted in slot 1 and slot 6 to meet the specific <i>UplinkDutyCycle</i>.</p>				

Table 6.2.1.4.3-5: TDD UL-DL pattern for SCS 30 KHz (*UplinkDutyCycle=60%*)

Parameter		Unit	Value	Comment
TDD Slot Configuration pattern (Note 1)			DSUUU	
Special Slot Configuration (Note 2)			10D+2G+2U	
UL-DL configuration (<i>tdt-UL-DL-ConfigurationCommon</i>)	<i>referenceSubcarrierSpacing</i>	kHz	30	
	<i>dl-UL-TransmissionPeriodicity</i>	ms	2.5 single	
	<i>nrofDownlinkSlots</i>		1	
	<i>nrofDownlinkSymbols</i>		10	
	<i>nrofUplinkSlot</i>		3	
	<i>nrofUplinkSymbols</i>		2	
K1 value (PDSCH-to-HARQ-timing-indicator)			[4] if mod(i,5) = 0	
PUCCH resource indicator			<i>PUCCH-ResourceId</i> [8] = 7 in <i>pucch-ResourceSetID</i> [1] as defined in TS 38.508-1 [5] Table 4.6.3-112 (Mapping as per Table 9.2.3-2 in TS 38.213)	'111'B value in binary

SS/PBCH block index		0	SSB#0
Note 1:	D denotes a slot with all DL symbols; S denotes a slot with a mix of DL, UL and guard symbols; U denotes a slot with all UL symbols. The field is for information.		
Note 2:	D, G, U denote DL, guard and UL symbols, respectively. The field is for information.		
Note 3:	i is the slot index per frame; $i = \{0, \dots, 19\}$		
Note 4:	There shall be no PUSCH or PUCCH or SRS transmitted in slot 1, slot 6, slot 11 and slot 16 to meet the specific UplinkDutyCycle.		

6.2.1.5 Test requirement

The maximum output power, derived in step 3 shall be within the range prescribed by the nominal maximum output power and tolerance in Table 6.2.1.5-1 for Power Class 3, Table 6.2.1.5-2 for Power Class 2, Table 6.2.1.5-2a for Power Class 1.

The maximum output power, derived in step 4 shall be within the range prescribed by the nominal maximum output power and tolerance in Table 6.2.1.5-1.

The maximum output power, derived in step 5 shall be within the range prescribed by the nominal maximum output power and tolerance in Table 6.2.1.5-2 for Power Class 2 as defined in TS 38.306.

Table 6.2.1.5-1: Maximum Output Power test requirement for Power Class 3

NR band	Class 1 (dBm)	Tolerance (dB)	Class 2 (dBm)	Tolerance (dB)	Class 3 (dBm)	Tolerance (dB)
n1					23	$\pm(2+TT)$
n2					23	$\pm(2^3+TT)$
n3					23	$\pm(2^3+TT)$
n5					23	$\pm(2+TT)$
n7					23	$\pm(2^3+TT)$
n8					23	$\pm(2^3+TT)$
n12					23	$\pm(2^3+TT)$
n13					23	$\pm(2+TT)$
n14					23	$\pm(2+TT)$
n20					23	$\pm(2^3+TT)$
n24					23	$+2+TT/-3.0^3-TT$
n25					23	$\pm(2^3+TT)$
n26					23	$\pm(2^3+TT)$
n28					23	$+2+TT/-2.5-TT$
n30					23	$\pm(2+TT)$
n34					23	$\pm(2+TT)$
n38					23	$\pm(2+TT)$
n39					23	$\pm(2+TT)$
n40					23	$\pm(2+TT)$
n41					23	$\pm(2^3+TT)$
n48					23	$+2+TT/-3-TT$
n50					23	$\pm(2+TT)$
n51					23	$\pm(2+TT)$
n53					23	$\pm(2+TT)$
n65					23	$\pm(2+TT)$
n66					23	$\pm(2+TT)$
n70					23	$\pm(2+TT)$
n71					23	$+2+TT/-2.5-TT$
n74					23	$\pm(2+TT)$
n77					23	$+2+TT/-3-TT$
n78					23	$+2+TT/-3-TT$
n79					23	$+2+TT/-3-TT$
n85					23	$\pm(2^3+TT)$
n91					23	$\pm(2^{3.5}+TT)$
n92					23	$\pm(2^{3.5}+TT)$
n93					23	$\pm(2^{3.5}+TT)$
n94					23	$\pm(2^{3.5}+TT)$
n100					23	$\pm(2+TT)$
n101					23	$\pm(2+TT)$
n106					23	$\pm(2+TT)$

NOTE 1: $P_{PowerClass}$ is the maximum UE power specified without taking into account the tolerance
 NOTE 2: Power class 3 is default power class unless otherwise stated
 NOTE 3: Refers to the transmission bandwidths confined within F_{UL_low} and $F_{UL_low} + 4$ MHz or $F_{UL_high} - 4$ MHz and F_{UL_high} , the maximum output power requirement is relaxed by reducing the lower tolerance limit by 1.5 dB
 NOTE 4: TT for each frequency and channel bandwidth is specified in Table 6.2.1.5-3
 NOTE 5: The maximum output power requirement is relaxed by reducing the lower tolerance limit by 0.3 dB.

Table 6.2.1.5-2: Maximum Output Power test requirement for Power Class 2

NR band	Class 1 (dBm)	Tolerance (dB)	Class 2 (dBm)	Tolerance (dB)	Class 3 (dBm)	Tolerance (dB)
n1			26	+2+TT/-3-TT		
n3			26	+2+TT/-3 ³ -TT		
n8			26	+2+TT/-3 ³ -TT		
n34			26	+2+TT/-3-TT		
n39			26	+2+TT/-3-TT		
n41			26	+2+TT/-3 ³ -TT		
n77			26	+2+TT/-3-TT		
n78			26	+2+TT/-3-TT		
n79			26	+2+TT/-3-TT		
NOTE 1: $P_{PowerClass}$ is the maximum UE power specified without taking into account the tolerance NOTE 2: Power class 3 is default power class unless otherwise stated NOTE 3: Refers to the transmission bandwidths confined within F_{UL_low} and $F_{UL_low} + 4$ MHz or $F_{UL_high} - 4$ MHz and F_{UL_high} , the maximum output power requirement is relaxed by reducing the lower tolerance limit by 1.5 dB NOTE 4: TT for each frequency and channel bandwidth is specified in Table 6.2.1.5-3						

Table 6.2.1.5-2a: Maximum Output Power test requirement for Power Class 1

NR band	Class 1 (dBm)	Tolerance (dB)	Class 2 (dBm)	Tolerance (dB)	Class 3 (dBm)	Tolerance (dB)
n7 ⁵	31	+2+TT/-3-TT				
n14 ⁵	31	+2+TT/-3-TT				
n41 ⁵	31	+2+TT/-3-TT				
n78 ⁵	31	+2+TT/-3-TT				
n100 ⁵	31	+2+TT/-3-TT				
n101 ⁵	31	+2+TT/-3-TT				
NOTE 1: $P_{PowerClass}$ is the maximum UE power specified without taking into account the tolerance NOTE 2: Power class 3 is default power class unless otherwise stated NOTE 3: Refers to the transmission bandwidths confined within F_{UL_low} and $F_{UL_low} + 4$ MHz or $F_{UL_high} - 4$ MHz and F_{UL_high} , the maximum output power requirement is relaxed by reducing the lower tolerance limit by 1.5 dB NOTE 4: TT for each frequency and channel bandwidth is specified in Table 6.2.1.5-3. NOTE 5: Generally, PC1 UE is not targeted for smartphone form factor. The UE power class 1 requirements for Band n14 are applicable for public safety scenario only.						

Table 6.2.1.5-2b: Void

Table 6.2.1.5-3: Test Tolerance (UE maximum output power)

	$f \leq 3.0\text{GHz}$	$3.0\text{GHz} < f \leq 4.2\text{GHz}$	$4.2\text{GHz} < f \leq 6.0\text{GHz}$
BW \leq 40MHz	0.7 dB	1.0 dB	1.0 dB
40MHz < BW \leq 100MHz	1.0 dB	1.0 dB	1.0 dB

For the UE which supports inter-band NR CA configuration, inter-band NR-DC configuration, SUL configuration or inter-band EN-DC configuration, $\Delta T_{IB,c}$ as specified in 6.2A.4.0.2 for NR CA, 6.2B.4.0.2 for NR-DC, clause 6.2C.2 for SUL, or TS 38.521-3 [14] clause 6.2B.4.2 for EN-DC applies. Unless otherwise stated, $\Delta T_{IB,c}$ is set to zero. In case the UE supports more than one of band combinations for CA, NR-DC, SUL or EN-DC, and an operating band belongs to more than one band combinations then

- When the operating band frequency range is ≤ 1 GHz, the applicable additional $\Delta T_{IB,c}$ shall be the average value for all band combinations defined in clause 6.2A.4.0.2, 6.2B.4.0.2, 6.2C.2 in this specification and 6.2B.4.2 in TS 38.521-3 [14], truncated to one decimal place that apply for that operating band among the supported band combinations. In case there is a harmonic relation between low band UL and high band DL, then the maximum $\Delta T_{IB,c}$ among the different supported band combinations involving such band shall be applied
- When the operating band frequency range is > 1 GHz, the applicable additional $\Delta T_{IB,c}$ shall be the maximum value for all band combinations defined in clause 6.2A.4.0.2, 6.2B.4.0.2, 6.2C.2 in this specification and 6.2B.4.2 in TS 38.521-3 [14] for the applicable operating bands.

6.2.2 UE maximum output power reduction

6.2.2.1 Test purpose

The number of RB identified in Table 6.2.2.3-1 is based on meeting the requirements for adjacent channel leakage ratio and the maximum power reduction (MPR) due to Cubic Metric (CM).

6.2.2.2 Test applicability

This test case applies to all types of NR Power Class 1 UE release 15 and forward.

This test case applies to all types of NR Power Class 2 and Power Class 3 UE release 15 and forward that don't support Tx diversity.

NOTE: Test execution is not necessary if TS 38.521-1 6.5.2.4.1 is executed.

6.2.2.3 Minimum conformance requirements

UE is allowed to reduce the maximum output power due to higher order modulations and transmit bandwidth configurations. For UE power class 2 and 3 and UE power class 1, the allowed maximum power reduction (MPR) is defined in Table 6.2.2.3-2, Table 6.2.2.3-1, Table 6.2.2.3-4b and Table 6.2.2.3-5, respectively for channel bandwidths ≤ 100 MHz.

If the relative channel bandwidth $\leq 4\%$ for TDD bands or $\leq 3\%$ for FDD band, the ΔMPR is set to zero.

If the relative channel bandwidth is larger than 4% for TDD bands or 3% for FDD bands, the ΔMPR is defined in Table 6.2.2.3-3.

Where relative channel bandwidth = $2 \cdot \text{BW}_{\text{Channel}} / (\text{F}_{\text{UL,low}} + \text{F}_{\text{UL,high}})$.

The allowed MPR for SRS, PUCCH formats 0, 1, 3 and 4, and PRACH shall be as specified for QPSK modulated DFT-s-OFDM of equivalent RB allocation. The allowed MPR for PUCCH format 2 shall be as specified for QPSK modulated CP-OFDM of equivalent RB allocation.

Table 6.2.2.3-1: Maximum power reduction (MPR) for power class 3

Modulation		MPR (dB)		
		Edge RB allocations	Outer RB allocations	Inner RB allocations
DFT-s-OFDM	Pi/2 BPSK	$\leq 3.5^1$	$\leq 1.2^1$	$\leq 0.2^1$
		$\leq 0.5^{2,3}$	$\leq 0.5^2$	0^2

	Pi/2 BPSK w Pi/2 BPSK DMRS	$\leq 0.5^{2,3}$	0^2
	QPSK	≤ 1	0
	16 QAM	≤ 2	≤ 1
	64 QAM	≤ 2.5	
	256 QAM	≤ 4.5	
CP-OFDM	QPSK	≤ 3	≤ 1.5
	16 QAM	≤ 3	≤ 2
	64 QAM	≤ 3.5	
	256 QAM	≤ 6.5	
NOTE 1: Applicable for UE operating in TDD mode with Pi/2 BPSK modulation and UE indicates support for UE capability <i>powerBoosting-pi2BPSK</i> and if the IE <i>powerBoostPi2BPSK</i> is set to 1 and 40 % or less slots in radio frame are used for UL transmission for bands n40, n41, n77, n78 and n79. The reference power of 0dB MPR is 26dBm.			
NOTE 2: Applicable for conditions where Note 1 does not apply.			
NOTE 3: For 3 MHz channel bandwidth the Pi/2 BPSK edge allocation MPR is 1 dB.			

Table 6.2.2.3-2: Maximum power reduction (MPR) for power class 2

Modulation		MPR (dB)		
		Edge RB allocations	Outer RB allocations	Inner RB allocations
DFT-s-OFDM	Pi/2 BPSK	≤ 3.5	≤ 0.5	0
	QPSK	≤ 3.5	≤ 1	0
	16 QAM	≤ 3.5	≤ 2	≤ 1
	64 QAM	≤ 3.5	≤ 2.5	
	256 QAM	≤ 4.5		
CP-OFDM	QPSK	≤ 3.5	≤ 3	≤ 1.5
	16 QAM	≤ 3.5	≤ 3	≤ 2
	64 QAM	≤ 3.5		
	256 QAM	≤ 6.5		

Table 6.2.2.3-3: ΔMPR

NR Band	Power class	Channel bandwidth	ΔMPR (dB)
n28 and n83	Power class 3	30 MHz	0.5
n40 and n97	Power class 3 and power class 2	100 MHz	1

Table 6.2.2.3-4: Void

Table 6.2.2.3-4a: Void

Table 6.2.2.3-4b: Maximum power reduction (MPR) for power class 1 for bands other than Band n14

Modulation		MPR (dB)		
		Edge RB allocations	Outer RB allocations	Inner RB allocations
DFT-s-OFDM	Pi/2 BPSK	(NOTE 1)	≤ 0.5	0
	Pi/2 BPSK w Pi/2 BPSK DMRS	(NOTE 1)	0	0
	QPSK	(NOTE 1)	≤ 1	0
	16 QAM	(NOTE 1)	≤ 2	≤ 1
	64 QAM	(NOTE 1)	≤ 2.5	
	256 QAM	(NOTE 1)	≤ 4.5	
CP-OFDM	QPSK	(NOTE 1)	≤ 3	≤ 1.5
	16 QAM	(NOTE 1)	≤ 3	≤ 2
	64 QAM	(NOTE 1)	≤ 3.5	
	256 QAM	(NOTE 1)	≤ 6.5	

NOTE 1: MPR for all modulations for Edge RB allocation is defined as following for two distinguished channel bandwidths groups as:
 Within the <50MHz channel bandwidth group:

$$MPR = CEIL\left(7.2 \text{ dB} - 6 \text{ dB} \cdot \frac{CBW}{100 \text{ MHz}}, 0.5 \text{ dB}\right)$$

 Within the ≥ 50 MHz channel bandwidth group:

$$MPR = CEIL\left(5.35 \text{ dB} + 3.15 \text{ dB} \cdot \frac{CBW}{100 \text{ MHz}}, 0.5 \text{ dB}\right)$$

 where CEIL(x,0.5 dB) means rounding x upwards to the closest multiple of 0.5 dB.

Table 6.2.2.3-5: Maximum power reduction (MPR) for power class 1 for Band n14

Modulation		MPR (dB)		
		Edge RB allocations	Outer RB allocations	Inner RB allocations
DFT-s-OFDM	Pi/2 BPSK	≤ 0.5	≤ 0.5	0
	Pi/2 BPSK w Pi/2 BPSK DMRS	≤ 0.5	0	0
	QPSK		≤ 1	0
	16 QAM		≤ 2	≤ 1
	64 QAM		≤ 2.5	
	256 QAM		≤ 4.5	
CP-OFDM	QPSK		≤ 3	≤ 1.5
	16 QAM		≤ 3	≤ 2
	64 QAM		≤ 3.5	
	256 QAM		≤ 6.5	

Where the following parameters are defined to specify valid RB allocation ranges for Outer and Inner RB allocations:

N_{RB} is the maximum number of RBs for a given Channel bandwidth and sub-carrier spacing defined in Table 5.3.2-1.

$$RB_{Start,Low} = \max(1, \text{floor}(L_{CRB}/2))$$

where max() indicates the largest value of all arguments and floor(x) is the greatest integer less than or equal to x.

$$RB_{Start,High} = N_{RB} - RB_{Start,Low} - L_{CRB}$$

The RB allocation is an Inner RB allocation if the following conditions are met:

$$RB_{Start,Low} \leq RB_{Start} \leq RB_{Start,High}, \text{ and}$$

$$L_{CRB} \leq \text{ceil}(N_{RB}/2)$$

where ceil(x) is the smallest integer greater than or equal to x.

An Edge RB allocation is the one for which the RB(s) is (are) allocated at the lowermost or uppermost edge of the channel with $L_{CRB} \leq 2$ RBs.

The RB allocation is an Outer RB allocation for all other allocations which are not an Inner RB allocation or Edge RB allocation.

If CP-OFDM allocation satisfies following conditions, it is considered as almost contiguous allocation

$$N_{RB_gap} / (N_{RB_alloc} + N_{RB_gap}) \leq 0.25$$

and $N_{RB_alloc} + N_{RB_gap}$ is larger than 106, 51 or 24 RBs for 15 kHz, 30 kHz or 60 kHz SCS respectively where N_{RB_gap} is the total number of unallocated RBs between allocated RBs and N_{RB_alloc} is the total number of allocated RBs. The size and location of allocated and unallocated RBs are restricted by RBG parameters specified in sub-clause 6.1.2.2 of TS 38.214 [12]. For UE that indicates support for *almostContiguousCP-OFDM-UL*, the almost contiguous signals in power class 2 and 3, the allowed maximum power reduction defined in Table 6.2.2.3-2 and Table 6.2.2.3-1 are increased by

$$CEIL\{ 10 \log_{10}(1 + N_{RB_gap} / N_{RB_alloc}), 0.5 \} \text{ dB},$$

where CEIL{x,0.5} means x rounding upwards to closest 0.5dB. The parameters of $RB_{Start,Low}$ and $RB_{Start,High}$ to specify valid RB allocation ranges for Outer and Inner RB allocations are defined as following:

$$RB_{Start,Low} = \max(1, \text{floor}((N_{RB_alloc} + N_{RB_gap})/2))$$

$$RB_{Start,High} = N_{RB} - RB_{Start,Low} - N_{RB_alloc} - N_{RB_gap}$$

For the UE maximum output power modified by MPR, the power limits specified in subclause 6.2.4 apply.

The normative reference for this requirement is TS 38.101-1 [2] clause 6.2.2.

6.2.2.4 Test description

6.2.2.4.1 Initial conditions

Initial conditions are a set of test configurations the UE needs to be tested in and the steps for the SS to take with the UE to reach the correct measurement state.

The initial test configurations consist of environmental conditions, test frequencies, channel bandwidths and sub-carrier spacing based on NR operating bands specified in table 5.3.5-1. All of these configurations shall be tested with applicable test parameters for each combination of test channel bandwidth and sub-carrier spacing, and are shown in Table 6.2.2.4.1-1, Table 6.2.2.4.1-2, Table 6.2.2.4.1-2a, Table 6.2.2.4.1-2c and Table 6.2.2.4.1-3. The details of the uplink reference measurement channels (RMCs) are specified in Annexes A.2. Configurations of PDSCH and PDCCH before measurement are specified in Annex C.2.

Table 6.2.2.4.1-1: Test Configuration Table for power class 3 (contiguous allocation)

Initial Conditions				
Test Environment as specified in TS 38.508-1 [5] subclause 4.1		Normal, TL/VL, TL/VH, TH/VL, TH/VH		
Test Frequencies as specified in TS 38.508-1 [5] subclause 4.3.1		Low range, High range		
Test Channel Bandwidths as specified in TS 38.508-1 [5] subclause 4.3.1		Lowest, Highest		
Test SCS as specified in Table 5.3.5-1		Lowest, Highest		
Test Parameters for Channel Bandwidths				
Test ID	Freq	Downlink Configuration	Uplink Configuration	
		N/A for Maximum Power Reduction (MPR) test case	Modulation (NOTE 2) DFT-s-OFDM Pi/2 BPSK	RB allocation (NOTE 1) Inner Full
1 ³	Default		DFT-s-OFDM Pi/2 BPSK	Inner Full
2 ³	Low		DFT-s-OFDM Pi/2 BPSK	Edge_1RB_Left
3 ³	High		DFT-s-OFDM Pi/2 BPSK	Edge_1RB_Right
4 ³	Default		DFT-s-OFDM Pi/2 BPSK	Outer Full
5 ⁴	Default		DFT-s-OFDM Pi/2 BPSK	Inner Full
6 ⁴	Low		DFT-s-OFDM Pi/2 BPSK	Edge_1RB_Left
7 ⁴	High		DFT-s-OFDM Pi/2 BPSK	Edge_1RB_Right
8 ⁴	Default		DFT-s-OFDM Pi/2 BPSK	Outer Full
9	Default		DFT-s-OFDM QPSK	Inner Full
10	Low		DFT-s-OFDM QPSK	Edge_1RB_Left
11	High		DFT-s-OFDM QPSK	Edge_1RB_Right
12	Default		DFT-s-OFDM QPSK	Outer Full
13	Default		DFT-s-OFDM 16 QAM	Inner Full
14	Low		DFT-s-OFDM 16 QAM	Edge_1RB_Left
15	High		DFT-s-OFDM 16 QAM	Edge_1RB_Right
16	Default		DFT-s-OFDM 16 QAM	Outer Full
17	Low		DFT-s-OFDM 64 QAM	Edge_1RB_Left
18	High		DFT-s-OFDM 64 QAM	Edge_1RB_Right
19	Default		DFT-s-OFDM 64 QAM	Outer Full
20	Low		DFT-s-OFDM 256 QAM	Edge_1RB_Left
21	High		DFT-s-OFDM 256 QAM	Edge_1RB_Right
22	Default		DFT-s-OFDM 256 QAM	Outer Full
23	Default		CP-OFDM QPSK	Inner Full
24	Low		CP-OFDM QPSK	Edge_1RB_Left
25	High		CP-OFDM QPSK	Edge_1RB_Right
26	Default		CP-OFDM QPSK	Outer Full
27	Default		CP-OFDM 16 QAM	Inner Full
28	Low		CP-OFDM 16 QAM	Edge_1RB_Left
29	High	CP-OFDM 16 QAM	Edge_1RB_Right	

30	Default	CP-OFDM 16 QAM	Outer Full
31	Low	CP-OFDM 64 QAM	Edge_1RB_Left
32	High	CP-OFDM 64 QAM	Edge_1RB_Right
33	Default	CP-OFDM 64 QAM	Outer Full
34	Low	CP-OFDM 256 QAM	Edge_1RB_Left
35	High	CP-OFDM 256 QAM	Edge_1RB_Right
36	Default	CP-OFDM 256 QAM	Outer Full
37 ^{4,5}	Low	DFT-s-OFDM Pi/2 BPSK w Pi/2 BPSK DMRS	Edge_1RB_Left
38 ^{4,5}	High	DFT-s-OFDM Pi/2 BPSK w Pi/2 BPSK DMRS	Edge_1RB_Right
39 ^{4,5}	Default	DFT-s-OFDM Pi/2 BPSK w Pi/2 BPSK DMRS	Outer Full

NOTE 1: The specific configuration of each RB allocation is defined in Table 6.1-1.
 NOTE 2: DFT-s-OFDM Pi/2 BPSK test applies only for UEs which supports Pi/2 BPSK in FR1.
 NOTE 3: UE operating in TDD mode with Pi/2 BPSK modulation and UE indicates support for UE capability *powerBoosting-pi2BPSK* and the IE *powerBoostPi2BPSK* is set to 1 for bands n40, n41, n77, n78 and n79.
 NOTE 4: UE operating in FDD mode, or in TDD mode in bands other than n40, n41, n77, n78 and n79, or in TDD mode the IE *powerBoostPi2BPSK* is set to 0 for bands n40, n41, n77, n78 and n79.
 NOTE 5: Applicable to UEs indicating support for UE capability *lowPAPR-DMRS-PUSCHwithPrecoding-r16*.

Table 6.2.2.4.1-1a: Void

Table 6.2.2.4.1-2: Test Configuration Table for power class 2 (contiguous allocation)

Initial Conditions				
Test Environment as specified in TS 38.508-1 [5] subclause 4.1		Normal, TL/VL, TL/VH, TH/VL, TH/VH		
Test Frequencies as specified in TS 38.508-1 [5] subclause 4.3.1		Low range, High range		
Test Channel Bandwidths as specified in TS 38.508-1 [5] subclause 4.3.1		Lowest, Highest		
Test SCS as specified in Table 5.3.5-1		Lowest, Highest		
Test Parameters for Channel Bandwidths				
Test ID	Freq	Downlink Configuration	Uplink Configuration	
		N/A for Maximum Power Reduction (MPR) test case	Modulation (NOTE 2)	
			RB allocation (NOTE 1)	
1	Default		DFT-s-OFDM Pi/2 BPSK	Inner Full
2	Low		DFT-s-OFDM Pi/2 BPSK	Edge_1RB_Left
3	High		DFT-s-OFDM Pi/2 BPSK	Edge_1RB_Right
4	Default		DFT-s-OFDM Pi/2 BPSK	Outer Full
5	Default		DFT-s-OFDM QPSK	Inner Full
6	Low		DFT-s-OFDM QPSK	Edge_1RB_Left
7	High		DFT-s-OFDM QPSK	Edge_1RB_Right
8	Default		DFT-s-OFDM QPSK	Outer Full
9	Default		DFT-s-OFDM 16 QAM	Inner Full
10	Low		DFT-s-OFDM 16 QAM	Edge_1RB_Left
11	High		DFT-s-OFDM 16 QAM	Edge_1RB_Right
12	Default		DFT-s-OFDM 16 QAM	Outer Full
13	Low		DFT-s-OFDM 64 QAM	Edge_1RB_Left
14	High		DFT-s-OFDM 64 QAM	Edge_1RB_Right
15	Default		DFT-s-OFDM 64 QAM	Outer Full
16	Low		DFT-s-OFDM 256 QAM	Edge_1RB_Left
17	High		DFT-s-OFDM 256 QAM	Edge_1RB_Right
18	Default		DFT-s-OFDM 256 QAM	Outer Full
19	Default		CP-OFDM QPSK	Inner Full
20	Low		CP-OFDM QPSK	Edge_1RB_Left
21	High		CP-OFDM QPSK	Edge_1RB_Right
22	Default		CP-OFDM QPSK	Outer Full
23	Default		CP-OFDM 16 QAM	Inner Full
24	Low		CP-OFDM 16 QAM	Edge_1RB_Left
25	High		CP-OFDM 16 QAM	Edge_1RB_Right
26	Default	CP-OFDM 16 QAM	Outer Full	
27	Low	CP-OFDM 64 QAM	Edge_1RB_Left	

28	High	CP-OFDM 64 QAM	Edge_1RB_Right
29	Default	CP-OFDM 64 QAM	Outer Full
30	Low	CP-OFDM 256 QAM	Edge_1RB_Left
31	High	CP-OFDM 256 QAM	Edge_1RB_Right
32	Default	CP-OFDM 256 QAM	Outer Full

NOTE 1: The specific configuration of each RB allocation is defined in Table 6.1-1.
 NOTE 2: DFT-s-OFDM Pi/2 BPSK test applies only for UEs which supports Pi/2 BPSK in FR1.

Table 6.2.2.4.1-2a: Test Configuration Table for power class 1 for Band n14 (contiguous allocation)

Initial Conditions				
Test Environment as specified in TS 38.508-1 [5] subclause 4.1		Normal, TL/VL, TL/VH, TH/VL, TH/VH		
Test Frequencies as specified in TS 38.508-1 [5] subclause 4.3.1		Low range, High range		
Test Channel Bandwidths as specified in TS 38.508-1 [5] subclause 4.3.1		Lowest, Highest		
Test SCS as specified in Table 5.3.5-1		Lowest, Highest		
Test Parameters for Channel Bandwidths				
Test ID	Freq	Downlink Configuration	Uplink Configuration	
			Modulation (NOTE 2)	RB allocation (NOTE 1)
		N/A for Maximum Power		
1	Default		DFT-s-OFDM Pi/2 BPSK	Inner Full
2	Low		DFT-s-OFDM Pi/2 BPSK	Edge_1RB_Left
3	High		DFT-s-OFDM Pi/2 BPSK	Edge_1RB_Right
4	Default		DFT-s-OFDM Pi/2 BPSK	Outer Full
5	Default		DFT-s-OFDM QPSK	Inner Full
6	Low		DFT-s-OFDM QPSK	Edge_1RB_Left
7	High		DFT-s-OFDM QPSK	Edge_1RB_Right
8	Default		DFT-s-OFDM QPSK	Outer Full
9	Default		DFT-s-OFDM 16 QAM	Inner Full
10	Low		DFT-s-OFDM 16 QAM	Edge_1RB_Left
11	High		DFT-s-OFDM 16 QAM	Edge_1RB_Right
12	Default		DFT-s-OFDM 16 QAM	Outer Full
13	Low		DFT-s-OFDM 64 QAM	Edge_1RB_Left
14	High		DFT-s-OFDM 64 QAM	Edge_1RB_Right
15	Default		DFT-s-OFDM 64 QAM	Outer Full
16	Low		DFT-s-OFDM 256 QAM	Edge_1RB_Left
17	High		DFT-s-OFDM 256 QAM	Edge_1RB_Right
18	Default		DFT-s-OFDM 256 QAM	Outer Full
19	Default		CP-OFDM QPSK	Inner Full
20	Low		CP-OFDM QPSK	Edge_1RB_Left
21	High		CP-OFDM QPSK	Edge_1RB_Right
22	Default		CP-OFDM QPSK	Outer Full
23	Default		CP-OFDM 16 QAM	Inner Full
24	Low		CP-OFDM 16 QAM	Edge_1RB_Left
25	High		CP-OFDM 16 QAM	Edge_1RB_Right
26	Default		CP-OFDM 16 QAM	Outer Full
27	Low		CP-OFDM 64 QAM	Edge_1RB_Left
28	High		CP-OFDM 64 QAM	Edge_1RB_Right
29	Default		CP-OFDM 64 QAM	Outer Full
30	Low		CP-OFDM 256 QAM	Edge_1RB_Left
31	High		CP-OFDM 256 QAM	Edge_1RB_Right
32	Default		CP-OFDM 256 QAM	Outer Full
33 ³	Low		DFT-s-OFDM Pi/2 BPSK w Pi/2 BPSK DMRS	Edge_1RB_Left
34 ³	High		DFT-s-OFDM Pi/2 BPSK w Pi/2 BPSK DMRS	Edge_1RB_Right
35 ³	Default		DFT-s-OFDM Pi/2 BPSK w Pi/2 BPSK DMRS	Outer Full

NOTE 1: The specific configuration of each RB allocation is defined in Table 6.1-1.
 NOTE 2: DFT-s-OFDM Pi/2 BPSK test applies only for Ues which supports Pi/2 BPSK in FR1.
 NOTE 3: Applicable to UEs indicating support for UE capability *lowPAPR-DMRS-PUSCHwithPrecoding-r16*.

Table 6.2.2.4.1-2b: Void

Table 6.2.2.4.1-2c: Test Configuration Table for power class 1 for bands other than Band n14 (contiguous allocation)

Initial Conditions																																																																											
Test Environment as specified in TS 38.508-1 [5] subclause 4.1		Normal, TL/VL, TL/VH, TH/VL, TH/VH																																																																									
Test Frequencies as specified in TS 38.508-1 [5] subclause 4.3.1		Low range, High range																																																																									
Test Channel Bandwidths as specified in TS 38.508-1 [5] subclause 4.3.1		Lowest, Highest for all RB allocations Additionally, for edge RB allocations, the maximum channel bandwidth <50MHz and the minimum channel bandwidth ≥50MHz that are supported by the UE (NOTE 4)																																																																									
Test SCS as specified in Table 5.3.5-1		Lowest, Highest																																																																									
Test Parameters for Channel Bandwidths																																																																											
Test ID	Freq	Downlink Configuration	Uplink Configuration																																																																								
		N/A for Maximum Power	<table border="1"> <thead> <tr> <th>Modulation (NOTE 2)</th> <th>RB allocation (NOTE 1)</th> </tr> </thead> <tbody> <tr><td>DFT-s-OFDM Pi/2 BPSK</td><td>Inner Full</td></tr> <tr><td>DFT-s-OFDM Pi/2 BPSK</td><td>Edge_1RB_Left</td></tr> <tr><td>DFT-s-OFDM Pi/2 BPSK</td><td>Edge_1RB_Right</td></tr> <tr><td>DFT-s-OFDM Pi/2 BPSK</td><td>Outer Full</td></tr> <tr><td>DFT-s-OFDM QPSK</td><td>Inner Full</td></tr> <tr><td>DFT-s-OFDM QPSK</td><td>Edge_1RB_Left</td></tr> <tr><td>DFT-s-OFDM QPSK</td><td>Edge_1RB_Right</td></tr> <tr><td>DFT-s-OFDM QPSK</td><td>Outer Full</td></tr> <tr><td>DFT-s-OFDM 16 QAM</td><td>Inner Full</td></tr> <tr><td>DFT-s-OFDM 16 QAM</td><td>Edge_1RB_Left</td></tr> <tr><td>DFT-s-OFDM 16 QAM</td><td>Edge_1RB_Right</td></tr> <tr><td>DFT-s-OFDM 16 QAM</td><td>Outer Full</td></tr> <tr><td>DFT-s-OFDM 64 QAM</td><td>Edge_1RB_Left</td></tr> <tr><td>DFT-s-OFDM 64 QAM</td><td>Edge_1RB_Right</td></tr> <tr><td>DFT-s-OFDM 64 QAM</td><td>Outer Full</td></tr> <tr><td>DFT-s-OFDM 256 QAM</td><td>Edge_1RB_Left</td></tr> <tr><td>DFT-s-OFDM 256 QAM</td><td>Edge_1RB_Right</td></tr> <tr><td>DFT-s-OFDM 256 QAM</td><td>Outer Full</td></tr> <tr><td>CP-OFDM QPSK</td><td>Inner Full</td></tr> <tr><td>CP-OFDM QPSK</td><td>Edge_1RB_Left</td></tr> <tr><td>CP-OFDM QPSK</td><td>Edge_1RB_Right</td></tr> <tr><td>CP-OFDM QPSK</td><td>Outer Full</td></tr> <tr><td>CP-OFDM 16 QAM</td><td>Inner Full</td></tr> <tr><td>CP-OFDM 16 QAM</td><td>Edge_1RB_Left</td></tr> <tr><td>CP-OFDM 16 QAM</td><td>Edge_1RB_Right</td></tr> <tr><td>CP-OFDM 16 QAM</td><td>Outer Full</td></tr> <tr><td>CP-OFDM 64 QAM</td><td>Edge_1RB_Left</td></tr> <tr><td>CP-OFDM 64 QAM</td><td>Edge_1RB_Right</td></tr> <tr><td>CP-OFDM 64 QAM</td><td>Outer Full</td></tr> <tr><td>CP-OFDM 256 QAM</td><td>Edge_1RB_Left</td></tr> <tr><td>CP-OFDM 256 QAM</td><td>Edge_1RB_Right</td></tr> <tr><td>CP-OFDM 256 QAM</td><td>Outer Full</td></tr> <tr><td>DFT-s-OFDM Pi/2 BPSK w Pi/2 BPSK DMRS</td><td>Edge_1RB_Left</td></tr> <tr><td>DFT-s-OFDM Pi/2 BPSK w Pi/2 BPSK DMRS</td><td>Edge_1RB_Right</td></tr> <tr><td>DFT-s-OFDM Pi/2 BPSK w Pi/2 BPSK DMRS</td><td>Outer Full</td></tr> </tbody> </table>	Modulation (NOTE 2)	RB allocation (NOTE 1)	DFT-s-OFDM Pi/2 BPSK	Inner Full	DFT-s-OFDM Pi/2 BPSK	Edge_1RB_Left	DFT-s-OFDM Pi/2 BPSK	Edge_1RB_Right	DFT-s-OFDM Pi/2 BPSK	Outer Full	DFT-s-OFDM QPSK	Inner Full	DFT-s-OFDM QPSK	Edge_1RB_Left	DFT-s-OFDM QPSK	Edge_1RB_Right	DFT-s-OFDM QPSK	Outer Full	DFT-s-OFDM 16 QAM	Inner Full	DFT-s-OFDM 16 QAM	Edge_1RB_Left	DFT-s-OFDM 16 QAM	Edge_1RB_Right	DFT-s-OFDM 16 QAM	Outer Full	DFT-s-OFDM 64 QAM	Edge_1RB_Left	DFT-s-OFDM 64 QAM	Edge_1RB_Right	DFT-s-OFDM 64 QAM	Outer Full	DFT-s-OFDM 256 QAM	Edge_1RB_Left	DFT-s-OFDM 256 QAM	Edge_1RB_Right	DFT-s-OFDM 256 QAM	Outer Full	CP-OFDM QPSK	Inner Full	CP-OFDM QPSK	Edge_1RB_Left	CP-OFDM QPSK	Edge_1RB_Right	CP-OFDM QPSK	Outer Full	CP-OFDM 16 QAM	Inner Full	CP-OFDM 16 QAM	Edge_1RB_Left	CP-OFDM 16 QAM	Edge_1RB_Right	CP-OFDM 16 QAM	Outer Full	CP-OFDM 64 QAM	Edge_1RB_Left	CP-OFDM 64 QAM	Edge_1RB_Right	CP-OFDM 64 QAM	Outer Full	CP-OFDM 256 QAM	Edge_1RB_Left	CP-OFDM 256 QAM	Edge_1RB_Right	CP-OFDM 256 QAM	Outer Full	DFT-s-OFDM Pi/2 BPSK w Pi/2 BPSK DMRS	Edge_1RB_Left	DFT-s-OFDM Pi/2 BPSK w Pi/2 BPSK DMRS	Edge_1RB_Right	DFT-s-OFDM Pi/2 BPSK w Pi/2 BPSK DMRS	Outer Full
Modulation (NOTE 2)	RB allocation (NOTE 1)																																																																										
DFT-s-OFDM Pi/2 BPSK	Inner Full																																																																										
DFT-s-OFDM Pi/2 BPSK	Edge_1RB_Left																																																																										
DFT-s-OFDM Pi/2 BPSK	Edge_1RB_Right																																																																										
DFT-s-OFDM Pi/2 BPSK	Outer Full																																																																										
DFT-s-OFDM QPSK	Inner Full																																																																										
DFT-s-OFDM QPSK	Edge_1RB_Left																																																																										
DFT-s-OFDM QPSK	Edge_1RB_Right																																																																										
DFT-s-OFDM QPSK	Outer Full																																																																										
DFT-s-OFDM 16 QAM	Inner Full																																																																										
DFT-s-OFDM 16 QAM	Edge_1RB_Left																																																																										
DFT-s-OFDM 16 QAM	Edge_1RB_Right																																																																										
DFT-s-OFDM 16 QAM	Outer Full																																																																										
DFT-s-OFDM 64 QAM	Edge_1RB_Left																																																																										
DFT-s-OFDM 64 QAM	Edge_1RB_Right																																																																										
DFT-s-OFDM 64 QAM	Outer Full																																																																										
DFT-s-OFDM 256 QAM	Edge_1RB_Left																																																																										
DFT-s-OFDM 256 QAM	Edge_1RB_Right																																																																										
DFT-s-OFDM 256 QAM	Outer Full																																																																										
CP-OFDM QPSK	Inner Full																																																																										
CP-OFDM QPSK	Edge_1RB_Left																																																																										
CP-OFDM QPSK	Edge_1RB_Right																																																																										
CP-OFDM QPSK	Outer Full																																																																										
CP-OFDM 16 QAM	Inner Full																																																																										
CP-OFDM 16 QAM	Edge_1RB_Left																																																																										
CP-OFDM 16 QAM	Edge_1RB_Right																																																																										
CP-OFDM 16 QAM	Outer Full																																																																										
CP-OFDM 64 QAM	Edge_1RB_Left																																																																										
CP-OFDM 64 QAM	Edge_1RB_Right																																																																										
CP-OFDM 64 QAM	Outer Full																																																																										
CP-OFDM 256 QAM	Edge_1RB_Left																																																																										
CP-OFDM 256 QAM	Edge_1RB_Right																																																																										
CP-OFDM 256 QAM	Outer Full																																																																										
DFT-s-OFDM Pi/2 BPSK w Pi/2 BPSK DMRS	Edge_1RB_Left																																																																										
DFT-s-OFDM Pi/2 BPSK w Pi/2 BPSK DMRS	Edge_1RB_Right																																																																										
DFT-s-OFDM Pi/2 BPSK w Pi/2 BPSK DMRS	Outer Full																																																																										
1	Default																																																																										
2	Low																																																																										
3	High																																																																										
4	Default																																																																										
5	Default																																																																										
6	Low																																																																										
7	High																																																																										
8	Default																																																																										
9	Default																																																																										
10	Low																																																																										
11	High																																																																										
12	Default																																																																										
13	Low																																																																										
14	High																																																																										
15	Default																																																																										
16	Low																																																																										
17	High																																																																										
18	Default																																																																										
19	Default																																																																										
20	Low																																																																										
21	High																																																																										
22	Default																																																																										
23	Default																																																																										
24	Low																																																																										
25	High																																																																										
26	Default																																																																										
27	Low																																																																										
28	High																																																																										
29	Default																																																																										
30	Low																																																																										
31	High																																																																										
32	Default																																																																										
33 ³	Low																																																																										
34 ³	High																																																																										
35 ³	Default																																																																										

NOTE 1: The specific configuration of each RB allocation is defined in Table 6.1-1.
 NOTE 2: DFT-s-OFDM Pi/2 BPSK test applies only for Ues which supports Pi/2 BPSK in FR1.
 NOTE 3: Applicable to UEs indicating support for UE capability *lowPAPR-DMRS-PUSCHwithPrecoding-r16*.
 NOTE 4: The maximum channel bandwidth <50MHz and the minimum channel bandwidth ≥50MHz are tested only with the highest order modulation supported by the UE.

Table 6.2.2.4.1-3: Test Configuration Table for power class 2&3 (almost contiguous allocation)

Initial Conditions

Test Environment as specified in TS 38.508-1 [5] subclause 4.1		Normal, TL/VL, TL/VH, TH/VL, TH/VH															
Test Frequencies as specified in TS 38.508-1 [5] subclause 4.3.1		Low range, High range															
Test Channel Bandwidths as specified in TS 38.508-1 [5] subclause 4.3.1		Highest															
Test SCS as specified in Table 5.3.5-1		Lowest, Highest															
Test Parameters for Channel Bandwidths																	
Test ID	Freq	Downlink Configuration	Uplink Configuration														
		N/A for Maximum Power	<table border="1"> <thead> <tr> <th>Modulation</th> <th>RB allocation (NOTE 1)</th> </tr> </thead> <tbody> <tr> <td>CP-OFDM QPSK</td> <td>Inner Full</td> </tr> <tr> <td>CP-OFDM QPSK</td> <td>Outer Full</td> </tr> <tr> <td>CP-OFDM 16 QAM</td> <td>Inner Full</td> </tr> <tr> <td>CP-OFDM 16 QAM</td> <td>Outer Full</td> </tr> <tr> <td>CP-OFDM 64 QAM</td> <td>Outer Full</td> </tr> <tr> <td>CP-OFDM 256 QAM</td> <td>Outer Full</td> </tr> </tbody> </table>	Modulation	RB allocation (NOTE 1)	CP-OFDM QPSK	Inner Full	CP-OFDM QPSK	Outer Full	CP-OFDM 16 QAM	Inner Full	CP-OFDM 16 QAM	Outer Full	CP-OFDM 64 QAM	Outer Full	CP-OFDM 256 QAM	Outer Full
Modulation	RB allocation (NOTE 1)																
CP-OFDM QPSK	Inner Full																
CP-OFDM QPSK	Outer Full																
CP-OFDM 16 QAM	Inner Full																
CP-OFDM 16 QAM	Outer Full																
CP-OFDM 64 QAM	Outer Full																
CP-OFDM 256 QAM	Outer Full																
1	Default																
2	Default																
3	Default																
4	Default																
5	Default																
6	Default																
NOTE 1: The specific configuration of each RB allocation is defined in Tables 6.2.2.4.1-4, 6.2.2.4.1-4a and 6.2.2.4.1-4b.																	
NOTE 2: Test applies only for UEs which support almost contiguous UL CP-OFDM transmissions. For PC2 UE which support almost contiguous UL CP-OFDM transmissions, test is only applicable for Release 16 and forward.																	

Table 6.2.2.4.1-4: Uplink configuration for almost contiguous allocation for low frequency range

Channel Bandwidth(MHz)	SCS(kHz)	OFDM	Outer Full		Inner Full	
			Cluster1 RB allocations (LCRB @ RB _{start})	Cluster2 RB allocations (LCRB @ RB _{start})	Cluster1 RB allocations (LCRB @ RB _{start})	Cluster2 RB allocations (LCRB @ RB _{start})
25	15	CP	48@0	53@80	N/A	N/A
	30	CP	24@0	25@40	N/A	N/A
	60	CP	12@0	13@18	N/A	N/A
30	15	CP	64@0	64@96	N/A	N/A
	30	CP	32@0	30@48	N/A	N/A
	60	CP	16@0	14@24	N/A	N/A
35	15	CP	80@0	76@112	N/A	N/A
	30	CP	40@0	36@56	N/A	N/A
	60	CP	20@0	16@28	N/A	N/A
40	15	CP	80@0	88@128	N/A	N/A
	30	CP	40@0	42@64	N/A	N/A
	60	CP	20@0	19@32	12@12	8@28
45	15	CP	80@0	114@128	48@64	48@128
	30	CP	40@0	55@64	24@32	24@64
	60	CP	20@0	26@32	12@16	12@32
50	15	CP	96@0	110@160	48@64	48@144
	30	CP	48@0	53@80	24@32	24@72
	60	CP	24@0	25@40	12@16	12@36
60	15	CP	N/A	N/A	N/A	N/A
	30	CP	64@0	66@96	32@32	16@80
	60	CP	32@0	31@48	16@16	8@40
70	15	CP	N/A	N/A	N/A	N/A
	30	CP	80@0	77@112	32@32	16@80

	60	CP	40@0	37@56	16@16	8@40
80	15	CP	N/A	N/A	N/A	N/A
	30	CP	80@0	89@128	32@32	16@80
	60	CP	40@0	43@64	16@16	8@40
90	15	CP	N/A	N/A	N/A	N/A
	30	CP	96@0	101@144	32@32	16@80
	60	CP	48@0	49@72	16@16	8@40
100	15	CP	N/A	N/A	N/A	N/A
	30	CP	112@0	97@176	48@64	48@144
	60	CP	48@0	55@80	24@32	24@72

Table 6.2.2.4.1-4a: Uplink configuration for almost contiguous allocation for TDD high frequency range

Channel Bandwidth(MHz)	SCS(kHz)	OFDM	Outer Full		Inner Full	
			Cluster1 RB allocations (LCRB @ RB _{start})	Cluster2 RB allocations (LCRB @ RB _{start})	Cluster1 RB allocations (LCRB @ RB _{start})	Cluster2 RB allocations (LCRB @ RB _{start})
25	15	CP	48@0	53@80	N/A	N/A
	30	CP	24@0	25@40	N/A	N/A
	60	CP	12@0	13@18	N/A	N/A
30	15	CP	56@0	64@88	N/A	N/A
	30	CP	32@0	30@48	N/A	N/A
	60	CP	16@0	14@24	N/A	N/A
35	15	CP	72@0	84@104	N/A	N/A
	30	CP	40@0	36@56	N/A	N/A
	60	CP	20@0	16@28	N/A	N/A
40	15	CP	72@0	96@120	N/A	N/A
	30	CP	40@0	42@64	N/A	N/A
	60	CP	20@0	19@32	12@12	8@28
45	15	CP	72@0	122@120	48@56	48@120
	30	CP	40@0	55@64	24@32	24@64
	60	CP	20@0	26@32	12@16	12@32
50	15	CP	88@0	112@152	48@72	48@152
	30	CP	48@0	53@80	24@32	24@72
	60	CP	24@0	25@40	12@16	12@36
60	15	CP	N/A	N/A	N/A	N/A
	30	CP	56@0	74@88	32@40	16@88
	60	CP	32@0	31@48	16@16	8@40
70	15	CP	N/A	N/A	N/A	N/A
	30	CP	72@0	80@104	32@40	16@88
	60	CP	40@0	37@56	16@16	8@40
80	15	CP	N/A	N/A	N/A	N/A
	30	CP	72@0	96@120	32@40	16@88
	60	CP	40@0	43@64	16@16	8@40
90	15	CP	N/A	N/A	N/A	N/A
	30	CP	88@0	109@136	32@40	16@88

	60	CP	48@0	49@72	16@16	8@40
100	15	CP	N/A	N/A	N/A	N/A
	30	CP	104@0	105@168	48@72	48@152
	60	CP	48@0	55@80	24@32	24@72

Table 6.2.2.4.1-4b: Uplink configuration for almost contiguous allocation for FDD high frequency range

Channel Bandwidth(MHz)	SCS(kHz)	OFDM	Outer Full		Inner Full	
			Cluster1 RB allocations (LCRB @ RB _{start})	Cluster2 RB allocations (LCRB @ RB _{start})	Cluster1 RB allocations (LCRB @ RB _{start})	Cluster2 RB allocations (LCRB @ RB _{start})
25	15	CP	42@0	56@74	N/A	N/A
	30	CP	22@0	27@38	N/A	N/A
	60	CP	12@0	13@18	N/A	N/A
30	15	CP	58@0	64@90	N/A	N/A
	30	CP	26@0	32@42	N/A	N/A
	60	CP	14@0	16@22	N/A	N/A
35	15	CP	74@0	82@106	N/A	N/A
	30	CP	42@0	34@58	N/A	N/A
	60	CP	22@0	18@26	N/A	N/A
40	15	CP	74@0	94@122	N/A	N/A
	30	CP	34@0	48@58	N/A	N/A
	60	CP	18@0	20@30	12@14	8@30
45	15	CP	74@0	120@122	48@58	48@122
	30	CP	34@0	56@58	24@34	24@66
	60	CP	18@0	28@30	12@14	12@30
50	15	CP	90@0	112@154	48@74	48@154
	30	CP	42@0	56@74	24@34	24@74
	60	CP	22@0	27@38	N/A	N/A
60	15	CP	N/A	N/A	N/A	N/A
	30	CP	58@0	72@90	32@42	16@90
	60	CP	26@0	32@42	16@18	8@42
70	15	CP	N/A	N/A	N/A	N/A
	30	CP	74@0	80@106	32@42	16@90
	60	CP	34@0	40@50	16@18	8@42
80	15	CP	N/A	N/A	N/A	N/A
	30	CP	74@0	95@122	32@42	16@90
	60	CP	34@0	48@58	16@18	8@42
90	15	CP	N/A	N/A	N/A	N/A
	30	CP	90@0	107@138	32@42	16@90
	60	CP	42@0	55@66	16@18	8@42
100	15	CP	N/A	N/A	N/A	N/A
	30	CP	106@0	103@170	48@74	48@154
	60	CP	42@0	56@74	24@34	24@74

1. Connect the SS to the UE antenna connectors as shown in TS 38.508-1 [5] Annex A, Figure A.3.1.2.1 for TE diagram and section A.3.2 for UE diagram.
2. The parameter settings for the cell are set up according to TS 38.508-1 [5] subclause 4.4.3.
3. Downlink signals are initially set up according to Annex C.0, C.1, C.2, and uplink signals according to Annex G.0, G.1, G.2, G.3.0.
4. The UL Reference Measurement Channel is set according to Table 6.2.2.4.1-1, Table 6.2.2.4.1-2, Table 6.2.2.4.1-2a, Table 6.2.2.4.1-2c and Table 6.2.2.4.1-3.
5. Propagation conditions are set according to Annex B.0.
6. Ensure the UE is in State RRC_CONNECTED with generic procedure parameters Connectivity *NR*, Connected without release *On*, Test Mode *On* and Test Loop Function *On* according to TS 38.508-1 [5] clause 4.5. Message contents are defined in clause 6.2.2.4.3.

6.2.2.4.2 Test procedure

1. SS sends uplink scheduling information for each UL HARQ process via PDCCH DCI format 0_1 for C_RNTI to schedule the UL RMC according to Table 6.2.2.4.1-1, Table 6.2.2.4.1-2, Table 6.2.2.4.1-2a, Table 6.2.2.4.1-2c and Table 6.2.2.4.1-3. Since the UE has no payload and no loopback data to send the UE sends uplink MAC padding bits on the UL RMC.
2. Send continuously uplink power control "up" commands in every uplink scheduling information to the UE; allow at least 200ms for the UE to reach P_{UMAX} level.
3. Measure the mean power of the UE in the channel bandwidth of the radio access mode. The period of measurement shall be at least the continuous duration of 1ms over consecutive active uplink slots. For TDD, only slots consisting of only UL symbols are under test.
4. For UEs supporting Power Class 1 and Power Class 2, repeat steps 1~3 for Test ID 22 and 36 in Table 6.2.2.4.1-1 on the applicable bands with message exception of P-Max defined in Table 6.2.2.4.3-2.

NOTE 1: When switching to DFT-s-OFDM waveform, as specified in the test configuration Table 6.2.2.4.1-1, Table 6.2.2.4.1-2, send an NR RRCReconfiguration message according to TS 38.508-1 [5] clause 4.6.3 Table 4.6.3-118 PUSCH-Config with TRANSFORM_PRECODER_ENABLED condition.

6.2.2.4.3 Message contents

Message contents are according to TS 38.508-1 [5] subclause 4.6 and 5.4 with the following exceptions:

Table 6.2.2.4.3-1: PUSCH-Config

Derivation Path: TS 38.508-1 [5] subclause 4.6.3 Table 4.6.3-118 PUSCH-Config			
Information Element	Value/remark	Comment	Condition
PUSCH-Config ::= SEQUENCE {			
resourceAllocation	resourceAllocationType0		Almost contiguous allocation
	resourceAllocationType1		Contiguous allocation
}			

Table 6.2.2.4.3-2: P-Max (Step 4)

Derivation Path: TS 38.508-1 [5], Table 4.6.3-89			
Information Element	Value/remark	Comment	Condition
P-Max	23		PC2 UE or PC1 UE

Table 6.2.2.4.3-2a: Void

Table 6.2.2.4.3-3: DMRS-UplinkConfig (Test ID 37 - 39 in Table 6.2.2.4.1-1)

Derivation Path: TS 38.508-1 [5], Table 4.6.3-51			
Information Element	Value/remark	Comment	Condition
DMRS-UplinkConfig ::= SEQUENCE {			
transformPrecodingEnabled SEQUENCE			
{			
dmrs-UplinkTransformPrecoding-r16			
SEQUENCE {			
pi2BPSK-ScramblingID0	Not present		
pi2BPSK-ScramblingID1	Not present		
}			
}			
}			

Table 6.2.2.4.3-4: ServingCellConfig

Derivation Path: TS 38.508-1 [5] Table 4.6.3-167			
Information Element	Value/remark	Comment	Condition
ServingCellConfig ::= SEQUENCE {			
uplinkConfig SEQUENCE {			
powerBoostPi2BPSK	1		Test IDs where NOTE 3 in Table 6.2.2.4.1-1 applies.
	0		Test IDs where NOTE 4 in Table 6.2.2.4.1-1 applies.
}			
}			

6.2.2.5 Test requirement

The maximum output power, derived in step 3 shall be within the range prescribed by the nominal maximum output power and tolerance in Table 6.2.2.5-1 to Table 6.2.2.5-9a.

The maximum output power, derived in step 4 shall be within the range prescribed by the nominal maximum output power and tolerance in Table 6.2.2.5-1,4 Table 6.2.2.5-r.

Table 6.2.2.5-1: UE Power Class test requirements(for Bands n1, n2, n3, n5, n7, n8, n12, n13, n14, n20, n25, n26, n30, n34, n38, n39, n40, n41, n50, n51, n53, n65, n66, n70, n74, n85, n91, n92, n93, n94, n100, n101, n106) for Power Class 3 (contiguous allocation)

Test ID	P _{PowerClass} (dBm)	ΔP _{PowerClass} (dB)	MPR (dB)	ΔT _{C,c} (dB)	P _{C_{MAX}L,f,c} (dBm)	T(P _{C_{MAX}L,f,c}) (dB)	T _{L,c} (dB)	Upper limit (dBm)	Lower limit (dBm)
1	23	-3	0.2	0 (1.5 ²)	25.8 (24.3 ²)	2.0	2	28.0 + TT	23.8 - TT (22.3 - TT ²)
2	23	-3	3.5	0 (1.5 ²)	22.5 (21.0 ²)	2.0	2	28.0 + TT	20.5 - TT (19.0 - TT ²)
3	23	-3	3.5	0 (1.5 ²)	22.5 (21.0 ²)	2.0	2	28.0 + TT	20.5 - TT (19.0 - TT ²)
4	23	-3	1.2	0 (1.5 ²)	24.8 (23.3 ²)	2.0	2	28.0 + TT	22.8 - TT (21.3 - TT ²)
5	23	0	0	0 (1.5 ²)	23.0 (21.5 ²)	2.0	2	25.0 + TT	21.0 - TT ⁴ (19.5 - TT ²)
6	23	0	0.5 ⁵	0 (1.5 ²)	22.5 (21.0 ²)	2.0	2	25.0 + TT	20.5 - TT (19.0 - TT ²)
7	23	0	0.5 ⁵	0 (1.5 ²)	22.5 (21.0 ²)	2.0	2	25.0 + TT	20.5 - TT (19.0 - TT ²)
8	23	0	0.5	0 (1.5 ²)	22.5 (21.0 ²)	2.0	2	25.0 + TT	20.5 - TT (19.0 - TT ²)
9	23	0	0	0 (1.5 ²)	23.0 (21.5 ²)	2.0	2	25.0 + TT	21.0 - TT ⁴ (19.5 - TT ²)
10	23	0	1	0 (1.5 ²)	22.0 (20.5 ²)	2.0 (2.5 ²)	2	25.0 + TT	20.0 - TT (18.0 - TT ²)
11	23	0	1	0 (1.5 ²)	22.0 (20.5 ²)	2.0 (2.5 ²)	2	25.0 + TT	20.0 - TT (18.0 - TT ²)
12	23	0	1	0 (1.5 ²)	22.0 (20.5 ²)	2.0 (2.5 ²)	2	25.0 + TT	20.0 - TT (18.0 - TT ²)
13	23	0	1	0 (1.5 ²)	22.0 (20.5 ²)	2.0 (2.5 ²)	2	25.0 + TT	20.0 - TT (18.0 - TT ²)
14	23	0	2	0 (1.5 ²)	21.0 (19.5 ²)	2.0 (3.5 ²)	2	25.0 + TT	19.0 - TT (16.0 - TT ²)
15	23	0	2	0 (1.5 ²)	21.0 (19.5 ²)	2.0 (3.5 ²)	2	25.0 + TT	19.0 - TT (16.0 - TT ²)
16	23	0	2	0 (1.5 ²)	21.0 (19.5 ²)	2.0 (3.5 ²)	2	25.0 + TT	19.0 - TT (16.0 - TT ²)
17	23	0	2.5	0 (1.5 ²)	20.5 (19.0 ²)	2.5 (3.5 ²)	2	25.0 + TT	18.0 - TT (15.5 - TT ²)
18	23	0	2.5	0 (1.5 ²)	20.5 (19.0 ²)	2.5 (3.5 ²)	2	25.0 + TT	18.0 - TT (15.5 - TT ²)
19	23	0	2.5	0 (1.5 ²)	20.5 (19.0 ²)	2.5 (3.5 ²)	2	25.0 + TT	18.0 - TT (15.5 - TT ²)

Test ID	P _{PowerClass} (dBm)	ΔP _{PowerClass} (dB)	MPR (dB)	ΔT _{C,c} (dB)	P _{C_{MAX}L,f,c} (dBm)	T(P _{C_{MAX}L,f,c}) (dB)	T _{L,c} (dB)	Upper limit (dBm)	Lower limit (dBm)
20	23	0	4.5	0 (1.5 ²)	18.5 (17.0 ²)	4.0 (5.0 ²)	2	25.0 + TT	14.5 - TT (12.0 - TT ²)
21	23	0	4.5	0 (1.5 ²)	18.5 (17.0 ²)	4.0 (5.0 ²)	2	25.0 + TT	14.5 - TT (12.0 - TT ²)
22	23	0	4.5	0 (1.5 ²)	18.5 (17.0 ²)	4.0 (5.0 ²)	2	25.0 + TT	14.5 - TT (12.0 - TT ²)
23	23	0	1.5	0 (1.5 ²)	21.5 (20.0 ²)	2.0 (2.5 ²)	2	25.0 + TT	19.5 - TT (17.5 - TT ²)
24	23	0	3	0 (1.5 ²)	20.0 (18.5 ²)	2.5 (4.0 ²)	2	25.0 + TT	17.5 - TT (14.5 - TT ²)

25	23	0	3	0	(1.5 ²)	20.0	(18.5 ²)	2.5	(4.0 ²)	2	25.0 + TT	17.5 - TT	(14.5 - TT ²)
26	23	0	3	0	(1.5 ²)	20.0	(18.5 ²)	2.5	(4.0 ²)	2	25.0 + TT	17.5 - TT	(14.5 - TT ²)
27	23	0	2	0	(1.5 ²)	21.0	(19.5 ²)	2.0	(3.5 ²)	2	25.0 + TT	19.0 - TT	(16.0 - TT ²)
28	23	0	3	0	(1.5 ²)	20.0	(18.5 ²)	2.5	(4.0 ²)	2	25.0 + TT	17.5 - TT	(14.5 - TT ²)
29	23	0	3	0	(1.5 ²)	20.0	(18.5 ²)	2.5	(4.0 ²)	2	25.0 + TT	17.5 - TT	(14.5 - TT ²)
30	23	0	3	0	(1.5 ²)	20.0	(18.5 ²)	2.5	(4.0 ²)	2	25.0 + TT	17.5 - TT	(14.5 - TT ²)
31	23	0	3.5	0	(1.5 ²)	19.5	(18.0 ²)	3.5	(4.0 ²)	2	25.0 + TT	16.0 - TT	(14.0 - TT ²)
32	23	0	3.5	0	(1.5 ²)	19.5	(18.0 ²)	3.5	(4.0 ²)	2	25.0 + TT	16.0 - TT	(14.0 - TT ²)
33	23	0	3.5	0	(1.5 ²)	19.5	(18.0 ²)	3.5	(4.0 ²)	2	25.0 + TT	16.0 - TT	(14.0 - TT ²)
34	23	0	6.5	0	(1.5 ²)	16.5	(15.0 ²)	5.0		2	25.0 + TT	11.5 - TT	(10.0 - TT ²)
35	23	0	6.5	0	(1.5 ²)	16.5	(15.0 ²)	5.0		2	25.0 + TT	11.5 - TT	(10.0 - TT ²)

Test ID	P _{PowerClass} (dBm)	ΔP _{PowerClass} (dB)	MPR (dB)	ΔT _{C,c} (dB)	P _{C_{MAX}L,f,c} (dBm)	T(P _{C_{MAX}L,f,c}) (dB)	T _{L,c} (dB)	Upper limit (dBm)	Lower limit (dBm)			
36	23	0	6.5	0	(1.5 ²)	16.5	(15.0 ²)	5.0	2	25.0 + TT	11.5 - TT	(10.0 - TT ²)
37	23	0	0.5	0	(1.5 ²)	22.5	(21 ²)	2.0	2	25.0 + TT	20.5 - TT	(19.0 - TT ²)
38	23	0	0.5	0	(1.5 ²)	22.5	(21 ²)	2.0	2	25.0 + TT	20.5 - TT	(19.0 - TT ²)
39	23	0	0	0	(1.5 ²)	23	(21.5 ²)	2.0	2	25.0 + TT	21.0 - TT ⁴	(19.5 - TT ²)

NOTE 1: P_{PowerClass} is the maximum UE power specified without taking into account the tolerance.

NOTE 2: For Band n2, n3, n7, n8, n12, n20, n25 n26, n41, transmission bandwidths confined within F_{UL,low} and F_{UL,low} + 4 MHz or F_{UL,high} - 4 MHz and F_{UL,high}.

NOTE 3: TT for each frequency and channel bandwidth is specified in Table 6.2.2.5-5.

NOTE 4: For bands n91, n92, n93 and n94 the maximum power reduction requirement is relaxed by reducing the lower tolerance limit by 0.3 dB.

NOTE 5: For 3 MHz channel bandwidth the Pi/2 BPSK edge allocation MPR is 1 dB.

Table 6.2.2.5-1a: UE Power Class test requirements Band 24 for Power Class 3 (contiguous allocation)

Test ID	P _{PowerClass} (dBm)	ΔP _{PowerClass} (dB)	MPR (dB)	ΔT _{C,c} (dB)	P _{C_{MAX}L,f,c} (dBm)	T(P _{C_{MAX}L,f,c}) (dB)	T _{L,c} (dB)	Upper limit (dBm)	Lower limit (dBm)				
5	23	0	0	0	(1.5 ²)	23.0	(21.5 ²)	2.0	3	25.0 + TT	20.0 - TT	(18.5 - TT ²)	
6	23	0	0.5	0	(1.5 ²)	22.5	(21.0 ²)	2.0	3	25.0 + TT	19.5 - TT	(18.0 - TT ²)	
7	23	0	0.5	0	(1.5 ²)	22.5	(21.0 ²)	2.0	3	25.0 + TT	19.5 - TT	(18.0 - TT ²)	
8	23	0	0.5	0	(1.5 ²)	22.5	(21.0 ²)	2.0	3	25.0 + TT	19.5 - TT	(18.0 - TT ²)	
9	23	0	0	0	(1.5 ²)	23.0	(21.5 ²)	2.0	3	25.0 + TT	20.0 - TT	(18.5 - TT ²)	
10	23	0	1	0	(1.5 ²)	22.0	(20.5 ²)	2.0	(2.5 ²)	3	25.0 + TT	19.0 - TT	(17.5 - TT ²)
11	23	0	1	0	(1.5 ²)	22.0	(20.5 ²)	2.0	(2.5 ²)	3	25.0 + TT	19.0 - TT	(17.5 - TT ²)

12	23	0	1	0	(1.5 ²)	22.0	(20.5 ²)	2.0	(2.5 ²)	3	25.0 + TT	19.0 - TT	(17.5 - TT ²)
13	23	0	1	0	(1.5 ²)	22.0	(20.5 ²)	2.0	(2.5 ²)	3	25.0 + TT	19.0 - TT	(17.5 - TT ²)
14	23	0	2	0	(1.5 ²)	21.0	(19.5 ²)	2.0	(3.5 ²)	3	25.0 + TT	18.0 - TT	(16.0 - TT ²)
15	23	0	2	0	(1.5 ²)	21.0	(19.5 ²)	2.0	(3.5 ²)	3	25.0 + TT	18.0 - TT	(16.0 - TT ²)
16	23	0	2	0	(1.5 ²)	21.0	(19.5 ²)	2.0	(3.5 ²)	3	25.0 + TT	18.0 - TT	(16.0 - TT ²)
17	23	0	2.5	0	(1.5 ²)	20.5	(19.0 ²)	2.5	(3.5 ²)	3	25.0 + TT	17.5 - TT	(15.5 - TT ²)
18	23	0	2.5	0	(1.5 ²)	20.5	(19.0 ²)	2.5	(3.5 ²)	3	25.0 + TT	17.5 - TT	(15.5 - TT ²)
19	23	0	2.5	0	(1.5 ²)	20.5	(19.0 ²)	2.5	(3.5 ²)	3	25.0 + TT	17.5 - TT	(15.5 - TT ²)
20	23	0	4.5	0	(1.5 ²)	18.5	(17.0 ²)	4.0	(5.0 ²)	3	25.0 + TT	14.5 - TT	(12.0 - TT ²)
21	23	0	4.5	0	(1.5 ²)	18.5	(17.0 ²)	4.0	(5.0 ²)	3	25.0 + TT	14.5 - TT	(12.0 - TT ²)
22	23	0	4.5	0	(1.5 ²)	18.5	(17.0 ²)	4.0	(5.0 ²)	3	25.0 + TT	14.5 - TT	(12.0 - TT ²)
23	23	0	1.5	0	(1.5 ²)	21.5	(20.0 ²)	2.0	(2.5 ²)	3	25.0 + TT	18.5 - TT	(17.0 - TT ²)
24	23	0	3	0	(1.5 ²)	20.0	(18.5 ²)	2.5	(4.0 ²)	3	25.0 + TT	17.0 - TT	(14.5 - TT ²)
25	23	0	3	0	(1.5 ²)	20.0	(18.5 ²)	2.5	(4.0 ²)	3	25.0 + TT	17.0 - TT	(14.5 - TT ²)
26	23	0	3	0	(1.5 ²)	20.0	(18.5 ²)	2.5	(4.0 ²)	3	25.0 + TT	17.0 - TT	(14.5 - TT ²)
27	23	0	2	0	(1.5 ²)	21.0	(19.5 ²)	2.0	(3.5 ²)	3	25.0 + TT	18.0 - TT	(16.0 - TT ²)
28	23	0	3	0	(1.5 ²)	20.0	(18.5 ²)	2.5	(4.0 ²)	3	25.0 + TT	17.0 - TT	(14.5 - TT ²)
29	23	0	3	0	(1.5 ²)	20.0	(18.5 ²)	2.5	(4.0 ²)	3	25.0 + TT	17.0 - TT	(14.5 - TT ²)
30	23	0	3	0	(1.5 ²)	20.0	(18.5 ²)	2.5	(4.0 ²)	3	25.0 + TT	17.0 - TT	(14.5 - TT ²)
31	23	0	3.5	0	(1.5 ²)	19.5	(18.0 ²)	3.5	(4.0 ²)	3	25.0 + TT	16.0 - TT	(14.0 - TT ²)
32	23	0	3.5	0	(1.5 ²)	19.5	(18.0 ²)	3.5	(4.0 ²)	3	25.0 + TT	16.0 - TT	(14.0 - TT ²)
33	23	0	3.5	0	(1.5 ²)	19.5	(18.0 ²)	3.5	(4.0 ²)	3	25.0 + TT	16.0 - TT	(14.0 - TT ²)
34	23	0	6.5	0	(1.5 ²)	16.5	(15.0 ²)	5.0		3	25.0 + TT	11.5 - TT	(10.0 - TT ²)
35	23	0	6.5	0	(1.5 ²)	16.5	(15.0 ²)	5.0		3	25.0 + TT	11.5 - TT	(10.0 - TT ²)
36	23	0	6.5	0	(1.5 ²)	16.5	(15.0 ²)	5.0		3	25.0 + TT	11.5 - TT	(10.0 - TT ²)
37	23	0	0.5	0	(1.5 ²)	22.5	(21 ²)	2.0		3	25.0 + TT	19.5 - TT	(18.0 - TT ²)
38	23	0	0.5	0	(1.5 ²)	22.5	(21 ²)	2.0		3	25.0 + TT	19.5 - TT	(18.0 - TT ²)
39	23	0	0	0	(1.5 ²)	23	(21.5 ²)	2.0		3	25.0 + TT	20.0 - TT	(18.5 - TT ²)

NOTE 1: $P_{\text{PowerClass}}$ is the maximum UE power specified without taking into account the tolerance.

NOTE 2: Transmission bandwidths confined within $F_{\text{UL,low}}$ and $F_{\text{UL,low}} + 4$ MHz or $F_{\text{UL,high}} - 4$ MHz and $F_{\text{UL,high}}$.

NOTE 3: TT for each frequency and channel bandwidth is specified in Table 6.2.2.5-5.

Table 6.2.2.5-2: UE Power Class test requirements (for Bands n28 with channel bandwidth other than 30MHz, n71) for Power Class 3 (contiguous allocation)

Test ID	$P_{PowerClass}$ (dBm)	$\Delta P_{PowerClass}$ (dB)	MPR (dB)	$\Delta T_{C,c}$ (dB)	$P_{CMAX_L,f,c}$ (dBm)	$T(P_{CMAX_L,f,c})$ (dB)	$T_{L,c}$ (dB)	Upper limit (dBm)	Lower limit (dBm)
5	23	0	0	0	23.0	2.0	2.5	25.0 + TT	20.5 - TT
6	23	0	0.5 ³	0	22.5	2.0	2.5	25.0 + TT	20.0 - TT
7	23	0	0.5 ³	0	22.5	2.0	2.5	25.0 + TT	20.0 - TT
8	23	0	0.5	0	22.5	2.0	2.5	25.0 + TT	20.0 - TT
9	23	0	0	0	23.0	2.0	2.5	25.0 + TT	20.5 - TT
10	23	0	1	0	22.0	2.0	2.5	25.0 + TT	19.5 - TT
11	23	0	1	0	22.0	2.0	2.5	25.0 + TT	19.5 - TT
12	23	0	1	0	22.0	2.0	2.5	25.0 + TT	19.5 - TT
13	23	0	1	0	22.0	2.0	2.5	25.0 + TT	19.5 - TT
14	23	0	2	0	21.0	2.0	2.5	25.0 + TT	18.5 - TT
15	23	0	2	0	21.0	2.0	2.5	25.0 + TT	18.5 - TT
16	23	0	2	0	21.0	2.0	2.5	25.0 + TT	18.5 - TT
17	23	0	2.5	0	20.5	2.5	2.5	25.0 + TT	18.0 - TT
18	23	0	2.5	0	20.5	2.5	2.5	25.0 + TT	18.0 - TT
19	23	0	2.5	0	20.5	2.5	2.5	25.0 + TT	18.0 - TT
20	23	0	4.5	0	18.5	4.0	2.5	25.0 + TT	14.5 - TT
21	23	0	4.5	0	18.5	4.0	2.5	25.0 + TT	14.5 - TT
22	23	0	4.5	0	18.5	4.0	2.5	25.0 + TT	14.5 - TT
23	23	0	1.5	0	21.5	2.0	2.5	25.0 + TT	19.0 - TT
24	23	0	3	0	20.0	2.5	2.5	25.0 + TT	17.5 - TT
25	23	0	3	0	20.0	2.5	2.5	25.0 + TT	17.5 - TT
26	23	0	3	0	20.0	2.5	2.5	25.0 + TT	17.5 - TT
27	23	0	2	0	21.0	2.0	2.5	25.0 + TT	18.5 - TT
28	23	0	3	0	20.0	2.5	2.5	25.0 + TT	17.5 - TT
29	23	0	3	0	20.0	2.5	2.5	25.0 + TT	17.5 - TT
30	23	0	3	0	20.0	2.5	2.5	25.0 + TT	17.5 - TT
31	23	0	3.5	0	19.5	3.5	2.5	25.0 + TT	16.0 - TT
32	23	0	3.5	0	19.5	3.5	2.5	25.0 + TT	16.0 - TT
33	23	0	3.5	0	19.5	3.5	2.5	25.0 + TT	16.0 - TT
34	23	0	6.5	0	16.5	5.0	2.5	25.0 + TT	11.5 - TT
35	23	0	6.5	0	16.5	5.0	2.5	25.0 + TT	11.5 - TT
36	23	0	6.5	0	16.5	5.0	2.5	25.0 + TT	11.5 - TT
37	23	0	0.5	0	22.5	2.0	2.5	25.0 + TT	20.0 - TT
38	23	0	0.5	0	22.5	2.0	2.5	25.0 + TT	20.0 - TT
39	23	0	0	0	23	2.0	2.5	25.0 + TT	20.5 - TT

NOTE 1: $P_{PowerClass}$ is the maximum UE power specified without taking into account the tolerance.
 NOTE 2: TT for each frequency and channel bandwidth is specified in Table 6.2.2.5-5.
 NOTE 3: For 3 MHz channel bandwidth the Pi/2 BPSK edge allocation MPR is 1 dB

Table 6.2.2.5-2a: UE Power Class test requirements (for Band n28 with 30MHz channel bandwidth) for Power Class 3 (contiguous allocation)

Test ID	$P_{\text{PowerClass}}$ (dBm)	$\Delta P_{\text{PowerClass}}$ (dB)	MPR (dB)	$\Delta T_{C,c}$ (dB)	$P_{\text{CMAX_L,f,c}}$ (dBm)	$T(P_{\text{CMAX_L,f,c}})$ (dB)	$T_{L,c}$ (dB)	Upper limit (dBm)	Lower limit (dBm)
5	23	0	0.5	0	22.5	2	2.5	25.0 + TT	20-TT
6	23	0	1	0	22	2	2.5	25.0 + TT	19.5-TT
7	23	0	1	0	22	2	2.5	25.0 + TT	19.5-TT
8	23	0	1	0	22	2	2.5	25.0 + TT	19.5-TT
9	23	0	0.5	0	22.5	2	2.5	25.0 + TT	20-TT
10	23	0	1.5	0	21.5	2	2.5	25.0 + TT	19-TT
11	23	0	1.5	0	21.5	2	2.5	25.0 + TT	19-TT
12	23	0	1.5	0	21.5	2	2.5	25.0 + TT	19-TT
13	23	0	1.5	0	21.5	2	2.5	25.0 + TT	19-TT
14	23	0	2.5	0	20.5	2.5	2.5	25.0 + TT	18-TT
15	23	0	2.5	0	20.5	2.5	2.5	25.0 + TT	18-TT
16	23	0	2.5	0	20.5	2.5	2.5	25.0 + TT	18-TT
17	23	0	3	0	20	2.5	2.5	25.0 + TT	17.5-TT
18	23	0	3	0	20	2.5	2.5	25.0 + TT	17.5-TT
19	23	0	3	0	20	2.5	2.5	25.0 + TT	17.5-TT
20	23	0	5	0	18	4	2.5	25.0 + TT	14-TT
21	23	0	5	0	18	4	2.5	25.0 + TT	14-TT
22	23	0	5	0	18	4	2.5	25.0 + TT	14-TT
23	23	0	2	0	21	2	2.5	25.0 + TT	18.5-TT
24	23	0	3.5	0	19.5	3.5	2.5	25.0 + TT	16-TT
25	23	0	3.5	0	19.5	3.5	2.5	25.0 + TT	16-TT
26	23	0	3.5	0	19.5	3.5	2.5	25.0 + TT	16-TT
27	23	0	2.5	0	20.5	2.5	2.5	25.0 + TT	18-TT
28	23	0	3.5	0	19.5	3.5	2.5	25.0 + TT	16-TT
29	23	0	3.5	0	19.5	3.5	2.5	25.0 + TT	16-TT
30	23	0	3.5	0	19.5	3.5	2.5	25.0 + TT	16-TT
31	23	0	4	0	19	3.5	2.5	25.0 + TT	15.5-TT
32	23	0	4	0	19	3.5	2.5	25.0 + TT	15.5-TT
33	23	0	4	0	19	3.5	2.5	25.0 + TT	15.5-TT
34	23	0	7	0	16	5	2.5	25.0 + TT	11-TT
35	23	0	7	0	16	5	2.5	25.0 + TT	11-TT
36	23	0	7	0	16	5	2.5	25.0 + TT	11-TT
37	23	0	1	0	22	2.0	2.5	25.0 + TT	19.5 - TT
38	23	0	1	0	22	2.0	2.5	25.0 + TT	19.5 - TT
39	23	0	0.5	0	22.5	2.0	2.5	25.0 + TT	20 - TT

NOTE 1: $P_{\text{PowerClass}}$ is the maximum UE power specified without taking into account the tolerance.

NOTE 2: TT for each frequency and channel bandwidth is specified in Table 6.2.2.5-5.

Table 6.2.2.5-3: UE Power Class test requirements (for Bands n48, n77, n78, n79) for Power Class 3 (contiguous allocation)

Test ID	$P_{\text{PowerClass}}$ (dBm)	$\Delta P_{\text{PowerClass}}$ (dB)	MPR (dB)	$\Delta T_{C,c}$ (dB)	$P_{\text{CMAX_L,f,c}}$ (dBm)	$T(P_{\text{CMAX_L,f,c}})$ (dB)	$T_{L,c}$ (dB)	Upper limit (dBm)	Lower limit (dBm)
---------	-------------------------------	-------------------------------------	----------	-----------------------	--------------------------------	----------------------------------	----------------	-------------------	-------------------

1	23	-3	0.2	0	25.8	2.0	3	28.0 + TT	22.8 - TT
2	23	-3	3.5	0	22.5	2.0	3	28.0 + TT	19.5 - TT
3	23	-3	3.5	0	22.5	2.0	3	28.0 + TT	19.5 - TT
4	23	-3	1.2	0	24.8	2.0	3	28.0 + TT	21.8 - TT
5	23	0	0	0	23.0	2.0	3	25.0 + TT	20.0 - TT
6	23	0	0.5	0	22.5	2.0	3	25.0 + TT	19.5 - TT
7	23	0	0.5	0	22.5	2.0	3	25.0 + TT	19.5 - TT
8	23	0	0.5	0	22.5	2.0	3	25.0 + TT	19.5 - TT
9	23	0	0	0	23.0	2.0	3	25.0 + TT	20.0 - TT
10	23	0	1	0	22.0	2.0	3	25.0 + TT	19.0 - TT
11	23	0	1	0	22.0	2.0	3	25.0 + TT	19.0 - TT
12	23	0	1	0	22.0	2.0	3	25.0 + TT	19.0 - TT
13	23	0	1	0	22.0	2.0	3	25.0 + TT	19.0 - TT
14	23	0	2	0	21.0	2.0	3	25.0 + TT	18.0 - TT
15	23	0	2	0	21.0	2.0	3	25.0 + TT	18.0 - TT
16	23	0	2	0	21.0	2.0	3	25.0 + TT	18.0 - TT
17	23	0	2.5	0	20.5	2.5	3	25.0 + TT	17.5 - TT
18	23	0	2.5	0	20.5	2.5	3	25.0 + TT	17.5 - TT
19	23	0	2.5	0	20.5	2.5	3	25.0 + TT	17.5 - TT
20	23	0	4.5	0	18.5	4.0	3	25.0 + TT	14.5 - TT
21	23	0	4.5	0	18.5	4.0	3	25.0 + TT	14.5 - TT
22	23	0	4.5	0	18.5	4.0	3	25.0 + TT	14.5 - TT
23	23	0	1.5	0	21.5	2.0	3	25.0 + TT	18.5 - TT
24	23	0	3	0	20.0	2.5	3	25.0 + TT	17.0 - TT
25	23	0	3	0	20.0	2.5	3	25.0 + TT	17.0 - TT
26	23	0	3	0	20.0	2.5	3	25.0 + TT	17.0 - TT
27	23	0	2	0	21.0	2.0	3	25.0 + TT	18.0 - TT
28	23	0	3	0	20.0	2.5	3	25.0 + TT	17.0 - TT
29	23	0	3	0	20.0	2.5	3	25.0 + TT	17.0 - TT
30	23	0	3	0	20.0	2.5	3	25.0 + TT	17.0 - TT
31	23	0	3.5	0	19.5	3.5	3	25.0 + TT	16.0 - TT
32	23	0	3.5	0	19.5	3.5	3	25.0 + TT	16.0 - TT
33	23	0	3.5	0	19.5	3.5	3	25.0 + TT	16.0 - TT
34	23	0	6.5	0	16.5	5.0	3	25.0 + TT	11.5 - TT
35	23	0	6.5	0	16.5	5.0	3	25.0 + TT	11.5 - TT
36	23	0	6.5	0	16.5	5.0	3	25.0 + TT	11.5 - TT
37	23	0	0.5	0	22.5	2.0	3	25.0 + TT	19.5 - TT
38	23	0	0.5	0	22.5	2.0	3	25.0 + TT	19.5 - TT
39	23	0	0	0	23	2.0	3	25.0 + TT	20.0 - TT

NOTE 1: $P_{\text{PowerClass}}$ is the maximum UE power specified without taking into account the tolerance.

NOTE 2: TT for each frequency and channel bandwidth is specified in Table 6.2.2.5-5.

Table 6.2.2.5-4: UE Power Class test requirements (for Bands n1, n3, n34, n39, n41, n77, n78, n79) for Power Class 2 (contiguous allocation)

Test ID	P _{PowerClass} (dBm)	ΔP _{PowerClass} (dB)	MPR (dB)	ΔT _{C,c} (dB)	P _{C_{MAX}_L,f,c} (dBm)	T(P _{C_{MAX}_L,f,c}) (dB)	T _{L,c} (dB)	Upper limit (dBm)	Lower limit (dBm)
1	26	0	0	0 (1.5 ²)	26.0 (24.5 ²)	2.0	3	28.0 + TT	23.0 - TT (21.5 - TT ²)
2	26	0	3.5	0 (1.5 ²)	22.5 (21.0 ²)	2.0	3	28.0 + TT	19.5 - TT (18.0 - TT ²)
3	26	0	3.5	0 (1.5 ²)	22.5 (21.0 ²)	2.0	3	28.0 + TT	19.5 - TT (18.0 - TT ²)
4	26	0	0.5	0 (1.5 ²)	25.5 (24.0 ²)	2.0	3	28.0 + TT	22.5 - TT (21.0 - TT ²)
5	26	0	0	0 (1.5 ²)	26.0 (24.5 ²)	2.0	3	28.0 + TT	23.0 - TT (21.5 - TT ²)
6	26	0	3.5	0 (1.5 ²)	22.5 (21.0 ²)	2.0	3	28.0 + TT	19.5 - TT (18.0 - TT ²)
7	26	0	3.5	0 (1.5 ²)	22.5 (21.0 ²)	2.0	3	28.0 + TT	19.5 - TT (18.0 - TT ²)
8	26	0	1	0 (1.5 ²)	25.0 (23.5 ²)	2.0	3	28.0 + TT	22.0 - TT (20.5 - TT ²)
9	26	0	1	0 (1.5 ²)	25.0 (23.5 ²)	2.0	3	28.0 + TT	22.0 - TT (20.5 - TT ²)
10	26	0	3.5	0 (1.5 ²)	22.5 (21.0 ²)	2.0	3	28.0 + TT	19.5 - TT (18.0 - TT ²)
11	26	0	3.5	0 (1.5 ²)	22.5 (21.0 ²)	2.0	3	28.0 + TT	19.5 - TT (18.0 - TT ²)
12	26	0	2	0 (1.5 ²)	24.0 (22.5 ²)	2.0	3	28.0 + TT	21.0 - TT (19.5 - TT ²)
13	26	0	3.5	0 (1.5 ²)	22.5 (21.0 ²)	2.0	3	28.0 + TT	19.5 - TT (18.0 - TT ²)
14	26	0	3.5	0 (1.5 ²)	22.5 (21.0 ²)	2.0	3	28.0 + TT	19.5 - TT (18.0 - TT ²)
15	26	0	2.5	0 (1.5 ²)	23.5 (22.0 ²)	2.0	3	28.0 + TT	20.5 - TT (19.0 - TT ²)
16	26	0	4.5	0 (1.5 ²)	21.5 (20.0 ²)	2.0 (2.5 ²)	3	28.0 + TT	18.5 - TT (17.0 - TT ²)
17	26	0	4.5	0 (1.5 ²)	21.5 (20.0 ²)	2.0 (2.5 ²)	3	28.0 + TT	18.5 - TT (17.0 - TT ²)
18	26	0	4.5	0 (1.5 ²)	21.5 (20.0 ²)	2.0 (2.5 ²)	3	28.0 + TT	18.5 - TT (17.0 - TT ²)
19	26	0	1.5	0 (1.5 ²)	24.5 (23.0 ²)	2.0	3	28.0 + TT	21.5 - TT (20.0 - TT ²)
20	26	0	3.5	0 (1.5 ²)	22.5 (21.0 ²)	2.0	3	28.0 + TT	19.5 - TT (18.0 - TT ²)
21	26	0	3.5	0 (1.5 ²)	22.5 (21.0 ²)	2.0	3	28.0 + TT	19.5 - TT (18.0 - TT ²)
22	26	0	3	0 (1.5 ²)	23.0 (21.5 ²)	2.0	3	28.0 + TT	20.0 - TT (18.5 - TT ²)
23	26	0	2	0 (1.5 ²)	24.0 (22.5 ²)	2.0	3	28.0 + TT	21.0 - TT (19.5 - TT ²)
24	26	0	3.5	0 (1.5 ²)	22.5 (21.0 ²)	2.0	3	28.0 + TT	19.5 - TT (18.0 - TT ²)

Test ID	P _{PowerClass} (dBm)	ΔP _{PowerClass} (dB)	MPR (dB)	ΔT _{C,c} (dB)	P _{C_{MAX}_L,f,c} (dBm)	T(P _{C_{MAX}_L,f,c}) (dB)	T _{L,c} (dB)	Upper limit (dBm)	Lower limit (dBm)
---------	-------------------------------	-------------------------------	----------	------------------------	--	---	-----------------------	-------------------	-------------------

25	26	0	3.5	0	(1.5 ²)	22.5	(21.0 ²)	2.0	3	28.0 + TT	19.5 - TT	(18.0 - TT ²)	
26	26	0	3	0	(1.5 ²)	23.0	(21.5 ²)	2.0	3	28.0 + TT	20.0 - TT	(18.5 - TT ²)	
27	26	0	3.5	0	(1.5 ²)	22.5	(21.0 ²)	2.0	3	28.0 + TT	19.5 - TT	(18.0 - TT ²)	
28	26	0	3.5	0	(1.5 ²)	22.5	(21.0 ²)	2.0	3	28.0 + TT	19.5 - TT	(18.0 - TT ²)	
29	26	0	3.5	0	(1.5 ²)	22.5	(21.0 ²)	2.0	3	28.0 + TT	19.5 - TT	(18.0 - TT ²)	
30	26	0	6.5	0	(1.5 ²)	19.5	(18.0 ²)	3.5	(4.0 ²)	3	28.0 + TT	16.0 - TT	(14.0 - TT ²)
31	26	0	6.5	0	(1.5 ²)	19.5	(18.0 ²)	3.5	(4.0 ²)	3	28.0 + TT	16.0 - TT	(14.0 - TT ²)
32	26	0	6.5	0	(1.5 ²)	19.5	(18.0 ²)	3.5	(4.0 ²)	3	28.0 + TT	16.0 - TT	(14.0 - TT ²)

NOTE 1: $P_{\text{PowerClass}}$ is the maximum UE power specified without taking into account the tolerance.

NOTE 2: For Band n3 and n41, transmission bandwidths confined within $F_{\text{UL_low}}$ and $F_{\text{UL_low}} + 4$ MHz or $F_{\text{UL_high}} - 4$ MHz and $F_{\text{UL_high}}$.

NOTE 3: TT for each frequency and channel bandwidth is specified in Table 6.2.2.5-5.

Table 6.2.2.5-4a: UE Power Class test requirements for Band n14 for Power Class 1 (contiguous allocation)

Test ID	$P_{\text{PowerClass}}$ (dBm)	$\Delta P_{\text{PowerClass}}$ (dB)	MPR (dB)	$\Delta T_{C,c}$ (dB)	$P_{\text{CMAX_L,f,c}}$ (dBm)	$T(P_{\text{CMAX_L,f,c}})$ (dB)	$T_{L,c}$ (dB)	Upper limit (dBm)	Lower limit (dBm)
1	31	0	0	0	31.0	2.0	3	33.0 + TT	28.0 — TT
2	31	0	0.5	0	30.5	2.0	3	33.0 + TT	27.5 — TT
3	31	0	0.5	0	30.5	2.0	3	33.0 + TT	27.5 — TT
4	31	0	0.5	0	30.5	2.0	3	33.0 + TT	27.5 — TT
5	31	0	0	0	31.0	2.0	3	33.0 + TT	28.0 — TT
6	31	0	1	0	30.0	2.0	3	33.0 + TT	27.0 — TT
7	31	0	1	0	30.0	2.0	3	33.0 + TT	27.0 — TT
8	31	0	1	0	30.0	2.0	3	33.0 + TT	27.0 — TT
9	31	0	1	0	30.0	2.0	3	33.0 + TT	27.0 — TT
10	31	0	2	0	29.0	2.0	3	33.0 + TT	26.0 — TT
11	31	0	2	0	29.0	2.0	3	33.0 + TT	26.0 — TT
12	31	0	2	0	29.0	2.0	3	33.0 + TT	26.0 — TT
13	31	0	2.5	0	28.5	2.0	3	33.0 + TT	25.5 — TT
14	31	0	2.5	0	28.5	2.0	3	33.0 + TT	25.5 — TT
15	31	0	2.5	0	28.5	2.0	3	33.0 + TT	25.5 — TT
16	31	0	4.5	0	26.5	2.0	3	33.0 + TT	23.5 — TT
17	31	0	4.5	0	26.5	2.0	3	33.0 + TT	23.5 — TT
18	31	0	4.5	0	26.5	2.0	3	33.0 + TT	23.5 — TT
19	31	0	1.5	0	29.5	2.0	3	33.0 + TT	26.5 — TT
20	31	0	3	0	28.0	2.0	3	33.0 + TT	25.0 — TT
21	31	0	3	0	28.0	2.0	3	33.0 + TT	25.0 — TT
22	31	0	3	0	28.0	2.0	3	33.0 + TT	25.0 — TT
23	31	0	2	0	29.0	2.0	3	33.0 + TT	26.0 — TT
24	31	0	3	0	28.0	2.0	3	33.0 + TT	25.0 — TT
25	31	0	3	0	28.0	2.0	3	33.0 + TT	25.0 — TT
26	31	0	3	0	28.0	2.0	3	33.0 + TT	25.0 — TT
27	31	0	3.5	0	27.5	2.0	3	33.0 + TT	24.5 — TT
28	31	0	3.5	0	27.5	2.0	3	33.0 + TT	24.5 — TT
29	31	0	3.5	0	27.5	2.0	3	33.0 + TT	24.5 — TT
30	31	0	6.5	0	24.5	2.0	3	33.0 + TT	21.5 — TT
31	31	0	6.5	0	24.5	2.0	3	33.0 + TT	21.5 — TT
32	31	0	6.5	0	24.5	2.0	3	33.0 + TT	21.5 — TT
33	31	0	0.5	0	30.5	2.0	3	33.0 + TT	27.5 — TT
34	31	0	0.5	0	30.5	2.0	3	33.0 + TT	27.5 — TT
35	31	0	0	0	31.0	2.0	3	33.0 + TT	28.0 — TT

NOTE 1: $P_{\text{PowerClass}}$ is the maximum UE power specified without taking into account the tolerance.
NOTE 2: TT for each frequency and channel bandwidth is specified in Table 6.2.2.5-5.

Table 6.2.2.5-4b: Void

Table 6.2.2.5-4c: UE Power Class test requirements for bands other than Band n14 (bands n7, n78) (bands n41, n100 and n101) for Power Class 1 (contiguous allocation)

Test ID	P _{PowerClass} (dBm)	$\Delta P_{\text{PowerClass}}$ (dB)	MPR (dB)		$\Delta T_{c,c}$ (dB)	P _{CMAX_L,f,c} (dBm)		T(P _{CMAX_L,f,c}) (dB)	T _{L,c} (dB)	Upper limit (dBm)	Lower limit (dBm)	
			<50 MHz CBW	≥50 MHz CBW		<50 MHz CBW	≥50 MHz CBW				<50 MHz CBW	≥50 MHz CBW
1	31	0	0	0	0	31.0	31.0	2.0	3	33.0 + TT	28.0 - TT	28.0 - TT
2	31	0	7.2-6xCBW/100	5.35+3.15xCBW/100	0	24.0-26.5	24.0-22.5	2.0	3	33.0 + TT	(21.0 - TT)- (23.5 - TT)	(21.0 - TT)- (19.5 - TT)
3	31	0	7.2-6xCBW/100	5.35+3.15xCBW/100	0	24.0-26.5	24.0-22.5	2.0	3	33.0 + TT	(21.0 - TT)- (23.5 - TT)	(21.0 - TT)- (19.5 - TT)
4	31	0	0.5	0.5	0	30.5	30.5	2.0	3	33.0 + TT	27.5 - TT	27.5 - TT
5	31	0	0	0	0	31.0	31.0	2.0	3	33.0 + TT	28.0 - TT	28.0 - TT
6	31	0	7.2-6xCBW/100	5.35+3.15xCBW/100	0	24.0-26.5	24.0-22.5	2.0	3	33.0 + TT	(21.0 - TT)- (23.5 - TT)	(21.0 - TT)- (19.5 - TT)
7	31	0	7.2-6xCBW/100	5.35+3.15xCBW/100	0	24.0-26.5	24.0-22.5	2.0	3	33.0 + TT	(21.0 - TT)- (23.5 - TT)	(21.0 - TT)- (19.5 - TT)
8	31	0	1	1	0	30.0	30.0	2.0	3	33.0 + TT	27.0 - TT	27.0 - TT
9	31	0	1	1	0	30.0	30.0	2.0	3	33.0 + TT	27.0 - TT	27.0 - TT
10	31	0	7.2-6xCBW/100	5.35+3.15xCBW/100	0	24.0-26.5	24.0-22.5	2.0	3	33.0 + TT	(21.0 - TT)- (23.5 - TT)	(21.0 - TT)- (19.5 - TT)
11	31	0	7.2-6xCBW/100	5.35+3.15xCBW/100	0	24.0-26.5	24.0-22.5	2.0	3	33.0 + TT	(21.0 - TT)- (23.5 - TT)	(21.0 - TT)- (19.5 - TT)
12	31	0	2	2	0	29.0	29.0	2.0	3	33.0 + TT	26.0 - TT	26.0 - TT
13	31	0	7.2-6xCBW/100	5.35+3.15xCBW/100	0	24.0-26.5	24.0-22.5	2.0	3	33.0 + TT	(21.0 - TT)- (23.5 - TT)	(21.0 - TT)- (19.5 - TT)
14	31	0	7.2-6xCBW/100	5.35+3.15xCBW/100	0	24.0-26.5	24.0-22.5	2.0	3	33.0 + TT	(21.0 - TT)- (23.5 - TT)	(21.0 - TT)- (19.5 - TT)
15	31	0	2.5	2.5	0	28.5	28.5	2.0	3	33.0 + TT	25.5 - TT	25.5 - TT
16	31	0	7.2-6xCBW/100	5.35+3.15xCBW/100	0	24.0-26.5	24.0-22.5	2.0	3	33.0 + TT	(21.0 - TT)- (23.5 - TT)	(21.0 - TT)- (19.5 - TT)
17	31	0	7.2-6xCBW/100	5.35+3.15xCBW/100	0	24.0-26.5	24.0-22.5	2.0	3	33.0 + TT	(21.0 - TT)- (23.5 - TT)	(21.0 - TT)- (19.5 - TT)
18	31	0	4.5	4.5	0	26.5	26.5	2.0	3	33.0 + TT	23.5 - TT	23.5 - TT
19	31	0	1.5	1.5	0	29.5	29.5	2.0	3	33.0 + TT	26.5 - TT	26.5 - TT
20	31	0	7.2-6xCBW/100	5.35+3.15xCBW/100	0	24.0-26.5	24.0-22.5	2.0	3	33.0 + TT	(21.0 - TT)- (23.5 - TT)	(21.0 - TT)- (19.5 - TT)

21	31	0	7.2-6xCBW/100	5.35+3.15xCBW/100	0	24.0-26.5	24.0-22.5	2.0	3	33.0 + TT	(21.0 - TT)- (23.5 - TT)	(21.0 - TT)- (19.5 - TT)
22	31	0	3	3	0	28.0	28.0	2.0	3	33.0 + TT	25.0 - TT	25.0 - TT
23	31	0	2	2	0	29.0	29.0	2.0	3	33.0 + TT	26.0 - TT	26.0 - TT
24	31	0	7.2-6xCBW/100	5.35+3.15xCBW/100	0	24.0-26.5	24.0-22.5	2.0	3	33.0 + TT	(21.0 - TT)- (23.5 - TT)	(21.0 - TT)- (19.5 - TT)
25	31	0	7.2-6xCBW/100	5.35+3.15xCBW/100	0	24.0-26.5	24.0-22.5	2.0	3	33.0 + TT	(21.0 - TT)- (23.5 - TT)	(21.0 - TT)- (19.5 - TT)
26	31	0	3	3	0	28.0	28.0	2.0	3	33.0 + TT	25.0 - TT	25.0 - TT
27	31	0	7.2-6xCBW/100	5.35+3.15xCBW/100	0	24.0-26.5	24.0-22.5	2.0	3	33.0 + TT	(21.0 - TT)- (23.5 - TT)	(21.0 - TT)- (19.5 - TT)
28	31	0	7.2-6xCBW/100	5.35+3.15xCBW/100	0	24.0-26.5	24.0-22.5	2.0	3	33.0 + TT	(21.0 - TT)- (23.5 - TT)	(21.0 - TT)- (19.5 - TT)
29	31	0	3.5	3.5	0	27.5	27.5	2.0	3	33.0 + TT	24.5 - TT	24.5 - TT
30	31	0	7.2-6xCBW/100	5.35+3.15xCBW/100	0	24.0-26.5	24.0-22.5	2.0	3	33.0 + TT	(21.0 - TT)- (23.5 - TT)	(21.0 - TT)- (19.5 - TT)
31	31	0	7.2-6xCBW/100	5.35+3.15xCBW/100	0	24.0-26.5	24.0-22.5	2.0	3	33.0 + TT	(21.0 - TT)- (23.5 - TT)	(21.0 - TT)- (19.5 - TT)
32	31	0	6.5	6.5	0	24.5	24.5	2.0	3	33.0 + TT	21.5 - TT	21.5 - TT
33	31	0	7.2-6xCBW/100	5.35+3.15xCBW/100	0	24.0-26.5	24.0-22.5	2.0	3	33.0 + TT	(21.0 - TT)- (23.5 - TT)	(21.0 - TT)- (19.5 - TT)
34	31	0	7.2-6xCBW/100	5.35+3.15xCBW/100	0	24.0-26.5	24.0-22.5	2.0	3	33.0 + TT	(21.0 - TT)- (23.5 - TT)	(21.0 - TT)- (19.5 - TT)
35	31	0	0	0	0	31.0	31.0	2.0	3	33.0 + TT	28.0 - TT	28.0 - TT

NOTE 1: $P_{PowerClass}$ is the maximum UE power specified without taking into account the tolerance.

NOTE 2: TT for each frequency and channel bandwidth is specified in Table 6.2.2.5-5.

Table 6.2.2.5-5: Test Tolerance (Maximum Power Reduction (MPR))

	$f \leq 3.0\text{GHz}$	$3.0\text{GHz} < f \leq 4.2\text{GHz}$	$4.2\text{GHz} < f \leq 6.0\text{GHz}$
$BW \leq 40\text{MHz}$	0.7 dB	1.0 dB	1.0 dB
$40\text{MHz} < BW \leq 100\text{MHz}$	1.0 dB	1.0 dB	1.0 dB

Table 6.2.2.5-6: UE Power Class test requirements (for Bands n1, n2, n3, n5, n7, n8, n12, n13, n14, n20, n25, n26, n30, n34, n38, n39, n40, n41, n50, n51, n53, n65, n66, n70, n74, n85, n91, n92, n93, n94, n100, n101, n106) for Power Class 3 (almost contiguous allocation)

Test ID	$P_{PowerClass}$ (dBm)	$\Delta P_{PowerClass}$ (dB)	MPR (dB)	MPR increase (dB)	$\Delta T_{c,c}$ (dB)		$P_{CMAX_L,f,c}$ (dBm)		$T(P_{CMAX_L,f,c})$ (dB)		$T_{L,c}$ (dB)	Upper limit (dBm)	Lower limit (dBm)	
					0	1.5^2	20	18.5^2	2.5	4^2			17.5 - TT	$14.5 - TT^2$
1 ⁴	23	0	1.5	1.5	0	1.5^2	20	18.5^2	2.5	4^2	2	25.0 + TT	17.5 - TT	$14.5 - TT^2$

1 ⁵	23	0	1.5	1	0	1.5 ²	20.5	19 ²	2.5	3.5 ²	2	25.0 + TT	18 - TT	15.5 - TT ²
2 ⁶	23	0	3	1.5	0	1.5 ²	18.5	17 ²	4	5 ²	2	25.0 + TT	14.5 - TT	12 - TT ²
2 ⁷	23	0	3	1	0	1.5 ²	19	17.5 ²	3.5	5 ²	2	25.0 + TT	15.5 - TT	12.5 - TT ²
3 ⁴	23	0	2	1.5	0	1.5 ²	19.5	18 ²	3.5	4 ²	2	25.0 + TT	16 - TT	14 - TT ²
3 ⁵	23	0	2	1	0	1.5 ²	20	18.5 ²	2.5	4 ²	2	25.0 + TT	17.5 - TT	14.5 - TT ²
4 ⁶	23	0	3	1.5	0	1.5 ²	18.5	17 ²	4	5 ²	2	25.0 + TT	14.5 - TT	12 - TT ²
4 ⁷	23	0	3	1	0	1.5 ²	19	17.5 ²	3.5	5 ²	2	25.0 + TT	15.5 - TT	12.5 - TT ²
5 ⁶	23	0	3.5	1.5	0	1.5 ²	18	16.5 ²	4	5 ²	2	25.0 + TT	14 - TT	11.5 - TT ²
5 ⁷	23	0	3.5	1	0	1.5 ²	18.5	17 ²	4	5 ²	2	25.0 + TT	14.5 - TT	12 - TT ²
6 ⁶	23	0	6.5	1.5	0	1.5 ²	15	13.5 ²	5	5 ²	2	25.0 + TT	10 - TT	8.5 - TT ²
6 ⁷	23	0	6.5	1	0	1.5 ²	15.5	14 ²	5	5 ²	2	25.0 + TT	10.5 - TT	9 - TT ²

NOTE 1: P_{PowerClass} is the maximum UE power specified without taking into account the tolerance.

NOTE 2: For Band n2, n3, n7, n8, n12, n20, n25, n26, n41, transmission bandwidths confined within F_{UL_low} and F_{UL_low} + 4 MHz or F_{UL_high} - 4 MHz and F_{UL_high}.

NOTE 3: TT for each frequency and channel bandwidth is specified in Table 6.2.2.5-5.

NOTE 4: Applicable for CBW/SCS combinations other than CBW=40MHz when SCS=60kHz.

NOTE 5: Only applicable for CBW 40MHz when SCS is 60kHz.

NOTE 6: Applicable for CBW/SCS combinations other than CBW=30MHz when SCS=15kHz and CBW=30MHz, 60MHz, 90MHz when SCS=30kHz and CBW=25MHz, 60MHz, 90MHz when SCS=60kHz.

NOTE 7: Only applicable for CBW=30MHz when SCS=15kHz and CBW=30MHz, 60MHz, 90MHz when SCS=30kHz and CBW=25MHz, 60MHz, 90MHz when SCS=60kHz.

Table 6.2.2.5-6a: Void

Table 6.2.2.5-7: UE Power Class test requirements (for Bands n28 with channel bandwidth other than 30MHz, n71) for Power Class 3 (almost contiguous allocation)

Test ID	$P_{\text{PowerClass}}$ (dBm)	$\Delta P_{\text{PowerClass}}$ (dB)	MPR (dB)	MPR increase (dB)	$\Delta T_{C,c}$ (dB)	$P_{\text{CMAX_L,f,c}}$ (dBm)	$T(P_{\text{CMAX_L,f,c}})$ (dB)	$T_{L,c}$ (dB)	Upper limit (dBm)	Lower limit (dBm)
1 ³	23	0	1.5	1.5	0	20	2.5	2.5	25.0 + TT	17.5 - TT
1 ⁴	23	0	1.5	1	0	20.5	2.5	2.5	25.0 + TT	18 - TT
2 ⁵	23	0	3	1.5	0	18.5	4	2.5	25.0 + TT	14.5 - TT
2 ⁶	23	0	3	1	0	19	3.5	2.5	25.0 + TT	15.5 - TT
3 ³	23	0	2	1.5	0	19.5	3.5	2.5	25.0 + TT	16 - TT
3 ⁴	23	0	2	1	0	20	2.5	2.5	25.0 + TT	17.5 - TT
4 ⁵	23	0	3	1.5	0	18.5	4	2.5	25.0 + TT	14.5 - TT
4 ⁶	23	0	3	1	0	19	3.5	2.5	25.0 + TT	15.5 - TT
5 ⁵	23	0	3.5	1.5	0	18	4	2.5	25.0 + TT	14 - TT
5 ⁶	23	0	3.5	1	0	18.5	4	2.5	25.0 + TT	14.5 - TT
6 ⁵	23	0	6.5	1.5	0	15	5	2.5	25.0 + TT	10 - TT
6 ⁶	23	0	6.5	1	0	15.5	5	2.5	25.0 + TT	10.5 - TT

NOTE 1: $P_{\text{PowerClass}}$ is the maximum UE power specified without taking into account the tolerance.
NOTE 2: TT for each frequency and channel bandwidth is specified in Table 6.2.2.5-5.
NOTE 3: Applicable for CBW/SCS combinations other than CBW=40MHz when SCS=60kHz.
NOTE 4: Only applicable for CBW 40MHz when SCS is 60kHz.
NOTE 5: Applicable for CBW/SCS combinations other than CBW=30MHz when SCS=15kHz and CBW=30MHz, 60MHz, 90MHz when SCS=30kHz and CBW=25MHz, 60MHz, 90MHz when SCS=60kHz.
NOTE 6: Only applicable for CBW=30MHz when SCS=15kHz and CBW=30MHz, 60MHz, 90MHz when SCS=30kHz and CBW=25MHz, 60MHz, 90MHz when SCS=60kHz.

Table 6.2.2.5-7a: Void

Table 6.2.2.5-7b: UE Power Class test requirements (for Band n28 with 30MHz channel bandwidth) for Power Class 3 (almost contiguous allocation)

Test ID	$P_{\text{PowerClass}}$ (dBm)	$\Delta P_{\text{PowerClass}}$ (dB)	MPR (dB)	MPR increase (dB)	$\Delta T_{C,c}$ (dB)	$P_{\text{CMAX_L,f,c}}$ (dBm)	$T(P_{\text{CMAX_L,f,c}})$ (dB)	$T_{L,c}$ (dB)	Upper limit (dBm)	Lower limit (dBm)
2 ³	23	0	3.5	1.5	0	18	4	2.5	25.0 + TT	14 - TT
2 ⁴	23	0	3.5	1	0	18.5	4	2.5	25.0 + TT	14.5 - TT
4 ³	23	0	3.5	1.5	0	18	4	2.5	25.0 + TT	14 - TT
4 ⁴	23	0	3.5	1	0	18.5	4	2.5	25.0 + TT	14.5 - TT
5 ³	23	0	4	1.5	0	17.5	5	2.5	25.0 + TT	12.5 - TT
5 ⁴	23	0	4	1	0	18	4	2.5	25.0 + TT	14 - TT
6 ³	23	0	7	1.5	0	14.5	5	2.5	25.0 + TT	9.5 - TT
6 ⁴	23	0	7	1	0	15	5	2.5	25.0 + TT	10 - TT

NOTE 1: $P_{\text{PowerClass}}$ is the maximum UE power specified without taking into account the tolerance.

NOTE 2: TT for each frequency and channel bandwidth is specified in Table 6.2.2.5-5.
 NOTE 3: Applicable for CBW=30MHz when SCS=60kHz.
 NOTE 4: Applicable for CBW=30MHz when SCS=15kHz and CBW=30MHz when SCS=30kHz.

Table 6.2.2.5-8: UE Power Class test requirements (for Bands n48, n77, n78, n79) for Power Class 3 (almost contiguous allocation)

Test ID	$P_{\text{PowerClass}}$ (dBm)	$\Delta P_{\text{PowerClass}}$ (dB)	MPR (dB)	MPR increase (dB)	$\Delta T_{C,c}$ (dB)	$P_{\text{CMAX}_{L,f,c}}$ (dBm)	$T(P_{\text{CMAX}_{L,f,c}})$ (dB)	$T_{L,c}$ (dB)	Upper limit (dBm)	Lower limit (dBm)
1 ³	23	0	1.5	1.5	0	20	2.5	3	25.0 + TT	17 - TT
1 ⁴	23	0	1.5	1	0	20.5	2.5	3	25.0 + TT	17.5 - TT
2 ⁵	23	0	3	1.5	0	18.5	4	3	25.0 + TT	14.5 - TT
2 ⁶	23	0	3	1	0	19	3.5	3	25.0 + TT	15.5 - TT
3 ³	23	0	2	1.5	0	19.5	3.5	3	25.0 + TT	16 - TT
3 ⁴	23	0	2	1	0	20	2.5	3	25.0 + TT	17 - TT
4 ⁵	23	0	3	1.5	0	18.5	4	3	25.0 + TT	14.5 - TT
4 ⁶	23	0	3	1	0	19	3.5	3	25.0 + TT	15.5 - TT
5 ⁵	23	0	3.5	1.5	0	18	4	3	25.0 + TT	14 - TT
5 ⁶	23	0	3.5	1	0	18.5	4	3	25.0 + TT	14.5 - TT
6 ⁵	23	0	6.5	1.5	0	15	5	3	25.0 + TT	10 - TT
6 ⁶	23	0	6.5	1	0	15.5	5	3	25.0 + TT	10.5 - TT

NOTE 1: $P_{\text{PowerClass}}$ is the maximum UE power specified without taking into account the tolerance.
 NOTE 2: TT for each frequency and channel bandwidth is specified in Table 6.2.2.5-5.
 NOTE 3: Applicable for CBW/SCS combinations other than CBW=40MHz when SCS=60kHz.
 NOTE 4: Only applicable for CBW 40MHz when SCS is 60kHz.
 NOTE 5: Applicable for CBW/SCS combinations other than CBW=30MHz when SCS=15kHz and CBW=30MHz, 60MHz, 90MHz when SCS=30kHz and CBW=25MHz, 60MHz, 90MHz when SCS=60kHz.
 NOTE 6: Only applicable for CBW=30MHz when SCS=15kHz and CBW=30MHz, 60MHz, 90MHz when SCS=30kHz and CBW=25MHz, 60MHz, 90MHz when SCS=60kHz.
 NOTE 7: Test applies only for UEs which support almost contiguous UL CP-OFDM transmissions. For PC2 UE which support almost contiguous UL CP-OFDM transmissions, test is only applicable for Release 16 and forward.

Table 6.2.2.5-8a: Void

Table 6.2.2.5-9: UE Power Class test requirements (for Bands n1, n3, n34, n39, n41, n77, n78, n79) for Power Class 2 (almost contiguous allocation)

Test ID	$P_{\text{PowerClass}}$ (dBm)	$\Delta P_{\text{PowerClass}}$ (dB)	MPR (dB)	MPR increase (dB)	$\Delta T_{\text{C,c}}$ (dB)		$P_{\text{CMAX_L,f,c}}$ (dBm)		$T(P_{\text{CMAX_L,f,c}})$ (dB)		$T_{\text{L,c}}$ (dB)	Upper limit (dBm)	Lower limit (dBm)	
1 ⁴	26	0	1.5	1.5	0	1.5 ²	23	21.5 ²	2	2 ²	3	28.0 + TT	20 - TT	18 - TT ²
1 ⁵	26	0	1.5	1	0	1.5 ²	23.5	22 ²	2	2 ²	3	28.0 + TT	20.5 - TT	19.0 - TT ²
2 ⁶	26	0	3	1.5	0	1.5 ²	21.5	20 ²	2	2.5 ²	3	28.0 + TT	18.5 - TT	17.0 - TT ²
2 ⁷	26	0	3	1	0	1.5 ²	22	20.5 ²	2	2.5 ²	3	28.0 + TT	19 - TT	17.5 - TT ²
3 ⁴	26	0	2	1.5	0	1.5 ²	22.5	21 ²	2	2 ²	3	28.0 + TT	19.5 - TT	18.0 - TT ²
3 ⁵	26	0	2	1	0	1.5 ²	23	21.5 ²	2	2 ²	3	28.0 + TT	20 - TT	18.5 - TT ²
4 ⁶	26	0	3	1.5	0	1.5 ²	21.5	20 ²	2	2.5 ²	3	28.0 + TT	18.5 - TT	17.0 - TT ²
4 ⁷	26	0	3	1	0	1.5 ²	22	20.5 ²	2	2.5 ²	3	28.0 + TT	19 - TT	17.5 - TT ²
5 ⁶	26	0	3.5	1.5	0	1.5 ²	21	19.5 ²	2	3.5 ²	3	28.0 + TT	18 - TT	16.0 - TT ²
5 ⁷	26	0	3.5	1	0	1.5 ²	21.5	20 ²	2	2.5 ²	3	28.0 + TT	18.5 - TT	17.0 - TT ²
6 ⁶	26	0	6.5	1.5	0	1.5 ²	18	16.5 ²	4	5 ²	3	28.0 + TT	14 - TT	11.5 - TT ²
6 ⁷	26	0	6.5	1	0	1.5 ²	18.5	17 ²	4	5 ²	3	28.0 + TT	14.5 - TT	12.0 - TT ²

NOTE 1: $P_{\text{PowerClass}}$ is the maximum UE power specified without taking into account the tolerance.
NOTE 2: For Band n3 and n41, transmission bandwidths confined within $F_{\text{UL_low}}$ and $F_{\text{UL_low}} + 4$ MHz or $F_{\text{UL_high}} - 4$ MHz and $F_{\text{UL_high}}$.
NOTE 3: TT for each frequency and channel bandwidth is specified in Table 6.2.2.5-5.
NOTE 4: Applicable for CBW/SCS combinations other than CBW=40MHz when SCS=60kHz.
NOTE 5: Only applicable for CBW 40MHz when SCS is 60kHz.
NOTE 6: Applicable for CBW/SCS combinations other than CBW=30MHz when SCS=15kHz and CBW=30MHz, 60MHz, 90MHz when SCS=30kHz and CBW=25MHz, 60MHz, 90MHz when SCS=60kHz.
NOTE 7: Only applicable for CBW=30MHz when SCS=15kHz and CBW=30MHz, 60MHz, 90MHz when SCS=30kHz and CBW=25MHz, 60MHz, 90MHz when SCS=60kHz.
NOTE 8: Test applies only for UEs which support almost contiguous UL CP-OFDM transmissions. For PC2 UE which support almost contiguous UL CP-OFDM transmissions, test is only applicable for Release 16 and forward.

Table 6.2.2.5-9a: Void

For the UE which supports inter-band NR CA configuration, inter-band NR-DC configuration, SUL configuration or inter-band EN-DC configuration, $\Delta T_{\text{IB,c}}$ as specified in 6.2A.4.0.2 for NR CA, 6.2B.4.0.2 for NR-DC, clause 6.2C.2 for SUL, or TS 38.521-3 [14] clause 6.2B.4.2 for EN-DC applies. Unless otherwise stated, $\Delta T_{\text{IB,c}}$ is set to zero. In case the UE supports more than one of band combinations for CA, NR-DC, SUL or EN-DC, and an operating band belongs to more than one band combinations then

- a) When the operating band frequency range is ≤ 1 GHz, the applicable additional $\Delta T_{\text{IB,c}}$ shall be the average value for all band combinations defined in clause 6.2A.4.0.2, 6.2B.4.0.2, 6.2C.2 in this specification and 6.2B.4.2 in TS 38.521-3 [14], truncated to one decimal place that apply for that operating band among the supported band combinations. In case there is a harmonic relation between low band UL and high band DL, then the maximum $\Delta T_{\text{IB,c}}$ among the different supported band combinations involving such band shall be applied

- b) When the operating band frequency range is > 1 GHz, the applicable additional $\Delta T_{IB,c}$ shall be the maximum value for all band combinations defined in clause 6.2A.4.0.2, 6.2B.4.0.2, 6.2C.2 in this specification and 6.2B.4.2 in TS 38.521-3 [14] for the applicable operating bands.

6.2.3 UE additional maximum output power reduction

Editor's note: The following aspects are either missing or not yet determined:

- Tests for network signalling values NS_40, NS_09 not complete.
- The requirements of this test apply in test case 6.5.3.3 Additional Spurious Emissions for network signalling values NS_07, NS_44, NS_46, NS_47, NS_48, and NS_49 to all types of NR Power Class 2 and 3 UE release 16 forward, and UE release 15 if the corresponding channel bandwidths are supported.

6.2.3.1 Test purpose

Additional emission requirements can be signalled by the network. Each additional emission requirement is associated with a unique network signalling (NS) value indicated in RRC signalling by an NR frequency band number of the applicable operating band and an associated value in the field *additionalSpectrumEmission*. Throughout this specification, the notion of indication or signalling of an NS value refers to the corresponding indication of an NR frequency band number of the applicable operating band, the IE field *freqBandIndicatorNR* and an associated value of *additionalSpectrumEmission* in the relevant RRC information elements [6].

To meet the additional requirements, additional maximum power reduction (A-MPR) is allowed for the maximum output power as specified in Table 6.2.1.3-1. Unless stated otherwise, the total reduction to UE maximum output power is $\max(\text{MPR}, \text{A-MPR})$ where MPR is defined in clause 6.2.2. Outer and inner allocation notation used in clause 6.2.3 is defined in clause 6.2.2. Unless stated otherwise, Edge RB allocations get the same A-MPR as Outer RB allocations. In absence of modulation and waveform types the A-MPR applies to all modulation and waveform types.

6.2.3.2 Test applicability

The requirements of this test apply in test case 6.5.2.3 Additional Spectrum Emission mask for network signalling values NS_03, NS_03U, NS_04, NS_06, NS_07, NS_27 and NS_35 to all types of NR Power Class 2 and Power Class 3 UE release 15 and forward that don't support Tx diversity and NR Power Class 1 UE release 15 and forward.

The requirements of this test apply in test case 6.5.2.4.2 Adjacent channel leakage ratio for network signalling values NS_03U, NS_05U, NS_43U and NS_100 to all types of NR Power Class 3 UE release 15 and forward that don't support Tx diversity.

The requirements of this test apply in test case 6.5.3.3 Additional Spurious Emissions for network signalling values NS_04, NS_05, NS_05U, NS_07, NS_12, NS_13, NS_14, NS_15, NS_17, NS_18, NS_21, NS_24, NS_27, NS_37, NS_38, NS_39, NS_40, NS_41, NS_42, NS_43, NS_43U, NS_44, NS_45, NS_48, NS_49, NS_50 and NS_56 to all types of NR Power Class 2 and Power Class 3 UE release 15 and forward that don't support Tx diversity.

NOTE: Test execution is not necessary if 6.5.2.3, 6.5.2.4.2 and 6.5.3.3 are executed.

6.2.3.3 Minimum conformance requirements

6.2.3.3.1 General

Table 6.2.3.3.1-1 specifies the additional requirements with their associated network signalling values and the allowed A-MPR and applicable operating band(s) for each NS value. In case of a power class 3 UE, when IE *powerBoostPi2BPSK* is set to 1, power class 2 A-MPR values apply. The mapping of NR frequency band numbers and values of the *additionalSpectrumEmission* to network signalling labels is specified in Table 6.2.3.3.1-1A.

For almost contiguous allocations in CP-OFDM waveforms in power class 3, the allowed A-MPR defined in clause 6.2.3 is increased by $\text{CEIL}\{10 \log_{10}(1 + N_{\text{RB_gap}}/N_{\text{RB_alloc}}), 0.5\}$ dB, where $\text{CEIL}\{x, 0.5\}$ means x rounding upwards to closest 0.5dB, $N_{\text{RB_gap}}$ is the total number of unallocated RBs between allocated RBs and $N_{\text{RB_alloc}}$ is the total number of allocated RBs, and the parameter L_{CRB} is replaced by $N_{\text{RB_alloc}} + N_{\text{RB_gap}}$ in specifying the RB allocation regions.

Unless otherwise specified, pi/2 BPSK in following A-MPR tables refers to both variants of pi/2 BPSK referenced in 6.2.2 Table 6.2.2.3-1.

Table 6.2.3.3.1-1: Additional maximum power reduction (A-MPR)

Network signalling label	Requirements (subclause)	NR Band	Channel bandwidth (MHz)	Resources blocks (N_{RB})	A-MPR (dB)

NS_01		Table 5.2-1 (NOTE 8)	3, 5, 10, 15, 20, 25, 30, 35, 40, 45, 50, 60, 70, 80, 90, 100	Table 5.3.2-1	N/A
NS_03	6.5.2.3.3.3	n2, n25, n66, n70, n86			Clause 6.2.3.3.7
NS_03U	6.5.2.3.3.3, 6.5.2.4.2.3	n2, n25, n66, n86 (NOTE 1)			Clause 6.2.3.3.7
NS_04	6.5.2.3.3.2, 6.5.3.3.3.1	n41	10, 15, 20, 30, 40, 50, 60, 70, 80, 90, 100		Clause 6.2.3.3.2
NS_05	6.5.3.3.3.4	n1, n65, n84 (NOTE 1)	5, 10, 15, 20 (Note 2)		Clause 6.2.3.3.4 (NOTE 7)
NS_05U	6.5.3.3.3.4, 6.5.2.4.2.3	n1, n65, n84	5, 10, 15, 20		Clause 6.2.3.3.4 (NOTE 7)
NS_06	6.5.2.3.3.4	n12 ^{xx} , n85	3, 5, 10, 15		N/A
		n14	5, 10		
NS_07	6.5.2.3.3.4, 6.5.3.3.5.26	n13	5,10	Table 6.2.3.3.29-1	Table 6.2.3.3.29-2
NS_10		n20	15, 20	Table 6.2.3.3.3-1	Table 6.2.3.3.3-1
NS_12	6.5.3.3.17	n26	3, 5, 10	Table 6.2.3.3.21-1	Table 6.2.3.3.21-2
NS_13	6.5.3.3.18	n26	3, 5	Table 6.2.3.3.22-1	Table 6.2.3.3.22-2
NS_14	6.5.3.3.19	n26	10, 15, 20	Table 6.2.3.3.23-1	Table 6.2.3.3.23-2
NS_15	6.5.3.3.20	n26	3, 5, 10, 15, 20	Table 6.2.3.3.24-1	Table 6.2.3.3.24-2
NS_17	6.5.3.3.3.2	n28, n83 ^{xx}	3, 5, 10	Table 5.3.2-1	N/A
NS_18	6.5.3.3.3.3	n28, n83 ^{xx}	3, 5		Table 6.2.3.3.13-1, A1
			10, 15, 20		Table 6.2.3.3.13-1, A2
			30		Table 6.2.3.3.13-1, A3, A4, A5
NS_21	6.5.2.3.3.9 6.5.3.3.3.12	n30	5,10		Clause 6.2.3.3.14
NS_24	6.5.3.3.3.13	n65 (Note 4)	5, 10, 15, 20	Table 6.2.3.3.15-1	Subclause 6.2.3.3.15
NS_27	6.5.2.3.3.8 6.5.3.3.3.14	n48	5, 10, 15, 20, 30, 40	Table 6.2.3.3.16-1	Table 6.2.3.3.16-2
NS_35	6.5.2.3.3.1	n71	5, 10, 15, 20	Table 5.3.2-1	N/A
NS_37	6.5.3.3.3.6	n74 (Note 3)	10, 15	Table 6.2.3.3.8-1	Table 6.2.3.3.8-1
NS_38	6.5.3.3.3.7	n74	5, 10, 15, 20	Table 6.2.3.3.9-1	Table 6.2.3.3.9-1
NS_39	6.5.3.3.3.8	n74	10, 15, 20	Table 6.2.3.3.10-1	Table 6.2.3.3.10-1
NS_40	6.5.3.3.3.9	n51	5		Table 6.2.3.3.5-1
NS_41	6.5.3.3.3.10	n50	5, 10, 15, 20, 40, 50, 60		Table 6.2.3.3.11-1
NS_42	6.5.3.3.3.11	n50	5, 10, 15, 20, 40, 50, 60		Table 6.2.3.3.12-1
NS_43	6.5.3.3.3.5	n8, n81	5, 10, 15		Clause 6.2.3.3.6
NS_43U	6.5.3.3.3.5, 6.5.2.4.2.3	n8, n81 (NOTE 1)	5, 10, 15		Clause 6.2.3.3.6
NS_44	6.5.3.3.24	n38	25,30,40	Table 6.2.3.3.20-1	Table 6.2.3.3.20-1
NS_45	6.5.3.3.3.21	n53	5, 10		Clause 6.2.3.3.25
NS_46	6.5.3.3.3.25	n7	25, 30, 40, 50	Table 6.2.3.3.17-1	Table 6.2.3.3.17-2
NS_47	6.5.3.3.3.15	n41 (Note 5)	30	Table 6.2.3.3.18-1	Table 6.2.3.3.18-2
				Table 6.2.3.3.18-3	Table 6.2.3.3.18-4
NS_48	6.5.3.3.3.22	n1 and n84	10, 15, 20, 25, 30, 40, 45, 50	Table 6.2.3.3.26-1, Table 6.2.3.3.26-3	Table 6.2.3.3.26-2, Table 6.2.3.3.26-4 (NOTE 7)
NS_49	6.5.3.3.3.23	n1 and n84	10, 15, 20, 25, 30, 40, 45, 50	Table 6.2.3.3.27-1	Table 6.2.3.3.27-2, Table 6.2.3.3.27-4 (NOTE 7)
				Table 6.2.3.3.27-3	
NS_50	6.5.3.3.3.16	n39	10, 15, 20, 25, 30, 40		Clause 6.2.3.3.19
NS_55	NOTE 6	n77	10, 15, 20, 25, 30, 40, 50, 60, 70, 80, 90, 100		N/A

NS_56	6.5.3.3.3.27	n24, n99	5, 10	Table 6.2.3.3.30	Clause 6.2.3.3.30
NS_100	6.5.2.4.2.3	n1, n2, n3, n5, n8, n25, n26, n66, n80, n81, n84, n86 (Note 1)			Table 6.2.3.3.1-2
<p>NOTE 1: This NS can be signalled for NR bands that have UTRA services deployed.</p> <p>NOTE 2: No A-MPR is applied for 5 MHz $BW_{Channel}$ where the upper channel edge is ≥ 1930 MHz, 10 MHz $BW_{Channel}$ where the upper channel edge is ≥ 1950 MHz and 15 MHz $BW_{Channel}$ where the upper channel edge is ≥ 1955 MHz and 20 MHz $BW_{Channel}$ where the upper channel edge is ≥ 1970 MHz.</p> <p>NOTE 3: Applicable when the NR carrier is within 1447.9 – 1462.9 MHz.</p> <p>NOTE 4: Applicable when the upper edge of the channel bandwidth frequency is greater than 1980 MHz.</p> <p>NOTE 5: Applicable when the NR carrier is within 2545 – 2575 MHz.</p> <p>NOTE 6: This NS value is applicable for cells in the range 3450 – 3550 MHz for operations in the USA. This NS value does not indicate any additional spurious emission and maximum output power reduction requirements.</p> <p>NOTE 7: The 1Tx architecture is assumed. For power class 2 UE indicating <i>txDiversity-r16</i> [TS 38.306], the additional relaxation of [2] dB is applicable.</p> <p>NOTE 8: The NS_01 label with the field <i>additionalPmax</i> [6] absent is default for all NR bands.</p> <p>NOTE 9: 3 MHz channel bandwidth is not applicable.</p>					

Network signalling label	Requirements (subclause)	NR Band	Channel bandwidth (MHz)	Resources blocks (N_{RB})	A-MPR (dB)
NS_46	6.5.3.3.3.25	n7	25, 30, 40, 50	Table 6.2.3.3.17-1 Table 6.2.3.3.17-3 ¹¹	Table 6.2.3.3.17-2 Table 6.2.3.3.17-4 ¹¹

Table 6.2.3.3.1-1A: Mapping of Network Signalling label

NR band	Value of <i>additionalSpectrumEmission</i>							
	0	1	2	3	4	5	6	7
n1	NS_01	NS_100	NS_05	NS_05U	NS_48	NS_49		
n2	NS_01	NS_100	NS_03	NS_03U				
n3	NS_01	NS_100						
n5	NS_01	NS_100						
n7	NS_01	NS_46						
n8	NS_01	NS_100	NS_43	NS_43U				
n12	NS_01	NS_06						
n13	NS_01	NS_06	NS_07					
n14	NS_01	NS_06						
n20	NS_01	Void	NS_10					
n24	NS_01	NS_56						
n25	NS_01	NS_100	NS_03	NS_03U				
n26	NS_01	NS_100	NS_12	NS_13	NS_14	NS_15		
n28	NS_01	NS_17	NS_18					
n30	NS_01	NS_21						
n34	NS_01							
n38	NS_01	NS_44						
n39	NS_01	NS_50						
n40	NS_01							
n41	NS_01	NS_04	NS_47					
n48	NS_01	NS_27						
n50	NS_01	NS_41	NS_42					
n51	NS_01	NS_40						
n53	NS_01	NS_45						
n65	NS_01	NS_24	NS_100	NS_05	NS_05U	NS_51		
n66	NS_01	NS_100	NS_03	NS_03U				
n70	NS_01	NS_03						
n71	NS_01	NS_35						
n74	NS_01	NS_37	NS_38	NS_39				
n77	NS_01	NS_55						
n78	NS_01							

n79	NS_01							
n80	NS_01	NS_100						
n81	NS_01	NS_100	NS_43	NS_43U				
n82	NS_01	Void						
n83	NS_01	NS_17	NS_18					
n84	NS_01	NS_100	NS_05	NS_05U				
n85	NS_01	NS_06						
n86	NS_01	NS_100	NS_03	NS_03U				
n91	NS_01							
n92	NS_01							
n93	NS_01							
n94	NS_01							
n95	NS_01							
n99	NS_01	NS_56						
n100	NS_01							
n101	NS_01							
n106	NS_01							

NOTE 1: additionalSpectrumEmission corresponds to an information element of the same name defined in clause 6.3.2 of TS 38.331 [6].

Table 6.2.3.3.1-2: A-MPR for NS_100 (UTRA protection) (Power Class 3 and Power Class 2)

Modulation/Waveform		Outer (dB)
DFT-s-OFDM	Pi/2 BPSK	≤ 2
	QPSK	≤ 2
	16 QAM	≤ 2.5
	64 QAM	≤ 3
	256 QAM	≤ 4.5
CP-OFDM	QPSK	≤ 4
	16 QAM	≤ 4
	64 QAM	≤ 4
	256 QAM	≤ 6.5

The normative reference for this requirement is TS 38.101-1 [2] clause 6.2.3.1.

6.2.3.3.2 A-MPR for NS_04

For NS_04, A-MPR is not added to MPR. Also, when NS_04 is signalled, MPR shall be set to zero in the P_{C_{MAX}} equations to avoid double-counting MPR.

For power Class 1.5, 2 and 3, allowed maximum power reduction is defined as A-MPR=max(MPR, A-MPR'),

Note that A-MPR'=0 dB means only MPR is applied,

where A-MPR' is defined as

if $RB_{start} \leq f_{start,max,IMD3} / (12 \cdot SCS)$ and $L_{CRB} \leq AW_{max,IMD3} / (12 \cdot SCS)$ and $F_C - BW_{Channel}/2 < F_{UL,low} + offset_{IMD3}$, then

the A-MPR' is defined according to Table 6.2.3.3.2-2 PC3_A2 relative to 23 dBm for power class 3, PC2 A4 relative to 26 dBm for power class 2, and PC1.5_A6 relative to 29 dBm for power class 1.5,

else,

if $RB_{start} \leq L_{CRB}/2 + \Delta_{start} / (12 \cdot SCS)$ and $L_{CRB} \leq AW_{max,regrowth} / (12 \cdot SCS)$ and $F_C - BW_{Channel}/2 < F_{UL,low} + offset_{regrowth}$, then

the A-MPR' is defined according to Table 6.2.3.3.2-2 PC3_A1 relative to 23 dBm for power class 3, PC2 A3 relative to 26 dBm for power class 2, and PC1.5_A5 relative to 29 dBm for power class 1.5,

else

A-MPR' = 0 dB and apply MPR.

With the parameters defined in Table 6.2.3.3.2-1.

Table 6.2.3.3.2-1: Parameters for region edges and frequency offsets (Power Class 1.5, 2 and 3)

Parameter	Symbol	Value		Related condition
		CP-OFDM	DFT-s-OFDM	
Max allocation start in IMD3 region	$f_{\text{start,max,IMD3}}$	0.33 BW_{Channel}		$RB_{\text{start}} \leq f_{\text{start,max,IMD3}} / (12\text{SCS})$
Max allocation BW in IMD3 region	$AW_{\text{max,IMD3}}$	4 MHz		$L_{\text{CRB}} \leq AW_{\text{max,IMD3}} / (12\text{SCS})$
Freq. offset required to avoid A-MPR in IMD3 region	$\text{offset}_{\text{IMD3}}$	$BW_{\text{Channel}} - 6$ MHz		$F_C - BW_{\text{Channel}}/2 \geq F_{\text{UL_low}} + \text{offset}_{\text{IMD3}}$
Right edge of regrowth region	Δ_{start}	0.08 BW_{Channel}		$RB_{\text{start}} \leq L_{\text{CRB}}/2 + \Delta_{\text{start}} / (12\text{SCS})$
Max allocation BW in regrowth region	$AW_{\text{max,regrowth}}$	100 MHz		$L_{\text{CRB}} \leq \text{Min}(L_{\text{CRB,Max}}, AW_{\text{max,regrowth}} / (12\text{SCS}))$
Freq. offset required to avoid A-MPR in regrowth region	$\text{offset}_{\text{regrowth}}$	Max (10 MHz, 0.25* BW_{Channel} MHz)	Max (10 MHz, 0.45* BW_{Channel} MHz)	$F_C - BW_{\text{Channel}}/2 \geq F_{\text{UL_low}} + \text{offset}_{\text{regrowth}}$

Table 6.2.3.3.2-2: A-MPR' values Access (Power Class 1.5, 2 and 3)

Modulation/Waveform		A-MPR' (dB)					
		PC3_A1	PC3_A2	PC2_A3	PC2_A4	PC1.5_A5 ¹	PC1.5_A6 ¹
DFT-s-OFDM	Pi/2-BPSK	≤ 3.5	≤ 3.5	≤ 3.5	≤ 5.5	≤ 5	≤ 7
	QPSK	≤ 4	≤ 4	≤ 4.5	≤ 6	≤ 6	≤ 7.5
	16-QAM	≤ 4	≤ 4	≤ 5	≤ 6	≤ 6.5	≤ 7.5
	64-QAM	≤ 4	≤ 4.5	≤ 5	≤ 6.5	≤ 6.5	≤ 8
	256-QAM	≤ 4.5	≤ 6	≤ 6.5	≤ 8	≤ 8	≤ 9.5
CP-OFDM	QPSK	≤ 5.5	≤ 5.5	≤ 6.5	≤ 7.5	≤ 8	≤ 9
	16-QAM	≤ 5.5	≤ 5.5	≤ 6.5	≤ 7.5	≤ 8	≤ 9
	64-QAM	≤ 5.5	≤ 5.5	≤ 6.5	≤ 7.5	≤ 8	≤ 9
	256-QAM	≤ 6.5	≤ 8	≤ 7.5	≤ 10	≤ 9	≤ 11.5

NOTE 1: PC1.5 assumes dual Tx.

For Power Class 1, NS_04 A-MPR is defined as

$A\text{-MPR} = \max(\text{MPR}, A\text{-MPR}_{\text{regrowth}}, A\text{-MPR}_{\text{IMD3}}, A\text{-MPR}_{\text{CIM3}}, A\text{-MPR}_{\text{edge}})$.

$A\text{-MPR}_{\text{regrowth}}$ is obtained from Table 6.2.3.3.2-3 in terms of *total guard bandwidth* (TGBW). The TGBW is defined as the frequency distance between the RB allocation and the additional spurious emission limit defined in Table 6.5.3.3.3.1-1, i.e.,

$$\text{TGBW} = f_{\text{alloc,low}} - 2496 \text{ MHz},$$

where

$$f_{\text{alloc,low}} = F_C - \frac{BW_{\text{Channel}}}{2} + BW_{\text{GB}} + RB_{\text{start}} \cdot 12 \text{ SCS}$$

is the lower edge frequency of the RB allocation, F_C is the channel centre frequency, BW_{Channel} is the channel bandwidth, and BW_{GB} is the minimum guard bandwidth defined in Table 5.3.3-1.

Table 6.2.3.3.2-3: A-MPR_{regrowth} for NS_04 (Power Class 1)

TGBW range	A-MPR _{regrowth} *(dB)
$G_{0dB}(BW_{alloc}) \leq TGBW$	0
$G_{1dB}(BW_{alloc}) \leq TGBW < G_{0dB}(BW_{alloc})$	1
$G_{2dB}(BW_{alloc}) \leq TGBW < G_{1dB}(BW_{alloc})$	2
$G_{3dB}(BW_{alloc}) \leq TGBW < G_{2dB}(BW_{alloc})$	3
$G_{4dB}(BW_{alloc}) \leq TGBW < G_{3dB}(BW_{alloc})$	4
$G_{5dB}(BW_{alloc}) \leq TGBW < G_{4dB}(BW_{alloc})$	5
$TGBW < G_{5dB}(BW_{alloc})$	6

Each function $G_A(BW_{alloc})$ defines the required minimum total guard bandwidth for A-MPR value A and is defined as

$$G_A(BW_{alloc}) = \max(0, C_2 \left(\frac{BW_{alloc}}{100\text{MHz}}\right)^2 + C_1 \frac{BW_{alloc}}{100\text{MHz}} + C_0),$$

where $BW_{alloc} = L_{CRB} \cdot 12 \text{ SCS}$ is the allocation bandwidth, and C_2 , C_1 , and C_0 are obtained from Table 6.2.3.3.2-4 for each combination of waveform, modulation, and back-off value A .

Table 6.2.3.3.2-4: Polynomial coefficients for determining the required total guard bandwidth for each value of A-MPR_{regrowth} (Power Class 1)

Waveform	Modulation	Back-off value A [dB] / Polynomial coefficients C_2, C_1, C_0 [MHz]						
		0	1	2	3	4	5	6
DFT-s-OFDM	PI/2-BPSK	-3, 40, 10	-91, 98, 0	-248, 143, -9	-2148, 604, -40	0,0,0	N/A	N/A
	QPSK	-27, 71, 1	-49, 73, 0	-76, 76, -3	-108, 62, -3	0,0,0	N/A	N/A
	16-QAM	-34, 81, -1 (NOTE 1)	-57, 92, -5	-69, 82, -5	-119, 79, -5	0,0,0	N/A	N/A
	64-QAM	-23, 74, -1 (NOTE 1)	-61, 91, -4 (NOTE 1)	-84, 92, -5	-116, 80, -5	0,0,0	N/A	N/A
	256-QAM	0, 0, 0 (NOTE 2)	N/A	N/A	N/A	N/A	N/A	N/A
CP-OFDM	QPSK	-32, 81, -2 (NOTE 1)	-36, 77, -3	-40, 70, -3	-52, 67, -3	-67, 60, -3	-101, 56, -4	0,0,0
	16-QAM	-31, 80, -2 (NOTE 1)	-32, 72, -2 (NOTE 1)	-36, 66, -2	-48, 62, -2	-66, 58, -2	-108, 60, -4	0,0,0
	64-QAM	-28, 78, -2 (NOTE 1)	-33, 73, -2 (NOTE 1)	-36, 66, -2 (NOTE 1)	-48, 62, -2	-65, 58, -2	-124, 67, -5	0,0,0
	256-QAM	0, 0, 0 (NOTE 2)	N/A	N/A	N/A	N/A	N/A	N/A
NOTE 1: Back-off value A is less than floor(MPR), thus this polynomial is irrelevant.								
NOTE 2: For 256-QAM, always A-MPR _{regrowth} = 0.								

For both OFDM and DFT-S-OFDM, $A\text{-MPR}_{\text{IMD}3} = \max\left(0, \min\left(3, 4 - 2.77 \frac{BW_{alloc}}{1 \text{ MHz}}\right)\right) \text{ dB}$
 if $3f_{alloc,low} - 2F_C \leq 2490.5 \text{ MHz}$; otherwise, $A\text{-MPR}_{\text{IMD}3} = 0 \text{ dB}$.

For OFDM, $A\text{-MPR}_{\text{CIM}3} = \max\left(0, \min\left(11, 12 - 2 \frac{BW_{alloc}}{1 \text{ MHz}}\right)\right) \text{ dB}$ if $4F_C - 3f_{alloc,high} \leq 2490.5 \text{ MHz}$;
 otherwise, $A\text{-MPR}_{\text{CIM}3} = 0$.

For DFT-S-OFDM, $A\text{-MPR}_{\text{CIM3}} = 3 \text{ dB}$ if $BW_{\text{alloc}} \leq 1.08 \text{ MHz}$ and $4 F_c - 3 f_{\text{alloc,high}} \leq 2490.5 \text{ MHz}$; otherwise, $A\text{-MPR}_{\text{CIM3}} = 0$.

Here, $f_{\text{alloc,high}} = f_{\text{alloc,low}} + BW_{\text{alloc}}$ is the upper edge frequency of the RB allocation.

For both OFDM and DFT-S-OFDM, if $RB_{\text{start}} = 0$, $L_{\text{CRB}} = 1$, and $F_c - \frac{BW_{\text{Channel}}}{2} - 2496 \text{ MHz} < 360 \text{ kHz}$, $A\text{-MPR}_{\text{edge}}$ is defined in Table 6.2.3.3.2-5. Otherwise, $A\text{-MPR}_{\text{edge}} = 0 \text{ dB}$.

Table 6.2.3.3.2-5: A-MPR_{edge} for NS_04 (Power Class 1)

Waveform	BW_{Channel} [MHz]	BW_{alloc} [MHz]	A-MPR [dB]
DFT-s-OFDM	< 40	N/A	0
	40...90	$\leq -9.8 \left(\frac{CBW}{100\text{MHz}} \right)^2 + 24.1 \frac{CBW}{100\text{MHz}} - 6.3$	3.5
	100		11
OFDM	< 90	N/A	0
	90	≤ 6.5	3.5
	100	≤ 8	11

The normative reference for this requirement is TS 38.101-1 [2] clause 6.2.3.2.

6.2.3.3.3 A-MPR for NS_10

Table 6.2.3.3.3-1: A-MPR for NS_10

Channel bandwidth [MHz]	Parameters	Region A
15	RB_{start}	0 – 10
	L_{CRB} (RBs)	1 – 20
	A (dB)	$\leq 3^6$
20	RB_{start}	0 – 15
	L_{CRB} (RBs)	1 – 20
	A (dB)	$\leq 6^6$

NOTE 1: RB_{start} indicates the lowest RB index of transmitted resource blocks
 NOTE 2: L_{CRB} is the length of a contiguous resource block allocation
 NOTE 3: For intra-subframe frequency hopping which intersects Region A, notes 1 and 2 apply on a per slot basis. For intra-slot or intra-subslot frequency hopping which intersects Region A, notes 1 and 2 apply on a $T_{\text{no_hopping}}$ basis.
 NOTE 4: For intra-subframe frequency hopping which intersect Region A, the larger A-MPR value may be applied for both slots in the subframe. For intra-slot frequency hopping which intersects Region A, the larger A-MPR value may be applied for the slot. For intra-subslot frequency hopping which intersects Region A, the larger A-MPR value may be applied for the subslot.
 NOTE 5: The A-MPR for DFT-s-OFDM is the total backoff and is obtained by taking the maximum value of MPR + A-MPR specified in Table 6.2.3.3.1-1 and Table 6.2.4-1 in TS 36.521-1 [21] and A value specified in Table 6.2.3.3.3-1.
 NOTE 6: The A-MPR for CP-OFDM is the total backoff and is obtained by adding the A value in Table 6.2.3.3.3-1 to the corresponding MPR specified in Table 6.2.2.3-1.

The normative reference for this requirement is TS 38.101-1 [2] clause 6.2.3.3.

6.2.3.3.4 A-MPR for NS_05 and NS_05U

Table 6.2.3.3.4-1: A-MPR regions for NS_05 and NS_05U (Power Class 3)

Channel Bandwidth (MHz)	Carrier Centre Frequency, F_c (MHz)	Region A			Region B			Region C		
		RB_{start}	L_{CRB}	A-MPR	RB_{start}	L_{CRB}	A-MPR	RB_{start}	L_{CRB}	A-MPR
5	$1922.5 \leq F_c < 1927.5$	<1.62MHz /12/SCS	>2.52MHz /12/SCS	A3						

10	$1925 \leq F_c < 1935$	$<1.62\text{MHz}/12/\text{SCS}$	>0	A1	$>1.62\text{MHz}/12/\text{SCS}$ $\leq 3.60\text{MHz}/12/\text{SCS}$	$>5.4\text{MHz}/12/\text{SCS}$	A7	$\geq 7.2\text{MHz}/12/\text{SCS}$	$\leq 1.08\text{MHz}/12/\text{SCS}$	A2
10	$1935 \leq F_c < 1945$		$>4.5\text{MHz}/12/\text{SCS}$	A4						
15	$1927.5 \leq F_c < 1932.5$	$<3.24\text{MHz}/12/\text{SCS}$	>0	A1	$>3.24\text{MHz}/12/\text{SCS}$ $\leq 5.40\text{MHz}/12/\text{SCS}$	$>8.1\text{MHz}/12/\text{SCS}$	A7	$\geq 10.08\text{MHz}/12/\text{SCS}$	$\leq 1.08\text{MHz}/12/\text{SCS}$	A2
15	$1932.5 \leq F_c < 1942.5$	$<1.62\text{MHz}/12/\text{SCS}$	>0	A1				$\geq 12.24\text{MHz}/12/\text{SCS}$	$\leq 1.08\text{MHz}/12/\text{SCS}$	A2
15	$1942.5 \leq F_c < 1947.5$		$>7.2\text{MHz}/12/\text{SCS}$	A5						
20	$1930 \leq F_c < 1950$	$<4.86\text{MHz}/12/\text{SCS}$	>0	A1	$>4.86\text{MHz}/12/\text{SCS}$ $\leq 7.20\text{MHz}/12/\text{SCS}$	$>9.0\text{MHz}/12/\text{SCS}$	A7	$\geq 13.68\text{MHz}/12/\text{SCS}$	$\leq 1.08\text{MHz}/12/\text{SCS}$	A2
20	$1950 \leq F_c < 1960$		$>9.0\text{MHz}/12/\text{SCS}$	A6						

NOTE 1: The A-MPR values are specified in Table 6.2.3.3.4-2, 6.2.3.3.4-3 and 6.2.3.3.4-4.
NOTE 2: Void.

Table 6.2.3.3.4-2: A-MPR for NS_05 and NS_05U (Power Class 3)

Modulation/Waveform		A1 (dB)	A2 (dB)	A3 (dB)	
		Outer/Inner	Outer/Inner	Outer	Inner
DFT-s-OFDM	Pi/2 BPSK	≤ 10	≤ 5	≤ 4	N/A
	QPSK	≤ 10	≤ 5	≤ 4.5	
	16 QAM	≤ 10	≤ 5	≤ 6	
	64 QAM	≤ 11	≤ 5	≤ 6	
	256 QAM	≤ 13	≤ 5	≤ 7	
CP-OFDM	QPSK	≤ 10	≤ 5	≤ 7.5	
	16 QAM	≤ 10	≤ 5	≤ 7.5	
	64 QAM	≤ 11	≤ 5	≤ 8	
	256 QAM	≤ 13		≤ 10	

NOTE 1: Void
NOTE 2: Void

Table 6.2.3.3.4-3: A-MPR for NS_05 (Power Class 3)

Modulation/Waveform		A4 (dB)		A5 (dB)		A6 (dB)		A7 (dB)
		Outer	Inner	Outer	Inner	Outer	Inner	Outer/Inner
DFT-s-OFDM	Pi/2 BPSK	≤ 1	N/A	≤ 1	N/A	≤ 1	N/A	≤ 6
	QPSK			≤ 1.5		≤ 1.5		≤ 6
	16 QAM							≤ 6
	64 QAM							≤ 6
	256 QAM							≤ 6
CP-OFDM	QPSK	≤ 3.5		≤ 3.5		≤ 3.5		≤ 6
	16 QAM	≤ 3.5		≤ 3.5		≤ 3.5		≤ 6
	64 QAM							≤ 6
	256 QAM							≤ 6

NOTE 1: Void
NOTE 2: Void

Table 6.2.3.3.4-4: A-MPR for modulation and waveform type for NS_05U (Power Class 3)

Modulation/Waveform		A4 (dB)		A5 (dB)		A6 (dB)		A7 (dB)
		Outer	Inner	Outer	Inner	Outer	Inner	Outer/Inner
DFT-s-OFDM	Pi/2 BPSK	≤ 2	N/A	≤ 2	N/A	≤ 2	N/A	≤ 6
	QPSK	≤ 2		≤ 2		≤ 6		
	16 QAM	≤ 2.5		≤ 2.5		≤ 6		
	64 QAM	≤ 3		≤ 3		≤ 6		
	256 QAM	≤ 4.5		≤ 4.5		≤ 6		
CP-OFDM	QPSK	≤ 4	≤ 4	≤ 4	≤ 6			
	16 QAM	≤ 4	≤ 4	≤ 4	≤ 6			
	64 QAM	≤ 4	≤ 4	≤ 4	≤ 6			
	256 QAM	≤ 6.5	≤ 6.5	≤ 6.5	≤ 6.5			

NOTE 1: Void
NOTE 2: Void

Table 6.2.3.3.4-5: A-MPR regions for NS_05 and NS_05U (Power Class 2)

Channel Bandwidth (MHz)	Carrier Centre Frequency, F _c (MHz)	Region A			Region B			Region C		
		RB _{start}	LCRB	A-MPR	RB _{start}	LCRB	A-MPR	RB _{start}	LCRB	A-MPR
5	1922.5 ≤ F _c < 1927.5	< 1.98 MHz/12/S CS	> 1.44 MHz/12/S CS	A3	< 0.72 MHz/12/S CS	≤ 1.44 MHz/12/S CS	A4			
10	1925 ≤ F _c < 1935	< 1.98 MHz/12/S CS	> 0	A1	≥ 1.98 MHz/12/S CS	> max(0, RB _{start} -1.08 MHz/12/S CS)	A7	≥ 7.2 MHz/12/SCS	≤ 1.08 MHz/12/S CS	A1
					≥ 1.98, ≤ 2.7 MHz/12/S CS	≤ 1.08 MHz/12/S CS	A8			
10	1935 ≤ F _c < 1945		> 3.96 MHz/12/S CS	A4						
15	1927.5 ≤ F _c < 1932.5	< 3.6 MHz/12/S CS	> 0	A1	≥ 3.6 MHz/12/S CS	> max(0, RB _{start} -1.8 MHz/12/S CS)	A7	≥ 10.08 MHz/12/SCS	≤ 1.08 MHz/12/S CS	A1
					≥ 3.6, ≤ 4.68 MHz/12/S CS	≤ 1.08 MHz/12/S CS	A8			
15	1932.5 ≤ F _c < 1942.5	< 1.98 MHz/12/S CS	> 0	A1	≥ 1.98 MHz/12/S CS	> max(0, RB _{start} +1.08 MHz/12/S CS)	A7	≥ 12.24 MHz/12/SCS	≤ 1.08 MHz/12/S CS	A1
15	1942.5 ≤ F _c < 1947.5		> 5.04 MHz/12/S CS	A5						
20	1930 ≤ F _c < 1950	< 5.04 MHz/12/S CS	> 0	A1	≥ 5.04 MHz/12/S CS	> max(0, RB _{start} -3.6 MHz/12/S CS)	A7	≥ 13.68 MHz/12/SCS	≤ 1.08 MHz/12/S CS	A1
					≥ 5.04, ≤ 6.66 MHz/12/S CS	≤ 1.08 MHz/12/S CS	A8			

					MHz/12/S CS				
20	$1950 \leq F_c < 1960$		> 9.0 MHz/12/S CS	A6					

NOTE 1: The A-MPR values are specified in Table 6.2.3.3.4-6 and 6.2.3.3.4-7.
NOTE 2: Void

Table 6.2.3.3.4-6: A-MPR for NS_05 and NS_05U (Power Class 2)

Modulation/Waveform		A1 (dB)		A2 (dB)		A3 (dB)	
		Outer/Inner	Outer/Inner	Outer/Inner	Outer	Inner	Inner
DFT-s-OFDM	Pi/2 BPSK	$\leq [13]$		≤ 6		≤ 6.5	≤ 2
	QPSK	$\leq [13]$		≤ 6		≤ 7	≤ 2
	16 QAM	$\leq [13]$		≤ 6		≤ 8.5	≤ 2
	64 QAM	$\leq [14]$		≤ 6		≤ 9	≤ 2
	256 QAM	$\leq [15]$		≤ 6		≤ 9.5	
CP-OFDM	QPSK	$\leq [13]$		≤ 6		≤ 10	≤ 4
	16 QAM	$\leq [13]$		≤ 6		≤ 10	≤ 4
	64 QAM	$\leq [14]$		≤ 6		≤ 10	≤ 4
	256 QAM	$\leq [16]$				≤ 10	

NOTE 1: Void
NOTE 2: Void

Table 6.2.3.3.4-7: A-MPR for NS_05 and NS_05U (Power Class 2)

Modulation/Waveform		A4 (dB)		A5 (dB)		A6 (dB)		A7 (dB)		A8 (dB)	
		Outer	Inner	Outer	Inner	Outer	Inner	Outer/Inner	Outer/Inner	Outer/Inner	Outer/Inner
DFT-s-OFDM	Pi/2 BPSK	≤ 3	N/A	≤ 2		≤ 2	N/A	≤ 8		≤ 3.5	
	QPSK	≤ 3		≤ 2		≤ 2		≤ 8		≤ 3.5	
	16 QAM	≤ 3.5		≤ 2.5		≤ 2		≤ 8		≤ 3.5	
	64 QAM	≤ 3.5		≤ 2.5				≤ 8		≤ 3.5	
	256 QAM							≤ 8			
CP-OFDM	QPSK	≤ 4.5		≤ 4.5		≤ 4		≤ 8.5		≤ 3.5	
	16 QAM	≤ 4.5		≤ 4.5		≤ 4		≤ 8.5		≤ 3.5	
	64 QAM	≤ 5		≤ 5	≤ 5	≤ 4		≤ 8.5			
	256 QAM							≤ 8.5			

NOTE 1: Void
NOTE 2: Void

The normative reference for this requirement is TS 38.101-1 [2] clause 6.2.3.4.

6.2.3.3.5 A-MPR for NS_40

Table 6.2.3.3.5-1: A-MPR for NS_40

Modulation/Waveform		A (dB)	
		Channel bandwidth: 5 MHz	
		Outer	Inner
DFT-s-OFDM	QPSK	≤ 15.5	≤ 12
	16 QAM	≤ 14.5	≤ 11

CP-OFDM	64 QAM	≤ 14.5	≤ 10
	256 QAM	≤ 12.5	≤ 7.5
	QPSK	≤ 14.5	≤ 10
	16 QAM	≤ 14.5	≤ 10
	64 QAM	≤ 14	≤ 8
	256 QAM	≤ 11	≤ 5.5
NOTE 1: The A-MPR for NS_40 is the total backoff and is obtained by taking the maximum value of MPR + A-MPR specified in Table 6.2.3.3.1-1 and Table 6.2.4-30a in TS 36.101 and MPR+A specified in Table 6.2.2.3-1 and Table 6.2.3.3.5-1.			

The normative reference for this requirement is TS 38.101-1 [2] clause 6.2.3.5.

6.2.3.3.6 A-MPR for NS_43 and NS_43U

Table 6.2.3.3.6-1: A-MPR regions for NS_43 (Power class 3 and 2)

Channel Bandwidth (MHz)	Carrier Centre Frequency, F _c (MHz)	Region A			Region B		
		RB _{start}	L _{CRB}	A-MPR	RB _{start}	L _{CRB}	A-MPR
5 MHz	902.5 ≤ F _c < 912.5		> 2.7 MHz/12/SCS	A1			
10 MHz	F _c = 910		> 7.2 MHz/12/SCS	A2		> 5.4 MHz/12/SCS	A4
			> 8.1 MHz/12/SCS	A3		> 7.2 MHz/12/SCS	A5
15 MHz	F _c = 907.5	< 1.8 MHz/12/SCS	> 0	A6	> 1.8 MHz/12/SCS	≥ 7.2 MHz/12/SCS	A6
		> 12.24 MHz/12/SCS	> 0	A6	> 1.8 MHz/12/SCS	< 7.2 MHz/12/SCS	A7
					< 6.12 MHz/12/SCS		
					≥ 6.12 MHz/12/SCS	> 5.4 MHz/12/SCS	A7
					≤ 7.2 MHz/12/SCS		

NOTE 1: The A-MPR values are specified in Table 6.2.3.3.6-2.
 NOTE 2: 15 kHz SCS unless otherwise stated
 NOTE 3: Void

Table 6.2.3.3.6-2: A-MPR for NS_43 (Power class 3)

Modulation/Waveform		A1 (dB)		A2 (dB)		A3 (dB)		A4 (dB)		A5 (dB)		A6 (dB)
		Outer	Inner	Outer	Inner	Outer	Inner	Outer	Inner	Outer	Inner	Outer / Inner
DFT-s-OFDM	Pi/2 BPSK			≤ 1.5								≤ 9
	QPSK	≤ 2						≤ 2.5				≤ 9
	16 QAM									≤ 2.5		≤ 9
	64 QAM					≤ 2.5						≤ 9
	256 QAM											≤ 9
CP-OFDM	QPSK	≤ 3.5									≤ 4	≤ 9
	16 QAM	≤ 3.5									≤ 4	≤ 9
	64 QAM					≤ 4						≤ 9
	256 QAM											≤ 9

Table 6.2.3.3.6-2a: A-MPR for NS_43 (Power Class 2)

Modulation/Waveform		A1 (dB)		A2 (dB)		A3 (dB)		A4 (dB)		A5 (dB)		A6 (dB)	A7 (dB)	
		Outer	Inner	Outer	Inner	Outer	Inner	Outer	Inner	Outer	Inner	Outer / Inner	Outer	Inner
DFT-s-OFDM	Pi/2 BPSK	≤ 1	N/A	≤ 1.5	N/A				N/A		N/A	≤ 12	≤ 4	3
	QPSK	≤ 3.5						≤ 3.5		≤ 5.5		≤ 12	≤ 4	3
	16 QAM	≤ 3.5						≤ 3.5		≤ 5.5		≤ 12	≤ 5	4
	64 QAM	≤ 3.5		≤ 4.5		≤ 5						≤ 12	≤ 5.5	5.5

	256 QAM							≤ 12	≤ 6.5	5.5
CP-OFDM	QPSK	≤ 4					≤ 6	≤ 12	≤ 6	4.5
	16 QAM	≤ 4					≤ 6	≤ 12	≤ 6	5
	64 QAM	≤ 4	≤ 5		≤ 6.5			≤ 12	≤ 6.5	6
	256 QAM							≤ 12	≤ 7	7

Table 6.2.3.3.6-3: Void

When NS_43U is signalled for 5 and 10 MHz channel bandwidths A-MPR is defined in Table 6.2.3.3.1-2 except for DFT-s-OFDM QPSK when $L_{CRB} > 5.4$ MHz/12/SCS the A-MPR is 2.5 dB. For 15 MHz channel bandwidth Table 6.2.3.3.6-4 applies.

Table 6.2.3.3.6-4: A-MPR for NS_43U

Modulation/Waveform		15 MHz
		Outer / Inner (dB)
DFT-s-OFDM	Pi/2 BPSK	≤ 9
	QPSK	≤ 9
	16 QAM	≤ 9
	64 QAM	≤ 9
	256 QAM	≤ 9
CP-OFDM	QPSK	≤ 9
	16 QAM	≤ 9
	64 QAM	≤ 9
	256 QAM	≤ 9

The normative reference for this requirement is TS 38.101-1 [2] clause 6.2.3.6.

6.2.3.3.7 A-MPR for NS_03 and NS_03U

Table 6.2.3.3.7-1: A-MPR for NS_03

Modulation/Waveform		Outer (dB)	Inner (dB)
DFT-s-OFDM	Pi/2 BPSK	≤ 1.5	N/A
	QPSK	≤ 2	
	16 QAM	≤ 3	
	64 QAM	≤ 3.5	
	256 QAM	≤ 5.5	
CP-OFDM	QPSK	≤ 4	
	16 QAM	≤ 4	
	64 QAM	≤ 4.5	
	256 QAM	≤ 7.5	
NOTE 1: Void			
NOTE 2: Void			

In case UE operates in a band where NS_03U applies and it receives *additionalSpectrumEmission* value of 3 then A-MPR values specified in Table 6.2.3.3.7-1 apply with an exception that DFT-s-OFDM Pi/2 BPSK A-MPR is 2 dB.

6.2.3.3.8 A-MPR for NS_37

Table 6.2.3.3.8-1: A-MPR regions for B11/B21 protection (NS_37) (1447.9 - 1462.9 MHz)

Channel Bandwidth (MHz)	Carrier Centre Frequency, F_c (MHz)	Region A (Outer/Inner)			Region B (Outer/Inner)			Region C (Outer/Inner)		
		RB_{start}	L_{CRB}	A-MPR	RB_{start}	L_{CRB}	A-MPR	RB_{start}	L_{CRB}	A-MPR
10	$1452.9 < F_c \leq 1457.9$	≥ 0	> 7.2 MHz/12/SCS	≤ A1	N/A	N/A	N/A	N/A	N/A	N/A

15	$F_c = 1455.4$	≥ 0	> 9.9 MHz/12/ SCS	$\leq A1$	< 0.54 MHz/12/ SCS	< 1.08 MHz/12/ SCS	$\leq A2$	> 13.86 MHz/12/ SCS	< 1.08 MHz/12/ SCS	$\leq A2$
NOTE 1: The A-MPR values are specified in Table 6.2.3.3.8-2.										
NOTE 2: Void										
NOTE 3: Void										
NOTE 4: No A-MPR for SCS = 60 kHz for region B and C only.										

Table 6.2.3.3.8-2: A-MPR for NS_37

Modulation/Waveform		A1 (dB)		A2 (dB)
		Outer	Inner	Outer/Inner
DFT-s-OFDM	Pi/2 BPSK	≤ 1	N/A	≤ 3
	QPSK	≤ 1.5		≤ 3
	16 QAM	≤ 2.5		≤ 3
	64 QAM	≤ 3		≤ 3
	256 QAM			
CP-OFDM	QPSK	≤ 3.5		≤ 3
	16 QAM	≤ 3.5		≤ 3
	64 QAM			
	256 QAM			

NOTE 1: Void
NOTE 2: Void

The normative reference for this requirement is TS 38.101-1 [2] clause 6.2.3.8.

6.2.3.3.9 A-MPR for NS_38

Table 6.2.3.3.9-1: A-MPR for EESS (NS_38) Protection (1430 – 1470 MHz)

Channel Bandwidth (MHz)	Carrier Centre Frequency, F_c (MHz)	Region A Outer/Inner			Region B Outer/Inner	
		RB_{start}	LCRB	A-MPR (dB)	$RB_{start}+LCRB$	A-MPR (dB)
5	$1432.5 \leq F_c < 14347.5$	≤ -1.8 MHz/12/SCS + LCRB /2	> 3.6 MHz/12/SCS	≤ 7	≤ 2.16 MHz/12/SCS	≤ 5.5
10	$1435 \leq F_c < 1442$	≤ -1.8 MHz/12/SCS + LCRB/2	> 3.6 MHz/12/SCS	≤ 12	≤ 2.16 MHz/12/SCS	≤ 9
15	$1437.5 \leq F_c < 1447.5$	≤ -1.8 MHz/12/SCS + LCRB/2	> 3.6 MHz/12/SCS	≤ 13	≤ 3.6 MHz/12/SCS	≤ 10
20	$1440 \leq F_c < 1450$	≤ -1.8 MHz/12/SCS + LCRB/2	> 3.6 MHz/12/SCS	≤ 13	≤ 5.4 MHz/12/SCS	≤ 10

NOTE 1 - 4: Void

The normative reference for this requirement is TS 38.101-1 [2] clause 6.2.3.9.

6.2.3.3.10 A-MPR for NS_39

Table 6.2.3.3.10-1: A-MPR for own RX (NS_39) Protection (1440 – 1470 MHz)

Channel Bandwidth, MHz	Carrier Centre Frequency, F_c , MHz	Region A (Outer/Inner)	
		$RB_{start}+LCRB$	A-MPR (dB)
10	$1460 < F_c \leq 1465$	> 7.9 MHz/12/SCS	≤ 6
15	$1452.5 < F_c \leq 1462.5$	> 11.2 MHz/12/SCS	≤ 6
20	$1450 < F_c \leq 1460$	> 14.4 MHz/12/SCS	≤ 6

NOTE 1 - 4: Void

The normative reference for this requirement is TS 38.101-1 [2] clause 6.2.3.10.

6.2.3.3.11 A-MPR for NS_41

Table 6.2.3.3.11-1: A-MPR for NS_41

Channel Bandwidth h (MHz)	Carrier Centre Frequency, F _c (MHz)	Region A (Outer/Inner)			Region B (Outer/Inner)	
		RB _{start}	L _{CRB}	A-MPR (dB)	RB _{start} +L _{CRB}	A-MPR (dB)
5	-	-	-	-	-	-
10	1437 ≤ F _c < 1442	≤ -4.5 MHz/12/SCS + L _{CRB}	> 4.5 MHz/12/SCS	≤ 9	< 1.8MHz/12/SCS	≤ 9
15	1439.5 ≤ F _c < 1447.5	≤ -5.4 MHz/12/SCS + L _{CRB}	> 5.4 MHz/12/SCS	≤ 11	< 3.42 MHz/12/SCS	≤ 9
20	1442 ≤ F _c < 1450	≤ -5.4 MHz/12/SCS + L _{CRB}	> 5.4 MHz/12/SCS	≤ 12	< 5.04 MHz/12/SCS	≤ 9
40	1452 ≤ F _c < 1497	≤ -7.2 MHz/12/SCS + L _{CRB}	> 7.2 MHz/12/SCS	≤ 13.5	< 11.7 MHz/12/SCS	≤ 13.5
50	1457 ≤ F _c < 1492	≤ -7.2 MHz/12/SCS + L _{CRB}	> 7.2 MHz/12/SCS	≤ 13.5	< 15.12 MHz/12/SCS	≤ 13.5
60	1462 ≤ F _c < 1487	≤ -7.2 MHz/12/SCS + L _{CRB}	> 7.2 MHz/12/SCS	≤ 13.5	< 18.72 MHz/12/SCS	≤ 13.5
NOTE 1 - 4: Void						

The normative reference for this requirement is TS 38.101-1 [2] clause 6.2.3.11.

6.2.3.3.12 A-MPR for NS_42

Table 6.2.3.3.12-1: A-MPR for NS_42

Channel Bandwidth (MHz)	Carrier Centre Frequency, F _c (MHz)	Region A		Region B			
		RB _{start} +L _{CRB}	A-MPR Outer/Inner (dB)	RB _{start}	RB _{start} +L _{CRB}	A-MPR Inner (dB)	A-MPR Outer (dB)
5	1512 ≤ F _c ≤ 1514.5	>3.1 MHz / 12 / SCS	≤ 7	<0.9 MHz / 12 / SCS	≤ 3.1 MHz / 12 / SCS	≤ 1.5	≤ 4
10	1497 ≤ F _c ≤ 1512	>6.2 MHz / 12 / SCS	≤ 8	<0.9 MHz / 12 / SCS	≤ 6.2 MHz / 12 / SCS	≤ 1.5	≤ 5
15	1502 F _c ≤ 1509.5	>9.3 MHz / 12 / SCS	≤ 8	<3.06 MHz / 12 / SCS	≤ 9.3 MHz / 12 / SCS	≤ 1.5	≤ 5
20	1497 ≤ F _c ≤ 1507	>12.4 MHz / 12 / SCS	≤ 8	<4.5 MHz / 12 / SCS	≤ 12.4 MHz / 12 / SCS	≤ 1.5	≤ 5
40	1477 ≤ F _c ≤ 1497	>24.8 MHz / 12 / SCS	≤ 8	<5.4 MHz / 12 / SCS	≤ 24.8 MHz / 12 / SCS	≤ 1.5	≤ 5
50	1467 ≤ F _c ≤ 1492	>31 MHz / 12 / SCS	≤ 8	<7.2 MHz / 12 / SCS	≤ 31 MHz / 12 / SCS	≤ 1.5	≤ 5
60	1462 ≤ F _c ≤ 1487	>37.2 MHz / 12 / SCS	≤ 8	<7.2 MHz / 12 / SCS	≤ 37.2 MHz / 12 / SCS	≤ 1.5	≤ 5
NOTE 1 - 5: Void							

The normative reference for this requirement is TS 38.101-1 [2] clause 6.2.3.12.

6.2.3.3.13 A-MPR for NS_18

Table 6.2.3.3.13-0: Band n28 and n83 30MHz A-MPR regions for NS_18

Channel Bandwidth, MHz	Frequency range of UL transmission bandwidth configuration, MHz	Regions		A-MPR
		RB _{start} *12*SCS MHz	LCRB*12*SCS MHz	
30	703~733	$>(LCRB*12*SCS)/2+5.22$	$\geq \text{Max}(0, 12*SCS*N_{RB} - 1.8 - RB_{start}*12*SCS)$	A3
		$\leq (LCRB*12*SCS)/2+5.22$	≥ 5.4	A4
		≤ 7.92	< 5.4	A5

Table 6.2.3.3.13-1: A-MPR for NS_18

Modulation/Waveform		A1 (dB)		A2 (dB)	A3 (dB)	A4 (dB)	A5 (dB)
		Outer	Inner	Inner/Outer	Outer/Inner	Outer/Inner	Outer/Inner
DFT-s-OFDM	Pi/2 BPSK	≤ 2	N/A	≤ 5	3	8	3
	QPSK	≤ 2		≤ 5	3	8	3
	16 QAM	≤ 3		≤ 6	3	8	3
	64 QAM	≤ 4		≤ 7	3	8	4.5
	256 QAM	≤ 6		≤ 9	3	8	5.5
CP-OFDM	QPSK	≤ 5		≤ 6.5	4.5	9.5	5
	16 QAM	≤ 5		≤ 7	4.5	9.5	5
	64 QAM	≤ 5.5		≤ 8.5	4.5	9.5	5.5
	256 QAM	≤ 8.5		≤ 11.5	4.5	9.5	7.5

NOTE 1: Void
NOTE 2: Void

The normative reference for this requirement is TS 38.101-1 [2] clause 6.2.3.13.

6.2.3.3.14 A-MPR for NS_21

Table 6.2.3.3.14-1: A-MPR for "NS_21"

Channel Bandwidth (MHz)	Modulation/Waveform		Region A1a	Region A1b	Region A2	Region A3b	Region A3a
			RB _{start} \leq 1.44MHz/12/SCS LCRB \leq [0.54] MHz/12/SCS	RB _{start} \leq 1.44MHz/12/SCS LCRB $>$ [0.54] MHz/12/SCS LCRB \leq 2.16MHz/12/SCS	LCRB $>$ 5.4MHz/12/SCS	RB _{end} \geq 7.74MHz/12/SCS LCRB $>$ [0.54] MHz/12/SCS LCRB \leq 2.16MHz/12/SCS	RB _{end} \geq 7.74MHz/12/SCS LCRB \leq [0.54] MHz/12/SCS
			Outer/Inner	Outer	Outer	Outer/Inner	Outer/Inner
10	DFT-s-OFDM	Pi/2 BPSK	6	3	4	3	6
		QPSK	6	3	4	3	6
		16 QAM	6	3	4	3	6
		64 QAM	6	3	4	3	6
		256 QAM	6	3	4	3	6
	CP-OFDM	QPSK	6	4	5.5	4	6
		16 QAM	6	4	5.5	4	6
		64 QAM	6	4	5.5	4	6
		256 QAM	6	4	5.5	4	6

Table 6.2.3.14-2: A-MPR for "NS_21" (applicable to UEs Release 17 and forward indicating modifiedMPR-Behavior)

Channel Bandwidth (MHz)	Modulation/Waveform	Region A1a RB _{start} \leq 0.36MHz/12/SCS	Region A1b RB _{start} \leq 0.36MHz/12/SCS	Region A2 LCRB $>$ 2.52MHz/12/SCS	Region A3b RB _{end} \geq 3.96MHz/12/SCS	Region A3a RB _{end} \geq 3.96MHz/12/SCS
-------------------------	---------------------	---	---	--------------------------------------	---	---

			LCRB ≤ 0.54 MHz/12/SCS	LCRB > 0.54 MHz/12/SCS LCRB ≤ 2.52MHz/12/S CS		LCRB > 0.54 MHz/12/SCS LCRB ≤ 2.52MHz/12/S CS	LCRB ≤ 0.54 MHz/12/SCS
			Outer/Inner		Outer	Outer/Inner	
5	DFT-s-OFDM	PI/2 BPSK	≤ 4.0	≤ 2.0	≤ 1.5	2.0	4.0
		QPSK	≤ 4.5	≤ 2.5	≤ 2.0	≤ 2.5	≤ 4.5
		16 QAM	≤ 4.5	≤ 2.5	≤ 2.5	≤ 2.5	≤ 4.5
		64 QAM	≤ 4.5	≤ 2.5	≤ 2.5	≤ 2.5	≤ 4.5
		256 QAM	≤ 4.5	≤ 4.5	≤ 4.5	≤ 4.5	≤ 4.5
	CP-OFDM	QPSK	≤ 4.5	≤ 4.0	≤ 4.0	≤ 4.0	≤ 4.5
		16 QAM	≤ 4.5	≤ 4.0	≤ 4.0	≤ 4.0	≤ 4.5
		64 QAM	≤ 4.5	≤ 4.0	≤ 4.0	≤ 4.0	≤ 4.5
		256 QAM	≤ 6.5	≤ 6.5	≤ 6.5	≤ 6.5	≤ 6.5

The normative reference for this requirement is TS 38.101-1 [2] clause 6.2.3.14.

6.2.3.3.15 A-MPR for NS_24

Table 6.2.3.3.15-1: A-MPR for NS_24

Channel Bandwidth, MHz	Carrier Centre Frequency, Fc, MHz	Region A			Region B			Region C		
		RBend*12*SCS MHz	LCRB*12*SCS MHz	A-MPR	RBend*12*SCS MHz	LCRB*12*SCS MHz	A-MPR	RBend*12*SCS MHz	LCRB*12*SCS MHz	A-MPR
5MHz	Fc=1992.5		>3.24	A7						
5MHz	Fc=1997.5		>3.24	A4						
5MHz	Fc=2002.5		>2.16	A1	>3.78	≤1.98	A2	≤3.6	≤1.98	A3
10MHz	Fc=1985	>5.4		A4						
10MHz	Fc=1995		>4.5	A1	>7.56	≤4.32	A2	≤7.38	≤4.32	A3
10MHz	Fc=2000	>6.84		A5	<2.88		A5	≥3.06 ≤6.66	>1.44	A6
15MHz	Fc=1987.5		>7.02	A1	>11.52	≤6.84	A2	≤11.34	≤6.84	A3
15MHz	Fc=1997.5	>9.36		A5	<3.6		A5	≥3.78 ≤9.18	>1.44	A6
20MHz	Fc=1990	>13.5		A5	<4.5		A5	≥4.68 ≤13.32	>2.16	A6
20MHz	Fc=1995	>12.6		A5	<5.4		A5	≥5.58 ≤12.42	>1.44	A6

NOTE 1: The A-MPR values are listed in Table 6.2.3.3.15-2.
NOTE 2: For any undefined region, MPR applies

Table 6.2.3.3.15-2: A-MPR for modulation and waveform type

Modulation/Waveform	A1	A2	A3	A4	A5	A6	A7
	Outer/Inner	Outer/Inner	Outer/Inner	Outer	Outer/Inner	Outer/Inner	Outer
DFT-s-OFDM PI/2 BPSK	≤ 11	≤ 5	≤ 4	≤ 8.5	≤ 18	≤ 10	≤ 3.5
DFT-s-OFDM QPSK	≤ 11	≤ 5	≤ 4	≤ 8.5	≤ 18	≤ 10	≤ 3.5
DFT-s-OFDM 16 QAM	≤ 11	≤ 5	≤ 4	≤ 8.5	≤ 18	≤ 10	≤ 3.5
DFT-s-OFDM 64 QAM	≤ 11	≤ 5	≤ 4	≤ 8.5	≤ 19	≤ 10	≤ 3.5
DFT-s-OFDM 256 QAM	≤ 11	≤ 5		≤ 8.5	≤ 20	≤ 10	
CP-OFDM QPSK	≤ 13	≤ 6.5	≤ 4	≤ 8.5	≤ 19	≤ 12	≤ 5.5
CP-OFDM 16 QAM	≤ 13	≤ 6.5	≤ 4	≤ 8.5	≤ 19	≤ 12	≤ 5.5
CP-OFDM 64 QAM	≤ 13	≤ 6.5	≤ 4	≤ 8.5	≤ 19	≤ 12	≤ 5.5
CP-OFDM 256 QAM	≤ 13	≤ 6.5		≤ 8.5	≤ 20	≤ 12	

NOTE 1: The backoff applied is max(MPR, A-MPR) where MPR is defined in Table 6.2.2.3-1
NOTE 2: Outer and inner allocations are defined in clause 6.1

The normative reference for this requirement is TS 38.101-1 [2] clause 6.2.3.15.

6.2.3.3.16 A-MPR for NS_27

Table 6.2.3.3.16-1: A-MPR for NS_27

Channel Bandwidth, MHz	Carrier Centre Frequency, F_c , MHz	Region A				Region B		
		RBstart*12*SCS	RBend*12*S CS	LCRB*12*S CS	A-MPR	LCRB*12*SCS	A-MPR	
15 MHz	$3557.5 \leq F_c < 3562.5$	<1.8 MHz			A3	≥10.8 MHz	A3	
	$3687.5 < F_c \leq 3692.5$	>11.52 MHz						
15 MHz	$3562.5 \leq F_c < 3567.5$	≤1.08 MHz		<1.44 MHz	A4	≥11.52 MHz _z	2	
	$3682.5 < F_c \leq 3687.5$		≥13.22 MHz					
20 MHz	$3560 \leq F_c < 3570$	<3.6 MHz			A5	≥10.8 MHz	A5	
	$3680 < F_c \leq 3690$	>12.96 MHz						
20 MHz	$3570 \leq F_c < 3580$	≤2.16 MHz		<1.44 MHz	A6	≥14.4 MHz	2	
	$3670 < F_c \leq 3680$		≥16.92					
30 MHz	$3565 \leq F_c < 3585$	< 7.38MHz			A7			
		≥ 7.38MHz		≥ 15.3MHz	A2			
		≤24.48MHz		< 15.3 MHz	A1			
		≥24.48MHz		< 2.7 MHz	A7			
	$3665 < F_c \leq 3685$		> 19.44 MHz			A7		
			≤19.44MHz		≥ 15.3 MHz	A2		
			≥3.24 MHz		< 15.3 MHz	A1		
	$3585 \leq F_c \leq 3665$		<3.24 MHz		< 2.7MHz	A7		
			≤[3.96] MHz		< 1.44MHz	A8	≥19.44 MHz	4
				≥24.48MHz		A8		
40 MHz	$3570 \leq F_c < 3600$	<11.34 MHz			A7			
		≥11.34 MHz,		≥18 MHz	A2			
		≤31.0 MHz		<18 MHz	A1			
		>31.0 MHz		<3.6 MHz	A7			
	$3650 < F_c \leq 3680$		>24.48 MHz			A7		
			≤24.48 MHz,		≥18 MHz	A2		
			≥6.48 MHz		<18 MHz	A1		
			<6.48 MHz		<3.6 MHz	A7		
40 MHz	$3600 \leq F_c \leq 3650$	≤6.12 MHz		<1.44 MHz	A8	>20 MHz	4.5	
			≥ 32.76					

Table 6.2.3.3.16-2: A-MPR for modulation and waveform type

Modulation/Waveform		A1	A2	A3	A4	A5	A6	A7	A8
		Outer	Outer	Outer/Inne	Outer/Inne	Outer/Inne	Outer/Inne	Outer/Inne	Outer/Inne
DFT-s-OFDM	PI/2 BPSK	4.5	6	4	4	4	4	10.5	4
	QPSK	4.5	6	4	4	4	4	10.5	4
	16 QAM	4.5	6	5	4	5	4	11	4
	64 QAM	4.5	6	5	4	5	4	11	4
	256 QAM		6					11	
CP-OFDM	QPSK	5.5	7	6	4	6	4	11.5	4
	16 QAM	5.5	7	6	4	6	4	11.5	4
	64 QAM	5.5	7	6	4	6	4	11.5	4
	256 QAM		7					11.5	

NOTE 1: The backoff applied is max (MPR, A-MPR) where MPR is defined in Table 6.2.2.3-1
 NOTE 2: Outer and inner allocations are defined in clause 6.2.2.3

The normative reference for this requirement is TS 38.101-1 [2] clause 6.2.3.16.

6.2.3.3.17 A-MPR for NS_46

Table 6.2.3.3.17-1: A-MPR regions for NS_46 (Power class 3)

Channel Bandwidth, MHz	Carrier Center Frequency, F_c , MHz	Regions		A-MPR
		RB _{end} *12*SCS MHz	LCRB*12*SCS MHz	
25 MHz	$2534.5 \leq F_c \leq 2557.5$		Note 1	A3

30 MHz	$2515 \leq F_c \leq 2555$	$\geq 0, < 1.44$	> 0	A4
		$\geq 1.44, < 13.5$	$> \max(0, 12 \cdot \text{SCS} \cdot \text{RB}_{\text{end}} - 1.8)$	A5
		$\geq 13.5, < 19.8$	> 11.52	A6
		$\geq 19.8, < 25.92$	> 6.3	A7
40 MHz	$2520 \leq F_c \leq 2550$	≥ 25.92	> 0	A8
		$\geq 0, < 4.14$	> 0	A4
		$\geq 4.14, < 18$	$> \max(0, 12 \cdot \text{SCS} \cdot \text{RB}_{\text{end}} - 4.5)$	A5
		$\geq 18, < 25.74$	> 13.5	A6
50 MHz	$2525 \leq F_c \leq 2545$	$\geq 25.74, < 32.4$	> 12.6	A7
		≥ 32.4	> 0	A8
		$\geq 0, < 9$	> 0	A4
		$\geq 9, < 21.6$	$> \max(0, 12 \cdot \text{SCS} \cdot \text{RB}_{\text{end}} - 7.2)$	A5
		$\geq 21.6, < 31.5$	> 18	A6
		$\geq 31.5, < 39.6$	> 16.2	A7
		≥ 39.6	> 0	A8
NOTE 1: > 9.72 MHz for DFT-s-OFDM, > 16.02 MHz for CP-OFDM.				

Table 6.2.3.3.17-2: A-MPR for NS_46 (Power class 3)

Modulation/Waveform		A3	A4	A5	A6	A7	A8
		Outer	Outer/Inner	Outer/Inner	Outer/Inner	Outer/Inner	Outer/Inner
DFT-s-OFDM	PI/2 BPSK	4.5	5	2	3.5	6	10
	QPSK	4.5	5	2	3.5	6	10
	16 QAM	4.5	5	2	3.5	6	10
	64 QAM	4.5	5	2	3.5	6	10
CP-OFDM	256 QAM					6	10
	QPSK	6	5	3.5	5.5	7	11
	16 QAM	6	5	3.5	5.5	7	11
	64 QAM	6	5	3.5	5.5	7	11
	256 QAM	6				7	11

Table 6.2.3.3.17-3: A-MPR regions for NS_46 (Power class 1)

Channel Bandwidth, MHz	Carrier Center Frequency, F_c , MHz	Regions		A-MPR
		$\text{RB}_{\text{end}} \cdot 12 \cdot \text{SCS}$ MHz	$\text{LCRB} \cdot 12 \cdot \text{SCS}$ MHz	
15 MHz	$F_c > 2559.5$	≥ 11.8	$\geq -1.8 \cdot 12 \cdot \text{SCS} \cdot \text{RB}_{\text{end}} + 32.5$	A1
		≥ 13.3	≤ 1.62	A2
20 MHz	$F_c > 2547.5$	≥ 15.3	$\geq -1.5 \cdot 12 \cdot \text{SCS} \cdot \text{RB}_{\text{end}} + 36.5$	A1
		≥ 15	≤ 5.7	A2
25 MHz	$F_c > 2547.5$	≥ 17	$\geq -1.5 \cdot 12 \cdot \text{SCS} \cdot \text{RB}_{\text{end}} + 43.5$	A3
		≥ 18.5	≤ 6.7	A2
	$2535.5 < F_c \leq 2547.5$	≥ 21.6	≥ 21.6	A5
		≥ 20.5	≤ 5.6	A2
30 MHz	$2523 < F_c \leq 2545$	≥ 22.5	$\geq -0.7 \cdot 12 \cdot \text{SCS} \cdot \text{RB}_{\text{end}} + 41.0$	A5
		≥ 23.4	≤ 7.2	A2
	$F_c > 2545$	≥ 20.0	$\geq -1.5 \cdot 12 \cdot \text{SCS} \cdot \text{RB}_{\text{end}} + 50.5$	A8
		≥ 21.6	≤ 7.2	A9
35 MHz	$F_c \leq 2532.5$	≤ 9.6	$\geq 1.1 \cdot 12 \cdot \text{SCS} \cdot \text{RB}_{\text{end}} - 1.5$	A7
		≥ 28	≤ 7.2	A2
		≥ 27.7	$\geq -1.2 \cdot 12 \cdot \text{SCS} \cdot \text{RB}_{\text{end}} + 59.4$	A4
	$2532.5 < F_c \leq 2542.5$	≥ 24.5	≤ 7.2	A2
		≤ 18.4	$\geq 1.15 \cdot 12 \cdot \text{SCS} \cdot \text{RB}_{\text{end}} - 3.4$	A7
		≥ 21.6	$\geq 9, \geq -1.2 \cdot 12 \cdot \text{SCS} \cdot \text{RB}_{\text{end}} + 47$	A8
40 MHz	$F_c > 2540$	≥ 23	< 9	A9
		≤ 24	$\geq 1.15 \cdot 12 \cdot \text{SCS} \cdot \text{RB}_{\text{end}} - 6$	A7
		$> 24, < 35$	$\geq -0.75 \cdot 12 \cdot \text{SCS} \cdot \text{RB}_{\text{end}} + 40.5$	A9
		≥ 34	> 7.2	A9
		≥ 27	$> 2.2, \leq 7.2$	A8
		≥ 27	≤ 2.2	A9

50 MHz	2530 < F _c ≤ 2540	≤ 10.8	≥ 1.2*12*SCS*RB _{end} - 2	A7
		≥ 29	≤ 7.2	A9
		≥ 28	≥ -1*12*SCS*RB _{end} + 56	A10
	F _c ≤ 2530	≥ 30	≤ 7.2	A2
		≤ 19	≥ 1.17*12*SCS*RB _{end} - 10	A7
	F _c > 2535	> 19, ≤ 29.5	≥ 1.17*12*SCS*RB _{end} - 10	A11
		> 29.5	> 12.8, ≥ -1.15*12*SCS*RB _{end} + 60	A9
		> 41	> 7.2, ≤ 12.8	A12
		≥ 33	> 2.2, ≤ 7.2	A8
		≥ 33	≤ 2.2	A9
		≤ 14	≥ 1.17*12*SCS*RB _{end} - 6	A7
	2525 < F _c ≤ 2535	> 14, ≤ 26	≥ 1.17*12*SCS*RB _{end} - 6	A11
		≥ 34	> 22.5, ≥ -1.25*12*SCS*RB _{end} + 77.5	A8
		≥ 43	> 7.2, ≤ 22.5	A12
≥ 35		> 2.2, ≤ 7.2	A8	
≥ 35		≤ 2.2	A9	
≥ 47		≥ -1*12*SCS*RB _{end} + 94	A13	
F _c = 2525	≤ 9	≥ 1.14*12*SCS*RB _{end} - 2	A7	
	≥ 37.4	> 2.2, ≤ 7.6	A8	
	≥ 37.4	≤ 2.2	A9	

Table 6.2.3.3.17-4: A-MPR regions for NS_46 (Power class 1)

Modulation/ Waveform	A1	A2	A3	A4	A5	A6	A7	A8	A9	A10	A11	A12	A13	
	Outer/ Inner	Outer/ Inner	Outer/ Inner	Outer/ Inner	Outer/ Inner	Outer/ Inner	Outer/ Inner	Outer/ Inner	Outer/ Inner	Outer/ Inner	Outer/ Inner	Outer/ Inner	Outer/ Inner	
DF T-s- OF DM	PI/2 BPSK	2		2	1	1	3	9.5	5	6	4		4	2.5
	QPSK	3	4	3	2	2	6	11	6	6	5		4	4
	16 QAM	3	6.5	3			6	12	6	6.5	5		4	4
	64 QAM	3	7	3			6	12.5	6	7	5		4	4
	256 QAM		7				6	12.5	6	7	5			
CP- OF DM	QPSK	4	12.5	6	4		6.5	15	9	12.5	5.5	10	5	4
	16 QAM	4	12.5	6	4		6.5	15	9	13	5.5	10	5	4
	64 QAM	4	13	6			6.5	15	9	13	5.5	10	5	4
	256 QAM		13					15	9	13		10		

The normative reference for this requirement is TS 38.101-1 [2] clause 6.2.3.17.

6.2.3.3.18 A-MPR for NS_47

Table 6.2.3.3.18-1: A-MPR regions for NS_47 (Power Class 2 and 3)

Channel Bandwidth, (MHz)	Carrier Centre Frequency, F _c , (MHz)	RBstart*12*SCS (MHz)	LCRB*12*SCS (MHz)	A-MPR
30MHz	F _c =2560-2560.020	≤5.04	≤1.44	A1
		>5.04, ≤9.6	≤1.44	A2
		>24.48	≤1.44	A3
		≤9.6	>21	A2
			>14.4, <21	A4
		≤6.12	>10, ≤14.4	A4
	>1.44, <10	A2		

NOTE: The A-MPR values are listed in Table 6.2.3.3.18-2.

Table 6.2.3.3.18-2: A-MPR for modulation and waveform type (Power Class 2 and 3)

Modulation/Waveform	A1(dB)		A2(dB)		A3(dB)		A4(dB)	
	PC3	PC2	PC3	PC2	PC3	PC2	PC3	PC2
	Outer/ Inner	Outer/ Inner	Outer/ Inner	Outer/ Inner	Outer/ Inner	Outer/ Inner	Outer/ Inner	Outer/ Inner
DFT-s-OFDM PI/2 BPSK	≤ 7	≤ 10	≤ 5.5	≤ 8.5	≤ 2	≤ 5	≤ 3	≤ 6

DFT-s-OFDM QPSK	≤ 7	≤ 10	≤ 5.5	≤ 8.5	≤ 2	≤ 5	≤ 3	≤ 6
DFT-s-OFDM 16 QAM	≤ 7	≤ 10	≤ 5.5	≤ 8.5		≤ 5	≤ 3	≤ 6
DFT-s-OFDM 64 QAM	≤ 7	≤ 10	≤ 6	≤ 8.5		≤ 5	≤ 3	≤ 6
DFT-s-OFDM 256 QAM	≤ 7	≤ 10	≤ 6	≤ 8.5		≤ 5		≤ 6
CP-OFDM QPSK	≤ 7	≤ 10	≤ 7	≤ 10		≤ 5	≤ 4	≤ 7
CP-OFDM 16 QAM	≤ 7	≤ 10	≤ 7	≤ 10		≤ 5	≤ 4	≤ 7
CP-OFDM 64 QAM	≤ 7	≤ 10	≤ 7	≤ 10		≤ 5		≤ 7
CP-OFDM 256 QAM	≤ 7	≤ 10	≤ 7	≤ 10				≤ 7

Table 6.2.3.3.18-3: A-MPR regions and types for NS_47 (Power Class 1.5)

Channel Bandwidth, (MHz)	Carrier Centre Frequency, F _c , (MHz)	RB _{start} *12*SCS (MHz)	LCRB*12*SCS (MHz)	A-MPR
30MHz	F _c =2560-2560.020	≤5.04	≤1.44	A1
		>5.04, ≤9.6	≤1.44	A2
		>24.48	≤1.44	A3
		≤9.6	>21	A2
			>14.4, <21	A4
		>6.12, ≤7.92	>10, ≤14.4	A5
		≤6.12	>10, ≤14.4	A4
>1.44, <10	A2			

NOTE: The A-MPR values are listed in Table 6.2.3.3.18-4.

Table 6.2.3.3.18-4: A-MPR for NS_47 (Power Class 1.5)

Modulation/Waveform		A1(dB)	A2(dB)	A3(dB)	A4(dB)	A5(dB)
		Outer/Inner	Outer/Inner	Outer/Inner	Outer/Inner	Outer/Inner
DFT-s-OFDM	PI/2 BPSK	≤ 13	≤ 11	≤ 8	≤ 8.5	≤ 3
	QPSK	≤ 13	≤ 11	≤ 8	≤ 8.5	≤ 3
	16 QAM	≤ 13	≤ 11	≤ 8	≤ 8.5	≤ 3
	64 QAM	≤ 13	≤ 11	≤ 8	≤ 8.5	
	256 QAM	≤ 13	≤ 11	≤ 8	≤ 8.5	
CP-OFDM	QPSK	≤ 13	≤ 12.5	≤ 8	≤ 9.5	≤ 4
	16 QAM	≤ 13	≤ 12.5	≤ 8	≤ 9.5	≤ 4
	64 QAM	≤ 13	≤ 12.5	≤ 8	≤ 9.5	
	256 QAM	≤ 13	≤ 12.5	≤ 8	≤ 9.5	

NOTE 1: PC1.5 assumes dual Tx.

The normative reference for this requirement is TS 38.101-1 [2] clause 6.2.3.18.

6.2.3.3.19 A-MPR for NS_50

Table 6.2.3.3.19-1: A-MPR regions for NS_50 (Power Class 3)

Channel Bandwidth (MHz)	RB _{start} *12*SCS (MHz)	LCRB*12*SCS (MHz)	A-MPR
25 MHz	≤ L _{CRB} *12*SCS - 5	> 5	A7
	≤ 6.48	≤ 1.44	A8
		≤ 3.6	A9
30 MHz	≤ L _{CRB} *12*SCS - 5	> 5	A7
	≤ 8.64	≤ 1.44	A8
		≤ 3.6	A9
40 MHz	≤ 4.32	> 0	A1
	> 4.32, ≤ 10.44	≤ 10.8	A3
	> 4.32, ≤ 18	> 10.8	A2
	> 18, ≤ 31.68	> max(31.68 - RB _{start} *12*SCS, 0)	A6
	> 31.68	> 0	A5

NOTE 1: The A-MPR values are specified in Table 6.2.3.3.19-2.

Table 6.2.3.3.19-2: A-MPR for NS_50 (Power Class 3)

Modulation/Waveform		A1 (dB)	A2 (dB)	A3 (dB)	A5 (dB)	A6 (dB)	A7 (dB)	A8 (dB)	A9 (dB)
		Outer/Inner	Outer/Inner	Outer/Inner	Outer/Inner	Outer/Inner	Outer/Inner	Outer/Inner	Inner
DFT-s-OFDM	Pi/2 BPSK	≤ 11	≤ 7	≤ 3	≤ 5	≤ 2	≤ 4	≤ 2	
	QPSK	≤ 11	≤ 7	≤ 3	≤ 5	≤ 2	≤ 5	≤ 2	
	16 QAM	≤ 11	≤ 7	≤ 3	≤ 5	≤ 2	≤ 5	≤ 2.5	
	64 QAM	≤ 11	≤ 7	≤ 3	≤ 5		≤ 5		
	256 QAM	≤ 11	≤ 7		≤ 5		≤ 5		
CP-OFDM	QPSK	≤ 12	≤ 8	≤ 4.5	≤ 5	≤ 3.5	≤ 6.5		≤ 3.0
	16 QAM	≤ 12	≤ 8	≤ 4.5	≤ 5	≤ 3.5	≤ 6.5		≤ 3.0
	64 QAM	≤ 12	≤ 8	≤ 4.5	≤ 5		≤ 6.5		
	256 QAM	≤ 12	≤ 8				≤ 6.5		

Table 6.2.3.3.19-3: A-MPR regions for NS_50 (Power Class 2)

Channel Bandwidth (MHz)	$RB_{start} * 12 * SCS$ (MHz)	$L_{CRB} * 12 * SCS$ (MHz)	A-MPR
10 MHz	≤ 1.44	< 1.44	A5
	≤ 1.8	≥ 2.7+2* $RB_{start} * 12 * SCS$	A4
	> 1.8	≥ 8.1- $RB_{start} * 12 * SCS$	A4
15 MHz	≤ 2.88	< 2.7	A5
	≤ 3.24	≥ 2.7+2* $RB_{start} * 12 * SCS$	A3
	> 3.24	≥ 12.42- $RB_{start} * 12 * SCS$	A4
20 MHz	≤ 4.32	< 3.6	A5
	≤ 4.5	≥ 3.6+2* $RB_{start} * 12 * SCS$	A3
	> 4.5	≥ 17.1- $RB_{start} * 12 * SCS$	A4
25 MHz	≤ $L_{CRB} * 12 * SCS - 5$	> 5	A2
	≤ 6.48	≤ 1.44	A5
	> 8.28	> max (21.6 - $RB_{start} * 12 * SCS$, 0), < $RB_{start} * 12 * SCS + 5$	A4
	> 1.8, ≤ 6.48	> 1.44, ≤ 3.6	A6
	> $L_{CRB} * 12 * SCS - 5$, ≤ 1.8	> 1.44	A4
30 MHz	≤ $L_{CRB} * 12 * SCS - 5$	> 5	A2
	≤ 7.56	≤ 1.44	A5
	> 1.8, ≤ 7.56	> 1.44, ≤ 3.6	A6
	≤ 1.8	> 1.44, < $RB_{start} * 12 * SCS + 5$	A4
	> 10.8	> max (26.64 - $RB_{start} * 12 * SCS$, 0), < $RB_{start} * 12 * SCS + 5$	A4
40 MHz	≤ 4.32	> 0	A1
	> 4.32	> $RB_{start} * 12 * SCS + 11.88$	A8
	> 4.32, ≤ 12.96	≤ 10.8	A3
	> 4.32, ≤ 18	> 10.8, ≤ $RB_{start} * 12 * SCS + 11.88$	A7
	> 18, ≤ 31.68	> max (31.68 - $RB_{start} * 12 * SCS$, 0)	A4
	> 31.68	> 0	A9

NOTE 1: The A-MPR values are specified in Table 6.2.3.3.19-4.

Table 6.2.3.3.19-4: A-MPR for NS_50 (Power Class 2)

Modulation/Waveform	A1 (dB)	A2 (dB)	A3 (dB)	A4 (dB)	A5 (dB)	A6 (dB)	A7 (dB)	A8 (dB)	A9 (dB)
---------------------	---------	---------	---------	---------	---------	---------	---------	---------	---------

		Outer/ Inner	Outer/ Inner	Outer/ Inner	Outer/ Inner	Outer/ Inner	Outer/ Inner	Outer/ Inner	Outer/ Inner	
DFT-s-OFDM	Pi/2 BPSK	≤ 11.5	≤4.5	≤ 4	≤ 2.5	≤ 4	≤ 1	≤ 3.5	≤ 10	≤ 8
	QPSK	≤ 11.5	≤ 5.5	≤ 4	≤ 2.5	≤ 4	≤ 1	≤ 3.5	≤ 10	≤ 8
	16 QAM	≤ 11.5	≤ 5.5	≤ 4	≤ 2.5	≤ 4	≤ 1.5	≤ 3.5	≤ 10	≤ 8
	64 QAM	≤ 11.5	≤ 5.5	≤ 4		≤ 4			≤ 10	≤ 8
	256 QAM	≤ 11.5	≤ 5.5						≤ 10	≤ 8
CP-OFDM	QPSK	≤ 12.5	≤ 7	≤ 5.5	≤ 4	≤ 4	≤ 2	≤ 5	≤ 11	≤ 8
	16 QAM	≤ 12.5	≤ 7	≤ 5.5	≤ 4	≤ 4		≤ 5	≤ 11	≤ 8
	64 QAM	≤ 12.5	≤ 7	≤ 5.5	≤ 4	≤ 4		≤ 5	≤ 11	≤ 8
	256 QAM	≤ 12.5	≤ 7						≤ 11	≤ 8

6.2.3.3.20 A-MPR for NS_44

Table 6.2.3.3.20-1: A-MPR regions for NS_44

Channel Bandwidth, MHz	Carrier Center Frequency, F _c , MHz	Regions		A-MPR
		RB _{end} *12*SCS MHz	L _{CRB} *12*SCS MHz	
25 MHz	2582.5 ≤ F _c ≤ 2602.5	<18.0	>max(0, 12*SCS* RB _{end} - 3.6)	A3
		≥18.0	<7.2	A3
		≥18.0	≥7.2	A6
30 MHz	2585 ≤ F _c ≤ 2600	<21.6	>max(0, 12*SCS* RB _{end} - 3.6)	A3
		≥21.6	<12.6	A3
		≥21.6	≥12.6	A6
40 MHz	2590 ≤ F _c ≤ 2595	≥0, <2.88	>0	A1
		≥2.88, <14.4	>max (0, 12*SCS*RB _{end} - 3.6)	A2
		≥14.4, <23.4	>10.8	A3
		≥23.4, <32.4	>16.2	A4
		≥32.4	>0	A5

Table 6.2.3.3.20-2: A-MPR for NS_44

Modulation/Waveform	A1	A2	A3	A4	A5	A6	
	Outer/Inner	Outer/Inner	Outer/Inner	Outer/Inner	Outer/Inner	Outer/Inner	
DFT-s-OFDM	PI/2 BPSK	5	2	3	7	12	4
	QPSK	5	2	3	7	12	4
	16 QAM	5	2	3	7	12	4
	64 QAM	5		3	7	12	4
	256 QAM	5			7	12	
CP-OFDM	QPSK	5	4	5	8	12	6
	16 QAM	5	4	5	8	12	6
	64 QAM	5	4	5	8	12	6
	256 QAM				8	12	

6.2.3.3.21 A-MPR for NS_12

Table 6.2.3.3.21-1: A-MPR regions for NS_12

Channel BW	Carrier Frequency, F _c , MHz	RB _{Start} *12*SCS (MHz)	L _{CRB} *12*SCS (MHz)	A-MPR
3MHz	815.5 ≤ F _c < 817.5	≤0.9	>0	A2
5MHz		≤1.8	>0	A1
10MHz		≤3.6	>0	A1

Table 6.2.3.3.21-2: A-MPR for NS_12

Modulation/Waveform	A1	A2
---------------------	----	----

	Outer/Inner	Outer/Inner
DFT-s-OFDM PI/2 BPSK	≤ 5	≤ 4
DFT-s-OFDM QPSK	≤ 5	≤ 4.5
DFT-s-OFDM 16 QAM	≤ 5.5	≤ 4.5
DFT-s-OFDM 64 QAM	≤ 5.5	≤ 5
DFT-s-OFDM 256 QAM	≤ 9.5	≤ 5
CP-OFDM QPSK	≤ 7	≤ 6
CP-OFDM 16 QAM	≤ 7	≤ 6
CP-OFDM 64 QAM	≤ 7	≤ 6
CP-OFDM 256 QAM	≤ 9.5	

6.2.3.3.22

A-MPR for NS_13

Table 6.2.3.3.22-1: A-MPR regions for NS_13

Channel BW	Carrier Frequency, F_c , MHz	$RB_{Start} * 12 * SCS$ (MHz)	$L_{CRB} * 12 * SCS$ (MHz)	A-MPR
3MHz	$818.5 \leq F_c < 820$	≤ 0.54	> 0	A4
5MHz	$819.5 \leq F_c < 821.5$	≤ 1.44	< 1.08	A1
		≤ 1.44	≥ 1.08	A2
5MHz	$F_c \geq 821.5$	≤ 0.54	< 1.08	A1
			≥ 3.24	A3

Table 6.2.3.3.22-2: A-MPR for NS_13

Modulation/Waveform	A1	A2	A3	A4
	Outer/Inner	Outer/Inner	Outer	Outer/Inner
DFT-s-OFDM PI/2 BPSK	≤ 3.5	≤ 4.5	≤ 3	≤ 3
DFT-s-OFDM QPSK	≤ 3.5	≤ 4.5	≤ 3	≤ 4
DFT-s-OFDM 16 QAM	≤ 3.5	≤ 5	≤ 3	≤ 4
DFT-s-OFDM 64 QAM	≤ 4.5	≤ 5	≤ 3	≤ 4
DFT-s-OFDM 256 QAM	≤ 8	≤ 6		
CP-OFDM QPSK	≤ 5	≤ 6.5	≤ 4.5	≤ 5.5
CP-OFDM 16 QAM	≤ 5	≤ 6.5	≤ 4.5	≤ 5.5
CP-OFDM 64 QAM	≤ 6	≤ 6.5	≤ 4.5	≤ 5.5
CP-OFDM 256 QAM	≤ 8	≤ 8		

6.2.3.3.23

A-MPR for NS_14

Table 6.2.3.3.23-1: A-MPR regions for NS_14

Channel BW	$RB_{Start} * 12 * SCS$ (MHz)	$L_{CRB} * 12 * SCS$ (MHz)	A-MPR
10MHz	≤ 0.18	< 1.08	A1
	≥ 0	≥ 9	A2
15MHz	≤ 1.8	< 1.8	A1
	≥ 0	≥ 9	A2
20MHz	≤ 3.42	< 1.8	A3
	≥ 0	≥ 9	A2

Table 6.2.3.3.23-2: A-MPR for NS_14

Modulation/Waveform	A1	A2	A3
	Outer/Inner	Outer	Outer/Inner
DFT-s-OFDM PI/2 BPSK	≤ 3	≤ 2	≤ 3
DFT-s-OFDM QPSK	≤ 3	≤ 2	≤ 3
DFT-s-OFDM 16 QAM	≤ 3	≤ 2	≤ 3
DFT-s-OFDM 64 QAM	≤ 3		≤ 3
DFT-s-OFDM 256 QAM			≤ 8
CP-OFDM QPSK	≤ 5	≤ 4	≤ 5
CP-OFDM 16 QAM	≤ 5	≤ 4	≤ 5
CP-OFDM 64 QAM	≤ 6		≤ 6
CP-OFDM 256 QAM	≤ 8		≤ 8

6.2.3.3.24 A-MPR for NS_15

Table 6.2.3.3.24-1: A-MPR regions for NS_15

Channel BW	Carrier Frequency, Fc, MHz	RB _{end} *12*SCS (MHz)	LCRB*12*SCS (MHz)	A-MPR
3MHz	844.5 < Fc ≤ 847.5	≥1.44	>0	A5
		≤ 0.18	≤ 0.36	A6
5MHz	840.5 < Fc ≤ 846.5	≥3.24	>0	A1
		<3.24, ≥2.52	≥1.44	A2
		<0.9	≤0.36	A3
10MHz	840 < Fc ≤ 844	≥5.76	>1.08	A1
		≥5.76	≤1.08	A4
		<5.76, ≥4.14	≥2.7	A2
	835 < Fc ≤ 840	<2.52	≤0.36	A3
		≥7.2	>0	A1
		<7.2, ≥5.22	≥4.32	A2
15MHz	837.5 < Fc ≤ 841.5	<1.08	≤0.36	A3
		≥9.36	>1.08	A1
		≥9.36	≤1.08	A4
		<9.36, ≥4.68	≥3.6	A2
	831.5 < Fc ≤ 837.5	<3.96	≤0.36	A3
		≥10.8	>1.08	A1
		≥10.8	≤1.08	A4
		<10.8, ≥6.48	≥3.6	A2
	Fc ≤ 831.5	<2.7	≤0.36	A3
		≥13.14	>0	A1
		<13.14, ≥7.92	≥3.6	A2
		<0.72	≤0.36	A3
20MHz	835 < Fc ≤ 839	≥12.24	>1.08	A1
		≥12.24	≤1.08	A4
		<12.24, ≥8.46	≥5.4	A2
		<5.58	≤0.36	A3
	Fc ≤ 835	≥13.68	>1.08	A1
		≥13.68	≤1.08	A4
		<13.68, ≥8.46	≥5.4	A2
		<4.32	≤0.36	A3

Table 6.2.3.3.24-2: A-MPR for NS_15

Modulation/Waveform	A1	A2	A3	A4	A5	A6
	Outer/Inner	Outer/Inner	Outer/Inner	Outer/Inner	Outer/Inner	Edge/Inner
DFT-s-OFDM Pi/2 BPSK	≤ 9	≤ 5	≤ 4	≤ 9	≤ 5	1
DFT-s-OFDM QPSK	≤ 9	≤ 5	≤ 4	≤ 9	≤ 5.5	1.5
DFT-s-OFDM 16 QAM	≤ 9	≤ 5	≤ 4	≤ 9	≤ 5.5	2
DFT-s-OFDM 64 QAM	≤ 9	≤ 5	≤ 4	≤ 9	≤ 5.5	
DFT-s-OFDM 256 QAM	≤ 9	≤ 5	≤ 9	≤ 13.5	≤ 6	
CP-OFDM QPSK	≤ 10.5	≤ 6.5	≤ 4	≤ 10.5	≤ 7	3
CP-OFDM 16 QAM	≤ 10.5	≤ 6.5	≤ 4	≤ 10.5	≤ 7	3
CP-OFDM 64 QAM	≤ 10.5	≤ 6.5	≤ 4	≤ 10.5	≤ 7	
CP-OFDM 256 QAM	≤ 10.5	≤ 6.5	≤ 9	≤ 13.5	≤ 7.5	

6.2.3.3.25 A-MPR for NS_45

Table 6.2.3.3.25-1: A-MPR for NS_45

Modulation/Waveform		Outer
DFT-s-OFDM	Pi/2 BPSK	≤ 1.5
	QPSK	≤ 2
	16 QAM	≤ 2.5

	64 QAM	≤ 3
--	--------	-----

6.2.3.3.26

A-MPR for NS_48

Table 6.2.3.3.26-1: A-MPR regions for NS_48 (Power Class 3)

Channel Bandwidth, MHz	Carrier Center Frequency, F _c , MHz	Regions		A-MPR
		RB _{end} *12*SCS MHz	L _{CRB} *12*SCS MHz	
25 MHz	1932.5 ≤ F _c ≤ 1967.5	≥0	≥9.72	A3
		≥18.72	<1.08	A3
30 MHz	1935 ≤ F _c ≤ 1965	≥0	≥13.5	A3
		≥21.6	<1.08<1.08	A5
40 MHz	1940 ≤ F _c ≤ 1960	≥0, <2.88	≥0	A2
		≥2.88, <17.1	≥max (0, 12*SCS*RB _{end} - 3.6)	A3
		≥17.1, <27.36	≥13.5	A4
		≥27.36, <34.56	≥13.5	A2
		≥27.36, <34.56	<1.08	A3
45 MHz	1942.5 ≤ F _c ≤ 1957.5	≥34.56	≥0	A1
		≥0, <4.86	>0	A2
		≥4.86, <19	≥max (0, 12*SCS*RB _{end} - 3.6)	A4
		≥19, <37.44	≥15.4	A2
		≥30.96, <37.44	<1.08	A5
50 MHz	1945 ≤ F _c ≤ 1955	≥37.44	>0	A1
		≥0, <6.12	>0	A2
		≥6.12, <20.7	≥max (0, 12*SCS*RB _{end} - 3.6)	A4
		≥20.7, <41.04	≥17.1	A2
		≥33.84, <41.04	<1.08	A5
		≥41.04	>0	A1

Table 6.2.3.3.26-2: A-MPR for NS_48 (Power Class 3)

Modulation/Waveform		A1	A2	A3	A4	A5
		Outer/Inner	Outer/Inner	Outer/Inner	Outer/Inner	Outer/Inner
DFT-s-OFDM	PI/2 BPSK	≤10	≤6	≤3	≤4	≤5
	QPSK	≤10	≤6	≤3	≤4	≤5
	16 QAM	≤10	≤6	≤3	≤4	≤5
	64 QAM	≤10	≤6	≤3	≤4	≤5
CP-OFDM	256 QAM	≤10	≤6	≤3	≤4	≤5
	QPSK	≤11	≤7	≤4.5	≤5.5	≤5
	16 QAM	≤11	≤7	≤4.5	≤5.5	≤5
	64 QAM	≤11	≤7	≤4.5	≤5.5	≤5
		≤11	≤7	≤4.5	≤5.5	≤5

Table 6.2.3.3.26-3: A-MPR regions for NS_48 (Power Class 2)

Channel Bandwidth, MHz	Carrier Center Frequency, F _c , MHz	Regions		A-MPR
		RB _{end} *12*SCS MHz	L _{CRB} *12*SCS MHz	
10 MHz	1925 ≤ F _c ≤ 1975	≥0	≥8.1	A6
		<1.8	≥0	A6
15 MHz	1927.5 ≤ F _c ≤ 1972.5	≥0	≥9	A6
		≥0	≥max (0, 12*SCS* RB _{end} - 2.88) <9	A6
20 MHz	1930 ≤ F _c ≤ 1970	≥0	≥9.72	A4
		≥0	≥max (0, 12*SCS* RB _{end} - 3.6) <9.72	A6
25 MHz	1932.5 ≤ F _c ≤ 1967.5	≥0	≥9.72	A4
		≥18.72	<1.08	A3
		≥0	≥max (0, 12*SCS*RB _{end} - 1.08)	A4

30 MHz	$1935 \leq F_c \leq 1965$	≥ 0	< 9.72	
		≥ 21.6	≥ 12.96	A4
		≥ 0	$\geq \max(0, 12 \cdot \text{SCS} \cdot \text{RB}_{\text{end}} - 3.6)$	A5
40 MHz	$1940 \leq F_c \leq 1960$	$\geq 0, < 2.88$	< 1.08	A4
		$\geq 2.88, < 17.1$	$\geq \max(0, 12 \cdot \text{SCS} \cdot \text{RB}_{\text{end}} - 4.68)$	A3
		$\geq 17.1, < 27.36$	≥ 12.96	A1
		$\geq 27.36, < 34.56$	≥ 12.96	A4
		$\geq 27.36, < 34.56$	< 1.08	A2
		≥ 34.56	> 0	A3
45 MHz	$1942.5 \leq F_c \leq 1957.5$	$\geq 0, < 5.22$	> 0	A1
		$\geq 5.22, < 19$	$\geq \max(0, 12 \cdot \text{SCS} \cdot \text{RB}_{\text{end}} - 5.4)$	A4
		$\geq 19, < 37.44$	≥ 14.04	A2
		$\geq 30.96, < 37.44$	< 1.08	A5
		≥ 37.44	> 0	A1
50 MHz	$1945 \leq F_c \leq 1955$	$\geq 0, < 7.2$	> 0	A1
		$\geq 7.2, < 20.7$	$\geq \max(0, 12 \cdot \text{SCS} \cdot \text{RB}_{\text{end}} - 5.4)$	A4
		$\geq 20.7, < 41.04$	≥ 15.12	A2
		$\geq 33.84, < 41.04$	< 1.08	A5
		≥ 41.04	> 0	A1

Table 6.2.3.3.26-4: A-MPR for NS_48 (Power Class 2)

Modulation/Waveform		A1	A2	A3	A4	A5	A6
		Outer/Inner	Outer/Inner	Outer/Inner	Outer/Inner	Outer/Inner	Outer/Inner
DFT-s-OFDM	PI/2 BPSK	$\leq [12]$	≤ 8.0	≤ 4.0	≤ 4.5	≤ 6.0	≤ 3.0
	QPSK	$\leq [12]$	≤ 8.0	≤ 4.0	≤ 4.5	≤ 6.0	≤ 3.0
	16 QAM	$\leq [12]$	≤ 8.0	≤ 4.0	≤ 4.5	≤ 6.0	≤ 3.0
	64 QAM	$\leq [12]$	≤ 8.0	≤ 4.0	≤ 4.5	≤ 6.0	≤ 3.0
	256 QAM	$\leq [12]$	≤ 8.0	≤ 4.0	≤ 4.5	≤ 6.0	≤ 3.0
CP-OFDM	QPSK	$\leq [12.5]$	≤ 9.0	≤ 5.5	≤ 6.0	≤ 6.0	≤ 4.5
	16 QAM	$\leq [12.5]$	≤ 9.0	≤ 5.5	≤ 6.0	≤ 6.0	≤ 4.5
	64 QAM	$\leq [12.5]$	≤ 9.0	≤ 5.5	≤ 6.0	≤ 6.0	≤ 4.5
	256 QAM	$\leq [12.5]$	≤ 9.0	≤ 5.5	≤ 6.0	≤ 6.0	≤ 4.5

6.2.3.3.27

A-MPR for NS_49

Table 6.2.3.3.27-1: A-MPR regions for NS_49

Channel Bandwidth (MHz)	Carrier Center Frequency, F_c (MHz)	Regions		A-MPR
		$\text{RB}_{\text{end}} \cdot 12 \cdot \text{SCS}$ (MHz)	$\text{LCRB} \cdot 12 \cdot \text{SCS}$ (MHz)	
25 MHz	$1932.5 \leq F_c \leq 1967.5$	≥ 0	≥ 9.72	A3
		≥ 18.72	< 1.08	A3
		≥ 3.96	< 1.08	A3
30 MHz	$1935 \leq F_c \leq 1965$	$\geq 0, < 3.6$	≥ 0	A1
		$\geq 3.6, < 6.48$	≥ 0	A5
		$\geq 6.48, < 14.4$	$\geq \max(0, 12 \cdot \text{SCS} \cdot \text{RB}_{\text{end}} - 3.6)$	A3
		$\geq 14.4, < 21.6$	≥ 10.8	A4
		≥ 21.6	≥ 10.8	A2
40 MHz	$1940 \leq F_c \leq 1960$	≥ 21.6	< 1.08	A5
		$\geq 0, < 7.2$	≥ 0	A1
		$\geq 7.2, < 10.44$	< 1.08	A5
		$\geq 7.2, < 18$	$\geq \max(0, 12 \cdot \text{SCS} \cdot \text{RB}_{\text{end}} - 3.6)$	A4
		$\geq 18, < 34.56$	$\geq 14.4, < 28.8$	A2

		$\geq 27.36, < 34.56$	< 1.08	A5
		< 34.56	≥ 28.8	A1
		≥ 34.56	≥ 0	A1
45 MHz	$1942.5 \leq F_c \leq 1957.5$	$\geq 6.12, < 12.42$	$< \min [1.08, \max(0, 12 \cdot \text{SCS} \cdot \text{RB}_{\text{end}} - 6.12)]$	A5
		$\geq 30.76, < 36.72$	< 1.08	A5
		< 36.72	$\geq 16.2, < \max(0, 12 \cdot \text{SCS} \cdot \text{RB}_{\text{end}} - 6.12)$	A2
		< 36.72	$\geq \max(0, 12 \cdot \text{SCS} \cdot \text{RB}_{\text{end}} - 6.12)$	A1
		≥ 36.72	> 0	A1
50 MHz	$1945 \leq F_c \leq 1955$	$\geq 7.74, < 14.4$	$< \min(1.08, \max(0, 12 \cdot \text{SCS} \cdot \text{RB}_{\text{end}} - 7.74))$	A5
		$\geq 36, < 39.6$	< 1.08	A5
		< 39.6	$\geq 18, < \max(0, 12 \cdot \text{SCS} \cdot \text{RB}_{\text{end}} - 7.74)$	A2
		< 39.6	$\geq \max(0, 12 \cdot \text{SCS} \cdot \text{RB}_{\text{end}} - 7.74)$	A1
		≥ 39.6	> 0	A1

Table 6.2.3.3.27-2: A-MPR for NS_49

Modulation/Waveform		A1	A2	A3	A4	A5
		Outer/Inner	Outer/Inner	Outer/Inner	Outer/Inner	Outer/Inner
DFT-s-OFDM	Pi/2 BPSK	≤ 10	≤ 6	≤ 3	≤ 4	≤ 5
	QPSK	≤ 10	≤ 6	≤ 3	≤ 4	≤ 5
	16 QAM	≤ 10	≤ 6	≤ 3	≤ 4	≤ 5
	64 QAM	≤ 10	≤ 6	≤ 3	≤ 4	≤ 5
	256 QAM	≤ 10	≤ 6	≤ 3	≤ 4	≤ 5
CP-OFDM	QPSK	≤ 11	≤ 7	≤ 4.5	≤ 5.5	≤ 5
	16 QAM	≤ 11	≤ 7	≤ 4.5	≤ 5.5	≤ 5
	64 QAM	≤ 11	≤ 7	≤ 4.5	≤ 5.5	≤ 5
	256 QAM	≤ 11	≤ 7	≤ 4.5	≤ 5.5	≤ 5

Table 6.2.3.3.27-3: A-MPR regions for NS_49 (Power Class 2)

Channel Bandwidth, MHz	Carrier Center Frequency, F_c , MHz	Regions		A-MPR
		$\text{RB}_{\text{end}} \cdot 12 \cdot \text{SCS}$ MHz	$\text{LCRB} \cdot 12 \cdot \text{SCS}$ MHz	
10 MHz	$1925 \leq F_c \leq 1975$	≥ 0	≥ 8.1	A3
		< 1.8	≥ 0	A3
15 MHz	$1927.5 \leq F_c \leq 1972.5$	≥ 0	≥ 9	A3
		≥ 0	$\geq \max(0, 12 \cdot \text{SCS} \cdot \text{RB}_{\text{end}} - 2.88)$ < 9	A3
20 MHz	$1930 \leq F_c \leq 1970$	≥ 0	≥ 9.72	A4
		≥ 0	$\geq \max(0, 12 \cdot \text{SCS} \cdot \text{RB}_{\text{end}} - 3.6)$ < 9.72	A3
25 MHz	$1932.5 \leq F_c \leq 1967.5$	≥ 0	≥ 7.92	A4
		≥ 18.72	< 1.08	A3
		≤ 6.48	< 3.6	A3
30 MHz	$1935 \leq F_c \leq 1965$	$\geq 0, < 3.6$	≥ 0	A1
		$\geq 3.6, < 7.92$	≥ 0	A5
		$\geq 7.92, < 14.4$	$\geq \max(0, 12 \cdot \text{SCS} \cdot \text{RB}_{\text{end}} - 4.32)$	A3
		$\geq 14.4, < 21.6$	≥ 10.44	A4
		≥ 21.6	≥ 10.44	A2
		≥ 21.6	< 1.8	A1
40 MHz	$1940 \leq F_c \leq 1960$	$\geq 0, < 9$	≥ 0	A1
		$\geq 9, < 11.52$	< 3.06	A5
		$\geq 9, < 18$	$\geq \max(3.06, 12 \cdot \text{SCS} \cdot \text{RB}_{\text{end}} - 6.48)$	A4
		$\geq 18, < 34.56$	$\geq 11.16, < 27$	A2
		$\geq 27.36, < 34.56$	< 1.08	A5

		<34.56	≥ 27	A1
		≥ 34.56	≥ 0	A1
45 MHz	$1942.5 \leq F_c \leq 1957.5$	$\geq 7.92, < 12.42$	$< \min [1.08, \max(0, 12 \cdot \text{SCS} \cdot \text{RB}_{\text{end}} - 7.92)]$	A5
		$\geq 30.76, < 36.72$	< 1.08	A5
		< 36.72	$\geq 12.24, < \max(0, 12 \cdot \text{SCS} \cdot \text{RB}_{\text{end}} - 7.92)$	A2
		< 36.72	$\geq \max(0, 12 \cdot \text{SCS} \cdot \text{RB}_{\text{end}} - 7.92)$	A1
		≥ 36.72	> 0	A1
50 MHz	$1945 \leq F_c \leq 1955$	$\geq 10.08, < 14.4$	$< \min [1.08, \max(0, 12 \cdot \text{SCS} \cdot \text{RB}_{\text{end}} - 10.08)]$	A5
		$\geq 36, < 39.6$	< 1.08	A5
		< 39.6	$\geq 13.68, < \max(0, 12 \cdot \text{SCS} \cdot \text{RB}_{\text{end}} - 10.08)$	A2
		< 39.6	$\geq \max(0, 12 \cdot \text{SCS} \cdot \text{RB}_{\text{end}} - 10.08)$	A1
		≥ 39.6	> 0	A1

Table 6.2.3.3.27-4: A-MPR for NS_49 (Power Class 2)

Modulation/Waveform		A1	A2	A3	A4	A5
		Outer/Inner	Outer/Inner	Outer/Inner	Outer/Inner	Outer/Inner
DFT-s-OFDM	PI/2 BPSK	$\leq [12.5]$	≤ 7	≤ 4	≤ 5.5	≤ 6
	QPSK	$\leq [12.5]$	≤ 7	≤ 4	≤ 5.5	≤ 6
	16 QAM	$\leq [12.5]$	≤ 7	≤ 4	≤ 5.5	≤ 6
	64 QAM	$\leq [12.5]$	≤ 7	≤ 4	≤ 5.5	≤ 6
	256 QAM	$\leq [12.5]$	≤ 7	≤ 4	≤ 5.5	≤ 6
CP-OFDM	QPSK	$\leq [13.5]$	≤ 8	≤ 5.5	≤ 7.5	≤ 6
	16 QAM	$\leq [13.5]$	≤ 8	≤ 5.5	≤ 7.5	≤ 6
	64 QAM	$\leq [13.5]$	≤ 8	≤ 5.5	≤ 7.5	≤ 6
	256 QAM	$\leq [13.5]$	≤ 8	≤ 5.5	≤ 7.5	≤ 6

6.2.3.3.28 A-MPR for NS_51

Table 6.2.3.3.28: void

6.2.3.3.29 A-MPR for NS_07

Table 6.2.3.3.29-1: A-MPR regions for NS_07

Channel Bandwidth, MHz	Carrier Frequency, MHz	Regions		A-MPR
		$\text{RB}_{\text{start}} \cdot 12 \cdot \text{SCS}$ MHz	$\text{LCRB} \cdot 12 \cdot \text{SCS}$ MHz	
5 MHz	$782 \leq F_c \leq 784.5$	≥ 0	≥ 1.8	A3
5 MHz	$779.5 \leq F_c < 782$	≤ 0.9	≥ 0	A1
		$> 0.9, \leq 1.26$	≥ 1.26	A2
		$> 1.26, \leq 3.42$	≥ 1.8	A3
		> 3.42	≤ 0.36	A4
10 MHz	$F_c = 782$	≤ 2.34	≥ 0	A1
		$> 2.34, \leq 3.24$	≥ 1.44	A2
		$> 3.24, \leq 6.48$	≥ 3.24	A3
		> 6.48	≤ 0.36	A4

Table 6.2.3.3.29-2: A-MPR for NS_07

Modulation/Waveform	A1	A2	A3	A4
	Outer/Inner	Outer/Inner	Outer/Inner	Outer/Inner
DFT-s-OFDM PI/2 BPSK	12	9	6	3
DFT-s-OFDM QPSK	12	9	6	3

DFT-s-OFDM 16 QAM	12	9	6	3
DFT-s-OFDM 64 QAM	12	9	6	3
DFT-s-OFDM 256 QAM	12	9	6	3
CP-OFDM QPSK	14	10	7	3
CP-OFDM 16 QAM	14	10	7	3
CP-OFDM 64 QAM	14	10	7	3
CP-OFDM 256 QAM	14	10	7	3

6.2.3.3.30 A-MPR for NS_56

For 5 MHz channel centred on frequencies (F_c) = 1630.0, 1630.3 MHz, A-MPR is defined as

if $RB_{start} \leq \lceil 3/SCS/15 \text{ kHz} \rceil$ and $L_{CRB} \leq \lceil 17/SCS/15 \text{ kHz} \rceil$,

then

the A-MPR = 14 dB for SCS = 15 kHz and AMPR = 8 dB for SCS \geq 30 kHz,

else,

if $RB_{start} \leq \lceil 3/(SCS/15 \text{ kHz}) \rceil$ and $L_{CRB} > \lceil 17/(SCS/15 \text{ kHz}) \rceil$,

then

the A-MPR = 6 dB,

else,

if $RB_{start} \leq \lceil 8/(SCS/15 \text{ kHz}) \rceil$,

then

the A-MPR = 4 dB.

For 5 MHz channel centred on frequencies (F_c) = 1635.0, 1649.0, 1654.0 MHz, no A-MPR is needed.

For Channel 10 MHz with centre frequency of 1632.5 MHz, A-MPR is defined as

if $RB_{start} < \lceil 3/(SCS/15 \text{ kHz}) \rceil$ and $L_{CRB} \leq \lceil 8/(SCS/15 \text{ kHz}) \rceil$,

then

the A-MPR = 12 dB for SCS = 15 kHz and AMPR = 8 dB for SCS \geq 30 kHz,

else,

if $RB_{start} < \lceil 9/(SCS/15 \text{ kHz}) \rceil$, and $L_{CRB} > \lceil 8/(SCS/15 \text{ kHz}) \rceil$,

then

the A-MPR = 8 dB,

else,

if $RB_{start} \leq \lceil 18/(SCS/15 \text{ kHz}) \rceil$,

then

the A-MPR = 6 dB,

else,

if $RB_{start} \geq \lfloor 40/(SCS/15 \text{ kHz}) \rfloor$, and $L_{CRB} \leq \lceil 7/(SCS/15 \text{ kHz}) \rceil$,

then

the A-MPR = 5 dB,

else,
 if $RB_{start} \geq \text{floor}\{40/(SCS/15 \text{ kHz})\}$ and $L_{CRB} > \text{ceil}\{7/(SCS/15 \text{ kHz})\}$,
 then
 the A-MPR = 3 dB,
 else,
 if $RB_{start} \geq \text{floor}\{35/(SCS/15 \text{ kHz})\}$ and $L_{CRB} \leq \text{ceil}\{7/(SCS/15 \text{ kHz})\}$,
 then
 the A-MPR = 4 dB,
 else,
 if $RB_{start} \geq \text{floor}\{35/(SCS/15 \text{ kHz})\}$ and $L_{CRB} > \text{ceil}\{7/(SCS/15 \text{ kHz})\}$,
 then
 the A-MPR = 2 dB.

For 10 MHz channel centered on frequency of 1651.5 MHz, no A-MPR is needed.

6.2.3.4 Test description

6.2.3.4.1 Initial conditions

Initial conditions are a set of test configurations the UE needs to be tested in and the steps for the SS to take with the UE to reach the correct measurement state.

The initial test configurations consist of environmental conditions, test frequencies, test channel bandwidths and sub-carrier spacing based on NR operating bands specified in table 5.3.5-1. All of these configurations shall be tested with applicable test parameters for each combination of test channel bandwidth and sub-carrier spacing, and are shown in tables 6.2.3.4.1-1 to 6.2.3.4.1-30. The details of the uplink reference measurement channels (RMCs) are specified in Annex A.2. Configurations of PDSCH and PDCCH before measurement are specified in Annex C.2

Network signalling value NS_10 is not tested. The relaxation specified under NS_10 is for the purpose to control / mitigate self-desensitization of the UE's own receiver, but no corresponding REFSENS requirements are specified. There is no need to test A-MPR requirements for its own.

Table 6.2.3.4.1-1: Test Configuration table for NS_06 and NS_35

Initial Conditions						
Test Environment as specified in TS 38.508-1 [5] subclause 4.1				Normal		
Test Frequencies as specified in TS 38.508-1 [5] subclause 4.3.1				Low range, High range		
Test Channel Bandwidths as specified in TS 38.508-1 [5] subclause 4.3.1				Lowest, Highest		
Test SCS as specified in Table 5.3.5-1				Lowest, Highest		
A-MPR test parameters for NS_06 and NS_35						
Test ID	Freq	ChBw	SCS	Downlink Configuration	Uplink Configuration	
				N/A for A-MPR testing.	Modulation (NOTE 2)	RB allocation (NOTE 1)
1	Low	Default	Default		DFT-s-OFDM PI/2 BPSK	Edge_1RB_Left
2	High				DFT-s-OFDM PI/2 BPSK	Edge_1RB_Right
3	Default				DFT-s-OFDM PI/2 BPSK	Outer Full
4	Low				DFT-s-OFDM QPSK	Edge_1RB_Left
5	High				DFT-s-OFDM QPSK	Edge_1RB_Right
6	Default				DFT-s-OFDM QPSK	Outer Full
7	Low				DFT-s-OFDM 16 QAM	Edge_1RB_Left
8	High				DFT-s-OFDM 16 QAM	Edge_1RB_Right
9	Default				DFT-s-OFDM 16 QAM	Outer Full
10	Low				DFT-s-OFDM 64 QAM	Edge_1RB_Left
11	High				DFT-s-OFDM 64 QAM	Edge_1RB_Right
12	Default				DFT-s-OFDM 64 QAM	Outer Full

13	Low			DFT-s-OFDM 256 QAM	Edge_1RB_Left
14	High			DFT-s-OFDM 256 QAM	Edge_1RB_Right
15	Default			DFT-s-OFDM 256 QAM	Outer Full
16	Low			CP-OFDM QPSK	Edge_1RB_Left
17	High			CP-OFDM QPSK	Edge_1RB_Right
18	Default			CP-OFDM QPSK	Outer Full
19	Low			CP-OFDM 16 QAM	Edge_1RB_Left
20	High			CP-OFDM 16 QAM	Edge_1RB_Right
21	Default			CP-OFDM 16 QAM	Outer Full
22	Low			CP-OFDM 64 QAM	Edge_1RB_Left
23	High			CP-OFDM 64 QAM	Edge_1RB_Right
24	Default			CP-OFDM 64 QAM	Outer Full
25	Low			CP-OFDM 256 QAM	Edge_1RB_Left
26	High			CP-OFDM 256 QAM	Edge_1RB_Right
27	Default			CP-OFDM 256 QAM	Outer Full

NOTE 1: The specific configuration of each RB allocation is defined in Table 6.1-1.
 NOTE 2: DFT-s-OFDM PI/2 BPSK test applies only for UEs which supports half Pi BPSK in FR1.
 NOTE 3: Void
 NOTE 4: This configuration is only applicable for NS_06 power class 1 UE.

Table 6.2.3.4.1-2: Test Configuration table for NS_04 (Power Class 1.5, 2 and 3)

Initial Conditions					
Test Environment as specified in TS 38.508-1 [5] subclause 4.1				Normal	
Test Frequencies as specified in TS 38.508-1 [5] subclause 4.3.1				(See Freq column)	
Test Channel Bandwidths as specified in TS 38.508-1 [5] subclause 4.3.1				Lowest, Highest	
Test SCS as specified in Table 5.3.5-1				Lowest, Highest	
A-MPR test parameters for NS_04					
Test ID	Freq	Downlink Configuration	Uplink Configuration		
			Modulation (NOTE 2)	RB allocation (NOTE 1)	
1 (Note 3)	Low	N/A for A-MPR testing	DFT-s-OFDM PI/2 BPSK	Edge_1RB_Left	
2 (Note 3, 5)	Table 6.2.3.4.1-2a - Table 6.2.3.4.1-2c		DFT-s-OFDM PI/2 BPSK	Edge_1RB_Left	
3 (Note 3)	Table 6.2.3.4.1-2d - Table 6.2.3.4.1-2f		DFT-s-OFDM PI/2 BPSK	Edge_1RB_Left	
4 (Note 3)	Low		DFT-s-OFDM PI/2 BPSK	Outer Full	
5 (Note 3)	High		DFT-s-OFDM PI/2 BPSK	Edge_1RB_Right	
6 (Note 3)	High		DFT-s-OFDM PI/2 BPSK	Outer Full	
7 (Note 4)	Low		DFT-s-OFDM PI/2 BPSK	Edge_1RB_Left	
8 (Note 4, 5)	Table 6.2.3.4.1-2a - Table 6.2.3.4.1-2c		DFT-s-OFDM PI/2 BPSK	Edge_1RB_Left	
9 (Note 4)	Table 6.2.3.4.1-2d - Table 6.2.3.4.1-2f		DFT-s-OFDM PI/2 BPSK	Edge_1RB_Left	
10 (Note 4)	Low		DFT-s-OFDM PI/2 BPSK	Outer Full	
11 (Note 4)	High		DFT-s-OFDM PI/2 BPSK	Edge_1RB_Right	
12 (Note 4)	High		DFT-s-OFDM PI/2 BPSK	Outer Full	
13	Low		DFT-s-OFDM QPSK	Edge_1RB_Left	
14 (Note 5)	Table 6.2.3.4.1-2a - Table 6.2.3.4.1-2c		DFT-s-OFDM QPSK	Edge_1RB_Left	
15	Table 6.2.3.4.1-2d - Table 6.2.3.4.1-2f		DFT-s-OFDM QPSK	Edge_1RB_Left	
16	Low		DFT-s-OFDM QPSK	Outer Full	
17	High		DFT-s-OFDM QPSK	Edge_1RB_Right	
18	High		DFT-s-OFDM QPSK	Outer Full	
19	Low		DFT-s-OFDM 16 QAM	Edge_1RB_Left	
20 (Note 5)	Table 6.2.3.4.1-2a - Table 6.2.3.4.1-2c		DFT-s-OFDM 16 QAM	Edge_1RB_Left	
21	Table 6.2.3.4.1-2d - Table 6.2.3.4.1-2f		DFT-s-OFDM 16 QAM	Edge_1RB_Left	
22	Low		DFT-s-OFDM 16 QAM	Outer Full	
23	High		DFT-s-OFDM 16 QAM	Edge_1RB_Right	
24	High		DFT-s-OFDM 16 QAM	Outer Full	
25	Low		DFT-s-OFDM 64 QAM	Edge_1RB_Left	
26 (Note 5)	Table 6.2.3.4.1-2a - Table 6.2.3.4.1-2c		DFT-s-OFDM 64 QAM	Edge_1RB_Left	
27	Table 6.2.3.4.1-2d - Table 6.2.3.4.1-2f		DFT-s-OFDM 64 QAM	Edge_1RB_Left	
28	Low		DFT-s-OFDM 64 QAM	Outer Full	
29	High		DFT-s-OFDM 64 QAM	Edge_1RB_Right	
30	High		DFT-s-OFDM 64 QAM	Outer Full	
31	Low		DFT-s-OFDM 256 QAM	Edge_1RB_Left	
32 (Note 5)	Table 6.2.3.4.1-2a - Table 6.2.3.4.1-2c		DFT-s-OFDM 256 QAM	Edge_1RB_Left	
33	Table 6.2.3.4.1-2d - Table 6.2.3.4.1-2f		DFT-s-OFDM 256 QAM	Edge_1RB_Left	

34	Low
35	High
36	High
37	Low
38 (Note 5)	Table 6.2.3.4.1-2a - Table 6.2.3.4.1-2c
39	Table 6.2.3.4.1-2d - Table 6.2.3.4.1-2f
40	Low
41	High
42	High
43	Low
44 (Note 5)	Table 6.2.3.4.1-2a - Table 6.2.3.4.1-2c
45	Table 6.2.3.4.1-2d - Table 6.2.3.4.1-2f
46	Low
47	High
48	High
49	Low

DFT-s-OFDM 256 QAM	Outer Full
DFT-s-OFDM 256 QAM	Edge_1RB_Right
DFT-s-OFDM 256 QAM	Outer Full
CP-OFDM QPSK	Edge_1RB_Left
CP-OFDM QPSK	Edge_1RB_Left
CP-OFDM QPSK	Edge_1RB_Left
CP-OFDM QPSK	Outer Full
CP-OFDM QPSK	Edge_1RB_Right
CP-OFDM QPSK	Outer Full
CP-OFDM 16 QAM	Edge_1RB_Left
CP-OFDM 16 QAM	Edge_1RB_Left
CP-OFDM 16 QAM	Edge_1RB_Left
CP-OFDM 16 QAM	Outer Full
CP-OFDM 16 QAM	Edge_1RB_Right
CP-OFDM 16 QAM	Outer Full
CP-OFDM 16 QAM	Edge_1RB_Left

A-MPR test parameters for NS_04				
Test ID	Freq	Downlink Configuration	Uplink Configuration	
			Modulation (NOTE 2)	RB allocation (NOTE 1)
50 (Note 5)	Table 6.2.3.4.1-2a - Table 6.2.3.4.1-2c	N/A for A-MPR testing	CP-OFDM 64 QAM	Edge_1RB_Left
51	Table 6.2.3.4.1-2d - Table 6.2.3.4.1-2f		CP-OFDM 64 QAM	Edge_1RB_Left
52	Low		CP-OFDM 64 QAM	Outer Full
53	High		CP-OFDM 64 QAM	Edge_1RB_Right
54	High		CP-OFDM 64 QAM	Outer Full
55	Low		CP-OFDM 256 QAM	Edge_1RB_Left
56 (Note 5)	Table 6.2.3.4.1-2a - Table 6.2.3.4.1-2c		CP-OFDM 256 QAM	Edge_1RB_Left
57	Table 6.2.3.4.1-2d - Table 6.2.3.4.1-2f		CP-OFDM 256 QAM	Edge_1RB_Left
58	Low		CP-OFDM 256 QAM	Outer Full
59	High		CP-OFDM 256 QAM	Edge_1RB_Right
60	High		CP-OFDM 256 QAM	Outer Full

NOTE 1: The specific configuration of each RB allocation is defined in Table 6.1-1.

NOTE 2: DFT-s-OFDM PI/2 BPSK test applies only for UEs which supports half Pi BPSK in FR1.

NOTE 3: UE operating in TDD mode with Pi/2 BPSK modulation and UE indicates support for UE capability *powerBoosting-pi2BPSK* and the IE *powerBoostPi2BPSK* is set to 1 for band n41.

NOTE 4: UE operating in FDD mode, or in TDD mode in bands other than n41, or in TDD mode the IE *powerBoostPi2BPSK* is set to 0 for bands n41.

NOTE 5: Only applicable for 10 MHz and 15 MHz channel bandwidth

Table 6.2.3.4.1-2a: Additional test frequencies for NS_04 (SCS=15 kHz, $\Delta F_{\text{Raster}} = 15$ kHz)

CBW [MHz]	carrier Bandwidth [PRBs]	Range	Carrier centre [MHz]	Carrier centre [ARFCN]	point A [MHz]	absolute FrequencyPoint A [ARFCN]	offsetTo Carrier [Carrier PRBs]	SS block SCS [kHz]	GSCN	absolute FrequencySSB [ARFCN]	k_{SSB}	Offset Carrier CORE SET#0 [RBs] Note 2	CORE SET#0 Index (Offset [RBs]) Note 1	offsetTo PointA (SIB1) [PRBs] Note 1
10	52		2505	501000	2500.32	500064	0	15	6255	500430	2	0	0 (0)	0
15	79		2512.5	502500	2505.39	501078	0	15	6270	501630	4	1	2 (4)	5

ZZ

Table 6.2.3.4.1-2b: Additional test frequencies for NS_04 (SCS=30 kHz, $\Delta F_{\text{Raster}} = 30$ kHz)

CBW [MHz]	carrier Bandwidth [PRBs]	Range	Carrier centre [MHz]	Carrier centre [ARFCN]	point A [MHz]	absolute FrequencyPoint A [ARFCN]	offsetTo Carrier [Carrier PRBs]	SS block SCS [kHz]	GSCN	absolute FrequencySSB [ARFCN]	k_{SSB}	Offset Carrier CORE SET#0 [RBs] Note 2	CORE SET#0 Index (Offset [RBs]) Note 1	offsetTo PointA (SIB1) [PRBs] Note 1
10	24		2505	501000	2500.68	500136	0	30	6261	500910	18	0	0 (0)	0
15	38		2512.5	502500	2505.66	501132	0	30	6273	501870	6	0	0 (0)	0

Table 6.2.3.4.1-2c: Additional test frequencies for NS_04 (SCS=60 kHz, $\Delta F_{\text{Raster}} = 15$ kHz, without CORESET#0)

CBW [MHz]	carrier Bandwidth [PRBs]	Range	Carrier centre [MHz]	Carrier centre [ARFCN]	point A [MHz]	absolute FrequencyPoint A [ARFCN]	offsetTo Carrier [Carrier PRBs]	SS block SCS [kHz]	GSCN	absolute FrequencySSB [ARFCN]
10	11		2505	501000	2501.04	500208	0	15	-	500568
15	18		2512.5	502500	2506.02	501204	0	15	-	501564

Table 6.2.3.4.1-2d: Additional test frequencies for NS_04 (SCS=15 kHz, $\Delta F_{\text{Raster}} = 15$ kHz)

CBW [MHz]	carrier Bandwidth [PRBs]	Range	Carrier centre [MHz]	Carrier centre [ARFCN]	point A [MHz]	absolute FrequencyPoint A [ARFCN]	offsetTo Carrier [Carrier PRBs]	SS block SCS [kHz]	GSCN	absolute FrequencySSB [ARFCN]	k_{SSB}	Offset Carrier CORE SET#0 [RBs] Note 2	CORE SET#0 Index (Offset [RBs]) Note 1	offsetTo PointA (SIB1) [PRBs] Note 1
10	52		2511	502200	2506.32	501264	0	15	6270	501630	2	0	0 (0)	0
15	79		2513.505	502701	2506.395	501279	0	15	6273	501870	5	2	2 (4)	6

20	106			2520	504000	2510.46	502092	0	15	6282	502590	10	1	1 (2)	3
30	160			2535	507000	2520.6	504120	0	15	6306	504510	10	0	0 (0)	0
40	216			2550	510000	2530.56	506112	0	15	6333	506670	6	1	2 (4)	5
50	270			2565	513000	2540.7	508140	0	15	6357	508590	6	0	1 (2)	2

Table 6.2.3.4.1-2e: Additional test frequencies for NS_04 (SCS=30 kHz, $\Delta F_{\text{Raster}} = 30$ kHz)

CBW [MHz]	carrier Bandwidth [PRBs]	Range	Carrier centre [MHz]	Carrier centre [ARFCN]	point A [MHz]	absolute Frequency Point A [ARFCN]	offsetTo Carrier [Carrier PRBs]	SS block SCS [kHz]	GSCN	absolute Frequency SSB [ARFCN]	k_{SSB}	Offset Carrier CORE SET#0 [RBs] Note 2	CORE SET#0 Index (Offset [RBs]) Note 1	offsetTo PointA (SIB1) [PRBs] Note 1
10	24		2511	502200	2506.68	501336	0	30	6276	502110	18	0	0 (0)	0
15	38		2513.52	502704	2506.68	501336	0	30	6276	502110	18	0	0 (0)	0
20	51		2520	504000	2510.82	502164	0	30	6288	503070	14	0	2 (2)	4
30	78		2535	507000	2520.96	504192	0	30	6312	504990	2	0	1 (1)	2
40	106		2550	510000	2530.92	506184	0	30	6336	506910	2	0	0 (0)	0
50	133		2565	513000	2541.06	508212	0	30	6363	509070	22	0	1 (1)	2
60	162		2580	516000	2550.84	510168	0	30	6387	510990	10	0	1 (1)	2
70	189		2595	519000	2560.98	512196	0	30	6414	513150	6	0	3 (3)	6
80	217		2610	522000	2570.94	514188	0	30	6438	515070	6	0	2 (2)	4
90	245		2625	525000	2580.9	516180	0	30	6462	516990	6	0	1 (1)	2
100	273		2640	528000	2590.86	518172	0	30	6486	518910	6	0	0 (0)	0

Table 6.2.3.4.1-2f: Additional test frequencies for NS_04 (SCS=60 kHz, $\Delta F_{\text{Raster}} = 15$ kHz, without CORESET#0)

CBW [MHz]	carrier Bandwidth [PRBs]	Range	Carrier centre [MHz]	Carrier centre [ARFCN]	point A [MHz]	absolute Frequency Point A [ARFCN]	offsetTo Carrier [Carrier PRBs]	SS block SCS [kHz]	GSCN	absolute Frequency SSB [ARFCN]
10	11		2511	502200	2507.04	501408	0	15	-	501768
15	18		2513.52	502704	2507.04	501408	0	15	-	501768
20	24		2520	504000	2511.36	502272	0	15	-	502632
30	38		2535	507000	2521.32	504264	0	15	-	504624
40	51		2550	510000	2531.64	506328	0	15	-	506688
50	65		2550	510000	2526.6	505320	0	15	-	505680
60	79		2580	516000	2551.56	510312	0	15	-	510672
70	93		2595	519000	2561.52	512304	0	15	-	512664
80	107		2610	522000	2571.48	514296	0	15	-	514656
90	121		2625	525000	2581.44	516288	0	15	-	516648
100	135		2640	528000	2591.4	518280	0	15	-	518640

Table 6.2.3.4.1-2g: Test Configuration table for NS_04 (Power Class 1)

Initial Conditions						
Test Environment as specified in TS 38.508-1 [5] subclause 4.1						Normal
Test Frequencies as specified in TS 38.508-1 [5] subclause 4.3.1						Low, High
Test Channel Bandwidths as specified in TS 38.508-1 [5] subclause 4.3.1						Lowest, Highest
Test SCS as specified in Table 5.3.5-1						Lowest, Highest
A-MPR test parameters for NS_04 for PC1						
Test ID	Freq	Channel BW	SCS	Downlink Configuration	Uplink Configuration	
				N/A for A-MPR testing	Modulation (NOTE 2)	RB allocation (NOTE 1)
1 (Note 3)	Low	Default	Default		DFT-s-OFDM PI/2 BPSK	Edge_1RB_Left
2 (Note 3)	Low	Default	Default		DFT-s-OFDM PI/2 BPSK	Inner_1RB_Left
3 (Note 3)	High	Default	Default		DFT-s-OFDM PI/2 BPSK	Edge_1RB_Right
4 (Note 3)	High	Default	Default		DFT-s-OFDM PI/2 BPSK	Outer Full
5 (Note 3, 4)	Low	10 MHz	Default		DFT-s-OFDM PI/2 BPSK	Outer Full
6 (Note 3, 4)	Low	100 MHz	30 kHz		DFT-s-OFDM PI/2 BPSK	135@33
7 (Note 3, 4)	Low	100 MHz	60 kHz		DFT-s-OFDM PI/2 BPSK	64@16
8	Low	Default	Default		DFT-s-OFDM QPSK	Edge_1RB_Left
9	Low	Default	Default		DFT-s-OFDM QPSK	Inner_1RB_Left
10	High	Default	Default		DFT-s-OFDM QPSK	Edge_1RB_Right
11	High	Default	Default		DFT-s-OFDM QPSK	Outer Full
12 (Note 4)	Low	10 MHz	Default		DFT-s-OFDM QPSK	Outer Full
13 (Note 4)	Low	100 MHz	30 kHz		DFT-s-OFDM QPSK	135@33
14 (Note 4)	Low	100 MHz	60 kHz		DFT-s-OFDM QPSK	64@16
15	Low	Default	Default		DFT-s-OFDM 16 QAM	Edge_1RB_Left
16	Low	Default	Default		DFT-s-OFDM 16 QAM	Inner_1RB_Left
17	High	Default	Default		DFT-s-OFDM 16 QAM	Edge_1RB_Right
18	High	100 MHz	30 kHz		DFT-s-OFDM 16 QAM	50@200
19 (Note 4)	Low	10 MHz	Default		DFT-s-OFDM 16 QAM	Outer Full
20 (Note 4)	Low	100 MHz	30 kHz		DFT-s-OFDM 16 QAM	135@33
21 (Note 4)	Low	100 MHz	60 kHz		DFT-s-OFDM 16 QAM	64@16
22	Low	Default	Default		DFT-s-OFDM 64 QAM	Edge_1RB_Left
23	Low	Default	Default		DFT-s-OFDM 64 QAM	Inner_1RB_Left
24	High	Default	Default		DFT-s-OFDM 64 QAM	Edge_1RB_Right
25	High	100 MHz	30 kHz		DFT-s-OFDM 16 QAM	50@200
26 (Note 4)	Low	10 MHz	Default		DFT-s-OFDM 64 QAM	Outer Full
27 (Note 4)	Low	100 MHz	30 kHz		DFT-s-OFDM 64 QAM	135@33
28 (Note 4)	Low	100 MHz	60 kHz		DFT-s-OFDM 64 QAM	64@16
29	Low	Default	Default		DFT-s-OFDM 256 QAM	Edge_1RB_Left
30	Low	Default	Default		DFT-s-OFDM 256 QAM	Outer Full

31	High	Default	Default
32	High	Default	Default
33 (Note 4)	Low	10 MHz	Default
34 (Note 4)	Low	100 MHz	30 kHz
35 (Note 4)	Low	100 MHz	60 kHz
36	Low	Default	Default
37	Low	Default	Default
38	High	100 MHz	30 kHz
39 (Note 4)	Low	10 MHz	Default
40 (Note 4)	Low	100 MHz	30 kHz
41 (Note 4)	Low	100 MHz	60 kHz
42	Low	Default	Default
43	Low	Default	Default
44	High	100 MHz	30 kHz
45 (Note 4)	Low	10 MHz	Default
46 (Note 4)	Low	100 MHz	30 kHz
47 (Note 4)	Low	100 MHz	60 kHz
48	Low	Default	Default
49	Low	Default	Default
50	High	100 MHz	30 kHz
51 (Note 4)	Low	10 MHz	Default
52 (Note 4)	Low	100 MHz	30 kHz
53 (Note 4)	Low	100 MHz	60 kHz
54	Low	Default	Default
55	Low	Default	Default
56	High	Default	Default
57 (Note 4)	Low	10 MHz	Default
58 (Note 4)	Low	100 MHz	30 kHz
59 (Note 4)	Low	100 MHz	60 kHz

DFT-s-OFDM 256 QAM	Edge_1RB_Right
DFT-s-OFDM 256 QAM	Outer Full
DFT-s-OFDM 256 QAM	Outer Full
DFT-s-OFDM 256 QAM	135@33
DFT-s-OFDM 256 QAM	64@16
CP-OFDM QPSK	Edge_1RB_Left
CP-OFDM QPSK	Outer Full
CP-OFDM 16 QAM	50@200
CP-OFDM QPSK	Outer Full
CP-OFDM QPSK	135@33
CP-OFDM QPSK	64@16
CP-OFDM 16 QAM	Edge_1RB_Left
CP-OFDM 16 QAM	Outer Full
CP-OFDM 16 QAM	50@200
CP-OFDM 16 QAM	Outer Full
CP-OFDM 16 QAM	135@33
CP-OFDM 16 QAM	64@16
CP-OFDM 64 QAM	Edge_1RB_Left
CP-OFDM 64 QAM	Outer Full
CP-OFDM 16 QAM	50@200
CP-OFDM 64 QAM	Outer Full
CP-OFDM 64 QAM	135@33
CP-OFDM 64 QAM	64@16
CP-OFDM 256 QAM	Edge_1RB_Left
CP-OFDM 256 QAM	Outer Full
CP-OFDM 256 QAM	50@200
CP-OFDM 256 QAM	Outer Full
CP-OFDM 256 QAM	135@33
CP-OFDM 256 QAM	64@16

NOTE 1: The specific configuration of each RB allocation is defined in Table 6.1-1.

NOTE 2: DFT-s-OFDM PI/2 BPSK test applies only for UEs which supports half Pi BPSK in FR1.

NOTE 3: UE operating in TDD mode with Pi/2 BPSK modulation and UE indicates support for UE capability *powerBoosting-pi2BPSK* and the IE *powerBoostPi2BPSK* is set to 1 for band n41.

NOTE 4: Applicable for requirement in regrowth region A-MPR_{regrowth}

Table 6.2.3.4.1-3: Test Configuration table for NS_03, NS_03U and NS_100

Initial Conditions							
Test Environment as specified in TS 38.508-1 [5] subclause 4.1					Normal		
Test Frequencies as specified in TS 38.508-1 [5] subclause 4.3.1					Low range, High range		
Test Channel Bandwidths as specified in TS 38.508-1 [5] subclause 4.3.1					Lowest, Highest		
Test SCS as specified in Table 5.3.5-1					Lowest, Highest		
A-MPR test parameters for NS_03, NS_03U and NS_100							
Test ID	Freq	ChBw	SCS	Downlink Configuration	Uplink Configuration		
					Modulation (Note 2)	RB allocation (Note 1)	
1	Low	Default	Default	N/A for A-MPR test cases	DFT-s-OFDM	PI/2 BPSK	Edge_1RB_Left
2	High	Default	Default			PI/2 BPSK	Edge_1RB_Right
3	Default	Default	Default			PI/2 BPSK	Outer_Full
4	Low	Default	Default			QPSK	Edge_1RB_Left
5	High	Default	Default			QPSK	Edge_1RB_Right
6	Default	Default	Default			QPSK	Outer_Full
7	Low	Default	Default			16 QAM	Edge_1RB_Left
8	High	Default	Default			16 QAM	Edge_1RB_Right
9	Default	Default	Default			16 QAM	Outer_Full
10	Low	Default	Default			64 QAM	Edge_1RB_Left
11	High	Default	Default			64 QAM	Edge_1RB_Right
12	Default	Default	Default			64 QAM	Outer_Full
13	Low	Default	Default			256 QAM	Edge_1RB_Left
14	High	Default	Default			256 QAM	Edge_1RB_Right
15	Default	Default	Default			256 QAM	Outer_Full
16	Low	Default	Default		CP-OFDM	QPSK	Edge_1RB_Left
17	High	Default	Default			QPSK	Edge_1RB_Right
18	Default	Default	Default			QPSK	Outer_Full
19	Low	Default	Default			16 QAM	Edge_1RB_Left
20	High	Default	Default			16 QAM	Edge_1RB_Right
21	Default	Default	Default			16 QAM	Outer_Full
22	Low	Default	Default			64 QAM	Edge_1RB_Left
23	High	Default	Default			64 QAM	Edge_1RB_Right
24	Default	Default	Default			64 QAM	Outer_Full
25	Low	Default	Default			256 QAM	Edge_1RB_Left
26	High	Default	Default			256 QAM	Edge_1RB_Right
27	Default	Default	Default			256 QAM	Outer_Full

NOTE 1: The specific configuration of each RB allocation is defined in Table 6.1-1 unless otherwise stated in this table.
 NOTE 2: DFT-s-OFDM PI/2 BPSK test applies only for UEs which supports half Pi BPSK in FR1.
 NOTE 3: Void.
 NOTE 4: Void

Table 6.2.3.4.1-4: Test Configuration table for NS_05

Initial Conditions									
Test Environment as specified in TS 38.508-1 [5] subclause 4.1					Normal				
Test Frequencies as specified in TS 38.508-1 [5] subclause 4.3.1					Use uplink carrier centre frequency (Fc) as specified in test parameters				
Test Channel Bandwidths as specified in TS 38.508-1 [5] subclause 4.3.1					5 MHz, 10 MHz, 15 MHz, 20 MHz				
Test SCS as specified in Table 5.3.5-1					Lowest, Highest unless otherwise specified in test parameters.				
A-MPR test parameters for NS_05									
Test ID	Fc (MHz)	ChBw (MHz)	SCS (kHz)	Downlink Config.	A-MPR	Uplink Configuration			
						Modulation (NOTE 2)	RB allocation (Note 1)		
							SCS 15 kHz	SCS 30 kHz	SCS 60 kHz

1	1922.5	5	15	N/A for A-MPR testing	A3	PI/2 BPSK	Outer_Full		
2	1925	10	Default		A1	PI/2 BPSK	Outer_Full		
3	1925	10	Default		A7	PI/2 BPSK	40@10	18@5	8@3
4	1925	10	Default		A2	PI/2 BPSK	6@40	3@20	1@10
5	1935	10	Default		A4	PI/2 BPSK	Outer_Full		
6	1927.5	15	Default		A1	PI/2 BPSK	Outer_Full		
7	1927.5	15	Default		A7	PI/2 BPSK	60@19	27@10	12@5
8	1927.5	15	Default		A2	PI/2 BPSK	6@56	3@28	1@14
9	1932.5	15	Default		A1	PI/2 BPSK	Outer_Full		
10	1932.5	15	Default		A2	PI/2 BPSK	6@68	3@34	1@17
11	1942.5	15	Default		A5	PI/2 BPSK	Outer_Full		
12	1930	20	Default		A1	PI/2 BPSK	Outer_Full		
13	1930	20	Default		A7	PI/2 BPSK	72@28	36@14	16@7
14	1930	20	Default		A2	PI/2 BPSK	6@76	3@38	1@19
15	1950	20	Default		A6	PI/2 BPSK	Outer_Full		
16	1922.5	5	15		A3	QPSK	Outer_Full		
17	1925	10	Default		A1	QPSK	Outer_Full		
18	1925	10	Default		A7	QPSK	40@10	18@5	8@3
19	1925	10	Default		A2	QPSK	6@40	3@20	1@10
20	1927.5	15	Default		A1	QPSK	Outer_Full		
21	1927.5	15	Default		A7	QPSK	60@19	27@10	12@5
22	1927.5	15	Default		A2	QPSK	6@56	3@28	1@14
23	1932.5	15	Default		A1	QPSK	Outer_Full		
24	1932.5	15	Default		A2	QPSK	6@68	3@34	1@17
25	1942.5	15	Default		A5	QPSK	Outer_Full		
26	1930	20	Default		A1	QPSK	Outer_Full		
27	1930	20	Default		A7	QPSK	72@28	36@14	16@7
28	1930	20	Default		A2	QPSK	6@76	3@38	1@19
29	1950	20	Default		A6	QPSK	Outer_Full		
30	1922.5	5	15		A3	16 QAM	Outer_Full		
31	1925	10	Default		A1	16 QAM	Outer_Full		
32	1925	10	Default		A7	16 QAM	40@10	18@5	8@3
33	1925	10	Default		A2	16 QAM	6@40	3@20	1@10
34	1927.5	15	Default		A1	16 QAM	Outer_Full		
35	1927.5	15	Default		A7	16 QAM	60@19	27@10	12@5
36	1927.5	15	Default		A2	16 QAM	6@56	3@28	1@14
37	1932.5	15	Default		A1	16 QAM	Outer_Full		
38	1932.5	15	Default		A2	16 QAM	6@68	3@34	1@17
39	1930	20	Default		A1	16 QAM	Outer_Full		
40	1930	20	Default		A7	16 QAM	72@28	36@14	16@7
41	1930	20	Default		A2	16 QAM	6@76	3@38	1@19
42	1922.5	5	15		A3	64 QAM	Outer_Full		
43	1925	10	Default		A1	64 QAM	Outer_Full		
44	1925	10	Default		A7	64 QAM	40@10	18@5	8@3
45	1925	10	Default		A2	64 QAM	6@40	3@20	1@10
46	1927.5	15	Default		A1	64 QAM	Outer_Full		
47	1927.5	15	Default		A7	64 QAM	60@19	27@10	12@5
48	1927.5	15	Default		A2	64 QAM	6@56	3@28	1@14
49	1932.5	15	Default		A1	64 QAM	Outer_Full		
50	1932.5	15	Default		A2	64 QAM	6@68	3@34	1@17

A-MPR test parameters for NS_05									
Test ID	Fc (MHz)	ChBw (MHz)	SCS (kHz)	Downlink Config.	A-MPR	Uplink Configuration			
						Modulation (NOTE 2)	RB allocation (Note 1)		
							SCS 15 kHz	SCS 30 kHz	SCS 60 kHz
51	1930	20	Default		A1	64 QAM	Outer_Full		
52	1930	20	Default		A7	64 QAM	72@28	36@14	16@7
53	1930	20	Default		A2	64 QAM	6@76	3@38	1@19
54	1922.5	5	15		A3	256 QAM	Outer_Full		
55	1925	10	Default		A1	256 QAM	Outer_Full		
56	1925	10	Default		A7	256 QAM	40@10	18@5	8@3
57	1925	10	Default		A2	256 QAM	6@40	3@20	1@10
58	1927.5	15	Default		A1	256 QAM	Outer_Full		

59	1927.5	15	Default		A7	256 QAM	60@19	27@10	12@5
60	1927.5	15	Default		A2	256 QAM	6@56	3@28	1@14
61	1932.5	15	Default		A1	256 QAM	Outer_Full		
62	1932.5	15	Default		A2	256 QAM	6@68	3@34	1@17
63	1930	20	Default		A1	256 QAM	Outer_Full		
64	1930	20	Default		A7	256 QAM	72@28	36@14	16@7
65	1930	20	Default		A2	256 QAM	6@76	3@38	1@19
66	1922.5	5	15		A3	QPSK	Outer_Full		
67	1925	10	Default		A1	QPSK	Outer_Full		
68	1925	10	Default		A7	QPSK	42@10	18@5	8@3
69	1925	10	Default		A2	QPSK	6@40	3@20	1@10
70	1935	10	Default		A4	QPSK	Outer_Full		
71	1927.5	15	Default		A1	QPSK	Outer_Full		
72	1927.5	15	Default		A7	QPSK	60@19	28@10	12@5
73	1927.5	15	Default		A2	QPSK	6@56	3@28	1@14
74	1932.5	15	Default		A1	QPSK	Outer_Full		
75	1932.5	15	Default		A2	QPSK	6@68	3@34	1@17
76	1942.5	15	Default		A5	QPSK	Outer_Full		
77	1930	20	Default		A1	QPSK	Outer_Full		
78	1930	20	Default		A7	QPSK	78@28	37@14	17@7
79	1930	20	Default		A2	QPSK	6@76	3@38	1@19
80	1950	20	Default		A6	QPSK	Outer_Full		
81	1922.5	5	15		A3	16 QAM	Outer_Full		
82	1925	10	Default		A1	16 QAM	Outer_Full		
83	1925	10	Default		A7	16 QAM	42@10	18@5	8@3
84	1925	10	Default		A2	16 QAM	6@40	3@20	1@10
85	1935	10	Default		A4	16 QAM	Outer_Full		
86	1927.5	15	Default		A1	16 QAM	Outer_Full		
87	1927.5	15	Default		A7	16 QAM	60@19	28@10	12@5
88	1927.5	15	Default		A2	16 QAM	6@56	3@28	1@14
89	1932.5	15	Default		A1	16 QAM	Outer_Full		
90	1932.5	15	Default		A2	16 QAM	6@68	3@34	1@17
91	1942.5	15	Default		A5	16 QAM	Outer_Full		
92	1930	20	Default		A1	16 QAM	Outer_Full		
93	1930	20	Default		A7	16 QAM	78@28	37@14	17@7
94	1930	20	Default		A2	16 QAM	6@76	3@38	1@19
95	1950	20	Default		A6	16 QAM	Outer_Full		
96	1922.5	5	15		A3	64 QAM	Outer_Full		
97	1925	10	Default		A1	64 QAM	Outer_Full		
98	1925	10	Default		A7	64 QAM	42@10	18@5	8@3
99	1925	10	Default		A2	64 QAM	6@40	3@20	1@10
100	1927.5	15	Default		A1	64 QAM	Outer_Full		
101	1927.5	15	Default		A7	64 QAM	60@19	28@10	12@5
102	1927.5	15	Default		A2	64 QAM	6@56	3@28	1@14
103	1932.5	15	Default		A1	64 QAM	Outer_Full		
104	1932.5	15	Default		A2	64 QAM	6@68	3@34	1@17
105	1930	20	Default		A1	64 QAM	Outer_Full		
106	1930	20	Default		A7	64 QAM	78@28	37@14	17@7
107	1930	20	Default		A2	64 QAM	6@76	3@38	1@19

CP-OFDM

A-MPR test parameters for NS_05									
Test ID	Fc (MHz)	ChBw (MHz)	SCS (kHz)	Downlink Config.	A-MPR	Uplink Configuration			
						Modulation (NOTE 2)	RB allocation (Note 1)		
							SCS 15 kHz	SCS 30 kHz	SCS 60 kHz
108	1922.5	5	15		A3	256 QAM	Outer_Full		
109	1925	10	Default		A1	256 QAM	Outer_Full		
110	1925	10	Default		A7	256 QAM	42@10	18@5	8@3
111	1927.5	15	Default		A1	256 QAM	Outer_Full		
112	1927.5	15	Default		A7	256 QAM	60@19	28@10	12@5
113	1932.5	15	Default		A1	256 QAM	Outer_Full		
114	1930	20	Default		A1	256 QAM	Outer_Full		
115	1930	20	Default		A7	256 QAM	78@28	37@14	17@7

NOTE 1: The specific configuration of each RB allocation is defined in Table 6.1-1 unless otherwise stated in this table.

NOTE 2: DFT-s-OFDM PI/2 BPSK test applies only for UEs which supports half Pi BPSK in FR1.

Table 6.2.3.4.1-4a: Test Configuration table for NS_05 and NS_05U power class 2

Initial Conditions									
Test Environment as specified in TS 38.508-1 [5] subclause 4.1				Normal					
Test Frequencies as specified in TS 38.508-1 [5] subclause 4.3.1				Use uplink carrier centre frequency (Fc) as specified in test parameters					
Test Channel Bandwidths as specified in TS 38.508-1 [5] subclause 4.3.1				5 MHz, 10 MHz, 15 MHz, 20 MHz					
Test SCS as specified in Table 5.3.5-1				Lowest, Highest unless otherwise specified in test parameters.					
A-MPR test parameters for NS_05 and NS_05U									
Test ID	Fc (MHz)	ChBw (MHz)	SCS (kHz)	Downlink Config.	A-MPR	Uplink Configuration			
						Modulation (NOTE 2)	RB allocation (Note 1)		
							SCS 15 kHz	SCS 30 kHz	SCS 60 kHz
1	1922.5	5	15	N/A for A-MPR testing	A3	PI/2 BPSK	Outer_Full		
2	1922.5	5	Default		A4	PI/2 BPSK	8@1	4@1	
3	1925	10	Default		A1	PI/2 BPSK	Outer_Full		
4	1925	10	Default		A7	PI/2 BPSK	30@11	15@6	6@3
5	1925	10	Default		A1	PI/2 BPSK	6@40	3@20	1@10
6	1925	10	Default		A8	PI/2 BPSK	6@11	3@6	1@3
7	1935	10	Default		A4	PI/2 BPSK	Outer_Full		
8	1927.5	15	Default		A1	PI/2 BPSK	Outer_Full		
9	1927.5	15	Default		A7	PI/2 BPSK	54@20	27@10	12@5
10	1927.5	15	Default		A1	PI/2 BPSK	6@56	3@28	1@14
11	1927.5	15	Default		A8	PI/2 BPSK	6@20	3@10	1@5
12	1932.5	15	Default		A1	PI/2 BPSK	Outer_Full		
13	1932.5	15	Default		A7	PI/2 BPSK	64@11	30@6	15@3
14	1932.5	15	Default		A1	PI/2 BPSK	6@68	3@34	1@17
15	1942.5	15	Default		A5	PI/2 BPSK	Outer_Full		
16	1930	20	Default		A1	PI/2 BPSK	Outer_Full		
17	1930	20	Default		A7	PI/2 BPSK	72@28	36@14	16@7
18	1930	20	Default		A1	PI/2 BPSK	6@76	3@38	1@19
19	1930	20	Default		A8	PI/2 BPSK	6@28	3@14	1@7
20	1950	20	Default		A6	PI/2 BPSK	Outer_Full		
21	1922.5	5	15		A3	QPSK	Outer_Full		
22	1922.5	5	Default		A4	QPSK	8@1	4@1	
23	1925	10	Default		A1	QPSK	Outer_Full		
24	1925	10	Default		A7	QPSK	30@11	15@6	6@3
25	1925	10	Default		A1	QPSK	6@40	3@20	1@10
26	1925	10	Default		A8	QPSK	6@11	3@6	1@3
27	1935	10	Default		A4	QPSK	Outer_Full		
28	1927.5	15	Default		A1	QPSK	Outer_Full		
29	1927.5	15	Default		A7	QPSK	54@20	27@10	12@5
30	1927.5	15	Default		A1	QPSK	6@56	3@28	1@14
31	1927.5	15	Default		A8	QPSK	6@20	3@10	1@5
32	1932.5	15	Default		A1	QPSK	Outer_Full		
33	1932.5	15	Default		A7	QPSK	64@11	30@6	15@3
34	1932.5	15	Default		A1	QPSK	6@68	3@34	1@17
35	1942.5	15	Default		A5	QPSK	Outer_Full		
36	1930	20	Default		A1	QPSK	Outer_Full		
37	1930	20	Default		A7	QPSK	72@28	36@14	16@7
38	1930	20	Default		A1	QPSK	6@76	3@38	1@19
39	1930	20	Default		A8	QPSK	6@28	3@14	1@7
40	1950	20	Default		A6	QPSK	Outer_Full		
41	1922.5	5	15		A3	16 QAM	Outer_Full		
42	1922.5	5	Default		A4	16 QAM	8@1	4@1	
43	1925	10	Default		A1	16 QAM	Outer_Full		
44	1925	10	Default		A7	16 QAM	30@11	15@6	6@3
45	1925	10	Default		A1	16 QAM	6@40	3@20	1@10
46	1925	10	Default		A8	16 QAM	6@11	3@6	1@3
47	1935	10	Default		A4	16 QAM	Outer_Full		
48	1927.5	15	Default		A1	16 QAM	Outer_Full		

49	1927.5	15	Default	A7	16 QAM	54@20	27@10	12@5
50	1927.5	15	Default	A1	16 QAM	6@56	3@28	1@14

A-MPR test parameters for NS_05 and NS_05U									
Test ID	Fc (MHz)	ChBw (MHz)	SCS (kHz)	Downlink Config.	A-MPR	Uplink Configuration			
						Modulation (NOTE 2)	RB allocation (Note 1)		
							SCS 15 kHz	SCS 30 kHz	SCS 60 kHz
51	1927.5	15	Default		A8	16 QAM	6@20	3@10	1@5
52	1932.5	15	Default		A1	16 QAM	Outer_Full		
53	1932.5	15	Default		A7	16 QAM	64@11	30@6	15@3
54	1932.5	15	Default		A1	16 QAM	6@68	3@34	1@17
55	1942.5	15	Default		A5	16 QAM	Outer_Full		
56	1930	20	Default		A1	16 QAM	Outer_Full		
57	1930	20	Default		A7	16 QAM	72@28	36@14	16@7
58	1930	20	Default		A1	16 QAM	6@76	3@38	1@19
59	1930	20	Default		A8	16 QAM	6@28	3@14	1@7
60	1950	20	Default		A6	16 QAM	Outer_Full		
61	1922.5	5	15		A3	64 QAM	Outer_Full		
62	1922.5	5	Default		A4	64 QAM	8@1	4@1	
63	1925	10	Default		A1	64 QAM	Outer_Full		
64	1925	10	Default		A7	64 QAM	30@11	15@6	6@3
65	1925	10	Default		A1	64 QAM	6@40	3@20	1@10
66	1925	10	Default		A8	64 QAM	6@11	3@6	1@3
67	1935	10	Default		A4	64 QAM	Outer_Full		
68	1927.5	15	Default		A1	64 QAM	Outer_Full		
69	1927.5	15	Default		A7	64 QAM	54@20	27@10	12@5
70	1927.5	15	Default		A1	64 QAM	6@56	3@28	1@14
71	1927.5	15	Default		A8	64 QAM	6@20	3@10	1@5
72	1932.5	15	Default		A1	64 QAM	Outer_Full		
73	1932.5	15	Default		A7	64 QAM	64@11	30@6	15@3
74	1932.5	15	Default		A1	64 QAM	6@68	3@34	1@17
75	1942.5	15	Default		A5	64 QAM	Outer_Full		
76	1930	20	Default		A1	64 QAM	Outer_Full		
77	1930	20	Default		A7	64 QAM	72@28	36@14	16@7
78	1930	20	Default		A1	64 QAM	6@76	3@38	1@19
79	1930	20	Default		A8	64 QAM	6@28	3@14	1@7
80	1922.5	5	15		A3	256 QAM	Outer_Full		
81	1925	10	Default		A1	256 QAM	Outer_Full		
82	1925	10	Default		A7	256 QAM	30@11	15@6	6@3
83	1925	10	Default		A1	256 QAM	6@40	3@20	1@10
84	1927.5	15	Default		A1	256 QAM	Outer_Full		
85	1927.5	15	Default		A7	256 QAM	54@20	27@10	12@5
86	1927.5	15	Default		A1	256 QAM	6@56	3@28	1@14
87	1932.5	15	Default		A1	256 QAM	Outer_Full		
88	1932.5	15	Default		A7	256 QAM	64@11	30@6	15@3
89	1932.5	15	Default		A1	256 QAM	6@68	3@34	1@17
90	1930	20	Default		A1	256 QAM	Outer_Full		
91	1930	20	Default		A7	256 QAM	72@28	36@14	16@7
92	1930	20	Default		A1	256 QAM	6@76	3@38	1@19
93	1922.5	5	15		A3	QPSK	Outer_Full		
94	1922.5	5	Default		A4	QPSK	8@1	4@1	
95	1925	10	Default		A1	QPSK	Outer_Full		
96	1925	10	Default		A7	QPSK	30@11	15@6	6@3
97	1925	10	Default		A1	QPSK	6@40	3@20	1@10
98	1925	10	Default		A8	QPSK	6@11	3@6	1@3
99	1935	10	Default		A4	QPSK	Outer_Full		
100	1927.5	15	Default		A1	QPSK	Outer_Full		
101	1927.5	15	Default		A7	QPSK	52@20	26@10	12@5
102	1927.5	15	Default		A1	QPSK	6@56	3@28	1@14
103	1927.5	15	Default		A8	QPSK	6@20	3@10	1@5
104	1932.5	15	Default		A1	QPSK	Outer_Full		
105	1932.5	15	Default		A7	QPSK	62@11	30@6	14@3
106	1932.5	15	Default		A1	QPSK	6@68	3@34	1@17

107	1942.5	15	Default		A5		QPSK	Outer_Full
-----	--------	----	---------	--	----	--	------	------------

A-MPR test parameters for NS_05 and NS_05U										
Test ID	Fc (MHz)	ChBw (MHz)	SCS (kHz)	Downlink Config.	A-MPR	Uplink Configuration				
						Modulation (NOTE 2)	RB allocation (Note 1)			
							SCS 15 kHz	SCS 30 kHz	SCS 60 kHz	
108	1930	20	Default		A1	CP-OFDM	QPSK	Outer_Full		
109	1930	20	Default		A7	CP-OFDM	QPSK	72@28	36@14	16@7
110	1930	20	Default		A1	CP-OFDM	QPSK	6@76	3@38	1@19
111	1930	20	Default		A8	CP-OFDM	QPSK	6@28	3@14	1@7
112	1950	20	Default		A6	CP-OFDM	QPSK	Outer_Full		
113	1922.5	5	15		A3	CP-OFDM	16 QAM	Outer_Full		
114	1922.5	5	Default		A4	CP-OFDM	16 QAM	8@1	4@1	
115	1925	10	Default		A1	CP-OFDM	16 QAM	Outer_Full		
116	1925	10	Default		A7	CP-OFDM	16 QAM	30@11	15@6	6@3
117	1925	10	Default		A1	CP-OFDM	16 QAM	6@40	3@20	1@10
118	1925	10	Default		A8	CP-OFDM	16 QAM	6@11	3@6	1@3
119	1935	10	Default		A4	CP-OFDM	16 QAM	Outer_Full		
120	1927.5	15	Default		A1	CP-OFDM	16 QAM	Outer_Full		
121	1927.5	15	Default		A7	CP-OFDM	16 QAM	52@20	26@10	12@5
122	1927.5	15	Default		A1	CP-OFDM	16 QAM	6@56	3@28	1@14
123	1927.5	15	Default		A8	CP-OFDM	16 QAM	6@20	3@10	1@5
124	1932.5	15	Default		A1	CP-OFDM	16 QAM	Outer_Full		
125	1932.5	15	Default		A7	CP-OFDM	16 QAM	62@11	30@6	14@3
126	1932.5	15	Default		A1	CP-OFDM	16 QAM	6@68	3@34	1@17
127	1942.5	15	Default		A5	CP-OFDM	16 QAM	Outer_Full		
128	1930	20	Default		A1	CP-OFDM	16 QAM	Outer_Full		
129	1930	20	Default		A7	CP-OFDM	16 QAM	72@28	36@14	16@7
130	1930	20	Default		A1	CP-OFDM	16 QAM	6@76	3@38	1@19
131	1930	20	Default		A8	CP-OFDM	16 QAM	6@28	3@14	1@7
132	1950	20	Default		A6	CP-OFDM	16 QAM	Outer_Full		
133	1922.5	5	15		A3	CP-OFDM	64 QAM	Outer_Full		
134	1922.5	5	Default		A4	CP-OFDM	64 QAM	8@1	4@1	
135	1925	10	Default		A1	CP-OFDM	64 QAM	Outer_Full		
136	1925	10	Default		A7	CP-OFDM	64 QAM	30@11	15@6	6@3
137	1925	10	Default		A1	CP-OFDM	64 QAM	6@40	3@20	1@10
138	1935	10	Default		A4	CP-OFDM	64 QAM	Outer_Full		
139	1927.5	15	Default		A1	CP-OFDM	64 QAM	Outer_Full		
140	1927.5	15	Default		A7	CP-OFDM	64 QAM	52@20	26@10	12@5
141	1927.5	15	Default		A1	CP-OFDM	64 QAM	6@56	3@28	1@14
142	1932.5	15	Default		A1	CP-OFDM	64 QAM	Outer_Full		
143	1932.5	15	Default		A7	CP-OFDM	64 QAM	62@11	30@6	14@3
144	1932.5	15	Default		A1	CP-OFDM	64 QAM	6@68	3@34	1@17
145	1942.5	15	Default		A5	CP-OFDM	64 QAM	Outer_Full		
146	1930	20	Default		A1	CP-OFDM	64 QAM	Outer_Full		
147	1930	20	Default		A7	CP-OFDM	64 QAM	72@28	36@14	16@7
148	1930	20	Default		A1	CP-OFDM	64 QAM	6@76	3@38	1@19
149	1950	20	Default		A6	CP-OFDM	64 QAM	Outer_Full		
150	1922.5	5	15		A3	CP-OFDM	256 QAM	Outer_Full		
151	1925	10	Default		A1	CP-OFDM	256 QAM	Outer_Full		
152	1925	10	Default		A7	CP-OFDM	256 QAM	30@11	15@6	6@3
153	1927.5	15	Default		A1	CP-OFDM	256 QAM	Outer_Full		
154	1927.5	15	Default		A7	CP-OFDM	256 QAM	52@20	26@10	12@5
155	1932.5	15	Default		A1	CP-OFDM	256 QAM	Outer_Full		
156	1932.5	15	Default		A7	CP-OFDM	256 QAM	62@11	30@6	14@3
157	1930	20	Default		A1	CP-OFDM	256 QAM	Outer_Full		
158	1930	20	Default		A7	CP-OFDM	256 QAM	72@28	36@14	16@7

NOTE 1: The specific configuration of each RB allocation is defined in Table 6.1-1 unless otherwise stated in this table.
 NOTE 2: DFT-s-OFDM PI/2 BPSK test applies only for UEs which supports half Pi BPSK in FR1.

Table 6.2.3.4.1-5: Test Configuration table for NS_05U power class 3

Initial Conditions

Test Environment as specified in TS 38.508-1 [5] subclause 4.1	Normal
Test Frequencies as specified in TS 38.508-1 [5] subclause 4.3.1	Use uplink carrier centre frequency (Fc) as specified in test parameters
Test Channel Bandwidths as specified in TS 38.508-1 [5] subclause 4.3.1	5 MHz, 10 MHz, 15 MHz, 20 MHz
Test SCS as specified in Table 5.3.5-1	Lowest, Highest unless otherwise specified in test parameters.

A-MPR test parameters for NS_05U

Test ID	Fc (MHz)	ChBw (MHz)	SCS (kHz)	Downlink Config.	A-MPR	Uplink Configuration			
						Modulation (NOTE 2)	RB allocation (Note 1)		
							SCS 15 kHz	SCS 30 kHz	SCS 60 kHz
1	1922.5	5	15	N/A for A-MPR testing.	A3	PI/2 BPSK	Outer_Full		
2	1925	10	Default		A1	PI/2 BPSK	Outer_Full		
3	1925	10	Default		A7	PI/2 BPSK	40@10	18@5	8@3
4	1925	10	Default		A2	PI/2 BPSK	6@40	3@20	1@10
5	1935	10	Default		A4	PI/2 BPSK	Outer_Full		
6	1927.5	15	Default		A1	PI/2 BPSK	Outer_Full		
7	1927.5	15	Default		A7	PI/2 BPSK	60@19	27@10	12@5
8	1927.5	15	Default		A2	PI/2 BPSK	6@56	3@28	1@14
9	1932.5	15	Default		A1	PI/2 BPSK	Outer_Full		
10	1932.5	15	Default		A2	PI/2 BPSK	6@68	3@34	1@17
11	1942.5	15	Default		A5	PI/2 BPSK	Outer_Full		
12	1930	20	Default		A1	PI/2 BPSK	Outer_Full		
13	1930	20	Default		A7	PI/2 BPSK	72@28	36@14	16@7
14	1930	20	Default		A2	PI/2 BPSK	6@76	3@38	1@19
15	1950	20	Default		A6	PI/2 BPSK	Outer_Full		
16	1922.5	5	15		A3	QPSK	Outer_Full		
17	1925	10	Default		A1	QPSK	Outer_Full		
18	1925	10	Default		A7	QPSK	40@10	18@5	8@3
19	1925	10	Default		A2	QPSK	6@40	3@20	1@10
20	1935	10	Default		A4	QPSK	Outer_Full		
21	1927.5	15	Default		A1	QPSK	Outer_Full		
22	1927.5	15	Default		A7	QPSK	60@19	27@10	12@5
23	1927.5	15	Default		A2	QPSK	6@56	3@28	1@14
24	1932.5	15	Default		A1	QPSK	Outer_Full		
25	1932.5	15	Default		A2	QPSK	6@68	3@34	1@17
26	1942.5	15	Default		A5	QPSK	Outer_Full		
27	1930	20	Default		A1	QPSK	Outer_Full		
28	1930	20	Default		A7	QPSK	72@28	36@14	16@7
29	1930	20	Default		A2	QPSK	6@76	3@38	1@19
30	1950	20	Default		A6	QPSK	Outer_Full		
31	1922.5	5	15		A3	16 QAM	Outer_Full		
32	1925	10	Default		A1	16 QAM	Outer_Full		
33	1925	10	Default		A7	16 QAM	40@10	18@5	8@3
34	1925	10	Default		A2	16 QAM	6@40	3@20	1@10
35	1935	10	Default		A4	16 QAM	Outer_Full		
36	1927.5	15	Default		A1	16 QAM	Outer_Full		
37	1927.5	15	Default		A7	16 QAM	60@19	27@10	12@5
38	1927.5	15	Default		A2	16 QAM	6@56	3@28	1@14
39	1932.5	15	Default		A1	16 QAM	Outer_Full		
40	1932.5	15	Default		A2	16 QAM	6@68	3@34	1@17
41	1942.5	15	Default		A5	16 QAM	Outer_Full		
42	1930	20	Default		A1	16 QAM	Outer_Full		
43	1930	20	Default		A7	16 QAM	72@28	36@14	16@7
44	1930	20	Default		A2	16 QAM	6@76	3@38	1@19
45	1950	20	Default		A6	16 QAM	Outer_Full		
46	1922.5	5	15		A3	64 QAM	Outer_Full		
47	1925	10	Default		A1	64 QAM	Outer_Full		
48	1925	10	Default		A7	64 QAM	40@10	18@5	8@3
49	1925	10	Default		A2	64 QAM	6@40	3@20	1@10
50	1935	10	Default		A4	64 QAM	Outer_Full		

A-MPR test parameters for NS_05U

					⊲ ⊳	Uplink Configuration
--	--	--	--	--	-----	----------------------

Test ID	Fc (MHz)	ChBw (MHz)	SCS (kHz)	Downlink Config.		Modulation (NOTE 2)	RB allocation (Note 1)		
							SCS 15 kHz	SCS 30 kHz	SCS 60 kHz
51	1927.5	15	Default		A1	64 QAM	Outer_Full		
52	1927.5	15	Default		A7	64 QAM	60@19	27@10	12@5
53	1927.5	15	Default		A2	64 QAM	6@56	3@28	1@14
54	1932.5	15	Default		A1	64 QAM	Outer_Full		
55	1932.5	15	Default		A2	64 QAM	6@68	3@34	1@17
56	1942.5	15	Default		A5	64 QAM	Outer_Full		
57	1930	20	Default		A1	64 QAM	Outer_Full		
58	1930	20	Default		A7	64 QAM	72@28	36@14	16@7
59	1930	20	Default		A2	64 QAM	6@76	3@38	1@19
60	1950	20	Default		A6	64 QAM	Outer_Full		
61	1922.5	5	15		A3	256 QAM	Outer_Full		
62	1925	10	Default		A1	256 QAM	Outer_Full		
63	1925	10	Default		A7	256 QAM	40@10	18@5	8@3
64	1925	10	Default		A2	256 QAM	6@40	3@20	1@10
65	1935	10	Default		A4	256 QAM	Outer_Full		
66	1927.5	15	Default		A1	256 QAM	Outer_Full		
67	1927.5	15	Default		A7	256 QAM	60@19	27@10	12@5
68	1927.5	15	Default		A2	256 QAM	6@56	3@28	1@14
69	1932.5	15	Default		A1	256 QAM	Outer_Full		
70	1932.5	15	Default		A2	256 QAM	6@68	3@34	1@17
71	1942.5	15	Default		A5	256 QAM	Outer_Full		
72	1930	20	Default		A1	256 QAM	Outer_Full		
73	1930	20	Default		A7	256 QAM	72@28	36@14	16@7
74	1930	20	Default		A2	256 QAM	6@76	3@38	1@19
75	1950	20	Default		A6	256 QAM	Outer_Full		
76	1922.5	5	15		A3	QPSK	Outer_Full		
77	1925	10	Default		A1	QPSK	Outer_Full		
78	1925	10	Default		A7	QPSK	42@10	18@5	8@3
79	1925	10	Default		A2	QPSK	6@40	3@20	1@10
80	1935	10	Default		A4	QPSK	Outer_Full		
81	1927.5	15	Default		A1	QPSK	Outer_Full		
82	1927.5	15	Default		A7	QPSK	60@19	28@10	12@5
83	1927.5	15	Default		A2	QPSK	6@56	3@28	1@14
84	1932.5	15	Default		A1	QPSK	Outer_Full		
85	1932.5	15	Default		A2	QPSK	6@68	3@34	1@17
86	1942.5	15	Default		A5	QPSK	Outer_Full		
87	1930	20	Default		A1	QPSK	Outer_Full		
88	1930	20	Default		A7	QPSK	78@28	37@14	17@7
89	1930	20	Default		A2	QPSK	6@76	3@38	1@19
90	1950	20	Default		A6	QPSK	Outer_Full		
91	1922.5	5	15		A3	16 QAM	Outer_Full		
92	1925	10	Default		A1	16 QAM	Outer_Full		
93	1925	10	Default		A7	16 QAM	42@10	18@5	8@3
94	1925	10	Default		A2	16 QAM	6@40	3@20	1@10
95	1935	10	Default		A4	16 QAM	Outer_Full		
96	1927.5	15	Default		A1	16 QAM	Outer_Full		
97	1927.5	15	Default		A7	16 QAM	60@19	28@10	12@5
98	1927.5	15	Default		A2	16 QAM	6@56	3@28	1@14
99	1932.5	15	Default		A1	16 QAM	Outer_Full		
100	1932.5	15	Default		A2	16 QAM	6@68	3@34	1@17
101	1942.5	15	Default		A5	16 QAM	Outer_Full		
102	1930	20	Default		A1	16 QAM	Outer_Full		
103	1930	20	Default		A7	16 QAM	78@28	37@14	17@7
104	1930	20	Default		A2	16 QAM	6@76	3@38	1@19
105	1950	20	Default		A6	16 QAM	Outer_Full		
106	1922.5	5	15		A3	64 QAM	Outer_Full		
107	1925	10	Default		A1	64 QAM	Outer_Full		
108	1925	10	Default		A7	64 QAM	42@10	18@5	8@3

CP-OFDM

A-MPR test parameters for NS_05U				
				Uplink Configuration

Test ID	Fc (MHz)	ChBw (MHz)	SCS (kHz)	Downlink Config.		Modulation (NOTE 2)	RB allocation (Note 1)		
							SCS 15 kHz	SCS 30 kHz	SCS 60 kHz
109	1925	10	Default		A2	64 QAM	6@40	3@20	1@10
110	1935	10	Default		A4	64 QAM	Outer_Full		
111	1927.5	15	Default		A1	64 QAM	Outer_Full		
112	1927.5	15	Default		A7	64 QAM	60@19	28@10	12@5
113	1927.5	15	Default		A2	64 QAM	6@56	3@28	1@14
114	1932.5	15	Default		A1	64 QAM	Outer_Full		
115	1932.5	15	Default		A2	64 QAM	6@68	3@34	1@17
116	1942.5	15	Default		A5	64 QAM	Outer_Full		
117	1930	20	Default		A1	64 QAM	Outer_Full		
118	1930	20	Default		A7	64 QAM	78@28	37@14	17@7
119	1930	20	Default		A2	64 QAM	6@76	3@38	1@19
120	1950	20	Default		A6	64 QAM	Outer_Full		
121	1922.5	5	15		A3	256 QAM	Outer_Full		
122	1925	10	Default		A1	256 QAM	Outer_Full		
123	1925	10	Default		A7	256 QAM	42@10	18@5	8@3
124	1935	10	Default		A4	256 QAM	Outer_Full		
125	1927.5	15	Default		A1	256 QAM	Outer_Full		
126	1927.5	15	Default		A7	256 QAM	60@19	28@10	12@5
127	1932.5	15	Default		A1	256 QAM	Outer_Full		
128	1942.5	15	Default		A5	256 QAM	Outer_Full		
129	1930	20	Default		A1	256 QAM	Outer_Full		
130	1930	20	Default		A7	256 QAM	78@28	37@14	17@7
131	1950	20	Default		A6	256 QAM	Outer_Full		

NOTE 1: The specific configuration of each RB allocation is defined in Table 6.1-1 unless otherwise stated in this table.
 NOTE 2: DFT-s-OFDM PI/2 BPSK test applies only for UEs which supports half Pi BPSK in FR1.

Table 6.2.3.4.1-6: Test Configuration table for NS_43 for PC3 UE

Initial Conditions							
Test Environment as specified in TS 38.508-1 [5] subclause 4.1				Normal			
Test Frequencies as specified in TS 38.508-1 [5] subclause 4.3.1				Use uplink carrier centre frequency (F _c) as specified in test parameters			
Test Channel Bandwidths as specified in TS 38.508-1 [5] subclause 4.3.1				5 MHz, 10 MHz, 15 MHz			
Test SCS as specified in Table 5.3.5-1				Lowest			
A-MPR test parameters for NS_43							
Test ID	F _c (MHz)	Ch BW (MHz)	SCS (kHz)	Downlink Configuration	Uplink Configuration		
					Modulation (Note 2)	RB allocation (Note 1)	
1	910	10	default	N/A for A-MPR	DFT-s-OFDM	PI/2 BPSK	Outer_Full (A2)
2	907.5	15				PI/2 BPSK	Edge_1RB_Left (A6)
3	907.5	15				PI/2 BPSK	Outer_Full (A6)
4 ³	902.5	5				QPSK	Outer_Full (A1)
5	910	10				QPSK	Outer_Full (A4)
6	907.5	15				QPSK	Edge_1RB_Left (A6)
7	907.5	15				QPSK	Outer_Full (A6)
8	910	10				16 QAM	Outer_Full (A5)
9	907.5	15				16 QAM	Edge_1RB_Left (A6)
10	907.5	15				16 QAM	Outer_Full (A6)
11	910	10			64 QAM	Outer_Full (A3)	
12	907.5	15			64 QAM	Edge_1RB_Left (A6)	
13	907.5	15			64 QAM	Outer_Full (A6)	
14	907.5	15			256 QAM	Edge_1RB_Left (A6)	
15	907.5	15			256 QAM	Outer_Full (A6)	
16	902.5	5			CP-OFDM	QPSK	Outer_Full (A1)
17	910	10				QPSK	Outer_Full (A5)
18	907.5	15				QPSK	Edge_1RB_Left (A6)
19	907.5	15				QPSK	Outer_Full (A6)
20	902.5	5				16 QAM	Outer_Full (A1)

21	910	10			16 QAM	Outer_Full (A5)
22	907.5	15			16 QAM	Edge_1RB_Left (A6)
23	907.5	15			16 QAM	Outer_Full (A6)
24 ³	910	10			64 QAM	Outer_Full (A3)
25	907.5	15			64 QAM	Edge_1RB_Left (A6)
26	907.5	15			64 QAM	Outer_Full (A6)
27	907.5	15			256 QAM	Edge_1RB_Left (A6)
28	907.5	15			256 QAM	Outer_Full (A6)

NOTE 1: The specific configuration of each RB allocation is defined in Table 6.1-1 unless otherwise stated in this table.
 NOTE 2: DFT-s-OFDM PI/2 BPSK test applies only for UEs which supports half Pi BPSK in FR1.
 NOTE 3: Not applicable when SCS=60kHz.

Table 6.2.3.4.1-6a: Test Configuration table for NS_43 for PC2 UE

Initial Conditions						
Test Environment as specified in TS 38.508-1 [5] subclause 4.1				Normal		
Test Frequencies as specified in TS 38.508-1 [5] subclause 4.3.1				Use uplink carrier centre frequency (F _c) as specified in test parameters		
Test Channel Bandwidths as specified in TS 38.508-1 [5] subclause 4.3.1				5 MHz, 10 MHz, 15 MHz		
Test SCS as specified in Table 5.3.5-1				Lowest		
A-MPR test parameters for NS_43						
Test ID	F _c (MHz)	Ch BW (MHz)	SCS	Downlink Configuration	Uplink Configuration	
					Modulation (Note 2)	RB allocation (Note 1)
1	902.5	5	Default	N/A for A-MPR	DFT-s-OFDM	Outer_Full (A1)
2	910	10				Outer_Full (A2)
3	907.5	15	Outer_Full (A6)			
4	907.5	15	Edge_1RB_Left (A6)			
5 ³	902.5	5	Outer_Full (A1)			
6	910	10	Outer_Full (A4)			
7	910	10	Outer_Full (A5)			
8	907.5	15	Outer_Full (A6)			
9	907.5	15	Edge_1RB_Left (A6)			
10 ³	902.5	5	Outer_Full (A1)			
11	910	10	Outer_Full (A4)			
12	910	10	Outer_Full (A5)			
13	907.5	15	Outer_Full (A6)			
14	907.5	15	Edge_1RB_Left (A6)			
15 ³	902.5	5	Outer_Full (A1)			
16	910	10	Outer_Full (A2)			
17 ³	910	10	Outer_Full (A3)			
18	907.5	15	Outer_Full (A6)			
19	907.5	15	Edge_1RB_Left (A6)			
20	907.5	15	Outer_Full (A6)			
21	907.5	15	Edge_1RB_Left (A6)			
22 ³	902.5	5	Outer_Full (A1)			
23	910	10	Outer_Full (A4)			
24	910	10	Outer_Full (A5)			
25	907.5	15	Outer_Full (A6)			
26	907.5	15	Edge_1RB_Left (A6)			
27 ³	902.5	5	Outer_Full (A1)			
28	910	10	Outer_Full (A4)			
29	910	10	Outer_Full (A5)			
30	907.5	15	Outer_Full (A6)			
31	907.5	15	Edge_1RB_Left (A6)			
32 ³	902.5	5	Outer_Full (A1)			
33	910	10	Outer_Full (A2)			
34 ³	910	10	Outer_Full (A3)			

35	907.5	15			64QAM	Outer_Full (A6)
36	907.5	15			64QAM	Edge_1RB_Left (A6)
37	907.5	15			256QAM	Outer_Full (A6)
38	907.5	15			256QAM	Edge_1RB_Left (A6)

NOTE 1: The specific configuration of each RB allocation is defined in Table 6.1-1 unless otherwise stated in this table.
 NOTE 2: DFT-s-OFDM PI/2 BPSK test applies only for UEs which supports half Pi BPSK in FR1.
 NOTE 3: Not applicable when SCS=60kHz

Table 6.2.3.4.1-7: Test Configuration table for NS_43U

Initial Conditions							
Test Environment as specified in TS 38.508-1 [5] subclause 4.1				Normal			
Test Frequencies as specified in TS 38.508-1 [5] subclause 4.3.1				Use uplink carrier centre frequency (F _c) as specified in test parameters			
Test Channel Bandwidths as specified in TS 38.508-1 [5] subclause 4.3.1				5 MHz, 10 MHz, 15 MHz			
Test SCS as specified in Table 5.3.5-1				15 kHz			
A-MPR test parameters for NS_43U							
Test ID	F _c (MHz)	Ch BW (MHz)	SCS (kHz)	Downlink Configuration	Uplink Configuration		
					Modulation (Note 2)	RB allocation (Note 1)	
1	902.5	5	15	N/A for A-MPR	DFT-s-OFDM	PI/2 BPSK	Outer_Full
2	910	10	15			PI/2 BPSK	Outer_Full
3	907.5	15	15			PI/2 BPSK	Edge_1RB_Left
4	907.5	15	15			PI/2 BPSK	Outer_Full
5	902.5	5	15			QPSK	Outer_Full
6	910	10	15			QPSK	Outer_Full
7	907.5	15	15			QPSK	Edge_1RB_Left
8	907.5	15	15			QPSK	Outer_Full
9	902.5	5	15			16 QAM	Outer_Full
10	910	10	15			16 QAM	Outer_Full
11	907.5	15	15			16 QAM	Edge_1RB_Left
12	907.5	15	15			16 QAM	Outer_Full
13	902.5	5	15			64 QAM	Outer_Full
14	910	10	15			64 QAM	Outer_Full
15	907.5	15	15			64 QAM	Edge_1RB_Left
16	907.5	15	15			64 QAM	Outer_Full
17	902.5	5	15			256 QAM	Outer_Full
18	910	10	15			256 QAM	Outer_Full
19	907.5	15	15		256 QAM	Edge_1RB_Left	
20	907.5	15	15		256 QAM	Outer_Full	
21	902.5	5	15		CP-OFDM	QPSK	Outer_Full
22	910	10	15			QPSK	Outer_Full
23	907.5	15	15			QPSK	Edge_1RB_Left
24	907.5	15	15			QPSK	Outer_Full
25	902.5	5	15			16 QAM	Outer_Full
26	910	10	15			16 QAM	Outer_Full
27	907.5	15	15			16 QAM	Edge_1RB_Left
28	907.5	15	15			16 QAM	Outer_Full
29	902.5	5	15			64 QAM	Outer_Full
30	910	10	15			64 QAM	Outer_Full
31	907.5	15	15			64 QAM	Edge_1RB_Left
32	907.5	15	15			64 QAM	Outer_Full
33	902.5	5	15			256 QAM	Outer_Full
34	910	10	15			256 QAM	Outer_Full
35	907.5	15	15			256 QAM	Edge_1RB_Left
36	907.5	15	15			256 QAM	Outer_Full

NOTE 1: The specific configuration of each RB allocation is defined in Table 6.1-1 unless otherwise stated in this table.

NOTE 2: DFT-s-OFDM PI/2 BPSK test applies only for UEs which supports half Pi BPSK in FR1.

Table 6.2.3.4.1-8: Test Configuration table for NS_37

Initial Conditions									
Test Environment as specified in TS 38.508-1 [5] subclause 4.1				Normal					
Test Frequencies as specified in TS 38.508-1 [5] subclause 4.3.1				Use uplink carrier centre frequency (F _c) as specified in test parameters					
Test Channel Bandwidths as specified in TS 38.508-1 [5] subclause 4.3.1				10 MHz, 15 MHz					
Test SCS as specified in Table 5.3.5-1				Unless otherwise specified in the SCS column select Lowest and Highest.					
A-MPR test parameters for NS_37									
Test ID	F _c (MHz)	Ch BW (MHz)	SCS (kHz)	Downlink Configuration	Uplink Configuration				
					Modulation (Note 2)	RB allocation (Note 1)			
						SCS 15 kHz	SCS 30 kHz	SCS 60 kHz	
1	1457.9	10	Default	N/A for A-MPR testing	DFT-s-OFDM	PI/2 BPSK (A1)	Outer_Full		
2	1455.4	15	Default			PI/2 BPSK (A1)	Outer_Full		
3	1455.4	15	15, 30			PI/2 BPSK (A2)	5@0	2@0	N/A
4	1455.4	15	15, 30			PI/2 BPSK (A2)	Edge_1RB_Right	Edge_1RB_Right	N/A
5	1457.9	10	Default			QPSK (A1)	Outer_Full		
6	1455.4	15	Default			QPSK (A2)	Outer_Full		
7	1455.4	15	15, 30			QPSK (A2)	5@0	2@0	N/A
8	1455.4	15	15, 30			QPSK (A2)	Edge_1RB_Right	Edge_1RB_Right	N/A
9	1457.9	10	Default			16 QAM (A1)	Outer_Full		
10	1455.4	15	Default			16 QAM (A2)	Outer_Full		
11	1455.4	15	15, 30			16 QAM (A2)	5@0	2@0	N/A
12	1455.4	15	15, 30			16 QAM (A2)	Edge_1RB_Right	Edge_1RB_Right	N/A
13	1457.9	10	Default		64 QAM (A1)	Outer_Full			
14	1455.4	15	Default		64 QAM (A2)	Outer_Full			
15	1455.4	15	15, 30		64 QAM (A2)	5@0	2@0	N/A	
16	1455.4	15	15, 30		64 QAM (A2)	Edge_1RB_Right	Edge_1RB_Right	N/A	
17	1457.9	10	Default		CP-OFDM	QPSK (A1)	Outer_Full		
18	1455.4	15	Default			QPSK (A2)	Outer_Full		
19	1455.4	15	15, 30			QPSK (A2)	5@0	2@0	N/A
20	1455.4	15	15, 30			QPSK (A2)	Edge_1RB_Right	Edge_1RB_Right	N/A
21	1457.9	10	Default			16 QAM (A1)	Outer_Full		
22	1455.4	15	Default			16 QAM (A2)	Outer_Full		
23	1455.4	15	15, 30			16 QAM (A2)	5@0	2@0	N/A
24	1455.4	15	15, 30			16 QAM (A2)	Edge_1RB_Right	Edge_1RB_Right	N/A

NOTE 1: The specific configuration of each RB allocation is defined in Table 6.1-1 unless otherwise stated in this table.
 NOTE 2: DFT-s-OFDM PI/2 BPSK test applies only for UEs which supports half Pi BPSK in FR1.

Table 6.2.3.4.1-9: Test Configuration table for NS_38

Initial Conditions								
Test Environment as specified in TS 38.508-1 [5] subclause 4.1				Normal				
Test Frequencies as specified in TS 38.508-1 [5] subclause 4.3.1				Use uplink carrier centre frequency (F _c) as specified in test parameters				
Test Channel Bandwidths as specified in TS 38.508-1 [5] subclause 4.3.1				10 MHz, 15 MHz and 20 MHz				
Test SCS as specified in Table 5.3.5-1				Lowest and Highest.				
A-MPR test parameters for NS_38								
Test ID	F _c (MHz)	Ch BW (MHz)	SCS (kHz)	Downlink Configuration	Uplink Configuration			
					Modulation (Note 2)	RB allocation (Note 1)		
						SCS 15 kHz	SCS 30 kHz	SCS 60 kHz
1	1435	10	Default	DFT-s-OFDM	PI/2 BPSK	Outer_Full		
2	1435	10	Default		PI/2 BPSK	12@0	6@0	3@0

3	1437.5	15	Default	N/A for A-MPR testing		PI/2 BPSK	Outer_Full		
4	1437.5	15	Default			PI/2 BPSK	20@0	10@0	5@0
5	1440	20	Default			PI/2 BPSK	Outer_Full		
6	1440	20	Default			PI/2 BPSK	30@0	12@0	6@0
7	1435	10	Default			QPSK	Outer_Full		
8	1435	10	Default			QPSK	12@0	6@0	3@0
9	1437.5	15	Default			QPSK	Outer_Full		
10	1437.5	15	Default			QPSK	20@0	10@0	5@0
11	1440	20	Default			QPSK	Outer_Full		
12	1440	20	Default			QPSK	30@0	12@0	6@0
13	1435	10	Default			16 QAM	Outer_Full		
14	1435	10	Default			16 QAM	12@0	6@0	3@0
15	1437.5	15	Default			16 QAM	Outer_Full		
16	1437.5	15	Default			16 QAM	20@0	10@0	5@0
17	1440	20	Default			16 QAM	Outer_Full		
18	1440	20	Default			16 QAM	30@0	12@0	6@0
19	1435	10	Default			64 QAM	Outer_Full		
20	1435	10	Default			64 QAM	12@0	6@0	3@0
21	1437.5	15	Default			64 QAM	Outer_Full		
22	1437.5	15	Default			64 QAM	20@0	10@0	5@0
23	1440	20	Default			64 QAM	Outer_Full		
24	1440	20	Default			64 QAM	30@0	12@0	6@0
25	1435	10	Default			256 QAM	Outer_Full		
26	1435	10	Default			256 QAM	12@0	6@0	3@0
27	1437.5	15	Default			256 QAM	Outer_Full		
28	1437.5	15	Default			256 QAM	20@0	10@0	5@0
29	1440	20	Default			256 QAM	Outer_Full		
30	1440	20	Default			256 QAM	30@0	12@0	6@0
31	1435	10	Default			QPSK	Outer_Full		
32	1435	10	Default			QPSK	12@0	6@0	3@0
33	1437.5	15	Default			QPSK	Outer_Full		
34	1437.5	15	Default			QPSK	20@0	10@0	5@0
35	1440	20	Default			QPSK	Outer_Full		
36	1440	20	Default			QPSK	30@0	15@0	7@0
37	1435	10	Default			16 QAM	Outer_Full		
38	1435	10	Default			16 QAM	12@0	6@0	3@0
39	1437.5	15	Default			16 QAM	Outer_Full		
40	1437.5	15	Default			16 QAM	20@0	10@0	5@0
41	1440	20	Default			16 QAM	Outer_Full		
42	1440	20	Default			16 QAM	30@0	15@0	7@0
43	1435	10	Default			64 QAM	Outer_Full		
44	1435	10	Default			64 QAM	12@0	6@0	3@0
45	1437.5	15	Default			64 QAM	Outer_Full		
46	1437.5	15	Default			64 QAM	20@0	10@0	5@0

A-MPR test parameters for NS_38								
Test ID	F _c (MHz)	Ch BW (MHz)	SCS (kHz)	Downlink Configuration	Uplink Configuration			
					Modulation (Note 2)	RB allocation (Note 1)		
						SCS 15 kHz	SCS 30 kHz	SCS 60 kHz
47	1440	20	Default		64 QAM	Outer_Full		
48	1440	20	Default		64 QAM	30@0	15@0	7@0
49	1435	10	Default		256 QAM	Outer_Full		
50	1435	10	Default		256 QAM	12@0	6@0	3@0
51	1437.5	15	Default		256 QAM	Outer_Full		
52	1437.5	15	Default		256 QAM	20@0	10@0	5@0
53	1440	20	Default		256 QAM	Outer_Full		
54	1440	20	Default		256 QAM	30@0	15@0	7@0

NOTE 1: The specific configuration of each RB allocation is defined in Table 6.1-1 unless otherwise stated in this table.

NOTE 2: DFT-s-OFDM PI/2 BPSK test applies only for UEs which supports half Pi BPSK in FR1.
 NOTE 3: There is no need to test this frequency if it has already been tested in the Low Range.

Table 6.2.3.4.1-10: Test Configuration table for NS_39

Initial Conditions							
Test Environment as specified in TS 38.508-1 [5] subclause 4.1					Normal		
Test Frequencies as specified in TS 38.508-1 [5] subclause 4.3.1					Use uplink carrier centre frequency (F_c) as specified in test parameters		
Test Channel Bandwidths as specified in TS 38.508-1 [5] subclause 4.3.1					10 MHz, 15 MHz and 20 MHz		
Test SCS as specified in Table 5.3.5-1					Lowest and Highest.		
A-MPR test parameters for NS_39							
Test ID	F_c (MHz)	Ch BW (MHz)	SCS (kHz)	Downlink Configuration	Uplink Configuration		
					Modulation (Note 2)	RB allocation (Note 1)	
1	1465	10	Default	N/A for A-MPR testing	DFT-s-OFDM	PI/2 BPSK	Outer_Full
2	1462.5	15	Default			PI/2 BPSK	Outer_Full
3	1460	20	Default			PI/2 BPSK	Outer_Full
4	1465	10	Default			QPSK	Outer_Full
5	1462.5	15	Default			QPSK	Outer_Full
6	1460	20	Default			QPSK	Outer_Full
7	1465	10	Default			16 QAM	Outer_Full
8	1462.5	15	Default			16 QAM	Outer_Full
9	1460	20	Default			16 QAM	Outer_Full
10	1465	10	Default			64 QAM	Outer_Full
11	1462.5	15	Default			64 QAM	Outer_Full
12	1460	20	Default			64 QAM	Outer_Full
13	1465	10	Default			256 QAM	Outer_Full
14	1462.5	15	Default			256 QAM	Outer_Full
15	1460	20	Default		256 QAM	Outer_Full	
16	1465	10	Default		CP-OFDM	QPSK	Outer_Full
17	1462.5	15	Default			QPSK	Outer_Full
18	1460	20	Default			QPSK	Outer_Full
19	1465	10	Default			16 QAM	Outer_Full
20	1462.5	15	Default			16 QAM	Outer_Full
21	1460	20	Default			16 QAM	Outer_Full
22	1465	10	Default			64 QAM	Outer_Full
23	1462.5	15	Default			64 QAM	Outer_Full
24	1460	20	Default			64 QAM	Outer_Full
25	1465	10	Default			256 QAM	Outer_Full
26	1462.5	15	Default			256 QAM	Outer_Full
27	1460	20	Default			256 QAM	Outer_Full

NOTE 1: The specific configuration of each RB allocation is defined in Table 6.1-1 unless otherwise stated in this table.
 NOTE 2: DFT-s-OFDM PI/2 BPSK test applies only for UEs which supports half Pi BPSK in FR1.
 NOTE 3: There is no need to test this frequency if it has already been tested in the Low Range.

Table 6.2.3.4.1-11: Test Configuration table for NS_18

Initial Conditions							
Test Environment as specified in TS 38.508-1 [5] subclause 4.1					Normal		
Test Frequencies as specified in TS 38.508-1 [5] subclause 4.3.1					Low range		
Test Channel Bandwidths as specified in TS 38.508-1 [5] subclause 4.3.1					Use channel bandwidth as specified in test parameters		
Test SCS as specified in Table 5.3.5-1					Lowest, Highest		
A-MPR test parameters for NS_18							
Test ID	Freq	ChBw	SCS	Downlink Configuration	Uplink Configuration		
					Modulation	RB allocation (Note 1)	Comment

				(Note 2)				
1	Low	3MHz, 5MHz, 10MHz, 20MHz	Default	DFT-s-OFDM	QPSK	Edge_1RB_Left	A1, A2	
2					QPSK	Outer_Full	A1, A2	
3					16 QAM	Edge_1RB_Left	A1, A2	
4					16 QAM	Outer_Full	A1, A2	
5					64 QAM	Edge_1RB_Left	A1, A2	
6					64 QAM	Outer_Full	A1, A2	
7					256 QAM	Edge_1RB_Left	A1, A2	
8					256 QAM	Outer_Full	A1, A2	
9					QPSK	Edge_1RB_Left	A1, A2	
10					QPSK	Outer_Full	A1, A2	
11					16 QAM	Edge_1RB_Left	A1, A2	
12					16 QAM	Outer_Full	A1, A2	
13					64 QAM	Edge_1RB_Left	A1, A2	
14					64 QAM	Outer_Full	A1, A2	
15					256 QAM	Edge_1RB_Left	A1, A2	
16					256 QAM	Outer_Full	A1, A2	
17		30MHz	15kHz	DFT-s-OFDM	256 QAM	81@70	A3	
18			30kHz		256 QAM	40@35	A3	
19			Default		256 QAM	Edge_1RB_Right	A3	
20			Default		256 QAM	Outer_Full	A4	
21			Default		16QAM	Edge_1RB_Left	A5	
22			Default		64QAM	Edge_1RB_Left	A5	
23			Default		256QAM	Edge_1RB_Left	A5	
24			15kHz		CP-OFDM	256 QAM	87@73	A3
25			30kHz			256 QAM	42@36	A3
26			Default			256 QAM	Edge_1RB_Right	A3
27			Default			256 QAM	Outer_Full	A4
28			Default			16QAM	Edge_1RB_Left	A5
29			Default			64QAM	Edge_1RB_Left	A5
30			Default			256QAM	Edge_1RB_Left	A5

NOTE 1: The specific configuration of each RB allocation is defined in Table 6.1-1 unless otherwise stated in this table.

Table 6.2.3.4.1-12: Test Configuration table for NS_24

Initial Conditions									
Test Environment as specified in TS 38.508-1 [5] subclause 4.1				Normal					
Test Frequencies as specified in TS 38.508-1 [5] subclause 4.3.1				Refer to uplink carrier centre frequency (F _c) in test parameters					
Test Channel Bandwidths as specified in TS 38.508-1 [5] subclause 4.3.1				Refer to test parameters (5, 10, 15, 20 MHz)					
Test SCS as specified in Table 5.3.5-1				Lowest					
A-MPR test parameters for NS_24									
Test ID	F _c (MHz)	ChBw (MHz)	SCS	Downlink Configuration	Uplink Configuration				
					Modulation (NOTE 2, 3)	RB allocation (Note 1)			
		Region A	Region B	Region C					
1-3	1992.5	5	Default	N/A for A-MPR testing.	DFT-s-OFDM	PI/2 BPSK QPSK 16 QAM	Outer_Full	N/A	N/A
4-6	1997.5	5	Default			PI/2 BPSK QPSK 16 QAM	Outer_Full	N/A	N/A
7-15	2002.5	5	Default			PI/2 BPSK QPSK 16 QAM	Outer_Full	Edge_1R B_Right	Edge_1RB _Left
16-18	1985	10	Default			PI/2 BPSK QPSK 16 QAM	Edge_1RB_Right	N/A	N/A
19-21	1985	10	Default			PI/2 BPSK	Outer_Full	N/A	N/A

22-30	1995	10	Default
31-39	2000	10	Default
40-42	2000	10	Default
43-51	1987.5	15	Default
52-60	1997.5	15	Default
61-63	1997.5	15	Default
64-72	1990	20	Default
73-75	1990	20	Default
76-84	1995	20	Default
85-87	1995	20	Default
88	1992.5	5	Default
89	1997.5	5	Default
90-92	2002.5	5	Default
93	1985	10	Default
94	1985	10	Default

	QPSK 16 QAM			
	PI/2 BPSK QPSK 16 QAM	Outer_Full	Edge_1RB _Right	Edge_1RB_ Left
	PI/2 BPSK QPSK 16 QAM	Edge_1RB_Right	Edge_1RB _Left	36@0
	PI/2 BPSK QPSK 16 QAM	Outer_Full	N/A	N/A
	PI/2 BPSK QPSK 16 QAM	Outer_Full	Edge_1RB _Right	Edge_1RB_ Left
	PI/2 BPSK QPSK 16 QAM	Edge_1RB_Right	Edge_1R B_Left	50@0
	PI/2 BPSK QPSK 16 QAM	Outer_Full	N/A	N/A
	PI/2 BPSK QPSK 16 QAM	Edge_1RB_Right	Edge_1R B_Left	75@0
	PI/2 BPSK QPSK 16 QAM	Outer_Full	N/A	N/A
	PI/2 BPSK QPSK 16 QAM	Edge_1RB_Right	Edge_1R B_Left	64@0
	PI/2 BPSK QPSK 16 QAM	Outer_Full	N/A	N/A
	64 QAM	Outer_Full	N/A	N/A
	64 QAM	Outer_Full	N/A	N/A
	64 QAM	Outer_Full	Edge_1R B_Right	Edge_1RB _Left
	64 QAM	Edge_1RB_Right	N/A	N/A
	64 QAM	Outer_Full	N/A	N/A

A-MPR test parameters for NS_24								
Test ID	F _c (MHz)	ChBw (MHz)	SCS	Downlink Configuration	Uplink Configuration			
					Modulation (NOTE 2, 3)	RB allocation (Note 1)		
						Region A	Region B	Region C
95-97	1995	10	Default		64 QAM	Outer_Full	Edge_1R B_Right	Edge_1RB _Left
98-100	2000	10	Default		64 QAM	Edge_1RB_Right	Edge_1R B_Left	36@0
101	2000	10	Default		64 QAM	Outer_Full	N/A	N/A
103-105	1987.5	15	Default		64 QAM	Outer_Full	Edge_1R B_Right	Edge_1RB _Left
106-108	1997.5	15	Default		64 QAM	Edge_1RB_Right	Edge_1R B_Left	50@0
109	1997.5	15	Default		64 QAM	Outer_Full	N/A	N/A
110-112	1990	20	Default		64 QAM	Edge_1RB_Right	Edge_1R B_Left	75@0
113	1990	20	Default		64 QAM	Outer_Full	N/A	N/A
114-116	1995	20	Default		64 QAM	Edge_1RB_Right	Edge_1R B_Left	64@0
117	1995	20	Default		64 QAM	Outer_Full	N/A	N/A
118	1992.5	5	Default		256 QAM	Outer_Full	N/A	N/A
119	1997.5	5	Default		256 QAM	Outer_Full	N/A	N/A
120-122	2002.5	5	Default		256 QAM	Outer_Full	Edge_1R B_Right	Edge_1RB _Left
123	1985	10	Default		256 QAM	Edge_1RB_Right	N/A	N/A
124	1985	10	Default		256 QAM	Outer_Full	N/A	N/A

125-127	1995	10	Default
128-130	2000	10	Default
131	2000	10	Default
133-135	1987.5	15	Default
136-138	1997.5	15	Default
139	1997.5	15	Default
140-142	1990	20	Default
143	1990	20	Default
144-146	1995	20	Default
147	1995	20	Default
148-150	1992.5	5	Default
151-153	1997.5	5	Default
154-162	2002.5	5	Default
163-165	1985	10	Default
166-168	1985	10	Default
169-177	1995	10	Default

	256 QAM	Outer_Full	Edge_1R B_Right	Edge_1RB _Left
	256 QAM	Edge_1RB_Right	Edge_1R B_Left	36@0
	256 QAM	Outer_Full	N/A	N/A
	256 QAM	Outer_Full	Edge_1R B_Right	Edge_1RB _Left
	256 QAM	Edge_1RB_Right	Edge_1R B_Left	50@0
	256 QAM	Outer_Full	N/A	N/A
	256 QAM	Edge_1RB_Right	Edge_1R B_Left	75@0
	256 QAM	Outer_Full	N/A	N/A
	256 QAM	Edge_1RB_Right	Edge_1R B_Left	64@0
	256 QAM	Outer_Full	N/A	N/A
CP-OFDM	QPSK 16 QAM 64 QAM	Outer_Full	N/A	N/A
	QPSK 16 QAM 64 QAM	Outer_Full	N/A	N/A
	QPSK 16 QAM 64 QAM	Outer_Full	Edge_1R B_Right	Edge_1RB _Left
	QPSK 16 QAM 64 QAM	Edge_1RB_Right	N/A	N/A
	QPSK 16 QAM 64 QAM	Outer_Full	N/A	N/A
	QPSK 16 QAM 64 QAM	Outer_Full	Edge_1R B_Right	Edge_1RB _Left

A-MPR test parameters for NS_24								
Test ID	F _c (MHz)	ChBw (MHz)	SCS	Downlink Configuration	Uplink Configuration			
					Modulation (NOTE 2, 3)	RB allocation (Note 1)		
						Region A	Region B	Region C
178-186	2000	10	Default		QPSK 16 QAM 64 QAM	Edge_1RB_Right	Edge_1R B_Left	37@0
187-189	2000	10	Default		QPSK 16 QAM 64 QAM	Outer_Full	N/A	N/A
190-198	1987.5	15	Default		QPSK 16 QAM 64 QAM	Outer_Full	Edge_1R B_Right	Edge_1RB _Left
199-207	1997.5	15	Default		QPSK 16 QAM 64 QAM	Edge_1RB_Right	Edge_1R B_Left	51@0
208-210	1997.5	15	Default		QPSK 16 QAM 64 QAM	Outer_Full	N/A	N/A
211-219	1990	20	Default		QPSK 16 QAM 64 QAM	Edge_1RB_Right	Edge_1R B_Left	74@0
220-222	1990	20	Default		QPSK 16 QAM 64 QAM	Outer_Full	N/A	N/A
223-231	1995	20	Default		QPSK 16 QAM 64 QAM	Edge_1RB_Right	Edge_1R B_Left	69@0
232-234	1995	20	Default		QPSK 16 QAM 64 QAM	Outer_Full	N/A	N/A

235	1992.5	5	Default		256 QAM	Outer_Full	N/A	N/A
236	1997.5	5	Default		256 QAM	Outer_Full	N/A	N/A
237-239	2002.5	5	Default		256 QAM	Outer_Full	Edge_1R B_Right	Edge_1RB _Left
240	1985	10	Default		256 QAM	Edge_1RB_Right	N/A	N/A
241	1985	10	Default		256 QAM	Outer_Full	N/A	N/A
242-244	1995	10	Default		256 QAM	Outer_Full	Edge_1R B_Right	Edge_1RB _Left
245-247	2000	10	Default		256 QAM	Edge_1RB_Right	Edge_1R B_Left	37@0
248	2000	10	Default		256 QAM	Outer_Full	N/A	N/A
250-252	1987.5	15	Default		256 QAM	Outer_Full	Edge_1R B_Right	Edge_1RB _Left
253-255	1997.5	15	Default		256 QAM	Edge_1RB_Right	Edge_1R B_Left	51@0
256	1997.5	15	Default		256 QAM	Outer_Full	N/A	N/A
257-259	1990	20	Default		256 QAM	Edge_1RB_Right	Edge_1R B_Left	74@0
260	1990	20	Default		256 QAM	Outer_Full	N/A	N/A
261-263	1995	20	Default		256 QAM	Edge_1RB_Right	Edge_1R B_Left	69@0
264	1995	20	Default		256 QAM	Outer_Full	N/A	N/A
265	1992.5	5	Default		QPSK	Edge_1RB_Right	N/A	N/A
266	1997.5	5	Default		16 QAM	Edge_1RB_Right	N/A	N/A
267	1985	10	Default		QPSK	Edge_1RB_Left	N/A	N/A

NOTE 1: The specific configuration of each RB allocation is defined in Table 6.1-1 unless otherwise stated in this table.
 NOTE 2: DFT-s-OFDM PI/2 BPSK test applies only for UEs which supports half Pi BPSK in FR1.
 NOTE 3: In test IDs with multiple modulations, each UL Modulation shall be tested separately against Range A, B, and C.

Table 6.2.3.4.1-13: Test Configuration table for NS_27 (contiguous allocation)

Initial Conditions									
Test Environment as specified in TS 38.508-1 [5] subclause 4.1					Normal				
Test Frequencies					Refer to uplink carrier centre frequency (F _c) in test parameters. Associated parameters defined in Table 6.2.3.4.1-13a and 6.2.3.4.1-13b.				
Test Channel Bandwidths as specified in TS 38.508-1 [5] subclause 4.3.1					Refer to test parameters (15, 20, 30, 40 MHz)				
Test SCS as specified in Table 5.3.5-1					Lowest, Highest (Note 3)				
A-MPR test parameters for NS_27									
Test ID	F _c (MHz)	Ch BW (MHz)	SCS (kHz)	Downlink Configuration	Uplink Configuration				
					Modulation (Note 2)	RB allocation (Note 1)			
			SCS 15 kHz	SCS 30 kHz		SCS 60 kHz			
1	3557.5 2	15	Default	N/A for A-MPR testing.	DFT-s-OFDM	PI/2 BPSK	Edge_1RB_Left (A3)		
2	3557.5 2	15	Default			PI/2 BPSK	Outer_Full (A3)		
3	3692.4 9	15	Default			PI/2 BPSK	Edge_1RB_Right (A3)		
4	3692.4 9	15	Default			PI/2 BPSK	Outer_Full (A3)		
5	3562.5	15	Default			PI/2 BPSK	Edge_1RB_Left (A4)		
6	3562.5	15	Default			PI/2 BPSK	Outer_Full (2)		
7	3687.4 8	15	Default			PI/2 BPSK	Edge_1RB_Right (A4)		
8	3687.4 8	15	Default			PI/2 BPSK	Outer_Full (2)		
9	3560.0 1	20	Default			PI/2 BPSK	Edge_1RB_Left (A5)		
10	3560.0 1	20	Default			PI/2 BPSK	Outer_Full (A5)		
11	3690	20	Default			PI/2 BPSK	Edge_1RB_Right (A5)		
12	3690	20	Default			PI/2 BPSK	Outer_Full (A5)		
13	3570	20	Default			PI/2 BPSK	Edge_1RB_Left (A6)		

14	3570	20	Default		PI/2 BPSK	Outer_Full (2)		
15	3679.98	20	Default		PI/2 BPSK	Edge_1RB_Right (A6)		
16	3679.98	20	Default		PI/2 BPSK	Outer_Full (2)		
17	3565.02	30	Default		PI/2 BPSK	Edge_1RB_Left (A7)		
18	3565.02	30	Default		PI/2 BPSK	108@41 (A2)	54@21 (A2)	25@11 (A2)
19	3565.02	30	Default		PI/2 BPSK	75@41 (A1)	40@21 (A1)	18@11 (A1)
20	3565.02	30	Default		PI/2 BPSK	Edge_1RB_Right (A7)		
21	3684.99	30	Default		PI/2 BPSK	Edge_1RB_Right (A7)		
22	3684.99	30	Default		PI/2 BPSK	108@0 (A2)	54@0 (A2)	27@0 (A2)
23	3684.99	30	Default		PI/2 BPSK	81@0 (A1)	40@0 (A1)	20@0 (A1)
24	3684.99	30	Default		PI/2 BPSK	Edge_1RB_Left (A7)		
25	3585	30	Default		PI/2 BPSK	Edge_1RB_Left (A8)		
26	3585	30	Default		PI/2 BPSK	Outer_Full (4)		
27	3664.98	30	Default		PI/2 BPSK	Edge_1RB_Right (A8)		
28	3664.98	30	Default		PI/2 BPSK	Outer_Full (4)		
29	3570	40	Default		PI/2 BPSK	Edge_1RB_Left (A7)		
30	3570	40	Default		PI/2 BPSK	150@63 (A2)	72@32 (A2)	32@16 (A2)
31	3570	40	Default		PI/2 BPSK	96@73 (A1)	48@35 (A1)	24@16 (A1)
32	3570	40	Default		PI/2 BPSK	Edge_1RB_Right (A7)		
33	3679.98	40	Default		PI/2 BPSK	Edge_1RB_Right (A7)		
34	3679.98	40	Default		PI/2 BPSK	135@0 (A2)	64@0 (A2)	32@0 (A2)
35	3679.98	40	Default		PI/2 BPSK	96@38 (A1)	48@18 (A1)	24@9 (A1)
36	3679.98	40	Default		PI/2 BPSK	Edge_1RB_Left (A7)		
37	3600	40	Default		PI/2 BPSK	Edge_1RB_Left (A8)		
38	3600	40	Default		PI/2 BPSK	Outer_Full (4.5)		
39	3649.98	40	Default		PI/2 BPSK	Edge_1RB_Right (A8)		
40	3649.98	40	Default		PI/2 BPSK	Outer_Full (4.5)		
41	3557.52	15	Default		QPSK	Edge_1RB_Left (A3)		
42	3557.52	15	Default		QPSK	Outer_Full (A3)		
43	3692.49	15	Default		QPSK	Edge_1RB_Right (A3)		
44	3692.49	15	Default		QPSK	Outer_Full (A3)		

A-MPR test parameters for NS_27								
Test ID	F _c (MHz)	Ch BW (MHz)	SCS (kHz)	Downlink Configuration	Uplink Configuration			
					Modulation (Note 2)	RB allocation (Note 1)		
						SCS 15 kHz	SCS 30 kHz	SCS 60 kHz
45	3562.5	15	Default		QPSK	Edge_1RB_Left (A4)		
46	3562.5	15	Default		QPSK	Outer_Full (2)		
47	3687.48	15	Default		QPSK	Edge_1RB_Right (A4)		
48	3687.48	15	Default		QPSK	Outer_Full (2)		
49	3560.01	20	Default		QPSK	Edge_1RB_Left (A5)		

50	3560.0 1	20	Default			QPSK	Outer_Full (A5)		
51	3690	20	Default			QPSK	Edge_1RB_Right (A5)		
52	3690	20	Default			QPSK	Outer_Full (A5)		
53	3570	20	Default			QPSK	Edge_1RB_Left (A6)		
54	3570	20	Default			QPSK	Outer_Full (2)		
55	3679.9 8	20	Default			QPSK	Edge_1RB_Right (A6)		
56	3679.9 8	20	Default			QPSK	Outer_Full (2)		
57	3565.0 2	30	Default			QPSK	Edge_1RB_Left (A7)		
58	3565.0 2	30	Default			QPSK	108@41 (A2)	54@21 (A2)	25@11 (A2)
59	3565.0 2	30	Default			QPSK	75@41 (A1)	40@21 (A1)	18@11 (A1)
60	3565.0 2	30	Default			QPSK	Edge_1RB_Right (A7)		
61	3684.9 9	30	Default			QPSK	Edge_1RB_Right (A7)		
62	3684.9 9	30	Default			QPSK	108@0 (A2)	54@0 (A2)	27@0 (A2)
63	3684.9 9	30	Default			QPSK	81@0 (A1)	40@0 (A1)	20@0 (A1)
64	3684.9 9	30	Default			QPSK	Edge_1RB_Left (A7)		
65	3585	30	Default			QPSK	Edge_1RB_Left (A8)		
66	3585	30	Default			QPSK	Outer_Full (4)		
67	3664.9 8	30	Default			QPSK	Edge_1RB_Right (A8)		
68	3664.9 8	30	Default			QPSK	Outer_Full (4)		
69	3570	40	Default			QPSK	Edge_1RB_Left (A7)		
70	3570	40	Default			QPSK	150@63 (A2)	72@32 (A2)	32@16 (A2)
71	3570	40	Default			QPSK	96@73 (A1)	48@35 (A1)	24@16 (A1)
72	3570	40	Default			QPSK	Edge_1RB_Right (A7)		
73	3679.9 8	40	Default			QPSK	Edge_1RB_Right (A7)		
74	3679.9 8	40	Default			QPSK	135@0 (A2)	64@0 (A2)	32@0 (A2)
75	3679.9 8	40	Default			QPSK	96@38 (A1)	48@18 (A1)	24@9 (A1)
76	3679.9 8	40	Default			QPSK	Edge_1RB_Left (A7)		
77	3600	40	Default			QPSK	Edge_1RB_Left (A8)		
78	3600	40	Default			QPSK	Outer_Full (4.5)		
79	3649.9 8	40	Default			QPSK	Edge_1RB_Right (A8)		
80	3649.9 8	40	Default			QPSK	Outer_Full (4.5)		
81	3557.5 2	15	Default			16 QAM	Edge_1RB_Left (A3)		
82	3557.5 2	15	Default			16 QAM	Outer_Full (A3)		
83	3692.4 9	15	Default			16 QAM	Edge_1RB_Right (A3)		
84	3692.4 9	15	Default			16 QAM	Outer_Full (A3)		
85	3562.5	15	Default			16 QAM	Edge_1RB_Left (A4)		
86	3562.5	15	Default			16 QAM	Outer_Full (2)		
87	3687.4 8	15	Default			16 QAM	Edge_1RB_Right (A4)		
88	3687.4 8	15	Default			16 QAM	Outer_Full (2)		
89	3560.0 1	20	Default			16 QAM	Edge_1RB_Left (A5)		

90	3560.0 1	20	Default			16 QAM	Outer_Full (A5)
91	3690	20	Default			16 QAM	Edge_1RB_Right (A5)
92	3690	20	Default			16 QAM	Outer_Full (A5)
93	3570	20	Default			16 QAM	Edge_1RB_Left (A6)
94	3570	20	Default			16 QAM	Outer_Full (2)

A-MPR test parameters for NS_27								
Test ID	F _c (MHz)	Ch BW (MHz)	SCS (kHz)	Downlink Configuratio n	Uplink Configuration			
					Modulation (Note 2)	RB allocation (Note 1)		
						SCS 15 kHz	SCS 30 kHz	SCS 60 kHz
95	3679.9 8	20	Default		16 QAM	Edge_1RB_Right (A6)		
96	3679.9 8	20	Default		16 QAM	Outer_Full (2)		
97	3565.0 2	30	Default		16 QAM	Edge_1RB_Left (A7)		
98	3565.0 2	30	Default		16 QAM	108@41 (A2)	54@21 (A2)	25@11 (A2)
99	3565.0 2	30	Default		16 QAM	75@41 (A1)	40@21 (A1)	18@11 (A1)
100	3565.0 2	30	Default		16 QAM	Edge_1RB_Right (A7)		
101	3684.9 9	30	Default		16 QAM	Edge_1RB_Right (A7)		
102	3684.9 9	30	Default		16 QAM	108@0 (A2)	54@0 (A2)	27@0 (A2)
103	3684.9 9	30	Default		16 QAM	81@0 (A1)	40@0 (A1)	20@0 (A1)
104	3684.9 9	30	Default		16 QAM	Edge_1RB_Left (A7)		
105	3585	30	Default		16 QAM	Edge_1RB_Left (A8)		
106	3585	30	Default		16 QAM	Outer_Full (4)		
107	3664.9 8	30	Default		16 QAM	Edge_1RB_Right (A8)		
108	3664.9 8	30	Default		16 QAM	Outer_Full (4)		
109	3570	40	Default		16 QAM	Edge_1RB_Left (A7)		
110	3570	40	Default		16 QAM	150@63 (A2)	72@32 (A2)	32@16 (A2)
111	3570	40	Default		16 QAM	96@73 (A1)	48@35 (A1)	24@16 (A1)
112	3570	40	Default		16 QAM	Edge_1RB_Right (A7)		
113	3679.9 8	40	Default		16 QAM	Edge_1RB_Right (A7)		
114	3679.9 8	40	Default		16 QAM	135@0 (A2)	64@0 (A2)	32@0 (A2)
115	3679.9 8	40	Default		16 QAM	96@38 (A1)	48@18 (A1)	24@9 (A1)
116	3679.9 8	40	Default		16 QAM	Edge_1RB_Left (A7)		
117	3600	40	Default		16 QAM	Edge_1RB_Left (A8)		
118	3600	40	Default		16 QAM	Outer_Full (4.5)		
119	3649.9 8	40	Default		16 QAM	Edge_1RB_Right (A8)		
120	3649.9 8	40	Default		16 QAM	Outer_Full (4.5)		
121	3557.5 2	15	Default		64 QAM	Edge_1RB_Left (A3)		
122	3557.5 2	15	Default		64 QAM	Outer_Full (A3)		
123	3692.4 9	15	Default		64 QAM	Edge_1RB_Right (A3)		
124	3692.4 9	15	Default		64 QAM	Outer_Full (A3)		
125	3562.5	15	Default		64 QAM	Edge_1RB_Left (A4)		
126	3562.5	15	Default		64 QAM	Outer_Full (2)		

127	3687.48	15	Default		64 QAM	Edge_1RB_Right (A4)		
128	3687.48	15	Default		64 QAM	Outer_Full (2)		
129	3560.01	20	Default		64 QAM	Edge_1RB_Left (A5)		
130	3560.01	20	Default		64 QAM	Outer_Full (A5)		
131	3690	20	Default		64 QAM	Edge_1RB_Right (A5)		
132	3690	20	Default		64 QAM	Outer_Full (A5)		
133	3570	20	Default		64 QAM	Edge_1RB_Left (A6)		
134	3570	20	Default		64 QAM	Outer_Full (2)		
135	3679.98	20	Default		64 QAM	Edge_1RB_Right (A6)		
136	3679.98	20	Default		64 QAM	Outer_Full (2)		
137	3565.02	30	Default		64 QAM	Edge_1RB_Left (A7)		
138	3565.02	30	Default		64 QAM	108@41 (A2)	54@21 (A2)	25@11 (A2)
139	3565.02	30	Default		64 QAM	75@41 (A1)	40@21 (A1)	18@11 (A1)
140	3565.02	30	Default		64 QAM	Edge_1RB_Left (A7)		
141	3684.99	30	Default		64 QAM	Edge_1RB_Left (A7)		
142	3684.99	30	Default		64 QAM	108@0 (A2)	54@0 (A2)	27@0 (A2)
143	3684.99	30	Default		64 QAM	81@0 (A1)	40@0 (A1)	20@0 (A1)
144	3684.99	30	Default		64 QAM	Edge_1RB_Left (A7)		
145	3585	30	Default		64 QAM	Edge_1RB_Left (A8)		
146	3585	30	Default		64 QAM	Outer_Full (4)		
147	3664.98	30	Default		64 QAM	Edge_1RB_Right (A8)		
148	3664.98	30	Default		64 QAM	Outer_Full (4)		
149	3570	40	Default		64 QAM	Edge_1RB_Left (A7)		
150	3570	40	Default		64 QAM	150@63 (A2)	72@32 (A2)	32@16 (A2)
151	3570	40	Default		64 QAM	96@73 (A1)	48@35 (A1)	24@16 (A1)
152	3570	40	Default		64 QAM	Edge_1RB_Right (A7)		
153	3679.98	40	Default		64 QAM	Edge_1RB_Right (A7)		
154	3679.98	40	Default		64 QAM	135@0 (A2)	64@0 (A2)	32@0 (A2)
155	3679.98	40	Default		64 QAM	96@38 (A1)	48@18 (A1)	24@9 (A1)
156	3679.98	40	Default		64 QAM	Edge_1RB_Left (A7)		

A-MPR test parameters for NS_27								
Test ID	F _c (MHz)	Ch BW (MHz)	SCS (kHz)	Downlink Configuration	Uplink Configuration			
					Modulation (Note 2)	RB allocation (Note 1)		
						SCS 15 kHz	SCS 30 kHz	SCS 60 kHz
157	3600	40	Default		64 QAM	Edge_1RB_Left (A8)		
158	3600	40	Default		64 QAM	Outer_Full (4.5)		
159	3649.98	40	Default		64 QAM	Edge_1RB_Right (A8)		
160	3649.98	40	Default		64 QAM	Outer_Full (4.5)		
161	3557.52	15	Default		256 QAM	Edge_1RB_Left (A3)		
162	3557.52	15	Default		256 QAM	Outer_Full (A3)		

163	3692.4 9	15	Default			256 QAM	Edge_1RB_Right (A3)		
164	3692.4 9	15	Default			256 QAM	Outer_Full (A3)		
165	3562.5	15	Default			256 QAM	Edge_1RB_Left (A4)		
166	3562.5	15	Default			256 QAM	Outer_Full (2)		
167	3687.4 8	15	Default			256 QAM	Edge_1RB_Right (A4)		
168	3687.4 8	15	Default			256 QAM	Outer_Full (2)		
169	3560.0 1	20	Default			256 QAM	Edge_1RB_Left (A5)		
170	3560.0 1	20	Default			256 QAM	Outer_Full (A5)		
171	3690	20	Default			256 QAM	Edge_1RB_Right (A5)		
172	3690	20	Default			256 QAM	Outer_Full (A5)		
173	3570	20	Default			256 QAM	Edge_1RB_Left (A6)		
174	3570	20	Default			256 QAM	Outer_Full (2)		
175	3679.9 8	20	Default			256 QAM	Edge_1RB_Right (A6)		
176	3679.9 8	20	Default			256 QAM	Outer_Full (2)		
177	3565.0 2	30	Default			256 QAM	Edge_1RB_Left (A7)		
178	3565.0 2	30	Default			256 QAM	108@41 (A2)	54@21 (A2)	25@11 (A2)
179	3565.0 2	30	Default			256 QAM	75@41 (A1)	40@21 (A1)	18@11 (A1)
180	3565.0 2	30	Default			256 QAM	Edge_1RB_Left (A7)		
181	3684.9 9	30	Default			256 QAM	Edge_1RB_Left (A7)		
182	3684.9 9	30	Default			256 QAM	108@0 (A2)	54@0 (A2)	27@0 (A2)
183	3684.9 9	30	Default			256 QAM	81@0 (A1)	40@0 (A1)	20@0 (A1)
184	3684.9 9	30	Default			256 QAM	Edge_1RB_Left (A7)		
185	3585	30	Default			256 QAM	Edge_1RB_Left (A8)		
186	3585	30	Default			256 QAM	Outer_Full (4)		
187	3664.9 8	30	Default			256 QAM	Edge_1RB_Right (A8)		
188	3664.9 8	30	Default			256 QAM	Outer_Full (4)		
189	3570	40	Default			256 QAM	Edge_1RB_Left (A7)		
190	3570	40	Default			256 QAM	150@63 (A2)	72@32 (A2)	32@16 (A2)
191	3570	40	Default			256 QAM	96@73 (A1)	48@35 (A1)	24@16 (A1)
192	3570	40	Default			256 QAM	Edge_1RB_Right (A7)		
193	3679.9 8	40	Default			256 QAM	Edge_1RB_Right (A7)		
194	3679.9 8	40	Default			256 QAM	135@0 (A2)	64@0 (A2)	32@0 (A2)
195	3679.9 8	40	Default			256 QAM	96@38 (A1)	48@18 (A1)	24@9 (A1)
196	3679.9 8	40	Default			256 QAM	Edge_1RB_Left (A7)		
197	3600	40	Default			256 QAM	Edge_1RB_Left (A8)		
198	3600	40	Default			256 QAM	Outer_Full (4.5)		
199	3649.9 8	40	Default			256 QAM	Edge_1RB_Right (A8)		
200	3649.9 8	40	Default			256 QAM	Outer_Full (4.5)		
201	3557.5 2	15	Default		CP-OFDM	QPSK	Edge_1RB_Left (A3)		
202	3557.5 2	15	Default		CP-OFDM	QPSK	Outer_Full (A3)		

203	3692.49	15	Default			QPSK	Edge_1RB_Right (A3)
204	3692.49	15	Default			QPSK	Outer_Full (A3)
205	3562.5	15	Default			QPSK	Edge_1RB_Left (A4)

A-MPR test parameters for NS_27								
Test ID	F _c (MHz)	Ch BW (MHz)	SCS (kHz)	Downlink Configuration	Uplink Configuration			
					Modulation (Note 2)	RB allocation (Note 1)		
						SCS 15 kHz	SCS 30 kHz	SCS 60 kHz
206	3562.5	15	Default		QPSK	Outer_Full (2)		
207	3687.48	15	Default		QPSK	Edge_1RB_Right (A4)		
208	3687.48	15	Default		QPSK	Outer_Full (2)		
209	3560.01	20	Default		QPSK	Edge_1RB_Left (A5)		
210	3560.01	20	Default		QPSK	Outer_Full (A5)		
211	3690	20	Default		QPSK	Edge_1RB_Right (A5)		
212	3690	20	Default		QPSK	Outer_Full (A5)		
213	3570	20	Default		QPSK	Edge_1RB_Left (A6)		
214	3570	20	Default		QPSK	Outer_Full (2)		
215	3679.98	20	Default		QPSK	Edge_1RB_Right (A6)		
216	3679.98	20	Default		QPSK	Outer_Full (2)		
217	3565.02	30	Default		QPSK	Edge_1RB_Left (A7)		
218	3565.02	30	Default		QPSK	108@41 (A2)	54@21 (A2)	25@11 (A2)
219	3565.02	30	Default		QPSK	74@41 (A1)	24@54 (A1)	11@27 (A1)
220	3565.02	30	Default		QPSK	Edge_1RB_Left (A7)		
221	3684.99	30	Default		QPSK	Edge_1RB_Left (A7)		
222	3684.99	30	Default		QPSK	108@0 (A2)	54@0 (A2)	27@0 (A2)
223	3684.99	30	Default		QPSK	81@0 (A1)	40@0 (A1)	20@0 (A1)
224	3684.99	30	Default		QPSK	Edge_1RB_Left (A7)		
225	3585	30	Default		QPSK	Edge_1RB_Left (A8)		
226	3585	30	Default		QPSK	Outer_Full (4)		
227	3664.98	30	Default		QPSK	Edge_1RB_Right (A8)		
228	3664.98	30	Default		QPSK	Outer_Full (4)		
229	3570	40	Default		QPSK	Edge_1RB_Left (A7)		
230	3570	40	Default		QPSK	153@63 (A2)	72@32 (A2)	32@16 (A2)
231	3570	40	Default		QPSK	99@69 (A1)	49@34 (A1)	24@16 (A1)
232	3570	40	Default		QPSK	Edge_1RB_Right (A7)		
233	3679.98	40	Default		QPSK	Edge_1RB_Right (A7)		
234	3679.98	40	Default		QPSK	137@0 (A2)	68@0 (A2)	35@0 (A2)
235	3679.98	40	Default		QPSK	99@38 (A1)	49@18 (A1)	24@9 (A1)
236	3679.98	40	Default		QPSK	Edge_1RB_Left (A7)		
237	3600	40	Default		QPSK	Edge_1RB_Left (A8)		
238	3600	40	Default		QPSK	Outer_Full (4.5)		

239	3649.98	40	Default			QPSK	Edge_1RB_Right (A8)
240	3649.98	40	Default			QPSK	Outer_Full (4.5)
241	3557.52	15	Default			16 QAM	Edge_1RB_Left (A3)
242	3557.52	15	Default			16 QAM	Outer_Full (A3)
243	3692.49	15	Default			16 QAM	Edge_1RB_Right (A3)
244	3692.49	15	Default			16 QAM	Outer_Full (A3)
245	3562.5	15	Default			16 QAM	Edge_1RB_Left (A4)
246	3562.5	15	Default			16 QAM	Outer_Full (2)
247	3687.48	15	Default			16 QAM	Edge_1RB_Right (A4)
248	3687.48	15	Default			16 QAM	Outer_Full (2)
249	3560.01	20	Default			16 QAM	Edge_1RB_Left (A5)
250	3560.01	20	Default			16 QAM	Outer_Full (A5)
251	3690	20	Default			16 QAM	Edge_1RB_Right (A5)
252	3690	20	Default			16 QAM	Outer_Full (A5)
253	3570	20	Default			16 QAM	Edge_1RB_Left (A6)
254	3570	20	Default			16 QAM	Outer_Full (2)

A-MPR test parameters for NS_27								
Test ID	F _c (MHz)	Ch BW (MHz)	SCS (kHz)	Downlink Configuration	Uplink Configuration			
					Modulation (Note 2)	RB allocation (Note 1)		
						SCS 15 kHz	SCS 30 kHz	SCS 60 kHz
255	3679.98	20	Default		16 QAM	Edge_1RB_Right (A6)		
256	3679.98	20	Default		16 QAM	Outer_Full (2)		
257	3565.02	30	Default		16 QAM	Edge_1RB_Left (A7)		
258	3565.02	30	Default		16 QAM	108@41 (A2)	54@21 (A2)	25@11 (A2)
259	3565.02	30	Default		16 QAM	74@41 (A1)	24@54 (A1)	11@27 (A1)
260	3565.02	30	Default		16 QAM	Edge_1RB_Left (A7)		
261	3684.99	30	Default		16 QAM	Edge_1RB_Left (A7)		
262	3684.99	30	Default		16 QAM	108@0 (A2)	54@0 (A2)	27@0 (A2)
263	3684.99	30	Default		16 QAM	81@0 (A1)	40@0 (A1)	20@0 (A1)
264	3684.99	30	Default		16 QAM	Edge_1RB_Left (A7)		
265	3585	30	Default		16 QAM	Edge_1RB_Left (A8)		
266	3585	30	Default		16 QAM	Outer_Full (4)		
267	3664.98	30	Default		16 QAM	Edge_1RB_Right (A8)		
268	3664.98	30	Default		16 QAM	Outer_Full (4)		
269	3570	40	Default		16 QAM	Edge_1RB_Left (A7)		
270	3570	40	Default		16 QAM	153@63 (A2)	72@32 (A2)	32@16 (A2)
271	3570	40	Default		16 QAM	99@69 (A1)	49@34 (A1)	24@16 (A1)
272	3570	40	Default		16 QAM	Edge_1RB_Right (A7)		
273	3679.98	40	Default		16 QAM	Edge_1RB_Right (A7)		

274	3679.9 8	40	Default	16 QAM	137@0 (A2)	68@0 (A2)	35@0 (A2)
275	3679.9 8	40	Default	16 QAM	99@38 (A1)	49@18 (A1)	24@9 (A1)
276	3679.9 8	40	Default	16 QAM	Edge_1RB_Left (A7)		
277	3600	40	Default	16 QAM	Edge_1RB_Left (A8)		
278	3600	40	Default	16 QAM	Outer_Full (4.5)		
279	3649.9 8	40	Default	16 QAM	Edge_1RB_Right (A8)		
280	3649.9 8	40	Default	16 QAM	Outer_Full (4.5)		
281	3557.5 2	15	Default	64 QAM	Edge_1RB_Left (A3)		
282	3557.5 2	15	Default	64 QAM	Outer_Full (A3)		
283	3692.4 9	15	Default	64 QAM	Edge_1RB_Right (A3)		
284	3692.4 9	15	Default	64 QAM	Outer_Full (A3)		
285	3562.5	15	Default	64 QAM	Edge_1RB_Left (A4)		
286	3562.5	15	Default	64 QAM	Outer_Full (2)		
287	3687.4 8	15	Default	64 QAM	Edge_1RB_Right (A4)		
288	3687.4 8	15	Default	64 QAM	Outer_Full (2)		
289	3560.0 1	20	Default	64 QAM	Edge_1RB_Left (A5)		
290	3560.0 1	20	Default	64 QAM	Outer_Full (A5)		
291	3690	20	Default	64 QAM	Edge_1RB_Right (A5)		
292	3690	20	Default	64 QAM	Outer_Full (A5)		
293	3570	20	Default	64 QAM	Edge_1RB_Left (A6)		
294	3570	20	Default	64 QAM	Outer_Full (2)		
295	3679.9 8	20	Default	64 QAM	Edge_1RB_Right (A6)		
296	3679.9 8	20	Default	64 QAM	Outer_Full (2)		
297	3565.0 2	30	Default	64 QAM	Edge_1RB_Left (A7)		
298	3565.0 2	30	Default	64 QAM	108@41 (A2)	54@21 (A2)	25@11 (A2)
299	3565.0 2	30	Default	64 QAM	74@41 (A1)	24@54 (A1)	11@27 (A1)
300	3565.0 2	30	Default	64 QAM	Edge_1RB_Left (A7)		
301	3684.9 9	30	Default	64 QAM	Edge_1RB_Left (A7)		
302	3684.9 9	30	Default	64 QAM	108@0 (A2)	54@0 (A2)	27@0 (A2)
303	3684.9 9	30	Default	64 QAM	81@0 (A1)	40@0 (A1)	20@0 (A1)
304	3684.9 9	30	Default	64 QAM	Edge_1RB_Left (A7)		
305	3585	30	Default	64 QAM	Edge_1RB_Left (A8)		
306	3585	30	Default	64 QAM	Outer_Full (4)		
307	3664.9 8	30	Default	64 QAM	Edge_1RB_Right (A8)		
308	3664.9 8	30	Default	64 QAM	Outer_Full (4)		
309	3570	40	Default	64 QAM	Edge_1RB_Left (A7)		
310	3570	40	Default	64 QAM	153@63 (A2)	72@32 (A2)	32@16 (A2)
311	3570	40	Default	64 QAM	99@69 (A1)	49@34 (A1)	24@16 (A1)
312	3570	40	Default	64 QAM	Edge_1RB_Right (A7)		

313	3679.9 8	40	Default			64 QAM	Edge_1RB_Right (A7)		
314	3679.9 8	40	Default			64 QAM	137@0 (A2)	68@0 (A2)	35@0 (A2)
315	3679.9 8	40	Default			64 QAM	99@38 (A1)	49@18 (A1)	24@9 (A1)

A-MPR test parameters for NS_27									
Test ID	F _c (MHz)	Ch BW (MHz)	SCS (kHz)	Downlink Configuratio n	Modulation (Note 2)	Uplink Configuration			
						RB allocation (Note 1)			
						SCS 15 kHz	SCS 30 kHz	SCS 60 kHz	
316	3679.9 8	40	Default		64 QAM	Edge_1RB_Left (A7)			
317	3600	40	Default		64 QAM	Edge_1RB_Left (A8)			
318	3600	40	Default		64 QAM	Outer_Full (4.5)			
319	3649.9 8	40	Default		64 QAM	Edge_1RB_Right (A8)			
320	3649.9 8	40	Default		64 QAM	Outer_Full (4.5)			
321	3557.5 2	15	Default		256 QAM	Edge_1RB_Left (A3)			
322	3557.5 2	15	Default		256 QAM	Outer_Full (A3)			
323	3692.4 9	15	Default		256 QAM	Edge_1RB_Right (A3)			
324	3692.4 9	15	Default		256 QAM	Outer_Full (A3)			
325	3562.5	15	Default		256 QAM	Edge_1RB_Left (A4)			
326	3562.5	15	Default		256 QAM	Outer_Full (2)			
327	3687.4 8	15	Default		256 QAM	Edge_1RB_Right (A4)			
328	3687.4 8	15	Default		256 QAM	Outer_Full (2)			
329	3560.0 1	20	Default		256 QAM	Edge_1RB_Left (A5)			
330	3560.0 1	20	Default		256 QAM	Outer_Full (A5)			
331	3690	20	Default		256 QAM	Edge_1RB_Right (A5)			
332	3690	20	Default		256 QAM	Outer_Full (A5)			
333	3570	20	Default		256 QAM	Edge_1RB_Left (A6)			
334	3570	20	Default		256 QAM	Outer_Full (2)			
335	3679.9 8	20	Default		256 QAM	Edge_1RB_Right (A6)			
336	3679.9 8	20	Default		256 QAM	Outer_Full (2)			
337	3565.0 2	30	Default		256 QAM	Edge_1RB_Left (A7)			
338	3565.0 2	30	Default		256 QAM	108@41 (A2)	54@21 (A2)	25@11 (A2)	
339	3565.0 2	30	Default		256 QAM	74@41 (A1)	24@54 (A1)	11@27 (A1)	
340	3565.0 2	30	Default		256 QAM	Edge_1RB_Left (A7)			
341	3684.9 9	30	Default		256 QAM	Edge_1RB_Left (A7)			
342	3684.9 9	30	Default		256 QAM	108@0 (A2)	54@0 (A2)	27@0 (A2)	
343	3684.9 9	30	Default		256 QAM	81@0 (A1)	40@0 (A1)	20@0 (A1)	
344	3684.9 9	30	Default		256 QAM	Edge_1RB_Left (A7)			
345	3585	30	Default		256 QAM	Edge_1RB_Left (A8)			
346	3585	30	Default		256 QAM	Outer_Full (4)			
347	3664.9 8	30	Default		256 QAM	Edge_1RB_Right (A8)			

348	3664.9 8	30	Default			256 QAM	Outer_Full (4)		
349	3570	40	Default			256 QAM	Edge_1RB_Left (A7)		
350	3570	40	Default			256 QAM	153@63 (A2)	72@32 (A2)	32@16 (A2)
351	3570	40	Default			256 QAM	99@69 (A1)	49@34 (A1)	24@16 (A1)
352	3570	40	Default			256 QAM	Edge_1RB_Right (A7)		
353	3679.9 8	40	Default			256 QAM	Edge_1RB_Right (A7)		
354	3679.9 8	40	Default			256 QAM	137@0 (A2)	68@0 (A2)	35@0 (A2)
355	3679.9 8	40	Default			256 QAM	99@38 (A1)	49@18 (A1)	24@9 (A1)
356	3679.9 8	40	Default			256 QAM	Edge_1RB_Left (A7)		
357	3600	40	Default			256 QAM	Edge_1RB_Left (A8)		
358	3600	40	Default			256 QAM	Outer_Full (4.5)		
359	3649.9 8	40	Default			256 QAM	Edge_1RB_Right (A8)		
360	3649.9 8	40	Default			256 QAM	Outer_Full (4.5)		

NOTE 1: The specific configuration of each RB allocation is defined in Table 6.1-1 unless otherwise stated in this table.

NOTE 2: DFT-s-OFDM PI/2 BPSK test applies only for UEs which supports half Pi BPSK in FR1.

NOTE 3: For FR1 bands where highest supported SCS is 60 kHz the highest tested SCS is limited to 30 kHz as carrier with SCS=60 kHz cannot be used as PCell.

Table 6.2.3.4.1-13a: Test frequencies for NR band n48 and NS_27 (SCS=15 kHz, ΔFRaster = 15kHz)

CBW [MHz]	carrier Bandwidth [PRBs]	Carrier centre [MHz]	Carrier centre [ARFCN]	point A [MHz]	absolute FrequencyPointA [ARFCN]	offsetToCarrier [Carrier PRBs]	SS block SCS [kHz]	GSC N	absoluteFrequencySSB [ARFCN]	k _{SSB}	Offset Carrier CORESET#0 [RBs] Note 2	CORESET#0 Index (Offset [RBs]) Note 1	offsetToPointA(SIB1) [PRBs] Note 1
15	79	3557.52	637168	3550.41	636694	0	30	7884	636960	2	0	0 (2)	2
		3562.5	637500	3555.39	637026			7888	637344	6	0	1 (6)	6
		3687.48	645832	3680.37	645358			7975	645696	2	2	1 (6)	8
		3692.49	646166	3685.38	645692			7978	645984	4	2	0 (2)	4
20	106	3560.01	637334	3550.47	636698			7885	637056	10	3	1 (6)	9
		3570	638000	3560.46	637364			7891	637632	4	0	0 (2)	2
		3679.98	645332	3670.44	644696			7968	645024	4	1	1 (6)	7
		3690	646000	3680.46	645364			7975	645696	8	1	1 (6)	7
30	160	3565.02	637668	3550.62	636708			7885	637056	0	3	1 (6)	9
		3585	639000	3570.6	638040			7898	638304	0	0	0 (2)	2
		3664.98	644332	3650.58	643372			7954	643680	8	3	0 (2)	5
		3684.99	645666	3670.59	644706			7968	645024	6	0	1 (6)	6
40	216	3570	638000	3550.56	636704	7885	637056	4	3	1 (6)	9		
		3600	640000	3580.56	638704	7905	638976	8	0	0 (2)	2		
		3649.98	643332	3630.54	642036	7940	642336	0	3	0 (2)	5		
		3679.98	645332	3660.54	644036	7961	644352	4	0	1 (6)	6		

NOTE 1: The CORESET#0 Index and the associated CORESET#0 Offset refers to Table 13-1 in TS 38.213 [22]. The value of CORESET#0 Index is signalled in controlResourceSetZero (pdcch-ConfigSIB1) in the MIB. The offsetToPointA IE is expressed in units of resource blocks assuming 15 kHz subcarrier spacing for FR1 and 60 kHz subcarrier spacing for FR2.

NOTE 2: The parameter Offset Carrier CORESET#0 specifies the offset from the lowest subcarrier of the carrier and the lowest subcarrier of CORESET#0. It corresponds to the parameter ΔF_{OffsetCORESET-0-Carrier} in Annex C expressed in number of common RBs.

Table 6.2.3.4.1-13b: Test frequencies for NR band n48 and NS_27 (SCS=30 kHz, ΔFRaster = 30 kHz)

CBW [MHz]	carrier Bandwidth [PRBs]	Carrier centre [MHz]	Carrier centre [ARFCN]	point A [MHz]	absolute FrequencyPointA [ARFCN]	offsetToCarrier [Carrier PRBs]	SS block SCS [kHz]	GSC N	absoluteFrequencySSB [ARFCN]	k _{SSB}	Offset Carrier CORESET#0 [RBs] Note 2	CORESET#0 Index (Offset [RBs]) Note 1	offsetToPointA(SIB1) [PRBs] Note 1
15	38	3557.52	637168	3550.68	636712	0	30	7884	636960	8	0	0 (0)	0
		3562.5	637500	3555.66	637044			7888	637344	12	0	2 (2)	4
		3687.48	645832	3680.64	645376			7975	645696	8	0	3 (3)	6
		3692.49	646166	3685.65	645710			7978	645984	10	0	1 (1)	2
20	51	3560.01	637334	3550.83	636722			7885	637056	22	0	3 (3)	6
		3570	638000	3560.82	637388			7891	637632	4	0	0 (0)	0

		3679.98	645332	3670.8	644720	7968	645024	16	0	2 (2)	4
		3690	646000	3680.82	645388	7975	645696	20	0	2 (2)	4
30	78	3565.02	637668	3550.98	636732	7885	637056	12	0	3 (3)	6
		3585	639000	3570.96	638064	7898	638304	0	0	0 (0)	0
		3664.98	644332	3650.94	643396	7954	643680	20	0	1 (1)	2
		3684.99	645666	3670.95	644730	7968	645024	6	0	2 (2)	4
40	106	3570	638000	3550.92	636728	7885	637056	16	0	3 (3)	6
		3600	640000	3580.92	638728	7905	638976	8	0	0 (0)	0
		3649.98	643332	3630.9	642060	7940	642336	12	0	1 (1)	2
		3679.98	645332	3660.9	644060	7961	644352	4	0	2 (2)	4

NOTE 1: The CORESET#0 Index and the associated CORESET#0 Offset refers to Table 13-1 in TS 38.213 [22]. The value of CORESET#0 Index is signalled in controlResourceSetZero (pdcch-ConfigSIB1) in the MIB. The offsetToPointA IE is expressed in units of resource blocks assuming 15 kHz subcarrier spacing for FR1 and 60 kHz subcarrier spacing for FR2.

NOTE 2: The parameter Offset Carrier CORESET#0 specifies the offset from the lowest subcarrier of the carrier and the lowest subcarrier of CORESET#0. It corresponds to the parameter $\Delta F_{\text{OffsetCORESET-0-Carrier}}$ in Annex C expressed in number of common RBs.

Table 6.2.3.4.1-14: Test Configuration table for NS_40

Initial Conditions							
Test Environment as specified in TS 38.508-1 [5] subclause 4.1						Normal	
Test Frequencies as specified in TS 38.508-1 [5] subclause 4.3.1						Lowest	
Test Channel Bandwidths as specified in TS 38.508-1 [5] subclause 4.3.1						Lowest (5 MHz)	
Test SCS as specified in Table 5.3.5-1						Lowest, Highest	
A-MPR test parameters for NS_40							
Test ID	Freq	Ch BW	SCS	Downlink Configuration	Uplink Configuration		
					Modulation (Note 2)	RB allocation (Note 1)	
1	Low	Default	Default	N/A for A-MPR testing.	DFT-s-OFDM	QPSK	Edge_1RB_Left
2	Default	Default	Default			QPSK	Inner_Full
3	Default	Default	Default			QPSK	Outer_Full
4	Low	Default	Default			16 QAM	Edge_1RB_Left
5	Default	Default	Default			16 QAM	Inner_Full
6	Default	Default	Default			16 QAM	Outer_Full
7	Low	Default	Default			64 QAM	Edge_1RB_Left
8	Default	Default	Default			64 QAM	Inner_Full
9	Default	Default	Default			64 QAM	Outer_Full
10	Low	Default	Default			256 QAM	Edge_1RB_Left
11	Default	Default	Default			256 QAM	Inner_Full
12	Default	Default	Default			256 QAM	Outer_Full
13	Low	Default	Default		CP-OFDM	QPSK	Edge_1RB_Left
14	Default	Default	Default			QPSK	Inner_Full
15	Default	Default	Default			QPSK	Outer_Full
16	Low	Default	Default			16 QAM	Edge_1RB_Left
17	Default	Default	Default			16 QAM	Inner_Full
18	Default	Default	Default			16 QAM	Outer_Full
19	Low	Default	Default			64 QAM	Edge_1RB_Left
20	Default	Default	Default			64 QAM	Inner_Full
21	Default	Default	Default			64 QAM	Outer_Full
22	Low	Default	Default			256 QAM	Edge_1RB_Left
23	Default	Default	Default			256 QAM	Inner_Full
24	Default	Default	Default			256 QAM	Outer_Full

NOTE 1: The specific configuration of each RB allocation is defined in Table 6.1-1 unless otherwise stated in this table.
 NOTE 2: DFT-s-OFDM PI/2 BPSK test applies only for UEs which supports half Pi BPSK in FR1.

Table 6.2.3.4.1-15: Test Configuration table for NS_41

Initial Conditions							
Test Environment as specified in TS 38.508-1 [5] subclause 4.1						Normal	
Test Frequencies as specified in TS 38.508-1 [5] subclause 4.3.1						Use uplink carrier centre frequency (F _c) as specified in test parameters	
Test Channel Bandwidths as specified in TS 38.508-1 [5] subclause 4.3.1						See Ch BW column	
Test SCS as specified in Table 5.3.5-1						Lowest, Highest	
A-MPR test parameters for NS_41							
Test ID	F _c (MHz)	Ch BW (MHz)	SCS	Downlink Configuration	Uplink Configuration		
					Modulation (Note 2)	RB allocation (Note 1)	
1	1437	10	Default	N/A for A-MPR testing.	DFT-s-OFDM	PI/2 BPSK	Outer_Full
2	1437	10	Default			PI/2 BPSK	Edge_1RB_Left
3	1439.5	15	Default			PI/2 BPSK	Outer_Full
4	1439.5	15	Default			PI/2 BPSK	Edge_1RB_Left
5	1442	20	Default			PI/2 BPSK	Outer_Full
6	1442	20	Default			PI/2 BPSK	Edge_1RB_Left
7	(Note 3)	Highest (≤ 60 MHz)	Default			PI/2 BPSK	Outer_Full
8	(Note 3)	Highest (≤ 60 MHz)	Default			PI/2 BPSK	Edge_1RB_Left
9	1437	10	Default			QPSK	Outer_Full
10	1437	10	Default			QPSK	Edge_1RB_Left
11	1439.5	15	Default			QPSK	Outer_Full
12	1439.5	15	Default			QPSK	Edge_1RB_Left

13	1442	20	Default			QPSK	Outer_Full	
14	1442	20	Default			QPSK	Edge_1RB_Left	
15	(Note 3)	Highest (\leq 60 MHz)	Default			QPSK	Outer_Full	
16	(Note 3)	Highest (\leq 60 MHz)	Default			QPSK	Edge_1RB_Left	
17	1437	10	Default			16 QAM	Outer_Full	
18	1437	10	Default			16 QAM	Edge_1RB_Left	
19	1439.5	15	Default			16 QAM	Outer_Full	
20	1439.5	15	Default			16 QAM	Edge_1RB_Left	
21	1442	20	Default			16 QAM	Outer_Full	
22	1442	20	Default			16 QAM	Edge_1RB_Left	
23	(Note 3)	Highest (\leq 60 MHz)	Default			16 QAM	Outer_Full	
24	(Note 3)	Highest (\leq 60 MHz)	Default			16 QAM	Edge_1RB_Left	
25	1437	10	Default			64 QAM	Outer_Full	
26	1437	10	Default			64 QAM	Edge_1RB_Left	
27	1439.5	15	Default			64 QAM	Outer_Full	
28	1439.5	15	Default			64 QAM	Edge_1RB_Left	
29	1442	20	Default			64 QAM	Outer_Full	
30	1442	20	Default			64 QAM	Edge_1RB_Left	
31	(Note 3)	Highest (\leq 60 MHz)	Default			64 QAM	Outer_Full	
32	(Note 3)	Highest (\leq 60 MHz)	Default			64 QAM	Edge_1RB_Left	
33	1437	10	Default			256 QAM	Outer_Full	
34	1437	10	Default			256 QAM	Edge_1RB_Left	
35	1439.5	15	Default			256 QAM	Outer_Full	
36	1439.5	15	Default			256 QAM	Edge_1RB_Left	
37	1442	20	Default			256 QAM	Outer_Full	
38	1442	20	Default			256 QAM	Edge_1RB_Left	
39	(Note 3)	Highest (\leq 60 MHz)	Default			256 QAM	Outer_Full	
40	(Note 3)	Highest (\leq 60 MHz)	Default			256 QAM	Edge_1RB_Left	
41	1437	10	Default			CP-OFDM	QPSK	Outer_Full
42	1437	10	Default				QPSK	Edge_1RB_Left
43	1439.5	15	Default				QPSK	Outer_Full

A-MPR test parameters for NS_41						
Test ID	F _c (MHz)	Ch BW (MHz)	SCS	Downlink Configuration	Uplink Configuration	
					Modulation (Note 2)	RB allocation (Note 1)
44	1439.5	15	Default		QPSK	Edge_1RB_Left
45	1442	20	Default		QPSK	Outer_Full
46	1442	20	Default		QPSK	Edge_1RB_Left
47	(Note 3)	Highest (\leq 60 MHz)	Default		QPSK	Outer_Full
48	(Note 3)	Highest (\leq 60 MHz)	Default		QPSK	Edge_1RB_Left
49	1437	10	Default		16 QAM	Outer_Full
50	1437	10	Default		16 QAM	Edge_1RB_Left
51	1439.5	15	Default		16 QAM	Outer_Full
52	1439.5	15	Default		16 QAM	Edge_1RB_Left
53	1442	20	Default		16 QAM	Outer_Full
54	1442	20	Default		16 QAM	Edge_1RB_Left
55	(Note 3)	Highest (\leq 60 MHz)	Default		16 QAM	Outer_Full
56	(Note 3)	Highest (\leq 60 MHz)	Default		16 QAM	Edge_1RB_Left
57	1437	10	Default		64 QAM	Outer_Full
58	1437	10	Default		64 QAM	Edge_1RB_Left
59	1439.5	15	Default		64 QAM	Outer_Full

60	1439.5	15	Default		64 QAM	Edge_1RB_Left
61	1442	20	Default		64 QAM	Outer_Full
62	1442	20	Default		64 QAM	Edge_1RB_Left
63	(Note 3)	Highest (\leq 60 MHz)	Default		64 QAM	Outer_Full
64	(Note 3)	Highest (\leq 60 MHz)	Default		64 QAM	Edge_1RB_Left
65	1437	10	Default		256 QAM	Outer_Full
66	1437	10	Default		256 QAM	Edge_1RB_Left
67	1439.5	15	Default		256 QAM	Outer_Full
68	1439.5	15	Default		256 QAM	Edge_1RB_Left
69	1442	20	Default		256 QAM	Outer_Full
70	1442	20	Default		256 QAM	Edge_1RB_Left
71	(Note 3)	Highest (\leq 60 MHz)	Default		256 QAM	Outer_Full
72	(Note 3)	Highest (\leq 60 MHz)	Default		256 QAM	Edge_1RB_Left

NOTE 1: The specific configuration of each RB allocation is defined in Table 6.1-1 unless otherwise stated in this table.
 NOTE 2: DFT-s-OFDM PI/2 BPSK test applies only for UEs which supports half Pi BPSK in FR1.
 NOTE 3: Select $F_c = 1452$ MHz for 40 MHz Ch BW, $F_c = 1457$ MHz for 50 MHz Ch BW and $F_c = 1462$ MHz for 60 MHz Ch BW.

Table 6.2.3.4.1-16: Test Configuration table for NS_42

Initial Conditions							
Test Environment as specified in TS 38.508-1 [5] subclause 4.1					Normal		
Test Frequencies as specified in TS 38.508-1 [5] subclause 4.3.1					Use uplink carrier centre frequency (F_c) as specified in test parameters		
Test Channel Bandwidths as specified in TS 38.508-1 [5] subclause 4.3.1					See Ch BW column		
Test SCS as specified in Table 5.3.5-1					Lowest, Highest		
A-MPR test parameters for NS_42							
Test ID	F_c (MHz)	Ch BW (MHz)	SCS	Downlink Configuration	Uplink Configuration		
					Modulation (Note 2)	RB allocation (Note 1, 3)	
1	1514.5	5	Default	N/A for A-MPR testing.	DFT-s-OFDM	PI/2 BPSK	Outer_Full
2	1514.5	5	Default			PI/2 BPSK	Outer (LCRB@RBstart)
3	1514.5	5	Default			PI/2 BPSK	Inner (LCRB@RBstart)
4	(Note 3)	Highest (\leq 60)	Default			PI/2 BPSK	Outer_Full
5	(Note 3)	Highest (\leq 60)	Default			PI/2 BPSK	Outer (LCRB@RBstart)
6	(Note 3)	Highest (\leq 60)	Default			PI/2 BPSK	Inner (LCRB@RBstart)
7	1514.5	5	Default			QPSK	Outer_Full
8	1514.5	5	Default			QPSK	Outer (LCRB@RBstart)
9	1514.5	5	Default			QPSK	Inner (LCRB@RBstart)
10	(Note 3)	Highest (\leq 60)	Default			QPSK	Outer_Full
11	(Note 3)	Highest (\leq 60)	Default			QPSK	Outer (LCRB@RBstart)
12	(Note 3)	Highest (\leq 60)	Default			QPSK	Inner LCRB@RBstart)
13	1514.5	5	Default			16 QAM	Outer_Full
14	1514.5	5	Default			16 QAM	Outer (LCRB@RBstart)
15	1514.5	5	Default			16 QAM	Inner (LCRB@RBstart)
16	(Note 3)	Highest (\leq 60)	Default			16 QAM	Outer_Full
17	(Note 3)	Highest (\leq 60)	Default			16 QAM	Outer (LCRB@RBstart)
18	(Note 3)	Highest (\leq 60)	Default			16 QAM	Inner (LCRB@RBstart)
19	1514.5	5	Default			64 QAM	Outer_Full
20	1514.5	5	Default			64 QAM	Outer (LCRB@RBstart)
21	1514.5	5	Default			64 QAM	Inner (LCRB@RBstart)
22	(Note 3)	Highest (\leq 60)	Default			64 QAM	Outer_Full
23	(Note 3)	Highest (\leq 60)	Default			64 QAM	Outer (LCRB@RBstart)
24	(Note 3)	Highest (\leq 60)	Default			64 QAM	Inner (LCRB@RBstart)
25	1514.5	5	Default			256 QAM	Outer_Full
26	1514.5	5	Default			256 QAM	Outer (LCRB@RBstart)
27	1514.5	5	Default			256 QAM	Inner (LCRB@RBstart)
28	(Note 3)	Highest (\leq 60)	Default			256 QAM	Outer_Full
29	(Note 3)	Highest (\leq 60)	Default			256 QAM	Outer (LCRB@RBstart)
30	(Note 3)	Highest (\leq 60)	Default			256 QAM	Inner (LCRB@RBstart)

31	1514.5	5	Default	CP-OFDM	QPSK	Outer_Full
32	1514.5	5	Default		QPSK	Outer (LCRB@RBstart)
33	1514.5	5	Default		QPSK	Inner (LCRB@RBstart)
34	(Note 3)	Highest (≤ 60)	Default		QPSK	Outer_Full
35	(Note 3)	Highest (≤ 60)	Default		QPSK	Outer (LCRB@RBstart)
36	(Note 3)	Highest (≤ 60)	Default		QPSK	Inner (LCRB@RBstart)
37	1514.5	5	Default		16 QAM	Outer_Full
38	1514.5	5	Default		16 QAM	Outer (LCRB@RBstart)
39	1514.5	5	Default		16 QAM	Inner (LCRB@RBstart)
40	(Note 3)	Highest (≤ 60)	Default		16 QAM	Outer_Full
41	(Note 3)	Highest (≤ 60)	Default		16 QAM	Outer (LCRB@RBstart)
42	(Note 3)	Highest (≤ 60)	Default		16 QAM	Inner (LCRB@RBstart)
43	1514.5	5	Default		64 QAM	Outer_Full
44	1514.5	5	Default		64 QAM	Outer (LCRB@RBstart)
45	1514.5	5	Default		64 QAM	Inner (LCRB@RBstart)
46	(Note 3)	Highest (≤ 60)	Default		64 QAM	Outer_Full
47	(Note 3)	Highest (≤ 60)	Default		64 QAM	Outer (LCRB@RBstart)
48	(Note 3)	Highest (≤ 60)	Default		64 QAM	Inner (LCRB@RBstart)
49	1514.5	5	Default		256 QAM	Outer_Full
50	1514.5	5	Default		256 QAM	Outer (LCRB@RBstart)

A-MPR test parameters for NS_42						
Test ID	F _c (MHz)	Ch BW (MHz)	SCS	Downlink Configuration	Uplink Configuration	
					Modulation (Note 2)	RB allocation (Note 1, 3)
51	1514.5	5	Default		256 QAM	Inner (LCRB@RBstart)
52	(Note 3)	Highest (≤ 60)	Default		256 QAM	Outer_Full
53	(Note 3)	Highest (≤ 60)	Default		256 QAM	Outer (LCRB@RBstart)
54	(Note 3)	Highest (≤ 60)	Default		256 QAM	Inner (LCRB@RBstart)

NOTE 1: The Outer_Full RB configuration is defined in Table 6.1-1.
 NOTE 2: DFT-s-OFDM PI/2 BPSK test applies only for UEs which supports half Pi BPSK in FR1.
 NOTE 3: For 10 – 60 MHz channel bandwidth the RB allocation and test frequency are specified in Table 6.2.3.4.1-16a.

Table 6.2.3.4.1-16a: Uplink configuration for NS_42

Ch BW (MHz)	F _c (MHz)	SCS (kHz)	OFDM	Outer LCRB@RBstart	Inner LCRB@RBstart
5	1514.5	15	DFT-s	16@0	9@4
			CP	17@0	9@4
		30	DFT-s	8@0	5@2
			CP	8@0	5@2
10	1512.0	15	DFT-s	32@0	9@4
			CP	34@0	9@4
		30	DFT-s	16@0	5@2
			CP	17@0	5@2
		60	DFT-s	8@0	3@1
			CP	8@0	3@1
15	1509.5	15	DFT-s	50@0	32@16
			CP	51@0	33@16
		30	DFT-s	25@0	16@8
			CP	25@0	17@8
		60	DFT-s	12@0	9@4
			CP	12@0	9@4
20	1507.0	15	DFT-s	64@0	48@24
			CP	68@0	49@24
		30	DFT-s	32@0	25@12
			CP	34@0	25@12
		60	DFT-s	16@0	12@6
			CP	17@0	12@6
40	1497.0	15	DFT-s	135@0	54@29

		30	CP	137@0	59@29
			DFT-s	64@0	27@14
			CP	68@0	29@14
		60	DFT-s	32@0	15@7
			CP	34@0	15@7
			DFT-s	162@0	75@39
50	1492.0	15	CP	172@0	79@39
			DFT-s	81@0	36@19
		30	CP	86@0	39@19
			DFT-s	40@0	18@9
		60	CP	43@0	19@9
			DFT-s	100@0	36@19
60	1487.0	30	CP	103@0	39@19
			DFT-s	50@0	18@9
		60	CP	51@0	19@9
			DFT-s		

Table 6.2.3.4.1-17: Test Configuration table for NS_47 power class 3 (contiguous allocation)

Initial Conditions									
Test Environment as specified in TS 38.508-1 [5] subclause 4.1				Normal					
Test Frequencies				As specified in Table 6.2.3.4.1-18a and 6.2.3.4.1-18b					
Test Channel Bandwidths as specified in TS 38.508-1 [5] subclause 4.3.1				30 MHz					
Test SCS as specified in Table 5.3.5-1				Lowest, Highest (Note 6)					
A-MPR test parameters for NS_47									
Test ID	F _c (MHz)	Ch BW (MHz)	SCS (kHz)	Downlink Configuration	Uplink Configuration				
					Modulation (Note 2)	RB allocation (Note 1)			
						SCS 15 kHz	SCS 30 kHz	SCS 60 kHz	
1 (Note 3)	Default	30	Default	N/A for A-MPR testing.	DFT-s-OFDM	PI/2 BPSK	Edge_1RB_Left (A1)		
2 (Note 3)	Default	30	Default			PI/2 BPSK	1@29 (A2)	1@15 (A2)	1@8 (A2)
3 (Note 3)	Default	30	Default			PI/2 BPSK	Edge_1RB_Right (A3)		
4 (Note 3)	Default	30	Default			PI/2 BPSK	Outer_Full (A2)		
5 (Note 3)	Default	30	Default			PI/2 BPSK	108@0 (A4)	54@0 (A4)	27@0 (A4)
6 (Note 3)	Default	30	Default			PI/2 BPSK	80@0 (A4)	40@0 (A4)	20@0 (A4)
7 (Note 3)	Default	30	Default			PI/2 BPSK	54@0 (A2)	27@0 (A2)	12@0 (A2)
8 (Note 4)	Default	30	Default			PI/2 BPSK	Edge_1RB_Left (A1)		
9 (Note 4)	Default	30	Default			PI/2 BPSK	1@29 (A2)	1@15 (A2)	1@8 (A2)
10 (Note 4)	Default	30	Default			PI/2 BPSK	Edge_1RB_Right (A3)		
11 (Note 4)	Default	30	Default			PI/2 BPSK	Outer_Full (A2)		
12 (Note 4)	Default	30	Default			PI/2 BPSK	108@0 (A4)	54@0 (A4)	27@0 (A4)
13 (Note 4)	Default	30	Default			PI/2 BPSK	80@0 (A4)	40@0 (A4)	20@0 (A4)
14 (Note 4)	Default	30	Default			PI/2 BPSK	54@0 (A2)	27@0 (A2)	12@0 (A2)
15	Default	30	Default			QPSK	Edge_1RB_Left (A1)		
16	Default	30	Default			QPSK	1@29 (A2)	1@15 (A2)	1@8 (A2)
17	Default	30	Default			QPSK	Edge_1RB_Right (A3)		
18	Default	30	Default			QPSK	Outer_Full (A2)		
19	Default	30	Default			QPSK	108@0 (A4)	54@0 (A4)	27@0 (A4)
20	Default	30	Default			QPSK	80@0 (A4)	40@0 (A4)	20@0 (A4)
21	Default	30	Default			QPSK	54@0 (A2)	27@0 (A2)	12@0 (A2)
22	Default	30	Default			16 QAM	Edge_1RB_Left (A1)		
23	Default	30	Default			16 QAM	1@29 (A2)	1@15 (A2)	1@8 (A2)
24	Default	30	Default			16 QAM	Edge_1RB_Right (A3)		
25	Default	30	Default			16 QAM	Outer_Full (A2)		
26	Default	30	Default			16 QAM	108@0 (A4)	54@0 (A4)	27@0 (A4)
27	Default	30	Default			16 QAM	80@0 (A4)	40@0 (A4)	20@0 (A4)
28	Default	30	Default			16 QAM	54@0 (A2)	27@0 (A2)	12@0 (A2)
29	Default	30	Default			64 QAM	Edge_1RB_Left (A1)		
30	Default	30	Default			64 QAM	1@29 (A2)	1@15 (A2)	1@8 (A2)
31	Default	30	Default			64 QAM	Edge_1RB_Right (A3)		
32	Default	30	Default			64 QAM	Outer_Full (A2)		
33	Default	30	Default			64 QAM	108@0 (A4)	54@0 (A4)	27@0 (A4)
34	Default	30	Default			64 QAM	80@0 (A4)	40@0 (A4)	20@0 (A4)
35	Default	30	Default			64 QAM	54@0 (A2)	27@0 (A2)	12@0 (A2)
36	Default	30	Default			256 QAM	Edge_1RB_Left (A1)		

37	Default	30	Default		CP-OFDM	256 QAM	1@29 (A2)	1@15 (A2)	1@8 (A2)
38	Default	30	Default			256 QAM	Edge_1RB_Right (A3)		
39	Default	30	Default			256 QAM	Outer_Full (A2)		
40	Default	30	Default			256 QAM	108@0 (A4)	54@0 (A4)	27@0 (A4)
41	Default	30	Default			256 QAM	80@0 (A4)	40@0 (A4)	20@0 (A4)
42	Default	30	Default			256 QAM	54@0 (A2)	27@0 (A2)	12@0 (A2)
43	Default	30	Default			QPSK	Edge_1RB_Left (A1)		
44	Default	30	Default			QPSK	1@29 (A2)	1@15 (A2)	1@8 (A2)
45	Default	30	Default			QPSK	Edge_1RB_Right (A3)		
46	Default	30	Default			QPSK	Outer_Full (A2)		
47	Default	30	Default			QPSK	108@0 (A4)	54@0 (A4)	27@0 (A4)
48	Default	30	Default			QPSK	80@0 (A4)	40@0 (A4)	20@0 (A4)
49	Default	30	Default			QPSK	54@0 (A2)	27@0 (A2)	12@0 (A2)
50	Default	30	Default			16 QAM	Edge_1RB_Left (A1)		

A-MPR test parameters for NS_47								
Test ID	F _c (MHz)	Ch BW (MHz)	SCS (kHz)	Downlink Configuration	Uplink Configuration			
					Modulation (Note 2)	RB allocation (Note 1)		
						SCS 15 kHz	SCS 30 kHz	SCS 60 kHz
51	Default	30	Default		16 QAM	1@29 (A2)	1@15 (A2)	1@8 (A2)
52	Default	30	Default		16 QAM	Edge_1RB_Right (A3)		
53	Default	30	Default		16 QAM	Outer_Full (A2)		
54	Default	30	Default		16 QAM	108@0 (A4)	54@0 (A4)	27@0 (A4)
55	Default	30	Default		16 QAM	80@0 (A4)	40@0 (A4)	20@0 (A4)
56	Default	30	Default		16 QAM	54@0 (A2)	27@0 (A2)	12@0 (A2)
57	Default	30	Default		64 QAM	Edge_1RB_Left (A1)		
58	Default	30	Default		64 QAM	1@29 (A2)	1@15 (A2)	1@8 (A2)
59	Default	30	Default		64 QAM	Edge_1RB_Right (A3)		
60	Default	30	Default		64 QAM	Outer_Full (A2)		
61	Default	30	Default		64 QAM	108@0 (A4)	54@0 (A4)	27@0 (A4)
62	Default	30	Default		64 QAM	80@0 (A4)	40@0 (A4)	20@0 (A4)
63	Default	30	Default		64 QAM	54@0 (A2)	27@0 (A2)	12@0 (A2)
64	Default	30	Default		256 QAM	Edge_1RB_Left (A1)		
65	Default	30	Default		256 QAM	1@29 (A2)	1@15 (A2)	1@8 (A2)
66	Default	30	Default		256 QAM	Edge_1RB_Right (A3)		
67	Default	30	Default		256 QAM	Outer_Full (A2)		
68	Default	30	Default		256 QAM	108@0 (A4)	54@0 (A4)	27@0 (A4)
69	Default	30	Default		256 QAM	80@0 (A4)	40@0 (A4)	20@0 (A4)
70	Default	30	Default		256 QAM	54@0 (A2)	27@0 (A2)	12@0 (A2)

NOTE 1: The specific configuration of each RB allocation is defined in Table 6.1-1 unless otherwise stated in this table.
NOTE 2: DFT-s-OFDM Pi/2 BPSK test applies only for UEs which supports half Pi BPSK in FR1.
NOTE 3: UE operating in TDD mode with Pi/2 BPSK modulation and UE indicates support for UE capability *powerBoosting-pi2BPSK* and the IE *powerBoostPi2BPSK* is set to 1 for bands n41.
NOTE 4: UE operating in FDD mode, or in TDD mode in bands other than n41, or in TDD mode the IE *powerBoostPi2BPSK* is set to 0 for bands n41.
NOTE 5: Void
NOTE 6: For FR1 bands where highest supported SCS is 60 kHz the highest tested SCS is limited to 30 kHz as carrier with SCS=60 kHz cannot be used as PCell.

Table 6.2.3.4.1-17a: Test Configuration table for NS_47 power class 3 (almost contiguous allocation)

Initial Conditions	
Test Environment as specified in TS 38.508-1 [5] subclause 4.1	Normal
Test Frequencies	As specified in Table 6.2.3.4.1-18a and 6.2.3.4.1-18b
Test Channel Bandwidths as specified in TS 38.508-1 [5] subclause 4.3.1	30 MHz
Test SCS as specified in Table 5.3.5-1	Lowest, Highest (Note 3)
A-MPR test parameters for NS_47	
Test ID	Uplink Configuration

	F _c (MHz)	Ch BW (MHz)	SCS (kHz)	Downlink Configuratio n	Modulation		RB allocation (Note 1)	
					CP-OFDM			
1	Default	30	Default		CP-OFDM	QPSK	Outer_Full (A2)	
2	Default	30	Default		16 QAM	Outer_Full (A2)		
3	Default	30	Default		64 QAM	Outer_Full (A2)		
4	Default	30	Default		256 QAM	Outer_Full (A2)		

NOTE 1: The specific configuration of each RB allocation is defined in Table 6.2.2.4.1-4, since offsetToCarrier = 0 in Tables 6.2.3.4.1-18a and 6.2.3.4.1-18b.

NOTE 2: Void

NOTE 3: For FR1 bands where highest supported SCS is 60 kHz the highest tested SCS is limited to 30 kHz as carrier with SCS=60 kHz cannot be used as PCell.

NOTE 4: Test applies only for UEs which support almost contiguous UL CP-OFDM transmissions. For PC2 UE which support almost contiguous UL CP-OFDM transmissions, test is only applicable for Release 16 and forward.

Table 6.2.3.4.1-18: Test Configuration table for NS_47 power class 2 (contiguous allocation)

Initial Conditions										
Test Environment as specified in TS 38.508-1 [5] subclause 4.1						Normal				
Test Frequencies						As specified in Table 6.2.3.4.1-18a and 6.2.3.4.1-18b				
Test Channel Bandwidths as specified in TS 38.508-1 [5] subclause 4.3.1						30 MHz				
Test SCS as specified in Table 5.3.5-1						Lowest, Highest (Note 3)				
A-MPR test parameters for NS_47										
Test ID	F _c (MHz)	Ch BW (MHz)	SCS (kHz)	Downlink Configuration	Uplink Configuration					
					Modulation (Note 2)	RB allocation (Note 1)				
			SCS 15 kHz	SCS 30 kHz		SCS 60 kHz				
1	Default	30	Default	N/A for A-MPR testing.	DFT-s-OFDM	PI/2 BPSK	Edge_1RB_Left (A1)			
2	Default	30	Default			PI/2 BPSK	1@29 (A2)	1@15 (A2)	1@8 (A2)	
3	Default	30	Default			PI/2 BPSK	Edge_1RB_Right (A3)			
4	Default	30	Default			PI/2 BPSK	Outer_Full (A2)			
5	Default	30	Default			PI/2 BPSK	108@0 (A4)	54@0 (A4)	27@0 (A4)	
6	Default	30	Default			PI/2 BPSK	80@0 (A4)	40@0 (A4)	20@0 (A4)	
7	Default	30	Default			PI/2 BPSK	54@0 (A2)	27@0 (A2)	12@0 (A2)	
8	Default	30	Default			QPSK	Edge_1RB_Left (A1)			
9	Default	30	Default			QPSK	1@29 (A2)	1@15 (A2)	1@8 (A2)	
10	Default	30	Default			QPSK	Edge_1RB_Right (A3)			
11	Default	30	Default			QPSK	Outer_Full (A2)			
12	Default	30	Default			QPSK	108@0 (A4)	54@0 (A4)	27@0 (A4)	
13	Default	30	Default			QPSK	80@0 (A4)	40@0 (A4)	20@0 (A4)	
14	Default	30	Default			QPSK	54@0 (A2)	27@0 (A2)	12@0 (A2)	
15	Default	30	Default			16 QAM	Edge_1RB_Left (A1)			
16	Default	30	Default			16 QAM	1@29 (A2)	1@15 (A2)	1@8 (A2)	
17	Default	30	Default			16 QAM	Edge_1RB_Right (A3)			
18	Default	30	Default			16 QAM	Outer_Full (A2)			
19	Default	30	Default			16 QAM	108@0 (A4)	54@0 (A4)	27@0 (A4)	
20	Default	30	Default			16 QAM	80@0 (A4)	40@0 (A4)	20@0 (A4)	
21	Default	30	Default			16 QAM	54@0 (A2)	27@0 (A2)	12@0 (A2)	
22	Default	30	Default			64 QAM	Edge_1RB_Left (A1)			
23	Default	30	Default			64 QAM	1@29 (A2)	1@15 (A2)	1@8 (A2)	
24	Default	30	Default			64 QAM	Edge_1RB_Right (A3)			
25	Default	30	Default			64 QAM	Outer_Full (A2)			
26	Default	30	Default			64 QAM	108@0 (A4)	54@0 (A4)	27@0 (A4)	
27	Default	30	Default			64 QAM	80@0 (A4)	40@0 (A4)	20@0 (A4)	
28	Default	30	Default			64 QAM	54@0 (A2)	27@0 (A2)	12@0 (A2)	
29	Default	30	Default			256 QAM	Edge_1RB_Left (A1)			
30	Default	30	Default			256 QAM	1@29 (A2)	1@15 (A2)	1@8 (A2)	
31	Default	30	Default			256 QAM	Edge_1RB_Right (A3)			
32	Default	30	Default			256 QAM	Outer_Full (A2)			
33	Default	30	Default			256 QAM	108@0 (A4)	54@0 (A4)	27@0 (A4)	
34	Default	30	Default			256 QAM	80@0 (A4)	40@0 (A4)	20@0 (A4)	
35	Default	30	Default			256 QAM	54@0 (A2)	27@0 (A2)	12@0 (A2)	
36	Default	30	Default			CP-OFDM	QPSK	Edge_1RB_Left (A1)		
37	Default	30	Default				QPSK	1@29 (A2)	1@15 (A2)	1@8 (A2)

38	Default	30	Default			QPSK	Edge_1RB_Right (A3)		
39	Default	30	Default			QPSK	Outer_Full (A2)		
40	Default	30	Default			QPSK	108@0 (A4)	54@0 (A4)	27@0 (A4)
41	Default	30	Default			QPSK	80@0 (A4)	40@0 (A4)	20@0 (A4)
42	Default	30	Default			QPSK	54@0 (A2)	27@0 (A2)	12@0 (A2)
43	Default	30	Default			16 QAM	Edge_1RB_Left (A1)		
44	Default	30	Default			16 QAM	1@29 (A2)	1@15 (A2)	1@8 (A2)
45	Default	30	Default			16 QAM	Edge_1RB_Right (A3)		
46	Default	30	Default			16 QAM	Outer_Full (A2)		
47	Default	30	Default			16 QAM	108@0 (A4)	54@0 (A4)	27@0 (A4)
48	Default	30	Default			16 QAM	80@0 (A4)	40@0 (A4)	20@0 (A4)
49	Default	30	Default			16 QAM	54@0 (A2)	27@0 (A2)	12@0 (A2)
50	Default	30	Default			64 QAM	Edge_1RB_Left (A1)		

A-MPR test parameters for NS_47								
Test ID	F _c (MHz)	Ch BW (MHz)	SCS (kHz)	Downlink Configuration	Uplink Configuration			
					Modulation (Note 2)	RB allocation (Note 1)		
51	Default	30	Default		64 QAM	1@29 (A2)	1@15 (A2)	1@8 (A2)
52	Default	30	Default		64 QAM	Edge_1RB_Right (A3)		
53	Default	30	Default		64 QAM	Outer_Full (A2)		
54	Default	30	Default		64 QAM	108@0 (A4)	54@0 (A4)	27@0 (A4)
55	Default	30	Default		64 QAM	80@0 (A4)	40@0 (A4)	20@0 (A4)
56	Default	30	Default		64 QAM	54@0 (A2)	27@0 (A2)	12@0 (A2)
57	Default	30	Default		256 QAM	Edge_1RB_Left (A1)		
58	Default	30	Default		256 QAM	1@29 (A2)	1@15 (A2)	1@8 (A2)
59	Default	30	Default		256 QAM	Edge_1RB_Right (A3)		
60	Default	30	Default		256 QAM	Outer_Full (A2)		
61	Default	30	Default		256 QAM	108@0 (A4)	54@0 (A4)	27@0 (A4)
62	Default	30	Default		256 QAM	80@0 (A4)	40@0 (A4)	20@0 (A4)
63	Default	30	Default		256 QAM	54@0 (A2)	27@0 (A2)	12@0 (A2)

NOTE 1: The specific configuration of each RB allocation is defined in Table 6.1-1 unless otherwise stated in this table.
 NOTE 2: DFT-s-OFDM PI/2 BPSK test applies only for UEs which supports half Pi BPSK in FR1.
 NOTE 3: For FR1 bands where highest supported SCS is 60 kHz the highest tested SCS is limited to 30 kHz as carrier with SCS=60 kHz cannot be used as PCell.

Table 6.2.3.4.1-18-1A: Test Configuration table for NS_47 power class 2 (almost contiguous allocation)

Initial Conditions							
Test Environment as specified in TS 38.508-1 [5] subclause 4.1						Normal	
Test Frequencies						As specified in Table 6.2.3.4.1-18a and 6.2.3.4.1-18b	
Test Channel Bandwidths as specified in TS 38.508-1 [5] subclause 4.3.1						30 MHz	
Test SCS as specified in Table 5.3.5-1						Lowest, Highest (Note 3)	
A-MPR test parameters for NS_47							
Test ID	F _c (MHz)	Ch BW (MHz)	SCS (kHz)	Downlink Configuration	Uplink Configuration		
					Modulation	RB allocation (Note 1)	
1	Default	30	Default	CP-OFDM	QPSK	Outer_Full (A2)	
2	Default	30	Default		16 QAM	Outer_Full (A2)	
3	Default	30	Default		64 QAM	Outer_Full (A2)	
4	Default	30	Default		256 QAM	Outer_Full (A2)	

NOTE 1: The specific configuration of each RB allocation is defined in Table 6.2.2.4.1-4, since offsetToCarrier = 0 in Tables 6.2.3.4.1-18a and 6.2.3.4.1-18b.
 NOTE 2: Void
 NOTE 3: For FR1 bands where highest supported SCS is 60 kHz the highest tested SCS is limited to 30 kHz as carrier with SCS=60 kHz cannot be used as PCell.
 NOTE 4: Test applies only for UEs which support almost contiguous UL CP-OFDM transmissions. For PC2 UE which support almost contiguous UL CP-OFDM transmissions, test is only applicable for Release 16 and forward.

Table 6.2.3.4.1-18a: Test frequencies for NS_47 (SCS=15 kHz, ΔFRaster = 15kHz)

CBW [MHz]	carrier Bandwidth [PRBs]	Carrier centre [MHz]	Carrier centre [ARFCN]	point A [MHz]	absoluteFrequencyPointA[ARFCN]	offsetToCarrier [Carrier PRBs]	SSB offset [kHz]	SSC [kHz]	absoluteFrequencySSB [ARFCN]	SSB	Offset Carrier CORESET#0 [RBs] Note 2	CORESET#0 Index (Offset [RBs]) Note 1	offsetToPointA(SIB1) [PRBs] Note 1
30	160	256 0.0 05	512 001	254 5.6 05	509121	0	15	63 69	509550	11	1	0 (0)	1

NOTE 1: The CORESET#0 Index and the associated CORESET#0 Offset refers to Table 13-1 in TS 38.213 [22]. The value of CORESET#0 Index is signalled in controlResourceSetZero (pdcch-ConfigSIB1) in the MIB. The offsetToPointA IE is expressed in units of resource blocks assuming 15 kHz subcarrier spacing for FR1 and 60 kHz subcarrier spacing for FR2.

NOTE 2: The parameter Offset Carrier CORESET#0 specifies the offset from the lowest subcarrier of the carrier and the lowest subcarrier of CORESET#0. It corresponds to the parameter ΔF_{OffsetCORESET-0-Carrier} in Annex C expressed in number of common RBs.

Table 6.2.3.4.1-18b: Test frequencies for NS_47 (SCS=30 kHz, ΔFRaster = 30 kHz)

CBW [MHz]	carrier Bandwidth [PRBs]	Carrier centre [MHz]	Carrier centre [ARFCN]	point A [MHz]	absoluteFrequencyPointA[ARFCN]	offsetToCarrier [Carrier PRBs]	SSB offset [kHz]	SSC [kHz]	absoluteFrequencySSB [ARFCN]	SSB	Offset Carrier CORESET#0 [RBs] Note 2	CORESET#0 Index (Offset [RBs]) Note 1	offsetToPointA(SIB1) [PRBs] Note 1
30	78	25 60. 02	512 004	25 45. 98	509196	0	30	63 75	510030	14	0	1 (1)	2

NOTE 1: The CORESET#0 Index and the associated CORESET#0 Offset refers to Table 13-1 in TS 38.213 [22]. The value of CORESET#0 Index is signalled in controlResourceSetZero (pdcch-ConfigSIB1) in the MIB. The offsetToPointA IE is expressed in units of resource blocks assuming 15 kHz subcarrier spacing for FR1 and 60 kHz subcarrier spacing for FR2.

NOTE 2: The parameter Offset Carrier CORESET#0 specifies the offset from the lowest subcarrier of the carrier and the lowest subcarrier of CORESET#0. It corresponds to the parameter ΔF_{OffsetCORESET-0-Carrier} in Annex C expressed in number of common RBs.

Table 6.2.3.4.1-19: Test Configuration table for NS_48 (Power class 3)

Initial Conditions													
Test Environment as specified in TS 38.508-1 [5] subclause 4.1										Normal			
Test Frequencies										lowest and highest carrier centre frequency for each CBW in table 6.2.3.3.26-1			
Test Channel Bandwidths as specified in TS 38.508-1 [5] subclause 4.3.1										25 MHz, 30MHz, 40MHz, 45MHz, 50MHz			
Test SCS as specified in Table 5.3.5-1										Lowest, Highest			
A-MPR test parameters for NS_48													
Test ID	F _c (MHz)	Ch BW (MHz)	SCS (kHz)	Downlink Configuration	Uplink Configuration								
					Modulation (Note 2)	RB allocation (Note 1)							
						SCS 15 kHz	SCS 30 kHz	SCS 60 kHz					
1	Default	25	Default	N/A for A-MPR testing.	DFT-S-OFDM	QPSK	Outer_Full (A3)						
2	Default	25	Default			QPSK	Edge_1RB_Right (A3)						
3	Default	30	Default			QPSK	Outer_Full (A3)						
4	Default	30	Default			QPSK	Edge_1RB_Right (A5)						

5	Default	40	Default	CP-OFDM	QPSK	16@0 (A2)	8@0 (A2)	4@0 (A2)
6	Default	40	Default		QPSK	90@0 (A3)	48@0 (A3)	24@0 (A3)
7	Default	40	Default		QPSK	150@0 (A4)	75@0 (A4)	36@0 (A4)
8	Default	40	Default		QPSK	192@0 (A2)	96@0 (A2)	48@0 (A2)
9	Default	40	Default		QPSK	5@187 (A3)	2@94 (A3)	1@47 (A3)
10	Default	40	Default		QPSK	Outer_Full (A1)		
11	Default	45	Default		QPSK	27@0 (A2)	12@0 (A2)	6@0 (A2)
12	Default	45	Default		QPSK	100@0 (A4)	50@0 (A4)	27@0 (A4)
13	Default	45	Default		QPSK	200@0 (A2)	100@0 (A2)	50@0 (A2)
14	Default	45	Default		QPSK	5@203 (A5)	2@102 (A5)	1@51 (A5)
15	Default	45	Default		QPSK	Outer_Full (A1)		
16	Default	50	Default		QPSK	32@0 (A2)	16@0 (A2)	8@0 (A2)
17	Default	50	Default		QPSK	108@0 (A4)	54@0 (A4)	27@0 (A4)
18	Default	50	Default		QPSK	225@0 (A2)	108@0 (A2)	54@0 (A2)
19	Default	50	Default		QPSK	5@223 (A5)	2@112 (A5)	1@56 (A5)
20	Default	50	Default		QPSK	Outer_Full (A1)		
21	Default	25	Default		256 QAM	Outer_Full (A3)		
22	Default	25	Default		256 QAM	Edge_1RB_Right (A3)		
23	Default	30	Default		256 QAM	Outer_Full (A3)		
24	Default	30	Default		256 QAM	Edge_1RB_Right (A5)		
25	Default	40	Default		256 QAM	16@0 (A2)	8@0 (A2)	4@0 (A2)
26	Default	40	Default		256 QAM	90@0 (A3)	48@0 (A3)	24@0 (A3)
27	Default	40	Default		256 QAM	150@0 (A4)	75@0 (A4)	36@0 (A4)
28	Default	40	Default		256 QAM	192@0 (A2)	96@0 (A2)	48@0 (A2)
29	Default	40	Default		256 QAM	5@187 (A3)	2@94 (A3)	1@47 (A3)
30	Default	40	Default		256 QAM	Outer_Full (A1)		
31	Default	45	Default		256 QAM	27@0 (A2)	12@0 (A2)	6@0 (A2)
32	Default	45	Default		256 QAM	100@0 (A4)	50@0 (A4)	27@0 (A4)
33	Default	45	Default		256 QAM	200@0 (A2)	100@0 (A2)	50@0 (A2)
34	Default	45	Default		256 QAM	5@203 (A5)	2@102 (A5)	1@51 (A5)
35	Default	45	Default		256 QAM	Outer_Full (A1)		
36	Default	50	Default		256 QAM	32@0 (A2)	16@0 (A2)	8@0 (A2)
37	Default	50	Default		256 QAM	108@0 (A4)	54@0 (A4)	27@0 (A4)
38	Default	50	Default		256 QAM	225@0 (A2)	108@0 (A2)	54@0 (A2)
39	Default	50	Default		256 QAM	5@223 (A5)	2@112 (A5)	1@56 (A5)
40	Default	50	Default		256 QAM	Outer_Full (A1)		
41	Default	25	Default		QPSK	Outer_Full (A3)		
42	Default	25	Default		QPSK	Edge_1RB_Right (A3)		
43	Default	30	Default		QPSK	Outer_Full (A3)		
44	Default	30	Default		QPSK	Edge_1RB_Right (A5)		
45	Default	40	Default		QPSK	16@0 (A2)	8@0 (A2)	4@0 (A2)
46	Default	40	Default		QPSK	95@0 (A3)	48@0 (A3)	24@0 (A3)
47	Default	40	Default		QPSK	152@0 (A4)	76@0 (A4)	38@0 (A4)
48	Default	40	Default		QPSK	192@0 (A2)	96@0 (A2)	48@0 (A2)
49	Default	40	Default		QPSK	5@187 (A3)	2@94 (A3)	1@47 (A3)
50	Default	40	Default		QPSK	Outer_Full (A1)		
51	Default	45	Default		QPSK	27@0 (A2)	13@0 (A2)	6@0 (A2)
52	Default	45	Default		QPSK	106@0 (A4)	53@0 (A4)	27@0 (A4)
53	Default	45	Default		QPSK	208@0 (A2)	104@0 (A2)	52@0 (A2)
54	Default	45	Default		QPSK	5@203 (A5)	2@102 (A5)	1@51 (A5)
55	Default	45	Default		QPSK	Outer_Full (A1)		
56	Default	50	Default		QPSK	34@0 (A2)	17@0 (A2)	9@0 (A2)
57	Default	50	Default		QPSK	115@0 (A4)	58@0 (A4)	29@0 (A4)
58	Default	50	Default		QPSK	228@0 (A2)	114@0 (A2)	57@0 (A2)
59	Default	50	Default		QPSK	5@223 (A5)	2@112 (A5)	1@56 (A5)
60	Default	50	Default		QPSK	Outer_Full (A1)		
61	Default	25	Default		256 QAM	Outer_Full (A3)		
62	Default	25	Default		256 QAM	Edge_1RB_Right (A3)		
63	Default	30	Default		256 QAM	Outer_Full (A3)		
64	Default	30	Default		256 QAM	Edge_1RB_Right (A5)		
65	Default	40	Default		256 QAM	16@0 (A2)	8@0 (A2)	4@0 (A2)
66	Default	40	Default		256 QAM	95@0 (A3)	48@0 (A3)	24@0 (A3)
67	Default	40	Default		256 QAM	152@0 (A4)	76@0 (A4)	38@0 (A4)
68	Default	40	Default		256 QAM	192@0 (A2)	96@0 (A2)	48@0 (A2)
69	Default	40	Default		256 QAM	5@187 (A3)	2@94 (A3)	1@47 (A3)

70	Default	40	Default			256 QAM	Outer_Full (A1)		
71	Default	45	Default			256 QAM	27@0 (A2)	13@0 (A2)	6@0 (A2)
72	Default	45	Default			256 QAM	106@0 (A4)	53@0 (A4)	27@0 (A4)
73	Default	45	Default			256 QAM	208@0 (A2)	104@0 (A2)	52@0 (A2)
74	Default	45	Default			256 QAM	5@203 (A5)	2@102 (A5)	1@51 (A5)
75	Default	45	Default			256 QAM	Outer_Full (A1)		
76	Default	50	Default			256 QAM	34@0 (A2)	17@0 (A2)	9@0 (A2)
77	Default	50	Default			256 QAM	115@0 (A4)	58@0 (A4)	29@0 (A4)
78	Default	50	Default			256 QAM	228@0 (A2)	114@0 (A2)	57@0 (A2)
79	Default	50	Default			256 QAM	5@223 (A5)	2@112 (A5)	1@56 (A5)
80	Default	50	Default			256 QAM	Outer_Full (A1)		

NOTE 1: The specific configuration of each RB allocation is defined in Table 6.1-1 unless otherwise stated in this table.

Table 6.2.3.4.1-20: Test Configuration table for NS_48 (Power class 2)

Initial Conditions									
Test Environment as specified in TS 38.508-1 [5] subclause 4.1				Normal					
Test Frequencies				lowest and highest carrier centre frequency for each CBW in table 6.2.3.3.26-1					
Test Channel Bandwidths as specified in TS 38.508-1 [5] subclause 4.3.1				25 MHz, 30MHz, 40MHz, 45MHz, 50MHz					
Test SCS as specified in Table 5.3.5-1				Lowest, Highest					
A-MPR test parameters for NS_48									
Test ID	F _c (MHz)	Ch BW (MHz)	SCS (kHz)	Downlink Configuration	Modulation (Note 2)	Uplink Configuration			
						RB allocation (Note 1)			
						SCS 15 kHz	SCS 30 kHz	SCS 60 kHz	
1	Default	10	Default	N/A for A-MPR testing.	DFT-s-OFDM	Outer_Full (A6)			
2	Default	10	Default			QPSK	8@0 (A6)	4@0 (A6)	2@0 (A6)
3	Default	15	Default			Outer_Full (A6)			
4	Default	15	Default			QPSK	48@0 (A6)	24@0 (A6)	12@0 (A6)
5	Default	20	Default			Outer_Full (A4)			
6	Default	20	Default			QPSK	50@0 (A6)	25@0 (A6)	12@0 (A6)
7	Default	25	Default			Outer_Full (A4)			
8	Default	25	Default			Edge_1RB_Right (A3)			
9	Default	25	Default			QPSK	50@0 (A4)	25@0 (A4)	12@0 (A4)
10	Default	30	Default			Outer_Full (A4)			
11	Default	30	Default			Edge_1RB_Right (A5)			
12	Default	30	Default			QPSK	64@0 (A4)	32@0 (A4)	16@0 (A4)
13	Default	40	Default			QPSK	16@0 (A1)	8@0 (A1)	4@0 (A1)
14	Default	40	Default			QPSK	90@0 (A3)	48@0 (A3)	24@0 (A3)
15	Default	40	Default			QPSK	150@0 (A4)	75@0 (A4)	36@0 (A4)
16	Default	40	Default			QPSK	192@0 (A2)	96@0 (A2)	48@0 (A2)
17	Default	40	Default			QPSK	5@187 (A3)	2@94 (A3)	1@47 (A3)
18	Default	40	Default			Outer_Full (A1)			
19	Default	45	Default			QPSK	27@0 (A1)	12@0 (A1)	6@0 (A1)
20	Default	45	Default			QPSK	100@0 (A4)	50@0 (A4)	27@0 (A4)
21	Default	45	Default			QPSK	200@0 (A2)	100@0 (A2)	50@0 (A2)
22	Default	45	Default			QPSK	5@203 (A5)	2@102 (A5)	1@51 (A5)
23	Default	45	Default			Outer_Full (A1)			
24	Default	50	Default			QPSK	36@0 (A1)	18@0 (A1)	9@0 (A1)
25	Default	50	Default			QPSK	108@0 (A4)	54@0 (A4)	27@0 (A4)
26	Default	50	Default			QPSK	225@0 (A2)	108@0 (A2)	54@0 (A2)
27	Default	50	Default			QPSK	5@223 (A5)	2@112 (A5)	1@56 (A5)
28	Default	50	Default			Outer_Full (A1)			
29	Default	10	Default			Outer_Full (A6)			
30	Default	10	Default			256QAM	8@0 (A6)	4@0 (A6)	2@0 (A6)
31	Default	15	Default			Outer_Full (A6)			
32	Default	15	Default			256QAM	48@0 (A6)	24@0 (A6)	12@0 (A6)
33	Default	20	Default			Outer_Full (A4)			
34	Default	20	Default			256QAM	50@0 (A6)	25@0 (A6)	12@0 (A6)
35	Default	25	Default			Outer_Full (A4)			
36	Default	25	Default			256QAM	Edge_1RB_Right (A3)		
37	Default	25	Default			256QAM	50@0 (A4)	25@0 (A4)	12@0 (A4)
38	Default	30	Default			Outer_Full (A4)			
39	Default	30	Default			256QAM	Edge_1RB_Right (A5)		

40	Default	30	Default	CP-OFDM	256QAM	64@0 (A4)	32@0 (A4)	16@0 (A4)
41	Default	40	Default		256QAM	16@0 (A1)	8@0 (A1)	4@0 (A1)
42	Default	40	Default		256QAM	90@0 (A3)	48@0 (A3)	24@0 (A3)
43	Default	40	Default		256QAM	150@0 (A4)	75@0 (A4)	36@0 (A4)
44	Default	40	Default		256QAM	192@0 (A2)	96@0 (A2)	48@0 (A2)
45	Default	40	Default		256QAM	5@187 (A3)	2@94 (A3)	1@47 (A3)
46	Default	40	Default		256QAM	Outer_Full (A1)		
47	Default	45	Default		256QAM	27@0 (A1)	12@0 (A1)	6@0 (A1)
48	Default	45	Default		256QAM	100@0 (A4)	50@0 (A4)	27@0 (A4)
49	Default	45	Default		256QAM	200@0 (A2)	100@0 (A2)	50@0 (A2)
50	Default	45	Default		256QAM	5@203 (A5)	2@102 (A5)	1@51 (A5)
51	Default	45	Default		256QAM	Outer_Full (A1)		
52	Default	50	Default		256QAM	36@0 (A1)	18@0 (A1)	9@0 (A1)
53	Default	50	Default		256QAM	108@0 (A4)	54@0 (A4)	27@0 (A4)
54	Default	50	Default		256QAM	225@0 (A2)	108@0 (A2)	54@0 (A2)
55	Default	50	Default		256QAM	5@223 (A5)	2@112 (A5)	1@56 (A5)
56	Default	50	Default		256QAM	Outer_Full (A1)		
57	Default	10	Default		QPSK	Outer_Full (A6)		
58	Default	10	Default		QPSK	8@0 (A6)	4@0 (A6)	2@0 (A6)
59	Default	15	Default		QPSK	Outer_Full (A6)		
60	Default	15	Default		QPSK	48@0 (A6)	24@0 (A6)	12@0 (A6)
61	Default	20	Default		QPSK	Outer_Full (A4)		
62	Default	20	Default		QPSK	52@0 (A6)	26@0 (A6)	13@0 (A6)
63	Default	25	Default		QPSK	Outer_Full (A4)		
64	Default	25	Default		QPSK	Edge_1RB_Right (A3)		
65	Default	25	Default		QPSK	52@0 (A4)	26@0 (A4)	13@0 (A4)
66	Default	30	Default		QPSK	Outer_Full (A4)		
67	Default	30	Default		QPSK	Edge_1RB_Right (A5)		
68	Default	30	Default		QPSK	70@0 (A4)	35@0 (A4)	17@0 (A4)
69	Default	40	Default		QPSK	16@0 (A1)	8@0 (A1)	4@0 (A1)
70	Default	40	Default		QPSK	90@0 (A3)	48@0 (A3)	24@0 (A3)
71	Default	40	Default		QPSK	150@0 (A4)	81@0 (A4)	40@0 (A4)
72	Default	40	Default		QPSK	192@0 (A2)	96@0 (A2)	48@0 (A2)
73	Default	40	Default		QPSK	5@187 (A3)	2@94 (A3)	1@47 (A3)
74	Default	40	Default		QPSK	Outer_Full (A1)		
75	Default	45	Default		QPSK	28@0 (A1)	14@0 (A1)	7@0 (A1)
76	Default	45	Default		QPSK	100@0 (A4)	50@0 (A4)	25@0 (A4)
77	Default	45	Default		QPSK	200@0 (A2)	100@0 (A2)	50@0 (A2)
78	Default	45	Default		QPSK	5@203 (A5)	2@102 (A5)	1@51 (A5)
79	Default	45	Default		QPSK	Outer_Full (A1)		
80	Default	50	Default		QPSK	36@0 (A1)	18@0 (A1)	9@0 (A1)
81	Default	50	Default		QPSK	108@0 (A4)	54@0 (A4)	27@0 (A4)
82	Default	50	Default		QPSK	225@0 (A2)	108@0 (A2)	54@0 (A2)
83	Default	50	Default		QPSK	5@223 (A5)	2@112 (A5)	1@56 (A5)
84	Default	50	Default		QPSK	Outer_Full (A6)		
85	Default	10	Default		256QAM	Outer_Full (A6)		
86	Default	10	Default		256QAM	8@0 (A6)	4@0 (A6)	2@0 (A6)
87	Default	15	Default		256QAM	Outer_Full (A6)		
88	Default	15	Default		256QAM	48@0 (A6)	24@0 (A6)	12@0 (A6)
89	Default	20	Default		256QAM	Outer_Full (A4)		
90	Default	20	Default		256QAM	52@0 (A6)	26@0 (A6)	13@0 (A6)
91	Default	25	Default		256QAM	Outer_Full (A4)		
92	Default	25	Default		256QAM	Edge_1RB_Right (A3)		
93	Default	25	Default		256QAM	52@0 (A4)	26@0 (A4)	13@0 (A4)
94	Default	30	Default		256QAM	Outer_Full (A4)		
95	Default	30	Default		256QAM	Edge_1RB_Right (A5)		
96	Default	30	Default		256QAM	70@0 (A4)	35@0 (A4)	17@0 (A4)
97	Default	40	Default		256QAM	16@0 (A1)	8@0 (A1)	4@0 (A1)
98	Default	40	Default		256QAM	90@0 (A3)	48@0 (A3)	24@0 (A3)
99	Default	40	Default		256QAM	150@0 (A4)	81@0 (A4)	40@0 (A4)
100	Default	40	Default		256QAM	192@0 (A2)	96@0 (A2)	48@0 (A2)
101	Default	40	Default		256QAM	5@187 (A3)	2@94 (A3)	1@47 (A3)
102	Default	40	Default		256QAM	Outer_Full (A1)		
103	Default	45	Default		256QAM	28@0 (A1)	14@0 (A1)	7@0 (A1)
104	Default	45	Default		256QAM	100@0 (A4)	50@0 (A4)	25@0 (A4)

105	Default	45	Default		256QAM	200@0 (A2)	100@0 (A2)	50@0 (A2)
106	Default	45	Default		256QAM	5@203 (A5)	2@102 (A5)	1@51 (A5)
107	Default	45	Default		256QAM	Outer_Full (A1)		
108	Default	50	Default		256QAM	36@0 (A1)	18@0 (A1)	9@0 (A1)
109	Default	50	Default		256QAM	108@0 (A4)	54@0 (A4)	27@0 (A4)
110	Default	50	Default		256QAM	225@0 (A2)	108@0 (A2)	54@0 (A2)
111	Default	50	Default		256QAM	5@223 (A5)	2@112 (A5)	1@56 (A5)
112	Default	50	Default		256QAM	Outer_Full (A6)		

NOTE 1: The specific configuration of each RB allocation is defined in Table 6.1-1 unless otherwise stated in this table.

Table 6.2.3.4.1-21: Test Configuration table for NS_12

Initial Conditions							
Test Environment as specified in TS 38.508-1 [5] subclause 4.1				Normal			
Test Frequencies as specified in TS 38.508-1 [5] subclause 4.3.1				Low range, High range			
Test Channel Bandwidths as specified in TS 38.508-1 [5] subclause 4.3.1				Refer to test parameters (3, 5, 10 MHz)			
Test SCS as specified in Table 5.3.5-1				Lowest			
A-MPR test parameters for NS_12							
Test ID	F _c (MHz)	ChBw (MHz)	SCS	Downlink Configuration	Uplink Configuration		
					Modulation (NOTE 2, 3)	RB allocation (Note 1)	
1	Default	5	Default	N/A for A-MPR testing.	DFT-s-OFDM	QPSK	Edge_1RB_Left
2	Default	5	Default			64 QAM	Edge_1RB_Left
3	Default	5	Default			256 QAM	Edge_1RB_Left
4	Default	5	Default			QPSK	Outer_Full
5	Default	5	Default			64 QAM	Outer_Full
6	Default	5	Default			256 QAM	Outer_Full
7	Default	10	Default			QPSK	Edge_1RB_Left
8	Default	10	Default			64 QAM	Edge_1RB_Left
9	Default	10	Default			256 QAM	Edge_1RB_Left
10	Default	10	Default			QPSK	Outer_Full
11	Default	10	Default			64 QAM	Outer_Full
12	Default	10	Default			256 QAM	Outer_Full
13	Default	5	Default			QPSK	12@11
14	Default	10	Default			QPSK	30@21
15	Default	5	Default		CP-OFDM	64 QAM	Edge_1RB_Left
16	Default	5	Default			256 QAM	Edge_1RB_Left
17	Default	5	Default			64 QAM	Outer_Full
18	Default	5	Default			256 QAM	Outer_Full
19	Default	10	Default			64 QAM	Edge_1RB_Left
20	Default	10	Default			256 QAM	Edge_1RB_Left
21	Default	10	Default			64 QAM	Outer_Full
22	Default	10	Default			256 QAM	Outer_Full
23	Default	5	Default			QPSK	12@11
24	Default	10	Default			QPSK	30@21
25	Default	3	Default		DFT-s-OFDM	QPSK	Edge_1RB_Left
26	Default	3	Default			64 QAM	Edge_1RB_Left
27	Default	3	Default			256 QAM	Edge_1RB_Left
28	Default	3	Default			QPSK	Outer_Full
29	Default	3	Default			64 QAM	Outer_Full
30	Default	3	Default			256 QAM	Outer_Full
31	Default	3	Default			QPSK	8@6
32	Default	3	Default			CP-OFDM	64 QAM
33	Default	3	Default		64 QAM		Outer_Full
34	Default	3	Default		QPSK		8@6

NOTE 1: The specific configuration of each RB allocation is defined in Table 6.1-1 unless otherwise stated in this table.

NOTE 2: In test IDs with multiple modulations, each UL Modulation shall be tested separately against RB allocation.

Table 6.2.3.4.1-22: Test Configuration table for NS_13

Initial Conditions

Test Environment as specified in TS 38.508-1 [5] subclause 4.1				Normal			
Test Frequencies as specified in TS 38.508-1 [5] subclause 4.3.1				Refer to uplink carrier center frequency (F_c) in test parameters			
Test Channel Bandwidths as specified in TS 38.508-1 [5] subclause 4.3.1				Refer to test parameters (3, 5 MHz)			
Test SCS as specified in Table 5.3.5-1				Lowest			
A-MPR test parameters for NS_13							
Test ID	F_c (MHz)	ChBw (MHz)	SCS	Downlink Configuration	Uplink Configuration		
					Modulation (NOTE 2, 3)	RB allocation (Note 1)	
1	819.5	5	Default	N/A for A-MPR testing.	DFT-s-OFDM	16 QAM	Edge_1RB_Left
2	819.5	5	Default			64 QAM	Edge_1RB_Left
3	819.5	5	Default			256QAM	Edge_1RB_Left
4	819.5	5	Default			16 QAM	Outer_Full
5	819.5	5	Default			64 QAM	Outer_Full
6	819.5	5	Default			256QAM	Outer_Full
7	821.5	5	Default			16 QAM	Edge_1RB_Left
8	821.5	5	Default			64 QAM	Edge_1RB_Left
9	821.5	5	Default			256QAM	Edge_1RB_Left
10	High	5	Default			64 QAM	Outer_Full
11	Void						
12	819.5	5	Default		CP-OFDM	16 QAM	Edge_1RB_Left
13	819.5	5	Default			64 QAM	Edge_1RB_Left
14	819.5	5	Default			256QAM	Edge_1RB_Left
15	819.5	5	Default			64 QAM	Outer_Full
16	819.5	5	Default			256QAM	Outer_Full
17	821.5	5	Default			16 QAM	Edge_1RB_Left
18	821.5	5	Default			64 QAM	Edge_1RB_Left
19	821.5	5	Default			256QAM	Edge_1RB_Left
20	High	5	Default			64 QAM	Outer_Full
21	Void						
22	818.5	3	Default		DFT-s-OFDM	16 QAM	Edge_1RB_Left
23	818.5	3	Default			64 QAM	Edge_1RB_Left
24	818.5	3	Default			16 QAM	Outer_Full
25	818.5	3	Default			64 QAM	Outer_Full
26	820	3	Default			16 QAM	Edge_1RB_Left
27	820	3	Default			64 QAM	Edge_1RB_Left
28	818.5	3	Default		CP-OFDM	16 QAM	Edge_1RB_Left
29	818.5	3	Default			64 QAM	Edge_1RB_Left
30	818.5	3	Default			64 QAM	Outer_Full
31	818.5	3	Default			16 QAM	Edge_1RB_Left
32	820	3	Default			64 QAM	Edge_1RB_Left

NOTE 1: The specific configuration of each RB allocation is defined in Table 6.1-1 unless otherwise stated in this table.
 NOTE 2: In test IDs with multiple modulations, each UL Modulation shall be tested separately against RB allocation.

Table 6.2.3.4.1-23: Test Configuration table for NS_14

Initial Conditions							
Test Environment as specified in TS 38.508-1 [5] subclause 4.1				Normal			
Test Frequencies as specified in TS 38.508-1 [5] subclause 4.3.1				Low range, High range			
Test Channel Bandwidths as specified in TS 38.508-1 [5] subclause 4.3.1				Refer to test parameters (10, 15, 20 MHz)			
Test SCS as specified in Table 5.3.5-1				Lowest			
A-MPR test parameters for NS_14							
Test ID	F_c (MHz)	ChBw (MHz)	SCS	Downlink Configuration	Uplink Configuration		
					Modulation (NOTE 2, 3)	RB allocation (Note 1)	
1	Default	10	Default	N/A for A-MPR testing.	DFT-s-OFDM	64 QAM	Edge_1RB_Left
2	Default	10	Default			16 QAM	Outer_Full
3	Default	15	Default			64 QAM	Edge_1RB_Left
4	Default	15	Default			16 QAM	Outer_Full
5	Default	20	Default			64 QAM	Edge_1RB_Left

6	Default	20	Default	CP-OFDM	256QAM	Edge_1RB_Left
7	Default	20	Default		16 QAM	Outer_Full
8	Default	10	Default		QPSK	8@2
9	Default	15	Default		QPSK	8@11
10	Default	20	Default		QPSK	8@20
11	Default	10	Default		16 QAM	Edge_1RB_Left
12	Default	10	Default		64 QAM	Edge_1RB_Left
13	Default	10	Default		256QAM	Edge_1RB_Left
14	Default	10	Default		16 QAM	Outer_Full
15	Default	15	Default		16 QAM	Edge_1RB_Left
16	Default	15	Default		64 QAM	Edge_1RB_Left
17	Default	15	Default		256QAM	Edge_1RB_Left
18	Default	15	Default		16 QAM	Outer_Full
19	Default	20	Default		16 QAM	Edge_1RB_Left
20	Default	20	Default		64 QAM	Edge_1RB_Left
21	Default	20	Default		256QAM	Edge_1RB_Left
22	Default	20	Default		16 QAM	Outer_Full
23	Default	10	Default		QPSK	8@2
24	Default	15	Default		QPSK	8@11
25	Default	20	Default		QPSK	8@20

NOTE 1: The specific configuration of each RB allocation is defined in Table 6.1-1 unless otherwise stated in this table.
 NOTE 2: In test IDs with multiple modulations, each UL Modulation shall be tested separately against RB allocation.

Table 6.2.3.4.1-24: Test Configuration table for NS_15

Initial Conditions						
Test Environment as specified in TS 38.508-1 [5] subclause 4.1		Normal				
Test Frequencies as specified in TS 38.508-1 [5] subclause 4.3.1		Refer to uplink carrier center frequency (F _c) in test parameters				
Test Channel Bandwidths as specified in TS 38.508-1 [5] subclause 4.3.1		Refer to test parameters (3, 5, 10, 15, 20 MHz)				
Test SCS as specified in Table 5.3.5-1		Lowest				
A-MPR test parameters for NS_15						
Test ID	F _c (MHz)	ChBw (MHz)	SCS	Downlink Configuration	Uplink Configuration	
					Modulation (NOTE 2, 3)	RB allocation (Note 1)
1	846.5	5	Default	DFT-s-OFDM	64 QAM	Edge_1RB_Right
2	846.5	5	Default		64 QAM	Outer_Full
3	846.5	5	Default		64 QAM	8@9
4	846.5	5	Default		64 QAM	Edge_1RB_Left
5	846.5	5	Default		256 QAM	Edge_1RB_Left
6	844	10	Default		64 QAM	Edge_1RB_Right
7	844	10	Default		256 QAM	Edge_1RB_Right
8	844	10	Default		64 QAM	Outer_Full
9	844	10	Default		64 QAM	15@16
10	844	10	Default		64 QAM	Edge_1RB_Left
11	844	10	Default		256 QAM	Edge_1RB_Left
12	840	10	Default		64 QAM	Edge_1RB_Right
13	840	10	Default		256 QAM	Edge_1RB_Right
14	840	10	Default		64 QAM	Outer_Full
15	840	10	Default		64 QAM	24@15
16	840	10	Default		64 QAM	Edge_1RB_Left
17	840	10	Default		256 QAM	Edge_1RB_Left
18	841.5	15	Default		64 QAM	Edge_1RB_Right
19	841.5	15	Default		256 QAM	Edge_1RB_Right
20	841.5	15	Default		64 QAM	Outer_Full
21	841.5	15	Default		64 QAM	20@31
22	841.5	15	Default		64 QAM	Edge_1RB_Left
23	841.5	15	Default		256 QAM	Edge_1RB_Left
24	837.5	15	Default		64 QAM	Edge_1RB_Right
25	837.5	15	Default		256 QAM	Edge_1RB_Right
26	837.5	15	Default		64 QAM	Outer_Full
27	837.5	15	Default		64 QAM	20@39
28	837.5	15	Default		64 QAM	Edge_1RB_Left

29	837.5	15	Default
30	831.5	15	Default
31	831.5	15	Default
32	831.5	15	Default
33	831.5	15	Default
34	831.5	15	Default
35	831.5	15	Default
36	839	20	Default
37	839	20	Default
38	839	20	Default
39	839	20	Default
40	839	20	Default
41	839	20	Default
42	835	20	Default
43	835	20	Default
44	835	20	Default
45	835	20	Default
46	835	20	Default
47	835	20	Default
48	840.5	5	Default
49	835	10	Default
50	831.5	15	Default
51	835	20	Default

256 QAM	Edge_1RB_Left
64 QAM	Edge_1RB_Right
256 QAM	Edge_1RB_Right
64 QAM	Outer_Full
64 QAM	20@52
64 QAM	Edge_1RB_Left
256 QAM	Edge_1RB_Left
64 QAM	Edge_1RB_Right
256 QAM	Edge_1RB_Right
64 QAM	Outer_Full
64 QAM	30@37
64 QAM	Edge_1RB_Left
256 QAM	Edge_1RB_Left
64 QAM	Edge_1RB_Right
256 QAM	Edge_1RB_Right
64 QAM	Outer_Full
64 QAM	30@45
64 QAM	Edge_1RB_Left
256 QAM	Edge_1RB_Left
QPSK	Outer_Full
QPSK	Outer_Full
QPSK	20@23
QPSK	30@16

A-MPR test parameters for NS_15

Test ID	F _c (MHz)	ChBw (MHz)	SCS	Downlink Configuration	Uplink Configuration	
					Modulation (NOTE 2, 3)	RB allocation (Note 1)
52	846.5	5	Default		64 QAM	Edge_1RB_Right
53	846.5	5	Default		64 QAM	Outer_Full
54	846.5	5	Default		64 QAM	8@9
55	846.5	5	Default		64 QAM	Edge_1RB_Left
56	846.5	5	Default		256 QAM	Edge_1RB_Left
57	844	10	Default		64 QAM	Edge_1RB_Right
58	844	10	Default		256 QAM	Edge_1RB_Right
59	844	10	Default		64 QAM	Outer_Full
60	844	10	Default		64 QAM	15@16
61	844	10	Default		64 QAM	Edge_1RB_Left
62	844	10	Default		256 QAM	Edge_1RB_Left
63	840	10	Default		64 QAM	Edge_1RB_Right
64	840	10	Default		256 QAM	Edge_1RB_Right
65	840	10	Default		64 QAM	Outer_Full
66	840	10	Default		64 QAM	24@15
67	840	10	Default		64 QAM	Edge_1RB_Left
68	840	10	Default		256 QAM	Edge_1RB_Left
69	841.5	15	Default		64 QAM	Edge_1RB_Right
70	841.5	15	Default		256 QAM	Edge_1RB_Right
71	841.5	15	Default		64 QAM	Outer_Full
72	841.5	15	Default		64 QAM	20@31
73	841.5	15	Default		64 QAM	Edge_1RB_Left
74	841.5	15	Default		256 QAM	Edge_1RB_Left
75	837.5	15	Default		64 QAM	Edge_1RB_Right
76	837.5	15	Default		256 QAM	Edge_1RB_Right
77	837.5	15	Default		64 QAM	Outer_Full
78	837.5	15	Default		64 QAM	20@39
79	837.5	15	Default		64 QAM	Edge_1RB_Left
80	837.5	15	Default		256 QAM	Edge_1RB_Left
81	831.5	15	Default		64 QAM	Edge_1RB_Right
82	831.5	15	Default		256 QAM	Edge_1RB_Right
83	831.5	15	Default		64 QAM	Outer_Full
84	831.5	15	Default		64 QAM	20@52
85	831.5	15	Default		64 QAM	Edge_1RB_Left
86	831.5	15	Default		256 QAM	Edge_1RB_Left
87	839	20	Default		64 QAM	Edge_1RB_Right

88	839	20	Default		256 QAM	Edge_1RB_Right
89	839	20	Default		64 QAM	Outer_Full
90	839	20	Default		64 QAM	30@37
91	839	20	Default		64 QAM	Edge_1RB_Left
92	839	20	Default		256 QAM	Edge_1RB_Left
93	835	20	Default		64 QAM	Edge_1RB_Right
94	835	20	Default		256 QAM	Edge_1RB_Right
95	835	20	Default		64 QAM	Outer_Full
96	835	20	Default		64 QAM	30@45
97	835	20	Default		64 QAM	Edge_1RB_Left
98	835	20	Default		256 QAM	Edge_1RB_Left
99	840.5	5	Default		QPSK	Outer_Full
100	835	10	Default		QPSK	Outer_Full
101	831.5	15	Default		QPSK	20@23
102	835	20	Default		QPSK	30@16
103	847.5	3	Default		64 QAM	Edge_1RB_Right
104	847.5	3	Default		64 QAM	Outer_Full
105	847.5	3	Default		16 QAM	Edge_1RB_Left
106	844.5	3	Default		QPSK	Outer_Full
107	847.5	3	Default		64 QAM	Edge_1RB_Right
108	847.5	3	Default		64 QAM	Outer_Full
109	847.5	3	Default		16 QAM	Edge_1RB_Left
110	844.5	3	Default		QPSK	Outer_Full

NOTE 1: The specific configuration of each RB allocation is defined in Table 6.1-1 unless otherwise stated in this table.
 NOTE 2: In test IDs with multiple modulations, each UL Modulation shall be tested separately against RB allocation.

Table 6.2.3.4.1-25: Test Configuration table for NS_46 (Power class 3)

Initial Conditions									
Test Environment as specified in TS 38.508-1 [5] subclause 4.1					Normal				
Test Frequencies as specified in TS 38.508-1 [5] subclause 4.3.1					High range				
Test Channel Bandwidths as specified in TS 38.508-1 [5] subclause 4.3.1					25 MHz, 50MHz				
Test SCS as specified in Table 5.3.5-1					Lowest, Highest				
A-MPR test parameters for NS_46									
Test ID	F _c (MHz)	Ch BW (MHz)	SCS (kHz)	Downlink Configuration	Uplink Configuration				
					Modulation (Note 2)	RB allocation (Note 1)			
						SCS 15 kHz	SCS 30 kHz	SCS 60 kHz	
1				N/A for A-MPR testing.	DFT-s-OFDM				
2									
3	Default	25	Default			64QAM	60@73 (A3)	30@35 (A3)	15@16 (A3)
4	Default	50	Default			64QAM	Edge_1RB_Left (A4)		
5	Default	50	Default			16QAM	120@0 (A5)	60@0 (A5)	30@0 (A5)
6	Default	50	Default			64QAM	162@0 (A6)	81@0 (A6)	40@0 (A6)
7	Default	50	Default			256QAM	216@0 (A7)	108@0 (A7)	54@0 (A7)
8	Default	50	Default			256QAM	Outer_Full (A8)		
9									
10									
11	Default	25	Default		QPSK	90@43 (A3)	45@20 (A3)	23@8 (A3)	
12	Default	25	Default		256QAM	90@43 (A3)	45@20 (A3)	23@8 (A3)	
13	Default	50	Default		QPSK	Edge_1RB_Left (A4)			
14	Default	50	Default		64QAM	Edge_1RB_Left (A4)			
15	Default	50	Default		QPSK	120@0 (A5)	60@0 (A5)	30@0 (A5)	
16	Default	50	Default		64QAM	120@0 (A5)	60@0 (A5)	30@0 (A5)	
17	Default	50	Default		QPSK	175@0 (A6)	88@0 (A6)	44@0 (A6)	
18	Default	50	Default		64QAM	175@0 (A6)	88@0 (A6)	44@0 (A6)	
19	Default	50	Default		QPSK	220@0 (A7)	110@0 (A7)	55@0 (A7)	
20	Default	50	Default		256QAM	220@0 (A7)	110@0 (A7)	55@0 (A7)	
21	Default	50	Default		QPSK	Outer_Full (A8)			
22	Default	50	Default		256QAM	Outer_Full (A8)			

NOTE 1: The specific configuration of each RB allocation is defined in Table 6.1-1 unless otherwise stated in this table.

Table 6.2.3.4.1-25a: Test Configuration table for NS_46 (Power class 1)

Initial Conditions						
--------------------	--	--	--	--	--	--

Test Environment as specified in TS 38.508-1 [5] subclause 4.1						Normal			
Test Frequencies as specified in TS 38.508-1 [5] subclause 4.3.1						High range			
Test Channel Bandwidths as specified in TS 38.508-1 [5] subclause 4.3.1						15 MHz, 50MHz			
Test SCS as specified in Table 5.3.5-1						Lowest, Highest			
A-MPR test parameters for NS_46									
Test ID	F _c (MHz)	Ch BW (MHz)	SCS (kHz)	Downlink Configuration	Uplink Configuration				
					Modulation	RB allocation (Note 1)			
						SCS 15 kHz	SCS 30 kHz	SCS 60 kHz	
1	Default	15	Default	N/A for A-MPR testing.	DFT-s-OFDM	64QAM	Outer_Full (A1)		
2	Default	15	Default			256QAM	Edge_1RB_Right (A2)		
3	Default	50	Default			256QAM	68@35 (A7)	31@19 (A7)	17@7(A7)
4	Default	50	Default			N/A	N/A (A11)		
5	Default	50	Default			256QAM	146@20 (A9)	74@10 (A9)	38@5 (A9)
6	Default	50	Default			64QAM	10@260 (A12)	10@123 (A12)	10@55 (A12)
7	Default	50	Default			256QAM	28@160 (A8)	14@80 (A8)	7@40 (A8)
8	Default	50	Default			256QAM	12@40 (A9)	6@20 (A9)	3@10 (A9)
9	Default	50	Default			256QAM	57@20 (A7)	28@10 (A7)	14@5 (A7)
10	Default	50	Default			N/A	N/A (A11)		
11	Default	50	Default			256QAM	195@0 (A8)	97@0 (A8)	48@0 (A8)
12	Default	50	Default			64QAM	122@117 (A12)	61@59 (A12)	30@30 (A12)
13	Default	50	Default			256QAM	16@179 (A8)	8@90 (A8)	4@45 (A8)
14	Default	50	Default			256QAM	11@195 (A9)	5@98 (A9)	2@49 (A9)
15	Default	50	Default			64QAM	229@34 (A13)	115@16 (A13)	57@9 (A13)
16	Default	50	Default			256QAM	46@0 (A7)	23@0 (A7)	11@0 (A7)
17	Default	50	Default			256QAM	17@195 (A8)	9@97 (A8)	5@48 (A8)
18	Default	50	Default			256QAM	11@201 (A9)	5@101 (A9)	2@51 (A9)
19	Default	15	Default		CP-OFDM	64QAM	Outer_Full (A1)		
20	Default	15	Default			256QAM	Edge_1RB_Right (A2)		
21	Default	50	Default			256QAM	68@35 (A7)	31@19 (A7)	17@7(A7)
22	Default	50	Default			256QAM	68@90(A11)	31@45(A11)	17@18(A11)
23	Default	50	Default			256QAM	146@20 (A9)	74@10 (A9)	38@5 (A9)
24	Default	50	Default			64QAM	10@260 (A12)	10@123 (A12)	10@55 (A12)
25	Default	50	Default			256QAM	28@160 (A8)	14@80 (A8)	7@40 (A8)
26	Default	50	Default			256QAM	12@40 (A9)	6@20 (A9)	3@10 (A9)
27	Default	50	Default			256QAM	57@20 (A7)	28@10 (A7)	14@5 (A7)
28	Default	50	Default			256QAM	57@87 (A11)	28@54 (A7)	14@22 (A7)
29	Default	50	Default			256QAM	195@0 (A8)	97@0 (A8)	48@0 (A8)
30	Default	50	Default			64QAM	122@117 (A12)	61@59 (A12)	30@30 (A12)
31	Default	50	Default			256QAM	16@179 (A8)	8@90 (A8)	4@45 (A8)
32	Default	50	Default			256QAM	11@195 (A9)	5@98 (A9)	2@49 (A9)
33	Default	50	Default			64QAM	229@34 (A13)	115@16 (A13)	57@9 (A13)
34	Default	50	Default			256QAM	46@0 (A7)	23@0 (A7)	11@0 (A7)
35	Default	50	Default			256QAM	17@195 (A8)	9@97 (A8)	5@48 (A8)
36	Default	50	Default			256QAM	11@201 (A9)	5@101 (A9)	2@51 (A9)

NOTE 1: The specific configuration of each RB allocation is defined in Table 6.1-1 unless otherwise stated in this table.

Table 6.2.3.4.1-26: Test Configuration table for NS_44

Initial Conditions									
Test Environment as specified in TS 38.508-1 [5] subclause 4.1						Normal			
Test Frequencies as specified in TS 38.508-1 [5] subclause 4.3.1						Defined for each test ID			
Test Channel Bandwidths as specified in TS 38.508-1 [5] subclause 4.3.1						Defined for each test ID			
Test SCS as specified in Table 5.3.5-1						Lowest, Highest			
A-MPR test parameters for NS_44									
Test ID	F _c (MHz)	Ch BW (MHz)	SCS (kHz)	Downlink Configuration	Uplink Configuration				
					Modulation (Note 2)	RB allocation (Note 1)			
						SCS 15 kHz	SCS 30 kHz	SCS 60 kHz	
1	2602.5	25	Default	N/A	DFT-s	64 QAM	100@0 (A3)	50@0 (A3)	25@0 (A3)
2	2602.5	25	Default			64 QAM	36@97 (A3)	18@47 (A3)	9@22 (A3)
3	2602.5	25	Default			64 QAM	Outer_Full (A6)		
4	2602.5	25	Default			256 QAM	100@0 (A3)	50@0 (A3)	25@0 (A3)

5	2602.5	25	Default	CP-OFDM	256 QAM	36@97 (A3)	18@47 (A3)	9@22 (A3)
6	2602.5	25	Default		256 QAM	Outer_Full (A6)		
7	2600	30	Default		64 QAM	120@0 (A3)	60@0 (A3)	30@0 (A3)
8	2600	30	Default		64 QAM	64@96 (A3)	32@46 (A3)	16@22 (A3)
9	2600	30	Default		64 QAM	Outer_Full (A6)		
10	2600	30	Default		256 QAM	120@0 (A3)	60@0 (A3)	30@0 (A3)
11	2600	30	Default		256 QAM	64@96 (A3)	32@46 (A3)	16@22 (A3)
12	2600	30	Default		256 QAM	Outer_Full (A6)		
13	2595	40	Default		64 QAM	16@0 (A1)	8@0 (A1)	4@0 (A1)
14	2595	40	Default		64 QAM	80@0 (A2)	40@0 (A2)	20@0 (A2)
15	2595	40	Default		64 QAM	128@2 (A3)	64@1 (A3)	32@1 (A3)
16	2595	40	Default		64 QAM	180@0 (A4)	90@0 (A4)	45@0 (A4)
17	2595	40	Default		64 QAM	Outer_Full (A5)		
18	2595	40	Default		256 QAM	16@0 (A1)	8@0 (A1)	4@0 (A1)
19	2595	40	Default		256 QAM	80@0 (A2)	40@0 (A2)	20@0 (A2)
20	2595	40	Default		256 QAM	128@2 (A3)	64@1 (A3)	32@1 (A3)
21	2595	40	Default		256 QAM	180@0 (A4)	90@0 (A4)	45@0 (A4)
22	2595	40	Default		256 QAM	Outer_Full (A5)		
23	2602.5	25	Default		64 QAM	100@0 (A3)	50@0 (A3)	25@0 (A3)
24	2602.5	25	Default		64 QAM	39@94 (A3)	19@46 (A3)	9@22 (A3)
25	2602.5	25	Default		64 QAM	Outer_Full (A6)		
26	2602.5	25	Default		256 QAM	100@0 (A3)	50@0 (A3)	25@0 (A3)
27	2602.5	25	Default		256 QAM	39@94 (A3)	19@46 (A3)	9@22 (A3)
28	2602.5	25	Default		256 QAM	Outer_Full (A6)		
29	2600	30	Default		64 QAM	120@0 (A3)	60@0 (A3)	30@0 (A3)
30	2600	30	Default		64 QAM	69@91 (A3)	34@44 (A3)	17@21 (A3)
31	2600	30	Default		64 QAM	Outer_Full (A6)		
32	2600	30	Default		256 QAM	120@0 (A3)	60@0 (A3)	30@0 (A3)
33	2600	30	Default		256 QAM	69@91 (A3)	34@44 (A3)	17@21 (A3)
34	2600	30	Default		256 QAM	Outer_Full (A6)		
35	2595	40	Default		64 QAM	16@0 (A1)	8@0 (A1)	4@0 (A1)
36	2595	40	Default		64 QAM	80@0 (A2)	40@0 (A2)	20@0 (A2)
37	2595	40	Default		64 QAM	130@0 (A3)	65@0 (A3)	33@0 (A3)
38	2595	40	Default		64 QAM	180@0 (A4)	90@0 (A4)	45@0 (A4)
39	2595	40	Default		64 QAM	Outer_Full (A5)		

A-MPR test parameters for NS_44								
Test ID	F _c (MHz)	Ch BW (MHz)	SCS (kHz)	Downlink Configuration	Uplink Configuration			
					Modulation (Note 2)	RB allocation (Note 1)		
						SCS 15 kHz	SCS 30 kHz	SCS 60 kHz
40	2595	40	Default		256 QAM	16@0 (A1)	8@0 (A1)	4@0 (A1)
41	2595	40	Default		256 QAM	80@0 (A2)	40@0 (A2)	20@0 (A2)
42	2595	40	Default		256 QAM	130@0 (A3)	65@0 (A3)	33@0 (A3)
43	2595	40	Default		256 QAM	180@0 (A4)	90@0 (A4)	45@0 (A4)
44	2595	40	Default		256 QAM	Outer_Full (A5)		

NOTE 1: The specific configuration of each RB allocation is defined in Table 6.1-1 unless otherwise stated in this table.

Table 6.2.3.4.1-27: Test Configuration table for NS_21

Initial Conditions	
Test Environment as specified in TS 38.508-1 [5] subclause 4.1	Normal
Test Frequencies as specified in TS 38.508-1 [5] subclause 4.3.1	Low range, High range

Test Channel Bandwidths as specified in TS 38.508-1 [5] subclause 4.3.1				Lowest, Highest				
Test SCS as specified in Table 5.3.5-1				Lowest, Highest				
A-MPR test parameters for NS_21								
Test ID	Freq	ChBw	SCS	Downlink Configuration	Uplink Configuration			
					Modulation (Note 2)	RB allocation (Note 1)		
						SCS 15 kHz	SCS 30 kHz	
1	Low	Default	Default	N/A for A-MPR test cases	DFT-s-OFDM	PI/2 BPSK	Edge_1RB_Left	
2	High	Default	Default			PI/2 BPSK	Edge_1RB_Right	
3	Default	Default	Default			PI/2 BPSK	Outer_Full	
4	Default	Default	Default			PI/2 BPSK	4@0	2@0
5a	Default	5 MHz	Default			PI/2 BPSK	4@21	2@7
5b	Default	10 MHz	Default			PI/2 BPSK	4@48	2@22
6	Low	Default	Default			QPSK	Edge_1RB_Left	
7	High	Default	Default			QPSK	Edge_1RB_Right	
8	Default	Default	Default			QPSK	Outer_Full	
9	Default	Default	Default			QPSK	4@0	2@0
10a	Default	5 MHz	Default			QPSK	4@21	2@7
10b	Default	10 MHz	Default			QPSK	4@48	2@22
11	Low	Default	Default			16 QAM	Edge_1RB_Left	
12	High	Default	Default			16 QAM	Edge_1RB_Right	
13	Default	Default	Default			16 QAM	Outer_Full	
14	Default	Default	Default			16 QAM	4@0	2@0
15a	Default	5 MHz	Default			16 QAM	4@21	2@7
15b	Default	10 MHz	Default			16 QAM	4@48	2@22
16	Low	Default	Default			64 QAM	Edge_1RB_Left	
17	High	Default	Default			64 QAM	Edge_1RB_Right	
18	Default	Default	Default			64 QAM	Outer_Full	
19	Default	Default	Default			64 QAM	4@0	2@0
20a	Default	5 MHz	Default			64 QAM	4@21	2@7
20b	Default	10 MHz	Default			64 QAM	4@48	2@22
21	Low	Default	Default			256 QAM	Edge_1RB_Left	
22	High	Default	Default			256 QAM	Edge_1RB_Right	
23	Default	Default	Default			256 QAM	Outer_Full	
24	Default	Default	Default			256 QAM	4@0	2@0
25a	Default	5 MHz	Default			256 QAM	4@21	2@7
25	Default	10 MHz	Default			256 QAM	4@48	2@22
26	Low	Default	Default			QPSK	Edge_1RB_Left	
27	High	Default	Default			QPSK	Edge_1RB_Right	
28	Default	Default	Default			QPSK	Outer_Full	
29	Default	Default	Default			QPSK	4@0	2@0
30a	Default	5 MHz	Default			QPSK	4@21	2@7
30b	Default	10 MHz	Default			QPSK	4@48	2@22
31	Low	Default	Default			16 QAM	Edge_1RB_Left	
32	High	Default	Default			16 QAM	Edge_1RB_Right	
33	Default	Default	Default			16 QAM	Outer_Full	
34	Default	Default	Default			16 QAM	4@0	2@0
35a	Default	5 MHz	Default			16 QAM	4@21	2@7
35b	Default	10 MHz	Default			16 QAM	4@48	2@22
36	Low	Default	Default			64 QAM	Edge_1RB_Left	
37	High	Default	Default			64 QAM	Edge_1RB_Right	
38	Default	Default	Default			64 QAM	Outer_Full	
39	Default	Default	Default	64 QAM	4@0	2@0		
40a	Default	5 MHz	Default	64 QAM	4@21	2@7		
40b	Default	10 MHz	Default	64 QAM	4@48	2@22		
41	Low	Default	Default	256 QAM	Edge_1RB_Left			
42	High	Default	Default	256 QAM	Edge_1RB_Right			
43	Default	Default	Default	256 QAM	Outer_Full			
44	Default	Default	Default	256 QAM	4@0	2@0		
45a	Default	5 MHz	Default	256 QAM	4@21	2@7		

45b	Default	10 MHz	Default			256 QAM	4@48	2@22
NOTE 1: The specific configuration of each RB allocation is defined in Table 6.1-1 unless otherwise stated in this table.								
NOTE 2: DFT-s-OFDM PI/2 BPSK test applies only for UEs which supports half Pi BPSK in FR1.								

Table 6.2.3.4.1-28: Test Configuration table for NS_45

Initial Conditions								
Test Environment as specified in TS 38.508-1 [5] subclause 4.1						Normal		
Test Frequencies as specified in TS 38.508-1 [5] subclause 4.3.1						Low range, High range		
Test Channel Bandwidths as specified in TS 38.508-1 [5] subclause 4.3.1						Lowest, Highest		
Test SCS as specified in Table 5.3.5-1						Lowest		
A-MPR test parameters for NS_45								
Test ID	Freq	ChBw	SCS	Downlink Configuration		Uplink Configuration		
				N/A for A-MPR testing.		Modulation (NOTE 2)	RB allocation (NOTE 1)	
1	Low	Default	Default			DFT-s-OFDM PI/2 BPSK	Edge_1RB_Left	
2	High					DFT-s-OFDM PI/2 BPSK	Edge_1RB_Right	
3	Default					DFT-s-OFDM PI/2 BPSK	Outer Full	
4	Low					DFT-s-OFDM QPSK	Edge_1RB_Left	
5	High					DFT-s-OFDM QPSK	Edge_1RB_Right	
6	Default					DFT-s-OFDM QPSK	Outer Full	
7	Low					DFT-s-OFDM 16 QAM	Edge_1RB_Left	
8	High					DFT-s-OFDM 16 QAM	Edge_1RB_Right	
9	Default					DFT-s-OFDM 16 QAM	Outer Full	
10	Low					DFT-s-OFDM 64 QAM	Edge_1RB_Left	
11	High					DFT-s-OFDM 64 QAM	Edge_1RB_Right	
12	Default					DFT-s-OFDM 64 QAM	Outer Full	
NOTE 1: The specific configuration of each RB allocation is defined in Table 6.1-1.								
NOTE 2: DFT-s-OFDM PI/2 BPSK test applies only for UEs which supports half Pi BPSK in FR1.								

Table 6.2.3.4.1-29: Test Configuration table for NS_49 (power class 3)

Initial Conditions										
Test Environment as specified in TS 38.508-1 [5] subclause 4.1						Normal				
Test Frequencies						Lowest and highest carrier centre frequency for each A-MPR requirement.in table 6.2.3.3.27-1				
Test Channel Bandwidths as specified in TS 38.508-1 [5] subclause 4.3.1						25 MHz, 30MHz, 40MHz, 45MHz, 50MHz				
Test SCS as specified in Table 5.3.5-1						Lowest, Highest				
A-MPR test parameters for NS_49										
Test ID	F _c (MHz)	Ch BW (MHz)	SCS (kHz)	Downlink Configuration	Uplink Configuration					
					Modulation (Note 2)	RB allocation (Note 1)				
				SCS 15 kHz		SCS 30 kHz	SCS 60 kHz			
1	Default	25	Default	N/A for A-MPR testing.	DFT-s-OFDM	QPSK	Outer_Full (A3)			
2	Default	25	Default			QPSK	Edge_1RB_Right (A3)			
3	Default	25	Default			QPSK	Edge_1RB_Left (A3)			
4	Default	30	Default			QPSK	20@0 (A1)	10@0 (A1)	5@0 (A1)	
5	Default	30	Default			QPSK	36@0 (A5)	18@0 (A5)	9@0 (A5)	
6	Default	30	Default			QPSK	80@0 (A3)	40@0 (A3)	20@0 (A3)	
7	Default	30	Default			QPSK	120@0 (A4)	60@0 (A4)	30@0 (A4)	
8	Default	30	Default			QPSK	Outer_Full (A2)			
9	Default	30	Default			QPSK	Edge_1RB_Right (A5)			
10	Default	40	Default			QPSK	40@0 (A1)	20@0 (A1)	10@0 (A1)	
11	Default	40	Default			QPSK	5@53 (A5)	2@27 (A5)	1@14 (A5)	
12	Default	40	Default			QPSK	100@0 (A4)	50@0 (A4)	25@0 (A4)	
13	Default	40	Default			QPSK	150@33 (A2)	75@17 (A2)	36@9 (A2)	
14	Default	40	Default			QPSK	5@187 (A5)	2@94 (A5)	1@47 (A5)	
15	Default	40	Default			QPSK	192@0 (A1)	96@0 (A1)	48@0 (A1)	
16	Default	40	Default			QPSK	Outer_Full (A1)			
17	Default	45	Default			QPSK	5@64 (A5)	2@32 (A5)	1@16 (A5)	
18	Default	45	Default			QPSK	5@199 (A5)	2@100 (A5)	1@50 (A5)	
19	Default	45	Default			QPSK	162@36 (A2)	81@19 (A2)	40@10 (A2)	

20	Default	45	Default	CP-OFDM	QPSK	200@0 (A1)	100@0 (A1)	50@0 (A1)
21	Default	45	Default		QPSK	Outer_Full (A1)		
22	Default	50	Default		QPSK	5@75 (A5)	2@38 (A5)	1@19 (A5)
23	Default	50	Default		QPSK	5@215 (A5)	2@108 (A5)	1@54 (A5)
24	Default	50	Default		QPSK	150@45 (A2)	81@23 (A2)	40@12 (A2)
25	Default	50	Default		QPSK	216@0 (A1)	108@0 (A1)	54@0 (A1)
26	Default	50	Default		QPSK	Outer_Full (A1)		
27	Default	25	Default		256 QAM	Outer_Full (A3)		
28	Default	25	Default		256 QAM	Edge_1RB_Right (A3)		
29	Default	25	Default		256 QAM	Edge_1RB_Left (A3)		
30	Default	30	Default		256 QAM	20@0 (A1)	10@0 (A1)	5@0 (A1)
31	Default	30	Default		256 QAM	36@0 (A5)	18@0 (A5)	9@0 (A5)
32	Default	30	Default		256 QAM	80@0 (A3)	40@0 (A3)	20@0 (A3)
33	Default	30	Default		256 QAM	120@0 (A4)	60@0 (A4)	30@0 (A4)
34	Default	30	Default		256 QAM	Outer_Full (A2)		
35	Default	30	Default		256 QAM	Edge_1RB_Right (A5)		
36	Default	40	Default		256 QAM	40@0 (A1)	20@0 (A1)	10@0 (A1)
37	Default	40	Default		256 QAM	5@53 (A5)	2@27 (A5)	1@14 (A5)
38	Default	40	Default		256 QAM	100@0 (A4)	50@0 (A4)	25@0 (A4)
39	Default	40	Default		256 QAM	150@33 (A2)	75@17 (A2)	36@9 (A2)
40	Default	40	Default		256 QAM	5@187 (A5)	2@94 (A5)	1@47 (A5)
41	Default	40	Default		256 QAM	192@0 (A1)	96@0 (A1)	48@0 (A1)
42	Default	40	Default		256 QAM	Outer_Full (A1)		
43	Default	45	Default		256 QAM	5@64 (A5)	2@32 (A5)	1@16 (A5)
44	Default	45	Default		256 QAM	5@199 (A5)	2@100 (A5)	1@50 (A5)
45	Default	45	Default		256 QAM	162@36 (A2)	81@19 (A2)	40@10 (A2)
46	Default	45	Default		256 QAM	200@0 (A1)	100@0 (A1)	50@0 (A1)
47	Default	45	Default		256 QAM	Outer_Full (A1)		
48	Default	50	Default		256 QAM	5@75 (A5)	2@38 (A5)	1@19 (A5)
49	Default	50	Default		256 QAM	5@215 (A5)	2@108 (A5)	1@54 (A5)
50	Default	50	Default		256 QAM	150@45 (A2)	81@23 (A2)	40@12 (A2)
51	Default	50	Default		256 QAM	216@0 (A1)	108@0 (A1)	54@0 (A1)
52	Default	50	Default		256 QAM	Outer_Full (A1)		
53	Default	25	Default		QPSK	Outer_Full (A3)		
54	Default	25	Default		QPSK	Edge_1RB_Right (A3)		
55	Default	25	Default		QPSK	Edge_1RB_Left (A3)		
56	Default	30	Default		QPSK	20@0 (A1)	10@0 (A1)	5@0 (A1)
57	Default	30	Default		QPSK	36@0 (A5)	18@0 (A5)	9@0 (A5)
58	Default	30	Default		QPSK	80@0 (A3)	40@0 (A3)	20@0 (A3)
59	Default	30	Default		QPSK	120@0 (A4)	60@0 (A4)	30@0 (A4)
60	Default	30	Default		QPSK	Outer_Full (A2)		
61	Default	30	Default		QPSK	Edge_1RB_Right (A5)		
62	Default	40	Default		QPSK	40@0 (A1)	20@0 (A1)	10@0 (A1)
63	Default	40	Default		QPSK	5@53 (A5)	2@27 (A5)	1@14 (A5)

A-MPR test parameters for NS_49								
Test ID	F _c (MHz)	Ch BW (MHz)	SCS (kHz)	Downlink Configuration	Uplink Configuration			
					Modulation (Note 2)	RB allocation (Note 1)		
						SCS 15 kHz	SCS 30 kHz	SCS 60 kHz
64	Default	40	Default	QPSK	100@0 (A4)	50@0 (A4)	25@0 (A4)	
65	Default	40	Default	QPSK	159@33 (A2)	79@17 (A2)	39@9 (A2)	
66	Default	40	Default	QPSK	5@187 (A5)	2@94 (A5)	1@47 (A5)	
67	Default	40	Default	QPSK	192@0 (A1)	96@0 (A1)	48@0 (A1)	
68	Default	40	Default	QPSK	Outer_Full (A1)			
69	Default	45	Default	QPSK	5@64 (A5)	2@32 (A5)	1@16 (A5)	
70	Default	45	Default	QPSK	5@199 (A5)	2@100 (A5)	1@50 (A5)	
71	Default	45	Default	QPSK	168@36 (A2)	83@19 (A2)	40@10 (A2)	
72	Default	45	Default	QPSK	204@0 (A1)	102@0 (A1)	51@0 (A1)	
73	Default	45	Default	QPSK	Outer_Full (A1)			
74	Default	50	Default	QPSK	5@75 (A5)	2@38 (A5)	1@19 (A5)	
75	Default	50	Default	QPSK	5@215 (A5)	2@108 (A5)	1@54 (A5)	
76	Default	50	Default	QPSK	175@45 (A2)	87@23 (A2)	43@12 (A2)	
77	Default	50	Default	QPSK	220@0 (A1)	110@0 (A1)	55@0 (A1)	
78	Default	50	Default	QPSK	Outer_Full (A1)			

79	Default	25	Default			256 QAM	Outer_Full (A3)		
80	Default	25	Default			256 QAM	Edge_1RB_Right (A3)		
81	Default	25	Default			256 QAM	Edge_1RB_Left (A3)		
82	Default	30	Default			256 QAM	20@0 (A1)	10@0 (A1)	5@0 (A1)
83	Default	30	Default			256 QAM	36@0 (A5)	18@0 (A5)	9@0 (A5)
84	Default	30	Default			256 QAM	80@0 (A3)	40@0 (A3)	20@0 (A3)
85	Default	30	Default			256 QAM	120@0 (A4)	60@0 (A4)	30@0 (A4)
86	Default	30	Default			256 QAM	Outer_Full (A2)		
87	Default	30	Default			256 QAM	Edge_1RB_Right (A5)		
88	Default	40	Default			256 QAM	40@0 (A1)	20@0 (A1)	10@0 (A1)
89	Default	40	Default			256 QAM	5@53 (A5)	2@27 (A5)	1@14 (A5)
90	Default	40	Default			256 QAM	100@0 (A4)	50@0 (A4)	25@0 (A4)
91	Default	40	Default			256 QAM	159@33 (A2)	79@17 (A2)	39@9 (A2)
92	Default	40	Default			256 QAM	5@187 (A5)	2@94 (A5)	1@47 (A5)
93	Default	40	Default			256 QAM	192@0 (A1)	96@0 (A1)	48@0 (A1)
94	Default	40	Default			256 QAM	Outer_Full (A1)		
95	Default	45	Default			256 QAM	5@64 (A5)	2@32 (A5)	1@16 (A5)
96	Default	45	Default			256 QAM	5@199 (A5)	2@100 (A5)	1@50 (A5)
97	Default	45	Default			256 QAM	168@36 (A2)	83@19 (A2)	40@10 (A2)
98	Default	45	Default			256 QAM	204@0 (A1)	102@0 (A1)	51@0 (A1)
99	Default	45	Default			256 QAM	Outer_Full (A1)		
100	Default	50	Default			256 QAM	5@75 (A5)	2@38 (A5)	1@19 (A5)
101	Default	50	Default			256 QAM	5@215 (A5)	2@108 (A5)	1@54 (A5)
102	Default	50	Default			256 QAM	175@45 (A2)	87@23 (A2)	43@12 (A2)
103	Default	50	Default			256 QAM	220@0 (A1)	110@0 (A1)	55@0 (A1)
104	Default	50	Default			256 QAM	Outer_Full (A1)		

NOTE 1: The specific configuration of each RB allocation is defined in Table 6.1-1 unless otherwise stated in this table.

Table 6.2.3.4.1-29a: Test Configuration table for NS_49(power class 2)

Initial Conditions								
Test Environment as specified in TS 38.508-1 [5] subclause 4.1					Normal			
Test Frequencies as specified in TS 38.508-1 [5] subclause 4.3.1					Low range, High range			
Test Channel Bandwidths as specified in TS 38.508-1 [5] subclause 4.3.1					10 MHz, 15 MHz, 20 MHz, 25 MHz, 30MHz, 40MHz, 45 MHz, 50MHz			
Test SCS as specified in Table 5.3.5-1					Lowest, Highest			
A-MPR test parameters for NS_49								
Test ID	F _c (MHz)	Ch BW (MHz)	SCS (kHz)	Downlink Configuration	Uplink Configuration			
					Modulation (Note 2)	RB allocation (Note 1)		
			SCS 15 kHz	SCS 30 kHz		SCS 60 kHz		
1	Default	10	Default	N/A for A-MPR testing.	QPSK	Outer_Full (A3)		-
2	Default	10	Default		QPSK	Edge_1RB_Left (A3)		
3	Default	15	Default		QPSK	Outer_Full (A3)		
4	Default	15	Default		QPSK	48@0 (A3)	24@0 (A3)	12@0 (A3)
5	Default	20	Default		QPSK	Outer_Full (A4)		
6	Default	20	Default		QPSK	50@0 (A3)	25@0 (A3)	12@0 (A3)
7	Default	25	Default		QPSK	Outer_Full (A4)		
8	Default	25	Default		QPSK	Edge_1RB_Right (A3)		
9	Default	25	Default		QPSK	18@18 (A3)	9@9 (A3)	4@5 (A3)
10	Default	30	Default		QPSK	20@0 (A1)	10@0 (A1)	5@0 (A1)
11	Default	30	Default		QPSK	40@0 (A5)	20@0 (A5)	10@0 (A5)
12	Default	30	Default		QPSK	80@0 (A3)	40@0 (A3)	20@0 (A3)
13	Default	30	Default		QPSK	120@0 (A4)	60@0 (A4)	30@0 (A4)
14	Default	30	Default		QPSK	Outer_Full (A2)		
15	Default	30	Default		QPSK	Edge_1RB_Right (A1)		
16	Default	40	Default		QPSK	50@0 (A1)	25@0 (A1)	12@0 (A1)
17	Default	40	Default		QPSK	16@48 (A5)	8@24 (A5)	4@12 (A5)
18	Default	40	Default		QPSK	100@0 (A4)	50@0 (A4)	25@0 (A4)
19	Default	40	Default		QPSK	144@47 (A2)	72@23 (A2)	36@11 (A2)
20	Default	40	Default		QPSK	5@187 (A5)	2@94 (A5)	1@47 (A5)
21	Default	40	Default		QPSK	192@0 (A1)	96@0 (A1)	48@0 (A1)
22	Default	40	Default		QPSK	Outer_Full (A1)		
23	Default	45	Default		QPSK	5@46 (A5)	2@24 (A5)	1@13 (A5)
24	Default	45	Default		QPSK	5@167 (A5)	2@85 (A5)	1@43 (A5)

25	Default	45	Default
26	Default	45	Default
27	Default	45	Default
28	Default	50	Default
29	Default	50	Default
30	Default	50	Default
31	Default	50	Default
32	Default	50	Default
33	Default	10	Default
34	Default	10	Default
35	Default	15	Default
36	Default	15	Default
37	Default	20	Default
38	Default	20	Default
39	Default	25	Default
40	Default	25	Default
41	Default	25	Default
42	Default	30	Default
43	Default	30	Default
44	Default	30	Default
45	Default	30	Default
46	Default	30	Default
47	Default	30	Default
48	Default	40	Default
49	Default	40	Default
50	Default	40	Default
51	Default	40	Default
52	Default	40	Default
53	Default	40	Default
54	Default	40	Default
55	Default	45	Default
56	Default	45	Default
57	Default	45	Default
58	Default	45	Default
59	Default	45	Default
60	Default	50	Default
61	Default	50	Default
62	Default	50	Default
63	Default	50	Default

QPSK	125@46 (A2)	60@26 (A2)	30@13 (A2)
QPSK	162@0 (A1)	81@0 (A1)	40@0 (A1)
QPSK	Outer_Full (A1)		
QPSK	5@75 (A5)	2@38 (A5)	1@19 (A5)
QPSK	5@215 (A5)	2@108 (A5)	1@54 (A5)
QPSK	150@58 (A2)	80@30 (A2)	36@16 (A2)
QPSK	216@0 (A1)	108@0 (A1)	54@0 (A1)
QPSK	Outer_Full (A1)		
256 QAM	Outer_Full (A3)		
256 QAM	Edge_1RB_Left (A3)		
256 QAM	Outer_Full (A3)		
256 QAM	48@0 (A3)	24@0 (A3)	12@0 (A3)
256 QAM	Outer_Full (A4)		
256 QAM	50@0 (A3)	15@0 (A3)	12@0 (A3)
256 QAM	Outer_Full (A4)		
256 QAM	Edge_1RB_Right (A3)		
256 QAM	18@18 (A3)	9@9 (A3)	4@5 (A3)
256 QAM	20@0 (A1)	10@0 (A1)	5@0 (A1)
256 QAM	40@0 (A5)	20@0 (A5)	10@0 (A5)
256 QAM	80@0 (A3)	40@0 (A3)	20@0 (A3)
256 QAM	120@0 (A4)	60@0 (A4)	30@0 (A4)
256 QAM	Outer_Full (A2)		
256 QAM	Edge_1RB_Right (A1)		
256 QAM	50@0 (A1)	25@0 (A1)	12@0 (A1)
256 QAM	16@48 (A5)	8@24 (A5)	4@12 (A5)
256 QAM	100@0 (A4)	50@0 (A4)	25@0 (A4)
256 QAM	144@47 (A2)	72@23(A2)	36@11 (A2)
256 QAM	5@187 (A5)	2@94 (A5)	1@47 (A5)
256 QAM	192@0 (A1)	96@0 (A1)	48@0 (A1)
256 QAM	Outer_Full (A1)		
256 QAM	5@46 (A5)	2@24 (A5)	1@13 (A5)
256 QAM	5@167 (A5)	2@85 (A5)	1@43 (A5)
256 QAM	125@46 (A2)	60@26 (A2)	30@13 (A2)
256 QAM	162@0 (A1)	81@0 (A1)	40@0 (A1)
256 QAM	Outer_Full (A1)		
256 QAM	5@75 (A5)	2@38 (A5)	1@19 (A5)
256 QAM	5@215 (A5)	2@108 (A5)	1@54 (A5)
256 QAM	150@58 (A2)	80@30 (A2)	36@16 (A2)
256 QAM	216@0 (A1)	108@0 (A1)	54@0 (A1)

A-MPR test parameters for NS_49								
Test ID	F _c (MHz)	Ch BW (MHz)	SCS (kHz)	Downlink Configuration	Uplink Configuration			
					Modulation (Note 2)	RB allocation (Note 1)		
						SCS 15 kHz	SCS 30 kHz	SCS 60 kHz
64	Default	50	Default		256 QAM	Outer_Full (A1)		
65	Default	10	Default		QPSK	Outer_Full (A3)		
66	Default	10	Default		QPSK	Edge_1RB_Left (A3)		
67	Default	15	Default		QPSK	Outer_Full (A3)		
68	Default	15	Default		QPSK	48@0 (A3)	24@0 (A3)	12@0 (A3)
69	Default	20	Default		QPSK	Outer_Full (A4)		
70	Default	20	Default		QPSK	52@0 (A3)	26@0 (A3)	13@0 (A3)
71	Default	25	Default		QPSK	Outer_Full (A4)		
72	Default	25	Default		QPSK	Edge_1RB_Right (A3)		
73	Default	25	Default		QPSK	18@18 (A3)	9@9 (A3)	4@5 (A3)
74	Default	30	Default		QPSK	20@0 (A1)	10@0 (A1)	5@0 (A1)
75	Default	30	Default		QPSK	44@0 (A5)	22@0 (A5)	11@0 (A5)
76	Default	30	Default		QPSK	80@0 (A3)	40@0 (A3)	20@0 (A3)
77	Default	30	Default		QPSK	120@0 (A4)	60@0 (A4)	30@0 (A4)
78	Default	30	Default		QPSK	Outer_Full (A2)		
79	Default	30	Default		QPSK	Edge_1RB_Right (A1)		
80	Default	40	Default		QPSK	50@0 (A1)	25@0 (A1)	12@0 (A1)
81	Default	40	Default		QPSK	16@48 (A5)	8@24 (A5)	4@12 (A5)
82	Default	40	Default		QPSK	100@0 (A4)	50@0 (A4)	25@0 (A4)
83	Default	40	Default		QPSK	144@47 (A2)	72@23(A2)	36@11 (A2)

84	Default	40	Default			QPSK	5@187 (A5)	2@94 (A5)	1@47 (A5)
85	Default	40	Default			QPSK	192@0 (A1)	96@0 (A1)	48@0 (A1)
86	Default	40	Default			QPSK	Outer_Full (A1)		
87	Default	45	Default			QPSK	5@46 (A5)	2@24 (A5)	1@13 (A5)
88	Default	45	Default			QPSK	5@167 (A5)	2@85 (A5)	1@43 (A5)
89	Default	45	Default			QPSK	125@46 (A2)	62@24 (A2)	30@13 (A2)
90	Default	45	Default			QPSK	171@0 (A1)	86@0 (A1)	42@0 (A1)
91	Default	45	Default			QPSK	Outer_Full (A1)		
92	Default	50	Default			QPSK	5@75 (A5)	2@38 (A5)	1@19 (A5)
93	Default	50	Default			QPSK	5@215 (A5)	2@108 (A5)	1@54 (A5)
94	Default	50	Default			QPSK	150@58 (A2)	80@30 (A2)	36@16 (A2)
95	Default	50	Default			QPSK	216@0 (A1)	108@0 (A1)	54@0 (A1)
96	Default	50	Default			QPSK	Outer_Full (A1)		
97	Default	10	Default			256 QAM	Outer_Full (A3)		-
98	Default	10	Default			256 QAM	Edge_1RB_Left (A3)		
99	Default	15	Default			256 QAM	Outer_Full (A3)		
100	Default	15	Default			256 QAM	48@0 (A3)	24@0 (A3)	12@0 (A3)
101	Default	20	Default			256 QAM	Outer_Full (A4)		
102	Default	20	Default			256 QAM	52@0 (A3)	26@0 (A3)	13@0 (A3)
103	Default	25	Default			256 QAM	Outer_Full (A4)		
104	Default	25	Default			256 QAM	Edge_1RB_Right (A3)		
105	Default	25	Default			256 QAM	18@18 (A3)	9@9 (A3)	4@5 (A3)
106	Default	30	Default			256 QAM	20@0 (A1)	10@0 (A1)	5@0 (A1)
107	Default	30	Default			256 QAM	44@0 (A5)	22@0 (A5)	11@0 (A5)
108	Default	30	Default			256 QAM	80@0 (A3)	40@0 (A3)	20@0 (A3)
109	Default	30	Default			256 QAM	120@0 (A4)	60@0 (A4)	30@0 (A4)
110	Default	30	Default			256 QAM	Outer_Full (A2)		
111	Default	30	Default			256 QAM	Edge_1RB_Right (A1)		
112	Default	40	Default			256 QAM	50@0 (A1)	25@0 (A1)	12@0 (A1)
113	Default	40	Default			256 QAM	16@48 (A5)	8@24 (A5)	4@12 (A5)
114	Default	40	Default			256 QAM	100@0 (A4)	50@0 (A4)	25@0 (A4)
115	Default	40	Default			256 QAM	144@47 (A2)	72@23 (A2)	36@11 (A2)
116	Default	40	Default			256 QAM	5@187 (A5)	2@94 (A5)	1@47 (A5)
117	Default	40	Default			256 QAM	192@0 (A1)	96@0 (A1)	48@0 (A1)
118	Default	40	Default			256 QAM	Outer_Full (A1)		
119	Default	45	Default			256 QAM	5@46 (A5)	2@24 (A5)	1@13 (A5)
120	Default	45	Default			256 QAM	5@167 (A5)	2@85 (A5)	1@43 (A5)
121	Default	45	Default			256 QAM	125@46 (A2)	62@24 (A2)	30@13 (A2)
122	Default	45	Default			256 QAM	171@0 (A1)	86@0 (A1)	42@0 (A1)
123	Default	45	Default			256 QAM	Outer_Full (A1)		
124	Default	50	Default			256 QAM	5@75 (A5)	2@38 (A5)	1@19 (A5)
125	Default	50	Default			256 QAM	5@215 (A5)	2@108 (A5)	1@54 (A5)
126	Default	50	Default			256 QAM	150@58 (A2)	80@30 (A2)	36@16 (A2)
127	Default	50	Default			256 QAM	216@0 (A1)	108@0 (A1)	54@0 (A1)
128	Default	50	Default			256 QAM	Outer_Full (A1)		

NOTE 1: The specific configuration of each RB allocation is defined in Table 6.1-1 unless otherwise stated in this table.

Table 6.2.3.4.1-30: Test Configuration table for NS_56

Initial Conditions										
Test Environment as specified in TS 38.508-1 [5] subclause 4.1						Normal				
Test Frequencies as specified in TS 38.508-1 [5] subclause 4.3.1						Use uplink carrier center frequency (Fc) as specified in test parameters				
Test Channel Bandwidths as specified in TS 38.508-1 [5] subclause 4.3.1						5 MHz, 10 MHz as specified in test parameters				
Test SCS as specified in Table 5.3.5-1						Lowest, Highest unless otherwise specified in test parameters.				
A-MPR test parameters for NS_56										
Test ID	Fc (MHz)	ChB w (MHz)	SCS (kHz)	Downlink Config.	A-MPR	Uplink Configuration				
						Modulation (NOTE 2)	RB allocation (Note 1)			
		SCS 15 kHz	SCS 30 kHz	SCS 60 kHz						
1	Low	5	15	N/A for A-MPR testing	14	PI/2 BPSK	Edge_1RB_Left	N/A	N/A	
2	Low	5	30		8		N/A	Edge_1RB_Left	N/A	N/A
3	Low	5	Default		6		PI/2 BPSK	Outer_Full	Outer_Full	N/A

4	Low	5	Default
5	Low	5	Default
6	Low	5	15
7	Low	5	30
8	Low	5	Default
9	Low	5	Default
10	Low	5	Default
11	Low	5	15
12	Low	5	30
13	Low	5	Default
14	Low	5	Default
15	Low	5	Default
16	Low	5	15
17	Low	5	30
18	Low	5	Default
19	Low	5	Default
20	Low	5	Default
21	Low	5	15
22	Low	5	30
23	Low	5	Default
24	Low	5	Default
25	Low	5	Default
26	Low	10	15
27	Low	10	Highest
28	Low	10	Default
29	Low	10	Default
30	Low	10	Default
31	Low	10	Default
32	Low	10	Default
33	Low	10	Default
34	Low	10	15
35	Low	10	30
36	Low	10	15
37	Low	10	15
38	Low	10	Highest
39	Low	10	Default
40	Low	10	Default
41	Low	10	Default
42	Low	10	Default
43	Low	10	Default
44	Low	10	Default
45	Low	10	15

4	PI/2 BPSK	20@4	8@3	N/A
4	PI/2 BPSK	1@4	1@3	N/A
14	QPSK	Edge_1RB_Left	N/A	N/A
8	QPSK	N/A	Edge_1RB_Left	N/A
6	QPSK	Outer_Full	Outer_Full	N/A
4	QPSK	20@4	8@3	N/A
4	QPSK	1@4	1@3	N/A
14	16 QAM	Edge_1RB_Left	N/A	N/A
8	16 QAM	N/A	Edge_1RB_Left	N/A
6	16 QAM	Outer_Full	Outer_Full	N/A
4	16 QAM	20@4	8@3	N/A
4	16 QAM	1@4	1@3	N/A
14	64 QAM	Edge_1RB_Left	N/A	N/A
8	64 QAM	N/A	Edge_1RB_Left	N/A
6	64 QAM	Outer_Full	Outer_Full	N/A
4	64 QAM	20@4	8@3	N/A
4	64 QAM	1@4	1@3	N/A
14	256 QAM	Edge_1RB_Left	N/A	N/A
8	256 QAM	N/A	Edge_1RB_Left	N/A
6	256 QAM	Outer_Full	Outer_Full	N/A
4	256 QAM	20@4	8@3	N/A
4	256 QAM	1@4	1@3	N/A
12	PI/2 BPSK	Edge_1RB_Left	N/A	N/A
8	PI/2 BPSK	N/A	Edge_1RB_Left	Edge_1RB_Left
8	PI/2 BPSK	Outer_Full	Outer_Full	Outer_Full
6	PI/2 BPSK	1@3	1@2	1@1
6	PI/2 BPSK	40@9	18@5	8@2
4	PI/2 BPSK	1@35	1@17	1@8
2	PI/2 BPSK	16@35	5@19	3@8
5	PI/2 BPSK	Edge_1RB_Right	Edge_1RB_Right	Edge_1RB_Right
5	PI/2 BPSK	1@40	N/A	N/A
5	PI/2 BPSK	N/A	1@20	N/A
3	PI/2 BPSK	8@44	N/A	N/A
12	QPSK	Edge_1RB_Left	N/A	N/A
8	QPSK	N/A	Edge_1RB_Left	Edge_1RB_Left
8	QPSK	Outer_Full	Outer_Full	Outer_Full
6	QPSK	1@3	1@2	1@1
6	QPSK	40@9	18@5	8@2
4	QPSK	1@35	1@17	1@8
2	QPSK	16@35	5@19	3@8
5	QPSK	Edge_1RB_Right	Edge_1RB_Right	Edge_1RB_Right
5	QPSK	1@40	N/A	N/A

A-MPR test parameters for NS_56									
Test ID	Fc (MHz)	ChB w (MHz)	SCS (kHz)	Downlink Config.	A-MPR	Uplink Configuration			
						Modulation (NOTE 2)	RB allocation (Note 1)		
							SCS 15 kHz	SCS 30 kHz	SCS 60 kHz
46	Low	10	30		5	QPSK	N/A	1@20	N/A
47	Low	10	15		3	QPSK	8@44	N/A	N/A
48	Low	10	15		12	16 QAM	Edge_1RB_Left	N/A	N/A
49	Low	10	Highest		8	16 QAM	N/A	Edge_1RB_Left	Edge_1RB_Left
50	Low	10	Default		8	16 QAM	Outer_Full	Outer_Full	Outer_Full
51	Low	10	Default		6	16 QAM	1@3	1@2	1@1
52	Low	10	Default		6	16 QAM	40@9	18@5	8@2
53	Low	10	Default		4	16 QAM	1@35	1@17	1@8
54	Low	10	Default		2	16 QAM	16@35	5@19	3@8
55	Low	10	Default		5	16 QAM	Edge_1RB_Right	Edge_1RB_Right	Edge_1RB_Right
56	Low	10	15		5	16 QAM	1@40	N/A	N/A
57	Low	10	30		5	16 QAM	N/A	1@20	N/A
58	Low	10	15		3	16 QAM	8@44	N/A	N/A
59	Low	10	15		12	64 QAM	Edge_1RB_Left	N/A	N/A

60	Low	10	Highest	8	64 QAM	N/A	Edge_1RB_Left	Edge_1RB_Left
61	Low	10	Default	8	64 QAM	Outer_Full	Outer_Full	Outer_Full
62	Low	10	Default	6	64 QAM	1@3	1@2	1@1
63	Low	10	Default	6	64 QAM	40@9	18@5	8@2
64	Low	10	Default	4	64 QAM	1@35	1@17	1@8
65	Low	10	Default	2	64 QAM	16@35	5@19	3@8
66	Low	10	Default	5	64 QAM	Edge_1RB_Right	Edge_1RB_Right	Edge_1RB_Right
67	Low	10	15	5	64 QAM	1@40	N/A	N/A
68	Low	10	30	5	64 QAM	N/A	1@20	N/A
69	Low	10	15	3	64 QAM	8@44	N/A	N/A
70	Low	10	15	12	256 QAM	Edge_1RB_Left	N/A	N/A
71	Low	10	Highest	8	256 QAM	N/A	Edge_1RB_Left	Edge_1RB_Left
72	Low	10	Default	8	256 QAM	Outer_Full	Outer_Full	Outer_Full
73	Low	10	Default	6	256 QAM	1@3	1@2	1@1
74	Low	10	Default	6	256 QAM	40@9	18@5	8@2
75	Low	10	Default	4	256 QAM	1@35	1@17	1@8
76	Low	10	Default	2	256 QAM	16@35	5@19	3@8
77	Low	10	Default	5	256 QAM	Edge_1RB_Right	Edge_1RB_Right	Edge_1RB_Right
78	Low	10	15	5	256 QAM	1@40	N/A	N/A
79	Low	10	30	5	256 QAM	N/A	1@20	N/A
80	Low	10	15	3	256 QAM	8@44	N/A	N/A
81	Low	5	15	14	QPSK	Edge_1RB_Left	N/A	N/A
82	Low	5	30	8	QPSK	N/A	Edge_1RB_Left	N/A
83	Low	5	Default	6	QPSK	Outer_Full	Outer_Full	N/A
84	Low	5	Default	4	QPSK	21@4	8@3	N/A
85	Low	5	Default	4	QPSK	1@4	1@3	N/A
86	Low	5	15	14	16 QAM	Edge_1RB_Left	N/A	N/A
87	Low	5	30	8	16 QAM	N/A	Edge_1RB_Left	N/A
88	Low	5	Default	6	16 QAM	Outer_Full	Outer_Full	N/A
89	Low	5	Default	4	16 QAM	21@4	8@3	N/A
90	Low	5	Default	4	16 QAM	1@4	1@3	N/A
91	Low	5	15	14	64 QAM	Edge_1RB_Left	N/A	N/A
92	Low	5	30	8	64 QAM	N/A	Edge_1RB_Left	N/A
93	Low	5	Default	6	64 QAM	Outer_Full	Outer_Full	N/A
94	Low	5	Default	4	64 QAM	21@4	8@3	N/A
95	Low	5	Default	4	64 QAM	1@4	1@3	N/A
96	Low	5	15	14	256 QAM	Edge_1RB_Left	N/A	N/A
97	Low	5	30	8	256 QAM	N/A	Edge_1RB_Left	N/A
98	Low	5	Default	6	256 QAM	Outer_Full	Outer_Full	N/A
99	Low	5	Default	4	256 QAM	21@4	8@3	N/A

N/A for A-MPR testing

CP-OFDM

A-MPR test parameters for NS_56									
Test ID	Fc (MHz)	ChB w (MHz)	SCS (kHz)	Downlink Config.	A-MPR	Uplink Configuration			
						Modulation (NOTE 2)	RB allocation (Note 1)		
							SCS 15 kHz	SCS 30 kHz	SCS 60 kHz
100	Low	5	Default		4	256 QAM	1@4	1@3	N/A
101	Low	10	15		12	QPSK	Edge_1RB_Left	N/A	N/A
102	Low	10	Highest		8	QPSK	N/A	Edge_1RB_Left	Edge_1RB_Left
103	Low	10	Default		8	QPSK	Outer_Full	Outer_Full	Outer_Full
104	Low	10	Default		6	QPSK	1@3	1@2	1@1
105	Low	10	Default		6	QPSK	43@9	19@5	8@2
106	Low	10	Default		4	QPSK	1@35	1@17	1@8
107	Low	10	Default		2	QPSK	17@35	5@19	3@8
108	Low	10	Default		5	QPSK	Edge_1RB_Right	Edge_1RB_Right	Edge_1RB_Right
109	Low	10	15		5	QPSK	1@40	N/A	N/A
110	Low	10	30		5	QPSK	N/A	1@20	N/A
111	Low	10	15		3	QPSK	8@44	N/A	N/A
112	Low	10	15		12	16 QAM	Edge_1RB_Left	N/A	N/A
113	Low	10	Highest		8	16 QAM	N/A	Edge_1RB_Left	Edge_1RB_Left
114	Low	10	Default		8	16 QAM	Outer_Full	Outer_Full	Outer_Full
115	Low	10	Default		6	16 QAM	1@3	1@2	1@1

116	Low	10	Default	6	16 QAM	43@9	19@5	8@2	
117	Low	10	Default		4	16 QAM	1@35	1@17	1@8
118	Low	10	Default		2	16 QAM	17@35	5@19	3@8
119	Low	10	Default		5	16 QAM	Edge_1RB_Right	Edge_1RB_Right	Edge_1RB_Right
120	Low	10	15		5	16 QAM	1@40	N/A	N/A
121	Low	10	30		5	16 QAM	N/A	1@20	N/A
122	Low	10	15		3	16 QAM	8@44	N/A	N/A
123	Low	10	15		12	64 QAM	Edge_1RB_Left	N/A	N/A
124	Low	10	Highest		8	64 QAM	N/A	Edge_1RB_Left	Edge_1RB_Left
125	Low	10	Default		8	64 QAM	Outer_Full	Outer_Full	Outer_Full
126	Low	10	Default		6	64 QAM	1@3	1@2	1@1
127	Low	10	Default		6	64 QAM	43@9	19@5	8@2
128	Low	10	Default		4	64 QAM	1@35	1@17	1@8
129	Low	10	Default		2	64 QAM	17@35	5@19	3@8
130	Low	10	Default	5	64 QAM	Edge_1RB_Right	Edge_1RB_Right	Edge_1RB_Right	
131	Low	10	15	5	64 QAM	1@40	N/A	N/A	
132	Low	10	30	5	64 QAM	N/A	1@20	N/A	
133	Low	10	15	3	64 QAM	8@44	N/A	N/A	
134	Low	10	15	12	256 QAM	Edge_1RB_Left	N/A	N/A	
135	Low	10	Highest	8	256 QAM	N/A	Edge_1RB_Left	Edge_1RB_Left	
136	Low	10	Default	8	256 QAM	Outer_Full	Outer_Full	Outer_Full	
137	Low	10	Default	6	256 QAM	1@3	1@2	1@1	
138	Low	10	Default	6	256 QAM	43@9	19@5	8@2	
139	Low	10	Default	4	256 QAM	1@35	1@17	1@8	
140	Low	10	Default	2	256 QAM	17@35	5@19	3@8	
141	Low	10	Default	5	256 QAM	Edge_1RB_Right	Edge_1RB_Right	Edge_1RB_Right	
142	Low	10	15	5	256 QAM	1@40	N/A	N/A	
143	Low	10	30	5	256 QAM	N/A	1@20	N/A	
144	Low	10	15	3	256 QAM	8@44	N/A	N/A	

NOTE 1: The specific configuration of each RB allocation is defined in Table 6.1-1 unless otherwise stated in this table.
 NOTE 2: DFT-s-OFDM PI/2 BPSK test applies only for UEs which supports half Pi BPSK in FR1.

Table 6.2.3.4.1-31: Test Configuration table for NS_07 and NS_50

Initial Conditions								
Test Environment as specified in TS 38.508-1 [5] subclause 4.1							Normal	
Test Frequencies as specified in TS 38.508-1 [5] subclause 4.3.1							Low range, High range	
Test Channel Bandwidths as specified in TS 38.508-1 [5] subclause 4.3.1							Lowest, Highest	
Test SCS as specified in Table 5.3.5-1							Lowest, Highest	
A-MPR test parameters for NS_07 and NS_50								
Test ID	Freq	ChBw	SCS	Downlink Configuration	Uplink Configuration			
					Modulation (Note 2)	RB allocation (Note 1)		
						SCS 15 kHz	SCS 30 kHz	
1	Low	Default	Default	N/A for A-MPR test cases	DFT-s-OFDM	PI/2 BPSK	Edge_1RB_Left	
2	Low	5 MHz	Default			PI/2 BPSK	8@6	4@3
3	Low	10 MHz	Default			PI/2 BPSK	8@14	4@7
4	Low	5 MHz	Default			PI/2 BPSK	10@8	5@4
5	Low	10 MHz	Default			PI/2 BPSK	18@19	10@10
6	High	5 MHz	Default			PI/2 BPSK	10@0	5@0
7	Low	5 MHz	Default			PI/2 BPSK	2@20	1@10
8	Low	10 MHz	Default			PI/2 BPSK	2@37	1@19
9	Low	Default	Default			QPSK	Edge_1RB_Left	
10	Low	5 MHz	Default			QPSK	8@6	4@3
11	Low	10 MHz	Default			QPSK	8@14	4@7
12	Low	5 MHz	Default			QPSK	10@8	5@4
13	Low	10 MHz	Default			QPSK	18@19	10@10
14	High	5 MHz	Default			QPSK	10@0	5@0
15	Low	5 MHz	Default			QPSK	2@20	1@10

16	Low	10 MHz	Default			QPSK	2@37	1@19
17	Low	Default	Default			16 QAM	Edge_1RB_Left	
18	Low	5 MHz	Default			16 QAM	8@6	4@3
19	Low	10 MHz	Default			16 QAM	8@14	4@7
20	Low	5 MHz	Default			16 QAM	10@8	5@4
21	Low	10 MHz	Default			16 QAM	18@19	10@10
22	High	5 MHz	Default			16 QAM	10@0	5@0
23	Low	5 MHz	Default			16 QAM	2@20	1@10
24	Low	10 MHz	Default			16 QAM	2@37	1@19
25	Low	Default	Default			64 QAM	Edge_1RB_Left	
26	Low	5 MHz	Default			64 QAM	8@6	4@3
27	Low	10 MHz	Default			64 QAM	8@14	4@7
28	Low	5 MHz	Default			64 QAM	10@8	5@4
29	Low	10 MHz	Default			64 QAM	18@19	10@10
30	High	5 MHz	Default			64 QAM	10@0	5@0
31	Low	5 MHz	Default			64 QAM	2@20	1@10
32	Low	10 MHz	Default			64 QAM	2@37	1@19
33	Low	Default	Default			256 QAM	Edge_1RB_Left	
34	Low	5 MHz	Default			256 QAM	8@6	4@3
35	Low	10 MHz	Default			256 QAM	8@14	4@7
36	Low	5 MHz	Default			256 QAM	10@8	5@4
37	Low	10 MHz	Default			256 QAM	18@19	10@10
38	High	5 MHz	Default			256 QAM	10@0	5@0
39	Low	5 MHz	Default			256 QAM	2@20	1@10
40	Low	10 MHz	Default			256 QAM	2@37	1@19
41	Low	Default	Default			QPSK	Edge_1RB_Left	
42	Low	5 MHz	Default			QPSK	7@6	4@3
43	Low	10 MHz	Default			QPSK	8@14	4@7
44	Low	5 MHz	Default			QPSK	10@8	5@4
45	Low	10 MHz	Default			QPSK	18@19	10@10
46	High	5 MHz	Default			QPSK	10@0	5@0
47	Low	5 MHz	Default			QPSK	2@20	1@10
48	Low	10 MHz	Default			QPSK	2@37	1@19
49	Low	Default	Default			16 QAM	Edge_1RB_Left	
50	Low	5 MHz	Default			16 QAM	7@6	4@3
51	Low	10 MHz	Default			16 QAM	8@14	4@7
52	Low	5 MHz	Default			16 QAM	10@8	5@4
53	Low	10 MHz	Default			16 QAM	18@19	10@10
54	High	5 MHz	Default			16 QAM	10@0	5@0
55	Low	5 MHz	Default			16 QAM	2@20	1@10
56	Low	10 MHz	Default			16 QAM	2@37	1@19
57	Low	Default	Default			64 QAM	Edge_1RB_Left	
58	Low	5 MHz	Default			64 QAM	7@6	4@3
59	Low	10 MHz	Default			64 QAM	8@14	4@7
60	Low	5 MHz	Default			64 QAM	10@8	5@4
61	Low	10 MHz	Default			64 QAM	18@19	10@10
62	High	5 MHz	Default			64 QAM	10@0	5@0
63	Low	5 MHz	Default			64 QAM	2@20	1@10
64	Low	10 MHz	Default			64 QAM	2@37	1@19
65	Low	Default	Default			256 QAM	Edge_1RB_Left	
66	Low	5 MHz	Default			256 QAM	7@6	4@3
67	Low	10 MHz	Default			256 QAM	8@14	4@7
68	Low	5 MHz	Default			256 QAM	10@8	5@4
69	Low	10 MHz	Default			256 QAM	18@19	10@10
70	High	5 MHz	Default			256 QAM	10@0	5@0
71	Low	5 MHz	Default			256 QAM	2@20	1@10
72	Low	10 MHz	Default			256 QAM	2@37	1@19

CP-OFDM

NOTE 1: The specific configuration of each RB allocation is defined in Table 6.1-1 unless otherwise stated in this table.
 NOTE 2: DFT-s-OFDM PI/2 BPSK test applies only for UEs which supports half Pi BPSK in FR1.

Table 6.2.3.4.1-32: Test Configuration table for NS_50 (Power Class 2)

Initial Conditions								
Test Environment as specified in TS 38.508-1 [5] subclause 4.1				Normal				
Test Frequencies as specified in TS 38.508-1 [5] subclause 4.3.1				(See Freq column for test frequency, and configuration detail specified in Table 6.2.3.4.1-32a, Table 6.2.3.4.1-32a and Table 6.2.3.4.1-32c)				
Test Channel Bandwidths as specified in TS 38.508-1 [5] subclause 4.3.1				10MHz, 15MHz, 20MHz, 25 MHz, 30MHz, 40MHz				
Test SCS as specified in Table 5.3.5-1				Lowest, Highest				
A-MPR test parameters for NS_50 (Power Class 2)								
Test ID	F _c (MHz)	Ch BW (MHz)	SCS (kHz)	Downlink Configuration	Uplink Configuration			
					Modulation (Note 2)	RB allocation (Note 1)		
						SCS 15 kHz	SCS 30 kHz	SCS 60 kHz
1	1890	10	Default	N/A	QPSK	Edge_1RB_left (A5)		
2	1890	10	Default		QPSK	Outer_Full (A4)		
3	1890	10	Default		QPSK	40@11 (A4)	18@6 (A4)	/
4	1892.5	15	Default		QPSK	Edge_1RB_left (A5)		
5	1892.5	15	Default		QPSK	Outer_Full (A3)		
6	1892.5	15	Default		QPSK	60@19 (A4)	27@10 (A4)	15@5 (A4)
7	1895	20	Default		QPSK	Edge_1RB_left (A5)		
8	1895	20	Default		QPSK	Outer_Full (A3)		
9	1895	20	Default		QPSK	80@26 (A4)	36@13 (A4)	18@7 (A4)
10	1897.5	25	Default		QPSK	Outer_Full (A2)		
11	1897.5	25	Default		QPSK	Edge_1RB_left (A5)		
12	1897.5	25	Default		QPSK	75@48 (A4)	36@25 (A4)	18@13 (A4)
13	1897.5	25	Default		QPSK	20@11 (A6)	10@6 (A6)	5@3 (A6)
14	1897.5	25	Default		QPSK	27@0 (A4)	12@0 (A4)	6@0 (A4)
15	1900	30	Default		QPSK	Outer_Full (A2)		
16	1900	30	Default		QPSK	Edge_1RB_left (A5)		
17	1900	30	Default		QPSK	20@11 (A6)	10@6 (A6)	5@3 (A6)
18	1900	30	Default		QPSK	27@0 (A4)	12@0 (A4)	6@0 (A4)
19	1900	30	Default		QPSK	90@63 (A4)	45@32 (A4)	24@18 (A4)
20	1900	40	Default		QPSK	Outer_Full (A1)		
21	1900	40	Default		QPSK	180@25 (A8)	90@13 (A8)	40@7 (A8)
22	1900	40	Default		QPSK	60@25 (A3)	30@13 (A3)	15@7 (A3)
23	1900	40	Default		QPSK	90@25 (A7)	45@13 (A7)	20@7 (A7)
24	1900	40	Default		QPSK	108@101 (A4)	54@51 (A4)	25@26 (A4)
25	1900	40	Default		QPSK	36@177 (A9)	16@89 (A9)	6@45 (A9)
26	1890	10	Default		256 QAM	Edge_1RB_left (A5)		
27	1890	10	Default		256 QAM	Outer_Full (A4)		
28	1890	10	Default		256 QAM	40@11 (A4)	18@6 (A4)	/
29	1892.5	15	Default		256 QAM	Edge_1RB_left (A5)		
30	1892.5	15	Default		256 QAM	Outer_Full (A3)		
31	1892.5	15	Default		256 QAM	60@19 (A4)	27@10 (A4)	15@5 (A4)
32	1895	20	Default		256 QAM	Edge_1RB_left (A5)		
33	1895	20	Default		256 QAM	Outer_Full (A3)		
34	1895	20	Default		256 QAM	80@26 (A4)	36@13 (A4)	18@7 (A4)
35	1897.5	25	Default		256 QAM	Outer_Full (A2)		
36	1897.5	25	Default		256 QAM	Edge_1RB_left (A5)		
37	1897.5	25	Default		256 QAM	75@48 (A4)	36@25 (A4)	18@13 (A4)
38	1897.5	25	Default		256 QAM	20@11 (A6)	10@6 (A6)	5@3 (A6)
39	1897.5	25	Default		256 QAM	27@0 (A4)	12@0 (A4)	6@0 (A4)
40	1900	30	Default		256 QAM	Outer_Full (A2)		
41	1900	30	Default		256 QAM	Edge_1RB_left (A5)		
42	1900	30	Default		256 QAM	20@11 (A6)	10@6 (A6)	5@3 (A6)
43	1900	30	Default		256 QAM	27@0 (A4)	12@0 (A4)	6@0 (A4)
44	1900	30	Default		256 QAM	90@63 (A4)	45@32 (A4)	24@18 (A4)
45	Low	40	Default		256 QAM	Outer_Full (A1)		

46	Low	40	Default			256 QAM	180@25 (A8)	90@13 (A8)	40@7 (A8)
47	Low	40	Default			256 QAM	60@25 (A3)	30@13 (A3)	15@7 (A3)
48	Low	40	Default			256 QAM	90@25 (A7)	45@13 (A7)	20@7 (A7)
49	Low	40	Default			256 QAM	108@101 (A4)	54@51 (A4)	25@26 (A4)
50	Low	40	Default			256 QAM	36@177 (A9)	16@89 (A9)	6@45 (A9)
51	1890	10	Default	N/A	CP-OFDM	QPSK	Edge_1RB_left (A5)		
52	1890	10	Default			QPSK	Outer_Full (A4)		
53	1890	10	Default			QPSK	41@11 (A4)	18@6 (A4)	/
54	1892.5	15	Default			QPSK	Edge_1RB_left (A5)		
55	1892.5	15	Default			QPSK	Outer_Full (A3)		
56	1892.5	15	Default			QPSK	60@19 (A4)	28@10 (A4)	13@5 (A4)
57	1895	20	Default			QPSK	Edge_1RB_left (A5)		
58	1895	20	Default			QPSK	Outer_Full (A3)		
59	1895	20	Default			QPSK	80@26 (A4)	38@13 (A4)	17@7 (A4)
60	1897.5	25	Default			QPSK	Outer_Full (A2)		
61	1897.5	25	Default			QPSK	Edge_1RB_left (A5)		
62	1897.5	25	Default			QPSK	74@47 (A4)	37@24 (A4)	19@13 (A4)
63	1897.5	25	Default			QPSK	20@11 (A6)	10@6 (A6)	5@3 (A6)
64	1897.5	25	Default			QPSK	27@0 (A4)	13@0 (A4)	6@0 (A4)
65	1900	30	Default			QPSK	Outer_Full (A2)		
66	1900	30	Default			QPSK	Edge_1RB_left (A5)		
67	1900	30	Default			QPSK	20@11 (A6)	10@6 (A6)	5@3 (A6)
68	1900	30	Default			QPSK	27@0 (A4)	13@0 (A4)	6@0 (A4)
69	1900	30	Default			QPSK	88@61 (A4)	44@31 (A4)	22@16 (A4)
70	1900	40	Default			QPSK	Outer_Full (A1)		
71	1900	40	Default			QPSK	191@25 (A8)	93@13 (A8)	44@7 (A8)
72	1900	40	Default			QPSK	60@25 (A3)	30@13 (A3)	15@7 (A3)
73	1900	40	Default			QPSK	91@25 (A7)	46@13 (A7)	23@7 (A7)
74	1900	40	Default			QPSK	115@101 (A4)	55@51 (A4)	25@26 (A4)
75	1900	40	Default			QPSK	39@177 (A9)	17@89 (A9)	6@45 (A9)
76	1890	10	Default			256 QAM	Edge_1RB_left (A5)		
77	1890	10	Default			256 QAM	Outer_Full (A4)		
78	1890	10	Default			256 QAM	41@11 (A4)	18@6 (A4)	/
79	1892.5	15	Default			256 QAM	Edge_1RB_left (A5)		
80	1892.5	15	Default			256 QAM	Outer_Full (A3)		
81	1892.5	15	Default			256 QAM	60@19 (A4)	28@10 (A4)	13@5 (A4)
82	1895	20	Default			256 QAM	Edge_1RB_left (A5)		
83	1895	20	Default			256 QAM	Outer_Full (A3)		
84	1895	20	Default			256 QAM	80@26 (A4)	38@13 (A4)	17@7 (A4)
85	1897.5	25	Default			256 QAM	Outer_Full (A2)		
86	1897.5	25	Default			256 QAM	Edge_1RB_left (A5)		
87	1897.5	25	Default			256 QAM	74@47 (A4)	37@24 (A4)	19@13 (A4)
88	1897.5	25	Default			256 QAM	20@11 (A6)	10@6 (A6)	5@3 (A6)
89	1897.5	25	Default			256 QAM	27@0 (A4)	13@0 (A4)	6@0 (A4)
90	1900	30	Default			256 QAM	Outer_Full (A2)		
91	1900	30	Default			256 QAM	Edge_1RB_left (A5)		
92	1900	30	Default			256 QAM	20@11 (A6)	10@6 (A6)	5@3 (A6)
93	1900	30	Default			256 QAM	27@0 (A4)	13@0 (A4)	6@0 (A4)
94	1900	30	Default			256 QAM	88@61 (A4)	44@31 (A4)	22@16 (A4)
95	1900	40	Default			256 QAM	Outer_Full (A1)		
96	1900	40	Default			256 QAM	191@25 (A8)	93@13 (A8)	44@7 (A8)
97	1900	40	Default			256 QAM	60@25 (A3)	30@13 (A3)	15@7 (A3)
98	1900	40	Default			256 QAM	91@25 (A7)	46@13 (A7)	23@7 (A7)
99	1900	40	Default			256 QAM	115@101 (A4)	55@51 (A4)	25@26 (A4)

100	1900	40	Default			256 QAM	39@177 (A9)	17@89 (A9)	6@45 (A9)
-----	------	----	---------	--	--	---------	----------------	------------	-----------

NOTE 1: The specific configuration of each RB allocation is defined in Table 6.1-1 unless otherwise stated in this table.

Table 6.2.3.4.1-32a: Additional test frequencies for NS_50 (SCS=15 kHz, $\Delta F_{\text{Raster}} = 15$ kHz)

CBW [MHz]	carrier Bandwidth [PRBs]	Range		Carrier centre [MHz]	Carrier centre [ARFCN]	point A [MHz]	absolute FrequencyPoint A [ARFCN]	offsetTo Carrier [Carrier PRBs]	SS block SCS [kHz]	GSCN	absolute FrequencySSB [ARFCN]	k_{SSB}	Offset Carrier CORE SET#0 [RBs] Note 2	CORE SET#0 Index (Offset [RBs]) Note 1	offsetTo PointA (SIB1) [PRBs] Note 1
10	52	DL & UL	-	1890	378000	1885.32	377064	0	30	4725	378030	10	0	1(6)	6
15	79	DL & UL	-	1892.5	378500	1885.39	377078	0	15	4729	378290	8	7	7(16)	23
20	106	DL & UL	-	1895	379000	1885.46	377092	0	15	4718	377530	2	0	1(2)	2
25	133	DL & UL	-	1897.5	379500	1885.53	377106	0	15	4743	379470	8	17	12(38)	55
30	160	DL & UL	-	1900	380000	1885.6	377120	0	15	4729	378290	6	6	7(16)	22
40	216	DL & UL	-	1900	380000	1880.56	376112	0	15	4729	378290	6	12	12(38)	50

Table 6.2.3.4.1-32b: Additional test frequencies for NS_50 (SCS=30 kHz, $\Delta F_{\text{Raster}} = 30$ kHz)

CBW [MHz]	carrier Bandwidth [PRBs]	Range		Carrier centre [MHz]	Carrier centre [ARFCN]	point A [MHz]	absolute FrequencyPoint A [ARFCN]	offsetTo Carrier [Carrier PRBs]	SS block SCS [kHz]	GSCN	absolute FrequencySSB [ARFCN]	k_{SSB}	Offset Carrier CORE SET#0 [RBs] Note 2	CORE SET#0 Index (Offset [RBs]) Note 1	offsetTo PointA (SIB1) [PRBs] Note 1
10	52	DL & UL	-	1890	378000	1885.68	377136	0	30	4725	378030	10	0	2(2)	4
15	79	DL & UL	-	1892.5	378500	1885.66	377132	0	15	4729	378290	2	3	3(8)	22
20	106	DL & UL	-	1895	379000	1885.82	377164	0	15	4754	380410	2	20	9(20)	80
25	133	DL & UL	-	1897.5	379500	1885.8	377160	0	15	4743	379470	2	7	9(20)	54
30	160	DL & UL	-	1900	380000	1885.96	377192	0	15	4729	378290	6	2	3(8)	20
40	216	DL & UL	-	1900	380000	1880.92	376184	0	15	4729	378290	6	4	9(20)	48

Table 6.2.3.4.1-32c: Additional test frequencies for NS_50 (SCS=60 kHz, $\Delta F_{\text{Raster}} = 15$ kHz, without CORESET#0)

CBW [MHz]	carrier Bandwidth [PRBs]	Range		Carrier centre [MHz]	Carrier centre [ARFCN]	point A [MHz]	absolute FrequencyPoint A [ARFCN]	offsetTo Carrier [Carrier PRBs]	SS block SCS [kHz]	GSCN	absolute FrequencySSB [ARFCN]
10	52	DL & UL	-	1890	378000	1886.04	377208	0	15	-	377568
15	79	DL & UL	-	1892.5	378500	1886.02	377204	0	15	-	377564
20	106	DL & UL	-	1895	379000	1886.36	377272	0	15	-	377632
25	133	DL & UL	-	1897.5	379500	1886.34	377268	0	15	-	377628

30	160	DL & UL	-	1900	380000	1886.32	377264	0	15	-	377624
40	216	DL & UL	-	1900	380000	1881.64	376328	0	15	-	376688

Table 6.2.3.4.1-33: Test Configuration table for NS_50 (Power Class 3)

Initial Conditions											
Test Environment as specified in TS 38.508-1 [5] subclause 4.1								Normal			
Test Frequencies as specified in TS 38.508-1 [5] subclause 4.3.1								(See Freq column)			
Test Channel Bandwidths as specified in TS 38.508-1 [5] subclause 4.3.1								25 MHz, 30MHz, 40MHz			
Test SCS as specified in Table 5.3.5-1								Lowest, Highest			
A-MPR test parameters for NS_50 (Power Class 3)											
Test ID	F _c (MHz)	Ch BW (MHz)	SCS (kHz)	Downlink Configurati on	Uplink Configuration						
					Modulation (Note 2)	RB allocation (Note 1)					
						SCS 15 kHz	SCS 30 kHz	SCS 60 kHz			
1	1897.5	25	Default	N/A	DFT-s-OFDM	QPSK	Outer_Full (A7)				
2	1897.5	25	Default			QPSK	Edge_1RB_left (A8)				
3	1897.5	25	Default			QPSK	20@0 (A9)	10@0 (A9)	5@0 (A9)		
4	1900	30	Default			QPSK	Outer_Full (A7)				
5	1900	30	Default			QPSK	Edge_1RB_left (A8)				
6	1900	30	Default			QPSK	20@0 (A9)	10@0 (A9)	5@0 (A9)		
7	1900	40	Default			QPSK	Outer_Full (A1)				
8	1900	40	Default			QPSK	60@25 (A3)	30@13 (A3)	15@7 (A3)		
9	1900	40	Default			QPSK	180@25 (A2)	90@13 (A2)	40@7 (A2)		
10	1900	40	Default			QPSK	108@101 (A6)	54@51 (A6)	25@26 (A6)		
11	1900	40	Default			QPSK	36@177 (A5)	16@89 (A5)	6@45 (A5)		
12	1897.5	25	Default			256 QAM	Outer_Full (A7)				
13	1897.5	25	Default			256 QAM	Edge_1RB_left (A8)				
14	1897.5	25	Default			256 QAM	20@0 (A9)	10@0 (A9)	5@0 (A9)		
15	1900	30	Default			256 QAM	Outer_Full (A7)				
16	1900	30	Default			256 QAM	Edge_1RB_left (A8)				
17	1900	30	Default			256 QAM	20@0 (A9)	10@0 (A9)	5@0 (A9)		
18	1900	40	Default			256 QAM	Outer_Full (A1)				
19	1900	40	Default			256 QAM	60@25 (A3)	30@13 (A3)	15@7 (A3)		
20	1900	40	Default			256 QAM	180@25 (A2)	90@13 (A2)	40@7 (A2)		
21	1900	40	Default			256 QAM	108@101 (A6)	54@51 (A6)	25@26 (A6)		
22	1900	40	Default			256 QAM	36@177 (A5)	16@89 (A5)	6@45 (A5)		
23	1897.5	25	Default	N/A	CP-OFDM	QPSK	Outer_Full (A7)				
24	1897.5	25	Default			QPSK	Edge_1RB_left (A8)				
25	1897.5	25	Default			QPSK	20@0 (A9)	10@0 (A9)	5@0 (A9)		
26	1900	30	Default			QPSK	Outer_Full (A7)				
27	1900	30	Default			QPSK	Edge_1RB_left (A8)				
28	1900	30	Default			QPSK	20@0 (A9)	10@0 (A9)	5@0 (A9)		

29	1900	40	Default			QPSK	Outer_Full (A1)		
30	1900	40	Default			QPSK	60@25 (A3)	30@13 (A3)	15@7 (A3)
31	1900	40	Default			QPSK	191@25 (A2)	93@13 (A2)	44@7 (A2)
32	1900	40	Default			QPSK	115@101 (A6)	55@51 (A6)	25@26 (A6)
33	1900	40	Default			QPSK	39@177 (A5)	17@89 (A5)	6@45 (A5)
34	1897.5	25	Default			256 QAM	Outer_Full (A7)		
35	1897.5	25	Default			256 QAM	Edge_1RB_left (A8)		
36	1897.5	25	Default			256 QAM	20@0 (A9)	10@0 (A9)	5@0 (A9)
37	1900	30	Default			256 QAM	Outer_Full (A7)		
38	1900	30	Default			256 QAM	Edge_1RB_left (A8)		
39	1900	30	Default			256 QAM	20@0 (A9)	10@0 (A9)	5@0 (A9)
40	Low	40	Default			256 QAM	Outer_Full (A1)		
41	Low	40	Default			256 QAM	60@25 (A3)	30@13 (A3)	15@7 (A3)
42	Low	40	Default			256 QAM	191@25 (A2)	93@13 (A2)	44@7 (A2)
43	Low	40	Default			256 QAM	115@101 (A6)	55@51 (A6)	25@26 (A6)
44	Low	40	Default			256 QAM	39@177 (A5)	17@89 (A5)	6@45 (A5)

NOTE 1: The specific configuration of each RB allocation is defined in Table 6.1-1 unless otherwise stated in this table.

Editor’s note: The following lines belong at the end of subclause 6.2.3.4.1. As new tables are added to this section, these lines should always follow the tables

1. Connect the SS to the UE antenna connectors as shown in TS 38.508-1 [5] Annex A, Figure A.3.1.1.1 for TE diagram and section A.3.2 for UE diagram.
2. The parameter settings for the cell are set up according to TS 38.508-1 [5] subclause 4.4.3.
3. Downlink signals are initially set up according to Annex C.0, C.1, C.2 and uplink signals according Annex G.0, G.1, G.2 and G.3.0.
4. The UL Reference Measurement channels are set according to the applicable table from Table 6.2.3.4.1-1 to Table 6.2.3.4.1-30.
5. Propagation conditions are set according to Annex B.0.
6. Ensure the UE is in state RRC_CONNECTED with generic procedure parameters Connectivity *NR*, Connected without release *On*, Test Mode *On* and Test Loop Function *On* according to TS 38.508-1 [5] clause 4.5. Message contents are defined in clause 6.2.3.4.3.

6.2.3.4.2 Test procedure

1. SS sends uplink scheduling information for each UL HARQ process via PDCCH DCI format 0_1 for C_RNTI to schedule the UL RMC according to the applicable table from Table 6.2.3.4.1-1 to Table 6.2.3.4.1-31. Since the UE has no payload data to send, the UE transmits uplink MAC padding bits on the UL RMC.
2. Send continuously uplink power control "up" commands in the uplink scheduling information to the UE Allow at least 200ms starting from the first TPC command in this step for the UE to reach P_{UMAX} level.
3. Measure the mean power of the UE in the channel bandwidth of the radio access mode. The period of measurement shall be at least the continuous duration one sub-frame (1ms). For TDD, only slots consisting of only UL symbols are under test.
4. For network signalling value “NS_04” and UEs supporting Power Class 2, repeat steps 1~3 on the applicable bands with message exception of P-Max defined in Table 6.2.3.4.3.4-2.

NOTE 1: When switching to DFT-s-OFDM waveform, as specified in the test configuration Table 6.2.3.4.1-1 to Table 6.2.3.4.1-20, send an NR RRCReconfiguration message according to TS 38.508-1 [5] clause 4.6.3 Table 4.6.3-118 PUSCH-Config with TRANSFORM_PRECODER_ENABLED condition.

6.2.3.4.3 Message contents

6.2.3.4.3.0 General

Message contents are according to TS 38.508-1 [5] subclause 4.6.1, with the following exceptions for each network signalling value.

For almost contiguous allocation testing, message contents are according to TS 38.508-1 [5] subclause 4.6.1 with the following exceptions:

Table 6.2.3.4.3-1: PUSCH-Config

Derivation Path: TS 38.508-1 [5] subclause 4.6.3 Table 4.6.3-118 PUSCH-Config			
Information Element	Value/remark	Comment	Condition
PUSCH-Config ::= SEQUENCE {			
resourceAllocation	resourceAllocationType0		
}			

6.2.3.4.3.1 Message contents exceptions for network signalling value “NS_03”

1. Information element additionalSpectrumEmission is set to NS_03. This can be set in the *SIB1* as part of the cell broadcast message. This exception indicates that the UE shall meet the additional spurious emission requirement for a specific deployment scenario.

Table 6.2.3.4.3.1-1: AdditionalSpectrumEmission: Additional spurious emissions test requirement for "NS_03" and NR band n2, n25, n66 and n86

Derivation Path: TS 38.508-1 [5], Table 4.6.3-1			
Information Element	Value/remark	Comment	Condition
additionalSpectrumEmission	2 (NS_03)		

Table 6.2.3.4.3.1-2: AdditionalSpectrumEmission: Additional spurious emissions test requirement for "NS_03" and NR band n70

Derivation Path: TS 38.508-1 [5], Table 4.6.3-1			
Information Element	Value/remark	Comment	Condition
additionalSpectrumEmission	1 (NS_03)		

6.2.3.4.3.2 Message contents exceptions for network signalling value "NS_35"

- Information element additionalSpectrumEmission is set to NS_35. This can be set in the *SIB1* as part of the cell broadcast message. This exception indicates that the UE shall meet the additional spurious emission requirement for a specific deployment scenario.

Table 6.2.3.4.3.2-1: AdditionalSpectrumEmission: Additional spurious emissions test requirement for "NS_35" and NR band n71

Derivation Path: TS 38.508-1 [5], Table 4.6.3-1			
Information Element	Value/remark	Comment	Condition
additionalSpectrumEmission	1 (NS_35)		

6.2.3.4.3.3 Message contents exceptions for network signalling value "NS_03U"

- Information element additionalSpectrumEmission is set to NS_03U. This can be set in the *SIB1* as part of the cell broadcast message. This exception indicates that the UE shall meet the additional spurious emission requirement for a specific deployment scenario.

Table 6.2.3.4.3.3-1: AdditionalSpectrumEmission: Additional spurious emissions test requirement for "NS_03U"

Derivation Path: TS 38.508-1 [5], Table 4.6.3-1			
Information Element	Value/remark	Comment	Condition
additionalSpectrumEmission	3 (NS_03U)		

6.2.3.4.3.4 Message contents exceptions for network signalling value "NS_04"

- Information element additionalSpectrumEmission is set to NS_04. This can be set in the *SIB1* as part of the cell broadcast message. This exception indicates that the UE shall meet the additional spurious emission requirement for a specific deployment scenario.

Table 6.2.3.4.3.4-1: AdditionalSpectrumEmission Additional spurious emissions test requirement for "NS_04"

Derivation Path: TS 38.508-1 [5], Table 4.6.3-1			
Information Element	Value/remark	Comment	Condition
additionalSpectrumEmission	1 (NS_04)		

Table 6.2.3.4.3.4-2: P-Max (Step 4)

Derivation Path: TS 38.508-1 [5], Table 4.6.3-89			
Information Element	Value/remark	Comment	Condition
P-Max	23		PC2 UE

Table 6.2.3.4.3.4-3: Void**6.2.3.4.3.5** Message contents exceptions for network signalling value "NS_05"

1. Information element `additionalSpectrumEmission` is set to NS_05. This can be set in the *SIB1* as part of the cell broadcast message. This exception indicates that the UE shall meet the additional spurious emission requirement for a specific deployment scenario.

Table 6.2.3.4.3.5-1: AdditionalSpectrumEmission: Additional spurious emissions test requirement for "NS_05"

Derivation Path: TS 38.508-1 [5], Table 4.6.3-1			
Information Element	Value/remark	Comment	Condition
<code>additionalSpectrumEmission</code>	2 (NS_05)		

6.2.3.4.3.6 Message contents exceptions for network signalling value "NS_05U"

1. Information element `additionalSpectrumEmission` is set to NS_05U. This can be set in the *SIB1* as part of the cell broadcast message. This exception indicates that the UE shall meet the additional spurious emission requirement for a specific deployment scenario.

Table 6.2.3.4.3.6-1: AdditionalSpectrumEmission: Additional spurious emissions test requirement for "NS_05U"

Derivation Path: TS 38.508-1 [5], Table 4.6.3-1			
Information Element	Value/remark	Comment	Condition
<code>additionalSpectrumEmission</code>	3 (NS_05U)		

6.2.3.4.3.7 Message contents exceptions for network signalling value "NS_06"

1. Information element `additionalSpectrumEmission` is set to NS_06. This can be set in the *SIB1* as part of the cell broadcast message. This exception indicates that the UE shall meet the additional spurious emission requirement for a specific deployment scenario.

Table 6.2.3.4.3.7-1: AdditionalSpectrumEmission: Additional spurious emissions test requirement for "NS_06"

Derivation Path: TS 38.508-1 [5], Table 4.6.3-1			
Information Element	Value/remark	Comment	Condition
<code>additionalSpectrumEmission</code>	1 (NS_06)		

6.2.3.4.3.8 Message contents exceptions for network signalling value "NS_08"

1. Information element `additionalSpectrumEmission` is set to NS_08. This can be set in the *SIB1* as part of the cell broadcast message. This exception indicates that the UE shall meet the additional spurious emission requirement for a specific deployment scenario.

Table 6.2.3.4.3.8-1: AdditionalSpectrumEmission: Additional spurious emissions test requirement for "NS_08"

Derivation Path: TS 38.508-1 [5], Table 4.6.3-1			
Information Element	Value/remark	Comment	Condition
<code>additionalSpectrumEmission</code>	2 (NS_08)		

6.2.3.4.3.9 Message contents exceptions for network signalling value "NS_08U"

1. Information element `additionalSpectrumEmission` is set to NS_08U. This can be set in the *SIB1* as part of the cell broadcast message. This exception indicates that the UE shall meet the additional spurious emission requirement for a specific deployment scenario.

Table 6.2.3.4.3.9-1: AdditionalSpectrumEmission: Additional spurious emissions test requirement for "NS_08U"

Derivation Path: TS 38.508-1 [5], Table 4.6.3-1			
Information Element	Value/remark	Comment	Condition
additionalSpectrumEmission	3 (NS_08U)		

6.2.3.4.3.10 Message contents exceptions for network signalling value "NS_10"

- Information element additionalSpectrumEmission is set to NS_10. This can be set in the *SIB1* as part of the cell broadcast message. This exception indicates that the UE shall meet the additional spurious emission requirement for a specific deployment scenario.

Table 6.2.3.4.3.10-1: AdditionalSpectrumEmission: Additional spurious emissions test requirement for "NS_10"

Derivation Path: TS 38.508-1 [5], Table 4.6.3-1			
Information Element	Value/remark	Comment	Condition
additionalSpectrumEmission	2 (NS_10)		

6.2.3.4.3.11 Message contents exceptions for network signalling value "NS_17"

- Information element additionalSpectrumEmission is set to NS_17. This can be set in the *SIB1* as part of the cell broadcast message. This exception indicates that the UE shall meet the additional spurious emission requirement for a specific deployment scenario.

Table 6.2.3.4.3.11-1: AdditionalSpectrumEmission: Additional spurious emissions test requirement for "NS_17"

Derivation Path: TS 38.508-1 [5], Table 4.6.3-1			
Information Element	Value/remark	Comment	Condition
additionalSpectrumEmission	1 (NS_17)		

6.2.3.4.3.12 Message contents exceptions for network signalling value "NS_18"

- Information element additionalSpectrumEmission is set to NS_18. This can be set in the *SIB1* as part of the cell broadcast message. This exception indicates that the UE shall meet the additional spurious emission requirement for a specific deployment scenario.

Table 6.2.3.4.3.12-1: AdditionalSpectrumEmission: Additional spurious emissions test requirement for "NS_18"

Derivation Path: TS 38.508-1 [5], Table 4.6.3-1			
Information Element	Value/remark	Comment	Condition
additionalSpectrumEmission	2 (NS_18)		

6.2.3.4.3.13 Message contents exceptions for network signalling value "NS_37"

- Information element additionalSpectrumEmission is set to NS_37. This can be set in the *SIB1* as part of the cell broadcast message. This exception indicates that the UE shall meet the additional spurious emission requirement for a specific deployment scenario.

Table 6.2.3.4.3.13-1: AdditionalSpectrumEmission: Additional spurious emissions test requirement for "NS_37"

Derivation Path: TS 38.508-1 [5], Table 4.6.3-1			
Information Element	Value/remark	Comment	Condition
additionalSpectrumEmission	1 (NS_37)		

6.2.3.4.3.14 Message contents exceptions for network signalling value "NS_38"

1. Information element additionalSpectrumEmission is set to NS_38. This can be set in the *SIB1* as part of the cell broadcast message. This exception indicates that the UE shall meet the additional spurious emission requirement for a specific deployment scenario.

Table 6.2.3.4.3.14-1: AdditionalSpectrumEmission: Additional spurious emissions test requirement for "NS_38"

Derivation Path: TS 38.508-1 [5], Table 4.6.3-1			
Information Element	Value/remark	Comment	Condition
additionalSpectrumEmission	2 (NS_38)		

6.2.3.4.3.15 Message contents exceptions for network signalling value "NS_39"

1. Information element additionalSpectrumEmission is set to NS_39. This can be set in the *SIB1* as part of the cell broadcast message. This exception indicates that the UE shall meet the additional spurious emission requirement for a specific deployment scenario.

Table 6.2.3.4.3.15-1: AdditionalSpectrumEmission: Additional spurious emissions test requirement for "NS_39"

Derivation Path: TS 38.508-1 [5], Table 4.6.3-1			
Information Element	Value/remark	Comment	Condition
additionalSpectrumEmission	3 (NS_39)		

6.2.3.4.3.16 Message contents exceptions for network signalling value "NS_40"

1. Information element additionalSpectrumEmission is set to NS_40. This can be set in the *SIB1* as part of the cell broadcast message. This exception indicates that the UE shall meet the additional spurious emission requirement for a specific deployment scenario.

Table 6.2.3.4.3.16-1: AdditionalSpectrumEmission: Additional spurious emissions test requirement for "NS_40"

Derivation Path: TS 38.508-1 [5], Table 4.6.3-1			
Information Element	Value/remark	Comment	Condition
additionalSpectrumEmission	1 (NS_40)		

6.2.3.4.3.17 Message contents exceptions for network signalling value "NS_41"

1. Information element additionalSpectrumEmission is set to NS_41. This can be set in the *SIB1* as part of the cell broadcast message. This exception indicates that the UE shall meet the additional spurious emission requirement for a specific deployment scenario.

Table 6.2.3.4.3.17-1: AdditionalSpectrumEmission: Additional spurious emissions test requirement for "NS_41"

Derivation Path: TS 38.508-1 [5], Table 4.6.3-1			
Information Element	Value/remark	Comment	Condition
additionalSpectrumEmission	1 (NS_41)		

6.2.3.4.3.18 Message contents exceptions for network signalling value "NS_42"

1. Information element additionalSpectrumEmission is set to NS_42. This can be set in the *SIB1* as part of the cell broadcast message. This exception indicates that the UE shall meet the additional spurious emission requirement for a specific deployment scenario.

Table 6.2.3.4.3.18-1: AdditionalSpectrumEmission: Additional spurious emissions test requirement for "NS_42"

Derivation Path: TS 38.508-1 [5], Table 4.6.3-1			
---	--	--	--

Information Element	Value/remark	Comment	Condition
additionalSpectrumEmission	2 (NS_42)		

6.2.3.4.3.19 Message contents exceptions for network signalling value "NS_100"

- Information element additionalSpectrumEmission is set to NS_100. This can be set in the *SIB1* as part of the cell broadcast message. This exception indicates that the UE shall meet the additional spurious emission requirement for a specific deployment scenario.

Table 6.2.3.4.3.19-1: AdditionalSpectrumEmission: Additional spurious emissions test requirement for "NS_100"

Derivation Path: TS 38.508-1 [5], Table 4.6.3-1			
Information Element	Value/remark	Comment	Condition
additionalSpectrumEmission	1 (NS_100)		not for band n65
	2 (NS_100)		for band n65

6.2.3.4.3.20 Message contents exceptions for network signalling value "NS_21"

- Information element additionalSpectrumEmission is set to NS_21. This can be set in the *SIB1* as part of the cell broadcast message. This exception indicates that the UE shall meet the additional spurious emission requirement for a specific deployment scenario.

Table 6.2.3.4.3.20-1: AdditionalSpectrumEmission: Additional spurious emissions test requirement for "NS_21"

Derivation Path: TS 38.508-1 [5], Table 4.6.3-1			
Information Element	Value/remark	Comment	Condition
additionalSpectrumEmission	1 (NS_21)		

6.2.3.4.3.21 Message contents exceptions for network signalling value "NS_24"

- Information element additionalSpectrumEmission is set to NS_24. This can be set in the *SIB1* as part of the cell broadcast message. This exception indicates that the UE shall meet the additional spurious emission requirement for a specific deployment scenario.

Table 6.2.3.4.3.21-1: AdditionalSpectrumEmission: Additional spurious emissions test requirement for "NS_24"

Derivation Path: TS 38.508-1 [5], Table 4.6.3-1			
Information Element	Value/remark	Comment	Condition
additionalSpectrumEmission	1 (NS_24)		

6.2.3.4.3.22 Message contents exceptions for network signalling value "NS_27"

- Information element additionalSpectrumEmission is set to NS_27. This can be set in the *SIB1* as part of the cell broadcast message. This exception indicates that the UE shall meet the additional spurious emission requirement for a specific deployment scenario.

Table 6.2.3.4.3.22-1: AdditionalSpectrumEmission: Additional spurious emissions test requirement for "NS_27"

Derivation Path: TS 38.508-1 [5], Table 4.6.3-1			
Information Element	Value/remark	Comment	Condition
additionalSpectrumEmission	1 (NS_27)		

6.2.3.4.3.23 Message contents exceptions for network signalling value "NS_43"

- Information element additionalSpectrumEmission is set to NS_43. This can be set in the *SIB1* as part of the cell broadcast message. This exception indicates that the UE shall meet the additional spurious emission requirement for a specific deployment scenario.

Table 6.2.3.4.3.23-1: AdditionalSpectrumEmission: Additional spurious emissions test requirement for "NS_43"

Derivation Path: TS 38.508-1 [5], Table 4.6.3-1			
Information Element	Value/remark	Comment	Condition
additionalSpectrumEmission	2 (NS_43)		

6.2.3.4.3.24 Message contents exceptions for network signalling value "NS_47"

- Information element additionalSpectrumEmission is set to NS_47. This can be set in the *SIB1* as part of the cell broadcast message. This exception indicates that the UE shall meet the additional spurious emission requirement for a specific deployment scenario.

Table 6.2.3.4.3.24-1: AdditionalSpectrumEmission: Additional spurious emissions test requirement for "NS_47"

Derivation Path: TS 38.508-1 [5], Table 4.6.3-1			
Information Element	Value/remark	Comment	Condition
additionalSpectrumEmission	2 (NS_47)		

6.2.3.4.3.25 Message contents exceptions for network signalling value "NS_48"

- Information element additionalSpectrumEmission is set to NS_48. This can be set in the *SIB1* as part of the cell broadcast message. This exception indicates that the UE shall meet the additional spurious emission requirement for a specific deployment scenario.

Table 6.2.3.4.3.25-1: AdditionalSpectrumEmission: Additional spurious emissions test requirement for "NS_48"

Derivation Path: TS 38.508-1 [5], Table 4.6.3-1			
Information Element	Value/remark	Comment	Condition
additionalSpectrumEmission	4 (NS_48)		

6.2.3.4.3.26 Message contents exceptions for network signalling value "NS_49"

- Information element additionalSpectrumEmission is set to NS_49. This can be set in the *SIB1* as part of the cell broadcast message. This exception indicates that the UE shall meet the additional spurious emission requirement for a specific deployment scenario.

Table 6.2.3.4.3.26-1: AdditionalSpectrumEmission: Additional spurious emissions test requirement for "NS_49"

Derivation Path: TS 38.508-1 [5], Table 4.6.3-1			
Information Element	Value/remark	Comment	Condition
additionalSpectrumEmission	5 (NS_49)		

6.2.3.4.3.27 Message contents exceptions for network signalling value "NS_12"

- Information element additionalSpectrumEmission is set to NS_12. This can be set in the *SIB1* as part of the cell broadcast message. This exception indicates that the UE shall meet the additional spurious emission requirement for a specific deployment scenario.

Table 6.2.3.4.3.27-1: AdditionalSpectrumEmission: Additional spurious emissions test requirement for "NS_12"

Derivation Path: TS 38.508-1 [5], Table 4.6.3-1			
Information Element	Value/remark	Comment	Condition
additionalSpectrumEmission	2 (NS_12)		

6.2.3.4.3.28 Message contents exceptions for network signalling value "NS_13"

1. Information element `additionalSpectrumEmission` is set to NS_13. This can be set in the *SIB1* as part of the cell broadcast message. This exception indicates that the UE shall meet the additional spurious emission requirement for a specific deployment scenario.

Table 6.2.3.4.3.28-1: *AdditionalSpectrumEmission*: Additional spurious emissions test requirement for "NS_13"

Derivation Path: TS 38.508-1 [5], Table 4.6.3-1			
Information Element	Value/remark	Comment	Condition
<code>additionalSpectrumEmission</code>	3 (NS_13)		

6.2.3.4.3.29 Message contents exceptions for network signalling value "NS_14"

1. Information element `additionalSpectrumEmission` is set to NS_14. This can be set in the *SIB1* as part of the cell broadcast message. This exception indicates that the UE shall meet the additional spurious emission requirement for a specific deployment scenario.

Table 6.2.3.4.3.29-1: *AdditionalSpectrumEmission*: Additional spurious emissions test requirement for "NS_14"

Derivation Path: TS 38.508-1 [5], Table 4.6.3-1			
Information Element	Value/remark	Comment	Condition
<code>additionalSpectrumEmission</code>	4 (NS_14)		

6.2.3.4.3.30 Message contents exceptions for network signalling value "NS_15"

1. Information element `additionalSpectrumEmission` is set to NS_15. This can be set in the *SIB1* as part of the cell broadcast message. This exception indicates that the UE shall meet the additional spurious emission requirement for a specific deployment scenario.

Table 6.2.3.4.3.30-1: *AdditionalSpectrumEmission*: Additional spurious emissions test requirement for "NS_15"

Derivation Path: TS 38.508-1 [5], Table 4.6.3-1			
Information Element	Value/remark	Comment	Condition
<code>additionalSpectrumEmission</code>	5 (NS_15)		

6.2.3.4.3.31 Message contents exceptions for network signalling value "NS_45"

1. Information element `additionalSpectrumEmission` is set to NS_45. This can be set in the *SIB1* as part of the cell broadcast message. This exception indicates that the UE shall meet the additional spurious emission requirement for a specific deployment scenario.

6.2.3.4.3.32 Message contents exceptions for network signalling value "NS_46"

1. Information element `additionalSpectrumEmission` is set to NS_46. This can be set in the *SIB1* as part of the cell broadcast message. This exception indicates that the UE shall meet the additional spurious emission requirement for a specific deployment scenario.

Table 6.2.3.4.3.32-1: *AdditionalSpectrumEmission*: Additional spurious emissions test requirement for "NS_46"

Derivation Path: TS 38.508-1 [5], Table 4.6.3-1			
Information Element	Value/remark	Comment	Condition
<code>additionalSpectrumEmission</code>	1 (NS_46)		

6.2.3.4.3.33 Message contents exceptions for network signalling value "NS_44"

- Information element additionalSpectrumEmission is set to NS_44. This can be set in the *SIB1* as part of the cell broadcast message. This exception indicates that the UE shall meet the additional spurious emission requirement for a specific deployment scenario.

Table 6.2.3.4.3.33-1: AdditionalSpectrumEmission: Additional spurious emissions test requirement for "NS_44"

Derivation Path: TS 38.508-1 [5], Table 4.6.3-1			
Information Element	Value/remark	Comment	Condition
additionalSpectrumEmission	1 (NS_44)		

6.2.3.4.3.34 Message contents exceptions for network signalled value "NS_56"

- Information element additionalSpectrumEmission is set to NS_56. This can be set in the *SIB1* as part of the cell broadcast message. This exception indicates that the UE shall meet the additional spurious emission requirement for a specific deployment scenario.

Table 6.2.3.4.3.34-1: AdditionalSpectrumEmission: Additional spurious emissions test requirement for "NS_56"

Derivation Path: TS 38.508-1 [5], Table 4.6.3-1			
Information Element	Value/remark	Comment	Condition
additionalSpectrumEmission	1 (NS_56)		

6.2.3.4.3.35 Message contents exceptions for network signalled value "NS_07"

- Information element additionalSpectrumEmission is set to NS_07. This can be set in the *SIB1* as part of the cell broadcast message. This exception indicates that the UE shall meet the additional spurious emission requirement for a specific deployment scenario.

Table 6.2.3.4.3.35-1: AdditionalSpectrumEmission: Additional spurious emissions test requirement for "NS_07"

Derivation Path: TS 38.508-1 [5], Table 4.6.3-1			
Information Element	Value/remark	Comment	Condition
additionalSpectrumEmission	2 (NS_07)		

6.2.3.4.3.36 Message contents exceptions for network signalled value "NS_50"

- Information element additionalSpectrumEmission is set to NS_50. This can be set in the *SIB1* as part of the cell broadcast message. This exception indicates that the UE shall meet the additional spurious emission requirement for a specific deployment scenario.

Table 6.2.3.4.3.36-1: AdditionalSpectrumEmission: Additional spurious emissions test requirement for "NS_50"

Derivation Path: TS 38.508-1 [5], Table 4.6.3-1			
Information Element	Value/remark	Comment	Condition
additionalSpectrumEmission	1 (NS_50)		

6.2.3.5 Test requirement

The maximum output power, derived in step 3 shall be within the range prescribed by the nominal maximum output power and tolerance in the applicable Table from table 6.2.3.5-1 to Table 6.2.3.5-38. The allowed A-MPR values specified in Table 6.2.3.3.1-1 are in addition to the allowed MPR requirements specified in clause 6.2.2. For the UE maximum output power modified by MPR and/or A-MPR, the power limits specified in Table 6.2.1.3-1 apply.

Table 6.2.3.5-0: Test Tolerance (UE additional maximum output power reduction)

	$f \leq 3.0\text{GHz}$	$3.0\text{GHz} < f \leq 4.2\text{GHz}$	$4.2\text{GHz} < f \leq 6.0\text{GHz}$
--	------------------------	--	--

BW ≤ 40MHz	0.7 dB	1.0 dB	1.0 dB
40MHz < BW ≤ 100MHz	1.0 dB	1.0 dB	1.0 dB

Table 6.2.3.5-1: UE Power Class 3 test requirements (NS_35) for band n71

Test ID	P _{PowerClass} (dBm)	MPR (dB)	A-MPR (dB)	ΔT _{C,c} (dB)	P _{C_{MAX,c}} (dBm)	T(P _{C_{MAX,L,c}}) (dB)	T _{L,c} (dB)	Upper limit (dBm)	Lower limit (dBm)
1	23	0.5	0	0	22.5	2	2.5	25+TT	20-TT
2	23	0.5	0	0	22.5	2	2.5	25+TT	20-TT
3	23	0.5	0	0	22.5	2	2.5	25+TT	20-TT
4	23	1	0	0	22	2	2.5	25+TT	19.5-TT
5	23	1	0	0	22	2	2.5	25+TT	19.5-TT
6	23	1	0	0	22	2	2.5	25+TT	19.5-TT
7	23	2	0	0	21	2	2.5	25+TT	18.5-TT
8	23	2	0	0	21	2	2.5	25+TT	18.5-TT
9	23	2	0	0	21	2	2.5	25+TT	18.5-TT
10	23	2.5	0	0	20.5	2.5	2.5	25+TT	18-TT
11	23	2.5	0	0	20.5	2.5	2.5	25+TT	18-TT
12	23	2.5	0	0	20.5	2.5	2.5	25+TT	18-TT
13	23	4.5	0	0	18.5	4	2.5	25+TT	14.5-TT
14	23	4.5	0	0	18.5	4	2.5	25+TT	14.5-TT
15	23	4.5	0	0	18.5	4	2.5	25+TT	14.5-TT
16	23	3	0	0	20	2.5	2.5	25+TT	17.5-TT
17	23	3	0	0	20	2.5	2.5	25+TT	17.5-TT
18	23	3	0	0	20	2.5	2.5	25+TT	17.5-TT
19	23	3	0	0	20	2.5	2.5	25+TT	17.5-TT
20	23	3	0	0	20	2.5	2.5	25+TT	17.5-TT
21	23	3	0	0	20	2.5	2.5	25+TT	17.5-TT
22	23	3.5	0	0	19.5	3.5	2.5	25+TT	16-TT
23	23	3.5	0	0	19.5	3.5	2.5	25+TT	16-TT
24	23	3.5	0	0	19.5	3.5	2.5	25+TT	16-TT
25	23	6.5	0	0	16.5	5	2.5	25+TT	11.5-TT
26	23	6.5	0	0	16.5	5	2.5	25+TT	11.5-TT
27	23	6.5	0	0	16.5	5	2.5	25+TT	11.5-TT

NOTE 1: P_{PowerClass} is the maximum UE power specified without taking into account the tolerance.

NOTE 2: TT for each frequency and channel bandwidth is specified in Table 6.2.3.5-0.

Table 6.2.3.5-2: UE Power Class 2 test requirements (NS_04) for band n41 (Step 3)

Test ID	P _{PowerClass} (dBm)	MPR (dB)	A-MPR' (dB)	$\Delta T_{C,c}$ (dB)	P _{C_{MAX,c}} (dBm)	T(P _{C_{MAX,L,c}}) (dB)	T _{L,c} (dB)	Upper limit (dBm)	Lower limit (dBm)
7	26	3.5	5.5	1.5	19	3.5	3	28+TT	15.5-TT
8	26	3.5	3.5	0	22.5	2.0	3	28+TT	19.5-TT
9	26	3.5	0	0	22.5	2.0	3	28+TT	19.5-TT
10	26	0.5	3.5	0	22.5	2.0	3	28+TT	19.5-TT
11	26	3.5	0	1.5	21	2.0	3	28+TT	18-TT
12	26	0.5	0	0	25.5	2.0	3	28+TT	22.5-TT
13	26	3.5	6	1.5	18.5	4.0	3	28+TT	14.5-TT
14	26	3.5	4.5	0	21	2.0	3	28+TT	18.5-TT
15	26	3.5	0	0	22.5	2.0	3	28+TT	19.5-TT
16	26	1	4.5	0	21.5	2.0	3	28+TT	18.5-TT
17	26	3.5	0	1.5	21	2.0	3	28+TT	18-TT
18	26	1	0	0	25	2.0	3	28+TT	22-TT
19	26	3.5	6	1.5	18.5	4.0	3	28+TT	14.5-TT
20	26	3.5	5	0	21	2.0	3	28+TT	18-TT
21	26	3.5	0	0	22.5	2.0	3	28+TT	19.5-TT
22	26	2	5	0	21	2.0	3	28+TT	18-TT
23	26	3.5	0	1.5	21	2.0	3	28+TT	18-TT
24	26	2	0	0	24	2.0	3	28+TT	21-TT
25	26	3.5	6.5	1.5	18	4.0	3	28+TT	14-TT
26	26	3.5	5	0	21	2.0	3	28+TT	18-TT
27	26	3.5	0	0	22.5	2.0	3	28+TT	19.5-TT
28	26	2.5	5	0	21	2.0	3	28+TT	18-TT
29	26	3.5	0	1.5	21	2.0	3	28+TT	18-TT
30	26	2.5	0	0	23.5	2.0	3	28+TT	20.5-TT
31	26	4.5	8	1.5	16.5	5.0	3	28+TT	11.5-TT
32	26	4.5	6.5	0	19.5	3.5	3	28+TT	16-TT
33	26	4.5	0	0	21.5	2	3	28+TT	18.5-TT
34	26	4.5	6.5	0	19.5	3.5	3	28+TT	16-TT
35	26	4.5	0	1.5	20	2.5	3	28+TT	17-TT
36	26	4.5	0	0	21.5	2.0	3	28+TT	18.5-TT
37	26	3.5	7.5	1.5	17	5.0	3	28+TT	12-TT
38	26	3.5	6.5	0	19.5	3.5	3	28+TT	16-TT
39	26	3.5	0	0	22.5	2.0	3	28+TT	19.5-TT
40	26	3	6.5	0	19.5	3.5	3	28+TT	16-TT
41	26	3.5	0	1.5	21	2.0	3	28+TT	18-TT
42	26	3	0	0	23	2.0	3	28+TT	20-TT
43	26	3.5	7.5	1.5	17	5.0	3	28+TT	12-TT
44	26	3.5	6.5	0	19.5	3.5	3	28+TT	16-TT
45	26	3.5	0	0	22.5	2.0	3	28+TT	19.5-TT
46	26	3	6.5	0	19.5	3.5	3	28+TT	16-TT
47	26	3.5	0	1.5	21	2.0	3	28+TT	18-TT
48	26	3	0	0	23	2.0	3	28+TT	20-TT
49	26	3.5	7.5	1.5	17	5.0	3	28+TT	12-TT
50	26	3.5	6.5	0	19.5	3.5	3	28+TT	16-TT
51	26	3.5	0	0	22.5	2.0	3	28+TT	19.5-TT
52	26	3.5	6.5	0	19.5	3.5	3	28+TT	16-TT
53	26	3.5	0	1.5	21	2.0	3	28+TT	18-TT
54	26	3.5	0	0	22.5	2.0	3	28+TT	19.5-TT
55	26	6.5	10	1.5	14.5	5.0	3	28+TT	9.5-TT
56	26	6.5	7.5	0	18.5	4.0	3	28+TT	14.5-TT
57	26	6.5	0	0	19.5	3.5	3	28+TT	16-TT
58	26	6.5	7.5	0	18.5	4.0	3	28+TT	14.5-TT
59	26	6.5	0	1.5	18	4.0	3	28+TT	14-TT
60	26	6.5	0	0	19.5	3.5	3	28+TT	16-TT

NOTE 1: P_{PowerClass} is the maximum UE power specified without taking into account the tolerance.

NOTE 2: Void

NOTE 3: TT=0.7 dB for BW_{channel} ≤ 40 MHz; TT=1.0 dB for 40 MHz < BW_{channel} ≤ 100 MHz.

Table 6.2.3.5-3: UE Power Class 3 test requirements (NS_04) for band n41 (Step 3) and UE Power Class 2 test requirements (NS_04) for band n41 (Step 4)

Test ID	P _{PowerClass} (dBm)	ΔP _{PowerClass} (dB)	MPR (dB)	A-MPR' (dB)	ΔT _{C,c} (dB)	P _{C_{MAX,c}} (dBm)	T(P _{C_{MAX,L,c}}) (dB)	T _{L,c} (dB)	Upper limit (dBm)	Lower limit (dBm)
1	23	-3	3.5	5.5	1.5	19	3.5	3	28+TT	15.5-TT
2	23	-3	3.5	3.5	0	22.5	2.0	2	28+TT	20.5-TT
3	23	-3	3.5	0	0	22.5	2.0	2	28+TT	20.5-TT
4	23	-3	1.2	3.5	0	22.5	2.0	2	28+TT	20.5-TT
5	23	-3	3.5	0	1.5	21	2.0	2	28+TT	19-TT
6	23	-3	1.2	0	0	24.8	2.0	2	28+TT	22.8-TT
7	23	0	0.5	3.5	1.5	18	4.0	2	25+TT	14-TT
8	23	0	0.5	3.5	0	19.5	3.5	2	25+TT	16-TT
9	23	0	0.5	0	0	22.5	2.0	2	25+TT	20.5-TT
10	23	0	0.5	3.5	0	19.5	3.5	2	25+TT	16-TT
11	23	0	0.5	0	1.5	21	2.0	2	25+TT	19-TT
12	23	0	0.5	0	0	22.5	2.0	2	25+TT	20.5-TT
13	23	0	1	4	1.5	17.5	5.0	2	25+TT	12.5-TT
14	23	0	1	4	0	19	3.5	2	25+TT	15.5-TT
15	23	0	1	0	0	22	2.0	2	25+TT	20-TT
16	23	0	1	4	0	19	3.5	2	25+TT	15.5-TT
17	23	0	1	0	1.5	20.5	2.5	2	25+TT	18-TT
18	23	0	1	0	0	22	2.0	2	25+TT	20-TT
19	23	0	2	4	1.5	17.5	5.0	2	25+TT	12.5-TT
20	23	0	2	4	0	19	3.5	2	25+TT	15.5-TT
21	23	0	2	0	0	21	2.0	2	25+TT	19-TT
22	23	0	2	4	0	19	3.5	2	25+TT	15.5-TT
23	23	0	2	0	1.5	19.5	3.5	2	25+TT	16-TT
24	23	0	2	0	0	21	2.0	2	25+TT	19-TT
25	23	0	2.5	4.5	1.5	17	5.0	2	25+TT	12-TT
26	23	0	2.5	4	0	19	3.5	2	25+TT	15.5-TT
27	23	0	2.5	0	0	20.5	2.5	2	25+TT	18-TT
28	23	0	2.5	4	0	19	3.5	2	25+TT	15.5-TT
29	23	0	2.5	0	1.5	19	3.5	2	25+TT	15.5-TT
30	23	0	2.5	0	0	20.5	2.5	2	25+TT	18-TT
31	23	0	4.5	6	1.5	15.5	5.0	2	25+TT	10.5-TT
32	23	0	4.5	4.5	0	18.5	4.0	2	25+TT	14.5-TT
33	23	0	4.5	0	0	18.5	4.0	2	25+TT	14.5-TT
34	23	0	4.5	4.5	0	18.5	4.0	2	25+TT	14.5-TT
35	23	0	4.5	0	1.5	17	5.0	2	25+TT	12-TT
36	23	0	4.5	0	0	18.5	4.0	2	25+TT	14.5-TT
37	23	0	3	5.5	1.5	16	5.0	2	25+TT	11-TT
38	23	0	3	5.5	0	17.5	5.0	2	25+TT	12.5-TT

Test ID	P _{PowerClass} (dBm)	Δ P _{PowerClass} (dB)	MPR (dB)	A-MPR' (dB)	Δ T _{C,c} (dB)	P _{CMAX,c} (dBm)	T(P _{CMAX_L,c}) (dB)	T _{L,c} (dB)	Upper limit (dBm)	Lower limit (dBm)
39	23	0	3	0	0	20	2.5	2	25+TT	17.5-TT
40	23	0	3	5.5	0	17.5	5.0	2	25+TT	12.5-TT
41	23	0	3	0	1.5	18.5	4.0	2	25+TT	14.5-TT
42	23	0	3	0	0	20	2.5	2	25+TT	17.5-TT
43	23	0	3	5.5	1.5	16	5.0	2	25+TT	11-TT
44	23	0	3	5.5	0	17.5	5.0	2	25+TT	12.5-TT
45	23	0	3	0	0	20	2.5	2	25+TT	17.5-TT
46	23	0	3	5.5	0	17.5	5.0	2	25+TT	12.5-TT
47	23	0	3	0	1.5	18.5	4.0	2	25+TT	14.5-TT
48	23	0	3	0	0	20	2.5	2	25+TT	17.5-TT
49	23	0	3.5	5.5	1.5	16	5.0	2	25+TT	11-TT
50	23	0	3.5	5.5	0	17.5	5.0	2	25+TT	12.5-TT
51	23	0	3.5	0	0	19.5	3.5	2	25+TT	16-TT
52	23	0	3.5	5.5	0	17.5	5.0	2	25+TT	12.5-TT
53	23	0	3.5	0	1.5	18	4.0	2	25+TT	14-TT
54	23	0	3.5	0	0	19.5	3.5	2	25+TT	16-TT
55	23	0	6.5	8	1.5	13.5	5.0	2	25+TT	8.5-TT
56	23	0	6.5	6.5	0	16.5	5.0	2	25+TT	11.5-TT
57	23	0	6.5	0	0	16.5	5.0	2	25+TT	11.5-TT
58	23	0	6.5	6.5	0	16.5	5.0	2	25+TT	11.5-TT
59	23	0	6.5	0	1.5	15	5.0	2	25+TT	10-TT
60	23	0	6.5	0	0	16.5	5.0	2	25+TT	11.5-TT

NOTE 1: P_{PowerClass} is the maximum UE power specified without taking into account the tolerance.
NOTE 2: Void
NOTE 3: TT=0.7 dB for BW_{channel} ≤ 40 MHz; TT=1.0 dB for 40 MHz < BW_{channel} ≤ 100 MHz.

Table 6.2.3.5-3a: UE Power Class 1 test requirements (NS_04) for band n41 (Step 3)

Test ID	P _{PowerClass} (dBm)	MPR (dB)		A-MPR (dB)				$\Delta T_{C,c}$ (dB)	P _{CMAX,c} (dBm)		T(P _{CMAX,L,c}) (dB)	T _{L,c} (dB)	Upper limit (dBm)	Lower limit (dBm)	
		<50 MHz CBW	≥50 MHz CBW	regrowth	IMD3	CIM3	edge		<50 MHz CBW	≥50 MHz CBW				<50 MHz CBW	≥50 MHz CBW
1	31	7.2-6xCBW/100	5.35+3.15xCBW/100	0	0	0	11	0	20	20	2.5	3	33+TT	17-TT	17-TT
2	31	0.5	0.5	0	2	0	0	0	29	29	2.5	3	33+TT	26-TT	26-TT
3	31	7.2-6xCBW/100	5.35+3.15xCBW/100	0	0	0	0	0	24.4	22.5	2.5	3	33+TT	21.4-TT	19.5-TT
4	31	0.5	0.5	0	0	0	0	0	32.5	32.5	2.5	3	33+TT	29.5-TT	29.5-TT
5	31	0	0	4	0	0	0	0	27	27	2	3	33+TT	24-TT	24-TT
6	31	0	0	2	0	0	0	0	29	29	2.5	3	33+TT	26-TT	26-TT
7	31	0	0	2	0	0	0	0	29	29	2.5	3	33+TT	26-TT	26-TT
8	31	7.2-6xCBW/100	5.35+3.15xCBW/100	0	2	0	0	0	24.4	22.5	2.5	3	33+TT	21.4-TT	19.5-TT
9	31	1	1	0	2	0	0	0	29	29	2.5	3	33+TT	26-TT	26-TT
10	31	7.2-6xCBW/100	5.35+3.15xCBW/100	0	0	0	0	0	24.4	22.5	2.5	3	33+TT	21.4-TT	19.5-TT
11	31	1	1	0	0	0	0	0	30	30	2.5	3	33+TT	27-TT	27-TT
12	31	0	0	4	0	0	0	0	27	27	2	3	33+TT	24-TT	24-TT
13	31	0	0	3	0	0	0	0	28	28	2.5	3	33+TT	25-TT	25-TT
14	31	0	0	3	0	0	0	0	28	28	2.5	3	33+TT	25-TT	25-TT
15	31	7.2-6xCBW/100	5.35+3.15xCBW/100	0	2.5	0	0	0	24.4	22.5	2.5	3	33+TT	21.4-TT	19.5-TT
16	31	2	2	0	2.5	0	0	0	28.5	28.5	2.5	3	33+TT	25.5-TT	25.5-TT
17	31	7.2-6xCBW/100	5.35+3.15xCBW/100	0	0	2	0	0	24.4	22.5	2.5	3	33+TT	21.4-TT	19.5-TT
18	31	2	2	0	0	2	0	0	29	29	2.5	3	33+TT	26-TT	26-TT
19	31	1	1	4	0	0	0	0	27	27	2	3	33+TT	24-TT	24-TT
20	31	0	0	3	0	0	0	0	28	28	2.5	3	33+TT	25-TT	25-TT
21	31	0	0	3	0	0	0	0	28	28	2.5	3	33+TT	25-TT	25-TT
22	31	7.2-6xCBW/100	5.35+3.15xCBW/100	0	3	0	0	0	24.4	22.5	2.5	3	33+TT	21.4-TT	19.5-TT
23	31	2.5	2.5	0	3	0	0	0	28	28	2.5	3	33+TT	25-TT	25-TT
24	31	7.2-6xCBW/100	5.35+3.15xCBW/100	0	0	3	0	0	24.4	22.5	2.5	3	33+TT	21.4-TT	19.5-TT
25	31	2.5	2.5	0	0	3	0	0	28	28	2.5	3	33+TT	25-TT	25-TT
26	31	2.5	2.5	4	0	0	0	0	27	27	2	3	33+TT	24-TT	24-TT
27	31	0	0	3	0	0	0	0	28	28	2.5	3	33+TT	25-TT	25-TT
28	31	0	0	3	0	0	0	0	28	28	2.5	3	33+TT	25-TT	25-TT
29	31	7.2-6xCBW/100	5.35+3.15xCBW/100	0	0	0	0	0	24.4	22.5	2.5	3	33+TT	21.4-TT	19.5-TT
30	31	4.5	4.5	0	0	0	0	0	26.5	26.5	2.5	3	33+TT	23.5-TT	23.5-TT
31	31	7.2-6xCBW/100	5.35+3.15xCBW/100	0	0	0	0	0	24.4	22.5	2.5	3	33+TT	21.4-TT	19.5-TT
32	31	4.5	4.5	0	0	0	0	0	26.5	26.5	2.5	3	33+TT	23.5-TT	23.5-TT
33	31	4.5	4.5	0	0	0	0	0	26.5	26.5	2	3	33+TT	23.5-TT	23.5-TT
34	31	0	0	0	0	0	0	0	31	31	2	3	33+TT	28-TT	28-TT
35	31	0	0	0	0	0	0	0	31	31	2	3	33+TT	28-TT	28-TT
36	31	7.2-6xCBW/100	5.35+3.15xCBW/100	0	0	0	11	0	20	20	2.5	3	33+TT	17-TT	17-TT
37	31	3	3	0	2.5	0	0	0	28	28	2.5	3	33+TT	25-TT	25-TT
38	31	7.2-6xCBW/100	5.35+3.15xCBW/100	0	0	10.5	0	0	20.5	20.5	2.5	3	33+TT	17.5-TT	17.5-TT
39	31	3	3	6	0	0	0	0	25	25	2	3	33+TT	22-TT	22-TT
40	31	0	0	4	0	0	0	0	27	27	2.5	3	33+TT	24-TT	24-TT
41	31	0	0	4	0	0	0	0	27	27	2.5	3	33+TT	24-TT	24-TT

42	31	7.2-6xCBW/100	5.35+3.15xCBW/100	0	3	0	0	0	24.4	22.5	2.5	3	33+TT	21.4-TT	19.5-TT
43	31	3	3	0	3	0	0	0	28	28	2.5	3	33+TT	25-TT	25-TT
44	31	7.2-6xCBW/100	5.35+3.15xCBW/100	0	0	10.5	0	0	20.5	20.5	2.5	3	33+TT	17.5-TT	17.5-TT
45	31	3	3	6	0	0	0	0	25	25	2	3	33+TT	22-TT	22-TT
46	31	0	0	4	0	0	0	0	27	27	2.5	3	33+TT	24-TT	24-TT
47	31	0	0	4	0	0	0	0	27	27	2.5	3	33+TT	24-TT	24-TT
48	31	7.2-6xCBW/100	5.35+3.15xCBW/100	0	0	0	0	0	24.4	22.5	2.5	3	33+TT	21.4-TT	19.5-TT
49	31	3.5	3.5	0	0	0	0	0	27.5	27.5	2.5	3	33+TT	24.5-TT	24.5-TT
50	31	7.2-6xCBW/100	5.35+3.15xCBW/100	0	0	10.5	0	0	20.5	20.5	2.5	3	33+TT	17.5-TT	17.5-TT
51	31	3.5	3.5	6	0	0	0	0	25	25	2	3	33+TT	22-TT	22-TT
52	31	0	0	4	0	0	0	0	27	27	2.5	3	33+TT	24-TT	24-TT
53	31	0	0	4	0	0	0	0	27	27	2.5	3	33+TT	24-TT	24-TT
54	31	7.2-6xCBW/100	5.35+3.15xCBW/100	0	0	0	0	0	24.4	22.5	2.5	3	33+TT	21.4-TT	19.5-TT
55	31	6.5	6.5	0	0	0	0	0	24.5	24.5	2.5	3	33+TT	21.5-TT	21.5-TT
56	31	7.2-6xCBW/100	5.35+3.15xCBW/100	0	0	11	0	0	20	20	2.5	3	33+TT	17-TT	17-TT
57	31	6.5	6.5	0	0	0	0	0	24.5	24.5	2	3	33+TT	21.5-TT	21.5-TT
58	31	0	0	0	0	0	0	0	31	31	2	3	33+TT	28-TT	28-TT
59	31	0	0	0	0	0	0	0	31	31	2	3	33+TT	28-TT	28-TT

NOTE 1: $P_{PowerClass}$ is the maximum UE power specified without taking into account the tolerance.

NOTE 2: TT=0.7 dB for $BW_{channel} \leq 40$ MHz; TT=1.0 dB for $40 \text{ MHz} < BW_{channel} \leq 100$ MHz.

Table 6.2.3.5-4: UE Power Class 3 test requirements (NS_03 and NS_03U) for band n66, n70

Test ID	Network signalling label	$P_{PowerClass}$ (dBm)	MPR (dB)	A-MPR (dB)	$\Delta T_{C,c}$ (dB)	$P_{CMAX_L,c}$ (dBm)	$T(P_{CMAX_L,c})$ (dB)	$T_{L,c}$ (dB)	Upper limit (dBm)	Lower limit (dBm)
1, 2	NS_03	23	0.5	1.5	0	21.5	2	2	25+TT	19.5-TT
	NS_03U	23	0.5	2	0	21	2	2	25+TT	19-TT
3	NS_03	23	0.5	1.5	0	21.5	2	2	25+TT	19.5-TT
	NS_03U	23	0.5	2	0	21	2	2	25+TT	19-TT
4, 5	NS_03, NS_03U	23	1	2	0	21	2	2	25+TT	19-TT
6	NS_03, NS_03U	23	1	2	0	21	2	2	25+TT	19-TT
7, 8	NS_03, NS_03U	23	2	3	0	20	2.5	2	25+TT	17.5-TT
9	NS_03, NS_03U	23	2	3	0	20	2.5	2	25+TT	17.5-TT
10, 11	NS_03, NS_03U	23	2.5	3.5	0	19.5	3.5	2	25+TT	16-TT
12	NS_03, NS_03U	23	2.5	3.5	0	19.5	3.5	2	25+TT	16-TT
13, 14	NS_03, NS_03U	23	4.5	5.5	0	17.5	5	2	25+TT	12.5-TT
15	NS_03, NS_03U	23	4.5	5.5	0	17.5	5	2	25+TT	12.5-TT
16, 17	NS_03, NS_03U	23	3	4	0	19	3.5	2	25+TT	15.5-TT
18	NS_03, NS_03U	23	3	4	0	19	3.5	2	25+TT	15.5-TT
19, 20	NS_03, NS_03U	23	3	4	0	19	3.5	2	25+TT	15.5-TT

21	NS_03, NS_03U	23	3	4	0	19	3.5	2	25+TT	15.5-TT
22, 23	NS_03, NS_03U	23	3.5	4.5	0	18.5	4	2	25+TT	14.5-TT
24	NS_03, NS_03U	23	3.5	4.5	0	18.5	4	2	25+TT	14.5-TT
25, 26	NS_03, NS_03U	23	6.5	7.5	0	15.5	5	2	25+TT	10.5-TT
27	NS_03, NS_03U	23	6.5	7.5	0	15.5	5	2	25+TT	10.5-TT

NOTE 1: $P_{\text{PowerClass}}$ is the maximum UE power specified without taking into account the tolerance.

NOTE 2: TT for each frequency and channel bandwidth is specified in Table 6.2.3.5-0.

Table 6.2.3.5-5: UE Power Class 3 test requirements (NS_03 and NS_03U) for band n2, n25

Test ID	Network signalling label	$P_{\text{PowerClass}}$ (dBm)	MPR (dB)	A-MPR (dB)	$\Delta T_{C,c}$ (dB)	$P_{\text{CMAX}_L,c}$ (dBm)	$T(P_{\text{CMAX}_L,c})$ (dB)	$T_{L,c}$ (dB)	Upper limit (dBm)	Lower limit (dBm)
1, 2	NS_03	23	0.5	1.5	1.5	20	2.5	2	25+TT	17.5-TT
	NS_03U	23	0.5	2	1.5	19.5	3.5	2	25+TT	16-TT
3	NS_03	23	0.5	1.5	0	21.5	2	2	25+TT	19.5-TT
	NS_03U	23	0.5	2	0	21	2	2	25+TT	19-TT
4, 5	NS_03; NS_03U	23	1	2	1.5	19.5	3.5	2	25+TT	16-TT
6	NS_03; NS_03U	23	1	2	0	21	2	2	25+TT	19-TT
7, 8	NS_03; NS_03U	23	2	3	1.5	18.5	4	2	25+TT	14.5-TT
9	NS_03; NS_03U	23	2	3	0	20	2.5	2	25+TT	17.5-TT
10, 11	NS_03; NS_03U	23	2.5	3.5	1.5	18	4	2	25+TT	14-TT
12	NS_03; NS_03U	23	2.5	3.5	0	19.5	3.5	2	25+TT	16-TT
13, 14	NS_03; NS_03U	23	4.5	5.5	1.5	16	5	2	25+TT	11-TT
15	NS_03; NS_03U	23	4.5	5.5	0	17.5	5	2	25+TT	12.5-TT
16, 17	NS_03; NS_03U	23	3	4	1.5	17.5	5	2	25+TT	12.5-TT
18	NS_03; NS_03U	23	3	4	0	19	3.5	2	25+TT	15.5-TT
19, 20	NS_03; NS_03U	23	3	4	1.5	17.5	5	2	25+TT	12.5-TT
21	NS_03; NS_03U	23	3	4	0	19	3.5	2	25+TT	15.5-TT
22, 23	NS_03; NS_03U	23	3.5	4.5	1.5	17	5	2	25+TT	12-TT
24	NS_03; NS_03U	23	3.5	4.5	0	18.5	4	2	25+TT	14.5-TT
25, 26	NS_03; NS_03U	23	6.5	7.5	1.5	14	5	2	25+TT	9-TT
27	NS_03; NS_03U	23	6.5	7.5	0	15.5	5	2	25+TT	10.5-TT

NOTE 1: $P_{\text{PowerClass}}$ is the maximum UE power specified without taking into account the tolerance.

NOTE 2: TT for each frequency and channel bandwidth is specified in Table 6.2.3.5-0.

Table 6.2.3.5-6: UE Power Class 3 test requirements (NS_05) for bands n1, n65

Test ID	P _{PowerClass} (dBm)	Δ P _{PowerClass} (dB)	MPR (dB)	A-MPR (dB)	Δ T _{C,c} (dB)	P _{CMAX_L,c} (dBm)	T(P _{CMAX_L,c}) (dB)	T _{L,c} (dB)	Upper limit (dBm)	Lower limit (dBm)
1	23	0	0.5	4	0	19	3.5	2	25+TT	15.5-TT
2	23	0	0.5	10	0	13	5	2	25+TT	8-TT
3	23	0	0.5	6	0	17	5	2	25+TT	12-TT
4	23	0	0.5	5	0	18	4	2	25+TT	14-TT
5	23	0	0.5	1	0	22	2.0	2	25+TT	20-TT
6	23	0	0.5	10	0	13	5.0	2	25+TT	8-TT
7	23	0	0.5	6	0	17	5.0	2	25+TT	12-TT
8	23	0	0.5	5	0	18	4.0	2	25+TT	14-TT
9	23	0	0.5	10	0	13	5.0	2	25+TT	8-TT
10	23	0	0.5	5	0	18	4.0	2	25+TT	14-TT
11	23	0	0.5	1	0	22	2.0	2	25+TT	20-TT
12	23	0	0.5	10	0	13	5.0	2	25+TT	8-TT
13	23	0	0.5	6	0	17	5.0	2	25+TT	12-TT
14	23	0	0.5	5	0	18	4.0	2	25+TT	14-TT
15	23	0	0.5	1	0	22	2.0	2	25+TT	20-TT
16	23	0	1.0	4.5	0	18.5	4.0	2	25+TT	14.5-TT
17	23	0	1.0	10	0	13	5.0	2	25+TT	8-TT
18	23	0	1.0	6	0	17	5.0	2	25+TT	12-TT
19	23	0	1.0	5	0	18	4.0	2	25+TT	14-TT
20	23	0	1.0	10	0	13	5.0	2	25+TT	8-TT
21	23	0	1.0	6	0	17	5.0	2	25+TT	12-TT
22	23	0	1.0	5	0	18	4.0	2	25+TT	14-TT
23	23	0	1.0	10	0	13	5.0	2	25+TT	8-TT
24	23	0	1.0	5	0	18	4.0	2	25+TT	14-TT
25	23	0	1.0	1.5	0	21.5	2.0	2	25+TT	19.5-TT
26	23	0	1.0	10	0	13	5.0	2	25+TT	8-TT
27	23	0	1.0	6	0	17	5.0	2	25+TT	12-TT
28	23	0	1.0	5	0	18	4.0	2	25+TT	14-TT
29	23	0	1.0	1.5	0	21.5	2.0	2	25+TT	19.5-TT
30	23	0	2.0	6	0	17	5.0	2	25+TT	12-TT
31	23	0	2.0	10	0	13	5.0	2	25+TT	8-TT
32	23	0	2.0	6	0	17	5.0	2	25+TT	12-TT
33	23	0	2.0	5	0	18	4.0	2	25+TT	14-TT
34	23	0	2.0	10	0	13	5.0	2	25+TT	8-TT
35	23	0	2.0	6	0	17	5.0	2	25+TT	12-TT
36	23	0	2.0	5	0	18	4.0	2	25+TT	14-TT
37	23	0	2.0	10	0	13	5.0	2	25+TT	8-TT
38	23	0	2.0	5	0	18	4.0	2	25+TT	14-TT
39	23	0	2.0	10	0	13	5.0	2	25+TT	8-TT
40	23	0	2.0	6	0	17	5.0	2	25+TT	12-TT
41	23	0	2.0	5	0	18	4.0	2	25+TT	14-TT
42	23	0	2.5	6	0	17	5.0	2	25+TT	12-TT
43	23	0	2.5	11	0	12	6.0	2	25+TT	6-TT
44	23	0	2.5	6	0	17	5.0	2	25+TT	12-TT
45	23	0	2.5	5	0	18	4.0	2	25+TT	14-TT
46	23	0	2.5	11	0	12	6.0	2	25+TT	6-TT
47	23	0	2.5	6	0	17	5.0	2	25+TT	12-TT
48	23	0	2.5	5	0	18	4.0	2	25+TT	14-TT
49	23	0	2.5	11	0	12	6.0	2	25+TT	6-TT
50	23	0	2.5	5	0	18	4.0	2	25+TT	14-TT
51	23	0	2.5	11	0	12	6.0	2	25+TT	6-TT
52	23	0	2.5	6	0	17	5.0	2	25+TT	12-TT
53	23	0	2.5	5	0	18	4.0	2	25+TT	14-TT
54	23	0	4.5	7	0	16	5.0	2	25+TT	11-TT
55	23	0	4.5	13	0	10	6.0	2	25+TT	4-TT
56	23	0	4.5	6	0	17	5.0	2	25+TT	12-TT
57	23	0	4.5	5	0	18	4.0	2	25+TT	14-TT
58	23	0	4.5	13	0	10	6.0	2	25+TT	4-TT
59	23	0	4.5	6	0	17	5.0	2	25+TT	12-TT

Test ID	$P_{\text{PowerClass}}$ (dBm)	$\Delta P_{\text{PowerClass}}$ (dB)	MPR (dB)	A-MPR (dB)	$\Delta T_{C,c}$ (dB)	$P_{\text{CMAX}_L,c}$ (dBm)	$T(P_{\text{CMAX}_L,c})$ (dB)	$T_{L,c}$ (dB)	Upper limit (dBm)	Lower limit (dBm)
60	23	0	4.5	5	0	18	4.0	2	25+TT	14-TT
61	23	0	4.5	13	0	10	6.0	2	25+TT	4-TT
62	23	0	4.5	5	0	18	4.0	2	25+TT	14-TT
63	23	0	4.5	13	0	10	6.0	2	25+TT	4-TT
64	23	0	4.5	6	0	17	5.0	2	25+TT	12-TT
65	23	0	4.5	5	0	18	4.0	2	25+TT	14-TT
66	23	0	3.0	7.5	0	15.5	5.0	2	25+TT	10.5-TT
67	23	0	3.0	10	0	13	5.0	2	25+TT	8-TT
68	23	0	3.0	6	0	17	5.0	2	25+TT	12-TT
69	23	0	3.0	5	0	18	4.0	2	25+TT	14-TT
70	23	0	3.0	3.5	0	19.5	3.5	2	25+TT	16-TT
71	23	0	3.0	10	0	13	5.0	2	25+TT	8-TT
72	23	0	3.0	6	0	17	5.0	2	25+TT	12-TT
73	23	0	3.0	5	0	18	4.0	2	25+TT	14-TT
74	23	0	3.0	10	0	13	5.0	2	25+TT	8-TT
75	23	0	3.0	5	0	18	4.0	2	25+TT	14-TT
76	23	0	3.0	3.5	0	19.5	3.5	2	25+TT	16-TT
77	23	0	3.0	10	0	13	5.0	2	25+TT	8-TT
78	23	0	3.0	6	0	17	5.0	2	25+TT	12-TT
79	23	0	3.0	5	0	18	4.0	2	25+TT	14-TT
80	23	0	3.0	3.5	0	19.5	3.5	2	25+TT	16-TT
81	23	0	3.0	7.5	0	15.5	5.0	2	25+TT	10.5-TT
82	23	0	3.0	10	0	13	5.0	2	25+TT	8-TT
83	23	0	3.0	6	0	17	5.0	2	25+TT	12-TT
84	23	0	3.0	5	0	18	4.0	2	25+TT	14-TT
85	23	0	3.0	3.5	0	19.5	3.5	2	25+TT	16-TT
86	23	0	3.0	10	0	13	5.0	2	25+TT	8-TT
87	23	0	3.0	6	0	17	5.0	2	25+TT	12-TT
88	23	0	3.0	5	0	18	4.0	2	25+TT	14-TT
89	23	0	3.0	10	0	13	5.0	2	25+TT	8-TT
90	23	0	3.0	5	0	18	4.0	2	25+TT	14-TT
91	23	0	3.0	3.5	0	19.5	3.5	2	25+TT	16-TT
92	23	0	3.0	10	0	13	5.0	2	25+TT	8-TT
93	23	0	3.0	6	0	17	5.0	2	25+TT	12-TT
94	23	0	3.0	5	0	18	4.0	2	25+TT	14-TT
95	23	0	3.0	3.5	0	19.5	3.5	2	25+TT	16-TT
96	23	0	3.5	8	0	15	5.0	2	25+TT	10-TT
97	23	0	3.5	11	0	12	6.0	2	25+TT	6-TT
98	23	0	3.5	6	0	17	5.0	2	25+TT	12-TT
99	23	0	3.5	5	0	18	4.0	2	25+TT	14-TT
100	23	0	3.5	11	0	12	6.0	2	25+TT	6-TT
101	23	0	3.5	6	0	17	5.0	2	25+TT	12-TT
102	23	0	3.5	5	0	18	4.0	2	25+TT	14-TT
103	23	0	3.5	11	0	12	6.0	2	25+TT	6-TT
104	23	0	3.5	5	0	18	4.0	2	25+TT	14-TT
105	23	0	3.5	11	0	12	6.0	2	25+TT	6-TT
106	23	0	3.5	6	0	17	5.0	2	25+TT	12-TT
107	23	0	3.5	5	0	18	4.0	2	25+TT	14-TT
108	23	0	6.5	10	0	13	5.0	2	25+TT	8-TT
109	23	0	6.5	13	0	10	6.0	2	25+TT	4-TT
110	23	0	6.5	6	0	16.5	5.0	2	25+TT	11.5-TT
111	23	0	6.5	13	0	10	6.0	2	25+TT	4-TT
112	23	0	6.5	6	0	16.5	5.0	2	25+TT	11.5-TT
113	23	0	6.5	13	0	10	6.0	2	25+TT	4-TT
114	23	0	6.5	13	0	10	6.0	2	25+TT	4-TT
115	23	0	6.5	6	0	16.5	5.0	2	25+TT	11.5-TT

NOTE 1: $P_{\text{PowerClass}}$ is the maximum UE power specified without taking into account the tolerance.

NOTE 2: TT for each frequency and channel bandwidth is specified in Table 6.2.3.5-0.

Table 6.2.3.5-6a: UE Power Class 2 test requirements (NS_05 and NS_05U) for bands n1, n65

Test ID	P _{PowerClass} (dBm)	Δ P _{PowerClass} (dB)	MPR (dB)	A-MPR (dB)	Δ T _{C,c} (dB)	P _{C_{MAX},L,c} (dBm)	T(P _{C_{MAX},L,c}) (dB)	T _{L,c} (dB)	Upper limit (dBm)	Lower limit (dBm)
1	26	0	0.5	6.5	0	19.5	3.5	3	28+TT	16-TT
2	26	0	0	3	0	23	2	3	28+TT	20-TT
3	26	0	0.5	13	0	13	5	3	28+TT	8-TT
4	26	0	0.5	8	0	18	4	3	28+TT	14-TT
5	26	0	0	13	0	13	5	3	28+TT	8-TT
6	26	0	0	3.5	0	22.5	2	3	28+TT	19.5-TT
7	26	0	0.5	3	0	23	2	3	28+TT	20-TT
8	26	0	0.5	13	0	13	5	3	28+TT	8-TT
9	26	0	0.5	8	0	18	4	3	28+TT	14-TT
10	26	0	0	13	0	13	5	3	28+TT	8-TT
11	26	0	0	3.5	0	22.5	2	3	28+TT	19.5-TT
12	26	0	0.5	13	0	13	5	3	28+TT	8-TT
13	26	0	0.5	8	0	18	4	3	28+TT	14-TT
14	26	0	0	13	0	13	5	3	28+TT	8-TT
15	26	0	0.5	2	0	24	2	3	28+TT	21-TT
16	26	0	0.5	13	0	13	5	3	28+TT	8-TT
17	26	0	0.5	8	0	18	4	3	28+TT	14-TT
18	26	0	0	13	0	13	5	3	28+TT	8-TT
19	26	0	0	3.5	0	22.5	2	3	28+TT	19.5-TT
20	26	0	0.5	2	0	24	2	3	28+TT	21-TT
21	26	0	1	7	0	19	3.5	3	28+TT	15.5-TT
22	26	0	0	3	0	23	2	3	28+TT	20-TT
23	26	0	1	13	0	13	5	3	28+TT	8-TT
24	26	0	1	8	0	18	4	3	28+TT	14-TT
25	26	0	0	13	0	13	5	3	28+TT	8-TT
26	26	0	0	3.5	0	22.5	2	3	28+TT	19.5-TT
27	26	0	1	3	0	23	2	3	28+TT	20-TT
28	26	0	1	13	0	13	5	3	28+TT	8-TT
29	26	0	1	8	0	18	4	3	28+TT	14-TT
30	26	0	0	13	0	13	5	3	28+TT	8-TT
31	26	0	0	3.5	0	22.5	2	3	28+TT	19.5-TT
32	26	0	1	13	0	13	5	3	28+TT	8-TT
33	26	0	1	8	0	18	4	3	28+TT	14-TT
34	26	0	0	13	0	13	5	3	28+TT	8-TT
35	26	0	1	2	0	24	2	3	28+TT	21-TT
36	26	0	1	13	0	13	5	3	28+TT	8-TT
37	26	0	1	8	0	18	4	3	28+TT	14-TT
38	26	0	0	13	0	13	5	3	28+TT	8-TT
39	26	0	0	3.5	0	22.5	2	3	28+TT	19.5-TT
40	26	0	1	2	0	24	2	3	28+TT	21-TT
41	26	0	2	8.5	0	17.5	5	3	28+TT	12.5-TT
42	26	0	1	3.5	0	22.5	2	3	28+TT	19.5-TT
43	26	0	2	13	0	13	5	3	28+TT	8-TT
44	26	0	2	8	0	18	4	3	28+TT	14-TT
45	26	0	1	13	0	13	5	3	28+TT	8-TT
46	26	0	1	3.5	0	22.5	2	3	28+TT	19.5-TT
47	26	0	2	3.5	0	22.5	2	3	28+TT	19.5-TT
48	26	0	2	13	0	13	5	3	28+TT	8-TT
49	26	0	2	8	0	18	4	3	28+TT	14-TT
50	26	0	1	13	0	13	5	3	28+TT	8-TT
51	26	0	1	3.5	0	22.5	2	3	28+TT	19.5-TT
52	26	0	2	13	0	13	5	3	28+TT	8-TT
53	26	0	2	8	0	18	4	3	28+TT	14-TT
54	26	0	1	13	0	13	5	3	28+TT	8-TT
55	26	0	2	2.5	0	23.5	2	3	28+TT	20.5-TT
56	26	0	2	13	0	13	5	3	28+TT	8-TT
57	26	0	2	8	0	18	4	3	28+TT	14-TT
58	26	0	1	13	0	13	5	3	28+TT	8-TT
59	26	0	1	3.5	0	22.5	2	3	28+TT	19.5-TT

Test ID	P _{PowerClass} (dBm)	ΔP _{PowerClass} (dB)	MPR (dB)	A-MPR (dB)	ΔT _{C,c} (dB)	P _{CMAX_L,c} (dBm)	T(P _{CMAX_L,c}) (dB)	T _{L,c} (dB)	Upper limit (dBm)	Lower limit (dBm)
60	26	0	2	2	0	24	2	3	28+TT	21-TT
61	26	0	2.5	9	0	17	5	3	28+TT	12-TT
62	26	0	2.5	3.5	0	22.5	2	3	28+TT	19.5-TT
63	26	0	2.5	13	0	13	5	3	28+TT	8-TT
64	26	0	2.5	8	0	18	4	3	28+TT	14-TT
65	26	0	2.5	13	0	13	5	3	28+TT	8-TT
66	26	0	2.5	3.5	0	22.5	2	3	28+TT	19.5-TT
67	26	0	2.5	3.5	0	22.5	2	3	28+TT	19.5-TT
68	26	0	2.5	13	0	13	5	3	28+TT	8-TT
69	26	0	2.5	8	0	18	4	3	28+TT	14-TT
70	26	0	2.5	13	0	13	5	3	28+TT	8-TT
71	26	0	2.5	3.5	0	22.5	2	3	28+TT	19.5-TT
72	26	0	2.5	13	0	13	5	3	28+TT	8-TT
73	26	0	2.5	8	0	18	4	3	28+TT	14-TT
74	26	0	2.5	13	0	13	5	3	28+TT	8-TT
75	26	0	2.5	2.5	0	23.5	2	3	28+TT	20.5-TT
76	26	0	2.5	13	0	13	5	3	28+TT	8-TT
77	26	0	2.5	8	0	18	4	3	28+TT	14-TT
78	26	0	2.5	13	0	13	5	3	28+TT	8-TT
79	26	0	2.5	3.5	0	22.5	2	3	28+TT	19.5-TT
80	26	0	4.5	9.5	0	16.5	5	3	28+TT	11.5-TT
81	26	0	4.5	15	0	11	6	3	28+TT	5-TT
82	26	0	4.5	8	0	18	4	3	28+TT	14-TT
83	26	0	4.5	13	0	13	5	3	28+TT	8-TT
84	26	0	4.5	15	0	11	6	3	28+TT	5-TT
85	26	0	4.5	8	0	18	4	3	28+TT	14-TT
86	26	0	4.5	13	0	13	5	3	28+TT	8-TT
87	26	0	4.5	15	0	11	6	3	28+TT	5-TT
88	26	0	4.5	8	0	18	4	3	28+TT	14-TT
89	26	0	4.5	13	0	13	5	3	28+TT	8-TT
90	26	0	4.5	15	0	11	6	3	28+TT	5-TT
91	26	0	4.5	8	0	18	4	3	28+TT	14-TT
92	26	0	4.5	13	0	13	5	3	28+TT	8-TT
93	26	0	3	10	0	16	5	3	28+TT	11-TT
94	26	0	1.5	4.5	0	21.5	2	3	28+TT	18.5-TT
95	26	0	3	13	0	13	5	3	28+TT	8-TT
96	26	0	3	8.5	0	17.5	5	3	28+TT	12.5-TT
97	26	0	1.5	13	0	13	5	3	28+TT	8-TT
98	26	0	1.5	3.5	0	22.5	2	3	28+TT	19.5-TT
99	26	0	3	4.5	0	21.5	2	3	28+TT	18.5-TT
100	26	0	3	13	0	13	5	3	28+TT	8-TT
101	26	0	3	8.5	0	17.5	5	3	28+TT	12.5-TT
102	26	0	1.5	13	0	13	5	3	28+TT	8-TT
103	26	0	1.5	3.5	0	22.5	2	3	28+TT	19.5-TT
104	26	0	3	13	0	13	5	3	28+TT	8-TT
105	26	0	3	8.5	0	17.5	5	3	28+TT	12.5-TT
106	26	0	1.5	13	0	13	5	3	28+TT	8-TT
107	26	0	3	4.5	0	21.5	2	3	28+TT	18.5-TT
108	26	0	3	13	0	13	5	3	28+TT	8-TT
109	26	0	3	8.5	0	17.5	5	3	28+TT	12.5-TT
110	26	0	3	13	0	13	5	3	28+TT	8-TT
111	26	0	3	3.5	0	22.5	2	3	28+TT	19.5-TT
112	26	0	3	4	0	22	2	3	28+TT	19-TT
113	26	0	3	10	0	16	5	3	28+TT	11-TT
114	26	0	2	4.5	0	21.5	2	3	28+TT	18.5-TT
115	26	0	3	13	0	13	5	3	28+TT	8-TT
116	26	0	3	8.5	0	17.5	5	3	28+TT	12.5-TT
117	26	0	2	13	0	13	5	3	28+TT	8-TT
118	26	0	2	3.5	0	22.5	2	3	28+TT	19.5-TT
119	26	0	3	4.5	0	21.5	2	3	28+TT	18.5-TT
120	26	0	3	13	0	13	5	3	28+TT	8-TT
121	26	0	3	8.5	0	17.5	5	3	28+TT	12.5-TT
122	26	0	2	13	0	13	5	3	28+TT	8-TT

Test ID	$P_{\text{PowerClass}}$ (dBm)	$\Delta P_{\text{PowerClass}}$ (dB)	MPR (dB)	A-MPR (dB)	$\Delta T_{C,c}$ (dB)	$P_{\text{CMAX}_L,c}$ (dBm)	$T(P_{\text{CMAX}_L,c})$ (dB)	$T_{L,c}$ (dB)	Upper limit (dBm)	Lower limit (dBm)
123	26	0	2	3.5	0	22.5	2	3	28+TT	19.5-TT
124	26	0	3	13	0	13	5	3	28+TT	8-TT
125	26	0	3	8.5	0	17.5	5	3	28+TT	12.5-TT
126	26	0	2	13	0	13	5	3	28+TT	8-TT
127	26	0	3	4.5	0	21.5	2	3	28+TT	18.5-TT
128	26	0	3	13	0	13	5	3	28+TT	8-TT
129	26	0	3	8.5	0	17.5	5	3	28+TT	12.5-TT
130	26	0	2	13	0	13	5	3	28+TT	8-TT
131	26	0	2	3.5	0	22.5	2	3	28+TT	19.5-TT
132	26	0	3	4	0	22	2	3	28+TT	19-TT
133	26	0	3.5	10	0	16	5	3	28+TT	11-TT
134	26	0	3.5	5	0	21	2	3	28+TT	18-TT
135	26	0	3.5	14	0	12	6	3	28+TT	6-TT
136	26	0	3.5	8.5	0	17.5	5	3	28+TT	12.5-TT
137	26	0	3.5	13	0	13	5	3	28+TT	8-TT
138	26	0	3.5	5	0	21	2	3	28+TT	18-TT
139	26	0	3.5	14	0	12	6	3	28+TT	6-TT
140	26	0	3.5	8.5	0	17.5	5	3	28+TT	12.5-TT
141	26	0	3.5	13	0	13	5	3	28+TT	8-TT
142	26	0	3.5	14	0	12	6	3	28+TT	6-TT
143	26	0	3.5	8.5	0	17.5	5	3	28+TT	12.5-TT
144	26	0	3.5	13	0	13	5	3	28+TT	8-TT
145	26	0	3.5	5	0	21	2	3	28+TT	18-TT
146	26	0	3.5	14	0	12	6	3	28+TT	6-TT
147	26	0	3.5	8.5	0	17.5	5	3	28+TT	12.5-TT
148	26	0	3.5	13	0	13	5	3	28+TT	8-TT
149	26	0	3.5	4	0	22	2	3	28+TT	19-TT
150	26	0	6.5	10	0	16	5	3	28+TT	11-TT
151	26	0	6.5	16	0	10	6	3	28+TT	4-TT
152	26	0	6.5	8.5	0	17.5	5	3	28+TT	12.5-TT
153	26	0	6.5	16	0	10	6	3	28+TT	4-TT
154	26	0	6.5	8.5	0	17.5	5	3	28+TT	12.5-TT
155	26	0	6.5	16	0	10	6	3	28+TT	4-TT
156	26	0	6.5	8.5	0	17.5	5	3	28+TT	12.5-TT
157	26	0	6.5	16	0	10	6	3	28+TT	4-TT
158	26	0	6.5	8.5	0	17.5	5	3	28+TT	12.5-TT

NOTE 1: $P_{\text{PowerClass}}$ is the maximum UE power specified without taking into account the tolerance.

NOTE 2: TT for each frequency and channel bandwidth is specified in Table 6.2.3.5-0.

Table 6.2.3.5-7: UE Power Class 3 test requirements (NS_05U) for bands n1, n65

Test ID	$P_{\text{PowerClass}}$ (dBm)	$\Delta P_{\text{PowerClass}}$ (dB)	MPR (dB)	A-MPR (dB)	$\Delta T_{C,c}$ (dB)	$P_{\text{CMAX}_L,c}$ (dBm)	$T(P_{\text{CMAX}_L,c})$ (dB)	$T_{L,c}$ (dB)	Upper limit (dBm)	Lower limit (dBm)
1	23	0	0.5	4	0	19	3.5	2	25+TT	15.5-TT
2	23	0	0.5	10	0	13	5	2	25+TT	8-TT
3	23	0	0.5	6	0	17	5	2	25+TT	12-TT
4	23	0	0.5	5	0	18	4	2	25+TT	14-TT
5	23	0	0.5	2	0	21	2.0	2	25+TT	19-TT
6	23	0	0.5	10	0	13	5.0	2	25+TT	8-TT
7	23	0	0.5	6	0	17	5.0	2	25+TT	12-TT
8	23	0	0.5	5	0	18	4.0	2	25+TT	14-TT
9	23	0	0.5	10	0	13	5.0	2	25+TT	8-TT
10	23	0	0.5	5	0	18	4.0	2	25+TT	14-TT
11	23	0	0.5	2	0	21	2.0	2	25+TT	19-TT
12	23	0	0.5	10	0	13	5.0	2	25+TT	8-TT
13	23	0	0.5	6	0	17	5.0	2	25+TT	12-TT
14	23	0	0.5	5	0	18	4.0	2	25+TT	14-TT
15	23	0	0.5	2	0	21	2.0	2	25+TT	19-TT
16	23	0	1.0	4.5	0	18.5	4.0	2	25+TT	14.5-TT
17	23	0	1.0	10	0	13	5.0	2	25+TT	8-TT
18	23	0	1.0	6	0	17	5.0	2	25+TT	12-TT
19	23	0	1.0	5	0	18	4.0	2	25+TT	14-TT

20	23	0	1.0	2	0	21	2.0	2	25+TT	19-TT
21	23	0	1.0	10	0	13	5.0	2	25+TT	8-TT
22	23	0	1.0	6	0	17	5.0	2	25+TT	12-TT
23	23	0	1.0	5	0	18	4.0	2	25+TT	14-TT
24	23	0	1.0	10	0	13	5.0	2	25+TT	8-TT
25	23	0	1.0	5	0	18	4.0	2	25+TT	14-TT
26	23	0	1.0	2	0	21	2.0	2	25+TT	19-TT
27	23	0	1.0	10	0	13	5.0	2	25+TT	8-TT
28	23	0	1.0	6	0	17	5.0	2	25+TT	12-TT
29	23	0	1.0	5	0	18	4.0	2	25+TT	14-TT
30	23	0	1.0	2	0	21	2.0	2	25+TT	19-TT
31	23	0	2.0	6	0	17	5.0	2	25+TT	12-TT
32	23	0	2.0	10	0	13	5.0	2	25+TT	8-TT
33	23	0	2.0	6	0	17	5.0	2	25+TT	12-TT
34	23	0	2.0	5	0	18	4.0	2	25+TT	14-TT
35	23	0	2.0	2.5	0	20.5	2.5	2	25+TT	18-TT
36	23	0	2.0	10	0	13	5.0	2	25+TT	8-TT
37	23	0	2.0	6	0	17	5.0	2	25+TT	12-TT
38	23	0	2.0	5	0	18	4.0	2	25+TT	14-TT
39	23	0	2.0	10	0	13	5.0	2	25+TT	8-TT
40	23	0	2.0	5	0	18	4.0	2	25+TT	14-TT
41	23	0	2.0	2.5	0	20.5	2.5	2	25+TT	18-TT
42	23	0	2.0	10	0	13	5.0	2	25+TT	8-TT
43	23	0	2.0	6	0	17	5.0	2	25+TT	12-TT
44	23	0	2.0	5	0	18	4.0	2	25+TT	14-TT
45	23	0	2.0	2.5	0	20.5	2.5	2	25+TT	18-TT
46	23	0	2.5	6	0	17	5.0	2	25+TT	12-TT
47	23	0	2.5	11	0	12	6.0	2	25+TT	6-TT
48	23	0	2.5	6	0	17	5.0	2	25+TT	12-TT
49	23	0	2.5	5	0	18	4.0	2	25+TT	14-TT
50	23	0	2.5	3	0	20	2.5	2	25+TT	17.5-TT
51	23	0	2.5	11	0	12	6.0	2	25+TT	6-TT
52	23	0	2.5	6	0	17	5.0	2	25+TT	12-TT
53	23	0	2.5	5	0	18	4.0	2	25+TT	14-TT
54	23	0	2.5	11	0	12	6.0	2	25+TT	6-TT
55	23	0	2.5	5	0	18	4.0	2	25+TT	14-TT
56	23	0	2.5	3	0	20	2.5	2	25+TT	17.5-TT
57	23	0	2.5	11	0	12	6.0	2	25+TT	6-TT
58	23	0	2.5	6	0	17	5.0	2	25+TT	12-TT
59	23	0	2.5	5	0	18	4.0	2	25+TT	14-TT

Test ID	P _{PowerClass} (dBm)	ΔP _{PowerClass} (dB)	MPR (dB)	A-MPR (dB)	ΔT _{C,c} (dB)	P _{CMAX_L,c} (dBm)	T(P _{CMAX_L,c}) (dB)	T _{L,c} (dB)	Upper limit (dBm)	Lower limit (dBm)
60	23	0	2.5	3	0	20	2.5	2	25+TT	17.5-TT
61	23	0	4.5	7	0	16	5.0	2	25+TT	11-TT
62	23	0	4.5	13	0	10	6.0	2	25+TT	4-TT
63	23	0	4.5	6	0	17	5.0	2	25+TT	12-TT
64	23	0	4.5	5	0	18	4.0	2	25+TT	14-TT
65	23	0	4.5	4.5	0	18.5	4.0	2	25+TT	14.5-TT
66	23	0	4.5	13	0	10	6.0	2	25+TT	4-TT
67	23	0	4.5	6	0	17	5.0	2	25+TT	12-TT
68	23	0	4.5	5	0	18	4.0	2	25+TT	14-TT
69	23	0	4.5	13	0	10	6.0	2	25+TT	4-TT
70	23	0	4.5	5	0	18	4.0	2	25+TT	14-TT
71	23	0	4.5	4.5	0	18.5	4.0	2	25+TT	14.5-TT
72	23	0	4.5	13	0	10	6.0	2	25+TT	4-TT
73	23	0	4.5	6	0	17	5.0	2	25+TT	12-TT
74	23	0	4.5	5	0	18	4.0	2	25+TT	14-TT
75	23	0	4.5	4.5	0	18.5	4.0	2	25+TT	14.5-TT
76	23	0	3.0	7.5	0	15.5	5.0	2	25+TT	10.5-TT
77	23	0	3.0	10	0	13	5.0	2	25+TT	8-TT
78	23	0	3.0	6	0	17	5.0	2	25+TT	12-TT
79	23	0	3.0	5	0	18	4.0	2	25+TT	14-TT
80	23	0	3.0	4	0	19	3.5	2	25+TT	15.5-TT

81	23	0	3.0	10	0	13	5.0	2	25+TT	8-TT
82	23	0	3.0	6	0	17	5.0	2	25+TT	12-TT
83	23	0	3.0	5	0	18	4.0	2	25+TT	14-TT
84	23	0	3.0	10	0	13	5.0	2	25+TT	8-TT
85	23	0	3.0	5	0	18	4.0	2	25+TT	14-TT
86	23	0	3.0	4	0	19	3.5	2	25+TT	15.5-TT
87	23	0	3.0	10	0	13	5.0	2	25+TT	8-TT
88	23	0	3.0	6	0	17	5.0	2	25+TT	12-TT
89	23	0	3.0	5	0	18	4.0	2	25+TT	14-TT
90	23	0	3.0	4	0	19	3.5	2	25+TT	15.5-TT
91	23	0	3.0	7.5	0	15.5	5.0	2	25+TT	10.5-TT
92	23	0	3.0	10	0	13	5.0	2	25+TT	8-TT
93	23	0	3.0	6	0	17	5.0	2	25+TT	12-TT
94	23	0	3.0	5	0	18	4.0	2	25+TT	14-TT
95	23	0	3.0	4	0	19	3.5	2	25+TT	15.5-TT
96	23	0	3.0	10	0	13	5.0	2	25+TT	8-TT
97	23	0	3.0	6	0	17	5.0	2	25+TT	12-TT
98	23	0	3.0	5	0	18	4.0	2	25+TT	14-TT
99	23	0	3.0	10	0	13	5.0	2	25+TT	8-TT
100	23	0	3.0	5	0	18	4.0	2	25+TT	14-TT
101	23	0	3.0	4	0	19	3.5	2	25+TT	15.5-TT
102	23	0	3.0	10	0	13	5.0	2	25+TT	8-TT
103	23	0	3.0	6	0	17	5.0	2	25+TT	12-TT
104	23	0	3.0	5	0	18	4.0	2	25+TT	14-TT
105	23	0	3.0	4	0	19	3.5	2	25+TT	15.5-TT
106	23	0	3.5	8	0	15	5.0	2	25+TT	10-TT
107	23	0	3.5	11	0	12	6.0	2	25+TT	6-TT
108	23	0	3.5	6	0	17	5.0	2	25+TT	12-TT
109	23	0	3.5	5	0	18	4.0	2	25+TT	14-TT
110	23	0	3.5	4	0	19	3.5	2	25+TT	15.5-TT
111	23	0	3.5	11	0	12	6.0	2	25+TT	6-TT
112	23	0	3.5	6	0	17	5.0	2	25+TT	12-TT
113	23	0	3.5	5	0	18	4.0	2	25+TT	14-TT
114	23	0	3.5	11	0	12	6.0	2	25+TT	6-TT
115	23	0	3.5	5	0	18	4.0	2	25+TT	14-TT
116	23	0	3.5	4	0	19	3.5	2	25+TT	15.5-TT
117	23	0	3.5	11	0	12	6.0	2	25+TT	6-TT
118	23	0	3.5	6	0	17	5.0	2	25+TT	12-TT
119	23	0	3.5	5	0	18	4.0	2	25+TT	14-TT

Test ID	P _{PowerClass} (dBm)	ΔP _{PowerClass} (dB)	MPR (dB)	A-MPR (dB)	ΔT _{C,c} (dB)	P _{CMAX_L,c} (dBm)	T(P _{CMAX_L,c}) (dB)	T _{L,c} (dB)	Upper limit (dBm)	Lower limit (dBm)
120	23	0	3.5	4	0	19	3.5	2	25+TT	15.5-TT
121	23	0	6.5	10	0	13	5.0	2	25+TT	8-TT
122	23	0	6.5	13	0	10	6.0	2	25+TT	4-TT
123	23	0	6.5	6.5	0	16.5	5.0	2	25+TT	11.5-TT
124	23	0	6.5	6.5	0	16.5	5.0	2	25+TT	11.5-TT
125	23	0	6.5	13	0	10	6.0	2	25+TT	4-TT
126	23	0	6.5	6.5	0	16.5	5.0	2	25+TT	11.5-TT
127	23	0	6.5	13	0	10	6.0	2	25+TT	4-TT
128	23	0	6.5	6.5	0	16.5	5.0	2	25+TT	11.5-TT
129	23	0	6.5	13	0	10	6.0	2	25+TT	4-TT
130	23	0	6.5	6.5	0	16.5	5.0	2	25+TT	11.5-TT
131	23	0	6.5	6.5	0	16.5	5.0	2	25+TT	11.5-TT

NOTE 1: P_{PowerClass} is the maximum UE power specified without taking into account the tolerance.

NOTE 2: TT for each frequency and channel bandwidth is specified in Table 6.2.3.5-0.

Table 6.2.3.5-8: UE Power Class 3 test requirements (NS_18)

Test ID	ChBw (MHz)	P _{PowerClass} (dBm)	MPR (dB)	A-MPR (dB)	ΔT _{C,c} (dB)	P _{CMAX_L,c} (dBm)	T(P _{CMAX_L,c}) (dB)	T _{L,c} (dB)	Upper limit (dBm)	Lower limit (dBm)
1, 2	3, 5	23	1	2	0	21	2	2.5	25+TT	18.5-TT
	10, 15, 20	23	1	5	0	18	4	2.5	25+TT	14-TT

3, 4	3, 5	23	2	3	0	20	2.5	2.5	25+TT	17.5-TT
	10, 15, 20	23	2	6	0	17	5	2.5	25+TT	12-TT
5, 6	3, 5	23	2.5	4	0	19	3.5	2.5	25+TT	15.5-TT
	10, 15, 20	23	2.5	7	0	16	5	2.5	25+TT	11-TT
7, 8	3, 5	23	4.5	6	0	17	5	2.5	25+TT	12-TT
	10, 15, 20	23	4.5	9	0	14	5	2.5	25+TT	9-TT
9, 10	3, 5	23	3	5	0	18	4	2.5	25+TT	14-TT
	10, 15, 20	23	3	6.5	0	16.5	5	2.5	25+TT	11.5-TT
11, 12	3, 5	23	3	5	0	18	4	2.5	25+TT	14-TT
	10, 15, 20	23	3	7	0	16	5	2.5	25+TT	11-TT
13, 14	3, 5	23	3.5	5.5	0	17.5	5	2.5	25+TT	12.5-TT
	10, 15, 20	23	3.5	8.5	0	14.5	5	2.5	25+TT	9.5-TT
15, 16	3, 5	23	6.5	8.5	0	14.5	5	2.5	25+TT	9.5-TT
	10, 15, 20	23	6.5	11.5	0	11.5	6	2.5	25+TT	5.5-TT
17, 18, 19	30	23	5	3	0	18	4	2.5	25+TT	14-TT
20	30	23	5	8	0	15	5	2.5	25+TT	10-TT
21	30	23	2.5	3	0	20	2.5	2.5	25+TT	17.5-TT
22	30	23	3	4.5	0	18.5	4	2.5	25+TT	14.5-TT
23	30	23	5	5.5	0	17.5	5	2.5	25+TT	12.5-TT
24, 25, 26	30	23	7	4.5	0	16	5	2.5	25+TT	11-TT
27	30	23	7	9.5	0	13.5	5	2.5	25+TT	8.5-TT
28	30	23	3.5	5	0	18	4	2.5	25+TT	14-TT
29	30	23	4	5.5	0	17.5	5	2.5	25+TT	12.5-TT
30	30	23	7	7.5	0	15.5	5	2.5	25+TT	10.5-TT

Table 6.2.3.5-10: UE Power Class 3 test requirements (NS_43)

Test ID	P _{PowerClass} (dBm)	MPR (dB)	A-MPR (dB)	$\Delta T_{C,c}$ (dB)	P _{CMAX_L,c} (dBm)	T(P _{CMAX_L,c}) (dB)	T _{L,c} (dB)	Upper limit (dBm)	Lower limit (dBm)
1	23	0.5	1.5	0	21.5	2	2	25+TT	19.5-TT
2	23	0.5	9	0	14	5	2	25+TT	9-TT
3	23	0.5	9	0	14	5	2	25+TT	9-TT
4	23	1.0	2	0	21	2.0	2	25+TT	19-TT
5	23	1.0	2.5	0	20.5	2.5	2	25+TT	18-TT
6	23	1.0	9	0	14	5.0	2	25+TT	9-TT
7	23	1.0	9	0	14	5.0	2	25+TT	9-TT
8	23	2.0	2.5	0	20.5	2.5	2	25+TT	18-TT
9	23	2.0	9	0	14	5.0	2	25+TT	9-TT
10	23	2.0	9	0	14	5.0	2	25+TT	9-TT
11	23	2.5	2.5	0	20.5	2.5	2	25+TT	18-TT
12	23	2.5	9	0	14	5.0	2	25+TT	9-TT
13	23	2.5	9	0	14	5.0	2	25+TT	9-TT
14	23	4.5	9	0	14	5.0	2	25+TT	9-TT
15	23	4.5	9	0	14	5.0	2	25+TT	9-TT
16	23	3.0	3.5	0	19.5	3.5	2	25+TT	16-TT
17	23	3.0	4	0	19	3.5	2	25+TT	15.5-TT
18	23	3.0	9	0	14	5.0	2	25+TT	9-TT
19	23	3.0	9	0	14	5.0	2	25+TT	9-TT
20	23	3.0	3.5	0	19.5	3.5	2	25+TT	16-TT
21	23	3.0	4	0	19	3.5	2	25+TT	15.5-TT
22	23	3.0	9	0	14	5.0	2	25+TT	9-TT
23	23	3.0	9	0	14	5.0	2	25+TT	9-TT
24	23	3.5	4	0	19	3.5	2	25+TT	15.5-TT
25	23	3.5	9	0	14	5.0	2	25+TT	9-TT
26	23	3.5	9	0	14	5.0	2	25+TT	9-TT
27	23	6.5	9	0	14	5.0	2	25+TT	9-TT

28	23	6.5	9	0	14	5.0	2	25+TT	9-TT
NOTE 1: $P_{\text{PowerClass}}$ is the maximum UE power specified without taking into account the tolerance.									
NOTE 2: TT for each frequency and channel bandwidth is specified in Table 6.2.3.5-0.									

Table 6.2.3.5-10a: UE Power Class 2 test requirements (NS_43)

Test ID	$P_{\text{PowerClass}}$ (dBm)	MPR (dB)	A-MPR (dB)	$\Delta T_{C,c}$ (dB)	$P_{\text{CMAX_L,c}}$ (dBm)	$T(P_{\text{CMAX_L,c}})$ (dB)	$T_{L,c}$ (dB)	Upper limit (dBm)	Lower limit (dBm)
1	26	0.5	1	0	25	2	3	28+TT	22-TT
2	26	0.5	1.5	0	24.5	2	3	28+TT	21.5-TT
3	26	0.5	12	0	14	5	3	28+TT	9-TT
4	26	3.5	12	0	14	5	3	28+TT	9-TT
5	26	1	3.5	0	22.5	2	3	28+TT	19.5-TT
6	26	1	3.5	0	22.5	2	3	28+TT	19.5-TT
7	26	1	5.5	0	20.5	2.5	3	28+TT	17.5-TT
8	26	1	12	0	14	5	3	28+TT	9-TT
9	26	3.5	12	0	14	5	3	28+TT	9-TT
10	26	2	3.5	0	22.5	2	3	28+TT	19.5-TT
11	26	2	3.5	0	22.5	2	3	28+TT	19.5-TT
12	26	2	5.5	0	20.5	2.5	3	28+TT	17.5-TT
13	26	2	12	0	14	5	3	28+TT	9-TT
14	26	3.5	12	0	14	5	3	28+TT	9-TT
15	26	2.5	3.5	0	22.5	2	3	28+TT	19.5-TT
16	26	2.5	4.5	0	21.5	2	3	28+TT	18.5-TT
17	26	2.5	5	0	21	2	3	28+TT	18-TT
18	26	2.5	12	0	14	5	3	28+TT	9-TT
19	26	3.5	12	0	14	5	3	28+TT	9-TT
20	26	4.5	12	0	14	5	3	28+TT	9-TT
21	26	4.5	12	0	14	5	3	28+TT	9-TT
22	26	3	4	0	22	2	3	28+TT	19-TT
23	26	3	4	0	22	2	3	28+TT	19-TT
24	26	3	6	0	20	2.5	3	28+TT	17-TT
25	26	3	12	0	14	5	3	28+TT	9-TT
26	26	3.5	12	0	14	5	3	28+TT	9-TT
27	26	3	4	0	22	2	3	28+TT	19-TT
28	26	3	4.5	0	21.5	2	3	28+TT	18.5-TT
29	26	3	6	0	20	2.5	3	28+TT	17-TT
30	26	3	12	0	14	5	3	28+TT	9-TT
31	26	3.5	12	0	14	5	3	28+TT	9-TT
32	26	3.5	4	0	22	2	3	28+TT	19-TT
33	26	3.5	5	0	21	2	3	28+TT	18-TT
34	26	3.5	6.5	0	19.5	3.5	3	28+TT	16-TT
35	26	3.5	12	0	14	5	3	28+TT	9-TT
36	26	3.5	12	0	14	5	3	28+TT	9-TT
37	26	6.5	12	0	14	5	3	28+TT	9-TT
38	26	6.5	12	0	14	5	3	28+TT	9-TT
NOTE 1: $P_{\text{PowerClass}}$ is the maximum UE power specified without taking into account the tolerance.									
NOTE 2: TT for each frequency and channel bandwidth is specified in Table 6.2.3.5-0.									

Table 6.2.3.5-11: UE Power Class 3 test requirements (NS_43U)

Test ID	$P_{\text{PowerClass}}$ (dBm)	MPR (dB)	A-MPR (dB)	$\Delta T_{C,c}$ (dB)	$P_{\text{CMAX_L,c}}$ (dBm)	$T(P_{\text{CMAX_L,c}})$ (dB)	$T_{L,c}$ (dB)	Upper limit (dBm)	Lower limit (dBm)
1	23	0.5	2	0	21	2	2	25+TT	19-TT
2	23	0.5	2	0	21	2	2	25+TT	19-TT
3	23	0.5	9	0	14	5	2	25+TT	9-TT
4	23	0.5	9	0	14	5	2	25+TT	9-TT
5	23	1.0	2	0	21	2.0	2	25+TT	19-TT
6	23	1.0	2.5	0	20.5	2.5	2	25+TT	18-TT
7	23	1.0	9	0	14	5.0	2	25+TT	9-TT
8	23	1.0	9	0	14	5.0	2	25+TT	9-TT
9	23	2.0	2.5	0	20.5	2.5	2	25+TT	18-TT
10	23	2.0	2.5	0	20.5	2.5	2	25+TT	18-TT

11	23	2.0	9	0	14	5.0	2	25+TT	9-TT
12	23	2.0	9	0	14	5.0	2	25+TT	9-TT
13	23	2.5	3	0	20	2.5	2	25+TT	17.5-TT
14	23	2.5	3	0	20	2.5	2	25+TT	17.5-TT
15	23	2.5	9	0	14	5.0	2	25+TT	9-TT
16	23	2.5	9	0	14	5.0	2	25+TT	9-TT
17	23	4.5	4.5	0	18.5	4.0	2	25+TT	14.5-TT
18	23	4.5	4.5	0	18.5	4.0	2	25+TT	14.5-TT
19	23	4.5	9	0	14	5.0	2	25+TT	9-TT
20	23	4.5	9	0	14	5.0	2	25+TT	9-TT
21	23	3.0	4	0	19	3.5	2	25+TT	15.5-TT
22	23	3.0	4	0	19	3.5	2	25+TT	15.5-TT
23	23	3.0	9	0	14	5.0	2	25+TT	9-TT
24	23	3.0	9	0	14	5.0	2	25+TT	9-TT
25	23	3.0	4	0	19	3.5	2	25+TT	15.5-TT
26	23	3.0	4	0	19	3.5	2	25+TT	15.5-TT
27	23	3.0	9	0	14	5.0	2	25+TT	9-TT
28	23	3.0	9	0	14	5.0	2	25+TT	9-TT
29	23	3.5	4	0	19	3.5	2	25+TT	15.5-TT
30	23	3.5	4	0	19	3.5	2	25+TT	15.5-TT
31	23	3.5	9	0	14	5.0	2	25+TT	9-TT
32	23	3.5	9	0	14	5.0	2	25+TT	9-TT
33	23	6.5	6.5	0	16.5	5.0	2	25+TT	11.5-TT
34	23	6.5	6.5	0	16.5	5.0	2	25+TT	11.5-TT
35	23	6.5	9	0	14	5.0	2	25+TT	9-TT
36	23	6.5	9	0	14	5.0	2	25+TT	9-TT

NOTE 1: $P_{PowerClass}$ is the maximum UE power specified without taking into account the tolerance.
 NOTE 2: TT for each frequency and channel bandwidth is specified in Table 6.2.3.5-0.

Table 6.2.3.5-12: UE Power Class 3 test requirements (NS_100) for band n1, n5, n18, n65, n66

Test ID	$P_{PowerClass}$ (dBm)	MPR (dB)	A-MPR (dB)	$\Delta T_{C,c}$ (dB)	$P_{C_{MAX_L,c}}$ (dBm)	$T(P_{C_{MAX_L,c}})$ (dB)	$T_{L,c}$ (dB)	Upper limit (dBm)	Lower limit (dBm)
1, 2	23	0.5	2	0	21	2	2	25+TT	19-TT
3	23	0.5	2	0	21	2	2	25+TT	19-TT
4, 5	23	1	2	0	21	2	2	25+TT	19-TT
6	23	1	2	0	21	2	2	25+TT	19-TT
7, 8	23	2	2.5	0	20.5	2.5	2	25+TT	18-TT
9	23	2	2.5	0	20.5	2.5	2	25+TT	18-TT
10, 11	23	2.5	3	0	20	2.5	2	25+TT	17.5-TT
12	23	2.5	3	0	20	2.5	2	25+TT	17.5-TT
13, 14	23	4.5	4.5	0	18.5	4	2	25+TT	14.5-TT
15	23	4.5	4.5	0	18.5	4	2	25+TT	14.5-TT
16, 17	23	3	4	0	19	3.5	2	25+TT	15.5-TT
18	23	3	4	0	19	3.5	2	25+TT	15.5-TT
19, 20	23	3	4	0	19	3.5	2	25+TT	15.5-TT
21	23	3	4	0	19	3.5	2	25+TT	15.5-TT
22, 23	23	3.5	4	0	19	3.5	2	25+TT	15.5-TT
24	23	3.5	4	0	19	3.5	2	25+TT	15.5-TT
25, 26	23	6.5	6.5	0	16.5	5	2	25+TT	11.5-TT
27	23	6.5	6.5	0	16.5	5	2	25+TT	11.5-TT

NOTE 1: $P_{PowerClass}$ is the maximum UE power specified without taking into account the tolerance.
 NOTE 2: TT for each frequency and channel bandwidth is specified in Table 6.2.3.5-0.

Table 6.2.3.5-13: UE Power Class 3 test requirements (NS_100) for band n2, n3, n8, n25 and n26

Test ID	$P_{PowerClass}$ (dBm)	MPR (dB)	A-MPR (dB)	$\Delta T_{C,c}$ (dB)	$P_{C_{MAX_L,c}}$ (dBm)	$T(P_{C_{MAX_L,c}})$ (dB)	$T_{L,c}$ (dB)	Upper limit (dBm)	Lower limit (dBm)
1, 2	23	0.5	2	1.5	19.5	3.5	2	25+TT	16-TT
3	23	0.5	2	0	21	2	2	25+TT	19-TT
4, 5	23	1	2	1.5	19.5	3.5	2	25+TT	16-TT
6	23	1	2	0	21	2	2	25+TT	19-TT
7, 8	23	2	2.5	1.5	19	3.5	2	25+TT	15.5-TT

9	23	2	2.5	0	20.5	2.5	2	25+TT	18-TT
10, 11	23	2.5	3	1.5	18.5	4	2	25+TT	14.5-TT
12	23	2.5	3	0	20	2.5	2	25+TT	17.5-TT
13, 14	23	4.5	4.5	1.5	17	5	2	25+TT	12-TT
15	23	4.5	4.5	0	18.5	4	2	25+TT	14.5-TT
16, 17	23	3	4	1.5	17.5	5	2	25+TT	12.5-TT
18	23	3	4	0	19	3.5	2	25+TT	15.5-TT
19, 20	23	3	4	1.5	17.5	5	2	25+TT	12.5-TT
21	23	3	4	0	19	3.5	2	25+TT	15.5-TT
22, 23	23	3.5	4	1.5	17.5	5	2	25+TT	12.5-TT
24	23	3.5	4	0	19	3.5	2	25+TT	15.5-TT
25, 26	23	6.5	6.5	1.5	15	5	2	25+TT	10-TT
27	23	6.5	6.5	0	16.5	5	2	25+TT	11.5-TT

NOTE 1: $P_{PowerClass}$ is the maximum UE power specified without taking into account the tolerance.

NOTE 2: TT for each frequency and channel bandwidth is specified in Table 6.2.3.5-0.

Table 6.2.3.5-13a: UE Power Class 2 test requirements (NS_100) for band n8

Test ID	$P_{PowerClass}$ (dBm)	MPR (dB)	A-MPR (dB)	$\Delta T_{C,c}$ (dB)	$P_{CMAX_L,c}$ (dBm)	$T(P_{CMAX_L,c})$ (dB)	$T_{L,c}$ (dB)	Upper limit (dBm)	Lower limit (dBm)
1, 2	26	3.5	2	1.5	21	2	3	28+TT	18
3	26	0.5	2	0	24	2	3	28+TT	21
4, 5	26	3.5	2	1.5	21	2	3	28+TT	18
6	26	1	2	0	24	2	3	28+TT	21
7, 8	26	3.5	2.5	1.5	21	2	3	28+TT	18
9	26	2	2.5	0	23.5	2	3	28+TT	20.5
10, 11	26	3.5	3	1.5	21	2	3	28+TT	18
12	26	2.5	3	0	23	2	3	28+TT	20
13, 14	26	4.5	4.5	1.5	20	2.5	3	28+TT	17
15	26	4.5	4.5	0	21.5	2	3	28+TT	18.5
16, 17	26	3.5	4	1.5	20.5	2.5	3	28+TT	17.5
18	26	1	4	0	22	2	3	28+TT	19
19, 20	26	3.5	4	1.5	20.5	2.5	3	28+TT	17.5
21	26	3	4	0	22	2	3	28+TT	19
22, 23	26	3.5	4	1.5	20.5	2.5	3	28+TT	17.5
24	26	3.5	4	0	22	2	3	28+TT	19
25, 26	26	6.5	6.5	1.5	18	4	3	28+TT	14
27	26	6.5	6.5	0	19.5	3.5	3	28+TT	16

NOTE 1: $P_{PowerClass}$ is the maximum UE power specified without taking into account the tolerance.

NOTE 2: TT for each frequency and channel bandwidth is specified in Table 6.2.3.5-0.

Table 6.2.3.5-14: UE Power Class 3 test requirements (NS_37)

Test ID	$P_{PowerClass}$ (dBm)	$\Delta P_{PowerClass}$ (dB)	MPR (dB)	A-MPR (dB)	$\Delta T_{C,c}$ (dB)	$P_{CMAX_L,c}$ (dBm)	$T(P_{CMAX_L,c})$ (dB)	$T_{L,c}$ (dB)	Upper limit (dBm)	Lower limit (dBm)
1	23	0	0.5	1.0	0	22	2	2	25+TT	20-TT
2	23	0	0.5	1.0	0	22	2	2	25+TT	20-TT
3	23	0	0.5	3.0	0	20	2.5	2	25+TT	17.5-TT
4	23	0	0.5	3.0	0	20	2.5	2	25+TT	17.5-TT
5	23	0	1.0	1.5	0	21.5	2.0	2	25+TT	19.5-TT
6	23	0	1.0	1.5	0	21.5	2.0	2	25+TT	19.5-TT
7	23	0	1.0	3.0	0	20	2.5	2	25+TT	17.5-TT
8	23	0	1.0	3.0	0	20	2.5	2	25+TT	17.5-TT
9	23	0	2.0	2.5	0	20.5	2.5	2	25+TT	18-TT
10	23	0	2.0	2.5	0	20.5	2.5	2	25+TT	18-TT
11	23	0	2.0	3.0	0	20	2.5	2	25+TT	17.5-TT
12	23	0	2.0	3.0	0	20	2.5	2	25+TT	17.5-TT
13	23	0	2.5	3.0	0	20	2.5	2	25+TT	17.5-TT
14	23	0	2.5	3.0	0	20	2.5	2	25+TT	17.5-TT
15	23	0	2.5	3.0	0	20	2.5	2	25+TT	17.5-TT
16	23	0	2.5	3.0	0	20	2.5	2	25+TT	17.5-TT
17	23	0	3.0	3.5	0	19.5	3.5	2	25+TT	16-TT
18	23	0	3.0	3.5	0	19.5	3.5	2	25+TT	16-TT

19	23	0	3.0	3.0	0	20	2.5	2	25+TT	17.5-TT
20	23	0	3.0	3.0	0	20	2.5	2	25+TT	17.5-TT
21	23	0	3.0	3.5	0	19.5	3.5	2	25+TT	16-TT
22	23	0	3.0	3.5	0	19.5	3.5	2	25+TT	16-TT
23	23	0	3.0	3.0	0	20	2.5	2	25+TT	17.5-TT
24	23	0	3.0	3.0	0	20	2.5	2	25+TT	17.5-TT

NOTE 1: $P_{PowerClass}$ is the maximum UE power specified without taking into account the tolerance.

NOTE 2: TT for each frequency and channel bandwidth is specified in Table 6.2.3.5-0.

Table 6.2.3.5-15: UE Power Class 3 test requirements (NS_38)

Test ID	$P_{PowerClass}$ (dBm)	$\Delta P_{PowerClass}$ (dB)	MPR (dB)	A-MPR (dB)	$\Delta T_{C,c}$ (dB)	$P_{CMAX_L,c}$ (dBm)	$T(P_{CMAX_L,c})$ (dB)	$T_{L,c}$ (dB)	Upper limit (dBm)	Lower limit (dBm)
1	23	0	0.5	12	0	11	6.0	2	25+TT	5-TT
2	23	0	0.5	9	0	14	5.0	2	25+TT	9-TT
3	23	0	0.5	13	0	10	6.0	2	25+TT	4-TT
4	23	0	0.5	10	0	13	5.0	2	25+TT	8-TT
5	23	0	0.5	13	0	10	6.0	2	25+TT	4-TT
6	23	0	0.5	10	0	13	5.0	2	25+TT	8-TT
7	23	0	1.0	12	0	11	6.0	2	25+TT	5-TT
8	23	0	1.0	9	0	14	5.0	2	25+TT	9-TT
9	23	0	1.0	13	0	10	6.0	2	25+TT	4-TT
10	23	0	1.0	10	0	13	5.0	2	25+TT	8-TT
11	23	0	1.0	13	0	10	6.0	2	25+TT	4-TT
12	23	0	1.0	10	0	13	5.0	2	25+TT	8-TT
13	23	0	2.0	12	0	11	6.0	2	25+TT	5-TT
14	23	0	2.0	9	0	14	5.0	2	25+TT	9-TT
15	23	0	2.0	13	0	10	6.0	2	25+TT	4-TT
16	23	0	2.0	10	0	13	5.0	2	25+TT	8-TT
17	23	0	2.0	13	0	10	6.0	2	25+TT	4-TT
18	23	0	2.0	10	0	13	5.0	2	25+TT	8-TT
19	23	0	2.5	12	0	11	6.0	2	25+TT	5-TT
20	23	0	2.5	9	0	14	5.0	2	25+TT	9-TT
21	23	0	2.5	13	0	10	6.0	2	25+TT	4-TT
22	23	0	2.5	10	0	13	5.0	2	25+TT	8-TT
23	23	0	2.5	13	0	10	6.0	2	25+TT	4-TT
24	23	0	2.5	10	0	13	5.0	2	25+TT	8-TT
25	23	0	4.5	12	0	11	6.0	2	25+TT	5-TT
26	23	0	4.5	9	0	14	5.0	2	25+TT	9-TT
27	23	0	4.5	13	0	10	6.0	2	25+TT	4-TT
28	23	0	4.5	10	0	13	5.0	2	25+TT	8-TT
29	23	0	4.5	13	0	10	6.0	2	25+TT	4-TT
30	23	0	4.5	10	0	13	5.0	2	25+TT	8-TT
31	23	0	3.0	12	0	11	6.0	2	25+TT	5-TT
32	23	0	3.0	9	0	14	5.0	2	25+TT	9-TT
33	23	0	3.0	13	0	10	6.0	2	25+TT	4-TT
34	23	0	3.0	10	0	13	5.0	2	25+TT	8-TT
35	23	0	3.0	13	0	10	6.0	2	25+TT	4-TT
36	23	0	3.0	10	0	13	5.0	2	25+TT	8-TT
37	23	0	3.0	12	0	11	6.0	2	25+TT	5-TT
38	23	0	3.0	9	0	14	5.0	2	25+TT	9-TT
39	23	0	3.0	13	0	10	6.0	2	25+TT	4-TT
40	23	0	3.0	10	0	13	5.0	2	25+TT	8-TT
41	23	0	3.0	13	0	10	6.0	2	25+TT	4-TT
42	23	0	3.0	10	0	13	5.0	2	25+TT	8-TT
43	23	0	3.5	12	0	11	6.0	2	25+TT	5-TT
44	23	0	3.5	9	0	14	5.0	2	25+TT	9-TT
45	23	0	3.5	13	0	10	6.0	2	25+TT	4-TT

Test ID	$P_{PowerClass}$ (dBm)	$\Delta P_{PowerClass}$ (dB)	MPR (dB)	A-MPR (dB)	$\Delta T_{C,c}$ (dB)	$P_{CMAX_L,c}$ (dBm)	$T(P_{CMAX_L,c})$ (dB)	$T_{L,c}$ (dB)	Upper limit (dBm)	Lower limit (dBm)
46	23	0	3.5	10	0	13	5.0	2	25+TT	8-TT

47	23	0	3.5	13	0	10	6.0	2	25+TT	4-TT
48	23	0	3.5	10	0	13	5.0	2	25+TT	8-TT
49	23	0	6.5	12	0	11	6.0	2	25+TT	5-TT
50	23	0	6.5	9	0	14	5.0	2	25+TT	9-TT
51	23	0	6.5	13	0	10	6.0	2	25+TT	4-TT
52	23	0	6.5	10	0	13	5.0	2	25+TT	8-TT
53	23	0	6.5	13	0	10	6.0	2	25+TT	4-TT
54	23	0	6.5	10	0	13	5.0	2	25+TT	8-TT

NOTE 1: $P_{PowerClass}$ is the maximum UE power specified without taking into account the tolerance.
 NOTE 2: TT for each frequency and channel bandwidth is specified in Table 6.2.3.5-0.

Table 6.2.3.5-16: UE Power Class 3 test requirements (NS_39)

Test ID	$P_{PowerClass}$ (dBm)	$\Delta P_{PowerClass}$ (dB)	MPR (dB)	A-MPR (dB)	$\Delta T_{C,c}$ (dB)	$P_{CMAX_L,c}$ (dBm)	$T(P_{CMAX_L,c})$ (dB)	$T_{L,c}$ (dB)	Upper limit (dBm)	Lower limit (dBm)
1	23	0	0.5	6	0	17	5.0	2	25+TT	12-TT
2	23	0	0.5	6	0	17	5.0	2	25+TT	12-TT
3	23	0	0.5	6	0	17	5.0	2	25+TT	12-TT
4	23	0	1.0	6	0	17	5.0	2	25+TT	12-TT
5	23	0	1.0	6	0	17	5.0	2	25+TT	12-TT
6	23	0	1.0	6	0	17	5.0	2	25+TT	12-TT
7	23	0	2.0	6	0	17	5.0	2	25+TT	12-TT
8	23	0	2.0	6	0	17	5.0	2	25+TT	12-TT
9	23	0	2.0	6	0	17	5.0	2	25+TT	12-TT
10	23	0	2.5	6	0	17	5.0	2	25+TT	12-TT
11	23	0	2.5	6	0	17	5.0	2	25+TT	12-TT
12	23	0	2.5	6	0	17	5.0	2	25+TT	12-TT
13	23	0	4.5	6	0	17	5.0	2	25+TT	12-TT
14	23	0	4.5	6	0	17	5.0	2	25+TT	12-TT
15	23	0	4.5	6	0	17	5.0	2	25+TT	12-TT
16	23	0	3.0	6	0	17	5.0	2	25+TT	12-TT
17	23	0	3.0	6	0	17	5.0	2	25+TT	12-TT
18	23	0	3.0	6	0	17	5.0	2	25+TT	12-TT
19	23	0	3.0	6	0	17	5.0	2	25+TT	12-TT
20	23	0	3.0	6	0	17	5.0	2	25+TT	12-TT
21	23	0	3.0	6	0	17	5.0	2	25+TT	12-TT
22	23	0	3.5	6	0	17	5.0	2	25+TT	12-TT
23	23	0	3.5	6	0	17	5.0	2	25+TT	12-TT
24	23	0	3.5	6	0	17	5.0	2	25+TT	12-TT
25	23	0	6.5	6	0	16.5	5.0	2	25+TT	11.5-TT
26	23	0	6.5	6	0	16.5	5.0	2	25+TT	11.5-TT
27	23	0	6.5	6	0	16.5	5.0	2	25+TT	11.5-TT

NOTE 1: $P_{PowerClass}$ is the maximum UE power specified without taking into account the tolerance.
 NOTE 2: TT for each frequency and channel bandwidth is specified in Table 6.2.3.5-0.

Table 6.2.3.5-17: UE Power Class 3 test requirements (NS_24) for n65

Test ID	$P_{PowerClass}$ (dBm)	MPR (dB)	A-MPR (dB)	$\Delta T_{C,c}$ (dB)	$P_{CMAX_L,c}$ (dBm)	$T(P_{CMAX_L,c})$ (dB)	$T_{L,c}$ (dB)	Upper limit (dBm)	Lower limit (dBm)
1-3	23	N/A	3.5	0	19.5	3.5	2	25+TT	16-TT
4-6	23	N/A	8.5	0	14.5	5	2	25+TT	9.5-TT
7-15	23	N/A	11	0	12	6	2	25+TT	6-TT
	23	N/A	5	0	18	4	2	25+TT	14-TT
	23	N/A	4	0	19	3.5	2	25+TT	16-TT
16-18	23	N/A	8.5	0	14.5	5	2	25+TT	9.5-TT
19-21	23	N/A	8.5	0	14.5	5	2	25+TT	9.5-TT
22-30	23	N/A	11	0	12	6	2	25+TT	6-TT
	23	N/A	5	0	18	4	2	25+TT	14-TT

	23	N/A	4	0	19	3.5	2	25+TT	15.5-TT
31-39	23	N/A	18	0	5	7	2	25+TT	-2-TT
	23	N/A	18	0	5	7	2	25+TT	-2-TT
	23	N/A	10	0	13	5	2	25+TT	8-TT
40-42	23	N/A	18	0	5	7	2	25+TT	-2-TT
43-51	23	N/A	11	0	12	6	2	25+TT	6-TT
	23	N/A	5	0	18	4	2	25+TT	14-TT
	23	N/A	4	0	19	3.5	2	25+TT	15.5-TT
52-60	23	N/A	18	0	5	7	2	25+TT	-2-TT
	23	N/A	18	0	5	7	2	25+TT	-2-TT
	23	N/A	10	0	13	5	2	25+TT	8-TT
61-63	23	N/A	18	0	5	7	2	25+TT	-2-TT
64-72	23	N/A	18	0	5	7	2	25+TT	-2-TT
	23	N/A	18	0	5	7	2	25+TT	-2-TT
	23	N/A	10	0	13	5	2	25+TT	8-TT
73-75	23	N/A	18	0	5	7	2	25+TT	-2-TT
76-84	23	N/A	18	0	5	7	2	25+TT	-2-TT
	23	N/A	18	0	5	7	2	25+TT	-2-TT
	23	N/A	10	0	13	5	2	25+TT	8-TT
85-87	23	N/A	18	0	5	7	2	25+TT	-2-TT
88	23	N/A	3.5	0	19.5	3.5	2	25+TT	16-TT
89	23	N/A	8.5	0	14.5	5	2	25+TT	9.5-TT
90-92	23	N/A	11	0	12	6	2	25+TT	6-TT
	23	N/A	5	0	18	4	2	25+TT	14-TT
	23	N/A	4	0	19	3.5	2	25+TT	16-TT
93	23	N/A	8.5	0	14.5	5	2	25+TT	9.5-TT
94	23	N/A	8.5	0	14.5	5	2	25+TT	9.5-TT
95-97	23	N/A	11	0	12	6	2	25+TT	6-TT
	23	N/A	5	0	18	4	2	25+TT	14-TT
	23	N/A	4	0	19	3.5	2	25+TT	15.5-TT
98-100	23	N/A	19	0	4	7	2	25+TT	-3-TT
	23	N/A	19	0	4	7	2	25+TT	-3-TT
	23	N/A	10	0	13	5	2	25+TT	8-TT
101	23	N/A	19	0	4	7	2	25+TT	-3-TT

Test ID	P ^{PowerClass} (dBm)	MPR (dB)	A-MPR (dB)	$\Delta T_{C,c}$ (dB)	P _{CMAX,L,c} (dBm)	T(P _{CMAX,L,c}) (dB)	T _{L,c} (dB)	Upper limit (dBm)	Lower limit (dBm)
103-105	23	N/A	11	0	12	6	2	25+TT	6-TT
	23	N/A	5	0	18	4	2	25+TT	14-TT
	23	N/A	4	0	19	3.5	2	25+TT	15.5-TT
106-108	23	N/A	19	0	4	7	2	25+TT	-3-TT
	23	N/A	19	0	4	7	2	25+TT	-3-TT
	23	N/A	10	0	13	5	2	25+TT	8-TT
109	23	N/A	19	0	4	7	2	25+TT	-3-TT
110-112	23	N/A	19	0	4	7	2	25+TT	-3-TT
	23	N/A	19	0	4	7	2	25+TT	-3-TT
	23	N/A	10	0	13	5	2	25+TT	8-TT
113	23	N/A	19	0	4	7	2	25+TT	-3-TT
114-116	23	N/A	19	0	4	7	2	25+TT	-3-TT
	23	N/A	19	0	4	7	2	25+TT	-3-TT

	23	N/A	10	0	13	5	2	25+TT	8-TT
117	23	N/A	19	0	4	7	2	25+TT	-3-TT
118	23	4.5		0	18.5	4	2	25+TT	14.5-TT
119	23	N/A	8.5	0	14.5	5	2	25+TT	9.5-TT
120-122	23	N/A	11	0	12	6	2	25+TT	6-TT
	23	N/A	5	0	18	4	2	25+TT	14-TT
	23	4.5		0	18.5	4	2	25+TT	14.5-TT
123	23	N/A	8.5	0	14.5	5	2	25+TT	9.5-TT
124	23	N/A	8.5	0	14.5	5	2	25+TT	9.5-TT
125-127	23	N/A	11	0	12	6	2	25+TT	6-TT
	23	N/A	5	0	18	4	2	25+TT	14-TT
	23	4.5		0	18.5	4	2	25+TT	14.5-TT
128-130	23	N/A	19	0	4	7	2	25+TT	-3-TT
	23	N/A	19	0	4	7	2	25+TT	-3-TT
	23	N/A	10	0	13	5	2	25+TT	8-TT
131	23	N/A	19	0	4	7	2	25+TT	-3-TT
133-135	23	N/A	11	0	12	6	2	25+TT	6-TT
	23	N/A	5	0	18	4	2	25+TT	14-TT
	23	4.5		0	18.5	4	2	25+TT	14.5-TT
136-138	23	N/A	19	0	4	7	2	25+TT	-3-TT
	23	N/A	19	0	4	7	2	25+TT	-3-TT
	23	N/A	10	0	13	5	2	25+TT	8-TT
139	23	N/A	19	0	4	7	2	25+TT	-3-TT
140-142	23	N/A	19	0	4	7	2	25+TT	-3-TT
	23	N/A	19	0	4	7	2	25+TT	-3-TT
	23	N/A	10	0	13	5	2	25+TT	8-TT
143	23	N/A	19	0	4	7	2	25+TT	-3-TT
144-146	23	N/A	19	0	4	7	2	25+TT	-3-TT
	23	N/A	19	0	4	7	2	25+TT	-3-TT
	23	N/A	10	0	13	5	2	25+TT	8-TT
147	23	N/A	19	0	4	7	2	25+TT	-3-TT

Test ID	P _{PowerClass} (dBm)	MPR (dB)	A-MPR (dB)	ΔT _{C,c} (dB)	P _{C_{MAX},L,c} (dBm)	T(P _{C_{MAX},L,c}) (dB)	T _{L,c} (dB)	Upper limit (dBm)	Lower limit (dBm)
148-150	23	N/A	5.5	0	17.5	5	2	25+TT	12.5-TT
151-153	23	N/A	8.5	0	14.5	5	2	25+TT	9.5-TT
154-162	23	N/A	13	0	10	6	2	25+TT	4-TT
	23	N/A	6.5	0	16.5	5	2	25+TT	11.5-TT
	23	N/A	4	0	19	3.5	2	25+TT	16-TT
163-165	23	N/A	8.5	0	14.5	5	2	25+TT	9.5-TT
166-168	23	N/A	8.5	0	14.5	5	2	25+TT	9.5-TT
169-177	23	N/A	13	0	10	6	2	25+TT	4-TT
	23	N/A	6.5	0	16.5	5	2	25+TT	11.5-TT
	23	N/A	4	0	19	3.5	2	25+TT	15.5-TT
178-186	23	N/A	19	0	4	7	2	25+TT	-3-TT
	23	N/A	19	0	4	7	2	25+TT	-3-TT
	23	N/A	12	0	11	6	2	25+TT	5-TT
187-189	23	N/A	19	0	4	7	2	25+TT	-3-TT
190-198	23	N/A	13	0	10	6	2	25+TT	4-TT
	23	N/A	6.5	0	16.5	5	2	25+TT	11.5-TT

	23	N/A	4	0	19	3.5	2	25+TT	15.5-TT
199-207	23	N/A	19	0	4	7	2	25+TT	-3-TT
	23	N/A	19	0	4	7	2	25+TT	-3-TT
	23	N/A	12	0	11	6	2	25+TT	5-TT
208-210	23	N/A	19	0	4	7	2	25+TT	-3-TT
211-219	23	N/A	19	0	4	7	2	25+TT	-3-TT
	23	N/A	19	0	4	7	2	25+TT	-3-TT
	23	N/A	12	0	11	6	2	25+TT	5-TT
220-222	23	N/A	19	0	4	7	2	25+TT	-3-TT
223-231	23	N/A	19	0	4	7	2	25+TT	-3-TT
	23	N/A	19	0	4	7	2	25+TT	-3-TT
	23	N/A	12	0	11	6	2	25+TT	5-TT
232-234	23	N/A	19	0	4	7	2	25+TT	-3-TT
235	23	6.5		0	16.5	5	2	25+TT	11.5-TT
236	23	N/A	8.5	0	14.5	5	2	25+TT	9.5-TT
237-239	23	N/A	13	0	10	6	2	25+TT	4-TT
	23	N/A	6.5	0	16.5	5	2	25+TT	11.5-TT
	23	6.5		0	16.5	5	2	25+TT	11.5-TT
240	23	N/A	8.5	0	14.5	5	2	25+TT	9.5-TT
241	23	N/A	8.5	0	14.5	5	2	25+TT	9.5-TT
242-244	23	N/A	13	0	10	6	2	25+TT	4-TT
	23	N/A	6.5	0	16.5	5	2	25+TT	11.5-TT
	23	6.5		0	16.5	5	2	25+TT	11.5-TT
245-247	23	N/A	19	0	4	7	2	25+TT	-3-TT
	23	N/A	19	0	4	7	2	25+TT	-3-TT
	23	N/A	12	0	11	6	2	25+TT	5-TT
248	23	N/A	19	0	4	7	2	25+TT	-3-TT

Test ID	P _{PowerClass} (dBm)	MPR (dB)	A-MPR (dB)	ΔT _{C,c} (dB)	P _{CMAX_L,c} (dBm)	T(P _{CMAX_L,c}) (dB)	T _{L,c} (dB)	Upper limit (dBm)	Lower limit (dBm)
250-252	23	N/A	13	0	10	6	2	25+TT	4-TT
	23	N/A	6.5	0	16.5	5	2	25+TT	11.5-TT
	23	6.5		0	16.5	5	2	25+TT	11.5-TT
253-255	23	N/A	19	0	4	7	2	25+TT	-3-TT
	23	N/A	19	0	4	7	2	25+TT	-3-TT
	23	N/A	12	0	11	6	2	25+TT	5-TT
256	23	N/A	19	0	4	7	2	25+TT	-3-TT
257-259	23	N/A	19	0	4	7	2	25+TT	-3-TT
	23	N/A	19	0	4	7	2	25+TT	-3-TT
	23	N/A	12	0	11	6	2	25+TT	5-TT
260	23	N/A	19	0	4	7	2	25+TT	-3-TT
261-263	23	N/A	19	0	4	7	2	25+TT	-3-TT
	23	N/A	19	0	4	7	2	25+TT	-3-TT
	23	N/A	12	0	11	6	2	25+TT	5-TT
264	23	N/A	19	0	4	7	2	25+TT	-3-TT
265	23	1		0	22	2	2	25+TT	20-TT
266	23	2		0	21	2	2	25+TT	19-TT
267	23	1		0	22	2	2	25+TT	20-TT

NOTE 1: P_{PowerClass} is the maximum UE power specified without taking into account the tolerance.
 NOTE 2: TT for each frequency and channel bandwidth is specified in Table 6.2.3.5-0.

Table 6.2.3.5-18: UE Power Class 3 test requirements (NS_27)

Test ID	$P_{PowerClass}$ (dBm)	$\Delta P_{PowerClass}$ (dB)	MPR (dB)	A-MPR (dB)	$\Delta T_{C,c}$ (dB)	$P_{CMAX,L,c}$ (dBm)	$T(P_{CMAX,L,c})$ (dB)	$T_{L,c}$ (dB)	Upper limit (dBm)	Lower limit (dBm)
1	23	0	0.5	4	0	19	3.5	3	25+TT	15.5-TT
2	23	0	0.5	4	0	19	3.5	3	25+TT	15.5-TT
3	23	0	0.5	4	0	19	3.5	3	25+TT	15.5-TT
4	23	0	0.5	4	0	19	3.5	3	25+TT	15.5-TT
5	23	0	0.5	4	0	19	3.5	3	25+TT	15.5-TT
6	23	0	0.5	2	0	21	2.0	3	25+TT	18-TT
7	23	0	0.5	4	0	19	3.5	3	25+TT	15.5-TT
8	23	0	0.5	2	0	21	2.0	3	25+TT	18-TT
9	23	0	0.5	4	0	19	3.5	3	25+TT	15.5-TT
10	23	0	0.5	4	0	19	3.5	3	25+TT	15.5-TT
11	23	0	0.5	4	0	19	3.5	3	25+TT	15.5-TT
12	23	0	0.5	4	0	19	3.5	3	25+TT	15.5-TT
13	23	0	0.5	4	0	19	3.5	3	25+TT	15.5-TT
14	23	0	0.5	2	0	21	2.0	3	25+TT	18-TT
15	23	0	0.5	4	0	19	3.5	3	25+TT	15.5-TT
16	23	0	0.5	2	0	21	2.0	3	25+TT	18-TT
17	23	0	0.5	10.5	0	12.5	6.0	3	25+TT	6.5-TT
18	23	0	0.5	6	0	17	5.0	3	25+TT	12-TT
19	23	0	0.5	4.5	0	18.5	4.0	3	25+TT	14.5-TT
20	23	0	0.5	10.5	0	12.5	6.0	3	25+TT	6.5-TT
21	23	0	0.5	10.5	0	12.5	6.0	3	25+TT	6.5-TT
22	23	0	0.5	6	0	17	5.0	3	25+TT	12-TT
23	23	0	0.5	4.5	0	18.5	4.0	3	25+TT	14.5-TT
24	23	0	0.5	10.5	0	12.5	6.0	3	25+TT	6.5-TT
25	23	0	0.5	4	0	19	3.5	3	25+TT	15.5-TT
26	23	0	0.5	4	0	19	3.5	3	25+TT	15.5-TT
27	23	0	0.5	4	0	19	3.5	3	25+TT	15.5-TT
28	23	0	0.5	4	0	19	3.5	3	25+TT	15.5-TT
29	23	0	0.5	10.5	0	12.5	6.0	3	25+TT	6.5-TT
30	23	0	0.5	6	0	17	5.0	3	25+TT	12-TT
31	23	0	0	4.5	0	18.5	4.0	3	25+TT	14.5-TT
32	23	0	0.5	10.5	0	12.5	6.0	3	25+TT	6.5-TT
33	23	0	0.5	10.5	0	12.5	6.0	3	25+TT	6.5-TT
34	23	0	0.5	6	0	17	5.0	3	25+TT	12-TT
35	23	0	0.5	4.5	0	18.5	4.0	3	25+TT	14.5-TT
36	23	0	0.5	10.5	0	12.5	6.0	3	25+TT	6.5-TT
37	23	0	0.5	4	0	19	3.5	3	25+TT	15.5-TT
38	23	0	0.5	4.5	0	18.5	4.0	3	25+TT	14.5-TT
39	23	0	0.5	4	0	19	3.5	3	25+TT	15.5-TT
40	23	0	0.5	4.5	0	18.5	4.0	3	25+TT	14.5-TT
41	23	0	1	4	0	19	3.5	3	25+TT	15.5-TT
42	23	0	1	4	0	19	3.5	3	25+TT	15.5-TT
43	23	0	1	4	0	19	3.5	3	25+TT	15.5-TT
44	23	0	1	4	0	19	3.5	3	25+TT	15.5-TT
45	23	0	1	4	0	19	3.5	3	25+TT	15.5-TT
46	23	0	1	2	0	21	2.0	3	25+TT	18-TT
47	23	0	1	4	0	19	3.5	3	25+TT	15.5-TT
48	23	0	1	2	0	21	2.0	3	25+TT	18-TT
49	23	0	1	4	0	19	3.5	3	25+TT	15.5-TT
50	23	0	1	4	0	19	3.5	3	25+TT	15.5-TT
51	23	0	1	4	0	19	3.5	3	25+TT	15.5-TT
52	23	0	1	4	0	19	3.5	3	25+TT	15.5-TT
53	23	0	1	4	0	19	3.5	3	25+TT	15.5-TT
54	23	0	1	2	0	21	2.0	3	25+TT	18-TT
55	23	0	1	4	0	19	3.5	3	25+TT	15.5-TT
56	23	0	1	2	0	21	2.0	3	25+TT	18-TT
57	23	0	1	10.5	0	12.5	6.0	3	25+TT	6.5-TT
58	23	0	1	6	0	17	5.0	3	25+TT	12-TT
59	23	0	1	4.5	0	18.5	4.0	3	25+TT	14.5-TT

60	23	0	1	10.5	0	12.5	6.0	3	25+TT	6.5-TT
61	23	0	1	10.5	0	12.5	6.0	3	25+TT	6.5-TT
62	23	0	1	6	0	17	5.0	3	25+TT	12-TT
63	23	0	1	4.5	0	18.5	4.0	3	25+TT	14.5-TT
64	23	0	1	10.5	0	12.5	6.0	3	25+TT	6.5-TT
65	23	0	1	4	0	19	3.5	3	25+TT	15.5-TT
66	23	0	1	4	0	19	3.5	3	25+TT	15.5-TT
67	23	0	1	4	0	19	3.5	3	25+TT	15.5-TT
68	23	0	1	4	0	19	3.5	3	25+TT	15.5-TT
69	23	0	1	10.5	0	12.5	6.0	3	25+TT	6.5-TT
70	23	0	1	6	0	17	5.0	3	25+TT	12-TT
71	23	0	0	4.5	0	18.5	4.0	3	25+TT	14.5-TT
72	23	0	1	10.5	0	12.5	6.0	3	25+TT	6.5-TT
73	23	0	1	10.5	0	12.5	6.0	3	25+TT	6.5-TT
74	23	0	1	6	0	17	5.0	3	25+TT	12-TT
75	23	0	1	4.5	0	18.5	4.0	3	25+TT	14.5-TT
76	23	0	1	10.5	0	12.5	6.0	3	25+TT	6.5-TT
77	23	0	1	4	0	19	3.5	3	25+TT	15.5-TT
78	23	0	1	4.5	0	18.5	4.0	3	25+TT	14.5-TT
79	23	0	1	4	0	19	3.5	3	25+TT	15.5-TT
80	23	0	1	4.5	0	18.5	4.0	3	25+TT	14.5-TT
81	23	0	2	5	0	18	4.0	3	25+TT	14-TT
82	23	0	2	5	0	18	4.0	3	25+TT	14-TT
83	23	0	2	5	0	18	4.0	3	25+TT	14-TT

Test ID	P _{PowerClass} (dBm)	ΔP _{PowerClass} (dB)	MPR (dB)	A-MPR (dB)	ΔT _{C,c} (dB)	P _{C_{MAX},L,c} (dBm)	T(P _{C_{MAX},L,c}) (dB)	T _{L,c} (dB)	Upper limit (dBm)	Lower limit (dBm)
84	23	0	2	5	0	18	4.0	3	25+TT	14-TT
85	23	0	2	4	0	19	3.5	3	25+TT	15.5-TT
86	23	0	2	2	0	21	2.0	3	25+TT	18-TT
87	23	0	2	4	0	19	3.5	3	25+TT	15.5-TT
88	23	0	2	2	0	21	2.0	3	25+TT	18-TT
89	23	0	2	5	0	18	4.0	3	25+TT	14-TT
90	23	0	2	5	0	18	4.0	3	25+TT	14-TT
91	23	0	2	5	0	18	4.0	3	25+TT	14-TT
92	23	0	2	5	0	18	4.0	3	25+TT	14-TT
93	23	0	2	4	0	19	3.5	3	25+TT	15.5-TT
94	23	0	2	2	0	21	2.0	3	25+TT	18-TT
95	23	0	2	4	0	19	3.5	3	25+TT	15.5-TT
96	23	0	2	2	0	21	2.0	3	25+TT	18-TT
97	23	0	2	11	0	12	6.0	3	25+TT	6-TT
98	23	0	2	6	0	17	5.0	3	25+TT	12-TT
99	23	0	2	4.5	0	18.5	4.0	3	25+TT	14.5-TT
100	23	0	2	11	0	12	6.0	3	25+TT	6-TT
101	23	0	2	11	0	12	6.0	3	25+TT	6-TT
102	23	0	2	6	0	17	5.0	3	25+TT	12-TT
103	23	0	2	4.5	0	18.5	4.0	3	25+TT	14.5-TT
104	23	0	2	11	0	12	6.0	3	25+TT	6-TT
105	23	0	2	4	0	19	3.5	3	25+TT	15.5-TT
106	23	0	2	4	0	19	3.5	3	25+TT	15.5-TT
107	23	0	2	4	0	19	3.5	3	25+TT	15.5-TT
108	23	0	2	4	0	19	3.5	3	25+TT	15.5-TT
109	23	0	2	11	0	12	6.0	3	25+TT	6-TT
110	23	0	2	6	0	17	5.0	3	25+TT	12-TT
111	23	0	1	4.5	0	18.5	4.0	3	25+TT	14.5-TT
112	23	0	2	11	0	12	6.0	3	25+TT	6-TT
113	23	0	2	11	0	12	6.0	3	25+TT	6-TT
114	23	0	2	6	0	17	5.0	3	25+TT	12-TT
115	23	0	2	4.5	0	18.5	4.0	3	25+TT	14.5-TT
116	23	0	2	11	0	12	6.0	3	25+TT	6-TT
117	23	0	2	4	0	19	3.5	3	25+TT	15.5-TT
118	23	0	2	4.5	0	18.5	4.0	3	25+TT	14.5-TT
119	23	0	2	4	0	19	3.5	3	25+TT	15.5-TT

120	23	0	2	4.5	0	18.5	4.0	3	25+TT	14.5-TT
121	23	0	2.5	5	0	18	4.0	3	25+TT	14-TT
122	23	0	2.5	5	0	18	4.0	3	25+TT	14-TT
123	23	0	2.5	5	0	18	4.0	3	25+TT	14-TT
124	23	0	2.5	5	0	18	4.0	3	25+TT	14-TT
125	23	0	2.5	4	0	19	3.5	3	25+TT	15.5-TT
126	23	0	2.5	2	0	20.5	2.5	3	25+TT	17.5-TT
127	23	0	2.5	4	0	19	3.5	3	25+TT	15.5-TT
128	23	0	2.5	2	0	20.5	2.5	3	25+TT	17.5-TT
129	23	0	2.5	5	0	18	4.0	3	25+TT	14-TT
130	23	0	2.5	5	0	18	4.0	3	25+TT	14-TT
131	23	0	2.5	5	0	18	4.0	3	25+TT	14-TT
132	23	0	2.5	5	0	18	4.0	3	25+TT	14-TT
133	23	0	2.5	4	0	19	3.5	3	25+TT	15.5-TT
134	23	0	2.5	2	0	20.5	2.5	3	25+TT	17.5-TT
135	23	0	2.5	4	0	19	3.5	3	25+TT	15.5-TT
136	23	0	2.5	2	0	20.5	2.5	3	25+TT	17.5-TT
137	23	0	2.5	11	0	12	6.0	3	25+TT	6-TT
138	23	0	2.5	6	0	17	5.0	3	25+TT	12-TT
139	23	0	2.5	4.5	0	18.5	4.0	3	25+TT	14.5-TT
140	23	0	2.5	11	0	12	6.0	3	25+TT	6-TT
141	23	0	2.5	11	0	12	6.0	3	25+TT	6-TT
142	23	0	2.5	6	0	17	5.0	3	25+TT	12-TT
143	23	0	2.5	4.5	0	18.5	4.0	3	25+TT	14.5-TT
144	23	0	2.5	11	0	12	6.0	3	25+TT	6-TT
145	23	0	2.5	4	0	19	3.5	3	25+TT	15.5-TT
146	23	0	2.5	4	0	19	3.5	3	25+TT	15.5-TT
147	23	0	2.5	4	0	19	3.5	3	25+TT	15.5-TT
148	23	0	2.5	4	0	19	3.5	3	25+TT	15.5-TT
149	23	0	2.5	11	0	12	6.0	3	25+TT	6-TT
150	23	0	2.5	6	0	17	5.0	3	25+TT	12-TT
151	23	0	2.5	4.5	0	18.5	4.0	3	25+TT	14.5-TT
152	23	0	2.5	11	0	12	6.0	3	25+TT	6-TT
153	23	0	2.5	11	0	12	6.0	3	25+TT	6-TT
154	23	0	2.5	6	0	17	5.0	3	25+TT	12-TT
155	23	0	2.5	4.5	0	18.5	4.0	3	25+TT	14.5-TT
156	23	0	2.5	11	0	12	6.0	3	25+TT	6-TT
157	23	0	2.5	4	0	19	3.5	3	25+TT	15.5-TT
158	23	0	2.5	4.5	0	18.5	4.0	3	25+TT	14.5-TT
159	23	0	2.5	4	0	19	3.5	3	25+TT	15.5-TT
160	23	0	2.5	4.5	0	18.5	4.0	3	25+TT	14.5-TT
161	23	0	4.5	0	0	18.5	4.0	3	25+TT	14.5-TT
162	23	0	4.5	0	0	18.5	4.0	3	25+TT	14.5-TT
163	23	0	4.5	0	0	18.5	4.0	3	25+TT	14.5-TT
164	23	0	4.5	0	0	18.5	4.0	3	25+TT	14.5-TT
165	23	0	4.5	0	0	18.5	4.0	3	25+TT	14.5-TT
166	23	0	4.5	2	0	18.5	4.0	3	25+TT	14.5-TT
167	23	0	4.5	0	0	18.5	4.0	3	25+TT	14.5-TT

Test ID	$P_{\text{PowerClass}}$ (dBm)	$\Delta P_{\text{PowerClass}}$ (dB)	MPR (dB)	A-MPR (dB)	$\Delta T_{C,c}$ (dB)	$P_{\text{CMAX}_L,c}$ (dBm)	$T(P_{\text{CMAX}_L,c})$ (dB)	$T_{L,c}$ (dB)	Upper limit (dBm)	Lower limit (dBm)
168	23	0	4.5	2	0	18.5	4.0	3	25+TT	14.5-TT
169	23	0	4.5	0	0	18.5	4.0	3	25+TT	14.5-TT
170	23	0	4.5	0	0	18.5	4.0	3	25+TT	14.5-TT
171	23	0	4.5	0	0	18.5	4.0	3	25+TT	14.5-TT
172	23	0	4.5	0	0	18.5	4.0	3	25+TT	14.5-TT
173	23	0	4.5	0	0	18.5	4.0	3	25+TT	14.5-TT
174	23	0	4.5	2	0	18.5	4.0	3	25+TT	14.5-TT
175	23	0	4.5	0	0	18.5	4.0	3	25+TT	14.5-TT
176	23	0	4.5	2	0	18.5	4.0	3	25+TT	14.5-TT
177	23	0	4.5	11	0	12	6.0	3	25+TT	6-TT
178	23	0	4.5	6	0	17	5.0	3	25+TT	12-TT
179	23	0	4.5	0	0	18.5	4.0	3	25+TT	14.5-TT

180	23	0	4.5	11	0	12	6.0	3	25+TT	6-TT
181	23	0	4.5	11	0	12	6.0	3	25+TT	6-TT
182	23	0	4.5	6	0	17	5.0	3	25+TT	12-TT
183	23	0	4.5	0	0	18.5	4.0	3	25+TT	14.5-TT
184	23	0	4.5	11	0	12	6.0	3	25+TT	6-TT
185	23	0	4.5	0	0	18.5	4.0	3	25+TT	14.5-TT
186	23	0	4.5	4	0	18.5	4.0	3	25+TT	14.5-TT
187	23	0	4.5	0	0	18.5	4.0	3	25+TT	14.5-TT
188	23	0	4.5	4	0	18.5	4.0	3	25+TT	14.5-TT
189	23	0	4.5	11	0	12	6.0	3	25+TT	6-TT
190	23	0	4.5	6	0	17	5.0	3	25+TT	12-TT
191	23	0	4.5	0	0	18.5	4.0	3	25+TT	14.5-TT
192	23	0	4.5	11	0	12	6.0	3	25+TT	6-TT
193	23	0	4.5	11	0	12	6.0	3	25+TT	6-TT
194	23	0	4.5	6	0	17	5.0	3	25+TT	12-TT
195	23	0	4.5	0	0	18.5	4.0	3	25+TT	14.5-TT
196	23	0	4.5	11	0	12	6.0	3	25+TT	6-TT
197	23	0	4.5	0	0	18.5	4.0	3	25+TT	14.5-TT
198	23	0	4.5	4.5	0	18.5	4.0	3	25+TT	14.5-TT
199	23	0	4.5	0	0	18.5	4.0	3	25+TT	14.5-TT
200	23	0	4.5	4.5	0	18.5	4.0	3	25+TT	14.5-TT
201	23	0	3	6	0	17	5.0	3	25+TT	12-TT
202	23	0	3	6	0	17	5.0	3	25+TT	12-TT
203	23	0	3	6	0	17	5.0	3	25+TT	12-TT
204	23	0	3	6	0	17	5.0	3	25+TT	12-TT
205	23	0	3	4	0	19	3.5	3	25+TT	15.5-TT
206	23	0	3	2	0	20	2.5	3	25+TT	17-TT
207	23	0	3	4	0	19	3.5	3	25+TT	15.5-TT
208	23	0	3	2	0	20	2.5	3	25+TT	17-TT
209	23	0	3	6	0	17	5.0	3	25+TT	12-TT
210	23	0	3	6	0	17	5.0	3	25+TT	12-TT
211	23	0	3	6	0	17	5.0	3	25+TT	12-TT
212	23	0	3	6	0	17	5.0	3	25+TT	12-TT
213	23	0	3	4	0	19	3.5	3	25+TT	15.5-TT
214	23	0	3	2	0	20	2.5	3	25+TT	17-TT
215	23	0	3	4	0	19	3.5	3	25+TT	15.5-TT
216	23	0	3	2	0	20	2.5	3	25+TT	17-TT
217	23	0	3	11.5	0	11.5	6.0	3	25+TT	5.5-TT
218	23	0	3	7	0	16	5.0	3	25+TT	11-TT
219	23	0	3	5.5	0	17.5	5.0	3	25+TT	12.5-TT
220	23	0	3	11.5	0	11.5	6.0	3	25+TT	5.5-TT
221	23	0	3	11.5	0	11.5	6.0	3	25+TT	5.5-TT
222	23	0	3	7	0	16	5.0	3	25+TT	11-TT
223	23	0	3	5.5	0	17.5	5.0	3	25+TT	12.5-TT
224	23	0	3	11.5	0	11.5	6.0	3	25+TT	5.5-TT
225	23	0	3	4	0	19	3.5	3	25+TT	15.5-TT
226	23	0	3	4	0	19	3.5	3	25+TT	15.5-TT
227	23	0	3	4	0	19	3.5	3	25+TT	15.5-TT
228	23	0	3	4	0	19	3.5	3	25+TT	15.5-TT
229	23	0	3	11.5	0	11.5	6.0	3	25+TT	5.5-TT
230	23	0	3	7	0	16	5.0	3	25+TT	11-TT
231	23	0	1.5	5.5	0	17.5	5.0	3	25+TT	12.5-TT
232	23	0	3	11.5	0	11.5	6.0	3	25+TT	5.5-TT
233	23	0	3	11.5	0	11.5	6.0	3	25+TT	5.5-TT
234	23	0	3	7	0	16	5.0	3	25+TT	11-TT
235	23	0	3	5.5	0	17.5	5.0	3	25+TT	12.5-TT
236	23	0	3	11.5	0	11.5	6.0	3	25+TT	5.5-TT
237	23	0	3	4	0	19	3.5	3	25+TT	15.5-TT
238	23	0	3	4.5	0	18.5	4.0	3	25+TT	14.5-TT
239	23	0	3	4	0	19	3.5	3	25+TT	15.5-TT
240	23	0	3	4.5	0	18.5	4.0	3	25+TT	14.5-TT
241	23	0	3	6	0	17	5.0	3	25+TT	12-TT
242	23	0	3	6	0	17	5.0	3	25+TT	12-TT
243	23	0	3	6	0	17	5.0	3	25+TT	12-TT
244	23	0	3	6	0	17	5.0	3	25+TT	12-TT

245	23	0	3	4	0	19	3.5	3	25+TT	15.5-TT
246	23	0	3	2	0	20	2.5	3	25+TT	17-TT
247	23	0	3	4	0	19	3.5	3	25+TT	15.5-TT
248	23	0	3	2	0	20	2.5	3	25+TT	17-TT
249	23	0	3	6	0	17	5.0	3	25+TT	12-TT
250	23	0	3	6	0	17	5.0	3	25+TT	12-TT
251	23	0	3	6	0	17	5.0	3	25+TT	12-TT

Test ID	P _{PowerClass} (dBm)	ΔP _{PowerClass} (dB)	MPR (dB)	A-MPR (dB)	ΔT _{C,c} (dB)	P _{CMAX_L,c} (dBm)	T(P _{CMAX_L,c}) (dB)	T _{L,c} (dB)	Upper limit (dBm)	Lower limit (dBm)
252	23	0	3	6	0	17	5.0	3	25+TT	12-TT
253	23	0	3	4	0	19	3.5	3	25+TT	15.5-TT
254	23	0	3	2	0	20	2.5	3	25+TT	17-TT
255	23	0	3	4	0	19	3.5	3	25+TT	15.5-TT
256	23	0	3	2	0	20	2.5	3	25+TT	17-TT
257	23	0	3	11.5	0	11.5	6.0	3	25+TT	5.5-TT
258	23	0	3	7	0	16	5.0	3	25+TT	11-TT
259	23	0	3	5.5	0	17.5	5.0	3	25+TT	12.5-TT
260	23	0	3	11.5	0	11.5	6.0	3	25+TT	5.5-TT
261	23	0	3	11.5	0	11.5	6.0	3	25+TT	5.5-TT
262	23	0	3	7	0	16	5.0	3	25+TT	11-TT
263	23	0	3	5.5	0	17.5	5.0	3	25+TT	12.5-TT
264	23	0	3	11.5	0	11.5	6.0	3	25+TT	5.5-TT
265	23	0	3	4	0	19	3.5	3	25+TT	15.5-TT
266	23	0	3	4	0	19	3.5	3	25+TT	15.5-TT
267	23	0	3	4	0	19	3.5	3	25+TT	15.5-TT
268	23	0	3	4	0	19	3.5	3	25+TT	15.5-TT
269	23	0	3	11.5	0	11.5	6.0	3	25+TT	5.5-TT
270	23	0	3	7	0	16	5.0	3	25+TT	11-TT
271	23	0	2	5.5	0	17.5	5.0	3	25+TT	12.5-TT
272	23	0	3	11.5	0	11.5	6.0	3	25+TT	5.5-TT
273	23	0	3	11.5	0	11.5	6.0	3	25+TT	5.5-TT
274	23	0	3	7	0	16	5.0	3	25+TT	11-TT
275	23	0	3	5.5	0	17.5	5.0	3	25+TT	12.5-TT
276	23	0	3	11.5	0	11.5	6.0	3	25+TT	5.5-TT
277	23	0	3	4	0	19	3.5	3	25+TT	15.5-TT
278	23	0	3	4.5	0	18.5	4.0	3	25+TT	14.5-TT
279	23	0	3	4	0	19	3.5	3	25+TT	15.5-TT
280	23	0	3	4.5	0	18.5	4.0	3	25+TT	14.5-TT
281	23	0	3.5	6	0	17	5.0	3	25+TT	12-TT
282	23	0	3.5	6	0	17	5.0	3	25+TT	12-TT
283	23	0	3.5	6	0	17	5.0	3	25+TT	12-TT
284	23	0	3.5	6	0	17	5.0	3	25+TT	12-TT
285	23	0	3.5	4	0	19	3.5	3	25+TT	15.5-TT
286	23	0	3.5	2	0	19.5	3.5	3	25+TT	16-TT
287	23	0	3.5	4	0	19	3.5	3	25+TT	15.5-TT
288	23	0	3.5	2	0	19.5	3.5	3	25+TT	16-TT
289	23	0	3.5	6	0	17	5.0	3	25+TT	12-TT
290	23	0	3.5	6	0	17	5.0	3	25+TT	12-TT
291	23	0	3.5	6	0	17	5.0	3	25+TT	12-TT
292	23	0	3.5	6	0	17	5.0	3	25+TT	12-TT
293	23	0	3.5	4	0	19	3.5	3	25+TT	15.5-TT
294	23	0	3.5	2	0	19.5	3.5	3	25+TT	16-TT
295	23	0	3.5	4	0	19	3.5	3	25+TT	15.5-TT
296	23	0	3.5	2	0	19.5	3.5	3	25+TT	16-TT
297	23	0	3.5	11.5	0	11.5	6.0	3	25+TT	5.5-TT
298	23	0	3.5	7	0	16	5.0	3	25+TT	11-TT
299	23	0	3.5	5.5	0	17.5	5.0	3	25+TT	12.5-TT
300	23	0	3.5	11.5	0	11.5	6.0	3	25+TT	5.5-TT
301	23	0	3.5	11.5	0	11.5	6.0	3	25+TT	5.5-TT
302	23	0	3.5	7	0	16	5.0	3	25+TT	11-TT
303	23	0	3.5	5.5	0	17.5	5.0	3	25+TT	12.5-TT
304	23	0	3.5	11.5	0	11.5	6.0	3	25+TT	5.5-TT

305	23	0	3.5	4	0	19	3.5	3	25+TT	15.5-TT
306	23	0	3.5	4	0	19	3.5	3	25+TT	15.5-TT
307	23	0	3.5	4	0	19	3.5	3	25+TT	15.5-TT
308	23	0	3.5	4	0	19	3.5	3	25+TT	15.5-TT
309	23	0	3.5	11.5	0	11.5	6.0	3	25+TT	5.5-TT
310	23	0	3.5	7	0	16	5.0	3	25+TT	11-TT
311	23	0	3.5	5.5	0	17.5	5.0	3	25+TT	12.5-TT
312	23	0	3.5	11.5	0	11.5	6.0	3	25+TT	5.5-TT
313	23	0	3.5	11.5	0	11.5	6.0	3	25+TT	5.5-TT
314	23	0	3.5	7	0	16	5.0	3	25+TT	11-TT
315	23	0	3.5	5.5	0	17.5	5.0	3	25+TT	12.5-TT
316	23	0	3.5	11.5	0	11.5	6	3	25+TT	5.5-TT
317	23	0	3.5	4	0	19	3.5	3	25+TT	15.5-TT
318	23	0	3.5	4.5	0	18.5	4.0	3	25+TT	14.5-TT
319	23	0	3.5	4	0	19	3.5	3	25+TT	15.5-TT
320	23	0	3.5	4.5	0	18.5	4.0	3	25+TT	14.5-TT
321	23	0	6.5	0	0	16.5	5.0	3	25+TT	11.5-TT
322	23	0	6.5	0	0	16.5	5.0	3	25+TT	11.5-TT
323	23	0	6.5	0	0	16.5	5.0	3	25+TT	11.5-TT
324	23	0	6.5	0	0	16.5	5.0	3	25+TT	11.5-TT
325	23	0	6.5	0	0	16.5	5.0	3	25+TT	11.5-TT
326	23	0	6.5	2	0	16.5	5.0	3	25+TT	11.5-TT
327	23	0	6.5	0	0	16.5	5.0	3	25+TT	11.5-TT
328	23	0	6.5	2	0	16.5	5.0	3	25+TT	11.5-TT
329	23	0	6.5	0	0	16.5	5.0	3	25+TT	11.5-TT
330	23	0	6.5	0	0	16.5	5.0	3	25+TT	11.5-TT
331	23	0	6.5	0	0	16.5	5.0	3	25+TT	11.5-TT
332	23	0	6.5	0	0	16.5	5.0	3	25+TT	11.5-TT
333	23	0	6.5	0	0	16.5	5.0	3	25+TT	11.5-TT
334	23	0	6.5	2	0	16.5	5.0	3	25+TT	11.5-TT
335	23	0	6.5	0	0	16.5	5.0	3	25+TT	11.5-TT

Test ID	P _{PowerClass} (dBm)	ΔP _{PowerClass} (dB)	MPR (dB)	A-MPR (dB)	ΔT _{C,c} (dB)	P _{C_{MAX}L,c} (dBm)	T(P _{C_{MAX}L,c}) (dB)	T _{L,c} (dB)	Upper limit (dBm)	Lower limit (dBm)
336	23	0	6.5	2	0	16.5	5.0	3	25+TT	11.5-TT
337	23	0	6.5	11.5	0	11.5	6.0	3	25+TT	5.5-TT
338	23	0	6.5	7	0	16	5.0	3	25+TT	11-TT
339	23	0	6.5	0	0	16.5	5.0	3	25+TT	11.5-TT
340	23	0	6.5	11.5	0	11.5	6.0	3	25+TT	5.5-TT
341	23	0	6.5	11.5	0	11.5	6.0	3	25+TT	5.5-TT
342	23	0	6.5	7	0	16	5.0	3	25+TT	11-TT
343	23	0	6.5	0	0	16.5	5.0	3	25+TT	11.5-TT
344	23	0	6.5	11.5	0	11.5	6.0	3	25+TT	5.5-TT
345	23	0	6.5	0	0	16.5	5.0	3	25+TT	11.5-TT
346	23	0	6.5	4	0	16.5	5.0	3	25+TT	11.5-TT
347	23	0	6.5	0	0	16.5	5.0	3	25+TT	11.5-TT
348	23	0	6.5	4	0	16.5	5.0	3	25+TT	11.5-TT
349	23	0	6.5	11.5	0	11.5	6.0	3	25+TT	5.5-TT
350	23	0	6.5	7	0	16	5.0	3	25+TT	11-TT
351	23	0	6.5	0	0	16.5	5.0	3	25+TT	11.5-TT
352	23	0	6.5	11.5	0	11.5	6.0	3	25+TT	5.5-TT
353	23	0	6.5	11.5	0	11.5	6.0	3	25+TT	5.5-TT
354	23	0	6.5	7	0	16	5.0	3	25+TT	11-TT
355	23	0	6.5	0	0	16.5	5.0	3	25+TT	11.5-TT
356	23	0	6.5	11.5	0	11.5	6.0	3	25+TT	5.5-TT
357	23	0	6.5	0	0	16.5	5.0	3	25+TT	11.5-TT
358	23	0	6.5	4.5	0	16.5	5.0	3	25+TT	11.5-TT
359	23	0	6.5	0	0	16.5	5.0	3	25+TT	11.5-TT
360	23	0	6.5	4.5	0	16.5	5.0	3	25+TT	11.5-TT

NOTE 1: P_{PowerClass} is the maximum UE power specified without taking into account the tolerance.

NOTE 2: TT for each frequency and channel bandwidth is specified in Table 6.2.3.5-0.

Table 6.2.3.5-19: UE Power Class 3 test requirements (NS_40)

Test ID	P _{PowerClass} (dBm)	ΔP _{PowerClass} (dB)	MPR (dB)	A-MPR (dB)	ΔT _{C,c} (dB)	P _{C_{MAX}_L,c} (dBm)	T(P _{C_{MAX}_L,c}) (dB)	T _{L,c} (dB)	Upper limit (dBm)	Lower limit (dBm)
1	23	0	1	15.5	0	7.5	7.0	2	25+TT	0.5-TT
2	23	0	0	12	0	11	6.0	2	25+TT	5-TT
3	23	0	1	15.5	0	7.5	7.0	2	25+TT	0.5-TT
4	23	0	2	14.5	0	8.5	6.0	2	25+TT	2.5-TT
5	23	0	1	11	0	12	6.0	2	25+TT	6-TT
6	23	0	2	14.5	0	8.5	6.0	2	25+TT	2.5-TT
7	23	0	2.5	14.5	0	8.5	6.0	2	25+TT	2.5-TT
8	23	0	2.5	10	0	13	5.0	2	25+TT	8-TT
9	23	0	2.5	14.5	0	8.5	6.0	2	25+TT	2.5-TT
10	23	0	4.5	12.5	0	10.5	6.0	2	25+TT	4.5-TT
11	23	0	4.5	7.5	0	15.5	5.0	2	25+TT	10.5-TT
12	23	0	4.5	12.5	0	10.5	6.0	2	25+TT	4.5-TT
13	23	0	3	14.5	0	8.5	6.0	2	25+TT	2.5-TT
14	23	0	1.5	10	0	13	5.0	2	25+TT	8-TT
15	23	0	3	14.5	0	8.5	6.0	2	25+TT	2.5-TT
16	23	0	3	14.5	0	8.5	6.0	2	25+TT	2.5-TT
17	23	0	2	10	0	13	5.0	2	25+TT	8-TT
18	23	0	3	14.5	0	8.5	6.0	2	25+TT	2.5-TT
19	23	0	3.5	14	0	9	6.0	2	25+TT	3-TT
20	23	0	3.5	8	0	15	5.0	2	25+TT	10-TT
21	23	0	3.5	14	0	9	6.0	2	25+TT	3-TT
22	23	0	6.5	11	0	12	6.0	2	25+TT	6-TT
23	23	0	6.5	5.5	0	16.5	5.0	2	25+TT	11.5-TT
24	23	0	6.5	11	0	12	6.0	2	25+TT	6-TT

NOTE 1: P_{PowerClass} is the maximum UE power specified without taking into account the tolerance.

NOTE 2: TT for each frequency and channel bandwidth is specified in Table 6.2.3.5-0.

Table 6.2.3.5-20: UE Power Class 3 test requirements (NS_41)

Test ID	P _{PowerClass} (dBm)	ΔP _{PowerClass} (dB)	MPR (dB)	A-MPR (dB)	ΔT _{C,c} (dB)	P _{C_{MAX}_L,c} (dBm)	T(P _{C_{MAX}_L,c}) (dB)	T _{L,c} (dB)	Upper limit (dBm)	Lower limit (dBm)
1	23	0	0.5	9	0	14	5.0	2	25+TT	9-TT
2	23	0	0.5	9	0	14	5.0	2	25+TT	9-TT
3	23	0	0.5	11	0	12	6.0	2	25+TT	6-TT
4	23	0	0.5	11	0	12	6	2	25+TT	6-TT
5	23	0	0.5	12	0	11	6.0	2	25+TT	5-TT
6	23	0	0.5	12	0	11	6.0	2	25+TT	5-TT
7	23	0	0.5	13.5	0	9.5	6.0	2	25+TT	3.5-TT
8	23	0	0.5	13.5	0	9.5	6.0	2	25+TT	3.5-TT
9	23	0	1	9	0	14	5.0	2	25+TT	9-TT
10	23	0	1	9	0	14	5.0	2	25+TT	9-TT
11	23	0	1	11	0	12	6.0	2	25+TT	6-TT
12	23	0	1	11	0	12	6.0	2	25+TT	6-TT
13	23	0	1	12	0	11	6.0	2	25+TT	5-TT
14	23	0	1	12	0	11	6.0	2	25+TT	5-TT
15	23	0	1	13.5	0	9.5	6.0	2	25+TT	3.5-TT
16	23	0	1	13.5	0	9.5	6.0	2	25+TT	3.5-TT
17	23	0	2	9	0	14	5.0	2	25+TT	9-TT
18	23	0	2	9	0	14	5.0	2	25+TT	9-TT
19	23	0	2	11	0	12	6.0	2	25+TT	6-TT
20	23	0	2	11	0	12	6.0	2	25+TT	6-TT
21	23	0	2	12	0	11	6.0	2	25+TT	5-TT
22	23	0	2	12	0	11	6.0	2	25+TT	5-TT
23	23	0	2	13.5	0	9.5	6.0	2	25+TT	3.5-TT
24	23	0	2	13.5	0	9.5	6.0	2	25+TT	3.5-TT
25	23	0	2.5	9	0	14	5.0	2	25+TT	9-TT
26	23	0	2.5	9	0	14	5.0	2	25+TT	9-TT
27	23	0	2.5	11	0	12	6.0	2	25+TT	6-TT
28	23	0	2.5	11	0	12	6.0	2	25+TT	6-TT

29	23	0	2.5	12	0	11	6.0	2	25+TT	5-TT
30	23	0	2.5	12	0	11	6.0	2	25+TT	5-TT
31	23	0	2.5	13.5	0	9.5	6.0	2	25+TT	3.5-TT
32	23	0	2.5	13.5	0	9.5	6.0	2	25+TT	3.5-TT
33	23	0	4.5	9	0	14	5.0	2	25+TT	9-TT
34	23	0	4.5	9	0	14	5.0	2	25+TT	9-TT
35	23	0	4.5	11	0	12	6.0	2	25+TT	6-TT
36	23	0	4.5	11	0	12	6.0	2	25+TT	6-TT
37	23	0	4.5	12	0	11	6.0	2	25+TT	5-TT
38	23	0	4.5	12	0	11	6.0	2	25+TT	5-TT
39	23	0	4.5	13.5	0	9.5	6.0	2	25+TT	3.5-TT
40	23	0	4.5	13.5	0	9.5	6.0	2	25+TT	3.5-TT
41	23	0	3	9	0	14	5.0	2	25+TT	9-TT
42	23	0	3	9	0	14	5.0	2	25+TT	9-TT
43	23	0	3	11	0	12	6.0	2	25+TT	6-TT
44	23	0	3	11	0	12	6.0	2	25+TT	6-TT
45	23	0	3	12	0	11	6.0	2	25+TT	5-TT
46	23	0	3	12	0	11	6.0	2	25+TT	5-TT
47	23	0	3	13.5	0	9.5	6.0	2	25+TT	3.5-TT
48	23	0	3	13.5	0	9.5	6.0	2	25+TT	3.5-TT
49	23	0	3	9	0	14	5.0	2	25+TT	9-TT
50	23	0	3	9	0	14	5.0	2	25+TT	9-TT
51	23	0	3	11	0	12	6.0	2	25+TT	6-TT
52	23	0	3	11	0	12	6.0	2	25+TT	6-TT
53	23	0	3	12	0	11	6.0	2	25+TT	5-TT
54	23	0	3	12	0	11	6.0	2	25+TT	5-TT
55	23	0	3	13.5	0	9.5	6.0	2	25+TT	3.5-TT
56	23	0	3	13.5	0	9.5	6.0	2	25+TT	3.5-TT
57	23	0	3.5	9	0	14	5.0	2	25+TT	9-TT
58	23	0	3.5	9	0	14	5.0	2	25+TT	9-TT
59	23	0	3.5	11	0	12	6.0	2	25+TT	6-TT

Test ID	P _{PowerClass} (dBm)	ΔP _{PowerClass} (dB)	MPR (dB)	A-MPR (dB)	ΔT _{C,c} (dB)	P _{CMAX_L,c} (dBm)	T(P _{CMAX_L,c}) (dB)	T _{L,c} (dB)	Upper limit (dBm)	Lower limit (dBm)
60	23	0	3.5	11	0	12	6.0	2	25+TT	6-TT
61	23	0	3.5	12	0	11	6.0	2	25+TT	5-TT
62	23	0	3.5	12	0	11	6.0	2	25+TT	5-TT
63	23	0	3.5	13.5	0	9.5	6.0	2	25+TT	3.5-TT
64	23	0	3.5	13.5	0	9.5	6.0	2	25+TT	3.5-TT
65	23	0	6.5	9	0	14	5.0	2	25+TT	9-TT
66	23	0	6.5	9	0	14	5.0	2	25+TT	9-TT
67	23	0	6.5	11	0	12	6.0	2	25+TT	6-TT
68	23	0	6.5	11	0	12	6.0	2	25+TT	6-TT
69	23	0	6.5	12	0	11	6.0	2	25+TT	5-TT
70	23	0	6.5	12	0	11	6.0	2	25+TT	5-TT
71	23	0	6.5	13.5	0	9.5	6.0	2	25+TT	3.5-TT
72	23	0	6.5	13.5	0	9.5	6.0	2	25+TT	3.5-TT

NOTE 1: P_{PowerClass} is the maximum UE power specified without taking into account the tolerance.

NOTE 2: TT for each frequency and channel bandwidth is specified in Table 6.2.3.5-0.

Table 6.2.3.5-21: UE Power Class 3 test requirements (NS_42)

Test ID	P _{PowerClass} (dBm)	ΔP _{PowerClass} (dB)	MPR (dB)	A-MPR (dB)	ΔT _{C,c} (dB)	P _{CMAX_L,c} (dBm)	T(P _{CMAX_L,c}) (dB)	T _{L,c} (dB)	Upper limit (dBm)	Lower limit (dBm)
1	23	0	0.5	7	0	16	5.0	2	25+TT	11-TT
2	23	0	0.5	4	0	19	3.5	2	25+TT	15.5-TT
3	23	0	0	1.5	0	21.5	2.0	2	25+TT	19.5-TT
4	23	0	0.5	8	0	15	5.0	2	25+TT	10-TT
5	23	0	0.5	5	0	18	4.0	2	25+TT	14-TT
6	23	0	0	1.5	0	21.5	2.0	2	25+TT	19.5-TT
7	23	0	1	7	0	16	5.0	2	25+TT	11-TT
8	23	0	1	4	0	19	3.5	2	25+TT	15.5-TT

9	23	0	0	1.5	0	21.5	2.0	2	25+TT	19.5-TT
10	23	0	1	8	0	15	5.0	2	25+TT	10-TT
11	23	0	1	5	0	18	4.0	2	25+TT	14-TT
12	23	0	0	1.5	0	21.5	2.0	2	25+TT	19.5-TT
13	23	0	2	7	0	16	5.0	2	25+TT	11-TT
14	23	0	2	4	0	19	3.5	2	25+TT	15.5-TT
15	23	0	1	1.5	0	21.5	2.0	2	25+TT	19.5-TT
16	23	0	2	8	0	15	5.0	2	25+TT	10-TT
17	23	0	2	5	0	18	4.0	2	25+TT	14-TT
18	23	0	1	1.5	0	21.5	2.0	2	25+TT	19.5-TT
19	23	0	2.5	7	0	16	5.0	2	25+TT	11-TT
20	23	0	2.5	4	0	19	3.5	2	25+TT	15.5-TT
21	23	0	2.5	1.5	0	20.5	2.5	2	25+TT	18-TT
22	23	0	2.5	8	0	15	5.0	2	25+TT	10-TT
23	23	0	2.5	5	0	18	4.0	2	25+TT	14-TT
24	23	0	2.5	1.5	0	20.5	2.5	2	25+TT	18-TT
25	23	0	4.5	7	0	16	5.0	2	25+TT	11-TT
26	23	0	4.5	4	0	18.5	4.0	2	25+TT	14.5-TT
27	23	0	4.5	1.5	0	18.5	4.0	2	25+TT	14.5-TT
28	23	0	4.5	8	0	15	5.0	2	25+TT	10-TT
29	23	0	4.5	5	0	18	4.0	2	25+TT	14-TT
30	23	0	4.5	1.5	0	18.5	4.0	2	25+TT	14.5-TT
31	23	0	3	7	0	16	5.0	2	25+TT	11-TT
32	23	0	3	4	0	19	3.5	2	25+TT	15.5-TT
33	23	0	1.5	1.5	0	21.5	2.0	2	25+TT	19.5-TT
34	23	0	3	8	0	15	5.0	2	25+TT	10-TT
35	23	0	3	5	0	18	4.0	2	25+TT	14-TT
36	23	0	1.5	1.5	0	21.5	2.0	2	25+TT	19.5-TT
37	23	0	3	7	0	16	5.0	2	25+TT	11-TT
38	23	0	3	4	0	19	3.5	2	25+TT	15.5-TT
39	23	0	2	1.5	0	21	2.0	2	25+TT	19-TT
40	23	0	3	8	0	15	5.0	2	25+TT	10-TT
41	23	0	3	5	0	18	4.0	2	25+TT	14-TT
42	23	0	2	1.5	0	21	2.0	2	25+TT	19-TT
43	23	0	3.5	7	0	16	5.0	2	25+TT	11-TT
44	23	0	3.5	4	0	19	3.5	2	25+TT	15.5-TT
45	23	0	3.5	1.5	0	19.5	3.5	2	25+TT	16-TT
46	23	0	3.5	8	0	15	5.0	2	25+TT	10-TT
47	23	0	3.5	5	0	18	4.0	2	25+TT	14-TT
48	23	0	3.5	1.5	0	19.5	3.5	2	25+TT	16-TT
49	23	0	6.5	7	0	16	5.0	2	25+TT	11-TT
50	23	0	6.5	4	0	16.5	5.0	2	25+TT	11.5-TT
51	23	0	6.5	1.5	0	16.5	5.0	2	25+TT	11.5-TT
52	23	0	6.5	8	0	15	5.0	2	25+TT	10-TT
53	23	0	6.5	5	0	16.5	5.0	2	25+TT	11.5-TT
54	23	0	6.5	1.5	0	16.5	5.0	2	25+TT	11.5-TT

NOTE 1: P_{PowerClass} is the maximum UE power specified without taking into account the tolerance.

NOTE 2: TT for each frequency and channel bandwidth is specified in Table 6.2.3.5-0.

Table 6.2.3.5-22: UE Power Class 3 test requirements for NS_47 (contiguous allocation)

Test ID	P _{PowerClass} (dBm)	ΔP _{PowerClass} (dB)	MPR (dB)	A-MPR (dB)	ΔT _{C,c} (dB)	P _{C_{MAX}L,c} (dBm)	T(P _{C_{MAX}L,c}) (dB)	T _{L,c} (dB)	Upper limit (dBm)	Lower limit (dBm)
1	23	-3	3.5	10	0	16	5	2	28+TT	11-TT
2	23	-3	0.2	8.5	0	17.5	5	2	28+TT	12.5-TT
3	23	-3	3.5	5	0	21	2	2	28+TT	19-TT
4	23	-3	1.2	8.5	0	17.5	5	2	28+TT	12.5-TT
5	23	-3	1.2	6	0	20	2.5	2	28+TT	17.5-TT
6	23	-3	1.2	6	0	20	2.5	2	28+TT	17.5-TT
7	23	-3	1.2	8.5	0	17.5	5	2	28+TT	12.5-TT
8	23	0	0.5	7	0	16	5.0	2	25+TT	11-TT
9	23	0	0.0	5.5	0	17.5	5.0	2	25+TT	12.5-TT
10	23	0	0.5	2	0	21	2.0	2	25+TT	19-TT
11	23	0	0.5	5.5	0	17.5	5.0	2	25+TT	12.5-TT

12	23	0	0.5	3	0	20	2.5	2	25+TT	17.5-TT
13	23	0	0.5	3	0	20	2.5	2	25+TT	17.5-TT
14	23	0	0.5	5.5	0	17.5	5.0	2	25+TT	12.5-TT
15	23	0	1.0	7	0	16	5.0	2	25+TT	11-TT
16	23	0	0.0	5.5	0	17.5	5.0	2	25+TT	12.5-TT
17	23	0	1.0	2	0	21	2.0	2	25+TT	19-TT
18	23	0	1.0	5.5	0	17.5	5.0	2	25+TT	12.5-TT
19	23	0	1.0	3	0	20	2.5	2	25+TT	17.5-TT
20	23	0	1.0	3	0	20	2.5	2	25+TT	17.5-TT
21	23	0	1.0	5.5	0	17.5	5.0	2	25+TT	12.5-TT
22	23	0	2.0	7	0	16	5.0	2	25+TT	11-TT
23	23	0	1.0	5.5	0	17.5	5.0	2	25+TT	12.5-TT
24	23	0	2.0	0	0	21	2.0	2	25+TT	19-TT
25	23	0	2.0	5.5	0	17.5	5.0	2	25+TT	12.5-TT
26	23	0	2.0	3	0	20	2.5	2	25+TT	17.5-TT
27	23	0	2.0	3	0	20	2.5	2	25+TT	17.5-TT
28	23	0	2.0	5.5	0	17.5	5.0	2	25+TT	12.5-TT
29	23	0	2.5	7	0	16	5.0	2	25+TT	11-TT
30	23	0	2.5	6	0	17	5.0	2	25+TT	12-TT
31	23	0	2.5	0	0	20.5	2.5	2	25+TT	18-TT
32	23	0	2.5	6	0	17	5.0	2	25+TT	12-TT
33	23	0	2.5	3	0	20	2.5	2	25+TT	17.5-TT
34	23	0	2.5	3	0	20	2.5	2	25+TT	17.5-TT
35	23	0	2.5	6	0	17	5.0	2	25+TT	12-TT
36	23	0	4.5	7	0	16	5.0	2	25+TT	11-TT
37	23	0	4.5	6	0	17	5.0	2	25+TT	12-TT
38	23	0	4.5	0	0	18.5	4.0	2	25+TT	14.5-TT
39	23	0	4.5	6	0	17	5.0	2	25+TT	12-TT
40	23	0	4.5	0	0	18.5	4.0	2	25+TT	14.5-TT
41	23	0	4.5	0	0	18.5	4.0	2	25+TT	14.5-TT
42	23	0	4.5	6	0	17	5.0	2	25+TT	12-TT
43	23	0	3	7	0	16	5.0	2	25+TT	11-TT
44	23	0	1.5	7	0	16	5.0	2	25+TT	11-TT
45	23	0	3	0	0	20	2.5	2	25+TT	17.5-TT
46	23	0	3	7	0	16	5.0	2	25+TT	11-TT
47	23	0	3	4	0	19	3.5	2	25+TT	15.5-TT
48	23	0	3	4	0	19	3.5	2	25+TT	15.5-TT
49	23	0	3	7	0	16	5.0	2	25+TT	11-TT
50	23	0	3	7	0	16	5.0	2	25+TT	11-TT
51	23	0	2.0	7	0	16	5.0	2	25+TT	11-TT
52	23	0	3	0	0	20	2.5	2	25+TT	17.5-TT
53	23	0	3	7	0	16	5.0	2	25+TT	11-TT
54	23	0	3	4	0	19	3.5	2	25+TT	15.5-TT
55	23	0	3	4	0	19	3.5	2	25+TT	15.5-TT
56	23	0	3	7	0	16	5.0	2	25+TT	11-TT
57	23	0	3.5	7	0	16	5.0	2	25+TT	11-TT
58	23	0	3.5	7	0	16	5.0	2	25+TT	11-TT
59	23	0	3.5	0	0	19.5	3.5	2	25+TT	16-TT

Test ID	P _{PowerClass} (dBm)	ΔP _{PowerClass} (dB)	MPR (dB)	A-MPR (dB)	ΔT _{C,c} (dB)	P _{C_{MAX},L,c} (dBm)	T(P _{C_{MAX},L,c}) (dB)	T _{L,c} (dB)	Upper limit (dBm)	Lower limit (dBm)
60	23	0	3.5	7	0	16	5.0	2	25+TT	11-TT
61	23	0	3.5	0	0	19.5	3.5	2	25+TT	16-TT
62	23	0	3.5	0	0	19.5	3.5	2	25+TT	16-TT
63	23	0	3.5	7	0	16	5.0	2	25+TT	11-TT
64	23	0	6.5	7	0	16	5.0	2	25+TT	11-TT
65	23	0	6.5	7	0	16	5.0	2	25+TT	11-TT
66	23	0	6.5	0	0	16.5	5.0	2	25+TT	11.5-TT
67	23	0	6.5	7	0	16	5.0	2	25+TT	11-TT
68	23	0	6.5	0	0	16.5	5.0	2	25+TT	11.5-TT
69	23	0	6.5	0	0	16.5	5.0	2	25+TT	11.5-TT
70	23	0	6.5	7	0	16	5.0	2	25+TT	11-TT

NOTE 1: P_{PowerClass} is the maximum UE power specified without taking into account the tolerance.

NOTE 2: TT for each frequency and channel bandwidth is specified in Table 6.2.3.5-0.

Table 6.2.3.5-22a: UE Power Class 3 test requirements for NS_47 (almost contiguous allocation)

Test ID	P _{PowerClass} (dBm)	ΔP _{PowerClass} (dB)	MPR (dB)	A-MPR (dB)	MPR & A-MPR increase (dB)	ΔT _{C,c} (dB)	P _{C_{MAX}L,c} (dBm)	T(P _{C_{MAX}L,c}) (dB)	T _{L,c} (dB)	Upper limit (dBm)	Lower limit (dBm)
1	23	0	3.0	7	1.0	0	15	5.0	2	25+TT	10-TT
2	23	0	3.0	7	1.0	0	15	5.0	2	25+TT	10-TT
3	23	0	3.5	7	1.0	0	15	5.0	2	25+TT	10-TT
4	23	0	6.5	7	1.0	0	15	5.0	2	25+TT	10-TT

NOTE 1: P_{PowerClass} is the maximum UE power specified without taking into account the tolerance.
 NOTE 2: TT for each frequency and channel bandwidth is specified in Table 6.2.3.5-0.

Table 6.2.3.5-23: UE Power Class 2 test requirements for NS_47 (contiguous allocation)

Test ID	P _{PowerClass} (dBm)	ΔP _{PowerClass} (dB)	MPR (dB)	A-MPR (dB)	ΔT _{C,c} (dB)	P _{C_{MAX}L,c} (dBm)	T(P _{C_{MAX}L,c}) (dB)	T _{L,c} (dB)	Upper limit (dBm)	Lower limit (dBm)
1	26	0	3.5	10	0	16	5	3	28+TT	11-TT
2	26	0	0.0	8.5	0	17.5	5	3	28+TT	12.5-TT
3	26	0	3.5	5	0	21	2	3	28+TT	18-TT
4	26	0	0.5	8.5	0	17.5	5	3	28+TT	12.5-TT
5	26	0	0.5	6	0	20	2.5	3	28+TT	17-TT
6	26	0	0.5	6	0	20	2.5	3	28+TT	17-TT
7	26	0	0.5	8.5	0	17.5	5	3	28+TT	12.5-TT
8	26	0	3.5	10	0	16	5	3	28+TT	11-TT
9	26	0	0.0	8.5	0	17.5	5	3	28+TT	12.5-TT
10	26	0	3.5	5	0	21	2	3	28+TT	18-TT
11	26	0	1.0	8.5	0	17.5	5	3	28+TT	12.5-TT
12	26	0	1.0	6	0	20	2.5	3	28+TT	17-TT
13	26	0	1.0	6	0	20	2.5	3	28+TT	17-TT
14	26	0	1.0	8.5	0	17.5	5	3	28+TT	12.5-TT
15	26	0	3.5	10	0	16	5	3	28+TT	11-TT
16	26	0	1.0	8.5	0	17.5	5	3	28+TT	12.5-TT
17	26	0	3.5	5	0	21	2	3	28+TT	18-TT
18	26	0	2.0	8.5	0	17.5	5	3	28+TT	12.5-TT
19	26	0	2.0	6	0	20	2.5	3	28+TT	17-TT
20	26	0	2.0	6	0	20	2.5	3	28+TT	17-TT
21	26	0	2.0	8.5	0	17.5	5	3	28+TT	12.5-TT
22	26	0	3.5	10	0	16	5	3	28+TT	11-TT
23	26	0	2.5	8.5	0	17.5	5	3	28+TT	12.5-TT
24	26	0	3.5	5	0	21	2	3	28+TT	18-TT
25	26	0	2.5	8.5	0	17.5	5	3	28+TT	12.5-TT
26	26	0	2.5	6	0	20	2.5	3	28+TT	17-TT
27	26	0	2.5	6	0	20	2.5	3	28+TT	17-TT
28	26	0	2.5	8.5	0	17.5	5	3	28+TT	12.5-TT
29	26	0	4.5	10	0	16	5	3	28+TT	11-TT
30	26	0	4.5	8.5	0	17.5	5	3	28+TT	12.5-TT
31	26	0	4.5	5	0	21	2	3	28+TT	18-TT
32	26	0	4.5	8.5	0	17.5	5	3	28+TT	12.5-TT
33	26	0	4.5	6	0	20	2.5	3	28+TT	17-TT
34	26	0	4.5	6	0	20	2.5	3	28+TT	17-TT
35	26	0	4.5	8.5	0	17.5	5	3	28+TT	12.5-TT
36	26	0	3.5	10	0	16	5	3	28+TT	11-TT
37	26	0	1.5	10	0	16	5	3	28+TT	11-TT
38	26	0	3.5	5	0	21	2	3	28+TT	18-TT
39	26	0	3	10	0	16	5	3	28+TT	11-TT
40	26	0	3	7	0	19	3.5	3	28+TT	15.5-TT
41	26	0	3	7	0	19	3.5	3	28+TT	15.5-TT
42	26	0	3	10	0	16	5	3	28+TT	11-TT
43	26	0	3.5	10	0	16	5	3	28+TT	11-TT
44	26	0	2.0	10	0	16	5	3	28+TT	11-TT

45	26	0	3.5	5	0	21	2	3	28+TT	18-TT
46	26	0	3	10	0	16	5	3	28+TT	11-TT
47	26	0	3	7	0	19	3.5	3	28+TT	15.5-TT
48	26	0	3	7	0	19	3.5	3	28+TT	15.5-TT
49	26	0	3	10	0	16	5	3	28+TT	11-TT
50	26	0	3.5	10	0	16	5	3	28+TT	11-TT
51	26	0	3.5	10	0	16	5	3	28+TT	11-TT
52	26	0	3.5	5	0	21	2	3	28+TT	18-TT
53	26	0	3.5	10	0	16	5	3	28+TT	11-TT
54	26	0	3.5	7	0	19	3.5	3	28+TT	15.5-TT
55	26	0	3.5	7	0	19	3.5	3	28+TT	15.5-TT
56	26	0	3.5	10	0	16	5	3	28+TT	11-TT
57	26	0	6.5	10	0	16	5	3	28+TT	11-TT
58	26	0	6.5	10	0	16	5	3	28+TT	11-TT
59	26	0	6.5	0	0	19.5	3.5	3	28+TT	16-TT

Test ID	P _{PowerClass} (dBm)	ΔP _{PowerClass} (dB)	MPR (dB)	A-MPR (dB)	ΔT _{C,c} (dB)	P _{C_{MAX}L,c} (dBm)	T(P _{C_{MAX}L,c}) (dB)	T _{L,c} (dB)	Upper limit (dBm)	Lower limit (dBm)
60	26	0	6.5	10	0	16	5	3	28+TT	11-TT
61	26	0	6.5	7	0	19	3.5	3	28+TT	15.5-TT
62	26	0	6.5	7	0	19	3.5	3	28+TT	15.5-TT
63	26	0	6.5	10	0	16	5	3	28+TT	11-TT

NOTE 1: P_{PowerClass} is the maximum UE power specified without taking into account the tolerance.

NOTE 2: TT for each frequency and channel bandwidth is specified in Table 6.2.3.5-0.

Table 6.2.3.5-23a: UE Power Class 2 test requirements for NS_47 (almost contiguous allocation)

Test ID	P _{PowerClass} (dBm)	ΔP _{PowerClass} (dB)	MPR (dB)	A-MPR (dB)	MPR increase (dB)	ΔT _{C,c} (dB)	P _{C_{MAX}L,c} (dBm)	T(P _{C_{MAX}L,c}) (dB)	T _{L,c} (dB)	Upper limit (dBm)	Lower limit (dBm)
1	26	0	3.0	10	1.0	0	16	5.0	3	28+TT	11-TT
2	26	0	3.0	10	1.0	0	16	5.0	3	28+TT	11-TT
3	26	0	3.5	10	1.0	0	16	5.0	3	28+TT	11-TT
4	26	0	6.5	10	1.0	0	16	5.0	3	28+TT	11-TT

NOTE 1: P_{PowerClass} is the maximum UE power specified without taking into account the tolerance.

NOTE 2: TT for each frequency and channel bandwidth is specified in Table 6.2.3.5-0.

Table 6.2.3.5-24: UE Power Class 3 test requirements for NS_48 (PC3 contiguous allocation)

Test ID	P _{PowerClass} (dBm)	ΔP _{PowerClass} (dB)	MPR (dB)	A-MPR (dB)	ΔT _{C,c} (dB)	P _{C_{MAX}L,c} (dBm)	T(P _{C_{MAX}L,c}) (dB)	T _{L,c} (dB)	Upper limit (dBm)	Lower limit (dBm)
1	23	0	1	3	0	20	2.5	2	25+TT	17.5-TT
2	23	0	1	3	0	20	2.5	2	25+TT	17.5-TT
3	23	0	1	3	0	20	2.5	2	25+TT	17.5-TT
4	23	0	1	5	0	18	4	2	25+TT	14-TT
5	23	0	1	6	0	17	5	2	25+TT	12-TT
6	23	0	1	3	0	20	2.5	2	25+TT	17.5-TT
7	23	0	1	4	0	19	3.5	2	25+TT	15.5-TT
8	23	0	1	6	0	17	5	2	25+TT	12-TT
9	23	0	0	3	0	20	2.5	2	25+TT	17.5-TT
10	23	0	1	10	0	13	5	2	25+TT	8-TT
11	23	0	1	6	0	17	5	2	25+TT	12-TT
12	23	0	1	4	0	19	3.5	2	25+TT	15.5-TT
13	23	0	1	6	0	17	5	2	25+TT	12-TT
14	23	0	0	5	0	18	4	2	25+TT	14-TT
15	23	0	1	10	0	13	5	2	25+TT	8-TT
16	23	0	1	6	0	17	5	2	25+TT	12-TT
17	23	0	1	4	0	19	3.5	2	25+TT	15.5-TT
18	23	0	1	6	0	17	5	2	25+TT	12-TT
19	23	0	0	5	0	18	4	2	25+TT	14-TT
20	23	0	1	10	0	13	5	2	25+TT	8-TT

21	23	0	4.5	3	0	18.5	4	2	25+TT	14.5-TT
22	23	0	4.5	3	0	18.5	4	2	25+TT	14.5-TT
23	23	0	4.5	3	0	18.5	4	2	25+TT	14.5-TT
24	23	0	4.5	5	0	18	4	2	25+TT	14-TT

Test ID	P _{PowerClass} (dBm)	⊠P _{PowerClass} (dB)	MPR (dB)	A-MPR (dB)	ΔT _{C,c} (dB)	P _{C_{MAX}L,c} (dBm)	T(P _{C_{MAX}L,c}) (dB)	T _{L,c} (dB)	Upper limit (dBm)	Lower limit (dBm)
25	23	0	4.5	6	0	17	5	2	25+TT	12-TT
26	23	0	4.5	3	0	18.5	4	2	25+TT	14.5-TT
27	23	0	4.5	4	0	18.5	4	2	25+TT	14.5-TT
28	23	0	4.5	6	0	17	5	2	25+TT	12-TT
29	23	0	4.5	3	0	18.5	4	2	25+TT	14.5-TT
30	23	0	4.5	10	0	13	5	2	25+TT	8-TT
31	23	0	4.5	6	0	17	5	2	25+TT	12-TT
32	23	0	4.5	4	0	18.5	4	2	25+TT	14.5-TT
33	23	0	4.5	6	0	17	5	2	25+TT	12-TT
34	23	0	4.5	5	0	18	4	2	25+TT	14-TT
35	23	0	4.5	10	0	13	5	2	25+TT	8-TT
36	23	0	4.5	6	0	17	5	2	25+TT	12-TT
37	23	0	4.5	4	0	18.5	4	2	25+TT	14.5-TT
38	23	0	4.5	6	0	17	5	2	25+TT	12-TT
39	23	0	4.5	5	0	18	4	2	25+TT	14-TT
40	23	0	4.5	10	0	13	5	2	25+TT	8-TT
41	23	0	3	4.5	0	18.5	4	2	25+TT	14.5-TT
42	23	0	3	4.5	0	18.5	4	2	25+TT	14.5-TT
43	23	0	3	4.5	0	18.5	4	2	25+TT	14.5-TT
44	23	0	3	5	0	18	4	2	25+TT	14-TT
45	23	0	3	7	0	16	5	2	25+TT	11-TT
46	23	0	3	4.5	0	18.5	4	2	25+TT	14.5-TT
47	23	0	3	5.5	0	17.5	5	2	25+TT	12.5-TT
48	23	0	3	7	0	16	5	2	25+TT	11-TT
49	23	0	1.5	4.5	0	18.5	4	2	25+TT	14.5-TT
50	23	0	3	11	0	12	6	2	25+TT	6-TT
51	23	0	3	7	0	16	5	2	25+TT	11-TT
52	23	0	3	5.5	0	17.5	5	2	25+TT	12.5-TT
53	23	0	3	7	0	16	5	2	25+TT	11-TT
54	23	0	1.5	5	0	18	4	2	25+TT	14-TT
55	23	0	3	11	0	12	6	2	25+TT	6-TT
56	23	0	3	7	0	16	5	2	25+TT	11-TT
57	23	0	3	5.5	0	17.5	5	2	25+TT	12.5-TT
58	23	0	3	7	0	16	5	2	25+TT	11-TT
59	23	0	1.5	5	0	18	4	2	25+TT	14-TT
60	23	0	3	11	0	12	6	2	25+TT	6-TT
61	23	0	6.5	4.5	0	16.5	5	2	25+TT	11.5-TT
62	23	0	6.5	4.5	0	16.5	5	2	25+TT	11.5-TT
63	23	0	6.5	4.5	0	16.5	5	2	25+TT	11.5-TT
64	23	0	6.5	5	0	16.5	5	2	25+TT	11.5-TT
65	23	0	6.5	7	0	16	5	2	25+TT	11-TT
66	23	0	6.5	4.5	0	16.5	5	2	25+TT	11.5-TT
67	23	0	6.5	5.5	0	16.5	5	2	25+TT	11.5-TT
68	23	0	6.5	7	0	16	5	2	25+TT	11-TT
69	23	0	6.5	4.5	0	16.5	5	2	25+TT	11.5-TT
70	23	0	6.5	11	0	12	6	2	25+TT	6-TT
71	23	0	6.5	7	0	16	5	2	25+TT	11-TT
72	23	0	6.5	5.5	0	16.5	5	2	25+TT	11.5-TT
73	23	0	6.5	7	0	16	5	2	25+TT	11-TT
74	23	0	6.5	5	0	16.5	5	2	25+TT	11.5-TT
75	23	0	6.5	11	0	12	6	2	25+TT	6-TT
76	23	0	6.5	7	0	16	5	2	25+TT	11-TT
77	23	0	6.5	5.5	0	16.5	5	2	25+TT	11.5-TT
78	23	0	6.5	7	0	16	5	2	25+TT	11-TT
79	23	0	6.5	5	0	16.5	5	2	25+TT	11.5-TT
80	23	0	6.5	11	0	12	6	2	25+TT	6-TT

NOTE 1: $P_{\text{PowerClass}}$ is the maximum UE power specified without taking into account the tolerance.
 NOTE 2: TT for each frequency and channel bandwidth is specified in Table 6.2.3.5-0.

Table 6.2.3.5-24a: UE Power Class 2 test requirements for NS_48 (PC2 contiguous allocation)

Test ID	$P_{\text{PowerClass}}$ (dBm)	$\Delta P_{\text{PowerClass}}$ (dB)	MPR (dB)	A-MPR (dB)	$\Delta T_{C,c}$ (dB)	$P_{\text{CMAX}_L,c}$ (dBm)	$T(P_{\text{CMAX}_L,c})$ (dB)	$T_{L,c}$ (dB)	Upper limit (dBm)	Lower limit (dBm)
1	26	0	1	3	0	23	2	3	28+TT	20-TT
2	26	0	1	3	0	23	2	3	28+TT	20-TT
3	26	0	1	3	0	23	2	3	28+TT	20-TT
4	26	0	1	3	0	23	2	3	28+TT	20-TT
5	26	0	1	4.5	0	21.5	2	3	28+TT	18.5-TT
6	26	0	1	3	0	23	2	3	28+TT	20-TT
7	26	0	1	4.5	0	21.5	2	3	28+TT	18.5-TT
8	26	0	3.5	4	0	22	2	3	28+TT	19-TT
9	26	0	1	4.5	0	21.5	2	3	28+TT	18.5-TT
10	26	0	1	4.5	0	21.5	2	3	28+TT	18.5-TT
11	26	0	3.5	6	0	20	2.5	3	28+TT	17-TT
12	26	0	1	4.5	0	21.5	2	3	28+TT	18.5-TT
13	26	0	1	12	0	14	5	3	28+TT	9-TT
14	26	0	1	4	0	22	2	3	28+TT	19-TT
15	26	0	1	4.5	0	21.5	2	3	28+TT	18.5-TT
16	26	0	1	8	0	18	4	3	28+TT	14-TT
17	26	0	0	4	0	22	2	3	28+TT	19-TT
18	26	0	1	12	0	14	5	3	28+TT	9-TT
19	26	0	1	12	0	14	5	3	28+TT	9-TT
20	26	0	1	4.5	0	21.5	2	3	28+TT	18.5-TT
21	26	0	1	8	0	18	4	3	28+TT	14-TT
22	26	0	0	6	0	20	2.5	3	28+TT	17-TT
23	26	0	1	12	0	14	5	3	28+TT	9-TT
24	26	0	1	12	0	14	5	3	28+TT	9-TT
25	26	0	1	4.5	0	21.5	2	3	28+TT	18.5-TT
26	26	0	1	8	0	18	4	3	28+TT	14-TT
27	26	0	0	6	0	20	2.5	3	28+TT	17-TT
28	26	0	1	12	0	14	5	3	28+TT	9-TT
29	26	0	4.5	3	0	21.5	2	3	28+TT	18.5-TT
30	26	0	4.5	3	0	21.5	2	3	28+TT	18.5-TT
31	26	0	4.5	3	0	21.5	2	3	28+TT	18.5-TT
32	26	0	4.5	3	0	21.5	2	3	28+TT	18.5-TT
33	26	0	4.5	4.5	0	21.5	2	3	28+TT	18.5-TT
34	26	0	4.5	3	0	21.5	2	3	28+TT	18.5-TT
35	26	0	4.5	4.5	0	21.5	2	3	28+TT	18.5-TT
36	26	0	4.5	4	0	21.5	2	3	28+TT	18.5-TT
37	26	0	4.5	4.5	0	21.5	2	3	28+TT	18.5-TT
38	26	0	4.5	4.5	0	21.5	2	3	28+TT	18.5-TT
39	26	0	4.5	6	0	20	2.5	3	28+TT	17-TT
40	26	0	4.5	4.5	0	21.5	2	3	28+TT	18.5-TT
41	26	0	4.5	12	0	14	5	3	28+TT	9-TT
42	26	0	4.5	4	0	21.5	2	3	28+TT	18.5-TT
43	26	0	4.5	4.5	0	21.5	2	3	28+TT	18.5-TT
44	26	0	4.5	8	0	18	4	3	28+TT	14-TT
45	26	0	4.5	4	0	21.5	2	3	28+TT	18.5-TT
46	26	0	4.5	12	0	14	5	3	28+TT	9-TT
47	26	0	4.5	12	0	14	5	3	28+TT	9-TT
48	26	0	4.5	4.5	0	21.5	2	3	28+TT	18.5-TT
49	26	0	4.5	8	0	18	4	3	28+TT	14-TT
50	26	0	4.5	6	0	20	2.5	3	28+TT	17-TT
51	26	0	4.5	12	0	14	5	3	28+TT	9-TT
52	26	0	4.5	12	0	14	5	3	28+TT	9-TT
53	26	0	4.5	4.5	0	21.5	2	3	28+TT	18.5-TT
54	26	0	4.5	8	0	18	4	3	28+TT	14-TT
55	26	0	4.5	6	0	20	2.5	3	28+TT	17-TT
56	26	0	4.5	12	0	14	5	3	28+TT	9-TT
57	26	0	3	4.5	0	21.5	2	3	28+TT	18.5-TT

58	26	0	3	4.5	0	21.5	2	3	28+TT	18.5-TT
59	26	0	3	4.5	0	21.5	2	3	28+TT	18.5-TT
60	26	0	3	4.5	0	21.5	2	3	28+TT	18.5-TT
61	26	0	3	6	0	20	2.5	3	28+TT	17-TT

Test ID	P _{PowerClass} (dBm)	ΔP _{PowerClass} (dB)	MPR (dB)	A-MPR (dB)	ΔT _{C,c} (dB)	P _{C_{MAX},L,c} (dBm)	T(P _{C_{MAX},L,c}) (dB)	T _{L,c} (dB)	Upper limit (dBm)	Lower limit (dBm)
62	26	0	3	4.5	0	21.5	2	3	28+TT	18.5-TT
63	26	0	3	6	0	20	2.5	3	28+TT	17-TT
64	26	0	3.5	5.5	0	20.5	2.5	3	28+TT	17.5-TT
65	26	0	3	6	0	20	2.5	3	28+TT	17-TT
66	26	0	3	6	0	20	2.5	3	28+TT	17-TT
67	26	0	3.5	6	0	20	2.5	3	28+TT	17-TT
68	26	0	3	6	0	20	2.5	3	28+TT	17-TT
69	26	0	3	12.5	0	13.5	5	3	28+TT	8.5-TT
70	26	0	3	5.5	0	20.5	2.5	3	28+TT	17.5-TT
71	26	0	3	6	0	20	2.5	3	28+TT	17-TT
72	26	0	3	9	0	17	5	3	28+TT	12-TT
73	26	0	3	5.5	0	20.5	2.5	3	28+TT	17.5-TT
74	26	0	3	12.5	0	13.5	5	3	28+TT	8.5-TT
75	26	0	3	12.5	0	13.5	5	3	28+TT	8.5-TT
76	26	0	3	6	0	20	2.5	3	28+TT	17-TT
77	26	0	3	9	0	17	5	3	28+TT	12-TT
78	26	0	1.5	6	0	20	2.5	3	28+TT	17-TT
79	26	0	3	12.5	0	13.5	5	3	28+TT	8.5-TT
80	26	0	3	12.5	0	13.5	5	3	28+TT	8.5-TT
81	26	0	3	6	0	20	2.5	3	28+TT	17-TT
82	26	0	3	9	0	17	5	3	28+TT	12-TT
83	26	0	1.5	6	0	20	2.5	3	28+TT	17-TT
84	26	0	3	12.5	0	13.5	5	3	28+TT	8.5-TT
85	26	0	6.5	4.5	0	19.5	3.5	3	28+TT	16-TT
86	26	0	6.5	4.5	0	19.5	3.5	3	28+TT	16-TT
87	26	0	6.5	4.5	0	19.5	3.5	3	28+TT	16-TT
88	26	0	6.5	4.5	0	19.5	3.5	3	28+TT	16-TT
89	26	0	6.5	6	0	19.5	3.5	3	28+TT	16-TT
90	26	0	6.5	4.5	0	19.5	3.5	3	28+TT	16-TT
91	26	0	6.5	6	0	19.5	3.5	3	28+TT	16-TT
92	26	0	6.5	5.5	0	19.5	3.5	3	28+TT	16-TT
93	26	0	6.5	6	0	19.5	3.5	3	28+TT	16-TT
94	26	0	6.5	6	0	19.5	3.5	3	28+TT	16-TT
95	26	0	6.5	6	0	19.5	3.5	3	28+TT	16-TT
96	26	0	6.5	6	0	19.5	3.5	3	28+TT	16-TT
97	26	0	6.5	12.5	0	13.5	5	3	28+TT	8.5-TT
98	26	0	6.5	5.5	0	19.5	3.5	3	28+TT	16-TT
99	26	0	6.5	6	0	19.5	3.5	3	28+TT	16-TT
100	26	0	6.5	9	0	17	5	3	28+TT	12-TT
101	26	0	6.5	5.5	0	19.5	3.5	3	28+TT	16-TT
102	26	0	6.5	12.5	0	13.5	5	3	28+TT	8.5-TT
103	26	0	6.5	12.5	0	13.5	5	3	28+TT	8.5-TT
104	26	0	6.5	6	0	19.5	3.5	3	28+TT	16-TT
105	26	0	6.5	9	0	17	5	3	28+TT	12-TT
106	26	0	6.5	6	0	19.5	3.5	3	28+TT	16-TT
107	26	0	6.5	12.5	0	13.5	5	3	28+TT	8.5-TT
108	26	0	6.5	12.5	0	13.5	5	3	28+TT	8.5-TT
109	26	0	6.5	6	0	19.5	3.5	3	28+TT	16-TT
110	26	0	6.5	9	0	17	5	3	28+TT	12-TT
111	26	0	6.5	6	0	19.5	3.5	3	28+TT	16-TT
112	26	0	6.5	12.5	0	13.5	5	3	28+TT	8.5-TT

NOTE 1: P_{PowerClass} is the maximum UE power specified without taking into account the tolerance.

NOTE 2: TT for each frequency and channel bandwidth is specified in Table 6.2.3.5-0.

Table 6.2.3.5-25: UE Power Class 3 test requirements (NS_12) for n26 low range

Test ID	P _{PowerClass} (dBm)	MPR (dB)	A-MPR (dB)	$\Delta T_{C,c}$ (dB)	P _{C_{MAX}L,c} (dBm)	T(P _{C_{MAX}L,c}) (dB)	T _{L,c} (dB)	Upper limit (dBm)	Lower limit (dBm)
1	23	N/A	5	1.5	16.5	5	2	25+TT	11.5-TT
2	23	N/A	5.5	1.5	16	5	2	25+TT	11-TT
3	23	N/A	9.5	1.5	12	6	2	25+TT	6-TT
4	23	N/A	5	0	18	4	2	25+TT	14-TT
5	23	N/A	5.5	0	17.5	5	2	25+TT	12.5-TT
6	23	N/A	9.5	0	13.5	5	2	25+TT	8.5-TT
7	23	N/A	5	1.5	16.5	5	2	25+TT	11.5-TT
8	23	N/A	5.5	1.5	16	5	2	25+TT	11-TT
9	23	N/A	9.5	1.5	12	6	2	25+TT	6-TT
10	23	N/A	5	0	18	4	2	25+TT	14-TT
11	23	N/A	5.5	0	17.5	5	2	25+TT	12.5-TT
12	23	N/A	9.5	0	13.5	5	2	25+TT	8.5-TT
13	23	1	N/A	0	22	2	2	25+TT	20-TT
14	23	1	N/A	0	22	2	2	25+TT	20-TT
15	23	N/A	7	1.5	14.5	5	2	25+TT	9.5-TT
16	23	N/A	9.5	1.5	12	6	2	25+TT	6-TT
17	23	N/A	7	0	16	5	2	25+TT	11-TT
18	23	N/A	9.5	0	13.5	5	2	25+TT	8.5-TT
19	23	N/A	7	1.5	14.5	5	2	25+TT	9.5-TT
20	23	N/A	9.5	1.5	12	6	2	25+TT	6-TT
21	23	N/A	7	0	16	5	2	25+TT	11-TT
22	23	N/A	9.5	0	13.5	5	2	25+TT	8.5-TT
23	23	3	0	0	20	2.5	2	25+TT	17.5-TT
24	23	3	0	0	20	2.5	2	25+TT	17.5-TT
25	23	N/A	4.5	1.5	17	5	2	25+TT	12-TT
26	23	N/A	5	1.5	16.5	5	2	25+TT	11.5-TT
27	23	N/A	5	1.5	16.5	6	2	25+TT	10.5-TT
28	23	N/A	4.5	0	18.5	4	2	25+TT	14.5-TT
29	23	N/A	5	0	18	5	2	25+TT	13-TT
30	23	N/A	5	0	18	5	2	25+TT	13-TT
31	23	1	N/A	0	22	2	2	25+TT	20-TT
32	23	N/A	6	1.5	15.5	5	2	25+TT	10.5-TT
33	23	N/A	6	0	17	5	2	25+TT	12-TT
34	23	3	0	0	20	2.5	2	25+TT	17.5-TT

NOTE 1: P_{PowerClass} is the maximum UE power specified without taking into account the tolerance.

NOTE 2: TT for each frequency and channel bandwidth is specified in Table 6.2.3.5-0.

Table 6.2.3.5-25b: UE Power Class 3 test requirements (NS_12) for n26 high range

Test ID	P _{PowerClass} (dBm)	MPR (dB)	A-MPR (dB)	$\Delta T_{C,c}$ (dB)	P _{C_{MAX}L,c} (dBm)	T(P _{C_{MAX}L,c}) (dB)	T _{L,c} (dB)	Upper limit (dBm)	Lower limit (dBm)
1	23	N/A	5	0	18	4	2	25+TT	14-TT
2	23	N/A	5.5	0	17.5	5	2	25+TT	12.5-TT
3	23	N/A	9.5	0	13.5	5	2	25+TT	8.5-TT
4	23	N/A	5	0	18	4	2	25+TT	14-TT
5	23	N/A	5.5	0	17.5	5	2	25+TT	12.5-TT
6	23	N/A	9.5	0	13.5	5	2	25+TT	8.5-TT
7	23	N/A	5	0	18	4	2	25+TT	14-TT

8	23	N/A	5.5	0	17.5	5	2	25+TT	12.5-TT
9	23	N/A	9.5	0	13.5	5	2	25+TT	8.5-TT
10	23	N/A	5	0	18	4	2	25+TT	14-TT
11	23	N/A	5.5	0	17.5	5	2	25+TT	12.5-TT
12	23	N/A	9.5	0	13.5	5	2	25+TT	8.5-TT
13	23	1	N/A	1.5	20.5	2	2	25+TT	18.5-TT
14	23	1	N/A	0	22	2	2	25+TT	20-TT
15	23	N/A	7	0	16	5	2	25+TT	11-TT
16	23	N/A	9.5	0	13.5	5	2	25+TT	8.5-TT
17	23	N/A	7	0	16	5	2	25+TT	11-TT
18	23	N/A	9.5	0	13.5	5	2	25+TT	8.5-TT
19	23	N/A	7	0	16	5	2	25+TT	11-TT
20	23	N/A	9.5	0	13.5	5	2	25+TT	8.5-TT
21	23	N/A	7	0	16	5	2	25+TT	11-TT
22	23	N/A	9.5	0	13.5	5	2	25+TT	8.5-TT
23	23	3	0	1.5	18.5	4	2	25+TT	14.5-TT
24	23	3	0	0	20	2.5	2	25+TT	17.5-TT
25	23	N/A	4.5	0	18.5	4	2	25+TT	14.5-TT
26	23	N/A	5	0	18	5	2	25+TT	13-TT
27	23	N/A	5	0	18	5	2	25+TT	13-TT
28	23	N/A	4.5	0	18.5	4	2	25+TT	14.5-TT
29	23	N/A	5	0	18	5	2	25+TT	13-TT
30	23	N/A	5	0	18	5	2	25+TT	13-TT
31	23	1	N/A	1.5	20.5	2	2	25+TT	18.5-TT
32	23	N/A	6	0	17	5	2	25+TT	12-TT
33	23	N/A	6	0	17	5	2	25+TT	12-TT
34	23	3	0	1.5	18.5	4	2	25+TT	14.5-TT

NOTE 1: P_{PowerClass} is the maximum UE power specified without taking into account the tolerance.
 NOTE 2: TT for each frequency and channel bandwidth is specified in Table 6.2.3.5-0.

Table 6.2.3.5-26: UE Power Class 3 test requirements (NS_13) for n26

Test ID	P _{PowerClass} (dBm)	MPR (dB)	A-MPR (dB)	ΔT _{c,c} (dB)	P _{C_{MAX}L,c} (dBm)	T(P _{C_{MAX}L,c}) (dB)	T _{L,c} (dB)	Upper limit (dBm)	Lower limit (dBm)
1	23	N/A	3.5	1.5	18	4	2	25+TT	14-TT
2	23	N/A	4.5	1.5	17	5	2	25+TT	12-TT
3	23	N/A	8	1.5	13.5	5	2	25+TT	8.5-TT
4	23	N/A	5	0	18	4	2	25+TT	14-TT
5	23	N/A	5	0	18	4	2	25+TT	14-TT
6	23	N/A	6	0	17	5	2	25+TT	12-TT
7	23	N/A	3.5	0	19.5	3.5	2	25+TT	16-TT
8	23	N/A	4.5	0	18.5	4	2	25+TT	14.5-TT
9	23	N/A	8	0	15	5	2	25+TT	10-TT
10	23	N/A	3	0	20	2.5	2	25+TT	17.5-TT
11	Void								
12	23	N/A	5	1.5	16.5	5	2	25+TT	11.5-TT
13	23	N/A	6	1.5	15.5	5	2	25+TT	10.5-TT
14	23	N/A	8	1.5	13.5	5	2	25+TT	8.5-TT
15	23	N/A	6.5	0	16.5	5	2	25+TT	11.5-TT
16	23	N/A	8	0	15	5	2	25+TT	10-TT
17	23	N/A	5	0	18	4	2	25+TT	14-TT
18	23	N/A	6	0	17	5	2	25+TT	12-TT
19	23	N/A	8	0	15	5	2	25+TT	10-TT
20	23	N/A	4.5	0	18.5	4	2	25+TT	14.5-TT
21	Void						r		
22	23	N/A	4	1.5	17.5	4	2	25+TT	13.5-TT

23	23	N/A	4	1.5	17.5	5	2	25+TT	12.5-TT
24	23	N/A	4	0	19	4	2	25+TT	15-TT
25	23	N/A	4	0	19	4	2	25+TT	15-TT
26	23	N/A	4	0	19	3.5	2	25+TT	15.5-TT
27	23	N/A	4	0	19	4	2	25+TT	15-TT
28	23	N/A	5.5	1.5	16	5	2	25+TT	11-TT
29	23	N/A	5.5	1.5	16	5	2	25+TT	11-TT
30	23	N/A	5.5	0	17.5	5	2	25+TT	12.5-TT
31	23	N/A	5.5	0	17.5	4	2	25+TT	13.5-TT
32	23	N/A	5.5	0	17.5	5	2	25+TT	12.5-TT

NOTE 1: P_{PowerClass} is the maximum UE power specified without taking into account the tolerance.

NOTE 2: TT for each frequency and channel bandwidth is specified in Table 6.2.3.5-0.

Table 6.2.3.5-27a: UE Power Class 3 test requirements (NS_14) for n26 low range

Test ID	P _{PowerClass} (dBm)	MPR (dB)	A-MPR (dB)	ΔT _{C,c} (dB)	P _{CMAX_L,c} (dBm)	T(P _{CMAX_L,c}) (dB)	T _{L,c} (dB)	Upper limit (dBm)	Lower limit (dBm)
1	23	N/A	3	1.5	18.5	4	2	25+TT	14.5-TT
2	23	N/A	2	0	21	2	2	25+TT	19-TT
3	23	N/A	3	1.5	18.5	4	2	25+TT	14.5-TT
4	23	N/A	2	0	21	2	2	25+TT	19-TT
5	23	N/A	3	1.5	18.5	4	2	25+TT	14.5-TT
6	23	N/A	8	1.5	13.5	5	2	25+TT	8.5-TT
7	23	N/A	2	0	21	2	2	25+TT	19-TT
8	23	1	N/A	1.5	20	2.5	2	25+TT	18-TT
9	23	0	N/A	1.5	21.5	2	2	25+TT	19.5-TT
10	23	0	N/A	0	23	2	2	25+TT	21-TT
11	23	N/A	5	1.5	16.5	5	2	25+TT	11.5-TT
12	23	N/A	6	1.5	15.5	5	2	25+TT	10.5-TT
13	23	N/A	8	1.5	13.5	5	2	25+TT	8.5-TT
14	23	N/A	4	0	19	3.5	2	25+TT	15.5-TT
15	23	N/A	5	1.5	16.5	5	2	25+TT	11.5-TT
16	23	N/A	6	1.5	15.5	5	2	25+TT	10.5-TT
17	23	N/A	8	1.5	13.5	5	2	25+TT	8.5-TT
18	23	N/A	4	0	19	3.5	2	25+TT	15.5-TT
19	23	N/A	5	1.5	16.5	5	2	25+TT	11.5-TT
20	23	N/A	6	1.5	15.5	5	2	25+TT	10.5-TT
21	23	N/A	8	1.5	13.5	5	2	25+TT	8.5-TT
22	23	N/A	4	0	19	3.5	2	25+TT	15.5-TT
23	23	3	N/A	1.5	18.5	4	2	25+TT	14.5-TT
24	23	1.5	N/A	1.5	20	2.5	2	25+TT	17.5-TT
25	23	1.5	N/A	0	21.5	2	2	25+TT	19.5-TT

NOTE 1: P_{PowerClass} is the maximum UE power specified without taking into account the tolerance.

NOTE 2: TT for each frequency and channel bandwidth is specified in Table 6.2.3.5-0.

Table 6.2.3.5-27b: UE Power Class 3 test requirements (NS_14) for n26 high range

Test ID	P _{PowerClass} (dBm)	MPR (dB)	A-MPR (dB)	ΔT _{C,c} (dB)	P _{CMAX_L,c} (dBm)	T(P _{CMAX_L,c}) (dB)	T _{L,c} (dB)	Upper limit (dBm)	Lower limit (dBm)
1	23	N/A	3	0	20	2.5	2	25+TT	17.5-TT
2	23	N/A	2	0	21	2	2	25+TT	19-TT
3	23	N/A	3	0	20	2.5	2	25+TT	17.5-TT
4	23	N/A	2	0	21	2	2	25+TT	19-TT
5	23	N/A	3	0	20	2.5	2	25+TT	17.5-TT

6	23	N/A	8	0	15	5	2	25+TT	10-TT
7	23	N/A	2	0	21	2	2	25+TT	19-TT
8	23	1	N/A	0	22	2	2	25+TT	20-TT
9	23	0	N/A	0	23	2	2	25+TT	21-TT
10	23	0	N/A	0	23	2	2	25+TT	21-TT
11	23	N/A	5	0	18	4	2	25+TT	14-TT
12	23	N/A	6	0	17	5	2	25+TT	12-TT
13	23	N/A	8	0	15	5	2	25+TT	10-TT
14	23	N/A	4	0	19	3.5	2	25+TT	15.5-TT
15	23	N/A	5	0	18	4	2	25+TT	14-TT
16	23	N/A	6	0	17	5	2	25+TT	12-TT
17	23	N/A	8	0	15	5	2	25+TT	10-TT
18	23	N/A	4	0	19	3.5	2	25+TT	15.5-TT
19	23	N/A	5	0	18	4	2	25+TT	14-TT
20	23	N/A	6	0	17	5	2	25+TT	12-TT
21	23	N/A	8	0	15	5	2	25+TT	10-TT
22	23	N/A	4	0	19	3.5	2	25+TT	15.5-TT
23	23	3	N/A	0	20	2.5	2	25+TT	17.5-TT
24	23	1.5	N/A	0	21.5	2	2	25+TT	19.5-TT
25	23	1.5	N/A	0	21.5	2	2	25+TT	19.5-TT

NOTE 1: $P_{PowerClass}$ is the maximum UE power specified without taking into account the tolerance.

NOTE 2: TT for each frequency and channel bandwidth is specified in Table 6.2.3.5-0.

Table 6.2.3.5-28: UE Power Class 3 test requirements (NS_15) for n26

Test ID	$P_{PowerClass}$ (dBm)	MPR (dB)	A-MPR (dB)	$\Delta T_{C,c}$ (dB)	$P_{CMAX,L,c}$ (dBm)	$T(P_{CMAX,L,c})$ (dB)	$T_{L,c}$ (dB)	Upper limit (dBm)	Lower limit (dBm)
1	23	N/A	9	1.5	12.5	6	2	25+TT	6.5-TT
2	23	N/A	9	0	14	5	2	25+TT	9-TT
3	23	N/A	5	1.5	16.5	5	2	25+TT	11.5-TT
4	23	N/A	4	0	19	3.5	2	25+TT	15.5-TT
5	23	N/A	9	0	14	5	2	25+TT	9-TT
6	23	N/A	9	1.5	12.5	6	2	25+TT	6.5-TT
7	23	N/A	13.5	1.5	8	6	2	25+TT	2-TT
8	23	N/A	9	0	14	5	2	25+TT	9-TT
9	23	N/A	5	0	18	4	2	25+TT	14-TT
10	23	N/A	4	0	19	3.5	2	25+TT	15.5-TT
11	23	N/A	9	0	14	5	2	25+TT	9-TT
12	23	N/A	9	0	14	5	2	25+TT	9-TT
13	23	N/A	9	0	14	5	2	25+TT	9-TT
14	23	N/A	9	0	14	5	2	25+TT	9-TT
15	23	N/A	5	0	18	4	2	25+TT	14-TT
16	23	N/A	4	0	19	3.5	2	25+TT	15.5-TT
17	23	N/A	9	0	14	5	2	25+TT	9-TT
18	23	N/A	9	1.5	12.5	6	2	25+TT	6.5-TT
19	23	N/A	13.5	1.5	8	6	2	25+TT	2-TT
20	23	N/A	9	0	14	5	2	25+TT	9-TT
21	23	N/A	5	0	18	4	2	25+TT	14-TT
22	23	N/A	4	0	19	3.5	2	25+TT	15.5-TT
23	23	N/A	9	0	14	5	2	25+TT	9-TT
24	23	N/A	9	0	14	5	2	25+TT	9-TT

25	23	N/A	13.5	0	9.5	6	2	25+TT	3.5-TT
26	23	N/A	9	0	14	5	2	25+TT	9-TT
27	23	N/A	5	0	18	4	2	25+TT	14-TT
28	23	N/A	4	0	19	3.5	2	25+TT	15.5-TT
29	23	N/A	9	0	14	5	2	25+TT	9-TT
30	23	N/A	9	0	14	5	2	25+TT	9-TT
31	23	N/A	9	0	14	5	2	25+TT	9-TT
32	23	N/A	9	0	14	5	2	25+TT	9-TT
33	23	N/A	5	0	18	4	2	25+TT	14-TT
34	23	N/A	4	0	19	3.5	2	25+TT	15.5-TT
35	23	N/A	9	0	14	5	2	25+TT	9-TT
36	23	N/A	9	1.5	12.5	6	2	25+TT	6.5-TT
37	23	N/A	13.5	1.5	8	6	2	25+TT	2-TT
38	23	N/A	9	0	14	5	2	25+TT	9-TT
39	23	N/A	5	0	18	4	2	25+TT	14-TT
40	23	N/A	4	0	19	3.5	2	25+TT	15.5-TT
41	23	N/A	9	0	14	5	2	25+TT	9-TT
42	23	N/A	9	0	14	5	2	25+TT	9-TT
43	23	N/A	13.5	0	9.5	6	2	25+TT	3.5-TT
44	23	N/A	9	0	14	5	2	25+TT	9-TT
45	23	N/A	5	0	18	4	2	25+TT	14-TT

Test ID	P _{PowerClass} (dBm)	MPR (dB)	A-MPR (dB)	ΔT _{C,c} (dB)	P _{C_{MAX,L,c}} (dBm)	T(P _{C_{MAX,L,c}}) (dB)	T _{L,c} (dB)	Upper limit (dBm)	Lower limit (dBm)
46	23	N/A	4	0	19	3.5	2	25+TT	15.5-TT
47	23	N/A	9	0	14	5	2	25+TT	9-TT
48	23	1	N/A	0	22	2	2	25+TT	20-TT
49	23	1	N/A	0	22	2	2	25+TT	20-TT
50	23	0	N/A	0	23	2	2	25+TT	21-TT
51	23	0	N/A	0	23	2	2	25+TT	21-TT
52	23	N/A	10.5	1.5	11	6	2	25+TT	5-TT
53	23	N/A	10.5	0	12.5	6	2	25+TT	6.5-TT
54	23	N/A	6.5	1.5	15.5	5	2	25+TT	10.5-TT
55	23	N/A	4	0	19	3.5	2	25+TT	15.5-TT
56	23	N/A	9	0	14	5	2	25+TT	9-TT
57	23	N/A	10.5	1.5	11	6	2	25+TT	5-TT
58	23	N/A	13.5	1.5	8	6	2	25+TT	2-TT
59	23	N/A	10.5	0	12.5	6	2	25+TT	6.5-TT
60	23	N/A	6.5	0	16.5	5	2	25+TT	11.5-TT
61	23	N/A	4	0	19	3.5	2	25+TT	15.5-TT
62	23	N/A	9	0	14	5	2	25+TT	9-TT
63	23	N/A	10.5	0	12.5	6	2	25+TT	6.5-TT
64	23	N/A	10.5	0	12.5	6	2	25+TT	6.5-TT
65	23	N/A	10.5	0	12.5	6	2	25+TT	6.5-TT
66	23	N/A	6.5	0	16.5	5	2	25+TT	11.5-TT
67	23	N/A	4	0	19	3.5	2	25+TT	15.5-TT
68	23	N/A	9	0	14	5	2	25+TT	9-TT
69	23	N/A	10.5	1.5	11	6	2	25+TT	5-TT
70	23	N/A	13.5	1.5	8	6	2	25+TT	2-TT

71	23	N/A	10.5	0	12.5	6	2	25+TT	6.5-TT
72	23	N/A	6.5	0	16.5	5	2	25+TT	11.5-TT
73	23	N/A	4	0	19	3.5	2	25+TT	15.5-TT
74	23	N/A	9	0	14	5	2	25+TT	9-TT
75	23	N/A	10.5	0	12.5	6	2	25+TT	6.5-TT
76	23	N/A	13.5	0	9.5	6	2	25+TT	3.5-TT
77	23	N/A	10.5	0	12.5	6	2	25+TT	6.5-TT
78	23	N/A	6.5	0	16.5	5	2	25+TT	11.5-TT
79	23	N/A	4	0	19	3.5	2	25+TT	15.5-TT
80	23	N/A	9	0	14	5	2	25+TT	9-TT
81	23	N/A	10.5	0	12.5	6	2	25+TT	6.5-TT
82	23	N/A	10.5	0	12.5	6	2	25+TT	6.5-TT
83	23	N/A	10.5	0	12.5	6	2	25+TT	6.5-TT
84	23	N/A	6.5	0	16.5	5	2	25+TT	11.5-TT
85	23	N/A	4	0	19	3.5	2	25+TT	15.5-TT
86	23	N/A	9	0	14	5	2	25+TT	9-TT
87	23	N/A	10.5	1.5	11	6	2	25+TT	5-TT
88	23	N/A	13.5	1.5	8	6	2	25+TT	2-TT
89	23	N/A	10.5	0	12.5	6	2	25+TT	6.5-TT

Test ID	P _{PowerClass} (dBm)	MPR (dB)	A-MPR (dB)	ΔT _{C,c} (dB)	P _{C_{MAX,L,c}} (dBm)	T(P _{C_{MAX,L,c}}) (dB)	T _{L,c} (dB)	Upper limit (dBm)	Lower limit (dBm)
90	23	N/A	6.5	0	16.5	5	2	25+TT	11.5-TT
91	23	N/A	4	0	19	3.5	2	25+TT	15.5-TT
92	23	N/A	9	0	14	5	2	25+TT	9-TT
93	23	N/A	10.5	0	12.5	6	2	25+TT	6.5-TT
94	23	N/A	13.5	0	9.5	6	2	25+TT	3.5-TT
95	23	N/A	10.5	0	12.5	6	2	25+TT	6.5-TT
96	23	N/A	6.5	0	16.5	5	2	25+TT	11.5-TT
97	23	N/A	4	0	19	3.5	2	25+TT	15.5-TT
98	23	N/A	9	0	14	5	2	25+TT	9-TT
99	23	3	N/A	0	20	2.5	2	25+TT	17.5-TT
100	23	3	N/A	0	20	2.5	2	25+TT	17.5-TT
101	23	1.5	N/A	0	21.5	2	2	25+TT	19.5-TT
102	23	1.5	N/A	0	21.5	2	2	25+TT	19.5-TT
103	23	N/A	5.5	1.5	16	6	2	25+TT	10-TT
104	23	N/A	5.5	0	17.5	5	2	25+TT	12.5-TT
105	23	N/A	2	0	21	3.5	2	25+TT	17.5-TT
106	23	1	N/A	0	22	2	2	25+TT	20-TT
107	23	N/A	7	1.5	14.5	6	2	25+TT	8.5-TT
108	23	N/A	7	0	16	6	2	25+TT	10-TT
109	23	N/A	3	0	19	3.5	2	25+TT	15.5-TT
110	23	3	N/A	0	20	2.5	2	25+TT	17.5-TT

NOTE 1: P_{PowerClass} is the maximum UE power specified without taking into account the tolerance.

NOTE 2: TT for each frequency and channel bandwidth is specified in Table 6.2.3.5-0.

Table 6.2.3.5-29: UE Power Class 3 test requirements for NS_45 (contiguous allocation)

Test ID	P _{PowerClass} (dBm)	MPR (dB)	A-MPR (dB)	ΔT _{C,c} (dB)	P _{C_{MAX,c}} (dBm)	T(P _{C_{MAX,L,c}}) (dB)	T _{L,c} (dB)	Upper limit (dBm)	Lower limit (dBm)
1, 2	23	0.5	1.5	0	21.5	2	2	25+TT	19.5-TT
3	23	0.5	1.5	0	21.5	2	2	25+TT	19.5-TT
4, 5	23	1	2	0	21	2	2	25+TT	19-TT

6	23	1	2	0	21	2	2	25+TT	19-TT
7, 8	23	2	2.5	0	20.5	2.5	2	25+TT	18-TT
9	23	2	2.5	0	20.5	2.5	2	25+TT	18-TT
10, 11	23	2.5	3	0	20	2.5	2	25+TT	17.5-TT
12	23	2.5	3	0	20	2.5	2	25+TT	17.5-TT

NOTE 1: $P_{PowerClass}$ is the maximum UE power specified without taking into account the tolerance.
 NOTE 2: TT for each frequency and channel bandwidth is specified in Table 6.2.3.5-0.

Table 6.2.3.5-30: UE Power Class 3 test requirements for NS_46 (contiguous allocation)

Test ID	$P_{PowerClass}$ (dBm)	$\Delta P_{PowerClass}$ (dB)	MPR (dB)	A-MPR (dB)	$\Delta T_{C,c}$ (dB)	$P_{C_{MAX,L,c}}$ (dBm)	$T(P_{C_{MAX,L,c}})$ (dB)	$T_{L,c}$ (dB)	Upper limit (dBm)	Lower limit (dBm)
1	23	0	2.5	3.5	0	19.5	3.5	2	25+TT	16-TT
2	23	0	2.5	4	0	19	3.5	2	25+TT	15.5-TT
3	23	0	2.5	4.5	0	18.5	4	2	25+TT	14.5-TT
4	23	0	2.5	5	0	18	4	2	25+TT	14-TT
5	23	0	2	2	0	21	2	2	25+TT	19-TT
6	23	0	2.5	3.5	0	19.5	3.5	2	25+TT	16-TT
7	23	0	4.5	6	0	17	5	2	25+TT	12-TT
8	23	0	4.5	10	0	13	5	2	25+TT	8-TT
9	23	0	3	5.5	0	17.5	5	2	25+TT	12.5-TT
10	23	0	3.5	5.5	0	17.5	5	2	25+TT	12.5-TT
11	23	0	3	6	0	17	5	2	25+TT	12-TT
12	23	0	6.5	6	0	16.5	5	2	25+TT	11.5-TT
13	23	0	3	5	0	18	4	2	25+TT	14-TT
14	23	0	3.5	5	0	18	4	2	25+TT	14-TT
15	23	0	3	3.5	0	19.5	3.5	2	25+TT	16-TT
16	23	0	3.5	3.5	0	19.5	3.5	2	25+TT	16-TT
17	23	0	3	5.5	0	17.5	5	2	25+TT	12.5-TT
18	23	0	3.5	5.5	0	17.5	5	2	25+TT	12.5-TT
19	23	0	3	7	0	16	5	2	25+TT	11-TT
20	23	0	6.5	7	0	16	5	2	25+TT	11-TT
21	23	0	3	11	0	12	6	2	25+TT	6-TT
22	23	0	6.5	11	0	12	6	2	25+TT	6-TT

NOTE 1: $P_{PowerClass}$ is the maximum UE power specified without taking into account the tolerance.
 NOTE 2: TT for each frequency and channel bandwidth is specified in Table 6.2.3.5-0.

Table 6.2.3.5-30a: UE Power Class 1 test requirements for NS_46 (contiguous allocation)

Test ID	$P_{PowerClass}$ (dBm)	$\Delta P_{PowerClass}$ (dB)	MPR (dB)	A-MPR (dB)	$\Delta T_{C,c}$ (dB)	$P_{C_{MAX,L,c}}$ (dBm)	$T(P_{C_{MAX,L,c}})$ (dB)	$T_{L,c}$ (dB)	Upper limit (dBm)	Lower limit (dBm)
1	31	0	2.5	3	0	28	2	3	33+TT	26-TT
2	31	0	6.5	7	0	24	2	3	33+TT	22-TT
3	31	0	4.5	12.5	0	18.5	4	3	33+TT	14.5-TT
4	31	0	4.5	0	0	26.5	2	3	33+TT	24.5-TT
5	31	0	4.5	7	0	24	2	3	33+TT	22-TT
6	31	0	2.5	4	0	27	2	3	33+TT	25-TT
7	31	0	4.5	6	0	25	2	3	33+TT	23-TT
8	31	0	4.5	7	0	24	2	3	33+TT	22-TT
9	31	0	4.5	12.5	0	18.5	4	3	33+TT	14.5-TT
10	31	0	4.5	0	0	26.5	2	3	33+TT	24.5-TT
11	31	0	4.5	6	0	25	2	3	33+TT	23-TT
12	31	0	2.5	4	0	27	2	3	33+TT	25-TT
13	31	0	4.5	6	0	25	2	3	33+TT	23-TT
14	31	0	4.5	7	0	24	2	3	33+TT	22-TT
15	31	0	2.5	4	0	27	2	3	33+TT	25-TT
16	31	0	4.5	12.5	0	18.5	4	3	33+TT	14.5-TT
17	31	0	4.5	6	0	25	2	3	33+TT	23-TT
18	31	0	4.5	7	0	24	2	3	33+TT	22-TT
19	31	0	3.5	4	0	27	2	3	33+TT	25-TT
20	31	0	6.5	13	0	18	4	3	33+TT	14-TT
21	31	0	6.5	15	0	16	5	3	33+TT	11-TT

22	31	0	6.5	10	0	21	2	3	33+TT	19-TT
23	31	0	4.5	13	0	18	4	3	33+TT	14-TT
24	31	0	3.5	5	0	26	2	3	33+TT	24-TT
25	31	0	6.5	9	0	22	2	3	33+TT	20-TT
26	31	0	6.5	13	0	18	4	3	33+TT	14-TT
27	31	0	6.5	15	0	16	5	3	33+TT	11-TT
28	31	0	6.5	10	0	21	2	3	33+TT	19-TT
29	31	0	6.5	9	0	22	2	3	33+TT	20-TT
30	31	0	3.5	5	0	26	2	3	33+TT	24-TT
31	31	0	6.5	9	0	22	2	3	33+TT	20-TT
32	31	0	6.5	13	0	18	4	3	33+TT	14-TT
33	31	0	3.5	4	0	27	2	3	33+TT	25-TT
34	31	0	6.5	15	0	16	5	3	33+TT	11-TT
35	31	0	6.5	9	0	22	2	3	33+TT	20-TT
36	31	0	6.5	13	0	18	4	3	33+TT	14-TT

NOTE 1: P_{PowerClass} is the maximum UE power specified without taking into account the tolerance.

NOTE 2: TT for each frequency and channel bandwidth is specified in Table 6.2.3.5-0.

Table 6.2.3.5-31: UE Power Class 3 test requirements (NS_44) for band n38

Test ID	P _{PowerClass} (dBm)	ΔP _{PowerClass} (dB)	MPR (dB)	A-MPR (dB)	ΔT _{C,c} (dB)	P _{C_{MAX},L,c} (dBm)	T(P _{C_{MAX},L,c}) (dB)	T _{L,c} (dB)	Upper limit (dBm)	Lower limit (dBm)
1	23	0	2.5	3	0	20	2.5	2	25+TT	17.5-TT
2	23	0	2.5	3	0	20	2.5	2	25+TT	17.5-TT
3	23	0	2.5	4	0	19	3.5	2	25+TT	15.5-TT
4	23	0	4.5	0	0	18.5	4	2	25+TT	14.5-TT
5	23	0	4.5	0	0	18.5	4	2	25+TT	14.5-TT
6	23	0	4.5	0	0	18.5	4	2	25+TT	14.5-TT
7	23	0	2.5	3	0	20	2.5	2	25+TT	17.5-TT
8	23	0	2.5	3	0	20	2.5	2	25+TT	17.5-TT
9	23	0	2.5	4	0	19	3.5	2	25+TT	15.5-TT
10	23	0	4.5	0	0	18.5	4	2	25+TT	14.5-TT
11	23	0	4.5	0	0	18.5	4	2	25+TT	14.5-TT
12	23	0	4.5	0	0	18.5	4	2	25+TT	14.5-TT
13	23	0	2.5	5	0	18	4	2	25+TT	14-TT
14	23	0	2.5	0	0	20.5	2.5	2	25+TT	18-TT
15	23	0	2.5	3	0	20	2.5	2	25+TT	17.5-TT
16	23	0	2.5	7	0	16	5	2	25+TT	11-TT
17	23	0	2.5	12	0	11	6	2	25+TT	5-TT
18	23	0	4.5	5	0	18	4	2	25+TT	14-TT
19	23	0	4.5	0	0	18.5	4	2	25+TT	14.5-TT
20	23	0	4.5	0	0	18.5	4	2	25+TT	14.5-TT
21	23	0	4.5	7	0	16	5	2	25+TT	11-TT
22	23	0	4.5	12	0	11	6	2	25+TT	5-TT
23	23	0	3.5	5	0	18	4	2	25+TT	14-TT
24	23	0	3.5	5	0	18	4	2	25+TT	14-TT
25	23	0	3.5	6	0	17	5	2	25+TT	12-TT
26	23	0	6.5	0	0	16.5	5	2	25+TT	11.5-TT
27	23	0	6.5	0	0	16.5	5	2	25+TT	11.5-TT
28	23	0	6.5	0	0	16.5	5	2	25+TT	11.5-TT
29	23	0	3.5	5	0	18	4	2	25+TT	14-TT
30	23	0	3.5	5	0	18	4	2	25+TT	14-TT
31	23	0	3.5	6	0	17	5	2	25+TT	12-TT
32	23	0	6.5	0	0	16.5	5	2	25+TT	11.5-TT
33	23	0	6.5	0	0	16.5	5	2	25+TT	11.5-TT
34	23	0	6.5	0	0	16.5	5	2	25+TT	11.5-TT
35	23	0	3.5	5	0	18	4	2	25+TT	14-TT
36	23	0	3.5	4	0	19	3.5	2	25+TT	15.5-TT
37	23	0	3.5	5	0	18	4	2	25+TT	14-TT
38	23	0	3.5	8	0	15	5	2	25+TT	10-TT
39	23	0	3.5	12	0	11	6	2	25+TT	5-TT
40	23	0	6.5	0	0	16.5	5	2	25+TT	11.5-TT
41	23	0	6.5	0	0	16.5	5	2	25+TT	11.5-TT
42	23	0	6.5	0	0	16.5	5	2	25+TT	11.5-TT

43	23	0	6.5	8	0	15	5	2	25+TT	10-TT
44	23	0	6.5	12	0	11	6	2	25+TT	5-TT

NOTE 1: $P_{PowerClass}$ is the maximum UE power specified without taking into account the tolerance.
NOTE 2: TT for each frequency and channel bandwidth is specified in Table 6.2.3.5-0.

Table 6.2.3.5-32: UE Power Class 3 test requirements (NS_21)

Test ID	ChBw (MHz)	$P_{PowerClass}$ (dBm)	MPR (dB)	A-MPR (dB)	$\Delta T_{C,c}$ (dB)	$P_{CMAX_L,c}$ (dBm)	$T(P_{CMAX_L,c})$ (dB)	$T_{L,c}$ (dB)	Upper limit (dBm)	Lower limit (dBm)
1, 2	5	23	0.5	4	0	19	3.5	2	25+TT	15.5-TT
	10	23	0.5	6	0	17	5	2	25+TT	12-TT
3	5	23	0.5	1.5	0	21.5	2	2	25+TT	19.5-TT
	10	23	0.5	4	0	19	3.5	2	25+TT	15.5-TT
4	5	23	0.5	2	0	21	2	2	25+TT	19 -TT
	10	23	0.5	3	0	20	2.5	2	25+TT	17.5-TT
5a	5	23	0.5	2	0	21	2	2	25+TT	19 -TT
5b	10	23	0.5	3	0	20	2.5	2	25+TT	17.5-TT
6, 7	5	23	1	4.5	0	18.5	4	2	25+TT	14.5-TT
	10	23	1	6	0	17	5	2	25+TT	12-TT
8	5	23	1	2.0	0	21	2	2	25+TT	19-TT
	10	23	1	4	0	19	3.5	2	25+TT	15.5-TT
9	5	23	1	2.5	0	20.5	2.5	2	25+TT	18 -TT
	10	23	1	3	0	20	2.5	2	25+TT	17.5-TT
10a	5	23	1	2.5	0	20.5	2.5	2	25+TT	18 -TT
10b	10	23	1	3	0	20	2.5	2	25+TT	17.5-TT
11, 12	5	23	2	4.5	0	18.5	4	2	25+TT	14.5 -TT
	10	23	2	6	0	17	5	2	25+TT	12-TT
13	5	23	2	2.5	0	20.5	2.5	2	25+TT	18 -TT
	10	23	2	4	0	19	3.5	2	25+TT	15.5-TT
14	5	23	2	2.5	0	20.5	2.5	2	25+TT	18 -TT
	10	23	2	3	0	20	2.5	2	25+TT	17.5-TT
15a	5	23	2	2.5	0	20.5	2.5	2	25+TT	18 -TT
15b	10	23	2	3	0	20	2.5	2	25+TT	17.5-TT
16, 17	5	23	2.5	4.5	0	18.5	4	2	25+TT	14.5 -TT
	10	23	2.5	6	0	17	5	2	25+TT	12-TT
18	5	23	2.5	2.5	0	20.5	2.5	2	25+TT	18 -TT
	10	23	2.5	4	0	19	3.5	2	25+TT	15.5-TT
19	5	23	2.5	2.5	0	20.5	2.5	2	25+TT	18 -TT
	10	23	2.5	3	0	20	2.5	2	25+TT	17.5-TT
20a	5	23	2.5	2.5	0	20.5	2.5	2	25+TT	18 -TT
20b	10	23	2.5	3	0	20	2.5	2	25+TT	17.5-TT
21, 22	5	23	4.5	4.5	0	18.5	4.0	2	25+TT	14.5-TT
	10	23	4.5	6	0	17	5.0	2	25+TT	12-TT
23	5	23	4.5	4.5	0	18.5	4.0	2	25+TT	14.5-TT
	10	23	4.5	4	0	18.5	4.0	2	25+TT	14.5-TT
24	5	23	4.5	4.5	0	18.5	4.0	2	25+TT	14.5-TT
	10	23	4.5	3	0	18.5	4.0	2	25+TT	14.5-TT
25a	5	23	4.5	4.5	0	18.5	4.0	2	25+TT	14.5-TT
25b	10	23	4.5	3	0	18.5	4.0	2	25+TT	14.5-TT
26, 27	5	23	3	4.5	0	18.5	4.0	2	25+TT	14.5 -TT
	10	23	3	6	0	17	5	2	25+TT	12-TT
28	5	23	3	4	0	19	3.5	2	25+TT	15.5 -TT
	10	23	3	5.5	0	17.5	5	2	25+TT	12.5-TT
29	5	23	3	4	0	19	3.5	2	25+TT	15.5-TT
	10	23	3	4	0	19	3.5	2	25+TT	15.5-TT
30a	5	23	3	4	0	19	3.5	2	25+TT	15.5-TT
30b	10	23	3	4	0	19	3.5	2	25+TT	15.5-TT
31, 32	5	23	3	4.5	0	18.5	4	2	25+TT	14.5 -TT
	10	23	3	6	0	17	5	2	25+TT	12-TT
33	5	23	3	4	0	19	3.5	2	25+TT	15.5 -TT
	10	23	3	5.5	0	17.5	5	2	25+TT	12.5-TT
34	5	23	3	4	0	19	3.5	2	25+TT	15.5-TT
	10	23	3	4	0	19	3.5	2	25+TT	15.5-TT
35a	5	23	3	4	0	19	3.5	2	25+TT	15.5-TT

35b	10	23	3	4	0	19	3.5	2	25+TT	15.5-TT
36, 37	5	23	3.5	4.5	0	18.5	4.0	2	25+TT	14.5-TT
	10	23	3.5	6	0	17	5	2	25+TT	12-TT
38	5	23	3.5	4	0	19	3.5	2	25+TT	15.5-TT
	10	23	3.5	5.5	0	17.5	5	2	25+TT	12.5-TT
39	5	23	3.5	4	0	19	3.5	2	25+TT	15.5-TT
	10	23	3.5	4	0	19	3.5	2	25+TT	15.5-TT
40a	5	23	3.5	4	0	19	3.5	2	25+TT	15.5-TT
40b	10	23	3.5	4	0	19	3.5	2	25+TT	15.5-TT
41, 42	5	23	6.5	6.5	0	16.5	5	2	25+TT	11.5-TT
	10	23	6.5	6	0	16.5	5	2	25+TT	11.5-TT
43	5	23	6.5	6.5	0	16.5	5	2	25+TT	11.5-TT
	10	23	6.5	5.5	0	16.5	5	2	25+TT	11.5-TT
44	5	23	6.5	6.5	0	16.5	5	2	25+TT	11.5-TT
	10	23	6.5	5.5	0	16.5	5	2	25+TT	11.5-TT
45a	5	23	6.5	4	0	16.5	5	2	25+TT	11.5-TT
45b	10	23	6.5	4	0	16.5	5	2	25+TT	11.5-TT

NOTE 1: P_{PowerClass} is the maximum UE power specified without taking into account the tolerance.

NOTE 2: TT for each frequency and channel bandwidth is specified in Table 6.2.3.5-0.

Table 6.2.3.5-33: UE Power Class 3 test requirements (NS_49)

Test ID	P _{PowerClass} (dBm)	⊠P _{PowerClass} (dB)	MPR (dB)	A-MPR (dB)	ΔT _{C,c} (dB)	P _{C_{MAX}L,c} (dBm)	T(P _{C_{MAX}L,c}) (dB)	T _{L,c} (dB)	Upper limit (dBm)	Lower limit (dBm)
1	23	0	1	3	0	20	2.5	2	25+TT	17.5-TT
2	23	0	1	3	0	20	2.5	2	25+TT	17.5-TT
3	23	0	1	3	0	20	2.5	2	25+TT	17.5-TT
4	23	0	1	10	0	13	5	2	25+TT	8-TT
5	23	0	1	5	0	18	4	2	25+TT	14-TT
6	23	0	1	3	0	20	2.5	2	25+TT	17.5-TT
7	23	0	1	4	0	19	3.5	2	25+TT	15.5-TT
8	23	0	1	6	0	17	5	2	25+TT	12-TT
9	23	0	1	5	0	18	4	2	25+TT	14-TT
10	23	0	1	10	0	13	5	2	25+TT	8-TT
11	23	0	0	5	0	18	4	2	25+TT	14-TT
12	23	0	1	4	0	19	3.5	2	25+TT	15.5-TT
13	23	0	1	6	0	17	5	2	25+TT	12-TT
14	23	0	0	5	0	18	4	2	25+TT	14-TT
15	23	0	1	10	0	13	5	2	25+TT	8-TT
16	23	0	1	10	0	13	5	2	25+TT	8-TT
17	23	0	0	5	0	18	4	2	25+TT	14-TT
18	23	0	0	5	0	18	4	2	25+TT	14-TT
19	23	0	1	6	0	17	5	2	25+TT	12-TT
20	23	0	1	10	0	13	5	2	25+TT	8-TT
21	23	0	1	10	0	13	5	2	25+TT	8-TT
22	23	0	0	5	0	18	4	2	25+TT	14-TT
23	23	0	0	5	0	18	4	2	25+TT	14-TT
24	23	0	1	6	0	17	5	2	25+TT	12-TT
25	23	0	1	10	0	13	5	2	25+TT	8-TT
26	23	0	1	10	0	13	5	2	25+TT	8-TT
27	23	0	4.5	3	0	18.5	4	2	25+TT	14.5-TT
28	23	0	4.5	3	0	18.5	4	2	25+TT	14.5-TT
29	23	0	4.5	3	0	18.5	4	2	25+TT	14.5-TT
30	23	0	4.5	10	0	13	5	2	25+TT	8-TT
31	23	0	4.5	5	0	18	4	2	25+TT	14-TT
32	23	0	4.5	3	0	18.5	4	2	25+TT	14.5-TT
33	23	0	4.5	4	0	18.5	4	2	25+TT	14.5-TT
34	23	0	4.5	6	0	17	5	2	25+TT	12-TT
35	23	0	4.5	5	0	18	4	2	25+TT	14-TT
36	23	0	4.5	10	0	13	5	2	25+TT	8-TT
37	23	0	4.5	5	0	18	4	2	25+TT	14-TT
38	23	0	4.5	4	0	18.5	4	2	25+TT	14.5-TT
39	23	0	4.5	6	0	17	5	2	25+TT	12-TT
40	23	0	4.5	5	0	18	4	2	25+TT	14-TT

41	23	0	4.5	10	0	13	5	2	25+TT	8-TT
42	23	0	4.5	10	0	13	5	2	25+TT	8-TT
43	23	0	4.5	5	0	18	4	2	25+TT	14-TT
44	23	0	4.5	5	0	18	4	2	25+TT	14-TT
45	23	0	4.5	6	0	17	5	2	25+TT	12-TT
46	23	0	4.5	10	0	13	5	2	25+TT	8-TT
47	23	0	4.5	10	0	13	5	2	25+TT	8-TT
48	23	0	4.5	5	0	18	4	2	25+TT	14-TT
49	23	0	4.5	5	0	18	4	2	25+TT	14-TT
50	23	0	4.5	6	0	17	5	2	25+TT	12-TT
51	23	0	4.5	10	0	13	5	2	25+TT	8-TT
52	23	0	4.5	10	0	13	5	2	25+TT	8-TT
53	23	0	3	4.5	0	18.5	4	2	25+TT	14.5-TT
54	23	0	3	4.5	0	18.5	4	2	25+TT	14.5-TT
55	23	0	3	4.5	0	18.5	4	2	25+TT	14.5-TT
56	23	0	3	11	0	12	6	2	25+TT	6-TT
57	23	0	3	5	0	18	4	2	25+TT	14-TT
58	23	0	3	4.5	0	18.5	4	2	25+TT	14.5-TT
59	23	0	3	5.5	0	17.5	5	2	25+TT	12.5-TT
60	23	0	3	7	0	16	5	2	25+TT	11-TT
61	23	0	3	5	0	18	4	2	25+TT	14-TT
62	23	0	3	11	0	12	6	2	25+TT	6-TT
63	23	0	1.5	5	0	18	4	2	25+TT	14-TT
64	23	0	3	5.5	0	17.5	5	2	25+TT	12.5-TT
65	23	0	3	7	0	16	5	2	25+TT	11-TT
66	23	0	1.5	5	0	18	4	2	25+TT	14-TT
67	23	0	3	11	0	12	6	2	25+TT	6-TT
68	23	0	3	11	0	12	6	2	25+TT	6-TT
69	23	0	1.5	5	0	18	4	2	25+TT	14-TT
70	23	0	1.5	5	0	18	4	2	25+TT	14-TT
71	23	0	3	7	0	16	5	2	25+TT	11-TT
72	23	0	3	11	0	12	6	2	25+TT	6-TT
73	23	0	3	11	0	12	6	2	25+TT	6-TT
74	23	0	1.5	5	0	18	4	2	25+TT	14-TT

Test ID	P _{PowerClass} (dBm)	⊠P _{PowerClass} (dB)	MPR (dB)	A-MPR (dB)	ΔT _{C,c} (dB)	P _{C_{MAX},L,c} (dBm)	T(P _{C_{MAX},L,c}) (dB)	T _{L,c} (dB)	Upper limit (dBm)	Lower limit (dBm)
75	23	0	1.5	5	0	18	4	2	25+TT	14-TT
76	23	0	3	7	0	16	5	2	25+TT	11-TT
77	23	0	3	11	0	12	6	2	25+TT	6-TT
78	23	0	3	11	0	12	6	2	25+TT	6-TT
79	23	0	6.5	4.5	0	16.5	5	2	25+TT	11.5-TT
80	23	0	6.5	4.5	0	16.5	5	2	25+TT	11.5-TT
81	23	0	6.5	4.5	0	16.5	5	2	25+TT	11.5-TT
82	23	0	6.5	11	0	12	6	2	25+TT	6-TT
83	23	0	6.5	5	0	16.5	5	2	25+TT	11.5-TT
84	23	0	6.5	4.5	0	16.5	5	2	25+TT	11.5-TT
85	23	0	6.5	5.5	0	16.5	5	2	25+TT	11.5-TT
86	23	0	6.5	7	0	16	5	2	25+TT	11-TT
87	23	0	6.5	5	0	16.5	5	2	25+TT	11.5-TT
88	23	0	6.5	11	0	12	6	2	25+TT	6-TT
89	23	0	6.5	5	0	16.5	5	2	25+TT	11.5-TT
90	23	0	6.5	5.5	0	16.5	5	2	25+TT	11.5-TT
91	23	0	6.5	7	0	16	5	2	25+TT	11-TT
92	23	0	6.5	5	0	16.5	5	2	25+TT	11.5-TT
93	23	0	6.5	11	0	12	6	2	25+TT	6-TT
94	23	0	6.5	11	0	12	6	2	25+TT	6-TT
95	23	0	6.5	5	0	16.5	5	2	25+TT	11.5-TT
96	23	0	6.5	5	0	16.5	5	2	25+TT	11.5-TT
97	23	0	6.5	7	0	16	5	2	25+TT	11-TT
98	23	0	6.5	11	0	12	6	2	25+TT	6-TT
99	23	0	6.5	11	0	12	6	2	25+TT	6-TT
100	23	0	6.5	5	0	16.5	5	2	25+TT	11.5-TT

101	23	0	6.5	5	0	16.5	5	2	25+TT	11.5-TT
102	23	0	6.5	7	0	16	5	2	25+TT	11-TT
103	23	0	6.5	11	0	12	6	2	25+TT	6-TT
104	23	0	6.5	11	0	12	6	2	25+TT	6-TT

NOTE 1: $P_{PowerClass}$ is the maximum UE power specified without taking into account the tolerance.
 NOTE 2: TT for each frequency and channel bandwidth is specified in Table 6.2.3.5-0.

Table 6.2.3.5-33a: UE Power Class 2 test requirements (NS_49)

Test ID	$P_{PowerClass}$ (dBm)	$\Delta P_{PowerClass}$ (dB)	MPR (dB)	A-MPR (dB)	$\Delta T_{C,c}$ (dB)	$P_{CMAX,L,c}$ (dBm)	$T(P_{CMAX,L,c})$ (dB)	$T_{L,c}$ (dB)	Upper limit (dBm)	Lower limit (dBm)
1	26	0	1	4	0	22	2	3	28+TT	19-TT
2	26	0	3.5	4	0	22	2	3	28+TT	19-TT
3	26	0	1	4	0	22	2	3	28+TT	19-TT
4	26	0	1	4	0	22	2	3	28+TT	19-TT
5	26	0	1	5.5	0	20.5	2.5	3	28+TT	17.5-TT
6	26	0	1	4	0	22	2	3	28+TT	19-TT
7	26	0	1	5.5	0	20.5	2.5	3	28+TT	17.5-TT
8	26	0	3.5	4	0	22	2	3	28+TT	19-TT
9	26	0	0	4	0	22	2	3	28+TT	19-TT
10	26	0	1	12.5	0	13.5	5	3	28+TT	8.5-TT
11	26	0	1	6	0	20	2.5	3	28+TT	17-TT
12	26	0	1	4	0	22	2	3	28+TT	19-TT
13	26	0	1	5.5	0	20.5	2.5	3	28+TT	17.5-TT
14	26	0	1	7	0	19	3.5	3	28+TT	15.5-TT
15	26	0	3.5	12.5	0	13.5	5	3	28+TT	8.5-TT
16	26	0	1	12.5	0	13.5	5	3	28+TT	8.5-TT
17	26	0	0	6	0	20	2.5	3	28+TT	17-TT
18	26	0	1	5.5	0	20.5	2.5	3	28+TT	17.5-TT
19	26	0	1	7	0	19	3.5	3	28+TT	15.5-TT
20	26	0	0	6	0	20	2.5	3	28+TT	17-TT
21	26	0	1	12.5	0	13.5	5	3	28+TT	8.5-TT
22	26	0	1	12.5	0	13.5	5	3	28+TT	8.5-TT
23	26	0	0	6	0	20	2.5	3	28+TT	17-TT
24	26	0	0	6	0	20	2.5	3	28+TT	17-TT
25	26	0	1	7	0	19	3.5	3	28+TT	15.5-TT
26	26	0	1	12.5	0	13.5	5	3	28+TT	8.5-TT
27	26	0	1	12.5	0	13.5	5	3	28+TT	8.5-TT
28	26	0	0	6	0	20	2.5	3	28+TT	17-TT
29	26	0	0	6	0	20	2.5	3	28+TT	17-TT
30	26	0	1	7	0	19	3.5	3	28+TT	15.5-TT
31	26	0	1	12.5	0	13.5	5	3	28+TT	8.5-TT
32	26	0	1	12.5	0	13.5	5	3	28+TT	8.5-TT
33	26	0	4.5	4	0	21.5	2	3	28+TT	18.5-TT
34	26	0	4.5	4	0	21.5	2	3	28+TT	18.5-TT
35	26	0	4.5	4	0	21.5	2	3	28+TT	18.5-TT
36	26	0	4.5	4	0	21.5	2	3	28+TT	18.5-TT
37	26	0	4.5	5.5	0	20.5	2.5	3	28+TT	17.5-TT
38	26	0	4.5	4	0	21.5	2	3	28+TT	18.5-TT
39	26	0	4.5	5.5	0	20.5	2.5	3	28+TT	17.5-TT
40	26	0	4.5	4	0	21.5	2	3	28+TT	18.5-TT
41	26	0	4.5	4	0	21.5	2	3	28+TT	18.5-TT
42	26	0	4.5	12.5	0	13.5	5	3	28+TT	8.5-TT
43	26	0	4.5	6	0	20	2.5	3	28+TT	17-TT
44	26	0	4.5	4	0	21.5	2	3	28+TT	18.5-TT
45	26	0	4.5	5.5	0	20.5	2.5	3	28+TT	17.5-TT
46	26	0	4.5	7	0	19	3.5	3	28+TT	15.5-TT
47	26	0	4.5	12.5	0	13.5	5	3	28+TT	8.5-TT
48	26	0	4.5	12.5	0	13.5	5	3	28+TT	8.5-TT
49	26	0	4.5	6	0	20	2.5	3	28+TT	17-TT
50	26	0	4.5	5.5	0	20.5	2.5	3	28+TT	17.5-TT
51	26	0	4.5	7	0	19	3.5	3	28+TT	15.5-TT
52	26	0	4.5	6	0	20	2.5	3	28+TT	17-TT
53	26	0	4.5	12.5	0	13.5	5	3	28+TT	8.5-TT

54	26	0	4.5	12.5	0	13.5	5	3	28+TT	8.5-TT
55	26	0	4.5	6	0	20	2.5	3	28+TT	17-TT
56	26	0	4.5	6	0	20	2.5	3	28+TT	17-TT
57	26	0	4.5	7	0	19	3.5	3	28+TT	15.5-TT
58	26	0	4.5	12.5	0	13.5	5	3	28+TT	8.5-TT
59	26	0	4.5	12.5	0	13.5	5	3	28+TT	8.5-TT
60	26	0	4.5	6	0	20	2.5	3	28+TT	17-TT
61	26	0	4.5	6	0	20	2.5	3	28+TT	17-TT
62	26	0	4.5	7	0	19	3.5	3	28+TT	15.5-TT
63	26	0	4.5	12.5	0	13.5	5	3	28+TT	8.5-TT
64	26	0	4.5	12.5	0	13.5	5	3	28+TT	8.5-TT
65	26	0	3	5.5	0	20.5	2.5	3	28+TT	17.5-TT
66	26	0	3.5	5.5	0	20.5	2.5	3	28+TT	17.5-TT
67	26	0	3	5.5	0	20.5	2.5	3	28+TT	17.5-TT
68	26	0	3	5.5	0	20.5	2.5	3	28+TT	17.5-TT
69	26	0	3	7.5	0	18.5	4	3	28+TT	14.5-TT

Test ID	$P_{PowerClass}$ (dBm)	$\Delta P_{PowerClass}$ (dB)	MPR (dB)	A-MPR (dB)	$\Delta T_{C,c}$ (dB)	$P_{CMAX_L,c}$ (dBm)	$T(P_{CMAX_L,c})$ (dB)	$T_{L,c}$ (dB)	Upper limit (dBm)	Lower limit (dBm)
70	26	0	3	5.5	0	20.5	2.5	3	28+TT	17.5-TT
71	26	0	3	7.5	0	18.5	4	3	28+TT	14.5-TT
72	26	0	3.5	5.5	0	20.5	2.5	3	28+TT	17.5-TT
73	26	0	1.5	5.5	0	20.5	2.5	3	28+TT	17.5-TT
74	26	0	3	13.5	0	12.5	6	3	28+TT	6.5-TT
75	26	0	3	6	0	20	2.5	3	28+TT	17-TT
76	26	0	3	5.5	0	20.5	2.5	3	28+TT	17.5-TT
77	26	0	3	7.5	0	18.5	4	3	28+TT	14.5-TT
78	26	0	3	8	0	18	4	3	28+TT	14-TT
79	26	0	3.5	13.5	0	12.5	6	3	28+TT	6.5-TT
80	26	0	3	13.5	0	12.5	6	3	28+TT	6.5-TT
81	26	0	1.5	6	0	20	2.5	3	28+TT	17-TT
82	26	0	3	7.5	0	18.5	4	3	28+TT	14.5-TT
83	26	0	3	8	0	18	4	3	28+TT	14-TT
84	26	0	1.5	6	0	20	2.5	3	28+TT	17-TT
85	26	0	3	13.5	0	12.5	6	3	28+TT	6.5-TT
86	26	0	3	13.5	0	12.5	6	3	28+TT	6.5-TT
87	26	0	1.5	6	0	20	2.5	3	28+TT	17-TT
88	26	0	1.5	6	0	20	2.5	3	28+TT	17-TT
89	26	0	3	8	0	18	4	3	28+TT	14-TT
90	26	0	3	13.5	0	12.5	6	3	28+TT	6.5-TT
91	26	0	3	13.5	0	12.5	6	3	28+TT	6.5-TT
92	26	0	1.5	6	0	20	2.5	3	28+TT	17-TT
93	26	0	1.5	6	0	20	2.5	3	28+TT	17-TT
94	26	0	3	8	0	18	4	3	28+TT	14-TT
95	26	0	3	13.5	0	12.5	6	3	28+TT	6.5-TT
96	26	0	3	13.5	0	12.5	6	3	28+TT	6.5-TT
97	26	0	6.5	5.5	0	19.5	3.5	3	28+TT	16-TT
98	26	0	6.5	5.5	0	19.5	3.5	3	28+TT	16-TT
99	26	0	6.5	5.5	0	19.5	3.5	3	28+TT	16-TT
100	26	0	6.5	5.5	0	19.5	3.5	3	28+TT	16-TT
101	26	0	6.5	7.5	0	18.5	4	3	28+TT	14.5-TT
102	26	0	6.5	5.5	0	19.5	3.5	3	28+TT	16-TT
103	26	0	6.5	7.5	0	18.5	4	3	28+TT	14.5-TT
104	26	0	6.5	5.5	0	19.5	3.5	3	28+TT	16-TT
105	26	0	6.5	5.5	0	19.5	3.5	3	28+TT	16-TT
106	26	0	6.5	13.5	0	12.5	6	3	28+TT	6.5-TT
107	26	0	6.5	6	0	19.5	3.5	3	28+TT	16-TT
108	26	0	6.5	5.5	0	19.5	3.5	3	28+TT	16-TT
109	26	0	6.5	7.5	0	18.5	4	3	28+TT	14.5-TT
110	26	0	6.5	8	0	18	4	3	28+TT	14-TT
111	26	0	6.5	13.5	0	12.5	6	3	28+TT	6.5-TT
112	26	0	6.5	13.5	0	12.5	6	3	28+TT	6.5-TT
113	26	0	6.5	6	0	19.5	3.5	3	28+TT	16-TT

114	26	0	6.5	7.5	0	18.5	4	3	28+TT	14.5-TT
115	26	0	6.5	8	0	18	4	3	28+TT	14-TT
116	26	0	6.5	6	0	19.5	3.5	3	28+TT	16-TT
117	26	0	6.5	13.5	0	12.5	6	3	28+TT	6.5-TT
118	26	0	6.5	13.5	0	12.5	6	3	28+TT	6.5-TT
119	26	0	6.5	6	0	19.5	3.5	3	28+TT	16-TT
120	26	0	6.5	6	0	19.5	3.5	3	28+TT	16-TT
121	26	0	6.5	8	0	18	4	3	28+TT	14-TT
122	26	0	6.5	13.5	0	12.5	6	3	28+TT	6.5-TT
123	26	0	6.5	13.5	0	12.5	6	3	28+TT	6.5-TT
124	26	0	6.5	6	0	19.5	3.5	3	28+TT	16-TT
125	26	0	6.5	6	0	19.5	3.5	3	28+TT	16-TT
126	26	0	6.5	8	0	18	4	3	28+TT	14-TT
127	26	0	6.5	13.5	0	12.5	6	3	28+TT	6.5-TT
128	26	0	6.5	13.5	0	12.5	6	3	28+TT	6.5-TT

NOTE 1: $P_{\text{PowerClass}}$ is the maximum UE power specified without taking into account the tolerance.

NOTE 2: TT for each frequency and channel bandwidth is specified in Table 6.2.3.5-0.

Table 6.2.3.5-34: UE Power Class 3 test requirements (NS_06) for band n12 and n14

Test ID	$P_{\text{PowerClass}}$ (dBm)	MPR (dB)	A-MPR (dB)	$\Delta T_{C,c}$ (dB)	$P_{\text{CMAX},c}$ (dBm)	$T(P_{\text{CMAX},L,c})$ (dB)	$T_{L,c}$ (dB)	Upper limit (dBm)	Lower limit (dBm)
1	23	0.5	0	0	22.5	2	2.5	25+TT	20.5-TT
2	23	0.5	0	0	22.5	2	2.5	25+TT	20.5-TT
3	23	0.5	0	0	22.5	2	2.5	25+TT	20.5-TT
4	23	1	0	0	22	2	2.5	25+TT	20-TT
5	23	1	0	0	22	2	2.5	25+TT	20-TT
6	23	1	0	0	22	2	2.5	25+TT	20-TT
7	23	2	0	0	21	2	2.5	25+TT	19-TT
8	23	2	0	0	21	2	2.5	25+TT	19-TT
9	23	2	0	0	21	2	2.5	25+TT	19-TT
10	23	2.5	0	0	20.5	2.5	2.5	25+TT	18-TT
11	23	2.5	0	0	20.5	2.5	2.5	25+TT	18-TT
12	23	2.5	0	0	20.5	2.5	2.5	25+TT	18-TT
13	23	4.5	0	0	18.5	4	2.5	25+TT	14.5-TT
14	23	4.5	0	0	18.5	4	2.5	25+TT	14.5-TT
15	23	4.5	0	0	18.5	4	2.5	25+TT	14.5-TT
16	23	3	0	0	20	2.5	2.5	25+TT	17.5-TT
17	23	3	0	0	20	2.5	2.5	25+TT	17.5-TT
18	23	3	0	0	20	2.5	2.5	25+TT	17.5-TT
19	23	3	0	0	20	2.5	2.5	25+TT	17.5-TT
20	23	3	0	0	20	2.5	2.5	25+TT	17.5-TT
21	23	3	0	0	20	2.5	2.5	25+TT	17.5-TT
22	23	3.5	0	0	19.5	3.5	2.5	25+TT	16-TT
23	23	3.5	0	0	19.5	3.5	2.5	25+TT	16-TT
24	23	3.5	0	0	19.5	3.5	2.5	25+TT	16-TT
25	23	6.5	0	0	16.5	5	2.5	25+TT	11.5-TT
26	23	6.5	0	0	16.5	5	2.5	25+TT	11.5-TT
27	23	6.5	0	0	16.5	5	2.5	25+TT	11.5-TT

NOTE 1: $P_{\text{PowerClass}}$ is the maximum UE power specified without taking into account the tolerance.

NOTE 2: TT for each frequency and channel bandwidth is specified in Table 6.2.3.5-0.

Table 6.2.3.5-35: UE Power Class 1 test requirements (NS_06) for band n14

Test ID	$P_{\text{PowerClass}}$ (dBm)	MPR (dB)	A-MPR (dB)	$\Delta T_{C,c}$ (dB)	$P_{\text{CMAX},c}$ (dBm)	$T(P_{\text{CMAX},L,c})$ (dB)	$T_{L,c}$ (dB)	Upper limit (dBm)	Lower limit (dBm)
1	31	0.5	0	0	30.5	2	3	33+TT	27.5-TT
2	31	0.5	0	0	30.5	2	3	33+TT	27.5-TT
3	31	0.5	0	0	30.5	2	3	33+TT	27.5-TT
4	31	1	0	0	30	2	3	33+TT	27-TT
5	31	1	0	0	30	2	3	33+TT	27-TT
6	31	1	0	0	30	2	3	33+TT	27-TT
7	31	2	0	0	29	2	3	33+TT	26-TT

8	31	2	0	0	29	2	3	33+TT	26-TT
9	31	2	0	0	29	2	3	33+TT	26-TT
10	31	2.5	0	0	28.5	2	3	33+TT	25.5-TT
11	31	2.5	0	0	28.5	2	3	33+TT	25.5-TT
12	31	2.5	0	0	28.5	2	3	33+TT	25.5-TT
13	31	4.5	0	0	26.5	2	3	33+TT	23.5-TT
14	31	4.5	0	0	26.5	2	3	33+TT	23.5-TT
15	31	4.5	0	0	26.5	2	3	33+TT	23.5-TT
16	31	3	0	0	28	2	3	33+TT	25-TT
17	31	3	0	0	28	2	3	33+TT	25-TT
18	31	3	0	0	28	2	3	33+TT	25-TT
19	31	3	0	0	28	2	3	33+TT	25-TT
20	31	3	0	0	28	2	3	33+TT	25-TT
21	31	3	0	0	28	2	3	33+TT	25-TT
22	31	3.5	0	0	27.5	2	3	33+TT	24.5-TT
23	31	3.5	0	0	27.5	2	3	33+TT	24.5-TT
24	31	3.5	0	0	27.5	2	3	33+TT	24.5-TT
25	31	6.5	0	0	24.5	2	3	33+TT	21.5-TT
26	31	6.5	0	0	24.5	2	3	33+TT	21.5-TT
27	31	6.5	0	0	24.5	2	3	33+TT	21.5-TT
28	31	0.5	0	0	30.5	2	3	33+TT	27.5-TT
29	31	0.5	0	0	30.5	2	3	33+TT	27.5-TT
30	31	0	0	0	31	2	3	33+TT	28-TT

NOTE 1: $P_{PowerClass}$ is the maximum UE power specified without taking into account the tolerance.

NOTE 2: TT for each frequency and channel bandwidth is specified in Table 6.2.3.5-0.

Table 6.2.3.5-36: UE Power Class 3 test requirements (NS_56) for band n24

Test ID	$P_{PowerClass}$ (dBm)	MPR (dB)	A-MPR (dB)	$\Delta T_{C,c}$ (dB)	$P_{C_{MAX,c}}$ (dBm)	$T(P_{C_{MAX,L,c}})$ (dB)	$T_{L,c}$ (dB)	Upper limit (dBm)	Lower limit (dBm)
1	23	0.5	14	0	9	6	3	25+TT	3-TT
2	23	0.5	8	0	15	5	3	25+TT	10-TT
3	23	0.5	6	0	17	5	3	25+TT	12-TT
4	23	0.5	4	0	19	3.5	3	25+TT	15.5-TT
5	23	0	4	0	19	3.5	3	25+TT	15.5-TT
6	23	1	14	0	9	6	3	25+TT	3-TT
7	23	1	8	0	15	5	3	25+TT	10-TT
8	23	1	6	0	17	5	3	25+TT	12-TT
9	23	1	4	0	19	3.5	3	25+TT	15.5-TT
10	23	0	4	0	19	3.5	3	25+TT	15.5-TT
11	23	2	14	0	9	6	3	25+TT	3-TT
12	23	2	8	0	15	5	3	25+TT	10-TT
13	23	2	6	0	17	5	3	25+TT	12-TT
14	23	2	4	0	19	3.5	3	25+TT	15.5-TT
15	23	1	4	0	19	3.5	3	25+TT	15.5-TT
16	23	2.5	14	0	9	6	3	25+TT	3-TT
17	23	2.5	8	0	15	5	3	25+TT	10-TT
18	23	2.5	6	0	17	5	3	25+TT	12-TT
19	23	2.5	4	0	19	3.5	3	25+TT	15.5-TT
20	23	2.5	4	0	19	3.5	3	25+TT	15.5-TT
21	23	4.5	14	0	9	6	3	25+TT	3-TT
22	23	4.5	8	0	15	5	3	25+TT	10-TT
23	23	4.5	6	0	17	5	3	25+TT	12-TT
24	23	4.5	4	0	18.5	3.5	3	25+TT	15-TT
25	23	4.5	4	0	18.5	3.5	3	25+TT	15-TT
26	23	0.5	12	0	11	6	3	25+TT	5-TT
27	23	0.5	8	0	15	5	3	25+TT	10-TT
28	23	0.5	8	0	15	5	3	25+TT	10-TT
29	23	0	6	0	17	5	3	25+TT	12-TT
30	23	0.5	6	0	17	5	3	25+TT	12-TT
31	23	0	4	0	19	3.5	3	25+TT	15.5-TT
32	23	0.5	2	0	21	2	3	25+TT	18-TT
33	23	0.5	5	0	18	4	3	25+TT	14-TT
34	23	0	5	0	18	4	3	25+TT	14-TT

35	23	0	5	0	18	4	3	25+TT	14-TT
36	23	0.5	3	0	20	2.5	3	25+TT	17-TT
37	23	1	12	0	11	6	3	25+TT	5-TT
38	23	1	8	0	15	5	3	25+TT	10-TT
39	23	1	8	0	15	5	3	25+TT	10-TT
40	23	0	6	0	17	5	3	25+TT	12-TT
41	23	1	6	0	17	5	3	25+TT	12-TT
42	23	0	4	0	19	3.5	3	25+TT	15.5-TT
43	23	1	2	0	21	2	3	25+TT	18-TT
44	23	1	5	0	18	4	3	25+TT	14-TT
45	23	0	5	0	18	4	3	25+TT	14-TT
46	23	0	5	0	18	4	3	25+TT	14-TT
47	23	1	3	0	20	2.5	3	25+TT	17-TT
48	23	2	12	0	11	6	3	25+TT	5-TT
49	23	2	8	0	15	5	3	25+TT	10-TT
50	23	2	8	0	15	5	3	25+TT	10-TT
51	23	1	6	0	17	5	3	25+TT	12-TT
52	23	2	6	0	17	5	3	25+TT	12-TT
53	23	1	4	0	19	3.5	3	25+TT	15.5-TT
54	23	2	2	0	21	2	3	25+TT	18-TT
55	23	2	5	0	18	4	3	25+TT	14-TT
56	23	1	5	0	18	4	3	25+TT	14-TT
57	23	1	5	0	18	4	3	25+TT	14-TT
58	23	2	3	0	20	2.5	3	25+TT	17-TT
59	23	2.5	12	0	11	6	3	25+TT	5-TT

Test ID	P _{PowerClass} (dBm)	MPR (dB)	A-MPR (dB)	ΔT _{C,c} (dB)	P _{CMAX,c} (dBm)	T(P _{CMAX,L,c}) (dB)	T _{L,c} (dB)	Upper limit (dBm)	Lower limit (dBm)
60	23	2.5	8	0	15	5	3	25+TT	10-TT
61	23	2.5	8	0	15	5	3	25+TT	10-TT
62	23	2.5	6	0	17	5	3	25+TT	12-TT
63	23	2.5	6	0	17	5	3	25+TT	12-TT
64	23	2.5	4	0	19	3.5	3	25+TT	15.5-TT
65	23	2.5	2	0	20.5	2.5	3	25+TT	17.5-TT
66	23	2.5	5	0	18	4	3	25+TT	14-TT
67	23	2.5	5	0	18	4	3	25+TT	14-TT
68	23	2.5	5	0	18	4	3	25+TT	14-TT
69	23	2.5	3	0	20	2.5	3	25+TT	17-TT
70	23	4.5	12	0	11	6	3	25+TT	5-TT
71	23	4.5	8	0	15	5	3	25+TT	10-TT
72	23	4.5	8	0	15	5	3	25+TT	10-TT
73	23	4.5	6	0	17	5	3	25+TT	12-TT
74	23	4.5	6	0	17	5	3	25+TT	12-TT
75	23	4.5	4	0	18.5	4	3	25+TT	14.5-TT
76	23	4.5	2	0	18.5	4	3	25+TT	14.5-TT
77	23	4.5	5	0	18	4	3	25+TT	14-TT
78	23	4.5	5	0	18	4	3	25+TT	14-TT
79	23	4.5	5	0	18	4	3	25+TT	14-TT
80	23	4.5	3	0	18.5	4	3	25+TT	14.5-TT
81	23	3	14	0	9	6	3	25+TT	3-TT
82	23	3	8	0	15	5	3	25+TT	10-TT
83	23	3	6	0	17	5	3	25+TT	12-TT
84	23	3	4	0	19	3.5	3	25+TT	15.5-TT
85	23	1.5	4	0	19	3.5	3	25+TT	15.5-TT
86	23	3	14	0	9	6	3	25+TT	3-TT
87	23	3	8	0	15	5	3	25+TT	10-TT
88	23	3	6	0	17	5	3	25+TT	12-TT
89	23	3	4	0	19	3.5	3	25+TT	15.5-TT
90	23	2	4	0	19	3.5	3	25+TT	15.5-TT
91	23	3.5	14	0	9	6	3	25+TT	3-TT
92	23	3.5	8	0	15	5	3	25+TT	10-TT
93	23	3.5	6	0	17	5	3	25+TT	12-TT
94	23	3.5	4	0	19	3.5	3	25+TT	15.5-TT
95	23	3.5	4	0	19	3.5	3	25+TT	15.5-TT

96	23	6.5	14	0	9	6	3	25+TT	3-TT
97	23	6.5	8	0	15	5	3	25+TT	10-TT
98	23	6.5	6	0	16.5	5	3	25+TT	11.5-TT
99	23	6.5	4	0	16.5	5	3	25+TT	11.5-TT
100	23	6.5	4	0	16.5	5	3	25+TT	11.5-TT
101	23	3	12	0	9	6	3	25+TT	5-TT
102	23	3	8	0	11	5	3	25+TT	10-TT
103	23	3	8	0	15	5	3	25+TT	10-TT
104	23	1.5	6	0	17	5	3	25+TT	12-TT
105	23	3	6	0	17	5	3	25+TT	12-TT
106	23	1.5	4	0	19	3.5	3	25+TT	15.5-TT
107	23	3	2	0	20	2.5	3	25+TT	17-TT
108	23	3	5	0	18	4	3	25+TT	14-TT
109	23	1.5	5	0	18	4	3	25+TT	14-TT
110	23	1.5	5	0	18	4	3	25+TT	14-TT
111	23	3	3	0	20	2.5	3	25+TT	17-TT
112	23	3	12	0	11	6	3	25+TT	5-TT
113	23	3	8	0	15	5	3	25+TT	10-TT
114	23	3	8	0	15	5	3	25+TT	10-TT
115	23	2	6	0	17	5	3	25+TT	12-TT
116	23	3	6	0	17	5	3	25+TT	12-TT
117	23	2	4	0	19	3.5	3	25+TT	15.5-TT
118	23	3	2	0	20	2.5	3	25+TT	17-TT
119	23	3	5	0	18	4	3	25+TT	14-TT

Test ID	P _{PowerClass} (dBm)	MPR (dB)	A-MPR (dB)	ΔT _{C,c} (dB)	P _{C_{MAX,c}} (dBm)	T(P _{C_{MAX,L,c}}) (dB)	T _{L,c} (dB)	Upper limit (dBm)	Lower limit (dBm)
120	23	2	5	0	18	4	3	25+TT	14-TT
121	23	2	5	0	18	4	3	25+TT	14-TT
122	23	3	3	0	20	2.5	3	25+TT	17-TT
123	23	3.5	12	0	11	6	3	25+TT	5-TT
124	23	3.5	8	0	15	5	3	25+TT	10-TT
125	23	3.5	8	0	15	5	3	25+TT	10-TT
126	23	3.5	6	0	17	5	3	25+TT	12-TT
127	23	3.5	6	0	17	5	3	25+TT	12-TT
128	23	3.5	4	0	19	3.5	3	25+TT	15.5-TT
129	23	3.5	2	0	19.5	3.5	3	25+TT	16-TT
130	23	3.5	5	0	18	3.5	3	25+TT	14.5-TT
131	23	3.5	5	0	18	3.5	3	25+TT	14.5-TT
132	23	3.5	5	0	18	3.5	3	25+TT	14.5-TT
133	23	3.5	3	0	19.5	3.5	3	25+TT	16-TT
134	23	6.5	12	0	11	6	3	25+TT	5-TT
135	23	6.5	8	0	15	5	3	25+TT	10-TT
136	23	6.5	8	0	15	5	3	25+TT	10-TT
137	23	6.5	6	0	16.5	5	3	25+TT	11.5-TT
138	23	6.5	6	0	16.5	5	3	25+TT	11.5-TT
139	23	6.5	4	0	16.5	5	3	25+TT	11.5-TT
140	23	6.5	2	0	16.5	5	3	25+TT	11.5-TT
141	23	6.5	5	0	16.5	5	3	25+TT	11.5-TT
142	23	6.5	5	0	16.5	5	3	25+TT	11.5-TT
143	23	6.5	5	0	16.5	5	3	25+TT	11.5-TT
144	23	6.5	3	0	16.5	5	3	25+TT	11.5-TT

NOTE 1: P_{PowerClass} is the maximum UE power specified without taking into account the tolerance.

NOTE 2: TT for each frequency and channel bandwidth is specified in Table 6.2.3.5-0.

Table 6.2.3.5-37: UE Power Class 3 test requirements (NS_07) for band n13

Test ID	P _{PowerClass} (dBm)	MPR (dB)	A-MPR (dB)	ΔT _{C,c} (dB)	P _{C_{MAX,c}} (dBm)	T(P _{C_{MAX,L,c}}) (dB)	T _{L,c} (dB)	Upper limit (dBm)	Lower limit (dBm)
1	23	0.5	12	0	11	6	3	25+TT	5-TT
2	23	0	9	0	14	5	3	25+TT	9-TT
3	23	0	9	0	14	5	3	25+TT	9-TT
4	23	0	6	0	17	5	3	25+TT	12-TT

5	23	0	6	0	17	5	3	25+TT	12-TT
6	23	0	6	0	17	5	3	25+TT	12-TT
7	23	0	3	0	20	2.5	3	25+TT	17-TT
8	23	0	3	0	20	2.5	3	25+TT	17-TT
9	23	1	12	0	11	6	3	25+TT	5-TT
10	23	0	9	0	14	5	3	25+TT	9-TT
11	23	0	9	0	14	5	3	25+TT	9-TT
12	23	0	6	0	17	5	3	25+TT	12-TT
13	23	0	6	0	17	5	3	25+TT	12-TT
14	23	1	6	0	17	5	3	25+TT	12-TT
15	23	0	3	0	20	2.5	3	25+TT	17-TT
16	23	0	3	0	20	2.5	3	25+TT	17-TT
17	23	2	12	0	11	6	3	25+TT	5-TT
18	23	1	9	0	14	5	3	25+TT	9-TT
19	23	1	9	0	14	5	3	25+TT	9-TT
20	23	1	6	0	17	5	3	25+TT	12-TT
21	23	1	6	0	17	5	3	25+TT	12-TT
22	23	2	6	0	17	5	3	25+TT	12-TT
23	23	1	3	0	20	2.5	3	25+TT	17-TT
24	23	1	3	0	20	2.5	3	25+TT	17-TT
25	23	2.5	12	0	11	6	3	25+TT	5-TT
26	23	2.5	9	0	14	5	3	25+TT	9-TT
27	23	2.5	9	0	14	5	3	25+TT	19-TT
28	23	2.5	6	0	17	5	3	25+TT	12-TT
29	23	2.5	6	0	17	5	3	25+TT	12-TT
30	23	2.5	6	0	17	5	3	25+TT	12-TT
31	23	2.5	3	0	20	2.5	3	25+TT	17-TT
32	23	2.5	3	0	20	2.5	3	25+TT	17-TT
33	23	4.5	12	0	11	6	3	25+TT	5-TT
34	23	4.5	9	0	14	5	3	25+TT	9-TT
35	23	4.5	9	0	14	5	3	25+TT	9-TT
36	23	4.5	6	0	17	5	3	25+TT	12-TT
37	23	4.5	6	0	17	5	3	25+TT	12-TT
38	23	4.5	6	0	17	5	3	25+TT	12-TT
39	23	4.5	3	0	18.5	4	3	25+TT	14.5-TT
40	23	4.5	3	0	18.5	4	3	25+TT	14.5-TT
41	23	3	14	0	9	6	3	25+TT	3-TT
42	23	1.5	10	0	13	5	3	25+TT	8-TT
43	23	1.5	10	0	13	5	3	25+TT	8-TT
44	23	1.5	7	0	16	5	3	25+TT	11-TT
45	23	1.5	7	0	16	5	3	25+TT	11-TT
46	23	3	7	0	16	5	3	25+TT	11-TT
47	23	1.5	3	0	20	2.5	3	25+TT	17-TT
48	23	1.5	3	0	20	2.5	3	25+TT	17-TT
49	23	3	14	0	9	6	3	25+TT	3-TT
50	23	2	10	0	13	5	3	25+TT	8-TT
51	23	2	10	0	13	5	3	25+TT	8-TT
52	23	2	7	0	16	5	3	25+TT	11-TT
53	23	2	7	0	16	5	3	25+TT	11-TT
54	23	3	7	0	16	5	3	25+TT	11-TT
55	23	2	3	0	20	2.5	3	25+TT	17-TT
56	23	2	3	0	20	2.5	3	25+TT	17-TT
57	23	3.5	14	0	9	6	3	25+TT	3-TT
58	23	3.5	10	0	13	5	3	25+TT	8-TT
59	23	3.5	10	0	13	5	3	25+TT	8-TT
60	23	3.5	7	0	16	5	3	25+TT	11-TT
61	23	3.5	7	0	16	5	3	25+TT	11-TT
62	23	3.5	7	0	16	5	3	25+TT	11-TT
63	23	3.5	3	0	19.5	3.5	3	25+TT	16-TT
64	23	3.5	3	0	19.5	3.5	3	25+TT	16-TT
65	23	6.5	14	0	9	6	3	25+TT	3-TT
66	23	6.5	10	0	13	5	3	25+TT	8-TT
67	23	6.5	10	0	13	5	3	25+TT	8-TT
68	23	6.5	7	0	16	5	3	25+TT	11-TT
69	23	6.5	7	0	16	5	3	25+TT	11-TT

70	23	6.5	7	0	16	5	3	25+TT	11-TT
71	23	6.5	3	0	16.5	5	3	25+TT	11.5-TT
72	23	6.5	3	0	16.5	5	3	25+TT	11.5-TT

NOTE 1: $P_{PowerClass}$ is the maximum UE power specified without taking into account the tolerance.
 NOTE 2: TT for each frequency and channel bandwidth is specified in Table 6.2.3.5-0.

Table 6.2.3.5-38: UE Power Class 2 test requirements (NS_50) for band n39 (Step 4)

Test ID	$P_{PowerClass}$ (dBm)	$\Delta P_{PowerClass}$ (dB)	MPR (dB)	A-MPR (dB)	$\Delta T_{C,c}$ (dB)	$P_{CMAX_L,f,c}$ (dBm)	$T(P_{CMAX_L,f,c})$ (dB)	$T_{L,c}$ (dB)	Upper limit (dBm)	Lower limit (dBm)
1	26	0	3.5	4	0	22	2.0	3	28.0 + TT	19.0 - TT
2	26	0	1	2.5	0	23.5	2.0	3	28.0 + TT	20.5 - TT
3	26	0	0	2.5	0	23.5	2.0	3	28.0 + TT	20.5 - TT
4	26	0	3.5	4	0	22	2.0	3	28.0 + TT	19 - TT
5	26	0	1	4	0	22	2.0	3	28.0 + TT	19 - TT
6	26	0	0	2.5	0	23.5	2.0	3	28.0 + TT	20.5 - TT
7	26	0	3.5	5	0	21	2.0	3	28.0 + TT	18 - TT
8	26	0	1	4	0	22	2.0	3	28.0 + TT	19.0 - TT
9	26	0	0	2.5	0	23.5	2.0	3	28.0 + TT	20.5 - TT
10	26	0	1	5.5	0	20.5	2.5	3	28.0 + TT	17.5 - TT
11	26	0	3.5	4	0	22	2.0	3	28.0 + TT	19.0 - TT
12	26	0	0	2.5	0	23.5	2.0	3	28.0 + TT	20.5 - TT
13	26	0	0	1	0	25	2.0	3	28.0 + TT	22 - TT
14	26	0	0	2.5	0	23.5	2.0	3	28.0 + TT	20.5 - TT
15	26	0	1	5.5	0	20.5	2.5	3	28.0 + TT	17.5 - TT
16	26	0	3.5	4	0	22	2.0	3	28.0 + TT	19 - TT
17	26	0	0	1	0	25	2.0	3	28.0 + TT	22 - TT
18	26	0	0	2.5	0	23.5	2.0	3	28.0 + TT	20.5 - TT
19	26	0	0	2.5	0	23.5	2.0	3	28.0 + TT	20.5 - TT
20	26	0	1	11.5	0	14.5	5.0	3	28.0 + TT	9.5 - TT
21	26	0	0	10	0	16	2.0	3	28.0 + TT	13 - TT
22	26	0	0	4	0	22	5.0	3	28.0 + TT	17.0 - TT
23	26	0	0	3.5	0	22.5	2.0	3	28.0 + TT	19.5 - TT
24	26	0	0	2.5	0	23.5	2.0	3	28.0 + TT	20.5 - TT
25	26	0	0	8	0	18	4.0	3	28.0 + TT	14.0 - TT
26	26	0	4.5	4	0	21.5	2.0	3	28.0 + TT	18.5 - TT
27	26	0	4.5	2.5	0	21.5	2.0	3	28.0 + TT	18.5 - TT
28	26	0	4.5	2.5	0	21.5	2.0	3	28.0 + TT	18.5 - TT
29	26	0	4.5	4	0	21.5	2.0	3	28.0 + TT	18.5 - TT
30	26	0	4.5	4	0	21.5	2.0	3	28.0 + TT	18.5 - TT
31	26	0	4.5	2.5	0	21.5	2.0	3	28.0 + TT	18.5 - TT
32	26	0	4.5	4	0	21.5	2.0	3	28.0 + TT	18.5 - TT
33	26	0	4.5	4	0	21.5	2.0	3	28.0 + TT	18.5 - TT
34	26	0	4.5	0	0	21.5	2.0	3	28.0 + TT	18.5 - TT
35	26	0	4.5	5.5	0	20.5	2.5	3	28.0 + TT	17.5 - TT
36	26	0	4.5	0	0	21.5	2.0	3	28.0 + TT	18.5 - TT
37	26	0	4.5	0	0	21.5	2.0	3	28.0 + TT	18.5 - TT
38	26	0	4.5	0	0	21.5	2.0	3	28.0 + TT	18.5 - TT
39	26	0	4.5	0	0	21.5	2.0	3	28.0 + TT	18.5 - TT
40	26	0	4.5	5.5	0	20.5	2.5	3	28.0 + TT	17.5 - TT
41	26	0	4.5	0	0	21.5	2.0	3	28.0 + TT	18.5 - TT
42	26	0	4.5	0	0	21.5	2.0	3	28.0 + TT	18.5 - TT
43	26	0	4.5	0	0	21.5	2.0	3	28.0 + TT	18.5 - TT
44	26	0	4.5	0	0	21.5	2.0	3	28.0 + TT	18.5 - TT
45	26	0	4.5	11.5	0	14.5	5.0	3	28.0 + TT	9.5 - TT
46	26	0	4.5	10	0	16	5.0	3	28.0 + TT	11 - TT
47	26	0	4.5	0	0	21.5	2.0	3	28.0 + TT	18.5 - TT
48	26	0	4.5	0	0	21.5	2.0	3	28.0 + TT	18.5 - TT
49	26	0	4.5	0	0	21.5	2.0	3	28.0 + TT	18.5 - TT
50	26	0	4.5	8	0	18	5.0	3	28.0 + TT	13 - TT

51	26	0	3.5	4	0	22	2.0	3	28.0 + TT	19 - TT
52	26	0	3	4	0	22	2.0	3	28.0 + TT	19 - TT
53	26	0	1.5	4	0	22	2.0	3	28.0 + TT	19 - TT
54	26	0	3.5	4	0	22	2.0	3	28.0 + TT	19 - TT
55	26	0	3	5.5	0	20.5	2.5	3	28.0 + TT	17.5 - TT
56	26	0	1.5	4	0	22	2.0	3	28.0 + TT	19 - TT
57	26	0	3.5	4	0	22	2.0	3	28.0 + TT	19 - TT
58	26	0	3	5.5	0	20.5	2.5	3	28.0 + TT	17.5 - TT
59	26	0	1.5	4	0	22	2.0	3	28.0 + TT	19 - TT
60	26	0	3	7	0	19	3.5	3	28.0 + TT	15.5 - TT
61	26	0	3.5	4	0	22	2.0	3	28.0 + TT	19 - TT
62	26	0	1.5	4	0	22	2.0	3	28.0 + TT	19 - TT
63	26	0	1.5	2	0	24	2.0	3	28.0 + TT	21 - TT
64	26	0	1.5	4	0	22	2.0	3	28.0 + TT	19 - TT
65	26	0	3	7	0	19	3.5	3	28.0 + TT	15.5 - TT
66	26	0	3.5	4	0	22	2.0	3	28.0 + TT	19 - TT
67	26	0	1.5	2	0	24	2.0	3	28.0 + TT	21 - TT
68	26	0	1.5	4	0	22	2.0	3	28.0 + TT	19 - TT
69	26	0	1.5	4	0	22	2.0	3	28.0 + TT	19 - TT
70	26	0	3	12.5	0	13.5	5.0	3	28.0 + TT	8.5 - TT
71	26	0	1.5	11	0	15	5.0	3	28.0 + TT	10 - TT
72	26	0	1.5	5.5	0	20.5	2.5	3	28.0 + TT	17.5 - TT
73	26	0	1.5	5	0	21	2.0	3	28.0 + TT	18 - TT
74	26	0	1.5	4	0	22	2.0	3	28.0 + TT	19 - TT
75	26	0	1.5	8	0	18	4	3	28.0 + TT	14 - TT
76	26	0	3.5	4	0	22	2.0	3	28.0 + TT	19 - TT
77	26	0	3	4	0	22	2.0	3	28.0 + TT	19 - TT
78	26	0	1.5	4	0	22	2.0	3	28.0 + TT	19 - TT
79	26	0	3.5	4	0	22	2.0	3	28.0 + TT	19 - TT
80	26	0	3	5.5	0	20.5	2.5	3	28.0 + TT	17.5 - TT
81	26	0	1.5	4	0	22	2.0	3	28.0 + TT	19 - TT
82	26	0	3.5	4	0	22	2.0	3	28.0 + TT	19 - TT
83	26	0	3	5.5	0	20.5	2.5	3	28.0 + TT	17.5 - TT
84	26	0	1.5	4	0	22	2.0	3	28.0 + TT	19 - TT
85	26	0	3	7	0	19	3.5	3	28.0 + TT	15.5 - TT
86	26	0	3.5	4	0	22	2.0	3	28.0 + TT	19 - TT
87	26	0	1.5	4	0	22	2.0	3	28.0 + TT	19 - TT
88	26	0	1.5	2	0	24	2.0	3	28.0 + TT	21 - TT
89	26	0	1.5	4	0	22	2.0	3	28.0 + TT	19 - TT
90	26	0	3	7	0	19	3.5	3	28.0 + TT	15.5 - TT
91	26	0	3.5	4	0	22	2.0	3	28.0 + TT	19 - TT
92	26	0	1.5	2	0	24	2.0	3	28.0 + TT	21 - TT
93	26	0	1.5	4	0	22	2.0	3	28.0 + TT	19 - TT
94	26	0	1.5	4	0	22	2.0	3	28.0 + TT	19 - TT
95	26	0	3	12.5	0	13.5	5.0	3	28.0 + TT	8.5 - TT
96	26	0	1.5	11	0	15	5.0	3	28.0 + TT	10 - TT
97	26	0	1.5	5.5	0	20.5	2.5	3	28.0 + TT	17.5 - TT
98	26	0	1.5	5	0	21	2.0	3	28.0 + TT	18 - TT
99	26	0	1.5	4	0	22	2.0	3	28.0 + TT	19 - TT
100	26	0	1.5	8	0	18	4.0	3	28.0 + TT	14 - TT

NOTE 1: $P_{\text{PowerClass}}$ is the maximum UE power specified without taking into account the tolerance.

NOTE 2: Void.

NOTE 3: TT for each frequency and channel bandwidth is specified in Table 6.2.2.5-5.

Table 6.2.3.5-39: UE Power Class 3 test requirements (NS_50) for band n39 (Step 3)

Test ID	$P_{\text{PowerClass}}$ (dBm)	$\Delta P_{\text{PowerClass}}$ (dB)	MPR (dB)	A-MPR (dB)	$\Delta T_{C,c}$ (dB)	$P_{\text{CMAX}_L,f,c}$ (dBm)	$T(P_{\text{CMAX}_L,f,c})$ (dB)	$T_{L,c}$ (dB)	Upper limit (dBm)	Lower limit (dBm)
---------	-------------------------------	-------------------------------------	----------	------------	-----------------------	-------------------------------	---------------------------------	----------------	-------------------	-------------------

1	23	0	1	5	0	18	4.0	2	25.0 + TT	14.0 - TT
2	23	0	1	2	0	21	2.0	2	25.0 + TT	19.0 - TT
3	23	0	1	0	0	22	2.0	2	25.0 + TT	20.0 - TT
4	23	0	1	5	0	18	4.0	2	25.0 + TT	14.0 - TT
5	23	0	1	2	0	21	2.0	2	25.0 + TT	19.0 - TT
6	23	0	1	0	0	23	2.0	2	25.0 + TT	21.0 - TT
7	23	0	1	11	0	12	6.0	2	25.0 + TT	6.0 - TT
8	23	0	1	3	0	20	2.5	2	25.0 + TT	17.5 - TT
9	23	0	1	7	0	16	5.0	2	25.0 + TT	11.0 - TT
10	23	0	1	2	0	21	2.0	2	25.0 + TT	19.0 - TT
11	23	0	1	5	0	18	4.0	2	25.0 + TT	14.0 - TT
12	23	0	4.5	5	0	18	4.0	2	25.0 + TT	14.0 - TT
13	23	0	4.5	0	0	18.5	4.0	2	25.0 + TT	14.5 - TT
14	23	0	4.5	0	0	18.5	4.0	2	25.0 + TT	14.5 - TT
15	23	0	4.5	5	0	18	4.0	2	25.0 + TT	14.0 - TT
16	23	0	4.5	0	0	18.5	4.0	2	25.0 + TT	14.5 - TT
17	23	0	4.5	0	0	18.5	4.0	2	25.0 + TT	14.5 - TT
18	23	0	4.5	11	0	12	6.0	2	25.0 + TT	6.0 - TT
19	23	0	4.5	0	0	18.5	4.0	2	25.0 + TT	14.5 - TT
21	23	0	3	7	0	16	5.0	2	25.0 + TT	11.0 - TT
22	23	0	3	0	0	20	2.5	2	25.0 + TT	17.5 - TT
23	23	0	3	5	0	18	4.0	2	25.0 + TT	14.0 - TT
24	23	0	3	6.5	0	16.5	5.0	2	25.0 + TT	11.5 - TT
25	23	0	3	0	0	20	2.5	2	25.0 + TT	17.5 - TT
26	23	0	3	0	0	20.0	2.5	2	25.0 + TT	17.5 - TT
27	23	0	3	6.5	0	16.5	5.0	2	25.0 + TT	11.5 - TT
28	23	0	3	0	0	20	2.5	2	25.0 + TT	17.5 - TT
29	23	0	3	0	0	20.0	2.5	2	25.0 + TT	17.5 - TT
30	23	0	3	12	0	11	6.0	2	25.0 + TT	5.0 - TT
31	23	0	3	4.5	0	18.5	4.0	2	25.0 + TT	14.5 - TT
32	23	0	3	3.5	0	19.5	3.5	2	25.0 + TT	16 - TT
33	23	0	3	5	0	18	4.0	2	25.0 + TT	14.0 - TT
34	23	0	6.5	6.5	0	16.5	5.0	2	25.0 + TT	11.5 - TT
35	23	0	6.5	0	0	16.5	5.0	2	25.0 + TT	11.5 - TT
36	23	0	6.5	6	0	16.5	5.0	2	25.0 + TT	11.5 - TT
37	23	0	6.5	6.5	0	16.5	5.0	2	25.0 + TT	11.5 - TT
38	23	0	6.5	0	0	16.5	5.0	2	25.0 + TT	11.5 - TT
39	23	0	6.5	0	0	16.5	5.0	2	25.0 + TT	11.5 - TT
40	23	0	6.5	12	0	11	6.0	2	25.0 + TT	5.0 - TT
41	23	0	6.5	4.5	0	16.5	5.0	2	25.0 + TT	11.5 - TT
42	23	0	6.5	8	0	15	5.0	2	25.0 + TT	10.0 - TT
43	23	0	6.5	3.5	0	16.5	5.0	2	25.0 + TT	11.5 - TT
44	23	0	6.5	5	0	16.5	5.0	2	25.0 + TT	11.5 - TT

NOTE 1: $P_{PowerClass}$ is the maximum UE power specified without taking into account the tolerance.

NOTE 2: Void

NOTE 3: TT for each frequency and channel bandwidth is specified in Table 6.2.2.5-5.

For the UE which supports inter-band NR CA configuration, inter-band NR-DC configuration, SUL configuration or inter-band EN-DC configuration, $\Delta T_{IB,c}$ as specified in 6.2A.4.0.2 for NR CA, 6.2B.4.0.2 for NR-DC, clause 6.2C.2 for SUL, or TS 38.521-3 [14] clause 6.2B.4.2 for EN-DC applies. Unless otherwise stated, $\Delta T_{IB,c}$ is set to zero. In case the UE supports more than one of band combinations for CA, NR-DC, SUL or EN-DC, and an operating band belongs to more than one band combinations then

- a) When the operating band frequency range is ≤ 1 GHz, the applicable additional $\Delta T_{IB,c}$ shall be the average value for all band combinations defined in clause 6.2A.4.0.2, 6.2B.4.0.2, 6.2C.2 in this specification and 6.2B.4.2 in TS 38.521-3 [14], truncated to one decimal place that apply for that operating band among the supported band combinations. In case there is a harmonic relation between low band UL and high band DL, then the maximum $\Delta T_{IB,c}$ among the different supported band combinations involving such band shall be applied
- b) When the operating band frequency range is > 1 GHz, the applicable additional $\Delta T_{IB,c}$ shall be the maximum value for all band combinations defined in clause 6.2A.4.0.2, 6.2B.4.0.2, 6.2C.2 in this specification and 6.2B.4.2 in TS 38.521-3 [14] for the applicable operating bands.

6.2.4 Configured transmitted power

6.2.4.1 Test purpose

To verify the measured UE configured maximum output power $P_{UMAX,f,c}$ is within the specified bounds.

6.2.4.2 Test applicability

This test case applies to all types of NR Power Class 1 release 15 and forward.

This test case applies to all types of NR Power Class 2 and Power Class 3 UE release 15 and forward that don't support Tx diversity.

6.2.4.3 Minimum conformance requirements

The UE is allowed to set its configured maximum output power $P_{CMAX,f,c}$ for carrier f of serving cell c in each slot. The configured maximum output power $P_{CMAX,f,c}$ is set within the following bounds:

$$P_{CMAX_L,f,c} \leq P_{CMAX,f,c} \leq P_{CMAX_H,f,c} \text{ with}$$

$$P_{CMAX_L,f,c} = \text{MIN} \{ P_{EMAX,c} - \Delta T_{C,c}, (P_{PowerClass} - \Delta P_{PowerClass}) - \text{MAX}(\text{MAX}(MPR_c + \Delta MPR_c, A - MPR_c) + \Delta T_{IB,c} + \Delta T_{C,c} + \Delta T_{RxSRS}, P - MPR_c) \}$$

$$P_{CMAX_H,f,c} = \text{MIN} \{ P_{EMAX,c}, P_{PowerClass} - \Delta P_{PowerClass} \}$$

where

$P_{EMAX,c}$ is the value given by either the *p-Max* IE or the field *additionalPmax* of the *NR-NS-PmaxList* IE, whichever is applicable according to TS 38.331[7];

$P_{PowerClass}$ is the maximum UE power specified in Table 6.2.1.3-1 without taking into account the tolerance specified in the Table 6.2.1.3-1;

When the IE *powerBoostPi2BPSK* is set to 1, $P_{EMAX,c}$ is increased by +3 dB for a power class 3 UE operating in TDD bands n40, n41, n77, n78, and n79 with PI/2 BPSK modulation and UE indicates support for UE capability *powerBoosting-pi2BPSK* and 40% or less slots in radio frame are used for UL transmission when $P_{EMAX,c} \geq 20$ dBm (The exact evaluation period is no less than one radio frame).

When the IE *powerBoostPi2BPSK* is set to 1, $\Delta P_{PowerClass} = -3$ dB for a power class 3 UE operating in TDD bands n40, n41, n77, n78, and n79 with PI/2 BPSK modulation and UE indicates support for UE capability *powerBoosting-pi2BPSK* and 40% or less slots in radio frame are used for UL transmission.

$\Delta P_{PowerClass} =$

- 3 dB for a power class 2 UE or 6 dB for a power class 1.5 UE when P-max of 23 dBm or lower is indicated; or when the field of UE capability *maxUplinkDutyCycle-PC2-FR1* is absent and the field of UE capability *maxUplinkDutyCycle-PC1dot5-MPE-FR1* is absent and the percentage of uplink symbols transmitted in a certain evaluation period is larger than 50%; or when the field of UE capability *maxUplinkDutyCycle-PC2-FR1* is not absent and the percentage of uplink symbols transmitted in a certain evaluation period is larger than *maxUplinkDutyCycle-PC2-FR1* as defined in TS 38.306 (The exact evaluation period is no less than one radio frame); or when the field of UE capability *maxUplinkDutyCycle-PC1dot5-MPE-FR1* is not absent and half the percentage of uplink symbols transmitted in a certain evaluation period is larger than *maxUplinkDutyCycle-PC1dot5-MPE-FR1* as defined in TS 38.306 (The exact evaluation period is no less than one radio frame).
- 3 dB for a power class 1.5 UE when P-max of between 23 dBm and 26 dB is indicated; or when the field of UE capability *maxUplinkDutyCycle-PC2-FR1* is absent and the field of UE capability *maxUplinkDutyCycle-PC1dot5-MPE-FR1* is absent and the percentage of uplink symbols transmitted in a certain evaluation period is between 25% and 50%; or when the field of UE capability *maxUplinkDutyCycle-PC2-FR1* is not absent and the percentage of uplink symbols transmitted in a certain evaluation period is between *maxUplinkDutyCycle-PC2-FR1* and *maxUplinkDutyCycle-PC2-FR1/2* as defined in TS 38.306 (The exact evaluation period is no less than one radio frame); or when the field of UE capability *maxUplinkDutyCycle-PC1dot5-MPE-FR1* is not absent and the percentage of uplink symbols transmitted in a certain evaluation period is larger than *maxUplinkDutyCycle-PC1dot5-MPE-FR1* as defined in TS 38.306 (The exact evaluation period is no less than one radio frame).

- 3dB when the UE is configured with SUL configurations and the requirements of default power class are applied as specified in sub-clause 6.2C.1.3 on the band where UE indicates power class 2;
- 3dB is applied during SRS transmission occasions with usage in SRS-ResourceSet set as 'antennaSwitching' with configured SRS resources in each SRS resource set(s) consisting of one SRS port when PC2 UE with txDiversity-r16 capability or PC1.5 UE further indicates SRS-TxSwitch capability 't1r2' or 't1r4' or 't1r1-t1r2' or 't1r1-t1r2-t1r4';
- 0 dB otherwise;

$\Delta T_{IB,c}$ is the additional tolerance for serving cell c as specified in clause 6.2A.4.0.2 for NR CA, clause 6.2C.2 for SUL, or TS 38.101-3 [4] clause 6.2B.4.2 for EN-DC; $\Delta T_{IB,c} = 0$ dB otherwise; In case the UE supports more than one of band combinations for V2X operating bands for concurrent operation, CA, SUL or DC, and an operating band belongs to more than one band combinations then

- a) When the operating band frequency range is ≤ 1 GHz, the applicable additional $\Delta T_{IB,c}$ shall be the average value for all band combinations defined in clause 6.2A.4.0.2 for NR CA, clause 6.2C.2 for SUL in this specification and 6.2B.4.2 in TS 38.101-3 [4] for EN-DC, truncated to one decimal place that apply for that operating band among the supported band combinations. In case there is a harmonic relation between low band UL and high band DL, then the maximum $\Delta T_{IB,c}$ among the different supported band combinations involving such band shall be applied
- b) When the operating band frequency range is > 1 GHz, the applicable additional $\Delta T_{IB,c}$ shall be the maximum value for all band combinations defined in clause 6.2A.4.0.2 for NR CA, clause 6.2C.2 for SUL in this specification and 6.2B.4.2 in TS 38.101-3 [4] for EN-DC, for the applicable operating bands.

$\Delta T_{C,c} = 1.5$ dB when NOTE 3 in Table 6.2.1.3-1 in 38.521-1 applies for a serving cell c, otherwise $\Delta T_{C,c} = 0$ dB ;

MPR_c and $A-MPR_c$ for serving cell c are specified in clause 6.2.2.3 and clause 6.2.3.3, respectively;

ΔMPR_c for serving cell c is specified in clause 6.2.2.3.

ΔT_{RxSRS} is applied during SRS transmission occasions with *usage* in SRS-ResourceSet set as 'antennaSwitching' when

- a) UE transmits SRS on the second SRS resource in every configured SRS resource set when the SRS-TxSwitch capability is indicated as 't1r2' or 't1r1-t1r2'
- b) UE transmits SRS on the second, third and fourth SRS resources of the total 4 SRS resources from all configured SRS resource set(s) consisting of one SRS port when the SRS-TxSwitch capability is indicated as 't1r4' or 't1r4-t2r4' or 't1r1-t1r2-t1r4' or 't1r1-t1r2-t2r2-t1r4-t2r4'
- c) UE transmits SRS from the second SRS port pair on the second SRS resource in every configured SRS resource set consisting of two SRS ports when the SRS-TxSwitch capability is indicated as 't2r4' or 't1r4-t2r4', or 't1r1-t1r2-t2r2-t2r4' or 't1r1-t1r2-t2r2-t1r4-t2r4', or
- d) UE transmits SRS to a DL-only carrier

The value of ΔT_{RxSRS} is 4.5dB for bands whose F_{UL_high} is higher than the F_{UL_low} of n79 and 3 dB for bands whose F_{UL_high} is lower than the F_{UL_low} of n79 when the device is capable of power class 3 or power class 5 or power class 1.5 in the band, or when the device is capable of power class 2 in the band and $\Delta P_{PowerClass} = 3$ dB, or when UE indicating *txDiversity-r16*.

The value of ΔT_{RxSRS} is 7.5dB for bands whose F_{UL_high} is higher than the F_{UL_low} of n79 and 6 dB for bands whose F_{UL_high} is lower than the F_{UL_low} of n79 during SRS transmission occasions with configured SRS resources consisting of one SRS port when the device is capable of power class 2 in the band and $\Delta P_{PowerClass} = 0$ dB and not indicating *txDiversity-r16*.

For other SRS transmissions ΔT_{RxSRS} is zero;

$P-MPR_c$ is the allowed maximum output power reduction for

- a) ensuring compliance with applicable electromagnetic energy absorption requirements and addressing unwanted emissions / self defence requirements in case of simultaneous transmissions on multiple RAT(s) for scenarios not in scope of 3GPP RAN specifications;

- b) ensuring compliance with applicable electromagnetic energy absorption requirements in case of proximity detection is used to address such requirements that require a lower maximum output power.

The UE shall apply $P\text{-MPR}_c$ for serving cell c only for the above cases. For UE conducted conformance testing $P\text{-MPR}_c$ shall be 0 dB

NOTE 1: $P\text{-MPR}_c$ was introduced in the $P_{\text{CMAX},f,c}$ equation such that the UE can report to the eNB the available maximum output transmit power. This information can be used by the eNB for scheduling decisions.

NOTE 2: $P\text{-MPR}_c$ may impact the maximum uplink performance for the selected UL transmission path.

T_{REF} and T_{eval} are specified in Table 6.2.4.3-1. For each T_{REF} , the $P_{\text{CMAX},L,c}$ for serving cell c are evaluated per T_{eval} and given by the minimum value taken over the transmission(s) within the T_{eval} ; the minimum $P_{\text{CMAX},L,f,c}$ over one or more T_{eval} is then applied for the entire T_{REF}

Table 6.2.4.3-1: Evaluation and reference periods for P_{cm}

T_{REF}	T_{eval}	T_{eval} with frequency hopping
Physical channel length	Physical channel length	$\text{Min}(T_{\text{no_hopping}}, \text{Physical Channel Length})$

The measured configured maximum output power $P_{\text{UMAX},f,c}$ shall be within the following bounds:

$$P_{\text{CMAX},L,f,c} - \text{MAX}\{T_{L,c}, T(P_{\text{CMAX},L,f,c})\} \leq P_{\text{UMAX},f,c} \leq P_{\text{CMAX},H,f,c} + T(P_{\text{CMAX},H,f,c}).$$

where the tolerance $T(P_{\text{CMAX},f,c})$ for applicable values of $P_{\text{CMAX},f,c}$ is specified in Table 6.2.4.3-2. The tolerance $T_{L,c}$ is the absolute value of the lower tolerance for the applicable operating band as specified in Table 6.2.1.3-1.

Table 6.2.4.3-2: P_{CMAX} tolerance

$P_{\text{CMAX},f,c}$ (dBm)	Tolerance $T(P_{\text{CMAX},f,c})$ (dB)
$23 < P_{\text{CMAX},c} \leq 33$	2.0
$21 \leq P_{\text{CMAX},c} \leq 23$	2.0
$20 \leq P_{\text{CMAX},c} < 21$	2.5
$19 \leq P_{\text{CMAX},c} < 20$	3.5
$18 \leq P_{\text{CMAX},c} < 19$	4.0
$13 \leq P_{\text{CMAX},c} < 18$	5.0
$8 \leq P_{\text{CMAX},c} < 13$	6.0
$-40 \leq P_{\text{CMAX},c} < 8$	7.0

The normative reference for this requirement is TS 38.101-1 [2] clause 6.2.4.

6.2.4.4 Test description

6.2.4.4.1 Initial condition

Initial conditions are a set of test configurations the UE needs to be tested in and the steps for the SS to take with the UE to reach the correct measurement state.

The initial test configurations consist of environmental conditions, test frequencies, test channel bandwidths and sub-carrier spacing based on NR operating bands specified in table 5.3.5-1. All of these configurations shall be tested with applicable test parameters for each combination of test channel bandwidth and sub-carrier spacing, and are shown in table 6.2.4.4.1-1. The details of the uplink reference measurement channels (RMCs) are specified in Annexes A.2. Configurations of PDSCH and PDCCH before measurement are specified in Annex C.2.

Table 6.2.4.4.1-1: Test Configuration Table

Initial Conditions	
Test Environment as specified in TS 38.508-1 [5] subclause 4.1	Normal, TL/VL, TL/VH, TH/VL, TH/VH
Test Frequencies as specified in TS 38.508-1 [5] subclause 4.3.1	Mid range (NOTE 4)

Test Channel Bandwidths as specified in TS 38.508-1 [5] subclause 4.3.1		Lowest, Mid, Highest	
Test SCS as specified in Table 5.3.5-1		Lowest	
Test Parameters for Channel Bandwidths			
Test ID	Downlink Configuration	Uplink Configuration	
	N/A	Modulation (NOTE 2)	RB allocation (NOTE 1)
1		DFT-s-OFDM Pi/2 BPSK	Inner Full
2		DFT-s-OFDM QPSK	Inner Full
3 ³		DFT-s-OFDM Pi/2 BPSK	Inner Full
NOTE 1: The specific configuration of each RB allocation is defined in Table 6.1-1.			
NOTE 2: DFT-s-OFDM Pi/2 BPSK test applies only for UEs which supports half Pi BPSK in FR1.			
NOTE 3: A power class 3 UE operating in TDD mode with Pi/2 BPSK modulation and UE indicates support for UE capability <i>powerBoosting-pi2BPSK</i> and the IE <i>powerBoostPi2BPSK</i> is set to 1 for bands n40, n41, n77, n78 and n79.			
NOTE 4: For NR band n28, 30MHz test channel bandwidth is tested with Low range test frequencies.			

1. Connect the SS to the UE antenna connectors as shown in TS 38.508-1 [5] Annex A, Figure A.3.1.1.1 for TE diagram and section A.3.2 for UE diagram.
2. The parameter settings for the cell are set up according to TS 38.508-1 [5] subclause 4.4.3.
3. Downlink signals are initially set up according to Annex C.0, C.1, C.2, and uplink signals according to Annex G.0, G.1, G.2, G.3.0.
4. The UL Reference Measurement Channel is set according to Table 6.2.4.4.1-1.
5. Propagation conditions are set according to Annex B.0.
6. Ensure the UE is in State RRC_CONNECTED with generic procedure parameters Connectivity NR, Connected without release On, Test Mode On and Test Loop Function On according to TS 38.508-1 [5] clause 4.5. Message contents are defined in clause 6.2.4.4.3.

6.2.4.4.2 Test procedure

1. SS sends uplink scheduling information for each UL HARQ process via PDCCH DCI format 0_1 for C_RNTI to schedule the UL RMC according to Table 6.2.4.4.1-1. Since the UE has no payload and no loopback data to send the UE sends uplink MAC padding bits on the UL RMC.
2. Send continuously uplink power control "up" commands in every uplink scheduling information to the UE; allow at least 200ms starting from the first TPC command in this step to ensure that the UE reaches the P_{max} level of the test point.
3. Measure the mean power of the UE in the channel bandwidth for each test point in table 6.2.4.5-1 according to the test configuration from table 6.2.4.4.1-1. The period of measurement shall be at least the continuous duration of one active slot and in the uplink symbols. For TDD slots with transient periods are not under test.

6.2.4.4.3 Message contents

Message contents are according to TS 38.508-1 [5] subclause 4.6 with the following exceptions:

Table 6.2.4.4.3-0: PUSCH-Config

Derivation Path: TS 38.508-1 [5], Table 4.6.3-118 with condition TRANSFORM_PRECODER_ENABLED

Table 6.2.4.4.3-1: FrequencyInfoUL-SIB: Test point 1

Derivation Path: TS 38.508-1 [5] Table 4.6.3-62 FrequencyInfoUL-SIB			
Information Element	Value/remark	Comment	Condition
p-Max	-10		

Table 6.2.4.4.3-2: FrequencyInfoUL-SIB: Test point 2

Derivation Path: TS 38.508-1 [5] Table 4.6.3-62 FrequencyInfoUL-SIB

Information Element	Value/remark	Comment	Condition
p-Max	10		

Table 6.2.4.4.3-3: FrequencyInfoUL-SIB: Test point 3

Derivation Path: TS 38.508-1 [5] Table 4.6.3-62 FrequencyInfoUL-SIB			
Information Element	Value/remark	Comment	Condition
p-Max	15		

Table 6.2.4.4.3-4: FrequencyInfoUL-SIB: Test point 4

Derivation Path: TS 38.508-1 [5] Table 4.6.3-62 FrequencyInfoUL-SIB			
Information Element	Value/remark	Comment	Condition
p-Max	20		

Table 6.2.4.4.3-5: ServingCellConfig

Derivation Path: TS 38.508-1 [5] Table 4.6.3-167			
Information Element	Value/remark	Comment	Condition
ServingCellConfig ::= SEQUENCE {			
uplinkConfig SEQUENCE {			
powerBoostPi2BPSK	0		Test ID 1, 2
	1		Test ID 3
}			
}			

6.2.4.5 Test requirement

The maximum output power measured shall not exceed the values specified in Table 6.2.4.5-1.

Table 6.2.4.5-1: P_{C_{MAX}} configured UE output power

	Maximum output power	
	Test ID 1,2	Test ID 3
Measured UE output power test point 1	-10 dBm ± (7+TT)	-10 dBm ± (7+TT)
Measured UE output power test point 2	10 dBm ± (6+TT)	10 dBm ± (6+TT)
Measured UE output power test point 3	15 dBm ± (5+TT)	15 dBm ± (5+TT)
Measured UE output power test point 4	Note 3	Note 4
Note 1: TT for each frequency and channel bandwidth is specified in Table 6.2.4.5-2.		
Note 2: Power class 3 is default power class unless otherwise stated.		
Note 3: The maximum output power shall be within the range in Table 6.2.4.5-1a.		
Note 4: The maximum output power shall be within the range in Table 6.2.4.5-1b.		

Table 6.2.4.5-1a: Measured UE output power test point 4 for Test ID 1,2

NR band	Tolerance (dB)
n1	20 dBm ±(2.5+TT)
n2	20 dBm ±(2.5+TT)
n3	20 dBm ±(2.5+TT)
n5	20 dBm ±(2.5+TT)
n7	20 dBm ±(2.5+TT)
n8	20 dBm ±(2.5+TT)
n12	20 dBm ±(2.5+TT)
n14	20 dBm ±(2.5+TT)

n20	20 dBm $\pm(2.5+TT)$
n24	20 dBm + 2.5+TT/-3-TT
n25	20 dBm $\pm(2.5+TT)$
n26	20 dBm $\pm(2.5^1+TT)$
n28	20 dBm $\pm(2.5+TT)$
n30	20 dBm $\pm(2.5+TT)$
n34	20 dBm $\pm(2.5+TT)$
n38	20 dBm $\pm(2.5+TT)$
n39	20 dBm $\pm(2.5+TT)$
n40	20 dBm $\pm(2.5+TT)$
n41	20 dBm $\pm(2.5+TT)$
n50	20 dBm $\pm(2.5+TT)$
n51	20 dBm $\pm(2.5+TT)$
n65	20 dBm $\pm(2.5+TT)$
n66	20 dBm $\pm(2.5+TT)$
n70	20 dBm $\pm(2.5+TT)$
n71	20 dBm $\pm(2.5+TT)$
n74	20 dBm $\pm(2.5+TT)$
n77	20 dBm + 2.5+TT/-3-TT
n78	20 dBm + 2.5+TT/-3-TT
n79	20 dBm + 2.5+TT/-3-TT
NOTE 1: Void	
NOTE 2: TT for each frequency and channel bandwidth is specified in Table 6.2.4.5-2.	

Table 6.2.4.5-1b: Measured UE output power test point 4 for Test ID 3

NR band	Tolerance (dB)
n40	23 dBm +2+TT/-2-TT
n41	23 dBm +2+TT/-2-TT
n77	23 dBm +2+TT/-3-TT
n78	23 dBm +2+TT/-3-TT
n79	23 dBm +2+TT/-3-TT
NOTE 1: Void	
NOTE 2: TT for each frequency and channel bandwidth is specified in Table 6.2.4.5-2.	

Table 6.2.4.5-2: Test Tolerance (Configured transmitted power)

	$f \leq 3.0\text{GHz}$	$3.0\text{GHz} < f \leq 6.0\text{GHz}$
$BW \leq 40\text{MHz}$	0.7 dB	1.0 dB
$40\text{MHz} < BW \leq 100\text{MHz}$	1.0 dB	1.0 dB

For the UE which supports inter-band NR CA configuration, inter-band NR-DC configuration, SUL configuration or inter-band EN-DC configuration, $\Delta T_{IB,c}$ as specified in clause 6.2A.4.0.2 for NR CA, 6.2B.4.0.2 for NR-DC, clause 6.2C.2 for SUL, or TS 38.521-3 [14] clause 6.2B.4.2 for EN-DC applies. Unless otherwise stated, $\Delta T_{IB,c}$ is set to zero. In case the UE supports more than one of band combinations for CA, NR-DC, SUL or EN-DC, and an operating band belongs to more than one band combinations then

- When the operating band frequency range is ≤ 1 GHz, the applicable additional $\Delta T_{IB,c}$ shall be the average value for all band combinations defined in clauses 6.2A.4.0.2, 6.2B.4.0.2, 6.2C.2 in this specification and clause 6.2B.4.2 in TS 38.521-3 [14], truncated to one decimal place that apply for that operating band among the supported band combinations. In case there is a harmonic relation between low band UL and high band DL, then the maximum $\Delta T_{IB,c}$ among the different supported band combinations involving such band shall be applied
- When the operating band frequency range is > 1 GHz, the applicable additional $\Delta T_{IB,c}$ shall be the maximum value for all band combinations defined in clauses 6.2A.4.0.2, 6.2B.4.0.2, 6.2C.2 in this specification and clause 6.2B.4.2 in TS 38.521-3 [14] for the applicable operating bands.

6.2A Transmitter power for CA

6.2A.1 UE maximum output power for CA

6.2A.1.0 Minimum conformance requirements

6.2A.1.0.1 Void

6.2A.1.0.2 Void

6.2A.1.0.3 UE maximum output power for Inter-band CA

For inter-band downlink carrier aggregation with one uplink carrier assigned to one NR band, the transmitter power requirements in Table 6.2.1.3-1 apply for power class 3 and other power classes if indicated in clause 5.5A.3.

For inter-band carrier aggregation with two uplink contiguous carrier assigned to one NR band, the transmitter power requirements specified in clause 6.2A.1.0.4 apply.

For inter-band carrier aggregation with two uplink non-contiguous carrier assigned to one NR band, the transmitter power requirements specified in clause 6.2A.1.0.5 apply.

For inter-band uplink carrier aggregation with uplink assigned to two NR bands, UE maximum output power shall be measured over all component carriers from different bands. If each band has separate antenna connectors, maximum output power is defined as the sum of maximum output power from each UE antenna connector. The period of measurement shall be at least one sub frame (1 ms). The maximum output power is specified in Table 6.2A.1.0.3-1.

Table 6.2A.1.0.3-1: UE Power Class for uplink inter-band CA (two bands)

NR CA Configuration	Class 1 (dBm)	Tolerance (dB)	Class 2 (dBm)	Tolerance (dB)	Class 3 (dBm)	Tolerance (dB)	Class 4 (dBm)	Tolerance (dB)
CA_n1A-n3A					23	+2/-3		
CA_n1A-n8A					23	+2/-3		
CA_n1A-n28A					23	+2/-3		
CA_n1A-n41A					23	+2/-3		
CA_n1A-n78A			26 ⁶	+2/-3	23	+2/-3		
CA_n1A-n79A					23	+2/-3		
CA_n2A-n5A					23	+2/-3		
CA_n2A-n14A					23	+2/-3		
CA_n2A-n48A					23	+2/-3		
CA_n2A-n66A					23	+2/-3		
CA_n2A-n77A			26 ⁶	+2/-3	23	+2/-3		
CA_n3A-n5A					23	+2/-3		
CA_n3A-n8A					23	+2/-3		
CA_n3A-n28A					23	+2/-3		
CA_n3A-n41A			26 ⁶	+2/-3	23	+2/-3		
CA_n3A-n77A					23	+2/-3		
CA_n3A-n78A			26 ⁶	+2/-3	23	+2/-3		
CA_n5A-n7A					23	+2/-3		
CA_n5A-n48A					23	+2/-3		
CA_n5A-n66A					23	+2/-3		
CA_n5A-n77A			26 ⁶	+2/-3	23	+2/-3		
CA_n5A-n78A					23	+2/-3		
CA_n7A-n78A					23	+2/-3		
CA_n8A-n78A					23	+2/-3		
CA_n14A-n30A					23	+2/-3		
CA_n14A-n66A					23	+2/-3		
CA_n14A-n77A			26 ⁶	+2/-3	23	+2/-3		
CA_n20A-n78A					23	+2/-3		
CA_n24A-n41A					23	+2/-3		
CA_n24A-n48A					23	+2/-3		
CA_n24A-n77A					23	+2/-3		
CA_n25A-n66A					23	+2/-3		
CA_n25A-n77A					23	+2/-3		
CA_n25A-n78A					23	+2/-3		
CA_n26A-n66A					23	+2/-3		

CA_n26A-n70A				23	+2/-3		
CA_n28A-n41A		26 ⁶	+2/-3	23	+2/-3		
CA_n28A-n77A				23	+2/-3		
CA_n28A-n78A				23	+2/-3		
CA_n28A-n79A		26 ⁶	+2/-3	23	+2/-3		
CA_n39A-n41A				23	+2/-3		
CA_n41A-n77A				23	+2/-3		
CA_n41A-n79A		26 ⁶	+2/-3	23	+2/-3		
CA_n48A-n66A				23	+2/-3		
CA_n48A-n70A				23	+2/-3		
CA_n48A-n71A				23	+2/-3		
CA_n66A-n71A				23	+2/-3		
CA_n66A-n77A		26 ⁶	+2/-3	23	+2/-3		
CA_n66A-n78A				23	+2/-3		
CA_n70A-n71A				23	+2/-3		
CA_n71A-n77A		26 ⁶	+2/-3	23	+2/-3		
CA_n71A-n78A				23	+2/-3		

NOTE 1: Void.

NOTE 2: An uplink CA configuration in which at least one of the bands has NOTE 3 in Table 6.2.1.3-1 is allowed to reduce the lower tolerance limit by 1.5dB when the transmission bandwidths of at least one of the bands is confined within F_{UL_low} and $F_{UL_low} + 4$ MHz or $F_{UL_high} - 4$ MHz and F_{UL_high} .

NOTE 3: $P_{PowerClass}$ is the maximum UE power specified without taking into account the tolerance.

NOTE 4: For inter-band carrier aggregation the maximum power requirement should apply to the total transmitted power over all component carriers (per UE).

NOTE 5: Power class 3 is the default power class unless otherwise stated.

NOTE 6: The UE supports PC3 within NR FDD band, and supports either PC3 or PC2 within NR TDD band.

NOTE 7: The UE that supports a PC2 uplink CA configuration with single carrier for each individual band and a composite of supporting PC3 within an NR TDD or FDD band and PC2 within a second NR TDD band may signal a *higherPowerLimit-r17* capability whereby the maximum output power indicated in the table may be exceeded in accordance with sub-clause 6.2A.4.1.3. The power classes referenced are according to the reported *ue-PowerClassPerBandPerBC-r17* if indicated or *ue-PowerClass* otherwise.

If a UE supports a different power class than the default UE power class for the band combination listed in Table 6.2A.1.0.3-1 and the supported power class enables the higher maximum output power than that of the default power class:

- if the field of UE capability *maxUplinkDutyCycle-interBandCA-PC2* is not absent and the average percentage of uplink symbols transmitted in a certain evaluation period is larger than *maxUplinkDutyCycle-interBandCA-PC2* as defined in TS 38.331 (The exact evaluation period is no less than one radio frame); or
- if the IE P-Max as defined in TS 38.331 [7] is provided and set to the maximum output power of the default power class or lower;
 - shall apply all requirements for the default power class to the supported power class and set the configured transmitted power as specified in clause 6.2A.4;
- else;
 - shall apply all requirements for the supported power class and set the configured transmitted power as specified in clause 6.2A.4 (regardless of the average percentage of uplink symbols if the field of UE capability *maxUplinkDutyCycle-interBandCA-PC2* is absent).

The average percentage of uplink symbols is defined as $50\% \times (Duty_{NR,x} / \maxDuty_{NR,x} + Duty_{NR,y} / \maxDuty_{NR,y})$. $Duty_{NR,x}$, $Duty_{NR,y}$ represent the actual percentage of uplink symbols transmitted in the same evaluation period (The exact evaluation period is no less than one radio frame) for NR Band x, NR Band y respectively; $\maxDuty_{NR,x}$, $\maxDuty_{NR,y}$ represent the field of UE capability *maxUplinkDutyCycle-PC2-FR1* per band as defined in TS 38.331. For NR Band x or NR Band y,

- if power class of one or both of the bands within the band combination is power class 2 and the corresponding UE capability *maxUplinkDutyCycle-PC2-FR1* is absent;
 - the corresponding $\maxDuty_{NR,x}$ or $\maxDuty_{NR,y}$ is equal to 50%;
- else if the band is configured with power class 3;

- the corresponding maxDutyNR,x or maxDutyNR,y is equal to 100%.

The normative reference for this requirement is TS 38.101-1 [2] clause 6.2A.1.3.

Table 6.2A.1.0.3-2: Void

6.2A.1.0.4 UE maximum output power for Intra-band contiguous CA

For uplink intra-band contiguous carrier aggregation, the maximum output power is specified in Table 6.2A.1.0.4-1.

For downlink intra-band contiguous carrier aggregation with a single uplink component carrier configured in the NR band, the maximum output power is specified in Table 6.2.1.3-1 for power class 3 and other power classes if indicated in clause 5.5A.1.

Table 6.2A.1.0.4-1: UE Power Class for intra-band contiguous CA

NR CA Configuration	Class 1 (dBm)	Tolerance (dB)	Class 2 (dBm)	Tolerance (dB)	Class 3 (dBm)	Tolerance (dB)	Class 4 (dBm)	Tolerance (dB)
CA_n41C			26	+2/-3	23	+2/-2		
CA_n48B					23	+2/-3		
CA_n77C					23	+2/-3		
CA_n78C			26	+2/-3	23	+2/-3		
CA_n79C					23	+2/-3		

NOTE 1: An uplink CA configuration in which the band has NOTE 3 in Table 6.2.1.3-1 is allowed to reduce the lower tolerance limit by 1.5 dB when the transmission bandwidths of the band are confined within F_{UL_low} and $F_{UL_low} + 4$ MHz or $F_{UL_high} - 4$ MHz and F_{UL_high} .

NOTE 2: $P_{PowerClass}$ is the maximum UE power specified without taking into account the tolerance.

NOTE 3: For intra-band contiguous carrier aggregation the maximum power requirement shall apply to the total transmitted power over all component carriers (per UE).

6.2A.1.0.5 UE maximum output power for Intra-band non-contiguous CA

For intra-band non-contiguous carrier aggregation with one uplink carrier on the PCC, the requirements in clause 6.2.1 apply for power class 3 and other power classes if indicated in clause 5.5A.2.

For intra-band non-contiguous carrier aggregation with two uplink carriers the maximum output power is specified in Table 6.2A.1.0.5-1.

Table 6.2A.1.0.5-1: UE Power Class for intraband non-contiguous CA

NR CA Configuration	Class 1 (dBm)	Tolerance (dB)	Class 2 (dBm)	Tolerance (dB)	Class 3 (dBm)	Tolerance (dB)	Class 4 (dBm)	Tolerance (dB)
CA_n77(2A)			26	+2/-3	23	+2/-3		
CA_n78(2A)					23	+2/-3		

NOTE 1: An uplink CA configuration in which the band has NOTE 3 in Table 6.2.1.3-1 is allowed to reduce the lower tolerance limit by 1.5 dB when the transmission bandwidths of the band are confined within F_{UL_low} and $F_{UL_low} + 4$ MHz or $F_{UL_high} - 4$ MHz and F_{UL_high} .

NOTE 2: $P_{PowerClass}$ is the maximum UE power specified without taking into account the tolerance.

NOTE 3: For intra-band non-contiguous carrier aggregation the maximum power requirement shall apply to the total transmitted power over all component carriers (per UE).

6.2A.1.1 UE maximum output power for CA (2UL CA)

Editor's Note:

No test points are defined for intra-band contiguous UL CA and intra-band non-contiguous UL CA since there is no configuration satisfying MPR=0dB requirements in TS 38.101-1. Testing with lowest value of MPR will be covered in 6.2A.2.

6.2A.1.1.1 Test purpose

To verify that the error of the UE maximum output power in two uplink carrier aggregation does not exceed the range prescribed by the specified nominal maximum output power and tolerance.

An excess maximum output power has the possibility to interfere to other channels or other systems. A small maximum output power decreases the coverage area.

6.2A.1.1.2 Test applicability

This test case applies to all types of NR UE release 15 and forward that support NR 2UL CA.

NOTE: Testing for intra-band contiguous and non-contiguous CA can't be performed due to lack of appropriate test points.

6.2A.1.1.3 Minimum conformance requirements

The minimum conformance requirements are defined in clause 6.2A.1.0.

6.2A.1.1.4 Test description

6.2A.1.1.4.1 Initial conditions

Initial conditions are a set of test configurations the UE needs to be tested in and the steps for the SS to take with the UE to reach the correct measurement state.

The initial test configurations consist of environmental conditions, test frequencies, test channel bandwidths and sub-carrier spacing based on NR CA configurations specified in 5.5A. All of these configurations shall be tested with applicable test parameters for each combination of test channel bandwidth and sub-carrier spacing, and are shown in table 6.2A.1.1.4.1-1 and table 6.2A.1.1.4.1-2. The details of the uplink reference measurement channels (RMCs) are specified in Annexes A.2. Configurations of PDSCH and PDCCH before measurement are specified in Annex C.2.

Table 6.2A.1.1.4.1-1: Inter-band CA Test Configuration Table

Initial Conditions				
Test Environment as specified in TS 38.508-1 [5] subclause 4.1		Normal, TL/VL, TL/VH, TH/VL, TH/VH		
Test Frequencies as specified in TS 38.508-1 [5] subclause 4.3.1		Low range for PCC and SCC High range for PCC and SCC		
Test Channel Bandwidths as specified in TS 38.508-1 [5] subclause 4.3.1		Lowest N_{RB_agg} , Highest N_{RB_agg}		
Test SCS as specified in Table 5.3.5-1		Lowest, Highest		
Test Parameters				
Test ID	Downlink Configuration for PCC & SCC	Uplink Configuration		
		Modulation for all CCs (NOTE 2)	RB allocation (NOTE 1)	
			PCC	SCC
1	N/A for this test	DFT-s-OFDM Pi/2 BPSK	Inner Full	Inner Full
2		DFT-s-OFDM Pi/2 BPSK	Inner 1RB Left	Inner 1RB Left
3		DFT-s-OFDM Pi/2 BPSK	Inner 1RB Right	Inner 1RB Right
4		DFT-s-OFDM QPSK	Inner Full	Inner Full
5		DFT-s-OFDM QPSK	Inner 1RB Left	Inner 1RB Left
6		DFT-s-OFDM QPSK	Inner 1RB Right	Inner 1RB Right
NOTE 1: The specific configuration of each RB allocation is defined in Table 6.1-1.				
NOTE 2: DFT-s-OFDM Pi/2 BPSK test applies only for UEs which supports Pi/2 BPSK in FR1.				

Table 6.2A.1.1.4.1-2: Intra-band contiguous CA Test Configuration Table

NOTE: No test points are defined since there is no configuration satisfying MPR=0dB requirements in TS 38.101-1.

Table 6.2A.1.1.4.1-3: Intra-band non-contiguous CA Test Configuration Table

NOTE: No test points are defined since there is no configuration satisfying MPR=0dB requirements in RAN4.

1. Connect the SS to the UE antenna connectors as shown in TS 38.508-1 [5] Annex A, Figure A.3.1.1.3 for TE diagram and section A.3.2 for UE diagram.

2. The parameter settings for the cell are set up according to TS 38.508-1 [5] subclause 4.4.3.
3. Downlink signals for PCC are initially set up according to Annex C.0, C.1, C.2, and uplink signals according to Annex G.0, G.1, G.2, G.3.0.
4. The UL Reference Measurement Channel is set according to Table 6.2A.1.1.4.1-1.
5. Propagation conditions are set according to Annex B.0.
6. Ensure the UE is in state RRC_CONNECTED with generic procedure parameters Connectivity NR, Connected without release *On*, Test Mode *On* and Test Loop Function *On* according to TS 38.508-1 [5] clause 4.5. Message contents are defined in clause 6.2A.1.1.4.3.

6.2A.1.1.4.2 Test procedure

1. Configure SCC according to Annex C.0, C.1, C.2 for all downlink physical channels.
2. The SS shall configure SCC as per TS 38.508-1 [5] clause 5.5.1. Message contents are defined in clause 6.2A.1.1.4.3.
3. SS activates SCC by sending the activation MAC CE (Refer TS 38.321 [18], clauses 5.9, 6.1.3.10). Wait for at least 2 seconds (Refer TS 38.133[19], clause 9.3).
4. SS sends uplink scheduling information for each UL HARQ process via PDCCH DCI format 0_1 for C_RNTI to schedule the UL RMC according to Table 6.2A.1.1.4.1-1 on both PCC and SCC. Since the UE has no payload and no loopback data to send the UE sends uplink MAC padding bits on the UL RMC.
5. Send continuously uplink power control "up" commands in every uplink scheduling information to the UE; allow at least 200ms starting from the first TPC command in this step for the UE to reach P_{UMAX} level.
6. Measure the sum of mean transmitted power over all component carriers in the CA configuration of the radio access mode. The period of measurement shall be at least the continuous duration of one active sub-frame (1ms) and in the uplink symbols. For TDD symbols with transient periods are not under test. For FDD band in inter-band CA with both TDD band and FDD band, only slots overlapping with only UL symbols in TDD are under test.

6.2A.1.1.4.3 Message contents

Message contents are according to TS 38.508-1 [5] subclause 4.6 and 5.4 with the following exceptions.

Table 6.2A.1.1.4.3-1: PUSCH-Config

Derivation Path: TS 38.508-1 [5], Table 4.6.3-118 with condition TRANSFORM_PRECODER_ENABLED

Table 6.2A.1.1.4.3-2: FrequencyInfoUL-SIB

Derivation Path: TS 38.508-1 [5] Table 4.6.3-62 FrequencyInfoUL-SIB			
Information Element	Value/remark	Comment	Condition
p-Max	20		Power class 3 and Inter-band CA
	23		Power class 2 and Inter-band CA
	Not Present		Value applicable to both carriers in case of inter-band CA when UE supports higherPowerLimit-r17 and the associated conditions apply as defined in Note 8 in table 6.2A.1.1.5-1a.

6.2A.1.1.5 Test requirement

The maximum output power for CA, derived in step 6 shall be within the range prescribed by the nominal maximum output power and tolerance in Table 6.2A.1.1.5-1 for Inter-band 2 UL CA configuration. The test requirement of configurations for CA operating band including Band n41 also apply for the corresponding CA operating bands with Band n90 replacing Band n41.

Table 6.2A.1.1.5-1: Maximum Output Power test requirement for Power Class 3

NR CA Configuration	Class 1 (dBm)	Tolerance (dB)	Class 2 (dBm)	Tolerance (dB)	Class 3 (dBm)	Tolerance (dB)	Class 4 (dBm)	Tolerance (dB)
CA_n1A-n3A					23	+2+TT/-3-TT		
CA_n1A-n8A					23	+2+TT/-3-TT		
CA_n1A-n28A					23	+2+TT/-3-TT		
CA_n1A-n41A					23	+2+TT/-3-TT		
CA_n1A-n78A					23	+2+TT/-3-TT		
CA_n1A-n79A					23	+2+TT/-3-TT		
CA_n2A-n5A					23	+2+TT/-3-TT		
CA_n2A-n14A					23	+2+TT/-3-TT		
CA_n2A-n48A					23	+2+TT/-3-TT		
CA_n2A-n66A					23	+2+TT/-3-TT		
CA_n2A-n77A					23	+2+TT/-3-TT		
CA_n3A-n5A					23	+2+TT/-3-TT		
CA_n3A-n8A					23	+2+TT/-3-TT		
CA_n3A-n28A					23	+2+TT/-3-TT		
CA_n3A-n41A					23	+2+TT/-3-TT		
CA_n3A-n77A					23	+2+TT/-3-TT		
CA_n3A-n78A					23	+2+TT/-3-TT		
CA_n5A-n7A					23	+2+TT/-3-TT		
CA_n5A-n48A					23	+2+TT/-3-TT		
CA_n5A-n66A					23	+2+TT/-3-TT		
CA_n5A-n77A					23	+2+TT/-3-TT		
CA_n5A-n78A					23	+2+TT/-3-TT		
CA_n7A-n78A					23	+2+TT/-3-TT		
CA_n8A-n78A					23	+2+TT/-3-TT		
CA_n14A-n30A					23	+2+TT/-3-TT		
CA_n14A-n66A					23	+2+TT/-3-TT		
CA_n14A-n77A					23	+2+TT/-3-TT		
CA_n20A-n78A					23	+2+TT/-3-TT		
CA_n24A-n41A					23	+2+TT/-3-TT		
CA_n24A-n48A					23	+2+TT/-3-TT		
CA_n24A-n77A					23	+2+TT/-3-TT		
CA_n25A-n66A					23	+2+TT/-3-TT		
CA_n25A-n77A					23	+2+TT/-3-TT		
CA_n25A-n78A					23	+2+TT/-3-TT		
CA_n26A-n66A					23	+2+TT/-3-TT		
CA_n26A-n70A					23	+2+TT/-3-TT		
CA_n28A-n41A					23	+2+TT/-3-TT		
CA_n28A-n77A					23	+2+TT/-3-TT		
CA_n28A-n78A					23	+2+TT/-3-TT		
CA_n28A-n79A					23	+2+TT/-3-TT		
CA_n39A-n41A					23	+2+TT/-3-TT		
CA_n41A-n77A					23	+2+TT/-3-TT		
CA_n41A-n79A					23	+2+TT/-3-TT		
CA_n48A-n66A					23	+2+TT/-3-TT		
CA_n48A-n70A					23	+2+TT/-3-TT		
CA_n48A-n71A					23	+2+TT/-3-TT		
CA_n66A-n71A					23	+2+TT/-3-TT		
CA_n66A-n77A					23	+2+TT/-3-TT		
CA_n66A-n78A					23	+2+TT/-3-TT		
CA_n70A-n71A					23	+2+TT/-3-TT		
CA_n71A-n77A					23	+2+TT/-3-TT		
CA_n71A-n78A					23	+2+TT/-3-TT		

NOTE 1: Void.

NOTE 2: An uplink CA configuration in which at least one of the bands has NOTE 3 in Table 6.2.1.3-1 is allowed to reduce the lower tolerance limit by 1.5dB when the transmission bandwidths of at least one of the bands is confined within F_{UL_low} and $F_{UL_low} + 4$ MHz or $F_{UL_high} - 4$ MHz and F_{UL_high} .

NOTE 3: $P_{PowerClass}$ is the maximum UE power specified without taking into account the tolerance.

NOTE 4: For inter-band carrier aggregation the maximum power requirement should apply to the total transmitted power over all component carriers (per UE).

NOTE 5: Power class 3 is the default power class unless otherwise stated.

NOTE 6: The TT for 2UL CA Maximum Output Power is in the maximum TT among all UL CCs. For TT of each UL CC refers to Table 6.2A.1.1.5-2.

Table 6.2A.1.1.5-1a: Maximum Output Power test requirement for Power Class except class 3

NR CA Configuration	Class 1 (dBm)	Tolerance (dB)	Class 2 (dBm)	Tolerance (dB)	Class 3 (dBm)	Tolerance (dB)	Class 4 (dBm)	Tolerance (dB)
CA_n1A-n78A			26 ⁷ , 27.8 ⁸	+2+TT/-3 ² -TT				
CA_n2A-n77A			26 ⁷ , 27.8 ⁸	+2+TT/-3 ² -TT				
CA_n3A-n41A			26 ⁷ , 27.8 ⁸	+2+TT/-3 ² -TT				
CA_n3A-n78A			26 ⁷ , 27.8 ⁸	+2+TT/-3 ² -TT				
CA_n5A-n77A			26 ⁷ , 27.8 ⁸	+2+TT/-3 ² -TT				
CA_n14A-n77A			26 ⁷ , 27.8 ⁸	+2+TT/-3 ² -TT				
CA_n28A-n41A			26 ⁷ , 27.8 ⁸	+2+TT/-3 ² -TT				
CA_n28A-n79A			26 ⁷ , 27.8 ⁸	+2+TT/-3 ² -TT				
CA_n41A-n79A			26 ⁷ , 27.8 ⁸	+2+TT/-3 ² -TT				
CA_n66A-n77A			26 ⁷ , 27.8 ⁸	+2+TT/-3 ² -TT				

NOTE 1: Void.
 NOTE 2: It is allowed to reduce the lower tolerance limit by 1.5 dB when the transmission bandwidths of the band are confined within F_{UL_low} and $F_{UL_low} + 4$ MHz or $F_{UL_high} - 4$ MHz and F_{UL_high} .
 NOTE 3: $P_{PowerClass}$ is the maximum UE power specified without taking into account the tolerance.
 NOTE 4: For inter-band carrier aggregation the maximum power requirement should apply to the total transmitted power over all component carriers (per UE).
 NOTE 5: Power class 3 is the default power class unless otherwise stated.
 NOTE 6: The TT for 2UL CA Maximum Output Power is in the maximum TT among all UL CCs. For TT of each UL CC refer to Table 6.2A.1.1.5-2.
 NOTE 7: The UE supports PC3 within NR FDD band, and supports either PC3 or PC2 within NR TDD band.
 NOTE 8: The UE that supports a PC2 uplink CA configuration with single carrier for each individual band and a composite of supporting PC3 within an NR TDD or FDD band and PC2 within a second NR TDD band and indicates support of *higherPowerLimit-r17* capability whereby the maximum output power indicated in the table may be exceeded in accordance with sub-clause 6.2A.4.1.3. The power classes referenced are according to the reported *ue-PowerClassPerBandPerBC-r17* if indicated or *ue-PowerClass* otherwise.

Table 6.2A.1.1.5-2: Test Tolerance (UE maximum output power for CA)

TT for overall output power (dB)						
		PCell				
		BW ≤ 40MHz		40MHz < BW ≤ 100MHz		
		f ≤ 3.0GHz	3.0GHz < f ≤ 6.0GHz	f ≤ 3.0GHz	3.0GHz < f ≤ 6.0GHz	
SCell	BW ≤ 40MHz	f ≤ 3.0GHz	0.7	1.0	1.0	1.0
		3.0GHz < f ≤ 6.0GHz	1.0	1.0	1.0	1.0
	40MHz < BW ≤ 100MHz	f ≤ 3.0GHz	1.0	1.0	1.0	1.0
		3.0GHz < f ≤ 6.0GHz	1.0	1.0	1.0	1.0

For the UE which supports inter-band NR CA configuration, inter-band NR-DC configuration, SUL configuration or inter-band EN-DC configuration, $\Delta T_{IB,c}$ as specified in 6.2A.4.0.2 for NR CA, 6.2B.4.0.2 for NR-DC, clause 6.2C.2 for SUL, or TS 38.521-3 [14] clause 6.2B.4.2 for EN-DC applies. Unless otherwise stated, $\Delta T_{IB,c}$ is set to zero. In case the UE supports more than one of band combinations for CA, NR-DC, SUL or EN-DC, and an operating band belongs to more than one band combinations then

- a) When the operating band frequency range is ≤ 1 GHz, the applicable additional $\Delta T_{IB,c}$ shall be the average value for all band combinations defined in clause 6.2A.4.0.2, 6.2B.4.0.2, 6.2C.2 in this specification and 6.2B.4.2 in TS 38.521-3 [14], truncated to one decimal place that apply for that operating band among the supported band

combinations. In case there is a harmonic relation between low band UL and high band DL, then the maximum $\Delta T_{IB,c}$ among the different supported band combinations involving such band shall be applied

- b) When the operating band frequency range is > 1 GHz, the applicable additional $\Delta T_{IB,c}$ shall be the maximum value for all band combinations defined in clause 6.2A.4.0.2, 6.2B.4.0.2, 6.2C.2 in this specification and 6.2B.4.2 in TS 38.521-3 [14] for the applicable operating bands.

6.2A.2 UE maximum output power reduction for CA

6.2A.2.0 Minimum conformance requirements

6.2A.2.0.1 FFS

6.2A.2.0.2 FFS

6.2A.2.0.3 Maximum Power Reduction for Inter-band CA

For inter-band carrier aggregation with one uplink carrier assigned to one NR band, the requirements in clause 6.2.2.3 apply.

For inter-band carrier aggregation with two uplink contiguous carrier assigned to one NR band, the maximum output power reduction requirements for intra-band contiguous carrier aggregation in clause 6.2A.2.0.4 apply for that band.

For inter-band carrier aggregation with uplink assigned to two NR bands, the requirements in subclause 6.2.2.3 apply for each uplink component carrier.

The normative reference for this requirement is TS38.101-1[2] clause 6.2A.2.

6.2A.2.0.4 Maximum Power Reduction for Intra-band contiguous CA

For intra-band contiguous carrier aggregation the allowed Maximum Power Reduction (MPR) for the maximum output power in Table 6.2A.1.0.4-1 with contiguous RB allocation is specified in Table 6.2A.2.0.4-1 for UE power class 3 CA bandwidth classes B and C. The MPR with contiguous RB allocation is specified in Table 6.2A.2.0.4-1a for power class 2 CA bandwidth classes B and C when the signalling is absent for *dualPA-Architecture* IE, and for power class 2 CA bandwidth class C when the signalling is indicated for *dualPA-Architecture* IE. The MPR with contiguous RB allocation is specified in Table 6.2A.2.0.4-1b for power class 2 CA bandwidth classes B and C with TxD supported.

In case the modulation format or waveform type is different on different component carriers then the requirement is set by rules applied to the waveform type (DFT-s-OFDM or CP-OFDM) and modulation order used in the configuration with the largest MPR.

Unless otherwise specified, $\pi/2$ BPSK in following MPR tables refers to both variants of $\pi/2$ BPSK referenced in clause 6.2.2.3, Table 6.2.2.3-1.

Table 6.2A.2.0.4-1: Contiguous RB allocation for Power Class 3

Modulation		MPR for bandwidth class B(dB)		MPR for bandwidth class C(dB)	
		inner	outer	inner	outer
DFT-s-OFDM	Pi/2 BPSK	1.0	3.5	2.5	7
	QPSK	1.0	3.5	2.5	7
	16QAM	1.5	3.5	2.5	7
	64QAM	3.0	4.0	5	7
	256QAM	5.5	6.0	7	7.5
CP-OFDM	QPSK	2.0	4.0	3.5	8
	16QAM	2.5	4.0	3.5	8
	64QAM	3.5	4.0	5	8
	256QAM	6.5	6.5	7	8

Table 6.2A.2.0.4-1a: Contiguous RB allocation for Power Class 2

Modulation	MPR for bandwidth class B(dB)		MPR for bandwidth class C(dB)	
	inner	Outer ¹	inner	outer

DFT-s-OFDM	Pi/2 BPSK	2.0	4.0 ¹	2.5	7
	QPSK	2.0	4.0 ¹	2.5	7
	16QAM	2.5	4.0 ¹	2.5	7
	64QAM	3.0	4.5 ¹	5	7
	256QAM	5.5	6.0	7	7.5
CP-OFDM	QPSK	2.5	5.0 ¹	3.5	8
	16QAM	3.0	5.0 ¹	3.5	8
	64QAM	3.5	5.0 ¹	5	8
	256QAM	6.5	6.5	7	8
NOTE 1 When 1 RB or 2 RB are allocated at the lower edge of lowest CC or upper edge of upper CC, MPR for outer is 5.5 dB.					

Table 6.2A.2.0.4-1b: Contiguous RB allocation for Power Class 2 with dual Tx²

Modulation		MPR for bandwidth class B(dB)		MPR for bandwidth class C(dB)	
		inner	Outer ¹	inner	outer
DFT-s-OFDM	Pi/2 BPSK	3.0	5.0 ¹	3.5	8
	QPSK	3.0	5.0 ¹	3.5	8
	16QAM	3.5	5.0 ¹	3.5	8
	64QAM	4.0	5.5 ¹	6	8
	256QAM	6.5	7.0	8	8.5
CP-OFDM	QPSK	3.0	5.5 ¹	4.0	8.5
	16QAM	3.5	5.5 ¹	4.0	8.5
	64QAM	4.0	5.5 ¹	5.5	8.5
	256QAM	7.0	7.0	7.5	8.5
NOTE 1: When 1 RB or 2 RB are allocated at the lower edge of lowest CC or upper edge of upper CC, MPR for outer is 5.5 dB.					
NOTE 2: UE indicating Tx ² supported					

For CA bandwidth class B and bandwidth class C with contiguous RB allocation, the following parameters are defined to specify valid RB allocation ranges for Inner and Outer RB allocations:

An RB allocation is contiguous if $L_{CRB1} = 0$ or $L_{CRB2} = 0$ or ($L_{CRB1} \neq 0$ and $L_{CRB2} \neq 0$ and $RB_{Start1} + L_{CRB1} = N_{RB1}$ and $RB_{Start2} = 0$), where RB_{Start1} , L_{CRB1} , and N_{RB1} are for CC1, RB_{Start2} , L_{CRB2} , and N_{RB2} are for CC2, CC1 is the component carrier with lower frequency.

In contiguous CA, a contiguous allocation is an inner allocation if

$$RB_{Start,Low} \leq RB_{Start,CA} \leq RB_{Start,High}, \text{ and } N_{RB,alloc} \leq \text{ceil}(N_{RB,agg}/2),$$

where

$$RB_{Start,Low} = \max(1, \text{floor}(N_{RB,alloc}/2)),$$

$$RB_{Start,High} = N_{RB,agg} - RB_{Start,Low} - N_{RB,alloc},$$

with

$$N_{RB,alloc} = (N_{RB1} - RB_{Start1}) \cdot 2^{\mu_1} + (RB_{Start2} + L_{CRB2}) \cdot 2^{\mu_2},$$

$$N_{RB,agg} = N_{RB1} \cdot 2^{\mu_1} + N_{RB2} \cdot 2^{\mu_2}.$$

$$\text{If } L_{CRB1} = 0, RB_{Start,CA} = N_{RB1} \cdot 2^{\mu_1} + RB_{Start2} \cdot 2^{\mu_2},$$

$$\text{if } L_{CRB1} > 0, RB_{Start,CA} = RB_{Start1} \cdot 2^{\mu_1}.$$

A contiguous allocation that is not an Inner contiguous allocation is an Outer contiguous allocation

For intra-band contiguous carrier aggregation the allowed Maximum Power Reduction (MPR) for the maximum output power in Table 6.2A.1.0.4-1 with non-contiguous RB allocation is specified in Table 6.2A.2.0.4-2 for UE power class 3 CA bandwidth classes B and C. The MPR with non-contiguous RB allocation is specified in Table 6.2A.2.0.4-3 for power class 2 CA bandwidth classes B and C when the signalling is absent for *dualPA-Architecture* IE, and for power class 2 CA bandwidth class C when the signalling is indicated for *dualPA-Architecture* IE. The MPR with non-

contiguous RB allocation is specified in Table 6.2A.2.0.4-4 for power class 2 CA bandwidth classes B and C with TxD supported.

Table 6.2A.2.0.4-2: non-contiguous RB allocation for Power Class 3

Modulation		MPR for bandwidth class B(dB)			MPR for bandwidth class C(dB)		
		inner	Outer1 ¹	Outer2 ²	inner	Outer1 ¹	Outer2 ²
DFT-s-OFDM	Pi/2 BPSK	2	5.5	11.5	2.5	6	13
	QPSK	2	5.5		2.5	6	
	16QAM	2.5	5.5		3	6	
	64QAM	4.5	6		5	6	
	256QAM	6	6.5		6.5	6.5	
CP-OFDM	QPSK	2.5	6.5	12	3.5	7	14
	16QAM	3	7		3.5	7	
	64QAM	5	7		5	7	
	256QAM	7.5	7.5		7.5	7.5	

NOTE 1: Outer 1 MPR for Pi/2 BPSK and QPSK is reduced by 2dB for aggregated allocation bandwidth > 10MHz
 NOTE 2: Outer 2 MPR is reduced by 4.5dB for aggregated allocation bandwidth > 10MHz

Table 6.2A.2.0.4-3: non-contiguous RB allocation for Power Class 2

Modulation		MPR for bandwidth class B(dB)			MPR for bandwidth class C(dB)		
		inner	Outer1 ²	Outer2 ³	Inner	Outer1 ²	Outer2 ³
DFT-s-OFDM	Pi/2 BPSK	3 ¹	6.5	13	3 ¹	7.5	13.5
	QPSK	3 ¹	6.5		3 ¹	7.5	
	16QAM	3 ¹	6.5		3 ¹	7.5	
	64QAM	5	6.5		5	7.5	
	256QAM	6.5	7		6.5	7.5	
CP-OFDM	QPSK	3.5 ¹	7	14	3.5 ¹	8	14.5
	16QAM	3.5 ¹	7		3.5 ¹	8	
	64QAM	5	7		5	8	
	256QAM	7.5	7.5		7.5	8	

NOTE 1: The allowed MPR is [4]dB for aggregated allocation bandwidth < [2MHz].
 NOTE 2: Outer 1 MPR for Pi/2 BPSK and QPSK is reduced by 2dB for aggregated allocation bandwidth > 10MHz
 NOTE 3: Outer 2 MPR is reduced by 4.5dB for aggregated allocation bandwidth > 10MHz

Table 6.2A.2.0.4-4: non-contiguous RB allocation for Power Class 2 with dual Tx⁴

Modulation		MPR for bandwidth class B(dB)			MPR for bandwidth class C(dB)		
		inner	Outer1 ²	Outer2 ³	Inner	Outer1 ²	Outer2 ³
DFT-s-OFDM	Pi/2 BPSK	4 ¹	7.5	14	4 ¹	8.5	14.5
	QPSK	4 ¹	7.5		4 ¹	8.5	
	16QAM	4 ¹	7.5		4 ¹	8.5	
	64QAM	6	7.5		6	8.5	
	256QAM	7.5	8		7.5	8.5	
CP-OFDM	QPSK	4.5 ¹	8	15	4.5 ¹	9	15.5
	16QAM	4.5 ¹	8		4.5 ¹	9	
	64QAM	6	8		6	9	
	256QAM	8.5	8.5		8.5	9	

NOTE 1: The allowed MPR is [4]dB for aggregated allocation bandwidth < [2MHz].
 NOTE 2: Outer 1 MPR for Pi/2 BPSK and QPSK is reduced by 2dB for aggregated allocation bandwidth > 10MHz
 NOTE 3: Outer 2 MPR is reduced by 4.5dB for aggregated allocation bandwidth > 10MHz
 NOTE 4: UE indicating TxD supported

For CA bandwidth classes B and C with non-contiguous RB allocation, the following parameters are defined to specify valid RB allocation ranges for Inner, Outer1 and Outer2 RB allocations:

Non-Contiguous RB allocation is defined as $RB_{Start1} + L_{CRB1} < N_{RB1}$, or $RB_{Start2} > 0$ when all uplink CCs are activated and allocated with RB(s), where RB_{Start1} , L_{CRB1} , and N_{RB1} are for CC1, RB_{Start2} , L_{CRB2} , and N_{RB2} are for CC2, CC1 is the component carrier with lower frequency.

In contiguous CA, a non-contiguous RB allocation is a non-contiguous Inner RB allocation if the following conditions are met:

$$RB_{Start,Low} \leq RB_{Start,CA} \leq RB_{Start,High} \text{ and } N_{RB_alloc} \leq \text{ceil}((BW_{Channel_CA} / 3 - BW_{gap}) / 0.18\text{MHz}),$$

where

$$N_{RB_alloc} = (N_{RB1} - RB_{Start1}) \cdot 2^{\mu_1} + (RB_{Start2} + L_{CRB2}) \cdot 2^{\mu_2}, RB_{Start,CA} = RB_{Start1} \cdot 2^{\mu_1}$$

$$RB_{Start,Low} = \max(1, \text{floor}(N_{RB_alloc} + (BW_{gap} - BW_{GB,low}) / 0.18\text{MHz}))$$

$$RB_{Start,High} = \text{floor}((BW_{Channel_CA} - 2 \cdot BW_{gap} - BW_{GB,low}) / 0.18\text{MHz} - 2 \cdot N_{RB_alloc})$$

$$BW_{GB,low} = F_{offset,low} - (N_{RB1} \cdot 12 + 1) \cdot SCS_1 / 2$$

BW_{gap} is the bandwidth of the gap between N_{RB1} and N_{RB2} possible allocations of CC1 and CC2 respectively.

In contiguous CA, a non-contiguous RB allocation is a non-contiguous outer 1 RB allocation if the following conditions are met:

$$RB_{Start,Low} \leq RB_{Start,CA} \leq RB_{Start,High} \text{ and } N_{RB_alloc} \leq \text{ceil}((3 \cdot BW_{Channel_CA} / 5 - BW_{gap}) / 0.18\text{MHz})$$

where

$$RB_{Start,Low} = \max(1, 2 \cdot N_{RB_alloc} - \text{floor}((BW_{Channel_CA} - 2 \cdot BW_{gap} + BW_{GB,low}) / 0.18\text{MHz})),$$

$$RB_{Start,High} = \text{floor}((2 \cdot BW_{Channel_CA} - 3 \cdot BW_{gap} - BW_{GB,low}) / 0.18\text{MHz} - 3 \cdot N_{RB_alloc})$$

N_{RB_alloc} , $RB_{Start,CA}$, BW_{gap} and $BW_{GB,low}$ are as defined for the Inner region.

In contiguous CA, a non-contiguous allocation is an Outer 2 allocation if it is neither a non-contiguous Inner allocation nor an Outer 1 allocation.

The normative reference for this requirement is TS 38.101-1 [2] clause 6.2A.2.1.

6.2A.2.0.5 Maximum Power Reduction for Intra-band non-contiguous CA

For intra-band non-contiguous CA, the allowed Maximum Power Reduction (MPR) for the maximum output power is specified into 2 types: MPR to meet -30dBm/MHz and -13dBm/MHz. The UE determines the MPR type as follows:

For intra-band non-contiguous CA, the allowed Maximum Power Reduction (MPR) for the maximum output power is specified into 2 types: MPR to meet -30dBm/MHz and -13dBm/MHz. The UE determines the MPR type as follows:

If AND($F_{IM3,low_block,low} > SEM_{-13,low}$, $F_{IM3,high_block,high} < SEM_{-13,high}$)

MPR_{IM3} defined in Clause 6.2A.2.0.5.2

Else If AND($F_{IM3,low_block,low} > SEM_{-25,low}$, $F_{IM3,high_block,high} < SEM_{-25,high}$)

MPR_{IM3} defined in Clause 6.2A.2.0.5.1

Else

MPR_{IM3} defined in Clause 6.2A.2.0.5.1

where

- $F_{IM3,high_block,high} = (2 \cdot F_{high_alloc,high_edge}) - F_{low_alloc,low_edge}$
- $F_{IM3,low_block,low} = (2 \cdot F_{low_alloc,low_edge}) - F_{high_alloc,high_edge}$
- F_{low_alloc,low_edge} is the lowermost frequency of the lower transmission bandwidth allocation.
- $F_{low_alloc,high_edge}$ is the uppermost frequency of the lower transmission bandwidth allocation.

- $F_{\text{high_alloc,low_edge}}$ is the lowermost frequency of the upper transmission bandwidth allocation.
- $F_{\text{high_alloc,high_edge}}$ is the uppermost frequency of the upper transmission bandwidth allocation.
- $SEM_{-13,low}$ = Threshold frequency where lower spectral emission mask below the lower channel drops from -13 dBm / MHz to -25 dBm / MHz, as specified in Clause 6.5A.2.2.0
- $SEM_{-13,high}$ = Threshold frequency where upper spectral emission mask above the upper channel drops from -13 dBm / MHz to -25 dBm / MHz, as specified in Clause 6.5A.2.2.0.
- $SEM_{-25,low}$ = Threshold frequency where lower spectral emission mask below the lower channel drops from -25 dBm / MHz to -30 dBm / MHz, as specified in Clause 6.5A.2.2.0.
- $SEM_{-25,high}$ = Threshold frequency where upper spectral emission mask above the upper channel drops from -25 dBm / MHz to -30 dBm / MHz, as specified in Clause 6.5A.2.2.0.

6.2A.2.0.5.1 MPR to meet -30dBm/MHz

MPR in this clause is for intra-band non-contiguous CA power class 3 for UEs indicating IE dualPA-Architecture supported. The allowed maximum output power reduction is defined as:

$$\text{MPR} = M_A$$

Where M_A is defined as follows:

$$M_A = \begin{cases} 15; & 0 \leq B < 1.08 \\ 14.5; & 1.08 \leq B < 2.16 \\ 13.5; & 2.16 \leq B < 3.24 \\ 12.5; & 3.24 \leq B < 5.04 \\ 11.5; & 5.04 \leq B < 10.08 \\ 10.5; & 10.08 \leq B < 16.38 \\ 10; & 16.38 \leq B < 21.78 \\ 9; & 21.78 \leq B \end{cases}$$

Where:

$$B = (L_{\text{CRB_alloc,1}} * 12 * \text{SCS}_1 + L_{\text{CRB_alloc,2}} * 12 * \text{SCS}_2) / 1,000$$

6.2A.2.0.5.2 MPR to meet -13dBm/MHz

MPR in this clause is for intra-band non-contiguous CA power class 3 for UEs indicating IE *dualPA-Architecture* supported. The allowed maximum output power reduction is defined as:

$$\text{MPR} = M_A$$

Where M_A is defined as follows:

$$M_A = \begin{cases} 9 ; & 0 \leq B < 0.54 \\ 8 ; & 0.54 \leq B < 1.08 \\ 7 ; & 1.08 \leq B < 2.16 \\ 6.5 ; & 2.16 \leq B < 3.24 \\ 5.5 ; & 3.24 \leq B < 5.4 \\ 4 ; & 5.4 \leq B \end{cases}$$

Where:

$$B=(L_{CRB_alloc,1} * 12 * SCS_1 + L_{CRB_alloc,2} * 12 * SCS_2)/1,000$$

6.2A.2.1 UE maximum output power reduction for CA (2UL CA)

Editor's note: Testing for Intra-band non-contiguous UL CA is not applicable for UE not supporting IE dualPA-Architecture due to the lack of core requirement.

6.2A.2.1.1 Test purpose

The number of RB identified in Table 6.2.2.3-1 is based on meeting the requirements for adjacent channel leakage ratio for CA and the maximum power reduction (MPR) for Inter-band CA due to Cubic Metric (CM).

6.2A.2.1.2 Test applicability

The requirements of this test apply to all types of NR Power class 3 UE release 15 and forward that support 2 UL CA.

NOTE: Test execution is not necessary if TS 38.521-1 6.5A.2.4.1.1 is executed.

6.2A.2.1.3 Minimum conformance requirements

The minimum conformance requirements are defined in subclause 6.2A.2.0.

6.2A.2.1.4 Test description

6.2A.2.1.4.1 Initial conditions

Initial conditions are a set of test configurations the UE needs to be tested in and the steps for the SS to take with the UE to reach the correct measurement state.

The initial test configurations consist of environmental conditions, test frequencies, channel bandwidths and sub-carrier spacing based on NR CA configuration specified in table 5.5A.3.1-1 for inter-band UL CA, table 5.5A.1-1 for intra-band contiguous UL CA and table 5.5A.2-1 for intra-band non-contiguous UL CA. All of these configurations shall be tested with applicable test parameters for each CA configuration of test channel bandwidth and sub-carrier spacing, and are shown in table 6.2A.2.1.4.1-1 to table 6.2A.2.1.4.1-3b. The details of the uplink reference measurement channels (RMCs) are specified in Annexes A.2. Configurations of PDSCH and PDCCH before measurement are specified in Annex C.2.

Table 6.2A.2.1.4.1-1: Inter-band CA Test Configuration Table

Initial Conditions					
Test Environment as specified in TS 38.508-1 [5] subclause 4.1		Normal, TL/VL, TL/VH, TH/VL, TH/VH			
Test Frequencies as specified in TS 38.508-1 [5] subclause 4.3.1		Low range for PCC and SCC High range for PCC and SCC			
Test Channel Bandwidths as specified in TS 38.508-1 [5] subclause 4.3.1		Lowest N_{RB_agg} , Highest N_{RB_agg}			
Test SCS as specified in Table 5.3.5-1		Lowest, Highest			
Test Parameters for Channel Bandwidths					
Test ID	Freq	Downlink Configuration for PCC & SCC	Uplink Configuration		
			Modulation for all CCs (NOTE 2)	RB allocation (NOTE 1)	
				PCC	SCC
1 ³	Default	N/A for Maximum Power Reduction (MPR) test case	DFT-s-OFDM Pi/2 BPSK	Inner Full	Inner Full
2 ³	Low		DFT-s-OFDM Pi/2 BPSK	Edge_1RB_Left	Edge_1RB_Left
3 ³	High		DFT-s-OFDM Pi/2 BPSK	Edge_1RB_Right	Edge_1RB_Right
4 ³	Default		DFT-s-OFDM Pi/2 BPSK	Outer Full	Outer Full
5 ⁴	Default		DFT-s-OFDM Pi/2 BPSK	Inner Full	Inner Full
6 ⁴	Low		DFT-s-OFDM Pi/2 BPSK	Edge_1RB_Left	Edge_1RB_Left
7 ⁴	High		DFT-s-OFDM Pi/2 BPSK	Edge_1RB_Right	Edge_1RB_Right

8 ⁴	Default	DFT-s-OFDM Pi/2 BPSK	Outer Full	Outer Full
9	Default	DFT-s-OFDM QPSK	Inner Full	Inner Full
10	Low	DFT-s-OFDM QPSK	Edge_1RB_Left	Edge_1RB_Left
11	High	DFT-s-OFDM QPSK	Edge_1RB_Right	Edge_1RB_Right
12	Default	DFT-s-OFDM QPSK	Outer Full	Outer Full
13	Default	DFT-s-OFDM 16 QAM	Inner Full	Inner Full
14	Low	DFT-s-OFDM 16 QAM	Edge_1RB_Left	Edge_1RB_Left
15	High	DFT-s-OFDM 16 QAM	Edge_1RB_Right	Edge_1RB_Right
16	Default	DFT-s-OFDM 16 QAM	Outer Full	Outer Full
17	Low	DFT-s-OFDM 64 QAM	Edge_1RB_Left	Edge_1RB_Left
18	High	DFT-s-OFDM 64 QAM	Edge_1RB_Right	Edge_1RB_Right
19	Default	DFT-s-OFDM 64 QAM	Outer Full	Outer Full
20	Low	DFT-s-OFDM 256 QAM	Edge_1RB_Left	Edge_1RB_Left
21	High	DFT-s-OFDM 256 QAM	Edge_1RB_Right	Edge_1RB_Right
22	Default	DFT-s-OFDM 256 QAM	Outer Full	Outer Full
23	Default	CP-OFDM QPSK	Inner Full	Inner Full
24	Low	CP-OFDM QPSK	Edge_1RB_Left	Edge_1RB_Left
25	High	CP-OFDM QPSK	Edge_1RB_Right	Edge_1RB_Right
26	Default	CP-OFDM QPSK	Outer Full	Outer Full
27	Default	CP-OFDM 16 QAM	Inner Full	Inner Full
28	Low	CP-OFDM 16 QAM	Edge_1RB_Left	Edge_1RB_Left
29	High	CP-OFDM 16 QAM	Edge_1RB_Right	Edge_1RB_Right
30	Default	CP-OFDM 16 QAM	Outer Full	Outer Full
31	Low	CP-OFDM 64 QAM	Edge_1RB_Left	Edge_1RB_Left
32	High	CP-OFDM 64 QAM	Edge_1RB_Right	Edge_1RB_Right

Test Parameters for Channel Bandwidths					
Test ID	Freq	Downlink Configuration for PCC & SCC	Uplink Configuration		
			Modulation for all CCs (NOTE 2)	RB allocation (NOTE 1)	
				PCC	SCC
33	Default		CP-OFDM 64 QAM	Outer Full	Outer Full
34	Low		CP-OFDM 256 QAM	Edge_1RB_Left	Edge_1RB_Left
35	High		CP-OFDM 256 QAM	Edge_1RB_Right	Edge_1RB_Right
36	Default		CP-OFDM 256 QAM	Outer Full	Outer Full
37	Default		NOTE 5	Inner Full	Outer Full

NOTE 1: The specific configuration of each RB allocation is defined in Table 6.1-1.
 NOTE 2: DFT-s-OFDM Pi/2 BPSK test applies only for UEs which supports Pi/2 BPSK in FR1.
 NOTE 3: UE operating in TDD mode with Pi/2 BPSK modulation and UE indicates support for UE capability *powerBoosting-pi2BPSK* and the IE *powerBoostPi2BPSK* is set to 1 for bands n40, n41, n77, n78 and n79.
 NOTE 4: UE operating in FDD mode, or in TDD mode in bands other than n40, n41, n77, n78 and n79, or in TDD mode the IE *powerBoostPi2BPSK* is set to 0 for bands n40, n41, n77, n78 and n79.
 NOTE 5: The modulation is DFT-s-OFDM QPSK for PCC and CP-OFDM 256 QAM for SCC.

Table 6.2A.2.1.4.1-2a: Intra-band contiguous CA Test Configuration Table for PC3 and PC2 (contiguous RB allocation)

Initial Conditions	
Test Environment as specified in TS 38.508-1 [5] subclause 4.1	Normal, TL/VL, TL/VH, TH/VL, TH/VH
Test Frequencies as specified in TS 38.508-1 [5] subclause 4.3.1	Low range High range

Test Channel Bandwidths as specified in TS 38.508-1 [5] subclause 4.3.1		Lowest N_{RB_agg} , Highest N_{RB_agg} (NOTE 1)		
Test SCS as specified in Table 5.3.5-1		Lowest, Highest		
Test Parameters for CA bandwidth class B and C				
Test ID	DL configuration for PCC & SCC	UL configuration		
		Modulations for all CCs (NOTE 2)	RB allocation (NOTE 3)	
1	N/A	DFT-s-OFDM	Pi/2 BPSK	Inner Full
2			Pi/2 BPSK	Outer Full
3			QPSK	Inner Full
4			QPSK	Outer Full
5			16QAM	Inner Full
6			16QAM	Outer Full
7			64QAM	Inner Full
8			64QAM	Outer Full
9			256QAM	Inner Full
10			256QAM	Outer Full
11		CP-OFDM	QPSK	Inner Full
12			QPSK	Outer Full
13			16QAM	Inner Full
14			16QAM	Outer Full
15			64QAM	Inner Full
16			64QAM	Outer Full
17			256QAM	Inner Full
18			256QAM	Outer Full
NOTE 1: The Test CC Combination settings are checked separately for each CA Configuration, which applicable aggregated channel bandwidths are specified in Table 5.5A.1-1.				
NOTE 2: DFT-s-OFDM Pi/2 BPSK test applies only for UEs which supports Pi/2 BPSK in FR1.				
NOTE 3: The specific configuration of each RB allocation is defined in Table 6.1A-1a.				
NOTE 4: If the UE supports multiple CC Combinations in the CA Configuration with the same N_{RB_agg} , only the combination with the highest N_{RB_PCC} is tested.				

Table 6.2A.2.1.4.1-2b: Intra-band contiguous CA Test Configuration Table for PC3 and PC2 (non-contiguous RB allocation)

Initial Conditions				
Test Environment as specified in TS 38.508-1 [5] subclause 4.1		Normal, TL/VL, TL/VH, TH/VL, TH/VH		
Test Frequencies as specified in TS 38.508-1 [5] subclause 4.3.1		Low range High range		
Test Channel Bandwidths as specified in TS 38.508-1 [5] subclause 4.3.1		Lowest N_{RB_agg} , Highest N_{RB_agg} (NOTE 1)		
Test SCS as specified in Table 5.3.5-1		Lowest, Highest		
Test Parameters for CA bandwidth class B and C				
Test ID	DL configuration for PCC & SCC	UL configuration		
		Modulations for all CCs (NOTE 2)	RB allocation (NOTE 3)	
1	N/A	DFT-s-OFDM	Pi/2 BPSK	Inner
2			Pi/2 BPSK	Outer 1
3			Pi/2 BPSK	Outer 2
4			QPSK	Inner
5			QPSK	Outer 1
6			QPSK	Outer 2
7			16QAM	Inner
8			16QAM	Outer 1
9			16QAM	Outer 2
10			64QAM	Inner
11		64QAM	Outer 1	
12		64QAM	Outer 2	
13		256QAM	Inner	
14		256QAM	Outer 1	
15		256QAM	Outer 2	
16		CP-OFDM	QPSK	Inner
17			QPSK	Outer 1
18			QPSK	Outer 2
19			16QAM	Inner
20		16QAM	Outer 1	

21	CP-OFDM	16QAM	Outer 2
22		64QAM	Inner
23		64QAM	Outer 1
24		64QAM	Outer 2
25		256QAM	Inner
26		256QAM	Outer 1
27		256QAM	Outer 2

NOTE 1: The Test CC Combination settings are checked separately for each CA Configuration, which applicable aggregated channel bandwidths are specified in Table 5.5A.1-1.
 NOTE 2: DFT-s-OFDM Pi/2 BPSK test applies only for UEs which supports Pi/2 BPSK in FR1.
 NOTE 3: The specific configuration of each RB allocation is defined in Table 6.1A-1b.
 NOTE 4: If the UE supports multiple CC Combinations in the CA Configuration with the same N_{RB_agg} , only the combination with the highest N_{RB_PCC} is tested.

For intra-band non-contiguous CA, the initial condition for MPR is specified by 2 tables. Table 6.2A.2.1.4.1-3a applies for MPR to meet -30dBm/MHz and Table 6.2A.2.1.4.1-3b applies for MPR to meet -13dBm/MHz. UE determines to configure test parameters based on specific channel bandwidth configurations and following rules:

$$\text{If AND} \{ [F_{CC1}-F_{CC2}+X] > (N_{RB1} * SCS_1 * 12 * 0.001) + (0.5 * N_{RB2} * SCS_2 * 12 * 0.001) - 0.5 * CBW_1 , \\ [F_{CC1}-F_{CC2}+Y] > (0.5 * N_{RB1} * SCS_1 * 12 * 0.001) + (N_{RB2} * SCS_2 * 12 * 0.001) - 0.5 * CBW_2 \}$$

Test parameters in table 6.2A.2.1.4.1-3a apply

Else

Test parameters in table 6.2A.2.1.4.1-3b apply

Where

CC_1 is the lower component carrier. And F_{CC1} is the centre frequency of CC_1

CC_2 is the lower component carrier. And F_{CC2} is the centre frequency of CC_2

N_{RB1} and N_{RB2} are defined in table 5.3.2-1 for each carrier bandwidth for CC_1 and CC_2 .

SCS_1 and SCS_2 are the subcarrier spacing for CC_1 and CC_2 .

X is the distance between threshold frequency, where lower spectral emission mask below CC_1 drops from -13 dBm / MHz to -25 dBm / MHz, and the lower edge of CC_1 channel bandwidth. The values of X is listed in table 6.2A.2.1.4.1-3.

Y is the distance between threshold frequency, where upper spectral emission mask above CC_2 drops from -13 dBm / MHz to -25 dBm / MHz, and the upper edge of CC_2 channel bandwidth. The values of Y is listed in table 6.2A.2.1.4.1-3.

Table 6.2A.2.1.4.1-3: Values specified for X and Y for each channel bandwidth

CBW	5 MHz	10 MHz	15 MHz	20 MHz	25 MHz	30 MHz	40 MHz	50 MHz	60 MHz	70 MHz	80 MHz	90 MHz	100 MHz
Value	6	10	15	20	25	30	40	50	60	70	80	90	100

Table 6.2A.2.1.4.1-3a: Intra-band non-contiguous CA Test Configuration Table (MPR_{IM3} to meet -13dBm/MHz) when UE supporting IE dualPA-Architecture

Initial Conditions	
Test Environment as specified in TS 38.508-1 [5] subclause 4.1	Normal, TL/VL, TL/VH, TH/VL, TH/VH
Test Frequencies as specified in TS 38.508-1 [5] subclause 4.3.1	Low range and High range test frequencies as specified in tables for non-contiguous CA configuration with UL CA
Test Channel Bandwidths as specified in TS 38.508-1 [5] subclause 4.3.1	Lowest N_{RB_agg} , Highest N_{RB_agg} (NOTE 1)
Test SCS as specified in Table 5.3.5-1	Lowest, Highest
Test Parameters	
UL configuration	

Test ID	DL config for PCC & SCC	Modulations for all CCs (NOTE 2)	RB allocation L _{CRB} @RB _{START} (NOTE 2)						
			SCS 15 kHz		SCS 30 kHz		SCS 60 kHz		
			PCC	SCC	PCC	SCC	PCC	SCC	
1	N/A	D F T - s - O F D M	Pi/2 BPSK	Edge_1RB_Left	Edge_1RB_Right	Edge_1RB_Left	Edge_1RB_Right	Edge_1RB_Left	Edge_1RB_Right
2	Pi/2 BPSK		8@0	8@0	4@0	4@0	2@0	2@0	
3	Pi/2 BPSK		24@0	24@0	12@0	12@0	6@0	6@0	
4	Pi/2 BPSK		45@0	45@0	24@0	24@0	12@0	12@0	
5 ³	Pi/2 BPSK		75@0	75@0	40@0	40@0	20@0	20@0	
6 ⁴	Pi/2 BPSK		120@0	120@0	60@0	60@0	30@0	30@0	
7 ⁵	Pi/2 BPSK		150@0	150@0	75@0	75@0	40@0	40@0	
8 ⁵	Pi/2 BPSK		Outer_Full	Outer_Full	Outer_Full	Outer_Full	Outer_Full	Outer_Full	
9	QPSK		Edge_1RB_Left	Edge_1RB_Right	Edge_1RB_Left	Edge_1RB_Right	Edge_1RB_Left	Edge_1RB_Right	
10	QPSK		8@0	8@0	4@0	4@0	2@0	2@0	
11	QPSK		24@0	24@0	12@0	12@0	6@0	6@0	
12	QPSK		45@0	45@0	24@0	24@0	12@0	12@0	
13 ³	QPSK		75@0	75@0	40@0	40@0	20@0	20@0	
14 ⁴	QPSK		120@0	120@0	60@0	60@0	30@0	30@0	
15 ⁵	QPSK		150@0	150@0	75@0	75@0	40@0	40@0	
16 ⁵	QPSK		Outer_Full	Outer_Full	Outer_Full	Outer_Full	Outer_Full	Outer_Full	
17	16QAM		Edge_1RB_Left	Edge_1RB_Right	Edge_1RB_Left	Edge_1RB_Right	Edge_1RB_Left	Edge_1RB_Right	
18	16QAM		8@0	8@0	4@0	4@0	2@0	2@0	
19	16QAM		24@0	24@0	12@0	12@0	6@0	6@0	
20	16QAM		45@0	45@0	24@0	24@0	12@0	12@0	
21 ³	16QAM		75@0	75@0	40@0	40@0	20@0	20@0	
22 ⁴	16QAM		120@0	120@0	60@0	60@0	30@0	30@0	
23 ⁵	16QAM		150@0	150@0	75@0	75@0	40@0	40@0	
24 ⁵	16QAM		Outer_Full	Outer_Full	Outer_Full	Outer_Full	Outer_Full	Outer_Full	
25	64QAM		Edge_1RB_Left	Edge_1RB_Right	Edge_1RB_Left	Edge_1RB_Right	Edge_1RB_Left	Edge_1RB_Right	
26	64QAM		8@0	8@0	4@0	4@0	2@0	2@0	
27	64QAM		24@0	24@0	12@0	12@0	6@0	6@0	
28	64QAM		45@0	45@0	24@0	24@0	12@0	12@0	
29 ³	64QAM		75@0	75@0	40@0	40@0	20@0	20@0	
30 ⁴	64QAM		120@0	120@0	60@0	60@0	30@0	30@0	
31 ⁵	64QAM		150@0	150@0	75@0	75@0	40@0	40@0	
32 ⁵	64QAM		Outer_Full	Outer_Full	Outer_Full	Outer_Full	Outer_Full	Outer_Full	
33	256QAM		Edge_1RB_Left	Edge_1RB_Right	Edge_1RB_Left	Edge_1RB_Right	Edge_1RB_Left	Edge_1RB_Right	
34	256QAM		8@0	8@0	4@0	4@0	2@0	2@0	
35	256QAM		24@0	24@0	12@0	12@0	6@0	6@0	
36	256QAM		45@0	45@0	24@0	24@0	12@0	12@0	
37 ³	256QAM		75@0	75@0	40@0	40@0	20@0	20@0	
38 ⁴	256QAM		120@0	120@0	60@0	60@0	30@0	30@0	
39 ⁵	256QAM		150@0	150@0	75@0	75@0	40@0	40@0	
40 ⁵	256QAM		Outer_Full	Outer_Full	Outer_Full	Outer_Full	Outer_Full	Outer_Full	
41	QPSK	Edge_1RB_Left	Edge_1RB_Right	Edge_1RB_Left	Edge_1RB_Right	Edge_1RB_Left	Edge_1RB_Right		
42	QPSK	8@0	8@0	4@0	4@0	2@0	2@0		
43	QPSK	23@0	23@0	12@0	12@0	6@0	6@0		
44	QPSK	45@0	45@0	23@0	23@0	12@0	12@0		
45 ³	QPSK	75@0	75@0	38@0	38@0	19@0	19@0		
46 ⁴	QPSK	120@0	120@0	60@0	60@0	30@0	30@0		
47 ⁵	QPSK	150@0	150@0	75@0	75@0	38@0	38@0		
48 ⁵	QPSK	Outer_Full	Outer_Full	Outer_Full	Outer_Full	Outer_Full	Outer_Full		
49	16QAM	Edge_1RB_Left	Edge_1RB_Right	Edge_1RB_Left	Edge_1RB_Right	Edge_1RB_Left	Edge_1RB_Right		
50	16QAM	8@0	8@0	4@0	4@0	2@0	2@0		
51	16QAM	23@0	23@0	12@0	12@0	6@0	6@0		
52	16QAM	45@0	45@0	23@0	23@0	12@0	12@0		
53 ³	16QAM	75@0	75@0	38@0	38@0	19@0	19@0		

54 ⁴	F D M	16QAM	120@0	120@0	60@0	60@0	30@0	30@0
55 ⁵		16QAM	150@0	150@0	75@0	75@0	38@0	38@0
56 ⁵		16QAM	Outer_Full	Outer_Full	Outer_Full	Outer_Full	Outer_Full	Outer_Full
57		64QAM	Edge_1RB_Left	Edge_1RB_Right	Edge_1RB_Left	Edge_1RB_Right	Edge_1RB_Left	Edge_1RB_Right
58		64QAM	8@0	8@0	4@0	4@0	2@0	2@0
59		64QAM	23@0	23@0	12@0	12@0	6@0	6@0
60		64QAM	45@0	45@0	23@0	23@0	12@0	12@0
61 ³		64QAM	75@0	75@0	38@0	38@0	19@0	19@0
62 ⁴		64QAM	120@0	120@0	60@0	60@0	30@0	30@0
63 ⁵		64QAM	150@0	150@0	75@0	75@0	38@0	38@0
64 ⁵		64QAM	Outer_Full	Outer_Full	Outer_Full	Outer_Full	Outer_Full	Outer_Full
65		256QAM	Edge_1RB_Left	Edge_1RB_Right	Edge_1RB_Left	Edge_1RB_Right	Edge_1RB_Left	Edge_1RB_Right
66		256QAM	8@0	8@0	4@0	4@0	2@0	2@0
67		256QAM	23@0	23@0	12@0	12@0	6@0	6@0
68		256QAM	45@0	45@0	23@0	23@0	12@0	12@0
69 ³		256QAM	75@0	75@0	38@0	38@0	19@0	19@0
70 ⁴		256QAM	120@0	120@0	60@0	60@0	30@0	30@0
71 ⁵	256QAM	150@0	150@0	75@0	75@0	38@0	38@0	
72 ⁵	256QAM	Outer_Full	Outer_Full	Outer_Full	Outer_Full	Outer_Full	Outer_Full	

NOTE 1: The Test CC Combination settings are checked separately for each CA Configuration, which applicable aggregated channel bandwidths are specified in Table 5.5A.1.
 NOTE 2: Edge_1RB_Left, Edge_1RB_Right and Outer_Full RB allocation are specified in table 6.1-1 for each component carrier.
 NOTE 3: Only being tested when the channel bandwidth of both carriers are larger than 10 MHz.
 NOTE 4: Only being tested when the channel bandwidth of both carriers are larger than 20 MHz.
 NOTE 5: Only being tested when the channel bandwidth of both carriers are larger than 25 MHz.
 NOTE 6: DFT-s-OFDM Pi/2 BPSK test applies only for UEs which supports Pi/2 BPSK in FR1.

Table 6.2A.2.1.4.1-3b: Intra-band non-contiguous CA Test Configuration Table (MPR_{IM3} to meet - 30dBm/MHz) when UE supporting IE dualPA-Architecture

Initial Conditions										
Test Environment as specified in TS 38.508-1 [5] subclause 4.1				Normal, TL/VL, TL/VH, TH/VL, TH/VH						
Test Frequencies as specified in TS 38.508-1 [5] subclause 4.3.1				Low range and High range test frequencies as specified in tables for non-contiguous CA configuration with UL CA						
Test Channel Bandwidths as specified in TS 38.508-1 [5] subclause 4.3.1				Lowest N _{RB_agg} , Highest N _{RB_agg} (NOTE 1)						
Test SCS as specified in Table 5.3.5-1				Lowest, Highest						
Test Parameters										
Test ID	DL config for PCC & SCC	UL configuration								
		Modulations for all CCs (NOTE 2)	RB allocation L _{CRB} @RB _{START} (NOTE 2)							
			SCS 15 kHz		SCS 30 kHz		SCS 60 kHz			
			PCC	SCC	PCC	SCC	PCC	SCC		
1	N/A	Pi/2 BPSK	Edge_1RB_Left	Edge_1RB_Right	Edge_1RB_Left	Edge_1RB_Right	Edge_1RB_Left	Edge_1RB_Right		
2		Pi/2 BPSK	15@0	15@0	8@0	8@0	4@0	4@0		
3		Pi/2 BPSK	45@0	45@0	24@0	24@0	12@0	12@0		
4 ³		Pi/2 BPSK	75@0	75@0	40@0	40@0	20@0	20@0		
5 ⁴		Pi/2 BPSK	120@0	120@0	60@0	60@0	30@0	30@0		
6 ⁵		Pi/2 BPSK	216@0	216@0	108@0	108@0	54@0	54@0		
7 ⁵		Pi/2 BPSK	Outer_Full	Outer_Full	Outer_Full	Outer_Full	Outer_Full	Outer_Full		
8		QPSK	Edge_1RB_Left	Edge_1RB_Right	Edge_1RB_Left	Edge_1RB_Right	Edge_1RB_Left	Edge_1RB_Right		
9		QPSK	15@0	15@0	8@0	8@0	4@0	4@0		

10		QPSK	45@0	45@0	24@0	24@0	12@0	12@0
11 ³		QPSK	75@0	75@0	40@0	40@0	20@0	20@0
12 ⁴	D	QPSK	120@0	120@0	60@0	60@0	30@0	30@0
13 ⁵		F	QPSK	216@0	216@0	108@0	108@0	54@0
14 ⁵	T	QPSK	Outer_Full	Outer_Full	Outer_Full	Outer_Full	Outer_Full	
15	-	16QAM	Edge_1RB_Left	Edge_1RB_Right	Edge_1RB_Left	Edge_1RB_Right	Edge_1RB_Left	Edge_1RB_Right
16	s	16QAM	15@0	15@0	8@0	8@0	4@0	4@0
17	-	16QAM	45@0	45@0	24@0	24@0	12@0	12@0
18 ³	O	16QAM	75@0	75@0	40@0	40@0	20@0	20@0
19 ⁴	F	16QAM	120@0	120@0	60@0	60@0	30@0	30@0
20 ⁵	D	16QAM	216@0	216@0	108@0	108@0	54@0	54@0
21 ⁵	M	16QAM	Outer_Full	Outer_Full	Outer_Full	Outer_Full	Outer_Full	Outer_Full
22		64QAM	Edge_1RB_Left	Edge_1RB_Right	Edge_1RB_Left	Edge_1RB_Right	Edge_1RB_Left	Edge_1RB_Right
23		64QAM	15@0	15@0	8@0	8@0	4@0	4@0
24		64QAM	45@0	45@0	24@0	24@0	12@0	12@0
25 ³		64QAM	75@0	75@0	40@0	40@0	20@0	20@0
26 ⁴		64QAM	120@0	120@0	60@0	60@0	30@0	30@0
27 ⁵		64QAM	216@0	216@0	108@0	108@0	54@0	54@0
28 ⁵		64QAM	Outer_Full	Outer_Full	Outer_Full	Outer_Full	Outer_Full	Outer_Full
29		256QAM	Edge_1RB_Left	Edge_1RB_Right	Edge_1RB_Left	Edge_1RB_Right	Edge_1RB_Left	Edge_1RB_Right
30		256QAM	15@0	15@0	8@0	8@0	4@0	4@0
31		256QAM	45@0	45@0	24@0	24@0	12@0	12@0
32 ³		256QAM	75@0	75@0	40@0	40@0	20@0	20@0
33 ⁴		256QAM	120@0	120@0	60@0	60@0	30@0	30@0
34 ⁵		256QAM	216@0	216@0	108@0	108@0	54@0	54@0
35 ⁵		256QAM	Outer_Full	Outer_Full	Outer_Full	Outer_Full	Outer_Full	Outer_Full
36	C	QPSK	Edge_1RB_Left	Edge_1RB_Right	Edge_1RB_Left	Edge_1RB_Right	Edge_1RB_Left	Edge_1RB_Right
37		P	QPSK	15@0	15@0	8@0	8@0	4@0
38		QPSK	45@0	45@0	23@0	23@0	12@0	12@0
39 ³		QPSK	75@0	75@0	38@0	38@0	19@0	19@0
40 ⁴		QPSK	115@0	115@0	58@0	58@0	29@0	29@0
41 ⁵		QPSK	210@0	210@0	105@0	105@0	53@0	53@0
42 ⁵		QPSK	Outer_Full	Outer_Full	Outer_Full	Outer_Full	Outer_Full	Outer_Full
43	-	16QAM	Edge_1RB_Left	Edge_1RB_Right	Edge_1RB_Left	Edge_1RB_Right	Edge_1RB_Left	Edge_1RB_Right
44	O	16QAM	15@0	15@0	8@0	8@0	4@0	4@0
45	F	16QAM	45@0	45@0	23@0	23@0	12@0	12@0
46 ³	D	16QAM	75@0	75@0	38@0	38@0	19@0	19@0
47 ⁴	M	16QAM	115@0	115@0	58@0	58@0	29@0	29@0
48 ⁵		16QAM	210@0	210@0	105@0	105@0	53@0	53@0
49 ⁵		16QAM	Outer_Full	Outer_Full	Outer_Full	Outer_Full	Outer_Full	Outer_Full
50		64QAM	Edge_1RB_Left	Edge_1RB_Right	Edge_1RB_Left	Edge_1RB_Right	Edge_1RB_Left	Edge_1RB_Right
51		64QAM	15@0	15@0	8@0	8@0	4@0	4@0
52		64QAM	45@0	45@0	23@0	23@0	12@0	12@0
53 ³		64QAM	75@0	75@0	38@0	38@0	19@0	19@0
54 ⁴		64QAM	115@0	115@0	58@0	58@0	29@0	29@0
55 ⁵		64QAM	210@0	210@0	105@0	105@0	53@0	53@0
56 ⁵		64QAM	Outer_Full	Outer_Full	Outer_Full	Outer_Full	Outer_Full	Outer_Full
57		256QAM	Edge_1RB_Left	Edge_1RB_Right	Edge_1RB_Left	Edge_1RB_Right	Edge_1RB_Left	Edge_1RB_Right
58		256QAM	15@0	15@0	8@0	8@0	4@0	4@0
59		256QAM	45@0	45@0	23@0	23@0	12@0	12@0
60 ³		256QAM	75@0	75@0	38@0	38@0	19@0	19@0
61 ⁴		256QAM	115@0	115@0	58@0	58@0	29@0	29@0
62 ⁵		256QAM	210@0	210@0	105@0	105@0	53@0	53@0
63 ⁵		256QAM	Outer_Full	Outer_Full	Outer_Full	Outer_Full	Outer_Full	Outer_Full

NOTE 1: The Test CC Combination settings are checked separately for each CA Configuration, which applicable aggregated channel bandwidths are specified in Table 5.5A.1.

NOTE 2: Edge_1RB_Left, Edge_1RB_Right and Outer_Full RB allocation are specified in table 6.1-1 for each component carrier.

NOTE 3: Only being tested when the channel bandwidth of both carriers are larger than 10 MHz.

NOTE 4: Only being tested when the channel bandwidth of both carriers are larger than 20 MHz.
 NOTE 5: Only being tested when the channel bandwidth of both carriers are larger than 25 MHz.
 NOTE 6: DFT-s-OFDM Pi/2 BPSK test applies only for UEs which supports Pi/2 BPSK in FR1.

1. Connect the SS to the UE antenna connectors as shown in TS 38.508-1 [5] Annex A, Figure A.3.1.1.3 for TE diagram and section A.3.2 for UE diagram.
2. The parameter settings for the cell are set up according to TS 38.508-1 [5] subclause 4.4.3.
3. Downlink signals are initially set up according to Annex C.0, C.1, C.2, and uplink signals according to Annex G.0, G.1, G.2, G.3.0.
4. The UL Reference Measurement Channel is set according to Tables 6.2A.2.1.4.1-1 to 6.2A.2.1.4.1-3b as appropriate.
5. Propagation conditions are set according to Annex B.0.
6. Ensure the UE is in State RRC_CONNECTED with generic procedure parameters Connectivity NR, Connected without release *On*, Test Mode *On* and Test Loop Function *On* according to TS 38.508-1 [5] clause 4.5. Message contents are defined in clause 6.2A.2.1.4.3.

6.2A.2.1.4.2 Test procedure

1. Configure SCC according to Annex C.0, C.1, and C.2 for all downlink physical channels.
2. The SS shall configure SCC as per TS 38.508-1 [5] clause 5.5.1. Message contents are defined in clause 6.2A.2.1.4.3.
3. SS activates SCC by sending the activation MAC CE (Refer TS 38.321 [18], clauses 5.9, 6.1.3.10). Wait for at least 2 seconds (Refer TS 38.133[19], clause 9.3).
4. SS sends uplink scheduling information for each UL HARQ process via PDCCH DCI format 0_1 for C_RNTI to schedule the UL RMC according to Tables 6.2A.2.1.4.1-1 to 6.2A.2.1.4.1-3b on both PCC and SCC as appropriate. Since the UE has no payload and no loopback data to send the UE sends uplink MAC padding bits on the UL RMC.
5. Send continuously uplink power control "up" commands in every uplink scheduling information to the UE; allow at least 200ms starting from the first TPC command in this step for the UE to reach P_{UMAX} level.
6. Measure the sum of mean transmitted power over all component carriers in the CA configuration of the radio access mode. The period of measurement shall be at least the continuous duration of 1ms uplink. For TDD only slots consisting of only UL symbols are under test. For FDD band in inter-band CA with both TDD band and FDD band, only slots overlapping with only UL symbols in TDD are under test.

NOTE 1: When switching to DFT-s-OFDM waveform, as specified in the test configuration table 6.2A.2.1.4.1-1, send an NR RRCReconfiguration message according to TS 38.508-1 [5] clause 4.6.3 Table 4.6.3-118 PUSCH-Config with TRANSFORM_PRECODER_ENABLED condition.

6.2A.2.1.4.3 Message contents

Message contents are according to TS 38.508-1 [5] subclause 4.6 and 5.4.

Table 6.2A.2.1.4.3-1: FrequencyInfoUL-SIB for inter-band CA (Power Class 3)

Derivation Path: TS 38.508-1 [5] Table 4.6.3-62 FrequencyInfoUL-SIB			
Information Element	Value/remark	Comment	Condition
p-Max	22		Test IDs 6, 7, 10, 11, 37
	21		Test IDs 14, 15, 17, 18
	20		Test IDs 1-5, 8, 9, 12, 13, 16, 19, 23-33, 38
	19		Test IDs 20, 21, 22
	17		Test IDs 34, 35, 36

NOTE: The value of p-Max is configured below:

$$p\text{-Max} = \text{CEILING} \{ \text{MAX} \{ P_{\text{cmax_L,CA}} - 3 + \Delta T_{\text{C,e}}, P_{\text{cmax_L,CA}} - P_{\text{cmax_L,SCell}} + \Delta T_{\text{C,e}} \} \}$$

Table 6.2A.2.1.4.3-1a: FrequencyInfoUL-SIB for inter-band CA (Power Class 2 with both bands supporting PC3)

Derivation Path: TS 38.508-1 [5] Table 4.6.3-62 FrequencyInfoUL-SIB			
Information Element	Value/remark	Comment	Condition
p-Max	23		Test IDs 5-13,37
	22		Test IDs 14, 15, 16, 23, 27
	21		Test IDs 17, 18, 19, 24, 25, 26, 28, 29, 30
	20		Test IDs 31, 32, 33
	19		Test IDs 20, 21, 22
	17		Test IDs 34, 35, 36

Table 6.2A.2.1.4.3-1b: FrequencyInfoUL-SIB for inter-band CA (PCC supporting PC3 and SCC supporting PC2)

Derivation Path: TS 38.508-1 [5] Table 4.6.3-62 FrequencyInfoUL-SIB			
Information Element	Value/remark	Comment	Condition
p-Max	23		Test IDs 5-13, 16, 19, 23, 27, 37
	22		Test IDs 14, 15, 17, 18, 24, 25, 26, 28-33
	21		Test IDs 20, 21, 22
	19		Test IDs 34, 35, 36

Table 6.2A.2.1.4.3-2: FrequencyInfoUL-SIB for intra-band contiguous CA (contiguous RB allocation) for CA_n41C, CA_n78C

Derivation Path: TS 38.508-1 [5] Table 4.6.3-62 FrequencyInfoUL-SIB			
Information Element	Value/remark	Comment	Condition
p-Max	18		Power class 3 and Test IDs 1, 3, 5
	16		Power class 3 and Test IDs 11, 13
	14		Power class 3 and Test IDs 7, 15
	11		Power class 3 and Test IDs 2, 4, 6, 8, 9, 17
	10		Power class 3 and Test IDs 10, 12, 14, 16, 18
	20		Power class 2 and Test IDs 1, 3, 5
	19		Power class 2 and Test IDs 11, 13
	18		Power class 2 and Test IDs 7, 15
	15		Power class 2 and Test IDs 2, 4, 6, 8, 9, 17
	14		Power class 2 and Test IDs 10, 12, 14, 16, 18

Table 6.2A.2.1.4.3-2a: FrequencyInfoUL-SIB for intra-band contiguous CA (contiguous RB allocation) for CA_n48B

Derivation Path: TS 38.508-1 [5] Table 4.6.3-62 FrequencyInfoUL-SIB			
Information Element	Value/remark	Comment	Condition
p-Max	19		Power class 3 and Test IDs 1, 3, 5
	18		Power class 3 and Test IDs 5, 11
	17		Power class 3 and Test IDs 7, 13
	16		Power class 3 and Test IDs 2, 4, 6, 15
	15		Power class 3 and Test IDs 8, 12, 14, 16
	12		Power class 3 and Test IDs 9, 10
	11		Power class 3 and Test ID 17, 18

Table 6.2A.2.1.4.3-2b: FrequencyInfoUL-SIB for intra-band contiguous CA (contiguous RB allocation) for CA_n77C

Derivation Path: TS 38.508-1 [5] Table 4.6.3-62 FrequencyInfoUL-SIB			
Information Element	Value/remark	Comment	Condition
p-Max	17		Power class 3 and Test IDs 1, 3, 5
	16		Power class 3 and Test IDs 11, 13
	14		Power class 3 and Test IDs 7, 15
	11		Power class 3 and Test IDs 2, 4, 6, 8, 9, 17
	10		Power class 3 and Test IDs 10, 12, 14, 16, 18

6.2A.2.1.5 Test requirement

The maximum output power, derived in step 6 shall be within the range prescribed by the nominal maximum output power and tolerance in Table 6.2A.2.1.5-1 to Table 6.2A.2.1.5-3.

Table 6.2A.2.1.5-1: UE Output Power for inter-band CA (2 UL CA) of PC3 test requirements

Test ID	P _{PowerClass} (dBm)	MPR _c (dB)		ΔT _{C,c} (dB)		T _L (dB)	P _{CMAX,L} (dBm)	T _{LOW} (P _{CMAX,L}) (dB)	Upper limit (dBm)	Lower limit (dBm)
		PCC	SCC	PCC	SCC					
1	23	0.2	0.2	0 (1.5 ²)	0 (1.5 ²)	3	23	3	25+TT	20-TT
2	23	3.5	3.5	1.5 ²	1.5 ²	3	21 ²	5 ²	25+TT	16-TT ²
3	23	3.5	3.5	1.5 ²	1.5 ²	3	21 ²	5 ²	25+TT	16-TT ²
4	23	1.2	1.2	0	0	3	23	3	25+TT	20-TT
5	23	0	0	0 (1.5 ²)	0 (1.5 ²)	3	23	3	25+TT	20-TT
6	23	0.5	0.5	1.5 ²	1.5 ²	3	23	3	25+TT	20-TT
7	23	0.5	0.5	1.5 ²	1.5 ²	3	23	3	25+TT	20-TT
8	23	0.5	0.5	0	0	3	23	3	25+TT	20-TT
9	23	0	0	0 (1.5 ²)	0 (1.5 ²)	3	23	3	25+TT	20-TT
10	23	1	1	1.5 ²	1.5 ²	3	23	3	25+TT	20-TT
11	23	1	1	1.5 ²	1.5 ²	3	23	3	25+TT	20-TT
12	23	1	1	0	0	3	23	3	25+TT	20-TT
13	23	1	1	0 (1.5 ²)	0 (1.5 ²)	3	23	3	25+TT	20-TT
14	23	2	2	1.5 ²	1.5 ²	3	22.5 ²	5 ²	25+TT	17.5-TT ²
15	23	2	2	1.5 ²	1.5 ²	3	22.5 ²	5 ²	25+TT	17.5-TT ²
16	23	2	2	0	0	3	23	3	25+TT	20-TT
17	23	2.5	2.5	1.5 ²	1.5 ²	3	22 ²	5 ²	25+TT	17-TT ²
18	23	2.5	2.5	1.5 ²	1.5 ²	3	22 ²	5 ²	25+TT	17-TT ²
19	23	2.5	2.5	0	0	3	23	3	25+TT	20-TT
20	23	4.5	4.5	1.5 ²	1.5 ²	3	20 ²	6 ²	25+TT	14-TT ²
21	23	4.5	4.5	1.5 ²	1.5 ²	3	20 ²	6 ²	25+TT	14-TT ²
22	23	4.5	4.5	0	0	3	21.5	5	25+TT	16.5-TT
23	23	1.5	1.5	0 (1.5 ²)	0 (1.5 ²)	3	23	3	25+TT	20-TT
24	23	3	3	1.5 ²	1.5 ²	3	21.5 ²	5 ²	25+TT	16.5-TT ²
25	23	3	3	1.5 ²	1.5 ²	3	21.5 ²	5 ²	25+TT	16.5-TT ²
26	23	3	3	0	0	3	23	3	25+TT	20-TT
27	23	2	2	0 (1.5 ²)	0 (1.5 ²)	3	23 (22.5 ²)	3 (5 ²)	25+TT	20-TT (17.5-TT ²)
28	23	3	3	1.5 ²	1.5 ²	3	21.5 ²	5 ²	25+TT	16.5-TT ²
29	23	3	3	1.5 ²	1.5 ²	3	21.5 ²	5 ²	25+TT	16.5-TT ²

Test ID	P _{PowerClass} (dBm)	MPR _c (dB)		ΔT _{C,c} (dB)		T _L (dB)	P _{CMAX,L} (dBm)	T _{LOW} (P _{CMAX,L}) (dB)	Upper limit (dBm)	Lower limit (dBm)
		PCC	SCC	PCC	SCC					
30	23	3	3	0	0	3	23	3	25+TT	20-TT
31	23	3.5	3.5	1.5 ²	1.5 ²	3	21 ²	5 ²	25+TT	16-TT ²
32	23	3.5	3.5	1.5 ²	1.5 ²	3	21 ²	5 ²	25+TT	16-TT ²

33	23	3.5	3.5	0	0	3	22.5	5 ²	25+TT	17.5-TT
34	23	6.5	6.5	1.5 ²	1.5 ²	3	18 ²	5 ²	25+TT	13-TT ²
35	23	6.5	6.5	1.5 ²	1.5 ²	3	18 ²	5 ²	25+TT	13-TT ²
36	23	6.5	6.5	0	0	3	19.5	5	25+TT	14.5-TT
37	23	0	6.5	0	0	3	23	3	25+TT	20-TT

NOTE 1: $P_{\text{PowerClass}}$ is the maximum UE power specified without taking into account the tolerance.

NOTE 2: For transmission bandwidths confined within $F_{\text{UL_low}}$ and $F_{\text{UL_low}} + 4$ MHz or $F_{\text{UL_high}} - 4$ MHz and $F_{\text{UL_high}}$.

NOTE 3: TT for each frequency and channel bandwidth is specified in Table 6.2A.2.1.5-2.

Table 6.2A.2.1.5-1a: UE Output Power for intra-band contiguous 2 UL CA of PC3 (contiguous RB allocation) test requirements (for CA_n41C)

Configuration ID	Power Class 3 (dBm)	MPR		ΔT_c	P_{CMAX_L}		$T_L = 2$	$T(P_{CMAX_L})$		Bandwidth class B		Bandwidth class C	
		BW class B	BW class C		BW class B	BW class C		BW class B	BW class C	Upper limit (dBm)	Lower limit (dBm)	Upper limit (dBm)	Lower limit (dBm)
1	23	1	2.5	0	22	20.5	2	2	2.5	25+TT	20-TT	25+TT	18-TT
2	23	3.5	7	0	19.5	16	2	3.5	5	25+TT	16-TT	25+TT	11-TT
3	23	1	2.5	0	22	20.5	2	2	2.5	25+TT	20-TT	25+TT	18-TT
4	23	3.5	7	0	19.5	16	2	3.5	5	25+TT	16-TT	25+TT	11-TT
5	23	1.5	2.5	0	21.5	20.5	2	2	2.5	25+TT	19.5-TT	25+TT	18-TT
6	23	3.5	7	0	19.5	16	2	3.5	5	25+TT	16-TT	25+TT	11-TT
7	23	3	5	0	20	18	2	2.5	4	25+TT	17.5-TT	25+TT	14-TT
8	23	4	7	0	19	16	2	3.5	5	25+TT	15.5-TT	25+TT	11-TT
9	23	5.5	7	0	17.5	16	2	5	5	25+TT	12.5-TT	25+TT	11-TT
10	23	6	7.5	0	17	15.5	2	5	5	25+TT	12-TT	25+TT	10.5-TT
11	23	2	3.5	0	21	19.5	2	2	3.5	25+TT	19-TT	25+TT	16-TT
12	23	4	8	0	19	15	2	3.5	5	25+TT	15.5-TT	25+TT	10-TT
13	23	2.5	3.5	0	20.5	19.5	2	2.5	3.5	25+TT	18-TT	25+TT	16-TT
14	23	4	8	0	19	15	2	3.5	5	25+TT	15.5-TT	25+TT	10-TT
15	23	3.5	5	0	19.5	18	2	3.5	4	25+TT	16-TT	25+TT	14-TT
16	23	4	8	0	19	15	2	3.5	5	25+TT	15.5-TT	25+TT	10-TT
17	23	6.5	7	0	16.5	16	2	5	5	25+TT	11.5-TT	25+TT	11-TT
18	23	6.5	8	0	16.5	15	2	5	5	25+TT	11.5-TT	25+TT	10-TT

NOTE 1: TT for each frequency and channel bandwidth is specified in Table 6.2A.2.1.5-3.

Table 6.2A.2.1.5-1b: UE Output Power for intra-band contiguous 2 UL CA of PC3 (contiguous RB allocation) test requirements (for CA_n48B, CA_n77C)

Configuration ID	Power Class 3 (dBm)	MPR		ΔT_c	P_{CMAX_L}		T_L	$T(P_{CMAX_L})$		Bandwidth class B		Bandwidth class C	
		BW class B	BW class C		BW class B	BW class C		BW class B	BW class C	Upper limit (dBm)	Lower limit (dBm)	Upper limit (dBm)	Lower limit (dBm)
1	23	1	2.5	0	22	20.5	3	2	2.5	25+TT	19-TT	25+TT	17.5-TT
2	23	3.5	7	0	19.5	16	3	3.5	5	25+TT	16-TT	25+TT	11-TT
3	23	1	2.5	0	22	20.5	3	2	2.5	25+TT	19-TT	25+TT	17.5-TT
4	23	3.5	7	0	19.5	16	3	3.5	5	25+TT	16-TT	25+TT	11-TT
5	23	1.5	2.5	0	21.5	20.5	3	2	2.5	25+TT	18.5-TT	25+TT	17.5-TT
6	23	3.5	7	0	19.5	16	3	3.5	5	25+TT	16-TT	25+TT	11-TT
7	23	3	5	0	20	18	3	2.5	4	25+TT	17-TT	25+TT	14-TT
8	23	4	7	0	19	16	3	3.5	5	25+TT	15.5-TT	25+TT	11-TT
9	23	5.5	7	0	17.5	16	3	5	5	25+TT	12.5-TT	25+TT	11-TT
10	23	6	7.5	0	17	15.5	3	5	5	25+TT	12-TT	25+TT	10.5-TT
11	23	2	3.5	0	21	19.5	3	2	3.5	25+TT	18-TT	25+TT	16-TT
12	23	4	8	0	19	15	3	3.5	5	25+TT	15.5-TT	25+TT	10-TT
13	23	2.5	3.5	0	20.5	19.5	3	2.5	3.5	25+TT	17.5-TT	25+TT	16-TT
14	23	4	8	0	19	15	3	3.5	5	25+TT	15.5-TT	25+TT	10-TT
15	23	3.5	5	0	19.5	18	3	3.5	4	25+TT	16-TT	25+TT	14-TT
16	23	4	8	0	19	15	3	3.5	5	25+TT	15.5-TT	25+TT	10-TT
17	23	6.5	7	0	16.5	16	3	5	5	25+TT	11.5-TT	25+TT	11-TT
18	23	6.5	8	0	16.5	15	3	5	5	25+TT	11.5-TT	25+TT	10-TT

NOTE 1: TT for each frequency and channel bandwidth is specified in Table 6.2A.2.1.5-3.

Table 6.2A.2.1.5-1c: UE Output Power for intra-band contiguous 2 UL CA of PC3 (non-contiguous RB allocation) test requirements (for CA_n41C)

Configuration ID	Power Class 3	MPR		ΔT_c	P_{CMAX_L}		T_L	$T(P_{CMAX_L})$		Bandwidth class B		Bandwidth class C	
		BW class B	BW class C		BW class B	BW class C		BW class B	BW class C	Upper limit (dBm)	Lower limit (dBm)	Upper limit (dBm)	Lower limit (dBm)

	(dBm)												
1	23	2	2.5	0	21	20.5	2	2	2.5	25+TT	19-TT	25+TT	18-TT
2	23	5.5 (3.5) ¹	6 (4) ¹	0	17.5 (19.5) ¹	17 (19) ¹	2	5 (3.5) ¹	5 (3.5) ¹	25+TT	12.5-TT (16-TT) ¹	25+TT	12-TT (15.5-TT) ¹
3	23	11.5 (7) ²	13 (8.5) ²	0	11.5 (16) ₂	10 (14.5) ²	2	6 (5) ²	6 (5) ²	25+TT	5.5-TT (11-TT) ²	25+TT	4-TT (9.5-TT) ²
4	23	2	2.5	0	21	20.5	2	2	2.5	25+TT	19-TT	25+TT	18-TT
5	23	5.5 (3.5) ¹	6 (4) ¹	0	17.5 (19.5) ¹	17 (19) ¹	2	5 (3.5) ¹	5 (3.5) ¹	25+TT	12.5-TT (16-TT) ¹	25+TT	12-TT (15.5-TT) ¹
6	23	11.5 (7) ²	13 (8.5) ²	0	11.5 (16) ₂	10 (14.5) ²	2	6 (5) ²	6 (5) ²	25+TT	5.5-TT (11-TT) ²	25+TT	4-TT (9.5-TT) ²
7	23	2.5	3	0	20.5	20	2	2.5	2.5	25+TT	18-TT	25+TT	17.5-TT
8	23	5.5	6	0	17.5	17	2	5	5	25+TT	12.5-TT	25+TT	12-TT
9	23	11.5 (7) ²	13 (8.5) ²	0	11.5 (16) ₂	10 (14.5) ²	2	6 (5) ²	6 (5) ²	25+TT	5.5-TT (11-TT) ²	25+TT	4-TT (9.5-TT) ²
10	23	4.5	5	0	18.5	18	2	4	4	25+TT	14.5-TT	25+TT	14-TT
11	23	6	6	0	17	17	2	5	5	25+TT	12-TT	25+TT	12-TT
12	23	11.5 (7) ²	13 (8.5) ²	0	11.5 (16) ₂	10 (14.5) ²	2	6 (5) ²	6 (5) ²	25+TT	5.5-TT (11-TT) ²	25+TT	4-TT (9.5-TT) ²
13	23	6	6.5	0	17	16.5	2	5	5	25+TT	12-TT	25+TT	11.5-TT
14	23	6.5	6.5	0	16.5	16.5	2	5	5	25+TT	11.5-TT	25+TT	11.5-TT
15	23	11.5 (7) ²	13 (8.5) ²	0	11.5 (16) ₂	10 (14.5) ²	2	6 (5) ²	6 (5) ²	25+TT	5.5-TT (11-TT) ²	25+TT	4-TT (9.5-TT) ²
16	23	2.5	3.5	0	20.5	19.5	2	2.5	3.5	25+TT	18-TT	25+TT	16-TT
17	23	6.5 (4.5) ¹	7 (5) ¹	0	16.5 (18.5) ¹	16 (18) ¹	2	5 (4) ¹	5 (4) ¹	25+TT	11.5-TT (14.5-TT) ¹	25+TT	11-TT (14-TT) ¹
18	23	12 (7.5) ²	14 (9.5) ²	0	11 (15.5) ²	9 (13.5) ²	2	6 (5) ²	6 (5) ²	25+TT	5-TT (10.5-TT) ²	25+TT	3-TT (8.5-TT) ²
19	23	3	3.5	0	20	19.5	2	2.5	3.5	25+TT	17.5-TT	25+TT	16-TT
20	23	7	7	0	16	16	2	5	5	25+TT	11-TT	25+TT	11-TT
21	23	12 (7.5) ²	14 (9.5) ²	0	11 (15.5) ²	9 (13.5) ²	2	6 (5) ²	6 (5) ²	25+TT	5-TT (10.5-TT) ²	25+TT	3-TT (8.5-TT) ²
22	23	5	5	0	18	18	2	4	4	25+TT	14-TT	25+TT	14-TT
23	23	7	7	0	16	16	2	5	5	25+TT	11-TT	25+TT	11-TT
24	23	12 (7.5) ²	14 (9.5) ²	0	11 (15.5) ²	9 (13.5) ²	2	6 (5) ²	6 (5) ²	25+TT	5-TT (10.5-TT) ²	25+TT	3-TT (8.5-TT) ²
25	23	7.5	7.5	0	15.5	15.5	2	5	5	25+TT	10.5-TT	25+TT	10.5-TT
26	23	7.5	7.5	0	15.5	15.5	2	5	5	25+TT	10.5-TT	25+TT	10.5-TT
27	23	12 (7.5) ²	14 (9.5) ²	0	11 (15.5) ²	9 (13.5) ²	2	6 (5) ²	6 (5) ²	25+TT	5-TT (10.5-TT) ²	25+TT	3-TT (8.5-TT) ²

NOTE 1: Outer 1 MPR for Pi/2 BPSK and QPSK is reduced by 2dB for aggregated allocation bandwidth > 10MHz

NOTE 2: Outer 2 MPR is reduced by 4.5dB for aggregated allocation bandwidth > 10MHz

NOTE 3: TT for each frequency and channel bandwidth is specified in Table 6.2A.2.1.5-3.

Table 6.2A.2.1.5-1d: UE Output Power for intra-band contiguous 2 UL CA of PC3 (non-contiguous RB allocation) test requirements (for CA_n48B, CA_n77C)

Configura- tion ID	Power Class 3 (dBm)	MPR		Δ Tc	P _{C_{MAX,L}}		T _L	T(P _{C_{MAX,L}})		Bandwidth class B		Bandwidth class C	
		BW class B	BW class C		BW class B	BW class C		BW class B	BW class C	Upper limit (dBm)	Lower limit (dBm)	Upper limit (dBm)	Lower limit (dBm)

1	23	2	2.5	0	21	20.5	3	2	2.5	25+TT	18-TT	25+TT	17.5-TT
2	23	5.5 (3.5) ¹	6 (4) ¹	0	17.5 (19.5) ¹	17 (19) ₁	3	5 (3.5) ¹	5 (3.5) ¹	25+TT	12.5-TT (16-TT) ¹	25+TT	12-TT (15.5-TT) ¹
3	23	11.5 (7) ²	13 (8.5) ²	0	11.5 (16) ₂	10 (14.5) ²	3	6 (5) ²	6 (5) ²	25+TT	5.5-TT (11-TT) ²	25+TT	4-TT (9.5-TT) ²
4	23	2	2.5	0	21	20.5	3	2	2.5	25+TT	18-TT	25+TT	17.5-TT
5	23	5.5 (3.5) ¹	6 (4) ¹	0	17.5 (19.5) ¹	17 (19) ₁	3	5 (3.5) ¹	5 (3.5) ¹	25+TT	12.5-TT (16-TT) ¹	25+TT	12-TT (15.5-TT) ¹
6	23	11.5 (7) ²	13 (8.5) ²	0	11.5 (16) ₂	10 (14.5) ²	3	6 (5) ²	6 (5) ²	25+TT	5.5-TT (11-TT) ²	25+TT	4-TT (9.5-TT) ²
7	23	2.5	3	0	20.5	20	3	2.5	2.5	25+TT	17.5-TT	25+TT	17-TT
8	23	5.5	6	0	17.5	17	3	5	5	25+TT	12.5-TT	25+TT	12-TT
9	23	11.5 (7) ²	13 (8.5) ²	0	11.5 (16) ₂	10 (14.5) ²	3	6 (5) ²	6 (5) ²	25+TT	5.5-TT (11-TT) ²	25+TT	4-TT (9.5-TT) ²
10	23	4.5	5	0	18.5	18	3	4	4	25+TT	14.5-TT	25+TT	14-TT
11	23	6	6	0	17	17	3	5	5	25+TT	12-TT	25+TT	12-TT
12	23	11.5 (7) ²	13 (8.5) ²	0	11.5 (16) ₂	10 (14.5) ²	3	6 (5) ²	6 (5) ²	25+TT	5.5-TT (11-TT) ²	25+TT	4-TT (9.5-TT) ²
13	23	6	6.5	0	17	16.5	3	5	5	25+TT	12-TT	25+TT	11.5-TT
14	23	6.5	6.5	0	16.5	16.5	3	5	5	25+TT	11.5-TT	25+TT	11.5-TT
15	23	11.5 (7) ²	13 (8.5) ²	0	11.5 (16) ₂	10 (14.5) ²	3	6 (5) ²	6 (5) ²	25+TT	5.5-TT (11-TT) ²	25+TT	4-TT (9.5-TT) ²
16	23	2.5	3.5	0	20.5	19.5	3	2.5	3.5	25+TT	17.5-TT	25+TT	16-TT
17	23	6.5 (4.5) ¹	7 (5) ¹	0	16.5 (18.5) ¹	16 (18) ₁	3	5 (4) ¹	5 (4) ¹	25+TT	11.5-TT (14.5-TT) ¹	25+TT	11-TT (14-TT) ¹
18	23	12 (7.5) ²	14 (9.5) ²	0	11 (15.5) ²	9 (13.5) ²	3	6 (5) ²	6 (5) ²	25+TT	5-TT (10.5-TT) ²	25+TT	3-TT (8.5-TT) ²
19	23	3	3.5	0	20	19.5	3	2.5	3.5	25+TT	17-TT	25+TT	16-TT
20	23	7	7	0	16	16	3	5	5	25+TT	11-TT	25+TT	11-TT
21	23	12 (7.5) ²	14 (9.5) ²	0	11 (15.5) ²	9 (13.5) ²	3	6 (5) ²	6 (5) ²	25+TT	5-TT (10.5-TT) ²	25+TT	3-TT (8.5-TT) ²
22	23	5	5	0	18	18	3	4	4	25+TT	14-TT	25+TT	14-TT
23	23	7	7	0	16	16	3	5	5	25+TT	11-TT	25+TT	11-TT
24	23	12 (7.5) ²	14 (9.5) ²	0	11 (15.5) ²	9 (13.5) ²	3	6 (5) ²	6 (5) ²	25+TT	5-TT (10.5-TT) ²	25+TT	3-TT (8.5-TT) ²
25	23	7.5	7.5	0	15.5	15.5	3	5	5	25+TT	10.5-TT	25+TT	10.5-TT
26	23	7.5	7.5	0	15.5	15.5	3	5	5	25+TT	10.5-TT	25+TT	10.5-TT
27	23	12 (7.5) ²	14 (9.5) ²	0	11 (15.5) ²	9 (13.5) ²	3	6 (5) ²	6 (5) ²	25+TT	5-TT (10.5-TT) ²	25+TT	3-TT (8.5-TT) ²

NOTE 1: Outer 1 MPR for Pi/2 BPSK and QPSK is reduced by 2dB for aggregated allocation bandwidth > 10MHz
 NOTE 2: Outer 2 MPR is reduced by 4.5dB for aggregated allocation bandwidth > 10MHz
 NOTE 3: TT for each frequency and channel bandwidth is specified in Table 6.2A.2.1.5-3.

Table 6.2A.2.1.5-1e: UE Output Power for intra-band non-contiguous 2 UL CA of PC3 test requirements (MPR_{IM3} to meet -13dBm/MHz)

Test ID	P ^{PowerClass} _{s, CA} (dBm)	MPR (dB)	ΔT _c (dB)	P _{C_{MAX,L}} (dBm)	T(P _{C_{MAX,L}}) (dB)	T _L (dB)	Upper limit (dBm)	Lower limit (dBm)
1,2	23	9	0	14	5	3	25+TT	9-TT
3	23	8	0	15	5	3	25+TT	10-TT
4	23	7	0	16	5	3	25+TT	11-TT
5	23	6.5	0	16.5	5	3	25+TT	11.5-TT
6	23	5.5	0	17.5	5	3	25+TT	12.5-TT

7,8	23	4	0	19	3.5	3	25+TT	16.5-TT
9,10	23	9	0	14	5	3	25+TT	9-TT
11	23	8	0	15	5	3	25+TT	10-TT
12	23	7	0	16	5	3	25+TT	11-TT
13	23	6.5	0	16.5	5	3	25+TT	11.5-TT
14	23	5.5	0	17.5	5	3	25+TT	12.5-TT
15,16	23	4	0	19	3.5	3	25+TT	16.5-TT
17,18	23	9	0	14	5	3	25+TT	9-TT
19	23	8	0	15	5	3	25+TT	10-TT
20	23	7	0	16	5	3	25+TT	11-TT
21	23	6.5	0	16.5	5	3	25+TT	11.5-TT
22	23	5.5	0	17.5	5	3	25+TT	12.5-TT
23,24	23	4	0	19	3.5	3	25+TT	16.5-TT
25,26	23	9	0	14	5	3	25+TT	9-TT
27	23	8	0	15	5	3	25+TT	10-TT
28	23	7	0	16	5	3	25+TT	11-TT
29	23	6.5	0	16.5	5	3	25+TT	11.5-TT
30	23	5.5	0	17.5	5	3	25+TT	12.5-TT
31,32	23	4	0	19	3.5	3	25+TT	16.5-TT
33,34	23	9	0	14	5	3	25+TT	9-TT
35	23	8	0	15	5	3	25+TT	10-TT
36	23	7	0	16	5	3	25+TT	11-TT
37	23	6.5	0	16.5	5	3	25+TT	11.5-TT
38	23	5.5	0	17.5	5	3	25+TT	12.5-TT
39,40	23	4	0	19	3.5	3	25+TT	16.5-TT
41,42	23	9	0	14	5	3	25+TT	9-TT
43	23	8	0	15	5	3	25+TT	10-TT
44	23	7	0	16	5	3	25+TT	11-TT
45	23	6.5	0	16.5	5	3	25+TT	11.5-TT
46	23	5.5	0	17.5	5	3	25+TT	12.5-TT
47,48	23	4	0	19	3.5	3	25+TT	16.5-TT
49,50	23	9	0	14	5	3	25+TT	9-TT
51	23	8	0	15	5	3	25+TT	10-TT
52	23	7	0	16	5	3	25+TT	11-TT
53	23	6.5	0	16.5	5	3	25+TT	11.5-TT
54	23	5.5	0	17.5	5	3	25+TT	12.5-TT
55,56	23	4	0	19	3.5	3	25+TT	16.5-TT
57,58	23	9	0	14	5	3	25+TT	9-TT
59	23	8	0	15	5	3	25+TT	10-TT
60	23	7	0	16	5	3	25+TT	11-TT
61	23	6.5	0	16.5	5	3	25+TT	11.5-TT
62	23	5.5	0	17.5	5	3	25+TT	12.5-TT
63,64	23	4	0	19	3.5	3	25+TT	16.5-TT
65,66	23	9	0	14	5	3	25+TT	9-TT
67	23	8	0	15	5	3	25+TT	10-TT
68	23	7	0	16	5	3	25+TT	11-TT
69	23	6.5	0	16.5	5	3	25+TT	11.5-TT
70	23	5.5	0	17.5	5	3	25+TT	12.5-TT
71,72	23	4	0	19	3.5	3	25+TT	16.5-TT

Table 6.2A.2.1.5-1f: UE Output Power for intra-band non-contiguous 2 UL CA of PC3 test requirements (MPR_{IM3} to meet - 30dBm/MHz)

Test ID	P ^{PowerClass} _{s, CA} (dBm)	MPR (dB)	ΔT _C (dB)	P _{C_{MAX}L} (dBm)	T(P _{C_{MAX}L}) (dB)	T _L (dB)	Upper limit (dBm)	Lower limit (dBm)
1,2	23	15	0	8	6	3	25+TT	2-TT
3	23	14.5	0	8.5	6	3	25+TT	2.5-TT
4	23	13.5	0	9.5	6	3	25+TT	3.5-TT
5	23	12.5	0	10.5	6	3	25+TT	4.5-TT
6,7	23	11.5	0	11.5	6	3	25+TT	5.5-TT
8,9	23	15	0	8	6	3	25+TT	2-TT
10	23	14.5	0	8.5	6	3	25+TT	2.5-TT
11	23	13.5	0	9.5	6	3	25+TT	3.5-TT
12	23	12.5	0	10.5	6	3	25+TT	4.5-TT

13,14	23	11.5	0	11.5	6	3	25+TT	5.5-TT
15,16	23	15	0	8	6	3	25+TT	2-TT
17	23	14.5	0	8.5	6	3	25+TT	2.5-TT
18	23	13.5	0	9.5	6	3	25+TT	3.5-TT
19	23	12.5	0	10.5	6	3	25+TT	4.5-TT
20,21	23	11.5	0	11.5	6	3	25+TT	5.5-TT
22,23	23	15	0	8	6	3	25+TT	2-TT
24	23	14.5	0	8.5	6	3	25+TT	2.5-TT
25	23	13.5	0	9.5	6	3	25+TT	3.5-TT
26	23	12.5	0	10.5	6	3	25+TT	4.5-TT
27,28	23	11.5	0	11.5	6	3	25+TT	5.5-TT
29,30	23	15	0	8	6	3	25+TT	2-TT
31	23	14.5	0	8.5	6	3	25+TT	2.5-TT
32	23	13.5	0	9.5	6	3	25+TT	3.5-TT
33	23	12.5	0	10.5	6	3	25+TT	4.5-TT
34,35	23	11.5	0	11.5	6	3	25+TT	5.5-TT
36,37	23	15	0	8	6	3	25+TT	2-TT
38	23	14.5	0	8.5	6	3	25+TT	2.5-TT
39	23	13.5	0	9.5	6	3	25+TT	3.5-TT
40	23	12.5	0	10.5	6	3	25+TT	4.5-TT
41,42	23	11.5	0	11.5	6	3	25+TT	5.5-TT
43,44	23	15	0	8	6	3	25+TT	2-TT
45	23	14.5	0	8.5	6	3	25+TT	2.5-TT
46	23	13.5	0	9.5	6	3	25+TT	3.5-TT
47	23	12.5	0	10.5	6	3	25+TT	4.5-TT
48,49	23	11.5	0	11.5	6	3	25+TT	5.5-TT
50,51	23	15	0	8	6	3	25+TT	2-TT
52	23	14.5	0	8.5	6	3	25+TT	2.5-TT
53	23	13.5	0	9.5	6	3	25+TT	3.5-TT
54	23	12.5	0	10.5	6	3	25+TT	4.5-TT
55,56	23	11.5	0	11.5	6	3	25+TT	5.5-TT
57,58	23	15	0	8	6	3	25+TT	2-TT
59	23	14.5	0	8.5	6	3	25+TT	2.5-TT
60	23	13.5	0	9.5	6	3	25+TT	3.5-TT
61	23	12.5	0	10.5	6	3	25+TT	4.5-TT
62,63	23	11.5	0	11.5	6	3	25+TT	5.5-TT

Table 6.2A.2.1.5-2: Test Tolerance for inter-band CA (Maximum Power Reduction (MPR))

		TT for overall output power (dB)						
		PCell						
		BW ≤ 40MHz			40MHz < BW ≤ 100MHz			
SCell	BW ≤ 40MHz	f ≤ 3.0GHz	3.0GHz < f ≤ 4.2GHz	4.2GHz < f ≤ 6.0GHz	f ≤ 3.0GHz	3.0GHz < f ≤ 4.2GHz	4.2GHz < f ≤ 6.0GHz	
			f ≤ 3.0GHz	0.7	1.0	1.0	1.0	1.0
	3.0GHz < f ≤ 4.2GHz	1.0	1.0	1.0	1.0	1.0	1.0	
	4.2GHz < f ≤ 6.0GHz	1.0	1.0	1.0	1.0	1.0	1.0	
	40MHz < BW ≤ 100MHz	f ≤ 3.0GHz	1.0	1.0	1.0	1.0	1.0	
		3.0GHz < f ≤ 4.2GHz	1.0	1.0	1.0	1.0	1.0	
		4.2GHz < f ≤ 6.0GHz	1.0	1.0	1.0	1.0	1.0	

Table 6.2A.2.1.5-3: Test Tolerance for intra-band CA (Maximum Power Reduction (MPR))

TT for overall output power (dB)		
Aggregation BW	f ≤ 3.0GHz	3.0GHz < f ≤ 6.0GHz
BW ≤ 40MHz	0.7	1.0
40MHz < BW ≤ 100MHz	1.0	1.0
100MHz < BW ≤ 200MHz	FFS	FFS

Table 6.2A.2.1.5-4: UE Output Power for intra-band contiguous 2 UL CA of PC2 (contiguous RB allocation) test requirements (for CA_n41C, CA_n78C)

Configuration ID	Power Class 2 (dBm)	MPR		ΔT_c	P_{CMAX_L}		T_L	$T(P_{CMAX_L})$		Bandwidth class B		Bandwidth class C	
		BW class B	BW class C		BW class B	BW class C		BW class B	BW class C	Upper limit (dBm)	Lower limit (dBm)	Upper limit (dBm)	Lower limit (dBm)
1	26	2.0	2.5	0	24	23.5	3	3	3	28+TT	21.-TT	28+TT	20.5-TT
2	26	4.0	7.0	0	22	19.0	3	2	3.5	28+TT	19.-TT	28+TT	15.5-TT
3	26	2.0	2.5	0	24	23.5	3	3	3	28+TT	21.-TT	28+TT	20.5-TT
4	26	4.0	7.0	0	22	19.0	3	2	3.5	28+TT	19.-TT	28+TT	15.5-TT
5	26	2.5	2.5	0	23.5	23.5	3	3	3	28+TT	20.5-TT	28+TT	20.5-TT
6	26	4.0	7.0	0	22	19.0	3	2	3.5	28+TT	19.-TT	28+TT	15.5-TT
7	26	3.0	5.0	0	23	21.0	3	2	2	25+TT	20.-TT	25+TT	18.-TT
8	26	4.5	7.0	0	21.5	19.0	3	2	3.5	25+TT	18.5-TT	25+TT	15.5-TT
9	26	5.5	7.0	0	20.5	19.0	3	2.5	3.5	25+TT	17.5-TT	25+TT	15.5-TT
10	26	6.0	7.5	0	20	18.5	3	2.5	4	25+TT	17.-TT	25+TT	14.5-TT
11	26	2.5	3.5	0	23.5	22.5	3	3	2	25+TT	20.5-TT	25+TT	19.5-TT
12	26	5.0	8.0	0	21	18.0	3	2	4	25+TT	18.-TT	25+TT	14.-TT
13	26	3.0	3.5	0	23	22.5	3	2	2	25+TT	20.-TT	25+TT	19.5-TT
14	26	5.0	8.0	0	21	18.0	3	2	4	25+TT	18.-TT	25+TT	14.-TT
15	26	3.5	5.0	0	22.5	21.0	3	2	2	25+TT	19.5-TT	25+TT	18.-TT
16	26	5.0	8.0	0	21	18.0	3	2	4	25+TT	18.-TT	25+TT	14.-TT
17	26	6.5	7.0	0	19.5	19.0	3	3.5	3.5	25+TT	16.-TT	25+TT	15.5-TT
18	26	6.5	8.0	0	19.5	18.0	3	3.5	4	25+TT	16.-TT	25+TT	14.-TT

NOTE 1: TT for each frequency and channel bandwidth is specified in Table 6.2A.2.1.5-3.

Table 6.2A.2.1.5-5: UE Output Power for intra-band contiguous 2 UL CA of PC2 with TxD (contiguous RB allocation) test requirements (for CA_n41C, CA_n78C)

FFS

Table 6.2A.2.1.5-6: UE Output Power for intra-band contiguous 2 UL CA of PC2 (non-contiguous RB allocation) test requirements (for CA_n41C)

Configuration ID	Power Class 2 (dBm)	MPR		ΔT_c	P_{CMAX_L}		T_L	$T(P_{CMAX_L})$		Bandwidth class B		Bandwidth class C	
		BW class B	BW class C		BW class B	BW class C		BW class B	BW class C	Upper limit (dBm)	Lower limit (dBm)	Upper limit (dBm)	Lower limit (dBm)
1	26	3.0	3	0	23.0	23.0	3	2	2	28+TT	20.-TT	28+TT	20.-TT
2	26	6.5 (4.5) ¹	7.5 (5.5) ¹	0	19.5 (21.5) ¹	18.5 (20.5) ¹	3	3.5 (2) ¹	4 (2.5) ¹	28+TT	16.-TT (18.5-TT) ¹	28+TT	14.5-TT (17.5-TT) ¹
3	26	13.0 (8.5) ²	13.5 (9.0) ²	0	13 (17.5) ²	12.5 (17.0) ²	3	5 (5) ²	6 (5) ²	28+TT	8.-TT (12.5-TT) ²	28+TT	6.5-TT (12.0-TT) ²
4	26	3.0	3.0	0	23	23.0	3	2	2	28+TT	20.-TT	28+TT	20.-TT
5	26	6.5 (4.5) ¹	7.5 (5.5) ¹	0	19.5 (21.5) ¹	18.5 (20.5) ¹	3	3.5 (2) ¹	4 (2.5) ¹	28+TT	16.-TT (18.5-TT) ¹	28+TT	14.5-TT (17.5-TT) ¹
6	26	13.0 (8.5) ²	13.5 (9.0) ²	0	13 (17.5) ²	12.5 (17.0) ²	3	5 (5) ²	6 (5) ²	28+TT	8.-TT (12.5-TT) ²	28+TT	6.5-TT (12.0-TT) ²
7	26	3.0	3.0	0	23	23.0	3	2	2	28+TT	20.-TT	28+TT	20.-TT
8	26	6.5	7.5	0	19.5	18.5	3	3.5	4	28+TT	16.-TT	28+TT	14.5-TT
9	26	13.0 (8.5) ²	13.5 (9.0) ²	0	13 (17.5) ²	12.5 (17.0) ²	3	5 (5) ²	6 (5) ²	28+TT	8.-TT (12.5-TT) ²	28+TT	6.5-TT (12.0-TT) ²
10	26	5.0	5.0	0	21	21.0	3	2	2	28+TT	18.-TT	28+TT	18.-TT

11	26	6.5	7.5	0	19.5	18.5	3	3.5	4	28+TT	16.-TT	28+TT	14.5-TT
12	26	13.0 (8.5) ²	13.5 (9.0) ²	0	13 (17.5) ²	12.5 (17.0) ²	3	5 (5) ²	6 (5) ²	28+TT	8.-TT (12.5-TT) ²	28+TT	6.5-TT (12.0-TT) ²
13	26	6.5	6.5	0	19.5	19.5	3	3.5	3.5	28+TT	16.-TT	28+TT	16.-TT
14	26	7.0	7.5	0	19	18.5	3	3.5	4	28+TT	15.5-TT	28+TT	14.5-TT
15	26	13.0 (8.5) ²	13.5 (9.0) ²	0	13 (17.5) ²	12.5 (17.0) ²	3	5 (5) ²	6 (5) ²	28+TT	8.-TT (12.5-TT) ²	28+TT	6.5-TT (12.0-TT) ²
16	26	3.5	3.5	0	22.5	22.5	3	2	2	28+TT	19.5-TT	28+TT	19.5-TT
17	26	7.0 (5.0) ¹	8.0 (6.0) ¹	0	19 (21.0) ¹	18.0 (20.0) ¹	3	3.5 (2) ¹	4 (2.5) ¹	28+TT	15.5-TT (18.0-TT) ¹	28+TT	14.-TT (17.0-TT) ¹
18	26	14.0 (9.5) ²	14.5 (10.0) ₂	0	12 (16.5) ²	11.5 (16.0) ²	3	6 (5) ²	6 (5) ²	28+TT	6.-TT (11.5-TT) ²	28+TT	5.5-TT (11.0-TT) ²
19	26	3.5	3.5	0	22.5	22.5	3	2	2	28+TT	19.5-TT	28+TT	19.5-TT
20	26	7.0	8.0	0	19	18.0	3	3.5	4	28+TT	15.5-TT	28+TT	14.-TT
21	26	14.0 (9.5) ²	14.5 (10.0) ₂	0	12 (16.5) ²	11.5 (16.0) ²	3	6 (5) ²	6 (5) ²	28+TT	6.-TT (11.5-TT) ²	28+TT	5.5-TT (11.0-TT) ²
22	26	5.0	5.0	0	21	21.0	3	2	2	28+TT	18.-TT	28+TT	18.-TT
23	26	7.0	8.0	0	19	18.0	3	3.5	4	28+TT	15.5-TT	28+TT	14.-TT
24	26	14.0 (9.5) ²	14.5 (10.0) ₂	0	12 (16.5) ²	11.5 (16.0) ²	3	6 (5) ²	6 (5) ²	28+TT	6.-TT (11.5-TT) ²	28+TT	5.5-TT (11.0-TT) ²
25	26	7.5	7.5	0	18.5	18.5	3	4	4	28+TT	14.5-TT	28+TT	14.5-TT
26	26	7.5	8.0	0	18.5	18.0	3	4	4	28+TT	14.5-TT	28+TT	14.-TT
27	26	14.0 (9.5) ²	14.5 (10.0) ₂	0	12 (16.5) ²	11.5 (16.0) ²	3	6 (5) ²	6 (5) ²	28+TT	6.-TT (11.5-TT) ²	28+TT	5.5-TT (11.0-TT) ²

NOTE 1: Outer 1 MPR for Pi/2 BPSK and QPSK is reduced by 2dB for aggregated allocation bandwidth > 10MHz
 NOTE 2: Outer 2 MPR is reduced by 4.5dB for aggregated allocation bandwidth > 10MHz
 NOTE 3: TT for each frequency and channel bandwidth is specified in Table 6.2A.2.1.5-3.

Table 6.2A.2.1.5-7: UE Output Power for intra-band contiguous 2 UL CA of PC2 with Tx D (non-contiguous RB allocation) test requirements (for CA_n41C, CA_n78C)

FFS

Table 6.2A.2.1.5-8: UE Output Power for inter-band CA (2 UL CA) of PC2 test requirements (both bands supporting PC3)

Test ID	P ^{PowerClass} (dBm)	MPR _c (dB)		ΔT _{c,c} (dB)		T _L (dB)	P _{CMAX_L} (dBm)	T _{LOW} (P _{CMAX_L}) (dB)	Upper limit (dBm)	Lower limit (dBm)
		PCC	SCC	PCC	SCC					
5	26	0	0	0 (1.5 ²)	0 (1.5 ²)	3	26.0 (24.5 ²)	3	28+TT	23-TT (21.5-TT ²)
6	26	0.5	0.5	1.5 ²	1.5 ²	3	24.0	3	28+TT	21-TT
7	26	0.5	0.5	1.5 ²	1.5 ²	3	24.0	3	28+TT	21-TT
8	26	0.5	0.5	0	0	3	25.5	3	28+TT	22.5-TT
9	26	0	0	0 (1.5 ²)	0 (1.5 ²)	3	26.0 (24.5 ²)	3	28+TT	23-TT (21.5-TT ²)
10	26	1	1	1.5 ²	1.5 ²	3	23.5	3	28+TT	20.5-TT
11	26	1	1	1.5 ²	1.5 ²	3	23.5	3	28+TT	20.5-TT
12	26	1	1	0	0	3	25.0	3	28+TT	22-TT
13	26	1	1	0 (1.5 ²)	0 (1.5 ²)	3	25.0 (23.5 ²)	3	28+TT	22-TT (20.5-TT ²)
14	26	2	2	1.5 ²	1.5 ²	3	22.5	5	28+TT	17.5-TT
15	26	2	2	1.5 ²	1.5 ²	3	22.5	5	28+TT	17.5-TT
16	26	2	2	0	0	3	24.0	3	28+TT	21-TT
17	26	2.5	2.5	1.5 ²	1.5 ²	3	22.0	5	28+TT	17-TT2
18	26	2.5	2.5	1.5 ²	1.5 ²	3	22.0	5	28+TT	17-T
19	26	2.5	2.5	0	0	3	23.5	3	28+TT	20.5-TT

20	26	4.5	4.5	1.5 ²	1.5 ²	3	20.0	6	28+TT	15-TT
21	26	4.5	4.5	1.5 ²	1.5 ²	3	20.0	6	28+TT	15-TT
22	26	4.5	4.5	0	0	3	21.5	5	28+TT	18.5-TT
23	26	1.5	1.5	0 (1.5 ²)	0 (1.5 ²)	3	24.5 (23 ²)	3	28+TT	21.5-TT (20-TT ²)
24	26	3	3	1.5 ²	1.5 ²	3	21.5	5	28+TT	16.5-TT
25	26	3	3	1.5 ²	1.5 ²	3	21.5	5	28+TT	16.5-TT
26	26	3	3	0	0	3	23.0	3	28+TT	20-TT
27	26	2	2	0 (1.5 ²)	0 (1.5 ²)	3	24.0 (22.5 ²)	3 (5 ²)	28+TT	21-TT (17.5-TT ²)
28	26	3	3	1.5 ²	1.5 ²	3	21.5	5	28+TT	16.5-TT
29	26	3	3	1.5 ²	1.5 ²	3	21.5	5	28+TT	16.5-TT
30	26	3	3	0	0	3	23.0	3	28+TT	20-TT
31	26	3.5	3.5	1.5 ²	1.5 ²	3	21.0	5	28+TT	16-TT
32	26	3.5	3.5	1.5 ²	1.5 ²	3	21.0	5	28+TT	16-TT
33	26	3.5	3.5	0	0	3	22.5	5	28+TT	19.5-TT
34	26	6.5	6.5	1.5 ²	1.5 ²	3	18.0	5	28+TT	13-TT
35	26	6.5	6.5	1.5 ²	1.5 ²	3	18.0	5	28+TT	13-TT
36	26	6.5	6.5	0	0	3	19.5	5	28+TT	14.5-TT
37	26	0	6.5	0	0	3	23.9	3	28+TT	20.9-TT

NOTE 1: P_{PowerClass} is the maximum UE power specified without taking into account the tolerance.
 NOTE 2: For transmission bandwidths confined within F_{UL_low} and F_{UL_low} + 4 MHz or F_{UL_high} - 4 MHz and F_{UL_high}.
 NOTE 3: TT for each frequency and channel bandwidth is specified in Table 6.2A.2.1.5-2.

Table 6.2A.2.1.5-8a: UE Output Power for inter-band CA (2 UL CA) of PC2 test requirements (PCC supporting PC3 and SCC supporting PC2)

Test ID	P _{PowerClass} (dBm)	MPR _c (dB)		ΔT _{C,c} (dB)		T _L (dB)	P _{Cmax,L} (dBm)	T _{LOW} (P _{Cmax,L}) (dB)	Upper limit (dBm)	Lower limit (dBm)
		PCC	SCC	PCC	SCC					
5	26	0	0	0 (1.5 ²)	0 (1.5 ²)	3	26.0	3	28+TT	23-TT
6	26	0.5	3.5	1.5 ²	1.5 ²	3	24.0	3	28+TT	21-TT
7	26	0.5	3.5	1.5 ²	1.5 ²	3	24.0	3	28+TT	21-TT
8	26	0.5	0.5	0	0	3	26.0	3	28+TT	23-TT
9	26	0	0	0 (1.5 ²)	0 (1.5 ²)	3	26.0	3	28+TT	23-TT
10	26	1	3.5	1.5 ²	1.5 ²	3	23.8	3	28+TT	20.8-TT
11	26	1	3.5	1.5 ²	1.5 ²	3	23.8	3	28+TT	20.8-TT
12	26	1	1	0	0	3	26.0	3	28+TT	23-TT
13	26	1	1	0 (1.5 ²)	0 (1.5 ²)	3	26.0 (25.3 ²)	3	28+TT	23-TT (22.3-TT ²)
14	26	2	3.5	1.5 ²	1.5 ²	3	23.3	3	28+TT	20.3-TT
15	26	2	3.5	1.5 ²	1.5 ²	3	23.3	3	28+TT	20.3-TT
16	26	2	2	0	0	3	25.8	3	28+TT	22.8-TT
17	26	2.5	3.5	1.5 ²	1.5 ²	3	23.1	3	28+TT	20.1-TT
18	26	2.5	3.5	1.5 ²	1.5 ²	3	23.1	3	28+TT	20.1-TT
19	26	2.5	2.5	0	0	3	25.3	3	28+TT	22.3-TT
20	26	4.5	4.5	1.5 ²	1.5 ²	3	21.8	5	28+TT	16.8-TT
21	26	4.5	4.5	1.5 ²	1.5 ²	3	21.8	5	28+TT	16.8-TT
22	26	4.5	4.5	0	0	3	23.3	3	28+TT	20.3-TT
23	26	1.5	1.5	0 (1.5 ²)	0 (1.5 ²)	3	26.0 (24.8 ²)	3	28+TT	23-TT (21.8-TT ²)
24	26	3	3.5	1.5 ²	1.5 ²	3	22.9	5	28+TT	17.9-TT
25	26	3	3.5	1.5 ²	1.5 ²	3	22.9	5	28+TT	17.9-TT
26	26	3	3	0	0	3	24.8	3	28+TT	21.8-TT
27	26	2	2	0 (1.5 ²)	0 (1.5 ²)	3	25.8 (24.3 ²)	3	28+TT	22.8-TT (21.3-TT ²)
28	26	3	3.5	1.5 ²	1.5 ²	3	22.9	5	28+TT	17.9-TT
29	26	3	3.5	1.5 ²	1.5 ²	3	22.9	5	28+TT	17.9-TT
30	26	3	3	0	0	3	24.8	3	28+TT	21.8-TT
31	26	3.5	3.5	1.5 ²	1.5 ²	3	22.8	5	28+TT	17.8-TT
32	26	3.5	3.5	1.5 ²	1.5 ²	3	22.8	5	28+TT	17.8-TT
33	26	3.5	3.5	0	0	3	24.3	3	28+TT	21.3-TT
34	26	6.5	6.5	1.5 ²	1.5 ²	3	19.8	5	28+TT	14.8-TT
35	26	6.5	6.5	1.5 ²	1.5 ²	3	19.8	5	28+TT	14.8-TT

36	26	6.5	6.5	0	0	3	21.3	5	28+TT	16.3-TT
37	26	0	6.5	0	0	3	24.6	3	28+TT	21.6-TT

NOTE 1: $P_{PowerClass}$ is the maximum UE power specified without taking into account the tolerance.
NOTE 2: For transmission bandwidths confined within F_{UL_low} and $F_{UL_low} + 4$ MHz or $F_{UL_high} - 4$ MHz and F_{UL_high} .
NOTE 3: TT for each frequency and channel bandwidth is specified in Table 6.2A.2.1.5-2.

Table 6.2A.2.1.5-9: UE Output Power for inter-band CA (2 UL CA) of PC2 test requirements with supporting *higherPowerLimit-r17*

Test ID	$P_{PowerClass}$ (dBm)	MPR_c (dB)		$\Delta T_{C,c}$ (dB)		T_L (dB)	$P_{C_{MAX,L}}$ (dBm)	$T_{LOW}(P_{C_{MAX,L}})$ (dB)	Upper limit (dBm)	Lower limit (dBm)
		PCC	SCC	PCC	SCC					
5	27.8	0	0	0 (1.5 ²)	0 (1.5 ²)	3	27.8 (26.3 ²)	3	29.8+TT	24.8-TT (23.3-TT ²)
6	27.8	0.5	3.5	1.5 ²	1.5 ²	3	24.0	3	29.8+TT	21.0-TT
7	27.8	0.5	3.5	1.5 ²	1.5 ²	3	24.0	3	29.8+TT	21.0-TT
8	27.8	0.5	0.5	0	0	3	27.3	3	29.8+TT	24.3-TT
9	27.8	0	0	0 (1.5 ²)	0 (1.5 ²)	3	27.8 (26.3 ²)	3	29.8+TT	24.8-TT (23.3-TT ²)
10	27.8	1	3.5	1.5 ²	1.5 ²	3	23.8	3	29.8+TT	20.8-TT
11	27.8	1	3.5	1.5 ²	1.5 ²	3	23.8	3	29.8+TT	20.8-TT
12	27.8	1	1	0	0	3	26.8	3	29.8+TT	23.8-TT
13	27.8	1	1	0 (1.5 ²)	0 (1.5 ²)	3	26.8 (25.3 ²)	3	29.8+TT	23.8-TT (22.3-TT ²)
14	27.8	2	3.5	1.5 ²	1.5 ²	3	23.3	3	29.8+TT	20.3-TT
15	27.8	2	3.5	1.5 ²	1.5 ²	3	23.3	3	29.8+TT	20.3-TT
16	27.8	2	2	0	0	3	25.8	3	29.8+TT	22.8-TT
17	27.8	2.5	3.5	1.5 ²	1.5 ²	3	23.1	3	29.8+TT	20.1-TT
18	27.8	2.5	3.5	1.5 ²	1.5 ²	3	23.1	3	29.8+TT	20.1-TT
19	27.8	2.5	2.5	0	0	3	25.3	3	29.8+TT	22.3-TT
20	27.8	4.5	4.5	1.5 ²	1.5 ²	3	21.8	5	29.8+TT	16.8-TT
21	27.8	4.5	4.5	1.5 ²	1.5 ²	3	21.8	5	29.8+TT	16.8-TT
22	27.8	4.5	4.5	0	0	3	23.3	3	29.8+TT	20.3-TT
23	27.8	1.5	1.5	0 (1.5 ²)	0 (1.5 ²)	3	26.3 (24.8 ²)	3	29.8+TT	23.3-TT (21.8-TT ²)
24	27.8	3	3.5	1.5 ²	1.5 ²	3	22.9	5	29.8+TT	17.9-TT
25	27.8	3	3.5	1.5 ²	1.5 ²	3	22.9	5	29.8+TT	17.9-TT
26	27.8	3	3	0	0	3	24.8	3	29.8+TT	21.8-TT
27	27.8	2	2	0 (1.5 ²)	0 (1.5 ²)	3	25.8 (24.3 ²)	3	29.8+TT	22.8-TT (21.3-TT ²)
28	27.8	3	3.5	1.5 ²	1.5 ²	3	22.9	5	29.8+TT	17.9-TT
29	27.8	3	3.5	1.5 ²	1.5 ²	3	22.9	5	29.8+TT	17.9-TT
30	27.8	3	3	0	0	3	24.8	3	29.8+TT	21.8-TT
31	27.8	3.5	3.5	1.5 ²	1.5 ²	3	22.8	5	29.8+TT	17.8-TT
32	27.8	3.5	3.5	1.5 ²	1.5 ²	3	22.8	5	29.8+TT	17.8-TT
33	27.8	3.5	3.5	0	0	3	24.3	3	29.8+TT	21.3-TT
34	27.8	6.5	6.5	1.5 ²	1.5 ²	3	19.8	5	29.8+TT	14.8-TT
35	27.8	6.5	6.5	1.5 ²	1.5 ²	3	19.8	5	29.8+TT	14.8-TT
36	27.8	6.5	6.5	0	0	3	21.3	5	29.8+TT	16.3-TT
37	27.8	0	6.5	0	0	3	24.6	3	29.8+TT	21.6-TT

NOTE 1: $P_{PowerClass}$ is the maximum UE power specified without taking into account the tolerance.
NOTE 2: For transmission bandwidths confined within F_{UL_low} and $F_{UL_low} + 4$ MHz or $F_{UL_high} - 4$ MHz and F_{UL_high} .
NOTE 3: TT for each frequency and channel bandwidth is specified in Table 6.2A.2.1.5-2.

For the UE which supports inter-band NR CA configuration, inter-band NR-DC configuration, SUL configuration or inter-band EN-DC configuration, $\Delta T_{IB,c}$ as specified in 6.2A.4.0.2 for NR CA, 6.2B.4.0.2 for NR-DC, clause 6.2C.2 for SUL, or TS 38.521-3 [14] clause 6.2B.4.2 for EN-DC applies. Unless otherwise stated, $\Delta T_{IB,c}$ is set to zero. In case the UE supports more than one of band combinations for CA, NR-DC, SUL or EN-DC, and an operating band belongs to more than one band combinations then

- a) When the operating band frequency range is ≤ 1 GHz, the applicable additional $\Delta T_{IB,c}$ shall be the average value for all band combinations defined in clause 6.2A.4.0.2, 6.2B.4.0.2, 6.2C.2 in this specification and 6.2B.4.2 in

TS 38.521-3 [14], truncated to one decimal place that apply for that operating band among the supported band combinations. In case there is a harmonic relation between low band UL and high band DL, then the maximum $\Delta T_{IB,c}$ among the different supported band combinations involving such band shall be applied

- b) When the operating band frequency range is > 1 GHz, the applicable additional $\Delta T_{IB,c}$ shall be the maximum value for all band combinations defined in clause 6.2A.4.0.2, 6.2B.4.0.2, 6.2C.2 in this specification and 6.2B.4.2 in TS 38.521-3 [14] for the applicable operating bands.

6.2A.3 UE additional maximum output power reduction for CA

6.2A.3.0 Minimum conformance requirements

6.2A.3.0.1 UE additional maximum output power reduction for Intra-band contiguous CA

Additional emission requirements can be signalled by the network. Each additional emission requirement is associated with a unique network signalling (NS) value indicated in RRC signalling by an NR frequency band number of the applicable operating band and an associated value in the field *additionalSpectrumEmission*. Throughout this specification, the notion of indication or signalling of an NS value refers to the corresponding indication of an NR frequency band number of the applicable operating band, the IE field *freqBandIndicatorNR* and an associated value of *additionalSpectrumEmission* in the relevant RRC information elements [6]. Relation between NR CA band and NR frequency band is specified in Table 5.2A.1-1.

To meet the additional requirements, additional maximum power reduction (A-MPR) is allowed for the maximum output power as specified in Table 6.2A.1.0.4-1. Unless stated otherwise, the total reduction to UE maximum output power is max(MPR, A-MPR) where MPR is defined in clause 6.2A.2.0.4. In absence of modulation and waveform types the A-MPR applies to all modulation and waveform types.

Table 6.2A.3.0.1-1 specifies the additional requirements with their associated network signalling values and the allowed A-MPR and applicable CA band(s) for each CA_NS value. The CA_NS_xy value indicates the additional unwanted emissions requirements that apply for intra-band contiguous CA bands with NS_xy indicated or configured in multiple uplink serving cells, except CA_NS_01 that indicates the general emission requirements for intra-band contiguous CA bands. The mapping of NR CA band numbers and values of the *additionalSpectrumEmission* to network signalling labels is specified in Table 6.2A.3.0.1-2. For any NR CA band not listed in Table 6.2A.3.0.1-2 the network signalling label CA_NS_01 applies.

Table 6.2A.3.0.1-1: Additional maximum power reduction (A-MPR)

Network signalling label	Requirements (clause)	NR CA Band	Aggregated channel bandwidth (MHz)	Resources blocks (N_{RB})	A-MPR (dB)
CA_NS_01	6.5A.2.2.1 6.5A.3.2.1	Table 5.2A.1-1	All applicable NR CA bands	All applicable NR CA configurations	N/A
CA_NS_04	6.5A.2.3.1.1 6.5A.3.3.1.1	CA_n41	Table 5.5A.1-1	6.2A.3.1.1.1	6.2A.3.1.1.1
CA_NS_27	6.5A.2.3.1.2 6.5A.3.3.1.2	CA_n48	Table 5.5A.1-1	6.2A.3.1.1.2	6.2A.3.1.1.2
CA_NS_46	6.5A.3.3.1.3	CA_n7	Table 5.5A.1-1	6.2A.3.1.1.3	6.2A.3.1.1.3
CA_NS_55	See CA_NS_01	CA_n77	Table 5.5A.1-1	6.2A.2.1	See CA_NS_01

For UEs configured with intra-band contiguous CA in n77 and if NS_01 is indicated for an uplink component carrier in the range 3450-3650 MHz and NS_01 or NS_57 for another uplink component carrier in the range 3650-3980 MHz, the allowed additional spurious emission and maximum output power reduction requirements are according to CA_NS_01.

Table 6.2A.3.0.1-2: Mapping of network signalling label

NR CA band	Value of additionalSpectrumEmission							
	0	1	2	3	4	5	6	7
CA_n41	CA_NS_01	CA_NS_04						
CA_n48	CA_NS_01	CA_NS_27						
CA_n7	CA_NS_01	CA_NS_46						
CA_n77	CA_NS_01	CA_NS_55						

NOTE: *additionalSpectrumEmission* corresponds to an information element of the same name defined in clause 6.3.2 of TS 38.331 [7].

6.2A.3.0.1.1 A-MPR for CA_NS_04

6.2A.3.0.1.1.1 Contiguous allocations

For all waveform type, modulations and scs when $F_{\text{edge, low}} - BW_{\text{Channel_CA}} \geq 2490.5$ MHz, A-MPR = MPR

For all modulations and SCS when $F_{\text{edge, low}} - BW_{\text{Channel_CA}} < 2490.5$ MHz

if the RB allocation is an inner allocation as defined in clause 6.2A.2.0.4, then A-MPR = MPR

Except for $RB_{\text{start}} \leq 0.33 * BW_{\text{channel_CA}} / 0.18 \text{MHz}$, $AMPR = \max(MPR, AMPR_{\text{cc}})$.

if the RB allocation is an outer allocation as defined in clause 6.2A.2.0.4,

then A-MPR = MPR+1.5dB for BW Class B A-MPR = MPR for BW class C.

Where

- MPR is the MPR as defined in Table 6.2A.2.0.4-1, Table 6.2A.2.0.4-1a and Table 6.2A.2.0.4-1b for PC3 and PC2 respectively and the respective CA bandwidth class
- $AMPR_{\text{cc}}$ is defined as the PC3_A2 or PC2_A4 AMPR in table 6.2.3.3.2-2 for PC3 and PC2 respectively.

6.2A.3.0.1.1.2 Non-contiguous allocations

For intra-band contiguous CA_n41B and CA_n41C and it receives IE CA_NS_04, the UE determines the allowed Additional Maximum Power Reduction (AMPR) for the maximum output power as specified in this clause. The AMPR is specified by $AMPR_{\text{IM3}}$ to meet -25dBm/MHz when IM3 falls in -25dBm/MHz region of Table 6.5A.2.3.0.1.1-1 or Table 6.5A.3.3.0.1.1-1. And uses MPR for all other cases.

The UE determines the AMPR type as follows:

For all waveform types, modulations and SCS when $F_{\text{edge, low}} - BW_{\text{Channel_CA}} \geq 2490.5$ MHz,

if allocation is an inner or outer 1 allocation as defined in Table 6.2A.2.0.4-2 then A-MPR = MPR

if allocation is an outer 2 allocation as defined in Table 6.2A.2.0.4-2 then A-MPR = MPR+1dB

For all waveform types, modulations and SCS when $F_{\text{edge, low}} - BW_{\text{Channel_CA}} < 2490.5$ MHz

If $\text{AND}(\text{MIN}(F_{\text{IM3,low_block,high}}, \text{SEM}_{-13,\text{low}}) < F_{\text{filter,low}}, \text{MAX}(\text{SEM}_{-13,\text{high}}, F_{\text{IM3,high_block,low}}) > F_{\text{filter,high}})$

if RB allocation is an inner or outer 1 allocation as defined in Table 6.2A.2.0.4-2 then A-MPR = MPR

if RB allocation is an outer 2 allocation as defined in Table 6.2A.2.0.4-2 then A-MPR = MPR+1dB

Else

A-MPR = $A\text{-MPR}_{\text{IM3}}$ defined in Clause 6.2A.3.0.1.1.3.

where

- MPR is the MPR as defined in Table 6.2A.2.0.4-2, Table 6.2A.2.0.4-3 and Table 6.2A.2.0.4-4 for PC3 and PC2 respectively and the respective CA bandwidth class
- $F_{\text{IM3,low_block,high}} = (2 * F_{\text{low_alloc,high_edge}}) - F_{\text{high_alloc,low_edge}}$
- $F_{\text{IM3,high_block,low}} = (2 * F_{\text{high_alloc,low_edge}}) - F_{\text{low_alloc,high_edge}}$
- $F_{\text{low_alloc,low_edge}}$ is the lowermost frequency of lower transmission bandwidth allocation.
- $F_{\text{low_alloc,high_edge}}$ is the uppermost frequency of lower transmission bandwidth allocation.
- $F_{\text{high_alloc,low_edge}}$ is the lowermost frequency of upper transmission bandwidth allocation.

- $F_{\text{high_alloc,high_edge}}$ is the uppermost frequency of upper transmission bandwidth allocation.
- $F_{\text{filter,low}} = 2480$ MHz
- $F_{\text{filter,high}} = 2745$ MHz
- $SEM_{.13,high}$ = Threshold frequency where upper spectral emission mask for upper channel drops from -13 dBm / 1MHz to -25 dBm / 1MHz, as specified in Clause 6.5A.2.3.0.1.1.
- $SEM_{.13,low}$ = Threshold frequency where lower spectral emission mask below the lower channel drops from -13 dBm / MHz to -25 dBm / MHz, as specified in Clause 6.5A.2.3.0.1.1.

6.2A.3.0.1.1.3 $AMPR_{IM3}$ to meet -25dBm/MHz

$AMPR$ in this clause is for intra-band contiguous CA_{n41B} and CA_{n41C} . The allowed maximum output power reduction is defined as:

$AMPR_{IM3} = M_A$, Where M_A is defined as follows

$M_A =$	13;	$0 \leq B < 2.16$
	11.5;	$2.16 \leq B < 3.24$
	10.5;	$3.24 \leq B < 5.04$
	9.5;	$5.04 \leq B < 10.08$
	8;	$10.08 \leq B < 16.56$
	7;	$16.56 \leq B < 21.96$
	6;	$21.96 \leq B$

Where:

$$B = (LCRB1 * 12 * SCS1 + LCRB2 * 12 * SCS2) / 1,000$$

and $LCRB1$, $SCS1$ are for $CC1$, $LCRB2$, $SCS2$ are for $CC2$, $CC1$ is the component carrier with lower frequency.

The normative reference for this requirement is TS 38.101-1 [2] subclause 6.2A.3.1

6.2A.3.0.2 FFS

6.2A.3.0.3 UE additional maximum output power reduction for inter-band CA

Unless otherwise stated, for inter-band carrier aggregation with uplink assigned to two NR bands, the requirements in subclause 6.2.3 apply for each uplink component carrier.

Unless specified in Table 6.2A.3.0.3-1, for inter-band carrier aggregation with uplink assigned to two NR bands, the requirements in clause 6.2.3 apply only to the indicated carrier. The requirements in Table 6.2A.3.0.3-1 are specified in terms of an additional spectrum emission requirement with their associated network signalling values and the allowed A-MPR. Unless otherwise stated, the combined requirements and allowed A-MPR are applicable on both bands when both component carriers are active. Additional spurious emission requirements are signalled by the network to indicate that the UE shall meet the additional requirement for a specific deployment scenario as part of the cell handover/broadcast message.

To meet the additional requirements, additional maximum power reduction (A-MPR) is allowed for the maximum output power as specified in Table 6.2.1-1. Unless stated otherwise, the total reduction to UE maximum output power is $\max(MPR, A-MPR)$ where MPR is defined in clause 6.2.2. In case of a power class 3 UE, when $IE_{\text{powerBoostPi2BPSK}}$ is set to 1, power class 2 A-MPR values apply.

For almost contiguous allocations in CP-OFDM waveforms in power class 3, the allowed A-MPR defined in clause 6.2.3 is increased by $\text{CEIL}\{ 10 \log_{10}(1 + NRB_{\text{gap}} / NRB_{\text{alloc}}), 0.5 \}$ dB, where NRB_{gap} is the total number of unallocated RBs between allocated RBs and NRB_{alloc} is the total number of allocated RBs, and the parameter $LCRB$ is replaced by $NRB_{\text{alloc}} + NRB_{\text{gap}}$ in specifying the RB allocation regions.

Unless otherwise specified, pi/2 BPSK in following A-MPR tables refers to both variants of pi/2 BPSK referenced in 6.2.2 tables 6.2.2-1.

The emission requirements specified in Table 6.2A.3.0.3-1 also apply for the frequency ranges that are less than F_{00B} (MHz) in Table 6.5.3.1-1 from the edge of the channel bandwidth.

Table 6.2A.3.0.3-1: Additional Requirements for uplink inter-band carrier aggregation (two-bands)

NR CA combination	Band	Applied NS	Requirements (clause)	A-MPR (table/clause)	Note
CA_n1-n3	n1	05	6.5.3.3.3.4	Clause 6.2.3.3.4	1
		05U	6.5.3.3.3.4, 6.5.2.4.2	Clause 6.2.3.3.4	
	n3	100	6.5.2.4.2	Table 6.2.3.3.1-2	
CA_n1-n8	n1	05	6.5.3.3.3.4	Clause 6.2.3.3.4	1
		05U	6.5.3.3.3.4, 6.5.2.4.2	Clause 6.2.3.3.4	
	n8	43	6.5.3.3.3.5	Clause 6.2.3.3.6	
		43U	6.5.3.3.3.5, 6.5.2.4.2	Clause 6.2.3.3.6	
CA_n1-n28	n1	05	6.5.3.3.4	Clause 6.2.3.3.4	1,2
		05U	6.5.3.3.4, 6.5.2.4.2	Clause 6.2.3.3.4	
	n28	17	6.5.3.3.2	N/A	
CA_n1-n41	n1	05	6.5.3.3.4	Clause 6.2.3.4	1
		05U	6.5.3.3.4, 6.5.2.4.2	Clause 6.2.3.4	
	n41	47	6.5.3.3.15	Table 6.2.3.18-2	
CA_n1-n78	n1	05	6.5.3.3.3.4	Clause 6.2.3.3.4	1
		05U	6.5.3.3.3.4, 6.5.2.4.2	Clause 6.2.3.3.4	
CA_n1-n79	n1	05	6.5.3.3.3.4	Clause 6.2.3.3.4	1
		05U	6.5.3.3.3.4, 6.5.2.4.2	Clause 6.2.3.3.4	
CA_n3-n28	n3	100	6.5.2.4.2	Table 6.2.3.3.1-2	1,2
	n28	17	6.5.3.3.2	N/A	
CA_n3-n41	n3	100	6.5.2.4.2	Table 6.2.3.3.1-2	1
	n41	47	6.5.3.3.3.15	Table 6.2.3.3.18-2	
CA_n3-n78	n3	100	6.5.2.4.2	Table 6.2.3.3.1-2	1
CA_n5-n77	n5	100	6.5.2.4.2	Table 6.2.3.3.1-2	1
CA_n5-n78	n5	100	6.5.2.4.2	Table 6.2.3.3.1-2	1
CA_n8-n78	n8	43	6.5.3.3.3.5	Clause 6.2.3.3.6	1
		43U	6.5.3.3.3.5, 6.5.2.4.2	Clause 6.2.3.3.6	
CA_n24-n41	n24	56	6.5.3.3.3.27	Clause 6.2.3.3.30	
	n41	04	6.5.2.3.3.2, 6.5.3.3.3.1	Clause 6.2.3.3.2	
CA_n24-n48	n24	56	6.5.3.3.3.27	Clause 6.2.3.3.30	
	n48	27	6.5.2.3.3.8, 6.5.3.3.3.14	Clause 6.2.3.3.16	
CA_n24-n77	n24	56	6.5.3.3.3.27	Clause 6.2.3.3.30	
	n77	55	NOTE 6	N/A	
CA_n28-n41	n28	17	6.5.3.3.3.2	N/A	2
	n41	47	6.5.3.3.3.15	Table 6.2.3.3.18-2	
CA_n28-n78	n28	17	6.5.3.3.3.2	N/A	2
CA_n28-n79	n28	17	6.5.3.3.3.2	N/A	2
CA_n41-n77	n41	47	6.5.3.3.15	Table 6.2.3.18-2	
CA_n41-n79	n41	47	6.5.3.3.15	Table 6.2.3.3.18-2	

NOTE 1: NS_05U, NS_43U and NS_100 can be signalled for NR bands that have UTRA services deployed and the requirements in clause 6.5.2.4.2 are only applicable to the signalling carrier.

NOTE 2: Applicable when the assigned NR carrier is confined within 718 MHz and 748 MHz and when the channel bandwidth used is 5 or 10 MHz.
NOTE 3: TBD
NOTE 4: TBD
NOTE 5: TBD
NOTE 6: This NS value is applicable for cells in the range 3450 – 3550 MHz for operations in the USA. This NS value does not indicate any additional spurious emission and maximum output power reduction requirements.

6.2A.3.1 UE additional maximum output power reduction for CA (2UL CA)

Editor's note: This clause is complete for AMPR testing. But the following aspects are either missing for not yet determined:

- **For intra-band non-contiguous CA, tests for network signalling value other than NS_04 are not complete.**

6.2A.3.1.1 Test purpose

Additional emission requirements for CA can be signalled by the network. Each additional emission requirement is associated with a unique network signalling (NS) value indicated in RRC signalling by an NR frequency band number of the applicable operating band and an associated value in the field *additionalSpectrumEmission*. Throughout this specification, the notion of indication or signalling of an NS value refers to the corresponding indication of an NR frequency band number of the applicable operating band, the IE *freqBandIndicatorNR* and an associated value of *additionalSpectrumEmission* in the relevant RRC information elements [6].

To meet the additional requirements, additional maximum power reduction (A-MPR) is allowed for the CA maximum output power as specified in Table 6.2A.1.0.3-1. Unless stated otherwise, the total reduction to UE maximum output power is $\max(\text{MPR}, \text{A-MPR})$ where MPR is defined in clause 6.2A.2. Outer and inner allocation notation used in clause 6.2A.3 is defined in clause 6.2.2. In absence of modulation and waveform types the A-MPR applies to all modulation and waveform types.

6.2A.3.1.2 Test applicability

The requirements of this test apply in test case 6.5A.2.3 Additional Spectrum Emission mask for CA for network signalling values CA_NS_04 to all types of NR UE release 15 and forward.

The requirements of this test apply in test case 6.5A.3.3 Additional Spurious Emissions for CA for network signalling values CA_NS_04 to all types of NR UE release 15 and forward.

6.2A.3.1.3 Minimum conformance requirements

The minimum conformance requirements are defined in 6.2A.3.0.

6.2A.3.1.4 Test description

6.2A.3.1.4.1 Initial conditions

Initial conditions are a set of test configurations the UE needs to be tested in and the steps for the SS to take with the UE to reach the correct measurement state. For the UE maximum output power modified by A-MPR specified in table 6.2A.3.0.3-1, the power limits specified in subclause 6.2A.4.1.3 apply.

The initial test configurations consist of environmental conditions, test frequencies, test channel bandwidths and sub-carrier spacing based on NR operating bands specified in table 5.3.5-1. All of these configurations shall be tested with applicable test parameters for each combination of test channel bandwidth and sub-carrier spacing and are shown in table 6.2A.3.1.4.1-2. The details of the uplink reference measurement channels (RMCs) are specified in Annex A.2. Configurations of PDSCH and PDCCH before measurement are specified in Annex C.2

Table 6.2A.3.1.4.1-1: Test Configuration Table for inter-band CA (network signalling value NS_47/NS_01)

Initial Conditions	
Test Environment as specified in TS 38.508-1 [5] clause 4.1	Normal
Test Frequencies as specified in TS 38.508-1 [5] clause 4.3.1.4.1-3 for inter band CA in FR1	Low range for PCC and SCC PCC specified in Table 6.2.3.4.1-18a and 6.2.3.4.1-18b

Test Channel Bandwidths as specified in TS 38.508-1 [5] clause 4.3.1				See Ch BW column for PCC Lowest N_{RB_agg} for SCC			
Test SCS as specified in Table 5.3.5-1				Lowest, Highest			
Test Parameters							
Test ID	DL configuration	UL configuration					
		PCC				SCC	
		F_c (MHz)	Ch BW (MHz)	Modulation	RB allocation	Modulation	RB allocation
1	N/A for A-MPR testing	Default	30	DFT-s-OFDM QPSK	Edge_1RB_Right	DFT-s-OFDM QPSK	Inner Full
2		Default	30	DFT-s-OFDM QPSK	Edge_1RB_Left	CP-OFDM 256QAM	Outer Full
3		Default	30	DFT-s-OFDM QPSK	Edge_1RB_Left	DFT-s-OFDM QPSK	Inner Full
NOTE 1: The specific configuration of each RB allocation is defined in Table 6.1-1 unless otherwise stated in this table.							
NOTE 2: DFT-s-OFDM PI/2 BPSK test applies only for UEs which supports half Pi BPSK in FR1.							

Table 6.2A.3.1.4.1-2: Test Configuration Table for inter-band CA (network signalling value NS_100/NS_01)

Initial Conditions					
Test Environment as specified in TS 38.508-1 [5] subclause 4.1			Normal		
Test Frequencies as specified in TS 38.508-1 [5] subclause 4.3.1.1.3 for inter band CA in FR1			Low range for PCC and SCC High range for PCC and SCC		
Test Channel Bandwidths as specified in TS 38.508-1 [5] subclause 4.3.1			Lowest N_{RB_agg} for PCC and SCC Highest N_{RB_agg} for PCC and SCC		
Test SCS as specified in Table 5.3.5-1			Lowest, Highest		
Test Parameters					
Test ID	DL configuration	UL configuration			
		Modulation		RB allocation	
		PCC	SCC	PCC	SCC
1	N/A	DFT-s-OFDM QPSK	DFT-s-OFDM QPSK	Inner Full	Inner Full
2		CP-OFDM 256QAM	CP-OFDM 256QAM	Outer Full	Outer Full
3		DFT-s-OFDM QPSK	CP-OFDM 256QAM	Inner Full	Outer Full

Table 6.2A.3.1.4.1-3: Test Configuration Table for inter-band CA (network signalling value NS_43/NS_01, NS_43U/NS_01)

Initial Conditions							
Test Environment as specified in TS 38.508-1 [5] subclause 4.1			Normal				
Test Frequencies as specified in TS 38.508-1 [5] subclause 4.3.1.1.3 for inter band CA in FR1			Low range, High range for PCC and SCC unless otherwise stated in F_c column for PCC				
Test Channel Bandwidths as specified in TS 38.508-1 [5] subclause 4.3.1			See Ch BW column for PCC Lowest N_{RB_agg} , Highest N_{RB_agg} for SCC				
Test SCS as specified in Table 5.3.5-1			15kHz				
Test Parameters							
Test ID	DL configuration	UL configuration					
		PCC				SCC	
		F_c (MHz)	Ch BW (MHz)	Modulation	RB allocation	Modulation	RB allocation
1	N/A	910	10MHz	DFT-s-OFDM QPSK	Inner Full	DFT-s-OFDM QPSK	Inner Full
2		907.5	15MHz	CP-OFDM 256QAM	Outer Full	CP-OFDM 256QAM	Outer Full
3		907.5	15MHz	CP-OFDM 256QAM	Outer Full	DFT-s-OFDM QPSK	Inner Full

Table 6.2A.3.1.4.1-4: Void

Table 6.2A.3.1.4.1-5: Void

Table 6.2A.3.1.4.1-6: Void

Table 6.2A.3.1.4.1-7: Test Configuration Table for intra-band contiguous CA for CA_NS_04 (contiguous allocation)

Initial Conditions				
Test Environment as specified in TS 38.508-1 [5] subclause 4.1			Normal	
Test Frequencies as specified in TS 38.508-1 [5] subclause 4.3.1.1.3 for inter band CA in FR1			Referring to Test Frequency Column	
Test Channel Bandwidths as specified in TS 38.508-1 [5] subclause 4.3.1			Lowest N_{RB_agg} Highest N_{RB_agg}	
Test SCS as specified in Table 5.3.5-1			Lowest, Highest	
Test Parameters				
Test ID	Test Frequency	Downlink Configuration	Uplink Configuration	
			Modulation	RB allocation for PCC&SCC (NOTE 1)
1	High range		CP-OFDM QPSK	Outer_Full
2	High range		CP-OFDM QPSK	Edge_1RB_Right
3	Low range		CP-OFDM QPSK	Outer_Full
4	Low range		CP-OFDM QPSK	Edge_1RB_Left
5	Low range		DFT-s-OFDM Pi/2 BPSK	Inner_Full
6	Low range		DFT-s-OFDM Pi/2 QPSK	Inner_Full
7	Low range		DFT-s-OFDM Pi/2 16QAM	Inner_Full
8	Low range		DFT-s-OFDM Pi/2 64QAM	Inner_Full
9	Low range		DFT-s-OFDM Pi/2 256QAM	Inner_Full
10	Low range		CP-OFDM QPSK	Inner_Full
11	Low range		CP-OFDM 16QAM	Inner_Full
12	Low range		CP-OFDM 64QAM	Inner_Full
13	Low range		CP-OFDM 256QAM	Inner_Full
NOTE 1: The specific configuration of each RB allocation is defined in Table 6.1A-1a.				
NOTE 2: Test Channel Bandwidths and Test SCS are checked separately for each NR CA band combination, which applicable channel bandwidths is specified in Table 5.5A.3.1-1 and SCS is specified in Table 5.3.5-1 for each NR band.				

Table 6.2A.3.1.4.1-8: Test Configuration Table for inter-band CA (network signalling value NS_17/NS_01)

Initial Conditions							
Test Environment as specified in TS 38.508-1 [5] subclause 4.1				Normal			
Test Frequencies as specified in TS 38.508-1 [5] subclause 4.3.1.1.3 for inter band CA in FR1				Low range, High range for PCC and SCC unless otherwise stated in F_c column for PCC			
Test Channel Bandwidths as specified in TS 38.508-1 [5] subclause 4.3.1				See Ch BW column for PCC Lowest N_{RB_agg} , Highest N_{RB_agg} for SCC			
Test SCS as specified in Table 5.3.5-1				15kHz			
Test Parameters							
Test ID	DL configuration	UL configuration					
		PCC			SCC		
		F_c (MHz)	Ch BW (MHz)	Modulation	RB allocation	Modulation	RB allocation
1		745.5	5	DFT-s-OFDM QPSK	Inner Full	DFT-s-OFDM QPSK	Inner Full

2	N/A	743	10	CP-OFDM 256QAM	Outer Full	CP-OFDM 256QAM	Outer Full
3		743	10	CP-OFDM 256QAM	Outer Full	DFT-s-OFDM QPSK	Inner Full

Table 6.2A.3.1.4.1-9: Test Configuration Table for PC3 inter-band CA or PC2 inter-band CA with both bands supporting PC3 (network signalling value NS_17/NS_47)

Initial Conditions					
Test Environment as specified in TS 38.508-1 [5] subclause 4.1			Normal		
Test Frequencies as specified in TS 38.508-1 [5] subclause 4.3.1.1.3 for inter band CA in FR1			Mid range for PCC Test frequencies as specified in table 6.2.3.4.1-18a and 6.2.3.4.1-18b for SCC		
Test Channel Bandwidths as specified in TS 38.508-1 [5] subclause 4.3.1			5MHz and 10MHz for PCC 30 MHz for SCC		
Test SCS as specified in Table 5.3.5-1			Lowest, Highest as specified in test parameters		
Test Parameters					
Test ID	DL configuration	UL configuration			
		Modulation		RB allocation	
		PCC	SCC	PCC	SCC
1	N/A	DFT-s-OFDM QPSK	DFT-s-OFDM QPSK	Inner Full	Edge_1RB_Right
2		CP-OFDM 256QAM	DFT-s-OFDM QPSK	Outer Full	Edge_1RB_Left
3		DFT-s-OFDM QPSK	DFT-s-OFDM QPSK	Inner Full	Edge_1RB_Left

Table 6.2A.3.1.4.1-9a: Test Configuration Table for PC2 inter-band CA with PCC supporting PC3 and SCC supporting PC2 (network signalling value NS_17/NS_47)

Initial Conditions					
Test Environment as specified in TS 38.508-1 [5] subclause 4.1			Normal		
Test Frequencies as specified in TS 38.508-1 [5] subclause 4.3.1.1.3 for inter band CA in FR1			Mid range for PCC Test frequencies as specified in table 6.2.3.4.1-18a and 6.2.3.4.1-18b for SCC		
Test Channel Bandwidths as specified in TS 38.508-1 [5] subclause 4.3.1			5MHz and 10MHz for PCC 30 MHz for SCC		
Test SCS as specified in Table 5.3.5-1			Lowest, Highest as specified in test parameters		
Test Parameters					
Test ID	DL configuration	UL configuration			
		Modulation		RB allocation	
		PCC	SCC	PCC	SCC
1	N/A	DFT-s-OFDM QPSK	DFT-s-OFDM PI/2 BPSK	Inner Full	Edge_1RB_Right
2		CP-OFDM 256QAM	DFT-s-OFDM PI/2 BPSK	Outer Full	Edge_1RB_Left
3		DFT-s-OFDM QPSK	DFT-s-OFDM PI/2 BPSK	Inner Full	Edge_1RB_Left

1. Connect the SS to the UE antenna connectors as shown in TS 38.508-1 [5] Annex A, Figure A.3.1.1.3 for TE diagram and section A.3.2 for UE diagram.
2. The parameter settings for the cell are set up according to TS 38.508-1 [5] subclause 4.4.3.
3. Downlink signals are initially set up according to Annex C.0, C.1, C.2, and uplink signals according to Annex G.0, G.1, G.2, G.3.0.
4. The UL Reference Measurement Channel is set according to Table 6.2A.3.1.4.1-2.
5. Propagation conditions are set according to Annex B.0.
6. Ensure the UE is in State RRC_CONNECTED with generic procedure parameters Connectivity NR, Connected without release *On*, Test Mode *On* and Test Loop Function *On* according to TS 38.508-1 [5] clause 4.5. Message contents are defined in clause 6.2A.3.1.4.3.

6.2A.3.1.4.2 Test procedure

1. Configure SCC according to Annex C.0, C.1, C.2 for all downlink physical channels.
2. The SS shall configure SCC as per TS 38.508-1 [5] clause 5.5.1. Message contents are defined in clause 6.2A.3.1.4.3.
3. SS activates SCC by sending the activation MAC CE (Refer TS 38.321 [18], clauses 5.9, 6.1.3.10). Wait for at least 2 seconds (Refer TS 38.133[19], clause 9.3).
4. SS sends uplink scheduling information for each UL HARQ process via PDCCH DCI format 0_1 for C_RNTI to schedule the UL RMC according to tables in 6.2A.3.1.4.1 as appropriate on both PCC and SCC. Since the UE has no payload and no loopback data to send the UE sends uplink MAC padding bits on the UL RMC.
5. Send continuously uplink power control "up" commands in every uplink scheduling information to the UE; allow at least 200ms starting from the first TPC command in this step for the UE to reach P_{UMAX} level.
6. Measure the sum of mean transmitted power over all component carriers in the CA configuration of the radio access mode. The period of measurement shall be at least the continuous duration of 1ms uplink. For TDD only slots consisting of only UL symbols are under test. For FDD band in inter-band CA with both TDD band and FDD band, only slots overlapping with only UL symbols in TDD are under test. For power class 2 intra-band contiguous carrier aggregation, the additional spectrum emission mask is measured as the sum from both UE transmit antenna connectors when UE indicates support for *dualPA-Architecture* IE.

NOTE 1: When switching to DFT-s-OFDM waveform, as specified in the test configuration tables in 6.2A.3.1.4.1 send an NR RRCReconfiguration message according to TS 38.508-1 [5] clause 4.6.3 Table 4.6.3-118 PUSCH-Config with TRANSFORM_PRECODER_ENABLED condition.

6.2A.3.1.4.3 Message contents

Message contents are according to TS 38.508-1 [5] subclause 4.6 and 5.4 with the following exceptions.

6.2A.3.1.4.3.1 Message contents exceptions (network signalling value "NS_100" on PCC)

Table 6.2A.3.1.4.3.1-1: AdditionalSpectrumEmission: Additional spurious emissions test requirement for "NS_100" on PCC

Derivation Path: TS 38.508-1 [5] clause 4.6.3, Table 4.6.3-1 AdditionalSpectrumEmission			
Information Element	Value/remark	Comment	Condition
AdditionalSpectrumEmission	1 (NS_100)		not for band n65
	2 (NS_100)		for band n65

6.2A.3.1.4.3.2 Message contents exceptions (network signalling value "NS_43" on PCC)

Table 6.2A.3.1.4.3.2-1: AdditionalSpectrumEmission: Additional spurious emissions test requirement for "NS_43" on PCC

Derivation Path: TS 38.508-1 [5] clause 4.6.3, Table 4.6.3-1 AdditionalSpectrumEmission			
Information Element	Value/remark	Comment	Condition
AdditionalSpectrumEmission	2 (NS_43)		

6.2A.3.1.4.3.3 Message contents exceptions (network signalling value "NS_43U" on PCC)

Table 6.2A.3.1.4.3.3-1: AdditionalSpectrumEmission: Additional spurious emissions test requirement for "NS_43U" on PCC

Derivation Path: TS 38.508-1 [5] clause 4.6.3, Table 4.6.3-1 AdditionalSpectrumEmission			
Information Element	Value/remark	Comment	Condition
AdditionalSpectrumEmission	3 (NS_43U)		

6.2A.3.1.4.3.4 Message contents exceptions (network signalling value "NS_47" on PCC)

Table 6.2A.3.1.4.3.4-1: AdditionalSpectrumEmission: Additional spurious emissions test requirement for "NS_47" on PCC

Derivation Path: TS 38.508-1 [5] clause 4.6.3, Table 4.6.3-1 <i>AdditionalSpectrumEmission</i>			
Information Element	Value/remark	Comment	Condition
AdditionalSpectrumEmission	2 (NS_47)		

6.2A.3.1.4.3.5 Void

Table 6.2A.3.1.4.3.5-1: Void

6.2A.3.1.4.3.6 Message contents exceptions (network signalling value "CA_NS_04" on PCC and SCC)

Table 6.2A.3.1.4.3.6-1: AdditionalSpectrumEmission: Additional spurious emissions test requirement for "CA_NS_04" on PCC and SCC

Derivation Path: TS 38.508-1 [5] clause 4.6.3, Table 4.6.3-1 <i>AdditionalSpectrumEmission</i>			
Information Element	Value/remark	Comment	Condition
AdditionalSpectrumEmission	1 (CA_NS_04)		

Table 6.2A.3.1.4.3.6-2: FrequencyInfoUL-SIB for intra-band contiguous CA (contiguous RB allocation) for CA_NS_04

Derivation Path: TS 38.508-1 [5] Table 4.6.3-62 FrequencyInfoUL-SIB			
Information Element	Value/remark	Comment	Condition
p-Max	16		Power class 3 and Test IDs 5
	15		Power class 3 and Test IDs 6, 7
	14		Power class 3 and Test IDs 2, 4, 8
	12		Power class 3 and Test IDs 10, 11, 12
	11		Power class 3 and Test IDs 9
	10		Power class 3 and Test IDs 1, 3, 13
	19		Power class 2 and Test IDs 5
	19		Power class 2 and Test IDs 2, 4
	17		Power class 2 and Test IDs 6, 7
	16		Power class 2 and Test IDs 8
	14		Power class 2 and Test IDs 10, 11, 12
	14		Power class 2 and Test IDs 1, 3, 9
	11		Power class 2 and Test IDs 13

6.2A.3.1.4.3.7 Message contents exceptions (network signalling value "NS_17" on PCC)

Table 6.2A.3.1.4.3.7-1: AdditionalSpectrumEmission: Additional spurious emissions test requirement for "NS_17" on PCC

Derivation Path: TS 38.508-1 [5] clause 4.6.3, Table 4.6.3-1 <i>AdditionalSpectrumEmission</i>			
Information Element	Value/remark	Comment	Condition
AdditionalSpectrumEmission	1 (NS_17)		

6.2A.3.1.4.3.8 Message contents exceptions (network signalling value "NS_47" on SCC)

Table 6.2A.3.1.4.3.8-1: AdditionalSpectrumEmission: Additional spurious emissions test requirement for "NS_47" on SCC

Derivation Path: TS 38.508-1 [5] clause 4.6.3, Table 4.6.3-1 <i>AdditionalSpectrumEmission</i>			
Information Element	Value/remark	Comment	Condition
AdditionalSpectrumEmission	2 (NS_47)		

6.2A.3.1.5 Test requirement

The maximum output power, derived in step 6 shall be within the range prescribed by the nominal maximum output power and tolerance in Table 6.2A.3.1.5-1, Table 6.2A.3.1.5-2, Table 6.2A.3.1.5-3 as appropriate. For the UE maximum output power modified by MPR and/or A-MPR, the power limits specified in 6.2A.4.0 apply. The test requirement of configurations for CA operating band including Band n41 also apply for the corresponding CA operating bands with Band n90 replacing Band n41.

Table 6.2A.3.1.5-0: Test Tolerance (Additional Maximum Power Reduction (A-MPR))

TT for overall output power (dB)								
			PCell					
			BW ≤ 40MHz			40MHz < BW ≤ 100MHz		
			f ≤ 3.0GHz	3.0GHz < f ≤ 4.2GHz	4.2GHz < f ≤ 6.0GHz	f ≤ 3.0GHz	3.0GHz < f ≤ 4.2GHz	4.2GHz < f ≤ 6.0GHz
SCell	BW ≤ 40MHz	f ≤ 3.0GHz	0.7	1.0	1.0	1.0	1.0	1.0
		3.0GHz < f ≤ 4.2GHz	1.0	1.0	1.0	1.0	1.0	1.0
		4.2GHz < f ≤ 6.0GHz	1.0	1.0	1.0	1.0	1.0	1.0
	40MHz < BW ≤ 100MHz	f ≤ 3.0GHz	1.0	1.0	1.0	1.0	1.0	1.0
		3.0GHz < f ≤ 4.2GHz	1.0	1.0	1.0	1.0	1.0	1.0
		4.2GHz < f ≤ 6.0GHz	1.0	1.0	1.0	1.0	1.0	1.0

Table 6.2A.3.1.5-1: UE Power Class 3 test requirement (network signalling value NS_100/NS_01) for CA_n3-n78

Test ID	P _{Power class} (dBm)	MPR _c (dB)		AMPR _c (dB)		ΔT _{c,c} (dB)		T _L (dB)	P _{CMAX_L} (dBm)	T _{Low} (P _{CMAX_L}) (dB)	Upper limit (dBm)	Lower limit (dBm)
		PCC	SCC	PCC	SCC	PCC	SCC					
1	23	0	0	0	0	0 (1.5 ²)	0 (1.5 ²)	3	23	3	25+T _T	20-TT
2	23	6.5	6.5	6.5	0	0	0	3	19.5	5	25+T _T	14.5-TT
3	23	0	6.5	0	0	0 (1.5 ²)	0	3	23 (22.7 ²)	3 (5 ²)	25+T _T	20-TT (17.7-TT ²)

NOTE 1: P_{PowerClass} is the maximum UE power specified in 6.2A.1 without taking into account the tolerance.
 NOTE 2: For transmission bandwidths confined within F_{UL_low} and F_{UL_low} + 4 MHz or F_{UL_high} - 4 MHz and F_{UL_high}.
 NOTE 3: TT for each frequency and channel bandwidth is specified in Table 6.2A.3.1.5-0.

Table 6.2A.3.1.5-1a: UE Power Class 2 with both bands supporting PC3 test requirement (network signalling value NS_100) for CA_n3-n78

Test ID	P _{Power class} (dBm)	MPR _c (dB)		AMPR _c (dB)		ΔT _{c,c} (dB)		T _L (dB)	P _{CMAX_L} (dBm)	T _{Low} (P _{CMAX_L}) (dB)	Upper limit (dBm)	Lower limit (dBm)
		PCC	SCC	PCC	SCC	PCC	SCC					
1	26	0	0	0	0	0 (1.5 ²)	0 (1.5 ²)	3	26 (24.5 ²)	3	28+TT	23-TT (21.5-TT ²)
2	26	6.5	6.5	6.5	0	0	0	3	19.5	5	28+TT	14.5-TT
3	26	0	6.5	0	0	0 (1.5 ²)	0	3	23.9 (22.7 ²)	3 (5 ²)	28+TT	20.9-TT (17.7-TT ²)

NOTE 1: P_{PowerClass} is the maximum UE power specified in 6.2A.1 without taking into account the tolerance.
 NOTE 2: For transmission bandwidths confined within F_{UL_low} and F_{UL_low} + 4 MHz or F_{UL_high} - 4 MHz and F_{UL_high}.
 NOTE 3: TT for each frequency and channel bandwidth is specified in Table 6.2A.3.1.5-0.

Table 6.2A.3.1.5-1b: UE Power Class 2 with PCC supporting PC3 and SCC supporting PC2 test requirement (network signalling value NS_100) for CA_n3-n78

Test ID	P _{Power class} (dBm)	MPR _c (dB)		AMPR _c (dB)		ΔT _{C,c} (dB)		T _L (dB)	P _{CMAX_L} (dBm)	T _{LOW} (P _{CMAX_L}) (dB)	Upper limit (dBm)	Lower limit (dBm)
		PCC	SCC	PCC	SCC	PCC	SCC					
1	26	0	0	0	0	0 (1.5 ²)	0 (1.5 ²)	3	26	3	28+TT	23-TT
2	26	6.5	6.5	6.5	0	0	0	3	21.3	5	28+TT	16.3-TT
3	26	0	6.5	0	0	0 (1.5 ²)	0	3	24.6 (23.6 ²)	3 (5 ²)	28+TT	21.6TT (20.6-TT ²)

NOTE 1: P_{PowerClass} is the maximum UE power specified in 6.2A.1 without taking into account the tolerance.
 NOTE 2: For transmission bandwidths confined within F_{UL_low} and F_{UL_low} + 4 MHz or F_{UL_high} - 4 MHz and F_{UL_high}.
 NOTE 3: TT for each frequency and channel bandwidth is specified in Table 6.2A.3.1.5-0.

Table 6.2A.3.1.5-1c: UE Power Class 2 with supporting higherPowerLimit-r17 test requirement (network signalling value NS_100) for CA_n3-n78

Test ID	P _{Power class} (dBm)	MPR _c (dB)		AMPR _c (dB)		ΔT _{C,c} (dB)		T _L (dB)	P _{CMAX_L} (dBm)	T _{LOW} (P _{CMAX_L}) (dB)	Upper limit (dBm)	Lower limit (dBm)
		PCC	SCC	PCC	SCC	PCC	SCC					
1	27.8	0	0	0	0	0 (1.5 ²)	0 (1.5 ²)	3	27.8 (26.3 ²)	3	29.8+T T	24.8TT (23.3-TT ²)
2	27.8	6.5	6.5	6.5	0	0	0	3	21.3	5	29.8+T T	16.3-TT
3	27.8	0	6.5	0	0	0 (1.5 ²)	0	3	24.6 (23.6 ²)	3	29.8+T T	21.6-TT (20.6+TT ²)

NOTE 1: P_{PowerClass} is the maximum UE power specified in 6.2A.1 without taking into account the tolerance.
 NOTE 2: For transmission bandwidths confined within F_{UL_low} and F_{UL_low} + 4 MHz or F_{UL_high} - 4 MHz and F_{UL_high}.
 NOTE 3: TT for each frequency and channel bandwidth is specified in Table 6.2A.3.1.5-0.

Table 6.2A.3.1.5-2: UE Power Class 3 test requirement (network signalling value NS_43/NS_01, NS_43U/NS_01) for CA_n8-n78

Test ID	P _{Power class} (dBm)	MPR _c (dB)		AMPR _c (dB)		ΔT _{C,c} (dB)		T _L (dB)	P _{CMAX_L} (dBm)	T _{LOW} (P _{CMAX_L}) (dB)	Upper limit (dBm)	Lower limit (dBm)
		PCC	SCC	PCC	SCC	PCC	SCC					
1	23	0	0	0	0	0	0	3	23	3	25+TT	20-TT
2	23	6.5	6.5	9.0	0	0	0	3	18.4	5	25+TT	13.4-TT
3	23	6.5	0	9.0	0	0	0	3	23	3	25+TT	20-TT

NOTE 1: P_{PowerClass} is the maximum UE power specified in 6.2A.1 without taking into account the tolerance.
 NOTE 2: TT for each frequency and channel bandwidth is specified in Table 6.2A.3.1.5-0.

Table 6.2A.3.1.5-3: UE Power Class 3 test requirement (network signalling value NS_47/NS_01) for CA_n41-n79

Test ID	P _{Power class} (dBm)	MPR _c (dB)		AMPR _c (dB)		ΔT _{C,c} (dB)		T _L (dB)	P _{CMAX_L} (dBm)	T _{LOW} (P _{CMAX_L}) (dB)	Upper limit (dBm)	Lower limit (dBm)
		PCC	SCC	PCC	SCC	PCC	SCC					
1	23	1	0	2	0	0	0	3	23	3	25+TT	20-TT
2	23	1	6.5	7	0	0	0	3	19	5	25+TT	14-TT
3	23	1	0	7	0	0	0	3	23	3	25+TT	20-TT

Table 6.2A.3.1.5-3a: UE Power Class 2 test requirement with both bands supporting PC3 (network signalling value NS_47/NS_01) for CA_n41-n79

Test ID	P _{Power class}	MPR _c (dB)	AMPR _c (dB)	ΔT _{C,c} (dB)	T _L (dB)	P _{CMAX_L} (dBm)	T _{LOW} (P _{CMAX_L})	Upper limit	Lower limit
---------	--------------------------	-----------------------	------------------------	------------------------	---------------------	---------------------------	---	-------------	-------------

	(dBm)	PCC	SCC	PCC	SCC	PCC	SCC			(dB)	(dBm)	(dBm)
1	26	1	0	2	0	0	0	3	25	3	28+TT	20-TT
2	26	1	6.5	7	0	0	0	3	19	5	28+TT	14-TT
3	26	1	0	7	0	0	0	3	23.8	3	28+TT	20.8-TT

Table 6.2A.3.1.5-3b: UE Power Class 2 test requirement with PCC supporting PC2 and SCC supporting PC3 (network signalling value NS_47/NS_01) for CA_n41-n79

Test ID	P ^{Power class} (dBm)	MPR _c (dB)		AMPR _c (dB)		ΔT _{C,c} (dB)		T _L (dB)	P _{C_{MAX,L}} (dBm)	T _{LOW(P_{C_{MAX,L}})} (dB)	Upper limit (dBm)	Lower limit (dBm)
		PCC	SCC	PCC	SCC	PCC	SCC					
1	26	3.5	0	5	0	0	0	3	25	3	28+TT	20-TT
2	26	3.5	6.5	10	0	0	0	3	19	5	28+TT	14-TT
3	26	3.5	0	10	0	0	0	3	23.8	3	28+TT	20.8-TT

Table 6.2A.3.1.5-3c: UE Power Class 2 test requirement with PCC and SCC supporting PC2 (network signalling value NS_47/NS_01) for CA_n41-n79

Test ID	P ^{Power class} (dBm)	MPR _c (dB)		AMPR _c (dB)		ΔT _{C,c} (dB)		T _L (dB)	P _{C_{MAX,L}} (dBm)	T _{LOW(P_{C_{MAX,L}})} (dB)	Upper limit (dBm)	Lower limit (dBm)
		PCC	SCC	PCC	SCC	PCC	SCC					
1	26	3.5	0	5	0	0	0	3	26	3	28+TT	23-TT
2	26	3.5	6.5	10	0	0	0	3	21	5	28+TT	16-TT
3	26	3.5	0	10	0	0	0	3	26	3	28+TT	23-TT

Table 6.2A.3.1.5-4: Void

Table 6.2A.3.1.5-5: Void

Table 6.2A.3.1.5-6: Void

Table 6.2A.3.1.5-7: UE Power Class 3 test requirement (network signalling value CA_NS_04) for CA_n41C

Test ID	P ^{Power class} (dBm)	MPR (dB)	AMP R _{cc} (dB)	AMPR(d B)	ΔT _{C,c} (dB)	T _L (dB)	P _{C_{MAX,L}} (dBm)	T _{LOW(P_{C_{MAX,L}})} (dB)	Upper limit (dBm)	Lower limit (dBm)
1	23	8	-	8	0	2	15	5	25+TT	10-TT
2	23	8	-	8	1.5	2	15	5	25+TT	10-TT
3	23	8	-	8	0	2	15	5	25+TT	10-TT
4	23	8	-	8	1.5	2	15	5	25+TT	10-TT
5	23	2.5	3.5	3.5	0	2	19.5	3.5	25+TT	16-TT
6	23	2.5	4	4	0	2	19	3.5	25+TT	15.5-TT
7	23	2.5	4	4	0	2	19	3.5	25+TT	15.5-TT
8	23	5	4.5	5	0	2	18	4	25+TT	14-TT
9	23	7	6	7	0	2	16	5	25+TT	11-TT
10	23	3.5	5.5	5.5	0	2	17.5	5	25+TT	12.5-TT
11	23	3.5	5.5	5.5	0	2	17.5	5	25+TT	12.5-TT
12	23	5	5.5	5.5	0	2	17.5	5	25+TT	12.5-TT
13	23	7	8	8	0	2	15	5	25+TT	10-TT

Table 6.2A.3.1.5-8: UE Power Class 2 not supporting TxD test requirement (network signalling value CA_NS_04) for CA_n41C

Test ID	P _{Power class} (dBm)	MPR (dB)	AMP R _{cc} (dB)	AMPR(dB)	ΔT _{C,c} (dB)	T _L (dB)	P _{C_{MAX_L}} (dBm)	T _{LOW(P_{C_{MAX_L}})} (dB)	Upper limit (dBm)	Lower limit (dBm)
1	26	8	-	8	0	3	18	4	28+TT	14-TT
2	26	8	-	8	1.5	3	18	4	28+TT	1-TT
3	26	8	-	8	0	3	18	4	28+TT	14-TT
4	26	8	-	8	1.5	3	18	4	28+TT	14-TT
5	26	2.5	5.5	5.5	0	3	20.5	2.5	28+TT	17.5-TT
6	26	2.5	6	6	0	3	20	2.5	28+TT	17-TT
7	26	2.5	6	6	0	3	20	2.5	28+TT	17-TT
8	26	5	6.5	6.5	0	3	19.5	3.5	28+TT	16-TT
9	26	7	8	8	0	3	18	4	28+TT	14-TT
10	26	3.5	7.5	7.5	0	3	18.5	4	28+TT	14.5-TT
11	26	3.5	7.5	7.5	0	3	18.5	4	28+TT	14.5-TT
12	26	5	7.5	7.5	0	3	18.5	4	28+TT	14.5-TT
13	26	7	10	10	0	3	16	5	28+TT	11-TT

Table 6.2A.3.1.5-8a: UE Power Class 2 supporting TxD test requirement (network signalling value CA_NS_04) for CA_n41C

Test ID	P _{Power class} (dBm)	MPR (dB)	AMP R _{cc} (dB)	AMPR(dB)	ΔT _{C,c} (dB)	T _L (dB)	P _{C_{MAX_L}} (dBm)	T _{LOW(P_{C_{MAX_L}})} (dB)	Upper limit (dBm)	Lower limit (dBm)
1	26	8.5	-	8.5	0	3	17.5	5	28+TT	12.5-TT
2	26	8.5	-	8.5	1.5	3	17.5	5	28+TT	12.5-TT
3	26	8.5	-	8.5	0	3	17.5	5	28+TT	12.5-TT
4	26	8.5	-	8.5	1.5	3	17.5	5	28+TT	12.5-TT
5	26	3.5	5.5	5.5	0	3	20.5	2.5	28+TT	18-TT
6	26	3.5	6	6	0	3	20	2.5	28+TT	17.5-TT
7	26	3.5	6	6	0	3	20	2.5	28+TT	17.5-TT
8	26	6	6.5	6.5	0	3	19.5	3.5	28+TT	16-TT
9	26	8	8	8	0	3	18	4	28+TT	14-TT
10	26	4.0	7.5	7.5	0	3	18.5	4	28+TT	14.5-TT
11	26	4.0	7.5	7.5	0	3	18.5	4	28+TT	14.5-TT
12	26	5.5	7.5	7.5	0	3	18.5	4	28+TT	14.5-TT
13	26	7.5	10	10	0	3	16	5	28+TT	11-TT

Table 6.2A.3.1.5-9: UE Power Class 3 test requirement (network signalling value NS_17/NS_01) for CA_n28-n78 and CA_n28-n79

Test ID	P _{Power class} (dBm)	MPR _c (dB)		AMPR _c (dB)		ΔT _{C,c} (dB)		T _L (dB)	P _{C_{MAX_L}} (dBm)	T _{LOW(P_{C_{MAX_L}})} (dB)	Upper limit (dBm)	Lower limit (dBm)
		PCC	SCC	PCC	SCC	PCC	SCC					
1	23	0	0	0	0	0	0	3	23	3	25+TT	20-TT
2	23	6.5	6.5	0	0	0	0	3	16.5	5	25+TT	11.5-TT
3	23	6.5	0	0	0	0	0	3	20	6	25+TT	14-TT

Table 6.2A.3.1.5-10: UE Power Class 2 test requirement (network signalling value NS_17/NS_01) for CA_n28-n79

Test ID	P _{Power class} (dBm)	P _{Power class,c}		MPR _c (dB)		AMPR _c (dB)		ΔT _{C,c} (dB)		T _L (dB)	P _{C_{MAX_L}} (dBm)	T _{LOW(P_{C_{MAX_L}})} (dB)	Upper limit (dBm)	Lower limit (dBm)
		PCC	SCC	PCC	SCC	PCC	SCC	PCC	SCC					
1	26	23	26	0	0	0	0	0	0	3	26	3	28+TT	23-TT
2	26	23	26	6.5	6.5	0	0	0	0	3	21.2	5	28+TT	16.2-TT
3	26	23	26	6.5	0	0	0	0	0	3	26	3	28+TT	23-TT

Table 6.2A.3.1.5-11: UE Power Class 3 test requirement (network signalling value NS_17/NS_47) for CA_n28-n41

Test ID	P ^{Power class} _{class} (dBm)	MPR _c (dB)		AMPR _c (dB)		ΔT _{C,c} (dB)		T _L (dB)	P _{C_{MAX,L}} (dBm)	T _{LOW(P_{C_{MAX,L}})} (dB)	Upper limit (dBm)	Lower limit (dBm)
		PCC	SCC	PCC	SCC	PCC	SCC					
1	23	0	1	0	2	0	0	3	23	3	25+TT	20-TT
2	23	6.5	1	0	7	0	0	3	19	5	25+TT	14-TT
3	23	0	1	0	7	0	0	3	23	3	25+TT	20-TT

Table 6.2A.3.1.5-11a: UE Power Class 2 test requirement with both bands supporting PC3 (network signalling value NS_17/NS_47) for CA_n28-n41

Test ID	P ^{Power class} _{class} (dBm)	MPR _c (dB)		AMPR _c (dB)		ΔT _{C,c} (dB)		T _L (dB)	P _{C_{MAX,L}} (dBm)	T _{LOW(P_{C_{MAX,L}})} (dB)	Upper limit (dBm)	Lower limit (dBm)
		PCC	SCC	PCC	SCC	PCC	SCC					
1	26	0	1	0	2	0	0	3	25	3	28+TT	22-TT
2	26	6.5	1	0	7	0	0	3	19	5	28+TT	14-TT
3	26	0	1	0	7	0	0	3	23.8	3	28+TT	20.8-TT

Table 6.2A.3.1.5-11b: UE Power Class 2 test requirement with with PCC supporting PC3 and SCC supporting PC2 (network signalling value NS_17/NS_47) for CA_n28-n41

Test ID	P ^{Power class} _{class} (dBm)	MPR _c (dB)		AMPR _c (dB)		ΔT _{C,c} (dB)		T _L (dB)	P _{C_{MAX,L}} (dBm)	T _{LOW(P_{C_{MAX,L}})} (dB)	Upper limit (dBm)	Lower limit (dBm)
		PCC	SCC	PCC	SCC	PCC	SCC					
1	26	0	3.5	0	5	0	0	3	25	3	28+TT	22-TT
2	26	6.5	3.5	0	10	0	0	3	19	5	28+TT	14-TT
3	26	0	3.5	0	10	0	0	3	23.8	3	28+TT	20.8-TT

For the UE which supports inter-band NR CA configuration, inter-band NR-DC configuration, SUL configuration or inter-band EN-DC configuration, ΔT_{IB,c} as specified in 6.2A.4.0.2 for NR CA, 6.2B.4.0.2 for NR-DC, clause 6.2C.2 for SUL, or TS 38.521-3 [14] clause 6.2B.4.2 for EN-DC applies. Unless otherwise stated, ΔT_{IB,c} is set to zero. In case the UE supports more than one of band combinations for CA, NR-DC, SUL or EN-DC, and an operating band belongs to more than one band combinations then

- a) When the operating band frequency range is ≤ 1 GHz, the applicable additional ΔT_{IB,c} shall be the average value for all band combinations defined in clause 6.2A.4.0.2, 6.2B.4.0.2, 6.2C.2 in this specification and 6.2B.4.2 in TS 38.521-3 [14], truncated to one decimal place that apply for that operating band among the supported band combinations. In case there is a harmonic relation between low band UL and high band DL, then the maximum ΔT_{IB,c} among the different supported band combinations involving such band shall be applied.
- b) When the operating band frequency range is > 1 GHz, the applicable additional ΔT_{IB,c} shall be the maximum value for all band combinations defined in clause 6.2A.4.0.2, 6.2B.4.0.2, 6.2C.2 in this specification and 6.2B.4.2 in TS 38.521-3 [14] for the applicable operating bands.

6.2A.4 Configured output power for CA

6.2A.4.0 Minimum conformance requirements

6.2A.4.0.1 Configured transmitted power level

6.2A.4.0.1.1 Void

6.2A.4.0.1.2 Void

6.2A.4.0.1.3 Configured transmitted power for Inter-band CA

For uplink carrier aggregation the UE is allowed to set its configured maximum output power P_{C_{MAX,c}} for serving cell *c* and its total configured maximum output power P_{C_{MAX}}.

The configured maximum output power $P_{\text{CMAX},c}$ on serving cell c shall be set as specified in subclause 6.2.4.3.

For uplink inter-band carrier aggregation, MPR_c and A-MPR_c apply per serving cell c and are specified in subclause 6.2.2.3 and subclause 6.2.3.3, respectively. P-MPR_c accounts for power management for serving cell c . $P_{\text{CMAX},c}$ is calculated under the assumption that the transmit power is increased independently on all component carriers.

The total configured maximum output power P_{CMAX} shall be set within the following bounds:

$$P_{\text{CMAX}_L} \leq P_{\text{CMAX}} \leq P_{\text{CMAX}_H}$$

For uplink inter-band carrier aggregation with one serving cell c per operating band when same slot symbol pattern is used in all aggregated serving cells,

$$P_{\text{CMAX}_L} = \text{MIN} \{ 10 \log_{10} \sum \text{MIN} [p_{\text{EMAX},c} / (\Delta t_{C,c}), p_{\text{PowerClass},c} / (\text{MAX}(\text{mpr}_c, \text{a-mpr}_c) \cdot \Delta t_{C,c} \cdot \Delta t_{\text{IB},c} \cdot \Delta t_{\text{RxsRS},c}), p_{\text{PowerClass},c} / \text{pmp}_c], P_{\text{EMAX},CA}, P_{\text{PowerClass},CA} - \Delta P_{\text{PowerClass},CA} \}$$

$$P_{\text{CMAX}_H} = \text{MIN} \{ 10 \log_{10} \sum p_{\text{EMAX},c}, P_{\text{EMAX},CA}, P_{\text{PowerClass},CA} - \Delta P_{\text{PowerClass},CA} \}$$

where

- $p_{\text{EMAX},c}$ is the linear value of $P_{\text{EMAX},c}$ which is given by IE *P-Max* for serving cell c in [6];
- $P_{\text{PowerClass},CA}$ is the maximum UE power specified in Table 6.2A.1.0.3-1 without taking into account the tolerance specified in the Table 6.2A.1.0.3-1; If the UE indicates *higherPowerLimit-r17* for an eligible CA configuration as specified in Table 6.2A.1.3-1 and $\Delta P_{\text{PowerClass},CA} = 0$, $P_{\text{PowerClass},CA}$ is replaced by $10 \log_{10} \sum p_{\text{PowerClass},c}$.
- $p_{\text{PowerClass},c}$ is the linear value of the maximum UE power for serving cell c specified in Table 6.2.1.3-1 according to *ue-PowerClassPerBandPerBC-r17* if indicated or *ue-PowerClass* otherwise without taking into account the tolerance;
- $\Delta P_{\text{PowerClass},CA} = 3$ dB for a power class 2 UE when the requirements of default power class are applied as specified in sub-clause 6.2.A.1.3; otherwise $\Delta P_{\text{PowerClass},CA} = 0$ dB;
- mpr_c and a-mpr_c are the linear values of MPR_c and A-MPR_c as specified in subclause 6.2.2.3 and subclause 6.2.3.3, respectively;
- pmp_c is the linear value of P-MPR_c ;
- $\Delta t_{\text{RxsRS},c}$ is the linear value of $\Delta T_{\text{RxsRS},c}$;
- $\Delta t_{C,c}$ is the linear value of $\Delta T_{C,c}$. $\Delta t_{C,c} = 1.41$ when NOTE 2 in Table 6.2A.1.0.3-1 applies for a serving cell c , otherwise $\Delta t_{C,c} = 1$;
- $\Delta t_{\text{IB},c}$ is the linear value of the inter-band relaxation term $\Delta T_{\text{IB},c}$ of the serving cell c as specified in clause 6.2A.4.0.2 for NR CA, clause 6.2C.2 for SUL, or TS 38.101-3 [4] clause 6.2B.4.2 for EN-DC; otherwise $\Delta t_{\text{IB},c} = 1$; In case the UE supports more than one of band combinations for CA, SUL or DC, and an operating band belongs to more than one band combinations then
 - a) When the operating band frequency range is ≤ 1 GHz, the applicable additional $\Delta T_{\text{IB},c}$ shall be the average value for all band combinations defined in clause 6.2A.4.0.2, 6.2C.2 in this specification and 6.2B.4.2 in TS 38.101-3 [4], truncated to one decimal place that apply for that operating band among the supported band combinations. In case there is a harmonic relation between low band UL and high band DL, then the maximum $\Delta T_{\text{IB},c}$ among the different supported band combinations involving such band shall be applied
 - b) When the operating band frequency range is > 1 GHz, the applicable additional $\Delta T_{\text{IB},c}$ shall be the maximum value for all band combinations defined in clause 6.2A.4.0.2, 6.2C.2 in this specification and 6.2B.4.2 in TS 38.101-3 [4] for the applicable operating bands.
- $P_{\text{EMAX},CA}$ is p-UE-FR1 value signalled by RRC and defined in [6]

For uplink inter-band carrier aggregation with one serving cell c per operating band when at least one different numerology/slot pattern is used in aggregated cells, the UE is allowed to set its configured maximum output power $P_{\text{CMAX},c(i),i}$ for serving cell $c(i)$ of slot numerology type i , and its total configured maximum output power P_{CMAX} .

The configured maximum output power $P_{\text{CMAX},c(i),i}$ (p) in slot p of serving cell $c(i)$ on slot numerology type i shall be set within the following bounds:

$$P_{\text{CMAX_L},f,c(i),i}(p) \leq P_{\text{CMAX},f,c(i),i}(p) \leq P_{\text{CMAX_H},f,c(i),i}(p)$$

where $P_{\text{CMAX_L},f,c(i),i}(p)$ and $P_{\text{CMAX_H},f,c(i),i}(p)$ are the limits for a serving cell $c(i)$ of slot numerology type i as specified in subclause 6.2.4.3.

The total UE configured maximum output power $P_{\text{CMAX}}(p,q)$ in a slot p of slot numerology or symbol pattern i , and a slot q of slot numerology or symbol pattern j that overlap in time shall be set within the following bounds unless stated otherwise:

$$P_{\text{CMAX_L}}(p,q) \leq P_{\text{CMAX}}(p,q) \leq P_{\text{CMAX_H}}(p,q)$$

When slots p and q have different transmissions lengths and belong to different cells on different bands:

$$P_{\text{CMAX_L}}(p,q) = \text{MIN} \{ 10 \log_{10} [p_{\text{CMAX_L},f,c(i),i}(p) + p_{\text{CMAX_L},f,c(i),j}(q)], P_{\text{PowerClass}} \}$$

$$P_{\text{CMAX_H}}(p,q) = \text{MIN} \{ 10 \log_{10} [p_{\text{CMAX_H},f,c(i),i}(p) + p_{\text{CMAX_H},f,c(i),j}(q)], P_{\text{PowerClass}} \}$$

where $p_{\text{CMAX_L},f,c(i),i}$ and $p_{\text{CMAX_H},f,c(i),i}$ are the respective limits $P_{\text{CMAX_L},f,c(i),i}$ and $P_{\text{CMAX_H},f,c(i),i}$ expressed in linear scale and $p_{\text{PowerClass},c}$ is the linear value of the maximum UE power for serving cell c specified in Table 6.2.1-1 according to *ue-PowerClassPerBandPerBC-r17* if indicated or *ue-PowerClass* otherwise without taking into account the tolerance; If the UE indicates *higherPowerLimit-r17*, $P_{\text{PowerClass},CA}$ is replaced by $10 \log_{10} \sum p_{\text{PowerClass},c}$.

T_{REF} and T_{eval} are specified in Table 6.2A.4.0.1.3-0 when same and different slot patterns are used in aggregated carriers. For each T_{REF} , the $P_{\text{CMAX_L}}$ is evaluated per T_{eval} and given by the minimum value taken over the transmission(s) within the T_{eval} ; the minimum $P_{\text{CMAX_L}}$ over the one or more T_{eval} is then applied for the entire T_{REF} . $P_{\text{PowerClass}}$ shall not be exceeded by the UE during any period of time.

Table 6.2A.4.0.1.3-0: P_{CMAX} evaluation window for different slot and channel durations

T_{REF}	T_{eval}	T_{eval} with frequency hopping
T_{REF} of largest slot duration over both UL CCs	Physical channel length	Min($T_{\text{no_hopping}}$, Physical Channel Length)

If the UE is configured with multiple TAGs and transmissions of the UE on slot i for any serving cell in one TAG overlap some portion of the first symbol of the transmission on slot $i+1$ for a different serving cell in another TAG, the UE minimum of $P_{\text{CMAX_L}}$ for slots i and $i+1$ applies for any overlapping portion of slots i and $i+1$. $P_{\text{PowerClass}}$ shall not be exceeded by the UE during any period of time.

The measured maximum output power P_{UMAX} over all serving cells with same slot pattern shall be within the following range:

$$P_{\text{CMAX_L}} - \text{MAX}\{T_{\text{L}}, T_{\text{LOW}}(P_{\text{CMAX_L}})\} \leq P_{\text{UMAX}} \leq P_{\text{CMAX_H}} + T_{\text{HIGH}}(P_{\text{CMAX_H}})$$

$$P_{\text{UMAX}} = 10 \log_{10} \sum p_{\text{UMAX},c}$$

where $p_{\text{UMAX},c}$ denotes the measured maximum output power for serving cell c expressed in linear scale. The tolerances $T_{\text{LOW}}(P_{\text{CMAX}})$ and $T_{\text{HIGH}}(P_{\text{CMAX}})$ for applicable values of P_{CMAX} are specified in Table 6.2A.4.0.1.3-1. The tolerance T_{L} is the absolute value of the lower tolerance for applicable NR CA configuration as specified in Table 6.2A.1.0.3-1 for inter-band carrier aggregation.

The measured maximum output power P'_{UMAX} over all serving cells, when at least one slot has a different transmission numerology or symbol pattern, shall be within the following range:

$$P'_{\text{CMAX_L}} - \text{MAX}\{T_{\text{L}}, T_{\text{LOW}}(P'_{\text{CMAX_L}})\} \leq P'_{\text{UMAX}} \leq P'_{\text{CMAX_H}} + T_{\text{HIGH}}(P'_{\text{CMAX_H}})$$

$$P'_{\text{UMAX}} = 10 \log_{10} \sum p'_{\text{UMAX},c}$$

where $p'_{\text{UMAX},c}$ denotes the average measured maximum output power for serving cell c expressed in linear scale over T_{REF} . The tolerances $T_{\text{LOW}}(P'_{\text{CMAX}})$ and $T_{\text{HIGH}}(P'_{\text{CMAX}})$ for applicable values of P'_{CMAX} are specified in Table 6.2A.4.0.1.3-1 for inter-band carrier aggregation. The tolerance T_{L} is the absolute value of the lower tolerance for applicable NR CA configuration as specified in Table 6.2A.1.0.3-1 for inter-band carrier aggregation.

where:

$$P'_{\text{CMAX_L}} = \text{MIN}\{ \text{MIN} \{ 10 \log_{10} \sum (p_{\text{CMAX_L},f,c(i),i}), P_{\text{PowerClass}} \} \text{ over all overlapping slots in } T_{\text{REF}} \}$$

$$P'_{\text{CMAX}_H} = \text{MAX}\{ \text{MIN}\{ 10 \log_{10} \sum p_{\text{EMAX},c}, P_{\text{PowerClass}} \} \text{ over all overlapping slots in } T_{\text{REF}} \}$$

If the UE indicates *higherPowerLimit-r17*, $P_{\text{PowerClass},CA}$ is replaced by $10 \log_{10} \sum p_{\text{PowerClass},c}$

Table 6.2A.4.0.1.3-1: P_{CMAX} tolerance for uplink inter-band CA (two bands)

P_{CMAX} (dBm)	Tolerance $T_{\text{LOW}}(P_{\text{CMAX}})$ (dB)	Tolerance $T_{\text{HIGH}}(P_{\text{CMAX}})$ (dB)
$23 \leq P_{\text{CMAX}} \leq 29$	3.0	2.0
$22 \leq P_{\text{CMAX}} < 23$	5.0	2.0
$21 \leq P_{\text{CMAX}} < 22$	5.0	3.0
$20 \leq P_{\text{CMAX}} < 21$	6.0	4.0
$16 \leq P_{\text{CMAX}} < 20$	5.0	
$11 \leq P_{\text{CMAX}} < 16$	6.0	
$-40 \leq P_{\text{CMAX}} < 11$	7.0	

6.2A.4.0.1.4 Configured transmitted power for Intra-band contiguous CA

For uplink carrier aggregation the UE is allowed to set its configured maximum output power $P_{\text{CMAX},c}$ for serving cell c and its total configured maximum output power P_{CMAX} .

The configured maximum output power $P_{\text{CMAX},c}$ on serving cell c shall be set as specified in subclause 6.2.4, but with $\text{MPR}_c = \text{MPR}$ and $\text{A-MPR}_c = \text{A-MPR}$ with MPR and A-MPR as determined by subclause 6.2A.2.0 and 6.2A.3.0 respectively. For PH reporting the following exception applies: if the UE is configured with multiple uplink serving cells, the power $P_{\text{CMAX},c}$ used for the purpose of PH reporting on first serving cell $c = c_1$ does not consider for computation of the PH report transmissions on a second serving cell c_2 as exempted in subclause 7.7.1 in [8]. There is one power management term for the UE, denoted P-MPR, and $\text{P-MPR}_c = \text{P-MPR}$.

The total configured maximum output power P_{CMAX} shall be set within the following bounds:

$$P_{\text{CMAX}_L} \leq P_{\text{CMAX}} \leq P_{\text{CMAX}_H}$$

For uplink intra-band contiguous carrier aggregation when same slot pattern is used in all aggregated serving cells,

$$P_{\text{CMAX}_L} = \text{MIN}\{ 10 \log_{10} \sum p_{\text{EMAX},c} - \Delta T_C, P_{\text{EMAX},CA}, (P_{\text{PowerClass},CA} - \Delta P_{\text{PowerClass},CA}) - \text{MAX}(\text{MAX}(\text{MPR}, \text{A-MPR}) + \Delta T_{\text{IB},c} + \Delta T_C + \Delta T_{\text{RxsRS}}, \text{P-MPR}_c) \}$$

$$P_{\text{CMAX}_H} = \text{MIN}\{ 10 \log_{10} \sum p_{\text{EMAX},c}, P_{\text{EMAX},CA}, P_{\text{PowerClass},CA} - \Delta P_{\text{PowerClass},CA} \}$$

where

- $p_{\text{EMAX},c}$ is the linear value of $P_{\text{EMAX},c}$ which is given by IE *P-Max* for serving cell c in [7];
- $P_{\text{PowerClass},CA}$ is the maximum UE power specified in Table 6.2A.1.0.4-1 without taking into account the tolerance;
- MPR and A-MPR are specified in subclause 6.2A.2.0 and 6.2A.3.0 respectively;
- $\Delta P_{\text{PowerClass},CA} = 3$ dB for a power class 2 UE when $10 \log_{10} \sum p_{\text{EMAX},c}$ of 23 dBm or lower is indicated; or when $P_{\text{EMAX},CA}$ of 23dBm or lower is indicated; or when the field of UE capability *maxUplinkDutyCycle-PC2-FR1* is absent and the percentage of total uplink symbols transmitted on all UL CCs in a certain evaluation period is larger than 50%; or when the field of UE capability *maxUplinkDutyCycle-PC2-FR1* is not absent and the percentage of total uplink symbols transmitted in a certain evaluation period is larger than *maxUplinkDutyCycle-PC2-FR1* as defined in TS 38.331 (The exact evaluation period is no less than one radio frame); otherwise $\Delta P_{\text{PowerClass},CA} = 0$ dB;
- $\Delta T_{\text{IB},c}$ is the additional tolerance for serving cell c as specified in clause 6.2A.4.0.2 for NR CA, clause 6.2C.2 for SUL, or TS 38.101-3 [4] clause 6.2B.4.2 for EN-DC In case the UE supports more than one of band combinations for CA, SUL or DC, and an operating band belongs to more than one band combinations then
 - a) When the operating band frequency range is ≤ 1 GHz, the applicable additional $\Delta T_{\text{IB},c}$ shall be the average value for all band combinations defined in clause 6.2A.4.0.2, 6.2C.2 in this specification and 6.2B.4.2 in TS 38.101-3 [4], truncated to one decimal place that apply for that operating band among the supported band combinations. In case there is a harmonic relation between low band UL and high band DL, then the maximum $\Delta T_{\text{IB},c}$ among the different supported band combinations involving such band shall be applied

- b) When the operating band frequency range is > 1 GHz, the applicable additional $\Delta T_{IB,c}$ shall be the maximum value for all band combinations defined in clause 6.2A.4.0.2, 6.2C.2 in this specification and 6.2B.4.2 in TS 38.101-3 [4] for the applicable operating bands.;
- P_{MPR} is the power management term for the UE;
 - ΔT_C is the highest value $\Delta T_{C,c}$ among all serving cells c ;
 - ΔT_{RxsRS} is the highest value among all serving cells c .
 - $P_{\text{EMAX,CA}}$ is the value indicated by $p\text{-NR-FRI}$ or by $p\text{-UE-FRI}$ whichever is the smallest if both are present.

For uplink intra-band contiguous carrier aggregation, when at least one different numerology/slot pattern is used in aggregated cells, the UE is allowed to set its configured maximum output power $P_{\text{CMAX},c(i),i}$ for serving cell $c(i)$ of slot numerology type i , and its total configured maximum output power P_{CMAX} .

The configured maximum output power $P_{\text{CMAX},c(i),i}(p)$ in slot p of serving cell $c(i)$ on slot numerology type i shall be set within the following bounds:

$$P_{\text{CMAX}_L,f,c(i),i}(p) \leq P_{\text{CMAX},f,c(i),i}(p) \leq P_{\text{CMAX}_H,f,c(i),i}(p)$$

where $P_{\text{CMAX}_L,f,c(i),i}(p)$ and $P_{\text{CMAX}_H,f,c(i),i}(p)$ are the limits for a serving cell $c(i)$ of slot numerology type i as specified in subclause 6.2.4.

The total UE configured maximum output power $P_{\text{CMAX}}(p,q)$ in a slot p of slot numerology or symbol pattern i , and a slot q of slot numerology or symbol pattern j that overlap in time shall be set within the following bounds unless stated otherwise:

$$P_{\text{CMAX}_L}(p,q) \leq P_{\text{CMAX}}(p,q) \leq P_{\text{CMAX}_H}(p,q)$$

When slots p and q have different transmissions lengths and belong to different cells on different or same bands:

$$P_{\text{CMAX}_L}(p,q) = \text{MIN} \{ 10 \log_{10} [P_{\text{CMAX}_L,f,c(i),i}(p) + P_{\text{CMAX}_L,f,c(i),j}(q)], P_{\text{PowerClass,CA}}, P_{\text{EMAX,CA}} \}$$

$$P_{\text{CMAX}_H}(p,q) = \text{MIN} \{ 10 \log_{10} [P_{\text{CMAX}_H,f,c(i),i}(p) + P_{\text{CMAX}_H,f,c(i),j}(q)], P_{\text{PowerClass,CA}}, P_{\text{EMAX,CA}} \}$$

where $p_{\text{CMAX}_L,f,c(i),i}$ and $p_{\text{CMAX}_H,f,c(i),i}$ are the respective limits $P_{\text{CMAX}_L,f,c(i),i}$ and $P_{\text{CMAX}_H,f,c(i),i}$ expressed in linear scale.

T_{REF} and T_{eval} are specified in Table 6.2A.4.0.1.4-0 when same and different slot patterns are used in aggregated carriers. For each T_{REF} , the P_{CMAX_L} is evaluated per T_{eval} and given by the minimum value taken over the transmission(s) within the T_{eval} ; the minimum P_{CMAX_L} over the one or more T_{eval} is then applied for the entire T_{REF} . The lesser of $P_{\text{PowerClass,CA}}$ and $P_{\text{EMAX,CA}}$ shall not be exceeded by the UE during any period of time.

Table 6.2A.4.0.1.4-0: P_{CMAX} evaluation window for different slot and channel durations

T_{REF}	T_{eval}	T_{eval} with frequency hopping
T_{REF} of largest slot duration over both UL CCs	Physical channel length	$\text{Min}(T_{\text{no_hopping}}, \text{Physical Channel Length})$

If the UE is configured with multiple TAGs and transmissions of the UE on slot i for any serving cell in one TAG overlap some portion of the first symbol of the transmission on slot $i+1$ for a different serving cell in another TAG, the UE minimum of P_{CMAX_L} for slots i and $i+1$ applies for any overlapping portion of slots i and $i+1$. The lesser of $P_{\text{PowerClass,CA}}$ and $P_{\text{EMAX,CA}}$ shall not be exceeded by the UE during any period of time.

The measured maximum output power P_{UMAX} over all serving cells with same slot pattern shall be within the following range:

$$P_{\text{CMAX}_L} - \text{MAX}\{T_L, T_{\text{LOW}}(P_{\text{CMAX}_L})\} \leq P_{\text{UMAX}} \leq P_{\text{CMAX}_H} + T_{\text{HIGH}}(P_{\text{CMAX}_H})$$

$$P_{\text{UMAX}} = 10 \log_{10} \sum P_{\text{UMAX},c}$$

where $p_{\text{UMAX},c}$ denotes the measured maximum output power for serving cell c expressed in linear scale. The tolerances $T_{\text{LOW}}(P_{\text{CMAX}})$ and $T_{\text{HIGH}}(P_{\text{CMAX}})$ for applicable values of P_{CMAX} are specified in Table 6.2A.4.0.1.4-1. The tolerance T_L is the absolute value of the lower tolerance for applicable NR CA configuration as specified in Table 6.2A.1.0.4-1 for intra-band carrier aggregation.

The measured maximum output power P_{UMAX} over all serving cells, when at least one slot has a different transmission numerology or slot pattern, shall be within the following range:

$$P'_{CMAX_L} - \text{MAX}\{T_L, T_{LOW}(P'_{CMAX_L})\} \leq P'_{UMAX} \leq P'_{CMAX_H} + T_{HIGH}(P'_{CMAX_H})$$

$$P'_{UMAX} = 10 \log_{10} \sum p'_{UMAX,c}$$

where $p'_{UMAX,c}$ denotes the average measured maximum output power for serving cell c expressed in linear scale over T_{REF} . The tolerances $T_{LOW}(P'_{CMAX})$ and $T_{HIGH}(P'_{CMAX})$ for applicable values of P'_{CMAX} are specified in Table 6.2A.4.0.1.4-1 for intra-band carrier aggregation. The tolerance T_L is the absolute value of the lower tolerance for applicable NR CA configuration as specified in Table 6.2A.1.0.4-1 for intra-band carrier aggregation.

where:

$$P'_{CMAX_L} = \text{MIN}\{ \text{MIN}\{10 \log_{10} \sum (p_{CMAX_L,f,c(i),i}), P_{PowerClass,CA}\} \text{ over all overlapping slots in } T_{REF}\}$$

$$P'_{CMAX_H} = \text{MAX}\{ \text{MIN}\{10 \log_{10} \sum p_{EMAX,c}, P_{PowerClass,CA}\} \text{ over all overlapping slots in } T_{REF}\}$$

Table 6.2A.4.0.1.4-1: P_{CMAX} tolerance for uplink intra-band contiguous CA

P_{CMAX} (dBm)	Tolerance $T_{LOW}(P_{CMAX})$ (dB)	Tolerance $T_{HIGH}(P_{CMAX})$ (dB)
$23 < P_{CMAX} \leq 26$	3	2
$21 \leq P_{CMAX} \leq 23$		2.0
$20 \leq P_{CMAX} < 21$		2.5
$19 \leq P_{CMAX} < 20$		3.5
$18 \leq P_{CMAX} < 19$		4.0
$13 \leq P_{CMAX} < 18$		5.0
$8 \leq P_{CMAX} < 13$		6.0
$-40 \leq P_{CMAX} < 8$		7.0

6.2A.4.0.1.5 Configured transmitted power for Intra-band non-contiguous CA

For uplink carrier aggregation the UE is allowed to set its configured maximum output power $P_{CMAX,c}$ for serving cell c and its total configured maximum output power P_{CMAX} .

The configured maximum output power $P_{CMAX,c}$ on serving cell c shall be set as specified in subclause 6.2.4.

The configured maximum output power $P_{CMAX,c}$ on serving cell c shall be set as specified in subclause 6.2.4, but with $MPR_c = MPR$ and $A-MPR_c = A-MPR$ with MPR and $A-MPR$ as determined by subclause 6.2A.2 and 6.2A.3, respectively. For PH reporting the following exception applies: if the UE is configured with multiple uplink serving cells, the power $P_{CMAX,c}$ used for the purpose of PH reporting on first serving cell $c = c1$ does not consider for computation of the PH report transmissions on a second serving cell $c2$ as exempted in subclause 7.7.1 in [8]. There is one power management term for the UE, denoted $P-MPR$, and $P-MPR_c = P-MPR$.

The total configured maximum output power P_{CMAX} shall be set within the following bounds:

$$P_{CMAX_L} \leq P_{CMAX} \leq P_{CMAX_H}$$

For uplink intra-band non-contiguous carrier aggregation when same slot pattern is used in all aggregated serving cells,

$$P_{CMAX_L} = \text{MIN}\{10 \log_{10} \sum p_{EMAX,c} - \Delta T_C, P_{EMAX,CA}, P_{PowerClass,CA} - \text{MAX}(\text{MAX}(MPR, A-MPR) + \Delta T_{IB,c} + \Delta T_C + \Delta T_{RxsRS}, P-MPR)\}$$

$$P_{CMAX_H} = \text{MIN}\{10 \log_{10} \sum p_{EMAX,c}, P_{EMAX,CA}, P_{PowerClass,CA}\}$$

where

- $p_{EMAX,c}$ is the linear value of $P_{EMAX,c}$ which is given by IE *P-Max* for serving cell c in [7];
- $P_{PowerClass,CA}$ is the maximum UE power specified in Table 6.2A.1.2-1 without taking into account the tolerance;
- MPR and $A-MPR$ are specified in subclause 6.2A.2 and subclause 6.2A.3 respectively;

- $\Delta T_{IB,c}$ is the additional tolerance for serving cell c as specified in clause 6.2A.4.0.2 for NR CA, clause 6.2C.2 for SUL, or TS 38.101-3 clause 6.2B.4.2 for EN-DC; In case the UE supports more than one of band combinations for CA, SUL or DC, and an operating band belongs to more than one band combinations then
 - a) When the operating band frequency range is ≤ 1 GHz, the applicable additional $\Delta T_{IB,c}$ shall be the average value for all band combinations defined in clause 6.2A.4.0.2, 6.2C.2 in this specification and 6.2B.4.2 in TS 38.101-3 [3], truncated to one decimal place that apply for that operating band among the supported band combinations. In case there is a harmonic relation between low band UL and high band DL, then the maximum $\Delta T_{IB,c}$ among the different supported band combinations involving such band shall be applied
 - b) When the operating band frequency range is > 1 GHz, the applicable additional $\Delta T_{IB,c}$ shall be the maximum value for all band combinations defined in clause 6.2A.4.0.2, 6.2C.2 in this specification and 6.2B.4.2 in TS 38.101-3 [3] for the applicable operating bands.
- P-MPR is the power management term for the UE;
- ΔT_C is the highest value $\Delta T_{C,c}$ among all serving cells c ;
- ΔT_{RxSRS} is the highest value among all serving cells c ;
- $P_{EMAX,CA}$ is the value indicated by p -NR-FRI or by p -UE-FRI whichever is the smallest if both are present. [For uplink intra-band non-contiguous carrier aggregation, when at least one different numerology/slot pattern is used in aggregated cells, the UE is allowed to set its configured maximum output power $P_{CMAX,c(i),i}$ for serving cell $c(i)$ of slot numerology type i , and its total configured maximum output power P_{CMAX} .

The configured maximum output power $P_{CMAX,c(i),i}(p)$ in slot p of serving cell $c(i)$ on slot numerology type i shall be set within the following bounds:

$$P_{CMAX_L,f,c(i),i}(p) \leq P_{CMAX,f,c(i),i}(p) \leq P_{CMAX_H,f,c(i),i}(p)$$

where $P_{CMAX_L,f,c(i),i}(p)$ and $P_{CMAX_H,f,c(i),i}(p)$ are the limits for a serving cell $c(i)$ of slot numerology type i as specified in subclause 6.2.4.

The total UE configured maximum output power $P_{CMAX}(p,q)$ in a slot p of slot numerology or symbol pattern i , and a slot q of slot numerology or symbol pattern j that overlap in time shall be set within the following bounds unless stated otherwise:

$$P_{CMAX_L}(p,q) \leq P_{CMAX}(p,q) \leq P_{CMAX_H}(p,q)$$

When slots p and q have different transmissions lengths and belong to different cells on different or same bands:

$$P_{CMAX_L}(p,q) = \text{MIN} \{ 10 \log_{10} [P_{CMAX_L,f,c(i),i}(p) + P_{CMAX_L,f,c(i),j}(q)], P_{PowerClass,CA}, P_{EMAX,CA} \}$$

$$P_{CMAX_H}(p,q) = \text{MIN} \{ 10 \log_{10} [P_{CMAX_H,f,c(i),i}(p) + P_{CMAX_H,f,c(i),j}(q)], P_{PowerClass,CA}, P_{EMAX,CA} \}$$

where $P_{CMAX_L,f,c(i),i}$ and $P_{CMAX_H,f,c(i),i}$ are the respective limits $P_{CMAX_L,f,c(i),i}$ and $P_{CMAX_H,f,c(i),i}$ expressed in linear scale.]

T_{REF} and T_{eval} are specified in Table 6.2A.4.1.2-1 when same and different slot patterns are used in aggregated carriers. For each T_{REF} , the P_{CMAX_L} is evaluated per T_{eval} and given by the minimum value taken over the transmission(s) within the T_{eval} ; the minimum P_{CMAX_L} over the one or more T_{eval} is then applied for the entire T_{REF} . The lesser of $P_{PowerClass,CA}$ and $P_{EMAX,CA}$ shall not be exceeded by the UE during any period of time.

Table 6.2A.4.0.1.5-1: P_{CMAX} evaluation window for different slot and channel durations

T_{REF}	T_{eval}	T_{eval} with frequency hopping
T_{REF} of largest slot duration over both UL CCs	Physical channel length	Min($T_{no_hopping}$, Physical Channel Length)

If the UE is configured with multiple TAGs and transmissions of the UE on slot i for any serving cell in one TAG overlap some portion of the first symbol of the transmission on slot $i+1$ for a different serving cell in another TAG, the UE minimum of P_{CMAX_L} for slots i and $i+1$ applies for any overlapping portion of slots i and $i+1$. The lesser of $P_{PowerClass,CA}$ and $P_{EMAX,CA}$ shall not be exceeded by the UE during any period of time.

The measured maximum output power P_{UMAX} over all serving cells with same slot pattern shall be within the following range:

$$P_{\text{CMAX}_L} - \text{MAX}\{T_L, T_{\text{LOW}}(P_{\text{CMAX}_L})\} \leq P_{\text{UMAX}} \leq P_{\text{CMAX}_H} + T_{\text{HIGH}}(P_{\text{CMAX}_H})$$

$$P_{\text{UMAX}} = 10 \log_{10} \sum p_{\text{UMAX},c}$$

where $p_{\text{UMAX},c}$ denotes the measured maximum output power for serving cell c expressed in linear scale. The tolerances $T_{\text{LOW}}(P_{\text{CMAX}})$ and $T_{\text{HIGH}}(P_{\text{CMAX}})$ for applicable values of P_{CMAX} are specified in Table 6.2A.4.0.1.5-2. The tolerance T_L is the absolute value of the lower tolerance for applicable NR CA configuration as specified in Table 6.2A.1.0.5-1 for intra-band carrier aggregation.

The measured maximum output power P_{UMAX} over all serving cells, when at least one slot has a different transmission numerology or slot pattern, shall be within the following range:

$$P'_{\text{CMAX}_L} - \text{MAX}\{T_L, T_{\text{LOW}}(P'_{\text{CMAX}_L})\} \leq P'_{\text{UMAX}} \leq P'_{\text{CMAX}_H} + T_{\text{HIGH}}(P'_{\text{CMAX}_H})$$

$$P'_{\text{UMAX}} = 10 \log_{10} \sum p'_{\text{UMAX},c}$$

where $p'_{\text{UMAX},c}$ denotes the average measured maximum output power for serving cell c expressed in linear scale over T_{REF} . The tolerances $T_{\text{LOW}}(P'_{\text{CMAX}})$ and $T_{\text{HIGH}}(P'_{\text{CMAX}})$ for applicable values of P'_{CMAX} are specified in Table 6.2A.4.0.1.5-2 for intra-band carrier aggregation. The tolerance T_L is the absolute value of the lower tolerance for applicable NR CA configuration as specified in Table 6.2A.1.0.5-1 for intra-band carrier aggregation.

where:

$$P'_{\text{CMAX}_L} = \text{MIN}\{ \text{MIN}\{ 10\log_{10} \sum (p_{\text{CMAX}_L,f,c(i),i}), P_{\text{PowerClass,CA}} \} \text{ over all overlapping slots in } T_{\text{REF}} \}$$

$$P'_{\text{CMAX}_H} = \text{MAX}\{ \text{MIN}\{ 10 \log_{10} \sum p_{\text{EMAX},c}, P_{\text{PowerClass,CA}} \} \text{ over all overlapping slots in } T_{\text{REF}} \}$$

Table 6.2A.4.0.1.5-2: P_{CMAX} tolerance for uplink intra-band non-contiguous CA

P_{CMAX} (dBm)	Tolerance $T_{\text{LOW}}(P_{\text{CMAX}})$ (dB)	Tolerance $T_{\text{HIGH}}(P_{\text{CMAX}})$ (dB)
$21 \leq P_{\text{CMAX}} \leq 23$	3.0	2.0
$20 \leq P_{\text{CMAX}} < 21$	2.5	
$19 \leq P_{\text{CMAX}} < 20$	3.5	
$18 \leq P_{\text{CMAX}} < 19$	4.0	
$13 \leq P_{\text{CMAX}} < 18$	5.0	
$8 \leq P_{\text{CMAX}} < 13$	6.0	
$-40 \leq P_{\text{CMAX}} < 8$	7.0	

6.2A.4.0.2 $\Delta T_{\text{IB},c}$ for CA

For the UE which supports inter-band NR CA configuration, $\Delta T_{\text{IB},c}$ in tables below applies. Unless otherwise stated, $\Delta T_{\text{IB},c}$ is set to zero.

6.2A.4.0.2.1 FFS

6.2A.4.0.2.2 FFS

6.2A.4.0.2.3 $\Delta T_{\text{IB},c}$ for Inter-band CA

Table 6.2A.4.0.2.3-1: $\Delta T_{\text{IB},c}$ due to NR CA (two bands)

Inter-band CA combination	NR Band	$\Delta T_{\text{IB},c}$ (dB)
CA_n1-n3	n1	0.3
	n3	0.3
CA_n1-n8	n1	0.3
	n8	0.3
CA_n1-n28	n1	0.3
	n28	0.6
CA_n1-n41	n1	0.5
	n41	0.5
CA_n1-n77	n1	0.6
	n77	0.8

CA_n1-n78	n1	0.3
	n78	0.8
CA_n2-n5	n2	0.3
	n5	0.3
CA_n2-n14	n2	0.3
	n14	0.3
CA_n2-n30	n2	0.5
	n30	0.3
CA_n2-n48	n2	0.6
	n48	0.8
CA_n2-n66	n2	0.5
	n66	0.5
CA_n2-n77	n2	0.6
	n77	0.8
CA_n3-n5	n3	0.3
	n5	0.3
CA_n3-n8	n3	0.3
	n8	0.3
CA_n3-n28	n3	0.3
	n28	0.3
CA_n3-n41	n3	0.5
	n41	0.3 ⁴
		0.8 ⁵
CA_n3-n77	n3	0.6
	n77	0.8
CA_n3-n78	n3	0.6
	n78	0.8
CA_n5-n30	n5	0.3
	n30	0.3
CA_n5-n48	n5	0.3
	n48	0.3
CA_n5-n66	n5	0.3
	n66	0.3
CA_n5-n77	n5	0.6
	n77	0.8
CA_n8-n78	n8	0.6
	n78	0.8
CA_n14-n30	n14	0.3
	n30	0.3
CA_n14-n66	n14	0.3
	n66	0.3
CA_n14-n77	n14	0.5
	n77	0.8
CA_n20-n78	n20	0.6
	n78	0.8
CA_n24-n41	n24	0.3
	n41	0.4 ⁴
		0.9 ⁵
CA_n24-n48	n24	0.6
	n48	0.8
CA_n24-n77	n24	0.6
	n77	0.8
CA_n25-n66	n25	0.5
	n66	0.5
CA_n25-n77	n25	0.6
	n77	0.8
CA_n28-n40	n28	0.3
	n40	0.3
CA_n28-n41	n28	0.3
	n41	0.3
CA_n28-n77	n28	0.5
	n77	0.8
CA_n28-n78	n28	0.5
	n78	0.8
CA_n28-n79	n28	0.5

	n79	0.8
CA_n30-n66	n30	0.5
	n66	0.8
CA_n30-n77	n30	0.3
	n77	0.8
CA_n39-n41	n39	0 ²
	n41	0 ²
	n39	0.5
CA_n41-n77 ¹	n41	0.3
	n77	0.8
CA_n41-n79	n41	0.3
	n79	0.8
CA_n48-n66	n48	0.8
	n66	0.6
CA_n66-n70	n66	0.5
	n70	0.5
CA_n66-n71	n66	0.3
	n71	0.3
CA_n66-n77	n66	0.6
	n77	0.8
CA_n66-n78	n66	0.6
	n78	0.8
CA_n70-n71	n70	0.3
	n71	0.6
CA_n71-n77	n71	0.5
	n77	0.8
CA_n71-n78	n71	0.5
	n78	0.8
CA_n77-n79	n77	0.5
	n79	0.5
CA_n78-n79	n78	0.5
		1.5 ⁶
	n79	0.5
		1.5 ⁶
<p>NOTE 1: The requirements only apply when the sub-frame and Tx-Rx timings are synchronized between the component carriers. In the absence of synchronization, the requirements are not within scope of these specifications.</p> <p>NOTE 2: Only applicable for UE supporting inter-band carrier aggregation with uplink in one NR band and without simultaneous Rx/Tx.</p> <p>NOTE 3: Applicable for UE supporting inter-band carrier aggregation without simultaneous Rx/Tx.</p> <p>NOTE 4: The requirement is applied for UE transmitting on the frequency range of 2515-2690 MHz.</p> <p>NOTE 5: The requirement is applied for UE transmitting on the frequency range of 2496-2515 MHz.</p> <p>NOTE 6: The requirements only apply for UE supporting inter-band carrier aggregation with simultaneous Rx/Tx capability, and NR UL carrier frequencies are confined to 3700 MHz-3800MHz for n78 and 4400 MHz-4500MHz for n79. Simultaneous Rx/Tx capability does not apply for UEs supporting band n78 with a n77 implementation.</p>		

Table 6.2A.4.0.2.3-2: $\Delta T_{IB,c}$ due to NR CA (three bands)

Inter-band CA combination	NR Band	$\Delta T_{IB,c}$ (dB)
CA_n1-n3-n77	n1	0.6
	n3	0.6
	n77	0.8
CA_n1-n3-n78	n1	0.6
	n3	0.6
	n78	0.8
CA_n1-n8-n78	n1	0.3
	n8	0.6

	n78	0.8
CA_n1-n28-n77	n1	0.6
	n28	0.6
	n77	0.8
CA_n1-n41-n77	n1	0.5
	n41	0.5
	n77	0.8
CA_n2-n5-n77	n2	0.6
	n5	0.8
	n77	0.8
CA_n2-n5-n48	n2	0.6
	n5	0.3
	n48	0.8
CA_n2-n48-n66	n2	0.6
	n48	0.8
	n66	0.6
CA_n2-n48-n77	n2	0.6
	n48	0.8
	n77	0.8
CA_n2-n66-n77	n2	0.6
	n66	0.6
	n77	0.8
CA_n3-n8-n78	n3	0.6
	n8	0.6
	n78	0.8
CA_n3-n28-n41	n3	0.5
	n28	0.3
	n41	0.3 ¹ /0.8 ²
CA_n3-n28-n77	n3	0.6
	n28	0.5
	n77	0.8
CA_n3-n41-n77	n3	0.6
	n41	0.3 ¹ /0.8 ²
	n77	0.8
CA_n5-n48-n66	n5	0.3
	n48	0.8
	n66	0.6
CA_n5-n48-n77	n5	0.6
	n48	0.8
	n77	0.8
CA_n5-n66-n77	n5	0.6
	n66	0.6
	n77	0.8
CA_n28-n41-n79	n28	0.5
	n41	0.3
	n79	0.8
CA_n48-n66-n77	n48	0.8
	n66	0.6
	n77	0.8

NOTE 1: The requirement is applied for UE transmitting on the frequency range of 2515-2690 MHz.
 NOTE 2: The requirement is applied for UE transmitting on the frequency range of 2496-2515 MHz.

Table 6.2A.4.0.2.3-3: $\Delta T_{IB,c}$ due to NR CA (four bands)

Inter-band CA combination	$\Delta T_{IB,c}$ for NR bands (dB) ⁵			
	Component band in order of bands in configuration ⁶			
CA_n2-n5-n48-n66	0.6	0.3	0.8	0.6
CA_n2-n5-n48-n77	0.6	0.3	0.8	0.8
CA_n2-n5-n66-n77	0.5	0.3	0.5	0.8
CA_n2-n48-n66-n77	0.6	0.8	0.6	0.8
CA_n3-n28-n41-n77	1	0.5	0.3 ¹ / 0.8 ²	0.8
CA_n5-n48-n66-n77	0.6	0.8	0.6	0.8

NOTE 1: Applicable for the frequency range of 2515-2690 MHz.
 NOTE 2: Applicable for the frequency range of 2496-2515 MHz.
 NOTE 3: FFS

NOTE 4: FFS

NOTE 5: “.” denotes $\Delta T_{IB,c} = 0$.

NOTE 6: The component band order in the configuration should be listed by the order of NR bands, such as for CA_n1-n3-n5-n78 the band order from left to right is n1, n3, n5 and n78.

6.2A.4.1 Configured transmitted power for CA (2UL CA)

6.2A.4.1.1 Test purpose

To verify that the total measured UE configured maximum output power P_{UMAX} in two uplink carrier aggregation is within the specified bounds.

6.2A.4.1.2 Test applicability

The requirements of this test apply to all types of NR UE release 15 and forward that support NR 2 UL CA.

6.2A.4.1.3 Minimum conformance requirements

The minimum conformance requirements are defined in subclause 6.2A.4.0.

6.2A.4.1.4 Test description

6.2A.4.1.4.1 Initial conditions

Initial conditions are a set of test configurations the UE needs to be tested in and the steps for the SS to take with the UE to reach the correct measurement state.

The initial test configurations consist of environmental conditions, test frequencies, channel bandwidths and sub-carrier spacing based on NR CA configuration specified in 5.5A. All of these configurations shall be tested with applicable test parameters for each CA configuration of test channel bandwidth and sub-carrier spacing, and are shown in table 6.2A.4.1.4.1-1 to table 6.2A.4.1.4.1-2. The details of the uplink reference measurement channels (RMCs) are specified in Annexes A.2. Configurations of PDSCH and PDCCH before measurement are specified in Annex C.2.

Table 6.2A.4.1.4.1-1: Inter-band CA Test Configuration Table

Initial Conditions				
Test Environment as specified in TS 38.508-1 [5] subclause 4.1		Normal, TL/VL, TL/VH, TH/VL, TH/VH		
Test Frequencies as specified in TS 38.508-1 [5] subclause 4.3.1		Mid range for PCC and SCC (NOTE 3)		
Test Channel Bandwidths as specified in TS 38.508-1 [5] subclause 4.3.1		Lowest N_{RB_agg} , Highest N_{RB_agg}		
Test SCS as specified in 5.3.5-1		Lowest		
Test Parameters for Channel Bandwidths				
Test ID	Downlink Configuration for PCC & SCC	Uplink Configuration		
		Modulation for all CCs (NOTE 2)	RB allocation (NOTE 1)	
			PCC	SCC
1	N/A for minimum output power test case	DFT-s-OFDM Pi/2 BPSK	Inner Full	Inner Full
2		DFT-s-OFDM QPSK	Inner Full	Inner Full
NOTE 1: The specific configuration of each RB allocation is defined in Table 6.1-1.				
NOTE 2: DFT-s-OFDM Pi/2 BPSK test applies only for UEs which supports Pi/2 BPSK in FR1.				
NOTE 3: For NR band n28, 30MHz test channel bandwidth is tested with Low range test frequencies.				

Table 6.2A.4.1.4.1-2: Intra-band contiguous CA (contiguous RB allocation) Test Configuration Table

Initial Conditions				
Test Environment as specified in TS 38.508-1 [5] subclause 4.1		Normal, TL/VL, TL/VH, TH/VL, TH/VH		
Test Frequencies as specified in TS 38.508-1 [5] subclause 4.3.1		Mid range		
Test Channel Bandwidths as specified in TS 38.508-1 [5] subclause 4.3.1		Lowest N_{RB_agg} , Highest N_{RB_agg} (NOTE 1)		
Test SCS as specified in Table 5.3.5-1		Lowest		
Test Parameters for Channel Bandwidths				
Test Parameters for CA bandwidth class B and C				
Test ID	DL configuration for PCC & SCC	UL configuration		
		Modulations for all CCs (NOTE 2)		RB allocation (NOTE 3)
1	N/A	DFT-s-OFDM Pi/2 BPSK		Inner Full
2		DFT-s-OFDM QPSK		Inner Full

NOTE 1: The Test CC Combination settings are checked separately for each CA Configuration, which applicable aggregated channel bandwidths are specified in Table 5.5A.1-1.

NOTE 2: DFT-s-OFDM Pi/2 BPSK test applies only for UEs which supports Pi/2 BPSK in FR1.

NOTE 3: The specific configuration of each RB allocation is defined in Table 6.1A-1a.

NOTE 4: If the UE supports multiple CC Combinations in the CA Configuration with the same N_{RB_agg} , only the combination with the highest N_{RB_PCC} is tested.

Table 6.2A.4.1.4.1-3: Intra-band non-contiguous CA when UE supporting IE *dualPA-Architecture* Test Configuration

Initial Conditions								
Test Environment as specified in TS 38.508-1 [5] subclause 4.1		Normal, TL/VL, TL/VH, TH/VL, TH/VH						
Test Frequencies as specified in TS 38.508-1 [5] subclause 4.3.1		One frequency chosen arbitrarily from Low range or High range test frequencies as specified in tables for non-contiguous CA configuration with UL CA						
Test Channel Bandwidths as specified in TS 38.508-1 [5] subclause 4.3.1		Lowest N_{RB_agg} , Highest N_{RB_agg} (NOTE 1)						
Test SCS as specified in 5.3.5-1		Lowest						
Test Parameters for Channel Bandwidths								
Test ID	Downlink Configuration for PCC & SCC	Uplink Configuration						
		Modulation for all CCs (NOTE 2)	RB allocation (NOTE 1)					
			SCS 15 kHz		SCS 30 kHz		SCS 60 kHz	
			PCC	SCC	PCC	SCC	PCC	SCC
1	N/A	DFT-s-OFDM Pi/2 BPSK	45@0	45@0	24@0	24@0	12@0	12@0
2		DFT-s-OFDM QPSK	45@0	45@0	24@0	24@0	12@0	12@0
NOTE 1: The specific configuration of each RB allocation is defined in Table 6.1-1.								
NOTE 2: DFT-s-OFDM Pi/2 BPSK test applies only for UEs which supports Pi/2 BPSK in FR1.								

1. Connect the SS to the UE antenna connectors as shown in TS 38.508-1 [5] Annex A, Figure A.3.1.1.3 for TE diagram and section A.3.2 for UE diagram.
2. The parameter settings for the cell are set up according to TS 38.508-1 [5] subclause 4.4.3.
3. Downlink signals are initially set up according to Annex C.0, C.1, C.2, and uplink signals according to Annex G.0, G.1, G.2, G.3.0.
4. The UL Reference Measurement Channel is set according to Tables 6.2A.4.1.4.1-1, 6.2A.4.1.4.1-2 and Table 6.2A.4.1.4.1-3 as appropriate.
5. Propagation conditions are set according to Annex B.0.
6. Ensure the UE is in State RRC_CONNECTED with generic procedure parameters Connectivity NR, Connected without release *On*, Test Mode *On* and Test Loop Function *On* according to TS 38.508-1 [5] clause 4.5. Message contents are defined in clause 6.2A.4.1.4.3.

6.2A.4.1.4.2 Test procedure

1. Configure SCC according to Annex C.0, C.1, C.2 for all downlink physical channels.

2. The SS shall configure SCC as per TS 38.508-1 [5] clause 5.5.1. Message contents are defined in clause 6.2A.4.1.4.3.
3. SS activates SCC by sending the activation MAC CE (Refer TS 38.321 [18], clauses 5.9, 6.1.3.10). Wait for at least 2 seconds (Refer TS 38.133[19], clause 9.3).
4. SS sends uplink scheduling information for each UL HARQ process via PDCCH DCI format 0_1 for C_RNTI to schedule the UL RMC according to Tables 6.2A.4.1.4.1-1, 6.2A.4.1.4.1-2 and 6.2A.4.1.4.1-3 as appropriate on both PCC and SCC. Since the UE has no payload and no loopback data to send the UE sends uplink MAC padding bits on the UL RMC.
5. Send continuously uplink power control "up" commands in every uplink scheduling information to the UE; allow at least 200ms starting from the first TPC command in this step for the UE to reach P_{UMAX} level of the test point.
6. Measure the sum of mean transmitted power over all component carriers in the CA configuration of the radio access mode. The period of measurement shall be at least the continuous duration of one active sub-frame (1ms) and in the uplink symbols. For TDD, only slots consisting of only UL symbols are under test. For FDD band in inter-band CA with both TDD band and FDD band, only slots overlapping with only UL symbols in TDD are under test.

6.2A.4.1.4.3 Message contents

Message contents are according to TS 38.508-1 [5] subclause 4.6 with the following exceptions.

Table 6.2A.4.1.4.3-0: PUSCH-Config

Derivation Path: TS 38.508-1 [5], Table 4.6.3-118 with condition TRANSFORM_PRECODER_ENABLED

Table 6.2A.4.1.4.3-1: FrequencyInfoUL: Test point 1

Derivation Path: TS 38.508-1 [5] Table 4.6.3-61 FrequencyInfoUL			
Information Element	Value/remark	Comment	Condition
p-Max	-10		

Table 6.2A.4.1.4.3-1a: FrequencyInfoUL-SIB: Test point 1

Derivation Path: TS 38.508-1 [5] Table 4.6.3-62 FrequencyInfoUL-SIB			
Information Element	Value/remark	Comment	Condition
p-Max	-10		

Table 6.2A.4.1.4.3-2: FrequencyInfoUL: Test point 2

Derivation Path: TS 38.508-1 [5] Table 4.6.3-61 FrequencyInfoUL			
Information Element	Value/remark	Comment	Condition
p-Max	10		

Table 6.2A.4.1.4.3-2a: FrequencyInfoUL-SIB: Test point 2

Derivation Path: TS 38.508-1 [5] Table 4.6.3-62 FrequencyInfoUL-SIB			
Information Element	Value/remark	Comment	Condition
p-Max	10		

Table 6.2A.4.1.4.3-3: FrequencyInfoUL: Test point 3

Derivation Path: TS 38.508-1 [5] Table 4.6.3-61 FrequencyInfoUL			
Information Element	Value/remark	Comment	Condition
p-Max	5	UL intra-band contiguous CA with contiguous RB allocation	

Table 6.2A.4.1.4.3-3a: FrequencyInfoUL-SIB: Test point 3

Derivation Path: TS 38.508-1 [5] Table 4.6.3-62 FrequencyInfoUL-SIB			
Information Element	Value/remark	Comment	Condition
p-Max	5	UL intra-band contiguous CA with contiguous RB allocation	

Table 6.2A.4.1.4.3-4: FrequencyInfoUL: Test point 4

Derivation Path: TS 38.508-1 [5] Table 4.6.3-61 FrequencyInfoUL			
Information Element	Value/remark	Comment	Condition

p-Max	15	UL intra-band contiguous CA with contiguous RB allocation	
-------	----	---	--

Table 6.2A.4.1.4.3-4a: FrequencyInfoUL-SIB: Test point 4

Derivation Path: TS 38.508-1 [5] Table 4.6.3-62 FrequencyInfoUL-SIB			
Information Element	Value/remark	Comment	Condition
p-Max	15	UL intra-band contiguous CA with contiguous RB allocation	

Table 6.2A.4.1.4.3-5: FrequencyInfoUL: Test point 5

Derivation Path: TS 38.508-1 [5] Table 4.6.3-61 FrequencyInfoUL-SIB			
Information Element	Value/remark	Comment	Condition
p-Max	9	UL intra-band non-contiguous CA when MPR_{IM3} to meet - 13dBm/MHz	

Table 6.2A.4.1.4.3-5a: FrequencyInfoUL-SIB: Test point 5

Derivation Path: TS 38.508-1 [5] Table 4.6.3-62 FrequencyInfoUL-SIB			
Information Element	Value/remark	Comment	Condition
p-Max	9	UL intra-band non-contiguous CA when MPR_{IM3} to meet - 13dBm/MHz	

6.2A.4.1.5 Test requirement

The maximum output power measured shall not exceed the values specified in Table 6.2A.4.1.5-1 to Table 6.2A.4.1.5-3.

Table 6.2A.4.1.5-1: Configured UE Output Power for Inter-band CA

	Maximum output power	
	Lower limit	Upper limit
Measured UE output power test point 1	-14 dBm - TT	0 dBm + TT
Measured UE output power test point 2	7 dBm - TT	19 dBm + TT
Note 1: TT for each frequency and channel bandwidth is specified in Table 6.2A.4.1.5-2.		

Table 6.2A.4.1.5-1a: Configured UE Output Power for Intra-band contiguous CA of PC2 and PC3 (contiguous RB allocation)

	Maximum output power	
	Lower limit	Upper limit

Measured UE output power test point 1	-14 dBm - TT	0 dBm + TT
Measured UE output power test point 2	8 dBm - TT	18 dBm + TT
Measured UE output power test point 3	2 dBm - TT	14 dBm + TT
Measured UE output power test point 4	14 dBm - TT	22 dBm + TT
Note 1: TT for each intra-band UL CA configuration is in table 6.2A.4.1.5-3.		

Table 6.2A.4.1.5-1b: Configured UE Output Power for Intra-band non-contiguous CA

	Maximum output power	
	Lower limit	Upper limit
Measured UE output power test point 1	-14 dBm - TT	0 dBm + TT
Measured UE output power test point 5 (Note 2)	6 dBm - TT	18 dBm + TT
Note 1: TT for each intra-band UL CA configuration is in table 6.2A.4.1.5-3.		
Note 2: Only applicable when MPR _{IM3} to meet -13dBm/MHz		

Table 6.2A.4.1.5-2: Test Tolerance for inter-band CA (Configured transmitted power for CA)

			TT for overall output power (dB)					
			PCell					
			BW ≤ 40MHz			40MHz < BW ≤ 100MHz		
			f ≤ 3.0GHz	3.0GHz < f ≤ 4.2GHz	4.2GHz < f ≤ 6.0GHz	f ≤ 3.0GHz	3.0GHz < f ≤ 4.2GHz	4.2GHz < f ≤ 6.0GHz
SCell	BW ≤ 40MHz	f ≤ 3.0GHz	0.7	1.0	1.0	1.0	1.0	1.0
		3.0GHz < f ≤ 4.2GHz	1.0	1.0	1.0	1.0	1.0	1.0
		4.2GHz < f ≤ 6.0GHz	1.0	1.0	1.0	1.0	1.0	1.0
	40MHz < BW ≤ 100MHz	f ≤ 3.0GHz	1.0	1.0	1.0	1.0	1.0	1.0
		3.0GHz < f ≤ 4.2GHz	1.0	1.0	1.0	1.0	1.0	1.0
		4.2GHz < f ≤ 6.0GHz	1.0	1.0	1.0	1.0	1.0	1.0

Table 6.2A.4.1.5-3: Test Tolerance for intra-band CA (Configured transmitted power for CA)

TT for overall output power (dB)		
Aggregation BW	f ≤ 3.0GHz	3.0GHz < f ≤ 6.0GHz
BW ≤ 40MHz	0.7	1.0
40MHz < BW ≤ 100MHz	1.0	1.0
100MHz < BW ≤ 200MHz	FFS	FFS

For the UE which supports inter-band NR CA configuration, inter-band NR-DC configuration, SUL configuration or inter-band EN-DC configuration, ΔT_{IB,c} as specified in 6.2A.4.0.2 for NR CA, 6.2B.4.0.2 for NR-DC, clause 6.2C.2 for SUL, or TS 38.521-3 [14] clause 6.2B.4.2 for EN-DC applies. Unless otherwise stated, ΔT_{IB,c} is set to zero. In case the UE supports more than one of band combinations for CA, NR-DC, SUL or EN-DC, and an operating band belongs to more than one band combinations then

- a) When the operating band frequency range is ≤ 1 GHz, the applicable additional ΔT_{IB,c} shall be the average value for all band combinations defined in clause 6.2A.4.0.2, 6.2B.4.0.2, 6.2C.2 in this specification and 6.2B.4.2 in TS 38.521-3 [14], truncated to one decimal place that apply for that operating band among the supported band combinations. In case there is a harmonic relation between low band UL and high band DL, then the maximum ΔT_{IB,c} among the different supported band combinations involving such band shall be applied

- b) When the operating band frequency range is > 1 GHz, the applicable additional $\Delta T_{IB,c}$ shall be the maximum value for all band combinations defined in clause 6.2A.4.0.2, 6.2B.4.0.2, 6.2C.2 in this specification and 6.2B.4.2 in TS 38.521-3 [14] for the applicable operating bands.

6.2B Transmitter power for NR-DC

6.2B.0 General

The requirements apply for inter-band NR-DC with one uplink serving cell configured per CG.

6.2B.1 UE maximum output power for NR-DC

6.2B.1.0 Minimum conformance requirements

6.2B.1.0.1 FFS

6.2B.1.0.2 FFS

6.2B.1.0.3 UE maximum output power for inter-band NR-DC

For inter-band NR-DC with one uplink carrier assigned per NR band, the transmitter power requirements in clause 6.2.1.3 apply per band.

For inter-band NR-DC with one uplink assigned per band, the UE maximum output power shall be measured over all component carriers from different bands. If each band has separate antenna connectors, the maximum output power is defined as the sum of maximum output power from each UE antenna connector. The period of measurement shall be at least one sub frame (1 ms). The maximum output power is specified in Table 6.2B.1.0.3-1.

Table 6.2B.1.0.3-1 UE Power Class for inter-band NR-DC

Uplink DC Configuration	Class 1 (dBm)	Tolerance (dB)	Class 2 (dBm)	Tolerance (dB)	Class 3 (dBm)	Tolerance (dB)	Class 4 (dBm)	Tolerance (dB)
DC_n48A-n70A					23	+2/-3		
NOTE 1: An uplink DC configuration in which at least one of the bands has NOTE 3 in Table 6.2.1.3-1 is allowed to reduce the lower tolerance limit by 1.5 dB when the transmission bandwidths of at least one of the bands is confined within F_{UL_low} and $F_{UL_low} + 4$ MHz or $F_{UL_high} - 4$ MHz and F_{UL_high} . NOTE 2: $P_{PowerClass}$ is the maximum UE power specified without account of the tolerance NOTE 3: The maximum power requirement applies to the total transmitted power over both the MCG and SCG. NOTE 4: Power class 3 is the default power class unless otherwise stated.								

6.2B.1.1 UE maximum output power for NR-DC

6.2B.1.1.1 Test purpose

To verify that the error of the UE maximum output power in dual connectivity does not exceed the range prescribed by the specified nominal maximum output power and tolerance.

An excess maximum output power has the possibility to interfere to other channels or other systems. A small maximum output power decreases the coverage area.

6.2B.1.1.2 Test applicability

This test case applies to all types of NR UE release 16 and forward that support NR-DC.

6.2B.1.1.3 Minimum conformance requirements

The minimum conformance requirements are defined in clause 6.2B.1.0.

6.2B.1.1.4 Test description

6.2B.1.1.4.1 Initial conditions

Initial conditions are a set of test configurations the UE needs to be tested in and the steps for the SS to take with the UE to reach the correct measurement state.

The initial test configurations consist of environmental conditions, test frequencies, test channel bandwidths and sub-carrier spacing based on NR-DC configurations specified in 5.5B. All of NR-DC configurations shall be tested with applicable test parameters for each combination of test channel bandwidth and sub-carrier spacing, and are shown in table 6.2B.1.1.4.1-1. The details of the uplink reference measurement channels (RMCs) are specified in Annexes A.2. Configurations of PDSCH and PDCCH before measurement are specified in Annex C.2.

Table 6.2B.1.1.4.1-1: Inter-band NR-DC Test Configuration Table

Initial Conditions				
Test Environment as specified in TS 38.508-1 [5] subclause 4.1		Normal, TL/VL, TL/VH, TH/VL, TH/VH		
Test Frequencies as specified in TS 38.508-1 [5] subclause 4.3.1		Low range for PCell and PSCell High range for PCell and PSCell		
Test Channel Bandwidths as specified in TS 38.508-1 [5] subclause 4.3.1		Lowest for PCell and PSCell Highest for PCell and PSCell		
Test SCS as specified in Table 5.3.5-1		Lowest, Highest		
Test Parameters				
Test ID	Downlink Configuration for PCell & PSCell	Uplink Configuration		
		Modulation for all CCs (NOTE 2)	RB allocation (NOTE 1)	
			PCell	PSCell
1	N/A for this test	DFT-s-OFDM Pi/2 BPSK	Inner Full	Inner Full
2		DFT-s-OFDM Pi/2 BPSK	Inner 1RB Left	Inner 1RB Left
3		DFT-s-OFDM Pi/2 BPSK	Inner 1RB Right	Inner 1RB Right
4		DFT-s-OFDM QPSK	Inner Full	Inner Full
5		DFT-s-OFDM QPSK	Inner 1RB Left	Inner 1RB Left
6		DFT-s-OFDM QPSK	Inner 1RB Right	Inner 1RB Right
NOTE 1: The specific configuration of each RB allocation is defined in Table 6.1-1.				
NOTE 2: DFT-s-OFDM Pi/2 BPSK test applies only for UEs which supports Pi/2 BPSK in FR1.				

1. Connect the SS to the UE antenna connectors as shown in TS 38.508-1 [5] Annex A, Figure A.3.1.1.3 for TE diagram and section A.3.2 for UE diagram.
2. The parameter settings for the cell are set up according to TS 38.508-1 [5] subclause 4.4.3.
3. Downlink signals for PCell are initially set up according to Annex C.0, C.1, C.2, and uplink signals according to Annex G.0, G.1, G.2, G.3.0.
4. The UL Reference Measurement Channel is set according to Table 6.2B.1.1.4.1-1.
5. Propagation conditions are set according to Annex B.0.
6. Ensure the UE is in state RRC_CONNECTED with generic procedure parameters Connectivity NR-DC, Connected without release *On*, Test Mode *On* and Test Loop Function *On* according to TS 38.508-1 [5] clause 4.5. Message contents are defined in clause 6.2B.1.1.4.3.

6.2B.1.1.4.2 Test procedure

1. SS sends uplink scheduling information for each UL HARQ process via PDCCH DCI format 0_1 for C_RNTI to schedule the UL RMC according to Table 6.2B.1.1.4.1-1 on both PCell and PSCell for inter-band NR-DC. Since the UE has no payload and no loopback data to send the UE sends uplink MAC padding bits on the UL RMC.
2. Send continuously uplink power control "up" commands in every uplink scheduling information to the UE; allow at least 200ms starting from the first TPC command in this step for the UE to reach P_{UMAX} level corresponding to Power Class 3.
3. Measure the sum of mean transmitted power over all component carriers in the NR-DC configuration of the radio access mode. The period of measurement shall be at least the continuous duration of one active sub-frame (1ms) and in the uplink symbols. For TDD symbols with transient periods are not under test.

6.2B.1.1.4.3 Message contents

Message contents are according to TS 38.508-1 [5] subclause 4.6 and 5.4 with the following exceptions.

Table 6.2B.1.1.4.3-1: PUSCH-Config

Derivation Path: TS 38.508-1 [5], Table 4.6.3-118 with condition TRANSFORM_PRECODER_ENABLED

Table 6.2B.1.1.4.3-2: FrequencyInfoUL-SIB

Derivation Path: TS 38.508-1 [5] Table 4.6.3-62 FrequencyInfoUL-SIB			
Information Element	Value/remark	Comment	Condition
p-Max	20		Power class 3 and Inter-band NR-DC

6.2B.1.1.5 Test requirement

The maximum output power for NR-DC, derived in step 3 shall be within the range prescribed by the nominal maximum output power and tolerance in Table 6.2B.1.1.5-1 for NR-DC configuration.

Table 6.2B.1.1.5-1: Maximum Output Power test requirement for NR-DC Power Class 3

Uplink DC Configuration	Class 1 (dBm)	Tolerance (dB)	Class 2 (dBm)	Tolerance (dB)	Class 3 (dBm)	Tolerance (dB)	Class 4 (dBm)	Tolerance (dB)
DC_n48A-n70A					23	+2+TT/-3-TT		
<p>NOTE 1: An uplink DC configuration in which at least one of the bands has NOTE 3 in Table 6.2.1.3-1 is allowed to reduce the lower tolerance limit by 1.5 dB when the transmission bandwidths of at least one of the bands is confined within F_{UL_low} and $F_{UL_low} + 4$ MHz or $F_{UL_high} - 4$ MHz and F_{UL_high}.</p> <p>NOTE 2: $P_{PowerClass}$ is the maximum UE power specified without account of the tolerance</p> <p>NOTE 3: The maximum power requirement applies to the total transmitted power over both the MCG and SCG.</p> <p>NOTE 4: Power class 3 is the default power class unless otherwise stated.</p> <p>NOTE 5: The TT for NR-DC Maximum Output Power is in the maximum TT among all UL CCs. For TT of each UL CC refers to Table 6.2B.1.1.5-2.</p>								

Table 6.2B.1.1.5-2: Test Tolerance (UE maximum output power)

TT for overall output power (dB)						
			PCell			
			BW ≤ 40MHz		40MHz < BW ≤ 100MHz	
			f ≤ 3.0GHz	3.0GHz < f ≤ 6.0GHz	f ≤ 3.0GHz	3.0GHz < f ≤ 6.0GHz
PSCell	BW ≤ 40MHz	f ≤ 3.0GHz	0.7	1.0	1.0	1.0
		3.0GHz < f ≤ 6.0GHz	1.0	1.0	1.0	1.0
	40MHz < BW ≤ 100MHz	f ≤ 3.0GHz	1.0	1.0	1.0	1.0
		3.0GHz < f ≤ 6.0GHz	1.0	1.0	1.0	1.0

For the UE which supports inter-band NR CA configuration, inter-band NR-DC configuration, SUL configuration or inter-band EN-DC configuration, $\Delta T_{IB,c}$ as specified in 6.2A.4.0.2 for NR CA, 6.2B.4.0.2 for NR-DC, clause 6.2C.2 for SUL, or TS 38.521-3 [14] clause 6.2B.4.2 for EN-DC applies. Unless otherwise stated, $\Delta T_{IB,c}$ is set to zero. In case the UE supports more than one of band combinations for CA, NR-DC, SUL or EN-DC, and an operating band belongs to more than one band combinations then

- a) When the operating band frequency range is ≤ 1 GHz, the applicable additional $\Delta T_{IB,c}$ shall be the average value for all band combinations defined in clause 6.2A.4.0.2, 6.2B.4.0.2, 6.2C.2 in this specification and 6.2B.4.2 in TS 38.521-3 [14], truncated to one decimal place that apply for that operating band among the supported band combinations. In case there is a harmonic relation between low band UL and high band DL, then the maximum $\Delta T_{IB,c}$ among the different supported band combinations involving such band shall be applied

- b) When the operating band frequency range is > 1 GHz, the applicable additional $\Delta T_{IB,c}$ shall be the maximum value for all band combinations defined in clause 6.2A.4.0.2, 6.2B.4.0.2, 6.2C.2 in this specification and 6.2B.4.2 in TS 38.521-3 [14] for the applicable operating bands.

6.2B.2 UE maximum output power reduction for NR-DC

6.2B.2.0 Minimum conformance requirements

6.2B.2.0.1 FFS

6.2B.2.0.2 FFS

6.2B.2.0.3 UE maximum output power reduction for Inter-band NR-DC

For inter-band NR-DC with one uplink assigned per band, the requirements in clause 6.2.2.3 apply for each uplink component carrier.

The normative reference for this requirement is TS38.101-1[2] clause 6.2B.2.

6.2B.2.1 UE maximum output power reduction for NR-DC

6.2B.2.1.1 Test purpose

The number of RB identified in Table 6.2.2.3-1 is based on meeting the requirements for adjacent channel leakage ratio for NR-DC and the maximum power reduction (MPR) for Inter-band NR-DC due to Cubic Metric (CM).

6.2B.2.1.2 Test applicability

This test case applies to all types of NR UE release 16 and forward that support NR-DC.

NOTE: Test execution is not necessary if TS 38.521-1 6.5B.2.4 is executed.

6.2B.2.1.3 Minimum conformance requirements

The minimum conformance requirements are defined in clause 6.2B.2.0.

6.2B.2.1.4 Test description

6.2B.2.1.4.1 Initial conditions

Initial conditions are a set of test configurations the UE needs to be tested in and the steps for the SS to take with the UE to reach the correct measurement state.

The initial test configurations consist of environmental conditions, test frequencies, test channel bandwidths and sub-carrier spacing based on NR-DC configurations specified in 5.5B. All of NR-DC configurations shall be tested with applicable test parameters for each combination of test channel bandwidth and sub-carrier spacing as specified in clause 6.2.2.4.1. The details of the uplink reference measurement channels (RMCs) are specified in Annexes A.2. Configurations of PDSCH and PDCCH before measurement are specified in Annex C.2.

Test configurations tables are specified in clause 6.2.2.4.1

1. Connect the SS to the UE antenna connectors as shown in TS 38.508-1 [5] Annex A, Figure A.3.1.1.3 for TE diagram and section A.3.2 for UE diagram.
2. The parameter settings for the cell are set up according to TS 38.508-1 [5] subclause 4.4.3.
3. Downlink signals for PCell are initially set up according to Annex C.0, C.1, C.2, and uplink signals according to Annex G.0, G.1, G.2, G.3.0.
4. The UL Reference Measurement Channel is set according to test configuration tables in clause 6.2.2.4.1.
5. Propagation conditions are set according to Annex B.0.
6. Ensure the UE is in state RRC_CONNECTED with generic procedure parameters Connectivity NR-DC, Connected without release *On*, Test Mode *On* and Test Loop Function *On* according to TS 38.508-1 [5] clause 4.5. Message contents are defined in clause 6.2B.2.1.4.3.

6.2B.2.1.4.2 Test procedure

1. SS sends uplink scheduling information for each UL HARQ process via PDCCH DCI format 0_1 for C_RNTI to schedule the UL RMC according to clause 6.2.2.4.1 on both PCell and PSCell for inter-band NR-DC. Since the UE has no payload and no loopback data to send the UE sends uplink MAC padding bits on the UL RMC.
2. Send continuously uplink power control "up" commands in every uplink scheduling information to the UE; allow at least 200ms starting from the first TPC command in this step for the UE to reach P_{UMAX} level.
3. Measure the mean power of each component carrier of NR-DC configuration in the channel bandwidth of the radio access mode. For PC1.5 the measured power is the sum of the two ports. The period of measurement shall be at least the continuous duration of 1ms over consecutive active uplink slots. For TDD, only slots consisting of only UL symbols are under test.

6.2B.2.1.4.3 Message contents

Message contents are according to TS 38.508-1 [5] subclause 4.6 and 5.4 with the exceptions in clause 6.2.2.4.3.

6.2B.2.1.5 Test requirement

The maximum output power for NR-DC, derived in step 3 shall be within the range prescribed by the nominal maximum output power and tolerance in the applicable table in clause 6.2.2.5.

For the UE which supports inter-band NR CA configuration, inter-band NR-DC configuration, SUL configuration or inter-band EN-DC configuration, $\Delta T_{IB,c}$ as specified in 6.2A.4.0.2 for NR CA, 6.2B.4.0.2 for NR-DC, clause 6.2C.2 for SUL, or TS 38.521-3 [14] clause 6.2B.4.2 for EN-DC applies. Unless otherwise stated, $\Delta T_{IB,c}$ is set to zero. In case the UE supports more than one of band combinations for CA, NR-DC, SUL or EN-DC, and an operating band belongs to more than one band combinations then

- a) When the operating band frequency range is ≤ 1 GHz, the applicable additional $\Delta T_{IB,c}$ shall be the average value for all band combinations defined in clause 6.2A.4.0.2, 6.2B.4.0.2, 6.2C.2 in this specification and 6.2B.4.2 in TS 38.521-3 [14], truncated to one decimal place that apply for that operating band among the supported band combinations. In case there is a harmonic relation between low band UL and high band DL, then the maximum $\Delta T_{IB,c}$ among the different supported band combinations involving such band shall be applied
- b) When the operating band frequency range is > 1 GHz, the applicable additional $\Delta T_{IB,c}$ shall be the maximum value for all band combinations defined in clause 6.2A.4.0.2, 6.2B.4.0.2, 6.2C.2 in this specification and 6.2B.4.2 in TS 38.521-3 [14] for the applicable operating bands.

6.2B.3 UE additional maximum output power reduction for NR-DC

6.2B.3.0 Minimum conformance requirements

6.2B.3.0.1 FFS

6.2B.3.0.2 FFS

6.2B.3.0.3 UE additional maximum output power reduction for inter-band NR-DC

For inter-band NR-DC with one uplink assigned per band, the requirements in clause 6.2.2.3 apply for each uplink component carrier.

Unless otherwise stated, the combined requirements and allowed A-MPR are applicable on both bands when both component carriers are active. Additional spurious emission requirements are signalled by the network to indicate that the UE shall meet the additional requirement for a specific deployment scenario as part of the cell handover/broadcast message.

To meet the additional requirements, additional maximum power reduction (A-MPR) is allowed for the maximum output power as specified in Table 6.2.1.3-1. Unless stated otherwise, the total reduction to UE maximum output power is $\max(\text{MPR}, \text{A-MPR})$ where MPR is defined in clause 6.2.2. In case of a power class 3 UE, when IE powerBoostPi2BPSK is set to 1, power class 2 A-MPR values apply.

Unless otherwise specified, $\pi/2$ BPSK refers to both variants of $\pi/2$ BPSK referenced in clause 6.2.2 table 6.2.2.3-1.

6.2B.3.1 UE additional maximum output power reduction for NR-DC

Editor's note: This clause is complete for A-MPR testing. But the following aspects are either missing for not yet determined:

FFS is left in Test applicability since there are no requirements for 6.5B.2.3 Additional Spectrum Emission mask for NR-DC and 6.5B.3.3 Additional Spurious Emissions for NR-DC in Release-16.

6.2B.3.1.1 Test purpose

Additional emission requirements for NR-DC can be signalled by the network. Each additional emission requirement is associated with a unique network signalling (NS) value indicated in RRC signalling by an NR frequency band number of the applicable operating band and an associated value in the field *additionalSpectrumEmission*. Throughout this specification, the notion of indication or signalling of an NS value refers to the corresponding indication of an NR frequency band number of the applicable operating band, the IE *freqBandIndicatorNR* and an associated value of *additionalSpectrumEmission* in the relevant RRC information elements [6].

To meet the additional requirements, additional maximum power reduction (A-MPR) is allowed for the NR-DC maximum output power. Unless stated otherwise, the total reduction to UE maximum output power is $\max(\text{MPR}, \text{A-MPR})$ where MPR is defined in clause 6.2B.2. Outer and inner allocation notation used in clause 6.2B.3 is defined in clause 6.2.2. In absence of modulation and waveform types the A-MPR applies to all modulation and waveform types.

6.2B.3.1.2 Test applicability

The requirements of this test apply in test case 6.5B.2.3 Additional Spectrum Emission mask for NR-DC for network signalling values FFS to all types of NR UE release 16 and forward that support NR-DC.

The requirements of this test apply in test case 6.5B.3.3 Additional Spurious Emissions for NR-DC for network signalling values FFS to all types of NR UE release 16 and forward that support NR-DC.

6.2B.3.1.3 Minimum conformance requirements

The minimum conformance requirements are defined in 6.2B.3.0.

6.2B.3.1.4 Test description

6.2B.3.1.4.1 Initial conditions

Initial conditions are a set of test configurations the UE needs to be tested in and the steps for the SS to take with the UE to reach the correct measurement state.

The initial test configurations consist of environmental conditions, test frequencies, test channel bandwidths and sub-carrier spacing based on NR-DC configurations specified in 5.5B. All of these configurations shall be tested with applicable test parameters for each combination of test channel bandwidth and sub-carrier spacing as specified in clause 6.2.3.4.1. The details of the uplink reference measurement channels (RMCs) are specified in Annex A.2. Configurations of PDSCH and PDCCH before measurement are specified in Annex C.2

Test configurations tables for network signalling values are specified in clause 6.2.3.4.1

1. Connect the SS to the UE antenna connectors as shown in TS 38.508-1 [5] Annex A, Figure A.3.1.1.3 for TE diagram and section A.3.2 for UE diagram.
2. The parameter settings for the cell are set up according to TS 38.508-1 [5] subclause 4.4.3.
3. Downlink signals for PCell are initially set up according to Annex C.0, C.1, C.2, and uplink signals according to Annex G.0, G.1, G.2, G.3.0.
4. The UL Reference Measurement Channel is set according to test configuration tables in clause 6.2.3.4.1.
5. Propagation conditions are set according to Annex B.0.
6. Ensure the UE is in state RRC_CONNECTED with generic procedure parameters Connectivity NR-DC, Connected without release *On*, Test Mode *On* and Test Loop Function *On* according to TS 38.508-1 [5] clause 4.5. Message contents are defined in clause 6.2B.3.1.4.3.

6.2B.3.1.4.2 Test procedure

1. SS sends uplink scheduling information for each UL HARQ process via PDCCH DCI format 0_1 for C_RNTI to schedule the UL RMC according to clause 6.2.3.4.1 on both PCell and PSCell for inter-band NR-DC. Since the UE has no payload and no loopback data to send the UE sends uplink MAC padding bits on the UL RMC.
2. Send continuously uplink power control "up" commands in every uplink scheduling information to the UE; allow at least 200ms starting from the first TPC command in this step for the UE to reach P_{UMAX} level.
3. Measure the mean power of each component carrier of NR-DC configuration in the channel bandwidth of the radio access mode. For PC1.5 the measured power is the sum of the two ports. The period of measurement shall be at least the continuous duration of 1ms over consecutive active uplink slots. For TDD, only slots consisting of only UL symbols are under test.

6.2B.3.1.4.3 Message contents

Message contents are according to TS 38.508-1 [5] subclause 4.6 and 5.4. Message contents exceptions for network signalling values are specified in clause 6.2.3.4.3.1.

6.2B.3.1.5 Test requirement

The maximum output power, derived in step 3 shall be within the range prescribed by the nominal maximum output power and tolerance in the applicable table in clause 6.2.3.5. The allowed A-MPR values specified in table 6.2.3.3.1-1 are in addition to the allowed MPR requirements specified in clause 6.2.2. For the UE maximum output power modified by MPR and/or A-MPR, the power limits specified in table 6.2.1.3-1 apply.

For the UE which supports inter-band NR CA configuration, inter-band NR-DC configuration, SUL configuration or inter-band EN-DC configuration, $\Delta T_{IB,c}$ as specified in 6.2A.4.0.2 for NR CA, 6.2B.4.0.2 for NR-DC, clause 6.2C.2 for SUL, or TS 38.521-3 [14] clause 6.2B.4.2 for EN-DC applies. Unless otherwise stated, $\Delta T_{IB,c}$ is set to zero. In case the UE supports more than one of band combinations for CA, NR-DC, SUL or EN-DC, and an operating band belongs to more than one band combinations then

- a) When the operating band frequency range is ≤ 1 GHz, the applicable additional $\Delta T_{IB,c}$ shall be the average value for all band combinations defined in clause 6.2A.4.0.2, 6.2B.4.0.2, 6.2C.2 in this specification and 6.2B.4.2 in TS 38.521-3 [14], truncated to one decimal place that apply for that operating band among the supported band combinations. In case there is a harmonic relation between low band UL and high band DL, then the maximum $\Delta T_{IB,c}$ among the different supported band combinations involving such band shall be applied
- b) When the operating band frequency range is > 1 GHz, the applicable additional $\Delta T_{IB,c}$ shall be the maximum value for all band combinations defined in clause 6.2A.4.0.2, 6.2B.4.0.2, 6.2C.2 in this specification and 6.2B.4.2 in TS 38.521-3 [14] for the applicable operating bands.

6.2B.4 Configured output power for NR-DC

6.2B.4.0 Minimum conformance requirements

6.2B.4.0.1 Configured transmitted power level for NR-DC

6.2B.4.0.1.1 Void

6.2B.4.0.1.2 Void

6.2B.4.0.1.3 Configured transmitted power for Inter-band NR-DC

The UE is allowed to set its configured maximum output power $P_{CMAX,f,c,MCG}$ and $P_{CMAX,f,c,SCG}$ for the respective MCG and SCG and its total configured maximum output power for NR-DC operation $P_{Total}^{NR-DC} = 10 \log_{10}(\hat{P}_{Total}^{NR-DC})$ with \hat{P}_{Total}^{NR-DC} as specified in clause 7.6.2 of [9]. The UE is configured with an inter-CG power sharing mode by *NR-DC-PC mode*. The requirements apply for one uplink serving cell configured per CG and for asynchronous and synchronous NR-DC if not otherwise stated.

Unless otherwise stated, the configured maximum output power $P_{CMAX,f,c,MCG}(q)$ in physical-channel q for carrier f of serving cell c shall be set within the bounds if contained in the MCG,

$$P_{CMAX_L,f,c,MCG}(q) \leq P_{CMAX,f,c,MCG}(q) \leq P_{CMAX_H,f,c,MCG}(q)$$

and the corresponding $P_{\text{CMAX_L,f,c,SCG}}(q)$ for a serving cell contained in the SCG,

$$P_{\text{CMAX_L,f,c,SCG}}(q) \leq P_{\text{CMAX,f,c,SCG}}(q) \leq P_{\text{CMAX_H,f,c,SCG}}(q)$$

where $P_{\text{CMAX_L,f,c,MCG}}$, $P_{\text{CMAX_H,f,c,MCG}}$, $P_{\text{CMAX_L,f,c,SCG}}$ and $P_{\text{CMAX_H,f,c,SCG}}$ are the limits for a serving cell c as specified in clause 6.2.4 modified as follows:

$$P_{\text{CMAX_L,f,c,MCG}} = \text{MIN}\{\text{MIN}(P_{\text{EMAX,c}}, P_{\text{EMAX,NR-DC}}, P_{\text{NR}}) - \Delta T_{\text{C,c}}, (P_{\text{PowerClass, NR-DC}} - \Delta P_{\text{PowerClass, NR-DC}}) - \text{MAX}(\text{MAX}(\text{MPR}_c + \Delta \text{MPR}_c, \text{A-MPR}_c) + \Delta T_{\text{IB,c}} + \Delta T_{\text{C,c}} + \Delta T_{\text{RxsRS}}, \text{P-MPR}_c)\}$$

$$P_{\text{CMAX_H,f,c,MCG}} = \text{MIN}\{P_{\text{EMAX,c}}, P_{\text{EMAX,NR-DC}}, P_{\text{NR}}, P_{\text{PowerClass, NR-DC}} - \Delta P_{\text{PowerClass, NR-DC}}\}$$

for the MCG and

$$P_{\text{CMAX_L,f,c,SCG}} = \text{MIN}\{\text{MIN}(P_{\text{EMAX,c}}, P_{\text{EMAX,NR-DC}}, P_{\text{NR}}) - \Delta T_{\text{C,c}}, (P_{\text{PowerClass, NR-DC}} - \Delta P_{\text{PowerClass, NR-DC}}) - \text{MAX}(\text{MAX}(\text{MPR}_c + \Delta \text{MPR}_c, \text{A-MPR}_c) + \Delta T_{\text{IB,c}} + \Delta T_{\text{C,c}} + \Delta T_{\text{RxsRS}}, \text{P-MPR}_c)\}$$

$$P_{\text{CMAX_H,f,c,SCG}} = \text{MIN}\{P_{\text{EMAX,c}}, P_{\text{EMAX,NR-DC}}, P_{\text{NR}}, P_{\text{PowerClass, NR-DC}} - \Delta P_{\text{PowerClass, NR-DC}}\}$$

for the SCG, where

- $P_{\text{EMAX,NR-DC}}$ is the value given by the field $p\text{-UE-FRI}$ of the *PhysicalCellGroupConfig* IE for the MCG as defined in [6];
- P_{NR} is the value given by the field $p\text{-NR-FRI}$ of the *PhysicalCellGroupConfig* IE as defined in [6];
- $P_{\text{PowerClass, NR-DC}}$ is the maximum UE power specified in Table 6.2B.1.0.3-1 without taking into account the tolerance specified in the Table 6.2B.1.0.3-1;
- $\Delta T_{\text{IB,c}}$ is the additional tolerance for serving cell c as specified in clause 6.2B.4.0.2 for NR-DC; $\Delta T_{\text{IB,c}} = 0$ dB otherwise;
- $\Delta T_{\text{C,c}} = 1.5$ dB when NOTE 2 in Table 6.2B.1.0.3-1 applies for a serving cell c , otherwise $\Delta T_{\text{C,c}} = 0$ dB;
- ΔMPR_c for serving cell c is specified in clause 6.2.2.
- $\Delta P_{\text{PowerClass, NR-DC}} = 0$ dB for a power class 3 UE.

For a UE provided with $\text{NR-DC-PC-mode} = \text{Semi-static-mode1}$,

$$P_{\text{Total}}^{\text{NR-DC}} = \text{MIN}\{P_{\text{EMAX, NR-DC}}, P_{\text{PowerClass, NR-DC}}\} + 0.3 \text{ dB}$$

with $P_{\text{PowerClass, NR-DC}}$ set to power class 3 in case the UE indicates a higher power class in any CG. The UE determines the maximum transmission power for the MCG and the SCG using the respective configured maximum power $P_{\text{CMAX,f,c,MCG}}$ and $P_{\text{CMAX,f,c,SCG}}$.

If for synchronous NR-DC operation a UE is provided $\text{NR-DC-PC-mode} = \text{Semi-static-mode2}$, the $P_{\text{Total}}^{\text{NR-DC}}$ is determined as above and

- if at least one symbol of slot i_1 of the MCG/SCG is indicated as uplink or flexible to a UE by *tdd-UL-DL-ConfigurationCommon* and *tdd-UL-DL-ConfigurationDedicated*, if provided, overlaps with a symbol for any ongoing transmission overlapping with slot i_2 of the SCG/MCG, the UE determines a maximum power for the transmission on the SCG/MCG overlapping with slot i_2 using the configured maximum power $P_{\text{CMAX,f,c,SCG}}$ or $P_{\text{CMAX,f,c,MCG}}$ for the SCG or MCG, respectively,
- otherwise (i.e. an ongoing transmission overlapping with slot i_2 of the SCG/MCG overlaps with only semi-static downlink symbols within slot i_1 of the MCG/SCG), the UE determines a maximum power for the transmission on MCG or the SCG overlapping with slot i_2 using the configured maximum power as specified in clause 6.2.4.

If a UE indicates a capability for dynamic power sharing between the MCG and the SCG and is provided with $\text{NR-DC-PC-mode} = \text{Dynamic}$,

$$P_{\text{Total}}^{\text{NR-DC}} = \text{MIN}\{P_{\text{EMAX, NR-DC}}, P_{\text{PowerClass, NR-DC}}\}$$

with $P_{\text{PowerClass, NR-DC}}$ set to power class 3 in case the UE indicates a higher power class in any CG. The UE determines the maximum transmission power for the MCG and the SCG using the respective configured maximum power $P_{\text{CMAX,f,c,MCG}}$ and $P_{\text{CMAX,f,c,SCG}}$ except

- if UE transmission(s) in slot i_1 of the MCG or in slot i_2 of the SCG do not overlap in time with any UE transmission(s) on the SCG or the MCG, respectively, the UE determines a maximum transmission power in slot i_1 of the MCG or in slot i_2 of the SCG using the configured maximum power as specified in clause 6.2.4.

If a UE indicates a capability to determine a total transmission power on the SCG at a first symbol of a transmission occasion on the SCG by determining transmissions on the MCG as specified in clause 7.6.2 of [9], and is provided with $NR-DC-PC-mode = Dynamic$,

$$P_{Total}^{NR-DC} = \text{MIN}\{P_{EMAX, NR-DC}, P_{PowerClass, NR-DC}\}$$

with $P_{PowerClass, NR-DC}$ set to power class 3 in case the UE indicates a higher power class in any CG. The UE determines the maximum transmission power for the MCG and the SCG using the respective configured maximum power $P_{CMAX, f, c, MCG}$ and $P_{CMAX, f, c, SCG}$.

The measured total maximum output power P_{UMAX} over both CGs measured over the transmission reference time duration is

$$P_{UMAX} = 10 \log_{10} (p_{UMAX, c, MCG} + p_{UMAX, c, SCG}),$$

where $p_{UMAX, c, MSG}$ and $p_{UMAX, c, SCG}$ denote the measured output power of serving cells c contained in the respective MSG and SCG expressed in linear scale.

The measured total configured maximum output power P_{UMAX} shall be within the following bounds:

$$P_{CMAX_L} - T_{LOW}(P_{CMAX_L}) \leq P_{UMAX} \leq P_{CMAX_H} + T_{HIGH}(P_{CMAX_H})$$

with the tolerances $T_{LOW}(P_{CMAX_H})$ and $T_{HIGH}(P_{CMAX_H})$ for applicable values of P_{CMAX} specified in Table 6.2B.4.0.1.3-2.

When a subframe p on the MSG overlap with a physical-channel q on the SCG, then for P_{UMAX} evaluation, the subframe p on the MCG is taken as reference period T_{REF} and always considered as the reference measurement duration and the following rules are applicable.

T_{REF} and T_{eval} are specified in Table 6.2B.4.0.1.3-1 when same or different subframe and physical-channel durations are used on the carriers. The $P_{PowerClass}$ shall not be exceeded by the UE during any evaluation period of time.

Table 6.2B.4.0.1.3-1: P_{CMAX} evaluation window

Transmission duration	T_{REF}	T_{eval}
Different transmission duration in different CG carriers	MCG subframe	$\text{MIN}(T_{no_hopping}, \text{Physical Channel Length})$

For each T_{REF} , the P_{CMAX_H} is evaluated per T_{eval} and given by the maximum value over the transmission(s) within the T_{eval} as follows:

$$P_{CMAX_H} = \text{MAX}\{P_{CMAX_NR-DC_H}(p, q), P_{CMAX_NR-DC_H}(p, q+I), \dots, P_{CMAX_NR-DC_H}(p, q+n)\}$$

where $P_{CMAX_NR-DC_H}$ entries are the applicable upper limits for each overlapping scheduling unit pairs (p, q) , $(p, q+I)$, up to $(p, q+n)$ for each applicable T_{eval} duration, where $q+n$ is the last physical-channel on the SCG overlapping with subframe p on the MCG, while P_{CMAX_L} is computed as follows:

$$P_{CMAX_L} = \text{MIN}\{P_{CMAX_NR-DC_L}(p, q), P_{CMAX_NR-DC_L}(p, q+I), \dots, P_{CMAX_NR-DC_L}(p, q+n)\}$$

where $P_{CMAX_NR-DC_L}$ entries are the applicable lower limits for each overlapping scheduling unit pairs (p, q) , $(p, q+I)$ up to $(p, q+n)$ for each applicable T_{eval} duration, where $q+n$ is the last physical-channel on the SCG overlapping with subframe p on the MCG.

For a UE provided with $NR-DC-PC-mode = Semi-static-mode1$ and configured with $p_{NR, MCG} + p_{NR, SCG} \leq \hat{P}_{Total}^{NR-DC}$ with $p_{NR, MCG}$ and $p_{NR, SCG}$ the values of the P_{NR} for the respective MCG and SCG expressed in linear scale

$$P_{CMAX_NR-DC_L}(p, q) = 10 \log_{10} [p_{CMAX_L, f, c, MCG}(p) + p_{CMAX_L, f, c, SCG}(q)]$$

$$P_{CMAX_NR-DC_H}(p, q) = 10 \log_{10} [p_{CMAX_H, f, c, MCG}(p) + p_{CMAX_H, f, c, SCG}(q)]$$

with $P_{\text{CMAX_L,f,c,MCG}}$, $P_{\text{CMAX_H,f,c,MCG}}$, $P_{\text{CMAX_L,f,c,SCG}}$, and $P_{\text{CMAX_H,f,c,SCG}}$ the values of the respective $P_{\text{CMAX_L,f,c,MCG}}$, $P_{\text{CMAX_H,f,c,MCG}}$, $P_{\text{CMAX_L,f,c,SCG}}$, and $P_{\text{CMAX_H,f,c,SCG}}$ expressed in linear scale, while the measured configured maximum power P_{UMAX} for each CG shall meet the requirements as specified in clause 6.2.4 but with bounds for $P_{\text{CMAX,f,c,MCG}}(p)$ and $P_{\text{CMAX,f,c,SCG}}$ as specified in this clause.

If for synchronized NR-DC a UE is provided with $\text{NR-DC-PC-mode} = \text{Semi-static-mode2}$ and configured with $p_{\text{NR,MCG}} + p_{\text{NR,SCG}} \leq \hat{P}_{\text{Total}}^{\text{NR-DC}}$ with $p_{\text{NR,MCG}}$ and $p_{\text{NR,SCG}}$ the linear-scale values of the P_{NR} for the respective MCG and SCG

$$P_{\text{CMAX_NR-DC_L}}(p,q) = 10 \log_{10} [P_{\text{CMAX_L,f,c,MCG}}(p) + P_{\text{CMAX_L,f,c,SCG}}(q)]$$

$$P_{\text{CMAX_NR-DC_H}}(p,q) = 10 \log_{10} [P_{\text{CMAX_H,f,c,MCG}}(p) + P_{\text{CMAX_H,f,c,SCG}}(q)]$$

while the measured configured maximum power P_{UMAX} for each CG shall meet the requirements specified in Table 6.2.4.3-2 but with bounds for $P_{\text{CMAX,f,c,MCG}}(p)$ and $P_{\text{CMAX,f,c,SCG}}$ as specified in this clause except

- if an ongoing transmission overlapping with physical channel q of the SCG or subframe p of the MCG overlaps with only semi-static downlink symbols within the respective subframe p of the MCG or physical channel q of the SCG as indicated to a UE by $\text{tdd-UL-DL-ConfigurationCommon}$ and $\text{tdd-UL-DL-ConfigurationDedicated}$, if provided,

then the measured configured maximum power P_{UMAX} for the transmission subframe p on the MCG or physical channel q on the SCG shall meet the requirements as specified in clause 6.2.4 and with bounds for $P_{\text{CMAX,f,c,MCG}}(p)$ or $P_{\text{CMAX,f,c,SCG}}$ as specified in clause 6.2.4.

For a UE provided with $\text{NR-DC-PC-mode} = \text{Dynamic}$,

$$P_{\text{CMAX_NR-DC_L}}(p,q) = \text{MIN}\{10 \log_{10} [P_{\text{CMAX_L,f,c,MCG}}(p) + P_{\text{CMAX_L,f,c,SCG}}(q)], P_{\text{Total}}^{\text{NR-DC}}\}$$

$$P_{\text{CMAX_NR-DC_H}}(p,q) = \text{MIN}\{10 \log_{10} [P_{\text{CMAX_H,f,c,MCG}}(p) + P_{\text{CMAX_H,f,c,SCG}}(q)], P_{\text{Total}}^{\text{NR-DC}}\}$$

while the measured configured maximum power P_{UMAX} on the MCG shall meet the requirements as specified in clause 6.2.4.3-2 but with bounds for $P_{\text{CMAX,f,c,MCG}}(p)$ as specified in this clause, and the P_{UMAX} on the SCG shall be within

$$P_{\text{CMAX_L,f,c}} - \text{MAX}\{T_{\text{L,c}}, T(P_{\text{CMAX_L,f,c}})\} \leq P_{\text{UMAX,f,c}} \leq P_{\text{CMAX_H,f,c}} + T(P_{\text{CMAX_H,f,c}}).$$

where

$$P_{\text{CMAX_L,f,c}} = \text{MIN}\{P_{\text{CMAX_L,f,c,SCG}}(p), 10 \log_{10} (\hat{P}_{\text{Total}}^{\text{NR-DC}} - p_{\text{NR,MSG}})\}$$

$$P_{\text{CMAX_H,f,c}} = \text{MIN}\{P_{\text{CMAX_H,f,c,SCG}}(p), 10 \log_{10} (\hat{P}_{\text{Total}}^{\text{NR-DC}} - p_{\text{NR,MSG}})\}$$

with limits as specified in Table 6.2.4.3-2 and $p_{\text{NR,MCG}}$ the value of the P_{NR} for the MCG expressed in linear scale.

Table 6.2B.4.0.1.3-2: P_{CMAX} tolerance for NR-DC

$P_{\text{CMAX}}(\text{dBm})$	Tolerance $T_{\text{LOW}}(P_{\text{CMAX_L}})$ (dB)	Tolerance $T_{\text{HIGH}}(P_{\text{CMAX_H}})$ (dB)
$23 \leq P_{\text{CMAX}} \leq 33$	3.0	2.0
$22 \leq P_{\text{CMAX}} < 23$	5.0	2.0
$21 \leq P_{\text{CMAX}} < 22$	5.0	3.0
$20 \leq P_{\text{CMAX}} < 21$	6.0	4.0
$16 \leq P_{\text{CMAX}} < 20$	5.0	
$11 \leq P_{\text{CMAX}} < 16$	6.0	
$-40 \leq P_{\text{CMAX}} < 11$	7.0	
NOTE 1: For UEs provided with $\text{NR-DC-PC-mode} = \text{Semi-static-mode1}$ or with $\text{NR-DC-PC-mode} = \text{Semi-static-mode2}$, the upper tolerance T_{high} shall be reduced by 0.3 dB for $P \geq 20$ dBm.		

6.2B.4.0.2 $\Delta T_{\text{IB,c}}$ for NR-DC

For the UE which supports inter-band NR-DC with one uplink carrier assigned per NR band, the $\Delta T_{\text{IB,c}}$ for the corresponding inter-band CA configurations as specified in clause 6.2A.4.0.2 applies.

6.2B.4.0.2.1	FFS
6.2B.4.0.2.2	FFS
6.2B.4.0.2.3	Void

Table 6.2B.4.0.2.3-1: Void**6.2B.4.1 Configured transmitted power level for NR-DC****6.2B.4.1.1 Test purpose**

To verify that the total measured UE configured maximum output power P_{UMAX} in dual connectivity is within the specified bounds.

6.2B.4.1.2 Test applicability

The requirements of this test apply to all types of NR UE release 16 and forward that support NR-DC.

6.2B.4.1.3 Minimum conformance requirements

The minimum conformance requirements are defined in subclause 6.2B.4.0.

6.2B.4.1.4 Test description**6.2B.4.1.4.1 Initial conditions**

Initial conditions are a set of test configurations the UE needs to be tested in and the steps for the SS to take with the UE to reach the correct measurement state.

The initial test configurations consist of environmental conditions, test frequencies, channel bandwidths and sub-carrier spacing based on NR-DC configurations specified in 5.5B. All of these configurations shall be tested with applicable test parameters for each combination of test channel bandwidth and sub-carrier spacing, and are shown in table 6.2B.4.1.4.1-1. The details of the uplink reference measurement channels (RMCs) are specified in Annexes A.2. Configurations of PDSCH and PDCCH before measurement are specified in Annex C.2.

Table 6.2B.4.1.4.1-1: Inter-band NR-DC Test Configuration Table

Initial Conditions				
Test Environment as specified in TS 38.508-1 [5] subclause 4.1		Normal, TL/VL, TL/VH, TH/VL, TH/VH		
Test Frequencies as specified in TS 38.508-1 [5] subclause 4.3.1		Mid range for PCell and PSCell		
Test Channel Bandwidths as specified in TS 38.508-1 [5] subclause 4.3.1		Lowest for PCell and PSCell Highest for PCell and PSCell		
Test SCS as specified in Table 5.3.5-1		Lowest		
Test Parameters for Channel Bandwidths				
Test ID	Downlink Configuration for PCell & PSCell	Uplink Configuration		
		Modulation for all CCs (NOTE 2)	RB allocation (NOTE 1)	
1	N/A for minimum output power test case		DFT-s-OFDM Pi/2 BPSK	Inner Full
		DFT-s-OFDM QPSK	Inner Full	Inner Full
2				
NOTE 1: The specific configuration of each RB allocation is defined in Table 6.1-1.				
NOTE 2: DFT-s-OFDM Pi/2 BPSK test applies only for UEs which supports Pi/2 BPSK in FR1.				

1. Connect the SS to the UE antenna connectors as shown in TS 38.508-1 [5] Annex A, Figure A.3.1.1.3 for TE diagram and section A.3.2 for UE diagram.
2. The parameter settings for the cell are set up according to TS 38.508-1 [5] subclause 4.4.3.
3. Downlink signals are initially set up according to Annex C.0, C.1, C.2, and uplink signals according to Annex G.0, G.1, G.2, G.3.0.
4. The UL Reference Measurement Channel is set according to Table 6.2B.4.1.4.1-1 as appropriate.

5. Propagation conditions are set according to Annex B.0.
6. Ensure the UE is in State RRC_CONNECTED with generic procedure parameters Connectivity NR-DC, Connected without release On, Test Mode On and Test Loop Function On according to TS 38.508-1 [5] clause 4.5. Message contents are defined in clause 6.2B.4.1.4.3.

6.2B.4.1.4.2 Test procedure

1. SS sends uplink scheduling information for each UL HARQ process via PDCCH DCI format 0_1 for C_RNTI to schedule the UL RMC according to Table 6.2B.4.1.4.1-1 on both PCell and PSCell for inter-band NR-DC. Since the UE has no payload and no loopback data to send the UE sends uplink MAC padding bits on the UL RMC.
2. Send continuously uplink power control "up" commands in every uplink scheduling information to the UE; allow at least 200ms starting from the first TPC command in this step for the UE to reach P_{UMAX} level of the test point.
3. Measure the sum of mean transmitted power over all component carriers in the NR-DC configuration of the radio access mode. The period of measurement shall be at least the continuous duration of one active sub-frame (1ms) and in the uplink symbols. For TDD, only slots consisting of only UL symbols are under test.

6.2B.4.1.4.3 Message contents

Message contents are according to TS 38.508-1 [5] subclause 4.6 with the following exceptions.

Table 6.2B.4.1.4.3-0: PUSCH-Config

Derivation Path: TS 38.508-1 [5], Table 4.6.3-118 with condition TRANSFORM_PRECODER_ENABLED

Table 6.2B.4.1.4.3-1: FrequencyInfoUL: Test point 1

Derivation Path: TS 38.508-1 [5] Table 4.6.3-61 FrequencyInfoUL			
Information Element	Value/remark	Comment	Condition
p-Max	-10		

Table 6.2B.4.1.4.3-1a: FrequencyInfoUL-SIB: Test point 1

Derivation Path: TS 38.508-1 [5] Table 4.6.3-62 FrequencyInfoUL-SIB			
Information Element	Value/remark	Comment	Condition
p-Max	-10		

Table 6.2B.4.1.4.3-2: FrequencyInfoUL: Test point 2

Derivation Path: TS 38.508-1 [5] Table 4.6.3-61 FrequencyInfoUL			
Information Element	Value/remark	Comment	Condition
p-Max	10		

Table 6.2B.4.1.4.3-2a: FrequencyInfoUL-SIB: Test point 2

Derivation Path: TS 38.508-1 [5] Table 4.6.3-62 FrequencyInfoUL-SIB			
Information Element	Value/remark	Comment	Condition
p-Max	10		

6.2B.4.1.5 Test requirement

The maximum output power measured shall not exceed the values specified in Table 6.2B.4.1.5-1.

Table 6.2B.4.1.5-1: Configured UE Output Power for Inter-band NR-DC

	Maximum output power	
	Lower limit	Upper limit

Measured UE output power test point 1	-14 dBm - TT	0 dBm + TT
Measured UE output power test point 2	7 dBm - TT	19 dBm + TT
Note 1: TT for each frequency and channel bandwidth is specified in Table 6.2B.4.1.5-2.		

Table 6.2B.4.1.5-2: Test Tolerance for Configured transmitted power for Inter-band NR-DC

TT for overall output power (dB)								
			PCell					
			BW ≤ 40MHz			40MHz < BW ≤ 100MHz		
			f ≤ 3.0GHz	3.0GHz < f ≤ 4.2GHz	4.2GHz < f ≤ 6.0GHz	f ≤ 3.0GHz	3.0GHz < f ≤ 4.2GHz	4.2GHz < f ≤ 6.0GHz
PSCell	BW ≤ 40MHz	f ≤ 3.0GHz	0.7	1.0	1.0	1.0	1.0	1.0
		3.0GHz < f ≤ 4.2GHz	1.0	1.0	1.0	1.0	1.0	1.0
		4.2GHz < f ≤ 6.0GHz	1.0	1.0	1.0	1.0	1.0	1.0
	40MHz < BW ≤ 100MHz	f ≤ 3.0GHz	1.0	1.0	1.0	1.0	1.0	1.0
		3.0GHz < f ≤ 4.2GHz	1.0	1.0	1.0	1.0	1.0	1.0
		4.2GHz < f ≤ 6.0GHz	1.0	1.0	1.0	1.0	1.0	1.0

For the UE which supports inter-band NR CA configuration, inter-band NR-DC configuration, SUL configuration or inter-band EN-DC configuration, $\Delta T_{IB,c}$ as specified in 6.2A.4.0.2 for NR CA, 6.2B.4.0.2 for NR-DC, clause 6.2C.2 for SUL, or TS 38.521-3 [14] clause 6.2B.4.2 for EN-DC applies. Unless otherwise stated, $\Delta T_{IB,c}$ is set to zero. In case the UE supports more than one of band combinations for CA, NR-DC, SUL or EN-DC, and an operating band belongs to more than one band combinations then

- When the operating band frequency range is ≤ 1 GHz, the applicable additional $\Delta T_{IB,c}$ shall be the average value for all band combinations defined in clause 6.2A.4.0.2, 6.2B.4.0.2, 6.2C.2 in this specification and 6.2B.4.2 in TS 38.521-3 [14], truncated to one decimal place that apply for that operating band among the supported band combinations. In case there is a harmonic relation between low band UL and high band DL, then the maximum $\Delta T_{IB,c}$ among the different supported band combinations involving such band shall be applied
- When the operating band frequency range is > 1 GHz, the applicable additional $\Delta T_{IB,c}$ shall be the maximum value for all band combinations defined in clause 6.2A.4.0.2, 6.2B.4.0.2, 6.2C.2 in this specification and 6.2B.4.2 in TS 38.521-3 [14] for the applicable operating bands.

6.2C Transmitter power for SUL

6.2C.1 Configured transmitted power for SUL

6.2C.1.1 Test purpose

Same test purpose as in clause 6.2.4.1

6.2C.1.2 Test applicability

This test applies to all types of NR UE release 15 and forward that support SUL operating on the SUL bands.

6.2C.1.3 Minimum conformance requirements

When a UE is configured with both NR UL and NR SUL carriers in a serving cell with active transmission either on the UL carrier or SUL carrier, the configured transmit power requirements specified in subclause 6.2.4 are applicable for the UL carrier and the SUL carrier, respectively.

For the UE which supports SUL band combination, $\Delta T_{IB,c}$ in Table 6.2C.2-1 applies.

The normative reference for this requirement is TS 38.101-1 [2] clauses 6.2C.

6.2C.1.4 Test description

Same test description as specified in clause 6.2.4.4 with following exceptions:

Instead of table 5.3.5-1 → use Table 5.5C-1

Instead of table 6.2.4.4.1-1 → use Table 6.2C.1.4-1

Table 6.2C.1.4-1: Test Configuration Table

Initial Conditions			
Test Environment as specified in TS 38.508-1 [5] subclause 4.1		Normal, TL/VL, TL/VH, TH/VL, TH/VH	
Test Frequencies as specified in TS 38.508-1 [5] subclause 4.3.1		Mid range for both SUL carrier and Non-SUL carrier	
Test Channel Bandwidths as specified in TS 38.508-1 [5] subclause 4.3.1		Lowest, Mid, Highest for SUL carrier Lowest for Non-SUL carrier	
Test SCS as specified in Table 5.3.5-1		15kHz for SUL carrier and Lowest supported SCS for Non-SUL carrier	
Test Parameters for Channel Bandwidths			
Test ID	Downlink Configuration	UL Configuration	SUL Configuration
	N/A	N/A	Modulation
1			DFT-s-OFDM Pi/2 BPSK
2			DFT-s-OFDM QPSK
			RB allocation (NOTE 2)
			Inner Full
			Inner Full
NOTE 1: Test Channel Bandwidths are checked separately for each SUL band combination, the applicable channel bandwidths are specified in Table 5.5C-1.			
NOTE 2: The specific configuration of each RB allocation is defined in Table 6.1-1.			
NOTE 3: DFT-s-OFDM PI/2 BPSK test applies only for UEs which supports half Pi BPSK in FR1.			
NOTE 4: For NR band n83, 30MHz test channel bandwidth is tested with Low range test frequency.			

- Connect the SS to the UE antenna connectors as shown in TS 38.508-1 [5] Annex A, Figure A.3.1.1.4 for TE diagram and section A.3.2 for UE diagram.
- The parameter setting for the cell are set up according to the TS 38.508-1 [5] subclause 4.4.3.
- Downlink signals are initially setup according to Annex C.0, C.1, C.2 and uplink signals according to Annex G.0, G.1, G.2, and G.3.0 with consideration of supplementary uplink physical channels.

Message contents in initial conditions are according to TS 38.508-1 [5] subclause 4.3.6.1.1.2 ensuring UL/SUL indicator in Table 4.3.6.1.1.2-1 with condition SUL, subclause 4.6 ensuring that for SUL carrier, Tables 4.6.1-28 with condition SUL AND (RF OR RRM), 4.6.3-14 with condition SUL_SUL for SUL carrier and Table 4.6.3-167 with condition PUSCH_PUCCH_ON_SUL, additionally the following exceptions shown in Table 6.2C.1.4-2 ~ Table 6.2C.1.4-4 are considered.

Table 6.2C.1.4-2: SIB1: Test point 1

Derivation Path: TS 38.508-1 [5] Table 4.6.1-28 SIB1 with condition SUL AND RF			
Information Element	Value/remark	Comment	Condition
supplementaryUplink ::= SEQUENCE {			
frequencyInfoUL SEQUENCE {			
p-Max	-10		
}			
}			

Table 6.2C.1.4-3: SIB1: Test point 2

Derivation Path: TS 38.508-1 [5] Table 4.6.1-28 SIB1 with condition SUL AND RF			
Information Element	Value/remark	Comment	Condition
supplementaryUplink ::= SEQUENCE {			
frequencyInfoUL SEQUENCE {			
p-Max	10		
}			
}			

Table 6.2C.1.4-4: SIB1: Test point 3

Derivation Path: TS 38.508-1 [5] Table 4.6.1-28 SIB1 with condition SUL AND RF			
Information Element	Value/remark	Comment	Condition
supplementaryUplink ::= SEQUENCE {			
frequencyInfoUL SEQUENCE {			
p-Max	15		
}			
}			

Table 6.2C.1.4-5: Void

6.2C.1.5 Test requirement

The maximum output power measured on SUL carrier shall not exceed the values specified in Table 6.2C.1.5-1.

Table 6.2C.1.5-1: P_{C_{MAX}} configured UE output power

	Channel bandwidth / maximum output power					
	5 MHz	10 MHz	15 MHz	20 MHz	25 MHz	30 MHz
Measured UE output power test point 1	-10 dBm ± (7+TT)					
Measured UE output power test point 2	10 dBm ± (6+TT)					
Measured UE output power test point 3	15 dBm ± (5+TT)					
Note 1: TT for each frequency and channel bandwidth is specified in Table 6.2.4.5-2.						
Note 2: In addition note 3 in Table 6.2.1.3-1 shall apply to the tolerances.						

For the UE which supports inter-band NR CA configuration, inter-band NR-DC configuration, SUL configuration or inter-band EN-DC configuration, ΔT_{IB,c} as specified in 6.2A.4.0.2 for NR CA, 6.2B.4.0.2 for NR-DC, clause 6.2C.2 for SUL, or TS 38.521-3 [14] clause 6.2B.4.2 for EN-DC applies. Unless otherwise stated, ΔT_{IB,c} is set to zero. In case the UE supports more than one of band combinations for CA, SUL or EN-DC, and an operating band belongs to more than one band combinations then

- a) When the operating band frequency range is ≤ 1 GHz, the applicable additional ΔT_{IB,c} shall be the average value for all band combinations defined in clause 6.2A.4.0.2, 6.2B.4.0.2, 6.2C.2 in this specification and 6.2B.4.2 in TS 38.521-3 [14], truncated to one decimal place that apply for that operating band among the supported band

combinations. In case there is a harmonic relation between low band UL and high band DL, then the maximum $\Delta T_{IB,c}$ among the different supported band combinations involving such band shall be applied

- b) When the operating band frequency range is > 1 GHz, the applicable additional $\Delta T_{IB,c}$ shall be the maximum value for all band combinations defined in clause 6.2A.4.0.2, 6.2B.4.0.2, 6.2C.2 in this specification and 6.2B.4.2 in TS 38.521-3 [14] for the applicable operating bands.

6.2C.2 $\Delta T_{IB,c}$

For the UE which supports SUL band combination, $\Delta T_{IB,c}$ in Tables below applies. Unless otherwise stated, $\Delta T_{IB,c}$ is set to zero.

Table 6.2C.2-1: $\Delta T_{IB,c}$ due to SUL

Band combination for SUL	NR Band	$\Delta T_{IB,c}$ (dB)
SUL_n41-n83	n41	0.3
	n83	0.3
SUL_n78-n80	n78	0.8
	n80	0.6
SUL_n78-n81	n78	0.8
	n81	0.6
SUL_n78-n82	n78	0.8
	n82	0.6
SUL_n78-n83	n78	0.8
	n83	0.5
SUL_n78-n84	n78	0.8
	n84	0.3
SUL_n78-n86	n78	0.8
	n86	0.6
SUL_n79-n83	n79	0.8
	n83	0.5

Table 6.2C.2-2: $\Delta T_{IB,c}$ for SUL band combination (Three bands)

Band combination for SUL	NR Band	$\Delta T_{IB,c}$ (dB)
CA_n1_n78-n80	n1	0.6
	n78	0.8
	n80	0.6
CA_n1_n78-n84	n1	0.6
	n78	0.8
	n84	0.6
CA_n3_n78-n80	n3	0.6
	n78	0.8
	n80	0.6
CA_n28_n41-n83	n28	0.3
	n41	0.3
	n83	0.3
CA_n28_n79-n83	n28	0.5
	n79	0.8
	n83	0.5

6.2C.3 UE maximum output power for SUL

6.2C.3.1 Test purpose

Same test purpose as in clause 6.2.1.1

6.2C.3.2 Test applicability

This test applies to all types of NR UE release 15 and forward that support SUL operating on the SUL bands.

6.2C.3.3 Minimum conformance requirements

For a terminal that supports SUL for the band combination specified in Table 5.2C-1, the current version of the specification assumes the terminal is configured with active transmission either on UL carrier or SUL carrier at any time in one serving cell and the UE requirements for single carrier shall apply for the active UL or SUL carrier accordingly.

The normative reference for this requirement is TS 38.101-1 [2] clauses 4.3 and 6.2.1.

6.2C.3.4 Test description

Same test description as specified in clause 6.2.1.4 with following exceptions:

Instead of table 5.3.5-1 → use Table 5.5C-1.

Instead of table 6.2.1.4.1-1 → use Table 6.2C.3.4-1

Table 6.2C.3.4-1: Test Configuration Table

Initial Conditions			
Test Environment as specified in TS 38.508-1 [5] subclause 4.1		Normal, TL/VL, TL/VH, TH/VL, TH/VH	
Test Frequencies as specified in TS 38.508-1 [5] subclause 4.3.1		Mid range for Non-SUL carrier. Low, Mid, High range for SUL carrier	
Test Channel Bandwidths as specified in TS 38.508-1 [5] subclause 4.3.1		Lowest, Mid, Highest for SUL carrier Lowest for Non-SUL carrier	
Test SCS as specified in Table 5.3.5-1		15kHz for SUL carrier and Lowest supported SCS for Non-SUL carrier	
Test Parameters for Channel Bandwidths			
Test ID	Downlink Configuration	UL Configuration	SUL Configuration
	N/A	N/A	Modulation
1			DFT-s-OFDM PI/2 BPSK
2			DFT-s-OFDM PI/2 BPSK
3			DFT-s-OFDM PI/2 BPSK
4			DFT-s-OFDM QPSK
5			DFT-s-OFDM QPSK
6			DFT-s-OFDM QPSK
			RB allocation (NOTE 2)
			Inner Full
			Inner 1RB Left
			Inner 1RB Right
			Inner Full
			Inner 1RB Left
			Inner 1RB Right
NOTE 1: Test Channel Bandwidths are checked separately for each SUL band combination, the applicable channel bandwidths are specified in Table 5.5C-1.			
NOTE 2: The specific configuration of each RB allocation is defined in Table 6.1-1.			
NOTE 3: DFT-s-OFDM PI/2 BPSK test applies only for UEs which supports half Pi BPSK in FR1.			
NOTE 4: For NR band n83, 30MHz test channel bandwidth is tested with Low range test frequency.			

- Connect the SS to the UE antenna connectors as shown in TS 38.508-1 [5] Annex A, Figure A.3.1.1.4 for TE diagram and section A.3.2 for UE diagram.
- The parameter setting for the cell are set up according to the TS 38.508-1 [5] subclause 4.4.3.
- Downlink signals are initially setup according to Annex C.0, C.1, C.2 and uplink signals according to Annex G.0, G.1, G.2, and G.3.0 with consideration of supplementary uplink physical channels.

Message contents in initial conditions are according to TS 38.508-1 [5] subclause 4.3.6.1.1.2 ensuring UL/SUL indicator in Table 4.3.6.1.1.2-1 with condition SUL, subclause 4.6 ensuring Table 4.6.1-28 with condition SUL AND (RF OR RRM), Tables 4.6.3-14 with condition SUL_SUL for SUL carrier, and Table 4.6.3-167 with condition PUSCH_PUCCH_ON_SUL, additionally the following exceptions shown in Table 6.2C.3.4-2 is considered.

Table 6.2C.3.4-2: PUSCH-Config

Derivation Path: TS 38.508-1 [5], Table 4.6.3-118 with condition TRANSFORM_PRECODER_ENABLED

Table 6.2C.3.4-3: Void

6.2C.3.5 Test requirement

The maximum output power measured on SUL carrier shall be within the range prescribed by the nominal maximum output power and tolerance in Table 6.2C.3.5-1.

Table 6.2C.3.5-1: Maximum Output Power test requirement for Power Class 3

NR band	Class 1 (dBm)	Tolerance (dB)	Class 2 (dBm)	Tolerance (dB)	Class 3 (dBm)	Tolerance (dB)
n80					23	$\pm(2+TT)$
n81					23	$\pm(2+TT)$
n82					23	$\pm(2+TT)$
n83					23	$+2+TT/-2.5-TT$
n84					23	$\pm(2+TT)$
n86					23	$\pm(2+TT)$
n97					23	$\pm(2+TT)$
n99					23	$+2+TT/-3.0^3-TT$
NOTE 1: $P_{PowerClass}$ is the maximum UE power specified without taking into account the tolerance						
NOTE 2: Power class 3 is default power class unless otherwise stated						
NOTE 3: Refers to the transmission bandwidths confined within F_{UL_low} and $F_{UL_low} + 4$ MHz or $F_{UL_high} - 4$ MHz and F_{UL_high} , the maximum output power requirement is relaxed by reducing the lower tolerance limit by 1.5 dB						
NOTE 4: TT for each frequency and channel bandwidth is specified in Table 6.2.1.5-3						

For the UE which supports inter-band NR CA configuration, inter-band NR-DC configuration, SUL configuration or inter-band EN-DC configuration, $\Delta T_{IB,c}$ as specified in 6.2A.4.0.2 for NR CA, 6.2B.4.0.2 for NR-DC, clause 6.2C.2 for SUL, or TS 38.521-3 [14] clause 6.2B.4.2 for EN-DC applies. Unless otherwise stated, $\Delta T_{IB,c}$ is set to zero. In case the UE supports more than one of band combinations for CA, NR-DC, SUL or EN-DC, and an operating band belongs to more than one band combinations then

- a) When the operating band frequency range is ≤ 1 GHz, the applicable additional $\Delta T_{IB,c}$ shall be the average value for all band combinations defined in clause 6.2A.4.0.2, 6.2B.4.0.2, 6.2C.2 in this specification and 6.2B.4.2 in TS 38.521-3 [14], truncated to one decimal place that apply for that operating band among the supported band combinations. In case there is a harmonic relation between low band UL and high band DL, then the maximum $\Delta T_{IB,c}$ among the different supported band combinations involving such band shall be applied
- b) When the operating band frequency range is > 1 GHz, the applicable additional $\Delta T_{IB,c}$ shall be the maximum value for all band combinations defined in clause 6.2A.4.0.2, 6.2B.4.0.2, 6.2C.2 in this specification and 6.2B.4.2 in TS 38.521-3 [14] for the applicable operating bands.

6.2C.3_1 Void

6.2C.4 UE maximum output power reduction for SUL

6.2C.4.1 Test purpose

Same test purpose as in clause 6.2.2.1

6.2C.4.2 Test applicability

This test applies to all types of NR UE release 15 and forward that support SUL operating on the SUL bands.

NOTE: Test execution is not necessary if TS 38.521-1 6.5C.2.4.1 is executed.

6.2C.4.3 Minimum conformance requirements

For a terminal that supports SUL for the band combination specified in Table 5.2C-1, the current version of the specification assumes the terminal is configured with active transmission either on UL carrier or SUL carrier at any time in one serving cell and the UE requirements for single carrier shall apply for the active UL or SUL carrier accordingly.

The normative reference for this requirement is TS 38.101-1 [2] clauses 4.3 and 6.2.2.

6.2C.4.4 Test description

Same test description as PC 3 with contiguous allocation specified in clause 6.2.2.4 with following exceptions:

Instead of table 5.3.5-1 → use Table 5.5C-1.

Instead of table 6.2.2.4.1-1 → use Table 6.2C.4.4-1.

Table 6.2C.4.4-1: Test Configuration Table for power class 3 contiguous allocation

Initial Conditions					
Test Environment as specified in TS 38.508-1 [5] subclause 4.1		Normal, TL/VL, TL/VH, TH/VL, TH/VH			
Test Frequencies as specified in TS 38.508-1 [5] subclause 4.3.1		Low range and high range for SUL carrier Mid range for Non-SUL carrier.			
Test Channel Bandwidths as specified in TS 38.508-1 [5] subclause 4.3.1		Lowest, Highest for SUL carrier Lowest for Non-SUL carrier			
Test SCS as specified in Table 5.5C-1		15kHz for SUL carrier and Lowest supported SCS for Non-SUL carrier			
Test Parameters for Channel Bandwidths					
Test ID	Freq	Downlink Configuration	UL Configuration	SUL Configuration	
		N/A	N/A	Modulation	RB allocation (NOTE 2)
1	Default			DFT-s-OFDM Pi/2 BPSK	Inner Full
2	Low			DFT-s-OFDM Pi/2 BPSK	Edge_1RB_Left
3	High			DFT-s-OFDM Pi/2 BPSK	Edge_1RB_Right
4	Default			DFT-s-OFDM Pi/2 BPSK	Outer Full
5	Default			DFT-s-OFDM QPSK	Inner Full
6	Low			DFT-s-OFDM QPSK	Edge_1RB_Left
7	High			DFT-s-OFDM QPSK	Edge_1RB_Right
8	Default			DFT-s-OFDM QPSK	Outer Full
9	Default			DFT-s-OFDM 16 QAM	Inner Full
10	Low			DFT-s-OFDM 16 QAM	Edge_1RB_Left
11	High			DFT-s-OFDM 16 QAM	Edge_1RB_Right
12	Default			DFT-s-OFDM 16 QAM	Outer Full
13	Low			DFT-s-OFDM 64 QAM	Edge_1RB_Left
14	High			DFT-s-OFDM 64 QAM	Edge_1RB_Right
15	Default			DFT-s-OFDM 64 QAM	Outer Full
16	Low			DFT-s-OFDM 256 QAM	Edge_1RB_Left
17	High			DFT-s-OFDM 256 QAM	Edge_1RB_Right
18	Default			DFT-s-OFDM 256 QAM	Outer Full
19	Default			CP-OFDM QPSK	Inner Full
20	Low			CP-OFDM QPSK	Edge_1RB_Left
21	High			CP-OFDM QPSK	Edge_1RB_Right
22	Default			CP-OFDM QPSK	Outer Full
23	Default			CP-OFDM 16 QAM	Inner Full
24	Low			CP-OFDM 16 QAM	Edge_1RB_Left
25	High			CP-OFDM 16 QAM	Edge_1RB_Right
26	Default			CP-OFDM 16 QAM	Outer Full
27	Low			OFDM 64 QAM	Edge_1RB_Left
28	High			OFDM 64 QAM	Edge_1RB_Right
29	Default			CP-OFDM 64 QAM	Outer Full

30	Low		OFDM 256 QAM	Edge_1RB_Left
31	High		OFDM 256 QAM	Edge_1RB_Right
32	Default		CP-OFDM 256 QAM	Outer Full
33 ⁴	Low		DFT-s-OFDM Pi/2 BPSK w Pi/2 BPSK DMRS	Edge_1RB_Left
34 ⁴	High		DFT-s-OFDM Pi/2 BPSK w Pi/2 BPSK DMRS	Edge_1RB_Right
35 ⁴	Default		DFT-s-OFDM Pi/2 BPSK w Pi/2 BPSK DMRS	Outer Full
NOTE 1: Test Channel Bandwidths are checked separately for each SUL band combination, the applicable channel bandwidths are specified in Table 5.5C-1.				
NOTE 2: The specific configuration of each RB allocation is defined in Table 6.1-1.				
NOTE 3: DFT-s-OFDM PI/2 BPSK test applies only for UEs which supports half Pi BPSK in FR1.				
NOTE 4: Applicable to UEs indicating support for UE capability <i>lowPAPR-DMRS-PUSCHwithPrecoding-r16</i> .				

- Connect the SS to the UE antenna connectors as shown in TS 38.508-1 [5] Annex A, Figure A.3.1.1.4 for TE diagram and section A.3.2 for UE diagram.
- The parameter setting for the cell are set up according to the TS 38.508-1 [5] subclause 4.4.3.
- Downlink signals are initially setup according to Annex C.0, C.1, C.2 and uplink signals according to Annex G.0, G.1, G.2, and G.3.0 with consideration of supplementary uplink physical channels.

Message contents in initial conditions are according to TS 38.508-1 [5] subclause 4.3.6.1.1.2 ensuring UL/SUL indicator in Table 4.3.6.1.1.2-1 with condition SUL, subclause 4.6 ensuring Table 4.6.1-28 with condition SUL AND (RF OR RRM), Table 4.6.3-14 with condition SUL_SUL for SUL carrier, and Table 4.6.3-167 with condition PUSCH_PUCCH_ON_SUL. Message contents in Table 6.2.2.4.3-3 in clause 6.2.2.4.3 only apply to Test ID 33-35 in Table 6.2C.4.4-1.

Table 6.2C.4.4-2: Void

6.2C.4.5 Test requirement

The maximum output power, derived in step 3 shall be within the range prescribed by the nominal maximum output power and tolerance in Table 6.2C.4.5-1 and Table 6.2C.4.5-2.

Table 6.2C.4.5-1: UE Power Class test requirements (for Bands n80, n81, n82, n84, n86, n97) for Power Class 3

Test ID	$P_{\text{PowerClass}}$ (dBm)	$\Delta P_{\text{PowerClass}}$ (dB)	MPR (dB)	$\Delta T_{C,c}$ (dB)	$P_{\text{CMAX_L,f,c}}$ (dBm)	$T(P_{\text{CMAX_L,f,c}})$ (dB)	$T_{L,c}$ (dB)	Upper limit (dBm)	Lower limit (dBm)
1	23	0	0	0	23.0	2.0	2	25.0 + TT	21.0 - TT
2	23	0	0.5	0	22.5	2.0	2	25.0 + TT	20.5 - TT
3	23	0	0.5	0	22.5	2.0	2	25.0 + TT	20.5 - TT
4	23	0	0.5	0	22.5	2.0	2	25.0 + TT	20.5 - TT
5	23	0	0	0	23.0	2.0	2	25.0 + TT	21.0 - TT
6	23	0	1	0	22.0	2.0	2	25.0 + TT	20.0 - TT
7	23	0	1	0	22.0	2.0	2	25.0 + TT	20.0 - TT
8	23	0	1	0	22.0	2.0	2	25.0 + TT	20.0 - TT
9	23	0	1	0	22.0	2.0	2	25.0 + TT	20.0 - TT
10	23	0	2	0	21.0	2.0	2	25.0 + TT	19.0 - TT
11	23	0	2	0	21.0	2.0	2	25.0 + TT	19.0 - TT
12	23	0	2	0	21.0	2.0	2	25.0 + TT	19.0 - TT
13	23	0	2.5	0	20.5	2.5	2	25.0 + TT	18.0 - TT
14	23	0	2.5	0	20.5	2.5	2	25.0 + TT	18.0 - TT
15	23	0	2.5	0	20.5	2.5	2	25.0 + TT	18.0 - TT
16	23	0	4.5	0	18.5	4.0	2	25.0 + TT	14.5 - TT
17	23	0	4.5	0	18.5	4.0	2	25.0 + TT	14.5 - TT
18	23	0	4.5	0	18.5	4.0	2	25.0 + TT	14.5 - TT
19	23	0	1.5	0	21.5	2.0	2	25.0 + TT	19.5 - TT
20	23	0	3	0	20.0	2.5	2	25.0 + TT	17.5 - TT
21	23	0	3	0	20.0	2.5	2	25.0 + TT	17.5 - TT
22	23	0	3	0	20.0	2.5	2	25.0 + TT	17.5 - TT
23	23	0	2	0	21.0	2.0	2	25.0 + TT	19.0 - TT
24	23	0	3	0	20.0	2.5	2	25.0 + TT	17.5 - TT

25	23	0	3	0	20.0	2.5	2	25.0 + TT	17.5 - TT
----	----	---	---	---	------	-----	---	-----------	-----------

Test ID	$P_{\text{PowerClass}}$ (dBm)	$\Delta P_{\text{PowerClass}}$ (dB)	MPR (dB)	$\Delta T_{C,c}$ (dB)	$P_{\text{CMAX_L,f,c}}$ (dBm)	$T(P_{\text{CMAX_L,f,c}})$ (dB)	$T_{L,c}$ (dB)	Upper limit (dBm)	Lower limit (dBm)
26	23	0	3	0	20.0	2.5	2	25.0 + TT	17.5 - TT
27	23	0	3.5	0	19.5	3.5	2	25.0 + TT	16.0 - TT
28	23	0	3.5	0	19.5	3.5	2	25.0 + TT	16.0 - TT
29	23	0	3.5	0	19.5	3.5	2	25.0 + TT	16.0 - TT
30	23	0	6.5	0	16.5	5.0	2	25.0 + TT	11.5 - TT
31	23	0	6.5	0	16.5	5.0	2	25.0 + TT	11.5 - TT
32	23	0	6.5	0	16.5	5.0	2	25.0 + TT	11.5 - TT
33	23	0	0.5	0	22.5	2.0	2	25.0 + TT	20.5- TT
34	23	0	0.5	0	22.5	2.0	2	25.0 + TT	20.5- TT
35	23	0	0	0	23	2.0	2	25.0 + TT	21- TT

NOTE 1: $P_{\text{PowerClass}}$ is the maximum UE power specified without taking into account the tolerance.

NOTE 2: TT for each frequency and channel bandwidth is specified in Table 6.2C.4.5-3.

5-2: UE Power Class test requirements (for Bands n83 with channel bandwidth other than 30MHz) for Power Class 3

Class n	$\Delta P_{\text{PowerClass}}$ (dB)	MPR (dB)	$\Delta T_{C,c}$ (dB)	$P_{\text{CMAX_L,f,c}}$ (dBm)	$T(P_{\text{CMAX_L,f,c}})$ (dB)	$T_{L,c}$ (dB)	Upper limit (dBm)	Lower limit (dBm)
	0	0	0	23.0	2.0	2.5	25.0 + TT	20.5 - TT
	0	0.5	0	22.5	2.0	2.5	25.0 + TT	20.0 - TT
	0	0.5	0	22.5	2.0	2.5	25.0 + TT	20.0 - TT
	0	0.5	0	22.5	2.0	2.5	25.0 + TT	20.0 - TT
	0	0	0	23.0	2.0	2.5	25.0 + TT	20.5 - TT
	0	1	0	22.0	2.0	2.5	25.0 + TT	19.5 - TT
	0	1	0	22.0	2.0	2.5	25.0 + TT	19.5 - TT
	0	1	0	22.0	2.0	2.5	25.0 + TT	19.5 - TT
	0	1	0	22.0	2.0	2.5	25.0 + TT	19.5 - TT
	0	2	0	21.0	2.0	2.5	25.0 + TT	18.5 - TT
	0	2	0	21.0	2.0	2.5	25.0 + TT	18.5 - TT
	0	2	0	21.0	2.0	2.5	25.0 + TT	18.5 - TT
	0	2.5	0	20.5	2.5	2.5	25.0 + TT	18.0 - TT
	0	2.5	0	20.5	2.5	2.5	25.0 + TT	18.0 - TT
	0	2.5	0	20.5	2.5	2.5	25.0 + TT	18.0 - TT
	0	4.5	0	18.5	4.0	2.5	25.0 + TT	14.5 - TT
	0	4.5	0	18.5	4.0	2.5	25.0 + TT	14.5 - TT
	0	4.5	0	18.5	4.0	2.5	25.0 + TT	14.5 - TT
	0	1.5	0	21.5	2.0	2.5	25.0 + TT	19.0 - TT
	0	3	0	20.0	2.5	2.5	25.0 + TT	17.5 - TT
	0	3	0	20.0	2.5	2.5	25.0 + TT	17.5 - TT
	0	3	0	20.0	2.5	2.5	25.0 + TT	17.5 - TT
	0	2	0	21.0	2.0	2.5	25.0 + TT	18.5 - TT
	0	3	0	20.0	2.5	2.5	25.0 + TT	17.5 - TT
	0	3	0	20.0	2.5	2.5	25.0 + TT	17.5 - TT
	0	3	0	20.0	2.5	2.5	25.0 + TT	17.5 - TT
	0	3.5	0	19.5	3.5	2.5	25.0 + TT	16.0 - TT
	0	3.5	0	19.5	3.5	2.5	25.0 + TT	16.0 - TT
	0	3.5	0	19.5	3.5	2.5	25.0 + TT	16.0 - TT
	0	6.5	0	16.5	5.0	2.5	25.0 + TT	11.5 - TT
	0	6.5	0	16.5	5.0	2.5	25.0 + TT	11.5 - TT
	0	6.5	0	16.5	5.0	2.5	25.0 + TT	11.5 - TT
	0	0.5	0	22.5	2.0	2.5	25.0 + TT	20.0 - TT
	0	0.5	0	22.5	2.0	2.5	25.0 + TT	20.0 - TT
	0	0	0	23	2.0	2.5	25.0 + TT	20.5 - TT

P_{Class} is the maximum UE power specified without taking into account the tolerance.

TT for each frequency and channel bandwidth is specified in Table 6.2.2.5-5.

5-3: UE Power Class test requirements (for Bands n83 with 30MHz channel bandwidth) for Power Class 3

Class n	$\Delta P_{\text{PowerClass}}$ (dB)	MPR (dB)	$\Delta T_{C,c}$ (dB)	$P_{\text{CMAX_L,f,c}}$ (dBm)	$T(P_{\text{CMAX_L,f,c}})$ (dB)	$T_{L,c}$ (dB)	Upper limit (dBm)	Lower limit (dBm)
---------	-------------------------------------	----------	-----------------------	--------------------------------	----------------------------------	----------------	-------------------	-------------------

	0	0.5	0	22.5	2	2.5	25.0 + TT	20-TT
	0	1	0	22	2	2.5	25.0 + TT	19.5-TT
	0	1	0	22	2	2.5	25.0 + TT	19.5-TT
	0	1	0	22	2	2.5	25.0 + TT	19.5-TT
	0	0.5	0	22.5	2	2.5	25.0 + TT	20-TT
	0	1.5	0	21.5	2	2.5	25.0 + TT	19-TT
	0	1.5	0	21.5	2	2.5	25.0 + TT	19-TT
	0	1.5	0	21.5	2	2.5	25.0 + TT	19-TT
	0	1.5	0	21.5	2	2.5	25.0 + TT	19-TT
	0	2.5	0	20.5	2.5	2.5	25.0 + TT	18-TT
	0	2.5	0	20.5	2.5	2.5	25.0 + TT	18-TT
	0	2.5	0	20.5	2.5	2.5	25.0 + TT	18-TT
	0	3	0	20	2.5	2.5	25.0 + TT	17.5-TT
	0	3	0	20	2.5	2.5	25.0 + TT	17.5-TT
	0	3	0	20	2.5	2.5	25.0 + TT	17.5-TT
	0	5	0	18	4	2.5	25.0 + TT	14-TT
	0	5	0	18	4	2.5	25.0 + TT	14-TT
	0	5	0	18	4	2.5	25.0 + TT	14-TT
	0	2	0	21	2	2.5	25.0 + TT	18.5-TT
	0	3.5	0	19.5	3.5	2.5	25.0 + TT	16-TT
	0	3.5	0	19.5	3.5	2.5	25.0 + TT	16-TT
	0	3.5	0	19.5	3.5	2.5	25.0 + TT	16-TT
	0	2.5	0	20.5	2.5	2.5	25.0 + TT	18-TT
	0	3.5	0	19.5	3.5	2.5	25.0 + TT	16-TT
	0	3.5	0	19.5	3.5	2.5	25.0 + TT	16-TT
	0	3.5	0	19.5	3.5	2.5	25.0 + TT	16-TT
	0	4	0	19	3.5	2.5	25.0 + TT	15.5-TT
	0	4	0	19	3.5	2.5	25.0 + TT	15.5-TT
	0	4	0	19	3.5	2.5	25.0 + TT	15.5-TT
	0	7	0	16	5	2.5	25.0 + TT	11-TT
	0	7	0	16	5	2.5	25.0 + TT	11-TT
	0	7	0	16	5	2.5	25.0 + TT	11-TT

P_{Class} is the maximum UE power specified without taking into account the tolerance.
 r each frequency and channel bandwidth is specified in Table 6.2.2.5-5.

Table 6.2C.4.5-4: UE Power Class test requirements for Band n99 for Power Class 3

Test ID	P _{PowerClass} (dBm)	ΔP _{PowerClass} (dB)	MPR (dB)	ΔT _{C,c} (dB)	P _{C_{MAX}L,f,c} (dBm)	T(P _{C_{MAX}L,f,c}) (dB)	T _{L,c} (dB)	Upper limit (dBm)	Lower limit (dBm)
5	23	0	0	0 (1.5 ²)	23.0 (21.5 ²)	2.0	3	25.0 + TT	20.0 - TT (17.0 - TT ²)
6	23	0	0.5	0 (1.5 ²)	22.5 (21.0 ²)	2.0	3	25.0 + TT	19.5 - TT (16.5 - TT ²)
7	23	0	0.5	0 (1.5 ²)	22.5 (21.0 ²)	2.0	3	25.0 + TT	19.5 - TT (16.5 - TT ²)
8	23	0	0.5	0 (1.5 ²)	22.5 (21.0 ²)	2.0	3	25.0 + TT	20.5 - TT (16.5 - TT ²)
9	23	0	0	0 (1.5 ²)	23.0 (21.5 ²)	2.0	3	25.0 + TT	20.0 - TT (17.0 - TT ²)
10	23	0	1	0 (1.5 ²)	22.0 (20.5 ²)	2.0 (2.5 ²)	3	25.0 + TT	19.0 - TT (16.0 - TT ²)
11	23	0	1	0 (1.5 ²)	22.0 (20.5 ²)	2.0 (2.5 ²)	3	25.0 + TT	19.0 - TT (16.0 - TT ²)
12	23	0	1	0 (1.5 ²)	22.0 (20.5 ²)	2.0 (2.5 ²)	3	25.0 + TT	19.0 - TT (16.0 - TT ²)
13	23	0	1	0 (1.5 ²)	22.0 (20.5 ²)	2.0 (2.5 ²)	3	25.0 + TT	19.0 - TT (16.0 - TT ²)
14	23	0	2	0 (1.5 ²)	21.0 (19.5 ²)	2.0 (3.5 ²)	3	25.0 + TT	18.0 - TT (15.0 - TT ²)
15	23	0	2	0 (1.5 ²)	21.0 (19.5 ²)	2.0 (3.5 ²)	3	25.0 + TT	18.0 - TT (15.0 - TT ²)
16	23	0	2	0 (1.5 ²)	21.0 (19.5 ²)	2.0 (3.5 ²)	3	25.0 + TT	18.0 - TT (15.0 - TT ²)
17	23	0	2.5	0 (1.5 ²)	20.5 (19.0 ²)	2.5 (3.5 ²)	3	25.0 + TT	17.5 - TT (14.5 - TT ²)
18	23	0	2.5	0 (1.5 ²)	20.5 (19.0 ²)	2.5 (3.5 ²)	3	25.0 + TT	17.5 - TT (14.5 - TT ²)
19	23	0	2.5	0 (1.5 ²)	20.5 (19.0 ²)	2.5 (3.5 ²)	3	25.0 + TT	17.5 - TT (14.5 - TT ²)
20	23	0	4.5	0 (1.5 ²)	18.5 (17.0 ²)	4.0 (5.0 ²)	3	25.0 + TT	14.5 - TT (12.0 - TT ²)
21	23	0	4.5	0 (1.5 ²)	18.5 (17.0 ²)	4.0 (5.0 ²)	3	25.0 + TT	14.5 - TT (12.0 - TT ²)
22	23	0	4.5	0 (1.5 ²)	18.5 (17.0 ²)	4.0 (5.0 ²)	3	25.0 + TT	14.5 - TT (12.0 - TT ²)
23	23	0	1.5	0 (1.5 ²)	21.5 (20.0 ²)	2.0 (2.5 ²)	3	25.0 + TT	18.5 - TT (15.5 - TT ²)

Test ID	P _{PowerClass} (dBm)	ΔP _{PowerClass} (dB)	MPR (dB)	ΔT _{C,c} (dB)	P _{C_{MAX}L,f,c} (dBm)	T(P _{C_{MAX}L,f,c}) (dB)	T _{L,c} (dB)	Upper limit (dBm)	Lower limit (dBm)
24	23	0	3	0 (1.5 ²)	20.0 (18.5 ²)	2.5 (4.0 ²)	3	25.0 + TT	17.0 - TT (14.0 - TT ²)
25	23	0	3	0 (1.5 ²)	20.0 (18.5 ²)	2.5 (4.0 ²)	3	25.0 + TT	17.0 - TT (14.0 - TT ²)
26	23	0	3	0 (1.5 ²)	20.0 (18.5 ²)	2.5 (4.0 ²)	3	25.0 + TT	17.0 - TT (14.0 - TT ²)
27	23	0	2	0 (1.5 ²)	21.0 (19.5 ²)	2.0 (3.5 ²)	3	25.0 + TT	18.0 - TT (15.0 - TT ²)
28	23	0	3	0 (1.5 ²)	20.0 (18.5 ²)	2.5 (4.0 ²)	3	25.0 + TT	17.0 - TT (14.0 - TT ²)

29	23	0	3	0	(1.5 ²)	20.0	(18.5 ²)	2.5	(4.0 ²)	3	25.0 + TT	17.0 – TT	(14.0 - TT ²)
30	23	0	3	0	(1.5 ²)	20.0	(18.5 ²)	2.5	(4.0 ²)	3	25.0 + TT	17.0 - TT	(14.0 - TT ²)
31	23	0	3.5	0	(1.5 ²)	19.5	(18.0 ²)	3.5	(4.0 ²)	3	25.0 + TT	16.0 - TT	(13.5 - TT ²)
32	23	0	3.5	0	(1.5 ²)	19.5	(18.0 ²)	3.5	(4.0 ²)	2	25.0 + TT	16.0 - TT	(13.5 - TT ²)
33	23	0	3.5	0	(1.5 ²)	19.5	(18.0 ²)	3.5	(4.0 ²)	2	25.0 + TT	16.0 - TT	(13.5 - TT ²)
34	23	0	6.5	0	(1.5 ²)	16.5	(15.0 ²)	5.0		2	25.0 + TT	11.5 - TT	(10.0 - TT ²)
35	23	0	6.5	0	(1.5 ²)	16.5	(15.0 ²)	5.0		2	25.0 + TT	11.5 - TT	(10.0 - TT ²)
36	23	0	6.5	0	(1.5 ²)	16.5	(15.0 ²)	5.0		2	25.0 + TT	11.5 - TT	(10.0 - TT ²)
37	23	0	0.5	0	(1.5 ²)	22.5	(21 ²)	2.0		2	25.0 + TT	19.5 - TT	(16.5 - TT ²)
38	23	0	0.5	0	(1.5 ²)	22.5	(21 ²)	2.0		2	25.0 + TT	19.5 - TT	(16.5 - TT ²)
39	23	0	0	0	(1.5 ²)	23	(21.5 ²)	2.0		2	25.0 + TT	20.0 - TT	(17.0 - TT ²)

NOTE 1: P_{PowerClass} is the maximum UE power specified without taking into account the tolerance.

NOTE 2: Transmission bandwidths confined within F_{UL,low} and F_{UL,low} + 4 MHz or F_{UL,high} – 4 MHz and F_{UL,high}.

NOTE 3: TT for each frequency and channel bandwidth is specified in Table 6.2.2.5-5.

For the UE which supports inter-band NR CA configuration, inter-band NR-DC configuration, SUL configuration or inter-band EN-DC configuration, $\Delta T_{IB,c}$ as specified in 6.2A.4.0.2 for NR CA, 6.2B.4.0.2 for NR-DC, clause 6.2C.2 for SUL, or TS 38.521-3 [14] clause 6.2B.4.2 for EN-DC applies. Unless otherwise stated, $\Delta T_{IB,c}$ is set to zero. In case the UE supports more than one of band combinations for CA, NR-DC, SUL or EN-DC, and an operating band belongs to more than one band combinations then

- When the operating band frequency range is ≤ 1 GHz, the applicable additional $\Delta T_{IB,c}$ shall be the average value for all band combinations defined in clause 6.2A.4.0.2, 6.2B.4.0.2, 6.2C.2 in this specification and 6.2B.4.2 in TS 38.521-3 [14], truncated to one decimal place that apply for that operating band among the supported band combinations. In case there is a harmonic relation between low band UL and high band DL, then the maximum $\Delta T_{IB,c}$ among the different supported band combinations involving such band shall be applied
- When the operating band frequency range is > 1 GHz, the applicable additional $\Delta T_{IB,c}$ shall be the maximum value for all band combinations defined in clause 6.2A.4.0.2, 6.2B.4.0.2, 6.2C.2 in this specification and 6.2B.4.2 in TS 38.521-3 [14] for the applicable operating bands.

6.2C.5 UE additional maximum output power reduction for SUL

Editor's note: Tests for network signalling values NS_17 not complete.

6.2C.5.1 Test purpose

Same test purpose as in clause 6.2.3.1

6.2C.5.2 Test applicability

This test applies to all types of NR UE release 15 and forward that support SUL operating on the SUL bands.

6.2C.5.3 Minimum conformance requirements

For a terminal that supports SUL for the band combination specified in Table 5.2C-1, the current version of the specification assumes the terminal is configured with active transmission either on UL carrier or SUL carrier at any time in one serving cell and the UE requirements for single carrier shall apply for the active UL or SUL carrier accordingly.

The normative reference for this requirement is TS 38.101-1 [2] clauses 4.3 and 6.2.3.

6.2C.5.4 Test description

Same test description as specified in clause 6.2.3.4 with following exceptions:

Instead of Table 5.3.5-1 → use Table 5.5C-1.

For NS_03 and NS_03U: Instead of Table 6.2.3.4.1-3 → use Table 6.2C.5.4-1

For NS_18: Instead of Table 6.2.3.4.1-11 → use Table 6.2C.5.4-2

For NS_48: Instead of Table 6.2.3.4.1-19 → use Table 6.2C.5.4-3

For NS_49: Instead of Table 6.2.3.4.1-29 → use Table 6.2C.5.4-4

For NS_05: Instead of Table 6.2.3.4.1-4 → use Table 6.2C.5.4-5

For NS_05U: Instead of Table 6.2.3.4.1-5 → use Table 6.2C.5.4-6

For NS_100: Instead of Table 6.2.3.4.1-3 → use Table 6.2C.5.4-7

For NS_56: Instead of Table 6.2.3.4.1-30 → use Table 6.2C.5.4-8

For NS_43: Instead of Table 6.2.3.4.1-6 → use Table 6.2C.5.4-9

For NS_43U: Instead of Table 6.2.3.4.1-7 → use Table 6.2C.5.4-10

Table 6.2C.5.4-1: Test Configuration Table for NS_03 and NS_03U

Initial Conditions	
Test Environment as specified in TS 38.508-1 [5] subclause 4.1	Normal
Test Frequencies as specified in TS 38.508-1 [5] subclause 4.3.1	Low range, High range for SUL carrier Mid range for Non-SUL carrier
Test Channel Bandwidths as specified in TS 38.508-1 [5] subclause 4.3.1	Lowest, Highest for SUL carrier Lowest for Non-SUL carrier
Test SCS as specified in Table 5.3.5-1	15kHz for SUL carrier and Lowest supported SCS for Non-SUL carrier
A-MPR test parameters for NS_03 and NS_03U	

Test ID	Freq	Downlink Configuration	UL Configuration	SUL Configuration		
				Modulation	RB allocation (Note 2)	
1	Low	N/A	N/A	DFT-s OFDM	PI/2 BPSK	Edge_1RB_Left
2	High				PI/2 BPSK	Edge_1RB_Right
3	Default				PI/2 BPSK	Outer_Full
4	Low				QPSK	Edge_1RB_Left
5	High				QPSK	Edge_1RB_Right
6	Default				QPSK	Outer_Full
7	Low				16 QAM	Edge_1RB_Left
8	High				16 QAM	Edge_1RB_Right
9	Default				16 QAM	Outer_Full
10	Low				64 QAM	Edge_1RB_Left
11	High				64 QAM	Edge_1RB_Right
12	Default				64 QAM	Outer_Full
13	Low				256 QAM	Edge_1RB_Left
14	High			256 QAM	Edge_1RB_Right	
15	Default			256 QAM	Outer_Full	
16	Low			CP-s OFDM	QPSK	Edge_1RB_Left
17	High				QPSK	Edge_1RB_Right
18	Default				QPSK	Outer_Full
19	Low				16 QAM	Edge_1RB_Left
20	High				16 QAM	Edge_1RB_Right
21	Default				16 QAM	Outer_Full
22	Low				64 QAM	Edge_1RB_Left
23	High				64 QAM	Edge_1RB_Right

A-MPR test parameters for NS_03 and NS_03U						
Test ID	Freq	Downlink Configuration	UL Configuration	SUL Configuration		
				Modulation	RB allocation (Note 2)	
24	Default				64 QAM	Outer_Full
25	Low				256 QAM	Edge_1RB_Left
26	High				256 QAM	Edge_1RB_Right
27	Default				256 QAM	Outer_Full

NOTE 1: Test Channel Bandwidths are checked separately for each SUL band combination, the applicable channel bandwidths are specified in Table 5.5C-1.
 NOTE 2: The specific configuration of each RB allocation is defined in Table 6.1-1.
 NOTE 3: DFT-s-OFDM PI/2 BPSK test applies only for UEs which supports half Pi BPSK in FR1.

Table 6.2C.5.4-2: Test Configuration Table for NS_18

Initial Conditions							
Test Environment as specified in TS 38.508-1 [5] subclause 4.1			Normal				
Test Frequencies as specified in TS 38.508-1 [5] subclause 4.3.1			Low range for SUL carrier Mid range for Non-SUL carrier				
Test Channel Bandwidths as specified in TS 38.508-1 [5] subclause 4.3.1			5MHz 10MHz 20MHz 30MHz for SUL carrier Lowest for Non-SUL carrier				
Test SCS as specified in Table 5.3.5-1			15kHz for SUL carrier and Lowest supported SCS for Non-SUL carrier				
A-MPR test parameters for NS_18							
Test ID	ChBw SCS	Downlink Configuration	SUL Configuration				
			Modulation (Note 2)		RB allocation (Note 1)	Comment	
1	5MHz, 10MHz, 20MHz	N/A	DFT-s OFDM	QPSK		Edge_1RB_Left	A1, A2
2				QPSK		Outer_Full	A1, A2
3				16 QAM		Edge_1RB_Left	A1, A2
4				16 QAM		Outer_Full	A1, A2
5				64 QAM		Edge_1RB_Left	A1, A2
6				64 QAM		Outer_Full	A1, A2
7				256 QAM		Edge_1RB_Left	A1, A2
8				256 QAM		Outer_Full	A1, A2
9			CP-s OFDM	QPSK		Edge_1RB_Left	A1, A2
10				QPSK		Outer_Full	A1, A2
11				16 QAM		Edge_1RB_Left	A1, A2
12				16 QAM		Outer_Full	A1, A2
13				64 QAM		Edge_1RB_Left	A1, A2
14				64 QAM		Outer_Full	A1, A2
15				256 QAM		Edge_1RB_Left	A1, A2
16				256 QAM		Outer_Full	A1, A2
17	30MHz	DFT-s OFDM	256 QAM		81@70	A3	
18			256 QAM		Outer_Full	A4	
19			CP-s OFDM	256 QAM		87@73	A3
20				256 QAM		Outer_Full	A4

NOTE 1: The specific configuration of each RB allocation is defined in Table 6.1-1 unless otherwise stated in this table.

Table 6.2C.5.4-3: Test Configuration Table for NS_48

Initial Conditions							
Test Environment as specified in TS 38.508-1 [5] subclause 4.1			Normal				
Test Frequencies as specified in TS 38.508-1 [5] subclause 4.3.1			Low range, High range for SUL carrier Mid range for non-SUL carrier				
Test Channel Bandwidths as specified in TS 38.508-1 [5] subclause 4.3.1			25 MHz, 30MHz, 40MHz, 50MHz for SUL carrier Lowest for non-SUL carrier				
Test SCS as specified in Table 5.3.5-1			15kHz for SUL carrier and Lowest supported SCS for Non-SUL carrier				
A-MPR test parameters for NS_48							
Test ID	F _c (MHz)	Ch BW (MHz)	Uplink Configuration	Downlink Configuration	SUL Configuration		
					Modulation (Note 2)	RB allocation (Note 1)	
1	Default	25	N/A for A-MPR testing.	N/A	DFT-s-OFDM	QPSK	Outer_Full (A3)
2	Default	25				QPSK	Edge_1RB_Right (A3)
3	Default	30				QPSK	Outer_Full (A3)
4	Default	30				QPSK	Edge_1RB_Right (A5)
5	Default	40				QPSK	16@0 (A2)
6	Default	40				QPSK	90@0 (A3)
7	Default	40				QPSK	150@0 (A4)
8	Default	40				QPSK	192@0 (A2)
9	Default	40				QPSK	5@187 (A3)
10	Default	40				QPSK	Outer_Full (A1)
11	Default	50				QPSK	32@0 (A2)
12	Default	50				QPSK	108@0 (A4)
13	Default	50				QPSK	225@0 (A2)
14	Default	50				QPSK	5@223 (A5)
15	Default	50				QPSK	Outer_Full (A1)
16	Default	25				256 QAM	Outer_Full (A3)
17	Default	25				256 QAM	Edge_1RB_Right (A3)
18	Default	30				256 QAM	Outer_Full (A3)
19	Default	30				256 QAM	Edge_1RB_Right (A5)
20	Default	40				256 QAM	16@0 (A2)
21	Default	40				256 QAM	90@0 (A3)
22	Default	40				256 QAM	150@0 (A4)
23	Default	40				256 QAM	192@0 (A2)
24	Default	40				256 QAM	5@187 (A3)
25	Default	40				256 QAM	Outer_Full (A1)
26	Default	50				256 QAM	32@0 (A2)
27	Default	50				256 QAM	108@0 (A4)
28	Default	50				256 QAM	225@0 (A2)
29	Default	50				256 QAM	5@223 (A5)
30	Default	50				256 QAM	Outer_Full (A1)
31	Default	25			QPSK	Outer_Full (A3)	
32	Default	25			QPSK	Edge_1RB_Right (A3)	
33	Default	30			QPSK	Outer_Full (A3)	
34	Default	30			QPSK	Edge_1RB_Right (A5)	
35	Default	40			QPSK	16@0 (A2)	
36	Default	40			QPSK	95@0 (A3)	
37	Default	40			QPSK	152@0 (A4)	
38	Default	40			QPSK	192@0 (A2)	
39	Default	40			QPSK	5@187 (A3)	
40	Default	40			QPSK	Outer_Full (A1)	
41	Default	50			QPSK	34@0 (A2)	
42	Default	50			QPSK	115@0 (A4)	
43	Default	50			QPSK	228@0 (A2)	
44	Default	50			QPSK	5@223 (A5)	
45	Default	50			QPSK	Outer_Full (A1)	
46	Default	25			256 QAM	Outer_Full (A3)	
47	Default	25			256 QAM	Edge_1RB_Right (A3)	
48	Default	30			256 QAM	Outer_Full (A3)	
49	Default	30			256 QAM	Edge_1RB_Right (A5)	
					CP-OFDM		

A-MPR test parameters for NS_48						
Test ID	F _c (MHz)	Ch BW (MHz)	Uplink Configuration	Downlink Configuration	SUL Configuration	
					Modulation (Note 2)	RB allocation (Note 1)
50	Default	40			256 QAM	16@0 (A2)
51	Default	40			256 QAM	95@0 (A3)
52	Default	40			256 QAM	152@0 (A4)
53	Default	40			256 QAM	192@0 (A2)
54	Default	40			256 QAM	5@187 (A3)
55	Default	40			256 QAM	Outer_Full (A1)
56	Default	50			256 QAM	34@0 (A2)
57	Default	50			256 QAM	115@0 (A4)
58	Default	50			256 QAM	228@0 (A2)
59	Default	50			256 QAM	5@223 (A5)
60	Default	50			256 QAM	Outer_Full (A1)

NOTE 1: The specific configuration of each RB allocation is defined in Table 6.1-1 unless otherwise stated in this table.

Table 6.2C.5.4-4: Test Configuration Table for NS_49

Initial Conditions							
Test Environment as specified in TS 38.508-1 [5] subclause 4.1			Normal				
Test Frequencies as specified in TS 38.508-1 [5] subclause 4.3.1			Low range, High range for SUL carrier Mid range for non-SUL carrier				
Test Channel Bandwidths as specified in TS 38.508-1 [5] subclause 4.3.1			25 MHz, 30MHz, 40MHz, 50MHz for SUL carrier Lowest for non-SUL carrier				
Test SCS as specified in Table 5.3.5-1			15kHz for SUL carrier and Lowest supported SCS for Non-SUL carrier				
A-MPR test parameters for NS_49							
Test ID	F _c (MHz)	Ch BW (MHz)	Downlink Configuration	Uplink Configuration	SUL Configuration		
					Modulation (Note 2)	RB allocation (Note 1)	
1	Default	25	N/A for A-MPR testing.	N/A	DFT-s-OFDM	QPSK	Outer_Full (A3)
2	Default	25				QPSK	Edge_1RB_Right (A3)
3	Default	25				QPSK	Edge_1RB_Left (A3)
4	Default	30				QPSK	20@0 (A1)
5	Default	30				QPSK	36@0 (A5)
6	Default	30				QPSK	80@0 (A3)
7	Default	30				QPSK	120@0 (A4)
8	Default	30				QPSK	Outer_Full (A2)
9	Default	30				QPSK	Edge_1RB_Right (A5)
10	Default	40				QPSK	40@0 (A1)
11	Default	40				QPSK	5@53 (A5)
12	Default	40				QPSK	100@0 (A4)
13	Default	40				QPSK	150@33 (A2)
14	Default	40				QPSK	5@187 (A5)

15	Default	40				QPSK	192@0 (A1)
16	Default	40				QPSK	Outer_Full (A1)
17	Default	50				QPSK	5@75 (A5)
18	Default	50				QPSK	5@215 (A5)
19	Default	50				QPSK	175@45 (A2)
20	Default	50				QPSK	216@0 (A1)
21	Default	50				QPSK	Outer_Full (A1)

A-MPR test parameters for NS_49							
Test ID	F _c (MHz)	Ch BW (MHz)	Downlink Configuration	Uplink Configuration	SUL Configuration		
					Modulation (Note 2)	RB allocation (Note 1)	
22	Default	25			256 QAM	Outer_Full (A3)	
23	Default	25			256 QAM	Edge_1RB_Right (A3)	
24	Default	25			256 QAM	Edge_1RB_Left (A3)	
25	Default	30			256 QAM	20@0 (A1)	
26	Default	30			256 QAM	36@0 (A5)	
27	Default	30			256 QAM	80@0 (A3)	
28	Default	30			256 QAM	120@0 (A4)	
29	Default	30			256 QAM	Outer_Full (A2)	
30	Default	30			256 QAM	Edge_1RB_Right (A5)	
31	Default	40			256 QAM	40@0 (A1)	
32	Default	40			256 QAM	5@53 (A5)	
33	Default	40			256 QAM	100@0 (A4)	
34	Default	40			256 QAM	150@33 (A2)	
35	Default	40			256 QAM	5@187 (A5)	
36	Default	40			256 QAM	192@0 (A1)	
37	Default	40			256 QAM	Outer_Full (A1)	
38	Default	50			256 QAM	5@75 (A5)	
39	Default	50			256 QAM	5@215 (A5)	
40	Default	50			256 QAM	175@45 (A2)	
41	Default	50			256 QAM	216@0 (A1)	
42	Default	50			256 QAM	Outer_Full (A1)	
43	Default	25			QPSK	Outer_Full (A3)	
44	Default	25			QPSK	Edge_1RB_Right (A3)	

45	Default	25				QPSK	Edge_1RB_Left (A3)
46	Default	30				QPSK	20@0 (A1)
47	Default	30				QPSK	36@0 (A5)
48	Default	30				QPSK	80@0 (A3)
49	Default	30				QPSK	120@0 (A4)

A-MPR test parameters for NS_49							
Test ID	F _c (MHz)	Ch BW (MHz)	Downlink Configuration	Uplink Configuration	SUL Configuration		
					Modulation (Note 2)	RB allocation (Note 1)	
50	Default	30			QPSK	Outer_Full (A2)	
51	Default	30			QPSK	Edge_1RB_Right (A5)	
52	Default	40			QPSK	40@0 (A1)	
53	Default	40			QPSK	5@53 (A5)	
54	Default	40			QPSK	100@0 (A4)	
55	Default	40			QPSK	159@33 (A2)	
56	Default	40			QPSK	5@187 (A5)	
57	Default	40			QPSK	192@0 (A1)	
58	Default	40			QPSK	Outer_Full (A1)	
59	Default	50			QPSK	5@75 (A5)	
60	Default	50			QPSK	5@215 (A5)	
61	Default	50			QPSK	175@45 (A2)	
62	Default	50			QPSK	220@0 (A1)	
63	Default	50			QPSK	Outer_Full (A1)	
64	Default	25			256 QAM	Outer_Full (A3)	
65	Default	25			256 QAM	Edge_1RB_Right (A3)	
66	Default	25			256 QAM	Edge_1RB_Left (A3)	
67	Default	30			256 QAM	20@0 (A1)	
68	Default	30			256 QAM	36@0 (A5)	
69	Default	30			256 QAM	80@0 (A3)	
70	Default	30			256 QAM	120@0 (A4)	
71	Default	30			256 QAM	Outer_Full (A2)	
72	Default	30			256 QAM	Edge_1RB_Right (A5)	
73	Default	40			256 QAM	40@0 (A1)	
74	Default	40			256 QAM	5@53 (A5)	

75	Default	40				256 QAM	100@0 (A4)
76	Default	40				256 QAM	159@33 (A2)
77	Default	40				256 QAM	5@187 (A5)

A-MPR test parameters for NS_49							
Test ID	F _c (MHz)	Ch BW (MHz)	Downlink Configuration	Uplink Configuration	SUL Configuration		
78	Default	40				256 QAM	192@0 (A1)
79	Default	40				256 QAM	Outer_Full (A1)
80	Default	50				256 QAM	5@75 (A5)
81	Default	50				256 QAM	5@215 (A5)
82	Default	50				256 QAM	175@45 (A2)
83	Default	50				256 QAM	220@0 (A1)
84	Default	50				256 QAM	Outer_Full (A1)

NOTE 1: The specific configuration of each RB allocation is defined in Table 6.1-1 unless otherwise stated in this table.

Table 6.2C.5.4-5: Test Configuration Table for NS_05

Initial Conditions								
Test Environment as specified in TS 38.508-1 [5] subclause 4.1				Normal				
Test Frequencies as specified in TS 38.508-1 [5] subclause 4.3.1				SUL carrier: use F _c as specified in test parameters NUL carrier: Mid range				
Test Channel Bandwidths as specified in TS 38.508-1 [5] subclause 4.3.1				SUL carrier: 5 MHz, 10 MHz, 15 MHz, 20 MHz NUL carrier: Highest				
Test SCS as specified in Table 5.3.5-1				15kHz for SUL carrier and Lowest supported SCS for NUL carrier				
A-MPR test parameters for NS_05								
Test ID	F _c (MHz)	ChBw (MHz)	Downlink Config.	Uplink Config.	A-MPR	SUL Configuration		
						Modulation (NOTE 2)	RB allocation (Note 1)	
1	1922.5	5	N/A for A-MPR testing	N/A for A-MPR testing	A3	DFT-s-OFDM	PI/2 BPSK	Outer_Full
2	1925	10			A1		PI/2 BPSK	Outer_Full
3	1925	10			A7		PI/2 BPSK	40@10
4	1925	10			A2		PI/2 BPSK	6@40
5	1935	10			A4		PI/2 BPSK	Outer_Full
6	1927.5	15			A1		PI/2 BPSK	Outer_Full
7	1927.5	15			A7		PI/2 BPSK	60@19
8	1927.5	15			A2		PI/2 BPSK	6@56
9	1932.5	15			A1		PI/2 BPSK	Outer_Full
10	1932.5	15			A2		PI/2 BPSK	6@68
11	1942.5	15			A5		PI/2 BPSK	Outer_Full
12	1930	20			A1		PI/2 BPSK	Outer_Full
13	1930	20			A7		PI/2 BPSK	72@28
14	1930	20			A2		PI/2 BPSK	6@76
15	1950	20			A6		PI/2 BPSK	Outer_Full
16	1922.5	5			A3		QPSK	Outer_Full
17	1925	10			A1		QPSK	Outer_Full

18	1925	10			A7	QPSK	40@10
19	1925	10			A2	QPSK	6@40
20	1927.5	15			A1	QPSK	Outer_Full
21	1927.5	15			A7	QPSK	60@19
22	1927.5	15			A2	QPSK	6@56
23	1932.5	15			A1	QPSK	Outer_Full
24	1932.5	15			A2	QPSK	6@68
25	1942.5	15			A5	QPSK	Outer_Full
26	1930	20			A1	QPSK	Outer_Full
27	1930	20			A7	QPSK	72@28
28	1930	20			A2	QPSK	6@76
29	1950	20			A6	QPSK	Outer_Full
30	1922.5	5			A3	16 QAM	Outer_Full
31	1925	10			A1	16 QAM	Outer_Full
32	1925	10			A7	16 QAM	40@10
33	1925	10			A2	16 QAM	6@40
34	1927.5	15			A1	16 QAM	Outer_Full
35	1927.5	15			A7	16 QAM	60@19
36	1927.5	15			A2	16 QAM	6@56
37	1932.5	15			A1	16 QAM	Outer_Full
38	1932.5	15			A2	16 QAM	6@68
39	1930	20			A1	16 QAM	Outer_Full
40	1930	20			A7	16 QAM	72@28
41	1930	20			A2	16 QAM	6@76
42	1922.5	5			A3	64 QAM	Outer_Full
43	1925	10			A1	64 QAM	Outer_Full
44	1925	10			A7	64 QAM	40@10

A-MPR test parameters for NS_05							
Test ID	Fc (MHz)	ChBw (MHz)	Downlink Config.	Uplink Config.	A-MPR	SUL Configuration	
						Modulation (NOTE 2)	RB allocation (Note 1)
45	1925	10			A2	64 QAM	6@40
46	1927.5	15			A1	64 QAM	Outer_Full
47	1927.5	15			A7	64 QAM	60@19
48	1927.5	15			A2	64 QAM	6@56
49	1932.5	15			A1	64 QAM	Outer_Full
50	1932.5	15			A2	64 QAM	6@68
51	1930	20			A1	64 QAM	Outer_Full
52	1930	20			A7	64 QAM	72@28
53	1930	20			A2	64 QAM	6@76
54	1922.5	5			A3	256 QAM	Outer_Full
55	1925	10			A1	256 QAM	Outer_Full
56	1925	10			A7	256 QAM	40@10
57	1925	10			A2	256 QAM	6@40
58	1927.5	15			A1	256 QAM	Outer_Full
59	1927.5	15			A7	256 QAM	60@19
60	1927.5	15			A2	256 QAM	6@56
61	1932.5	15			A1	256 QAM	Outer_Full
62	1932.5	15			A2	256 QAM	6@68
63	1930	20			A1	256 QAM	Outer_Full
64	1930	20			A7	256 QAM	72@28
65	1930	20			A2	256 QAM	6@76
66	1922.5	5			A3	QPSK	Outer_Full
67	1925	10			A1	QPSK	Outer_Full
68	1925	10			A7	QPSK	42@10
69	1925	10			A2	QPSK	6@40
70	1935	10			A4	QPSK	Outer_Full
71	1927.5	15			A1	QPSK	Outer_Full
72	1927.5	15			A7	QPSK	60@19
73	1927.5	15			A2	QPSK	6@56
74	1932.5	15			A1	QPSK	Outer_Full

75	1932.5	15			A2	QPSK	6@68
76	1942.5	15			A5	QPSK	Outer_Full
77	1930	20			A1	QPSK	Outer_Full
78	1930	20			A7	QPSK	78@28
79	1930	20			A2	QPSK	6@76
80	1950	20			A6	QPSK	Outer_Full
81	1922.5	5			A3	16 QAM	Outer_Full
82	1925	10			A1	16 QAM	Outer_Full
83	1925	10			A7	16 QAM	42@10
84	1925	10			A2	16 QAM	6@40
85	1935	10			A4	16 QAM	Outer_Full
86	1927.5	15			A1	16 QAM	Outer_Full
87	1927.5	15			A7	16 QAM	60@19
88	1927.5	15			A2	16 QAM	6@56
89	1932.5	15			A1	16 QAM	Outer_Full
90	1932.5	15			A2	16 QAM	6@68
91	1942.5	15			A5	16 QAM	Outer_Full
92	1930	20			A1	16 QAM	Outer_Full
93	1930	20			A7	16 QAM	78@28
94	1930	20			A2	16 QAM	6@76
95	1950	20			A6	16 QAM	Outer_Full
96	1922.5	5			A3	64 QAM	Outer_Full
97	1925	10			A1	64 QAM	Outer_Full
98	1925	10			A7	64 QAM	42@10
99	1925	10			A2	64 QAM	6@40

A-MPR test parameters for NS_05							
Test ID	Fc (MHz)	ChBw (MHz)	Downlink Config.	Uplink Config	A-MPR	SUL Configuration	
						Modulation (NOTE 2)	RB allocation (Note 1)
100	1927.5	15			A1	64 QAM	Outer_Full
101	1927.5	15			A7	64 QAM	60@19
102	1927.5	15			A2	64 QAM	6@56
103	1932.5	15			A1	64 QAM	Outer_Full
104	1932.5	15			A2	64 QAM	6@68
105	1930	20			A1	64 QAM	Outer_Full
106	1930	20			A7	64 QAM	78@28
107	1930	20			A2	64 QAM	6@76
108	1922.5	5			A3	256 QAM	Outer_Full
109	1925	10			A1	256 QAM	Outer_Full
110	1925	10			A7	256 QAM	42@10
111	1927.5	15			A1	256 QAM	Outer_Full
112	1927.5	15			A7	256 QAM	60@19
113	1932.5	15			A1	256 QAM	Outer_Full
114	1930	20			A1	256 QAM	Outer_Full
115	1930	20			A7	256 QAM	78@28

NOTE 1: The specific configuration of each RB allocation is defined in Table 6.1-1 unless otherwise stated in this table.
 NOTE 2: DFT-s-OFDM PI/2 BPSK test applies only for UEs which supports half Pi BPSK in FR1.

Table 6.2C.5.4-6: Test Configuration Table for NS_05U

Initial Conditions	
Test Environment as specified in TS 38.508-1 [5] subclause 4.1	Normal
Test Frequencies as specified in TS 38.508-1 [5] subclause 4.3.1	SUL carrier: Use Fc as specified in test parameters NUL carrier: Mid range

Test Channel Bandwidths as specified in TS 38.508-1 [5] subclause 4.3.1					SUL carrier: 5 MHz, 10 MHz, 15 MHz, 20 MHz NUL carrier: Highest			
Test SCS as specified in Table 5.3.5-1					15kHz for SUL and Lowest supported SCS for NUL carrier			
AMPR Test parameters for NS_05U								
Test ID	Fc (MHz)	ChBw (MHz)	Downlink Config.	Uplink Config.	A-MPR	SUL Configuration		
						Modulation (NOTE 2)	RB allocation (Note 1)	
1	1922.5	5	N/A	N/A	A3	DFT-s-OFDM	PI/2 BPSK	Outer_Full
2	1925	10			A1		PI/2 BPSK	Outer_Full
3	1925	10			A7		PI/2 BPSK	40@10
4	1925	10			A2		PI/2 BPSK	6@40
5	1935	10			A4		PI/2 BPSK	Outer_Full
6	1927.5	15			A1		PI/2 BPSK	Outer_Full
7	1927.5	15			A7		PI/2 BPSK	60@19
8	1927.5	15			A2		PI/2 BPSK	6@56
9	1932.5	15			A1		PI/2 BPSK	Outer_Full
10	1932.5	15			A2		PI/2 BPSK	6@68
11	1942.5	15			A5		PI/2 BPSK	Outer_Full
12	1930	20			A1		PI/2 BPSK	Outer_Full
13	1930	20			A7		PI/2 BPSK	72@28
14	1930	20			A2		PI/2 BPSK	6@76
15	1950	20			A6		PI/2 BPSK	Outer_Full
16	1922.5	5			A3		QPSK	Outer_Full
17	1925	10			A1		QPSK	Outer_Full
18	1925	10			A7		QPSK	40@10
19	1925	10			A2		QPSK	6@40
20	1935	10			A4		QPSK	Outer_Full
21	1927.5	15			A1		QPSK	Outer_Full
22	1927.5	15			A7		QPSK	60@19
23	1927.5	15			A2		QPSK	6@56
24	1932.5	15			A1		QPSK	Outer_Full
25	1932.5	15			A2		QPSK	6@68
26	1942.5	15			A5		QPSK	Outer_Full
27	1930	20			A1		QPSK	Outer_Full
28	1930	20			A7		QPSK	72@28
29	1930	20			A2		QPSK	6@76
30	1950	20			A6		QPSK	Outer_Full
31	1922.5	5			A3		16 QAM	Outer_Full
32	1925	10			A1		16 QAM	Outer_Full
33	1925	10			A7		16 QAM	40@10
34	1925	10			A2		16 QAM	6@40
35	1935	10			A4		16 QAM	Outer_Full
36	1927.5	15			A1		16 QAM	Outer_Full
37	1927.5	15			A7		16 QAM	60@19
38	1927.5	15			A2		16 QAM	6@56
39	1932.5	15			A1		16 QAM	Outer_Full
40	1932.5	15			A2		16 QAM	6@68
41	1942.5	15			A5		16 QAM	Outer_Full
42	1930	20			A1		16 QAM	Outer_Full
43	1930	20			A7		16 QAM	72@28
44	1930	20			A2		16 QAM	6@76

AMPR Test parameters for NS_05U							
Test ID	Fc (MHz)	ChBw (MHz)	Downlink Config.	Uplink Config.	A-MPR	SUL Configuration	
						Modulation (NOTE 2)	RB allocation (Note 1)
45	1950	20			A6	16 QAM	Outer_Full
46	1922.5	5			A3	64 QAM	Outer_Full
47	1925	10			A1	64 QAM	Outer_Full

48	1925	10			A7	64 QAM	40@10
49	1925	10			A2	64 QAM	6@40
50	1935	10			A4	64 QAM	Outer_Full
51	1927.5	15			A1	64 QAM	Outer_Full
52	1927.5	15			A7	64 QAM	60@19
53	1927.5	15			A2	64 QAM	6@56
54	1932.5	15			A1	64 QAM	Outer_Full
55	1932.5	15			A2	64 QAM	6@68
56	1942.5	15			A5	64 QAM	Outer_Full
57	1930	20			A1	64 QAM	Outer_Full
58	1930	20			A7	64 QAM	72@28
59	1930	20			A2	64 QAM	6@76
60	1950	20			A6	64 QAM	Outer_Full
61	1922.5	5			A3	256 QAM	Outer_Full
62	1925	10			A1	256 QAM	Outer_Full
63	1925	10			A7	256 QAM	40@10
64	1925	10			A2	256 QAM	6@40
65	1935	10			A4	256 QAM	Outer_Full
66	1927.5	15			A1	256 QAM	Outer_Full
67	1927.5	15			A7	256 QAM	60@19
68	1927.5	15			A2	256 QAM	6@56
69	1932.5	15			A1	256 QAM	Outer_Full
70	1932.5	15			A2	256 QAM	6@68
71	1942.5	15			A5	256 QAM	Outer_Full
72	1930	20			A1	256 QAM	Outer_Full
73	1930	20			A7	256 QAM	72@28
74	1930	20			A2	256 QAM	6@76
75	1950	20			A6	256 QAM	Outer_Full
76	1922.5	5			A3	QPSK	Outer_Full
77	1925	10			A1	QPSK	Outer_Full
78	1925	10			A7	QPSK	42@10
79	1925	10			A2	QPSK	6@40
80	1935	10			A4	QPSK	Outer_Full
81	1927.5	15			A1	QPSK	Outer_Full
82	1927.5	15			A7	QPSK	60@19
83	1927.5	15			A2	QPSK	6@56
84	1932.5	15			A1	QPSK	Outer_Full
85	1932.5	15			A2	QPSK	6@68
86	1942.5	15			A5	QPSK	Outer_Full
87	1930	20			A1	QPSK	Outer_Full
88	1930	20			A7	QPSK	78@28
89	1930	20			A2	QPSK	6@76
90	1950	20			A6	QPSK	Outer_Full
91	1922.5	5			A3	16 QAM	Outer_Full
92	1925	10			A1	16 QAM	Outer_Full
93	1925	10			A7	16 QAM	42@10
94	1925	10			A2	16 QAM	6@40
95	1935	10			A4	16 QAM	Outer_Full
96	1927.5	15			A1	16 QAM	Outer_Full
97	1927.5	15			A7	16 QAM	60@19
98	1927.5	15			A2	16 QAM	6@56
99	1932.5	15			A1	16 QAM	Outer_Full

CP-OFDM

AMPR Test parameters for NS_05U							
Test ID	Fc (MHz)	ChBw (MHz)	Downlink Config.	Uplink config.	A-MPR	SUL Configuration	
						Modulation (NOTE 2)	RB allocation (Note 1)
100	1932.5	15			A2	16 QAM	6@68
101	1942.5	15			A5	16 QAM	Outer_Full
102	1930	20			A1	16 QAM	Outer_Full
103	1930	20			A7	16 QAM	78@28
104	1930	20			A2	16 QAM	6@76
105	1950	20			A6	16 QAM	Outer_Full

106	1922.5	5			A3	64 QAM	Outer_Full
107	1925	10			A1	64 QAM	Outer_Full
108	1925	10			A7	64 QAM	42@10
109	1925	10			A2	64 QAM	6@40
110	1935	10			A4	64 QAM	Outer_Full
111	1927.5	15			A1	64 QAM	Outer_Full
112	1927.5	15			A7	64 QAM	60@19
113	1927.5	15			A2	64 QAM	6@56
114	1932.5	15			A1	64 QAM	Outer_Full
115	1932.5	15			A2	64 QAM	6@68
116	1942.5	15			A5	64 QAM	Outer_Full
117	1930	20			A1	64 QAM	Outer_Full
118	1930	20			A7	64 QAM	78@28
119	1930	20			A2	64 QAM	6@76
120	1950	20			A6	64 QAM	Outer_Full
121	1922.5	5			A3	256 QAM	Outer_Full
122	1925	10			A1	256 QAM	Outer_Full
123	1925	10			A7	256 QAM	42@10
124	1935	10			A4	256 QAM	Outer_Full
125	1927.5	15			A1	256 QAM	Outer_Full
126	1927.5	15			A7	256 QAM	60@19
127	1932.5	15			A1	256 QAM	Outer_Full
128	1942.5	15			A5	256 QAM	Outer_Full
129	1930	20			A1	256 QAM	Outer_Full
130	1930	20			A7	256 QAM	78@28
131	1950	20			A6	256 QAM	Outer_Full

NOTE 1: The specific configuration of each RB allocation is defined in Table 6.1-1 unless otherwise stated in this table.
 NOTE 2: DFT-s-OFDM PI/2 BPSK test applies only for UEs which supports half Pi BPSK in FR1.

Table 6.2C.5.4-7: Test Configuration Table for NS_100

Initial Conditions						
Test Environment as specified in TS 38.508-1 [5] subclause 4.1			Normal			
Test Frequencies as specified in TS 38.508-1 [5] subclause 4.3.1			SUL carrier:Low range, High range NUL carrier: Mid range			
Test Channel Bandwidths as specified in TS 38.508-1 [5] subclause 4.3.1			SUL carrier:Lowest, Highest NUL carrier: Highest			
Test SCS as specified in Table 5.3.5-1			15kHz for SUL and Lowest supported SCS for NUL carriers			
Test parameters for NS_100						
Test ID	Freq	Down link Configuration	Uplink Configuration	SUL Configuration		
				Modulation (Note 2)	RB allocation (Note 1)	
1	Low	N/A	N/A	DFT-s-OFDM	PI/2 BPSK	Edge_1RB_Left
2	High				PI/2 BPSK	Edge_1RB_Right
3	Default				PI/2 BPSK	Outer_Full
4	Low				QPSK	Edge_1RB_Left
5	High				QPSK	Edge_1RB_Right
6	Default				QPSK	Outer_Full
7	Low				16 QAM	Edge_1RB_Left
8	High				16 QAM	Edge_1RB_Right
9	Default				16 QAM	Outer_Full
10	Low				64 QAM	Edge_1RB_Left
11	High				64 QAM	Edge_1RB_Right
12	Default				64 QAM	Outer_Full
13	Low				256 QAM	Edge_1RB_Left

14	High				256 QAM	Edge_1RB_Right	
15	Default				256 QAM	Outer_Full	
16	Low			CP-s-OFDM	QPSK	Edge_1RB_Left	
17	High				QPSK	Edge_1RB_Right	
18	Default				QPSK	Outer_Full	
19	Low				16 QAM	Edge_1RB_Left	
20	High				16 QAM	Edge_1RB_Right	
21	Default				16 QAM	Outer_Full	
22	Low				64 QAM	Edge_1RB_Left	
23	High				64 QAM	Edge_1RB_Right	
24	Default				64 QAM	Outer_Full	
25	Low				256 QAM	Edge_1RB_Left	
26	High				256 QAM	Edge_1RB_Right	
27	Default				256 QAM	Outer_Full	
NOTE 1: The specific configuration of each RB allocation is defined in Table 6.1-1 unless otherwise stated in this table.							
NOTE 2: DFT-s-OFDM PI/2 BPSK test applies only for UEs which supports half Pi BPSK in FR1.							
NOTE 3: Void.							
NOTE 4: Void							

Table 6.2C.5.4-8: Test Configuration Table for NS_56

Initial Conditions								
Test Environment as specified in TS 38.508-1 [5] subclause 4.1					Normal			
Test Frequencies as specified in TS 38.508-1 [5] subclause 4.3.1					Use uplink carrier center frequency (Fc) as specified in test parameters			
Test Channel Bandwidths as specified in TS 38.508-1 [5] subclause 4.3.1					5 MHz, 10 MHz as specified in test parameters for SUL carrier Lowest for non-SUL carrier			
Test SCS as specified in Table 5.3.5-1					15kHz for SUL and Lowest supported SCS for NUL carriers			
A-MPR test parameters for NS_56								
Test ID	Fc (MHz)	Ch Bw (MHz)	Downlink Configuration	Uplink Configuration	A-MPR	Uplink Configuration		
						Modulation (NOTE 2)	RB allocation (Note 1)	
							SCS 15 kHz	
1	Low	5	N/A for A-MPR testing	N/A	14	DFT-s-OFDM	PI/2 BPSK	Edge_1RB_Left
2	Low	5			6		PI/2 BPSK	Outer_Full
3	Low	5			4		PI/2 BPSK	20@4
4	Low	5			4		PI/2 BPSK	1@4
5	Low	5			14		QPSK	Edge_1RB_Left
6	Low	5			6		QPSK	Outer_Full
7	Low	5			4		QPSK	20@4
8	Low	5			4		QPSK	1@4
9	Low	5			14		16 QAM	Edge_1RB_Left
10	Low	5			6		16 QAM	Outer_Full
11	Low	5			4		16 QAM	20@4

12	Low	5		4	16 QAM	1@4
13	Low	5		14	64 QAM	Edge_1RB_Left
14	Low	5		6	64 QAM	Outer_Full
15	Low	5		4	64 QAM	20@4
16	Low	5		4	64 QAM	1@4
17	Low	5		14	256 QAM	Edge_1RB_Left
18	Low	5		6	256 QAM	Outer_Full
19	Low	5		4	256 QAM	20@4
20	Low	5		4	256 QAM	1@4
21	Low	10		12	PI/2 BPSK	Edge_1RB_Left
22	Low	10		8	PI/2 BPSK	Outer_Full

23	Low	10		6	PI/2 BPSK	1@3
24	Low	10		6	PI/2 BPSK	40@9
25	Low	10		4	PI/2 BPSK	1@35
26	Low	10		2	PI/2 BPSK	16@35
27	Low	10		5	PI/2 BPSK	Edge_1RB_Right
28	Low	10		5	PI/2 BPSK	1@40
29	Low	10		3	PI/2 BPSK	8@44
30	Low	10		12	QPSK	Edge_1RB_Left
31	Low	10		8	QPSK	Outer_Full
32	Low	10		6	QPSK	1@3
33	Low	10		6	QPSK	40@9
34	Low	10		4	QPSK	1@35
35	Low	10		2	QPSK	16@35
36	Low	10		5	QPSK	Edge_1RB_Right
37	Low	10		5	QPSK	1@40
38	Low	10		3	QPSK	8@44
39	Low	10		12	16 QAM	Edge_1RB_Left
40	Low	10		8	16 QAM	Outer_Full
41	Low	10		6	16 QAM	1@3
42	Low	10		6	16 QAM	40@9
43	Low	10		4	16 QAM	1@35
44	Low	10		2	16 QAM	16@35
45	Low	10		5	16 QAM	Edge_1RB_Right
46	Low	10		5	16 QAM	1@40
47	Low	10		3	16 QAM	8@44

48	Low	10		12	64 QAM	Edge_1RB_Left Outer_Full
49	Low	10		8	64 QAM	
50	Low	10		6	64 QAM	1@3 40@9
51	Low	10		6	64 QAM	
52	Low	10		4	64 QAM	1@35
53	Low	10		2	64 QAM	16@35

A-MPR test parameters for NS_56									
Test ID	F _c (MHz)	Ch Bw (MHz)	Downlink Configuration	Uplink Configuration	A-MPR	Uplink Configuration			
						Modulation (NOTE 2)	RB allocation (Note 1)		
							SCS 15 kHz		
54	Low	10			5	64 QAM	Edge_1RB_Right		
55	Low	10			5	64 QAM	1@40		
56	Low	10			3	64 QAM	8@44		
57	Low	10			12	256 QAM	Edge_1RB_Left		
58	Low	10			8	256 QAM	Outer_Full		
59	Low	10			6	256 QAM	1@3		
60	Low	10			6	256 QAM	40@9		
61	Low	10			4	256 QAM	1@35		
62	Low	10			2	256 QAM	16@35		
63	Low	10			5	256 QAM	Edge_1RB_Right		
64	Low	10			5	256 QAM	1@40		
65	Low	10			3	256 QAM	8@44		
66	Low	5			N/A for A-MPR testing	N/A	14	QPSK	Edge_1RB_Left
67	Low	5					6	QPSK	Outer_Full
68	Low	5					4	QPSK	21@4
69	Low	5	4	QPSK			1@4		
70	Low	5	14	16 QAM			Edge_1RB_Left		
71	Low	5	6	16 QAM			Outer_Full		
72	Low	5	4	16 QAM			21@4		
73	Low	5	4	16 QAM			1@4		
74	Low	5	14	64 QAM			Edge_1RB_Left		
75	Low	5	6	64 QAM			Outer_Full		
76	Low	5	4	64 QAM			21@4		
77	Low	5	4	64 QAM			1@4		

78	Low	5			14	256 QAM	Edge_1RB_Left
79	Low	5			6	256 QAM	Outer_Full
80	Low	5			4	256 QAM	21@4
81	Low	5			4	256 QAM	1@4
82	Low	10			12	QPSK	Edge_1RB_Left
83	Low	10			8	QPSK	Outer_Full
84	Low	10			6	QPSK	1@3

A-MPR test parameters for NS_56							
Test ID	F _c (M Hz)	Ch Bw (M Hz)	Downlink Configuration	Uplink Configuration	A-MPR	Uplink Configuration	
						Modulation (NOTE 2)	RB allocation (Note 1)
							SCS 15 kHz
85	Low	10			6	QPSK	43@9
86	Low	10			4	QPSK	1@35
87	Low	10			2	QPSK	17@35
88	Low	10			5	QPSK	Edge_1RB_Right
89	Low	10			5	QPSK	1@40
90	Low	10			3	QPSK	8@44
91	Low	10			12	16 QAM	Edge_1RB_Left
92	Low	10			8	16 QAM	Outer_Full
93	Low	10			6	16 QAM	1@3
94	Low	10			6	16 QAM	43@9
95	Low	10			4	16 QAM	1@35
96	Low	10			2	16 QAM	17@35
97	Low	10			5	16 QAM	Edge_1RB_Right
98	Low	10			5	16 QAM	1@40
99	Low	10			3	16 QAM	8@44
100	Low	10			12	64 QAM	Edge_1RB_Left
101	Low	10			8	64 QAM	Outer_Full
102	Low	10			6	64 QAM	1@3
103	Low	10			6	64 QAM	43@9
104	Low	10			4	64 QAM	1@35
105	Low	10			2	64 QAM	17@35
106	Low	10			5	64 QAM	Edge_1RB_Right
107	Low	10			5	64 QAM	1@40
108	Low	10			3	64 QAM	8@44
109	Low	10			12	256 QAM	Edge_1RB_Left

A-MPR test parameters for NS_56							
Test ID	F _c (MHz)	Ch Bw (MHz)	Downlink Configuration	Uplink Configuration	A-MPR	Uplink Configuration	
						Modulation (NOTE 2)	RB allocation (Note 1) SCS 15 kHz
110	Low	10			8	256 QAM	Outer_Full
111	Low	10			6	256 QAM	1@3
112	Low	10			6	256 QAM	43@9
113	Low	10			4	256 QAM	1@35
114	Low	10			2	256 QAM	17@35
115	Low	10			5	256 QAM	Edge_1RB_Right
116	Low	10			5	256 QAM	1@40
117	Low	10			3	256 QAM	8@44

NOTE 1: The specific configuration of each RB allocation is defined in Table 6.1-1 unless otherwise stated in this table.
NOTE 2: DFT-s-OFDM Pi/2 BPSK test applies only for UEs which supports half Pi BPSK in FR1.

Table 6.2C.5.4-9: Test Configuration Table for NS_43

Initial Conditions									
Test Environment as specified in TS 38.508-1 [5] subclause 4.1				Normal					
Test Frequencies as specified in TS 38.508-1 [5] subclause 4.3.1				SUL carrier: Use uplink carrier centre frequency (F _c) as specified in test parameters NUL carrier: Mid range					
Test Channel Bandwidths as specified in TS 38.508-1 [5] subclause 4.3.1				SUL carrier: 5 MHz, 10 MHz, 15 MHz NUL carrier: Highest					
Test SCS as specified in Table 5.3.5-1				15kHz for SUL and Lowest supported SCS for NUL carrier					
A-MPR test parameters for NS_43									
Test ID	F _c (MHz)	Ch BW (MHz)	Downlink Configuration	Uplink Configuration	SUL Configuration				
					Modulation (Note 2)	RB allocation (Note 1)			
1	910	10	N/A	N/A		DFT-s-OFDM	PI/2 BPSK		Outer_Full (A2)
2	907.5	15			PI/2 BPSK		Edge_1RB_Left (A6)		
3	907.5	15			PI/2 BPSK		Outer_Full (A6)		
4	902.5	5			QPSK		Outer_Full (A1)		
5	910	10			QPSK		Outer_Full (A4)		
6	907.5	15			QPSK		Edge_1RB_Left (A6)		
7	907.5	15			QPSK		Outer_Full (A6)		
8	910	10			16 QAM		Outer_Full (A5)		
9	907.5	15			16 QAM		Edge_1RB_Left (A6)		
10	907.5	15			16 QAM		Outer_Full (A6)		
11	910	10			64 QAM		Outer_Full (A3)		
12	907.5	15			64 QAM		Edge_1RB_Left (A6)		
13	907.5	15			64 QAM		Outer_Full (A6)		
14	907.5	15			256 QAM		Edge_1RB_Left (A6)		
15	907.5	15			256 QAM		Outer_Full (A6)		
16	902.5	5			CP-OFDM		QPSK		Outer_Full (A1)
17	910	10					QPSK		Outer_Full (A5)
18	907.5	15					QPSK		Edge_1RB_Left (A6)
19	907.5	15					QPSK		Outer_Full (A6)
20	902.5	5					16 QAM		Outer_Full (A1)

21	910	10			16 QAM	Outer_Full (A5)
22	907.5	15			16 QAM	Edge_1RB_Left (A6)
23	907.5	15			16 QAM	Outer_Full (A6)
24	910	10			64 QAM	Outer_Full (A3)
25	907.5	15			64 QAM	Edge_1RB_Left (A6)
26	907.5	15			64 QAM	Outer_Full (A6)
27	907.5	15			256 QAM	Edge_1RB_Left (A6)
28	907.5	15			256 QAM	Outer_Full (A6)

NOTE 1: The specific configuration of each RB allocation is defined in Table 6.1-1 unless otherwise stated in this table.
 NOTE 2: DFT-s-OFDM PI/2 BPSK test applies only for UEs which supports half Pi BPSK in FR1.

Table 6.2C.5.4-10: Test Configuration Table for NS_43U

Initial Conditions							
Test Environment as specified in TS 38.508-1 [5] subclause 4.1				Normal			
Test Frequencies as specified in TS 38.508-1 [5] subclause 4.3.1				SUL carrier: Use uplink carrier centre frequency (F_c) as specified in test parameters NUL carrier: Mid range			
Test Channel Bandwidths as specified in TS 38.508-1 [5] subclause 4.3.1				SUL carrier: 5 MHz, 10 MHz, 15 MHz NUL carrier: Highest			
Test SCS as specified in Table 5.3.5-1				15kHz for SUL and Lowest supported SCS for NUL carrier			
A-MPR test parameters for NS_43U							
Test ID	F_c (MHz)	Ch BW (MHz)	Downlink Configuration	Uplink Configuration	SUL Configuration		
					Modulation (Note 2)	RB allocation (Note 1)	
1	902.5	5	N/A	N/A	DFT-s-OFDM	PI/2 BPSK	Outer_Full
2	910	10				PI/2 BPSK	Outer_Full
3	907.5	15				PI/2 BPSK	Edge_1RB_Left
4	907.5	15				PI/2 BPSK	Outer_Full
5	902.5	5				QPSK	Outer_Full
6	910	10				QPSK	Outer_Full
7	907.5	15				QPSK	Edge_1RB_Left
8	907.5	15				QPSK	Outer_Full
9	902.5	5				16 QAM	Outer_Full
10	910	10				16 QAM	Outer_Full
11	907.5	15				16 QAM	Edge_1RB_Left
12	907.5	15				16 QAM	Outer_Full
13	902.5	5				64 QAM	Outer_Full
14	910	10				64 QAM	Outer_Full
15	907.5	15				64 QAM	Edge_1RB_Left
16	907.5	15				64 QAM	Outer_Full
17	902.5	5				256 QAM	Outer_Full
18	910	10				256 QAM	Outer_Full
19	907.5	15			256 QAM	Edge_1RB_Left	
20	907.5	15			256 QAM	Outer_Full	
21	902.5	5			CP-OFDM	QPSK	Outer_Full
22	910	10				QPSK	Outer_Full
23	907.5	15				QPSK	Edge_1RB_Left
24	907.5	15				QPSK	Outer_Full
25	902.5	5				16 QAM	Outer_Full
26	910	10				16 QAM	Outer_Full
27	907.5	15				16 QAM	Edge_1RB_Left
28	907.5	15				16 QAM	Outer_Full
29	902.5	5				64 QAM	Outer_Full
30	910	10				64 QAM	Outer_Full
31	907.5	15				64 QAM	Edge_1RB_Left
32	907.5	15				64 QAM	Outer_Full
33	902.5	5				256 QAM	Outer_Full

34	910	10				256 QAM	Outer_Full
35	907.5	15				256 QAM	Edge_1RB_Left
36	907.5	15				256 QAM	Outer_Full
NOTE 1: The specific configuration of each RB allocation is defined in Table 6.1-1 unless otherwise stated in this table.							
NOTE 2: DFT-s-OFDM PI/2 BPSK test applies only for UEs which supports half Pi BPSK in FR1.							

Editor’s note: The following lines belong at the end of subclause 6.2.3.4.1. As new tables are added to this section, these lines should always follow the tables

- Connect the SS to the UE antenna connectors as shown in TS 38.508-1 [5] Annex A, Figure A.3.1.1.4 for TE diagram and section A.3.2 for UE diagram.
- The parameter setting for the cell are set up according to the TS 38.508-1 [5] subclause 4.4.3.
- Downlink signals are initially setup according to Annex C.0, C.1, C.2 and uplink signals according to Annex G.0, G.1, G.2, and G.3.0 with consideration of supplementary uplink physical channels.

Message contents in initial conditions are according to TS 38.508-1 [5] subclause 4.3.6.1.1.2 ensuring UL/SUL indicator in Table 4.3.6.1.1.2-1 with condition SUL, subclause 4.6 ensuring Table 4.6.1-28 with condition SUL AND (RF OR RRM), Tables 4.6.3-14 with condition SUL_SUL for SUL carrier, and Table 4.6.3-167 with condition PUSCH_PUCCH_ON_SUL. All the AdditionalSpectrumEmission in 6.2.3.4.3 are sent in *SIB1* as part of *supplementaryUplink* instead of *uplinkConfigCommon*.

Table 6.2C.5.4-1: Void

6.2C.5.5 Test requirement

The maximum output power, derived in step 3 shall be within the range prescribed by the nominal maximum output power and tolerance in the applicable table from table 6.2C.5.5-1 to table 6.2C.5.5-10. The allowed A-MPR values specified in table 6.2.3.3-1 are in addition to the allowed MPR requirements specified in clause 6.2C.4. For the UE maximum output power modified by MPR and/or A-MPR, the power limits specified in table 6.2.1.3-1 apply.

Table 6.2C.5.5-1: UE Power Class 3 test requirements (NS_03 and NS_03U) for band n86

Test ID	Network signalling label	P _{PowerClass} (dBm)	MPR (dB)	A-MPR (dB)	ΔT _{c,c} (dB)	P _{CMAX_L,c} (dBm)	T(P _{CMAX_L,c}) (dB)	T _{L,c} (dB)	Upper limit (dBm)	Lower limit (dBm)
1, 2	NS_03	23	0.5	1.5	0	21.5	2	2	25+TT	19.5-TT
	NS_03U	23	0.5	2	0	21	2	2	25+TT	19-TT
3	NS_03	23	0.5	1.5	0	21.5	2	2	25+TT	19.5-TT
	NS_03U	23	0.5	2	0	21	2	2	25+TT	19-TT
4, 5	NS_03, NS_03U	23	1	1	0	21	2	2	25+TT	19-TT
7	NS_03, NS_03U	23	1	1	0	21	2	2	25+TT	19-TT
7, 8	NS_03, NS_03U	23	2	2.5	0	20	2.5	2	25+TT	17.5-TT
9	NS_03, NS_03U	23	2	2.5	0	20	2.5	2	25+TT	17.5-TT
10, 11	NS_03, NS_03U	23	2.5	3	0	19.5	3.5	2	25+TT	16-TT
12	NS_03, NS_03U	23	2.5	3	0	19.5	3.5	2	25+TT	16-TT
13, 14	NS_03, NS_03U	23	4.5	4.5	0	17.5	5	2	25+TT	12.5-TT
15	NS_03, NS_03U	23	4.5	4.5	0	17.5	5	2	25+TT	12.5-TT
16, 17	NS_03, NS_03U	23	3	4	0	19	3.5	2	25+TT	15.5-TT
18	NS_03, NS_03U	23	3	4	0	19	3.5	2	25+TT	15.5-TT
19, 20	NS_03, NS_03U	23	3	4	0	19	3.5	2	25+TT	15.5-TT
21	NS_03, NS_03U	23	3	4	0	19	3.5	2	25+TT	15.5-TT
22, 23	NS_03, NS_03U	23	3.5	4	0	18.5	4	2	25+TT	14.5-TT
24	NS_03, NS_03U	23	3.5	4	0	18.5	4	2	25+TT	14.5-TT
25, 26	NS_03, NS_03U	23	6.5	6.5	0	15.5	5	2	25+TT	10.5-TT
27	NS_03, NS_03U	23	6.5	6.5	0	15.5	5	2	25+TT	10.5-TT

NOTE 1: P_{PowerClass} is the maximum UE power specified without taking into account the tolerance.

NOTE 2: TT for each frequency and channel bandwidth is specified in Table 6.2.3.5-0.

Table 6.2C.5.5-2: UE Power Class 3 test requirements (NS_18) for band n83

Test ID	ChBw (MHz)	P _{PowerClass} (dBm)	MPR (dB)	A-MPR (dB)	$\Delta T_{C,c}$ (dB)	P _{CMAX_L,c} (dBm)	T(P _{CMAX_L,c}) (dB)	T _{L,c} (dB)	Upper limit (dBm)	Lower limit (dBm)
1, 2	5	23	1	2	0	21	2	2.5	25+TT	18.5-TT
	10, 15, 20	23	1	5	0	18	4	2.5	25+TT	14-TT
3, 4	5	23	2	3	0	20	2.5	2.5	25+TT	17.5-TT
	10, 15, 20	23	2	6	0	17	5	2.5	25+TT	12-TT
5, 6	5	23	2.5	4	0	19	3.5	2.5	25+TT	15.5-TT
	10, 15, 20	23	2.5	7	0	16	5	2.5	25+TT	11-TT
7, 8	5	23	4.5	6	0	17	5	2.5	25+TT	12-TT
	10, 15, 20	23	4.5	9	0	14	5	2.5	25+TT	9-TT
9, 10	5	23	3	5	0	18	4	2.5	25+TT	14-TT
	10, 15, 20	23	3	6.5	0	16.5	5	2.5	25+TT	11.5-TT
11, 12	5	23	3	5	0	18	4	2.5	25+TT	14-TT
	10, 15, 20	23	3	7	0	16	5	2.5	25+TT	11-TT
13, 14	5	23	3.5	5.5	0	17.5	5	2.5	25+TT	12.5-TT
	10, 15, 20	23	3.5	8.5	0	14.5	5	2.5	25+TT	9.5-TT
15, 16	5	23	6.5	8.5	0	14.5	5	2.5	25+TT	9.5-TT
	10, 15, 20	23	6.5	11.5	0	11.5	6	2.5	25+TT	5.5-TT
17	30	23	5	3	0	18	4	2.5	25+TT	14-TT
18	30	23	5	8	0	15	5	2.5	25+TT	10-TT
19	30	23	7	4.5	0	16	5	2.5	25+TT	11-TT
20	30	23	7	9.5	0	13.5	5	2.5	25+TT	8.5-TT

NOTE 1: P_{PowerClass} is the maximum UE power specified without taking into account the tolerance.
NOTE 2: TT for each frequency and channel bandwidth is specified in Table 6.2.3.5-0.

Table 6.2C.5.5-3: UE Power Class 3 test requirements (NS_48) for band n84

Test ID	P _{PowerClass} (dBm)	⊠P _{PowerClass} (dB)	MPR (dB)	A-MPR (dB)	ΔT _{C,c} (dB)	P _{C_{MAX}_L,c} (dBm)	T(P _{C_{MAX}_L,c}) (dB)	T _{L,c} (dB)	Upper limit (dBm)	Lower limit (dBm)
1	23	0	1	3	0	20	2.5	2	25+TT	17.5-TT
2	23	0	1	3	0	20	2.5	2	25+TT	17.5-TT
3	23	0	1	3	0	20	2.5	2	25+TT	17.5-TT
4	23	0	1	5	0	18	4	2	25+TT	14-TT
5	23	0	1	6	0	17	5	2	25+TT	12-TT
6	23	0	1	3	0	20	2.5	2	25+TT	17.5-TT
7	23	0	1	4	0	19	3.5	2	25+TT	15.5-TT
8	23	0	1	6	0	17	5	2	25+TT	12-TT
9	23	0	0	3	0	20	2.5	2	25+TT	17.5-TT
10	23	0	1	10	0	13	5	2	25+TT	8-TT
11	23	0	1	6	0	17	5	2	25+TT	12-TT
12	23	0	1	4	0	19	3.5	2	25+TT	15.5-TT
13	23	0	1	6	0	17	5	2	25+TT	12-TT
14	23	0	0	5	0	18	4	2	25+TT	14-TT
15	23	0	1	10	0	13	5	2	25+TT	8-TT
16	23	0	4.5	3	0	18.5	4	2	25+TT	14.5-TT
17	23	0	4.5	3	0	18.5	4	2	25+TT	14.5-TT
18	23	0	4.5	3	0	18.5	4	2	25+TT	14.5-TT
19	23	0	4.5	5	0	18	4	2	25+TT	14-TT
20	23	0	4.5	6	0	17	5	2	25+TT	12-TT
21	23	0	4.5	3	0	18.5	4	2	25+TT	14.5-TT
22	23	0	4.5	4	0	18.5	4	2	25+TT	14.5-TT
23	23	0	4.5	6	0	17	5	2	25+TT	12-TT
24	23	0	4.5	3	0	18.5	4	2	25+TT	14.5-TT
25	23	0	4.5	10	0	13	5	2	25+TT	8-TT
26	23	0	4.5	6	0	17	5	2	25+TT	12-TT
27	23	0	4.5	4	0	18.5	4	2	25+TT	14.5-TT
28	23	0	4.5	6	0	17	5	2	25+TT	12-TT
29	23	0	4.5	5	0	18	4	2	25+TT	14-TT
30	23	0	4.5	10	0	13	5	2	25+TT	8-TT
31	23	0	3	4.5	0	18.5	4	2	25+TT	14.5-TT
32	23	0	3	4.5	0	18.5	4	2	25+TT	14.5-TT
33	23	0	3	4.5	0	18.5	4	2	25+TT	14.5-TT
34	23	0	3	5	0	18	4	2	25+TT	14-TT
35	23	0	3	7	0	16	5	2	25+TT	11-TT
36	23	0	3	4.5	0	18.5	4	2	25+TT	14.5-TT
37	23	0	3	5.5	0	17.5	5	2	25+TT	12.5-TT
38	23	0	3	7	0	16	5	2	25+TT	11-TT
39	23	0	1.5	4.5	0	18.5	4	2	25+TT	14.5-TT
40	23	0	3	11	0	12	6	2	25+TT	6-TT
41	23	0	3	7	0	16	5	2	25+TT	11-TT
42	23	0	3	5.5	0	17.5	5	2	25+TT	12.5-TT
43	23	0	3	7	0	16	5	2	25+TT	11-TT
44	23	0	1.5	5	0	18	4	2	25+TT	14-TT
45	23	0	3	11	0	12	6	2	25+TT	6-TT
46	23	0	6.5	4.5	0	16.5	5	2	25+TT	11.5-TT
47	23	0	6.5	4.5	0	16.5	5	2	25+TT	11.5-TT
48	23	0	6.5	4.5	0	16.5	5	2	25+TT	11.5-TT
49	23	0	6.5	5	0	16.5	5	2	25+TT	11.5-TT

Test ID	P _{PowerClass} (dBm)	⊠P _{PowerClass} (dB)	MPR (dB)	A-MPR (dB)	ΔT _{C,c} (dB)	P _{C_{MAX}_L,c} (dBm)	T(P _{C_{MAX}_L,c}) (dB)	T _{L,c} (dB)	Upper limit (dBm)	Lower limit (dBm)
50	23	0	6.5	7	0	16	5	2	25+TT	11-TT
51	23	0	6.5	4.5	0	16.5	5	2	25+TT	11.5-TT
52	23	0	6.5	5.5	0	16.5	5	2	25+TT	11.5-TT
53	23	0	6.5	7	0	16	5	2	25+TT	11-TT
54	23	0	6.5	4.5	0	16.5	5	2	25+TT	11.5-TT
55	23	0	6.5	11	0	12	6	2	25+TT	6-TT
56	23	0	6.5	7	0	16	5	2	25+TT	11-TT

57	23	0	6.5	5.5	0	16.5	5	2	25+TT	11.5-TT
58	23	0	6.5	7	0	16	5	2	25+TT	11-TT
59	23	0	6.5	5	0	16.5	5	2	25+TT	11.5-TT
60	23	0	6.5	11	0	12	6	2	25+TT	6-TT

NOTE 1: $P_{PowerClass}$ is the maximum UE power specified without taking into account the tolerance.
NOTE 2: TT for each frequency and channel bandwidth is specified in Table 6.2.3.5-0.

Table 6.2C.5.5-4: UE Power Class 3 test requirements (NS_49) for band n84

Test ID	$P_{PowerClass}$ (dBm)	$\bar{P}_{PowerClass}$ (dB)	MPR (dB)	A-MPR (dB)	$\Delta T_{c,c}$ (dB)	$P_{cMAX_L,c}$ (dBm)	$T(P_{cMAX_L,c})$ (dB)	$T_{L,c}$ (dB)	Upper limit (dBm)	Lower limit (dBm)
1	23	0	1	3	0	20	2.5	2	25+TT	17.5-TT
2	23	0	1	3	0	20	2.5	2	25+TT	17.5-TT
3	23	0	1	3	0	20	2.5	2	25+TT	17.5-TT
4	23	0	1	10	0	13	5	2	25+TT	8-TT
5	23	0	1	5	0	18	4	2	25+TT	14-TT
6	23	0	1	3	0	20	2.5	2	25+TT	17.5-TT
7	23	0	1	4	0	19	3.5	2	25+TT	15.5-TT
8	23	0	1	6	0	17	5	2	25+TT	12-TT
9	23	0	1	5	0	18	4	2	25+TT	14-TT
10	23	0	1	10	0	13	5	2	25+TT	8-TT
11	23	0	0	5	0	18	4	2	25+TT	14-TT
12	23	0	1	4	0	19	3.5	2	25+TT	15.5-TT
13	23	0	1	6	0	17	5	2	25+TT	12-TT
14	23	0	0	5	0	18	4	2	25+TT	14-TT
15	23	0	1	10	0	13	5	2	25+TT	8-TT
16	23	0	1	10	0	13	5	2	25+TT	8-TT
17	23	0	0	5	0	18	4	2	25+TT	14-TT
18	23	0	0	5	0	18	4	2	25+TT	14-TT
19	23	0	1	6	0	17	5	2	25+TT	12-TT
20	23	0	1	10	0	13	5	2	25+TT	8-TT
21	23	0	1	10	0	13	5	2	25+TT	8-TT
22	23	0	4.5	3	0	18.5	4	2	25+TT	14.5-TT
23	23	0	4.5	3	0	18.5	4	2	25+TT	14.5-TT
24	23	0	4.5	3	0	18.5	4	2	25+TT	14.5-TT
25	23	0	4.5	10	0	13	5	2	25+TT	8-TT
26	23	0	4.5	5	0	18	4	2	25+TT	14-TT
27	23	0	4.5	3	0	18.5	4	2	25+TT	14.5-TT
28	23	0	4.5	4	0	18.5	4	2	25+TT	14.5-TT
29	23	0	4.5	6	0	17	5	2	25+TT	12-TT
30	23	0	4.5	5	0	18	4	2	25+TT	14-TT
31	23	0	4.5	10	0	13	5	2	25+TT	8-TT
32	23	0	4.5	5	0	18	4	2	25+TT	14-TT
33	23	0	4.5	4	0	18.5	4	2	25+TT	14.5-TT
34	23	0	4.5	6	0	17	5	2	25+TT	12-TT
35	23	0	4.5	5	0	18	4	2	25+TT	14-TT
36	23	0	4.5	10	0	13	5	2	25+TT	8-TT
37	23	0	4.5	10	0	13	5	2	25+TT	8-TT
38	23	0	4.5	5	0	18	4	2	25+TT	14-TT
39	23	0	4.5	5	0	18	4	2	25+TT	14-TT
40	23	0	4.5	6	0	17	5	2	25+TT	12-TT
41	23	0	4.5	10	0	13	5	2	25+TT	8-TT
42	23	0	4.5	10	0	13	5	2	25+TT	8-TT
43	23	0	3	4.5	0	18.5	4	2	25+TT	14.5-TT
44	23	0	3	4.5	0	18.5	4	2	25+TT	14.5-TT
45	23	0	3	4.5	0	18.5	4	2	25+TT	14.5-TT
46	23	0	3	11	0	12	6	2	25+TT	6-TT
47	23	0	3	5	0	18	4	2	25+TT	14-TT
48	23	0	3	4.5	0	18.5	4	2	25+TT	14.5-TT
49	23	0	3	5.5	0	17.5	5	2	25+TT	12.5-TT
50	23	0	3	7	0	16	5	2	25+TT	11-TT
51	23	0	3	5	0	18	4	2	25+TT	14-TT
52	23	0	3	11	0	12	6	2	25+TT	6-TT
53	23	0	1.5	5	0	18	4	2	25+TT	14-TT

54	23	0	3	5.5	0	17.5	5	2	25+TT	12.5-TT
55	23	0	3	7	0	16	5	2	25+TT	11-TT
56	23	0	1.5	5	0	18	4	2	25+TT	14-TT
57	23	0	3	11	0	12	6	2	25+TT	6-TT
58	23	0	3	11	0	12	6	2	25+TT	6-TT
59	23	0	1.5	5	0	18	4	2	25+TT	14-TT

Test ID	P _{PowerClass} (dBm)	ΔP _{PowerClass} (dB)	MPR (dB)	A-MPR (dB)	ΔT _{C,c} (dB)	P _{C_{MAX}L,c} (dBm)	T(P _{C_{MAX}L,c}) (dB)	T _{L,c} (dB)	Upper limit (dBm)	Lower limit (dBm)
60	23	0	1.5	5	0	18	4	2	25+TT	14-TT
61	23	0	3	7	0	16	5	2	25+TT	11-TT
62	23	0	3	11	0	12	6	2	25+TT	6-TT
63	23	0	3	11	0	12	6	2	25+TT	6-TT
64	23	0	6.5	4.5	0	16.5	5	2	25+TT	11.5-TT
65	23	0	6.5	4.5	0	16.5	5	2	25+TT	11.5-TT
66	23	0	6.5	4.5	0	16.5	5	2	25+TT	11.5-TT
67	23	0	6.5	11	0	12	6	2	25+TT	6-TT
68	23	0	6.5	5	0	16.5	5	2	25+TT	11.5-TT
69	23	0	6.5	4.5	0	16.5	5	2	25+TT	11.5-TT
70	23	0	6.5	5.5	0	16.5	5	2	25+TT	11.5-TT
71	23	0	6.5	7	0	16	5	2	25+TT	11-TT
72	23	0	6.5	5	0	16.5	5	2	25+TT	11.5-TT
73	23	0	6.5	11	0	12	6	2	25+TT	6-TT
74	23	0	6.5	5	0	16.5	5	2	25+TT	11.5-TT
75	23	0	6.5	5.5	0	16.5	5	2	25+TT	11.5-TT
76	23	0	6.5	7	0	16	5	2	25+TT	11-TT
77	23	0	6.5	5	0	16.5	5	2	25+TT	11.5-TT
78	23	0	6.5	11	0	12	6	2	25+TT	6-TT
79	23	0	6.5	11	0	12	6	2	25+TT	6-TT
80	23	0	6.5	5	0	16.5	5	2	25+TT	11.5-TT
81	23	0	6.5	5	0	16.5	5	2	25+TT	11.5-TT
82	23	0	6.5	7	0	16	5	2	25+TT	11-TT
83	23	0	6.5	11	0	12	6	2	25+TT	6-TT
84	23	0	6.5	11	0	12	6	2	25+TT	6-TT

NOTE 1: P_{PowerClass} is the maximum UE power specified without taking into account the tolerance.

NOTE 2: TT for each frequency and channel bandwidth is specified in Table 6.2.3.5-0.

Table 6.2C.5.5-5: UE Power Class 3 test requirements (NS_05) for band n84

Test ID	P _{PowerClass} (dBm)	ΔP _{PowerClass} (dB)	MPR (dB)	A-MPR (dB)	ΔT _{C,c} (dB)	P _{C_{MAX}L,c} (dBm)	T(P _{C_{MAX}L,c}) (dB)	T _{L,c} (dB)	Upper limit (dBm)	Lower limit (dBm)
1	23	0	0.5	4	0	19	3.5	2	25+TT	15.5-TT
2	23	0	0.5	10	0	13	5	2	25+TT	8-TT
3	23	0	0.5	6	0	17	5	2	25+TT	12-TT
4	23	0	0.5	5	0	18	4	2	25+TT	14-TT
5	23	0	0.5	1	0	22	2.0	2	25+TT	20-TT
6	23	0	0.5	10	0	13	5.0	2	25+TT	8-TT
7	23	0	0.5	6	0	17	5.0	2	25+TT	12-TT
8	23	0	0.5	5	0	18	4.0	2	25+TT	14-TT
9	23	0	0.5	10	0	13	5.0	2	25+TT	8-TT
10	23	0	0.5	5	0	18	4.0	2	25+TT	14-TT
11	23	0	0.5	1	0	22	2.0	2	25+TT	20-TT
12	23	0	0.5	10	0	13	5.0	2	25+TT	8-TT
13	23	0	0.5	6	0	17	5.0	2	25+TT	12-TT
14	23	0	0.5	5	0	18	4.0	2	25+TT	14-TT
15	23	0	0.5	1	0	22	2.0	2	25+TT	20-TT
16	23	0	1.0	4.5	0	18.5	4.0	2	25+TT	14.5-TT
17	23	0	1.0	10	0	13	5.0	2	25+TT	8-TT
18	23	0	1.0	6	0	17	5.0	2	25+TT	12-TT
19	23	0	1.0	5	0	18	4.0	2	25+TT	14-TT
20	23	0	1.0	10	0	13	5.0	2	25+TT	8-TT
21	23	0	1.0	6	0	17	5.0	2	25+TT	12-TT
22	23	0	1.0	5	0	18	4.0	2	25+TT	14-TT

23	23	0	1.0	10	0	13	5.0	2	25+TT	8-TT
24	23	0	1.0	5	0	18	4.0	2	25+TT	14-TT
25	23	0	1.0	1.5	0	21.5	2.0	2	25+TT	19.5-TT
26	23	0	1.0	10	0	13	5.0	2	25+TT	8-TT
27	23	0	1.0	6	0	17	5.0	2	25+TT	12-TT
28	23	0	1.0	5	0	18	4.0	2	25+TT	14-TT
29	23	0	1.0	1.5	0	21.5	2.0	2	25+TT	19.5-TT
30	23	0	2.0	6	0	17	5.0	2	25+TT	12-TT
31	23	0	2.0	10	0	13	5.0	2	25+TT	8-TT
32	23	0	2.0	6	0	17	5.0	2	25+TT	12-TT
33	23	0	2.0	5	0	18	4.0	2	25+TT	14-TT
34	23	0	2.0	10	0	13	5.0	2	25+TT	8-TT
35	23	0	2.0	6	0	17	5.0	2	25+TT	12-TT
36	23	0	2.0	5	0	18	4.0	2	25+TT	14-TT
37	23	0	2.0	10	0	13	5.0	2	25+TT	8-TT
38	23	0	2.0	5	0	18	4.0	2	25+TT	14-TT
39	23	0	2.0	10	0	13	5.0	2	25+TT	8-TT
40	23	0	2.0	6	0	17	5.0	2	25+TT	12-TT
41	23	0	2.0	5	0	18	4.0	2	25+TT	14-TT
42	23	0	2.5	6	0	17	5.0	2	25+TT	12-TT
43	23	0	2.5	11	0	12	6.0	2	25+TT	6-TT
44	23	0	2.5	6	0	17	5.0	2	25+TT	12-TT
45	23	0	2.5	5	0	18	4.0	2	25+TT	14-TT
46	23	0	2.5	11	0	12	6.0	2	25+TT	6-TT
47	23	0	2.5	6	0	17	5.0	2	25+TT	12-TT
48	23	0	2.5	5	0	18	4.0	2	25+TT	14-TT
49	23	0	2.5	11	0	12	6.0	2	25+TT	6-TT
50	23	0	2.5	5	0	18	4.0	2	25+TT	14-TT
51	23	0	2.5	11	0	12	6.0	2	25+TT	6-TT
52	23	0	2.5	6	0	17	5.0	2	25+TT	12-TT
53	23	0	2.5	5	0	18	4.0	2	25+TT	14-TT
54	23	0	4.5	7	0	16	5.0	2	25+TT	11-TT
55	23	0	4.5	13	0	10	6.0	2	25+TT	4-TT
56	23	0	4.5	6	0	17	5.0	2	25+TT	12-TT
57	23	0	4.5	5	0	18	4.0	2	25+TT	14-TT
58	23	0	4.5	13	0	10	6.0	2	25+TT	4-TT
59	23	0	4.5	6	0	17	5.0	2	25+TT	12-TT

Test ID	P _{PowerClass} (dBm)	ΔP _{PowerClass} (dB)	MPR (dB)	A-MPR (dB)	ΔT _{C,c} (dB)	P _{C_{MAX}L,c} (dBm)	T(P _{C_{MAX}L,c}) (dB)	T _{L,c} (dB)	Upper limit (dBm)	Lower limit (dBm)
60	23	0	4.5	5	0	18	4.0	2	25+TT	14-TT
61	23	0	4.5	13	0	10	6.0	2	25+TT	4-TT
62	23	0	4.5	5	0	18	4.0	2	25+TT	14-TT
63	23	0	4.5	13	0	10	6.0	2	25+TT	4-TT
64	23	0	4.5	6	0	17	5.0	2	25+TT	12-TT
65	23	0	4.5	5	0	18	4.0	2	25+TT	14-TT
66	23	0	3.0	7.5	0	15.5	5.0	2	25+TT	10.5-TT
67	23	0	3.0	10	0	13	5.0	2	25+TT	8-TT
68	23	0	3.0	6	0	17	5.0	2	25+TT	12-TT
69	23	0	3.0	5	0	18	4.0	2	25+TT	14-TT
70	23	0	3.0	3.5	0	19.5	3.5	2	25+TT	16-TT
71	23	0	3.0	10	0	13	5.0	2	25+TT	8-TT
72	23	0	3.0	6	0	17	5.0	2	25+TT	12-TT
73	23	0	3.0	5	0	18	4.0	2	25+TT	14-TT
74	23	0	3.0	10	0	13	5.0	2	25+TT	8-TT
75	23	0	3.0	5	0	18	4.0	2	25+TT	14-TT
76	23	0	3.0	3.5	0	19.5	3.5	2	25+TT	16-TT
77	23	0	3.0	10	0	13	5.0	2	25+TT	8-TT
78	23	0	3.0	6	0	17	5.0	2	25+TT	12-TT
79	23	0	3.0	5	0	18	4.0	2	25+TT	14-TT
80	23	0	3.0	3.5	0	19.5	3.5	2	25+TT	16-TT
81	23	0	3.0	7.5	0	15.5	5.0	2	25+TT	10.5-TT
82	23	0	3.0	10	0	13	5.0	2	25+TT	8-TT
83	23	0	3.0	6	0	17	5.0	2	25+TT	12-TT

84	23	0	3.0	5	0	18	4.0	2	25+TT	14-TT
85	23	0	3.0	3.5	0	19.5	3.5	2	25+TT	16-TT
86	23	0	3.0	10	0	13	5.0	2	25+TT	8-TT
87	23	0	3.0	6	0	17	5.0	2	25+TT	12-TT
88	23	0	3.0	5	0	18	4.0	2	25+TT	14-TT
89	23	0	3.0	10	0	13	5.0	2	25+TT	8-TT
90	23	0	3.0	5	0	18	4.0	2	25+TT	14-TT
91	23	0	3.0	3.5	0	19.5	3.5	2	25+TT	16-TT
92	23	0	3.0	10	0	13	5.0	2	25+TT	8-TT
93	23	0	3.0	6	0	17	5.0	2	25+TT	12-TT
94	23	0	3.0	5	0	18	4.0	2	25+TT	14-TT
95	23	0	3.0	3.5	0	19.5	3.5	2	25+TT	16-TT
96	23	0	3.5	8	0	15	5.0	2	25+TT	10-TT
97	23	0	3.5	11	0	12	6.0	2	25+TT	6-TT
98	23	0	3.5	6	0	17	5.0	2	25+TT	12-TT
99	23	0	3.5	5	0	18	4.0	2	25+TT	14-TT
100	23	0	3.5	11	0	12	6.0	2	25+TT	6-TT
101	23	0	3.5	6	0	17	5.0	2	25+TT	12-TT
102	23	0	3.5	5	0	18	4.0	2	25+TT	14-TT
103	23	0	3.5	11	0	12	6.0	2	25+TT	6-TT
104	23	0	3.5	5	0	18	4.0	2	25+TT	14-TT
105	23	0	3.5	11	0	12	6.0	2	25+TT	6-TT
106	23	0	3.5	6	0	17	5.0	2	25+TT	12-TT
107	23	0	3.5	5	0	18	4.0	2	25+TT	14-TT
108	23	0	6.5	10	0	13	5.0	2	25+TT	8-TT
109	23	0	6.5	13	0	10	6.0	2	25+TT	4-TT
110	23	0	6.5	6	0	16.5	5.0	2	25+TT	11.5-TT
111	23	0	6.5	13	0	10	6.0	2	25+TT	4-TT
112	23	0	6.5	6	0	16.5	5.0	2	25+TT	11.5-TT
113	23	0	6.5	13	0	10	6.0	2	25+TT	4-TT
114	23	0	6.5	13	0	10	6.0	2	25+TT	4-TT
115	23	0	6.5	6	0	16.5	5.0	2	25+TT	11.5-TT

NOTE 1: P_{PowerClass} is the maximum UE power specified without taking into account the tolerance.

NOTE 2: TT for each frequency and channel bandwidth is specified in Table 6.2.3.5-0.

Table 6.2C.5.5-6: UE Power Class 3 test requirements (NS_05U) for band n84

Test ID	P _{PowerClass} (dBm)	ΔP _{PowerClass} (dB)	MPR (dB)	A-MPR (dB)	ΔT _{C,c} (dB)	P _{C_{MAX}L,c} (dBm)	T(P _{C_{MAX}L,c}) (dB)	T _{L,c} (dB)	Upper limit (dBm)	Lower limit (dBm)
1	23	0	0.5	4	0	19	3.5	2	25+TT	15.5-TT
2	23	0	0.5	10	0	13	5	2	25+TT	8-TT
3	23	0	0.5	6	0	17	5	2	25+TT	12-TT
4	23	0	0.5	5	0	18	4	2	25+TT	14-TT
5	23	0	0.5	2	0	21	2.0	2	25+TT	19-TT
6	23	0	0.5	10	0	13	5.0	2	25+TT	8-TT
7	23	0	0.5	6	0	17	5.0	2	25+TT	12-TT
8	23	0	0.5	5	0	18	4.0	2	25+TT	14-TT
9	23	0	0.5	10	0	13	5.0	2	25+TT	8-TT
10	23	0	0.5	5	0	18	4.0	2	25+TT	14-TT
11	23	0	0.5	2	0	21	2.0	2	25+TT	19-TT
12	23	0	0.5	10	0	13	5.0	2	25+TT	8-TT
13	23	0	0.5	6	0	17	5.0	2	25+TT	12-TT
14	23	0	0.5	5	0	18	4.0	2	25+TT	14-TT
15	23	0	0.5	2	0	21	2.0	2	25+TT	19-TT
16	23	0	1.0	4.5	0	18.5	4.0	2	25+TT	14.5-TT
17	23	0	1.0	10	0	13	5.0	2	25+TT	8-TT
18	23	0	1.0	6	0	17	5.0	2	25+TT	12-TT
19	23	0	1.0	5	0	18	4.0	2	25+TT	14-TT
20	23	0	1.0	2	0	21	2.0	2	25+TT	19-TT
21	23	0	1.0	10	0	13	5.0	2	25+TT	8-TT
22	23	0	1.0	6	0	17	5.0	2	25+TT	12-TT
23	23	0	1.0	5	0	18	4.0	2	25+TT	14-TT
24	23	0	1.0	10	0	13	5.0	2	25+TT	8-TT
25	23	0	1.0	5	0	18	4.0	2	25+TT	14-TT

26	23	0	1.0	2	0	21	2.0	2	25+TT	19-TT
27	23	0	1.0	10	0	13	5.0	2	25+TT	8-TT
28	23	0	1.0	6	0	17	5.0	2	25+TT	12-TT
29	23	0	1.0	5	0	18	4.0	2	25+TT	14-TT
30	23	0	1.0	2	0	21	2.0	2	25+TT	19-TT
31	23	0	2.0	6	0	17	5.0	2	25+TT	12-TT
32	23	0	2.0	10	0	13	5.0	2	25+TT	8-TT
33	23	0	2.0	6	0	17	5.0	2	25+TT	12-TT
34	23	0	2.0	5	0	18	4.0	2	25+TT	14-TT
35	23	0	2.0	2.5	0	20.5	2.5	2	25+TT	18-TT
36	23	0	2.0	10	0	13	5.0	2	25+TT	8-TT
37	23	0	2.0	6	0	17	5.0	2	25+TT	12-TT
38	23	0	2.0	5	0	18	4.0	2	25+TT	14-TT
39	23	0	2.0	10	0	13	5.0	2	25+TT	8-TT
40	23	0	2.0	5	0	18	4.0	2	25+TT	14-TT
41	23	0	2.0	2.5	0	20.5	2.5	2	25+TT	18-TT
42	23	0	2.0	10	0	13	5.0	2	25+TT	8-TT
43	23	0	2.0	6	0	17	5.0	2	25+TT	12-TT
44	23	0	2.0	5	0	18	4.0	2	25+TT	14-TT
45	23	0	2.0	2.5	0	20.5	2.5	2	25+TT	18-TT
46	23	0	2.5	6	0	17	5.0	2	25+TT	12-TT
47	23	0	2.5	11	0	12	6.0	2	25+TT	6-TT
48	23	0	2.5	6	0	17	5.0	2	25+TT	12-TT
49	23	0	2.5	5	0	18	4.0	2	25+TT	14-TT
50	23	0	2.5	3	0	20	2.5	2	25+TT	17.5-TT
51	23	0	2.5	11	0	12	6.0	2	25+TT	6-TT
52	23	0	2.5	6	0	17	5.0	2	25+TT	12-TT
53	23	0	2.5	5	0	18	4.0	2	25+TT	14-TT
54	23	0	2.5	11	0	12	6.0	2	25+TT	6-TT
55	23	0	2.5	5	0	18	4.0	2	25+TT	14-TT
56	23	0	2.5	3	0	20	2.5	2	25+TT	17.5-TT
57	23	0	2.5	11	0	12	6.0	2	25+TT	6-TT
58	23	0	2.5	6	0	17	5.0	2	25+TT	12-TT
59	23	0	2.5	5	0	18	4.0	2	25+TT	14-TT

Test ID	P ^{PowerClass} (dBm)	ΔP ^{PowerClass} (dB)	MPR (dB)	A-MPR (dB)	ΔT _{C,c} (dB)	P _{C_{MAX}L,c} (dBm)	T(P _{C_{MAX}L,c}) (dB)	T _{L,c} (dB)	Upper limit (dBm)	Lower limit (dBm)
60	23	0	2.5	3	0	20	2.5	2	25+TT	17.5-TT
61	23	0	4.5	7	0	16	5.0	2	25+TT	11-TT
62	23	0	4.5	13	0	10	6.0	2	25+TT	4-TT
63	23	0	4.5	6	0	17	5.0	2	25+TT	12-TT
64	23	0	4.5	5	0	18	4.0	2	25+TT	14-TT
65	23	0	4.5	4.5	0	18.5	4.0	2	25+TT	14.5-TT
66	23	0	4.5	13	0	10	6.0	2	25+TT	4-TT
67	23	0	4.5	6	0	17	5.0	2	25+TT	12-TT
68	23	0	4.5	5	0	18	4.0	2	25+TT	14-TT
69	23	0	4.5	13	0	10	6.0	2	25+TT	4-TT
70	23	0	4.5	5	0	18	4.0	2	25+TT	14-TT
71	23	0	4.5	4.5	0	18.5	4.0	2	25+TT	14.5-TT
72	23	0	4.5	13	0	10	6.0	2	25+TT	4-TT
73	23	0	4.5	6	0	17	5.0	2	25+TT	12-TT
74	23	0	4.5	5	0	18	4.0	2	25+TT	14-TT
75	23	0	4.5	4.5	0	18.5	4.0	2	25+TT	14.5-TT
76	23	0	3.0	7.5	0	15.5	5.0	2	25+TT	10.5-TT
77	23	0	3.0	10	0	13	5.0	2	25+TT	8-TT
78	23	0	3.0	6	0	17	5.0	2	25+TT	12-TT
79	23	0	3.0	5	0	18	4.0	2	25+TT	14-TT
80	23	0	3.0	4	0	19	3.5	2	25+TT	15.5-TT
81	23	0	3.0	10	0	13	5.0	2	25+TT	8-TT
82	23	0	3.0	6	0	17	5.0	2	25+TT	12-TT
83	23	0	3.0	5	0	18	4.0	2	25+TT	14-TT
84	23	0	3.0	10	0	13	5.0	2	25+TT	8-TT
85	23	0	3.0	5	0	18	4.0	2	25+TT	14-TT
86	23	0	3.0	4	0	19	3.5	2	25+TT	15.5-TT

87	23	0	3.0	10	0	13	5.0	2	25+TT	8-TT
88	23	0	3.0	6	0	17	5.0	2	25+TT	12-TT
89	23	0	3.0	5	0	18	4.0	2	25+TT	14-TT
90	23	0	3.0	4	0	19	3.5	2	25+TT	15.5-TT
91	23	0	3.0	7.5	0	15.5	5.0	2	25+TT	10.5-TT
92	23	0	3.0	10	0	13	5.0	2	25+TT	8-TT
93	23	0	3.0	6	0	17	5.0	2	25+TT	12-TT
94	23	0	3.0	5	0	18	4.0	2	25+TT	14-TT
95	23	0	3.0	4	0	19	3.5	2	25+TT	15.5-TT
96	23	0	3.0	10	0	13	5.0	2	25+TT	8-TT
97	23	0	3.0	6	0	17	5.0	2	25+TT	12-TT
98	23	0	3.0	5	0	18	4.0	2	25+TT	14-TT
99	23	0	3.0	10	0	13	5.0	2	25+TT	8-TT
100	23	0	3.0	5	0	18	4.0	2	25+TT	14-TT
101	23	0	3.0	4	0	19	3.5	2	25+TT	15.5-TT
102	23	0	3.0	10	0	13	5.0	2	25+TT	8-TT
103	23	0	3.0	6	0	17	5.0	2	25+TT	12-TT
104	23	0	3.0	5	0	18	4.0	2	25+TT	14-TT
105	23	0	3.0	4	0	19	3.5	2	25+TT	15.5-TT
106	23	0	3.5	8	0	15	5.0	2	25+TT	10-TT
107	23	0	3.5	11	0	12	6.0	2	25+TT	6-TT
108	23	0	3.5	6	0	17	5.0	2	25+TT	12-TT
109	23	0	3.5	5	0	18	4.0	2	25+TT	14-TT

Test ID	P _{PowerClass} (dBm)	ΔP _{PowerClass} (dB)	MPR (dB)	A-MPR (dB)	ΔT _{C,c} (dB)	P _{C_{MAX}L,c} (dBm)	T(P _{C_{MAX}L,c}) (dB)	T _{L,c} (dB)	Upper limit (dBm)	Lower limit (dBm)
110	23	0	3.5	4	0	19	3.5	2	25+TT	15.5-TT
111	23	0	3.5	11	0	12	6.0	2	25+TT	6-TT
112	23	0	3.5	6	0	17	5.0	2	25+TT	12-TT
113	23	0	3.5	5	0	18	4.0	2	25+TT	14-TT
114	23	0	3.5	11	0	12	6.0	2	25+TT	6-TT
115	23	0	3.5	5	0	18	4.0	2	25+TT	14-TT
116	23	0	3.5	4	0	19	3.5	2	25+TT	15.5-TT
117	23	0	3.5	11	0	12	6.0	2	25+TT	6-TT
118	23	0	3.5	6	0	17	5.0	2	25+TT	12-TT
119	23	0	3.5	5	0	18	4.0	2	25+TT	14-TT
120	23	0	3.5	4	0	19	3.5	2	25+TT	15.5-TT
121	23	0	6.5	10	0	13	5.0	2	25+TT	8-TT
122	23	0	6.5	13	0	10	6.0	2	25+TT	4-TT
123	23	0	6.5	6.5	0	16.5	5.0	2	25+TT	11.5-TT
124	23	0	6.5	6.5	0	16.5	5.0	2	25+TT	11.5-TT
125	23	0	6.5	13	0	10	6.0	2	25+TT	4-TT
126	23	0	6.5	6.5	0	16.5	5.0	2	25+TT	11.5-TT
127	23	0	6.5	13	0	10	6.0	2	25+TT	4-TT
128	23	0	6.5	6.5	0	16.5	5.0	2	25+TT	11.5-TT
129	23	0	6.5	13	0	10	6.0	2	25+TT	4-TT
130	23	0	6.5	6.5	0	16.5	5.0	2	25+TT	11.5-TT
131	23	0	6.5	6.5	0	16.5	5.0	2	25+TT	11.5-TT

NOTE 1: P_{PowerClass} is the maximum UE power specified without taking into account the tolerance.

NOTE 2: TT for each frequency and channel bandwidth is specified in Table 6.2.3.5-0.

Table 6.2C.5.5-7: UE Power Class 3 test requirements (NS_100) for band n84 and n86

Test ID	P _{PowerClass} (dBm)	MPR (dB)	A-MPR (dB)	ΔT _{C,c} (dB)	P _{C_{MAX}L,c} (dBm)	T(P _{C_{MAX}L,c}) (dB)	T _{L,c} (dB)	Upper limit (dBm)	Lower limit (dBm)
1, 2	23	0.5	2	0	21	2	2	25+TT	19-TT
3	23	0.5	2	0	21	2	2	25+TT	19-TT
4, 5	23	1	1	0	21	2	2	25+TT	19-TT
6	23	1	1	0	21	2	2	25+TT	19-TT
7, 8	23	2	2.5	0	20.5	2.5	2	25+TT	18-TT
9	23	2	2.5	0	20.5	2.5	2	25+TT	18-TT
10, 11	23	2.5	3	0	20	2.5	2	25+TT	17.5-TT
12	23	2.5	3	0	20	2.5	2	25+TT	17.5-TT

13, 14	23	4.5	4.5	0	18.5	4	2	25+TT	14.5-TT
15	23	4.5	4.5	0	18.5	4	2	25+TT	14.5-TT
16, 17	23	3	4	0	19	3.5	2	25+TT	15.5-TT
18	23	3	4	0	19	3.5	2	25+TT	15.5-TT
19, 20	23	3	4	0	19	3.5	2	25+TT	15.5-TT
21	23	3	4	0	19	3.5	2	25+TT	15.5-TT
22, 23	23	3.5	4	0	19	3.5	2	25+TT	15.5-TT
24	23	3.5	4	0	19	3.5	2	25+TT	15.5-TT
25, 26	23	6.5	6.5	0	16.5	5	2	25+TT	11.5-TT
27	23	6.5	6.5	0	16.5	5	2	25+TT	11.5-TT

NOTE 1: $P_{PowerClass}$ is the maximum UE power specified without taking into account the tolerance.
 NOTE 2: TT for each frequency and channel bandwidth is specified in Table 6.2.3.5-0.

Table 6.2C.5.5-8: UE Power Class 3 test requirements (NS_56) for band n99

Test ID	$P_{PowerClass}$ (dBm)	MPR (dB)	A-MPR (dB)	$\Delta T_{C,c}$ (dB)	$P_{C_{MAX,c}}$ (dBm)	$T(P_{C_{MAX,L,c}})$ (dB)	$T_{L,c}$ (dB)	Upper limit (dBm)	Lower limit (dBm)
1	23	0.5	14	0	9	6	3	25+TT	3-TT
2	23	0.5	6	0	17	5	3	25+TT	12-TT
3	23	0.5	4	0	19	3.5	3	25+TT	15.5-TT
4	23	0	4	0	19	3.5	3	25+TT	15.5-TT
5	23	1	14	0	9	6	3	25+TT	3-TT
6	23	1	6	0	17	5	3	25+TT	12-TT
7	23	1	4	0	19	3.5	3	25+TT	15.5-TT
8	23	0	4	0	19	3.5	3	25+TT	15.5-TT
9	23	2	14	0	9	6	3	25+TT	3-TT
10	23	2	6	0	17	5	3	25+TT	12-TT
11	23	2	4	0	19	3.5	3	25+TT	15.5-TT
12	23	1	4	0	19	3.5	3	25+TT	15.5-TT
13	23	2.5	14	0	9	6	3	25+TT	3-TT
14	23	2.5	6	0	17	5	3	25+TT	12-TT
15	23	2.5	4	0	19	3.5	3	25+TT	15.5-TT
16	23	2.5	4	0	19	3.5	3	25+TT	15.5-TT
17	23	4.5	14	0	9	6	3	25+TT	3-TT
18	23	4.5	6	0	17	5	3	25+TT	12-TT
19	23	4.5	4	0	18.5	3.5	3	25+TT	15-TT
20	23	4.5	4	0	18.5	3.5	3	25+TT	15-TT
21	23	0.5	12	0	11	6	3	25+TT	5-TT
22	23	0.5	8	0	15	5	3	25+TT	10-TT
23	23	0	6	0	17	5	3	25+TT	12-TT
24	23	0.5	6	0	17	5	3	25+TT	12-TT
25	23	0	4	0	19	3.5	3	25+TT	15.5-TT
26	23	0.5	2	0	21	2	3	25+TT	18-TT
27	23	0.5	5	0	18	4	3	25+TT	14-TT
28	23	0	5	0	18	4	3	25+TT	14-TT
29	23	0.5	3	0	20	2.5	3	25+TT	17-TT
30	23	1	12	0	11	6	3	25+TT	5-TT
31	23	1	8	0	15	5	3	25+TT	10-TT
32	23	0	6	0	17	5	3	25+TT	12-TT
33	23	1	6	0	17	5	3	25+TT	12-TT
34	23	0	4	0	19	3.5	3	25+TT	15.5-TT
35	23	1	2	0	21	2	3	25+TT	18-TT
36	23	1	5	0	18	4	3	25+TT	14-TT
37	23	0	5	0	18	4	3	25+TT	14-TT
38	23	1	3	0	20	2.5	3	25+TT	17-TT
39	23	2	12	0	11	6	3	25+TT	5-TT
40	23	2	8	0	15	5	3	25+TT	10-TT
41	23	1	6	0	17	5	3	25+TT	12-TT
42	23	2	6	0	17	5	3	25+TT	12-TT
43	23	1	4	0	19	3.5	3	25+TT	15.5-TT
44	23	2	2	0	21	2	3	25+TT	18-TT
45	23	2	5	0	18	4	3	25+TT	14-TT

46	23	1	5	0	18	4	3	25+TT	14-TT
47	23	2	3	0	20	2.5	3	25+TT	17-TT
48	23	2.5	12	0	11	6	3	25+TT	5-TT
49	23	2.5	8	0	15	5	3	25+TT	10-TT
50	23	2.5	6	0	17	5	3	25+TT	12-TT
51	23	2.5	6	0	17	5	3	25+TT	12-TT
52	23	2.5	4	0	19	3.5	3	25+TT	15.5-TT
53	23	2.5	2	0	20.5	2.5	3	25+TT	17.5-TT
54	23	2.5	5	0	18	4	3	25+TT	14-TT
55	23	2.5	5	0	18	4	3	25+TT	14-TT
56	23	2.5	3	0	20	2.5	3	25+TT	17-TT
57	23	4.5	12	0	11	6	3	25+TT	5-TT

Test ID	P _{PowerClass} (dBm)	MPR (dB)	A-MPR (dB)	$\Delta T_{C,c}$ (dB)	P _{C_{MAX,c}} (dBm)	T(P _{C_{MAX,L,c}}) (dB)	T _{L,c} (dB)	Upper limit (dBm)	Lower limit (dBm)
58	23	4.5	8	0	15	5	3	25+TT	10-TT
59	23	4.5	6	0	17	5	3	25+TT	12-TT
60	23	4.5	6	0	17	5	3	25+TT	12-TT
61	23	4.5	4	0	18.5	4	3	25+TT	14.5-TT
62	23	4.5	2	0	18.5	4	3	25+TT	14.5-TT
63	23	4.5	5	0	18	4	3	25+TT	14-TT
64	23	4.5	5	0	18	4	3	25+TT	14-TT
65	23	4.5	3	0	18.5	4	3	25+TT	14.5-TT
66	23	3	14	0	9	6	3	25+TT	3-TT
67	23	3	6	0	17	5	3	25+TT	12-TT
68	23	3	4	0	19	3.5	3	25+TT	15.5-TT
69	23	1.5	4	0	19	3.5	3	25+TT	15.5-TT
70	23	3	14	0	9	6	3	25+TT	3-TT
71	23	3	6	0	17	5	3	25+TT	12-TT
72	23	3	4	0	19	3.5	3	25+TT	15.5-TT
73	23	2	4	0	19	3.5	3	25+TT	15.5-TT
74	23	3.5	14	0	9	6	3	25+TT	3-TT
75	23	3.5	6	0	17	5	3	25+TT	12-TT
76	23	3.5	4	0	19	3.5	3	25+TT	15.5-TT
77	23	3.5	4	0	19	3.5	3	25+TT	15.5-TT
78	23	6.5	14	0	9	6	3	25+TT	3-TT
79	23	6.5	6	0	16.5	5	3	25+TT	11.5-TT
80	23	6.5	4	0	16.5	5	3	25+TT	11.5-TT
81	23	6.5	4	0	16.5	5	3	25+TT	11.5-TT
82	23	3	12	0	11	6	3	25+TT	5-TT
83	23	3	8	0	15	5	3	25+TT	10-TT
84	23	1.5	6	0	17	5	3	25+TT	12-TT
85	23	3	6	0	17	5	3	25+TT	12-TT
86	23	1.5	4	0	19	3.5	3	25+TT	15.5-TT
87	23	3	2	0	20	2.5	3	25+TT	17-TT
88	23	3	5	0	18	4	3	25+TT	14-TT
89	23	1.5	5	0	18	4	3	25+TT	14-TT
90	23	3	3	0	20	2.5	3	25+TT	17-TT
91	23	3	12	0	11	6	3	25+TT	5-TT
92	23	3	8	0	15	5	3	25+TT	10-TT
93	23	2	6	0	17	5	3	25+TT	12-TT
94	23	3	6	0	17	5	3	25+TT	12-TT
95	23	2	4	0	19	3.5	3	25+TT	15.5-TT
96	23	3	2	0	20	2.5	3	25+TT	17-TT
97	23	3	5	0	18	4	3	25+TT	14-TT
98	23	2	5	0	18	4	3	25+TT	14-TT
99	23	3	3	0	20	2.5	3	25+TT	17-TT
100	23	3.5	12	0	11	6	3	25+TT	5-TT
101	23	3.5	8	0	15	5	3	25+TT	10-TT
102	23	3.5	6	0	17	5	3	25+TT	12-TT
103	23	3.5	6	0	17	5	3	25+TT	12-TT

104	23	3.5	4	0	19	3.5	3	25+TT	15.5-TT
105	23	3.5	2	0	19.5	3.5	3	25+TT	16-TT
106	23	3.5	5	0	18	3.5	3	25+TT	14.5-TT
107	23	3.5	5	0	18	3.5	3	25+TT	14.5-TT
108	23	3.5	3	0	19.5	3.5	3	25+TT	16-TT
109	23	6.5	12	0	11	6	3	25+TT	5-TT

Test ID	P _{PowerClass} (dBm)	MPR (dB)	A-MPR (dB)	ΔT _{C,c} (dB)	P _{C_{MAX},c} (dBm)	T(P _{C_{MAX},L,c}) (dB)	T _{L,c} (dB)	Upper limit (dBm)	Lower limit (dBm)
110	23	6.5	8	0	15	5	3	25+TT	10-TT
111	23	6.5	6	0	16.5	5	3	25+TT	11.5-TT
112	23	6.5	6	0	16.5	5	3	25+TT	11.5-TT
113	23	6.5	4	0	16.5	5	3	25+TT	11.5-TT
114	23	6.5	2	0	16.5	5	3	25+TT	11.5-TT
115	23	6.5	5	0	16.5	5	3	25+TT	11.5-TT
116	23	6.5	5	0	16.5	5	3	25+TT	11.5-TT
117	23	6.5	3	0	16.5	5	3	25+TT	11.5-TT

NOTE 1: P_{PowerClass} is the maximum UE power specified without taking into account the tolerance.

NOTE 2: TT for each frequency and channel bandwidth is specified in Table 6.2.3.5-0.

Table 6.2C.5.5-9: UE Power Class 3 test requirements (NS_43) for band n81

Test ID	P _{PowerClass} (dBm)	MPR (dB)	A-MPR (dB)	ΔT _{C,c} (dB)	P _{C_{MAX},L,c} (dBm)	T(P _{C_{MAX},L,c}) (dB)	T _{L,c} (dB)	Upper limit (dBm)	Lower limit (dBm)
1	23	0.5	1.5	0	21.5	2	2	25+TT	19.5-TT
2	23	0.5	9	0	14	5	2	25+TT	9-TT
3	23	0.5	9	0	14	5	2	25+TT	9-TT
4	23	1.0	2	0	21	2.0	2	25+TT	19-TT
5	23	1.0	2.5	0	20.5	2.5	2	25+TT	18-TT
6	23	1.0	9	0	14	5.0	2	25+TT	9-TT
7	23	1.0	9	0	14	5.0	2	25+TT	9-TT
8	23	2.0	2.5	0	20.5	2.5	2	25+TT	18-TT
9	23	2.0	9	0	14	5.0	2	25+TT	9-TT
10	23	2.0	9	0	14	5.0	2	25+TT	9-TT
11	23	2.5	2.5	0	20.5	2.5	2	25+TT	18-TT
12	23	2.5	9	0	14	5.0	2	25+TT	9-TT
13	23	2.5	9	0	14	5.0	2	25+TT	9-TT
14	23	4.5	9	0	14	5.0	2	25+TT	9-TT
15	23	4.5	9	0	14	5.0	2	25+TT	9-TT
16	23	3.0	3.5	0	19.5	3.5	2	25+TT	16-TT
17	23	3.0	4	0	19	3.5	2	25+TT	15.5-TT
18	23	3.0	9	0	14	5.0	2	25+TT	9-TT
19	23	3.0	9	0	14	5.0	2	25+TT	9-TT
20	23	3.0	3.5	0	19.5	3.5	2	25+TT	16-TT
21	23	3.0	4	0	19	3.5	2	25+TT	15.5-TT
22	23	3.0	9	0	14	5.0	2	25+TT	9-TT
23	23	3.0	9	0	14	5.0	2	25+TT	9-TT
24	23	3.5	4	0	19	3.5	2	25+TT	15.5-TT
25	23	3.5	9	0	14	5.0	2	25+TT	9-TT
26	23	3.5	9	0	14	5.0	2	25+TT	9-TT
27	23	6.5	9	0	14	5.0	2	25+TT	9-TT
28	23	6.5	9	0	14	5.0	2	25+TT	9-TT

NOTE 1: P_{PowerClass} is the maximum UE power specified without taking into account the tolerance.

NOTE 2: TT for each frequency and channel bandwidth is specified in Table 6.2.3.5-0.

Table 6.2C.5.5-10: UE Power Class 3 test requirements (NS_43U) for band n81

Test ID	P _{PowerClass} (dBm)	MPR (dB)	A-MPR (dB)	ΔT _{C,c} (dB)	P _{C_{MAX},L,c} (dBm)	T(P _{C_{MAX},L,c}) (dB)	T _{L,c} (dB)	Upper limit (dBm)	Lower limit (dBm)
1	23	0.5	2	0	21	2	2	25+TT	19-TT
2	23	0.5	2	0	21	2	2	25+TT	19-TT
3	23	0.5	9	0	14	5	2	25+TT	9-TT

4	23	0.5	9	0	14	5	2	25+TT	9-TT
5	23	1.0	2	0	21	2.0	2	25+TT	19-TT
6	23	1.0	2.5	0	20.5	2.5	2	25+TT	18-TT
7	23	1.0	9	0	14	5.0	2	25+TT	9-TT
8	23	1.0	9	0	14	5.0	2	25+TT	9-TT
9	23	2.0	2.5	0	20.5	2.5	2	25+TT	18-TT
10	23	2.0	2.5	0	20.5	2.5	2	25+TT	18-TT
11	23	2.0	9	0	14	5.0	2	25+TT	9-TT
12	23	2.0	9	0	14	5.0	2	25+TT	9-TT
13	23	2.5	3	0	20	2.5	2	25+TT	17.5-TT
14	23	2.5	3	0	20	2.5	2	25+TT	17.5-TT
15	23	2.5	9	0	14	5.0	2	25+TT	9-TT
16	23	2.5	9	0	14	5.0	2	25+TT	9-TT
17	23	4.5	4.5	0	18.5	4.0	2	25+TT	14.5-TT
18	23	4.5	4.5	0	18.5	4.0	2	25+TT	14.5-TT
19	23	4.5	9	0	14	5.0	2	25+TT	9-TT
20	23	4.5	9	0	14	5.0	2	25+TT	9-TT
21	23	3.0	4	0	19	3.5	2	25+TT	15.5-TT
22	23	3.0	4	0	19	3.5	2	25+TT	15.5-TT
23	23	3.0	9	0	14	5.0	2	25+TT	9-TT
24	23	3.0	9	0	14	5.0	2	25+TT	9-TT
25	23	3.0	4	0	19	3.5	2	25+TT	15.5-TT
26	23	3.0	4	0	19	3.5	2	25+TT	15.5-TT
27	23	3.0	9	0	14	5.0	2	25+TT	9-TT
28	23	3.0	9	0	14	5.0	2	25+TT	9-TT
29	23	3.5	4	0	19	3.5	2	25+TT	15.5-TT
30	23	3.5	4	0	19	3.5	2	25+TT	15.5-TT
31	23	3.5	9	0	14	5.0	2	25+TT	9-TT
32	23	3.5	9	0	14	5.0	2	25+TT	9-TT
33	23	6.5	6.5	0	16.5	5.0	2	25+TT	11.5-TT
34	23	6.5	6.5	0	16.5	5.0	2	25+TT	11.5-TT
35	23	6.5	9	0	14	5.0	2	25+TT	9-TT
36	23	6.5	9	0	14	5.0	2	25+TT	9-TT

NOTE 1: $P_{\text{PowerClass}}$ is the maximum UE power specified without taking into account the tolerance.
NOTE 2: TT for each frequency and channel bandwidth is specified in Table 6.2.3.5-0.

For the UE which supports inter-band NR CA configuration, inter-band NR-DC configuration, SUL configuration or inter-band EN-DC configuration, $\Delta T_{\text{IB,c}}$ as specified in 6.2A.4.0.2 for NR CA, 6.2B.4.0.2 for NR-DC, clause 6.2C.2 for SUL, or TS 38.521-3 [14] clause 6.2B.4.2 for EN-DC applies. Unless otherwise stated, $\Delta T_{\text{IB,c}}$ is set to zero. In case the UE supports more than one of band combinations for CA, NR-DC, SUL or EN-DC, and an operating band belongs to more than one band combinations then

- a) When the operating band frequency range is ≤ 1 GHz, the applicable additional $\Delta T_{\text{IB,c}}$ shall be the average value for all band combinations defined in clause 6.2A.4.0.2, 6.2B.4.0.2, 6.2C.2 in this specification and 6.2B.4.2 in TS 38.521-3 [14], truncated to one decimal place that apply for that operating band among the supported band combinations. In case there is a harmonic relation between low band UL and high band DL, then the maximum $\Delta T_{\text{IB,c}}$ among the different supported band combinations involving such band shall be applied
- b) When the operating band frequency range is > 1 GHz, the applicable additional $\Delta T_{\text{IB,c}}$ shall be the maximum value for all band combinations defined in clause 6.2A.4.0.2, 6.2B.4.0.2, 6.2C.2 in this specification and 6.2B.4.2 in TS 38.521-3 [14] for the applicable operating bands.

6.2D Transmitter power for UL MIMO

6.2D.1 UE maximum output power for UL MIMO

Editor's Note:

- No test points are defined for 2-layer UL MIMO since there is no CP-OFDM configuration satisfying MPR=0dB requirements in TS 38.101-1. Testing with minimum MPR has been covered in 6.2D.2.
- No test points are defined for Power Class 1.5 non-FWA UEs supporting UFPTx since there is no configuration satisfying MPR=0dB requirements in TS 38.101-1. Testing with minimum MPR has been covered in 6.2D.2.
- TP analysis needs to be updated regarding Note 3 in Table 6.2D.1.4.1-2

6.2D.1.1 Test purpose

To verify that the error of the UE maximum output power for UL MIMO does not exceed the range prescribed by the specified nominal maximum output power and tolerance.

An excess maximum output power has the possibility to interfere to other channels or other systems. A small maximum output power decreases the coverage area.

6.2D.1.2 Test applicability

This test case applies to all types of NR Power Class 1.5 FWA UEs, Power Class 2 and Power Class 3 UE release 16 and forward that support UL full power transmission (ULFPTx).

6.2D.1.3 Minimum conformance requirements

For UE with two transmit antenna connectors in closed-loop spatial multiplexing scheme, the maximum output power for any transmission bandwidth within the channel bandwidth is specified in Table 6.2D.1.3-1. The requirements shall be met with the UL MIMO configurations specified in Table 6.2D.1.3-2. For UE supporting UL MIMO, the maximum output power is defined as the sum of the maximum output power from both UE antenna connectors. The period of measurement shall be at least one sub frame (1ms).

The requirements shall be met with the UL MIMO configurations of using 2-layer UL MIMO transmission with

codebook of $\frac{1}{\sqrt{2}} \begin{bmatrix} 1 & 0 \\ 0 & 1 \end{bmatrix}$. DCI Format for UE configured in PUSCH transmission mode for uplink single-user MIMO shall be used.

Table 6.2D.1.3-1: UE Power Class for UL MIMO in closed loop spatial multiplexing scheme

NR band	Class 1 (dBm)	Tolerance (dB)	Class 1.5 (dBm)	Tolerance (dB)	Class 2 (dBm)	Tolerance (dB)	Class 3 (dBm)	Tolerance (dB)	Class 4 (dBm)	Tolerance (dB)
n1					26	+2/-3 ¹	23	+2/-3		
n2							23	+2/-3 ¹		
n3					26	+2/-3 ¹	23	+2/-3 ¹		
n5							23	+2/-3 ¹		
n7							23	+2/-3 ¹		
n8					26	+2/-3 ¹	23	+2/-3 ¹		
n24							23	+2/-4 ¹		
n25							23	+2/-3 ¹		
n28							23	+2/-3 ¹		
n30							23	+2/-3		
n34					26	+2/-3	23	+2/-3		
n38							23	+2/-3		
n39					26	+2/-3	23	+2/-3		
n40							23	+2/-3		
n41			29	+2/-3 ¹	26	+2/-3 ¹	23	+2/-3 ¹		
n48							23	+2/-3		
n66					26	+2/-3	23	+2/-3		

n70							23	+2/-3		
n71							23	+2/-3		
n77			29	+2/-3	26	+2/-3	23	+2/-3		
n78			29	+2/-3	26	+2/-3	23	+2/-3		
n79			29	+2/-3	26	+2/-3	23	+2/-3		
n97							23	+2/-3		

NOTE 1: ¹ refers to the transmission bandwidths confined within F_{UL_low} and $F_{UL_low} + 4$ MHz or $F_{UL_high} - 4$ MHz and F_{UL_high} , the maximum output power requirement is relaxed by reducing the lower tolerance limit by 1.5 dB.

NOTE 2: Power class 3 is the default power class unless otherwise stated.

Table 6.2D.1.3-2: UL MIMO configuration in closed-loop spatial multiplexing scheme

Transmission scheme	DCI format	Number of layers	TPMI index
Codebook based uplink	DCI format 0_1	2	0

NOTE 1: The UE is configured with one SRS resource with the parameter *nrofSRS-Ports* set to 2.

For UEs supporting uplink full power transmission (ULFPTx) for UL MIMO, the maximum output power requirements specified in Table 6.2D.1.3-1 shall be met with the PUSCH configurations specified in Table 6.2D.1.3-3, based upon UE's support of uplink full power transmission mode.

Table 6.2D.1.3-3: PUSCH Configuration for uplink full power transmission (ULFPTx)

ULFPTx Mode	Transmission scheme	DCI format	Modulation	Number of layers	Number of Tx Port	TPMI index
Mode-1	Codebook based uplink	DCI format 0_1	DFT-s-OFDM, CP-OFDM ^{NOTE3}	1	2	2
Mode-2	Codebook based uplink	DCI format 0_1	DFT-s-OFDM, CP-OFDM	1	2	0 or 1 ^{NOTE2}
Mode-full power	Codebook based uplink	DCI format 0_1	DFT-s-OFDM, CP-OFDM	1	2	0,1

NOTE 1: The UE is configured with one SRS resource with the parameter *nrofSRS-Ports* set to 2.

NOTE 2: TPMI index selected shall be based upon the full power TPMI reported by the UE [9].

NOTE 3: For PUSCH configured with ULFPTx Mode set to Mode-1, all the transmitter requirement for CP-OFDM based modulation is not needed to be verified if the requirement for UL MIMO has been validated.

If the UE is scheduled for single antenna-port PUSCH transmission by DCI format 0_0 or by DCI format 0_1 for single antenna port codebook based transmission, the requirements in clause 6.2 apply for at least one antenna connector for the power class as indicated by the *ue-PowerClass* field in capability signalling with the following exception: for UEs indicating *txDiversity-r16*, the requirements in clause 6.2G for the power class indicated by the *ue-PowerClass*.

A UE indicating the feature *ul-FullPwrMode-r16* or *ul-FullPwrMode2-TPMIGroup-r16* for a band shall meet the requirement in clause 6.2 for at least one antenna connector when scheduled for single antenna-port transmission by DCI format 0_0 or by DCI format 0_1 for codebook-based transmission on a single antenna port.

The normative reference for this requirement is TS 38.101-1 [2] clause 6.2D.1.

6.2D.1.4 Test description

6.2D.1.4.1 Initial conditions

Initial conditions are a set of test configurations the UE needs to be tested in and the steps for the SS to take with the UE to reach the correct measurement state.

The initial test configurations consist of environmental conditions, test frequencies, test channel bandwidths and sub-carrier spacing based on NR operating bands specified in table 5.3.5-1. All of these configurations shall be tested with applicable test parameters for each combination of test channel bandwidth and sub-carrier spacing, and are shown in Table 6.2D.1.4.1-1 and Table 6.2D.1.4.1-2. The details of the uplink reference measurement channels (RMCs) are specified in Annexes A.2. Configurations of PDSCH and PDCCH before measurement are specified in Annex C.2.

Table 6.2D.1.4.1-1: Test Configuration Table for 2-layer UL MIMO

NOTE: No test points are defined since there is no CP-OFDM configuration satisfying MPR=0dB requirements in TS 38.101-1.

Table 6.2D.1.4.1-2: Test Configuration Table for uplink full power transmission (ULFPTx) for Power Class 3, Power Class 2 and Power Class 1.5 FWA UEs

Initial Conditions			
Test Environment as specified in TS 38.508-1 [5] subclause 4.1		Normal, TL/VL, TL/VH, TH/VL, TH/VH	
Test Frequencies as specified in TS 38.508-1 [5] subclause 4.3.1		Low range, Mid range, High range	
Test Channel Bandwidths as specified in TS 38.508-1 [5] subclause 4.3.1		Lowest, Mid, Highest	
Test SCS as specified in Table 5.3.5-1		Lowest, Highest	
Test Parameters			
Test ID	Downlink Configuration	Uplink Configuration	
		Modulation (NOTE 2)	RB allocation (NOTE 1)
1	N/A for maximum output power test case	DFT-s-OFDM PI/2 BPSK	Inner Full
2		DFT-s-OFDM PI/2 BPSK	Inner 1RB Left
3		DFT-s-OFDM PI/2 BPSK	Inner 1RB Right
4		DFT-s-OFDM QPSK	Inner Full
5		DFT-s-OFDM QPSK	Inner 1RB Left
6		DFT-s-OFDM QPSK	Inner 1RB Right
NOTE 1: The specific configuration of each RB allocation is defined in Table 6.1-1.			
NOTE 2: DFT-s-OFDM PI/2 BPSK test applies only for UEs which supports half Pi BPSK in FR1.			
NOTE 3: Only Test IDs 1, 2 and 3 apply to Power Class 2 UEs if TxD is indicated.			

1. Connect the SS to the UE antenna connectors as shown in TS 38.508-1 [5] Annex A, Figure A.3.1.1.2 for TE diagram and section A.3.2 for UE diagram.
2. The parameter settings for the cell are set up according to TS 38.508-1 [5] subclause 4.4.3.
3. Downlink signals are initially set up according to Annex C.0, C.1, C.2, and uplink signals according to Annex G.0, G.1, G.2, G.3.0.
4. The UL Reference Measurement Channel is set according to Table 6.2D.1.4.1-1 and Table 6.2D.1.4.1-2.
5. Propagation conditions are set according to Annex B.0.
6. Ensure the UE is in state RRC_CONNECTED with generic procedure parameters Connectivity *NR*, Connected without release *On*, Test Mode *On* and Test Loop Function *On* according to TS 38.508-1 [5] clause 4.5. Message contents are defined in clause 6.2D.1.4.3.

6.2D.1.4.2 Test procedure

Sub-test for 2-Layer codebook based UL-MIMO:

1. SS sends uplink scheduling information for each UL HARQ process via PDCCH DCI format 0_1 for C_RNTI to schedule the UL RMC according to Table 6.2D.1.4.1-1. Since the UE has no payload and no loopback data to send the UE sends uplink MAC padding bits on the UL RMC. The PDCCH DCI format 0_1 is specified with the condition 2TX_UL_MIMO in 38.508-1 [5] subclause 4.3.6.1.1.2.
2. Send continuously uplink power control "up" commands in every uplink scheduling information to the UE; allow at least 200ms starting from the first TPC command in this step for the UE to reach P_{UMAX} level.
3. Measure the sum of the mean power of the UE at each transmit antenna connector in the channel bandwidth of the radio access mode. The period of measurement shall be at least the continuous duration of 1ms over all active uplink slots and in the uplink symbols. For TDD slots only slots consisting of only UL symbols are under.

Sub-test for ULFPTx

4. If the UE supports ULFPTx, repeat test steps 1~3 with UL RMC according to Table 6.2D.1.4.1-2. The PDCCH DCI format 0_1 is specified with the condition ULFPTx_Mode1, ULFPTx_Mode2 or ULFPTx_ModeFull in 38.508-1 [5] subclause 4.3.6.1.1.2 depending on the UE supported capability. Message contents are according to TS 38.508-1 [5] clause 4.6.3 Table 4.6.3-118 with condition TRANSFORM_PRECODER_ENABLED.

6.2D.1.4.3 Message contents

Message contents are according to TS 38.508-1 [5] subclause 4.6 and 5.4 ensuring Table 4.6.3-182 with the condition 2TX_UL_MIMO.

6.2D.1.5 Test requirement

The maximum output power, derived in step 3 or step 4 shall be within the range prescribed by the nominal maximum output power and tolerance in Table 6.2D.1.5-1.

Table 6.2D.1.5-1: UE Power Class

NR band	Class 1 (dBm)	Tolerance (dB)	Class 1.5 (dBm)	Tolerance (dB)	Class 2 (dBm)	Tolerance (dB)	Class 3 (dBm)	Tolerance (dB)	Class 4 (dBm)	Tolerance (dB)
n1					26	+2+TT/-3 ¹ -TT	23	+2+TT/-3-TT		
n2							23	+2+TT/-3 ¹ -TT		
n3					26	+2+TT/-3 ¹ -TT	23	+2+TT/-3 ¹ -TT		
n5							23	+2+TT/-3 ¹ -TT		
n7							23	+2+TT/-3 ¹ -TT		
n8					26	+2+TT/-3 ¹ -TT	23	+2+TT/-3 ¹ -TT		
n24							23	+2+TT/-4 ¹ -TT		
n25							23	+2+TT/-3 ¹ -TT		
n28							23	+2+TT/-3 ¹ -TT		
n30							23	+2+TT/-3-TT		
n34					26	+2+TT/-3-TT	23	+2+TT/-3-TT		
n38							23	+2+TT/-3-TT		
n39					26	+2+TT/-3-TT	23	+2+TT/-3-TT		
n40							23	+2+TT/-3-TT		
n41			29	+2+TT/-3 ¹ -TT	26	+2+TT/-3 ¹ -TT	23	+2+TT/-3 ¹ -TT		
n48							23	+2+TT/-3-TT		
n66					26	+2+TT/-3-TT	23	+2+TT/-3-TT		
n70							23	+2+TT/-3-TT		
n71							23	+2+TT/-3-TT		
n77			29	+2+TT/-3-TT	26	+2+TT/-3-TT	23	+2+TT/-3-TT		
n78			29	+2+TT/-3-TT	26	+2+TT/-3-TT	23	+2+TT/-3-TT		
n79			29	+2+TT/-3-TT	26	+2+TT/-3-TT	23	+2+TT/-3-TT		
n97							23	+2+TT/-3-TT		

NOTE 1: ¹ refers to the transmission bandwidths confined within F_{UL_low} and $F_{UL_low} + 4$ MHz or $F_{UL_high} - 4$ MHz and F_{UL_high} , the maximum output power requirement is relaxed by reducing the lower tolerance limit by 1.5 dB

NOTE 2: TT for each frequency and channel bandwidth is specified in Table 6.2D.1.5-2

NOTE 3: Power class 3 is the default power class unless otherwise stated

Table 6.2D.1.5-2: Test Tolerance (UE maximum output power)

	$f \leq 3.0\text{GHz}$	$3.0\text{GHz} < f \leq 6.0\text{GHz}$
BW $\leq 40\text{MHz}$	0.7 dB	1.0 dB
$40\text{MHz} < \text{BW} \leq 100\text{MHz}$	1.0 dB	1.0 dB

For the UE which supports inter-band NR CA configuration, inter-band NR-DC configuration, SUL configuration or inter-band EN-DC configuration, $\Delta T_{IB,c}$ as specified in 6.2A.4.0.2 for NR CA, 6.2B.4.0.2 for NR-DC, clause 6.2C.2 for SUL, or TS 38.521-3 [14] clause 6.2B.4.2 for EN-DC applies. Unless otherwise stated, $\Delta T_{IB,c}$ is set to zero. In case the UE supports more than one of band combinations for CA, NR-DC, SUL or EN-DC, and an operating band belongs to more than one band combinations then

- a) When the operating band frequency range is ≤ 1 GHz, the applicable additional $\Delta T_{IB,c}$ shall be the average value for all band combinations defined in clause 6.2A.4.0.2, 6.2B.4.0.2, 6.2C.2 in this specification and 6.2B.4.2 in TS 38.521-3 [14], truncated to one decimal place that apply for that operating band among the supported band combinations. In case there is a harmonic relation between low band UL and high band DL, then the maximum $\Delta T_{IB,c}$ among the different supported band combinations involving such band shall be applied.
- b) When the operating band frequency range is > 1 GHz, the applicable additional $\Delta T_{IB,c}$ shall be the maximum value for all band combinations defined in clause 6.2A.4.0.2, 6.2B.4.0.2, 6.2C.2 in this specification and 6.2B.4.2 in TS 38.521-3 [14] for the applicable operating bands.

6.2D.1_1 UE maximum output power for SUL with UL MIMO

6.2D.1_1.1 Test purpose

Same test purpose as in clause 6.2D.1.1.

6.2D.1_1.2 Test applicability

This test applies to all types of NR UE release 17 and forward that support SUL and UL full power transmission (ULFPTx) operating on the SUL bands.

6.2D.1_1.3 Minimum conformance requirements

For UE with two transmit antenna connectors in closed-loop spatial multiplexing scheme, the maximum output power for any transmission bandwidth within the channel bandwidth is specified in Table 6.2D.1_1.3-1. The requirements shall be met with the UL MIMO configurations specified in Table 6.2D.1_1.3-2. For UE supporting UL MIMO, the maximum output power is defined as the sum of the maximum output power from both UE antenna connectors. The period of measurement shall be at least one sub frame (1 ms).

The requirements shall be met with the UL MIMO configurations of using 2-layer UL MIMO transmission with codebook of $\frac{1}{\sqrt{2}} \begin{bmatrix} 1 & 0 \\ 0 & 1 \end{bmatrix}$. DCI Format for UE configured in PUSCH transmission mode for uplink single-user MIMO shall be used.

Table 6.2D.1_1.3-1: UE Power Class for UL MIMO in closed loop spatial multiplexing scheme

NR band	Class 1.5 (dBm)	Tolerance (dB)	Class 2 (dBm)	Tolerance (dB)	Class 3 (dBm)	Tolerance (dB)	Class 4 (dBm)	Tolerance (dB)
n80			26	+2/-3 ¹	23	+2/-3 ¹		
n84			26	+2/-3 ¹	23	+2/-3		
n95			26	+2/-3	23	+2/-3		
n97			26	+2/-3	23	+2/-3		
n98			26	+2/-3	23	+2/-3		
n99					23	+2/-4 ¹		

NOTE 1: The transmission bandwidths confined within $F_{UL,low}$ and $F_{UL,low} + 4$ MHz or $F_{UL,high} - 4$ MHz and $F_{UL,high}$, the maximum output power requirement is relaxed by reducing the lower tolerance limit by 1.5 dB

NOTE 2: Power class 3 is the default power class unless otherwise stated

Table 6.2D.1_1.3-2: UL MIMO configuration in closed-loop spatial multiplexing scheme

Transmission scheme	DCI format	Number of layers	TPMI index
Codebook based uplink	DCI format 0_1	2	0

NOTE 1: The UE is configured with one SRS resource with the parameter *nrofSRS-Ports* set to 2.

For UE support uplink full power transmission (ULFPTx) for UL MIMO, the maximum output power requirements specified in Table 6.2D.1_1.3-1 shall be met with the PUSCH configurations specified in Table 6.2D.1_1.3-3, based upon UE's support of uplink full power transmission mode.

Table 6.2D.1_1.3-3: PUSCH Configuration for uplink full power transmission (ULFPTx)

ULFPTx Mode	Transmission scheme	DCI format	Modulation	Number of layers	Number of Tx Port	TPMI index
Mode-1	Codebook based uplink	DCI format 0_1	DFT-s-OFDM, CP-OFDM ^{NOTE3}	1	2	2
Mode-2	Codebook based uplink	DCI format 0_1	DFT-s-OFDM, CP-OFDM	1	2	0 or 1 ^{NOTE2}
Mode-full power	Codebook based uplink	DCI format 0_1	DFT-s-OFDM, CP-OFDM	1	2	0,1

NOTE 1: The UE is configured with one SRS resource with the parameter *nrofSRS-Ports* set to 2.
NOTE 2: TPMI index selected shall be based upon the full power TPMI reported by the UE [8, TS 38.213].
NOTE 3: For PUSCH configured with ULFPTxModes set to Mode-1, all the transmitter requirement for CP-OFDM based modulation is not needed to be verified if the requirement for UL MIMO has been validated.

If the UE is scheduled for single antenna-port PUSCH transmission by DCI format 0_0 or by DCI format 0_1 for single antenna port codebook based transmission, the requirements in clause 6.2 apply for at least one antenna connector for the power class as indicated by the *ue-PowerClass* field in capability signalling with the following exception: for UEs indicating *txDiversity-r16*, the requirements in clause 6.2G for the power class indicated by the *ue-PowerClass*.

A UE indicating the feature *ul-FullPwrMode-r16* or *ul-FullPwrMode2-TPMIGroup-r16* for a band shall meet the requirement in clause 6.2 for at least one antenna connector when scheduled for single antenna-port transmission by DCI format 0_0 or by DCI format 0_1 for codebook-based transmission on a single antenna port.

The normative reference for this requirement is TS 38.101-1 [2] clauses 4.3 and 6.2D.1.

6.2D.1_1.4 Test description

6.2D.1_1.4.1 Initial conditions

Initial conditions are a set of test configurations the UE needs to be tested in and the steps for the SS to take with the UE to reach the correct measurement state.

The initial test configurations consist of environmental conditions, test frequencies, test channel bandwidths and sub-carrier spacing based on NR operating bands specified in table 5.3.5-1. All of these configurations shall be tested with applicable test parameters for each combination of test channel bandwidth and sub-carrier spacing, and are shown in Table 6.2D.1_1.4.1-1 and Table 6.2D.1_1.4.1-2. The details of the uplink reference measurement channels (RMCs) are specified in Annex A.2. Configurations of PDSCH and PDCCH before measurement are specified in Annex C.2.

Table 6.2D.1_1.4.1-1: Test Configuration Table for 2-layer UL MIMO on SUL

NOTE: No test points are defined since there is no configuration satisfying MPR=0dB requirements in TS 38.101-1.

Table 6.2D.1_1.4.1-2: Test Configuration Table for uplink full power transmission on SUL(ULFPTx)

Initial Conditions				
Test Environment as specified in TS 38.508-1 [5] subclause 4.1		Normal, TL/VL, TL/VH, TH/VL, TH/VH		
Test Frequencies as specified in TS 38.508-1 [5] subclause 4.3.1		Low range, Mid range, High range for SUL carrier Mid range for NUL carrier		
Test Channel Bandwidths as specified in TS 38.508-1 [5] subclause 4.3.1		Lowest, Mid, Highest for SUL carrier Lowest for NUL carrier		
Test SCS as specified in Table 5.5C-1		Lowest supported SCS for NUL carrier 15kHz for SUL carrier		
Test Parameters				
Test ID	DL config	UL config	SUL Configuration	
	N/A	N/A	Modulation (NOTE 2)	
			RB allocation (NOTE 1)	
1			DFT-s-OFDM Pi/2 BPSK	Inner Full
2			DFT-s-OFDM Pi/2 BPSK	Inner 1RB Left
3			DFT-s-OFDM Pi/2 BPSK	Inner 1RB Right
4			DFT-s-OFDM QPSK	Inner Full
5			DFT-s-OFDM QPSK	Inner 1RB Left
6	DFT-s-OFDM QPSK	Inner 1RB Right		
NOTE 1: The specific configuration of each RB allocation is defined in Table 6.1-1.				
NOTE 2: DFT-s-OFDM Pi/2 BPSK test applies only for UEs which supports half Pi BPSK in FR1.				

1. Connect the SS to the UE antenna connectors as shown in TS 38.508-1 [5] Annex A, Figure 3.1.1.5 for TE diagram and section A.3.2 for UE diagram.
2. The parameter settings for the cell are set up according to TS 38.508-1 [5] subclause 4.4.3.
3. Downlink signals are initially set up according to Annex C.0, C.1, C.2, and uplink signals according to Annex G.0, G.1, G.2 and G.3.0 with consideration of supplementary uplink physical channels.
4. The UL Reference Measurement Channel is set according to Table 6.2D.1_1.4.1-1 and Table 6.2D.1_1.4.1-2.
5. Propagation conditions are set according to Annex B.0.
6. Ensure the UE is in state RRC_CONNECTED with generic procedure parameters Connectivity NR, Connected without release On, Test Mode On and Test Loop Function On according to TS 38.508-1 [5] clause 4.5. Message contents are defined in clause 6.2D.1_1.4.3.

6.2D.1_1.4.2 Test procedure

1. SS sends uplink scheduling information for each UL HARQ process via PDCCH DCI format 0_1 for C_RNTI to schedule the UL RMC according to Table 6.2D.1_1.4.1-1. Since the UE has no payload and no loopback data to send the UE sends uplink MAC padding bits on the UL RMC. The PDCCH DCI format 0_1 is specified with the condition 2TX_UL_MIMO in 38.508-1 [5] subclause 4.3.6.1.1.2.

2. Send continuously uplink power control "up" commands in every uplink scheduling information to the UE; allow at least 200ms starting from the first TPC command in this step for the UE to reach P_{UMAX} level.
3. Measure the sum of the mean power of the UE at each transmit antenna connector in the channel bandwidth of the radio access mode. The period of measurement shall be at least the continuous duration of 1ms over all active uplink slots and in the uplink symbols. For TDD slots only slots consisting of only UL symbols are under.
4. If UE supports ULFPTx, repeat test steps 1~3 with UL RMC according to Table 6.2D.1_1.4.1-2. The PDCCH DCI format 0_1 is specified with the condition ULFPTx_Mode1, ULFPTx_Mode2 or ULFPTx_ModeFull in 38.508-1 [5] subclause 4.3.6.1.1.2 depending on UE reported capability. Message contents are according to TS 38.508-1 [5] clause 4.6.3 Table 4.6.3-118 with condition TRANSFORM_PRECODER_ENABLED.

6.2D.1_1.4.3 Message contents

Message contents are according to TS 38.508-1 [5] subclause 4.3.6.1.1.2 ensuring UL/SUL indicator in Table 4.3.6.1.1.2-1 with condition SUL, subclause 4.6 ensuring Table 4.6.1-28 with condition SUL AND (RF OR RRM), Tables 4.6.3-14 with condition SUL_SUL for SUL carrier, Table 4.6.3-167 with condition PUSCH_PUCCH_ON_SUL, and Table 4.6.3-182 with the condition 2TX_UL_MIMO.

6.2D.1_1.5 Test requirement

The maximum output power, derived in step 3 or step 4 shall be within the range prescribed by the nominal maximum output power and tolerance in Table 6.2D.1_1.5-1.

Table 6.2D.1_1.5-1: UE Power Class

NR band	Class 1.5 (dBm)	Tolerance (dB)	Class 2 (dBm)	Tolerance (dB)	Class 3 (dBm)	Tolerance (dB)	Class 4 (dBm)	Tolerance (dB)
n80			26	+2+TT/-3 ¹ -TT	23	+2+TT/-3 ¹ -TT		
n84			26	+2+TT/-3 ¹ -TT	23	+2+TT/-3-TT		
n95			26	+2+TT/-3-TT	23	+2+TT/-3-TT		
n97			26	+2+TT/-3-TT	23	+2+TT/-3-TT		
n98			26	+2+TT/-3-TT	23	+2+TT/-3-TT		
n99					23	+2+TT/-4 ¹ -TT		

NOTE 1: The transmission bandwidths confined within F_{UL_low} and $F_{UL_low} + 4$ MHz or $F_{UL_high} - 4$ MHz and F_{UL_high} , the maximum output power requirement is relaxed by reducing the lower tolerance limit by 1.5 dB

NOTE 2: Power class 3 is the default power class unless otherwise stated

Table 6.2D.1_1.5-2: Test Tolerance (UE maximum output power)

	$f \leq 3.0\text{GHz}$	$3.0\text{GHz} < f \leq 6.0\text{GHz}$
BW \leq 40MHz	0.7 dB	1.0 dB
40MHz < BW \leq 100MHz	1.0 dB	1.0 dB

For the UE which supports inter-band NR CA configuration, inter-band NR-DC configuration, SUL configuration or inter-band EN-DC configuration, $\Delta T_{IB,c}$ as specified in 6.2A.4.0.2 for NR CA, 6.2B.4.0.2 for NR-DC, clause 6.2C.2 for SUL, or TS 38.521-3 [14] clause 6.2B.4.2 for EN-DC applies. Unless otherwise stated, $\Delta T_{IB,c}$ is set to zero. In case the UE supports more than one of band combinations for CA, NR-DC, SUL or DC, and an operating band belongs to more than one band combinations then

- a) When the operating band frequency range is ≤ 1 GHz, the applicable additional $\Delta T_{IB,c}$ shall be the average value for all band combinations defined in clause 6.2A.4.0.2, 6.2B.4.0.2, 6.2C.2 in this specification and 6.2B.4.2 in TS 38.521-3 [14], truncated to one decimal place that apply for that operating band among the supported band combinations. In case there is a harmonic relation between low band UL and high band DL, then the maximum $\Delta T_{IB,c}$ among the different supported band combinations involving such band shall be applied.

- b) When the operating band frequency range is > 1 GHz, the applicable additional $\Delta T_{IB,c}$ shall be the maximum value for all band combinations defined in clause 6.2A.4.0.2, 6.2B.4.0.2, 6.2C.2 in this specification and 6.2B.4.2 in TS 38.521-3 [14] for the applicable operating bands.

6.2D.2 UE maximum output power reduction for UL MIMO

6.2D.2.1 Test purpose

To verify that the power reduction of UE due to higher order modulations and transmit bandwidth configuration does not exceed the specified maximum power reduction.

6.2D.2.2 Test applicability

This test case applies to all types of NR Power Class 1.5, Power Class 2 and Power Class 3 UE release 15 and forward that support 2-layer codebook based UL MIMO.

This test case applies to all types of NR Power Class 1.5, Power Class 2 and Power Class 3 UE release 16 and forward that support UL full power transmission (ULFPTx).

NOTE: Test execution is not necessary if TS 38.521-1 6.5D.2.4.1 is executed.

6.2D.2.3 Minimum conformance requirements

For UE with two transmit antenna connectors in closed-loop spatial multiplexing scheme, the allowed Maximum Power Reduction (MPR) for the maximum output power in Table 6.2D.1.3-1 is specified in Table 6.2.2.3-1 for PC3, Table 6.2D.2.3-1 for 2Tx PC2 when the UE does not indicate *ul-FullPwrMode-r16* or *ul-FullPwrMode2-TPMIGroup-r16* for the band and Table 6.2.2.3-2 for 2Tx PC2 when the UE indicates *ul-FullPwrMode-r16* or *ul-FullPwrMode2-TPMIGroup-r16* for the band, Table 6.2D.2.3-2 and Table 6.2D.2.3-3 for PC1.5 respectively. For UE power class 1.5, the allowed maximum power reduction (MPR) defined in Table 6.2D.2.3-3 is in accordance with the indicated *modifiedMPR-Behavior* specified in Table L.1-1 for channel bandwidths ≤ 100 MHz. The requirements shall be met with UL MIMO configurations defined in Table 6.2D.1.3-2. For UE supporting UL MIMO, the maximum output power is defined as the sum of the maximum output power from both antenna connectors.

For UE support uplink full power transmission (ULFPTx) for UL MIMO except the feature *ul-FullPwrMode-r16* or *ul-FullPwrMode2-TPMIGroup-r16*, the allowed MPR for the maximum output power in Table 6.2D.1.3-1 is specified in Table 6.2.2.3-1 for PC3, Table 6.2D.2.3-1 when *TxD* is indicated and Table 6.2.2.3-2 when *TxD* is not indicated for PC2, Table 6.2D.2.3-2 and Table 6.2D.2.3-3 for PC1.5 respectively, and the requirements shall be met with the PUSCH configurations specified in Table 6.2D.1.3-3, based upon UE's support of uplink full power transmission mode. A UE indicating the feature *ul-FullPwrMode-r16* or *ul-FullPwrMode2-TPMIGroup-r16* for a band shall meet the maximum output power requirement with MPR according to clause 6.2.2.3. When a UE that indicates PC1.5 for a given band is limited to PC2 by the rules in clause 6.2.1, the MPR requirements in Table 6.2.2-2 apply.

The same MPR requirements shall be applicable to UE with 1-layer UL MIMO transmission (either with or without

ULFPTx) as with the UL MIMO configurations of using 2-layer UL MIMO transmission with codebook of $\frac{1}{\sqrt{2}} \begin{bmatrix} 1 & 0 \\ 0 & 1 \end{bmatrix}$.

For the UE maximum output power modified by MPR, the power limits specified in subclause 6.2D.4.3 apply.

If UE is scheduled for single antenna-port PUSCH transmission by DCI format 0_0 or by DCI format 0_1 for single antenna port codebook based transmission, the corresponding requirements in clause 6.2D.1.3 apply for the power class as indicated by the *ue-PowerClass* field in capability signalling. A UE indicating the feature *ul-FullPwrMode-r16* or *ul-FullPwrMode2-TPMIGroup-r16* for a band shall meet the requirement in clause 6.2 with MPR according to clause 6.2.2.3 for at least one antenna connector when scheduled for single antenna-port transmission by DCI format 0_0 or by DCI format 0_1 for codebook-based transmission on a single antenna port.

Table 6.2D.2.3-1: Maximum power reduction (MPR) for power class 2 with dual Tx

Modulation		MPR (dB)		
		Edge RB allocations	Outer RB allocations	Inner RB allocations
DFT-s-OFDM	Pi/2 BPSK	≤ 3.5	≤ 1	0
	QPSK	≤ 3.5	≤ 2	0.5
	16 QAM	≤ 3.5	≤ 2.5	≤ 1.5
	64 QAM	≤ 3.5	≤ 3	

	256 QAM		≤ 5.5	
CP-OFDM	QPSK	≤ 4.0	≤ 3.5	≤ 2
	16 QAM	≤ 4.0	≤ 3.5	≤ 2.5
	64 QAM		≤ 4.5	
	256 QAM		≤ 8.0	

Table 6.2D.2.3-2: Maximum power reduction (MPR) for power class 1.5 with dual Tx

Modulation		MPR (dB)		
		Edge RB allocations	Outer RB allocations	Inner RB allocations
DFT-s-OFDM	Pi/2 BPSK	≤ 6	$\leq [2]$	≤ 0.5
	QPSK	≤ 6.5	$\leq [2.5]$	≤ 0.5
	16 QAM	≤ 6.5	$\leq [3.5]$	≤ 1.5
	64 QAM	≤ 6.5	$\leq [4]$	≤ 3.5
	256 QAM	≤ 6.5	≤ 6.5	$\leq [6.5]$
CP-OFDM	QPSK	≤ 6.5	$\leq [4.5]$	≤ 2
	16 QAM	≤ 6.5	$\leq [4.5]$	≤ 2.5
	64 QAM	≤ 6.5	$\leq [5]$	≤ 4.5
	256 QAM	≤ 8.5	≤ 8.5	$\leq [8.5]$

Table 6.2D.2.3-3: Maximum power reduction (MPR) for power class 1.5 FWA with dual Tx

Modulation		MPR (dB)		
		Edge RB allocations	Outer RB allocations	Inner RB allocations
DFT-s-OFDM	Pi/2 BPSK	≤ 6	≤ 1.5	≤ 0
	QPSK	≤ 6.5	≤ 2	≤ 0
	16 QAM	≤ 6.5	≤ 3	≤ 1
	64 QAM	≤ 6.5	≤ 3.5	≤ 3
	256 QAM	≤ 6.5	≤ 5.5	≤ 5.5
CP-OFDM	QPSK	≤ 6.5	≤ 4	≤ 1.5
	16 QAM	≤ 6.5	≤ 4	≤ 2
	64 QAM	≤ 6.5	≤ 4.5	≤ 4
	256 QAM	≤ 7.5	≤ 7.5	≤ 7.5

NOTE 1: This table is targeted to large FWA form factor with 20 dB or above antenna isolation.

Inner, outer and edge allocations are as defined in section 6.2.2 except for PC1.5 edge allocations which is for $L_{CRB} \leq 4$ RBs instead of $L_{CRB} \leq 2$ RBs for other power classes. The normative reference for this requirement is TS 38.101-1 [2] clause 6.2D.2.

6.2D.2.4 Test description

6.2D.2.4.1 Initial conditions

Initial conditions are a set of test configurations the UE needs to be tested in and the steps for the SS to take with the UE to reach the correct measurement state.

The initial test configurations consist of environmental conditions, test frequencies, test channel bandwidths and sub-carrier spacing based on NR operating bands specified in table 5.3.5-1. All of these configurations shall be tested with applicable test parameters for each combination of test channel bandwidth and sub-carrier spacing, and are shown in table 6.2D.2.4.1-1, Table 6.2D.2.4.1-1a, Table 6.2D.2.4.1-2, Table 6.2D.2.4.1-2a, Table 6.2D.2.4.1-3 and Table 6.2D.2.4.1-3a. The details of the uplink reference measurement channels (RMCs) are specified in Annexes A.2. Configurations of PDSCH and PDCCCH before measurement are specified in Annex C.2.

Table 6.2D.2.4.1-1: Test Configuration Table for Power Class 3 UEs supporting 2-layer codebook based UL MIMO

Initial Conditions																																	
Test Environment as specified in TS 38.508-1 [5] subclause 4.1		Normal, TL/VL, TL/VH, TH/VL, TH/VH																															
Test Frequencies as specified in TS 38.508-1 [5] subclause 4.3.1		Low range, High range																															
Test Channel Bandwidths as specified in TS 38.508-1 [5] subclause 4.3.1		Lowest, Highest																															
Test SCS as specified in Table 5.3.5-1		Lowest and Highest																															
Test Parameters for Channel Bandwidths																																	
Test ID	Freq	Downlink Configuration	Uplink Configuration																														
		N/A	<table border="1"> <thead> <tr> <th>Modulation</th> <th>RB allocation (NOTE 1)</th> </tr> </thead> <tbody> <tr> <td>CP-OFDM QPSK</td> <td>Inner Full</td> </tr> <tr> <td>CP-OFDM QPSK</td> <td>Edge_1RB_Left</td> </tr> <tr> <td>CP-OFDM QPSK</td> <td>Edge_1RB_Right</td> </tr> <tr> <td>CP-OFDM QPSK</td> <td>Outer Full</td> </tr> <tr> <td>CP-OFDM 16 QAM</td> <td>Inner Full</td> </tr> <tr> <td>CP-OFDM 16 QAM</td> <td>Edge_1RB_Left</td> </tr> <tr> <td>CP-OFDM 16 QAM</td> <td>Edge_1RB_Right</td> </tr> <tr> <td>CP-OFDM 16 QAM</td> <td>Outer Full</td> </tr> <tr> <td>CP-OFDM 64 QAM</td> <td>Edge_1RB_Left</td> </tr> <tr> <td>CP-OFDM 64 QAM</td> <td>Edge_1RB_Right</td> </tr> <tr> <td>CP-OFDM 64 QAM</td> <td>Outer Full</td> </tr> <tr> <td>CP-OFDM 256 QAM</td> <td>Edge_1RB_Left</td> </tr> <tr> <td>CP-OFDM 256 QAM</td> <td>Edge_1RB_Right</td> </tr> <tr> <td>CP-OFDM 256 QAM</td> <td>Outer Full</td> </tr> </tbody> </table>	Modulation	RB allocation (NOTE 1)	CP-OFDM QPSK	Inner Full	CP-OFDM QPSK	Edge_1RB_Left	CP-OFDM QPSK	Edge_1RB_Right	CP-OFDM QPSK	Outer Full	CP-OFDM 16 QAM	Inner Full	CP-OFDM 16 QAM	Edge_1RB_Left	CP-OFDM 16 QAM	Edge_1RB_Right	CP-OFDM 16 QAM	Outer Full	CP-OFDM 64 QAM	Edge_1RB_Left	CP-OFDM 64 QAM	Edge_1RB_Right	CP-OFDM 64 QAM	Outer Full	CP-OFDM 256 QAM	Edge_1RB_Left	CP-OFDM 256 QAM	Edge_1RB_Right	CP-OFDM 256 QAM	Outer Full
Modulation	RB allocation (NOTE 1)																																
CP-OFDM QPSK	Inner Full																																
CP-OFDM QPSK	Edge_1RB_Left																																
CP-OFDM QPSK	Edge_1RB_Right																																
CP-OFDM QPSK	Outer Full																																
CP-OFDM 16 QAM	Inner Full																																
CP-OFDM 16 QAM	Edge_1RB_Left																																
CP-OFDM 16 QAM	Edge_1RB_Right																																
CP-OFDM 16 QAM	Outer Full																																
CP-OFDM 64 QAM	Edge_1RB_Left																																
CP-OFDM 64 QAM	Edge_1RB_Right																																
CP-OFDM 64 QAM	Outer Full																																
CP-OFDM 256 QAM	Edge_1RB_Left																																
CP-OFDM 256 QAM	Edge_1RB_Right																																
CP-OFDM 256 QAM	Outer Full																																
1	Default																																
2	Low																																
3	High																																
4	Default																																
5	Default																																
6	Low																																
7	High																																
8	Default																																
9	Low																																
10	High																																
11	Default																																
12	Low																																
13	High																																
14	Default																																

NOTE 1: The specific configuration of each RB allocation is defined in Table 6.1-1.
NOTE 2: CP-OFDM 256 QAM test applies only for UEs which supports 256QAM in FR1.

Table 6.2D.2.4.1-1a: Test Configuration Table for power class 3 UEs supporting ULFPTx

Initial Conditions											
Test Environment as specified in TS 38.508-1 [5] subclause 4.1		Normal, TL/VL, TL/VH, TH/VL, TH/VH									
Test Frequencies as specified in TS 38.508-1 [5] subclause 4.3.1		Low range, High range									
Test Channel Bandwidths as specified in TS 38.508-1 [5] subclause 4.3.1		Lowest, Highest									
Test SCS as specified in Table 5.3.5-1		Lowest, Highest									
Test Parameters for Channel Bandwidths											
Test ID	Freq	Downlink Configuration	Uplink Configuration								
		N/A for Maximum Power Reduction (MPR) test case	<table border="1"> <thead> <tr> <th>Modulation (NOTE 2)</th> <th>RB allocation (NOTE 1)</th> </tr> </thead> <tbody> <tr> <td>DFT-s-OFDM Pi/2 BPSK</td> <td>Inner Full</td> </tr> <tr> <td>DFT-s-OFDM Pi/2 BPSK</td> <td>Edge_1RB_Left</td> </tr> <tr> <td>DFT-s-OFDM Pi/2 BPSK</td> <td>Edge_1RB_Right</td> </tr> </tbody> </table>	Modulation (NOTE 2)	RB allocation (NOTE 1)	DFT-s-OFDM Pi/2 BPSK	Inner Full	DFT-s-OFDM Pi/2 BPSK	Edge_1RB_Left	DFT-s-OFDM Pi/2 BPSK	Edge_1RB_Right
Modulation (NOTE 2)	RB allocation (NOTE 1)										
DFT-s-OFDM Pi/2 BPSK	Inner Full										
DFT-s-OFDM Pi/2 BPSK	Edge_1RB_Left										
DFT-s-OFDM Pi/2 BPSK	Edge_1RB_Right										
1 ⁴	Default										
2 ⁴	Low										
3 ⁴	High										

4 ⁴	Default	DFT-s-OFDM Pi/2 BPSK	Outer Full
5	Default	DFT-s-OFDM QPSK	Inner Full
6	Low	DFT-s-OFDM QPSK	Edge_1RB_Left
7	High	DFT-s-OFDM QPSK	Edge_1RB_Right
8	Default	DFT-s-OFDM QPSK	Outer Full
9	Default	DFT-s-OFDM 16 QAM	Inner Full
10	Low	DFT-s-OFDM 16 QAM	Edge_1RB_Left
11	High	DFT-s-OFDM 16 QAM	Edge_1RB_Right
12	Default	DFT-s-OFDM 16 QAM	Outer Full
13	Low	DFT-s-OFDM 64 QAM	Edge_1RB_Left
14	High	DFT-s-OFDM 64 QAM	Edge_1RB_Right
15	Default	DFT-s-OFDM 64 QAM	Outer Full
16	Low	DFT-s-OFDM 256 QAM	Edge_1RB_Left
17	High	DFT-s-OFDM 256 QAM	Edge_1RB_Right
18	Default	DFT-s-OFDM 256 QAM	Outer Full
19	Default	CP-OFDM QPSK	Inner Full
20	Low	CP-OFDM QPSK	Edge_1RB_Left
21	High	CP-OFDM QPSK	Edge_1RB_Right
22	Default	CP-OFDM QPSK	Outer Full
23	Default	CP-OFDM 16 QAM	Inner Full
24	Low	CP-OFDM 16 QAM	Edge_1RB_Left
25	High	CP-OFDM 16 QAM	Edge_1RB_Right
26	Default	CP-OFDM 16 QAM	Outer Full
27	Low	CP-OFDM 64 QAM	Edge_1RB_Left
28	High	CP-OFDM 64 QAM	Edge_1RB_Right
29	Default	CP-OFDM 64 QAM	Outer Full
30	Low	CP-OFDM 256 QAM	Edge_1RB_Left
31	High	CP-OFDM 256 QAM	Edge_1RB_Right
32	Default	CP-OFDM 256 QAM	Outer Full

NOTE 1: The specific configuration of each RB allocation is defined in Table 6.1-1.
 NOTE 2: DFT-s-OFDM Pi/2 BPSK test applies only for UEs which supports half Pi BPSK in FR1.
 NOTE 3: Test ID 19 ~ 32 with CP-OFDM modulation are not needed if PDCCH DCI format 0_1 indicates ULFPTx_Mode1.
 NOTE 4: UE operating in FDD mode, or in TDD mode in bands other than n40, n41, n77, n78 and n79, or in TDD mode the IE *powerBoostPi2BPSK* is set to 0 for bands n40, n41, n77, n78 and n79.

Table 6.2D.2.4.1-2: Test Configuration Table for Power Class 2 UEs supporting 2-layer codebook based UL MIMO

Initial Conditions	
Test Environment as specified in TS 38.508-1 [5] subclause 4.1	Normal, TL/VL, TL/VH, TH/VL, TH/VH
Test Frequencies as specified in TS 38.508-1 [5] subclause 4.3.1	Low range, High range
Test Channel Bandwidths as specified in TS 38.508-1 [5] subclause 4.3.1	Lowest, Highest
Test SCS as specified in Table 5.3.5-1	Lowest and Highest

Test Parameters for Channel Bandwidths																																	
Test ID	Freq	Downlink Configuration	Uplink Configuration																														
		N/A	<table border="1"> <thead> <tr> <th>Modulation</th> <th>RB allocation (NOTE 1)</th> </tr> </thead> <tbody> <tr><td>CP-OFDM QPSK</td><td>Inner Full</td></tr> <tr><td>CP-OFDM QPSK</td><td>Edge_1RB_Left</td></tr> <tr><td>CP-OFDM QPSK</td><td>Edge_1RB_Right</td></tr> <tr><td>CP-OFDM QPSK</td><td>Outer Full</td></tr> <tr><td>CP-OFDM 16 QAM</td><td>Inner Full</td></tr> <tr><td>CP-OFDM 16 QAM</td><td>Edge_1RB_Left</td></tr> <tr><td>CP-OFDM 16 QAM</td><td>Edge_1RB_Right</td></tr> <tr><td>CP-OFDM 16 QAM</td><td>Outer Full</td></tr> <tr><td>CP-OFDM 64 QAM</td><td>Edge_1RB_Left</td></tr> <tr><td>CP-OFDM 64 QAM</td><td>Edge_1RB_Right</td></tr> <tr><td>CP-OFDM 64 QAM</td><td>Outer Full</td></tr> <tr><td>CP-OFDM 256 QAM</td><td>Edge_1RB_Left</td></tr> <tr><td>CP-OFDM 256 QAM</td><td>Edge_1RB_Right</td></tr> <tr><td>CP-OFDM 256 QAM</td><td>Outer Full</td></tr> </tbody> </table>	Modulation	RB allocation (NOTE 1)	CP-OFDM QPSK	Inner Full	CP-OFDM QPSK	Edge_1RB_Left	CP-OFDM QPSK	Edge_1RB_Right	CP-OFDM QPSK	Outer Full	CP-OFDM 16 QAM	Inner Full	CP-OFDM 16 QAM	Edge_1RB_Left	CP-OFDM 16 QAM	Edge_1RB_Right	CP-OFDM 16 QAM	Outer Full	CP-OFDM 64 QAM	Edge_1RB_Left	CP-OFDM 64 QAM	Edge_1RB_Right	CP-OFDM 64 QAM	Outer Full	CP-OFDM 256 QAM	Edge_1RB_Left	CP-OFDM 256 QAM	Edge_1RB_Right	CP-OFDM 256 QAM	Outer Full
Modulation	RB allocation (NOTE 1)																																
CP-OFDM QPSK	Inner Full																																
CP-OFDM QPSK	Edge_1RB_Left																																
CP-OFDM QPSK	Edge_1RB_Right																																
CP-OFDM QPSK	Outer Full																																
CP-OFDM 16 QAM	Inner Full																																
CP-OFDM 16 QAM	Edge_1RB_Left																																
CP-OFDM 16 QAM	Edge_1RB_Right																																
CP-OFDM 16 QAM	Outer Full																																
CP-OFDM 64 QAM	Edge_1RB_Left																																
CP-OFDM 64 QAM	Edge_1RB_Right																																
CP-OFDM 64 QAM	Outer Full																																
CP-OFDM 256 QAM	Edge_1RB_Left																																
CP-OFDM 256 QAM	Edge_1RB_Right																																
CP-OFDM 256 QAM	Outer Full																																
1	Default																																
2	Low																																
3	High																																
4	Default																																
5	Default																																
6	Low																																
7	High																																
8	Default																																
9	Low																																
10	High																																
11	Default																																
12	Low																																
13	High																																
14	Default																																

NOTE 1: The specific configuration of each RB allocation is defined in Table 6.1-1.
NOTE 2: CP-OFDM 256 QAM test applies only for UEs which supports 256QAM in FR1.

Table 6.2D.2.4.1-2a: Test Configuration Table for power class 2 UEs supporting ULFP Tx

Initial Conditions	
Test Environment as specified in TS 38.508-1 [5] subclause 4.1	Normal, TL/VL, TL/VH, TH/VL, TH/VH
Test Frequencies as specified in TS 38.508-1 [5] subclause 4.3.1	Low range, High range
Test Channel Bandwidths as specified in TS 38.508-1 [5] subclause 4.3.1	Lowest, Highest
Test SCS as specified in Table 5.3.5-1	Lowest, Highest

Test Parameters for Channel Bandwidths																													
Test ID	Freq	Downlink Configuration	Uplink Configuration																										
		N/A for Maximum Power Reduction (MPR) test case	<table border="1"> <thead> <tr> <th>Modulation (NOTE 2)</th> <th>RB allocation (NOTE 1)</th> </tr> </thead> <tbody> <tr><td>DFT-s-OFDM Pi/2 BPSK</td><td>Inner Full</td></tr> <tr><td>DFT-s-OFDM Pi/2 BPSK</td><td>Edge_1RB_Left</td></tr> <tr><td>DFT-s-OFDM Pi/2 BPSK</td><td>Edge_1RB_Right</td></tr> <tr><td>DFT-s-OFDM Pi/2 BPSK</td><td>Outer Full</td></tr> <tr><td>DFT-s-OFDM QPSK</td><td>Inner Full</td></tr> <tr><td>DFT-s-OFDM QPSK</td><td>Edge_1RB_Left</td></tr> <tr><td>DFT-s-OFDM QPSK</td><td>Edge_1RB_Right</td></tr> <tr><td>DFT-s-OFDM QPSK</td><td>Outer Full</td></tr> <tr><td>DFT-s-OFDM 16 QAM</td><td>Inner Full</td></tr> <tr><td>DFT-s-OFDM 16 QAM</td><td>Edge_1RB_Left</td></tr> <tr><td>DFT-s-OFDM 16 QAM</td><td>Edge_1RB_Right</td></tr> <tr><td>DFT-s-OFDM 16 QAM</td><td>Outer Full</td></tr> </tbody> </table>	Modulation (NOTE 2)	RB allocation (NOTE 1)	DFT-s-OFDM Pi/2 BPSK	Inner Full	DFT-s-OFDM Pi/2 BPSK	Edge_1RB_Left	DFT-s-OFDM Pi/2 BPSK	Edge_1RB_Right	DFT-s-OFDM Pi/2 BPSK	Outer Full	DFT-s-OFDM QPSK	Inner Full	DFT-s-OFDM QPSK	Edge_1RB_Left	DFT-s-OFDM QPSK	Edge_1RB_Right	DFT-s-OFDM QPSK	Outer Full	DFT-s-OFDM 16 QAM	Inner Full	DFT-s-OFDM 16 QAM	Edge_1RB_Left	DFT-s-OFDM 16 QAM	Edge_1RB_Right	DFT-s-OFDM 16 QAM	Outer Full
Modulation (NOTE 2)	RB allocation (NOTE 1)																												
DFT-s-OFDM Pi/2 BPSK	Inner Full																												
DFT-s-OFDM Pi/2 BPSK	Edge_1RB_Left																												
DFT-s-OFDM Pi/2 BPSK	Edge_1RB_Right																												
DFT-s-OFDM Pi/2 BPSK	Outer Full																												
DFT-s-OFDM QPSK	Inner Full																												
DFT-s-OFDM QPSK	Edge_1RB_Left																												
DFT-s-OFDM QPSK	Edge_1RB_Right																												
DFT-s-OFDM QPSK	Outer Full																												
DFT-s-OFDM 16 QAM	Inner Full																												
DFT-s-OFDM 16 QAM	Edge_1RB_Left																												
DFT-s-OFDM 16 QAM	Edge_1RB_Right																												
DFT-s-OFDM 16 QAM	Outer Full																												
1	Default																												
2	Low																												
3	High																												
4	Default																												
5	Default																												
6	Low																												
7	High																												
8	Default																												
9	Default																												
10	Low																												
11	High																												
12	Default																												

13	Low	DFT-s-OFDM 64 QAM	Edge_1RB_Left
14	High	DFT-s-OFDM 64 QAM	Edge_1RB_Right
15	Default	DFT-s-OFDM 64 QAM	Outer Full
16	Low	DFT-s-OFDM 256 QAM	Edge_1RB_Left
17	High	DFT-s-OFDM 256 QAM	Edge_1RB_Right
18	Default	DFT-s-OFDM 256 QAM	Outer Full
19	Default	CP-OFDM QPSK	Inner Full
20	Low	CP-OFDM QPSK	Edge_1RB_Left
21	High	CP-OFDM QPSK	Edge_1RB_Right
22	Default	CP-OFDM QPSK	Outer Full
23	Default	CP-OFDM 16 QAM	Inner Full
24	Low	CP-OFDM 16 QAM	Edge_1RB_Left
25	High	CP-OFDM 16 QAM	Edge_1RB_Right
26	Default	CP-OFDM 16 QAM	Outer Full
27	Low	CP-OFDM 64 QAM	Edge_1RB_Left
28	High	CP-OFDM 64 QAM	Edge_1RB_Right
29	Default	CP-OFDM 64 QAM	Outer Full
30	Low	CP-OFDM 256 QAM	Edge_1RB_Left
31	High	CP-OFDM 256 QAM	Edge_1RB_Right
32	Default	CP-OFDM 256 QAM	Outer Full

NOTE 1: The specific configuration of each RB allocation is defined in Table 6.1-1.
NOTE 2: DFT-s-OFDM Pi/2 BPSK test applies only for UEs which supports half Pi BPSK in FR1.
NOTE 3: Test ID 19 ~ 32 with CP-OFDM modulation are not needed if PDCCH DCI format 0_1 indicates ULFPTx_Mode1.

Table 6.2D.2.4.1-3: Test Configuration Table for Power Class 1.5 UEs supporting 2-layer codebook based UL MIMO

Initial Conditions			
Test Environment as specified in TS 38.508-1 [5] subclause 4.1		Normal, TL/VL, TL/VH, TH/VL, TH/VH	
Test Frequencies as specified in TS 38.508-1 [5] subclause 4.3.1		Low range, High range	
Test Channel Bandwidths as specified in TS 38.508-1 [5] subclause 4.3.1		Lowest, Highest	
Test SCS as specified in Table 5.3.5-1		Lowest and Highest	
Test Parameters for Channel Bandwidths			
Test ID	Freq	Downlink Configuration	Uplink Configuration
		N/A	Modulation
1	Default		Inner Full
2	Low		Edge_1RB_Left
3	High		Edge_1RB_Right
4	Default		Outer Full
5	Default		Inner Full
6	Low		Edge_1RB_Left
7	High		Edge_1RB_Right
8	Default		Outer Full
			RB allocation (NOTE 1)

9	Low	CP-OFDM 64 QAM	Edge_1RB_Left
10	High	CP-OFDM 64 QAM	Edge_1RB_Right
11	Default	CP-OFDM 64 QAM	Outer Full
12	Low	CP-OFDM 256 QAM	Edge_1RB_Left
13	High	CP-OFDM 256 QAM	Edge_1RB_Right
14	Default	CP-OFDM 256 QAM	Outer Full

NOTE 1: The specific configuration of each RB allocation is defined in Table 6.1-1.
NOTE 2: CP-OFDM 256 QAM test applies only for UEs which supports 256QAM in FR1.

Table 6.2D.2.4.1-3a: Test Configuration Table for power class 1.5 UEs supporting ULFP Tx except the feature *ul-FullPwrMode-r16* or *ul-FullPwrMode2-TPMIGroup-r16*

Initial Conditions			
Test Environment as specified in TS 38.508-1 [5] subclause 4.1		Normal, TL/VL, TL/VH, TH/VL, TH/VH	
Test Frequencies as specified in TS 38.508-1 [5] subclause 4.3.1		Low range, High range	
Test Channel Bandwidths as specified in TS 38.508-1 [5] subclause 4.3.1		Lowest, Highest	
Test SCS as specified in Table 5.3.5-1		Lowest, Highest	
Test Parameters for Channel Bandwidths			
Test ID	Freq	Downlink Configuration	Uplink Configuration
			Modulation (NOTE 2)
		N/A for Maximum Power Reduction (MPR) test case	
1	Default		Inner Full
2	Low		Edge_1RB_Left
3	High		Edge_1RB_Right
4	Default		Outer Full
5	Default		Inner Full
6	Low		Edge_1RB_Left
7	High		Edge_1RB_Right
8	Default		Outer Full
9	Default		Inner Full
10	Low		Edge_1RB_Left
11	High		Edge_1RB_Right
12	Default		Outer Full
13	Low		Edge_1RB_Left
14	High		Edge_1RB_Right
15	Default		Outer Full
16	Low		Edge_1RB_Left
17	High		Edge_1RB_Right
18	Default		Outer Full

NOTE 1: The specific configuration of each RB allocation is defined in Table 6.1-1.
NOTE 2: DFT-s-OFDM Pi/2 BPSK test applies only for UEs which supports half Pi BPSK in FR1.
NOTE 3: Void

1. Connect the SS to the UE antenna connectors as shown in TS 38.508-1 [5] Annex A, Figure A.3.1.1.2 for TE diagram and section A.3.2 for UE diagram.
2. The parameter settings for the cell are set up according to TS 38.508-1 [5] subclause 4.4.3.
3. Downlink signals are initially set up according to Annex C.0, C.1, C.2, and uplink signals according to Annex G.0, G.1, G.2, G.3.0.
4. The UL Reference Measurement Channel is set according to Table 6.2D.2.4.1-1, Table 6.2D.2.4.1-2 or Table 6.2D.2.4.1-3.
5. Propagation conditions are set according to Annex B.0.
6. Ensure the UE is in state RRC_CONNECTED with generic procedure parameters Connectivity *NR*, Connected without release *On*, Test Mode *On* and Test Loop Function *On* according to TS 38.508-1 [5] clause 4.5. Message contents are defined in clause 6.2D.2.4.3.

6.2D.2.4.2 Test procedure

Sub-test for 2-Layer codebook based UL-MIMO

1. SS sends uplink scheduling information for each UL HARQ process via PDCCH DCI format 0_1 for C_RNTI to schedule the UL RMC according to Table 6.2D.2.4.1-1. Since the UE has no payload and no loopback data to send the UE sends uplink MAC padding bits on the UL RMC. The PDCCH DCI format 0_1 is specified with the condition 2TX_UL_MIMO in 38.508-1 [5] subclause 4.3.6.1.1.2.
2. Send continuously uplink power control "up" commands in every uplink scheduling information to the UE; allow at least 200ms starting from the first TPC command in this step for the UE to reach P_{UMAX} level.
3. Measure the sum of the mean power of the UE from both transmit antenna connectors in the channel bandwidth of the radio access mode. The period of measurement shall be at least the continuous duration of one active sub-frame (1ms) and in the uplink symbols. For TDD symbol with transient periods are not under test.

Sub-test for ULFPTx

4. If UE supports ULFPTx, repeat test steps 1~3 with UL RMC according to Table 6.2D.2.4.1-1a, Table 6.2D.2.4.1-2a or Table 6.2D.2.4.1-3a. The PDCCH DCI format 0_1 is specified with the condition ULFPTx_Mode1, ULFPTx_Mode2 or ULFPTx_ModeFull in 38.508-1 [5] subclause 4.3.6.1.1.2 depending on UE reported capability. Message contents are according to TS 38.508-1 [5] clause 4.6.3 Table 4.6.3-118 with condition TRANSFORM_PRECODER_ENABLED.

NOTE 1: When switching to DFT-s-OFDM waveform, as specified in the test configuration Table 6.2D.2.4.1-1a, Table 6.2D.2.4.1-2a or Table 6.2D.2.4.1-3a, send an NR RRCReconfiguration message according to TS 38.508-1 [5] clause 4.6.3 Table 4.6.3-118 PUSCH-Config with TRANSFORM_PRECODER_ENABLED condition.

6.2D.2.4.3 Message contents

Message contents are according to TS 38.508-1 [5] subclause 4.6 and 5.4 ensuring Table 4.6.3-182 with the condition 2TX_UL_MIMO.

6.2D.2.5 Test requirement

The maximum output power, derived in step 3 shall be within the range prescribed by the nominal maximum output power and tolerance in Table 6.2D.2.5-1, Table 6.2D.2.5-2, Table 6.2D.2.5-2a, Table 6.2D.2.5-3, or Table 6.2D.2.5-4. The maximum output power, derived in step 4 shall be within the range prescribed by the nominal maximum output power and tolerance in Table 6.2D.2.5-1a, Table 6.2D.2.5-2b, Table 6.2D.2.5-2c, Table 6.2D.2.5-3a, or Table 6.2D.2.5-4a.

Table 6.2D.2.5-1: UE Power Class test requirements (for Band n1, n2, n3, n5, n7, n8, n24, n25, n28, n30, n34, n38, n39, n40, n41, n48, n66, n70, n71, n77, n78, n79, n97) for Power Class 3 UEs supporting 2-layer codebook based UL MIMO

Test ID	$P_{\text{PowerClass}}$ (dBm)	$\Delta P_{\text{PowerClass}}$ (dB)	MPR (dB)	$\Delta T_{c,c}$ (dB)	$P_{\text{CMAX_L,f,c}}$ (dBm)	$T(P_{\text{CMAX_L,f,c}})$ (dB)	$T_{L,c}$	Upper limit (dBm)	Lower limit (dBm)
1	23	0	1.5	0 (1.5 ²)	21.5 (20.0 ²)	5.0 (6.0 ²)	3 (4 ⁴)	25.0 + TT	16.5 - TT (14.0 - TT ²)
2	23	0	3	0 (1.5 ²)	20.0 (18.5 ²)	6.0 (5.0 ²)	3 (4 ⁴)	25.0 + TT	14.0 - TT (13.5 - TT ²)
3	23	0	3	0 (1.5 ²)	20.0 (18.5 ²)	6.0 (5.0 ²)	3 (4 ⁴)	25.0 + TT	14.0 - TT (13.5 - TT ²)
4	23	0	3	0 (1.5 ²)	20.0 (18.5 ²)	6.0 (5.0 ²)	3 (4 ⁴)	25.0 + TT	14.0 - TT (13.5 - TT ²)
5	23	0	2	0 (1.5 ²)	21.0 (19.5 ²)	5.0 (5.0 ²)	3 (4 ⁴)	25.0 + TT	16.0 - TT (14.5 - TT ²)
6	23	0	3	0 (1.5 ²)	20.0 (18.5 ²)	6.0 (5.0 ²)	3 (4 ⁴)	25.0 + TT	14.0 - TT (13.5 - TT ²)
7	23	0	3	0 (1.5 ²)	20.0 (18.5 ²)	6.0 (5.0 ²)	3 (4 ⁴)	25.0 + TT	14.0 - TT (13.5 - TT ²)
8	23	0	3	0 (1.5 ²)	20.0 (18.5 ²)	6.0 (5.0 ²)	3 (4 ⁴)	25.0 + TT	14.0 - TT (13.5 - TT ²)
9	23	0	3.5	0 (1.5 ²)	19.5 (18.0 ²)	5.0 (5.0 ²)	3 (4 ⁴)	25.0 + TT	14.5 - TT (13.0 - TT ²)
10	23	0	3.5	0 (1.5 ²)	19.5 (18.0 ²)	5.0 (5.0 ²)	3 (4 ⁴)	25.0 + TT	14.5 - TT (13.0 - TT ²)
11	23	0	3.5	0 (1.5 ²)	19.5 (18.0 ²)	5.0 (5.0 ²)	3 (4 ⁴)	25.0 + TT	14.5 - TT (13.0 - TT ²)
12	23	0	6.5	0 (1.5 ²)	16.5 (15.0 ²)	5.0 (6.0 ²)	3 (4 ⁴)	25.0 + TT	11.5 - TT (9.0 - TT ²)
13	23	0	6.5	0 (1.5 ²)	16.5 (15.0 ²)	5.0 (6.0 ²)	3 (4 ⁴)	25.0 + TT	11.5 - TT (9.0 - TT ²)
14	23	0	6.5	0 (1.5 ²)	16.5 (15.0 ²)	5.0 (6.0 ²)	3 (4 ⁴)	25.0 + TT	11.5 - TT (9.0 - TT ²)

NOTE 1: $P_{\text{PowerClass}}$ is the maximum UE power specified without taking into account the tolerance.
NOTE 2: For Band n2, n3, n7, n8, n25, n41, transmission bandwidths confined within $F_{\text{UL_low}}$ and $F_{\text{UL_low}} + 4$ MHz or $F_{\text{UL_high}} - 4$ MHz and $F_{\text{UL_high}}$.
NOTE 3: TT for each frequency and channel bandwidth is specified in Table 6.2D.2.5-5.
NOTE 4: Applicable for band n24.

Table 6.2D.2.5-1a: UE Power Class test requirements (for Band n1, n2, n3, n5, n7, n8, n24, n25, n28, n30, n34, n38, n41, n48, n66, n70, n71, n77, n78, n79) for Power Class 3 supporting ULFPTx

Test ID	$P_{\text{PowerClass}}$ (dBm)	$\Delta P_{\text{PowerClass}}$ (dB)	MPR (dB)	$\Delta T_{c,c}$ (dB)	$P_{\text{CMAX_L,f,c}}$ (dBm)	$T(P_{\text{CMAX_L,f,c}})$ (dB)	$T_{L,c}$ (dB)	Upper limit (dBm)	Lower limit (dBm)
---------	-------------------------------	-------------------------------------	----------	-----------------------	--------------------------------	----------------------------------	----------------	-------------------	-------------------

1	23	0	0	0	(1.5 ²)	23.0	(21.5 ²)	3.0	(5.0 ²)	3 (4 ⁴)	25.0 + TT	20.0 - TT (19.0 - TT ⁵)	(16.5 - TT ²)
2	23	0	0.5	0	(1.5 ²)	22.5	(21.0 ²)	5.0		3 (4 ⁴)	25.0 + TT	17.5 - TT	(16.0 - TT ²)
3	23	0	0.5	0	(1.5 ²)	22.5	(21.0 ²)	5.0		3 (4 ⁴)	25.0 + TT	17.5 - TT	(16.0 - TT ²)
4	23	0	0.5	0	(1.5 ²)	22.5	(21.0 ²)	5.0		3 (4 ⁴)	25.0 + TT	17.5 - TT	(16.0 - TT ²)
5	23	0	0	0	(1.5 ²)	23.0	(21.5 ²)	3.0	(5.0 ²)	3 (4 ⁴)	25.0 + TT	20.0 - TT (19.0 - TT ⁵)	(16.5 - TT ²)
6	23	0	1	0	(1.5 ²)	22.0	(20.5 ²)	5.0	(6.0 ²)	3 (4 ⁴)	25.0 + TT	17.0 - TT	(14.5 - TT ²)
7	23	0	1	0	(1.5 ²)	22.0	(20.5 ²)	5.0	(6.0 ²)	3 (4 ⁴)	25.0 + TT	17.0 - TT	(14.5 - TT ²)
8	23	0	1	0	(1.5 ²)	22.0	(20.5 ²)	5.0	(6.0 ²)	3 (4 ⁴)	25.0 + TT	17.0 - TT	(14.5 - TT ²)
9	23	0	1	0	(1.5 ²)	22.0	(20.5 ²)	5.0	(6.0 ²)	3 (4 ⁴)	25.0 + TT	17.0 - TT	(14.5 - TT ²)
10	23	0	2	0	(1.5 ²)	21.0	(19.5 ²)	5.0		3 (4 ⁴)	25.0 + TT	16.0 - TT	(14.5 - TT ²)
11	23	0	2	0	(1.5 ²)	21.0	(19.5 ²)	5.0		3 (4 ⁴)	25.0 + TT	16.0 - TT	(14.5 - TT ²)
12	23	0	2	0	(1.5 ²)	21.0	(19.5 ²)	5.0		3 (4 ⁴)	25.0 + TT	16.0 - TT	(14.5 - TT ²)
13	23	0	2.5	0	(1.5 ²)	20.5	(19.0 ²)	6.0	(5.0 ²)	3 (4 ⁴)	25.0 + TT	14.5 - TT	(14.0 - TT ²)
14	23	0	2.5	0	(1.5 ²)	20.5	(19.0 ²)	6.0	(5.0 ²)	3 (4 ⁴)	25.0 + TT	14.5 - TT	(14.0 - TT ²)
15	23	0	2.5	0	(1.5 ²)	20.5	(19.0 ²)	6.0	(5.0 ²)	3 (4 ⁴)	25.0 + TT	14.5 - TT	(14.0 - TT ²)
16	23	0	4.5	0	(1.5 ²)	18.5	(17.0 ²)	5.0		3 (4 ⁴)	25.0 + TT	13.5 - TT	(12.0 - TT ²)
17	23	0	4.5	0	(1.5 ²)	18.5	(17.0 ²)	5.0		3 (4 ⁴)	25.0 + TT	13.5 - TT	(12.0 - TT ²)
18	23	0	4.5	0	(1.5 ²)	18.5	(17.0 ²)	5.0		3 (4 ⁴)	25.0 + TT	13.5 - TT	(12.0 - TT ²)
19	23	0	1.5	0	(1.5 ²)	21.5	(20.0 ²)	5.0	(6.0 ²)	3 (4 ⁴)	25.0 + TT	16.5 - TT	(14.0 - TT ²)
20	23	0	3	0	(1.5 ²)	20.0	(18.5 ²)	6.0	(5.0 ²)	3 (4 ⁴)	25.0 + TT	14.0 - TT	(13.5 - TT ²)

21	23	0	3	0	(1.5 ²)	20.0	(18.5 ²)	6.0	(5.0 ²)	3 (4 ⁴)	25.0 + TT	14.0 - TT	(13.5 - TT ²)
22	23	0	3	0	(1.5 ²)	20.0	(18.5 ²)	6.0	(5.0 ²)	3 (4 ⁴)	25.0 + TT	14.0 - TT	(13.5 - TT ²)
23	23	0	2	0	(1.5 ²)	21.0	(19.5 ²)	5.0		3 (4 ⁴)	25.0 + TT	16.0 - TT	(14.5 - TT ²)
24	23	0	3	0	(1.5 ²)	20.0	(18.5 ²)	6.0	(5.0 ²)	3 (4 ⁴)	25.0 + TT	14.0 - TT	(13.5 - TT ²)
25	23	0	3	0	(1.5 ²)	20.0	(18.5 ²)	6.0	(5.0 ²)	3 (4 ⁴)	25.0 + TT	14.0 - TT	(13.5 - TT ²)
26	23	0	3	0	(1.5 ²)	20.0	(18.5 ²)	6.0	(5.0 ²)	3 (4 ⁴)	25.0 + TT	14.0 - TT	(13.5 - TT ²)
27	23	0	3.5	0	(1.5 ²)	19.5	(18.0 ²)	5.0		3 (4 ⁴)	25.0 + TT	14.5 - TT	(13.0 - TT ²)
28	23	0	3.5	0	(1.5 ²)	19.5	(18.0 ²)	5.0		3 (4 ⁴)	25.0 + TT	14.5 - TT	(13.0 - TT ²)
29	23	0	3.5	0	(1.5 ²)	19.5	(18.0 ²)	5.0		3 (4 ⁴)	25.0 + TT	14.5 - TT	(13.0 - TT ²)
30	23	0	6.5	0	(1.5 ²)	16.5	(15.0 ²)	5.0	(6.0 ²)	3 (4 ⁴)	25.0 + TT	11.5 - TT	(9.0 - TT ²)
31	23	0	6.5	0	(1.5 ²)	16.5	(15.0 ²)	5.0	(6.0 ²)	3 (4 ⁴)	25.0 + TT	11.5 - TT	(9.0 - TT ²)
32	23	0	6.5	0	(1.5 ²)	16.5	(15.0 ²)	5.0	(6.0 ²)	3 (4 ⁴)	25.0 + TT	11.5 - TT	(9.0 - TT ²)

NOTE 1: P_{PowerClass} is the maximum UE power specified without taking into account the tolerance.

NOTE 2: For Band n2, n3, n7, n8, n25 and n41, transmission bandwidths confined within F_{UL_low} and F_{UL_low} + 4 MHz or F_{UL_high} – 4 MHz and F_{UL_high}.

NOTE 3: TT for each frequency and channel bandwidth is specified in Table 6.2D.2.5-3.

NOTE 4: Only applicable for band n24.

NOTE 5: For band n24 when transmission bandwidths **are not** confined within F_{UL_low} and F_{UL_low} + 4 MHz or F_{UL_high} – 4 MHz and F_{UL_high}.

Table 6.2D.2.5-2: UE Power Class test requirements (for Bands n1, n3, n41, n66, n77, n78, n79) for Power Class 2 UEs supporting 2-layer codebook based UL MIMO without indicating ul-FullPwrMode-r16 or ul-FullPwrMode2-TPMIGroup-r16

Test ID	P _{PowerClass} (dBm)	ΔP _{PowerClass} (dB)	MPR (dB)	ΔT _{C,c} (dB)	P _{CMAX_L,f,c} (dBm)	T(P _{CMAX_L,f,c}) (dB)	T _{L,c} (dB)	Upper limit (dBm)	Lower limit (dBm)				
1	26	0	2	0	(1.5 ²)	24.0	(22.5 ²)	3.0	(5.0 ²)	3	28.0 + TT	21.0 - TT	(17.5 - TT ²)
2	26	0	4.0	0	(1.5 ²)	22.0	(20.5 ²)	5.0	(6.0 ²)	3	28.0 + TT	17.0 - TT	(14.5 - TT ²)
3	26	0	4.0	0	(1.5 ²)	22.0	(20.5 ²)	5.0	(6.0 ²)	3	28.0 + TT	17.0 - TT	(14.5 - TT ²)
4	26	0	3.5	0	(1.5 ²)	22.5	(21.0 ²)	5.0		3	28.0 + TT	17.5 - TT	(16.0 - TT ²)
5	26	0	2.5	0	(1.5 ²)	23.5	(22.0 ²)	3.0	(5.0 ²)	3	28.0 + TT	20.5 - TT	(17.0 - TT ²)
6	26	0	4.0	0	(1.5 ²)	22.0	(20.5 ²)	5.0	(6.0 ²)	3	28.0 + TT	17.0 - TT	(14.5 - TT ²)

7	26	0	4.0	0	(1.5 ²)	22.0	(20.5 ²)	5.0	(6.0 ²)	3	28.0 + TT	17.0 - TT	(14.5 - TT ²)
8	26	0	3.5	0	(1.5 ²)	22.5	(21.0 ²)	5.0		3	28.0 + TT	17.5 - TT	(16.0 - TT ²)
9	26	0	4.5	0	(1.5 ²)	21.5	(20.0 ²)	5.0	(6.0 ²)	3	28.0 + TT	16.5 - TT	(14.0 - TT ²)
10	26	0	4.5	0	(1.5 ²)	21.5	(20.0 ²)	5.0	(6.0 ²)	3	28.0 + TT	16.5 - TT	(14.0 - TT ²)
11	26	0	4.5	0	(1.5 ²)	21.5	(20.0 ²)	5.0	(6.0 ²)	3	28.0 + TT	16.5 - TT	(14.0 - TT ²)
12	26	0	8.0	0	(1.5 ²)	18.0	(16.5 ²)	5.0		3	28.0 + TT	13.0 - TT	(11.5 - TT ²)
13	26	0	8.0	0	(1.5 ²)	18.0	(16.5 ²)	5.0		3	28.0 + TT	13.0 - TT	(11.5 - TT ²)
14	26	0	8.0	0	(1.5 ²)	18.0	(16.5 ²)	5.0		3	28.0 + TT	13.0 - TT	(11.5 - TT ²)

NOTE 1: P_{PowerClass} is the maximum UE power specified without taking into account the tolerance.
NOTE 2: For n1, n3, and Band n41, transmission bandwidths confined within F_{UL_low} and F_{UL_low} + 4 MHz or F_{UL_high} – 4 MHz and F_{UL_high}.
NOTE 3: TT for each frequency and channel bandwidth is specified in Table 6.2D.2.5-5.

Table 6.2D.2.5-2a: UE Power Class test requirements (for Bands n41, n77, n78, n79) for Power Class 2 UEs supporting 2-layer codebook based UL MIMO and indicating ul-FullPwrMode-r16 or ul-FullPwrMode2-TPMIGroup-r16

Test ID	P _{PowerClass} (dBm)	ΔP _{PowerClass} (dB)	MPR (dB)	ΔT _{c,c} (dB)	P _{CMAX_L,f,c} (dBm)	T(P _{CMAX_L,f,c}) (dB)	T _{L,c} (dB)	Upper limit (dBm)	Lower limit (dBm)				
1	26	0	1.5	0	(1.5 ²)	24.5	(23.0 ²)	3.0	(3.0 ²)	3	28.0 + TT	21.5 - TT	(20.0 - TT ²)
2	26	0	3.5	0	(1.5 ²)	22.5	(21.0 ²)	5.0	(5.0 ²)	3	28.0 + TT	17.5 - TT	(16.0 - TT ²)
3	26	0	3.5	0	(1.5 ²)	22.5	(21.0 ²)	5.0	(5.0 ²)	3	28.0 + TT	17.5 - TT	(16.0 - TT ²)
4	26	0	3	0	(1.5 ²)	23.0	(21.5 ²)	3.0	(5.0 ²)	3	28.0 + TT	20.0 - TT	(16.6 - TT ²)
5	26	0	2	0	(1.5 ²)	24.0	(22.5 ²)	3.0	(5.0 ²)	3	28.0 + TT	21.0 - TT	(17.6 - TT ²)
6	26	0	3.5	0	(1.5 ²)	22.5	(21.0 ²)	5.0	(5.0 ²)	3	28.0 + TT	17.5 - TT	(16.0 - TT ²)
7	26	0	3.5	0	(1.5 ²)	22.5	(21.0 ²)	5.0	(5.0 ²)	3	28.0 + TT	17.5 - TT	(16.0 - TT ²)
8	26	0	3	0	(1.5 ²)	23.0	(21.5 ²)	3.0	(5.0 ²)	3	28.0 + TT	20.0 - TT	(16.5 - TT ²)
9	26	0	3.5	0	(1.5 ²)	22.5	(21.0 ²)	5.0	(5.0 ²)	3	28.0 + TT	17.5 - TT	(16.0 - TT ²)
10	26	0	3.5	0	(1.5 ²)	22.5	(21.0 ²)	5.0	(5.0 ²)	3	28.0 + TT	17.5 - TT	(16.0 - TT ²)
11	26	0	3.5	0	(1.5 ²)	22.5	(21.0 ²)	5.0	(5.0 ²)	3	28.0 + TT	17.5 - TT	(16.0 - TT ²)
12	26	0	6.5	0	(1.5 ²)	19.5	(18.0 ²)	5.0	(5.0 ²)	3	28.0 + TT	14.5 - TT	(13.0 - TT ²)
13	26	0	6.5	0	(1.5 ²)	19.5	(18.0 ²)	5.0	(5.0 ²)	3	28.0 + TT	14.5 - TT	(13.0 - TT ²)
14	26	0	6.5	0	(1.5 ²)	19.5	(18.0 ²)	5.0	(5.0 ²)	3	28.0 + TT	14.5 - TT	(13.0 - TT ²)

NOTE 1: P_{PowerClass} is the maximum UE power specified without taking into account the tolerance.
NOTE 2: For Band n41, transmission bandwidths confined within F_{UL_low} and F_{UL_low} + 4 MHz or F_{UL_high} – 4 MHz and F_{UL_high}.

NOTE 3: TT for each frequency and channel bandwidth is specified in Table 6.2D.2.5-5.

Table 6.2D.2.5-2b: UE Power Class test requirements (for Bands n1, n3, n41, n66, n77, n78, n79) for Power Class 2 UEs supporting ULFPTx and ul-FullPwrMode1-TPMIGroup-r1 and indicating TxD

Test ID	P _{PowerClass} (dBm)	ΔP _{PowerClass} (dB)	MPR (dB)	ΔT _{C,c} (dB)	P _{C_{MAX}_L,f,c} (dBm)	T(P _{C_{MAX}_L,f,c}) (dB)	T _{L,c} (dB)	Upper limit (dBm)	Lower limit (dBm)
1	26	0	0	0 (1.5 ²)	26.0 (24.5 ²)	3.0	3	28.0 + TT	23.0 - TT (21.5 - TT ²)
2	26	0	3.5	0 (1.5 ²)	22.5 (21.0 ²)	5.0	3	28.0 + TT	17.5 - TT (16.0 - TT ²)
3	26	0	3.5	0 (1.5 ²)	22.5 (21.0 ²)	5.0	3	28.0 + TT	17.5 - TT (16.0 - TT ²)
4	26	0	1.0	0 (1.5 ²)	25.0 (23.5 ²)	3.0	3	28.0 + TT	22.0 - TT (20.5 - TT ²)
5	26	0	0.5	0 (1.5 ²)	25.5 (24.0 ²)	3.0	3	28.0 + TT	22.5 - TT (21.0 - TT ²)
6	26	0	3.5	0 (1.5 ²)	22.5 (21.0 ²)	5.0	3	28.0 + TT	17.5 - TT (16.0 - TT ²)
7	26	0	3.5	0 (1.5 ²)	22.5 (21.0 ²)	5.0	3	28.0 + TT	17.5 - TT (16.0 - TT ²)
8	26	0	2	0 (1.5 ²)	24.0 (22.5 ²)	3.0 (5.0 ²)	3	28.0 + TT	21.0 - TT (17.5 - TT ²)
9	26	0	1.5	0 (1.5 ²)	24.5 (23.0 ²)	3.0	3	28.0 + TT	21.5 - TT (20.0 - TT ²)
10	26	0	3.5	0 (1.5 ²)	22.5 (21.0 ²)	5.0	3	28.0 + TT	17.5 - TT (16.0 - TT ²)
11	26	0	3.5	0 (1.5 ²)	22.5 (21.0 ²)	5.0	3	28.0 + TT	17.5 - TT (16.0 - TT ²)
12	26	0	2.5	0 (1.5 ²)	23.5 (22.0 ²)	3.0 (5.0 ²)	3	28.0 + TT	20.5 - TT (17.0 - TT ²)
13	26	0	3.5	0 (1.5 ²)	22.5 (21.0 ²)	5.0	3	28.0 + TT	17.5 - TT (16.0 - TT ²)
14	26	0	3.5	0 (1.5 ²)	22.5 (21.0 ²)	5.0	3	28.0 + TT	17.5 - TT (16.0 - TT ²)
15	26	0	3	0 (1.5 ²)	23.0 (21.5 ²)	3.0 (5.0 ²)	3	28.0 + TT	20.0 - TT (16.5 - TT ²)
16	26	0	5.5	0 (1.5 ²)	20.5 (19.0 ²)	6.0 (5.0 ²)	3	28.0 + TT	14.5 - TT (14.0 - TT ²)
17	26	0	5.5	0 (1.5 ²)	20.5 (19.0 ²)	6.0 (5.0 ²)	3	28.0 + TT	14.5 - TT (14.0 - TT ²)
18	26	0	5.5	0 (1.5 ²)	20.5 (19.0 ²)	6.0 (5.0 ²)	3	28.0 + TT	14.5 - TT (14.0 - TT ²)
19	26	0	2	0 (1.5 ²)	24.0 (22.5 ²)	3.0 (5.0 ²)	3	28.0 + TT	21.0 - TT (17.5 - TT ²)
20	26	0	4.0	0 (1.5 ²)	22.0 (20.5 ²)	5.0 (6.0 ²)	3	28.0 + TT	17.0 - TT (14.5 - TT ²)
21	26	0	4.0	0 (1.5 ²)	22.0 (20.5 ²)	5.0 (6.0 ²)	3	28.0 + TT	17.0 - TT (14.5 - TT ²)
22	26	0	3.5	0 (1.5 ²)	22.5 (21.0 ²)	5.0	3	28.0 + TT	17.5 - TT (16.0 - TT ²)
23	26	0	2.5	0 (1.5 ²)	23.5 (22.0 ²)	3.0 (5.0 ²)	3	28.0 + TT	20.5 - TT (17.0 - TT ²)
24	26	0	4.0	0 (1.5 ²)	22.0 (20.5 ²)	5.0 (6.0 ²)	3	28.0 + TT	17.0 - TT (14.5 - TT ²)

25	26	0	4.0	0	(1.5 ²)	22.0	(20.5 ²)	5.0	(6.0 ²)	3	28.0 + TT	17.0 - TT	(14.5 - TT ²)
26	26	0	3.5	0	(1.5 ²)	22.5	(21.0 ²)	5.0		3	28.0 + TT	17.5 - TT	(16.0 - TT ²)
27	26	0	4.5	0	(1.5 ²)	21.5	(20.0 ²)	5.0	(6.0 ²)	3	28.0 + TT	16.5 - TT	(14.0 - TT ²)
28	26	0	4.5	0	(1.5 ²)	21.5	(20.0 ²)	5.0	(6.0 ²)	3	28.0 + TT	16.5 - TT	(14.0 - TT ²)
29	26	0	4.5	0	(1.5 ²)	21.5	(20.0 ²)	5.0	(6.0 ²)	3	28.0 + TT	16.5 - TT	(14.0 - TT ²)
30	26	0	8.0	0	(1.5 ²)	18.0	(16.5 ²)	5.0		3	28.0 + TT	13.0 - TT	(11.5 - TT ²)
31	26	0	8.0	0	(1.5 ²)	18.0	(16.5 ²)	5.0		3	28.0 + TT	13.0 - TT	(11.5 - TT ²)
32	26	0	8.0	0	(1.5 ²)	18.0	(16.5 ²)	5.0		3	28.0 + TT	13.0 - TT	(11.5 - TT ²)

NOTE 1: $P_{\text{PowerClass}}$ is the maximum UE power specified without taking into account the tolerance.

NOTE 2: For Band n1, n3, and n41, transmission bandwidths confined within $F_{\text{UL_low}}$ and $F_{\text{UL_low}} + 4$ MHz or $F_{\text{UL_high}} - 4$ MHz and $F_{\text{UL_high}}$.

NOTE 3: TT for each frequency and channel bandwidth is specified in Table 6.2.2.5-5.

Table 6.2D.2.5-2c: UE Power Class test requirements (for Bands n1, n3, n41, n66, n77, n78, n79) for Power Class 2 UEs supporting ULFPTx and, (supporting *ul-FullPwrMode1-TPMIGroup-r1* without indicating TxD) or (supporting *ul-FullPwrMode-r16* or *ul-FullPwrMode2-TPMIGroup-r16*)

Test ID	$P_{\text{PowerClass}}$ (dBm)	$\Delta P_{\text{PowerClass}}$ (dB)	MPR (dB)	$\Delta T_{\text{c,c}}$ (dB)	$P_{\text{CMAX_L,f,c}}$ (dBm)	$T(P_{\text{CMAX_L,f,c}})$ (dB)	$T_{\text{L,c}}$ (dB)	Upper limit (dBm)	Lower limit (dBm)				
1	26	0	0	0	(1.5 ²)	26.0	(24.5 ²)	3.0	3	28.0 + TT	23.0 - TT	(21.5 - TT ²)	
2	26	0	3.5	0	(1.5 ²)	22.5	(21.0 ²)	5.0	3	28.0 + TT	17.5 - TT	(16.0 - TT ²)	
3	26	0	3.5	0	(1.5 ²)	22.5	(21.0 ²)	5.0	3	28.0 + TT	17.5 - TT	(16.0 - TT ²)	
4	26	0	0.5	0	(1.5 ²)	25.5	(24.0 ²)	3.0	3	28.0 + TT	22.5 - TT	(21.0 - TT ²)	
5	26	0	0	0	(1.5 ²)	26.0	(24.5 ²)	3.0	3	28.0 + TT	23.0 - TT	(21.5 - TT ²)	
6	26	0	3.5	0	(1.5 ²)	22.5	(21.0 ²)	5.0	3	28.0 + TT	17.5 - TT	(16.0 - TT ²)	
7	26	0	3.5	0	(1.5 ²)	22.5	(21.0 ²)	5.0	3	28.0 + TT	17.5 - TT	(16.0 - TT ²)	
8	26	0	1	0	(1.5 ²)	25.0	(23.5 ²)	3.0	3	28.0 + TT	22.0 - TT	(20.5 - TT ²)	
9	26	0	1	0	(1.5 ²)	25.0	(23.5 ²)	3.0	3	28.0 + TT	22.0 - TT	(20.5 - TT ²)	
10	26	0	3.5	0	(1.5 ²)	22.5	(21.0 ²)	5.0	3	28.0 + TT	17.5 - TT	(16.0 - TT ²)	
11	26	0	3.5	0	(1.5 ²)	22.5	(21.0 ²)	5.0	3	28.0 + TT	17.5 - TT	(16.0 - TT ²)	
12	26	0	2	0	(1.5 ²)	24.0	(22.5 ²)	3.0	(5.0 ²)	3	28.0 + TT	21.0 - TT	(17.5 - TT ²)
13	26	0	3.5	0	(1.5 ²)	22.5	(21.0 ²)	5.0	3	28.0 + TT	17.5 - TT	(16.0 - TT ²)	
14	26	0	3.5	0	(1.5 ²)	22.5	(21.0 ²)	5.0	3	28.0 + TT	17.5 - TT	(16.0 - TT ²)	
15	26	0	2.5	0	(1.5 ²)	23.5	(22.0 ²)	3.0	(5.0 ²)	3	28.0 + TT	20.5 - TT	(17.0 - TT ²)

16	26	0	4.5	0	(1.5 ²)	21.5	(20.0 ²)	5.0	(6.0 ²)	3	28.0 + TT	16.5 - TT	(14.0 - TT ²)
17	26	0	4.5	0	(1.5 ²)	21.5	(20.0 ²)	5.0	(6.0 ²)	3	28.0 + TT	16.5 - TT	(14.0 - TT ²)
18	26	0	4.5	0	(1.5 ²)	21.5	(20.0 ²)	5.0	(6.0 ²)	3	28.0 + TT	16.5 - TT	(14.0 - TT ²)
19	26	0	1.5	0	(1.5 ²)	24.5	(23.0 ²)	3.0		3	28.0 + TT	21.5 - TT	(20.0 - TT ²)
20	26	0	3.5	0	(1.5 ²)	22.5	(21.0 ²)	5.0		3	28.0 + TT	17.5 - TT	(16.0 - TT ²)
21	26	0	3.5	0	(1.5 ²)	22.5	(21.0 ²)	5.0		3	28.0 + TT	17.5 - TT	(16.0 - TT ²)
22	26	0	3	0	(1.5 ²)	23.0	(21.5 ²)	3.0	(5.0 ²)	3	28.0 + TT	20.0 - TT	(16.5 - TT ²)
23	26	0	2	0	(1.5 ²)	24.0	(22.5 ²)	3.0	(5.0 ²)	3	28.0 + TT	21.0 - TT	(17.5 - TT ²)
24	26	0	3.5	0	(1.5 ²)	22.5	(21.0 ²)	5.0		3	28.0 + TT	17.5 - TT	(16.0 - TT ²)
25	26	0	3.5	0	(1.5 ²)	22.5	(21.0 ²)	5.0		3	28.0 + TT	17.5 - TT	(16.0 - TT ²)
26	26	0	3	0	(1.5 ²)	23.0	(21.5 ²)	3.0	(5.0 ²)	3	28.0 + TT	20.0 - TT	(16.5 - TT ²)
27	26	0	3.5	0	(1.5 ²)	22.5	(21.0 ²)	5.0		3	28.0 + TT	17.5 - TT	(16.0 - TT ²)
28	26	0	3.5	0	(1.5 ²)	22.5	(21.0 ²)	5.0		3	28.0 + TT	17.5 - TT	(16.0 - TT ²)
29	26	0	3.5	0	(1.5 ²)	22.5	(21.0 ²)	5.0		3	28.0 + TT	17.5 - TT	(16.0 - TT ²)
30	26	0	6.5	0	(1.5 ²)	19.5	(18.0 ²)	5.0		3	28.0 + TT	14.5 - TT	(13.0 - TT ²)
31	26	0	6.5	0	(1.5 ²)	19.5	(18.0 ²)	5.0		3	28.0 + TT	14.5 - TT	(13.0 - TT ²)
32	26	0	6.5	0	(1.5 ²)	19.5	(18.0 ²)	5.0		3	28.0 + TT	14.5 - TT	(13.0 - TT ²)

NOTE 1: $P_{PowerClass}$ is the maximum UE power specified without taking into account the tolerance.

NOTE 2: For Band n41, transmission bandwidths confined within F_{UL_low} and $F_{UL_low} + 4$ MHz or $F_{UL_high} - 4$ MHz and F_{UL_high} .

NOTE 3: TT for each frequency and channel bandwidth is specified in Table 6.2.2.5-5.

Table 6.2D.2.5-3: UL MIMO MPR test requirements (for Band n41, n77, n78, n79) for Power Class 1.5 UEs

Test ID	$P_{PowerClass}$ (dBm)	$\Delta P_{PowerClass}$ (dB)	MPR (dB)	$\Delta T_{C,c}$ (dB)	$P_{C_{MAX_L,f,c}}$ (dBm)	$T(P_{C_{MAX_L,f,c}})$ (dB)	$T_{L,c}$	Upper limit (dBm)	Lower limit (dBm)			
1	29	0	2	0	(1.5 ²)	27.0	(25.5 ²)	3.0	3	31.0 + TT	24.0 - TT	(22.5 - TT ²)
2	29	0	6.5	0	(1.5 ²)	22.5	(21.0 ²)	5.0	3	31.0 + TT	17.5 - TT	(16.0 - TT ²)
3	29	0	6.5	0	(1.5 ²)	22.5	(21.0 ²)	5.0	3	31.0 + TT	17.5 - TT	(16.0 - TT ²)
4	29	0	4.5	0	(1.5 ²)	24.5	(23.0 ²)	3.0	3	31.0 + TT	21.5 - TT	(20.0 - TT ²)
5	29	0	2.5	0	(1.5 ²)	26.5	(25.0 ²)	3.0	3	31.0 + TT	23.5 - TT	(22.0 - TT ²)
6	29	0	6.5	0	(1.5 ²)	22.5	(21.0 ²)	5.0	3	31.0 + TT	17.5 - TT	(16.0 - TT ²)
7	29	0	6.5	0	(1.5 ²)	22.5	(21.0 ²)	5.0	3	31.0 + TT	17.5 - TT	(16.0 - TT ²)

8	29	0	4.5	0	(1.5 ²)	24.5	(23.0 ²)	3.0	3	31.0 + TT	21.5 - TT	(20.0 - TT ²)
9	29	0	6.5	0	(1.5 ²)	22.5	(21.0 ²)	5.0	3	31.0 + TT	17.5 - TT	(16.0 - TT ²)
10	29	0	6.5	0	(1.5 ²)	22.5	(21.0 ²)	5.0	3	31.0 + TT	17.5 - TT	(16.0 - TT ²)
11	29	0	5	0	(1.5 ²)	24.0	(22.5 ²)	3.0	3	31.0 + TT	21.0 - TT	(17.5 - TT ²)
12	29	0	8.5	0	(1.5 ²)	20.5	(19.0 ²)	6.0	3	31.0 + TT	14.5 - TT	(14.0 - TT ²)
13	29	0	8.5	0	(1.5 ²)	20.5	(19.0 ²)	6.0	3	31.0 + TT	14.5 - TT	(14.0 - TT ²)
14	29	0	8.5	0	(1.5 ²)	20.5	(19.0 ²)	6.0	3	31.0 + TT	14.5 - TT	(14.0 - TT ²)

NOTE 1: $P_{\text{PowerClass}}$ is the maximum UE power specified without taking into account the tolerance.

NOTE 2: For Band n1, n3, and n41, transmission bandwidths confined within $F_{\text{UL_low}}$ and $F_{\text{UL_low}} + 4$ MHz or $F_{\text{UL_high}} - 4$ MHz and $F_{\text{UL_high}}$.

NOTE 3: TT for each frequency and channel bandwidth is specified in Table 6.2D.2.5-5.

Table 6.2D.2.5-3a: UL MIMO MPR test requirements (for Band n41, n77, n78, n79) for Power Class 1.5 UEs supporting ULFPTx except the feature *ul-FullPwrMode-r16* or *ul-FullPwrMode2-TPMIGroup-r16*

Test ID	$P_{\text{PowerClass}}$ (dBm)	$\Delta P_{\text{PowerClass}}$ (dB)	MPR (dB)	$\Delta T_{\text{C,c}}$ (dB)	$P_{\text{C}_{\text{MAX_L,f,c}}}$ (dBm)	$T(P_{\text{C}_{\text{MAX_L,f,c}}})$ (dB)	$T_{\text{L,c}}$ (dB)	Upper limit (dBm)	Lower limit (dBm)			
1	29	0	0.5	0	(1.5 ²)	28.5	(27.0 ²)	3.0	3	31.0 + TT	25.5 - TT	(24.0 - TT ²)
2	29	0	6	0	(1.5 ²)	23.0	(21.5 ²)	3.0	3	31.0 + TT	20.0 - TT	(18.5 - TT ²)
3	29	0	6	0	(1.5 ²)	23.0	(21.5 ²)	3.0	3	31.0 + TT	20.0 - TT	(18.5 - TT ²)
4	29	0	2	0	(1.5 ²)	27.0	(25.5 ²)	3.0	3	31.0 + TT	24.0 - TT	(22.5 - TT ²)
5	29	0	0.5	0	(1.5 ²)	28.5	(27.0 ²)	3.0	3	31.0 + TT	25.5 - TT	(24.0 - TT ²)
6	29	0	6.5	0	(1.5 ²)	22.5	(21.0 ²)	5.0	3	31.0 + TT	17.5 - TT	(16.0 - TT ²)
7	29	0	6.5	0	(1.5 ²)	22.5	(21.0 ²)	5.0	3	31.0 + TT	17.5 - TT	(16.0 - TT ²)
8	29	0	2.5	0	(1.5 ²)	26.5	(25.0 ²)	3.0	3	31.0 + TT	23.5 - TT	(22.0 - TT ²)
9	29	0	1.5	0	(1.5 ²)	27.5	(26.0 ²)	3.0	3	31.0 + TT	24.5 - TT	(23.0 - TT ²)
10	29	0	6.5	0	(1.5 ²)	22.5	(21.0 ²)	5.0	3	31.0 + TT	17.5 - TT	(16.0 - TT ²)
11	29	0	6.5	0	(1.5 ²)	22.5	(21.0 ²)	5.0	3	31.0 + TT	17.5 - TT	(16.0 - TT ²)
12	29	0	3.5	0	(1.5 ²)	25.5	(24.0 ²)	3.0	3	31.0 + TT	22.5 - TT	(21.0 - TT ²)
13	29	0	6.5	0	(1.5 ²)	22.5	(21.0 ²)	5.0	3	31.0 + TT	17.5 - TT	(16.0 - TT ²)
14	29	0	6.5	0	(1.5 ²)	22.5	(21.0 ²)	5.0	3	31.0 + TT	17.5 - TT	(16.0 - TT ²)
15	29	0	4	0	(1.5 ²)	25.0	(23.5 ²)	3.0	3	31.0 + TT	22.0 - TT	(20.5 - TT ²)
16	29	0	6.5	0	(1.5 ²)	22.5	(21.0 ²)	5.0	3	31.0 + TT	17.5 - TT	(16.0 - TT ²)
17	29	0	6.5	0	(1.5 ²)	22.5	(21.0 ²)	5.0	3	31.0 + TT	17.5 - TT	(16.0 - TT ²)
18	29	0	6.5	0	(1.5 ²)	22.5	(21.0 ²)	5.0	3	31.0 + TT	17.5 - TT	(16.0 - TT ²)

NOTE 1: $P_{\text{PowerClass}}$ is the maximum UE power specified without taking into account the tolerance.

NOTE 2: For Band n41, transmission bandwidths confined within $F_{\text{UL_low}}$ and $F_{\text{UL_low}} + 4$ MHz or $F_{\text{UL_high}} - 4$ MHz and $F_{\text{UL_high}}$.

NOTE 3: TT for each frequency and channel bandwidth is specified in Table 6.2D.2.5-5.

Table 6.2D.2.5-4: UL MIMO MPR test requirements (for Band n41, n77, n78, n79) for Power Class 1.5 FWA UEs

Test ID	$P_{\text{PowerClass}}$ (dBm)	$\Delta P_{\text{PowerClass}}$ (dB)	MPR (dB)	$\Delta T_{\text{C,c}}$ (dB)	$P_{\text{C}_{\text{MAX_L,f,c}}}$ (dBm)	$T(P_{\text{C}_{\text{MAX_L,f,c}}})$ (dB)	$T_{\text{L,c}}$	Upper limit (dBm)	Lower limit (dBm)
1	29	0	1.5	0 (1.5 ³)	27.5 (26.0 ³)	3.0	3	31.0 + TT	24.5 - TT (23.0 - TT ³)
2	29	0	6.5	0 (1.5 ³)	22.5 (21.0 ³)	5.0	3	31.0 + TT	17.5 - TT (16.0 - TT ³)
3	29	0	6.5	0 (1.5 ³)	22.5 (21.0 ³)	5.0	3	31.0 + TT	17.5 - TT (16.0 - TT ³)
4	29	0	4	0 (1.5 ³)	25.0 (23.5 ³)	3.0	3	31.0 + TT	22.0 - TT (20.5 - TT ³)
5	29	0	2	0 (1.5 ³)	27.0 (25.5 ³)	3.0	3	31.0 + TT	24.0 - TT (22.5 - TT ³)
6	29	0	6.5	0 (1.5 ³)	22.5 (21.0 ³)	5.0	3	31.0 + TT	17.5 - TT (16.0 - TT ³)
7	29	0	6.5	0 (1.5 ³)	22.5 (21.0 ³)	5.0	3	31.0 + TT	17.5 - TT (16.0 - TT ³)
8	29	0	4	0 (1.5 ³)	25.0 (23.5 ³)	3.0	3	31.0 + TT	22.0 - TT (20.5 - TT ³)
9	29	0	6.5	0 (1.5 ³)	22.5 (21.0 ³)	5.0	3	31.0 + TT	17.5 - TT (16.0 - TT ³)
10	29	0	6.5	0 (1.5 ³)	22.5 (21.0 ³)	5.0	3	31.0 + TT	17.5 - TT (16.0 - TT ³)
11	29	0	4.5	0 (1.5 ³)	24.5 (23.0 ³)	3.0	3	31.0 + TT	21.5 - TT (20.0 - TT ³)
12	29	0	7.5	0 (1.5 ³)	21.5 (20.0 ³)	5.0 (6.0 ³)	3	31.0 + TT	16.5 - TT (14.0 - TT ³)
13	29	0	7.5	0 (1.5 ³)	21.5 (20.0 ³)	5.0 (6.0 ³)	3	31.0 + TT	16.5 - TT (14.0 - TT ³)
14	29	0	7.5	0 (1.5 ³)	21.5 (20.0 ³)	5.0 (6.0 ³)	3	31.0 + TT	16.5 - TT (14.0 - TT ³)

NOTE 1: This table is targeted to large FWA form factor with 20 dB or above antenna isolation.
NOTE 2: $P_{\text{PowerClass}}$ is the maximum UE power specified without taking into account the tolerance.
NOTE 3: For Band n41, transmission bandwidths confined within $F_{\text{UL_low}}$ and $F_{\text{UL_low}} + 4$ MHz or $F_{\text{UL_high}} - 4$ MHz and $F_{\text{UL_high}}$.
NOTE 4: TT for each frequency and channel bandwidth is specified in Table 6.2D.2.5-5.

Table 6.2D.2.5-4a: UL MIMO MPR test requirements (for Band n41, n77, n78, n79) for Power Class 1.5 FWA UEs supporting ULFPTx except the feature *ul-FullPwrMode-r16* or *ul-FullPwrMode2-TPMIGroup-r16*

Test ID	$P_{\text{PowerClass}}$ (dBm)	$\Delta P_{\text{PowerClass}}$ (dB)	MPR (dB)	$\Delta T_{\text{C,c}}$ (dB)	$P_{\text{C}_{\text{MAX_L,f,c}}}$ (dBm)	$T(P_{\text{C}_{\text{MAX_L,f,c}}})$ (dB)	$T_{\text{L,c}}$ (dB)	Upper limit (dBm)	Lower limit (dBm)
1	29	0	0	0 (1.5 ³)	29.0 (27.5 ³)	3.0	3	31.0 + TT	26.0 - TT (24.5 - TT ³)
2	29	0	6	0 (1.5 ³)	23.0 (21.5 ³)	3.0 (5.0 ³)	3	31.0 + TT	20.0 - TT (18.5 - TT ³)
3	29	0	6	0 (1.5 ³)	23.0 (21.5 ³)	3.0 (5.0 ³)	3	31.0 + TT	20.0 - TT (18.5 - TT ³)
4	29	0	1.5	0 (1.5 ³)	27.5 (26.0 ³)	3.0	3	31.0 + TT	24.5 - TT (23.0 - TT ³)
5	29	0	0	0 (1.5 ³)	29.0 (27.5 ³)	3.0	3	31.0 + TT	26.0 - TT (24.5 - TT ³)

6	29	0	6.5	0	(1.5 ³)	22.5	(21.0 ³)	5.0	3	31.0 + TT	17.5 – TT	(16.0 - TT ³)
7	29	0	6.5	0	(1.5 ³)	22.5	(21.0 ³)	5.0	3	31.0 + TT	17.5 – TT	(16.0 - TT ³)
8	29	0	2	0	(1.5 ³)	27.0	(25.5 ³)	3.0	3	31.0 + TT	24.0 - TT	(22.5 - TT ³)
9	29	0	1	0	(1.5 ³)	28.0	(26.5 ³)	3.0	3	31.0 + TT	25.0 - TT	(23.5 - TT ³)
10	29	0	6.5	0	(1.5 ³)	22.5	(21.0 ³)	5.0	3	31.0 + TT	17.5 - TT	(16.0 - TT ³)
11	29	0	6.5	0	(1.5 ³)	22.5	(21.0 ³)	5.0	3	31.0 + TT	17.5 - TT	(16.0 - TT ³)
12	29	0	3	0	(1.5 ³)	26.0	(24.5 ³)	3.0	3	31.0 + TT	23.0 - TT	(21.5 - TT ³)
13	29	0	6.5	0	(1.5 ³)	22.5	(21.0 ³)	5.0	3	31.0 + TT	17.5 - TT	(16.0 - TT ³)
14	29	0	6.5	0	(1.5 ³)	22.5	(21.0 ³)	5.0	3	31.0 + TT	17.5 – TT	(16.0 - TT ³)
15	29	0	3.5	0	(1.5 ³)	25.5	(24.0 ³)	3.0	3	31.0 + TT	22.5 - TT	(21.0 - TT ³)
16	29	0	6.5	0	(1.5 ³)	22.5	(21.0 ³)	5.0	3	31.0 + TT	17.5 - TT	(16.0 - TT ³)
17	29	0	6.5	0	(1.5 ³)	22.5	(21.0 ³)	5.0	3	31.0 + TT	17.5 - TT	(16.0 - TT ³)
18	29	0	5.5	0	(1.5 ³)	23.5	(22.0 ³)	3.0 (5.0 ³)	3	31.0 + TT	20.5 - TT	(17.0 - TT ³)

NOTE 1: This table is targeted to large FWA form factor with 20 dB or above antenna isolation.

NOTE 2: P_{PowerClass} is the maximum UE power specified without taking into account the tolerance.

NOTE 3: For Band n41, transmission bandwidths confined within F_{UL_low} and F_{UL_low} + 4 MHz or F_{UL_high} – 4 MHz and F_{UL_high}.

NOTE 4: TT for each frequency and channel bandwidth is specified in Table 6.2D.2.5-5.

Table 6.2D.2.5-5: Test Tolerance (Maximum Power Reduction (MPR))

	$f \leq 3.0\text{GHz}$	$3.0\text{GHz} < f \leq 6.0\text{GHz}$
$\text{BW} \leq 40\text{MHz}$	0.7	1.0
$40\text{MHz} < \text{BW} \leq 100\text{MHz}$	1.0	1.0

For the UE which supports inter-band NR CA configuration, inter-band NR-DC configuration, SUL configuration or inter-band EN-DC configuration, $\Delta T_{\text{IB,c}}$ as specified in 6.2A.4.0.2 for NR CA, 6.2B.4.0.2 for NR-DC, clause 6.2C.2 for SUL, or TS 38.521-3 [14] clause 6.2B.4.2 for EN-DC applies. Unless otherwise stated, $\Delta T_{\text{IB,c}}$ is set to zero. In case the UE supports more than one of band combinations for CA, NR-DC, SUL or EN-DC, and an operating band belongs to more than one band combinations then

- a) When the operating band frequency range is ≤ 1 GHz, the applicable additional $\Delta T_{\text{IB,c}}$ shall be the average value for all band combinations defined in clause 6.2A.4.0.2, 6.2B.4.0.2, 6.2C.2 in this specification and 6.2B.4.2 in TS 38.521-3 [14], truncated to one decimal place that apply for that operating band among the supported band combinations. In case there is a harmonic relation between low band UL and high band DL, then the maximum $\Delta T_{\text{IB,c}}$ among the different supported band combinations involving such band shall be applied.
- b) When the operating band frequency range is > 1 GHz, the applicable additional $\Delta T_{\text{IB,c}}$ shall be the maximum value for all band combinations defined in clause 6.2A.4.0.2, 6.2B.4.0.2, 6.2C.2 in this specification and 6.2B.4.2 in TS 38.521-3 [14] for the applicable operating bands.

6.2D.2_1 UE maximum output power reduction for SUL with UL MIMO

6.2D.2_1.1 Test purpose

Same test purpose as in clause 6.2D.2.1

6.2D.2_1.2 Test applicability

This test case applies to all types of NR UE release 17 and forward that support SUL and UL MIMO operating on the SUL bands.

NOTE: Test execution is not necessary if TS 38.521-1 6.5D.2.4.1_1 is executed.

6.2D.2_1.3 Minimum conformance requirements

For a terminal that supports SUL for the band combination specified in Table 5.2C-1, the current version of the specification assumes the terminal is configured with active transmission either on UL carrier or SUL carrier at any time in one serving cell and the UE requirements for single carrier shall apply for the active UL or SUL carrier accordingly.

The minimum requirements are same as in 6.2D.1.3 with following exceptions:

Instead of Table 6.2D.1.3-1 → use Table 6.2D.1_1.3-1

6.2D.2_1.4 Test description

6.2D.2_1.4.1 Initial conditions

Initial conditions are a set of test configurations the UE needs to be tested in and the steps for the SS to take with the UE to reach the correct measurement state.

The initial test configurations consist of environmental conditions, test frequencies, test channel bandwidths and sub-carrier spacing based on NR operating bands specified in Table 5.5C-1. All of these configurations shall be tested with applicable test parameters for each combination of channel bandwidth and sub-carrier spacing, are shown in Table 6.2D.2_1.4.1-1 ~ 6.2D.2_1.4.1-2. The details of the uplink reference measurement channels (RMCs) are specified in Annexes A.2. Configurations of PDSCH and PDCCCH before measurement are specified in Annex C.2.

Table 6.2D.2_1.4-1: Test Configuration Table for Power Class 3

Initial Conditions	
Test Environment as specified in TS 38.508-1 [5] subclause 4.1	Normal, TL/VL, TL/VH, TH/VL, TH/VH

Test Frequencies as specified in TS 38.508-1 [5] subclause 4.3.1		Low range and high range for SUL carrier Mid range for Non-SUL carrier.			
Test Channel Bandwidths as specified in TS 38.508-1 [5] subclause 4.3.1		Lowest, Highest for SUL carrier Lowest for Non-SUL carrier			
Test SCS as specified in Table 5.3.5-1		15kHz for SUL carrier and Lowest supported SCS for Non-SUL carrier			
Test Parameters for Channel Bandwidths					
Test ID	Freq	Downlink Configuration	UL Configuration	SUL Configuration	
		N/A	N/A	Modulation	RB allocation (NOTE 2)
1	Default			CP-OFDM QPSK	Inner Full
2	Low			CP-OFDM QPSK	Edge_1RB_Left
3	High			CP-OFDM QPSK	Edge_1RB_Right
4	Default			CP-OFDM QPSK	Outer Full
5	Default			CP-OFDM 16 QAM	Inner Full
6	Low			CP-OFDM 16 QAM	Edge_1RB_Left
7	High			CP-OFDM 16 QAM	Edge_1RB_Right
8	Default			CP-OFDM 16 QAM	Outer Full
9	Low			CP-OFDM 64 QAM	Edge_1RB_Left
10	High			CP-OFDM 64 QAM	Edge_1RB_Right
11	Default			CP-OFDM 64 QAM	Outer Full
12	Low			CP-OFDM 256 QAM	Edge_1RB_Left
13	High			CP-OFDM 256 QAM	Edge_1RB_Right
14	Default	CP-OFDM 256 QAM	Outer Full		
NOTE 1: Test Channel Bandwidths are checked separately for each SUL band combination, the applicable channel bandwidths are specified in Table 5.5C-1.					
NOTE 2: The specific configuration of each RB allocation is defined in Table 6.1-1.					

Table 6.2D.2_1.4.1-2: Test Configuration Table for Power Class 2

Initial Conditions					
Test Environment as specified in TS 38.508-1 [5] subclause 4.1		Normal, TL/VL, TL/VH, TH/VL, TH/VH			
Test Frequencies as specified in TS 38.508-1 [5] subclause 4.3.1		Low range and high range for SUL carrier Mid range for Non-SUL carrier.			
Test Channel Bandwidths as specified in TS 38.508-1 [5] subclause 4.3.1		Lowest, Highest for SUL carrier Lowest for Non-SUL carrier			
Test SCS as specified in Table 5.5C-1		15kHz for SUL carrier and Lowest supported SCS for Non-SUL carrier			
Test Parameters for Channel Bandwidths					
Test ID	Freq	Downlink Configuration	UL Configuration	SUL Configuration	
		N/A	N/A	Modulation	RB allocation (NOTE 2)
1	Default			CP-OFDM QPSK	Inner Full
2	Low			CP-OFDM QPSK	Edge_1RB_Left
3	High			CP-OFDM QPSK	Edge_1RB_Right
4	Default			CP-OFDM QPSK	Outer Full
5	Default			CP-OFDM 16 QAM	Inner Full
6	Low			CP-OFDM 16 QAM	Edge_1RB_Left
7	High			CP-OFDM 16 QAM	Edge_1RB_Right
8	Default			CP-OFDM 16 QAM	Outer Full
9	Low			CP-OFDM 64 QAM	Edge_1RB_Left
10	High			CP-OFDM 64 QAM	Edge_1RB_Right
11	Default			CP-OFDM 64 QAM	Outer Full
12	Low			CP-OFDM 256 QAM	Edge_1RB_Left
13	High			CP-OFDM 256 QAM	Edge_1RB_Right
14	Default	CP-OFDM 256 QAM	Outer Full		
NOTE 1: Test Channel Bandwidths are checked separately for each SUL band combination, the applicable channel bandwidths are specified in Table 5.5C-1.					
NOTE 2: The specific configuration of each RB allocation is defined in Table 6.1-1.					

1. Connect the SS to the UE antenna connectors as shown in TS 38.508-1 [5] Annex A, Figure A.3.1.1.5 for TE diagram and section A.3.2 for UE diagram.

2. The parameter settings for the cell are set up according to TS 38.508-1 [5] subclause 4.4.3.
3. Downlink signals are initially set up according to Annex C.0, C.1, C.2, and uplink signals according to Annex G.0, G.1, G.2, G.3.0 with consideration of supplementary uplink physical channels.
4. The UL Reference Measurement Channel is set according to Table 6.2D.2_1.4.1-1 ~ Table 6.2D.2_1.4.1-2.
5. Propagation conditions are set according to Annex B.0.
6. Ensure the UE is in state RRC_CONNECTED with generic procedure parameters Connectivity NR, Connected without release *On*, Test Mode *On* and Test Loop Function *On* according to TS 38.508-1 [5] clause 4.5. Message contents are defined in clause 6.2D.2_1.4.3.

6.2D.2_1.4.2 Test procedure

1. SS sends uplink scheduling information for each UL HARQ process via PDCCH DCI format 0_1 for C_RNTI to schedule the UL RMC according to Table 6.2D.2_1.4.1-1 and Table 6.2D.2_1.4.1-2. Since the UE has no payload and no loopback data to send the UE sends uplink MAC padding bits on the UL RMC. The PDCCH DCI format 0_1 is specified with the condition 2TX_UL_MIMO in 38.508-1 [5] subclause 4.3.6.1.1.2.
2. Send continuously uplink power control "up" commands in every uplink scheduling information to the UE; allow at least 200ms starting from the first TPC command in this step for the UE to reach P_{UMAX} level.
3. Measure the sum of the mean power of the UE from both transmit antenna connectors in the channel bandwidth of the radio access mode. The period of measurement shall be at least the continuous duration of one active sub-frame (1ms) and in the uplink symbols. For TDD symbol with transient periods are not under test.

6.2D.2_1.4.3 Message contents

Message contents in initial conditions are according to TS 38.508-1 [5] subclause 4.3.6.1.1.2 ensuring UL/SUL indicator in Table 4.3.6.1.1.2-1 with condition SUL, subclause 4.6 ensuring Table 4.6.1-28 with condition SUL AND (RF OR RRM), Table 4.6.3-14 with condition SUL_SUL for SUL carrier, and Table 4.6.3-167 with condition PUSCH_PUCCH_ON_SUL.

Message contents are according to TS 38.508-1 [5] subclause 4.6 ensuring Table 4.6.3-182 with the condition 2TX_UL_MIMO.

6.2D.2_1.5 Test requirement

The maximum output power, derived in step 3 shall be within the range prescribed by the nominal maximum output power and tolerance in Table 6.2D.2_1.5-1~6.2D.2_1.5-2.

Table 6.2D.2_1.5-1: UE Power Class test requirements (for Band n80, n84, n95, n97) for Power Class 3

Test ID	P ^{PowerClass} (dBm)	ΔP ^{PowerClass} (dB)	MPR (dB)	ΔT _{C,c} (dB)	P _{C^{MAX}_L,f,c} (dBm)	T(P _{C^{MAX}_L,f,c}) (dB)	T _{L,c}	Upper limit (dBm)	Lower limit (dBm)
1	23	0	1.5	0 (1.5 ²)	21.5 (20.0 ²)	5.0 (6.0 ²)	3	25.0 + TT	16.5 - TT (14.0 - TT ²)
2	23	0	3	0 (1.5 ²)	20.0 (18.5 ²)	6.0 (5.0 ²)	3	25.0 + TT	14.0 - TT (13.5 - TT ²)
3	23	0	3	0 (1.5 ²)	20.0 (18.5 ²)	6.0 (5.0 ²)	3	25.0 + TT	14.0 - TT (13.5 - TT ²)
4	23	0	3	0 (1.5 ²)	20.0 (18.5 ²)	6.0 (5.0 ²)	3	25.0 + TT	14.0 - TT (13.5 - TT ²)
5	23	0	2	0 (1.5 ²)	21.0 (19.5 ²)	5.0 (5.0 ²)	3	25.0 + TT	16.0 - TT (14.5 - TT ²)
6	23	0	3	0 (1.5 ²)	20.0 (18.5 ²)	6.0 (5.0 ²)	3	25.0 + TT	14.0 - TT (13.5 - TT ²)
7	23	0	3	0 (1.5 ²)	20.0 (18.5 ²)	6.0 (5.0 ²)	3	25.0 + TT	14.0 - TT (13.5 - TT ²)
8	23	0	3	0 (1.5 ²)	20.0 (18.5 ²)	6.0 (5.0 ²)	3	25.0 + TT	14.0 - TT (13.5 - TT ²)
9	23	0	3.5	0 (1.5 ²)	19.5 (18.0 ²)	5.0 (5.0 ²)	3	25.0 + TT	14.5 - TT (13.0 - TT ²)
10	23	0	3.5	0 (1.5 ²)	19.5 (18.0 ²)	5.0 (5.0 ²)	3	25.0 + TT	14.5 - TT (13.0 - TT ²)
11	23	0	3.5	0 (1.5 ²)	19.5 (18.0 ²)	5.0 (5.0 ²)	3	25.0 + TT	14.5 - TT (13.0 - TT ²)
12	23	0	6.5	0 (1.5 ²)	16.5 (15.0 ²)	5.0 (6.0 ²)	3	25.0 + TT	11.5 - TT (9.0 - TT ²)
13	23	0	6.5	0 (1.5 ²)	16.5 (15.0 ²)	5.0 (6.0 ²)	3	25.0 + TT	11.5 - TT (9.0 - TT ²)
14	23	0	6.5	0 (1.5 ²)	16.5 (15.0 ²)	5.0 (6.0 ²)	3	25.0 + TT	11.5 - TT (9.0 - TT ²)

NOTE 1: P^{PowerClass} is the maximum UE power specified without taking into account the tolerance.
 NOTE 2: For Band n80, transmission bandwidths confined within F_{UL_low} and F_{UL_low} + 4 MHz or F_{UL_high} - 4 MHz and F_{UL_high}.
 NOTE 3: TT for each frequency and channel bandwidth is specified in Table 6.2D.2_1.5-3.

6.2D.2_1.5-1a: UE Power Class test requirements for Band n99 for Power Class 3

Test ID	P ^{PowerClass} (dBm)	ΔP ^{PowerClass} (dB)	MPR (dB)	ΔT _{C,c} (dB)	P _{C^{MAX}_L,f,c} (dBm)	T(P _{C^{MAX}_L,f,c}) (dB)	T _{L,c} (dB)	Upper limit (dBm)	Lower limit (dBm)
1	23	0	1.5	0 (1.5 ²)	21.5 (20.0 ²)	5.0 (6.0 ²)	4	25.0 + TT	16.5 - TT (14.0 - TT ²)
2	23	0	3	0 (1.5 ²)	20.0 (18.5 ²)	6.0 (5.0 ²)	4	25.0 + TT	14.0 - TT (13.5 - TT ²)
3	23	0	3	0 (1.5 ²)	20.0 (18.5 ²)	6.0 (5.0 ²)	4	25.0 + TT	14.0 - TT (13.5 - TT ²)
4	23	0	3	0 (1.5 ²)	20.0 (18.5 ²)	6.0 (5.0 ²)	4	25.0 + TT	14.0 - TT (13.5 - TT ²)

5	23	0	2	0	(1.5^2)	21.0	(19.5^2)	5.0	(5.0^2)	4	25.0 + TT	16.0 - TT	$(14.5 - TT^2)$
6	23	0	3	0	(1.5^2)	20.0	(18.5^2)	6.0	(5.0^2)	4	25.0 + TT	14.0 - TT	$(13.5 - TT^2)$
7	23	0	3	0	(1.5^2)	20.0	(18.5^2)	6.0	(5.0^2)	4	25.0 + TT	14.0 - TT	$(13.5 - TT^2)$
8	23	0	3	0	(1.5^2)	20.0	(18.5^2)	6.0	(5.0^2)	4	25.0 + TT	14.0 - TT	$(13.5 - TT^2)$
9	23	0	3.5	0	(1.5^2)	19.5	(18.0^2)	5.0	(5.0^2)	4	25.0 + TT	14.5 - TT	$(13.0 - TT^2)$
10	23	0	3.5	0	(1.5^2)	19.5	(18.0^2)	5.0	(5.0^2)	4	25.0 + TT	14.5 - TT	$(13.0 - TT^2)$
11	23	0	3.5	0	(1.5^2)	19.5	(18.0^2)	5.0	(5.0^2)	4	25.0 + TT	14.5 - TT	$(13.0 - TT^2)$
12	23	0	6.5	0	(1.5^2)	16.5	(15.0^2)	5.0	(6.0^2)	4	25.0 + TT	11.5 - TT	$(9.0 - TT^2)$
13	23	0	6.5	0	(1.5^2)	16.5	(15.0^2)	5.0	(6.0^2)	4	25.0 + TT	11.5 - TT	$(9.0 - TT^2)$
14	23	0	6.5	0	(1.5^2)	16.5	(15.0^2)	5.0	(6.0^2)	4	25.0 + TT	11.5 - TT	$(9.0 - TT^2)$

NOTE 1: P_{PowerClass} is the maximum UE power specified without taking into account the tolerance.
 NOTE 2: For Band n80, transmission bandwidths confined within F_{UL_low} and F_{UL_low} + 4 MHz or F_{UL_high} - 4 MHz and F_{UL_high}.
 NOTE 3: TT for each frequency and channel bandwidth is specified in Table 6.2D.2_1.5-3.

Table 6.2D.2_1.5-2: UE Power Class test requirements (for Band n80, n84, n95, n97) for Power Class 2

Test ID	P _{PowerClass} (dBm)	ΔP _{PowerClass} (dB)	MPR (dB)	ΔT _{C,c} (dB)	P _{C_{MAX}L,f,c} (dBm)	T(P _{C_{MAX}L,f,c}) (dB)	T _{L,c} (dB)	Upper limit (dBm)	Lower limit (dBm)				
1	26	0	2	0	(1.5^2)	24.0	(22.5^2)	3.0	(5.0^2)	3	28.0 + TT	21.0 - TT	$(17.5 - TT^2)$
2	26	0	4.0	0	(1.5^2)	22.0	(20.5^2)	5.0	(6.0^2)	3	28.0 + TT	17.0 - TT	$(14.5 - TT^2)$
3	26	0	4.0	0	(1.5^2)	22.0	(20.5^2)	5.0	(6.0^2)	3	28.0 + TT	17.0 - TT	$(14.5 - TT^2)$
4	26	0	3.5	0	(1.5^2)	22.5	(21^2)	5.0	(5.0^2)	3	28.0 + TT	17.5 - TT	$(16 - TT^2)$
5	26	0	2.5	0	(1.5^2)	23.5	(22^2)	3.0	(5.0^2)	3	28.0 + TT	20.5 - TT	$(17 - TT^2)$
6	26	0	4.0	0	(1.5^2)	22.0	(20.5^2)	5.0	(6.0^2)	3	28.0 + TT	17.0 - TT	$(14.5 - TT^2)$
7	26	0	4.0	0	(1.5^2)	22.0	(20.5^2)	5.0	(6.0^2)	3	28.0 + TT	17.0 - TT	$(14.5 - TT^2)$
8	26	0	3.5	0	(1.5^2)	22.5	(21^2)	5.0	(5.0^2)	3	28.0 + TT	17.5 - TT	$(16 - TT^2)$
9	26	0	4.5	0	(1.5^2)	21.5	(20^2)	5.0	(6.0^2)	3	28.0 + TT	16.5 - TT	$(14 - TT^2)$
10	26	0	4.5	0	(1.5^2)	21.5	(20^2)	5.0	(6.0^2)	3	28.0 + TT	16.5 - TT	$(14 - TT^2)$

11	26	0	4.5	0	(1.5 ²)	21.5	(20 ²)	5.0	(6.0 ²)	3	28.0 + TT	16.5 - TT	(14 - TT ²)
12	26	0	8.0	0	(1.5 ²)	18.0	(16.5 ²)	5.0	(5.0 ²)	3	28.0 + TT	13.0 - TT	(11.5 - TT ²)
13	26	0	8.0	0	(1.5 ²)	18.0	(16.5 ²)	5.0	(5.0 ²)	3	28.0 + TT	13.0 - TT	(11.5 - TT ²)
14	26	0	8.0	0	(1.5 ²)	18.0	(16.5 ²)	5.0	(5.0 ²)	3	28.0 + TT	13.0 - TT	(11.5 - TT ²)

NOTE 1: P_{PowerClass} is the maximum UE power specified without taking into account the tolerance.
NOTE 2: For Band n80 and n84, transmission bandwidths confined within F_{UL_low} and F_{UL_low} + 4 MHz or F_{UL_high} - 4 MHz and F_{UL_high}.
NOTE 3: TT for each frequency and channel bandwidth is specified in Table 6.2D.2_1.5-3.

Table 6.2D.2_1.5-3: Test Tolerance (Maximum Power Reduction (MPR))

	f ≤ 3.0GHz	3.0GHz < f ≤ 6.0GHz
BW ≤ 40MHz	0.7	1.0
40MHz < BW ≤ 100MHz	1.0	1.0

For the UE which supports inter-band NR CA configuration, inter-band NR-DC configuration, SUL configuration or inter-band EN-DC configuration, $\Delta T_{IB,c}$ as specified in 6.2A.4.0.2 for NR CA, 6.2B.4.0.2 for NR-DC, clause 6.2C.2 for SUL, or TS 38.521-3 [14] clause 6.2B.4.2 for EN-DC applies. Unless otherwise stated, $\Delta T_{IB,c}$ is set to zero. In case the UE supports more than one of band combinations for CA, NR-DC, SUL or EN-DC, and an operating band belongs to more than one band combinations then

- When the operating band frequency range is ≤ 1 GHz, the applicable additional $\Delta T_{IB,c}$ shall be the average value for all band combinations defined in clause 6.2A.4.0.2, 6.2B.4.0.2, 6.2C.2 in this specification and 6.2B.4.2 in TS 38.521-3 [14], truncated to one decimal place that apply for that operating band among the supported band combinations. In case there is a harmonic relation between low band UL and high band DL, then the maximum $\Delta T_{IB,c}$ among the different supported band combinations involving such band shall be applied
- When the operating band frequency range is > 1 GHz, the applicable additional $\Delta T_{IB,c}$ shall be the maximum value for all band combinations defined in clause 6.2A.4.0.2, 6.2B.4.0.2, 6.2C.2 in this specification and 6.2B.4.2 in TS 38.521-3 [14] for the applicable operating bands.

6.2D.3 UE additional maximum output power reduction for UL MIMO

Editor's Note:

- Supporting of ULFP_{Tx} is only completed for NS_04, NS_03, NS_03U.

6.2D.3.1 Test purpose

Additional emission requirements can be signalled by the network. Each additional emission requirement is associated a unique with network signalling (NS) value indicated in RRC signalling by an NR frequency band number of the applicable operating band and an associated value in the field *additionalSpectrumEmission*. Throughout this specification, the notion of indication or signalling of an NS value refers to the corresponding indication of an NR frequency band number of the applicable operating band (the IE *freqBandIndicatorNR*) and an associated value of *additionalSpectrumEmission* in the relevant RRC information elements [6].

To meet the additional requirements, additional maximum power reduction (A-MPR) is allowed for the maximum output power as specified in Table 6.2D.1.3-1. Unless stated otherwise, an A-MPR of 0 dB shall be used.

6.2D.3.2 Test applicability

The requirements of this test apply in test case 6.5D.2.3 Additional Spectrum Emission mask for UL MIMO for network signalling value NS_03, NS_03U, NS_04 to all types of NR UE release 15 and forward that support UL MIMO.

The requirements of this test apply in test case 6.5D.2.3 Additional Spectrum Emission mask for UL MIMO for network signalling value NS_03, NS_03U, NS_04 to all types of NR UE release 16 and forward that support UL full power transmission (ULFP_{Tx}).

The requirements of this test apply in test case 6.5D.2.4.2 Adjacent channel leakage ratio for network signalling values NS_03U, NS_05U, and NS_100 to all types of NR Power Class 2 and 3 UE release 15 and forward.

The requirements of this test apply in test case 6.5D.2.4.2 Adjacent channel leakage ratio for network signalling values NS_03U to all types of NR Power Class 2 and 3 UE release 16 and forward that support UL full power transmission (ULFPTx).

The requirements of this test apply in test case 6.5D.3.3 Additional Spurious Emissions for network signalling value NS_04, NS_47, NS_21, NS_56, NS_50 to all types of NR UE release 15 and forward that support UL-MIMO.

The requirements of this test apply in test case 6.5D.3_1.3 Additional Spurious Emissions for network signalling value NS_04 to all types of NR UE release 16 and forward that support UL full power transmission (ULFPTx).

NOTE: Test execution is not necessary if 6.5D.2.3, 6.5D.2.4.2 and 6.5D.3.3 are executed.

6.2D.3.3 Minimum conformance requirements

For UE with two transmit antenna connectors in closed-loop spatial multiplexing scheme, the A-MPR values specified in subclause 6.2.3.3 shall apply to the maximum output power specified in Table 6.2D.1.3-1. The requirements shall be met with the UL MIMO configurations specified in Table 6.2D.1.3-2. For UE supporting UL MIMO, the maximum output power is defined as the sum of the maximum output power from both UE antenna connector. Unless stated otherwise, an A-MPR of 0 dB shall be used.

For UE support uplink full power transmission (ULFPTx) for UL MIMO, the A-MPR values specified in clause 6.2.3.3 shall apply to the maximum output power specified in Table 6.2D.1.3-1. The requirements shall be met with the PUSCH configurations specified in Table 6.2D.1.3-3, based upon UE’s support of uplink full power transmission mode.

For the UE maximum output power modified by A-MPR, the power limits specified in subclause 6.2D.4.3 apply.

If UE is configured for transmission on single-antenna port, the requirements in subclause 6.2.3.3 apply.

The normative reference for this requirement is TS 38.101-1 [2] clause 6.2D.3.

6.2D.3.4 Test description

6.2D.3.4.1 Initial conditions

Initial conditions are a set of test configurations the UE needs to be tested in and the steps for the SS to take with the UE to reach the correct measurement state.

The initial test configurations consist of environmental conditions, test frequencies, test channel bandwidths and sub-carrier spacing based on NR operating bands specified in table 5.3.5-1. All of these configurations shall be tested with applicable test parameters for each combination of test channel bandwidth and sub-carrier spacing, and are shown in tables 6.2D.3.4.1-1 to 6.2D.3.4.1-11. The details of the uplink reference measurement channels (RMCs) are specified in Annex A.2. Configurations of PDSCH and PDCCH before measurement are specified in Annex C.2

Table 6.2D.3.4.1-1: Test Configuration table for NS_04

Initial Conditions					
Test Environment as specified in TS 38.508-1 [5] subclause 4.1			Normal		
Test Frequencies as specified in TS 38.508-1 [5] subclause 4.3.1			(See Freq column)		
Test Channel Bandwidths as specified in TS 38.508-1 [5] subclause 4.3.1			Lowest, Highest		
Test SCS as specified in Table 5.3.5-1			Lowest, Highest		
A-MPR test parameters for NS_04					
Test ID	Freq	Downlink Configuration	Uplink Configuration		
		N/A	Modulation (NOTE 2)	RB allocation (NOTE 1)	
1	Low		CP-OFDM QPSK	Edge_1RB_Left	
2	Table 6.2.3.4.1-2a - Table 6.2.3.4.1-2c		CP-OFDM QPSK	Edge_1RB_Left	
3	Table 6.2.3.4.1-2d - Table 6.2.3.4.1-2f		CP-OFDM QPSK	Edge_1RB_Left	
4	Low		CP-OFDM QPSK	Outer Full	
5	High		CP-OFDM QPSK	Edge_1RB_Right	

6	High		CP-OFDM QPSK	Outer Full
7	Low		CP-OFDM 16 QAM	Edge_1RB_Left
8	Table 6.2.3.4.1-2a - Table 6.2.3.4.1-2c		CP-OFDM 16 QAM	Edge_1RB_Left
9	Table 6.2.3.4.1-2d - Table 6.2.3.4.1-2f		CP-OFDM 16 QAM	Edge_1RB_Left
10	Low		CP-OFDM 16 QAM	Outer Full
11	High		CP-OFDM 16 QAM	Edge_1RB_Right
12	High		CP-OFDM 16 QAM	Outer Full
13	Low		CP-OFDM 64 QAM	Edge_1RB_Left
14	Table 6.2.3.4.1-2a - Table 6.2.3.4.1-2c		CP-OFDM 64 QAM	Edge_1RB_Left
15	Table 6.2.3.4.1-2d - Table 6.2.3.4.1-2f		CP-OFDM 64 QAM	Edge_1RB_Left
16	Low		CP-OFDM 64 QAM	Outer Full
17	High		CP-OFDM 64 QAM	Edge_1RB_Right
18	High		CP-OFDM 64 QAM	Outer Full
19	Low		CP-OFDM 256 QAM	Edge_1RB_Left
20	Table 6.2.3.4.1-2a - Table 6.2.3.4.1-2c		CP-OFDM 256 QAM	Edge_1RB_Left
21	Table 6.2.3.4.1-2d - Table 6.2.3.4.1-2f		CP-OFDM 256 QAM	Edge_1RB_Left
22	Low		CP-OFDM 256 QAM	Outer Full
23	High		CP-OFDM 256 QAM	Edge_1RB_Right
24	High		CP-OFDM 256 QAM	Outer Full
NOTE 1: The specific configuration of each RB allocation is defined in Table 6.1-1.				

Table 6.2D.3.4.1-1a: Test Configuration table for NS_04 with supporting ULFP Tx

Initial Conditions				
Test Environment as specified in TS 38.508-1 [5] subclause 4.1			Normal	
Test Frequencies as specified in TS 38.508-1 [5] subclause 4.3.1			(See Freq column)	
Test Channel Bandwidths as specified in TS 38.508-1 [5] subclause 4.3.1			Lowest, Highest	
Test SCS as specified in Table 5.3.5-1			Lowest, Highest	
A-MPR test parameters for NS_04				
Test ID	Freq	Downlink Configuration	Uplink Configuration	
			Modulation (NOTE 2)	RB allocation (NOTE 1)
1 (Note 3)	Low	N/A for A-MPR testing	DFT-s-OFDM PI/2 BPSK	Edge_1RB_Left
2 (Note 3, 5)	Table 6.2.3.4.1-2a - Table 6.2.3.4.1-2c		DFT-s-OFDM PI/2 BPSK	Edge_1RB_Left
3 (Note 3)	Table 6.2.3.4.1-2d - Table 6.2.3.4.1-2f		DFT-s-OFDM PI/2 BPSK	Edge_1RB_Left
4 (Note 3)	Low		DFT-s-OFDM PI/2 BPSK	Outer Full
5 (Note 3)	High		DFT-s-OFDM PI/2 BPSK	Edge_1RB_Right
6 (Note 3)	High		DFT-s-OFDM PI/2 BPSK	Outer Full
7 (Note 4)	Low		DFT-s-OFDM PI/2 BPSK	Edge_1RB_Left
8 (Note 4, 5)	Table 6.2.3.4.1-2a - Table 6.2.3.4.1-2c		DFT-s-OFDM PI/2 BPSK	Edge_1RB_Left
9 (Note 4)	Table 6.2.3.4.1-2d - Table 6.2.3.4.1-2f		DFT-s-OFDM PI/2 BPSK	Edge_1RB_Left
10 (Note 4)	Low		DFT-s-OFDM PI/2 BPSK	Outer Full
11 (Note 4)	High		DFT-s-OFDM PI/2 BPSK	Edge_1RB_Right
12 (Note 4)	High		DFT-s-OFDM PI/2 BPSK	Outer Full
13	Low		DFT-s-OFDM QPSK	Edge_1RB_Left
14 (Note 5)	Table 6.2.3.4.1-2a - Table 6.2.3.4.1-2c		DFT-s-OFDM QPSK	Edge_1RB_Left
15	Table 6.2.3.4.1-2d - Table 6.2.3.4.1-2f		DFT-s-OFDM QPSK	Edge_1RB_Left
16	Low		DFT-s-OFDM QPSK	Outer Full
17	High		DFT-s-OFDM QPSK	Edge_1RB_Right
18	High		DFT-s-OFDM QPSK	Outer Full
19	Low		DFT-s-OFDM 16 QAM	Edge_1RB_Left
20 (Note 5)	Table 6.2.3.4.1-2a - Table 6.2.3.4.1-2c		DFT-s-OFDM 16 QAM	Edge_1RB_Left
21	Table 6.2.3.4.1-2d - Table 6.2.3.4.1-2f		DFT-s-OFDM 16 QAM	Edge_1RB_Left
22	Low		DFT-s-OFDM 16 QAM	Outer Full
23	High		DFT-s-OFDM 16 QAM	Edge_1RB_Right
24	High		DFT-s-OFDM 16 QAM	Outer Full
25	Low		DFT-s-OFDM 64 QAM	Edge_1RB_Left
26 (Note 5)	Table 6.2.3.4.1-2a - Table 6.2.3.4.1-2c		DFT-s-OFDM 64 QAM	Edge_1RB_Left

27	Table 6.2.3.4.1-2d - Table 6.2.3.4.1-2f	DFT-s-OFDM 64 QAM	Edge_1RB_Left
28	Low	DFT-s-OFDM 64 QAM	Outer Full
29	High	DFT-s-OFDM 64 QAM	Edge_1RB_Right
30	High	DFT-s-OFDM 64 QAM	Outer Full
31	Low	DFT-s-OFDM 256 QAM	Edge_1RB_Left
32 (Note 5)	Table 6.2.3.4.1-2a - Table 6.2.3.4.1-2c	DFT-s-OFDM 256 QAM	Edge_1RB_Left
33	Table 6.2.3.4.1-2d - Table 6.2.3.4.1-2f	DFT-s-OFDM 256 QAM	Edge_1RB_Left
34	Low	DFT-s-OFDM 256 QAM	Outer Full
35	High	DFT-s-OFDM 256 QAM	Edge_1RB_Right
36	High	DFT-s-OFDM 256 QAM	Outer Full
37	Low	CP-OFDM QPSK	Edge_1RB_Left
38 (Note 5)	Table 6.2.3.4.1-2a - Table 6.2.3.4.1-2c	CP-OFDM QPSK	Edge_1RB_Left
39	Table 6.2.3.4.1-2d - Table 6.2.3.4.1-2f	CP-OFDM QPSK	Edge_1RB_Left
40	Low	CP-OFDM QPSK	Outer Full
41	High	CP-OFDM QPSK	Edge_1RB_Right
42	High	CP-OFDM QPSK	Outer Full
43	Low	CP-OFDM 16 QAM	Edge_1RB_Left
44 (Note 5)	Table 6.2.3.4.1-2a - Table 6.2.3.4.1-2c	CP-OFDM 16 QAM	Edge_1RB_Left
45	Table 6.2.3.4.1-2d - Table 6.2.3.4.1-2f	CP-OFDM 16 QAM	Edge_1RB_Left
46	Low	CP-OFDM 16 QAM	Outer Full
47	High	CP-OFDM 16 QAM	Edge_1RB_Right
48	High	CP-OFDM 16 QAM	Outer Full
49	Low	CP-OFDM 64 QAM	Edge_1RB_Left
50 (Note 5)	Table 6.2.3.4.1-2a - Table 6.2.3.4.1-2c	CP-OFDM 64 QAM	Edge_1RB_Left
51	Table 6.2.3.4.1-2d - Table 6.2.3.4.1-2f	CP-OFDM 64 QAM	Edge_1RB_Left
52	Low	CP-OFDM 64 QAM	Outer Full
53	High	CP-OFDM 64 QAM	Edge_1RB_Right
54	High	CP-OFDM 64 QAM	Outer Full
55	Low	CP-OFDM 256 QAM	Edge_1RB_Left
56 (Note 5)	Table 6.2.3.4.1-2a - Table 6.2.3.4.1-2c	CP-OFDM 256 QAM	Edge_1RB_Left
57	Table 6.2.3.4.1-2d - Table 6.2.3.4.1-2f	CP-OFDM 256 QAM	Edge_1RB_Left
58	Low	CP-OFDM 256 QAM	Outer Full
59	High	CP-OFDM 256 QAM	Edge_1RB_Right
60	High	CP-OFDM 256 QAM	Outer Full

NOTE 1: The specific configuration of each RB allocation is defined in Table 6.1-1.
 NOTE 2: DFT-s-OFDM PI/2 BPSK test applies only for UEs which supports half Pi BPSK in FR1.
 NOTE 3: UE operating in TDD mode with Pi/2 BPSK modulation and UE indicates support for UE capability *powerBoosting-pi2BPSK* and the IE *powerBoostPi2BPSK* is set to 1 for band n41.
 NOTE 4: UE operating in FDD mode, or in TDD mode in bands other than n41, or in TDD mode the IE *powerBoostPi2BPSK* is set to 0 for bands n41.
 NOTE 5: Only applicable for 10 MHz and 15 MHz channel bandwidth

Table 6.2D.3.4.1-2: Test Configuration table for NS_35

Initial Conditions				
Test Environment as specified in TS 38.508-1 [5] subclause 4.1		Normal		
Test Frequencies as specified in TS 38.508-1 [5] subclause 4.3.1		Low range, High range		
Test Channel Bandwidths as specified in TS 38.508-1 [5] subclause 4.3.1		Lowest, Highest		
Test SCS as specified in Table 5.3.5-1		Lowest, Highest		
A-MPR test parameters for NS_35				
Test ID	Freq	Downlink Configuration	Uplink Configuration	
			Modulation	RB allocation (NOTE 1)
1	Low	N/A	CP-OFDM QPSK	Edge_1RB_Left
2	High		CP-OFDM QPSK	Edge_1RB_Right
3	Default		CP-OFDM QPSK	Outer Full
4	Low		CP-OFDM 16 QAM	Edge_1RB_Left
5	High		CP-OFDM 16 QAM	Edge_1RB_Right
6	Default		CP-OFDM 16 QAM	Outer Full
7	Low		CP-OFDM 64 QAM	Edge_1RB_Left
8	High		CP-OFDM 64 QAM	Edge_1RB_Right
9	Default		CP-OFDM 64 QAM	Outer Full
10	Low		CP-OFDM 256 QAM	Edge_1RB_Left
11	High		CP-OFDM 256 QAM	Edge_1RB_Right
12	Default		CP-OFDM 256 QAM	Outer Full

NOTE 1: The specific configuration of each RB allocation is defined in Table 6.1-1.

Table 6.2D.3.4.1-3: Test Configuration table for NS_05

Initial Conditions								
Test Environment as specified in TS 38.508-1 [5] subclause 4.1			Normal					
Test Frequencies as specified in TS 38.508-1 [5] subclause 4.3.1			Use uplink carrier centre frequency (Fc) as specified in test parameters					
Test Channel Bandwidths as specified in TS 38.508-1 [5] subclause 4.3.1			5 MHz, 10 MHz, 15 MHz, 20 MHz					
Test SCS as specified in Table 5.3.5-1			Lowest, Highest unless otherwise specified in test parameters.					
A-MPR test parameters for NS_05								
Test ID	Fc (MHz)	ChBw (MHz)	SCS (kHz)	A-MPR	Uplink Configuration			
					Modulation (NOTE 2)	RB allocation (Note 1)		
						SCS 15 kHz	SCS 30 kHz	SCS 60 kHz
1	1922.5	5	15	A3	QPSK	Outer_Full		
2	1925	10	Default	A1	QPSK	Outer_Full		
3	1925	10	Default	A7	QPSK	42@10	18@5	8@3
4	1925	10	Default	A2	QPSK	6@40	3@20	1@10
5	1935	10	Default	A4	QPSK	Outer_Full		
6	1927.5	15	Default	A1	QPSK	Outer_Full		
7	1927.5	15	Default	A7	QPSK	60@19	28@10	12@5
8	1927.5	15	Default	A2	QPSK	6@56	3@28	1@14
9	1932.5	15	Default	A1	QPSK	Outer_Full		
10	1932.5	15	Default	A2	QPSK	6@68	3@34	1@17
11	1942.5	15	Default	A5	QPSK	Outer_Full		
12	1930	20	Default	A1	QPSK	Outer_Full		
13	1930	20	Default	A7	QPSK	78@28	37@14	17@7
14	1930	20	Default	A2	QPSK	6@76	3@38	1@19
15	1950	20	Default	A6	QPSK	Outer_Full		
16	1922.5	5	15	A3	16 QAM	Outer_Full		
17	1925	10	Default	A1	16 QAM	Outer_Full		
18	1925	10	Default	A7	16 QAM	42@10	18@5	8@3
19	1925	10	Default	A2	16 QAM	6@40	3@20	1@10
20	1935	10	Default	A4	16 QAM	Outer_Full		
21	1927.5	15	Default	A1	16 QAM	Outer_Full		
22	1927.5	15	Default	A7	16 QAM	60@19	28@10	12@5
23	1927.5	15	Default	A2	16 QAM	6@56	3@28	1@14
24	1932.5	15	Default	A1	16 QAM	Outer_Full		
25	1932.5	15	Default	A2	16 QAM	6@68	3@34	1@17
26	1942.5	15	Default	A5	16 QAM	Outer_Full		
27	1930	20	Default	A1	16 QAM	Outer_Full		
28	1930	20	Default	A7	16 QAM	78@28	37@14	17@7
29	1930	20	Default	A2	16 QAM	6@76	3@38	1@19
30	1950	20	Default	A6	16 QAM	Outer_Full		
31	1922.5	5	15	A3	64 QAM	Outer_Full		
32	1925	10	Default	A1	64 QAM	Outer_Full		
33	1925	10	Default	A7	64 QAM	42@10	18@5	8@3
34	1925	10	Default	A2	64 QAM	6@40	3@20	1@10
35	1927.5	15	Default	A1	64 QAM	Outer_Full		
36	1927.5	15	Default	A7	64 QAM	60@19	28@10	12@5
37	1927.5	15	Default	A2	64 QAM	6@56	3@28	1@14
38	1932.5	15	Default	A1	64 QAM	Outer_Full		
39	1932.5	15	Default	A2	64 QAM	6@68	3@34	1@17
40	1930	20	Default	A1	64 QAM	Outer_Full		
41	1930	20	Default	A7	64 QAM	78@28	37@14	17@7
42	1930	20	Default	A2	64 QAM	6@76	3@38	1@19
43	1922.5	5	15	A3	256 QAM	Outer_Full		
44	1925	10	Default	A1	256 QAM	Outer_Full		
45	1925	10	Default	A7	256 QAM	42@10	18@5	8@3
46	1927.5	15	Default	A1	256 QAM	Outer_Full		
47	1927.5	15	Default	A7	256 QAM	60@19	28@10	12@5
48	1932.5	15	Default	A1	256 QAM	Outer_Full		

Downlink Config.

CP-OFDM

49	1930	20	Default	A1	256 QAM	Outer_Full		
50	1930	20	Default	A7	256 QAM	78@28	37@14	17@7

NOTE 1: The specific configuration of each RB allocation is defined in Table 6.1-1 unless otherwise stated in this table.
 NOTE 2: DFT-s-OFDM PI/2 BPSK test applies only for UEs which supports half Pi BPSK in FR1.

Table 6.2D.3.4.1-4: Test Configuration table for NS_05U

Initial Conditions								
Test Environment as specified in TS 38.508-1 [5] subclause 4.1					Normal			
Test Frequencies as specified in TS 38.508-1 [5] subclause 4.3.1					Use uplink carrier centre frequency (Fc) as specified in test parameters			
Test Channel Bandwidths as specified in TS 38.508-1 [5] subclause 4.3.1					5 MHz, 10 MHz, 15 MHz, 20 MHz			
Test SCS as specified in Table 5.3.5-1					Lowest, Highest unless otherwise specified in test parameters.			
A-MPR test parameters for NS_05U								
Test ID	Fc (MHz)	ChBw (MHz)	SCS (kHz)	A-MPR	Uplink Configuration			
					Modulation (NOTE 2)	RB allocation (Note 1)		
						SCS 15 kHz	SCS 30 kHz	SCS 60 kHz
1	1922.5	5	15	A3	QPSK	Outer_Full		
2	1925	10	Default	A1	QPSK	Outer_Full		
3	1925	10	Default	A7	QPSK	42@10	18@5	8@3
4	1925	10	Default	A2	QPSK	6@40	3@20	1@10
5	1935	10	Default	A4	QPSK	Outer_Full		
6	1927.5	15	Default	A1	QPSK	Outer_Full		
7	1927.5	15	Default	A7	QPSK	60@19	28@10	12@5
8	1927.5	15	Default	A2	QPSK	6@56	3@28	1@14
9	1932.5	15	Default	A1	QPSK	Outer_Full		
10	1932.5	15	Default	A2	QPSK	6@68	3@34	1@17
11	1942.5	15	Default	A5	QPSK	Outer_Full		
12	1930	20	Default	A1	QPSK	Outer_Full		
13	1930	20	Default	A7	QPSK	78@28	37@14	17@7
14	1930	20	Default	A2	QPSK	6@76	3@38	1@19
15	1950	20	Default	A6	QPSK	Outer_Full		
16	1922.5	5	15	A3	16 QAM	Outer_Full		
17	1925	10	Default	A1	16 QAM	Outer_Full		
18	1925	10	Default	A7	16 QAM	42@10	18@5	8@3
19	1925	10	Default	A2	16 QAM	6@40	3@20	1@10
20	1935	10	Default	A4	16 QAM	Outer_Full		
21	1927.5	15	Default	A1	16 QAM	Outer_Full		
22	1927.5	15	Default	A7	16 QAM	60@19	28@10	12@5
23	1927.5	15	Default	A2	16 QAM	6@56	3@28	1@14
24	1932.5	15	Default	A1	16 QAM	Outer_Full		
25	1932.5	15	Default	A2	16 QAM	6@68	3@34	1@17
26	1942.5	15	Default	A5	16 QAM	Outer_Full		
27	1930	20	Default	A1	16 QAM	Outer_Full		
28	1930	20	Default	A7	16 QAM	78@28	37@14	17@7
29	1930	20	Default	A2	16 QAM	6@76	3@38	1@19
30	1950	20	Default	A6	16 QAM	Outer_Full		
31	1922.5	5	15	A3	64 QAM	Outer_Full		
32	1925	10	Default	A1	64 QAM	Outer_Full		
33	1925	10	Default	A7	64 QAM	42@10	18@5	8@3
34	1925	10	Default	A2	64 QAM	6@40	3@20	1@10
35	1935	10	Default	A4	64 QAM	Outer_Full		
36	1927.5	15	Default	A1	64 QAM	Outer_Full		
37	1927.5	15	Default	A7	64 QAM	60@19	28@10	12@5
38	1927.5	15	Default	A2	64 QAM	6@56	3@28	1@14
39	1932.5	15	Default	A1	64 QAM	Outer_Full		
40	1932.5	15	Default	A2	64 QAM	6@68	3@34	1@17
41	1942.5	15	Default	A5	64 QAM	Outer_Full		
42	1930	20	Default	A1	64 QAM	Outer_Full		
43	1930	20	Default	A7	64 QAM	78@28	37@14	17@7
44	1930	20	Default	A2	64 QAM	6@76	3@38	1@19
45	1950	20	Default	A6	64 QAM	Outer_Full		

46	1922.5	5	15		A3	256 QAM	Outer_Full		
47	1925	10	Default		A1	256 QAM	Outer_Full		
48	1925	10	Default		A7	256 QAM	42@10	18@5	8@3
49	1935	10	Default		A4	256 QAM	Outer_Full		
50	1927.5	15	Default		A1	256 QAM	Outer_Full		
51	1927.5	15	Default		A7	256 QAM	60@19	28@10	12@5
52	1932.5	15	Default		A1	256 QAM	Outer_Full		
53	1942.5	15	Default		A5	256 QAM	Outer_Full		
54	1930	20	Default		A1	256 QAM	Outer_Full		
55	1930	20	Default		A7	256 QAM	78@28	37@14	17@7
56	1950	20	Default		A6	256 QAM	Outer_Full		

NOTE 1: The specific configuration of each RB allocation is defined in Table 6.1-1 unless otherwise stated in this table.
 NOTE 2: DFT-s-OFDM Pi/2 BPSK test applies only for UEs which supports half Pi BPSK in FR1.

Table 6.2D.3.4.1-5: Test Configuration table for NS_48

Initial Conditions								
Test Environment as specified in TS 38.508-1 [5] subclause 4.1						Normal		
Test Frequencies as specified in TS 38.508-1 [5] subclause 4.3.1						Low range, High range		
Test Channel Bandwidths as specified in TS 38.508-1 [5] subclause 4.3.1						25 MHz, 30MHz, 40MHz, 50MHz		
Test SCS as specified in Table 5.3.5-1						Lowest, Highest		
A-MPR test parameters for NS_48								
Test ID	F _c (MHz)	Ch BW (MHz)	SCS (kHz)	Downlink Configuration	Uplink Configuration			
					Modulation (Note 2)	RB allocation (Note 1)		
						SCS 15 kHz	SCS 30 kHz	SCS 60 kHz
1	Default	25	Default	CP-OFDM	QPSK	Outer_Full (A3)		
2	Default	25	Default		QPSK	Edge_1RB_Right (A3)		
3	Default	30	Default		QPSK	Outer_Full (A3)		
4	Default	30	Default		QPSK	Edge_1RB_Right (A5)		
5	Default	40	Default		QPSK	16@0 (A2)	8@0 (A2)	4@0 (A2)
6	Default	40	Default		QPSK	95@0 (A3)	48@0 (A3)	24@0 (A3)
7	Default	40	Default		QPSK	152@0 (A4)	76@0 (A4)	38@0 (A4)
8	Default	40	Default		QPSK	192@0 (A2)	96@0 (A2)	48@0 (A2)
9	Default	40	Default		QPSK	5@187 (A3)	2@94 (A3)	1@47 (A3)
10	Default	40	Default		QPSK	Outer_Full (A1)		
11	Default	50	Default		QPSK	34@0 (A2)	18@0 (A2)	9@0 (A2)
12	Default	50	Default		QPSK	115@0 (A4)	58@0 (A4)	29@0 (A4)
13	Default	50	Default		QPSK	228@0 (A2)	114@0 (A2)	57@0 (A2)
14	Default	50	Default		QPSK	5@223 (A5)	2@112 (A5)	1@56 (A5)
15	Default	50	Default		QPSK	Outer_Full (A1)		
16	Default	25	Default		256 QAM	Outer_Full (A3)		
17	Default	25	Default		256 QAM	Edge_1RB_Right (A3)		
18	Default	30	Default		256 QAM	Outer_Full (A3)		
19	Default	30	Default		256 QAM	Edge_1RB_Right (A5)		
20	Default	40	Default		256 QAM	16@0 (A2)	8@0 (A2)	4@0 (A2)
21	Default	40	Default		256 QAM	95@0 (A3)	48@0 (A3)	24@0 (A3)
22	Default	40	Default		256 QAM	152@0 (A4)	76@0 (A4)	38@0 (A4)
23	Default	40	Default		256 QAM	192@0 (A2)	96@0 (A2)	48@0 (A2)
24	Default	40	Default		256 QAM	5@187 (A3)	2@94 (A3)	1@47 (A3)
25	Default	40	Default		256 QAM	Outer_Full (A1)		
26	Default	50	Default		256 QAM	34@0 (A2)	18@0 (A2)	9@0 (A2)
27	Default	50	Default		256 QAM	115@0 (A4)	58@0 (A4)	29@0 (A4)
28	Default	50	Default		256 QAM	228@0 (A2)	114@0 (A2)	57@0 (A2)
29	Default	50	Default		256 QAM	5@223 (A5)	2@112 (A5)	1@56 (A5)
30	Default	50	Default		256 QAM	Outer_Full (A1)		

NOTE 1: The specific configuration of each RB allocation is defined in Table 6.1-1 unless otherwise stated in this table.

Table 6.2D.3.4.1-6: Test Configuration table for NS_49

Initial Conditions	
Test Environment as specified in TS 38.508-1 [5] subclause 4.1	Normal
Test Frequencies as specified in TS 38.508-1 [5] subclause 4.3.1	Low range, High range
Test Channel Bandwidths as specified in TS 38.508-1 [5] subclause 4.3.1	25 MHz, 30MHz, 40MHz, 50MHz
Test SCS as specified in Table 5.3.5-1	Lowest, Highest

A-MPR test parameters for NS_49								
Test ID	F _c (MHz)	Ch BW (MHz)	SCS (kHz)	Downlink Configuration	Uplink Configuration			
					Modulation (Note 2)	RB allocation (Note 1)		
						SCS 15 kHz	SCS 30 kHz	SCS 60 kHz
1	Default	25	Default	CP-OFDM	QPSK	Outer_Full (A3)		
2	Default	25	Default		QPSK	Edge_1RB_Right (A3)		
3	Default	25	Default		QPSK	Edge_1RB_Left (A3)		
4	Default	30	Default		QPSK	20@0 (A1)	10@0 (A1)	5@0 (A1)
5	Default	30	Default		QPSK	36@0 (A5)	18@0 (A5)	9@0 (A5)
6	Default	30	Default		QPSK	80@0 (A3)	40@0 (A3)	20@0 (A3)
7	Default	30	Default		QPSK	120@0 (A4)	60@0 (A4)	30@0 (A4)
8	Default	30	Default		QPSK	Outer_Full (A2)		
9	Default	30	Default		QPSK	Edge_1RB_Right (A5)		
10	Default	40	Default		QPSK	40@0 (A1)	20@0 (A1)	10@0 (A1)
11	Default	40	Default		QPSK	5@53 (A5)	2@27 (A5)	1@14 (A5)
12	Default	40	Default		QPSK	100@0 (A4)	50@0 (A4)	25@0 (A4)
13	Default	40	Default		QPSK	159@33 (A2)	79@17 (A2)	39@9 (A2)
14	Default	40	Default		QPSK	5@187 (A5)	2@94 (A5)	1@47 (A5)
15	Default	40	Default		QPSK	192@0 (A1)	96@0 (A1)	48@0 (A1)
16	Default	40	Default		QPSK	Outer_Full (A1)		
17	Default	50	Default		QPSK	5@75 (A5)	2@38 (A5)	1@19 (A5)
18	Default	50	Default		QPSK	5@215 (A5)	2@108 (A5)	1@54 (A5)
19	Default	50	Default		QPSK	175@45 (A2)	87@23 (A2)	43@12 (A2)
20	Default	50	Default		QPSK	220@0 (A1)	110@0 (A1)	55@0 (A1)
21	Default	50	Default		QPSK	Outer_Full (A1)		
22	Default	25	Default		256 QAM	Outer_Full (A3)		
23	Default	25	Default		256 QAM	Edge_1RB_Right (A3)		
24	Default	25	Default		256 QAM	Edge_1RB_Left (A3)		
25	Default	30	Default		256 QAM	20@0 (A1)	10@0 (A1)	5@0 (A1)
26	Default	30	Default		256 QAM	36@0 (A5)	18@0 (A5)	9@0 (A5)
27	Default	30	Default		256 QAM	80@0 (A3)	40@0 (A3)	20@0 (A3)
28	Default	30	Default		256 QAM	120@0 (A4)	60@0 (A4)	30@0 (A4)
29	Default	30	Default		256 QAM	Outer_Full (A2)		
30	Default	30	Default		256 QAM	Edge_1RB_Right (A5)		
31	Default	40	Default		256 QAM	40@0 (A1)	20@0 (A1)	10@0 (A1)
32	Default	40	Default		256 QAM	5@53 (A5)	2@27 (A5)	1@14 (A5)
33	Default	40	Default		256 QAM	100@0 (A4)	50@0 (A4)	25@0 (A4)
34	Default	40	Default		256 QAM	159@33 (A2)	79@17 (A2)	39@9 (A2)
35	Default	40	Default		256 QAM	5@187 (A5)	2@94 (A5)	1@47 (A5)
36	Default	40	Default		256 QAM	192@0 (A1)	96@0 (A1)	48@0 (A1)
37	Default	40	Default		256 QAM	Outer_Full (A1)		
38	Default	50	Default		256 QAM	5@75 (A5)	2@38 (A5)	1@19 (A5)
39	Default	50	Default		256 QAM	5@215 (A5)	2@108 (A5)	1@54 (A5)
40	Default	50	Default		256 QAM	175@45 (A2)	87@23 (A2)	43@12 (A2)
41	Default	50	Default		256 QAM	220@0 (A1)	110@0 (A1)	55@0 (A1)
42	Default	50	Default		256 QAM	Outer_Full (A1)		

NOTE 1: The specific configuration of each RB allocation is defined in Table 6.1-1 unless otherwise stated in this table.

Table 6.2D.3.4.1-7: Test Configuration table for NS_03, NS_03U and NS_100

Initial Conditions						
Test Environment as specified in TS 38.508-1 [5] subclause 4.1					Normal	
Test Frequencies as specified in TS 38.508-1 [5] subclause 4.3.1					Low range, High range	
Test Channel Bandwidths as specified in TS 38.508-1 [5] subclause 4.3.1					Lowest, Highest	
Test SCS as specified in Table 5.3.5-1					Lowest, Highest	
A-MPR test parameters for NS_03, NS_03U and NS_100						
Test ID	Freq	ChBw	SCS	Downlink Configuration	Uplink Configuration	
					Modulation	RB allocation (Note 1)
1	Low	Default	Default	N/A for A-MPR test cases	QPSK	Edge_1RB_Left
2	High	Default	Default		QPSK	Edge_1RB_Right
3	Default	Default	Default		QPSK	Outer_Full

4	Low	Default	Default			16 QAM	Edge_1RB_Left		
5	High	Default	Default			16 QAM	Edge_1RB_Right		
6	Default	Default	Default			16 QAM	Outer_Full		
7	Low	Default	Default			64 QAM	Edge_1RB_Left		
8	High	Default	Default			64 QAM	Edge_1RB_Right		
9	Default	Default	Default			64 QAM	Outer_Full		
10	Low	Default	Default			256 QAM	Edge_1RB_Left		
11	High	Default	Default			256 QAM	Edge_1RB_Right		
12	Default	Default	Default			256 QAM	Outer_Full		
NOTE 1: The specific configuration of each RB allocation is defined in Table 6.1-1 unless otherwise stated in this table.									

Table 6.2D.3.4.1-7a: Test Configuration Table for NS_03, NS_03U and NS_100 for UEs supporting ULFPTx

Initial Conditions							
Test Environment as specified in TS 38.508-1 [5] subclause 4.1						Normal	
Test Frequencies as specified in TS 38.508-1 [5] subclause 4.3.1						Low range, High range	
Test Channel Bandwidths as specified in TS 38.508-1 [5] subclause 4.3.1						Lowest, Highest	
Test SCS as specified in Table 5.3.5-1						Lowest, Highest	
Test parameters for NS_03U							
Test ID	Freq	ChBw	SCS	Downlink Configuration	Uplink Configuration		
					Modulation (Note 2)	RB allocation (Note 1)	
1	Low	Default	Default	N/A		DFT-s OFDM	PI/2 BPSK
2	High	Default	Default		PI/2 BPSK		Edge_1RB_Right
3	Default	Default	Default		PI/2 BPSK		Outer_Full
4	Low	Default	Default		QPSK		Edge_1RB_Left
5	High	Default	Default		QPSK		Edge_1RB_Right
6	Default	Default	Default		QPSK		Outer_Full
7	Low	Default	Default		16 QAM		Edge_1RB_Left
8	High	Default	Default		16 QAM		Edge_1RB_Right
9	Default	Default	Default		16 QAM		Outer_Full
10	Low	Default	Default		64 QAM		Edge_1RB_Left
11	High	Default	Default		64 QAM		Edge_1RB_Right
12	Default	Default	Default		64 QAM		Outer_Full
13	Low	Default	Default		256 QAM		Edge_1RB_Left
14	High	Default	Default		256 QAM		Edge_1RB_Right
15	Default	Default	Default		256 QAM		Outer_Full
16	Low	Default	Default		CP-s OFDM	QPSK	Edge_1RB_Left
17	High	Default	Default			QPSK	Edge_1RB_Right
18	Default	Default	Default			QPSK	Outer_Full
19	Low	Default	Default			16 QAM	Edge_1RB_Left
20	High	Default	Default			16 QAM	Edge_1RB_Right
21	Default	Default	Default			16 QAM	Outer_Full
22	Low	Default	Default			64 QAM	Edge_1RB_Left
23	High	Default	Default			64 QAM	Edge_1RB_Right
24	Default	Default	Default			64 QAM	Outer_Full
25	Low	Default	Default			256 QAM	Edge_1RB_Left
26	High	Default	Default			256 QAM	Edge_1RB_Right
27	Default	Default	Default			256 QAM	Outer_Full
NOTE 1: The specific configuration of each RB allocation is defined in Table 6.1-1 unless otherwise stated in this table.							
NOTE 2: DFT-s-OFDM PI/2 BPSK test applies only for UEs which supports half Pi BPSK in FR1.							

Table 6.2D.3.4.1-8: Test Configuration table for NS_46

Initial Conditions								
Test Environment as specified in TS 38.508-1 [5] subclause 4.1					Normal			
Test Frequencies as specified in TS 38.508-1 [5] subclause 4.3.1					High range			
Test Channel Bandwidths as specified in TS 38.508-1 [5] subclause 4.3.1					15MHz, 20MHz, 25 MHz, 50MHz			
Test SCS as specified in Table 5.3.5-1					Lowest, Highest			
A-MPR test parameters for NS_46								
Test ID	F _c (MHz)	Ch BW (MHz)	SCS (kHz)	Downlink Configuration	Uplink Configuration			
					Modulation 궑 궑 궑 궑	RB allocation (Note 1)		
						SCS 15 kHz	SCS 30 kHz	SCS 60 kHz
1	Default	25	Default	CP-OFDM	QPSK	90@43 (A3)	45@20 (A3)	23@8 (A3)
2	Default	25	Default		256QAM	90@43 (A3)	45@20 (A3)	23@8 (A3)
3	Default	50	Default		QPSK	Edge_1RB_Left (A4)		
4	Default	50	Default		64QAM	Edge_1RB_Left (A4)		
5	Default	50	Default		QPSK	120@0 (A5)	60@0 (A5)	30@0 (A5)
6	Default	50	Default		64QAM	120@0 (A5)	60@0 (A5)	30@0 (A5)
7	Default	50	Default		QPSK	175@0 (A6)	88@0 (A6)	44@0 (A6)
8	Default	50	Default		64QAM	175@0 (A6)	88@0 (A6)	44@0 (A6)
9	Default	50	Default		QPSK	220@0 (A7)	110@0 (A7)	55@0 (A7)
10	Default	50	Default		256QAM	220@0 (A7)	110@0 (A7)	55@0 (A7)
11	Default	50	Default		QPSK	Outer_Full (A8)		
12	Default	50	Default		256QAM	Outer_Full (A8)		

NOTE 1: The specific configuration of each RB allocation is defined in Table 6.1-1 unless otherwise stated in this table.

Table 6.2D.3.4.1-9: Test Configuration table for NS_21

Initial Conditions							
Test Environment as specified in TS 38.508-1 [5] subclause 4.1					Normal		
Test Frequencies as specified in TS 38.508-1 [5] subclause 4.3.1					Low range, High range		
Test Channel Bandwidths as specified in TS 38.508-1 [5] subclause 4.3.1					Lowest, Highest		
Test SCS as specified in Table 5.3.5-1					Lowest, Highest		
A-MPR test parameters for NS_21							
Test ID	Freq	ChBw	SCS	Downlink Configuration	Uplink Configuration		
					Modulation (Note 2)	RB allocation (Note 1)	
						SCS 15 kHz	SCS 30 kHz
1	Low	Default	Default		QPSK	Edge_1RB_Left	
2	High	Default	Default		QPSK	Edge_1RB_Right	
3	Default	Default	Default		QPSK	Outer_Full	
4	Default	10 MHz	Default		QPSK	4@0	2@0

5	Default	10 MHz	Default	N/A	CP-OFDM	QPSK	4@48	2@22
6	Low	Default	Default			16 QAM	Edge_1RB_Left	
7	High	Default	Default			16 QAM	Edge_1RB_Right	
8	Default	Default	Default			16 QAM	Outer_Full	
9	Default	10 MHz	Default			16 QAM	4@0	2@0
10	Default	10 MHz	Default			16 QAM	4@48	2@22
11	Low	Default	Default			64 QAM	Edge_1RB_Left	
12	High	Default	Default			64 QAM	Edge_1RB_Right	
13	Default	Default	Default			64 QAM	Outer_Full	
14	Default	10 MHz	Default			64 QAM	4@0	2@0
15	Default	10 MHz	Default			64 QAM	4@48	2@22
16	Low	Default	Default			256 QAM	Edge_1RB_Left	
17	High	Default	Default			256 QAM	Edge_1RB_Right	
18	Default	Default	Default			256 QAM	Outer_Full	
19	Default	10 MHz	Default			256 QAM	4@0	2@0
20	Default	10 MHz	Default			256 QAM	4@48	2@22

NOTE 1: The specific configuration of each RB allocation is defined in Table 6.1-1 unless otherwise stated in this table.
 NOTE 2: DFT-s-OFDM PI/2 BPSK test applies only for UEs which supports half Pi BPSK in FR1.

Table 6.2D.3.4.1-10: Test Configuration table for NS_44

Initial Conditions									
Test Environment as specified in TS 38.508-1 [5] subclause 4.1					Normal				
Test Frequencies as specified in TS 38.508-1 [5] subclause 4.3.1					Defined for each test ID				
Test Channel Bandwidths as specified in TS 38.508-1 [5] subclause 4.3.1					Defined for each test ID				
Test SCS as specified in Table 5.3.5-1					Lowest, Highest				
A-MPR test parameters for NS_44									
Test ID	F _c (MHz)	Ch BW (MHz)	SCS (kHz)	Downlink Configuration	Uplink Configuration				
					Modulation 꺆꺆꺆꺆	RB allocation (Note 1)			
						SCS 15 kHz	SCS 30 kHz	SCS 60 kHz	
1	2602.5	25	Default	N/A	CP-OFDM	64 QAM	100@0 (A3)	50@0 (A3)	25@0 (A3)
2	2602.5	25	Default			64 QAM	39@94 (A3)	19@46 (A3)	9@22 (A3)
3	2602.5	25	Default			64 QAM	Outer_Full (A6)		
4	2602.5	25	Default			256 QAM	100@0 (A3)	50@0 (A3)	25@0 (A3)
5	2602.5	25	Default			256 QAM	39@94 (A3)	19@46 (A3)	9@22 (A3)
6	2602.5	25	Default			256 QAM	Outer_Full (A6)		
7	2600	30	Default			64 QAM	120@0 (A3)	60@0 (A3)	30@0 (A3)
8	2600	30	Default			64 QAM	69@91 (A3)	34@44 (A3)	17@21 (A3)
9	2600	30	Default			64 QAM	Outer_Full (A6)		
10	2600	30	Default			256 QAM	120@0 (A3)	60@0 (A3)	30@0 (A3)

11	2600	30	Default		256 QAM	69@91 (A3)	34@44 (A3)	17@21 (A3)
12	2600	30	Default		256 QAM	Outer_Full (A6)		
13	2595	40	Default		64 QAM	16@0 (A1)	8@0 (A1)	4@0 (A1)
14	2595	40	Default		64 QAM	80@0 (A2)	40@0 (A2)	20@0 (A2)
15	2595	40	Default		64 QAM	130@0 (A3)	65@0 (A3)	33@0 (A3)
16	2595	40	Default		64 QAM	180@0 (A4)	90@0 (A4)	45@0 (A4)
17	2595	40	Default		64 QAM	Outer_Full (A5)		
18	2595	40	Default		256 QAM	16@0 (A1)	8@0 (A1)	4@0 (A1)
19	2595	40	Default		256 QAM	80@0 (A2)	40@0 (A2)	20@0 (A2)
20	2595	40	Default		256 QAM	130@0 (A3)	65@0 (A3)	33@0 (A3)
21	2595	40	Default		256 QAM	180@0 (A4)	90@0 (A4)	45@0 (A4)
22	2595	40	Default		256 QAM	Outer_Full (A5)		

NOTE 1: The specific configuration of each RB allocation is defined in Table 6.1-1 unless otherwise stated in this table.

Table 6.2D.3.4.1-11: Test Configuration table for NS_27

Initial Conditions								
Test Environment as specified in TS 38.508-1 [5] subclause 4.1						Normal		
Test Frequencies						Refer to uplink carrier centre frequency (F _c) in test parameters. Associated parameters defined in Table 6.2D.3.4.1-9a and 6.2D.3.4.1-9b.		
Test Channel Bandwidths as specified in TS 38.508-1 [5] subclause 4.3.1						Refer to test parameters (15, 20, 40 MHz)		
Test SCS as specified in Table 5.3.5-1						Lowest, Highest (Note 3)		
A-MPR test parameters for NS_27								
Test ID	F _c (MHz)	Ch BW (MHz)	SCS (kHz)	Downlink Configuration	Modulation ଝଠ୧ନ	Uplink Configuration		
						RB allocation (Note 1)		
						SCS 15 kHz	SCS 30 kHz	SCS 60 kHz
1	3557.52	15	Default		QPSK	Edge_1RB_Left (A3)		
2	3557.52	15	Default		QPSK	Outer_Full (A3)		
3	3692.49	15	Default		QPSK	Edge_1RB_Right (A3)		
4	3692.49	15	Default		QPSK	Outer_Full (A3)		
5	3562.5	15	Default		QPSK	Edge_1RB_Left (A4)		
6	3562.5	15	Default		QPSK	Outer_Full (2)		
7	3687.48	15	Default		QPSK	Edge_1RB_Right (A4)		
8	3687.48	15	Default		QPSK	Outer_Full (2)		
9	3560.01	20	Default		QPSK	Edge_1RB_Left (A5)		
10	3560.01	20	Default		QPSK	Outer_Full (A5)		
11	3690	20	Default		QPSK	Edge_1RB_Right (A5)		
12	3690	20	Default		QPSK	Outer_Full (A5)		
13	3570	20	Default		QPSK	Edge_1RB_Left (A6)		
14	3570	20	Default		QPSK	Outer_Full (2)		
15	3679.98	20	Default		QPSK	Edge_1RB_Right (A6)		

16	3679.98	20	Default
17	3570	40	Default
18	3570	40	Default
19	3570	40	Default
20	3570	40	Default
21	3679.98	40	Default
22	3679.98	40	Default
23	3679.98	40	Default
24	3679.98	40	Default
25	3600	40	Default
26	3600	40	Default
27	3649.98	40	Default
28	3649.98	40	Default
29	3557.52	15	Default
30	3557.52	15	Default
31	3692.49	15	Default
32	3692.49	15	Default
33	3562.5	15	Default
34	3562.5	15	Default
35	3687.48	15	Default
36	3687.48	15	Default
37	3560.01	20	Default
38	3560.01	20	Default
39	3690	20	Default
40	3690	20	Default
41	3570	20	Default
42	3570	20	Default
43	3679.98	20	Default
44	3679.98	20	Default
45	3570	40	Default
46	3570	40	Default
47	3570	40	Default
48	3570	40	Default
49	3679.98	40	Default
50	3679.98	40	Default
51	3679.98	40	Default
52	3679.98	40	Default
53	3600	40	Default
54	3600	40	Default
55	3649.98	40	Default

N/A

QPSK	Outer_Full (2)		
QPSK	Edge_1RB_Left (A7)		
QPSK	153@63 (A2)	72@32 (A2)	32@16 (A2)
QPSK	99@69 (A1)	49@34 (A1)	24@16 (A1)
QPSK	Edge_1RB_Right (A7)		
QPSK	Edge_1RB_Right (A7)		
QPSK	137@0 (A2)	68@0 (A2)	35@0 (A2)
QPSK	99@38 (A1)	49@18 (A1)	24@9 (A1)
QPSK	Edge_1RB_Left (A7)		
QPSK	Edge_1RB_Left (A8)		
QPSK	Outer_Full (4.5)		
QPSK	Edge_1RB_Right (A8)		
QPSK	Outer_Full (4.5)		
16 QAM	Edge_1RB_Left (A3)		
16 QAM	Outer_Full (A3)		
16 QAM	Edge_1RB_Right (A3)		
16 QAM	Outer_Full (A3)		
16 QAM	Edge_1RB_Left (A4)		
16 QAM	Outer_Full (2)		
16 QAM	Edge_1RB_Right (A4)		
16 QAM	Outer_Full (2)		
16 QAM	Edge_1RB_Left (A5)		
16 QAM	Outer_Full (A5)		
16 QAM	Edge_1RB_Right (A5)		
16 QAM	Outer_Full (A5)		
16 QAM	Edge_1RB_Left (A6)		
16 QAM	Outer_Full (2)		
16 QAM	Edge_1RB_Right (A6)		
16 QAM	Outer_Full (2)		
16 QAM	Edge_1RB_Left (A7)		
16 QAM	153@63 (A2)	72@32 (A2)	32@16 (A2)
16 QAM	99@69 (A1)	49@34 (A1)	24@16 (A1)
16 QAM	Edge_1RB_Right (A7)		
16 QAM	Edge_1RB_Right (A7)		
16 QAM	137@0 (A2)	68@0 (A2)	35@0 (A2)
16 QAM	99@38 (A1)	49@18 (A1)	24@9 (A1)
16 QAM	Edge_1RB_Left (A7)		
16 QAM	Edge_1RB_Left (A8)		
16 QAM	Outer_Full (4.5)		
16 QAM	Edge_1RB_Right (A8)		

U D C

3GPP TS 38.521-1 version 18.3.0 Release 18

56	3649.98	40	Default
57	3557.52	15	Default
58	3557.52	15	Default
59	3692.49	15	Default
60	3692.49	15	Default
61	3562.5	15	Default
62	3562.5	15	Default
63	3687.48	15	Default
64	3687.48	15	Default
65	3560.01	20	Default
66	3560.01	20	Default
67	3690	20	Default
68	3690	20	Default
69	3570	20	Default
70	3570	20	Default
71	3679.98	20	Default
72	3679.98	20	Default
73	3570	40	Default
74	3570	40	Default
75	3570	40	Default
76	3570	40	Default
77	3679.98	40	Default
78	3679.98	40	Default
79	3679.98	40	Default
80	3679.98	40	Default
81	3600	40	Default
82	3600	40	Default
83	3649.98	40	Default
84	3649.98	40	Default
85	3557.52	15	Default
86	3557.52	15	Default
87	3692.49	15	Default
88	3692.49	15	Default
89	3562.5	15	Default
90	3562.5	15	Default
91	3687.48	15	Default
92	3687.48	15	Default
93	3560.01	20	Default
94	3560.01	20	Default
95	3690	20	Default

485

ETSI TS 138 521-1 V18.3.0 (2024-08)

16 QAM	Outer_Full (4.5)		
64 QAM	Edge_1RB_Left (A3)		
64 QAM	Outer_Full (A3)		
64 QAM	Edge_1RB_Right (A3)		
64 QAM	Outer_Full (A3)		
64 QAM	Edge_1RB_Left (A4)		
64 QAM	Outer_Full (2)		
64 QAM	Edge_1RB_Right (A4)		
64 QAM	Outer_Full (2)		
64 QAM	Edge_1RB_Left (A5)		
64 QAM	Outer_Full (A5)		
64 QAM	Edge_1RB_Right (A5)		
64 QAM	Outer_Full (A5)		
64 QAM	Edge_1RB_Left (A6)		
64 QAM	Outer_Full (2)		
64 QAM	Edge_1RB_Right (A6)		
64 QAM	Outer_Full (2)		
64 QAM	Edge_1RB_Left (A7)		
64 QAM	153@63 (A2)	72@32 (A2)	32@16 (A2)
64 QAM	99@69 (A1)	49@34 (A1)	24@16 (A1)
64 QAM	Edge_1RB_Right (A7)		
64 QAM	Edge_1RB_Right (A7)		
64 QAM	137@0 (A2)	68@0 (A2)	35@0 (A2)
64 QAM	99@38 (A1)	49@18 (A1)	24@9 (A1)
64 QAM	Edge_1RB_Left (A7)		
64 QAM	Edge_1RB_Left (A8)		
64 QAM	Outer_Full (4.5)		
64 QAM	Edge_1RB_Right (A8)		
64 QAM	Outer_Full (4.5)		
256 QAM	Edge_1RB_Left (A3)		
256 QAM	Outer_Full (A3)		
256 QAM	Edge_1RB_Right (A3)		
256 QAM	Outer_Full (A3)		
256 QAM	Edge_1RB_Left (A4)		
256 QAM	Outer_Full (2)		
256 QAM	Edge_1RB_Right (A4)		
256 QAM	Outer_Full (2)		
256 QAM	Edge_1RB_Left (A5)		
256 QAM	Outer_Full (A5)		
256 QAM	Edge_1RB_Right (A5)		

96	3690	20	Default	256 QAM	Outer_Full (A5)		
97	3570	20	Default	256 QAM	Edge_1RB_Left (A6)		
98	3570	20	Default	256 QAM	Outer_Full (2)		
99	3679.98	20	Default	256 QAM	Edge_1RB_Right (A6)		
100	3679.98	20	Default	256 QAM	Outer_Full (2)		
101	3570	40	Default	256 QAM	Edge_1RB_Left (A7)		
102	3570	40	Default	256 QAM	153@63 (A2)	72@32 (A2)	32@16 (A2)
103	3570	40	Default	256 QAM	99@69 (A1)	49@34 (A1)	24@16 (A1)
104	3570	40	Default	256 QAM	Edge_1RB_Right (A7)		
105	3679.98	40	Default	256 QAM	Edge_1RB_Right (A7)		
106	3679.98	40	Default	256 QAM	137@0 (A2)	68@0 (A2)	35@0 (A2)
107	3679.98	40	Default	256 QAM	99@38 (A1)	49@18 (A1)	24@9 (A1)
108	3679.98	40	Default	256 QAM	Edge_1RB_Left (A7)		
109	3600	40	Default	256 QAM	Edge_1RB_Left (A8)		
110	3600	40	Default	256 QAM	Outer_Full (4.5)		
111	3649.98	40	Default	256 QAM	Edge_1RB_Right (A8)		
112	3649.98	40	Default	256 QAM	Outer_Full (4.5)		

NOTE 1: The specific configuration of each RB allocation is defined in Table 6.1-1 unless otherwise stated in this table.
 NOTE 2: DFT-s-OFDM PI/2 BPSK test applies only for UEs which supports half Pi BPSK in FR1.
 NOTE 3: For FR1 bands where highest supported SCS is 60 kHz the highest tested SCS is limited to 30 kHz as carrier with SCS=60 kHz cannot be used as PCell.

Table 6.2D.3.4.1-11a: Test frequencies for NS_27 (SCS=15 kHz, ΔFRaster = 15kHz)

CBW [MHz]	carrierBandwidth [PRBs]	Carrier centre [MHz]	Carrier centre [ARFCN]	point A [MHz]	absoluteFrequencyPointA [ARFCN]	offsetToCarrier [Carrier PRBs]	SS block SCS [kHz]	GSC N	absoluteFrequencySSB [ARFCN]	k _{SSB}	Offset Carrier CORESE T#0 [RBs] Note 2	CORESE T#0 Index (Offset [RBs]) Note 1	offsetToPoint A (SIB1) [PRBs] Note 1
15	79	3557.52	637168	3550.41	636694	0	30	7884	636960	2	0	0 (2)	2
		3562.5	637500	3555.39	637026			7888	637344	6	0	1 (6)	6
		3687.48	645832	3680.37	645358			7975	645696	2	2	1 (6)	8
		3692.49	646166	3685.38	645692			7978	645984	4	2	0 (2)	4
20	106	3560.01	637334	3550.47	636698			7885	637056	10	3	1 (6)	9
		3570	638000	3560.46	637364			7891	637632	4	0	0 (2)	2
		3679.98	645332	3670.44	644696			7968	645024	4	1	1 (6)	7
		3690	646000	3680.46	645364			7975	645696	8	1	1 (6)	7
40	216	3570	638000	3550.56	636704			7885	637056	4	3	1 (6)	9
		3600	640000	3580.56	638704			7905	638976	8	0	0 (2)	2
		3649.98	643332	3630.54	642036			7940	642336	0	3	0 (2)	5
		3679.98	645332	3660.54	644036			7961	644352	4	0	1 (6)	6

NOTE 1: The CORESET#0 Index and the associated CORESET#0 Offset refers to Table 13-1 in TS 38.213 [22]. The value of CORESET#0 Index is signalled in controlResourceSetZero (pdcch-ConfigSIB1) in the MIB. The offsetToPointA IE is expressed in units of resource blocks assuming 15 kHz subcarrier spacing for FR1 and 60 kHz subcarrier spacing for FR2.

NOTE 2: The parameter Offset Carrier CORESET#0 specifies the offset from the lowest subcarrier of the carrier and the lowest subcarrier of CORESET#0. It corresponds to the parameter $\Delta F_{\text{OffsetCORESET-0-Carrier}}$ in Annex C expressed in number of common RBs.

Table 6.2D.3.4.1-11b: Test frequencies for NS_27 (SCS=30 kHz, $\Delta F_{\text{Raster}} = 30$ kHz)

CBW [MHz]	carrier Bandwidth [PRBs]	Carrier centre [MHz]	Carrier centre [ARFCN]	point A [MHz]	absolute FrequencyPointA [ARFCN]	offsetToCarrier [Carrier PRBs]	SS block SCS [kHz]	GSC N	absoluteFrequencySSB [ARFCN]	k_{SSB}	Offset Carrier CORESET#0 [RBs] Note 2	CORESET#0 Index (Offset [RBs]) Note 1	offsetToPointA (SIB1) [PRBs] Note 1
15	38	3557.52	637168	3550.68	636712	0	30	7884	636960	8	0	0 (0)	0
		3562.5	637500	3555.66	637044			7888	637344	12	0	2 (2)	4
		3687.48	645832	3680.64	645376			7975	645696	8	0	3 (3)	6
		3692.49	646166	3685.65	645710			7978	645984	10	0	1 (1)	2
20	51	3560.01	637334	3550.83	636722			7885	637056	22	0	3 (3)	6
		3570	638000	3560.82	637388			7891	637632	4	0	0 (0)	0
		3679.98	645332	3670.8	644720			7968	645024	16	0	2 (2)	4
		3690	646000	3680.82	645388			7975	645696	20	0	2 (2)	4
40	106	3570	638000	3550.92	636728			7885	637056	16	0	3 (3)	6
		3600	640000	3580.92	638728			7905	638976	8	0	0 (0)	0
		3649.98	643332	3630.9	642060			7940	642336	12	0	1 (1)	2
		3679.98	645332	3660.9	644060			7961	644352	4	0	2 (2)	4

NOTE 1: The CORESET#0 Index and the associated CORESET#0 Offset refers to Table 13-1 in TS 38.213 [22]. The value of CORESET#0 Index is signalled in controlResourceSetZero (pdcch-ConfigSIB1) in the MIB. The offsetToPointA IE is expressed in units of resource blocks assuming 15 kHz subcarrier spacing for FR1 and 60 kHz subcarrier spacing for FR2.

NOTE 2: The parameter Offset Carrier CORESET#0 specifies the offset from the lowest subcarrier of the carrier and the lowest subcarrier of CORESET#0. It corresponds to the parameter $\Delta F_{\text{OffsetCORESET-0-Carrier}}$ in Annex C expressed in number of common RBs.

Table 6.2D.3.4.1-12: Test Configuration table for NS_56

Initial Conditions													
Test Environment as specified in TS 38.508-1 [5] subclause 4.1								Normal					
Test Frequencies as specified in TS 38.508-1 [5] subclause 4.3.1								Use uplink carrier center frequency (Fc) as specified in test parameters					
Test Channel Bandwidths as specified in TS 38.508-1 [5] subclause 4.3.1								5 MHz, 10 MHz as specified in test parameters					
Test SCS as specified in Table 5.3.5-1								Lowest, Highest unless otherwise specified in test parameters.					
A-MPR test parameters for NS_56													
Test ID	Fc (MHz)	ChBw (MHz)	SCS (kHz)	Downlink Config.	A-MPR	Uplink Configuration							
						Modulation				RB allocation (Note 1)			

				(NOTE 2)	SCS 15 kHz	SCS 30 kHz	SCS 60 kHz		
1	Low	5	15	N/A for A-MPR testing	14	QPSK	Edge_1RB_Left	N/A	
2	Low	5	30		8	QPSK	N/A	Edge_1RB_Left	N/A
3	Low	5	Default		6	QPSK	Outer_Full	Outer_Full	N/A
4	Low	5	Default		4	QPSK	21@4	8@3	N/A
5	Low	5	Default		4	QPSK	1@4	1@3	N/A
6	Low	5	15		14	16 QAM	Edge_1RB_Left	N/A	N/A
7	Low	5	30		8	16 QAM	N/A	Edge_1RB_Left	N/A
8	Low	5	Default		6	16 QAM	Outer_Full	Outer_Full	N/A
9	Low	5	Default		4	16 QAM	21@4	8@3	N/A
10	Low	5	Default		4	16 QAM	1@4	1@3	N/A
11	Low	5	15		14	64 QAM	Edge_1RB_Left	N/A	N/A
12	Low	5	30		8	64 QAM	N/A	Edge_1RB_Left	N/A
13	Low	5	Default		6	64 QAM	Outer_Full	Outer_Full	N/A
14	Low	5	Default		4	64 QAM	21@4	8@3	N/A
15	Low	5	Default		4	64 QAM	1@4	1@3	N/A
16	Low	5	15		14	256 QAM	Edge_1RB_Left	N/A	N/A
17	Low	5	30		8	256 QAM	N/A	Edge_1RB_Left	N/A
18	Low	5	Default		6	256 QAM	Outer_Full	Outer_Full	N/A
19	Low	5	Default		4	256 QAM	21@4	8@3	N/A
20	Low	5	Default		4	256 QAM	1@4	1@3	N/A
21	Low	10	15		12	QPSK	Edge_1RB_Left	N/A	N/A
22	Low	10	Highest		8	QPSK	N/A	Edge_1RB_Left	Edge_1RB_Left
23	Low	10	Default		8	QPSK	Outer_Full	Outer_Full	Outer_Full
24	Low	10	Default		6	QPSK	1@3	1@2	1@1
25	Low	10	Default		6	QPSK	43@9	19@5	8@2
26	Low	10	Default		4	QPSK	1@35	1@17	1@8
27	Low	10	Default		2	QPSK	17@35	5@19	3@8
28	Low	10	Default		5	QPSK	Edge_1RB_Right	Edge_1RB_Right	Edge_1RB_Right
29	Low	10	15		5	QPSK	1@40	N/A	N/A
30	Low	10	30		5	QPSK	N/A	1@20	N/A
31	Low	10	15		3	QPSK	8@44	N/A	N/A
32	Low	10	15		12	16 QAM	Edge_1RB_Left	N/A	N/A
33	Low	10	Highest		8	16 QAM	N/A	Edge_1RB_Left	Edge_1RB_Left
34	Low	10	Default		8	16 QAM	Outer_Full	Outer_Full	Outer_Full
35	Low	10	Default		6	16 QAM	1@3	1@2	1@1
36	Low	10	Default		6	16 QAM	43@9	19@5	8@2
37	Low	10	Default		4	16 QAM	1@35	1@17	1@8
38	Low	10	Default		2	16 QAM	17@35	5@19	3@8
39	Low	10	Default		5	16 QAM	Edge_1RB_Right	Edge_1RB_Right	Edge_1RB_Right
40	Low	10	15		5	16 QAM	1@40	N/A	N/A
41	Low	10	30		5	16 QAM	N/A	1@20	N/A
42	Low	10	15		3	16 QAM	8@44	N/A	N/A

43	Low	10	15		12	64 QAM	Edge_1RB_Left	N/A	N/A
44	Low	10	Highest		8	64 QAM	N/A	Edge_1RB_Left	Edge_1RB_Left
45	Low	10	Default		8	64 QAM	Outer_Full	Outer_Full	Outer_Full
46	Low	10	Default		6	64 QAM	1@3	1@2	1@1
47	Low	10	Default		6	64 QAM	43@9	19@5	8@2
48	Low	10	Default		4	64 QAM	1@35	1@17	1@8
49	Low	10	Default		2	64 QAM	17@35	5@19	3@8
50	Low	10	Default		5	64 QAM	Edge_1RB_Right	Edge_1RB_Right	Edge_1RB_Right
51	Low	10	15		5	64 QAM	1@40	N/A	N/A
52	Low	10	30		5	64 QAM	N/A	1@20	N/A
53	Low	10	15		3	64 QAM	8@44	N/A	N/A
54	Low	10	15		12	256 QAM	Edge_1RB_Left	N/A	N/A
55	Low	10	Highest		8	256 QAM	N/A	Edge_1RB_Left	Edge_1RB_Left
56	Low	10	Default		8	256 QAM	Outer_Full	Outer_Full	Outer_Full
57	Low	10	Default		6	256 QAM	1@3	1@2	1@1
58	Low	10	Default		6	256 QAM	43@9	19@5	8@2
59	Low	10	Default	4	256 QAM	1@35	1@17	1@8	
60	Low	10	Default	2	256 QAM	17@35	5@19	3@8	
61	Low	10	Default	5	256 QAM	Edge_1RB_Right	Edge_1RB_Right	Edge_1RB_Right	
62	Low	10	15	5	256 QAM	1@40	N/A	N/A	
63	Low	10	30	5	256 QAM	N/A	1@20	N/A	
64	Low	10	15	3	256 QAM	8@44	N/A	N/A	

NOTE 1: The specific configuration of each RB allocation is defined in Table 6.1-1 unless otherwise stated in this table.

Table 6.2D.3.4.1-13: Test Configuration table for NS_50

Initial Conditions									
Test Environment as specified in TS 38.508-1 [5] subclause 4.1						Normal			
Test Frequencies as specified in TS 38.508-1 [5] subclause 4.3.1						(See Freq column for test frequency, and configuration detail specified in Table 6.2.3.4.1-32a, Table 6.2.3.4.1-32a and Table 6.2.3.4.1-32c)			
Test Channel Bandwidths as specified in TS 38.508-1 [5] subclause 4.3.1						25 MHz, 30MHz, 40MHz			
Test SCS as specified in Table 5.3.5-1						Lowest, Highest			
A-MPR test parameters for NS_50 (Power Class 3)									
Test ID	F _c (MHz)	Ch BW (MHz)	SCS (kHz)	Downlink Configuration	Uplink Configuration				
					Modulation (Note 2)	RB allocation (Note 1)			
						SCS 15 kHz	SCS 30 kHz	SCS 60 kHz	
1	1897.5	25	Default	N/A	CP-OFDM	QPSK	Outer_Full (A7)		
2	1897.5	25	Default			QPSK	Edge_1RB_left (A8)		
3	1897.5	25	Default			QPSK	20@0 (A9)	10@0 (A9)	5@0 (A9)
4	1900	30	Default			QPSK	Outer_Full (A7)		
5	1900	30	Default			QPSK	Edge_1RB_left (A8)		
6	1900	30	Default			QPSK	20@0 (A9)	10@0 (A9)	5@0 (A9)

7	1900	40	Default			QPSK	Outer_Full (A1)		
8	1900	40	Default			QPSK	60@25 (A3)	30@13 (A3)	15@7 (A3)
9	1900	40	Default			QPSK	191@25 (A2)	93@13 (A2)	44@7 (A2)
10	1900	40	Default			QPSK	115@101 (A6)	55@51 (A6)	25@26 (A6)
11	1900	40	Default			QPSK	39@177 (A5)	17@89 (A5)	6@45 (A5)
12	1897.5	25	Default			256 QAM	Outer_Full (A7)		
13	1897.5	25	Default			256 QAM	Edge_1RB_left (A8)		
14	1897.5	25	Default			256 QAM	20@0 (A9)	10@0 (A9)	5@0 (A9)
15	1900	30	Default			256 QAM	Outer_Full (A7)		
16	1900	30	Default			256 QAM	Edge_1RB_left (A8)		
17	1900	30	Default			256 QAM	20@0 (A9)	10@0 (A9)	5@0 (A9)
18	Low	40	Default			256 QAM	Outer_Full (A1)		
19	Low	40	Default			256 QAM	60@25 (A3)	30@13 (A3)	15@7 (A3)
20	Low	40	Default			256 QAM	191@25 (A2)	93@13 (A2)	44@7 (A2)
21	Low	40	Default			256 QAM	115@101 (A6)	55@51 (A6)	25@26 (A6)
22	Low	40	Default			256 QAM	39@177 (A5)	17@89 (A5)	6@45 (A5)

NOTE 1: The specific configuration of each RB allocation is defined in Table 6.1-1 unless otherwise stated in this table.

Editor’s note: The following lines belong at the end of subclause 6.2D.3.4.1. As new tables are added to this section, these lines should always follow the tables

1. Connect the SS to the UE antenna connectors as shown in TS 38.508-1 [5] Annex A, Figure A.3.1.1.2 for TE diagram and section A.3.2 for UE diagram.
2. The parameter settings for the cell are set up according to TS 38.508-1 [5] subclause 4.4.3.
3. Downlink signals are initially set up according to Annex C.0, C.1, C.2 and uplink signals according Annex G.0, G.1, G.2 and G.3.0.
4. The UL Reference Measurement channels are set according to the applicable Table in clause 6.2D.3.4.1.
5. Propagation conditions are set according to Annex B.0.
6. Ensure the UE is in state RRC_CONNECTED with generic procedure parameters Connectivity *NR*, Connected without release *On*, Test Mode *On* and Test Loop Function *On* according to TS 38.508-1 [5] clause 4.5. Message contents are defined in clause 6.2D.3.4.3.

6.2D.3.4.2 Test procedure

1. SS sends uplink scheduling information for each UL HARQ process via PDCCH DCI format 0_1 for C_RNTI to schedule the UL RMC according to applicable table in clause 6.2D.3.4.1. Since the UE has no payload data to send, the UE transmits uplink MAC padding bits on the UL RMC. The PDCCH DCI format 0_1 is specified with the condition 2TX_UL_MIMO in 38.508-1 [5] subclause 4.3.6.1.1.2.
2. Send continuously uplink power control "up" commands in every uplink scheduling information to the UE. Allow at least 200ms starting from the first TPC command in this step for the UE to reach P_{UMAX} level.
3. Measure the sum of the mean power of the UE at each transmit antenna connector in the channel bandwidth of the radio access mode. The period of measurement shall be at least the continuous duration of 1ms over all active uplink slots and in the uplink symbols. For TDD slots only slots consisting of only UL symbols are under.
4. If UE supports ULFPTx, repeat test steps 1~3 with UL RMC according to relevant configuration tables. The PDCCH DCI format 0_1 is specified with the condition ULFPTx_Mode1, ULFPTx_Mode2 or ULFPTx_ModeFull in 38.508-1 [5] subclause 4.3.6.1.1.2 depending on UE reported capability. Message contents are according to TS 38.508-1 [5] clause 4.6.3 Table 4.6.3-118 with condition TRANSFORM_PRECODER_ENABLED.

6.2D.3.4.3 Message contents

Message contents are according to TS 38.508-1 [5] subclause 4.6.1 ensuring Table 4.6.3-182 with the condition 2TX_UL_MIMO, with the following exceptions for each network signalling value.

6.2D.3.4.3.1 Message contents exceptions for network signalling value "NS_04"

1. Information element additionalSpectrumEmission is set to NS_04. This can be set in the *SIB1* as part of the cell broadcast message. This exception indicates that the UE shall meet the additional spurious emission requirement for a specific deployment scenario.

Table 6.2D.3.4.3.1-1: AdditionalSpectrumEmission: Additional spurious emissions test requirement for "NS_04"

Derivation Path: TS 38.508-1 [5], Table 4.6.3-1			
Information Element	Value/remark	Comment	Condition
additionalSpectrumEmission	1 (NS_04)		

6.2D.3.4.3.2 Message contents exceptions for network signalling value "NS_35"

1. Information element additionalSpectrumEmission is set to NS_35. This can be set in the *SIB1* as part of the cell broadcast message. This exception indicates that the UE shall meet the additional spurious emission requirement for a specific deployment scenario.

Table 6.2D.3.4.3.2-1: AdditionalSpectrumEmission: Additional spurious emissions test requirement for "NS_35" and NR band n71

Derivation Path: TS 38.508-1 [5], Table 4.6.3-1			
Information Element	Value/remark	Comment	Condition
additionalSpectrumEmission	1 (NS_35)		

6.2D.3.4.3.3 Message contents exceptions for network signalling value "NS_05"

- Information element additionalSpectrumEmission is set to NS_05. This can be set in the *SIB1* as part of the cell broadcast message. This exception indicates that the UE shall meet the additional spurious emission requirement for a specific deployment scenario.

Table 6.2D.3.4.3.3-1: AdditionalSpectrumEmission: Additional spurious emissions test requirement for "NS_05"

Derivation Path: TS 38.508-1 [5], Table 4.6.3-1			
Information Element	Value/remark	Comment	Condition
additionalSpectrumEmission	2 (NS_05)		

6.2D.3.4.3.4 Message contents exceptions for network signalling value "NS_05U"

- Information element additionalSpectrumEmission is set to NS_05U. This can be set in the *SIB1* as part of the cell broadcast message. This exception indicates that the UE shall meet the additional spurious emission requirement for a specific deployment scenario.

Table 6.2D.3.4.3.4-1: AdditionalSpectrumEmission: Additional spurious emissions test requirement for "NS_05U"

Derivation Path: TS 38.508-1 [5], Table 4.6.3-1			
Information Element	Value/remark	Comment	Condition
additionalSpectrumEmission	3 (NS_05U)		

6.2D.3.4.3.5 Message contents exceptions for network signalling value "NS_48"

- Information element additionalSpectrumEmission is set to NS_48. This can be set in the *SIB1* as part of the cell broadcast message. This exception indicates that the UE shall meet the additional spurious emission requirement for a specific deployment scenario.

Table 6.2D.3.4.3.5-1: AdditionalSpectrumEmission: Additional spurious emissions test requirement for "NS_48"

Derivation Path: TS 38.508-1 [5], Table 4.6.3-1			
Information Element	Value/remark	Comment	Condition
additionalSpectrumEmission	4 (NS_48)		

6.2D.3.4.3.6 Message contents exceptions for network signalling value "NS_49"

- Information element additionalSpectrumEmission is set to NS_49. This can be set in the *SIB1* as part of the cell broadcast message. This exception indicates that the UE shall meet the additional spurious emission requirement for a specific deployment scenario.

Table 6.2D.3.4.3.6-1: AdditionalSpectrumEmission: Additional spurious emissions test requirement for "NS_49"

Derivation Path: TS 38.508-1 [5], Table 4.6.3-1			
Information Element	Value/remark	Comment	Condition
additionalSpectrumEmission	5 (NS_49)		

6.2D.3.4.3.7 Message contents exceptions for network signalling value "NS_100"

1. Information element additionalSpectrumEmission is set to NS_100. This can be set in the *SIB1* as part of the cell broadcast message. This exception indicates that the UE shall meet the additional spurious emission requirement for a specific deployment scenario.

Table 6.2D.3.4.3.7-1: AdditionalSpectrumEmission: Additional spurious emissions test requirement for "NS_100"

Derivation Path: TS 38.508-1 [5], Table 4.6.3-1			
Information Element	Value/remark	Comment	Condition
additionalSpectrumEmission	1 (NS_100)		not for band n65
	2 (NS_100)		for band n65

6.2D.3.4.3.8 Message contents exceptions for network signalling value "NS_03"

1. Information element additionalSpectrumEmission is set to NS_03. This can be set in the *SIB1* as part of the cell broadcast message. This exception indicates that the UE shall meet the additional spurious emission requirement for a specific deployment scenario.

Table 6.2D.3.4.3.8-1: AdditionalSpectrumEmission: Additional spurious emissions test requirement for "NS_03" and NR band n2, n25 and n66

Derivation Path: TS 38.508-1 [5], Table 4.6.3-1			
Information Element	Value/remark	Comment	Condition
additionalSpectrumEmission	2 (NS_03)		

Table 6.2D.3.4.3.8-2: AdditionalSpectrumEmission: Additional spurious emissions test requirement for "NS_03" and NR band n70

Derivation Path: TS 38.508-1 [5], Table 4.6.3-1			
Information Element	Value/remark	Comment	Condition
additionalSpectrumEmission	1 (NS_03)		

6.2D.3.4.3.9 Message contents exceptions for network signalling value "NS_03U"

1. Information element additionalSpectrumEmission is set to NS_03U. This can be set in the *SIB1* as part of the cell broadcast message. This exception indicates that the UE shall meet the additional spurious emission requirement for a specific deployment scenario.

Table 6.2D.3.4.3.9-1: AdditionalSpectrumEmission: Additional spurious emissions test requirement for "NS_03U"

Derivation Path: TS 38.508-1 [5], Table 4.6.3-1			
Information Element	Value/remark	Comment	Condition
additionalSpectrumEmission	3 (NS_03U)		for band n2, n25, n66

6.2D.3.4.3.10 Message contents exceptions for network signalling value "NS_46"

1. Information element additionalSpectrumEmission is set to NS_46. This can be set in the *SIB1* as part of the cell broadcast message. This exception indicates that the UE shall meet the additional spurious emission requirement for a specific deployment scenario.

Table 6.2D.3.4.3.10-1: AdditionalSpectrumEmission: Additional spurious emissions test requirement for "NS_46"

Derivation Path: TS 38.508-1 [5], Table 4.6.3-1			
Information Element	Value/remark	Comment	Condition
additionalSpectrumEmission	1 (NS_46)		for band n7

6.2D.3.4.3.11 Message contents exceptions for network signalling value "NS_21"

1. Information element `additionalSpectrumEmission` is set to `NS_21`. This can be set in the *SIB1* as part of the cell broadcast message. This exception indicates that the UE shall meet the additional spurious emission requirement for a specific deployment scenario.

Table 6.2D.3.4.3.11-1: *AdditionalSpectrumEmission*: Additional spurious emissions test requirement for "NS_21"

Derivation Path: TS 38.508-1 [5], Table 4.6.3-1			
Information Element	Value/remark	Comment	Condition
<code>additionalSpectrumEmission</code>	1 (NS_21)		

6.2D.3.4.3.12 Message contents exceptions for network signalling value "NS_44"

1. Information element `additionalSpectrumEmission` is set to `NS_44`. This can be set in the *SIB1* as part of the cell broadcast message. This exception indicates that the UE shall meet the additional spurious emission requirement for a specific deployment scenario.

Table 6.2D.3.4.3.12-1: *AdditionalSpectrumEmission*: Additional spurious emissions test requirement for "NS_44"

Derivation Path: TS 38.508-1 [5], Table 4.6.3-1			
Information Element	Value/remark	Comment	Condition
<code>additionalSpectrumEmission</code>	1 (NS_44)		

6.2D.3.4.3.13 Message contents exceptions for network signalling value "NS_27"

1. Information element `additionalSpectrumEmission` is set to `NS_27`. This can be set in the *SIB1* as part of the cell broadcast message. This exception indicates that the UE shall meet the additional spurious emission requirement for a specific deployment scenario.

Table 6.2D.3.4.3.13-1: *AdditionalSpectrumEmission*: Additional spurious emissions test requirement for "NS_27"

Derivation Path: TS 38.508-1 [5], Table 4.6.3-1			
Information Element	Value/remark	Comment	Condition
<code>additionalSpectrumEmission</code>	1 (NS_27)		

6.2D.3.4.3.14 Message contents exceptions for network signalling value "NS_56"

1. Information element `additionalSpectrumEmission` is set to `NS_56`. This can be set in the *SIB1* as part of the cell broadcast message. This exception indicates that the UE shall meet the additional spurious emission requirement for a specific deployment scenario.

Table 6.2D.3.4.3.14-1: *AdditionalSpectrumEmission*: Additional spurious emissions test requirement for "NS_56"

Derivation Path: TS 38.508-1 [5], Table 4.6.3-1			
Information Element	Value/remark	Comment	Condition
<code>additionalSpectrumEmission</code>	1 (NS_56)		

6.2D.3.4.3.15 Message contents exceptions for network signalling value "NS_50"

1. Information element `additionalSpectrumEmission` is set to `NS_50`. This can be set in the *SIB1* as part of the cell broadcast message. This exception indicates that the UE shall meet the additional spurious emission requirement for a specific deployment scenario.

Table 6.2D.3.4.3.15-1: *AdditionalSpectrumEmission*: Additional spurious emissions test requirement for "NS_50"

Derivation Path: TS 38.508-1 [5], Table 4.6.3-1			
---	--	--	--

Information Element	Value/remark	Comment	Condition
additionalSpectrumEmission	1 (NS_50)		

6.2D.3.5 Test requirement

The maximum output power, derived in step 3 shall be within the range prescribed by the nominal maximum output power and tolerance in the applicable table from table 6.2D.3.5-1 to table 6.2D.3.5-14. The allowed A-MPR values specified in table 6.2.3.3.1-1 are in addition to the allowed MPR requirements specified in clause 6.2.2.3. For the UE maximum output power modified by MPR and/or A-MPR, the power limits specified in table 6.2D.1.3-1 apply.

Table 6.2D.3.5-0: Test Tolerance (UE additional maximum output power reduction)

	$f \leq 3.0\text{GHz}$	$3.0\text{GHz} < f \leq 6.0\text{GHz}$
$\text{BW} \leq 40\text{MHz}$	0.7	1.0
$40\text{MHz} < \text{BW} \leq 100\text{MHz}$	1.0	1.0

Table 6.2D.3.5-1: UE Power Class 2 test requirements (NS_04) for band n41

Test ID	$P_{\text{PowerClass}}$ (dBm)	MPR (dB)	A-MPR (dB)	$\Delta T_{C,c}$ (dB)	$P_{\text{CMAX},c}$ (dBm)	$T(P_{\text{CMAX},L,c})$ (dB)	$T_{L,c}$ (dB)	Upper limit (dBm)	Lower limit (Note 2) (dBm)
1	26	4	7.5	1.5 ²	17	5	3	28+TT	12.0-TT
2	26	4	6.5	0	19.5	5	3	28+TT	14.5-TT
3	26	4	0	0	22	5	3	28+TT	17.0-TT
4	26	3.5	6.5	0	19.5	5	3	28+TT	14.5-TT
5	26	4	0	1.5 ²	20.5	6	3	28+TT	14.5-TT
6	26	3.5	0	0	22.5	5	3	28+TT	17.5-TT
7	26	4	7.5	1.5 ²	17	5	3	28+TT	12.0-TT
8	26	4	6.5	0	19.5	5	3	28+TT	14.5-TT
9	26	4	0	0	22	5	3	28+TT	17.0-TT
10	26	3.5	6.5	0	19.5	5	3	28+TT	14.5-TT
11	26	4	0	1.5 ²	20.5	6	3	28+TT	14.5-TT
12	26	3.5	0	0	22.5	5	3	28+TT	17.5-TT
13	26	4.5	7.5	1.5 ²	17	5	3	28+TT	12.0-TT
14	26	4.5	6.5	0	19.5	5	3	28+TT	14.5-TT
15	26	4.5	0	0	21.5	5	3	28+TT	16.5-TT
16	26	4.5	6.5	0	19.5	5	3	28+TT	14.5-TT
17	26	4.5	0	1.5 ²	20	6	3	28+TT	14.0-TT
18	26	4.5	0	0	21.5	5	3	28+TT	16.5-TT
19	26	8	10	1.5 ²	14.5	6	3	28+TT	8.5-TT
20	26	8	7.5	0	18	5	3	28+TT	13.0-TT
21	26	8	0	0	18	5	3	28+TT	13.0-TT
22	26	8	7.5	0	18	5	3	28+TT	13.0-TT
23	26	8	0	1.5 ²	16.5	5	3	28+TT	11.5-TT
24	26	8	0	0	18	5	3	28+TT	13.0-TT

NOTE 1: $P_{\text{PowerClass}}$ is the maximum UE power specified without taking into account the tolerance.

NOTE 2: For Band n41, refers to the transmission bandwidths confined within $F_{\text{UL,low}}$ and $F_{\text{UL,low}} + 4$ MHz or $F_{\text{UL,high}} - 4$ MHz and $F_{\text{UL,high}}$, the lower limit shall be decreased by 1.5 dB.

NOTE 3: TT=0.7 for $\text{BW}_{\text{channel}} \leq 40$ MHz; TT=1.0 for 40 MHz $< \text{BW}_{\text{channel}} \leq 100$ MHz.

Table 6.2D.3.5-1a: UE Power Class 2 test requirements (NS_04) for band n41 with supporting ULFP Tx

Test ID	P _{PowerClass} (dBm)	MPR (dB)	A-MPR (dB)	ΔT _{C,c} (dB)	P _{C_{MAX,c}} (dBm)	T(P _{C_{MAX,L,c}}) (dB)	T _{L,c} (dB)	Upper limit (dBm)	Lower limit (Note 2) (dBm)
7	26	3.5	5.5	1.5 ²	19	5	3	28+TT	14.-TT
8	26	3.5	3.5	0	22.5	5	3	28+TT	17.5-TT
9	26	3.5	0	0	22.5	5	3	28+TT	17.5-TT
10	26	1	3.5	0	22.5	5	3	28+TT	17.5-TT
11	26	3.5	0	1.5 ²	21	5	3	28+TT	16.-TT
12	26	1	0	0	25	3	3	28+TT	22.-TT
13	26	3.5	6	1.5 ²	18.5	5	3	28+TT	13.5-TT
14	26	3.5	4.5	0	21.5	5	3	28+TT	16.5-TT
15	26	3.5	0	0	22.5	5	3	28+TT	17.5-TT
16	26	2	4.5	0	21.5	5	3	28+TT	16.5-TT
17	26	3.5	0	1.5 ²	21	5	3	28+TT	16.-TT
18	26	2	0	0	24	3	3	28+TT	21.-TT
19	26	3.5	6	1.5 ²	18.5	5	3	28+TT	13.5-TT
20	26	3.5	5	0	21	5	3	28+TT	16.-TT
21	26	3.5	0	0	22.5	5	3	28+TT	17.5-TT
22	26	2.5	5	0	21	5	3	28+TT	16.-TT
23	26	3.5	0	1.5 ²	21	5	3	28+TT	16.-TT
24	26	2.5	0	0	23.5	3	3	28+TT	20.5-TT
25	26	3.5	6.5	1.5 ²	18	5	3	28+TT	13.-TT
26	26	3.5	5	0	21	5	3	28+TT	16.-TT
27	26	3.5	0	0	22.5	5	3	28+TT	17.5-TT
28	26	3	5	0	21	5	3	28+TT	16.-TT
29	26	3.5	0	1.5 ²	21	5	3	28+TT	16.-TT
30	26	3	0	0	23	3	3	28+TT	20.-TT
31	26	5.5	8	1.5 ²	16.5	5	3	28+TT	11.5-TT
32	26	5.5	6.5	0	19.5	5	3	28+TT	14.5-TT
33	26	5.5	0	0	20.5	6	3	28+TT	14.5-TT
34	26	5.5	6.5	0	19.5	5	3	28+TT	14.5-TT
35	26	5.5	0	1.5 ²	19	5	3	28+TT	14.-TT
36	26	5.5	0	0	20.5	6	3	28+TT	14.5-TT
37	26	4	7.5	1.5 ²	17	5	3	28+TT	12.-TT
38	26	4	6.5	0	19.5	5	3	28+TT	14.5-TT
39	26	4	0	0	22	5	3	28+TT	17.-TT
40	26	3.5	6.5	0	19.5	5	3	28+TT	14.5-TT
41	26	4	0	1.5 ²	20.5	6	3	28+TT	14.5-TT
42	26	3.5	0	0	22.5	5	3	28+TT	17.5-TT
43	26	4	7.5	1.5 ²	17	5	3	28+TT	12.-TT
44	26	4	6.5	0	19.5	5	3	28+TT	14.5-TT
45	26	4	0	0	22	5	3	28+TT	17.-TT
46	26	3.5	6.5	0	19.5	5	3	28+TT	14.5-TT
47	26	4	0	1.5 ²	20.5	6	3	28+TT	14.5-TT
48	26	3.5	0	0	22.5	5	3	28+TT	17.5-TT
49	26	4.5	7.5	1.5 ²	17	5	3	28+TT	12.-TT
50	26	4.5	6.5	0	19.5	5	3	28+TT	14.5-TT
51	26	4.5	0	0	21.5	5	3	28+TT	16.5-TT
52	26	4.5	6.5	0	19.5	5	3	28+TT	14.5-TT
53	26	4.5	0	1.5 ²	20	6	3	28+TT	14.-TT
54	26	4.5	0	0	21.5	5	3	28+TT	16.5-TT
55	26	8	10	1.5 ²	14.5	6	3	28+TT	8.5-TT
56	26	8	7.5	0	18	5	3	28+TT	13.-TT
57	26	8	0	0	18	5	3	28+TT	13.-TT
58	26	8	7.5	0	18	5	3	28+TT	13.-TT
59	26	8	0	1.5 ²	16.5	5	3	28+TT	11.5-TT
60	26	8	0	0	18	5	3	28+TT	13.-TT

NOTE 1: P_{PowerClass} is the maximum UE power specified without taking into account the tolerance.
 NOTE 2: For Band n41, refers to the transmission bandwidths confined within F_{UL_low} and F_{UL_low} + 4 MHz or F_{UL_high} - 4 MHz and F_{UL_high}, the lower limit shall be decreased by 1.5 dB.
 NOTE 3: TT=0.7 for BW_{channel} ≤ 40 MHz; TT=1.0 for 40 MHz < BW_{channel} ≤ 100 MHz.

Table 6.2D.3.5-2: UE Power Class 3 test requirements (NS_04) for band n41

Test ID	P _{PowerClass} (dBm)	MPR (dB)	A-MPR (dB)	ΔT _{C,c} (dB)	P _{C_{MAX,c}} (dBm)	T(P _{C_{MAX,L,c}}) (dB)	T _{L,c} (dB)	Upper limit (dBm)	Lower limit (Note 2) (dBm)
1	23	3	5.5	1.5 ²	16	5	3	25+TT	11.0-TT
2	23	3	5.5	0	17.5	5	3	25+TT	12.5-TT
3	23	3	0	0	20	6	3	25+TT	14.0-TT
4	23	3	5.5	0	17.5	5	3	25+TT	12.5-TT
5	23	3	0	1.5 ²	18.5	5	3	25+TT	13.5-TT
6	23	3	0	0	20	6	3	25+TT	14.0-TT
7	23	3	5.5	1.5 ²	16	5	3	25+TT	11.0-TT
8	23	3	5.5	0	17.5	5	3	25+TT	12.5-TT
9	23	3	0	0	20	6	3	25+TT	14.0-TT
10	23	3	5.5	0	17.5	5	3	25+TT	12.5-TT
11	23	3	0	1.5 ²	18.5	5	3	25+TT	13.5-TT
12	23	3	0	0	20	6	3	25+TT	14.0-TT
13	23	3.5	5.5	1.5 ²	16	5	3	25+TT	11.0-TT
14	23	3.5	5.5	0	17.5	5	3	25+TT	12.5-TT
15	23	3.5	0	0	19.5	5	3	25+TT	14.5-TT
16	23	3.5	5.5	0	17.5	5	3	25+TT	12.5-TT
17	23	3.5	0	1.5 ²	18	5	3	25+TT	13.0-TT
18	23	3.5	0	0	19.5	5	3	25+TT	14.5-TT
19	23	6.5	8	1.5 ²	13.5	6	3	25+TT	7.5-TT
20	23	6.5	6.5	0	16.5	5	3	25+TT	11.5-TT
21	23	6.5	0	0	16.5	5	3	25+TT	11.5-TT
22	23	6.5	6.5	0	16.5	5	3	25+TT	11.5-TT
23	23	6.5	0	1.5 ²	15	6	3	25+TT	9.0-TT
24	23	6.5	0	0	16.5	5	3	25+TT	11.5-TT

NOTE 1: P_{PowerClass} is the maximum UE power specified without taking into account the tolerance.
 NOTE 2: For Band n41, refers to the transmission bandwidths confined within F_{UL,low} and F_{UL,low} + 4 MHz or F_{UL,high} - 4 MHz and F_{UL,high}, the lower limit shall be decreased by 1.5 dB.
 NOTE 3: TT=0.7 for BW_{channel} ≤ 40 MHz; TT=1.0 for 40 MHz < BW_{channel} ≤ 100 MHz.

Table 6.2D.3.5-2a: UE Power Class 3 test requirements (NS_04) for band n41 with supporting ULFPTx

Test ID	P _{PowerClass} (dBm)	ΔP _{PowerClass} (dB)	MPR (dB)	A-MPR (dB)	ΔT _{C,c} (dB)	P _{C_{MAX,c}} (dBm)	T(P _{C_{MAX,L,c}}) (dB)	T _{L,c} (dB)	Upper limit (dBm)	Lower limit (Note 2) (dBm)
1	23	-3	3.5	5.5	1.5 ²	19	5	3	28+TT	14-TT
2	23	-3	3.5	3.5	0	22.5	5	3	28+TT	17.5-TT
3	23	-3	3.5	0	0	22.5	5	3	28+TT	17.5-TT
4	23	-3	1.2	3.5	0	22.5	5	3	28+TT	17.5-TT
5	23	-3	3.5	0	1.5 ²	21	5	3	28+TT	16.-TT
6	23	-3	1.2	0	0	24.8	3	3	28+TT	21.8-TT
7	23	0	0.5	3.5	1.5 ²	18	5	3	25+TT	13.-TT
8	23	0	0.5	3.5	0	19.5	5	3	25+TT	14.5-TT
9	23	0	0.5	0	0	22.5	5	3	25+TT	17.5-TT
10	23	0	0.5	3.5	0	19.5	5	3	25+TT	14.5-TT
11	23	0	0.5	0	1.5 ²	21	5	3	25+TT	16.-TT
12	23	0	0.5	0	0	22.5	5	3	25+TT	17.5-TT
13	23	0	1	4	1.5 ²	17.5	5	3	25+TT	12.5-TT
14	23	0	1	4	0	19	5	3	25+TT	14.-TT
15	23	0	1	0	0	22	5	3	25+TT	17.-TT
16	23	0	1	4	0	19	5	3	25+TT	14.-TT
17	23	0	1	0	1.5 ²	20.5	6	3	25+TT	14.5-TT
18	23	0	1	0	0	22	5	3	25+TT	17.-TT
19	23	0	2	4	1.5 ²	17.5	5	3	25+TT	12.5-TT
20	23	0	2	4	0	19	5	3	25+TT	14.-TT
21	23	0	2	0	0	21	5	3	25+TT	16.-TT
22	23	0	2	4	0	19	5	3	25+TT	14.-TT
23	23	0	2	0	1.5 ²	19.5	5	3	25+TT	14.5-TT
24	23	0	2	0	0	21	5	3	25+TT	16.-TT
25	23	0	2.5	4.5	1.5 ²	17	5	3	25+TT	12.-TT
26	23	0	2.5	4	0	19	5	3	25+TT	14.-TT
27	23	0	2.5	0	0	20.5	6	3	25+TT	14.5-TT

28	23	0	2.5	4	0	19	5	3	25+TT	14.-TT
29	23	0	2.5	0	1.5 ²	19	5	3	25+TT	14.-TT
30	23	0	2.5	0	0	20.5	6	3	25+TT	14.5-TT
31	23	0	4.5	6	1.5 ²	15.5	6	3	25+TT	9.5-TT
32	23	0	4.5	4.5	0	18.5	5	3	25+TT	13.5-TT
33	23	0	4.5	0	0	18.5	5	3	25+TT	13.5-TT
34	23	0	4.5	4.5	0	18.5	5	3	25+TT	13.5-TT
35	23	0	4.5	0	1.5 ²	17	5	3	25+TT	12.-TT
36	23	0	4.5	0	0	18.5	5	3	25+TT	13.5-TT
37	23	0	3	5.5	1.5 ²	16	5	3	25+TT	11.-TT
38	23	0	3	5.5	0	17.5	5	3	25+TT	12.5-TT
39	23	0	3	0	0	20	6	3	25+TT	14.-TT
40	23	0	3	5.5	0	17.5	5	3	25+TT	12.5-TT
41	23	0	3	0	1.5 ²	18.5	5	3	25+TT	13.5-TT
42	23	0	3	0	0	20	6	3	25+TT	14.-TT
43	23	0	3	5.5	1.5 ²	16	5	3	25+TT	11.-TT
44	23	0	3	5.5	0	17.5	5	3	25+TT	12.5-TT
45	23	0	3	0	0	20	6	3	25+TT	14.-TT
46	23	0	3	5.5	0	17.5	5	3	25+TT	12.5-TT
47	23	0	3	0	1.5 ²	18.5	5	3	25+TT	13.5-TT
48	23	0	3	0	0	20	6	3	25+TT	14.-TT
49	23	0	3.5	5.5	1.5 ²	16	5	3	25+TT	11.-TT
50	23	0	3.5	5.5	0	17.5	5	3	25+TT	12.5-TT
51	23	0	3.5	0	0	19.5	5	3	25+TT	14.5-TT
52	23	0	3.5	5.5	0	17.5	5	3	25+TT	12.5-TT
53	23	0	3.5	0	1.5 ²	18	5	3	25+TT	13.-TT
54	23	0	3.5	0	0	19.5	5	3	25+TT	14.5-TT
55	23	0	6.5	8	1.5 ²	13.5	6	3	25+TT	7.5-TT
56	23	0	6.5	6.5	0	16.5	5	3	25+TT	11.5-TT
57	23	0	6.5	0	0	16.5	5	3	25+TT	11.5-TT
58	23	0	6.5	6.5	0	16.5	5	3	25+TT	11.5-TT
59	23	0	6.5	0	1.5 ²	15	6	3	25+TT	9.-TT
60	23	0	6.5	0	0	16.5	5	3	25+TT	11.5-TT

NOTE 1: P_{PowerClass} is the maximum UE power specified without taking into account the tolerance.

NOTE 2: For Band n41, refers to the transmission bandwidths confined within F_{UL_low} and F_{UL_low} + 4 MHz or F_{UL_high} – 4 MHz and F_{UL_high}, the lower limit shall be decreased by 1.5 dB.

NOTE 3: TT=0.7 dB for BW_{channel} ≤ 40 MHz; TT=1.0 dB for 40 MHz < BW_{channel} ≤ 100 MHz.

Table 6.2D.3.5-3: UE Power Class 3 test requirements (NS_35) for band n71

Test ID	P _{PowerClass} (dBm)	MPR (dB)	A-MPR (dB)	ΔT _{C,c} (dB)	P _{C_{MAX,c}} (dBm)	T(P _{C_{MAX,L,c}}) (dB)	T _{L,c} (dB)	Upper limit (dBm)	Lower limit (dBm)
1	23	3	0	0	20	6	3	25+TT	14.0 - TT
2	23	3	0	0	20	6	3	25+TT	14.0 - TT
3	23	3	0	0	20	6	3	25+TT	14.0 - TT
4	23	3	0	0	20	6	3	25+TT	14.0 - TT
5	23	3	0	0	20	6	3	25+TT	14.0 - TT
6	23	3	0	0	20	6	3	25+TT	14.0 - TT
7	23	3.5	0	0	19.5	5	3	25+TT	14.5 - TT
8	23	3.5	0	0	19.5	5	3	25+TT	14.5 - TT
9	23	3.5	0	0	19.5	5	3	25+TT	14.5 - TT
10	23	6.5	0	0	16.5	5	3	25+TT	11.5 - TT
11	23	6.5	0	0	16.5	5	3	25+TT	11.5 - TT
12	23	6.5	0	0	16.5	5	3	25+TT	11.5 - TT

NOTE 1: P_{PowerClass} is the maximum UE power specified without taking into account the tolerance.

NOTE 2: TT for each frequency and channel bandwidth is specified in Table 6.2D.3.5-0.

Table 6.2D.3.5-4: UE Power Class 3 test requirements (NS_05) for band n1

Test ID	P _{PowerClass} (dBm)	ΔP _{PowerClass} (dB)	MPR (dB)	A-MPR (dB)	ΔT _{C,c} (dB)	P _{C_{MAX,L,c}} (dBm)	T(P _{C_{MAX,L,c}}) (dB)	T _{L,c} (dB)	Upper limit (dBm)	Lower limit (dBm)
1	23	0	3.0	7.5	0	15.5	6	3	25+TT	9.5-TT
2	23	0	3.0	10	0	13	6	3	25+TT	7-TT
3	23	0	3.0	6	0	17	5	3	25+TT	12-TT

4	23	0	3.0	5	0	18	5	3	25+TT	13-TT
5	23	0	3.0	3.5	0	19.5	5	3	25+TT	14.5-TT
6	23	0	3.0	10	0	13	6	3	25+TT	7-TT
7	23	0	3.0	6	0	17	5	3	25+TT	12-TT
8	23	0	3.0	5	0	18	5	3	25+TT	13-TT
9	23	0	3.0	10	0	13	6	3	25+TT	7-TT
10	23	0	3.0	5	0	18	5	3	25+TT	13-TT
11	23	0	3.0	3.5	0	19.5	5	3	25+TT	14.5-TT
12	23	0	3.0	10	0	13	6	3	25+TT	7-TT
13	23	0	3.0	6	0	17	5	3	25+TT	12-TT
14	23	0	3.0	5	0	18	5	3	25+TT	13-TT
15	23	0	3.0	3.5	0	19.5	5	3	25+TT	14.5-TT
16	23	0	3.0	7.5	0	15.5	6	3	25+TT	9.5-TT
17	23	0	3.0	10	0	13	6	3	25+TT	7-TT
18	23	0	3.0	6	0	17	5	3	25+TT	12-TT
19	23	0	3.0	5	0	18	5	3	25+TT	13-TT
20	23	0	3.0	3.5	0	19.5	5	3	25+TT	14.5-TT
21	23	0	3.0	10	0	13	6	3	25+TT	7-TT
22	23	0	3.0	6	0	17	5	3	25+TT	12-TT
23	23	0	3.0	5	0	18	5	3	25+TT	13-TT
24	23	0	3.0	10	0	13	6	3	25+TT	7-TT
25	23	0	3.0	5	0	18	5	3	25+TT	13-TT
26	23	0	3.0	3.5	0	19.5	5	3	25+TT	14.5-TT
27	23	0	3.0	10	0	13	6	3	25+TT	7-TT
28	23	0	3.0	6	0	17	5	3	25+TT	12-TT
29	23	0	3.0	5	0	18	5	3	25+TT	13-TT
30	23	0	3.0	3.5	0	19.5	5	3	25+TT	14.5-TT
31	23	0	3.5	8	0	15	6	3	25+TT	9-TT
32	23	0	3.5	11	0	12	6	3	25+TT	6-TT
33	23	0	3.5	6	0	17	5	3	25+TT	12-TT
34	23	0	3.5	5	0	18	5	3	25+TT	13-TT
35	23	0	3.5	11	0	12	6	3	25+TT	6-TT
36	23	0	3.5	6	0	17	5	3	25+TT	12-TT
37	23	0	3.5	5	0	18	5	3	25+TT	13-TT
38	23	0	3.5	11	0	12	6	3	25+TT	6-TT
39	23	0	3.5	5	0	18	5	3	25+TT	13-TT
40	23	0	3.5	11	0	12	6	3	25+TT	6-TT
41	23	0	3.5	6	0	17	5	3	25+TT	12-TT
42	23	0	3.5	5	0	18	5	3	25+TT	13-TT
43	23	0	6.5	10	0	13	6	3	25+TT	7-TT
44	23	0	6.5	13	0	10	7	3	25+TT	3-TT
45	23	0	6.5	6	0	16.5	5	3	25+TT	11.5-TT
46	23	0	6.5	13	0	10	7	3	25+TT	3-TT
47	23	0	6.5	6	0	16.5	5	3	25+TT	11.5-TT
48	23	0	6.5	13	0	10	7	3	25+TT	3-TT
49	23	0	6.5	13	0	10	7	3	25+TT	3-TT
50	23	0	6.5	6	0	16.5	5	3	25+TT	11.5-TT

NOTE 1: $P_{PowerClass}$ is the maximum UE power specified without taking into account the tolerance.

NOTE 2: TT for each frequency and channel bandwidth is specified in Table 6.2D.3.5-0.

Table 6.2D.3.5-5: UE Power Class 3 test requirements (NS_05U) for band n1

Test ID	$P_{PowerClass}$ (dBm)	$\Delta P_{PowerClass}$ (dB)	MPR (dB)	A-MPR (dB)	$\Delta T_{C,c}$ (dB)	$P_{CMAX,L,c}$ (dBm)	$T(P_{CMAX,L,c})$ (dB)	$T_{L,c}$ (dB)	Upper limit (dBm)	Lower limit (dBm)
1	23	0	3.0	7.5	0	15.5	6	3	25+TT	9.5-TT
2	23	0	3.0	10	0	13	6	3	25+TT	7-TT
3	23	0	3.0	6	0	17	5	3	25+TT	12-TT
4	23	0	3.0	5	0	18	5	3	25+TT	13-TT
5	23	0	3.0	4	0	19	5	3	25+TT	14-TT
6	23	0	3.0	10	0	13	6	3	25+TT	7-TT
7	23	0	3.0	6	0	17	5	3	25+TT	12-TT
8	23	0	3.0	5	0	18	5	3	25+TT	13-TT
9	23	0	3.0	10	0	13	6	3	25+TT	7-TT
10	23	0	3.0	5	0	18	5	3	25+TT	13-TT

11	23	0	3.0	4	0	19	5	3	25+TT	14-TT
12	23	0	3.0	10	0	13	6	3	25+TT	7-TT
13	23	0	3.0	6	0	17	5	3	25+TT	12-TT
14	23	0	3.0	5	0	18	5	3	25+TT	13-TT
15	23	0	3.0	4	0	19	5	3	25+TT	14-TT
16	23	0	3.0	7.5	0	15.5	6	3	25+TT	9.5-TT
17	23	0	3.0	10	0	13	6	3	25+TT	7-TT
18	23	0	3.0	6	0	17	5	3	25+TT	12-TT
19	23	0	3.0	5	0	18	5	3	25+TT	13-TT
20	23	0	3.0	4	0	19	5	3	25+TT	14-TT
21	23	0	3.0	10	0	13	6	3	25+TT	7-TT
22	23	0	3.0	6	0	17	5	3	25+TT	12-TT
23	23	0	3.0	5	0	18	5	3	25+TT	13-TT
24	23	0	3.0	10	0	13	6	3	25+TT	7-TT
25	23	0	3.0	5	0	18	5	3	25+TT	13-TT
26	23	0	3.0	4	0	19	5	3	25+TT	14-TT
27	23	0	3.0	10	0	13	6	3	25+TT	7-TT
28	23	0	3.0	6	0	17	5	3	25+TT	12-TT
29	23	0	3.0	5	0	18	5	3	25+TT	13-TT
30	23	0	3.0	4	0	19	5	3	25+TT	14-TT
31	23	0	3.5	8	0	15	6	3	25+TT	9-TT
32	23	0	3.5	11	0	12	6	3	25+TT	6-TT
33	23	0	3.5	6	0	17	5	3	25+TT	12-TT
34	23	0	3.5	5	0	18	5	3	25+TT	13-TT
35	23	0	3.5	4	0	19	5	3	25+TT	14-TT
36	23	0	3.5	11	0	12	6	3	25+TT	6-TT
37	23	0	3.5	6	0	17	5	3	25+TT	12-TT
38	23	0	3.5	5	0	18	5	3	25+TT	13-TT
39	23	0	3.5	11	0	12	6	3	25+TT	6-TT
40	23	0	3.5	5	0	18	5	3	25+TT	13-TT
41	23	0	3.5	4	0	19	5	3	25+TT	14-TT
42	23	0	3.5	11	0	12	6	3	25+TT	6-TT
43	23	0	3.5	6	0	17	5	3	25+TT	12-TT
44	23	0	3.5	5	0	18	5	3	25+TT	13-TT
45	23	0	3.5	4	0	19	5	3	25+TT	14-TT
46	23	0	6.5	10	0	13	6	3	25+TT	7-TT
47	23	0	6.5	13	0	10	7	3	25+TT	3-TT
48	23	0	6.5	6.5	0	16.5	5	3	25+TT	11.5-TT
49	23	0	6.5	6.5	0	16.5	5	3	25+TT	11.5-TT
50	23	0	6.5	13	0	10	7	3	25+TT	3-TT
51	23	0	6.5	6.5	0	16.5	5	3	25+TT	11.5-TT
52	23	0	6.5	13	0	10	7	3	25+TT	3-TT
53	23	0	6.5	6.5	0	16.5	5	3	25+TT	11.5-TT
54	23	0	6.5	13	0	10	7	3	25+TT	3-TT
55	23	0	6.5	6.5	0	16.5	5	3	25+TT	11.5-TT
56	23	0	6.5	6.5	0	16.5	5	3	25+TT	11.5-TT

NOTE 1: $P_{\text{PowerClass}}$ is the maximum UE power specified without taking into account the tolerance.

NOTE 2: TT for each frequency and channel bandwidth is specified in Table 6.2D.3.5-0.

Table 6.2D.3.5-6: UE Power Class 3 test requirements (NS_48) for band n1

Test ID	$P_{\text{PowerClass}}$ (dBm)	$\Delta P_{\text{PowerClass}}$ (dB)	MPR (dB)	A-MPR (dB)	$\Delta T_{C,c}$ (dB)	$P_{\text{CMAX}_L,c}$ (dBm)	$T(P_{\text{CMAX}_L,c})$ (dB)	$T_{L,c}$ (dB)	Upper limit (dBm)	Lower limit (dBm)
1	23	0	3	4.5	0	18.5	5	3	25+TT	13.5-TT
2	23	0	3	4.5	0	18.5	5	3	25+TT	13.5-TT
3	23	0	3	4.5	0	18.5	5	3	25+TT	13.5-TT
4	23	0	3	5	0	18	5	3	25+TT	13-TT
5	23	0	3	7	0	16	5	3	25+TT	11-TT
6	23	0	3	4.5	0	18.5	5	3	25+TT	13.5-TT
7	23	0	3	5.5	0	17.5	5	3	25+TT	12.5-TT
8	23	0	3	7	0	16	5	3	25+TT	11-TT
9	23	0	1.5	4.5	0	18.5	5	3	25+TT	13.5-TT
10	23	0	3	11	0	12	6	3	25+TT	6-TT
11	23	0	3	7	0	16	5	3	25+TT	11-TT

12	23	0	3	5.5	0	17.5	5	3	25+TT	12.5-TT
13	23	0	3	7	0	16	5	3	25+TT	11-TT
14	23	0	1.5	5	0	18	5	3	25+TT	13-TT
15	23	0	3	11	0	12	6	3	25+TT	6-TT
16	23	0	6.5	4.5	0	16.5	5	3	25+TT	11.5-TT
17	23	0	6.5	4.5	0	16.5	5	3	25+TT	11.5-TT
18	23	0	6.5	4.5	0	16.5	5	3	25+TT	11.5-TT
19	23	0	6.5	5	0	16.5	5	3	25+TT	11.5-TT
20	23	0	6.5	7	0	16	5	3	25+TT	11-TT
21	23	0	6.5	4.5	0	16.5	5	3	25+TT	11.5-TT
22	23	0	6.5	5.5	0	16.5	5	3	25+TT	11.5-TT
23	23	0	6.5	7	0	16	5	3	25+TT	11-TT
24	23	0	6.5	4.5	0	16.5	5	3	25+TT	11.5-TT
25	23	0	6.5	11	0	12	6	3	25+TT	6-TT
26	23	0	6.5	7	0	16	5	3	25+TT	11-TT
27	23	0	6.5	5.5	0	16.5	5	3	25+TT	11.5-TT
28	23	0	6.5	7	0	16	5	3	25+TT	11-TT
29	23	0	6.5	5	0	16.5	5	3	25+TT	11.5-TT
30	23	0	6.5	11	0	12	6	3	25+TT	6-TT

NOTE 1: P_{PowerClass} is the maximum UE power specified without taking into account the tolerance.

NOTE 2: TT for each frequency and channel bandwidth is specified in Table 6.2D.3.5-0.

Table 6.2D.3.5-7: UE Power Class 3 test requirements (NS_49) for band n1

Test ID	P _{PowerClass} (dBm)	ΔP _{PowerClass} (dB)	MPR (dB)	A-MPR (dB)	ΔT _{C,c} (dB)	P _{C_{MAX}L,c} (dBm)	T(P _{C_{MAX}L,c}) (dB)	T _{L,c} (dB)	Upper limit (dBm)	Lower limit (dBm)
1	23	0	3	4.5	0	18.5	5	3	25+TT	13.5-TT
2	23	0	3	4.5	0	18.5	5	3	25+TT	13.5-TT
3	23	0	3	4.5	0	18.5	5	3	25+TT	13.5-TT
4	23	0	3	11	0	12	6	3	25+TT	6-TT
5	23	0	3	5	0	18	5	3	25+TT	13-TT
6	23	0	3	4.5	0	18.5	5	3	25+TT	13.5-TT
7	23	0	3	5.5	0	17.5	5	3	25+TT	12.5-TT
8	23	0	3	7	0	16	5	3	25+TT	11-TT
9	23	0	3	5	0	18	5	3	25+TT	13-TT
10	23	0	3	11	0	12	6	3	25+TT	6-TT
11	23	0	1.5	5	0	18	5	3	25+TT	13-TT
12	23	0	3	5.5	0	17.5	5	3	25+TT	12.5-TT
13	23	0	3	7	0	16	5	3	25+TT	11-TT
14	23	0	1.5	5	0	18	5	3	25+TT	13-TT
15	23	0	3	11	0	12	6	3	25+TT	6-TT
16	23	0	3	11	0	12	6	3	25+TT	6-TT
17	23	0	1.5	5	0	18	5	3	25+TT	13-TT
18	23	0	1.5	5	0	18	5	3	25+TT	13-TT
19	23	0	3	7	0	16	5	3	25+TT	11-TT
20	23	0	3	11	0	12	6	3	25+TT	6-TT
21	23	0	3	11	0	12	6	3	25+TT	6-TT
22	23	0	6.5	4.5	0	16.5	5	3	25+TT	11.5-TT
23	23	0	6.5	4.5	0	16.5	5	3	25+TT	11.5-TT
24	23	0	6.5	4.5	0	16.5	5	3	25+TT	11.5-TT
25	23	0	6.5	11	0	12	6	3	25+TT	6-TT
26	23	0	6.5	5	0	16.5	5	3	25+TT	11.5-TT
27	23	0	6.5	4.5	0	16.5	5	3	25+TT	11.5-TT
28	23	0	6.5	5.5	0	16.5	5	3	25+TT	11.5-TT
29	23	0	6.5	7	0	16	5	3	25+TT	11-TT
30	23	0	6.5	5	0	16.5	5	3	25+TT	11.5-TT
31	23	0	6.5	11	0	12	6	3	25+TT	6-TT
32	23	0	6.5	5	0	16.5	5	3	25+TT	11.5-TT
33	23	0	6.5	5.5	0	16.5	5	3	25+TT	11.5-TT
34	23	0	6.5	7	0	16	5	3	25+TT	11-TT
35	23	0	6.5	5	0	16.5	5	3	25+TT	11.5-TT
36	23	0	6.5	11	0	12	6	3	25+TT	6-TT
37	23	0	6.5	11	0	12	6	3	25+TT	6-TT
38	23	0	6.5	5	0	16.5	5	3	25+TT	11.5-TT

39	23	0	6.5	5	0	16.5	5	3	25+TT	11.5-TT
40	23	0	6.5	7	0	16	5	3	25+TT	11-TT
41	23	0	6.5	11	0	12	6	3	25+TT	6-TT
42	23	0	6.5	11	0	12	6	3	25+TT	6-TT

NOTE 1: $P_{PowerClass}$ is the maximum UE power specified without taking into account the tolerance.
 NOTE 2: TT for each frequency and channel bandwidth is specified in Table 6.2D.3.5-0.

Table 6.2D.3.5-8: UE Power Class 3 test requirements (NS_100) for band n1

Test ID	$P_{PowerClass}$ (dBm)	MPR (dB)	A-MPR (dB)	$\Delta T_{C,c}$ (dB)	$P_{CMAX_L,c}$ (dBm)	$T(P_{CMAX_L,c})$ (dB)	$T_{L,c}$ (dB)	Upper limit (dBm)	Lower limit (dBm)
1, 2	23	3	4	0	19	5	3	25+TT	14-TT
3	23	3	4	0	19	5	3	25+TT	14-TT
4, 5	23	3	4	0	19	5	3	25+TT	14-TT
6	23	3	4	0	19	5	3	25+TT	14-TT
7, 8	23	3.5	4	0	19	5	3	25+TT	14-TT
9	23	3.5	4	0	19	5	3	25+TT	14-TT
10, 11	23	6.5	6.5	0	16.5	5	3	25+TT	11.5-TT
12	23	6.5	6.5	0	16.5	5	3	25+TT	11.5-TT

NOTE 1: $P_{PowerClass}$ is the maximum UE power specified without taking into account the tolerance.
 NOTE 2: TT for each frequency and channel bandwidth is specified in Table 6.2D.3.5-0.

Table 6.2D.3.5-9: UE Power Class 3 test requirements (NS_100) for band n2, n3, n25

Test ID	$P_{PowerClass}$ (dBm)	MPR (dB)	A-MPR (dB)	$\Delta T_{C,c}$ (dB)	$P_{CMAX_L,c}$ (dBm)	$T(P_{CMAX_L,c})$ (dB)	$T_{L,c}$ (dB)	Upper limit (dBm)	Lower limit (dBm)
1, 2	23	3	4	1.5	17.5	5	3	25+TT	12.5-TT
3	23	3	4	0	19	5	3	25+TT	14-TT
4, 5	23	3	4	1.5	17.5	5	3	25+TT	12.5-TT
6	23	3	4	0	19	5	3	25+TT	14-TT
7, 8	23	3.5	4	1.5	17.5	5	3	25+TT	12.5-TT
9	23	3.5	4	0	19	5	3	25+TT	14-TT
10, 11	23	6.5	6.5	1.5	15	6	3	25+TT	9-TT
12	23	6.5	6.5	0	16.5	5	3	25+TT	11.5-TT

NOTE 1: $P_{PowerClass}$ is the maximum UE power specified without taking into account the tolerance.
 NOTE 2: TT for each frequency and channel bandwidth is specified in Table 6.2D.3.5-0.

Table 6.2D.3.5-9a: UE Power Class 3 test requirements (NS_100) for band n2, n3, n25 supporting ULFPTx

Test ID	Network signalling label	$P_{PowerClass}$ (dBm)	MPR (dB)	A-MPR (dB)	$\Delta T_{C,c}$ (dB)	$P_{CMAX_L,c}$ (dBm)	$T(P_{CMAX_L,c})$ (dB)	$T_{L,c}$ (dB)	Upper limit (dBm)	Lower limit (dBm)
1, 2	NS_100	23	0.5	2	1.5	19.5	5	3	25+TT	14.5-TT
3	NS_100	23	0.5	2	0	21	5	3	25+TT	16-TT
4, 5	NS_100	23	1	2	1.5	19.5	5	3	25+TT	14.5-TT
6	NS_100	23	1	2	0	21	5	3	25+TT	16-TT
7, 8	NS_100	23	2	2.5	1.5	19	5	3	25+TT	14-TT
9	NS_100	23	2	2.5	0	20.5	6	3	25+TT	14.5-TT
10, 11	NS_100	23	2.5	3	1.5	18.5	5	3	25+TT	13.5-TT
12	NS_100	23	2.5	3	0	20	6	3	25+TT	14-TT
13, 14	NS_100	23	4.5	4.5	1.5	17	5	3	25+TT	12-TT
15	NS_100	23	4.5	4.5	0	18.5	5	3	25+TT	13.5-TT
16, 17	NS_100	23	3	4	1.5	17.5	5	3	25+TT	12.5-TT
18	NS_100	23	3	4	0	19	5	3	25+TT	14-TT
19, 20	NS_100	23	3	4	1.5	17.5	5	3	25+TT	12.5-TT
21	NS_100	23	3	4	0	19	5	3	25+TT	14-TT
22, 23	NS_100	23	3.5	4	1.5	17.5	5	3	25+TT	12.5-TT
24	NS_100	23	3.5	4	0	19	5	3	25+TT	14-TT
25, 26	NS_100	23	6.5	6.5	1.5	15	6	3	25+TT	9-TT
27	NS_100	23	6.5	6.5	0	16.5	5	3	25+TT	11.5-TT

NOTE 1: $P_{PowerClass}$ is the maximum UE power specified without taking into account the tolerance.
 NOTE 2: TT for each frequency and channel bandwidth is specified in Table 6.2D.3.5-0.

Table 6.2D.3.5-10: UE Power Class 3 test requirements (NS_03/NS_03U) for band n66, n70

Test ID	Network signalling label	P _{PowerClass} (dBm)	MPR (dB)	A-MPR (dB)	ΔT _{C,c} (dB)	P _{CMAX_L,c} (dBm)	T(P _{CMAX_L,c}) (dB)	T _{L,c} (dB)	Upper limit (dBm)	Lower limit (dBm)
1,2	NS_03, NS_03U	23	3	4	0	19	5	3	25+TT	14-TT
3	NS_03, NS_03U	23	3	4	0	19	5	3	25+TT	14-TT
4,5	NS_03, NS_03U	23	3	4	0	19	5	3	25+TT	14-TT
6	NS_03, NS_03U	23	3	4	0	19	5	3	25+TT	14-TT
7,8	NS_03, NS_03U	23	3.5	4.5	0	18.5	5	3	25+TT	13.5-TT
9	NS_03, NS_03U	23	3.5	4.5	0	18.5	5	3	25+TT	13.5-TT
10,11	NS_03, NS_03U	23	6.5	7.5	0	15.5	6	3	25+TT	9.5-TT
12	NS_03, NS_03U	23	6.5	7.5	0	15.5	6	3	25+TT	9.5-TT

NOTE 1: P_{PowerClass} is the maximum UE power specified without taking into account the tolerance.

NOTE 2: TT for each frequency and channel bandwidth is specified in Table 6.2D.3.5-0.

Table 6.2D.3.5-10a: UE Power Class 3 test requirements (NS_03/NS_03U) for band n66, n70 supporting ULFP Tx

Test ID	Network signalling label	P _{PowerClass} (dBm)	MPR (dB)	A-MPR (dB)	ΔT _{C,c} (dB)	P _{CMAX_L,c} (dBm)	T(P _{CMAX_L,c}) (dB)	T _{L,c} (dB)	Upper limit (dBm)	Lower limit (dBm)
1, 2	NS_03	23	0.5	1.5	0	21.5	5	3	25+TT	16.5-TT
	NS_03U	23	0.5	2	0	21	5	3	25+TT	16-TT
3	NS_03	23	0.5	1.5	0	21.5	5	3	25+TT	16.5-TT
	NS_03U	23	0.5	2	0	21	5	3	25+TT	16-TT
4, 5	NS_03, NS_03U	23	1	2	0	21	5	3	25+TT	16-TT
6	NS_03, NS_03U	23	1	2	0	21	5	3	25+TT	16-TT
7, 8	NS_03, NS_03U	23	2	3	0	20	6	3	25+TT	14-TT
9	NS_03, NS_03U	23	2	3	0	20	6	3	25+TT	14-TT
10, 11	NS_03, NS_03U	23	2.5	3.5	0	19.5	5	3	25+TT	14.5-TT
12	NS_03, NS_03U	23	2.5	3.5	0	19.5	5	3	25+TT	14.5-TT
13, 14	NS_03, NS_03U	23	4.5	5.5	0	17.5	5	3	25+TT	12.5-TT
15	NS_03, NS_03U	23	4.5	5.5	0	17.5	5	3	25+TT	12.5-TT
16, 17	NS_03, NS_03U	23	3	4	0	19	5	3	25+TT	14-TT
18	NS_03, NS_03U	23	3	4	0	19	5	3	25+TT	14-TT
19, 20	NS_03, NS_03U	23	3	4	0	19	5	3	25+TT	14-TT
21	NS_03, NS_03U	23	3	4	0	19	5	3	25+TT	14-TT
22, 23	NS_03, NS_03U	23	3.5	4.5	0	18.5	5	3	25+TT	13.5-TT
24	NS_03, NS_03U	23	3.5	4.5	0	18.5	5	3	25+TT	13.5-TT
25, 26	NS_03, NS_03U	23	6.5	7.5	0	15.5	6	3	25+TT	9.5-TT
27	NS_03, NS_03U	23	6.5	7.5	0	15.5	6	3	25+TT	9.5-TT

NOTE 1: P_{PowerClass} is the maximum UE power specified without taking into account the tolerance.

NOTE 2: TT for each frequency and channel bandwidth is specified in Table 6.2D.3.5-0.

Table 6.2D.3.5-11: UE Power Class 3 test requirements (NS_03/NS_03U) for band n2, n25

Test ID	Network signalling label	P _{PowerClass} (dBm)	MPR (dB)	A-MPR (dB)	ΔT _{C,c} (dB)	P _{CMAX_L,c} (dBm)	T(P _{CMAX_L,c}) (dB)	T _{L,c} (dB)	Upper limit (dBm)	Lower limit (dBm)
1,2	NS_03, NS_03U	23	3	4	1.5	17.5	5	3	25+TT	12.5-TT
3	NS_03, NS_03U	23	3	4	0	19	5	3	25+TT	14-TT
4,5	NS_03, NS_03U	23	3	4	1.5	17.5	5	3	25+TT	12.5-TT
6	NS_03, NS_03U	23	3	4	0	19	5	3	25+TT	14-TT
7,8	NS_03, NS_03U	23	3.5	4.5	1.5	17	5	3	25+TT	12-TT
9	NS_03, NS_03U	23	3.5	4.5	0	18.5	5	3	25+TT	13.5-TT
10,11	NS_03, NS_03U	23	6.5	7.5	1.5	14	6	3	25+TT	8-TT
12	NS_03, NS_03U	23	6.5	7.5	0	15.5	rr	3	25+TT	9.5-TT

NOTE 1: P_{PowerClass} is the maximum UE power specified without taking into account the tolerance.

NOTE 2: TT for each frequency and channel bandwidth is specified in Table 6.2D.3.5-0.

Table 6.2D.3.5-11a: UE Power Class 3 test requirements (NS_03/NS_03U) for band n2, n25 supporting ULFPTx

Test ID	Network signalling label	P _{PowerClass} (dBm)	MPR (dB)	A-MPR (dB)	ΔT _{C,c} (dB)	P _{CMAX_L,c} (dBm)	T(P _{CMAX_L,c}) (dB)	T _{L,c} (dB)	Upper limit (dBm)	Lower limit (dBm)
1, 2	NS_03	23	0.5	1.5	1.5	20	6	3	25+TT	14-TT
	NS_03U	23	0.5	2	1.5	19.5	5	3	25+TT	14.5-TT
3	NS_03	23	0.5	1.5	0	21.5	5	3	25+TT	16.5-TT
	NS_03U	23	0.5	2	0	21	5	3	25+TT	16-TT
4, 5	NS_03; NS_03U	23	1	2	1.5	19.5	5	3	25+TT	14.5-TT
6	NS_03; NS_03U	23	1	2	0	21	5	3	25+TT	16-TT
7, 8	NS_03; NS_03U	23	2	3	1.5	18.5	5	3	25+TT	13.5-TT
9	NS_03; NS_03U	23	2	3	0	20	6	3	25+TT	14-TT
10, 11	NS_03; NS_03U	23	2.5	3.5	1.5	18	5	3	25+TT	13-TT
12	NS_03; NS_03U	23	2.5	3.5	0	19.5	5	3	25+TT	14.5-TT
13, 14	NS_03; NS_03U	23	4.5	5.5	1.5	16	5	3	25+TT	11-TT
15	NS_03; NS_03U	23	4.5	5.5	0	17.5	5	3	25+TT	12.5-TT
16, 17	NS_03; NS_03U	23	3	4	1.5	17.5	5	3	25+TT	12.5-TT
18	NS_03; NS_03U	23	3	4	0	19	5	3	25+TT	14-TT
19, 20	NS_03; NS_03U	23	3	4	1.5	17.5	5	3	25+TT	12.5-TT
21	NS_03; NS_03U	23	3	4	0	19	5	3	25+TT	14-TT
22, 23	NS_03; NS_03U	23	3.5	4.5	1.5	17	5	3	25+TT	12-TT
24	NS_03; NS_03U	23	3.5	4.5	0	18.5	5	3	25+TT	13.5-TT
25, 26	NS_03; NS_03U	23	6.5	7.5	1.5	14	6	3	25+TT	8-TT
27	NS_03; NS_03U	23	6.5	7.5	0	15.5	6	3	25+TT	9.5-TT

NOTE 1: P_{PowerClass} is the maximum UE power specified without taking into account the tolerance.
 NOTE 2: TT for each frequency and channel bandwidth is specified in Table 6.2D.3.5-0.

Table 6.2D.3.5-12: UE Power Class 3 test requirements (NS_46) for band n7

Test ID	P _{PowerClass} (dBm)	ΔP _{PowerClass} (dB)	MPR (dB)	A-MPR (dB)	ΔT _{C,c} (dB)	P _{CMAX_L,c} (dBm)	T(P _{CMAX_L,c}) (dB)	T _{L,c} (dB)	Upper limit (dBm)	Lower limit (dBm)
1	23	0	3	6	0	17	5	3	25+TT	12-TT
2	23	0	6.5	6	0	16.5	5	3	25+TT	11.5-TT
3	23	0	3	5	0	18	5	3	25+TT	13-TT
4	23	0	3.5	5	0	18	5	3	25+TT	13-TT
5	23	0	3	3.5	0	19.5	5	3	25+TT	14.5-TT
6	23	0	3.5	3.5	0	19.5	5	3	25+TT	14.5-TT
7	23	0	3	5.5	0	17.5	5	3	25+TT	12.5-TT
8	23	0	3.5	5.5	0	17.5	5	3	25+TT	12.5-TT
9	23	0	3	7	0	16	5	3	25+TT	11-TT
10	23	0	6.5	7	0	16	5	3	25+TT	11-TT
11	23	0	3	11	0	12	6	3	25+TT	6-TT
12	23	0	6.5	11	0	12	6	3	25+TT	6-TT

NOTE 1: P_{PowerClass} is the maximum UE power specified without taking into account the tolerance.
 NOTE 2: TT for each frequency and channel bandwidth is specified in Table 6.2D.3.5-0.

Table 6.2D.3.5-13: UE Power Class 3 test requirements (NS_21) for band n30

Test ID	ChBw (MHz)	P _{PowerClass} (dBm)	MPR (dB)	A-MPR (dB)	ΔT _{C,c} (dB)	P _{CMAX_L,c} (dBm)	T(P _{CMAX_L,c}) (dB)	T _{L,c} (dB)	Upper limit (dBm)	Lower limit (dBm)
1,2	5	23	3	0	0	20	6	3	25+TT	14-TT
	10	23	3	6	0	17	5	3	25+TT	12-TT
3	5	23	3	0	0	20	6	3	25+TT	14-TT
	10	23	3	5.5	0	17.5	5	3	25+TT	12.5-TT
4,5	10	23	3	4	0	19	5	3	25+TT	14-TT
6,7	5	23	3	0	0	20	6	3	25+TT	14-TT
	10	23	3	6	0	17	5	3	25+TT	12-TT
8	5	23	3	0	0	20	6	3	25+TT	14-TT
	10	23	3	5.5	0	17.5	5	3	25+TT	12.5-TT
9,10	10	23	3	4	0	19	5	3	25+TT	14-TT
11,12	5	23	3.5	0	0	19.5	5	3	25+TT	14.5-TT

13	10	23	3.5	6	0	17	5	3	25+TT	12-TT
	5	23	3.5	0	0	19.5	5	3	25+TT	14.5-TT
	10	23	3.5	5.5	0	17.5	5	3	25+TT	12.5-TT
14,15	10	23	3.5	4	0	19	5	3	25+TT	14-TT
16,17	5	23	6.5	0	0	16.5	5	3	25+TT	11.5-TT
	10	23	6.5	6	0	16.5	5	3	25+TT	11.5-TT
18	5	23	6.5	0	0	16.5	5	3	25+TT	11.5-TT
	10	23	6.5	5.5	0	16.5	5	3	25+TT	11.5-TT
19,20	10	23	6.5	4	0	16.5	5	3	25+TT	11.5-TT

NOTE 1: $P_{PowerClass}$ is the maximum UE power specified without taking into account the tolerance.
 NOTE 2: TT for each frequency and channel bandwidth is specified in Table 6.2D.3.5-0.

Table 6.2D.3.5-14: UE Power Class 3 test requirements (NS_44) for band n38

Test ID	$P_{PowerClass}$ (dBm)	$\Delta P_{PowerClass}$ (dB)	MPR (dB)	A-MPR (dB)	$\Delta T_{C,c}$ (dB)	$P_{CMAX,L,c}$ (dBm)	$T(P_{CMAX,L,c})$ (dB)	$T_{L,c}$ (dB)	Upper limit (dBm)	Lower limit (dBm)
1	23	0	3.5	5	0	18	5	3	25+TT	13-TT
2	23	0	3.5	5	0	18	5	3	25+TT	13-TT
3	23	0	3.5	6	0	17	5	3	25+TT	12-TT
4	23	0	6.5	0	0	16.5	5	3	25+TT	11.5-TT
5	23	0	6.5	0	0	16.5	5	3	25+TT	11.5-TT
6	23	0	6.5	0	0	16.5	5	3	25+TT	11.5-TT
7	23	0	3.5	5	0	18	5	3	25+TT	13-TT
8	23	0	3.5	5	0	18	5	3	25+TT	13-TT
9	23	0	3.5	6	0	17	5	3	25+TT	12-TT
10	23	0	6.5	0	0	16.5	5	3	25+TT	11.5-TT
11	23	0	6.5	0	0	16.5	5	3	25+TT	11.5-TT
12	23	0	6.5	0	0	16.5	5	3	25+TT	11.5-TT
13	23	0	3.5	5	0	18	5	3	25+TT	13-TT
14	23	0	3.5	4	0	19	5	3	25+TT	14-TT
15	23	0	3.5	5	0	18	5	3	25+TT	13-TT
16	23	0	3.5	8	0	15	6	3	25+TT	9-TT
17	23	0	3.5	12	0	11	6	3	25+TT	5-TT
18	23	0	6.5	0	0	16.5	5	3	25+TT	11.5-TT
19	23	0	6.5	0	0	16.5	5	3	25+TT	11.5-TT
20	23	0	6.5	0	0	16.5	5	3	25+TT	11.5-TT
21	23	0	6.5	8	0	15	6	3	25+TT	9-TT
22	23	0	6.5	12	0	11	6	3	25+TT	5-TT

NOTE 1: $P_{PowerClass}$ is the maximum UE power specified without taking into account the tolerance.
 NOTE 2: TT for each frequency and channel bandwidth is specified in Table 6.2D.3.5-0.

Table 6.2D.3.5-15: UE Power Class 3 test requirements (NS_27) for band n48

Test ID	$P_{PowerClass}$ (dBm)	$\Delta P_{PowerClass}$ (dB)	MPR (dB)	A-MPR (dB)	$\Delta T_{C,c}$ (dB)	$P_{CMAX,L,c}$ (dBm)	$T(P_{CMAX,L,c})$ (dB)	$T_{L,c}$ (dB)	Upper limit (dBm)	Lower limit (dBm)
1	23	0	3	6	0	17	5	3	25+TT	12-TT
2	23	0	3	6	0	17	5	3	25+TT	12-TT
3	23	0	3	6	0	17	5	3	25+TT	12-TT
4	23	0	3	6	0	17	5	3	25+TT	12-TT
5	23	0	3	4	0	19	5	3	25+TT	14-TT
6	23	0	3	2	0	20	6	3	25+TT	14-TT
7	23	0	3	4	0	19	5	3	25+TT	14-TT
8	23	0	3	2	0	20	6	3	25+TT	14-TT
9	23	0	3	6	0	17	5	3	25+TT	12-TT
10	23	0	3	6	0	17	5	3	25+TT	12-TT
11	23	0	3	6	0	17	5	3	25+TT	12-TT
12	23	0	3	6	0	17	5	3	25+TT	12-TT
13	23	0	3	4	0	19	5	3	25+TT	14-TT
14	23	0	3	2	0	20	6	3	25+TT	14-TT
15	23	0	3	4	0	19	5	3	25+TT	14-TT
16	23	0	3	2	0	20	6	3	25+TT	14-TT
17	23	0	3	11.5	0	11.5	6	3	25+TT	5.5-TT

18	23	0	3	7	0	16	5	3	25+TT	11-TT
19	23	0	3	5.5	0	17.5	5	3	25+TT	12.5-TT
20	23	0	3	11.5	0	11.5	6	3	25+TT	5.5-TT
21	23	0	3	11.5	0	11.5	6	3	25+TT	5.5-TT
22	23	0	3	7	0	16	5	3	25+TT	11-TT
23	23	0	3	5.5	0	17.5	5	3	25+TT	12.5-TT
24	23	0	3	11.5	0	11.5	6	3	25+TT	5.5-TT
25	23	0	3	4	0	19	5	3	25+TT	14-TT
26	23	0	3	4.5	0	18.5	5	3	25+TT	13.5-TT
27	23	0	3	4	0	19	5	3	25+TT	14-TT
28	23	0	3	4.5	0	18.5	5	3	25+TT	13.5-TT
29	23	0	3	6	0	17	5	3	25+TT	12-TT
30	23	0	3	6	0	17	5	3	25+TT	12-TT
31	23	0	3	6	0	17	5	3	25+TT	12-TT
32	23	0	3	6	0	17	5	3	25+TT	12-TT
33	23	0	3	4	0	19	5	3	25+TT	14-TT
34	23	0	3	2	0	20	6	3	25+TT	14-TT
35	23	0	3	4	0	19	5	3	25+TT	14-TT
36	23	0	3	2	0	20	6	3	25+TT	14-TT
37	23	0	3	6	0	17	5	3	25+TT	12-TT
38	23	0	3	6	0	17	5	3	25+TT	12-TT
39	23	0	3	6	0	17	5	3	25+TT	12-TT
40	23	0	3	6	0	17	5	3	25+TT	12-TT
41	23	0	3	4	0	19	5	3	25+TT	14-TT
42	23	0	3	2	0	20	6	3	25+TT	14-TT
43	23	0	3	4	0	19	5	3	25+TT	14-TT
44	23	0	3	2	0	20	6	3	25+TT	14-TT
45	23	0	3	11.5	0	11.5	6	3	25+TT	5.5-TT
46	23	0	3	7	0	16	5	3	25+TT	11-TT
47	23	0	3	5.5	0	17.5	5	3	25+TT	12.5-TT
48	23	0	3	11.5	0	11.5	6	3	25+TT	5.5-TT
49	23	0	3	11.5	0	11.5	6	3	25+TT	5.5-TT
50	23	0	3	7	0	16	5	3	25+TT	11-TT
51	23	0	3	5.5	0	17.5	5	3	25+TT	12.5-TT
52	23	0	3	11.5	0	11.5	6	3	25+TT	5.5-TT
53	23	0	3	4	0	19	5	3	25+TT	14-TT
54	23	0	3	4.5	0	18.5	5	3	25+TT	13.5-TT
55	23	0	3	4	0	19	5	3	25+TT	14-TT
56	23	0	3	4.5	0	18.5	5	3	25+TT	13.5-TT
57	23	0	3.5	6	0	17	5	3	25+TT	12-TT
58	23	0	3.5	6	0	17	5	3	25+TT	12-TT
59	23	0	3.5	6	0	17	5	3	25+TT	12-TT
60	23	0	3.5	6	0	17	5	3	25+TT	12-TT
61	23	0	3.5	4	0	19	5	3	25+TT	14-TT
62	23	0	3.5	2	0	19.5	5	3	25+TT	14.5-TT
63	23	0	3.5	4	0	19	5	3	25+TT	14-TT
64	23	0	3.5	2	0	19.5	5	3	25+TT	14.5-TT
65	23	0	3.5	6	0	17	5	3	25+TT	12-TT
66	23	0	3.5	6	0	17	5	3	25+TT	12-TT
67	23	0	3.5	6	0	17	5	3	25+TT	12-TT
68	23	0	3.5	6	0	17	5	3	25+TT	12-TT
69	23	0	3.5	4	0	19	5	3	25+TT	14-TT
70	23	0	3.5	2	0	19.5	5	3	25+TT	14.5-TT
71	23	0	3.5	4	0	19	5	3	25+TT	14-TT
72	23	0	3.5	2	0	19.5	5	3	25+TT	14.5-TT
73	23	0	3.5	11.5	0	11.5	6	3	25+TT	5.5-TT
74	23	0	3.5	7	0	16	5	3	25+TT	11-TT
75	23	0	3.5	5.5	0	17.5	5	3	25+TT	12.5-TT
76	23	0	3.5	11.5	0	11.5	6	3	25+TT	5.5-TT
77	23	0	3.5	11.5	0	11.5	6	3	25+TT	5.5-TT
78	23	0	3.5	7	0	16	5	3	25+TT	11-TT
79	23	0	3.5	5.5	0	17.5	5	3	25+TT	12.5-TT
80	23	0	3.5	11.5	0	11.5	6	3	25+TT	5.5-TT
81	23	0	3.5	4	0	19	5	3	25+TT	14-TT
82	23	0	3.5	4.5	0	18.5	5	3	25+TT	13.5-TT

83	23	0	3.5	4	0	19	5	3	25+TT	14-TT
84	23	0	3.5	4.5	0	18.5	5	3	25+TT	13.5-TT
85	23	0	6.5	0	0	16.5	5	3	25+TT	11.5-TT
86	23	0	6.5	0	0	16.5	5	3	25+TT	11.5-TT
87	23	0	6.5	0	0	16.5	5	3	25+TT	11.5-TT
88	23	0	6.5	0	0	16.5	5	3	25+TT	11.5-TT
89	23	0	6.5	0	0	16.5	5	3	25+TT	11.5-TT
90	23	0	6.5	2	0	16.5	5	3	25+TT	11.5-TT
91	23	0	6.5	0	0	16.5	5	3	25+TT	11.5-TT
92	23	0	6.5	2	0	16.5	5	3	25+TT	11.5-TT
93	23	0	6.5	0	0	16.5	5	3	25+TT	11.5-TT
94	23	0	6.5	0	0	16.5	5	3	25+TT	11.5-TT
95	23	0	6.5	0	0	16.5	5	3	25+TT	11.5-TT
96	23	0	6.5	0	0	16.5	5	3	25+TT	11.5-TT
97	23	0	6.5	0	0	16.5	5	3	25+TT	11.5-TT
98	23	0	6.5	2	0	16.5	5	3	25+TT	11.5-TT
99	23	0	6.5	0	0	16.5	5	3	25+TT	11.5-TT
100	23	0	6.5	2	0	16.5	5	3	25+TT	11.5-TT
101	23	0	6.5	11.5	0	11.5	6	3	25+TT	5.5-TT
102	23	0	6.5	7	0	16	5	3	25+TT	11-TT
103	23	0	6.5	0	0	16.5	5	3	25+TT	11.5-TT
104	23	0	6.5	11.5	0	11.5	6	3	25+TT	5.5-TT
105	23	0	6.5	11.5	0	11.5	6	3	25+TT	5.5-TT
106	23	0	6.5	7	0	16	5	3	25+TT	11-TT
107	23	0	6.5	0	0	16.5	5	3	25+TT	11.5-TT
108	23	0	6.5	11.5	0	11.5	6	3	25+TT	5.5-TT
109	23	0	6.5	0	0	16.5	5	3	25+TT	11.5-TT
110	23	0	6.5	4.5	0	16.5	5	3	25+TT	11.5-TT
111	23	0	6.5	0	0	16.5	5	3	25+TT	11.5-TT
112	23	0	6.5	4.5	0	16.5	5	3	25+TT	11.5-TT

NOTE 1: $P_{PowerClass}$ is the maximum UE power specified without taking into account the tolerance.

NOTE 2: TT for each frequency and channel bandwidth is specified in Table 6.2D.3.5-0.

For the UE which supports inter-band NR CA configuration, inter-band NR-DC configuration, SUL configuration or inter-band EN-DC configuration, $\Delta T_{IB,c}$ as specified in 6.2A.4.0.2 for NR CA, 6.2B.4.0.2 for NR-DC, clause 6.2C.2 for SUL, or TS 38.521-3 [14] clause 6.2B.4.2 for EN-DC applies. Unless otherwise stated, $\Delta T_{IB,c}$ is set to zero. In case the UE supports more than one of band combinations for CA, NR-DC, SUL or EN-DC, and an operating band belongs to more than one band combinations then

- When the operating band frequency range is ≤ 1 GHz, the applicable additional $\Delta T_{IB,c}$ shall be the average value for all band combinations defined in clause 6.2A.4.0.2, 6.2B.4.0.2, 6.2C.2 in this specification and 6.2B.4.2 in TS 38.521-3 [14], truncated to one decimal place that apply for that operating band among the supported band combinations. In case there is a harmonic relation between low band UL and high band DL, then the maximum $\Delta T_{IB,c}$ among the different supported band combinations involving such band shall be applied.
- When the operating band frequency range is > 1 GHz, the applicable additional $\Delta T_{IB,c}$ shall be the maximum value for all band combinations defined in clause 6.2A.4.0.2, 6.2B.4.0.2, 6.2C.2 in this specification and 6.2B.4.2 in TS 38.521-3 [14] for the applicable operating bands.

Table 6.2D.3.5-16: UE Power Class 3 test requirements (NS_56) for band n24

Test ID	$P_{PowerClass}$ (dBm)	MPR (dB)	A-MPR (dB)	$\Delta T_{C,c}$ (dB)	$P_{C_{MAX,c}}$ (dBm)	$T(P_{C_{MAX,L,c}})$ (dB)	$T_{L,c}$ (dB)	Upper limit (dBm)	Lower limit (dBm)
1	23	3	14	0	9	6	4	25+TT	3-TT
2	23	3	8	0	15	5	4	25+TT	10-TT
3	23	3	6	0	17	5	4	25+TT	12-TT
4	23	3	4	0	19	3.5	4	25+TT	15-TT
5	23	1.5	4	0	19	3.5	4	25+TT	15-TT
6	23	3	14	0	9	6	4	25+TT	3-TT
7	23	3	8	0	15	5	4	25+TT	10-TT
8	23	3	6	0	17	5	4	25+TT	12-TT
9	23	3	4	0	19	3.5	4	25+TT	15-TT
10	23	2	4	0	19	3.5	4	25+TT	15-TT
11	23	3.5	14	0	9	6	4	25+TT	3-TT

12	23	3.5	8	0	15	5	4	25+TT	10-TT
13	23	3.5	6	0	17	5	4	25+TT	12-TT
14	23	3.5	4	0	19	3.5	4	25+TT	15-TT
15	23	3.5	4	0	19	3.5	4	25+TT	15-TT
16	23	6.5	14	0	9	6	4	25+TT	3-TT
17	23	6.5	8	0	15	5	4	25+TT	10-TT
18	23	6.5	6	0	16.5	5	4	25+TT	11.5-TT
19	23	6.5	4	0	16.5	5	4	25+TT	11.5-TT
20	23	6.5	4	0	16.5	5	4	25+TT	11.5-TT
21	23	3	12	0	9	6	4	25+TT	5-TT
22	23	3	8	0	11	5	4	25+TT	10-TT
23	23	3	8	0	15	5	4	25+TT	10-TT
24	23	1.5	6	0	17	5	4	25+TT	12-TT
25	23	3	6	0	17	5	4	25+TT	12-TT
26	23	1.5	4	0	19	3.5	4	25+TT	15-TT
27	23	3	2	0	20	2.5	4	25+TT	16-TT
28	23	3	5	0	18	4	4	25+TT	14-TT
29	23	1.5	5	0	18	4	4	25+TT	14-TT
30	23	1.5	5	0	18	4	4	25+TT	14-TT
31	23	3	3	0	20	2.5	4	25+TT	16-TT
32	23	3	12	0	11	6	4	25+TT	5-TT
33	23	3	8	0	15	5	4	25+TT	10-TT
34	23	3	8	0	15	5	4	25+TT	10-TT
35	23	2	6	0	17	5	4	25+TT	12-TT
36	23	3	6	0	17	5	4	25+TT	12-TT
37	23	2	4	0	19	3.5	4	25+TT	15-TT
38	23	3	2	0	20	2.5	4	25+TT	16-TT
39	23	3	5	0	18	4	4	25+TT	14-TT
40	23	2	5	0	18	4	4	25+TT	14-TT
41	23	2	5	0	18	4	4	25+TT	14-TT
42	23	3	3	0	20	2.5	4	25+TT	16-TT
43	23	3.5	12	0	11	6	4	25+TT	5-TT
44	23	3.5	8	0	15	5	4	25+TT	10-TT
45	23	3.5	8	0	15	5	4	25+TT	10-TT
46	23	3.5	6	0	17	5	4	25+TT	12-TT
47	23	3.5	6	0	17	5	4	25+TT	12-TT
48	23	3.5	4	0	19	3.5	4	25+TT	15-TT
49	23	3.5	2	0	19.5	3.5	4	25+TT	15.5-TT
50	23	3.5	5	0	18	3.5	4	25+TT	14-TT
51	23	3.5	5	0	18	3.5	4	25+TT	14-TT
52	23	3.5	5	0	18	3.5	4	25+TT	14-TT
53	23	3.5	3	0	19.5	3.5	4	25+TT	15.5-TT
54	23	6.5	12	0	11	6	4	25+TT	5-TT
55	23	6.5	8	0	15	5	4	25+TT	10-TT
56	23	6.5	8	0	15	5	4	25+TT	10-TT
57	23	6.5	6	0	16.5	5	4	25+TT	11.5-TT
58	23	6.5	6	0	16.5	5	4	25+TT	11.5-TT
59	23	6.5	4	0	16.5	5	4	25+TT	11.5-TT
60	23	6.5	2	0	16.5	5	4	25+TT	11.5-TT
61	23	6.5	5	0	16.5	5	4	25+TT	11.5-TT
62	23	6.5	5	0	16.5	5	4	25+TT	11.5-TT
63	23	6.5	5	0	16.5	5	4	25+TT	11.5-TT
64	23	6.5	3	0	16.5	5	4	25+TT	11.5-TT

NOTE 1: $P_{\text{PowerClass}}$ is the maximum UE power specified without taking into account the tolerance.

NOTE 2: TT for each frequency and channel bandwidth is specified in Table 6.2D.3.5-0.

Table 6.2D.3.5-17: UE Power Class 3 test requirements (NS_50) for band n39

Test ID	$P_{\text{PowerClass}}$ (dBm)	$\Delta P_{\text{PowerClass}}$ (dB)	MPR (dB)	A-MPR (dB)	$\Delta T_{C,c}$ (dB)	$P_{\text{CMAX}_{L,f,c}}$ (dBm)	$T(P_{\text{CMAX}_{L,f,c}})$ (dB)	$T_{L,c}$ (dB)	Upper limit (dBm)	Lower limit (dBm)
1	23	0	3	5	0	18	4.0	3	25.0 + TT	14.0 - TT
2	23	0	3	6.5	0	16.5	5.0	3	25.0 + TT	11.5 - TT
3	23	0	3	0	0	20	2.5	3	25.0 + TT	17 - TT
4	23	0	3	0	0	20.0	2.5	3	25.0 + TT	17 - TT

5	23	0	3	6.5	0	16.5	5.0	3	25.0 + TT	11.5 - TT
6	23	0	3	0	0	20	2.5	3	25.0 + TT	17 - TT
7	23	0	3	0	0	20.0	2.5	3	25.0 + TT	17 - TT
8	23	0	3	12	0	11	6.0	3	25.0 + TT	5.0 - TT
9	23	0	3	4.5	0	18.5	4.0	3	25.0 + TT	14.5 - TT
10	23	0	3	3.5	0	19.5	3.5	3	25.0 + TT	16 - TT
11	23	0	3	5	0	18	4.0	3	25.0 + TT	14.0 - TT
12	23	0	6.5	6.5	0	16.5	5.0	3	25.0 + TT	11.5 - TT
13	23	0	6.5	0	0	16.5	5.0	3	25.0 + TT	11.5 - TT
14	23	0	6.5	6	0	16.5	5.0	3	25.0 + TT	11.5 - TT
15	23	0	6.5	6.5	0	16.5	5.0	3	25.0 + TT	11.5 - TT
16	23	0	6.5	0	0	16.5	5.0	3	25.0 + TT	11.5 - TT
17	23	0	6.5	0	0	16.5	5.0	3	25.0 + TT	11.5 - TT4
18	23	0	6.5	12	0	11	6.0	3	25.0 + TT	5.0 - TT
19	23	0	6.5	4.5	0	16.5	5.0	3	25.0 + TT	11.5 - TT
20	23	0	6.5	8	0	15	5.0	3	25.0 + TT	10.0 - TT
21	23	0	6.5	3.5	0	16.5	5.0	3	25.0 + TT	11.5 - TT
22	23	0	6.5	5	0	16.5	5.0	3	25.0 + TT	11.5 - TT

NOTE 1: $P_{PowerClass}$ is the maximum UE power specified without taking into account the tolerance.
NOTE 2: TT for each frequency and channel bandwidth is specified in Table 6.2D.3.5-0.

6.2D.3_1 UE additional maximum output power reduction for SUL with UL MIMO

6.2D.3_1.1 Test purpose

Additional emission requirements can be signalled by the network. Each additional emission requirement is associated a unique with network signalling (NS) value indicated in RRC signalling by an NR frequency band number of the applicable operating band and an associated value in the field *additionalSpectrumEmission*. Throughout this specification, the notion of indication or signalling of an NS value refers to the corresponding indication of an NR frequency band number of the applicable operating band (the IE *freqBandIndicatorNR*) and an associated value of *additionalSpectrumEmission* in the relevant RRC information elements [6].

To meet the additional requirements, additional maximum power reduction (A-MPR) is allowed for the maximum output power as specified in Table 6.2D.1_1.3-1. Unless stated otherwise, an A-MPR of 0 dB shall be used.

6.2D.3_1.2 Test applicability

The requirements of this test apply in test case 6.5D.2.4.2_1 UTRA Adjacent channel leakage ratio for network signalling values NS_05U to all types of NR UE release 17 and forward that support SUL and UL-MIMO.

The requirements of this test apply in test case 6.5D.3_2.3 Additional Spurious Emissions for network signalling value NS_05, NS_05U and NS_56 to all types of NR UE release 17 and forward that support SUL and UL-MIMO.

NOTE: Test execution is not necessary if 6.5D.2.4.2_1 and 6.5D.3_2.3 are executed.

6.2D.3_1.3 Minimum conformance requirements

For a terminal that supports SUL for the band combination specified in Table 5.2C-1, the current version of the specification assumes the terminal is configured with active transmission either on UL carrier or SUL carrier at any time in one serving cell and the UE requirements for single carrier shall apply for the active UL or SUL carrier accordingly.

For UE with two transmit antenna connectors in closed-loop spatial multiplexing scheme, the A-MPR values specified in subclause 6.2.3.3 shall apply to the maximum output power specified in Table 6.2D.1_1.3-1. The requirements shall be met with the UL MIMO configurations specified in Table 6.2D.1_1.3-2. For UE supporting UL MIMO, the maximum output power is defined as the sum of the maximum output power from both UE antenna connector. Unless stated otherwise, an A-MPR of 0 dB shall be used.

For the UE maximum output power modified by A-MPR, the power limits specified in subclause 6.2D.4_1.3 apply.

If UE is configured for transmission on single-antenna port, the requirements in subclause 6.2.3.3 apply.

The normative reference for this requirement is TS 38.101-1 [2] clause 6.2D.3.1.

6.2D.3_1.4 Test description

6.2D.3_1.4.1 Test procedure

Initial conditions are a set of test configurations the UE needs to be tested in and the steps for the SS to take with the UE to reach the correct measurement state.

The initial test configurations consist of environmental conditions, test frequencies, test channel bandwidths and sub-carrier spacing based on NR operating bands specified in Table 5.5C-1. All of these configurations shall be tested with applicable test parameters for each combination of test channel bandwidth and sub-carrier spacing and are shown in Table 6.2D.3_1.4.1-1 to Table 6.2D.3_1.4.1-3. The details of the uplink reference measurement channels (RMCs) are specified in Annex A.2. Configurations of PDSCH and PDCCH before measurement are specified in Annex C.2.

Table 6.2D.3_1.4.1-1: Test Configuration Table for NS_05

Initial Conditions								
Test Environment as specified in TS 38.508-1 [5] subclause 4.1				Normal				
Test Frequencies as specified in TS 38.508-1 [5] subclause 4.3.1				SUL carrier: use Fc as specified in test parameters NUL carrier: Mid range				
Test Channel Bandwidths as specified in TS 38.508-1 [5] subclause 4.3.1				SUL carrier: 5 MHz, 10 MHz, 15 MHz, 20 MHz NUL carrier: Highest				
Test SCS as specified in Table 5.3.5-1				15kHz for SUL carrier and Lowest supported SCS for NUL carrier				
A-MPR test parameters for NS_05								
Test ID	Fc (MHz)	ChBw (MHz)	Down link Config.	Uplink Config	A-MPR	SUL Configuration		
						Modulation (NOTE 2)	RB allocation (Note 1)	
1	1922.5	5			A3	CP-OFDM	QPSK	Outer_Full
2	1925	10			A1		QPSK	Outer_Full
3	1925	10			A7		QPSK	42@10
4	1925	10			A2		QPSK	6@40
5	1935	10			A4		QPSK	Outer_Full
6	1927.5	15			A1		QPSK	Outer_Full
7	1927.5	15			A7		QPSK	60@19
8	1927.5	15			A2		QPSK	6@56
9	1932.5	15			A1		QPSK	Outer_Full
10	1932.5	15			A2		QPSK	6@68
11	1942.5	15			A5		QPSK	Outer_Full
12	1930	20			A1		QPSK	Outer_Full
13	1930	20			A7		QPSK	78@28
14	1930	20			A2		QPSK	6@76
15	1950	20			A6		QPSK	Outer_Full
16	1922.5	5			A3		16 QAM	Outer_Full
17	1925	10			A1		16 QAM	Outer_Full
18	1925	10			A7		16 QAM	42@10
19	1925	10			A2		16 QAM	6@40
20	1935	10			A4		16 QAM	Outer_Full
21	1927.5	15			A1		16 QAM	Outer_Full
22	1927.5	15			A7		16 QAM	60@19
23	1927.5	15			A2		16 QAM	6@56
24	1932.5	15			A1		16 QAM	Outer_Full
25	1932.5	15			A2		16 QAM	6@68
26	1942.5	15			A5		16 QAM	Outer_Full
27	1930	20			A1		16 QAM	Outer_Full
28	1930	20			A7		16 QAM	78@28
29	1930	20			A2		16 QAM	6@76
30	1950	20			A6		16 QAM	Outer_Full
31	1922.5	5			A3		64 QAM	Outer_Full
32	1925	10			A1		64 QAM	Outer_Full
33	1925	10			A7		64 QAM	42@10
34	1925	10			A2		64 QAM	6@40
35	1927.5	15			A1		64 QAM	Outer_Full

36	1927.5	15			A7	64 QAM	60@19
37	1927.5	15			A2	64 QAM	6@56
38	1932.5	15			A1	64 QAM	Outer_Full
39	1932.5	15			A2	64 QAM	6@68
40	1930	20			A1	64 QAM	Outer_Full
41	1930	20			A7	64 QAM	78@28
42	1930	20			A2	64 QAM	6@76
43	1922.5	5			A3	256 QAM	Outer_Full
44	1925	10			A1	256 QAM	Outer_Full
45	1925	10			A7	256 QAM	42@10
46	1927.5	15			A1	256 QAM	Outer_Full
47	1927.5	15			A7	256 QAM	60@19
48	1932.5	15			A1	256 QAM	Outer_Full
49	1930	20			A1	256 QAM	Outer_Full
50	1930	20			A7	256 QAM	78@28

NOTE 1: The specific configuration of each RB allocation is defined in Table 6.1-1 unless otherwise stated in this table.

Table 6.2D.3_1.4.1-2: Test Configuration Table for NS_05U

Initial Conditions							
Test Environment as specified in TS 38.508-1 [5] subclause 4.1				Normal			
Test Frequencies as specified in TS 38.508-1 [5] subclause 4.3.1				SUL carrier: Use Fc as specified in test parameters NUL carrier: Mid range			
Test Channel Bandwidths as specified in TS 38.508-1 [5] subclause 4.3.1				SUL carrier: 5 MHz, 10 MHz, 15 MHz, 20 MHz NUL carrier: Highest			
Test SCS as specified in Table 5.3.5-1				15kHz for SUL and Lowest supported SCS for NUL carrier			
AMPR Test parameters for NS_05U							
Test ID	Fc (MHz)	ChBw (MHz)	Downlink Config.	Uplink config.	A-MPR	SUL Configuration	
						Modulation (NOTE 2)	RB allocation (Note 1)
1	1922.5	5			A3	QPSK	Outer_Full
2	1925	10			A1	QPSK	Outer_Full
3	1925	10			A7	QPSK	42@10
4	1925	10			A2	QPSK	6@40
5	1935	10			A4	QPSK	Outer_Full
6	1927.5	15			A1	QPSK	Outer_Full
7	1927.5	15			A7	QPSK	60@19
8	1927.5	15			A2	QPSK	6@56
9	1932.5	15			A1	QPSK	Outer_Full
10	1932.5	15			A2	QPSK	6@68
11	1942.5	15			A5	QPSK	Outer_Full
12	1930	20			A1	QPSK	Outer_Full
13	1930	20			A7	QPSK	78@28
14	1930	20			A2	QPSK	6@76
15	1950	20			A6	QPSK	Outer_Full
16	1922.5	5			A3	16 QAM	Outer_Full
17	1925	10			A1	16 QAM	Outer_Full
18	1925	10			A7	16 QAM	42@10
19	1925	10			A2	16 QAM	6@40
20	1935	10			A4	16 QAM	Outer_Full
21	1927.5	15			A1	16 QAM	Outer_Full
22	1927.5	15			A7	16 QAM	60@19
23	1927.5	15			A2	16 QAM	6@56
24	1932.5	15			A1	16 QAM	Outer_Full
25	1932.5	15			A2	16 QAM	6@68
26	1942.5	15			A5	16 QAM	Outer_Full
27	1930	20			A1	16 QAM	Outer_Full
28	1930	20			A7	16 QAM	78@28
29	1930	20			A2	16 QAM	6@76

Table

30	1950	20			A6	16 QAM	Outer_Full
31	1922.5	5			A3	64 QAM	Outer_Full
32	1925	10			A1	64 QAM	Outer_Full
33	1925	10			A7	64 QAM	42@10
34	1925	10			A2	64 QAM	6@40
35	1935	10			A4	64 QAM	Outer_Full
36	1927.5	15			A1	64 QAM	Outer_Full
37	1927.5	15			A7	64 QAM	60@19
38	1927.5	15			A2	64 QAM	6@56
39	1932.5	15			A1	64 QAM	Outer_Full
40	1932.5	15			A2	64 QAM	6@68
41	1942.5	15			A5	64 QAM	Outer_Full
42	1930	20			A1	64 QAM	Outer_Full
43	1930	20			A7	64 QAM	78@28
44	1930	20			A2	64 QAM	6@76
45	1950	20			A6	64 QAM	Outer_Full
46	1922.5	5			A3	256 QAM	Outer_Full
47	1925	10			A1	256 QAM	Outer_Full
48	1925	10			A7	256 QAM	42@10
49	1935	10			A4	256 QAM	Outer_Full
50	1927.5	15			A1	256 QAM	Outer_Full
51	1927.5	15			A7	256 QAM	60@19
52	1932.5	15			A1	256 QAM	Outer_Full
53	1942.5	15			A5	256 QAM	Outer_Full
54	1930	20			A1	256 QAM	Outer_Full
55	1930	20			A7	256 QAM	78@28
56	1950	20			A6	256 QAM	Outer_Full

NOTE 1: The specific configuration of each RB allocation is defined in Table 6.1-1 unless otherwise stated in this table.

6.2D.3_1.4.1-3: Test Configuration Table for NS_56

Initial Conditions							
Test Environment as specified in TS 38.508-1 [5] subclause 4.1				Normal			
Test Frequencies as specified in TS 38.508-1 [5] subclause 4.3.1				Use uplink carrier centre frequency (Fc) as specified in test parameters			
Test Channel Bandwidths as specified in TS 38.508-1 [5] subclause 4.3.1				5 MHz, 10 MHz as specified in test parameters for SUL carrier Lowest for non-SUL carrier			
Test SCS as specified in Table 5.3.5-1				15kHz for SUL and Lowest supported SCS for NUL carriers			
A-MPR test parameters for NS_56							
Test ID	Fc (MHz)	Ch Bw (MHz)	Downlink Configuration	Uplink Configuration	A-MPR	Uplink Configuration	
						Modulation (NOTE 2)	RB allocation (Note 1) SCS 15 kHz
1	Low	5	N/A for A-MPR testing	N/A	14	QPSK	Edge_1RB_Left
2	Low	5			6	QPSK	Outer_Full
3	Low	5			4	QPSK	21@4
4	Low	5			4	QPSK	1@4
5	Low	5			14	16 QAM	Edge_1RB_Left
6	Low	5			6	16 QAM	Outer_Full
7	Low	5			4	16 QAM	21@4
8	Low	5			4	16 QAM	1@4
9	Low	5			14	64 QAM	Edge_1RB_Left
10	Low	5			6	64 QAM	Outer_Full
11	Low	5			4	64 QAM	21@4
12	Low	5			4	64 QAM	1@4
13	Low	5			14	256 QAM	Edge_1RB_Left
14	Low	5			6	256 QAM	Outer_Full
15	Low	5			4	256 QAM	21@4
16	Low	5			4	256 QAM	1@4
17	Low	10			12	QPSK	Edge_1RB_Left
18	Low	10			8	QPSK	Outer_Full
19	Low	10			6	QPSK	1@3

20	Low	10			6	QPSK	43@9
21	Low	10			4	QPSK	1@35
22	Low	10			2	QPSK	17@35
23	Low	10			5	QPSK	Edge_1RB_Right
24	Low	10			5	QPSK	1@40
25	Low	10			3	QPSK	8@44
26	Low	10			12	16 QAM	Edge_1RB_Left
27	Low	10			8	16 QAM	Outer_Full
28	Low	10			6	16 QAM	1@3
29	Low	10			6	16 QAM	43@9
30	Low	10			4	16 QAM	1@35
31	Low	10			2	16 QAM	17@35
32	Low	10			5	16 QAM	Edge_1RB_Right
33	Low	10			5	16 QAM	1@40
34	Low	10			3	16 QAM	8@44
35	Low	10			12	64 QAM	Edge_1RB_Left
36	Low	10			8	64 QAM	Outer_Full
37	Low	10			6	64 QAM	1@3
38	Low	10			6	64 QAM	43@9
39	Low	10			4	64 QAM	1@35
40	Low	10			2	64 QAM	17@35
41	Low	10			5	64 QAM	Edge_1RB_Right
42	Low	10			5	64 QAM	1@40
43	Low	10			3	64 QAM	8@44
44	Low	10			12	256 QAM	Edge_1RB_Left
45	Low	10			8	256 QAM	Outer_Full
46	Low	10			6	256 QAM	1@3
47	Low	10			6	256 QAM	43@9
48	Low	10			4	256 QAM	1@35
49	Low	10			2	256 QAM	17@35
50	Low	10			5	256 QAM	Edge_1RB_Right
51	Low	10			5	256 QAM	1@40
52	Low	10			3	256 QAM	8@44
NOTE 1: The specific configuration of each RB allocation is defined in Table 6.1-1 unless otherwise stated in this table.							

Editor's note: The following lines belong at the end of subclause 6.2D.3.4.1. As new tables are added to this section, these lines should always follow the tables

1. Connect the SS to the UE antenna connectors as shown in TS 38.508-1 [5] Annex A, Figure A.3.1.1.2 for TE diagram and section A.3.2 for UE diagram.
2. The parameter settings for the cell are set up according to TS 38.508-1 [5] subclause 4.4.3.
3. Downlink signals are initially set up according to Annex C.0, C.1, C.2 and uplink signals according Annex G.0, G.1, G.2 and G.3.0 with consideration of supplementary uplink physical channels.
4. The UL Reference Measurement channels are set according to the applicable tables 6.2D.3_1.4.1-1 to 6.2D.3_1.4.1-3.
5. Propagation conditions are set according to Annex B.0.
6. Ensure the UE is in state RRC_CONNECTED with generic procedure parameters Connectivity *NR*, Connected without release *On*, Test Mode *On* and Test Loop Function *On* according to TS 38.508-1 [5] clause 4.5. Message contents are defined in clause 6.2D.3_1.4.3.

6.2D.3_1.4.2 Test procedure

1. SS sends uplink scheduling information for each UL HARQ process via PDCCH DCI format 0_1 for C_RNTI to schedule the UL RMC according to Table 6.2D.3_1.4.1-1 to Table 6.2D.3_1.4.1-3. Since the UE has no payload data to send, the UE transmits uplink MAC padding bits on the UL RMC. The PDCCH DCI format 0_1 is specified with the condition 2TX_UL_MIMO in 38.508-1 [5] subclause 4.3.6.1.1.2.
2. Send continuously uplink power control "up" commands in every uplink scheduling information to the UE. Allow at least 200ms starting from the first TPC command in this step for the UE to reach P_{UMAX} level.

3. Measure the sum of the mean power of the UE at each transmit antenna connector in the channel bandwidth of the radio access mode. The period of measurement shall be at least the continuous duration of 1ms over all active uplink slots and in the uplink symbols. For TDD slots only slots consisting of only UL symbols are under.

6.2D.3_1.4.3 Message contents

Message contents are according to TS 38.508-1 [5] subclause 4.6.1 ensuring Table 4.6.3-182 with the condition 2TX_UL_MIMO, with the following exceptions for each network signalling value.

Message contents in initial conditions are according to TS 38.508-1 [5] subclause 4.3.6.1.1.2 ensuring UL/SUL indicator in Table 4.3.6.1.1.2-1 with condition SUL, subclause 4.6 ensuring Table 4.6.1-28 with condition SUL AND (RF OR RRM), Tables 4.6.3-14 with condition SUL_SUL for SUL carrier, and Table 4.6.3-167 with condition PUSCH_PUCCH_ON_SUL. All the AdditionalSpectrumEmission in 6.2.3.4.3 are sent in *SIB1* as part of *supplementaryUplink* instead of *uplinkConfigCommon*.

6.2D.3_1.4.3.1 Message contents exceptions for network signalling value "NS_05"

1. Information element additionalSpectrumEmission is set to NS_05. This can be set in the *SIB1* as part of the cell broadcast message. This exception indicates that the UE shall meet the additional spurious emission requirement for a specific deployment scenario.

Table 6.2D.3_1.4.3.1-1: AdditionalSpectrumEmission: Additional spurious emissions test requirement for "NS_05"

Derivation Path: TS 38.508-1 [5], Table 4.6.3-1			
Information Element	Value/remark	Comment	Condition
additionalSpectrumEmission	2 (NS_05)		

6.2D.3_1.4.3.2 Message contents exceptions for network signalling value "NS_05U"

1. Information element additionalSpectrumEmission is set to NS_05U. This can be set in the *SIB1* as part of the cell broadcast message. This exception indicates that the UE shall meet the additional spurious emission requirement for a specific deployment scenario.

Table 6.2D.3_1.4.3.2-1: AdditionalSpectrumEmission: Additional spurious emissions test requirement for "NS_05U"

Derivation Path: TS 38.508-1 [5], Table 4.6.3-1			
Information Element	Value/remark	Comment	Condition
additionalSpectrumEmission	3 (NS_05U)		

6.2D.3_1.4.3.3 Message contents exceptions for network signalling value "NS_56"

1. Information element additionalSpectrumEmission is set to NS_56. This can be set in the *SIB1* as part of the cell broadcast message. This exception indicates that the UE shall meet the additional spurious emission requirement for a specific deployment scenario.

Table 6.2D.3_1.4.3.3-1: AdditionalSpectrumEmission: Additional spurious emissions test requirement for "NS_56"

Derivation Path: TS 38.508-1 [5], Table 4.6.3-1			
Information Element	Value/remark	Comment	Condition
additionalSpectrumEmission	1 (NS_56)		

6.2D.3_1.5 Test requirement

The measured maximum output power shall be within the range prescribed by the nominal maximum output power and tolerance in the applicable tables from Table 6.2D.3_1.5-1 to Table 6.2D.3_1.5-3. The allowed A-MPR values specified in table 6.2.3.3.1-1 are in addition to the allowed MPR requirements specified in clause 6.2C.4. For the UE maximum output power modified by MPR and/or A-MPR, the power limits specified in Table 6.2D.1_1.3-1 apply.

Table 6.2D.3_1.5-1: UE Power Class 3 test requirements (NS_05) for band n84

Test ID	P _{PowerClass} (dBm)	ΔP _{PowerClass} (dB)	MPR (dB)	A-MPR (dB)	ΔT _{C,c} (dB)	P _{CMAX_L,c} (dBm)	T(P _{CMAX_L,c}) (dB)	T _{L,c} (dB)	Upper limit (dBm)	Lower limit (dBm)
1	23	0	3.0	7.5	0	15.5	6	2	25+TT	9.5-TT
2	23	0	3.0	10	0	13	6	2	25+TT	7-TT
3	23	0	3.0	6	0	17	5	2	25+TT	12-TT
4	23	0	3.0	5	0	18	5	2	25+TT	13-TT
5	23	0	3.0	3.5	0	19.5	5	2	25+TT	14.5-TT
6	23	0	3.0	10	0	13	6	2	25+TT	7-TT
7	23	0	3.0	6	0	17	5	2	25+TT	12-TT
8	23	0	3.0	5	0	18	5	2	25+TT	13-TT
9	23	0	3.0	10	0	13	6	2	25+TT	7-TT
10	23	0	3.0	5	0	18	5	2	25+TT	13-TT
11	23	0	3.0	3.5	0	19.5	5	2	25+TT	14.5-TT
12	23	0	3.0	10	0	13	6	2	25+TT	7-TT
13	23	0	3.0	6	0	17	5	2	25+TT	12-TT
14	23	0	3.0	5	0	18	5	2	25+TT	13-TT
15	23	0	3.0	3.5	0	19.5	5	2	25+TT	14.5-TT
16	23	0	3.0	7.5	0	15.5	6	2	25+TT	9.5-TT
17	23	0	3.0	10	0	13	6	2	25+TT	7-TT
18	23	0	3.0	6	0	17	5	2	25+TT	12-TT
19	23	0	3.0	5	0	18	5	2	25+TT	13-TT
20	23	0	3.0	3.5	0	19.5	5	2	25+TT	14.5-TT
21	23	0	3.0	10	0	13	6	2	25+TT	7-TT
22	23	0	3.0	6	0	17	5	2	25+TT	12-TT
23	23	0	3.0	5	0	18	5	2	25+TT	13-TT
24	23	0	3.0	10	0	13	6	2	25+TT	7-TT
25	23	0	3.0	5	0	18	5	2	25+TT	13-TT
26	23	0	3.0	3.5	0	19.5	5	2	25+TT	14.5-TT
27	23	0	3.0	10	0	13	6	2	25+TT	7-TT
28	23	0	3.0	6	0	17	5	2	25+TT	12-TT
29	23	0	3.0	5	0	18	5	2	25+TT	13-TT
30	23	0	3.0	3.5	0	19.5	5	2	25+TT	14.5-TT
31	23	0	3.5	8	0	15	6	2	25+TT	9-TT
32	23	0	3.5	11	0	12	6	2	25+TT	6-TT
33	23	0	3.5	6	0	17	5	2	25+TT	12-TT
34	23	0	3.5	5	0	18	5	2	25+TT	13-TT
35	23	0	3.5	11	0	12	6	2	25+TT	6-TT
36	23	0	3.5	6	0	17	5	2	25+TT	12-TT
37	23	0	3.5	5	0	18	5	2	25+TT	13-TT
38	23	0	3.5	11	0	12	6	2	25+TT	6-TT
39	23	0	3.5	5	0	18	5	2	25+TT	13-TT
40	23	0	3.5	11	0	12	6	2	25+TT	6-TT
41	23	0	3.5	6	0	17	5	2	25+TT	12-TT
42	23	0	3.5	5	0	18	5	2	25+TT	13-TT
43	23	0	6.5	10	0	13	6	2	25+TT	7-TT
44	23	0	6.5	13	0	10	7	2	25+TT	3-TT
45	23	0	6.5	6	0	16.5	5	2	25+TT	11.5-TT
46	23	0	6.5	13	0	10	7	2	25+TT	3-TT
47	23	0	6.5	6	0	16.5	5	2	25+TT	11.5-TT
48	23	0	6.5	13	0	10	7	2	25+TT	3-TT
49	23	0	6.5	13	0	10	7	2	25+TT	3-TT
50	23	0	6.5	6	0	16.5	5	2	25+TT	11.5-TT

NOTE 1: P_{PowerClass} is the maximum UE power specified without taking into account the tolerance.

NOTE 2: TT for each frequency and channel bandwidth is specified in Table 6.2.3.5-0.

Table 6.2D.3_1.5-2: UE Power Class 3 test requirements (NS_05U) for band n84

Test ID	P _{PowerClass} (dBm)	ΔP _{PowerClass} (dB)	MPR (dB)	A-MPR (dB)	ΔT _{C,c} (dB)	P _{CMAX_L,c} (dBm)	T(P _{CMAX_L,c}) (dB)	T _{L,c} (dB)	Upper limit (dBm)	Lower limit (dBm)
1	23	0	3.0	7.5	0	15.5	6	2	25+TT	9.5-TT
2	23	0	3.0	10	0	13	6	2	25+TT	7-TT
3	23	0	3.0	6	0	17	5	2	25+TT	12-TT

4	23	0	3.0	5	0	18	5	2	25+TT	13-TT
5	23	0	3.0	4	0	19	5	2	25+TT	14-TT
6	23	0	3.0	10	0	13	6	2	25+TT	7-TT
7	23	0	3.0	6	0	17	5	2	25+TT	12-TT
8	23	0	3.0	5	0	18	5	2	25+TT	13-TT
9	23	0	3.0	10	0	13	6	2	25+TT	7-TT
10	23	0	3.0	5	0	18	5	2	25+TT	13-TT
11	23	0	3.0	4	0	19	5	2	25+TT	14-TT
12	23	0	3.0	10	0	13	6	2	25+TT	7-TT
13	23	0	3.0	6	0	17	5	2	25+TT	12-TT
14	23	0	3.0	5	0	18	5	2	25+TT	13-TT
15	23	0	3.0	4	0	19	5	2	25+TT	14-TT
16	23	0	3.0	7.5	0	15.5	6	2	25+TT	9.5-TT
17	23	0	3.0	10	0	13	6	2	25+TT	7-TT
18	23	0	3.0	6	0	17	5	2	25+TT	12-TT
19	23	0	3.0	5	0	18	5	2	25+TT	13-TT
20	23	0	3.0	4	0	19	5	2	25+TT	14-TT
21	23	0	3.0	10	0	13	6	2	25+TT	7-TT
22	23	0	3.0	6	0	17	5	2	25+TT	12-TT
23	23	0	3.0	5	0	18	5	2	25+TT	13-TT
24	23	0	3.0	10	0	13	6	2	25+TT	7-TT
25	23	0	3.0	5	0	18	5	2	25+TT	13-TT
26	23	0	3.0	4	0	19	5	2	25+TT	14-TT
27	23	0	3.0	10	0	13	6	2	25+TT	7-TT
28	23	0	3.0	6	0	17	5	2	25+TT	12-TT
29	23	0	3.0	5	0	18	5	2	25+TT	13-TT
30	23	0	3.0	4	0	19	5	2	25+TT	14-TT
31	23	0	3.5	8	0	15	6	2	25+TT	9-TT
32	23	0	3.5	11	0	12	6	2	25+TT	6-TT
33	23	0	3.5	6	0	17	5	2	25+TT	12-TT
34	23	0	3.5	5	0	18	5	2	25+TT	13-TT
35	23	0	3.5	4	0	19	5	2	25+TT	14-TT
36	23	0	3.5	11	0	12	6	2	25+TT	6-TT
37	23	0	3.5	6	0	17	5	2	25+TT	12-TT
38	23	0	3.5	5	0	18	5	2	25+TT	13-TT
39	23	0	3.5	11	0	12	6	2	25+TT	6-TT
40	23	0	3.5	5	0	18	5	2	25+TT	13-TT
41	23	0	3.5	4	0	19	5	2	25+TT	14-TT
42	23	0	3.5	11	0	12	6	2	25+TT	6-TT
43	23	0	3.5	6	0	17	5	2	25+TT	12-TT
44	23	0	3.5	5	0	18	5	2	25+TT	13-TT
45	23	0	3.5	4	0	19	5	2	25+TT	14-TT
46	23	0	6.5	10	0	13	6	2	25+TT	7-TT
47	23	0	6.5	13	0	10	7	2	25+TT	3-TT
48	23	0	6.5	6.5	0	16.5	5	2	25+TT	11.5-TT
49	23	0	6.5	6.5	0	16.5	5	2	25+TT	11.5-TT
50	23	0	6.5	13	0	10	7	2	25+TT	3-TT
51	23	0	6.5	6.5	0	16.5	5	2	25+TT	11.5-TT
52	23	0	6.5	13	0	10	7	2	25+TT	3-TT
53	23	0	6.5	6.5	0	16.5	5	2	25+TT	11.5-TT
54	23	0	6.5	13	0	10	7	2	25+TT	3-TT
55	23	0	6.5	6.5	0	16.5	5	2	25+TT	11.5-TT
56	23	0	6.5	6.5	0	16.5	5	2	25+TT	11.5-TT

NOTE 1: $P_{\text{PowerClass}}$ is the maximum UE power specified without taking into account the tolerance.

NOTE 2: TT for each frequency and channel bandwidth is specified in Table 6.2.3.5-0.

Table 6.2D.3_1.5-3: UE Power Class 3 test requirements (NS_56) for band n99

Test ID	$P_{\text{PowerClass}}$ (dBm)	MPR (dB)	A-MPR (dB)	$\Delta T_{C,c}$ (dB)	$P_{\text{CMAX},c}$ (dBm)	$T(P_{\text{CMAX},L,c})$ (dB)	$T_{L,c}$ (dB)	Upper limit (dBm)	Lower limit (dBm)
1	23	3	14	0	9	6	4	25+TT	3-TT
2	23	3	8	0	15	5	4	25+TT	10-TT
3	23	3	6	0	17	5	4	25+TT	12-TT
4	23	3	4	0	19	3.5	4	25+TT	15-TT

5	23	1.5	4	0	19	3.5	4	25+TT	15-TT
6	23	3	14	0	9	6	4	25+TT	3-TT
7	23	3	8	0	15	5	4	25+TT	10-TT
8	23	3	6	0	17	5	4	25+TT	12-TT
9	23	3	4	0	19	3.5	4	25+TT	15-TT
10	23	2	4	0	19	3.5	4	25+TT	15-TT
11	23	3.5	14	0	9	6	4	25+TT	3-TT
12	23	3.5	8	0	15	5	4	25+TT	10-TT
13	23	3.5	6	0	17	5	4	25+TT	12-TT
14	23	3.5	4	0	19	3.5	4	25+TT	15-TT
15	23	3.5	4	0	19	3.5	4	25+TT	15-TT
16	23	6.5	14	0	9	6	4	25+TT	3-TT
17	23	6.5	8	0	15	5	4	25+TT	10-TT
18	23	6.5	6	0	16.5	5	4	25+TT	11.5-TT
19	23	6.5	4	0	16.5	5	4	25+TT	11.5-TT
20	23	6.5	4	0	16.5	5	4	25+TT	11.5-TT
21	23	3	12	0	9	6	4	25+TT	5-TT
22	23	3	8	0	11	5	4	25+TT	10-TT
23	23	3	8	0	15	5	4	25+TT	10-TT
24	23	1.5	6	0	17	5	4	25+TT	12-TT
25	23	3	6	0	17	5	4	25+TT	12-TT
26	23	1.5	4	0	19	3.5	4	25+TT	15-TT
27	23	3	2	0	20	2.5	4	25+TT	15.5-TT
28	23	3	5	0	18	4	4	25+TT	14-TT
29	23	1.5	5	0	18	4	4	25+TT	14-TT
30	23	1.5	5	0	18	4	4	25+TT	14-TT
31	23	3	3	0	20	2.5	4	25+TT	15.5-TT
32	23	3	12	0	11	6	4	25+TT	5-TT
33	23	3	8	0	15	5	4	25+TT	10-TT
34	23	3	8	0	15	5	4	25+TT	10-TT
35	23	2	6	0	17	5	4	25+TT	12-TT
36	23	3	6	0	17	5	4	25+TT	12-TT
37	23	2	4	0	19	3.5	4	25+TT	15-TT
38	23	3	2	0	20	2.5	4	25+TT	15.5-TT
39	23	3	5	0	18	4	4	25+TT	14-TT

Test ID	P _{PowerClass} (dBm)	MPR (dB)	A-MPR (dB)	ΔT _{C,c} (dB)	P _{C_{MAX,c}} (dBm)	T(P _{C_{MAX,L,c}}) (dB)	T _{L,c} (dB)	Upper limit (dBm)	Lower limit (dBm)
40	23	2	5	0	18	4	4	25+TT	14-TT
41	23	2	5	0	18	4	4	25+TT	14-TT
42	23	3	3	0	20	2.5	4	25+TT	15.5-TT
43	23	3.5	12	0	11	6	4	25+TT	5-TT
44	23	3.5	8	0	15	5	4	25+TT	10-TT
45	23	3.5	8	0	15	5	4	25+TT	10-TT
46	23	3.5	6	0	17	5	4	25+TT	12-TT
47	23	3.5	6	0	17	5	4	25+TT	12-TT
48	23	3.5	4	0	19	3.5	4	25+TT	15-TT
49	23	3.5	2	0	19.5	3.5	4	25+TT	15.5-TT
50	23	3.5	5	0	18	3.5	4	25+TT	14-TT
51	23	3.5	5	0	18	3.5	4	25+TT	14-TT
52	23	3.5	5	0	18	3.5	4	25+TT	14-TT
53	23	3.5	3	0	19.5	3.5	4	25+TT	15.5-TT
54	23	6.5	12	0	11	6	4	25+TT	5-TT
55	23	6.5	8	0	15	5	4	25+TT	10-TT
56	23	6.5	8	0	15	5	4	25+TT	10-TT
57	23	6.5	6	0	16.5	5	4	25+TT	11.5-TT
58	23	6.5	6	0	16.5	5	4	25+TT	11.5-TT
59	23	6.5	4	0	16.5	5	4	25+TT	11.5-TT
60	23	6.5	2	0	16.5	5	4	25+TT	11.5-TT
61	23	6.5	5	0	16.5	5	4	25+TT	11.5-TT
62	23	6.5	5	0	16.5	5	4	25+TT	11.5-TT
63	23	6.5	5	0	16.5	5	4	25+TT	11.5-TT
64	23	6.5	3	0	16.5	5	4	25+TT	11.5-TT

NOTE 1: P_{PowerClass} is the maximum UE power specified without taking into account the tolerance.

NOTE 2: For Band n99, refers to the transmission bandwidths confined within F_{UL_low} and $F_{UL_low} + 4$ MHz or $F_{UL_high} - 4$ MHz and F_{UL_high} , the lower limit shall be decreased by 1.5 dB.

NOTE 3: TT for each frequency and channel bandwidth is specified in Table 6.2.3.5-0.

For the UE which supports inter-band NR CA configuration, inter-band NR-DC configuration, SUL configuration or inter-band EN-DC configuration, $\Delta T_{IB,c}$ as specified in 6.2A.4.0.2 for NR CA, 6.2B.4.0.2 for NR-DC, clause 6.2C.2 for SUL, or TS 38.521-3 [14] clause 6.2B.4.2 for EN-DC applies. Unless otherwise stated, $\Delta T_{IB,c}$ is set to zero. In case the UE supports more than one of band combinations for CA, NR-DC, SUL or EN-DC, and an operating band belongs to more than one band combinations then

- a) When the operating band frequency range is ≤ 1 GHz, the applicable additional $\Delta T_{IB,c}$ shall be the average value for all band combinations defined in clause 6.2A.4.0.2, 6.2B.4.0.2, 6.2C.2 in this specification and 6.2B.4.2 in TS 38.521-3 [14], truncated to one decimal place that apply for that operating band among the supported band combinations. In case there is a harmonic relation between low band UL and high band DL, then the maximum $\Delta T_{IB,c}$ among the different supported band combinations involving such band shall be applied.
- b) When the operating band frequency range is > 1 GHz, the applicable additional $\Delta T_{IB,c}$ shall be the maximum value for all band combinations defined in clause 6.2A.4.0.2, 6.2B.4.0.2, 6.2C.2 in this specification and 6.2B.4.2 in TS 38.521-3 [14] for the applicable operating bands.

6.2D.4 Configured transmitted power for UL MIMO

6.2D.4.1 Test purpose

To verify the measured UE configured maximum output power $P_{UMAX,f,c}$ for UL MIMO is within the specified bounds.

6.2D.4.2 Test applicability

This test case applies to all types of NR Power Class 1.5, Power Class 2 and Power Class 3 UE release 15 and forward that support 2-layer codebook based UL MIMO.

This test case applies to all types of NR Power Class 1.5, Power Class 2 and Power Class 3 UE release 16 and forward that support UL full power transmission (ULFPTX).

6.2D.4.3 Minimum conformance requirements

For UE supporting UL MIMO, the transmitted power is configured per each UE.

The definitions of configured maximum output power $P_{CMAX,c}$, the lower bound $P_{CMAX_L,c}$, and the higher bound $P_{CMAX_H,c}$ specified in subclause 6.2.4 shall apply to UE supporting UL MIMO, where

$P_{PowerClass}$, $\Delta P_{PowerClass}$ and $\Delta T_{C,c}$ are specified in subclause 6.2D.1.3;

MPR_c is specified in subclause 6.2D.2.3;

A- MPR_c is specified in subclause 6.2D.3.3.

The measured configured maximum output power $P_{UMAX,c}$ for serving cell c shall be within the following bounds:

$$P_{CMAX_L,c} - \text{MAX}\{T_L, T_{LOW}(P_{CMAX_L,c})\} \leq P_{UMAX,c} \leq P_{CMAX_H,c} + T_{HIGH}(P_{CMAX_H,c})$$

where $T_{LOW}(P_{CMAX_L,c})$ and $T_{HIGH}(P_{CMAX_H,c})$ are defined as the tolerance and applies to $P_{CMAX_L,c}$ and $P_{CMAX_H,c}$ separately, while T_L is the absolute value of the lower tolerance in Table 6.2D.1.3-1 for the applicable operating band.

For UE with two transmit antenna connectors in closed-loop spatial multiplexing scheme, the tolerance is specified in Table 6.2D.4.3-1. The requirements shall be met with UL MIMO configurations specified in Table 6.2D.1.3-2.

For UE support uplink full power transmission (ULFPTX) for UL MIMO, the tolerance is specified in Table 6.2D.4.3-1. The requirements shall be met with the PUSCH configurations specified in Table 6.2D.1.3-3, based upon UE's support of uplink full power transmission mode.

Table 6.2D.4.3-1: $P_{CMAX,c}$ tolerance in closed-loop spatial multiplexing scheme

$P_{CMAX,c}$ (dBm)	Tolerance $T_{LOW}(P_{CMAX_L,c})$ (dB)	Tolerance $T_{HIGH}(P_{CMAX_H,c})$ (dB)
-----------------------	--	---

$23 \leq P_{\text{CMAX},c} \leq 29$	3.0	2.0
$22 \leq P_{\text{CMAX},c} < 23$	5.0	2.0
$21 \leq P_{\text{CMAX},c} < 22$	5.0	3.0
$20 \leq P_{\text{CMAX},c} < 21$	6.0	4.0
$16 \leq P_{\text{CMAX},c} < 20$	5.0	
$11 \leq P_{\text{CMAX},c} < 16$	6.0	
$-40 \leq P_{\text{CMAX},c} < 11$	7.0	

If UE is scheduled for single antenna-port PUSCH transmission by DCI format 0_0 or by DCI format 0_1 for single antenna port codebook based transmission, the requirements in clause 6.2D.1.3 apply for the power class as indicated by the *ue-PowerClass* field in capability signalling.

The normative reference for this requirement is TS 38.101-1 [2] clause 6.2D.4.

6.2D.4.4 Test description

6.2D.4.4.1 Initial conditions

Initial conditions are a set of test configurations the UE needs to be tested in and the steps for the SS to take with the UE to reach the correct measurement state.

The initial test configurations consist of environmental conditions, test frequencies, test channel bandwidths and sub-carrier spacing based on NR operating bands specified in table 5.3.5-1. All of these configurations shall be tested with applicable test parameters for each combination of test channel bandwidth and sub-carrier spacing, and are shown in table 6.2D.4.4.1-1. The details of the uplink reference measurement channels (RMCs) are specified in Annexes A.2. Configurations of PDSCH and PDCCH before measurement are specified in Annex C.2.

Table 6.2D.4.4.1-1: Test Configuration Table

Initial Conditions			
Test Environment as specified in TS 38.508-1 [5] subclause 4.1		Normal, TL/VL, TL/VH, TH/VL, TH/VH	
Test Frequencies as specified in TS 38.508-1 [5] subclause 4.3.1		Mid range	
Test Channel Bandwidths as specified in TS 38.508-1 [5] subclause 4.3.1		Lowest, Mid, Highest	
Test SCS as specified in Table 5.3.5-1		Lowest	
Test Parameters for Channel Bandwidths			
Test ID	Downlink Configuration	Uplink Configuration	
	N/A	Modulation	RB allocation (NOTE 1)
1		CP-OFDM QPSK	Inner Full
NOTE 1: The specific configuration of each RB allocation is defined in Table 6.1-1.			

Table 6.2D.4.4.1-2: Test Configuration Table for uplink full power transmission (ULFPTx)

Initial Conditions			
Test Environment as specified in TS 38.508-1 [5] subclause 4.1		Normal, TL/VL, TL/VH, TH/VL, TH/VH	
Test Frequencies as specified in TS 38.508-1 [5] subclause 4.3.1		Mid range	
Test Channel Bandwidths as specified in TS 38.508-1 [5] subclause 4.3.1		Lowest, Mid, Highest	
Test SCS as specified in Table 5.3.5-1		Lowest	
Test Parameters for Channel Bandwidths			
Test ID	Downlink Configuration	Uplink Configuration	
	N/A	Modulation (NOTE 2)	RB allocation (NOTE 1)
1		DFT-s-OFDM Pi/2 BPSK	Inner Full
2		DFT-s-OFDM QPSK	Inner Full
3 ³		DFT-s-OFDM Pi/2 BPSK	Inner Full
NOTE 1: The specific configuration of each RB allocation is defined in Table 6.1-1.			
NOTE 2: DFT-s-OFDM PI/2 BPSK test applies only for UEs which supports half Pi BPSK in FR1.			
NOTE 3: UE operating in TDD mode with PI/2 PBSK modulation and UE indicates support for UE capability <i>powerBoosting-pi2BPSK</i> and the IE <i>powerBoostPi2BPSK</i> is set to 1 for bands n40, n41, n77, n78 and n79.			

1. Connect the SS to the UE antenna connectors as shown in TS 38.508-1 [5] Annex A, Figure A.3.1.1.2 for TE diagram and section A.3.2 for UE diagram.
2. The parameter settings for the cell are set up according to TS 38.508-1 [5] subclause 4.4.3.
3. Downlink signals are initially set up according to Annex C.0, C.1, C.2, and uplink signals according to Annex G.0, G.1, G.2, G.3.0.
4. The UL Reference Measurement Channel is set according to Table 6.2D.4.4.1-1.
5. Propagation conditions are set according to Annex B.0.
6. Ensure the UE is in state RRC_CONNECTED with generic procedure parameters Connectivity NR, Connected without release On, Test Mode On and Test Loop Function On according to TS 38.508-1 [5] clause 4.5. Message contents are defined in clause 6.2D.4.4.3.

6.2D.4.4.2 Test procedure

Sub-test for 2-Layer codebook based UL-MIMO

1. SS sends uplink scheduling information for each UL HARQ process via PDCCH DCI format 0_1 for C_RNTI to schedule the UL RMC according to Table 6.2D.4.4.1-1. Since the UE has no payload and no loopback data to send the UE sends uplink MAC padding bits on the UL RMC. The PDCCH DCI format 0_1 is specified with the condition 2TX_UL_MIMO in 38.508-1 [5] subclause 4.3.6.1.1.2.
2. Send continuously uplink power control "up" commands in every uplink scheduling information to the UE; allow at least 200ms starting from the first TPC command in this step for the UE to reach P_{UMAX} level of the test point.
3. Measure the sum of the mean power of the UE at each transmit antenna connector in the channel bandwidth of the radio access mode. The period of measurement shall be at least the continuous duration of 1ms over all active uplink slots and in the uplink symbols. For TDD slots only slots consisting of only UL symbols are under test.

Sub-test for ULFPTx

4. If UE supports ULFPTx, repeat test steps 1~3 with UL RMC according to Table 6.2D.4.4.1-2. The PDCCH DCI format 0_1 is specified with the condition ULFPTx_Mode1, ULFPTx_Mode2 or ULFPTx_ModeFull in 38.508-1 [5] subclause 4.3.6.1.1.2 depending on UE reported capability.

6.2D.4.4.3 Message contents

Message contents are according to TS 38.508-1 [5] subclause 4.6 ensuring Table 4.6.3-182 with the condition 2TX_UL_MIMO and following exception.

Table 6.2D.4.4.3-1: FrequencyInfoUL-SIB: Test point 1

Derivation Path: TS 38.508-1 [5] Table 4.6.3-62 FrequencyInfoUL-SIB			
Information Element	Value/remark	Comment	Condition
p-Max	0		

Table 6.2D.4.4.3-2: FrequencyInfoUL-SIB: Test point 2

Derivation Path: TS 38.508-1 [5] Table 4.6.3-62 FrequencyInfoUL-SIB			
Information Element	Value/remark	Comment	Condition
p-Max	14		

Table 6.2D.4.4.3-3: FrequencyInfoUL-SIB: Test point 3

Derivation Path: TS 38.508-1 [5] Table 4.6.3-62 FrequencyInfoUL-SIB			
Information Element	Value/remark	Comment	Condition

p-Max	20		
-------	----	--	--

Table 6.2D.4.4.3-4: ServingCellConfig: ULFPTx

Derivation Path: TS 38.508-1 [5] Table 4.6.3-167			
Information Element	Value/remark	Comment	Condition
ServingCellConfig ::= SEQUENCE {			
uplinkConfig SEQUENCE {			
powerBoostPi2BPSK	0		ULFPTx Test ID 1, 2
	1		ULFPTx Test ID 3
}			
}			

6.2D.4.5 Test requirement

The maximum output power measured shall not exceed the values specified in Table 6.2D.4.5-1.

Table 6.2D.4.5-1: P_{C_{MAX}} configured UE output power

Configured transmitted power	
Measured UE output power test point 1	0 dBm ± (7+TT)
Measured UE output power test point 2	14 dBm ± (6+TT)
Measured UE output power test point 3	20 dBm + (4+TT) / - (6+TT)
Note 1:	TT for each frequency and channel bandwidth is specified in Table 6.2D.4.5-2.
Note 2:	In addition note 2 in Table 6.2D.1.3-1 shall apply to the tolerances.

Table 6.2D.4.5-2: Test Tolerance (Configured transmitted power for UL MIMO)

	f ≤ 3.0GHz	3.0GHz < f ≤ 6.0GHz
BW ≤ 40MHz	0.7	1.0
40MHz < BW ≤ 100MHz	1.0	1.0

For the UE which supports inter-band NR CA configuration, inter-band NR-DC configuration, SUL configuration or inter-band EN-DC configuration, ΔT_{IB,c} as specified in 6.2A.4.0.2 for NR CA, 6.2B.4.0.2 for NR-DC, clause 6.2C.2 for SUL, or TS 38.521-3 [14] clause 6.2B.4.2 for EN-DC applies. Unless otherwise stated, ΔT_{IB,c} is set to zero. In case the UE supports more than one of band combinations for CA, NR-DC, SUL or EN-DC, and an operating band belongs to more than one band combinations then

- a) When the operating band frequency range is ≤ 1 GHz, the applicable additional ΔT_{IB,c} shall be the average value for all band combinations defined in clause 6.2A.4.0.2, 6.2B.4.0.2, 6.2C.2 in this specification and 6.2B.4.2 in TS 38.521-3 [14], truncated to one decimal place that apply for that operating band among the supported band combinations. In case there is a harmonic relation between low band UL and high band DL, then the maximum ΔT_{IB,c} among the different supported band combinations involving such band shall be applied.
- b) When the operating band frequency range is > 1 GHz, the applicable additional ΔT_{IB,c} shall be the maximum value for all band combinations defined in clause 6.2A.4.0.2, 6.2B.4.0.2, 6.2C.2 in this specification and 6.2B.4.2 in TS 38.521-3 [14] for the applicable operating bands.

6.2D.4_1 Configured transmitted power for SUL with UL MIMO

6.2D.4_1.1 Test purpose

Same test purpose as in clause 6.2D.4.1.

6.2D.4_1.2 Test applicability

This test applies to all types of NR UE release 17 and forward that support SUL and UL MIMO operating on the SUL bands.

This test applies to all types of NR UE release 17 and forward that support SUL and UL full power transmission (ULFPTx) on the SUL bands.

6.2D.4_1.3 Minimum conformance requirements

Same minimum conformance requirements as in clause 6.2D.4.3.

6.2D.4_1.4 Test description

6.2D.4_1.4.1 Initial conditions

Initial conditions are a set of test configurations the UE needs to be tested in and the steps for the SS to take with the UE to reach the correct measurement state.

The initial test configurations consist of environmental conditions, test frequencies, test channel bandwidths and sub-carrier spacing based on NR operating bands specified in table 5.3.5-1. All of these configurations shall be tested with applicable test parameters for each combination of test channel bandwidth and sub-carrier spacing, and are shown in table 6.2D.4_1.4.1-1. The details of the uplink reference measurement channels (RMCs) are specified in Annexes A.2. Configurations of PDSCH and PDCCH before measurement are specified in Annex C.2.

Table 6.2D.4_1.4.1-1: Test Configuration Table

Initial Conditions				
Test Environment as specified in TS 38.508-1 [5] subclause 4.1		Normal, TL/VL, TL/VH, TH/VL, TH/VH		
Test Frequencies as specified in TS 38.508-1 [5] subclause 4.3.1		Mid range for both SUL carrier and Non-SUL carrier		
Test Channel Bandwidths as specified in TS 38.508-1 [5] subclause 4.3.1		Lowest, Mid, Highest for SUL carrier Lowest for Non-SUL carrier		
Test SCS as specified in Table 5.5C-1		15kHz for SUL carrier and Lowest supported SCS for Non-SUL carrier		
Test Parameters for Channel Bandwidths				
Test ID	Downlink Configuration	UL Configuration	SUL Configuration	
	N/A	N/A	Modulation	RB allocation (NOTE 2)
1			CP-OFDM QPSK	Inner Full
NOTE 1: Test Channel Bandwidths are checked separately for each SUL band combination, the applicable channel bandwidths are specified in Table 5.5C-1.				
NOTE 2: The specific configuration of each RB allocation is defined in Table 6.1-1.				

Table 6.2D.4_1.4.1-2: Test Configuration Table for uplink full power transmission (ULFPTx)

Initial Conditions				
Test Environment as specified in TS 38.508-1 [5] subclause 4.1		Normal, TL/VL, TL/VH, TH/VL, TH/VH		
Test Frequencies as specified in TS 38.508-1 [5] subclause 4.3.1		Mid range for both SUL carrier and Non-SUL carrier		
Test Channel Bandwidths as specified in TS 38.508-1 [5] subclause 4.3.1		Lowest, Mid, Highest for SUL carrier Lowest for Non-SUL carrier		
Test SCS as specified in Table 5.5C-1		15kHz for SUL carrier and Lowest supported SCS for Non-SUL carrier		
Test Parameters for Channel Bandwidths				
Test ID	Downlink Configuration	UL Configuration	SUL Configuration	
	N/A	N/A	Modulation	RB allocation (NOTE 2)
1			DFT-s-OFDM Pi/2 BPSK	Inner Full
2			DFT-s-OFDM QPSK	Inner Full
NOTE 1: Test Channel Bandwidths are checked separately for each SUL band combination, the applicable channel bandwidths are specified in Table 5.5C-1.				
NOTE 2: The specific configuration of each RB allocation is defined in Table 6.1-1.				
NOTE 3: DFT-s-OFDM PI/2 BPSK test applies only for UEs which supports half Pi BPSK in FR1.				

1. Connect the SS to the UE antenna connectors as shown in TS 38.508-1 [5] Annex A, Figure A.3.1.1.5 for TE diagram and section A.3.2 for UE diagram.

2. The parameter settings for the cell are set up according to TS 38.508-1 [5] subclause 4.4.3.
3. Downlink signals are initially set up according to Annex C.0, C.1, C.2, and uplink signals according to Annex G.0, G.1, G.2 and G.3.0 with consideration of supplementary uplink physical channels.
4. The UL Reference Measurement Channel is set according to Table 6.2D.4_1.4.1-1 or 6.2D.4_1.4.1-2.
5. Propagation conditions are set according to Annex B.0.
6. Ensure the UE is in state RRC_CONNECTED with generic procedure parameters Connectivity NR, Connected without release *On*, Test Mode *On* and Test Loop Function *On* according to TS 38.508-1 [5] clause 4.5. Message contents are defined in clause 6.2D.4_1.4.3.

6.2D.4_1.4.2 Test procedure

1. SS sends uplink scheduling information for each UL HARQ process via PDCCH DCI format 0_1 for C_RNTI to schedule the UL RMC according to Table 6.2D.4_1.4.1-1. Since the UE has no payload and no loopback data to send the UE sends uplink MAC padding bits on the UL RMC. The PDCCH DCI format 0_1 is specified with the condition 2TX_UL_MIMO in 38.508-1 [5] subclause 4.3.6.1.1.2.
2. Send continuously uplink power control "up" commands in every uplink scheduling information to the UE; allow at least 200ms starting from the first TPC command in this step for the UE to reach P_{UMAX} level of the test point.
3. Measure the sum of the mean power of the UE at each transmit antenna connector in the channel bandwidth of the radio access mode. The period of measurement shall be at least the continuous duration of 1ms over all active uplink slots and in the uplink symbols.
4. If UE supports ULFPTx, repeat test steps 1~3 with UL RMC according to Table 6.2D.4_1.4.1-2. The PDCCH DCI format 0_1 is specified with the condition ULFPTx_Mode1, ULFPTx_Mode2 or ULFPTx_ModeFull in 38.508-1 [5] subclause 4.3.6.1.1.2 depending on UE reported capability.

6.2D.4_1.4.3 Message contents

Message contents are according to TS 38.508-1 [5] subclause 4.3.6.1.1.2 ensuring UL/SUL indicator in Table 4.3.6.1.1.2-1 with condition SUL, subclause 4.6 ensuring Table 4.6.1-28 with condition SUL AND (RF OR RRM), Tables 4.6.3-14 with condition SUL_SUL for SUL carrier, Table 4.6.3-167 with condition PUSCH_PUCCH_ON_SUL, and Table 4.6.3-182 with the condition 2TX_UL_MIMO and following exception.

Table 6.2D.4_1.4.3-1: FrequencyInfoUL-SIB: Test point 1

Derivation Path: TS 38.508-1 [5] Table 4.6.3-62 FrequencyInfoUL-SIB			
Information Element	Value/remark	Comment	Condition
p-Max	0		

Table 6.2D.4_1.4.3-2: FrequencyInfoUL-SIB: Test point 2

Derivation Path: TS 38.508-1 [5] Table 4.6.3-62 FrequencyInfoUL-SIB			
Information Element	Value/remark	Comment	Condition
p-Max	14		

Table 6.2D.4_1.4.3-3: FrequencyInfoUL-SIB: Test point 3

Derivation Path: TS 38.508-1 [5] Table 4.6.3-62 FrequencyInfoUL-SIB			
Information Element	Value/remark	Comment	Condition
p-Max	18		

6.2D.4_1.5 Test requirement

The maximum output power measured shall not exceed the values specified in Table 6.2D.4_1.5-1.

Table 6.2D.4_1.5-1: P_{C_{MAX}} configured UE output power

Configured transmitted power

Measured UE output power test point 1	0 dBm \pm (7+TT)
Measured UE output power test point 2	14 dBm \pm (6+TT)
Measured UE output power test point 3	18 dBm \pm (5+TT)
Note 1:	TT for each frequency and channel bandwidth is specified in Table 6.2D.4_1.5-2.
Note 2:	In addition note 2 in Table 6.2D.1_1.3-1 shall apply to the tolerances.

Table 6.2D.4_1.5-2: Test Tolerance (Configured transmitted power for UL MIMO)

	$f \leq 3.0\text{GHz}$	$3.0\text{GHz} < f \leq 6.0\text{GHz}$
$BW \leq 40\text{MHz}$	0.7	1.0
$40\text{MHz} < BW \leq 100\text{MHz}$	1.0	1.0

For the UE which supports inter-band NR CA configuration, inter-band NR-DC configuration, SUL configuration or inter-band EN-DC configuration, $\Delta T_{IB,c}$ as specified in 6.2A.4.0.2 for NR CA, 6.2B.4.0.2 for NR-DC, clause 6.2C.2 for SUL, or TS 38.521-3 [14] clause 6.2B.4.2 for EN-DC applies. Unless otherwise stated, $\Delta T_{IB,c}$ is set to zero. In case the UE supports more than one of band combinations for CA, NR-DC, SUL or EN-DC, and an operating band belongs to more than one band combinations then

- When the operating band frequency range is ≤ 1 GHz, the applicable additional $\Delta T_{IB,c}$ shall be the average value for all band combinations defined in clause 6.2A.4.0.2, 6.2B.4.0.2, 6.2C.2 in this specification and 6.2B.4.2 in TS 38.521-3 [14], truncated to one decimal place that apply for that operating band among the supported band combinations. In case there is a harmonic relation between low band UL and high band DL, then the maximum $\Delta T_{IB,c}$ among the different supported band combinations involving such band shall be applied.
- When the operating band frequency range is > 1 GHz, the applicable additional $\Delta T_{IB,c}$ shall be the maximum value for all band combinations defined in clause 6.2A.4.0.2, 6.2B.4.0.2, 6.2C.2 in this specification and 6.2B.4.2 in TS 38.521-3 [14] for the applicable operating bands.

6.2E Transmitter power for V2X

6.2E.1 UE maximum output power for V2X

6.2E.1.0 Minimum conformance requirements

6.2E.1.0.1 General

When NR V2X UE is configured for NR V2X sidelink transmissions non-concurrent with NR uplink transmissions for NR V2X operating bands specified in Table 5.2E.1-1, the allowed NR V2X UE maximum output power is specified in Table 6.2E.1.0.1-0.

Table 6.2E.1.0.1-0: NR V2X UE Power Class

NR band	Class 1 (dBm)	Tolerance (dB)	Class 2 (dBm)	Tolerance (dB)	Class 3 (dBm)	Tolerance (dB)
n38					23	± 2
n47			26	+2/-3	23	± 2

When a UE is configured for NR V2X sidelink transmissions in NR Band n47, the V2X UE shall meet the following additional requirements for transmission within the frequency ranges 5855-5925 MHz:

- The maximum mean power spectral density shall be restricted to 23 dBm/MHz EIRP when the network signalling value NS₃₃ is indicated.

where the network signalling values are specified in clause 6.2E.3.0.

NOTE: The PSD limit in EIRP shall be converted to conducted requirement depend on the supported post antenna connector gain $G_{\text{post connector}}$ declared by the UE following the principle described in annex I in [11].

For NR V2X UE supporting SL MIMO or Tx diversity, the maximum output power requirements in Table 6.2E.1.0.1-1 is defined as the sum of the maximum output power from each UE antenna connector. The period of measurement shall

be at least one sub frame (1 ms). For UE supporting SL MIMO, the requirements shall be met with the SL MIMO configurations specified in Table 6.2D.1.3-2.

Table 6.2E.1.0.1-1: NR V2X UE Power Class for SL-MIMO

NR band	Class 1 (dBm)	Tolerance (dB)	Class 2 (dBm)	Tolerance (dB)	Class 3 (dBm)	Tolerance (dB)	Class 4 (dBm)	Tolerance (dB)
n38					23	+2/-3		
n47			26	+2/-3	23	+2/-3		

If the UE transmits on one antenna connector at a time, the requirements in Table 6.2E.1.0.1-0 shall apply to the active antenna connector.

6.2E.1.0.2 UE maximum output power for V2X con-current operation

For the NR V2X inter-band con-current operation, the maximum output power is specified in Table 6.2E.1.0.2-1 for each operating band. The period of measurement shall be at least one sub frame (1ms).

Table 6.2E.1.0.2-1: Power Class for NR V2X inter-band con-current combination (two bands)

NR V2X con-current operating band Configuration	NR band	Class 1 (dBm)	Tolerance (dB)	Class 2 (dBm)	Tolerance (dB)	Class 3 (dBm)	Tolerance (dB)	Class 4 (dBm)	Tolerance (dB)
V2X_n71A-n47A	n71					23	+2/-3 ⁴		
	n47					23	+2/-3		

NOTE 1: For the con-current band combinations, the simultaneous transmission and reception of sidelink and Uu interfaces can be supported while operation is agnostic of the service used on each interface.

NOTE 2: $P_{PowerClass}$ is the maximum output power specified without taking into account the tolerance for each operating band.

NOTE 3: For inter-band con-current operation, the aggregation power apply to the total transmitted power over all component carriers (per UE).

NOTE 4: ⁴ refers to the transmission bandwidths (Figure 5.6-1) confined within F_{UL_low} and $F_{UL_low} + 4$ MHz or $F_{UL_high} - 4$ MHz and F_{UL_high} , the maximum output power requirement is relaxed by reducing the lower tolerance limit by 1.5 dB

For the intra-band con-current NR V2X operation, the maximum output power is specified in Table 6.2E.1.0.2-2. The period of measurement shall be at least one sub frame (1ms).

Table 6.2E.1.0.2-2: NR V2X UE Power Class for intra-band con-current combination

NR V2X con-current operating band Configuration	Class 1 (dBm)	Tolerance (dB)	Class 2 (dBm)	Tolerance (dB)	Class 3 (dBm)	Tolerance (dB)	Class 4 (dBm)	Tolerance (dB)
V2X_n79B			26	+2/-3 ²	23	+2/-3 ²		

NOTE 1: Void.

NOTE 2: $P_{PowerClass}$ is the maximum UE power specified without taking into account the tolerance

NOTE 3: For intra-band con-current aggregation the maximum power requirement apply to the total transmitted power over all component carriers (per UE).

NOTE 4: Power Class 3 is the default power class unless otherwise stated.

The normative reference for this requirement is TS 38.101-1 [2] clause 6.2E.1

6.2E.1.1 UE maximum output power for V2X / non-concurrent operation

6.2E.1.1.1 Test purpose

To verify that the error of the UE maximum output power does not exceed the range prescribed by the specified nominal maximum output power and tolerance.

An excess maximum output power has the possibility to interfere to other channels or other systems. A small maximum output power decreases the coverage area.

6.2E.1.1.2 Test applicability

The requirements in this test are not testable due to lack of appropriate test points since there's no configuration satisfying MPR=0dB requirements in TS 38.101-1.

No test case details are specified.

6.2E.1.1D UE maximum output power for V2X / non-concurrent operation / SL-MIMO

6.2E.1.1D.1 Test purpose

To verify that the error of the UE maximum output power does not exceed the range prescribed by the specified nominal maximum output power and tolerance.

An excess maximum output power has the possibility to interfere to other channels or other systems. A small maximum output power decreases the coverage area.

6.2E.1.1D.2 Test applicability

The requirements in this test are not testable due to lack of appropriate test points since there's no configuration satisfying MPR=0dB requirements in TS 38.101-1.

No test case details are specified.

6.2E.1.2 UE maximum output power for V2X / concurrent operation

6.2E.1.2.1 Test purpose

To verify that the error of the UE maximum output power does not exceed the range prescribed by the specified nominal maximum output power and tolerance.

An excess maximum output power has the possibility to interfere to other channels or other systems. A small maximum output power decreases the coverage area.

6.2E.1.2.2 Test applicability

This test case applies to all types of NR UE release 16 and forward that support NR V2X sidelink communication.

6.2E.1.2.3 Minimum conformance requirements

The minimum conformance requirements are defined in clause 6.2E.1.0.

6.2E.1.2.4 Test description

6.2E.1.2.4.1 Initial conditions

Initial conditions are a set of test configurations the UE needs to be tested in and the steps for the SS to take with the UE to reach the correct measurement state.

The initial test configurations consist of environmental conditions, test frequencies, test channel bandwidths and sub-carrier spacing based on NR operating bands specified in Table 5.2E.2-1 and Table 5.3.5-1. All of these configurations shall be tested with applicable test parameters for each combination of test channel bandwidth and sub-carrier spacing, and are shown in table 6.2E.1.2.4.1-1. The details of the V2X reference measurement channels (RMCs) are specified in Annexes A.7.5. The details of the uplink reference measurement channels (RMCs) are specified in Annexes A.2. Configurations of PDSCH and PDCCH before measurement are specified in Annex C.2.

Table 6.2E.1.2.4.1-1: Test Configuration Table

Initial Conditions	
Test Environment as specified in TS 38.508-1 [5] subclause 4.1	Normal, TL/VL, TL/VH, TH/VL, TH/VH
Test Frequencies as specified in TS 38.508-1 [5] subclause 4.3.1	Low range for NR Uu and V2X carrier High range for NR Uu and V2X carrier
Test Channel Bandwidths as specified TS 38.508-1 [5] subclause 4.3.1	Lowest for NR Uu and V2X carrier Highest for NR Uu and V2X carrier
Test SCS as specified in Table 5.3.5-1	Lowest for NR Uu and V2X carrier Highest for NR Uu and V2X carrier

Test Parameters for Channel Bandwidths							
	NR Uu Configuration				NR V2X Configuration to Transmit		
	Freq	Downlink Configuration	Uplink Configuration		Freq	Modulation	PSCCH and PSSCH RB allocation (Note 2)
Modulation			RB allocation (NOTE 1)				
1	Default	N/A	DFT-s-OFDM QPSK	Inner Full	Default	CP-OFDM QPSK	Inner_Full
NOTE 1: The specific configuration of each RB allocation is defined in Table 6.1-1.							
NOTE 2: The specific configuration of each RB allocation is defined in Table 6.1E-1.							

1. Connect the SS to the UE antenna connectors as shown in TS 38.508-1 [5] Annex A, Figure A.3.1.9.3 for TE diagram and clause A.3.2.7 for UE diagram.
2. The parameter settings for the cell are set up according to TS 38.508-1 [5] clause 4.4.3.
3. Downlink signals are initially set up according to Annex C.0, C.1, C.2, and uplink signals according to Annex G.0, G.1, G.2, G.3.0.
4. The V2X Reference Measurement Channel and NR UL Reference Measurement Channel are set according to Table 6.2E.1.2.4.1-1.
5. Propagation conditions are set according to Annex B.0.
6. Ensure the UE is in state RRC_CONNECTED with generic procedure parameter Connectivity NR, Connected without release on, Test Mode On and Sidelink On according to TS 38.508-1 [5] clause 4.5. Message contents are defined in clause 6.2E.1.2.4.3.

6.2E.1.2.4.2 Test procedure

1. SS sends uplink scheduling information for each UL HARQ process via PDCCH DCI format 0_1 for C_RNTI to schedule the UL RMC according to Table 6.2E.1.2.4.1-1. Since the UE has no payload and no loopback data to send the UE sends uplink MAC padding bits on the UL RMC.
2. Send continuously uplink power control "up" commands in every uplink scheduling information to the UE; allow at least 200ms starting from the first TPC command in this step for the UE to reach PUMAX level.
3. SS sends sidelink scheduling information for each SL-HARQ process via PDCCH DCI format 3_0 for C_RNTI to schedule the Sidelink RMC according to Table 6.2E.1.2.4.1-1. UE is configured to transmit at P_{cm} on the sidelink carrier. Since the UE has no payload and no loopback data to send the UE sends MAC padding bits on the Sidelink RMC.
4. Measure the sum of the mean power of the UE at NR Uu carrier and V2X sidelink carrier in the channel bandwidth according to the test configuration from Table 6.2E.1.2.4.1-1. The period of measurement shall be at least continuous duration of one active sub-frame (1ms) excluding guard symbols.

6.2E.1.2.4.3 Message contents

Message contents are according to TS 38.508-1 [5] clause 4.6.

Table 6.2E.1.2.4.3-1: SL-ResourcePool

Derivation Path: TS 38.508-1 [5], Table 4.6.6-25			
Information Element	Value/remark	Comment	Condition
SL-ResourcePool-r16 ::= SEQUENCE {			
sl-PSCCH-Config-r16 CHOICE {			
setup SEQUENCE {			
sl-TimeResourcePSCCH-r16	As defined in Table 6.1E-2		
sl-FreqResourcePSCCH-r16	As defined in Table 6.1E-2		
}			
}			
sl-SubchannelSize-r16	As defined in Table 6.1E-2		
sl-StartRB-Subchannel-r16	As defined in Table 6.1E-2		
sl-NumSubchannel-r16	As defined in Table 6.1E-2		
sl-PowerControl-r16 SEQUENCE {			

sl-MaxTransPower-r16	24		
sl-Alpha-PSSCH-PSCCH-r16	Not present		
dl-Alpha-PSSCH-PSCCH-r16	Not present		
sl-P0-PSSCH-PSCCH-r16	Not present		
dl-P0-PSSCH-PSCCH-r16	Not present		
dl-Alpha-PSFCH-r16	Not present		
dl-P0-PSFCH-r16	Not present		
}			
}			

6.2E.1.2.5 Test requirement

The maximum output power, derived in step 4 shall be within the range prescribed by the nominal maximum output power and tolerance in Table 6.2E.1.2.5-1.

Table 6.2E.1.2.5-1: UE MPR test requirement for inter-band con-current NR V2X operation

	$P_{\text{PowerClass,NR}}$ (dBm)	MPR (dB)	$\Delta T_{C,c}$ (dB)	$P_{\text{CMAX_L,c, NR}}$ (dBm)	$P_{\text{CMAX_H,c, NR}}$ (dB)	$P_{\text{PowerClass,V2X}}$ (dBm)	$P_{\text{CMAX_H,f,c,V2X}}$ (dBm)	$P_{\text{CMAX_L}}$ (dBm)	$P_{\text{CMAX_H}}$ (dBm)	$T(P_{\text{CMAX_L}})$ (dB)	$T(P_{\text{CMAX_H}})$ (dB)	Upper limit (dBm)	Lower limit (dBm)
1	23	0	0	23	23	23	23	23	26	3	2	28+TT	20-TT

Table 6.2E.1.2.5-2: Test Tolerance for inter-band con-current NR V2X operation

	$f \leq 3.0\text{GHz}$	$4.2\text{GHz} < f \leq 6.0\text{GHz}$
$BW \leq 40\text{MHz}$	0.7 dB	1.0 dB

6.2E.2 UE maximum output power reduction for V2X

6.2E.2.0 Minimum conformance requirements

6.2E.2.0.1 General

When UE is configured for NR V2X sidelink transmissions non-concurrent with NR uplink transmissions for NR V2X operating bands specified in Table 5.2E.1-1, this clause specifies the allowed Maximum Power Reduction (MPR) power for V2X physical channels and signals due to PSCCH/PSSCH, PSFCH and S-SSB transmission.

6.2E.2.0.2 MPR for Power class 2 and Power class 3 V2X UE

For contiguous allocation of PSCCH and PSSCH simultaneous transmission, the allowed MPR for the maximum output power for NR V2X physical channels PSCCH and PSSCH shall be as specified in Table 6.2E.2.0.2-1 for Power class 3 NR V2X UE and Table 6.2E.2.0.2-2 for power class 2 NR V2X UE.

Table 6.2E.2.0.2-1: Maximum Power Reduction (MPR) for power class 3 NR V2X

Modulation		Channel bandwidth/MPR (dB)	
		Outer RB allocations	Inner RB allocations
CP-OFDM	QPSK	≤ 4.5	≤ 2.5
	16QAM	≤ 4.5	≤ 2.5
	64 QAM	≤ 4.5	
	256 QAM	≤ 7.0	

Table 6.2E.2.0.2-2: Maximum Power Reduction (MPR) for power class 2 NR V2X

Modulation		Channel bandwidth/MPR (dB)	
		Outer RB allocations	Inner RB allocations
CP-OFDM	QPSK	≤ 5.5	≤ 2.5
	16QAM		
	64 QAM	≤ 6	≤ 4.5
	256 QAM	≤ 7.0	

For NR V2X UE supporting SL MIMO or Tx diversity, the allowed MPR for the maximum output power for NR V2X physical channels PSCCH and PSSCH are specified in Table 6.2E.2.2-3 for power class 2 UE.

Table 6.2E.2.0.2-3: Maximum Power Reduction (MPR) for power class 2 NR V2X with dual Tx

Modulation		Channel bandwidth/MPR (dB)	
		Outer RB allocations	Inner RB allocations
CP-OFDM	QPSK	≤ 6.0	≤ 3.0
	16QAM		
	64 QAM	≤ 7.0	≤ 5.5
	256 QAM	≤ 9.0	

Where the following parameters are defined to specify valid RB allocation ranges for Outer and Inner RB allocations:

N_{RB} is the maximum number of RBs for a given Channel bandwidth and sub-carrier spacing defined in Table 5.3.2-1.

$$RB_{Start,Low} = \max(1, \text{floor}(L_{CRB}/2))$$

where $\max()$ indicates the largest value of all arguments and $\text{floor}(x)$ is the greatest integer less than or equal to x .

$$RB_{Start,High} = N_{RB} - RB_{Start,Low} - L_{CRB}$$

The RB allocation is an Inner RB allocation if the following conditions are met

$$RB_{\text{Start,Low}} \leq RB_{\text{Start}} \leq RB_{\text{Start,High}}, \text{ and}$$

$$L_{\text{CRB}} \leq \text{ceil}(N_{\text{RB}}/2)$$

where $\text{ceil}(x)$ is the smallest integer greater than or equal to x .

The RB allocation is an Outer RB allocation for all other allocations which are not an Inner RB allocation.

For PSFCH with single RB transmission for PC3 NR V2X UE, the required MPR is defined as follow

$$MPR_{\text{PSFCH}} = 3.5 \text{ dB}$$

For contiguous and non-contiguous allocation for simultaneous PSFCH transmission for PC3 NR V2X UE, the required MPR are specified as follow

$$MPR_{\text{PSFCH}} = \text{CEIL} \{M_{\text{A_PSFCH}}, 0.5\}$$

Where $M_{\text{A_PSFCH}}$ for power class 3 is defined as follows

$$\begin{aligned} M_{\text{A_PSFCH}} &= 7.5 && ; 0.00 < N_{\text{Gap}}/N_{\text{RB}} \leq 0.55 \\ &= 12.0 && ; 0.55 < N_{\text{Gap}}/N_{\text{RB}} \leq 1.0 \end{aligned}$$

For PSFCH with single RB transmission for PC2 NR V2X UE, the required MPR is defined as follow

$$MPR_{\text{PSFCH}} = 4.5 \text{ dB}$$

For contiguous and non-contiguous allocation for simultaneous PSFCH transmission for PC2 NR V2X UE, the required MPR are specified as follow

$$MPR_{\text{PSFCH}} = \text{CEIL} \{M_{\text{A_PSFCH}}, 0.5\}$$

Where M_{A} is defined as follows

Where $M_{\text{A_PSFCH}}$ for power class 2 is defined as follows

$$\begin{aligned} M_{\text{A_PSFCH}} &= 8.5 && ; 0.00 \leq N_{\text{Gap}}/N_{\text{RB}} < 0.4 \\ &= 10.0 && ; 0.4 \leq N_{\text{Gap}}/N_{\text{RB}} < 0.55 \\ &= 14.0 && ; 0.55 \leq N_{\text{Gap}}/N_{\text{RB}} \leq 1.0 \end{aligned}$$

Where,

N_{Gap} is the gap RB amount between RB_{start} and RB_{end} for contiguous and non-contiguous allocation simultaneous PSFCH transmission. ($N_{\text{Gap}} = RB_{\text{end}} - RB_{\text{start}}$)

$\text{CEIL}\{M_{\text{A}}, 0.5\}$ means rounding upwards to closest 0.5dB.

The allowed MPR for the maximum output power for NR V2X physical channels on S-SSB transmission shall be specified in Table 6.2E.2.0.2-2 for power class 3 and power class 2.

Table 6.2E.2.0.2-2: Maximum Power Reduction (MPR) for S-SSB transmission for power class 3 and power class 2 NR V2X

Channel	MPR _{S-SSB} (dB)	
	Outer RB allocations	Inner RB allocations
S-SSB	≤ 6.0	≤ 2.5

For NR V2X UE with two transmit antenna connectors, the allowed Maximum Power Reduction (MPR) values specified in clause 6.2E.2.0 for PC3 and PC2 shall apply to the maximum output power specified in Table 6.2E.1.1.3-1. For UE supporting SL MIMO, the requirements shall be met with SL MIMO configurations defined in Table 6.2D.1.3-2. For UE supporting SL MIMO or Tx diversity, the maximum output power is defined as the sum of the maximum output power from each UE antenna connector.

For the UE maximum output power modified by MPR, the power limits specified in clause 6.2E.4.0 apply.

6.2E.2.0.3 MPR for Power class 2 and Power class 3 V2X con-current operation

For the inter-band con-current NR V2X operation, the allowed maximum power reduction (MPR) for the maximum output power shall be applied per each component carrier. The MPR requirements in clause 6.2.2.3 apply for NR Uu operation in licensed band, and the MPR requirements in clause 6.2E.2.0 apply for NR sidelink operation in licensed band or Band n47.

For the intra-band con-current NR V2X operation with contiguous RB allocation, the allowed maximum power reduction (MPR) for NR V2X physical channels PSCCH and PSSCH shall be as specified in Table 6.2E.2.0.3-1 for Power class 3 V2X con-current UE.

Table 6.2E.2.0.3-1: MPR for contiguous RB allocation for power class 3 NR V2X con-current UE

Higher Modulation order between Sidelink and Uplink		MPR for bandwidth class B(dB)	
		Inner RB allocation	Outer RB allocation
CP-OFDM	QPSK	≤ 2.5	≤ 4.5
	16QAM	≤ 2.5	≤ 4.5
	64QAM	≤ 4.5	≤ 5.0
	256QAM	≤ 6.0	≤ 6.0

For bandwidth class B with contiguous RB allocation, the following parameters are defined to specify valid RB allocation ranges for Inner and Outer RB allocations:

An RB allocation is contiguous if $L_{CRB1} = 0$ or $L_{CRB2} = 0$ or ($L_{CRB1} \neq 0$ and $L_{CRB2} \neq 0$ and $RB_{Start1} + L_{CRB1} = N_{RB1}$ and $RB_{Start2} = 0$), where RB_{Start1} , L_{CRB1} , and N_{RB1} are for SL CC1, RB_{Start2} , L_{CRB2} , and N_{RB2} are for UL CC2. SL CC1 is the component carrier with lower frequency.

In contiguous NR V2X intra-band con-current operation, a contiguous allocation is an inner allocation if

$$RB_{Start,Low} \leq RB_{Start,SL\&UL} \leq RB_{Start,High}, \text{ and } N_{RB,alloc} \leq \text{ceil}(N_{RB,agg}/2),$$

where

$$RB_{Start,Low} = \max(1, \text{floor}(N_{RB,alloc}/2))$$

$$RB_{Start,High} = N_{RB,agg} - RB_{Start,Low} - N_{RB,alloc},$$

with

$$N_{RB,alloc} = L_{CRB1} \cdot 2^{\mu_1} + L_{CRB2} \cdot 2^{\mu_2}$$

$$N_{RB,agg} = (N_{RB1} - RB_{Start1}) \cdot 2^{\mu_1} + (RB_{Start2} + L_{CRB2}) \cdot 2^{\mu_2},$$

$$N_{RB,agg} = N_{RB1} \cdot 2^{\mu_1} + N_{RB2} \cdot 2^{\mu_2}.$$

$$\text{If } L_{CRB1} = 0, RB_{Start,SL\&UL} = N_{RB1} \cdot 2^{\mu_1} + RB_{Start2} \cdot 2^{\mu_2},$$

$$\text{if } L_{CRB1} > 0, RB_{Start,SL\&UL} = RB_{Start1} \cdot 2^{\mu_1}.$$

Where, μ_1 and μ_2 is 0, 1 and 2 for SCS of 15kHz, 30kHz and 60kHz respectively.

A contiguous allocation that is not an Inner contiguous allocation is an Outer contiguous allocation.

For the intra-band con-current NR V2X operation with non-contiguous RB allocation, the allowed maximum power reduction (MPR) for NR V2X physical channels PSCCH and PSSCH shall be as specified in Table 6.2E.2.0.3-2 for Power class 3 V2X con-current UE.

Table 6.2E.2.0.3-2: MPR for non-contiguous RB allocation for power class 3 NR V2X con-current UE

Higher Modulation order between Sidelink and Uplink		MPR for bandwidth class B(dB)		
		Inner RB allocation	Outer1 RB allocation	Outer2 RB allocation
CP-OFDM	QPSK	≤ 2.5	≤ 4.0	≤ 4.5
	16QAM	≤ 2.5	≤ 4.0	≤ 4.5
	64QAM	≤ 4.5	≤ 4.5	≤ 5.0

	256QAM	≤ 6.0	≤ 6.0	≤ 6.0
--	--------	------------	------------	------------

For bandwidth classes B with non-contiguous RB allocation, the following parameters are defined to specify valid RB allocation ranges for Inner, Outer1 and Outer2 RB allocations:

Non-Contiguous RB allocation is defined as $RB_{Start1} + L_{CRB1} < N_{RB1}$, or $RB_{Start2} > 0$, when both SL CC and UL CC are activated and allocated with RB(s), where RB_{Start1} , L_{CRB1} , and N_{RB1} are for SL CC1, RB_{Start2} , L_{CRB2} , and N_{RB2} are for UL CC2. SL CC1 is the component carrier with lower frequency.

In contiguous NR V2X intra-band con-current operation, a non-contiguous RB allocation is a non-contiguous Inner RB allocation if the following conditions are met:

$$RB_{Start,Low} \leq RB_{Start,CA} \leq RB_{Start,High} \text{ and } N_{RB_alloc} \leq \text{ceil}((BW_{Channel_SL\&UL} / 3 - BW_{gap}) / 0.18\text{MHz}),$$

where

$$N_{RB_alloc} = (N_{RB1} - RB_{Start1}) \cdot 2^{\mu_1} + (RB_{Start2} + L_{CRB2}) \cdot 2^{\mu_2}, RB_{Start_SL\&UL} = RB_{Start1} \cdot 2^{\mu_1}$$

$$RB_{Start,Low} = \max(1, \text{floor}(N_{RB_alloc} + (BW_{gap} - BW_{GB,low}) / 0.18\text{MHz}))$$

$$RB_{Start,High} = \text{floor}((BW_{Channel_SL\&UL} - 2 \cdot BW_{gap} - BW_{GB,low}) / 0.18\text{MHz} - 2 \cdot N_{RB_alloc})$$

$$BW_{GB,low} = F_{\text{offset,low}} - (N_{RB1} \cdot 12 + 1) \cdot SCS_1 / 2$$

BW_{gap} is the bandwidth of the gap between N_{RB1} and N_{RB2} possible allocations of SL CC1 and UL CC2 respectively.

In contiguous NR V2X intra-band con-current operation, a non-contiguous RB allocation is a non-contiguous outer 1 RB allocation if the following conditions are met:

$$RB_{Start,Low} \leq RB_{Start_SL\&UL} \leq RB_{Start,High} \text{ and } N_{RB_alloc} \leq \text{ceil}((3 \cdot BW_{Channel_SL\&UL} / 5 - BW_{gap}) / 0.18\text{MHz})$$

where

$$RB_{Start,Low} = \max(1, 2 \cdot N_{RB_alloc} - \text{floor}((BW_{Channel_SL\&UL} - 2 \cdot BW_{gap} + BW_{GB,low}) / 0.18\text{MHz})),$$

$$RB_{Start,High} = \text{floor}((2 \cdot BW_{Channel_SL\&UL} - 3 \cdot BW_{gap} - BW_{GB,low}) / 0.18\text{MHz} - 3 \cdot N_{RB_alloc})$$

N_{RB_alloc} , $RB_{Start_SL\&UL}$, BW_{gap} and $BW_{GB,low}$ are as defined for the Inner region.

In contiguous NR V2X intra-band con-current operation, a non-contiguous allocation is an Outer 2 allocation if it is neither a non-contiguous Inner allocation nor an Outer 1 allocation.

For PSFCH with single RB transmission for PC3 NR V2X intra-band con-current UE, the required MPR is specified in clause 6.2E.2.0.2 shall be applied.

For the allowed MPR for S-SSB transmission for PC3 NR V2X intra-band con-current UE, the required MPR is specified in clause 6.2E.2.0.2 shall be applied.

For the intra-band con-current NR V2X operation with contiguous RB allocation in contiguous carrier, the allowed maximum power reduction (MPR) for NR V2X physical channels PSCCH and PSSCH shall be as specified in Table 6.2E.2.0.3-3 for Power class 2 V2X con-current UE.

Table 6.2E.2.0.3-3: MPR for contiguous RB allocation for power class 2 NR V2X con-current UE

Higher Modulation order between Sidelink and Uplink		MPR for bandwidth class B(dB)	
		Inner RB allocation	Outer RB allocation
CP-OFDM	QPSK	≤ 3.0	≤ 5.5

	16QAM	≤ 4.0	≤ 5.5
	64QAM	≤ 5.5	≤ 6.0
	256QAM	≤ 7.5	≤ 7.5

For the intra-band con-current NR V2X operation with non-contiguous RB allocation in contiguous carrier, the allowed maximum power reduction (MPR) for NR V2X physical channels PSCCH and PSSCH shall be as specified in Table 6.2E.2.0.3-4 for Power class 2 V2X con-current UE.

Table 6.2E.2.0.3-4: MPR for non-contiguous RB allocation for power class 2 NR V2X con-current UE

Higher Modulation order between Sidelink and Uplink		MPR for bandwidth class B(dB)		
		Inner RB allocation	Outer1 RB allocation	Outer2 RB allocation
CP-OFDM	QPSK	≤ 3.0	≤ 5.5	≤ 6.0
	16QAM	≤ 4.5	≤ 5.5	≤ 6.5
	64QAM	≤ 5.5	≤ 6.5	≤ 7.0
	256QAM	≤ 8.0	≤ 8.0	≤ 8.0

The parameters in clause 6.2E.2.0.3 are considered to determine MPR values according to RB allocation.

For PSFCH with single RB transmission for PC2 NR V2X intra-band con-current UE, the required MPR is specified in clause 6.2E.2.0.2 shall be applied.

For the allowed MPR for S-SSB transmission for PC2 NR V2X intra-band con-current UE, the required MPR is specified in clause 6.2E.2.0.2 shall be applied.

The normative reference for this requirement is TS 38.101-1 [2] clause 6.2E.2

6.2E.2.1 UE maximum output power reduction for V2X / non-concurrent operation

6.2E.2.1.1 Test purpose

Same test purpose as in 6.2.2.1.

6.2E.2.1.2 Test applicability

This test case applies to all types of UE release 16 and forward that support NR V2X sidelink communication.

NOTE: Test execution is not necessary if TS 38.521-1 6.5E.2.4.1 is executed.

6.2E.2.1.3 Minimum conformance requirements

The minimum conformance requirements are defined in clause 6.2E.2.0.

6.2E.2.1.4 Test description

6.2E.2.1.4.1 Initial conditions

Initial conditions are a set of test configurations the UE needs to be tested in and the steps for the SS to take with the UE to reach the correct measurement state.

The initial test configurations consist of environmental conditions, test frequencies, test channel bandwidths and sub-carrier spacing based on NR operating bands specified in Table 5.2E.1-1 and Table 5.3.5-1. All of these configurations shall be tested with applicable test parameters for each combination of test channel bandwidth and sub-carrier spacing, and are shown in table 6.2E.2.1.4.1-1 to 6.2E.2.1.4.1-3. The details of the V2X reference measurement channels (RMCs) are specified in Annex A.7.5 and the GNSS configuration in TS 38.508-1 [5] subclause 4.11.

Table 6.2E.2.1.4.1-1: Test Configuration Table for contiguous PSCCH and PSSCH allocation for PC3

Initial Conditions	
Test Environment as specified in TS 38.508-1 [5] subclause 4.1	Normal, TL/VL, TL/VH, TH/VL, TH/VH
Test Frequencies as specified in TS 38.508-1 [5] subclause 4.3.1.8	Low range, High range

Test Channel Bandwidths as specified TS 38.508-1 [5] subclause 4.3.1		Lowest, Highest	
Test SCS as specified in Table 5.3.5-1		Lowest, Highest	
Test Parameters for Channel Bandwidths			
Test ID	Freq	V2X Configuration to Transmit	
		Modulation	PSCCH and PSSCH RB allocation (Note 1)
1	Default	16QAM	Outer_Full
2	Default	16QAM	Inner_Full
3	Default	64QAM	Outer_Full
4	Default	256QAM	Outer_Full
NOTE 1: The specific configuration of each RB allocation is defined in Table 6.1E-1.			

Table 6.2E.2.1.4.1-1a: Test Configuration Table for contiguous PSCCH and PSSCH allocation for PC2

Initial Conditions			
Test Environment as specified in TS 38.508-1 [5] subclause 4.1		Normal, TL/VL, TL/VH, TH/VL, TH/VH	
Test Frequencies as specified in TS 38.508-1 [5] subclause 4.3.1.8		Low range, High range	
Test Channel Bandwidths as specified TS 38.508-1 [5] subclause 4.3.1		Lowest, Highest	
Test SCS as specified in Table 5.3.5-1		Lowest, Highest	
Test Parameters for Channel Bandwidths			
Test ID	Freq	V2X Configuration to Transmit	
		Modulation	PSCCH and PSSCH RB allocation (Note 1)
1	Default	16QAM	Outer_Full
2	Default	16QAM	Inner_Full
3	Default	64QAM	Outer_Full
4	Default	64QAM	Inner_Full
5	Default	256QAM	Outer_Full
NOTE 1: The specific configuration of each RB allocation is defined in Table 6.1E-1.			

Table 6.2E.2.1.4.1-2: Test Configuration Table for PSFCH for PC2 and PC3

Initial Conditions			
Test Environment as specified in TS 38.508-1 [5] subclause 4.1		Normal, TL/VL, TL/VH, TH/VL, TH/VH	
Test Frequencies as specified in TS 38.508-1 [5] subclause 4.3.1.8		Low range, High range	
Test Channel Bandwidths as specified TS 38.508-1 [5] subclause 4.3.1		Lowest, Highest	
Test SCS as specified in Table 5.3.5-1		Lowest, Highest	
Test Parameters for Channel Bandwidths			
Test ID	Freq	V2X Configuration to Transmit	
		PSFCH RB allocation (Note 1)	
1	Low range	PSFCH_1RB_Left	
2	High range	PSFCH_1RB_Right	
3	Low range	PSFCH_2RB_Left	
4	High range	PSFCH_2RB_Right	
5	Default	PSFCH_Max_Gap	
NOTE 1: The specific configuration of each RB allocation is defined in Table 6.1E-2.			

Table 6.2E.2.1.4.1-3: Test Configuration Table for S-SSB for PC2 and PC3

Initial Conditions	
Test Environment as specified in TS 38.508-1 [5] subclause 4.1	Normal, TL/VL, TL/VH, TH/VL, TH/VH
Test Frequencies as specified in TS 38.508-1 [5] subclause 4.3.1.8	Low range, High range

Test Channel Bandwidths as specified TS 38.508-1 [5] subclause 4.3.1		Lowest, Highest
Test SCS as specified in Table 5.3.5-1		Lowest, Highest
Test Parameters for Channel Bandwidths		
Test ID	Freq	V2X Configuration to Transmit S-SSB RB allocation (Note 1)
1	Low range	S-SSB_Low
2	High range	S-SSB_High
3	Default	S-SSB_Mid
NOTE 1: The specific configuration of each RB allocation is defined in Table 6.1E-3.		

1. Connect the SS and GNSS simulator to the UE antenna connectors as shown in TS 38.508-1 [5] Annex A, Figure A.3.1.9.1 for TE diagram and section A.3.2.7 for UE diagram.
2. The parameter settings for the NR sidelink transmission over PC5 are pre-configured according to TS 38.508-1 [5] subclause 4.10. Message content exceptions are defined in clause 6.2E.2.1.4.3.
3. The V2X Reference Measurement Channel is set according to Table 6.2E.2.1.4.1-1 to Table 6.2E.2.1.4.1-3.
4. The GNSS simulator is configured for Scenario #1: static in Geographical area #1, as defined in TS 38.508-1 [5] Table 4.11.2-2. Geographical area #1 is also pre-configured in the UE.
5. Propagation conditions are set according to Annex B.0.

6.2E.2.1.4.2 Test procedure

Subtest 1: PSCCH/PSSCH

1. Ensure the UE is in state *Out_of_Coverage* with generic procedure parameters *Sidelink On*, Test Loop Function *On* with UE test loop mode E closed for *Transmit Mode* according to TS 38.508-1 [5] clause 4.5.
2. The UE starts to perform the NR sidelink communication according to *SL-PreconfigurationNR*. Since the UE has no payload and no loopback data to send the UE sends uplink MAC padding bits on the NR sidelink RMC.
3. Measure the mean power of the UE in the channel bandwidth according to the test configuration from Table 6.2E.2.1.4.1-1. The period of measurement shall be at least continuous duration of one active sub-frame (1ms) excluding guard symbols.

Subtest 2: PSFCH

1. Ensure the UE is in state *Out_of_Coverage* with generic procedure parameters *Sidelink On*, Cast type *Unicast*, Test Loop Function *On* with UE test loop mode E closed for *Receive Mode* according to TS 38.508-1 [5] clause 4.5.
2. The UE starts to perform the NR sidelink reception according to *SL-PreconfigurationNR*.
3. The UE's PSFCH transmission occasion is on slot n according to Table 6.2E.2.1.4.1-2. SS transmits PSSCH on combination of slot and subchannel as below:
 - a) Test ID 1: slot n-6, Lowest sub-channel
 - b) Test ID 2: slot n-3, Highest sub-channel
 - c) Test ID 3: slot n-6 and n-5, Lowest sub-channel
 - d) Test ID 4: slot n-4 and n-3, Highest sub-channel
 - e) Test ID 5: slot n-6, Highest sub-channel and slot n-3, Highest sub-channel
4. Measure the mean power of the UE on slot n in the channel bandwidth according to the test configuration from Table 6.2E.2.1.4.1-2. The period of measurement is one active sub-frame (1ms) excluding guard symbols.

Subtest 3: S-SSB

1. Ensure the UE is in state *Out_of_Coverage* with generic procedure parameters *Sidelink On* according to TS 38.508-1 [5] clause 4.5. The UE is synchronized to GNSS,
2. The UE transmits PSBCH according *SL-PreconfigurationNR*.
3. Measure the mean power of the S-SSB in the channel bandwidth according to the test configuration from Table 6.2E.2.1.4.1-3. The period of measurement is one active sub-frame (1ms) excluding guard symbols.

6.2E.2.1.4.3 Message contents

Message contents are according to TS 38.508-1 [5] subclause 4.10 with the following exceptions.

Table 6.2E.2.1.4.3-1: *SL-ResourcePool* for PSCCH/PSSCH Testing

Derivation Path: TS 38.508-1 [5], Table 4.6.6-25			
Information Element	Value/remark	Comment	Condition
SL-ResourcePool-r16 ::= SEQUENCE {			
sl-PSCCH-Config-r16 CHOICE {			
setup SEQUENCE {			
sl-TimeResourcePSCCH-r16	As defined in Table 6.1E-2		
sl-FreqResourcePSCCH-r16	As defined in Table 6.1E-2		
}			
}			
sl-SubchannelSize-r16	As defined in Table 6.1E-2		
sl-StartRB-Subchannel-r16	As defined in Table 6.1E-2		
sl-NumSubchannel-r16	As defined in Table 6.1E-2		
}			

Table 6.2E.2.1.4.3-2: *SL-ResourcePool* for PSFCH Testing

Derivation Path: TS 38.508-1 [5], Table 4.6.6-25			
Information Element	Value/remark	Comment	Condition
SL-ResourcePool-r16 ::= SEQUENCE {			
sl-PSFCH-Config-r16 CHOICE {			
setup SEQUENCE {			
sl-PSFCH-Period-r16	sl4		
sl-PSFCH-RB-Set-r16	As defined in Table 6.1E-2		
sl-NumMuxCS-Pair-r16	n1		
sl-MinTimeGapPSFCH-r16	sl3		
sl-PSFCH-HopID-r16	Not present	Default frequency hopping ID 0 is used	
sl-PSFCH-CandidateResourceType-r16	startSubCH		
}			
}			
sl-SubchannelSize-r16	As defined in Table 6.1E-2		
sl-StartRB-Subchannel-r16	As defined in Table 6.1E-2		
sl-NumSubchannel-r16	As defined in Table 6.1E-2		
}			

Table 6.2E.2.1.4.3-3: *SL-FreqConfigCommon* for S-SSB Testing

Derivation Path: TS 38.508-1 [5], Table 4.6.6-11			
Information Element	Value/remark	Comment	Condition
SL-FreqConfigCommon-r16 ::= SEQUENCE {			

sl-AbsoluteFrequencySSB-r16	According to section 4.3.1.8 of TS 38.508-1 [5]		
}			

6.2E.2.1.5 Test requirement

The maximum output power, derived in step 3 of Subtest 1, step 4 of Subtest 2 and step 3 of Subtest 3 shall be within the range prescribed by the nominal maximum output power and tolerance in Table 6.2E.2.1.5-1 to Table 6.2E.2.1.5-6.

Table 6.2E.2.1.5-1: PC3 UE MPR test requirement for contiguous PSCCH/PSSCH (Bands n38, n47)

Test ID	P _{PowerClass} (dBm)	MPR (dB)	ΔT _{C,c} (dB)	P _{C_{MAX}_L,f,c} (dBm)	T(P _{C_{MAX}_L,f,c}) (dB)	Upper limit (dBm)	Lower limit (dBm)
1	23	4.5	0	18.5	4	25.0 + TT	14.5-TT
2	23	2.5	0	20.5	2.5	25.0 + TT	18-TT
3	23	4.5	0	18.5	4	25.0 + TT	14.5-TT
4	23	7.0	0	16	5	25.0 + TT	11-TT

NOTE 1: TT for each frequency and channel bandwidth is specified in Table 6.2E.2.1.5-4.

Table 6.2E.2.1.5-2: PC3 UE MPR test requirement for PSFCH (Bands n38, n47)

Test ID	P _{PowerClass} (dBm)	MPR (dB)	ΔT _{C,c} (dB)	P _{C_{MAX}_L,f,c} (dBm)	T(P _{C_{MAX}_L,f,c}) (dB)	Upper limit (dBm)	Lower limit (dBm)
1	23	3.5	0	19.5	3.5	25.0 + TT	16-TT
2	23	7.5	0	15.5	5	25.0 + TT	10.5-TT
3	23	7.5	0	15.5	5	25.0 + TT	10.5-TT
4	23	12	0	11	6	25.0 + TT	5-TT
5	23	12	0	11	6	25.0 + TT	5-TT

NOTE 1: TT for each frequency and channel bandwidth is specified in Table 6.2E.2.1.5-4.

Table 6.2E.2.1.5-3: PC2 and PC3 UE MPR test requirement for S-SSB (Bands n38, n47)

Test ID	P _{PowerClass} (dBm)	MPR (dB)	ΔT _{C,c} (dB)	P _{C_{MAX}_L,f,c} (dBm)	T(P _{C_{MAX}_L,f,c}) (dB)	Upper limit (dBm)	Lower limit (dBm)
1	23	6	0	17	5	25.0 + TT	12-TT
2	23	6	0	17	5	25.0 + TT	12-TT
3	23	2.5	0	20.5	2.5	25.0 + TT	18-TT

NOTE 1: TT for each frequency and channel bandwidth is specified in Table 6.2E.2.1.5-4.

Table 6.2E.2.1.5-4: Test Tolerance (UE maximum output power)

	f ≤ 3.0GHz	4.2GHz < f ≤ 6.0GHz
BW ≤ 40MHz	0.7dB	1.0dB

Table 6.2E.2.1.5-5: PC2 UE MPR test requirement for contiguous PSCCH/PSSCH (Bands n38, n47)

Test ID	P _{PowerClass} (dBm)	MPR (dB)	ΔT _{C,c} (dB)	P _{C_{MAX}_L,f,c} (dBm)	T(P _{C_{MAX}_L,f,c}) (dB)	Upper limit (dBm)	Lower limit (dBm)
1	26	5.5	0	20.5	2.5	28.0 + TT	18-TT
2	26	2.5	0	23.5	2.0	28.0 + TT	21.5-TT
3	26	6	0	20	2.5	28.0 + TT	17.5-TT
4	26	4.5	0	21.5	2.0	28.0 + TT	19.5-TT
5	26	7	0	19	3.5	28.0 + TT	15.5-TT

NOTE 1: TT for each frequency and channel bandwidth is specified in Table 6.2E.2.1.5-4.

Table 6.2E.2.1.5-6: PC2 UE MPR test requirement for PSFCH (Bands n38, n47)

Test ID	P _{PowerClass} (dBm)	MPR (dB)	$\Delta T_{C,c}$ (dB)	P _{C_{MAX}L,f,c} (dBm)	T(P _{C_{MAX}L,f,c}) (dB)	Upper limit (dBm)	Lower limit (dBm)
1	26	4.5	0	21.5	2.0	28.0 + TT	19.5-TT
2	26	8.5	0	17.5	5.0	28.0 + TT	12.5-TT
3	26	8.5	0	17.5	5.0	28.0 + TT	12.5-TT
4	26	14	0	12	6.0	28.0 + TT	6.0-TT
5	26	14	0	12	6.0	28.0 + TT	6.0-TT

NOTE 1: TT for each frequency and channel bandwidth is specified in Table 6.2E.2.1.5-4.

6.2E.2.1D UE maximum output power reduction for V2X / non-concurrent operation / SL-MIMO

6.2E.2.1D.1 Test purpose

Same test purpose as in 6.2E.2.1.

6.2E.2.1D.2 Test applicability

This test case applies to all types of UE release 16 and forward that support NR V2X sidelink communication and SL-MIMO.

NOTE: Test execution is not necessary if TS 38.521-1 6.5E.2.4.1D is executed.

6.2E.2.1D.3 Minimum conformance requirements

The minimum conformance requirements are defined in clause 6.2E.2.0.

6.2E.2.1D.4 Test description

Same test description as in 6.2E.2.1.4 for PSSCH/PSCCH subtest with following exceptions:

For initial conditions:

1. Connect the SS and GNSS simulator to the UE antenna connectors as shown in TS 38.508-1 [5] Annex A, Figure A.3.1.9.2 for TE diagram and section A.3.2.7 for UE diagram.

For test procedures:

Subtest 1 are replaced by:

1. Ensure the UE is in state 4-A as defined in TS 38.508-1 [4], subclause 4.4A using generic procedure parameter Sidelink (*On*), Cast Type (*Unicast*), GNSS Sync (*On*) and Transmit Mode with *SL-MIMO*. The UE is synchronized to GNSS,
2. The UE starts to perform the NR sidelink communication according to SL-PreconfigurationNR with 2-layer MIMO codebook TPMI 0. Since the UE has no payload and no loopback data to send the UE sends uplink MAC padding bits on the NR sidelink RMC.
3. Measure the sum of mean power of the UE at each transmit antenna connector in the channel bandwidth according to the test configuration from Table 6.2E.2.1D.4.1-1. The period of measurement shall be at least continuous duration of one active sub-frame (1ms) excluding guard symbols.

6.2E.2.1D.4.1 Void

6.2E.2.1D.4.2 Void

6.2E.2.1D.4.3 Void

6.2E.2.1D.5 Test requirement

The maximum output power, derived in step 3 shall be within the range prescribed by the nominal maximum output power and tolerance in Table 6.2E.2.1D.5-1.

Table 6.2E.2.1D.5-1: PC3 UE MPR test requirement for contiguous PSCCH/PSSCH (Bands n38, n47)

Test ID	P _{PowerClass} (dBm)	MPR (dB)	$\Delta T_{C,c}$ (dB)	P _{C_{MAX_L,f,c}} (dBm)	T(P _{C_{MAX_L,f,c}}) (dB)	TL _c	Upper limit (dBm)	Lower limit (dBm)
1	23	4.5	0	18.5	5	3	25.0 + TT	13.5 + TT
2	23	2.5	0	20.5	6	3	25.0 + TT	14.5 + TT
3	23	4.5	0	18.5	5	3	25.0 + TT	13.5 + TT
4	23	7.0	0	16	5	3	25.0 + TT	11.0 + TT

NOTE 1: TT for each frequency and channel bandwidth is specified in Table 6.2E.2.1D.5-2.

Table 6.2E.2.1D.5-2: Test Tolerance (UE maximum output power)

	f ≤ 3.0GHz	4.2GHz < f ≤ 6.0GHz
BW ≤ 40MHz	0.7dB	1.0dB

Table 6.2E.2.1D.5-3: PC2 UE MPR test requirement for contiguous PSCCH/PSSCH (Bands n38, n47)

Test ID	P _{PowerClass} (dBm)	MPR (dB)	$\Delta T_{C,c}$ (dB)	P _{C_{MAX_L,f,c}} (dBm)	T(P _{C_{MAX_L,f,c}}) (dB)	TL _c	Upper limit (dBm)	Lower limit (dBm)
1	26	6.0	0	20.0	6	3	28.0 + TT	14.0 + TT
2	26	3.0	0	23.0	3	3	28.0 + TT	20.0 + TT
3	26	7.0	0	19.0	5	3	28.0 + TT	14.0 + TT
4	26	5.5	0	20.5	6	3	28.0 + TT	14.5 + TT
5	26	9.0	0	17.0	5	3	28.0 + TT	12.0 + TT

NOTE 1: TT for each frequency and channel bandwidth is specified in Table 6.2E.2.1D.5-2.

6.2E.2.2 UE maximum output power reduction for V2X / concurrent operation

Editor's Note:

- MU/TT for aggregated BW > 100MHz is TBD.

The test of intra-band concurrent operation is not completed due to the following aspects are not yet determined:

- RB allocation for intra-band concurrent operation is TBD

- Test frequency for intra-band concurrent operation is TBD

6.2E.2.2.1 Test purpose

To verify that the reduction of UE transmitted power due to higher order modulations and transmit bandwidth configurations is within the allowed range. An excess maximum output power has the possibility to interfere to other channels or other systems. A small maximum output power decreases the coverage area.

6.2E.2.2.2 Test applicability

This test case applies to all types of NR UE release 16 and forward that support NR V2X sidelink communication.

6.2E.2.2.3 Minimum conformance requirements

The minimum conformance requirements are defined in clause 6.2E.2.0.

- 6.2E.2.2.4 Test description
- 6.2E.2.2.4.1 Initial conditions

Initial conditions are a set of test configurations the UE needs to be tested in and the steps for the SS to take with the UE to reach the correct measurement state.

The initial test configurations consist of environmental conditions, test frequencies, test channel bandwidths and sub-carrier spacing based on NR operating bands specified in Table 5.2E.2-1 and Table 5.3.5-1. All of these configurations shall be tested with applicable test parameters for each combination of test channel bandwidth and sub-carrier spacing, and are shown in table 6.2E.2.2.4.1-1. The details of the V2X reference measurement channels (RMCs) are specified in Annexes A.7.5. The details of the uplink reference measurement channels (RMCs) are specified in Annexes A.2. Configurations of PDSCH and PDCCH before measurement are specified in Annex C.2.

Table 6.2E.2.2.4.1-1: Test Configuration Table for PC3 inter-band concurrent operation

Initial Conditions							
Test Environment as specified in TS 38.508-1 [5] subclause 4.1				Normal, TL/VL, TL/VH, TH/VL, TH/VH			
Test Frequencies as specified in TS 38.508-1 [5] subclause 4.3.1				Low range for NR Uu and V2X carrier High range for NR Uu and V2X carrier			
Test Channel Bandwidths as specified TS 38.508-1 [5] subclause 4.3.1				Lowest for NR Uu and V2X carrier Highest for NR Uu and V2X carrier			
Test SCS as specified in Table 5.3.5-1				Lowest for NR Uu and V2X carrier Highest for NR Uu and V2X carrier			
Test Parameters for Channel Bandwidths							
	NR Uu Configuration				NR V2X Configuration to Transmit		
	Freq	Downlink Configuration	Uplink Configuration		Freq	Modulation	PSCCH and PSSCH RB allocation (Note 2)
	Modulation		RB allocation (NOTE 1)				
1	Default	N/A	DFT-s-OFDM QPSK	Inner Full	Default	CP-OFDM QPSK	Inner_Full
2	Default		CP-OFDM 256 QAM	Outer Full	Default	CP-OFDM 256QAM	Outer_Full
3	Default		DFT-s-OFDM QPSK	Inner Full	Default	CP-OFDM 256QAM	Outer_Full
4	Default		CP-OFDM 256 QAM	Outer Full	Default	CP-OFDM QPSK	Inner_Full
NOTE 1: The specific configuration of each RB allocation is defined in Table 6.1-1.							
NOTE 2: The specific configuration of each RB allocation is defined in Table 6.1E-1.							

Table 6.2E.2.2.4.1-2: Test Configuration Table for PC3 intra-band concurrent operation (contiguous allocation)

Initial Conditions					
Test Environment as specified in TS 38.508-1 [5] subclause 4.1			Normal, TL/VL, TL/VH, TH/VL, TH/VH		
Test Frequencies as specified in TS 38.508-1 [5] subclause 4.3.1			Low range, High range		
Test Channel Bandwidths as specified TS 38.508-1 [5] subclause 4.3.1			Lowest N _{RB_agg} , Highest N _{RB_agg}		
Test SCS as specified in Table 5.3.5-1			Lowest for NR Uu and V2X carrier Highest for NR Uu and V2X carrier		
Test Parameters for Channel Bandwidths					
Test ID	Freq	NR DL Configuration	NR UL & V2X Configuration		
			Modulation		RB allocation (NOTE 1)
1	Default	N/A	CP-OFDM 16QAM		Inner Full
2	Default		CP-OFDM 16QAM		Outer Full
3	Default		CP-OFDM 64QAM		Inner Full
4	Default		CP-OFDM 64QAM		Outer Full

5	Default		CP-OFDM 256QAM	Outer Full
NOTE 1: The specific configuration of each RB allocation is defined in Table FFS.				

Table 6.2E.2.2.4.1-3: Test Configuration Table for PC2 intra-band concurrent operation (contiguous allocation)

Initial Conditions				
Test Environment as specified in TS 38.508-1 [5] subclause 4.1		Normal, TL/VL, TL/VH, TH/VL, TH/VH		
Test Frequencies as specified in TS 38.508-1 [5] subclause 4.3.1		Low range, High range		
Test Channel Bandwidths as specified TS 38.508-1 [5] subclause 4.3.1		Lowest N _{RB_agg} , Highest N _{RB_agg}		
Test SCS as specified in Table 5.3.5-1		Lowest for NR Uu and V2X carrier Highest for NR Uu and V2X carrier		
Test Parameters for Channel Bandwidths				
Test ID	Freq	NR DL Configuration	NR UL & V2X Configuration	
			Modulation	RB allocation (NOTE 1)
1	Default	N/A	CP-OFDM QPSK	Inner Full
1	Default		CP-OFDM 16QAM	Inner Full
2	Default		CP-OFDM 16QAM	Outer Full
3	Default		CP-OFDM 64QAM	Inner Full
4	Default		CP-OFDM 64QAM	Outer Full
5	Default		CP-OFDM 256QAM	Outer Full
NOTE 1: The specific configuration of each RB allocation is defined in Table FFS.				

1. Connect the SS to the UE antenna connectors as shown in TS 38.508-1 [5] Annex A, Figure A.3.1.9.3 for TE diagram and clause A.3.2.7 for UE diagram.
2. The parameter settings for the cell are set up according to TS 38.508-1 [5] clause 4.4.3.
3. Downlink signals are initially set up according to Annex C.0, C.1, C.2, and uplink signals according to Annex G.0, G.1, G.2, G.3.0.
4. The V2X Reference Measurement Channel and NR UL Reference Measurement Channel are set according to Table 6.2E.2.2.4.1-1.
5. Propagation conditions are set according to Annex B.0.
6. Ensure the UE is in state RRC_CONNECTED with generic procedure parameter Connectivity NR, Connected without release on, Test Mode On and Sidelink On according to TS 38.508-1 [5] clause 4.5. Message contents are defined in clause 6.2E.2.2.4.3.

6.2E.2.2.4.2 Test procedure

1. SS sends uplink scheduling information for each UL HARQ process via PDCCH DCI format 0_1 for C_RNTI to schedule the UL RMC according to Table 6.2E.2.2.4.1-1. Since the UE has no payload and no loopback data to send the UE sends uplink MAC padding bits on the UL RMC.
2. Send continuously uplink power control "up" commands in every uplink scheduling information to the UE; allow at least 200ms starting from the first TPC command in this step for the UE to reach PUMAX level.
3. SS sends sidelink scheduling information for each SL-HARQ process via PDCCH DCI format 3_0 for C_RNTI to schedule the Sidelink RMC according to Table 6.2E.2.2.4.1-1. UE is configured to transmit at P_{cm} on the sidelink carrier. Since the UE has no payload and no loopback data to send the UE sends MAC padding bits on the Sidelink RMC.
4. Measure the sum of the mean power of the UE at NR Uu carrier and V2X sidelink carrier in the channel bandwidth according to the test configuration from Table 6.2E.2.2.4.1-1. The period of measurement shall be at least continuous duration of one active sub-frame (1ms) excluding guard symbols.

6.2E.2.2.4.3 Message contents

Message contents are according to TS 38.508-1 [5] clause 4.6.

Table 6.2E.2.2.4.3-1: SL-ResourcePool

Derivation Path: TS 38.508-1 [5], Table 4.6.6-25			
Information Element	Value/remark	Comment	Condition
SL-ResourcePool-r16 ::= SEQUENCE {			
sl-PSCCH-Config-r16 CHOICE {			
setup SEQUENCE {			
sl-TimeResourcePSCCH-r16	As defined in Table 6.1E-2		
sl-FreqResourcePSCCH-r16	As defined in Table 6.1E-2		
}			
}			
sl-SubchannelSize-r16	As defined in Table 6.1E-2		
sl-StartRB-Subchannel-r16	As defined in Table 6.1E-2		
sl-NumSubchannel-r16	As defined in Table 6.1E-2		
sl-PowerControl-r16 SEQUENCE {			
sl-MaxTransPower-r16	24		
sl-Alpha-PSSCH-PSCCH-r16	Not present		
dl-Alpha-PSSCH-PSCCH-r16	Not present		
sl-P0-PSSCH-PSCCH-r16	Not present		
dl-P0-PSSCH-PSCCH-r16	Not present		
dl-Alpha-PSFCH-r16	Not present		
dl-P0-PSFCH-r16	Not present		
}			
}			

6.2E.2.2.5 Test requirement

The maximum output power, derived in step 4 shall be within the range prescribed by the nominal maximum output power and tolerance in Table 6.2E.2.2.5-1.

Table 6.2E.2.2.5-1: UE MPR test requirement for inter-band con-current NR V2X operation

	P _{PowerClass,NR} (dBm)	MPR (dB)	$\Delta T_{C,c}$ (dB)	P _{C_{MAX}_L,c} , NR (dBm)	P _{C_{MAX}_H,c} , NR (dB)	P _{PowerClass,V2X} (dBm)	P _{C_{MAX}_H,f,c,V2X} (dBm)	P _{C_{MAX}_L} (dBm)	P _{C_{MAX}_H} (dBm)	T(P _{C_{MAX}_L}) (dB)	T(P _{C_{MAX}_H}) (dB)	Upper limit (dBm)	Lower limit (dBm)
1	23	0	0	23	23	23	23	23	26	3	2	28+TT	20-TT
2	23	6.5	0	16.5	23	23	23	16.5	26	5	2	28+TT	11.5-TT
3	23	0	0	23	23	23	23	23	26	3	2	28+TT	20-TT
4	23	6.5	0	16.5	23	23	23	16.5	26	5	2	28+TT	11.5-TT

Table 6.2E.2.2.5-2: Test Tolerance (inter-band con-current NR V2X operation)

	f ≤ 3.0GHz	4.2GHz < f ≤ 6.0GHz
BW ≤ 40MHz	0.7 dB	1.0 dB

Table 6.2E.2.2.5-3: Test Tolerance (intra-band con-current NR V2X operation)

	f ≤ 3.0GHz	4.2GHz < f ≤ 6.0GHz
Aggregated BW ≤ 100MHz	0.7 dB	1.0 dB

Table 6.2E.2.2.5-4: UE MPR test requirement for PC3 intra-band con-current NR V2X operation

	P _{PowerClass,con-current} (dBm)	MPR (dB)	$\Delta T_{C,c}$ (dB)	P _{C_{MAX}_L} (dBm)	P _{C_{MAX}_H} (dB)	T(P _{C_{MAX}_L}) (dB)	T(P _{C_{MAX}_H}) (dB)	Upper limit (dBm)	Lower limit (dBm)
1	23	2.5	0	20.5	23	2.5	2	25+TT	20.5-TT
2	23	4.5	0	18.5	23	4.0	2	25+TT	19.0-TT
3	23	4.5	0	18.5	23	4.0	2	25+TT	19.0-TT
4	23	5.0	0	18.0	23	4.0	2	25+TT	19.0-TT
5	23	6.0	0	17.0	23	5.0	2	25+TT	18.0-TT

Table 6.2E.2.2.5-5: UE MPR test requirement for PC2 intra-band con-current NR V2X operation

	P _{PowerClass,con-current} (dBm)	MPR (dB)	$\Delta T_{C,c}$ (dB)	P _{C_{MAX}_L} (dBm)	P _{C_{MAX}_H} (dB)	T(P _{C_{MAX}_L}) (dB)	T(P _{C_{MAX}_H}) (dB)	Upper limit (dBm)	Lower limit (dBm)
1	26	3.0	0	23.0	26	2.0	2	28+TT	21.0-TT

2	26	4.0	0	22.0	26	2.0	2	28+TT	20.0-TT
3	26	5.5	0	20.5	26	2.5	2	28+TT	18.0-TT
4	26	5.5	0	20.5	26	2.5	2	28+TT	18.0-TT
5	26	6.0	0	20.0	26	2.5	2	28+TT	17.5-TT
6	26	7.5	0	18.5	26	4.0	2	28+TT	14.5-TT

6.2E.3 UE additional maximum output power reduction for V2X

6.2E.3.0 Minimum conformance requirements

6.2E.3.0.1 General

For the applied maximum output power reduction is obtained by taking the maximum value of MPR requirements specified in clause 6.2E.2.0 and A-MPR requirements specified in current clause.

Additional emission requirements can be indicated by the network or pre-configured radio parameters. Each additional emission requirement is associated with a unique network signalling (NS) value indicated in RRC signalling by an NR frequency band number of the applicable operating band and an associated value in the field [additionalSpectrumEmission]. Throughout this specification, the notion of indication or signalling of an NS value refers to the corresponding indication of an NR V2X frequency band number of the applicable operating band, the IE field [freqBandIndicatorNR] and an associated value of [additionalSpectrumEmission] in the relevant RRC information elements [6].

To meet the additional requirements, additional maximum power reduction (A-MPR) is allowed for the maximum output power as specified in Table 6.2.1-1. In absence of modulation and waveform types the A-MPR applies to all modulation and waveform types.

Table 6.2E.3.0.1-1: Additional Maximum Power Reduction (A-MPR) for PC3 NR V2X

Network Signalling value	Requirements (clause)	NR Band	Channel bandwidth (MHz)	Resources Blocks (NRB)	A-MPR (dB)
NS_01		Table 5.2E.1-1	10, 20, 30, 40	Table 5.3.2-1	N/A
NS_33	6.5E.2.3.0.1 (A-SEM) 6.5E.3.3.0 (A-SE)	n47	10	Clause 6.2E.3.0.2	
NS_52	6.5E.2.3.0.2 (A-SEM)	n47	40	Clause 6.2E.3.0.3	

Table 6.2E.3.0.1-2: Mapping of network signalling label

NR V2X operating bands	Value of additionalSpectrumEmission							
	0	1	2	3	4	5	6	7
n38	NS_01							
n47	NS_01	NS_33	NS_52					

NOTE: [additionalSpectrumEmission] corresponds to an information element of the same name defined in clause 6.3.2 of TS 38.331 [7].

For UE with two transmit antenna connectors, the A-MPR values specified in clause 6.2E.3.0.2 and 6.2E.3.0.3 shall apply to the maximum output power specified in Table 6.2E.1.0.1-1. The requirements shall be met with the SL MIMO configurations specified in Table 6.2D.1-2. For UE supporting SL MIMO, the maximum output power is defined as the sum of the maximum output power from each UE antenna connector. Unless stated otherwise, an A-MPR of 0 dB shall be used.

For the UE maximum output power modified by A-MPR, the power limits specified in clause 6.2E.4.0 apply.

6.2E.3.0.2 A-MPR for V2X UE by NS_33

When NS_33 is indicated by the network or pre-configured radio parameters for NR V2X UE, the additional maximum output power reduction specified as

$$A\text{-MPR} = \text{CEIL} \{M_A, 0.5\}$$

Where M_A is defined as follows

$$M_A = A\text{-MPR}_{\text{Base}} + G_{\text{post connector}} * A\text{-MPR}_{\text{Step}}$$

$\text{CEIL}\{M_A, 0.5\}$ means rounding upwards to closest 0.5dB.

$A\text{-MPR}_{\text{Base}}$ and $A\text{-MPR}_{\text{Step}}$ are specified in Tables 6.2E.3.0.2-1, 6.2E.3.0.2-2 is allowed when network signalling value is provided. $A\text{-MPR}_{\text{Base}}$ is the default A-MPR value when no $G_{\text{post connector}}$ is declared. The supported post antenna connector gain $G_{\text{post connector}}$ is declared by the UE following the principle described in annex I in [28]. The $A\text{-MPR}_{\text{Step}}$ is the increase in A-MPR allowance to allow UE to meet tighter conducted A-SE and A-SEM requirements with higher value of declared $G_{\text{post connector}}$.

For the contiguous PSSCH and PSCCH transmission when NS_33 is indicated by the network or pre-configured radio parameters for NR V2X UE, the NR UE allow the follow A-MPR requirements specified in Table 6.2E.3.0.2-1 and 6.2E.3.0.2-2 for power class 3. And A-MPR requirements specified in Table 6.2E.3.0.2-2a and 6.2E.3.0.2-2b for power class 2 are allowed for NR V2X UE.

Table 6.2E.3.0.2-1: A-MPR for PSSCH/PSCCH by NS_33 (at $F_c = 5860\text{MHz}$)

Carrier frequency [MHz]	Resources Blocks (LCRB)	Start Resource Block	A-MPRBase (dB)		
			QPSK/16QAM	64QAM	256QAM
5860	≥ 10 and ≤ 15	0	≤ 24		

	≥ 1 and ≤ 3	≤ 19
≥ 10 and ≤ 15	≥ 26 and ≤ 38	≤ 6
≥ 10 and ≤ 15	≥ 38	≤ 6
≥ 10 and ≤ 20	≥ 12 and ≤ 14	≤ 11
	≥ 15 and ≤ 19	≤ 9.5
	≥ 20 and ≤ 25	≤ 8.0
> 15 and < 25	≥ 25	≤ 8
≥ 10 and < 40	≥ 4 and ≤ 7	≤ 16
	≥ 8 and ≤ 11	≤ 13.5
≥ 20 and < 40	≥ 0 and ≤ 3	≤ 22
≥ 25 and < 40	≥ 16 and ≤ 21	≤ 9.5
	≥ 22 and ≤ 27	≤ 8.0
≥ 24 and ≤ 40	≥ 12 and ≤ 15	≤ 12
40 and 45	0 and 1	≤ 19
	≥ 2 and ≤ 5	≤ 16
	≥ 6 and ≤ 11	≤ 13.5
> 45	≥ 0	≤ 16

NOTE 1: A-MPRstep =1.2 dB is applied for RBstart 0 and 1 and A-MPRstep =0.7 dB is applied for all other RBstart
 NOTE 2: Applicable for Channel Bandwidth = 10 MHz

Table 6.2E.3.0.2-2: A-MPR for PSSCH/PSCCH by NS_33 (at other carrier frequency)

Carrier frequency [MHz]	RB allocations	A-MPRBase (dB)				A-MPRstep (dB)
		QPSK	16QAM	64QAM	256QAM	
5870, 5880, 5890, 5900, 5910, 5920	Inner	≤ 3.0		≤ 5.0	≤ 6.0	0.5
	Outer	≤ 4.5				

NOTE 1: Inner and Outer RB allocations are defined in clause 6.2E.2.2
 NOTE 2: Applicable for Channel Bandwidth = 10 MHz

Table 6.2E.3.0.2-2a: PC2 A-MPR for PSCCH/PSSCH by NS_33 (at Fc=5860MHz)

Carrier frequency [MHz]	Resource Block (L _{CRB})	Start Resource Block	A-MPR(dB)		
			QPSK/16QAM	64QAM	256QAM
5860	≥ 10 and ≤ 15	0 and 1		≤ 24	
		2 and 3		≤ 22	
		4		≤ 20	
	≥ 10 and ≤ 25	≥ 5 and ≤ 7		≤ 17.5	
	≥ 10 and ≤ 30	10		≤ 16	

	≥ 10	8 and 9	≤ 16
		≥ 11 and ≤ 14	≤ 14.5
		≥ 15 and ≤ 19	≤ 13
		≥ 20 and ≤ 24	≤ 11.5
		≥ 25 and ≤ 29	≤ 10
	≥ 20 and ≤ 24	1	≤ 22
	≥ 20 and ≤ 30	0	≤ 22
		2 and 3	≤ 20
		4	≤ 17.5
	≥ 25 and ≤ 40	1	≤ 20
	≥ 30	≥ 5 and ≤ 7	≤ 16
	≥ 36	0	≤ 20
		≥ 2 and ≤ 4	≤ 17.5
		10	≤ 14.5
≥ 45	1	≤ 17.5	

NOTE 1: A-MPR_{step} = 1.2 dB is applied for RB_{start} 0 and 1 and A-MPR_{step} = 0.7 dB is applied for all other RB_{start}
 NOTE 2: Applicable for Channel Bandwidth = 10 MHz

Table 6.2E.3.0.2-2b: PC2 A-MPR for PSSCH/PSCCH by NS_33 (at other carrier frequency)

Carrier frequency [MHz]	RB allocations	A-MPR (dB)			
		QPSK	16QAM	64QAM	256QAM
5870,5910,5920	outer	≤ 8.5			≤ 8.5
	inner	≤ 6.0			
5880,5890,5900	outer	≤ 6.0			≤ 6.5
	inner	≤ 3.5	≤ 4.5		

NOTE 1: Inner and Outer RB allocations are defined in clause 6.2E.2.1
 NOTE 2: Applicable for Channel Bandwidth = 10 MHz

For the simultaneous PSFCH transmission when NS_33 is indicated by the network or pre-configured radio parameters for NR V2X UE, the NR UE allow the follow A-MPR requirements specified in Table 6.2E.3.0.2-3 for power class 3 and in Table 6.2E.3.0.2-3a for power class 2.

Table 6.2E.3.0.2-3: A-MPR for simultaneous PSFCH by NS_33

Channel Bandwidth [MHz]	Centre Frequency [MHz]	RB allocation	A-MPRBase (dB)			A-MPRstep (dB)
			0 ≤ NGap / NRB < 0.15	0.15 ≤ NGap / NRB < 0.3	0.3 ≤ NGap / NRB ≤ 1	
10	5860	NRB = 1	19.0			1.0

		NRB > 1	22.0			
	5870, 5880, 5890, 5900, 5910, 5920	NRB =1	5			0.8
		NRB > 1	14	7	18.5	
Note 1: N _{Gap} is the gap RB amount between RB _{start} and RB _{end} for contiguous and non-contiguous allocation simultaneous PSFCH transmission. (N _{Gap} = RB _{end} - RB _{start})						

Table 6.2E.3.0.2-3a: PC2 A-MPR for simultaneous PSFCH by NS_33

Channel Bandwidth [MHz]	Center Frequency [MHz]	RB allocation	A-MPR _{Base} (dB)			A-MPR _{step} (dB)
			$0 \leq N_{\text{Gap}} / N_{\text{RB}} < 0.2$	$0.2 \leq N_{\text{Gap}} / N_{\text{RB}} < 0.4$	$0.4 \leq N_{\text{Gap}} / N_{\text{RB}} \leq 1$	
10	5860	NRB =1	25.0			1.0
		NRB > 1	22.0			
	5870, 5880, 5890, 5900, 5910, 5920	NRB =1	5			0.8
		NRB > 1	16.5	12	20	
Note 1: N _{Gap} is the gap RB amount between RB _{start} and RB _{end} for contiguous and non-contiguous allocation simultaneous PSFCH transmission. (N _{Gap} = RB _{end} - RB _{start})						

For the S-SSB transmission when NS_33 is indicated by the network or pre-configured radio parameters for NR V2X UE, the NR UE allow the follow A-MPR requirements specified in Table 6.2E.3.0.2-4 for power class 3 and in Table 6.2E.3.0.2-5 for power class 2.

Table 6.2E.3.0.2-4: A-MPR for S-SSB transmission by NS_33

Carrier Frequency (MHz)	RBStart * 12*SCS [MHz]	A-MPRBase (dB)	AMPRStep (dB)
5860	≤1.0	≤ 25	0.6
	>1.0 and ≤2.0	≤ 19	
	>2.0 and ≤3.24	≤ 12	
	>3.24 and ≤3.6	≤ 10	
	>3.6	≤ 9	
5870, 5880, 5890, 5900, 5910, 5920	≤1.0	≤ 7.0	0.85
	>1.0 and ≤1.6	≤ 6.5	
	>1.6 and ≤2.6	≤ 5.8	
	>2.6 and ≤3.24	≤ 4.5	
	>3.24 and ≤4.32	≤ 5.5	
	>4.32	≤ 6.5	

Table 6.2E.3.0.2-5: PC2 A-MPR for S-SSB transmission by NS_33

Carrier Frequency (MHz)	RBStart * 12*SCS [MHz]	A-MPR _{Base} (dB)	AMPR _{Step} (dB)
5860	≤1.0	≤ 25	0.6
	>1.0 and ≤2.0	≤ 19	
	>2.0 and ≤3.24	≤ 12	
	>3.24 and ≤3.6	≤ 10	
	>3.6	≤ 14	
5870, 5880, 5890, 5900, 5910, 5920	≤1.0	≤ 7.0	0.85
	>1.0 and ≤1.6	≤ 6.5	
	>1.6 and ≤2.6	≤ 5.8	
	>2.6 and ≤3.24	≤ 4.5	
	>3.24 and ≤4.32	≤ 5.5	
	>4.32	≤ 6.5	

6.2E.3.0.3 A-MPR for Power class 3 V2X UE by NS_52

When NS_52 is indicated by the network or pre-configured radio parameters for NR V2X UE, the additional maximum output power reduction specified as

$$A\text{-MPR} = \text{CEIL} \{MA, 0.5\}$$

Where MA is defined as follows

$$MA = A\text{-MPR}$$

CEIL{MA, 0.5} means rounding upwards to closest 0.5dB.

For the contiguous PSSCH and PSCCH transmission when NS_52 is indicated by the network or pre-configured radio parameters for NR V2X UE, the NR UE allow the follow A-MPR requirements.

Table 6.2E.3.0.3-1: A-MPR for PSSCH/PSCCH by NS_52

Carrier frequency(MHz)	Modulation	A-MPR(dB)		
		Region 1	Region 2	Region 3
5885	QPSK	≤ 15	≤ 8.0	≤ 5.5
	16QAM		≤ 8.0	≤ 5.5
	64QAM		≤ 8.5	≤ 5.5

	256QAM		≤ 8.5	≤ 6.0
Note1: Void.				

Where the following parameters are defined to specify valid RB allocation ranges for Region1, Region2 and Region3 according to RB allocations:

Table 6.2E.3.0.3-1a: A-MPR Region definitions for PSSCH/PSCCH by NS_52

Channel Bandwidth, MHz	Carrier frequency (MHz)	A-MPR parameters for region definitions		A-MPR
		RBstart or RBend	LCRB	
40	5885	$\text{RBstart} \leq \text{floor}(\text{NRB} \cdot 0.2)$ or $\text{RBend} \geq \text{NRB} - \text{floor}(\text{NRB} \cdot 0.2)$	$\text{LCRB} \leq \text{floor}(\text{NRB} \cdot 0.2)$	Region 1
		The RB allocation is in Region 2 allocation for all other allocations which are not a Region1 or Region3 allocation.		Region 2
		$\text{floor}(\text{NRB} / 3.5) \leq \text{RBstart} \leq \text{NRB} - \text{floor}(\text{NRB} / 3.5) - \text{LCRB}$	$\text{LCRB} \leq \text{ceil}(\text{NRB} / 3.5)$	Region 3

NRB is the maximum number of RBs for a given Channel bandwidth and sub-carrier spacing defined in Table 5.3.2-1 [3].

For the simultaneous PSFCH transmission when NS_52 is indicated by the network or pre-configured radio parameters for NR V2X UE, the NR UE allow the follow A-MPR requirements

Table 6.2E.3.0.3-2: A-MPR for simultaneous PSFCH by NS_52

Channel Bandwidth [MHz]	Carrier frequency [MHz]	A-MPR (dB)
40 MHz	5885	23.5

For the S-SSB transmission when NS_52 is indicated by the network or pre-configured radio parameters for NR V2X UE, the NR UE allow the follow A-MPR requirements

Table 6.2E.3.0.2-3: A-MPR for S-SSB transmission by NS_52

Carrier Frequency [MHz]	RBStart * 12*SCS [MHz]	A-MPR (dB)
5885	≤ 7	≤ 16
	> 7 and ≤ 12	≤ 10.5
	> 12 and ≤ 19	≤ 4.0
	> 19 and ≤ 25	≤ 10.5
	> 25	≤ 16

6.2E.3.0.4 A-MPR for power class 3 V2X con-current operation

For the inter-band con-current NR V2X operation, the allowed additional maximum power reduction (A-MPR) for the maximum output power shall be applied per each component carrier. The A-MPR requirements in clause 6.2.3.3 apply for NR Uu operation in licensed band, and the A-MPR requirements in clause 6.2E.3.0.2 and 6.2E.3.0.3 apply for NR sidelink operation in Band n47.

For the intra-band con-current NR V2X operation, the A-MPR requirements in [6.2E.3.0.4] apply for NR Uu and SL con-current operation in the licensed band.

The normative reference for this requirement is TS 38.101-1 [2] clause 6.2E.3.

6.2E.3.1 UE additional maximum output power reduction for V2X / non-concurrent operation

6.2E.3.1.1 Test purpose

To verify that the reduction of UE transmitted power when additional emission requirements are signalled by the network in the field *additionalSpectrumEmission*.

6.2E.3.1.2 Test applicability

This test case applies to all types of UE release 16 and forward that support NR V2X sidelink communication.

NOTE: Test execution is not necessary if TS 38.521-1 6.5E.2.3.1 are executed.

6.2E.3.1.3 Minimum conformance requirements

The minimum conformance requirements are defined in clause 6.2E.3.0.

6.2E.3.1.4 Test description

6.2E.3.1.4.1 Initial conditions

Initial conditions are a set of test configurations the UE needs to be tested in and the steps for the SS to take with the UE to reach the correct measurement state.

The initial test configurations consist of environmental conditions, test frequencies, test channel bandwidths and sub-carrier spacing based on NR operating bands specified in Table 5.2E.1-1 and Table 5.3.5-1. All of these configurations shall be tested with applicable test parameters for each combination of test channel bandwidth and sub-carrier spacing, and are shown in table 6.2E.3.1.4.1-1 to 6.2E.3.1.4.1-3. The details of the V2X reference measurement channels (RMCs) are specified in Annex A.7.5 and the GNSS configuration in TS 38.508-1 [5] subclause 4.11.

Table 6.2E.3.1.4.1-1: Test Configuration Table for contiguous PSCCH and PSSCH allocation for NS_33 for PC3

Initial Conditions	
Test Environment as specified in TS 38.508-1 [5] subclause 4.1	Normal
Test Frequencies as specified in TS 38.508-1 [5] subclause 4.3.1.8	(See Freq column)

Test Channel Bandwidths as specified TS 38.508-1 [5] subclause 4.3.1		10MHz	
Test SCS as specified in Table 5.3.5-1		Lowest, Highest	
Test Parameters for Channel Bandwidths			
Test ID	Freq (MHz)	V2X Configuration to Transmit	
		Modulation	PSCCH and PSSCH RB allocation
1	5860	64QAM	15@0
2	5860	64QAM	15@1
3	5860	64QAM	15@26
4	5860	64QAM	12@38
5	5860	64QAM	20@12
6	5860	64QAM	20@15
7	5860	64QAM	20@20
8	5860	64QAM	24@25
9	5860	64QAM	36@4
10	5860	64QAM	36@8
11	5860	64QAM	36@0
12	5860	64QAM	36@16
13	5860	64QAM	36@22
14	5860	64QAM	40@12
15	5860	64QAM	45@0
16	5860	64QAM	45@2
17	5860	64QAM	45@6
18	5860	64QAM	50@0
19	5920	16QAM	Inner_Full (Note 1)
20	5920	64QAM	Inner_Full (Note 1)
21	5920	256QAM	Inner_Full (Note 1)
22	5920	16QAM	Outer_Full (Note 1)
23	5920	64QAM	Outer_Full (Note 1)
24	5920	256QAM	Outer_Full (Note 1)
NOTE 1: The specific configuration of each RB allocation is defined in Table 6.1E-1.			

Table 6.2E.3.1.4.1-1a: Test Configuration Table for contiguous PSCCH and PSSCH allocation for NS_33 for PC2

Initial Conditions	
Test Environment as specified in TS 38.508-1 [5] subclause 4.1	Normal
Test Frequencies as specified in TS 38.508-1 [5] subclause 4.3.1.8	(See Freq column)
Test Channel Bandwidths as specified TS 38.508-1 [5] subclause 4.3.1	10MHz
Test SCS as specified in Table 5.3.5-1	Lowest, Highest
Test Parameters for Channel Bandwidths	

Test ID	Freq (MHz)	V2X Configuration to Transmit	
		Modulation	PSCCH and PSSCH RB allocation
1	5860	64QAM	15@0
2	5860	64QAM	15@2
3	5860	64QAM	15@4
4	5860	64QAM	25@5
5	5860	64QAM	30@10
6	5860	64QAM	10@8
7	5860	64QAM	10@11
8	5860	64QAM	10@15
9	5860	64QAM	10@20
10	5860	64QAM	10@25
11	5860	64QAM	10@30
12	5860	64QAM	24@1
13	5860	64QAM	30@0
14	5860	64QAM	30@2
15	5860	64QAM	30@4
16	5860	64QAM	40@1
17	5860	64QAM	30@5
18	5860	64QAM	36@5
19	5860	64QAM	36@0
20	5860	64QAM	36@2
21	5860	64QAM	36@10
22	5860	64QAM	45@1
23	5920	64QAM	Outer_Full (Note 1)
24	5920	256QAM	Outer_Full (Note 1)
25	5920	64QAM	Inner_Full (Note 1)
26	5900	64QAM	Outer_Full (Note 1)
27	5900	256QAM	Outer_Full (Note 1)
28	5900	16QAM	Inner_Full (Note 1)
29	5900	64QAM	Inner_Full (Note 1)

NOTE 1: The specific configuration of each RB allocation is defined in Table 6.1E-1.

Table 6.2E.3.1.4.1-2: Test Configuration Table for PSFCH for NS_33 for PC3

Initial Conditions	
Test Environment as specified in TS 38.508-1 [5] subclause 4.1	Normal
Test Frequencies as specified in TS 38.508-1 [5] subclause 4.3.1.8	(See Freq column)
Test Channel Bandwidths as specified TS 38.508-1 [5] subclause 4.3.1	10MHz
Test SCS as specified in Table 5.3.5-1	Lowest, Highest

Test Parameters for Channel Bandwidths		
Test ID	Freq (MHz)	V2X Configuration to Transmit PSFCH RB allocation
1	5860	PSFCH_1RB_Left (Note 1)
2	5860	PSFCH_Max_Gap (Note 1)
3	5920	1@49
4	5920	1@0 1@7
5	5920	1@0 1@15
6	5920	PSFCH_Max_Gap (Note 1)

NOTE 1: The specific configuration of each RB allocation is defined in Table 6.1E-2.

Table 6.2E.3.1.4.1-2a: Test Configuration Table for PSFCH for NS_33 for PC2

Initial Conditions	
Test Environment as specified in TS 38.508-1 [5] subclause 4.1	Normal
Test Frequencies as specified in TS 38.508-1 [5] subclause 4.3.1.8	(See Freq column)
Test Channel Bandwidths as specified TS 38.508-1 [5] subclause 4.3.1	10MHz
Test SCS as specified in Table 5.3.5-1	Lowest, Highest

Test Parameters for Channel Bandwidths		
Test ID	Freq (MHz)	V2X Configuration to Transmit PSFCH RB allocation
1	5860	PSFCH_1RB_Left (Note 1)
2	5860	PSFCH_Max_Gap (Note 1)
3	5920	1@49
4	5920	1@0 1@10
5	5920	1@0 1@20
6	5920	PSFCH_Max_Gap (Note 1)

NOTE 1: The specific configuration of each RB allocation is defined in Table 6.1E-2.

Table 6.2E.3.1.4.1-3: Test Configuration Table for S-SSB for NS_33 for PC3 and PC2

Initial Conditions	
Test Environment as specified in TS 38.508-1 [5] subclause 4.1	Normal
Test Frequencies as specified in TS 38.508-1 [5] subclause 4.3.1.8	(See Freq column)
Test Channel Bandwidths as specified TS 38.508-1 [5] subclause 4.3.1	10MHz
Test SCS as specified in Table 5.3.5-1	Lowest, Highest

Test Parameters for Channel Bandwidths		
Test ID	Freq (MHz)	V2X Configuration to Transmit
		S-SSB RB allocation
1	5860	11@0
2	5860	11@6
3	5860	11@12
4	5860	11@19
5	5860	11@21
6	5920	11@5
7	5920	11@8
8	5920	11@14
9	5920	11@18
10	5920	11@24
11	5920	11@41

1. Connect the SS and GNSS simulator to the UE antenna connectors as shown in TS 38.508-1 [5] Annex A, Figure A.3.1.9.1 for TE diagram and section A.3.2.7 for UE diagram.
2. The parameter settings for the NR sidelink transmission over PC5 are pre-configured according to TS 38.508-1 [5] subclause 4.10. Message content exceptions are defined in clause 6.2E.3.1.4.3.
3. The V2X Reference Measurement Channel is set according to Table 6.2E.3.1.4.1-1 to Table 6.2E.3.1.4.1-3.
4. The GNSS simulator is configured for Scenario #1: static in Geographical area #1, as defined in TS 38.508-1 [5] Table 4.11.2-2. Geographical area #1 is also pre-configured in the UE.
5. Propagation conditions are set according to Annex B.0.

6.2E.3.1.4.2 Test procedure

Subtest 1: PSCCH/PSSCH

1. Ensure the UE is in state `Out_of_Coverage` with generic procedure parameters Sidelink On, Test Loop Function On with UE test loop mode E closed for Transmit Mode according to TS 38.508-1 [5] clause 4.5.
2. The UE starts to perform the NR sidelink communication according to SL-PreconfigurationNR. Since the UE has no payload and no loopback data to send the UE sends uplink MAC padding bits on the NR sidelink RMC.
3. Measure the mean power of the UE in the channel bandwidth according to the test configuration from Table 6.2E.3.1.4.1-1. The period of measurement shall be at least continuous duration of one active sub-frame (1ms) excluding guard symbols.

Subtest 2: PSFCH

1. Ensure the UE is in state Out_of_Coverage with generic procedure parameters Sidelink On, Cast type Unicast, Test Loop Function On with UE test loop mode E closed for Receive Mode according to TS 38.508-1 [5] clause 4.5.
2. The UE starts to perform the NR sidelink reception according to SL-PreconfigurationNR.
3. The UE's PSFCH transmission occasion is on slot n according to Table 6.2E.3.1.4.1-2. SS transmits PSSCH on combination of slot and subchannel as below:
 - a) Test ID 1: slot n-6, Lowest sub-channel
 - b) Test ID 2, 4, 5 and 6: slot n-6, Lowest sub-channel and slot n-3, Highest sub-channel
 - c) Test ID 3: slot n-3, Highest sub-channel
4. Measure the mean power of the UE on slot n in the channel bandwidth according to the test configuration from Table 6.2E.3.1.4.1-2. The cumulative measurement period is at least 1ms.

Subtest 3: S-SSB

1. Ensure the UE is in state Out_of_Coverage with generic procedure parameters Sidelink On according to TS 38.508-1 [5] clause 4.5. The UE is synchronized to GNSS,
2. The UE transmits PSBCH according SL-PreconfigurationNR.
3. Measure the mean power of the S-SSB in the channel bandwidth according to the test configuration from Table 6.2E.3.1.4.1-3. The cumulative measurement period is at least 1ms.

6.2E.3.1.4.3 Message contents

Message contents are according to TS 38.508-1 [5] subclause 4.10 with the following exceptions.

6.2E.3.1.4.3.1 Message contents exceptions (network signalling value "NS_33")

Table 6.2E.3.1.4.3.1-1: Network signalling value "NS_33"

Derivation Path: TS 38.508-1 [5] clause 4.6.3, Table 4.6.3-1			
Information Element	Value/remark	Comment	Condition
additionalSpectrumEmission	1 (NS_33)		

Table 6.2E.3.1.4.3.1-2: SL-ResourcePool for PSCCH/PSSCH Testing for NS_33

Derivation Path: TS 38.508-1 [5], Table 4.6.6-25			
Information Element	Value/remark	Comment	Condition
SL-ResourcePool-r16 ::= SEQUENCE {			
sl-PSCCH-Config-r16 CHOICE {			
setup SEQUENCE {			
sl-TimeResourcePSCCH-r16	10		

sl-FreqResourcePSCCH-r16	3		
}			
}			
sl-SubchannelSize-r16	10		Test ID 5, 6, 7, 14, 18
	12		Test ID 4, 8, 9, 10, 11, 12, 13
	15		Test ID 1, 2, 3, 15, 16, 17
sl-StartRB-Subchannel-r16	0		Test ID 1, 11, 15, 18
	1		Test ID 2
	26		Test ID 3
	38		Test ID 4
	12		Test ID 5, 14
	15		Test ID 6
	20		Test ID 7
	25		Test ID 8
	4		Test ID 9
	8		Test ID 10
	16		Test ID 12
	22		Test ID 13
	2		Test ID 16
	6		Test ID 17
sl-NumSubchannel-r16	1		Test ID 1, 2, 3, 4
	2		Test ID 5, 6, 7, 8,
	3		Test ID 9, 10, 11, 12, 13, 15, 16, 17
	4		Test ID 14
	5		Test ID 18
}			

Table 6.2E.3.1.4.3.1-3: SL-ResourcePool for PSFCH Testing for NS_33

Derivation Path: TS 38.508-1 [5], Table 4.6.6-25			
Information Element	Value/remark	Comment	Condition
SL-ResourcePool-r16 ::= SEQUENCE {			
sl-PSFCH-Config-r16 CHOICE {			
setup SEQUENCE {			

sl-PSFCH-Period-r16	sl4		
sl-PSFCH-RB-Set-r16	Bitstring of length 50, The leftmost 4 bits and rightmost 4 bits are set to "1" and the rest are set to "0"		Test ID 1, 2, 3, 6
	Bitstring of length 50, The leftmost 8 bits are set to "1" and the rest are set to "0"		Test ID 4
	Bitstring of length 50, The leftmost 4 bits and bits 12~15 are set to "1" and the rest are set to "0"		Test ID 5
sl-NumMuxCS-Pair-r16	n1		
sl-MinTimeGapPSFCH-r16	sl3		
sl-PSFCH-HopID-r16	Not present	Default frequency hopping ID 0 is used	
sl-PSFCH-CandidateResourceType-r16	startSubCH		
}			
}			
sl-SubchannelSize-r16	25		
sl-StartRB-Subchannel-r16	0		
sl-NumSubchannel-r16	2		
}			

Table 6.2E.3.1.4.3.1-4: SL-FreqConfigCommon for S-SSB Testing

Derivation Path: TS 38.508-1 [5], Table 4.6.6-11			
Information Element	Value/remark	Comment	Condition
SL-FreqConfigCommon-r16 ::= SEQUENCE {			
sl-AbsoluteFrequencySSB-r16	According to section 4.3.1.8 of TS 38.508-1 [5]		
}			

6.2E.3.1.5 Test requirement

The maximum output power, derived in step 3 of Subtest 1, step 4 of Subtest 2 and step 3 of Subtest 3 shall be within the range prescribed by the nominal maximum output power and tolerance in Table 6.2E.3.1.5-1 to Table 6.2E.3.1.5-3.

Table 6.2E.3.1.5-0: Test Tolerance (UE maximum output power)

	$f \leq 3.0\text{GHz}$	$3.0\text{GHz} < f \leq 6.0\text{GHz}$
$BW \leq 40\text{MHz}$	0.7dB	1.0dB

Table 6.2E.3.1.5-1: UE AMPR test requirement for contiguous PSCCH/PSSCH for NS_33 for PC3

Test ID	PPowerClass (dBm)	MPR (dB)	AMPR (dB)	$\Delta\text{TC},\text{c}$ (dB)	PCMAX_L,f,c (dBm)	T(PCMAX_L,f,c) (dB)	Upper limit (dBm)	Lower limit (dBm)
1 ²	23	4.5	24	0	-1	7	25.0 + TT	-8-TT
2 ²	23	4.5	19	0	4	7	25.0 + TT	-3-TT
3 ²	23	4.5	6	0	17	5	25.0 + TT	13-TT
4 ²	23	4.5	6	0	17	5	25.0 + TT	13-TT
5 ²	23	4.5	11	0	12	6	25.0 + TT	6-TT
6 ²	23	4.5	9.5	0	13.5	5	25.0 + TT	8.5-TT
7 ²	23	4.5	8	0	15	5	25.0 + TT	10-TT
8 ²	23	4.5	8	0	15	5	25.0 + TT	10-TT
9 ²	23	4.5	16	0	7	6	25.0 + TT	1-TT
10 ²	23	4.5	13.5	0	9.5	6	25.0 + TT	3.5-TT
11 ²	23	4.5	22	0	1	7	25.0 + TT	-6-TT
12 ²	23	4.5	9.5	0	13.5	5	25.0 + TT	8.5-TT
13 ²	23	4.5	8	0	15	5	25.0 + TT	10-TT
14 ²	23	4.5	12	0	11	6	25.0 + TT	5-TT
15 ²	23	4.5	19	0	4	7	25.0 + TT	-3-TT
16 ²	23	4.5	16	0	7	7	25.0 + TT	0-TT
17 ²	23	4.5	13.5	0	9.5	6	25.0 + TT	3.5-TT
18 ²	23	4.5	16	0	7	7	25.0 + TT	0-TT
19	23	2.5	3	0	20	2.5	25.0 + TT	17.5-TT
20	23	4.5	5	0	18	4	25.0 + TT	14-TT
21	23	7.0	6	0	16	5	25.0 + TT	11-TT
22	23	4.5	4.5	0	18.5	4	25.0 + TT	14.5-TT
23	23	4.5	5	0	18	4	25.0 + TT	14-TT

24	23	7.0	6	0	16	5	25.0 + TT	11-TT
----	----	-----	---	---	----	---	-----------	-------

NOTE 1: TT for each frequency and channel bandwidth is specified in Table 6.2E.3.1.5-0.
NOTE 2: If the supported post antenna connector gain $G_{\text{post connector}}$ is declared by the UE, the lower limit is further lower down by $G_{\text{post connector}} * A\text{-MPR}_{\text{Step}}$. $A\text{-MPR}_{\text{Step}} = 1.2$ dB is applied for RBstart 0 and 1 and $A\text{-MPR}_{\text{Step}} = 0.7$ dB is applied for all other RBstart.

Table 6.2E.3.1.5-2: UE MPR test requirement for PSFCH for NS_33 for PC3

Test ID	PPowerClass (dBm)	MPR (dB)	AMPR (dB)	$\Delta\text{TC},c$ (dB)	PCMAX_L,f,c (dBm)	T(PCMAX_L,f,c) (dB)	Upper limit (dBm)	Lower limit (dBm)
1	23	3.5	19	0	4	7	25.0 + TT	-3-TT
2	23	12	22	0	1	7	25.0 + TT	-6-TT
3	23	3.5	5	0	18	4	25.0 + TT	14-TT
4	23	7.5	14	0	9	6	25.0 + TT	3-TT
5	23	7.5	7	0	16	5	25.0 + TT	11-TT
6	23	12	18.5	0	4.5	7	25.0 + TT	-2.5-TT

NOTE 1: TT for each frequency and channel bandwidth is specified in Table 6.2E.3.1.5-0.

Table 6.2E.3.1.5-3: UE MPR test requirement for S-SSB for NS_33 for PC3

Test ID	PPowerClass (dBm)	MPR (dB)	AMPR (dBm)	$\Delta\text{TC},c$ (dB)	PCMAX_L,f,c (dBm)	T(PCMAX_L,f,c) (dB)	Upper limit (dBm)	Lower limit (dBm)
1	23	6	25	0	-2	7	25.0 + TT	-9-TT
2	23	2.5	19	0	4	7	25.0 + TT	-3-TT
3	23	2.5	12	0	11	6	25.0 + TT	5-TT
4	23	2.5	10	0	13	5	25.0 + TT	8-TT
5	23	2.5	9	0	14	5	25.0 + TT	9-TT
6	23	6	7	0	16	5	25.0 + TT	11-TT
7	23	2.5	6.5	0	16.5	5	25.0 + TT	11.5-TT
8	23	2.5	5.8	0	17.2	5	25.0 + TT	12.2-TT
9	23	2.5	4.5	0	18.5	4	25.0 + TT	14.5-TT
10	23	2.5	5.5	0	17.5	5	25.0 + TT	12.5-TT
11	23	6	6.5	0	16.5	5	25.0 + TT	11.5-TT

NOTE 1: TT for each frequency and channel bandwidth is specified in Table 6.2E.3.1.5-0.

Table 6.2E.3.1.5-4: UE AMPR test requirement for contiguous PSCCH/PSSCH for NS_33 for PC2

Test ID	PowerClass (dBm)	MPR (dB)	AMPR (dB)	Δ TC,c (dB)	PCMAX _{L,f,c} (dBm)	T(PCMAX _{L,f,c}) (dB)	Upper limit (dBm)	Lower limit (dBm)
1 ²	26	6.0	24.0	0	2.0	7.0	28.0 + TT	-5.0-TT
2 ²	26	6.0	22.0	0	4.0	7.0	28.0 + TT	-3.0-TT
3 ²	26	6.0	20.0	0	6.0	7.0	28.0 + TT	-1.0-TT
4 ²	26	6.0	17.5	0	8.5	6.0	28.0 + TT	2.5-TT
5 ²	26	6.0	16.0	0	10.0	6.0	28.0 + TT	4.0-TT
6 ²	26	4.5	16.0	0	10.0	6.0	28.0 + TT	4.0-TT
7 ²	26	4.5	14.5	0	11.5	6.0	28.0 + TT	5.5-TT
8 ²	26	4.5	13.0	0	13.0	5.0	28.0 + TT	8.0-TT
9 ²	26	4.5	11.5	0	14.5	5.0	28.0 + TT	9.5-TT
10 ²	26	4.5	10.0	0	16.0	5.0	28.0 + TT	11.0-TT
11 ²	26	4.5	8.5	0	17.5	5.0	28.0 + TT	12.5-TT
12 ²	26	6.0	22.0	0	4.0	7.0	28.0 + TT	-3.0-TT
13 ²	26	6.0	22.0	0	4.0	7.0	28.0 + TT	-3.0-TT
14 ²	26	6.0	20.0	0	6.0	7.0	28.0 + TT	-1.0-TT
15 ²	26	6.0	17.5	0	8.5	6.0	28.0 + TT	2.5-TT
16 ²	26	6.0	20.0	0	6.0	7.0	28.0 + TT	-1.0-TT
17 ²	26	6.0	16.0	0	10.0	6.0	28.0 + TT	4.0-TT
18 ²	26	6.0	20.0	0	6.0	7.0	28.0 + TT	-1.0-TT
19 ²	26	6.0	17.5	0	8.5	6.0	28.0 + TT	2.5-TT
20 ²	26	6.0	14.5	0	11.5	6.0	28.0 + TT	5.5-TT
21 ²	26	6.0	17.5	0	8.5	6.0	28.0 + TT	2.5-TT
22 ²	26	6.0	8.5	0	17.5	5.0	28.0 + TT	12.5-TT
23	26	6.0	8.5	0	17.5	5.0	28.0 + TT	12.5-TT
24	26	6.0	6.0	0	20.0	2.5	28.0 + TT	17.5-TT
25	26	4.5	6.0	0	20.0	2.5	28.0 + TT	17.5-TT
26	26	6.0	6.5	0	19.5	3.5	28.0 + TT	16.0-TT
27	26	6.0	3.5	0	22.5	2.0	28.0 + TT	20.5-TT
28	26	4.5	4.5	0	21.5	2.0	28.0 + TT	19.5-TT

NOTE 1: TT for each frequency and channel bandwidth is specified in Table 6.2E.3.1.5-0.

NOTE 2: If the supported post antenna connector gain $G_{\text{post connector}}$ is declared by the UE, the lower limit is further lower down by $G_{\text{post connector}} * A\text{-MPR}_{\text{Step}}$. $A\text{-MPR}_{\text{Step}} = 1.2$ dB is applied for RBstart 0 and 1 and $A\text{-MPR}_{\text{Step}} = 0.7$ dB is applied for all other RBstart.

Table 6.2E.3.1.5-5: UE MPR test requirement for PSFCH for NS_33 for PC2

Test ID	PPowerClass (dBm)	MPR (dB)	AMPR (dB)	ΔTC_c (dB)	PCMAX_L,f,c (dBm)	T(PCMAX_L,f,c) (dB)	Upper limit (dBm)	Lower limit (dBm)
1	26	4.5	25.0	0	1.0	7.0	28.0 + TT	-6.0-TT
2	26	14.0	22.0	0	4.0	7.0	28.0 + TT	-3.0-TT
3	26	4.5	5.0	0	21.0	2.0	28.0 + TT	19.0-TT
4	26	8.5	16.5	0	9.5	6.0	28.0 + TT	3.5-TT
5	26	8.5	12.0	0	14.0	5.0	28.0 + TT	9.0-TT
6	26	14.0	20.0	0	6.0	6.0	28.0 + TT	0.0-TT

NOTE 1: TT for each frequency and channel bandwidth is specified in Table 6.2E.3.1.5-0.

Table 6.2E.3.1.5-6: UE MPR test requirement for S-SSB for NS_33 for PC2

Test ID	PPowerClass (dBm)	MPR (dB)	AMPR (dBm)	ΔTC_c (dB)	PCMAX_L,f,c (dBm)	T(PCMAX_L,f,c) (dB)	Upper limit (dBm)	Lower limit (dBm)
1	26	6.0	25.0	0	1.0	7.0	28.0 + TT	-6.0-TT
2	26	2.5	19.0	0	7.0	7.0	28.0 + TT	0.0-TT
3	26	2.5	12.0	0	14.0	5.0	28.0 + TT	9.0-TT
4	26	2.5	10.0	0	16.0	5.0	28.0 + TT	11.0-TT
5	26	2.5	14.0	0	12.0	6.0	28.0 + TT	6.0-TT
6	26	6.0	7.0	0	19.0	3.5	28.0 + TT	15.5-TT
7	26	2.5	6.5	0	19.5	3.5	28.0 + TT	15.5-TT
8	26	2.5	5.8	0	20.2	2.5	28.0 + TT	17.7-TT
9	26	2.5	4.5	0	21.5	2.0	28.0 + TT	19.5-TT
10	26	2.5	5.5	0	20.5	2.5	28.0 + TT	18.0-TT
11	26	6.0	6.5	0	19.5	3.5	28.0 + TT	16.0-TT

NOTE 1: TT for each frequency and channel bandwidth is specified in Table 6.2E.3.1.5-0.

6.2E.3.1D UE additional maximum output power reduction for V2X / non-concurrent operation / SL-MIMO

6.2E.3.1D.1 Test purpose

Same test purpose as in 6.2E.3.1.

6.2E.3.1D.2 Test applicability

This test case applies to all types of UE release 16 and forward that support NR V2X sidelink communication and SL-MIMO.

NOTE: Test execution is not necessary if TS 38.521-1 6.5E.2.3.1D are executed.

6.2E.3.1D.3 Minimum conformance requirements

The minimum conformance requirements are defined in clause 6.2E.3.0.

6.2E.3.1D.4 Test description

Same test description as in 6.2E.3.1.4 for PSSCH/PSCCH subtest with following exceptions:

For initial conditions:

1. Connect the SS and GNSS simulator to the UE antenna connectors as shown in TS 38.508-1 [5] Annex A, Figure A.3.1.9.2 for TE diagram and section A.3.2.7 for UE diagram.

For test procedures:

Subtest 1 are replaced by:

1. Ensure the UE is in state 4-A as defined in TS 38.508-1 [4], subclause 4.4A using generic procedure parameter Sidelink (On), Cast Type (Unicast), GNSS Sync (On) and Transmit Mode with SL-MIMO. The UE is synchronized to GNSS,
2. The UE starts to perform the NR sidelink communication according to SL-PreconfigurationNR with 2-layer MIMO codebook TPMI 0. Since the UE has no payload and no loopback data to send the UE sends uplink MAC padding bits on the NR sidelink RMC.
3. Measure the sum of mean power of the UE at each transmit antenna connector in the channel bandwidth according to the test configuration from Table 6.2E.3.1.4.1-1. The period of measurement shall be at least continuous duration of one active sub-frame (1ms) excluding guard symbols.

6.2E.3.1D.4.1 Void

6.2E.3.1D.4.2 Void

6.2E.3.1D.4.3 Void

6.2E.3.1D.5 Test requirement

The maximum output power, derived in step 3 shall be within the range prescribed by the nominal maximum output power and tolerance in Table 6.2E.3.1D.5-1.

Table 6.2E.3.1D.5-0: Test Tolerance (UE maximum output power)

	$f \leq 3.0\text{GHz}$	$3.0\text{GHz} < f \leq 6.0\text{GHz}$
BW \leq 40MHz	0.7dB	1.0dB

Table 6.2E.3.1D.5-1: UE MPR test requirement for contiguous PSCCH/PSSCH for NS_33 for PC3

Test ID	PPowerClass (dBm)	MPR (dB)	AMPR (dB)	ΔTC_c (dB)	PCMAX_L,f,c (dBm)	T(PCMAX_L,f,c) (dB)	Upper limit (dBm)	Lower limit (dBm)
1 ²	23	4.5	24	0	-1	7	25.0 + TT	-8-TT
2 ²	23	4.5	19	0	4	7	25.0 + TT	-3-TT
3 ²	23	4.5	6	0	17	5	25.0 + TT	13-TT
4 ²	23	4.5	6	0	17	5	25.0 + TT	13-TT
5 ²	23	4.5	11	0	12	6	25.0 + TT	6-TT
6 ²	23	4.5	9.5	0	13.5	6	25.0 + TT	7.5-TT
7 ²	23	4.5	8	0	15	6	25.0 + TT	9-TT
8 ²	23	4.5	8	0	15	6	25.0 + TT	9-TT
9 ²	23	4.5	16	0	7	7	25.0 + TT	0-TT
10 ²	23	4.5	13.5	0	9.5	7	25.0 + TT	2.5-TT
11 ²	23	4.5	22	0	1	7	25.0 + TT	-6-TT
12 ²	23	4.5	9.5	0	13.5	6	25.0 + TT	7.5-TT
13 ²	23	4.5	8	0	15	6	25.0 + TT	9-TT
14 ²	23	4.5	12	0	11	6	25.0 + TT	5-TT
15 ²	23	4.5	19	0	4	7	25.0 + TT	-3-TT
16 ²	23	4.5	16	0	7	7	25.0 + TT	0-TT
17 ²	23	4.5	13.5	0	9.5	7	25.0 + TT	2.5-TT
18 ²	23	4.5	16	0	7	7	25.0 + TT	0-TT
19	23	2.5	3	0	20	6	25.0 + TT	14-TT
20	23	4.5	5	0	18	5	25.0 + TT	13-TT
21	23	7.0	6	0	16	5	25.0 + TT	11-TT
22	23	4.5	4.5	0	18.5	5	25.0 + TT	13.5-TT
23	23	4.5	5	0	18	5	25.0 + TT	13-TT
24	23	7.0	6	0	16	5	25.0 + TT	11-TT

NOTE 1: TT for each frequency and channel bandwidth is specified in Table 6.2E.3.1D.5-0.

NOTE 2: If the supported post antenna connector gain $G_{\text{post connector}}$ is declared by the UE, the lower limit is further lower down by $G_{\text{post connector}} * A\text{-MPR}_{\text{Step}}$. $A\text{-MPR}_{\text{Step}} = 1.2$ dB is applied for RBstart 0 and 1 and $A\text{-MPR}_{\text{Step}} = 0.7$ dB is applied for all other RBstart.

Table 6.2E.3.1D.5-2: UE AMPR test requirement for contiguous PSCCH/PSSCH for NS_33 for PC2

Test ID	PPowerClass (dBm)	MPR (dB)	AMPR (dB)	ΔTC_c (dB)	PCMAX_L,f,c (dBm)	T(PCMAX_L,f,c) (dB)	Upper limit (dBm)	Lower limit (dBm)
1 ²	26	6.0	24.0	0	2.0	7.0	28.0 + TT	-5.0-TT
2 ²	26	6.0	22.0	0	4.0	7.0	28.0 + TT	-3.0-TT
3 ²	26	6.0	20.0	0	6.0	7.0	28.0 + TT	-1.0-TT
4 ²	26	6.0	17.5	0	8.5	7.0	28.0 + TT	1.5-TT
5 ²	26	6.0	16.0	0	10.0	7.0	28.0 + TT	3.0-TT
6 ²	26	4.5	16.0	0	10.0	7.0	28.0 + TT	3.0-TT
7 ²	26	4.5	14.5	0	11.5	6.0	28.0 + TT	5.5-TT
8 ²	26	4.5	13.0	0	13.0	6.0	28.0 + TT	7.0-TT
9 ²	26	4.5	11.5	0	14.5	6.0	28.0 + TT	8.5-TT
10 ²	26	4.5	10.0	0	16.0	5.0	28.0 + TT	11.0-TT
11 ²	26	4.5	8.5	0	17.5	5.0	28.0 + TT	12.5-TT
12 ²	26	6.0	22.0	0	4.0	7.0	28.0 + TT	-3.0-TT
13 ²	26	6.0	22.0	0	4.0	7.0	28.0 + TT	-3.0-TT
14 ²	26	6.0	20.0	0	6.0	7.0	28.0 + TT	-1.0-TT
15 ²	26	6.0	17.5	0	8.5	7.0	28.0 + TT	1.5-TT
16 ²	26	6.0	20.0	0	6.0	7.0	28.0 + TT	-1.0-TT
17 ²	26	6.0	16.0	0	10.0	7.0	28.0 + TT	3.0-TT
18 ²	26	6.0	20.0	0	6.0	7.0	28.0 + TT	-1.0-TT
19 ²	26	6.0	17.5	0	8.5	7.0	28.0 + TT	1.5-TT
20 ²	26	6.0	14.5	0	11.5	6.0	28.0 + TT	5.5-TT
21 ²	26	6.0	17.5	0	8.5	7.0	28.0 + TT	1.5-TT
22 ²	26	6.0	8.5	0	17.5	5.0	28.0 + TT	12.5-TT
23	26	6.0	8.5	0	17.5	5.0	28.0 + TT	12.5-TT
24	26	6.0	6.0	0	20.0	6.0	28.0 + TT	14.0-TT
25	26	4.5	6.0	0	20.0	6.0	28.0 + TT	14.0-TT
26	26	6.0	6.5	0	19.5	5.0	28.0 + TT	14.5-TT
27	26	6.0	3.5	0	22.5	5.0	28.0 + TT	17.5-TT
28	26	4.5	4.5	0	21.5	5.0	28.0 + TT	16.5-TT

NOTE 1: TT for each frequency and channel bandwidth is specified in Table 6.2E.3.1.5-0.

NOTE 2: If the supported post antenna connector gain $G_{\text{post connector}}$ is declared by the UE, the lower limit is further lower down by $G_{\text{post connector}} * A\text{-MPR}_{\text{Step}}$. $A\text{-MPR}_{\text{Step}} = 1.2$ dB is applied for RBstart 0 and 1 and $A\text{-MPR}_{\text{Step}} = 0.7$ dB is applied for all other RBstart.

6.2E.3.2 UE maximum output power reduction for V2X / concurrent operation

6.2E.3.2.1 Test purpose

Same test purpose as in 6.2E.3.1 for concurrent operation.

6.2E.3.2.2 Test applicability

No test case details are specified for inter-band concurrent operation. The AMPR requirements for concurrent operation apply and are tested in clauses 6.2.3 for NR Uu operation and 6.2E.3.1 for NR sidelink option.

No test case details are specified for intra-band concurrent operation since no additional emission requirement is specified in this release.

6.2E.4 Configured transmitted power for V2X

6.2E.4.0 Minimum conformance requirements

6.2E.4.0.1 General

The NR V2X UE is allowed to set its configured maximum output power $P_{\text{CMAX},f,c}$ for carrier f of serving cell c in each slot. The configured maximum output power $P_{\text{CMAX},f,c}$ is set within the following bounds:

$$P_{\text{CMAX},L,f,c} \leq P_{\text{CMAX},f,c} \leq P_{\text{CMAX},H,f,c} \text{ with}$$

$$P_{\text{CMAX},L,f,c} = \text{MIN} \{ P_{\text{EMAX},c}, P_{\text{PowerClass},V2X} - \text{MAX}(\text{MAX}(\text{MPR}_c, \text{A-MPR}_c) + \Delta T_{\text{IB},c}, \text{P-MPR}_c), P_{\text{Regulatory},c} \}$$

$$P_{\text{CMAX},H,f,c} = \text{MIN} \{ P_{\text{EMAX},c}, P_{\text{PowerClass},V2X}, P_{\text{Regulatory},c} \}$$

where

- $P_{\text{CMAX},f,c}$ is configured for PSSCH\PSCCH, S-SSB and PSFCH, respectively;
- For the total transmitted power $P_{\text{CMAX},\text{PSSCH}/\text{PSCCH}}$, $P_{\text{EMAX},c}$ is the value given by IE *sl-maxTransPower*, defined by TS 38.331.
- For the total transmitted power $P_{\text{CMAX},\text{S-SSB}}$, the $P_{\text{CMAX},L,f,c}$ and $P_{\text{CMAX},H,f,c}$ are defined as follows:

$$P_{\text{CMAX},L,f,c} = \text{MIN} \{ P_{\text{PowerClass},V2X} - \text{MAX}(\text{MAX}(\text{MPR}_c, \text{A-MPR}_c) + \Delta T_{\text{IB},c}, \text{P-MPR}_c), P_{\text{Regulatory},c} \}$$

$$P_{\text{CMAX},H,f,c} = \text{MIN} \{ P_{\text{PowerClass},V2X}, P_{\text{Regulatory},c} \}$$
- For the total transmitted power $P_{\text{CMAX},\text{PSFCH}}$, $P_{\text{EMAX},c}$ is the value given by IE *sl-maxTransPower* when single resource pool configured is transmitted at a given time and sum of the IEs *sl-maxTransPower* when multiple resource pools configured are transmitted at a given time, defined by TS 38.331.
- $P_{\text{PowerClass},V2X}$ is the maximum UE power specified in Table 6.2E.1.0.1-1 without taking into account the tolerance specified in the Table 6.2E.1.0.1-1;
- MPR_c and A-MPR_c for serving cell c are specified in clause 6.2E.2.0 and clause 6.2E.3.0 for PSSCH\PSCCH, S-SSB and PSFCH, respectively;
 - $\Delta T_{\text{IB},c}$ and P-MPR_c are specified in clause 6.2.4.3
 - $P_{\text{Regulatory},c} = 10 - G_{\text{post connector}}$ dBm the V2X UE is within the protected zone [12] of CEN DSRC tolling system and operating in Band n47; $P_{\text{Regulatory},c} = 33 - G_{\text{post connector}}$ dBm otherwise.

The maximum output power $P_{\text{CMAX},\text{PSSCH}}$ and $P_{\text{CMAX},\text{PSCCH}}$ are derived from $P_{\text{CMAX},c}$ based on 0dB PSD offset between PSSCH and PSCCH.

For the measured configured maximum output power $P_{\text{UMAX},c}$ for NR V2X sidelink transmissions non-concurrent with NR uplink transmissions, the same requirement as in clause 6.2.4.3 shall be applied.

For NR V2X UE supporting SL MIMO, the transmitted power is configured per each UE.

For NR V2X UE with two transmit antenna connectors, the tolerance is specified in Table 6.2E.4.0.1-1. The requirements shall be met with SL MIMO configurations specified in Table 6.2D.1.3-2.

If the UE transmits on two antenna connectors at the same time, the tolerance is specified in Table 6.2E.4.0.1-1.

Table 6.2E.4.0.1-1: $P_{\text{CMAX},c}$ tolerance schemes for MIMO

$P_{\text{CMAX},c}$ (dBm)	Tolerance $T_{\text{LOW}}(P_{\text{CMAX},L,c})$ (dB)	Tolerance $T_{\text{HIGH}}(P_{\text{CMAX},H,c})$ (dB)
$P_{\text{CMAX},c} = 26$	3.0	2.0
$23 \leq P_{\text{CMAX},c} < 26$	3.0	2.0
$22 \leq P_{\text{CMAX},c} < 23$	5.0	2.0
$21 \leq P_{\text{CMAX},c} < 22$	5.0	3.0
$20 \leq P_{\text{CMAX},c} < 21$	6.0	4.0
$16 \leq P_{\text{CMAX},c} < 20$	5.0	

$11 \leq P_{\text{CMAX},c} < 16$	6.0
$-40 \leq P_{\text{CMAX},c} < 11$	7.0

6.2E.4.0.2 Configured transmitted power for V2X con-current operation

When a UE is configured for simultaneous NR V2X sidelink and NR uplink transmissions for inter-band con-current operation, the UE is allowed to set its configured maximum output power $P_{\text{CMAX},c,\text{NR}}$ and $P_{\text{CMAX},c,\text{V2X}}$ for the configured NR uplink carrier and the configured NR V2X carrier, respectively, and its total configured maximum output power $P_{\text{CMAX},c}$.

The configured maximum output power $P_{\text{CMAX},c,\text{NR}}(p)$ in slot p for the configured NR uplink carrier shall be set within the bounds:

$$P_{\text{CMAX},L,c,\text{NR}}(p) \leq P_{\text{CMAX},c,\text{NR}}(p) \leq P_{\text{CMAX},H,c,\text{NR}}(p)$$

where $P_{\text{CMAX},L,c,\text{NR}}$ and $P_{\text{CMAX},H,c,\text{NR}}$ are the limits for a serving cell c as specified in clause 6.2.4.3.

The configured maximum output power $P_{\text{CMAX},c,\text{V2X}}(q)$ in slot q for the configured NR V2X carrier shall be set within the bounds:

$$P_{\text{CMAX},c,\text{V2X}}(q) \leq P_{\text{CMAX},H,c,\text{V2X}}(q)$$

where $P_{\text{CMAX},H,c,\text{V2X}}$ is the limit as specified in clause 6.2E.4.0.1.

The total UE configured maximum output power $P_{\text{CMAX}}(p,q)$ in a slot p of NR uplink carrier and a slot q of NR V2X sidelink that overlap in time shall be set within the following bounds for synchronous and asynchronous operation unless stated otherwise:

$$P_{\text{CMAX},L}(p,q) \leq P_{\text{CMAX}}(p,q) \leq P_{\text{CMAX},H}(p,q)$$

with

$$P_{\text{CMAX},L}(p,q) = P_{\text{CMAX},L,c,\text{NR}}(p)$$

$$P_{\text{CMAX},H}(p,q) = 10 \log_{10} [p_{\text{CMAX},H,c,\text{NR}}(p) + p_{\text{CMAX},H,c,\text{V2X}}(q)]$$

where $p_{\text{CMAX},H,c,\text{V2X}}$ and $p_{\text{CMAX},H,c,\text{NR}}$ are the limits $P_{\text{CMAX},H,c,\text{V2X}}(q)$ and $P_{\text{CMAX},H,c,\text{NR}}(p)$ expressed in linear scale.

The measured total maximum output power P_{UMAX} over both the NR uplink and NR V2X carriers is

$$P_{\text{UMAX}} = 10 \log_{10} [p_{\text{UMAX},c,\text{NR}} + p_{\text{UMAX},c,\text{V2X}}],$$

where $p_{\text{UMAX},c,\text{NR}}$ denotes the measured output power of serving cell c for the configured NR uplink carrier, and $p_{\text{UMAX},c,\text{V2X}}$ denotes the measured output power for the configured NR V2X carrier expressed in linear scale.

When a UE is configured for synchronous V2X sidelink and uplink transmissions,

$$P_{\text{CMAX},L}(p,q) - T_{\text{LOW}}(P_{\text{CMAX},L}(p,q)) \leq P_{\text{UMAX}} \leq P_{\text{CMAX},H}(p,q) + T_{\text{HIGH}}(P_{\text{CMAX},H}(p,q))$$

where $P_{\text{CMAX},L}(p,q)$ and $P_{\text{CMAX},H}(p,q)$ are the limits for the pair (p,q) and with the tolerances $T_{\text{LOW}}(P_{\text{CMAX}})$ and $T_{\text{HIGH}}(P_{\text{CMAX}})$ for applicable values of P_{CMAX} specified in Table 6.2E.4.0.1-1. $P_{\text{CMAX},L}$ may be modified for any overlapping portion of slots (p,q) and $(p+1, q+1)$.

The normative reference for this requirement is TS 38.101-1 [2] clause 6.2E.4.

6.2E.4.1 Configured transmitted power for V2X / non-concurrent operation

6.2E.4.1.1 Test purpose

To verify the measured UE configured maximum output power $P_{\text{UMAX},f,c}$ for NR V2X is within the specified bounds.

6.2E.4.1.2 Test applicability

This test case applies to all types of UE release 16 and forward that support NR V2X sidelink communication.

6.2E.4.1.3 Minimum conformance requirements

The minimum conformance requirements are defined in clause 6.2E.4.0.

6.2E.4.1.4 Test description

6.2E.4.1.4.1 Initial conditions

Initial conditions are a set of test configurations the UE needs to be tested in and the steps for the SS to take with the UE to reach the correct measurement state.

The initial test configurations consist of environmental conditions, test frequencies, test channel bandwidths and sub-carrier spacing based on NR operating bands specified in Table 5.2E.1-1 and Table 5.3.5-1. All of these configurations shall be tested with applicable test parameters for each combination of test channel bandwidth and sub-carrier spacing, and are shown in table 6.2E.4.1.4.1-1. The details of the V2X reference measurement channels (RMCs) are specified in Annex A.7.5 and the GNSS configuration in TS 38.508-1 [5] subclause 4.11.

Table 6.2E.4.1.4.1-1: Test Configuration Table for contiguous PSCCH and PSSCH

Initial Conditions			
Test Environment as specified in TS 38.508-1 [5] subclause 4.1		Normal, TL/VL, TL/VH, TH/VL, TH/VH	
Test Frequencies as specified in TS 38.508-1 [5] subclause 4.3.1.8		Mid range	
Test Channel Bandwidths as specified TS 38.508-1 [5] subclause 4.3.1		Lowest, Mid, Highest	
Test SCS as specified in Table 5.3.5-1		Lowest	
Test Parameters for Channel Bandwidths			
Test ID	Freq	V2X Configuration to Transmit	
		Modulation	PSCCH and PSSCH RB allocation (Note 1)
1	Default	CP-OFDM QPSK	Inner_Full
NOTE 1: The specific configuration of each RB allocation is defined in Table 6.1E-1.			

1. Connect the SS and GNSS simulator to the UE antenna connectors as shown in TS 38.508-1 [5] Annex A, Figure A.3.1.9.1 for TE diagram and section A.3.2.7 for UE diagram.
2. The parameter settings for the NR sidelink transmission over PC5 are pre-configured according to TS 38.508-1 [5] subclause 4.10. Message content exceptions are defined in clause 6.2E.4.1.4.3.
3. The V2X Reference Measurement Channel is set according to Table 6.2E.4.1.4.1-1.
4. The GNSS simulator is configured for Scenario #1: static in Geographical area #1, as defined in TS 38.508-1 [5] Table 4.11.2-2. Geographical area #1 is also pre-configured in the UE.
5. Propagation conditions are set according to Annex B.0.
6. Ensure the UE is in state Out_of_Coverage with generic procedure parameters Sidelink On, Test Loop Function On with UE test loop mode E closed for Transmit Mode according to TS 38.508-1 [5] clause 4.5.

6.2E.4.1.4.2 Test procedure

1. The UE starts to perform the NR sidelink communication according to SL-PreconfigurationNR. Since the UE has no payload and no loopback data to send the UE sends uplink MAC padding bits on the NR sidelink RMC.
2. Measure the mean power of the UE in the channel bandwidth for each test point in table 6.2E.4.1.4.3.1-1 according to the test configuration from Table 6.2E.4.1.4.1-1. The period of measurement shall be at least continuous duration of one active sub-frame (1ms) excluding guard symbols.

6.2E.4.1.4.3 Message contents

Message contents are according to TS 38.508-1 [5] subclause 4.10 with the following exceptions.

Table 6.2E.4.1.4.3-1: SL-ResourcePool for PSCCH/PSSCH Testing

Derivation Path: TS 38.508-1 [5], Table 4.6.6-25			
Information Element	Value/remark	Comment	Condition
SL-ResourcePool-r16 ::= SEQUENCE {			
sl-PSCCH-Config-r16 CHOICE {			
setup SEQUENCE {			

sl-TimeResourcePSCCH-r16	As defined in Table 6.1E-2		
sl-FreqResourcePSCCH-r16	As defined in Table 6.1E-2		
}			
}			
sl-SubchannelSize-r16	As defined in Table 6.1E-2		
sl-StartRB-Subchannel-r16	As defined in Table 6.1E-2		
sl-NumSubchannel-r16	As defined in Table 6.1E-2		
}			

Table 6.2E.4.1.4.3-2: SL-TxPower

Derivation Path: TS 38.508-1 [5], Table 4.6.6-33			
Information Element	Value/remark	Comment	Condition
SL-TxPower-r16 ::= CHOICE {			
txPower	19		
}			

6.2E.4.1.5 Test requirement

The maximum output power, derived in step 2 shall be within the range prescribed by the nominal maximum output power and tolerance in Table 6.2E.4.1.5-1.

Table 6.2E.4.1.5-0: Test Tolerance (Configured transmitted power)

	f ≤ 3.0GHz	3.0GHz < f ≤ 6.0GHz
BW ≤ 40MHz	0.7dB	1.0dB

Table 6.2E.4.1.5-1: UE test requirement for Configured transmitted power

Test ID	PPowerClass (dBm)	MPR (dB)	P _{EMAX} (dB)	ΔTC,c (dB)	PCMAX_L,f,c (dBm)	T(PCMAX_L,f,c) (dB)	Upper limit (dBm)	Lower limit (dBm)
1	23	2.5	19	0	19	3.5	25.0 + TT	15.5-TT

NOTE 1: TT for each frequency and channel bandwidth is specified in Table 6.2E.4.1.5-0.

6.2E.4.1D Configured transmitted power for V2X / non-concurrent operation / SL-MIMO

6.2E.4.1D.1 Test purpose

Same test purpose as in 6.2E.4.1.

6.2E.4.1D.2 Test applicability

No test case details are specified. The P_{cmax} tolerance is verified in MOP, MPR and AMPR test cases therefore no repeated test is needed.

6.2E.4.2 Configured transmitted power for V2X / concurrent operation

6.2E.4.2.1 Test purpose

Same test purpose as in 6.2E.4.1 for concurrent operation.

6.2E.4.2.2 Test applicability

This test case applies to all types of NR UE release 16 and forward that support NR V2X sidelink communication.

6.2E.4.2.3 Minimum conformance requirements

The minimum conformance requirements are defined in clause 6.2E.4.0.

6.2E.4.2.4 Test description

6.2E.4.2.4.1 Initial conditions

Initial conditions are a set of test configurations the UE needs to be tested in and the steps for the SS to take with the UE to reach the correct measurement state.

The initial test configurations consist of environmental conditions, test frequencies, test channel bandwidths and sub-carrier spacing based on NR operating bands specified in Table 5.2E.2-1 and Table 5.3.5-1. All of these configurations shall be tested with applicable test parameters for each combination of test channel bandwidth and sub-carrier spacing, and are shown in table 6.2E.4.2.4.1-1. The details of the V2X reference measurement channels (RMCs) are specified in Annexes A.7.5. The details of the uplink reference measurement channels (RMCs) are specified in Annexes A.2. Configurations of PDSCH and PDCCH before measurement are specified in Annex C.2.

Table 6.2E.4.2.4.1-1: Test Configuration Table

Initial Conditions							
Test Environment as specified in TS 38.508-1 [5] subclause 4.1			Normal, TL/VL, TL/VH, TH/VL, TH/VH				
Test Frequencies as specified in TS 38.508-1 [5] subclause 4.3.1			Mid range for NR Uu and V2X carrier				
Test Channel Bandwidths as specified TS 38.508-1 [5] subclause 4.3.1			Lowest for NR Uu and V2X carrier Highest for NR Uu and V2X carrier				
Test SCS as specified in Table 5.3.5-1			Lowest for NR Uu and V2X carrier				
Test Parameters for Channel Bandwidths							
NR Uu Configuration					NR V2X Configuration to Transmit		
	Freq	Downlink Configuration	Uplink Configuration		Freq	Modulation	PSCCH and PSSCH RB allocation (Note 2)
			Modulation	RB allocation (NOTE 1)			
1	Default		DFT-s-OFDM QPSK	Inner Full	Default	CP-OFDM QPSK	Inner_Full
NOTE 1: The specific configuration of each RB allocation is defined in Table 6.1-1.							
NOTE 2: The specific configuration of each RB allocation is defined in Table 6.1E-1.							

1. Connect the SS to the UE antenna connectors as shown in TS 38.508-1 [5] Annex A, Figure A.3.1.9.3 for TE diagram and clause A.3.2.7 for UE diagram.
2. The parameter settings for the cell are set up according to TS 38.508-1 [5] clause 4.4.3.
3. Downlink signals are initially set up according to Annex C.0, C.1, C.2, and uplink signals according to Annex G.0, G.1, G.2, G.3.0.
4. The V2X Reference Measurement Channel and NR UL Reference Measurement Channel are set according to Table 6.2E.4.2.4.1-1.
5. Propagation conditions are set according to Annex B.0.
6. Ensure the UE is in state RRC_CONNECTED with generic procedure parameter Connectivity NR, Connected without release on, Test Mode On and Sidelink On according to TS 38.508-1 [5] clause 4.5. Message contents are defined in clause 6.2E.4.2.4.3.

6.2E.4.2.4.2 Test procedure

1. SS sends uplink scheduling information for each UL HARQ process via PDCCH DCI format 0_1 for C_RNTI to schedule the UL RMC according to Table 6.2E.4.2.4.1-1. Since the UE has no payload and no loopback data to send the UE sends uplink MAC padding bits on the UL RMC.
2. Send continuously uplink power control "up" commands in every uplink scheduling information to the UE; allow at least 200ms starting from the first TPC command in this step for the UE to reach PUMAX level.

3. SS sends sidelink scheduling information for each SL-HARQ process via PDCCH DCI format 3_0 for C_RNTI to schedule the Sidelink RMC according to Table 6.2E.4.2.4.1-1. UE is configured to transmit at P_{max} on the sidelink carrier. Since the UE has no payload and no loopback data to send the UE sends MAC padding bits on the Sidelink RMC.
4. Measure the sum of the mean power of the UE at NR Uu carrier and V2X sidelink carrier for each test point in the channel bandwidth according to the test configuration from Table 6.2E.4.2.4.1-1. The period of measurement shall be at least continuous duration of one active sub-frame (1ms) excluding guard symbols.

6.2E.4.2.4.3 Message contents

Message contents are according to TS 38.508-1 [5] clause 4.6.

Table 6.2E.4.2.4.3-1: SL-ResourcePool

Derivation Path: TS 38.508-1 [5], Table 4.6.6-25			
Information Element	Value/remark	Comment	Condition
SL-ResourcePool-r16 ::= SEQUENCE {			
sl-PSCCH-Config-r16 CHOICE {			
setup SEQUENCE {			
sl-TimeResourcePSCCH-r16	As defined in Table 6.1E-2		
sl-FreqResourcePSCCH-r16	As defined in Table 6.1E-2		
}			
}			
sl-SubchannelSize-r16	As defined in Table 6.1E-2		
sl-StartRB-Subchannel-r16	As defined in Table 6.1E-2		
sl-NumSubchannel-r16	As defined in Table 6.1E-2		
sl-PowerControl-r16 SEQUENCE {			
sl-MaxTransPower-r16	24		
sl-Alpha-PSSCH-PSCCH-r16	Not present		
dl-Alpha-PSSCH-PSCCH-r16	Not present		
sl-P0-PSSCH-PSCCH-r16	Not present		
dl-P0-PSSCH-PSCCH-r16	Not present		
dl-Alpha-PSFCH-r16	Not present		
dl-P0-PSFCH-r16	Not present		
}			
}			

Table 6.2E.4.2.4.3-2: SL-TxPower

Derivation Path: TS 38.508-1 [5], Table 4.6.6-33			
Information Element	Value/remark	Comment	Condition
SL-TxPower-r16 ::= CHOICE {			Test point 1
txPower	19		Test point 2
	18		Test point 3
	17		Test point 4
	8		Test point 5
	7		
}			

Table 6.2E.4.2.4.3-3: FrequencyInfoUL-SIB

Derivation Path: TS 38.508-1 [5] Table 4.6.3-62 FrequencyInfoUL-SIB			
Information Element	Value/remark	Comment	Condition
p-Max	19		Test point 1
	18		Test point 2
	17		Test point 3
	8		Test point 4
	7		Test point 5

6.2E.4.2.5 Test requirement

The maximum output power, derived in step 4 shall be within the range prescribed by the nominal maximum output power and tolerance in Table 6.2E.4.2.5-1.

Table 6.2E.4.2.5-1: UE MPR test requirement for inter-band con-current NR V2X operation

	P _{PowerClass,NR} (dBm)	M P R (dB)	P _{max} (dB)	P _{CMA X_L,c, NR} (dBm)	P _{CMA X_H,c, NR} (dB)	P _{PowerClass,V2X} (dBm)	SL-TxPower-r16 (dBm)	P _{CMA X_H,f,c,V2X} (dBm)	P _{CM AX_L} (dBm)	P _{CM AX_H} (dBm)	T(P _{CM AX_L}) (dB)	T(P _{CM AX_H}) (dB)	Upper limit (dBm)	Lower limit (dBm)
1	23	0	22	22	22	23	22	22	22	25	5	2	27+TT	17-TT
2	23	0	21	21	21	23	21	21	21	24	5	2	26+TT	16-TT
3	23	0	20	20	20	23	20	20	20	23	6	2	25+TT	14-TT
4	23	0	11	11	11	23	11	11	11	14	6	6	20+TT	5-TT
5	23	0	10	10	10	23	10	10	10	13	7	6	19+TT	3-TT

Table 6.2E.4.2.5-2: Test Tolerance (inter-band con-current NR V2X operation)

	f ≤ 3.0GHz	4.2GHz < f ≤ 6.0GHz
BW ≤ 40MHz	0.7 dB	1.0 dB

6.2F Transmitter power for shared spectrum channel access

6.2F.1 UE maximum output power for shared spectrum channel access

Editor’s Note: This test is incomplete. The following aspects are not yet determined:

- No test points are defined since there is no configuration satisfying MPR=0dB requirements in RAN4. Testing with 1.5dB MPR has been covered in [6.2F.2].
- MU and TT for >6GHz (band n96) are working assumption based on analysis of single TE vendor. Values will be revisited once analysis from other TE vendors is available.
- Message exceptions

6.2F.1.1 Test purpose

Same test purpose as in 6.2.1.1

6.2F.1.2 Test applicability

This test case applies to all types of NR UE release 16 and forward that support NR standalone shared spectrum channel access.

6.2F.1.3 Minimum conformance requirements

The following UE Power Classes define the maximum output power for any transmission bandwidth within the channel bandwidth of shared spectrum channel access carrier unless otherwise stated. The period of measurement shall be at least one sub frame (1ms).

Table 6.2F.1.3-1: UE Power Class

NR band	Class 1 (dBm)	Tolerance (dB)	Class 2 (dBm)	Tolerance (dB)	Class 3 (dBm)	Tolerance (dB)	Class 5 (dBm)	Tolerance (dB)
n46							20	+2/-3
n96							20	+2/-3

NOTE 1: $P_{PowerClass}$ is the maximum UE power specified without taking into account the tolerance
 NOTE 2: Power class 5 is default power class unless otherwise stated.

The UE operating shall meet the following additional requirements for maximum mean transmission power density specified in Table 6.2F.1.3-2 when NS is signalled and when transmission overlaps with any portion of the specified frequency range. In case transmission overlaps multiple frequency ranges, the lowest power density requirement applies.

Table 6.2F.1.3-2: Additional requirements for transmit power density

NR Band	NS value	Channel bandwidth (MHz)	Frequency range (MHz)	Maximum mean power density (dBm/MHz)
n46	NS_28	20, 40, 60, 80	5150 – 5350	10
			5470 – 5725	
	NS_29	20	5170 – 5330	10
			5490 – 5730	
		40	5170 – 5330	7
			5490 – 5730	
		60, 80	5170 – 5330	4
			5490 – 5730	
	NS_30	20, 40, 60, 80	5150 – 5350	11
			5470 – 5725	
	NS_31	20	5150 – 5230	10
			5250 – 5350	
			5470 – 5725	
			5725 – 5850	
		40	5230 – 5250	4
			5150 – 5230	
			5250 – 5350	
			5470 – 5725	
60, 80		5725 – 5850	7	
		5230 – 5250		
		5150 – 5230		
		5250 – 5350		
60, 80	5470 – 5725	4		
	5725 – 5850			
	5230 – 5250			
	5150 – 5230			
n96	NS_53	20, 40, 60, 80	5925 – 7125	-1
	NS_54	20, 40, 60, 80	5925 – 6425	17
6525 – 6875				

The normative reference for this requirement is TS 38.101-1 [2] clause 6.2F.1.

6.2F.1.4 Test description

6.2F.1.4.1 Initial conditions

Initial conditions are a set of test configurations the UE needs to be tested in and the steps for the SS to take with the UE to reach the correct measurement state.

The initial test configurations consist of environmental conditions, test frequencies, test channel bandwidths and sub-carrier spacing based on NR operating bands specified in table 5.3.5-1 that are restricted to shared channel access. All of these configurations shall be tested with applicable test parameters for each combination of test channel bandwidth and sub-carrier spacing, and are shown in table 6.2F.1.4.1-1. The details of the uplink reference measurement channels (RMCs) are specified in Annexes A.2. Configurations of PDSCH and PDCCH before measurement are specified in Annex C.2.

Table 6.2F.1.4.1-1: Test Configuration Table

FFS

1. Connect the SS to the UE antenna connectors as shown in TS 38.508-1 [5] Annex A, Figure A.3.1.1.1 for TE diagram and section A.3.2 for UE diagram.
2. The parameter settings for the cell are set up according to TS 38.508-1 [5] subclause 4.4.3.
3. Downlink signals are initially set up according to Annex C.0, C.1, C.2, and uplink signals according to Annex G.0, G.1, G.2, G.3.0.
4. The UL Reference Measurement Channel is set according to Table 6.2F.1.4.1-1.
5. Propagation conditions are set according to Annex B.0.
6. Ensure the UE is in state RRC_CONNECTED with generic procedure parameters Connectivity NR, Connected without release On, Test Mode On and Test Loop Function On according to TS 38.508-1 [5] clause 4.5. Message contents are defined in clause 6.2F.1.4.3.

6.2F.1.4.2 Test procedure

1. SS sends uplink scheduling information for each UL HARQ process via PDCCH DCI format 0_1 for C_RNTI to schedule the UL RMC according to Table 6.2F.1.4.1-1. Since the UE has no payload and no loopback data to send the UE sends uplink MAC padding bits on the UL RMC.
2. Send continuously uplink power control "up" commands in every uplink scheduling information to the UE; allow at least 200ms starting from the first TPC command in this step for the UE to reach P_{UMAX} level.
3. Measure the mean power of the UE in the channel bandwidth of the radio access mode. The period of measurement shall be at least the continuous duration of one active sub-frame (1ms) and in the uplink symbols. Symbols with transient periods are not under test.

6.2F.1.4.3 Message contents

Message contents are according to TS 38.508-1 [5] subclause 4.6 and 5.4 with the following exceptions.

6.2F.1.5 Test requirement

The maximum output power, derived in step 3 shall be within the range prescribed by the nominal maximum output power and tolerance in Table 6.2F.1.5-1.

Table 6.2F.1.5-1: Maximum Output Power test requirement for Power Class 5

NR band	Class 1 (dBm)	Tolerance (dB)	Class 2 (dBm)	Tolerance (dB)	Class 3 (dBm)	Tolerance (dB)	Class 5 (dBm)	Tolerance (dB)
n46							20	+2+TT/-3-TT
n96							20	+2+TT/-3-TT
NOTE 1: $P_{PowerClass}$ is the maximum UE power specified without taking into account the tolerance								
NOTE 2: Power class 5 is default power class unless otherwise stated.								

Table 6.2F.1.5-2: Test Tolerance (UE maximum output power)

	$f \leq 3.0\text{GHz}$	$3.0\text{GHz} < f \leq 4.2\text{GHz}$	$4.2\text{GHz} < f \leq 5.925\text{GHz}$	$5.925\text{GHz} < f \leq 7.125\text{GHz}$
BW \leq 40MHz	0.7 dB	1.0 dB	1.0 dB	1.0 dB
40MHz < BW \leq 100MHz	1.0 dB	1.0 dB	1.0 dB	1.0 dB

For the UE which supports inter-band NR CA configuration, inter-band NR-DC configuration, SUL configuration or inter-band EN-DC configuration, $\Delta T_{IB,c}$ as specified in 6.2A.4.0.2 for NR CA, 6.2B.4.0.2 for NR-DC, clause 6.2C.2 for SUL, or TS 38.521-3 [14] clause 6.2B.4.2 for EN-DC applies. Unless otherwise stated, $\Delta T_{IB,c}$ is set to zero. In case the UE supports more than one of band combinations for CA, NR-DC, SUL or EN-DC, and an operating band belongs to more than one band combinations then

- a) When the operating band frequency range is ≤ 1 GHz, the applicable additional $\Delta T_{IB,c}$ shall be the average value for all band combinations defined in clause 6.2A.4.0.2, 6.2B.4.0.2, 6.2C.2 in this specification and 6.2B.4.2 in TS 38.521-3 [14], truncated to one decimal place that apply for that operating band among the supported band

combinations. In case there is a harmonic relation between low band UL and high band DL, then the maximum $\Delta T_{IB,c}$ among the different supported band combinations involving such band shall be applied.

- b) When the operating band frequency range is > 1 GHz, the applicable additional $\Delta T_{IB,c}$ shall be the maximum value for all band combinations defined in clause 6.2A.4.0.2, 6.2B.4.0.2, 6.2C.2 in this specification and 6.2B.4.2 in TS 38.521-3 [14] for the applicable operating bands.

6.2F.1A UE maximum output power for CA for shared spectrum access

Editor's Note: This test is incomplete. The following aspects are not yet determined:

- No test points are defined since there is no configuration satisfying MPR=0dB requirements in RAN4. Testing with 1.5dB MPR has been covered in [6.2F.2].

- MU and TT for >6 GHz (band n96).

6.2F.1A.1 Test purpose

To verify that the error of the UE maximum output power in two uplink carrier aggregation does not exceed the range prescribed by the specified nominal maximum output power and tolerance.

6.2F.1A.2 Test applicability

This test case applies to all types of NR UE release 16 and forward that support NR standalone shared spectrum channel access that support NR 2UL CA.

6.2F.1A.3 Minimum conformance requirements

6.2F.1A.3.1 UE maximum output power for inter-band CA

For inter-band carrier aggregation with one uplink carrier assigned to one NR band, the transmitter power requirements in clause 6.2 apply.

For inter-band carrier aggregation with uplink assigned to two NR bands, UE maximum output power shall be measured over all component carriers from different bands. If each band has separate antenna connectors, maximum output power is defined as the sum of maximum output power from each UE antenna connector. The period of measurement shall be at least one sub frame (1 ms). The maximum output power is specified in Table 6.2F.1A.3.1-1.

Table 6.2F.1A.3.1-1 UE Power Class for uplink inter-band CA (two bands)

Uplink CA Configuration	Class 1 (dBm)	Tolerance (dB)	Class 2 (dBm)	Tolerance (dB)	Class 3 (dBm)	Tolerance (dB)	Class 4 (dBm)	Tolerance (dB)
CA_n46A-n48A					23	+2/-3 ²		

The normative reference for this requirement is TS 38.101-1 [2] clause 6.2F.1A.

6.2F.1A.4 Test description

6.2F.1A.4.1 Initial conditions

Initial conditions are a set of test configurations the UE needs to be tested in and the steps for the SS to take with the UE to reach the correct measurement state.

The initial test configurations consist of environmental conditions, test frequencies, test channel bandwidths and sub-carrier spacing based on NR operating bands specified in table 5.3.5-1 that are restricted to shared channel access. All of these configurations shall be tested with applicable test parameters for each combination of test channel bandwidth and sub-carrier spacing, and are shown in table 6.2F.1A.4.1-1. The details of the uplink reference measurement channels (RMCs) are specified in Annexes A.2. Configurations of PDSCH and PDCCH before measurement are specified in Annex C.2.

Table 6.2F.1A.4.1-1: Test Configuration Table for uplink inter-band

NOTE: No test points are defined since there is no configuration satisfying MPR=0dB requirements in RAN4.

1. Connect the SS to the UE antenna connectors as shown in TS 38.508-1 [5] Annex A, Figure A.3.1.1.1 for TE diagram and section A.3.2 for UE diagram.

2. The parameter settings for the cell are set up according to TS 38.508-1 [5] subclause 4.4.3.
3. Downlink signals are initially set up according to Annex C.0, C.1, C.2, and uplink signals according to Annex G.0, G.1, G.2, G.3.0.
4. The UL Reference Measurement Channel is set according to Table 6.2F.1A.4.1-1.
5. Propagation conditions are set according to Annex B.0.
6. Ensure the UE is in state RRC_CONNECTED with generic procedure parameters Connectivity NR, Connected without release On, Test Mode On and Test Loop Function On according to TS 38.508-1 [5] clause 4.5. Message contents are defined in clause 6.2F.1A.4.3.

6.2F.1A.4.2 Test procedure

1. SS sends uplink scheduling information for each UL HARQ process via PDCCH DCI format 0_1 for C_RNTI to schedule the UL RMC according to Table 6.2F.1A.4.1-1. Since the UE has no payload and no loopback data to send the UE sends uplink MAC padding bits on the UL RMC.
2. Send continuously uplink power control "up" commands in every uplink scheduling information to the UE; allow at least 200ms starting from the first TPC command in this step for the UE to reach P_{UMAX} level.
3. Measure the mean power of the UE in the channel bandwidth of the radio access mode. The period of measurement shall be at least the continuous duration of one active sub-frame (1 ms) and in the uplink symbols. Symbols with transient periods are not under test.

6.2F.1A.4.3 Message contents

Message contents are according to TS 38.508-1 [5] subclause 4.6 and 5.4 with the following exceptions.

6.2F.1A.5 Test requirement

The maximum output power, derived in step 3 shall be within the range prescribed by the nominal maximum output power and tolerance in Table 6.2F.1A.5-1.

Table 6.2F.1A.5-1: UE Output Power for inter-band CA (2 UL CA) test requirements

Uplink CA Configuration	Class 1 (dBm)	Tolerance (dB)	Class 2 (dBm)	Tolerance (dB)	Class 3 (dBm)	Tolerance (dB)	Class 4 (dBm)	Tolerance (dB)
CA_n46A-n48A					23	+2+TT/-3 ² -TT		

Table 6.2F.1A.5-2: Test Tolerance (UE maximum output power)

	f ≤ 3.0GHz	3.0GHz < f ≤ 4.2GHz	4.2GHz < f ≤ 5.925GHz	5.925GHz < f ≤ 7.125GHz
BW ≤ 40MHz	0.7 dB	1.0 dB	1.0 dB	TBD
40MHz < BW ≤ 100MHz	1.0 dB	1.0 dB	1.0 dB	TBD

6.2F.2 UE maximum output power reduction for shared spectrum access

Editor's Note: This test is incomplete. The following aspects are not yet determined:

- MU and TT for >6GHz (band n96).
- Message exceptions

6.2F.2.1 Test purpose

The number of RB identified in Table 6.2F.2.3-1 is based on meeting the requirements for adjacent channel leakage ratio and the maximum power reduction (MPR) due to Cubic Metric (CM).

6.2F.2.2 Test applicability

This test case applies to all types of NR UE release 16 and forward that support NR standalone shared spectrum channel access.

6.2F.2.3 Minimum conformance requirements

For UE maximum output power reduction, the general requirements of clause 6.2.2 do not apply but instead the UE is allowed to reduce the maximum output power due to higher order modulations and transmit bandwidth configurations for power class 5 according to Table 6.2F.2-1 and Table 6.2F.2-2.

Table 6.2F.2-1: Maximum power reduction (MPR) for shared spectrum access UE power class 5

Pre-coding	Modulation	RB Allocation	
		Full ² (dB)	Partial ³ (dB)
DFT-s-OFDM	Pi/2 BPSK ⁴	≤ 1.5	≤ 2.5
	QPSK	≤ 1.5	≤ 2.5
	16 QAM	≤ 2.0	≤ 3.0
	64 QAM	≤ 3.5	≤ 4.5
	256 QAM	≤ 5.0	≤ 5.5
CP-OFDM	QPSK	≤ 3.5	≤ 3.5
	16 QAM	≤ 4.0	≤ 4.0
	64 QAM	≤ 5.5	≤ 5.5
	256 QAM	≤ 7.0	≤ 7.0
NOTE 1: The MPR shall apply to all SCS in all active 20 MHz sub-bands contiguously allocated in the channel. The MPR applies to interlaced allocations with uplink resource allocation type 2 as specified in TS 38.214 [10].			
NOTE 2: Full RB allocation MPR applies when all RB's in a 20 MHz channel or all RB's in all sub-bands for wideband operation are fully allocated and sub-bands are transmitted according to configuration A in Table 6.2F.2-2.			
NOTE 3: Partial RB allocation MPR applies when one or more RB's in one or more sub-bands are not allocated or when the transmitted sub-bands for wideband operation are transmitted according to configuration B in Table 6.2F.2-2.			
NOTE 4: Applicable to Pi/2-BPSK modulation when IE powerBoostPi2BPSK is set to 0.			

Table 6.2F.2-2: MPR mapping for wideband operation

Wideband operation channel bandwidth (MHz)	Sub-band configuration	
	A	B
40	11	10, 01
60	111, 011, 110, 001, 010, 100	None
80	1111, 0111, 1110, 0110, 0001, 1000	1100, 0011, 0100, 0010
NOTE 1: The sub-band configuration is represented as a bitmap where '1' indicates that a sub-band is transmitted and '0' indicates a sub-band is not transmitted. The bitmap is ordered with MSB mapped to the lowest frequency sub-band and LSB mapped to highest frequency sub-band within the wideband channel.		

For the UE maximum output power modified by MPR, the power limits specified in clause 6.2F.4 apply.

The normative reference for this requirement is TS 38.101-1 [2] clause 6.2F.2.

6.2F.2.4 Test description

6.2F.2.4.1 Initial conditions

Initial conditions are a set of test configurations the UE needs to be tested in and the steps for the SS to take with the UE to reach the correct measurement state.

The initial test configurations consist of environmental conditions, test frequencies, test channel bandwidths and sub-carrier spacing based on NR operating bands specified in table 5.3.5-1 that are restricted to shared channel access. All of these configurations shall be tested with applicable test parameters for each combination of test channel bandwidth and sub-carrier spacing, and are shown in table 6.2F.1.4.1-1. The details of the uplink reference measurement channels (RMCs) are specified in Annexes A.2. Configurations of PDSCH and PDCCH before measurement are specified in Annex C.2.

Table 6.2F.2.4.1-1: Test Configuration Table for power class 5

Initial Conditions																																									
Test Environment as specified in TS 38.508-1 [5] subclause 4.1		Normal, TL/VL, TL/VH, TH/VL, TH/VH																																							
Test Frequencies as specified in TS 38.508-1 [5] subclause 4.3.1		Low range, High range																																							
Test Channel Bandwidths as specified in TS 38.508-1 [5] subclause 4.3.1		20 MHz, Highest																																							
Test SCS as specified in Table 5.3.5-1		Lowest, Highest																																							
Test Parameters for Channel Bandwidths																																									
Test ID	Freq	Downlink Configuration	Uplink Configuration																																						
		N/A	<table border="1"> <thead> <tr> <th>Modulation (NOTE 2)</th> <th>RB allocation (NOTE 1)</th> </tr> </thead> <tbody> <tr><td>DFT-s-OFDM Pi/2 BPSK</td><td>Full</td></tr> <tr><td>DFT-s-OFDM QPSK</td><td>Full</td></tr> <tr><td>DFT-s-OFDM 16 QAM</td><td>Full</td></tr> <tr><td>DFT-s-OFDM 64 QAM</td><td>Full</td></tr> <tr><td>DFT-s-OFDM 256 QAM</td><td>Full</td></tr> <tr><td>CP-OFDM QPSK</td><td>Partial_Left</td></tr> <tr><td>CP-OFDM QPSK</td><td>Partial_Right</td></tr> <tr><td>CP-OFDM QPSK</td><td>Full</td></tr> <tr><td>CP-OFDM 16 QAM</td><td>Partial_Left</td></tr> <tr><td>CP-OFDM 16 QAM</td><td>Partial_Right</td></tr> <tr><td>CP-OFDM 16 QAM</td><td>Full</td></tr> <tr><td>CP-OFDM 64 QAM</td><td>Partial_Left</td></tr> <tr><td>CP-OFDM 64 QAM</td><td>Partial_Right</td></tr> <tr><td>CP-OFDM 64 QAM</td><td>Full</td></tr> <tr><td>CP-OFDM 256 QAM</td><td>Partial_Left</td></tr> <tr><td>CP-OFDM 256 QAM</td><td>Partial_Right</td></tr> <tr><td>CP-OFDM 256 QAM</td><td>Full</td></tr> <tr><td>DFT-s-OFDM Pi/2 BPSK w Pi/2 BPSK DMRS³</td><td>Full</td></tr> </tbody> </table>	Modulation (NOTE 2)	RB allocation (NOTE 1)	DFT-s-OFDM Pi/2 BPSK	Full	DFT-s-OFDM QPSK	Full	DFT-s-OFDM 16 QAM	Full	DFT-s-OFDM 64 QAM	Full	DFT-s-OFDM 256 QAM	Full	CP-OFDM QPSK	Partial_Left	CP-OFDM QPSK	Partial_Right	CP-OFDM QPSK	Full	CP-OFDM 16 QAM	Partial_Left	CP-OFDM 16 QAM	Partial_Right	CP-OFDM 16 QAM	Full	CP-OFDM 64 QAM	Partial_Left	CP-OFDM 64 QAM	Partial_Right	CP-OFDM 64 QAM	Full	CP-OFDM 256 QAM	Partial_Left	CP-OFDM 256 QAM	Partial_Right	CP-OFDM 256 QAM	Full	DFT-s-OFDM Pi/2 BPSK w Pi/2 BPSK DMRS ³	Full
Modulation (NOTE 2)	RB allocation (NOTE 1)																																								
DFT-s-OFDM Pi/2 BPSK	Full																																								
DFT-s-OFDM QPSK	Full																																								
DFT-s-OFDM 16 QAM	Full																																								
DFT-s-OFDM 64 QAM	Full																																								
DFT-s-OFDM 256 QAM	Full																																								
CP-OFDM QPSK	Partial_Left																																								
CP-OFDM QPSK	Partial_Right																																								
CP-OFDM QPSK	Full																																								
CP-OFDM 16 QAM	Partial_Left																																								
CP-OFDM 16 QAM	Partial_Right																																								
CP-OFDM 16 QAM	Full																																								
CP-OFDM 64 QAM	Partial_Left																																								
CP-OFDM 64 QAM	Partial_Right																																								
CP-OFDM 64 QAM	Full																																								
CP-OFDM 256 QAM	Partial_Left																																								
CP-OFDM 256 QAM	Partial_Right																																								
CP-OFDM 256 QAM	Full																																								
DFT-s-OFDM Pi/2 BPSK w Pi/2 BPSK DMRS ³	Full																																								
1 ²	Default																																								
2	Default																																								
3	Default																																								
4	Default																																								
5	Default																																								
6	Low																																								
7	High																																								
8	Default																																								
9	Low																																								
10	High																																								
11	Default																																								
12	Low																																								
13	High																																								
14	Default																																								
15	Low																																								
16	High																																								
17	Default																																								
18	Default																																								
NOTE 1: The specific configuration of each RB allocation is defined in Table 6.1F-1.																																									
NOTE 2: DFT-s-OFDM Pi/2 BPSK test applies only for UEs which supports Pi/2 BPSK in FR1 and when IE powerBoostPi2BPSK is set to 0.																																									
NOTE 3: Applicable to UEs indicating support for UE capability <i>lowPAPR-DMRS-PUSCHwithPrecoding-r16</i> .																																									

1. Connect the SS to the UE antenna connectors as shown in TS 38.508-1 [5] Annex A, Figure A.3.1.1.1 for TE diagram and section A.3.2 for UE diagram.
2. The parameter settings for the cell are set up according to TS 38.508-1 [5] subclause 4.4.3.
3. Downlink signals are initially set up according to Annex C.0, C.1, C.2, and uplink signals according to Annex G.0, G.1, G.2, G.3.0.
4. The UL Reference Measurement Channel is set according to Table 6.2F.1.4.1-1.
5. Propagation conditions are set according to Annex B.0.
6. Ensure the UE is in state RRC_CONNECTED with generic procedure parameters Connectivity *NR*, Connected without release *On*, Test Mode *On* and Test Loop Function *On* according to TS 38.508-1 [5] clause 4.5. Message contents are defined in clause 6.2F.1.4.3.

6.2F.1.4.2 Test procedure

1. SS sends uplink scheduling information for each UL HARQ process via PDCCH DCI format 0_1 for C_RNTI to schedule the UL RMC according to Table 6.2F.1.4.1-1. Since the UE has no payload and no loopback data to send the UE sends uplink MAC padding bits on the UL RMC.
2. Send continuously uplink power control "up" commands in every uplink scheduling information to the UE; allow at least 200ms starting from the first TPC command in this step for the UE to reach P_{UMAX} level.
3. Measure the mean power of the UE in the channel bandwidth of the radio access mode. The period of measurement shall be at least the continuous duration of one active sub-frame (1ms) and in the uplink symbols. Symbols with transient periods are not under test.

NOTE 1: When switching to DFT-s-OFDM waveform, as specified in the test configuration Table 6.2F.2.4.1-1, Table 6.2F.2.4.1-2, send an NR RRCReconfiguration message according to TS 38.508-1 [5] clause 4.6.3 Table 4.6.3-118 PUSCH-Config with TRANSFORM_PRECODER_ENABLED condition.

6.2F.2.4.3 Message contents

Message contents are according to TS 38.508-1 [5] subclause 4.6 and 5.4 with the following exceptions:

TBD

6.2F.2.5 Test requirement

The maximum output power, derived in step 3 shall be within the range prescribed by the nominal maximum output power and tolerance in Table 6.2F.2.5-1.

Table 6.2F.2.5-1: Test requirements for Power Class 3

TBD

6.2F.3 UE additional maximum output power reduction for shared spectrum access

Editor's Note: This test is incomplete. The following aspects are not yet determined:

- Test points are TBD except for NS_28 and NS_29
- MU and TT for >6GHz (band n96) are working assumption based on analysis of single TE vendor. Values will be revisited once analysis from other TE vendors is available.
- RMC in Annex A.
- Test coverage for UL-MIMO
- Message exceptions
- Test state and generic procedure are TBD in 38.508-1

6.2F.3.1 Test purpose

Same test purpose as in 6.2.3.1

6.2F.3.2 Test applicability

This test case applies to all types of NR UE release 16 and forward that support NR standalone shared spectrum channel access.

6.2F.3.3 Minimum conformance requirements

6.2F.3.3.1 General

Additional emission requirements can be signalled by the network. Each additional emission requirement is associated with a unique network signalling (NS) value indicated in RRC signalling by an NR frequency band number of the applicable operating band and an associated value in the field *additionalSpectrumEmission*. Throughout this specification, the notion of indication or signalling of an NS value refers to the corresponding indication of an NR frequency band number of the applicable operating band, the IE field *freqBandIndicatorNR* and an associated value of *additionalSpectrumEmission* in the relevant RRC information elements [6].

To meet the additional requirements, additional maximum power reduction (A-MPR) is allowed for the maximum output power as specified in Table 6.2F.1.3-1. Unless stated otherwise, the total reduction to UE maximum output power is max (MPR, A-MPR) where MPR is defined in clause 6.2F.2.

Table 6.2F.3.3.1-1 specifies the additional requirements with their associated network signalling values and the allowed A-MPR and applicable operating band(s) for each NS value. The mapping of NR frequency band numbers and values of the *additionalSpectrumEmission* to network signalling labels is specified in Table 6.2F.3.3.1-1A.

Table 6.2F.3.3.1-1: Additional maximum power reduction (A-MPR)

Network signalling label	Requirements (clause)	NR Band	Channel bandwidth (MHz)	Resources blocks (N_{RB})	A-MPR (clause)
NS_01		n46, n96	20, 40, 60, 80		N/A
NS_28	6.5F.3.3.3.1, 6.2F.1	n46	20, 40, 60, 80		6.2F.3.3.2
NS_29	6.5F.3.3.3.2, 6.2F.1	n46	20, 40, 60, 80		6.2F.3.3.3
NS_30	[6.5F.3.3.3.3, 6.2F.1]	n46	20, 40, 60, 80		6.2F.3.3.4
NS_31	[6.5F.3.3.3.4, 6.2F.1]	n46	20, 40, 60, 80		6.2F.3.3.5
NS_53	[6.5F.3.3.3.5, 6.2F.1]	n96	20, 40, 60, 80		6.2F.3.3.6
NS_54	[6.5F.3.3.3.5, 6.2F.1]	n96	20, 40, 60, 80		6.2F.3.3.7

NOTE 1: The A-MPR shall apply to all active 20 MHz sub-bands contiguously allocated in the channel.

[The NS_01 label with the field *additionalPmax* [6] absent is default for all NR bands.]

Table 6.2F.3.3.1-1A: Mapping of network signalling label

NR band	Value of additionalSpectrumEmission							
	0	1	2	3	4	5	6	7
n46	NS_01	NS_28	NS_29	NS_30	NS_31			
n96	NS_01	NS_53	NS_54					
NOTE: <i>additionalSpectrumEmission</i> corresponds to an information element of the same name defined in clause 6.3.2 of TS 38.331 [6].								

6.2F.3.3.2 A-MPR for NS_28

When "NS_28" is indicated in the cell, the A-MPR is specified in Table 6.2F.3.3.2-1.

Table 6.2F.3.3.2-1: A-MPR for NS_28 power class 5

Pre-coding	Modulation	RB Allocation (Note 2)		RB Allocation (Note 3)
		Full (dB)	Partial (dB)	Full/Partial
DFT-s-OFDM	PI/2 BPSK ⁴	≤ 4.0	≤ 6.0	See Table 6.2F.2-1
	QPSK	≤ 4.0	≤ 6.0	
	16 QAM	≤ 4.5	≤ 6.0	
	64 QAM	≤ 4.5	≤ 6.5	
	256 QAM	≤ 5.5	≤ 6.5	
CP-OFDM	QPSK	≤ 6.0	≤ 7.0	
	16 QAM	≤ 6.0	≤ 7.5	
	64 QAM	≤ 6.5	≤ 7.5	
	256 QAM	≤ 7.0	≤ 7.5	
NOTE 1: Full allocation A-MPR applies when all RB's in a 20 MHz channel or all RB's in all sub-bands for wideband operation are fully allocated and all sub-bands are transmitted. Partial allocation A-MPR applies when one or more RB's in one or more sub-bands are not allocated or when not all transmitted sub-bands for wideband operation are transmitted.				
NOTE 2: Applicable for 20 MHz channels centered at the nearest NR-ARFCN corresponding to 5160, 5340, 5480, and 5700 MHz, 40 MHz channels centered at the nearest NR-ARFCN corresponding to 5170, 5190, 5310, 5330, 5490, and 5510 MHz, 60 MHz channels centered at the nearest NR-ARFCN corresponding to 5180, 5200, 5220, 5280, 5300, 5320, 5500, 5520, 5540, 5680 MHz, and 80 MHz channels centered at the nearest NR-ARFCN corresponding to 5190, 5210, 5290, 5310, 5510, and 5530 MHz.				
NOTE 3: Applicable for all valid channels other than those enumerated under NOTE 2.				
NOTE 4: Applicable to Pi/2-BPSK modulation when IE powerBoostPi2BPSK is set to 0.				
NOTE 5: In current release larger CBW than 80MHz are not applicable for this network signalling.				

6.2F.3.3.3 A-MPR for NS_29

When "NS_29" is indicated in the cell, the A-MPR is specified in Table 6.2F.3.3.3-1.

Table 6.2F.3.3.3-1: A-MPR for NS_29 power class 5

Pre-coding	Modulation	Channel bandwidth (Sub-band allocation) / RB Allocation				
		20 MHz	40 MHz		60 MHz, 80 MHz	
		Full/Partial	Full (dB)	Partial (dB)	Full (dB)	Partial (dB)
DFT-s-OFDM	PI/2 BPSK ²	See Table 6.2F.2-1	≤ 2.0	≤ 4.0	≤ 4.0	≤ 6.0
	QPSK		≤ 2.0	≤ 4.0	≤ 4.0	≤ 6.0
	16 QAM		≤ 2.5	≤ 4.0	≤ 4.0	≤ 6.0
	64 QAM		≤ 3.5	≤ 4.5	≤ 4.5	≤ 6.0
	256 QAM		≤ 5.0	≤ 5.5	≤ 5.5	≤ 6.0
CP-OFDM	QPSK		≤ 3.5	≤ 4.5	≤ 4.0	≤ 6.0
	16 QAM		≤ 4.0	≤ 4.5	≤ 4.0	≤ 6.0
	64 QAM		≤ 5.5	≤ 5.5	≤ 5.5	≤ 6.5
	256 QAM		≤ 7.0	≤ 7.0	≤ 7.0	≤ 7.0

NOTE 1: Full allocation A-MPR applies when all RB's in a 20 MHz channel or all RB's in all sub-bands for wideband operation are fully allocated and all sub-bands are transmitted. Partial allocation A-MPR applies when one or more RB's in one or more sub-bands are not allocated but when all sub-bands within the channel are transmitted. When not all sub-bands within the channel are transmitted, the A-MPR associated with the channel bandwidth according to the bandwidth of the contiguously transmitted sub-bands and according to the allocation type applies.

NOTE 2: Applicable to Pi/2-BPSK modulation when IE powerBoostPi2BPSK is set to 0.

NOTE 3: Larger CBW than 80MHz are not applicable for this network signalling.

6.2F.3.3.4 A-MPR for NS_30

When "NS_30" is indicated in the cell, the A-MPR is specified in Table 6.2F.3.3.4-1.

Table 6.2F.3.3.4-1: A-MPR for NS_30 power class 5

Pre-coding	Modulation	RB Allocation (Note 2)		RB Allocation (Note 3)		RB Allocation (Note 4)
		Full (dB)	Partial (dB)	Full (dB)	Partial (dB)	Full/Partial
DFT-s-OFDM	QPSK	≤ 9.0	≤ 15.0	≤ 2.5	≤ 5.0	See Table 6.2F.2.3-1
	16 QAM	≤ 9.0	≤ 15.5	≤ 3.0	≤ 5.0	
	64 QAM	≤ 9.0	≤ 15.5	≤ 4.5	≤ 5.5	
	256 QAM	≤ 9.0	≤ 16.0	≤ 5.5	≤ 5.5	
CP-OFDM	QPSK	≤ 9.0	≤ 14.0	≤ 4.0	≤ 6.0	
	16 QAM	≤ 9.5	≤ 14.5	≤ 4.0	≤ 6.0	
	64 QAM	≤ 9.5	≤ 15.0	≤ 5.5	≤ 6.5	
	256 QAM	≤ 9.5	≤ 15.0	≤ 7.0	≤ 7.0	

NOTE 1: Full allocation A-MPR applies when all RB's in a 20 MHz channel or all RB's in all sub-bands for wideband operation are fully allocated and all sub-bands are transmitted. Partial allocation A-MPR applies when one or more RB's in one or more sub-bands are not allocated or when not all transmitted sub-bands for wideband operation are transmitted.

NOTE 2: Applicable for 20 MHz channels centred at the nearest NR-ARFCN corresponding to 5160, 5340, 5480, and 5700 MHz, 40 MHz channels centred at the nearest NR-ARFCN corresponding to 5170, 5190, 5310, 5330, 5490, and 5510 MHz, 60 MHz channels centred at the nearest NR-ARFCN corresponding to 5180, 5200, 5220, 5280, 5300, 5320, 5500, 5520, 5540, 5680 MHz, and 80 MHz channels centred at the nearest NR-ARFCN corresponding to 5190, 5210, 5290, 5310, 5510, and 5530 MHz.

NOTE 3: Applicable for 20 MHz channels centred at the nearest NR-ARFCN corresponding to 5180 and 5320 MHz, and 40 MHz channels centred at the nearest NR-ARFCN corresponding to 5230 and 5270 MHz.

NOTE 4: Applicable for all valid channels other than those enumerated under NOTE 2 and NOTE 3.

6.2F.3.3.5 A-MPR for NS_31

When "NS_31" is indicated in the cell, the A-MPR is specified in Table 6.2F.3.3.5-1.

Table 6.2F.3.3.5-1: A-MPR for NS_31 power class 5

Pre-coding	Modulation	RB Allocation (Note 2)	RB Allocation (Note 3)	
		Full/Partial	Full (dB)	Partial (dB)
DFT-s-OFDM	QPSK	See Table 6.2F.2-1	≤ 4.0	≤ 6.5
	16 QAM		≤ 4.0	≤ 6.5
	64 QAM		≤ 4.0	≤ 6.5
	256 QAM		≤ 5.0	≤ 6.5
CP-OFDM	QPSK		≤ 5.5	≤ 6.5
	16 QAM		≤ 5.5	≤ 7.0
	64 QAM		≤ 5.5	≤ 7.0
	256 QAM		≤ 7.0	≤ 7.0

NOTE 1: Full allocation A-MPR applies when all RB's in a 20 MHz channel or all RB's in all sub-bands for wideband operation are fully allocated and all sub-bands are transmitted. Partial allocation A-MPR applies when one or more RB's in one or more sub-bands are not allocated or when not all transmitted sub-bands for wideband operation are transmitted.

NOTE 2: Applicable for 20 MHz channels centred at the nearest NR-ARFCN corresponding to 5180, 5200, 5220, 5280, 5300, 5320, 5500, 5520, 5540, 5560, 5580, 5600, 5620, 5640, 5660, 5680, 5745, 5765, 5785, and 5805 MHz.
 NOTE 3: Applicable for all valid channels and bandwidths other than those enumerated in NOTE 2.

6.2F.3.3.6 A-MPR for NS_53

When "NS_53" is indicated in the cell, the A-MPR is specified in Table 6.2F.3.3.6-1.

Table 6.2F.3.3.6-1: A-MPR for NS_53 power class 5

Pre-coding	Modulation	Channel bandwidth (Sub-band allocation) / RB Allocation							
		20 MHz		40 MHz		60 MHz		80 MHz	
		Full (dB)	Partial (dB)	Full (dB)	Partial (dB)	Full (dB)	Partial (dB)	Full (dB)	Partial (dB)
DFT-s-OFDM	QPSK	≤ 9.0	≤ 12.0	≤ 6.5	≤ 8.5	≤ 4.5	≤ 6.5	≤ 3.0	≤ 5.5
	16 QAM	≤ 9.0	≤ 12.0	≤ 6.5	≤ 8.5	≤ 4.5	≤ 6.5	≤ 3.0	≤ 5.5
	64 QAM	≤ 9.0	≤ 12.0	≤ 6.5	≤ 8.5	≤ 4.5	≤ 6.5	≤ 4.0	≤ 5.5
	256 QAM	≤ 9.0	≤ 12.0	≤ 6.5	≤ 8.5	≤ 5.0	≤ 7.0	≤ 5.0	≤ 5.5
CP-OFDM	QPSK	≤ 9.0	≤ 12.0	≤ 6.5	≤ 8.5	≤ 4.5	≤ 6.5	≤ 4.0	≤ 5.5
	16 QAM	≤ 9.0	≤ 12.0	≤ 6.5	≤ 8.5	≤ 4.5	≤ 6.5	≤ 4.0	≤ 5.5
	64 QAM	≤ 9.0	≤ 12.0	≤ 6.5	≤ 8.5	≤ 5.5	≤ 6.5	≤ 5.5	≤ 5.5
	256 QAM	≤ 9.0	≤ 12.0	≤ 7.0	≤ 8.5	≤ 7.0	≤ 7.0	≤ 7.0	≤ 7.0

NOTE 1: Full allocation A-MPR applies when all RB's in a 20 MHz channel or all RB's in all sub-bands for wideband operation are fully allocated and all sub-bands are transmitted. Partial allocation A-MPR applies when one or more RB's in one or more sub-bands are not allocated but when all sub-bands within the channel are transmitted. When not all sub-bands within the channel are transmitted, the A-MPR associated with the channel bandwidth according to the bandwidth of the contiguously transmitted sub-bands and according to the allocation type applies.

6.2F.3.3.7 A-MPR for NS_54

When "NS_54" is indicated in the cell, the A-MPR is specified in Table 6.2F.3.3.7-1.

Table 6.2F.3.3.7-1: A-MPR for NS_54 power class 5

Pre-coding	Modulation	RB Allocation (Note 2)	RB Allocation (Note 3)	
		Full/Partial	Full (dB)	Partial (dB)
DFT-s-OFDM	QPSK	See Table 6.2F.2-1	≤ 2.5	≤ 5.0
	16 QAM		≤ 3.0	≤ 5.0
	64 QAM		≤ 3.5	≤ 5.0
	256 QAM		≤ 5.0	≤ 6.0
CP-OFDM	QPSK		≤ 4.5	≤ 6.0
	16 QAM		≤ 4.5	≤ 6.0
	64 QAM		≤ 5.5	≤ 6.0
	256 QAM		≤ 7.0	≤ 7.0

NOTE 1: Full allocation A-MPR applies when all RB's in a 20 MHz channel or all RB's in all sub-bands for wideband operation are fully allocated and all sub-bands are transmitted. Partial allocation A-MPR applies when one or more RB's in one or more sub-bands are not allocated or when not all transmitted sub-bands for wideband operation are transmitted.
 NOTE 2: Applicable for all valid channels and bandwidths other than those enumerated in NOTE 3.
 NOTE 3: Applicable for 40 MHz channels centred at the nearest NR-ARFCN corresponding to [5965 MHz], 60 MHz channels centred at the nearest NR-ARFCN corresponding to [5975 and 5995 MHz], and 80 MHz channels centred at the nearest NR-ARFCN corresponding to [5985 MHz].

The normative reference for this requirement is TS 38.101-1 [2] clause 6.2F.3.

6.2F.3.4 Test description

6.2F.3.4.1 Initial conditions

Initial conditions are a set of test configurations the UE needs to be tested in and the steps for the SS to take with the UE to reach the correct measurement state.

The initial test configurations consist of environmental conditions, test frequencies, test channel bandwidths and sub-carrier spacing based on NR operating bands specified in table 5.3.5-1 that are restricted to shared channel access. All of these configurations shall be tested with applicable test parameters for each combination of test channel bandwidth and sub-carrier spacing, and are shown in table 6.2F.3.4.1-1. The details of the uplink reference measurement channels (RMCs) are specified in Annexes A.2. Configurations of PDSCH and PDCCH before measurement are specified in Annex C.2.

Table 6.2F.3.4.1-1: Test Configuration Table for NS_28 and NS_29

Initial Conditions							
Test Environment as specified in TS 38.508-1 [5] subclause 4.1						Normal	
Test Frequencies as specified in TS 38.508-1 [5] subclause 4.3.1						Low range, High range	
Test Channel Bandwidths as specified in TS 38.508-1 [5] subclause 4.3.1						20,40,60 and 80 MHz	
Test SCS as specified in Table 5.3.5-1						Lowest, Highest	
A-MPR test parameters for NS_28, NS_29							
Test ID	Freq	ChBw	SCS	Downlink Configuration	Uplink Configuration		
					Modulation (Note 2)	RB allocation (Note 1, Note 3)	
1	Default	20	Default	N/A for A-MPR test cases	DFT-s OFDM	PI/2 BPSK	Full
2	Default	20	Default			QPSK	Full
3	Default	20	Default			16 QAM	Full
4	Default	20	Default			64 QAM	Full
5	Default	20	Default			256 QAM	Full
6	Default	40	Default			PI/2 BPSK	Full
7	Default	40	Default			QPSK	Full
8	Default	40	Default			16 QAM	Full
9	Default	40	Default			64 QAM	Full
10	Default	40	Default			256 QAM	Full
11	Default	60	Default			PI/2 BPSK	Full
12	Default	60	Default			QPSK	Full
13	Default	60	Default			16 QAM	Full
14	Default	60	Default			64 QAM	Full
15	Default	60	Default			256 QAM	Full
16	Default	80	Default			PI/2 BPSK	Full
17	Default	80	Default			QPSK	Full
18	Default	80	Default			16 QAM	Full
19	Default	80	Default			64 QAM	Full
20	Default	80	Default			256 QAM	Full
21	Low	20	Default		CP-s OFDM	QPSK	Partial_Left
22	High	20	Default			QPSK	Partial_Right
23	Default	20	Default			QPSK	Full
24	Low	20	Default			16 QAM	Partial_Left
25	High	20	Default			16 QAM	Partial_Right
26	Default	20	Default			16 QAM	Full
27	Low	20	Default			64 QAM	Partial_Left
28	High	20	Default			64 QAM	Partial_Right
29	Default	20	Default			64 QAM	Full
30	Low	20	Default			256 QAM	Partial_Left
31	High	20	Default			256 QAM	Partial_Right
32	Default	20	Default			256 QAM	Full

33	High	40	Default		QPSK	Partial_Left
34	Default	40	Default		QPSK	Partial_Right
35	Low	40	Default		16 QAM	Full
36	High	40	Default		16 QAM	Partial_Left
37	Default	40	Default		16 QAM	Partial_Right
38	Low	40	Default		64 QAM	Full
39	High	40	Default		64 QAM	Partial_Left
40	Default	40	Default		64 QAM	Partial_Right
41	Low	40	Default		256 QAM	Full
42	High	40	Default		256 QAM	Partial_Left
43	Default	40	Default		256 QAM	Partial_Right
44	High	60	Default		QPSK	Full
45	Default	60	Default		QPSK	Partial_Left
46	Low	60	Default		16 QAM	Partial_Right
47	High	60	Default		16 QAM	Full
48	Default	60	Default		16 QAM	Partial_Left
49	Low	60	Default		64 QAM	Partial_Right
50	High	60	Default		64 QAM	Full
51	Default	60	Default		64 QAM	Partial_Left
52	Low	60	Default		256 QAM	Partial_Right
53	High	60	Default		256 QAM	Full
54	Default	60	Default		256 QAM	Partial_Left
55	High	80	Default		QPSK	Partial_Right
56	Default	80	Default		QPSK	Full
57	Low	80	Default		16 QAM	Partial_Left
58	High	80	Default		16 QAM	Partial_Right
59	Default	80	Default		16 QAM	Full
60	Low	80	Default		64 QAM	Partial_Left
61	High	80	Default		64 QAM	Partial_Right
62	Default	80	Default		64 QAM	Full
63	Low	80	Default		256 QAM	Partial_Left
64	High	80	Default		256 QAM	Partial_Right
65	Default	80	Default		256 QAM	Full

NOTE 1: The specific configuration of each RB allocation is defined in Table 6.1F-1 unless otherwise stated in this table.
 NOTE 2: DFT-s-OFDM PI/2 BPSK test applies only for UEs which supports half Pi BPSK in FR1.
 NOTE 3: Partial RB allocation consists of non-contiguous RB allocation in one or several interlaces and therefore DFT-s-OFDM is not applicable.

1. Connect the SS to the UE antenna connectors as shown in TS 38.508-1 [5] Annex A, Figure A.3.1.1.1 for TE diagram and section A.3.2 for UE diagram.
2. The parameter settings for the cell are set up according to TS 38.508-1 [5] subclause 4.4.3.
3. Downlink signals are initially set up according to Annex C.0, C.1, C.2, and uplink signals according to Annex G.0, G.1, G.2, G.3.0.
4. The UL Reference Measurement Channel is set according to Table 6.2F.3.4.1-1.
5. Propagation conditions are set according to Annex B.0.
6. Ensure the UE is in state RRC_CONNECTED with generic procedure parameters Connectivity NR, Connected without release On, Test Mode On and Test Loop Function On according to TS 38.508-1 [5] clause 4.5. Message contents are defined in clause 6.2F.3.4.3.

6.2F.3.4.2 Test procedure

1. SS sends uplink scheduling information for each UL HARQ process via PDCCH DCI format 0_1 for C_RNTI to schedule the UL RMC according to Table 6.2F.3.4.1-1. Since the UE has no payload and no loopback data to send the UE sends uplink MAC padding bits on the UL RMC.

2. Send continuously uplink power control "up" commands in every uplink scheduling information to the UE; allow at least 200ms starting from the first TPC command in this step for the UE to reach P_{UMAX} level.
3. Measure the mean power of the UE in the channel bandwidth of the radio access mode. The period of measurement shall be at least the continuous duration of one active sub-frame (1 ms) and in the uplink symbols. Symbols with transient periods are not under test.

6.2F.3.4.3 Message contents

Message contents are according to TS 38.508-1 [5] subclause 4.6 and 5.4 with the following exceptions.

Information element additionalSpectrumEmission is set in the *SIB1* as part of the cell broadcast message.

Table 6.2.3.4.3-1: AdditionalSpectrumEmission

Derivation Path: TS 38.508-1 [10] clause 4.6.3, Table 4.6.3-1			
Information Element	Value/remark	Comment	Condition
AdditionalSpectrumEmission	1 (NS_28), 2 (NS_29), 3 (NS_30), 4 (NS_31)	for band n46	
AdditionalSpectrumEmission	1 (NS_53), 2 (NS_54)	for band n96	

FFS

6.2F.3.5 Test requirement

The maximum output power, derived in step 3 shall be within the range prescribed by the nominal maximum output power and tolerance in Table 6.2F.3.5-1, Table 6.2F.3.5-1b and Table 6.2F.3.5-2.

Table 6.2F.3.5-1: Test requirement for NS_28 Power Class 5

Test ID	P _{PowerClass} (dBm)	MPR (dB)	A-MPR (dB)	ΔT _{C,c} (dB)	P _{C_{MAX,c}} (dBm)	T(P _{C_{MAX,L,c}}) (dB)	T _{L,c} (dB)	Upper limit (dBm)	Lower limit (dBm)
1	20	1.5	4	0	16	5.0	3	22+TT	11-TT
2	20	1.5	4	0	16	5.0	3	22+TT	11-TT
3	20	2.0	4.5	0	15.5	5.0	3	22+TT	10.5-TT
4	20	3.5	4.5	0	15.5	5.0	3	22+TT	10.5-TT
5	20	5.0	5.5	0	14.5	5.0	3	22+TT	9.5-TT
6	20	1.5	4	0	16	5.0	3	22+TT	11-TT
7	20	1.5	4	0	16	5.0	3	22+TT	11-TT
8	20	2.0	4.5	0	15.5	5.0	3	22+TT	10.5-TT
9	20	3.5	4.5	0	15.5	5.0	3	22+TT	10.5-TT
10	20	5.0	5.5	0	14.5	5.0	3	22+TT	9.5-TT
11	20	1.5	4	0	16	5.0	3	22+TT	11-TT
12	20	1.5	4	0	16	5.0	3	22+TT	11-TT
13	20	2.0	4.5	0	15.5	5.0	3	22+TT	10.5-TT
14	20	3.5	4.5	0	15.5	5.0	3	22+TT	10.5-TT
15	20	5.0	5.5	0	14.5	5.0	3	22+TT	9.5-TT
16	20	1.5	4	0	16	5.0	3	22+TT	11-TT
17	20	1.5	4	0	16	5.0	3	22+TT	11-TT
18	20	2.0	4.5	0	15.5	5.0	3	22+TT	10.5-TT
19	20	3.5	4.5	0	15.5	5.0	3	22+TT	10.5-TT
20	20	5.0	5.5	0	14.5	5.0	3	22+TT	9.5-TT
21	20	3.5	7	0	13	5.0	3	22+TT	8-TT
23	20	3.5	6	0	14	5.0	3	22+TT	9-TT
24	20	4.0	7.5	0	12.5	6.0	3	22+TT	6.5-TT
26	20	4.0	6	0	14	5.0	3	22+TT	9-TT
27	20	5.5	7.5	0	12.5	6.0	3	22+TT	6.5-TT
29	20	5.5	6.5	0	13.5	5.0	3	22+TT	8.5-TT
30	20	7.0	7.5	0	12.5	6.0	3	22+TT	6.5-TT
32	20	7.0	7	0	13	5.0	3	22+TT	8-TT
34	20	3.5	7	0	13	5.0	3	22+TT	8-TT
35	20	4.0	6	0	14	5.0	3	22+TT	9-TT

37	20	4.0	7.5	0	12.5	6.0	3	22+TT	6.5-TT
38	20	5.5	6.5	0	13.5	5.0	3	22+TT	8.5-TT
40	20	5.5	7.5	0	12.5	6.0	3	22+TT	6.5-TT
41	20	7.0	7	0	13	5.0	3	22+TT	8-TT
43	20	7.0	7.5	0	12.5	6.0	3	22+TT	6.5-TT
45	20	3.5	7	0	13	5.0	3	22+TT	8-TT
46	20	4.0	7.5	0	12.5	6.0	3	22+TT	6.5-TT
48	20	4.0	7.5	0	12.5	6.0	3	22+TT	6.5-TT
49	20	5.5	7.5	0	12.5	6.0	3	22+TT	6.5-TT
51	20	5.5	7.5	0	12.5	6.0	3	22+TT	6.5-TT
52	20	7.0	7.5	0	12.5	6.0	3	22+TT	6.5-TT
54	20	7.0	7.5	0	12.5	6.0	3	22+TT	6.5-TT
56	20	3.5	6	0	14	5.0	3	22+TT	9-TT
57	20	4.0	7.5	0	12.5	6.0	3	22+TT	6.5-TT
59	20	4.0	6	0	14	5.0	3	22+TT	9-TT
60	20	5.5	7.5	0	12.5	6.0	3	22+TT	6.5-TT
62	20	5.5	6.5	0	13.5	5.0	3	22+TT	8.5-TT
63	20	7.0	7.5	0	12.5	6.0	3	22+TT	6.5-TT
65	20	7.0	7	0	13	5.0	3	22+TT	8-TT

NOTE 1: $P_{PowerClass}$ is the maximum UE power specified without taking into account the tolerance.

NOTE 2: TT for each frequency and channel bandwidth is specified in Table 6.2F.3.5-3.

Table 6.2F.3.5-1b: Test requirement for NS_29 Power Class 5

Test ID	$P_{PowerClass}$ (dBm)	MPR (dB)	A-MPR (dB)	$\Delta T_{C,c}$ (dB)	$P_{C_{MAX,c}}$ (dBm)	$T(P_{C_{MAX,L,c}})$ (dB)	$T_{L,c}$ (dB)	Upper limit (dBm)	Lower limit (dBm)
6	20	1.5	2	0	18	4.0	3	22+TT	14-TT
7	20	1.5	2	0	18	4.0	3	22+TT	14-TT
8	20	2.0	2.5	0	17.5	5.0	3	22+TT	12.5-TT
9	20	3.5	3.5	0	16.5	5.0	3	22+TT	11.5-TT
10	20	5.0	5	0	15	5.0	3	22+TT	10-TT
11	20	1.5	2	0	18	4.0	3	22+TT	14-TT
12	20	1.5	2	0	18	4.0	3	22+TT	14-TT
13	20	2.0	2.5	0	17.5	5.0	3	22+TT	12.5-TT
14	20	3.5	3.5	0	16.5	5.0	3	22+TT	11.5-TT
15	20	5.0	5	0	15	5.0	3	22+TT	10-TT
16	20	1.5	2	0	18	4.0	3	22+TT	14-TT
17	20	1.5	2	0	18	4.0	3	22+TT	14-TT
18	20	2.0	2.5	0	17.5	5.0	3	22+TT	12.5-TT
19	20	3.5	3.5	0	16.5	5.0	3	22+TT	11.5-TT
20	20	5.0	5	0	15	5.0	3	22+TT	10-TT
33	20	3.5	4.5	0	15.5	5.0	3	22+TT	10.5-TT
34	20	3.5	4.5	0	15.5	5.0	3	22+TT	10.5-TT
35	20	4.0	4	0	16	5.0	3	22+TT	11-TT
36	20	4.0	4.5	0	15.5	5.0	3	22+TT	10.5-TT
37	20	4.0	4.5	0	15.5	5.0	3	22+TT	10.5-TT
38	20	5.5	5.5	0	14.5	5.0	3	22+TT	9.5-TT
39	20	5.5	5.5	0	14.5	5.0	3	22+TT	9.5-TT
40	20	5.5	5.5	0	14.5	5.0	3	22+TT	9.5-TT
41	20	7.0	7	0	13	5.0	3	22+TT	8-TT
42	20	7.0	7	0	13	5.0	3	22+TT	8-TT
43	20	7.0	7	0	13	5.0	3	22+TT	8-TT
44	20	3.5	4	0	16	5.0	3	22+TT	11-TT
45	20	3.5	6	0	14	5.0	3	22+TT	9-TT
46	20	4.0	6	0	14	5.0	3	22+TT	9-TT
47	20	4.0	4	0	16	5.0	3	22+TT	11-TT
48	20	4.0	6	0	14	5.0	3	22+TT	9-TT
49	20	5.5	6.5	0	13.5	5.0	3	22+TT	8.5-TT
50	20	5.5	5.5	0	14.5	5.0	3	22+TT	9.5-TT
51	20	5.5	6.5	0	13.5	5.0	3	22+TT	8.5-TT
52	20	7.0	7	0	13	5.0	3	22+TT	8-TT
53	20	7.0	7	0	13	5.0	3	22+TT	8-TT
54	20	7.0	7	0	13	5.0	3	22+TT	8-TT
55	20	3.5	6	0	14	5.0	3	22+TT	9-TT

56	20	3.5	4	0	16	5.0	3	22+TT	11-TT
57	20	4.0	6	0	14	5.0	3	22+TT	9-TT
58	20	4.0	6	0	14	5.0	3	22+TT	9-TT
59	20	4.0	4	0	16	5.0	3	22+TT	11-TT
60	20	5.5	6.5	0	13.5	5.0	3	22+TT	8.5-TT
61	20	5.5	6.5	0	13.5	5.0	3	22+TT	8.5-TT
62	20	5.5	5.5	0	14.5	5.0	3	22+TT	9.5-TT
63	20	7.0	7	0	13	5.0	3	22+TT	8-TT
64	20	7.0	7	0	13	5.0	3	22+TT	8-TT
65	20	7.0	7	0	13	5.0	3	22+TT	8-TT

NOTE 1: $P_{\text{PowerClass}}$ is the maximum UE power specified without taking into account the tolerance.
NOTE 2: TT for each frequency and channel bandwidth is specified in Table 6.2F.3.5-3.

Table 6.2F.3.5-2: Test Tolerance (UE maximum output power)

	$f \leq 3.0\text{GHz}$	$3.0\text{GHz} < f \leq 4.2\text{GHz}$	$4.2\text{GHz} < f \leq 5.925\text{GHz}$	$5.925\text{GHz} < f \leq 7.125\text{GHz}$
BW \leq 40MHz	0.7 dB	1.0 dB	1.0 dB	1.0 dB
40MHz < BW \leq 100MHz	1.0 dB	1.0 dB	1.0 dB	1.0 dB

For the UE which supports inter-band NR CA configuration, inter-band NR-DC configuration, SUL configuration or inter-band EN-DC configuration, $\Delta T_{\text{IB,c}}$ as specified in 6.2A.4.0.2 for NR CA, 6.2B.4.0.2 for NR-DC, clause 6.2C.2 for SUL, or TS 38.521-3 [14] clause 6.2B.4.2 for EN-DC applies. Unless otherwise stated, $\Delta T_{\text{IB,c}}$ is set to zero. In case the UE supports more than one of band combinations for CA, NR-DC, SUL or EN-DC, and an operating band belongs to more than one band combinations then

- When the operating band frequency range is ≤ 1 GHz, the applicable additional $\Delta T_{\text{IB,c}}$ shall be the average value for all band combinations defined in clause 6.2A.4.0.2, 6.2B.4.0.2, 6.2C.2 in this specification and 6.2B.4.2 in TS 38.521-3 [14], truncated to one decimal place that apply for that operating band among the supported band combinations. In case there is a harmonic relation between low band UL and high band DL, then the maximum $\Delta T_{\text{IB,c}}$ among the different supported band combinations involving such band shall be applied.
- When the operating band frequency range is > 1 GHz, the applicable additional $\Delta T_{\text{IB,c}}$ shall be the maximum value for all band combinations defined in clause 6.2A.4.0.2, 6.2B.4.0.2, 6.2C.2 in this specification and 6.2B.4.2 in TS 38.521-3 [14] for the applicable operating bands.

6.2F.4 Configured transmitted power for shared spectrum access

Editor's Note: This test is incomplete. The following aspects are not yet determined:

- MU and TT for $>6\text{GHz}$ (band n96) are working assumption based on analysis of single TE vendor. Values will be revisited once analysis from other TE vendors is available.

- Message exceptions

6.2F.4.1 Test purpose

To verify the measured UE configured maximum output power $P_{\text{UMAX,f,c}}$ is within the specified bounds.

6.2F.4.2 Test applicability

This test case applies to all types of NR UE release 16 and forward that support NR standalone shared spectrum channel access.

6.2F.4.3 Minimum conformance requirements

Same minimum conformance requirements as in 6.2.4.3.

The normative reference for this requirement is TS 38.101-1 [2] clause 6.2F.4.

6.2F.4.4 Test description

6.2F.4.4.1 Initial condition

Initial conditions are a set of test configurations the UE needs to be tested in and the steps for the SS to take with the UE to reach the correct measurement state.

The initial test configurations consist of environmental conditions, test frequencies, test channel bandwidths and sub-carrier spacing based on NR operating bands specified in table 5.3.5-1. All of these configurations shall be tested with applicable test parameters for each combination of test channel bandwidth and sub-carrier spacing, and are shown in table 6.2F.4.4.1-1. The details of the uplink reference measurement channels (RMCs) are specified in Annexes A.2. Configurations of PDSCH and PDCCH before measurement are specified in Annex C.2.

Table 6.2F.4.4.1-1: Test Configuration Table

Initial Conditions			
Test Environment as specified in TS 38.508-1 [5] subclause 4.1		Normal, TL/VL, TL/VH, TH/VL, TH/VH	
Test Frequencies as specified in TS 38.508-1 [5] subclause 4.3.1		Mid range	
Test Channel Bandwidths as specified in TS 38.508-1 [5] subclause 4.3.1		Lowest, Mid, Highest	
Test SCS as specified in Table 5.3.5-1		Lowest	
Test Parameters for Channel Bandwidths			
Test ID	Downlink Configuration	Uplink Configuration	
		Modulation (NOTE 2)	RB allocation (NOTE 1)
1	N/A	DFT-s-OFDM Pi/2 BPSK	Full
2		DFT-s-OFDM Pi/2 QPSK	Full

NOTE 1: The specific configuration of each RB allocation is defined in Table 6.1F-1.

1. Connect the SS to the UE antenna connectors as shown in TS 38.508-1 [5] Annex A, Figure A.3.1.1.1 for TE diagram and section A.3.2 for UE diagram.
2. The parameter settings for the cell are set up according to TS 38.508-1 [5] subclause 4.4.3.
3. Downlink signals are initially set up according to Annex C.0, C.1, C.2, and uplink signals according to Annex G.0, G.1, G.2, G.3.0.
4. The UL Reference Measurement Channel is set according to Table 6.2F.4.4.1-1.
5. Propagation conditions are set according to Annex B.0.
6. Ensure the UE is in State RRC_CONNECTED with generic procedure parameters Connectivity NR, Connected without release On, Test Mode On and Test Loop Function On according to TS 38.508-1 [5] clause 4.5. Message contents are defined in clause 6.2F.4.4.3.

6.2F.4.4.2 Test procedure

1. SS sends uplink scheduling information for each UL HARQ process via PDCCH DCI format 0_1 for C_RNTI to schedule the UL RMC according to Table 6.2F.4.4.1-1. Since the UE has no payload and no loopback data to send the UE sends uplink MAC padding bits on the UL RMC.
2. Send continuously uplink power control "up" commands in every uplink scheduling information to the UE; allow at least 200ms starting from the first TPC command in this step to ensure that the UE reaches the P_{max} level of the test point.
3. Measure the mean power of the UE in the channel bandwidth for each test point in table 6.2F.4.5-1 according to the test configuration from table 6.2F.4.4.1-1. The period of measurement shall be at least the continuous duration of one active slot and in the uplink symbols. For TDD slots with transient periods are not under test.

6.2F.4.4.3 Message contents

Message contents are according to TS 38.508-1 [5] subclause 4.6 with the following exceptions:

Table 6.2F.4.4.3-1: PUSCH-Config

Derivation Path: TS 38.508-1 [5], Table 4.6.3-118 with condition TRANSFORM_PRECODER_ENABLED

Table 6.2F.4.4.3-2: FrequencyInfoUL-SIB: Test point 1

Derivation Path: TS 38.508-1 [5] Table 4.6.3-62 FrequencyInfoUL-SIB			
Information Element	Value/remark	Comment	Condition
p-Max	-10		

Table 6.2F.4.4.3-3: FrequencyInfoUL-SIB: Test point 2

Derivation Path: TS 38.508-1 [5] Table 4.6.3-62 FrequencyInfoUL-SIB			
Information Element	Value/remark	Comment	Condition
p-Max	10		

Table 6.2F.4.4.3-4: FrequencyInfoUL-SIB: Test point 3

Derivation Path: TS 38.508-1 [5] Table 4.6.3-62 FrequencyInfoUL-SIB			
Information Element	Value/remark	Comment	Condition
p-Max	15		

6.2F.4.5 Test requirement

The maximum output power measured shall not exceed the values specified in Table 6.2F.4.5-1.

Table 6.2F.4.5-1: P_{C_{MAX}} configured UE output power

	Maximum output power
Measured UE output power test point 1	-10 dBm ± (7+TT)
Measured UE output power test point 2	10 dBm ± (6+TT)
Measured UE output power test point 3	15 dBm ± (5+TT)
Note 1: TT for each frequency and channel bandwidth is specified in Table 6.2.4.5-2.	

Table 6.2F.4.5-2: Test Tolerance (Configured transmitted power)

	f ≤ 3.0GHz	3.0GHz < f ≤ 4.2GHz	4.2GHz < f ≤ 5.925GHz	5.925GHz < f ≤ 7.125GHz
BW ≤ 40MHz	0.7 dB	1.0 dB	1.0 dB	1.0 dB
40MHz < BW ≤ 100MHz	1.0 dB	1.0 dB	1.0 dB	1.0 dB

For the UE which supports inter-band NR CA configuration, inter-band NR-DC configuration or inter-band EN-DC configuration, $\Delta T_{IB,c}$ as specified in clause 6.2A.4.0.2 for NR CA, 6.2B.4.0.2 for NR-DC or TS 38.521-3 [14] clause 6.2B.4.2 for EN-DC applies. Unless otherwise stated, $\Delta T_{IB,c}$ is set to zero. In case the UE supports more than one of band combinations for CA, NR-DC, SUL or EN-DC, and an operating band belongs to more than one band combinations then

- When the operating band frequency range is ≤ 1 GHz, the applicable additional $\Delta T_{IB,c}$ shall be the average value for all band combinations defined in clauses 6.2A.4.0.2, 6.2B.4.0.2, 6.2C.2 in this specification and clause 6.2B.4.2 in TS 38.521-3 [14], truncated to one decimal place that apply for that operating band among the supported band combinations. In case there is a harmonic relation between low band UL and high band DL, then the maximum $\Delta T_{IB,c}$ among the different supported band combinations involving such band shall be applied
- When the operating band frequency range is > 1 GHz, the applicable additional $\Delta T_{IB,c}$ shall be the maximum value for all band combinations defined in clauses 6.2A.4.0.2, 6.2B.4.0.2, 6.2C.2 in this specification and clause 6.2B.4.2 in TS 38.521-3 [14] for the applicable operating bands.

6.2G Transmitter power for Tx Diversity

6.2G.1 UE maximum output power for Tx Diversity

Editor's Note: The following aspects are either missing or not yet determined:

- No test points are defined for Power Class 1.5 non-FWA UEs since there is no configuration satisfying MPR=0dB requirements in TS 38.101-1. Testing with minimum MPR has been covered in 6.2G.2.

6.2G.1.1 Test purpose

To verify that the error of the UE maximum output power does not exceed the range prescribed by the specified nominal maximum output power and tolerance.

An excess maximum output power has the possibility to interfere to other channels or other systems. A small maximum output power decreases the coverage area.

6.2G.1.2 Test applicability

This test case applies to all types of NR Power Class 1.5 FWA UE, Power Class 2 and Power Class 3 UE release 15 and forward that support Tx diversity.

6.2G.1.3 Minimum conformance requirements

For UE supporting Tx Diversity, the maximum output power as indicated by UE power class in Table 6.2G.1.3-1 is defined as the sum of the maximum output power from both UE antenna connectors. The period of measurement shall be at least one sub frame (1 ms).

When a UE indicates PC1.5 for a given band it achieves maximum power by means of TxD in the current version of the spec.

Table 6.2G.1.3-1: UE Power Class

NR band	Class 1 (dBm)	Tolerance (dB)	Class 1.5 (dBm)	Tolerance (dB)	Class 2 (dBm)	Tolerance (dB)	Class 3 (dBm)	Tolerance (dB)
n1					26	+2/-3	23	±2
n2							23	±2 ³
n3					26	+2/-3 ³	23	±2 ³
n5							23	±2
n7							23	±2 ³
n8							23	±2 ³
n12							23	±2 ³
n14							23	±2
n20							23	±2 ³
n24							23	+2/-3 ³
n25							23	±2 ³
n26							23	±2 ³
n28							23	+2/-2.5
n30							23	±2
n34			29 ⁷	+2/-3	26	+2/-3	23	±2
n38							23	±2
n39			29 ⁷	+2/-3	26	+2/-3	23	±2
n40			29 ⁷	+2/-3	26	+2/-3	23	±2
n41			29 ⁷	+2/-3 ³	26	+2/-3 ³	23	±2 ³
n48							23	+2/-3
n50							23	±2
n51							23	±2
n53							23	±2
n65							23	±2
n66							23	±2
n70							23	±2
n71							23	+2/-2.5
n74							23	±2
n77			29 ⁷	+2/-3	26	+2/-3	23	+2/-3
n78			29 ⁷	+2/-3	26	+2/-3	23	+2/-3

n79			29 ⁷	+2/-3	26	+2/-3	23	+2/-3
n80							23	±2 ³
n81							23	±2
n82							23	±2
n83							23	+2/-2.5
n84							23	±2
n86							23	±2
n95					26	+2/-3	23	±2
n97					26	+2/-3	23	±2
n99							23	+2/-3 ³
<p>NOTE 1: P_{PowerClass} is the maximum UE power specified without taking into account the tolerance</p> <p>NOTE 2: Power class 3 is default power class unless otherwise stated</p> <p>NOTE 3: Refers to the transmission bandwidths confined within F_{UL_low} and F_{UL_low} + 4 MHz or F_{UL_high} – 4 MHz and F_{UL_high}, the maximum output power requirement is relaxed by reducing the lower tolerance limit by 1.5 dB.</p> <p>NOTE 4: FFS</p> <p>NOTE 5: FFS</p> <p>NOTE 6: Generally, PC1 UE for Band n14 is not targeted for smartphone form factor. The UE power class 1 requirements for Band n14 are applicable for public safety scenario only.</p> <p>NOTE 7: Achieved via dual Tx</p>								

If a UE supports a different power class than the default UE power class for the band and the supported power class enables the higher maximum output power than that of the default power class:

- if the field of UE capability *maxUplinkDutyCycle-PC2-FR1* is absent and the field of UE capability *maxUplinkDutyCycle-PC1dot5-MPE-FR1-r16* is absent and the percentage of uplink symbols transmitted in a certain evaluation period is larger than 50% (The exact evaluation period is no less than one radio frame); or
- if the field of UE capability *maxUplinkDutyCycle-PC2-FR1* is not absent and the percentage of uplink symbols transmitted in a certain evaluation period is larger than *maxUplinkDutyCycle-PC2-FR1* as defined in TS 38.306 (The exact evaluation period is no less than one radio frame); or
- if the field of UE capability *maxUplinkDutyCycle-PC1dot5-MPE-FR1-r16* is not absent and half the percentage of uplink symbols transmitted in a certain evaluation period is larger than *maxUplinkDutyCycle-PC1dot5-MPE-FR1-r16* as defined in TS 38.306 (The exact evaluation period is no less than one radio frame); or
- if the IE P-Max as defined in TS 38.331 [7] is provided and set to the maximum output power of the default power class or lower;
 - shall apply all requirements for the default power class to the supported power class and set the configured transmitted power as specified in clause 6.2.4;
- else if the UE does not support a power class with higher maximum output power than PC2; or
- if the field of UE capability *maxUplinkDutyCycle-PC2-FR1* is absent and the field of UE capability *maxUplinkDutyCycle-PC1dot5-MPE-FR1-r16* is absent and the percentage of uplink symbols transmitted in a certain evaluation period is larger than 25% (The exact evaluation period is no less than one radio frame); or
- if the field of UE capability *maxUplinkDutyCycle-PC2-FR1* is not absent and the percentage of uplink symbols transmitted in a certain evaluation period is larger than $0.5 * \text{maxUplinkDutyCycle-PC2-FR1}$ (The exact evaluation period is no less than one radio frame); or
- if the field of UE capability *maxUplinkDutyCycle-PC1dot5-MPE-FR1-r16* is not absent and the percentage of uplink symbols transmitted in a certain evaluation period is larger than *maxUplinkDutyCycle-PC1dot5-MPE-FR1-r16* as defined in TS 38.306 (The exact evaluation period is no less than one radio frame); or
- if the IE P-Max as defined in TS 38.331 [6] is provided and set to the maximum output power of the power class 2 or lower;
 - shall apply all requirements for power class 2 to the supported power class and set the configured transmitted power as specified in clause 6.2.4;
- else shall apply all requirements for the supported power class and set the configured transmitted power as specified in clause 6.2.4.

The normative reference for this requirement is TS 38.101-1 [2] clause 6.2.1 and 6.2G.1.

6.2G.1.4 Test description

6.2G.1.4.1 Initial conditions

Initial conditions are a set of test configurations the UE needs to be tested in and the steps for the SS to take with the UE to reach the correct measurement state.

The initial test configurations consist of environmental conditions, test frequencies, test channel bandwidths and sub-carrier spacing based on NR operating bands specified in table 5.3.5-1. All of these configurations shall be tested with applicable test parameters for each combination of test channel bandwidth and sub-carrier spacing, and are shown in Table 6.2G.1.4.1-1 and Table 6.2G.1.4.1-2. The details of the uplink reference measurement channels (RMCs) are specified in Annexes A.2. Configurations of PDSCH and PDCCH before measurement are specified in Annex C.2.

Table 6.2G.1.4.1-1: Test Configuration Table for Power Class 2 indicating TxD support

Initial Conditions			
Test Environment as specified in TS 38.508-1 [5] subclause 4.1		Normal, TL/VL, TL/VH, TH/VL, TH/VH	
Test Frequencies as specified in TS 38.508-1 [5] subclause 4.3.1		Low range, Mid range, High range	
Test Channel Bandwidths as specified in TS 38.508-1 [5] subclause 4.3.1		Lowest, Mid, Highest	
Test SCS as specified in Table 5.3.5-1		Lowest, Highest	
Test Parameters			
Test ID	Downlink Configuration	Uplink Configuration	
	N/A for maximum output power test case	Modulation (NOTE 2)	RB allocation (NOTE 1)
1		DFT-s-OFDM PI/2 BPSK	Inner Full
2		DFT-s-OFDM PI/2 BPSK	Inner 1RB Left
3		DFT-s-OFDM PI/2 BPSK	Inner 1RB Right
NOTE 1: The specific configuration of each RB allocation is defined in Table 6.1-1.			
NOTE 2: DFT-s-OFDM PI/2 BPSK test applies only for UEs which supports half Pi BPSK in FR1.			
NOTE 3: For <i>P-Max</i> test (Step 4 and Step 5 in Section 6.2G.1.4.2) and <i>maxUplinkDutyCycle</i> test (Step 6, Step 7, Step 8 and Step 9 in Section 6.2G.1.4.2), only "Normal" test environment, "Low range" test frequencies, "Lowest" Test Channel Bandwidth, "Lowest" test SCS and "Inner Full" RB allocation to be used.			

Table 6.2G.1.4.1-2: Test Configuration Table for Power Class 1.5 non-FWA UE

NOTE 1: No test points are defined for Power Class 1.5 non-FWA UE since there is no configuration satisfying $MPR=0$ dB requirements in TS 38.101-1.

Table 6.2G.1.4.1-3: Test Configuration Table for Power Class 3 indicating TxD support

NOTE 2: Test points defined for single Tx Power Class 3 in Table Table 6.2.2.3-1 to be reused as test points defined for Power Class 3 indicating TxD support since single Tx Power Class 3 and TxD Power Class 3 share the same MPR requirements.

Table 6.2G.1.4.1-4: Test Configuration Table for Power Class 1.5 FWA UE

Initial Conditions			
Test Environment as specified in TS 38.508-1 [5] subclause 4.1		Normal, TL/VL, TL/VH, TH/VL, TH/VH	
Test Frequencies as specified in TS 38.508-1 [5] subclause 4.3.1		Low range, Mid range, High range	
Test Channel Bandwidths as specified in TS 38.508-1 [5] subclause 4.3.1		Lowest, Mid, Highest	
Test SCS as specified in Table 5.3.5-1		Lowest, Highest	
Test Parameters			
Test ID	Downlink Configuration	Uplink Configuration	
	N/A for maximum output power test case	Modulation (NOTE 2)	RB allocation (NOTE 1)
1		DFT-s-OFDM PI/2 BPSK	Inner Full

2	DFT-s-OFDM PI/2 BPSK	Inner 1RB Left
3	DFT-s-OFDM PI/2 BPSK	Inner 1RB Right
4	DFT-s-OFDM QPSK	Inner Full
5	DFT-s-OFDM QPSK	Inner 1RB Left
6	DFT-s-OFDM QPSK	Inner 1RB Right
NOTE 1: The specific configuration of each RB allocation is defined in Table 6.1-1.		
NOTE 2: DFT-s-OFDM PI/2 BPSK test applies only for UEs which supports half Pi BPSK in FR1.		

1. Connect the SS to the UE antenna connectors as shown in TS 38.508-1 [5] Annex A, Figure A.3.1.1.1 for TE diagram and section A.3.2 for UE diagram.
2. The parameter settings for the cell are set up according to TS 38.508-1 [5] subclause 4.4.3.
3. Downlink signals are initially set up according to Annex C.0, C.1, C.2, and uplink signals according to Annex G.0, G.1, G.2, G.3.0.
4. The UL Reference Measurement Channel is set according to Table 6.2G.1.4.1-1 and Table 6.2G.1.4.1-2.
5. Propagation conditions are set according to Annex B.0.
6. Ensure the UE is in state RRC_CONNECTED with generic procedure parameters Connectivity *NR*, Connected without release *On*, Test Mode *On* and Test Loop Function *On* according to TS 38.508-1 [5] clause 4.5. Message contents are defined in clause 6.2G.1.4.3.

6.2G.1.4.2 Test procedure

1. SS sends uplink scheduling information for each UL HARQ process via PDCCH DCI format 0_1 for C_RNTI to schedule the UL RMC according to Table 6.2G.1.4.1-1, Table 6.2G.1.4.1-3 and Table 6.2G.1.4.1-4. Since the UE has no payload and no loopback data to send the UE sends uplink MAC padding bits on the UL RMC.
2. Send continuously uplink power control "up" commands in every uplink scheduling information to the UE; allow at least 200ms starting from the first TPC command in this step for the UE to reach P_{UMAX} level.
3. Measure the sum of the mean power of the UE at each antenna connector in the channel bandwidth of the radio access mode. The period of measurement shall be at least the continuous duration of one active sub-frame (1ms) and in the uplink symbols. For TDD symbols with transient periods are not under test.
4. For UEs supporting Power Class 1.5, repeat steps 1~3 on the applicable bands with message exception of P-Max defined in Table 6.2G.1.4.3-2. For P-Max=23, UL RMC shall be set according to Table 6.2G.1.4.1-3. For P-Max=26, UL RMC shall be set according to Table 6.2G.1.4.1-1.
5. For UEs supporting Power Class 2, repeat steps 1~3 on the applicable bands with message exception of P-Max defined in Table 6.2G.1.4.3-2. UL RMC shall be set according to Table 6.2G.1.4.1-3.
6. For UEs supporting Power Class 1.5 with UE capability *maxUplinkDutyCycle-PC1dot5-MPE-FR1-r16*, repeat steps 1~3 on the applicable bands with message exception of TDD UL-DL pattern defined in Table 6.2.1.4.3-4, Table 6.2.1.4.3-5, Table 6.2G.1.4.3-3, Table 6.2G.1.4.3-4, Table 6.2G.1.4.3-5, Table 6.2G.1.4.3-6, Table 6.2G.1.4.3-7, Table 6.2G.1.4.3-8, Table 6.2G.1.4.3-9 and Table 6.2G.1.4.3-10 which the UplinkDutyCycle is closest less than or equal to the *maxUplinkDutyCycle-PC1dot5-MPE-FR1-r16* reported by UE. Before Step 3, wait for at least 10ms for the UE to complete the evaluation period. UL RMC shall be set according to Table 6.2G.1.4.1-4.
7. For UEs supporting Power Class 1.5 with UE capability *maxUplinkDutyCycle-PC1dot5-MPE-FR1-r16*, repeat steps 1~3 on the applicable bands with message exception of TDD UL-DL pattern defined in Table 6.2.1.4.3-4, Table 6.2.1.4.3-5, Table 6.2G.1.4.3-3, Table 6.2G.1.4.3-4, Table 6.2G.1.4.3-5, Table 6.2G.1.4.3-6, Table 6.2G.1.4.3-7, Table 6.2G.1.4.3-8, Table 6.2G.1.4.3-9 and Table 6.2G.1.4.3-10 which the UplinkDutyCycle is closest larger than *maxUplinkDutyCycle-PC1dot5-MPE-FR1-r16* and half the UplinkDutyCycle is no larger than *maxUplinkDutyCycle-PC1dot5-MPE-FR1-r16* reported by UE. Before Step 3, wait for at least 10ms for the UE to complete the evaluation period. UL RMC shall be set according to Table 6.2G.1.4.1-1.
8. For UEs supporting Power Class 1.5 with UE capability *maxUplinkDutyCycle-PC1dot5-MPE-FR1-r16*, repeat steps 1~3 on the applicable bands with message exception of TDD UL-DL pattern defined in Table 6.2.1.4.3-4, Table 6.2.1.4.3-5, Table 6.2G.1.4.3-3, Table 6.2G.1.4.3-4, Table 6.2G.1.4.3-5, Table 6.2G.1.4.3-6, Table 6.2G.1.4.3-7, Table 6.2G.1.4.3-8, Table 6.2G.1.4.3-9 and Table 6.2G.1.4.3-10 which half the UplinkDutyCycle

is larger than $maxUplinkDutyCycle-PC1dot5-MPE-FR1-r16$ reported by UE. Before Step 3, wait for at least 10ms for the UE to complete the evaluation period. UL RMC shall be set according to Table 6.2G.1.4.1-3.

- For TDD UEs supporting Power Class 2 with UE capability $maxUplinkDutyCycle-PC2-FR1$, repeat steps 1~3 on the applicable bands with message exception of TDD UL-DL pattern defined in Table 6.2.1.4.3-4 and Table 6.2.1.4.3-5 which the UplinkDutyCycle is closest less than or equal to the $maxUplinkDutyCycle-PC2-FR1$ reported by UE. Before Step 3, wait for at least 10ms for the UE to complete the evaluation period.

6.2G.1.4.3 Message contents

Message contents are according to TS 38.508-1 [5] subclause 4.6 and 5.4 with the following exceptions:

UplinkDutyCycle in Table 6.2G.1.4.3-3, Table 6.2G.1.4.3-4, Table 6.2G.1.4.3-5, Table 6.2G.1.4.3-6, Table 6.2G.1.4.3-7, Table 6.2G.1.4.3-8, Table 6.2G.1.4.3-9 and Table 6.2G.1.4.3-10 is the percentage of uplink slots transmitted in one radio frame.

Table 6.2G.1.4.3-1: PUSCH-Config

Derivation Path: TS 38.508-1 [5], Table 4.6.3-118 with condition TRANSFORM_PRECODER_ENABLED

Table 6.2G.1.4.3-2: P-Max (Step 4)

Derivation Path: TS 38.508-1 [5], Table 4.6.3-89			
Information Element	Value/remark	Comment	Condition
P-Max	23	PC2 UE or PC1.5 UE will fallback to PC3 UE with P-Max=23	PC2 UE or PC1.5 UE
	26	PC1.5 UE will fallback to PC2 UE with P-Max=26	PC1.5 UE

Table 6.2G.1.4.3-3: TDD UL-DL pattern for SCS 15 KHz (UplinkDutyCycle=10%)

Parameter	Unit	UL-DL pattern	
TDD Slot Configuration pattern (Note 1)		7DS2U	
Special Slot Configuration (Note 2)		6D+4G+4U	
UL-DL configuration (<i>tdt-UL-DL-ConfigurationCommon</i>)	<i>referenceSubcarrierSpacing</i>	kHz	15
	<i>dl-UL-TransmissionPeriodicity</i>	ms	10
	<i>nrofDownlinkSlots</i>		7
	<i>nrofDownlinkSymbols</i>		6
	<i>nrofUplinkSlot</i>		2
<i>nrofUplinkSymbols</i>		4	
K1 value (PDSCH-to-HARQ-timing-indicator)		[8] if mod(i,10) = 0 [7] if mod(i,10) = 1 [6] if mod(i,10) = 2 [5] if mod(i,10) = 3	
Note 1: D denotes a slot with all DL symbols; S denotes a slot with a mix of DL, UL and guard symbols; U denotes a slot with all UL symbols. The field is for information.			
Note 2: D, G, U denote DL, guard and UL symbols, respectively. The field is for information.			
Note 3: i is the slot index per frame; i = {0,...,9}			
Note 4: There shall be no PUSCH or PUCCH or SRS transmitted in slot 7 and slot 9 to meet the specific UplinkDutyCycle.			

Table 6.2G.1.4.3-4: TDD UL-DL pattern for SCS 15 KHz (UplinkDutyCycle=20%)

Parameter	Unit	UL-DL pattern	
TDD Slot Configuration pattern (Note 1)		7DS2U	
Special Slot Configuration (Note 2)		6D+4G+4U ⁴	
UL-DL configuration (<i>tdt-UL-DL-ConfigurationCommon</i>)	<i>referenceSubcarrierSpacing</i>	kHz	15
	<i>dl-UL-TransmissionPeriodicity</i>	ms	10
	<i>nrofDownlinkSlots</i>		7
	<i>nrofDownlinkSymbols</i>		6
	<i>nrofUplinkSlot</i>		2

	<i>nrofUplinkSymbols</i>		4
K1 value (PDSCH-to-HARQ-timing-indicator)			[8] if mod(i,10) = 0 [7] if mod(i,10) = 1 [6] if mod(i,10) = 2 [5] if mod(i,10) = 3 [5] if mod(i,10) = 4 [4] if mod(i,10) = 5 [3] if mod(i,10) = 6 [2] if mod(i,10) = 7
Note 1: D denotes a slot with all DL symbols; S denotes a slot with a mix of DL, UL and guard symbols; U denotes a slot with all UL symbols. The field is for information.			
Note 2: D, G, U denote DL, guard and UL symbols, respectively. The field is for information.			
Note 3: i is the slot index per frame; i = {0,...,9}			
Note 4: There shall be no PUSCH or PUCCH or SRS transmitted in slot 7 to meet the specific UplinkDutyCycle.			

Table 6.2G.1.4.3-5: TDD UL-DL pattern for SCS 15 KHz (UplinkDutyCycle=30%)

Parameter		Unit	UL-DL pattern
TDD Slot Configuration pattern (Note 1)			DDDSUDDSUU
Special Slot Configuration (Note 2)			10D+2G+2U
UL-DL configuration1 (<i>tdd-UL-DL-ConfigurationCommon</i>)	<i>referenceSubcarrierSpacing</i>	kHz	15
	<i>dl-UL-TransmissionPeriodicity</i>	ms	5 dual
	<i>nrofDownlinkSlots</i>		3
	<i>nrofDownlinkSymbols</i>		10
	<i>nrofUplinkSlot</i>		1
UL-DL configuration2 (<i>tdd-UL-DL-ConfigurationCommon2</i>)	<i>referenceSubcarrierSpacing</i>	kHz	30
	<i>dl-UL-TransmissionPeriodicity</i>	ms	5 dual
	<i>nrofDownlinkSlots</i>		2
	<i>nrofDownlinkSymbols</i>		10
	<i>nrofUplinkSlot</i>		2
K1 value (PDSCH-to-HARQ-timing-indicator)	<i>nrofUplinkSymbols</i>		2
			[4] if mod(i,10) = 0 [3] if mod(i,10) = 1 [6] if mod(i,10) = 2 [5] if mod(i,10) = 3 [4] if mod(i,10) = 5 [3] if mod(i,10) = 6 [2] if mod(i,10) = 7
	Note 1: D denotes a slot with all DL symbols; S denotes a slot with a mix of DL, UL and guard symbols; U denotes a slot with all UL symbols. The field is for information.		
	Note 2: D, G, U denote DL, guard and UL symbols, respectively. The field is for information.		
	Note 3: i is the slot index per frame; i = {0,...,9}		
Note 4: There shall be no PUSCH or PUCCH or SRS transmitted in slot 3 and slot 7 to meet the specific UplinkDutyCycle.			

Table 6.2G.1.4.3-6: TDD UL-DL pattern for SCS 15 KHz (UplinkDutyCycle=40%)

Parameter		Unit	UL-DL pattern
TDD Slot Configuration pattern (Note 1)			DDSUU
Special Slot Configuration (Note 2)			10D+2G+2U
UL-DL configuration (<i>tdd-UL-DL-ConfigurationCommon</i>)	<i>referenceSubcarrierSpacing</i>	kHz	15
	<i>dl-UL-TransmissionPeriodicity</i>	ms	5
	<i>nrofDownlinkSlots</i>		2
	<i>nrofDownlinkSymbols</i>		10
	<i>nrofUplinkSlot</i>		2
K1 value (PDSCH-to-HARQ-timing-indicator)	<i>nrofUplinkSymbols</i>		2
			[4] if mod(i,5) = 0 [7] if mod(i,5) = 1 [6] if mod(i,5) = 2
Note 1: D denotes a slot with all DL symbols; S denotes a slot with a mix of DL, UL and guard symbols; U denotes a slot with all UL symbols. The field is for information.			

Note 2: D, G, U denote DL, guard and UL symbols, respectively. The field is for information.
 Note 3: i is the slot index per frame; $i = \{0, \dots, 9\}$
 Note 4: There shall be no PUSCH or PUCCH or SRS transmitted in slot 2 and slot 7 to meet the specific UplinkDutyCycle.

Table6.2G.1.4.3-7: TDD UL-DL pattern for SCS 30 KHz (UplinkDutyCycle=10%)

Parameter		Unit	UL-DL pattern
TDD Slot Configuration pattern (Note 1)			7DS2U
Special Slot Configuration (Note 2)			6D+4G+4U
UL-DL configuration (<i>tdd-UL-DL-ConfigurationCommon</i>)	<i>referenceSubcarrierSpacing</i>	kHz	30
	<i>dl-UL-TransmissionPeriodicity</i>	ms	5
	<i>nrofDownlinkSlots</i>		7
	<i>nrofDownlinkSymbols</i>		6
	<i>nrofUplinkSlot</i>		2
	<i>nrofUplinkSymbols</i>		4
K1 value (PDSCH-to-HARQ-timing-indicator)			[8] if $\text{mod}(i,10) = 0$ [7] if $\text{mod}(i,10) = 1$ [6] if $\text{mod}(i,10) = 2$ [5] if $\text{mod}(i,10) = 3$ [5] if $\text{mod}(i,10) = 4$ [4] if $\text{mod}(i,10) = 5$ [3] if $\text{mod}(i,10) = 6$ [2] if $\text{mod}(i,10) = 7$
Note 1: D denotes a slot with all DL symbols; S denotes a slot with a mix of DL, UL and guard symbols; U denotes a slot with all UL symbols. The field is for information. Note 2: D, G, U denote DL, guard and UL symbols, respectively. The field is for information. Note 3: i is the slot index per frame; $i = \{0, \dots, 19\}$ Note 4: There shall be no PUSCH or PUCCH or SRS transmitted in slot 7, slot 17, slot 18 and slot 19 to meet the specific UplinkDutyCycle.			

Table6.2G.1.4.3-8: TDD UL-DL pattern for SCS 30 KHz (UplinkDutyCycle=20%)

Parameter		Unit	UL-DL pattern
TDD Slot Configuration pattern (Note 1)			7DS2U
Special Slot Configuration (Note 2)			6D+4G+4U
UL-DL configuration (<i>tdd-UL-DL-ConfigurationCommon</i>)	<i>referenceSubcarrierSpacing</i>	kHz	30
	<i>dl-UL-TransmissionPeriodicity</i>	ms	5
	<i>nrofDownlinkSlots</i>		7
	<i>nrofDownlinkSymbols</i>		6
	<i>nrofUplinkSlot</i>		2
	<i>nrofUplinkSymbols</i>		4
K1 value (PDSCH-to-HARQ-timing-indicator)			[8] if $\text{mod}(i,10) = 0$ [7] if $\text{mod}(i,10) = 1$ [6] if $\text{mod}(i,10) = 2$ [5] if $\text{mod}(i,10) = 3$ [5] if $\text{mod}(i,10) = 4$ [4] if $\text{mod}(i,10) = 5$ [3] if $\text{mod}(i,10) = 6$ [2] if $\text{mod}(i,10) = 7$
Note 1: D denotes a slot with all DL symbols; S denotes a slot with a mix of DL, UL and guard symbols; U denotes a slot with all UL symbols. The field is for information. Note 2: D, G, U denote DL, guard and UL symbols, respectively. The field is for information. Note 3: i is the slot index per frame; $i = \{0, \dots, 19\}$ Note 4: There shall be no PUSCH or PUCCH or SRS transmitted in slot 7 and slot 17 to meet the specific UplinkDutyCycle.			

Table 6.2G.1.4.3-9: TDD UL-DL pattern for SCS 30 KHz (UplinkDutyCycle=30%)

Parameter	Unit	UL-DL pattern
TDD Slot Configuration pattern (Note 1)		DDDSU DDSUU

Special Slot Configuration (Note 2)			10D+2G+2U ⁴
UL-DL configuration (<i>tdd-UL-DL-ConfigurationCommon</i>)	<i>referenceSubcarrierSpacing</i>	kHz	30
	<i>dl-UL-TransmissionPeriodicity</i>	ms	2.5 dual
	<i>nrofDownlinkSlots</i>		3
	<i>nrofDownlinkSymbols</i>		10
	<i>nrofUplinkSlot</i>		1
UL-DL configuration2 (<i>tdd-UL-DL-ConfigurationCommon2</i>)	<i>referenceSubcarrierSpacing</i>	kHz	30
	<i>dl-UL-TransmissionPeriodicity</i>	ms	2.5 dual
	<i>nrofDownlinkSlots</i>		2
	<i>nrofDownlinkSymbols</i>		10
	<i>nrofUplinkSlot</i>		2
K1 value (PDSCH-to-HARQ-timing-indicator)			[4] if mod(i,10) = 0 [3] if mod(i,10) = 1 [6] if mod(i,10) = 2 [5] if mod(i,10) = 3 [4] if mod(i,10) = 5 [3] if mod(i,10) = 6 [2] if mod(i,10) = 7
	<p>Note 1: D denotes a slot with all DL symbols; S denotes a slot with a mix of DL, UL and guard symbols; U denotes a slot with all UL symbols. The field is for information.</p> <p>Note 2: D, G, U denote DL, guard and UL symbols, respectively. The field is for information.</p> <p>Note 3: i is the slot index per frame; i = {0,...,19}</p> <p>Note 4: There shall be no PUSCH or PUCCH or SRS transmitted in slot 3, slot 7, slot 13 and slot 17 to meet the specific UplinkDutyCycle.</p>		

Table 6.2G.1.4.3-10: TDD UL-DL pattern for SCS 30 KHz (*UplinkDutyCycle*=40%)

Parameter		Unit	UL-DL pattern
TDD Slot Configuration pattern (Note 1)			DDSUU
Special Slot Configuration (Note 2)			10D+2G+2U ⁴
UL-DL configuration (<i>tdd-UL-DL-ConfigurationCommon</i>)	<i>referenceSubcarrierSpacing</i>	kHz	30
	<i>dl-UL-TransmissionPeriodicity</i>	ms	2.5 single
	<i>nrofDownlinkSlots</i>		2
	<i>nrofDownlinkSymbols</i>		10
	<i>nrofUplinkSlot</i>		2
K1 value (PDSCH-to-HARQ-timing-indicator)			[4] if mod(i,5) = 0 [7] if mod(i,5) = 1 [6] if mod(i,5) = 2
	<p>Note 1: D denotes a slot with all DL symbols; S denotes a slot with a mix of DL, UL and guard symbols; U denotes a slot with all UL symbols. The field is for information.</p> <p>Note 2: D, G, U denote DL, guard and UL symbols, respectively. The field is for information.</p> <p>Note 3: i is the slot index per frame; i = {0,...,19}</p> <p>Note 4: There shall be no PUSCH or PUCCH or SRS transmitted in slot 2, slot 7, slot 12 and slot 17 to meet the specific UplinkDutyCycle.</p>		

6.2G.1.5 Test requirement

The maximum output power, derived in step 3 shall be within the range prescribed by the nominal maximum output power and tolerance in Table 6.2G.1.5-1 for Power Class 2, Table 6.2G.1.5-2 for Power Class 1.5 and Table 6.2G.1.5-4 for Power Class 3.

The maximum output power, derived in step 4 shall be within the range prescribed by the nominal maximum output power and tolerance in Table 6.2G.1.5-4 for Power Class 3 and Table 6.2G.1.5-1 for Power Class 2.

The maximum output power, derived in step 5 shall be within the range prescribed by the nominal maximum output power and tolerance in Table 6.2G.1.5-4 for Power Class 3.

The maximum output power, derived in step 6 shall be within the range prescribed by the nominal maximum output power and tolerance in Table 6.2G.1.5-2 for Power Class 1.5.

The maximum output power, derived in step 7 shall be within the range prescribed by the nominal maximum output power and tolerance in Table 6.2G.1.5-1 for Power Class 2.

The maximum output power, derived in step 8 shall be within the range prescribed by the nominal maximum output power and tolerance in Table 6.2G.1.5-4 for Power Class 3.

The maximum output power, derived in step 9 shall be within the range prescribed by the nominal maximum output power and tolerance in Table 6.2G.1.5-1 for Power Class 2.

Table 6.2G.1.5-1: Maximum Output Power test requirement for Power Class 2

NR band	Class 1 (dBm)	Tolerance (dB)	Class 2 (dBm)	Tolerance (dB)	Class 3 (dBm)	Tolerance (dB)
n1			26	+2+TT/-3- TT		
n3			26	+2+TT/- 3 ³ -TT		
n34			26	+2+TT/-3- TT		
n39			26	+2+TT/-3- TT		
n40			26	+2+TT/-3- TT		
n41			26	+2+TT/- 3 ³ -TT		
n77			26	+2+TT/-3- TT		
n78			26	+2+TT/-3- TT		
n79			26	+2+TT/-3- TT		
NOTE 1: P _{PowerClass} is the maximum UE power specified without taking into account the tolerance						
NOTE 2: Power class 3 is default power class unless otherwise stated						
NOTE 3: Refers to the transmission bandwidths confined within F _{UL_low} and F _{UL_low} + 4 MHz or F _{UL_high} - 4 MHz and F _{UL_high} , the maximum output power requirement is relaxed by reducing the lower tolerance limit by 1.5 dB						
NOTE 4: TT for each frequency and channel bandwidth is specified in Table 6.2G.1.5-3						

Table 6.2G.1.5-2: Maximum Output Power test requirement for Power Class 1.5

NR band	Class 1.5 (dBm)	Tolerance (dB)	Class 2 (dBm)	Tolerance (dB)	Class 3 (dBm)	Tolerance (dB)
n34	29 ⁵	+2+TT/-3- TT				
n39	29 ⁵	+2+TT/-3- TT				
n40	29 ⁵	+2+TT/-3- TT				
n41	29 ⁵	+2+TT/- 3 ³ -TT				
n77	29 ⁵	+2+TT/-3- TT				
n78	29 ⁵	+2+TT/-3- TT				
n79	29 ⁵	+2+TT/-3- TT				
NOTE 1: P _{PowerClass} is the maximum UE power specified without taking into account the tolerance						
NOTE 2: Power class 3 is default power class unless otherwise stated						
NOTE 3: Refers to the transmission bandwidths confined within F _{UL_low} and F _{UL_low} + 4 MHz or F _{UL_high} - 4 MHz and F _{UL_high} , the maximum output power requirement is relaxed by reducing the lower tolerance limit by 1.5 dB						
NOTE 4: TT for each frequency and channel bandwidth is specified in Table 6.2G.1.5-3						

NOTE 5: Achieved via dual Tx
 NOTE 6: No test required since there is no satisfying test points defined.

Table 6.2G.1.5-3: Test Tolerance (UE maximum output power)

	$f \leq 3.0\text{GHz}$	$3.0\text{GHz} < f \leq 4.2\text{GHz}$	$4.2\text{GHz} < f \leq 6.0\text{GHz}$
BW $\leq 40\text{MHz}$	0.7 dB	1.0 dB	1.0 dB
$40\text{MHz} < \text{BW} \leq 100\text{MHz}$	1.0 dB	1.0 dB	1.0 dB

Table 6.2G.1.5-4: Maximum Output Power test requirement for Power Class 3

NR band	Class 1 (dBm)	Tolerance (dB)	Class 2 (dBm)	Tolerance (dB)	Class 3 (dBm)	Tolerance (dB)
n1					23	+2+TT/-3-TT
n2					23	+2+TT/-3 ³ -TT
n3					23	+2+TT/-3 ³ -TT
n5					23	+2+TT/-3-TT
n7					23	+2+TT/-3 ³ -TT
n8					23	+2+TT/-3 ³ -TT
n12					23	+2+TT/-3 ³ -TT
n14					23	+2+TT/-3-TT
n20					23	+2+TT/-3 ³ -TT
n24					23	+2+TT/-3 ³ -TT
n25					23	+2+TT/-3 ³ -TT
n26					23	+2+TT/-3 ³ -TT
n28					23	+2+TT/-3-TT
n30					23	+2+TT/-3-TT
n34					23	+2+TT/-3-TT
n38					23	+2+TT/-3-TT
n39					23	+2+TT/-3-TT
n40					23	+2+TT/-3-TT
n41					23	+2+TT/-3 ³ -TT
n48					23	+2+TT/-3-TT
n50					23	+2+TT/-3-TT
n51					23	+2+TT/-3-TT
n53					23	+2+TT/-3-TT
n65					23	+2+TT/-3-TT
n66					23	+2+TT/-3-TT
n70					23	+2+TT/-3-TT
n71					23	+2+TT/-3-TT
n74					23	+2+TT/-3-TT
n77					23	+2+TT/-3-TT
n78					23	+2+TT/-3-TT
n79					23	+2+TT/-3-TT

NOTE 1: P_{PowerClass} is the maximum UE power specified without taking into account the tolerance
 NOTE 2: Power class 3 is default power class unless otherwise stated
 NOTE 3: Refers to the transmission bandwidths confined within F_{UL_low} and F_{UL_low} + 4 MHz or F_{UL_high} – 4 MHz and F_{UL_high}, the maximum output power requirement is relaxed by reducing the lower tolerance limit by 1.5 dB
 NOTE 4: TT for each frequency and channel bandwidth is specified in Table 6.2G.1.5-3

For the UE which supports inter-band NR CA configuration, inter-band NR-DC configuration, SUL configuration or inter-band EN-DC configuration, $\Delta T_{IB,c}$ as specified in 6.2A.4.0.2 for NR CA, 6.2B.4.0.2 for NR-DC, clause 6.2C.2 for SUL, or TS 38.521-3 [14] clause 6.2B.4.2 for EN-DC applies. Unless otherwise stated, $\Delta T_{IB,c}$ is set to zero. In case the UE supports more than one of band combinations for CA, NR-DC, SUL or EN-DC, and an operating band belongs to more than one band combinations then

- a) When the operating band frequency range is ≤ 1 GHz, the applicable additional $\Delta T_{IB,c}$ shall be the average value for all band combinations defined in clause 6.2A.4.0.2, 6.2B.4.0.2, 6.2C.2 in this specification and 6.2B.4.2 in TS 38.521-3 [14], truncated to one decimal place that apply for that operating band among the supported band combinations. In case there is a harmonic relation between low band UL and high band DL, then the maximum $\Delta T_{IB,c}$ among the different supported band combinations involving such band shall be applied.
- b) When the operating band frequency range is > 1 GHz, the applicable additional $\Delta T_{IB,c}$ shall be the maximum value for all band combinations defined in clause 6.2A.4.0.2, 6.2B.4.0.2, 6.2C.2 in this specification and 6.2B.4.2 in TS 38.521-3 [14] for the applicable operating bands.

6.2G.2 UE maximum output power reduction for Tx Diversity

6.2G.2.1 Test purpose

The number of RB identified in Table 6.2D.2.3-1 and Table 6.2D.2.3-2 is based on meeting the requirements for adjacent channel leakage ratio and the maximum power reduction (MPR) due to Cubic Metric (CM).

6.2G.2.2 Test applicability

This test case applies to all types of NR Power Class 1.5, Power Class 2 and Power Class 3 UE release 15 and forward that support Tx diversity.

NOTE: Test execution is not necessary if TS 38.521-1 6.5G.2.3.1 is executed.

6.2G.2.3 Minimum conformance requirements

For UE supporting Tx diversity, the allowed MPR for the maximum output power is specified in Table 6.2.2-1, Table 6.2D.2.3-1, Table 6.2D.2.3-2 and Table 6.2D.2.3-3 for UE power class 3, 2 and 1.5 respectively. For UE power class 1.5, the allowed maximum power reduction (MPR) defined in Table 6.2D.2.3-3 is in accordance with the indicated *modifiedMPR-Behavior* specified in Table L.1-1 for channel bandwidths ≤ 100 MHz. The maximum output power is defined as the sum of the maximum output power at each UE antenna connector. If a UE that supports PC1.5 has to apply the requirements of PC2 according to the rules in clause 6.2.1, the MPR requirements in Table 6.2.2-2 apply.

For the UE maximum output power modified by MPR, the power limits specified in subclause 6.2G.4 apply.

The normative reference for this requirement is TS 38.101-1 [2] clause 6.2G.2.

6.2G.2.4 Test description

6.2G.2.4.1 Initial conditions

Initial conditions are a set of test configurations the UE needs to be tested in and the steps for the SS to take with the UE to reach the correct measurement state.

The initial test configurations consist of environmental conditions, test frequencies, channel bandwidths and sub-carrier spacing based on NR operating bands specified in Table 5.3.5-1. All of these configurations shall be tested with applicable test parameters for each combination of test channel bandwidth and sub-carrier spacing, and are shown in Table 6.2G.2.4.1-1, Table 6.2G.2.4.1-2, and Table 6.2G.2.4.1-3. The details of the uplink reference measurement channels (RMCs) are specified in Annexes A.2. Configurations of PDSCH and PDCCH before measurement are specified in Annex C.2.

Table 6.2G.2.4.1-1: Test Configuration Table for power class 2 (contiguous allocation)

	Initial Conditions
Test Environment as specified in TS 38.508-1 [5] subclause 4.1	Normal, TL/VL, TL/VH, TH/VL, TH/VH
Test Frequencies as specified in TS 38.508-1 [5] subclause 4.3.1	Low range, High range
Test Channel Bandwidths as specified in TS 38.508-1 [5] subclause 4.3.1	Lowest, Highest

Test SCS as specified in Table 5.3.5-1		Lowest, Highest	
Test Parameters for Channel Bandwidths			
Test ID	Freq	Downlink Configuration	Uplink Configuration
1 2 3 4 5 6 7 8 9 10 11 12 13 14 15 16 17 18 19 20 21 22 23 24 25 26 27 28 29 30 31 32	Default	N/A for Maximum Power Reduction (MPR) test case	Modulation (NOTE 2) DFT-s-OFDM Pi/2 BPSK
	Low		DFT-s-OFDM Pi/2 BPSK
	High		DFT-s-OFDM Pi/2 BPSK
	Default		DFT-s-OFDM Pi/2 BPSK
	Default		DFT-s-OFDM QPSK
	Low		DFT-s-OFDM QPSK
	High		DFT-s-OFDM QPSK
	Default		DFT-s-OFDM QPSK
	Default		DFT-s-OFDM 16 QAM
	Low		DFT-s-OFDM 16 QAM
	High		DFT-s-OFDM 16 QAM
	Default		DFT-s-OFDM 16 QAM
	Low		DFT-s-OFDM 64 QAM
	High		DFT-s-OFDM 64 QAM
	Default		DFT-s-OFDM 64 QAM
	Low		DFT-s-OFDM 256 QAM
	High		DFT-s-OFDM 256 QAM
	Default		DFT-s-OFDM 256 QAM
	Default		CP-OFDM QPSK
	Low		CP-OFDM QPSK
	High		CP-OFDM QPSK
	Default		CP-OFDM QPSK
	Default		CP-OFDM 16 QAM
	Low		CP-OFDM 16 QAM
	High		CP-OFDM 16 QAM
	Default		CP-OFDM 16 QAM
	Low		CP-OFDM 64 QAM
	High		CP-OFDM 64 QAM
	Default		CP-OFDM 64 QAM
	Low		CP-OFDM 256 QAM
	High		CP-OFDM 256 QAM
	Default		CP-OFDM 256 QAM

NOTE 1: The specific configuration of each RB allocation is defined in Table 6.1-1.
 NOTE 2: DFT-s-OFDM Pi/2 BPSK test applies only for UEs which supports Pi/2 BPSK in FR1.

Table 6.2G.2.4.1-2: Test Configuration Table for power class 1.5 UE and power class 1.5 FWA (contiguous allocation)

Initial Conditions			
Test Environment as specified in TS 38.508-1 [5] subclause 4.1		Normal, TL/VL, TL/VH, TH/VL, TH/VH	
Test Frequencies as specified in TS 38.508-1 [5] subclause 4.3.1		Low range, High range	
Test Channel Bandwidths as specified in TS 38.508-1 [5] subclause 4.3.1		Lowest, Highest	
Test SCS as specified in Table 5.3.5-1		Lowest, Highest	
Test Parameters for Channel Bandwidths			
Test ID	Freq	Downlink Configuration	Uplink Configuration
1 2 3 4 5 6 7 8	Default	N/A for Maximum Power Reduction (MPR) test case	Modulation (NOTE 2) DFT-s-OFDM Pi/2 BPSK
	Low		DFT-s-OFDM Pi/2 BPSK
	High		DFT-s-OFDM Pi/2 BPSK
	Default		DFT-s-OFDM Pi/2 BPSK
	Default		DFT-s-OFDM QPSK
	Low		DFT-s-OFDM QPSK
	High		DFT-s-OFDM QPSK
	Default		DFT-s-OFDM QPSK

9	Default	DFT-s-OFDM 16 QAM	Inner Full
10	Low	DFT-s-OFDM 16 QAM	Edge_1RB_Left
11	High	DFT-s-OFDM 16 QAM	Edge_1RB_Right
12	Default	DFT-s-OFDM 16 QAM	Outer Full
13	Default	DFT-s-OFDM_64_QAM	Inner Full
14	Low	DFT-s-OFDM 64 QAM	Edge_1RB_Left
15	High	DFT-s-OFDM 64 QAM	Edge_1RB_Right
16	Default	DFT-s-OFDM 64 QAM	Outer Full
17	Default	DFT-s-OFDM_256_QAM	Inner Full
18	Low	DFT-s-OFDM 256 QAM	Edge_1RB_Left
19	High	DFT-s-OFDM 256 QAM	Edge_1RB_Right
20	Default	DFT-s-OFDM 256 QAM	Outer Full
21	Default	CP-OFDM QPSK	Inner Full
22	Low	CP-OFDM QPSK	Edge_1RB_Left
23	High	CP-OFDM QPSK	Edge_1RB_Right
24	Default	CP-OFDM QPSK	Outer Full
25	Default	CP-OFDM 16 QAM	Inner Full
26	Low	CP-OFDM 16 QAM	Edge_1RB_Left
27	High	CP-OFDM 16 QAM	Edge_1RB_Right
28	Default	CP-OFDM 16 QAM	Outer Full
29	Default	CP-OFDM 64 QAM	Inner Full
30	Low	CP-OFDM 64 QAM	Edge_1RB_Left
31	High	CP-OFDM 64 QAM	Edge_1RB_Right
32	Default	CP-OFDM 64 QAM	Outer Full
33	Default	CP-OFDM 256 QAM	Inner Full
34	Low	CP-OFDM 256 QAM	Edge_1RB_Left
35	High	CP-OFDM 256 QAM	Edge_1RB_Right
36	Default	CP-OFDM 256 QAM	Outer Full

NOTE 1: The specific configuration of each RB allocation is defined in Table 6.1-1.

NOTE 2: DFT-s-OFDM Pi/2 BPSK test applies only for UEs which supports Pi/2 BPSK in FR1.

Table 6.2G.2.4.1-2a: Test Configuration Table for power class 3 (contiguous allocation)

Initial Conditions				
Test Environment as specified in TS 38.508-1 [5] subclause 4.1		Normal, TL/VL, TL/VH, TH/VL, TH/VH		
Test Frequencies as specified in TS 38.508-1 [5] subclause 4.3.1		Low range, High range		
Test Channel Bandwidths as specified in TS 38.508-1 [5] subclause 4.3.1		Lowest, Highest		
Test SCS as specified in Table 5.3.5-1		Lowest, Highest		
Test Parameters for Channel Bandwidths				
Test ID	Freq	Downlink Configuration	Uplink Configuration	
		N/A for Maximum Power Reduction (MPR) test case	Modulation (NOTE 2) DFT-s-OFDM Pi/2 BPSK	RB allocation (NOTE 1) Inner Full
1 ³	Default		DFT-s-OFDM Pi/2 BPSK	Inner Full
2 ³	Low		DFT-s-OFDM Pi/2 BPSK	Edge_1RB_Left
3 ³	High		DFT-s-OFDM Pi/2 BPSK	Edge_1RB_Right
4 ³	Default		DFT-s-OFDM Pi/2 BPSK	Outer Full
5 ⁴	Default		DFT-s-OFDM Pi/2 BPSK	Inner Full
6 ⁴	Low		DFT-s-OFDM Pi/2 BPSK	Edge_1RB_Left
7 ⁴	High		DFT-s-OFDM Pi/2 BPSK	Edge_1RB_Right
8 ⁴	Default		DFT-s-OFDM Pi/2 BPSK	Outer Full
9	Default		DFT-s-OFDM QPSK	Inner Full
10	Low		DFT-s-OFDM QPSK	Edge_1RB_Left
11	High		DFT-s-OFDM QPSK	Edge_1RB_Right
12	Default		DFT-s-OFDM QPSK	Outer Full
13	Default		DFT-s-OFDM 16 QAM	Inner Full
14	Low		DFT-s-OFDM 16 QAM	Edge_1RB_Left
15	High		DFT-s-OFDM 16 QAM	Edge_1RB_Right
16	Default		DFT-s-OFDM 16 QAM	Outer Full
17	Low		DFT-s-OFDM 64 QAM	Edge_1RB_Left
18	High		DFT-s-OFDM 64 QAM	Edge_1RB_Right
19	Default	DFT-s-OFDM 64 QAM	Outer Full	

20	Low	DFT-s-OFDM 256 QAM	Edge_1RB_Left
21	High	DFT-s-OFDM 256 QAM	Edge_1RB_Right
22	Default	DFT-s-OFDM 256 QAM	Outer Full
23	Default	CP-OFDM QPSK	Inner Full
24	Low	CP-OFDM QPSK	Edge_1RB_Left
25	High	CP-OFDM QPSK	Edge_1RB_Right
26	Default	CP-OFDM QPSK	Outer Full
27	Default	CP-OFDM 16 QAM	Inner Full
28	Low	CP-OFDM 16 QAM	Edge_1RB_Left
29	High	CP-OFDM 16 QAM	Edge_1RB_Right
30	Default	CP-OFDM 16 QAM	Outer Full
31	Low	CP-OFDM 64 QAM	Edge_1RB_Left
32	High	CP-OFDM 64 QAM	Edge_1RB_Right
33	Default	CP-OFDM 64 QAM	Outer Full
34	Low	CP-OFDM 256 QAM	Edge_1RB_Left
35	High	CP-OFDM 256 QAM	Edge_1RB_Right
36	Default	CP-OFDM 256 QAM	Outer Full
37 ^{4,5}	Low	DFT-s-OFDM Pi/2 BPSK w Pi/2 BPSK DMRS	Edge_1RB_Left
38 ^{4,5}	High	DFT-s-OFDM Pi/2 BPSK w Pi/2 BPSK DMRS	Edge_1RB_Right
39 ^{4,5}	Default	DFT-s-OFDM Pi/2 BPSK w Pi/2 BPSK DMRS	Outer Full

NOTE 1: The specific configuration of each RB allocation is defined in Table 6.1-1.
 NOTE 2: DFT-s-OFDM Pi/2 BPSK test applies only for UEs which supports Pi/2 BPSK in FR1.
 NOTE 3: UE operating in TDD mode with Pi/2 BPSK modulation and UE indicates support for UE capability *powerBoosting-pi2BPSK* and the IE *powerBoostPi2BPSK* is set to 1 for bands n40, n41, n77, n78 and n79.
 NOTE 4: UE operating in FDD mode, or in TDD mode in bands other than n40, n41, n77, n78 and n79, or in TDD mode the IE *powerBoostPi2BPSK* is set to 0 for bands n40, n41, n77, n78 and n79.
 NOTE 5: Applicable to UEs indicating support for UE capability *lowPAPR-DMRS-PUSCHwithPrecoding-r16*.

Table 6.2G.2.4.1-3: Test Configuration Table for power class 2 and 3 (almost contiguous allocation)

Initial Conditions				
Test Environment as specified in TS 38.508-1 [5] subclause 4.1		Normal, TL/VL, TL/VH, TH/VL, TH/VH		
Test Frequencies as specified in TS 38.508-1 [5] subclause 4.3.1		Low range, High range		
Test Channel Bandwidths as specified in TS 38.508-1 [5] subclause 4.3.1		Highest		
Test SCS as specified in Table 5.3.5-1		Lowest, Highest		
Test Parameters for Channel Bandwidths				
Test ID	Freq	Downlink Configuration	Uplink Configuration	
		N/A for Maximum Power	Modulation	
			RB allocation (NOTE 1)	
1	Default		CP-OFDM QPSK	Inner Full
2	Default		CP-OFDM QPSK	Outer Full
3	Default		CP-OFDM 16 QAM	Inner Full
4	Default		CP-OFDM 16 QAM	Outer Full
5	Default		CP-OFDM 64 QAM	Outer Full
6	Default	CP-OFDM 256 QAM	Outer Full	

NOTE 1: The specific configuration of each RB allocation is defined in Table 6.2.2.4.1-4, 6.2.2.4.1-4a and 6.2.2.4.1-4b.
 NOTE 2: Test applies only for UEs which support almost contiguous UL CP-OFDM transmissions. For PC2 UE which support almost contiguous UL CP-OFDM transmissions, test is only applicable for Release 16 and forward.

1. Connect the SS to the UE antenna connectors as shown in TS 38.508-1 [5] Annex A, Figure A.3.1.2.1 for TE diagram and section A.3.2 for UE diagram.
2. The parameter settings for the cell are set up according to TS 38.508-1 [5] subclause 4.4.3.
3. Downlink signals are initially set up according to Annex C.0, C.1, C.2, and uplink signals according to Annex G.0, G.1, G.2, G.3.0.

4. The UL Reference Measurement Channel is set according to Table 6.2G.2.4.1-1, Table 6.2G.2.4.1-2 and Table 6.2G.2.4.1-3.
5. Propagation conditions are set according to Annex B.0.
6. Ensure the UE is in State RRC_CONNECTED with generic procedure parameters Connectivity *NR*, Connected without release *On*, Test Mode *On* and Test Loop Function *On* according to TS 38.508-1 [5] clause 4.5. Message contents are defined in clause 6.2G.2.4.3.

6.2G.2.4.2 Test procedure

1. SS sends uplink scheduling information for each UL HARQ process via PDCCH DCI format 0_1 for C_RNTI to schedule the UL RMC according to Table 6.2G.2.4.1-1, Table 6.2G.2.4.1-2, Table 6.2G.2.4.1-2a and Table 6.2G.2.4.1-3. Since the UE has no payload and no loopback data to send the UE sends uplink MAC padding bits on the UL RMC.
2. Send continuously uplink power control "up" commands in every uplink scheduling information to the UE; allow at least 200ms for the UE to reach P_{UMAX} level.
3. Measure the sum of the mean power of the UE at each antenna connector in the channel bandwidth of the radio access mode. The period of measurement shall be at least the continuous duration of 1ms over consecutive active uplink slots. For TDD, only slots consisting of only UL symbols are under test.
4. For UEs supporting Power Class 1.5 and Power Class 2, repeat steps 1~3 for Test ID 16 and 22 in Table 6.2G.2.4.1-2a on the applicable bands with message exception of P-Max defined in Table 6.2G.2.4.3-2.
5. For UEs supporting Power Class 1.5, repeat steps 1~3 for all Test IDs in Table 6.2G.2.4.1-1 on the applicable bands with message exception of P-Max defined in Table 6.2G.2.4.3-3.

NOTE 1: When switching to DFT-s-OFDM waveform, as specified in the test configuration Table 6.2G.2.4.1-1 and Table 6.2G.2.4.1-2, send an NR RRCReconfiguration message according to TS 38.508-1 [5] clause 4.6.3 Table 4.6.3-118 PUSCH-Config with TRANSFORM_PRECODER_ENABLED condition.

6.2G.2.4.3 Message contents

Message contents are according to TS 38.508-1 [5] subclause 4.6 and 5.4 with the following exceptions:

Table 6.2G.2.4.3-1: PUSCH-Config

Derivation Path: TS 38.508-1 [5] subclause 4.6.3 Table 4.6.3-118 PUSCH-Config			
Information Element	Value/remark	Comment	Condition
PUSCH-Config ::= SEQUENCE {			
resourceAllocation	resourceAllocationType0		Almost contiguous allocation
	resourceAllocationType1		Contiguous allocation
}			

Table 6.2G.2.4.3-2: P-Max (Step 4)

Derivation Path: TS 38.508-1 [5], Table 4.6.3-89			
Information Element	Value/remark	Comment	Condition
P-Max	23		PC2 UE or PC1.5 UE

Table 6.2G.2.4.3-3: P-Max (Step 5)

Derivation Path: TS 38.508-1 [5], Table 4.6.3-89			
Information Element	Value/remark	Comment	Condition
P-Max	26		PC1.5 UE

6.2G.2.5 Test requirement

The maximum output power, derived in step 3 shall be within the range prescribed by the nominal maximum output power and tolerance in Table 6.2G.2.5-1 to Table 6.2G.2.5-12.

The maximum output power, derived in step 4 shall be within the range prescribed by the nominal maximum output power and tolerance in Table 6.2G.2.5-5 to Table 6.2G.2.5-12.

The maximum output power, derived in step 5 shall be within the range prescribed by the nominal maximum output power and tolerance in Table 6.2G.2.5-2b.

Table 6.2G.2.5-1: UE Power Class test requirements (for Bands n34, n39, n40, n41, n77, n78, n79) for Power Class 2 (contiguous allocation)

Test ID	P ^{PowerClass} (dBm)	$\Delta P^{\text{PowerClass}}$ (dB)	MPR (dB)	$\Delta T_{C,c}$ (dB)	P _{C_{MAX}_L,f,c} (dBm)	T(P _{C_{MAX}_L,f,c}) (dB)	T _{L,c} (dB)	Upper limit (dBm)	Lower limit (dBm)
1	26	0	0	0 (1.5 ²)	26.0 (24.5 ²)	3.0	3	28.0 + TT	23.0 - TT (21.5 - TT ²)
2	26	0	3.5	0 (1.5 ²)	22.5 (21.0 ²)	5.0	3	28.0 + TT	17.5 - TT (16.0 - TT ²)
3	26	0	3.5	0 (1.5 ²)	22.5 (21.0 ²)	5.0	3	28.0 + TT	17.5 - TT (16.0 - TT ²)
4	26	0	1	0 (1.5 ²)	25.0 (23.5 ²)	3.0	3	28.0 + TT	22.0 - TT (20.5 - TT ²)
5	26	0	0.5	0 (1.5 ²)	25.5 (24.0 ²)	3.0	3	28.0 + TT	22.5 - TT (21.0 - TT ²)
6	26	0	3.5	0 (1.5 ²)	22.5 (21.0 ²)	5.0	3	28.0 + TT	17.5 - TT (16.0 - TT ²)
7	26	0	3.5	0 (1.5 ²)	22.5 (21.0 ²)	5.0	3	28.0 + TT	17.5 - TT (16.0 - TT ²)
8	26	0	2	0 (1.5 ²)	24.0 (22.5 ²)	3.0 (5.0 ²)	3	28.0 + TT	21.0 - TT (17.5 - TT ²)
9	26	0	1.5	0 (1.5 ²)	24.5 (23.0 ²)	3.0	3	28.0 + TT	21.5 - TT (20.0 - TT ²)
10	26	0	3.5	0 (1.5 ²)	22.5 (21.0 ²)	5.0	3	28.0 + TT	17.5 - TT (16.0 - TT ²)
11	26	0	3.5	0 (1.5 ²)	22.5 (21.0 ²)	5.0	3	28.0 + TT	17.5 - TT (16.0 - TT ²)
12	26	0	2.5	0 (1.5 ²)	23.5 (22.0 ²)	3.0 (5.0 ²)	3	28.0 + TT	20.5 - TT (17.0 - TT ²)
13	26	0	3.5	0 (1.5 ²)	22.5 (21.0 ²)	5.0	3	28.0 + TT	17.5 - TT (16.0 - TT ²)
14	26	0	3.5	0 (1.5 ²)	22.5 (21.0 ²)	5.0	3	28.0 + TT	17.5 - TT (16.0 - TT ²)
15	26	0	3	0 (1.5 ²)	23.0 (21.5 ²)	3.0 (5.0 ²)	3	28.0 + TT	20.0 - TT (16.5 - TT ²)
16	26	0	5.5	0 (1.5 ²)	20.5 (19.0 ²)	6.0 (5.0 ²)	3	28.0 + TT	14.5 - TT (14.0 - TT ²)
17	26	0	5.5	0 (1.5 ²)	20.5 (19.0 ²)	6.0 (5.0 ²)	3	28.0 + TT	14.5 - TT (14.0 - TT ²)
18	26	0	5.5	0 (1.5 ²)	20.5 (19.0 ²)	6.0 (5.0 ²)	3	28.0 + TT	14.5 - TT (14.0 - TT ²)
19	26	0	2	0 (1.5 ²)	24.0 (22.5 ²)	3.0 (5.0 ²)	3	28.0 + TT	21.0 - TT (17.5 - TT ²)
20	26	0	4.0	0 (1.5 ²)	22.0 (20.5 ²)	5.0 (6.0 ²)	3	28.0 + TT	17.0 - TT (14.5 - TT ²)
21	26	0	4.0	0 (1.5 ²)	22.0 (20.5 ²)	5.0 (6.0 ²)	3	28.0 + TT	17.0 - TT (14.5 - TT ²)
22	26	0	3.5	0 (1.5 ²)	22.5 (21.0 ²)	5.0	3	28.0 + TT	17.5 - TT (16.0 - TT ²)
23	26	0	2.5	0 (1.5 ²)	23.5 (22.0 ²)	3.0 (5.0 ²)	3	28.0 + TT	20.5 - TT (17.0 - TT ²)
24	26	0	4.0	0 (1.5 ²)	22.0 (20.5 ²)	5.0 (6.0 ²)	3	28.0 + TT	17.0 - TT (14.5 - TT ²)

Test ID	P ^{PowerClass} (dBm)	$\Delta P^{\text{PowerClass}}$ (dB)	MPR (dB)	$\Delta T_{C,c}$ (dB)	P _{C_{MAX}_L,f,c} (dBm)	T(P _{C_{MAX}_L,f,c}) (dB)	T _{L,c} (dB)	Upper limit (dBm)	Lower limit (dBm)
---------	-------------------------------	-------------------------------------	----------	-----------------------	--	---	-----------------------	-------------------	-------------------

25	26	0	4.0	0	(1.5 ²)	22.0	(20.5 ²)	5.0	(6.0 ²)	3	28.0 + TT	17.0 - TT	(14.5 - TT ²)
26	26	0	3.5	0	(1.5 ²)	22.5	(21.0 ²)	5.0		3	28.0 + TT	17.5 - TT	(16.0 - TT ²)
27	26	0	4.5	0	(1.5 ²)	21.5	(20.0 ²)	5.0	(6.0 ²)	3	28.0 + TT	16.5 - TT	(14.0 - TT ²)
28	26	0	4.5	0	(1.5 ²)	21.5	(20.0 ²)	5.0	(6.0 ²)	3	28.0 + TT	16.5 - TT	(14.0 - TT ²)
29	26	0	4.5	0	(1.5 ²)	21.5	(20.0 ²)	5.0	(6.0 ²)	3	28.0 + TT	16.5 - TT	(14.0 - TT ²)
30	26	0	8.0	0	(1.5 ²)	18.0	(16.5 ²)	5.0		3	28.0 + TT	13.0 - TT	(11.5 - TT ²)
31	26	0	8.0	0	(1.5 ²)	18.0	(16.5 ²)	5.0		3	28.0 + TT	13.0 - TT	(11.5 - TT ²)
32	26	0	8.0	0	(1.5 ²)	18.0	(16.5 ²)	5.0		3	28.0 + TT	13.0 - TT	(11.5 - TT ²)

NOTE 1: $P_{\text{PowerClass}}$ is the maximum UE power specified without taking into account the tolerance.

NOTE 2: For Band n41, transmission bandwidths confined within $F_{\text{UL_low}}$ and $F_{\text{UL_low}} + 4$ MHz or $F_{\text{UL_high}} - 4$ MHz and $F_{\text{UL_high}}$.

NOTE 3: TT for each frequency and channel bandwidth is specified in Table 6.2G.2.5-4.

Table 6.2G.2.5-2: UE Power Class test requirements (for Band n34, n39, n40, n41, n77, n78, n79) for Power Class 1.5 (contiguous allocation)

Test ID	P _{PowerClass} (dBm)	ΔP _{PowerClass} (dB)	MPR (dB)	ΔT _{C,c} (dB)	P _{C_{MAX}_L,f,c} (dBm)	T(P _{C_{MAX}_L,f,c}) (dB)	T _{L,c} (dB)	Upper limit (dBm)	Lower limit (dBm)
1	29	0	0.5	0 (1.5 ²)	28.5 (27.0 ²)	3.0	3	31.0 + TT	25.5 - TT (24.0 - TT ²)
2	29	0	6	0 (1.5 ²)	23.0 (21.5 ²)	3.0 (5.0 ²)	3	31.0 + TT	20.0 - TT (16.5 - TT ²)
3	29	0	6	0 (1.5 ²)	23.0 (21.5 ²)	3.0 (5.0 ²)	3	31.0 + TT	20.0 - TT (16.5 - TT ²)
4	29	0	2	0 (1.5 ²)	27.0 (25.5 ²)	3.0	3	31.0 + TT	24.0 - TT (22.5 - TT ²)
5	29	0	0.5	0 (1.5 ²)	28.5 (27.0 ²)	3.0	3	31.0 + TT	25.5 - TT (24.0 - TT ²)
6	29	0	6.5	0 (1.5 ²)	22.5 (21.0 ²)	5.0	3	31.0 + TT	17.5 - TT (16.0 - TT ²)
7	29	0	6.5	0 (1.5 ²)	22.5 (21.0 ²)	5.0	3	31.0 + TT	17.5 - TT (16.0 - TT ²)
8	29	0	2.5	0 (1.5 ²)	26.5 (25.0 ²)	3.0	3	31.0 + TT	23.5 - TT (22.0 - TT ²)
9	29	0	1.5	0 (1.5 ²)	27.5 (26.0 ²)	3.0	3	31.0 + TT	24.5 - TT (23.0 - TT ²)
10	29	0	6.5	0 (1.5 ²)	22.5 (21.0 ²)	5.0	3	31.0 + TT	17.5 - TT (16.0 - TT ²)
11	29	0	6.5	0 (1.5 ²)	22.5 (21.0 ²)	5.0	3	31.0 + TT	17.5 - TT (16.0 - TT ²)
12	29	0	3.5	0 (1.5 ²)	25.5 (24.0 ²)	3.0	3	31.0 + TT	22.5 - TT (21.0 - TT ²)
13	29	0	3.5	0 (1.5 ²)	25.5 (24.0 ²)	3.0	3	31.0 + TT	22.5 - TT (21.0 - TT ²)
14	29	0	6.5	0 (1.5 ²)	22.5 (21.0 ²)	5.0	3	31.0 + TT	17.5 - TT (16.0 - TT ²)
15	29	0	6.5	0 (1.5 ²)	22.5 (21.0 ²)	5.0	3	31.0 + TT	17.5 - TT (16.0 - TT ²)
16	29	0	4	0 (1.5 ²)	25.0 (23.5 ²)	3.0	3	31.0 + TT	22.0 - TT (20.5 - TT ²)
17	29	0	6.5	0 (1.5 ²)	22.5 (21.0 ²)	5.0	3	31.0 + TT	17.5 - TT (16.0 - TT ²)
18	29	0	6.5	0 (1.5 ²)	22.5 (21.0 ²)	5.0	3	31.0 + TT	17.5 - TT (16.0 - TT ²)
19	29	0	6.5	0 (1.5 ²)	22.5 (21.0 ²)	5.0	3	31.0 + TT	17.5 - TT (16.0 - TT ²)
20	29	0	6.5	0 (1.5 ²)	22.5 (21.0 ²)	5.0	3	31.0 + TT	17.5 - TT (16.0 - TT ²)
21	29	0	2	0 (1.5 ²)	27.0 (25.5 ²)	3.0	3	31.0 + TT	24.0 - TT (22.5 - TT ²)
22	29	0	6.5	0 (1.5 ²)	22.5 (21.0 ²)	5.0	3	31.0 + TT	17.5 - TT (16.0 - TT ²)
23	29	0	6.5	0 (1.5 ²)	22.5 (21.0 ²)	5.0	3	31.0 + TT	17.5 - TT (16.0 - TT ²)
24	29	0	4.5	0 (1.5 ²)	24.5 (23.0 ²)	3.0	3	31.0 + TT	21.5 - TT (20.0 - TT ²)
25	29	0	2.5	0 (1.5 ²)	26.5 (25.0 ²)	3.0	3	31.0 + TT	23.5 - TT (22.0 - TT ²)
26	29	0	6.5	0 (1.5 ²)	22.5 (21.0 ²)	5.0	3	31.0 + TT	17.5 - TT (16.0 - TT ²)
27	29	0	6.5	0 (1.5 ²)	22.5 (21.0 ²)	5.0	3	31.0 + TT	17.5 - TT (16.0 - TT ²)

Test ID	P _{PowerClass} (dBm)	Δ P _{PowerClass} (dB)	MPR (dB)	Δ T _{C,c} (dB)	P _{C_{MAX}_L,f,c} (dBm)	T(P _{C_{MAX}_L,f,c}) (dB)	T _{L,c} (dB)	Upper limit (dBm)	Lower limit (dBm)
28	29	0	4.5	0 (1.5 ²)	24.5 (23.0 ²)	3.0	3	31.0 + TT	21.5 - TT (20.0 - TT ²)
29	29	0	4.5	0 (1.5 ²)	24.5 (23.0 ²)	3.0	3	31.0 + TT	21.5 - TT (20.0 - TT ²)
30	29	0	6.5	0 (1.5 ²)	22.5 (21.0 ²)	5.0	3	31.0 + TT	17.5 - TT (16.0 - TT ²)
31	29	0	6.5	0 (1.5 ²)	22.5 (21.0 ²)	5.0	3	31.0 + TT	17.5 - TT (16.0 - TT ²)
32	29	0	5	0 (1.5 ²)	24.0 (22.5 ²)	3.0 (5.0 ²)	3	31.0 + TT	21.0 - TT (17.5 - TT ²)
33	29	0	8.5	0 (1.5 ²)	20.5 (19.0 ²)	6.0 (5.0 ²)	3	31.0 + TT	14.5 - TT (14.0 - TT ²)
34	29	0	8.5	0 (1.5 ²)	20.5 (19.0 ²)	6.0 (5.0 ²)	3	31.0 + TT	14.5 - TT (14.0 - TT ²)
35	29	0	8.5	0 (1.5 ²)	20.5 (19.0 ²)	6.0 (5.0 ²)	3	31.0 + TT	14.5 - TT (14.0 - TT ²)
36	29	0	8.5	0 (1.5 ²)	20.5 (19.0 ²)	6.0 (5.0 ²)	3	31.0 + TT	14.5 - TT (14.0 - TT ²)

NOTE 1: P_{PowerClass} is the maximum UE power specified without taking into account the tolerance.
NOTE 2: For Band n41, transmission bandwidths confined within F_{UL_low} and F_{UL_low} + 4 MHz or F_{UL_high} - 4 MHz and F_{UL_high}.
NOTE 3: TT for each frequency and channel bandwidth is specified in Table 6.2G.2.5-4.

Table 6.2G.2.5-2a: UE Power Class test requirements (for Band n34, n39, n40, n41, n77, n78, n79) for Power Class 1.5 FWA (contiguous allocation)

Test ID	P _{PowerClass} (dBm)	ΔP _{PowerClass} (dB)	MPR (dB)	ΔT _{C,c} (dB)	P _{C_{MAX}_L,f,c} (dBm)	T(P _{C_{MAX}_L,f,c}) (dB)	T _{L,c} (dB)	Upper limit (dBm)	Lower limit (dBm)
1	29	0	0	0 (1.5 ³)	29.0 (27.5 ³)	3.0	3	31.0 + TT	26.0 - TT (24.5 - TT ³)
2	29	0	6	0 (1.5 ³)	23.0 (21.5 ³)	3.0 (5.0 ³)	3	31.0 + TT	20.0 - TT (16.5 - TT ³)
3	29	0	6	0 (1.5 ³)	23.0 (21.5 ³)	3.0 (5.0 ³)	3	31.0 + TT	20.0 - TT (16.5 - TT ³)
4	29	0	1.5	0 (1.5 ³)	27.5 (26.0 ³)	3.0	3	31.0 + TT	24.5 - TT (23.0 - TT ³)
5	29	0	0	0 (1.5 ³)	29.0 (27.5 ³)	3.0	3	31.0 + TT	26.0 - TT (24.5 - TT ³)
6	29	0	6.5	0 (1.5 ³)	22.5 (21.0 ³)	5.0	3	31.0 + TT	17.5 - TT (16.0 - TT ³)
7	29	0	6.5	0 (1.5 ³)	22.5 (21.0 ³)	5.0	3	31.0 + TT	17.5 - TT (16.0 - TT ³)
8	29	0	2	0 (1.5 ³)	27.0 (25.5 ³)	3.0	3	31.0 + TT	24.0 - TT (22.5 - TT ³)
9	29	0	1	0 (1.5 ³)	28.0 (26.5 ³)	3.0	3	31.0 + TT	25.0 - TT (23.5 - TT ³)
10	29	0	6.5	0 (1.5 ³)	22.5 (21.0 ³)	5.0	3	31.0 + TT	17.5 - TT (16.0 - TT ³)
11	29	0	6.5	0 (1.5 ³)	22.5 (21.0 ³)	5.0	3	31.0 + TT	17.5 - TT (16.0 - TT ³)
12	29	0	3.5	0 (1.5 ³)	25.5 (24.0 ³)	3.0	3	31.0 + TT	22.5 - TT (21.0 - TT ³)
13	29	0	3	0 (1.5 ³)	26.0 (24.5 ³)	3.0	3	31.0 + TT	23.0 - TT (21.5 - TT ³)
14	29	0	6.5	0 (1.5 ³)	22.5 (21.0 ³)	5.0	3	31.0 + TT	17.5 - TT (16.0 - TT ³)
15	29	0	6.5	0 (1.5 ³)	22.5 (21.0 ³)	5.0	3	31.0 + TT	17.5 - TT (16.0 - TT ³)
16	29	0	3.5	0 (1.5 ³)	25.5 (24.0 ³)	3.0	3	31.0 + TT	22.5 - TT (21.0 - TT ³)
17	29	0	5.5	0 (1.5 ³)	23.5 (22.0 ³)	3.0	3	31.0 + TT	20.5 - TT (19.0 - TT ³)
18	29	0	6.5	0 (1.5 ³)	22.5 (21.0 ³)	5.0	3	31.0 + TT	17.5 - TT (16.0 - TT ³)
19	29	0	6.5	0 (1.5 ³)	22.5 (21.0 ³)	5.0	3	31.0 + TT	17.5 - TT (16.0 - TT ³)
20	29	0	5.5	0 (1.5 ³)	23.5 (22.0 ³)	3.0 (5.0 ³)	3	31.0 + TT	20.5 - TT (17.0 - TT ³)
21	29	0	1.5	0 (1.5 ³)	27.5 (26.0 ³)	3.0	3	31.0 + TT	24.5 - TT (23.0 - TT ³)
22	29	0	6.5	0 (1.5 ³)	22.5 (21.0 ³)	5.0	3	31.0 + TT	17.5 - TT (16.0 - TT ³)
23	29	0	6.5	0 (1.5 ³)	22.5 (21.0 ³)	5.0	3	31.0 + TT	17.5 - TT (16.0 - TT ³)
24	29	0	4	0 (1.5 ³)	25.0 (23.5 ³)	3.0	3	31.0 + TT	22.0 - TT (20.5 - TT ³)
25	29	0	2	0 (1.5 ³)	27.0 (25.5 ³)	3.0	3	31.0 + TT	24.0 - TT (22.5 - TT ³)
26	29	0	6.5	0 (1.5 ³)	22.5 (21.0 ³)	5.0	3	31.0 + TT	17.5 - TT (16.0 - TT ³)
27	29	0	6.5	0 (1.5 ³)	22.5 (21.0 ³)	5.0	3	31.0 + TT	17.5 - TT (16.0 - TT ³)

Test ID	P _{PowerClass} (dBm)	ΔP _{PowerClass} (dB)	MPR (dB)	ΔT _{C,c} (dB)	P _{C_{MAX}_L,f,c} (dBm)	T(P _{C_{MAX}_L,f,c}) (dB)	T _{L,c} (dB)	Upper limit (dBm)	Lower limit (dBm)
28	29	0	4	0 (1.5 ³)	25.0 (23.5 ³)	3.0	3	31.0 + TT	22.0 - TT (20.5 - TT ³)
29	29	0	4	0 (1.5 ³)	25.0 (23.5 ³)	3.0	3	31.0 + TT	22.0 - TT (20.5 - TT ³)
30	29	0	6.5	0 (1.5 ³)	22.5 (21.0 ³)	5.0	3	31.0 + TT	17.5 - TT (16.0 - TT ³)
31	29	0	6.5	0 (1.5 ³)	22.5 (21.0 ³)	5.0	3	31.0 + TT	17.5 - TT (16.0 - TT ³)
32	29	0	4.5	0 (1.5 ³)	24.5 (23.0 ³)	3.0	3	31.0 + TT	21.5 - TT (20.0 - TT ³)
33	29	0	7.5	0 (1.5 ³)	21.5 (20.0 ³)	5.0 (6.0 ³)	3	31.0 + TT	16.5 - TT (14.0 - TT ³)
34	29	0	7.5	0 (1.5 ³)	21.5 (20.0 ³)	5.0 (6.0 ³)	3	31.0 + TT	16.5 - TT (14.0 - TT ³)
35	29	0	7.5	0 (1.5 ³)	21.5 (20.0 ³)	5.0 (6.0 ³)	3	31.0 + TT	16.5 - TT (14.0 - TT ³)
36	29	0	7.5	0 (1.5 ³)	21.5 (20.0 ³)	5.0 (6.0 ³)	3	31.0 + TT	16.5 - TT (14.0 - TT ³)

NOTE 1: This table is targeted to large FWA form factor with 20 dB or above antenna isolation.

NOTE 2: P_{PowerClass} is the maximum UE power specified without taking into account the tolerance.

NOTE 3: For Band n41, transmission bandwidths confined within F_{UL_low} + 4 MHz or F_{UL_high} - 4 MHz and F_{UL_high}.

NOTE 4: TT for each frequency and channel bandwidth is specified in Table 6.2G.2.5-4.

Table 6.2G.2.5-2b: UE Power Class test requirements (for Band n34, n39, n40 n41, n77, n78, n79) for Power Class 1.5 falling back to Power Class 2 (contiguous allocation)

Test ID	P _{PowerClass} (dBm)	ΔP _{PowerClass} (dB)	MPR (dB)	ΔT _{C,c} (dB)	P _{C_{MAX}_L,f,c} (dBm)	T(P _{C_{MAX}_L,f,c}) (dB)	T _{L,c} (dB)	Upper limit (dBm)	Lower limit (dBm)
1	29	3	0	0 (1.5 ²)	26.0 (24.5 ²)	3.0	3	28.0 + TT	23.0 - TT (21.5 - TT ²)
2	29	3	3.5	0 (1.5 ²)	22.5 (21.0 ²)	5.0	3	28.0 + TT	17.5 - TT (16.0 - TT ²)
3	29	3	3.5	0 (1.5 ²)	22.5 (21.0 ²)	5.0	3	28.0 + TT	17.5 - TT (16.0 - TT ²)
4	29	3	0.5	0 (1.5 ²)	25.5 (24.0 ²)	3.0	3	28.0 + TT	22.5 - TT (21.0 - TT ²)
5	29	3	0	0 (1.5 ²)	26.0 (24.5 ²)	3.0	3	28.0 + TT	23.0 - TT (21.5 - TT ²)
6	29	3	3.5	0 (1.5 ²)	22.5 (21.0 ²)	5.0	3	28.0 + TT	17.5 - TT (16.0 - TT ²)
7	29	3	3.5	0 (1.5 ²)	22.5 (21.0 ²)	5.0	3	28.0 + TT	17.5 - TT (16.0 - TT ²)
8	29	3	1	0 (1.5 ²)	25.0 (23.5 ²)	3.0	3	28.0 + TT	22.0 - TT (20.5 - TT ²)
9	29	3	1	0 (1.5 ²)	25.0 (23.5 ²)	3.0	3	28.0 + TT	22.0 - TT (20.5 - TT ²)
10	29	3	3.5	0 (1.5 ²)	22.5 (21.0 ²)	5.0	3	28.0 + TT	17.5 - TT (16.0 - TT ²)
11	29	3	3.5	0 (1.5 ²)	22.5 (21.0 ²)	5.0	3	28.0 + TT	17.5 - TT (16.0 - TT ²)
12	29	3	2	0 (1.5 ²)	24.0 (22.5 ²)	3.0 (5.0 ²)	3	28.0 + TT	21.0 - TT (17.5 - TT ²)
13	29	3	3.5	0 (1.5 ²)	22.5 (21.0 ²)	5.0	3	28.0 + TT	17.5 - TT (16.0 - TT ²)
14	29	3	3.5	0 (1.5 ²)	22.5 (21.0 ²)	5.0	3	28.0 + TT	17.5 - TT (16.0 - TT ²)
15	29	3	2.5	0 (1.5 ²)	23.5 (22.0 ²)	3.0 (5.0 ²)	3	28.0 + TT	20.5 - TT (17.0 - TT ²)

16	29	3	4.5	0	(1.5 ²)	21.5	(20.0 ²)	5.0	(6.0 ²)	3	28.0 + TT	16.5 - TT	(14.0 - TT ²)
17	29	3	4.5	0	(1.5 ²)	21.5	(20.0 ²)	5.0	(6.0 ²)	3	28.0 + TT	16.5 - TT	(14.0 - TT ²)
18	29	3	4.5	0	(1.5 ²)	21.5	(20.0 ²)	5.0	(6.0 ²)	3	28.0 + TT	16.5 - TT	(14.0 - TT ²)
19	29	3	1.5	0	(1.5 ²)	24.5	(23.0 ²)	3.0		3	28.0 + TT	21.5 - TT	(20.0 - TT ²)
20	29	3	3.5	0	(1.5 ²)	22.5	(21.0 ²)	5.0		3	28.0 + TT	17.5 - TT	(16.0 - TT ²)
21	29	3	3.5	0	(1.5 ²)	22.5	(21.0 ²)	5.0		3	28.0 + TT	17.5 - TT	(16.0 - TT ²)
22	29	3	3	0	(1.5 ²)	23.0	(21.5 ²)	3.0	(5.0 ²)	3	28.0 + TT	20.0 - TT	(16.5 - TT ²)
23	29	3	2	0	(1.5 ²)	24.0	(22.5 ²)	3.0	(5.0 ²)	3	28.0 + TT	21.0 - TT	(17.5 - TT ²)
24	29	3	3.5	0	(1.5 ²)	22.5	(21.0 ²)	5.0		3	28.0 + TT	17.5 - TT	(16.0 - TT ²)
25	29	3	3.5	0	(1.5 ²)	22.5	(21.0 ²)	5.0		3	28.0 + TT	17.5 - TT	(16.0 - TT ²)
26	29	3	3	0	(1.5 ²)	23.0	(21.5 ²)	3.0	(5.0 ²)	3	28.0 + TT	20.0 - TT	(16.5 - TT ²)
27	29	3	3.5	0	(1.5 ²)	22.5	(21.0 ²)	5.0		3	28.0 + TT	17.5 - TT	(16.0 - TT ²)
28	29	3	3.5	0	(1.5 ²)	22.5	(21.0 ²)	5.0		3	28.0 + TT	17.5 - TT	(16.0 - TT ²)
29	29	3	3.5	0	(1.5 ²)	22.5	(21.0 ²)	5.0		3	28.0 + TT	17.5 - TT	(16.0 - TT ²)
30	29	3	6.5	0	(1.5 ²)	19.5	(18.0 ²)	5.0		3	28.0 + TT	14.5 - TT	(13.0 - TT ²)
31	29	3	6.5	0	(1.5 ²)	19.5	(18.0 ²)	5.0		3	28.0 + TT	14.5 - TT	(13.0 - TT ²)
32	29	3	6.5	0	(1.5 ²)	19.5	(18.0 ²)	5.0		3	28.0 + TT	14.5 - TT	(13.0 - TT ²)

NOTE 1: P_{PowerClass} is the maximum UE power specified without taking into account the tolerance.

NOTE 2: For Band n41, transmission bandwidths confined within F_{UL_low} and F_{UL_low} + 4 MHz or F_{UL_high} - 4 MHz and F_{UL_high}.

NOTE 3: TT for each frequency and channel bandwidth is specified in Table 6.2G.2.5-4.

Table 6.2G.2.5-3: UE Power Class test requirements (for Bands n34, n39, n40, n41, n77, n78, n79) for Power Class 2 (almost contiguous allocation)

Test ID	$P_{PowerClass}$ (dBm)	$\Delta P_{PowerClass}$ (dB)	MPR (dB)	MPR increase (dB)	$\Delta T_{C,c}$ (dB)		$P_{C_{MAX_L,f,c}}$ (dBm)		$T(P_{C_{MAX_L,f,c}})$ (dB)		$T_{L,c}$ (dB)	Upper limit (dBm)	Lower limit (dBm)	
1 ⁴	26	0	2	1.5	0	1.5 ²	22.5	21.0 ²	5.0	5.0 ²	3	28.0 + TT	17.5 - TT	16 - TT ²
1 ⁵	26	0	2	1	0	1.5 ²	23.0	21.5 ²	3.0	5.0 ²	3	28.0 + TT	20.0 - TT	16.5 - TT ²
2 ⁶	26	0	3.5	1.5	0	1.5 ²	21.0	19.5 ²	5.0	5.0 ²	3	28.0 + TT	16.0 - TT	14.5 - TT ²
2 ⁷	26	0	3.5	1	0	1.5 ²	21.5	20.0 ²	5.0	6.0 ²	3	28.0 + TT	16.5 - TT	14.0 - TT ²
3 ⁴	26	0	2.5	1.5	0	1.5 ²	22.0	20.5 ²	5.0	6.0 ²	3	28.0 + TT	17.0 - TT	14.5 - TT ²
3 ⁵	26	0	2.5	1	0	1.5 ²	22.5	21.0 ²	5.0	5.0 ²	3	28.0 + TT	17.5 - TT	16.0 - TT ²
4 ⁶	26	0	3.5	1.5	0	1.5 ²	21.0	19.5 ²	5.0	5.0 ²	3	28.0 + TT	16.0 - TT	14.5 - TT ²
4 ⁷	26	0	3.5	1	0	1.5 ²	21.5	20.0 ²	5.0	6.0 ²	3	28.0 + TT	16.5 - TT	14.0 - TT ²
5 ⁶	26	0	4.5	1.5	0	1.5 ²	20.0	18.5 ²	6.0	5.0 ²	3	28.0 + TT	14.0 - TT	13.5 - TT ²
5 ⁷	26	0	4.5	1	0	1.5 ²	20.5	19.0 ²	6.0	5.0 ²	3	28.0 + TT	14.5 - TT	14.0 - TT ²
6 ⁶	26	0	8	1.5	0	1.5 ²	16.5	15 ²	5.0	5.0 ²	3	28.0 + TT	11.5 - TT	10.0 - TT ²
6 ⁷	26	0	8	1	0	1.5 ²	17.0	15.5 ²	5.0	5.0 ²	3	28.0 + TT	12.0 - TT	10.5 - TT ²

NOTE 1: $P_{PowerClass}$ is the maximum UE power specified without taking into account the tolerance.

NOTE 2: For Band n41, transmission bandwidths confined within F_{UL_low} and $F_{UL_low} + 4$ MHz or $F_{UL_high} - 4$ MHz and F_{UL_high} .

NOTE 3: TT for each frequency and channel bandwidth is specified in Table 6.2G.2.5-4.

NOTE 4: Applicable for CBW/SCS combinations other than CBW=40MHz when SCS=60kHz.

NOTE 5: Only applicable for CBW 40MHz when SCS is 60kHz.

NOTE 6: Applicable for CBW/SCS combinations other than CBW=30MHz when SCS=15kHz and CBW=30MHz, 60MHz, 90MHz when SCS=30kHz and CBW=25MHz, 60MHz, 90MHz when SCS=60kHz.

NOTE 7: Only applicable for CBW=30MHz when SCS=15kHz and CBW=30MHz, 60MHz, 90MHz when SCS=30kHz and CBW=25MHz, 60MHz, 90MHz when SCS=60kHz.

NOTE 8: Test applies only for UEs which support almost contiguous UL CP-OFDM transmissions. For PC2 UE which support almost contiguous UL CP-OFDM transmissions, test is only applicable for Release 16 and forward.

Table 6.2G.2.5-4: Test Tolerance (Maximum Power Reduction (MPR))

	$f \leq 3.0\text{GHz}$	$3.0\text{GHz} < f \leq 4.2\text{GHz}$	$4.2\text{GHz} < f \leq 6.0\text{GHz}$
$BW \leq 40\text{MHz}$	0.7 dB	1.0 dB	1.0 dB
$40\text{MHz} < BW \leq 100\text{MHz}$	1.0 dB	1.0 dB	1.0 dB

Table 6.2G.2.5-5: UE Power Class test requirements(for Bands n1, n2, n3, n5, n7, n8, n12, n14, n20, n25, n26, n30, n34, n38, n39, n40, n41, n50, n51, n53, n65, n66, n70, n74) for Power Class 3 (contiguous allocation)

Test ID	$P_{\text{PowerClass}}$ (dBm)	$\Delta P_{\text{PowerClass}}$ (dB)	MPR (dB)	$\Delta T_{C,c}$ (dB)	$P_{\text{CMAX}_{L,f,c}}$ (dBm)	$T(P_{\text{CMAX}_{L,f,c}})$ (dB)	$T_{L,c}$ (dB)	Upper limit (dBm)	Lower limit (dBm)
1	23	-3	0.2	0 (1.5 ²)	25.8 (24.3 ²)	3.0	2	28.0 + TT	22.8 - TT (21.3 - TT ²)
2	23	-3	3.5	0 (1.5 ²)	22.5 (21.0 ²)	5.0	2	28.0 + TT	17.5 - TT (16.0 - TT ²)
3	23	-3	3.5	0 (1.5 ²)	22.5 (21.0 ²)	5.0	2	28.0 + TT	17.5 - TT (16.0 - TT ²)
4	23	-3	1.2	0 (1.5 ²)	24.8 (23.3 ²)	3.0	2	28.0 + TT	21.8 - TT (20.3 - TT ²)
5	23	0	0	0 (1.5 ²)	23.0 (21.5 ²)	3.0 (5.0 ²)	2	25.0 + TT	20.0 - TT (16.5 - TT ²)
6	23	0	0.5	0 (1.5 ²)	22.5 (21.0 ²)	5.0	2	25.0 + TT	17.5 - TT (16.0 - TT ²)
7	23	0	0.5	0 (1.5 ²)	22.5 (21.0 ²)	5.0	2	25.0 + TT	17.5 - TT (16.0 - TT ²)
8	23	0	0.5	0 (1.5 ²)	22.5 (21.0 ²)	5.0	2	25.0 + TT	17.5 - TT (16.0 - TT ²)
9	23	0	0	0 (1.5 ²)	23.0 (21.5 ²)	3.0 (5.0 ²)	2	25.0 + TT	20.0 - TT (16.5 - TT ²)
10	23	0	1	0 (1.5 ²)	22.0 (20.5 ²)	5.0 (6.0 ²)	2	25.0 + TT	17.0 - TT (14.5 - TT ²)
11	23	0	1	0 (1.5 ²)	22.0 (20.5 ²)	5.0 (6.0 ²)	2	25.0 + TT	17.0 - TT (14.5 - TT ²)
12	23	0	1	0 (1.5 ²)	22.0 (20.5 ²)	5.0 (6.0 ²)	2	25.0 + TT	17.0 - TT (14.5 - TT ²)
13	23	0	1	0 (1.5 ²)	22.0 (20.5 ²)	5.0 (6.0 ²)	2	25.0 + TT	17.0 - TT (14.5 - TT ²)
14	23	0	2	0 (1.5 ²)	21.0 (19.5 ²)	5.0	2	25.0 + TT	16.0 - TT (14.5 - TT ²)
15	23	0	2	0 (1.5 ²)	21.0 (19.5 ²)	5.0	2	25.0 + TT	16.0 - TT (14.5 - TT ²)
16	23	0	2	0 (1.5 ²)	21.0 (19.5 ²)	5.0	2	25.0 + TT	16.0 - TT (14.5 - TT ²)
17	23	0	2.5	0 (1.5 ²)	20.5 (19.0 ²)	6.0 (5.0 ²)	2	25.0 + TT	14.5 - TT (14.0 - TT ²)
18	23	0	2.5	0 (1.5 ²)	20.5 (19.0 ²)	6.0 (5.0 ²)	2	25.0 + TT	14.5 - TT (14.0 - TT ²)
19	23	0	2.5	0 (1.5 ²)	20.5 (19.0 ²)	6.0 (5.0 ²)	2	25.0 + TT	14.5 - TT (14.0 - TT ²)
20	23	0	4.5	0 (1.5 ²)	18.5 (17.0 ²)	5.0	2	25.0 + TT	13.5 - TT (12.0 - TT ²)
21	23	0	4.5	0 (1.5 ²)	18.5 (17.0 ²)	5.0	2	25.0 + TT	13.5 - TT (12.0 - TT ²)
22	23	0	4.5	0 (1.5 ²)	18.5 (17.0 ²)	5.0	2	25.0 + TT	13.5 - TT (12.0 - TT ²)

23	23	0	1.5	0	(1.5 ²)	21.5	(20.0 ²)	5.0	(6.0 ²)	2	25.0 + TT	16.5 - TT	(14.0 - TT ²)
24	23	0	3	0	(1.5 ²)	20.0	(18.5 ²)	6.0	(5.0 ²)	2	25.0 + TT	14.0 - TT	(13.5 - TT ²)
25	23	0	3	0	(1.5 ²)	20.0	(18.5 ²)	6.0	(5.0 ²)	2	25.0 + TT	14.0 - TT	(13.5 - TT ²)
26	23	0	3	0	(1.5 ²)	20.0	(18.5 ²)	6.0	(5.0 ²)	2	25.0 + TT	14.0 - TT	(13.5 - TT ²)
27	23	0	2	0	(1.5 ²)	21.0	(19.5 ²)	5.0		2	25.0 + TT	16.0 - TT	(14.5 - TT ²)
28	23	0	3	0	(1.5 ²)	20.0	(18.5 ²)	6.0	(5.0 ²)	2	25.0 + TT	14.0 - TT	(13.5 - TT ²)
29	23	0	3	0	(1.5 ²)	20.0	(18.5 ²)	6.0	(5.0 ²)	2	25.0 + TT	14.0 - TT	(13.5 - TT ²)
30	23	0	3	0	(1.5 ²)	20.0	(18.5 ²)	6.0	(5.0 ²)	2	25.0 + TT	14.0 - TT	(13.5 - TT ²)
31	23	0	3.5	0	(1.5 ²)	19.5	(18.0 ²)	5.0		2	25.0 + TT	14.5 - TT	(13.0 - TT ²)
32	23	0	3.5	0	(1.5 ²)	19.5	(18.0 ²)	5.0		2	25.0 + TT	14.5 - TT	(13.0 - TT ²)
33	23	0	3.5	0	(1.5 ²)	19.5	(18.0 ²)	5.0		2	25.0 + TT	14.5 - TT	(13.0 - TT ²)
34	23	0	6.5	0	(1.5 ²)	16.5	(15.0 ²)	5.0	(6.0 ²)	2	25.0 + TT	11.5 - TT	(9.0 - TT ²)
35	23	0	6.5	0	(1.5 ²)	16.5	(15.0 ²)	5.0	(6.0 ²)	2	25.0 + TT	11.5 - TT	(9.0 - TT ²)
36	23	0	6.5	0	(1.5 ²)	16.5	(15.0 ²)	5.0	(6.0 ²)	2	25.0 + TT	11.5 - TT	(9.0 - TT ²)
37	23	0	0.5	0	(1.5 ²)	22.5	(21.0 ²)	5.0		2	25.0 + TT	17.5 - TT	(16.0 - TT ²)
38	23	0	0.5	0	(1.5 ²)	22.5	(21.0 ²)	5.0		2	25.0 + TT	17.5 - TT	(16.0 - TT ²)
39	23	0	0	0	(1.5 ²)	23.0	(21.5 ²)	3.0	(5.0 ²)	2	25.0 + TT	20.0 - TT	(16.5 - TT ²)

NOTE 1: $P_{\text{PowerClass}}$ is the maximum UE power specified without taking into account the tolerance.

NOTE 2: For Band n2, n3, n7, n8, n12, n20, n25, n26, n41, transmission bandwidths confined within $F_{\text{UL_low}}$ and $F_{\text{UL_low}} + 4$ MHz or $F_{\text{UL_high}} - 4$ MHz and $F_{\text{UL_high}}$.

NOTE 3: TT for each frequency and channel bandwidth is specified in Table 6.2G.2.5-4.

Table 6.2G.2.5-6: UE Power Class test requirements (for Bands n24, n48, n77, n78, n79) for Power Class 3 (contiguous allocation)

Test ID	$P_{\text{PowerClass}}$ (dBm)	$\Delta P_{\text{PowerClass}}$ (dB)	MPR (dB)	$\Delta T_{\text{C,c}}$ (dB)	$P_{\text{C}_{\text{MAX_L,f,c}}}$ (dBm)	$T(P_{\text{C}_{\text{MAX_L,f,c}}})$ (dB)	$T_{\text{L,c}}$ (dB)	Upper limit (dBm)	Lower limit (dBm)				
1	23	-3	0.2	0	(1.5 ²)	25.8	(24.3 ²)	3.0	3	28.0 + TT	22.8 - TT	(21.3 - TT ²)	
2	23	-3	3.5	0	(1.5 ²)	22.5	(21.0 ²)	5.0	3	28.0 + TT	17.5 - TT	(16.0 - TT ²)	
3	23	-3	3.5	0	(1.5 ²)	22.5	(21.0 ²)	5.0	3	28.0 + TT	17.5 - TT	(16.0 - TT ²)	
4	23	-3	1.2	0	(1.5 ²)	24.8	(23.3 ²)	3.0	3	28.0 + TT	21.8 - TT	(20.3 - TT ²)	
5	23	0	0	0	(1.5 ²)	23.0	(21.5 ²)	3.0	(5.0 ²)	3	25.0 + TT	20.0 - TT	(16.5 - TT ²)
6	23	0	0.5	0	(1.5 ²)	22.5	(21.0 ²)	5.0	3	25.0 + TT	17.5 - TT	(16.0 - TT ²)	

7	23	0	0.5	0	(1.5 ²)	22.5	(21.0 ²)	5.0		3	25.0 + TT	17.5 - TT	(16.0 - TT ²)
8	23	0	0.5	0	(1.5 ²)	22.5	(21.0 ²)	5.0		3	25.0 + TT	17.5 - TT	(16.0 - TT ²)
9	23	0	0	0	(1.5 ²)	23.0	(21.5 ²)	3.0	(5.0 ²)	3	25.0 + TT	20.0 - TT	(16.5 - TT ²)
10	23	0	1	0	(1.5 ²)	22.0	(20.5 ²)	5.0	(6.0 ²)	3	25.0 + TT	17.0 - TT	(14.5 - TT ²)
11	23	0	1	0	(1.5 ²)	22.0	(20.5 ²)	5.0	(6.0 ²)	3	25.0 + TT	17.0 - TT	(14.5 - TT ²)
12	23	0	1	0	(1.5 ²)	22.0	(20.5 ²)	5.0	(6.0 ²)	3	25.0 + TT	17.0 - TT	(14.5 - TT ²)
13	23	0	1	0	(1.5 ²)	22.0	(20.5 ²)	5.0	(6.0 ²)	3	25.0 + TT	17.0 - TT	(14.5 - TT ²)
14	23	0	2	0	(1.5 ²)	21.0	(19.5 ²)	5.0		3	25.0 + TT	16.0 - TT	(14.5 - TT ²)
15	23	0	2	0	(1.5 ²)	21.0	(19.5 ²)	5.0		3	25.0 + TT	16.0 - TT	(14.5 - TT ²)
16	23	0	2	0	(1.5 ²)	21.0	(19.5 ²)	5.0		3	25.0 + TT	16.0 - TT	(14.5 - TT ²)
17	23	0	2.5	0	(1.5 ²)	20.5	(19.0 ²)	6.0	(5.0 ²)	3	25.0 + TT	14.5 - TT	(14.0 - TT ²)
18	23	0	2.5	0	(1.5 ²)	20.5	(19.0 ²)	6.0	(5.0 ²)	3	25.0 + TT	14.5 - TT	(14.0 - TT ²)
19	23	0	2.5	0	(1.5 ²)	20.5	(19.0 ²)	6.0	(5.0 ²)	3	25.0 + TT	14.5 - TT	(14.0 - TT ²)
20	23	0	4.5	0	(1.5 ²)	18.5	(17.0 ²)	5.0		3	25.0 + TT	13.5 - TT	(12.0 - TT ²)
21	23	0	4.5	0	(1.5 ²)	18.5	(17.0 ²)	5.0		3	25.0 + TT	13.5 - TT	(12.0 - TT ²)
22	23	0	4.5	0	(1.5 ²)	18.5	(17.0 ²)	5.0		3	25.0 + TT	13.5 - TT	(12.0 - TT ²)
23	23	0	1.5	0	(1.5 ²)	21.5	(20.0 ²)	5.0	(6.0 ²)	3	25.0 + TT	16.5 - TT	(14.0 - TT ²)
24	23	0	3	0	(1.5 ²)	20.0	(18.5 ²)	6.0	(5.0 ²)	3	25.0 + TT	14.0 - TT	(13.5 - TT ²)
25	23	0	3	0	(1.5 ²)	20.0	(18.5 ²)	6.0	(5.0 ²)	3	25.0 + TT	14.0 - TT	(13.5 - TT ²)
26	23	0	3	0	(1.5 ²)	20.0	(18.5 ²)	6.0	(5.0 ²)	3	25.0 + TT	14.0 - TT	(13.5 - TT ²)
27	23	0	2	0	(1.5 ²)	21.0	(19.5 ²)	5.0		3	25.0 + TT	16.0 - TT	(14.5 - TT ²)
28	23	0	3	0	(1.5 ²)	20.0	(18.5 ²)	6.0	(5.0 ²)	3	25.0 + TT	14.0 - TT	(13.5 - TT ²)
29	23	0	3	0	(1.5 ²)	20.0	(18.5 ²)	6.0	(5.0 ²)	3	25.0 + TT	14.0 - TT	(13.5 - TT ²)
30	23	0	3	0	(1.5 ²)	20.0	(18.5 ²)	6.0	(5.0 ²)	3	25.0 + TT	14.0 - TT	(13.5 - TT ²)
31	23	0	3.5	0	(1.5 ²)	19.5	(18.0 ²)	5.0		3	25.0 + TT	14.5 - TT	(13.0 - TT ²)
32	23	0	3.5	0	(1.5 ²)	19.5	(18.0 ²)	5.0		2	25.0 + TT	14.5 - TT	(13.0 - TT ²)
33	23	0	3.5	0	(1.5 ²)	19.5	(18.0 ²)	5.0		2	25.0 + TT	14.5 - TT	(13.0 - TT ²)
34	23	0	6.5	0	(1.5 ²)	16.5	(15.0 ²)	5.0	(6.0 ²)	2	25.0 + TT	11.5 - TT	(9.0 - TT ²)
35	23	0	6.5	0	(1.5 ²)	16.5	(15.0 ²)	5.0	(6.0 ²)	2	25.0 + TT	11.5 - TT	(9.0 - TT ²)
36	23	0	6.5	0	(1.5 ²)	16.5	(15.0 ²)	5.0	(6.0 ²)	2	25.0 + TT	11.5 - TT	(9.0 - TT ²)
37	23	0	0.5	0	(1.5 ²)	22.5	(21.0 ²)	5.0		2	25.0 + TT	17.5 - TT	(16.0 - TT ²)

38	23	0	0.5	0	(1.5 ²)	22.5	(21.0 ²)	5.0	2	25.0 + TT	17.5 - TT	(16.0 - TT ²)	
39	23	0	0	0	(1.5 ²)	23.0	(21.5 ²)	3.0	(5.0 ²)	2	25.0 + TT	20.0 - TT	(16.5 - TT ²)

NOTE 1: $P_{\text{PowerClass}}$ is the maximum UE power specified without taking into account the tolerance.

NOTE 2: For Band n24, transmission bandwidths confined within $F_{\text{UL_low}}$ and $F_{\text{UL_low}} + 4$ MHz or $F_{\text{UL_high}} - 4$ MHz and $F_{\text{UL_high}}$.

NOTE 3: TT for each frequency and channel bandwidth is specified in Table 6.2G.2.5-4.

Table 6.2G.2.5-7: UE Power Class test requirements (for Bands n28 with channel bandwidth other than 30MHz, n71) for Power Class 3 (contiguous allocation)

Test ID	$P_{\text{PowerClass}}$ (dBm)	$\Delta P_{\text{PowerClass}}$ (dB)	MPR (dB)	$\Delta T_{\text{C,c}}$ (dB)	$P_{\text{CMAX_L,f,c}}$ (dBm)	$T(P_{\text{CMAX_L,f,c}})$ (dB)	$T_{\text{L,c}}$ (dB)	Upper limit (dBm)	Lower limit (dBm)
5	23	0	0	0	23.0	3.0	2.5	25.0 + TT	20.0 - TT
6	23	0	0.5	0	22.5	5.0	2.5	25.0 + TT	17.5 - TT
7	23	0	0.5	0	22.5	5.0	2.5	25.0 + TT	17.5 - TT
8	23	0	0.5	0	22.5	5.0	2.5	25.0 + TT	17.5 - TT
9	23	0	0	0	23.0	3.0	2.5	25.0 + TT	20.0 - TT
10	23	0	1	0	22.0	5.0	2.5	25.0 + TT	17.0 - TT
11	23	0	1	0	22.0	5.0	2.5	25.0 + TT	17.0 - TT
12	23	0	1	0	22.0	5.0	2.5	25.0 + TT	17.0 - TT
13	23	0	1	0	22.0	5.0	2.5	25.0 + TT	17.0 - TT
14	23	0	2	0	21.0	5.0	2.5	25.0 + TT	16.0 - TT
15	23	0	2	0	21.0	5.0	2.5	25.0 + TT	16.0 - TT
16	23	0	2	0	21.0	5.0	2.5	25.0 + TT	16.0 - TT
17	23	0	2.5	0	20.5	6.0	2.5	25.0 + TT	14.5 - TT
18	23	0	2.5	0	20.5	6.0	2.5	25.0 + TT	14.5 - TT
19	23	0	2.5	0	20.5	6.0	2.5	25.0 + TT	14.5 - TT
20	23	0	4.5	0	18.5	5.0	2.5	25.0 + TT	13.5 - TT
21	23	0	4.5	0	18.5	5.0	2.5	25.0 + TT	13.5 - TT
22	23	0	4.5	0	18.5	5.0	2.5	25.0 + TT	13.5 - TT
23	23	0	1.5	0	21.5	5.0	2.5	25.0 + TT	16.5 - TT
24	23	0	3	0	20.0	6.0	2.5	25.0 + TT	14.0 - TT
25	23	0	3	0	20.0	6.0	2.5	25.0 + TT	14.0 - TT

26	23	0	3	0	20.0	6.0	2.5	25.0 + TT	14.0 - TT
27	23	0	2	0	21.0	5.0	2.5	25.0 + TT	16.0 - TT
28	23	0	3	0	20.0	6.0	2.5	25.0 + TT	14.0 - TT
29	23	0	3	0	20.0	6.0	2.5	25.0 + TT	14.0 - TT
30	23	0	3	0	20.0	6.0	2.5	25.0 + TT	14.0 - TT
31	23	0	3.5	0	19.5	5.0	2.5	25.0 + TT	14.5 - TT
32	23	0	3.5	0	19.5	5.0	2.5	25.0 + TT	14.5 - TT
33	23	0	3.5	0	19.5	5.0	2.5	25.0 + TT	14.5 - TT
34	23	0	6.5	0	16.5	5.0	2.5	25.0 + TT	11.5 - TT
35	23	0	6.5	0	16.5	5.0	2.5	25.0 + TT	11.5 - TT
36	23	0	6.5	0	16.5	5.0	2.5	25.0 + TT	11.5 - TT
37	23	0	0.5	0	22.5	5.0	2.5	25.0 + TT	17.5 - TT
38	23	0	0.5	0	22.5	5.0	2.5	25.0 + TT	17.5 - TT
39	23	0	0	0	23	3.0	2.5	25.0 + TT	20.0 - TT
NOTE 1: $P_{\text{PowerClass}}$ is the maximum UE power specified without taking into account the tolerance.									
NOTE 2: TT for each frequency and channel bandwidth is specified in Table 6.2G.2.5-4.									

Table 6.2G.2.5-8: UE Power Class test requirements (for Band n28 with 30MHz channel bandwidth) for Power Class 3 (contiguous allocation)

Test ID	$P_{\text{PowerClass}}$ (dBm)	$\Delta P_{\text{PowerClass}}$ (dB)	MPR (dB)	$\Delta T_{C,c}$ (dB)	$P_{\text{C}_{\text{MAX_L,f,c}}}$ (dBm)	$T(P_{\text{C}_{\text{MAX_L,f,c}}})$ (dB)	$T_{L,c}$ (dB)	Upper limit (dBm)	Lower limit (dBm)
5	23	0	0.5	0	22.5	5	2.5	25.0 + TT	17.5-TT
6	23	0	1	0	22	5	2.5	25.0 + TT	17.0-TT
7	23	0	1	0	22	5	2.5	25.0 + TT	17.0-TT
8	23	0	1	0	22	5	2.5	25.0 + TT	17.0-TT
9	23	0	0.5	0	22.5	5	2.5	25.0 + TT	17.5-TT
10	23	0	1.5	0	21.5	5	2.5	25.0 + TT	16.5-TT
11	23	0	1.5	0	21.5	5	2.5	25.0 + TT	16.5-TT
12	23	0	1.5	0	21.5	5	2.5	25.0 + TT	16.5-TT
13	23	0	1.5	0	21.5	5	2.5	25.0 + TT	16.5-TT
14	23	0	2.5	0	20.5	6	2.5	25.0 + TT	14.5-TT
15	23	0	2.5	0	20.5	6	2.5	25.0 + TT	14.5-TT

16	23	0	2.5	0	20.5	6	2.5	25.0 + TT	14.5-TT
17	23	0	3	0	20	6	2.5	25.0 + TT	14.0-TT
18	23	0	3	0	20	6	2.5	25.0 + TT	14.0-TT
19	23	0	3	0	20	6	2.5	25.0 + TT	14.0-TT
20	23	0	5	0	18	5	2.5	25.0 + TT	13.0-TT
21	23	0	5	0	18	5	2.5	25.0 + TT	13.0-TT
22	23	0	5	0	18	5	2.5	25.0 + TT	13.0-TT
23	23	0	2	0	21	5	2.5	25.0 + TT	16.0-TT
24	23	0	3.5	0	19.5	5	2.5	25.0 + TT	14.5-TT
25	23	0	3.5	0	19.5	5	2.5	25.0 + TT	14.5-TT
26	23	0	3.5	0	19.5	5	2.5	25.0 + TT	14.5-TT
27	23	0	2.5	0	20.5	6	2.5	25.0 + TT	14.5-TT
28	23	0	3.5	0	19.5	5	2.5	25.0 + TT	14.5-TT
29	23	0	3.5	0	19.5	5	2.5	25.0 + TT	14.5-TT
30	23	0	3.5	0	19.5	5	2.5	25.0 + TT	14.5-TT
31	23	0	4	0	19	5	2.5	25.0 + TT	14.0-TT
32	23	0	4	0	19	5	2.5	25.0 + TT	14.0-TT
33	23	0	4	0	19	5	2.5	25.0 + TT	14.0-TT
34	23	0	7	0	16	5	2.5	25.0 + TT	11.0-TT
35	23	0	7	0	16	5	2.5	25.0 + TT	11.0-TT
36	23	0	7	0	16	5	2.5	25.0 + TT	11.0-TT
37	23	0	1	0	22	5	2.5	25.0 + TT	17.0-TT
38	23	0	1	0	22	5	2.5	25.0 + TT	17.0-TT
39	23	0	0.5	0	22.5	5	2.5	25.0 + TT	17.5-TT

NOTE 1: $P_{\text{PowerClass}}$ is the maximum UE power specified without taking into account the tolerance.
NOTE 2: TT for each frequency and channel bandwidth is specified in Table 6.2G.2.5-4.

Table 6.2G.2.5-9: UE Power Class test requirements (for Bands n1, n2, n3, n5, n7, n8, n12, n14, n20, n25, n26, n30, n34, n38, n39, n40, n41, n50, n51, n53, n65, n66, n70, n74) for Power Class 3 (almost contiguous allocation)

Test ID	$P_{\text{PowerClass}}$ (dBm)	$\Delta P_{\text{PowerClass}}$ (dB)	MPR (dB)	MPR increase (dB)	$\Delta T_{\text{c,c}}$ (dB)	$P_{\text{CMAX_L,f,c}}$ (dBm)	$T(P_{\text{CMAX_L,f,c}})$ (dB)	$T_{\text{L,c}}$ (dB)	Upper limit (dBm)	Lower limit (dBm)
---------	-------------------------------	-------------------------------------	----------	-------------------	------------------------------	--------------------------------	----------------------------------	-----------------------	-------------------	-------------------

1 ⁴	23	0	1.5	1.5	0	(1.5 ²)	20	(18.5 ²)	6.0	(5.0 ²)	2	25.0 + TT	14.0 - TT	(13.5 - TT ²)
1 ⁵	23	0	1.5	1	0	(1.5 ²)	20.5	(19 ²)	6.0	(5.0 ²)	2	25.0 + TT	14.5 - TT	(14.0 - TT ²)
2 ⁶	23	0	3	1.5	0	(1.5 ²)	18.5	(17 ²)	5.0	(5.0 ²)	2	25.0 + TT	13.5 - TT	(12.0 - TT ²)
2 ⁷	23	0	3	1	0	(1.5 ²)	19	(17.5 ²)	5.0	(5.0 ²)	2	25.0 + TT	14.0 - TT	(12.5 - TT ²)
3 ⁴	23	0	2	1.5	0	(1.5 ²)	19.5	(18 ²)	5.0	(5.0 ²)	2	25.0 + TT	14.5 - TT	(13.0 - TT ²)
3 ⁵	23	0	2	1	0	(1.5 ²)	20	(18.5 ²)	6.0	(6.0 ²)	2	25.0 + TT	14.0 - TT	(12.5 - TT ²)
4 ⁶	23	0	3	1.5	0	(1.5 ²)	18.5	(17 ²)	5.0	(5.0 ²)	2	25.0 + TT	13.5 - TT	(12.0 - TT ²)
4 ⁷	23	0	3	1	0	(1.5 ²)	19	(17.5 ²)	5.0	(5.0 ²)	2	25.0 + TT	14.0 - TT	(12.5 - TT ²)
5 ⁶	23	0	3.5	1.5	0	(1.5 ²)	18	(16.5 ²)	5.0	(5.0 ²)	2	25.0 + TT	13.0 - TT	(11.5 - TT ²)
5 ⁷	23	0	3.5	1	0	(1.5 ²)	18.5	(17 ²)	5.0	(5.0 ²)	2	25.0 + TT	13.5 - TT	(12.0 - TT ²)
6 ⁶	23	0	6.5	1.5	0	(1.5 ²)	15	(13.5 ²)	6.0	(6.0 ²)	2	25.0 + TT	9.0 - TT	(7.5 - TT ²)
6 ⁷	23	0	6.5	1	0	(1.5 ²)	15.5	(14 ²)	6.0	(6.0 ²)	2	25.0 + TT	9.5 - TT	(8.0 - TT ²)

NOTE 1: P_{PowerClass} is the maximum UE power specified without taking into account the tolerance.

NOTE 2: For Band n2, n3, n7, n8, n12, n20, n25, n26, n41, transmission bandwidths confined within F_{UL_low} and F_{UL_low} + 4 MHz or F_{UL_high} - 4 MHz and F_{UL_high}.

NOTE 3: TT for each frequency and channel bandwidth is specified in Table 6.2G.2.5-4.

NOTE 4: Applicable for CBW/SCS combinations other than CBW=40MHz when SCS=60kHz.

NOTE 5: Only applicable for CBW 40MHz when SCS is 60kHz.

NOTE 6: Applicable for CBW/SCS combinations other than CBW=30MHz when SCS=15kHz and CBW=30MHz, 60MHz, 90MHz when SCS=30kHz and CBW=25MHz, 60MHz, 90MHz when SCS=60kHz.

NOTE 7: Only applicable for CBW=30MHz when SCS=15kHz and CBW=30MHz, 60MHz, 90MHz when SCS=30kHz and CBW=25MHz, 60MHz, 90MHz when SCS=60kHz.

Table 6.2G.2.5-10: UE Power Class test requirements (for Bands n28 with channel bandwidth other than 30MHz, n71) for Power Class 3 (almost contiguous allocation)

Test ID	P _{PowerClass} (dBm)	ΔP _{PowerClass} (dB)	MPR (dB)	MPR increase (dB)	ΔT _{C,c} (dB)	P _{C_{MAX}L,f,c} (dBm)	T(P _{C_{MAX}L,f,c}) (dB)	T _{L,c} (dB)	Upper limit (dBm)	Lower limit (dBm)
1 ³	23	0	1.5	1.5	0	20	6.0	2.5	25.0 + TT	14.0-TT
1 ⁴	23	0	1.5	1	0	20.5	6.0	2.5	25.0 + TT	14.5-TT
2 ⁵	23	0	3	1.5	0	18.5	5.0	2.5	25.0 + TT	13.5-TT
2 ⁶	23	0	3	1	0	19	5.0	2.5	25.0 + TT	14.0-TT
3 ³	23	0	2	1.5	0	19.5	5.0	2.5	25.0 + TT	14.5-TT
3 ⁴	23	0	2	1	0	20	6.0	2.5	25.0 + TT	14.0-TT
4 ⁵	23	0	3	1.5	0	18.5	5.0	2.5	25.0 + TT	13.5-TT
4 ⁶	23	0	3	1	0	19	5.0	2.5	25.0 + TT	14.0-TT

5 ⁵	23	0	3.5	1.5	0	18	5.0	2.5	25.0 + TT	13.0-TT
5 ⁶	23	0	3.5	1	0	18.5	5.0	2.5	25.0 + TT	13.5-TT
6 ⁵	23	0	6.5	1.5	0	15	6.0	2.5	25.0 + TT	9.0-TT
6 ⁶	23	0	6.5	1	0	15.5	6.0	2.5	25.0 + TT	9.5-TT

NOTE 1: $P_{\text{PowerClass}}$ is the maximum UE power specified without taking into account the tolerance.
NOTE 2: TT for each frequency and channel bandwidth is specified in Table 6.2G.2.5-4.
NOTE 3: Applicable for CBW/SCS combinations other than CBW=40MHz when SCS=60kHz.
NOTE 4: Only applicable for CBW 40MHz when SCS is 60kHz.
NOTE 5: Applicable for CBW/SCS combinations other than CBW=30MHz when SCS=15kHz and CBW=30MHz, 60MHz, 90MHz when SCS=30kHz and CBW=25MHz, 60MHz, 90MHz when SCS=60kHz.
NOTE 6: Only applicable for CBW=30MHz when SCS=15kHz and CBW=30MHz, 60MHz, 90MHz when SCS=30kHz and CBW=25MHz, 60MHz, 90MHz when SCS=60kHz.

Table 6.2G.2.5-11: UE Power Class test requirements (for Band n28 with 30MHz channel bandwidth) for Power Class 3 (almost contiguous allocation)

Test ID	$P_{\text{PowerClass}}$ (dBm)	$\Delta P_{\text{PowerClass}}$ (dB)	MPR (dB)	MPR increase (dB)	$\Delta T_{\text{C,c}}$ (dB)	$P_{\text{CMAX_L,f,c}}$ (dBm)	$T(P_{\text{CMAX_L,f,c}})$ (dB)	$T_{\text{L,c}}$ (dB)	Upper limit (dBm)	Lower limit (dBm)
2 ³	23	0	3.5	1.5	0	18	5	2.5	25.0 + TT	13.0-TT
2 ⁴	23	0	3.5	1	0	18.5	5	2.5	25.0 + TT	13.5-TT
4 ³	23	0	3.5	1.5	0	18	5	2.5	25.0 + TT	13.0-TT
4 ⁴	23	0	3.5	1	0	18.5	5	2.5	25.0 + TT	13.5-TT
5 ³	23	0	4	1.5	0	17.5	5	2.5	25.0 + TT	12.5-TT
5 ⁴	23	0	4	1	0	18	5	2.5	25.0 + TT	13.0-TT
6 ³	23	0	7	1.5	0	14.5	6	2.5	25.0 + TT	8.5-TT
6 ⁴	23	0	7	1	0	15	6	2.5	25.0 + TT	9.0-TT

NOTE 1: $P_{\text{PowerClass}}$ is the maximum UE power specified without taking into account the tolerance.
NOTE 2: TT for each frequency and channel bandwidth is specified in Table 6.2G.2.5-4.
NOTE 3: Applicable for CBW=30MHz when SCS=60kHz.
NOTE 4: Applicable for CBW=30MHz when SCS=15kHz and CBW=30MHz when SCS=30kHz.

Table 6.2G.2.5-12: UE Power Class test requirements (for Bands n24, n48, n77, n78, n79) for Power Class 3 (almost contiguous allocation)

Test ID	$P_{\text{PowerClass}}$ (dBm)	$\Delta P_{\text{PowerClass}}$ (dB)	MPR (dB)	MPR increase (dB)	$\Delta T_{\text{C,c}}$ (dB)	$P_{\text{CMAX_L,f,c}}$ (dBm)	$T(P_{\text{CMAX_L,f,c}})$ (dB)	$T_{\text{L,c}}$ (dB)	Upper limit (dBm)	Lower limit (dBm)
1 ⁴	23	0	1.5	1.5	0 (1.5 ²)	20 (18.5 ²)	6.0 (5.0 ²)	3	25.0 + TT	14.0 - TT (13.5 - TT ²)

1 ⁵	23	0	1.5	1	0	(1.5 ²)	20.5	(19 ²)	6.0	(5.0 ²)	3	25.0 + TT	14.5 - TT	(14.0 - TT ²)
2 ⁶	23	0	3	1.5	0	(1.5 ²)	18.5	(17 ²)	5.0	(5.0 ²)	3	25.0 + TT	13.5 - TT	(12.0 - TT ²)
2 ⁷	23	0	3	1	0	(1.5 ²)	19	(17.5 ²)	5.0	(5.0 ²)	3	25.0 + TT	14.0 - TT	(12.5 - TT ²)
3 ⁴	23	0	2	1.5	0	(1.5 ²)	19.5	(18 ²)	5.0	(5.0 ²)	3	25.0 + TT	14.5 - TT	(13.0 - TT ²)
3 ⁵	23	0	2	1	0	(1.5 ²)	20	(18.5 ²)	6.0	(6.0 ²)	3	25.0 + TT	14.0 - TT	(12.5 - TT ²)
4 ⁶	23	0	3	1.5	0	(1.5 ²)	18.5	(17 ²)	5.0	(5.0 ²)	3	25.0 + TT	13.5 - TT	(12.0 - TT ²)
4 ⁷	23	0	3	1	0	(1.5 ²)	19	(17.5 ²)	5.0	(5.0 ²)	3	25.0 + TT	14.0 - TT	(12.5 - TT ²)
5 ⁶	23	0	3.5	1.5	0	(1.5 ²)	18	(16.5 ²)	5.0	(5.0 ²)	3	25.0 + TT	13.0 - TT	(11.5 - TT ²)
5 ⁷	23	0	3.5	1	0	(1.5 ²)	18.5	(17 ²)	5.0	(5.0 ²)	3	25.0 + TT	13.5 - TT	(12.0 - TT ²)
6 ⁶	23	0	6.5	1.5	0	(1.5 ²)	15	(13.5 ²)	6.0	(6.0 ²)	3	25.0 + TT	9.0 - TT	(7.5 - TT ²)
6 ⁷	23	0	6.5	1	0	(1.5 ²)	15.5	(14 ²)	6.0	(6.0 ²)	3	25.0 + TT	9.5 - TT	(8.0 - TT ²)

NOTE 1: P_{PowerClass} is the maximum UE power specified without taking into account the tolerance.

NOTE 2: For Band n24, transmission bandwidths confined within F_{UL_low} and F_{UL_low} + 4 MHz or F_{UL_high} - 4 MHz and F_{UL_high}.

NOTE 3: TT for each frequency and channel bandwidth is specified in Table 6.2G.2.5-4.

NOTE 4: Applicable for CBW/SCS combinations other than CBW=40MHz when SCS=60kHz.

NOTE 5: Only applicable for CBW 40MHz when SCS is 60kHz.

NOTE 6: Applicable for CBW/SCS combinations other than CBW=30MHz when SCS=15kHz and CBW=30MHz, 60MHz, 90MHz when SCS=30kHz and CBW=25MHz, 60MHz, 90MHz when SCS=60kHz.

NOTE 7: Only applicable for CBW=30MHz when SCS=15kHz and CBW=30MHz, 60MHz, 90MHz when SCS=30kHz and CBW=25MHz, 60MHz, 90MHz when SCS=60kHz.

For the UE which supports inter-band NR CA configuration, inter-band NR-DC configuration, SUL configuration or inter-band EN-DC configuration, $\Delta T_{IB,c}$ as specified in 6.2A.4.0.2 for NR CA, 6.2B.4.0.2 for NR-DC, clause 6.2C.2 for SUL, or TS 38.521-3 [14] clause 6.2B.4.2 for EN-DC applies. Unless otherwise stated, $\Delta T_{IB,c}$ is set to zero. In case the UE supports more than one of band combinations for CA, NR-DC, SUL or EN-DC, and an operating band belongs to more than one band combinations then

- a) When the operating band frequency range is ≤ 1 GHz, the applicable additional $\Delta T_{IB,c}$ shall be the average value for all band combinations defined in clause 6.2A.4.0.2, 6.2B.4.0.2, 6.2C.2 in this specification and 6.2B.4.2 in TS 38.521-3 [14], truncated to one decimal place that apply for that operating band among the supported band combinations. In case there is a harmonic relation between low band UL and high band DL, then the maximum $\Delta T_{IB,c}$ among the different supported band combinations involving such band shall be applied.
- b) When the operating band frequency range is > 1 GHz, the applicable additional $\Delta T_{IB,c}$ shall be the maximum value for all band combinations defined in clause 6.2A.4.0.2, 6.2B.4.0.2, 6.2C.2 in this specification and 6.2B.4.2 in TS 38.521-3 [14] for the applicable operating bands.

6.2G.3 UE additional maximum output power reduction for Tx Diversity

Editor's note: The following aspects are either missing or not yet determined:

- Tests for network signalling values NS_47 for Power Class 2 and Power Class 1.5 with contiguous allocation is complete.
- Tests for network signalling values NS_55 for Power Class 2 and, NS_55 for Power Class 1.5 are FFS.
- Tests for Power Class 3 are FFS.

6.2G.3.1 Test purpose

Additional emission requirements can be signalled by the network. Each additional emission requirement is associated with a unique network signalling (NS) value indicated in RRC signalling by an NR frequency band number of the applicable operating band and an associated value in the field *additionalSpectrumEmission*. Throughout this specification, the notion of indication or signalling of an NS value refers to the corresponding indication of an NR frequency band number of the applicable operating band, the IE field *freqBandIndicatorNR* and an associated value of *additionalSpectrumEmission* in the relevant RRC information elements [6].

To meet the additional requirements, additional maximum power reduction (A-MPR) is allowed for the maximum output power as specified in Table 6.2.1.3-1. Unless stated otherwise, the total reduction to UE maximum output power is $\max(\text{MPR}, \text{A-MPR})$ where MPR is defined in clause 6.2G.2. Outer and inner allocation notation used in clause 6.2G.3 is defined in clause 6.2.2. In absence of modulation and waveform types the A-MPR applies to all modulation and waveform types.

6.2G.3.2 Test applicability

The requirements of this test apply in test case 6.5G.2.2 Additional Spectrum Emission mask for Tx Diversity for network signalling value NS_04 to all types of NR Power Class 1.5, Power Class 2 reporting Tx diversity UE release 15 and forward.

The requirements of this test apply in test case 6.5G.3.3 Additional Spurious Emissions Tx Diversity for network signalling values NS_04, NS_47 and NS_50 to all types of NR Power Class 2 and Power Class 1.5 reporting Tx diversity UE release 15 and forward.

6.2G.3.3 Minimum conformance requirements

For UE supporting Tx diversity, the A-MPR values specified in clause 6.2.3 shall apply to the maximum output power specified in Table 6.2.1-1, and the maximum output power is defined as the sum of the maximum output power at each UE antenna connector. Unless stated otherwise, an A-MPR of 0 dB shall be used.

Table 6.2G.3.3-1 specifies the additional requirements with their associated network signalling values and the allowed A-MPR and applicable operating band(s) for each NS value. The mapping of NR frequency band numbers and values of the *additionalSpectrumEmission* to network signalling labels is specified in Table 6.2G.3.3-2.

Table 6.2G.3.3-1: Additional maximum power reduction (A-MPR)

Network signalling label	Requirements (subclause)	NR Band	Channel bandwidth (MHz)	Resources blocks (N_{RB})	A-MPR (dB)
NS_01		Table 5.2-1	5, 10, 15, 20, 25, 30, 40, 50, 60, 70, 80, 90, 100	Table 5.3.2-1	N/A
NS_04	6.5G.2.3.3.2, 6.5G.3.3.3.1	n41	10, 15, 20, 30, 40, 50, 60, 70, 80, 90, 100		Clause 6.2.3.3.2
NS_47	6.5G.3.3.3.15	n41 (Note 3)	30	Table 6.2.3.3.18-1	Table 6.2.3.3.18-2
NS_50	6.5G.3.3.3.16	n39	10, 15, 20, 25, 30, 40		Clause 6.2.3.3.19
NS_55	NOTE 4	n77	10, 15, 20, 25, 30, 40, 50, 60, 70, 80, 90, 100		N/A
<p>NOTE 1: This NS can be signalled for NR bands that have UTRA services deployed.</p> <p>NOTE 2: No A-MPR is applied for 5 MHz $BW_{channel}$ where the lower channel edge is ≥ 1930 MHz, 10 MHz $BW_{channel}$ where the lower channel edge is ≥ 1950 MHz and 15 MHz $BW_{channel}$ where the lower channel edge is ≥ 1955 MHz.</p> <p>NOTE 3: Applicable when the NR carrier is within 2545 – 2575 MHz.</p> <p>NOTE 4: This NS value is applicable for cells in the range 3450 – 3550 MHz for operations in the USA. This NS value does not indicate any additional spurious emission and maximum output power reduction requirements.</p>					

Table 6.2G.3.3-2: Mapping of Network Signalling label

NR band	Value of additionalSpectrumEmission							
	0	1	2	3	4	5	6	7
n34	NS_01							
n39	NS_01	NS_50						
n41	NS_01	NS_04	NS_47					
n77	NS_01	NS_55						
n78	NS_01							
n79	NS_01							
NOTE: additionalSpectrumEmission corresponds to an information element of the same name defined in clause 6.3.2 of TS 38.331 [6].								

The normative reference for this requirement is TS 38.101-1 [2] clause 6.2.3.1 and 6.2G.3.

6.2G.3.4 Test description

6.2G.3.4.1 Initial conditions

Initial conditions are a set of test configurations the UE needs to be tested in and the steps for the SS to take with the UE to reach the correct measurement state.

The initial test configurations consist of environmental conditions, test frequencies, test channel bandwidths and sub-carrier spacing based on NR operating bands specified in Table 5.3.5-1. All of these configurations shall be tested with applicable test parameters for each combination of test channel bandwidth and sub-carrier spacing, and are shown in Table 6.2.3.4.1-2 for NS_04 and Table 6.2.3.4.1-18 for NS_47 PC2 and PC3, and in Table 6.2G.3.4.1-1 for NS_47 PC1.5, and in Table 6.2G.3.4.1-2 for NS_50 PC1.5. The details of the uplink reference measurement channels (RMCs) are specified in Annex A.2. Configurations of PDSCH and PDCCH before measurement are specified in Annex C.2

Table 6.2G.3.4.1-1: Test Configuration table for NS_47 power class 1.5

Initial Conditions	
Test Environment as specified in TS 38.508-1 [5] subclause 4.1	Normal

Test Frequencies					As specified in Table 6.2.3.4.1-18a and 6.2.3.4.1-18b				
Test Channel Bandwidths as specified in TS 38.508-1 [5] subclause 4.3.1					30 MHz				
Test SCS as specified in Table 5.3.5-1					Lowest, Highest (Note 3)				
A-MPR test parameters for NS_47									
Test ID	F _c (MHz)	Ch BW (MHz)	SCS (kHz)	Downlink Configuration	Uplink Configuration				
					Modulation (Note 2)	RB allocation (Note 1)			
						SCS 15 kHz	SCS 30 kHz	SCS 60 kHz	
1	Default	30	Default	N/A for A-MPR testing.	PI/2 BPSK	Edge_1RB_Left (A1)			
2	Default	30	Default		PI/2 BPSK	1@29 (A2)	1@15 (A2)	1@8 (A2)	
3	Default	30	Default		PI/2 BPSK	Edge_1RB_Right (A3)			
4	Default	30	Default		PI/2 BPSK	Outer_Full (A2)			
5	Default	30	Default		PI/2 BPSK	108@0 (A4)	54@0 (A4)	27@0 (A4)	
6	Default	30	Default		PI/2 BPSK	80@0 (A4)	40@0 (A4)	20@0 (A4)	
7	Default	30	Default		PI/2 BPSK	54@0 (A2)	27@0 (A2)	12@0 (A2)	
8	Default	30	Default		PI/2 BPSK	80@35 (A5)	40@18 (A5)	20@9 (A5)	
9	Default	30	Default		QPSK	Edge_1RB_Left (A1)			
10	Default	30	Default		QPSK	1@29 (A2)	1@15 (A2)	1@8 (A2)	
11	Default	30	Default		QPSK	Edge_1RB_Right (A3)			
12	Default	30	Default		QPSK	Outer_Full (A2)			
13	Default	30	Default		QPSK	108@0 (A4)	54@0 (A4)	27@0 (A4)	
14	Default	30	Default		QPSK	80@0 (A4)	40@0 (A4)	20@0 (A4)	
15	Default	30	Default		QPSK	54@0 (A2)	27@0 (A2)	12@0 (A2)	
16	Default	30	Default		QPSK	80@35 (A5)	40@18 (A5)	20@9 (A5)	
17	Default	30	Default		16 QAM	Edge_1RB_Left (A1)			
18	Default	30	Default		16 QAM	1@29 (A2)	1@15 (A2)	1@8 (A2)	
19	Default	30	Default		16 QAM	Edge_1RB_Right (A3)			
20	Default	30	Default		16 QAM	Outer_Full (A2)			
21	Default	30	Default		16 QAM	108@0 (A4)	54@0 (A4)	27@0 (A4)	
22	Default	30	Default		16 QAM	80@0 (A4)	40@0 (A4)	20@0 (A4)	
23	Default	30	Default		16 QAM	54@0 (A2)	27@0 (A2)	12@0 (A2)	
24	Default	30	Default		16 QAM	80@35 (A5)	40@18 (A5)	20@9 (A5)	
25	Default	30	Default		64 QAM	Edge_1RB_Left (A1)			
26	Default	30	Default		64 QAM	1@29 (A2)	1@15 (A2)	1@8 (A2)	
27	Default	30	Default		64 QAM	Edge_1RB_Right (A3)			
28	Default	30	Default		64 QAM	Outer_Full (A2)			
29	Default	30	Default		64 QAM	108@0 (A4)	54@0 (A4)	27@0 (A4)	
30	Default	30	Default		64 QAM	80@0 (A4)	40@0 (A4)	20@0 (A4)	
31	Default	30	Default		64 QAM	54@0 (A2)	27@0 (A2)	12@0 (A2)	
32	Default	30	Default		64 QAM	80@35 (A5)	40@18 (A5)	20@9 (A5)	
33	Default	30	Default		256 QAM	Edge_1RB_Left (A1)			
34	Default	30	Default		256 QAM	1@29 (A2)	1@15 (A2)	1@8 (A2)	
35	Default	30	Default		256 QAM	Edge_1RB_Right (A3)			
36	Default	30	Default		256 QAM	Outer_Full (A2)			
37	Default	30	Default		256 QAM	108@0 (A4)	54@0 (A4)	27@0 (A4)	
38	Default	30	Default		256 QAM	80@0 (A4)	40@0 (A4)	20@0 (A4)	
39	Default	30	Default		256 QAM	54@0 (A2)	27@0 (A2)	12@0 (A2)	
40	Default	30	Default		256 QAM	80@35 (A5)	40@18 (A5)	20@9 (A5)	
41	Default	30	Default		CP-OFDM	QPSK	Edge_1RB_Left (A1)		
42	Default	30	Default			QPSK	1@29 (A2)	1@15 (A2)	1@8 (A2)
43	Default	30	Default			QPSK	Edge_1RB_Right (A3)		
44	Default	30	Default			QPSK	Outer_Full (A2)		
45	Default	30	Default			QPSK	108@0 (A4)	54@0 (A4)	27@0 (A4)
46	Default	30	Default			QPSK	80@0 (A4)	40@0 (A4)	20@0 (A4)
47	Default	30	Default			QPSK	54@0 (A2)	27@0 (A2)	12@0 (A2)
48	Default	30	Default			QPSK	80@35 (A5)	40@18 (A5)	20@9 (A5)
49	Default	30	Default			16 QAM	Edge_1RB_Left (A1)		
50	Default	30	Default			16 QAM	1@29 (A2)	1@15 (A2)	1@8 (A2)
51	Default	30	Default			16 QAM	Edge_1RB_Right (A3)		
52	Default	30	Default			16 QAM	Outer_Full (A2)		
53	Default	30	Default			16 QAM	108@0 (A4)	54@0 (A4)	27@0 (A4)
54	Default	30	Default			16 QAM	80@0 (A4)	40@0 (A4)	20@0 (A4)
55	Default	30	Default			16 QAM	54@0 (A2)	27@0 (A2)	12@0 (A2)
56	Default	30	Default			16 QAM	80@35 (A5)	40@18 (A5)	20@9 (A5)

57	Default	30	Default		64 QAM	Edge_1RB_Left (A1)
----	---------	----	---------	--	--------	--------------------

A-MPR test parameters for NS_47								
Test ID	F _c (MHz)	Ch BW (MHz)	SCS (kHz)	Downlink Configuration	Uplink Configuration			
					Modulation (Note 2)	RB allocation (Note 1)		
58	Default	30	Default			64 QAM	1@29 (A2)	1@15 (A2)
59	Default	30	Default		64 QAM	Edge 1RB_Right (A3)		
60	Default	30	Default		64 QAM	Outer_Full (A2)		
61	Default	30	Default		64 QAM	108@0 (A4)	54@0 (A4)	27@0 (A4)
62	Default	30	Default		64 QAM	80@0 (A4)	40@0 (A4)	20@0 (A4)
63	Default	30	Default		64 QAM	54@0 (A2)	27@0 (A2)	12@0 (A2)
64	Default	30	Default		64 QAM	80@35 (A5)	40@18 (A5)	20@9 (A5)
65	Default	30	Default		256 QAM	Edge_1RB_Left (A1)		
66	Default	30	Default		256 QAM	1@29 (A2)	1@15 (A2)	1@8 (A2)
67	Default	30	Default		256 QAM	Edge 1RB_Right (A3)		
68	Default	30	Default		256 QAM	Outer_Full (A2)		
69	Default	30	Default		256 QAM	108@0 (A4)	54@0 (A4)	27@0 (A4)
70	Default	30	Default		256 QAM	80@0 (A4)	40@0 (A4)	20@0 (A4)
71	Default	30	Default		256 QAM	54@0 (A2)	27@0 (A2)	12@0 (A2)
72	Default	30	Default		256 QAM	80@35 (A5)	40@18 (A5)	20@9 (A5)

NOTE 1: The specific configuration of each RB allocation is defined in Table 6.1-1 unless otherwise stated in this table.
 NOTE 2: DFT-s-OFDM PI/2 BPSK test applies only for UEs which supports half Pi BPSK in FR1.
 NOTE 3: For FR1 bands where highest supported SCS is 60 kHz the highest tested SCS is limited to 30 kHz as carrier with SCS=60 kHz cannot be used as PCell.

Table 6.2G.3.4.1-2: Test Configuration table for NS_50 power class 1.5

Initial Conditions								
Test Environment as specified in TS 38.508-1 [5] subclause 4.1					Normal			
Test Frequencies as specified in TS 38.508-1 [5] subclause 4.3.1					As specified in Table 6.2.3.4.1-32a, 6.2.3.4.1-32b and 6.2.3.4.1-32c			
Test Channel Bandwidths as specified in TS 38.508-1 [5] subclause 4.3.1					10MHz, 15MHz, 20MHz, 25 MHz, 30MHz, 35MHz, 40MHz			
Test SCS as specified in Table 5.3.5-1					Lowest, Highest (Note 3)			
A-MPR test parameters for NS_50 (Power Class 2)								
Test ID	F _c (MHz)	Ch BW (MHz)	SCS (kHz)	Downlink Configuration	Modulation (Note 2)	RB allocation (Note 1)		
						SCS 15 kHz	SCS 30 kHz	SCS 60 kHz
1	Default	10	Default	N/A	QPSK	Edge_1RB_left (A5)		
2	Default	10	Default		QPSK	Outer_Full (A4)		
3	Default	10	Default		QPSK	40@11 (A4)	18@6 (A4)	/
4	Default	15	Default		QPSK	Edge_1RB_left (A5)		
5	Default	15	Default		QPSK	Outer_Full (A3)		
6	Default	15	Default		QPSK	60@19 (A4)	27@10 (A4)	15@5 (A4)
7	Default	15	Default		QPSK	16@1 (A10)	9@1 (A10)	5@1 (A10)
8	Default	20	Default		QPSK	Edge_1RB_left (A5)		
9	Default	20	Default		QPSK	Outer_Full (A3)		
10	Default	20	Default		QPSK	80@26 (A4)	36@13 (A4)	18@7 (A4)
11	Default	20	Default		QPSK	21@1 (A10)	10@1 (A10)	6@1 (A10)
12	Default	25	Default		QPSK	Outer_Full (A2)		
13	Default	25	Default		QPSK	Edge_1RB_left (A5)		
14	Default	25	Default		QPSK	75@48 (A4)	36@25 (A4)	18@13 (A4)
15	Default	25	Default		QPSK	20@11 (A6)	10@6 (A6)	5@3 (A6)
16	Default	25	Default		QPSK	27@0 (A4)	12@0 (A4)	6@0 (A4)
17	Default	25	Default		QPSK	38@11 (A10)	33@6 (A10)	30@3 (A10)
18	Default	30	Default		QPSK	Outer_Full (A2)		
19	Default	30	Default		QPSK	Edge_1RB_left (A5)		
20	Default	30	Default		QPSK	20@11 (A6)	10@6 (A6)	5@3 (A6)
21	Default	30	Default		QPSK	27@0 (A4)	12@0 (A4)	6@0 (A4)

22	Default	30	Default			QPSK	90@63 (A4)	45@32 (A4)	24@18 (A4)
23	Default	30	Default			QPSK	38@11 (A10)	33@6 (A10)	30@3 (A10)
24	Default	35	Default			QPSK	Outer_Full (A1)		
25	Default	35	Default			QPSK	50@10 (A3)	30@5 (A3)	12@3 (A3)
26	Default	35	Default			QPSK	178@10 (A8)	87@5 (A8)	40@3 (A8)
27	Default	35	Default			QPSK	111@77 (A4)	52@39 (A4)	24@20 (A4)
28	Default	35	Default			QPSK	16@171 (A9)	6@86 (A9)	1@43 (A9)
29	Default	40	Default			QPSK	Outer_Full (A1)		
30	Default	40	Default			QPSK	180@25 (A8)	90@13 (A8)	40@7 (A8)
31	Default	40	Default			QPSK	60@25 (A3)	30@13 (A3)	15@7 (A3)
32	Default	40	Default			QPSK	90@25 (A7)	45@13 (A7)	20@7 (A7)
33	Default	40	Default			QPSK	108@101 (A4)	54@51 (A4)	25@26 (A4)
34	Default	40	Default			QPSK	36@177 (A9)	16@89 (A9)	6@45 (A9)
35	Default	10	Default			256 QAM	Edge_1RB_left (A5)		
36	Default	10	Default			256 QAM	Outer_Full (A4)		
37	Default	10	Default			256 QAM	40@11 (A4)	18@6 (A4)	/
38	Default	15	Default			256 QAM	Edge_1RB_left (A5)		
39	Default	15	Default			256 QAM	Outer_Full (A3)		
40	Default	15	Default			256 QAM	60@19 (A4)	27@10 (A4)	15@5 (A4)
41	Default	15	Default			256 QAM	16@1 (A10)	9@1 (A10)	5@1 (A10)
42	Default	20	Default			256 QAM	Edge_1RB_left (A5)		
43	Default	20	Default			256 QAM	Outer_Full (A3)		
44	Default	20	Default			256 QAM	80@26 (A4)	36@13 (A4)	18@7 (A4)
45	Default	20	Default			256 QAM	21@1 (A10)	10@1 (A10)	6@1 (A10)
46	Default	25	Default			256 QAM	Outer_Full (A2)		
47	Default	25	Default			256 QAM	Edge_1RB_left (A5)		
48	Default	25	Default			256 QAM	75@48 (A4)	36@25 (A4)	18@13 (A4)
49	Default	25	Default			256 QAM	20@11 (A6)	10@6 (A6)	5@3 (A6)
50	Default	25	Default			256 QAM	27@0 (A4)	12@0 (A4)	6@0 (A4)
51	Default	25	Default			256 QAM	38@11 (A10)	33@6 (A10)	30@3 (A10)
52	Default	30	Default			256 QAM	Outer_Full (A2)		
53	Default	30	Default			256 QAM	Edge_1RB_left (A5)		
54	Default	30	Default			256 QAM	20@11 (A6)	10@6 (A6)	5@3 (A6)
55	Default	30	Default			256 QAM	27@0 (A4)	12@0 (A4)	6@0 (A4)
56	Default	30	Default			256 QAM	90@63 (A4)	45@32 (A4)	24@18 (A4)
57	Default	30	Default			256 QAM	38@11 (A10)	33@6 (A10)	30@3 (A10)
58	Default	35	Default			256 QAM	Outer_Full (A1)		
59	Default	35	Default			256 QAM	50@10 (A3)	30@5 (A3)	12@3 (A3)
60	Default	35	Default			256 QAM	178@10 (A8)	87@5 (A8)	40@3 (A8)
61	Default	35	Default			256 QAM	111@77 (A4)	52@39 (A4)	24@20 (A4)
62	Default	35	Default			256 QAM	16@171 (A9)	6@86 (A9)	1@43 (A9)
63	Default	40	Default			256 QAM	Outer_Full (A1)		
64	Default	40	Default			256 QAM	180@25 (A8)	90@13 (A8)	40@7 (A8)
65	Default	40	Default			256 QAM	60@25 (A3)	30@13 (A3)	15@7 (A3)
66	Default	40	Default			256 QAM	90@25 (A7)	45@13 (A7)	20@7 (A7)
67	Default	40	Default			256 QAM	108@101 (A4)	54@51 (A4)	25@26 (A4)
68	Default	40	Default			256 QAM	36@177 (A9)	16@89 (A9)	6@45 (A9)
69	Default	10	Default	N/A	CP-OFDM	QPSK	Edge_1RB_left (A5)		
70	Default	10	Default			QPSK	Outer_Full (A4)		
71	Default	10	Default			QPSK	41@11 (A4)	18@6 (A4)	/
72	Default	15	Default			QPSK	Edge_1RB_left (A5)		

73	Default	15	Default		QPSK	Outer_Full (A3)		
74	Default	15	Default		QPSK	60@19 (A4)	28@10 (A4)	13@5 (A4)
75	Default	15	Default		QPSK	16@1(A10)	9@1(A10)	5@1(A10)
76	Default	20	Default		QPSK	Edge_1RB_left (A5)		
77	Default	20	Default		QPSK	Outer_Full (A3)		
78	Default	20	Default		QPSK	80@26 (A4)	38@13 (A4)	17@7 (A4)
79	Default	20	Default		QPSK	21@1 (A10)	10@1 (A10)	6@1 (A10)
80	Default	25	Default		QPSK	Outer_Full (A2)		
81	Default	25	Default		QPSK	Edge_1RB_left (A5)		
82	Default	25	Default		QPSK	74@47 (A4)	37@24 (A4)	19@13 (A4)
83	Default	25	Default		QPSK	20@11 (A6)	10@6 (A6)	5@3 (A6)
84	Default	25	Default		QPSK	27@0 (A4)	13@0 (A4)	6@0 (A4)
85	Default	25	Default		QPSK	38@11(A10)	33@6(A10)	30@3(A10)
86	Default	30	Default		QPSK	Outer_Full (A2)		
87	Default	30	Default		QPSK	Edge_1RB_left (A5)		
88	Default	30	Default		QPSK	20@11 (A6)	10@6 (A6)	5@3 (A6)
89	Default	30	Default		QPSK	27@0 (A4)	13@0 (A4)	6@0 (A4)
90	Default	30	Default		QPSK	88@61 (A4)	44@31 (A4)	22@16 (A4)
91	Default	30	Default		QPSK	38@11(A10)	33@6(A10)	30@3(A10)
92	Default	35	Default		QPSK	Outer_Full (A1)		
93	Default	35	Default		QPSK	50@10 (A3)	30@5 (A3)	12@3 (A3)
94	Default	35	Default		QPSK	178@10 (A8)	87@5 (A8)	41@3 (A8)
95	Default	35	Default		QPSK	111@77(A4)	53@39(A4)	24@20(A4)
96	Default	35	Default		QPSK	17@171(A9)	6@86(A9)	1@43(A9)
97	Default	40	Default		QPSK	Outer_Full (A1)		
98	Default	40	Default		QPSK	191@25 (A8)	93@13 (A8)	44@7 (A8)
99	Default	40	Default		QPSK	60@25 (A3)	30@13 (A3)	15@7 (A3)
100	Default	40	Default		QPSK	91@25 (A7)	46@13 (A7)	23@7 (A7)
101	Default	40	Default		QPSK	115@101 (A4)	55@51 (A4)	25@26 (A4)
102	Default	40	Default		QPSK	39@177 (A9)	17@89 (A9)	6@45 (A9)
103	Default	10	Default		256 QAM	Edge_1RB_left (A5)		
104	Default	10	Default		256 QAM	Outer_Full (A4)		
105	Default	10	Default		256 QAM	41@11 (A4)	18@6 (A4)	/
106	Default	15	Default		256 QAM	Edge_1RB_left (A5)		
107	Default	15	Default		256 QAM	Outer_Full (A3)		
108	Default	15	Default		256 QAM	60@19 (A4)	28@10 (A4)	13@5 (A4)
109	Default	15	Default		256 QAM	16@1(A10)	9@1(A10)	5@1(A10)
110	Default	20	Default		256 QAM	Edge_1RB_left (A5)		
111	Default	20	Default		256 QAM	Outer_Full (A3)		
112	Default	20	Default		256 QAM	80@26 (A4)	38@13 (A4)	17@7 (A4)
113	Default	20	Default		256 QAM	21@1 (A10)	10@1 (A10)	6@1 (A10)
114	Default	25	Default		256 QAM	Outer_Full (A2)		
115	Default	25	Default		256 QAM	Edge_1RB_left (A5)		
116	Default	25	Default		256 QAM	74@47 (A4)	37@24 (A4)	19@13 (A4)
117	Default	25	Default		256 QAM	20@11 (A6)	10@6 (A6)	5@3 (A6)
118	Default	25	Default		256 QAM	27@0 (A4)	13@0 (A4)	6@0 (A4)
119	Default	25	Default		256 QAM	38@11(A10)	33@6(A10)	30@3(A10)
120	Default	30	Default		256 QAM	Outer_Full (A2)		
121	Default	30	Default		256 QAM	Edge_1RB_left (A5)		
123	Default	30	Default		256 QAM	20@11 (A6)	10@6 (A6)	5@3 (A6)
124	Default	30	Default		256 QAM	27@0 (A4)	13@0 (A4)	6@0 (A4)
125	Default	30	Default		256 QAM	88@61 (A4)	44@31 (A4)	22@16 (A4)

126	Default	30	Default		256 QAM	38@11(A10)	33@6(A10)	30@3(A10)
127	Default	35	Default		256 QAM	Outer_Full (A1)		
128	Default	35	Default		256 QAM	50@10 (A3)	30@5 (A3)	12@3 (A3)
129	Default	35	Default		256 QAM	178@10 (A8)	87@5 (A8)	41@3 (A8)
130	Default	35	Default		256 QAM	111@77(A4)	53@39(A4)	24@20(A4)
131	Default	35	Default		256 QAM	17@171(A9)	6@86(A9)	1@43(A9)
132	Default	40	Default		256 QAM	Outer_Full (A1)		
133	Default	40	Default		256 QAM	191@25 (A8)	93@13 (A8)	44@7 (A8)
134	Default	40	Default		256 QAM	60@25 (A3)	30@13 (A3)	15@7 (A3)
135	Default	40	Default		256 QAM	91@25 (A7)	46@13 (A7)	23@7 (A7)
136	Default	40	Default		256 QAM	115@101 (A4)	55@51 (A4)	25@26 (A4)
137	Default	40	Default		256 QAM	39@177 (A9)	17@89 (A9)	6@45 (A9)
NOTE 1: The specific configuration of each RB allocation is defined in Table 6.1-1 unless otherwise stated in this table.								
NOTE 2: DFT-s-OFDM PI/2 BPSK test applies only for UEs which supports half Pi BPSK in FR1.								
NOTE 3: For FR1 bands where highest supported SCS is 60 kHz the highest tested SCS is limited to 30 kHz as carrier with SCS=60 kHz cannot be used as PCell.								

1. Connect the SS to the UE antenna connectors as shown in TS 38.508-1 [5] Annex A, Figure A.3.1.1.1 for TE diagram and section A.3.2 for UE diagram.
2. The parameter settings for the cell are set up according to TS 38.508-1 [5] subclause 4.4.3.
3. Downlink signals are initially set up according to Annex C.0, C.1, C.2 and uplink signals according Annex G.0, G.1, G.2 and G.3.0.
4. The UL Reference Measurement channels are set according to the applicable table from Table 6.2G.3.4.1-1 to Table 6.2G.3.4.1-2.
5. Propagation conditions are set according to Annex B.0.
6. Ensure the UE is in state RRC_CONNECTED with generic procedure parameters Connectivity *NR*, Connected without release *On*, Test Mode *On* and Test Loop Function *On* according to TS 38.508-1 [5] clause 4.5. Message contents are defined in clause 6.2G.3.4.3.

6.2G.3.4.2 Test procedure

1. SS sends uplink scheduling information for each UL HARQ process via PDCCH DCI format 0_1 for C_RNTI to schedule the UL RMC according to the applicable table from Table 6.2G.3.4.1-1 to Table 6.2G.3.4.1-2. Since the UE has no payload data to send, the UE transmits uplink MAC padding bits on the UL RMC.
2. Send continuously uplink power control "up" commands in the uplink scheduling information to the UE Allow at least 200ms starting from the first TPC command in this step for the UE to reach P_{UMAX} level.
3. Measure the sum of the mean power of the UE at each antenna connector in the channel bandwidth of the radio access mode. The period of measurement shall be at least the continuous duration one sub-frame (1ms). For TDD, only slots consisting of only UL symbols are under test.
4. For network signalling value "NS_04" and UEs supporting Power Class 2 and Power Class 1.5, repeat steps 1~3 on the applicable bands with message exception of P-Max defined in Table 6.2G.3.4.3.1-2.
5. For network signalling value "NS_04" and UEs supporting Power Class 1.5, repeat steps 1~3 on the applicable bands with message exception of P-Max defined in Table 6.2G.3.4.3.1-3.

NOTE 1: When switching to DFT-s-OFDM waveform, as specified in the test configuration Table 6.2G.3.4.1-1, send an NR RRCReconfiguration message according to TS 38.508-1 [5] clause 4.6.3 Table 4.6.3-118 PUSCH-Config with TRANSFORM_PRECODER_ENABLED condition.

6.2G.3.4.3 Message contents

Message contents are according to TS 38.508-1 [5] subclause 4.6.1, with the following exceptions for each network signalling value.

6.2G.3.4.3.1 Message contents exceptions for network signalling value "NS_04"

1. Information element additionalSpectrumEmission is set to NS_04. This can be set in the *SIB1* as part of the cell broadcast message. This exception indicates that the UE shall meet the additional spurious emission requirement for a specific deployment scenario.

Table 6.2G.3.4.3.1-1: AdditionalSpectrumEmission Additional spurious emissions test requirement for "NS_04"

Derivation Path: TS 38.508-1 [5], Table 4.6.3-1			
Information Element	Value/remark	Comment	Condition
additionalSpectrumEmission	1 (NS_04)		

Table 6.2G.3.4.3.1-2: P-Max (Step 4)

Derivation Path: TS 38.508-1 [5], Table 4.6.3-89			
Information Element	Value/remark	Comment	Condition
P-Max	23		PC2 UE or PC1.5 UE

Table 6.2G.3.4.3.1-3: P-Max (Step 5)

Derivation Path: TS 38.508-1 [5], Table 4.6.3-89			
Information Element	Value/remark	Comment	Condition
P-Max	26		PC1.5 UE

6.2G.3.4.3.2 Message contents exceptions for network signalling value "NS_47"

1. Information element additionalSpectrumEmission is set to NS_47. This can be set in the *SIB1* as part of the cell broadcast message. This exception indicates that the UE shall meet the additional spurious emission requirement for a specific deployment scenario.

Table 6.2G.3.4.3.2-1: AdditionalSpectrumEmission: Additional spurious emissions test requirement for "NS_47"

Derivation Path: TS 38.508-1 [5], Table 4.6.3-1			
Information Element	Value/remark	Comment	Condition
additionalSpectrumEmission	2 (NS_47)		

6.2G.3.4.3.3 Message contents exceptions for network signalled value "NS_50"

1. Information element additionalSpectrumEmission is set to NS_50. This can be set in the *SIB1* as part of the cell broadcast message. This exception indicates that the UE shall meet the additional spurious emission requirement for a specific deployment scenario.

Table 6.2G.3.4.3.3-1: AdditionalSpectrumEmission: Additional spurious emissions test requirement for "NS_50"

Derivation Path: TS 38.508-1 [5], Table 4.6.3-1			
Information Element	Value/remark	Comment	Condition
additionalSpectrumEmission	1 (NS_50)		

6.2G.3.5 Test requirement

The maximum output power, derived in step 3 shall be within the range prescribed by the nominal maximum output power and tolerance in the applicable table from Table 6.2G.3.5-1. The allowed A-MPR values specified in table 6.2G.3.3-1 are in addition to the allowed MPR requirements specified in clause 6.2G.2. For the UE maximum output power modified by MPR and/or A-MPR, the power limits specified in table 6.2G.1.3-1 apply.

Table 6.2G.3.5-0: Test Tolerance (UE additional maximum output power reduction)

	$f \leq 3.0\text{GHz}$	$3.0\text{GHz} < f \leq 4.2\text{GHz}$	$4.2\text{GHz} < f \leq 6.0\text{GHz}$
$\text{BW} \leq 40\text{MHz}$	0.7 dB	1.0 dB	1.0 dB
$40\text{MHz} < \text{BW} \leq 100\text{MHz}$	1.0 dB	1.0 dB	1.0 dB

Table 6.2G.3.5-1: UE Power Class 2 test requirements (NS_04) for band n41 (Step 3)

Test ID	P _{PowerClass} (dBm)	MPR (dB)	A-MPR' (dB)	$\Delta T_{C,c}$ (dB)	P _{C_{MAX,c}} (dBm)	T(P _{C_{MAX,L,c}}) (dB)	T _{L,c} (dB)	Upper limit (dBm)	Lower limit (dBm)
7	26	3.5	5.5	1.5	19	3.5	3	28+TT	15.5-TT
8	26	3.5	3.5	0	22.5	2.0	3	28+TT	19.5-TT
9	26	3.5	0	0	22.5	2.0	3	28+TT	19.5-TT
10	26	0.5	3.5	0	22.5	2.0	3	28+TT	19.5-TT
11	26	3.5	0	1.5	21	2.0	3	28+TT	18-TT
12	26	0.5	0	0	25.5	2.0	3	28+TT	22.5-TT
13	26	3.5	6	1.5	18.5	4.0	3	28+TT	14.5-TT
14	26	3.5	4.5	0	21	2.0	3	28+TT	18.5-TT
15	26	3.5	0	0	22.5	2.0	3	28+TT	19.5-TT
16	26	1	4.5	0	21.5	2.0	3	28+TT	18.5-TT
17	26	3.5	0	1.5	21	2.0	3	28+TT	18-TT
18	26	1	0	0	25	2.0	3	28+TT	22-TT
19	26	3.5	6	1.5	18.5	4.0	3	28+TT	14.5-TT
20	26	3.5	5	0	21	2.0	3	28+TT	18-TT
21	26	3.5	0	0	22.5	2.0	3	28+TT	19.5-TT
22	26	2	5	0	21	2.0	3	28+TT	18-TT
23	26	3.5	0	1.5	21	2.0	3	28+TT	18-TT
24	26	2	0	0	24	2.0	3	28+TT	21-TT
25	26	3.5	6.5	1.5	18	4.0	3	28+TT	14-TT
26	26	3.5	5	0	21	2.0	3	28+TT	18-TT
27	26	3.5	0	0	22.5	2.0	3	28+TT	19.5-TT
28	26	2.5	5	0	21	2.0	3	28+TT	18-TT
29	26	3.5	0	1.5	21	2.0	3	28+TT	18-TT
30	26	2.5	0	0	23.5	2.0	3	28+TT	20.5-TT
31	26	4.5	8	1.5	16.5	5.0	3	28+TT	11.5-TT
32	26	4.5	6.5	0	19.5	3.5	3	28+TT	16-TT
33	26	4.5	0	0	21.5	2.0	3	28+TT	18.5-TT
34	26	4.5	6.5	0	19.5	3.5	3	28+TT	16-TT
35	26	4.5	0	1.5	20	2.5	3	28+TT	17-TT
36	26	4.5	0	0	21.5	2.0	3	28+TT	18.5-TT
37	26	3.5	7.5	1.5	17	5.0	3	28+TT	12-TT
38	26	3.5	6.5	0	19.5	3.5	3	28+TT	16-TT
39	26	3.5	0	0	22.5	2.0	3	28+TT	19.5-TT
40	26	3	6.5	0	19.5	3.5	3	28+TT	16-TT
41	26	3.5	0	1.5	21	2.0	3	28+TT	18-TT
42	26	3	0	0	23	2.0	3	28+TT	20-TT
43	26	3.5	7.5	1.5	17	5.0	3	28+TT	12-TT
44	26	3.5	6.5	0	19.5	3.5	3	28+TT	16-TT
45	26	3.5	0	0	22.5	2.0	3	28+TT	19.5-TT
46	26	3	6.5	0	19.5	3.5	3	28+TT	16-TT
47	26	3.5	0	1.5	21	2.0	3	28+TT	18-TT
48	26	3	0	0	23	2.0	3	28+TT	20-TT
49	26	3.5	7.5	1.5	17	5.0	3	28+TT	12-TT
50	26	3.5	6.5	0	19.5	3.5	3	28+TT	16-TT
51	26	3.5	0	0	22.5	2.0	3	28+TT	19.5-TT
52	26	3.5	6.5	0	19.5	3.5	3	28+TT	16-TT
53	26	3.5	0	1.5	21	2.0	3	28+TT	18-TT
54	26	3.5	0	0	22.5	2.0	3	28+TT	19.5-TT
55	26	6.5	10	1.5	14.5	5.0	3	28+TT	11-TT
56	26	6.5	7.5	0	18.5	4.0	3	28+TT	14.5-TT
57	26	6.5	0	0	19.5	3.5	3	28+TT	16-TT
58	26	6.5	7.5	0	18.5	4.0	3	28+TT	14.5-TT
59	26	6.5	0	1.5	18	4.0	3	28+TT	14-TT
60	26	6.5	0	0	19.5	3.5	3	28+TT	16-TT

NOTE 1: P_{PowerClass} is the maximum UE power specified without taking into account the tolerance.NOTE 2: TT=0.7 dB for BW_{channel} ≤ 40 MHz; TT=1.0 dB for 40 MHz < BW_{channel} ≤ 100 MHz.

Table 6.2G.3.5-2: UE Power Class 1.5 test requirements (NS_04) for band n41 (Step 3)

Test ID	P _{PowerClass} (dBm)	MPR (dB)	A-MPR' (dB)	$\Delta T_{C,c}$ (dB)	P _{C_{MAX,c}} (dBm)	T(P _{C_{MAX,L,c}}) (dB)	T _{L,c} (dB)	Upper limit (dBm)	Lower limit (dBm)
7	29	6	7	1.5	20.5	2.5	3	31+TT	17.5-TT
8	29	6	5	0	23	2.0	3	31+TT	20-TT
9	29	6	0	0	23	2.0	3	31+TT	20-TT
10	29	2	5	0	24	2.0	3	31+TT	21-TT
11	29	6	0	1.5	21.5	2.0	3	31+TT	18.5-TT
12	29	2	0	0	27	2.0	3	31+TT	24-TT
13	29	6.5	7.5	1.5	20	2.5	3	31+TT	17-TT
14	29	6.5	6	0	22.5	2.0	3	31+TT	19.5-TT
15	29	6.5	0	0	22.5	2.0	3	31+TT	19.5-TT
16	29	2.5	6	0	23	2.0	3	31+TT	20-TT
17	29	6.5	0	1.5	21	2.0	3	31+TT	18-TT
18	29	2.5	0	0	26.5	2.0	3	31+TT	23.5-TT
19	29	6.5	7.5	1.5	20	2.0	3	31+TT	17-TT
20	29	6.5	6.5	0	22.5	2.0	3	31+TT	19.5-TT
21	29	6.5	0	0	22.5	2.0	3	31+TT	19.5-TT
22	29	3.5	6.5	0	22.5	2.0	3	31+TT	19.5-TT
23	29	6.5	0	1.5	21	2.0	3	31+TT	18-TT
24	29	3.5	0	0	25.5	2.0	3	31+TT	22.5-TT
25	29	6.5	8	1.5	19.5	3.5	3	31+TT	16-TT
26	29	6.5	6.5	0	22.5	2.0	3	31+TT	19.5-TT
27	29	6.5	0	0	22.5	2.0	3	31+TT	19.5-TT
28	29	4	6.5	0	22.5	2.0	3	31+TT	19.5-TT
29	29	6.5	0	1.5	21	2.0	3	31+TT	18-TT
30	29	4	0	0	25	2.0	3	31+TT	22-TT
31	29	6.5	9.5	1.5	18	4.0	3	31+TT	14-TT
32	29	6.5	8	0	21	2.0	3	31+TT	18-TT
33	29	6.5	0	0	22.5	2.0	3	31+TT	19.5-TT
34	29	6.5	8	0	21	2.0	3	31+TT	18-TT
35	29	6.5	0	1.5	21	2.0	3	31+TT	18-TT
36	29	6.5	0	0	22.5	2.0	3	31+TT	19.5-TT
37	29	6.5	9	1.5	18.5	4.0	3	31+TT	14.5-TT
38	29	6.5	8	0	21	2.0	3	31+TT	18-TT
39	29	6.5	0	0	22.5	2.0	3	31+TT	19.5-TT
40	29	4.5	8	0	21	2.0	3	31+TT	18-TT
41	29	6.5	0	1.5	21	2.0	3	31+TT	18-TT
42	29	4.5	0	0	24.5	2.0	3	31+TT	21.5-TT
43	29	6.5	9	1.5	18.5	4.0	3	31+TT	14.5-TT
44	29	6.5	8	0	21	2.0	3	31+TT	18-TT
45	29	6.5	0	0	22.5	2.0	3	31+TT	19.5-TT
46	29	4.5	8	0	21	2.0	3	31+TT	18-TT
47	29	6.5	0	1.5	21	2.0	3	31+TT	18-TT
48	29	4.5	0	0	24.5	2.0	3	31+TT	21.5-TT
49	29	6.5	9	1.5	18.5	4.0	3	31+TT	14.5-TT
50	29	6.5	8	0	21	2.0	3	31+TT	18-TT
51	29	6.5	0	0	22.5	2.0	3	31+TT	19.5-TT
52	29	5	8	0	21	2.0	3	31+TT	18-TT
53	29	6.5	0	1.5	21	2.0	3	31+TT	18-TT
54	29	5	0	0	24	2.0	3	31+TT	21-TT
55	29	8.5	11.5	1.5	16	5.0	3	31+TT	11-TT
56	29	8.5	9	0	20	2.5	3	31+TT	17-TT
57	29	8.5	0	0	20.5	2.5	3	31+TT	17.5-TT
58	29	8.5	9	0	20	2.5	3	31+TT	17-TT
59	29	8.5	0	1.5	19	3.5	3	31+TT	15.5-TT
60	29	8.5	0	0	20.5	2.5	3	31+TT	17.5-TT

NOTE 1: P_{PowerClass} is the maximum UE power specified without taking into account the tolerance.NOTE 2: TT=0.7 dB for BW_{channel} ≤ 40 MHz; TT=1.0 dB for 40 MHz < BW_{channel} ≤ 100 MHz.

Table 6.2G.3.5-3: UE Power Class 1.5 and Power Class 2 test requirements (NS_04) for band n41 (Step 4)

Test ID	P _{PowerClass} (dBm)	ΔP _{PowerClass} (dB)	MPR (dB)	A-MPR' (dB)	ΔT _{C,c} (dB)	P _{C_{MAX,c}} (dBm)	T(P _{C_{MAX,L,c}}) (dB)	T _{L,c} (dB)	Upper limit (dBm)	Lower limit (dBm)
7	29 ³ (26 ⁴)	6 ³ (3 ⁴)	0.5	3.5	1.5	18	4.0	3	25+TT	14-TT
8	29 ³ (26 ⁴)	6 ³ (3 ⁴)	0.5	3.5	0	19.5	3.5	3	25+TT	16-TT
9	29 ³ (26 ⁴)	6 ³ (3 ⁴)	0.5	0	0	22.5	2.0	3	25+TT	19.5-TT
10	29 ³ (26 ⁴)	6 ³ (3 ⁴)	0.5	3.5	0	19.5	3.5	3	25+TT	16-TT
11	29 ³ (26 ⁴)	6 ³ (3 ⁴)	0.5	0	1.5	21	2.0	3	25+TT	18-TT
12	29 ³ (26 ⁴)	6 ³ (3 ⁴)	0.5	0	0	22.5	2.0	3	25+TT	19.5-TT
13	29 ³ (26 ⁴)	6 ³ (3 ⁴)	1	4	1.5	17.5	5.0	3	25+TT	12.5-TT
14	29 ³ (26 ⁴)	6 ³ (3 ⁴)	1	4	0	19	3.5	3	25+TT	15.5-TT
15	29 ³ (26 ⁴)	6 ³ (3 ⁴)	1	0	0	22	2.0	3	25+TT	19-TT
16	29 ³ (26 ⁴)	6 ³ (3 ⁴)	1	4	0	19	3.5	3	25+TT	15.5-TT
17	29 ³ (26 ⁴)	6 ³ (3 ⁴)	1	0	1.5	20.5	2.5	3	25+TT	17.5-TT
18	29 ³ (26 ⁴)	6 ³ (3 ⁴)	1	0	0	22	2.0	3	25+TT	19-TT
19	29 ³ (26 ⁴)	6 ³ (3 ⁴)	2	4	1.5	17.5	5.0	3	25+TT	12.5-TT
20	29 ³ (26 ⁴)	6 ³ (3 ⁴)	2	4	0	19	3.5	3	25+TT	15.5-TT
21	29 ³ (26 ⁴)	6 ³ (3 ⁴)	2	0	0	21	2.0	3	25+TT	18-TT
22	29 ³ (26 ⁴)	6 ³ (3 ⁴)	2	4	0	19	3.5	3	25+TT	15.5-TT
23	29 ³ (26 ⁴)	6 ³ (3 ⁴)	2	0	1.5	19.5	3.5	3	25+TT	16-TT
24	29 ³ (26 ⁴)	6 ³ (3 ⁴)	2	0	0	21	2.0	3	25+TT	18-TT
25	29 ³ (26 ⁴)	6 ³ (3 ⁴)	2.5	4.5	1.5	17	5.0	3	25+TT	12-TT
26	29 ³ (26 ⁴)	6 ³ (3 ⁴)	2.5	4	0	19	3.5	3	25+TT	15.5-TT
27	29 ³ (26 ⁴)	6 ³ (3 ⁴)	2.5	0	0	20.5	2.5	3	25+TT	17.5-TT
28	29 ³ (26 ⁴)	6 ³ (3 ⁴)	2.5	4	0	19	3.5	3	25+TT	15.5-TT
29	29 ³ (26 ⁴)	6 ³ (3 ⁴)	2.5	0	1.5	19	3.5	3	25+TT	15.5-TT
30	29 ³ (26 ⁴)	6 ³ (3 ⁴)	2.5	0	0	20.5	2.5	3	25+TT	17.5-TT
31	29 ³ (26 ⁴)	6 ³ (3 ⁴)	4.5	6	1.5	15.5	5.0	3	25+TT	10.5-TT
32	29 ³ (26 ⁴)	6 ³ (3 ⁴)	4.5	4.5	0	18.5	4.0	3	25+TT	14.5-TT
33	29 ³ (26 ⁴)	6 ³ (3 ⁴)	4.5	0	0	18.5	4.0	3	25+TT	14.5-TT
34	29 ³ (26 ⁴)	6 ³ (3 ⁴)	4.5	4.5	0	18.5	4.0	3	25+TT	14.5-TT
35	29 ³ (26 ⁴)	6 ³ (3 ⁴)	4.5	0	1.5	17	5.0	3	25+TT	12-TT
36	29 ³ (26 ⁴)	6 ³ (3 ⁴)	4.5	0	0	18.5	4.0	3	25+TT	14.5-TT

37	29 ³ (26 ⁴)	6 ³	(3 ⁴)	3	5.5	1.5	16	5.0	3	25+TT	11-TT
38	29 ³ (26 ⁴)	6 ³	(3 ⁴)	3	5.5	0	17.5	5.0	3	25+TT	12.5-TT
39	29 ³ (26 ⁴)	6 ³	(3 ⁴)	3	0	0	20	2.5	3	25+TT	17-TT
40	29 ³ (26 ⁴)	6 ³	(3 ⁴)	3	5.5	0	17.5	5.0	3	25+TT	12.5-TT
41	29 ³ (26 ⁴)	6 ³	(3 ⁴)	3	0	1.5	18.5	4.0	3	25+TT	14.5-TT
42	29 ³ (26 ⁴)	6 ³	(3 ⁴)	3	0	0	20	2.5	3	25+TT	17-TT
43	29 ³ (26 ⁴)	6 ³	(3 ⁴)	3	5.5	1.5	16	5.0	3	25+TT	11-TT
44	29 ³ (26 ⁴)	6 ³	(3 ⁴)	3	5.5	0	17.5	5.0	3	25+TT	12.5-TT
45	29 ³ (26 ⁴)	6 ³	(3 ⁴)	3	0	0	20	2.5	3	25+TT	17-TT
46	29 ³ (26 ⁴)	6 ³	(3 ⁴)	3	5.5	0	17.5	5.0	3	25+TT	12.5-TT
47	29 ³ (26 ⁴)	6 ³	(3 ⁴)	3	0	1.5	18.5	4.0	3	25+TT	14.5-TT
48	29 ³ (26 ⁴)	6 ³	(3 ⁴)	3	0	0	20	2.5	3	25+TT	17-TT
49	29 ³ (26 ⁴)	6 ³	(3 ⁴)	3.5	5.5	1.5	16	5.0	3	25+TT	11-TT
50	29 ³ (26 ⁴)	6 ³	(3 ⁴)	3.5	5.5	0	17.5	5.0	3	25+TT	12.5-TT
51	29 ³ (26 ⁴)	6 ³	(3 ⁴)	3.5	0	0	19.5	3.5	3	25+TT	16-TT
52	29 ³ (26 ⁴)	6 ³	(3 ⁴)	3.5	5.5	0	17.5	5.0	3	25+TT	12.5-TT
53	29 ³ (26 ⁴)	6 ³	(3 ⁴)	3.5	0	1.5	18	4.0	3	25+TT	14-TT
54	29 ³ (26 ⁴)	6 ³	(3 ⁴)	3.5	0	0	19.5	3.5	3	25+TT	16-TT
55	29 ³ (26 ⁴)	6 ³	(3 ⁴)	6.5	8	1.5	13.5	5.0	3	25+TT	8.5-TT
56	29 ³ (26 ⁴)	6 ³	(3 ⁴)	6.5	6.5	0	16.5	5.0	3	25+TT	11.5-TT
57	29 ³ (26 ⁴)	6 ³	(3 ⁴)	6.5	0	0	16.5	5.0	3	25+TT	11.5-TT
58	29 ³ (26 ⁴)	6 ³	(3 ⁴)	6.5	6.5	0	16.5	5.0	3	25+TT	11.5-TT
59	29 ³ (26 ⁴)	6 ³	(3 ⁴)	6.5	0	1.5	15	5.0	3	25+TT	10-TT
60	29 ³ (26 ⁴)	6 ³	(3 ⁴)	6.5	0	0	16.5	5.0	3	25+TT	11.5-TT

NOTE 1: P_{PowerClass} is the maximum UE power specified without taking into account the tolerance.

NOTE 2: TT=0.7 dB for BW_{channel} ≤ 40 MHz; TT=1.0 dB for 40 MHz < BW_{channel} ≤ 100 MHz.

NOTE 3: Power Class 1.5 UE

NOTE 4: Power Class 2 UE

Table 6.2G.3.5-4: UE Power Class 1.5 test requirements (NS_04) for band n41 (Step 5)

Test ID	P _{PowerClass} (dBm)	ΔP _{PowerClass} (dB)	MPR (dB)	A-MPR' (dB)	ΔT _{C,c} (dB)	P _{C_{MAX,c}} (dBm)	T(P _{C_{MAX,L,c}}) (dB)	T _{L,c} (dB)	Upper limit (dBm)	Lower limit (dBm)
7	29	3	3.5	5.5	1.5	19	3.5	3	28+TT	15.5-TT
8	29	3	3.5	3.5	0	22.5	2.0	3	28+TT	19.5-TT
9	29	3	3.5	0	0	22.5	2.0	3	28+TT	19.5-TT
10	29	3	0.5	3.5	0	22.5	2.0	3	28+TT	19.5-TT
11	29	3	3.5	0	1.5	21	2.0	3	28+TT	18-TT
12	29	3	0.5	0	0	25.5	2.0	3	28+TT	22.5-TT
13	29	3	3.5	6	1.5	18.5	4.0	3	28+TT	14.5-TT
14	29	3	3.5	4.5	0	21	2.0	3	28+TT	18.5-TT

15	29	3	3.5	0	0	22.5	2.0	3	28+TT	19.5-TT
16	29	3	1	4.5	0	21.5	2.0	3	28+TT	18.5-TT
17	29	3	3.5	0	1.5	21	2.0	3	28+TT	18-TT
18	29	3	1	0	0	25	2.0	3	28+TT	22-TT
19	29	3	3.5	6	1.5	18.5	4.0	3	28+TT	14.5-TT
20	29	3	3.5	5	0	19.5	2.0	3	28+TT	18-TT
21	29	3	3.5	0	0	21	2.0	3	28+TT	19.5-TT
22	29	3	2	5	0	21	2.0	3	28+TT	18-TT
23	29	3	3.5	0	1.5	21	2.0	3	28+TT	18-TT
24	29	3	2	0	0	24	2.0	3	28+TT	21-TT
25	29	3	3.5	6.5	1.5	18	4.0	3	28+TT	14-TT
26	29	3	3.5	5	0	21	2.0	3	28+TT	18-TT
27	29	3	3.5	0	0	22.5	2.0	3	28+TT	19.5-TT
28	29	3	2.5	5	0	21	2.0	3	28+TT	18-TT
29	29	3	3.5	0	1.5	21	2.0	3	28+TT	18-TT
30	29	3	2.5	0	0	23.5	2.0	3	28+TT	20.5-TT
31	29	3	4.5	8	1.5	16.5	5.0	3	28+TT	11.5-TT
32	29	3	4.5	6.5	0	19.5	3.5	3	28+TT	16-TT
33	29	3	4.5	6.5	0	19.5	3.5	3	28+TT	16-TT
34	29	3	4.5	0	0	21.5	2.0	3	28+TT	18.5-TT
35	29	3	4.5	0	1.5	20	2.5	3	28+TT	17-TT
36	29	3	4.5	0	0	21.5	2.0	3	28+TT	18.5-TT
37	29	3	3.5	7.5	1.5	17	5.0	3	28+TT	12-TT
38	29	3	3.5	6.5	0	19.5	3.5	3	28+TT	16-TT
39	29	3	3.5	0	0	22.5	2.0	3	28+TT	19.5-TT
40	29	3	3	6.5	0	19.5	3.5	3	28+TT	16-TT
41	29	3	3.5	0	1.5	21	2.0	3	28+TT	18-TT
42	29	3	3	0	0	23	2.0	3	28+TT	20-TT
43	29	3	3.5	7.5	1.5	17	5.0	3	28+TT	12-TT
44	29	3	3.5	6.5	0	19.5	3.5	3	28+TT	16-TT
45	29	3	3.5	0	0	22.5	2.0	3	28+TT	19.5-TT
46	29	3	3	6.5	0	19.5	3.5	3	28+TT	16-TT
47	29	3	3.5	0	1.5	21	2.0	3	28+TT	18-TT
48	29	3	3	0	0	23	2.0	3	28+TT	20-TT
49	29	3	3.5	7.5	1.5	17	5.0	3	28+TT	12-TT
50	29	3	3.5	6.5	0	19.5	3.5	3	28+TT	16-TT
51	29	3	3.5	0	0	22.5	2.0	3	28+TT	19.5-TT
52	29	3	3.5	6.5	0	19.5	3.5	3	28+TT	16-TT
53	29	3	3.5	0	1.5	21	2.0	3	28+TT	18-TT
54	29	3	3.5	0	0	22.5	2.0	3	28+TT	19.5-TT
55	29	3	6.5	10	1.5	14.5	5.0	3	28+TT	9.5-TT
56	29	3	6.5	7.5	0	18.5	4.0	3	28+TT	14.5-TT
57	29	3	6.5	0	0	19.5	3.5	3	28+TT	16-TT
58	29	3	6.5	7.5	0	18.5	4.0	3	28+TT	14.5-TT
59	29	3	6.5	0	1.5	18	4.0	3	28+TT	14-TT
60	29	3	6.5	0	0	19.5	3.5	3	28+TT	16-TT

NOTE 1: P_{PowerClass} is the maximum UE power specified without taking into account the tolerance.

NOTE 2: TT=0.7 dB for BW_{channel} ≤ 40 MHz; TT=1.0 dB for 40 MHz < BW_{channel} ≤ 100 MHz.

Table 6.2G.3.5-5: UE Power Class 2 test requirements for NS_47 (contiguous allocation)

Test ID	P _{PowerClass} (dBm)	ΔP _{PowerClass} (dB)	MPR (dB)	A-MPR (dB)	ΔT _{C,c} (dB)	P _{C_{MAX}L,c} (dBm)	T(P _{C_{MAX}L,c}) (dB)	T _{L,c} (dB)	Upper limit (dBm)	Lower limit (dBm)
1	26	0	3.5	10	0	16	5	3	28+TT	11-TT
2	26	0	0.0	8.5	0	17.5	5	3	28+TT	12.5-TT
3	26	0	3.5	5	0	21	2	3	28+TT	18-TT
4	26	0	0.5	8.5	0	17.5	5	3	28+TT	12.5-TT
5	26	0	0.5	6	0	20	2.5	3	28+TT	17-TT
6	26	0	0.5	6	0	20	2.5	3	28+TT	17-TT
7	26	0	0.5	8.5	0	17.5	5	3	28+TT	12.5-TT
8	26	0	3.5	10	0	16	5	3	28+TT	11-TT
9	26	0	0.0	8.5	0	17.5	5	3	28+TT	12.5-TT
10	26	0	3.5	5	0	21	2	3	28+TT	18-TT
11	26	0	1.0	8.5	0	17.5	5	3	28+TT	12.5-TT

12	26	0	1.0	6	0	20	2.5	3	28+TT	17-TT
13	26	0	1.0	6	0	20	2.5	3	28+TT	17-TT
14	26	0	1.0	8.5	0	17.5	5	3	28+TT	12.5-TT
15	26	0	3.5	10	0	16	5	3	28+TT	11-TT
16	26	0	1.0	8.5	0	17.5	5	3	28+TT	12.5-TT
17	26	0	3.5	5	0	21	2	3	28+TT	18-TT
18	26	0	2.0	8.5	0	17.5	5	3	28+TT	12.5-TT
19	26	0	2.0	6	0	20	2.5	3	28+TT	17-TT
20	26	0	2.0	6	0	20	2.5	3	28+TT	17-TT
21	26	0	2.0	8.5	0	17.5	5	3	28+TT	12.5-TT
22	26	0	3.5	10	0	16	5	3	28+TT	11-TT
23	26	0	2.5	8.5	0	17.5	5	3	28+TT	12.5-TT
24	26	0	3.5	5	0	21	2	3	28+TT	18-TT
25	26	0	2.5	8.5	0	17.5	5	3	28+TT	12.5-TT
26	26	0	2.5	6	0	20	2.5	3	28+TT	17-TT
27	26	0	2.5	6	0	20	2.5	3	28+TT	17-TT
28	26	0	2.5	8.5	0	17.5	5	3	28+TT	12.5-TT
29	26	0	4.5	10	0	16	5	3	28+TT	11-TT
30	26	0	4.5	8.5	0	17.5	5	3	28+TT	12.5-TT
31	26	0	4.5	5	0	21	2	3	28+TT	18-TT
32	26	0	4.5	8.5	0	17.5	5	3	28+TT	12.5-TT
33	26	0	4.5	6	0	20	2.5	3	28+TT	17-TT
34	26	0	4.5	6	0	20	2.5	3	28+TT	17-TT
35	26	0	4.5	8.5	0	17.5	5	3	28+TT	12.5-TT
36	26	0	3.5	10	0	16	5	3	28+TT	11-TT
37	26	0	1.5	10	0	16	5	3	28+TT	11-TT
38	26	0	3.5	5	0	21	2	3	28+TT	18-TT
39	26	0	3	10	0	16	5	3	28+TT	11-TT
40	26	0	3	7	0	19	3.5	3	28+TT	15.5-TT
41	26	0	3	7	0	19	3.5	3	28+TT	15.5-TT
42	26	0	3	10	0	16	5	3	28+TT	11-TT
43	26	0	3.5	10	0	16	5	3	28+TT	11-TT
44	26	0	2.0	10	0	16	5	3	28+TT	11-TT
45	26	0	3.5	5	0	21	2	3	28+TT	18-TT
46	26	0	3	10	0	16	5	3	28+TT	11-TT
47	26	0	3	7	0	19	3.5	3	28+TT	15.5-TT
48	26	0	3	7	0	19	3.5	3	28+TT	15.5-TT
49	26	0	3	10	0	16	5	3	28+TT	11-TT
50	26	0	3.5	10	0	16	5	3	28+TT	11-TT
51	26	0	3.5	10	0	16	5	3	28+TT	11-TT
52	26	0	3.5	5	0	21	2	3	28+TT	18-TT
53	26	0	3.5	10	0	16	5	3	28+TT	11-TT
54	26	0	3.5	7	0	19	3.5	3	28+TT	15.5-TT
55	26	0	3.5	7	0	19	3.5	3	28+TT	15.5-TT
56	26	0	3.5	10	0	16	5	3	28+TT	11-TT
57	26	0	6.5	10	0	16	5	3	28+TT	11-TT
58	26	0	6.5	10	0	16	5	3	28+TT	11-TT
59	26	0	6.5	0	0	19.5	3.5	3	28+TT	16-TT

Test ID	P _{PowerClass} (dBm)	ΔP _{PowerClass} (dB)	MPR (dB)	A-MPR (dB)	ΔT _{C,c} (dB)	P _{C_{MAX}L,c} (dBm)	T(P _{C_{MAX}L,c}) (dB)	T _{L,c} (dB)	Upper limit (dBm)	Lower limit (dBm)
60	26	0	6.5	10	0	16	5	3	28+TT	11-TT
61	26	0	6.5	7	0	19	3.5	3	28+TT	15.5-TT
62	26	0	6.5	7	0	19	3.5	3	28+TT	15.5-TT
63	26	0	6.5	10	0	16	5	3	28+TT	11-TT

NOTE 1: P_{PowerClass} is the maximum UE power specified without taking into account the tolerance.

NOTE 2: TT for each frequency and channel bandwidth is specified in Table 6.2G.3.5-0.

Table 6.2G.3.5-6: UE Power Class 1.5 test requirements for NS_47 (contiguous allocation)

Test ID	P _{PowerClass} (dBm)	ΔP _{PowerClass} (dB)	MPR (dB)	A-MPR (dB)	ΔT _{C,c} (dB)	P _{C_{MAX}L,c} (dBm)	T(P _{C_{MAX}L,c}) (dB)	T _{L,c} (dB)	Upper limit (dBm)	Lower limit (dBm)
---------	-------------------------------	-------------------------------	----------	------------	------------------------	---------------------------------------	--	-----------------------	-------------------	-------------------

1	29	0	6	13	0	16	5	3	31+TT	11.0-TT
2	29	0	0.5	11	0	18	5	3	31+TT	13.0-TT
3	29	0	6	8	0	21	5	3	31+TT	16.0-TT
4	29	0	2	11	0	18	5	3	31+TT	13.0-TT
5	29	0	2	8.5	0	20.5	6	3	31+TT	14.5-TT
6	29	0	2	8.5	0	20.5	6	3	31+TT	14.5-TT
7	29	0	2	11	0	18	5	3	31+TT	13.0-TT
8	29	0	2	3	0	26	3	3	31+TT	23.0-TT
9	29	0	6.5	13	0	16	5	3	31+TT	11.0-TT
10	29	0	0.5	11	0	18	5	3	31+TT	13.0-TT
11	29	0	6.5	8	0	21	5	3	31+TT	16.0-TT
12	29	0	2.5	11	0	18	5	3	31+TT	13.0-TT
13	29	0	2.5	8.5	0	20.5	6	3	31+TT	14.5-TT
14	29	0	2.5	8.5	0	20.5	6	3	31+TT	14.5-TT
15	29	0	2.5	11	0	18	5	3	31+TT	13.0-TT
16	29	0	2.5	3	0	26	3	3	31+TT	23.0-TT
17	29	0	6.5	13	0	16	5	3	31+TT	11.0-TT
18	29	0	1.5	11	0	18	5	3	31+TT	13.0-TT
19	29	0	6.5	8	0	21	5	3	31+TT	16.0-TT
20	29	0	3.5	11	0	18	5	3	31+TT	13.0-TT
21	29	0	3.5	8.5	0	20.5	6	3	31+TT	14.5-TT
22	29	0	3.5	8.5	0	20.5	6	3	31+TT	14.5-TT
23	29	0	3.5	11	0	18	5	3	31+TT	13.0-TT
24	29	0	3.5	3	0	25.5	3	3	31+TT	22.5-TT
25	29	0	6.5	13	0	16	5	3	31+TT	11.0-TT
26	29	0	3.5	11	0	18	5	3	31+TT	13.0-TT
27	29	0	6.5	8	0	21	5	3	31+TT	16.0-TT
28	29	0	4	11	0	18	5	3	31+TT	13.0-TT
29	29	0	4	8.5	0	20.5	6	3	31+TT	14.5-TT
30	29	0	4	8.5	0	20.5	6	3	31+TT	14.5-TT
31	29	0	4	11	0	18	5	3	31+TT	13.0-TT
32	29	0	4	0	0	25	3	3	31+TT	22.0-TT
33	29	0	6.5	13	0	16	5	3	31+TT	11.0-TT
34	29	0	6.5	11	0	18	5	3	31+TT	13.0-TT
35	29	0	6.5	8	0	21	5	3	31+TT	16.0-TT
36	29	0	6.5	11	0	18	5	3	31+TT	13.0-TT
37	29	0	6.5	8.5	0	20.5	6	3	31+TT	14.5-TT
38	29	0	6.5	8.5	0	20.5	6	3	31+TT	14.5-TT
39	29	0	6.5	11	0	18	5	3	31+TT	13.0-TT
40	29	0	6.5	0	0	22.5	5	3	31+TT	17.5-TT
41	29	0	6.5	13	0	16	5	3	31+TT	11.0-TT
42	29	0	2	12.5	0	16.5	5	3	31+TT	11.5-TT
43	29	0	6.5	8	0	21	5	3	31+TT	16.0-TT
44	29	0	4.5	12.5	0	16.5	5	3	31+TT	11.5-TT
45	29	0	4.5	9.5	0	19.5	5	3	31+TT	14.5-TT
46	29	0	4.5	9.5	0	19.5	5	3	31+TT	14.5-TT
47	29	0	4.5	12.5	0	16.5	5	3	31+TT	11.5-TT
48	29	0	4.5	4	0	24.5	3	3	31+TT	21.5-TT
49	29	0	6.5	13	0	16	5	3	31+TT	11.0-TT
50	29	0	2.5	12.5	0	16.5	5	3	31+TT	11.5-TT
51	29	0	6.5	8	0	21	5	3	31+TT	16.0-TT
52	29	0	4.5	12.5	0	16.5	5	3	31+TT	11.5-TT
53	29	0	4.5	9.5	0	19.5	5	3	31+TT	14.5-TT
54	29	0	4.5	9.5	0	19.5	5	3	31+TT	14.5-TT
55	29	0	4.5	12.5	0	16.5	5	3	31+TT	11.5-TT
56	29	0	4.5	4	0	24.5	3	3	31+TT	21.5-TT
57	29	0	6.5	13	0	16	5	3	31+TT	11.0-TT
58	29	0	4.5	12.5	0	16.5	5	3	31+TT	11.5-TT
59	29	0	6.5	8	0	21	5	3	31+TT	16.0-TT

Test ID	$P_{\text{PowerClass}}$ (dBm)	$\Delta P_{\text{PowerClass}}$ (dB)	MPR (dB)	A-MPR (dB)	$\Delta T_{C,c}$ (dB)	$P_{\text{CMAX}_L,c}$ (dBm)	$T(P_{\text{CMAX}_L,c})$ (dB)	$T_{L,c}$ (dB)	Upper limit (dBm)	Lower limit (dBm)
60	29	0	5	12.5	0	16.5	5	3	31+TT	11.5-TT

61	29	0	5	9.5	0	19.5	5	3	31+TT	14.5-TT
62	29	0	5	9.5	0	19.5	5	3	31+TT	14.5-TT
63	29	0	5	12.5	0	16.5	5	3	31+TT	11.5-TT
64	29	0	5	0	0	24	3	3	31+TT	21.0-TT
65	29	0	8.5	13	0	16	5	3	31+TT	11.0-TT
66	29	0	8.5	12.5	0	16.5	5	3	31+TT	11.5-TT
67	29	0	8.5	8	0	20.5	6	3	31+TT	14.5-TT
68	29	0	8.5	12.5	0	16.5	5	3	31+TT	11.5-TT
69	29	0	8.5	9.5	0	19.5	5	3	31+TT	14.5-TT
70	29	0	8.5	9.5	0	19.5	5	3	31+TT	14.5-TT
71	29	0	8.5	12.5	0	16.5	5	3	31+TT	11.5-TT
72	29	0	8.5	0	0	20.5	6	3	31+TT	14.5-TT

NOTE 1: $P_{PowerClass}$ is the maximum UE power specified without taking into account the tolerance.

NOTE 2: TT for each frequency and channel bandwidth is specified in Table 6.2G.3.5-0.

Table 6.2G.3.5-7: UE Power Class 1.5 test requirements for NS_47 (contiguous allocation, large FWA form factor with 20 dB or above antenna isolation)

Test ID	$P_{PowerClass}$ (dBm)	$\Delta P_{PowerClass}$ (dB)	MPR (dB)	A-MPR (dB)	$\Delta T_{C,c}$ (dB)	$P_{C_{MAX,L,c}}$ (dBm)	$T(P_{C_{MAX,L,c}})$ (dB)	$T_{L,c}$ (dB)	Upper limit (dBm)	Lower limit (dBm)
1	29	0	6	13	0	16	5	3	31+TT	11.0-TT
2	29	0	0	11	0	18	5	3	31+TT	13.0-TT
3	29	0	6	8	0	21	5	3	31+TT	16.0-TT
4	29	0	1.5	11	0	18	5	3	31+TT	13.0-TT
5	29	0	1.5	8.5	0	20.5	6	3	31+TT	14.5-TT
6	29	0	1.5	8.5	0	20.5	6	3	31+TT	14.5-TT
7	29	0	1.5	11	0	18	5	3	31+TT	13.0-TT
8	29	0	1.5	3	0	26	3	3	31+TT	23.0-TT
9	29	0	6.5	13	0	16	5	3	31+TT	11.0-TT
10	29	0	0	11	0	18	5	3	31+TT	13.0-TT
11	29	0	6.5	8	0	21	5	3	31+TT	16.0-TT
12	29	0	2	11	0	18	5	3	31+TT	13.0-TT
13	29	0	2	8.5	0	20.5	6	3	31+TT	14.5-TT
14	29	0	2	8.5	0	20.5	6	3	31+TT	14.5-TT
15	29	0	2	11	0	18	5	3	31+TT	13.0-TT
16	29	0	2	3	0	26	3	3	31+TT	23.0-TT
17	29	0	6.5	13	0	16	5	3	31+TT	11.0-TT
18	29	0	1	11	0	18	5	3	31+TT	13.0-TT
19	29	0	6.5	8	0	21	5	3	31+TT	16.0-TT
20	29	0	3	11	0	18	5	3	31+TT	13.0-TT
21	29	0	3	8.5	0	20.5	6	3	31+TT	14.5-TT
22	29	0	3	8.5	0	20.5	6	3	31+TT	14.5-TT
23	29	0	3	11	0	18	5	3	31+TT	13.0-TT
24	29	0	3	3	0	26	3	3	31+TT	23.0-TT
25	29	0	6.5	13	0	16	5	3	31+TT	11.0-TT
26	29	0	3	11	0	18	5	3	31+TT	13.0-TT
27	29	0	6.5	8	0	21	5	3	31+TT	16.0-TT
28	29	0	3.5	11	0	18	5	3	31+TT	13.0-TT
29	29	0	3.5	8.5	0	20.5	6	3	31+TT	14.5-TT
30	29	0	3.5	8.5	0	20.5	6	3	31+TT	14.5-TT
31	29	0	3.5	11	0	18	5	3	31+TT	13.0-TT
32	29	0	3.5	0	0	25.5	3	3	31+TT	22.5-TT
33	29	0	6.5	13	0	16	5	3	31+TT	11.0-TT
34	29	0	5.5	11	0	18	5	3	31+TT	13.0-TT
35	29	0	6.5	8	0	21	5	3	31+TT	16.0-TT
36	29	0	5.5	11	0	18	5	3	31+TT	13.0-TT
37	29	0	5.5	8.5	0	20.5	6	3	31+TT	14.5-TT
38	29	0	5.5	8.5	0	20.5	6	3	31+TT	14.5-TT
39	29	0	5.5	11	0	18	5	3	31+TT	13.0-TT
40	29	0	5.5	0	0	23.5	3	3	31+TT	20.5-TT
41	29	0	6.5	13	0	16	5	3	31+TT	11.0-TT
42	29	0	1.5	12.5	0	16.5	5	3	31+TT	11.5-TT
43	29	0	6.5	8	0	21	5	3	31+TT	16.0-TT
44	29	0	4	12.5	0	16.5	5	3	31+TT	11.5-TT

45	29	0	4	9.5	0	19.5	5	3	31+TT	14.5-TT
46	29	0	4	9.5	0	19.5	5	3	31+TT	14.5-TT
47	29	0	4	12.5	0	16.5	5	3	31+TT	11.5-TT
48	29	0	4	4	0	25	3	3	31+TT	22.0-TT
49	29	0	6.5	13	0	16	5	3	31+TT	11.0-TT
50	29	0	2	12.5	0	16.5	5	3	31+TT	11.5-TT
51	29	0	6.5	8	0	21	5	3	31+TT	16.0-TT
52	29	0	4	12.5	0	16.5	5	3	31+TT	11.5-TT
53	29	0	4	9.5	0	19.5	5	3	31+TT	14.5-TT
54	29	0	4	9.5	0	19.5	5	3	31+TT	14.5-TT
55	29	0	4	12.5	0	16.5	5	3	31+TT	11.5-TT
56	29	0	4	4	0	25	3	3	31+TT	22.0-TT
57	29	0	6.5	13	0	16	5	3	31+TT	11.0-TT
58	29	0	4	12.5	0	16.5	5	3	31+TT	11.5-TT
59	29	0	6.5	8	0	21	5	3	31+TT	16.0-TT

Test ID	P _{PowerClass} (dBm)	ΔP _{PowerClass} (dB)	MPR (dB)	A-MPR (dB)	ΔT _{C,c} (dB)	P _{C_{MAX}L,c} (dBm)	T(P _{C_{MAX}L,c}) (dB)	T _{L,c} (dB)	Upper limit (dBm)	Lower limit (dBm)
60	29	0	4.5	12.5	0	16.5	5	3	31+TT	11.5-TT
61	29	0	4.5	9.5	0	19.5	5	3	31+TT	14.5-TT
62	29	0	4.5	9.5	0	19.5	5	3	31+TT	14.5-TT
63	29	0	4.5	12.5	0	16.5	5	3	31+TT	11.5-TT
64	29	0	4.5	0	0	24.5	3	3	31+TT	21.5-TT
65	29	0	7.5	13	0	16	5	3	31+TT	11.0-TT
66	29	0	7.5	12.5	0	16.5	5	3	31+TT	11.5-TT
67	29	0	7.5	8	0	21	5	3	31+TT	16.0-TT
68	29	0	7.5	12.5	0	16.5	5	3	31+TT	11.5-TT
69	29	0	7.5	9.5	0	19.5	5	3	31+TT	14.5-TT
70	29	0	7.5	9.5	0	19.5	5	3	31+TT	14.5-TT
71	29	0	7.5	12.5	0	16.5	5	3	31+TT	11.5-TT
72	29	0	7.5	0	0	21.5	5	3	31+TT	16.5-TT

NOTE 1: P_{PowerClass} is the maximum UE power specified without taking into account the tolerance.

NOTE 2: TT for each frequency and channel bandwidth is specified in Table 6.2G.3.5-0.

Table 6.2G.3.5-8: UE Power Class 1.5 test requirements (NS_50) for band n39 (Step 3)

Test ID	P _{PowerClass} (dBm)	ΔP _{PowerClass} (dB)	MPR (dB)	A-MPR (dB)	ΔT _{C,c} (dB)	P _{C_{MAX}L,f,c} (dBm)	T(P _{C_{MAX}L,f,c}) (dB)	T _{L,c} (dB)	Upper limit (dBm)	Lower limit (dBm)
1	29	0	6.5	6.0	0	22.5	5.0	3	31.0 + TT	17.5
2	29	0	[2.5]	5.0	0	24	3.0	3	31.0 + TT	21
3	29	0	0.5	5.0	0	24	3.0	3	31.0 + TT	21
4	29	0	6.5	6.0	0	22.5	5.0	3	31.0 + TT	17.5
5	29	0	[2.5]	6.5	0	22.5	5.0	3	31.0 + TT	17.5
6	29	0	0.5	5.0	0	24	3.0	3	31.0 + TT	21
7	29	0	0.5	3.0	0	26	3.0	3	31.0 + TT	23
8	29	0	6.5	6.0	0	22.5	5.0	3	31.0 + TT	17.5
9	29	0	[2.5]	6.5	0	22.5	5.0	3	31.0 + TT	17.5
10	29	0	0.5	5.0	0	24	3.0	3	31.0 + TT	21
11	29	0	0.5	3.0	0	26	3.0	3	31.0 + TT	23
12	29	0	[2.5]	8.5	0	20.5	6.0	3	31.0 + TT	14.5
13	29	0	6.5	6.0	0	22.5	5.0	3	31.0 + TT	17.5
14	29	0	0.5	5.0	0	24	3.0	3	31.0 + TT	21
15	29	0	0.5	3.5	0	25.5	3.0	3	31.0 + TT	22.5
16	29	0	0.5	5.0	0	24	3.0	3	31.0 + TT	21
17	29	0	0.5	3.0	0	26	3.0	3	31.0 + TT	23
18	29	0	[2.5]	8.5	0	20.5	6.0	3	31.0 + TT	14.5
19	29	0	6.5	6.0	0	22.5	5.0	3	31.0 + TT	17.5
20	29	0	0.5	3.5	0	25.5	3.0	3	31.0 + TT	22.5
21	29	0	0.5	5.0	0	24	3.0	3	31.0 + TT	21
22	29	0	0.5	5.0	0	24	3.0	3	31.0 + TT	21
23	29	0	0.5	3.0	0	26	3.0	3	31.0 + TT	23
24	29	0	[2.5]	14.5	0	14.5	6.0	3	31.0 + TT	8.5

25	29	0	0.5	6.5	0	22.5	5.0	3	31.0 + TT	17.5
26	29	0	0.5	12.5	0	16.5	5.0	3	31.0 + TT	11.5
27	29	0	0.5	5.0	0	24	3.0	3	31.0 + TT	21
28	29	0	0.5	10.5	0	18.5	5.0	3	31.0 + TT	13.5
29	29	0	[2.5]	14.5	0	14.5	6.0	3	31.0 + TT	8.5
30	29	0	0.5	12.5	0	16.5	5.0	3	31.0 + TT	11.5
31	29	0	0.5	6.5	0	22.5	5.0	3	31.0 + TT	17.5
32	29	0	0.5	5.5	0	23.5	5.0	3	31.0 + TT	18.5
33	29	0	0.5	5.0	0	24	3.0	3	31.0 + TT	21
34	29	0	0.5	10.5	0	18.5	5.0	3	31.0 + TT	13.5
35	29	0	6.5	6.0	0	22.5	5.0	3	31.0 + TT	17.5
36	29	0	6.5	5.0	0	22.5	5.0	3	31.0 + TT	17.5
37	29	0	[6.5]	5.0	0	22.5	5.0	3	31.0 + TT	17.5
38	29	0	6.5	6.0	0	22.5	5.0	3	31.0 + TT	17.5
39	29	0	6.5	6.5	0	22.5	5.0	3	31.0 + TT	17.5
40	29	0	[6.5]	5.0	0	22.5	5.0	3	31.0 + TT	17.5
41	29	0	[6.5]	0	0	22.5	5.0	3	31.0 + TT	17.5
42	29	0	6.5	6.0	0	22.5	5.0	3	31.0 + TT	17.5
43	29	0	6.5	6.5	0	22.5	5.0	3	31.0 + TT	17.5
44	29	0	[6.5]	5.0	0	22.5	5.0	3	31.0 + TT	17.5
45	29	0	[6.5]	0	0	22.5	5.0	3	31.0 + TT	17.5
46	29	0	6.5	8.5	0	20.5	6.0	3	31.0 + TT	14.5
47	29	0	6.5	6.0	0	22.5	5.0	3	31.0 + TT	17.5
48	29	0	[6.5]	5.0	0	22.5	5.0	3	31.0 + TT	17.5
49	29	0	[6.5]	0	0	22.5	5.0	3	31.0 + TT	17.5
50	29	0	[6.5]	5.0	0	22.5	5.0	3	31.0 + TT	17.5
51	29	0	[6.5]	0	0	22.5	5.0	3	31.0 + TT	17.5
52	29	0	6.5	8.5	0	20.5	6.0	3	31.0 + TT	14.5
53	29	0	6.5	6.0	0	22.5	5.0	3	31.0 + TT	17.5
54	29	0	[6.5]	0	0	22.5	5.0	3	31.0 + TT	17.5
55	29	0	[6.5]	5.0	0	22.5	5.0	3	31.0 + TT	17.5
56	29	0	[6.5]	5.0	0	22.5	5.0	3	31.0 + TT	17.5
57	29	0	[6.5]	0	0	22.5	5.0	3	31.0 + TT	17.5
58	29	0	6.5	14.5	0	14.5	6.0	3	31.0 + TT	8.5
59	29	0	[6.5]	6.5	0	22.5	5.0	3	31.0 + TT	17.5
60	29	0	[6.5]	12.5	0	16.5	5.0	3	31.0 + TT	11.5
61	29	0	[6.5]	5.0	0	22.5	5.0	3	31.0 + TT	17.5
62	29	0	[6.5]	10.5	0	18.5	5.0	3	31.0 + TT	13.5
63	29	0	6.5	14.5	0	14.5	6.0	3	31.0 + TT	8.5
64	29	0	[6.5]	12.5	0	16.5	5.0	3	31.0 + TT	11.5
65	29	0	[6.5]	6.5	0	22.5	5.0	3	31.0 + TT	17.5
66	29	0	[6.5]	5.5	0	22.5	5.0	3	31.0 + TT	17.5
67	29	0	[6.5]	5.0	0	22.5	5.0	3	31.0 + TT	17.5
68	29	0	[6.5]	10.5	0	18.5	5.0	3	31.0 + TT	13.5
69	29	0	6.5	6.5	0	22.5	5.0	3	31.0 + TT	17.5
70	29	0	[4.5]	7.0	0	22	5.0	3	31.0 + TT	17
71	29	0	2	7.0	0	22	5.0	3	31.0 + TT	17
72	29	0	6.5	6.5	0	22.5	5.0	3	31.0 + TT	17.5
73	29	0	[4.5]	8.5	0	20.5	6.0	3	31.0 + TT	14.5
74	29	0	2	7.0	0	22	5.0	3	31.0 + TT	17
75	29	0	2	4.5	0	24.5	3.0	3	31.0 + TT	21.5
76	29	0	6.5	6.5	0	22.5	5.0	3	31.0 + TT	17.5
77	29	0	[4.5]	8.5	0	20.5	6.0	3	31.0 + TT	14.5
78	29	0	2	7.0	0	22	5.0	3	31.0 + TT	17
79	29	0	2	4.5	0	24.5	3.0	3	31.0 + TT	21.5
80	29	0	[4.5]	10.0	0	19	5.0	3	31.0 + TT	14
81	29	0	6.5	6.5	0	22.5	5.0	3	31.0 + TT	17.5
82	29	0	2	7.0	0	22	5.0	3	31.0 + TT	17

83	29	0	2	5.0	0	24	3.0	3	31.0 + TT	21
84	29	0	2	7.0	0	22	5.0	3	31.0 + TT	17
85	29	0	2	4.5	0	24.5	3.0	3	31.0 + TT	21.5
86	29	0	[4.5]	10.0	0	19	5.0	3	31.0 + TT	14
87	29	0	6.5	6.5	0	22.5	5.0	3	31.0 + TT	17.5
88	29	0	2	5.0	0	24	3.0	3	31.0 + TT	21
89	29	0	2	7.0	0	22	5.0	3	31.0 + TT	17
90	29	0	2	7.0	0	22	5.0	3	31.0 + TT	17
91	29	0	2	4.5	0	24.5	3.0	3	31.0 + TT	21.5
92	29	0	[4.5]	15.5	0	13.5	6.0	3	31.0 + TT	7.5
93	29	0	2	8.5	0	20.5	6.0	3	31.0 + TT	14.5
94	29	0	2	13.5	0	15.5	6.0	3	31.0 + TT	9.5
95	29	0	2	7.0	0	22	5.0	3	31.0 + TT	17
96	29	0	2	10.5	0	18.5	5.0	3	31.0 + TT	13.5
97	29	0	[4.5]	15.5	0	13.5	6.0	3	31.0 + TT	7.5
98	29	0	2	13.5	0	15.5	6.0	3	31.0 + TT	9.5
99	29	0	2	8.5	0	20.5	6.0	3	31.0 + TT	14.5
100	29	0	2	7.0	0	22	5.0	3	31.0 + TT	17
101	29	0	2	7.0	0	22	5.0	3	31.0 + TT	17
102	29	0	2	10.5	0	18.5	5.0	3	31.0 + TT	13.5
103	29	0	8.5	0	0	20.5	6.0	3	31.0 + TT	14.5
104	29	0	8.5	7.0	0	20.5	6.0	3	31.0 + TT	14.5
105	29	0	[8.5]	7.0	0	20.5	6.0	3	31.0 + TT	14.5
106	29	0	8.5	0	0	20.5	6.0	3	31.0 + TT	14.5
107	29	0	8.5	8.5	0	20.5	6.0	3	31.0 + TT	14.5
108	29	0	[8.5]	7.0	0	20.5	6.0	3	31.0 + TT	14.5
109	29	0	[8.5]	0	0	20.5	6.0	3	31.0 + TT	14.5
110	29	0	8.5	0	0	20.5	6.0	3	31.0 + TT	14.5
111	29	0	8.5	8.5	0	20.5	6.0	3	31.0 + TT	14.5
112	29	0	[8.5]	7.0	0	20.5	6.0	3	31.0 + TT	14.5
113	29	0	[8.5]	0	0	20.5	6.0	3	31.0 + TT	14.5
114	29	0	8.5	10.0	0	19	5.0	3	31.0 + TT	14
115	29	0	8.5	0	0	20.5	6.0	3	31.0 + TT	14.5
116	29	0	[8.5]	7.0	0	20.5	6.0	3	31.0 + TT	14.5
117	29	0	[8.5]	0	0	20.5	6.0	3	31.0 + TT	14.5
118	29	0	[8.5]	7.0	0	20.5	6.0	3	31.0 + TT	14.5
119	29	0	[8.5]	0	0	20.5	6.0	3	31.0 + TT	14.5
120	29	0	8.5	10.0	0	19	5.0	3	31.0 + TT	14
121	29	0	8.5	0	0	20.5	6.0	3	31.0 + TT	14.5
122	29	0	[8.5]	0	0	20.5	6.0	3	31.0 + TT	14.5
123	29	0	[8.5]	7.0	0	20.5	6.0	3	31.0 + TT	14.5
124	29	0	[8.5]	7.0	0	20.5	6.0	3	31.0 + TT	14.5
125	29	0	[8.5]	0	0	20.5	6.0	3	31.0 + TT	14.5
126	29	0	8.5	15.5	0	13.5	6.0	3	31.0 + TT	7.5
127	29	0	[8.5]	8.5	0	20.5	6.0	3	31.0 + TT	14.5
128	29	0	[8.5]	13.5	0	15.5	6.0	3	31.0 + TT	9.5
129	29	0	[8.5]	7.0	0	20.5	6.0	3	31.0 + TT	14.5
130	29	0	[8.5]	10.5	0	18.5	5.0	3	31.0 + TT	13.5
131	29	0	8.5	15.5	0	13.5	6.0	3	31.0 + TT	7.5
132	29	0	[8.5]	13.5	0	15.5	6.0	3	31.0 + TT	9.5
133	29	0	[8.5]	8.5	0	20.5	6.0	3	31.0 + TT	14.5
134	29	0	[8.5]	7.0	0	20.5	6.0	3	31.0 + TT	14.5
135	29	0	[8.5]	7.0	0	20.5	6.0	3	31.0 + TT	14.5
136	29	0	[8.5]	10.5	0	18.5	5.0	3	31.0 + TT	13.5

NOTE 1: The specific configuration of each RB allocation is defined in Table 6.1-1 unless otherwise stated in this table.

NOTE 2: DFT-s-OFDM PI/2 BPSK test applies only for UEs which supports half Pi BPSK in FR1.

NOTE 3: For FR1 bands where highest supported SCS is 60 kHz the highest tested SCS is limited to 30 kHz as carrier with SCS=60 kHz cannot be used as PCell.

For the UE which supports inter-band NR CA configuration, inter-band NR-DC configuration, SUL configuration or inter-band EN-DC configuration, $\Delta T_{IB,c}$ as specified in 6.2A.4.0.2 for NR CA, 6.2B.4.0.2 for NR-DC, clause 6.2C.2 for SUL, or TS 38.521-3 [14] clause 6.2B.4.2 for EN-DC applies. Unless otherwise stated, $\Delta T_{IB,c}$ is set to zero. In case the UE supports more than one of band combinations for CA, NR-DC, SUL or EN-DC, and an operating band belongs to more than one band combinations then

- a) When the operating band frequency range is ≤ 1 GHz, the applicable additional $\Delta T_{IB,c}$ shall be the average value for all band combinations defined in clause 6.2A.4.0.2, 6.2B.4.0.2, 6.2C.2 in this specification and 6.2B.4.2 in TS 38.521-3 [14], truncated to one decimal place that apply for that operating band among the supported band combinations. In case there is a harmonic relation between low band UL and high band DL, then the maximum $\Delta T_{IB,c}$ among the different supported band combinations involving such band shall be applied.
- b) When the operating band frequency range is > 1 GHz, the applicable additional $\Delta T_{IB,c}$ shall be the maximum value for all band combinations defined in clause 6.2A.4.0.2, 6.2B.4.0.2, 6.2C.2 in this specification and 6.2B.4.2 in TS 38.521-3 [14] for the applicable operating bands.

6.2G.4 Configured transmitted power for Tx Diversity

6.2G.4.1 Test purpose

To verify the measured UE configured maximum output power $P_{UMAX,f,c}$ for Tx diversity is within the specified bounds.

6.2G.4.2 Test applicability

This test case applies to all types of NR Power Class 1.5, Power Class 2, and Power Class 3 UE release 15 and forward that support Tx diversity.

6.2G.4.3 Minimum conformance requirements

For UE supporting Tx diversity, the transmitted power is configured per each UE.

The definitions of configured maximum output power $P_{CMAX,c}$, the lower bound $P_{CMAX_{L,c}}$, and the higher bound $P_{CMAX_{H,c}}$ specified in subclause 6.2.4.3 shall apply to UE supporting Tx diversity, where

- $P_{PowerClass}$, $\Delta P_{PowerClass}$ and $\Delta T_{C,c}$ are specified in subclause 6.2.4.3 unless otherwise stated;
- MPR_c is specified in subclause 6.2G.2.3;

The measured configured maximum output power $P_{UMAX,c}$ for serving cell c shall be within the following bounds:

$$P_{CMAX_{L,c}} - \text{MAX}\{T_L, T_{\text{LOW}}(P_{CMAX_{L,c}})\} \leq P_{UMAX,c} \leq P_{CMAX_{H,c}} + T_{\text{HIGH}}(P_{CMAX_{H,c}})$$

where $T_{\text{LOW}}(P_{CMAX_{L,c}})$ and $T_{\text{HIGH}}(P_{CMAX_{H,c}})$ are defined as the tolerance and applies to $P_{CMAX_{L,c}}$ and $P_{CMAX_{H,c}}$ separately, while T_L is the absolute value of the lower tolerance in Table 6.2.1.3-1 for the applicable operating band.

For UE supporting Tx diversity, the tolerance is specified in Table 6.2G.4.3-1.

Table 6.2G.4.3-1: $P_{CMAX,c}$ tolerance for Tx Diversity

$P_{CMAX,c}$ (dBm)	Tolerance $T_{\text{LOW}}(P_{CMAX_{L,c}})$ (dB)	Tolerance $T_{\text{HIGH}}(P_{CMAX_{H,c}})$ (dB)
$23 \leq P_{CMAX,c} \leq 29$	3.0	2.0
$22 \leq P_{CMAX,c} < 23$	5.0	2.0
$21 \leq P_{CMAX,c} < 22$	5.0	3.0
$20 \leq P_{CMAX,c} < 21$	6.0	4.0
$16 \leq P_{CMAX,c} < 20$	5.0	
$11 \leq P_{CMAX,c} < 16$	6.0	
$-40 \leq P_{CMAX,c} < 11$	7.0	

The normative reference for this requirement is TS 38.101-1 [2] clause 6.2G.4.

6.2G.4.4 Test description

6.2G.4.4.1 Initial conditions

Initial conditions are a set of test configurations the UE needs to be tested in and the steps for the SS to take with the UE to reach the correct measurement state.

The initial test configurations consist of environmental conditions, test frequencies, test channel bandwidths and sub-carrier spacing based on NR operating bands specified in table 5.3.5-1. All of these configurations shall be tested with applicable test parameters for each combination of test channel bandwidth and sub-carrier spacing, and are shown in table 6.2G.4.4.1-1. The details of the uplink reference measurement channels (RMCs) are specified in Annexes A.2. Configurations of PDSCH and PDCCH before measurement are specified in Annex C.2.

Table 6.2G.4.4.1-1: Test Configuration Table for Tx Diversity

Initial Conditions			
Test Environment as specified in TS 38.508-1 [5] subclause 4.1		Normal, TL/VL, TL/VH, TH/VL, TH/VH	
Test Frequencies as specified in TS 38.508-1 [5] subclause 4.3.1		Mid range (NOTE 4)	
Test Channel Bandwidths as specified in TS 38.508-1 [5] subclause 4.3.1		Lowest, Mid, Highest	
Test SCS as specified in Table 5.3.5-1		Lowest	
Test Parameters for Channel Bandwidths			
Test ID	Downlink Configuration	Uplink Configuration	
	N/A	Modulation (NOTE 2)	RB allocation (NOTE 1)
1		DFT-s-OFDM Pi/2 BPSK	Inner Full
2		DFT-s-OFDM QPSK	Inner Full
3 ³		DFT-s-OFDM Pi/2 BPSK	Inner Full
NOTE 1: The specific configuration of each RB allocation is defined in Table 6.1-1.			
NOTE 2: DFT-s-OFDM PI/2 BPSK test applies only for UEs which supports half Pi BPSK in FR1.			
NOTE 3: UE operating in TDD mode with PI/2 PPSK modulation and UE indicates support for UE capability <i>powerBoosting-pi2BPSK</i> and the IE <i>powerBoostPi2BPSK</i> is set to 1 for bands n34, n40, n41, n77, n78 and n79.			
NOTE 4: For NR band n28, 30MHz test channel bandwidth is tested with Low range test frequencies.			

1. Connect the SS to the UE antenna connectors as shown in TS 38.508-1 [5] Annex A, Figure A.3.1.1.2 for TE diagram and section A.3.2 for UE diagram.
2. The parameter settings for the cell are set up according to TS 38.508-1 [5] subclause 4.4.3.
3. Downlink signals are initially set up according to Annex C.0, C.1, C.2, and uplink signals according to Annex G.0, G.1, G.2, G.3.0.
4. The UL Reference Measurement Channel is set according to Table 6.2G.4.4.1-1.
5. Propagation conditions are set according to Annex B.0.
6. Ensure the UE is in state RRC_CONNECTED with generic procedure parameters Connectivity *NR*, Connected without release *On*, Test Mode *On* and Test Loop Function *On* according to TS 38.508-1 [5] clause 4.5. Message contents are defined in clause 6.2G.4.4.3.

6.2G.4.4.2 Test procedure

1. SS sends uplink scheduling information for each UL HARQ process via PDCCH DCI format 0_1 for C_RNTI to schedule the UL RMC according to Table 6.2G.4.4.1-1. Since the UE has no payload and no loopback data to send the UE sends uplink MAC padding bits on the UL RMC.
2. Send continuously uplink power control "up" commands in every uplink scheduling information to the UE; allow at least 200ms starting from the first TPC command in this step for the UE to reach P_{UMAX} level of the test point.
3. Measure the sum of the mean power of the UE at each transmit antenna connector in the channel bandwidth of the radio access mode. The period of measurement shall be at least the continuous duration of 1ms over all active uplink slots and in the uplink symbols. For TDD slots only slots consisting of only UL symbols are under test.

6.2G.4.4.3 Message contents

Message contents are according to TS 38.508-1 [5] subclause 4.6 with the following exceptions:

Table 6.2G.4.4.3-1: PUSCH-Config

Derivation Path: TS 38.508-1 [5], Table 4.6.3-118 with condition TRANSFORM_PRECODER_ENABLED

Table 6.2G.4.4.3-2: FrequencyInfoUL-SIB: Test point 1

Derivation Path: TS 38.508-1 [5] Table 4.6.3-62 FrequencyInfoUL-SIB			
Information Element	Value/remark	Comment	Condition
p-Max	0		

Table 6.2G.4.4.3-3: FrequencyInfoUL-SIB: Test point 2

Derivation Path: TS 38.508-1 [5] Table 4.6.3-62 FrequencyInfoUL-SIB			
Information Element	Value/remark	Comment	Condition
p-Max	14		

Table 6.2G.4.4.3-4: FrequencyInfoUL-SIB: Test point 3

Derivation Path: TS 38.508-1 [5] Table 4.6.3-62 FrequencyInfoUL-SIB			
Information Element	Value/remark	Comment	Condition
p-Max	18		

Table 6.2G.4.4.3-5: FrequencyInfoUL-SIB: Test point 4

Derivation Path: TS 38.508-1 [5] Table 4.6.3-62 FrequencyInfoUL-SIB			
Information Element	Value/remark	Comment	Condition
p-Max	20		

Table 6.2G.4.4.3-6: ServingCellConfig

Derivation Path: TS 38.508-1 [5] Table 4.6.3-167			
Information Element	Value/remark	Comment	Condition
ServingCellConfig ::= SEQUENCE {			
uplinkConfig SEQUENCE {			
powerBoostPi2BPSK	0		Test ID 1, 2
	1		Test ID 3
}			
}			

6.2G.4.5 Test requirement

The maximum output power measured shall not exceed the values specified in Table 6.2G.4.5-1.

Table 6.2G.4.5-1: P_{CMAX} configured UE output power

	Maximum output power	
	Test ID 1,2	Test ID 3
Measured UE output power test point 1	0 dBm ± (7+TT)	0 dBm ± (7+TT)
Measured UE output power test point 2	14 dBm ± (6+TT)	14 dBm ± (6+TT)
Measured UE output power test point 3	18 dBm ± (5+TT)	18 dBm ± (5+TT)
Measured UE output power test point 4	Note 3	Note 4
Note 1: TT for each frequency and channel bandwidth is specified in Table 6.2G.4.5-4.		
Note 2: Power class 3 is default power class unless otherwise stated.		

Note 3: The maximum output power shall be within the range in Table 6.2G.4.5-2.
 Note 4: The maximum output power shall be within the range in Table 6.2G.4.5-3.

Table 6.2G.4.5-2: Measured UE output power test point 4 for Test ID 1,2

NR band	Tolerance (dB)
n1	20 dBm + 4+TT/-6-TT
n2	20 dBm + 4+TT/-6-TT
n3	20 dBm + 4+TT/-6-TT
n5	20 dBm + 4+TT/-6-TT
n7	20 dBm + 4+TT/-6-TT
n8	20 dBm + 4+TT/-6-TT
n12	20 dBm + 4+TT/-6-TT
n14	20 dBm + 4+TT/-6-TT
n20	20 dBm + 4+TT/-6-TT
n24	20 dBm + 4+TT/-6-TT
n25	20 dBm + 4+TT/-6-TT
n26	20 dBm + 4+TT/-6-TT
n28	20 dBm + 4+TT/-6-TT
n30	20 dBm + 4+TT/-6-TT
n34	20 dBm + 4+TT/-6-TT
n38	20 dBm + 4+TT/-6-TT
n39	20 dBm + 4+TT/-6-TT
n40	20 dBm + 4+TT/-6-TT
n41	20 dBm + 4+TT/-6-TT
n50	20 dBm + 4+TT/-6-TT
n51	20 dBm + 4+TT/-6-TT
n65	20 dBm + 4+TT/-6-TT
n66	20 dBm + 4+TT/-6-TT
n70	20 dBm + 4+TT/-6-TT
n71	20 dBm + 4+TT/-6-TT
n74	20 dBm + 4+TT/-6-TT
n77	20 dBm + 4+TT/-6-TT
n78	20 dBm + 4+TT/-6-TT
n79	20 dBm + 4+TT/-6-TT
NOTE 1:	TT for each frequency and channel bandwidth is specified in Table 6.2D.4.5-4.

Table 6.2G.4.5-3: Measured UE output power test point 4 for Test ID 3

NR band	Tolerance (dB)
n34	23 dBm + 2+TT/-3-TT
n39	23 dBm + 2+TT/-3-TT
n40	23 dBm + 2+TT/-3-TT
n41	23 dBm + 2+TT/-3-TT
n77	23 dBm + 2+TT/-3-TT
n78	23 dBm + 2+TT/-3-TT
n79	23 dBm + 2+TT/-3-TT
NOTE 1:	TT for each frequency and channel bandwidth is specified in Table 6.2G.4.5-4.

Table 6.2G.4.5-4: Test Tolerance (configured transmitted power for Tx Diversity)

	$f \leq 3.0\text{GHz}$	$3.0\text{GHz} < f \leq 6.0\text{GHz}$
$\text{BW} \leq 40\text{MHz}$	0.7	1.0
$40\text{MHz} < \text{BW} \leq 100\text{MHz}$	1.0	1.0

For the UE which supports inter-band NR CA configuration, inter-band NR-DC configuration, SUL configuration or inter-band EN-DC configuration, $\Delta T_{\text{IB,c}}$ as specified in 6.2A.4.0.2 for NR CA, 6.2B.4.0.2 for NR-DC, clause 6.2C.2 for SUL, or TS 38.521-3 [14] clause 6.2B.4.2 for EN-DC applies. Unless otherwise stated, $\Delta T_{\text{IB,c}}$ is set to zero. In case the

UE supports more than one of band combinations for CA, NR-DC, SUL or EN-DC, and an operating band belongs to more than one band combinations then

- a) When the operating band frequency range is ≤ 1 GHz, the applicable additional $\Delta T_{IB,c}$ shall be the average value for all band combinations defined in clause 6.2A.4.0.2, 6.2B.4.0.2, 6.2C.2 in this specification and 6.2B.4.2 in TS 38.521-3 [14], truncated to one decimal place that apply for that operating band among the supported band combinations. In case there is a harmonic relation between low band UL and high band DL, then the maximum $\Delta T_{IB,c}$ among the different supported band combinations involving such band shall be applied.
- b) When the operating band frequency range is > 1 GHz, the applicable additional $\Delta T_{IB,c}$ shall be the maximum value for all band combinations defined in clause 6.2A.4.0.2, 6.2B.4.0.2, 6.2C.2 in this specification and 6.2B.4.2 in TS 38.521-3 [14] for the applicable operating bands.

6.2H Transmitter power for CA with UL MIMO

6.2H.1 Transmitter power for intra-band UL contiguous CA with UL MIMO

6.2H.1.1 UE maximum output power for intra-band UL contiguous CA with UL MIMO

6.2H.1.1.1 Test purpose

To verify that the error of the UE maximum output power for intra-band UL contiguous carrier aggregation with UL MIMO does not exceed the range prescribed by the specified nominal maximum output power and tolerance.

An excess maximum output power has the possibility to interfere to other channels or other systems. A small maximum output power decreases the coverage area.

6.2H.1.1.2 Test applicability

This test case applies to all types of NR UE release 15 and forward that support intra-band UL contiguous CA with UL MIMO.

NOTE: Testing can't be performed due to lack of appropriate test points.

6.2H.1.1.3 Minimum conformance requirements

For intra-band UL contiguous CA and UE with two transmit antenna connectors in closed-loop spatial multiplexing scheme, the maximum output power is defined as the sum of the maximum output power from both UE antenna connectors and all UL CCs. The period of measurement shall be at least one sub frame (1 ms), as specified in Table 6.2H.1.1.3-1. The requirements shall be met with the UL MIMO configurations specified in Table 6.2D.1.3-2 and 6.2D.1.3-3 for 2 layer configuration and ULFPTx configuration respectively.

Table 6.2H.1.1.3-1: UE Power Class for intra-band UL contiguous CA with UL MIMO in closed loop spatial multiplexing scheme

NR CA Configuration	Class 1 (dBm)	Tolerance (dB)	Class 2 (dBm)	Tolerance (dB)	Class 3 (dBm)	Tolerance (dB)	Class 4 (dBm)	Tolerance (dB)
CA_n41C			26	+2/-3 ¹	23	+2/-3 ¹		
NOTE 1: If all transmitted resource blocks over all component carriers are confined within F_{UL_low} and $F_{UL_low} + 4$ MHz or/and $F_{UL_high} - 4$ MHz and F_{UL_high} , the maximum output power requirement is relaxed by reducing the lower tolerance limit by 1.5 dB								
NOTE 2: $P_{PowerClass}$ is the maximum UE power specified without taking into account the tolerance								

If UE is scheduled for single antenna-port PUSCH transmission by DCI format 0_0 or by DCI format 0_1 for codebook based transmission with precoding matrix $W=1$ [6.3.1.5 TS 38.211], the requirements in clause 6.2A apply for at least one antenna connector for the power class as indicated by the *ue-PowerClass* field in capability signalling.

The normative reference for this requirement is TS 38.101-1 [2] clause 6.2H.1.1.

6.2H.1.1.4 Test procedure

No test case details are specified.

6.2H.1.2 UE maximum output power reduction for intra-band UL contiguous CA with UL MIMO

Editor's Note:

- Test tolerance for BW>100M is FFS.

6.2H.1.2.1 Test purpose

To verify that the error of the UE maximum output power does not exceed the range prescribed by the specified maximum output power with MPR and tolerance.

An excess maximum output power has the possibility to interfere to other channels or other systems. A small maximum output power decreases the coverage area.

6.2H.1.2.2 Test applicability

This test case applies to all types of NR UE release 15 and forward that support intra-band UL contiguous CA with UL MIMO.

NOTE: Test execution is not necessary if TC 6.5H.1.2.3 is executed

6.2H.1.2.3 Minimum conformance requirements

For intra-band UL contiguous CA and UE with two transmit antenna connectors in closed-loop spatial multiplexing scheme, the allowed Maximum Power Reduction (MPR) for the maximum output power in Table 6.2H.1.1.3-1 is specified in Table 6.2A.2.0.4-1, Table 6.2A.2.0.4-2 for power class 3 CA; Table 6.2A.2.0.4-1b, Table 6.2A.2.0.4-4 for power class 2 CA.

The requirements shall be met with UL MIMO configurations defined in Table 6.2D.1.3-2 and 6.2D.1.3-3 for 2 layer configuration and ULFPTx configuration respectively. For the UE maximum output power modified by MPR, the power limits specified in clause 6.2H.1.4 apply.

If UE is scheduled for single antenna-port PUSCH transmission by DCI format 0_0 or by DCI format 0_1 for single antenna port codebook based transmission with precoding matrix $W=1$ [6.3.1.5 TS 38.211], the requirements in clause 6.2A.2 apply for the power class as indicated by the *ue-PowerClass* field in capability signaling.

The normative reference for this requirement is TS 38.101-1 [2] clause 6.2H.1.2.

6.2H.1.2.4 Test description

6.2H.1.2.4.1 Initial conditions

Initial conditions are a set of test configurations the UE needs to be tested in and the steps for the SS to take with the UE to reach the correct measurement state.

The initial test configurations consist of environmental conditions, test frequencies, test channel bandwidths and sub-carrier spacing based on NR CA configuration specified in clause 5.5A. All of these configurations shall be tested with applicable test parameters for each CA configuration of test channel bandwidth and sub-carrier spacing, and are shown in Table 6.2H.1.2.4.1-1. The details of the uplink reference measurement channels (RMCs) are specified in Annexes A.2. Configurations of PDSCH and PDCCH before measurement are specified in Annex C.2.

Table 6.2H.1.2.4.1-1: Test Configuration Table (contiguous RB allocation)

Initial Conditions			
Test Environment as specified in TS 38.508-1 [5] subclause 4.1		Normal, TL/VL, TL/VH, TH/VL, TH/VH	
Test Frequencies as specified in TS 38.508-1 [5] subclause 4.3.1		Low range High range	
Test Channel Bandwidths as specified in TS 38.508-1 [5] subclause 4.3.1		Lowest N_{RB_agg} , Highest N_{RB_agg} (NOTE 1)	
Test SCS as specified in Table 5.3.5-1		Lowest, Highest	
Test Parameters for CA bandwidth class B and C			
Test ID	DL configuration for PCC & SCC	UL configuration	
		Modulations for all CCs	RB allocation (NOTE 2)
1		QPSK	Inner Full

2	CP-OFDM	QPSK	Outer Full
3		16QAM	Inner Full
4		16QAM	Outer Full
5		64QAM	Inner Full
6		64QAM	Outer Full
7		256QAM	Inner Full
8		256QAM	Outer Full
<p>NOTE 1: The Test CC Combination settings are checked separately for each CA Configuration, which applicable aggregated channel bandwidths are specified in Table 5.5A.1-1.</p> <p>NOTE 2: The specific configuration of each RB allocation is defined in Table 6.1A-1a.</p> <p>NOTE 3: If the UE supports multiple CC Combinations in the CA Configuration with the same N_{RB_agg}, only the combination with the highest N_{RB_PCC} is tested.</p>			

1. Connect the SS to the UE antenna connectors as shown in TS 38.508-1 [5] Annex A, Figure A.3.1.1.6 for TE diagram and section A.3.2.3.11 for UE diagram.
2. The parameter settings for the cell are set up according to TS 38.508-1 [5] subclause 4.4.3.
3. Downlink signals for PCC are initially set up according to Annex C.0, C.1, C.2, and uplink signals according to Annex G.0, G.1, G.2, G.3.0.
4. The UL Reference Measurement Channel is set according to Table 6.2H.1.2.4.1-1.
5. Propagation conditions are set according to Annex B.0.
6. Ensure the UE is in state RRC_CONNECTED with generic procedure parameters Connectivity NR, Connected without release On, Test Mode On and Test Loop Function On according to TS 38.508-1 [5] clause 4.5. Message contents are defined in clause 6.2H.1.2.4.3.

6.2H.1.2.4.2 Test procedure

1. Configure SCC according to Annex C.0, C.1, and C.2 for all downlink physical channels.
2. The SS shall configure SCC as per TS 38.508-1 [5] clause 5.5.1. Message contents are defined in clause 6.2H.1.2.4.3.
3. SS activates SCC by sending the activation MAC CE (Refer TS 38.321 [18], clauses 5.9, 6.1.3.10). Wait for at least 2 seconds (Refer TS 38.133[19], clause 9.3).
4. SS sends uplink scheduling information for each UL HARQ process via PDCCH DCI format 0_1 for C_RNTI to schedule the UL RMC according to Tables 6.2H.1.2.4.1-1 on both PCC and SCC as appropriate. Since the UE has no payload and no loopback data to send the UE sends uplink MAC padding bits on the UL RMC. The PDCCH DCI format 0_1 is specified with the condition 2TX_UL_MIMO in 38.508-1 [5] subclause 4.3.6.1.1.2.
5. Send continuously uplink power control "up" commands in every uplink scheduling information to the UE; allow at least 200ms starting from the first TPC command in this step for the UE to reach P_{UMAX} level.
6. Measure the sum of mean transmitted power from both antenna connectors and all component carriers in the CA configuration of the radio access mode. The period of measurement shall be at least the continuous duration of 1ms uplink. For TDD only slots consisting of only UL symbols are under test.

6.2H.1.2.4.3 Message contents

Message contents are according to TS 38.508-1 [5] subclause 4.6 and 5.4 ensuring Table 4.6.3-182 with the condition 2TX_UL_MIMO with the following exceptions:

Table 6.2H.1.2.4.3-1: FrequencyInfoUL-SIB for Power Class 3 (contiguous RB allocation) for CA_n41C

Derivation Path: TS 38.508-1 [5] Table 4.6.3-62 FrequencyInfoUL-SIB			
Information Element	Value/remark	Comment	Condition
p-Max	16		Test IDs 1, 3
	14		Test ID 5
	11		Test ID 7
	10		Test IDs 2, 4, 6, 8

Table 6.2H.1.2.4.3-2: FrequencyInfoUL-SIB for Power Class 2 (contiguous RB allocation) for CA_n41C

Derivation Path: TS 38.508-1 [5] Table 4.6.3-62 FrequencyInfoUL-SIB			
Information Element	Value/remark	Comment	Condition
p-Max	19		Test IDs 1, 3
	17		Test ID 5
	14		Test ID 7
	12		Test IDs 2, 4, 6, 8

6.2H.1.2.5 Test requirement

The maximum output power, derived in step 6 shall be within the range prescribed by the nominal maximum output power and tolerance in Table 6.2H.1.2.5-1 – Table 6.2H.1.2.5-2.

Table 6.2H.1.2.5-1: UE Output Power for Power Class 3 (contiguous RB allocation) test requirements (for CA_n41C)

Test ID	P ^{PowerClass} (dBm)	MPR (dB)	ΔT _{C,c} (dB)	P _{C^{MAX}_L,f,c} (dBm)	T(P _{C^{MAX}_L,f,c}) (dB)	T _{L,c} (dB)	Upper limit (dBm)	Lower limit (dBm)
1	23	3.5	0	19.5	3.5	3	25+TT	16-TT
2	23	8.0	0	15	5	3	25+TT	10-TT
3	23	3.5	0	19.5	3.5	3	25+TT	16-TT
4	23	8.0	0	15	5	3	25+TT	10-TT
5	23	5.0	0	18	4	3	25+TT	14-TT
6	23	8.0	0	15	5	3	25+TT	10-TT
7	23	7.0	0	16	5	3	25+TT	11-TT
8	23	8.0	0	15	5	3	25+TT	10-TT

NOTE 1: TT for each frequency and channel bandwidth is specified in Table 6.2H.1.2.5-3.

Table 6.2H.1.2.5-2: UE Output Power for Power Class 2 (contiguous RB allocation) test requirements (for CA_n41C)

Test ID	P ^{PowerClass} (dBm)	MPR (dB)	ΔT _{C,c} (dB)	P _{C^{MAX}_L,f,c} (dBm)	T(P _{C^{MAX}_L,f,c}) (dB)	T _{L,c} (dB)	Upper limit (dBm)	Lower limit (dBm)
1	26	4.0	0	22	2	3	28+TT	19-TT
2	26	8.5	0	17.5	5	3	28+TT	12.5-TT
3	26	4.0	0	22	2	3	28+TT	19-TT
4	26	8.5	0	17.5	5	3	28+TT	12.5-TT
5	26	5.5	0	20.5	2.5	3	28+TT	17.5-TT
6	26	8.5	0	17.5	5	3	28+TT	12.5-TT
7	26	7.5	0	18.5	4	3	28+TT	14.5-TT
8	26	8.5	0	17.5	5	3	28+TT	12.5-TT

NOTE 1: TT for each frequency and channel bandwidth is specified in Table 6.2H.1.2.5-3.

Table 6.2H.1.2.5-3: Test Tolerance

TT for overall output power (dB)		
Aggregation BW	f ≤ 3.0GHz	3.0GHz < f ≤ 6.0GHz
BW ≤ 40MHz	0.7	1.0
40MHz < BW ≤ 100MHz	1.0	1.0
100MHz < BW ≤ 200MHz	FFS	FFS

For the UE which supports inter-band NR CA configuration, inter-band NR-DC configuration, SUL configuration or inter-band EN-DC configuration, $\Delta T_{IB,c}$ as specified in 6.2A.4.0.2 for NR CA, 6.2B.4.0.2 for NR-DC, clause 6.2C.2 for SUL, or TS 38.521-3 [14] clause 6.2B.4.2 for EN-DC applies. Unless otherwise stated, $\Delta T_{IB,c}$ is set to zero. In case the UE supports more than one of band combinations for CA, NR-DC, SUL or EN-DC, and an operating band belongs to more than one band combinations then

- a) When the operating band frequency range is ≤ 1 GHz, the applicable additional $\Delta T_{IB,c}$ shall be the average value for all band combinations defined in clause 6.2A.4.0.2, 6.2B.4.0.2, 6.2C.2 in this specification and 6.2B.4.2 in TS 38.521-3 [14], truncated to one decimal place that apply for that operating band among the supported band combinations. In case there is a harmonic relation between low band UL and high band DL, then the maximum $\Delta T_{IB,c}$ among the different supported band combinations involving such band shall be applied.
- b) When the operating band frequency range is > 1 GHz, the applicable additional $\Delta T_{IB,c}$ shall be the maximum value for all band combinations defined in clause 6.2A.4.0.2, 6.2B.4.0.2, 6.2C.2 in this specification and 6.2B.4.2 in TS 38.521-3 [14] for the applicable operating bands.

6.2H.1.3 UE additional maximum output power reduction for intra-band UL contiguous CA with UL MIMO

Editor's Note:

- Test tolerance for BW>100M is FFS.

6.2H.1.3.1 Test purpose

To verify that the error of the UE maximum output power does not exceed the range prescribed by the specified maximum output power with AMPR and tolerance.

An excess maximum output power has the possibility to interfere to other channels or other systems. A small maximum output power decreases the coverage area.

6.2H.1.3.2 Test applicability

This test case applies to all types of NR UE release 15 and forward that support intra-band UL contiguous CA with UL MIMO.

NOTE: Test execution is not necessary if TC 6.5H.1.2.3 is executed

6.2H.1.3.3 Minimum conformance requirements

For intra-band UL contiguous CA and UE with two transmit antenna connectors in closed-loop spatial multiplexing scheme, the A-MPR values specified in clause 6.2A.3.0 shall apply to the maximum output power specified in Table 6.2H.1.1.3-1. The requirements shall be met with UL MIMO configurations defined in Table 6.2D.1.3-2 and 6.2D.1.3-3 for 2 layer configuration and ULFPTx configuration respectively.

For the UE maximum output power modified by A-MPR, the power limits specified in clause 6.2H.1.4.3 apply.

If UE is scheduled for single antenna-port PUSCH transmission by DCI format 0_0 or by DCI format 0_1 for single antenna port codebook based transmission with precoding matrix $W=1$ [6.3.1.5 TS 38.211], the requirements in clause 6.2A.3.0.1 apply for the power class as indicated by the *ue-PowerClass* field in capability signalling.

The normative reference for this requirement is TS 38.101-1 [2] clause 6.2H.1.3.

6.2H.1.3.4 Test description

6.2H.1.3.4.1 Initial conditions

Initial conditions are a set of test configurations the UE needs to be tested in and the steps for the SS to take with the UE to reach the correct measurement state.

The initial test configurations consist of environmental conditions, test frequencies, test channel bandwidths and sub-carrier spacing based on NR CA configuration specified in clause 5.5A. All of these configurations shall be tested with applicable test parameters for each CA configuration of test channel bandwidth and sub-carrier spacing, and are shown in Table 6.2H.1.3.4.1-1. The details of the uplink reference measurement channels (RMCs) are specified in Annexes A.2. Configurations of PDSCH and PDCCH before measurement are specified in Annex C.2.

Table 6.2H.1.3.4.1-1: Test Configuration Table for intra-band contiguous CA for CA_NS_04 (contiguous allocation)

Initial Conditions				
Test Environment as specified in TS 38.508-1 [5] subclause 4.1			Normal	
Test Frequencies as specified in TS 38.508-1 [5] subclause 4.3.1.1.3 for inter band CA in FR1			Referring to Test Frequency Column	
Test Channel Bandwidths as specified in TS 38.508-1 [5] subclause 4.3.1			Lowest N_{RB_agg} Highest N_{RB_agg}	
Test SCS as specified in Table 5.3.5-1			Lowest, Highest	
Test Parameters				
Test ID	Test Frequency	Downlink Configuration	Uplink Configuration	
			Modulation	RB allocation for PCC&SCC (NOTE 1)
1	High range		CP-OFDM QPSK	Outer_Full
2	High range		CP-OFDM QPSK	Edge_1RB_Right
3	Low range		CP-OFDM QPSK	Outer_Full
4	Low range		CP-OFDM QPSK	Edge_1RB_Left
5	Low range		CP-OFDM QPSK	Inner_Full
6	Low range		CP-OFDM 16QAM	Inner_Full
7	Low range		CP-OFDM 64QAM	Inner_Full
8	Low range		CP-OFDM 256QAM	Inner_Full
NOTE 1: The specific configuration of each RB allocation is defined in Table 6.1A-1a.				
NOTE 2: Test Channel Bandwidths and Test SCS are checked separately for each NR CA band combination, which applicable channel bandwidths and SCS are specified in Table 5.5A3-1.				

1. Connect the SS to the UE antenna connectors as shown in TS 38.508-1 [5] Annex A, Figure A.3.1.1.6 for TE diagram and section A.3.2.3.11 for UE diagram.
2. The parameter settings for the cell are set up according to TS 38.508-1 [5] subclause 4.4.3.
3. Downlink signals for PCC are initially set up according to Annex C.0, C.1, C.2, and uplink signals according to Annex G.0, G.1, G.2, G.3.0.
4. The UL Reference Measurement Channel is set according to Table 6.2H.1.3.4.1-1.
5. Propagation conditions are set according to Annex B.0.
6. Ensure the UE is in state RRC_CONNECTED with generic procedure parameters Connectivity NR, Connected without release On, Test Mode On and Test Loop Function On according to TS 38.508-1 [5] clause 4.5. Message contents are defined in clause 6.2H.1.3.4.3.

6.2H.1.3.4.2 Test procedure

1. Configure SCC according to Annex C.0, C.1, and C.2 for all downlink physical channels.
2. The SS shall configure SCC as per TS 38.508-1 [5] clause 5.5.1. Message contents are defined in clause 6.2H.1.3.4.3.
3. SS activates SCC by sending the activation MAC CE (Refer TS 38.321 [18], clauses 5.9, 6.1.3.10). Wait for at least 2 seconds (Refer TS 38.133[19], clause 9.3).
4. SS sends uplink scheduling information for each UL HARQ process via PDCCH DCI format 0_1 for C_RNTI to schedule the UL RMC according to Tables 6.2H.1.3.4.1-1 on both PCC and SCC as appropriate. Since the UE has no payload and no loopback data to send the UE sends uplink MAC padding bits on the UL RMC. The PDCCH DCI format 0_1 is specified with the condition 2TX_UL_MIMO in 38.508-1 [5] subclause 4.3.6.1.1.2.
5. Send continuously uplink power control "up" commands in every uplink scheduling information to the UE; allow at least 200ms starting from the first TPC command in this step for the UE to reach P_{UMAX} level.

6. Measure the sum of mean transmitted power from both antenna connectors and all component carriers in the CA configuration of the radio access mode. The period of measurement shall be at least the continuous duration of 1ms uplink. For TDD only slots consisting of only UL symbols are under test.

6.2H.1.3.4.3 Message contents

Message contents are according to TS 38.508-1 [5] subclause 4.6 and 5.4 ensuring Table 4.6.3-182 with the condition 2TX_UL_MIMO with the following exceptions:

6.2H.1.3.4.3.1 Message contents exceptions (network signalling value "CA_NS_04" on PCC and SCC)

Table 6.2H.1.3.4.3.1-1: AdditionalSpectrumEmission: Additional spurious emissions test requirement for "CA_NS_04" on PCC and SCC

Derivation Path: TS 38.508-1 [5] clause 4.6.3, Table 4.6.3-1 <i>AdditionalSpectrumEmission</i>			
Information Element	Value/remark	Comment	Condition
AdditionalSpectrumEmission	1 (CA_NS_04)		

Table 6.2H.1.3.4.3.1-2: FrequencyInfoUL-SIB for Power Class 3 (contiguous RB allocation) for CA_n41C

Derivation Path: TS 38.508-1 [5] Table 4.6.3-62 FrequencyInfoUL-SIB			
Information Element	Value/remark	Comment	Condition
p-Max	12		Test IDs 5, 6, 7
	10		Test IDs 1, 2, 3, 4, 8

Table 6.2H.1.3.4.3.1-3: FrequencyInfoUL-SIB for Power Class 2 (contiguous RB allocation) for CA_n41C

Derivation Path: TS 38.508-1 [5] Table 4.6.3-62 FrequencyInfoUL-SIB			
Information Element	Value/remark	Comment	Condition
p-Max	14		Test IDs 5, 6, 7
	12		Test IDs 1, 2, 3, 4
	11		Test ID 8

6.2H.1.3.5 Test requirement

The maximum output power, derived in step 6 shall be within the range prescribed by the nominal maximum output power and tolerance in Table 6.2H.1.3.5-1 – Table 6.2H.1.3.5-2.

Table 6.2H.1.3.5-0: Test Tolerance

TT for overall output power (dB)		
Aggregation BW	f ≤ 3.0GHz	3.0GHz < f ≤ 6.0GHz
BW ≤ 40MHz	0.7	1.0
40MHz < BW ≤ 100MHz	1.0	1.0
100MHz < BW ≤ 200MHz	FFS	FFS

Table 6.2H.1.3.5-1: UE Power Class 3 test requirement (network signalling value CA_NS_04) for CA_n41C

Test ID	P _{Power class} (dBm)	MPR (dB)	AMP R _{cc} (dB)	AMPR(dB)	ΔT _{C,c} (dB)	T _L (dB)	P _{C_{MAX_L}} (dBm)	T _{LOW(P_{C_{MAX_L}})} (dB)	Upper limit (dBm)	Lower limit (dBm)
1	23	8	-	8	0	2	15	5	25+TT	10-TT
2	23	8	-	8	1.5	2	15	5	25+TT	10-TT
3	23	8	-	8	0	2	15	5	25+TT	10-TT
4	23	8	-	8	1.5	2	15	5	25+TT	10-TT
5	23	3.5	5.5	5.5	0	2	17.5	5	25+TT	12.5-TT

6	23	3.5	5.5	5.5	0	2	17.5	5	25+TT	12.5-TT
7	23	5	5.5	5.5	0	2	17.5	5	25+TT	12.5-TT
8	23	7	8	8	0	2	15	5	25+TT	10-TT

Table 6.2H.1.3.5-2: UE Power Class 2 test requirement (network signalling value CA_NS_04) for CA_n41C

Test ID	P _{Power class} (dBm)	MPR (dB)	AMP R _{cc} (dB)	AMPR(dB)	$\Delta T_{C,c}$ (dB)	T _L (dB)	P _{C_{MAX,L}} (dBm)	T _{LOW(P_{C_{MAX,L}})} (dB)	Upper limit (dBm)	Lower limit (dBm)
1	26	8.5	-	8.5	0	3	17.5	5	28+TT	12.5-TT
2	26	8.5	-	8.5	1.5	3	17.5	5	28+TT	12.5-TT
3	26	8.5	-	8.5	0	3	17.5	5	28+TT	12.5-TT
4	26	8.5	-	8.5	1.5	3	17.5	5	28+TT	12.5-TT
5	26	4.0	7.5	7.5	0	3	18.5	4	28+TT	14.5-TT
6	26	4.0	7.5	7.5	0	3	18.5	4	28+TT	14.5-TT
7	26	5.5	7.5	7.5	0	3	18.5	4	28+TT	14.5-TT
8	26	7.5	10	10	0	3	16	5	28+TT	11-TT

For the UE which supports inter-band NR CA configuration, inter-band NR-DC configuration, SUL configuration or inter-band EN-DC configuration, $\Delta T_{IB,c}$ as specified in 6.2A.4.0.2 for NR CA, 6.2B.4.0.2 for NR-DC, clause 6.2C.2 for SUL, or TS 38.521-3 [14] clause 6.2B.4.2 for EN-DC applies. Unless otherwise stated, $\Delta T_{IB,c}$ is set to zero. In case the UE supports more than one of band combinations for CA, NR-DC, SUL or EN-DC, and an operating band belongs to more than one band combinations then

- When the operating band frequency range is ≤ 1 GHz, the applicable additional $\Delta T_{IB,c}$ shall be the average value for all band combinations defined in clause 6.2A.4.0.2, 6.2B.4.0.2, 6.2C.2 in this specification and 6.2B.4.2 in TS 38.521-3 [14], truncated to one decimal place that apply for that operating band among the supported band combinations. In case there is a harmonic relation between low band UL and high band DL, then the maximum $\Delta T_{IB,c}$ among the different supported band combinations involving such band shall be applied.
- When the operating band frequency range is > 1 GHz, the applicable additional $\Delta T_{IB,c}$ shall be the maximum value for all band combinations defined in clause 6.2A.4.0.2, 6.2B.4.0.2, 6.2C.2 in this specification and 6.2B.4.2 in TS 38.521-3 [14] for the applicable operating bands.

6.2H.1.4 Configured transmitted power for intra-band UL contiguous CA with UL MIMO

Editor's Note:

- Test tolerance for BW>100M is FFS.

6.2H.1.4.1 Test purpose

To verify that the total measured UE configured maximum output power for intra-band UL contiguous CA with UL MIMO is within the specified bounds.

6.2H.1.4.2 Test applicability

This test case applies to all types of NR UE release 15 and forward that support intra-band UL contiguous CA with UL MIMO.

6.2H.1.4.3 Minimum conformance requirements

For UE supporting intra-band UL contiguous CA with UL MIMO, the transmitted power is configured per each UE.

The definitions of configured maximum output power $P_{C_{MAX,c}}$, the lower bound $P_{C_{MAX,L,c}}$, and the higher bound $P_{C_{MAX,H,c}}$ specified in clause 6.2A.4 shall apply to UE supporting intra-band UL contiguous CA with UL MIMO, where

- $\Delta P_{PowerClass}$ and $\Delta T_{C,c}$ are specified in clause 6.2A.4 unless otherwise stated;
- $P_{PowerClass,CA}$ is the maximum UE power specified in Table 6.2H.1.1.3-1 without taking into account the tolerance;

- MPR, AMPR is specified in clause 6.2H.1.2 and 6.2H.1.3;

The measured configured maximum output power P_{UMAX} over all serving cells shall be within the following bounds:

$$P_{CMAX_L} - \text{MAX}\{T_L, T_{LOW}(P_{CMAX_L})\} \leq P_{UMAX} \leq P_{CMAX_H} + T_{HIGH}(P_{CMAX_H})$$

where $T_{LOW}(P_{CMAX_L})$ and $T_{HIGH}(P_{CMAX_H})$ are defined as the tolerance and applies to P_{CMAX_L} and P_{CMAX_H} separately, while T_L is the absolute value of the lower tolerance in Table 6.2 H.1.1.3-1 for the applicable operating band.

For UE supporting intra-band UL contiguous CA with UL MIMO, the tolerance is specified in Table 6.2H.1.4.3-1.

Table 6.2H.1.4.3-1: P_{CMAX} tolerance for intra-band UL contiguous CA with UL MIMO

P_{CMAX} (dBm)	Tolerance $T_{LOW}(P_{CMAX})$ (dB)	Tolerance $T_{HIGH}(P_{CMAX})$ (dB)
$23 < P_{CMAX} \leq 26$	3.0	2.0
$21 \leq P_{CMAX} \leq 23$		2.0
$20 \leq P_{CMAX} < 21$		2.5
$19 \leq P_{CMAX} < 20$		3.5
$18 \leq P_{CMAX} < 19$		4.0
$13 \leq P_{CMAX} < 18$		5.0
$8 \leq P_{CMAX} < 13$		6.0
$-40 \leq P_{CMAX} < 8$		7.0

The normative reference for this requirement is TS 38.101-1 [2] clause 6.2H.1.4.

6.2H.1.4.4 Test description

6.2H.1.4.4.1 Initial conditions

Initial conditions are a set of test configurations the UE needs to be tested in and the steps for the SS to take with the UE to reach the correct measurement state.

The initial test configurations consist of environmental conditions, test frequencies, test channel bandwidths and sub-carrier spacing based on NR CA configuration specified in clause 5.5A. All of these configurations shall be tested with applicable test parameters for each CA configuration of test channel bandwidth and sub-carrier spacing, and are shown in Table 6.2H.1.4.4.1-1. The details of the uplink reference measurement channels (RMCs) are specified in Annexes A.2. Configurations of PDSCH and PDCCH before measurement are specified in Annex C.2.

Table 6.2H.1.4.4.1-1: Test Configuration Table (contiguous RB allocation)

Initial Conditions			
Test Environment as specified in TS 38.508-1 [5] subclause 4.1		Normal, TL/VL, TL/VH, TH/VL, TH/VH	
Test Frequencies as specified in TS 38.508-1 [5] subclause 4.3.1		Mid range	
Test Channel Bandwidths as specified in TS 38.508-1 [5] subclause 4.3.1		Lowest N_{RB_agg} , Highest N_{RB_agg} (NOTE 1)	
Test SCS as specified in Table 5.3.5-1		Lowest	
Test Parameters for Channel Bandwidths			
Test Parameters for CA bandwidth class B and C			
Test ID	DL configuration for PCC & SCC	UL configuration	
		Modulations for all CCs	RB allocation (NOTE 2)
1	N/A	CP-OFDM QPSK	Inner Full
NOTE 1: The Test CC Combination settings are checked separately for each CA Configuration, which applicable aggregated channel bandwidths are specified in Table 5.5A.1-1.			
NOTE 2: The specific configuration of each RB allocation is defined in Table 6.1A-1a.			
NOTE 3: If the UE supports multiple CC Combinations in the CA Configuration with the same N_{RB_agg} , only the combination with the highest N_{RB_PCC} is tested.			

1. Connect the SS to the UE antenna connectors as shown in TS 38.508-1 [5] Annex A, Figure A.3.1.1.6 for TE diagram and section A.3.2.3.11 for UE diagram.

2. The parameter settings for the cell are set up according to TS 38.508-1 [5] subclause 4.4.3.
3. Downlink signals for PCC are initially set up according to Annex C.0, C.1, C.2, and uplink signals according to Annex G.0, G.1, G.2, G.3.0.
4. The UL Reference Measurement Channel is set according to Table 6.2H.1.4.4.1-1.
5. Propagation conditions are set according to Annex B.0.
6. Ensure the UE is in state RRC_CONNECTED with generic procedure parameters Connectivity NR, Connected without release On, Test Mode On and Test Loop Function On according to TS 38.508-1 [5] clause 4.5. Message contents are defined in clause 6.2H.1.4.4.3.

6.2H.1.4.4.2 Test procedure

1. Configure SCC according to Annex C.0, C.1, and C.2 for all downlink physical channels.
2. The SS shall configure SCC as per TS 38.508-1 [5] clause 5.5.1. Message contents are defined in clause 6.2H.1.4.4.3.
3. SS activates SCC by sending the activation MAC CE (Refer TS 38.321 [18], clauses 5.9, 6.1.3.10). Wait for at least 2 seconds (Refer TS 38.133[19], clause 9.3).
4. SS sends uplink scheduling information for each UL HARQ process via PDCCH DCI format 0_1 for C_RNTI to schedule the UL RMC according to Tables 6.2H.1.4.4.1-1 on both PCC and SCC as appropriate. Since the UE has no payload and no loopback data to send the UE sends uplink MAC padding bits on the UL RMC. The PDCCH DCI format 0_1 is specified with the condition 2TX_UL_MIMO in 38.508-1 [5] subclause 4.3.6.1.1.2.
5. Send continuously uplink power control "up" commands in every uplink scheduling information to the UE; allow at least 200ms starting from the first TPC command in this step for the UE to reach P_{UMAX} level.
6. Measure the sum of mean transmitted power from both antenna connectors and all component carriers in the CA configuration of the radio access mode. The period of measurement shall be at least the continuous duration of 1ms uplink. For TDD only slots consisting of only UL symbols are under test.

6.2H.1.4.4.3 Message contents

Message contents are according to TS 38.508-1 [5] subclause 4.6 and 5.4 ensuring Table 4.6.3-182 with the condition 2TX_UL_MIMO.

Table 6.2H.1.4.4.3-1: FrequencyInfoUL: Test point 1

Derivation Path: TS 38.508-1 [5] Table 4.6.3-61 FrequencyInfoUL			
Information Element	Value/remark	Comment	Condition
p-Max	-10		

Table 6.2H.1.4.4.3-1a: FrequencyInfoUL-SIB: Test point 1

Derivation Path: TS 38.508-1 [5] Table 4.6.3-62 FrequencyInfoUL-SIB			
Information Element	Value/remark	Comment	Condition
p-Max	-10		

Table 6.2H.1.4.4.3-2: FrequencyInfoUL: Test point 2

Derivation Path: TS 38.508-1 [5] Table 4.6.3-61 FrequencyInfoUL			
Information Element	Value/remark	Comment	Condition
p-Max	7		

Table 6.2H.1.4.4.3-2a: FrequencyInfoUL-SIB: Test point 2

Derivation Path: TS 38.508-1 [5] Table 4.6.3-62 FrequencyInfoUL-SIB			
Information Element	Value/remark	Comment	Condition
p-Max	7		

Table 6.2H.1.4.4.3-3: FrequencyInfoUL: Test point 3

Derivation Path: TS 38.508-1 [5] Table 4.6.3-61 FrequencyInfoUL			
Information Element	Value/remark	Comment	Condition
p-Max	17		Power Class 3

Table 6.2H.1.4.4.3-3a: FrequencyInfoUL-SIB: Test point 3

Derivation Path: TS 38.508-1 [5] Table 4.6.3-62 FrequencyInfoUL-SIB			
Information Element	Value/remark	Comment	Condition
p-Max	17		Power Class 3

Table 6.2H.1.4.4.3-4: FrequencyInfoUL: Test point 4

Derivation Path: TS 38.508-1 [5] Table 4.6.3-61 FrequencyInfoUL			
Information Element	Value/remark	Comment	Condition
p-Max	16		Power Class 2

Table 6.2H.1.4.4.3-4a: FrequencyInfoUL-SIB: Test point 4

Derivation Path: TS 38.508-1 [5] Table 4.6.3-62 FrequencyInfoUL-SIB			
Information Element	Value/remark	Comment	Condition
p-Max	16		Power Class 2

6.2H.1.4.5 Test requirement

The maximum output power, derived in step 6 shall be within the range prescribed by the nominal maximum output power and tolerance in Table 6.2H.1.4.5-1.

Table 6.2H.1.4.5-1: Configured UE Output Power for Intra-band contiguous CA of PC2 and PC3 (contiguous RB allocation))

	Maximum output power	
	Lower limit	Upper limit
Measured UE output power test point 1	-14 dBm - TT	0 dBm + TT
Measured UE output power test point 2	4 dBm - TT	16 dBm + TT
Measured UE output power test point 3 (Note 2)	17 dBm - TT	22.5 dBm + TT
Measured UE output power test point 4 (Note 3)	15.5 dBm - TT	22.5 dBm + TT
Note 1: TT for each intra-band UL CA configuration is in table 6.2H.4.1.5-2.		
Note 2: Only applicable to Power Class 3.		
Note 3: Only applicable to Power Class 2.		

Table 6.2H.1.4.5-2: Test Tolerance for intra-band CA (Configured transmitted power for CA)

TT for overall output power (dB)		
Aggregation BW	f ≤ 3.0GHz	3.0GHz < f ≤ 6.0GHz
BW ≤ 40MHz	0.7	1.0
40MHz < BW ≤ 100MHz	1.0	1.0
100MHz < BW ≤ 200MHz	FFS	FFS

For the UE which supports inter-band NR CA configuration, inter-band NR-DC configuration, SUL configuration or inter-band EN-DC configuration, $\Delta T_{IB,c}$ as specified in 6.2A.4.0.2 for NR CA, 6.2B.4.0.2 for NR-DC, clause 6.2C.2 for SUL, or TS 38.521-3 [14] clause 6.2B.4.2 for EN-DC applies. Unless otherwise stated, $\Delta T_{IB,c}$ is set to zero. In case the UE supports more than one of band combinations for CA, NR-DC, SUL or EN-DC, and an operating band belongs to more than one band combinations then

- a) When the operating band frequency range is ≤ 1 GHz, the applicable additional $\Delta T_{IB,c}$ shall be the average value for all band combinations defined in clause 6.2A.4.0.2, 6.2B.4.0.2, 6.2C.2 in this specification and 6.2B.4.2 in TS 38.521-3 [14], truncated to one decimal place that apply for that operating band among the supported band combinations. In case there is a harmonic relation between low band UL and high band DL, then the maximum $\Delta T_{IB,c}$ among the different supported band combinations involving such band shall be applied.
- b) When the operating band frequency range is > 1 GHz, the applicable additional $\Delta T_{IB,c}$ shall be the maximum value for all band combinations defined in clause 6.2A.4.0.2, 6.2B.4.0.2, 6.2C.2 in this specification and 6.2B.4.2 in TS 38.521-3 [14] for the applicable operating bands.

6.2H.2

6.2H.3 Transmitter power for inter-band UL CA with UL MIMO

6.2H.3.1 UE maximum output power for inter-band UL CA with UL MIMO

6.2H.3.1.1 Test purpose

To verify that the error of the UE maximum output power for inter-band UL CA with UL MIMO does not exceed the range prescribed by the specified nominal maximum output power and tolerance.

An excess maximum output power has the possibility to interfere to other channels or other systems. A small maximum output power decreases the coverage area.

6.2H.3.1.2 Test applicability

This test case applies to all types of NR UE release 17 and forward that support inter-band UL CA with UL MIMO.

6.2H.3.1.3 Minimum conformance requirements

For inter-band UL CA with UL MIMO in one of the two frequency bands, the maximum output power is defined as the sum of the maximum output power from all UE antenna connectors and all UL CCs, as specified in Table 6.2H.3.1.3-1. The period of measurement shall be at least one sub frame (1 ms). The requirements shall be met with the UL MIMO configurations specified in Table 6.2D.1.3-2 and 6.2D.1.3-3 for 2-layer configuration and ULFPTx configuration respectively for the component carrier configured with UL MIMO.

Table 6.2H.3.1.3-1: UE Power Class for inter-band UL CA with UL MIMO in one frequency band

NR UL CA Configuration	Class 1.5 (dBm)	Tolerance (dB)	Class 2 (dBm)	Tolerance (dB)	Class 3 (dBm)	Tolerance (dB)
CA_n2A-n77A	29 ³	+2/-3	26 ²	+2/-3	23	+2/-3
CA_n5A-n77A	29 ³	+2/-3	26 ²	+2/-3	23	+2/-3
CA_n8A-n78A			26 ²	+2/-3	23	+2/-3
CA_n25A-n77A	29 ³	+2/-3			23	+2/-3
CA_n28A-n41A			26 ²	+2/-3	23	+2/-3
CA_n28A-n78A			26 ²	+2/-3	23	+2/-3
CA_n66A-n77A	29 ³	+2/-3	26 ²	+2/-3	23	+2/-3
CA_n71A-n77A	29 ³	+2/-3	26 ²	+2/-3	23	+2/-3

NOTE 1: An uplink CA configuration in which at least one of the bands has NOTE 3 in Table 6.2.1-1 is allowed to reduce the lower tolerance limit by 1.5 dB when the transmission bandwidths of at least one of the bands is confined within F_{UL_low} and $F_{UL_low} + 4$ MHz or $F_{UL_high} - 4$ MHz and F_{UL_high} .

NOTE 2: The UE supports PC3 in FDD band and PC3 or PC2 with UL MIMO in TDD band.

NOTE 3: The UE supports PC3 in FDD band and PC1.5 with UL MIMO in TDD band.

NOTE 4: The UE supports PC2 with UL MIMO in either one of the TDD bands and PC2 in the other TDD band.

NOTE 5: Power class 3 is default power class unless otherwise stated.

NOTE 6: FWA form factor is targeted unless otherwise stated.

If a UE supports power class 2 for the band combination listed in Table 6.2H.3.1.3-1:

- if the field of UE capability *maxUplinkDutyCycle-interBandCA-PC2* is present and the average percentage of uplink symbols transmitted in a certain evaluation period is larger than *maxUplinkDutyCycle-interBandCA-PC2* as defined in TS 38.331 (The exact evaluation period is no less than one radio frame); or
- if $10\log_{10} \sum p_{\text{EMAX},c}$ or $P_{\text{EMAX},CA}$ which defined in clause 6.2H.3.4 is 23dBm or lower;
 - shall apply all requirements for the default power class and set the configured transmitted power as specified in clause 6.2H.3.4;
- else;
 - shall apply all requirements for the power class 2 and set the configured transmitted power as specified in clause 6.2H.3.4 (regardless of the average percentage of uplink symbols if the field of UE capability *maxUplinkDutyCycle-interBandCA-PC2* is absent).

The average percentage of uplink symbols is defined as $0.5 \cdot (\text{Duty}_{\text{NR},x} / \text{maxDuty}_{\text{NR},x} + \text{Duty}_{\text{NR},y} / \text{maxDuty}_{\text{NR},y})$. $\text{Duty}_{\text{NR},x}$, $\text{Duty}_{\text{NR},y}$ represent the actual percentage of uplink symbols transmitted in the same evaluation period (The exact evaluation period is no less than one radio frame) for NR Band x, NR Band y respectively; $\text{maxDuty}_{\text{NR},x}$, $\text{maxDuty}_{\text{NR},y}$ represent the field of UE capability *maxUplinkDutyCycle-PC2-FR1* per band as defined in TS 38.331. For NR Band x or NR Band y,

- if power class of one or both of the bands within the band combination is power class 2 and the corresponding UE capability *maxUplinkDutyCycle-PC2-FR1* is absent;
 - the corresponding $\text{maxDuty}_{\text{NR},x}$ or $\text{maxDuty}_{\text{NR},y}$ is equal to 50%;
- else if the band is configured with power class 3;
 - the corresponding $\text{maxDuty}_{\text{NR},x}$ or $\text{maxDuty}_{\text{NR},y}$ is equal to 100%.

If a UE supports power class 1.5 for the band combination listed in Table 6.2H.3.1.3-1:

- if the field of UE capability *maxUplinkDutyCycle-interBandCA-PC2* is present and
 - if the average percentage of uplink symbols transmitted in a certain evaluation period is larger than *maxUplinkDutyCycle-interBandCA-PC2* (The exact evaluation period is no less than one radio frame); or
 - if $10\log_{10} \sum p_{\text{EMAX},c}$ or $P_{\text{EMAX},CA}$ which defined in clause 6.2H.3.4 is 23dBm or lower;
 - shall apply all requirements for the default power class and set the configured transmitted power as specified in clause 6.2H.3.4;
 - if the average percentage of uplink symbols transmitted in a certain evaluation period is larger than $0.5 \times \text{maxUplinkDutyCycle-interBandCA-PC2}$ but less than or equal to *maxUplinkDutyCycle-interBandCA-PC2*; or
 - if $10\log_{10} \sum p_{\text{EMAX},c}$ or $P_{\text{EMAX},CA}$ which defined in clause 6.2H.3.4 is between 23dBm and 26dBm;
 - shall apply all requirements for the power class 2 and set the configured transmitted power as specified in clause 6.2H.3.4;
- else;
 - shall apply all requirements for the power class 1.5 and set the configured transmitted power as specified in clause 6.2H.3.4 (regardless of the average percentage of uplink symbols if the field of UE capability *maxUplinkDutyCycle-interBandCA-PC2* is absent).

The average percentage of uplink symbols is defined as $0.5 \cdot (\text{Duty}_{\text{NR},x} / \text{maxDuty}_{\text{NR},x} + \text{Duty}_{\text{NR},y} / \text{maxDuty}_{\text{NR},y})$. $\text{Duty}_{\text{NR},x}$, $\text{Duty}_{\text{NR},y}$ represent the actual percentage of uplink symbols transmitted in the same evaluation period (The exact evaluation period is no less than one radio frame) for NR Band x, NR Band y respectively; $\text{maxDuty}_{\text{NR},x}$, $\text{maxDuty}_{\text{NR},y}$ represent the field of UE capability $0.5 \times \text{maxUplinkDutyCycle-PC2-FR1}$ or *maxUplinkDutyCycle-PC1dot5-MPE-FR1* per band as defined in TS 38.331. For NR Band x or NR Band y,

- if power class of one band within the band combination is power class 1.5

- if the corresponding UE capability $0.5 \cdot \text{maxUplinkDutyCycle-PC2-FR1}$ and $\text{maxUplinkDutyCycle-PC1dot5-MPE-FR1}$ are both absent;
 - the corresponding maxDutyNR,x or maxDutyNR,y is equal to 25%;
- else if only one of the corresponding UE capability $0.5 \cdot \text{maxUplinkDutyCycle-PC2-FR1}$ and $\text{maxUplinkDutyCycle-PC1dot5-MPE-FR1}$ is reported;
 - the corresponding maxDutyNR,x or maxDutyNR,y is according to the reported capability;
- else
 - the corresponding maxDutyNR,x or maxDutyNR,y is the smaller of $\text{maxUplinkDutyCycle-PC1dot5-MPE-FR1}$ and $0.5 \cdot \text{maxUplinkDutyCycle-PC2-FR1}$;
- if the band is configured with power class 3;
 - the corresponding maxDutyNR,x or maxDutyNR,y is equal to 100%.

The normative reference for this requirement is TS 38.101-1 [2] clause 6.2H.3.1.

6.2H.3.1.4 Test description

6.2H.3.1.4.1 Initial conditions

Initial conditions are a set of test configurations the UE needs to be tested in and the steps for the SS to take with the UE to reach the correct measurement state.

The initial test configurations consist of environmental conditions, test frequencies, test channel bandwidths and sub-carrier spacing based on NR CA configurations specified in 5.5A. All of these configurations shall be tested with applicable test parameters for each combination of test channel bandwidth and sub-carrier spacing, and are shown in Table 6.2H.3.1.4.1-1 to Table 6.2H.3.1.4.1-3. The details of the uplink reference measurement channels (RMCs) are specified in Annexes A.2. Configurations of PDSCH and PDCCH before measurement are **specified in Annex C.2.**

Table 6.2H.3.1.4.1-1: Inter-band CA Test Configuration Table for 2-layer MIMO (Power Class 2 UEs supporting PC3 in FDD band and PC3 with UL MIMO in TDD band)

NOTE: No test points are defined since there is no CP-OFDM configuration satisfying $\text{MPR}=0\text{dB}$ requirements in TS 38.101-1.

Table 6.2H.3.1.4.1-2: Inter-band CA Test Configuration Table for 2-layer MIMO (Power Class 3, Power Class 2 UEs supporting PC2 with UL MIMO in TDD band)

Initial Conditions					
Test Environment as specified in TS 38.508-1 [5] subclause 4.1		Normal, TL/VL, TL/VH, TH/VL, TH/VH			
Test Frequencies as specified in TS 38.508-1 [5] subclause 4.3.1		Low range for PCC and SCC High range for PCC and SCC			
Test Channel Bandwidths as specified in TS 38.508-1 [5] subclause 4.3.1		Lowest N_{RB_agg} , Highest N_{RB_agg}			
Test SCS as specified in Table 5.3.5-1		Lowest, Highest			
Test Parameters					
Test ID	Downlink Configuration for PCC & SCC	Uplink Configuration			
		Modulation (NOTE 2)		RB allocation (NOTE 1)	
		PCC	SCC	PCC	SCC
1	N/A for this test	CP-OFDM QPSK	DFT-s-OFDM Pi/2 BPSK	Inner Full	Inner Full
2		CP-OFDM QPSK	DFT-s-OFDM Pi/2 BPSK	Inner 1RB Left	Inner 1RB Left

3	CP-OFDM QPSK	DFT-s-OFDM Pi/2 BPSK	Inner 1RB Right	Inner 1RB Right
4	CP-OFDM QPSK	DFT-s-OFDM QPSK	Inner Full	Inner Full
5	CP-OFDM QPSK	DFT-s-OFDM QPSK	Inner 1RB Left	Inner 1RB Left
6	CP-OFDM QPSK	DFT-s-OFDM QPSK	Inner 1RB Right	Inner 1RB Right

NOTE 1: The specific configuration of each RB allocation is defined in Table 6.1-1.
NOTE 2: DFT-s-OFDM Pi/2 BPSK test applies only for UEs which supports Pi/2 BPSK in FR1.
NOTE 3: PCC is the component carrier configured with UL MIMO in TDD band.

Table 6.2H.3.1.4.1-3: Inter-band CA Test Configuration Table for ULFPTx

Initial Conditions				
Test Environment as specified in TS 38.508-1 [5] subclause 4.1		Normal, TL/VL, TL/VH, TH/VL, TH/VH		
Test Frequencies as specified in TS 38.508-1 [5] subclause 4.3.1		Low range for PCC and SCC High range for PCC and SCC		
Test Channel Bandwidths as specified in TS 38.508-1 [5] subclause 4.3.1		Lowest N_{RB_agg} , Highest N_{RB_agg}		
Test SCS as specified in Table 5.3.5-1		Lowest, Highest		
Test Parameters				
Test ID	Downlink Configuration for PCC & SCC	Uplink Configuration		
		Modulation for all CCs (NOTE 2)	RB allocation (NOTE 1)	
			PCC	SCC
1	N/A for this test	DFT-s-OFDM Pi/2 BPSK	Inner Full	Inner Full
2		DFT-s-OFDM Pi/2 BPSK	Inner 1RB Left	Inner 1RB Left
3		DFT-s-OFDM Pi/2 BPSK	Inner 1RB Right	Inner 1RB Right
4		DFT-s-OFDM QPSK	Inner Full	Inner Full
5		DFT-s-OFDM QPSK	Inner 1RB Left	Inner 1RB Left
6		DFT-s-OFDM QPSK	Inner 1RB Right	Inner 1RB Right

NOTE 1: The specific configuration of each RB allocation is defined in Table 6.1-1.
NOTE 2: DFT-s-OFDM Pi/2 BPSK test applies only for UEs which supports Pi/2 BPSK in FR1.
NOTE 3: Only Test IDs 1, 2 and 3 apply to Power Class 2 UEs if TxD is indicated.

1. Connect the SS to the UE antenna connectors as shown in TS 38.508-1 [5] Annex A, Figure A.3.1.1.7 for TE diagram and section A.3.2 for UE diagram.
2. The parameter settings for the cell are set up according to TS 38.508-1 [5] subclause 4.4.3.
3. Downlink signals for PCC are initially set up according to Annex C.0, C.1, C.2, and uplink signals according to Annex G.0, G.1, G.2, G.3.0.
4. The UL Reference Measurement Channel is set according to Table 6.2H.3.1.4.1-1 to Table 6.2H.3.1.4.1-3.
5. Propagation conditions are set according to Annex B.0.
6. Ensure the UE is in state RRC_CONNECTED with generic procedure parameters Connectivity *NR*, Connected without release *On*, Test Mode *On* and Test Loop Function *On* according to TS 38.508-1 [5] clause 4.5. Message contents are defined in clause 6.2H.3.1.4.3.

6.2H.3.1.4.2 Test procedure

1. Configure SCC according to Annex C.0, C.1, C.2 for all downlink physical channels.
2. The SS shall configure SCC as per TS 38.508-1 [5] clause 5.5.1. Message contents are defined in clause 6.2H.3.1.4.3.
3. SS activates SCC by sending the activation MAC CE (Refer TS 38.321 [18], clauses 5.9, 6.1.3.10). Wait for at least 2 seconds (Refer TS 38.133[19], clause 9.3).

Sub-test for 2-Layer codebook based UL-MIMO

4. SS sends uplink scheduling information for each UL HARQ process via PDCCH DCI format 0_1 for C_RNTI to schedule the UL RMC according to Table 6.2H.3.1.4.1-2 on both PCC and SCC. Since the UE has no payload and no loopback data to send the UE sends uplink MAC padding bits on the UL RMC. The PDCCH DCI format 0_1 for PCell is specified with the condition 2TX_UL_MIMO in 38.508-1 [5] subclause 4.3.6.1.1.2. Message contents are according to TS 38.508-1 [5] clause 4.6.3 Table 4.6.3-118 with condition TRANSFORM_PRECODER_ENABLED for SCell.
5. Send continuously uplink power control "up" commands in every uplink scheduling information to the UE; allow at least 200ms starting from the first TPC command in this step for the UE to reach P_{UMAX} level.
6. Measure the sum of mean transmitted power from all UE antenna connectors and all component carriers in the CA configuration of the radio access mode. The period of measurement shall be at least the continuous duration of one active sub-frame (1ms) and in the uplink symbols. For TDD symbols with transient periods are not under test. For FDD band in inter-band CA with both TDD band and FDD band, only slots overlapping with only UL symbols in TDD are under test.

Sub-test for ULFPTx

4. If the UE supports ULFPTx, repeat test steps 4~6 with UL RMC according to Table 6.2H.3.1.4.1-3. The PDCCH DCI format 0_1 is specified with the condition ULFPTx_Mode1, ULFPTx_Mode2 or ULFPTx_ModeFull in 38.508-1 [5] subclause 4.3.6.1.1.2 depending on the UE supported capability. Message contents are according to TS 38.508-1 [5] clause 4.6.3 Table 4.6.3-118 with condition TRANSFORM_PRECODER_ENABLED for both PCell and SCell.

6.2H.3.1.4.3 Message contents

Message contents are according to TS 38.508-1 [5] subclause 4.6 and 5.4 ensuring Table 4.6.3-182 with the condition 2TX_UL_MIMO for PCell with the following exceptions.

Table 6.2H.3.1.4.3-2: FrequencyInfoUL-SIB

Derivation Path: TS 38.508-1 [5] Table 4.6.3-62 FrequencyInfoUL-SIB			
Information Element	Value/remark	Comment	Condition
p-Max	20		Power class 3 and Inter-band CA
	23		Power class 2 and Inter-band CA

6.2H.3.1.5 Test requirement

The maximum output power for CA, derived in step 6 shall be within the range prescribed by the nominal maximum output power and tolerance in Table 6.2H.3.1.5-1 for inter-band UL CA with UL MIMO configurations.

Table 6.2H.3.1.5-1: Maximum Output Power test requirement

NR UL CA Configuration	Class 1.5 (dBm)	Tolerance (dB)	Class 2 (dBm)	Tolerance (dB)	Class 3 (dBm)	Tolerance (dB)
CA_n2A-n77A			26 ²	+2+TT /-3-TT	23	+2+TT /-3-TT
CA_n5A-n77A			26 ²	+2+TT /-3-TT	23	+2+TT /-3-TT
CA_n8A-n78A			26 ²	+2+TT /-3-TT	23	+2+TT /-3-TT
CA_n28A-n41A			26 ²	+2+TT /-3-TT	23	+2+TT /-3-TT
CA_n28A-n78A			26 ²	+2+TT /-3-TT	23	+2+TT /-3-TT
CA_n66A-n77A			26 ²	+2+TT /-3-TT	23	+2+TT /-3-TT
CA_n71A-n77A			26 ²	+2+TT /-3-TT	23	+2+TT /-3-TT

NOTE 1: An uplink CA configuration in which at least one of the bands has NOTE 3 in Table 6.2.1-1 is allowed to reduce the lower tolerance limit by 1.5 dB when the transmission bandwidths of at least one of the bands is confined within F_{UL_low} and $F_{UL_low} + 4$ MHz or $F_{UL_high} - 4$ MHz and F_{UL_high} .
NOTE 2: The UE supports PC3 in FDD band and PC3 or PC2 with UL MIMO in TDD band.
NOTE 3: The UE supports PC3 in FDD band and PC1.5 with UL MIMO in TDD band.
NOTE 4: The UE supports PC2 with UL MIMO in either one of the TDD bands and PC2 in the other TDD band.
NOTE 5: Power class 3 is default power class unless otherwise stated.
NOTE 6: FWA form factor is targeted unless otherwise stated.
NOTE 7: The TT for 2UL CA Maximum Output Power is in the maximum TT among all UL CCs. For TT of each UL CC refers to Table 6.2H.3.1.5-2.

Table 6.2H.3.1.5-2: Test Tolerance (UE maximum output power for CA)

TT for overall output power (dB)						
		PCell				
		BW ≤ 40MHz		40MHz < BW ≤ 100MHz		
		f ≤ 3.0GHz	3.0GHz < f ≤ 6.0GHz	f ≤ 3.0GHz	3.0GHz < f ≤ 6.0GHz	
SCell	BW ≤ 40MHz	f ≤ 3.0GHz	0.7	1.0	1.0	1.0
		3.0GHz < f ≤ 6.0GHz	1.0	1.0	1.0	1.0
	40MHz < BW ≤ 100MHz	f ≤ 3.0GHz	1.0	1.0	1.0	1.0
		3.0GHz < f ≤ 6.0GHz	1.0	1.0	1.0	1.0

For the UE which supports inter-band NR CA configuration, inter-band NR-DC configuration, SUL configuration or inter-band EN-DC configuration, $\Delta T_{IB,c}$ as specified in 6.2A.4.0.2 for NR CA, 6.2B.4.0.2 for NR-DC, clause 6.2C.2 for SUL, or TS 38.521-3 [14] clause 6.2B.4.2 for EN-DC applies. Unless otherwise stated, $\Delta T_{IB,c}$ is set to zero. In case the UE supports more than one of band combinations for CA, NR-DC, SUL or EN-DC, and an operating band belongs to more than one band combinations then

- When the operating band frequency range is ≤ 1 GHz, the applicable additional $\Delta T_{IB,c}$ shall be the average value for all band combinations defined in clause 6.2A.4.0.2, 6.2B.4.0.2, 6.2C.2 in this specification and 6.2B.4.2 in TS 38.521-3 [14], truncated to one decimal place that apply for that operating band among the supported band combinations. In case there is a harmonic relation between low band UL and high band DL, then the maximum $\Delta T_{IB,c}$ among the different supported band combinations involving such band shall be applied
- When the operating band frequency range is > 1 GHz, the applicable additional $\Delta T_{IB,c}$ shall be the maximum value for all band combinations defined in clause 6.2A.4.0.2, 6.2B.4.0.2, 6.2C.2 in this specification and 6.2B.4.2 in TS 38.521-3 [14] for the applicable operating bands.

6.2H.3.2 UE maximum output power reduction for inter-band UL CA with UL MIMO

6.2H.3.2.1 Test purpose

To verify that the error of the UE maximum output power does not exceed the range prescribed by the specified maximum output power with MPR and tolerance.

An excess maximum output power has the possibility to interfere to other channels or other systems. A small maximum output power decreases the coverage area.

6.2H.3.2.2 Test applicability

This test case applies to all types of NR UE release 17 and forward that support inter-band UL CA with UL MIMO.

6.2H.3.2.3 Minimum conformance requirements

For inter-band UL CA with UL MIMO in one of the two frequency bands, the requirements in clause 6.2D.2 apply for the component carrier configured with UL MIMO and the requirements in clause 6.2.2 apply for the other component carrier.

The normative reference for this requirement is TS 38.101-1 [2] clause 6.2H.3.2.

6.2H.3.2.4 Test description

This test is covered by clauses 6.2.2 UE maximum output power reduction and 6.2D.2 UE maximum output power reduction for UL MIMO.

6.2H.3.2.5 Test requirements

Same test requirement as 6.2D.2 for the band supporting UL MIMO and 6.2.2 for the other band.

6.2H.3.3 UE additional maximum output power reduction for inter-band UL CA with UL MIMO

6.2H.3.3.1 Test purpose

Additional emission requirements for CA can be signalled by the network. Each additional emission requirement is associated with a unique network signalling (NS) value indicated in RRC signalling by an NR frequency band number of the applicable operating band and an associated value in the field *additionalSpectrumEmission*. Throughout this specification, the notion of indication or signalling of an NS value refers to the corresponding indication of an NR frequency band number of the applicable operating band, the IE *freqBandIndicatorNR* and an associated value of *additionalSpectrumEmission* in the relevant RRC information elements [6].

6.2H.3.3.2 Test applicability

This test case applies to all types of NR UE release 17 and forward that support inter-band UL CA with UL MIMO.

6.2H.3.3.3 Minimum conformance requirements

For inter-band UL CA with UL MIMO in one of the two frequency bands, unless specified in Table 6.2A.3.0.3-1, the requirements in clause 6.2.3 apply only to the indicated carrier.

The normative reference for this requirement is TS 38.101-1 [2] clause 6.2H.3.3.

6.2H.3.3.4 Test description

This test is covered by clauses 6.2.3 UE additional maximum output power reduction and 6.2D.3 UE additional maximum output power reduction for UL MIMO.

6.2H.3.3.5 Test requirements

Same test requirement as 6.2D.3 for the band supporting UL MIMO and 6.2.3 for the other band.

6.2H.3.4 Configured transmitted power for inter-band UL CA with UL MIMO

6.2H.3.4.1 Test purpose

To verify that the total measured UE configured maximum output power P_{UMAX} in two uplink carrier aggregation is within the specified bounds.

6.2H.3.4.2 Test applicability

This test case applies to all types of NR UE release 17 and forward that support inter-band UL CA with UL MIMO.

6.2H.3.4.3 Minimum conformance requirements

For inter-band UL CA with UL MIMO in one of the two frequency bands, the requirements in clause 6.2A.4.1.3 apply except that:

- $P_{PowerClass,CA}$ is the maximum UE power specified in Table 6.2H.3.1.3-1 without taking into account the tolerance;
- MPR_c and $A-MPR_c$ are specified in clause 6.2D.2 and clause 6.2D.3 respectively for the component carrier configured with UL MIMO.
- $\Delta P_{PowerClass,CA}$:
 - For a power class 2 UE, it is 3dB when the requirements of default power class are applied as specified in sub-clause 6.2.H.3.1, otherwise $\Delta P_{PowerClass,CA} = 0$ dB;

- For a power class 1.5 UE, it is 6dB when the requirements of default power class are applied as specified in sub-clause 6.2H.3.1; and it is 3dB when the requirements of power class 2 are applied as specified in sub-clause 6.2H.3.1; otherwise $\Delta P_{\text{PowerClass, CA}} = 0$ dB;

The normative reference for this requirement is TS 38.101-1 [2] clause 6.2H.3.4.

6.2H.3.4.4 Test description

This test is covered by clauses 6.2.4 Configured transmitted power and 6.2D.4 Configured transmitted power for UL MIMO.

6.2H.3.4.5 Test requirements

Same test requirement as 6.2D.4 for the band supporting UL MIMO and 6.2.4 for the other band.

6.2I Transmitter power for RedCap

6.2I.1 UE maximum output power for RedCap

6.2I.1.1 Test purpose

To verify that the error of the UE maximum output power does not exceed the range prescribed by the specified nominal maximum output power and tolerance.

An excess maximum output power has the possibility to interfere to other channels or other systems. A small maximum output power decreases the coverage area.

6.2I.1.2 Test applicability

This test case applies to all types of NR RedCap UE release 17 and forward.

6.2I.1.3 Minimum conformance requirements

For Redcap UE, the requirements for power class 3 specified in clause 6.2.1 apply.

The normative reference for this requirement is TS 38.101-1 [2] clause 6.2I.1.

6.2I.1.4 Test description

6.2I.1.4.1 Initial conditions

Same initial conditions as in 6.2.1 with following exception:

- The test channel bandwidth are specified in TS 38.508-1 [5] subclause 4.3.1 for RedCap.

6.2I.1.4.2 Test procedure

Same test procedure as steps 1~3 of clause 6.2.1.4.2.

6.2I.1.4.3 Message contents

Message contents are according to TS 38.508-1 [5] subclause 4.6 and 5.4 with the following exceptions.

Table 6.2I.1.4.3-1: PUSCH-Config

Derivation Path: TS 38.508-1 [5], Table 4.6.3-118 with condition TRANSFORM_PRECODER_ENABLED
--

6.2I.1.5 Test requirement

The maximum output power, derived in step 3 shall be within the range prescribed by the nominal maximum output power and tolerance in Table 6.2I.1.5-1 for Power Class 3.

Table 6.2I.1.5-1: Maximum Output Power test requirement for Power Class 3

NR band	Class 1 (dBm)	Tolerance (dB)	Class 2 (dBm)	Tolerance (dB)	Class 3 (dBm)	Tolerance (dB)
---------	---------------	----------------	---------------	----------------	---------------	----------------

n1				23	$\pm(2+TT)$
n2				23	$\pm(2^3+TT)$
n3				23	$\pm(2^3+TT)$
n5				23	$\pm(2+TT)$
n7				23	$\pm(2^3+TT)$
n8				23	$\pm(2^3+TT)$
n12				23	$\pm(2^3+TT)$
n14				23	$\pm(2+TT)$
n20				23	$\pm(2^3+TT)$
n24				23	$+2+TT/-3.0^3-TT$
n25				23	$\pm(2^3+TT)$
n26				23	$\pm(2^3+TT)$
n28				23	$+2+TT/-2.5-TT$
n30				23	$\pm(2+TT)$
n34				23	$\pm(2+TT)$
n38				23	$\pm(2+TT)$
n39				23	$\pm(2+TT)$
n40				23	$\pm(2+TT)$
n41				23	$\pm(2^3+TT)$
n48				23	$+2+TT/-3-TT$
n50				23	$\pm(2+TT)$
n51				23	$\pm(2+TT)$
n53				23	$\pm(2+TT)$
n65				23	$\pm(2+TT)$
n66				23	$\pm(2+TT)$
n70				23	$\pm(2+TT)$
n71				23	$+2+TT/-2.5-TT$
n74				23	$\pm(2+TT)$
n77				23	$+2+TT/-3-TT$
n78				23	$+2+TT/-3-TT$
n79				23	$+2+TT/-3-TT$
NOTE 1: $P_{PowerClass}$ is the maximum UE power specified without taking into account the tolerance					
NOTE 2: Power class 3 is default power class unless otherwise stated					
NOTE 3: Refers to the transmission bandwidths confined within F_{UL_low} and $F_{UL_low} + 4$ MHz or $F_{UL_high} - 4$ MHz and F_{UL_high} , the maximum output power requirement is relaxed by reducing the lower tolerance limit by 1.5 dB					
NOTE 4: TT for each frequency and channel bandwidth is specified in Table 6.2I.1.5-2.					

Table 6.2I.1.5-2: Test Tolerance (UE maximum output power)

	$f \leq 3.0\text{GHz}$	$3.0\text{GHz} < f \leq 4.2\text{GHz}$	$4.2\text{GHz} < f \leq 6.0\text{GHz}$
$BW \leq 40\text{MHz}$	0.7 dB	1.0 dB	1.0 dB

For the UE which supports [SUL] configuration, $\Delta T_{IB,c}$ as specified in clause [6.2C.2 for SUL] applies. Unless otherwise stated, $\Delta T_{IB,c}$ is set to zero. In case the UE supports more than one of band combinations, and an operating band belongs to more than one band combinations then

- When the operating band frequency range is ≤ 1 GHz, the applicable additional $\Delta T_{IB,c}$ shall be the average value for all band combinations defined in [clause 6.2C.2] in this specification, truncated to one decimal place that apply for that operating band among the supported band combinations. In case there is a harmonic relation between low band UL and high band DL, then the maximum $\Delta T_{IB,c}$ among the different supported band combinations involving such band shall be applied
- When the operating band frequency range is > 1 GHz, the applicable additional $\Delta T_{IB,c}$ shall be the maximum value for all band combinations defined in [clause 6.2C.2] in this specification for the applicable operating bands.

6.2I.2 Void

6.2I.3 Void

6.2I.4 Void

6.2J Transmitter power for ATG

6.2J.1 UE maximum output power for ATG

Editor's Note: This test is incomplete. The following aspects are not yet determined:

- Addition to applicability spec is incomplete.
- [*maxOutputPowerATG-r18*] is pending.
- Annex F MU/TT is FFS.
- Test requirement is incomplete.
- Message contents are TBC pending on Rel-18 ASN.1 freeze.

6.2J.1.1 Test purpose

To verify that the error of the NR ATG UE maximum output power for the ATG UE does not exceed the range prescribed by the specified nominal maximum output power and tolerance.

An excess maximum output power has the possibility to interfere to other channels or other systems. A small maximum output power decreases the coverage area.

6.2J.1.2 Test applicability

This test case applies to all types of NR ATG UE release 18 and forward.

6.2J.1.3 Minimum conformance requirements

For the ATG UE, the rated maximum output power is declared via UE capability [*maxOutputPowerATG-r18*] at maximum modulation order reported by ATG UE and full PRB configurations within the channel bandwidth of NR carrier unless otherwise stated. The period of measurement shall be at least one sub frame (1ms). UE capability [*maxOutputPowerATG-r18*] is an integer value in the range 23 to 40 dBm.

The measured maximum output power shall remain within +2 dB and -2 dB of the *rated maximum output power* declared by the ATG UE.

The normative reference for this requirement is TS 38.101-1 [2] clause 6.2J.1.

6.2J.1.4 Test description

6.2J.1.4.1 Initial conditions

Initial conditions are a set of test configurations the UE needs to be tested in and the steps for the SS to take with the UE to reach the correct measurement state.

The initial test configurations consist of environmental conditions, test frequencies, test channel bandwidths and sub-carrier spacing based on NR operating bands specified in table 5.3.5-1 that are restricted to the ATG UE. All of these configurations shall be tested with applicable test parameters for each combination of test channel bandwidth and sub-carrier spacing, and are shown in table 6.2J.1.4.1-1. The details of the uplink reference measurement channels (RMCs) are specified in Annexes A.2. Configurations of PDSCH and PDCCH before measurement are specified in Annex C.2.

Table 6.2J.1.4.1-1: Test Configuration Table

Initial Conditions	
Test Environment as specified in TS 38.508-1 [5] subclause 4.1	Normal, TL/VL, TL/VH, TH/VL, TH/VH

Test Frequencies as specified in TS 38.508-1 [5] subclause 4.3.1	Low range, Mid range, High range	
Test Channel Bandwidths as specified in TS 38.508-1 [5] subclause 4.3.1	Lowest, Mid, Highest	
Test SCS as specified in Table 5.3.5-1	Lowest, Highest	
Test Parameters		
Test ID	Downlink Configuration	Uplink Configuration
	N/A for maximum output power test case	Modulation (NOTE 2)
1		DFT-s-OFDM PI/2 BPSK
2		DFT-s-OFDM PI/2 BPSK
3		DFT-s-OFDM PI/2 BPSK
4		DFT-s-OFDM QPSK
5		DFT-s-OFDM QPSK
6		DFT-s-OFDM QPSK
		RB allocation (NOTE 1)
		Inner Full
		Inner 1RB Left
		Inner 1RB Right
		Inner Full
		Inner 1RB Left
		Inner 1RB Right
NOTE 1: The specific configuration of each RB allocation is defined in Table 6.1-1.		
NOTE 2: DFT-s-OFDM PI/2 BPSK test applies only for UEs which supports half Pi BPSK in FR1.		

1. Connect the SS to the UE antenna connectors as shown in TS 38.508-1 [5] Annex A, Figure A.3.1.1.1 for TE diagram and section A.3.2 for UE diagram.
2. The parameter settings for the cell are set up according to TS 38.508-1 [5] subclause 4.4.3.
3. Downlink signals are initially set up according to Annex C.0, C.1, C.2, and uplink signals according to Annex G.0, G.1, G.2, G.3.0.
4. The UL Reference Measurement Channel is set according to Table 6.2J.1.4.1-1.
5. Propagation conditions are set according to Annex B.0.
6. Ensure the UE is in state RRC_CONNECTED with generic procedure parameters Connectivity *NR*, Connected without release *On*, Test Mode *On* and Test Loop Function *On* according to TS 38.508-1 [5] clause 4.5. Message contents are defined in clause 6.2J.1.4.3.

6.2J.1.4.2 Test procedure

1. SS sends uplink scheduling information for each UL HARQ process via PDCCH DCI format 0_1 for C_RNTI to schedule the UL RMC according to Table 6.2.1.4.1-1. Since the UE has no payload and no loopback data to send the UE sends uplink MAC padding bits on the UL RMC.
2. Send continuously uplink power control "up" commands in every uplink scheduling information to the UE; allow at least 200ms starting from the first TPC command in this step for the UE to reach P_{UMAX} level.
3. Measure the sum of the mean transmitted power of the UE at each transmit antenna connector in the channel bandwidth of the radio access mode. The period of measurement shall be at least the continuous duration of 1ms over all active uplink slots and in the uplink symbols. For TDD symbols with transient periods are not under test.

6.2J.1.4.3 Message contents

FFS

6.2J.1.5 Test requirement

The maximum output power, derived in step 3 shall be within the range prescribed by the nominal maximum output power and tolerance in Table 6.2J.1.5-1.

Table 6.2J.1.5-1: Rated Maximum Output Power test requirement

NR band	Rated Maximum Output Power (dBm)	Tolerance (dB)
n1	23 to 40	$\pm(2+TT)$
n3	23 to 40	$\pm(2^1+TT)$
n34	23 to 40	$\pm(2+TT)$
n39	23 to 40	$\pm(2+TT)$
n41	23 to 40	$\pm(2^1+TT)$
n78	23 to 40	$\pm(2+TT)$
n79	23 to 40	$\pm(2+TT)$

NOTE 1: Refers to the transmission bandwidths confined within F_{UL_low} and $F_{UL_low} + 4$ MHz or $F_{UL_high} - 4$ MHz and F_{UL_high} , the maximum output power requirement is relaxed by reducing the lower tolerance limit by 1.5 dB.

NOTE 2: UE capability [*maxOutputPowerATG-r18*] is an integer value in the range 23 to 40 dBm.

Table 6.2J.1.5-2: Test Tolerance (UE maximum output power)

FFS

6.2J.2 Configured transmitted power

Editor's Note: This test is incomplete. The following aspects are not yet determined:

- Addition to applicability spec is incomplete.
- [*maxOutputPowerATG-r18*] is pending.
- Annex F MU/TT is FFS.
- Test requirement is incomplete.
- Message contents are TBC pending on Rel-18 ASN.1 freeze.

6.2J.2.1 Test purpose

To verify the measured NR ATG UE configured maximum output power $P_{UMAX,f,c}$ for the ATG UE is within the specified bounds.

6.2J.2.2 Test applicability

This test case applies to all types of NR ATG UE release 18 and forward.

6.2J.2.3 Minimum conformance requirements

The UE is allowed to set its configured maximum output power $P_{CMAX,f,c}$ for carrier f of serving cell c in each slot. The configured maximum output power $P_{CMAX,f,c}$ is set within the following bounds:

$$P_{CMAX_L,f,c} \leq P_{CMAX,f,c} \leq P_{CMAX_H,f,c} \text{ with}$$

$$P_{CMAX_L,f,c} = \text{MIN} \{ P_{EMAX,c}, P_{MaxOutputPower} \}$$

$$P_{CMAX_H,f,c} = P_{EMAX,c}$$

where

$P_{EMAX,c}$ is the value given by ATG specific the *p-Max* IE or the field *additionalPmax* of the *NR-NS-PmaxList IE*, whichever is applicable according to TS 38.331[7]; It's noted that the actual $P_{EMAX,c}$ value is (9 + field value) in ATG cell, according to *p-Max* IE definition in TS 38.331 [6];

$P_{MaxOutputPower}$ is the maximum ATG UE output power at maximum modulation order and full PRB configurations which is indicated by ATG UE capability [*maxOutputPowerATG-r18*];

The tolerance for applicable values of $P_{CMAX,f,c}$ is specified in Table 6.2J.2.3-1.

Table 6.2J.2.3-1: ATG P_{CMAX} tolerance

$P_{CMAX,f,c}$ (dBm)	Tolerance $T(P_{CMAX,f,c})$ (dB)
$23 < P_{CMAX,c} \leq 40$	2.0
$21 \leq P_{CMAX,c} \leq 23$	2.0
$20 \leq P_{CMAX,c} < 21$	2.5
$19 \leq P_{CMAX,c} < 20$	3.5
$18 \leq P_{CMAX,c} < 19$	4.0
$13 \leq P_{CMAX,c} < 18$	5.0
$8 \leq P_{CMAX,c} < 13$	6.0
$-40 \leq P_{CMAX,c} < 8$	7.0

The normative reference for this requirement is TS 38.101-1 [2] clause 6.2J.2.

6.2J.2.4 Test description

6.2J.2.4.1 Initial condition

Initial conditions are a set of test configurations the UE needs to be tested in and the steps for the SS to take with the UE to reach the correct measurement state.

The initial test configurations consist of environmental conditions, test frequencies, test channel bandwidths and sub-carrier spacing based on NR operating bands specified in table 5.3.5-1 that are restricted to the ATG UE. All of these configurations shall be tested with applicable test parameters for each combination of test channel bandwidth and sub-carrier spacing, and are shown in table 6.2J.2.4.1-1. The details of the uplink reference measurement channels (RMCs) are specified in Annexes A.2. Configurations of PDSCH and PDCCH before measurement are specified in Annex C.2.

Table 6.2J.2.4.1-1: Test Configuration Table for ATG UE

Initial Conditions			
Test Environment as specified in TS 38.508-1 [5] subclause 4.1		Normal, TL/VL, TL/VH, TH/VL, TH/VH	
Test Frequencies as specified in TS 38.508-1 [5] subclause 4.3.1		Mid range	
Test Channel Bandwidths as specified in TS 38.508-1 [5] subclause 4.3.1		Lowest, Mid, Highest	
Test SCS as specified in Table 5.3.5-1		Lowest	
Test Parameters for Channel Bandwidths			
Test ID	Downlink Configuration	Uplink Configuration	
	N/A	Modulation (NOTE 2)	RB allocation (NOTE 1)
1		DFT-s-OFDM Pi/2 BPSK	Inner Full
2		DFT-s-OFDM QPSK	Inner Full
3 ³		DFT-s-OFDM Pi/2 BPSK	Inner Full
NOTE 1: The specific configuration of each RB allocation is defined in Table 6.1-1.			
NOTE 2: DFT-s-OFDM Pi/2 BPSK test applies only for UEs which supports half Pi BPSK in FR1.			
NOTE 3: UE operating in TDD mode with Pi/2 BPSK modulation and UE indicates support for UE capability <i>powerBoosting-pi2BPSK</i> and the IE <i>powerBoostPi2BPSK</i> is set to 1 for bands n41, n78 and n79.			

1. Connect the SS to the UE antenna connectors as shown in TS 38.508-1 [5] Annex A, Figure A.3.1.1.1 for TE diagram and section A.3.2 for UE diagram.
2. The parameter settings for the cell are set up according to TS 38.508-1 [5] subclause 4.4.3.
3. Downlink signals are initially set up according to Annex C.0, C.1, C.2, and uplink signals according to Annex G.0, G.1, G.2, G.3.0.
4. The UL Reference Measurement Channel is set according to Table 6.2J.2.4.1-1.
5. Propagation conditions are set according to Annex B.0.
6. Ensure the UE is in State RRC_CONNECTED with generic procedure parameters Connectivity NR, Connected without release On, Test Mode On and Test Loop Function On according to TS 38.508-1 [5] clause 4.5. Message contents are defined in clause 6.2J.2.4.3.

6.2J.2.4.2 Test procedure

1. SS sends uplink scheduling information for each UL HARQ process via PDCCH DCI format 0_1 for C_RNTI to schedule the UL RMC according to Table 6.2J.2.4.1-1. Since the UE has no payload and no loopback data to send the UE sends uplink MAC padding bits on the UL RMC.
2. Send continuously uplink power control "up" commands in every uplink scheduling information to the UE; allow at least 200ms starting from the first TPC command in this step to ensure that the UE reaches the P_{UMAX} level of the test point.
3. Measure the sum of the mean transmitted power of the UE at each transmit antenna connector in table 6.2J.2.5-1 according to the test configuration from table 6.2J.2.4.1-1. The period of measurement shall be at least the

continuous duration of 1ms over all active uplink slots and in the uplink symbols. For TDD slots with transient periods are not under test.

6.2J.2.4.3 Message contents

FFS

6.2J.2.5 Test requirement

The maximum output power measured shall not exceed the values specified in Table 6.2J.2.5-1.

Table 6.2J.2.5-1: P_{C_{MAX}} configured UE output power for ATG UE

	Maximum output power	
	Test ID 1,2	Test ID 3
Measured UE output power test point 1	-10 dBm ± (2+TT)	-10 dBm ± (2+TT)
Measured UE output power test point 2	10 dBm ± (2+TT)	10 dBm ± (2+TT)
Measured UE output power test point 3	15 dBm ± (2+TT)	15 dBm ± (2+TT)
Measured UE output power test point 4	20 dBm ± (2+TT)	20 dBm ± (2+TT)
Measured UE output power test point 5	25 dBm ± (2+TT)	25 dBm ± (2+TT)
Measured UE output power test point 6	30 dBm ± (2+TT)	30 dBm ± (2+TT)
Measured UE output power test point 7	Note 3	Note 4
Note 1: TT for each frequency and channel bandwidth is specified in Table 6.2J.2.5-2. Note 2: UE capability [<i>maxOutputPowerATG-r18</i>] is an integer value in the range 23 to 40 dBm. Note 3: The maximum output power shall be within the range in Table 6.2J.2.5-1a. Note 4: The maximum output power shall be within the range in Table 6.2J.2.5-1b.		

Table 6.2J.2.5-1a: Measured UE output power test point 7 for Test ID 1,2 for ATG UE

NR band	Tolerance (dB)
n1	35 dBm ±(2+TT)
n3	35 dBm ±(2+TT)
n34	35 dBm ±(2+TT)
n39	35 dBm ±(2+TT)
n41	35 dBm ±(2+TT)
n78	35 dBm ±(2+TT)
n79	35 dBm ±(2+TT)
NOTE 1: Void NOTE 2: TT for each frequency and channel bandwidth is specified in Table 6.2J.2.5-2.	

Table 6.2J.2.5-1b: Measured UE output power test point 7 for Test ID 3 for ATG UE

NR band	Tolerance (dB)
n41	38 dBm ±(2+TT)
n78	38 dBm ±(2+TT)
n79	38 dBm ±(2+TT)
NOTE 1: Void NOTE 2: TT for each frequency and channel bandwidth is specified in Table 6.2J.2.5-2.	

Table 6.2J.2.5-2: Test Tolerance (Configured transmitted power) for ATG UE

FFS

6.2L Transmitter power for CA with Tx Diversity

6.2L.1

6.2L.2

6.2L.3 Transmitter power for inter-band UL CA with Tx Diversity

6.2L.3.1 UE maximum output power for inter-band UL CA with Tx Diversity

6.2L.3.1.1 Test purpose

To verify that the error of the UE maximum output power for inter-band UL CA with Tx Diversity does not exceed the range prescribed by the specified nominal maximum output power and tolerance.

An excess maximum output power has the possibility to interfere to other channels or other systems. A small maximum output power decreases the coverage area.

6.2L.3.1.2 Test applicability

This test case applies to all types of NR UE release 17 and forward that support inter-band UL CA with Tx Diversity.

6.2L.3.1.3 Minimum conformance requirements

For inter-band UL CA with Tx Diversity in one of the two frequency bands, the maximum output power is defined as the sum of the maximum output power from all UE antenna connectors and all UL CCs, as specified in Table 6.2L.3.1.3-1. The period of measurement shall be at least one sub frame (1 ms).

Table 6.2L.3.1.3-1: UE Power Class for inter-band UL CA with Tx Diversity in one frequency band

NR UL CA Configuration	Class 1.5 (dBm)	Tolerance (dB)	Class 2 (dBm)	Tolerance (dB)	Class 3 (dBm)	Tolerance (dB)
CA_n2A-n77A	29 ³	+2/-3	26 ²	+2/-3	23	+2/-3
CA_n5A-n77A	29 ³	+2/-3	26 ²	+2/-3	23	+2/-3
CA_n8A-n78A			26 ²	+2/-3	23	+2/-3
CA_n25A-n77A	29 ³	+2/-3	26 ²	+2/-3	23	+2/-3
CA_n28A-n41A			26 ²	+2/-3	23	+2/-3
CA_n28A-n78A			26 ²	+2/-3	23	+2/-3
CA_n66A-n77A	29 ³	+2/-3	26 ²	+2/-3	23	+2/-3
CA_n71A-n77A	29 ³	+2/-3	26 ²	+2/-3	23	+2/-3

NOTE 1: An uplink CA configuration in which at least one of the bands has NOTE 3 in Table 6.2.1-1 is allowed to reduce the lower tolerance limit by 1.5 dB when the transmission bandwidths of at least one of the bands is confined within F_{UL_low} and $F_{UL_low} + 4$ MHz or $F_{UL_high} - 4$ MHz and F_{UL_high} .

NOTE 2: The UE supports PC3 in FDD band and PC2 with Tx Diversity in TDD band.

NOTE 3: The UE supports PC3 in FDD band and PC1.5 with Tx Diversity in TDD band.

NOTE 4: Power class 3 is the default power class unless otherwise stated.

NOTE 5: FWA form factor is targeted unless otherwise stated.

If a UE supports power class 2 for the band combination listed in Table 6.2L.3.1.3-1:

- if the field of UE capability *maxUplinkDutyCycle-interBandCA-PC2* is present and the average percentage of uplink symbols transmitted in a certain evaluation period is larger than *maxUplinkDutyCycle-interBandCA-PC2* as defined in TS 38.331 (The exact evaluation period is no less than one radio frame); or
- if $10\log_{10} \sum P_{EMAX,c}$ or $P_{EMAX,CA}$ which defined in clause 6.2L.3.4 is 23dBm or lower;
 - shall apply all requirements for the default power class and set the configured transmitted power as specified in clause 6.2L.3.4;
- else;
 - shall apply all requirements for the power class 2 and set the configured transmitted power as specified in clause 6.2L.3.4 (regardless of the average percentage of uplink symbols if the field of UE capability *maxUplinkDutyCycle-interBandCA-PC2* is absent).

The average percentage of uplink symbols is defined as $0.5 * (\text{Duty}_{\text{NR},x} / \text{maxDuty}_{\text{NR},x} + \text{Duty}_{\text{NR},y} / \text{maxDuty}_{\text{NR},y})$. $\text{Duty}_{\text{NR},x}$, $\text{Duty}_{\text{NR},y}$ represent the actual percentage of uplink symbols transmitted in the same evaluation period (The exact evaluation period is no less than one radio frame) for NR Band x, NR Band y respectively; $\text{maxDuty}_{\text{NR},x}$, $\text{maxDuty}_{\text{NR},y}$ represent the field of UE capability *maxUplinkDutyCycle-PC2-FR1* per band as defined in TS 38.331. For NR Band x or NR Band y,

- if power class of one or both of the bands within the band combination is power class 2 and the corresponding UE capability *maxUplinkDutyCycle-PC2-FR1* is absent;
 - the corresponding $\text{maxDuty}_{\text{NR},x}$ or $\text{maxDuty}_{\text{NR},y}$ is equal to 50%;
- else if the band is configured with power class 3;
 - the corresponding $\text{maxDuty}_{\text{NR},x}$ or $\text{maxDuty}_{\text{NR},y}$ is equal to 100%.

If a UE supports power class 1.5 for the band combination listed in Table 6.2L.3.1.3-1:

- if the field of UE capability *maxUplinkDutyCycle-interBandCA-PC2* is present and
 - if the average percentage of uplink symbols transmitted in a certain evaluation period is larger than *maxUplinkDutyCycle-interBandCA-PC2* (The exact evaluation period is no less than one radio frame); or
 - if $10\log_{10} \sum P_{\text{EMAX},c}$ or $P_{\text{EMAX},CA}$ which defined in clause 6.2L.3.4 is 23dBm or lower;
 - shall apply all requirements for the default power class and set the configured transmitted power as specified in clause 6.2L.3.4;
 - if the average percentage of uplink symbols transmitted in a certain evaluation period is larger than $0.5 * \text{maxUplinkDutyCycle-interBandCA-PC2}$ but less than or equal to *maxUplinkDutyCycle-interBandCA-PC2*; or
 - if $10\log_{10} \sum P_{\text{EMAX},c}$ or $P_{\text{EMAX},CA}$ which defined in clause 6.2L.3.4 is between 23dBm and 26dBm;
 - shall apply all requirements for the power class 2 and set the configured transmitted power as specified in clause 6.2L.3.4;
- else;
 - shall apply all requirements for the power class 1.5 and set the configured transmitted power as specified in clause 6.2L.3.4 (regardless of the average percentage of uplink symbols if the field of UE capability *maxUplinkDutyCycle-interBandCA-PC2* is absent).

The average percentage of uplink symbols is defined as $0.5 * (\text{Duty}_{\text{NR},x} / \text{maxDuty}_{\text{NR},x} + \text{Duty}_{\text{NR},y} / \text{maxDuty}_{\text{NR},y})$. $\text{Duty}_{\text{NR},x}$, $\text{Duty}_{\text{NR},y}$ represent the actual percentage of uplink symbols transmitted in the same evaluation period (The exact evaluation period is no less than one radio frame) for NR Band x, NR Band y respectively; $\text{maxDuty}_{\text{NR},x}$, $\text{maxDuty}_{\text{NR},y}$ represent the field of UE capability $0.5 * \text{maxUplinkDutyCycle-PC2-FR1}$ or *maxUplinkDutyCycle-PC1dot5-MPE-FR1* per band as defined in TS 38.331. For NR Band x or NR Band y,

- if power class of one band within the band combination is power class 1.5
 - if the corresponding UE capability $0.5 * \text{maxUplinkDutyCycle-PC2-FR1}$ and *maxUplinkDutyCycle-PC1dot5-MPE-FR1* are both absent;
 - the corresponding $\text{maxDuty}_{\text{NR},x}$ or $\text{maxDuty}_{\text{NR},y}$ is equal to 25%;
 - else if only one of the corresponding UE capability $0.5 * \text{maxUplinkDutyCycle-PC2-FR1}$ and *maxUplinkDutyCycle-PC1dot5-MPE-FR1* is reported;
 - the corresponding $\text{maxDuty}_{\text{NR},x}$ or $\text{maxDuty}_{\text{NR},y}$ is according to the reported capability;
- else
 - the corresponding $\text{maxDuty}_{\text{NR},x}$ or $\text{maxDuty}_{\text{NR},y}$ is the smaller of *maxUplinkDutyCycle-PC1dot5-MPE-FR1* and $0.5 * \text{maxUplinkDutyCycle-PC2-FR1}$;
- if the band is configured with power class 3;

- the corresponding maxDutyNR,x or maxDutyNR,y is equal to 100%.

The normative reference for this requirement is TS 38.101-1 [2] clause 6.2L.3.1.

6.2L.3.1.4 Test description

6.2L.3.1.4.1 Initial conditions

Initial conditions are a set of test configurations the UE needs to be tested in and the steps for the SS to take with the UE to reach the correct measurement state.

The initial test configurations consist of environmental conditions, test frequencies, test channel bandwidths and sub-carrier spacing based on NR CA configurations specified in 5.5A. All of these configurations shall be tested with applicable test parameters for each combination of test channel bandwidth and sub-carrier spacing, and are shown in Table 6.2L.3.1.4.1-1 to Table 6.2L.3.1.4.1-2. The details of the uplink reference measurement channels (RMCs) are specified in Annexes A.2. Configurations of PDSCH and PDCCH before measurement are specified in Annex C.2.

Table 6.2L.3.1.4.1-1: Inter-band CA Test Configuration Table for Power Class 3

Initial Conditions				
Test Environment as specified in TS 38.508-1 [5] subclause 4.1		Normal, TL/VL, TL/VH, TH/VL, TH/VH		
Test Frequencies as specified in TS 38.508-1 [5] subclause 4.3.1		Low range for PCC and SCC High range for PCC and SCC		
Test Channel Bandwidths as specified in TS 38.508-1 [5] subclause 4.3.1		Lowest N _{RB_agg} , Highest N _{RB_agg}		
Test SCS as specified in Table 5.3.5-1		Lowest, Highest		
Test Parameters				
Test ID	Downlink Configuration for PCC & SCC	Uplink Configuration		
		Modulation for all CCs (NOTE 2)	RB allocation (NOTE 1)	
			PCC	SCC
1	N/A for this test	DFT-s-OFDM Pi/2 BPSK	Inner Full	Inner Full
2		DFT-s-OFDM Pi/2 BPSK	Inner 1RB Left	Inner 1RB Left
3		DFT-s-OFDM Pi/2 BPSK	Inner 1RB Right	Inner 1RB Right
4		DFT-s-OFDM Pi/2 QPSK	Inner Full	Inner Full
5		DFT-s-OFDM Pi/2 QPSK	Inner 1RB Left	Inner 1RB Left
6		DFT-s-OFDM Pi/2 QPSK	Inner 1RB Right	Inner 1RB Right
NOTE 1: The specific configuration of each RB allocation is defined in Table 6.1-1.				
NOTE 2: DFT-s-OFDM Pi/2 BPSK test applies only for UEs which supports Pi/2 BPSK in FR1.				

Table 6.2L.3.1.4.1-2: Inter-band CA Test Configuration Table Power Class 2

Initial Conditions				
Test Environment as specified in TS 38.508-1 [5] subclause 4.1		Normal, TL/VL, TL/VH, TH/VL, TH/VH		
Test Frequencies as specified in TS 38.508-1 [5] subclause 4.3.1		Low range for PCC and SCC High range for PCC and SCC		
Test Channel Bandwidths as specified in TS 38.508-1 [5] subclause 4.3.1		Lowest N _{RB_agg} , Highest N _{RB_agg}		
Test SCS as specified in Table 5.3.5-1		Lowest, Highest		
Test Parameters				
Test ID	Downlink Configuration for PCC & SCC	Uplink Configuration		
		Modulation for all CCs (NOTE 2)	RB allocation (NOTE 1)	
			PCC	SCC
1	N/A for this test	DFT-s-OFDM Pi/2 BPSK	Inner Full	Inner Full
2		DFT-s-OFDM Pi/2 BPSK	Inner 1RB Left	Inner 1RB Left

3		DFT-s-OFDM Pi/2 BPSK	Inner 1RB Right	Inner 1RB Right
NOTE 1: The specific configuration of each RB allocation is defined in Table 6.1-1.				
NOTE 2: DFT-s-OFDM Pi/2 BPSK test applies only for UEs which supports Pi/2 BPSK in FR1.				

1. Connect the SS to the UE antenna connectors as shown in TS 38.508-1 [5] Annex A, Figure A.3.1.1.7 for TE diagram and section A.3.2 for UE diagram.
2. The parameter settings for the cell are set up according to TS 38.508-1 [5] subclause 4.4.3.
3. Downlink signals for PCC are initially set up according to Annex C.0, C.1, C.2, and uplink signals according to Annex G.0, G.1, G.2, G.3.0.
4. The UL Reference Measurement Channel is set according to Table 6.2L.3.1.4.1-1 to Table 6.2L.3.1.4.1-2.
5. Propagation conditions are set according to Annex B.0.
6. Ensure the UE is in state RRC_CONNECTED with generic procedure parameters Connectivity NR, Connected without release On, Test Mode On and Test Loop Function On according to TS 38.508-1 [5] clause 4.5. Message contents are defined in clause 6.2L.3.1.4.3.

6.2L.3.1.4.2 Test procedure

1. Configure SCC according to Annex C.0, C.1, C.2 for all downlink physical channels.
2. The SS shall configure SCC as per TS 38.508-1 [5] clause 5.5.1. Message contents are defined in clause 6.2L.3.1.4.3.
3. SS activates SCC by sending the activation MAC CE (Refer TS 38.321 [18], clauses 5.9, 6.1.3.10). Wait for at least 2 seconds (Refer TS 38.133[19], clause 9.3).
4. SS sends uplink scheduling information for each UL HARQ process via PDCCH DCI format 0_1 for C_RNTI to schedule the UL RMC according to Table 6.2L.3.1.4.1-1 to Table 6.2L.3.1.4.1-2 on both PCC and SCC. Since the UE has no payload and no loopback data to send the UE sends uplink MAC padding bits on the UL RMC.
5. Send continuously uplink power control "up" commands in every uplink scheduling information to the UE; allow at least 200ms starting from the first TPC command in this step for the UE to reach P_{UMAX} level.
6. Measure the sum of mean transmitted power from all UE antenna connectors and all component carriers in the CA configuration of the radio access mode. The period of measurement shall be at least the continuous duration of one active sub-frame (1ms) and in the uplink symbols. For TDD symbols with transient periods are not under test. For FDD band in inter-band CA with both TDD band and FDD band, only slots overlapping with only UL symbols in TDD are under test.

6.2L.3.1.4.3 Message contents

Message contents are according to TS 38.508-1 [5] subclause 4.6 and 5.4 with the following exceptions.

Table 6.2L.3.1.4.3-1a: PUSCH-Config

Derivation Path: TS 38.508-1 [5], Table 4.6.3-118 with condition TRANSFORM_PRECODER_ENABLED

Table 6.2L.3.1.4.3-2: FrequencyInfoUL-SIB

Derivation Path: TS 38.508-1 [5] Table 4.6.3-62 FrequencyInfoUL-SIB			
Information Element	Value/remark	Comment	Condition
p-Max	20		Power class 3 and Inter-band CA
	23		Power class 2 and Inter-band CA

6.2L.3.1.5 Test requirement

The maximum output power for CA, derived in step 6 shall be within the range prescribed by the nominal maximum output power and tolerance in Table 6.2L.3.1.5-1 for inter-band UL CA with Tx Diversity configurations.

Table 6.2L.3.1.5-1: Maximum Output Power test requirement for Power Class 2

NR UL CA Configuration	Class 1.5 (dBm)	Tolerance (dB)	Class 2 (dBm)	Tolerance (dB)	Class 3 (dBm)	Tolerance (dB)
CA_n2A-n77A			26 ²	+2+TT /-3-TT	23	+2+TT /-3-TT
CA_n5A-n77A			26 ²	+2+TT /-3-TT	23	+2+TT /-3-TT
CA_n8A-n78A			26 ²	+2+TT /-3-TT	23	+2+TT /-3-TT
CA_n25A-n77A			26 ²	+2+TT /-3-TT	23	+2+TT /-3-TT
CA_n28A-n41A			26 ²	+2+TT /-3-TT	23	+2+TT /-3-TT
CA_n28A-n78A			26 ²	+2+TT /-3-TT	23	+2+TT /-3-TT
CA_n66A-n77A			26 ²	+2+TT /-3-TT	23	+2+TT /-3-TT
CA_n71A-n77A			26 ²	+2+TT /-3-TT	23	+2+TT /-3-TT

NOTE 1: An uplink CA configuration in which at least one of the bands has NOTE 3 in Table 6.2.1-1 is allowed to reduce the lower tolerance limit by 1.5 dB when the transmission bandwidths of at least one of the bands is confined within F_{UL_low} and $F_{UL_low} + 4$ MHz or $F_{UL_high} - 4$ MHz and F_{UL_high} .

NOTE 2: The UE supports PC3 in FDD band and PC2 with Tx Diversity in TDD band.

NOTE 3: The UE supports PC3 in FDD band and PC1.5 with Tx Diversity in TDD band.

NOTE 4: Power class 3 is the default power class unless otherwise stated.

NOTE 5: FWA form factor is targeted unless otherwise stated.

NOTE 6: The TT for 2UL CA Maximum Output Power is in the maximum TT among all UL CCs. For TT of each UL CC refers to Table 6.2L.3.1.5-2.

Table 6.2L.3.1.5-2: Test Tolerance (UE maximum output power for CA)

TT for overall output power (dB)						
		PCell				
		BW ≤ 40MHz		40MHz < BW ≤ 100MHz		
		f ≤ 3.0GHz	3.0GHz < f ≤ 6.0GHz	f ≤ 3.0GHz	3.0GHz < f ≤ 6.0GHz	
SCell	BW ≤ 40MHz	f ≤ 3.0GHz	0.7	1.0	1.0	1.0
		3.0GHz < f ≤ 6.0GHz	1.0	1.0	1.0	1.0
	40MHz < BW ≤ 100MHz	f ≤ 3.0GHz	1.0	1.0	1.0	1.0
		3.0GHz < f ≤ 6.0GHz	1.0	1.0	1.0	1.0

For the UE which supports inter-band NR CA configuration, inter-band NR-DC configuration, SUL configuration or inter-band EN-DC configuration, $\Delta T_{IB,c}$ as specified in 6.2A.4.0.2 for NR CA, 6.2B.4.0.2 for NR-DC, clause 6.2C.2 for SUL, or TS 38.521-3 [14] clause 6.2B.4.2 for EN-DC applies. Unless otherwise stated, $\Delta T_{IB,c}$ is set to zero. In case the UE supports more than one of band combinations for CA, NR-DC, SUL or EN-DC, and an operating band belongs to more than one band combinations then

- a) When the operating band frequency range is ≤ 1 GHz, the applicable additional $\Delta T_{IB,c}$ shall be the average value for all band combinations defined in clause 6.2A.4.0.2, 6.2B.4.0.2, 6.2C.2 in this specification and 6.2B.4.2 in TS 38.521-3 [14], truncated to one decimal place that apply for that operating band among the supported band combinations. In case there is a harmonic relation between low band UL and high band DL, then the maximum $\Delta T_{IB,c}$ among the different supported band combinations involving such band shall be applied
- b) When the operating band frequency range is > 1 GHz, the applicable additional $\Delta T_{IB,c}$ shall be the maximum value for all band combinations defined in clause 6.2A.4.0.2, 6.2B.4.0.2, 6.2C.2 in this specification and 6.2B.4.2 in TS 38.521-3 [14] for the applicable operating bands.

6.2L.3.2 UE maximum output power reduction for inter-band UL CA with Tx Diversity

6.2L.3.2.1 Test purpose

To verify that the error of the UE maximum output power does not exceed the range prescribed by the specified maximum output power with MPR and tolerance.

An excess maximum output power has the possibility to interfere to other channels or other systems. A small maximum output power decreases the coverage area.

6.2L.3.2.2 Test applicability

This test case applies to all types of NR UE release 17 and forward that support inter-band UL CA with Tx Diversity.

6.2L.3.2.3 Minimum conformance requirements

For inter-band UL CA with Tx Diversity in one of the two frequency bands, the requirements in clause 6.2G.2 apply for the component carrier configured with Tx Diversity and the requirements in clause 6.2.2 apply for the other component carrier.

The normative reference for this requirement is TS 38.101-1 [2] clause 6.2L.3.2.

6.2L.3.2.4 Test description

This test is covered by clauses 6.2.2 UE maximum output power reduction and 6.2G.2 UE maximum output power reduction for Tx Diversity.

6.2L.3.2.5 Test requirements

Same test requirement as 6.2G.2 for the band supporting Tx Diversity and 6.2.2 for the other band.

6.2L.3.3 UE additional maximum output power reduction for inter-band UL CA with Tx Diversity

6.2L.3.3.1 Test purpose

Additional emission requirements for CA can be signalled by the network. Each additional emission requirement is associated with a unique network signalling (NS) value indicated in RRC signalling by an NR frequency band number of the applicable operating band and an associated value in the field *additionalSpectrumEmission*. Throughout this specification, the notion of indication or signalling of an NS value refers to the corresponding indication of an NR frequency band number of the applicable operating band, the IE *freqBandIndicatorNR* and an associated value of *additionalSpectrumEmission* in the relevant RRC information elements [6].

6.2L.3.3.2 Test applicability

This test case applies to all types of NR UE release 17 and forward that support inter-band UL CA with Tx Diversity.

6.2L.3.3.3 Minimum conformance requirements

For inter-band UL CA with Tx Diversity in one of the two frequency bands, unless specified in Table 6.2A.3.0.3-1, the requirements in clause 6.2.3 apply only to the indicated carrier.

The normative reference for this requirement is TS 38.101-1 [2] clause 6.2L.3.3.

6.2L.3.3.4 Test description

This test is covered by clauses 6.2.3 UE additional maximum output power reduction and 6.2G.3 UE additional maximum output power reduction for Tx Diversity.

6.2L.3.3.5 Test requirements

Same test requirement as 6.2G.3 for the band supporting Tx Diversity and 6.2.3 for the other band.

6.2L.3.4 Configured transmitted power for inter-band UL CA with Tx Diversity

6.2L.3.4.1 Test purpose

To verify that the total measured UE configured maximum output power P_{UMAX} in two uplink carrier aggregation is within the specified bounds.

6.2L.3.4.2 Test applicability

This test case applies to all types of NR UE release 17 and forward that support inter-band UL CA with Tx Diversity.

6.2L.3.4.3 Minimum conformance requirements

For inter-band UL CA with Tx Diversity in one of the two frequency bands, the requirements in clause 6.2A.4.1.3 apply except that:

- $P_{PowerClass,CA}$ is the maximum UE power specified in Table 6.2L.3.1-1 without taking into account the tolerance;
- MPR_c and $A-MPR_c$ are specified in clause 6.2G.2 and clause 6.2G.3 respectively for the component carrier configured with Tx Diversity.
- $\Delta P_{PowerClass,CA}$:
 - For a power class 2 UE, it is 3dB when the requirements of default power class are applied as specified in sub-clause 6.2.J.3.1, otherwise $\Delta P_{PowerClass,CA} = 0$ dB;
 - For a power class 1.5 UE, it is 6dB when the requirements of default power class are applied as specified in sub-clause 6.2.J.3.1; and it is 3dB when the requirements of power class 2 are applied as specified in sub-clause 6.2.J.3.1; otherwise $\Delta P_{PowerClass,CA} = 0$ dB;

The normative reference for this requirement is TS 38.101-1 [2] clause 6.2L.3.4.

6.2L.3.4.4 Test description

This test is covered by clauses 6.2.4 Configured transmitted power and 6.2G.4 Configured transmitted power for Tx Diversity.

6.2L.3.4.5 Test requirements

Same test requirement as 6.2G.4 for the band supporting Tx Diversity and 6.2.4 for the other band.

6.3 Output power dynamics

6.3.1 Minimum output power

6.3.1.1 Test purpose

To verify the UE's ability to transmit with a broadband output power below the value specified in the test requirement when the power is set to a minimum value.

6.3.1.2 Test applicability

This test case applies to all types of NR Power Class 1 release 15 and forward.

This test case applies to all types of NR Power Class 2 and Power Class 3 UE release 15 and forward that don't support Tx diversity.

6.3.1.3 Minimum conformance requirements

The minimum controlled output power of the UE is defined as the power in the channel bandwidth for all transmit bandwidth configurations (resource blocks), when the power is set to a minimum value.

The minimum output power is defined as the mean power in at least one sub-frame 1 ms. The minimum output power shall not exceed the values specified in Table 6.3.1.3-1.

Table 6.3.1.3-1: Minimum output power

Channel bandwidth	(MHz)	³ , 5,10,15,20	25,30,35,40,45,50	60,70,80,90,100
REF_SCS	(kHz)	15		30
Minimum output power	(dBm)	-40	$-40+10\log_{10} (BW_{\text{Channel}}/20)$	$-40+10\log_{10} (BW_{\text{Channel}}/20)$
Measurement bandwidth	(MHz)	$MBW=REF_SCS*(12*N_{RB}+1)/1000$		
NOTE: The minimum output power value is rounded to the nearest number down to one decimal point.				

The normative reference for this requirement is TS 38.101-1 [2] clause 6.3.1.

6.3.1.4 Test description

6.3.1.4.1 Initial condition

Initial conditions are a set of test configurations the UE needs to be tested in and the steps for the SS to take with the UE to reach the correct measurement state.

The initial test configurations consist of environmental conditions, test frequencies, test channel bandwidths and sub-carrier spacing based on NR operating bands specified in table 5.3.5-1. All of these configurations shall be tested with applicable test parameters for each combination of test channel bandwidth and sub-carrier spacing, and are shown in table 6.3.1.4.1-1. The details of the uplink reference measurement channels (RMCs) are specified in Annexes A.2. Configurations of PDSCH and PDCCH before measurement are specified in Annex C.2.

Table 6.3.1.4.1-1: Test Configuration Table

Initial Conditions			
Test Environment as specified in TS 38.508-1 [5] subclause 4.1		Normal, TL/VL, TL/VH, TH/VL, TH/VH	
Test Frequencies as specified in TS 38.508-1 [5] subclause 4.3.1		Low range, Mid range, High range (NOTE 2)	
Test Channel Bandwidths as specified in TS 38.508-1 [5] subclause 4.3.1		Lowest, Mid, Highest	
Test SCS as specified in Table 5.3.5-1		Highest	
Test Parameters for Channel Bandwidths			
Test ID	Downlink Configuration	Uplink Configuration	
	N/A for minimum output power test case	Modulation	RB allocation (NOTE 1)
1		DFT-s-OFDM QPSK	Outer Full
NOTE 1: The specific configuration of each RB allocation is defined in Table 6.1-1.			
NOTE 2: For NR band n28, 30MHz test channel bandwidth is tested with Low range and High range test frequencies.			

1. Connect the SS to the UE antenna connectors as shown in TS 38.508-1 [5] Annex A, Figure A.3.1.1.1 for TE diagram and section A.3.2 for UE diagram.
2. The parameter settings for the cell are set up according to TS 38.508-1 [5] subclause 4.4.3.
3. Downlink signals are initially set up according to Annex C.0, C.1, C.2, and uplink signals according to Annex G.0, G.1, G.2, G.3.0.
4. The UL Reference Measurement Channel is set according to Table 6.3.1.4.1-1.
5. Propagation conditions are set according to Annex B.0.
6. Ensure the UE is in State RRC_CONNECTED with generic procedure parameters Connectivity NR, Connected without release On, Test Mode On and Test Loop Function On according to TS 38.508-1 [5] clause 4.5. Message contents are defined in clause 6.3.1.4.3.

6.3.1.4.2 Test procedure

1. SS sends uplink scheduling information for each UL HARQ process via PDCCH DCI format 0_1 for C_RNTI to schedule the UL RMC according to Table 6.3.1.4.1-1. Since the UE has no payload and no loopback data to send the UE sends uplink MAC padding bits on the UL RMC.
2. Send continuously uplink power control "down" commands in every uplink scheduling information to the UE; allow at least 200ms starting from the first TPC command in this step to ensure that the UE transmits at its minimum output power.
3. Measure the mean power of the UE in the associated measurement channel bandwidth specified in Table 6.3.1.5-1 for the specific channel bandwidth under test. The period of measurement shall be at least the continuous duration of one active sub-frame (1ms) and in the uplink symbols. For TDD symbols with transient periods are not under test.

6.3.1.4.3 Message contents

Message contents are according to TS 38.508-1 [5] subclause 4.6 with following exception.

Table 6.3.1.4.3-1: PUSCH-Config

Derivation Path: TS 38.508-1 [5], Table 4.6.3-118 with condition TRANSFORM_PRECODER_ENABLED

6.3.1.5 Test requirement

The minimum output power, derived in step 3 shall not exceed the values specified in Table 6.3.1.5-1.

Table 6.3.1.5-1: Minimum output power

Channel bandwidth (MHz)	Minimum output power (dBm)	Measurement bandwidth (MHz)
3	-40+TT	2.715
5	-40+TT	4.515
10	-40+TT	9.375
15	-40+TT	14.235
20	-40+TT	19.095
25	-39+TT	23.955
30	-38.2+TT	28.815
35	-37.6+TT	33.855
40	-37+TT	38.895
45	-36.5+TT	43.575
50	-36+TT	48.615
60	-35.2+TT	58.35
70	-34.6+TT	68.07
80	-34+TT	78.15
90	-33.5+TT	88.23
100	-33+TT	98.31

NOTE 1: TT for each frequency and channel bandwidth is specified in Table 6.3.1.5-2

Table 6.3.1.5-2: Test Tolerance (Minimum output power)

	f ≤ 3.0GHz	3.0GHz < f ≤ 6.0GHz
BW ≤ 40MHz	1.0 dB	1.3 dB
40MHz < BW ≤ 100MHz	1.3 dB	1.3 dB

6.3.2 Transmit OFF power

6.3.2.1 Test purpose

To verify that the UE transmit OFF power is lower than the value specified in the test requirement.

An excess Transmit OFF power potentially increases the Rise Over Thermal (RoT) and therefore reduces the cell coverage area for other UEs.

6.3.2.2 Test applicability

The requirements of this test apply in test cases 6.3.3 Transmit ON/OFF time mask to all types of NR Power Class 1 UE release 15 and forward.

The requirements of this test apply in test cases 6.3.3 Transmit ON/OFF time mask to all types of NR Power Class 2 and Power Class 3 UE release 15 and forward that don't support Tx diversity.

6.3.2.3 Minimum conformance requirements

Transmit OFF power is defined as the mean power in the channel bandwidth when the transmitter is OFF. The transmitter is considered OFF when the UE is not allowed to transmit on any of its ports.

The Transmit OFF power is defined as the mean power in a duration of at least one sub-frame (1ms) excluding any transient periods. The Transmit OFF power shall not exceed the values specified in Table 6.3.2.3-1.

Table 6.3.2.3-1: Transmit OFF power

Channel bandwidth	(MHz)	3, 5,10,15,20,25,30,35,40,45,50	60,70,80,90,100
REF_SCS	(kHz)	15	30
Transmit OFF power	(dBm)	-50	
Measurement bandwidth	(MHz)	MBW=REF_SCS*(12*N _{RB} +1)/1000	
NOTE: "N _{RB} " in the formula is the maximum transmission bandwidth configuration as defined in Table 5.3.2-1.			

The normative reference for this requirement is TS 38.101-1 [2] clause 6.3.2.

6.3.2.4 Test description

This test is covered by clause 6.3.3 Transmit ON/OFF time mask.

6.3.2.5 Test requirement

The requirement for the Transmit OFF power shall not exceed the values specified in Table 6.3.2.5-1.

Table 6.3.2.5-1: Transmit OFF power

Channel bandwidth (MHz)	Transmit OFF power (dBm)	Measurement bandwidth (MHz)
3	-50+TT	2.715
5	-50+TT	4.515
10	-50+TT	9.375
15	-50+TT	14.235
20	-50+TT	19.095
25	-50+TT	23.955
30	-50+TT	28.815
35	-50+TT	33.855
40	-50+TT	38.895
45	-50+TT	43.575
50	-50+TT	48.615
60	-50+TT	58.35
70	-50+TT	68.07
80	-50+TT	78.15
90	-50+TT	88.23
100	-50+TT	98.31
NOTE 1: TT for each frequency and channel bandwidth is specified in Table 6.3.2.5-2		

Table 6.3.2.5-2: Test Tolerance (Transmit OFF power)

	$f \leq 3.0\text{GHz}$	$3.0\text{GHz} < f \leq 6.0\text{GHz}$
$\text{BW} \leq 40\text{MHz}$	1.5 dB	1.8 dB
$40\text{MHz} < \text{BW} \leq 100\text{MHz}$	1.7 dB	1.8 dB

6.3.3 Transmit ON/OFF time mask

6.3.3.1 General

The transmit power time mask defines the transient period(s) allowed

- between transmit OFF power as defined in sub-clause 6.3.2 and transmit ON power symbols (transmit ON/OFF)
- between continuous ON-power transmissions with power change or RB hopping is applied.

When a UE signals the transient period capability, the transient period value (tp) can be 2, 4, or 7 μs . If no capability is signalled, the default transient period value of 10 μs applies.

In case of RB hopping, and in following figures where tp_{start} is specified, the transient period is shared symmetrically when the transient period is 10 μs . If the UE signals a transient period (tp) of 2, 4 or 7 μs , the transient period start position is given by tp_{start} in Table 6.3.3.1-1.

Table 6.3.3.1-1: tp_{start} values

tp (μs)	tp_{start} (μs)
2	-0.5
4	-1
7	-2.7
NOTE 1: Negative values mean that the transient period starts before the symbol boundary	

Unless otherwise stated the minimum requirements in clause 6.5 apply also in transient periods.

In the following sub-clauses, following definitions apply:

- A slot or long subslot transmission is a transmission with more than 2 symbols.
- A short subslot transmission is a transmission with 1 or 2 symbols.

6.3.3.2 General ON/OFF time mask

6.3.3.2.1 Test purpose

To verify that the general ON/OFF time mask meets the requirements given in 6.3.3.2.5.

The transmit power time mask for transmit ON/OFF defines the transient period(s) allowed between transmit OFF power as defined in sub-clause 6.3.2 and transmit ON power symbols (transmit ON/OFF)

Transmission of the wrong power increases interference to other channels, or increases transmission errors in the uplink channel.

6.3.3.2.2 Test applicability

This test case applies to all types of NR Power Class 1 release 15 and forward.

This test case applies to all types of NR Power Class 2 and Power Class 3 UE release 15 and forward that don't support Tx diversity.

6.3.3.2.3 Minimum conformance requirements

The general ON/OFF time mask defines the observation period between transmit OFF and ON power and between transmit ON and OFF power for each SCS. ON/OFF scenarios include: the beginning or end of DTX, measurement gap, contiguous, and non-contiguous transmission, etc.

The OFF power measurement period is defined in a duration of at least one slot excluding any transient periods. The ON power is defined as the mean power over one slot excluding any transient period.

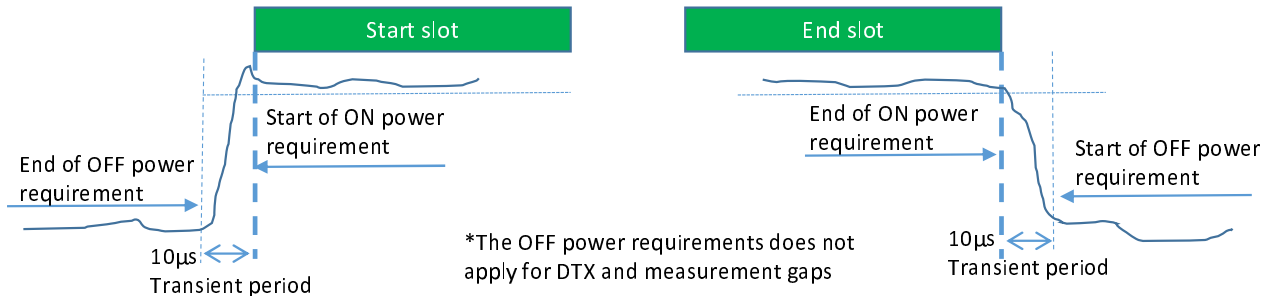


Figure 6.3.3.2.3-1: General ON/OFF time mask for NR UL transmission in FR1

The normative reference for this requirement is TS 38.101-1 [2] clause 6.3.3.2.

6.3.3.2.4 Test description

6.3.3.2.4.1 Initial condition

Initial conditions are a set of test configurations the UE needs to be tested in and the steps for the SS to take with the UE to reach the correct measurement state.

The initial test configurations consist of environmental conditions, test frequencies, test channel bandwidths and sub-carrier spacing based on NR operating bands specified in table 5.3.5-1. All of these configurations shall be tested with applicable test parameters for each combination of channel bandwidth and sub-carrier spacing, and are shown in table 6.3.3.2.4.1-1. The details of the uplink reference measurement channels (RMCs) are specified in Annex A.2. Configurations of PDSCH and PDCCH before measurement are specified in Annex C.2.

Table 6.3.3.2.4.1-1: Test Configuration Table

Initial Conditions			
Test Environment as specified in TS 38.508-1 [5] subclause 4.1		Normal, TL/VL, TL/VH, TH/VL, TH/VH	
Test Frequencies as specified in TS 38.508-1 [5] subclause 4.3.1		Low range, Mid range, High range (NOTE 2)	
Test Channel Bandwidths as specified in TS 38.508-1 [5] subclause 4.3.1		Lowest, Mid, Highest	
Test SCS as specified in Table 5.3.5-1		Lowest, Highest	
Test Parameters for Channel Bandwidths			
Test ID	Downlink Configuration	Uplink Configuration	
	N/A for minimum output power test case	Modulation	RB allocation (NOTE 1)
1		DFT-s-OFDM QPSK	Inner Full
NOTE 1: The specific configuration of each RB allocation is defined in Table 6.1-1.			
NOTE 2: For NR band n28, 30MHz test channel bandwidth is tested with Low range and High range test frequencies.			

1. Connect the SS to the UE antenna connectors as shown in TS 38.508-1 [5] Annex A, Figure A.3.1.1.1 for TE diagram and section A.3.2 for UE diagram.
2. The parameter settings for the cell are set up according to TS 38.508-1 [5] subclause 4.4.3.
3. Downlink signals are initially set up according to Annex C.0, C.1, C.2, and uplink signals according to Annex G.0, G.1, G.2, G.3.0.

4. The UL Reference Measurement Channel is set according to Table 6.3.3.2.4.1-1.
5. Propagation conditions are set according to Annex B.0.
6. Ensure the UE is in State RRC_CONNECTED with generic procedure parameters Connectivity *NR*, Connected without release *On*, Test Mode *On* and Test Loop Function *On* according to TS 38.508-1 [5] clause 4.5. Message contents are defined in clause 6.3.3.2.4.3.

6.3.3.2.4.2 Test procedure

1. SS sends uplink scheduling information via PDCCH DCI format 0_1 for C_RNTI to schedule the UL RMC according to Table 6.3.3.2.4.1-1. Since the UE has no payload and no loopback data to send the UE sends uplink MAC padding bits on the UL RMC. The UL assignment is such that the UE transmits on slots 8 for 15kHz SCS, on slots 8 and 18 for 30kHz SCS and on slots 17 and 37 for 60kHz SCS.
2. Send continuously uplink power control "up" commands in every uplink scheduling information to the UE; allow at least 200ms starting from the first TPC command in this step for the UE to reach P_{UMAX} level.
3. ON power sub test:
 - 3.1. Measure the output power of the UE PUSCH transmission during one slot.
4. OFF power sub test:
 - 4.1. Measure the UE transmission OFF power during the slot prior to the PUSCH transmission, excluding a transient period of 10 μs in the end of the slot.
 - 4.2. Measure the UE transmission OFF power during the slot following the PUSCH transmission, excluding a transient period of 10 μs at the beginning of the slot.

6.3.3.2.4.3 Message contents

Message contents are according to TS 38.508-1 [5] subclause 4.6 with following exceptions.

Table 6.3.3.2.4.3-1: Void

Table 6.3.3.2.4.3-2: Void

Table 6.3.3.2.4.3-3: TDD-UL-DL-Config

Derivation Path: TS 38.508-1[5], Table 4.6.3-192			
Information Element	Value/remark	Comment	Condition
TDD-UL-DL-ConfigCommon ::= SEQUENCE {			
referenceSubcarrierSpacing	SubcarrierSpacing		
pattern1 SEQUENCE {			
dl-UL-TransmissionPeriodicity	ms5		FR1
	ms10		FR1_15kHz
nrofDownlinkSlots	6		FR1_15kHz
	6		FR1_30kHz
	14		FR1_60kHz
nrofDownlinkSymbols	10		FR1_15kHz
	6		FR1_30kHz
	12		FR1_60kHz
nrofUplinkSlots	3		FR1_15kHz, FR1_30kHz
	4		FR1_60kHz
nrofUplinkSymbols	4		FR1_30kHz
	2		FR1_15kHz,
	8		FR1_60kHz
}			
pattern2	Not present		
}			

Table 6.3.3.2.4.3-4: PUSCH-TimeDomainResourceAllocationList

Derivation Path: TS 38.508-1[5], Table 4.6.3-122			
Information Element	Value/remark	Comment	Condition
PUSCH-TimeDomainResourceAllocationList ::= SEQUENCE (SIZE(1..maxNrofUL-Allocations)) OF {	2 entries		
PUSCH-TimeDomainResourceAllocation[1]			
SEQUENCE {			
k2	4		FR1_15kHz, FR1_30kHz
	6		FR1_60kHz
mappingType	typeA		
startSymbolAndLength	27	Start symbol(S)=0, Length(L)=14	
}			
PUSCH-TimeDomainResourceAllocation[2]		addressed by Msg3 PUSCH time resource allocation field of the Random Access Response acc. to TS 38.213 [22] Table 8.2-1.	
k2	2	$K_2 + \Delta = 4$ acc. to TS 38.214 [21] Table 6.1.2.1.1-5 (NOTE 1)	FR1_15kHz
	6	$K_2 + \Delta = 9$ acc. to TS 38.214 [21] Table 6.1.2.1.1-5 (NOTE 1)	FR1_30kHz
mappingType	typeA		
startSymbolAndLength	27	Start symbol(S)=0, Length(L)=14	
}			
}			
NOTE 1: Values are chosen so that first slot of a TDD-UL-DL slot configuration period can be used for the Random Access Response and the last slot (of the same or another period) for the corresponding Msg3.			

Condition	Explanation
FR1_15kHz	FR1 is used under the test. SCS is set to 15kHz.
FR1_30kHz	FR1 is used under the test. SCS is set to 30kHz.
FR1_60kHz	FR1 is used under the test. SCS is set to 60kHz.

Table 6.3.3.2.4.3-5: Void

Table 6.3.3.2.4.3-6: PUSCH-Config

Derivation Path: TS 38.508-1 [5], Table 4.6.3-118 with condition TRANSFORM_PRECODER_ENABLED

Table 6.3.3.2.4.3-7: P-Max

Derivation Path: TS 38.508-1 [5], Table 4.6.3-89			
Information Element	Value/remark	Comment	Condition
P-Max	23		

6.3.3.2.5 Test requirement

The requirement for the power measured in steps 2, 3 and 4 of the test procedure shall not exceed the values specified in Table 6.3.3.2.5-1.

Table 6.3.3.2.5-1: General ON/OFF time mask

	Channel bandwidth / minimum output power / measurement bandwidth														
	5 MHz	10 MHz	15 MHz	20 MHz	25 MHz	30 MHz	35 MHz	40 MHz	45 MHz	50 MHz	60 MHz	70 MHz	80 MHz	90 MHz	100 MHz
Transmit OFF power	$\leq -50+TT$ dBm														
Transmission OFF Measurement bandwidth	4.515	9.375	14.235	19.095	23.955	28.815	33.675	38.535	43.395	48.255	53.115	57.975	62.835	67.695	72.555
Transmit ON power	Same as Table 6.2.1.5-1														
NOTE 1: TT for each frequency and channel bandwidth of OFF power is specified in Table 6.3.3.2.5-2															
NOTE 2: TT for each frequency and channel bandwidth of ON power is specified in Table 6.2.1.5-3															

Table 6.3.3.2.5-2: Test Tolerance for OFF power

	$f \leq 3.0\text{GHz}$	$3.0\text{GHz} < f \leq 6\text{GHz}$
$BW \leq 40\text{MHz}$	1.5 dB	1.8 dB
$40\text{MHz} < BW \leq 100\text{MHz}$	1.7 dB	1.8 dB

Table 6.3.3.2.5-3: Void

6.3.3.3 Transmit power time mask for slot and short or subslot boundaries

No test case details are specified. Current test procedures for time masks are based on power measurement in relatively long period compared with transient period. For time masks between 2 active time slots with different power level, the test procedure can't provide enough resolution to identify non-conformant UEs. Therefore, the minimum requirement is not testable.

6.3.3.4 PRACH time mask

6.3.3.4.1 Test purpose

To verify that the PRACH time mask meets the requirements given in 6.3.3.4.5.

The time mask for PRACH time mask defines the transient period(s) allowed between transmit OFF power and transmit ON power when transmitting the PRACH.

Transmission of the wrong power increases interference to other channels, or increases transmission errors in the uplink channel.

6.3.3.4.2 Test applicability

This test case applies to all types of NR Power Class 1 release 15 and forward.

This test case applies to all types of NR Power Class 2 and Power Class 3 UE release 15 and forward that don't support Tx diversity.

6.3.3.4.3 Minimum conformance requirements

The PRACH ON power is specified as the mean power over the PRACH measurement period excluding any transient periods as shown in Figure 6.3.3.4.3-1. The measurement period for different PRACH preamble format is specified in Table 6.3.3.4.3-1.

Table 6.3.3.4.3-1: PRACH ON power measurement period

PRACH preamble format	SCS (kHz)	Measurement period (ms)
0	1.25	0.903125
1	1.25	2.284375

2	1.25	3.352604
3	5	0.903125
A1	15	0.142708
	30	0.071354
A2	15	0.285417
	30	0.142708
A3	15	0.428125
	30	0.2140625
B1	15	0.140365
	30	0.070182
B4	15	0.83046875
	30	0.415234375
A1/B1	15	0.142708 ms for first six occasion 0.140365 ms for the last occasion
	30	0.071354 ms for first six occasion 0.070182 ms for the last occasion
A2/B2	15	0.285417 ms for first two occasion 0.278385 ms for the third occasion
	30	0.142708 ms for first two occasion 0.1391925 ms for the third occasion
A3/B3	15	0.428125 ms for the first occasion 0.41640625 ms for the second occasion
	30	0.2140625 ms for the first occasion 0.208203125 ms for the second occasion
C0	15	0.10703125
	30	0.053515625
C2	15	0.333333
	30	0.166667
NOTE: For PRACH on PRACH occasion start from the beginning of 0.5ms or span the boundary of 0.5ms of the subframe, the measurement period will plus 0.032552µs		

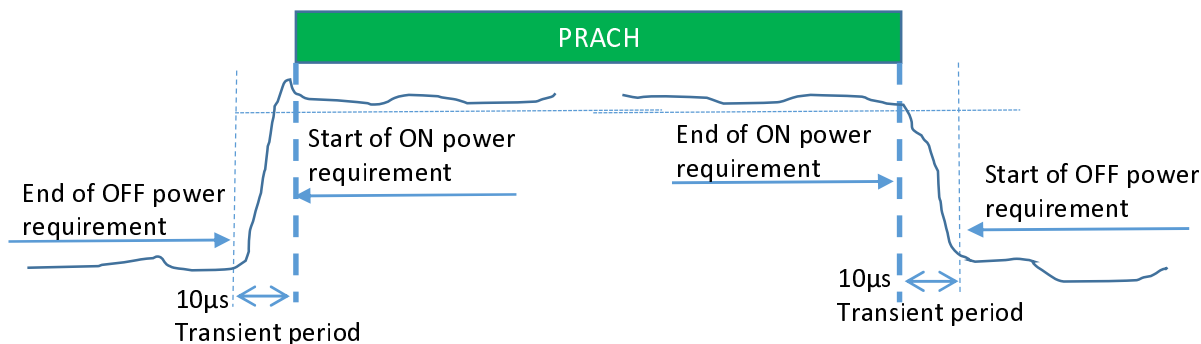


Figure 6.3.3.4.3-1: PRACH ON/OFF time mask

The normative reference for this requirement is TS 38.101-1 [2] clause 6.3.3.4.

6.3.3.4.4 Test description

6.3.3.4.4.1 Initial condition

Initial conditions are a set of test configurations the UE needs to be tested in and the steps for the SS to take with the UE to reach the correct measurement state.

The initial test configurations consist of environmental conditions, test frequencies, test channel bandwidths and sub-carrier spacing based on NR operating bands specified in table 5.2-1. All of these configurations shall be tested with applicable test parameters for each combination of test channel bandwidth and sub-carrier spacing, and are shown in table 6.3.3.4.4.1-1. Configurations of PDSCH and PDCCH before measurement are specified in Annex C.2.

Table 6.3.3.4.4.1-1: Test Configuration Table

Initial Conditions

Test Environment as specified in TS 38.508-1 [5] subclause 4.1	Normal, TL/VL, TL/VH, TH/VL, TH/VH	
Test Frequencies as specified in TS 38.508-1 [5] subclause 4.3.1	Mid range (NOTE 1)	
Test Channel Bandwidths as specified in TS 38.508-1 [5] subclause 4.3.1	Lowest, Mid, Highest	
Test SCS as specified in Table 5.3.5-1	SCS defined in TS 38.211 [8] subclause 6.3.3.2 determined by PRACH Configuration Index for long sequence Lowest, Highest for short sequence	
PRACH preamble format		
	Paired Spectrum	Unpaired Spectrum
PRACH Configuration Index for test point 1	4 (long sequence)	7 (long sequence)
PRACH Configuration Index for test point 2	160 (short sequence)	123 (short sequence)
NOTE 1: For NR band n28, 30MHz test channel bandwidth is tested with Low range test frequencies.		

1. Connect the SS to the UE antenna connectors as shown in TS 38.508-1 [5] Annex A, Figure A.3.1.1.1 for TE diagram and section A.3.2 for UE diagram.
2. The parameter settings for the cell are set up according to TS 38.508-1 [5] subclause 4.4.3.
3. Downlink signals are initially set up according to Annex C.0, C.1, C.2, and uplink signals according to Annex G.0, G.1, G.2, G.3.0.
4. Propagation conditions are set according to Annex B.0.
5. Ensure the UE is in State RRC_CONNECTED with generic procedure parameters Connectivity NR, Connected without release *On*, Test Mode *On* and Test Loop Function *On* according to TS 38.508-1 [5] clause 4.5. Message contents are defined in clause 6.3.3.4.4.3.

6.3.3.4.4.2 Test procedure

1. The SS shall signal a Random Access Preamble ID via a PDCCH order to the UE and initiate a Non-contention based Random Access procedure.
2. The UE shall send the signalled preamble to the SS.
3. The SS measure the UE transmission OFF power during the slot preceding the PRACH preamble excluding a transient period of 10 μs according to Figure 6.3.3.4.3-1.
4. Measure the output power of the transmitted PRACH preamble according to Figure 6.3.3.4.3-1.
5. Measure the UE transmission OFF power, starting 10 μs after the PRACH preamble ends for a measurement period.

6.3.3.4.4.3 Message contents

Message contents are according to TS 38.508-1 [5] subclause 4.6.3 with the following exceptions:

Table 6.3.3.4.4.3-1: RACH-ConfigCommon: PRACH measurement

Derivation Path: TS 38.508-1[5], Table 4.6.3-128			
Information Element	Value/remark	Comment	Condition
RACH-ConfigCommon ::= SEQUENCE {			
prach-RootSequenceIndex CHOICE {			
1139	Set according to table 4.4.2-2 for the NR Cell.		PRACH Format A3
1839	0	NR Cell 1	PRACH Format 0
	TBD	Other than NR Cell 1	PRACH Format 0
}			
}			

Table 6.3.3.4.4.3-2: RACH-ConfigGeneric: PRACH measurement

Derivation Path: TS 38.508-1[5], Table 4.6.3-130			
Information Element	Value/remark	Comment	Condition
RACH-ConfigGeneric ::= SEQUENCE {			
prach-ConfigurationIndex	4	Paired Spectrum	PRACH Format 0
	160	Paired Spectrum	PRACH Format A3
	7	Unpaired Spectrum	PRACH Format 0
	123	Unpaired Spectrum	PRACH Format A3
msg1-FDM	four		FR1
	one		FR1 5MHz PRACH Format A3 for SCS 15 kHz OR FR1 10MHz PRACH Format A3 for SCS 30 kHz OR FR1 10MHz PRACH Format A3 for SCS 60 kHz
preambleReceivedTargetPower	-118		PRACH Format 0

	-122		PRACH Format A3 for SCS 15 kHz
	-124		PRACH Format A3 for SCS 30 kHz
	-128		PRACH Format A3 for SCS 60kHz
powerRampingStep	dB0		
ra-ResponseWindow	sl20		
}			

Table 6.3.3.4.4.3-3: ServingCellConfigCommonSIB: PRACH measurement

Derivation Path: TS 38.508-1[5], Table 4.6.3-169			
Information Element	Value/remark	Comment	Condition
ServingCellConfigCommonSIB ::= SEQUENCE {			
ss-PBCH-BlockPower	32		SCS_15kHz
	35		SCS_30kHz
}			

Table 6.3.3.4.4.3-4: PUSCH-TimeDomainResourceAllocationList: PRACH measurement

Derivation Path: TS 38.508-1[5], Table 4.6.3-122			
Information Element	Value/remark	Comment	Condition
PUSCH-TimeDomainResourceAllocationList ::= SEQUENCE (SIZE(1..maxNrofUL-Allocations)) OF PUSCH-TimeDomainResourceAllocation {	2 entries		
PUSCH-TimeDomainResourceAllocation[2] SEQUENCE {		entry 2 addressed by Msg3 PUSCH time resource allocation field of the Random Access Response acc. to TS 38.213 [22] Table 8.2-1.	
k2	6	K2+ Δ=8 acc. to TS 38.214 [21] Table 6.1.2.1.1-5	Unpaired Spectrum for SCS15kHz and PRACH Format 0
}			
}			

6.3.3.4.5 Test requirement

The requirement for the power measured in steps (3), (4) and (5) of the test procedure shall not exceed the values specified in Table 6.3.3.4.5-1.

Table 6.3.3.4.5-1: PRACH time mask

	Channel bandwidth / minimum output power / measurement bandwidth												
	5 MHz	10 MHz	15 MHz	20 MHz	25 MHz	30 MHz	40 MHz	50 MHz	60 MHz	70 MHz	80 MHz	90 MHz	100 MHz
Transmit OFF power	≤ -50+TT dBm												
Transmission OFF Measurement bandwidth	4.515	9.375	14.235	19.095	23.955	28.815	38.895	48.615	58.35	68.07	78.15	88.23	98.31
Expected PRACH Transmission ON Measured Power for PRACH Format 0 and PRACH Format A3 for SCS 30kHz	-1 dBm	-1 dBm	-1 dBm	-1 dBm	-1 dBm	-1 dBm	-1 dBm	-1 dBm	-1 dBm	-1 dBm	-1 dBm	-1 dBm	-1 dBm
Expected PRACH Transmission ON Measured Power for PRACH Format A3 for SCS 15kHz and SCS 60kHz	-2 dBm	-2 dBm	-2 dBm	-2 dBm	-2 dBm	-2 dBm	-2 dBm	-2 dBm	-2 dBm	-2 dBm	-2 dBm	-2 dBm	-2 dBm
ON Power Tolerance	± (9+TT)dB												
NOTE 1: TT for each frequency and channel bandwidth is specified in Table 6.3.3.4.5-2													

Table 6.3.3.4.5-2: Test Tolerance (Transmit OFF power and PRACH time mask)

	f ≤ 3.0GHz	3.0GHz < f ≤ 6.0GHz
BW ≤ 40MHz	1.5 dB	1.8 dB
40MHz < BW ≤ 100MHz	1.7 dB	1.8 dB

6.3.3.5 Void

6.3.3.6 SRS time mask

6.3.3.6.1 Test purpose

To verify that the SRS time mask meets the requirements given in 6.3.3.6.5.

The time mask for SRS time mask defines the transient period(s) allowed between transmit OFF power and transmit ON power when transmitting the SRS.

Transmission of the wrong power increases interference to other channels, or increases transmission errors in the uplink channel.

6.3.3.6.2 Test applicability

This test case applies to all types of NR Power Class 1 release 15 and forward.

This test case applies to all types of NR Power Class 2 and Power Class 3 UE release 15 and forward that don't support Tx diversity.

6.3.3.6.3 Minimum conformance requirements

For SRS transmission mapped to one OFDM symbol, the ON power is defined as the mean power over the symbol duration excluding any transient period; See Figure 6.3.3.6.3-1

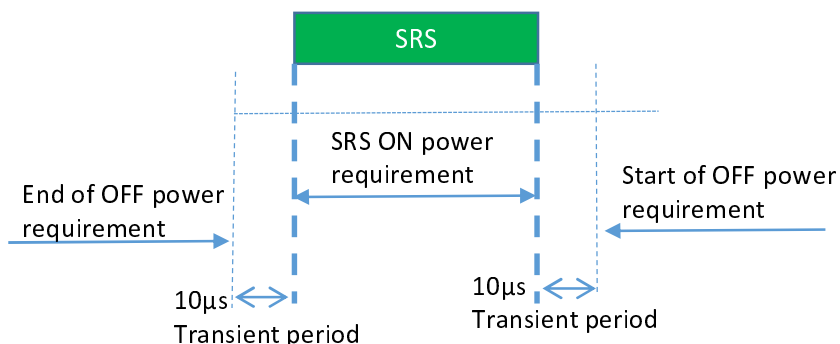


Figure 6.3.3.6.3-1: Single SRS time mask for NR UL transmission

For SRS transmission mapped to two or more OFDM symbols the ON power is defined as the mean power for each symbol duration excluding any transient period. For consecutive SRS transmissions without power change, Figure 6.3.3.6.3-2 applies.

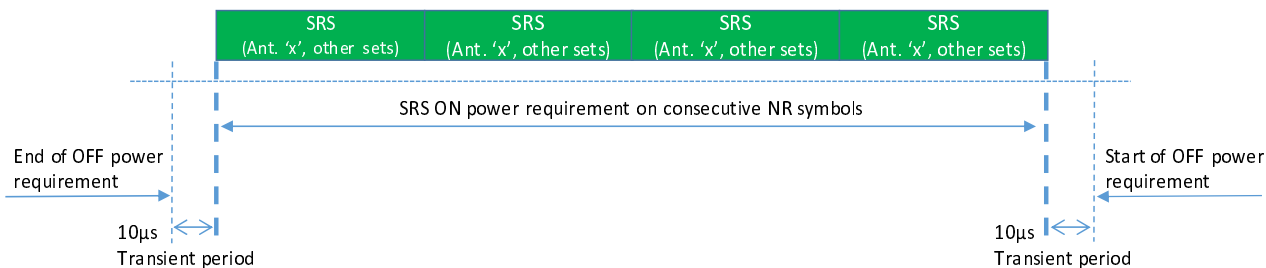


Figure 6.3.3.6.3-2: Consecutive SRS time mask for the case when no power change is required with SRS usage other than antenna switching

When power change between consecutive SRS transmissions is required, then Figure 6.3.3.6.3-3 and Figure 6.3.3.6.3-4 apply.

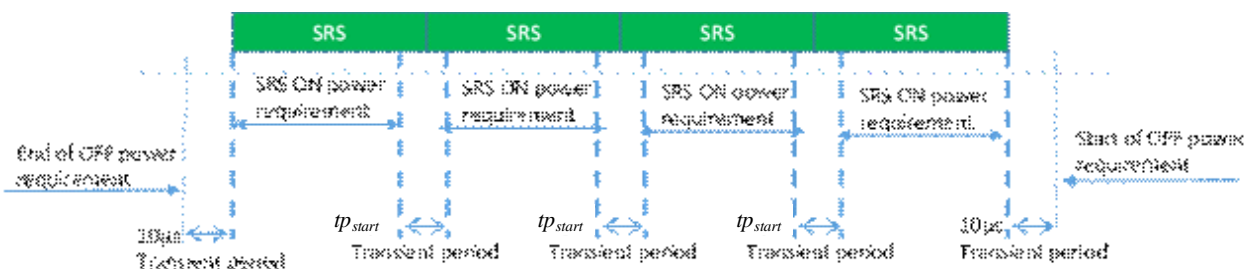


Figure 6.3.3.6.3-3: Consecutive SRS time mask for the case when power change is required and when 15kHz and 30kHz SCS is used in FR1 with SRS usage other than antenna switching

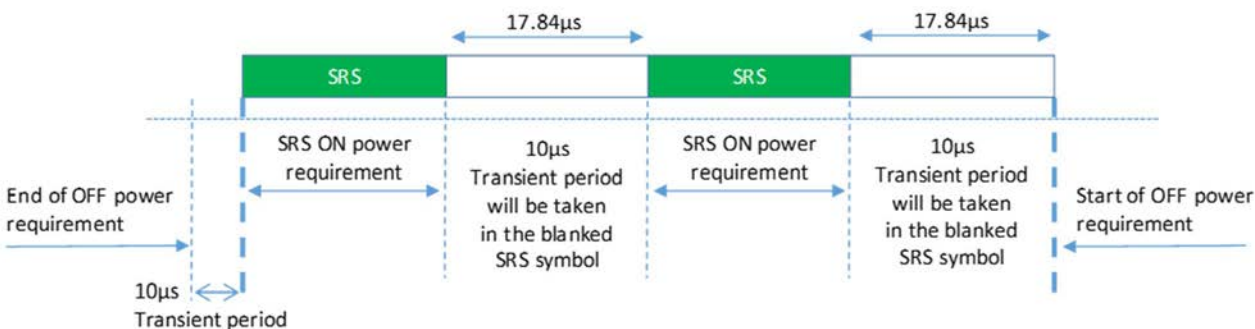


Figure 6.3.3.6.3-4: Consecutive SRS time mask for the case when power change is required and when 60kHz SCS is used in FR1

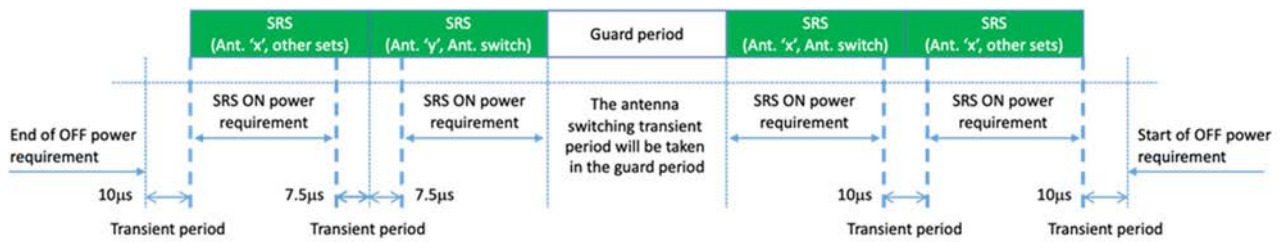


Figure 6.3.3.6.3-5: FR1 Time mask for 15 kHz and 30 kHz SCS for the case when consecutive SRS switching usage is between antenna switching & other sets

where “other sets” belongs to a “usage set” other than the set for antenna switching. The usage sets for SRS switching are defined in section 6.2.1 of TS 38.214 [12].

NOTE: Guard period of one symbol is defined between two SRS resources of an SRS resource set for antenna switching for 15kHz, 30kHz and 60kHz SCS in Table 6.2.1.2-1 of TS 38.214 [10].

The above transient period applies to all the transmit CCs in CA with the CC sounding SRS. UE RF requirements do not apply during this transient period.

The normative reference for this requirement is TS 38.101-1 [2] clause 6.3.3.6.

6.3.3.6.4 Test description

6.3.3.6.4.1 Initial condition

Initial conditions are a set of test configurations the UE needs to be tested in and the steps for the SS to take with the UE to reach the correct measurement state.

The initial test configurations consist of environmental conditions, test frequencies, test channel bandwidths and sub-carrier spacing based on NR operating bands specified in table 5.3.5-1. All of these configurations shall be tested with applicable test parameters for each combination of channel bandwidth and sub-carrier spacing, and are shown in table 6.3.3.6.4.1-1. The details of the uplink reference measurement channels (RMCs) are specified in Annex A.2, with the exception for SCS 15 KHz as specified in table 6.3.3.6.4.1-2. Configurations of PDSCH and PDCCH before measurement are specified in Annex C.2.

Table 6.3.3.6.4.1-1: Test Configuration Table

Initial Conditions		
Test Environment as specified in TS 38.508-1 [5] subclause 4.1	Normal, TL/VL, TL/VH, TH/VL, TH/VH	
Test Frequencies as specified in TS 38.508-1 [5] subclause 4.3.1	Mid range (NOTE 1)	
Test Channel Bandwidths as specified in TS 38.508-1 [5] subclause 4.3.1	Lowest, Mid, Highest	
Test SCS as specified in Table 5.3.5-1	Lowest, Highest	
SRS configuration	Paired Spectrum	Unpaired Spectrum
c-SRS (SRS bandwidth configuration)	7 (24 RB for BW 5 MHz) 14 (52 RB for BW 10 MHz) 20 (76 RB for BW 15 MHz) 25 (104 RB for BW 20 MHz) 33 (132 RB for BW 25 MHz) 42 (160 RB for BW 30 MHz) 45 (184 RB for BW 35 MHz) 51 (216 RB for BW 40MHz) 58 (242 RB for BW 45MHz) 60 (264 RB for BW 50MHz) for SCS 15 KHz	7 (for BW 5 MHz) 13 (for BW 10 MHz) 19 (for BW 15 MHz) 25 (for BW 20 MHz) 30 (for BW 25 MHz) 40 (for BW 30 MHz) 51 (for BW 40MHz) 60 (for BW 50MHz) for SCS 15 KHz

	1 (8 RB for BW 5 MHz) 7 (24 RB for BW 10 MHz) 10 (36 RB for BW 15 MHz) 13 (48 RB for BW 20 MHz) 17 (64 RB for BW 25 MHz) 20 (76 RB for BW 30 MHz) 22 (88 RB for BW 35 MHz) 25 (104 RB for BW 40MHz) 30 (117 RB for BW 45MHz) 33 (132 RB for BW 50MHz) 42 (160 RB for BW 60MHz) 45 (184 RB for BW 70MHz) 51 (216 RB for BW 80MHz) 56 (240 RB for BW 90MHz) 63 (272 RB for BW 100MHz) for SCS 30 KHz	1 (for BW 5 MHz) 6 (for BW 10 MHz) 10 (for BW 15 MHz) 12 (for BW 20 MHz) 17 (for BW 25 MHz) 20 (for BW 30 MHz) 25 (for BW 40MHz) 30 (for BW 50MHz) 40 (for BW 60MHz) 45 (for BW 70MHz) 51 (for BW 80MHz) 53 (for BW 90MHz) 61 (for BW 100MHz) for SCS 30 KHz
	1 (8 RB for BW 10 MHz) 4 (16 RB for BW 15 MHz) 7 (24 RB for BW 20 MHz) 8 (28 RB for BW 25 MHz) 10 (36 RBfor BW 30 MHz) 11 (40 RBfor BW 35 MHz) 13 (48 RB for BW 40MHz) 15 (56 RB for BW 45MHz) 17 (64 RB for BW 50MHz) 20 (76 RB for BW 60MHz) 22 (88 RB for BW 70MHz) 25 (104 RB for BW 80MHz) 29 (120 RB for BW 90MHz) 33 (132 RB for BW 100MHz) for SCS 60 KHz	1 (for BW 10 MHz) 4 (for BW 15 MHz) 7 (for BW 20, 25 MHz) 9 (for BW 30 MHz) 13 (for BW 40MHz) 17 (for BW 50MHz) 19 (for BW 60MHz) 22 (for BW 70MHz) 25 (for BW 80MHz) 27 (for BW 90MHz) 30 (for BW 100MHz) for SCS 60 KHz
b-SRS	0	0
b-hop	3	0
freqDomainPosition	0	0
SRS-PeriodicityAndOffset	sl10 for SCS 15 KHz	sl10 for SCS 15 KHz
	sl20 for SCS 30 KHz	sl20 for SCS 30 KHz
	sl40 for SCS 60 KHz	sl40 for SCS 60 KHz
transmissionComb	n2	n2
CombOffset	0	0
cyclicShift	0	0
startPosition	0	0
nrofSymbols	n1	n1
NOTE 1: For NR band n28, 30MHz test channel bandwidth is tested with Low range test frequencies.		

Table 6.3.3.6.4.1-2: Additional reference channels parameters for TDD for SCS= 15 kHz

Parameter	SCS 15 KHz ($\mu=0$)
TDD Slot Configuration Pattern	DDSUU
nrofDownlinkSlots	2
nrofUplinkSlots	2
The number of slots between PDSCH and corresponding HARQ-ACK information (i is the slot index per frame; $i = \{0, \dots, 9\}$)	$K1 = 3$ if $\text{mod}(i,5) = 0$ $K1 = 2$ if $\text{mod}(i,5) = 1$

1. Connect the SS to the UE antenna connectors as shown in TS 38.508-1 [5] Annex A, Figure A.3.1.1.1 for TE diagram and section A.3.2 for UE diagram.
2. The parameter settings for the cell are set up according to TS 38.508-1 [5] subclause 4.4.3.

3. Downlink signals are initially set up according to Annex C.0, C.1, C.2, and uplink signals according to Annex G.0, G.1, G.2, G.3.0.
4. Propagation conditions are set according to Annex B.0.
5. Ensure the UE is in State RRC_CONNECTED with generic procedure parameters Connectivity NR, Connected without release On, Test Mode On and Test Loop Function On according to TS 38.508-1 [5] clause 4.5. Message contents are defined in clause 6.3.3.6.4.3.

6.3.3.6.4.2 Test procedure

1. SS sends uplink scheduling information via PDCCH DCI format 0_1 for C_RNTI to schedule the UL RMC according to Table 6.3.3.2.4.1-1. Since the UE has no payload and no loopback data to send the UE sends uplink MAC padding bits on the UL RMC. The UL assignment is such that the UE transmits on slot 3 for 15kHz SCS, on slot 8 for 30kHz SCS and on slot 16 for 60kHz SCS. PUSCH is transmitted in the first half of the frame.
2. Send continuously uplink power control "up" commands in every uplink scheduling information to the UE; allow at least 200ms starting from the first TPC command in this step for the UE to reach P_{UMAX} level.
3. ON power sub test:
 - 3.1. Measure the output power of the transmitted SRS transmission during 1 OFDM symbol. The SRS transmission in the second half of the frame is used for measurement since there is no PUSCH transmission before and after.
4. OFF power sub test:
 - 4.1. The SS measure the UE transmission OFF power during the 13 OFDM symbols, preceding the SRS symbol excluding a transient period of 10 μs.
 - 4.2. Measure the UE transmission OFF power during the slot following the SRS under test, excluding a transient period of 10 μs

6.3.3.6.4.3 Message contents

Message contents are according to TS 38.508-1 [5] subclause 4.6.3 with the following exceptions:

Table 6.3.3.6.4.3-0: BWP-UplinkDedicated

Derivation Path: TS 38.508-1[5], Table 4.6.3-15			
Information Element	Value/remark	Comment	Condition
BWP-UplinkDedicated ::= SEQUENCE {			
srs-Config	SRS-Config in Table 6.3.3.6.4.3-1		
}			
Note: This message exception is only valid for the initial BWP and not for an additional BWP inside BWP-Uplink.			

Table 6.3.3.6.4.3-1: SRS-Config: SRS time mask measurement

Derivation Path: TS 38.508-1[5], Table 4.6.3-182			
Information Element	Value/remark	Comment	Condition
SRS-Config ::= SEQUENCE {			
srs-ResourceSetToAddModList SEQUENCE (SIZE(0..maxNrofSRS-ResourceSets)) OF SEQUENCE {	1 entry		
resourceType CHOICE {			
periodic SEQUENCE {			
}			
}			
srs-ResourceToAddModList SEQUENCE (SIZE(1..maxNrofSRS-Resources)) OF SEQUENCE {	1 entry		
resourceMapping SEQUENCE {			
startPosition	0		
nrofSymbols	n1		
repetitionFactor	n1		
}			

freqHopping SEQUENCE { c-SRS			
	7 (for BW 5 MHz) 14 (for BW 10 MHz) 20 (for BW 15 MHz) 25 (for BW 20 MHz) 33 (for BW 25 MHz) 42 (for BW 30 MHz) 45 (for BW 35 MHz) 51 (for BW 40MHz) 58 (for BW 45MHz) 60 (for BW 50MHz)		Paired Spectrum for SCS 15 KHz
	1 (for BW 5 MHz) 7 (for BW 10 MHz) 10 (for BW 15 MHz) 13 (for BW 20 MHz) 17 (for BW 25 MHz) 20 (for BW 30 MHz) 22 (for BW 35 MHz) 25 (for BW 40MHz) 30 (for BW 45MHz) 33 (for BW 50MHz) 42 (for BW 60MHz) 45 (for BW 70MHz) 51 (for BW 80MHz) 56 (for BW 90MHz)		Paired Spectrum for SCS 30 KHz
	1 (for BW 10 MHz) 4 (for BW 15 MHz) 7 (for BW 20 MHz) 8 (for BW 25 MHz) 10 (for BW 30 MHz) 11 (for BW 35 MHz) 13 (for BW 40MHz) 15 (for BW 45MHz) 17 (for BW 50MHz) 20 (for BW 60MHz) 22 (for BW 70MHz) 25 (for BW 80MHz) 29 (for BW 90MHz) 33 (for BW 100MHz)		Paired Spectrum for SCS 60 KHz
	7 (for BW 5 MHz) 13 (for BW 10 MHz) 19 (for BW 15 MHz) 25 (for BW 20 MHz) 30 (for BW 25 MHz) 40 (for BW 30 MHz) 51 (for BW 40MHz) 60 (for BW 50MHz)		Unpaired Spectrum for SCS 15 KHz
	1 (for BW 5 MHz) 6 (for BW 10 MHz) 10 (for BW 15 MHz) 12 (for BW 20 MHz) 17 (for BW 25 MHz) 20 (for BW 30 MHz) 25 (for BW 40MHz) 30 (for BW 50MHz) 40 (for BW 60MHz) 45 (for BW 70MHz) 51 (for BW 80MHz) 53 (for BW 90MHz) 61 (for BW 100MHz)		Unpaired Spectrum for SCS 30 KHz
	1 (for BW 10 MHz) 4 (for BW 15 MHz) 7 (for BW 20, 25 MHz) 9 (for BW 30 MHz) 13 (for BW 40MHz) 17 (for BW 50MHz) 19 (for BW 60MHz)		Unpaired Spectrum for SCS 60 KHz

	22 (for BW 70MHz) 25 (for BW 80MHz) 27 (for BW 90MHz) 30 (for BW 100MHz)		
b-SRS	0		
b-hop	3		Paired Spectrum
	0		Unpaired Spectrum
}			
resourceType CHOICE {			
periodic SEQUENCE {			
periodicityAndOffset-p CHOICE{			
sl10	8		SCS 15 KHz
sl20	18		SCS 30KHz
sl40	36		SCS 60 KHz
}			
}			
}			
}			
}			

Condition	Explanation
SCS_15kHz	SCS=15kHz for SS/PBCH block
SCS_30kHz	SCS=30kHz for SS/PBCH block

Table 6.3.3.6.4.3-2: void

Table 6.3.3.6.4.3-3: P-Max

Derivation Path: TS 38.508-1 [5], Table 4.6.3-89			
Information Element	Value/remark	Comment	Condition
P-Max	23		

6.3.3.6.5 Test requirement

The requirement for the power measured in steps (1), (2) and (3) of the test procedure shall not exceed the values specified in Table 6.3.3.6.5-1.

Table 6.3.3.6.5-1: SRS time mask

	Channel bandwidth / minimum output power / measurement bandwidth														
	5	10	15	20	25	30	35	40	45	50	60	70	80	90	100
	MHz	MHz	MHz	MHz	MHz	MHz	MHz	MHz	MHz	MHz	MHz	MHz	MHz	MHz	MHz
Transmit OFF power	≤ -50+TT dBm														
Transmission OFF Measurement bandwidth	4.51 5	9.37 5	14.2 35	19.0 95	23.9 55	28.8 15	33.8 55	38.8 95	43.5 75	48.6 15	58.3 5	68.0 7	78.1 5	88.2 3	98.3 1
Transmit ON power	Same as Table 6.2.1.5-1														
NOTE 1: TT for each frequency and channel bandwidth is specified in Table 6.3.3.6.5-2															

Table 6.3.3.6.5-2: Test Tolerance (Transmit OFF power and SRS time mask)

	f ≤ 3.0GHz	3.0GHz < f ≤ 6GHz
BW ≤ 40MHz	1.5 dB	1.8 dB
40MHz < BW ≤ 100MHz	1.7 dB	1.8 dB

6.3.3.7 PUSCH-PUCCH and PUSCH-SRS time masks

No test case details are specified. Current test procedures for time masks are based on power measurement in relatively long period compared with transient period. For time masks between 2 active time slots with different power level, the test procedure can't provide enough resolution to identify non-conformant UEs. Therefore the minimum requirement is not testable.

6.3.3.8 Transmit power time mask for consecutive slot or long subslot transmission and short subslot transmission boundaries

No test case details are specified. Current test procedures for time masks are based on power measurement in relatively long period compared with transient period. For time masks between 2 active time slots with different power level, the test procedure can't provide enough resolution to identify non-conformant UEs. Therefore the minimum requirement is not testable.

6.3.3.9 Transmit power time mask for consecutive short subslot transmissions boundaries

No test case details are specified. Current test procedures for time masks are based on power measurement in relatively long period compared with transient period. For time masks between 2 active time slots with different power level, the test procedure can't provide enough resolution to identify non-conformant UEs. Therefore the minimum requirement is not testable.

6.3.4 Power control

6.3.4.1 General

The requirements on power control accuracy apply under normal conditions.

6.3.4.2 Absolute power tolerance

6.3.4.2.1 Test purpose

To verify the ability of the UE transmitter to set its initial output power to a specific value at the start of a contiguous transmission or non-contiguous transmission with a long transmission gap, i.e. transmission gap is larger than 20ms.

6.3.4.2.2 Test applicability

This test case applies to all types of NR Power Class 1 release 15 and forward.

This test case applies to all types of NR Power Class 2 and Power Class 3 UE release 15 and forward that don't support Tx diversity.

6.3.4.2.3 Minimum conformance requirements

The absolute power tolerance is the ability of the UE transmitter to set its initial output power to a specific value for the first sub-frame(1ms) at the start of a contiguous transmission or non-contiguous transmission with a transmission gap larger than 20ms. The tolerance includes the channel estimation error.

The minimum requirement specified in Table 6.3.4.2.3-1 apply in the power range bounded by the minimum output power as specified in sub-clause 6.3.1 and the maximum output power as specified in sub-clause 6.2.1.

Table 6.3.4.2.3-1: Absolute power tolerance

Conditions	Tolerance
Normal	± 9.0 dB

The normative reference for this requirement is TS 38.101-1 [2] clause 6.3.4.2

6.3.4.2.4 Test description

6.3.4.2.4.1 Initial conditions

Initial conditions are a set of test configurations the UE needs to be tested in and the steps for the SS to take with the UE to reach the correct measurement state.

The initial test configurations consist of environmental conditions, test frequencies, test channel bandwidths and sub-carrier spacing based on NR operating bands specified in table 5.3.5-1. All of these configurations shall be tested with applicable test parameters for each combination of test channel bandwidth and sub-carrier spacing, and are shown in clause 6.2D.3.4.1 for NS_03, NS_03U, NS_04 and NS_35. The details of the uplink reference measurement channels (RMCs) are specified in Annexes A.2. Configurations of PDSCH and PDCCH before measurement are specified in Annex C.2.

Table 6.3.4.2.4.1-1: Test Configuration Table

Initial Conditions				
Test Environment as specified in TS 38.508-1 [5] subclause 4.1			Normal	
Test Frequencies as specified in TS 38.508-1 [5] subclause 4.3.1			Mid range (NOTE 2)	
Test Channel Bandwidths as specified in TS 38.508-1 [5] subclause 4.3.1			Lowest, Mid, Highest	
Test SCS as specified in Table 5.3.5-1			Lowest, Highest	
Test Parameters				
Test ID	Downlink Configuration		Uplink Configuration	
	Modulation	RB allocation	Modulation	RB allocation (NOTE 1)
1	N/A for Absolute power tolerance test case		CP-OFDM QPSK	Outer_Full
NOTE 1: The specific configuration of each RF allocation is defined in Table 6.1-1.				
NOTE 2: For NR band n28, 30MHz test channel bandwidth is tested with Low range test frequencies.				

1. Connect the SS to the UE antenna connectors as shown in TS 38.508-1 [5] Annex A, Figure A.3.1.1.1 for TE diagram and section A.3.2 for UE diagram.
2. The parameter settings for the cell are set up according to TS 38.508-1 [5] subclause 4.4.3.
3. Downlink signals are initially set up according to Annex C.0, C.1, C.2, and uplink signals according to Annex G.0, G.1, G.2, G.3.0.
4. The UL Reference Measurement Channel is set according to Table 6.3.4.2.4.1-1.
5. Propagation conditions are set according to Annex B.0.
6. Ensure the UE is in state RRC_CONNECTED with generic procedure parameters Connectivity *NR*, Connected without release *On*, Test Mode *On* and Test Loop Function *On* according to TS 38.508-1 [5] clause 4.5. Message contents are defined in clause 6.3.4.2.4.3. Note that PDCCH DCI format 0_1 sent after resetting uplink power with RRC Connection Reconfiguration, should have TPC command 0dB.

6.3.4.2.4.2 Test procedure

1. SS sends uplink scheduling information for each UL HARQ process via PDCCH DCI format 0_1 with TPC command 0dB for C_RNTI to schedule the UL RMC according to Table 6.3.4.2.4.1-1. Since the UE has no payload and no loopback data to send the UE sends uplink MAC padding bits on the UL RMC.
2. Measure the initial output power of the first sub-frame (1ms) of UE PUSCH first transmission.
3. Repeat for the two test points as indicated in section 6.3.4.2.4.3. The timing of the execution between the two test points shall be larger than 20ms.

6.3.4.2.4.3 Message contents

Message contents are according to TS 38.508-1 [5] subclause 4.6 with the following exceptions:

Table 6.3.4.2.4.3-1: UplinkPowerControlCommon: Test point 1

Derivation Path: TS 38.508-1 [5] subclause 4.6.3 Table 4.6.3-119 PUSCH-ConfigCommon			
Information Element	Value/remark	Comment	Condition
PUSCH-ConfigCommon ::= SEQUENCE {			
p0-NominalWithGrant	-114	Test point 1 to verify a UE relative low initial power transmission	
}			

Table 6.3.4.2.4.3-2: UplinkPowerControlCommon: Test point 2

Derivation Path: TS 38.508-1 [5] subclause 4.6.3 Table 4.6.3-119 PUSCH-ConfigCommon			
Information Element	Value/remark	Comment	Condition
PUSCH-ConfigCommon ::= SEQUENCE {			
p0-NominalWithGrant	-100	Test point 2 to verify a UE relative high initial power transmission	
}			

Table 6.3.4.2.4.3-3: Void

Table 6.3.4.2.4.3-4: ServingCellConfigCommon

Derivation Path: 38.508-1[5], Table 4.6.3-168			
Information Element	Value/remark	Comment	Condition
ServingCellConfigCommon ::= SEQUENCE {			
ss-PBCH-BlockPower	18		SCS_15kHz
	21		SCS_30kHz
}			

Condition	Explanation
SCS_15kHz	SCS=15kHz for SS/PBCH block
SCS_30kHz	SCS=30kHz for SS/PBCH block

6.3.4.2.5 Test requirement

The requirement for the power measured in step (2) of the test procedure is not to exceed the values specified in Table 6.3.4.2.5-1 and 6.3.4.2.5-2.

Table 6.3.4.2.5-1: Absolute power tolerance: test point 1

		Channel bandwidth / expected output power (dBm)														
		5 MHz	10 MHz	15 MHz	20 MHz	25 MHz	30 MHz	35 MHz	40 MHz	45 MHz	50 MHz	60 MHz	70 MHz	80 MHz	90 MHz	100 MHz
Expected Measured power	SCS15	-17.6	-14.4	-12.6	-11.3	-10.4	-9.6	-8.9	-8.3	-7.8	-7.3	N/A	N/A	N/A	N/A	N/A
	SCS30	-18.2	-14.8	-12.8	-11.5	-10.5	-9.7	-9	-8.3	-7.8	-7.4	-6.5	-5.8	-5.2	-4.7	-4.2
	SCS60	N/A	-15.2	-13	-11.8	-10.7	-9.8	-9.1	-8.5	-7.9	-7.5	-6.6	-5.9	-5.3	-4.8	-4.3
Power tolerance		± (9+TT)dB														

Note 1: The lower power limit shall not exceed the minimum output power requirements defined in sub-clause 6.3.2.3

Note 2: TT for each duplex, Sub-Carrier Spacing, frequency and channel bandwidth is specified in Table 6.3.4.2.5-3.

Table 6.3.4.2.5-2: Absolute power tolerance: test point 2

Channel bandwidth / expected output power (dBm)

		5 MHz	10 MHz	15 MHz	20 MHz	25 MHz	30 MHz	35 MHz	40 MHz	45 MHz	50 MHz	60 MHz	70 MHz	80 MHz	90 MHz	100 MHz
Expected Measured power	SCS15	-3.6	-0.4	1.4	2.7	3.6	4.4	5.1	5.7	6.2	6.7	N/A	N/A	N/A	N/A	N/A
	SCS30	-4.2	-0.8	1.2	2.5	3.5	4.3	5	5.7	6.2	6.6	7.5	8.2	8.8	9.3	9.8
	SCS60	N/A	-1.2	1	2.2	3.3	4.2	4.9	5.5	6.1	6.5	7.4	8.1	8.7	9.2	9.7
Power tolerance		$\pm (9+TT)$ dB														
Note 1:		The higher power limit shall not exceed the maximum output power requirements defined in sub-clause 6.2.1.3														
Note 2:		TT for each duplex, Sub-Carrier Spacing, frequency and channel bandwidth is specified in Table 6.3.4.2.5-3.														

Table 6.3.4.2.5-3: Test Tolerance

	$f \leq 3.0\text{GHz}$	$3.0\text{GHz} < f \leq 4.2\text{GHz}$	$4.2\text{GHz} < f \leq 6.0\text{GHz}$
$BW \leq 40\text{MHz}$	1.0 dB	1.4 dB	1.4 dB
$40\text{MHz} < BW \leq 100\text{MHz}$	1.4 dB	1.4 dB	1.4 dB

6.3.4.3 Relative power tolerance

6.3.4.3.1 Test purpose

To verify the ability of the UE transmitter to set its output power in a target sub-frame(1ms) relatively to the power of the most recently transmitted reference sub-frame if the transmission gap between these sub-frames is less than or equal to 20ms.

6.3.4.3.2 Test applicability

This test case applies to all types of NR Power Class 1 release 15 and forward.

This test case applies to all types of NR Power Class 2 and Power Class 3 UE release 15 and forward that don't support Tx diversity.

6.3.4.3.3 Minimum conformance requirement

The UE shall meet the requirements specified in Table 6.3.4.3.3-1.

The minimum requirements specified in Table 6.3.4.3.3-1 apply when the power of the target and reference sub-frames are within the power range bounded by the minimum output power as defined in sub-clause 6.3.1 and the measured P_{UMAX} as defined in sub-clause 6.2.1.

To account for RF Power amplifier mode changes, 2 exceptions are allowed for each of two test patterns. The test patterns are a monotonically increasing power sweep and a monotonically decreasing power sweep over a range bounded by the requirements of minimum power and maximum power specified in subclauses 6.3.1 and 6.2.1, respectively. For those exceptions, the power tolerance limit is a maximum of ± 6.0 dB in Table 6.3.4.3.3-1.

Table 6.3.4.3.3-1: Relative Power Tolerance

Power step ΔP (Up or down) (dB)	All combinations of PUSCH and PUCCH transitions (dB)	All combinations of PUSCH/PUCCH and SRS transitions between sub-frames (dB)	PRACH (dB)
$\Delta P < 2$	± 2.0 (NOTE)	± 2.5	± 2.0
$2 \leq \Delta P < 3$	± 2.5	± 3.5	± 2.5
$3 \leq \Delta P < 4$	± 3.0	± 4.5	± 3.0
$4 \leq \Delta P \leq 10$	± 3.5	± 5.5	± 3.5
$10 \leq \Delta P < 15$	± 4.0	± 7.0	± 4.0
$15 \leq \Delta P$	± 5.0	± 8.0	± 5.0
NOTE: For PUSCH to PUSCH transitions with the allocated resource blocks fixed in frequency and no transmission gaps other than those generated			

by downlink subframes, DwPTS fields or Guard Periods: for a power step $\Delta P \leq 1$ dB, the relative power tolerance for transmission is ± 0.7 dB.

The normative reference for this requirement is TS 38.101-1 [2] clause 6.3.4.3.

6.3.4.3.4 Test description

6.3.4.3.4.1 Initial conditions

Initial conditions are a set of test configurations the UE needs to be tested in and the steps for the SS to take with the UE to reach the correct measurement state.

The initial test configurations consist of environmental conditions, test frequencies, test channel bandwidths and sub-carrier spacing based on NR operating bands specified in table 5.3.5-1. All of these configurations shall be tested with applicable test parameters for each combination of test channel bandwidth and sub-carrier spacing, and are shown in table 6.3.4.3.4.1-1. The details of the uplink reference measurement channels (RMCs) are specified in Annexes A.2. Configurations of PDSCH and PDCCH before measurement are specified in Annex C.2.

Table 6.3.4.3.4.1-1: Test Configuration Table

Initial Conditions				
Test Environment as specified in TS 38.508-1 [5] subclause 4.3.1			Normal	
Test Frequencies as specified in TS 38.508-1 [5] subclause 4.3.1			Low range	
Test Channel Bandwidths as specified in TS 38.508-1 [5] subclause 4.3.1			Lowest, Mid, Highest	
Test SCS as specified in TS 38.508-1 [5] subclause 4.3.1			Lowest, Highest	
Test Parameters				
Ch BW	Downlink Configuration		Uplink Configuration	
	Modulation	RB Allocation	Modulation	RB allocation (NOTE 1)
5MHz	N/A for Relative power tolerance test case		DFT-s-OFDM QPSK	See Table 6.3.4.3.5-1 See Table 6.3.4.3.5-2 See Table 6.3.4.3.5-7
10MHz			DFT-s-OFDM QPSK	See Table 6.3.4.3.5-3 See Table 6.3.4.3.5-4 See Table 6.3.4.3.5-7
15MHz			DFT-s-OFDM QPSK	See Table 6.3.4.3.5-3 See Table 6.3.4.3.5-4 See Table 6.3.4.3.5-7
20MHz			DFT-s-OFDM QPSK	See Table 6.3.4.3.5-3 See Table 6.3.4.3.5-4 See Table 6.3.4.3.5-7
25MHz			DFT-s-OFDM QPSK	See Table 6.3.4.3.5-3 See Table 6.3.4.3.5-4 See Table 6.3.4.3.5-7
30MHz			DFT-s-OFDM QPSK	See Table 6.3.4.3.5-3 See Table 6.3.4.3.5-4 See Table 6.3.4.3.5-7
35MHz			DFT-s-OFDM QPSK	See Table 6.3.4.3.5-3 See Table 6.3.4.3.5-4 See Table 6.3.4.3.5-7
40MHz			DFT-s-OFDM QPSK	See Table 6.3.4.3.5-3 See Table 6.3.4.3.5-4 See Table 6.3.4.3.5-7
45MHz			DFT-s-OFDM QPSK	See Table 6.3.4.3.5-3 See Table 6.3.4.3.5-4 See Table 6.3.4.3.5-7
50MHz			DFT-s-OFDM QPSK	See Table 6.3.4.3.5-3 See Table 6.3.4.3.5-4 See Table 6.3.4.3.5-7
60MHz			DFT-s-OFDM QPSK	See Table 6.3.4.3.5-5 See Table 6.3.4.3.5-6

		See Table 6.3.4.3.5-7
70MHz	DFT-s-OFDM QPSK	See Table 6.3.4.3.5-5 See Table 6.3.4.3.5-6 See Table 6.3.4.3.5-7
80MHz	DFT-s-OFDM QPSK	See Table 6.3.4.3.5-5 See Table 6.3.4.3.5-6 See Table 6.3.4.3.5-7
90MHz	DFT-s-OFDM QPSK	See Table 6.3.4.3.5-5 See Table 6.3.4.3.5-6 See Table 6.3.4.3.5-7
100MHz	DFT-s-OFDM QPSK	See Table 6.3.4.3.5-5 See Table 6.3.4.3.5-6 See Table 6.3.4.3.5-7
Note 1: The starting resource block shall be RB# 0		

1. Connect the SS to the UE antenna connectors as shown in TS 38.508-1 [5] Annex A, Figure A.3.1.1.1 for TE diagram and section A.3.2 for UE diagram.
2. The parameter settings for the cell are set up according to TS 38.508-1 [5] subclause 4.4.3.
3. Downlink signals are initially set up according to Annex C.0, C.1, C.2, and uplink signals according to Annex G.0, G.1, G.2, G.3.0.
4. The UL Reference Measurement Channel is set according to Table 6.3.4.3.4.1-1.
5. Propagation conditions are set according to Annex B.0.
6. Ensure the UE is in state RRC_CONNECTED with generic procedure parameters Connectivity NR, Connected without release *On*, Test Mode *On* and Test Loop Function *On* according to TS 38.508-1 [5] clause 4.5 Message contents are defined in clause 6.3.4.3.4.3.

6.3.4.3.4.2 Test procedure

The procedure is separated in various subtests to verify different aspects of relative power control. The power patterns of the subtests are described in figure 6.3.4.3.4.2-1 thru figure 6.3.4.3.4.2-5.

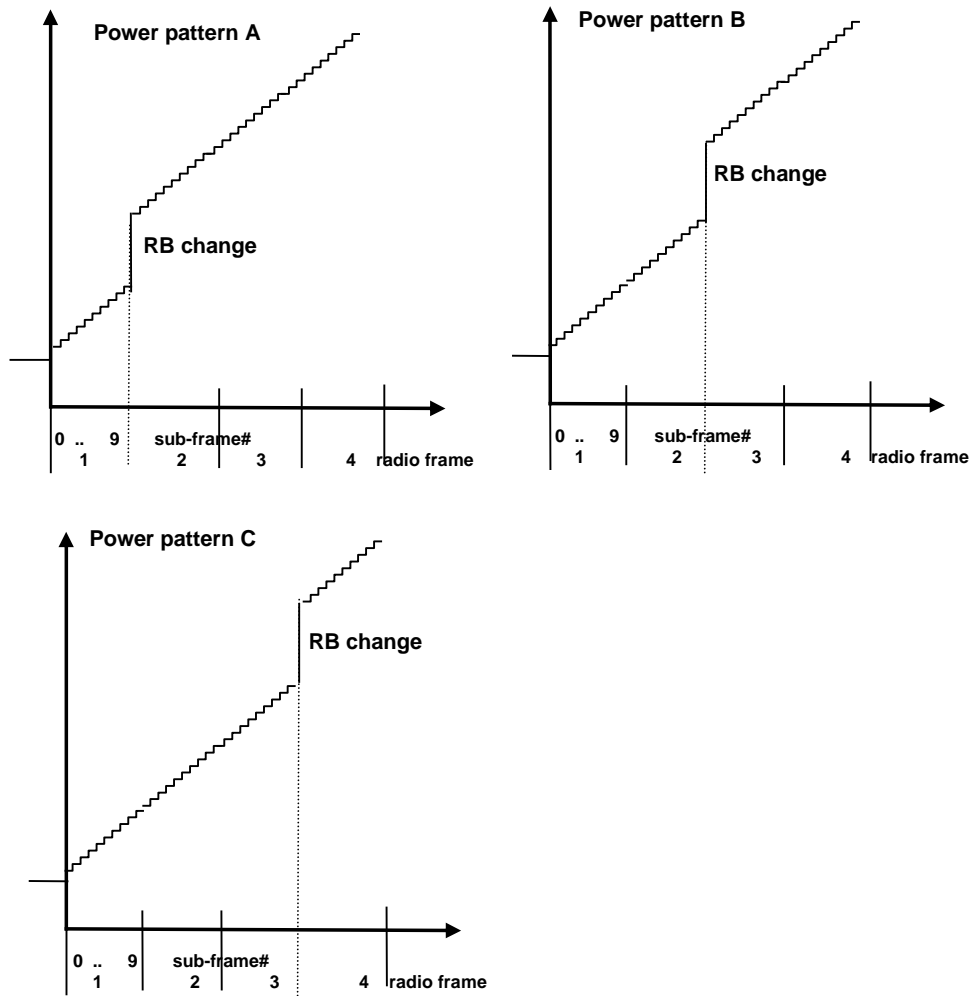


Figure 6.3.4.3.4.2-1: FDD ramping up test power patterns

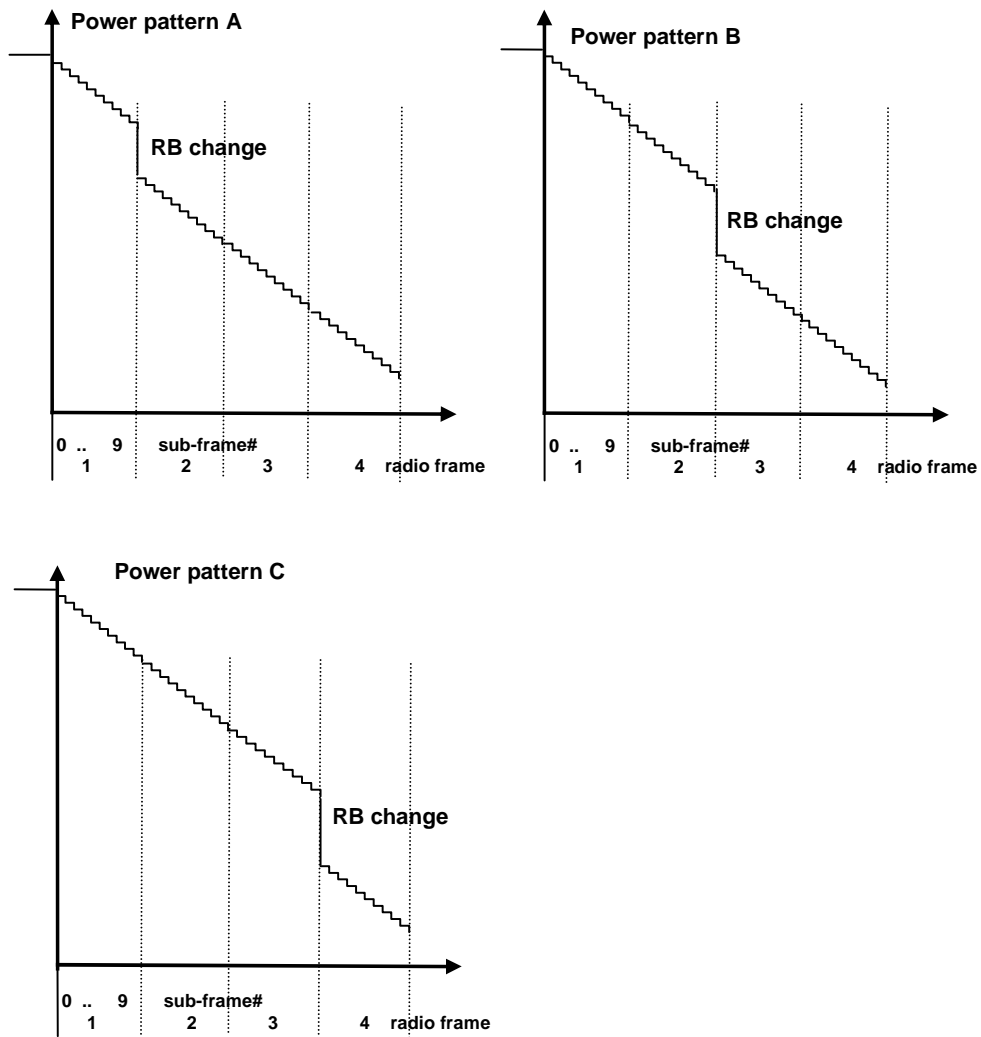


Figure 6.3.4.3.4.2-2: FDD ramping down test power patterns

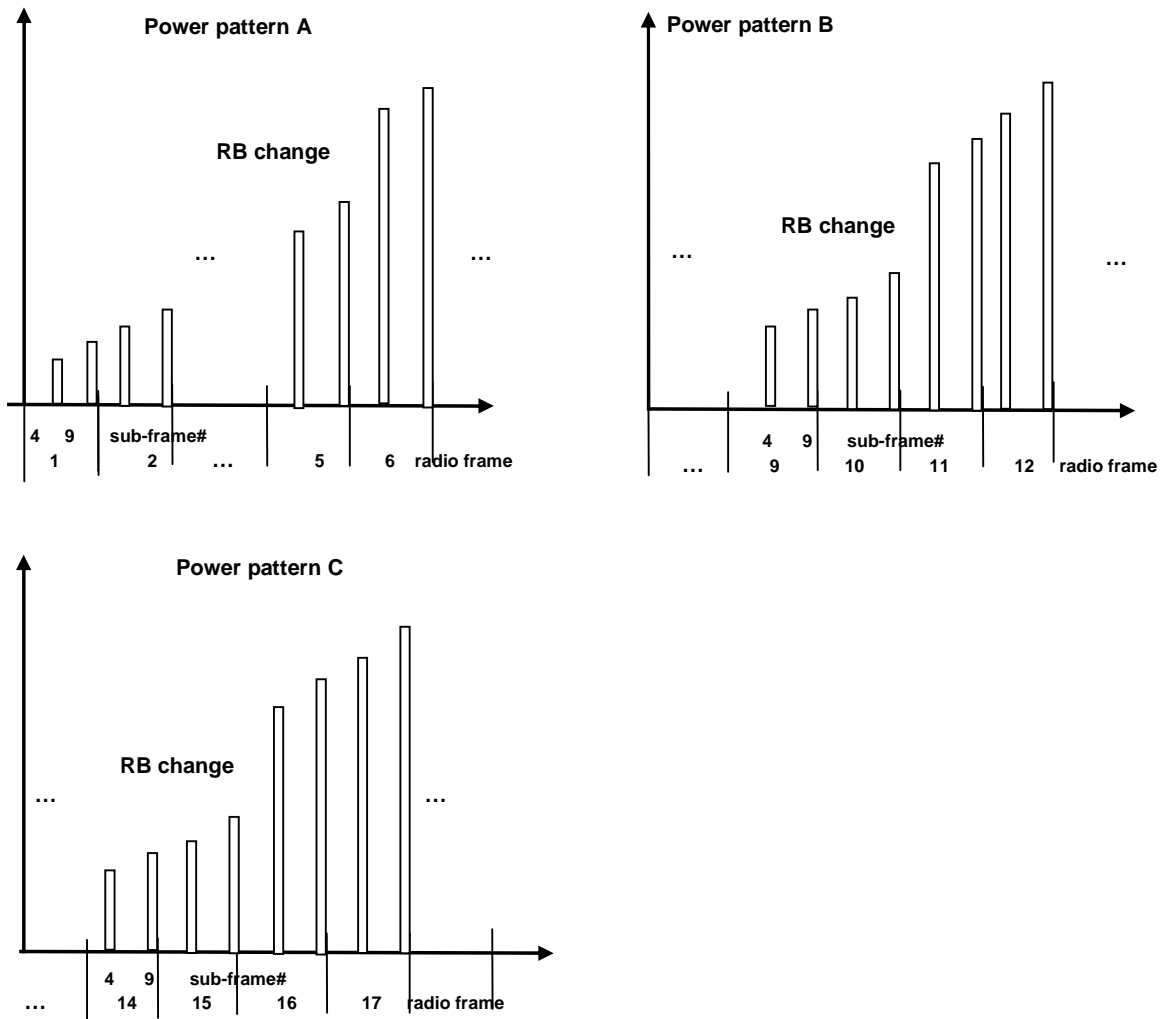


Figure 6.3.4.3.4.2-3: TDD ramping up test power patterns

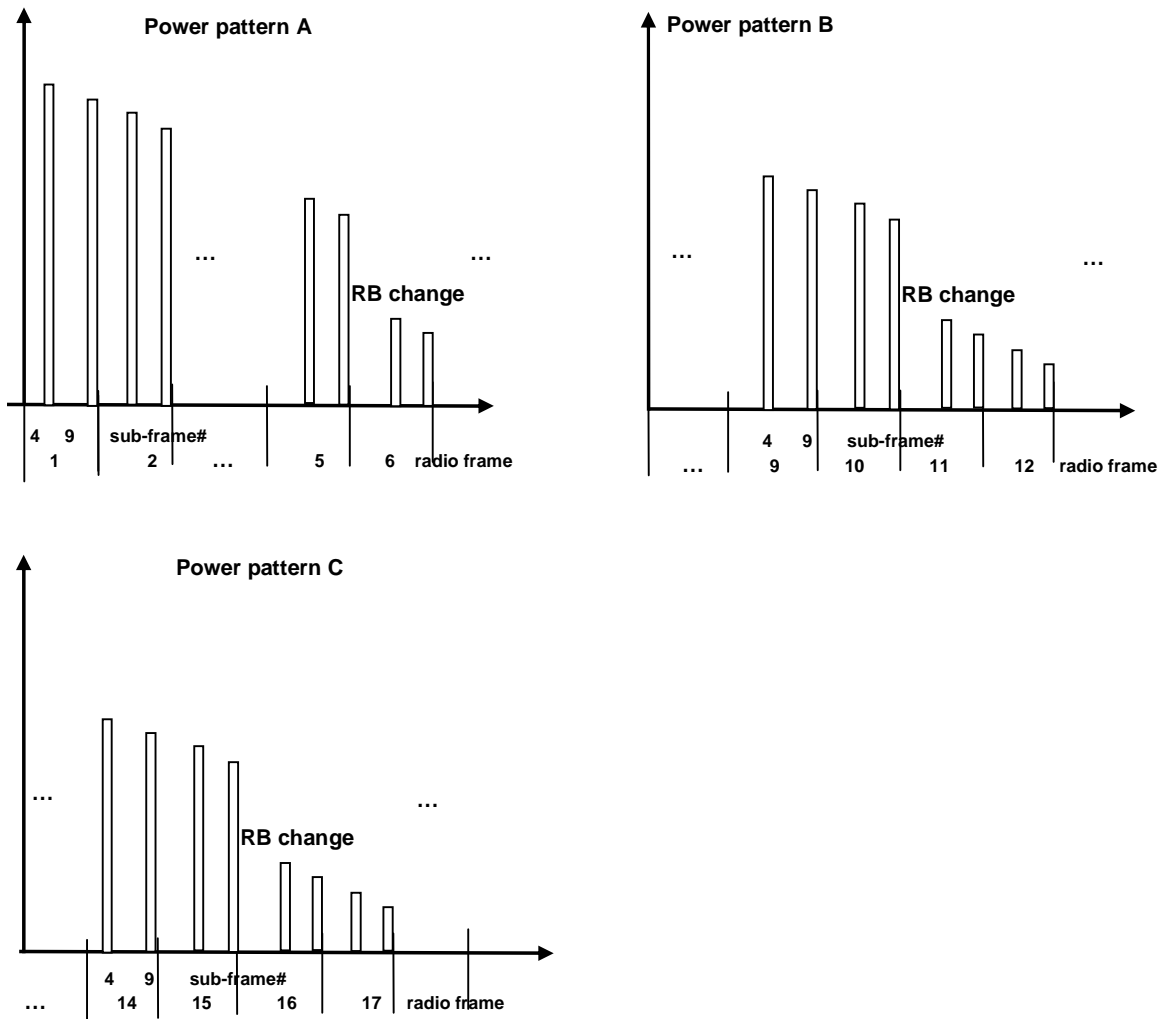


Figure 6.3.4.3.4.2-4: TDD ramping down test power patterns

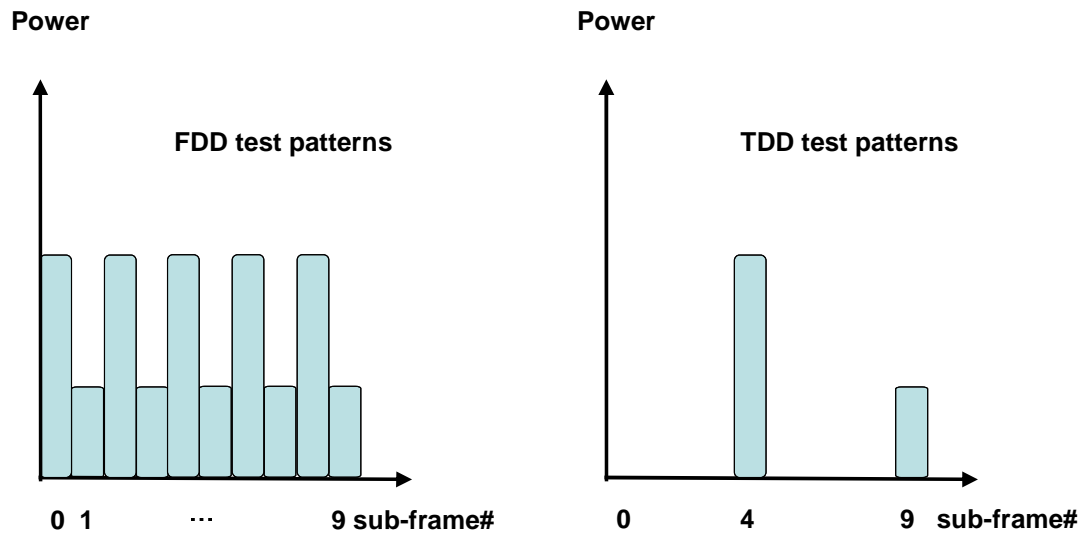


Figure 6.3.4.3.4.2-5: Alternating Test Power patterns

1. Sub test: ramping up pattern

- 1.1. SS sends uplink scheduling information for each UL HARQ process via PDCCH DCI format 0_1 for C_RNTI to schedule the UL RMC according to Table 6.3.4.3.4.1-1. Since the UE has no payload and no loopback data to send the UE sends uplink MAC padding bits on the UL RMC. Send uplink power control commands to the UE using 1dB power step size to ensure that the UE output power measured by the test system is within the Uplink power control window, defined as +MU to +(MU + Uplink power control window size) dB of the target power level -33 dBm, where:
 - MU is the test system uplink power measurement uncertainty and is specified in Table F.1.2-1 for the carrier frequency f and the channel bandwidth BW.
 - Uplink power control window size = 1dB (UE power step size) + 0.7dB (UE power step tolerance) + (Test system relative power measurement uncertainty), where, the UE power step tolerance is specified in TS 38.101-1 [2], Table 6.3.4.3-1 and is 0.7dB for 1dB power step size, and the Test system relative power measurement uncertainty is specified in Table F.1.2-1.
- 1.2. Schedule the UE's PUSCH data transmission as described in Figure 6.3.4.3.4.2-1 (FDD pattern A: sub-test is divided in 4 arbitrary radio frames with 10 active uplink sub-frames per radio frame) and Figure 6.3.4.3.4.2-3 (TDD pattern A: sub-test is divided in 20 arbitrary radio frames with 2 active uplink sub-frames per radio frame). Uplink RB allocation as defined in table 6.3.4.3.5-1/6.3.4.3.5-3/ 6.3.4.3.5-5 depending on channel bandwidth. On the PDCCH format 0_1 for the scheduling of the PUSCH the SS will transmit a +1dB TPC command for every first slot in a sub-frame. Note that the measurement need not be done continuously, provided that interruptions are whole numbers of frames, and TPC commands of 0dB are sent during the interruption.
- 1.3. Measure the power of PUSCH transmissions to verify the UE relative power control meet test requirements 6.3.4.3.5. For power transients between sub-frames, transient periods of 20us between sub-frames are excluded.
- 1.4. Repeat the subtest different pattern B, C to move the RB allocation change at different points in the pattern as described in Table 6.3.4.3.5-1/6.3.4.3.5-3/ 6.3.4.3.5-5 to force bigger UE power steps at various points in the power range.

NOTE: The purpose of the Uplink power control window is to ensure that the actual UE output power is no less than the target power level, and as close as possible to the target power level. The relationship between the Uplink power control window, the target power level and the corresponding possible actual UE Uplink power window is illustrated in Annex F, clause F.4.2.

2. Sub test: ramping down pattern

- 2.1. SS sends uplink scheduling information for each UL HARQ process via PDCCH DCI format 0_1 for C_RNTI to schedule the UL RMC according to Table 6.3.4.3.4.1-1. Send uplink power control commands to the UE using 1dB power step size to ensure that the UE output power measured by the test system is within the Uplink power control window, defined as $-(MU + \text{Uplink power control window size})$ to $-MU$ dB of the target power level 20.7 dBm, where:
 - MU is the test system uplink power measurement uncertainty and is specified in Table F.1.2-1 for the carrier frequency f and the channel bandwidth BW.
 - Uplink power control window size is same as defined in step 1.1.
- 2.2. Schedule the UE's PUSCH data transmission as described in Figure 6.3.4.3.4.2-2 (FDD pattern A: sub-test is divided in 4 arbitrary radio frames with 10 active uplink slots per radio frame) and Figure 6.3.4.3.4.2-4 (TDD pattern A: sub-test is divided in 20 arbitrary radio frames with 2 active uplink sub-frames per radio frame). Uplink RB allocation as defined in table 6.3.4.3.5-2/6.3.4.3.5-4/ 6.3.4.3.5-6 depending on channel bandwidth. On the PDCCH format 0_1 for the scheduling of the PUSCH the SS will transmit a -1dB TPC command for every first slot in a sub-frame. Note that the measurement need not be done continuously, provided that interruptions are whole numbers of frames, and TPC commands of 0dB are sent during the interruption.
- 2.3. Measure the power of PUSCH transmissions to verify the UE relative power control meet test requirements 6.3.4.4.5. For power transients between sub-frames, transient periods of 20us between sub-frames are excluded.
- 2.4. Repeat the subtest different pattern B, C to move the RB allocation change at different points in the pattern as described in Table 6.3.4.3.5-2/6.3.4.3.5-4/ 6.3.4.3.5-6 to force bigger UE power steps at various points in the power range.

NOTE: The purpose of the Uplink power control window is to ensure that the actual UE output power is no greater than the target power level, and as close as possible to the target power level. The relationship between the Uplink power control window, the target power level and the corresponding possible actual UE Uplink power window is illustrated in Annex F, clause F.4.3.

3. Sub test: alternating pattern

- 3.1. SS sends uplink scheduling information for each UL HARQ process via PDCCH DCI format 0_1 for C_RNTI to schedule the UL RMC according to Table 6.3.4.3.4.1-1. Since the UE has no payload and no loopback data to send the UE sends uplink MAC padding bits on the UL RMC. Send uplink power control commands for PUSCH to the UE using 1dB power step size to ensure that the UE output power measured by the test system is within the Uplink power control window, defined as $-(\text{Uplink power control window size} / 2)$ dB to $+(\text{Uplink power control window size} / 2)$ dB of the target power level -10 dBm, where:
 - Uplink power control window size is same as defined in step 1.1.
- 3.2. Schedule the UE's PUSCH data transmission as described in Figure 6.3.5.2.4.2-5 for 10 sub-frames an uplink RB allocation alternating pattern as defined in table 6.3.4.3.5-7 while transmitting 0dB TPC command for PUSCH via the PDCCH.
- 3.3. Measure the power of PUSCH transmissions to verify the UE relative power control meet test requirements specified in clause 6.3.4.3.5. For power transients between sub-frames, transient periods of 20us between sub-frames are excluded.

NOTE: The purpose of the Uplink power control window is to ensure that the actual UE output power is as close as possible to the target power level. The relationship between the Uplink power control window, the target power level and the corresponding possible actual UE Uplink power window is illustrated in Annex F.4.4.

6.3.4.3.4.3 Message contents

Message contents are according to TS 38.508-1 [5] subclause 4.6 with the following exceptions:

Table 6.3.4.3.4.3-1: PUSCH-Config

Derivation Path: TS 38.508-1 [5], Table 4.6.3-118 with condition TRANSFORM_PRECODER_ENABLED

6.3.4.3.5 Test requirement

Each UE power step measured in the test procedure 6.3.4.3.4.2 should satisfy the test requirements specified in Table 6.3.4.3.5-1 thru 6.3.4.3.5-7.

To account for RF Power amplifier mode changes 2 exceptions are allowed for each of ramping up and ramping down test patterns. For these exceptions the power tolerance limit is a maximum of $\pm (6.0 + TT)$ dB. If there is an exception in the power step caused by the RB change for all test patterns (A, B, C) then fail the UE.

Table 6.3.4.3.5-1: Test Requirements Relative Power Tolerance for Transmission, channel BW 5MHz, ramp up sub-test

Test SCS [kHz]	Sub-test ID	Applicable sub-frames	Uplink RB allocation	TPC command	Expected power step size (Up) ΔP [dB]	Power step size range (Up) ΔP [dB]	PUSCH [dB]
15	1	Sub-frames before RB change	Fixed = 1	TPC=+1dB	1	$\Delta P \leq 1$ dB	1 +/- (0.7 + TT)
		RB change	1RB to 5 RBs	TPC=+1dB	7.99	$4\text{dB} \leq \Delta P < 10\text{dB}$	7.99 +/- (3.5 + TT)
		Sub-frames after RB change	Fixed = 5	TPC=+1dB	1	$\Delta P \leq 1$ dB	1 +/- (0.7 + TT)
	2	Sub-frames before RB change	Fixed = 1	TPC=+1dB	1	$\Delta P \leq 1$ dB	1 +/- (0.7 + TT)
		RB change	1RB to 15 RBs	TPC=+1dB	12.76	$10\text{dB} \leq \Delta P < 15\text{dB}$	12.76 +/- (4 + TT)
		Sub-frames after RB change	Fixed = 15	TPC=+1dB	1	$\Delta P \leq 1$ dB	1 +/- (0.7 + TT)
30	1	Sub-frames before RB change	Fixed = 1	TPC=+1dB	1	$\Delta P \leq 1$ dB	1 +/- (0.7 + TT)
		RB change	1RB to 5 RBs	TPC=+1dB	7.99	$4\text{dB} \leq \Delta P < 10\text{dB}$	7.99 +/- (3.5 + TT)
		Sub-frames after RB change	Fixed = 5	TPC=+1dB	1	$\Delta P \leq 1$ dB	1 +/- (0.7 + TT)
	2	Sub-frames before RB change	Fixed = 1	TPC=+1dB	1	$\Delta P \leq 1$ dB	1 +/- (0.7 + TT)
		RB change	1RB to 10 RBs	TPC=+1dB	11.00	$10\text{dB} \leq \Delta P < 15\text{dB}$	11.00 +/- (4 + TT)
		Sub-frames after RB change	Fixed = 10	TPC=+1dB	1	$\Delta P \leq 1$ dB	1 +/- (0.7 + TT)
Note 1: Position of RB change: Pattern A the position of RB uplink allocation change is after 10 active uplink Sub-frames Pattern B the position of RB uplink allocation change is after 20 active uplink Sub-frames Pattern C the position of RB uplink allocation change is after 30 active uplink Sub-frames Note 2: The starting resource block shall be RB# 0. Note 3: TT=0.7dB Note 4: Applicable if $P_{MAX} \geq P \geq P_{min}$. P_{min} as defined in sub-clause 6.3.1.							

Table 6.3.4.3.5-2: Test Requirements Relative Power Tolerance for Transmission, channel BW 5MHz, ramp down sub-test

Test SCS [kHz]	Sub-test ID	Applicable sub-frames	Uplink RB allocation	TPC command	Expected power step size (Down) ΔP [dB]	Power step size range (Down) ΔP [dB]	PUSCH [dB]
15	1	Sub-frames before RB change	Fixed = 5	TPC=-1dB	1	$\Delta P \leq 1 \text{ dB}$	1 +/- (0.7 + TT)
		RB change	5 RBs to 1 RB	TPC=-1dB	7.99	$4\text{dB} \leq \Delta P < 10\text{dB}$	7.99 +/- (3.5 + TT)
		Sub-frames after RB change	Fixed = 1	TPC=-1dB	1	$\Delta P \leq 1 \text{ dB}$	1 +/- (0.7 + TT)
	2	Sub-frames before RB change	Fixed = 15	TPC=-1dB	1	$\Delta P \leq 1 \text{ dB}$	1 +/- (0.7 + TT)
		RB change	15 RBs to 1 RB	TPC=-1dB	12.76	$10\text{dB} \leq \Delta P < 15\text{dB}$	12.76 +/- (3.5 + TT)
		Sub-frames after RB change	Fixed = 1	TPC=-1dB	1	$\Delta P \leq 1 \text{ dB}$	1 +/- (0.7 + TT)
30	1	Sub-frames before RB change	Fixed = 5	TPC=-1dB	1	$\Delta P \leq 1 \text{ dB}$	1 +/- (0.7 + TT)
		RB change	5 RBs to 1 RB	TPC=-1dB	7.99	$4\text{dB} \leq \Delta P < 10\text{dB}$	7.99 +/- (3.5 + TT)
		Sub-frames after RB change	Fixed = 1	TPC=-1dB	1	$\Delta P \leq 1 \text{ dB}$	1 +/- (0.7 + TT)
	2	Sub-frames before RB change	Fixed = 10	TPC=-1dB	1	$\Delta P \leq 1 \text{ dB}$	1 +/- (0.7 + TT)
		RB change	10 RBs to 1 RB	TPC=-1dB	11.00	$10\text{dB} \leq \Delta P < 15\text{dB}$	11.00 +/- (4 + TT)
		Sub-frames after RB change	Fixed = 1	TPC=-1dB	1	$\Delta P \leq 1 \text{ dB}$	1 +/- (0.7 + TT)
<p>Note 1: Position of RB change: Pattern A the position of RB uplink allocation change is after 10 active uplink Sub-frames Pattern B the position of RB uplink allocation change is after 20 active uplink Sub-frames Pattern C the position of RB uplink allocation change is after 30 active uplink Sub-frames</p> <p>Note 2: The starting resource block shall be RB# 0.</p> <p>Note 3: TT=0.7dB</p> <p>Note 4: Applicable if $P_{UMAX} \geq P \geq P_{min}$. P_{min} as defined in sub-clause 6.3.1.</p>							

Table 6.3.4.3.5-3: Test Requirements Relative Power Tolerance for Transmission, channel BW 10MHz, 15MHz, 20MHz, 25MHz, 30MHz, 35MHz, 40MHz, 45MHz, 50MHz ramp up sub-test

Test SCS [kHz]	Sub-test ID	Applicable sub-frames	Uplink RB allocation	TPC command	Expected power step size (Up) ΔP [dB]	Power step size range (Up) ΔP [dB]	PUSCH [dB]
	1	Subframes before RB change	1RB	TPC=+1dB	1	$\Delta P \leq 1 \text{ dB}$	1 +/- (0.7 + TT)
		RB change	1RB to 5 RBs	TPC=+1dB	7.99	$4\text{dB} \leq \Delta P < 10\text{dB}$	7.99 +/- (3.5 + TT)
		Subframes after RB change	Fixed = 5	TPC=+1dB	1	$\Delta P \leq 1 \text{ dB}$	1 +/- (0.7 + TT)
		Subframes before RB change	1RB	TPC=+1dB	1	$\Delta P \leq 1 \text{ dB}$	1 +/- (0.7 + TT)

15	2	RB change	1RB to 20 RBs	TPC=+1dB	14.01	10dB ≤ ΔP < 15dB	14.01 +/- (4 + TT)
		Subframes after RB change	Fixed = 20	TPC=+1dB	1	ΔP ≤ 1 dB	1 +/-0.7 + TT
	3	Subframes before RB change	1RB	TPC=+1dB	1	ΔP ≤ 1 dB	1 +/- (0.7 + TT)
		RB change	1RB to 50 RBs	TPC=+1dB	17.99	15dB ≤ ΔP	17.99 +/- (5 + TT)
		Subframes after RB change	Fixed = 50	TPC=+1dB	1	ΔP ≤ 1 dB	1 +/- (0.7 + TT)
30	1	Subframes before RB change	1RB	TPC=+1dB	1	ΔP ≤ 1 dB	1 +/- (0.7 + TT)
		RB change	1RB to 5 RBs	TPC=+1dB	7.99	4dB ≤ ΔP < 10dB	7.99 +/- (3.5 + TT)
		Subframes after RB change	Fixed = 5	TPC=+1dB	1	ΔP ≤ 1 dB	1 +/- (0.7 + TT)
	2	Subframes before RB change	1RB	TPC=+1dB	1	ΔP ≤ 1 dB	1 +/-0.7 + TT
		RB change	1RB to 24 RBs	TPC=+1dB	14.80	10dB ≤ ΔP < 15dB	14.80+/- (4 + TT)
		Subframes after RB change	Fixed = 24	TPC=+1dB	1	ΔP ≤ 1 dB	1 +/- (0.7 + TT)
60	1	Subframes before RB change	1RB	TPC=+1dB	1	ΔP ≤ 1 dB	1 +/-0.7 + TT
		RB change	1RB to 5 RBs	TPC=+1dB	7.99	4dB ≤ ΔP < 10dB	7.99 +/- (3.5 + TT)
		Subframes after RB change	Fixed = 5	TPC=+1dB	1	ΔP ≤ 1 dB	1 +/- (0.7 + TT)
	2	Subframes before RB change	1RB	TPC=+1dB	1	ΔP ≤ 1 dB	1 +/- (0.7 + TT)
		RB change	1RB to 10 RBs	TPC=+1dB	11.00	10dB ≤ ΔP < 15dB	11.00 +/- (4 + TT)
		Subframes after RB change	Fixed = 10	TPC=+1dB	1	ΔP ≤ 1 dB	1 +/- (0.7 + TT)
<p>Note 1: Position of RB change: Pattern A the position of RB uplink allocation change is after 10 active uplink Subframes. Pattern B the position of RB uplink allocation change is after 20 active uplink Subframes. Pattern C the position of RB uplink allocation change is after 30 active uplink Subframes.</p> <p>Note 2: The starting resource block shall be RB# 0.</p> <p>Note 3: TT=0.7dB</p> <p>Note 4: Applicable if PUMAX ≥ P ≥ Pmin. Pmin as defined in sub-clause 6.3.1.</p>							

Table 6.3.4.3.5-4: Test Requirements Relative Power Tolerance for Transmission, channel BW 10MHz, 15MHz, 20MHz, 25MHz, 30MHz, 35MHz, 40MHz, 45MHz, 50MHz ramp down sub-test

Test SCS [kHz]	Sub-test ID	Applicable sub-frames	Uplink RB allocation	TPC command	Expected power step size (Down) ΔP [dB]	Power step size range (Down) ΔP [dB]	PUSCH [dB]
	1	Subframes before RB change	Fixed = 5	TPC=-1dB	1	ΔP ≤ 1 dB	1 +/- (0.7 + TT)
		RB change	5 RBs to 1RBs	TPC=-1dB	7.99	4dB ≤ ΔP < 10dB	7.99 +/- (3.5 + TT)
		Subframes after RB change	Fixed = 1	TPC=-1dB	1	ΔP ≤ 1 dB	1 +/- (0.7 + TT)
		Subframes before RB change	Fixed = 20	TPC=-1dB	1	ΔP ≤ 1 dB	1 +/- (0.7 + TT)

15	2	RB change	20 RBs to 1 RB	TPC=-1dB	14.01	$10\text{dB} \leq \Delta P < 15\text{dB}$	$14.01 \text{ +/- } (4 + \text{TT})$
		Subframes after RB change	Fixed = 1	TPC=-1dB	1	$\Delta P \leq 1 \text{ dB}$	$1 \text{ +/- } (0.7 + \text{TT})$
	3	Subframes before RB change	Fixed = 50	TPC=-1dB	1	$\Delta P \leq 1 \text{ dB}$	$1 \text{ +/- } (0.7 + \text{TT})$
		RB change	50 RBs to 1 RB	TPC=-1dB	17.99	$15\text{dB} \leq \Delta P$	$17.99 \text{ +/- } (5 + \text{TT})$
		Subframes after RB change	Fixed = 1	TPC=-1dB	1	$\Delta P \leq 1 \text{ dB}$	$1 \text{ +/- } (0.7 + \text{TT})$
30	1	Subframes before RB change	Fixed = 5	TPC=-1dB	1	$\Delta P \leq 1 \text{ dB}$	$1 \text{ +/- } 0.7 + \text{TT}$
		RB change	5 RBs to 1 RB	TPC=-1dB	7.99	$4\text{dB} \leq \Delta P < 10\text{dB}$	$7.99 \text{ +/- } (3.5 + \text{TT})$
		Subframes after RB change	Fixed = 1	TPC=-1dB	1	$\Delta P \leq 1 \text{ dB}$	$1 \text{ +/- } (0.7 + \text{TT})$
	2	Subframes before RB change	Fixed = 24	TPC=-1dB	1	$\Delta P \leq 1 \text{ dB}$	$1 \text{ +/- } 0.7 + \text{TT}$
		RB change	24 RBs to 1 RB	TPC=-1dB	14.80	$10\text{dB} \leq \Delta P < 15\text{dB}$	$14.80 \text{ +/- } (4 + \text{TT})$
		Subframes after RB change	Fixed = 1	TPC=-1dB	1	$\Delta P \leq 1 \text{ dB}$	$1 \text{ +/- } (0.7 + \text{TT})$
60	1	Subframes before RB change	Fixed = 5	TPC=-1dB	1	$\Delta P \leq 1 \text{ dB}$	$1 \text{ +/- } (0.7 + \text{TT})$
		RB change	5 RBs to 1 RB	TPC=-1dB	7.99	$4\text{dB} \leq \Delta P < 10\text{dB}$	$7.99 \text{ +/- } (3.5 + \text{TT})$
		Subframes after RB change	Fixed = 1	TPC=-1dB	1	$\Delta P \leq 1 \text{ dB}$	$1 \text{ +/- } (0.7 + \text{TT})$
	2	Subframes before RB change	Fixed = 10	TPC=-1dB	1	$\Delta P \leq 1 \text{ dB}$	$1 \text{ +/- } 0.7 + \text{TT}$
		RB change	10 RBs to 1 RB	TPC=-1dB	11.00	$10\text{dB} \leq \Delta P < 15\text{dB}$	$11.00 \text{ +/- } (4 + \text{TT})$
		Subframes after RB change	Fixed = 1	TPC=-1dB	1	$\Delta P \leq 1 \text{ dB}$	$1 \text{ +/- } (0.7 + \text{TT})$
<p>Note 1: Position of RB change: Pattern A the position of RB uplink allocation change is after 10 active uplink Subframes. Pattern B the position of RB uplink allocation change is after 20 active uplink Subframes. Pattern C the position of RB uplink allocation change is after 30 active uplink Subframes.</p> <p>Note 2: The starting resource block shall be RB# 0.</p> <p>Note 3: TT=0.7dB</p> <p>Note 4: Applicable if $P_{\text{UMAX}} \geq P \geq P_{\text{min}}$. P_{min} as defined in sub-clause 6.3.1.</p>							

Table 6.3.4.3.5-5: Test Requirements Relative Power Tolerance for Transmission, channel BW 60MHz, 70MHz, 80MHz, 90MHz, 100MHz ramp up sub-test

Test SCS [kHz]	Sub-test ID	Applicable sub-frames	Uplink RB allocation	TPC command	Expected power step size (Up) ΔP [dB]	Power step size range (Up) ΔP [dB]	PUSCH [dB]
	1	Subframes before RB change	1RB	TPC=+1dB	1	$\Delta P \leq 1 \text{ dB}$	$1 \text{ +/- } (0.7 + \text{TT})$
		RB change	1RB to 5 RBs	TPC=+1dB	7.99	$4\text{dB} \leq \Delta P < 10\text{dB}$	$7.99 \text{ +/- } (3.5 + \text{TT})$
		Subframes after RB change	Fixed = 5	TPC=+1dB	1	$\Delta P \leq 1 \text{ dB}$	$1 \text{ +/- } (0.7 + \text{TT})$
			Subframes before RB change	1RB	TPC=+1dB	1	$\Delta P \leq 1 \text{ dB}$

30	2	RB change	1RB to 24 RBs	TPC=+1dB	14.80	10dB ≤ ΔP < 15dB	14.80 +/- (4 + TT)
		Subframes after RB change	Fixed = 24	TPC=+1dB	1	ΔP ≤ 1 dB	1 +/- (0.7 + TT)
	3	Subframes before RB change	1RB	TPC=+1dB	1	ΔP ≤ 1 dB	1 +/- (0.7 + TT)
		RB change	1RB to 81 RBs	TPC=+1dB	20.08	15dB < ΔP	20.08 +/- (5 + TT)
		Subframes after RB change	Fixed = 81	TPC=+1dB	1	ΔP ≤ 1 dB	1 +/- (0.7 + TT)
	60	1	Subframes before RB change	1RB	TPC=+1dB	1	ΔP ≤ 1 dB
RB change			1RB to 5 RBs	TPC=+1dB	7.99	4dB ≤ ΔP < 10dB	7.99 +/- (3.5 + TT)
Subframes after RB change			Fixed = 5	TPC=+1dB	1	ΔP ≤ 1 dB	1 +/- (0.7 + TT)
2		Subframes before RB change	1RB	TPC=+1dB	1	ΔP ≤ 1 dB	1 +/- (0.7 + TT)
		RB change	1RB to 75 RBs	TPC=+1dB	19.75	15dB < ΔP	19.75 +/- (5 + TT)
		Subframes after RB change	Fixed = 75	TPC=+1dB	1	ΔP ≤ 1 dB	1 +/- (0.7 + TT)
<p>Note 1: Position of RB change: Pattern A the position of RB uplink allocation change is after 10 active uplink Subframes. Pattern B the position of RB uplink allocation change is after 20 active uplink Subframes Pattern C the position of RB uplink allocation change is after 30 active uplink Subframes.</p> <p>Note 2: The starting resource block shall be RB# 0.</p> <p>Note 3: TT=0.7dB</p> <p>Note 4: Applicable if PUMAX ≥ P ≥ Pmin. Pmin as defined in sub-clause 6.3.1.</p>							

Table 6.3.4.3.5-6: Test Requirements Relative Power Tolerance for Transmission, channel BW 60MHz, 70MHz, 80MHz, 90MHz, 100MHz ramp down sub-test

Test SCS [kHz]	Sub-test ID	Applicable sub-frames	Uplink RB allocation	TPC command	Expected power step size (Down) ΔP [dB]	Power step size range (Down) ΔP [dB]	PUSCH [dB]
30	1	Subframes before RB change	Fixed = 5	TPC=-1dB	1	ΔP ≤ 1 dB	1 +/-0.7 + TT
		RB change	5 RBs to 1 RB	TPC=-1dB	7.99	4dB ≤ ΔP < 10dB	7.99 +/- (3.5 + TT)
		Subframes after RB change	Fixed = 1	TPC=-1dB	1	ΔP ≤ 1 dB	1 +/- (0.7 + TT)
	2	Subframes before RB change	Fixed = 24	TPC=-1dB	1	ΔP ≤ 1 dB	1 +/- (0.7 + TT)
		RB change	24 RBs to 1 RB	TPC=-1dB	14.80	10dB ≤ ΔP < 15dB	14.80 +/- (4 + TT)
		Subframes after RB change	Fixed = 1	TPC=-1dB	1	ΔP ≤ 1 dB	1 +/- (0.7 + TT)
	3	Subframes before RB change	Fixed = 81	TPC=-1dB	1	ΔP ≤ 1 dB	1 +/- (0.7 + TT)
		RB change	81 RBs to 1 RB	TPC=-1dB	20.08	15dB < ΔP	20.08 +/- (5 + TT)
		Subframes after RB change	Fixed = 1	TPC=-1dB	1	ΔP ≤ 1 dB	1 +/- (0.7 + TT)
			Subframes before RB change	Fixed = 5	TPC=-1dB	1	ΔP ≤ 1 dB

60	1	RB change	5 RBs to 1 RB	TPC=-1dB	7.99	$4\text{dB} \leq \Delta P < 10\text{dB}$	$7.99 \pm (3.5 + \text{TT})$
		Subframes after RB change	Fixed = 1	TPC=-1dB	1	$\Delta P \leq 1 \text{ dB}$	$1 \pm (0.7 + \text{TT})$
	2	Subframes before RB change	Fixed = 75	TPC=-1dB	1	$\Delta P \leq 1 \text{ dB}$	$1 \pm (0.7 + \text{TT})$
		RB change	75 RBs to 1 RB	TPC=-1dB	19.75	$15\text{dB} < \Delta P$	$19.75 \pm (5 + \text{TT})$
		Subframes after RB change	Fixed = 1	TPC=-1dB	1	$\Delta P \leq 1 \text{ dB}$	$1 \pm (0.7 + \text{TT})$
<p>Note 1: Position of RB change: Pattern A the position of RB uplink allocation change is after 10 active uplink Subframes. Pattern B the position of RB uplink allocation change is after 20 active uplink Subframes. Pattern C the position of RB uplink allocation change is after 30 active uplink Subframes.</p> <p>Note 2: The starting resource block shall be RB# 0.</p> <p>Note 3: TT=0.7dB</p> <p>Note 4: Applicable if $\text{PUMAX} \geq P \geq \text{Pmin}$. Pmin as defined in sub-clause 6.3.1.</p>							

Table 6.3.4.3.5-7: Test Requirements Relative Power Tolerance for Transmission, alternating sub-test

BW	Test SCS [kHz]	Sub-test ID	Uplink RB allocation	TPC command	Expected power step size (Up or Down) ΔP [dB]	Power step size range (Up or Down) ΔP [dB]	PUSCH [dB]	
5	15	1	Alternating 1 and 2	TPC=0dB	3.01	$3\text{dB} \leq \Delta P < 4\text{dB}$	$3.01 \pm (3 + \text{TT})$	
		2	Alternating 1 and 5	TPC=0dB	6.99	$4\text{dB} \leq \Delta P < 10\text{dB}$	$6.99 \pm (3.5 + \text{TT})$	
		3	Alternating 1 and 15	TPC=0dB	11.76	$10\text{dB} \leq \Delta P < 15\text{dB}$	$11.76 \pm (4 + \text{TT})$	
	30	1	Alternating 1 and 2	TPC=0dB	3.01	$3\text{dB} \leq \Delta P < 4\text{dB}$	$3.01 \pm (3 + \text{TT})$	
		2	Alternating 1 and 10	TPC=0dB	10.00	$10\text{dB} \leq \Delta P < 15\text{dB}$	$10.00 \pm (4 + \text{TT})$	
		3	Alternating 1 and 30	TPC=0dB	19.75	$15\text{dB} < \Delta P$	$19.75 \pm (5 + \text{TT})$	
10,15,20,25,30,35,40,45,50	15	1	Alternating 1 and 2	TPC=0dB	3.01	$3\text{dB} \leq \Delta P < 4\text{dB}$	$3.01 \pm (3 + \text{TT})$	
		2	Alternating 1 and 5	TPC=0dB	6.99	$4\text{dB} \leq \Delta P < 10\text{dB}$	$6.99 \pm (3.5 + \text{TT})$	
		3	Alternating 1 and 20	TPC=0dB	13.01	$10\text{dB} \leq \Delta P < 15\text{dB}$	$13.01 \pm (4 + \text{TT})$	
		4	Alternating 1 and 50	TPC=0dB	16.99	$15\text{dB} \leq \Delta P$	$16.99 \pm (5 + \text{TT})$	
	30	1	Alternating 1 and 2	TPC=0dB	3.01	$3\text{dB} \leq \Delta P < 4\text{dB}$	$3.01 \pm (3 + \text{TT})$	
		2	Alternating 1 and 5	TPC=0dB	6.99	$4\text{dB} \leq \Delta P < 10\text{dB}$	$6.99 \pm (3.5 + \text{TT})$	
		3	Alternating 1 and 24	TPC=0dB	13.80	$10\text{dB} \leq \Delta P < 15\text{dB}$	$13.80 \pm (4 + \text{TT})$	
	60	1	Alternating 1 and 5	TPC=0dB	6.99	$4\text{dB} \leq \Delta P < 10\text{dB}$	$6.99 \pm (3.5 + \text{TT})$	
		2	Alternating 1 and 10	TPC=0dB	10.00	$10\text{dB} \leq \Delta P < 15\text{dB}$	$10.00 \pm (4 + \text{TT})$	
	60,70,80,90,100	30	1	Alternating 1 and 2	TPC=0dB	3.01	$3\text{dB} \leq \Delta P < 4\text{dB}$	$3.01 \pm (3 + \text{TT})$
			2	Alternating 1 and 5	TPC=0dB	6.99	$4\text{dB} \leq \Delta P < 10\text{dB}$	$6.99 \pm (3.5 + \text{TT})$
			3	Alternating 1 and 81	TPC=0dB	19.08	$15\text{dB} < \Delta P$	$19.08 \pm (5 + \text{TT})$
60		1	Alternating 1 and 2	TPC=0dB	3.01	$3\text{dB} \leq \Delta P < 4\text{dB}$	$3.01 \pm (3 + \text{TT})$	
		2	Alternating 1 and 5	TPC=0dB	6.99	$4\text{dB} \leq \Delta P < 10\text{dB}$	$6.99 \pm (3.5 + \text{TT})$	

		3	Alternating 1 and 75	TPC=0dB	18.75	15dB < ΔP	18.75 +/- (5 + TT)
Note 1: The starting resource block shall be RB# 0. Note 2: TT=0.7dB Note 3: Applicable if PUMAX ≥ P ≥ Pmin. Pmin as defined in sub-clause 6.3.1.							

6.3.4.4 Aggregate power tolerance

6.3.4.4.1 Test purpose

To verify the ability of the UE transmitter to maintain its power during non-contiguous transmissions within 21ms in response to 0 dB commands with respect to the first UE transmission and all other power control parameters as specified in 38.213 kept constant.

6.3.4.4.2 Test applicability

This test case applies to all types of NR Power Class 1 release 15 and forward.

This test case applies to all types of NR Power Class 2 and Power Class 3 UE release 15 and forward that don't support Tx diversity.

6.3.4.4.3 Minimum conformance requirements

The aggregate power control tolerance is the ability of the UE transmitter to maintain its power in a sub-frame(1ms) during non-contiguous transmissions within 21ms in response to 0 dB commands with respect to the first UE transmission and all other power control parameters as specified in 38.213 kept constant.

The minimum requirement specified in Table 6.3.4.4.3-1 apply in the power range bounded by the minimum output power as specified in sub-clause 6.3.1 and the maximum output power as specified in sub-clause 6.2.2.

Table 6.3.4.4.3-1: Aggregate power tolerance

TPC command	UL channel	Aggregate power tolerance within 21ms
0 dB	PUCCH	± 2.5 dB
0 dB	PUSCH	± 3.5 dB

The normative reference for this requirement is TS 38.01-1 [2] clause 6.3.4.4

6.3.4.4.4 Test description

6.3.4.4.4.1 Initial conditions

Initial conditions are a set of test configurations the UE needs to be tested in and the steps for the SS to take with the UE to reach the correct measurement state.

The initial test configurations consist of environmental conditions, test frequencies, test channel bandwidths and sub-carrier spacing based on NR operating bands specified in table 5.3.5-1. All of these configurations shall be tested with applicable test parameters for each combination of test channel bandwidth and sub-carrier spacing, and are shown in table 6.3.4.4.4.1-1 and table 6.3.4.4.4.1-2. The details of the uplink reference measurement channels (RMCs) are specified in Annexes A.2. Configurations of PDSCH and PDCCH before measurement are specified in Annex C.2.

Table 6.3.4.4.4.1-1: Test Configuration Table: PUCCH sub-test

Initial Conditions	
Test Environment as specified in TS 38.508-1 [5] subclause 4.1	Normal
Test Frequencies as specified in TS 38.508-1 [5] subclause 4.3.1	Mid range (NOTE 1)
Test Channel Bandwidths as specified in TS 38.508-1 [5] subclause 4.3.1	Lowest, Mid, Highest
Test SCS as specified in Table 5.3.5-1	Lowest, Highest
Test Parameters	
Downlink Configuration	Uplink Configuration

Test ID	Modulation	RB allocation	PUCCH format = Format 1 Length in OFDM symbols = 14
1	CP-OFDM QPSK	Full RB (NOTE 2)	

NOTE 1: For NR band n28, 30MHz test channel bandwidth is tested with Low range test frequencies.
NOTE 2: Full RB allocation shall be used per each SCS and channel BW as specified in Table 7.3.2.4.1-2.

Table 6.3.4.4.1-2: Test Configuration Table: PUSCH sub-test

Initial Conditions			
Test Environment as specified in TS 38.508-1 [5] subclause 4.1		Normal	
Test Frequencies as specified in TS 38.508-1 [5] subclause 4.3.1		Mid range (NOTE 2)	
Test Channel Bandwidths as specified in TS 38.508-1 [5] subclause 4.3.1		Lowest, Mid, Highest	
Test SCS as specified in Table 5.3.5-1		Lowest, Highest	
Test Parameters for Channel Bandwidths			
Test ID	Downlink Configuration	Uplink Configuration	
	N/A for aggregate power tolerance testcase	Modulation	RB allocation (NOTE 1)
1		CP-OFDM QPSK	Outer_Full

NOTE 1: The specific configuration of each RF allocation is defined in Table 6.1-1.
NOTE 2: For NR band n28, 30MHz test channel bandwidth is tested with Low range test frequencies.

1. Connect the SS to the UE antenna connectors as shown in TS 38.508-1 [5] Annex A, Figure A.3.1.1.1 for TE diagram and section A.3.2 for UE diagram.
2. The parameter settings for the cell are set up according to TS 38.508-1 [5] subclause 4.4.3.
3. Downlink signals are initially set up according to Annex C.0, C.1, C.2, and uplink signals according to G.0, G.1, G.2, G.3.0.
4. The UL and DL Reference Measurement channels are set according to Table 6.3.4.4.1-1 (PUCCH sub-test) and Table 6.3.4.4.1-2 (PUSCH sub-test)
5. Propagation conditions are set according to Annex B.0.
6. Ensure the UE is in state RRC_CONNECTED with generic procedure parameters Connectivity NR, Connected without release On, Test Mode On and Test Loop Function On according to TS 38.508-1 [5] clause 4.5. Message contents are defined in clause 6.3.4.4.4.3.

6.3.4.4.2 Test procedure

The procedure is separated in two subtests to verify PUCCH and PUSCH aggregate power control tolerance respectively. The uplink transmission patterns are described in figure 6.3.4.4.4.2-1.

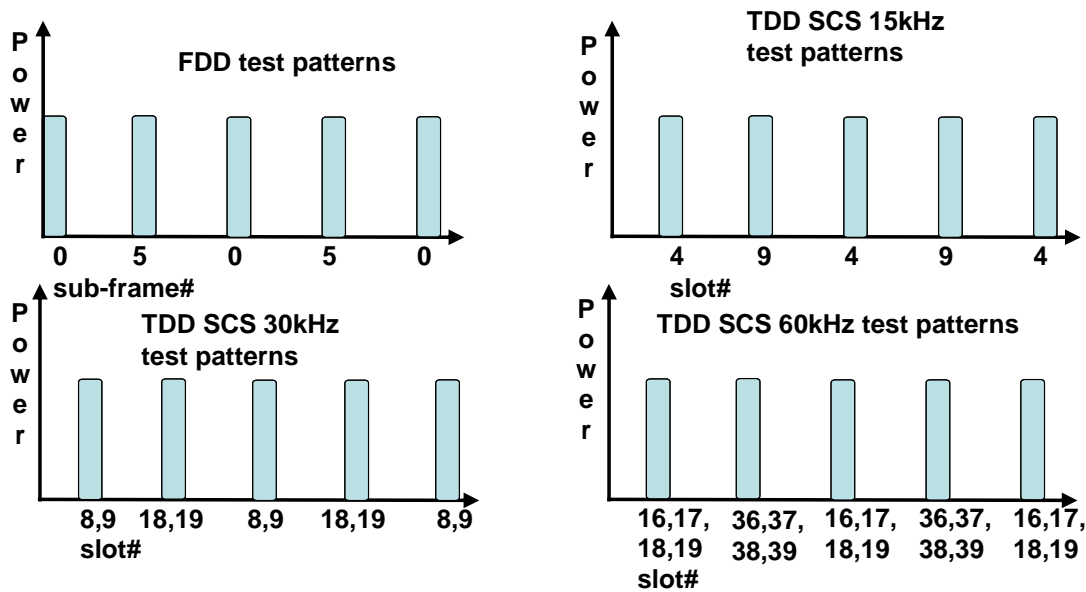


Figure 6.3.4.4.2-1 Test uplink transmission

1. PUCCH sub test:

- 1.1. The SS transmits PDSCH via PDCCH DCI format 1_1 for C_RNTI to transmit the DL RMC according to Table 6.3.4.4.1-1. The SS sends downlink MAC padding bits on the DL RMC. The transmission of PDSCH will make the UE send uplink ACK/NACK using PUCCH. Send uplink power control commands for PUCCH to the UE using 1dB power step size to ensure that the UE output power measured by the test system is within the Uplink power control window, defined as $-(\text{Uplink power control window size} / 2)$ dB to $+(\text{Uplink power control window size} / 2)$ dB of the target power level + 0 dBm, where:
 - Uplink power control window size = 1dB (UE power step size) + 2.0dB (UE power step tolerance) + (Test system relative power measurement uncertainty), where, the UE power step tolerance is specified in TS 38.101-1 [2], Table 6.3.4.3-1 and is 2.0dB for PUCCH with 1dB power step size, and the Test system relative power measurement uncertainty is specified in Table F.1.2-1.
- 1.2. Every 5 sub-frames (5ms) transmit to the UE downlink PDSCH MAC padding bits as well as 0 dB TPC command for PUCCH via the PDCCH to make the UE transmit ACK/NACK on the PUCCH for 1 sub-frame(1ms). The downlink transmission is scheduled in the appropriate slots to make the UE transmit PUCCH as described in figure 6.3.4.4.2-1
- 1.3. Measure the power of 5 consecutive PUCCH transmissions to verify the UE transmitted PUCCH power is maintained within 21ms.

2. PUSCH sub test:

- 2.1. The SS sends uplink scheduling information via PDCCH DCI format 0_1 for C_RNTI to schedule the PUSCH. Since the UE has no payload and no loopback data to send the UE sends uplink MAC padding bits on the UL RMC. Send uplink power control commands for PUSCH to the UE using 1dB power step size to ensure that the UE output power measured by the test system is within the Uplink power control window, defined as $-(\text{Uplink power control window size} / 2)$ dB to $+(\text{Uplink power control window size} / 2)$ dB of the target power level + 0 dBm, where:
 - Uplink power control window size = 1dB (UE power step size) + 0.7dB (UE power step tolerance) + (Test system relative power measurement uncertainty), where, the UE power step tolerance is specified in TS 38.101-1 [2], Table 6.3.4.3-1 and is 0.7dB for PUSCH with 1dB power step size, and the Test system relative power measurement uncertainty is specified in Table F.1.2-1.

NOTE: The purpose of the Uplink power control window is to ensure that the actual UE output power is as close as possible to the target power level. The relationship between the Uplink power control window, the target power level and the corresponding possible actual UE Uplink power window is illustrated in Annex F.4.4.

- 2.2. Every 5 sub-frames (5ms) schedule the UE's PUSCH data transmission for 1 sub-frame(1ms), and transmit 0 dB TPC command for PUSCH via the PDCCH to make the UE transmit PUSCH. The uplink transmission patterns are described in figure 6.3.4.4.4.2-1,
- 2.3. Measure the power of 5 consecutive PUSCH transmissions to verify the UE transmitted PUSCH power is maintained within 21ms transmissions.

6.3.4.4.3 Message contents

Message contents are according to TS 38.508-1 [5] subclause 4.6.

6.3.4.4.5 Test requirement

The requirement for the power measurements made in step (1.3) and (2.3) of the test procedure shall not exceed the values specified in Table 6.3.4.4.5-1. The power measurement period shall be 1 sub-frame(1ms).

Table 6.3.4.4.5-1: Power control tolerance

TPC command	UL channel	Test requirement measured power
0 dB	PUCCH	Given 5 power measurements in the pattern, the 2 nd , and later measurements shall be within $\pm (2.5 + TT)$ dB of the 1 st measurement.
0 dB	PUSCH	Given 5 power measurements in the pattern, the 2 nd , and later measurements shall be within $\pm (3.5 + TT)$ dB of the 1 st measurement.
Note 1: For SCS 30kHz 1 sub-frame corresponds to 2 slots and for SCS 60kHz 1 sub-frame corresponds to 4 slots, so 2 TPC commands will be sent for a single measurement period. Note 2: TT=0.7dB.		

6.3A Output power dynamics for CA

6.3A.1 Minimum output power for CA

6.3A.1.0 Minimum conformance requirements

6.3A.1.0.1 Minimum output power for intra-band contiguous CA

For intra-band contiguous carrier aggregation, the minimum output power is defined per carrier and the requirement is specified in clause 6.3.1.

6.3A.1.0.2 Minimum output power for intra-band non-contiguous CA

For intra-band non-contiguous carrier aggregation, the minimum output power is defined per carrier and the requirement is specified in clause 6.3.1.

6.3A.1.0.3 Minimum output power for inter-band CA

For inter-band carrier aggregation with one uplink carrier assigned to one NR band, the minimum output power requirements in clause 6.3.1 apply.

For inter-band carrier aggregation with two uplink contiguous carrier assigned to one NR band, the minimum output power requirements in subclause 6.3A.1.0.1 apply for those carriers. For inter-band carrier aggregation with uplink assigned to two NR bands, the minimum output power is defined per carrier and the requirement is specified in clause 6.3.1.

For inter-band carrier aggregation with two uplink non-contiguous carrier assigned to one NR band, the minimum output power requirements in subclause 6.3A.1.0.2 apply for those carriers.

For inter-band carrier aggregation with uplink assigned to two NR bands, the minimum output power is defined per carrier and the requirement is specified in clause 6.3.1.

For combinations of intra-band and inter-band carrier aggregation with three uplink component carriers (up to two contiguously aggregated carriers per operating band), the minimum output power requirements specified in subclause 6.3.1 apply for the NR band supporting one component carrier, and for the NR band supporting two contiguous component carriers the requirements specified in subclause 6.3A.1.0.1 apply.

The normative reference for this requirement is TS 38.101-1 [2] clause 6.3A.1.

6.3A.1.1 Minimum output power for CA (2UL CA)

6.3A.1.1.1 Test purpose

To verify the UE's ability to transmit with a broadband output power for 2UL CA below the value specified in the test requirement when the power is set to a minimum value.

6.3A.1.1.2 Test applicability

This test case applies to all types of NR UE release 15 and forward that support 2UL CA.

6.3A.1.1.3 Minimum conformance requirements

The minimum conformance requirements are defined in clause 6.3A.1.0.

6.3A.1.1.4 Test description

6.3A.1.1.4.1 Initial condition

Initial conditions are a set of test configurations the UE needs to be tested in and the steps for the SS to take with the UE to reach the correct measurement state.

The initial test configurations consist of environmental conditions, test frequencies, test channel bandwidths and sub-carrier spacing based on NR CA configurations specified in 5.5A. All of these configurations shall be tested with applicable test parameters for each CA configuration, and are shown in table 6.3A.1.1.4.1-1 or 6.3A.1.1.4.1-2. The

details of the uplink reference measurement channels (RMCs) are specified in Annexes A.2 and A.3. Configurations of PDSCH and PDCCH before measurement are specified in Annex C.2.

Table 6.3A.1.1.4.1-1: Test Configuration Table for inter-band CA

Initial Conditions				
Test Environment as specified in TS 38.508-1 [5] subclause 4.1		Normal, TL/VL, TL/VH, TH/VL, TH/VH		
Test Frequencies as specified in TS 38.508-1 [5] subclause 4.3.1		Low range for PCC and SCC High range for PCC and SCC		
Test Channel Bandwidths as specified in TS 38.508-1 [5] subclause 4.3.1		Lowest N_{RB_agg} , Highest N_{RB_agg}		
Test SCS as specified in Table 5.3.5-1		Highest		
Test Parameters				
Test ID	Downlink Configuration for PCC & SCC	Uplink Configuration		
		Modulation for all CCs	RB allocation (NOTE 1)	
			PCC	SCC
1	N/A for this test	DFT-s-OFDM QPSK	Outer Full	Outer Full
NOTE 1: The specific configuration of each RB allocation is defined in Table 6.1-1.				
NOTE 2: Test Channel Bandwidths and Test SCS are checked separately for each NR CA band combination, which applicable channel bandwidths is specified in Table 5.5A.3.1-1 and SCS is specified in Table 5.3.5-1 for each NR band.				

Table 6.3A.1.1.4.1-2: Test Configuration Table for intra-band contiguous CA

Initial Conditions				
Test Environment as specified in TS 38.508-1 [5] subclause 4.1		Normal, TL/VL, TL/VH, TH/VL, TH/VH		
Test Frequencies as specified in TS 38.508-1 [5] subclause 4.3.1		Low range High range		
Test Channel Bandwidths as specified in TS 38.508-1 [5] subclause 4.3.1		Lowest N_{RB_agg} , Highest N_{RB_agg}		
Test SCS as specified in Table 5.3.5-1		Highest		
Test Parameters				
Test ID	Downlink Configuration for PCC & SCC	Uplink Configuration		
		Modulation for all CCs	RB allocation (NOTE 1)	
			PCC	SCC
1	N/A for this test	DFT-s-OFDM QPSK	Outer Full	Outer Full
NOTE 1: The specific configuration of each RB allocation is defined in 6.1A-1a				
NOTE 2: Test Channel Bandwidths and Test SCS are checked separately for each NR CA band combination, which applicable channel bandwidths is specified in Table 5.5A.3.1-1 and SCS is specified in Table 5.3.5-1 for each NR band.				

Table 6.3A.1.1.4.1-3: Test Configuration Table for intra-band non-contiguous CA

Initial Conditions				
Test Environment as specified in TS 38.508-1 [5] subclause 4.1		Normal, TL/VL, TL/VH, TH/VL, TH/VH		
Test Frequencies as specified in TS 38.508-1 [5] subclause 4.3.1		Low range and High range test frequencies as specified in tables for non-contiguous CA configuration with UL CA		
Test Channel Bandwidths as specified in TS 38.508-1 [5] subclause 4.3.1		Lowest N_{RB_agg} , Highest N_{RB_agg}		
Test SCS as specified in Table 5.3.5-1		Highest		
Test Parameters				
Test ID	Downlink Configuration for PCC & SCC	Uplink Configuration		
		Modulation for all CCs	RB allocation (NOTE 1)	
			PCC	SCC
1	N/A for this test	DFT-s-OFDM QPSK	Outer Full	Outer Full
NOTE 1: The specific configuration of each RB allocation is defined in 6.1-1				
NOTE 2: Test Channel Bandwidths and Test SCS are checked separately for each NR CA band combination, which applicable channel bandwidths is specified in Table 5.5A.3.1-1 and SCS is specified in Table 5.3.5-1 for each NR band.				

1. Connect the SS to the UE antenna connectors as shown in TS 38.508-1 [5] Annex A, Figure A.3.1.1.3 for TE diagram and section A.3.2 for UE diagram.
2. The parameter settings for the cell are set up according to TS 38.508-1 [5] subclause 4.4.3.
3. Downlink signals are initially set up according to Annex C.0, C.1, C.2, and uplink signals according to Annex G.0, G.1, G.2, G.3.0.
4. The UL Reference Measurement Channel is set according to Tables 6.3A.1.1.4.1-1, 6.3A.1.1.4.1-2 and 6.3A.1.1.4.1-3.
5. Propagation conditions are set according to Annex B.0.
6. Ensure the UE is in State RRC_CONNECTED with generic procedure parameters Connectivity *NR*, Connected without release *On*, Test Mode *On* and Test Loop Function *On* according to TS 38.508-1 [5] clause 4.5. Message contents are defined in clause 6.3A.1.1.4.3.

6.3A.1.1.4.2 Test procedure

1. Configure SCC according to Annex C.0, C.1, C.2 for all downlink physical channels.
2. The SS shall configure SCC as per TS 38.508-1 [5] clause 5.5.1. Message contents are defined in clause 6.3A.1.1.4.3.
3. SS activates SCC by sending the activation MAC CE (Refer TS 38.321 [18], clauses 5.9, 6.1.3.10). Wait for at least 2 seconds (Refer TS 38.133 [19], clause 9.3).
4. SS sends uplink scheduling information for each UL HARQ process via PDCCH DCI format 0_1 for C_RNTI to schedule the UL RMC according to Table 6.3A.1.1.4.1-1 or 6.3A.1.1.4.1-2 or 6.3A.1.1.4.1-3 on both PCC and SCC. Since the UE has no payload and no loopback data to send the UE sends uplink MAC padding bits on the UL RMC.
5. Send continuously uplink power control "down" commands for both carriers in every uplink scheduling information to the UE; allow at least 200ms starting from the first TPC command in this step to ensure that the UE transmits at its minimum output power.
6. Measure the mean power of the UE for each component carrier in the associated measurement channel bandwidth specified in Table 6.3A.1.1.5-1 for the specific channel bandwidth under test. The period of measurement shall be at least the continuous duration of 1ms in all active uplink slots and in the uplink symbols. For TDD, only slots consisting of only UL symbols are under test.

6.3A.1.1.4.3 Message contents

Message contents are according to TS 38.508-1 [5] subclause 4.6 with following exception.

Table 6.3A.1.1.4.3-1: PUSCH-Config

Derivation Path: TS 38.508-1 [5], Table 4.6.3-118 with condition TRANSFORM_PRECODER_ENABLED

6.3A.1.1.5 Test requirement

The minimum output power of each component carrier, derived in step 6 shall not exceed the values specified in Table 6.3A.1.1.5-1.

Table 6.3A.1.1.5-1: Minimum output power

Channel bandwidth (MHz)	Minimum output power (dBm)	Measurement bandwidth (MHz)
5	-40+TT	4.515
10	-40+TT	9.375
15	-40+TT	14.235
20	-40+TT	19.095
25	-39+TT	23.955

30	-38.2+TT	28.815
35	-37.6+TT	33.855
40	-37+TT	38.895
45	-36.5+TT	43.575
50	-36+TT	48.615
60	-35.2+TT	58.35
70	-34.6+TT	68.07
80	-34+TT	78.15
90	-33.5+TT	88.23
100	-33+TT	98.31
NOTE 1: TT for each frequency and channel bandwidth is specified in Table 6.3A.1.1.5-2		

Table 6.3A.1.1.5-2: Test Tolerance (Minimum output power)

	$f \leq 3.0\text{GHz}$	$3.0\text{GHz} < f \leq 6.0\text{GHz}$
$\text{BW} \leq 40\text{MHz}$	1.0	1.3
$40\text{MHz} < \text{BW} \leq 100\text{MHz}$	1.3	1.3

6.3A.2 Transmit OFF power for CA

6.3A.2.0 Minimum conformance requirements

6.3A.2.0.1 Transmit OFF power for intra-band contiguous CA

For intra-band contiguous carrier aggregation, the Transmit OFF power specified in clause 6.3.2 is applicable for each component carrier when the transmitter is OFF on all component carriers. The transmitter is considered to be OFF when the UE is not allowed to transmit on any of its ports.

6.3A.2.0.2 Transmit OFF power for intra-band non-contiguous CA

For intra-band non-contiguous carrier aggregation, the Transmit OFF power specified in clause 6.3.2 is applicable for each component carrier when the transmitter is OFF on all component carriers. The transmitter is considered to be OFF when the UE is not allowed to transmit on any of its ports.

6.3A.2.0.3 Transmit OFF power for inter-band CA

For inter-band carrier aggregation with one uplink carrier assigned to one NR band, the Transmit OFF power requirements in subclause 6.3.2 apply.

For inter-band carrier aggregation with two contiguous carriers assigned to one NR band, the Transmit OFF power requirements in subclause 6.3A.2.0.1 apply for those carriers.

For inter-band carrier aggregation with two uplink non-contiguous carrier assigned to one NR band, the Transmit OFF power requirements in subclause 6.3A.2.0.2 apply for those carriers.

For inter-band carrier aggregation with uplink assigned to two NR bands, the Transmit OFF power specified in clause 6.3.2 is applicable for each component carrier when the transmitter is OFF on all component carriers. The transmitter is considered to be OFF when the UE is not allowed to transmit on any of its ports.

For combinations of intra-band and inter-band carrier aggregation with three uplink component carriers (up to two contiguously aggregated carriers per operating band), the Transmit OFF power requirements specified in subclause 6.3.2 apply for the NR band supporting one component carrier, and for the NR band supporting two contiguous component carriers the requirements specified in subclause 6.3A.2.0.1 apply.

The normative reference for this requirement is TS 38.101-1 [2] clause 6.3A.2

6.3A.2.1 Transmit OFF power for CA (2UL CA)

6.3A.2.1.1 Test purpose

To verify that the UE Transmit OFF power for 2UL CA is lower than the value specified in the test requirement.

6.3A.2.1.2 Test applicability

The requirements of 6.3A.2.1 apply in test cases 6.3A.3.1 Transmit ON/OFF time mask for CA (2UL CA) to all types of NR UE release 15 and forward that support 2UL CA. Therefore, no test case description and requirements are specified.

6.3A.2.1.3 Minimum conformance requirements

The minimum conformance requirements are defined in clause 6.3A.2.0.

6.3A.2.1.4 Test description

This test is covered by clause 6.3A.3.1 Transmit ON/OFF time mask for 2UL CA.

6.3A.2.1.5 Test requirement

The requirement for the Transmit OFF power of each component carrier shall not exceed the values specified in Table 6.3A.2.1.5-1.

Table 6.3A.2.1.5-1: Transmit OFF power

Channel bandwidth (MHz)	Transmit OFF power (dBm)	Measurement bandwidth (MHz)
5	-50+TT	4.515
10	-50+TT	9.375
15	-50+TT	14.235
20	-50+TT	19.095
25	-50+TT	23.955
30	-50+TT	28.815
35	-50+TT	33.855
40	-50+TT	38.895
45	-50+TT	43.575
50	-50+TT	48.615
60	-50+TT	58.35
70	-50+TT	68.07
80	-50+TT	78.15
90	-50+TT	88.23
100	-50+TT	98.31

NOTE 1: TT for each frequency and channel bandwidth is specified in Table 6.3A.2.1.5-2

Table 6.3A.2.1.5-2: Test Tolerance (Transmit OFF power)

	$f \leq 3.0\text{GHz}$	$3.0\text{GHz} < f \leq 6.0\text{GHz}$
BW \leq 40MHz	FFS	FFS
40MHz < BW \leq 100MHz	FFS	FFS

6.3A.3 Transmit ON/OFF time mask for CA

6.3A.3.0 Minimum conformance requirements

6.3A.3.0.1 Transmit ON/OFF time mask for intra-band contiguous CA

For intra-band contiguous carrier aggregation, the general output power ON/OFF time mask specified in clause 6.3.3.1 is applicable for each component carrier during the ON power period and the transient periods. The OFF period as specified in clause 6.3.3.1 shall only be applicable for each component carrier when all the component carriers are OFF.

6.3A.3.0.2 Transmit ON/OFF time mask for intra-band non-contiguous CA

For intra-band non-contiguous carrier aggregation, the general output power ON/OFF time mask specified in clause 6.3.3.2 is applicable for each component carrier during the ON power period and the transient periods. The OFF period as specified in clause 6.3.3.2 shall only be applicable for each component carrier when all the component carriers are OFF.

6.3A.3.0.3 Transmit ON/OFF time mask for inter-band CA

6.3A.3.0.3.1 General

For inter-band carrier aggregation with one uplink carrier assigned to one NR band, the Transmit ON/OFF time mask requirements in subclause 6.3.3 apply.

For inter-band carrier aggregation with two contiguous carriers assigned to one NR band, the Transmit ON/OFF time mask requirements in subclause 6.3A.3.0.1 apply for those carriers.

For inter-band carrier aggregation with two uplink non-contiguous carrier assigned to one NR band, the Transmit ON/OFF time mask requirements in subclause 6.3A.3.0.2 apply for those carriers.

For inter-band carrier aggregation with uplink assigned to two NR bands, the general output power ON/OFF time mask specified in clause 6.3.3.1 is applicable for each component carrier during the ON power period and the transient periods. The OFF period as specified in clause 6.3.3.1 shall only be applicable for each component carrier when all the component carriers are OFF.

For combinations of intra-band and inter-band carrier aggregation with three uplink component carriers (up to two contiguously aggregated carriers per operating band), the Transmit ON/OFF time mask requirements specified in subclause 6.3.3.1 apply for the NR band supporting one component carrier, and for the NR band supporting two contiguous component carriers the requirements specified in subclause 6.3A.3.0.1 apply.

6.3A.3.0.3.2 Time mask for switching between two uplink carriers

In addition to the requirements in 6.3A.3.0.3.1 and the maximum output power requirement specified in Table 6.2A.1.0.3-1 with uplink assigned to two NR bands, the switching time mask specified in this clause is applicable for an uplink band pair of an inter-band UL CA configuration when the capability *uplinkTxSwitchingPeriod* is present, and is only applicable for uplink switching mechanisms specified in clause 6.1.6 of TS 38.214 [12], where NR UL carrier 1 is capable of one transmit antenna connector and NR UL carrier 2 is capable of two transmit antenna connectors with 3dB boosting on the maximum output power when the capability *uplinkTxSwitchingPowerBoosting* is present and the IE *uplinkTxSwitchingPowerBoosting* is enabled, and the two uplink carriers are in different bands with different carrier frequencies. The UE shall support the switch between single layer transmission with one antenna port and two-layer transmission with two antenna ports on the two uplink carriers following the scheduling commands and rank adaptation, i.e., both single layer and two-layer transmission with 2 antenna ports, and single layer transmission with 1 antenna port shall be supported on NR UL carrier 2.

The switching periods described in Figure 6.3A.3.0.3.2-1a and Figure 6.3A.3.0.3.2-1b are located in either NR carrier 1 or carrier 2 as indicated in RRC signalling *uplinkTxSwitchingPeriodLocation* [6], and the length of uplink switching period X is less than the value indicated by UE capability *uplinkTxSwitchingPeriod*.

When switching from one carrier to another, if there is no uplink transmission scheduled or configured on the switch-from carrier for at least the duration of the switching period ($X \mu\text{s}$) before the point in time the UE is scheduled or configured to start the transmission on the switch-to carrier, the switching period is fully contained in the time period between the end of the transmission on the switch-from carrier and the start of the transmission on the switch-to carrier. In addition, the RRC signalling *uplinkTxSwitchingPeriodLocation* does not take effect in this case.

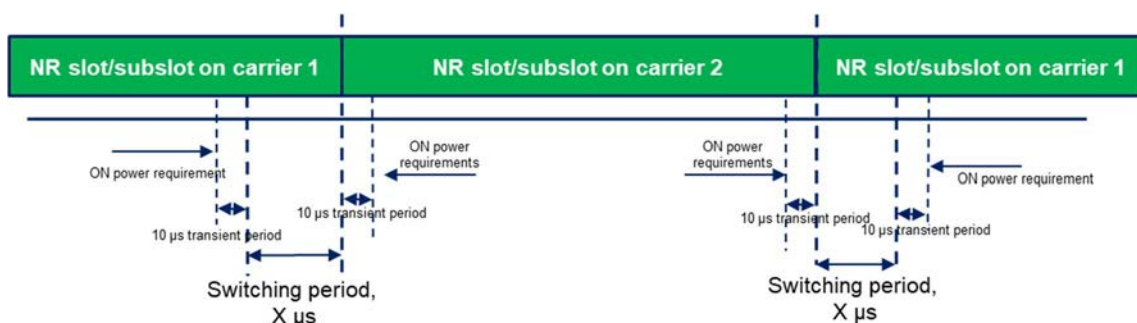


Figure 6.3A.3.0.3.2-1a: Time mask for switching between UL carrier 1 and UL Carrier 2, where the switching period is located in carrier 1

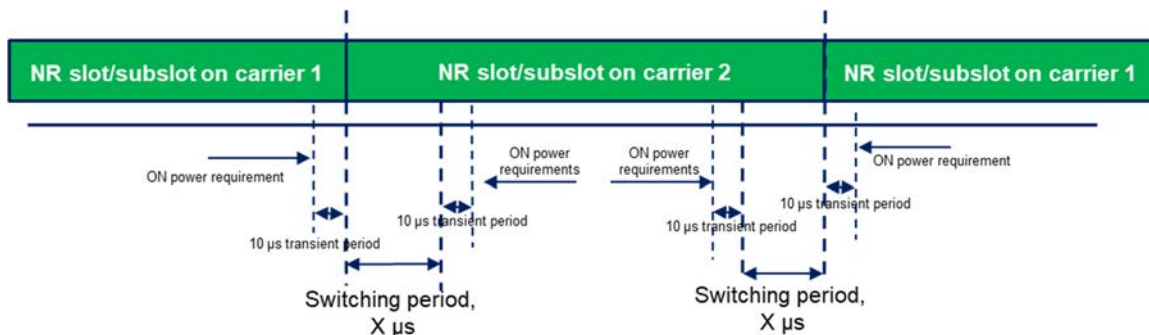


Figure 6.3A.3.0.3.2-1b: Time mask for switching between UL carrier 1 and UL Carrier 2, where the switching period is located in carrier 2

The requirements apply for the case of co-located and synchronized network deployment for the two uplink carriers.

The requirements apply for the case of single TAG for the two uplink carriers, i.e., the same uplink timing for the two carriers as described in clause 4.2 of TS 38.213 [9].

The time mask is applicable to uplink transmissions when configured with *switchedUL* or *dualUL*.

6.3A.3.0.3.3 Time mask for switching between two uplink carriers with two transmit antenna connectors

In addition to the requirements in 6.3A.3.0.3.1 and the maximum output power requirement specified in Table 6.2A.1.0.3-1 with uplink assigned to two NR bands, the switching time mask specified in this clause is applicable for an uplink band pair of a inter-band UL CA configuration when the capability *uplinkTxSwitchingPeriod2T2T* is present, and is only applicable for uplink switching mechanisms specified in clause 6.1.6 of TS 38.214 [12], where NR UL carrier 1 is capable of two transmit antenna connectors and NR UL carrier 2 is capable of two transmit antenna connectors, and the two uplink carriers are in different bands with different carrier frequencies. The UE shall support the switch between two-layer transmission with two antenna ports and two-layer transmission with two antenna ports on the two uplink carriers following the scheduling commands and rank adaptation, i.e., both single layer and two-layer transmission with 2 antenna ports, and single layer transmission with 1 antenna port shall be supported on NR UL carrier 1 and carrier 2.

The switching periods described in Figure 6.3A.3.0.3.3-1a and Figure 6.3A.3.0.3.3-1b are located in either NR carrier 1 or carrier 2 as indicated in RRC signalling *uplinkTxSwitchingPeriodLocation* [6], and the length of uplink switching period *X* is less than the value indicated by UE capability *uplinkTxSwitchingPeriod2T2T*.

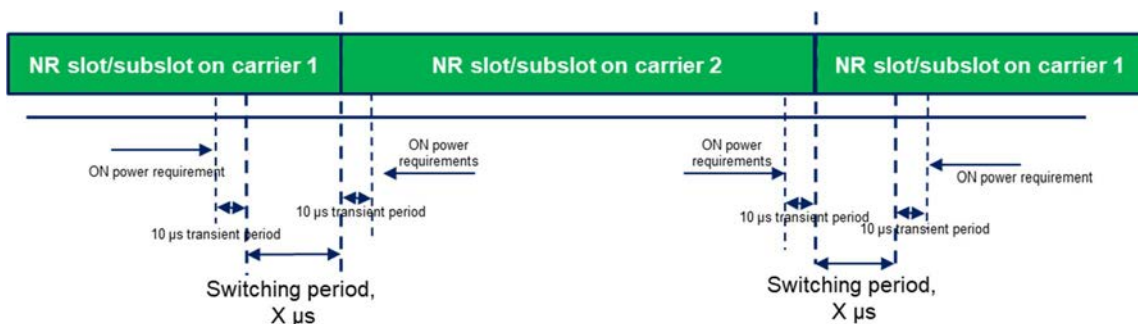


Figure 6.3A.3.0.3.3-1a: Time mask for switching between UL carrier 1 and UL Carrier 2, where the switching period is located in carrier 1

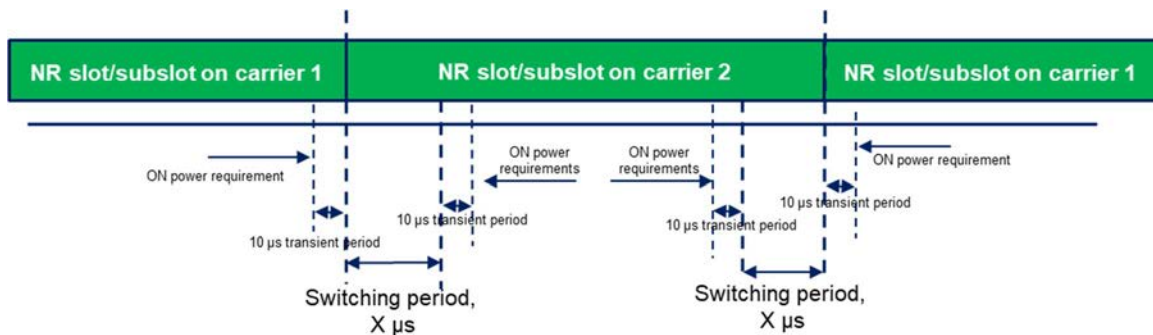


Figure 6.3A.3.0.3.3-1b: Time mask for switching between UL carrier 1 and UL Carrier 2, where the switching period is located in carrier 2

The requirements apply for the case of co-located and synchronized network deployment for the two uplink carriers.

The requirements apply for the case of single TAG for the two uplink carriers, i.e., the same uplink timing for the two carriers as described in clause 4.2 of TS 38.213 [9].

The time mask is applicable to uplink transmissions when configured with *switchedUL* or *dualUL*.

6.3A.3.0.3.4 Time mask for switching between one uplink band with one transmit antenna connector and one uplink band with two transmit antenna connectors

In addition to the requirements in 6.3A.3.0.3.1 and the maximum output power requirement specified in Table 6.2A.1.0.3-1 with uplink assigned to two NR bands, the switching time mask specified in this clause is applicable for an uplink band pair of an inter-band UL CA configuration when the capability *uplinkTxSwitchingPeriod* is present, and is only applicable for uplink switching mechanisms specified in clause 6.1.6 of TS 38.214 [12], where NR UL carrier 1 in band A is capable of one transmit antenna connector, NR UL carrier 2 and carrier 3 in band B are capable of two transmit antenna connectors. NR UL carrier 2 and carrier 3 are two contiguous aggregated carriers, and band A and band B are different bands with different carrier frequencies. The UE shall support the switch between single layer transmission with one antenna port and two-layer transmission with two antenna ports on the two uplink bands following the scheduling commands and rank adaptation, i.e., both single layer and two-layer transmission with 2 antenna ports, and single layer transmission with 1 antenna port shall be supported on NR UL carrier 2 and carrier 3 in band B.

The switching periods described in Figure 6.3A.3.0.3.4-1a and Figure 6.3A.3.0.3.4-1b are located in either NR band A or band B as indicated in RRC signalling *uplinkTxSwitchingPeriodLocation* [6], and the length of uplink switching period *X* is less than the value indicated by UE capability *uplinkTxSwitchingPeriod*.

When switching from one carrier to another, if there is no uplink transmission scheduled or configured on the switch-from carrier for at least the duration of the switching period (*X* μs) before the point in time the UE is scheduled or configured to start the transmission on the switch-to carrier, the switching period is fully contained in the time period between the end of the transmission on the switch-from carrier and the start of the transmission on the switch-to carrier. In addition, the RRC signalling *uplinkTxSwitchingPeriodLocation* is ignored by the UE and does not take effect in this case.

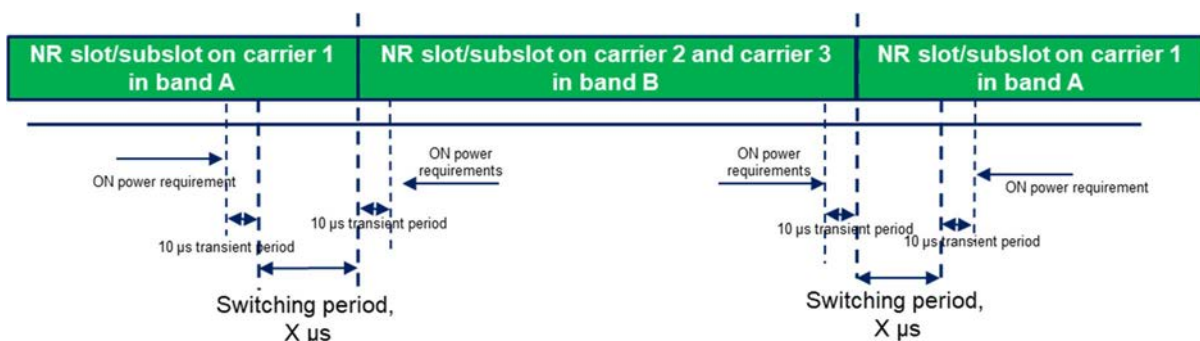


Figure 6.3A.3.0.3.4-1a: Time mask for switching between one carrier in band A and two contiguous carriers in band B, where the switching period is located in band A

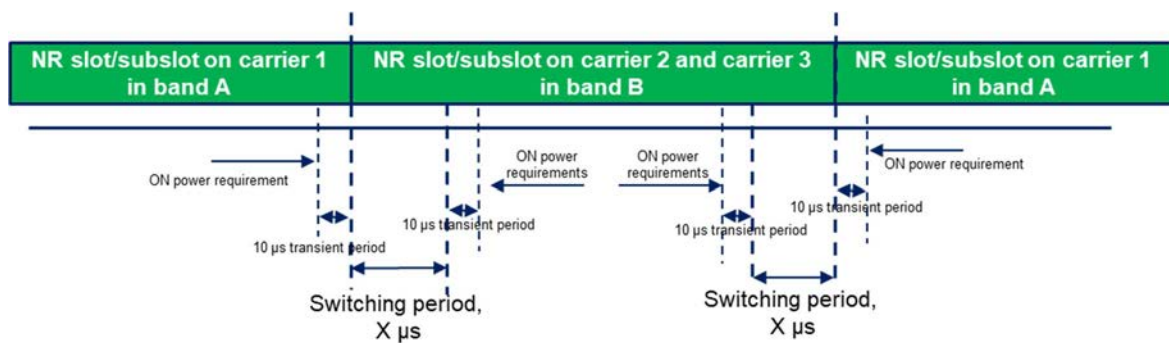


Figure 6.3A.3.0.3.4-1b: Time mask for switching between one carrier in band A and two contiguous carriers in band B, where the switching period is located in band B

The following applies for the uplink switching cases specified in clause 6.1.6.2 of [12] with *uplinkTxSwitchingOption* set to either *switchedUL* or *dualUL* when the configuration of the location of the switching period by *uplinkTxSwitchingPeriodLocation* is ignored by the UE:

- if an uplink switching is triggered for an uplink transmission starting at T_0 based on higher layer configuration(s) or DCI(s) received before $T_0 - T_{offset}$ as specified in [12] and the UE is not configured or scheduled with uplink transmissions for a duration of at least the uplink switching gap indicated by *uplinkTxSwitchingPeriod* on any of the carriers before T_0 , transient periods of $10\ \mu\text{s}$ are located at the end of the last symbol(s) configured or scheduled on the carriers before T_0 and at the start of the first symbol(s) configured or scheduled at T_0 on the switched-to carrier.

The requirements apply for the case of both non-co-located and co-located and synchronized network deployment for the three uplink carriers.

The time mask is applicable to uplink transmissions when configured with *switchedUL* or *dualUL*.

6.3A.3.0.3.5 Time mask for switching between two uplink bands with two transmit antenna connectors

In addition to the requirements in 6.3A.3.0.3.1 and the maximum output power requirement specified in Table 6.2A.1.0.3-1 with uplink assigned to two NR bands, the switching time mask specified in this clause is applicable for an uplink band pair of an inter-band UL CA configuration when the capability *uplinkTxSwitchingPeriod2T2T* is present, and is only applicable for uplink switching mechanisms specified in clause 6.1.6 of TS 38.214 [12], where NR UL carrier 1 in band A is capable of two transmit antenna connectors, NR UL carrier 2 and carrier 3 in band B are capable of two transmit antenna connectors. NR UL carrier 2 and carrier 3 are two contiguous aggregated carriers, and band A and band B are different bands with different carrier frequencies. The UE shall support the switch between two-layer transmission with two antenna ports and two-layer transmission with two antenna ports on the two uplink bands following the scheduling commands and rank adaptation, i.e., both single layer and two-layer transmission with 2 antenna ports, and single layer transmission with 1 antenna port shall be supported on NR UL carrier 1, carrier 2 and carrier 3 in the two bands.

The switching periods described in Figure 6.3A.3.0.3.5-1a and Figure 6.3A.3.0.3.5-1b are located in either NR band A or band B as indicated in RRC signalling *uplinkTxSwitchingPeriodLocation* [6], and the length of uplink switching period X is less than the value indicated by UE capability *uplinkTxSwitchingPeriod2T2T*.

When switching from one carrier to another, if there is no uplink transmission scheduled or configured on the switch-from carrier for at least the duration of the switching period ($X\ \mu\text{s}$) before the point in time the UE is scheduled or configured to start the transmission on the switch-to carrier, the switching period is fully contained in the time period between the end of the transmission on the switch-from carrier and the start of the transmission on the switch-to carrier. In addition, the RRC signalling *uplinkTxSwitchingPeriodLocation* is ignored by the UE and does not take effect in this case.

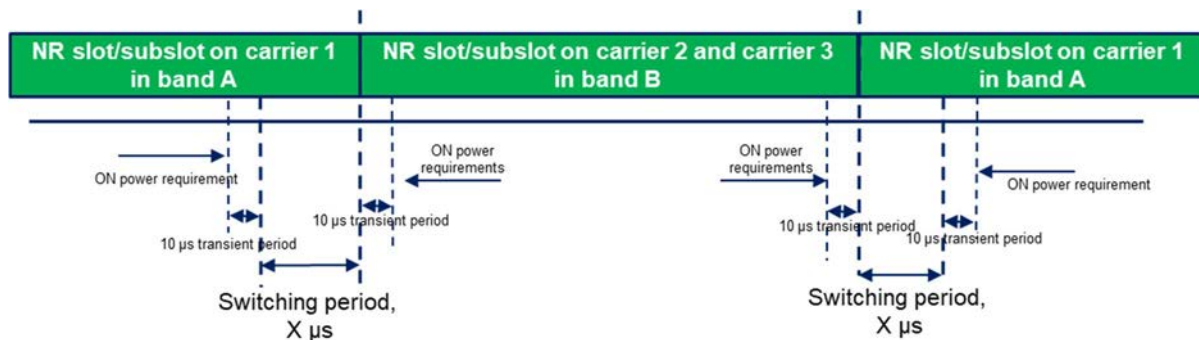


Figure 6.3A.3.0.3.5-1a: Time mask for switching between one carrier in band A and two contiguous carriers in band B, where the switching period is located in band A

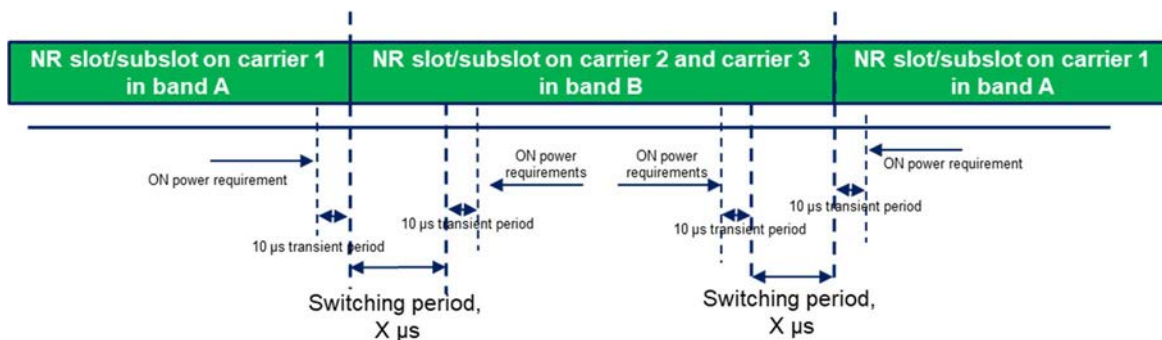


Figure 6.3A.3.0.3.5-1b: Time mask for switching between one carrier in band A and two contiguous carriers in band B, where the switching period is located in band B

The following applies for the uplink switching cases specified in clause 6.1.6.2 of [12] with *uplinkTxSwitchingOption* set to either *switchedUL* or *dualUL* when the configuration of the location of the switching period by *uplinkTxSwitchingPeriodLocation* is ignored by the UE:

- if an uplink switching is triggered for an uplink transmission starting at T_0 based on higher layer configuration(s) or DCI(s) received before $T_0 - T_{offset}$ as specified in [12] and the UE is not configured or scheduled with uplink transmissions for a duration of at least the uplink switching gap indicated by *uplinkTxSwitchingPeriod2T2T* on any of the carriers before T_0 , transient periods of 10 μ s are located at the end of the last symbol(s) configured or scheduled on the carriers before T_0 and at the start of the first symbol(s) configured or scheduled at T_0 on the switched-to carrier.

The requirements apply for the case of both non-co-located and co-located and synchronized network deployment for the three uplink carriers.

The time mask is applicable to uplink transmissions when configured with *switchedUL* or *dualUL*. The normative reference for this requirement is TS 38.101-1 [2] clause 6.3A.3.

6.3A.3.0.3.6 Time mask for switching across up to four uplink bands

The switching time mask requirements specified in this sub-clause are applicable for an NR inter-band CA configuration when the capability *supportedBandPairListNR-r18* is present, and are only applicable for uplink switching mechanisms specified in clause [6.1.6] of TS 38.214 [10].

In the NR inter-band CA configuration, the number of NR uplink bands is up to four. NR UL carrier(s) in each of the up to four uplink bands are capable of one or two transmit antenna connector(s), according to the UE capability *FeatureSetUplinkPerCC*.

The switching time masks in Figure 6.3A.3.3.6-1 and Figure 6.3A.3.3.6-2 are applicable to each of the uplink band pairs in the CA configuration, and are applicable to uplink transmissions when configured with *switchedUL* or *dualUL*

by the parameter *switchingOptionConfigForBandPair*. To simplify the figures, the two bands in different band pairs are denoted as NR band X and band Y. The uplink transmission on either band X or band Y is with one or two transmit antenna connector(s),

- if NR UL carriers in both bands in one band pair are capable of one transmit antenna connector, 1Tx-1Tx switching is supported for the band pair;
- if NR UL carrier(s) in one band of one band pair is capable of one transmit antenna connector, and NR UL carrier(s) in the other band of the band pair is capable of two transmit antenna connectors, 1Tx-2Tx switching is supported for the band pair;
- if NR UL carriers in both bands of one band pair are capable of two transmit antenna connectors, 2Tx-2Tx switching is supported for the band pair.

For each band pair, the switching periods described in Figure 6.3A.3.3.6-1 and Figure 6.3A.3.3.6-2 are located in either NR band X or band Y as indicated in RRC signalling *uplinkTxSwitchingBandList* [7]. For each band pair, the length of uplink switching period X is indicated by UE capability *switchingPeriodFor1T* when 1Tx-1Tx switching or 1Tx-2Tx switching between the two bands in the band pair is supported and configured, or is indicated with *switchingPeriodFor2T* when 2Tx-2Tx switching between the two bands in the band pair is supported and configured. UE shall be capable to transmit until the beginning of the switching period and after the end of switching period with the exception of transient periods.0

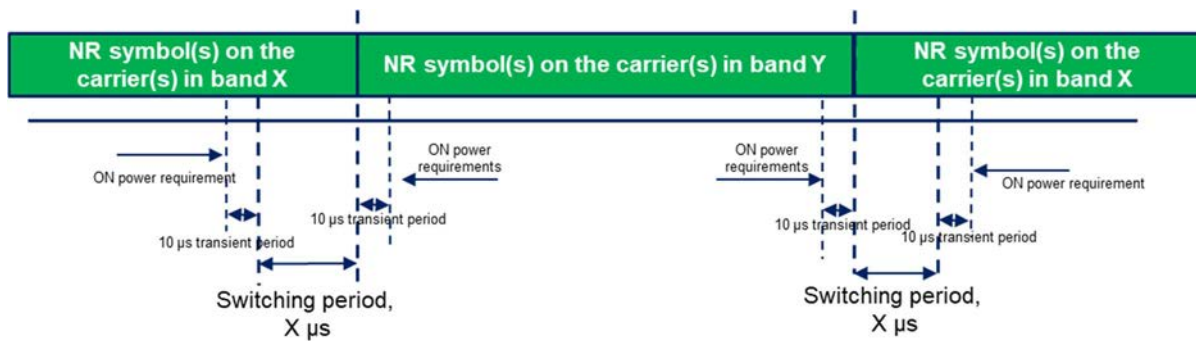


Figure 6.3A.3.0.3.6-1: Time mask for switching between band X and band Y, where the switching period is located in band X

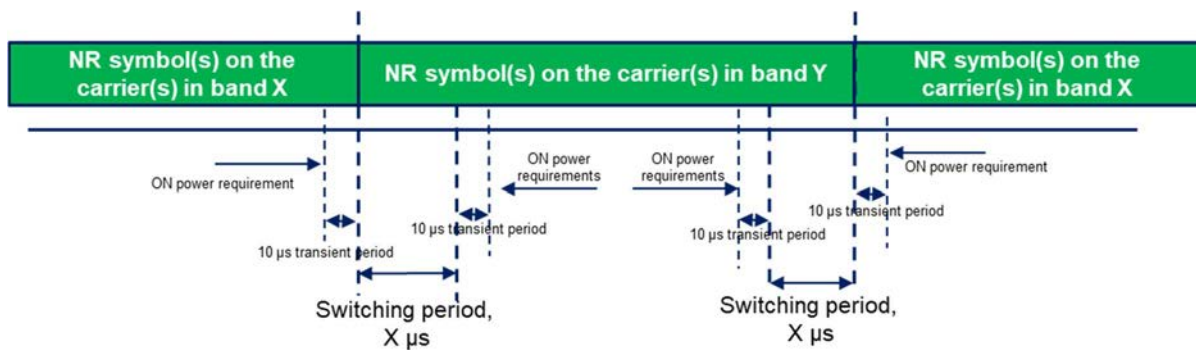


Figure 6.3A.3.0.3.6-2: Time mask for switching between band X and band Y, where the switching period is located in band Y

The following applies for the uplink switching cases specified in Figure 6.3A.3.3.6-1 and 6.3A.3.3.6-2 in a band pair with *switchingOptionConfigForBandPair* set to either *switchedUL* or *dualUL*:

- if an uplink switching is triggered for an uplink transmission starting at T_0 based on higher layer configuration(s) or DCI(s) received before $T_0 - T_{offset}$ as specified in [10] and the UE is not configured or scheduled with uplink transmissions for a duration of at least the length of uplink switching period of $X \mu s$ indicated by UE capability *uplinkTxSwitchingPeriodForBandPair* on any of the carriers band X and band Y before T_0 ,

- the configuration of the location of the switching period by *uplinkTxSwitchingBandList* is ignored by the UE;
- transient periods of 10 μ s are located at the end of the last symbol(s) configured or scheduled on the carrier(s) before T_0 and at the start of the first symbol(s) configured or scheduled at T_0 on the switch-to carrier(s).

In addition to the requirements in Figure 6.3A.3.3.6-1 and Figure 6.3A.3.3.6-2, the requirements in Figure 6.3A.3.3.6-3 to 6.3A.3.3.6-5 are applicable when *dualUL* are supported on certain band pair(s) in the CA configuration.

The switching time masks in Figure 6.3A.3.3.6-3 and Figure 6.3A.3.3.6-4 are applicable when *dualUL* is supported for at least two uplink band pairs in the CA configuration. The two band pairs supporting *dualUL* are denoted as band pairs of {band X and band Z} and {band Y and band Z}. When one transmitter is switched between band X and band Y,

- As baseline UE behaviour, the UE is not required to transmit on any of the three bands during time period T1 located on band X and band Z, where T1 is the length of switching period for the band pair of band X and band Y, as shown in Figure 6.3A.3.3.6-4.
- As optional UE behaviours, when the UE indicates band Z in the capability *bandIndexUnaffected*,
 - if the UE indicates *maintainedUL-Trans* for band pair of {band X and band Y}, UE shall be capable of uplink transmission on band Z during the switching period that is located on band X, and UE is not required to transmit on band X and Y during time period T1 located on band X, where T1 is the length of switching period for the band pair of band X and band Y, as shown in Figure 6.3A.3.3.6-3;
 - otherwise, the UE is not required to transmit on any of the three bands during the switching period indicated by UE capability *periodOnULBands* located on band X and band Z, as shown in Figure 6.3A.3.3.6-4.

In Figure 6.3A.3.3.6-3 and Figure 6.3A.3.3.6-4, the uplink transmission on band X, band Y and band Z are all with one transmit antenna connector and one antenna port.

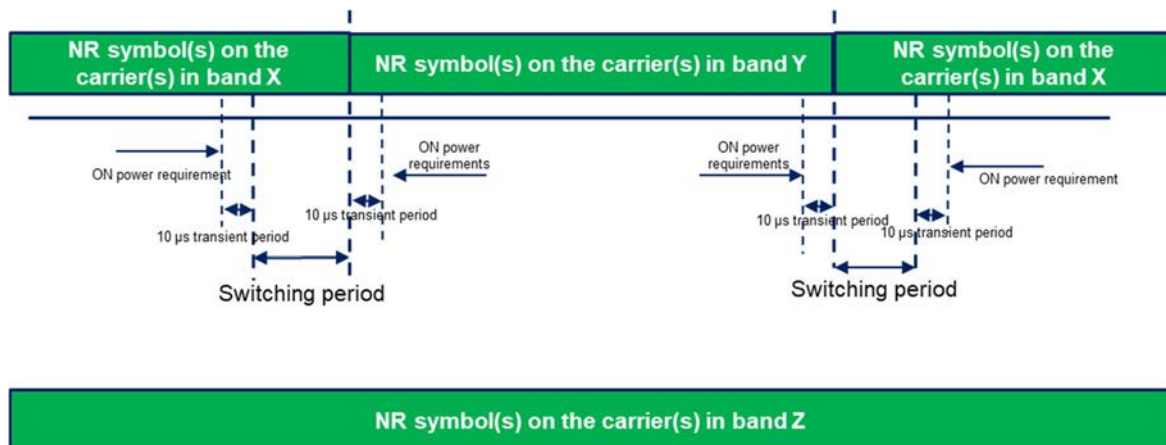


Figure 6.3A.3.0.3.6-3: Time mask for one transmitter switching between band X and band Y, and UE is capable of uplink transmission on band Z during the switching period

The following applies for the uplink switching cases specified in Figure 6.3A.3.3.6-3 in a band pair with *switchingOptionConfigForBandPair* set to *dualUL*:

- if an uplink switching is triggered for an uplink transmission starting at T_0 based on higher layer configuration(s) or DCI(s) received before $T_0 - T_{offset}$ as specified in [10] and the UE is not configured or scheduled with uplink transmissions for a duration of at least the length of uplink switching period X indicated by UE capability *uplinkTxSwitchingPeriodForBandPair* on any of the carriers in band X and band Y before T_0 ,
- the configuration of the location of the switching period by *uplinkTxSwitchingBandList* is ignored by the UE;
- transient periods of 10 μ s are located at the end of the last symbol(s) configured or scheduled on the carrier(s) before T_0 and at the start of the first symbol(s) configured or scheduled at T_0 on the switch-to carrier(s).

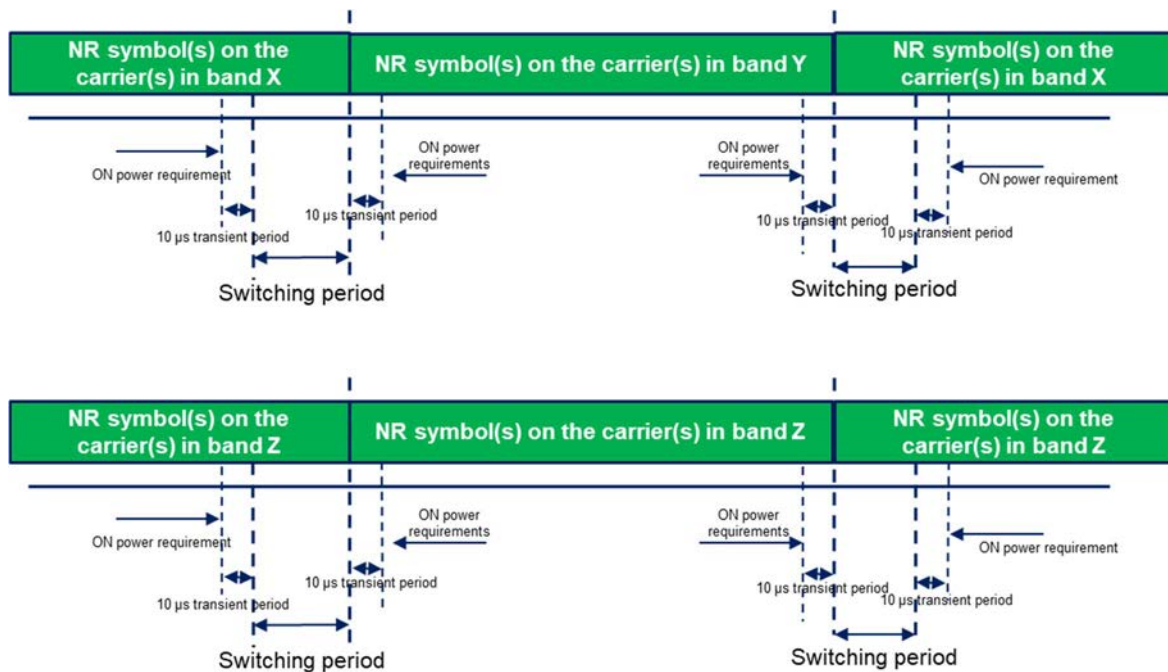


Figure 6.3A.3.0.3.6-4: Time mask for one transmitter switching between band X and band Y, and UE is not capable of uplink transmission on band Z during the switching period

The switching time mask in Figure 6.3A.3.3.6-5 is applicable when *dualUL* is supported for at least one uplink band pair including band X and band Y, and two transmit antenna connectors are supported on at least one uplink band of band Z. When one transmitter is switched between band X and band Z, and across the same time, the other transmitter is switched between Y and band Z, the switching time mask in Figure 6.3A.3.3.6-5 is applicable.

- As baseline UE behaviour, UE is not required to transmit on any of the three bands during time period with the larger one of switching period T_2 and T_3 , where T_2 is the length of switching period for the band pair of band X and band Z, and T_3 is the length of switching period for the band pair of band Y and band Z.
- As optional UE behaviour, when UE additionally reports band pair of {band X and band Y} and band Z in the capability *uplinkTxSwitchingAdditionalPeriodDualUL-List*, UE is not required to transmit on any of the three bands during time period indicated by UE capability *switchingAdditionalPeriodDualUL*.

In Figure 6.3A.3.3.6-5, the uplink transmission on band X and band Y is with one transmit antenna connector and one antenna port, and the uplink transmission on band Z is with two transmit antenna connectors and two antenna ports. The switching period location is configured according to [7], and band Z is with the highest priority according to the RRC configuration *uplinkTxSwitchingBandList*.

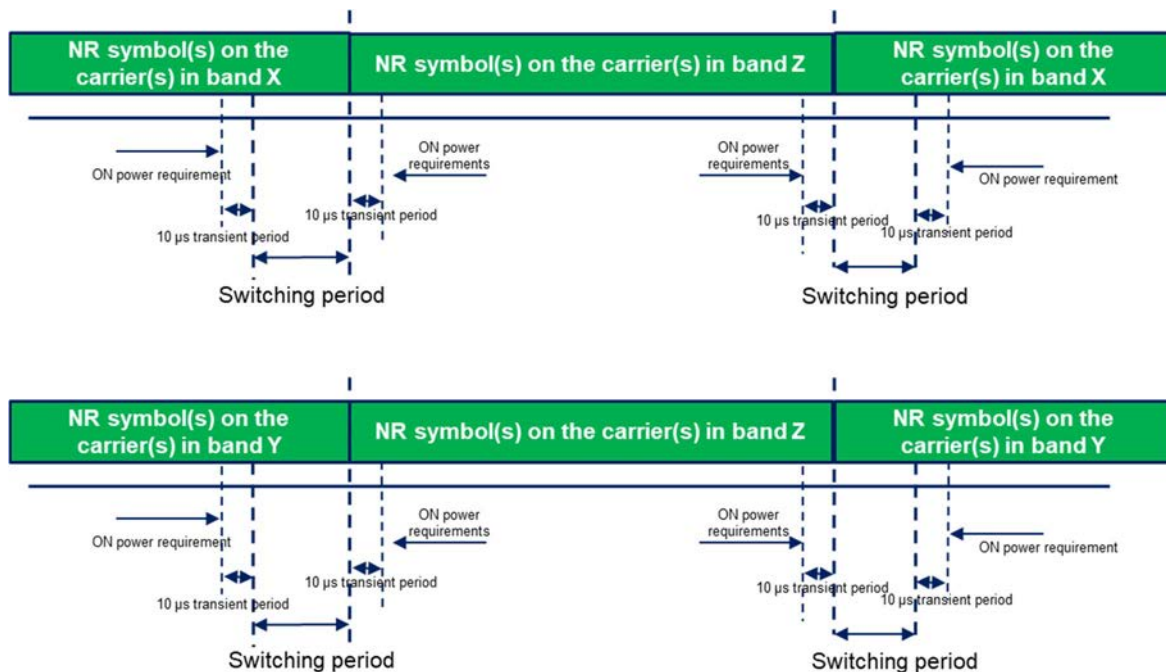


Figure 6.3A.3.0.3.6-5: Time mask for one transmitter switching between band X and band Z, and one transmitter switching between band Y and band Z

The following applies for the uplink switching case specified in Figure 6.3A.3.3.6-5 and with *uplinkTxSwitchingOptionForBandPair* set to *dualUL* for at least one band pair

- if uplink switching on a band pair is triggered for an uplink transmission starting at T_0 based on higher layer configuration(s) or DCI(s) received before $T_0 - T_{offset}$ as specified in [10] and the UE is not configured or scheduled with uplink transmissions for a duration of at least the maximum of the lengths of uplink switching periods indicated by UE capability [*uplinkTxSwitchingPeriodForBandPair*] on any of the carriers in band X, band Y and band Z before T_0 on any switched-to carrier
- the configuration of the location of the switching period and the priority of bands in the *uplinkTxSwitchingBandList* are ignored by the UE
- transient periods of 10 μ s are located at the end of the last symbol(s) configured or scheduled on the switched-from carrier(s) before T_0 on any switched-to carrier and at the start of the first symbol(s) configured or scheduled at T_0 on the switch-to carrier(s)

The requirements in this sub-clause apply for the case of synchronized network deployment for the uplink bands.

6.3A.3.0.3.6a Additional requirements for three-band switching with dual TAG

The following applies for the uplink switching case specified in Figure 6.3A.3.0.3.6-5 with three bands involved in the switching and with *uplinkTxSwitchingOptionForBandPair-r18* set to *dualUL* for at least one band pair.

If the UE is configured with dual TAG and not configured or scheduled with uplink transmissions for a duration of at least the maximum of the lengths of uplink switching periods indicated by UE capability [*uplinkTxSwitchingPeriodForBandPair-r18*] on any of the carriers in band X, band Y and band Z including any timing difference between the uplink carriers before the first T_0 on any switched-to carrier,

- the configuration of the location of the switching period and the priority of bands in the *uplinkTxSwitchingBandList* are ignored by the UE
- transient periods of 10 μ s are located at the end of the last symbol(s) configured or scheduled on the switched-from carrier(s) before the first T_0 on any switched-to carrier and at the start of the first symbol(s) configured or scheduled at T_0 on the switch-to carrier(s)

6.3A.3.1 Transmit ON/OFF time mask for CA (2UL CA)

6.3A.3.1.1 Test purpose

To verify that the general ON/OFF time mask for CA (2UL CA) meets the requirements given in 6.3A.3.1.5

The transmit power time mask for transmit ON/OFF defines the transient period(s) allowed between transmit OFF power and transmit ON power symbols for CA.

Transmission of the wrong power increases interference to other channels, or increases transmission errors in the uplink channel.

6.3A.3.1.2 Test applicability

This test case applies to all types of NR UE release 15 and forward that support 2UL CA.

6.3A.3.1.3 Minimum conformance requirements

The minimum conformance requirements are defined in clause 6.3A.3.0.

6.3A.3.1.4 Test description

6.3A.3.1.4.1 Initial condition

Initial conditions are a set of test configurations the UE needs to be tested in and the steps for the SS to take with the UE to reach the correct measurement state.

The initial test configurations consist of environmental conditions, test frequencies, test channel bandwidths and sub-carrier spacing based on NR CA configuration specified in 5.5A. All of these configurations shall be tested with applicable test parameters for each CA configuration, and are shown in table 6.3A.3.1.4.1-1 or 6.3A.3.1.4.1-2. The details of the uplink reference measurement channels (RMCs) are specified in Annexe A.2 and A.3. Configurations of PDSCH and PDCCH before measurement are specified in Annex C.2.

Table 6.3A.3.1.4.1-1: Test Configuration Table for inter-band CA

Initial Conditions				
Test Environment as specified in TS 38.508-1 [5] subclause 4.1		Normal, TL/VL, TL/VH, TH/VL, TH/VH		
Test Frequencies as specified in TS 38.508-1 [5] subclause 4.3.1.1.3 for inter band CA in FR1		Low range for PCC and SCC High range for PCC and SCC		
Test Channel Bandwidths as specified in TS 38.508-1 [5] subclause 4.3.1		Lowest N _{RB_agg} , Highest N _{RB_agg}		
Test SCS as specified in Table 5.3.5-1		Lowest, Highest		
Test Parameters				
Test ID	Downlink Configuration for PCC & SCC	Uplink Configuration		
		Modulation for all CCs	RB allocation (NOTE 1)	
			PCC	SCC
1	N/A for this test	DFT-s-OFDM QPSK	Inner Full	Inner Full
NOTE 1: The specific configuration of each RB allocation is defined in Table 6.1-1.				
NOTE 2: Test Channel Bandwidths and Test SCS are checked separately for each NR CA band combination, which applicable channel bandwidths is specified in Table 5.5A.3.1-1 and SCS is specified in Table 5.3.5-1 for each NR band..				

Table 6.3A.3.1.4.1-2: Test Configuration Table for intra-band contiguous CA

Initial Conditions	
Test Environment as specified in TS 38.508-1 [5] subclause 4.1	Normal, TL/VL, TL/VH, TH/VL, TH/VH
Test Frequencies as specified in TS 38.508-1 [5] subclause 4.3.1.1.4 for intra band contiguous CA in FR1	Low range High range
Test Channel Bandwidths as specified in TS 38.508-1 [5] subclause 4.3.1	Lowest N _{RB_agg} , Highest N _{RB_agg}
Test SCS as specified in Table 5.3.5-1	Lowest, Highest

Test Parameters				
Test ID	Downlink Configuration for PCC & SCC	Uplink Configuration		
		Modulation for all CCs	RB allocation (NOTE 1)	
			PCC	SCC
1	N/A for this test	DFT-s-OFDM QPSK	Inner Full	Inner Full

NOTE 1: The specific configuration of each RB allocation is defined in 6.1A-1a NOTE 2: Test Channel Bandwidths and Test SCS are checked separately for each NR CA band combination, which applicable channel bandwidths is specified in Table 5.5A.3.1-1 and SCS is specified in Table 5.3.5-1 for each NR band.

Table 6.3A.3.1.4.1-3: Test Configuration Table for intra-band non-contiguous CA when UE supporting IE *dualPA-Architecture*

Initial Conditions				
Test Environment as specified in TS 38.508-1 [5] subclause 4.1		Normal, TL/VL, TL/VH, TH/VL, TH/VH		
Test Frequencies as specified in TS 38.508-1 [5] subclause 4.3.1.1.5 for intra band non-contiguous CA in FR1		Low range and High range test frequencies as specified in tables for non-contiguous CA configuration with UL CA		
Test Channel Bandwidths as specified in TS 38.508-1 [5] subclause 4.3.1		Lowest N_{RB_agg} , Highest N_{RB_agg}		
Test SCS as specified in Table 5.3.5-1		Lowest, Highest		
Test Parameters				
Test ID	Downlink Configuration for PCC & SCC	Uplink Configuration		
		Modulation for all CCs	RB allocation (NOTE 1)	
			PCC	SCC
1	N/A for this test	DFT-s-OFDM QPSK	SCS 15kHz: 45@0 SCS 30kHz: 24@0 SCS 60kHz: 12@0	SCS 15kHz: 45@0 SCS 30kHz: 24@0 SCS 60kHz: 12@0

NOTE 1: The specific configuration of each RB allocation is defined in 6.1A-1a
NOTE 2: Test Channel Bandwidths and Test SCS are checked separately for each NR CA band combination, which applicable channel bandwidths and SCS are specified in Table 5.5A.3-1.

1. Connect the SS to the UE antenna connectors as shown in TS 38.508-1 [5] Annex A, Figure A.3.1.1.3 for TE diagram and section A.3.2 for UE diagram.
2. The parameter settings for the cell are set up according to TS 38.508-1 [5] subclause 4.4.3.
3. Downlink signals are initially set up according to Annex C.0, C.1, C.2, and uplink signals according to Annex G.0, G.1, G.2, G.3.0.
4. The UL Reference Measurement Channel is set according to Tables 6.3A.3.1.4.1-1 to 6.3A.3.1.4.1-3a as appropriate.
5. Propagation conditions are set according to Annex B.0.
6. Ensure the UE is in State RRC_CONNECTED with generic procedure parameters Connectivity NR, Connected without release On, Test Mode On and Test Loop Function On according to TS 38.508-1 [5] clause 4.5. Message contents are defined in clause 6.3A.3.1.4.3.

6.3A.3.1.4.2 Test procedure

1. Configure SCC according to Annex C.0, C.1, C.2 for all downlink physical channels.
2. The SS shall configure SCC as per TS 38.508-1 [5] clause 5.5.1. Message contents are defined in clause 6.3A.3.1.4.3.
3. SS activates SCC by sending the activation MAC CE (Refer TS 38.321 [18], clauses 5.9, 6.1.3.10). Wait for at least 2 seconds (Refer TS 38.133 [19], clause 9.3).
4. SS sends uplink scheduling information via PDCCH DCI format 0_1 for C_RNTI to schedule the UL RMC according to Table 6.3A.3.1.4.1-1 or 6.3A.3.1.4.1-2 on both PCC and SCC. Since the UE has no payload and no loopback data to send the UE sends uplink MAC padding bits on the UL RMC. The UL assignment is such that

the UE transmits on slots 8 for 15kHz SCS, on slots 16 and 17 for 30kHz SCS and on slots 32 through 35 for 60kHz SCS.

5. Send continuously uplink power control "up" commands for both carriers in every uplink scheduling information to the UE; allow at least 200ms starting from the first TPC command in this step for the UE to reach P_{UMAX} level.
6. On power sub test:
 - 6.1. Measure the sum of mean output power over all component carriers in the CA configuration of the UE PUSCH transmission during one slot of the radio access mode. For FDD band in inter-band CA with both TDD band and FDD band, only slots overlapping with only UL symbols in TDD are under test.
7. OFF power sub test:
 - 7.1. Measure the UE transmission OFF power for each component carrier during the slot prior to the PUSCH transmission, excluding a transient period of 10 μs in the end of the slot.
 - 7.2. Measure the UE transmission OFF power of each component carrier during the slot following the PUSCH transmission, excluding a transient period of 10 μs at the beginning of the slot.

6.3A.3.1.4.3 Message contents

Message contents are according to TS 38.508-1 [5] subclause 4.6 with following exceptions.

Table 6.3A.3.1.4.3-1: PUSCH-ConfigCommon

Derivation Path: TS 38.508-1[5], Table 4.6.3-90			
Information Element	Value/remark	Comment	Condition
PUSCH-ConfigCommon ::= SEQUENCE {			
p0-NominalWithGrant	-100		
}			

Table 6.3A.3.1.4.3-2: TDD-UL-DL-Config

Derivation Path: TS 38.508-1[5], Table 4.6.3-192			
Information Element	Value/remark	Comment	Condition
TDD-UL-DL-ConfigCommon ::= SEQUENCE {			
referenceSubcarrierSpacing	SubcarrierSpacing		
pattern1 SEQUENCE {			
dl-UL-TransmissionPeriodicity	ms10		FR1
nrofDownlinkSlots	6		FR1_15kHz
	13		FR1_30kHz
	27		FR1_60kHz
nrofDownlinkSymbols	10		FR1_15kHz
	6		FR1_30kHz
	12		FR1_60kHz
nrofUplinkSlots	3		FR1_15kHz
	6		FR1_30kHz
	12		FR1_60kHz
nrofUplinkSymbols	4		FR1_30kHz
	2		FR1_15kHz,
	8		FR1_60kHz
}			
pattern2	Not present		
}			

Table 6.3A.3.1.4.3-3: PUSCH-TimeDomainResourceAllocationList

Derivation Path: TS 38.508-1[5], Table 4.6.3-122			
Information Element	Value/remark	Comment	Condition
PUSCH-TimeDomainResourceAllocationList ::= SEQUENCE (SIZE(1..maxNrofUL-Allocations)) OF {	2 entries		

PUSCH-TimeDomainResourceAllocation[1] SEQUENCE {			
k2	4		FR1_15kHz, FR1_30kHz
	6		FR1_60kHz
mappingType	typeA		
startSymbolAndLength	27	Start symbol(S)=0, Length(L)=14	
}			
PUSCH-TimeDomainResourceAllocation[2] SEQUENCE {		addressed by Msg3 PUSCH time resource allocation field of the Random Access Response acc. to TS 38.213 [22] Table 8.2-1.	
k2	2	$K_2 + \Delta = 4$ acc. to TS 38.214 [21] Table 6.1.2.1.1-5 (NOTE 1)	FR1_15kHz
	6	$K_2 + \Delta = 9$ acc. to TS 38.214 [21] Table 6.1.2.1.1-5 (NOTE 1)	FR1_30kHz
mappingType	typeA		
startSymbolAndLength	27	Start symbol(S)=0, Length(L)=14	
}			
}			
NOTE 1: Values are chosen so that first slot of a TDD-UL-DL slot configuration period can be used for the Random Access Response and the last slot (of the same or another period) for the corresponding Msg3.			

Condition	Explanation
FR1_15kHz	FR1 is used under the test. SCS is set to 15kHz.
FR1_30kHz	FR1 is used under the test. SCS is set to 30kHz.
FR1_60kHz	FR1 is used under the test. SCS is set to 60kHz.

Table 6.3A.3.1.4.3-4: ServingCellConfigCommon

Derivation Path: 38.508-1[5], Table 4.6.3-168			
Information Element	Value/remark	Comment	Condition
ServingCellConfigCommon ::= SEQUENCE {			
ss-PBCH-BlockPower	18		SCS_15kHz
	21		SCS_30kHz
}			

Condition	Explanation
SCS_15kHz	SCS=15kHz for SS/PBCH block
SCS_30kHz	SCS=30kHz for SS/PBCH block

Table 6.3A.3.1.4.3-5: PUSCH-Config

Derivation Path: TS 38.508-1 [5], Table 4.6.3-118 with condition TRANSFORM_PRECODER_ENABLED

Table 6.3A.3.1.4.3-6: FrequencyInfoUL-SIB

Derivation Path: TS 38.508-1 [5] Table 4.6.3-62 FrequencyInfoUL-SIB			
Information Element	Value/remark	Comment	Condition
p-Max	20		Inter-band CA

19		intra-band contiguous for CA_n48B
18		intra-band contiguous for CA_n41C
17		intra-band contiguous for CA_n77C
[16]		intra-band non-contiguous 2 UL CA PC3 (MPRIM3 to meet - 13dBm/MHz)
[8]		intra-band non-contiguous 2 UL CA PC3 (MPRIM3 to meet - 30dBm/MHz)

6.3A.3.1.5 Test requirement

The requirement for the transmit ON power and Transmit OFF power for CA measured in steps 5, 6 and 7 of the test procedure shall not exceed the values specified in Table 6.3A.3.1.5-1.

Table 6.3A.3.1.5-1: General ON/OFF time mask

	Channel bandwidth / minimum output power / measurement bandwidth														
	5 MHz	10 MHz	15 MHz	20 MHz	25 MHz	30 MHz	35 MHz	40 MHz	45 MHz	50 MHz	60 MHz	70 MHz	80 MHz	90 MHz	100 MHz
Transmit OFF power	$\leq -50+TT$ dBm														
Transmission OFF Measurement bandwidth	4.515	9.375	14.235	19.095	23.955	28.815	33.855	38.895	43.575	48.615	58.35	68.07	78.15	88.23	98.31
Transmit ON power	For inter-band CA configurations, The test requirement of transmit on power of 2UL CA is the same as Test ID 9 of Table 6.2A.2.1.5-1 as appropriate. For intra-band contiguous CA configurations, The test requirement of transmit on power of 2UL CA is the same as Test ID 3 of Table 6.2A.2.1.5-1a, Table 6.2A.2.1.5-1b and 6.2A.2.1.5-1c as appropriate. For intra-band non-contiguous CA configurations, The test requirement of transmit on power of 2UL CA is the same as Test ID 4 of Table 6.2A.2.1.5-1e, Test ID 3 of 6.2A.2.1.5-1f as appropriate.														
NOTE 1: TT for each frequency and channel bandwidth of OFF power is specified in Table 6.3A.3.1.5-2.															
NOTE 2: TT or each frequency and channel bandwidth of Transmit ON power is specified in Table 6.2A.2.1.5-3															

Table 6.3A.3.1.5-2: Test Tolerance for OFF power

	$f \leq 3.0\text{GHz}$	$3.0\text{GHz} < f \leq 6\text{GHz}$
$BW \leq 40\text{MHz}$	1.5	1.8
$40\text{MHz} < BW \leq 100\text{MHz}$	1.7	1.8

6.3A.3.1_1 Void

6.3A.3.2 Time mask for switching between two uplink carriers

Editor's Note: The improvement for test procedure is FFS

6.3A.3.2.1 Test purpose

To verify that the time mask for switching between two uplink carriers meets the requirements given in 6.3A.3.0.3.2.

The time mask for switching between two uplink carriers defines the transient period(s) allowed between two uplink carriers for an uplink band pair of an inter-band UL CA configuration when the capability *uplinkTxSwitchingPeriod* is present.

6.3A.3.2.2 Test applicability

This test case applies to all types of NR UE release 16 and forward that support 2UL inter-band CA and dynamic UL Tx switching.

6.3A.3.2.3 Minimum conformance requirements

The minimum conformance requirements are defined in clause 6.3A.3.0.3.2.

6.3A.3.2.4 Test description

6.3A.3.2.4.1 Initial condition

Initial conditions are a set of test configurations the UE needs to be tested in and the steps for the SS to take with the UE to reach the correct measurement state.

The initial test configurations consist of environmental conditions, test frequencies, test channel bandwidths and sub-carrier spacing based on NR CA configuration specified in 5.5A. All of these configurations shall be tested with applicable test parameters for each CA configuration, and are shown in table 6.3A.3.2.4.1-1. The details of the uplink reference measurement channels (RMCs) are specified in Annex A.2 and A.3. Configurations of PDSCH and PDCCH before measurement are specified in Annex C.2.

Table 6.3A.3.2.4.1-1: Test Configuration Table for inter-band CA Uplink switching

Initial Conditions				
Test Environment as specified in TS 38.508-1 [5] subclause 4.1		Normal		
Test Frequencies as specified in TS 38.508-1 [5] subclause 4.3.1.1.3 for inter band CA in FR1		Mid range for PCC and SCC		
Test Channel Bandwidths as specified in TS 38.508-1 [5] subclause 4.3.1		Highest N_{RB_agg}		
Test SCS as specified in Table 5.3.5-1		Highest		
Test Parameters				
Test ID	Downlink Configuration for PCC & SCC	Uplink Configuration		
		Modulation for all CCs	RB allocation (NOTE 2)	
			PCC	SCC
1	N/A for this test	CP-OFDM QPSK	Inner Full	Inner Full
NOTE 1: PCC is the component carrier capable of one transmit antenna connector, and is configured as Carrier 1. SCC is the component carrier capable of two transmit antenna connectors, and is configured as Carrier 2.				
NOTE 2: The specific configuration of each RB allocation is defined in Table 6.1-1.				
NOTE 3: Test Channel Bandwidths and Test SCS are checked separately for each NR CA band combination, which applicable channel bandwidths is specified in Table 5.5A.3.1-1 and SCS is specified in Table 5.3.5-1 for each NR band.				

1. Connect the SS to the UE antenna connectors as shown in TS 38.508-1 [5] Annex A, Figure A.3.1.1.2 for TE diagram and section A.3.2 for UE diagram.
2. The parameter settings for the cell are set up according to TS 38.508-1 [5] subclause 4.4.3.

3. Downlink signals are initially set up according to Annex C.0, C.1, C.2, and uplink signals according to Annex G.0, G.1, G.2, G.3.0.
4. The UL Reference Measurement Channel is set according to Table 6.3A.3.2.4.1-1.
5. Propagation conditions are set according to Annex B.0.
6. Ensure the UE is in State RRC_CONNECTED with generic procedure parameters Connectivity NR, Connected without release On, Test Mode On and Test Loop Function On according to TS 38.508-1 [5] clause 4.5. Message contents are defined in clause 6.3A.3.2.4.3.

6.3A.3.2.4.2 Test procedure

1. Sub test 1: Switching period located in Carrier 1
 - 1.1. Configure SCC according to Annex C.0, C.1, C.2 for all downlink physical channels.
 - 1.2. The SS shall configure SCC as per TS 38.508-1 [5] clause 5.5.1. Message contents are defined in clause 6.3A.3.2.4.3 with *uplinkTxSwitchingPeriodLocation-r16* configured TRUE on carrier1 and FALSE on carrier 2.
 - 1.3. SS activates SCC by sending the activation MAC CE (Refer TS 38.321 [18], clauses 5.9, 6.1.3.10). Wait for at least 2 seconds (Refer TS 38.133 [19], clause 9.3).
 - 1.3a. SS sends uplink scheduling information for each UL HARQ process via PDCCH DCI format 0_1 for C_RNTI to schedule the UL RMC according to Table 6.3A.3.2.4.1-1 on PCC only. Send continuously uplink power control "up" commands in every uplink scheduling information to the UE; allow at least 200ms starting from the first TPC command in this step for the UE to reach $P_{\text{CMAX,c}}$ level on PCC.
 - 1.3b. SS sends uplink scheduling information for each UL HARQ process via PDCCH DCI format 0_1 for C_RNTI to schedule the UL RMC according to Table 6.3A.3.2.4.1-1 on SCC only. Send continuously uplink power control "up" commands in every uplink scheduling information to the UE; allow at least 200ms starting from the first TPC command in this step for the UE to reach $P_{\text{CMAX,c}}$ level on SCC.
 - 1.4. SS sends uplink scheduling information via PDCCH DCI format 0_1 for C_RNTI to schedule the UL RMC according to Table 6.3A.3.2.4.1-1 on carrier 1 on slot n-1, where slot n is an uplink slot for carrier 2. Since the UE has no payload and no loopback data to send the UE sends uplink MAC padding bits on the UL RMC.
 - 1.5. The SS sends uplink scheduling information via DCI format 0_1 for C_RNTI to schedule the UL RMC according to Table 6.3A.3.2.4.1-1 on carrier 2 starting on slot n and slot m, with both slot n and slot m being uplink slots for carrier 2 and $m \geq n+20$ when SCS=15kHz ($m \geq n+40$ when SCS=30 kHz, $m \geq n+80$ when SCS=60 kHz). Since the UE has no payload and no loopback data to send the UE sends uplink MAC padding bits on the UL RMC. The PDCCH DCI format 0_1 is specified with the condition 2TX_UL_MIMO in 38.508-1 [5] subclause 4.3.6.1.1.2.
 - 1.6. Measure the output power of UE PUSCH transmission for carrier 1 during slot n-1 excluding a transient period of 10 μs and a Switching period X μs in the end of slot n-1. The length of uplink switching period X is indicated by UE capability *uplinkTxSwitchingPeriod*.
 - 1.7. Measure the sum of output power of UE PUSCH transmission on carrier 2 over all antenna connectors during slot n and slot m excluding a transient period of 10 μs in the beginning of slot n and in the end of slot m
 - 1.8. SS sends uplink scheduling information via PDCCH DCI format 0_1 for C_RNTI to schedule the UL RMC according to Table 6.3A.3.2.4.1-1 on carrier 1 on slot m+1. Since the UE has no payload and no loopback data to send the UE sends uplink MAC padding bits on the UL RMC.
 - 1.9. Measure the output power of UE PUSCH transmission for carrier 1 during slot m+1 excluding a switching period X and a transient period of 10 μs in the beginning of slot m+1. The length of uplink switching period X is indicated by UE capability *uplinkTxSwitchingPeriod*.
2. Sub test 2: Switching period located in Carrier 2
 - 2.1. Configure SCC according to Annex C.0, C.1, C.2 for all downlink physical channels.

- 2.2. The SS shall configure SCC as per TS 38.508-1 [5] clause 5.5.1. Message contents are defined in clause 6.3A.3.2.4.3 with *uplinkTxSwitchingPeriodLocation-r16* configured TRUE on carrier 2 and FALSE on carrier 1.
- 2.3. SS activates SCC by sending the activation MAC CE (Refer TS 38.321 [18], clauses 5.9, 6.1.3.10). Wait for at least 2 seconds (Refer TS 38.133 [19], clause 9.3).
- 2.3a. SS sends uplink scheduling information for each UL HARQ process via PDCCH DCI format 0_1 for C_RNTI to schedule the UL RMC according to Table 6.3A.3.2.4.1-1 on PCC only. Send continuously uplink power control "up" commands in every uplink scheduling information to the UE; allow at least 200ms starting from the first TPC command in this step for the UE to reach $P_{CMAX,c}$ level on PCC.
- 2.3b. SS sends uplink scheduling information for each UL HARQ process via PDCCH DCI format 0_1 for C_RNTI to schedule the UL RMC according to Table 6.3A.3.2.4.1-1 on SCC only. Send continuously uplink power control "up" commands in every uplink scheduling information to the UE; allow at least 200ms starting from the first TPC command in this step for the UE to reach $P_{CMAX,c}$ level on SCC.
- 2.4. SS sends uplink scheduling information via PDCCH DCI format 0_1 for C_RNTI to schedule the UL RMC according to Table 6.3A.3.2.4.1-1 on carrier 1 on slot n-1, where slot n is an uplink slot for carrier 2. Since the UE has no payload and no loopback data to send the UE sends uplink MAC padding bits on the UL RMC.
- 2.5. The SS sends uplink scheduling information via DCI format 0_1 for C_RNTI to schedule the UL RMC according to Table 6.3A.3.2.4.1-1 on carrier 2 on slot n ($n \geq 1$) and slot m, with both slot n and slot m being uplink slots for carrier 2 and $m \geq n+20$ when SCS=15kHz ($m \geq n+40$ when SCS=30 kHz, $m \geq n+80$ when SCS=60 kHz). Since the UE has no payload and no loopback data to send the UE sends uplink MAC padding bits on the UL RMC. The PDCCH DCI format 0_1 is specified with the condition 2TX_UL_MIMO in 38.508-1 [5] subclause 4.3.6.1.1.2.
- 2.6. Measure the output power of UE PUSCH transmission for carrier 1 during slot n-1, for carrier 1 excluding a transient period of 10 μ s in the end of slot n-1.
- 2.7. Measure the sum of output power of UE PUSCH transmission on carrier 2 over all antenna connectors during during slot n and slot m excluding a switching period X and a transient period of 10 μ s in the beginning of slot n and in the end of slot m. The length of uplink switching period X is indicated by UE capability *uplinkTxSwitchingPeriod*.
- 2.8. SS sends uplink scheduling information via PDCCH DCI format 0_1 for C_RNTI to schedule the UL RMC according to Table 6.3A.3.2.4.1-1 on carrier 1 on slot m+1. Since the UE has no payload and no loopback data to send the UE sends uplink MAC padding bits on the UL RMC
- 2.9. Measure the output power of UE PUSCH transmission for carrier 1 during slot m+1 excluding a transient period of 10 μ s in the beginning of slot m+1.

6.3A.3.2.4.3 Message contents

Message contents are according to TS 38.508-1 [5] subclause 4.6 with following exceptions.

Table 6.3A.3.2.4.3-1: CellGroupConfig

Derivation Path: TS 38.508-1[5], Table 4.6.3-19			
Information Element	Value/remark	Comment	Condition
CellGroupConfig ::= SEQUENCE {			
uplinkTxSwitchingOption-r16	switchedUL		switchedUL OR Both
	dualUL		dualUL
}			

Condition	Explanation
switchedUL	UE indicated supporting of switchedUL in uplinkTxSwitching-OptionSupport-r16
dualUL	UE indicated supporting of dualUL in uplinkTxSwitching-OptionSupport-r16
Both	UE indicated supporting of both in uplinkTxSwitching-OptionSupport-r16

Table 6.3A.3.2.4.3-2: Void

Table 6.3A.3.2.4.3-3: ServingCellConfig

Derivation Path: 38.508-1[5], Table 4.6.3-167			
Information Element	Value/remark	Comment	Condition
ServingCellConfig ::= SEQUENCE {			
uplinkConfig SEQUENCE {			
uplinkTxSwitching-r16 CHOICE {			
setup SEQUENCE {			
uplinkTxSwitchingPeriodLocation-r16	TRUE		PL
	FALSE		noPL
uplinkTxSwitchingCarrier-r16	carrier1		1TxCC
	carrier2		2TxCC
}			
}			
}			
}			

Condition	Explanation
PL	The location of UL Tx switching period is configured in this carrier
noPL	The location of UL Tx switching period is not configured in this carrier
1TxCC	The carrier is capable of one transmit antenna connector
2TxCC	The carrier is capable of two transmit antenna connectors

Table 6.3A.3.2.4.3-4: Void

Table 6.3A.3.2.4.3-5: Void

Table 6.3A.3.2.4.3-6: FrequencyInfoUL-SIB for inter-band CA

Derivation Path: TS 38.508-1 [5] Table 4.6.3-62 FrequencyInfoUL-SIB			
Information Element	Value/remark	Comment	Condition
p-Max	23		

Table 6.3A.3.2.4.3-7: FrequencyInfoUL for inter-band CA

Derivation Path: TS 38.508-1 [5] Table 4.6.3-61 FrequencyInfoUL			
Information Element	Value/remark	Comment	Condition
p-Max	23		

6.3A.3.2.5 Test requirement

The requirement for the power of carrier 1 measured in step 1.6, 1.9, 2.6, 2.9 of the test procedure and the power of carrier 2 measured in step 1.7 and 2.7 shall not exceed the values specified in table 6.3A.3.2.5-1.

Table 6.3A.3.2.5-1: Time mask for switching between two uplink carriers (On power)

	Measured output power
Transmit ON power	PCC: Same as Test ID 23 of Table 6.2.2.5-1 to Table 6.2.2.5-3 as appropriate SCC: Same as Test ID 1 of Table 6.2D.2.5-1 as appropriate
NOTE1:	TT or each frequency and channel bandwidth of Transmit ON power is specified in Table 6.2A.2.1.5-3

Table 6.3A.3.2.5-2: Void

6.3A.3.3 Time mask for switching between two uplink carriers with two transmit antenna connectors

6.3A.3.3.1 Test purpose

To verify that the time mask for switching between two uplink carriers meets the requirements given in 6.3A.3.0.3.3.

The time mask for switching between two uplink carriers with two transmit antenna connectors defines the transient period(s) allowed between two uplink carriers for an uplink band pair of an inter-band UL CA configuration when the capability *uplinkTxSwitchingPeriod2T2T* is present.

6.3A.3.3.2 Test applicability

This test case applies to all types of NR UE release 17 and forward that support 2UL inter-band CA and dynamic UL 2Tx-2Tx switching.

6.3A.3.3.3 Minimum conformance requirements

The minimum conformance requirements are defined in clause 6.3A.3.0.3.3.

6.3A.3.3.4 Test description

6.3A.3.3.4.1 Initial condition

Initial conditions are a set of test configurations the UE needs to be tested in and the steps for the SS to take with the UE to reach the correct measurement state.

The initial test configurations consist of environmental conditions, test frequencies, test channel bandwidths and sub-carrier spacing based on NR CA configuration specified in 5.5A. All of these configurations shall be tested with applicable test parameters for each CA configuration, and are shown in table 6.3A.3.3.4.1-1. The details of the uplink reference measurement channels (RMCs) are specified in Annex A.2 and A.3. Configurations of PDSCH and PDCCH before measurement are specified in Annex C.2.

Table 6.3A.3.3.4.1-1: Test Configuration Table for inter-band CA Uplink switching

Initial Conditions				
Test Environment as specified in TS 38.508-1 [5] subclause 4.1		Normal		
Test Frequencies as specified in TS 38.508-1 [5] subclause 4.3.1.1.3 for inter band CA in FR1		Mid range for PCC and SCC		
Test Channel Bandwidths as specified in TS 38.508-1 [5] subclause 4.3.1		Highest N _{RB_agg}		
Test SCS as specified in Table 5.5A.3-1		Highest		
Test Parameters				
Test ID	Downlink Configuration for PCC & SCC	Uplink Configuration		
		Modulation for all CCs	RB allocation (NOTE 2)	
1	N/A for this test		CP-OFDM QPSK	Inner Full
NOTE 1: PCC is the component carrier with lower center frequency between two component carriers. PCC is configured as Carrier 1 and SCC is configured as Carrier2.				
NOTE 2: The specific configuration of each RB allocation is defined in Table 6.1-1.				
NOTE 3: Test Channel Bandwidths and Test SCS are checked separately for each NR CA band combination, which applicable channel bandwidths and SCS are specified in Table 5.5A.3-1.				

1. Connect the SS to the UE antenna connectors as shown in TS 38.508-1 [5] Annex A, Figure A.3.1.1.2 for TE diagram and section A.3.2 for UE diagram.
2. The parameter settings for the cell are set up according to TS 38.508-1 [5] subclause 4.4.3.
3. Downlink signals are initially set up according to Annex C.0, C.1, C.2, and uplink signals according to Annex G.0, G.1, G.2, G.3.0.
4. The UL Reference Measurement Channel is set according to Table 6.3A.3.3.4.1-1.

5. Propagation conditions are set according to Annex B.0.
6. Ensure the UE is in State RRC_CONNECTED with generic procedure parameters Connectivity NR, Connected without release On, Test Mode On and Test Loop Function On according to TS 38.508-1 [5] clause 4.5. Message contents are defined in clause 6.3A.3.3.4.3.

6.3A.3.3.4.2 Test procedure

1. Sub test 1: Switching period located in Carrier 1

- 1.1. Configure SCC according to Annex C.0, C.1, C.2 for all downlink physical channels.
- 1.2. The SS shall configure SCC as per TS 38.508-1 [5] clause 5.5.1. Message contents are defined in clause 6.3A.3.3.4.3 with *uplinkTxSwitchingPeriodLocation-r16* configured TRUE on carrier1 and FALSE on carrier 2.
- 1.3. SS activates SCC by sending the activation MAC CE (Refer TS 38.321 [18], clauses 5.9, 6.1.3.10). Wait for at least 2 seconds (Refer TS 38.133 [19], clause 9.3).
- 1.3a. SS sends uplink scheduling information for each UL HARQ process via PDCCH DCI format 0_1 for C_RNTI to schedule the UL RMC according to Table 6.3A.3.3.4.1-1 on PCC only. Send continuously uplink power control "up" commands in every uplink scheduling information to the UE; allow at least 200ms starting from the first TPC command in this step for the UE to reach $P_{\text{CMAX},c}$ level on PCC.
- 1.3b. SS sends uplink scheduling information for each UL HARQ process via PDCCH DCI format 0_1 for C_RNTI to schedule the UL RMC according to Table 6.3A.3.3.4.1-1 on SCC only. Send continuously uplink power control "up" commands in every uplink scheduling information to the UE; allow at least 200ms starting from the first TPC command in this step for the UE to reach $P_{\text{CMAX},c}$ level on SCC.1.4. SS sends uplink scheduling information via PDCCH DCI format 0_1 for C_RNTI to schedule the UL RMC according to Table 6.3A.3.3.4.1-1 on carrier 1 on slot n-1, where slot n is an uplink slot for carrier 2. Since the UE has no payload and no loopback data to send the UE sends uplink MAC padding bits on the UL RMC. The PDCCH DCI format 0_1 is specified with the condition 2TX_UL_MIMO in 38.508-1 [5] subclause 4.3.6.1.1.2.
- 1.5. The SS sends uplink scheduling information via DCI format 0_1 for C_RNTI to schedule the UL RMC according to Table 6.3A.3.3.4.1-1 on carrier 2 starting on slot n and slot m, with both slot n and slot m being uplink slots for carrier 2 and $m \geq n+20$ when SCS=15kHz ($m \geq n+40$ when SCS=30 kHz, $m \geq n+80$ when SCS=60 kHz). Since the UE has no payload and no loopback data to send the UE sends uplink MAC padding bits on the UL RMC. The PDCCH DCI format 0_1 is specified with the condition 2TX_UL_MIMO in 38.508-1 [5] subclause 4.3.6.1.1.2.
- 1.6. Measure the sum of output power of UE PUSCH transmission for carrier 1 over all antenna connectors during slot n-1 excluding a transient period of 10 μs and a Switching period X μs in the end of slot n-1. The length of uplink switching period X is indicated by UE capability *uplinkTxSwitchingPeriod2T2T-r17*.
- 1.7. Measure the sum of output power of UE PUSCH transmission on carrier 2 over all antenna connectors during slot n and slot m excluding a transient period of 10 μs in the beginning of slot n and in the end of slot m
- 1.8. SS sends uplink scheduling information via PDCCH DCI format 0_1 for C_RNTI to schedule the UL RMC according to Table 6.3A.3.3.4.1-1 on carrier 1 on slot m+1. Since the UE has no payload and no loopback data to send the UE sends uplink MAC padding bits on the UL RMC. The PDCCH DCI format 0_1 is specified with the condition 2TX_UL_MIMO in 38.508-1 [5] subclause 4.3.6.1.1.2.
- 1.9. Measure the sum of output power of UE PUSCH transmission for carrier 1 over all antenna connectors during slot m+1 excluding a switching period X and a transient period of 10 μs in the beginning of slot m+1. The length of uplink switching period X is indicated by UE capability *uplinkTxSwitchingPeriod2T2T-r17*.

2. Sub test 2: Switching period located in Carrier 2

- 2.1. Configure SCC according to Annex C.0, C.1, C.2 for all downlink physical channels.

- 2.2. The SS shall configure SCC as per TS 38.508-1 [5] clause 5.5.1. Message contents are defined in clause 6.3A.3.3.4.3 with *uplinkTxSwitchingPeriodLocation-r16* configured TRUE on carrier 2 and FALSE on carrier 1.
- 2.3. SS activates SCC by sending the activation MAC CE (Refer TS 38.321 [18], clauses 5.9, 6.1.3.10). Wait for at least 2 seconds (Refer TS 38.133 [19], clause 9.3).
- 2.3a. SS sends uplink scheduling information for each UL HARQ process via PDCCH DCI format 0_1 for C_RNTI to schedule the UL RMC according to Table 6.3A.3.3.4.1-1 on PCC only. Send continuously uplink power control "up" commands in every uplink scheduling information to the UE; allow at least 200ms starting from the first TPC command in this step for the UE to reach $P_{\text{CMAX},c}$ level on PCC.
- 2.3b. SS sends uplink scheduling information for each UL HARQ process via PDCCH DCI format 0_1 for C_RNTI to schedule the UL RMC according to Table 6.3A.3.3.4.1-1 on SCC only. Send continuously uplink power control "up" commands in every uplink scheduling information to the UE; allow at least 200ms starting from the first TPC command in this step for the UE to reach $P_{\text{CMAX},c}$ level on SCC.
- 2.4. SS sends uplink scheduling information via PDCCH DCI format 0_1 for C_RNTI to schedule the UL RMC according to Table 6.3A.3.3.4.1-1 on carrier 1 on slot n-1, where slot n is an uplink slot for carrier 2. Since the UE has no payload and no loopback data to send the UE sends uplink MAC padding bits on the UL RMC. The PDCCH DCI format 0_1 is specified with the condition 2TX_UL_MIMO in 38.508-1 [5] subclause 4.3.6.1.1.2.
- 2.5. The SS sends uplink scheduling information via DCI format 0_1 for C_RNTI to schedule the UL RMC according to Table 6.3A.3.3.4.1-1 on carrier 2 on slot n ($n \geq 1$) and slot m, with both slot n and slot m being uplink slots for carrier 2 and $m \geq n+20$ when SCS=15kHz ($m \geq n+40$ when SCS=30 kHz, $m \geq n+80$ when SCS=60 kHz). Since the UE has no payload and no loopback data to send the UE sends uplink MAC padding bits on the UL RMC. The PDCCH DCI format 0_1 is specified with the condition 2TX_UL_MIMO in 38.508-1 [5] subclause 4.3.6.1.1.2.
- 2.6. Measure the sum of output power of UE PUSCH transmission for carrier 1 over all antenna connectors during slot n-1, for carrier 1 excluding a transient period of 10 μ s in the end of slot n-1.
- 2.7. Measure the sum of output power of UE PUSCH transmission on carrier 2 over all antenna connectors during during slot n and slot m excluding a switching period X and a transient period of 10 μ s in the beginning of slot n and in the end of slot m. The length of uplink switching period X is indicated by UE capability *uplinkTxSwitchingPeriod2T2T-r17*.
- 2.8. SS sends uplink scheduling information via PDCCH DCI format 0_1 for C_RNTI to schedule the UL RMC according to Table 6.3A.3.3.4.1-1 on carrier 1 on slot m+1. Since the UE has no payload and no loopback data to send the UE sends uplink MAC padding bits on the UL RMC. The PDCCH DCI format 0_1 is specified with the condition 2TX_UL_MIMO in 38.508-1 [5] subclause 4.3.6.1.1.2.
- 2.9. Measure the sum of output power of UE PUSCH transmission for carrier 1 over all antenna connectors during slot m+1 excluding a transient period of 10 μ s in the beginning of slot m+1.

6.3A.3.3.4.3 Message contents

Message contents are according to TS 38.508-1 [5] subclause 4.6 and 5.4 ensuring Table 4.6.3-182 with the condition 2TX_UL_MIMO, with the following exceptions.

Table 6.3A.3.3.4.3-1: CellGroupConfig

Derivation Path: TS 38.508-1[5], Table 4.6.3-19			
Information Element	Value/remark	Comment	Condition
CellGroupConfig ::= SEQUENCE {			
uplinkTxSwitchingOption-r16	switchedUL		switchedUL OR Both
	dualUL		dualUL
}			

Condition	Explanation
switchedUL	UE indicated supporting of switchedUL in uplinkTxSwitching-OptionSupport-r16

dualUL	UE indicated supporting of dualUL in uplinkTxSwitching-OptionSupport-r16
Both	UE indicated supporting of both in uplinkTxSwitching-OptionSupport-r16

Table 6.3A.3.3.4.3-2: ServingCellConfig

Derivation Path: 38.508-1[5], Table 4.6.3-167			
Information Element	Value/remark	Comment	Condition
ServingCellConfig ::= SEQUENCE {			
uplinkConfig SEQUENCE {			
uplinkTxSwitching-r16 CHOICE {			
setup SEQUENCE {			
uplinkTxSwitchingPeriodLocation-r16	TRUE		PL
	FALSE		noPL
uplinkTxSwitchingCarrier-r16	carrier1		PCC
	carrier2		SCC
}			
}			
}			
}			

Condition	Explanation
PL	The location of UL Tx switching period is configured in this carrier
noPL	The location of UL Tx switching period is not configured in this carrier

Table 6.3A.3.3.4.3-3: FrequencyInfoUL-SIB for inter-band CA

Derivation Path: TS 38.508-1 [5] Table 4.6.3-62 FrequencyInfoUL-SIB			
Information Element	Value/remark	Comment	Condition
p-Max	23		

Table 6.3A.3.3.4.3-4: FrequencyInfoUL for inter-band CA

Derivation Path: TS 38.508-1 [5] Table 4.6.3-61 FrequencyInfoUL			
Information Element	Value/remark	Comment	Condition
p-Max	23		

6.3A.3.3.5 Test requirement

The requirement for the power of carrier 1 measured in step 1.6, 1.9, 2.6, 2.9 of the test procedure and the power of carrier 2 measured in step 1.7 and 2.7 shall not exceed the values specified in table 6.3A.3.3.5-1.

Table 6.3A.3.3.5-1: Time mask for 2Tx-2Tx switching between two uplink carriers (On power)

	Measured output power
Transmit ON power	Same as Test ID 1 of Table 6.2D.2.5-1 as appropriate
NOTE1: TT or each frequency and channel bandwidth of Transmit ON power is specified in Table 6.2A.2.1.5-3	

6.3A.3.4 Time mask for switching between one uplink band with one transmit antenna connector and one uplink band with two transmit antenna connectors (3UL CA)

6.3A.3.4.1 Test purpose

To verify that the time mask for switching between one uplink band with one transmit antenna connector and one uplink band with two transmit antenna connectors meets the requirements given in 6.3A.3.0.3.4.

The time mask for switching between one uplink band with one transmit antenna connector and one uplink band with two transmit antenna connectors defines the transient period(s) allowed when the capability *uplinkTxSwitchingPeriod* is present.

6.3A.3.4.2 Test applicability

This test case applies to all types of NR UE release 17 and forward that support 3UL inter-band CA with intra-band contiguous CA and dynamic UL 1Tx-2Tx switching.

6.3A.3.4.3 Minimum conformance requirements

The minimum conformance requirements are defined in clause 6.3A.3.0.3.4.

6.3A.3.4.4 Test description

6.3A.3.4.4.1 Initial condition

Initial conditions are a set of test configurations the UE needs to be tested in and the steps for the SS to take with the UE to reach the correct measurement state.

The initial test configurations consist of environmental conditions, test frequencies, test channel bandwidths and sub-carrier spacing based on NR CA configuration specified in 5.5A. All of these configurations shall be tested with applicable test parameters for each CA configuration, and are shown in table 6.3A.3.4.4.1-1. The details of the uplink reference measurement channels (RMCs) are specified in Annex A.2 and A.3. Configurations of PDSCH and PDCCH before measurement are specified in Annex C.2.

Table 6.3A.3.4.4.1-1: Test Configuration Table for inter-band CA with intra-band contiguous CA Uplink switching

Initial Conditions

Test Environment as specified in TS 38.508-1 [5] subclause 4.1	Normal			
Test Frequencies as specified in TS 38.508-1 [5] subclause 4.3.1.1.3 for inter band CA in FR1	Mid range for PCC and SCCs			
Test Channel Bandwidths as specified in TS 38.508-1 [5] subclause 4.3.1	Highest N_{RB} on PCC and Highest N_{RB_agg} on SCCs			
Test SCS as specified in Table 5.5A.3-1	Highest			
Test Parameters				
Test ID	Downlink Configuration for PCC & SCC	Uplink Configuration		
		Modulation for all CCs	RB allocation	
			PCC (NOTE 2)	SCCs (NOTE 3)
1	N/A for this test	CP-OFDM QPSK	Inner Full	Inner Full
NOTE 1: PCC is the component carrier on the band with single carrier configured and SCCs are the contiguous aggregated component carriers on another band. PCC is configured as Carrier 1 and both SCCs are configured as Carrier2.				
NOTE 2: The specific configuration of each RB allocation is defined in Table 6.1-1.				
NOTE 3: The specific configuration of each RB allocation is defined in Table 6.1A-1a.				
NOTE 4: Test Channel Bandwidths and Test SCS are checked separately for each NR CA band combination, which applicable channel bandwidths and SCS are specified in Table 5.5A.3-1.				

1. Connect the SS to the UE antenna connectors as shown in TS 38.508-1 [5] Annex A, Figure A.3.1.1.6 for TE diagram and section A.3.2.3.11 for UE diagram.
2. The parameter settings for the cell are set up according to TS 38.508-1 [5] subclause 4.4.3.
3. Downlink signals are initially set up according to Annex C.0, C.1, C.2, and uplink signals according to Annex G.0, G.1, G.2, G.3.0.
4. The UL Reference Measurement Channel is set according to Table 6.3A.3.4.4.1-1.
5. Propagation conditions are set according to Annex B.0.
6. Ensure the UE is in State RRC_CONNECTED with generic procedure parameters Connectivity *NR*, Connected without release *On*, Test Mode *On* and Test Loop Function *On* according to TS 38.508-1 [5] clause 4.5. Message contents are defined in clause 6.3A.3.4.4.3.

6.3A.3.4.4.2 Test procedure

In this test case, one component carrier (PCC) is configured in band A and two contiguous aggregated carriers (SCCs) are configured in band B. The carrier in band A is configured as Carrier 1, and both carriers in band B is configured as Carrer 2.

1. Sub test 1: Switching period located in Carrier 1
 - 1.1. Configure SCCs according to Annex C.0, C.1, C.2 for all downlink physical channels.
 - 1.2. The SS shall configure SCCs as per TS 38.508-1 [5] clause 5.5.1. Message contents are defined in clause 6.3A.3.4.4.3 with *uplinkTxSwitchingPeriodLocation-r16* configured TRUE on carrier1 and FALSE on carrier 2.

- 1.3. SS activates SCCs by sending the activation MAC CE (Refer TS 38.321 [18], clauses 5.9, 6.1.3.10). Wait for at least 2 seconds (Refer TS 38.133 [19], clause 9.3).
 - 1.3a. SS sends uplink scheduling information for each UL HARQ process via PDCCH DCI format 0_1 for C_RNTI to schedule the UL RMC according to Table 6.3A.3.4.4.1-1 on PCC only. Send continuously uplink power control "up" commands in every uplink scheduling information to the UE; allow at least 200ms starting from the first TPC command in this step for the UE to reach $P_{\text{CMAX,c}}$ level on PCC.
 - 1.3b. SS sends uplink scheduling information for each UL HARQ process via PDCCH DCI format 0_1 for C_RNTI to schedule the UL RMC according to Table 6.3A.3.4.4.1-1 on both SCCs. Send continuously uplink power control "up" commands in every uplink scheduling information to the UE; allow at least 200ms starting from the first TPC command in this step for the UE to reach P_{CMAX} level on the SCCs.
 - 1.4. SS sends uplink scheduling information via PDCCH DCI format 0_1 for C_RNTI to schedule the UL RMC according to Table 6.3A.3.4.4.1-1 on carrier 1 on slot n-1, where slot n is an uplink slot for carrier 2. Since the UE has no payload and no loopback data to send the UE sends uplink MAC padding bits on the UL RMC.
 - 1.5. The SS sends uplink scheduling information via DCI format 0_1 for C_RNTI to schedule the UL RMC according to Table 6.3A.3.4.4.1-1 on carrier 2 (SCCs) on slot n and slot m, with both slot n and slot m being uplink slots for carrier 2 and $m \geq n+20$ when SCS=15kHz ($m \geq n+40$ when SCS=30 kHz, $m \geq n+80$ when SCS=60 kHz). Since the UE has no payload and no loopback data to send the UE sends uplink MAC padding bits on the UL RMC. The PDCCH DCI format 0_1 is specified with the condition 2TX_UL_MIMO in 38.508-1 [5] subclause 4.3.6.1.1.2.
 - 1.6. Measure the output power of UE PUSCH transmission for carrier 1 during slot n-1 excluding a transient period of 10 μs and a Switching period X μs in the end of slot n-1. The length of uplink switching period X is indicated by UE capability *uplinkTxSwitchingPeriod*.
 - 1.7. Measure the sum of output power of UE PUSCH transmission on carrier 2 (SCCs) over all antenna connectors and both component carriers during slot n and slot m excluding a transient period of 10 μs in the beginning of slot n and in the end of slot m.
 - 1.8. SS sends uplink scheduling information via PDCCH DCI format 0_1 for C_RNTI to schedule the UL RMC according to Table 6.3A.3.4.4.1-1 on carrier 1 on slot m+1. Since the UE has no payload and no loopback data to send the UE sends uplink MAC padding bits on the UL RMC.
 - 1.9. Measure the output power of UE PUSCH transmission for carrier 1 during slot m+1 excluding a switching period X and a transient period of 10 μs in the beginning of slot m+1. The length of uplink switching period X is indicated by UE capability *uplinkTxSwitchingPeriod2T2T-r17*.
2. Sub test 2: Switching period located in Carrier 2
 - 2.1. Configure SCCs according to Annex C.0, C.1, C.2 for all downlink physical channels.
 - 2.2. The SS shall configure SCCs as per TS 38.508-1 [5] clause 5.5.1. Message contents are defined in clause 6.3A.3.4.4.3 with *uplinkTxSwitchingPeriodLocation-r16* configured TRUE on carrier 2 and FALSE on carrier 1.
 - 2.3. SS activates SCCs by sending the activation MAC CE (Refer TS 38.321 [18], clauses 5.9, 6.1.3.10). Wait for at least 2 seconds (Refer TS 38.133 [19], clause 9.3).
 - 2.3a. SS sends uplink scheduling information for each UL HARQ process via PDCCH DCI format 0_1 for C_RNTI to schedule the UL RMC according to Table 6.3A.3.4.4.1-1 on PCC only. Send continuously uplink power control "up" commands in every uplink scheduling information to the UE; allow at least 200ms starting from the first TPC command in this step for the UE to reach $P_{\text{CMAX,c}}$ level on PCC.

- 2.3b. SS sends uplink scheduling information for each UL HARQ process via PDCCH DCI format 0_1 for C_RNTI to schedule the UL RMC according to Table 6.3A.3.4.4.1-1 on both SCCs. Send continuously uplink power control "up" commands in every uplink scheduling information to the UE; allow at least 200ms starting from the first TPC command in this step for the UE to reach P_{CMAX} level on SCCs.
- 2.4. SS sends uplink scheduling information via PDCCH DCI format 0_1 for C_RNTI to schedule the UL RMC according to Table 6.3A.3.4.4.1-1 on carrier 1 on slot n-1, where slot n is an uplink slot for carrier 2. Since the UE has no payload and no loopback data to send the UE sends uplink MAC padding bits on the UL RMC.
- 2.5. The SS sends uplink scheduling information via DCI format 0_1 for C_RNTI to schedule the UL RMC according to Table 6.3A.3.4.4.1-1 on carrier 2 (SCCs) on slot n ($n \geq 1$) and slot m, with both slot n and slot m being uplink slots for carrier 2 and $m \geq n+20$ when SCS=15kHz ($m \geq n+40$ when SCS=30 kHz, $m \geq n+80$ when SCS=60 kHz). Since the UE has no payload and no loopback data to send the UE sends uplink MAC padding bits on the UL RMC. The PDCCH DCI format 0_1 is specified with the condition 2TX_UL_MIMO in 38.508-1 [5] subclause 4.3.6.1.1.2.
- 2.6. Measure the output power of UE PUSCH transmission for carrier 1 during slot n-1, for carrier 1 excluding a transient period of 10 μ s in the end of slot n-1.
- 2.7. Measure the sum of output power of UE PUSCH transmission on carrier 2 (SCCs) over all antenna connectors and both component carrier s during slot n and slot m excluding a switching period X and a transient period of 10 μ s in the beginning of slot n and in the end of slot m. The length of uplink switching period X is indicated by UE capability *uplinkTxSwitchingPeriod*.
- 2.8. SS sends uplink scheduling information via PDCCH DCI format 0_1 for C_RNTI to schedule the UL RMC according to Table 6.3A.3.4.4.1-1 on carrier 1 on slot m+1. Since the UE has no payload and no loopback data to send the UE sends uplink MAC padding bits on the UL RMC.
- 2.9. Measure the output power of UE PUSCH transmission for carrier 1 during slot m+1 excluding a transient period of 10 μ s in the beginning of slot m+1.

6.3A.3.4.4.3 Message contents

Message contents are according to TS 38.508-1 [5] subclause 4.6 and 5.4 ensuring Table 4.6.3-182 with the condition 2TX_UL_MIMO, with the following exceptions.

Table 6.3A.3.4.4.3-1: CellGroupConfig

Derivation Path: TS 38.508-1[5], Table 4.6.3-19			
Information Element	Value/remark	Comment	Condition
CellGroupConfig ::= SEQUENCE {			
uplinkTxSwitchingOption-r16	switchedUL		switchedUL OR Both
	dualUL		dualUL
}			

Condition	Explanation
switchedUL	UE indicated supporting of switchedUL in uplinkTxSwitching-OptionSupport-r16
dualUL	UE indicated supporting of dualUL in uplinkTxSwitching-OptionSupport-r16
Both	UE indicated supporting of both in uplinkTxSwitching-OptionSupport-r16

Table 6.3A.3.4.4.3-2: ServingCellConfig

Derivation Path: 38.508-1[5], Table 4.6.3-167			
Information Element	Value/remark	Comment	Condition
ServingCellConfig ::= SEQUENCE {			
uplinkConfig SEQUENCE {			
uplinkTxSwitching-r16 CHOICE {			
setup SEQUENCE {			
uplinkTxSwitchingPeriodLocation-r16	TRUE		PL
	FALSE		noPL
uplinkTxSwitchingCarrier-r16	carrier1		PCC
	carrier2		SCC
}			
}			
}			
}			

Condition	Explanation
PL	The location of UL Tx switching period is configured in this carrier
noPL	The location of UL Tx switching period is not configured in this carrier

Table 6.3A.3.4.4.3-3: FrequencyInfoUL-SIB for PCC

Derivation Path: TS 38.508-1 [5] Table 4.6.3-62 FrequencyInfoUL-SIB			
Information Element	Value/remark	Comment	Condition
p-Max	23		

Table 6.3A.3.4.4.3-4: FrequencyInfoUL for SCCs

Derivation Path: TS 38.508-1 [5] Table 4.6.3-61 FrequencyInfoUL			
Information Element	Value/remark	Comment	Condition
p-Max	20		

6.3A.3.4.5 Test requirement

The requirement for the power of carrier 1 measured in step 1.6, 1.9, 2.6, 2.9 of the test procedure and the power of carrier 2 measured in step 1.7 and 2.7 shall not exceed the values specified in table 6.3A.3.4.5-1.

Table 6.3A.3.4.5-1: Time mask for 1Tx-2Tx switching between two bands (On power)

	Measured output power
Transmit ON power	PCC: Same as Test ID 23 of Table 6.2.2.5-1 to Table 6.2.2.5-3 as appropriate SCCs: Same as Test ID 1 of Table 6.2H.1.2.5-1 or 6.2H.1.2.5-2 as appropriate
NOTE1: TT or each frequency and channel bandwidth of Transmit ON power is specified in Table 6.2A.2.1.5-3	

6.3A.3.5 Time mask for switching between two uplink bands with two transmit antenna connectors (3UL CA)

6.3A.3.5.1 Test purpose

To verify that the time mask for switching between two uplink bands with two transmitter connectors meets the requirements given in 6.3A.3.0.3.5.

The time mask for switching between NR UL carrier 1 in band A, which capable of two transmit antenna connectors, and NR UL carrier 2 and carrier 3 in band B, which are capable of two transmit antenna connectors defines the transient period(s) allowed when the capability *uplinkTxSwitchingPeriod2T2T* is present.

6.3A.3.5.2 Test applicability

This test case applies to all types of NR UE release 17 and forward that support 3UL inter-band CA with intra-band contiguous CA and dynamic UL 2Tx-2Tx switching.

6.3A.3.5.3 Minimum conformance requirements

The minimum conformance requirements are defined in clause 6.3A.3.0.3.5.

6.3A.3.5.4 Test description

6.3A.3.5.4.1 Initial condition

Initial conditions are a set of test configurations the UE needs to be tested in and the steps for the SS to take with the UE to reach the correct measurement state.

The initial test configurations consist of environmental conditions, test frequencies, test channel bandwidths and sub-carrier spacing based on NR CA configuration specified in 5.5A. All of these configurations shall be tested with applicable test parameters for each CA configuration, and are shown in table 6.3A.3.5.4.1-1. The details of the uplink reference measurement channels (RMCs) are specified in Annexe A.2 and A.3. Configurations of PDSCH and PDCCH before measurement are specified in Annex C.2.

Table 6.3A.3.5.4.1-1: Test Configuration Table for inter-band CA with intra-band contiguous CA 2Tx-2Tx Uplink switching

Initial Conditions	
Test Environment as specified in TS 38.508-1 [5] subclause 4.1	Normal
Test Frequencies as specified in TS 38.508-1 [5] subclause 4.3.1.1.3 for inter band CA in FR1	Mid range for PCC and SCCs
Test Channel Bandwidths as specified in TS 38.508-1 [5] subclause 4.3.1	Highest N_{RB} on PCC and Highest N_{RB_agg} on SCCs
Test SCS as specified in Table 5.5A.3-1	Highest

		Test Parameters		
Test ID	Downlink Configuration for PCC & SCC	Uplink Configuration		
		Modulation for all CCs	RB allocation	
			PCC (NOTE 2)	SCCs (NOTE 3)
1	N/A for this test	CP-OFDM QPSK	Inner Full	Inner Full
NOTE 1: PCC is the component carrier on the band with single carrier configured and SCCs are the contiguous aggregated component carriers on another band. PCC is configured as Carrier 1 and both SCCs are configured as Carrier2.				
NOTE 2: The specific configuration of each RB allocation is defined in Table 6.1-1.				
NOTE 3: The specific configuration of each RB allocation is defined in Table 6.1A-1a.				
NOTE 4: Test Channel Bandwidths and Test SCS are checked separately for each NR CA band combination, which applicable channel bandwidths and SCS are specified in Table 5.5A.3-1.				

1. Connect the SS to the UE antenna connectors as shown in TS 38.508-1 [5] Annex A, Figure A.3.1.1.6 for TE diagram and section A.3.2.3.11 for UE diagram.
2. The parameter settings for the cell are set up according to TS 38.508-1 [5] subclause 4.4.3.
3. Downlink signals are initially set up according to Annex C.0, C.1, C.2, and uplink signals according to Annex G.0, G.1, G.2, G.3.0.
4. The UL Reference Measurement Channel is set according to Table 6.3A.3.5.4.1-1.
5. Propagation conditions are set according to Annex B.0.
6. Ensure the UE is in State RRC_CONNECTED with generic procedure parameters Connectivity *NR*, Connected without release *On*, Test Mode *On* and Test Loop Function *On* according to TS 38.508-1 [5] clause 4.5. Message contents are defined in clause 6.3A.3.5.4.3.

6.3A.3.5.4.2 Test procedure

In this test case, one component carrier (PCC) is configured in band A and two contiguous aggregated carriers (SCCs) are configured in band B. The carrier in band A is configured as Carrier 1, and both carriers in band B is configured as Carrer 2.

1. Sub test 1: Switching period located in Carrier 1
 - 1.1. Configure SCCs according to Annex C.0, C.1, C.2 for all downlink physical channels.
 - 1.2. The SS shall configure SCCs as per TS 38.508-1 [5] clause 5.5.1. Message contents are defined in clause 6.3A.3.5.4.3 with *uplinkTxSwitchingPeriodLocation-r16* configured TRUE on carrier1 and FALSE on carrier 2.
 - 1.3. SS activates SCCs by sending the activation MAC CE (Refer TS 38.321 [18], clauses 5.9, 6.1.3.10). Wait for at least 2 seconds (Refer TS 38.133 [19], clause 9.3).
 - 1.3a. SS sends uplink scheduling information for each UL HARQ process via PDCCH DCI format 0_1 for C_RNTI to schedule the UL RMC according to Table 6.3A.3.5.4.1-1 on PCC only. Send continuously uplink power control "up" commands in every uplink scheduling information to the UE; allow at least 200ms starting from the first TPC command in this step for the UE to reach $P_{\text{CMAX},c}$ level on PCC.

- 1.3b. SS sends uplink scheduling information for each UL HARQ process via PDCCH DCI format 0_1 for C_RNTI to schedule the UL RMC according to Table 6.3A.3.5.4.1-1 on both SCCs. Send continuously uplink power control "up" commands in every uplink scheduling information to the UE; allow at least 200ms starting from the first TPC command in this step for the UE to reach P_{CMAX} level on the SCCs.
 - 1.4. SS sends uplink scheduling information via PDCCH DCI format 0_1 for C_RNTI to schedule the UL RMC according to Table 6.3A.3.5.4.1-1 on carrier 1 on slot n-1, where slot n is an uplink slot for carrier 2. Since the UE has no payload and no loopback data to send the UE sends uplink MAC padding bits on the UL RMC. The PDCCH DCI format 0_1 is specified with the condition 2TX_UL_MIMO in 38.508-1 [5] subclause 4.3.6.1.1.2.
 - 1.5. The SS sends uplink scheduling information via DCI format 0_1 for C_RNTI to schedule the UL RMC according to Table 6.3A.3.5.4.1-1 on carrier 2 (SCCs) on slot n and slot m, with both slot n and slot m being uplink slots for carrier 2 and $m \geq n+20$ when SCS=15kHz ($m \geq n+40$ when SCS=30 kHz, $m \geq n+80$ when SCS=60 kHz). Since the UE has no payload and no loopback data to send the UE sends uplink MAC padding bits on the UL RMC. The PDCCH DCI format 0_1 is specified with the condition 2TX_UL_MIMO in 38.508-1 [5] subclause 4.3.6.1.1.2.
 - 1.6. Measure the sum of output power of UE PUSCH transmission for carrier 1 over all antenna connectors during slot n-1 excluding a transient period of 10 μs and a Switching period X μs in the end of slot n-1. The length of uplink switching period X is indicated by UE capability *uplinkTxSwitchingPeriod2T2T*.
 - 1.7. Measure the sum of output power of UE PUSCH transmission on carrier 2 (SCCs) over all antenna connectors and both component carriers during slot n and slot m excluding a transient period of 10 μs in the beginning of slot n and in the end of slot m.
 - 1.8. SS sends uplink scheduling information via PDCCH DCI format 0_1 for C_RNTI to schedule the UL RMC according to Table 6.3A.3.5.4.1-1 on carrier 1 on slot m+1. Since the UE has no payload and no loopback data to send the UE sends uplink MAC padding bits on the UL RMC. The PDCCH DCI format 0_1 is specified with the condition 2TX_UL_MIMO in 38.508-1 [5] subclause 4.3.6.1.1.2.
 - 1.9. Measure the sum of output power of UE PUSCH transmission for carrier 1 over all antenna connectors during slot m+1 excluding a switching period X and a transient period of 10 μs in the beginning of slot m+1. The length of uplink switching period X is indicated by UE capability *uplinkTxSwitchingPeriod2T2T-r17*.
2. Sub test 2: Switching period located in Carrier 2
 - 2.1. Configure SCCs according to Annex C.0, C.1, C.2 for all downlink physical channels.
 - 2.2. The SS shall configure SCCs as per TS 38.508-1 [5] clause 5.5.1. Message contents are defined in clause 6.3A.3.5.4.3 with *uplinkTxSwitchingPeriodLocation-r16* configured TRUE on carrier 2 and FALSE on carrier 1.
 - 2.3. SS activates SCCs by sending the activation MAC CE (Refer TS 38.321 [18], clauses 5.9, 6.1.3.10). Wait for at least 2 seconds (Refer TS 38.133 [19], clause 9.3).
 - 2.3a. SS sends uplink scheduling information for each UL HARQ process via PDCCH DCI format 0_1 for C_RNTI to schedule the UL RMC according to Table 6.3A.3.5.4.1-1 on PCC only. Send continuously uplink power control "up" commands in every uplink scheduling information to the UE; allow at least 200ms starting from the first TPC command in this step for the UE to reach $P_{\text{CMAX,c}}$ level on PCC.
 - 2.3b. SS sends uplink scheduling information for each UL HARQ process via PDCCH DCI format 0_1 for C_RNTI to schedule the UL RMC according to Table 6.3A.3.5.4.1-1 on both SCCs. Send continuously uplink power control "up" commands in every uplink scheduling information to the UE; allow at least 200ms starting from the first TPC command in this step for the UE to reach P_{CMAX} level on SCCs.

- 2.4. SS sends uplink scheduling information via PDCCH DCI format 0_1 for C_RNTI to schedule the UL RMC according to Table 6.3A.3.5.4.1-1 on carrier 1 on slot n-1, where slot n is an uplink slot for carrier 2. Since the UE has no payload and no loopback data to send the UE sends uplink MAC padding bits on the UL RMC. The PDCCH DCI format 0_1 is specified with the condition 2TX_UL_MIMO in 38.508-1 [5] subclause 4.3.6.1.1.2.
- 2.5. The SS sends uplink scheduling information via DCI format 0_1 for C_RNTI to schedule the UL RMC according to Table 6.3A.3.5.4.1-1 on carrier 2 (SCCs) on slot n ($n \geq 1$) and slot m, with both slot n and slot m being uplink slots for carrier 2 and $m \geq n+20$ when SCS=15kHz ($m \geq n+40$ when SCS=30 kHz, $m \geq n+80$ when SCS=60 kHz). Since the UE has no payload and no loopback data to send the UE sends uplink MAC padding bits on the UL RMC. The PDCCH DCI format 0_1 is specified with the condition 2TX_UL_MIMO in 38.508-1 [5] subclause 4.3.6.1.1.2.
- 2.6. Measure the sum of output power of UE PUSCH transmission for carrier 1 over all antenna connectors during slot n-1, for carrier 1 excluding a transient period of 10 μ s in the end of slot n-1.
- 2.7. Measure the sum of output power of UE PUSCH transmission on carrier 2 (SCCs) over all antenna connectors and both component carrier s during slot n and slot m excluding a switching period X and a transient period of 10 μ s in the beginning of slot n and in the end of slot m. The length of uplink switching period X is indicated by UE capability *uplinkTxSwitchingPeriod2T2T*.
- 2.8. SS sends uplink scheduling information via PDCCH DCI format 0_1 for C_RNTI to schedule the UL RMC according to Table 6.3A.3.5.4.1-1 on carrier 1 on slot m+1. Since the UE has no payload and no loopback data to send the UE sends uplink MAC padding bits on the UL RMC. The PDCCH DCI format 0_1 is specified with the condition 2TX_UL_MIMO in 38.508-1 [5] subclause 4.3.6.1.1.2.
- 2.9. Measure the sum of output power of UE PUSCH transmission for carrier 1 over all antenna connectors during slot m+1 excluding a transient period of 10 μ s in the beginning of slot m+1.

6.3A.3.5.4.3 Message contents

Message contents are according to TS 38.508-1 [5] subclause 4.6 and 5.4 ensuring Table 4.6.3-182 with the condition 2TX_UL_MIMO, with the following exceptions.

Table 6.3A.3.5.4.3-1: CellGroupConfig

Derivation Path: TS 38.508-1[5], Table 4.6.3-19			
Information Element	Value/remark	Comment	Condition
CellGroupConfig ::= SEQUENCE {			
uplinkTxSwitchingOption-r16	switchedUL		switchedUL OR Both
	dualUL		dualUL
}			

Condition	Explanation
switchedUL	UE indicated supporting of switchedUL in uplinkTxSwitching-OptionSupport-r16
dualUL	UE indicated supporting of dualUL in uplinkTxSwitching-OptionSupport-r16

Both	UE indicated supporting of both in uplinkTxSwitching-OptionSupport-r16
------	--

Table 6.3A.3.5.4.3-2: ServingCellConfig

Derivation Path: 38.508-1[5], Table 4.6.3-167			
Information Element	Value/remark	Comment	Condition
ServingCellConfig ::= SEQUENCE {			
uplinkConfig SEQUENCE {			
uplinkTxSwitching-r16 CHOICE {			
setup SEQUENCE {			
uplinkTxSwitchingPeriodLocation-r16	TRUE		PL
	FALSE		noPL
uplinkTxSwitchingCarrier-r16	carrier1		PCC
	carrier2		SCC
}			
}			
}			
}			

Condition	Explanation
PL	The location of UL Tx switching period is configured in this carrier
noPL	The location of UL Tx switching period is not configured in this carrier

Table 6.3A.3.5.4.3-3: FrequencyInfoUL-SIB for PCC

Derivation Path: TS 38.508-1 [5] Table 4.6.3-62 FrequencyInfoUL-SIB			
Information Element	Value/remark	Comment	Condition
p-Max	23		

Table 6.3A.3.5.4.3-4: FrequencyInfoUL for SCCs

Derivation Path: TS 38.508-1 [5] Table 4.6.3-61 FrequencyInfoUL			
Information Element	Value/remark	Comment	Condition
p-Max	20		

6.3A.3.5.5 Test requirement

The requirement for the power of carrier 1 measured in step 1.6, 1.9, 2.6, 2.9 of the test procedures and the power of carrier 2 measured in step 1.7 and 2.7 shall not exceed the values specified in table 6.3A.3.5.5-1.

Table 6.3A.3.5.5-1: Time mask for 2Tx-2Tx switching between two bands (On power)

	Measured output power
Transmit ON power	PCC: Same as Test ID 1 of Table 6.2D.2.5-1 as appropriate SCCs: Same as Test ID 1 of Table 6.2H.1.2.5-1 or 6.2H.1.2.5-2 as appropriate
NOTE1: TT or each frequency and channel bandwidth of Transmit ON power is specified in Table 6.2A.2.1.5-3	

6.3A.3.6 Time mask for switching across three uplink bands

Editor’s Note: This test case is incomplete due to the following aspects are not yet determined:

- Brackets still exists in the test case
- Test procedure is incomplete
- Connection diagram and Message contents are still TBD
- MU and TT are FFS

6.3A.3.6.1 Test purpose

To verify that the time mask for switching across three uplink bands meets the requirements given in 6.3A.3.0.3.6 and 6.3A.3.0.3.6a.

The time mask for switching across three uplink bands defines the transient period(s) allowed when the capability [supportedBandPairListNR-r18] is present.

6.3A.3.6.2 Test applicability

This test case applies to all types of NR UE release 18 and forward that support 3 bands CA configuration with UL CA with dynamic UL Tx switching.

6.3A.3.6.3 Minimum conformance requirements

The minimum conformance requirements are defined in clause 6.3A.3.0.3.6 and 6.3A.3.0.3.6a.

6.3A.3.6.4 Test description

6.3A.3.6.4.1 Initial condition

Initial conditions are a set of test configurations the UE needs to be tested in and the steps for the SS to take with the UE to reach the correct measurement state.

The initial test configurations consist of environmental conditions, test frequencies, test channel bandwidths and sub-carrier spacing based on NR CA configuration specified in 5.5A. All of these configurations shall be tested with applicable test parameters for each CA configuration, and are shown in table 6.3A.3.6.4.1-1. The details of the uplink reference measurement channels (RMCs) are specified in Annexe A.2 and A.3. Configurations of PDSCH and PDCCH before measurement are specified in Annex C.2.

Table 6.3A.3.6.4.1-1: Test Configuration Table for switching across three uplink bands

Initial Conditions					
Test Environment as specified in TS 38.508-1 [5] subclause 4.1			Normal		
Test Frequencies as specified in TS 38.508-1 [5] subclause 4.3.1.1.3 for inter band CA in FR1			Mid range for PCC and SCCs		
Test Channel Bandwidths as specified in TS 38.508-1 [5] subclause 4.3.1			Highest NRB on PCC and Highest NRB_agg on SCCs		
Test SCS as specified in Table 5.5A.3-1			Highest		
Test Parameters					
Test ID	Downlink Configuration for PCC & SCCs	Uplink Configuration			
		Modulation for all CCs	RB allocation (NOTE 2)		
			PCC	SCC1	SCC2
1	N/A for this test	CP-OFDM QPSK	Inner Full	Inner Full	Inner Full
NOTE 1: For 3 bands configuration CA_nXA-nYA-nZA, PCC is located on band X, SCC1 is located on band Y and SCC2 is located on band Z.					
NOTE 2: The specific configuration of each RB allocation is defined in Table 6.1-1.					
NOTE 3: Test Channel Bandwidths and Test SCS are checked separately for each NR CA band combination, which applicable channel bandwidths and SCS are specified in Table 5.5A.3-1.					

1. Connect the SS to the UE antenna connectors as shown in TS 38.508-1 [5] Annex A, Figure TBD for TE diagram and section TBD for UE diagram.
2. The parameter settings for the cell are set up according to TS 38.508-1 [5] subclause 4.4.3.
3. Downlink signals are initially set up according to Annex C.0, C.1, C.2, and uplink signals according to Annex G.0, G.1, G.2, G.3.0.
4. The UL Reference Measurement Channel is set according to Table 6.3A.3.6.4.1-1.
5. Propagation conditions are set according to Annex B.0.
6. Ensure the UE is in State RRC_CONNECTED with generic procedure parameters Connectivity *NR*, Connected without release *On*, Test Mode *On* and Test Loop Function *On* according to TS 38.508-1 [5] clause 4.5. Message contents are defined in clause 6.3A.3.6.4.3.

6.3A.3.6.4.2 Test procedure

In this test case, one component carrier (PCC) is configured in band X, one component carrier (SCC1) is configured in band Y and one component carrier (SCC2) is configured in band Z.

Sub test 1 is to verify the time mask for switching between band X and band Y with the switching period located in band X, and switching between band Y and band Z with the switching period located in band Z. (Figure 6.3A.3.0.3.6-1 and 6.3A.3.0.3.6-2). UE transmits uplink on one band of the band pair in the band combination before and after uplink switching. Component carriers on Band X, Y and Z are capable of two transmit antenna connectors

Sub test 2 is to verify the time mask for switching with one transmitter switching between band X and band Z, and one transmitter switching between band Y and band Z. The switching period is located in band X and band Y. (Figure 6.3A.3.0.3.6-5). UE is capable of simultaneous uplink transmission on the two NR UL bands from the band pair for which *dualUL* is declared in the band combination according to the scheduling commands. Component carriers on band X and band Y are with one transmit antenna connector and one antenna port, and the component carrier on band Z is with two transmit antenna connectors and two antenna ports.

1. Sub test 1

- 1.1 Configure SCC1 and SCC2 according to Annex C.0, C.1, C.2 for all downlink physical channels.
- 1.2 The SS shall configure SCC1 and SCC2 as per TS 38.508-1 [5] clause 5.5.1. Message contents are defined in clause 6.3A.3.6.4.3 with the switching period location is configured on PCC and SCC2 .
- 1.3 SS activates SCCs by sending the activation MAC CE (Refer TS 38.321 [18], clauses 5.9, 6.1.3.10). Wait for at least 2 seconds (Refer TS 38.133 [19], clause 9.3).
- 1.3a SS sends uplink scheduling information for each UL HARQ process via PDCCH DCI format 0_1 for C_RNTI to schedule the UL RMC according to Table 6.3A.3.6.4.1-1 on PCC only. Send continuously uplink power control "up" commands in every uplink scheduling information to the UE; allow at least 200ms starting from the first TPC command in this step for the UE to reach $P_{\text{CMAX,c}}$ level on PCC.
- 1.3b SS sends uplink scheduling information for each UL HARQ process via PDCCH DCI format 0_1 for C_RNTI to schedule the UL RMC according to Table 6.3A.3.6.4.1-1 on both SCC1 and SCC2. Send continuously uplink power control "up" commands in every uplink scheduling information to the UE; allow at least 200ms starting from the first TPC command in this step for the UE to reach $P_{\text{CMAX,c}}$ level on the SCC1 and SCC2.
- 1.4 SS sends uplink scheduling information via PDCCH DCI format 0_1 for C_RNTI to schedule the UL RMC according to Table 6.3A.3.6.4.1-1 on PCC on slot n-1, where slot n is an uplink slot for SCC1. Since the UE has no payload and no loopback data to send the UE sends uplink MAC padding bits on the UL RMC. The PDCCH DCI format 0_1 is specified with the condition 2TX_UL_MIMO in 38.508-1 [5] subclause 4.3.6.1.1.2
- 1.5 The SS sends uplink scheduling information via DCI format 0_1 for C_RNTI to schedule the UL RMC according to Table 6.3A.3.6.4.1-1 on SCC1 on slot n and slot m, with both slot n and slot m being uplink slots for SCC1, and slot m+1 being uplink slot for SCC2, and $m \geq n+20$ when SCS=15kHz ($m \geq n+40$ when SCS=30 kHz, $m \geq n+80$ when SCS=60 kHz). Since the UE has no payload and no loopback data to send the UE sends uplink MAC padding bits on the UL RMC. The PDCCH DCI format 0_1 is specified with the condition 2TX_UL_MIMO in 38.508-1 [5] subclause 4.3.6.1.1.2.

- 1.6 SS sends uplink scheduling information via PDCCH DCI format 0_1 for C_RNTI to schedule the UL RMC according to Table 6.3A.3.6.4.1-1 on SCC2 on slot m+1, where slot m+1 is an uplink slot for SCC2. Since the UE has no payload and no loopback data to send the UE sends uplink MAC padding bits on the UL RMC. The PDCCH DCI format 0_1 is specified with the condition 2TX_UL_MIMO in 38.508-1 [5] subclause 4.3.6.1.1.2
- 1.7 Measure the sum of output power of UE PUSCH transmission on PCC over all antenna connectors during slot n-1 excluding a transient period of 10 μ s and a Switching period X μ s in the end of slot n-1. The length of uplink switching period X is indicated by UE capability [*switchingPeriodFor2T*] in the band pair.
- 1.8 Measure the sum of output power of UE PUSCH transmission on SCC1 over all antenna connectors during slot n and slot m excluding a transient period of 10 μ s in the beginning of slot n and in the end of slot m
- 1.9 Measure the sum of output power of UE PUSCH transmission on SCC2 over all antenna connectors during slot m+1 excluding a transient period of 10 μ s and a Switching period X μ s in the beginning of slot m+1. The length of uplink switching period X is indicated by UE capability [*switchingPeriodFor2T*] in the band pair.

2. Sub test 2

- 2.1 Configure SCC1 and SCC2 according to Annex C.0, C.1, C.2 for all downlink physical channels.
- 2.2 The SS shall configure SCC1 and SCC2 as per TS 38.508-1 [5] clause 5.5.1. Message contents are defined in clause 6.3A.3.6.4.3 with the switching period location is configured on PCC and SCC1.
- 2.3 SS activates SCCs by sending the activation MAC CE (Refer TS 38.321 [18], clauses 5.9, 6.1.3.10). Wait for at least 2 seconds (Refer TS 38.133 [19], clause 9.3).
- 2.3a SS sends uplink scheduling information for each UL HARQ process via PDCCH DCI format 0_1 for C_RNTI to schedule the UL RMC according to Table 6.3A.3.6.4.1-1 on PCC and SCC1. Send continuously uplink power control "up" commands in every uplink scheduling information to the UE; allow at least 200ms starting from the first TPC command in this step for the UE to reach $P_{\text{MAX,c}}$ level on PCC and SCC1.
- 2.3b SS sends uplink scheduling information for each UL HARQ process via PDCCH DCI format 0_1 for C_RNTI to schedule the UL RMC according to Table 6.3A.3.6.4.1-1 on SCC2. Send continuously uplink power control "up" commands in every uplink scheduling information to the UE; allow at least 200ms starting from the first TPC command in this step for the UE to reach $P_{\text{MAX,c}}$ level on the SCC2.
- 2.4 SS sends uplink scheduling information via PDCCH DCI format 0_1 for C_RNTI to schedule the UL RMC according to Table 6.3A.3.6.4.1-1 on PCC and SCC1 on slot n-1, where slot n is an uplink slot for SCC2. Since the UE has no payload and no loopback data to send the UE sends uplink MAC padding bits on the UL RMC.
- 2.5 The SS sends uplink scheduling information via DCI format 0_1 for C_RNTI to schedule the UL RMC according to Table 6.3A.3.6.4.1-1 on SCC2 on slot n and slot m, with slot n and m being uplink slots for SCC2, and slot m being uplink slot for PCC and SCC1. Since the UE has no payload and no loopback data to send the UE sends uplink MAC padding bits on the UL RMC. The PDCCH DCI format 0_1 is specified with the condition 2TX_UL_MIMO in 38.508-1 [5] subclause 4.3.6.1.1.2.
- 2.6 Measure the sum of output power of UE PUSCH transmission on PCC and SCC1 over all antenna connectors during slot n-1 excluding a transient period of 10 μ s and a Switching period T μ s in the end of slot n-1. The length of uplink switching period T is the larger one of switching period T2 and T3, where T2 is the length of switching period for the band pair of band X and band Z, and T3 is the length of switching period for the band pair of band Y and band Z indicated by UE capability [TBD]. If UE additionally reports band pair of {band X and band Y} and band Z in the capability [*uplinkTxSwitchingAdditionalPeriodDualUL-List*], the length of T is indicated by UE capability [*switchingAdditionalPeriodDualUL*]
- 2.7 Measure the sum of output power of UE PUSCH transmission on SCC2 over all antenna connectors during slot n and slot m excluding a transient period of 10 μ s in the beginning of slot n and in the end of slot m.
- 2.8 SS sends uplink scheduling information via PDCCH DCI format 0_1 for C_RNTI to schedule the UL RMC according to Table 6.3A.3.6.4.1-1 on PCC and SCC1 on slot m+1. Since the UE has no payload and no loopback data to send the UE sends uplink MAC padding bits on the UL RMC.
- 2.9 Measure the sum of output power of UE PUSCH transmission on PCC and SCC1 over all antenna connectors during slot m+1 excluding a transient period of 10 μ s and a Switching period T μ s in the beginning of slot m+1. The length of uplink switching period T is the larger one of switching period T2 and T3, where T2 is the length of switching period for the band pair of band X and band Z, and T3 is the length of switching period for the band

pair of band Y and band Z indicated by UE capability [TBD]. If UE additionally reports band pair of {band X and band Y} and band Z in the capability [uplinkTxSwitchingAdditionalPeriodDualUL-List], the length of T is indicated by UE capability [switchingAdditionalPeriodDualUL]

6.3A.3.6.4.3 Message contents

Message contents are according to TS 38.508-1 [5] subclause 4.6 with following exceptions:

TBD

6.3A.3.6.5 Test requirement

The requirement for the power measured in step 1.7, 1.8, 1.9, 2.6, 2.7, 2.9 of the test procedures shall not exceed the values specified in table 6.3A.3.6.5-1.

Table 6.3A.3.6.5-1: Time mask for switching across three bands (On power)

	Measured output power	
Transmit ON power	Same as Test ID 1 of Table 6.2D.2.5-1 as appropriate	PCC and SCC1 and SCC2 in Test step 1.7, 1.8, 1.9 SCC2 in Test step 2.7
	Same as Test ID 23 of Table 6.2A.2.1.5-1	Sum of power on PCC and SCC1 in Test step 2.6, 2.9
NOTE1: TT is FFS		

6.3A.3.7 Time mask for switching across four uplink bands

Editor's Note: This test case is incomplete due to the following aspects are not yet determined:

- Brackets still exists in the test case
- Test procedure is incomplete
- Connection diagram and Message contents are still TBD
- Test requirement is incomplete
- MU and TT are FFS

6.3A.3.7.1 Test purpose

To verify that the time mask for switching across three uplink bands meets the requirements given in 6.3A.3.0.3.6 and 6.3A.3.0.3.6a.

The time mask for switching across three uplink bands defines the transient period(s) allowed when the capability [*supportedBandPairListNR-r18*] is present.

6.3A.3.7.2 Test applicability

This test case applies to all types of NR UE release 18 and forward that support 4 bands CA configuration with UL CA with dynamic UL Tx switching.

6.3A.3.7.3 Minimum conformance requirements

The minimum conformance requirements are defined in clause 6.3A.3.0.3.6 and 6.3A.3.0.3.6a.

6.3A.3.7.4 Test description

6.3A.3.7.4.1 Initial condition

Initial conditions are a set of test configurations the UE needs to be tested in and the steps for the SS to take with the UE to reach the correct measurement state.

The initial test configurations consist of environmental conditions, test frequencies, test channel bandwidths and sub-carrier spacing based on NR CA configuration specified in 5.5A. All of these configurations shall be tested with applicable test parameters for each CA configuration, and are shown in table 6.3A.3.7.4.1-1. The details of the uplink

reference measurement channels (RMCs) are specified in Annex A.2 and A.3. Configurations of PDSCH and PDCCH before measurement are specified in Annex C.2.

Table 6.3A.3.7.4.1-1: Test Configuration Table for switching across four uplink bands

Initial Conditions				
Test Environment as specified in TS 38.508-1 [5] subclause 4.1			Normal	
Test Frequencies as specified in TS 38.508-1 [5] subclause 4.3.1.1.3 for inter band CA in FR1			Mid range for PCC and SCCs	
Test Channel Bandwidths as specified in TS 38.508-1 [5] subclause 4.3.1			Highest NRB on PCC and Highest NRB_agg on SCCs	
Test SCS as specified in Table 5.5A.3-1			Highest	
Test Parameters				
Test ID	Downlink Configuration for PCC & SCCs	Uplink Configuration		
		Modulation for all CCs	RB allocation (NOTE 2)	
			PCC	SCC1 / SCC2 / SCC3
1	N/A for this test	CP-OFDM QPSK	Inner Full	Inner Full
NOTE 1: For 3 bands configuration CA_nWA-nXA-nYA-nZA, PCC is located on band W, SCC1 is located on band X, SCC2 is located on band Y and SCC3 is located on band Z.				
NOTE 2: The specific configuration of each RB allocation is defined in Table 6.1-1.				
NOTE 3: Test Channel Bandwidths and Test SCS are checked separately for each NR CA band combination, which applicable channel bandwidths and SCS are specified in Table 5.5A.3-1.				

1. Connect the SS to the UE antenna connectors as shown in TS 38.508-1 [5] Annex A, Figure TBD for TE diagram and section TBD for UE diagram.
2. The parameter settings for the cell are set up according to TS 38.508-1 [5] subclause 4.4.3.
3. Downlink signals are initially set up according to Annex C.0, C.1, C.2, and uplink signals according to Annex G.0, G.1, G.2, G.3.0.
4. The UL Reference Measurement Channel is set according to Table 6.3A.3.7.4.1-1.
5. Propagation conditions are set according to Annex B.0.
6. Ensure the UE is in State RRC_CONNECTED with generic procedure parameters Connectivity *NR*, Connected without release *On*, Test Mode *On* and Test Loop Function *On* according to TS 38.508-1 [5] clause 4.5. Message contents are defined in clause 6.3A.3.7.4.3.

6.3A.3.7.4.2 Test procedure

In this test case, one component carrier (PCC) is configured in band W, one component carrier (SCC1) is configured in band X, one component carrier (SCC2) is configured in band Y, and one component carrier (SCC3) is configured in band Z.

Sub test 1 is to verify the time mask for switching between band W and band X with the switching period located in band W, and switching between band X and band Y with the switching period located in band X, and switching between band Y and band Z with the switching period located in band Z. (Figure 6.3A.3.0.3.6-1 and 6.3A.3.0.3.6-2). UE is capable of uplink transmission on one band of the band pair in the band combination before and after uplink switching according to the scheduling commands. Component carriers on Band W, X, Y and Z are capable of two transmit antenna connectors.

Sub test 2 is to verify the time mask for switching from band pair [W,X] to band pair [Y,Z]. UE is capable of simultaneous uplink transmission on the two NR UL bands from the band pair for which *dualUL* is declared in the band combination according to the scheduling commands. Component carriers on band W, X,Y and band Z are with one transmit antenna connector and one antenna port.

1. Sub test 1

- 1.1 Configure SCC1, SCC2 and SCC3 according to Annex C.0, C.1, C.2 for all downlink physical channels.
- 1.2 The SS shall configure SCC1, SCC2 and SCC3 as per TS 38.508-1 [5] clause 5.5.1. Message contents are defined in clause 6.3A.3.7.4.3 with the switching period location is configured on PCC, SCC1 and SCC3.

- 1.3 SS activates SCCs by sending the activation MAC CE (Refer TS 38.321 [18], clauses 5.9, 6.1.3.10). Wait for at least 2 seconds (Refer TS 38.133 [19], clause 9.3).
- 1.3a SS sends uplink scheduling information for each UL HARQ process via PDCCH DCI format 0_1 for C_RNTI to schedule the UL RMC according to Table 6.3A.3.7.4.1-1 on PCC only. Send continuously uplink power control "up" commands in every uplink scheduling information to the UE; allow at least 200ms starting from the first TPC command in this step for the UE to reach $P_{\text{CMAX,c}}$ level on PCC.
- 1.3b SS sends uplink scheduling information for each UL HARQ process via PDCCH DCI format 0_1 for C_RNTI to schedule the UL RMC according to Table 6.3A.3.7.4.1-1 on SCC1, SCC2 and SCC3. Send continuously uplink power control "up" commands in every uplink scheduling information to the UE; allow at least 200ms starting from the first TPC command in this step for the UE to reach $P_{\text{CMAX,c}}$ level on SCC1, SCC2 and SCC3.
- 1.4 SS sends uplink scheduling information via PDCCH DCI format 0_1 for C_RNTI to schedule the UL RMC according to Table 6.3A.3.7.4.1-1 on PCC on slot n-1, where slot n is an uplink slot for SCC1. Since the UE has no payload and no loopback data to send the UE sends uplink MAC padding bits on the UL RMC. The PDCCH DCI format 0_1 is specified with the condition 2TX_UL_MIMO in 38.508-1 [5] subclause 4.3.6.1.1.2
- 1.5 The SS sends uplink scheduling information via DCI format 0_1 for C_RNTI to schedule the UL RMC according to Table 6.3A.3.7.4.1-1 on SCC1 on slot n and slot m, with both slot n and slot m being uplink slots for SCC1, and slot m+1 being uplink slot for SCC2, and $m \geq n+20$ when SCS=15kHz ($m \geq n+40$ when SCS=30 kHz, $m \geq n+80$ when SCS=60 kHz). Since the UE has no payload and no loopback data to send the UE sends uplink MAC padding bits on the UL RMC. The PDCCH DCI format 0_1 is specified with the condition 2TX_UL_MIMO in 38.508-1 [5] subclause 4.3.6.1.1.2.
- 1.6 SS sends uplink scheduling information via PDCCH DCI format 0_1 for C_RNTI to schedule the UL RMC according to Table 6.3A.3.7.4.1-1 on SCC2 on slot m+1 and k, where slot m+1 and k are uplink slots for SCC2, and slot k+1 being uplink slot for SCC3, and $k \geq m+20$ when SCS=15kHz ($k \geq m+40$ when SCS=30 kHz, $k \geq m+80$ when SCS=60 kHz). Since the UE has no payload and no loopback data to send the UE sends uplink MAC padding bits on the UL RMC. The PDCCH DCI format 0_1 is specified with the condition 2TX_UL_MIMO in 38.508-1 [5] subclause 4.3.6.1.1.2
- 1.7 SS sends uplink scheduling information via PDCCH DCI format 0_1 for C_RNTI to schedule the UL RMC according to Table 6.3A.3.7.4.1-1 on SCC3 on slot k+1, where slot k+1 is an uplink slot for SCC3. Since the UE has no payload and no loopback data to send the UE sends uplink MAC padding bits on the UL RMC. The PDCCH DCI format 0_1 is specified with the condition 2TX_UL_MIMO in 38.508-1 [5] subclause 4.3.6.1.1.2
- 1.8 Measure the sum of output power of UE PUSCH transmission on PCC over all antenna connectors during slot n-1 excluding a transient period of 10 μs and a Switching period X μs in the end of slot n-1. The length of uplink switching period X is indicated by UE capability [*switchingPeriodFor2T*] in the band pair.
- 1.9 Measure the sum of output power of UE PUSCH transmission on SCC1 over all antenna connectors during slot n and slot m excluding a transient period of 10 μs in the beginning of slot n, and excluding a transient period of 10 μs and Switching period X μs in the end of slot m. The length of uplink switching period X is indicated by UE capability [*switchingPeriodFor2T*] in the band pair
- 1.10 Measure the sum of output power of UE PUSCH transmission on SCC2 over all antenna connectors during slot m+1 and slot k excluding a transient period of 10 μs in the beginning of slot m+1 and in the end of slot k.
- 1.11 Measure the sum of output power of UE PUSCH transmission on SCC3 over all antenna connectors during slot k+1 excluding a transient period of 10 μs and a Switching period X μs in the beginning of slot k+1. The length of uplink switching period X is indicated by UE capability [*switchingPeriodFor2T*] in the band pair.

2. Sub test 2

TBD

6.3A.3.7.4.3 Message contents

Message contents are according to TS 38.508-1 [5] subclause 4.6 with following exceptions:

TBD

6.3A.3.7.5 Test requirement

The requirement for the power measured in step 1.8, 1.9, 1.0, 1.11 of the test procedures shall not exceed the values specified in table 6.3A.3.7.5-1.

Table 6.3A.3.7.5-1: Time mask for switching across four bands (On power)

	Measured output power	
Transmit ON power	Same as Test ID 1 of Table 6.2D.2.5-1 as appropriate	PCC and SCC1 and SCC2 and SCC3 in Test step 1.8, 1.9, 1.0, 1.11
	FFS	FFS
NOTE1: TT is FFS		

6.3A.4 Power control for CA

6.3A.4.1 Absolute power tolerance for CA

6.3A.4.1.0 Minimum conformance requirements

The absolute power tolerance is the ability of the UE transmitter to set its initial output power to a specific value for the first sub-frame at the start of a contiguous transmission or non-contiguous transmission with a transmission gap on each active component carriers larger than 20ms. The requirement can be tested by time aligning any transmission gaps on the component carriers.

For intra-band contiguous carrier aggregation the absolute power control tolerance per component carrier is given in Table 6.3.4.2.3-1.

For intra-band non-contiguous carrier aggregation the absolute power control tolerance per component carrier is given in Table 6.3.4.2.3-1.

The normative reference for this requirement is TS 38.101-1 [2] clause 6.3A.4.

6.3A.4.1.1 Absolute power tolerance for CA (2UL CA)

Editor's Note:

This test case is incomplete when signalling is absent for dualPA-Architecture IE due to lack of core requirements.

6.3A.4.1.1.1 Test purpose

To verify the ability of the UE transmitter for 2UL CA to set its initial output power to a specific value at the start of a contiguous transmission or non-contiguous transmission on each active component carrier with a long transmission gap, i.e. transmission gap is larger than 20ms.

6.3A.4.1.1.2 Test applicability

This test case applies to all types of NR UE release 15 and forward that support intra-band contiguous and non-contiguous 2UL CA.

6.3A.4.1.1.3 Minimum conformance requirements

The minimum conformance requirements are defined in clause 6.3A.4.1.0.

6.3A.4.1.1.4 Test description

6.3A.4.1.1.4.1 Initial condition

Initial conditions are a set of test configurations the UE needs to be tested in and the steps for the SS to take with the UE to reach the correct measurement state.

The initial test configurations consist of environmental conditions, test frequencies, test channel bandwidths and sub-carrier spacing based on NR CA configurations specified in 5.5A. All of these configurations shall be tested with applicable test parameters for each CA configuration, and are shown in table 6.3A.4.1.1.4.1-1 for intra-band contiguous CA and table 6.3A.4.1.1.4.1-2 for intra-band non-contiguous CA. The details of the uplink reference measurement

channels (RMCs) are specified in Annexes A.2 and A.3. Configurations of PDSCH and PDCCH before measurement are specified in Annex C.2.

Table 6.3A.4.1.1.4.1-1: Test Configuration Table for intra-band contiguous CA

Initial Conditions					
Test Environment as specified in TS 38.508-1 [5] subclause 4.1		Normal			
Test Frequencies as specified in TS 38.508-1 [5] subclause 4.3.1		Mid range			
Test Channel Bandwidths as specified in TS 38.508-1 [5] subclause 4.3.1		Lowest N_{RB_agg} , Highest N_{RB_agg}			
Test SCS as specified in Table 5.3.5-1		Lowest, Highest			
Test Parameters					
Test ID	Downlink Configuration for PCC & SCC		Uplink Configuration		
			Modulation for all CCs	RB allocation (NOTE 1)	
				PCC	SCC
1	N/A for this test		CP-OFDM QPSK	Outer_Full	Outer_Full
NOTE 1: The specific configuration of each RB allocation is defined in 6.1A-1a for contiguous RB allocation.					
NOTE 2: Test Channel Bandwidths and Test SCS are checked separately for each NR CA band combination, which applicable channel bandwidths and SCS are specified in Table 5.5A.1-1.					
NOTE 3: If the UE supports multiple CC Combinations in the CA Configuration with the same N_{RB_agg} , only the combination with the highest N_{RB_PCC} is tested.					

Table 6.3A.4.1.1.4.1-2: Test Configuration Table for intra-band non-contiguous CA

Initial Conditions											
Test Environment as specified in TS 38.508-1 [5] subclause 4.1				Normal							
Test Frequencies as specified in TS 38.508-1 [5] subclause 4.3.1				Low range and High range test frequencies as specified in tables for non-contiguous CA configuration with UL CA							
Test Channel Bandwidths as specified in TS 38.508-1 [5] subclause 4.3.1				Refer to "PCC N_{RB} " and "SCC N_{RB} " columns							
Test SCS as specified in Table 5.3.5-1				Lowest, Highest							
Test Parameters											
ID	CA config / CBW							DL config	UL config		
	PCC		SCC		PCC N_{RB}	W_{gap}	SCC N_{RB}		RB allocation (NOTE 1)		
	Band	Range	Band	Range					PCC	SCC	
2	nX	CC1	nX	CC2	Highest N_{RB}	Max (NOTE 4)	Highest N_{RB}	N/A	CP-OFDM QPSK	Outer_Full	Outer_Full
NOTE 1: The RB allocation is defined in table 6.1-1 for each CC.											
NOTE 2: Test Channel Bandwidths and Test SCS are checked separately for each NR CA band combination, which applicable channel bandwidths and SCS are specified in Table 5.5A.2-1.											
NOTE 3: If the UE supports multiple CC Combinations in the CA Configuration with the same N_{RB_agg} , only the combination with the highest N_{RB_PCC} is tested.											
NOTE 4: The W_{gap} is defined to be widest possible on band based on the PCC and SCC configuration											

1. Connect the SS to the UE antenna connectors as shown in TS 38.508-1 [5] Annex A, Figure A.3.1.1.3 for TE diagram and section A.3.2 for UE diagram.
2. The parameter settings for the cell are set up according to TS 38.508-1 [5] subclause 4.4.3.
3. Downlink signals are initially set up according to Annex C.0, C.1, C.2, and uplink signals according to Annex G.0, G.1, G.2, G.3.0.
4. The UL Reference Measurement Channel is set according to Table 6.3A.1.1.4.1-1 and Table 6.3A.1.1.4.1-2 as appropriate.
5. Propagation conditions are set according to Annex B.0.
6. Ensure the UE is in State RRC_CONNECTED with generic procedure parameters Connectivity NR, Connected without release On, Test Mode On and Test Loop Function On according to TS 38.508-1 [5] clause 4.5. Message

contents are defined in clause 6.3A.4.1.1.4.3. Note that PDCCH DCI format 0_1 sent after resetting uplink power with RRC Connection Reconfiguration, should have TPC command 0dB.

6.3A.4.1.1.4.2 Test procedure

1. Configure SCC according to Annex C.0, C.1, C.2 for all downlink physical channels.
2. The SS shall configure SCC as per TS 38.508-1 [5] clause 5.5.1. Message contents are defined in clause 6.3A.4.1.1.4.3. Any PDCCH DCI format 0_1 sent to the UE during the configuration should have TPC command 0dB.
3. SS activates SCC by sending the activation MAC CE (Refer TS 38.321 [18], clauses 5.9, 6.1.3.10). Wait for at least 2 seconds (Refer TS 38.133 [19], clause 9.3).
4. SS sends uplink scheduling information for each UL HARQ process via PDCCH DCI format 0_1 with TPC command 0dB for C_RNTI to schedule the UL RMC according to Table 6.3A.4.1.1.4.1-1 on both PCC and SCC. Since the UE has no payload and no loopback data to send the UE sends uplink MAC padding bits on the UL RMC.
5. Measure the initial output power of the first subframe of UE PUSCH first transmission for each component carrier.
6. Repeat for the two test points as indicated in section 6.3A.4.1.1.4.3. The timing of the execution between the two test points shall be larger than 20ms.

6.3A.4.1.1.4.3 Message contents

Message contents are according to TS 38.508-1 [5] subclause 4.6 with the following exceptions:

Table 6.3A.4.1.1.4.3-0: ServingCellConfigCommon

Derivation Path: 38.508-1[5], Table 4.6.3-168			
Information Element	Value/remark	Comment	Condition
ServingCellConfigCommon ::= SEQUENCE {			
ss-PBCH-BlockPower	18		SCS_15kHz
	21		SCS_30kHz
}			

Condition	Explanation
SCS_15kHz	SCS=15kHz for SS/PBCH block
SCS_30kHz	SCS=30kHz for SS/PBCH block

Table 6.3A.4.1.1.4.3-1: UplinkPowerControlCommon: Test point 1

Derivation Path: TS 38.508-1 [5] subclause 4.6.3 Table 4.6.3-119 PUSCH-ConfigCommon			
Information Element	Value/remark	Comment	Condition
PUSCH-ConfigCommon ::= SEQUENCE {			
p0-NominalWithGrant	-114	Test point 1 to verify a UE relative low initial power transmission	
}			

Table 6.3A.4.1.1.4.3-2: UplinkPowerControlCommon: Test point 2

Derivation Path: TS 38.508-1 [5] subclause 4.6.3 Table 4.6.3-119 PUSCH-ConfigCommon			
Information Element	Value/remark	Comment	Condition
PUSCH-ConfigCommon ::= SEQUENCE {			
p0-NominalWithGrant	-108	Test point 2 to verify a UE relative high initial power transmission	

}		
---	--	--

6.3A.4.1.1.5 Test requirement

For intra-band contiguous CA, the absolute power control tolerance per component carrier measured in step (5) of the test procedure is not to exceed the values specified in Table 6.3A.4.1.1.5-1 and 6.3A.4.1.1.5-2.

Table 6.3A.4.1.1.5-1: Absolute power tolerance: test point 1

		Channel bandwidth / expected output power (dBm)												
		5 MHz	10 MHz	15 MHz	20 MHz	25 MHz	30 MHz	40 MHz	50 MHz	60 MHz	70 MHz	80 MHz	90 MHz	100 MHz
Expected Measured power	SCS15	-	-	-	-	-	-9.6	-8.3	-7.3	N/A	N/A	N/A	N/A	N/A
	SCS30	17.6	14.4	12.6	11.3	10.4	-9.7	-8.3	-7.4	-6.5	-5.8	-5.2	-4.7	-4.2
	SCS60	18.2	14.8	12.8	11.5	10.5	-9.8	-8.5	-7.5	-6.6	-5.9	-5.3	-4.8	-4.3
Power tolerance		± (9+TT)dB												
Note 1: TT for each duplex, Sub-Carrier Spacing, frequency and channel bandwidth is specified in Table 6.3A.4.1.1.5-3.														

Table 6.3A.4.1.1.5-2: Absolute power tolerance: test point 2

		Channel bandwidth / expected output power (dBm)												
		5 MHz	10 MHz	15 MHz	20 MHz	25 MHz	30 MHz	40 MHz	50 MHz	60 MHz	70 MHz	80 MHz	90 MHz	100 MHz
Expected Measured power	SCS15	-	-7.6	-6.6	-5.3	-4.4	-3.6	-2.3	-1.3	N/A	N/A	N/A	N/A	N/A
	SCS30	11.6	-8.8	-6.8	-5.5	-4.5	-3.7	-2.3	-1.4	-0.5	0.2	0.8	1.3	1.8
	SCS60	12.2	-9.2	-7	-5.8	-4.7	-3.8	-2.5	-1.5	-0.6	0.1	0.7	1.2	1.7
Power tolerance		± (9+TT)dB												
Note 1: TT for each duplex, Sub-Carrier Spacing, frequency and channel bandwidth is specified in Table 6.3A.4.1.1.5-3.														

Table 6.3A.4.1.1.5-3: Test Tolerance

	f ≤ 3.0GHz	3.0GHz < f ≤ 4.2GHz	4.2GHz < f ≤ 6.0GHz
BW ≤ 40MHz	1.0 dB	1.4 dB	1.4 dB
40MHz < BW ≤ 100MHz	1.4 dB	1.4 dB	1.4 dB

6.3A.4.2 Relative power tolerance for CA

6.3A.4.2.0 Minimum conformance requirements

For intra-band contiguous and non-contiguous carrier aggregation, the requirements apply when the power of the target and reference sub-frames on each component carrier exceed the minimum output power as defined in subclause 6.3A.1.0 and the total power is limited by P_{UMAX} as defined in subclause 6.2A.4.0. The UE shall meet the following requirements for transmission on both assigned component carriers when the average transmit power per PRB is aligned across both assigned carriers in the reference sub-frame:

- a) for all possible combinations of PUSCH and PUCCH transitions per component carrier, the corresponding requirements given in Table 6.3.4.3.3-1;
- b) for SRS transitions on each component carrier, the requirements for combinations of PUSCH/PUCCH and SRS transitions given in Table 6.3.4.3.3-1 with simultaneous SRS of constant SRS bandwidth allocated in the target and reference subframes;
- c) for RACH on the primary component carrier, the requirements given in Table 6.3.4.3.3-1 for PRACH.

For a) and b) above, the power step ΔP between the reference and target subframes shall be set by a TPC command and/or an uplink scheduling grant transmitted by means of an appropriate DCI Format.

The normative reference for this requirement is TS 38.101-1 [2] clause 6.3A.4.

6.3A.4.2.1 Relative power tolerance for CA (2UL CA)

Editor's Note: This test case is incomplete for UL intra-band non-contiguous CA because MPR and $P_{\text{CMAX,L}}$ are not evaluated.

6.3A.4.2.1.1 Test purpose

To verify the ability of the UE transmitter to set its output power of each component carrier in a target sub-frame(1ms) relatively to the power of the most recently transmitted reference sub-frame if the transmission gap between these sub-frames is less than or equal to 20ms.

6.3A.4.2.1.2 Test applicability

This test case applies to all types of NR UE release 15 and forward that support intra-band contiguous 2UL CA.

6.3A.4.2.1.3 Minimum conformance requirements

The minimum conformance requirements are defined in clause 6.3A.4.2.0.

6.3A.4.2.1.4 Test description

6.3A.4.2.1.4.1 Initial condition

Initial conditions are a set of test configurations the UE needs to be tested in and the steps for the SS to take with the UE to reach the correct measurement state.

The initial test configurations consist of environmental conditions, test frequencies, test channel bandwidths and sub-carrier spacing based on NR CA configurations specified in 5.5A. All of these configurations shall be tested with applicable test parameters for each CA configuration, and are shown in table 6.3A.4.2.1.4.1-1 and table 6.3A.4.2.1.4.1-2. The details of the uplink reference measurement channels (RMCs) are specified in Annexes A.2 and A.3. Configurations of PDSCH and PDCCH before measurement are specified in Annex C.2.

Table 6.3A.4.2.1.4.1-1: Test Configuration Table for intra-band contiguous CA

Initial Conditions				
Test Environment as specified in TS 38.508-1 [5] subclause 4.1		Normal		
Test Frequencies as specified in TS 38.508-1 [5] subclause 4.3.1		Mid range		
Test Channel Bandwidths as specified in TS 38.508-1 [5] subclause 4.3.1		Lowest $N_{\text{RB_agg}}$, Highest $N_{\text{RB_agg}}$		
Test SCS as specified in Table 5.3.5-1		Lowest, Highest		
Test Parameters				
Test ID	Downlink Configuration for PCC & SCC	Uplink Configuration		
		Modulation for all CCs	RB allocations (Note 3) (L_{CRB} @ RB_{start})	
			PCC	SCC
1	N/A for this test	DFT-s-OFDM QPSK	5@($N_{\text{RB}}-5$) 5@($N_{\text{RB}}-5$) 1@($N_{\text{RB}}-1$) 8@($N_{\text{RB}}-8$)	1@0 8@0 1@0 8@0
NOTE 1: Test Channel Bandwidths and Test SCS are checked separately for each NR CA band combination, which applicable channel bandwidths and SCS are specified in Table 5.5A.1-1.				
NOTE 2: If the UE supports multiple CC Combinations in the CA Configuration with the same $N_{\text{RB_agg}}$, only the combination with the highest $N_{\text{RB_PCC}}$ is tested.				
NOTE 3: The UL allocation is changed as part of the test procedure. The Test Configuration Table entries list the combinations used, with the sequence of usage as determined by the test procedure for each sub-test.				

Table 6.3A.4.2.1.4.1-2: Test Configuration Table for intra-band non-contiguous CA

Initial Conditions							
Test Environment as specified in TS 38.508-1 [5] subclause 4.1				Normal			
Test Frequencies as specified in TS 38.508-1 [5] subclause 4.3.1				Low range and High range test frequencies as specified in tables for non-contiguous CA configuration with UL CA			
Test Channel Bandwidths as specified in TS 38.508-1 [5] subclause 4.3.1				Lowest N_{RB_agg} , Highest N_{RB_agg}			
Test SCS as specified in Table 5.3.5-1				Lowest, Highest			
Test Parameters							
Test ID	Range			DL Config	Uplink Configuration		
					Modulation for all CCs		RB allocations (Note 3) (LCRB @ RB _{start})
	PCC	Wgap	SCC		PCC	SCC	
1	CC1	Max Wgap	CC2	N/A	DFT-s-OFDM QPSK	5@0 5@0 1@0 8@0	1@0 8@0 1@0 8@0
NOTE 1: Test Channel Bandwidths and Test SCS are checked separately for each NR CA band combination, which applicable channel bandwidths and SCS are specified in Table 5.5A.2-1.							
NOTE 2: If the UE supports multiple CC Combinations in the CA Configuration with the same N_{RB_agg} , only the combination with the highest N_{RB_PCC} is tested.							
NOTE 3: The UL allocation is changed as part of the test procedure. The Test Configuration Table entries list the combinations used, with the sequence of usage as determined by the test procedure for each sub-test.							

1. Connect the SS to the UE antenna connectors as shown in TS 38.508-1 [5] Annex A, Figure A.3.1.1.3 for TE diagram and section A.3.2 for UE diagram.
2. The parameter settings for the cell are set up according to TS 38.508-1 [5] subclause 4.4.3.
3. Downlink signals are initially set up according to Annex C.0, C.1, C.2, and uplink signals according to Annex G.0, G.1, G.2, G.3.0.
4. The UL Reference Measurement Channel is set according to Table 6.3A.4.2.1.4.1-1 and Table 6.3A.4.2.1.4.1-2 as appropriate.
5. Propagation conditions are set according to Annex B.0.
6. Ensure the UE is in State RRC_CONNECTED with generic procedure parameters Connectivity NR, Connected without release On, Test Mode On and Test Loop Function On according to TS 38.508-1 [5] clause 4.5. Message contents are defined in clause 6.3A.4.2.1.4.3.

6.3A.4.2.1.4.2 Test procedure

1. Configure SCC according to Annex C.0, C.1, C.2 for all downlink physical channels.
2. The SS shall configure SCC as per TS 38.508-1 [5] clause 5.5.1. Message contents are defined in clause 6.3A.4.2.1.4.3.
3. SS activates SCC by sending the activation MAC CE (Refer TS 38.321 [18], clauses 5.9, 6.1.3.10). Wait for at least 2 seconds (Refer TS 38.133, clause 9.3).
4. The procedure is separated in various subtests to verify different aspects of relative power control. The power changes of the subtests are shown by diagrams in the Test Procedure. In this test case, the term $P_{CMAX_L} - MAX\{T_L, T_{LOW}(P_{CMAX_L})\}$ defined in TS 38.101 [2] clause 6.2.4A is used, to ensure the UE is not tested outside its power capability.
5. Sub test: SCC power increase
 - 5.1. SS sends uplink scheduling information for each UL HARQ process via PDCCH DCI format 0_1 for C_RNTI to schedule the UL RMC according to Table 6.3A.4.2.1.4.1-1 for intra-band contiguous CA and Table 6.3A.4.2.1.4.1-2 for intra-band non-contiguous CA on both PCC and SCC. Since the UE has no payload and no loopback data to send the UE sends uplink MAC padding bits on the UL RMC. Send the appropriate TPC commands for PUSCH on each component carrier to the UE to ensure that the UE transmits

PUSCH on the PCC and on the SCC with powers nearest to $PCC_{RefSet, 0}$ and $SCC_{RefSet, 0}$ respectively, as defined in Table 6.3A.4.2.1.4.2-1. The powers and allocations are chosen so the average transmit power per PRB is aligned across both assigned carriers in the reference sub-frame. Measure $PCC_{RefMeas, 0}$ and $SCC_{RefMeas, 0}$ in the Reference subframe, and after the SCC allocation is increased, measure $PCC_{TargetMeas, 0}$ and $SCC_{TargetMeas, 0}$ in the Target subframe.

Table 6.3A.4.2.1.4.2-1: Power settings and RB allocations for SCC power increase, step n=0

PCC		SCC	
Parameter	Value	Parameter	Value
Reference subframe			
$PCC_{RefSet, 0}$, dBm/NRB alloc	$(SCC_{RefSet, 0}) +7$	$SCC_{RefSet, 0}$, dBm/NRB alloc	-17
PCC allocation, NRB alloc	5	SCC allocation, NRB alloc	1
Measured power, dBm/NRB alloc	$PCC_{RefMeas, 0}$	Measured power, dBm/NRB alloc	$SCC_{RefMeas, 0}$
Target subframe			
$PCC_{TargetSet, 0}$, dBm/NRB alloc	$(SCC_{RefSet, 0}) +7$	$SCC_{TargetSet, 0}$, dBm/NRB alloc	$(SCC_{RefSet, 0}) +9$
PCC allocation, NRB alloc	5	SCC allocation, NRB alloc	8
Measured power, dBm/NRB alloc	$PCC_{TargetMeas, 0}$	Measured power, dBm/NRB alloc	$SCC_{TargetMeas, 0}$

- 5.2. Calculate the Total uplink power across both CCs in dBm as $10\log_{10}((PCC_{TargetMeas, n}$ in mW) + ($SCC_{TargetMeas, n}$ in mW)). If $(P_{CMAX,L} - \text{MAX}\{T_L, T_{LOW}(P_{CMAX,L})\} - \text{Total uplink power}) > 1\text{dB}$, continue to step 5.3. Otherwise, go to step 5.6.
- 5.3. For the PCC, calculate the change in power as $(PCC_{TargetMeas, n} - PCC_{RefMeas, n})$ and compare to the PCC Test requirement specified in Table 6.3A.4.2.1.5-1. If the result meets the Test requirement, continue to step 5.4. Otherwise, fail the UE for this subtest.
- 5.4. For the SCC, calculate the change in power as $(SCC_{TargetMeas, n} - SCC_{RefMeas, n})$ and compare to the SCC Test requirement specified in Table 6.3A.4.2.1.5-1. If the result meets the Test requirement, continue to step 5.5. Otherwise, fail the UE for this subtest.
- 5.5. Send the appropriate TPC commands for PUSCH on each component carrier to the UE to ensure that the UE transmits PUSCH on the PCC and on the SCC with powers nearest to $PCC_{RefSet, n+1}$ and $SCC_{RefSet, n+1}$ respectively, as defined in Table 6.3A.4.2.1.4.2-2. Measure $PCC_{RefMeas, n}$ and $SCC_{RefMeas, n}$ in the Reference subframe, and after the SCC allocation is increased, measure $PCC_{TargetMeas, n}$ and $SCC_{TargetMeas, n}$ in the Target subframe. Repeat steps 5.2 to 5.4.

Table 6.3A.4.2.1.4.2-2: Power settings and RB allocations for SCC power increase, step n+1

PCC		SCC	
Parameter	Value	Parameter	Value
Reference subframe			
$PCC_{RefSet, n+1}$, dBm/NRB alloc	$(SCC_{RefSet, n+1}) +7$	$SCC_{RefSet, n+1}$, dBm/NRB alloc	$SCC_{TargetMeas, n} +2\text{dB}$
PCC allocation, NRB alloc	5	SCC allocation, NRB alloc	1
Measured power, dBm/NRB alloc	$PCC_{RefMeas, n+1}$	Measured power, dBm/NRB alloc	$SCC_{RefMeas, n+1}$
Target subframe			
$PCC_{TargetSet, n+1}$, dBm/NRB alloc	$(SCC_{RefSet, n+1}) +7$	$SCC_{TargetSet, n+1}$, dBm/NRB alloc	$(SCC_{RefSet, n+1}) +9$
PCC allocation, NRB alloc	5	SCC allocation, NRB alloc	8
Measured power, dBm/NRB alloc	$PCC_{TargetMeas, n+1}$	Measured power, dBm/NRB alloc	$SCC_{TargetMeas, n+1}$

5.6. If the requirements specified in Table 6.3A.4.2.1.5-1 are all met, pass the UE for this subtest.

6. Sub test: SCC power decrease

6.1. SS sends uplink scheduling information for each UL HARQ process via PDCCH DCI format 0_1 for C_RNTI to schedule the UL RMC according to Table 6.3A.4.2.1.4.1-1 for intra-band contiguous CA and Table 6.3A.4.2.1.4.1-2 for intra-band non-contiguous CA on both PCC and SCC. Since the UE has no payload and no loopback data to send the UE sends uplink MAC padding bits on the UL RMC. Send the appropriate TPC commands for PUSCH on each component carrier to the UE to ensure that the UE transmits PUSCH on the PCC and on the SCC with powers nearest to $P_{CCRefSet, 0}$ and $SCC_{RefSet, 0}$ respectively, as defined in Table 6.3A.4.2.1.4.2-3. The powers and allocations are chosen so the average transmit power per PRB is aligned across both assigned carriers in the reference sub-frame. Measure $P_{CCRefMeas, 0}$ and $SCC_{RefMeas, 0}$ in the Reference subframe, and after the SCC allocation is decreased, measure $P_{CCTargetMeas, 0}$ and $SCC_{TargetMeas, 0}$ in the Target subframe.

Table 6.3A.4.2.1.4.2-3: Power settings and RB allocations for SCC power decrease, step n=0

PCC		SCC	
Parameter	Value	Parameter	Value
Reference subframe			
$P_{CCRefSet, 0}$, dBm/ $N_{RB alloc}$	$(SCC_{RefSet, 0}) - 2$	$SCC_{RefSet, 0}$, dBm/ $N_{RB alloc}$	$P_{CMAX_L} - \text{MAX}\{T_L, T_{LOW}(P_{CMAX_L})\} - 5$
PCC allocation, $N_{RB alloc}$	5	SCC allocation, $N_{RB alloc}$	8
Measured power, dBm/ $N_{RB alloc}$	$P_{CCRefMeas, 0}$	Measured power, dBm/ $N_{RB alloc}$	$SCC_{RefMeas, 0}$
Target subframe			
$P_{CCTargetSet, 0}$, dBm/ $N_{RB alloc}$	$(SCC_{RefSet, 0}) - 2$	$SCC_{TargetSet, 0}$, dBm/ $N_{RB alloc}$	$(SCC_{RefSet, 0}) - 9$
PCC allocation, $N_{RB alloc}$	5	SCC allocation, $N_{RB alloc}$	1
Measured power, dBm/ $N_{RB alloc}$	$P_{CCTargetMeas, 0}$	Measured power, dBm/ $N_{RB alloc}$	$SCC_{TargetMeas, 0}$

6.2. If the uplink (power for each CC – (-20dBm)) is > 1dB, continue to step 6.3. Otherwise, go to step 6.6.

6.3. For the PCC, calculate the change in power as $(P_{CCTargetMeas, n} - P_{CCRefMeas, n})$ and compare to the PCC Test requirement specified in Table 6.3A.4.2.1.5-2. If the result meets the Test requirement, continue to step 6.4. Otherwise, fail the UE for this subtest.

6.4. For the SCC, calculate the change in power as $(SCC_{TargetMeas, n} - SCC_{RefMeas, n})$ and compare to the SCC Test requirement specified in Table 6.3A.4.2.1.5-2. If the result meets the Test requirement, continue to step 6.5. Otherwise, fail the UE for this subtest.

6.5. Send the appropriate TPC commands for PUSCH on each component carrier to the UE to ensure that the UE transmits PUSCH on the PCC and on the SCC with powers nearest to $P_{CCRefSet, n+1}$ and $SCC_{RefSet, n+1}$ respectively, as defined in Table 6.3A.4.2.1.4.2-4. Measure $P_{CCRefMeas, n}$ and $SCC_{RefMeas, n}$ in the Reference subframe, and after the SCC allocation is decreased, measure $P_{CCTargetMeas, n}$ and $SCC_{TargetMeas, n}$ in the Target subframe. Repeat steps 6.2 to 6.4.

Table 6.3A.4.2.1.4.2-4: Power settings and RB allocations for SCC power decrease, step n+1

PCC		SCC	
Parameter	Value	Parameter	Value
Reference subframe			
$P_{CCRefSet, n+1}$, dBm/ $N_{RB alloc}$	$(SCC_{RefSet, n+1}) - 2$	$SCC_{RefSet, n+1}$, dBm/ $N_{RB alloc}$	$SCC_{TargetMeas, n} - 2\text{dB}$
PCC allocation, $N_{RB alloc}$	5	SCC allocation, $N_{RB alloc}$	8

Measured power, dBm/N _{RB alloc}	PCC _{RefMeas, n+1}	Measured power, dBm/N _{RB alloc}	SCC _{RefMeas, n+1}
Target subframe			
PCC _{TargetSet, n+1} , dBm/N _{RB alloc}	(SCC _{RefSet, n+1}) -2	SCC _{TargetSet, n+1} , dBm/N _{RB alloc}	(SCC _{RefSet, n+1}) -9
PCC allocation, N _{RB alloc}	5	SCC allocation, N _{RB alloc}	1
Measured power, dBm/N _{RB alloc}	PCC _{TargetMeas, n+1}	Measured power, dBm/N _{RB alloc}	SCC _{TargetMeas, n+1}

6.6. If the requirements specified in Table 6.3A.4.2.1.5-2 are all met, pass the UE for this subtest.

7. Sub test: PCC and SCC power increase together

7.1. SS sends uplink scheduling information for each UL HARQ process via PDCCH DCI format 0_1 for C_RNTI to schedule the UL RMC according to Table 6.3A.4.2.1.4.1-1 for intra-band contiguous CA and Table 6.3A.4.2.1.4.1-2 for intra-band non-contiguous CA on both PCC and SCC. Since the UE has no payload and no loopback data to send the UE sends uplink MAC padding bits on the UL RMC. Send the appropriate TPC commands for PUSCH on each component carrier to the UE to ensure that the UE transmits PUSCH on the PCC and on the SCC with powers nearest to PCC_{RefSet, 0} and SCC_{RefSet, 0} respectively, as defined in Table 6.3A.4.2.1.4.2-5. The powers and allocations are chosen so the average transmit power per PRB is aligned across both assigned carriers in the reference sub-frame. Measure PCC_{RefMeas, 0} and SCC_{RefMeas, 0} in the Reference subframe, and after the PCC and SCC allocation are increased, measure PCC_{TargetMeas, 0} and SCC_{TargetMeas, 0} in the Target subframe.

Table 6.3A.4.2.1.4.2-5: Power settings and RB allocations for PCC and SCC power increase, step n=0

PCC		SCC	
Parameter	Value	Parameter	Value
Reference subframe			
PCC _{RefSet, 0} , dBm/N _{RB alloc}	-17	SCC _{RefSet, 0} , dBm/N _{RB alloc}	-17
PCC allocation, N _{RB alloc}	1	SCC allocation, N _{RB alloc}	1
Measured power, dBm/N _{RB alloc}	PCC _{RefMeas, 0}	Measured power, dBm/N _{RB alloc}	SCC _{RefMeas, 0}
Target subframe			
PCC _{TargetSet, 0} , dBm/N _{RB alloc}	(PCC _{RefSet, 0}) +9	SCC _{TargetSet, 0} , dBm/N _{RB alloc}	(SCC _{RefSet, 0}) +9
PCC allocation, N _{RB alloc}	8	SCC allocation, N _{RB alloc}	8
Measured power, dBm/N _{RB alloc}	PCC _{TargetMeas, 0}	Measured power, dBm/N _{RB alloc}	SCC _{TargetMeas, 0}

- 7.2. Calculate the Total uplink power across both CCs in dBm as $10\log_{10}((PCC_{TargetMeas, n} \text{ in mW}) + (SCC_{TargetMeas, n} \text{ in mW}))$. If $(P_{CMAX, L} - \text{MAX}\{T_L, T_{LOW}(P_{CMAX, L})\} - \text{Total uplink power}) > 1\text{dB}$, continue to step 7.3. Otherwise, go to step 7.6.
- 7.3. For the PCC, calculate the change in power as $(PCC_{TargetMeas, n} - PCC_{RefMeas, n})$ and compare to the PCC Test requirement specified in Table 6.3A.4.2.1.5-3. If the result meets the Test requirement, continue to step 7.4. Otherwise, fail the UE for this subtest.
- 7.4. For the SCC, calculate the change in power as $(SCC_{TargetMeas, n} - SCC_{RefMeas, n})$ and compare to the SCC Test requirement specified in Table 6.3A.4.2.1.5-3. If the result meets the Test requirement, continue to step 7.5. Otherwise, fail the UE for this subtest.
- 7.5. Send the appropriate TPC commands for PUSCH on each component carrier to the UE to ensure that the UE transmits PUSCH on the PCC and on the SCC with powers nearest to PCC_{RefSet, n+1} and SCC_{RefSet, n+1} respectively, as defined in Table 6.3A.4.2.1.4.2-6. Measure PCC_{RefMeas, n} and SCC_{RefMeas, n} in the Reference subframe, and after the PCC and SCC allocation are increased, measure PCC_{TargetMeas, n} and SCC_{TargetMeas, n} in the Target subframe. Repeat steps 7.2 to 7.4.

Table 6.3A.4.2.1.4.2-6: Power settings and RB allocations for PCC and SCC power increase, step n+1

PCC		SCC	
Parameter	Value	Parameter	Value
Reference subframe			
PCC _{RefSet, n+1} , dBm/N _{RB alloc}	(Max (PCC _{TargetMeas, n} , SCC _{TargetMeas, n})) +2dB	SCC _{RefSet, n+1} , dBm/N _{RB alloc}	(Max (PCC _{TargetMeas, n} , SCC _{TargetMeas, n})) +2dB
PCC allocation, N _{RB alloc}	1	SCC allocation, N _{RB alloc}	1
Measured power, dBm/N _{RB alloc}	PCC _{RefMeas, n+1}	Measured power, dBm/N _{RB alloc}	SCC _{RefMeas, n+1}
Target subframe			
PCC _{TargetSet, n+1} , dBm/N _{RB alloc}	(SCC _{RefSet, n+1}) +9	SCC _{TargetSet, n+1} , dBm/N _{RB alloc}	(SCC _{RefSet, n+1}) +9
PCC allocation, N _{RB alloc}	8	SCC allocation, N _{RB alloc}	8
Measured power, dBm/N _{RB alloc}	PCC _{TargetMeas, n+1}	Measured power, dBm/N _{RB alloc}	SCC _{TargetMeas, n+1}

7.6. If the requirements specified in Table 6.3A.4.2.1.5-3 are all met, pass the UE for this subtest.

8. Sub test: PCC and SCC power decrease together

8.1. SS sends uplink scheduling information for each UL HARQ process via PDCCH DCI format 0_1 for C_RNTI to schedule the UL RMC according to Table 6.3A.4.2.1.4.1-1 for intra-band contiguous CA and Table 6.3A.4.2.1.4.1-2 for intra-band non-contiguous CA on both PCC and SCC. Since the UE has no payload and no loopback data to send the UE sends uplink MAC padding bits on the UL RMC. Send the appropriate TPC commands for PUSCH on each component carrier to the UE to ensure that the UE transmits PUSCH on the PCC and on the SCC with powers nearest to PCC_{RefSet, 0} and SCC_{RefSet, 0} respectively, as defined in Table 6.3A.4.2.1.4.2-7. The powers and allocations are chosen so the average transmit power per PRB is aligned across both assigned carriers in the reference sub-frame. Measure PCC_{RefMeas, 0} and SCC_{RefMeas, 0} in the Reference subframe, and after the PCC and SCC allocation are decreased, measure PCC_{TargetMeas, 0} and SCC_{TargetMeas, 0} in the Target subframe.

Table 6.3A.4.2.1.4.2-7: Power settings and RB allocations for PCC and SCC power decrease, step n=0

PCC		SCC	
Parameter	Value	Parameter	Value
Reference subframe			
PCC _{RefSet, 0} , dBm/N _{RB alloc}	$P_{\text{CMAX}_L} - \text{MAX}\{T_L, T_{\text{LOW}}(P_{\text{CMAX}_L})\} - 6$	SCC _{RefSet, 0} , dBm/N _{RB alloc}	$P_{\text{CMAX}_L} - \text{MAX}\{T_L, T_{\text{LOW}}(P_{\text{CMAX}_L})\} - 6$
PCC allocation, N _{RB alloc}	8	SCC allocation, N _{RB alloc}	8
Measured power, dBm/N _{RB alloc}	PCC _{RefMeas, 0}	Measured power, dBm/N _{RB alloc}	SCC _{RefMeas, 0}
Target subframe			
PCC _{TargetSet, 0} , dBm/N _{RB alloc}	(PCC _{RefSet, 0}) -9	SCC _{TargetSet, 0} , dBm/N _{RB alloc}	(SCC _{RefSet, 0}) -9
PCC allocation, N _{RB alloc}	1	SCC allocation, N _{RB alloc}	1
Measured power, dBm/N _{RB alloc}	PCC _{TargetMeas, 0}	Measured power, dBm/N _{RB alloc}	SCC _{TargetMeas, 0}

8.2. If the uplink (power for each CC – (-20dBm)) is > 1dB, continue to step 8.3. Otherwise, go to step 8.6.

- 8.3. For the PCC, calculate the change in power as $(PCC_{TargetMeas, n} - PCC_{RefMeas, n})$ and compare to the PCC Test requirement specified in Table 6.3A.4.2.1.5-4. If the result meets the Test requirement, continue to step 8.4. Otherwise, fail the UE for this subtest.
- 8.4. For the SCC, calculate the change in power as $(SCC_{TargetMeas, n} - SCC_{RefMeas, n})$ and compare to the SCC Test requirement specified in Table 6.3A.4.2.1.5-4. If the result meets the Test requirement, continue to step 8.5. Otherwise, fail the UE for this subtest.
- 8.5. Send the appropriate TPC commands for PUSCH on each component carrier to the UE to ensure that the UE transmits PUSCH on the PCC and on the SCC with powers nearest to $PCC_{RefSet, n+1}$ and $SCC_{RefSet, n+1}$ respectively, as defined in Table 6.3A.4.2.1.4.2-8. Measure $PCC_{RefMeas, n}$ and $SCC_{RefMeas, n}$ in the Reference subframe, and after the PCC and SCC allocation are decreased, measure $PCC_{TargetMeas, n}$ and $SCC_{TargetMeas, n}$ in the Target subframe. Repeat steps 8.2 to 8.4.

Table 6.3A.4.2.1.4.2-8: Power settings and RB allocations for PCC and SCC power decrease, step n+1

PCC		SCC	
Parameter	Value	Parameter	Value
Reference subframe			
$PCC_{RefSet, n+1}$, dBm/N _{RB alloc}	(Min ($PCC_{TargetMeas, n}$, $SCC_{TargetMeas, n}$)) -2dB	$SCC_{RefSet, n+1}$, dBm/N _{RB alloc}	(Min ($PCC_{TargetMeas, n}$, $SCC_{TargetMeas, n}$)) -2dB
PCC allocation, N _{RB alloc}	8	SCC allocation, N _{RB alloc}	8
Measured power, dBm/N _{RB alloc}	$PCC_{RefMeas, n+1}$	Measured power, dBm/N _{RB alloc}	$SCC_{RefMeas, n+1}$
Target subframe			
$PCC_{TargetSet, n+1}$, dBm/N _{RB alloc}	$(SCC_{RefSet, n+1}) -9$	$SCC_{TargetSet, n+1}$, dBm/N _{RB alloc}	$(SCC_{RefSet, n+1}) -9$
PCC allocation, N _{RB alloc}	1	SCC allocation, N _{RB alloc}	1
Measured power, dBm/N _{RB alloc}	$PCC_{TargetMeas, n+1}$	Measured power, dBm/N _{RB alloc}	$SCC_{TargetMeas, n+1}$

- 8.6. If the requirements specified in Table 6.3A.4.2.1.5-4 are all met, pass the UE for this subtest.

6.3A.4.2.1.4.3 Message contents

Message contents are according to TS 38.508-1 [5] subclause 4.6 with the following exception:

Table 6.3A.4.2.1.4.3-1: PUSCH-Config

Derivation Path: TS 38.508-1 [5], Table 4.6.3-118 with condition TRANSFORM_PRECODER_ENABLED
--

6.3A.4.2.1.5 Test requirement

For intra-band contiguous carrier aggregation bandwidth class C and intra-band non-contiguous CA, the relative power control tolerance per component carrier measured in steps 5, 6, 7 and 8 of the test procedures should satisfy the applicable test requirements specified in Tables 6.3A.4.2.1.5-1 to 6.3A.4.2.1.5-5.

Table 6.3A.4.2.1.5-1: Test requirements for SCC power increase

Parameter	Condition	Unit	Minimum	Maximum
$(PCC_{TargetMeas, n} - PCC_{RefMeas, n})$	Normal	dB	-0.7-TT	0.7+TT
$(SCC_{TargetMeas, n} - SCC_{RefMeas, n})$	Normal	dB	5.5-TT	12.5+TT

Table 6.3A.4.2.1.5-2: Test requirements for SCC power decrease

Parameter	Condition	Unit	Minimum	Maximum
$(PCC_{TargetMeas, n} - PCC_{RefMeas, n})$	Normal	dB	-0.7-TT	0.7+TT
$(SCC_{TargetMeas, n} - SCC_{RefMeas, n})$	Normal	dB	-12.5-TT	-5.5+TT

Table 6.3A.4.2.1.5-3: Test requirements for PCC and SCC power increase together

Parameter	Condition	Unit	Minimum	Maximum
$(PCC_{TargetMeas, n} - PCC_{RefMeas, n})$	Normal	dB	5.5-TT	12.5+TT
$(SCC_{TargetMeas, n} - SCC_{RefMeas, n})$	Normal	dB	5.5-TT	12.5+TT

Table 6.3A.4.2.1.5-4: Test requirements for PCC and SCC power decrease together

Parameter	Condition	Unit	Minimum	Maximum
$(PCC_{TargetMeas, n} - PCC_{RefMeas, n})$	Normal	dB	-12.5-TT	-5.5+TT
$(SCC_{TargetMeas, n} - SCC_{RefMeas, n})$	Normal	dB	-12.5-TT	-5.5+TT

Table 6.3A.4.2.1.5-5: Test Tolerance

	$f \leq 6.0\text{GHz}$
$BW \leq 100\text{MHz}$	0.7 dB

6.3A.4.3 Aggregate power tolerance for CA

6.3A.4.3.0 Minimum conformance requirements

For intra-band contiguous and non-contiguous carrier aggregation, the aggregate power tolerance per component carrier is given in Table 6.3.4.4.3-1. The average power per PRB shall be aligned across both assigned carriers before the start of the test. The requirement can be tested with the transmission gaps time aligned between component carriers.

The normative reference for this requirement is TS 38.101-1 [2] clause 6.3A.4.

6.3A.4.3.1 Aggregate power tolerance for CA (2UL CA)

Editor's Note: This test case is incomplete when signalling is absent for dualPA-Architecture IE due to lack of core requirements.

6.3A.4.3.1.1 Test purpose

To verify the ability of the UE transmitter to maintain its power during non-contiguous transmissions within 21ms in response to 0 dB commands with respect to the first UE transmission and all other power control parameters as specified in 38.213 kept constant on all active component carriers.

6.3A.4.3.1.2 Test applicability

This test case applies to all types of NR UE release 15 and forward that support intra-band contiguous 2UL CA.

6.3A.4.3.1.3 Minimum conformance requirements

The minimum conformance requirements are defined in clause 6.3A.4.3.0.

6.3A.4.3.1.4 Test description

6.3A.4.3.1.4.1 Initial condition

Initial conditions are a set of test configurations the UE needs to be tested in and the steps for the SS to take with the UE to reach the correct measurement state.

The initial test configurations consist of environmental conditions, test frequencies, test channel bandwidths and sub-carrier spacing based on NR CA configurations specified in 5.5A. All of these configurations shall be tested with applicable test parameters for each CA configuration, and are shown in table 6.3A.4.3.1.4.1-2 and 6.3A.4.3.1.4.1-3. The details of the uplink reference measurement channels (RMCs) are specified in Annexes A.2 and A.3. Configurations of PDSCH before measurement is specified in Annex C.2.

Table 6.3A.4.3.1.4.1-1: Void

Table 6.3A.4.3.1.4.1-2: Test Configuration Table for intra-band contiguous CA: PUSCH sub-test

Initial Conditions					
Test Environment as specified in TS 38.508-1 [5] subclause 4.1		Normal			
Test Frequencies as specified in TS 38.508-1 [5] subclause 4.3.1		Mid range			
Test Channel Bandwidths as specified in TS 38.508-1 [5] subclause 4.3.1		Lowest N_{RB_agg} , Highest N_{RB_agg}			
Test SCS as specified in Table 5.3.5-1		Lowest, Highest			
Test Parameters					
Test ID	Downlink Configuration for PCC & SCC		Uplink Configuration		
			Modulation for all CCs	RB allocation (NOTE 1)	
				PCC	SCC
1	N/A for this test		CP-OFDM QPSK	Outer Full	Outer Full
NOTE 1: The specific configuration of each RB allocation is defined in 6.1A-1a for contiguous RB alloc.					
NOTE 2: Test Channel Bandwidths and Test SCS are checked separately for each NR CA band combination, which applicable channel bandwidths and SCS are specified in Table 5.5A.1-1.					
NOTE 3: If the UE supports multiple CC Combinations in the CA Configuration with the same N_{RB_agg} , only the combination with the highest N_{RB_PCC} is tested.					

Table 6.3A.4.3.1.4.1-3: Test Configuration Table for intra-band non-contiguous CA

Initial Conditions												
Test Environment as specified in TS 38.508-1 [5] subclause 4.1				Normal								
Test Frequencies as specified in TS 38.508-1 [5] subclause 4.3.1				Low range and High range test frequencies as specified in tables for non-contiguous CA configuration with UL CA								
Test Channel Bandwidths as specified in TS 38.508-1 [5] subclause 4.3.1				Refer to PCC N_{RB} and "SCC N_{RB} " columns								
Test SCS as specified in Table 5.3.5-1				Lowest, Highest								
Test Parameters												
ID	CA config / CBW							DL con fig	UL config			
	PCC		SCC		PCC N_{RB}	W_{gap}	SCC N_{RB}		CC MOD	RB allocation (NOTE 1)		
	Band	Range	Band	Range						PCC	SCC	
1	nX	CC1	nX	CC2	Lowest N_{RB_agg}	Max (NOTE 4)	Lowest N_{RB_agg}	N/A	CP-OFDM QPSK	Outer_Full	Outer_Full	
2	nX	CC1	nX	CC2	Highest N_{RB_agg}	Max (NOTE 4)	Highest N_{RB_agg}			Outer_Full	Outer_Full	
NOTE 1: RB allocation is defined in table 6.1-1 for each CC.												
NOTE 2: Test Channel Bandwidths and Test SCS are checked separately for each NR CA band combination, which applicable channel bandwidths and SCS are specified in Table 5.5A.2-1.												
NOTE 3: If the UE supports multiple CC Combinations in the CA Configuration with the same N_{RB_agg} , only the combination with the highest N_{RB_PCC} is tested.												
NOTE 4: The W_{gap} is defined to be widest possible on band based on the PCC and SCC configuration												

1. Connect the SS to the UE antenna connectors as shown in TS 38.508-1 [5] Annex A, Figure A.3.1.1.3 for TE diagram and section A.3.2 for UE diagram.
2. The parameter settings for the cell are set up according to TS 38.508-1 [5] subclause 4.4.3.

3. Downlink signals are initially set up according to Annex C.0, C.1, C.2, and uplink signals according to Annex G.0, G.1, G.2, G.3.0.
4. The UL Reference Measurement Channel is set according to Table 6.3A.3.1.4.1-1 for intra-band contiguous CA and Table 6.3A.3.1.4.1-3 for intra-band non-contiguous CA.
5. Propagation conditions are set according to Annex B.0.
6. Ensure the UE is in State RRC_CONNECTED with generic procedure parameters Connectivity NR, Connected without release On, Test Mode On and Test Loop Function On according to TS 38.508-1 [5] clause 4.5. Message contents are defined in clause 6.3A.4.3.1.4.3.

6.3A.4.3.1.4.2 Test procedure

For intra-band contiguous UL CA:

The procedure is separated in two subtests to verify PUCCH and PUSCH aggregate power control tolerance respectively. The uplink transmission patterns for each component carrier are described in figure 6.3A.4.3.1.4.2-1.

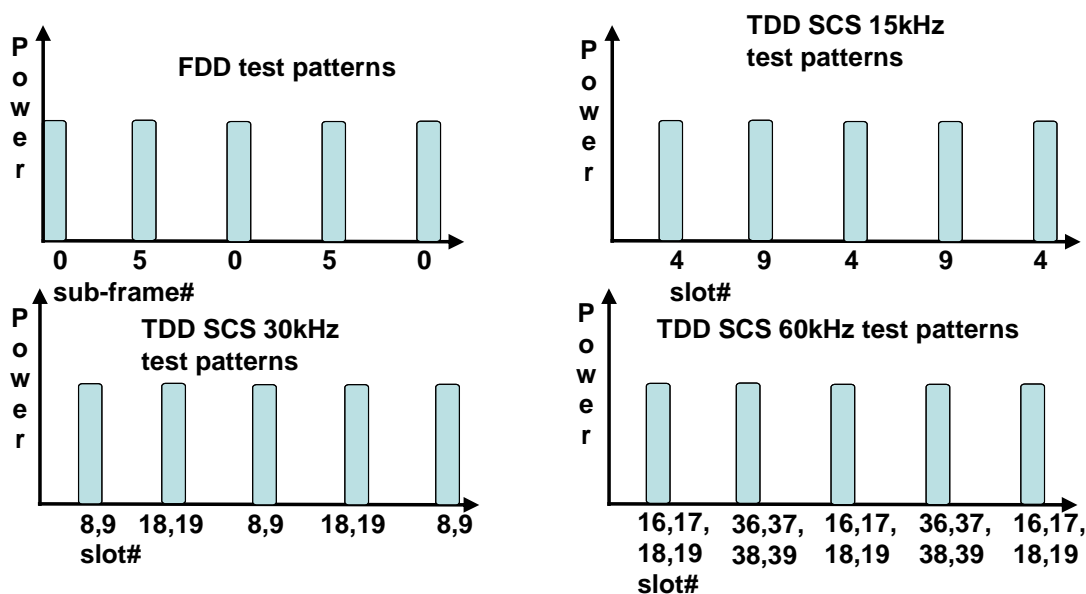


Figure 6.3A.4.3.1.4.2-1 Test uplink transmission

1. Configure SCC according to Annex C.0, C.1, C.2 for all downlink physical channels.
2. The SS shall configure SCC as per TS 38.508-1 [5] clause 5.5.1. Message contents are defined in clause 6.3A.4.3.1.4.3. Any PDCCH DCI format 0_1 sent to the UE during the configuration should have TPC command 0dB.
3. SS activates SCC by sending the activation MAC CE (Refer TS 38.321 [18], clauses 5.9, 6.1.3.10). Wait for at least 2 seconds (Refer TS 38.133 [19], clause 9.3)
4. PUSCH sub test:
 - 4.1. The SS sends uplink scheduling information for each UL HARQ process via PDCCH DCI format 0_1 for C_RNTI to schedule the PUSCH according to Table 6.3A.4.3.1.4.1-1 on PCC and SCC. Since the UE has no payload and no loopback data to send the UE sends uplink MAC padding bits on the UL RMC. Send uplink power control commands for PUSCH to the UE using 1dB power step size to ensure that the UE output power on PCC and SCC measured by the test system is within the Uplink power control window, defined as $-(\text{Uplink power control window size} / 2)$ dB to $+(\text{Uplink power control window size} / 2)$ dB of the target power level + 0 dBm, where:
 - Uplink power control window size = 1dB (UE power step size) + 0.7dB (UE power step tolerance) + (Test system relative power measurement uncertainty), where, the UE power step tolerance is specified in TS

38.101-1 [2], Table 6.3.4.3-1 and is 0.7dB for PUSCH with 1dB power step size, and the Test system relative power measurement uncertainty is specified in Table F.1.2-1.

NOTE: The purpose of the Uplink power control window is to ensure that the actual UE output power is as close as possible to the target power level. The relationship between the Uplink power control window, the target power level and the corresponding possible actual UE Uplink power window is illustrated in Annex F.4.4.

4.2. Every 5 sub-frames (5ms) schedule the UE's PUSCH data transmission for 1 sub-frame(1ms), and transmit 0 dB TPC command for PUSCH via the PDCCH to make the UE transmit PUSCH. The uplink transmission patterns are described in figure 6.3A.4.3.1.4.2-1,

4.3. Measure the power on both PCC and SCC of 5 consecutive PUSCH transmissions to verify the UE transmitted PUSCH power is maintained within 21ms transmissions on each component carrier.

For intra-band non-contiguous UL CA:

1. Configure SCC according to Annex C.0, C.1, C.2 for all downlink physical channels.
2. The SS shall configure SCC as per TS 38.508-1 [5] clause 5.5.1. Message contents are defined in clause 6.3A.4.3.1.4.3. Any PDCCH DCI format 0_1 sent to the UE during the configuration should have TPC command 0dB.
3. SS activates SCC by sending the activation MAC CE (Refer TS 38.321 [18], clauses 5.9, 6.1.3.10). Wait for at least 2 seconds (Refer TS 38.133 [19], clause 9.3)
4. The SS sends uplink scheduling information for each UL HARQ process via PDCCH DCI format 0_1 for C_RNTI to schedule the PUSCH according to Table 6.3A.4.3.1.4.1-3 on PCC and SCC. Since the UE has no payload and no loopback data to send the UE sends uplink MAC padding bits on the UL RMC. Send uplink power control commands for PUSCH to the UE using 1dB power step size to ensure that the UE output power on PCC and SCC measured by the test system is within the Uplink power control window, defined as $-(\text{Uplink power control window size} / 2)$ dB to $+(\text{Uplink power control window size} / 2)$ dB of the target power level + 0 dBm, where:
5. Uplink power control window size = 1dB (UE power step size) + 0.7dB (UE power step tolerance) + (Test system relative power measurement uncertainty), where, the UE power step tolerance is specified in TS 38.101-1 [2], Table 6.3.4.3-1 and is 0.7dB for PUSCH with 1dB power step size, and the Test system relative power measurement uncertainty is specified in Table F.1.2-1.

NOTE: The purpose of the Uplink power control window is to ensure that the actual UE output power is as close as possible to the target power level. The relationship between the Uplink power control window, the target power level and the corresponding possible actual UE Uplink power window is illustrated in Annex F.4.4.

6. Every 5 sub-frames (5ms) schedule the UE's PUSCH data transmission for 1 sub-frame(1ms), and transmit 0 dB TPC command for PUSCH via the PDCCH to make the UE transmit PUSCH. The uplink transmission patterns are described in figure 6.3A.4.3.1.4.2-1.
7. Measure the power on both PCC and SCC of 5 consecutive PUSCH transmissions to verify the UE transmitted PUSCH power is maintained within 21ms transmissions on each component carrier.

6.3A.4.3.1.4.3 Message contents

Message contents are according to TS 38.508-1 [5] subclause 4.6 with the following exceptions:

Table 6.3A.4.3.1.4.3-1: Void

6.3A.4.3.1.5 Test requirement

For intra-band contiguous CA, the aggregate power control tolerance per component carrier measured in step (4.3) and step (5.3) of the test procedure is not to exceed the values specified in Table 6.3A.4.3.1.5-1.

For intra-band non-contiguous CA, the aggregate power control tolerance per component carrier measured in step 7 of the test procedure is not to exceed the values specified in Table 6.3A.4.3.1.5-1.

Table 6.3A.4.3.1.5-1: Aggregate power tolerance for CA

TPC command	UL channel	Test requirement measured power
0 dB	PUSCH on PCC and SCC	Given 5 power measurements in the pattern, the 2 nd , and later measurements shall be within $\pm (3.5 + TT)$ dB of the 1 st measurement.
Note 1:	For SCS 30kHz 1 sub-frame corresponds to 2 slots and for SCS 60kHz 1 sub-frame corresponds to 4 slots, so 2 TPC commands will be sent for a single measurement period.	
Note 2:	TT = 0.7dB.	

6.3B Output power dynamics for NR-DC

For inter-band NR-DC with one uplink carrier assigned per NR band, the output power dynamics for the corresponding inter-band CA configuration as specified in subclause 6.3A applies.

Note: For NR-DC testing, replace CA by NR-DC, PCC by PCell, and SCC by PSCell in clause 6.3A.

6.3B.1 Minimum output power for NR-DC

For inter-band dual connectivity, the minimum output power for the corresponding inter-band CA configuration as specified in clause 6.3A.1 applies.

Note: For NR-DC testing, replace CA by NR-DC, PCC by PCell, and SCC by PSCell in clause 6.3A.1.

6.3B.2 Transmit OFF power for NR-DC

For inter-band dual connectivity, the transmit OFF power for the corresponding inter-band CA configuration as specified in clause 6.3A.2 applies.

Note: For NR-DC testing, replace CA by NR-DC, PCC by PCell, and SCC by PSCell in clause 6.3A.2.

6.3B.3 Transmit ON/OFF time mask for NR-DC

For inter-band dual connectivity, the transmit ON/OFF time mask for the corresponding inter-band CA configuration as specified in clause 6.3A.3 applies.

Note: For NR-DC testing, replace CA by NR-DC, PCC by PCell, and SCC by PSCell in clause 6.3A.3.

6.3C Output power dynamics for SUL

6.3C.1 Minimum output power for SUL

6.3C.1.1 Test purpose

Same test purpose as in clause 6.3.1.1

6.3C.1.2 Test applicability

This test case applies to all types of NR UE release 15 and forward that support SUL operating on the SUL bands.

6.3C.1.3 Minimum conformance requirements

For a terminal that supports SUL for the band combination specified in Table 5.2C-1, the current version of the specification assumes the terminal is configured with active transmission either on UL carrier or SUL carrier at any time in one serving cell and the UE requirements for single carrier shall apply for the active UL or SUL carrier accordingly.

The normative reference for this requirement is TS 38.101-1 [2] clauses 4.3 and 6.3.1.

6.3C.1.4 Test description

Same test description as specified in clause 6.3.1.4 with following exceptions:

Instead of table 5.3.5-1 → use Table 5.5C-1.

Instead of table 6.3.1.4.1-1 → use Table 6.3C.1.4-1

Table 6.3C.1.4-1: Test Configuration Table

Initial Conditions				
Test Environment as specified in TS 38.508-1 [5] subclause 4.1		Normal, TL/VL, TL/VH, TH/VL, TH/VH		
Test Frequencies as specified in TS 38.508-1 [5] subclause 4.3.1		Low, Mid, High range for SUL carrier Mid-range for Non-SUL carrier		
Test Channel Bandwidths as specified in TS 38.508-1 [5] subclause 4.3.1		Lowest, Mid, Highest for SUL carrier Lowest for Non-SUL carrier		
Test SCS as specified in Table 5.3.5-1		15kHz for SUL carrier and Lowest supported SCS for Non-SUL carrier		
Test Parameters for Channel Bandwidths				
Test ID	Downlink Configuration	Uplink Configuration	SUL Configuration	
	N/A	N/A	Modulation	RB allocation (NOTE 2)
1			DFT-s-OFDM QPSK	Outer Full
NOTE 1: Test Channel Bandwidths are checked separately for each SUL band combination, the applicable channel bandwidths are specified in Table 5.5C-1.				
NOTE 2: The specific configuration of each RB allocation is defined in Table 6.1-1.				
NOTE 3: DFT-s-OFDM Pi/2 BPSK test applies only for UEs which supports Pi/2 BPSK in FR1.				
NOTE 4: For NR band n83, 30MHz test channel bandwidth is tested with Low range and High range test frequencies.				

- Connect the SS to the UE antenna connectors as shown in TS 38.508-1 [5] Annex A, Figure A.3.1.1.4 for TE diagram and section A.3.2 for UE diagram.
- The parameter setting for the cell are set up according to the TS 38.508-1 [5] subclause 4.4.3.
- Downlink signals are initially setup according to Annex C.0, C.1, C.2 and uplink signals according to Annex G.0, G.1, G.2, and G.3.0 with consideration of supplementary uplink physical channels.

Message contents in initial conditions are according to TS 38.508-1 [5] subclause 4.3.6.1.1.2 ensuring UL/SUL indicator in Table 4.3.6.1.1.2-1 with condition SUL, subclause 4.6 ensuring Table 4.6.1-28 with condition SUL AND (RF OR RRM), Tables 4.6.3-14 with condition SUL_SUL for SUL carrier, and Table 4.6.3-167 with condition PUSCH_PUCCH_ON_SUL, additionally the following exception shown in Table 6.3C.1.4-2 is considered.

Table 6.3C.1.4-2: PUSCH-Config

Derivation Path: TS 38.508-1 [5], Table 4.6.3-118 with condition TRANSFORM_PRECODER_ENABLED

Table 6.3C.1.4-3: Void

6.3C.1.5 Test requirement

The minimum output power, derived in step 3 shall not exceed the values specified in Table 6.3C.1.5-1.

Table 6.3C.1.5-1: Minimum output power

Channel bandwidth (MHz)	Minimum output power (dBm)	Measurement bandwidth (MHz)
5	-40+TT	4.515
10	-40+TT	9.375
15	-40+TT	14.235
20	-40+TT	19.095
25	-39+TT	23.955
30	-38.2+TT	28.815
40	-37+TT	38.895
50	-36+TT	48.615
NOTE 1: TT for each frequency and channel bandwidth is specified in Table 6.3C.1.5-2		

Table 6.3C.1.5-2: Test Tolerance (Minimum output power)

	$f \leq 3.0\text{GHz}$	$3.0\text{GHz} < f \leq 6.0\text{GHz}$
$BW \leq 40\text{MHz}$	1.0 dB	1.3 dB
$40\text{MHz} < BW \leq 100\text{MHz}$	1.3 dB	1.3 dB

6.3C.2 Transmit OFF power for SUL

6.3C.2.1 Test purpose

Same test purpose as in clause 6.3.2.1

6.3C.2.2 Test applicability

The requirements of this test apply in test cases 6.3C.3 Transmit ON/OFF time mask for SUL to all types of NR UE release 15 and forward that support SUL operating on the SUL bands.

6.3C.2.3 Minimum conformance requirements

For a terminal that supports SUL for the band combination specified in Table 5.2C-1, the current version of the specification assumes the terminal is configured with active transmission either on UL carrier or SUL carrier at any time in one serving cell and the UE requirements for single carrier shall apply for the active UL or SUL carrier accordingly.

The normative reference for this requirement is TS 38.101-1 [2] clauses 4.3 and 6.3.2.

6.3C.2.4 Test description

This test is covered by clause 6.3C.3 Transmit ON/OFF time mask for SUL.

6.3C.2.5 Test requirement

The requirement for the Transmit OFF power for SUL shall not exceed the values specified in Table 6.3C.2.5-1.

Table 6.3C.2.5-1: Transmit OFF power

Channel bandwidth (MHz)	Transmit OFF power (dBm)	Measurement bandwidth (MHz)
5	-50+TT	4.515
10	-50+TT	9.375
15	-50+TT	14.235
20	-50+TT	19.095
25	-50+TT	23.955
30	-50+TT	28.815
40	-50+TT	38.895
50	-50+TT	48.615

NOTE 1: TT for each frequency and channel bandwidth is specified in Table 6.3C.2.5-2

Table 6.3C.2.5-2: Test Tolerance (Transmit OFF power)

	$f \leq 3.0\text{GHz}$	$3.0\text{GHz} < f \leq 6.0\text{GHz}$
$BW \leq 40\text{MHz}$	1.5 dB	1.8 dB

6.3C.3 Transmit ON/OFF time mask for SUL

6.3C.3.0 Minimum conformance requirements

6.3C.3.0.1 General ON/OFF time mask for SUL

For a terminal that supports SUL for the band combination specified in Table 5.2C-1, the current version of the specification assumes the terminal is configured with active transmission either on UL carrier or SUL carrier at any time in one serving cell and the UE requirements for single carrier shall apply for the active UL or SUL carrier accordingly.

The normative reference for this requirement is TS 38.101-1 [2] clauses 4.3 and 6.3.3.2

6.3C.3.0.2 Time mask for switching between two uplink carriers

The switching time mask specified in this clause is applicable for an uplink band pair of a SUL configuration when the capability *uplinkTxSwitchingPeriod* is present, is only applicable for uplink switching mechanisms specified in clause 6.16 of TS 38.214 [10], where NR SUL carrier 1 is capable of one transmit antenna connector and NR UL carrier 2 is capable of two transmit antenna connectors, and the two uplink carriers are in different bands with different carrier frequencies. The UE shall support the switch between single layer transmission with one antenna port and two-layer transmission with two antenna ports on the two uplink carriers following the scheduling commands and rank adaptation, i.e., both single layer and two-layer transmission with 2 antenna ports, and single layer transmission with 1 antenna port shall be supported on NR UL carrier 2.

The switching periods described in Figure 6.3C.3.1-1a and Figure 6.3C.3.1-1b are located in either NR carrier 1 or carrier 2 as indicated in RRC signalling *uplinkTxSwitchingPeriodLocation* [7], and the length of uplink switching period *X* is less than the value indicated by UE capability *uplinkTxSwitchingPeriod*.

When switching from one carrier to another, if there is no uplink transmission scheduled or configured on the switch-from carrier for at least the duration of the switching period (*X* μs) before the point in time the UE is scheduled or configured to start the transmission on the switch-to carrier, the switching period is fully contained in the time period between the end of the transmission on the switch-from carrier and the start of the transmission on the switch-to carrier. In addition, the RRC signalling *uplinkTxSwitchingPeriodLocation* does not take effect in this case.

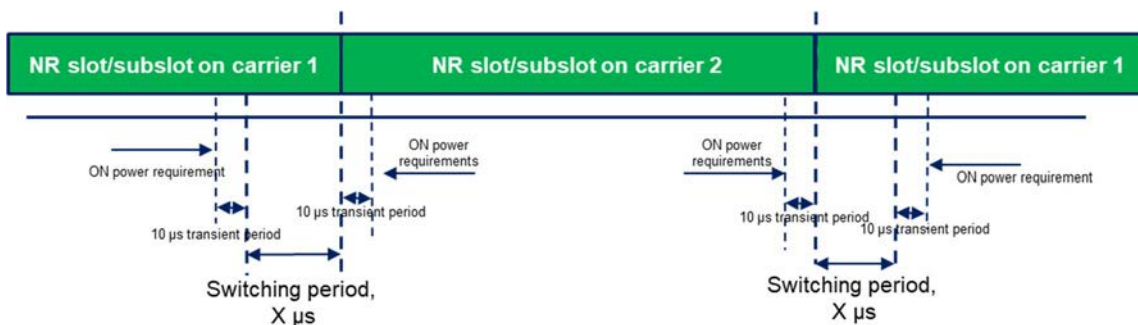


Figure 6.3C.3.0.2-1a: Time mask for switching between SUL carrier 1 and UL Carrier 2, where the switching period is located in carrier 1

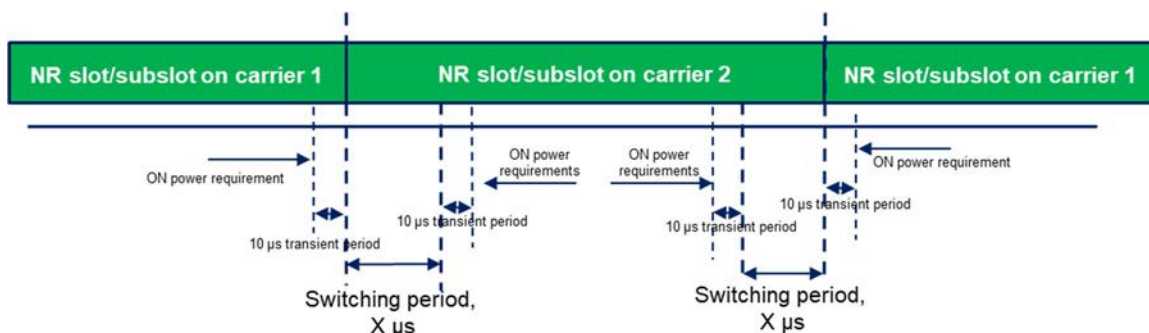


Figure 6.3C.3.0.2-1b: Time mask for switching between SUL carrier 1 and UL Carrier 2, where the switching period is located in carrier 2

The requirements apply for the case of co-located and synchronized network deployment for the two uplink carriers.

The requirements apply for the case of single TAG for the two uplink carriers, i.e., the same uplink timing for the two carriers as described in clause 4.2 of TS 38.213 [8].

The normative reference for this requirement is TS 38.101-1 [2] clauses 4.3 and 6.3C.3.2.

6.3C.3.0.3 Time mask for switching between two uplink carriers with two transmit antenna connectors

The switching time mask specified in this clause is applicable for an uplink band pair of a SUL configuration when the capability *uplinkTxSwitchingPeriod2T2T* is present, is only applicable for uplink switching mechanisms specified in clause 6.1.6 of TS 38.214 [12], where NR SUL carrier 1 is capable of two transmit antenna connectors and NR UL carrier 2 is capable of two transmit antenna connectors, and the two uplink carriers are in different bands with different carrier frequencies. The UE shall support the switch between two-layer transmission with two antenna ports and two-layer transmission with two antenna ports on the two uplink carriers following the scheduling commands and rank adaptation, i.e., both single layer and two-layer transmission with 2 antenna ports, and single layer transmission with 1 antenna port shall be supported on NR UL carrier 1 and carrier 2.

The switching periods described in Figure 6.3C.3.0.3-1a and Figure 6.3C.3.0.3-1b are located in either NR carrier 1 or carrier 2 as indicated in RRC signalling *uplinkTxSwitchingPeriodLocation* [7], and the length of uplink switching period *X* is less than the value indicated by UE capability *uplinkTxSwitchingPeriod2T2T*.

When switching from one carrier to another, if there is no uplink transmission scheduled or configured on the switch-from carrier for at least the duration of the switching period (*X* μs) before the point in time the UE is scheduled or configured to start the transmission on the switch-to carrier, the switching period is fully contained in the time period between the end of the transmission on the switch-from carrier and the start of the transmission on the switch-to carrier. In addition, the RRC signalling *uplinkTxSwitchingPeriodLocation* is ignored by the UE and does not take effect in this case.

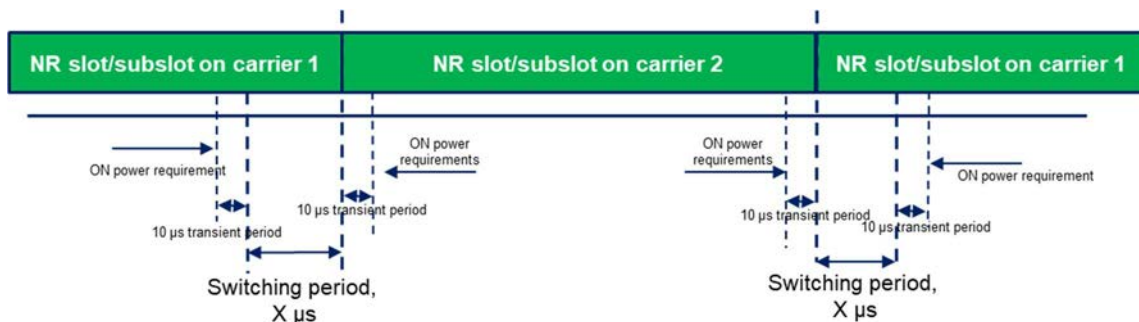


Figure 6.3C.3.0.3-1a: Time mask for switching between SUL carrier 1 and UL Carrier 2, where the switching period is located in carrier 1

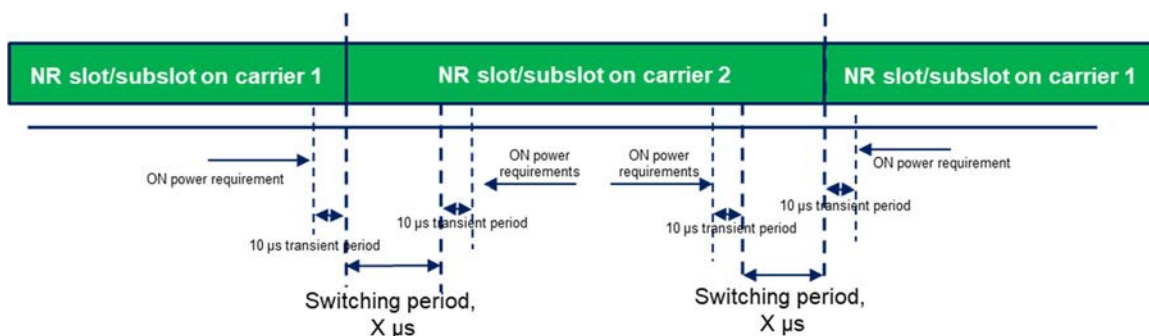


Figure 6.3C.3.0.3-1b: Time mask for switching between SUL carrier 1 and UL Carrier 2, where the switching period is located in carrier 2

The following applies for the uplink switching case specified in clause 6.1.6.3 of [12] when the configuration of the location of the switching period by *uplinkTxSwitchingPeriodLocation* is ignored by the UE:

- if an uplink switching is triggered for an uplink transmission starting at T_0 based on higher layer configuration(s) or DCI(s) received before $T_0 - T_{offset}$ as specified in [12] and the UE is not configured or scheduled with uplink transmissions for a duration of at least the uplink switching gap indicated by *uplinkTxSwitchingPeriod2T2T* on any of the carriers before T_0 , transient periods of 10 μs are located at the end of the last symbol(s) configured or scheduled on the carriers before T_0 and at the start of the first symbol(s) configured or scheduled at T_0 on the switched-to carrier.

The requirements apply for the case of co-located and synchronized network deployment for the two uplink carriers.

The requirements apply for the case of single TAG for the two uplink carriers, i.e., the same uplink timing for the two carriers as described in clause 4.2 of TS 38.213 [9].

The normative reference for this requirement is TS 38.101-1 [2] clauses 4.3 and 6.3C.3.3.

6.3C.3.0.4 Time mask for switching between one uplink band with one transmit antenna connector and one uplink band with two transmit antenna connectors

The switching time mask specified in this clause is applicable for an uplink band pair of a SUL configuration when the capability *uplinkTxSwitchingPeriod* is present, is only applicable for uplink switching mechanisms specified in clause 6.1.6 of TS 38.214 [12], where NR SUL carrier 1 in band A is capable of one transmit antenna connector and NR UL carrier 2 and carrier 3 in band B are capable of two transmit antenna connectors. NR UL carrier 2 and carrier 3 are two contiguous aggregated carriers, and band A and band B are different bands with different carrier frequencies. The UE shall support the switch between single layer transmission with one antenna port and two-layer transmission with two antenna ports on the two uplink bands following the scheduling commands and rank adaptation, i.e., both single layer and two-layer transmission with 2 antenna ports, and single layer transmission with 1 antenna port shall be supported on NR UL carrier 2 and carrier 3 in band B.

The switching periods described in Figure 6.3C.3.0.4-1a and Figure 6.3C.3.0.4-1b are located in either NR band A or band B as indicated in RRC signalling *uplinkTxSwitchingPeriodLocation* [7], and the length of uplink switching period X is less than the value indicated by UE capability *uplinkTxSwitchingPeriod*.

When switching from one carrier to another, if there is no uplink transmission scheduled or configured on the switch-from carrier for at least the duration of the switching period ($X \mu\text{s}$) before the point in time the UE is scheduled or configured to start the transmission on the switch-to carrier, the switching period is fully contained in the time period between the end of the transmission on the switch-from carrier and the start of the transmission on the switch-to carrier. In addition, the RRC signalling *uplinkTxSwitchingPeriodLocation* is ignored by the UE and does not take effect in this case.

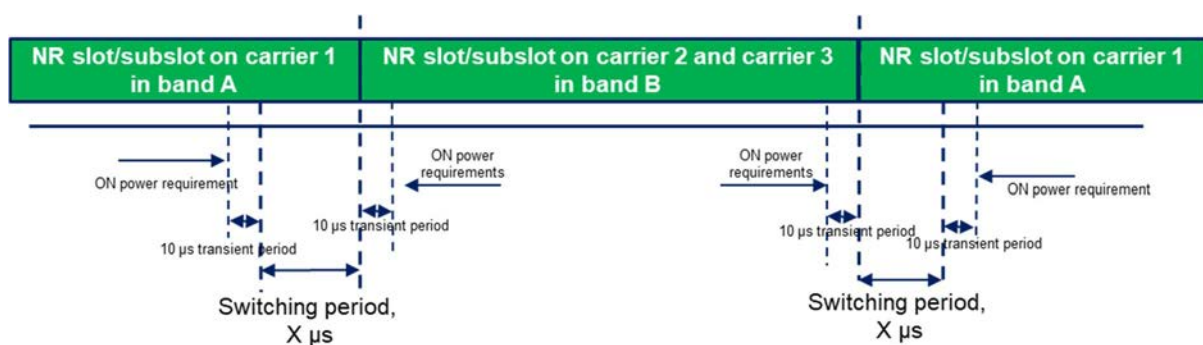


Figure 6.3C.3.0.4-1a: Time mask for switching between one carrier in band A and two contiguous carriers in band B, where the switching period is located in band A

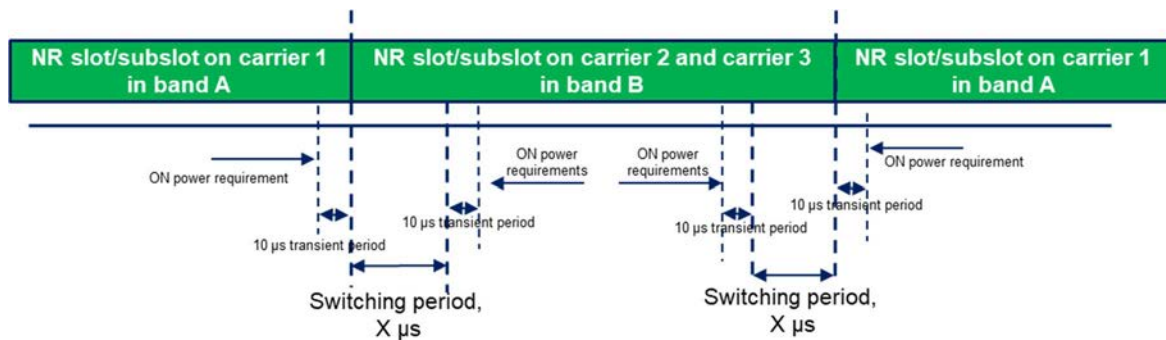


Figure 6.3C.3.0.4-1b: Time mask for switching between one carrier in band A and two contiguous carriers in band B, where the switching period is located in band B

The following applies for the uplink switching case specified in clause 6.1.6.3 of [12] when the configuration of the location of the switching period by *uplinkTxSwitchingPeriodLocation* is ignored by the UE:

- if an uplink switching is triggered for an uplink transmission starting at T_0 based on higher layer configuration(s) or DCI(s) received before $T_0 - T_{offset}$ as specified in [12] and the UE is not configured or scheduled with uplink transmissions for a duration of at least the uplink switching gap indicated by *uplinkTxSwitchingPeriod* on any of the carriers before T_0 , transient periods of $10\ \mu\text{s}$ are located at the end of the last symbol(s) configured or scheduled on the carriers before T_0 and at the start of the first symbol(s) configured or scheduled at T_0 on the switched-to carrier.

The requirements apply for the case of co-located and synchronized network deployment for the three uplink carriers.

The requirements apply for the case of single TAG for the three uplink carriers, i.e., the same uplink timing for the three carriers as described in clause 4.2 of TS 38.213 [9].

The normative reference for this requirement is TS 38.101-1 [2] clauses 4.3 and 6.3C.3.3.

6.3C.3.0.5 Time mask for switching between two uplink carriers

The switching time mask specified in this clause is applicable for an uplink band pair of a SUL configuration when the capability *uplinkTxSwitchingPeriod2T2T* is present, is only applicable for uplink switching mechanisms specified in clause 6.1.6 of TS 38.214 [12], where NR SUL carrier 1 in band A is capable of two transmit antenna connectors and NR UL carrier 2 and carrier 3 in band B are capable of two transmit antenna connectors. NR UL carrier 2 and carrier 3 are two contiguous aggregated carriers, and band A and band B are different bands with different carrier frequencies. The UE shall support the switch between two-layer transmission with two antenna ports and two-layer transmission with two antenna ports on the two uplink bands following the scheduling commands and rank adaptation, i.e., both single layer and two-layer transmission with 2 antenna ports, and single layer transmission with 1 antenna port shall be supported on NR UL carrier 1, carrier 2 and carrier 3 in the two bands.

The switching periods described in Figure 6.3C.3.4-1a and Figure 6.3C.3.4-1b are located in either NR band A or band B as indicated in RRC signalling *uplinkTxSwitchingPeriodLocation* [7], and the length of uplink switching period X is less than the value indicated by UE capability *uplinkTxSwitchingPeriod2T2T*.

When switching from one carrier to another, if there is no uplink transmission scheduled or configured on the switch-from carrier for at least the duration of the switching period ($X\ \mu\text{s}$) before the point in time the UE is scheduled or configured to start the transmission on the switch-to carrier, the switching period is fully contained in the time period between the end of the transmission on the switch-from carrier and the start of the transmission on the switch-to carrier. In addition, the RRC signalling *uplinkTxSwitchingPeriodLocation* is ignored by the UE and does not take effect in this case.

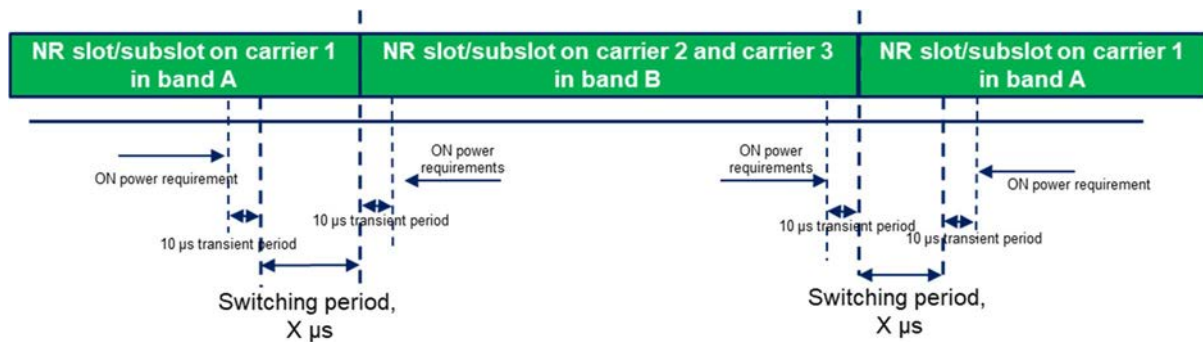


Figure 6.3C.3.0.5-1a: Time mask for switching between one carrier in band A and two contiguous carriers in band B, where the switching period is located in band A

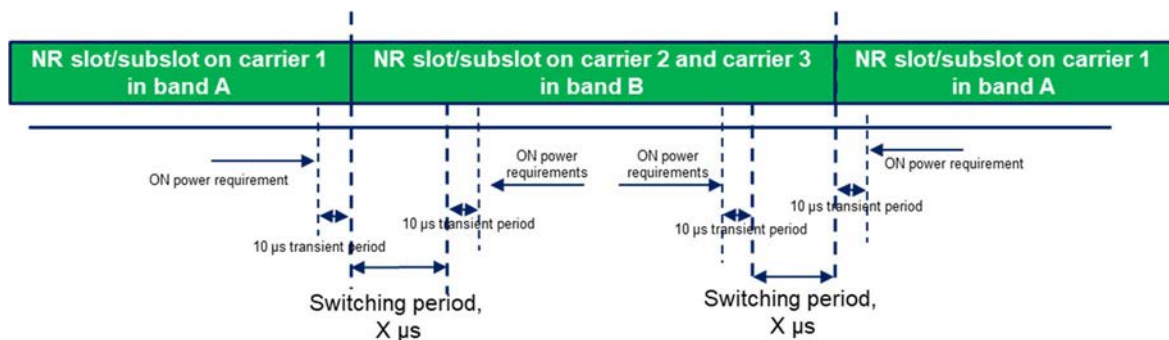


Figure 6.3C.3.0.5-1b: Time mask for switching between one carrier in band A and two contiguous carriers in band B, where the switching period is located in band B

The following applies for the uplink switching case specified in clause 6.1.6.3 of [12] when the configuration of the location of the switching period by *uplinkTxSwitchingPeriodLocation* is ignored by the UE:

- if an uplink switching is triggered for an uplink transmission starting at T_0 based on higher layer configuration(s) or DCI(s) received before $T_0 - T_{offset}$ as specified in [12] and the UE is not configured or scheduled with uplink transmissions for a duration of at least the uplink switching gap indicated by *uplinkTxSwitchingPeriod2T2T* on any of the carriers before T_0 , transient periods of $10\ \mu\text{s}$ are located at the end of the last symbol(s) configured or scheduled on the carriers before T_0 and at the start of the first symbol(s) configured or scheduled at T_0 on the switched-to carrier.

The requirements apply for the case of co-located and synchronized network deployment for the three uplink carriers.

The requirements apply for the case of single TAG for the three uplink carriers, i.e., the same uplink timing for the three carriers as described in clause 4.2 of TS 38.213 [9].

The normative reference for this requirement is TS 38.101-1 [2] clauses 4.3 and 6.3C.3.4.

6.3C.3.0.6 Time mask for switching across up to four uplink bands

The switching time mask requirements specified in this sub-clause are applicable for an NR SUL band configuration with inter-band CA when the capability *supportedBandPairListNR-r18* is present, and are only applicable for uplink switching mechanisms specified in clause [6.1.6] of TS 38.214 [10].

In the NR SUL band configuration with inter-band CA, the number of uplink bands with different carrier frequencies is up to four. NR UL carrier(s) in each of the up to four uplink bands are capable of one or two transmit antenna connector(s), according to the UE capability *FeatureSetUplinkPerCC*.

The switching time masks in Figure 6.3C.3.0.6-1 and Figure 6.3C.3.0.6-2 are applicable to each of the uplink band pairs in the SUL band configuration with inter-band CA, and are applicable to uplink transmissions when configured with *switchedUL* or *dualUL* by the parameter *switchingOptionConfigForBandPair*. To simplify the figures, the two bands in

different band pairs are denoted as NR band X and band Y. The uplink transmission on either band X or band Y is with one or two transmit antenna connector(s),

- if NR UL carriers in both bands in one band pair are capable of one transmit antenna connector, 1Tx-1Tx switching is supported for the band pair;
- if NR UL carrier(s) in one band of one band pair is capable of one transmit antenna connector, and NR UL carrier(s) in the other band of the band pair is capable of two transmit antenna connectors, 1Tx-2Tx switching is supported for the band pair;
- if NR UL carriers in both bands of one band pair are capable of two transmit antenna connectors, 2Tx-2Tx switching is supported for the band pair.

For each band pair, the switching periods described in Figure 6.3C.3.0.6-1 and Figure 6.3C.3.0.6-2 are located in either NR band X or band Y as indicated in RRC signalling *uplinkTxSwitchingBandList* [7]. For each band pair, the length of uplink switching period *X* is indicated by UE capability *switchingPeriodFor1T* when 1Tx-1Tx switching or 1Tx-2Tx switching between the two bands in the band pair is supported and configured, or is indicated with *switchingPeriodFor2T* when 2Tx-2Tx switching between the two bands in the band pair is supported and configured. UE shall be capable to transmit until the beginning of the switching period and after the end of switching period with the exception of transient periods.

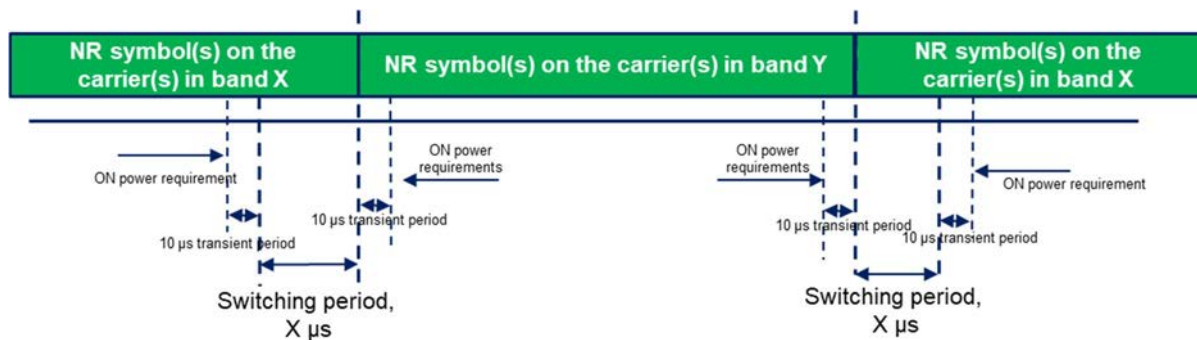


Figure 6.3C.3.0.6-1: Time mask for switching between band X and band Y, where the switching period is located in band X

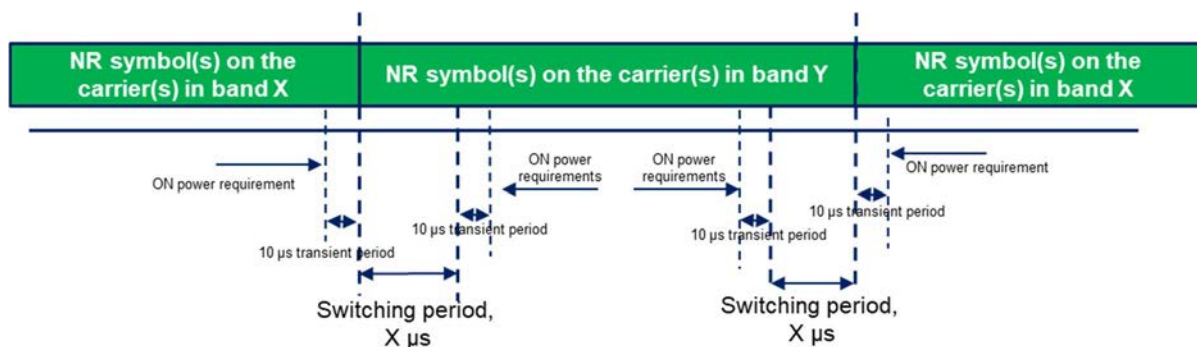


Figure 6.3C.3.0.6-2: Time mask for switching between band X and band Y, where the switching period is located in band Y

The following applies for the uplink switching cases specified in Figure 6.3C.3.0.6-1 and 6.3C.3.0.6-2 in a band pair with *switchingOptionConfigForBandPair* set to either *switchedUL* or *dualUL*:

- if an uplink switching is triggered for an uplink transmission starting at T_0 based on higher layer configuration(s) or DCI(s) received before $T_0 - T_{offset}$ as specified in [10] and the UE is not configured or scheduled with uplink transmissions for a duration of at least the length of uplink switching period of $X \mu s$ indicated by UE capability *uplinkTxSwitchingPeriodForBandPair* on any of the carriers band X and band Y before T_0 ,

- the configuration of the location of the switching period by [*uplinkTxSwitchingBandList-r18*] is ignored by the UE;
- transient periods of 10 μ s are located at the end of the last symbol(s) configured or scheduled on the carrier(s) before T_0 and at the start of the first symbol(s) configured or scheduled at T_0 on the switch-to carrier(s).

In addition to the requirements in Figure 6.3C.3.0.6-1 and Figure 6.3C.3.0.6-2, the requirements in Figure 6.3C.3.0.6-3 to 6.3C.3.0.6-5 are applicable when *dualUL* are supported on certain band pair(s) in the SUL band configuration with inter-band CA.

The switching time masks in Figure 6.3C.3.0.6-3 and Figure 6.3C.3.0.6-4 are applicable when *dualUL* is supported for at least two uplink band pairs in the band configuration. The two band pairs supporting *dualUL* are denoted as band pairs of {band X and band Z} and {band Y and band Z}. When one transmitter is switched between band X and band Y,

- As baseline UE behaviour, the UE is not required to transmit on any of the three bands during time period T1 located on band X and band Z, where T1 is the length of switching period for the band pair of band X and band Y, as shown in Figure 6.3C.3.0.6-4.
- As optional UE behaviours, when the UE indicates band Z in the capability *bandIndexUnaffected*,
 - if the UE indicates *maintainedUL-Trans* for band pair of {band X and band Y}, UE shall be capable of uplink transmission on band Z during the switching period that is located on band X, and UE is not required to transmit on band X and Y during time period T1 located on band X, where T1 is the length of switching period for the band pair of band X and band Y, as shown in Figure 6.3C.3.0.6-3;
 - otherwise, the UE is not required to transmit on any of the three bands during the switching period indicated by UE capability *periodOnULBands* [located on band X and band Z, as shown in Figure 6.3C.3.0.6-4.

In Figure 6.3C.3.0.6-3 and Figure 6.3C.3.0.6-4, the uplink transmission on band X, band Y and band Z are all with one transmit antenna connector and one antenna port.

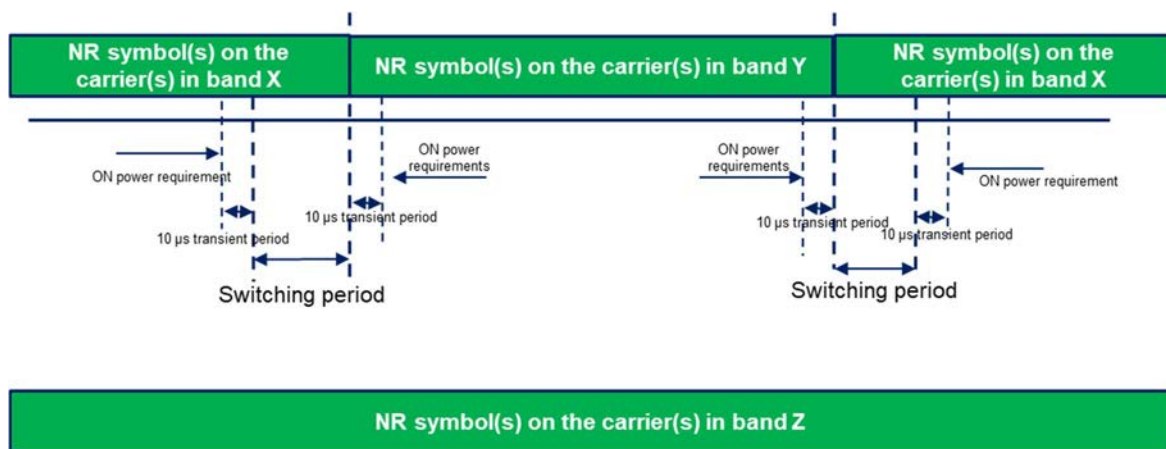


Figure 6.3C.3.0.6-3: Time mask for one transmitter switching between band X and band Y, and UE is capable of uplink transmission on band Z during the switching period

The following applies for the uplink switching cases specified in Figure 6.3C.3.0.6-3 in a band pair with *switchingOptionConfigForBandPair* set to *dualUL*:

- if an uplink switching is triggered for an uplink transmission starting at T_0 based on higher layer configuration(s) or DCI(s) received before $T_0 - T_{offset}$ as specified in [10] and the UE is not configured or scheduled with uplink transmissions for a duration of at least the length of uplink switching periods indicated by UE capability *uplinkTxSwitchingPeriodForBandPair* on any of the carriers in band X and band Y before T_0 ,
- the configuration of the location of the switching period by *uplinkTxSwitchingBandList* is ignored by the UE;

- transient periods of 10 μ s are located at the end of the last symbol(s) configured or scheduled on the carrier(s) before T_0 and at the start of the first symbol(s) configured or scheduled at T_0 on the switch-to carrier(s).

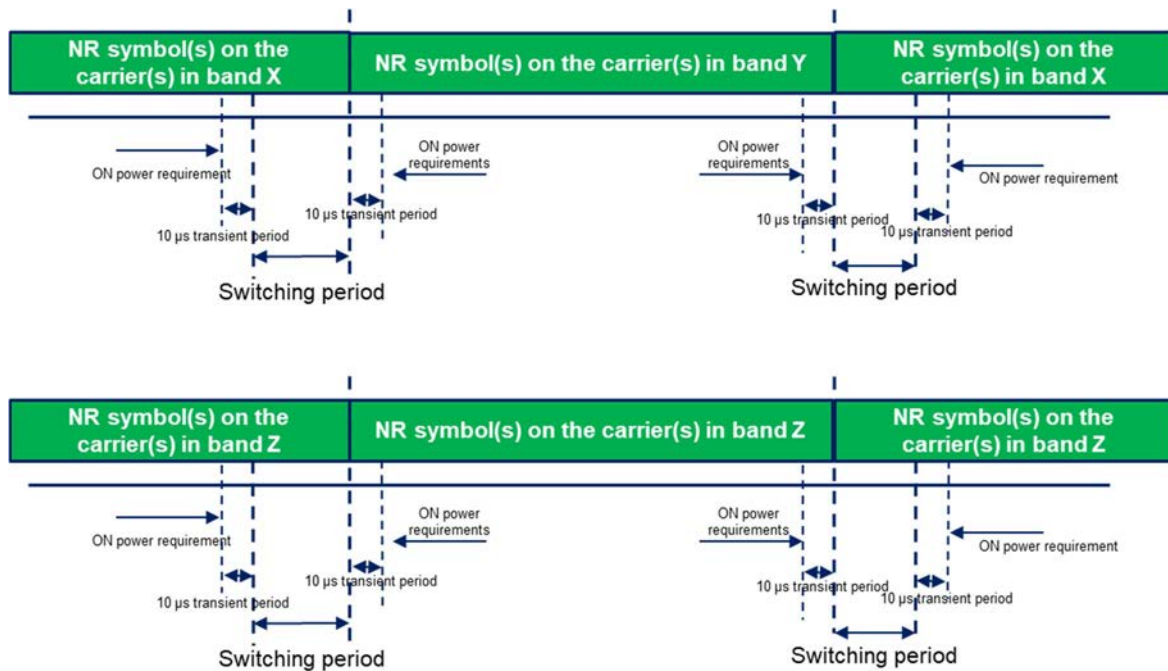


Figure 6.3C.3.0.6-4: Time mask for one transmitter switching between band X and band Y, and UE is not capable of uplink transmission on band Z during the switching period

The switching time mask in Figure 6.3C.3.0.6-5 is applicable when *dualUL* is supported for at least one uplink band pair including band X and band Y, and two transmit antenna connectors are supported on at least one uplink band of band Z. When one transmitter is switched between band X and band Z, and across the same time, the other transmitter is switched between Y and band Z, the switching time mask in Figure 6.3C.3.0.6-5 is applicable.

- As baseline UE behaviour, UE is not required to transmit on any of the three bands during time period with the larger one of switching period T_2 and T_3 , where T_2 is the length of switching period for the band pair of band X and band Z, and T_3 is the length of switching period for the band pair of band Y and band Z.
- As optional UE behaviour when UE additionally reports band pair of {band X and band Y} and band Z in the capability *uplinkTxSwitchingAdditionalPeriodDualUL-List*, UE is not required to transmit on any of the three bands during time period indicated by UE capability *switchingAdditionalPeriodDualUL*.

In Figure 6.3C.3.0.6-5, the uplink transmission on band X and band Y is with one transmit antenna connector and one antenna port, and the uplink transmission on band Z is with two transmit antenna connectors and two antenna ports. The switching period location is configured according to [7], and band Z is with the highest priority according to the RRC configuration *uplinkTxSwitchingBandList*.

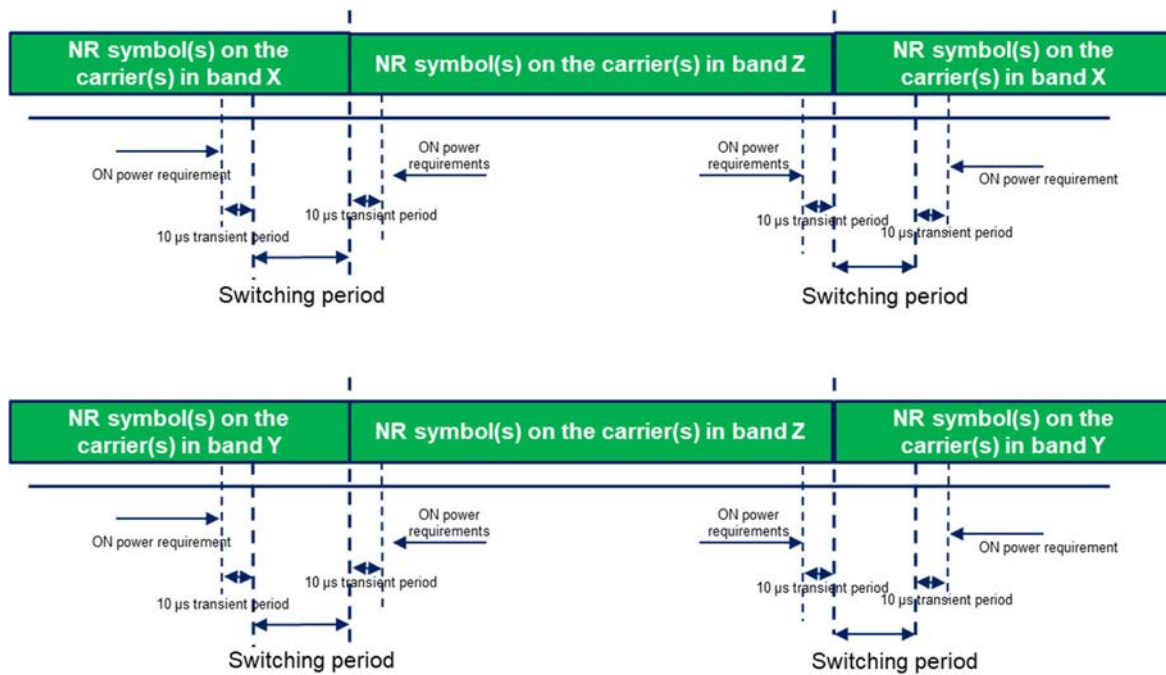


Figure 6.3C.3.0.6-5: Time mask for one transmitter switching between band X and band Z, and one transmitter switching between band Y and band Z

The following applies for the uplink switching case specified in Figure 6.3C.3.0.6-5 and with *uplinkTxSwitchingOptionForBandPair* set to *dualUL* for at least one band pair

- if uplink switching on a band pair is triggered for an uplink transmission starting at T_0 based on higher layer configuration(s) or DCI(s) received before $T_0 - T_{offset}$ as specified in [10] and the UE is not configured or scheduled with uplink transmissions for a duration of at least the maximum of the lengths of uplink switching periods indicated by UE capability *uplinkTxSwitchingPeriodForBandPair* on any of the carriers in band X, band Y and band Z before T_0 on any switched-to carrier
- the configuration of the location of the switching period and the priority of bands in the *uplinkTxSwitchingBandList* are ignored by the UE
- transient periods of 10 µs are located at the end of the last symbol(s) configured or scheduled on the switched-from carrier(s) before T_0 on any switched-to and at the start of the first symbol(s) configured or scheduled at T_0 on the switch-to carrier(s)

The requirements in this sub-clause apply for the case of synchronized network deployment for the uplink bands.

6.3C.3.0.6a Additional requirements for three-band switching with dual TAG

The following applies for the uplink switching case specified in Figure 6.3C.3.0.6-5 with three bands involved in the switching and with *uplinkTxSwitchingOptionForBandPair-r18* set to *dualUL* for at least one band pair.

If the UE is configured with dual TAG and not configured or scheduled with uplink transmissions for a duration of at least the maximum of the lengths of uplink switching periods indicated by UE capability [*uplinkTxSwitchingPeriodForBandPair-r18*] on any of the carriers in band X, band Y and band Z including any timing difference between the uplink carriers before the first T_0 on any switched-to carrier,

- the configuration of the location of the switching period and the priority of bands in the *uplinkTxSwitchingBandList* are ignored by the UE
- transient periods of 10 µs are located at the end of the last symbol(s) configured or scheduled on the switched-from carrier(s) before the first T_0 on any switched-to carrier and at the start of the first symbol(s) configured or scheduled at T_0 on the switch-to carrier(s)

6.3C.3.1 General transmit ON/OFF time mask for SUL

6.3C.3.1.1 Test purpose

Same test purpose as in clause 6.3.3.2.1

6.3C.3.1.2 Test applicability

This test case applies to all types of NR UE release 15 and forward that support SUL operating on the SUL bands.

6.3C.3.1.3 Minimum conformance requirements

The minimum conformance requirements are defined in clause 6.3C.3.0.1.

6.3C.3.1.4 Test description

Same test description as specified in clause 6.3.3.2.4 with following exceptions:

Instead of table 5.3.5-1 → use Table 5.5C-1.

Instead of table 6.3.3.2.4.1-1 → use Table 6.3C.3.1.4-1

Table 6.3C.3.1.4-1: Test Configuration Table

Initial Conditions				
Test Environment as specified in TS 38.508-1 [5] subclause 4.1		Normal, TL/VL, TL/VH, TH/VL, TH/VH		
Test Frequencies as specified in TS 38.508-1 [5] subclause 4.3.1		Low, Mid, High range for SUL carrier Mid-range for Non-SUL carrier		
Test Channel Bandwidths as specified in TS 38.508-1 [5] subclause 4.3.1		Lowest, Mid, Highest for SUL carrier Lowest for Non-SUL carrier		
Test SCS as specified in Table 5.3.5-1		15kHz for SUL carrier and Lowest supported SCS for Non-SUL carrier		
Test Parameters for Channel Bandwidths				
Test ID	Downlink Configuration	Uplink Configuration	SUL Configuration	
	N/A	N/A	Modulation	RB allocation (NOTE 2)
1			DFT-s-OFDM QPSK	Inner Full
NOTE 1: Test Channel Bandwidths are checked separately for each SUL band combination, the applicable channel bandwidths are specified in Table 5.5C-1.				
NOTE 2: The specific configuration of each RB allocation is defined in Table 6.1-1.				
NOTE 3: For NR band n83, 30MHz test channel bandwidth is tested with Low range and High range test frequencies.				

- Connect the SS to the UE antenna connectors as shown in TS 38.508-1 [5] Annex A, Figure A.3.1.1.4 for TE diagram and section A.3.2 for UE diagram.
- The parameter setting for the cell are set up according to the TS 38.508-1 [5] subclause 4.4.3.
- Downlink signals are initially setup according to Annex C.0, C.1, C.2 and uplink signals according to Annex G.0, G.1, G.2, and G.3.0 with consideration of supplementary uplink physical channels.

Message contents in initial conditions are according to TS 38.508-1 [5] subclause 4.3.6.1.1.2 ensuring UL/SUL indicator in Table 4.3.6.1.1.2-1 with condition SUL, subclause 4.6 ensuring Table 4.6.1-28 with condition SUL AND (RF OR RRM), Tables 4.6.3-14 with condition SUL_SUL for SUL carrier, and Table 4.6.3-167 with condition PUSCH_PUCCH_ON_SUL.

Table 6.3C.3.1.4-2: Void

6.3C.3.1.5 Test requirement

The requirement for the power measured in steps 2, 3 and 4 of the test procedure shall not exceed the values specified in Table 6.3C.3.1.5-1.

Table 6.3C.3.1.5-1: General ON/OFF time mask

	Channel bandwidth / minimum output power / measurement bandwidth						
	5 MHz	10 MHz	15 MHz	20 MHz	25 MHz	30 MHz	40 MHz
Transmit OFF power	≤ -50+TT dBm						
Transmission OFF Measurement bandwidth	4.515	9.375	14.235	19.095	23.955	28.815	38.895
Transmitted ON Power	Same as Table 6.2.1.5-1						
NOTE 1: TT for each frequency and channel bandwidth is specified in Table 6.3C.3.5-2 and Table 6.2.1.5-3.							

Table 6.3C.3.1.5-2: Test Tolerance for OFF power

	$f \leq 3.0\text{GHz}$	$3.0\text{GHz} < f \leq 6\text{GHz}$
$\text{BW} \leq 40\text{MHz}$	1.5 dB	1.8 dB
$40\text{MHz} < \text{BW} \leq 100\text{MHz}$	1.7 dB	1.8 dB

Table 6.3C.3.1.5-3: Void

6.3C.3.2 General transmit ON/OFF time mask for switching between two uplink carriers

6.3C.3.2.1 Test purpose

To verify that the time mask for switching between two uplink carriers meets the requirements given in 6.3C.3.0.2.

The time mask for switching between two uplink carriers defines the transient period(s) allowed between two uplink carriers for an uplink band pair of an SUL configuration when the capability uplinkTxSwitchingPeriod is present

6.3C.3.2.2 Test applicability

This test case applies to all types of NR UE release 16 and forward that support SUL configuration and dynamic UL Tx switching.

6.3C.3.2.3 Minimum conformance requirements

The minimum conformance requirements are defined in clause 6.3C.3.0.2.

6.3C.3.2.4 Test description

6.3C.3.2.4.1 Initial condition

Initial conditions are a set of test configurations the UE needs to be tested in and the steps for the SS to take with the UE to reach the correct measurement state.

The initial test configurations consist of environmental conditions, test frequencies, test channel bandwidths and sub-carrier spacing based on NR SUL configuration specified in 5.5C. All of these configurations shall be tested with applicable test parameters for each SUL configuration, and are shown in table 6.3C.3.2.4.1-1. The details of the uplink reference measurement channels (RMCs) are specified in Annex A.2 and A.3. Configurations of PDSCH and PDCCH before measurement are specified in Annex C.2.

Table 6.3C.3.2.4.1-1: Test Configuration Table for SUL Tx switching

Initial Conditions					
Test Environment as specified in TS 38.508-1 [5] subclause 4.1			Normal		
Test Frequencies as specified in TS 38.508-1 [5] subclause 4.3.1			Mid range for both carrier		
Test Channel Bandwidths as specified in TS 38.508-1 [5] subclause 4.3.1			Highest for SUL carrier and Non-SUL carrier		
Test SCS as specified in Table 5.3.5-1			15kHz for SUL carrier, lowest supported SCS for Non-SUL carrier		
Test Parameters for Channel Bandwidths					
Test ID	Downlink Configuration	Uplink Configuration		SUL Configuration	
1	N/A	Modulation	RB allocation (NOTE 2)	Modulation	RB allocation (NOTE 2)
		DFT-s-OFDM QPSK	Inner Full	DFT-s-OFDM QPSK	Inner Full
NOTE 1: SUL carrier is configured as Carrier 1 and Non-SUL carrier is configured as Carrier2.					
NOTE 2: Test Channel Bandwidths are checked separately for each SUL band combination, the applicable channel bandwidths are specified in Table 5.5C-1.					
NOTE 3: The specific configuration of each RB allocation is defined in Table 6.1-1.					
NOTE 4: For NR band n83, 30MHz test channel bandwidth is tested with Low range test frequency.					

- Connect the SS to the UE antenna connectors as shown in TS 38.508-1 [5] Annex A, Figure A.3.1.1.4 for TE diagram and section A.3.2 for UE diagram.
- The parameter setting for the cell are set up according to the TS 38.508-1 [5] subclause 4.4.3.
- Downlink signals are initially setup according to Annex C.0, C.1, C.2 and uplink signals according to Annex G.0, G.1, G.2, and G.3.0 with consideration of supplementary uplink physical channels.
- Ensure the UE is in State RRC_CONNECTED with generic procedure parameters Connectivity *NR*, Connected without release *On*, Test Mode *On* and Test Loop Function *On* according to TS 38.508-1 [5] clause 4.5. Message contents are defined in clause 6.3C.3.2.4.3.

6.3C.3.2.4.2 Test procedure

1. Sub test 1: Switching period located in Carrier 1 (SUL carrier)
 - 1.1 SS send an NR RRCReconfiguration message according to 6.3C.3.2.4.3 with *uplinkTxSwitchingPeriodLocation-r16* configured TRUE on carrier1 and FALSE on carrier 2.
 - 1.2 SS send continuously uplink power control "up" commands in every uplink scheduling information to the UE; allow at least 200ms starting from the first TPC command in this step for the UE to reach P_{UMAX} level.
 - 1.3 SS sends uplink scheduling information via PDCCH DCI format 0_1 for C_RNTI to schedule the UL RMC according to Table 6.3C.3.2.4.1-1 on carrier 1 on slot n-1, where slot n is an uplink slot for carrier 2. Since the UE has no payload and no loopback data to send the UE sends uplink MAC padding bits on the UL RMC.
 - 1.4 The SS sends uplink scheduling information via DCI format 0_1 for C_RNTI to schedule the UL RMC according to Table 6.3C.3.2.4.1-1 on carrier 2 starting on slot n and slot m, with both slot n and slot m being uplink slots for carrier 2 and $m \geq n+20$ when SCS=15kHz ($m \geq n+40$ when SCS=30 kHz, $m \geq n+80$ when SCS=60 kHz).

Since the UE has no payload and no loopback data to send the UE sends uplink MAC padding bits on the UL RMC. The PDCCH DCI format 0_1 is specified with the condition 2TX_UL_MIMO in 38.508-1 [5] subclause 4.3.6.1.1.2.

- 1.5 Measure the output power of UE PUSCH transmission for carrier 1 during slot n-1 excluding a transient period of 10 μ s and a Switching period X μ s in the end of slot n-1. The length of uplink switching period X is indicated by UE capability *uplinkTxSwitchingPeriod*.
 - 1.6 Measure the sum of output power of UE PUSCH transmission on carrier 2 over all antenna connectors during slot n and slot m excluding a transient period of 10 μ s in the beginning of slot n and in the end of slot m.
 - 1.7 SS sends uplink scheduling information via PDCCH DCI format 0_1 for C_RNTI to schedule the UL RMC according to Table 6.3C.3.2.4.1-1 on carrier 1 on slot m+1. Since the UE has no payload and no loopback data to send the UE sends uplink MAC padding bits on the UL RMC.
 - 1.8 Measure the output power of UE PUSCH transmission for carrier 1 during slot m+1 excluding a switching period X and a transient period of 10 μ s in the beginning of slot m+1. The length of uplink switching period X is indicated by UE capability *uplinkTxSwitchingPeriod*.
2. Sub test 2: Switching period located in Carrier 2 (Non-SUL carrier)
- 2.1 SS send an NR RRCReconfiguration message according to 6.3C.3.2.4.3 with *uplinkTxSwitchingPeriodLocation-r16* configured FALSE on carrier1 and TRUE on carrier 2.
 - 2.2 SS send continuously uplink power control "up" commands in every uplink scheduling information to the UE; allow at least 200ms starting from the first TPC command in this step for the UE to reach P_{UMAX} level.
 - 2.3 SS sends uplink scheduling information via PDCCH DCI format 0_1 for C_RNTI to schedule the UL RMC according to Table 6.3C.3.2.4.1-1 on carrier 1 on slot n-1, where slot n is an uplink slot for carrier 2. Since the UE has no payload and no loopback data to send the UE sends uplink MAC padding bits on the UL RMC.
 - 2.4 The SS sends uplink scheduling information via DCI format 0_1 for C_RNTI to schedule the UL RMC according to Table 6.3C.3.2.4.1-1 on carrier 2 starting on slot n and slot m, with both slot n and slot m being uplink slots for carrier 2 and $m \geq n+20$ when SCS=15kHz ($m \geq n+40$ when SCS=30 kHz, $m \geq n+80$ when SCS=60 kHz). Since the UE has no payload and no loopback data to send the UE sends uplink MAC padding bits on the UL RMC. The PDCCH DCI format 0_1 is specified with the condition 2TX_UL_MIMO in 38.508-1 [5] subclause 4.3.6.1.1.2.
 - 2.5 Measure the output power of UE PUSCH transmission for carrier 1 during slot n-1 excluding a transient period of 10 μ s in the end of slot n-1.
 - 2.6 Measure the sum of output power of UE PUSCH transmission on carrier 2 over all antenna connectors during slot n and slot m excluding a transient period of 10 μ s and a Switching period X μ s in the beginning of slot n and in the end of slot m. The length of uplink switching period X is indicated by UE capability *uplinkTxSwitchingPeriod*.
 - 2.7 SS sends uplink scheduling information via PDCCH DCI format 0_1 for C_RNTI to schedule the UL RMC according to Table 6.3C.3.2.4.1-1 on carrier 1 on slot m+1. Since the UE has no payload and no loopback data to send the UE sends uplink MAC padding bits on the UL RMC.
 - 2.8 Measure the output power of UE PUSCH transmission for carrier 1 during slot m+1 excluding a transient period of 10 μ s in the beginning of slot m+1.

6.3C.3.2.4.3 Message contents

Message contents in initial conditions are according to TS 38.508-1 [5] subclause 4.3.6.1.1.2 ensuring UL/SUL indicator in Table 4.3.6.1.1.2-1 with condition SUL, subclause 4.6 ensuring Table 4.6.1-28 with condition SUL AND (RF OR RRM), Tables 4.6.3-14 with condition SUL_SUL for SUL carrier, and Table 4.6.3-167 with condition PUSCH_PUCCH_ON_SUL, and following exceptions:

Table 6.3C.3.2.4.3-2: ServingCellConfig

Derivation Path: 38.508-1[5], Table 4.6.3-167			
Information Element	Value/remark	Comment	Condition
ServingCellConfig ::= SEQUENCE {			
uplinkConfig SEQUENCE {			
uplinkTxSwitching-r16 CHOICE {			
setup SEQUENCE {			
uplinkTxSwitchingPeriodLocation-r16	TRUE		PL
	FALSE		noPL
uplinkTxSwitchingCarrier-r16	carrier1		1TxCC
	carrier2		2TxCC
}			
}			
}			
}			

Condition	Explanation
PL	The location of UL Tx switching period is configured in this carrier
noPL	The location of UL Tx switching period is not configured in this carrier
1TxCC	The carrier is capable of one transmit antenna connector
2TxCC	The carrier is capable of two transmit antenna connectors

Table 6.3C.3.2.4.3-4: PUSCH-Config

Derivation Path: TS 38.508-1 [5], Table 4.6.3-118 with condition TRANSFORM_PRECODER_ENABLED

Table 6.3C.3.2.4.3-5: P-Max

Derivation Path: TS 38.508-1 [5] Table 4.6.3-62 FrequencyInfoUL-SIB			
Information Element	Value/remark	Comment	Condition
p-Max	23		

6.3C.3.2.4.3 Test requirement

The requirement for the power of carrier 1 measured in step 1.5, 1.8, 2.5, 2.8 of the test procedure and the power of carrier 2 measured in step 1.6 and 2.6 shall not exceed the values specified in table 6.3C.3.2.4.3-1.

Table 6.3C.3.2.4.3-1: General SUL Time mask for switching between two uplink carriers (On power)

	Measured output power
Transmit ON power	Same as table 6.2.1.5-1 for NUL carrier and table 6.2C.3.5-1 for SUL carrier
NOTE 1: TT or each frequency and channel bandwidth of Transmit ON power is specified in Table 6.2.1.5-3	

6.3C.3.3 General transmit ON/OFF time mask for switching between two uplink carriers with two transmit antenna connectors

6.3C.3.3.1 Test purpose

To verify that the time mask for switching between two uplink carriers with two transmit antenna connectors meets the requirements given in 6.3C.3.0.3.

The time mask for switching between two uplink carriers with two transmit antenna connectors defines the transient period(s) allowed between an uplink band pair of an SUL configuration when the capability uplinkTxSwitchingPeriod2T2T is present

6.3C.3.3.2 Test applicability

This test case applies to all types of NR UE release 17 and forward that support SUL configuration and dynamic UL 2Tx-2Tx switching.

6.3C.3.3.3 Minimum conformance requirements

The minimum conformance requirements are defined in clause 6.3C.3.0.3.

6.3C.3.3.4 Test description

6.3C.3.3.4.1 Initial condition

Initial conditions are a set of test configurations the UE needs to be tested in and the steps for the SS to take with the UE to reach the correct measurement state.

The initial test configurations consist of environmental conditions, test frequencies, test channel bandwidths and sub-carrier spacing based on NR SUL configuration specified in 5.5C. All of these configurations shall be tested with applicable test parameters for each SUL configuration, and are shown in table 6.3C.3.3.4.1-1. The details of the uplink reference measurement channels (RMCs) are specified in Annexe A.2 and A.3. Configurations of PDSCH and PDCCH before measurement are specified in Annex C.2.

Table 6.3C.3.3.4.1-1: Test Configuration Table for SUL Tx switching

Initial Conditions	
Test Environment as specified in TS 38.508-1 [5] subclause 4.1	Normal

Test Frequencies as specified in TS 38.508-1 [5] subclause 4.3.1		Mid range for both carrier	
Test Channel Bandwidths as specified in TS 38.508-1 [5] subclause 4.3.1		Highest for SUL carrier and Non-SUL carrier	
Test SCS as specified in Table 5.3.5-1		15kHz for SUL carrier, lowest supported SCS for Non-SUL carrier	
Test Parameters for Channel Bandwidths			
Test ID	Downlink Configuration	Uplink Configuration	SUL Configuration
1	N/A	Modulation	RB allocation (NOTE 3)
		CP-OFDM QPSK	Inner Full
		Modulation	RB allocation (NOTE 3)
		CP-OFDM QPSK	Inner Full
NOTE 1: SUL carrier is configured as Carrier 1 and Non-SUL carrier is configured as Carrier2.			
NOTE 2: Test Channel Bandwidths are checked separately for each SUL band combination, the applicable channel bandwidths are specified in Table 5.5C-1.			
NOTE 3: The specific configuration of each RB allocation is defined in Table 6.1-1.			

- Connect the SS to the UE antenna connectors as shown in TS 38.508-1 [5] Annex A, Figure A.3.1.1.6 for TE diagram and section A.3.2.3.11 for UE diagram.
- The parameter setting for the cell are set up according to the TS 38.508-1 [5] subclause 4.4.3.
- Downlink signals are initially setup according to Annex C.0, C.1, C.2 and uplink signals according to Annex G.0, G.1, G.2, and G.3.0 with consideration of supplementary uplink physical channels.

6.3C.3.3.4.2 Test procedure

1. Sub test 1: Switching period located in Carrier 1 (SUL carrier)

- 1.1 SS send an NR RRCReconfiguration message according to 6.3C.3.3.4.3 with *uplinkTxSwitchingPeriodLocation-r16* configured TRUE on carrier1 and FALSE on carrier 2.
- 1.2 SS send continuously uplink power control "up" commands in every uplink scheduling information to the UE; allow at least 200ms starting from the first TPC command in this step for the UE to reach P_{UMAX} level.
- 1.3 SS sends uplink scheduling information via PDCCH DCI format 0_1 for C_RNTI to schedule the UL RMC according to Table 6.3C.3.3.4.1-1 on carrier 1 on slot n-1, where slot n is an uplink slot for carrier 2. Since the UE has no payload and no loopback data to send the UE sends uplink MAC padding bits on the UL RMC. The PDCCH DCI format 0_1 is specified with the condition 2TX_UL_MIMO in 38.508-1 [5] subclause 4.3.6.1.1.2.
- 1.4 The SS sends uplink scheduling information via DCI format 0_1 for C_RNTI to schedule the UL RMC according to Table 6.3C.3.3.4.1-1 on carrier 2 starting on slot n and slot m, with both slot n and slot m being uplink slots for carrier 2 and $m \geq n+20$ when SCS=15kHz ($m \geq n+40$ when SCS=30 kHz, $m \geq n+80$ when SCS=60 kHz). Since the UE has no payload and no loopback data to send the UE sends uplink MAC padding bits on the UL RMC. The PDCCH DCI format 0_1 is specified with the condition 2TX_UL_MIMO in 38.508-1 [5] subclause 4.3.6.1.1.2.
- 1.5 Measure the sum of output power of UE PUSCH transmission for carrier 1 over all antenna connectors during slot n-1 excluding a transient period of 10 μ s and a Switching period X μ s in the end of slot n-1. The length of uplink switching period X is indicated by UE capability *uplinkTxSwitchingPeriod2T2T*.
- 1.6 Measure the sum of output power of UE PUSCH transmission on carrier 2 over all antenna connectors during slot n and slot m excluding a transient period of 10 μ s in the beginning of slot n and in the end of slot m.

- 1.7 SS sends uplink scheduling information via PDCCH DCI format 0_1 for C_RNTI to schedule the UL RMC according to Table 6.3C.3.3.4.1-1 on carrier 1 on slot m+1. Since the UE has no payload and no loopback data to send the UE sends uplink MAC padding bits on the UL RMC. The PDCCH DCI format 0_1 is specified with the condition 2TX_UL_MIMO in 38.508-1 [5] subclause 4.3.6.1.1.2.
- 1.8 Measure the sum of output power of UE PUSCH transmission for carrier 1 over all antenna connectors during slot m+1 excluding a switching period X and a transient period of 10 μ s in the beginning of slot m+1. The length of uplink switching period X is indicated by UE capability *uplinkTxSwitchingPeriod2T2T*.
2. Sub test 2: Switching period located in Carrier 2 (Non-SUL carrier)
- 2.1 SS send an NR RRCReconfiguration message according to 6.3C.3.3.4.3 with *uplinkTxSwitchingPeriodLocation-r16* configured FALSE on carrier1 and TRUE on carrier 2.
- 2.2 SS send continuously uplink power control "up" commands in every uplink scheduling information to the UE; allow at least 200ms starting from the first TPC command in this step for the UE to reach P_{UMAX} level.
- 2.3 SS sends uplink scheduling information via PDCCH DCI format 0_1 for C_RNTI to schedule the UL RMC according to Table 6.3C.3.3.4.1-1 on carrier 1 on slot n-1, where slot n is an uplink slot for carrier 2. Since the UE has no payload and no loopback data to send the UE sends uplink MAC padding bits on the UL RMC. The PDCCH DCI format 0_1 is specified with the condition 2TX_UL_MIMO in 38.508-1 [5] subclause 4.3.6.1.1.2.
- 2.4 The SS sends uplink scheduling information via DCI format 0_1 for C_RNTI to schedule the UL RMC according to Table 6.3C.3.3.4.1-1 on carrier 2 starting on slot n and slot m, with both slot n and slot m being uplink slots for carrier 2 and $m \geq n+20$ when SCS=15kHz ($m \geq n+40$ when SCS=30 kHz, $m \geq n+80$ when SCS=60 kHz). Since the UE has no payload and no loopback data to send the UE sends uplink MAC padding bits on the UL RMC. The PDCCH DCI format 0_1 is specified with the condition 2TX_UL_MIMO in 38.508-1 [5] subclause 4.3.6.1.1.2.
- 2.5 Measure the sum of output power of UE PUSCH transmission for carrier 1 over all antenna connectors during slot n-1 excluding a transient period of 10 μ s in the end of slot n-1.
- 2.6 Measure the sum of output power of UE PUSCH transmission on carrier 2 over all antenna connectors during slot n and slot m excluding a transient period of 10 μ s and a Switching period X μ s in the beginning of slot n and in the end of slot m. The length of uplink switching period X is indicated by UE capability *uplinkTxSwitchingPeriod2T2T*.
- 2.7 SS sends uplink scheduling information via PDCCH DCI format 0_1 for C_RNTI to schedule the UL RMC according to Table 6.3C.3.3.4.1-1 on carrier 1 on slot m+1. Since the UE has no payload and no loopback data to send the UE sends uplink MAC padding bits on the UL RMC. The PDCCH DCI format 0_1 is specified with the condition 2TX_UL_MIMO in 38.508-1 [5] subclause 4.3.6.1.1.2.
- 2.8 Measure the sum of output power of UE PUSCH transmission for carrier 1 over all antenna connectors during slot m+1 excluding a transient period of 10 μ s in the beginning of slot m+1.

6.3C.3.3.4.3 Message contents

Message contents in initial conditions are according to TS 38.508-1 [5] subclause 4.3.6.1.1.2 ensuring UL/SUL indicator in Table 4.3.6.1.1.2-1 with condition SUL, subclause 4.6 ensuring Table 4.6.1-28 with condition SUL AND (RF OR RRM), Tables 4.6.3-14 with condition SUL_SUL for SUL carrier, and Table 4.6.3-167 with condition PUSCH_PUCCH_ON_SUL, and following exceptions:

Table 6.3C.3.3.4.3-1: ServingCellConfig

Derivation Path: 38.508-1[5], Table 4.6.3-167			
Information Element	Value/remark	Comment	Condition
ServingCellConfig ::= SEQUENCE {			
uplinkConfig SEQUENCE {			
uplinkTxSwitching-r16 CHOICE {			
setup SEQUENCE {			
uplinkTxSwitchingPeriodLocation-r16	TRUE		PL
	FALSE		noPL
uplinkTxSwitchingCarrier-r16	carrier1		1TxCC
	carrier2		2TxCC
}			
}			
}			
}			

Condition	Explanation
PL	The location of UL Tx switching period is configured in this carrier
noPL	The location of UL Tx switching period is not configured in this carrier
1TxCC	The carrier is capable of one transmit antenna connector
2TxCC	The carrier is capable of two transmit antenna connectors

Table 6.3C.3.3.4.3-2: P-Max

Derivation Path: TS 38.508-1 [5] Table 4.6.3-62 FrequencyInfoUL-SIB			
Information Element	Value/remark	Comment	Condition
p-Max	23		

6.3C.3.3.4.3 Test requirement

The requirement for the power of carrier 1 measured in step 1.5, 1.8, 2.5, 2.8 of the test procedures and the power of carrier 2 measured in step 1.6 and 2.6 shall not exceed the values specified in table 6.3C.3.3.4.3-1.

Table 6.3C.3.3.4.3-1: General SUL Time mask for switching between two uplink carriers (On power)

	Measured output power
Transmit ON power	NUL: Same as Test ID 1 of Table 6.2D.2.5-1 SUL: Same as Test ID 1 of Table 6.2D.2_1.5-1~6.2D.2_1.5-2
NOTE 1: TT or each frequency and channel bandwidth of Transmit ON power is specified in Table 6.2.1.5-3	

6.3C.3.4 General transmit ON/OFF time mask for switching between one uplink band with one transmit antenna connector and one uplink band with two transmit antenna connectors

6.3C.3.4.1 Test purpose

To verify that the time mask for switching between one uplink band with one transmit antenna connector and one uplink band with two transmit antenna connectors meets the requirements given in 6.3C.3.0.4 when the capability uplinkTxSwitchingPeriod is present.

6.3C.3.4.2 Test applicability

This test case applies to all types of NR UE release 17 and forward that support SUL configuration with intra-band contiguous CA and dynamic UL 1Tx-2Tx switching.

6.3C.3.4.3 Minimum conformance requirements

The minimum conformance requirements are defined in clause 6.3C.3.0.4.

6.3C.3.4.4 Test description

6.3C.3.4.4.1 Initial condition

Initial conditions are a set of test configurations the UE needs to be tested in and the steps for the SS to take with the UE to reach the correct measurement state.

The initial test configurations consist of environmental conditions, test frequencies, test channel bandwidths and sub-carrier spacing based on NR SUL configuration specified in 5.5C. All of these configurations shall be tested with applicable test parameters for each SUL configuration, and are shown in table 6.3C.3.4.4.1-1. The details of the uplink reference measurement channels (RMCs) are specified in Annex A.2 and A.3. Configurations of PDSCH and PDCCH before measurement are specified in Annex C.2.

Table 6.3C.3.4.4.1-1: Test Configuration Table for SUL Tx switching

Initial Conditions					
Test Environment as specified in TS 38.508-1 [5] subclause 4.1			Normal		
Test Frequencies as specified in TS 38.508-1 [5] subclause 4.3.1			Mid range for SUL carrier Mid range for Non-SUL aggregate carriers		
Test Channel Bandwidths as specified in TS 38.508-1 [5] subclause 4.3.1			Highest for SUL carrier Highest N_{RB_agg} for Non-SUL aggregate carriers		
Test SCS as specified in Table 5.3.5-1			15kHz for SUL carrier, lowest supported SCS for Non-SUL carrier		
Test Parameters for Channel Bandwidths					
Test ID	Downlink Configuration	Uplink Configuration		SUL Configuration	
1	N/A	Modulation	RB allocation (NOTE 3)	Modulation	RB allocation (NOTE 3)
		CP-OFDM QPSK	Inner Full	CP-OFDM QPSK	Inner Full
NOTE 1: SUL carrier is configured as Carrier 1 and Non-SUL carrier is configured as Carrier2.					
NOTE 2: Test Channel Bandwidths are checked separately for each SUL band combination, the applicable channel bandwidths are specified in Table 5.5C-1.					
NOTE 3: The specific configuration of each RB allocation is defined in Table 6.1-1.					
NOTE 4: The specific configuration of each RB allocation is defined in Table 6.1A-1a.					

- Connect the SS to the UE antenna connectors as shown in TS 38.508-1 [5] Annex A, Figure A.3.1.1.6 for TE diagram and section A.3.2.3.11 for UE diagram.
- The parameter setting for the cell are set up according to the TS 38.508-1 [5] subclause 4.4.3.
- Downlink signals are initially setup according to Annex C.0, C.1, C.2 and uplink signals according to Annex G.0, G.1, G.2, and G.3.0 with consideration of supplementary uplink physical channels.

6.3C.3.4.4.2 Test procedure

In this test case, one SUL carrier and two contiguous aggregated non-SUL carriers are configured. The SUL carrier is configured as Carrier 1, and both non-SUL carriers are configured as Carrer 2.

1. Sub test 1: Switching period located in Carrier 1 (SUL carrier)
 - 1.1 Configure SCC according to Annex C.0, C.1, C.2 for all downlink physical channels.
 - 1.2 The SS shall configure SCC as per TS 38.508-1 [5] clause 5.5.1. Message contents are defined in clause 6.3A.3.4.4.3 with *uplinkTxSwitchingPeriodLocation-r16* configured TRUE on carrier1 and FALSE on carrier 2.
 - 1.3 SS activates SCC by sending the activation MAC CE (Refer TS 38.321 [18], clauses 5.9, 6.1.3.10). Wait for at least 2 seconds (Refer TS 38.133 [19], clause 9.3).
 - 1.4 SS send continuously uplink power control "up" commands in every uplink scheduling information to the UE; allow at least 200ms starting from the first TPC command in this step for the UE to reach P_{UMAX} level.
 - 1.5 SS sends uplink scheduling information via PDCCH DCI format 0_1 for C_RNTI to schedule the UL RMC according to Table 6.3C.3.4.4.1-1 on carrier 1 on slot n-1, where slot n is an uplink slot for carrier 2. Since the UE has no payload and no loopback data to send the UE sends uplink MAC padding bits on the UL RMC.
 - 1.6 The SS sends uplink scheduling information via DCI format 0_1 for C_RNTI to schedule the UL RMC according to Table 6.3C.3.4.4.1-1 on carrier 2 starting on slot n and slot m, with both slot n and slot m being uplink slots for carrier 2 and $m \geq n+20$ when SCS=15kHz ($m \geq n+40$ when SCS=30 kHz, $m \geq n+80$ when SCS=60 kHz). Since the UE has no payload and no loopback data to send the UE sends uplink MAC padding bits on the UL RMC. The PDCCH DCI format 0_1 is specified with the condition 2TX_UL_MIMO in 38.508-1 [5] subclause 4.3.6.1.1.2.
 - 1.7 Measure the output power of UE PUSCH transmission for carrier 1 during slot n-1 excluding a transient period of 10 μ s and a Switching period X μ s in the end of slot n-1. The length of uplink switching period X is indicated by UE capability *uplinkTxSwitchingPeriod*.
 - 1.8 Measure the sum of output power of UE PUSCH transmission on carrier 2 over all antenna connectors and both component carriers during slot n and slot m excluding a transient period of 10 μ s in the beginning of slot n and in the end of slot m.
 - 1.9 SS sends uplink scheduling information via PDCCH DCI format 0_1 for C_RNTI to schedule the UL RMC according to Table 6.3C.3.4.4.1-1 on carrier 1 on slot m+1. Since the UE has no payload and no loopback data to send the UE sends uplink MAC padding bits on the UL RMC.
 - 1.10 Measure the output power of UE PUSCH transmission for carrier 1 during slot m+1 excluding a switching period X and a transient period of 10 μ s in the beginning of slot m+1. The length of uplink switching period X is indicated by UE capability *uplinkTxSwitchingPeriod*.

2. Sub test 2: Switching period located in Carrier 2 (Non-SUL carriers)

2.1 Configure SCC according to Annex C.0, C.1, C.2 for all downlink physical channels.

2.2 The SS shall configure SCC as per TS 38.508-1 [5] clause 5.5.1. Message contents are defined in clause 6.3A.3.4.4.3 with *uplinkTxSwitchingPeriodLocation-r16* configured TRUE on carrier1 and FALSE on carrier 2.

2.3 SS activates SCC by sending the activation MAC CE (Refer TS 38.321 [18], clauses 5.9, 6.1.3.10). Wait for at least 2 seconds (Refer TS 38.133 [19], clause 9.3).

2.4 SS send continuously uplink power control "up" commands in every uplink scheduling information to the UE; allow at least 200ms starting from the first TPC command in this step for the UE to reach P_{UMAX} level.

2.5 SS sends uplink scheduling information via PDCCH DCI format 0_1 for C_RNTI to schedule the UL RMC according to Table 6.3C.3.4.4.1-1 on carrier 1 on slot n-1, where slot n is an uplink slot for carrier 2. Since the UE has no payload and no loopback data to send the UE sends uplink MAC padding bits on the UL RMC.

2.6 The SS sends uplink scheduling information via DCI format 0_1 for C_RNTI to schedule the UL RMC according to Table 6.3C.3.4.4.1-1 on carrier 2 starting on slot n and slot m, with both slot n and slot m being uplink slots for carrier 2 and $m \geq n+20$ when SCS=15kHz ($m \geq n+40$ when SCS=30 kHz, $m \geq n+80$ when SCS=60 kHz). Since the UE has no payload and no loopback data to send the UE sends uplink MAC padding bits on the UL RMC. The PDCCH DCI format 0_1 is specified with the condition 2TX_UL_MIMO in 38.508-1 [5] subclause 4.3.6.1.1.2.

2.7 Measure the output power of UE PUSCH transmission for carrier 1 during slot n-1 excluding a transient period of 10 μ s in the end of slot n-1.

2.8 Measure the sum of output power of UE PUSCH transmission on carrier 2 over all antenna connectors and both component carriers during slot n and slot m excluding a transient period of 10 μ s and a Switching period X μ s in the beginning of slot n and in the end of slot m. The length of uplink switching period X is indicated by UE capability *uplinkTxSwitchingPeriod*.

2.9 SS sends uplink scheduling information via PDCCH DCI format 0_1 for C_RNTI to schedule the UL RMC according to Table 6.3C.3.4.4.1-1 on carrier 1 on slot m+1. Since the UE has no payload and no loopback data to send the UE sends uplink MAC padding bits on the UL RMC.

2.10 Measure the output power of UE PUSCH transmission for carrier 1 during slot m+1 excluding a transient period of 10 μ s in the beginning of slot m+1.

6.3C.3.4.4.3 Message contents

Message contents in initial conditions are according to TS 38.508-1 [5] subclause 4.3.6.1.1.2 ensuring UL/SUL indicator in Table 4.3.6.1.1.2-1 with condition SUL, subclause 4.6 ensuring Table 4.6.1-28 with condition SUL AND (RF OR RRM), Tables 4.6.3-14 with condition SUL_SUL for SUL carrier, and Table 4.6.3-167 with condition PUSCH_PUCCH_ON_SUL, and following exceptions:

Table 6.3C.3.4.4.3-1: ServingCellConfig

Derivation Path: 38.508-1[5], Table 4.6.3-167			
Information Element	Value/remark	Comment	Condition
ServingCellConfig ::= SEQUENCE {			
uplinkConfig SEQUENCE {			
uplinkTxSwitching-r16 CHOICE {			
setup SEQUENCE {			

uplinkTxSwitchingPeriodLocation-r16	TRUE		PL
	FALSE		noPL
uplinkTxSwitchingCarrier-r16	carrier1		1TxCC
	carrier2		2TxCC
}			
}			
}			
}			

Condition	Explanation
PL	The location of UL Tx switching period is configured in this carrier
noPL	The location of UL Tx switching period is not configured in this carrier
1TxCC	The carrier is capable of one transmit antenna connector
2TxCC	The carrier is capable of two transmit antenna connectors

Table 6.3C.3.4.4.3-2: P-Max

Derivation Path: TS 38.508-1 [5] Table 4.6.3-62 FrequencyInfoUL-SIB			
Information Element	Value/remark	Comment	Condition
p-Max	23		

6.3C.3.4.4.3 Test requirement

The requirement for the power of carrier 1 measured in step 1.7, 1.10, 2.7, 2.10 of the test procedures and the power of carrier 2 measured in step 1.8 and 2.8 shall not exceed the values specified in table 6.3C.3.4.4.3-1.

Table 6.3C.3.4.4.3-1: SUL Time mask for 2Tx-2Tx switching between two bands (On power)

	Measured output power
Transmit ON power	NUL: Same as Test ID 1 of Table 6.2H.1.2.5-1 or 6.2H.1.2.5-2 SUL: Same as Test ID 19 of Table 6.2C.4.5-1 to Table 6.2C.4.5-4
NOTE 1: TT or each frequency and channel bandwidth of Transmit ON power is specified in Table 6.2.1.5-3	

6.3C.3.5 General transmit ON/OFF time mask for switching between two uplink bands with two transmit antenna connectors

6.3C.3.5.1 Test purpose

To verify that the time mask for switching between one uplink band with two transmit antenna connectors and one uplink band with two transmit antenna connectors meets the requirements given in 6.3C.3.0.4 when the capability *uplinkTxSwitchingPeriod2T2T* is present.

6.3C.3.5.2 Test applicability

This test case applies to all types of NR UE release 17 and forward that support SUL configuration with intra-band contiguous CA and dynamic UL 2Tx-2Tx switching.

6.3C.3.5.3 Minimum conformance requirements

The minimum conformance requirements are defined in clause 6.3C.3.0.5.

6.3C.3.5.4 Test description

6.3C.3.5.4.1 Initial condition

Initial conditions are a set of test configurations the UE needs to be tested in and the steps for the SS to take with the UE to reach the correct measurement state.

The initial test configurations consist of environmental conditions, test frequencies, test channel bandwidths and sub-carrier spacing based on NR SUL configuration specified in 5.5C. All of these configurations shall be tested with applicable test parameters for each SUL configuration, and are shown in table 6.3C.3.5.4.1-1. The details of the uplink reference measurement channels (RMCs) are specified in Annex A.2 and A.3. Configurations of PDSCH and PDCCH before measurement are specified in Annex C.2.

Table 6.3C.3.5.4.1-1: Test Configuration Table for SUL 2Tx-2Tx switching

Initial Conditions					
Test Environment as specified in TS 38.508-1 [5] subclause 4.1			Normal		
Test Frequencies as specified in TS 38.508-1 [5] subclause 4.3.1			Mid range for SUL carrier Mid range for Non-SUL aggregate carriers		
Test Channel Bandwidths as specified in TS 38.508-1 [5] subclause 4.3.1			Highest for SUL carrier Highest N _{RB_agg} for Non-SUL aggregate carriers		
Test SCS as specified in Table 5.3.5-1			15kHz for SUL carrier, lowest supported SCS for Non-SUL carrier		
Test Parameters for Channel Bandwidths					
Test ID	Downlink Configuration	Uplink Configuration		SUL Configuration	
1	N/A	Modulation	RB allocation (NOTE 3)	Modulation	RB allocation (NOTE 3)
		CP-OFDM QPSK	Inner Full	CP-OFDM QPSK	Inner Full
NOTE 1: SUL carrier is configured as Carrier 1 and Non-SUL carrier is configured as Carrier2.					
NOTE 2: Test Channel Bandwidths are checked separately for each SUL band combination, the applicable channel bandwidths are specified in Table 5.5C-1.					
NOTE 3: The specific configuration of each RB allocation is defined in Table 6.1-1.					
NOTE 4: The specific configuration of each RB allocation is defined in Table 6.1A-1a.					

- Connect the SS to the UE antenna connectors as shown in TS 38.508-1 [5] Annex A, Figure A.3.1.1.6 for TE diagram and section A.3.2.3.11 for UE diagram.
- The parameter setting for the cell are set up according to the TS 38.508-1 [5] subclause 4.4.3.
- Downlink signals are initially setup according to Annex C.0, C.1, C.2 and uplink signals according to Annex G.0, G.1, G.2, and G.3.0 with consideration of supplementary uplink physical channels.

6.3C.3.5.4.2 Test procedure

In this test case, one SUL carrier and two contiguous aggregated non-SUL carriers are configured. The SUL carrier is configured as Carrier 1, and both non-SUL carriers are configured as Carrer 2.

1. Sub test 1: Switching period located in Carrier 1 (SUL carrier)
 - 1.1 Configure SCC according to Annex C.0, C.1, C.2 for all downlink physical channels.
 - 1.2 The SS shall configure SCC as per TS 38.508-1 [5] clause 5.5.1. Message contents are defined in clause 6.3A.3.4.4.3 with *uplinkTxSwitchingPeriodLocation-r16* configured TRUE on carrier1 and FALSE on carrier 2.
 - 1.3 SS activates SCC by sending the activation MAC CE (Refer TS 38.321 [18], clauses 5.9, 6.1.3.10). Wait for at least 2 seconds (Refer TS 38.133 [19], clause 9.3).
 - 1.4 SS send continuously uplink power control "up" commands in every uplink scheduling information to the UE; allow at least 200ms starting from the first TPC command in this step for the UE to reach P_{UMAX} level.
 - 1.5 SS sends uplink scheduling information via PDCCH DCI format 0_1 for C_RNTI to schedule the UL RMC according to Table 6.3C.3.5.4.1-1 on carrier 1 on slot n-1, where slot n is an uplink slot for carrier 2. Since the UE has no payload and no loopback data to send the UE sends uplink MAC padding bits on the UL RMC. The PDCCH DCI format 0_1 is specified with the condition 2TX_UL_MIMO in 38.508-1 [5] subclause 4.3.6.1.1.2.
 - 1.6 The SS sends uplink scheduling information via DCI format 0_1 for C_RNTI to schedule the UL RMC according to Table 6.3C.3.5.4.1-1 on carrier 2 starting on slot n and slot m, with both slot n and slot m being uplink slots for carrier 2 and $m \geq n+20$ when SCS=15kHz ($m \geq n+40$ when SCS=30 kHz, $m \geq n+80$ when SCS=60 kHz). Since the UE has no payload and no loopback data to send the UE sends uplink MAC padding bits on the UL RMC. The PDCCH DCI format 0_1 is specified with the condition 2TX_UL_MIMO in 38.508-1 [5] subclause 4.3.6.1.1.2.
 - 1.7 Measure the sum of output power of UE PUSCH transmission for carrier 1 over all antenna connectors during slot n-1 excluding a transient period of 10 μ s and a Switching period X μ s in the end of slot n-1. The length of uplink switching period X is indicated by UE capability *uplinkTxSwitchingPeriod2T2T*.
 - 1.8 Measure the sum of output power of UE PUSCH transmission on carrier 2 over all antenna connectors and both component carriers during slot n and slot m excluding a transient period of 10 μ s in the beginning of slot n and in the end of slot m.
 - 1.9 SS sends uplink scheduling information via PDCCH DCI format 0_1 for C_RNTI to schedule the UL RMC according to Table 6.3C.3.5.4.1-1 on carrier 1 on slot m+1. Since the UE has no payload and no loopback data to send the UE sends uplink MAC padding bits on the UL RMC. The PDCCH DCI format 0_1 is specified with the condition 2TX_UL_MIMO in 38.508-1 [5] subclause 4.3.6.1.1.2.
 - 1.10 Measure the sum of output power of UE PUSCH transmission for carrier 1 over all antenna connectors during slot m+1 excluding a switching period X and a transient period of 10 μ s in the beginning of slot m+1. The length of uplink switching period X is indicated by UE capability *uplinkTxSwitchingPeriod2T2T*.
2. Sub test 2: Switching period located in Carrier 2 (Non-SUL carriers)
 - 2.1 Configure SCC according to Annex C.0, C.1, C.2 for all downlink physical channels.
 - 2.2 The SS shall configure SCC as per TS 38.508-1 [5] clause 5.5.1. Message contents are defined in clause 6.3A.3.4.4.3 with *uplinkTxSwitchingPeriodLocation-r16* configured TRUE on carrier1 and FALSE on carrier 2.

- 2.3 SS activates SCC by sending the activation MAC CE (Refer TS 38.321 [18], clauses 5.9, 6.1.3.10). Wait for at least 2 seconds (Refer TS 38.133 [19], clause 9.3).
- 2.4 SS send continuously uplink power control "up" commands in every uplink scheduling information to the UE; allow at least 200ms starting from the first TPC command in this step for the UE to reach P_{UMAX} level.
- 2.5 SS sends uplink scheduling information via PDCCH DCI format 0_1 for C_RNTI to schedule the UL RMC according to Table 6.3C.3.5.4.1-1 on carrier 1 on slot n-1, where slot n is an uplink slot for carrier 2. Since the UE has no payload and no loopback data to send the UE sends uplink MAC padding bits on the UL RMC. The PDCCH DCI format 0_1 is specified with the condition 2TX_UL_MIMO in 38.508-1 [5] subclause 4.3.6.1.1.2.
- 2.6 The SS sends uplink scheduling information via DCI format 0_1 for C_RNTI to schedule the UL RMC according to Table 6.3C.3.5.4.1-1 on carrier 2 starting on slot n and slot m, with both slot n and slot m being uplink slots for carrier 2 and $m \geq n+20$ when $SCS=15\text{kHz}$ ($m \geq n+40$ when $SCS=30\text{ kHz}$, $m \geq n+80$ when $SCS=60\text{ kHz}$). Since the UE has no payload and no loopback data to send the UE sends uplink MAC padding bits on the UL RMC. The PDCCH DCI format 0_1 is specified with the condition 2TX_UL_MIMO in 38.508-1 [5] subclause 4.3.6.1.1.2.
- 2.7 Measure the sum of output power of UE PUSCH transmission for carrier 1 over all antenna connectors during slot n-1 excluding a transient period of 10 μs in the end of slot n-1.
- 2.8 Measure the sum of output power of UE PUSCH transmission on carrier 2 over all antenna connectors and both component carriers during slot n and slot m excluding a transient period of 10 μs and a Switching period X μs in the beginning of slot n and in the end of slot m. The length of uplink switching period X is indicated by UE capability *uplinkTxSwitchingPeriod*.
- 2.9 SS sends uplink scheduling information via PDCCH DCI format 0_1 for C_RNTI to schedule the UL RMC according to Table 6.3C.3.5.4.1-1 on carrier 1 on slot m+1. Since the UE has no payload and no loopback data to send the UE sends uplink MAC padding bits on the UL RMC. The PDCCH DCI format 0_1 is specified with the condition 2TX_UL_MIMO in 38.508-1 [5] subclause 4.3.6.1.1.2.
- 2.10 Measure the sum of output power of UE PUSCH transmission for carrier 1 over all antenna connectors during slot m+1 excluding a transient period of 10 μs in the beginning of slot m+1.

6.3C.3.5.4.3 Message contents

Message contents in initial conditions are according to TS 38.508-1 [5] subclause 4.3.6.1.1.2 ensuring UL/SUL indicator in Table 4.3.6.1.1.2-1 with condition SUL, subclause 4.6 ensuring Table 4.6.1-28 with condition SUL AND (RF OR RRM), Tables 4.6.3-14 with condition SUL_SUL for SUL carrier, and Table 4.6.3-167 with condition PUSCH_PUCCH_ON_SUL, and following exceptions:

Table 6.3C.3.5.4.3-1: ServingCellConfig

Derivation Path: 38.508-1[5], Table 4.6.3-167			
Information Element	Value/remark	Comment	Condition
ServingCellConfig ::= SEQUENCE {			
uplinkConfig SEQUENCE {			
uplinkTxSwitching-r16 CHOICE {			
setup SEQUENCE {			
uplinkTxSwitchingPeriodLocation-r16	TRUE		PL
	FALSE		noPL

uplinkTxSwitchingCarrier-r16	carrier1		1TxCC
	carrier2		2TxCC
}			
}			
}			
}			

Condition	Explanation
PL	The location of UL Tx switching period is configured in this carrier
noPL	The location of UL Tx switching period is not configured in this carrier
1TxCC	The carrier is capable of one transmit antenna connector
2TxCC	The carrier is capable of two transmit antenna connectors

Table 6.3C.3.5.4.3-2: P-Max

Derivation Path: TS 38.508-1 [5] Table 4.6.3-62 FrequencyInfoUL-SIB			
Information Element	Value/remark	Comment	Condition
p-Max	23		

6.3C.3.5.4.3 Test requirement

The requirement for the power of carrier 1 measured in step 1.7, 1.10, 2.7, 2.10 of the test procedures and the power of carrier 2 measured in step 1.8 and 2.8 shall not exceed the values specified in table 6.3C.3.5.4.3-1.

Table 6.3C.3.5.4.3-1: SUL Time mask for 1Tx-2Tx switching between two bands (On power)

	Measured output power
Transmit ON power	NUL: Same as Test ID 1 of Table 6.2H.1.2.5-1 or 6.2H.1.2.5-2 SUL: Same as Test ID 1 of Table 6.2D.2_1.5-1~6.2D.2_1.5-2
NOTE 1: TT or each frequency and channel bandwidth of Transmit ON power is specified in Table 6.2.1.5-3	

6.3C.3.6 Time mask for switching across three uplink bands

Editor's Note: This test case is incomplete due to the following aspects are not yet determined:

- Brackets still exists in the test case
- Test procedure is incomplete
- Connection diagram and Message contents are still TBD

- MU and TT are FFS

6.3C.3.6.1 Test purpose

To verify that the time mask for switching across three uplink bands for an NR SUL band configuration with inter-band CA meets the requirements given in 6.3C.3.0.6 and 6.3C.3.0.6a.

The time mask for switching across three uplink bands defines the transient period(s) allowed when the capability [*supportedBandPairListNR-r18*] is present.

6.3C.3.6.2 Test purpose

6.3C.3.6.2 Test applicability

This test case applies to all types of NR UE release 18 and forward that support 3 bands SUL band configuration with inter-band CA and dynamic UL Tx switching.

6.3C.3.6.3 Minimum conformance requirements

The minimum conformance requirements are defined in clause 6.3C.3.0.6 and 6.3C.3.0.6a.

6.3C.3.6.4 Test description

6.3C.3.6.4.1 Initial condition

Initial conditions are a set of test configurations the UE needs to be tested in and the steps for the SS to take with the UE to reach the correct measurement state.

The initial test configurations consist of environmental conditions, test frequencies, test channel bandwidths and sub-carrier spacing based on NR CA configuration specified in 5.5A. All of these configurations shall be tested with applicable test parameters for each CA configuration, and are shown in table 6.3C.3.6.4.1-1. The details of the uplink reference measurement channels (RMCs) are specified in Annex A.2 and A.3. Configurations of PDSCH and PDCCH before measurement are specified in Annex C.2.

Table 6.3C.3.6.4.1-1: Test Configuration Table for switching across three uplink bands

Initial Conditions							
Test Environment as specified in TS 38.508-1 [5] subclause 4.1			Normal				
Test Frequencies as specified in TS 38.508-1 [5] subclause 4.3.1			Mid range for SUL carrier Mid range for Non-SUL carriers				
Test Channel Bandwidths as specified in TS 38.508-1 [5] subclause 4.3.1			Highest for SUL carrier Highest Non-SUL carriers				
Test SCS as specified in Table 5.3.5-1			15kHz for SUL carrier, lowest supported SCS for Non-SUL carrier				
Test Parameters for Channel Bandwidths							
Test ID	Downlink Configuration	Uplink Configuration			SUL Configuration		
1	N/A	Modulation		RB allocation (NOTE 3)		Modulation	RB allocation (NOTE 3)
		NUL1	NUL2	NUL1	NUL2		
		CP-OFDM QPSK		Inner Full		CP-OFDM QPSK	Inner Full
NOTE 1: Non-SUL carrier 1 is configured as Carrier 1 and Non-SUL carrier 2 is configured as Carrier 2. SUL carrier is configured as Carrier 3							

NOTE 2: Test Channel Bandwidths are checked separately for each SUL band combination, the applicable channel bandwidths are specified in Table 5.5C-1.

NOTE 3: The specific configuration of each RB allocation is defined in Table 6.1-1.

- Connect the SS to the UE antenna connectors as shown in TS 38.508-1 [5] Annex A, Figure TBD for TE diagram and section TBD for UE diagram.
- The parameter setting for the cell are set up according to the TS 38.508-1 [5] subclause 4.4.3.
- Downlink signals are initially setup according to Annex C.0, C.1, C.2 and uplink signals according to Annex G.0, G.1, G.2, and G.3.0 with consideration of supplementary uplink physical channels.

6.3C.3.6.4.2 Test procedure

In this test case, two non-SUL carriers and one SUL carrier are configured. The two non-SUL carriers are configured as Carrier 1 and Carrier 2. The SUL carrier is configured as Carrier 3.

Sub test 1 is to verify the time mask for switching between Carrier 1 and Carrier 3 with the switching period located in Carrier 1, and switching between Carrier 3 and Carrier 2 with the switching period located in Carrier 3. (Figure 6.3C.3.0.6-1 and 6.3C.3.0.6-2). UE transmits uplink on one band of the band pair in the band combination before and after uplink switching. Carrier 1, Carrier 2 and Carrier 3 are capable of two transmit antenna connectors.

Sub test 2 is to verify the time mask for switching with one transmitter switching between Carrier 1 and Carrier 3, and one transmitter switching between Carrier 2 and Carrier 3. The switching period is located in Carrier 1 and Carrier 2. (Figure 6.3C.3.0.6-5). UE is capable of simultaneous uplink transmission on the two NR UL bands from the band pair for which *dualUL* is declared in the band combination according to the scheduling commands. Carrier 1 and Carrier 2 are with one transmit antenna connector and one antenna port, and the Carrier 3 is with two transmit antenna connectors and two antenna ports.

1. Sub test 1:

- 1.1 Configure SCC according to Annex C.0, C.1, C.2 for all downlink physical channels.
- 1.2 The SS shall configure SCC as per TS 38.508-1 [5] clause 5.5.1. Message contents are defined in clause 6.3C.3.6.4.2 with switching period location is configured on Carrier 1 and Carrier 3.
- 1.3 SS activates SCC by sending the activation MAC CE (Refer TS 38.321 [18], clauses 5.9, 6.1.3.10). Wait for at least 2 seconds (Refer TS 38.133 [19], clause 9.3).
- 1.4 SS send continuously uplink power control "up" commands in every uplink scheduling information to the UE; allow at least 200ms starting from the first TPC command in this step for the UE to reach P_{UMAX} level.
- 1.5 SS sends uplink scheduling information via PDCCH DCI format 0_1 for C_RNTI to schedule the UL RMC according to Table 6.3C.3.6.4.1-1 on carrier 1 on slot n-1. Since the UE has no payload and no loopback data to send the UE sends uplink MAC padding bits on the UL RMC. The PDCCH DCI format 0_1 is specified with the condition 2TX_UL_MIMO in 38.508-1 [5] subclause 4.3.6.1.1.2.
- 1.6 The SS sends uplink scheduling information via DCI format 0_1 for C_RNTI to schedule the UL RMC according to Table 6.3C.3.6.4.1-1 on carrier 3 starting on slot n and slot m, with slot m being uplink slots for carrier 2 and $m \geq n+20$ when SCS=15kHz ($m \geq n+40$ when SCS=30 kHz, $m \geq n+80$ when SCS=60 kHz). Since the UE has no payload and no loopback data to send the UE sends uplink MAC padding bits on the UL RMC. The PDCCH DCI format 0_1 is specified with the condition 2TX_UL_MIMO in 38.508-1 [5] subclause 4.3.6.1.1.2.

- 1.7 Measure the sum of output power of UE PUSCH transmission for carrier 1 over all antenna connectors during slot n-1 excluding a transient period of 10 μ s and a Switching period X μ s in the end of slot n-1. The length of uplink switching period X is indicated by UE capability [*switchingPeriodFor2T*] in the band pair.
- 1.8 Measure the sum of output power of UE PUSCH transmission on carrier 3 over all antenna connectors during slot n and slot m excluding a transient period of 10 μ s in the beginning of slot n and excluding a transient period of 10 μ s and a Switching period X μ s in the end of slot m. The length of uplink switching period X is indicated by UE capability [*switchingPeriodFor2T*] in the band pair.
- 1.9 SS sends uplink scheduling information via PDCCH DCI format 0_1 for C_RNTI to schedule the UL RMC according to Table 6.3C.3.5.4.1-1 on carrier 2 on slot m+1. Since the UE has no payload and no loopback data to send the UE sends uplink MAC padding bits on the UL RMC. The PDCCH DCI format 0_1 is specified with the condition 2TX_UL_MIMO in 38.508-1 [5] subclause 4.3.6.1.1.2.
- 1.10 Measure the sum of output power of UE PUSCH transmission for carrier 2 over all antenna connectors during slot m+1 excluding a transient period of 10 μ s in the beginning of slot m+1.

2. Sub test 2:

- 2.1 Configure SCC according to Annex C.0, C.1, C.2 for all downlink physical channels.
- 2.2 The SS shall configure SCC as per TS 38.508-1 [5] clause 5.5.1. Message contents are defined in clause 6.3C.3.6.4.2 with switching period location is configured on Carrier 1 and Carrier 2.
- 2.3 SS activates SCC by sending the activation MAC CE (Refer TS 38.321 [18], clauses 5.9, 6.1.3.10). Wait for at least 2 seconds (Refer TS 38.133 [19], clause 9.3).
- 2.4 SS send continuously uplink power control "up" commands in every uplink scheduling information to the UE; allow at least 200ms starting from the first TPC command in this step for the UE to reach P_{UMAX} level.
- 2.5 SS sends uplink scheduling information via PDCCH DCI format 0_1 for C_RNTI to schedule the UL RMC according to Table 6.3C.3.6.4.1-1 on both carrier 1 and carrier 2 on slot n-1. Since the UE has no payload and no loopback data to send the UE sends uplink MAC padding bits on the UL RMC.
- 2.6 The SS sends uplink scheduling information via DCI format 0_1 for C_RNTI to schedule the UL RMC according to Table 6.3C.3.6.4.1-1 on carrier 3 starting on slot n and slot m, with slot m+1 being uplink slots for carrier 1 and carrier 2 and $m \geq n+20$ when SCS=15kHz ($m \geq n+40$ when SCS=30 kHz, $m \geq n+80$ when SCS=60 kHz). Since the UE has no payload and no loopback data to send the UE sends uplink MAC padding bits on the UL RMC. The PDCCH DCI format 0_1 is specified with the condition 2TX_UL_MIMO in 38.508-1 [5] subclause 4.3.6.1.1.2.
- 2.7 Measure the sum of output power of UE PUSCH transmission for carrier 1 and carrier 2 over all antenna connectors during slot n-1 excluding a transient period of 10 μ s and a Switching period T μ s in the end of slot n-1. The length of uplink switching period T is the larger one of switching period T2 and T3, where T2 is the length of switching period for the band pair of NUL1 band and SUL band, and T3 is the length of switching period for the band pair of NUL2 band and SUL band indicated by UE capability [TBD]. If UE additionally reports band pair of {NUL1 and NUL2} and SUL band in the capability [*uplinkTxSwitchingAdditionalPeriodDualUL-List*], the length of T is indicated by UE capability [*switchingAdditionalPeriodDualUL*]
- 2.8 Measure the sum of output power of UE PUSCH transmission on carrier 3 over all antenna connectors during slot n and slot m excluding a transient period of 10 μ s in the beginning of slot n and in the end of slot m..

2.9 SS sends uplink scheduling information via PDCCH DCI format 0_1 for C_RNTI to schedule the UL RMC according to Table 6.3C.3.6.4.1-1 on both carrier1 and carrier 2 on slot m+1. Since the UE has no payload and no loopback data to send the UE sends uplink MAC padding bits on the UL RMC.

2.10 Measure the sum of output power of UE PUSCH transmission on carrier1 and carrier 2 over all antenna connectors during slot m+1 excluding a transient period of 10 μ s and a Switching period T μ s in the beginning of slot m+1. The length of uplink switching period T is the larger one of swithching period T2 and T3, where T2 is the length of switching period for the band pair of NUL1 band and SUL band, and T3 is the length of switching period for the band pair of NUL2 band and SUL band indicated by UE capability [TBD]. If UE additionally reports band pair of {NUL1 and NUL2} and SUL band in the capability [*uplinkTxSwitchingAdditionalPeriodDualUL-List*], the length of T is indicated by UE capability [*switchingAdditionalPeriodDualUL*]

6.3C.3.6.4.3 Message contents

Message contents are according to TS 38.508-1 [5] subclause 4.6 with following exceptions:

TBD

6.3C.3.6.5 Test requirement

The requirement for the power measured in step 1.7, 1.8, 1.9, 2.6, 2.7, 2.9 of the test procedures shall not exceed the values specified in table 6.3C.3.6.5-1.

Table 6.3C.3.6.5-1: Time mask for switching across three bands for SUL with inter-band CA (On power)

	Measured output power	
Transmit ON power	Same as Test ID 1 of Table 6.2D.2.5-1 as appropriate	Carrier 1, Carrier 2 in Test step 1,7, 1.10
	Same as Test ID 1 of Table 6.2D.2_1.5-1 and 6.2D.2_1.5-1a as appropriate	Carrier 3 in Test step 1,8, 2.8
	Same as Test ID 23 of Table 6.2A.2.1.5-1	Sum of power on Carrier1 and Carrier2 in Test step 2.7, 2.10
NOTE1: TT is FFS		

6.3C.3.7 Time mask for switching across four uplink bands

Editor's Note:

- This test case is not testable due to lack of applicable 4-band SUL band combination with inter-band CA in TS 38.521-1
- This test case is incomplete: brackets still exists in the test case

6.3C.3.7.1 Test purpose

To verify that the time mask for switching across four uplink bands for an NR SUL band configuration with inter-band CA meets the requirements given in 6.3C.3.0.6 and 6.3C.3.0.6a.

The time mask for switching across three uplink bands defines the transient period(s) allowed when the capability [*supportedBandPairListNR-r18*] is present.

6.3C.3.7.2 Test purpose

6.3C.3.7.2 Test applicability

This test case applies to all types of NR UE release 18 and forward that support 4 bands SUL band configuration with inter-band CA and dynamic UL Tx switching.

No test case details are specified before 4-band SUL band combination with inter-band CA introduced into TS 38.521-1.

6.3C.3.7.3 Minimum conformance requirements

The minimum conformance requirements are defined in clause 6.3C.3.0.6 and 6.3C.3.0.6a.

6.3C.4 Power control for SUL

6.3C.4.1 Absolute power tolerance for SUL

6.3C.4.1.1 Test purpose

Same test purpose as in clause 6.3.4.2.1

6.3C.4.1.2 Test applicability

This test case applies to all types of NR UE release 15 and forward that support SUL operating on the SUL bands.

6.3C.4.1.3 Minimum conformance requirements

For a terminal that supports SUL for the band combination specified in Table 5.2C-1, the current version of the specification assumes the terminal is configured with active transmission either on UL carrier or SUL carrier at any time in one serving cell and the UE requirements for single carrier shall apply for the active UL or SUL carrier accordingly.

The normative reference for this requirement is TS 38.101-1 [2] clauses 4.3 and 6.3.4.2.

6.3C.4.1.4 Test description

Same test description as specified in clause 6.3.4.2.4 with following exceptions:

Instead of table 5.3.5-1 → use Table 5.5C-1.

Instead of table 6.3.4.2.4.1-1 → use Table 6.3C.4.1.4-1

Table 6.3C.4.1.4-1: Test Configuration Table

Initial Conditions	
Test Environment as specified in TS 38.508-1 [5] subclause 4.1	Normal
Test Frequencies as specified in TS 38.508-1 [5] subclause 4.3.1	Mid-range for SUL and Non-SUL carrier

Test Channel Bandwidths as specified in TS 38.508-1 [5] subclause 4.3.1		Lowest, Mid, Highest for SUL carrier Lowest for Non-SUL carrier		
Test SCS as specified in Table 5.3.5-1		15kHz for SUL carrier and Lowest supported SCS for Non-SUL carrier		
Test Parameters				
Test ID	Downlink Configuration	Uplink Configuration	SUL Configuration	
			Modulation	RB allocation (NOTE 2)
1	N/A	N/A	CP-OFDM QPSK	Outer_Full
NOTE 1: Test Channel Bandwidths are checked separately for each SUL band combination, the applicable channel bandwidths are specified in Table 5.5C-1.				
NOTE 2: The specific configuration of each RF allocation is defined in Table 6.1-1.				
NOTE 3: For NR band n83, 30MHz test channel bandwidth is tested with Low range test frequency.				

- Connect the SS to the UE antenna connectors as shown in TS 38.508-1 [5] Annex A, Figure A.3.1.1.4 for TE diagram and section A.3.2 for UE diagram.
- The parameter setting for the cell are set up according to the TS 38.508-1 [5] subclause 4.4.3.
- Downlink signals are initially setup according to Annex C.0, C.1, C.2 and uplink signals according to Annex G.0, G.1, G.2, and G.3.0 with consideration of supplementary uplink physical channels.

Message contents in initial conditions are according to TS 38.508-1 [5] subclause 4.3.6.1.1.2 ensuring UL/SUL indicator in Table 4.3.6.1.1.2-1 with condition SUL, subclause 4.6 ensuring Table 4.6.1-28 with condition SUL AND (RF OR RRM), Tables 4.6.3-14 with condition SUL_SUL for SUL carrier, and Table 4.6.3-167 with condition PUSCH_PUCCH_ON_SUL.

Table 6.3C.4.1.4-2: Void**6.3C.4.1.5 Test requirement**

The requirement for the power measured in step (2) of the test procedure is not to exceed the values specified in Table 6.3C.4.1.5-1 and 6.3C.4.1.5-2.

Table 6.3C.4.1.5-1: Absolute power tolerance: test point 1

	Channel bandwidth / expected output power (dBm)							
	5 MHz	10 MHz	15 MHz	20 MHz	25 MHz	30 MHz	40 MHz	50 MHz
Expected Measured power	-17.6	-14.4	-12.6	-11.3	-10.4	-9.6	-8.3	-7.3
Power tolerance	$\pm (9+TT)$ dB							
Note 1:	The lower power limit shall not exceed the minimum output power requirements defined in sub-clause 6.3C.1.3							
Note 2:	TT for each duplex, Sub-Carrier Spacing, frequency and channel bandwidth is specified in Table 6.3C.4.1.5-3.							

Table 6.3C.4.1.5-2: Absolute power tolerance: test point 2

	Channel bandwidth / expected output power (dBm)							
	5 MHz	10 MHz	15 MHz	20 MHz	25 MHz	30 MHz	40 MHz	50 MHz
Expected Measured power	-3.6	0.4	1.4	2.7	3.6	4.4	5.7	6.7
Power tolerance	$\pm (9+TT)$ dB							
Note 1:	The higher power limit shall not exceed the maximum output power requirements defined in sub-clause 6.2C.3.3							
Note 2:	TT for each duplex, Sub-Carrier Spacing, frequency and channel bandwidth is specified in Table 6.3C.4.1.5-3.							

Table 6.3C.4.1.5-3: Test Tolerance

	$f \leq 3.0$ GHz	3.0 GHz $< f \leq 4.2$ GHz	4.2 GHz $< f \leq 6.0$ GHz
BW ≤ 40MHz	1.0 dB	1.4 dB	1.4 dB

6.3C.4.2 Relative power tolerance for SUL**6.3C.4.2.1 Test purpose**

Same test purpose as in clause 6.3.4.3.1

6.3C.4.2.2 Test applicability

This test case applies to all types of NR UE release 15 and forward that support SUL operating on the SUL bands.

6.3C.4.2.3 Minimum conformance requirements

For a terminal that supports SUL for the band combination specified in Table 5.2C-1, the current version of the specification assumes the terminal is configured with active transmission either on UL carrier or SUL carrier at any time in one serving cell and the UE requirements for single carrier shall apply for the active UL or SUL carrier accordingly.

The normative reference for this requirement is TS 38.101-1 [2] clauses 4.3 and 6.3.4.3.

6.3C.4.2.4 Test description

Same test description as specified in clause 6.3.4.3.4 with following exceptions:

Instead of table 5.3.5-1 → use Table 5.5C-1.

Instead of table 6.3.4.3.4.1-1 → use Table 6.3C.4.2.4-1

Table 6.3C.4.2.4-1: Test Configuration Table

Initial Conditions			
Test Environment as specified in TS 38.508-1 [5] subclause 4.3.1		Normal	
Test Frequencies as specified in TS 38.508-1 [5] subclause 4.3.1		Low range for SUL carrier Mid-range for Non-SUL carrier	
Test Channel Bandwidths as specified in TS 38.508-1 [5] subclause 4.3.1		Lowest, Mid, Highest for SUL carrier Lowest for Non-SUL carrier	
Test SCS as specified in table 5.3.5-1		15kHz for SUL carrier and Lowest supported SCS for Non-SUL carrier	
Test Parameters			
Ch BW	Downlink Configuration	Uplink Configuration	SUL Configuration
			Modulation RB allocation (NOTE 1)
5MHz	N/A		DFT-s-OFDM QPSK See Table 6.3C.4.2.5-1 See Table 6.3C.4.2.5-2 See Table 6.3C.4.2.5-5
10MHz			DFT-s-OFDM QPSK See Table 6.3C.4.2.5-3 See Table 6.3C.4.2.5-4 See Table 6.3C.4.2.5-5
15MHz			DFT-s-OFDM QPSK See Table 6.3C.4.2.5-3 See Table 6.3C.4.2.5-4 See Table 6.3C.4.2.5-5
20MHz			DFT-s-OFDM QPSK See Table 6.3C.4.2.5-3 See Table 6.3C.4.2.5-4 See Table 6.3C.4.2.5-5
25MHz			DFT-s-OFDM QPSK See Table 6.3C.4.2.5-3 See Table 6.3C.4.2.5-4 See Table 6.3C.4.2.5-5
30MHz			DFT-s-OFDM QPSK See Table 6.3C.4.2.5-3 See Table 6.3C.4.2.5-4 See Table 6.3C.4.2.5-5
40MHz			DFT-s-OFDM QPSK See Table 6.3C.4.2.5-3 See Table 6.3C.4.2.5-4 See Table 6.3C.4.2.5-5
50MHz			DFT-s-OFDM QPSK See Table 6.3C.4.2.5-3 See Table 6.3C.4.2.5-4 See Table 6.3C.4.2.5-5
NOTE 1: The starting resource block shall be RB# 0			

NOTE 2: Test Channel Bandwidths are checked separately for each SUL band combination, the applicable channel bandwidths are specified in Table 5.5C-1.

- Connect the SS to the UE antenna connectors as shown in TS 38.508-1 [5] Annex A, Figure A.3.1.1.4 for TE diagram and section A.3.2 for UE diagram.
- The parameter setting for the cell are set up according to the TS 38.508-1 [5] subclause 4.4.3.
- Downlink signals are initially setup according to Annex C.0, C.1, C.2 and uplink signals according to Annex G.0, G.1, G.2, and G.3.0 with consideration of supplementary uplink physical channels.

Message contents in initial conditions are according to TS 38.508-1 [5] subclause 4.3.6.1.1.2 ensuring UL/SUL indicator in Table 4.3.6.1.1.2-1 with condition SUL, subclause 4.6 ensuring Table 4.6.1-28 with condition SUL AND (RF OR RRM), Tables 4.6.3-14 with condition SUL_SUL for SUL carrier, and Table 4.6.3-167 with condition PUSCH_PUCCH_ON_SUL.

Table 6.3C.4.2.4-2: Void**6.3C.4.2.5 Test requirement**

Each UE power step measured in the test procedure 6.3.4.3.4.2 should satisfy the test requirements specified in Table 6.3C.4.2.5-1 thru 6.3C.4.2.5-5.

To account for RF Power amplifier mode changes 2 exceptions are allowed for each of ramping up and ramping down test patterns. For these exceptions the power tolerance limit is a maximum of $\pm (6.0 + TT)$ dB. If there is an exception in the power step caused by the RB change for all test patterns (A, B, C) then fail the UE.

Table 6.3C.4.2.5-1: Test Requirements Relative Power Tolerance for Transmission, channel BW 5MHz, ramp up sub-test

Test SCS [kHz]	Sub-test ID	Applicable sub-frames	Uplink RB allocation	TPC command	Expected power step size (Up) ΔP [dB]	Power step size range (Up) ΔP [dB]	PUSCH [dB]
15	1	Sub-frames before RB change	Fixed = 1	TPC==+1dB	1	$\Delta P \leq 1$ dB	1 +/- (0.7 + TT)
		RB change	1RB to 5 RBs	TPC==+1dB	7.99	$4\text{dB} \leq \Delta P < 10\text{dB}$	7.99 +/- (3.5 + TT)
		Sub-frames after RB change	Fixed = 5	TPC==+1dB	1	$\Delta P \leq 1$ dB	1 +/- (0.7 + TT)
	2	Sub-frames before RB change	Fixed = 1	TPC==+1dB	1	$\Delta P \leq 1$ dB	1 +/- (0.7 + TT)
		RB change	1RB to 15 RBs	TPC==+1dB	12.76	$10\text{dB} \leq \Delta P < 15\text{dB}$	12.76 +/- (4 + TT)
		Sub-frames after RB change	Fixed = 15	TPC==+1dB	1	$\Delta P \leq 1$ dB	1 +/- (0.7 + TT)
Note 1: Position of RB change: Pattern A the position of RB uplink allocation change is after 10 active uplink Sub-frames Pattern B the position of RB uplink allocation change is after 20 active uplink Sub-frames Pattern C the position of RB uplink allocation change is after 30 active uplink Sub-frames Note 2: The starting resource block shall be RB# 0. Note 3: TT=0.7dB Note 4: Applicable if $P_{\text{UMAX}} \geq P \geq P_{\text{min}}$. P_{min} as defined in sub-clause 6.3C.1.							

Table 6.3C.4.2.5-2: Test Requirements Relative Power Tolerance for Transmission, channel BW 5MHz, ramp down sub-test

Test SCS [kHz]	Sub-test ID	Applicable sub-frames	Uplink RB allocation	TPC command	Expected power step size (Down) ΔP [dB]	Power step size range (Down) ΔP [dB]	PUSCH [dB]
15	1	Sub-frames before RB change	Fixed = 5	TPC=-1dB	1	$\Delta P \leq 1$ dB	1 +/- (0.7 + TT)
		RB change	5 RBs to 1 RB	TPC=-1dB	7.99	$4\text{dB} \leq \Delta P < 10\text{dB}$	7.99 +/- (3.5 + TT)
		Sub-frames after RB change	Fixed = 1	TPC=-1dB	1	$\Delta P \leq 1$ dB	1 +/- (0.7 + TT)
	2	Sub-frames before RB change	Fixed = 15	TPC=-1dB	1	$\Delta P \leq 1$ dB	1 +/- (0.7 + TT)
		RB change	15 RBs to 1 RB	TPC=-1dB	12.76	$10\text{dB} \leq \Delta P < 15\text{dB}$	12.76 +/- (3.5 + TT)

		Sub-frames after RB change	Fixed = 1	TPC=-1dB	1	$\Delta P \leq 1 \text{ dB}$	1 +/- (0.7 + TT)
Note 1:	Position of RB change: Pattern A the position of RB uplink allocation change is after 10 active uplink Sub-frames Pattern B the position of RB uplink allocation change is after 20 active uplink Sub-frames Pattern C the position of RB uplink allocation change is after 30 active uplink Sub-frames						
Note 2:	The starting resource block shall be RB# 0.						
Note 3:	TT=0.7dB						
Note 4:	Applicable if $P_{UMAX} \geq P \geq P_{min}$. P_{min} as defined in sub-clause 6.3C.1.						

Table 6.3C.4.2.5-3: Test Requirements Relative Power Tolerance for Transmission, channel BW 10MHz, 15MHz, 20MHz, 25MHz, 30MHz, 40MHz, 50MHz ramp up sub-test

Test SCS [kHz]	Sub-test ID	Applicable sub-frames	Uplink RB allocation	TPC command	Expected power step size (Up) ΔP [dB]	Power step size range (Up) ΔP [dB]	PUSCH [dB]
15	1	Subframes before RB change	1RB	TPC=+1dB	1	$\Delta P \leq 1 \text{ dB}$	1 +/- (0.7 + TT)
		RB change	1RB to 5 RBs	TPC=+1dB	7.99	$4\text{dB} \leq \Delta P < 10\text{dB}$	7.99 +/- (3.5 + TT)
		Subframes after RB change	Fixed = 5	TPC=+1dB	1	$\Delta P \leq 1 \text{ dB}$	1 +/- (0.7 + TT)
	2	Subframes before RB change	1RB	TPC=+1dB	1	$\Delta P \leq 1 \text{ dB}$	1 +/- (0.7 + TT)
		RB change	1RB to 20 RBs	TPC=+1dB	14.01	$10\text{dB} \leq \Delta P < 15\text{dB}$	14.01 +/- (4 + TT)
		Subframes after RB change	Fixed = 20	TPC=+1dB	1	$\Delta P \leq 1 \text{ dB}$	1 +/-0.7 + TT
	3	Subframes before RB change	1RB	TPC=+1dB	1	$\Delta P \leq 1 \text{ dB}$	1 +/- (0.7 + TT)
		RB change	1RB to 50 RBs	TPC=+1dB	17.99	$15\text{dB} \leq \Delta P$	17.99 +/- (5 + TT)
		Subframes after RB change	Fixed = 50	TPC=+1dB	1	$\Delta P \leq 1 \text{ dB}$	1 +/- (0.7 + TT)
Note 1:	Position of RB change: Pattern A the position of RB uplink allocation change is after 10 active uplink Subframes. Pattern B the position of RB uplink allocation change is after 20 active uplink Subframes Pattern C the position of RB uplink allocation change is after 30 active uplink Subframes.						
Note 2:	The starting resource block shall be RB# 0.						
Note 3:	TT=0.7dB						
Note 4:	Applicable if $P_{UMAX} \geq P \geq P_{min}$. P_{min} as defined in sub-clause 6.3C.1.						

Table 6.3C.4.2.5-4: Test Requirements Relative Power Tolerance for Transmission, channel BW 10MHz, 15MHz, 20MHz, 25MHz, 30MHz, 40MHz, 50MHz ramp down sub-test

Test SCS [kHz]	Sub-test ID	Applicable sub-frames	Uplink RB allocation	TPC command	Expected power step size (Down) ΔP [dB]	Power step size range (Down) ΔP [dB]	PUSCH [dB]
	1	Subframes before RB change	Fixed = 5	TPC=-1dB	1	$\Delta P \leq 1 \text{ dB}$	1 +/- (0.7 + TT)
		RB change	5 RBs to 1RBs	TPC=-1dB	7.99	$4\text{dB} \leq \Delta P < 10\text{dB}$	7.99 +/- (3.5 + TT)
		Subframes after RB change	Fixed = 1	TPC=-1dB	1	$\Delta P \leq 1 \text{ dB}$	1 +/- (0.7 + TT)

15	2	Subframes before RB change	Fixed = 20	TPC=-1dB	1	$\Delta P \leq 1 \text{ dB}$	$1 \pm (0.7 + TT)$
		RB change	20 RBs to 1 RB	TPC=-1dB	14.01	$10\text{dB} \leq \Delta P < 15\text{dB}$	$14.01 \pm (4 + TT)$
		Subframes after RB change	Fixed = 1	TPC=-1dB	1	$\Delta P \leq 1 \text{ dB}$	$1 \pm (0.7 + TT)$
	3	Subframes before RB change	Fixed = 50	TPC=-1dB	1	$\Delta P \leq 1 \text{ dB}$	$1 \pm (0.7 + TT)$
		RB change	50 RBs to 1 RB	TPC=-1dB	17.99	$15\text{dB} \leq \Delta P$	$17.99 \pm (5 + TT)$
		Subframes after RB change	Fixed = 1	TPC=-1dB	1	$\Delta P \leq 1 \text{ dB}$	$1 \pm (0.7 + TT)$
<p>Note 1: Position of RB change: Pattern A the position of RB uplink allocation change is after 10 active uplink Subframes. Pattern B the position of RB uplink allocation change is after 20 active uplink Subframes. Pattern C the position of RB uplink allocation change is after 30 active uplink Subframes.</p> <p>Note 2: The starting resource block shall be RB# 0.</p> <p>Note 3: TT=0.7dB</p> <p>Note 4: Applicable if $P_{\text{UMAX}} \geq P \geq P_{\text{min}}$. P_{min} as defined in sub-clause 6.3C.1.</p>							

Table 6.3C.4.2.5-5: Test Requirements Relative Power Tolerance for Transmission, alternating sub-test

BW	Test SCS [kHz]	Sub-test ID	Uplink RB allocation	TPC command	Expected power step size (Up or Down) ΔP [dB]	Power step size range (Up or Down) ΔP [dB]	PUSCH [dB]
5	15	1	Alternating 1 and 2	TPC=0dB	3.01	$3\text{dB} \leq \Delta P < 4\text{dB}$	$3.01 \pm (3 + TT)$
		2	Alternating 1 and 5	TPC=0dB	6.99	$4\text{dB} \leq \Delta P < 10\text{dB}$	$6.99 \pm (3.5 + TT)$
		3	Alternating 1 and 15	TPC=0dB	11.76	$10\text{dB} \leq \Delta P < 15\text{dB}$	$11.76 \pm (4 + TT)$
10,15,20,25,30,40	15	1	Alternating 1 and 2	TPC=0dB	3.01	$3\text{dB} \leq \Delta P < 4\text{dB}$	$3.01 \pm (3 + TT)$
		2	Alternating 1 and 5	TPC=0dB	6.99	$4\text{dB} \leq \Delta P < 10\text{dB}$	$6.99 \pm (3.5 + TT)$
		3	Alternating 1 and 20	TPC=0dB	13.01	$10\text{dB} \leq \Delta P < 15\text{dB}$	$13.01 \pm (4 + TT)$
		4	Alternating 1 and 50	TPC=0dB	16.99	$15\text{dB} \leq \Delta P$	$16.99 \pm (5 + TT)$
<p>Note 1: The starting resource block shall be RB# 0.</p> <p>Note 2: TT=0.7dB</p> <p>Note 3: Applicable if $P_{\text{UMAX}} \geq P \geq P_{\text{min}}$. P_{min} as defined in sub-clause 6.3C.1.</p>							

6.3C.4.3 Aggregate power tolerance for SUL

6.3C.4.3.1 Test purpose

Same test purpose as in clause 6.3.4.3.1

6.3C.4.3.2 Test applicability

This test case applies to all types of NR UE release 15 and forward that support SUL operating on the SUL bands.

6.3C.4.3.3 Minimum conformance requirements

For a terminal that supports SUL for the band combination specified in Table 5.2C-1, the current version of the specification assumes the terminal is configured with active transmission either on UL carrier or SUL carrier at any

time in one serving cell and the UE requirements for single carrier shall apply for the active UL or SUL carrier accordingly.

The normative reference for this requirement is TS 38.101-1 [2] clauses 4.3 and 6.3.4.4.

6.3C.4.3.4 Test description

Same test description as specified in clause 6.3.4.4.4 with following exceptions:

Instead of table 5.3.5-1 → use Table 5.5C-1.

Instead of table 6.3.4.4.4.1-1 → use Table 6.3C.4.3.4-1

Instead of table 6.3.4.4.4.1-2 → use Table 6.3C.4.3.4-2

Table 6.3C.4.3.4-1: Test Configuration Table: PUCCH sub-test

Initial Conditions			
Test Environment as specified in TS 38.508-1 [5] subclause 4.1		Normal	
Test Frequencies as specified in TS 38.508-1 [5] subclause 4.3.1		Mid range for SUL and Non-SUL carrier	
Test Channel Bandwidths as specified in TS 38.508-1 [5] subclause 4.3.1		Lowest, Mid, Highest for SUL carrier Lowest for Non-SUL carrier	
Test SCS as specified in Table 5.3.5-1		15kHz for SUL carrier and Lowest supported SCS for Non-SUL carrier	
Test Parameters for Channel Bandwidths			
Test ID	Downlink Configuration	Uplink Configuration	SUL Configuration
1	CP-OFDM QPSK Full RB allocation (NOTE 1)	N/A	PUCCH format = Format 1 Length in OFDM symbols = 14
NOTE 1: Full RB allocation shall be used per each SCS and channel BW as specified in Table 7.3.2.4.1-2.			
NOTE 2: For NR band n83, 30MHz test channel bandwidth is tested with Low range test frequency.			

Table 6.3C.4.3.4-2: Test Configuration Table: PUSCH sub-test

Initial Conditions			
Test Environment as specified in TS 38.508-1 [5] subclause 4.1		Normal	
Test Frequencies as specified in TS 38.508-1 [5] subclause 4.3.1		Mid range for SUL and Non-SUL carrier	
Test Channel Bandwidths as specified in TS 38.508-1 [5] subclause 4.3.1		Lowest, Mid, Highest for SUL carrier Lowest for Non-SUL carrier	
Test SCS as specified in Table 5.3.5-1		15kHz for SUL carrier and Lowest supported SCS for Non-SUL carrier	
Test Parameters for Channel Bandwidths			
Test ID	Downlink Configuration	Uplink Configuration	SUL Configuration
			Modulation
			RB allocation (NOTE 1)
1	N/A	N/A	CP-OFDM QPSK Outer_Full
NOTE 1: The specific configuration of each RF allocation is defined in Table 6.1-1.			
NOTE 2: Test Channel Bandwidths are checked separately for each SUL band combination, the applicable channel bandwidths are specified in Table 5.5C-1.			
NOTE 3: For NR band n83, 30MHz test channel bandwidth is tested with Low range test frequency.			

- Connect the SS to the UE antenna connectors as shown in TS 38.508-1 [5] Annex A, Figure A.3.1.1.4 for TE diagram and section A.3.2 for UE diagram.
- The parameter setting for the cell are set up according to the TS 38.508-1 [5] subclause 4.4.3.
- Downlink signals are initially setup according to Annex C.0, C.1, C.2 and uplink signals according to Annex G.0, G.1, G.2, and G.3.0 with consideration of supplementary uplink physical channels.

Message contents in initial conditions are according to TS 38.508-1 [5] subclause 4.3.6.1.1.2 ensuring UL/SUL indicator in Table 4.3.6.1.1.2-1 with condition SUL, subclause 4.6 ensuring Table 4.6.1-28 with condition SUL AND (RF OR RRM), Tables 4.6.3-14 with condition SUL_SUL for SUL carrier, and Table 4.6.3-167 with condition PUSCH_PUCCH_ON_SUL.

Table 6.3C.4.3.4-2: Void**6.3C.4.3.5 Test requirement**

The requirement for the power measurements made in step (1.3) and (2.3) of the test procedure shall not exceed the values specified in Table 6.3C.4.3.5-1. The power measurement period shall be 1 sub-frame(1ms).

Table 6.3C.4.3.5-1: Power control tolerance

TPC command	UL channel	Test requirement measured power
0 dB	PUCCH	Given 5 power measurements in the pattern, the 2 nd , and later measurements shall be within $\pm (2.5 + TT)$ dB of the 1 st measurement.
0 dB	PUSCH	Given 5 power measurements in the pattern, the 2 nd , and later measurements shall be within $\pm (3.5 + TT)$ dB of the 1 st measurement.
Note 1: TT=0.7dB.		

6.3D Output power dynamics for UL MIMO**6.3D.1 Minimum output power for UL MIMO****6.3D.1.1 Test purpose**

To verify the UE's ability to transmit with a UL MIMO broadband output power below the value specified in the test requirement when the power is set to a minimum value.

6.3D.1.2 Test applicability

This test case applies to all types of NR Power Class 1.5, Power Class 2 and Power Class 3 UE release 15 and forward that support 2-layer codebook based UL MIMO.

6.3D.1.3 Minimum conformance requirements

For UE with two transmit antenna connectors in closed-loop spatial multiplexing scheme, the minimum output power is defined as the sum of the mean power at each UE antenna connector in one sub-frame (1ms). The minimum output power shall not exceed the values specified in Table 6.3D.1.3-1.

Table 6.3D.1.3-1: Minimum output power

Channel bandwidth (MHz)	Minimum output power (dBm)	Measurement bandwidth (MHz)
5	-40	4.515
10	-40	9.375
15	-40	14.235
20	-40	19.095
25	-39	23.955
30	-38.2	28.815
35	-37.6	33.855
40	-37	38.895
45	-36.5	43.575
50	-36	48.615
60	-35.2	58.35
70	-34.6	68.07
80	-34	78.15
90	-33.5	88.23
100	-33	98.31

The normative reference for this requirement is TS 38.101-1 [2] clause 6.3D.1.

6.3D.1.4 Test description

6.3D.1.4.1 Initial condition

Initial conditions are a set of test configurations the UE needs to be tested in and the steps for the SS to take with the UE to reach the correct measurement state.

The initial test configurations consist of environmental conditions, test frequencies, and channel bandwidths and sub-carrier spacing based on NR operating bands specified in table 5.3.5-1. All of these configurations shall be tested with applicable test parameters for each combination of test channel bandwidth and sub-carrier spacing, and are shown in table 6.3D.1.4.1-1. The details of the uplink reference measurement channels (RMCs) are specified in Annexes A.2. Configurations of PDSCH and PDCCH before measurement are specified in Annex C.2.

Table 6.3D.1.4.1-1: Test Configuration Table

Initial Conditions			
Test Environment as specified in TS 38.508-1 [5] subclause 4.1		Normal, TL/VL, TL/VH, TH/VL, TH/VH	
Test Frequencies as specified in TS 38.508-1 [5] subclause 4.3.1		Low range, Mid range, High range	
Test Channel Bandwidths as specified in TS 38.508-1 [5] subclause 4.3.1		Lowest, Mid, Highest	
Test SCS as specified in Table 5.3.5-1		Highest	
Test Parameters for Channel Bandwidths			
Test ID	Downlink Configuration	Uplink Configuration	
1	N/A for minimum output power test case	Modulation	RB allocation (NOTE 1)
		CP-OFDM QPSK	Outer Full
NOTE 1: The specific configuration of each RB allocation is defined in Table 6.1-1.			

1. Connect the SS to the UE antenna connectors as shown in TS 38.508-1 [5] Annex A, Figure A.3.1.1.2 for TE diagram and section A.3.2 for UE diagram.
2. The parameter settings for the cell are set up according to TS 38.508-1 [5] subclause 4.4.3.
3. Downlink signals are initially set up according to Annex C.0, C.1, C.2, and uplink signals according to Annex G.0, G.1, G.2, G.3.0.
4. The UL Reference Measurement Channel is set according to Table 6.3D.1.4.1-1.
5. Propagation conditions are set according to Annex B.0.
6. Ensure the UE is in State RRC_CONNECTED with generic procedure parameters Connectivity *NR*, Connected without release *On*, Test Mode *On* and Test Loop Function *On* according to TS 38.508-1 [5] clause 4.5. Message contents are defined in clause 6.3D.1.4.3.

6.3D.1.4.2 Test procedure

1. SS sends uplink scheduling information for each UL HARQ process via PDCCH DCI format 0_1 for C_RNTI to schedule the UL RMC according to Table 6.3D.1.4.1-1. Since the UE has no payload and no loopback data to send the UE sends uplink MAC padding bits on the UL RMC. The PDCCH DCI format 0_1 is specified with the condition 2TX_UL_MIMO in 38.508-1 [5] subclause 4.3.6.1.1.2.
2. Send continuously uplink power control "down" commands in every uplink scheduling information to the UE; allow at least 200ms starting from the first TPC command in this step to ensure that the UE transmits at its minimum output power.
3. Measure the sum of mean power of the UE at each UE antenna connector in the associated measurement channel bandwidth specified in Table 6.3D.1.5-1 for the specific channel bandwidth under test. The period of measurement shall be at least the continuous duration of 1ms over all active uplink slots and in the uplink symbols. For TDD, only slots consisting of only UL symbols are under test.

6.3D.1.4.3 Message contents

Message contents are according to TS 38.508-1 [5] subclause 4.6 ensuring Table 4.6.3-182 with condition 2TX_UL_MIMO.

6.3D.1.5 Test requirement

The minimum output power, derived in step 3 shall not exceed the values specified in Table 6.3D.1.5-1.

Table 6.3D.1.5-1: Minimum output power

Channel bandwidth (MHz)	Minimum output power (dBm)	Measurement bandwidth (MHz)
5	-40+TT	4.515
10	-40+TT	9.375
15	-40+TT	14.235
20	-40+TT	19.095
25	-39+TT	23.955
30	-38.2+TT	28.815
35	-37.6+TT	33.855
40	-37+TT	38.895
45	-36.5+TT	43.575
50	-36+TT	48.615
60	-35.2+TT	58.35
70	-34.6+TT	68.07+TT
80	-34+TT	78.15
90	-33.5+TT	88.23
100	-33+TT	98.31

NOTE 1: TT for each frequency and channel bandwidth is specified in Table 6.3D.1.5-2

Table 6.3D.1.5-2: Test Tolerance (Minimum output power)

	$f \leq 3.0\text{GHz}$	$3.0\text{GHz} < f \leq 6.0\text{GHz}$
$\text{BW} \leq 40\text{MHz}$	1.0 dB	1.3 dB
$40\text{MHz} < \text{BW} \leq 100\text{MHz}$	1.3 dB	1.3 dB

6.3D.1_1 Minimum output power for SUL with UL MIMO

6.3D.1_1.1 Test purpose

Same test purpose as in clause 6.3D.1.1.

6.3D.1_1.2 Test applicability

This test applies to all types of NR UE release 17 and forward that support SUL and UL MIMO operating on the SUL bands.

6.3D.1_1.3 Minimum conformance requirements

Same minimum conformance requirements as in clause 6.3D.1.3.

6.3D.1_1.4 Test description

6.3D.1_1.4.1 Initial condition

Initial conditions are a set of test configurations the UE needs to be tested in and the steps for the SS to take with the UE to reach the correct measurement state.

The initial test configurations consist of environmental conditions, test frequencies, test channel bandwidths and sub-carrier spacing based on NR operating bands specified in table 5.3.5-1. All of these configurations shall be tested with applicable test parameters for each combination of test channel bandwidth and sub-carrier spacing, and are shown in table 6.3D.1_1.4.1-1. The details of the uplink reference measurement channels (RMCs) are specified in Annexes A.2. Configurations of PDSCH and PDCCH before measurement are specified in Annex C.2.

Table 6.3D.1_1.4.1-1: Test Configuration Table

Initial Conditions			
Test Environment as specified in TS 38.508-1 [5] subclause 4.1		Normal, TL/VL, TL/VH, TH/VL, TH/VH	
Test Frequencies as specified in TS 38.508-1 [5] subclause 4.3.1		Low range, Mid range, High range for SUL carrier Mid range for non-SUL carrier	
Test Channel Bandwidths as specified in TS 38.508-1 [5] subclause 4.3.1		Lowest, Mid, Highest for SUL carrier Lowest for Non-SUL carrier	
Test SCS as specified in Table 5.5C-1		15kHz for SUL carrier and Lowest supported SCS for Non-SUL carrier	
Test Parameters for Channel Bandwidths			
Test ID	Downlink Configuration	UL Configuration	SUL Configuration
	N/A	N/A	Modulation
1			CP-OFDM QPSK
			RB allocation (NOTE 2)
			Outer Full
NOTE 1: Test Channel Bandwidths are checked separately for each SUL band combination, the applicable channel bandwidths are specified in Table 5.5C-1.			
NOTE 2: The specific configuration of each RB allocation is defined in Table 6.1-1.			

1. Connect the SS to the UE antenna connectors as shown in TS 38.508-1 [5] Annex A, Figure A.3.1.1.5 for TE diagram and section A.3.2 for UE diagram.
2. The parameter settings for the cell are set up according to TS 38.508-1 [5] subclause 4.4.3.
3. Downlink signals are initially set up according to Annex C.0, C.1, C.2, and uplink signals according to Annex G.0, G.1, G.2 and G.3.0 with consideration of supplementary uplink physical channels.
4. The UL Reference Measurement Channel is set according to Table 6.3D.1_1.4.1-1.
5. Propagation conditions are set according to Annex B.0.
6. Ensure the UE is in State RRC_CONNECTED with generic procedure parameters Connectivity NR, Connected without release On, Test Mode On and Test Loop Function On according to TS 38.508-1 [5] clause 4.5. Message contents are defined in clause 6.3D.1_1.4.3.

6.3D.1_1.4.2 Test procedure

1. SS sends uplink scheduling information for each UL HARQ process via PDCCH DCI format 0_1 for C_RNTI to schedule the UL RMC according to Table 6.3D.1_1.4.1-1. Since the UE has no payload and no loopback data to send the UE sends uplink MAC padding bits on the UL RMC. The PDCCH DCI format 0_1 is specified with the condition 2TX_UL_MIMO in 38.508-1 [5] subclause 4.3.6.1.1.2.
2. Send continuously uplink power control "down" commands in every uplink scheduling information to the UE; allow at least 200ms starting from the first TPC command in this step to ensure that the UE transmits at its minimum output power.
3. Measure the sum of mean power of the UE at each UE antenna connector in the associated measurement channel bandwidth specified in Table 6.3D.1_1.5-1 for the specific channel bandwidth under test. The period of

measurement shall be at least the continuous duration of 1ms over all active uplink slots and in the uplink symbols.

6.3D.1_1.4.3 Message contents

Message contents are according to TS 38.508-1 [5] subclause 4.3.6.1.1.2 ensuring UL/SUL indicator in Table 4.3.6.1.1.2-1 with condition SUL, subclause 4.6 ensuring Table 4.6.1-28 with condition SUL AND (RF OR RRM), Tables 4.6.3-14 with condition SUL_SUL for SUL carrier, Table 4.6.3-167 with condition PUSCH_PUCCH_ON_SUL, and Table 4.6.3-182 with the condition 2TX_UL_MIMO.

6.3D.1_1.5 Test requirement

The minimum output power, derived in step 3 shall not exceed the values specified in Table 6.3D.1_1.5-1.

Table 6.3D.1_1.5-1: Minimum output power

Channel bandwidth (MHz)	Minimum output power (dBm)	Measurement bandwidth (MHz)
5	-40+TT	4.515
10	-40+TT	9.375
15	-40+TT	14.235
20	-40+TT	19.095
25	-39+TT	23.955
30	-38.2+TT	28.815
35	-37.6+TT	33.855
40	-37+TT	38.895
45	-36.5+TT	43.575
50	-36+TT	48.615
60	-35.2+TT	58.35
70	-34.6+TT	68.07+TT
80	-34+TT	78.15
90	-33.5+TT	88.23
100	-33+TT	98.31

NOTE 1: TT for each frequency and channel bandwidth is specified in Table 6.3D.1_1.5-2

Table 6.3D.1_1.5-2: Test Tolerance (Minimum output power)

	$f \leq 3.0\text{GHz}$	$3.0\text{GHz} < f \leq 6.0\text{GHz}$
$\text{BW} \leq 40\text{MHz}$	1.0 dB	1.3 dB
$40\text{MHz} < \text{BW} \leq 100\text{MHz}$	1.3 dB	1.3 dB

6.3D.2 Transmit OFF power for UL MIMO

6.3D.2.1 Test purpose

To verify that the UE transmit OFF power for UL MIMO is lower than the value specified in the test requirement.

An excess Transmit OFF power potentially increases the Rise Over Thermal (RoT) and therefore reduces the cell coverage area for other UEs.

6.3D.2.2 Test applicability

The requirements of this test apply in test cases 6.3D.3 Transmit ON/OFF time mask for UL MIMO to all types of NR Power Class 1.5, Power Class 2 and Power Class 3 UE release 15 and forward that support 2-layer codebook based UL MIMO.

6.3D.2.3 Minimum conformance requirements

The transmit OFF power is defined as the mean power at each transmit connector in a duration of at least one sub-frame (1ms) excluding any transient periods.

The transmit OFF power at each transmit connector shall not exceed the values specified in Table 6.3D.2.3-1.

Table 6.3D.2.3-1: Transmit OFF power

Channel bandwidth	(MHz)	5,10,15,20,25,30,35,40,45,50	60,70,80,90,100
REF_SCS	(kHz)	15	30
Transmit OFF power	(dBm)	-50	
Measurement bandwidth	(MHz)	$MBW=REF_SCS*(12*N_{RB}+1)/1000$	

The normative reference for this requirement is TS 38.101-1 [2] clause 6.3D.2.

6.3D.2.4 Test description

This test is covered by clause 6.3D.3 Transmit ON/OFF time mask for UL MIMO.

6.3D.2.5 Test requirement

The requirement for the transmit OFF power at each transmit antenna connector shall not exceed the values specified in Table 6.3D.2.5-1.

Table 6.3D.2.5-1: Transmit OFF power

Channel bandwidth (MHz)	Transmit OFF power (dBm)	Measurement bandwidth (MHz)
5	-50+TT	4.515
10	-50+TT	9.375
15	-50+TT	14.235
20	-50+TT	19.095
25	-50+TT	23.955
30	-50+TT	28.815
35	-50+TT	33.855
40	-50+TT	38.895
45	-50+TT	43.575
50	-50+TT	48.615
60	-50+TT	58.35
70	-50+TT	68.07
80	-50+TT	78.15
90	-50+TT	88.23
100	-50+TT	98.31

NOTE 1: TT for each frequency and channel bandwidth is specified in Table 6.3D.2.5-2

Table 6.3D.2.5-2: Test Tolerance (Transmit OFF power)

	$f \leq 3.0\text{GHz}$	$3.0\text{GHz} < f \leq 6\text{GHz}$
$BW \leq 40\text{MHz}$	1.5 dB	1.8 dB
$40\text{MHz} < BW \leq 100\text{MHz}$	1.7 dB	1.8 dB

6.3D.2_1 Transmit OFF power for SUL with UL MIMO

6.3D.2_1.1 Test purpose

Same test purpose as in clause 6.3D.2.1.

6.3D.2_1.2 Test applicability

This test applies to all types of NR UE release 17 and forward that support SUL and UL MIMO operating on the SUL bands.

6.3D.2_1.3 Minimum conformance requirements

Same minimum conformance requirements as in clause 6.3D.2.3.

6.3D.2_1.4 Test description

This test is covered by clause 6.3D.3_1 Transmit ON/OFF time mask for SUL with UL MIMO.

6.3D.2_1.5 Test requirement

The requirement for the transmit OFF power at each transmit antenna connector shall not exceed the values specified in Table 6.3D.2_1.5-1.

Table 6.3D.2_1.5-1: Transmit OFF power

Channel bandwidth (MHz)	Transmit OFF power (dBm)	Measurement bandwidth (MHz)
5	-50+TT	4.515
10	-50+TT	9.375
15	-50+TT	14.235
20	-50+TT	19.095
25	-50+TT	23.955
30	-50+TT	28.815
35	-50+TT	33.855
40	-50+TT	38.895
45	-50+TT	43.575
50	-50+TT	48.615
60	-50+TT	58.35
70	-50+TT	68.07
80	-50+TT	78.15
90	-50+TT	88.23
100	-50+TT	98.31
NOTE 1: TT for each frequency and channel bandwidth is specified in Table 6.3D.2_1.5-2		

Table 6.3D.2_1.5-2: Test Tolerance (Transmit OFF power)

	$f \leq 3.0\text{GHz}$	$3.0\text{GHz} < f \leq 6\text{GHz}$
$\text{BW} \leq 40\text{MHz}$	1.5 dB	1.8 dB
$40\text{MHz} < \text{BW} \leq 100\text{MHz}$	1.7 dB	1.8 dB

6.3D.3 Transmit ON/OFF time mask for UL MIMO

6.3D.3.1 Test purpose

To verify that the general ON/OFF time mask for UL MIMO meets the requirements given in 6.3D.3.5

The transmit power time mask for transmit ON/OFF defines the transient period(s) allowed between transmit OFF power as defined in sub-clause 6.3D.2 and transmit ON power symbols (transmit ON/OFF)

Transmission of the wrong power increases interference to other channels, or increases transmission errors in the uplink channel.

6.3D.3.2 Test applicability

This test case applies to all types of NR Power Class 1.5, Power Class 2 and Power Class 3 UE release 15 and forward that support 2-layer codebook based UL MIMO.

6.3D.3.3 Minimum conformance requirements

For UE supporting UL MIMO, the ON/OFF time mask requirements in subclause 6.3.3.2.3 apply to each transmit antenna connector.

For UE with two transmit antenna connectors in closed-loop spatial multiplexing scheme, the general ON/OFF time mask requirements specified in subclause 6.3.3.2.3 apply to each transmit antenna connector with the UL MIMO configurations specified in Table 6.3D.3.3-1.

Table 6.3D.3.3-1: UL MIMO configuration in closed-loop spatial multiplexing scheme

Transmission scheme	DCI format	Codebook Index
Codebook based uplink	DCI format 0_1	Codebook index 0

The normative reference for this requirement is TS 38.101-1 [2] clause 6.3D.3

6.3D.3.4 Test description

6.3D.3.4.1 Initial condition

Initial conditions are a set of test configurations the UE needs to be tested in and the steps for the SS to take with the UE to reach the correct measurement state.

The initial test configurations consist of environmental conditions, test frequencies, test channel bandwidths and sub-carrier spacing based on NR operating bands specified in table 5.3.5-1. All of these configurations shall be tested with applicable test parameters for each combination of channel bandwidth and sub-carrier spacing, and are shown in table 6.3D.3.4.1-1. The details of the uplink reference measurement channels (RMCs) are specified in Annex A.2. Configurations of PDSCH and PDCCH before measurement are specified in Annex C.2.

Table 6.3D.3.4.1-1: Test Configuration Table

Initial Conditions			
Test Environment as specified in TS 38.508-1 [5] subclause 4.1		Normal, TL/VL, TL/VH, TH/VL, TH/VH	
Test Frequencies as specified in TS 38.508-1 [5] subclause 4.3.1		Low range, Mid range, High range	
Test Channel Bandwidths as specified in TS 38.508-1 [5] subclause 4.3.1		Lowest, Mid, Highest	
Test SCS as specified in Table 5.3.5-1		Lowest, Highest	
Test Parameters for Channel Bandwidths			
Test ID	Downlink Configuration	Uplink Configuration	
1	N/A for minimum output power test case	Modulation	RB allocation (NOTE 1)
		CP-OFDM QPSK	Inner Full
NOTE 1: The specific configuration of each RB allocation is defined in Table 6.1-1.			

1. Connect the SS to the UE antenna connectors as shown in TS 38.508-1 [5] Annex A, Figure A.3.1.1.2 for TE diagram and section A.3.2 for UE diagram.
2. The parameter settings for the cell are set up according to TS 38.508-1 [5] subclause 4.4.3.
3. Downlink signals are initially set up according to Annex C.0, C.1, C.2, and uplink signals according to Annex G.0, G.1, G.2, G.3.0.
4. The UL Reference Measurement Channel is set according to Table 6.3D.3.4.1-1.
5. Propagation conditions are set according to Annex B.0.
6. Ensure the UE is in State RRC_CONNECTED with generic procedure parameters Connectivity *NR*, Connected without release *On*, Test Mode *On* and Test Loop Function *On* according to TS 38.508-1 [5] clause 4.5. Message contents are defined in clause 6.3D.3.4.3.

6.3D.3.4.2 Test procedure

1. SS sends uplink scheduling information via PDCCH DCI format 0_1 for C_RNTI to schedule the UL RMC according to Table 6.3D.3.4.1-1. Since the UE has no payload and no loopback data to send the UE sends uplink MAC padding bits on the UL RMC. The UL assignment is such that the UE transmits on slots 8 for 15kHz SCS, on slots 8 and 18 for 30kHz SCS and on slots 17 and 37 for 60kHz SCS. The PDCCH DCI format 0_1 is specified with the condition 2TX_UL_MIMO in 38.508-1 [5] subclause 4.3.6.1.1.2.
2. Send continuously uplink power control "up" commands in every uplink scheduling information to the UE; allow at least 200ms starting from the first TPC command in this step for the UE to reach P_{UMAX} level.
3. On power sub test:
 - 3.1. Measure the sum output power at two transmit antenna connectors of the UE PUSCH transmission during one slot.
4. OFF power sub test:
 - 4.1. Measure the UE transmission OFF power at each antenna connectors during the slot prior to the PUSCH transmission, excluding a transient period of 10 μs at the end of the slot.
 - 4.2. Measure the UE transmission OFF power at each antenna connectors during the slot following the PUSCH transmission, excluding a transient period of 10 μs at the beginning of the slot.

6.3D.3.4.3 Message contents

Message contents are according to TS 38.508-1 [5] subclause 4.6 ensuring Table 4.6.3-182 with condition 2TX_UL_MIMO and following exceptions.

Table 6.3D.3.4.3-1: Void

Table 6.3D.3.4.3-2: TDD-UL-DL-Config

Derivation Path: TS 38.508-1[5], Table 4.6.3-192			
Information Element	Value/remark	Comment	Condition
TDD-UL-DL-ConfigCommon ::= SEQUENCE {			
referenceSubcarrierSpacing	SubcarrierSpacing		
pattern1 SEQUENCE {			
dl-UL-TransmissionPeriodicity	ms5		FR1
	ms10		FR1_15kHz
nrofDownlinkSlots	6		FR1_15kHz
	6		FR1_30kHz
	14		FR1_60kHz
nrofDownlinkSymbols	10		FR1_15kHz
	6		FR1_30kHz
	12		FR1_60kHz
nrofUplinkSlots	3		FR1_15kHz, FR1_30kHz
	4		FR1_60kHz
nrofUplinkSymbols	4		FR1_30kHz
	2		FR1_15kHz,
	8		FR1_60kHz
}			
pattern2	Not present		
}			

Table 6.3D.3.4.3-3: PUSCH-TimeDomainResourceAllocationList

Derivation Path: TS 38.508-1[5], Table 4.6.3-122			
Information Element	Value/remark	Comment	Condition
PUSCH-TimeDomainResourceAllocationList ::= SEQUENCE (SIZE(1..maxNrofUL-Allocations)) OF {	2 entries		
PUSCH-TimeDomainResourceAllocation[1]			
SEQUENCE {			

k2	4		FR1_15kHz, FR1_30kHz
	6		FR1_60kHz
mappingType	typeA		
startSymbolAndLength	27	Start symbol(S)=0, Length(L)=14	
}			
PUSCH-TimeDomainResourceAllocation[2] SEQUENCE {		addressed by Msg3 PUSCH time resource allocation field of the Random Access Response acc. to TS 38.213 [22] Table 8.2-1.	
k2	2	$K_2 + \Delta = 4$ acc. to TS 38.214 [21] Table 6.1.2.1.1-5 (NOTE 1)	FR1_15kHz
	6	$K_2 + \Delta = 9$ acc. to TS 38.214 [21] Table 6.1.2.1.1-5 (NOTE 1)	FR1_30kHz
mappingType	typeA		
startSymbolAndLength	27	Start symbol(S)=0, Length(L)=14	
}			
}			
NOTE 1: Values are chosen so that first slot of a TDD-UL-DL slot configuration period can be used for the Random Access Response and the last slot (of the same or another period) for the corresponding Msg3.			

Condition	Explanation
FR1_15kHz	FR1 is used under the test. SCS is set to 15kHz.
FR1_30kHz	FR1 is used under the test. SCS is set to 30kHz.
FR1_60kHz	FR1 is used under the test. SCS is set to 60kHz.

Table 6.3D.3.4.3-4: Void

Table 6.3D.3.4.3-5: P-Max

Derivation Path: TS 38.508-1 [5], Table 4.6.3-89			
Information Element	Value/remark	Comment	Condition
P-Max	23		Power class 2 or power class 1.5

6.3D.3.5 Test requirement

The requirement for the power measured in steps 2, 3 and 4 of the test procedure shall not exceed the values specified in Table 6.3D.3.5-1.

Table 6.3D.3.5-1: General ON/OFF time mask

	5 MHz	10 MHz	15 MHz	20 MHz	25 MHz	30 MHz	35 MHz	40 MHz	45 MHz	50 MHz	60 MHz	70 MHz	80 MHz	90 MHz	100 MHz
Transmit OFF power	≤ -50+TT dBm														
Transmission OFF measurement bandwidth	4.515	9.375	14.235	19.095	23.955	28.815	33.855	38.895	43.575	48.615	58.35	68.07	78.15	88.23	98.31
Transmit ON power	Same as test ID 1 in Table 6.2D.2.5-1														
OTE 1: TT for each frequency and channel bandwidth of OFF power is specified in Table 6.3D.3.2.5-2															
OTE 2: TT for each frequency and channel bandwidth of ON power is specified in Table 6.2D.1.5-2															

Table 6.3D.3.5-2: Test Tolerance for OFF power

	f ≤ 3.0GHz	3.0GHz < f ≤ 6GHz
BW ≤ 40MHz	1.5 dB	1.8 dB
40MHz < BW ≤ 100MHz	1.7 dB	1.8 dB

Table 6.3D.3.5-3: Void

6.3D.3_1 Transmit ON/OFF time mask for SUL with UL MIMO

6.3D.3_1.1 Test purpose

Same test purpose as in clause 6.3D.3.1.

6.3D.3_1.2 Test applicability

This test applies to all types of NR UE release 17 and forward that support SUL and UL MIMO operating on the SUL bands.

6.3D.3_1.3 Minimum conformance requirements

Same minimum conformance requirements as in clause 6.3D.3.3.

6.3D.3_1.4 Test description

6.3D.3_1.4.1 Initial conditions

Initial conditions are a set of test configurations the UE needs to be tested in and the steps for the SS to take with the UE to reach the correct measurement state.

The initial test configurations consist of environmental conditions, test frequencies, test channel bandwidths and sub-carrier spacing based on NR operating bands specified in table 5.3.5-1. All of these configurations shall be tested with applicable test parameters for each combination of test channel bandwidth and sub-carrier spacing, and are shown in table 6.3D.3_1.4.1-1. The details of the uplink reference measurement channels (RMCs) are specified in Annexes A.2. Configurations of PDSCH and PDCCH before measurement are specified in Annex C.2.

Table 6.3D.3_1.4.1-1: Test Configuration Table

Initial Conditions	
Test Environment as specified in TS 38.508-1 [5] subclause 4.1	Normal, TL/VL, TL/VH, TH/VL, TH/VH
Test Frequencies as specified in TS 38.508-1 [5] subclause 4.3.1	Low range, Mid range, High range for SUL carrier Mid range for Non-SUL carrier

Test Channel Bandwidths as specified in TS 38.508-1 [5] subclause 4.3.1		Lowest, Mid, Highest for SUL carrier Lowest for Non-SUL carrier	
Test SCS as specified in Table 5.5C-1		15kHz for SUL carrier and Lowest supported SCS for Non-SUL carrier	
Test Parameters for Channel Bandwidths			
Test ID	Downlink Configuration	UL Configuration	SUL Configuration
	N/A	N/A	Modulation
1			CP-OFDM QPSK
			RB allocation (NOTE 2)
			Inner Full
NOTE 1: Test Channel Bandwidths are checked separately for each SUL band combination, the applicable channel bandwidths are specified in Table 5.5C-1.			
NOTE 2: The specific configuration of each RB allocation is defined in Table 6.1-1.			

1. Connect the SS to the UE antenna connectors as shown in TS 38.508-1 [5] Annex A, Figure A.3.1.1.5 for TE diagram and section A.3.2 for UE diagram.
2. The parameter settings for the cell are set up according to TS 38.508-1 [5] subclause 4.4.3.
3. Downlink signals are initially set up according to Annex C.0, C.1, C.2, and uplink signals according to Annex G.0, G.1, G.2 and G.3.0 with consideration of supplementary uplink physical channels.
4. The UL Reference Measurement Channel is set according to Table 6.3D.3_1.4.1-1
5. Propagation conditions are set according to Annex B.0.
6. Ensure the UE is in state RRC_CONNECTED with generic procedure parameters Connectivity NR, Connected without release On, Test Mode On and Test Loop Function On according to TS 38.508-1 [5] clause 4.5. Message contents are defined in clause 6.3D.3_1.4.3.

6.3D.3_1.4.2 Test procedure

1. SS sends uplink scheduling information via PDCCH DCI format 0_1 for C_RNTI to schedule the UL RMC according to Table 6.3D.3_1.4.1-1. Since the UE has no payload and no loopback data to send the UE sends uplink MAC padding bits on the UL RMC. The UL assignment is such that the UE transmits on slots 8 for 15kHz SCS, on slots 8 and 18 for 30kHz SCS and on slots 17 and 37 for 60kHz SCS. The PDCCH DCI format 0_1 is specified with the condition 2TX_UL_MIMO in 38.508-1 [5] subclause 4.3.6.1.1.2.
2. Send continuously uplink power control "up" commands in every uplink scheduling information to the UE; allow at least 200ms starting from the first TPC command in this step for the UE to reach P_{UMAX} level.
3. On power sub test:
 - 3.1. Measure the sum output power at two transmit antenna connectors of the UE PUSCH transmission during one slot.
4. OFF power sub test:
 - 4.1. Measure the UE transmission OFF power at each antenna connectors during the slot prior to the PUSCH transmission, excluding a transient period of 10 μs at the end of the slot.
 - 4.2. Measure the UE transmission OFF power at each antenna connectors during the slot following the PUSCH transmission, excluding a transient period of 10 μs at the beginning of the slot.

6.3D.3_1.4.3 Message contents

Message contents are according to TS 38.508-1 [5] subclause 4.3.6.1.1.2 ensuring UL/SUL indicator in Table 4.3.6.1.1.2-1 with condition SUL, subclause 4.6 ensuring Table 4.6.1-28 with condition SUL AND (RF OR RRM), Tables 4.6.3-14 with condition SUL_SUL for SUL carrier, Table 4.6.3-167 with condition PUSCH_PUCCH_ON_SUL, and Table 4.6.3-182 with the condition 2TX_UL_MIMO and following exception.

Table 6.3D.3_1.4.3-1: TDD-UL-DL-Config

Derivation Path: TS 38.508-1[5], Table 4.6.3-192			
Information Element	Value/remark	Comment	Condition
TDD-UL-DL-ConfigCommon ::= SEQUENCE {			
referenceSubcarrierSpacing	SubcarrierSpacing		

pattern1 SEQUENCE {			
dl-UL-TransmissionPeriodicity	ms5		FR1
	ms10		FR1_15kHz
nrofDownlinkSlots	6		FR1_15kHz
	6		FR1_30kHz
	14		FR1_60kHz
nrofDownlinkSymbols	10		FR1_15kHz
	6		FR1_30kHz
	12		FR1_60kHz
nrofUplinkSlots	3		FR1_15kHz, FR1_30kHz
	4		FR1_60kHz
nrofUplinkSymbols	4		FR1_30kHz
	2		FR1_15kHz,
	8		FR1_60kHz
}			
pattern2	Not present		
}			

Table 6.3D.3_1.4.3-2: PUSCH-TimeDomainResourceAllocationList

Derivation Path: TS 38.508-1[5], Table 4.6.3-122			
Information Element	Value/remark	Comment	Condition
PUSCH-TimeDomainResourceAllocationList ::= SEQUENCE (SIZE(1..maxNrofUL-Allocations)) OF { PUSCH-TimeDomainResourceAllocation[1] SEQUENCE {	2 entries		
k2	4		FR1_15kHz, FR1_30kHz
	6		FR1_60kHz
mappingType	typeA		
startSymbolAndLength	27	Start symbol(S)=0, Length(L)=14	
}			
PUSCH-TimeDomainResourceAllocation[2] SEQUENCE {		addressed by Msg3 PUSCH time resource allocation field of the Random Access Response acc. to TS 38.213 [22] Table 8.2-1.	
k2	2	K ₂ + Δ=4 acc. to TS 38.214 [21] Table 6.1.2.1.1-5 (NOTE 1)	FR1_15kHz
	6	K ₂ + Δ=9 acc. to TS 38.214 [21] Table 6.1.2.1.1-5 (NOTE 1)	FR1_30kHz
mappingType	typeA		
startSymbolAndLength	27	Start symbol(S)=0, Length(L)=14	
}			
}			
NOTE 1: Values are chosen so that first slot of a TDD-UL-DL slot configuration period can be used for the Random Access Response and the last slot (of the same or another period) for the corresponding Msg3.			

Condition	Explanation
FR1_15kHz	FR1 is used under the test. SCS is set to 15kHz.
FR1_30kHz	FR1 is used under the test. SCS is set to 30kHz.
FR1_60kHz	FR1 is used under the test. SCS is set to 60kHz.

Table 6.3D.3_1.4.3-3: P-Max

Derivation Path: TS 38.508-1 [5], Table 4.6.3-89			
Information Element	Value/remark	Comment	Condition
P-Max	23		

6.3D.3_1.5 Test requirement

The requirement for the power measured in steps 2, 3 and 4 of the test procedure shall not exceed the values specified in Table 6.3D.3.5-1.

Table 6.3D.3_1.5-1: General ON/OFF time mask

	Channel bandwidth / minimum output power / measurement bandwidth														
	5 MHz	10 MHz	15 MHz	20 MHz	25 MHz	30 MHz	35 MHz	40 MHz	45 MHz	50 MHz	60 MHz	70 MHz	80 MHz	90 MHz	100 MHz
Transmit OFF power	$\leq -50+TT$ dBm														
Transmission OFF Measurement bandwidth	4.515	9.375	14.235	19.095	23.955	28.815	33.855	38.895	43.575	48.615	58.35	68.07	78.15	88.23	98.31
Transmit ON power	Same as test ID 1 in Table 6.2D.2.5-1														
NOTE 1: TT for each frequency and channel bandwidth is specified in Table 6.3D.3_1.5-2															

Table 6.3D.3_1.5-2: Test Tolerance for OFF power

	$f \leq 3.0\text{GHz}$	$3.0\text{GHz} < f \leq 6\text{GHz}$
BW $\leq 40\text{MHz}$	1.5 dB	1.8 dB
$40\text{MHz} < \text{BW} \leq 100\text{MHz}$	1.7 dB	1.8 dB

6.3D.4 Power control for UL MIMO

6.3D.4.1 Absolute power tolerance for UL MIMO

6.3D.4.1.1 Test purpose

To verify the ability of the UE transmitter for UL MIMO to set its initial output power to a specific value at the start of a contiguous transmission or non-contiguous transmission with a long transmission gap, i.e. transmission gap is larger than 20ms.

6.3D.4.1.2 Test applicability

This test case applies to all types of NR Power Class 1.5, Power Class 2 and Power Class 3 UE release 15 and forward that support 2-layer codebook based UL MIMO.

6.3D.4.1.3 Minimum conformance requirements

For UE supporting UL MIMO, the power control tolerance applies to the sum of output power at each transmit antenna connector.

The power control requirements specified in subclause 6.3.4.2 apply to UE with two transmit antenna connectors in closed-loop spatial multiplexing scheme. The requirements shall be met with UL MIMO configurations described in Table 6.3D.4.1.3-1

Table 6.3D.4.1.3-1: UL MIMO configuration in closed-loop spatial multiplexing scheme

Transmission scheme	DCI format	Codebook Index
Codebook based uplink	DCI format 0_1	Codebook index 0

The normative reference for this requirement is TS 38.101-1 [2] clause 6.3D.4.

6.3D.4.1.4 Test description

6.3D.4.1.4.1 Initial conditions

Initial conditions are a set of test configurations the UE needs to be tested in and the steps for the SS to take with the UE to reach the correct measurement state.

The initial test configurations consist of environmental conditions, test frequencies, test channel bandwidths and sub-carrier spacing based on NR operating bands specified in table 5.3.5-1. All of these configurations shall be tested with applicable test parameters for each combination of test channel bandwidth and sub-carrier spacing, and are shown in table 6.3D.4.1.4.1-1. The details of the uplink reference measurement channels (RMCs) are specified in Annexes A.2. Configurations of PDSCH and PDCCH before measurement are specified in Annex C.2.

Table 6.3D.4.1.4.1-1: Test Configuration Table

Initial Conditions				
Test Environment as specified in TS 38.508-1 [5] subclause 4.1			Normal	
Test Frequencies as specified in TS 38.508-1 [5] subclause 4.3.1			Mid range	
Test Channel Bandwidths as specified in TS 38.508-1 [5] subclause 4.3.1			Lowest, Mid, Highest	
Test SCS as specified in Table 5.3.5-1			Lowest, Highest	
Test Parameters				
Test ID	Downlink Configuration		Uplink Configuration	
	Modulation	RB Allocation	Modulation	RB allocation (NOTE 1)
1	N/A for Absolute power tolerance test case		CP-OFDM QPSK	Outer_Full
NOTE 1: The specific configuration of each RF allocation is defined in Table 6.1-1.				

1. Connect the SS to the UE antenna connectors as shown in TS 38.508-1 [5] Annex A, Figure A.3.1.1.2 for TE diagram and section A.3.2 for UE diagram.

2. The parameter settings for the cell are set up according to TS 38.508-1 [5] subclause 4.4.3.
3. Downlink signals are initially set up according to Annex C.0, C.1, C.2, and uplink signals according to Annex G.0, G.1, G.2, G.3.0.
4. The UL Reference Measurement Channel is set according to Table 6.3D.4.1.4.1-1.
5. Propagation conditions are set according to Annex B.0.
6. Ensure the UE is in state RRC_CONNECTED with generic procedure parameters Connectivity NR, Connected without release On, Test Mode On and Test Loop Function On according to TS 38.508-1 [5] clause 4.5. Message contents are defined in clause 6.3D.4.1.4.3. Note that PDCCH DCI format 0_1 sent after resetting uplink power with RRC Connection Reconfiguration, should have TPC command 0dB.

6.3D.4.1.4.2 Test procedure

Same test procedure as clause 6.3.4.2.4.2 with following exceptions.

The power of UE PUSCH first transmissions should be measured as the sum power at each antenna connector.

6.3D.4.1.4.3 Message contents

Message contents are according to TS 38.508-1 [5] subclause 4.6 ensuring Table 4.6.3-182 with condition 2TX_UL_MIMO and following exceptions.

Table 6.3D.4.1.4.3-1: UplinkPowerControlCommon: Test point 1

Derivation Path: TS 38.508-1 [5] subclause 4.6.3 Table 4.6.3-119 PUSCH-ConfigCommon			
Information Element	Value/remark	Comment	Condition
PUSCH-ConfigCommon ::= SEQUENCE {			
p0-NominalWithGrant	-114	Test point 1 to verify a UE relative low initial power transmission	
}			

Table 6.3D.4.1.4.3-2: UplinkPowerControlCommon: Test point 2

Derivation Path: TS 38.508-1 [5] subclause 4.6.3 Table 4.6.3-119 PUSCH-ConfigCommon			
Information Element	Value/remark	Comment	Condition
PUSCH-ConfigCommon ::= SEQUENCE {			
p0-NominalWithGrant	-100	Test point 2 to verify a UE relative high initial power transmission	
}			

Table 6.3D.4.1.4.3-3: ServingCellConfigCommon

Derivation Path: 38.508-1[5], Table 4.6.3-168			
Information Element	Value/remark	Comment	Condition
ServingCellConfigCommon ::= SEQUENCE {			
ss-PBCH-BlockPower	18		SCS_15kHz
	21		SCS_30kHz
}			

Condition	Explanation
SCS_15kHz	SCS=15kHz for SS/PBCH block
SCS_30kHz	SCS=30kHz for SS/PBCH block

6.3D.4.1.5 Test requirement

The requirement for the power measured in step (2) of the test procedure is not to exceed the values specified in Table 6.3D.4.1.5-1 and 6.3D.4.1.5-2.

Table 6.3D.4.1.5-1: Absolute power tolerance: test point 1

		Channel bandwidth / expected output power (dBm)														
		5 MHz	10 MHz	15 MHz	20 MHz	25 MHz	30 MHz	35 MHz	40 MHz	45 MHz	50 MHz	60 MHz	70 MHz	80 MHz	90 MHz	100 MHz
Expected Measured power	SCS15	-17.6	-14.4	-12.6	-11.3	-10.4	-9.6	-8.9	-8.3	-7.8	-7.3	N/A	N/A	N/A	N/A	N/A
	SCS30	-18.2	-14.8	-12.8	-11.5	-10.5	-9.7	-9	-8.3	-7.8	-7.4	-6.5	-5.8	-5.2	-4.7	-4.2
	SCS60		-15.2	-13	-11.8	-10.7	-9.8	-9.1	-8.5	-7.9	-7.5	-6.6	-5.9	-5.3	-4.8	-4.3
Power tolerance		± (9+TT)dB														
Note 1:		The lower power limit shall not exceed the minimum output power requirements defined in sub-clause 6.3.2.3														
Note 2:		TT for each duplex, Sub-Carrier Spacing, frequency and channel bandwidth is specified in Table 6.3.4.2.5-3.														

Table 6.3D.4.1.5-2: Absolute power tolerance: test point 2

		Channel bandwidth / expected output power (dBm)														
		5 MHz	10 MHz	15 MHz	20 MHz	25 MHz	30 MHz	35 MHz	40 MHz	45 MHz	50 MHz	60 MHz	70 MHz	80 MHz	90 MHz	100 MHz
Expected Measured power	SCS15	-3.6	0.4	1.4	2.7	3.6	4.4	5.1	5.7	6.2	6.7	N/A	N/A	N/A	N/A	N/A
	SCS30	-4.2	-0.8	1.2	2.5	3.5	4.3	5	5.7	6.2	6.6	7.5	8.2	8.8	9.3	9.8
	SCS60	N/A	-1.2	1	2.2	3.3	4.2	4.9	5.5	6.1	6.5	7.4	8.1	8.7	9.2	9.7
Power tolerance		± (9+TT)dB														
Note 1:		The higher power limit shall not exceed the maximum output power requirements defined in sub-clause 6.2.1.3														
Note 2:		TT for each duplex, Sub-Carrier Spacing, frequency and channel bandwidth is specified in Table 6.3.4.2.5-3.														

Table 6.3D.4.1.5-3: Test Tolerance

	f ≤ 3.0GHz	3.0GHz < f ≤ 6.0GHz
BW ≤ 40MHz	1.0 dB	1.4 dB
40MHz < BW ≤ 100MHz	1.4 dB	1.4 dB

Absolute power tolerance for SUL with UL MIMO

Test purpose

to be used in clause 6.3D.4.1.1.

Test applicability

to all types of NR UE release 17 and forward that support SUL and UL MIMO operating on the SUL

Minimum conformance requirements

For UL MIMO, the power control tolerance applies to the sum of output powers from both transmit antennas.

The requirements specified in clause 6.3.4 apply to UE with two transmit antenna connectors in closed-loop MIMO scheme. The requirements shall be met with UL MIMO configurations described in clause

6.3.4 for single antenna-port PUSCH transmission by DCI format 0_0 or by DCI format 0_1 for single antenna-port PDSCH-based transmission, the requirements in clause 6.3.4 apply.

The reference for this requirement is TS 38.101-1 [2] clause 6.3D.4.

Test description

Initial conditions

These are a set of test configurations the UE needs to be tested in and the steps for the SS to take with the UE in the active measurement state.

The configurations consist of environmental conditions, test frequencies, test channel bandwidths and sub-carrier spacings based on NR operating bands specified in table 5.3.5-1. All of these configurations shall be tested with the test parameters for each combination of test channel bandwidth and sub-carrier spacing and are shown in table 6.3D.4.1.1-1. The details of the uplink reference measurement channels (RMCs) are specified in Annexes A.2. The details of PDSCH and PDCCH before measurement are specified in Annex C.2.

Table 6.3D.4.1_1.4.1-1: Test Configuration Table

Initial Conditions			
Test channel bandwidth as specified in TS 38.508-1 [5] 4.3.1		Normal	
Test frequencies as specified in TS 38.508-1 [5] 4.3.1		Mid-range for SUL and Non-SUL carrier	
Test channel Bandwidths as specified in TS 38.508-1 [5] 4.3.1		Lowest, Mid, Highest for SUL carrier Lowest for Non-SUL carrier	
Sub-carrier spacing as specified in Table 5.3.5-1		15kHz for SUL carrier and Lowest supported SCS for Non-SUL carrier	
Test Parameters			
Downlink Configuration	Uplink Configuration	SUL Configuration	
		Modulation	RB allocation (NOTE 2)
N/A	N/A	CP-OFDM QPSK	Outer_Full

Test Channel Bandwidths are checked separately for each SUL band combination, the applicable channel bandwidths are specified in Table 5.5C-1.

The specific configuration of each RF allocation is defined in Table 6.1-1.

he SS to the UE antenna connectors as shown in TS 38.508-1 [5] Annex A, Figure A.3.1.1.5 for TE and section A.3.2 for UE diagram.

meter settings for the cell are set up according to TS 38.508-1 [5] subclause 4.4.3.

signals are initially set up according to Annex C.0, C.1, C.2, and uplink signals according to Annex G.2, G.3.0.

reference Measurement Channel is set according to Table 6.3D.4.1_1.4.1-1.

on conditions are set according to Annex B.0.

the UE is in state RRC_CONNECTED with generic procedure parameters Connectivity NR, Connected Release On, Test Mode On and Test Loop Function On according to TS 38.508-1 [5] clause 4.5. Message are defined in clause 6.3D.4.1_1.4.3. Note that PDCCH DCI format 0_1 sent after resetting uplink in RRC Connection Reconfiguration, should have TPC command 0dB.

Test procedure

uplink scheduling information for each UL HARQ process via PDCCH DCI format 0_1 with TPC 0dB for C_RNTI to schedule the UL RMC according to Table 6.3D.4.1_1.4.1-1. Since the UE has no and no loopback data to send the UE sends uplink MAC padding bits on the UL RMC.

the sum of initial output power from both transmit antenna connector of the first sub-frame (1ms) of UE first transmission.

for the two test points as indicated in section 6.3D.4.1_1.4.3. The timing of the execution between the points shall be larger than 20ms.

Message contents

are according to TS 38.508-1 [5] subclause 4.3.6.1.1.2 ensuring UL/SUL indicator in Table 4.6.1-28 with condition SUL, subclause 4.6 ensuring Table 4.6.1-28 with condition SUL AND (RF OR RRM), with condition SUL_SUL for SUL carrier, Table 4.6.3-167 with condition PUSCH_PUCCH_ON_SUL, 182 with the condition 2TX_UL_MIMO and following exception.

Table 6.3D.4.1_1.4.3-1: UplinkPowerControlCommon: Test point 1

: TS 38.508-1 [5] subclause 4.6.3 Table 4.6.3-119 PUSCH-ConfigCommon			
Information Element	Value/remark	Comment	Condition
Common ::= SEQUENCE {			
thGrant	-114	Test point 1 to verify a UE relative low initial power transmission	

Table 6.3D.4.1_1.4.3-2: UplinkPowerControlCommon: Test point 2

: TS 38.508-1 [5] subclause 4.6.3 Table 4.6.3-119 PUSCH-ConfigCommon			
Information Element	Value/remark	Comment	Condition
Common ::= SEQUENCE {			
thGrant	-100	Test point 2 to verify a UE relative high initial power transmission	

Table 6.3D.4.1_1.4.3-3: ServingCellConfigCommon

Derivation Path: 38.508-1[5], Table 4.6.3-168			
Information Element	Value/remark	Comment	Condition
InfoCommon ::= SEQUENCE {			

kPower	18		SCS_15kHz
--------	----	--	-----------

Condition	Explanation
	SCS=15kHz for SS/PBCH block

Test requirement

for the power measured in step (2) of the test procedure is not to exceed the values specified in Table 6.3D.4.1_1.5-2.

Table 6.3D.4.1_1.5-1: Absolute power tolerance: test point 1

Channel bandwidth / expected output power (dBm)								
5 MHz	10 MHz	15 MHz	20 MHz	25 MHz	30 MHz	40 MHz	50 MHz	
-17.6	-14.4	-12.6	-11.3	-10.4	-9.6	-8.3	-7.3	
± (9+TT)dB								
Lower power limit shall not exceed the minimum output power requirements defined in sub-clause 6.3D.4.1_1.5-3.								
For each duplex, Sub-Carrier Spacing, frequency and channel bandwidth is specified in Table 6.3D.4.1_1.5-3.								

Table 6.3D.4.1_1.5-2: Absolute power tolerance: test point 2

Channel bandwidth / expected output power (dBm)								
5 MHz	10 MHz	15 MHz	20 MHz	25 MHz	30 MHz	40 MHz	50 MHz	
-3.6	0.4	1.4	2.7	3.6	4.4	5.7	6.7	
± (9+TT)dB								
Higher power limit shall not exceed the maximum output power requirements defined in sub-clause 6.3D.4.1_1.3.								
For each duplex, Sub-Carrier Spacing, frequency and channel bandwidth is specified in Table 6.3D.4.1_1.5-3.								

Table 6.3D.4.1_1.5-3: Test Tolerance

	f ≤ 3.0GHz	3.0GHz < f ≤ 6.0GHz
BW ≤ 40MHz	1.0 dB	1.4 dB
40MHz < BW ≤ 100MHz	1.4 dB	1.4 dB

Relative power tolerance for UL MIMO

Test purpose

Ability of the UE transmitter to set its output power in a target sub-frame relatively to the power of the transmitted reference sub-frame if the transmission gap between these sub-frames is ≤ 20ms.

Test applicability

Applies to all types of NR Power Class 1.5, Power Class 2 and Power Class 3 UE release 15 and forward 4G-LTE codebook based UL MIMO.

Minimum conformance requirements

For UL MIMO, the power control tolerance applies to the sum of output power at each transmit antenna

	CP-OFDM QPSK	See Table 6.3D.4.2.5-5 See Table 6.3D.4.2.5-6 See Table 6.3D.4.2.5-7
	CP-OFDM QPSK	See Table 6.3.4.3.5-5 See Table 6.3.4.3.5-6 See Table 6.3.4.3.5-7
	CP-OFDM QPSK	See Table 6.3D.4.2.5-5 See Table 6.3D.4.2.5-6 See Table 6.3D.4.2.5-7
	CP-OFDM QPSK	See Table 6.3D.4.2.5-5 See Table 6.3D.4.2.5-6 See Table 6.3D.4.2.5-7
	CP-OFDM QPSK	See Table 6.3D.4.2.5-5 See Table 6.3D.4.2.5-6 See Table 6.3D.4.2.5-7
The starting resource block shall be RB# 0		

he SS to the UE antenna connectors as shown in TS 38.508-1 [5] Annex A, Figure A.3.1.1.2 for TE and section A.3.2 for UE diagram.

meter settings for the cell are set up according to TS 38.508-1 [5] subclause 4.4.3.

signals are initially set up according to Annex C.0, C.1, C.2, and uplink signals according to Annex G.2, G.3.0.

reference Measurement Channel is set according to Table 6.3D.4.2.4.1-1.

on conditions are set according to Annex B.0.

UE is in state RRC_CONNECTED with generic procedure parameters Connectivity NR, Connected Release On, Test Mode On and Test Loop Function On according to TS 38.508-1 [5] clause 4.5. Message are defined in clause 6.3D.4.2.4.3.

Test procedure

ure as clause 6.3.4.3.4.2 with following exceptions.

ISCH transmissions should be measured as the sum power at each antenna connector.

i.3.4.3.4.1-1 → use Table 6.3D.4.2.4.1-1

ng up pattern sub test should be changed into following description:

uplink scheduling information for each UL HARQ process via PDCCH DCI format 0_1 for C_RNTI to the UL RMC according to Table 6.3D.4.2.4.1-1. Since the UE has no payload and no loopback data to UE sends uplink MAC padding bits on the UL RMC. Send the appropriate TPC commands for PUSCH to ensure that the UE transmits PUSCH at -31.8 dBm +/- 2.7 dB.

Message contents

s are according to TS 38.508-1 [5] subclause 4.6 ensuring Table 4.6.3-182 with condition).

Test requirement

step measured in the test procedure 6.3D.4.2.4.2 should satisfy the test requirements specified in Table 6.3D.4.2.5-7.

F Power amplifier mode changes 2 exceptions are allowed for each of ramping up and ramping down these exceptions the power tolerance limit is a maximum of $\pm (6.0 + TT)$ dB. If there is an exception in used by the RB change for all test patterns (A, B, C) then fail the UE.

4.2.5-1: Test Requirements Relative Power Tolerance for Transmission, channel BW 5MHz, ramp up sub-test

ub-test ID	Applicable sub-frames	Uplink RB allocation	TPC command	Expected power step size (Up) ΔP [dB]	Power step size range (Up) ΔP [dB]	PUSCH [dB]
1	Sub-frames before RB change	Fixed = 1	TPC==+1dB	1	$\Delta P \leq 1$ dB	1 +/- (0.7 + TT)
	RB change	1RB to 5 RBs	TPC==+1dB	7.99	4dB $\leq \Delta P < 10$ dB	7.99 +/- (3.5 + TT)
	Sub-frames after RB change	Fixed = 5	TPC==+1dB	1	$\Delta P \leq 1$ dB	1 +/- (0.7 + TT)
2	Sub-frames before RB change	Fixed = 1	TPC==+1dB	1	$\Delta P \leq 1$ dB	1 +/- (0.7 + TT)
	RB change	1RB to 15 RBs	TPC==+1dB	12.76	10dB $\leq \Delta P < 15$ dB	12.76 +/- (4 + TT)
	Sub-frames after RB change	Fixed = 15	TPC==+1dB	1	$\Delta P \leq 1$ dB	1 +/- (0.7 + TT)
1	Sub-frames before RB change	Fixed = 1	TPC==+1dB	1	$\Delta P \leq 1$ dB	1 +/- (0.7 + TT)
	RB change	1RB to 5 RBs	TPC==+1dB	7.99	4dB $\leq \Delta P < 10$ dB	7.99 +/- (3.5 + TT)
	Sub-frames after RB change	Fixed = 5	TPC==+1dB	1	$\Delta P \leq 1$ dB	1 +/- (0.7 + TT)
2	Sub-frames before RB change	Fixed = 1	TPC==+1dB	1	$\Delta P \leq 1$ dB	1 +/- (0.7 + TT)
	RB change	1RB to 10 RBs	TPC==+1dB	11.00	10dB $\leq \Delta P < 15$ dB	11.00 +/- (4 + TT)
	Sub-frames after RB change	Fixed = 10	TPC==+1dB	1	$\Delta P \leq 1$ dB	1 +/- (0.7 + TT)

Position of RB change:

Pattern A the position of RB uplink allocation change is after 10 active uplink Sub-frames

Pattern B the position of RB uplink allocation change is after 20 active uplink Sub-frames

Pattern C the position of RB uplink allocation change is after 30 active uplink Sub-frames

The starting resource block shall be RB# 0.

T=0.7dB

Applicable if $P_{MAX} \geq P \geq P_{min}$. P_{min} as defined in sub-clause 6.3.1.

4.2.5-2: Test Requirements Relative Power Tolerance for Transmission, channel BW 5MHz, ramp down sub-test

ub-test ID	Applicable sub-frames	Uplink RB allocation	TPC command	Expected power step size (Down) ΔP [dB]	Power step size range (Down) ΔP [dB]	PUSCH [dB]
1	Sub-frames before RB change	Fixed = 5	TPC=-1dB	1	$\Delta P \leq 1$ dB	1 +/- (0.7 + TT)
	RB change	5 RBs to 1 RB	TPC=-1dB	7.99	4dB $\leq \Delta P < 10$ dB	7.99 +/- (3.5 + TT)
	Sub-frames after RB change	Fixed = 1	TPC=-1dB	1	$\Delta P \leq 1$ dB	1 +/- (0.7 + TT)

2	Sub-frames before RB change	Fixed = 15	TPC=-1dB	1	$\Delta P \leq 1$ dB	1 +/- (0.7 + TT)
	RB change	15 RBs to 1 RB	TPC=-1dB	12.76	$10\text{dB} \leq \Delta P < 15\text{dB}$	12.76 +/- (3.5 + TT)
	Sub-frames after RB change	Fixed = 1	TPC=-1dB	1	$\Delta P \leq 1$ dB	1 +/- (0.7 + TT)
1	Sub-frames before RB change	Fixed = 5	TPC=-1dB	1	$\Delta P \leq 1$ dB	1 +/- (0.7 + TT)
	RB change	5 RBs to 1 RB	TPC=-1dB	7.99	$4\text{dB} \leq \Delta P < 10\text{dB}$	7.99 +/- (3.5 + TT)
	Sub-frames after RB change	Fixed = 1	TPC=-1dB	1	$\Delta P \leq 1$ dB	1 +/- (0.7 + TT)
2	Sub-frames before RB change	Fixed = 10	TPC=-1dB	1	$\Delta P \leq 1$ dB	1 +/- (0.7 + TT)
	RB change	10 RBs to 1 RB	TPC=-1dB	11.00	$10\text{dB} \leq \Delta P < 15\text{dB}$	11.00 +/- (4 + TT)
	Sub-frames after RB change	Fixed = 1	TPC=-1dB	1	$\Delta P \leq 1$ dB	1 +/- (0.7 + TT)

Position of RB change:

Pattern A the position of RB uplink allocation change is after 10 active uplink Sub-frames

Pattern B the position of RB uplink allocation change is after 20 active uplink Sub-frames

Pattern C the position of RB uplink allocation change is after 30 active uplink Sub-frames

The starting resource block shall be RB# 0.

T=0.7dB

Applicable if $P_{\text{UMAX}} \geq P \geq P_{\text{min}}$. P_{min} as defined in sub-clause 6.3.1.

4.2.5-3: Test Requirements Relative Power Tolerance for Transmission, channel BW 15MHz, 20MHz, 25MHz, 30MHz, 35MHz, 40MHz, 45MHz, 50MHz ramp up sub-test

Sub-test ID	Applicable sub-frames	Uplink RB allocation	TPC command	Expected power step size (Up)	Power step size range (Up)	PUSCH
				ΔP [dB]	ΔP [dB]	[dB]
1	Subframes before RB change	1RB	TPC=+1dB	1	$\Delta P \leq 1$ dB	1 +/- (0.7 + TT)
	RB change	1RB to 5 RBs	TPC=+1dB	7.99	$4\text{dB} \leq \Delta P < 10\text{dB}$	7.99 +/- (3.5 + TT)
	Subframes after RB change	Fixed = 5	TPC=+1dB	1	$\Delta P \leq 1$ dB	1 +/- (0.7 + TT)
2	Subframes before RB change	1RB	TPC=+1dB	1	$\Delta P \leq 1$ dB	1 +/- (0.7 + TT)
	RB change	1RB to 20 RBs	TPC=+1dB	14.01	$10\text{dB} \leq \Delta P < 15\text{dB}$	14.01 +/- (4 + TT)
	Subframes after RB change	Fixed = 20	TPC=+1dB	1	$\Delta P \leq 1$ dB	1 +/- (0.7 + TT)
3	Subframes before RB change	1RB	TPC=+1dB	1	$\Delta P \leq 1$ dB	1 +/- (0.7 + TT)
	RB change	1RB to 50 RBs	TPC=+1dB	17.99	$15\text{dB} \leq \Delta P$	17.99 +/- (5 + TT)
	Subframes after RB change	Fixed = 50	TPC=+1dB	1	$\Delta P \leq 1$ dB	1 +/- (0.7 + TT)
	Subframes before RB change	1RB	TPC=+1dB	1	$\Delta P \leq 1$ dB	1 +/- (0.7 + TT)

1	RB change	1RB to 5 RBs	TPC=+1dB	7.99	$4\text{dB} \leq \Delta P < 10\text{dB}$	$7.99 \pm (3.5 + TT)$
	Subframes after RB change	Fixed = 5	TPC=+1dB	1	$\Delta P \leq 1 \text{ dB}$	$1 \pm (0.7 + TT)$
2	Subframes before RB change	1RB	TPC=+1dB	1	$\Delta P \leq 1 \text{ dB}$	$1 \pm (0.7 + TT)$
	RB change	1RB to 24 RBs	TPC=+1dB	14.80	$10\text{dB} \leq \Delta P < 15\text{dB}$	$14.80 \pm (4 + TT)$
1	Subframes after RB change	Fixed = 24	TPC=+1dB	1	$\Delta P \leq 1 \text{ dB}$	$1 \pm (0.7 + TT)$
	Subframes before RB change	1RB	TPC=+1dB	1	$\Delta P \leq 1 \text{ dB}$	$1 \pm (0.7 + TT)$
1	RB change	1RB to 5 RBs	TPC=+1dB	7.99	$4\text{dB} \leq \Delta P < 10\text{dB}$	$7.99 \pm (3.5 + TT)$
	Subframes after RB change	Fixed = 5	TPC=+1dB	1	$\Delta P \leq 1 \text{ dB}$	$1 \pm (0.7 + TT)$
2	Subframes before RB change	1RB	TPC=+1dB	1	$\Delta P \leq 1 \text{ dB}$	$1 \pm (0.7 + TT)$
	RB change	1RB to 10 RBs	TPC=+1dB	11.00	$10\text{dB} \leq \Delta P < 15\text{dB}$	$11.00 \pm (4 + TT)$
2	Subframes after RB change	Fixed = 10	TPC=+1dB	1	$\Delta P \leq 1 \text{ dB}$	$1 \pm (0.7 + TT)$

Position of RB change:

Pattern A the position of RB uplink allocation change is after 10 active uplink Subframes.

Pattern B the position of RB uplink allocation change is after 20 active uplink Subframes

Pattern C the position of RB uplink allocation change is after 30 active uplink Subframes.

The starting resource block shall be RB# 0.

T=0.7dB

Applicable if $P_{\text{UMAX}} \geq P \geq P_{\text{min}}$. P_{min} as defined in sub-clause 6.3.1.

4.2.5-4: Test Requirements Relative Power Tolerance for Transmission, channel BW 15MHz, 20MHz, 25MHz, 30MHz, 35MHz, 40MHz, 45MHz, 50MHz ramp down sub-test

Sub-test ID	Applicable sub-frames	Uplink RB allocation	TPC command	Expected power step size (Down) ΔP [dB]	Power step size range (Down) ΔP [dB]	PUSCH [dB]
1	Subframes before RB change	Fixed = 5	TPC=-1dB	1	$\Delta P \leq 1 \text{ dB}$	$1 \pm (0.7 + TT)$
	RB change	5 RBs to 1RBs	TPC=-1dB	7.99	$4\text{dB} \leq \Delta P < 10\text{dB}$	$7.99 \pm (3.5 + TT)$
	Subframes after RB change	Fixed = 1	TPC=-1dB	1	$\Delta P \leq 1 \text{ dB}$	$1 \pm (0.7 + TT)$
2	Subframes before RB change	Fixed = 20	TPC=-1dB	1	$\Delta P \leq 1 \text{ dB}$	$1 \pm (0.7 + TT)$
	RB change	20 RBs to 1 RB	TPC=-1dB	14.01	$10\text{dB} \leq \Delta P < 15\text{dB}$	$14.01 \pm (4 + TT)$
	Subframes after RB change	Fixed = 1	TPC=-1dB	1	$\Delta P \leq 1 \text{ dB}$	$1 \pm (0.7 + TT)$
3	Subframes before RB change	Fixed = 50	TPC=-1dB	1	$\Delta P \leq 1 \text{ dB}$	$1 \pm (0.7 + TT)$
	RB change	50 RBs to 1 RB	TPC=-1dB	17.99	$15\text{dB} \leq \Delta P$	$17.99 \pm (5 + TT)$
	Subframes after RB change	Fixed = 1	TPC=-1dB	1	$\Delta P \leq 1 \text{ dB}$	$1 \pm (0.7 + TT)$

1	Subframes before RB change	Fixed = 5	TPC=-1dB	1	$\Delta P \leq 1 \text{ dB}$	1 +/- (0.7 + TT)
	RB change	5 RBs to 1 RB	TPC=-1dB	7.99	$4\text{dB} \leq \Delta P < 10\text{dB}$	7.99 +/- (3.5 + TT)
	Subframes after RB change	Fixed = 1	TPC=-1dB	1	$\Delta P \leq 1 \text{ dB}$	1 +/- (0.7 + TT)
2	Subframes before RB change	Fixed = 24	TPC=-1dB	1	$\Delta P \leq 1 \text{ dB}$	1 +/- (0.7 + TT)
	RB change	24 RBs to 1 RB	TPC=-1dB	14.80	$10\text{dB} \leq \Delta P < 15\text{dB}$	14.80 +/- (4 + TT)
	Subframes after RB change	Fixed = 1	TPC=-1dB	1	$\Delta P \leq 1 \text{ dB}$	1 +/- (0.7 + TT)
1	Subframes before RB change	Fixed = 5	TPC=-1dB	1	$\Delta P \leq 1 \text{ dB}$	1 +/- (0.7 + TT)
	RB change	5 RBs to 1 RB	TPC=-1dB	7.99	$4\text{dB} \leq \Delta P < 10\text{dB}$	7.99 +/- (3.5 + TT)
	Subframes after RB change	Fixed = 1	TPC=-1dB	1	$\Delta P \leq 1 \text{ dB}$	1 +/- (0.7 + TT)
2	Subframes before RB change	Fixed = 10	TPC=-1dB	1	$\Delta P \leq 1 \text{ dB}$	1 +/- (0.7 + TT)
	RB change	10 RBs to 1 RB	TPC=-1dB	11.00	$10\text{dB} \leq \Delta P < 15\text{dB}$	11.00 +/- (4 + TT)
	Subframes after RB change	Fixed = 1	TPC=-1dB	1	$\Delta P \leq 1 \text{ dB}$	1 +/- (0.7 + TT)

Position of RB change:

Pattern A the position of RB uplink allocation change is after 10 active uplink Subframes.

Pattern B the position of RB uplink allocation change is after 20 active uplink Subframes.

Pattern C the position of RB uplink allocation change is after 30 active uplink Subframes.

The starting resource block shall be RB# 0.

T=0.7dB

Applicable if $P_{\text{UMAX}} \geq P \geq P_{\text{min}}$. P_{min} as defined in sub-clause 6.3.1.

4.2.5-5: Test Requirements Relative Power Tolerance for Transmission, channel BW 60MHz, 70MHz, 80MHz, 90MHz, 100MHz ramp up sub-test

Sub-test ID	Applicable sub-frames	Uplink RB allocation	TPC command	Expected power step size (Up) ΔP [dB]	Power step size range (Up) ΔP [dB]	PUSCH [dB]
1	Subframes before RB change	1RB	TPC=+1dB	1	$\Delta P \leq 1 \text{ dB}$	1 +/- (0.7 + TT)
	RB change	1RB to 5 RBs	TPC=+1dB	7.99	$4\text{dB} \leq \Delta P < 10\text{dB}$	7.99 +/- (3.5 + TT)
	Subframes after RB change	Fixed = 5	TPC=+1dB	1	$\Delta P \leq 1 \text{ dB}$	1 +/- (0.7 + TT)
2	Subframes before RB change	1RB	TPC=+1dB	1	$\Delta P \leq 1 \text{ dB}$	1 +/- (0.7 + TT)
	RB change	1RB to 24 RBs	TPC=+1dB	14.80	$10\text{dB} \leq \Delta P < 15\text{dB}$	14.80 +/- (4 + TT)
	Subframes after RB change	Fixed = 24	TPC=+1dB	1	$\Delta P \leq 1 \text{ dB}$	1 +/- (0.7 + TT)
3	Subframes before RB change	1RB	TPC=+1dB	1	$\Delta P \leq 1 \text{ dB}$	1 +/- (0.7 + TT)
	RB change	1RB to 81 RBs	TPC=+1dB	20.08	$15\text{dB} < \Delta P$	20.08 +/- (5 + TT)

1	Subframes after RB change	Fixed = 81	TPC=+1dB	1	$\Delta P \leq 1$ dB	1 +/- (0.7 + TT)
	Subframes before RB change	1RB	TPC=+1dB	1	$\Delta P \leq 1$ dB	1 +/- (0.7 + TT)
	RB change	1RB to 5 RBs	TPC=+1dB	7.99	4dB $\leq \Delta P < 10$ dB	7.99 +/- (3.5 + TT)
	Subframes after RB change	Fixed = 5	TPC=+1dB	1	$\Delta P \leq 1$ dB	1 +/- (0.7 + TT)
2	Subframes before RB change	1RB	TPC=+1dB	1	$\Delta P \leq 1$ dB	1 +/- (0.7 + TT)
	RB change	1RB to 75 RBs	TPC=+1dB	19.75	15dB $< \Delta P$	19.75 +/- (5 + TT)
	Subframes after RB change	Fixed = 75	TPC=+1dB	1	$\Delta P \leq 1$ dB	1 +/- (0.7 + TT)

Position of RB change:

Pattern A the position of RB uplink allocation change is after 10 active uplink Subframes.

Pattern B the position of RB uplink allocation change is after 20 active uplink Subframes.

Pattern C the position of RB uplink allocation change is after 30 active uplink Subframes.

The starting resource block shall be RB# 0.

T=0.7dB

Applicable if $P_{UMAX} \geq P \geq P_{min}$. P_{min} as defined in sub-clause 6.3.1.

4.2.5-6: Test Requirements Relative Power Tolerance for Transmission, channel BW 60MHz, 70MHz, 80MHz, 90MHz, 100MHz ramp down sub-test

Sub-test ID	Applicable sub-frames	Uplink RB allocation	TPC command	Expected power step size (Down) ΔP [dB]	Power step size range (Down) ΔP [dB]	PUSCH [dB]
1	Subframes before RB change	Fixed = 5	TPC=-1dB	1	$\Delta P \leq 1$ dB	1 +/- (0.7 + TT)
	RB change	5 RBs to 1 RB	TPC=-1dB	7.99	4dB $\leq \Delta P < 10$ dB	7.99 +/- (3.5 + TT)
	Subframes after RB change	Fixed = 1	TPC=-1dB	1	$\Delta P \leq 1$ dB	1 +/- (0.7 + TT)
2	Subframes before RB change	Fixed = 24	TPC=-1dB	1	$\Delta P \leq 1$ dB	1 +/- (0.7 + TT)
	RB change	24 RBs to 1 RB	TPC=-1dB	14.80	10dB $\leq \Delta P < 15$ dB	14.80 +/- (4 + TT)
	Subframes after RB change	Fixed = 1	TPC=-1dB	1	$\Delta P \leq 1$ dB	1 +/- (0.7 + TT)
3	Subframes before RB change	Fixed = 81	TPC=-1dB	1	$\Delta P \leq 1$ dB	1 +/- (0.7 + TT)
	RB change	81 RBs to 1 RB	TPC=-1dB	20.08	15dB $< \Delta P$	20.08 +/- (5 + TT)
	Subframes after RB change	Fixed = 1	TPC=-1dB	1	$\Delta P \leq 1$ dB	1 +/- (0.7 + TT)
1	Subframes before RB change	Fixed = 5	TPC=-1dB	1	$\Delta P \leq 1$ dB	1 +/- (0.7 + TT)
	RB change	5 RBs to 1 RB	TPC=-1dB	7.99	4dB $\leq \Delta P < 10$ dB	7.99 +/- (3.5 + TT)
	Subframes after RB change	Fixed = 1	TPC=-1dB	1	$\Delta P \leq 1$ dB	1 +/- (0.7 + TT)

2	Subframes before RB change	Fixed = 75	TPC=-1dB	1	$\Delta P \leq 1 \text{ dB}$	1 +/- (0.7 + TT)
	RB change	75 RBs to 1 RB	TPC=-1dB	19.75	15dB < ΔP	19.75 +/- (5 + TT)
	Subframes after RB change	Fixed = 1	TPC=-1dB	1	$\Delta P \leq 1 \text{ dB}$	1 +/- (0.7 + TT)

Position of RB change:
 Pattern A the position of RB uplink allocation change is after 10 active uplink Subframes.
 Pattern B the position of RB uplink allocation change is after 20 active uplink Subframes
 Pattern C the position of RB uplink allocation change is after 30 active uplink Subframes.
 The starting resource block shall be RB# 0.
 T=0.7dB
 Applicable if $P_{UMAX} \geq P \geq P_{min}$. P_{min} as defined in sub-clause 6.3.1.

2.5-7: Test Requirements Relative Power Tolerance for Transmission, alternating sub-test

Test SCS [kHz]	Sub-test ID	Uplink RB allocation	TPC command	Expected power step size (Up or Down) ΔP [dB]	Power step size range (Up or Down)	PUSCH [dB]	
					ΔP [dB]		
15	1	Alternating 1 and 2	TPC=0dB	3.01	$3\text{dB} \leq \Delta P < 4\text{dB}$	3.01 +/- (3 + TT)	
	2	Alternating 1 and 5	TPC=0dB	6.99	$4\text{dB} \leq \Delta P < 10\text{dB}$	6.99 +/- (3.5 + TT)	
	3	Alternating 1 and 15	TPC=0dB	11.76	$10\text{dB} \leq \Delta P < 15\text{dB}$	11.76 +/- (4 + TT)	
	30	1	Alternating 1 and 2	TPC=0dB	3.01	$3\text{dB} \leq \Delta P < 4\text{dB}$	3.01 +/- (3 + TT)
		2	Alternating 1 and 10	TPC=0dB	10.00	$10\text{dB} \leq \Delta P < 15\text{dB}$	10.00 +/- (4 + TT)
		3	Alternating 1 and 24	TPC=0dB	13.80	$10\text{dB} \leq \Delta P < 15\text{dB}$	13.80 +/- (4 + TT)
30	1	Alternating 1 and 2	TPC=0dB	3.01	$3\text{dB} \leq \Delta P < 4\text{dB}$	3.01 +/- (3 + TT)	
	2	Alternating 1 and 5	TPC=0dB	6.99	$4\text{dB} \leq \Delta P < 10\text{dB}$	6.99 +/- (3.5 + TT)	
	3	Alternating 1 and 20	TPC=0dB	13.01	$10\text{dB} \leq \Delta P < 15\text{dB}$	13.01 +/- (4 + TT)	
	60	1	Alternating 1 and 5	TPC=0dB	6.99	$4\text{dB} \leq \Delta P < 10\text{dB}$	6.99 +/- (3.5 + TT)
		2	Alternating 1 and 10	TPC=0dB	10.00	$10\text{dB} \leq \Delta P < 15\text{dB}$	10.00 +/- (4 + TT)
		3	Alternating 1 and 50	TPC=0dB	16.99	$15\text{dB} \leq \Delta P$	16.99 +/- (5 + TT)
60	1	Alternating 1 and 2	TPC=0dB	3.01	$3\text{dB} \leq \Delta P < 4\text{dB}$	3.01 +/- (3 + TT)	
	2	Alternating 1 and 5	TPC=0dB	6.99	$4\text{dB} \leq \Delta P < 10\text{dB}$	6.99 +/- (3.5 + TT)	
	3	Alternating 1 and 81	TPC=0dB	19.08	$15\text{dB} < \Delta P$	19.08 +/- (5 + TT)	
	100	1	Alternating 1 and 2	TPC=0dB	3.01	$3\text{dB} \leq \Delta P < 4\text{dB}$	3.01 +/- (3 + TT)
		2	Alternating 1 and 5	TPC=0dB	6.99	$4\text{dB} \leq \Delta P < 10\text{dB}$	6.99 +/- (3.5 + TT)
		3	Alternating 1 and 75	TPC=0dB	18.75	$15\text{dB} < \Delta P$	18.75 +/- (5 + TT)

The starting resource block shall be RB# 0

Note 2: TT=0.7dB

Note 3: Applicable if $P_{UMAX} \geq P \geq P_{min}$. P_{min} as defined in sub-clause 6.3.1.

Relative power tolerance for SUL with UL MIMO

Test purpose

as specified in clause 6.3D.4.2.1.

Test applicability

applies to all types of NR UE release 17 and forward that support SUL and UL MIMO operating on the SUL

Minimum conformance requirements

For UL MIMO, the power control tolerance applies to the sum of output power at each transmit antenna

The requirements specified in subclause 6.3.4.3 apply to UE with two transmit antenna connectors in a closed-loop multiplexing scheme. The requirements shall be met with UL MIMO configurations described in

Table 6.3D.4.2_1.3-1 for single antenna-port PUSCH transmission by DCI format 0_0 or by DCI format 0_1 for single antenna-port based transmission, the requirements in clause 6.3.4 apply.

6.3D.4.2_1.3-1: UL MIMO configuration in closed-loop spatial multiplexing scheme

Transmission scheme	DCI format	Codebook Index
Codebook based uplink	DCI format 0_1	Codebook index 0

The reference for this requirement is TS 38.101-1 [2] clause 6.3D.4

Test description

Initial conditions

There are a set of test configurations the UE needs to be tested in and the steps for the SS to take with the UE in the initial measurement state.

The configurations consist of environmental conditions, test frequencies, test channel bandwidths and sub-carrier spacings based on NR operating bands specified in table 5.3.5-1. All of these configurations shall be tested with the same parameters for each combination of test channel bandwidth and sub-carrier spacing, and are shown in table 6.3D.4.2_1.4.1-1. The details of the uplink reference measurement channels (RMCs) are specified in Annexes A.2 and B.2. The details of PDSCH and PDCCH before measurement are specified in Annex C.2.

Table 6.3D.4.2_1.4.1-1: Test Configuration Table

Initial Conditions			
Environment as specified in TS 38.508-1 [5] clause 4.3.1		Normal	
Test frequencies as specified in TS 38.508-1 [5] clause 4.3.1		Low range for SUL carrier Mid-range for Non-SUL carrier	
Channel Bandwidths as specified in TS 38.508-1 clause 4.3.1		Lowest, Mid, Highest for SUL carrier Lowest for Non-SUL carrier	
Sub-carrier spacings as specified in table 5.3.5-1		15kHz for SUL carrier and Lowest supported SCS for Non-SUL carrier	
Test Parameters			
Downlink Configuration	Uplink Configuration	SUL Configuration	
		Modulation	RB allocation (NOTE 1)
N/A		CP-OFDM QPSK	See Table 6.3D.4.2_1.5-1 See Table 6.3D.4.2_1.5-2 See Table 6.3D.4.2_1.5-5

	CP-OFDM QPSK	See Table 6.3D.4.2_1.5-3 See Table 6.3D.4.2_1.5-4 See Table 6.3D.4.2_1.5-5
	CP-OFDM QPSK	See Table 6.3D.4.2_1.5-3 See Table 6.3D.4.2_1.5-4 See Table 6.3D.4.2_1.5-5
	CP-OFDM QPSK	See Table 6.3D.4.2_1.5-3 See Table 6.3D.4.2_1.5-4 See Table 6.3D.4.2_1.5-5
	CP-OFDM QPSK	See Table 6.3D.4.2_1.5-3 See Table 6.3D.4.2_1.5-4 See Table 6.3D.4.2_1.5-5
	CP-OFDM QPSK	See Table 6.3D.4.2_1.5-3 See Table 6.3D.4.2_1.5-4 See Table 6.3D.4.2_1.5-5
	CP-OFDM QPSK	See Table 6.3D.4.2_1.5-3 See Table 6.3D.4.2_1.5-4 See Table 6.3D.4.2_1.5-5
	CP-OFDM QPSK	See Table 6.3D.4.2_1.5-3 See Table 6.3D.4.2_1.5-4 See Table 6.3D.4.2_1.5-5

The starting resource block shall be RB# 0
 Test Channel Bandwidths are checked separately for each SUL band combination, the applicable channel bandwidths are specified in Table 5.5C-1.

he SS to the UE antenna connectors as shown in TS 38.508-1 [5] Annex A, Figure A.3.1.1.5 for TE nd section A.3.2 for UE diagram.

meter settings for the cell are set up according to TS 38.508-1 [5] subclause 4.4.3.

signals are initially set up according to Annex C.0, C.1, C.2, and uplink signals according to Annex G.2, G.3.0.

reference Measurement Channel is set according to Table 6.3D.4.2_1.4.1-1.

on conditions are set according to Annex B.0.

UE is in state RRC_CONNECTED with generic procedure parameters Connectivity NR, Connected Release On, Test Mode On and Test Loop Function On according to TS 38.508-1 [5] clause 4.5. Message re defined in clause 6.3D.4.1_1.4.3. Note that PDCCH DCI format 0_1 sent after resetting uplink h RRC Connection Reconfiguration, should have TPC command 0dB.

Test procedure

ure as clause 6.3.4.3.4.2 with following exceptions.

SCH transmissions should be measured as the sum power at each antenna connector.

ng up pattern sub test should be changed into following description:

uplink scheduling information for each UL HARQ process via PDCCH DCI format 0_1 for C_RNTI to he UL RMC according to 6.3D.4.2_1.4.1-1. Since the UE has no payload and no loopback data to send nds uplink MAC padding bits on the UL RMC. Send the appropriate TPC commands for PUSCH to ensure that the UE transmits PUSCH at -31.8 dBm +/- 2.7 dB.

Message contents

s are according to TS 38.508-1 [5] subclause 4.3.6.1.1.2 ensuring UL/SUL indicator in Table 1 condition SUL, subclause 4.6 ensuring Table 4.6.1-28 with condition SUL AND (RF OR RRM), with condition SUL_SUL for SUL carrier, Table 4.6.3-167 with condition PUSCH_PUCCH_ON_SUL, 182 with the condition 2TX_UL_MIMO.

Test requirement

step measured in the test procedure 6.3D.4.2_1.4.2 should satisfy the test requirements specified in 1.5-1 to Table 6.3D.4.2_1.5-5.

F Power amplifier mode changes 2 exceptions are allowed for each of ramping up and ramping down these exceptions the power tolerance limit is a maximum of $\pm (6.0 + TT)$ dB. If there is an exception in used by the RB change for all test patterns (A, B, C) then fail the UE.

.2_1.5-1: Test Requirements Relative Power Tolerance for Transmission, channel BW 5MHz, ramp up sub-test

ub-est ID	Applicable sub-frames	Uplink RB allocation	TPC command	Expected power step size (Up) ΔP [dB]	Power step size range (Up) ΔP [dB]	PUSCH [dB]
1	Sub-frames before RB change	Fixed = 1	TPC==+1dB	1	$\Delta P \leq 1$ dB	1 +/- (0.7 + TT)
	RB change	1RB to 5 RBs	TPC==+1dB	7.99	$4\text{dB} \leq \Delta P < 10\text{dB}$	7.99 +/- (3.5 + TT)
	Sub-frames after RB change	Fixed = 5	TPC==+1dB	1	$\Delta P \leq 1$ dB	1 +/- (0.7 + TT)
2	Sub-frames before RB change	Fixed = 1	TPC==+1dB	1	$\Delta P \leq 1$ dB	1 +/- (0.7 + TT)
	RB change	1RB to 15 RBs	TPC==+1dB	12.76	$10\text{dB} \leq \Delta P < 15\text{dB}$	12.76 +/- (4 + TT)
	Sub-frames after RB change	Fixed = 15	TPC==+1dB	1	$\Delta P \leq 1$ dB	1 +/- (0.7 + TT)

Position of RB change:

Pattern A the position of RB uplink allocation change is after 10 active uplink Sub-frames

Pattern B the position of RB uplink allocation change is after 20 active uplink Sub-frames

Pattern C the position of RB uplink allocation change is after 30 active uplink Sub-frames

The starting resource block shall be RB# 0.

T=0.7dB

Applicable if $P_{\text{UMAX}} \geq P \geq P_{\text{min}}$. P_{min} as defined in sub-clause 6.3D.1_1.

.2_1.5-2: Test Requirements Relative Power Tolerance for Transmission, channel BW 5MHz, ramp down sub-test

ub-est ID	Applicable sub-frames	Uplink RB allocation	TPC command	Expected power step size (Down) ΔP [dB]	Power step size range (Down) ΔP [dB]	PUSCH [dB]
1	Sub-frames before RB change	Fixed = 5	TPC=-1dB	1	$\Delta P \leq 1$ dB	1 +/- (0.7 + TT)
	RB change	5 RBs to 1 RB	TPC=-1dB	7.99	$4\text{dB} \leq \Delta P < 10\text{dB}$	7.99 +/- (3.5 + TT)
	Sub-frames after RB change	Fixed = 1	TPC=-1dB	1	$\Delta P \leq 1$ dB	1 +/- (0.7 + TT)
2	Sub-frames before RB change	Fixed = 15	TPC=-1dB	1	$\Delta P \leq 1$ dB	1 +/- (0.7 + TT)
	RB change	15 RBs to 1 RB	TPC=-1dB	12.76	$10\text{dB} \leq \Delta P < 15\text{dB}$	12.76 +/- (3.5 + TT)
	Sub-frames after RB change	Fixed = 1	TPC=-1dB	1	$\Delta P \leq 1$ dB	1 +/- (0.7 + TT)

Position of RB change:

Pattern A the position of RB uplink allocation change is after 10 active uplink Sub-frames

Pattern B the position of RB uplink allocation change is after 20 active uplink Sub-frames

Pattern C the position of RB uplink allocation change is after 30 active uplink Sub-frames

The starting resource block shall be RB# 0.

T=0.7dB

Applicable if $P_{UMAX} \geq P \geq P_{min}$. P_{min} as defined in sub-clause 6.3D.1_1.

6.2.1.5-3: Test Requirements Relative Power Tolerance for Transmission, channel BW 10MHz, 15MHz, 20MHz, 25MHz, 30MHz, 40MHz, 50MHz ramp up sub-test

Sub-test ID	Applicable sub-frames	Uplink RB allocation	TPC command	Expected power step size (Up) ΔP [dB]	Power step size range (Up) ΔP [dB]	PUSCH [dB]
1	Subframes before RB change	1RB	TPC=+1dB	1	$\Delta P \leq 1$ dB	1 +/- (0.7 + TT)
	RB change	1RB to 5 RBs	TPC=+1dB	7.99	$4\text{dB} \leq \Delta P < 10\text{dB}$	7.99 +/- (3.5 + TT)
	Subframes after RB change	Fixed = 5	TPC=+1dB	1	$\Delta P \leq 1$ dB	1 +/- (0.7 + TT)
2	Subframes before RB change	1RB	TPC=+1dB	1	$\Delta P \leq 1$ dB	1 +/- (0.7 + TT)
	RB change	1RB to 20 RBs	TPC=+1dB	14.01	$10\text{dB} \leq \Delta P < 15\text{dB}$	14.01 +/- (4 + TT)
	Subframes after RB change	Fixed = 20	TPC=+1dB	1	$\Delta P \leq 1$ dB	1 +/- 0.7 + TT
3	Subframes before RB change	1RB	TPC=+1dB	1	$\Delta P \leq 1$ dB	1 +/- (0.7 + TT)
	RB change	1RB to 50 RBs	TPC=+1dB	17.99	$15\text{dB} \leq \Delta P$	17.99 +/- (5 + TT)
	Subframes after RB change	Fixed = 50	TPC=+1dB	1	$\Delta P \leq 1$ dB	1 +/- (0.7 + TT)

Position of RB change:

Pattern A the position of RB uplink allocation change is after 10 active uplink Subframes.

Pattern B the position of RB uplink allocation change is after 20 active uplink Subframes.

Pattern C the position of RB uplink allocation change is after 30 active uplink Subframes.

The starting resource block shall be RB# 0.

T=0.7dB

Applicable if $P_{UMAX} \geq P \geq P_{min}$. P_{min} as defined in sub-clause 6.3D.1_1.

6.2.1.5-4: Test Requirements Relative Power Tolerance for Transmission, channel BW 10MHz, 15MHz, 20MHz, 25MHz, 30MHz, 40MHz, 50MHz ramp down sub-test

Sub-test ID	Applicable sub-frames	Uplink RB allocation	TPC command	Expected power step size (Down) ΔP [dB]	Power step size range (Down) ΔP [dB]	PUSCH [dB]
1	Subframes before RB change	Fixed = 5	TPC=-1dB	1	$\Delta P \leq 1$ dB	1 +/- (0.7 + TT)
	RB change	5 RBs to 1RBs	TPC=-1dB	7.99	$4\text{dB} \leq \Delta P < 10\text{dB}$	7.99 +/- (3.5 + TT)
	Subframes after RB change	Fixed = 1	TPC=-1dB	1	$\Delta P \leq 1$ dB	1 +/- (0.7 + TT)
2	Subframes before RB change	Fixed = 20	TPC=-1dB	1	$\Delta P \leq 1$ dB	1 +/- (0.7 + TT)
	RB change	20 RBs to 1 RB	TPC=-1dB	14.01	$10\text{dB} \leq \Delta P < 15\text{dB}$	14.01 +/- (4 + TT)
	Subframes after RB change	Fixed = 1	TPC=-1dB	1	$\Delta P \leq 1$ dB	1 +/- (0.7 + TT)
	Subframes before RB change	Fixed = 50	TPC=-1dB	1	$\Delta P \leq 1$ dB	1 +/- (0.7 + TT)

3	RB change	50 RBs to 1 RB	TPC=-1dB	17.99	15dB ≤ ΔP	17.99 +/- (5 + TT)
	Subframes after RB change	Fixed = 1	TPC=-1dB	1	ΔP ≤ 1 dB	1 +/- (0.7 + TT)

Position of RB change:
 Pattern A the position of RB uplink allocation change is after 10 active uplink Subframes.
 Pattern B the position of RB uplink allocation change is after 20 active uplink Subframes.
 Pattern C the position of RB uplink allocation change is after 30 active uplink Subframes.
 The starting resource block shall be RB# 0.
 T=0.7dB
 Applicable if $P_{UMAX} \geq P \geq P_{min}$. P_{min} as defined in sub-clause 6.3D.1_1.

1.5-5: Test Requirements Relative Power Tolerance for Transmission, alternating sub-test

Test SCS [kHz]	Sub-test ID	Uplink RB allocation	TPC command	Expected power step size (Up or Down) ΔP [dB]	Power step size range (Up or Down) ΔP [dB]	PUSCH [dB]
15	1	Alternating 1 and 2	TPC=0dB	3.01	3dB ≤ ΔP < 4dB	3.01 +/- (3 + TT)
	2	Alternating 1 and 5	TPC=0dB	6.99	4dB ≤ ΔP < 10dB	6.99 +/- (3.5 + TT)
	3	Alternating 1 and 15	TPC=0dB	11.76	10dB ≤ ΔP < 15dB	11.76 +/- (4 + TT)
15	1	Alternating 1 and 2	TPC=0dB	3.01	3dB ≤ ΔP < 4dB	3.01 +/- (3 + TT)
	2	Alternating 1 and 5	TPC=0dB	6.99	4dB ≤ ΔP < 10dB	6.99 +/- (3.5 + TT)
	3	Alternating 1 and 20	TPC=0dB	13.01	10dB ≤ ΔP < 15dB	13.01 +/- (4 + TT)
	4	Alternating 1 and 50	TPC=0dB	16.99	15dB ≤ ΔP	16.99 +/- (5 + TT)

The starting resource block shall be RB# 0.
 T=0.7dB
 Applicable if $P_{UMAX} \geq P \geq P_{min}$. P_{min} as defined in sub-clause 6.3D.1_1.

Aggregate power tolerance for UL MIMO

Test purpose

Ability of the UE with UL MIMO to maintain its power during non-contiguous transmissions within 21ms TBS commands with respect to the first UE transmission and all other power control parameters as TBS kept constant.

Test applicability

Applies to all types of NR Power Class 1.5, Power Class 2 and Power Class 3 UE release 15 and forward for codebook based UL MIMO.

Minimum conformance requirements

For UL MIMO, the power control tolerance applies to the sum of output power at each transmit antenna

When requirements specified in subclause 6.3.4.4 apply to UE with two transmit antenna connectors in spatial multiplexing scheme. The requirements shall be met with UL MIMO configurations described in 6.3.4.3.3-1

6.3D.4.3.3-1: UL MIMO configuration in closed-loop spatial multiplexing scheme

Transmission scheme	DCI format	Codebook Index
Codebook based uplink	DCI format 0_1	Codebook index 0

reference for this requirement is TS 38.101-1 [2] clause 6.3D.4

Test description

Initial conditions

are a set of test configurations the UE needs to be tested in and the steps for the SS to take with the UE in the initial measurement state.

Configurations consist of environmental conditions, test frequencies, test channel bandwidths and sub-carriers based on NR operating bands specified in table 5.3.5-1. All of these configurations shall be tested with the same parameters for each combination of test channel bandwidth and sub-carrier spacing, and are shown in table 6.3D.4.3.4.1-1 and table 6.3D.4.3.4.1-2. The details of the uplink reference measurement channels (RMCs) are given in Annex A.2. Configurations of PDSCH and PDCCH before measurement are specified in Annex C.2.

Table 6.3D.4.3.4.1-1: Test Configuration Table: PUCCH sub-test

Initial Conditions	
Environment as specified in TS 38.508-1 [5]	Normal
Power levels as specified in TS 38.508-1 [5]	Mid range
Channel bandwidths as specified in TS 38.508-1 [5]	Lowest, Mid, Highest
Sub-carrier spacings as specified in Table 5.3.5-1	Lowest, Highest
Test Parameters for Channel Bandwidths	
Downlink Configuration	Uplink Configuration
CP-OFDM QPSK Full RB allocation (NOTE 1)	PUCCH format = Format 1 Length in OFDM symbols = 14
RB allocation shall be used per each SCS and channel BW as specified in Table 7.3.2.4.1-2.	

Table 6.3D.4.3.4.1-2: Test Configuration Table: PUSCH sub-test

Initial Conditions		
Environment as specified in TS 38.508-1 [5]	Normal	
Power levels as specified in TS 38.508-1 [5]	Mid range	
Channel bandwidths as specified in TS 38.508-1 [5]	Lowest, Mid, Highest	
Sub-carrier spacings as specified in Table 5.3.5-1	Lowest, Highest	
Test Parameters for Channel Bandwidths		
Downlink Configuration	Uplink Configuration	
N/A for aggregate power tolerance testcase	Modulation	RB allocation (NOTE 1)
	CP-OFDM QPSK	Outer_Full
Specific configuration of each RF allocation is defined in Table 6.1-1.		

The SS to the UE antenna connectors as shown in TS 38.508-1 [5] Annex A, Figure A.3.1.1.2 for TE and section A.3.2 for UE diagram.

Parameter settings for the cell are set up according to TS 38.508-1 [5] subclause 4.4.3.

Downlink signals are initially set up according to Annex C.0, C.1, C.2, and uplink signals according to Annex G.2, G.3.0.

DL Reference Measurement channels are set according to Table 6.3D.4.3.4.1-1 (PUCCH sub-test) and Table 6.3D.4.3.4.1-2 (PUSCH sub-test).

Test conditions are set according to Annex B.0.

The UE is in state RRC_CONNECTED with generic procedure parameters Connectivity NR, Connected Mode Release On, Test Mode On and Test Loop Function On according to TS 38.508-1 [5] clause 4.5. Message parameters are defined in clause 6.3D.4.3.4.2.

Test procedure

ure as clause 6.3.4.4.2 with following exceptions.

CCH /PUSCH transmissions should be measured as the sum power at each antenna connector.

Message contents

s are according to TS 38.508-1 [5] subclause 4.6 ensuring Table 4.6.3-182 with condition).

Test requirement

for the power measurements made in step (1.3) and (2.3) of the test procedure shall not exceed the in Table 6.3D.4.3.5-1. The power measurement period shall be 1 sub-frame.

Table 6.3D.4.3.5-1: Power control tolerance

TPC commands	UL channel	Test requirement measured power
0 dB	PUCCH	Given 5 power measurements in the pattern, the 2 nd , and later measurements shall be within $\pm (2.5\text{dB} + \text{TT})$ of the 1 st measurement.
0 dB	PUSCH	Given 5 power measurements in the pattern, the 2 nd , and later measurements shall be within $\pm (3.5\text{dB} + \text{TT})$ of the 1 st measurement.

Note 1: For SCS 30kHz 1 sub-frame corresponds to 2 slots, so 2 TPC commands will be sent for a single measurement period. For SCS 60kHz 1 sub-frame corresponds to 4 slot, so 4 TPC commands will be sent for a single measurement period.

Aggregate power tolerance for SUL with UL MIMO

Test purpose

ose in clause 6.3D.4.3.1

Test applicability

to all types of NR UE release 17 and forward that support SUL and UL MIMO operating on the SUL

Minimum conformance requirements

ig UL MIMO, the power control tolerance applies to the sum of output powers from both transmit r.

ol requirements specified in clause 6.3.4 apply to UE with two transmit antenna connectors in closed-plexing scheme. The requirements shall be met with UL MIMO configurations described in clause

d for single antenna-port PUSCH transmission by DCI format 0_0 or by DCI format 0_1 for single ebook based transmission, the requirements in clause 6.3.4 apply.

ference for this requirement is TS 38.101-1 [2] clause 6.3D.4.

Test description

Initial conditions

are a set of test configurations the UE needs to be tested in and the steps for the SS to take with the UE oct measurement state.

nfigurations consist of environmental conditions, test frequencies, test channel bandwidths and sub-ased on NR operating bands specified in table 5.3.5-1. All of these configurations shall be tested with rameters for each combination of test channel bandwidth and sub-carrier spacing and are shown in

4.1-1. The details of the uplink reference measurement channels (RMCs) are specified in Annexes A.2. of PDSCH and PDCCH before measurement are specified in Annex C.2.

Table 6.3D.4.3_1.4.1-1: Test Configuration Table: PUCCH sub-test

Initial Conditions		
Power spectral density as specified in TS 38.508-1 [5]	Normal	
Power as specified in TS 38.508-1 [5]	Mid range for SUL and Non-SUL carrier	
Channel bandwidths as specified in TS 38.508-1 [5]	Lowest, Mid, Highest for SUL carrier Lowest for Non-SUL carrier	
Subcarrier spacing as specified in Table 5.3.5-1	15kHz for SUL carrier and Lowest supported SCS for Non-SUL carrier	
Test Parameters for Channel Bandwidths		
Downlink Configuration	Uplink Configuration	SUL Configuration
CP-OFDM QPSK Full RB allocation (NOTE 1)	N/A	PUCCH format = Format 1 Length in OFDM symbols = 14
RB allocation shall be used per each SCS and channel BW as specified in Table 7.3.2.4.1-2.		

Table 6.3D.4.3_1.4.1-2: Test Configuration Table: PUSCH sub-test

Initial Conditions			
Power spectral density as specified in TS 38.508-1 [5]	Normal		
Power as specified in TS 38.508-1 [5]	Mid range for SUL and Non-SUL carrier		
Channel bandwidths as specified in TS 38.508-1 [5]	Lowest, Mid, Highest for SUL carrier Lowest for Non-SUL carrier		
Subcarrier spacing as specified in Table 5.3.5-1	15kHz for SUL carrier and Lowest supported SCS for Non-SUL carrier		
Test Parameters for Channel Bandwidths			
Downlink Configuration	Uplink Configuration	SUL Configuration	
N/A	N/A	Modulation	RB allocation (NOTE 1)
		CP-OFDM QPSK	Outer_Full
The specific configuration of each RF allocation is defined in Table 6.1-1. Channel Bandwidths are checked separately for each SUL band combination, the applicable channel bandwidths are specified in Table 5.5C-1.			

The SS to the UE antenna connectors as shown in TS 38.508-1 [5] Annex A, Figure A.3.1.1.5 for TE and section A.3.2 for UE diagram.

Parameter settings for the cell are set up according to TS 38.508-1 [5] subclause 4.4.3.

Downlink signals are initially set up according to Annex C.0, C.1, C.2, and uplink signals according to Annex G.2, G.3.0.

DL Reference Measurement channels are set according to Table 6.3D.4.3_1.4.1-1 (PUCCH sub-test) and Table 6.3D.4.3_1.4.1-2 (PUSCH sub-test)

Test conditions are set according to Annex B.0.

The UE is in state RRC_CONNECTED with generic procedure parameters Connectivity NR, Connected Mode Release On, Test Mode On and Test Loop Function On according to TS 38.508-1 [5] clause 4.5. Message parameters are defined in clause 6.3D.4.3.4.3.

Test procedure

Measurement procedure as clause 6.3.4.4.2 with following exceptions.

PUCCH /PUSCH transmissions should be measured as the sum power at each antenna connector.

Message contents

s are according to TS 38.508-1 [5] subclause 4.3.6.1.1.2 ensuring UL/SUL indicator in Table 1 condition SUL, subclause 4.6 ensuring Table 4.6.1-28 with condition SUL AND (RF OR RRM), with condition SUL_SUL for SUL carrier, Table 4.6.3-167 with condition PUSCH_PUCCH_ON_SUL, 182 with the condition 2TX_UL_MIMO.

Test requirement

for the power measurements made in step (1.3) and (2.3) of the test procedure shall not exceed the in Table 6.3D.4.3_1.5-1. The power measurement period shall be 1 sub-frame(1ms).

Table 6.3D.4.3_1.5-1: Power control tolerance

TPC command	UL channel	Test requirement measured power
0 dB	PUCCH	Given 5 power measurements in the pattern, the 2 nd , and later measurements shall be within $\pm (2.5 + TT)$ dB of the 1 st measurement.
0 dB	PUSCH	Given 5 power measurements in the pattern, the 2 nd , and later measurements shall be within $\pm (3.5 + TT)$ dB of the 1 st measurement.

Note 1: TT=0.7dB.

Output power dynamics for V2X

Minimum output power for V2X

Minimum conformance requirements

General

Figured for NR V2X sidelink transmissions non-concurrent with NR uplink transmissions for NR V2X in Table 5.2E-1, the minimum output power is specified in Table 6.3E.1.0.1-1. The minimum output as the mean power in at least one sub-frame 1 ms.

Table 6.3E.1.0.1-1: Minimum output power

Channel bandwidth (MHz)	Minimum output power (dBm)	Measurement bandwidth (MHz)
10	-30	9.375
20	-30	19.095
30	-28.2	28.815
40	-27	38.895

with two transmit antenna connectors, the minimum output power is defined as the sum of the mean transmit connector in one sub-frame (1 ms). The minimum output power shall not exceed the values per carrier.

its on one antenna connector at a time, the requirements specified for single carrier shall apply to the connector.

Minimum output power for V2X con-current operation

d con-current NR V2X operation, the requirements specified in subclause 6.3.1.3 shall apply for the 1 band and the requirements specified in subclause 6.3E.1.0 shall apply for the sidelink in licensed 7.

reference for this requirement is TS 38.101-1 [2] clause 6.3E.1

Test procedure

starts to perform the NR sidelink communication according to *SL-PreconfigurationNR*. Since the UE has no loopback data to send the UE sends uplink MAC padding bits on the NR sidelink RMC.

The mean power of the UE in the channel bandwidth according to the test configuration from Table 6.3E.1.1.4.3-1. The period of measurement shall be at least continuous duration of one active sub-frame (1ms) minus guard symbols.

Message contents

Messages are according to TS 38.508-1 [5] subclause 4.10 with the following exceptions.

Table 6.3E.1.1.4.3-1: SL-ResourcePool

TS 38.508-1 [5], Table 4.6.6-25			
Information Element	Value/remark	Comment	Condition
pool-r16 ::= SEQUENCE {			
config-r16 CHOICE {			
resourcePSCCH-r16	As defined in Table 6.1E-2		
resourcePSCCH-r16	As defined in Table 6.1E-2		
Size-r16	As defined in Table 6.1E-2		
nchannel-r16	As defined in Table 6.1E-2		
nannel-r16	As defined in Table 6.1E-2		

Table 6.3E.1.1.4.3-2: SL-TxPower

TS 38.508-1 [5], Table 4.6.6-33			
Information Element	Value/remark	Comment	Condition
txPower ::= CHOICE {			
	-30		

Test requirement

Output power, derived in step 2 shall not exceed the values specified in Table 6.3E.1.1.5-1.

Table 6.3E.1.1.5-1: Minimum output power

Channel bandwidth (MHz)	Minimum output power (dBm)	Measurement bandwidth (MHz)
10	-30+TT	9.375
20	-30+TT	19.095
30	-28.2+TT	28.815
40	-27+TT	38.895

NOTE 1: TT for each frequency and channel bandwidth is specified in Table 6.3.1.5-2

Table 6.3E.1.1.5-2: Test Tolerance (Minimum output power)

	$f \leq 3.0\text{GHz}$	$3.0\text{GHz} < f \leq 6.0\text{GHz}$
BW \leq 40MHz	1.0 dB	1.3 dB

Minimum output power for V2X / non-concurrent operation / SL-MIMO

Test purpose

as in 6.3E.1.1.

Test applicability

applies to all types of UE release 16 and forward that support NR V2X sidelink communication and SL-

Minimum conformance requirements

conformance requirements are defined in clause 6.3E.1.0.

Test description

Initial conditions

are a set of test configurations the UE needs to be tested in and the steps for the SS to take with the UE in the test measurement state.

Configurations consist of environmental conditions, test frequencies, test channel bandwidths and sub-carriers based on NR operating bands specified in table 5.2E.1-1 and table 5.3.5-1. All of these configurations are provided with applicable test parameters for each combination of test channel bandwidth and sub-carrier spacing, as specified in table 6.3E.1.1D.4.1-1. The details of the V2X reference measurement channels (RMCs) are specified in clause 6.3E.1.1D and the GNSS configuration in TS 38.508-1 [5] subclause 4.11.

6.3E.1.1D.4.1-1: Test Configuration Table for minimum output power for SL-MIMO

Initial Conditions			
Environment as specified in TS 38.508-1 [5] subclause 4.1	Normal, TL/VL, TL/VH, TH/VL, TH/VH		
Test frequencies as specified in TS 38.508-1 [5] subclause 4.3.1.8	Low range, High range		
Test channel Bandwidths as specified in TS 38.508-1 [5] subclause 4.3.1	Lowest, Highest		
Sub-carrier Spacing as specified in Table 5.3.5-1	Lowest, Highest		
Test Parameters for Channel Bandwidths			
Test ID	Freq	V2X Configuration to Transmit	
		Modulation	PSCCH and PSSCH RB allocation (Note 1)
	Default	QPSK	Outer_Full
	Default	16QAM	Outer_Full
	Default	64QAM	Outer_Full
	Default	256QAM	Outer_Full

Note 1: The specific configuration of each RB allocation is defined in Table 6.1E-1.

The SS and GNSS simulator to the UE antenna connectors as shown in TS 38.508-1 [5] Annex A, Figure A.3.2.7 for UE diagram.

Power control settings for the NR sidelink transmission over PC5 are pre-configured according to TS 38.508-1 clause 4.10. Message content exceptions are defined in clause 6.3E.1.1D.4.3.

Reference Measurement Channel is set according to Table 6.3E.1.1D.4.1-1.

The SS simulator is configured for Scenario #1: static in Geographical area #1, as defined in TS38.508-1 [5] clause 4.1.2-2. Geographical area #1 is also pre-configured in the UE.

Test conditions are set according to Annex B.0.

The UE is in state 4-A as defined in TS 38.508-1 [4], subclause 4.4A using generic procedure parameter *On*), Cast Type (*Unicast*), GNSS Sync (*On*) and Transmit Mode with *SL-MIMO*.

Test procedure

starts to perform the NR sidelink communication according to *SL-PreconfigurationNR* with 2-layer feedback TPMI 0. Since the UE has no payload and no loopback data to send the UE sends uplink MAC bits on the NR sidelink RMC.

The sum of mean power of the UE at each transmit antenna connector in the channel bandwidth is set to the test configuration from Table 6.3E.1.1D.4.1-1. The period of measurement shall be at least 100ms duration of one active sub-frame (1ms) excluding guard symbols.

Message contents

Messages are according to TS 38.508-1 [5] subclause 4.10 with the following exceptions.

Table 6.3E.1.1D.4.3-1: SL-ResourcePool

Reference: TS 38.508-1 [5], Table 4.6.6-25			
Information Element	Value/remark	Comment	Condition
pool-r16 ::= SEQUENCE {			
config-r16 CHOICE {			
SEQUENCE {			
resourcePSCCH-r16	As defined in Table 6.1E-2		
resourcePSCCH-r16	As defined in Table 6.1E-2		
Size-r16	As defined in Table 6.1E-2		
channel-r16	As defined in Table 6.1E-2		
channel-r16	As defined in Table 6.1E-2		

Table 6.3E.1.1D.4.3-2: SL-TxPower

Reference: TS 38.508-1 [5], Table 4.6.6-33			
Information Element	Value/remark	Comment	Condition
power ::= CHOICE {			
	-30		

Test requirement

Output power, derived in step 2 shall not exceed the values specified in Table 6.3E.1.1D.5-1.

Table 6.3E.1.1D.5-1: Minimum output power

Channel bandwidth (MHz)	Minimum output power (dBm)	Measurement bandwidth (MHz)
10	-30+TT	9.375
20	-30+TT	19.095
30	-28.2+TT	28.815
40	-27+TT	38.895

NOTE 1: TT for each frequency and channel bandwidth is specified in Table 6.3E.1.1D.5-2

Table 6.3E.1.1D.5-2: Test Tolerance (UE maximum output power)

	f ≤ 3.0GHz	4.2GHz < f ≤ 6.0GHz
BW ≤ 40MHz	1.0 dB	1.3 dB

Minimum output power for V2X con-current operation

Test purpose

as in 6.3E.1.1 for concurrent operation.

Test applicability

ils are specified. The minimum output power requirements for concurrent operation apply and are 6.3.1 for NR Uu operation and 6.3E.1.1 for NR sidelink option.

Transmit OFF power for V2X

Minimum conformance requirements

General

figured for NR V2X sidelink transmissions non-concurrent with NR uplink transmissions for NR V2X in Table 5.2E.1-1, the requirements specified in Table 6.3E.2.0.1-1 apply.

Table 6.3E.2.0.1-1: Transmit OFF power

Channel bandwidth (MHz)	Transmit OFF power (dBm)	Measurement bandwidth (MHz)
10	-50	9.375
20	-50	19.095
30	-50	28.815
40	-50	38.895

supporting SL MIMO, the transmit OFF power at each transmit antenna connector shall not exceed as defined in Table 6.3E.2.0.1-1 for single carrier. Transmit off power is defined as the mean power in at least 1 ms.

Transmit OFF power for V2X con-current operation

and con-current NR V2X operation, the requirements specified in clause 6.3.2 shall apply for the uplink and the requirements specified in Table 6.3E.2.0.1-1 shall apply for the sidelink in licensed band or unlicensed band.

Reference for this requirement is TS 38.101-1 [2] clause 6.3E.2.

Transmit OFF power for V2X / non-concurrent operation

Test purpose

to ensure UE transmit OFF power is lower than the value specified in the test requirement.

Transmit OFF power potentially increases the Rise Over Thermal (RoT) and therefore reduces the cell capacity for other UEs.

Test applicability

Conditions of this test apply in test case 6.3E.3.2.1 Transmit ON/OFF time mask for V2X / non-concurrent operation for all types of NR UE release 16 and forward that support NR V2X sidelink communication.

Minimum conformance requirements

Conformance requirements are defined in clause 6.3E.2.0.

Test description

Test is defined by clause 6.3E.3.2.1 Transmit ON/OFF time mask for V2X / non-concurrent operation.

Test requirement

for the Transmit OFF power shall not exceed the values specified in Table 6.3E.2.1.5-1.

Table 6.3E.2.1.5-1: Transmit OFF power

Channel bandwidth (MHz)	Transmit OFF power (dBm)	Measurement bandwidth (MHz)
10	-50+TT	9.375
20	-50+TT	19.095
30	-50+TT	28.815
40	-50+TT	38.895

NOTE 1: TT for each frequency and channel bandwidth is specified in Table 6.3E.2.1.5-2

Table 6.3E.2.1.5-2: Test Tolerance (Transmit OFF power)

	$f \leq 3.0\text{GHz}$	$3.0\text{GHz} < f \leq 6.0\text{GHz}$
BW \leq 40MHz	1.5 dB	1.8 dB

Transmit OFF power for V2X / non-concurrent operation / SL-MIMO

Test purpose

UE transmit OFF power is lower than the value specified in the test requirement.

Transmit OFF power potentially increases the Rise Over Thermal (RoT) and therefore reduces the cell capacity for other UEs.

Test applicability

Scenarios of this test apply in test case 6.3E.3.2.1D Transmit ON/OFF time mask for V2X / non-concurrent operation / SL-MIMO to all types of NR UE release 16 and forward that support NR V2X sidelink communication and

Minimum conformance requirements

Minimum conformance requirements are defined in clause 6.3E.2.0.

Test description

Test is defined by clause 6.3E.3.2.1D Transmit ON/OFF time mask for V2X / non-concurrent operation / SL-MIMO

Test requirement

for the Transmit OFF power shall not exceed the values specified in Table 6.3E.2.1D.5-1.

Table 6.3E.2.1D.5-1: Transmit OFF power

Channel bandwidth (MHz)	Transmit OFF power (dBm)	Measurement bandwidth (MHz)
10	-50+TT	9.375
20	-50+TT	19.095
30	-50+TT	28.815
40	-50+TT	38.895

NOTE 1: TT for each frequency and channel bandwidth is specified in Table 6.3E.2.1D.5-2

Table 6.3E.2.1D.5-2: Test Tolerance (Transmit OFF power)

	$f \leq 3.0\text{GHz}$	$3.0\text{GHz} < f \leq 6.0\text{GHz}$
BW \leq 40MHz	1.5 dB	1.8 dB

Transmit OFF power for V2X / con-current operation

Test purpose

as in 6.3E.2.1 for concurrent operation.

Test applicability

ils are specified. The transmit ON/OFF time mask requirements for concurrent operation apply and are 6.3.2 for NR Uu operation and 6.3E.2.1 for NR sidelink option.

Void

Void

Void

Transmit ON/OFF time mask for V2X

Minimum conformance requirements

General

, additional requirements on ON/OFF time masks for V2X physical channels and signals are specified

General time mask

OFF time mask defines the observation period between the Transmit OFF and ON power and between OFF power for PSCCH, and PSSCH transmissions in a slot wherein the last symbol is punctured to avoid.

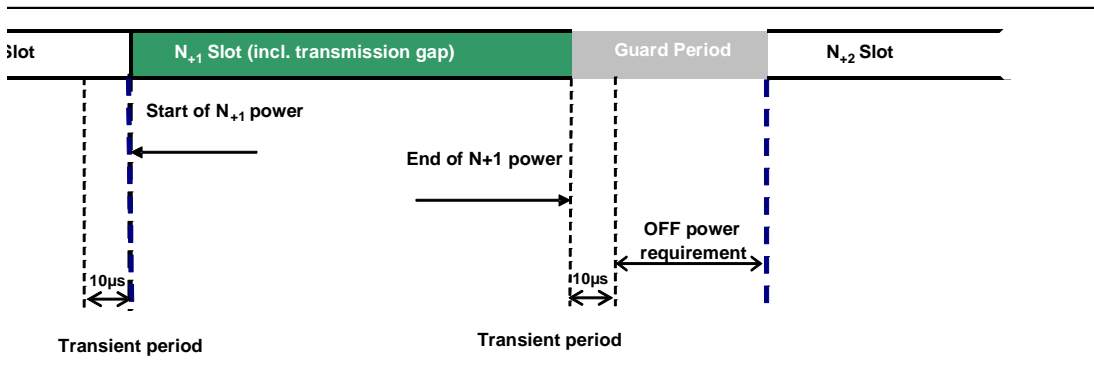


Figure 6.3E.3.0.2-1: General PSCCH/PSSCH time mask for NR V2X UE

supporting SL MIMO, the ON/OFF time mask requirements apply at each transmit antenna connector.

transmit antenna connectors, the general ON/OFF time mask requirements specified in current to each transmit antenna connector. The requirements shall be met with the SL MIMO configurations clause 6.2D.1.3.

its on one antenna connector at a time, the general ON/OFF time mask requirements apply to the active or.

S-SSB time mask

S/PSBCH time mask for NR V2X UE defines the observation period between transmit OFF and ON S- between transmit ON PSBCH and OFF power in a slot wherein the last symbol is punctured to create a

Environment as specified in TS 38.508-1 [5] subclause 4.1	Normal, TL/VL, TL/VH, TH/VL, TH/VH
Frequencies as specified in TS 38.508-1 [5] subclause 4.3.1.8	Low range, Mid range, High range
Channel Bandwidths as specified in TS 38.508-1 [5] subclause 4.3.1	Lowest, Mid, Highest
CS as specified in Table 5.3.5-1	Lowest, Highest

Test Parameters for Channel Bandwidths

Test ID	Freq	V2X Configuration to Transmit	
		Modulation	PSCCH and PSSCH RB allocation (Note 1)
	Default	CP-OFDM QPSK	Inner_Full

1: The specific configuration of each RB allocation is defined in Table 6.1E-1.

Table 6.3E.3.1.4.1-2: Test Configuration Table for minimum output power (S-SSB)

Initial Conditions

Environment as specified in TS 38.508-1 [5] subclause 4.1	Normal, TL/VL, TL/VH, TH/VL, TH/VH
Frequencies as specified in TS 38.508-1 [5] subclause 4.3.1.8	(See Freq column)
Channel Bandwidths as specified in TS 38.508-1 [5] subclause 4.3.1	Lowest, Mid, Highest
CS as specified in Table 5.3.5-1	Lowest, Highest

Test Parameters for Channel Bandwidths

Test ID	Freq	V2X Configuration to Transmit	
		S-SSB RB allocation (Note 1)	
	Low range	S-SSB_Low	
	High range	S-SSB_High	
	Mid range	S-SSB_Mid	

1: The specific configuration of each RB allocation is defined in Table 6.1E-3.

the SS and GNSS simulator to the UE antenna connectors as shown in TS 38.508-1 [5] Annex A, Figure 4.10 for TE diagram and section A.3.2.7 for UE diagram.

meter settings for the NR sidelink transmission over PC5 are pre-configured according to TS 38.508-1 clause 4.10. Message content exceptions are defined in clause 6.3E.3.1.4.3.

Reference Measurement Channel is set according to Table 6.3E.3.1.4.1-1.

S simulator is configured for Scenario #1: static in Geographical area #1, as defined in TS 38.508-1 [5] clause 4.1.2-2. Geographical area #1 is also pre-configured in the UE.

Test conditions are set according to Annex B.0.

Test procedure

PSSCH/PSCCH

1. The UE is in state Out_of_Coverage with generic procedure parameters Sidelink On according to TS 38.508-1 [5] clause 4.5. The UE is synchronized to GNSS,

2. The UE starts to perform the NR sidelink communication according to SL-PreconfigurationNR. Since the UE has no payload and no loopback data to send the UE sends uplink MAC padding bits on the NR sidelink RMC.

3. The UE reports the mean power of the UE in the channel bandwidth according to the test configuration from Table 6.3E.3.1.4.1-1. The period of measurement shall be at least continuous duration of one active sub-frame (1ms) excluding guard symbols.

4. For measurement:

a) Report the output power of the UE PSSCH/PSCCH transmission during one slot excluding the guard period.

b) For measurement:

the UE transmission OFF power during the slot prior to the PSSCH/PSCCH transmission, excluding a period of 10 μs in the end of the slot.

the UE transmission OFF power during the guard period of PSSCH/PSCCH transmission, excluding a period of 10us in the beginning of the guard period, and during the slot following the PSSCH/PSCCH transmission.

SSB

UE is in state Out_of_Coverage with generic procedure parameters Sidelink On according to 3GPP [5] clause 4.5. The UE is synchronized to GNSS,

transmits PSBCH according SL-PreconfigurationNR.

power measurement:

the output power of the UE S-SSB transmission during one slot excluding the guard period.

power measurement:

the UE transmission OFF power during the slot prior to the S-SSB transmission, excluding a transient 10 μs in the end of the slot.

the UE transmission OFF power during the guard period of S-SSB transmission, excluding a transient 10us in the beginning of the guard period, and during the slot following the S-SSB transmission.

Message contents

messages are according to TS 38.508-1 [5] subclause 4.10 with the following exceptions.

Table 6.3E.3.1.4.3-1: SL-ResourcePool for PSCCH/PSSCH Testing

from TS 38.508-1 [5], Table 4.6.6-25

Information Element	Value/remark	Comment	Condition
ResourcePool-r16 ::= SEQUENCE {			
freqConfig-r16 CHOICE {			
SEQUENCE {			
resourcePSCCH-r16	As defined in Table 6.1E-2		
resourcePSCCH-r16	As defined in Table 6.1E-2		
Size-r16	As defined in Table 6.1E-2		
subchannel-r16	As defined in Table 6.1E-2		
subchannel-r16	As defined in Table 6.1E-2		

Table 6.3E.3.1.4.3-2: SL-FreqConfigCommon for S-SSB Testing

from TS 38.508-1 [5], Table 4.6.6-11

Information Element	Value/remark	Comment	Condition
Common-r16 ::= SEQUENCE {			
frequencySSB-r16	According to section 4.3.1.8 of TS 38.508-1 [5]		

Test requirement

for the power measured in steps 3 and 4 of the test procedures shall not exceed the values specified in Table 6.3E.3.1.4.3-1.

Table 6.3E.3.1.5-1: General ON/OFF time mask

	Channel bandwidth / minimum output power / measurement bandwidth			
	10 MHz	20 MHz	30 MHz	40 MHz
Transmit OFF power	$\leq -50+TT$ dBm			
Transmission OFF measurement bandwidth (MHz)	9.375	19.095	28.815	38.895
Transmit ON power	Same as Table 6.2E.2.1.5-1 for PSSCH/PSCCH, and Table 6.2E.2.1.5-3 for S-SSB			
E 1: TT for each frequency and channel bandwidth of OFF power is specified in Table 6.3E.3.1.5-2.				
E 2: TT for each frequency and channel bandwidth of ON power is specified in Table 6.2E.2.1.5-4.				

Table 6.3E.3.1.5-2: Test Tolerance for OFF power

	$f \leq 3.0\text{GHz}$	$3.0\text{GHz} < f \leq 6\text{GHz}$
$\text{BW} \leq 40\text{MHz}$	1.5 dB	1.8 dB

Transmit ON/OFF time mask for V2X / non-concurrent operation / SL-MIMO

Test purpose

See as in 6.3E.3.1.1.

Test applicability

Applies to all types of UE release 16 and forward that support NR V2X sidelink communication and SL-MIMO.

Minimum conformance requirements

Conformance requirements are defined in clause 6.3E.3.0.

Test description

Operation as in 6.3E.3.1.4 for PSSCH/PSCCH subtest with following exceptions:

Conditions:

The SS and GNSS simulator to the UE antenna connectors as shown in TS 38.508-1 [5] Annex A, Figure 4.4.1 for TE diagram and section A.3.2.7 for UE diagram.

Notes:

Subtest 1 are replaced by:

1) The UE is in state 4-A as defined in TS 38.508-1 [4], subclause 4.4A using generic procedure parameter *On*), Cast Type (*Unicast*), GNSS Sync (*On*) and Transmit Mode with *SL-MIMO*. The UE is configured to GNSS,

2) The UE starts to perform the NR sidelink communication according to SL-PreconfigurationNR with 2-layer modulation and coding scheme (MCS) 0. Since the UE has no payload and no loopback data to send the UE sends uplink MAC control elements on the NR sidelink RMC.

3) For Subtest 1, the power is measured by the sum of mean power of the UE at each transmit antenna.

Test requirement

The power measured in steps 3 and 4 of the test procedures shall not exceed the values specified in 6.3E.3.1.5-1.

Table 6.3E.3.1D.5-1: General ON/OFF time mask

	Channel bandwidth / minimum output power / measurement bandwidth			
	10 MHz	20 MHz	30 MHz	40 MHz
Transmit OFF power	$\leq -50+TT$ dBm			
Transmission OFF measurement bandwidth (MHz)	9.375	19.095	28.815	38.895
Transmit ON power	Same as Table 6.2E.2.1.5-1 for PSSCH/PSCCH			
E 1: TT for each frequency and channel bandwidth of OFF power is specified in Table 6.3E.3.1.5-2.				
E 2: TT for each frequency and channel bandwidth of ON power is specified in Table 6.2E.2.1.5-4.				

Table 6.3E.3.1D.5-2: Test Tolerance for OFF power

	$f \leq 3.0\text{GHz}$	$3.0\text{GHz} < f \leq 6\text{GHz}$
BW $\leq 40\text{MHz}$	1.5 dB	1.8 dB

Transmit ON/OFF time mask for V2X / concurrent operation

Test purpose

Same as in 6.3E.3.1 for concurrent operation.

Test applicability

Requirements are specified. The transmit ON/OFF time mask requirements for concurrent operation apply and are specified in 6.3.3.2 for NR Uu operation and 6.3E.3.1 for NR sidelink option.

Minimum output power dynamics for shared spectrum channel access

Minimum output power

: This test is incomplete. The following aspects are not yet determined:

Measurement table is FFS

Values for >6GHz (band n96) are working assumption based on analysis of single TE vendor. Values will be revisited once analysis from other TE vendors is available.

Test purpose

The UE's ability to transmit with a broadband output power below the value specified in the test requirement is set to a minimum value.

Test applicability

Applies to all types of NR UE release 16 and forward that support NR standalone shared spectrum channel access.

Minimum conformance requirements

Controlled output power of the UE is defined as the power in the channel bandwidth for all transmit durations (resource blocks), when the power is set to a minimum value.

Minimum output power is defined as the mean power in at least one sub-frame 1 ms. The minimum output power values are specified in Table 6.3F.1.3-1.

Table 6.3F.1.3-1: Minimum output power

Channel bandwidth (MHz)	Minimum output power (dBm)	Measurement bandwidth (MHz)
5	-40	4.515
10	-40	9.375
15	-40	14.235
20	-40	19.095
25	-39	23.955
30	-38.2	28.815
40	-37	38.895
45	-36.5	43.575
50	-36	48.615
60	-35.2	58.35
70	-34.6	68.07
80	-34	78.15
90	-33.5	88.23
100	-33	98.31

reference for requirement is TS 38.101-1 [2] clause 6.3F.1 and 6.3.1.

Test description

Initial condition

are a set of test configurations the UE needs to be tested in and the steps for the SS to take with the UE in the active measurement state.

Configurations consist of environmental conditions, test frequencies, test channel bandwidths and sub-carriers based on NR operating bands specified in table 5.3.5-1. All of these configurations shall be tested with the same parameters for each combination of test channel bandwidth and sub-carrier spacing, and are shown in table 6.3F.1.4.1-1. The details of the uplink reference measurement channels (RMCs) are specified in Annexes A.2. and B.2. The PDSCH and PDCCH before measurement are specified in Annex C.2.

Table 6.3F.1.4.1-1: Test Configuration Table

The SS to the UE antenna connectors as shown in TS 38.508-1 [5] Annex A, Figure A.3.1.1.1 for the UE antenna and section A.3.2 for UE diagram.

Parameter settings for the cell are set up according to TS 38.508-1 [5] subclause 4.4.3.

Downlink signals are initially set up according to Annex C.0, C.1, C.2, and uplink signals according to Annex G.2, G.3.0.

Reference Measurement Channel is set according to Table 6.3F.1.4.1-1.

Test conditions are set according to Annex B.0.

The UE is in State RRC_CONNECTED with generic procedure parameters Connectivity NR, Connected Mode Release On, Test Mode On and Test Loop Function On according to TS 38.508-1 [5] clause 4.5. Messages are defined in clause 6.3F.1.4.3.

Test procedure

Uplink scheduling information for each UL HARQ process via PDCCH DCI format 0_1 for C-RNTI to the UE for the UL RMC according to Table 6.3F.1.4.1-1. Since the UE has no payload and no loopback data to be transmitted, the UE sends uplink MAC padding bits on the UL RMC.

Simultaneously uplink power control "down" commands in every uplink scheduling information to the UE; the UE transmits at its maximum output power for at least 200ms starting from the first TPC command in this step to ensure that the UE transmits at its maximum output power.

the mean power of the UE in the associated measurement channel bandwidth specified in Table 6.3F.1.4.3-1 for the specific channel bandwidth under test. The period of measurement shall be at least the duration of one active sub-frame (1ms) and in the uplink symbols. For TDD symbols with transient transmission, the test shall be performed in the uplink symbols that are not under test.

Message contents

Messages are according to TS 38.508-1 [5] subclause 4.6 with following exception.

Table 6.3F.1.4.3-1: PUSCH-Config

Path: TS 38.508-1 [5], Table 4.6.3-118 with condition `TRANSFORM_PRECODER_ENABLED`

Test requirement

Output power, derived in step 3 shall not exceed the values specified in Table 6.3F.1.5-1.

Table 6.3F.1.5-1: Minimum output power

Channel bandwidth (MHz)	Minimum output power (dBm)	Measurement bandwidth (MHz)
5	-40+TT	4.515
10	-40+TT	9.375
15	-40+TT	14.235
20	-40+TT	19.095
25	-39+TT	23.955
30	-38.2+TT	28.815
40	-37+TT	38.895
45	-36.5+TT	43.575
50	-36+TT	48.615
60	-35.2+TT	58.35
70	-34.6+TT	68.07
80	-34+TT	78.15
90	-33.5+TT	88.23
100	-33+TT	98.31

NOTE 1: TT for each frequency and channel bandwidth is specified in Table 6.3F.1.5-2

Table 6.3F.1.5-2: Test Tolerance (Minimum output power)

	4.2GHz < f ≤ 5.925GHz	5.925GHz < f ≤ 7.125GHz
BW ≤ 40MHz	1.3 dB	1.3 dB
40MHz < BW ≤ 100MHz	1.3 dB	1.3 dB

Transmit OFF power for shared spectrum channel access

Test purpose

The UE transmit OFF power is lower than the value specified in the test requirement.

Transmit OFF power potentially increases the Rise Over Thermal (RoT) and therefore reduces the cell capacity for other UEs.

Test applicability

Requirements of this test apply in test case 6.3F.3 Transmit ON/OFF time mask for shared spectrum channel access and UE release 16 and forward that support NR standalone shared spectrum channel access.

Minimum conformance requirements

Power is defined as the mean power in the channel bandwidth when the transmitter is OFF. The transmitter is considered OFF when the UE is not allowed to transmit on any of its ports.

Transmit OFF power is defined as the mean power in a duration of at least one sub-frame (1ms) excluding any guard bands. The Transmit OFF power shall not exceed the values specified in Table 6.3F.2.3-1.

Table 6.3F.2.3-1: Transmit OFF power

Channel bandwidth (MHz)	Transmit OFF power (dBm)	Measurement bandwidth (MHz)
5	-50	4.515
10	-50	9.375
15	-50	14.235
20	-50	19.095
25	-50	23.955
30	-50	28.815
40	-50	38.895
50	-50	48.615
60	-50	58.35
70	-50	68.07
80	-50	78.15
90	-50	88.23
100	-50	98.31

Reference for this requirement is TS 38.101-1 [2] clause 6.3F.2 and 6.3.2.

Test description

Test is defined by clause 6.3F.3 Transmit ON/OFF time mask.

Test requirement

The Transmit OFF power shall not exceed the values specified in Table 6.3F.2.5-1.

Table 6.3F.2.5-1: Transmit OFF power

Channel bandwidth (MHz)	Transmit OFF power (dBm)	Measurement bandwidth (MHz)
10	-50+TT	9.375
20	-50+TT	19.095
40	-50+TT	38.895
60	-50+TT	58.35
80	-50+TT	78.15

NOTE 1: TT for each frequency and channel bandwidth is specified in Table 6.3F.2.5-2

Table 6.3F.2.5-2: Test Tolerance (Transmit OFF power)

	4.2GHz < f ≤ 5.925GHz	5.925GHz < f ≤ 7.125GHz
BW ≤ 40MHz	1.8 dB	1.8 dB
40MHz < BW ≤ 100MHz	1.8 dB	1.8 dB

Transmit ON/OFF time mask for shared spectrum channel access

General

The transmit ON/OFF time mask defines the transient period(s) allowed between transmit OFF power as defined in clause 6.3F.2.3 and transmit ON power symbols (transmit ON/OFF). The transmit power ON/OFF time mask specified in clause 6.3F.2.3 supersedes the ON/OFF masks specified in clause 6.3.3; however, between continuous ON-power symbols, the requirements in clause 6.3.3 apply. Unless otherwise stated the requirements in clause 6.5F apply also to the transmit ON/OFF time mask.

General ON/OFF time mask

: This test is incomplete. The following aspects are not yet determined:

are TBD

for >6GHz (band n96) are working assumption based on analysis of single TE vendor. Values will be revisited once analysis from other TE vendors is available.

ceptions

Test purpose

general ON/OFF time mask meets the requirements given in 6.3F.3.2.5.

ver time mask for transmit ON/OFF defines the transient period(s) allowed between transmit OFF and ON power for each SCS as illustrated below in Figure 6.3F.3.2.3-1. ON/OFF scenarios include: non-contiguous transmission, etc.

the wrong power increases interference to other channels, or increases transmission errors in the uplink

Test applicability

plies to all types of NR UE release 16 and forward that support NR standalone shared spectrum channel

Minimum conformance requirements

OFF time mask defines the observation period between transmit OFF and ON power and between OFF power for each SCS as illustrated below in Figure 6.3F.3.2.3-1. ON/OFF scenarios include: non-contiguous transmission, etc.

measurement period is defined in a duration of at least one slot excluding any transient periods. The defined as the mean power over the duration of at least one slot excluding any transient period and non-slots. The leading transient period starts 5µs before the beginning of the first symbol of transmission into the transmission including the CP extension if applicable. The trailing transient period starts 5µs before transmission and extends 5µs beyond the end of transmission.

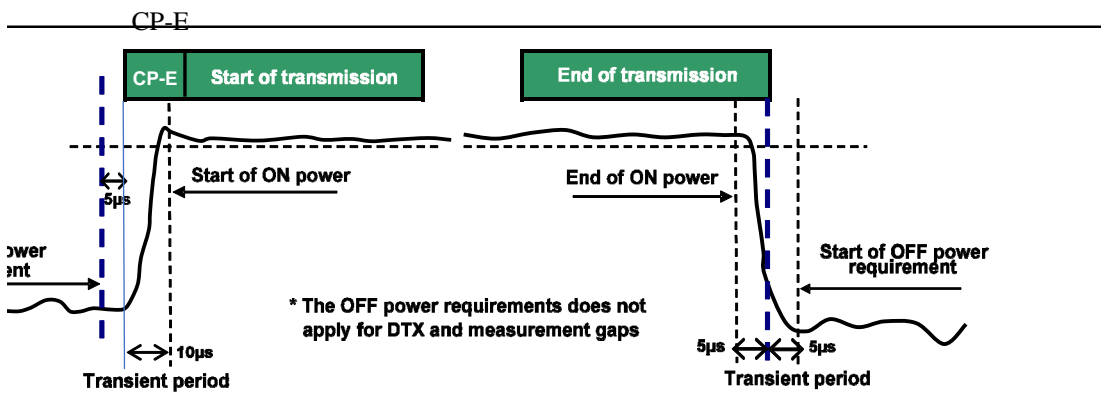


Figure 6.3F.3.2.3-1: General ON/OFF time mask for shared spectrum channel access

reference for this requirement is TS 38.101-1 [2] clause 6.3F.3.2.

Test description

Initial condition

are a set of test configurations the UE needs to be tested in and the steps for the SS to take with the UE in a measurement state

Configurations consist of environmental conditions, test frequencies, test channel bandwidths and sub-carriers based on NR operating bands specified in table 5.3.5-1. All of these configurations shall be tested with parameters for each combination of channel bandwidth and sub-carrier spacing, and are shown in table 6.3F.3.2.4.1-1. The details of the uplink reference measurement channels (RMCs) are specified in Annex A.2. The parameters of PDSCH and PDCCH before measurement are specified in Annex C.2.

Table 6.3F.3.2.4.1-1: Test Configuration Table

FFS

The SS to the UE antenna connectors as shown in TS 38.508-1 [5] Annex A, Figure A.3.1.1.1 for TE and section A.3.2 for UE diagram.

Parameter settings for the cell are set up according to TS 38.508-1 [5] subclause 4.4.3.

Downlink signals are initially set up according to Annex C.0, C.1, C.2, and uplink signals according to Annex G.2, G.3.0.

Reference Measurement Channel is set according to Table 6.3F.3.2.4.1-1.

Test conditions are set according to Annex B.0.

When the UE is in State RRC_CONNECTED with generic procedure parameters Connectivity NR, Connected Mode Release On, Test Mode On and Test Loop Function On according to TS 38.508-1 [5] clause 4.5. Messages are defined in clause 6.3F.3.2.4.3.

Test procedure

Uplink scheduling information via PDCCH DCI format 0_1 for C_RNTI to schedule the UL RMC according to Table 6.3F.3.2.4.1-1. Since the UE has no payload and no loopback data to send the UE sends AC padding bits on the UL RMC. The UL assignment is such that the UE transmits on slots TBD.

Continuously uplink power control "up" commands in every uplink scheduling information to the UE; at least 200ms starting from the first TPC command in this step for the UE to reach P_{UMAX} level.

For sub test:

Measure the output power of the UE PUSCH transmission during one slot, excluding a transient period of 10 μ s at the beginning of the slot and 5 μ s in the end of the slot.

For sub test:

Measure the UE transmission OFF power during the slot prior to the PUSCH transmission, excluding a period of 5 μ s in the end of the slot.

Measure the UE transmission OFF power during the slot following the PUSCH transmission, excluding a period of 5 μ s at the beginning of the slot.

Message contents

Messages are according to TS 38.508-1 [5] subclause 4.6 with following exceptions.

Test requirement

The power for the power measured in steps 2, 3 and 4 of the test procedure shall not exceed the values specified in Table 6.3F.3.2.4.1-1.

Table 6.3F.3.2.5-1: General ON/OFF time mask

	Channel bandwidth / minimum output power / measurement bandwidth				
	10 MHz	20 MHz	40 MHz	60 MHz	80 MHz
Transmit OFF power	$\leq -50+TT$ dBm				
Transmission OFF Measurement bandwidth	9.375	19.095	38.895	58.35	78.15
Transmit ON power	TBD				
NOTE 1: TT for each frequency and channel bandwidth is specified in Table 6.3F.3.2.5-2					

Table 6.3F.3.2.5-2: Test Tolerance for OFF power

	4.2GHz < f ≤ 5.925GHz	5.925GHz < f ≤ 7.125GHz
BW ≤ 40MHz	1.8 dB	1.8 dB
40MHz < BW ≤ 100MHz	1.8 dB	1.8 dB

Table 6.3F.3.2.5-3: Test Tolerance for ON power

	4.2GHz < f ≤ 5.925GHz	5.925GHz < f ≤ 7.125GHz
BW ≤ 40MHz	1.8 dB	1.8 dB
40MHz < BW ≤ 100MHz	1.8 dB	1.8 dB

6.3F.4 Power control for shared spectrum access

6.3F.4.1 General

The requirements on power control accuracy apply under normal conditions.

6.3F.4.2 Absolute power tolerance for shared spectrum access

Editor's Note: This test is incomplete. The following aspects are not yet determined:

- MU and TT for >6GHz (band n96) are working assumption based on analysis of single TE vendor. Values will be revisited once analysis from other TE vendors is available.

- Message exceptions

6.3F.4.2.1 Test purpose

To verify the ability of the UE transmitter to set its initial output power to a specific value at the start of a contiguous transmission or non-contiguous transmission with a long transmission gap, i.e. transmission gap is larger than 20ms.

6.3F.4.2.2 Test applicability

This test case applies to all types of NR UE release 16 and forward that support NR standalone shared spectrum channel access.

6.3F.4.2.3 Minimum conformance requirements

The absolute power tolerance requirements of clause 6.3.4.2.3 apply at the start of a contiguous transmission or non-contiguous transmission with a transmission gap larger than 40 ms.

The normative reference for this requirement is TS 38.101-1 [2] clause 6.3F.4.2

- 6.3F.4.2.4 Test description
- 6.3F.4.2.4.1 Initial conditions

Initial conditions are a set of test configurations the UE needs to be tested in and the steps for the SS to take with the UE to reach the correct measurement state.

The initial test configurations consist of environmental conditions, test frequencies, test channel bandwidths and sub-carrier spacing based on NR operating bands specified in table 5.3.5-1. All of these configurations shall be tested with applicable test parameters for each combination of test channel bandwidth and sub-carrier spacing, and are shown in clause 6.2D.3.4.1 for NS_03, NS_03U, NS_04 and NS_35. The details of the uplink reference measurement channels (RMCs) are specified in Annexes A.2. Configurations of PDSCH and PDCCH before measurement are specified in Annex C.2.

Table 6.3F.4.2.4.1-1: Test Configuration Table

Initial Conditions				
Test Environment as specified in TS 38.508-1 [5] subclause 4.1		Normal		
Test Frequencies as specified in TS 38.508-1 [5] subclause 4.3.1		Mid range		
Test Channel Bandwidths as specified in TS 38.508-1 [5] subclause 4.3.1		Lowest, Mid, Highest		
Test SCS as specified in Table 5.3.5-1		Lowest, Highest		
Test Parameters				
Test ID	Downlink Configuration		Uplink Configuration	
	Modulation	RB allocation	Modulation	RB allocation (NOTE 1)
1	N/A		CP-OFDM QPSK	Full
NOTE 1: The specific configuration of each RF allocation is defined in Table 6.1F-1.				

1. Connect the SS to the UE antenna connectors as shown in TS 38.508-1 [5] Annex A, Figure A.3.1.1.1 for TE diagram and section A.3.2 for UE diagram.
2. The parameter settings for the cell are set up according to TS 38.508-1 [5] subclause 4.4.3.
3. Downlink signals are initially set up according to Annex C.0, C.1, C.2, and uplink signals according to Annex G.0, G.1, G.2, G.3.0.
4. The UL Reference Measurement Channel is set according to Table 6.3F.4.2.4.1-1.
5. Propagation conditions are set according to Annex B.0.
6. Ensure the UE is in state RRC_CONNECTED with generic procedure parameters Connectivity NR, Connected without release On, Test Mode On and Test Loop Function On according to TS 38.508-1 [5] clause 4.5. Message contents are defined in clause 6.3F.4.2.4.3. Note that PDCCH DCI format 0_1 sent after resetting uplink power with RRC Connection Reconfiguration, should have TPC command 0dB.

6.3F.4.2.4.2 Test procedure

1. SS sends uplink scheduling information for each UL HARQ process via PDCCH DCI format 0_1 with TPC command 0dB for C_RNTI to schedule the UL RMC according to Table 6.3F.4.2.4.1-1. Since the UE has no payload and no loopback data to send the UE sends uplink MAC padding bits on the UL RMC.
2. Measure the initial output power of the first sub-frame (1ms) of UE PUSCH first transmission.
3. Repeat for the two test points as indicated in section 6.3F.4.2.4.3. The timing of the execution between the two test points shall be larger than 40ms.

6.3F.4.2.4.3 Message contents

Message contents are according to TS 38.508-1 [5] subclause 4.6 with the following exceptions:

Table 6.3F.4.2.4.3-1: UplinkPowerControlCommon: Test point 1

Derivation Path: TS 38.508-1 [5] subclause 4.6.3 Table 4.6.3-119 PUSCH-ConfigCommon

Information Element	Value/remark	Comment	Condition
PUSCH-ConfigCommon ::= SEQUENCE {			
p0-NominalWithGrant	-114	Test point 1 to verify a UE relative low initial power transmission	
}			

Table 6.3F.4.2.4.3-2: UplinkPowerControlCommon: Test point 2

Derivation Path: TS 38.508-1 [5] subclause 4.6.3 Table 4.6.3-119 PUSCH-ConfigCommon			
Information Element	Value/remark	Comment	Condition
PUSCH-ConfigCommon ::= SEQUENCE {			
p0-NominalWithGrant	-100	Test point 2 to verify a UE relative high initial power transmission	
}			

Table 6.3F.4.2.4.3-3: ServingCellConfigCommon

Derivation Path: 38.508-1[5], Table 4.6.3-168			
Information Element	Value/remark	Comment	Condition
ServingCellConfigCommon ::= SEQUENCE {			
ss-PBCH-BlockPower	18		SCS_15kHz
	21		SCS_30kHz
}			

Condition	Explanation
SCS_15kHz	SCS=15kHz for SS/PBCH block
SCS_30kHz	SCS=30kHz for SS/PBCH block

6.3F.4.2.5 Test requirement

The requirement for the power measured in step (2) of the test procedure is not to exceed the values specified in Table 6.3F.4.2.5-1 and 6.3F.4.2.5-2.

Table 6.3F.4.2.5-1: Absolute power tolerance: test point 1

		20 MHz	40 MHz	60 MHz	80 MHz
Expected Measured power	SCS15	-11.3	-8.3	N/A	N/A
	SCS30	-11.5	-8.3	-6.5	-5.2
Power tolerance		± (9+TT) dB			
Note 1:		The lower power limit shall not exceed the minimum output power requirements defined in sub-clause 6.3F.2.3			
Note 2:		TT for each duplex, Sub-Carrier Spacing, frequency and channel bandwidth is specified in Table 6.3F.4.2.5-3.			

Table 6.3F.4.2.5-2: Absolute power tolerance: test point 2

		20 MHz	40 MHz	60 MHz	80 MHz
Expected Measured power	SCS15	2.7	5.7	N/A	N/A
	SCS30	2.5	5.7	7.5	8.8
Power tolerance		± (9+TT) dB			

Note 1:	The higher power limit shall not exceed the maximum output power requirements defined in sub-clause 6.2F.1.3
Note 2:	TT for each duplex, Sub-Carrier Spacing, frequency and channel bandwidth is specified in Table 6.3F.4.2.5-3.

Table 6.3F.4.2.5-3: Test Tolerance

	4.2GHz < f ≤ 7.125GHz
BW ≤ 100MHz	1.4 dB

6.3F.4.3 Relative power tolerance for shared spectrum channel access

Editor’s Note: This test is incomplete. The following aspects are not yet determined:

- MU and TT for >6GHz (band n96) are working assumption based on analysis of single TE vendor. Values will be revisited once analysis from other TE vendors is available.
- Message exceptions

6.3F.4.3.1 Test purpose

To verify the ability of the UE transmitter to set its output power in a target sub-frame(1ms) relatively to the power of the most recently transmitted reference sub-frame if the transmission gap between these sub-frames is less than or equal to 20ms.

6.3F.4.3.2 Test applicability

This test case applies to all types of NR UE release 16 and forward that support NR standalone shared spectrum channel access.

6.3F.4.3.3 Minimum conformance requirement

The relative power tolerance requirements of clause 6.3.4.3.3 apply if the transmission gap between the target sub-frame and the reference sub-frame is less than or equal to 40 ms.

The normative reference for this requirement is TS 38.101-1 [2] clause 6.3F.4.3.

6.3F.4.3.4 Test description

6.3F.4.3.4.1 Initial conditions

Initial conditions are a set of test configurations the UE needs to be tested in and the steps for the SS to take with the UE to reach the correct measurement state.

The initial test configurations consist of environmental conditions, test frequencies, test channel bandwidths and sub-carrier spacing based on NR operating bands specified in table 5.3.5-1. All of these configurations shall be tested with applicable test parameters for each combination of test channel bandwidth and sub-carrier spacing, and are shown in table 6.3F.4.3.4.1-1. The details of the uplink reference measurement channels (RMCs) are specified in Annexes A.2. Configurations of PDSCH and PDCCH before measurement are specified in Annex C.2.

Table 6.3F.4.3.4.1-1: Test Configuration Table

Initial Conditions	
Test Environment as specified in TS 38.508-1 [5] subclause 4.3.1	Normal
Test Frequencies as specified in TS 38.508-1 [5] subclause 4.3.1	Low range
Test Channel Bandwidths as specified in TS 38.508-1 [5] subclause 4.3.1	Lowest, Mid, Highest
Test SCS as specified in TS 38.508-1 [5] subclause 4.3.1	Lowest, Highest
Test Parameters	

Ch BW	Downlink Configuration		Uplink Configuration	
	Modulation	RB Allocation	Modulation	RB allocation
20, 40, 60, 80MHz	N/A		CP-OFDM QPSK	See Table 6.3F.4.3.5-1 See Table 6.3F.4.3.5-2 See Table 6.3F.4.3.5-3

1. Connect the SS to the UE antenna connectors as shown in TS 38.508-1 [5] Annex A, Figure A.3.1.1.1 for TE diagram and section A.3.2 for UE diagram.
2. The parameter settings for the cell are set up according to TS 38.508-1 [5] subclause 4.4.3.
3. Downlink signals are initially set up according to Annex C.0, C.1, C.2, and uplink signals according to Annex G.0, G.1, G.2, G.3.0.
4. The UL Reference Measurement Channel is set according to Table 6.3F.4.3.4.1-1.
5. Propagation conditions are set according to Annex B.0.
6. Ensure the UE is in state RRC_CONNECTED with generic procedure parameters Connectivity NR, Connected without release *On*, Test Mode *On* and Test Loop Function *On* according to TS 38.508-1 [5] clause 4.5 Message contents are defined in clause 6.3F.4.3.4.3.

6.3F.4.3.4.2 Test procedure

The procedure is separated in various subtests to verify different aspects of relative power control. The power patterns of the subtests are described in figure 6.3F.4.3.4.2-1 thru figure 6.3F.4.3.4.2-5.

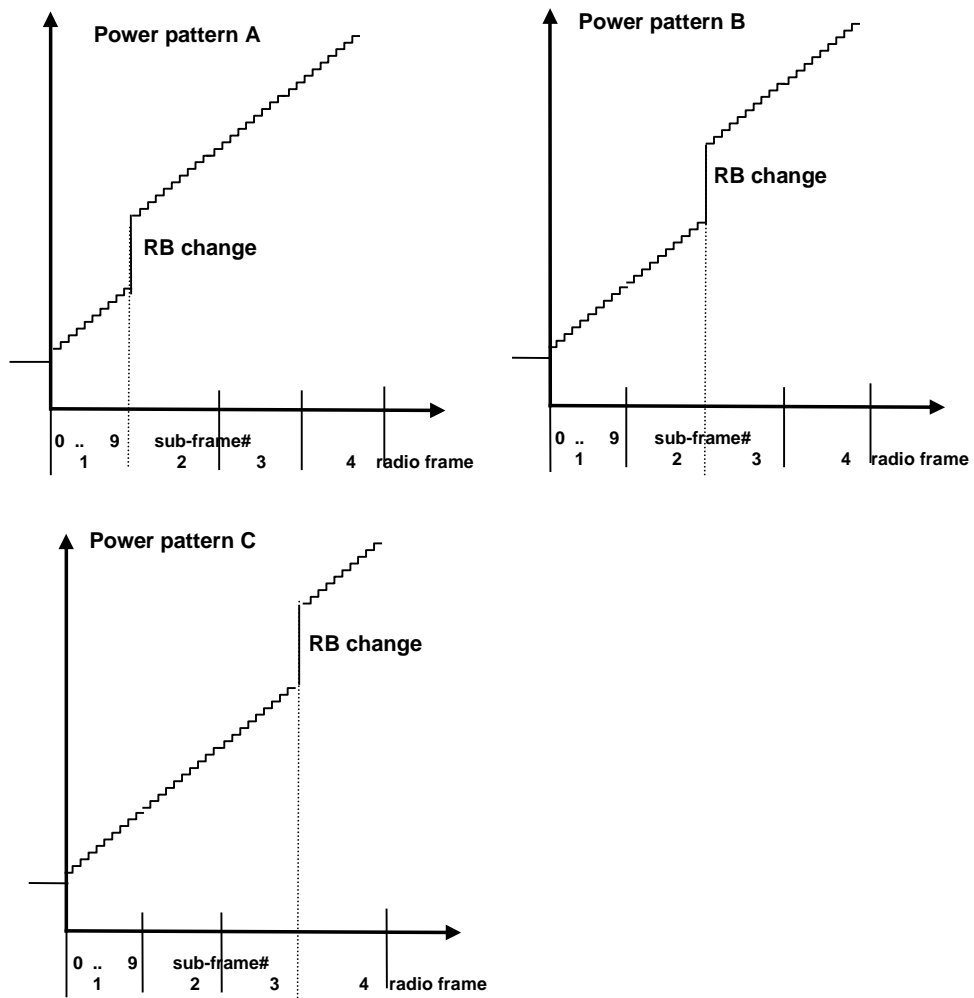


Figure 6.3F.4.3.4.2-1: FDD ramping up test power patterns

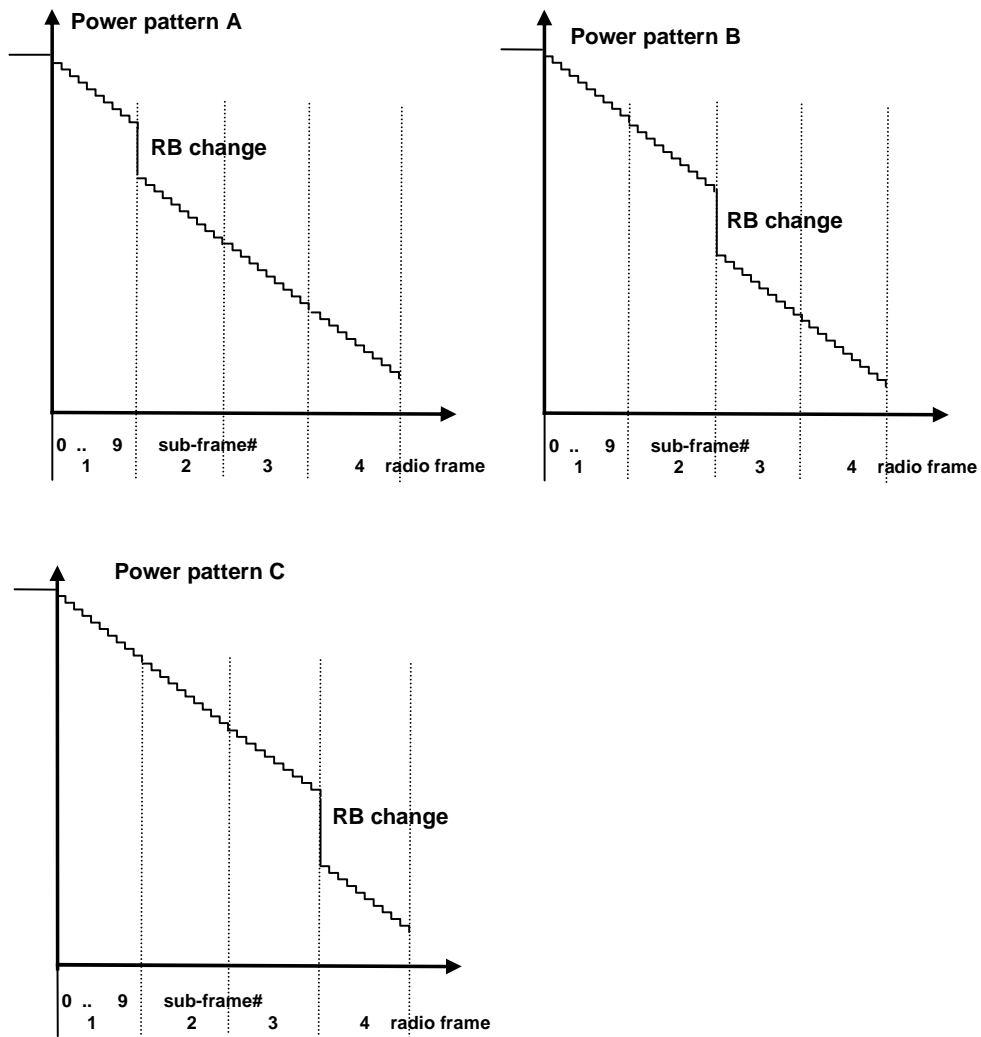


Figure 6.3F.4.3.4.2-2: FDD ramping down test power patterns

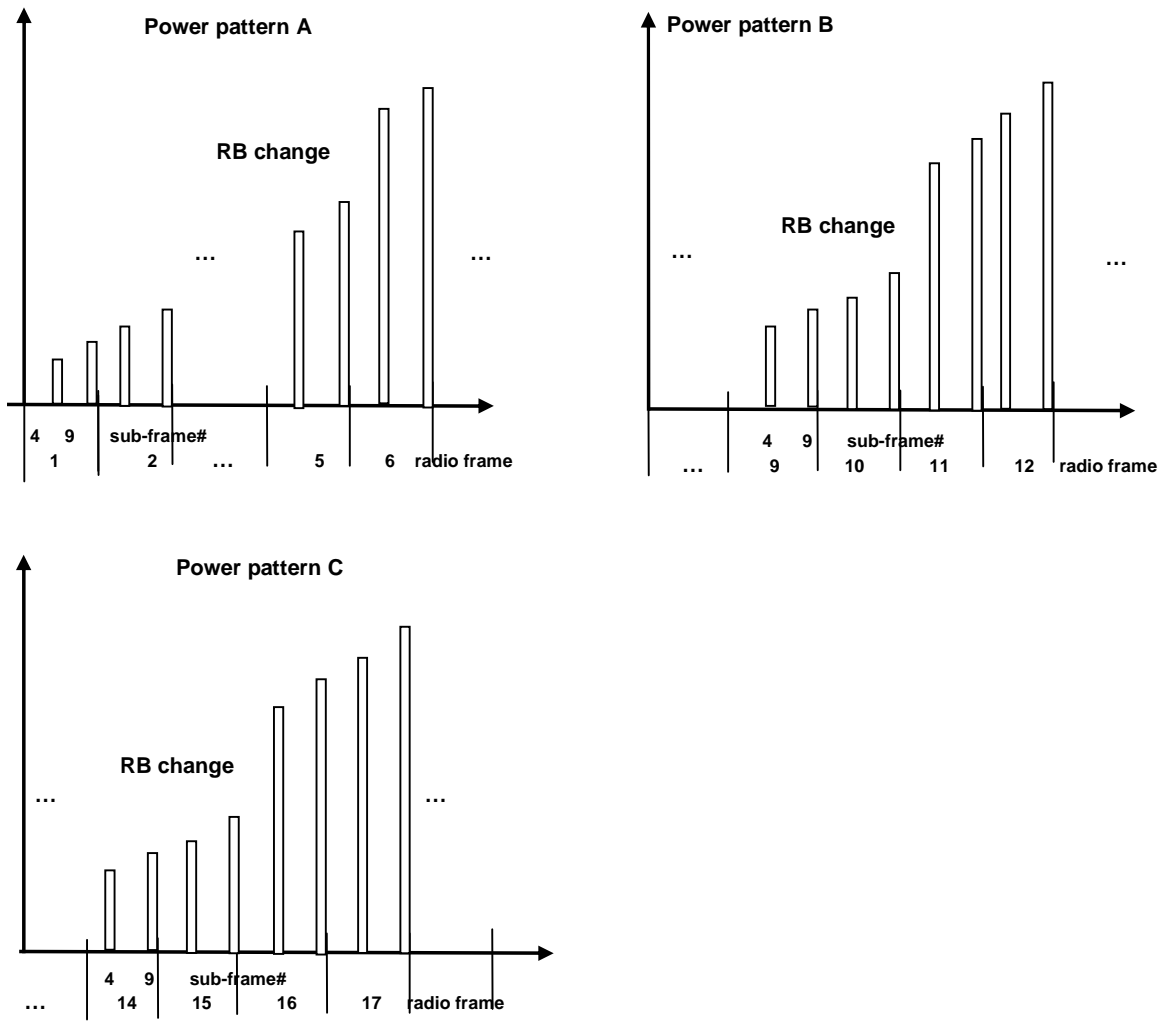


Figure 6.3F.4.3.4.2-3: TDD ramping up test power patterns

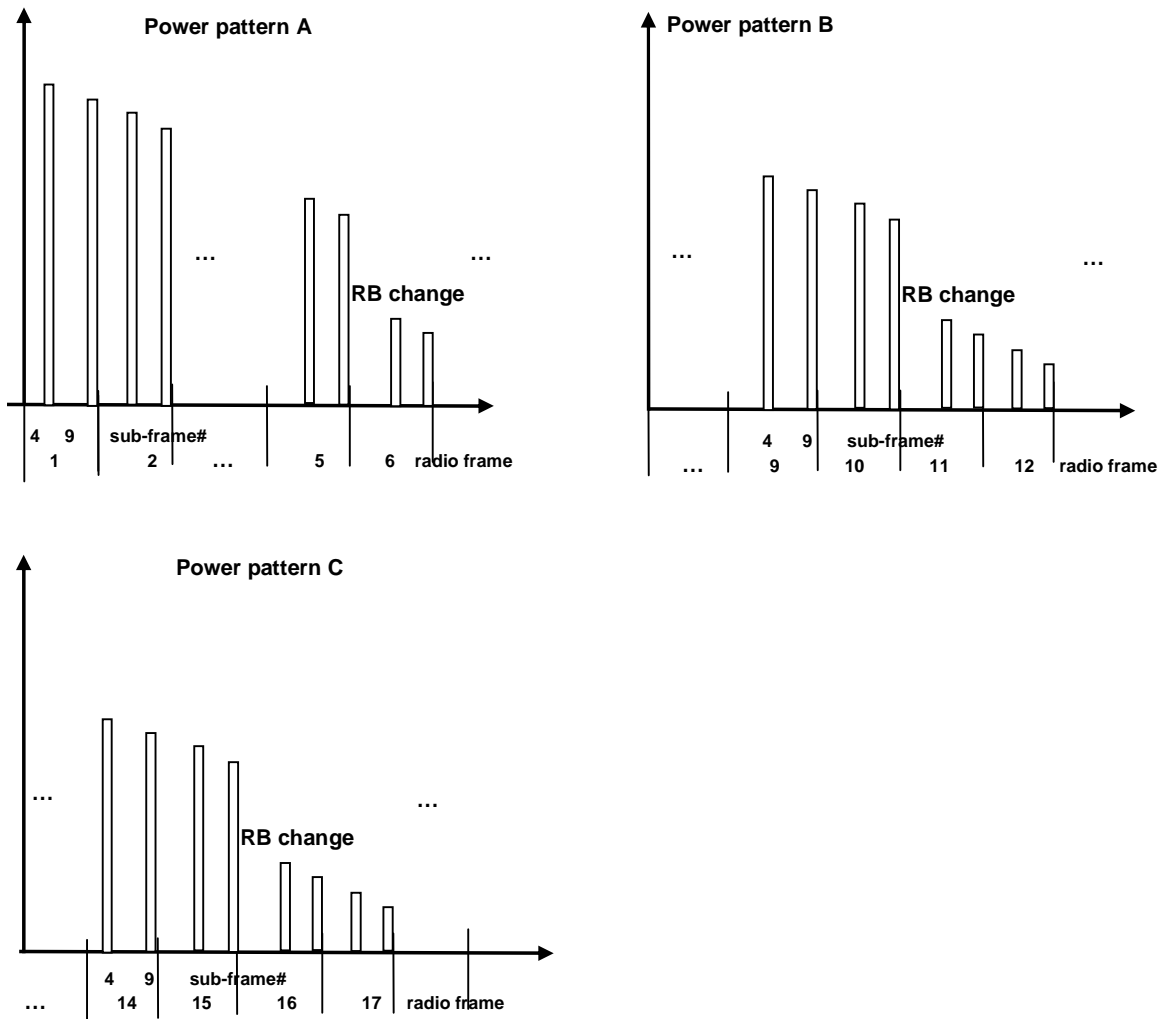


Figure 6.3F.4.3.4.2-4: TDD ramping down test power patterns

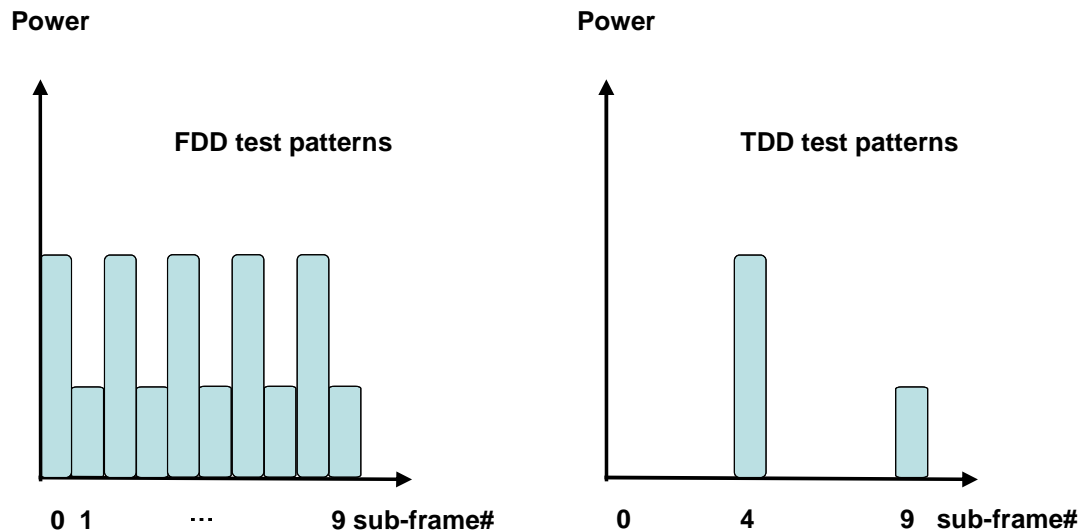


Figure 6.3F.4.3.4.2-5: Alternating Test Power patterns

1. Sub test: ramping up pattern

1.1. SS sends uplink scheduling information for each UL HARQ process via PDCCH DCI format 0_1 for C_RNTI to schedule the UL RMC according to Table 6.3F.4.3.4.1-1. Since the UE has no payload and no loopback data to send the UE sends uplink MAC padding bits on the UL RMC. Send uplink power control commands to the UE using 1dB power step size to ensure that the UE output power measured by the test system is within the Uplink power control window, defined as $+MU$ to $+(MU + \text{Uplink power control window size})$ dB of the target power level -33 dBm, where:

- MU is the test system uplink power measurement uncertainty and is specified in Table F.1.2-1 for the carrier frequency f and the channel bandwidth BW .
- Uplink power control window size = 1dB (UE power step size) + 0.7dB (UE power step tolerance) + (Test system relative power measurement uncertainty), where the UE power step tolerance is specified in TS 38.101-1 [2], Table 6.3F.4.3-1 and is 0.7dB for 1dB power step size, and the Test system relative power measurement uncertainty is specified in Table F.1.2-1.

1.2. Schedule the UE's PUSCH data transmission as described in Figure 6.3F.4.3.4.2-1 (FDD pattern A: sub-test is divided in 4 arbitrary radio frames with 10 active uplink sub-frames per radio frame) and Figure 6.3F.4.3.4.2-3 (TDD pattern A: sub-test is divided in 20 arbitrary radio frames with 2 active uplink sub-frames per radio frame). Uplink RB allocation as defined in table 6.3F.4.3.5-1/6.3F.4.3.5-3/ 6.3F.4.3.5-5 depending on channel bandwidth. On the PDCCH format 0_1 for the scheduling of the PUSCH the SS will transmit a +1dB TPC command for every first slot in a sub-frame. Note that the measurement need not be done continuously, provided that interruptions are whole numbers of frames, and TPC commands of 0dB are sent during the interruption.

1.3. Measure the power of PUSCH transmissions to verify the UE relative power control meet test requirements 6.3F.4.3.5. For power transients between sub-frames, transient periods of 20us between sub-frames are excluded.

1.4. Repeat the subtest different pattern B, C to move the RB allocation change at different points in the pattern as described in Table 6.3F.4.3.5-1/6.3F.4.3.5-3/ 6.3F.4.3.5-5 to force bigger UE power steps at various points in the power range.

NOTE: The purpose of the Uplink power control window is to ensure that the actual UE output power is no less than the target power level, and as close as possible to the target power level. The relationship between the Uplink power control window, the target power level and the corresponding possible actual UE Uplink power window is illustrated in Annex F, clause F.4.2.

2. Sub test: ramping down pattern

- 2.1. SS sends uplink scheduling information for each UL HARQ process via PDCCH DCI format 0_1 for C_RNTI to schedule the UL RMC according to Table 6.3F.4.3.4.1-1. Send uplink power control commands to the UE using 1dB power step size to ensure that the UE output power measured by the test system is within the Uplink power control window, defined as $-(\text{MU} + \text{Uplink power control window size})$ to $-\text{MU}$ dB of the target power level 20.7 dBm, where:
 - MU is the test system uplink power measurement uncertainty and is specified in Table F.1.2-1 for the carrier frequency f and the channel bandwidth BW.
 - Uplink power control window size is same as defined in step 1.1.
- 2.2. Schedule the UE's PUSCH data transmission as described in Figure 6.3F.4.3.4.2-2 (FDD pattern A: sub-test is divided in 4 arbitrary radio frames with 10 active uplink slots per radio frame) and Figure 6.3F.4.3.4.2-4 (TDD pattern A: sub-test is divided in 20 arbitrary radio frames with 2 active uplink sub-frames per radio frame). Uplink RB allocation as defined in table 6.3F.4.3.5-2/6.3F.4.3.5-4/ 6.3F.4.3.5-6 depending on channel bandwidth. On the PDCCH format 0_1 for the scheduling of the PUSCH the SS will transmit a -1dB TPC command for every first slot in a sub-frame. Note that the measurement need not be done continuously, provided that interruptions are whole numbers of frames, and TPC commands of 0dB are sent during the interruption.
- 2.3. Measure the power of PUSCH transmissions to verify the UE relative power control meet test requirements 6.3.4.4.5. For power transients between sub-frames, transient periods of 20us between sub-frames are excluded.
- 2.4. Repeat the subtest different pattern B, C to move the RB allocation change at different points in the pattern as described in Table 6.3F.4.3.5-2/6.3F.4.3.5-4/ 6.3F.4.3.5-6 to force bigger UE power steps at various points in the power range.

NOTE: The purpose of the Uplink power control window is to ensure that the actual UE output power is no greater than the target power level, and as close as possible to the target power level. The relationship between the Uplink power control window, the target power level and the corresponding possible actual UE Uplink power window is illustrated in Annex F, clause F.4.3.

3. Sub test: alternating pattern

- 3.1. SS sends uplink scheduling information for each UL HARQ process via PDCCH DCI format 0_1 for C_RNTI to schedule the UL RMC according to Table 6.3F.4.3.4.1-1. Since the UE has no payload and no loopback data to send the UE sends uplink MAC padding bits on the UL RMC. Send uplink power control commands for PUSCH to the UE using 1dB power step size to ensure that the UE output power measured by the test system is within the Uplink power control window, defined as $-(\text{Uplink power control window size} / 2)$ dB to $+(\text{Uplink power control window size} / 2)$ dB of the target power level -10 dBm, where:
 - Uplink power control window size is same as defined in step 1.1.
- 3.2. Schedule the UE's PUSCH data transmission as described in Figure 6.3.5.2.4.2-5 for 10 sub-frames an uplink RB allocation alternating pattern as defined in table 6.3F.4.3.5-7 while transmitting 0dB TPC command for PUSCH via the PDCCH.
- 3.3. Measure the power of PUSCH transmissions to verify the UE relative power control meet test requirements specified in clause 6.3F.4.3.5. For power transients between sub-frames, transient periods of 20us between sub-frames are excluded.

NOTE: The purpose of the Uplink power control window is to ensure that the actual UE output power is as close as possible to the target power level. The relationship between the Uplink power control window, the target power level and the corresponding possible actual UE Uplink power window is illustrated in Annex F.4.4.

6.3F.4.3.4.3 Message contents

Message contents are according to TS 38.508-1 [5] subclause 4.6.

6.3F.4.3.5 Test requirement

Each UE power step measured in the test procedure 6.3F.4.3.4.2 should satisfy the test requirements specified in Table 6.3F.4.3.5-1 thru 6.3F.4.3.5-7.

To account for RF Power amplifier mode changes 2 exceptions are allowed for each of ramping up and ramping down test patterns. For these exceptions the power tolerance limit is a maximum of $\pm (6.0 + TT)$ dB. If there is an exception in the power step caused by the RB change for all test patterns (A, B, C) then fail the UE.

Table 6.3F.4.3.5-1: Test Requirements Relative Power Tolerance for Transmission, ramp up sub-test

BW [MHz]	Test SCS [kHz]	Applicable sub-frames	Uplink RB allocation	TPC command	Expected power step size (Up) ΔP [dB]	Power step size range (Up) ΔP [dB]	PUSCH [dB]
20	15	Subframes before RB change	Fixed = 11RBs	TPC=+1dB	1	$\Delta P \leq 1$ dB	1 +/- (0.7 + TT)
		RB change	11RBs to 106 RBs	TPC=+1dB	10.84	10dB $\leq \Delta P < 15$ dB	10.84 +/- (4 + TT)
		Subframes after RB change	Fixed = 106 RBs	TPC=+1dB	1	$\Delta P \leq 1$ dB	1 +/- (0.7 + TT)
	30	Subframes before RB change	Fixed = 11RB	TPC=+1dB	1	$\Delta P \leq 1$ dB	1 +/- (0.7 + TT)
		RB change	11RB to 51 RBs	TPC=+1dB	7.66	4dB $\leq \Delta P < 10$ dB	7.66 +/- (3.5 + TT)
		Subframes after RB change	Fixed = 51RBs	TPC=+1dB	1	$\Delta P \leq 1$ dB	1 +/- (0.7 + TT)
40	15	Subframes before RB change	Fixed = 22RBs	TPC=+1dB	1	$\Delta P \leq 1$ dB	1 +/- (0.7 + TT)
		RB change	22RBs to 216RBs	TPC=+1dB	10.92	10dB $\leq \Delta P < 15$ dB	10.92 +/- (4 + TT)
		Subframes after RB change	Fixed = 216RBs	TPC=+1dB	1	$\Delta P \leq 1$ dB	1 +/- (0.7 + TT)
	30	Subframes before RB change	Fixed = 22RB	TPC=+1dB	1	$\Delta P \leq 1$ dB	1 +/- (0.7 + TT)
		RB change	22RB to 106 RBs	TPC=+1dB	7.83	4dB $\leq \Delta P < 10$ dB	7.83 +/- (3.5 + TT)
		Subframes after RB change	Fixed = 106RBs	TPC=+1dB	1	$\Delta P \leq 1$ dB	1 +/- (0.7 + TT)
60	30	Subframes before RB change	Fixed = 33RBs	TPC=+1dB	1	$\Delta P \leq 1$ dB	1 +/- (0.7 + TT)
		RB change	33RBs to 162RBs	TPC=+1dB	7.91	4dB $\leq \Delta P < 10$ dB	7.91 +/- (3.5 + TT)
		Subframes after RB change	Fixed = 162RBs	TPC=+1dB	1	$\Delta P \leq 1$ dB	1 +/- (0.7 + TT)
80	30	Subframes before RB change	Fixed = 44RBs	TPC=+1dB	1	$\Delta P \leq 1$ dB	1 +/- (0.7 + TT)
		RB change	44RBs to 217RBs	TPC=+1dB	7.93	4dB $\leq \Delta P < 10$ dB	7.93 +/- (3.5 + TT)
		Subframes after RB change	Fixed = 217RBs	TPC=+1dB	1	$\Delta P \leq 1$ dB	1 +/- (0.7 + TT)
Note 1: Position of RB change: Pattern A the position of RB uplink allocation change is after 10 active uplink Subframes.							

<p>Pattern B the position of RB uplink allocation change is after 20 active uplink Subframes Pattern C the position of RB uplink allocation change is after 30 active uplink Subframes. Note 2: Allocation as per Table 6.1F-1. Note 3: TT=0.7dB Note 4: Applicable if PUMAX ≥ P ≥ Pmin. Pmin as defined in sub-clause 6.3F.1.</p>
--

Table 6.3F.4.3.5-2: Test Requirements Relative Power Tolerance for Transmission, ramp down sub-test

BW [MHz]	Test SCS [kHz]	Applicable sub-frames	Uplink RB allocation	TPC command	Expected power step size (Up) ΔP [dB]	Power step size range (Up) ΔP [dB]	PUSCH [dB]
20	15	Subframes before RB change	Fixed = 106RBs	TPC=-1dB	1	ΔP ≤ 1 dB	1 +/- (0.7 + TT)
		RB change	106RBs to 11 RBs	TPC=-1dB	10.84	10dB ≤ ΔP < 15dB	10.84 +/- (4 + TT)
		Subframes after RB change	Fixed = 11 RBs	TPC=-1dB	1	ΔP ≤ 1 dB	1 +/- (0.7 + TT)
	30	Subframes before RB change	Fixed = 51RB	TPC=-1dB	1	ΔP ≤ 1 dB	1 +/- (0.7 + TT)
		RB change	51RB to 11RBs	TPC=-1dB	7.66	4dB ≤ ΔP < 10dB	7.66 +/- (3.5 + TT)
		Subframes after RB change	Fixed = 11RBs	TPC=-1dB	1	ΔP ≤ 1 dB	1 +/- (0.7 + TT)
40	15	Subframes before RB change	Fixed = 216RBs	TPC=-1dB	1	ΔP ≤ 1 dB	1 +/- (0.7 + TT)
		RB change	216RBs to 22RBs	TPC=-1dB	10.92	10dB ≤ ΔP < 15dB	10.92 +/- (4 + TT)
		Subframes after RB change	Fixed = 22RBs	TPC=-1dB	1	ΔP ≤ 1 dB	1 +/- (0.7 + TT)
	30	Subframes before RB change	Fixed = 106RB	TPC=-1dB	1	ΔP ≤ 1 dB	1 +/- (0.7 + TT)
		RB change	106RB to 22 RBs	TPC=-1dB	7.83	4dB ≤ ΔP < 10dB	7.83 +/- (3.5 + TT)
		Subframes after RB change	Fixed = 22RBs	TPC=-1dB	1	ΔP ≤ 1 dB	1 +/- (0.7 + TT)
60	30	Subframes before RB change	Fixed = 162RBs	TPC=-1dB	1	ΔP ≤ 1 dB	1 +/- (0.7 + TT)
		RB change	162RBs to 33RBs	TPC=-1dB	7.91	4dB ≤ ΔP < 10dB	7.91 +/- (3.5 + TT)
		Subframes after RB change	Fixed = 33RBs	TPC=-1dB	1	ΔP ≤ 1 dB	1 +/- (0.7 + TT)
80	30	Subframes before RB change	Fixed = 217RBs	TPC=-1dB	1	ΔP ≤ 1 dB	1 +/- (0.7 + TT)
		RB change	217RBs to 44RBs	TPC=-1dB	7.93	4dB ≤ ΔP < 10dB	7.93 +/- (3.5 + TT)
		Subframes after RB change	Fixed = 44RBs	TPC=-1dB	1	ΔP ≤ 1 dB	1 +/- (0.7 + TT)

Note 1: Position of RB change:
 Pattern A the position of RB uplink allocation change is after 10 active uplink Subframes.
 Pattern B the position of RB uplink allocation change is after 20 active uplink Subframes.
 Pattern C the position of RB uplink allocation change is after 30 active uplink Subframes.
 Note 2: Allocation as per Table 6.1F-1.

Note 3: TT=0.7dB

Note 4: Applicable if $P_{UMAX} \geq P \geq P_{min}$. P_{min} as defined in sub-clause 6.3F.1.

Table 6.3F.4.3.5-3: Test Requirements Relative Power Tolerance for Transmission, alternating sub-test

BW	Test SCS [kHz]	Uplink RB allocation	TPC command	Expected power step size (Up or Down) ΔP [dB]	Power step size range (Up or Down) ΔP [dB]	PUSCH [dB]
20	15	Alternating 11 and 106	TPC=0dB	9.84	$4\text{dB} \leq \Delta P < 10\text{dB}$	$9.84 \pm (3.5 + TT)$
	30	Alternating 11 and 51	TPC=0dB	6.66	$4\text{dB} \leq \Delta P < 10\text{dB}$	$6.66 \pm (3.5 + TT)$
40	15	Alternating 22 and 216	TPC=0dB	9.92	$4\text{dB} \leq \Delta P < 10\text{dB}$	$9.92 \pm (3.5 + TT)$
	30	Alternating 22 and 106	TPC=0dB	6.83	$4\text{dB} \leq \Delta P < 10\text{dB}$	$6.83 \pm (3.5 + TT)$
60	30	Alternating 33 and 162	TPC=0dB	6.91	$4\text{dB} \leq \Delta P < 10\text{dB}$	$6.91 \pm (3.5 + TT)$
80	30	Alternating 44 and 217	TPC=0dB	6.93	$4\text{dB} \leq \Delta P < 10\text{dB}$	$6.93 \pm (3.5 + TT)$
Note 1: Allocation as per Table 6.1F-1. Note 2: TT=0.7dB Note 3: Applicable if $P_{UMAX} \geq P \geq P_{min}$. P_{min} as defined in sub-clause 6.3F.1.						

6.3F.4.4 Aggregate power tolerance for shared spectrum channel access

Editor's note: This clause is incomplete. The following aspects are either missing or not yet determined:

- MU and TT for >6GHz (band n96) are working assumption based on analysis of single TE vendor. Values will be revisited once analysis from other TE vendors is available.

6.3F.4.4.1 Test purpose

To verify the ability of the UE transmitter to maintain its power during non-contiguous transmissions within 41ms in response to 0 dB commands with respect to the first UE transmission and all other power control parameters as specified in 38.213 kept constant.

6.3F.4.4.2 Test applicability

This test case applies to all types of NR UE release 16 and forward that support NR standalone shared spectrum channel access.

6.3F.4.4.3 Minimum conformance requirements

The aggregate power tolerance requirements of clause 6.3.4.4 apply during non-contiguous transmissions within 41ms with respect to the first UE transmission.

The normative reference for this requirement is TS 38.01-1 [2] clause 6.3F.4.4.

6.3F.4.4.4 Test description

6.3F.4.4.4.1 Initial conditions

Initial conditions are a set of test configurations the UE needs to be tested in and the steps for the SS to take with the UE to reach the correct measurement state.

The initial test configurations consist of environmental conditions, test frequencies, test channel bandwidths and sub-carrier spacing based on NR operating bands specified in table 5.3.5-1. All of these configurations shall be tested with applicable test parameters for each combination of test channel bandwidth and sub-carrier spacing, and are shown in table 6.3F.4.4.4.1-1 and table 6.3F.4.4.4.1-2. The details of the uplink reference measurement channels (RMCs) are specified in Annexes A.2. Configurations of PDSCH and PDCCH before measurement are specified in Annex C.2.

Table 6.3F.4.4.4.1-1: Test Configuration Table: PUCCH sub-test

Initial Conditions			
Test Environment as specified in TS 38.508-1 [5] subclause 4.1		Normal	
Test Frequencies as specified in TS 38.508-1 [5] subclause 4.3.1		Mid range	
Test Channel Bandwidths as specified in TS 38.508-1 [5] subclause 4.3.1		Lowest, Mid, Highest	
Test SCS as specified in Table 5.3.5-1		Lowest, Highest	
Test Parameters			
Test ID	Downlink Configuration		Uplink Configuration PUCCH format = Format 1 Length in OFDM symbols = 14
	Modulation	RB allocation	
1	CP-OFDM QPSK	Full RB (NOTE 1)	
NOTE 1: Full RB allocation shall be used per each SCS and channel BW as specified in Table 7.3F.2.4.1-2.			

Table 6.3F.4.4.4.1-2: Test Configuration Table: PUSCH sub-test

Initial Conditions			
Test Environment as specified in TS 38.508-1 [5] subclause 4.1		Normal	
Test Frequencies as specified in TS 38.508-1 [5] subclause 4.3.1		Mid range	
Test Channel Bandwidths as specified in TS 38.508-1 [5] subclause 4.3.1		Lowest, Mid, Highest	
Test SCS as specified in Table 5.3.5-1		Lowest, Highest	
Test Parameters for Channel Bandwidths			
Test ID	Downlink Configuration	Uplink Configuration	
		Modulation	RB allocation (NOTE 1)
1	N/A	CP-OFDM QPSK	Full
NOTE 1: The specific configuration of each RF allocation is defined in Table 6.1F-1.			

1. Connect the SS to the UE antenna connectors as shown in TS 38.508-1 [5] Annex A, Figure A.3.1.1.1 for TE diagram and section A.3.2 for UE diagram.
2. The parameter settings for the cell are set up according to TS 38.508-1 [5] subclause 4.4.3.
3. Downlink signals are initially set up according to Annex C.0, C.1, C.2, and uplink signals according to G.0, G.1, G.2, G.3.0.
4. The UL and DL Reference Measurement channels are set according to Table 6.3F.4.4.4.1-1 (PUCCH sub-test) and Table 6.3F.4.4.4.1-2 (PUSCH sub-test)
5. Propagation conditions are set according to Annex B.0.
6. Ensure the UE is in state RRC_CONNECTED with generic procedure parameters Connectivity *NR*, Connected without release *On*, Test Mode *On* and Test Loop Function *On* according to TS 38.508-1 [5] clause 4.5. Message contents are defined in clause 6.3F.4.4.4.3.

6.3F.4.4.4.2 Test procedure

The procedure is separated in two subtests to verify PUCCH and PUSCH aggregate power control tolerance respectively. The uplink transmission patterns are described in figure 6.3F.4.4.4.2-1.

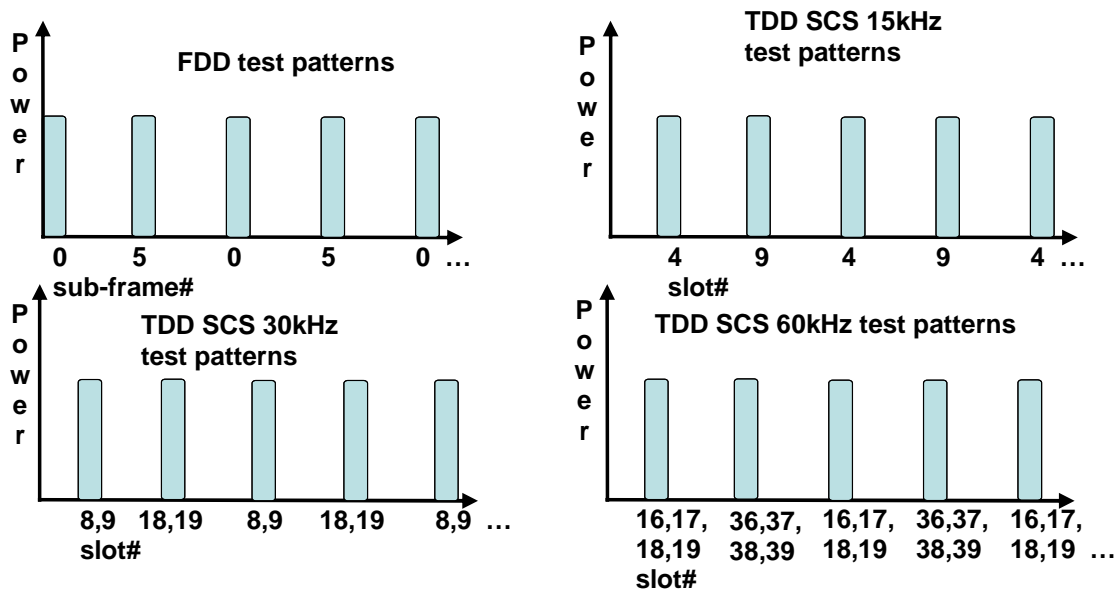


Figure 6.3F.4.4.2-1: Test uplink transmission.

1. PUCCH sub test:

- 1.1. The SS transmits PDSCH via PDCCH DCI format 1_1 for C_RNTI to transmit the DL RMC according to Table 6.3F.4.4.1-1. The SS sends downlink MAC padding bits on the DL RMC. The transmission of PDSCH will make the UE send uplink ACK/NACK using PUCCH. Send uplink power control commands for PUCCH to the UE using 1dB power step size to ensure that the UE output power measured by the test system is within the Uplink power control window, defined as $-(\text{Uplink power control window size} / 2)$ dB to $+(\text{Uplink power control window size} / 2)$ dB of the target power level + 0 dBm, where:
 - Uplink power control window size = 1dB (UE power step size) + 2.0dB (UE power step tolerance) + (Test system relative power measurement uncertainty), where the UE power step tolerance is specified in TS 38.101-1 [2], Table 6.3.4.3-1 and is 2.0dB for PUCCH with 1dB power step size, and the Test system relative power measurement uncertainty is specified in Table F.1.2-1.
- 1.2. Every 5 sub-frames (5ms) transmit to the UE downlink PDSCH MAC padding bits as well as 0 dB TPC command for PUCCH via the PDCCH to make the UE transmit ACK/NACK on the PUCCH for 1 sub-frame(1ms). The downlink transmission is scheduled in the appropriate slots to make the UE transmit PUCCH as described in figure 6.3F.4.4.2-1.
- 1.3. Measure the power of 10 consecutive PUCCH transmissions to verify the UE transmitted PUCCH power is maintained within 41ms.

2. PUSCH sub test:

- 2.1. The SS sends uplink scheduling information via PDCCH DCI format 0_1 for C_RNTI to schedule the PUSCH. Since the UE has no payload and no loopback data to send the UE sends uplink MAC padding bits on the UL RMC. Send uplink power control commands for PUSCH to the UE using 1dB power step size to ensure that the UE output power measured by the test system is within the Uplink power control window, defined as $-(\text{Uplink power control window size} / 2)$ dB to $+(\text{Uplink power control window size} / 2)$ dB of the target power level + 0 dBm, where:
 - Uplink power control window size = 1dB (UE power step size) + 0.7dB (UE power step tolerance) + (Test system relative power measurement uncertainty), where the UE power step tolerance is specified in TS 38.101-1 [2], Table 6.3.4.3-1 and is 0.7dB for PUSCH with 1dB power step size, and the Test system relative power measurement uncertainty is specified in Table F.1.2-1.

NOTE: The purpose of the Uplink power control window is to ensure that the actual UE output power is as close as possible to the target power level. The relationship between the Uplink power control window, the target power level and the corresponding possible actual UE Uplink power window is illustrated in Annex F.4.4.

- 2.2. Every 5 sub-frames (5ms) schedule the UE's PUSCH data transmission for 1 sub-frame(1ms) and transmit 0 dB TPC command for PUSCH via the PDCCH to make the UE transmit PUSCH. The uplink transmission patterns are described in figure 6.3F.4.4.4.2-1,
- 2.3. Measure the power of 10 consecutive PUSCH transmissions to verify the UE transmitted PUSCH power is maintained within 41ms transmissions.

6.3F.4.4.4.3 Message contents

Message contents are according to TS 38.508-1 [5] subclause 4.6.

6.3F.4.4.5 Test requirement

The requirement for the power measurements made in step (1.3) and (2.3) of the test procedure shall not exceed the values specified in Table 6.3F.4.4.5-1. The power measurement period shall be 1 sub-frame(1ms).

Table 6.3F.4.4.5-1: Power control tolerance

TPC command	UL channel	Test requirement measured power
0 dB	PUCCH	Given 5 power measurements in the pattern, the 2 nd , and later measurements shall be within $\pm (2.5 + TT)$ dB of the 1 st measurement.
0 dB	PUSCH	Given 5 power measurements in the pattern, the 2 nd , and later measurements shall be within $\pm (3.5 + TT)$ dB of the 1 st measurement.
Note 1: For SCS 30kHz 1 sub-frame corresponds to 2 slots and for SCS 60kHz 1 sub-frame corresponds to 4 slots, so 2 TPC commands will be sent for a single measurement period. Note 2: TT=0.7dB for $f \leq 5.925$ GHz TBD for $f > 5.925$ GHz.		

6.3G Output power dynamics for Tx Diversity

6.3G.1 Minimum output power for Tx Diversity

6.3G.1.1 Test purpose

Same test purpose as in 6.3.1.1.

6.3G.1.2 Test applicability

This test case applies to all types of NR Power Class 1.5 UE, Power Class 2 and Power Class 3 UE release 15 and forward that support Tx diversity.

6.3G.1.3 Minimum conformance requirements

For UE supporting Tx diversity, the minimum output power is defined as the sum of the mean power at each transmit connector in one sub-frame (1 ms). The minimum output power shall not exceed the values specified in Table 6.3.1.3-1.

The normative reference for this requirement is TS 38.101-1 [2] clause 6.3G.1.

6.3G.1.4 Test description

Same test description as specified in clause 6.3.1.4 with following exceptions:

Step 3 of Test procedure as in 6.3.1.4.2 is replaced by:

3. Measure the sum of mean power at each antenna connector in the associated measurement channel bandwidth specified in Table 6.3G.1.5-1 for the specific channel bandwidth under test. The period of measurement shall be at least the continuous duration of one active sub-frame (1ms) and in the uplink symbols. For TDD symbols with transient periods are not under test.

6.3G.1.5 Test requirement

The minimum output power, derived in step 3 shall not exceed the values specified in Table 6.3G.1.5-1.

Table 6.3G.1.5-1: Minimum output powerChannel bandwidth (MHz)	Minimum output power (dBm)	Measurement bandwidth (MHz)
5	-40+TT	4.515
10	-40+TT	9.375
15	-40+TT	14.235
20	-40+TT	19.095
25	-39+TT	23.955
30	-38.2+TT	28.815
40	-37+TT	38.895
45	-36.5+TT	43.575
50	-36+TT	48.615
60	-35.2+TT	58.35
70	-34.6+TT	68.07
80	-34+TT	78.15
90	-33.5+TT	88.23
100	-33+TT	98.31
NOTE 1: TT for each frequency and channel bandwidth is specified in Table 6.3G.1.5-2		

Table 6.3G.1.5-2: Test Tolerance (Minimum output power)

	$f \leq 3.0\text{GHz}$	$3.0\text{GHz} < f \leq 6.0\text{GHz}$
$\text{BW} \leq 40\text{MHz}$	1.0 dB	1.3 dB
$40\text{MHz} < \text{BW} \leq 100\text{MHz}$	1.3 dB	1.3 dB

6.3G.2 Transmit OFF power for Tx Diversity

6.3G.2.1 Test purpose

Same test purpose as in 6.3.2.1.

6.3G.2.2 Test applicability

The requirements of this test apply in test cases 6.3G.3 Transmit ON/OFF time mask for Tx Diversity to all types of NR Power Class 1.5 UE, Power Class 2 and Power Class 3 UE release 15 and forward support Tx diversity.

6.3G.2.3 Minimum conformance requirements

For UE supporting Tx diversity, the transmit OFF power is defined as the mean power at each transmit antenna connector in a duration of at least one sub-frame (1 ms) excluding any transient periods.

The transmit OFF power at each transmit antenna connector shall not exceed the values specified in Table 6.3.2.3-1.

The normative reference for this requirement is TS 38.101-1 [2] clause 6.3G.2.

6.3G.2.4 Test description

This test is covered by clause 6.3G.3 Transmit ON/OFF time mask.

6.3G.2.5 Test requirement

For each transmit antenna connector, the requirement for the Transmit OFF power shall not exceed the values specified in Table 6.3G.2.5-1.

Table 6.3G.2.5-1: Transmit OFF	Transmit OFF power (dBm)	Measurement bandwidth (MHz)
-----------------------------------	--------------------------	-----------------------------

powerChannel bandwidth (MHz)		
5	-50+TT	4.515
10	-50+TT	9.375
15	-50+TT	14.235
20	-50+TT	19.095
25	-50+TT	23.955
30	-50+TT	28.815
40	-50+TT	38.895
45	-50+TT	43.575
50	-50+TT	48.615
60	-50+TT	58.35
70	-50+TT	68.07
80	-50+TT	78.15
90	-50+TT	88.23
100	-50+TT	98.31

NOTE 1: TT for each frequency and channel bandwidth is specified in Table 6.3G.2.5-2

Table 6.3G.2.5-2: Test Tolerance (Transmit OFF power)

	$f \leq 3.0\text{GHz}$	$3.0\text{GHz} < f \leq 6.0\text{GHz}$
BW \leq 40MHz	1.5 dB	1.8 dB
40MHz < BW \leq 100MHz	1.7 dB	1.8 dB

6.3G.3 Transmit ON/OFF time mask for Tx Diversity

6.3G.3.1 General ON/OFF time mask for Tx Diversity

6.3G.3.1.1 Test purpose

Same test purpose as in 6.3.3.2.1.

6.3G.3.1.2 Test applicability

This test case applies to all types of NR Power Class 1.5 UE, Power Class 2 and Power Class 3 UE release 15 and forward that support Tx diversity.

6.3G.3.1.3 Minimum conformance requirements

For UE supporting Tx diversity, the general ON/OFF time mask requirements in clause 6.3.3.2.3 apply at each transmit antenna connector.

The normative reference for this requirement is TS 38.101-1 [2] clause 6.3G.3.

6.3G.3.1.4 Test description

Same test description as in clause 6.3.3.2.4 with following exceptions:

- The ON power is measured as sum of both transmit antenna connectors.
- The OFF power is measured at each transmit antenna connector.

6.3G.3.1.5 Test requirement

The measured ON power and OFF power shall not exceed the values specified in Table 6.3G.3.1.5-1.

Table 6.3G.3.1.5-1: General ON/OFF time mask

	Channel bandwidth / minimum output power / measurement bandwidth													
	5 MHz	10 MHz	15 MHz	20 MHz	25 MHz	30 MHz	40 MHz	45 MHz	50 MHz	60 MHz	70 MHz	80 MHz	90 MHz	100 MHz
Transmit OFF power	$\leq -50+TT$ dBm													
Transmission OFF Measurement bandwidth	4.515	9.375	14.235	19.095	23.955	28.815	38.895	43.575	48.615	58.35	68.07	78.15	88.23	98.31
Transmit ON power	Same as Test ID 9 of Tables 6.2G.2.5-5 to 6.2G.2.5-8													
NOTE 1: TT of OFF power for each frequency and channel bandwidth is specified in Table 6.3G.3.1.5-2														
NOTE 2: TT of ON power for each frequency and channel bandwidth is specified in the referred ON power test requirement tables.														

Table 6.3G.3.1.5-2: Test Tolerance for OFF power

	$f \leq 3.0\text{GHz}$	$3.0\text{GHz} < f \leq 6\text{GHz}$
BW \leq 40MHz	1.5 dB	1.8 dB
40MHz < BW \leq 100MHz	1.7 dB	1.8 dB

Table 6.3G.3.1.5-3: Void

6.3G.3.2 PRACH time mask for Tx Diversity

6.3G.3.2.1 Test purpose

Same test purpose as in 6.3.3.4.1.

6.3G.3.2.2 Test applicability

This test case applies to all types of NR Power Class 1.5 UE, Power Class 2 and Power Class 3 UE release 15 and forward that support Tx diversity.

6.3G.3.2.3 Minimum conformance requirements

For UE supporting Tx diversity, the PRACH time mask requirements in clause 6.3.3.4.3 apply at each transmit antenna connector.

The normative reference for this requirement is TS 38.101-1 [2] clause 6.3G.3.

6.3G.3.2.4 Test description

Same test description as in clause 6.3.3.4.4 with following exceptions:

- The ON power is measured as sum of both transmit antenna connectors.
- The OFF power is measured at each transmit antenna connector.

6.3G.3.2.5 Test requirement

The measured ON power and OFF power shall not exceed the values specified in Table 6.3G.3.2.5-1.

Table 6.3G.3.2.5-1: PRACH time mask

	Channel bandwidth / minimum output power / measurement bandwidth												
	5 MHz	10 MHz	15 MHz	20 MHz	25 MHz	30 MHz	40 MHz	50 MHz	60 MHz	70 MHz	80 MHz	90 MHz	100 MHz
Transmit OFF power	$\leq -50+TT$ dBm												
Transmission OFF Measurement bandwidth	4.515	9.375	14.235	19.095	23.955	28.815	38.895	48.615	58.35	68.07	78.15	88.23	98.31
Expected PRACH Transmission ON Measured Power for PRACH Format 0 and PRACH Format A3 for SCS 30kHz	-1 dBm	-1 dBm	-1 dBm	-1 dBm	-1 dBm	-1 dBm	-1 dBm	-1 dBm	-1 dBm	-1 dBm	-1 dBm	-1 dBm	-1 dBm
Expected PRACH Transmission ON Measured Power for PRACH Format A3 for SCS 15kHz and SCS 60kHz	-2 dBm	-2 dBm	-2 dBm	-2 dBm	-2 dBm	-2 dBm	-2 dBm	-2 dBm	-2 dBm	-2 dBm	-2 dBm	-2 dBm	-2 dBm
ON Power Tolerance	$\pm (9+TT)$ dB												
NOTE 1: TT of OFF power for each frequency and channel bandwidth is specified in Table 6.3G.3.2.5-2													
NOTE 2: TT of ON power for each frequency and channel bandwidth is specified in Table 6.3.3.4.5-2													

Table 6.3G.3.2.5-2: Test Tolerance (Transmit OFF power and PRACH time mask)

	f ≤ 3.0GHz	3.0GHz < f ≤ 6.0GHz
BW ≤ 40MHz	1.5 dB	1.8 dB
40MHz < BW ≤ 100MHz	1.7 dB	1.8 dB

6.3G.3.3 SRS time mask for Tx Diversity

6.3G.3.3.1 Test purpose

Same test purpose as in 6.3.3.6.1.

6.3G.3.3.2 Test applicability

This test case applies to all types of NR Power Class 1.5 UE, Power Class 2 and Power Class 3 UE release 15 and forward that support Tx diversity.

6.3G.3.3.3 Minimum conformance requirements

For UE supporting Tx diversity, the SRS time mask requirements in clause 6.3.3.6.3 apply at each transmit antenna connector.

The normative reference for this requirement is TS 38.101-1 [2] clause 6.3G.3.

6.3G.3.3.4 Test description

Same test description as in clause 6.3.3.6.4 with following exceptions:

- The ON power is measured as sum of both transmit antenna connectors.
- The OFF power is measured at each transmit antenna connector.

6.3G.3.3.5 Test requirement

The measured ON power and OFF power shall not exceed the values specified in Table 6.3G.3.3.5-1.

Table 6.3G.3.3.5-1: SRS time mask

	Channel bandwidth / minimum output power / measurement bandwidth												
	5 MHz	10 MHz	15 MHz	20 MHz	25 MHz	30 MHz	40 MHz	50 MHz	60 MHz	70 MHz	80 MHz	90 MHz	100 MHz
Transmit OFF power	$\leq -50+TT$ dBm												
Transmission OFF Measurement bandwidth	4.515	9.375	14.235	19.095	23.955	28.815	38.895	48.615	58.35	68.07	78.15	88.23	98.31
Transmit ON power	Same as Table 6.2G.1.5-4												
NOTE 1: TT of OFF power for each frequency and channel bandwidth is specified in Table 6.3G.3.3.5-2													

Table 6.3G.3.3.5-2: Test Tolerance (Transmit OFF power and SRS time mask)

	$f \leq 3.0\text{GHz}$	$3.0\text{GHz} < f \leq 6\text{GHz}$
$BW \leq 40\text{MHz}$	1.5 dB	1.8 dB
$40\text{MHz} < BW \leq 100\text{MHz}$	1.7 dB	1.8 dB

6.3G.4 Power control for Tx Diversity

6.3G.4.1 Absolute power tolerance for Tx Diversity

6.3G.4.1.1 Test purpose

Same test purpose as in 6.3.4.2.1.

6.3G.4.1.2 Test applicability

This test case applies to all types of NR Power Class 1.5 UE, Power Class 2 and Power Class 3 UE release 15 and forward that support Tx diversity.

6.3G.4.1.3 Minimum conformance requirements

For UE supporting Tx diversity, the power control tolerance applies to the sum of output power at each transmit antenna connector.

The normative reference for this requirement is TS 38.101-1 [2] clause 6.3G.4

6.3G.4.1.4 Test description

Same test description as in clause 6.3.4.2.4 with following exceptions:

- The UE's transmit power is measured as sum of both transmit antenna connectors.

6.3G.4.1.5 Test requirement

The requirement for the power measured in step (2) of the test procedure is not to exceed the values specified in Table 6.3G.4.1.5-1 and 6.3G.4.1.5-2.

Table 6.3G.4.1.5-1: Absolute power tolerance: test point 1

		Channel bandwidth / expected output power (dBm)													
		5 MHz	10 MHz	15 MHz	20 MHz	25 MHz	30 MHz	40 MHz	45 MHz	50 MHz	60 MHz	70 MHz	80 MHz	90 MHz	100 MHz
Expected Measured power	SCS15	-17.6	-14.4	-12.6	-11.3	-10.4	-9.6	-8.3	-7.8	-7.3	N/A	N/A	N/A	N/A	N/A
	SCS30	-18.2	-14.8	-12.8	-11.5	-10.5	-9.7	-8.3	-7.8	-7.4	-6.5	-5.8	-5.2	-4.7	-4.2
	SCS60		-15.2	-13	-11.8	-10.7	-9.8	-8.5	-7.9	-7.5	-6.6	-5.9	-5.3	-4.8	-4.3
Power tolerance		± (9+TT)dB													
Note 1:		The lower power limit shall not exceed the minimum output power requirements defined in sub-clause 6.3G.1.5.													
Note 2:		TT for each duplex, Sub-Carrier Spacing, frequency and channel bandwidth is specified in Table 6.3G.4.1.5-3.													

Table 6.3G.4.1.5-2: Absolute power tolerance: test point 2

		Channel bandwidth / expected output power (dBm)													
		5 MHz	10 MHz	15 MHz	20 MHz	25 MHz	30 MHz	40 MHz	45 MHz	50 MHz	60 MHz	70 MHz	80 MHz	90 MHz	100 MHz
Expected Measured power	SCS15	-3.6	0.4	1.4	2.7	3.6	4.4	5.7	6.2	6.7	N/A	N/A	N/A	N/A	N/A
	SCS30	-4.2	-0.8	1.2	2.5	3.5	4.3	5.7	6.2	6.6	7.5	8.2	8.8	9.3	9.8
	SCS60	N/A	-1.2	1	2.2	3.3	4.2	5.5	6.1	6.5	7.4	8.1	8.7	9.2	9.7
Power tolerance		± (9+TT)dB													
Note 1:		The higher power limit shall not exceed the maximum output power requirements defined in sub-clause 6.2G.1.5.													
Note 2:		TT for each duplex, Sub-Carrier Spacing, frequency and channel bandwidth is specified in Table 6.3G.4.1.5-3.													

Table 6.3G.4.1.5-3: Test Tolerance

	$f \leq 3.0\text{GHz}$	$3.0\text{GHz} < f \leq 4.2\text{GHz}$	$4.2\text{GHz} < f \leq 6.0\text{GHz}$
--	------------------------	--	--

BW ≤ 40MHz	1.0 dB	1.4 dB	1.4 dB
40MHz < BW ≤ 100MHz	1.4 dB	1.4 dB	1.4 dB

6.3G.4.2 Relative power tolerance for Tx Diversity

6.3G.4.2.1 Test purpose

Same test purpose as in 6.3.4.3.1.

6.3G.4.2.2 Test applicability

This test case applies to all types of NR Power Class 1.5 UE, Power Class 2 and Power Class 3 UE release 15 and forward that support Tx diversity.

6.3G.4.2.3 Minimum conformance requirement

For UE supporting Tx diversity, the relative power tolerance applies to the sum of output power at each transmit antenna connector.

The normative reference for this requirement is TS 38.101-1 [2] clause 6.3G.4.

6.3G.4.2.4 Test description

Same test description as in clause 6.3.4.3.4 with the output power is measured as the sum of both antenna connectors.

6.3G.4.2.5 Test requirement

Each UE power step measured in the test procedure 6.3G.4.2.4 should satisfy the test requirements specified in Table 6.3G.4.2.5-1 through 6.3G.4.2.5-7.

To account for RF Power amplifier mode changes 2 exceptions are allowed for each of ramping up and ramping down test patterns. For these exceptions the power tolerance limit is a maximum of $\pm (6.0 + TT)$ dB. If there is an exception in the power step caused by the RB change for all test patterns (A, B, C) then fail the UE.

Table 6.3G.4.2.5-1: Test Requirements Relative Power Tolerance for Transmission, channel BW 5MHz, ramp up sub-test

Test SCS [kHz]	Sub-test ID	Applicable sub-frames	Uplink RB allocation	TPC command	Expected power step size (Up) ΔP [dB]	Power step size range (Up) ΔP [dB]	PUSCH [dB]
15	1	Sub-frames before RB change	Fixed = 1	TPC==+1dB	1	$\Delta P \leq 1$ dB	1 +/- (0.7 + TT)
		RB change	1RB to 5 RBs	TPC==+1dB	7.99	4dB $\leq \Delta P < 10$ dB	7.99 +/- (3.5 + TT)
		Sub-frames after RB change	Fixed = 5	TPC==+1dB	1	$\Delta P \leq 1$ dB	1 +/- (0.7 + TT)
	2	Sub-frames before RB change	Fixed = 1	TPC==+1dB	1	$\Delta P \leq 1$ dB	1 +/- (0.7 + TT)
		RB change	1RB to 15 RBs	TPC==+1dB	12.76	10dB $\leq \Delta P < 15$ dB	12.76 +/- (4 + TT)
		Sub-frames after RB change	Fixed = 15	TPC==+1dB	1	$\Delta P \leq 1$ dB	1 +/- (0.7 + TT)
	1	Sub-frames before RB change	Fixed = 1	TPC==+1dB	1	$\Delta P \leq 1$ dB	1 +/- (0.7 + TT)
		RB change	1RB to 5 RBs	TPC==+1dB	7.99	4dB $\leq \Delta P < 10$ dB	7.99 +/- (3.5 + TT)
		Sub-frames after RB change	Fixed = 5	TPC==+1dB	1	$\Delta P \leq 1$ dB	1 +/- (0.7 + TT)

30	2	Sub-frames before RB change	Fixed = 1	TPC=+1dB	1	$\Delta P \leq 1 \text{ dB}$	1 +/- (0.7 + TT)
		RB change	1RB to 10 RBs	TPC=+1dB	11.00	$10\text{dB} \leq \Delta P < 15\text{dB}$	11.00 +/- (4 + TT)
		Sub-frames after RB change	Fixed = 10	TPC=+1dB	1	$\Delta P \leq 1 \text{ dB}$	1 +/- (0.7 + TT)
<p>Note 1: Position of RB change: Pattern A the position of RB uplink allocation change is after 10 active uplink Sub-frames Pattern B the position of RB uplink allocation change is after 20 active uplink Sub-frames Pattern C the position of RB uplink allocation change is after 30 active uplink Sub-frames</p> <p>Note 2: The starting resource block shall be RB# 0.</p> <p>Note 3: TT=0.7dB</p> <p>Note 4: Applicable if $P_{\text{UMAX}} \geq P \geq P_{\text{min}}$. P_{min} as defined in sub-clause 6.3G.1.</p>							

Table 6.3G.4.2.5-2: Test Requirements Relative Power Tolerance for Transmission, channel BW 5MHz, ramp down sub-test

Test SCS [kHz]	Sub-test ID	Applicable sub-frames	Uplink RB allocation	TPC command	Expected power step size (Down) ΔP [dB]	Power step size range (Down) ΔP [dB]	PUSCH [dB]
15	1	Sub-frames before RB change	Fixed = 5	TPC=-1dB	1	$\Delta P \leq 1 \text{ dB}$	1 +/- (0.7 + TT)
		RB change	5 RBs to 1 RB	TPC=-1dB	7.99	$4\text{dB} \leq \Delta P < 10\text{dB}$	7.99 +/- (3.5 + TT)
		Sub-frames after RB change	Fixed = 1	TPC=-1dB	1	$\Delta P \leq 1 \text{ dB}$	1 +/- (0.7 + TT)
	2	Sub-frames before RB change	Fixed = 15	TPC=-1dB	1	$\Delta P \leq 1 \text{ dB}$	1 +/- (0.7 + TT)
		RB change	15 RBs to 1 RB	TPC=-1dB	12.76	$10\text{dB} \leq \Delta P < 15\text{dB}$	12.76 +/- (3.5 + TT)
		Sub-frames after RB change	Fixed = 1	TPC=-1dB	1	$\Delta P \leq 1 \text{ dB}$	1 +/- (0.7 + TT)
30	1	Sub-frames before RB change	Fixed = 5	TPC=-1dB	1	$\Delta P \leq 1 \text{ dB}$	1 +/- (0.7 + TT)
		RB change	5 RBs to 1 RB	TPC=-1dB	7.99	$4\text{dB} \leq \Delta P < 10\text{dB}$	7.99 +/- (3.5 + TT)
		Sub-frames after RB change	Fixed = 1	TPC=-1dB	1	$\Delta P \leq 1 \text{ dB}$	1 +/- (0.7 + TT)
	2	Sub-frames before RB change	Fixed = 10	TPC=-1dB	1	$\Delta P \leq 1 \text{ dB}$	1 +/- (0.7 + TT)
		RB change	10 RBs to 1 RB	TPC=-1dB	11.00	$10\text{dB} \leq \Delta P < 15\text{dB}$	11.00 +/- (4 + TT)
		Sub-frames after RB change	Fixed = 1	TPC=-1dB	1	$\Delta P \leq 1 \text{ dB}$	1 +/- (0.7 + TT)
<p>Note 1: Position of RB change: Pattern A the position of RB uplink allocation change is after 10 active uplink Sub-frames Pattern B the position of RB uplink allocation change is after 20 active uplink Sub-frames Pattern C the position of RB uplink allocation change is after 30 active uplink Sub-frames</p> <p>Note 2: The starting resource block shall be RB# 0.</p> <p>Note 3: TT=0.7dB</p> <p>Note 4: Applicable if $P_{\text{UMAX}} \geq P \geq P_{\text{min}}$. P_{min} as defined in sub-clause 6.3G.1.</p>							

Table 6.3G.4.2.5-3: Test Requirements Relative Power Tolerance for Transmission, channel BW 10MHz, 15MHz, 20MHz, 25MHz, 30MHz, 40MHz, 50MHz ramp up sub-test

Test SCS [kHz]	Sub-test ID	Applicable sub-frames	Uplink RB allocation	TPC command	Expected power step size (Up) ΔP [dB]	Power step size range (Up) ΔP [dB]	PUSCH [dB]
15	1	Subframes before RB change	1RB	TPC=+1dB	1	$\Delta P \leq 1$ dB	1 +/- (0.7 + TT)
		RB change	1RB to 5 RBs	TPC=+1dB	7.99	$4\text{dB} \leq \Delta P < 10\text{dB}$	7.99 +/- (3.5 + TT)
		Subframes after RB change	Fixed = 5	TPC=+1dB	1	$\Delta P \leq 1$ dB	1 +/- (0.7 + TT)
	2	Subframes before RB change	1RB	TPC=+1dB	1	$\Delta P \leq 1$ dB	1 +/- (0.7 + TT)
		RB change	1RB to 20 RBs	TPC=+1dB	14.01	$10\text{dB} \leq \Delta P < 15\text{dB}$	14.01 +/- (4 + TT)
		Subframes after RB change	Fixed = 20	TPC=+1dB	1	$\Delta P \leq 1$ dB	1 +/-0.7 + TT
	3	Subframes before RB change	1RB	TPC=+1dB	1	$\Delta P \leq 1$ dB	1 +/- (0.7 + TT)
		RB change	1RB to 50 RBs	TPC=+1dB	17.99	$15\text{dB} \leq \Delta P$	17.99 +/- (5 + TT)
		Subframes after RB change	Fixed = 50	TPC=+1dB	1	$\Delta P \leq 1$ dB	1 +/- (0.7 + TT)
30	1	Subframes before RB change	1RB	TPC=+1dB	1	$\Delta P \leq 1$ dB	1 +/- (0.7 + TT)
		RB change	1RB to 5 RBs	TPC=+1dB	7.99	$4\text{dB} \leq \Delta P < 10\text{dB}$	7.99 +/- (3.5 + TT)
		Subframes after RB change	Fixed = 5	TPC=+1dB	1	$\Delta P \leq 1$ dB	1 +/- (0.7 + TT)
	2	Subframes before RB change	1RB	TPC=+1dB	1	$\Delta P \leq 1$ dB	1 +/-0.7 + TT
		RB change	1RB to 24 RBs	TPC=+1dB	14.80	$10\text{dB} \leq \Delta P < 15\text{dB}$	14.80 +/- (4 + TT)
		Subframes after RB change	Fixed = 24	TPC=+1dB	1	$\Delta P \leq 1$ dB	1 +/- (0.7 + TT)
60	1	Subframes before RB change	1RB	TPC=+1dB	1	$\Delta P \leq 1$ dB	1 +/-0.7 + TT
		RB change	1RB to 5 RBs	TPC=+1dB	7.99	$4\text{dB} \leq \Delta P < 10\text{dB}$	7.99 +/- (3.5 + TT)
		Subframes after RB change	Fixed = 5	TPC=+1dB	1	$\Delta P \leq 1$ dB	1 +/- (0.7 + TT)
	2	Subframes before RB change	1RB	TPC=+1dB	1	$\Delta P \leq 1$ dB	1 +/- (0.7 + TT)
		RB change	1RB to 10 RBs	TPC=+1dB	11.00	$10\text{dB} \leq \Delta P < 15\text{dB}$	11.00 +/- (4 + TT)
		Subframes after RB change	Fixed = 10	TPC=+1dB	1	$\Delta P \leq 1$ dB	1 +/- (0.7 + TT)

Note 1: Position of RB change:
 Pattern A the position of RB uplink allocation change is after 10 active uplink Subframes.
 Pattern B the position of RB uplink allocation change is after 20 active uplink Subframes
 Pattern C the position of RB uplink allocation change is after 30 active uplink Subframes.

Note 2: The starting resource block shall be RB# 0.

Note 3: TT=0.7dB

Note 4: Applicable if $P_{\text{UMAX}} \geq P \geq P_{\text{min}}$. P_{min} as defined in sub-clause 6.3G.1.

Table 6.3G.4.2.5-4: Test Requirements Relative Power Tolerance for Transmission, channel BW 10MHz, 15MHz, 20MHz, 25MHz, 30MHz, 40MHz, 50MHz ramp down sub-test

Test SCS [kHz]	Sub-test ID	Applicable sub-frames	Uplink RB allocation	TPC command	Expected power step size (Down) ΔP [dB]	Power step size range (Down) ΔP [dB]	PUSCH [dB]
15	1	Subframes before RB change	Fixed = 5	TPC=-1dB	1	$\Delta P \leq 1$ dB	1 +/- (0.7 + TT)
		RB change	5 RBs to 1RBs	TPC=-1dB	7.99	4dB $\leq \Delta P < 10$ dB	7.99 +/- (3.5 + TT)
		Subframes after RB change	Fixed = 1	TPC=-1dB	1	$\Delta P \leq 1$ dB	1 +/- (0.7 + TT)
	2	Subframes before RB change	Fixed = 20	TPC=-1dB	1	$\Delta P \leq 1$ dB	1 +/- (0.7 + TT)
		RB change	20 RBs to 1 RB	TPC=-1dB	14.01	10dB $\leq \Delta P < 15$ dB	14.01 +/- (4 + TT)
		Subframes after RB change	Fixed = 1	TPC=-1dB	1	$\Delta P \leq 1$ dB	1 +/- (0.7 + TT)
	3	Subframes before RB change	Fixed = 50	TPC=-1dB	1	$\Delta P \leq 1$ dB	1 +/- (0.7 + TT)
		RB change	50 RBs to 1 RB	TPC=-1dB	17.99	15dB $\leq \Delta P$	17.99 +/- (5 + TT)
		Subframes after RB change	Fixed = 1	TPC=-1dB	1	$\Delta P \leq 1$ dB	1 +/- (0.7 + TT)
30	1	Subframes before RB change	Fixed = 5	TPC=-1dB	1	$\Delta P \leq 1$ dB	1 +/-0.7 + TT
		RB change	5 RBs to 1 RB	TPC=-1dB	7.99	4dB $\leq \Delta P < 10$ dB	7.99 +/- (3.5 + TT)
		Subframes after RB change	Fixed = 1	TPC=-1dB	1	$\Delta P \leq 1$ dB	1 +/- (0.7 + TT)
	2	Subframes before RB change	Fixed = 24	TPC=-1dB	1	$\Delta P \leq 1$ dB	1 +/-0.7 + TT
		RB change	24 RBs to 1 RB	TPC=-1dB	14.80	10dB $\leq \Delta P < 15$ dB	14.80 +/- (4 + TT)
		Subframes after RB change	Fixed = 1	TPC=-1dB	1	$\Delta P \leq 1$ dB	1 +/- (0.7 + TT)
60	1	Subframes before RB change	Fixed = 5	TPC=-1dB	1	$\Delta P \leq 1$ dB	1 +/- (0.7 + TT)
		RB change	5 RBs to 1 RB	TPC=-1dB	7.99	4dB $\leq \Delta P < 10$ dB	7.99 +/- (3.5 + TT)
		Subframes after RB change	Fixed = 1	TPC=-1dB	1	$\Delta P \leq 1$ dB	1 +/- (0.7 + TT)
	2	Subframes before RB change	Fixed = 10	TPC=-1dB	1	$\Delta P \leq 1$ dB	1 +/-0.7 + TT
		RB change	10 RBs to 1 RB	TPC=-1dB	11.00	10dB $\leq \Delta P < 15$ dB	11.00 +/- (4 + TT)
		Subframes after RB change	Fixed = 1	TPC=-1dB	1	$\Delta P \leq 1$ dB	1 +/- (0.7 + TT)
Note 1:	Position of RB change: Pattern A the position of RB uplink allocation change is after 10 active uplink Subframes. Pattern B the position of RB uplink allocation change is after 20 active uplink Subframes Pattern C the position of RB uplink allocation change is after 30 active uplink Subframes.						
Note 2:	The starting resource block shall be RB# 0.						

Note 3: TT=0.7dB
 Note 4: Applicable if PUMAX ≥ P ≥ Pmin. Pmin as defined in sub-clause 6.3G.1.

Table 6.3G.4.2.5-5: Test Requirements Relative Power Tolerance for Transmission, channel BW 60MHz, 70MHz, 80MHz, 90MHz, 100MHz ramp up sub-test

Test SCS [kHz]	Sub-test ID	Applicable sub-frames	Uplink RB allocation	TPC command	Expected power step size (Up) ΔP [dB]	Power step size range (Up) ΔP [dB]	PUSCH [dB]
30	1	Subframes before RB change	1RB	TPC=+1dB	1	ΔP ≤ 1 dB	1 +/- (0.7 + TT)
		RB change	1RB to 5 RBs	TPC=+1dB	7.99	4dB ≤ ΔP < 10dB	7.99 +/- (3.5 + TT)
		Subframes after RB change	Fixed = 5	TPC=+1dB	1	ΔP ≤ 1 dB	1 +/- (0.7 + TT)
	2	Subframes before RB change	1RB	TPC=+1dB	1	ΔP ≤ 1 dB	1 +/- (0.7 + TT)
		RB change	1RB to 24 RBs	TPC=+1dB	14.80	10dB ≤ ΔP < 15dB	14.80 +/- (4 + TT)
		Subframes after RB change	Fixed = 24	TPC=+1dB	1	ΔP ≤ 1 dB	1 +/- (0.7 + TT)
	3	Subframes before RB change	1RB	TPC=+1dB	1	ΔP ≤ 1 dB	1 +/- (0.7 + TT)
		RB change	1RB to 81 RBs	TPC=+1dB	20.08	15dB < ΔP	20.08 +/- (5 + TT)
		Subframes after RB change	Fixed = 81	TPC=+1dB	1	ΔP ≤ 1 dB	1 +/- (0.7 + TT)
60	1	Subframes before RB change	1RB	TPC=+1dB	1	ΔP ≤ 1 dB	1 +/- (0.7 + TT)
		RB change	1RB to 5 RBs	TPC=+1dB	7.99	4dB ≤ ΔP < 10dB	7.99 +/- (3.5 + TT)
		Subframes after RB change	Fixed = 5	TPC=+1dB	1	ΔP ≤ 1 dB	1 +/- (0.7 + TT)
	2	Subframes before RB change	1RB	TPC=+1dB	1	ΔP ≤ 1 dB	1 +/- (0.7 + TT)
		RB change	1RB to 75 RBs	TPC=+1dB	19.75	15dB < ΔP	19.75 +/- (5 + TT)
		Subframes after RB change	Fixed = 75	TPC=+1dB	1	ΔP ≤ 1 dB	1 +/- (0.7 + TT)
Note 1: Position of RB change: Pattern A the position of RB uplink allocation change is after 10 active uplink Subframes. Pattern B the position of RB uplink allocation change is after 20 active uplink Subframes Pattern C the position of RB uplink allocation change is after 30 active uplink Subframes. Note 2: The starting resource block shall be RB# 0. Note 3: TT=0.7dB Note 4: Applicable if PUMAX ≥ P ≥ Pmin. Pmin as defined in sub-clause 6.3G.1.							

Table 6.3G.4.2.5-6: Test Requirements Relative Power Tolerance for Transmission, channel BW 60MHz, 70MHz, 80MHz, 90MHz, 100MHz ramp down sub-test

Test SCS [kHz]	Sub-test ID	Applicable sub-frames	Uplink RB allocation	TPC command	Expected power step size (Down) ΔP [dB]	Power step size range (Down) ΔP [dB]	PUSCH [dB]
----------------	-------------	-----------------------	----------------------	-------------	---	--------------------------------------	------------

30	1	Subframes before RB change	Fixed = 5	TPC=-1dB	1	$\Delta P \leq 1 \text{ dB}$	$1 \text{ +/- } 0.7 + TT$
		RB change	5 RBs to 1 RB	TPC=-1dB	7.99	$4\text{dB} \leq \Delta P < 10\text{dB}$	$7.99 \text{ +/- } (3.5 + TT)$
		Subframes after RB change	Fixed = 1	TPC=-1dB	1	$\Delta P \leq 1 \text{ dB}$	$1 \text{ +/- } (0.7 + TT)$
	2	Subframes before RB change	Fixed = 24	TPC=-1dB	1	$\Delta P \leq 1 \text{ dB}$	$1 \text{ +/- } (0.7 + TT)$
		RB change	24 RBs to 1 RB	TPC=-1dB	14.80	$10\text{dB} \leq \Delta P < 15\text{dB}$	$14.80 \text{ +/- } (4 + TT)$
		Subframes after RB change	Fixed = 1	TPC=-1dB	1	$\Delta P \leq 1 \text{ dB}$	$1 \text{ +/- } (0.7 + TT)$
	3	Subframes before RB change	Fixed = 81	TPC=-1dB	1	$\Delta P \leq 1 \text{ dB}$	$1 \text{ +/- } (0.7 + TT)$
		RB change	81 RBs to 1 RB	TPC=-1dB	20.08	$15\text{dB} < \Delta P$	$20.08 \text{ +/- } (5 + TT)$
		Subframes after RB change	Fixed = 1	TPC=-1dB	1	$\Delta P \leq 1 \text{ dB}$	$1 \text{ +/- } (0.7 + TT)$
60	1	Subframes before RB change	Fixed = 5	TPC=-1dB	1	$\Delta P \leq 1 \text{ dB}$	$1 \text{ +/- } (0.7 + TT)$
		RB change	5 RBs to 1 RB	TPC=-1dB	7.99	$4\text{dB} \leq \Delta P < 10\text{dB}$	$7.99 \text{ +/- } (3.5 + TT)$
		Subframes after RB change	Fixed = 1	TPC=-1dB	1	$\Delta P \leq 1 \text{ dB}$	$1 \text{ +/- } (0.7 + TT)$
	2	Subframes before RB change	Fixed = 75	TPC=-1dB	1	$\Delta P \leq 1 \text{ dB}$	$1 \text{ +/- } (0.7 + TT)$
		RB change	75 RBs to 1 RB	TPC=-1dB	19.75	$15\text{dB} < \Delta P$	$19.75 \text{ +/- } (5 + TT)$
		Subframes after RB change	Fixed = 1	TPC=-1dB	1	$\Delta P \leq 1 \text{ dB}$	$1 \text{ +/- } (0.7 + TT)$
<p>Note 1: Position of RB change: Pattern A the position of RB uplink allocation change is after 10 active uplink Subframes. Pattern B the position of RB uplink allocation change is after 20 active uplink Subframes Pattern C the position of RB uplink allocation change is after 30 active uplink Subframes.</p> <p>Note 2: The starting resource block shall be RB# 0.</p> <p>Note 3: TT=0.7dB</p> <p>Note 4: Applicable if $P_{UMAX} \geq P \geq P_{min}$. P_{min} as defined in sub-clause 6.3G.1.</p>							

Table 6.3G.4.2.5-7: Test Requirements Relative Power Tolerance for Transmission, alternating sub-test

BW	Test SCS [kHz]	Sub-test ID	Uplink RB allocation	TPC command	Expected power step size (Up or Down) ΔP [dB]	Power step size range (Up or Down) ΔP [dB]	PUSCH [dB]
5	15	1	Alternating 1 and 2	TPC=0dB	3.01	$3\text{dB} \leq \Delta P < 4\text{dB}$	$3.01 \text{ +/- } (3 + TT)$
		2	Alternating 1 and 5	TPC=0dB	6.99	$4\text{dB} \leq \Delta P < 10\text{dB}$	$6.99 \text{ +/- } (3.5 + TT)$
		3	Alternating 1 and 15	TPC=0dB	11.76	$10\text{dB} \leq \Delta P < 15\text{dB}$	$11.76 \text{ +/- } (4 + TT)$
	30	1	Alternating 1 and 2	TPC=0dB	3.01	$3\text{dB} \leq \Delta P < 4\text{dB}$	$3.01 \text{ +/- } (3 + TT)$
		2	Alternating 1 and 10	TPC=0dB	10.00	$10\text{dB} \leq \Delta P < 15\text{dB}$	$10.00 \text{ +/- } (4 + TT)$
		1	Alternating 1 and 2	TPC=0dB	3.01	$3\text{dB} \leq \Delta P < 4\text{dB}$	$3.01 \text{ +/- } (3 + TT)$

10,15,20, 25,30,40,50	15	2	Alternating 1 and 5	TPC=0dB	6.99	$4\text{dB} \leq \Delta P < 10\text{dB}$	$6.99 \pm (3.5 + TT)$
		3	Alternating 1 and 20	TPC=0dB	13.01	$10\text{dB} \leq \Delta P < 15\text{dB}$	$13.01 \pm (4 + TT)$
		4	Alternating 1 and 50	TPC=0dB	16.99	$15\text{dB} \leq \Delta P$	$16.99 \pm (5 + TT)$
	30	1	Alternating 1 and 2	TPC=0dB	3.01	$3\text{dB} \leq \Delta P < 4\text{dB}$	$3.01 \pm (3 + TT)$
		2	Alternating 1 and 5	TPC=0dB	6.99	$4\text{dB} \leq \Delta P < 10\text{dB}$	$6.99 \pm (3.5 + TT)$
		3	Alternating 1 and 24	TPC=0dB	13.80	$10\text{dB} \leq \Delta P < 15\text{dB}$	$13.80 \pm (4 + TT)$
	60	1	Alternating 1 and 5	TPC=0dB	6.99	$4\text{dB} \leq \Delta P < 10\text{dB}$	$6.99 \pm (3.5 + TT)$
		2	Alternating 1 and 10	TPC=0dB	10.00	$10\text{dB} \leq \Delta P < 15\text{dB}$	$10.00 \pm (4 + TT)$
	60, 70,80,90,100	30	1	Alternating 1 and 2	TPC=0dB	3.01	$3\text{dB} \leq \Delta P < 4\text{dB}$
2			Alternating 1 and 5	TPC=0dB	6.99	$4\text{dB} \leq \Delta P < 10\text{dB}$	$6.99 \pm (3.5 + TT)$
3			Alternating 1 and 81	TPC=0dB	19.08	$15\text{dB} < \Delta P$	$19.08 \pm (5 + TT)$
60		1	Alternating 1 and 2	TPC=0dB	3.01	$3\text{dB} \leq \Delta P < 4\text{dB}$	$3.01 \pm (3 + TT)$
		2	Alternating 1 and 5	TPC=0dB	6.99	$4\text{dB} \leq \Delta P < 10\text{dB}$	$6.99 \pm (3.5 + TT)$
		3	Alternating 1 and 75	TPC=0dB	18.75	$15\text{dB} < \Delta P$	$18.75 \pm (5 + TT)$
Note 1: The starting resource block shall be RB# 0.							
Note 2: TT=0.7dB							
Note 3: Applicable if $P_{\text{UMAX}} \geq P \geq P_{\text{min}}$. P_{min} as defined in sub-clause 6.3G.1.							

6.3G.4.3 Aggregate power tolerance for Tx Diversity

6.3G.4.3.1 Test purpose

Same test purpose as in 6.3.4.4.1.

6.3G.4.3.2 Test applicability

This test case applies to all types of NR Power Class 1.5 UE, Power Class 2 and Power Class 3 UE release 15 and forward that support Tx diversity.

6.3G.4.3.3 Minimum conformance requirements

For UE supporting Tx diversity, the absolute power tolerance applies to the sum of output power at each transmit antenna connector.

The normative reference for this requirement is TS 38.101-1 [2] clause 6.3G.4.

6.3G.4.3.4 Test description

Same test description as in clause 6.3.4.4.4 with the output power is measured as the sum of both antenna connectors.

6.3G.4.3.5 Test requirement

The requirement for the power measurements made in step 1.3 and 2.3 of the test procedure shall not exceed the values specified in Table 6.3G.4.3.5-1. The power measurement period shall be 1 sub-frame(1ms).

Table 6.3G.4.3.5-1: Power control tolerance

TPC command	UL channel	Test requirement measured power
0 dB	PUCCH	Given 5 power measurements in the pattern, the 2 nd , and later measurements shall be within $\pm (2.5 + TT)$ dB of the 1 st measurement.

0 dB	PUSCH	Given 5 power measurements in the pattern, the 2 nd , and later measurements shall be within $\pm (3.5 + TT)$ dB of the 1 st measurement.
Note 1:	For SCS 30kHz 1 sub-frame corresponds to 2 slots and for SCS 60kHz 1 sub-frame corresponds to 4 slots, so 2 TPC commands will be sent for a single measurement period.	
Note 2:	TT=0.7dB.	

6.3H Output power dynamics for CA with UL MIMO

6.3H.1 Output power dynamics for intra-band UL contiguous CA with UL MIMO

6.3H.1.1 Minimum output power for intra-band UL contiguous CA with UL MIMO

6.3H.1.1.1 Test purpose

To verify the UE's ability to transmit with a broadband output power for intra-band UL contiguous CA with UL MIMO below the value specified in the test requirement when the power is set to a minimum value.

6.3H.1.1.2 Test applicability

This test case applies to all types of NR UE release 15 and forward that support intra-band UL contiguous CA with UL MIMO.

6.3H.1.1.3 Minimum conformance requirements

For intra-band UL contiguous CA and UE with two transmit antenna connectors in closed-loop spatial multiplexing scheme, the minimum output power is defined as the sum of the mean power from both transmit connector in one sub-frame (1 ms) on each CC. The minimum output power shall not exceed the values specified in clause 6.3A.1.

If UE is scheduled for single antenna-port PUSCH transmission by DCI format 0_0 or by DCI format 0_1 for single antenna port codebook based transmission with precoding matrix $W=1$ [6.3.1.5 TS 38.211], the requirements in clause 6.3A.1 apply.

The normative reference for this requirement is TS 38.101-1 [2] clause 6.3H.1.1.

6.3H.1.1.4 Test description

6.3H.1.1.4.1 Initial conditions

Initial conditions are a set of test configurations the UE needs to be tested in and the steps for the SS to take with the UE to reach the correct measurement state.

The initial test configurations consist of environmental conditions, test frequencies, test channel bandwidths and sub-carrier spacing based on NR CA configurations specified in 5.5A. All of these configurations shall be tested with applicable test parameters for each combination of test channel bandwidth and sub-carrier spacing, and are shown in Table 6.3H.1.1.4.1-1. The details of the uplink reference measurement channels (RMCs) are specified in Annexes A.2. Configurations of PDSCH and PDCCH before measurement are specified in Annex C.2.

Table 6.3H.1.1.4.1-1: Test Configuration Table

Initial Conditions			
Test Environment as specified in TS 38.508-1 [5] subclause 4.1	Normal, TL/VL, TL/VH, TH/VL, TH/VH		
Test Frequencies as specified in TS 38.508-1 [5] subclause 4.3.1	Low range High range		
Test Channel Bandwidths as specified in TS 38.508-1 [5] subclause 4.3.1	Lowest N_{RB_agg} , Highest N_{RB_agg}		
Test SCS as specified in Table 5.3.5-1	Highest		
Test Parameters			
Test ID	Downlink Configuration for PCC & SCC	Uplink Configuration	
		Modulation for all CCs	RB allocation (NOTE 1)

			PCC	SCC
1	N/A for this test	CP-OFDM QPSK	Outer Full	Outer Full
NOTE 1: The specific configuration of each RB allocation is defined in 6.1A-1a				
NOTE 2: Test Channel Bandwidths and Test SCS are checked separately for each NR CA band combination, which applicable channel bandwidths is specified in Table 5.5A.3.1-1 and SCS is specified in Table 5.3.5-1 for each NR band..				

1. Connect the SS to the UE antenna connectors as shown in TS 38.508-1 [5] Annex A, Figure A.3.1.1.6 for TE diagram and section A.3.2.3.11 for UE diagram.
2. The parameter settings for the cell are set up according to TS 38.508-1 [5] subclause 4.4.3.
3. Downlink signals for PCC are initially set up according to Annex C.0, C.1, C.2, and uplink signals according to Annex G.0, G.1, G.2, G.3.0.
4. The UL Reference Measurement Channel is set according to Table 6.3H.1.1.4.1-1.
5. Propagation conditions are set according to Annex B.0.
6. Ensure the UE is in state RRC_CONNECTED with generic procedure parameters Connectivity *NR*, Connected without release *On*, Test Mode *On* and Test Loop Function *On* according to TS 38.508-1 [5] clause 4.5. Message contents are defined in clause 6.3H.1.1.4.3.

6.3H.1.1.4.2 Test procedure

1. Configure SCC according to Annex C.0, C.1, C.2 for all downlink physical channels.
2. The SS shall configure SCC as per TS 38.508-1 [5] clause 5.5.1. Message contents are defined in clause 6.3H.1.1.4.3.
3. SS activates SCC by sending the activation MAC CE (Refer TS 38.321 [18], clauses 5.9, 6.1.3.10). Wait for at least 2 seconds (Refer TS 38.133[19], clause 9.3).
4. SS sends uplink scheduling information for each UL HARQ process via PDCCH DCI format 0_1 for C_RNTI to schedule the UL RMC according to Table 6.3H.1.1.4.1-1 on both PCC and SCC as appropriate. Since the UE has no payload and no loopback data to send the UE sends uplink MAC padding bits on the UL RMC. The PDCCH DCI format 0_1 is specified with the condition 2TX_UL_MIMO in 38.508-1 [5] subclause 4.3.6.1.1.2.
5. Send continuously uplink power control "down" commands for both carriers in every uplink scheduling information to the UE; allow at least 200ms starting from the first TPC command in this step to ensure that the UE transmits at its minimum output power.
6. Measure the sum of mean transmitted power from antenna connectors for each component carrier in the associated measurement channel bandwidth specified in Table 6.3H.1.1.5-1 for the specific channel bandwidth under test. The period of measurement shall be at least the continuous duration of 1ms in all active uplink slots and in the uplink symbols. For TDD, only slots consisting of only UL symbols are under test.

6.3H.1.1.4.3 Message contents

Message contents are according to TS 38.508-1 [5] subclause 4.6 and 5.4 ensuring Table 4.6.3-182 with the condition 2TX_UL_MIMO.

6.3H.1.1.5 Test requirement

The maximum output power, derived in step 6 shall be within the range prescribed by the nominal maximum output power and tolerance in Table 6.3H.1.1.5-1.

Table 6.3H.1.1.5-1: Minimum output power

Channel bandwidth (MHz)	Minimum output power (dBm)	Measurement bandwidth (MHz)
10	-40+TT	9.375
15	-40+TT	14.235
20	-40+TT	19.095
25	-39+TT	23.955

30	-38.2+TT	28.815
40	-37+TT	38.895
50	-36+TT	48.615
60	-35.2+TT	58.35
70	-34.6+TT	68.07
80	-34+TT	78.15
90	-33.5+TT	88.23
100	-33+TT	98.31
NOTE 1: TT for each frequency and channel bandwidth is specified in Table 6.3H.1.1.5-2		

Table 6.3H.1.1.5-2: Test Tolerance (Minimum output power)

	$f \leq 3.0\text{GHz}$	$3.0\text{GHz} < f \leq 6.0\text{GHz}$
$BW \leq 40\text{MHz}$	1.0	1.3
$40\text{MHz} < BW \leq 100\text{MHz}$	1.3	1.3
$100\text{MHz} < BW \leq 200\text{MHz}$	FFS	FFS

6.3H.1.2 Transmit OFF power for intra-band UL contiguous CA with UL MIMO

Editor's Note:

- Test tolerance for $BW > 100\text{M}$ is FFS.

6.3H.1.2.1 Test purpose

To verify that the UE transmit OFF power for intra-band UL contiguous CA with UL MIMO is lower than the value specified in the test requirement.

6.3H.1.2.2 Test applicability

The requirements of 6.3H.1.2 apply in test case 6.3H.1.3 Transmit ON/OFF time mask for intra-band UL contiguous CA with UL MIMO to all types of NR UE release 15 and forward that support intra-band UL contiguous CA with UL MIMO. Therefore, no test case description and requirements are specified.

6.3H.1.2.3 Minimum conformance requirements

The transmit OFF power is defined as the mean power at each transmit antenna connector in a duration of at least one sub-frame (1 ms) excluding any transient periods.

The transmit OFF power at each transmit antenna connector on each CC shall not exceed the values specified in clause 6.3A.2.

The normative reference for this requirement is TS 38.101-1 [2] clause 6.3H.1.2.

6.3H.1.2.4 Test description

This test is covered by clause 6.3H.1.3 Transmit ON/OFF time mask for intra-band UL contiguous CA with UL MIMO.

6.3H.1.2.5 Test requirement

The requirement for the transmit OFF power of each component carrier shall not exceed the values specified in Table 6.3H.1.2.5-1.

Table 6.3H.1.2.5-1: Transmit OFF power

Channel bandwidth (MHz)	Transmit OFF power (dBm)	Measurement bandwidth (MHz)
5	-50+TT	4.515
10	-50+TT	9.375
15	-50+TT	14.235
20	-50+TT	19.095
25	-50+TT	23.955
30	-50+TT	28.815

40	-50+TT	38.895
50	-50+TT	48.615
60	-50+TT	58.35
80	-50+TT	78.15
100	-50+TT	88.23
NOTE 1: TT for each frequency and channel bandwidth is specified in Table 6.3H.1.2.5-2		

Table 6.3H.1.2.5-2: Test Tolerance (Transmit OFF power)

	$f \leq 3.0\text{GHz}$	$3.0\text{GHz} < f \leq 6.0\text{GHz}$
BW \leq 40MHz	1.5	1.8
40MHz < BW \leq 100MHz	1.7	1.8
100MHz < BW \leq 200MHz	FFS	FFS

6.3H.1.3 Transmit ON/OFF time mask for intra-band UL contiguous CA with UL MIMO

Editor's Note:

- Test tolerance for BW>100M is FFS.

6.3H.1.3.1 Test purpose

To verify that the general ON/OFF time mask for intra-band UL contiguous CA with UL MIMO meets the requirements specified in the test requirement

The transmit power time mask for transmit ON/OFF defines the transient period(s) allowed between transmit OFF power and transmit ON power symbols for intra-band UL contiguous CA with UL MIMO.

Transmission of the wrong power increases interference to other channels, or increases transmission errors in the uplink channel.

6.3H.1.3.2 Test applicability

This test case applies to all types of NR UE release 15 and forward that support intra-band UL contiguous CA with UL MIMO.

6.3H.1.3.3 Minimum conformance requirements

For UE supporting intra-band UL contiguous CA and UL MIMO, the ON/OFF time mask requirements in clause 6.3A.3 apply at each transmit antenna connector on each CC. The requirements shall be met with the UL MIMO configurations described in clause 6.2H.1.

If UE is scheduled for single antenna-port PUSCH transmission by DCI format 0_0 or by DCI format 0_1 for single antenna port codebook based transmission with precoding matrix $W=1$ [6.3.1.5 TS 38.211], the requirements in clause 6.3A.3 apply.

The normative reference for this requirement is TS 38.101-1 [2] clause 6.3H.1.3.

6.3H.1.3.4 Test description

6.3H.1.3.4.1 Initial conditions

Initial conditions are a set of test configurations the UE needs to be tested in and the steps for the SS to take with the UE to reach the correct measurement state.

The initial test configurations consist of environmental conditions, test frequencies, test channel bandwidths and sub-carrier spacing based on NR CA configurations specified in 5.5A. All of these configurations shall be tested with applicable test parameters for each combination of test channel bandwidth and sub-carrier spacing, and are shown in Table 6.3H.1.3.4.1-1. The details of the uplink reference measurement channels (RMCs) are specified in Annexes A.2. Configurations of PDSCH and PDCCH before measurement are specified in Annex C.2.

Table 6.3H.1.3.4.1-1: Test Configuration Table

Initial Conditions				
Test Environment as specified in TS 38.508-1 [5] subclause 4.1		Normal, TL/VL, TL/VH, TH/VL, TH/VH		
Test Frequencies as specified in TS 38.508-1 [5] subclause 4.3.1.1.4 for intra band contiguous CA in FR1		Low range High range		
Test Channel Bandwidths as specified in TS 38.508-1 [5] subclause 4.3.1		Lowest N_{RB_agg} , Highest N_{RB_agg}		
Test SCS as specified in Table 5.3.5-1		Lowest, Highest		
Test Parameters				
Test ID	Downlink Configuration for PCC & SCC	Uplink Configuration		
		Modulation for all CCs	RB allocation (NOTE 1)	
			PCC	SCC
1	N/A for this test	CP-OFDM QPSK	Inner Full	Inner Full
NOTE 1: The specific configuration of each RB allocation is defined in 6.1A-1a NOTE 2: Test Channel Bandwidths and Test SCS are checked separately for each NR CA band combination, which applicable channel bandwidths is specified in Table 5.5A.3.1-1 and SCS is specified in Table 5.3.5-1 for each NR band.				

1. Connect the SS to the UE antenna connectors as shown in TS 38.508-1 [5] Annex A, Figure A.3.1.1.6 for TE diagram and section A.3.2.3.11 for UE diagram.
2. The parameter settings for the cell are set up according to TS 38.508-1 [5] subclause 4.4.3.
3. Downlink signals for PCC are initially set up according to Annex C.0, C.1, C.2, and uplink signals according to Annex G.0, G.1, G.2, G.3.0.
4. The UL Reference Measurement Channel is set according to Table 6.3H.1.3.4.1-1.
5. Propagation conditions are set according to Annex B.0.
6. Ensure the UE is in state RRC_CONNECTED with generic procedure parameters Connectivity NR, Connected without release On, Test Mode On and Test Loop Function On according to TS 38.508-1 [5] clause 4.5. Message contents are defined in clause 6.3H.1.3.4.3.

6.3H.1.3.4.2 Test procedure

1. Configure SCC according to Annex C.0, C.1, C.2 for all downlink physical channels.
2. The SS shall configure SCC as per TS 38.508-1 [5] clause 5.5.1. Message contents are defined in clause 6.3H.1.3.4.3.
3. SS activates SCC by sending the activation MAC CE (Refer TS 38.321 [18], clauses 5.9, 6.1.3.10). Wait for at least 2 seconds (Refer TS 38.133[19], clause 9.3).
4. SS sends uplink scheduling information for each UL HARQ process via PDCCH DCI format 0_1 for C_RNTI to schedule the UL RMC according to Table 6.3H.1.3.4.1-1 on both PCC and SCC as appropriate. Since the UE has no payload and no loopback data to send the UE sends uplink MAC padding bits on the UL RMC. The UL assignment is such that the UE transmits on slots 8 for 15kHz SCS, on slots 8 and 18 for 30kHz SCS and on slots 17 and 37 for 60kHz SCS. The PDCCH DCI format 0_1 is specified with the condition 2TX_UL_MIMO in 38.508-1 [5] subclause 4.3.6.1.1.2.
5. Send continuously uplink power control "up" commands for both carriers in every uplink scheduling information to the UE; allow at least 200ms starting from the first TPC command in this step for the UE to reach P_{UMAX} level.
6. On power sub test:
 - 6.1. Measure the sum of mean output power over both antenna connectors and all component carriers in the CA configuration of the UE PUSCH transmission during one slot of the radio access mode.
7. OFF power sub test:
 - 7.1. Measure the UE transmission OFF power for each component carrier at each antenna connector during the slot prior to the PUSCH transmission, excluding a transient period of 10 μ s in the end of the slot.

- 7.2. Measure the UE transmission OFF power for each component carrier at each antenna connector during the slot following the PUSCH transmission, excluding a transient period of 10 μ s at the beginning of the slot.

6.3H.1.3.4.3 Message contents

Message contents are according to TS 38.508-1 [5] subclause 4.6 and 5.4 ensuring Table 4.6.3-182 with the condition 2TX_UL_MIMO and following exceptions:

Table 6.3H.1.3.4.3-1: TDD-UL-DL-Config

Derivation Path: TS 38.508-1[5], Table 4.6.3-192			
Information Element	Value/remark	Comment	Condition
TDD-UL-DL-ConfigCommon ::= SEQUENCE {			
referenceSubcarrierSpacing	SubcarrierSpacing		
pattern1 SEQUENCE {			
dl-UL-TransmissionPeriodicity	ms5		FR1
	ms10		FR1_15kHz
nrofDownlinkSlots	6		FR1_15kHz
	6		FR1_30kHz
	14		FR1_60kHz
nrofDownlinkSymbols	10		FR1_15kHz
	6		FR1_30kHz
	12		FR1_60kHz
nrofUplinkSlots	3		FR1_15kHz, FR1_30kHz
	4		FR1_60kHz
nrofUplinkSymbols	4		FR1_30kHz
	2		FR1_15kHz,
	8		FR1_60kHz
}			
pattern2	Not present		
}			

Table 6.3H.1.3.4.3-2: PUSCH-TimeDomainResourceAllocationList

Derivation Path: TS 38.508-1[5], Table 4.6.3-122			
Information Element	Value/remark	Comment	Condition
PUSCH-TimeDomainResourceAllocationList ::= SEQUENCE (SIZE(1..maxNrofUL-Allocations)) OF {	2 entries		
PUSCH-TimeDomainResourceAllocation[1]			
SEQUENCE {			
k2	4		FR1_15kHz, FR1_30kHz
	6		FR1_60kHz
mappingType	typeA		
startSymbolAndLength	27	Start symbol(S)=0, Length(L)=14	
}			
PUSCH-TimeDomainResourceAllocation[2]		addressed by Msg3 PUSCH time resource allocation field of the Random Access Response acc. to TS 38.213 [22] Table 8.2-1.	
SEQUENCE {			
k2	2	$K_2 + \Delta = 4$ acc. to TS 38.214 [21] Table 6.1.2.1.1-5 (NOTE 1)	FR1_15kHz
	6	$K_2 + \Delta = 9$ acc. to TS 38.214 [21] Table 6.1.2.1.1-5 (NOTE 1)	FR1_30kHz

mappingType	typeA		
startSymbolAndLength	27	Start symbol(S)=0, Length(L)=14	
}			
}			
NOTE 1: Values are chosen so that first slot of a TDD-UL-DL slot configuration period can be used for the Random Access Response and the last slot (of the same or another period) for the corresponding Msg3.			

Condition	Explanation
FR1_15kHz	FR1 is used under the test. SCS is set to 15kHz.
FR1_30kHz	FR1 is used under the test. SCS is set to 30kHz.
FR1_60kHz	FR1 is used under the test. SCS is set to 60kHz.

Table 6.3H.1.3.4.3-4: FrequencyInfoUL-SIB for CA_n41C (Power Class 3)

Derivation Path: TS 38.508-1 [5] Table 4.6.3-62 FrequencyInfoUL-SIB			
Information Element	Value/remark	Comment	Condition
p-Max	16		Test IDs 1, 3
	14		Test ID 5
	11		Test ID 7
	10		Test IDs 2, 4, 6, 8

Table 6.3H.1.3.4.3-5: FrequencyInfoUL-SIB for CA_n41C (Power Class 2)

Derivation Path: TS 38.508-1 [5] Table 4.6.3-62 FrequencyInfoUL-SIB			
Information Element	Value/remark	Comment	Condition
p-Max	19		Test IDs 1, 3
	17		Test ID 5
	14		Test ID 7
	12		Test IDs 2, 4, 6, 8

6.3H.1.3.5 Test requirement

The requirement for the transmit ON power and transmit OFF power for intra-band UL contiguous CA with UL MIMO measured in steps 5, 6 and 7 of the test procedure shall not exceed the values specified in Table 6.3H.1.3.5-1.

Table 6.3H.1.3.5-1: General ON/OFF time mask

	Channel bandwidth / minimum output power / measurement bandwidth												
	5 MHz	10 MHz	15 MHz	20 MHz	25 MHz	30 MHz	40 MHz	50 MHz	60 MHz	70 MHz	80 MHz	90 MHz	100 MHz
Transmit OFF power	$\leq -50+TT$ dBm												
Transmission OFF Measurement bandwidth	4.515	9.375	14.235	19.095	23.955	28.815	38.895	48.615	58.35	68.07	78.15	88.23	98.31
Transmit ON power	Same as Test ID 1 of Table 6.2H.1.2.5-1 and Table 6.2H.1.2.5-2 as appropriate												
NOTE 1: TT for each frequency and channel bandwidth of OFF power is specified in Table 6.3H.1.3.5-2.													

Table 6.3H.1.3.5-2: Test Tolerance for OFF power

	$f \leq 3.0\text{GHz}$	$3.0\text{GHz} < f \leq 6\text{GHz}$
BW \leq 40MHz	1.5	1.8
40MHz < BW \leq 100MHz	1.7	1.8
100MHz < BW \leq 200MHz	FFS	FFS

6.3H.1.4 Power control for intra-band UL contiguous CA with UL MIMO

6.3H.1.4.0 Minimum conformance requirements

For UE supporting intra-band UL contiguous CA and UL MIMO, the power control tolerance in clause 6.3A.4.1.0, 6.3A.4.2 and 6.3A.4.3.0 for intra-band UL contiguous CA applies to the sum of output powers from both transmit antenna connector on each CC. The requirements shall be met with UL MIMO configurations described in clause 6.2H.1.3.

If UE is scheduled for single antenna-port PUSCH transmission by DCI format 0_0 or by DCI format 0_1 for single antenna port codebook based transmission with precoding matrix $W=1$ [6.3.1.5 TS 38.211], the requirements in clause 6.3A.4.1.0, 6.3A.4.2 and 6.3A.4.3.0 apply.

The normative reference for this requirement is TS 38.101-1 [2] clause 6.3H.1.4.

6.3H.1.4.1 Absolute power tolerance for intra-band UL contiguous CA with UL MIMO

6.3H.1.4.1.1 Test purpose

To verify the ability of the UE transmitter for 2UL CA to set its initial output power to a specific value at the start of a contiguous transmission or non-contiguous transmission on each active component carrier with a long transmission gap, i.e. transmission gap is larger than 20ms.

6.3H.1.4.1.2 Test applicability

The requirements of this test apply in test cases 6.3D.4.1 Absolute power tolerance for UL MIMO.

6.3H.1.4.1.3 Minimum conformance requirements

The minimum conformance requirements are defined in clause 6.3H.1.4.0.

6.3H.1.4.1.4 Test description

This test is covered by clause 6.3D.4.1 Absolute power tolerance for UL MIMO.

6.3H.1.4.2 Relative power tolerance for intra-band UL contiguous CA with UL MIMO

6.3H.1.4.2.1 Test purpose

To verify the ability of the UE transmitter to set its output power of each component carrier in a target sub-frame(1ms) relatively to the power of the most recently transmitted reference sub-frame if the transmission gap between these sub-frames is less than or equal to 20ms.

6.3H.1.4.2.2 Test applicability

The requirements of this test apply in test cases 6.3D.4.2 Relative power tolerance for UL MIMO.

6.3H.1.4.2.3 Minimum conformance requirements

The minimum conformance requirements are defined in clause 6.3H.1.4.0.

6.3H.1.4.2.4 Test description

This test is covered by clause 6.3D.4.2 Relative power tolerance for UL MIMO.

6.3H.1.4.3 Aggregate power tolerance for intra-band UL contiguous CA with UL MIMO

6.3H.1.4.2.1 Test purpose

To verify the ability of the UE transmitter to maintain its power during non-contiguous transmissions within 21ms in response to 0 dB commands with respect to the first UE transmission and all other power control parameters as specified in 38.213 kept constant on all active component carriers.

6.3H.1.4.2.2 Test applicability

The requirements of this test apply in test cases 6.3D.4.3 Aggregate power tolerance for UL MIMO.

6.3H.1.4.2.3 Minimum conformance requirements

The minimum conformance requirements are defined in clause 6.3H.1.4.0.

6.3H.1.4.2.4 Test description

This test is covered by clause 6.3D.4.3 Aggregate power tolerance for UL MIMO.

6.3H.3 Output power dynamics for inter-band UL CA with UL MIMO

6.3H.3.1 Minimum output power for inter-band UL CA with UL MIMO

6.3H.3.1.1 Test purpose

To verify the UE's ability to transmit with a broadband output power for inter-band UL CA with UL MIMO below the value specified in the test requirement when the power is set to a minimum value.

6.3H.3.1.2 Test applicability

This test case applies to all types of NR UE release 17 and forward that support inter-band UL CA with UL MIMO.

6.3H.3.1.3 Minimum conformance requirements

For inter-band UL CA with UL MIMO in one of the two frequency bands, the minimum output power is defined per carrier. The requirement is specified in clause 6.3.1 for the carrier without UL MIMO and specified in clause 6.3D.1 for the carrier configured with UL MIMO.

The normative reference for this requirement is TS 38.101-1 [2] clause 6.3H.3.1.

6.3H.3.1.4 Test description

This test is covered by clauses 6.3.1 Minimum output power and 6.3D.1 Minimum output power for UL MIMO.

6.3H.3.1.5 Test requirements

Same test requirement as 6.3D.1 for the band supporting UL MIMO and 6.3.1 for other band.

6.3J Output power dynamics for ATG

6.3J.1 Minimum output power for ATG

Editor's note: This clause is incomplete. The following aspects are either missing or not yet determined:

- MU and TT are FFS

- Message Contents are FFS pending on Rel-18 ASN.1 freeze

6.3J.1.1 Test purpose

To verify the UE's ability to transmit with a broadband output power below the value specified in the test requirement when the power is set to a minimum value.

6.3J.1.2 Test applicability

This test case applies to all types of NR UE release 18 and forward that support NR standalone ATG.

6.3J.1.3 Minimum conformance requirements

The minimum controlled output power of the UE is defined as the power in the channel bandwidth for all transmit bandwidth configurations (resource blocks) when the power is set to a minimum value.

The minimum output power is defined as the mean power in at least one sub-frame (1 ms). The minimum output power shall not exceed the values specified in Table 6.3J.1.3-1 for ATG UE with omni-directional antenna and in Table 6.3J.1.3-2 for ATG UE with antenna array.

Table 6.3J.1.3-1: Minimum output power for ATG UE with omni-directional antenna

Channel bandwidth	(MHz)	5,10,15,20	25,30,35,40,45,50	60,70,80,90,100
REF_SCS	(kHz)	15		30
Minimum output power	(dBm)	-15	$-15+10\log_{10}(BW_{Channel}/20)$	$-15+10\log_{10}(BW_{Channel}/20)$
Measurement bandwidth	(MHz)	$MBW=REF_SCS*(12*N_{RB}+1)/1000$		
NOTE: The minimum output power value is rounded to the nearest number down to one decimal point.				

Table 6.3J.1.3-2: Minimum output power for ATG UE with antenna array

Channel bandwidth	(MHz)	5,10,15,20	25,30,35,40,45,50	60,70,80,90,100
REF_SCS	(kHz)	15		30
Minimum output power	(dBm)	-19	$-19+10\log_{10}(BW_{Channel}/20)$	$-19+10\log_{10}(BW_{Channel}/20)$
Measurement bandwidth	(MHz)	$MBW=REF_SCS*(12*N_{RB}+1)/1000$		
NOTE: The minimum output power value is rounded to the nearest number down to one decimal point.				

The normative reference for this requirement is TS 38.101-1 [2] clause 6.3J.1.

6.3J.1.4 Test description

6.3J.1.4.1 Initial condition

Initial conditions are a set of test configurations the UE needs to be tested in and the steps for the SS to take with the UE to reach the correct measurement state.

The initial test configurations consist of environmental conditions, test frequencies, test channel bandwidths and sub-carrier spacing based on NR operating bands specified in Table 5.3.5-1. All of these configurations shall be tested with applicable test parameters for each combination of test channel bandwidth and sub-carrier spacing, and are shown in Table 6.3J.1.4.1-1. The details of the uplink reference measurement channels (RMCs) are specified in Annexes A.2. Configurations of PDSCH and PDCCH before measurement are specified in Annex C.2.

Table 6.3J.1.4.1-1: Test Configuration Table

Initial Conditions	
Test Environment as specified in TS 38.508-1 [5] subclause 4.1	Normal, TL/VL, TL/VH, TH/VL, TH/VH
Test Frequencies as specified in TS 38.508-1 [5] subclause 4.3.1	Low range, Mid range, High range
Test Channel Bandwidths as specified in TS 38.508-1 [5] subclause 4.3.1	Lowest, Mid, Highest
Test SCS as specified in Table 5.3.5-1	Highest
Test Parameters for Channel Bandwidths	
Test ID	Downlink Configuration Uplink Configuration

	N/A for minimum output power	Modulation	RB allocation (NOTE 1)
1	test case	DFT-s-OFDM QPSK	Outer Full
NOTE 1: The specific configuration of each RB allocation is defined in Table 6.1-1.			

1. Connect the SS to the UE antenna connectors as shown in TS 38.508-1 [5] Annex A, Figure A.3.1.1.1 for TE diagram and section A.3.2 for UE diagram.
2. The parameter settings for the cell are set up according to TS 38.508-1 [5] subclause 4.4.3.
3. Downlink signals are initially set up according to Annex C.0, C.1, C.2, and uplink signals according to Annex G.0, G.1, G.2, G.3.0.
4. The UL Reference Measurement Channel is set according to Table 6.3J.1.4.1-1.
5. Propagation conditions are set according to Annex B.0.
6. Ensure the UE is in State RRC_CONNECTED with generic procedure parameters Connectivity NR, Connected without release *On*, Test Mode *On* and Test Loop Function *On* according to TS 38.508-1 [5] clause 4.5. Message contents are defined in clause 6.3J.1.4.3.

6.3J.1.4.2 Test procedure

1. SS sends uplink scheduling information for each UL HARQ process via PDCCH DCI format 0_1 for C_RNTI to schedule the UL RMC according to Table 6.3J.1.4.1-1. Since the UE has no payload and no loopback data to send the UE sends uplink MAC padding bits on the UL RMC.
2. Send continuously uplink power control "down" commands in every uplink scheduling information to the UE; allow at least 200ms starting from the first TPC command in this step to ensure that the UE transmits at its minimum output power.
3. Measure the sum of power of all antenna connectors (for ATG UE with omni-directional antennas) or of all TAB connectors (for ATG UE with antenna array) in the associated measurement channel bandwidth specified in Table 6.3J.1.5-1 or Table 6.3J.1.5-2 for the specific channel bandwidth under test. The period of measurement shall be at least the continuous duration of one active sub-frame (1ms) and in the uplink symbols. For TDD symbols with transient periods are not under test.

6.3J.1.4.3 Message contents

FFS

6.3J.1.5 Test requirement

The minimum output power, derived in step 3 shall not exceed the values specified in Table 6.3J.1.5-1 or Table 6.3J.1.5-2.

Table 6.3J.1.5-1: Minimum output power for ATG UE with omni-directional antenna

Channel bandwidth (MHz)	Minimum output power (dBm)	Measurement bandwidth (MHz)
5	-15+TT	4.515
10	-15+TT	9.375
15	-15+TT	14.235
20	-15+TT	19.095
25	-14+TT	23.955
30	-13.2+TT	28.815
35	-12.6+TT	33.855
40	-12+TT	38.895
45	-11.5+TT	43.575
50	-11+TT	48.615
60	-10.2+TT	58.35
70	-9.6+TT	68.07
80	-9+TT	78.15
90	-8.5+TT	88.23

100	-8+TT	98.31
NOTE 1: TT for each frequency and channel bandwidth is specified in Table 6.3J.1.5-3		

Table 6.3.1.5-2: Minimum output power for ATG UE with antenna array

Channel bandwidth (MHz)	Minimum output power (dBm)	Measurement bandwidth (MHz)
5	-19+TT	4.515
10	-19+TT	9.375
15	-19+TT	14.235
20	-19+TT	19.095
25	-18+TT	23.955
30	-17.2+TT	28.815
35	-16.6+TT	33.855
40	-16+TT	38.895
45	-15.5+TT	43.575
50	-15+TT	48.615
60	-14.2+TT	58.35
70	-13.6+TT	68.07
80	-13+TT	78.15
90	-12.5+TT	88.23
100	-12+TT	98.31
NOTE 1: TT for each frequency and channel bandwidth is specified in Table 6.3.1.5-3		

Table 6.3J.1.5-3: Test Tolerance (Minimum output power for ATG)

	$f \leq 3.0\text{GHz}$	$3.0\text{GHz} < f \leq 6.0\text{GHz}$
$BW \leq 40\text{MHz}$	FFS	FFS
$40\text{MHz} < BW \leq 100\text{MHz}$	FFS	FFS

6.3J.2 Transmit OFF power for ATG

Editor's note: This clause is incomplete. The following aspects are either missing or not yet determined:

- MU and TT are FFS

- The referenced clause 6.3J.3 is FFS

6.3J.2.1 Test purpose

To verify that the UE transmit OFF power is lower than the value specified in the test requirement.

An excess Transmit OFF power potentially increases the Rise Over Thermal (RoT) and therefore reduces the cell coverage area for other UEs.

6.3J.2.2 Test applicability

The requirements of this test apply in test case 6.3J.3 Transmit ON/OFF time mask for ATG to all types of NR UE release 18 and forward that support NR standalone ATG.

6.3J.2.3 Minimum conformance requirements

Transmit OFF power is defined as the mean power in the channel bandwidth when the transmitter is OFF. The transmitter is considered OFF when the UE is not allowed to transmit on any of its ports.

The Transmit OFF power is defined as the mean power in a duration of at least one sub-frame (1ms) excluding any transient periods. The Transmit OFF power shall not exceed the values specified in Table 6.3J.2.3-1.

Table 6.3J.2.3-1: Transmit OFF power for ATG

Channel bandwidth (MHz)	3,5,10,15,20,25,30,35,40,45,50	60,70,80,90,100

REF_SCS	(kHz)	15	30
Transmit OFF power	(dBm)	-50	
Measurement bandwidth	(MHz)	MBW=REF_SCS*(12*N _{RB} +1)/1000	
NOTE: "N _{RB} " in the formula is the maximum transmission bandwidth configuration as defined in Table 5.3.2-1.			

The normative reference for this requirement is TS 38.101-1 [2] clause 6.3J.2 and 6.3.2.

6.3J.2.4 Test description

This test is covered by clause 6.3J.3 Transmit ON/OFF time mask for ATG.

6.3J.2.5 Test requirement

The requirement for the Transmit OFF power for ATG is the sum of power of all antenna connectors (for ATG UE with omni-directional antennas) or of all TAB connectors (for ATG UE with antenna array) and shall not exceed the values specified in Table 6.3J.2.5-1.

Table 6.3J.2.5-1: Transmit OFF power for ATG

Channel bandwidth (MHz)	Transmit OFF power (dBm)	Measurement bandwidth (MHz)
5	-50+TT	4.515
10	-50+TT	9.375
15	-50+TT	14.235
20	-50+TT	19.095
25	-50+TT	23.955
30	-50+TT	28.815
35	-50+TT	33.855
40	-50+TT	38.895
45	-50+TT	43.575
50	-50+TT	48.615
60	-50+TT	58.35
70	-50+TT	68.07
80	-50+TT	78.15
90	-50+TT	88.23
100	-50+TT	98.31

NOTE 1: TT for each frequency and channel bandwidth is specified in Table 6.3J.2.5-2

Table 6.3J.2.5-2: Test Tolerance (Transmit OFF power for ATG)

	f ≤ 3.0GHz	3.0GHz < f ≤ 6.0GHz
BW ≤ 40MHz	FFS	FFS
40MHz < BW ≤ 100MHz	FFS	FFS

6.4 Transmit signal quality

In this clause a multitude of results are derived, all using one common algorithm returning these results: Global In-Channels TX-Test Annex E. Each sub clause of this clause contains a procedure and test requirements described for a specific measurement. If all relevant test parameters in different sub clauses are the same, then the results, returned by the Global In-Channel TX-Test, may be used across the applicable sub clauses.

6.4.1 Frequency error

6.4.1.1 Test purpose

This test verifies the ability of both, the receiver and the transmitter, to process frequency correctly.

Receiver: to extract the correct frequency from the stimulus signal, offered by the System simulator, under ideal propagation conditions and low level.

Transmitter: to derive the correct modulated carrier frequency from the results, gained by the receiver.

6.4.1.2 Test applicability

This test case applies to all types of NR Power Class 1 UE release 15 and forward.

This test case applies to all types of NR Power Class 2 and Power Class 3 UE release 15 and forward that don't support Tx diversity.

6.4.1.3 Minimum conformance requirements

The UE basic measurement interval of modulated carrier frequency is 1 UL slot. The mean value of basic measurements of UE modulated carrier frequency shall be accurate to within ± 0.1 PPM observed over a period of 1 ms of cumulated measurement intervals compared to the carrier frequency received from the NR Node B.

The normative reference for this requirement is TS 38.101-1 [2] clause 6.4.1

6.4.1.4 Test description

6.4.1.4.1 Initial condition

Initial conditions are a set of test configurations the UE needs to be tested in and the steps for the SS to take with the UE to reach the correct measurement state.

The initial test configurations consist of environmental conditions, test frequencies, test channel bandwidths and sub-carrier spacing based on NR operating bands specified in Table 5.3.5-1. All of these configurations shall be tested with applicable test parameters for each combination of channel bandwidth and sub-carrier spacing, are shown in table 6.4.1.4.1-1. The details of the uplink and downlink reference measurement channels (RMCs) are specified in Annexes A.2 and A.3. Configurations of PDSCH and PDCCH before measurement are specified in Annex C.2.

Table 6.4.1.4.1-1: Test Configuration Table

Initial Conditions				
Test Environment as specified in TS 38.508-1 [5] subclause 4.1		Normal, TL/VL, TL/VH, TH/VL, TH/VH		
Test Frequencies as specified in TS 38.508-1 [5] subclause 4.3.1		Mid range (NOTE 3)		
Test Channel Bandwidths as specified in TS 38.508-1 [5] subclause 4.3.1		Highest		
Test SCS as specified in Table 5.3.5-1		Lowest		
Test Parameters				
Test ID	Downlink Configuration		Uplink Configuration	
	Modulation	RB allocation	Modulation	RB allocation
1	CP-OFDM QPSK	Full RB (NOTE 1)	DFT-s-OFDM QPSK	REFSENS (NOTE 2)
NOTE 1: Full RB allocation shall be used per each SCS and channel BW as specified in Table 7.3.2.4.1-2				
NOTE 2: REFSENS refers to Table 7.3.2.4.1-3 which defines uplink RB configuration and start RB location for each SCS, channel BW and NR band.				
NOTE 3: For NR band n28, 30MHz test channel bandwidth is tested with Low range test frequencies.				

1. Connect the SS to the UE antenna connectors as shown in TS 38.508-1 [5] Annex A, in Figure A.3.1.1.1 for TE diagram and section A.3.2 for UE diagram.
2. The parameter settings for the cell are set up according to TS 38.508-1 [5] subclause 4.4.3.
3. Downlink signals are initially set up according to Annex C.0, C.1, C.2, and uplink signals according to Annex G.0, G.1, G.2, G.3.0.
4. The DL and UL Reference Measurement channels are set according to Table 6.4.1.4.1-1.
5. Propagation conditions are set according to Annex B.0.

6. Ensure the UE is in state RRC_CONNECTED with generic procedure parameters Connectivity NR, Connected without release On, Test Mode On and Test Loop Function On according to TS 38.508-1 [5] clause 4.5. Message contents are defined in clause 6.4.1.4.3

6.4.1.4.2 Test procedure

1. SS transmits PDSCH via PDCCH DCI format 1_1 for C_RNTI to transmit the DL RMC according to Table 6.4.1.4.1-1. The SS sends downlink MAC padding bits on the DL RMC.
2. SS sends uplink scheduling information for each UL HARQ process via PDCCH DCI format 0_1 for C_RNTI to schedule the UL RMC according to Table 6.4.1.4.1-1. Since the UL has no payload and no loopback data to send the UE sends uplink MAC padding bits on the UL RMC.
3. Set the Downlink signal level to the appropriate REFSSENS value defined in Table 7.3.2.5-1. Send continuously uplink power control "up" commands to the UE in every uplink scheduling information to the UE so that the UE transmits at P_{UMAX} level for the duration of the test. Allow at least 200ms starting from the first TPC command in this step for the UE to reach P_{UMAX} level.
4. Measure the Frequency Error using Global In-Channel Tx-Test (Annex E). For TDD, only slots consisting of only UL symbols are under test.
5. For UEs supporting DSS, repeat steps 1~4 on the applicable bands as specified in Section 5.4.2.1 with message contents being according to TS 38.508-1 [5] subclause 4.6 ensuring Table 4.6.3-61 and Table 4.6.3-62 with condition DSS.

6.4.1.4.3 Message contents

Message contents are according to TS 38.508-1 [5] subclause 4.6.

6.4.1.5 Test requirement

The 10 frequency error Δf results must fulfil the test requirement:

$$|\Delta f| \leq (0.1 \text{ PPM} + 15 \text{ Hz})$$

6.4.2 Transmit modulation quality

Transmit modulation quality defines the modulation quality for expected in-channel RF transmissions from the UE. The transmit modulation quality is specified in terms of:

- Error Vector Magnitude (EVM) for the allocated resource blocks (RBs),
- EVM equalizer spectrum flatness derived from the equalizer coefficients generated by the EVM measurement process
- Carrier leakage
- In-band emissions for the non-allocated RB

All the parameters defined in subclause 6.4.2 are defined using the measurement methodology specified in Annex E.

In case the parameter 3300 or 3301 is reported from UE via *txDirectCurrentLocation* IE (as defined in TS 38.331 [6]), carrier leakage measurement requirement in subclause 6.4.2.2 and 6.4.2.3 shall be waived, and the RF correction with regard to the carrier leakage and IQ image shall be omitted during the calculation of transmit modulation quality.

6.4.2.1 Error Vector Magnitude

6.4.2.1.1 Test Purpose

The Error Vector Magnitude is a measure of the difference between the reference waveform and the measured waveform. This difference is called the error vector. Before calculating the EVM the measured waveform is corrected by the sample timing offset and RF frequency offset. Then the carrier leakage shall be removed from the measured waveform before calculating the EVM.

The measured waveform is further equalised using the channel estimates subjected to the EVM equaliser spectrum flatness requirement specified in sub-clause 6.4.2.4.3. For DFT-s-OFDM waveforms, the EVM result is defined after

the front-end FFT and IDFT as the square root of the ratio of the mean error vector power to the mean reference power expressed as a %. For CP-OFDM waveforms, the EVM result is defined after the front-end FFT as the square root of the ratio of the mean error vector power to the mean reference power expressed as a %.

The basic EVM measurement interval in the time domain is one preamble sequence for the PRACH and the duration of PUCCH/PUSCH channel, or one hop, if frequency hopping is enabled for PUCCH and PUSCH in the time domain. The EVM measurement interval is reduced by any symbols that contains an allowable power transient as defined in subclause 6.3.3.3.

6.4.2.1.2 Test applicability

This test case applies to all types of NR Power Class 1 UE release 15 and forward.

This test case applies to all types of NR Power Class 2 and Power Class 3 UE release 15 and forward that don't support Tx diversity.

6.4.2.1.3 Minimum conformance requirements

The RMS average of the basic EVM measurements for 10 sub-frames excluding any transient period for the average EVM case, and 60 sub-frames excluding any transient period for the reference signal EVM case, for the different modulation schemes shall not exceed the values specified in Table 6.4.2.1.3-1 for the parameters defined in Table 6.4.2.1.3-2. For EVM evaluation purposes, all PRACH preamble formats 0-4 and all 5 PUCCH formats are considered to have the same EVM requirement as QPSK modulated.

Table 6.4.2.1.3-1: Requirements for Error Vector Magnitude

Parameter	Unit	Average EVM Level
Pi/2-BPSK	%	30
QPSK	%	17.5
16 QAM	%	12.5
64 QAM	%	8
256 QAM	%	3.5

Table 6.4.2.1.3-2: Parameters for Error Vector Magnitude

Parameter	Unit	Level
UE Output Power	dBm	≥ Table 6.3.1.3-1
UE Output Power for 256 QAM	dBm	≥ Table 6.3.1-1 + 10 dB
Operating conditions		Normal conditions

The normative reference for this requirement is TS 38.101 [2] clause 6.4.2.1.

6.4.2.1.4 Test description

6.4.2.1.4.1 Initial conditions

Initial conditions are a set of test configurations the UE needs to be tested in and the steps for the SS to take with the UE to reach the correct measurement state.

The initial test configurations consist of environmental conditions, test frequencies, test channel bandwidths and sub-carrier spacing based on NR operating bands specified in Table 5.3.5-1. All of these configurations shall be tested with applicable test parameters for each combination of channel bandwidth and sub-carrier spacing, are shown in table 6.4.2.1.4.1-1. The details of the uplink and downlink reference measurement channels (RMCs) are specified in Annexes A.2 and A.3. Configurations of PDSCH and PDCCH before measurement are specified in Annex C.2.

Table 6.4.2.1.4.1-1: Test Configuration Table for PUSCH

Initial Conditions	
Test Environment as specified in TS 38.508-1 [5] subclause 4.1	Normal
Test Frequencies as specified in TS 38.508-1 [5] subclause 4.3.1	Low range, Mid range, High range (NOTE 4)
Test Channel Bandwidths as specified in TS 38.508-1 [5] subclause 4.3.1	Lowest, Highest

Test SCS as specified in Table 5.3.5-1		All	
Test Parameters			
Test ID	Downlink Configuration	Uplink Configuration	
	N/A	Modulation (NOTE 3)	RB allocation (NOTE 1)
1 ³		DFT-s-OFDM PI/2 BPSK	Inner Full
2 ³		DFT-s-OFDM PI/2 BPSK	Outer Full
3		DFT-s-OFDM QPSK	Inner Full
4		DFT-s-OFDM QPSK	Outer Full
5		DFT-s-OFDM 16 QAM	Inner Full
6		DFT-s-OFDM 16 QAM	Outer Full
7		DFT-s-OFDM 64 QAM	Outer Full
8		DFT-s-OFDM 256 QAM	Outer Full
9		CP-OFDM QPSK	Inner Full
10		CP-OFDM QPSK	Outer Full
11		CP-OFDM 16 QAM	Inner Full
12		CP-OFDM 16 QAM	Outer Full
13		CP-OFDM 64 QAM	Outer Full
14		CP-OFDM 256 QAM	Outer Full
<p>NOTE 1: The specific configuration of each RB allocation is defined in Table 6.1-1.</p> <p>NOTE 2: Test Channel Bandwidths are checked separately for each NR band, which applicable channel bandwidths are specified in Table 5.3.5-1.</p> <p>NOTE 3: DFT-s-OFDM PI/2 BPSK test applies only for UEs which supports half Pi BPSK in FR1.</p> <p>NOTE 4: For NR band n28, 30MHz test channel bandwidth is tested with Low range and High range test frequencies.</p>			

Table 6.4.2.1.4.1-2: Test Configuration Table for PUCCH

Initial Conditions					
Test Environment as specified in TS 38.508-1 [5] subclause 4.1			Normal		
Test Frequencies as specified in TS 38.508-1 [5] subclause 4.3.1			See Table 6.4.2.1.4.1-1		
Test Channel Bandwidths as specified in TS 38.508-1 [5] subclause 4.3.1			See Table 6.4.2.1.4.1-1		
Test SCS as specified in Table 5.3.5-1			See Table 6.4.2.1.4.1-1		
Test Parameters					
ID	Downlink Configuration		Uplink Configuration		
	Modulation	RB allocation	Waveform	PUCCH format	RB index
1	CP-OFDM QPSK	Full RB (Note 1)	CP-OFDM	PUCCH format = Format 1 (Note 4) Length in OFDM symbols = 14	0
2	CP-OFDM QPSK	Full RB (Note 1)	CP-OFDM	PUCCH format = Format (Note 4)1 Length in OFDM symbols = 14	N _{RB} -1
3	CP-OFDM QPSK	Full RB (Note 1)	DFT-s-OFDM	PUCCH format = Format 3 (Note 3) Length in OFDM symbols = 14	0
4	CP-OFDM QPSK	Full RB (Note 1)	DFT-s-OFDM	PUCCH format = Format 3 (Note 3) Length in OFDM symbols = 14	N _{RB} -1
<p>NOTE 1: Full RB allocation shall be used per each SCS and channel BW as specified in Table 7.3.2.4.1-2.</p> <p>NOTE 2: Test Channel Bandwidths are checked separately for each NR band, which applicable channel bandwidths are specified in Table 5.3.5-1.</p> <p>NOTE 3: For FDD, set K1 value (PDSCH-to-HARQ-timing-indicator) as follows: K1 = 2 if mod(i,5) = 0 K1 = 2 if mod(i,5) = 1 K1 = 4 if mod(i,5) = 2 K1 = 3 if mod(i,5) = 3 K1 = 2 if mod(i,5) = 4 where i is slot index per frame</p> <p>NOTE 4: For PUCCH format = Format 1, TDD and SCS 30 kHz, schedule the DL RMC as follows: if mod(i,10) = 3: Scheduled Other slots: Not scheduled where i is slot index per frame</p>					

Table 6.4.2.1.4.1-3: Test Configuration for PRACH

Initial Conditions		
Test Environment as specified in TS 38.508-1 [5] subclause 4.1	Normal	
Test Frequencies as specified in TS 38.508-1 [5] subclause 4.3.1	See Table 6.4.2.1.4.1-1	
Test Channel Bandwidths as specified in TS 38.508-1 [5] subclause 4.3.1	See Table 6.4.2.1.4.1-1	
Test SCS as specified in Table 5.3.5-1	SCS defined in TS 38.211 [8] subclause 6.3.3.2 determined by PRACH Configuration Index	
PRACH preamble format		
	FDD	TDD
PRACH Configuration Index	17	7
RS EPRE setting for test point 1 (dBm/15kHz)	-71	
RS EPRE setting for test point 2 (dBm/15kHz)	-86	

1. Connect the SS to the UE antenna connectors as shown in TS 38.508-1 [5] Annex A, in Figure A.3.1.1.1 for TE diagram and section A.3.2 for UE diagram.
2. The parameter settings for the cell are set up according to TS 38.508-1 [5] subclause 4.4.3.
3. Downlink signals are initially set up according to Annex C.0, C.1, C.2, and uplink signals according to Annex G.0, G.1, G.2, G.3.0.
4. The UL Reference Measurement channels are set according to Table 6.4.2.1.4.1-1.
5. Propagation conditions are set according to Annex B.0.
6. Ensure the UE is in state RRC_CONNECTED with generic procedure parameters Connectivity *NR*, Connected without release *On*, Test Mode *On* and Test Loop Function *On* according to TS 38.508-1 [5] clause 4.5. Message contents are defined in clause 6.4.2.1.4.3

6.4.2.1.4.2 Test procedure

Test procedure for PUSCH:

- 1.1. SS sends uplink scheduling information for each UL HARQ process via PDCCH DCI format 0_1 for C_RNTI to schedule the UL RMC according to Table 6.4.2.1.4.1-1. Since the UE has no payload data to send, the UE transmits uplink MAC padding bits on the UL RMC.
- 1.2. Send continuously uplink power control "up" commands in the uplink scheduling information to the UE until the UE transmits at $P_{UMAX\ level}$, allow at least 200ms starting from the first TPC command in this step for the UE to reach $P_{UMAX\ level}$.
- 1.3. Measure the EVM and \overline{EVM}_{DMRS} using Global In-Channel Tx-Test (Annex E). For TDD, only slots consisting of only UL symbols are under test.
- 1.4. For modulations except 256QAM, send uplink power control commands to the UE using 1dB power step size to ensure that the UE output power measured by the test system is within the Uplink power control window, defined as +MU to +(MU + Uplink power control window size) dB of the target power level Pmin, where:
 - Pmin is the minimum output power according to Table 6.3.1.3-1.
 - MU is the test system uplink power measurement uncertainty and is specified in Table F.1.2-1 for the carrier frequency *f* and the channel bandwidth BW.
 - Uplink power control window size = 1dB (UE power step size) + 0.7dB (UE power step tolerance) + (Test system relative power measurement uncertainty), where, the UE power step tolerance is specified in TS 38.101-1 [2], Table 6.3.4.3-1 and is 0.7dB for 1dB power step size, and the Test system relative power measurement uncertainty is specified in Table F.1.2-1.

For 256 QAM, send uplink power control commands to the UE using 1dB power step size to ensure that the UE output power measured by the test system is within the Uplink power control window, defined as +MU to +(MU + Uplink power control window size) dB of the target power level $P_{min} + 10$ dB, where P_{min} , MU and Uplink power control window size are defined above.

- 1.5. Measure the EVM and \overline{EVM}_{DMRS} using Global In-Channel Tx-Test (Annex E). For TDD, only slots consisting of only UL symbols are under test.

NOTE1: When switching to DFT-s-OFDM waveform, as specified in the test configuration table 6.4.2.1.4.1-1, send an NR RRCReconfiguration message according to TS 38.508-1 [5] clause 4.6.3 Table 4.6.3-118 PUSCH-Config with TRANSFORM_PRECODER_ENABLED condition.

NOTE2: The purpose of the Uplink power control window is to ensure that the actual UE output power is no less than the target power level, and as close as possible to the target power level. The relationship between the Uplink power control window, the target power level and the corresponding possible actual UE Uplink power window is illustrated in Annex F.4.2.

Table 6.4.2.1.4.2-1: Void

Test procedure for PUCCH:

- 2.1. PUCCH is set according to Table 6.4.2.1.4.1-2.
- 2.2. SS transmits PDSCH via PDCCH DCI format 1_1 for C_RNTI to transmit the DL RMC according to Table 6.4.2.1.4.1-2. The SS sends downlink MAC padding bits on the DL RMC. The transmission of PDSCH will make the UE send uplink ACK/NACK using PUCCH. There is no PUSCH transmission.
- 2.3. SS send appropriate TPC commands for PUCCH to the UE until the UE transmit PUCCH at P_{UMAX} level. Allow at least 200ms starting from the first TPC command in this step for the UE to reach P_{UMAX} level.
- 2.4. Measure PUCCH EVM using Global In-Channel Tx-Test (Annex E).
- 2.5. Send uplink power control commands for PUCCH to the UE using 1dB power step size to ensure that the UE PUCCH output power measured by the test system is within the Uplink power control window, defined as +MU to +(MU + Uplink power control window size) dB of the target power level P_{min} , where:
 - P_{min} is the minimum output power according to Table 6.3.1.3-1.
 - MU is the test system uplink power measurement uncertainty and is specified in Table F.1.2-1 for the carrier frequency f and the channel bandwidth BW.
 - Uplink power control window size = 1dB (UE power step size) + 2.0dB (UE power step tolerance) + (Test system relative power measurement uncertainty), where, the UE power step tolerance is specified in TS 38.101-1 [2], Table 6.3.4.3-1 and is 2.0dB for 1dB power step size, and the Test system relative power measurement uncertainty is specified in Table F.1.2-1.
- 2.6. Measure PUCCH EVM using Global In-Channel Tx-Test (Annex E).

NOTE1: When switching to DFT-s-OFDM waveform, as specified in the test configuration table 6.4.2.1.4.1-2, send an NR RRCReconfiguration message according to TS 38.508-1 [5] clause 4.6.3 Table 4.6.3-118 PUSCH-Config with TRANSFORM_PRECODER_ENABLED condition.

NOTE2: The purpose of the Uplink power control window is to ensure that the actual UE output power is no less than the target power level, and as close as possible to the target power level. The relationship between the Uplink power control window, the target power level and the corresponding possible actual UE Uplink power window is illustrated in Annex F.4.2.

Test procedure for PRACH:

- 3.1. The SS shall set RS EPRE according to Table 6.4.2.1.4.1-3.
- 3.2. PRACH is set according to Table 6.4.2.1.4.1-3.

- 3.3. The SS shall signal a Random Access Preamble ID via a PDCCH order to the UE and initiate a Non-contention based Random Access procedure.
- 3.4. The UE shall send the signalled preamble to the SS.
- 3.5. In response to the preamble, the SS shall transmit a random access response not corresponding to the transmitted random access preamble, or send no response.
- 3.6. The UE shall consider the random access response reception not successful then re-transmit the preamble with the calculated PRACH transmission power.
- 3.7. Repeat step 5 and 6 until the SS collect enough PRACH preambles. Measure the EVM in PRACH channel using Global In-Channel Tx-Test (Annex E).

6.4.2.1.4.3 Message contents

Message contents are according to TS 38.508-1 [5] subclause 4.6 with the following exceptions:

Table 6.4.2.1.4.3-1: RACH-ConfigCommon: PRACH measurement

Derivation Path: TS 38.508-1[5], Table 4.6.3-128			
Information Element	Value/remark	Comment	Condition
RACH-ConfigCommon ::= SEQUENCE {			
rach-ConfigGeneric	RACH-ConfigGeneric		
totalNumberOfRA-Preambles	Not present		
ssb-perRACH-OccasionAndCB-PreamblesPerSSB CHOICE {			
one	n8		FR1
}			
groupBconfigured	Not present		
ra-ContentionResolutionTimer	sf64		
rsrp-ThresholdSSB	RSRP-Range		
rsrp-ThresholdSSB-SUL	Not present		
	RSRP-Range		SUL
prach-RootSequenceIndex CHOICE {			
l139	Set according to table 4.4.2-2 for the NR Cell.		PRACH Format A3
l839	0	NR Cell 1	PRACH Format 0
	TBD	Other than NR Cell 1	PRACH Format 0
}			
msg1-SubcarrierSpacing	SubcarrierSpacing		
restrictedSetConfig	unrestrictedSet		
msg3-transformPrecoder	Not present	transform precoding is disabled for Msg3 PUSCH transmission and any PUSCH transmission scheduled with DCI format 0_0	
}			

Table 6.4.2.1.4.3-2: RACH-ConfigGeneric: PRACH measurement

Derivation Path: TS 38.508-1[5], Table 4.6.3-130			
Information Element	Value/remark	Comment	Condition
RACH-ConfigGeneric ::= SEQUENCE {			
prach-ConfigurationIndex	17	Paired Spectrum	PRACH Format 0
	7	Unpaired Spectrum	PRACH Format 0
msg1-FDM	four		FR1
msg1-FrequencyStart	0		

zeroCorrelationZoneConfig	15		
preambleReceivedTargetPower	-92		Test point 1
	-74		Test point 2
preambleTransMax	n7		
powerRampingStep	dB0		
ra-ResponseWindow	sl20		
}			

Table 6.4.2.1.4.3-3: PUSCH-TimeDomainResourceAllocationList: PRACH measurement

Derivation Path: TS 38.508-1[5], Table 4.6.3-122			
Information Element	Value/remark	Comment	Condition
PUSCH-TimeDomainResourceAllocationList ::= SEQUENCE (SIZE(1..maxNrofUL-Allocations)) OF PUSCH-TimeDomainResourceAllocation {	2 entries		
PUSCH-TimeDomainResourceAllocation[2]		entry 2 addressed by Msg3 PUSCH time resource allocation field of the Random Access Response acc. to TS 38.213 [22] Table 8.2-1.	
SEQUENCE {			
k2	6	K2+ Δ=8 acc. to TS 38.214 [21] Table 6.1.2.1.1-5	Unpaired Spectrum for SCS15kHz and PRACH Format 0
}			
}			

Table 6.4.2.1.4.3-4: PDSCH-ServingCellConfig: PUCCH format3 measurement

Derivation Path: TS 38.508-1[15], Table 4.6.3-102			
Information Element	Value/remark	Comment	Condition
PDSCH-ServingCellConfig ::= SEQUENCE {			
codeBlockGroupTransmission	Not present		
xOverhead	Not present		
nrofHARQ-ProcessesForPDSCH	n6		FDD
pucch-Cell	Not present		
maxMIMO-Layers	Not present		
processingType2Enabled	Not present		
pdsch-CodeBlockGroupTransmissionList-r16	Not present		
}			

6.4.2.1.5 Test requirement

The PUSCH EVM, derived in Annex E.4.2, shall not exceed the values in Table 6.4.2.1.5-1.

The PUSCH \overline{EVM}_{DMRS} , derived in Annex E.4.6.2, shall not exceed the values in Table 6.4.2.1.5-1 when embedded with data symbols of the respective modulation scheme.

Table 6.4.2.1.5-1: Test requirements for Error Vector Magnitude

Parameter	Unit	Average EVM Level
Pi/2-BPSK	%	30 + TT
QPSK	%	17.5 + TT
16 QAM	%	12.5 + TT
64 QAM	%	8 + TT
256 QAM	%	3.5 + TT
Note 1: TT is defined in Table 6.4.2.1.5-2.		

Table 6.4.2.1.5-2: Test Tolerance

Parameter	Unit	Average EVM Level
Pi/2-BPSK	%	0
QPSK	%	0
16 QAM	%	0
64 QAM	%	0
256 QAM	%	0.3 for $15 \text{ dBm} < P_{UL}$ 0.8 for $-25 \text{ dBm} < P_{UL} \leq 15 \text{ dBm}$ 1.1 for $-40 \text{ dBm} \leq P_{UL} \leq -25 \text{ dBm}$

The PUCCH EVM derived in Annex E.5.9.2 shall not exceed 17.5 %.

The PRACH EVM derived in Annex E.6.9.2 shall not exceed 17.5%.

6.4.2.1a Error Vector Magnitude including symbols with transient period

6.4.2.1a.1 Test Purpose

The Error Vector Magnitude is a measure of the difference between the reference waveform and the measured waveform. This difference is called the error vector. Before calculating the EVM the measured waveform is corrected by the sample timing offset and RF frequency offset. Then the carrier leakage shall be removed from the measured waveform before calculating the EVM.

6.4.2.1a.2 Test applicability

This test case applies to all types of NR Power Class 1 UE release 16 and forward that support short transient period capability.

This test case applies to all types of NR Power Class 2 and Power Class 3 UE release 16 and forward that support short transient period capability and don't support Tx diversity..

6.4.2.1a.3 Minimum conformance requirements

In 6.4.2.1, EVM has been defined by excluding the symbols which have a transient period. In this section, measurement interval is defined for the symbols with a transient period to include these symbols in the RMS average EVM computation when the UE reports a transient period capability other than the default. Before calculating the EVM, the measured waveform is corrected for sample timing offset and RF frequency offset. Then the carrier leakage shall be removed from the measured waveform before calculating the EVM. The symbols with transient period should not be used for equalization. Only CP-OFDM waveform is used for conformance testing.

In the case of PUSCH or PUCCH transmissions when the mean power, modulation or RB allocation across slot or subslot boundaries is expected to change the EVM result over the symbols where the transient occurs is calculated according to Table 6.4.2.1a.3-1.

Table 6.4.2.1a.3-1: EVM definition for reported transient period

Reported transient capability (us)	EVM definition	tp _{start} (μs)	SCS ⁴
2	$EVM_{after} = \max(\overline{EVM_{l,tp}}, \overline{EVM_h})$ $EVM_{before} = \max(\overline{EVM_l}, \overline{EVM_{h,tp}})$	-0.5	15kHz or 30kHz ⁵
4	$EVM_{after} = \max(\overline{EVM_{l,tp}}, \overline{EVM_h})$ $EVM_{before} = \max(\overline{EVM_l}, \overline{EVM_{h,tp}})$	-1	15kHz
7	$EVM_{after} = \min(\overline{EVM_{l,tp}}, \overline{EVM_h})$ $EVM_{before} = \max(\overline{EVM_l}, \overline{EVM_{h,tp}})$	-2.7	15kHz

NOTE 1: $\overline{EVM_l}$, $\overline{EVM_h}$, $\overline{EVM_{l,tp}}$, and $\overline{EVM_{h,tp}}$ are defined in Annex E.4.7
 NOTE 2: EVM_{after} is the EVM for a symbol right after a transition; EVM_{before} is the EVM for a symbol right before a transition
 NOTE 3: tp_{start} denotes the start position of the EVM exclusion window as shown in Annex E.4.7
 NOTE 4: SCS denotes the SCS that can be used in the conformance test

Reported transient capability (us)	EVM definition	tp _{start} (μs)	SCS ⁴
NOTE 5: 30kHz shall be used in the conformance test unless the UE signals in <i>supportedSubCarrierSpacingUL</i> in <i>FeatureSetPerCC</i> that it only supports 15kHz in the corresponding band			

The RMS average of the basic EVM measurements over 108 subframes calculated only on the symbols where the transient occurs for the different modulation schemes shall not exceed the values specified in Table 6.4.2.1a.3-2 for the parameters defined in Table 6.4.2.1a.3-3. This requirement can be verified with 64 QAM and 256 QAM modulation.

Table 6.4.2.1a.3-2: Requirements for Error Vector Magnitude

Parameter	Unit	Average EVM Level
64 QAM	%	10
256 QAM	%	8

Table 6.4.2.1a.3-3: Parameters for Error Vector Magnitude

Parameter	Unit	Level
UE Output Power	dBm	≥ Table 6.3.1-1
UE Output Power for 256 QAM	dBm	≥ Table 6.3.1-1 + 10 dB
Operating conditions		Normal conditions

The normative reference for this requirement is TS 38.101 [2] clause 6.4.2.1a.

6.4.2.1a.4 Test description

6.4.2.1a.4.1 Initial conditions

Initial conditions are a set of test configurations the UE needs to be tested in and the steps for the SS to take with the UE to reach the correct measurement state.

The initial test configurations consist of environmental conditions, test frequencies, test channel bandwidths and sub-carrier spacing based on NR operating bands specified in Table 5.3.5-1. All of these configurations shall be tested with applicable test parameters for each combination of channel bandwidth and sub-carrier spacing, are shown in table 6.4.2.1a.4.1-1. The details of the uplink and downlink reference measurement channels (RMCs) are specified in Annexes A.2 and A.3. Configurations of PDSCH and PDCCH before measurement are specified in Annex C.2.

Table 6.4.2.1a.4.1-1: Test Configuration Table for PUSCH

Initial Conditions			
Test Environment as specified in TS 38.508-1 [5] subclause 4.1		Normal	
Test Frequencies as specified in TS 38.508-1 [5] subclause 4.3.1		Low range, Mid range, High range (NOTE 4)	
Test Channel Bandwidths as specified in TS 38.508-1 [5] subclause 4.3.1		Lowest, Highest	
Test SCS as specified in Table 5.3.5-1		15 kHz (Note 3)	
Test Parameters			
Test ID	Downlink Configuration	Uplink Configuration	
	N/A	Modulation	RB allocation (NOTE 1)
1		CP-OFDM 64 QAM	24@0 ⁵ and 1@0 ⁶
2		CP-OFDM 256 QAM	24@0 ⁵ and 1@0 ⁶
NOTE 1: The specific configuration of each RB allocation is defined in Table 6.1-1.			
NOTE 2: Test Channel Bandwidths are checked separately for each NR band, which applicable channel bandwidths are specified in Table 5.3.5-1.			
NOTE 3: For UE supporting 2 us transient period, 30kHz shall be used in the conformance test unless the UE signals in <i>supportedSubCarrierSpacingUL</i> in <i>FeatureSetPerCC</i> that it only supports 15kHz in the corresponding band.			
NOTE 4: For NR band n28, 30MHz test channel bandwidth is tested with Low range and High range test frequencies.			
NOTE 5: Applicable to slots 3 and 9 for SCS 15 kHz, and slots 8 and 19 for SCS 30 kHz.			
NOTE 6: Applicable to slots 4 and 8 for SCS 15 kHz, and slots 9 and 18 for SCS 30 kHz.			

1. Connect the SS to the UE antenna connectors as shown in TS 38.508-1 [5] Annex A, in Figure A.3.1.1.1 for TE diagram and section A.3.2 for UE diagram.
2. The parameter settings for the cell are set up according to TS 38.508-1 [5] subclause 4.4.3.
3. Downlink signals are initially set up according to Annex C.0, C.1, C.2, and uplink signals according to Annex G.0, G.1, G.2, G.3.0.
4. The UL Reference Measurement channels are set according to Table 6.4.2.1a.4.1-1.
5. Propagation conditions are set according to Annex B.0.
6. Ensure the UE is in state RRC_CONNECTED with generic procedure parameters Connectivity NR, Connected without release On, Test Mode On and Test Loop Function On according to TS 38.508-1 [5] clause 4.5. Message contents are defined in clause 6.4.2.1a.4.3

6.4.2.1a.4.2 Test procedure

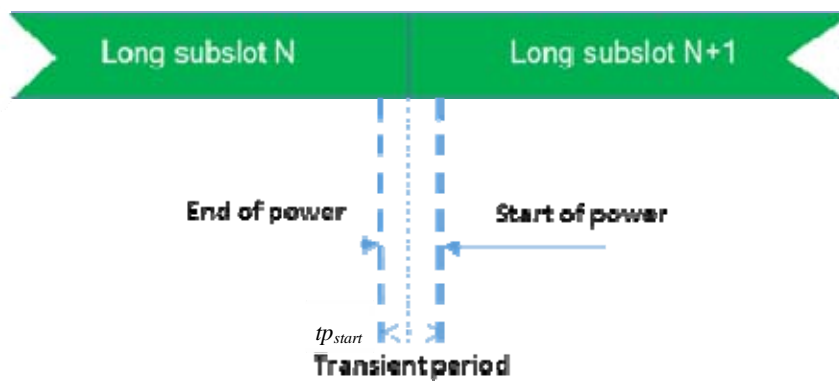


Figure 6.4.2.1a.4.2-1: Error Vector Magnitude including symbols with transient period

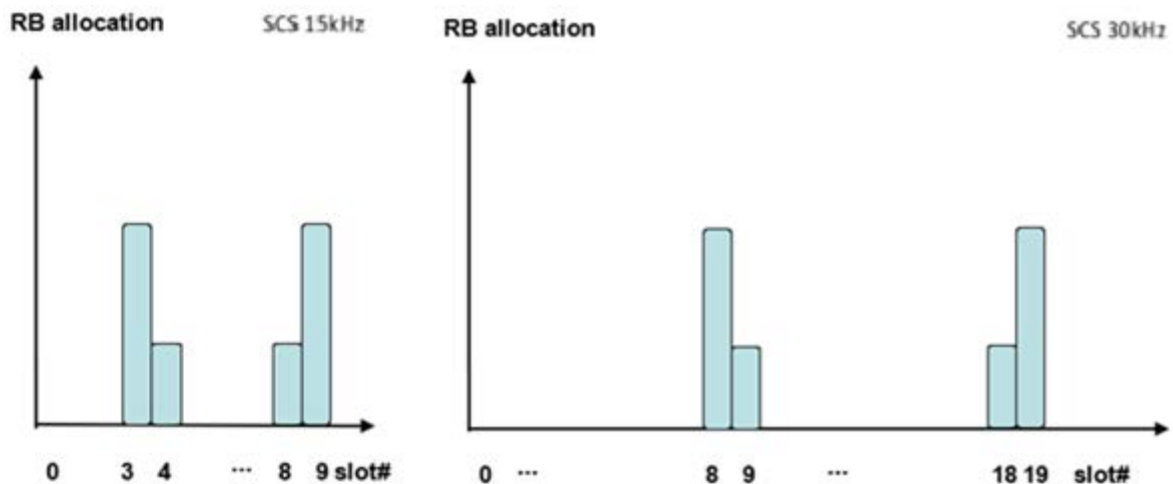


Figure 6.4.2.1a.4.2-2: Test power patterns for Error Vector Magnitude including symbols with transient period

1. SS sends uplink scheduling information for each UL HARQ process via PDCCH DCI format 0_1 for C_RNTI to schedule the UL RMC according to Table 6.4.2.1a.4.1-1. Since the UE has no payload data to send, the UE transmits uplink MAC padding bits on the UL RMC. The UL assignment is such that the UE transmits on slots 3, 4, and 8, 9 for 15 kHz SCS, on slots 8, 9, and 18, 19 for 30 kHz SCS.

2. Set Uplink RB allocation as 24@0 as defined in Table 6.4.2.1a.4.1-1. Send uplink power control commands to the UE using 1dB power step size to ensure that the UE output power measured by the test system is within the Uplink power control window, defined as -MU to -(MU + Uplink power control window size) dB of the target power level +11.5 dBm, where:
 - MU is the test system uplink power measurement uncertainty and is specified in Table F.1.2-1 for the carrier frequency f and the channel bandwidth BW.
 - Uplink power control window size = 1dB (UE power step size) + 0.7dB (UE power step tolerance) + (Test system relative power measurement uncertainty), where the UE power step tolerance is specified in TS 38.101-1 [2], Table 6.3.4.3-1 and is 0.7dB for 1dB power step size, and the Test system relative power measurement uncertainty is specified in Table F.1.2-1.
3. Schedule the UE's PUSCH data transmission as described in Figure 6.4.2.1a.4.2-2 and Uplink RB allocation pattern as defined in Table 6.4.2.1a.4.1-1 while transmitting 0 dB TPC command for PUSCH via the PDCCH.
4. Measure the EVM_{before} and EVM_{after} using Global In-Channel Tx-Test (Annex E) applying tp_{start} of Table 6.4.2.1a.3-1 according to the declared enhanced transient capability.
5. Repeat test steps 3~4 with UL RMC according to Table 6.4.2.1a.4.1-1 until the SS collect enough EVM_{before} and EVM_{after} .

NOTE: The purpose of the Uplink power control window is to ensure that the actual UE output power is no greater than the target power level, and as close as possible to the target power level. The relationship between the Uplink power control window, the target power level and the corresponding possible actual UE Uplink power window is illustrated in Annex F.4.3.

6.4.2.1a.4.3 Message contents

Message contents are according to TS 38.508-1 [5] subclause 4.6 with the following exceptions:

Table 6.4.2.1a.4.3-1: TDD-UL-DL-Config

Derivation Path: TS 38.508-1[5], Table 4.6.3-192			
Information Element	Value/remark	Comment	Condition
TDD-UL-DL-ConfigCommon ::= SEQUENCE {			
referenceSubcarrierSpacing	SubcarrierSpacing		
pattern1 SEQUENCE {			
dl-UL-TransmissionPeriodicity	ms5		FR1_15kHz
	ms5		FR1_30kHz
nrofDownlinkSlots	2		FR1_15kHz
	7		FR1_30kHz
nrofDownlinkSymbols	10		FR1_15kHz
	6		FR1_30kHz
nrofUplinkSlots	2		FR1_15kHz
	2		FR1_30kHz
nrofUplinkSymbols	2		FR1_15kHz
	4		FR1_30kHz
}			
pattern2	Not present		
}			

6.4.2.1a.5 Test requirement

The EVM_{before} and EVM_{after} derived in Table 6.4.2.1a.3-1 shall not exceed the values in Table 6.4.2.1a.5-1. Both rising and falling edges of transient occurring at the respective slot boundaries are considered to have the same EVM requirements.

Table 6.4.2.1a.5-1: Test requirements for Error Vector Magnitude

Parameter	Unit	Average EVM Level
64 QAM	%	10 + TT
256 QAM	%	8 + TT
Note 1: TT is defined in Table 6.4.2.1a.5-2.		

Table 6.4.2.1a.5-2: Test Tolerance

Parameter	Unit	Average EVM Level
64 QAM	%	0
256 QAM	%	0

6.4.2.2 Carrier leakage

6.4.2.2.1 Test purpose

Carrier leakage expresses itself as unmodulated sine wave with the carrier frequency or centre frequency of aggregated transmission bandwidth configuration. It is an interference of approximately constant amplitude and independent of the amplitude of the wanted signal.

The purpose of this test is to exercise the UE transmitter to verify its modulation quality in terms of carrier leakage.

6.4.2.2.2 Test applicability

This test case applies to all types of NR Power Class 1 UE release 15 and forward.

This test case applies to all types of NR Power Class 2 and Power Class 3 UE release 15 and forward that don't support Tx diversity..

6.4.2.2.3 Minimum conformance requirements

Carrier leakage is an additive sinusoid waveform whose frequency is the same as the modulated waveform carrier frequency. The measurement interval is one slot in the time domain.

In the case that uplink sharing, the carrier leakage may have 7.5 kHz shift with the carrier frequency.

The relative carrier leakage power is a power ratio of the additive sinusoid waveform and the modulated waveform. The relative carrier leakage power shall not exceed the values specified in Table 6.4.2.2.3-1.

Table 6.4.2.2.3-1: Requirements for Carrier Leakage

Parameter	Relative Limit (dBc)
Output power > 10 dBm	-28
0 dBm ≤ Output power ≤ 10 dBm	-25
-30 dBm ≤ Output power < 0 dBm	-20
-40 dBm ≤ Output power < -30 dBm	-10

The normative reference for this requirement is TS 38.101-1 [2] clause 6.4.2.2.

6.4.2.2.4 Test description

6.4.2.2.4.1 Initial condition

Initial conditions are a set of test configurations the UE needs to be tested in and the steps for the SS to take with the UE to reach the correct measurement state.

The initial test configurations consist of environmental conditions, test frequencies, test channel bandwidths and sub-carrier spacing based on NR operating bands specified in Table 5.3.5-1. All of these configurations shall be tested with applicable test parameters for each combination of channel bandwidth and sub-carrier spacing, are shown in table 6.4.2.2.4.1-1. The details of the uplink and downlink reference measurement channels (RMCs) are specified in Annexes A.2 and A.3. Configurations of PDSCH and PDCCH before measurement are specified in Annex C.2.

Table 6.4.2.2.4.1-1: Test Configuration

Initial Conditions	
Test Environment as specified in TS 38.508-1 [5] subclause 4.1	Normal
Test Frequencies as specified in TS 38.508-1 [5] subclause 4.3.1	Low range, Mid range, High range
Test Channel Bandwidths as specified in TS 38.508-1 [5] subclause 4.3.1	Mid

Test SCS as specified in Table 5.3.5-1		Lowest	
Test Parameters			
Test ID	Downlink Configuration	Uplink Configuration	
	N/A	Modulation	RB allocation (NOTE 1, 3)
1		DFT-s-OFDM QPSK	Inner_1RB_Left
NOTE 1: The specific configuration of each RB allocation is defined in Table 6.1-1.			
NOTE 2: Test Channel Bandwidths are checked separately for each NR band, which applicable channel bandwidths are specified in Table 5.3.5-1.			
NOTE 3: When the reported DC carrier position is at Inner_1RB_Left, use Inner_1RB_Right for UL RB allocation.			

1. Connect the SS to the UE antenna connectors as shown in TS 38.508-1 [5] Annex A, in Figure A.3.1.1.1 for TE diagram and section A.3.2 for UE diagram.
2. The parameter settings for the cell are set up according to TS 38.508-1 [5] subclause 4.4.3.
3. Downlink signals are initially set up according to Annex C.0, C.1, C.2 and uplink signals according to Annex G.0, G.1, G.2, G.3.0.
4. The UL Reference Measurement channels are set according to Table 6.4.2.2.4.1-1.
5. Propagation conditions are set according to Annex B.0.
6. Ensure the UE is in state RRC_CONNECTED with generic procedure parameters Connectivity NR, Connected without release On, Test Mode On and Test Loop Function On according to TS 38.508-1 [5] clause 4.5. Message contents are defined in clause 6.4.2.2.4.3.
7. In case the parameter 3300 or 3301 is reported from the UE via *txDirectCurrentLocation* IE, do not proceed to test procedure and mark the test not applicable with reasoning in the test report.

6.4.2.2.4.2 Test procedure

1. SS sends uplink scheduling information for each UL HARQ process via PDCCH DCI format 0_1 for C_RNTI to schedule the UL RMC according to Table 6.4.2.2.4.1-1. Since the UE has no payload and no loopback data to send the UE sends uplink MAC padding bits on the UL RMC.
2. Send uplink power control commands to the UE using 1dB power step size to ensure that the UE output power measured by the test system is within the Uplink power control window, defined as +MU to +(MU + Uplink power control window size) dB of the target power level 10 dBm, where:
 - MU is the test system uplink power measurement uncertainty and is specified in Table F.1.2-1 for the carrier frequency f and the channel bandwidth BW.
 - Uplink power control window size = 1dB (UE power step size) + 0.7 dB (UE power step tolerance) + (Test system relative power measurement uncertainty), where, the UE power step tolerance is specified in TS 38.101-1 [2], Table 6.3.4.3-1 and is 0.7dB for 1dB power step size, and the Test system relative power measurement uncertainty is specified in Table F.1.2-1.
3. Measure carrier leakage using Global In-Channel Tx-Test (Annex E). For TDD, only slots consisting of only UL symbols are under test.
4. Send uplink power control commands to the UE using 1dB power step size to ensure that the UE output power measured by the test system is within the Uplink power control window, defined as +MU to +(MU + Uplink power control window size) dB of the target power level 0 dBm, where MU and Uplink power control window size are defined above.
5. Measure carrier leakage using Global In-Channel Tx-Test (Annex E). For TDD, only slots consisting of only UL symbols are under test.
6. Send uplink power control commands to the UE using 1dB power step size to ensure that the UE output power measured by the test system is within the Uplink power control window, defined as +MU to +(MU + Uplink power control window size) dB of the target power level -30 dBm, where MU and Uplink power control window size are defined above.

7. Measure carrier leakage using Global In-Channel Tx-Test (Annex E). For TDD, only slots consisting of only UL symbols are under test.
8. Send uplink power control commands to the UE using 1dB power step size to ensure that the UE output power measured by the test system is within the Uplink power control window, defined as +MU to +(MU + Uplink power control window size) dB of the target power level P_{min}, where MU and Uplink power control window size are defined above, P_{min} is the minimum output power according to Table 6.3.1.3-1.
9. Measure carrier leakage using Global In-Channel Tx-Test (Annex E). For TDD, only slots consisting of only UL symbols are under test.

NOTE: The purpose of the Uplink power control window is to ensure that the actual UE output power is no less than the target power level, and as close as possible to the target power level. The relationship between the Uplink power control window, the target power level and the corresponding possible actual UE Uplink power window is illustrated in Annex F.4.2.

Table 6.4.2.2.4.2-1: Void

Table 6.4.2.1.4.2-2: Void

6.4.2.2.4.3 Message contents

Message contents are according to TS 38.508-1 [5] subclause 4.6 with the following exception:

Table 6.4.2.2.4.3-1: PUSCH-Config

Derivation Path: TS 38.508-1 [5], Table 4.6.3-118 with condition TRANSFORM_PRECODER_ENABLED

Table 6.4.2.2.4.3-2: CellGroupConfig

Derivation Path: TS 38.508-1 [5], Table 4.6.3-19			
Information Element	Value/remark	Comment	Condition
CellGroupConfig ::= SEQUENCE {			
reportUplinkTxDirectCurrent	true		
}			

6.4.2.2.5 Test requirement

In case the parameter 3300 or 3301 is reported from UE via *txDirectCurrentLocation* IE, carrier leakage measurement requirement shall be waived. Otherwise, each of the *n* carrier leakage results, derived in Annex E.3.1, shall not exceed the values in table 6.4.2.2.5-1. Allocated RBs are not under test.

Table 6.4.2.2.5-1: Test requirements for Relative Carrier Leakage Power

Parameters UE output power	Relative limit (dBc)
10 + MU to 10 + (MU + Uplink power control window size) dBm	-28 + TT
0 + MU to 0 + (MU + Uplink power control window size) dBm	-25 + TT
-30 + MU to -30 + (MU + Uplink power control window size) dBm	-20 + TT
P _{min} + MU to P _{min} + (MU + Uplink power control window size) dBm	-10 + TT
NOTE 1: The measurement bandwidth is 1 RB and the limit is expressed as a ratio of measured power in one non-allocated RB to the measured total power in all allocated RBs.	
NOTE 2: The applicable frequencies for this limit depend on the parameter <i>txDirectCurrentLocation</i> in <i>UplinkTxDirectCurrent</i> IE, and are those that are enclosed either in the RBs containing the carrier leakage frequency, or in the two RBs immediately adjacent to the carrier leakage frequency but excluding any allocated RB.	

NOTE 3: N_{RB} is the Transmission Bandwidth Configuration (see Section 5.3).

NOTE 4: MU is the test system uplink power measurement uncertainty and is specified in Table F.1.2-1 for the carrier frequency f and the channel bandwidth BW.

NOTE 5: Uplink power control window size = 1dB (UE power step size) + 0.7dB (UE power step tolerance) + (Test system relative power measurement uncertainty), where, the UE power step tolerance is specified in TS 38.101-1 [2], Table 6.3.4.3-1 and is 0.7dB for 1dB power step size, and the Test system relative power measurement uncertainty is specified in Table F.1.2-1.

NOTE 6: Test tolerance TT = 0.8 dB.

NOTE 7: Pmin is the minimum output power according to Table 6.3.1.3-1.

6.4.2.3 In-band emissions

6.4.2.3.1 Test purpose

The in-band emissions are a measure of the interference falling into the non-allocated resources blocks

The in-band emission is defined as the average emission across 12 sub-carriers and as a function of the RB offset from the edge of the allocated UL transmission bandwidth. The in-band emission is measured as the ratio of the UE output power in a non-allocated RB to the UE output power in an allocated RB.

The basic in-band emissions measurement interval is defined over one slot in the time domain, however, the minimum requirement applies when the in-band emission measurement is averaged over 10 sub-frames. When the PUSCH or PUCCH transmission slot is shortened due to multiplexing with SRS, the in-band emissions measurement interval is reduced by one or more symbols, accordingly.

The purpose of this test is to exercise the UE transmitter to verify its modulation quality in terms of in-band emissions.

6.4.2.3.2 Test applicability

This test case applies to all types of NR Power Class 1 UE release 15 and forward.

This test case applies to all types of NR Power Class 2 and Power Class 3 UE release 15 and forward that don't support Tx diversity..

6.4.2.3.3 Minimum conformance requirements

The average of the basic in-band emission measurement over 10 sub-frames shall not exceed the values specified in Table 6.4.2.3.3-1.

Table 6.4.2.3.3-1: Requirements for in-band emissions

Parameter description	Unit	Limit (NOTE 1)		Applicable Frequencies
General	dB	$\max \left\{ -25 - 10 \cdot \log_{10} (N_{RB} / L_{CRB}), \right.$ $20 \cdot \log_{10} EVM - 3 - 5 \cdot (\Delta_{RB} - 1) / L_{CRB},$ $\left. -57 \text{ dBm} + 10 \log_{10} (SCS / 15 \text{ kHz}) - \overline{P}_{RB} \right\}$		Any non-allocated (NOTE 2)
IQ Image	dB	-28	Image frequencies when output power > 10 dBm	Image frequencies (NOTES 2, 3)
		-25	Image frequencies when output power ≤ 10 dBm	
Carrier leakage	dBc	-28	Output power > 10 dBm	Carrier leakage frequency (NOTES 4, 5)
		-25	0 dBm ≤ Output power ≤ 10 dBm	
		-20	-30 dBm ≤ Output power < 0 dBm	
		-10	-40 dBm ≤ Output power < -30 dBm	

NOTE 1: An in-band emissions combined limit is evaluated in each non-allocated RB. For each such RB, the minimum requirement is calculated as the higher of $P_{RB} - 30$ dB and the power sum of all limit values (General, IQ Image or Carrier leakage) that apply. P_{RB} is defined in NOTE 10.

NOTE 2:	The measurement bandwidth is 1 RB and the limit is expressed as a ratio of measured power in one non-allocated RB to the measured average power per allocated RB, where the averaging is done across all allocated RBs.
NOTE 3:	The applicable frequencies for this limit are those that are enclosed in the reflection of the allocated bandwidth, based on symmetry with respect to the carrier leakage frequency, but excluding any allocated RBs.
NOTE 4:	The measurement bandwidth is 1 RB and the limit is expressed as a ratio of measured power in one non-allocated RB to the measured total power in all allocated RBs.
NOTE 5:	The applicable frequencies for this limit depend on the parameter <i>txDirectCurrentLocation</i> in <i>UplinkTxDirectCurrent</i> IE, and are those that are enclosed either in the RBs containing the carrier leakage frequency, or in the two RBs immediately adjacent to the carrier leakage frequency but excluding any allocated RB.
NOTE 6:	L_{CRB} is the Transmission Bandwidth (see Section 5.3).
NOTE 7:	N_{RB} is the Transmission Bandwidth Configuration (see Section 5.3).
NOTE 8:	EVM is the limit specified in Table 6.4.2.1.3-1 for the modulation format used in the allocated RBs.
NOTE 9:	Δ_{RB} is the starting frequency offset between the allocated RB and the measured non-allocated RB (e.g. $\Delta_{RB} = 1$ or $\Delta_{RB} = -1$ for the first adjacent RB outside of the allocated bandwidth).
NOTE 10:	$\overline{P_{RB}}$ is an average of the transmitted power over 10 sub-frames normalized by the number of allocated RBs, measured in dBm.

The normative reference for this requirement is TS 38.101-1 [2] clause 6.4.2.3.

6.4.2.3.4 Test description

6.4.2.3.4.1 Initial condition

Initial conditions are a set of test configurations the UE needs to be tested in and the steps for the SS to take with the UE to reach the correct measurement state.

The initial test configurations consist of environmental conditions, test frequencies, test channel bandwidths and sub-carrier spacing based on NR operating bands specified in Table 5.3.5-1. All of these configurations shall be tested with applicable test parameters for each combination of channel bandwidth and sub-carrier spacing, are shown in table 6.4.2.3.4.1-1. The details of the uplink and downlink reference measurement channels (RMCs) are specified in Annexes A.2 and A.3. Configurations of PDSCH and PDCCH before measurement are specified in Annex C.2.

Table 6.4.2.3.4.1-1: Test Configuration Table for PUSCH

Initial Conditions			
Test Environment as specified in TS 38.508-1 [5] subclause 4.1		Normal	
Test Frequencies as specified in TS 38.508-1 [5] subclause 4.3.1		Low range, Mid range, High range (NOTE 3)	
Test Channel Bandwidths as specified in TS 38.508-1 [5] subclause 4.3.1		Lowest, Mid, Highest	
Test SCS as specified in Table 5.3.5-1		Lowest	
Test Parameters			
Test ID	Downlink Configuration	Uplink Configuration	
	N/A	Modulation	RB allocation (NOTE 1)
1		DFT-s-OFDM QPSK	Inner_1RB_Left
2		DFT-s-OFDM QPSK	Inner_1RB_Right
3		CP-OFDM QPSK	Inner_1RB_Left
4		CP-OFDM QPSK	Inner_1RB_Right
NOTE 1: The specific configuration of each RB allocation is defined in Table 6.1-1.			
NOTE 2: Test Channel Bandwidths are checked separately for each NR band, which applicable channel bandwidths are specified in Table 5.3.5-1.			
NOTE 3: For NR band n28, 30MHz test channel bandwidth is tested with Low range and High range test frequencies.			

Table 6.4.2.3.4.1-2: Test Configuration Table for PUCCH

Initial Conditions					
Test Environment as specified in TS 38.508-1 [5] subclause 4.1		See Table 6.4.2.3.4.1-1			
Test Frequencies as specified in TS 38.508-1 [5] subclause 4.3.1		See Table 6.4.2.3.4.1-1			
Test Channel Bandwidths as specified in TS 38.508-1 [5] subclause 4.3.1		See Table 6.4.2.3.4.1-1			
Test SCS as specified in Table 5.3.5-1		See Table 6.4.2.3.4.1-1			
Test Parameters					
ID	Downlink Configuration		Uplink Configuration		
	Modulation	RB allocation	Waveform	PUCCH format	RB index
1	CP-OFDM QPSK	Full RB (Note 1)	DFT-s-OFDM	PUCCH format = Format 3 (Note 4) Length in OFDM symbols = 14	0
2	CP-OFDM QPSK	Full RB (Note 1)	DFT-s-OFDM	PUCCH format = Format 3 (Note 4) Length in OFDM symbols = 14	$N_{RB}-1$
3	CP-OFDM QPSK	Full RB (Note 1)	CP-OFDM	PUCCH format = Format 1 (Note 5) Length in OFDM symbols = 14	0
4	CP-OFDM QPSK	Full RB (Note 1)	CP-OFDM	PUCCH format = Format 1 (Note 5) Length in OFDM symbols = 14	$N_{RB}-1$
NOTE 1: Full RB allocation shall be used per each SCS and channel BW as specified in Table 7.3.2.4.1-2.					
NOTE 2: Test Channel Bandwidths are checked separately for each NR band, which applicable channel bandwidths are specified in Table 5.3.5-1.					
NOTE 3: DFT-s-OFDM PI/2 BPSK test applies only for UEs which supports half Pi BPSK in FR1.					
NOTE 4: For FDD, set K1 value (PDSCH-to-HARQ-timing-indicator) as follows: $K1 = 2$ if $\text{mod}(i,5) = 0$ $K1 = 2$ if $\text{mod}(i,5) = 1$ $K1 = 4$ if $\text{mod}(i,5) = 2$ $K1 = 3$ if $\text{mod}(i,5) = 3$ $K1 = 2$ if $\text{mod}(i,5) = 4$ where i is slot index per frame					
NOTE 5: For TDD and SCS 30 kHz, schedule the DL RMC as follows: if $\text{mod}(i,10) = 3$: Scheduled Other slots: Not scheduled where i is slot index per frame					

1. Connect the SS to the UE antenna connectors as shown in TS 38.508-1 [5] Annex A, in Figure A.3.1.1.1 for TE diagram and section A.3.2 for UE diagram.
2. The parameter settings for the cell are set up according to TS 38.508-1 [5] subclause 4.4.3.
3. Downlink signals are initially set up according to Annex C.0, C.1, C.2, and uplink signals according to Annex G.0, G.1, G.2, G.3.0.
4. The UL Reference Measurement channels are set according to Table 6.4.2.3.4.1-1.
5. Propagation conditions are set according to Annex B.0.
6. Ensure the UE is in state RRC_CONNECTED with generic procedure parameters Connectivity *NR*, Connected without release *On*, Test Mode *On* and Test Loop Function *On* according to TS 38.508-1 [5] clause 4.5. Message contents are defined in clause 6.4.2.3.4.3

6.4.2.3.4.2 Test procedure

Test procedure for PUSCH:

- 1.1. SS sends uplink scheduling information for each UL HARQ process via PDCCH DCI format 0_1 for C_RNTI to schedule the UL RMC according to Table 6.4.2.3.4.1-1. Since the UE has no payload and no loopback data to send the UE sends uplink MAC padding bits on the UL RMC.
- 1.2. Send uplink power control commands to the UE using 1dB power step size to ensure that the UE output power measured by the test system is within the Uplink power control window, defined as $+MU$ to $+(MU + \text{Uplink power control window size})$ dB of the target power level 10 dBm, where:

- MU is the test system uplink power measurement uncertainty and is specified in Table F.1.2-1 for the carrier frequency f and the channel bandwidth BW.
 - Uplink power control window size = 1dB (UE power step size) + 0.7dB (UE power step tolerance) + (Test system relative power measurement uncertainty), where, the UE power step tolerance is specified in TS 38.101-1 [2], Table 6.3.4.3-1 and is 0.7dB for 1dB power step size, and the Test system relative power measurement uncertainty is specified in Table F.1.2-1.
- 1.3. Measure In-band emission using Global In-Channel Tx-Test (Annex E). For TDD, only slots consisting of only UL symbols are under test.
 - 1.4. Send uplink power control commands to the UE using 1dB power step size to ensure that the UE output power measured by the test system is within the Uplink power control window, defined as +MU to +(MU + Uplink power control window size) dB of the target power level 0 dBm, where MU and Uplink power control window size are defined above.
 - 1.5. Measure In-band emission using Global In-Channel Tx-Test (Annex E). For TDD, only slots consisting of only UL symbols are under test.
 - 1.6. Send uplink power control commands to the UE using 1dB power step size to ensure that the UE output power measured by the test system is within the Uplink power control window, defined as +MU to +(MU + Uplink power control window size) dB of the target power level -30 dBm, where MU and Uplink power control window size are defined above.
 - 1.7. Measure In-band emission using Global In-Channel Tx-Test (Annex E). For TDD, only slots consisting of only UL symbols are under test.
 - 1.8. Send uplink power control commands to the UE using 1dB power step size to ensure that the UE output power measured by the test system is within the Uplink power control window, defined as +MU to +(MU + Uplink power control window size) dB of the target power level P_{min} , where MU and Uplink power control window size are defined above and P_{min} is the minimum output power according to Table 6.3.1.3-1.
 - 1.9. Measure In-band emission using Global In-Channel Tx-Test (Annex E). For TDD, only slots consisting of only UL symbols are under test.

NOTE1: When switching to DFT-s-OFDM waveform, as specified in the test configuration table 6.4.2.3.4.1-1, send an NR RRCReconfiguration message according to TS 38.508-1 [5] clause 4.6.3 Table 4.6.3-118 PUSCH-Config with TRANSFORM_PRECODER_ENABLED condition.

NOTE2: The purpose of the Uplink power control window is to ensure that the actual UE output power is no less than the target power level, and as close as possible to the target power level. The relationship between the Uplink power control window, the target power level and the corresponding possible actual UE Uplink power window is illustrated in Annex F.4.2.

Test procedure for PUCCH:

- 2.1. PUCCH is set according to Table 6.4.2.3.4.1-2. SS transmits PDSCH via PDCCH DCI format 1-1 for C_RNTI to transmit the DL RMC according to Table 6.4.2.3.4.1-2. The SS sends downlink MAC padding bits on the DL RMC. The transmission of PDSCH will make the UE send uplink ACK/NACK using PUCCH.
- 2.2. Send uplink power control commands for PUCCH to the UE using 1dB power step size to ensure that the UE output power measured by the test system is within the Uplink power control window, defined as +MU to +(MU + Uplink power control window size) dB of the target power level 10 dBm, where:
 - MU is the test system uplink power measurement uncertainty and is specified in Table F.1.2-1 for the carrier frequency f and the channel bandwidth BW.
 - Uplink power control window size = 1dB (UE power step size) + 2.0 dB (UE power step tolerance) + (Test system relative power measurement uncertainty), where, the UE power step tolerance is specified in TS 38.101-1 [2], Table 6.3.4.3-1 and is 0.7dB for 1dB power step size and the Test system relative power measurement uncertainty is specified in Table F.1.2-1.
- 2.3. Measure In-band emission using Global In-Channel Tx-Test (Annex E)

- 2.4. Send uplink power control commands for PUCCH to the UE using 1dB power step size to ensure that the UE output power measured by the test system is within the Uplink power control window, defined as +MU to +(MU + Uplink power control window size) dB of the target power level 0 dBm, where MU and Uplink power control window size are defined above.
- 2.5. Measure In-band emission using Global In-Channel Tx-Test (Annex E)
- 2.6. Send uplink power control commands for PUCCH to the UE using 1dB power step size to ensure that the UE output power measured by the test system is within the Uplink power control window, defined as +MU to +(MU + Uplink power control window size) dB of the target power level -30 dBm, where MU and Uplink power control window size are defined above.
- 2.7. Measure In-band emission using Global In-Channel Tx-Test (Annex E)
- 2.8. Send uplink power control commands for PUCCH to the UE using 1dB power step size to ensure that the UE output power measured by the test system is within the Uplink power control window, defined as +MU to +(MU + Uplink power control window size) dB of the target power level Pmin, where MU and Uplink power control window size are defined above and Pmin is the minimum output power according to Table 6.3.1.3-1.
- 2.9. Measure In-band emission using Global In-Channel Tx-Test (Annex E)

NOTE1: When switching to DFT-s-OFDM waveform, as specified in the test configuration table 6.4.2.3.4.1-2, send an NR RRCReconfiguration message according to TS 38.508-1 [5] clause 4.6.3 Table 4.6.3-118 PUSCH-Config with TRANSFORM_PRECODER_ENABLED condition.

NOTE2: The purpose of the Uplink power control window is to ensure that the actual UE output power is no less than the target power level, and as close as possible to the target power level. The relationship between the Uplink power control window, the target power level and the corresponding possible actual UE Uplink power window is illustrated in Annex F.4.2.

Table 6.4.2.3.4.2-1: Void

Table 6.4.2.3.4.2-2: Void

6.4.2.3.4.3 Message contents

Message contents are according to TS 38.508-1 [5] subclause 4.6 with the following exceptions:

Table 6.4.2.3.4.3-1: PDSCH-ServingCellConfig: PUCCH format3 measurement

Derivation Path: TS 38.508-1[15], Table 4.6.3-102			
Information Element	Value/remark	Comment	Condition
PDSCH-ServingCellConfig ::= SEQUENCE {			
codeBlockGroupTransmission	Not present		
xOverhead	Not present		
nrofHARQ-ProcessesForPDSCH	n6		FDD
pucch-Cell	Not present		
maxMIMO-Layers	Not present		
processingType2Enabled	Not present		
pdsch-CodeBlockGroupTransmissionList-r16	Not present		
}			

6.4.2.3.5 Test requirement

The averaged In-band emission result, derived in Annex E.4.3 shall not exceed the corresponding values in Tables 6.4.2.3.5-1.

Table 6.4.2.3.5-1: Test requirements for in-band emissions

Parameter description	Unit	Limit (NOTE 1)	Applicable Frequencies
General (NOTE 12)	dB	$\max \left\{ -25 - 10 \cdot \log_{10} (N_{RB} / L_{CRB}), \right.$ $20 \cdot \log_{10} EVM - 3 - 5 \cdot (\Delta_{RB} - 1) / L_{CRB},$ $\left. -57 \text{ dBm} + 10 \log_{10} (SCS / 15 \text{ kHz}) - \overline{P_{RB}} \right\} + TT$	Any non-allocated (NOTE 2)

IQ Image (NOTE 12)	dB	-28 + TT	Image frequencies when output power > 10 dBm	Image frequencies (NOTES 2, 3)
		-25 + TT	Image frequencies when output power ≤ 10 dBm	
Carrier leakage (NOTE 12)	dBc	-28 + TT	Output power > 10 dBm	Carrier leakage frequency (NOTES 4, 5)
		-25 + TT	0 dBm ≤ Output power ≤ 10 dBm	
		-20 + TT	-30 dBm ≤ Output power < 0 dBm	
		-10 + TT	-40 dBm ≤ Output power < -30 dBm	

NOTE 1: An in-band emissions combined limit is evaluated in each non-allocated RB. For each such RB, the minimum requirement is calculated as the higher of $P_{RB} - 30$ dB and the power sum of all limit values (General, IQ Image or Carrier leakage) that apply. P_{RB} is defined in NOTE 10.

NOTE 2: The measurement bandwidth is 1 RB and the limit is expressed as a ratio of measured power in one non-allocated RB to the measured average power per allocated RB, where the averaging is done across all allocated RBs.

NOTE 3: The applicable frequencies for this limit are those that are enclosed in the reflection of the allocated bandwidth, based on symmetry with respect to the carrier leakage frequency, but excluding any allocated RBs.

NOTE 4: The measurement bandwidth is 1 RB and the limit is expressed as a ratio of measured power in one non-allocated RB to the measured total power in all allocated RBs.

NOTE 5: The applicable frequencies for this limit depend on the parameter *txDirectCurrentLocation* in *UplinkTxDirectCurrent* IE, and are those that are enclosed either in the RBs containing the carrier leakage frequency, or in the two RBs immediately adjacent to the carrier leakage frequency, but excluding any allocated RB.

NOTE 6: L_{CRB} is the Transmission Bandwidth (see Section 5.3).

NOTE 7: N_{RB} is the Transmission Bandwidth Configuration (see Section 5.3).

NOTE 8: EVM is the limit specified in Table 6.4.2.1.3-1 for the modulation format used in the allocated RBs.

NOTE 9: Δ_{RB} is the starting frequency offset between the allocated RB and the measured non-allocated RB (e.g. $\Delta_{RB} = 1$ or $\Delta_{RB} = -1$ for the first adjacent RB outside of the allocated bandwidth).

NOTE 10: \overline{P}_{RB} is an average of the transmitted power over 10 sub-frames normalized by the number of allocated RBs, measured in dBm.

NOTE 11: Test tolerance TT = 0.8 dB.

NOTE 12: In case the parameter 3300 or 3301 is reported from UE via *txDirectCurrentLocation* IE, IQ Image and Carrier leakage limit do not apply and General limit applies for all non-allocated frequencies.

6.4.2.4 EVM equalizer spectrum flatness

6.4.2.4.1 Test purpose

The zero-forcing equalizer correction applied in the EVM measurement process (as described in Annex E) must meet a spectral flatness requirement for the EVM measurement to be valid. The EVM equalizer spectrum flatness is defined in terms of the maximum peak-to-peak ripple of the equalizer coefficients (dB) across the allocated uplink block, at which the equalizer coefficients are generated by the EVM measurement process. The basic measurement interval is the same as for EVM.

The EVM equalizer spectrum flatness requirement does not limit the correction applied to the signal in the EVM measurement process but for the EVM result to be valid, the equalizer correction that was applied must meet the EVM equalizer spectrum flatness minimum requirements.

6.4.2.4.2 Test applicability

This test case applies to all types of NR Power Class 1 UE release 15 and forward.

This test case applies to all types of NR Power Class 2 and Power Class 3 UE release 15 and forward that don't support Tx diversity.

6.4.2.4.3 Minimum conformance requirements

The peak-to-peak variation of the EVM equalizer coefficients contained within the frequency range of the uplink allocation shall not exceed the maximum ripple specified in Table 6.4.2.4.3-1 for normal conditions. For uplink allocations contained within both Range 1 and Range 2, the coefficients evaluated within each of these frequency ranges shall meet the corresponding ripple requirement and the following additional requirement: the relative difference between the maximum coefficient in Range 1 and the minimum coefficient in Range 2 must not be larger than 5 dB,

and the relative difference between the maximum coefficient in Range 2 and the minimum coefficient in Range 1 must not be larger than 7 dB (see Figure 6.4.2.4.3-1).

The EVM equalizer spectral flatness shall not exceed the values specified in Table 6.4.2.4.3-2 for extreme conditions. For uplink allocations contained within both Range 1 and Range 2, the coefficients evaluated within each of these frequency ranges shall meet the corresponding ripple requirement and the following additional requirement: the relative difference between the maximum coefficient in Range 1 and the minimum coefficient in Range 2 must not be larger than 6 dB, and the relative difference between the maximum coefficient in Range 2 and the minimum coefficient in Range 1 must not be larger than 10 dB (see Figure 6.4.2.4.3-1).

Table 6.4.2.4.3-1: Requirements for EVM equalizer spectrum flatness (normal conditions)

Frequency range	Maximum ripple (dB)
$F_{UL_Meas} - F_{UL_Low} \geq 3$ MHz and $F_{UL_High} - F_{UL_Meas} \geq 3$ MHz (Range 1)	4 (p-p)
$F_{UL_Meas} - F_{UL_Low} < 3$ MHz or $F_{UL_High} - F_{UL_Meas} < 3$ MHz (Range 2)	8 (p-p)
NOTE 1: F_{UL_Meas} refers to the sub-carrier frequency for which the equalizer coefficient is evaluated	
NOTE 2: F_{UL_Low} and F_{UL_High} refer to each E-UTRA frequency band specified in Table 5.5-1	

Table 6.4.2.4.3-2: Minimum requirements for EVM equalizer spectrum flatness (extreme conditions)

Frequency range	Maximum Ripple (dB)
$F_{UL_Meas} - F_{UL_Low} \geq 5$ MHz and $F_{UL_High} - F_{UL_Meas} \geq 5$ MHz (Range 1)	4 (p-p)
$F_{UL_Meas} - F_{UL_Low} < 5$ MHz or $F_{UL_High} - F_{UL_Meas} < 5$ MHz (Range 2)	12 (p-p)
NOTE 1: F_{UL_Meas} refers to the sub-carrier frequency for which the equalizer coefficient is evaluated	
NOTE 2: F_{UL_Low} and F_{UL_High} refer to each E-UTRA frequency band specified in Table 5.5-1	

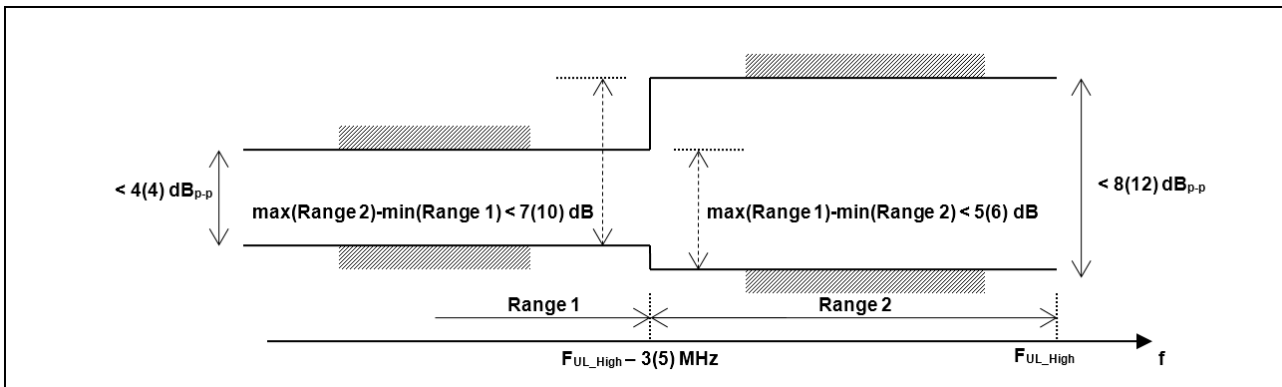


Figure 6.4.2.4.3-1: The limits for EVM equalizer spectral flatness with the maximum allowed variation of the coefficients indicated (the ETC minimum requirement are within brackets)

The normative reference for this requirement is TS 38.101-1 [2] clause 6.4.2.4.

6.4.2.4.4 Test description

6.4.2.4.4.1 Initial condition

Initial conditions are a set of test configurations the UE needs to be tested in and the steps for the SS to take with the UE to reach the correct measurement state.

The initial test configurations consist of environmental conditions, test frequencies, test channel bandwidths and sub-carrier spacing based on NR operating bands specified in Table 5.3.5-1. All of these configurations shall be tested with applicable test parameters for each combination of channel bandwidth and sub-carrier spacing, are shown in table

6.4.2.4.4.1-1. The details of the uplink and downlink reference measurement channels (RMCs) are specified in Annexes A.2 and A.3. Configurations of PDSCH and PDCCH before measurement are specified in Annex C.2.

Table 6.4.2.4.4.1-1: Test Configuration

Initial Conditions			
Test Environment as specified in TS 38.508-1 [5] subclause 4.1		Normal, TL/VL, TL/VH, TH/VL, TH/VH	
Test Frequencies as specified in TS 38.508-1 [5] subclause 4.3.1		Low range, Mid range, High range (NOTE 3)	
Test Channel Bandwidths as specified in TS 38.508-1 [5] subclause 4.3.1		Lowest, Mid, Highest	
Test SCS as specified in Table 5.3.5-1		Lowest	
Test Parameters			
Test ID	Downlink Configuration	Uplink Configuration	
	N/A	Modulation	RB allocation (NOTE 1)
1		DFT-s-OFDM QPSK	Outer Full
2		CP-OFDM QPSK	Outer Full
NOTE 1: The specific configuration of each RB allocation is defined in Table 6.1-1.			
NOTE 2: Test Channel Bandwidths are checked separately for each NR band, which applicable channel bandwidths are specified in Table 5.3.5-1.			
NOTE 3: For NR band n28, 30MHz test channel bandwidth is tested with Low range and High range test frequencies.			

1. Connect the SS to the UE antenna connectors as shown in TS 38.508-1 [5] Annex A, in Figure A.3.1.1.1 for TE diagram and section A.3.2 for UE diagram.
2. The parameter settings for the cell are set up according to TS 38.508-1 [5] subclause 4.4.3.
3. Downlink signals are initially set up according to Annex C.0, C.1, C.2, and uplink signals according to Annex G.0, G.1, G.2, G.3.0.
4. The UL Reference Measurement channels are set according to Table 6.4.2.4.4.1-1.
5. Propagation conditions are set according to Annex B.0.
6. Ensure the UE is in state RRC_CONNECTED with generic procedure parameters Connectivity *NR*, Connected without release *On*, Test Mode *On* and Test Loop Function *On* according to TS 38.508-1 [5] clause 4.5. Message contents are defined in clause 6.4.2.4.4.3.

6.4.2.4.4.2 Test procedure

1. SS sends uplink scheduling information for each UL HARQ process via PDCCH DCI format 0_1 for C_RNTI to schedule the UL RMC according to Table 6.4.2.4.4.1-1. Since the UE has no payload and no loopback data to send the UE sends uplink MAC padding bits on the UL RMC.
2. Send continuously uplink power control "up" commands in the uplink scheduling information to the UE until the UE transmits at P_{UMAX} level. Allow at least 200ms starting from the first TPC command in this step for the UE to reach P_{UMAX} level.
3. Measure spectrum flatness using Global In-Channel Tx-Test (Annex E). For TDD, only slots consisting of only UL symbols are under test.

NOTE1: When switching to DFT-s-OFDM waveform, as specified in the test configuration table 6.4.2.1.4.1-1, send an NR RRCReconfiguration message according to TS 38.508-1 [5] clause 4.6.3 Table 4.6.3-118 PUSCH-Config with TRANSFORM_PRECODER_ENABLED condition.

6.4.2.4.4.3 Message contents

Message contents are according to TS 38.508-1 [5] subclause 4.6.

6.4.2.4.5 Test requirement

Each of the n spectrum flatness functions, shall derive four ripple results in Annex E.4.4.1. The derived results shall not exceed the values in Figure 6.4.2.4.5-1:

For normal conditions, the maximum ripple in Range 1 and Range 2 shall not exceed the values specified in Table 6.4.2.4.5-1 and the following additional requirement: the relative difference between the maximum coefficient in Range 1 and the minimum coefficient in Range 2 must not be larger than 6.4 dB, and the relative difference between the maximum coefficient in Range 2 and the minimum coefficient in Range 1 must not be larger than 8.4 dB (see Figure 6.4.2.4.5-1).

For normal conditions, the peak-to-peak variation of the EVM equalizer coefficients contained within the frequency range of the uplink allocation shall not exceed the maximum ripple specified in Table 6.4.2.4.5-1. For uplink allocations contained within both Range 1 and Range 2, the coefficients evaluated within each of these frequency ranges shall meet the corresponding ripple requirement and the following additional requirement: the relative difference between the maximum coefficient in Range 1 and the minimum coefficient in Range 2 must not be larger than 6.4 dB, and the relative difference between the maximum coefficient in Range 2 and the minimum coefficient in Range 1 must not be larger than 8.4 dB (see Figure 6.4.2.4.5-1).

For extreme conditions, the EVM equalizer spectral flatness shall not exceed the values specified in Table 6.4.2.4.5-2. For uplink allocations contained within both Range 1 and Range 2, the coefficients evaluated within each of these frequency ranges shall meet the corresponding ripple requirement and the following additional requirement: the relative difference between the maximum coefficient in Range 1 and the minimum coefficient in Range 2 must not be larger than 7.4 dB, and the relative difference between the maximum coefficient in Range 2 and the minimum coefficient in Range 1 must not be larger than 11.4 dB (see Figure 6.4.2.4.5-1).

Table 6.4.2.4.5-1: Requirements for EVM equalizer spectrum flatness (normal conditions)

Frequency range	Maximum ripple [dB]
$F_{UL_Meas} - F_{UL_Low} \geq 3 \text{ MHz}$ and $F_{UL_High} - F_{UL_Meas} \geq 3 \text{ MHz}$ (Range 1)	4 + TT (p-p)
$F_{UL_Meas} - F_{UL_Low} < 3 \text{ MHz}$ or $F_{UL_High} - F_{UL_Meas} < 3 \text{ MHz}$ (Range 2)	8 + TT (p-p)
NOTE 1: F_{UL_Meas} refers to the sub-carrier frequency for which the equalizer coefficient is evaluated	
NOTE 2: F_{UL_Low} and F_{UL_High} refer to each E-UTRA frequency band specified in Table 5.5-1	
NOTE 3: Test tolerance TT = 1.4 dB.	

Table 6.4.2.4.5-2: Minimum requirements for EVM equalizer spectrum flatness (extreme conditions)

Frequency range	Maximum Ripple [dB]
$F_{UL_Meas} - F_{UL_Low} \geq 5 \text{ MHz}$ and $F_{UL_High} - F_{UL_Meas} \geq 5 \text{ MHz}$ (Range 1)	4 + TT (p-p)
$F_{UL_Meas} - F_{UL_Low} < 5 \text{ MHz}$ or $F_{UL_High} - F_{UL_Meas} < 5 \text{ MHz}$ (Range 2)	12 + TT (p-p)
NOTE 1: F_{UL_Meas} refers to the sub-carrier frequency for which the equalizer coefficient is evaluated	
NOTE 2: F_{UL_Low} and F_{UL_High} refer to each E-UTRA frequency band specified in Table 5.5-1	
NOTE 3: Test tolerance TT = 1.4 dB.	

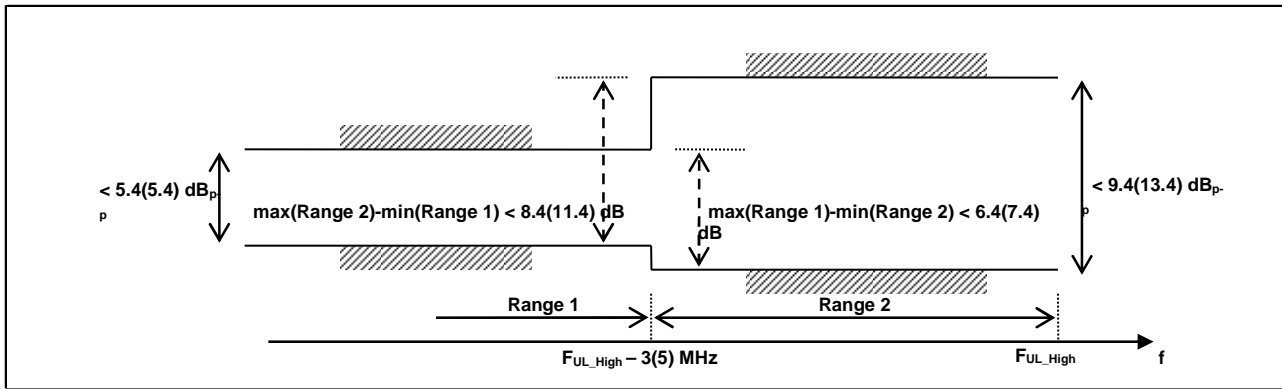


Figure 6.4.2.4.5-1: The test requirements for EVM equalizer spectral flatness with the maximum allowed variation of the coefficients indicated for unshaped modulations (the ETC test requirements are within brackets)

6.4.2.5 EVM equalizer spectrum flatness for Pi/2 BPSK

Editor’s Note: The following aspects are either missing or not yet determined:

6.4.2.5.1 Test purpose

The zero-forcing equalizer correction applied in the EVM measurement process (as described in Annex E) must meet a spectral flatness requirement for the EVM measurement to be valid. The EVM equalizer spectrum flatness is defined in terms of the maximum peak-to-peak ripple of the equalizer coefficients (dB) across the allocated uplink block, at which the equalizer coefficients are generated by the EVM measurement process. The basic measurement interval is the same as for EVM.

6.4.2.5.2 Test applicability

This test case applies to all types of power class 3 capable NR UE release 15 and forward that support UE capability *powerBoosting-pi2BPSK* and operating in TDD bands n40, n41, n77, n78 and n79, and don’t support Tx diversity.

This test case applies to all types of NR UE release 16 and forward that support UE capability *lowPAPR-DMRS-PUSCHwithPrecoding-r16*, and don’t support Tx diversity.

6.4.2.5.3 Minimum conformance requirements

These requirements apply if the IE *powerBoostPi2BPSK* is set to 1 for power class 3 UE operating in TDD bands n40, n41, n77, n78 and n79 with pi/2 BPSK modulation and UE indicates support for UE capability *powerBoosting-pi2BPSK* and 40 % or less slots in radio frame are used for UL transmission. These requirements also apply if the IE *dmrs-UplinkTransformPrecoding-r16* is configured and UE indicates support for UE capability *lowPAPR-DMRS-PUSCHwithPrecoding-r16*. Otherwise the requirements for EVM equalizer spectrum flatness defined in clause 6.4.2.4.3 apply.

The EVM equalizer coefficients across the allocated uplink block shall be modified to fit inside the mask specified in Table 6.4.2.5.3-1 for normal conditions, prior to the calculation of EVM. The limiting mask shall be placed to minimize the change in equalizer coefficients in a sum of squares sense.

Table 6.4.2.5.3-1: Mask for EVM equalizer coefficients for Pi/2 BPSK, normal conditions

Frequency range	Parameter	Maximum ripple (dB)
$ F_{UL_Meas} - F_center \leq X \text{ MHz}$ (Range 1)	X1	6 (p-p)
$ F_{UL_Meas} - F_center > X \text{ MHz}$ (Range 2)	X2	14 (p-p)
NOTE 1: F_{UL_Meas} refers to the sub-carrier frequency for which the equalizer coefficient is evaluated		
NOTE 2: F_center refers to the center frequency of an allocated block of PRBs		
NOTE 3: X, in MHz, is equal to 25% of the bandwidth of the PRB allocation		

NOTE 4: See Figure 6.4.2.5.3-1 for description of X1, X2

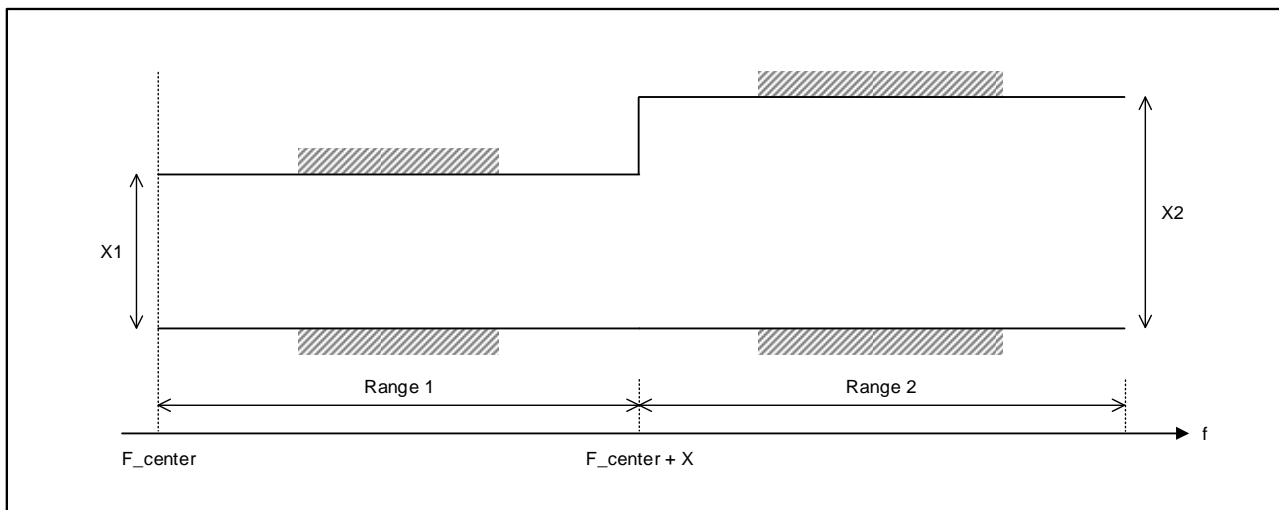


Figure 6.4.2.5.3-1: The limits for EVM equalizer spectral flatness with the maximum allowed variation. F_center denotes the center frequency of the allocated block of PRBs. X, in MHz, is equal to 25 % of the bandwidth of the PRB allocation.

For pi/2 BPSK modulation the UE shall be allowed to employ spectral shaping and the shaping filter shall be restricted so that the impulse response of the shaping filter itself shall meet

$$|\tilde{a}_i(t,0)| \geq |\tilde{a}_i(t,\tau)| \quad \forall \tau \neq 0$$

$$20\log_{10} |\tilde{a}_i(t,\tau)| < -15 \text{ dB} \quad 1 < \tau < M - 1,$$

where, $|\tilde{a}_i(t,\tau)| = IDFT\{ |\tilde{a}_i(t,f)| e^{j\varphi(t,f)} \}$, f is the frequency of the M allocated subcarriers, $\tilde{a}_i(t,f)$ and $\varphi(t,f)$ are the amplitude and phase response.

0dB reference is defined as $20\log_{10} |\tilde{a}_i(t,0)|$.

The normative reference for this requirement is TS 38.101-1 [2] clause 6.4.2.4.1.

6.4.2.5.4 Test description

6.4.2.5.4.1 Initial condition

Same initial conditions as in clause 6.4.2.4.4.1 with following exceptions:

- Instead of Table 6.4.2.4.4.1-1 → use Table 6.4.2.5.4.1-1

Table 6.4.2.5.4.1-1: Test Configuration

Initial Conditions			
Test Environment as specified in TS 38.508-1 [5] subclause 4.1		Normal	
Test Frequencies as specified in TS 38.508-1 [5] subclause 4.3.1		Low range, Mid range, High range (NOTE 3)	
Test Channel Bandwidths as specified in TS 38.508-1 [5] subclause 4.3.1		Lowest, Mid, Highest	
Test SCS as specified in Table 5.3.5-1		Lowest	
Test Parameters			
Test ID	Downlink Configuration	Uplink Configuration	
	N/A	Modulation	RB allocation (NOTE 1)
1 ⁴		DFT-s-OFDM Pi/2 BPSK	Outer Full
2 ⁵		DFT-s-OFDM Pi/2 BPSK w Pi/2 BPSK DMRS	Outer Full

NOTE 1: The specific configuration of each RB allocation is defined in Table 6.1-1.
NOTE 2: Test Channel Bandwidths are checked separately for each NR band, which applicable channel bandwidths are specified in Table 5.3.5-1.
NOTE 3: For NR band n28, 30MHz test channel bandwidth is tested with Low range and High range test frequencies.
NOTE 4: UEs indicating support for UE capability <i>powerBoosting-pi2BPSK</i> .
NOTE 5: Applicable to UEs indicating support for UE capability <i>lowPAPR-DMRS-PUSCHwithPrecoding-r16</i> .

6.4.2.5.4.2 Test procedure

1. SS sends uplink scheduling information for each UL HARQ process via PDCCH DCI format 0_1 for C_RNTI to schedule the UL RMC according to Table 6.4.2.5.4.1-1. Since the UE has no payload and no loopback data to send the UE sends uplink MAC padding bits on the UL RMC.
2. Send continuously uplink power control "up" commands in the uplink scheduling information to the UE until the UE transmits at P_{UMAX} level. Allow at least 200ms starting from the first TPC command in this step for the UE to reach P_{UMAX} level.
3. Measure spectrum flatness using Global In-Channel Tx-Test (Annex E). For TDD, only slots consisting of only UL symbols are under test.

6.4.2.5.4.3 Message contents

Message contents are according to TS 38.508-1 [5] subclause 4.6 with the following exception:

Table 6.4.2.5.4.3-1: ServingCellConfig (Test ID 1 in Table 6.4.2.5.4.1-1)

Derivation Path: TS 38.508-1 [5] clause 4.6.3, Table 4.6.3-167			
Information Element	Value/remark	Comment	Condition
uplinkConfig SEQUENCE {			
initialUplinkBWP	BWP-UplinkDedicated		
uplinkBWP-ToReleaseList	Not present		
uplinkBWP-ToAddModList	Not present		
firstActiveUplinkBWP-Id	BWP-Id		
pusch-ServingCellConfig CHOICE {			
setup	PUSCH-ServingCellConfig		
}			
carrierSwitching	Not present		
powerBoostPi2BPSK	enabled		
}			

Table 6.4.2.5.4.3-2: DMRS-UplinkConfig (Test ID 2 in Table 6.4.2.5.4.1-1)

Derivation Path: TS 38.508-1 [5], Table 4.6.3-51			
Information Element	Value/remark	Comment	Condition
DMRS-UplinkConfig ::= SEQUENCE {			
transformPrecodingEnabled SEQUENCE {			
nPUSCH-Identity	Not present		
sequenceGroupHopping	Not present		
sequenceHopping	Not present		
dmrs-UplinkTransformPrecoding-r16 SEQUENCE {			
pi2BPSK-ScramblingID0	Not present		
pi2BPSK-ScramblingID1	Not present		
}			
}			

6.4.2.5.5 Test requirement

Each of the *n* spectrum flatness functions, shall derive four ripple results in Annex E.4.4.1 The derived results shall not exceed the values in Figure 6.4.2.5.5-1:

Table 6.4.2.5.5-1: Mask for EVM equalizer coefficients for Pi/2 BPSK, normal conditions

Frequency range	Parameter	Maximum ripple (dB)
$ F_{UL_Meas} - F_{center} \leq X$ MHz (Range 1)	X1	6 + TT (p-p)
$ F_{UL_Meas} - F_{center} > X$ MHz (Range 2)	X2	14 + TT (p-p)

NOTE 1: F_{UL_Meas} refers to the sub-carrier frequency for which the equalizer coefficient is evaluated
 NOTE 2: F_{center} refers to the center frequency of an allocated block of PRBs
 NOTE 3: X, in MHz, is equal to 25% of the bandwidth of the PRB allocation
 NOTE 4: See Figure 6.4.2.5.5-1 for description of X1, X2
 NOTE 5: Test tolerance TT = 1.4 dB.

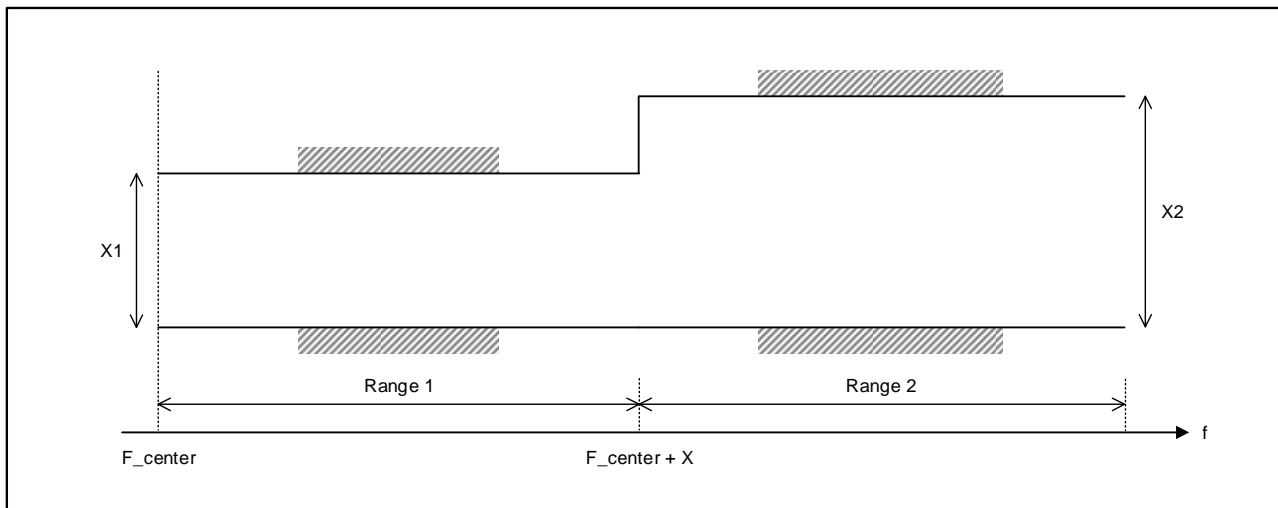


Figure 6.4.2.5.5-1: The limits for EVM equalizer spectral flatness with the maximum allowed variation. F_{center} denotes the center frequency of the allocated block of PRBs. X, in MHz, is equal to 25 % of the bandwidth of the PRB allocation.

Each of the n spectrum flatness functions shall derive an impulse response of the spectral shaping filter in Annex E.4.4.2. The derived results shall fulfill:

$$|\tilde{a}(0)| \geq |\tilde{a}(\tau)| \quad \forall \tau \neq 0$$

$$20 \log_{10} |\tilde{a}(\tau)| < -15\text{dB} + \text{TT} \quad 1 < \tau < M - 1,$$

where TT = 1.4 dB.

6.4.2.6 Phase continuity requirements for DMRS bundling

Editor’s note: This clause is incomplete. The following aspects are either missing or not yet determined:

- MU/TT analysis is pending

6.4.2.6.1 Test purpose

The objective of this test is to verify the maximum allowable phase difference for FR1 UEs that support DMRS bundling.

6.4.2.6.2 Test applicability

This test case applies to all types of NR FR1 UEs release 17 and forward supporting *DMRS-BundlingPUSCH-Config-r17* and *DMRS-BundlingPUCCH-Config-r17*

6.4.2.6.3 Minimum conformance requirements

For bands that UE indicates the support of DMRS bundling, when the UE is configured with DMRS bundling, the maximum allowable difference between the measured phase value in any slot $p-1$ and slot p , or slot 0 and any slot p for each antenna connector shall satisfy the requirements as listed in Table 6.4.2.6-1 for the measurement conditions defined in Table 6.4.2.6-2, within a measurement time window limited by the UE capability of maximum duration for DMRS bundling i.e. *maxDurationDMRS-Bundling-r17*, and defined for each frequency band separately. The phase value for each slot is measured as shown in Annex F.9. These requirements apply to PUCCH and PUSCH transmissions with DFT-s-OFDM and CP-OFDM waveforms.

Table 6.4.2.6.3-1: Maximum allowable phase difference for DMRS bundling

UL channel	Modulation order	Phase difference between any slot $p-1$ and slot p (NOTE 2)	Phase difference between slot 0 and any slot p (NOTE 3)
PUSCH	Pi/2 BPSK, QPSK	[25] degrees	[30] degrees
PUCCH	Pi/2 BPSK, BPSK, QPSK		
NOTE 1: The UE capability of the length of maximum duration refers to the maximum time duration during which UE is able to meet the phase continuity requirements, assuming no phase consistency violating events defined in TS 38.214 in between.			
NOTE 2: This requirement applies for FDD and TDD bands, for supported DMRS bundling configurations ≤ 8 slots.			
NOTE 3: This requirement applies only for FDD bands, for supported DMRS bundling configurations of 16 slots.			

The above requirements are applicable when all the following conditions are met within the measurement time window:

- RB allocation in terms of length and frequency position does not change, and intra-slot and inter-slot frequency hopping is not activated.
- Modulation order does not change.
- No network commanded TA takes effect.
- The TPMI precoder does not change.
- There is no change in UE transmission power level, and no change in the level of P-MPR applied by the UE.
- UE is not scheduled with uplink transmission of other physical channel/signal in-between the PUSCH or PUCCH transmissions.
- For TDD, no downlink slot(s) or downlink symbol(s) or flexible symbol(s) with/without DL monitoring occasion configured in-between the PUSCH or PUCCH transmissions.

Table 6.4.2.6.3-2: Measurement conditions for the maximum allowable phase difference

Parameter	Unit	Level
UE Output Power	dBm	$P_{\text{CMAX},f,c}$ in clause 6.2.4, P-MPR = 0
UE downlink received power		Not change
Operating conditions		Normal conditions
Transmission bandwidth		Confined within $F_{\text{UL,low}} + [4]$ MHz and $F_{\text{UL,high}} - [4]$ MHz
DL signal frequency		Not change before and during the measurement window
DL signal timing		Maintained constant before and during the measurement window
UL slots for testing		Tested on consecutive UL slots
PUSCH waveform for testing		DFT-s-OFDM

6.4.2.6.4 Test description

6.4.2.6.4.1 Initial conditions

Initial conditions are a set of test configurations the UE needs to be tested in and the steps for the SS to take with the UE to reach the correct measurement state.

The initial test configurations consist of environmental conditions, test frequencies, test channel bandwidths and sub-carrier spacing based on NR operating bands specified in Table 5.3.5-1. All of these configurations shall be tested with applicable test parameters for each combination of channel bandwidth and sub-carrier spacing, are shown in Table 6.4.2.6.4.1-1. The details of the uplink reference measurement channels (RMCs) are specified in Annex A.2. Configurations of PDSCH and PDCCH before measurement are specified in Annex C.2.

Table 6.4.2.6.4.1-1: Test Configuration Table for PUSCH

Initial Conditions			
Test Environment as specified in TS 38.508-1 [5] subclause 4.1		Normal	
Test Frequencies as specified in TS 38.508-1 [5] subclause 4.3.1		Low range, Mid range, High range (NOTE 4)	
Test Channel Bandwidths as specified in TS 38.508-1 [5] subclause 4.3.1		Lowest, Highest	
Test SCS as specified in Table 5.3.5-1		Lowest	
Test Parameters			
Test ID	Downlink Configuration		Uplink Configuration
	N/A		Modulation (NOTE 3)
1			DFT-s-OFDM QPSK
2			DFT-s-OFDM PI/2 BPSK
			RB allocation (NOTE 1)
			Inner Full
			Inner Full
NOTE 1: The specific configuration of each RB allocation is defined in Table 6.1-1.			
NOTE 2: Test Channel Bandwidths are checked separately for each NR band, which applicable channel bandwidths are specified in Table 5.3.5-1.			
NOTE 3: DFT-s-OFDM PI/2 BPSK test applies only for UEs which supports half Pi BPSK in FR1.			
NOTE 4: For NR band n28, 30MHz test channel bandwidth is tested with Low range and High range test frequencies.			

Table 6.4.2.6.4.1-2: Test Configuration Table for PUCCH

Initial Conditions					
Test Environment as specified in TS 38.508-1 [5] subclause 4.1			Normal		
Test Frequencies as specified in TS 38.508-1 [5] subclause 4.3.1			See Table 6.4.2.6.4.1-1		
Test Channel Bandwidths as specified in TS 38.508-1 [5] subclause 4.3.1			See Table 6.4.2.6.4.1-1		
Test SCS as specified in Table 5.3.5-1			See Table 6.4.2.6.4.1-1		
Test Parameters					
ID	Downlink Configuration		Uplink Configuration		
	Modulation	RB allocation	Waveform	PUCCH format	RB index
1	-	-	DFT-s-OFDM QPSK	PUCCH format = Format 3 (Note 3) Length in OFDM symbols = 14	0
2	-	-	DFT-s-OFDM QPSK	PUCCH format = Format 3 (Note 3) Length in OFDM symbols = 14	N _{RB} -1
NOTE 1: Full RB allocation shall be used per each SCS and channel BW as specified in Table 7.3.2.4.1-2.					
NOTE 2: Test Channel Bandwidths are checked separately for each NR band, which applicable channel bandwidths are specified in Table 5.3.5-1.					
NOTE 3: For FDD, set K1 value (PDSCH-to-HARQ-timing-indicator) as follows: K1 = 2 if mod(i,5) = 0 K1 = 2 if mod(i,5) = 1 K1 = 4 if mod(i,5) = 2 K1 = 3 if mod(i,5) = 3 K1 = 2 if mod(i,5) = 4 where i is slot index per frame					

1. Connection between SS and UE is shown in TS 38.508-1 [10] Annex A, in Figure A.3.3.1.1 for TE diagram and section A.3.4.1.1 for UE diagram.
2. The parameter settings for the cell are set up according to TS 38.508-1 [10] subclause 4.4.3.
3. Downlink signals are initially set up according to Annex C, and uplink signals according to Annex G.
4. The UL Reference Measurement channels are set according to Table [TBD].
5. Propagation conditions are set according to Annex B.0.
6. Ensure the UE is in state RRC_CONNECTED with generic procedure parameters Connectivity NR, Connected without release On, Test Mode On and Test Loop Function On according to TS 38.508-1 [10] clause 4.5. Message contents are defined in clause 6.4.2.1.4.3

6.4.2.6.4.2 Test procedure

Test procedure for PUSCH:

- 1.1 SS sends uplink scheduling information for each UL HARQ process via PDCCH DCI format 0_1 for C_RNTI to schedule the UL RMC according to Table 6.4.2.1.4.1-1. Since the UE has no payload data to send, the UE transmits uplink MAC padding bits on the UL RMC.
- 1.2. Send continuously uplink power control "up" commands in the uplink scheduling information to the UE until the UE transmits at P_{UMAX} level. Allow at least 200 ms starting from the first TPC command in this step for the UE to reach P_{UMAX} level.
- 1.3 Measure the phase offset using the test measurement described in Annex [TBD]. For TDD, only slots consisting of only UL symbols are under test.

NOTE1: When switching to DFT-s-OFDM waveform, as specified in Table 6.4.2.1.4.1-1, send an NR RRCReconfiguration message according to TS 38.508-1 [10] clause 4.6.3 Table 4.6.3-118 PUSCH-Config with TRANSFORM_PRECODER_ENABLED condition.

Test procedure for PUCCH:

- 2.1 PUCCH is set according to Table Table 6.4.2.6.4.1-1.
- 2.2 SS sends uplink scheduling information for each UL HARQ process via PDCCH DCI format 0_1 for C_RNTI to schedule the UL RMC according to Table 6.4.2.1.4.1-1. Since the UE has no payload data to send, the UE transmits uplink MAC padding bits on the UL RMC.
- 2.3 Send continuously uplink power control "up" commands in the uplink scheduling information to the UE until the UE transmits at P_{UMAX} level. Allow at least 200 ms starting from the first TPC command in this step for the UE to reach P_{UMAX} level.
- 2.4 Measure the phase offset using the test measurement described in Annex [TBD]. For TDD, only slots consisting of only UL symbols are under test.

NOTE1: When switching to DFT-s-OFDM waveform, as specified in Table 6.4.2.1.4.1-1, send an NR RRCReconfiguration message according to TS 38.508-1 [10] clause 4.6.3 Table 4.6.3-118 PUSCH-Config with TRANSFORM_PRECODER_ENABLED condition.

6.4.2.6.4.3 Message contents

Message contents are according to TS 38.508-1 [10] subclause 4.6 with TRANSFORM_PRECODER_ENABLED condition in Table 4.6.3-118 PUSCH-Config. In addition, the following message contents shall be configured:

Table 6.4.2.6.4.3-1: DMRS-BundlingPUCCH-Config

Derivation Path: TS 38.331 [11], clause 6.3.2			
Information Element	Value/remark	Comment	Condition
DMRS-BundlingPUCCH-Config-r17::= CHOICE {			
Setup SEQUENCE {			

pucch-DMRS-Bundling-r17	ENABLED		
pucch-TimeDomainWindowLength-r17	[2]		
pucch-WindowRestart-r17	TBD		
pucch-FrequencyHoppingInterval-r17	[s2]		
}			

Table 6.4.2.6.4.3-2: DMRS-BundlingPUSCH-Config

Derivation Path: TS 38.331 [11], clause 6.3.2			
Information Element	Value/remark	Comment	Condition
DMRS-BundlingPUSCH-Config-r17::= CHOICE {			
Setup SEQUENCE {			
pucch-DMRS-Bundling-r17	ENABLED		
pucch-TimeDomainWindowLength-r17	[2]		
pucch-WindowRestart-r17	TBD		
pucch-FrequencyHoppingInterval-r17	[s2]		
}			

6.4.2.6.5 Test requirement

The maximum allowable phase difference for UEs supporting DMRS dbundling and as measured in Step 1.3 for PUSCH and 2.4 for PUCCH of test procedure in sub-clause 6.4.2.6.4.2 should meet the following requirements.

Table 6.4.2.6.5-1: Test Requirements for Maximum allowable phase difference for DMRS bundling

UL channel	Modulation order	Phase difference between any slot $p-1$ and slot p (NOTE 2)	Phase difference between slot 0 and any slot p (NOTE 3)
PUSCH	Pi/2 BPSK, QPSK	[25+TT] degrees	[30+TT] degrees
PUCCH	Pi/2 BPSK, BPSK, QPSK		
NOTE 1: The UE capability of the length of maximum duration refers to the maximum time duration during which UE is able to meet the phase continuity requirements, assuming no phase consistency violating events defined in TS 38.214 in between.			
NOTE 2: This requirement applies for FDD and TDD bands, for supported DMRS bundling configurations ≤ 8 slots.			
NOTE 3: This requirement applies only for FDD bands, for supported DMRS bundling configurations of 16 slots.			

Table 6.4.2.6.5-2: Test Tolerance for Maximum allowable phase difference for DMRS bundling

UL channel	Modulation order	TT
PUSCH	Pi/2 BPSK, QPSK	FFS
PUCCH	Pi/2 BPSK, BPSK, QPSK	FFS

6.4A Transmit signal quality for CA

6.4A.1 Frequency error for CA

6.4A.1.0 Minimum conformance requirements

For intra-band contiguous carrier aggregation the UE modulated carrier frequencies per band shall be accurate to within ± 0.1 PPM observed over a period of 1 ms of cumulated measurement intervals compared to the carrier frequency of primary component carrier received in the corresponding band.

For intra-band non-contiguous carrier aggregation the requirements in Section 6.4.1 applies per component carrier.

For inter-band carrier aggregation with uplink assigned to two NR bands, the minimum conformance requirements specified in subclause 6.4.1.3 shall apply on each component carrier with all component carriers active.

The normative reference for this requirement is TS 38.101-1 [2] clause 6.4A.1.

6.4A.1.1 Frequency error for CA (2UL CA)

6.4A.1.1.1 Test purpose

This test verifies the ability of both, the receiver and the transmitter, to process frequency for 2UL CA correctly.

Receiver: to extract the correct frequency from the stimulus signal, offered by the System simulator, under ideal propagation conditions and low level.

Transmitter: to derive the correct modulated carrier frequency from the results, gained by the receiver.

6.4A.1.1.2 Test applicability

This test case applies to all types of NR UE release 15 and forward that supports 2UL CA.

6.4A.1.1.3 Minimum conformance requirements

The minimum conformance requirements are defined in clause 6.4A.1.0.

6.4A.1.1.4 Test description

6.4A.1.1.4.1 Initial condition

Initial conditions are a set of test configurations the UE needs to be tested in and the steps for the SS to take with the UE to reach the correct measurement state. The initial test configurations consist of environmental conditions, test frequencies, test channel bandwidths and sub-carrier spacing based on NR CA configuration specified in clause 5.5A. All of these configurations shall be tested with applicable test parameters for each CA configuration, and are shown in Table 6.4A.1.1.4.1-1 to table 6.4A.1.1.4.1-3. The details of the uplink and downlink reference measurement channels (RMCs) are specified in Annexes A.2 and A.3. Configurations of PDSCH and PDCCH before measurement are specified in Annex C.2.

Table 6.4A.1.1.4.1-1: Inter band CA Test Configuration Table

Initial Conditions				
Test Environment as specified in TS 38.508-1 [5] subclause 4.1		Normal, TL/VL, TL/VH, TH/VL, TH/VH		
Test Frequencies as specified in TS 38.508-1 [5] subclause 4.3.1.1.3 for inter band CA in FR1		Mid range for PCC and SCC (NOTE 3)		
Test Channel Bandwidths as specified in TS 38.508-1 [5] subclause 4.3.1		Highest N_{RB_agg} for both PCC and SCC		
Test SCS as specified in Table 5.3.5-1		Lowest		
Test Parameters				
Test ID	Downlink Configuration		Uplink Configuration	
	Modulation	RB allocation	Modulation	RB allocation
1	CP-OFDM QPSK	Full RB (NOTE 1)	DFT-s-OFDM QPSK	REFSENS (NOTE 2)
NOTE 1: Full RB allocation shall be used per each SCS and channel BW as specified in Table 7.3.2.4.1-2.				
NOTE 2: REFSENS refers to Table 7.3.2.4.1-3 which defines uplink RB configuration and start RB location for each SCS, channel BW and NR band belongs to inter-band CA combination.				
NOTE 3: For NR band n28, 30MHz test channel bandwidth is tested with Low range test frequencies.				

Table 6.4A.1.1.4.1-2: Intra band contiguous CA Test Configuration Table

Initial Conditions				
Test Environment as specified in TS 38.508-1 [5] subclause 4.1		Normal, TL/VL, TL/VH, TH/VL, TH/VH		
Test Frequencies as specified in TS 38.508-1 [5] subclause 4.3.1.1.3 for inter band CA in FR1		Mid range		
Test Channel Bandwidths as specified in TS 38.508-1 [5] subclause 4.3.1		Highest N_{RB_agg}		
Test SCS as specified in Table 5.3.5-1		Lowest		
Test Parameters				
Test ID	Downlink Configuration		Uplink Configuration	
	Modulation	RB allocation	Modulation	RB allocation
				PCC
				SCC

1	CP-OFDM QPSK	Full RB (NOTE 1)	DFT-s-OFDM QPSK	REFSENS (NOTE 2)
NOTE 1: Full RB allocation shall be used per each SCS and channel BW as specified in Table 7.3.2.4.1-2.				
NOTE 2: REFSSENS refers to Table 7.3.2.4.1-3 for each carrier which defines uplink RB configuration and start RB location for each SCS, channel BW and NR band belongs to intra-band CA combination.				

Table 6.4A.1.1.4.1-3: Intra band non-contiguous CA Test Configuration Table

Initial Conditions				
Test Environment as specified in TS 38.508-1 [5] subclause 4.1		Normal, TL/VL, TL/VH, TH/VL, TH/VH		
Test Frequencies as specified in TS 38.508-1 [5] subclause 4.3.1.1.3 for inter band CA in FR1		One frequency chosen from Low range or High range test frequencies as specified in tables for non-contiguous CA configuration with UL CA		
Test Channel Bandwidths as specified in TS 38.508-1 [5] subclause 4.3.1		Highest N_{RB_agg}		
Test SCS as specified in Table 5.3.5-1		Lowest		
Test Parameters				
Test ID	Downlink Configuration		Uplink Configuration	
	Modulation	RB allocation	Modulation	RB allocation
1	CP-OFDM QPSK	Full RB (NOTE 1)	DFT-s-OFDM QPSK	REFSENS (NOTE 2)
NOTE 1: Full RB allocation shall be used per each SCS and channel BW as specified in Table 7.3.2.4.1-2.				
NOTE 2: REFSSENS refers to Table 7.3.2.4.1-3 for each carrier which defines uplink RB configuration and start RB location for each SCS, channel BW and NR band belongs to intra-band CA combination.				

1. Connect the SS to the UE antenna connectors as shown in TS 38.508-1 [5] Annex A, in Figure 3.1.1.3 for TE diagram and section A.3.2 for UE diagram.
2. The parameter settings for the cell are set up according to TS 38.508-1 [5] subclause 4.4.3.
3. Downlink signals for PCC are initially set up according to Annex C.0, C.1, C.2, and uplink signals according to Annex G.0, G.1, G.2, G.3.0.
4. The DL and UL Reference Measurement channels are set according to Tables 6.4A.1.1.4.1-1 to 6.4A.1.1.4.1-3 as appropriate.
5. Propagation conditions are set according to Annex B.0.
6. Ensure the UE is in state RRC_CONNECTED with generic procedure parameters Connectivity *NR*, Connected without release *On*, Test Mode *On* and Test Loop Function *On* according to TS 38.508-1 [5] clause 4.5. Message contents are defined in clause 6.4A.1.1.4.3

6.4A.1.1.4.2 Test procedure

1. Configure SCC according to Annex C.0, C.1, C.2 for all downlink physical channels.
2. The SS shall configure SCC as per TS 38.508-1 [5] clause 5.5.1. Message contents are defined in clause 6.4A.1.1.4.3
3. SS activates SCC by sending the activation MAC CE (Refer TS 38.321 [18], clauses 5.9, 6.1.3.10). Wait for at least 2 seconds (Refer TS 38.133[19], clause 9.3).
4. SS transmits PDSCH via PDCCH DCI format 1_1 for C_RNTI to transmit the DL RMC according to Tables 6.4A.1.1.4.1-1 to 6.4A.1.1.4.1-3 as appropriate on both PCC and SCC. The SS sends downlink MAC padding bits on the DL RMC.
5. SS sends uplink scheduling information for each UL HARQ process via PDCCH DCI format 0_1 for C_RNTI to schedule the UL RMC according to Tables 6.4A.1.1.4.1-1 to 6.4A.1.1.4.1-3 as appropriate on both PCC and SCC. Since the UL has no payload and no loopback data to send the UE sends uplink MAC padding bits on the UL RMC.
6. Set the Downlink signal level to the appropriate REFSSENS value defined in subclauses 7.3A.1.5. Send continuously uplink power control "up" commands in every uplink scheduling information to the UE so that the

UE transmits at P_{UMAX} level for the duration of the test. Allow at least 200ms starting from the first TPC command in this step for the UE to reach P_{UMAX} level.

7. Measure the Frequency Error on PCC and SCC using Global In-Channel Tx-Test (Annex E) respectively. For TDD slots with transient periods are not under test.
8. For UEs supporting DSS, repeat steps 1~7 on the applicable bands as specified in Section 5.4.2.1 with message contents being according to TS 38.508-1 [5] subclause 4.6 ensuring Table 4.6.3-61 and Table 4.6.3-62 with condition DSS.

NOTE 1: When switching to DFT-s-OFDM waveform, as specified in the test configuration table 6.5.2.2.4.1-1, send an NR RRCReconfiguration message according to TS 38.508-1 [5] clause 4.6.3 Table 4.6.3-118 PUSCH-Config with TRANSFORM_PRECODER_ENABLED condition.

6.4A.1.1.4.3 Message contents

Message contents are according to TS 38.508-1 [5] subclause 4.6 with following exception.

Table 6.4A.1.1.4.3-1 FrequencyInfoUL-SIB for inter-band CA

Derivation Path: TS 38.508-1 [5] Table 4.6.3-62 FrequencyInfoUL-SIB			
Information Element	Value/remark	Comment	Condition
p-Max	20		

6.4A.1.1.5 Test requirement

The 10 frequency error Δf results must fulfil the test requirement:

$$|\Delta f| \leq (0.1 \text{ PPM} + \text{TT}) \text{ for each test point}$$

For inter-band CA, PPM refers to each CC UL frequency.

For intra-band contiguous CA, PPM refers to PCC UL frequency.

For intra-band non-contiguous CA, PPM refers to each CC UL frequency.

Table 6.4A.1.1.5-1: Test Tolerance for frequency error

	$f \leq 3.0\text{GHz}$	$3.0\text{GHz} < f \leq 6\text{GHz}$
BW \leq 40MHz	15Hz	15Hz
40MHz < BW \leq 100MHz	15Hz	15Hz

6.4A.2 Transmit modulation quality for CA

6.4A.2.0 General

The requirements in this clause apply with PCC and SCC in the UL configured and activated: PCC with PRB allocation and SCC without PRB allocation and without CSI reporting and SRS configured.

6.4A.2.0.1 Transmit modulation quality for intra-band contiguous CA

The Carrier leakage frequency is optionally indicated by the UE via IE *UplinkTxDirectCurrentList*, IE *UplinkTxDirectCurrentTwoCarrierList-r16* for CA with two component carriers configured for uplink or IE *UplinkTxDirectCurrentMoreCarrierList-r17* for CA of any configuration.

If the UE does not indicate DC location parameters, the carrier leakage measurement requirement in clauses 6.4A.2.2 and 6.4A.2.3 shall be waived and the UE's UL signal left uncorrected for carrier leakage. Any requirement relaxation to accommodate the IQ image shall be omitted.

If the UE indicates carrier leakage frequency as 3300 or 3301 with IE *UplinkTxDirectCurrentList* or *UplinkTxDirectCurrentTwoCarrierList-r16*, or if the carrier leakage frequency is outside the activated UL component carriers, the carrier leakage measurement requirement in clauses 6.4A.2.2 and 6.4A.2.3 shall be waived and the UE's UL signal left uncorrected for carrier leakage. Any requirement relaxation to accommodate the IQ image shall be omitted.

6.4A.2.0.2 Transmit modulation quality for intra-band contiguous CA

For intra-band non-contiguous carrier aggregation, the requirements in subclauses 6.4A.2.1, 6.4A.2.2 applies.

The requirements in this clause apply with PCC and SCC in the UL configured and activated: PCC with PRB allocation and SCC without PRB allocation and without CSI reporting and SRS configured.

Carrier leakage frequency is indicated by the UE with IE UplinkTxDirectCurrentMoreCarrierList-r17 or UplinkTxDirectCurrentTwoCarrierList-r16 or UplinkTxDirectCurrentList.

The carrier leakage measurement requirement in clause 6.4A.2.2.2 shall be waived and the UE's UL signal left uncorrected for carrier leakage when one of the following qualifying conditions apply:

1. UE reports the parameter 3300 or 3301
2. UE doesn't indicate the DC location parameters

Any requirement relaxation to accommodate the IQ image shall be omitted if the qualifying conditions above are present or if the IQ image frequency is outside the activated UL component carriers.

6.4A.2.1 Error Vector Magnitude for CA

6.4A.2.1.0 Minimum conformance requirements

For Inter-band carrier aggregation, EVM measurements are evaluated for each component carrier, and for the different modulations schemes, the EVM requirements shall not exceed the values specified in Table 6.4.2.1.3-1 for the parameters defined in Table 6.4.2.1.3-2, if CA is configured in uplink.

For the intra-band non-contiguous carrier aggregation, EVM measurements are evaluated for each component carrier, and for the different modulation schemes, the EVM requirements shall not exceed the values specified in Table 6.4A.2.1.0-1, if CA is configured in uplink.

For the intra-band contiguous carrier aggregation, EVM measurements are evaluated for each component carrier, and for the different modulation schemes, the EVM requirements shall not exceed the values specified in Table 6.4A.2.1.0-1, if CA is configured in uplink.

When a single component carrier is configured Table 6.4.2.1.3-1 apply.

The EVM requirements are according to Table 6.4A.2.1.0-1 if CA is configured in uplink with the parameters defined in Table 6.4.2.1.3-2.

Table 6.4A.2.1.0-1: Minimum requirements for Error Vector Magnitude

Parameter	Unit	Average EVM Level per CC
Pi/2-BPSK	%	30
QPSK	%	17.5
16 QAM	%	12.5
64 QAM	%	8
256 QAM	%	3.5

The normative reference for this requirement is TS 38.101 [2] clause 6.4A.2.1

6.4A.2.1.1 Error Vector Magnitude for CA (2UL CA)

6.4A.2.1.1.1 Test Purpose

For 2UL carrier aggregation, the Error Vector Magnitude requirement should be defined for each component carrier. Requirement applies for the allocated component carrier, when all other component carriers are activated, but not allocated.

Similar transmitter impairment removal procedures are applied for CA waveform before EVM calculation as is specified for non-CA waveform in clause 6.4.2.1.

6.4A.2.1.1.2 Test applicability

This test case applies to all types of NR UE release 15 and forward that supports 2UL CA.

6.4A.2.1.1.3 Minimum conformance requirements

The minimum conformance requirements are defined in clause 6.4A.2.1.0.

6.4A.2.1.1.4 Test description

6.4A.2.1.1.4.1 Initial conditions

Initial conditions are a set of test configurations the UE needs to be tested in and the steps for the SS to take with the UE to reach the correct measurement state.

The initial test configurations consist of environmental conditions, test frequencies, test channel bandwidths and sub-carrier spacing based on NR CA configuration specified in clause 5.5A. All of these configurations shall be tested with applicable test parameters for each CA configuration, and are shown in Table 6.4A.2.1.1.4.1-1 and 6.4A.2.1.1.4.1-2. The details of the uplink and downlink reference measurement channels (RMCs) are specified in Annexes A.2 and A.3. Configurations of PDSCH and PDCCH before measurement are specified in Annex C.2.

Table 6.4A.2.1.1.4.1-1: Inter band CA Test Configuration Table

Initial Conditions				
Test Environment as specified in TS 38.508-1 [5] subclause 4.1		Normal		
Test Frequencies as specified in TS 38.508-1 [5] subclause 4.3.1.1.3 for inter band CA in FR1		Low range for PCC and SCC High range for PCC and SCC		
Test Channel Bandwidths as specified in TS 38.508-1 [5] subclause 4.3.1		Lowest N_{RB_agg} for both PCC and SCC Highest N_{RB_agg} for both PCC and SCC		
Test SCS as specified in Table 5.3.5-1		Smallest and biggest supported SCS per Channel Bandwidth		
Test Parameters				
Test ID	Downlink Configuration	Uplink Configuration		
		Modulation (NOTE 3)	RB allocation (NOTE 1)	
			PCC	SCC
1 ³	N/A	DFT-s-OFDM PI/2 BPSK	Inner Full	0
2 ³		DFT-s-OFDM PI/2 BPSK	Outer Full	0
3		DFT-s-OFDM QPSK	Inner Full	0
4		DFT-s-OFDM QPSK	Outer Full	0
5		DFT-s-OFDM 16 QAM	Inner Full	0
6		DFT-s-OFDM 16 QAM	Outer Full	0
7		DFT-s-OFDM 64 QAM	Outer Full	0
8		DFT-s-OFDM 256 QAM	Outer Full	0
9		CP-OFDM QPSK	Inner Full	0
10		CP-OFDM QPSK	Outer Full	0
11		CP-OFDM 16 QAM	Inner Full	0
12		CP-OFDM 16 QAM	Outer Full	0
13		CP-OFDM 64 QAM	Outer Full	0
14		CP-OFDM 256 QAM	Outer Full	0
NOTE 1: The specific configuration of each RB allocation is defined in Table 6.1-1.				
NOTE 2: Test Channel Bandwidths and Test SCS are checked separately for each NR CA band combination, which applicable channel bandwidths is specified in Table 5.5A.3.1-1 and SCS is specified in Table 5.3.5-1 for each NR band.				
NOTE 3: DFT-s-OFDM PI/2 BPSK test applies only for UEs which supports half Pi BPSK in FR1.				
NOTE 4: The frequencies of PCC and SCC shall be switched and tested in each configuration.				

Table 6.4A.2.1.1.4.1-2: Intra band contiguous CA and non-contiguous CA Test Configuration Table

Initial Conditions	
Test Environment as specified in TS 38.508-1 [5] subclause 4.1	Normal

Test Frequencies as specified in TS 38.508-1 [5] subclause 4.3.1		Contiguous CA: Low range, High range Non-contiguous CA: Low range and High range test frequencies as specified in tables for non-contiguous CA configuration with UL CA		
Test Channel Bandwidths as specified in TS 38.508-1 [5] subclause 4.3.1		Lowest N_{RB_agg} , Highest N_{RB_agg}		
Test SCS as specified in Table 5.3.5-1		lowest and highest supported SCS		
Test Parameters				
Test ID	Downlink Configuration	Uplink Configuration		
		Modulation (NOTE 3)	RB allocation (NOTE 1)	
			PCC	SCC
1 ³	N/A	DFT-s-OFDM PI/2 BPSK	Inner Full	0
2 ³		DFT-s-OFDM PI/2 BPSK	Outer Full	0
3		DFT-s-OFDM QPSK	Inner Full	0
4		DFT-s-OFDM QPSK	Outer Full	0
5		DFT-s-OFDM 16 QAM	Inner Full	0
6		DFT-s-OFDM 16 QAM	Outer Full	0
7		DFT-s-OFDM 64 QAM	Inner Full	0
8		DFT-s-OFDM 64 QAM	Outer Full	0
9		DFT-s-OFDM 256 QAM	Inner Full	0
10		DFT-s-OFDM 256 QAM	Outer Full	0
11		CP-OFDM QPSK	Inner Full	0
12		CP-OFDM QPSK	Outer Full	0
13		CP-OFDM 16 QAM	Inner Full	0
14		CP-OFDM 16 QAM	Outer Full	0
15		CP-OFDM 64 QAM	Inner Full	0
16		CP-OFDM 64 QAM	Outer Full	0
17		CP-OFDM 256 QAM	Inner Full	0
18		CP-OFDM 256 QAM	Outer Full	0
NOTE 1: The specific configuration of each RB allocation is defined in Table 6.1-1.				
NOTE 2: Test Channel Bandwidths and Test SCS are checked separately for each NR CA band combination, which applicable channel bandwidths is specified in Table 5.5A.1-1 and SCS is specified in Table 5.3.5-1 for each NR band.				
NOTE 3: DFT-s-OFDM PI/2 BPSK test applies only for UEs which supports half Pi BPSK in FR1.				
NOTE 4: If the UE supports multiple CC Combinations in the CA Configuration with the same N_{RB_agg} , only the combination with the highest N_{RB_PCC} is tested.				

1. Connect the SS to the UE antenna connectors as shown in TS 38.508-1 [5] Annex A, in Figure A.3.1.1.3 for TE diagram and section A.3.2 for UE diagram.
2. The parameter settings for the cell are set up according to TS 38.508-1 [5] subclause 4.4.3.
3. Downlink signals for PCC are initially set up according to Annex C.0, C.1, C.2, and uplink signals according to Annex G.0, G.1, G.2, G.3.0.
4. The UL Reference Measurement channels are set according to Table 6.4A.2.1.1.4.1-1 and 6.4A.2.1.1.4.1-2.
5. Propagation conditions are set according to Annex B.0.
6. Ensure the UE is in state RRC_CONNECTED with generic procedure parameters Connectivity NR, Connected without release On, Test Mode On and Test Loop Function On according to TS 38.508-1 [5] clause 4.5. Message contents are defined in clause 6.4A.2.1.1.4.3

6.4A.2.1.1.4.2 Test procedure

1. Configure SCC according to Annex C.0, C.1, C.2 for all downlink physical channels.
2. The SS shall configure SCC as per TS 38.508-1 [5] clause 5.5.1. Message contents are defined in clause 6.4A.2.1.1.4.3.

3. SS activates SCC by sending the activation MAC CE (Refer TS 38.321 [18], clauses 5.9, 6.1.3.10). Wait for at least 2 seconds (Refer TS 38.133[19], clause 9.3).
4. SS sends uplink scheduling information for each UL HARQ process via PDCCH DCI format 0_1 for C_RNTI to schedule the UL RMC according to Table 6.4A.2.1.1.4.1-1 and 6.4A.2.1.1.4.1-2. Since the UE has no payload data to send, the UE transmits uplink MAC padding bits on the UL RMC.
5. Send continuously uplink power control "up" commands in the uplink scheduling information to the UE until the UE transmits at P_{UMAX} level, allow at least 200ms starting from the first TPC command in this step for the UE to reach P_{UMAX} level.
6. Measure the EVM and \overline{EVM}_{DMRS} on PCC using Global In-Channel Tx-Test (Annex E).
7. For modulations except 256QAM, send uplink power control commands to the UE using 1dB power step size to ensure that the UE output power measured by the test system is within the Uplink power control window, defined as +MU to +(MU + Uplink power control window size) dB of the target power level Pmin, where:
 - Pmin is the minimum output power according to Table 6.3.1.3-1.
 - MU is the test system uplink power measurement uncertainty and is specified in Table F.1.2-1 for the carrier frequency f and the channel bandwidth BW.
 - Uplink power control window size = 1dB (UE power step size) + 0.7dB (UE power step tolerance) + (Test system relative power measurement uncertainty), where, the UE power step tolerance is specified in TS 38.101-1 [2], Table 6.3.4.3-1 and is 0.7dB for 1dB power step size, and the Test system relative power measurement uncertainty is specified in Table F.1.2-1.

For 256 QAM, send uplink power control commands to the UE using 1dB power step size to ensure that the UE output power measured by the test system is within the Uplink power control window, defined as +MU to +(MU + Uplink power control window size) dB of the target power level Pmin + 10 dB, where Pmin, MU and Uplink power control window size are defined above.

8. Measure the EVM and \overline{EVM}_{DMRS} on PCC using Global In-Channel Tx-Test (Annex E).

NOTE 1: When switching to DFT-s-OFDM waveform, as specified in the test configuration table 6.5.2.2.4.1-1, send an NR RRCReconfiguration message according to TS 38.508-1 [5] clause 4.6.3 Table 4.6.3-118 PUSCH-Config with TRANSFORM_PRECODER_ENABLED condition.

NOTE2: The purpose of the Uplink power control window is to ensure that the actual UE output power is no less than the target power level, and as close as possible to the target power level. The relationship between the Uplink power control window, the target power level and the corresponding possible actual UE Uplink power window is illustrated in Annex F.4.2.

6.4A.2.1.1.4.3 Message contents

Message contents are according to TS 38.508-1 [5] subclause 4.6.

6.4A.2.1.1.5 Test requirement

The PUSCH EVM, derived in Annex E.4.2, shall not exceed the values in Table 6.4A.2.1.1.5-1.

The PUSCH \overline{EVM}_{DMRS} , derived in Annex E.4.6.2, shall not exceed the values in Table 6.4A.2.1.1.5-1 when embedded with data symbols of the respective modulation scheme.

Table 6.4A.2.1.1.5-1: Test requirements for Error Vector Magnitude

Parameter	Unit	Average EVM Level
Pi/2-BPSK	%	30+TT
QPSK	%	17.5+TT
16QAM	%	12.5+TT
64QAM	%	8+TT
256 QAM	%	3.5+TT

Table 6.4A.2.1.1.5-2: Test Tolerance for Error Vector Magnitude

Parameter	f ≤ 6.0GHz, BW ≤ 100MHz		
	15dBm < P _{UL}	-25dBm < P _{UL} ≤ 15dBm	-40dBm ≤ P _{UL} ≤ -25dBm
Pi/2-BPSK	0%	0%	0%
QPSK	0%	0%	0%
16QAM	0%	0%	0%
64QAM	0%	0%	0%
256 QAM	0.3%	0.8%	1.1%

6.4A.2.2 Carrier leakage for CA

6.4A.2.2.0 Minimum conformance requirements

6.4A.2.2.0.1 Minimum conformance requirements for intra-band contiguous CA

6.4A.2.2.0.1 Minimum conformance requirements for intra-band contiguous CA

The relative carrier leakage power is a power ratio of the additive sinusoid waveform and the modulated waveform. For intra-band contiguous CA, the relative carrier leakage power shall not exceed the values specified in Table 6.4A.2.1.3-1. The requirement does not apply if the indicated location of carrier leakage is outside the activated UL carriers.

Table 6.4A.2.2.0.1-1: Minimum requirements for Relative Carrier Leakage Power

Parameters	Relative Limit (dBc)
Output power > 10 dBm	-28
0 dBm ≤ Output power ≤ 10 dBm	-25
-30 dBm ≤ Output power < 0 dBm	-20
-40 dBm ≤ Output power < -30 dBm	-10

6.4A.2.2.0.2 Minimum conformance requirements for intra-band non-contiguous CA

FFS

6.4A.2.2.0.3 Minimum conformance requirements for inter-band CA

For inter-band carrier aggregation, the carrier leakage shall not exceed the values specified in Table 6.4A.2.2.0.3-1.

In the case that uplink sharing, the carrier leakage may have 7.5 kHz shift with the carrier frequency.

Table 6.4A.2.2.0.3-1: Requirements for carrier leakage

Parameter description	Unit	Limit		Applicable Frequencies
Carrier leakage	dBc	-28	Output power > 10 dBm	Carrier leakage frequency (NOTES 1, 2)
		-25	0 dBm ≤ Output power ≤ 10 dBm	
		-20	-30 dBm ≤ Output power ≤ 0 dBm	
		-10	-40 dBm ≤ Output power < -30 dBm	
NOTE 1: The measurement bandwidth is 1 RB and the limit is expressed as a ratio of measured power in one non-allocated RB to the measured total power in all allocated RBs.				
NOTE 2: The applicable frequencies for this limit depend on the parameter <i>txDirectCurrentLocation</i> in <i>UplinkTxDirectCurrent</i> IE, and are those that are enclosed either in the RBs containing the carrier leakage frequency, or in the two RBs immediately adjacent to the carrier leakage frequency but excluding any allocated RB.				

The normative reference for this requirement is TS 38.101-1 [2] clauses 6.4A.2.3.

6.4A.2.2.1 Carrier leakage for CA (2UL CA)

Editor's note: The following aspects are either missing or not yet determined:

- The minimum requirements for intra-band non-contiguous CA have not been defined.

6.4A.2.2.1.1 Test purpose

Carrier leakage is an additive sinusoid waveform that is confined within the aggregated transmission bandwidth configuration. The carrier leakage requirement for 2UL CA is defined for each component carrier and is measured on the component carrier with PRBs allocated.

6.4A.2.2.1.2 Test applicability

This test case applies to all types of NR UE release 15 and forward that supports 2UL CA.

6.4A.2.2.1.3 Minimum conformance requirements

The minimum conformance requirements are defined in clause 6.4A.2.2.0.

6.4A.2.2.1.4 Test description

6.4A.2.2.1.4.1 Initial condition

Initial conditions are a set of test configurations the UE needs to be tested in and the steps for the SS to take with the UE to reach the correct measurement state.

The initial test configurations consist of environmental conditions, test frequencies, test channel bandwidths and sub-carrier spacing based on NR CA configuration specified in clause 5.5A. All of these configurations shall be tested with applicable test parameters for each CA configuration, and are shown in Table 6.4A.2.2.1.4.1-1. The details of the uplink and downlink reference measurement channels (RMCs) are specified in Annexes A.2 and A.3. Configurations of PDSCH and PDCCH before measurement are specified in Annex C.2.

Table 6.4A.2.2.1.4.1-1: Inter band CA Test Configuration Table

Initial Conditions				
Test Environment as specified in TS 38.508-1 [5] subclause 4.1		Normal		
Test Frequencies as specified in TS 38.508-1 [5] subclause 4.3.1.1.3 for inter band CA in FR1		Low range for PCC and SCC High range for PCC and SCC		
Test Channel Bandwidths as specified in TS 38.508-1 [5] subclause 4.3.1		Mid channel bandwidth for both PCC and SCC		
Test SCS as specified in Table 5.3.5-1		Smallest supported SCS per Channel Bandwidth		
Test Parameters				
Test ID	Downlink Configuration	Uplink Configuration		
		Modulation	RB allocation (NOTE 1, 3)	
			PCC	SCC
1	N/A	DFT-s-OFDM QPSK	Inner_1RB_Left	0
NOTE 1: The specific configuration of each RB allocation is defined in Table 6.1-1.				
NOTE 2: Test Channel Bandwidths and Test SCS are checked separately for each NR CA band combination, which applicable channel bandwidths is specified in Table 5.5A.3.1-1 and SCS is specified in Table 5.3.5-1 for each NR band.				
NOTE 3: When the signalled DC carrier position is at Inner_1RB_Left, use Inner_1RB_Right for UL RB allocation.				
NOTE 4: The frequencies of PCC and SCC shall be switched and tested in each configuration.				

Table 6.4A.2.2.1.4.1-2: Intra band contiguous CA Test Configuration Table

Initial Conditions				
Test Environment as specified in TS 38.508-1 [5] subclause 4.1		Normal		
Test Frequencies as specified in TS 38.508-1 [5] subclause 4.3.1		Low range, High range		
Test Channel Bandwidths as specified in TS 38.508-1 [5] subclause 4.3.1		Highest N_{RB_agg}		
Test SCS as specified in Table 5.3.5-1		Lowest		
Test Parameters				
Test ID	Downlink Configuration	Uplink Configuration		
		Modulation	RB allocation (NOTE 1, 3)	
			PCC	SCC
1	N/A	DFT-s-OFDM QPSK	Inner_1RB_Left	0
NOTE 1: The specific configuration of each RB allocation is defined in Table 6.1-1.				

NOTE 2: Test Channel Bandwidths and Test SCS are checked separately for each NR CA band combination, which applicable channel bandwidths is specified in Table 5.5A.1-1 and SCS is specified in Table 5.3.5-1 for each NR band.

NOTE 3: When the signalled DC carrier position is at Inner_1RB_Left, use Inner_1RB_Right for UL RB allocation.

NOTE 4: The frequencies of PCC and SCC shall be switched and tested in each configuration.

1. Connect the SS to the UE antenna connectors as shown in TS 38.508-1 [5] Annex A, in Figure 3.1.1.3 for TE diagram and section A.3.2 for UE diagram.
2. The parameter settings for the cell are set up according to TS 38.508-1 [5] subclause 4.4.3.
3. Downlink signals for PCC are initially set up according to Annex C.0, C.1, C.2 and uplink signals according to Annex G.0, G.1, G.2, G.3.0.
4. The UL Reference Measurement channels are set according to Table 6.4A.2.2.1.4.1-1 and 6.4A.2.2.1.4.1-2.
5. Propagation conditions are set according to Annex B.0.
6. Ensure the UE is in state RRC_CONNECTED with generic procedure parameters Connectivity NR, Connected without release On, Test Mode On and Test Loop Function On according to TS 38.508-1 [5] clause 4.5. Message contents are defined in clause 6.4A.2.2.1.4.3.

6.4A.2.2.1.4.2 Test procedure

1. Configure SCC according to Annex C.0, C.1, C.2 for all downlink physical channels.
2. The SS shall configure SCC as per TS 38.508-1 [5] clause 5.5.1. Message contents are defined in clause 6.4A.2.2.1.4.3.
3. SS activates SCC by sending the activation MAC CE (Refer TS 38.321 [18], clauses 5.9, 6.1.3.10). Wait for at least 2 seconds (Refer TS 38.133 [19], clause 9.3).
4. SS sends uplink scheduling information for each UL HARQ process via PDCCH DCI format 0_1 for C_RNTI to schedule the UL RMC according to Table 6.4A.2.2.1.4.1-1 for inter-band CA and table 6.4A.2.2.1.4.1-2 for intra-band contiguous CA. Since the UE has no payload and no loopback data to send the UE sends uplink MAC padding bits on the UL RMC.
5. Send uplink power control commands to the UE using 1dB power step size to ensure that the UE output power measured by the test system is within the Uplink power control window, defined as +MU to +(MU + Uplink power control window size) dB of the target power level 10 dBm, where:
 - MU is the test system uplink power measurement uncertainty and is specified in Table F.1.2-1 for the carrier frequency f and the channel bandwidth BW.
 - Uplink power control window size = 1dB (UE power step size) + 0.7dB (UE power step tolerance) + (Test system relative power measurement uncertainty), where, the UE power step tolerance is specified in TS 38.101-1 [2], Table 6.3.4.3-1 and is 0.7dB for 1dB power step size, and the Test system relative power measurement uncertainty is specified in Table F.1.2-1.
6. Measure carrier leakage using Global In-Channel Tx-Test (Annex E). For TDD slots with transient periods are not under test.
7. Send uplink power control commands to the UE using 1dB power step size to ensure that the UE output power measured by the test system is within the Uplink power control window, defined as +MU to +(MU + Uplink power control window size) dB of the target power level 0 dBm, where MU and Uplink power control window size are defined above.
8. Measure carrier leakage on PCC using Global In-Channel Tx-Test (Annex E). For TDD slots with transient periods are not under test.
9. Send uplink power control commands to the UE using 1dB power step size to ensure that the UE output power measured by the test system is within the Uplink power control window, defined as +MU to +(MU + Uplink power control window size) dB of the target power level -30 dBm, where MU and Uplink power control window size are defined above.

10. Measure carrier leakage on PCC using Global In-Channel Tx-Test (Annex E). For TDD slots with transient periods are not under test.
11. Send uplink power control commands to the UE using 1dB power step size to ensure that the UE output power measured by the test system is within the Uplink power control window, defined as +MU to +(MU + Uplink power control window size) dB of the target power level Pmin, where MU and Uplink power control window size are defined above, and Pmin is the minimum output power according to Table 6.3.1.3-1.
12. Measure carrier leakage on PCC using Global In-Channel Tx-Test (Annex E). For TDD slots with transient periods are not under test.

NOTE 1: When switching to DFT-s-OFDM waveform, as specified in the test configuration table 6.5.2.2.4.1-1, send an NR RRCReconfiguration message according to TS 38.508-1 [5] clause 4.6.3 Table 4.6.3-118 PUSCH-Config with TRANSFORM_PRECODER_ENABLED condition.

NOTE2: The purpose of the Uplink power control window is to ensure that the actual UE output power is no less than the target power level, and as close as possible to the target power level. The relationship between the Uplink power control window, the target power level and the corresponding possible actual UE Uplink power window is illustrated in Annex F.4.2.

Table 6.4A.2.2.1.4.2-1: Void

Table 6.4A.2.2.1.4.2-2: Void

6.4A.2.2.1.4.3 Message contents

Message contents are according to TS 38.508-1 [5] subclause 4.6.

6.4A.2.2.1.5 Test requirement

Each of the [20] carrier leakage results, derived in Annex E.3.1, shall not exceed the values in table 6.4A.2.2.1.5-1. Allocated RBs are not under test.

Table 6.4A.2.2.1.5-1: Test requirements for Carrier Leakage

LO Leakage	Parameters UE output power	Relative limit (dBc)
	10 + MU to 10 + (MU + Uplink power control window size) dBm	-28+TT
	0 + MU to 0 + (MU + Uplink power control window size) dBm	-25+TT
	-30 + MU to -30 + (MU + Uplink power control window size) dBm	-20+TT
	Pmin + MU to Pmin + (MU + Uplink power control window size) dBm	-10+TT
<p>NOTE 1: The measurement bandwidth is 1 RB and the limit is expressed as a ratio of measured power in one non-allocated RB to the measured total power in all allocated RBs.</p> <p>NOTE 2: The applicable frequencies for this limit depend on the parameter <i>txDirectCurrentLocation</i> in <i>UplinkTxDirectCurrent</i> IE, and are those that are enclosed in the RBs containing the carrier leakage frequency, or in the two RBs immediately adjacent to the carrier leakage frequency but excluding any allocated RB.</p> <p>NOTE 3: N_{RB} is the Transmission Bandwidth Configuration (see Section 5.3).</p> <p>NOTE 4: Void</p> <p>NOTE 5: MU is the test system uplink power measurement uncertainty and is specified in Table F.1.2-1 for the carrier frequency <i>f</i> and the channel bandwidth BW.</p> <p>NOTE 6: Uplink power control window size = 1dB (UE power step size) + 0.7dB (UE power step tolerance) + (Test system relative power measurement uncertainty), where, the UE power step tolerance is specified in TS 38.101-1 [2], Table 6.3.4.3-1 and is 0.7dB for 1dB power step size, and the Test</p>		

system relative power measurement uncertainty is specified in Table F.1.2-1.
 NOTE 7: P_{min} is the minimum output power according to Table 6.3.1.3-1.

Table 6.4A.2.2.1.5-2: Test Tolerance for Carrier Leakage

	$f \leq 3.0\text{GHz}$	$3.0\text{GHz} < f \leq 6\text{GHz}$
BW $\leq 40\text{MHz}$	0.8dB	0.8dB
$40\text{MHz} < \text{BW} \leq 100\text{MHz}$	0.8dB	0.8dB

6.4A.2.3 In-band emissions for CA

6.4A.2.3.0 Minimum conformance requirements

For inter-band carrier aggregation with uplink assigned to two NR bands, the requirements shall apply on each component carrier as defined in clause 6.4.2 with all component carriers active.

The requirements in Table 6.4A.2.3.0-1 apply with PCC and SCC in the UL configured and activated: PCC with PRB allocation and SCC without PRB allocation and without CSI reporting and SRS configured.

Table 6.4A.2.3.0-1: Inter band CA Requirements for in-band emissions

Parameter description	Unit	Limit (NOTE 1)		Applicable Frequencies
General	dB	$\max \left\{ -25 - 10 \cdot \log_{10} (N_{RB} / L_{CRB}), \right.$ $20 \cdot \log_{10} EVM - 3 - 5 \cdot (\Delta_{RB} - 1) / L_{CRB},$ $\left. -57 \text{ dBm} + 10 \log_{10} (SCS / 15 \text{ kHz}) - P_{RB} \right\}$		Any non-allocated (NOTE 2)
IQ Image	dB	-28	Image frequencies when output power > 10 dBm	Image frequencies (NOTES 2, 3)
		-25	Image frequencies when output power ≤ 10 dBm	
Carrier leakage	dBc	-28	Output power > 10 dBm	Carrier leakage frequency (NOTES 4, 5)
		-25	$0 \text{ dBm} \leq \text{Output power} \leq 10 \text{ dBm}$	
		-20	$-30 \text{ dBm} \leq \text{Output power} \leq 0 \text{ dBm}$	
		-10	$-40 \text{ dBm} \leq \text{Output power} < -30 \text{ dBm}$	
NOTE 1: An in-band emissions combined limit is evaluated in each non-allocated RB. For each such RB, the minimum requirement is calculated as the higher of $P_{RB} - 30$ dB and the power sum of all limit values (General, IQ Image or Carrier leakage) that apply. P_{RB} is defined in NOTE 10. NOTE 2: The measurement bandwidth is 1 RB and the limit is expressed as a ratio of measured power in one non-allocated RB to the measured average power per allocated RB, where the averaging is done across all allocated RBs. NOTE 3: The applicable frequencies for this limit are those that are enclosed in the reflection of the allocated bandwidth, based on symmetry with respect to the carrier leakage frequency, but excluding any allocated RBs. NOTE 4: The measurement bandwidth is 1 RB and the limit is expressed as a ratio of measured power in one non-allocated RB to the measured total power in all allocated RBs. NOTE 5: The applicable frequencies for this limit depend on the parameter <i>txDirectCurrentLocation</i> in <i>UplinkTxDirectCurrent</i> IE, and are those that are enclosed either in the RBs containing the carrier leakage frequency, or in the two RBs immediately adjacent to the carrier leakage frequency but excluding any allocated RB. NOTE 6: L_{CRB} is the Transmission Bandwidth (see Section 5.3). NOTE 7: N_{RB} is the Transmission Bandwidth Configuration (see Section 5.3). NOTE 8: EVM is the limit specified in Table 6.4A.2.3.1.3-1 for the modulation format used in the allocated RBs. NOTE 9: Δ_{RB} is the starting frequency offset between the allocated RB and the measured non-allocated RB (e.g. $\Delta_{RB} = 1$ or $\Delta_{RB} = -1$ for the first adjacent RB outside of the allocated bandwidth). NOTE 10: P_{RB} is the transmitted power normalized by the number of allocated RBs, measured in dBm.				

For intra-band contiguous carrier aggregation, the requirements in Table 6.4A.2.3.0-2 and 6.4A.2.3.0-3 apply within the aggregated transmission bandwidth configuration with both component carrier (s) active and one single contiguous PRB allocation of bandwidth L_{CRB} at the edge of the aggregated transmission bandwidth configuration.

The in band emission is defined as the interference falling into the non-allocated resource blocks for all component carriers. The measurement method for the inland emissions in the component carrier with PRB allocation is specified in annex E.4.3. For a non-allocated component carrier a spectral measurement is specified.

Table 6.4A.2.3.0-2: Minimum requirements for in-band emissions (allocated component carrier)

Parameter	Unit	Limit		Applicable Frequencies
General	dB	$\max \left\{ -25 - 10 \cdot \log_{10} (N_{RB} / L_{CRB}), \right.$ $20 \cdot \log_{10} EVM - 3 - 5 \cdot (\Delta_{RB} - 1) / L_{CRB},$ $\left. -57 \text{ dBm} + 10 \log_{10} (SCS / 15 \text{ kHz}) - \overline{P_{RB}} \right\}$		Any non-allocated (NOTE 2)
IQ Image	dB	-28	Output power > 10 dBm	Image frequencies (NOTE 3)
		-25	0 ≤ Output power ≤ 10 dBm	
Carrier leakage	dBc	-28	Output power > 10 dBm	Carrier leakage frequency (NOTE 4,5)
		-25	0 dBm ≤ Output power ≤ 10 dBm	
		-20	-30 dBm ≤ Output power ≤ 0 dBm	
		-10	-40 dBm ≤ Output power < -30 dBm	
<p>NOTE 1: An in-band emissions combined limit is evaluated in each non-allocated RB. For each such RB, the minimum requirement is calculated as the higher of $\overline{P_{RB}} - 30$ dB and the power sum of all limit values (General, IQ Image or Carrier leakage) that apply. $\overline{P_{RB}}$ is defined in NOTE 10. The limit is evaluated in each non-allocated RB.</p> <p>NOTE 2: The measurement bandwidth is 1 RB and the limit is expressed as a ratio of measured power in one non-allocated RB to the measured average power per allocated RB, where the averaging is done across all allocated RBs</p> <p>NOTE 3: The applicable frequencies for this limit are those that are enclosed in the reflection of the allocated bandwidth, based on symmetry with respect to the carrier leakage frequency, but excluding any allocated RBs.</p> <p>NOTE 4: Exceptions to the general limit are allowed for up to two contiguous non-allocated RBs. The measurement bandwidth is 1 RB and the limit is expressed as a ratio of measured power in the non-allocated RB to the measured total power in all allocated RBs.</p> <p>NOTE 5: The applicable frequencies for this limit are those that are enclosed either in the RB containing the carrier leakage frequency, or in the two RBs immediately adjacent to the carrier leakage frequency but excluding any allocated RB. Carrier leakage frequency is indicated by the UE as described in clause 6.4A.2.1.0. When only one uplink carrier is activated, the applicable LO leakage frequency follow definition in clause 6.4.2.</p> <p>NOTE 6: L_{CRE} is the Transmission Bandwidth (see clause 5.3) not exceeding $\lfloor N_{RB}/2-1 \rfloor$.</p> <p>NOTE 7: N_{RB} is the Transmission Bandwidth Configuration (see clause 5.3) of the component carrier with RBs allocated.</p> <p>NOTE 8: EVM is the limit specified in Table 6.4.2.1-1 for the modulation format used in the allocated RBs.</p> <p>NOTE 9: Δ_{RB} is the starting frequency offset between the allocated RB and the measured non-allocated RB (e.g. $\Delta_{RB} = 1$ or $\Delta_{RB} = -1$ for the first adjacent RB outside of the allocated bandwidth).</p> <p>NOTE 10: $\overline{P_{RB}}$ is an average of the transmitted power over 10 sub-frames normalized by the number of allocated RBs, measured in dBm.</p>				

Table 6.4A.2.3.0-3: Minimum requirements for in-band emissions (not allocated component carrier)

Parameter	Unit	Meas BW NOTE 1	Limit	remark	Applicable Frequencies
-----------	------	----------------	-------	--------	------------------------

General	dB	BW of 1 RB	$\max \left\{ -25 - 10 \cdot \log_{10} (N_{RB} / L_{CRB}), \right.$ $20 \cdot \log_{10} EVM - 3 - 5 \cdot (\Delta_{RB} - 1) / L_{CRB},$ $\left. -57 \text{ dBm} + 10 \log_{10} (SCS / 15 \text{ kHz}) - \overline{P_{RB}} \right\}$		The reference value is the average power per allocated RB in the allocated component carrier	Any RB in the non-allocated component carrier. The frequency raster of the RBs is derived when this component carrier is allocated with RBs
IQ Image	dB	BW of 1 RB	NOTE 2		The reference value is the average power per allocated RB in the allocated component carrier	Image frequencies (NOTES 6,7) If UE does not indicate exact frequency for carrier leakage, this requirement does not apply.
			-28	Output power > 10 dBm		
			-25	0 ≤ Output power ≤ 10 dBm		
Carrier leakage	dBc	BW of 1 RB	NOTE 3		The reference value is the total power of the allocated RBs in the allocated component carrier	The frequencies of the up to 2 non-allocated RBs are indicated with IE <i>UplinkTxDirectCurrentMoreCarrierList-r17</i> . If UE does not indicate exact frequency for carrier leakage, this requirement does not apply.
			-28	Output power > 10 dBm		
			-25	0 dBm ≤ Output power ≤ 10 dBm		
			-20	-30 dBm ≤ Output power ≤ 0 dBm		
			-10	-40 dBm ≤ Output power < -30 dBm		

NOTE 1: Resolution BWs smaller than the measurement BW may be integrated to achieve the measurement bandwidth.

NOTE 2: Exceptions to the general limit are allowed for up to $L_{CRE}+1$ RBs within a contiguous width of $L_{CRE}+1$ non-allocated RBs.

NOTE 3: Two Exceptions to the general limit are allowed for up to two contiguous non-allocated RBs

NOTE 4: NOTES 1, 5, 6, 7, 8, 9 from Table 6.4A.2.1.1-1 apply for Table 6.4A.2.1.2-2 as well.

NOTE 5: Δ_{RB} for measured non-allocated RB in the non-allocated component carrier may take non-integer values when the carrier spacing between the CCs is not a multiple of RB.

NOTE 6: The applicable frequencies for this limit are those that are enclosed in the reflection of the allocated bandwidth, based on symmetry with respect to the carrier leakage frequency, but excluding any allocated RBs

NOTE 7: The measurement bandwidth is 1 RB and the limit is expressed as a ratio of measured power in one non-allocated RB to the measured average power per allocated RB, where the averaging is done across all allocated RBs.

For intra-band non-contiguous carrier aggregation the requirements for in-band emissions are defined for each component carrier. Requirements defined in clause 6.4.2.3 only apply with PRB allocation in one of the component carriers.

When signalling for dualPA-Architecture IE is absent, carrier leakage or I/Q image may land inside the gap spectrum between 2 UL CCs.

For intra-band non-contiguous CA, the IQ image requirement is defined with the applicable frequencies based on symmetry with respect to the carrier leakage frequency, but excluding any allocated RBs.

The normative reference for this requirement is TS 38.101-1 [2] clause 6.4A.2.

6.4A.2.3.1 In-band emissions for CA (2UL CA)

6.4A.2.3.1.1 Test purpose

The in-band emissions are a measure of the interference falling into the non-allocated resources blocks.

For an allocated component carrier, the in-band emission is defined as the average across 12 sub-carrier and as a function of the RB offset from the edge of the allocated UL transmission bandwidth. The in-band emission is measured as the ratio of the UE output power in a non-allocated RB to the UE output power in an allocated RB. The basic in-band emissions measurement interval is defined over one slot in the time domain; however, the minimum requirement applies when the in-band emission measurement is averaged over 10 sub-frames. When the PUSCH or PUCCH transmission slot is shortened due to multiplexing with SRS, the in-band emissions measurement interval is reduced by one or more symbols, accordingly.

For a non-allocated component carrier a spectral measurement is specified.

6.4A.2.3.1.2 Test applicability

This test case applies to all types of NR UE release 15 and forward that supports 2UL CA.

6.4A.2.3.1.3 Minimum conformance requirements

The minimum conformance requirements are defined in clause 6.4A.2.3.0.

6.4A.2.3.1.4 Test description

6.4A.2.3.1.4.1 Initial condition

Initial conditions are a set of test configurations the UE needs to be tested in and the steps for the SS to take with the UE to reach the correct measurement state.

The initial test configurations consist of environmental conditions, test frequencies, test channel bandwidths and sub-carrier spacing based on NR CA configuration specified in clause 5.5A. All of these configurations shall be tested with applicable test parameters for each CA configuration, and are shown in Table 6.4A.2.3.1.4.1-1 to Table 6.4A.2.3.1.4.1-3 as appropriate. The details of the uplink and downlink reference measurement channels (RMCs) are specified in Annexes A.2 and A.3. Configurations of PDSCH and PDCCH before measurement are specified in Annex C.2.

Table 6.4A.2.3.1.4.1-1: Test Configuration Table for inter-band UL CA

Initial Conditions				
Test Environment as specified in TS 38.508-1 [5] subclause 4.1		Normal		
Test Frequencies as specified in TS 38.508-1 [5] subclause 4.3.1.1.3 for inter band CA in FR1		Low range for PCC and SCC High range for PCC and SCC		
Test Channel Bandwidths as specified in TS 38.508-1 [5] subclause 4.3.1		Lowest N_{RB_agg} for both PCC and SCC Highest N_{RB_agg} for both PCC and SCC		
Test SCS as specified in Table 5.3.5-1		Smallest supported SCS per Channel Bandwidth		
Test Parameters				
Test ID	Downlink Configuration	Uplink Configuration		
		Modulation	RB allocation (NOTE 1)	
			PCC	SCC
1	N/A	DFT-s-OFDM QPSK	Inner_1RB_Left	0
2		DFT-s-OFDM QPSK	Inner_1RB_Right	0

3		CP-OFDM QPSK	Inner_1RB_Left	0
4		CP-OFDM QPSK	Inner_1RB_Right	0
NOTE 1: The specific configuration of each RB allocation is defined in Table 6.1-1.				
NOTE 2: Test Channel Bandwidths are checked separately for each NR band, which applicable channel bandwidths are specified in Table 5.5A.3.1-1.				
NOTE 3: The frequencies of PCC and SCC shall be switched and tested in each configuration.				

Table 6.4A.2.3.1.4.1-2: Test Configuration Table for intra-band contiguous UL CA

Initial Conditions				
Test Environment as specified in TS 38.508-1 [5] subclause 4.1		Normal		
Test Frequencies as specified in TS 38.508-1 [5] subclause 4.3.1.1.3 for inter band CA in FR1		Low range, High range		
Test Channel Bandwidths as specified in TS 38.508-1 [5] subclause 4.3.1		Lowest N_{RB_agg} , Highest N_{RB_agg}		
Test SCS as specified in Table 5.3.5-1		Lowest		
Test Parameters				
Test ID	Downlink Configuration	Uplink Configuration		
		Modulation	RB allocation (NOTE 1)	
			PCC	SCC
1 ³	N/A	DFT-s-OFDM QPSK	Edge_Full_Left	0
2 ⁴		DFT-s-OFDM QPSK	Edge_Full_Right	0
3 ³		CP-OFDM QPSK	Edge_Full_Left	0
4 ⁴		CP-OFDM QPSK	Edge_Full_Right	0
NOTE 1: The specific configuration of each RB allocation is defined in Table 6.1-1.				
NOTE 2: Test Channel Bandwidths are checked separately for each NR band, which applicable channel bandwidths are specified in Table 5.5A.1-1.				
NOTE 3: The component carrier with lower centre frequency is PCC.				
NOTE 4: The component carrier with higher centre frequency is PCC.				

Table 6.4A.2.3.1.4.1-3: Test Configuration Table for intra-band non-contiguous UL CA

Initial Conditions				
Test Environment as specified in TS 38.508-1 [5] subclause 4.1		Normal		
Test Frequencies as specified in TS 38.508-1 [5] subclause 4.3.1.1.3 for inter band CA in FR1		Low range and High range test frequencies as specified in tables for non-contiguous CA configuration with UL CA		
Test Channel Bandwidths as specified in TS 38.508-1 [5] subclause 4.3.1		Lowest N_{RB_agg} , Highest N_{RB_agg}		
Test SCS as specified in Table 5.3.5-1		Lowest		
Test Parameters				
Test ID	Downlink Configuration	Uplink Configuration		
		Modulation	RB allocation (NOTE 1)	
			PCC	SCC
1	N/A	DFT-s-OFDM QPSK	Inner_1RB_Left	0
2		DFT-s-OFDM QPSK	Inner_1RB_Right	0
3		CP-OFDM QPSK	Inner_1RB_Left	0
4		CP-OFDM QPSK	Inner_1RB_Right	0
NOTE 1: The specific configuration of each RB allocation is defined in Table 6.1-1.				
NOTE 2: Test Channel Bandwidths are checked separately for each NR band, which applicable channel bandwidths are specified in Table 5.5A.1-1.				

1. Connect the SS to the UE antenna connectors as shown in TS 38.508-1 [5] Annex A, in Figure A.3.1.1.3 for TE diagram and section A.3.2 for UE diagram.
2. The parameter settings for the cell are set up according to TS 38.508-1 [5] subclause 4.4.3.
3. Downlink signals for PCC are initially set up according to Annex C.0, C.1, C.2, and uplink signals according to Annex G.0, G.1, G.2, G.3.0.

4. The UL Reference Measurement channels are set according to Tables 6.4A.2.3.1.4.1-1 to 6.4A.2.3.1.4.1-3 as appropriate.
5. Propagation conditions are set according to Annex B.0.
6. Ensure the UE is in state RRC_CONNECTED with generic procedure parameters Connectivity *NR*, Connected without release *On*, Test Mode *On* and Test Loop Function *On* according to TS 38.508-1 [5] clause 4.5. Message contents are defined in clause 6.4A.2.3.1.4.3.

6.4A.2.3.1.4.2 Test procedure

1. Configure SCC according to Annex C.0, C.1, C.2 for all downlink physical channels.
2. The SS shall configure SCC as per TS 38.508-1 [5] clause 5.5.1. Message contents are defined in clause 6.4A.2.3.1.4.3.
3. SS activates SCC by sending the activation MAC CE (Refer TS 38.321 [18], clauses 5.9, 6.1.3.10). Wait for at least 2 seconds (Refer TS 38.133[19], clause 9.3).
4. SS sends uplink scheduling information for each UL HARQ process via PDCCH DCI format 0_1 for C_RNTI to schedule the UL RMC according to Table 6.4A.2.3.1.4.1-1 to 6.4A.2.3.1.4.1-3 as appropriate. Since the UE has no payload and no loopback data to send the UE sends uplink MAC padding bits on the UL RMC.
5. Send uplink power control commands to the UE using 1dB power step size to ensure that the UE output power measured by the test system is within the Uplink power control window, defined as +MU to +(MU + Uplink power control window size) dB of the target power level 10 dBm, where:
 - MU is the test system uplink power measurement uncertainty and is specified in Table F.1.2-1 for the carrier frequency f and the channel bandwidth BW.
 - Uplink power control window size = 1dB (UE power step size) + 0.7dB (UE power step tolerance) + (Test system relative power measurement uncertainty), where, the UE power step tolerance is specified in TS 38.101-1 [2], Table 6.3.4.3-1 and is 0.7dB for 1dB power step size, and the Test system relative power measurement uncertainty is specified in Table F.1.2-1.
6. Measure In-band emission on PCC using Global In-Channel Tx-Test (Annex E). Measure power spectral density on the SCC. For TDD slots with transient periods are not under test.
7. Send uplink power control commands to the UE using 1dB power step size to ensure that the UE output power measured by the test system is within the Uplink power control window, defined as +MU to +(MU + Uplink power control window size) dB of the target power level 0 dBm, where MU and Uplink power control window size are defined above.
8. Measure In-band emission on PCC using Global In-Channel Tx-Test (Annex E). Measure power spectral density on the SCC. For TDD slots with transient periods are not under test.
9. Send uplink power control commands to the UE using 1dB power step size to ensure that the UE output power measured by the test system is within the Uplink power control window, defined as +MU to +(MU + Uplink power control window size) dB of the target power level -30 dBm, where MU and Uplink power control window size are defined above.
10. Measure In-band emission on PCC using Global In-Channel Tx-Test (Annex E). Measure power spectral density on the SCC. For TDD slots with transient periods are not under test.
11. Send uplink power control commands to the UE using 1dB power step size to ensure that the UE output power measured by the test system is within the Uplink power control window, defined as +MU to +(MU + Uplink power control window size) dB of the target power level P_{min} , where MU and Uplink power control window size are defined above, and P_{min} is the minimum output power according to Table 6.3.1.3-1.
12. Measure In-band emission on PCC using Global In-Channel Tx-Test (Annex E). Measure power spectral density on the SCC. For TDD slots with transient periods are not under test.

NOTE 1: When switching to DFT-s-OFDM waveform, as specified in the test configuration table 6.5.2.2.4.1-1, send an NR RRCReconfiguration message according to TS 38.508-1 [5] clause 4.6.3 Table 4.6.3-118 PUSCH-Config with TRANSFORM_PRECODER_ENABLED condition.

NOTE2: The purpose of the Uplink power control window is to ensure that the actual UE output power is no less than the target power level, and as close as possible to the target power level. The relationship between the Uplink power control window, the target power level and the corresponding possible actual UE Uplink power window is illustrated in Annex F.4.2.

Table 6.4A.2.3.1.4.2-1: Void

Table 6.4A.2.3.1.4.2-2: Void

6.4A.2.3.1.4.3 Message contents

Message contents are according to TS 38.508-1 [5] subclause 4.6.

6.4A.2.3.1.5 Test requirement

The averaged In-band emission result, derived in Annex E.4.3, shall not exceed the corresponding values in Table 6.4A.2.3.1.5-1 and 6.4A.2.3.1.5-1a. n is 10 for 15kHz SCS, 20 for 30kHz SCS and 40 for 60kHz SCS..

Table 6.4A.2.3.1.5-1: Test requirements for in-band emissions for Inter-band CA and Intra-band non-contiguous CA

Parameter description	Unit	Limit (NOTE 1)		Applicable Frequencies
General	dB	$\max \left\{ -25 - 10 \cdot \log_{10} (N_{RB} / L_{CRB}), \right.$ $20 \cdot \log_{10} EVM - 3 - 5 \cdot (\Delta_{RB} - 1) / L_{CRB},$ $\left. -57 \text{ dBm} + 10 \log_{10} (SCS / 15 \text{ kHz}) - P_{RB} \right\} + TT$		Any non-allocated (NOTE 2)
IQ Image	dB	-28+TT	Image frequencies when output power > 10 dBm	Image frequencies (NOTES 2, 3)
		-25+TT	Image frequencies when output power ≤ 10 dBm	
Carrier leakage	dBc	-28+TT	Output power > 10 dBm	Carrier leakage frequency (NOTES 4, 5)
		-25+TT	0 dBm ≤ Output power ≤ 10 dBm	
		-20+TT	-30 dBm ≤ Output power ≤ 0 dBm	
		-10+TT	-40 dBm ≤ Output power < -30 dBm	
<p>NOTE 1: An in-band emissions combined limit is evaluated in each non-allocated RB. For each such RB, the minimum requirement is calculated as the higher of $P_{RB} - 30$ dB and the power sum of all limit values (General, IQ Image or Carrier leakage) that apply. P_{RB} is defined in NOTE 10.</p> <p>NOTE 2: The measurement bandwidth is 1 RB and the limit is expressed as a ratio of measured power in one non-allocated RB to the measured average power per allocated RB, where the averaging is done across all allocated RBs.</p> <p>NOTE 3: The applicable frequencies for this limit are those that are enclosed in the reflection of the allocated bandwidth, based on symmetry with respect to the carrier leakage frequency, but excluding any allocated RBs.</p> <p>NOTE 4: The measurement bandwidth is 1 RB and the limit is expressed as a ratio of measured power in one non-allocated RB to the measured total power in all allocated RBs.</p> <p>NOTE 5: The applicable frequencies for this limit depend on the parameter <i>txDirectCurrentLocation</i> in <i>UplinkTxDirectCurrent</i> IE, and are those that are enclosed either in the RBs containing the carrier leakage frequency, or in the two RBs immediately adjacent to the carrier leakage frequency but excluding any allocated RB.</p> <p>NOTE 6: L_{CRB} is the Transmission Bandwidth (see Section 5.3).</p> <p>NOTE 7: N_{RB} is the Transmission Bandwidth Configuration (see Section 5.3).</p> <p>NOTE 8: EVM is the limit specified in Table 6.4.2.1.3-1 for the modulation format used in the allocated RBs.</p> <p>NOTE 9: Δ_{RB} is the starting frequency offset between the allocated RB and the measured non-allocated RB (e.g. $\Delta_{RB} = 1$ or $\Delta_{RB} = -1$ for the first adjacent RB outside of the allocated bandwidth).</p> <p>NOTE 10: P_{RB} is the transmitted power normalized by the number of allocated RBs, measured in dBm.</p>				

Table 6.4A.2.3.1.5-1a: Test requirements for in-band emissions for intra-band contiguous CA (allocated component carrier)

Parameter	Unit	Limit	Applicable Frequencies
-----------	------	-------	------------------------

General	dB	$\max \left\{ -25 - 10 \cdot \log_{10} (N_{RB} / L_{CRB}), \right.$ $20 \cdot \log_{10} EVM - 3 - 5 \cdot (\Delta_{RB} - 1) / L_{CRB}, \quad +TT$ $\left. - 57 \text{ dBm} + 10 \log_{10} (SCS / 15 \text{ kHz}) - \overline{P_{RB}} \right\}$		Any non-allocated (NOTE 2)
IQ Image	dB	-28+TT	Output power > 10 dBm	Image frequencies (NOTE 3)
		-25+TT	0 ≤ Output power ≤ 10 dBm	
Carrier leakage	dBc	-28+TT	Output power > 10 dBm	Carrier leakage frequency (NOTE 4,5)
		-25+TT	0 dBm ≤ Output power ≤ 10 dBm	
		-20+TT	-30 dBm ≤ Output power ≤ 0 dBm	
		-10+TT	-40 dBm ≤ Output power < -30 dBm	
<p>NOTE 1: An in-band emissions combined limit is evaluated in each non-allocated RB. For each such RB, the minimum requirement is calculated as the higher of $\overline{P_{RB}} - 30$ dB and the power sum of all limit values (General, IQ Image or Carrier leakage) that apply. $\overline{P_{RB}}$ is defined in NOTE 10. The limit is evaluated in each non-allocated RB.</p> <p>NOTE 2: The measurement bandwidth is 1 RB and the limit is expressed as a ratio of measured power in one non-allocated RB to the measured average power per allocated RB, where the averaging is done across all allocated RBs</p> <p>NOTE 3: The applicable frequencies for this limit are those that are enclosed in the reflection of the allocated bandwidth, based on symmetry with respect to the carrier leakage frequency, but excluding any allocated RBs.</p> <p>NOTE 4: Exceptions to the general limit are allowed for up to two contiguous non-allocated RBs. The measurement bandwidth is 1 RB and the limit is expressed as a ratio of measured power in the non-allocated RB to the measured total power in all allocated RBs.</p> <p>NOTE 5: The applicable frequencies for this limit are those that are enclosed either in the RB containing the carrier leakage frequency, or in the two RBs immediately adjacent to the carrier leakage frequency but excluding any allocated RB. Carrier leakage frequency is indicated by the UE as described in clause 6.4A.2.1.0. When only one uplink carrier is activated, the applicable LO leakage frequency follow definition in clause 6.4.2.</p> <p>NOTE 6: L_{CRE} is the Transmission Bandwidth (see clause 5.3) not exceeding $\lfloor N_{RB}/2-1 \rfloor$.</p> <p>NOTE 7: N_{RB} is the Transmission Bandwidth Configuration (see clause 5.3) of the component carrier with RBs allocated.</p> <p>NOTE 8: EVM is the limit specified in Table 6.4.2.1-1 for the modulation format used in the allocated RBs.</p> <p>NOTE 9: Δ_{RB} is the starting frequency offset between the allocated RB and the measured non-allocated RB (e.g. $\Delta_{RB} = 1$ or $\Delta_{RB} = -1$ for the first adjacent RB outside of the allocated bandwidth).</p> <p>NOTE 10: $\overline{P_{RB}}$ is an average of the transmitted power over 10 sub-frames normalized by the number of allocated RBs, measured in dBm.</p>				

Table 6.4A.2.3.1.5-1b: Test requirements for in-band emissions for intra-band contiguous CA (not allocated component carrier)

Parameter	Unit	Meas BW NOTE 1	Limit	remark	Applicable Frequencies
General	dB	BW of 1 RB	$\max \left\{ -25 - 10 \cdot \log_{10} (N_{RB} / L_{CRB}), \right.$ $20 \cdot \log_{10} EVM - 3 - 5 \cdot (\Delta_{RB} - 1) / L_{CRB}, \quad +TT$ $\left. - 57 \text{ dBm} + 10 \log_{10} (SCS / 15 \text{ kHz}) - \overline{P_{RB}} \right\}$	The reference value is the average power per allocated RB in the allocated component carrier	Any RB in the non-allocated component carrier. The frequency raster of the RBs is derived when this component carrier is allocated with RBs
IQ Image	dB	BW of 1 RB	NOTE 2	The reference value is the average power per	Image frequencies (NOTES 6,7) If UE does not indicate exact

				allocated RB in the allocated component carrier	frequency for carrier leakage, this requirement does not apply.
			-28+TT	Output power > 10 dBm	
			-25+TT	0 ≤ Output power ≤ 10 dBm	
Carrier leakage	dBc	BW of 1 RB	NOTE 3		The reference value is the total power of the allocated RBs in the allocated component carrier
			-28+TT	Output power > 10 dBm	The frequencies of the up to 2 non-allocated RBs are indicated with IE <i>UplinkTxDirectCurrentMoreCarrierList-r17</i> . If UE does not indicate exact frequency for carrier leakage, this requirement does not apply.
			-25+TT	0 dBm ≤ Output power ≤ 10 dBm	
			-20+TT	-30 dBm ≤ Output power ≤ 0 dBm	
			-10+TT	-40 dBm ≤ Output power < -30 dBm	
<p>NOTE 1: Resolution BWs smaller than the measurement BW may be integrated to achieve the measurement bandwidth.</p> <p>NOTE 2: Exceptions to the general limit are allowed for up to $L_{CRE}+1$ RBs within a contiguous width of $L_{CRE}+1$ non-allocated RBs.</p> <p>NOTE 3: Two Exceptions to the general limit are allowed for up to two contiguous non-allocated RBs</p> <p>NOTE 4: NOTES 1, 5, 6, 7, 8, 9 from Table 6.4A.2.1.1-1 apply for Table 6.4A.2.1.2-2 as well.</p> <p>NOTE 5: Δ_{RB} for measured non-allocated RB in the non-allocated component carrier may take non-integer values when the carrier spacing between the CCs is not a multiple of RB.</p> <p>NOTE 6: The applicable frequencies for this limit are those that are enclosed in the reflection of the allocated bandwidth, based on symmetry with respect to the carrier leakage frequency, but excluding any allocated RBs</p> <p>NOTE 7: The measurement bandwidth is 1 RB and the limit is expressed as a ratio of measured power in one non-allocated RB to the measured average power per allocated RB, where the averaging is done across all allocated RBs.</p>					

Table 6.4A.2.3.1.5-2: Test Tolerance for In-band emission

	f ≤ 3.0GHz	3.0GHz < f ≤ 6GHz
BW ≤ 40MHz	0.8dB	0.8dB
40MHz < BW ≤ 100MHz	0.8dB	0.8dB
100MHz < BW ≤ 200MHz	TBD	TBD

6.4B Transmit signal quality for NR-DC

For inter-band NR-DC with one uplink carrier assigned per NR band, the transmit signal quality for the corresponding inter-band CA configuration as specified in clause 6.4A applies.

Note: For NR-DC testing, replace CA by NR-DC, PCC by PCell, and SCC by PSCell in clause 6.4A.

6.4B.1 Frequency error for NR-DC

For inter-band dual connectivity, the frequency error for the corresponding inter-band CA configuration as specified in clause 6.4A.1 applies.

Note: For NR-DC testing, replace CA by NR-DC, PCC by PCell, and SCC by PSCell in clause 6.4A.1.

6.4B.2 Transmit modulation quality for NR-DC

For inter-band dual connectivity, the transmit modulation quality for the corresponding inter-band CA configuration as specified in clause 6.4A.2 applies.

Note: For NR-DC testing, replace CA by NR-DC, PCC by PCell, and SCC by PSCell in clause 6.4A.2.

6.4B.2.1 Error Vector Magnitude for NR-DC

For inter-band dual connectivity, the Error Vector Magnitude for the corresponding inter-band CA configuration as specified in clause 6.4A.2.1 applies.

Note: For NR-DC testing, replace CA by NR-DC, PCC by PCell, and SCC by PSCell in clause 6.4A.2.1.

6.4B.2.2 Carrier leakage for NR-DC

For inter-band dual connectivity, the carrier leakage for the corresponding inter-band CA configuration as specified in clause 6.4A.2.2 applies.

Note: For NR-DC testing, replace CA by NR-DC, PCC by PCell, and SCC by PSCell in clause 6.4A.2.2.

6.4B.2.3 In-band emissions for NR-DC

For inter-band dual connectivity, the in-band emissions for the corresponding inter-band CA configuration as specified in clause 6.4A.2.3 applies.

Note: For NR-DC testing, replace CA by NR-DC, PCC by PCell, and SCC by PSCell in clause 6.4A.2.3.

6.4C Transmit signal quality for SUL

6.4C.1 Frequency error for SUL

6.4C.1.1 Test purpose

Same test purpose as in clause 6.4.1.1

6.4C.1.2 Test applicability

This test applies to all types of NR UE release 15 and forward that support SUL operating on the SUL bands.

6.4C.1.3 Minimum conformance requirements

For a terminal that supports SUL for the band combination specified in Table 5.2C-1, the current version of the specification assumes the terminal is configured with active transmission either on UL carrier or SUL carrier at any time in one serving cell and the UE requirements for single carrier shall apply for the active UL or SUL carrier accordingly.

The normative reference for this requirement is TS 38.101-1 [2] clauses 4.3 and 6.4.1.

6.4C.1.4 Test description

Same test description as specified in clause 6.4.1.4 with following exceptions:

Instead of table 5.3.5-1 → use Table 5.5C-1.

Instead of table 6.4.1.4.1-1 → use Table 6.4C.1.4-1

Table 6.4C.1.4-1: Test Configuration Table

Initial Conditions					
Test Environment as specified in TS 38.508-1 [5] subclause 4.1		Normal, TL/VL, TL/VH, TH/VL, TH/VH			
Test Frequencies as specified in TS 38.508-1 [5] subclause 4.3.1		Mid range for both SUL carrier and Non-SUL carrier			
Test Channel Bandwidths as specified in TS 38.508-1 [5] subclause 4.3.1		Highest for SUL carrier Lowest for Non-SUL carrier			
Test SCS as specified in Table 5.3.5-1		15kHz for SUL carrier and Lowest supported SCS for Non-SUL carrier			
Test Parameters for Channel Bandwidths					
Test ID	Downlink Configuration		UL Configuration	SUL Configuration	
	Modulation	RB allocation	N/A	Modulation	RB allocation
1	CP-OFDM QPSK	Full RB (NOTE 1)		DFT-s-OFDM QPSK	SUL REFSENS (NOTE 2)
NOTE 1: Full RB allocation shall be used per each SCS and channel BW as specified in Table 7.3.2.4.1-2					
NOTE 2: SUL REFSENS refers to Table 7.3C.2.4.1-1a which defines SUL RB configuration and start RB location for each SCS, channel BW and NR band.					
NOTE 3: For NR band n83, 30MHz test channel bandwidth is tested with Low range test frequency.					

- Connect the SS to the UE antenna connectors as shown in TS 38.508-1 [5] Annex A, Figure A.3.1.1.4 for TE diagram and section A.3.2 for UE diagram.
- The parameter setting for the cell are set up according to the TS 38.508-1 [5] subclause 4.4.3.
- Downlink signals are initially setup according to Annex C.0, C.1, C.2 and uplink signals according to Annex G.0, G.1, G.2, and G.3.0 with consideration of supplementary uplink physical channels.

Message contents in initial conditions are according to TS 38.508-1 [5] subclause 4.3.6.1.1.2 ensuring UL/SUL indicator in Table 4.3.6.1.1.2-1 with condition SUL, subclause 4.6 ensuring Table 4.6.1-28 with condition SUL AND (RF OR RRM), Tables 4.6.3-14 with condition SUL_SUL for SUL carrier, and Table 4.6.3-167 with condition PUSCH_PUCCH_ON_SUL.

Table 6.4C.1.4-1: Void

6.4C.1.5 Test requirement

The 10 frequency error Δf results measured on the SUL carrier must fulfil the test requirement:

$$|\Delta f| \leq (0.1 \text{ PPM} + 15 \text{ Hz})$$

6.4C.2 Transmit modulation quality for SUL

6.4C.2.1 Error Vector Magnitude for SUL

6.4C.2.1.1 Test purpose

Same test purpose as in clause 6.4.2.1

6.4C.2.1.2 Test applicability

This test applies to all types of NR UE release 15 and forward that support SUL operating on the SUL bands.

6.4C.2.1.3 Minimum conformance requirements

For a terminal that supports SUL for the band combination specified in Table 5.2C-1, the current version of the specification assumes the terminal is configured with active transmission either on UL carrier or SUL carrier at any time in one serving cell and the UE requirements for single carrier shall apply for the active UL or SUL carrier accordingly.

The normative reference for this requirement is TS 38.101-1 [2] clauses 4.3and 6.4.2.1.

6.4C.2.1.4 Test description

Same test description as specified in clause 6.4.2.1.4 with following exceptions:

Instead of table 5.3.5-1 → use Table 5.5C-1.

Instead of table 6.4.2.1.4.1-1, table 6.4.2.1.4.1-2, table 6.4.2.1.4.1-3 → use Table 6.4C.2.1.4-1, table 6.4C.2.1.4-2, table 6.4C.2.1.4-3

Table 6.4C.2.1.4-1: Test Configuration Table for PUSCH

Initial Conditions			
Test Environment as specified in TS 38.508-1 [5] subclause 4.1		Normal	
Test Frequencies as specified in TS 38.508-1 [5] subclause 4.3.1		Low, Mid, High range for SUL carrier Mid range for Non-SUL carrier	
Test Channel Bandwidths as specified in TS 38.508-1 [5] subclause 4.3.1		Lowest, Highest for SUL carrier Lowest for Non-SUL carrier	
Test SCS as specified in Table 5.3.5-1		15kHz for SUL carrier and Lowest supported SCS for Non-SUL carrier	
Test Parameters for Channel Bandwidths			
Test ID	Downlink Configuration	UL Configuration	SUL Configuration
	N/A	N/A	Modulation RB allocation (NOTE 2)
1 ³			DFT-s-OFDM PI/2 BPSK Inner Full
2 ³			DFT-s-OFDM PI/2 BPSK Outer Full
3			DFT-s-OFDM QPSK Inner Full
4			DFT-s-OFDM QPSK Outer Full
5			DFT-s-OFDM 16 QAM Inner Full
6			DFT-s-OFDM 16 QAM Outer Full
7			DFT-s-OFDM 64 QAM Outer Full
8			DFT-s-OFDM 256 QAM Outer Full
9			CP-OFDM QPSK Inner Full
10			CP-OFDM QPSK Outer Full
11			CP-OFDM 16 QAM Inner Full
12			CP-OFDM 16 QAM Outer Full
13			CP-OFDM 64 QAM Outer Full
14			CP-OFDM 256 QAM Outer Full
NOTE 1: The specific configuration of each RB allocation is defined in Table 6.1-1.			
NOTE 2: Test Channel Bandwidths are checked separately for each SUL band combination, the applicable channel bandwidths are specified in Table 5.5C-1.			
NOTE 3: DFT-s-OFDM PI/2 BPSK test applies only for UEs which supports half Pi BPSK in FR1.			
NOTE 4: For NR band n83, 30MHz test channel bandwidth is tested with Low range and High range test frequencies.			

Table 6.4C.2.1.4-2: Test Configuration Table for PUCCH

Initial Conditions						
Test Environment as specified in TS 38.508-1 [5] subclause 4.1			See Table 6.4C.2.1.4.1-1			
Test Frequencies as specified in TS 38.508-1 [5] subclause 4.3.1			See Table 6.4C.2.1.4.1-1			
Test Channel Bandwidths as specified in TS 38.508-1 [5] subclause 4.3.1			See Table 6.4C.2.1.4.1-1			
Test SCS as specified in Table 5.3.5-1			See Table 6.4C.2.1.4.1-1			
Test Parameters						
ID	Downlink Configuration		Uplink Configuration	SUL Configuration		
	Modulation	RB allocation	N/A	Waveform	PUCCH format	RB index
1	CP-OFDM QPSK	Full RB (Note 1)		CP-OFDM	PUCCH format = Format 1 Length in OFDM symbols = 14	0

2	CP-OFDM QPSK	Full RB (Note 1)	CP-OFDM	PUCCH format = Format 1 Length in OFDM symbols = 14	N _{RB} -1
3	CP-OFDM QPSK	Full RB (Note 1)	DFT-s-OFDM	PUCCH format = Format 3 Length in OFDM symbols = 14	0
4	CP-OFDM QPSK	Full RB (Note 1)	DFT-s-OFDM	PUCCH format = Format 3 Length in OFDM symbols = 14	N _{RB} -1

NOTE 1: Full RB allocation shall be used per each SCS and channel BW as specified in Table 7.3.2.4.1-2.
 NOTE 2: Test Channel Bandwidths are checked separately for each SUL band combination, the applicable channel bandwidths are specified in Table 5.5C-1.
 NOTE 3: DFT-s-OFDM PI/2 BPSK test applies only for UEs which supports half Pi BPSK in FR1.

Table 6.4C.2.1.4-3: Test Configuration Table for PRACH

Initial Conditions	
Test Environment as specified in TS 38.508-1 [5] subclause 4.1	Normal
Test Frequencies as specified in TS 38.508-1 [5] subclause 4.3.1	See Table 6.4C.2.1.4.1-1
Test Channel Bandwidths as specified in TS 38.508-1 [5] subclause 4.3.1	See Table 6.4C.2.1.4.1-1
Test SCS as specified in Table 5.3.5-1	See Table 6.4C.2.1.4.1-1
PRACH preamble format	
	SUL
PRACH Configuration Index	17
RS EPRE setting for test point 1 (dBm/15kHz)	-71
RS EPRE setting for test point 2 (dBm/15kHz)	-86

- Connect the SS to the UE antenna connectors as shown in TS 38.508-1 [5] Annex A, Figure A.3.1.1.4 for TE diagram and section A.3.2 for UE diagram.
- The parameter setting for the cell are set up according to the TS 38.508-1 [5] subclause 4.4.3.
- Downlink signals are initially setup according to Annex C.0, C.1, C.2 and uplink signals according to Annex G.0, G.1, G.2, and G.3.0 with consideration of supplementary uplink physical channels.

Message contents in initial conditions are according to TS 38.508-1 [5] subclause 4.3.6.1.1.2 ensuring UL/SUL indicator in Table 4.3.6.1.1.2-1 with condition SUL, subclause 4.6 ensuring Table 4.6.1-28 with condition SUL AND (RF OR RRM), Tables 4.6.3-14 with condition SUL_SUL for SUL carrier, and Table 4.6.3-167 with condition PUSCH_PUCCH_ON_SUL. Additionally the following exceptions shown in Table 6.4C.2.1.4-2 is considered.

Table 6.4C.2.1.4-1: Void

Table 6.4C.2.1.4-2: BWP-UplinkCommon: PRACH measurement

Derivation Path: TS 38.508-1 [5], Table 4.6.3-14			
Information Element	Value/remark	Comment	Condition
BWP-UplinkCommon ::= SEQUENCE {			
rach-ConfigCommon CHOICE {			SUL_SUL AND RF
setup	RACH-ConfigCommon		
}			
}			

6.4C.2.1.5 Test requirement

Same test requirement for EVM measured on the SUL carrier as specified in 6.4.2.1.5.

6.4C.2.2 Carrier leakage for SUL

6.4C.2.2.1 Test purpose

Same test purpose as in clause 6.4.2.2.1.

6.4C.2.2.2 Test applicability

This test applies to all types of NR UE release 15 and forward that support SUL operating on the SUL bands.

6.4C.2.2.3 Minimum conformance requirements

For a terminal that supports SUL for the band combination specified in Table 5.2C-1, the current version of the specification assumes the terminal is configured with active transmission either on UL carrier or SUL carrier at any time in one serving cell and the UE requirements for single carrier shall apply for the active UL or SUL carrier accordingly.

The normative reference for this requirement is TS 38.101-1 [2] clauses 4.3 and 6.4.2.2.

6.4C.2.2.4 Test description

Same test description as specified in clause 6.4.2.2.4 with following exceptions:

Instead of table 5.3.5-1 → use Table 5.5C-1.

Instead of table 6.4.2.2.4.1-1 → use Table 6.4C.2.2.4-1

Table 6.4C.2.2.4-1: Test Configuration Table

Initial Conditions				
Test Environment as specified in TS 38.508-1 [5] subclause 4.1		Normal		
Test Frequencies as specified in TS 38.508-1 [5] subclause 4.3.1		Low, Mid, High range for SUL carrier Mid range for Non-SUL carrier		
Test Channel Bandwidths as specified in TS 38.508-1 [5] subclause 4.3.1		Mid for SUL carrier Lowest for Non-SUL carrier		
Test SCS as specified in Table 5.3.5-1		15kHz for SUL carrier and Lowest supported SCS for Non-SUL carrier		
Test Parameters for Channel Bandwidths				
Test ID	Downlink Configuration	UL Configuration	SUL Configuration	
	N/A	N/A	Modulation	RB allocation (NOTE 1)
1			DFT-s-OFDM QPSK	Inner_1RB_Left
NOTE 1: The specific configuration of each RB allocation is defined in Table 6.1-1.				
NOTE 2: Test Channel Bandwidths are checked separately for each SUL band combination, the applicable channel bandwidths are specified in Table 5.5C-1.				
NOTE 3: When the signalled DC carrier position is at Inner_1RB_Left, use Inner_1RB_Right for UL RB allocation.				
NOTE 4: For NR band n83, 30MHz test channel bandwidth is tested with Low range and High range test frequencies.				

- Connect the SS to the UE antenna connectors as shown in TS 38.508-1 [5] Annex A, Figure A.3.1.1.4 for TE diagram and section A.3.2 for UE diagram.
- The parameter setting for the cell are set up according to the TS 38.508-1 [5] subclause 4.4.3.
- Downlink signals are initially setup according to Annex C.0, C.1, C.2 and uplink signals according to Annex G.0, G.1, G.2, and G.3.0 with consideration of supplementary uplink physical channels.

Message contents in initial conditions are according to TS 38.508-1 [5] subclause 4.3.6.1.1.2 ensuring UL/SUL indicator in Table 4.3.6.1.1.2-1 with condition SUL, subclause 4.6 ensuring Table 4.6.1-28 with condition SUL AND (RF OR RRM), Table 4.6.3-14 with condition SUL_SUL for SUL carrier, and Table 4.6.3-167 with condition PUSCH_ON_SUL.

Table 6.4C.2.2.4-1: Void

6.4C.2.2.5 Test requirement

Same test requirement for carrier leakage measured on the SUL carrier as specified in 6.4.2.2.5.

6.4C.2.3 In-band emissions for SUL

6.4C.2.3.1 Test purpose

Same test purpose as in clause 6.4.2.3.1.

6.4C.2.3.2 Test applicability

This test applies to all types of NR UE release 15 and forward that support SUL operating on the SUL bands.

6.4C.2.3.3 Minimum conformance requirements

For a terminal that supports SUL for the band combination specified in Table 5.2C-1, the current version of the specification assumes the terminal is configured with active transmission either on UL carrier or SUL carrier at any time in one serving cell and the UE requirements for single carrier shall apply for the active UL or SUL carrier accordingly.

The normative reference for this requirement is TS 38.101-1 [2] clauses 4.3 and 6.4.2.3.

6.4C.2.3.4 Test description

Same test description as specified in clause 6.4.2.3.4 with following exceptions:

Instead of table 5.3.5-1 → use Table 5.5C-1.

Instead of table 6.4.2.3.4.1-1 → use Table 6.4C.2.3.4-1

Instead of table 6.4.2.3.4.1-2 → use Table 6.4C.2.3.4-2

Table 6.4C.2.3.4-1: Test Configuration Table for PUSCH

Initial Conditions				
Test Environment as specified in TS 38.508-1 [5] subclause 4.1		Normal		
Test Frequencies as specified in TS 38.508-1 [5] subclause 4.3.1		Low range, Mid range, High range for SUL carrier Mid range for Non-SUL carrier		
Test Channel Bandwidths as specified in TS 38.508-1 [5] subclause 4.3.1		Lowest, Mid, Highest for SUL carrier Lowest for Non-SUL carrier		
Test SCS as specified in Table 5.3.5-1		15kHz for SUL carrier and Lowest supported SCS for Non-SUL carrier		
Test Parameters for Channel Bandwidths				
Test ID	Downlink Configuration	UL Configuration	SUL Configuration	
	N/A	N/A	Modulation	RB allocation (NOTE 1)
1			DFT-s-OFDM QPSK	Inner_1RB_Left
2			DFT-s-OFDM QPSK	Inner_1RB_Right
3			CP-OFDM QPSK	Inner_1RB_Left
4			CP-OFDM QPSK	Inner_1RB_Right
NOTE 1: The specific configuration of each RB allocation is defined in Table 6.1-1.				
NOTE 2: Test Channel Bandwidths are checked separately for each SUL band combination, the applicable channel bandwidths are specified in Table 5.5C-1.				
NOTE 3: For NR band n83, 30MHz test channel bandwidth is tested with Low range and High range test frequencies.				

Table 6.4C.2.3.4-2: Test Configuration Table for PUCCH

Initial Conditions	
Test Environment as specified in TS 38.508-1 [5] subclause 4.1	See Table 6.4C.2.3.4.1-1
Test Frequencies as specified in TS 38.508-1 [5] subclause 4.3.1	See Table 6.4C.2.3.4.1-1
Test Channel Bandwidths as specified in TS 38.508-1 [5] subclause 4.3.1	See Table 6.4C.2.3.4.1-1
Test SCS as specified in Table 5.3.5-1	See Table 6.4C.2.3.4.1-1
Test Parameters	

ID	Downlink Configuration		Uplink Configuration	SUL Configuration		
	Modulation	RB allocation		Waveform	PUCCH format	RB index
1	CP-OFDM QPSK	Full RB (Note 1)	N/A	DFT-s-OFDM	PUCCH format = Format 3 Length in OFDM symbols = 14	0
2	CP-OFDM QPSK	Full RB (Note 1)		DFT-s-OFDM	PUCCH format = Format 3 Length in OFDM symbols = 14	$N_{RB}-1$
3	CP-OFDM QPSK	Full RB (Note 1)		CP-OFDM	PUCCH format = Format 1 Length in OFDM symbols = 14	0
4	CP-OFDM QPSK	Full RB (Note 1)		CP-OFDM	PUCCH format = Format 1 Length in OFDM symbols = 14	$N_{RB}-1$
NOTE 1: Full RB allocation shall be used per each SCS and channel BW as specified in Table 7.3.2.4.1-2.						
NOTE 2: Test Channel Bandwidths are checked separately for each SUL band combination, the applicable channel bandwidths are specified in Table 5.5C-1.						
NOTE 3: DFT-s-OFDM PI/2 BPSK test applies only for UEs which supports half Pi BPSK in FR1.						

- Connect the SS to the UE antenna connectors as shown in TS 38.508-1 [5] Annex A, Figure A.3.1.1.4 for TE diagram and section A.3.2 for UE diagram.
- The parameter setting for the cell are set up according to the TS 38.508-1 [5] subclause 4.4.3.
- Downlink signals are initially setup according to Annex C.0, C.1, C.2 and uplink signals according to Annex G.0, G.1, G.2, and G.3.0 with consideration of supplementary uplink physical channels.

Message contents in initial conditions are according to TS 38.508-1 [5] subclause 4.3.6.1.1.2 ensuring UL/SUL indicator in Table 4.3.6.1.1.2-1 with condition SUL, subclause 4.6 ensuring Table 4.6.1-28 with condition SUL AND (RF OR RRM), Tables 4.6.3-14 with condition SUL_SUL for SUL carrier, and Table 4.6.3-167 with condition PUSCH_PUCCH_ON_SUL.

Table 6.4C.2.3.4-1: Void

6.4C.2.3.5 Test requirement

Same test requirement for In-band emissions measured on the SUL carrier as specified in 6.4.2.3.5.

6.4C.2.4 EVM equalizer spectrum flatness for SUL

6.4C.2.4.1 Test purpose

Same test purpose as in clause 6.4.2.4.1.

6.4C.2.4.2 Test applicability

This test applies to all types of NR UE release 15 and forward that support SUL operating on the SUL bands.

6.4C.2.4.3 Minimum conformance requirements

For a terminal that supports SUL for the band combination specified in Table 5.2C-1, the current version of the specification assumes the terminal is configured with active transmission either on UL carrier or SUL carrier at any time in one serving cell and the UE requirements for single carrier shall apply for the active UL or SUL carrier accordingly.

The normative reference for this requirement is TS 38.101-1 [2] clauses 4.3 and 6.4.2.4.

6.4C.2.4.4 Test description

Same test description as specified in clause 6.4.2.4.4 with following exceptions:

Instead of table 5.3.5-1 → use Table 5.5C-1.

Instead of table 6.4.2.4.4.1-1 → use Table 6.4C.2.4.4-1

Table 6.4C.2.4.4-1: Test Configuration Table

Initial Conditions			
Test Environment as specified in TS 38.508-1 [5] subclause 4.1		Normal, TL/VL, TL/VH, TH/VL, TH/VH	
Test Frequencies as specified in TS 38.508-1 [5] subclause 4.3.1		Low range, Mid range, High range for SUL carrier Mid range for Non-SUL carrier	
Test Channel Bandwidths as specified in TS 38.508-1 [5] subclause 4.3.1		Lowest, Mid, Highest for SUL carrier Lowest for Non-SUL carrier	
Test SCS as specified in Table 5.5C-1		15kHz for SUL carrier and Lowest supported SCS for Non-SUL carrier	
Test Parameters for Channel Bandwidths			
Test ID	Downlink Configuration	UL Configuration	SUL Configuration
	N/A	N/A	Modulation
1			DFT-s-OFDM QPSK
2			CP-OFDM QPSK
			RB allocation (NOTE 1)
			Outer Full
			Outer Full
NOTE 1: The specific configuration of each RB allocation is defined in Table 6.1-1.			
NOTE 2: Test Channel Bandwidths are checked separately for each SUL band combination, the applicable channel bandwidths are specified in Table 5.5C-1.			
NOTE 3: For NR band n83, 30MHz test channel bandwidth is tested with Low range and High range test frequencies.			

- Connect the SS to the UE antenna connectors as shown in TS 38.508-1 [5] Annex A, Figure A.3.1.1.4 for TE diagram and section A.3.2 for UE diagram.
- The parameter setting for the cell are set up according to the TS 38.508-1 [5] subclause 4.4.3.
- Downlink signals are initially setup according to Annex C.0, C.1, C.2 and uplink signals according to Annex G.0, G.1, G.2, and G.3.0 with consideration of supplementary uplink physical channels.

Message contents in initial conditions are according to TS 38.508-1 [5] subclause 4.3.6.1.1.2 ensuring UL/SUL indicator in Table 4.3.6.1.1.2-1 with condition SUL, subclause 4.6 ensuring Table 4.6.1-28 with condition SUL AND (RF OR RRM), Table 4.6.3-14 with condition SUL_SUL for SUL carrier, and Table 4.6.3-167 with condition PUSCH_PUCCH_ON_SUL.

Table 6.4C.2.4.4-1: Void

6.4C.2.4.5 Test requirement

Same test requirement for EVM equalizer spectrum flatness measured on the SUL carrier as specified in 6.4.2.4.5.

6.4C.2.5 EVM equalizer spectrum flatness for Pi/2 BPSK for SUL

6.4C.2.5.1 Test purpose

Same test purpose as in clause 6.4.2.5.1.

6.4C.2.5.2 Test applicability

This test applies to all types of NR UE release 16 and forward that support SUL operating on the SUL bands and indicate support for UE capability *lowPAPR-DMRS-PUSCHwithPrecoding-r16*.

6.4C.2.5.3 Minimum conformance requirements

For a terminal that supports SUL for the band combination specified in Table 5.2C-1, the current version of the specification assumes the terminal is configured with active transmission either on UL carrier or SUL carrier at any time in one serving cell and the UE requirements for single carrier shall apply for the active UL or SUL carrier accordingly.

The normative reference for this requirement is TS 38.101-1 [2] clauses 4.3 and 6.4.2.4.1.

6.4C.2.5.4 Test description

6.4C.2.5.4.1 Initial condition

Initial conditions are a set of test configurations the UE needs to be tested in and the steps for the SS to take with the UE to reach the correct measurement state.

The initial test configurations consist of environmental conditions, test frequencies, test channel bandwidths and sub-carrier spacing based on NR operating bands specified in Table 5.5C-1. All of these configurations shall be tested with applicable test parameters for each combination of channel bandwidth and sub-carrier spacing, are shown in table 6.4C.2.5.4.1-1. The details of the uplink and downlink reference measurement channels (RMCs) are specified in Annexes A.2 and A.3. Configurations of PDSCH and PDCCH before measurement are specified in Annex C.2.

Table 6.4C.2.5.4.1-1: Test Configuration Table

Initial Conditions				
Test Environment as specified in TS 38.508-1 [5] subclause 4.1		Normal		
Test Frequencies as specified in TS 38.508-1 [5] subclause 4.3.1		Low range, Mid range, High range for SUL carrier Mid range for Non-SUL carrier		
Test Channel Bandwidths as specified in TS 38.508-1 [5] subclause 4.3.1		Lowest, Mid, Highest for SUL carrier Lowest for Non-SUL carrier		
Test SCS as specified in Table 5.5C-1		15kHz for SUL carrier and Lowest supported SCS for Non-SUL carrier		
Test Parameters for Channel Bandwidths				
Test ID	Downlink Configuration	UL Configuration	SUL Configuration	
	N/A	N/A	Modulation	RB allocation (NOTE 1)
1			DFT-s-OFDM Pi/2 BPSK w Pi/2 BPSK DMRS	Outer Full
NOTE 1: The specific configuration of each RB allocation is defined in Table 6.1-1.				
NOTE 2: Test Channel Bandwidths are checked separately for each SUL band combination, the applicable channel bandwidths are specified in Table 5.5C-1.				
NOTE 3: For NR band n83, 30MHz test channel bandwidth is tested with Low range and High range test frequencies.				

1. Connect the SS to the UE antenna connectors as shown in TS 38.508-1 [5] Annex A, Figure A.3.1.1.4 for TE diagram and section A.3.2 for UE diagram.
2. The parameter settings for the cell are set up according to TS 38.508-1 [5] subclause 4.4.3.
3. Downlink signals are initially set up according to Annex C.0, C.1, C.2, and uplink signals according to Annex G.0, G.1, G.2, G.3.0.
4. The UL Reference Measurement channels are set according to Table 6.4C.2.5.4.1-1.
5. Propagation conditions are set according to Annex B.0.
6. Ensure the UE is in state RRC_CONNECTED with generic procedure parameters Connectivity *NR*, Connected without release *On*, Test Mode *On* and Test Loop Function *On* according to TS 38.508-1 [5] clause 4.5. Message contents are defined in clause 6.4C.2.5.4.3.

6.4C.2.5.4.2 Test procedure

Same as in 6.4.2.5.4.2.

6.4C.2.5.4.3 Message contents

Message contents are according to TS 38.508-1 [5] subclause 4.3.6.1.1.2 ensuring UL/SUL indicator in Table 4.3.6.1.1.2-1 with condition SUL, subclause 4.6 ensuring Tables 4.6.1-28 with condition SUL AND (RF OR RRM), Table 4.6.3-14 with condition SUL_SUL for SUL carrier, and Table 4.6.3-167 with condition PUSCH_PUCCH_ON_SUL with the following exception:

Table 6.4C.2.5.4.3-1: DMRS-UplinkConfig

Derivation Path: TS 38.508-1 [5], Table 4.6.3-51
--

Information Element	Value/remark	Comment	Condition
DMRS-UplinkConfig ::= SEQUENCE {			
transformPrecodingEnabled SEQUENCE			
{			
dmrs-UplinkTransformPrecoding-r16			
SEQUENCE {			
pi2BPSK-ScramblingID0	Not present		
pi2BPSK-ScramblingID1	Not present		
}			
}			
}			

6.4C.2.5.5 Test requirement

Each of the *n* spectrum flatness functions, shall derive four ripple results in Annex E.4.4.1 The derived results shall not exceed the values in Figure 6.4C.2.5.5-1:

Table 6.4C.2.5.5-1: Mask for EVM equalizer coefficients for Pi/2 BPSK, normal conditions

Frequency range	Parameter	Maximum ripple (dB)
$ F_{UL_Meas} - F_center \leq X$ MHz (Range 1)	X1	6 + TT (p-p)
$ F_{UL_Meas} - F_center > X$ MHz (Range 2)	X2	14 + TT (p-p)

NOTE 1: F_{UL_Meas} refers to the sub-carrier frequency for which the equalizer coefficient is evaluated
 NOTE 2: F_center refers to the center frequency of an allocated block of PRBs
 NOTE 3: X, in MHz, is equal to 25% of the bandwidth of the PRB allocation
 NOTE 4: See Figure 6.4C.2.5.5-1 for description of X1, X2
 NOTE 5: Test tolerance TT = 1.4 dB.

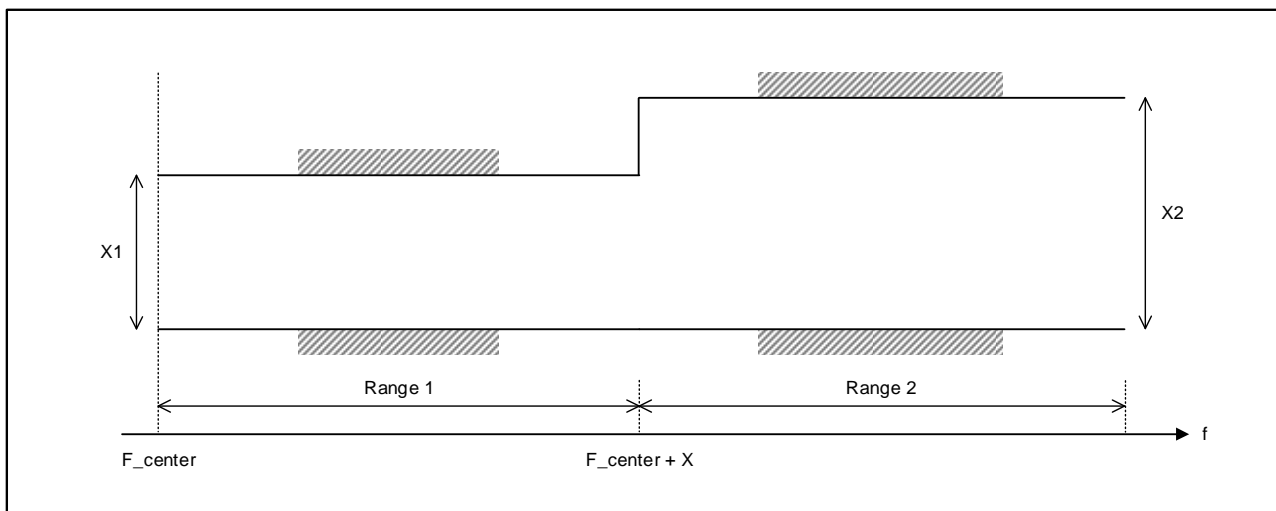


Figure 6.4C.2.5.5-1: The limits for EVM equalizer spectral flatness with the maximum allowed variation. F_center denotes the center frequency of the allocated block of PRBs. X, in MHz, is equal to 25 % of the bandwidth of the PRB allocation.

Each of the *n* spectrum flatness functions shall derive an impulse response of the spectral shaping filter in Annex E.4.4.2. The derived results shall fulfill:

$$|\tilde{a}(0)| \geq |\tilde{a}(\tau)| \quad \forall \tau \neq 0$$

$$20 \log_{10} |\tilde{a}(\tau)| < -15\text{dB} + \text{TT} \quad 1 < \tau < M - 1,$$

where TT = 1.4 dB.6.4D Transmit signal quality for UL MIMO.

6.4D Transmit signal quality for UL MIMO

6.4D.1 Frequency error for UL MIMO

Editor's note:

- For a transition period until RAN#104 (June 2024) previous test procedure in TS 38.521-1 V18.0.0 is allowed for TE implementation.
- Working assumption is that the same MU applies for the new UL MIMO test procedure as for the test procedure in TS 38.521-1 V18.0.0. This does not preclude to update the MU in future meetings.

6.4D.1.1 Test purpose

This test verifies the ability of both, the receiver and the transmitter for UL MIMO, to process frequency correctly.

Receiver: to extract the correct frequency from the stimulus signal, offered by the System simulator, under ideal propagation conditions and low level.

Transmitter: to derive the correct modulated carrier frequency for each antenna connector from the results, gained by the receiver.

6.4D.1.2 Test applicability

This test case applies to all types of NR Power Class 1.5, Power Class 2 and Power Class 3 UE release 15 and forward that support 2-layer codebook based UL MIMO.

6.4D.1.3 Minimum conformance requirements

For UE(s) supporting UL MIMO, the basic measurement interval of modulated carrier frequency is 1 UL slot. The mean value of basic measurements of UE modulated carrier frequency per layer shall be accurate to within ± 0.1 PPM observed over a period of 1 ms of cumulated measurement intervals compared to the carrier frequency received from the NR Node B.

The normative reference for this requirement is TS 38.101-1 [2] clause 6.4D.1.

6.4D.1.4 Test description

6.4D.1.4.1 Initial conditions

Initial conditions are a set of test configurations the UE needs to be tested in and the steps for the SS to take with the UE to reach the correct measurement state.

The initial test configurations consist of environmental conditions, test frequencies, test channel bandwidths and sub-carrier spacing based on NR operating bands specified in table 5.3.5-1. All of these configurations shall be tested with applicable test parameters for each combination of test channel bandwidth and sub-carrier spacing, and are shown in table 6.4D.1.4.1-1. The details of the uplink and downlink reference measurement channels (RMCs) are specified in Annexes A.2 and A.3. Configurations of PDSCH and PDCCH before measurement are specified in Annex C.2.

Table 6.4D.1.4.1-1: Test Configuration Table

Initial Conditions				
Test Environment as specified in TS 38.508-1 [5] subclause 4.1		Normal, TL/VL, TL/VH, TH/VL, TH/VH		
Test Frequencies as specified in TS 38.508-1 [5] subclause 4.3.1		Mid range		
Test Channel Bandwidths as specified in TS 38.508-1 [5] subclause 4.3.1		Highest		
Test SCS as specified in Table 5.3.5-1		Lowest		
Test Parameters				
Test ID	Downlink Configuration		Uplink Configuration	
	Modulation	RB allocation	Modulation	RB allocation
1	CP-OFDM QPSK	Full RB (NOTE 1)	CP-OFDM QPSK	REFSENS (NOTE 2)
NOTE 1: Full RB allocation shall be used per each SCS and channel BW as specified in Table 7.3.2.4.1-2				

NOTE 2: REFSSENS refers to Table 7.3.2.4.1-3 which defines uplink RB configuration and start RB location for each SCS, channel BW and NR band.

1. Connect the SS to the UE antenna connectors as shown in TS 38.508-1 [5] Annex A, Figure A.3.1.2.2 for TE diagram and section A.3.2 for UE diagram.
2. The parameter settings for the cell are set up according to TS 38.508-1 [5] subclause 4.4.3.
3. Downlink signals are initially set up according to Annex C.0, C.1, C.2, and uplink signals according to Annex G.0, G.1, G.2, G.3.0.
4. The UL Reference Measurement Channel is set according to Table 6.4D.1.4.1-1.
5. Propagation conditions are set according to Annex B.0.
6. Ensure the UE is in state RRC_CONNECTED with generic procedure parameters Connectivity *NR*, Connected without release *On*, Test Mode *On* and Test Loop Function *On* according to TS 38.508-1 [5] clause 4.5. Message contents are defined in clause 6.4D.1.4.3.

6.4D.1.4.2 Test procedure

1. SS transmits PDSCH via PDCCH DCI format 1_1 for C_RNTI to transmit the DL RMC according to Table 6.4D.1.4.1-1. The SS sends downlink MAC padding bits on the DL RMC.
2. SS sends uplink scheduling information for each UL HARQ process via PDCCH DCI format 0_1 for C_RNTI to schedule the UL RMC according to Table 6.4D.1.4.1-1. Since the UE has no payload and no loopback data to send the UE sends uplink MAC padding bits on the UL RMC. The PDCCH DCI format 0_1 is specified with the condition 2TX_UL_MIMO in 38.508-1 [5] subclause 4.3.6.1.1.2
3. Set the Downlink signal level to the appropriate REFSSENS value defined in 7.3D.2.5. Send continuously uplink power control "up" commands to the UE in every uplink scheduling information to the UE so that the UE transmits at P_{UMAX} level for the duration of the test. Allow at least 200ms starting from the first TPC command in this step for the UE to reach P_{UMAX} level.
4. Measure the Frequency Error using Global In-Channel Tx-Test for UL MIMO (Annex E with procedure in Annex E.8) for each layer using the two Tx antenna connectors of the UE. For TDD, only slots consisting of only UL symbols are under test.
5. For UEs supporting DSS, repeat steps 1~4 on the applicable bands as specified in Section 5.4.2.1 with message contents being according to TS 38.508-1 [5] subclause 4.6 ensuring Table 4.6.3-61 and Table 4.6.3-62 with condition DSS.

6.4D.1.4.3 Message contents

Message contents are according to TS 38.508-1 [5] subclause 4.6 ensuring Table 4.6.3-182 with condition 2TX_UL_MIMO.

6.4D.1.5 Test requirement

The requirements apply to each layer.

The 10 frequency error Δf results must fulfil the test requirement:

$$|\Delta f| \leq (0.1\text{PPM} + 15 \text{ Hz})$$

6.4D.1_1 Frequency error for SUL with UL MIMO

Editor's note:

- For a transition period until RAN#104 (June 2024) previous test procedure in TS 38.521-1 V18.0.0 is allowed for TE implementation.
- Working assumption is that the same MU applies for the new UL MIMO test procedure as for the test procedure in TS 38.521-1 V18.0.0. This does not preclude to update the MU in future meetings.

6.4D.1_1.1 Test purpose

Same as test purpose in clause 6.4D.1.1.

6.4D.1_1.2 Test applicability

This test applies to all types of NR UE release 17 and forward that support SUL and UL MIMO operating on the SUL bands.

6.4D.1_1.3 Minimum conformance requirements

For UE(s) supporting UL MIMO, the basic measurement interval of modulated carrier frequency is 1 UL slot. The mean value of basic measurements of UE modulated carrier frequency per layer shall be accurate to within ± 0.1 PPM observed over a period of 1 ms of cumulated measurement intervals compared to the carrier frequency received from the NR Node B.

The normative reference for this requirement is TS 38.101-1 [2] clause 6.4D.1.

6.4D.1_1.4 Test description

6.4D.1_1.4.1 Initial conditions

Initial conditions are a set of test configurations the UE needs to be tested in and the steps for the SS to take with the UE to reach the correct measurement state.

The initial test configurations consist of environmental conditions, test frequencies, test channel bandwidths and sub-carrier spacing based on NR operating bands specified in table 5.3.5-1. All of these configurations shall be tested with applicable test parameters for each combination of test channel bandwidth and sub-carrier spacing and are shown in table 6.4D.1_1.4.1-1. The details of the uplink reference measurement channels (RMCs) are specified in Annexes A.2. Configurations of PDSCH and PDCCH before measurement are specified in Annex C.2.

Table 6.4D.1_1.4.1-1: Test Configuration Table

Initial Conditions					
Test Environment as specified in TS 38.508-1 [5] subclause 4.1			Normal, TL/VL, TL/VH, TH/VL, TH/VH		
Test Frequencies as specified in TS 38.508-1 [5] subclause 4.3.1			Mid range for both SUL carrier and Non-SUL carrier		
Test Channel Bandwidths as specified in TS 38.508-1 [5] subclause 4.3.1			Highest for SUL carrier Lowest for Non-SUL carrier		
Test SCS as specified in Table 5.3.5-1			15kHz for SUL carrier and Lowest supported SCS for Non-SUL carrier		
Test Parameters for Channel Bandwidths					
Test ID	Downlink Configuration		UL Configuration	SUL Configuration	
	Modulation	RB allocation		Modulation	RB allocation
1	CP-OFDM QPSK	Full RB (NOTE 1)	N/A	CP-OFDM QPSK	SUL REFSSENS (NOTE 2)
NOTE 1: Full RB allocation shall be used per each SCS and channel BW as specified in Table 7.3.2.4.1-2					
NOTE 2: SUL REFSSENS refers to Table 7.3C.2.4.1-1a which defines SUL RB configuration and start RB location for each SCS, channel BW and NR band.					

1. Connect the SS to the UE antenna connectors as shown in TS 38.508-1 [5] Annex A, Figure A.3.1.1.5 for TE diagram and section A.3.2 for UE diagram.
2. The parameter settings for the cell are set up according to TS 38.508-1 [5] subclause 4.4.3.
3. Downlink signals are initially set up according to Annex C.0, C.1, C.2, and uplink signals according to Annex G.0, G.1, G.2, G.3.0.
4. The UL Reference Measurement Channel is set according to Table 6.4D.1_1.4.1-1.
5. Propagation conditions are set according to Annex B.0.

6. Ensure the UE is in state RRC_CONNECTED with generic procedure parameters Connectivity NR, Connected without release On, Test Mode On and Test Loop Function On according to TS 38.508-1 [5] clause 4.5. Message contents are defined in clause 6.4D.1.4.3.

6.4D.1_1.4.2 Test procedure

1. SS transmits PDSCH via PDCCH DCI format 1_1 for C_RNTI to transmit the DL RMC according to Table 6.4D.1_1.4.1-1. The SS sends downlink MAC padding bits on the DL RMC.
2. SS sends uplink scheduling information for each UL HARQ process via PDCCH DCI format 0_1 for C_RNTI to schedule the UL RMC according to Table 6.4D.1_1.4.1-1. Since the UE has no payload and no loopback data to send the UE sends uplink MAC padding bits on the UL RMC. The PDCCH DCI format 0_1 is specified with the condition 2TX_UL_MIMO in 38.508-1 [5] subclause 4.3.6.1.1.2
3. Set the Downlink signal level to the appropriate REFSSENS value defined in 7.3D.2_1.5. Send continuously uplink power control "up" commands to the UE in every uplink scheduling information to the UE so that the UE transmits at P_{UMAX} level for the duration of the test. Allow at least 200ms starting from the first TPC command in this step for the UE to reach P_{UMAX} level.
4. Measure the Frequency Error using Global In-Channel Tx-Test for UL MIMO (Annex E with procedure in Annex E.8) for each layer using the two Tx antenna connectors of the UE. For TDD, only slots consisting of only UL symbols are under test.
5. For UEs supporting DSS, repeat steps 1~4 on the applicable bands as specified in Section 5.4.2.1 with message contents being according to TS 38.508-1 [5] subclause 4.6 ensuring Table 4.6.3-61 and Table 4.6.3-62 with condition DSS.

6.4D.1_1.4.3 Message contents

Message contents are according to TS 38.508-1 [5] subclause 4.3.6.1.1.2 ensuring UL/SUL indicator in Table 4.3.6.1.1.2-1 with condition SUL, subclause 4.6 ensuring Table 4.6.1-28 with condition SUL AND (RF OR RRM), Tables 4.6.3-14 with condition SUL_SUL for SUL carrier, Table 4.6.3-167 with condition PUSCH_PUCCH_ON_SUL, and Table 4.6.3-182 with the condition 2TX_UL_MIMO.

6.4D.1_1.5 Test requirement

The requirements apply to each layer.

The 10-frequency error Δf results must fulfil the test requirement:

$$|\Delta f| \leq (0.1\text{PPM} + 15\text{ Hz})$$

6.4D.2 Transmit modulation quality for UL MIMO

For UE supporting UL-MIMO, the transmit modulation quality requirements are specified at each transmit antenna connector.

If UE is scheduled for single antenna-port PUSCH transmission by DCI format 0_0 or by DCI format 0_1 for single antenna port codebook based transmission with precoding matrix $W=1$ [6.3.1.5 TS 38.211], the requirements in clause 6.4.2 apply when TxD is not indicated, and the requirements in clause 6.4G.2 apply when TxD is indicated.

The transmit modulation quality is specified in terms of:

- Error Vector Magnitude (EVM) for the allocated resource blocks (RBs)
- EVM equalizer spectrum flatness derived from the equalizer coefficients generated by the EVM measurement process
- Carrier leakage (caused by IQ offset)
- In-band emissions for the non-allocated RB

In case the parameter 3300 or 3301 is reported from UE via the parameter *txDirectCurrentLocation* in *UplinkTxDirectCurrentList* IE (as defined in TS 38.331 [7]), carrier leakage measurement requirement in clause 6.4D.2.2 and 6.4D.2.3 shall be waived, and the RF correction with regard to the carrier leakage and IQ image shall be omitted during the calculation of transmit modulation quality.

6.4D.2.1 Error Vector Magnitude for UL MIMO

Editor's note:

- For a transition period until RAN#104 (June 2024) previous test procedure in TS 38.521-1 V18.0.0 is allowed for TE implementation.
- Working assumption is that the same MU applies for the new UL MIMO test procedure as for the test procedure in TS 38.521-1 V18.0.0. This does not preclude to update the MU in future meetings.

6.4D.2.1.1 Test purpose

The Error Vector Magnitude is a measure of the difference between the reference waveform and the measured waveform. This difference is called the error vector. Before calculating the EVM the measured waveform is corrected by the sample timing offset and RF frequency offset. Then the carrier leakage shall be removed from the measured waveform before calculating the EVM.

The measured waveform is further equalised using the channel estimates subjected to the EVM equaliser spectrum flatness requirement specified in sub-clause 6.4D.2.4.3. For DFT-s-OFDM waveforms, the EVM result is defined after the front-end FFT and IDFT as the square root of the ratio of the mean error vector power to the mean reference power expressed as a %. For CP-OFDM waveforms, the EVM result is defined after the front-end FFT as the square root of the ratio of the mean error vector power to the mean reference power expressed as a %.

The basic EVM measurement interval in the time domain is the duration of PUSCH channel, or one hop, if frequency hopping is enabled for PUSCH in the time domain. The EVM measurement interval is reduced by any symbols that contains an allowable power transient as defined in subclause 6.3D.3.3.

6.4D.2.1.2 Test applicability

This test case applies to all types of NR Power Class 1.5, Power Class 2 and Power Class 3 UE release 15 and forward that support 2-layer codebook based UL MIMO.

6.4D.2.1.3 Minimum conformance requirements

For UE with two transmit antenna connectors in closed-loop spatial multiplexing scheme, the Error Vector Magnitude requirements specified in Table 6.4.2.1.3-1 apply per layer. The requirements shall be met with the UL MIMO configurations specified in Table 6.2D.1.3-2

The normative reference for this requirement is TS 38.101-1 [2] clause 6.4D.2.1.

6.4D.2.1.4 Test description

6.4D.2.1.4.1 Initial conditions

Initial conditions are a set of test configurations the UE needs to be tested in and the steps for the SS to take with the UE to reach the correct measurement state.

The initial test configurations consist of environmental conditions, test frequencies, test channel bandwidths and sub-carrier spacing based on NR operating bands specified in table 5.3.5-1. All of these configurations shall be tested with applicable test parameters for each combination of test channel bandwidth and sub-carrier spacing, and are shown in table 6.4D.2.1.4.1-1. The details of the uplink and downlink reference measurement channels (RMCs) are specified in Annexes A.2 and A.3. Configurations of PDSCH and PDCCH before measurement are specified in Annex C.2.

Table 6.4D.2.1.4.1-1: Test Configuration Table

Initial Conditions			
Test Environment as specified in TS 38.508-1 [5] subclause 4.1		Normal	
Test Frequencies as specified in TS 38.508-1 [5] subclause 4.3.1		Low range, Mid range, High range	
Test Channel Bandwidths as specified in TS 38.508-1 [5] subclause 4.3.1		Lowest, Highest	
Test SCS as specified in Table 5.3.5-1		All	
Test Parameters			
Test ID	Downlink Configuration	Uplink Configuration	
	N/A	Modulation	RB allocation (NOTE 1)

1	CP-OFDM QPSK	Inner Full
2	CP-OFDM QPSK	Outer Full
3	CP-OFDM 16 QAM	Inner Full
4	CP-OFDM 16 QAM	Outer Full
5	CP-OFDM 64 QAM	Outer Full
6	CP-OFDM 256 QAM	Outer Full
NOTE 1: The specific configuration of each RB allocation is defined in Table 6.1-1.		
NOTE 2: Test Channel Bandwidths are checked separately for each NR band, which applicable channel bandwidths are specified in Table 5.3.5-1.		

1. Connect the SS to the UE antenna connectors as shown in TS 38.508-1 [5] Annex A, Figure A.3.1.1.2 for TE diagram and section A.3.2 for UE diagram.
2. The parameter settings for the cell are set up according to TS 38.508-1 [5] subclause 4.4.3.
3. Downlink signals are initially set up according to Annex C.0, C.1, C.2, and uplink signals according to Annex G.0, G.1, G.2, G.3.0.
4. The UL Reference Measurement Channel is set according to Table 6.4D.2.1.4.1-1.
5. Propagation conditions are set according to Annex B.0.
6. Ensure the UE is in state RRC_CONNECTED with generic procedure parameters Connectivity *NR*, Connected without release *On*, Test Mode *On* and Test Loop Function *On* according to TS 38.508-1 [5] clause 4.5. Message contents are defined in clause 6.4D.2.1.4.3.

6.4D.2.1.4.2 Test procedure

Test procedure for PUSCH:

- 1.1. SS sends uplink scheduling information for each UL HARQ process via PDCCH DCI format 0_1 for C_RNTI to schedule the UL RMC according to Table 6.4D.2.1.4.1-1. Since the UE has no payload data to send, the UE transmits uplink MAC padding bits on the UL RMC. The PDCCH DCI format 0_1 is specified with the condition 2TX_UL_MIMO in 38.508-1 [5] subclause 4.3.6.1.1.2
- 1.2. Send continuously uplink power control "up" commands in the uplink scheduling information to the UE until the UE transmits at P_{UMAX} level, allow at least 200ms starting from the first TPC command in this step for the UE to reach P_{UMAX} level.
- 1.3. Measure the EVM and \overline{EVM}_{DMRS} using Global In-Channel Tx-Test for UL MIMO (Annex E with procedure in Annex E.8) for each layer using the two Tx antenna connectors of the UE. For TDD, only slots consisting of only UL symbols are under test.
- 1.4. For modulations except 256QAM, send uplink power control commands to the UE using 1dB power step size to ensure that the UE output power at each antenna connector under measurement measured by the test system is within the Uplink power control window, defined as +MU to +(MU + Uplink power control window size) dB of the target power level Pmin, where:
 - Pmin is the minimum output power according to Table 6.3.1.3-1.
 - MU is the test system uplink power measurement uncertainty and is specified in Table F.1.2-1 for the carrier frequency f and the channel bandwidth BW.
 - Uplink power control window size = 1dB (UE power step size) + 0.7dB (UE power step tolerance) + (Test system relative power measurement uncertainty), where, the UE power step tolerance is specified in TS 38.101-1 [2], Table 6.3.4.3-1 and is 0.7dB for 1dB power step size, and the Test system relative power measurement uncertainty is specified in Table F.1.2-1.

For 256 QAM, send uplink power control commands to the UE using 1dB power step size to ensure that the UE output power at each antenna connector under measurement measured by the test system is within the Uplink power control window, defined as +MU to +(MU + Uplink power control window size) dB of the target power

level $P_{min} + 10$ dB, where MU and Uplink power control window size are defined above. P_{min} is the minimum output power according to Table 6.3D.1.3-1.

- 1.5. Measure the EVM and \overline{EVM}_{DMRS} using Global In-Channel Tx-Test for UL MIMO (Annex E with procedure in Annex E.8) for each layer using the two Tx antenna connectors of the UE. For TDD, only slots consisting of only UL symbols are under test.

NOTE1: Void.

NOTE2: The purpose of the Uplink power control window is to ensure that the actual UE output power at each antenna connector under measurement is no less than the target power level, and as close as possible to the target power level. The relationship between the Uplink power control window, the target power level and the corresponding possible actual UE Uplink power window is illustrated in Annex F.4.2.

NOTE3: Void.

Table 6.4D.2.1.4.2-1: Void

6.4D.2.1.4.3 Message contents

Message contents are according to TS 38.508-1 [5] subclause 4.6 with the condition 2TX_UL_MIMO.

6.4D.2.1.5 Test requirement

The requirements apply to each layer.

The PUSCH EVM, derived in Annex E.4.2 using Annex E.8, shall not exceed the values in Table 6.4D.2.1.5-1.

The PUSCH \overline{EVM}_{DMRS} , derived in Annex E.4.6.2 using Annex E.8, shall not exceed the values in Table 6.4D.2.1.5-1 when embedded with data symbols of the respective modulation scheme.

Table 6.4D.2.1.5-1: Test requirements for Error Vector Magnitude

Parameter	Unit	Average EVM Level
Pi/2-BPSK	%	30 + TT
QPSK	%	17.5 + TT
16 QAM	%	12.5 + TT
64 QAM	%	8 + TT
256 QAM	%	3.5 + TT

Note 1: TT is defined in Table 6.4D.2.1.5-2.

Table 6.4D.2.1.5-2: Test Tolerance

Parameter	Unit	Average EVM Level
Pi/2-BPSK	%	0
QPSK	%	0
16 QAM	%	0
64 QAM	%	0
256 QAM	%	0.3 for $15 \text{ dBm} < P_{UL}$ 0.8 for $-25 \text{ dBm} < P_{UL} \leq 15 \text{ dBm}$ 1.1 for $-40 \text{ dBm} \leq P_{UL} \leq -25 \text{ dBm}$

6.4D.2.1_1 Error Vector Magnitude for SUL with UL MIMO

Editor's note:

- For a transition period until RAN#104 (June 2024) previous test procedure in TS 38.521-1 V18.0.0 is allowed for TE implementation.
- Working assumption is that the same MU applies for the new UL MIMO test procedure as for the test procedure in TS 38.521-1 V18.0.0. This does not preclude to update the MU in future meetings.

6.4D.2.1_1.1 Test purpose

Same as test purpose in clause 6.4D.2.1.1.

6.4D.2.1_1.2 Test applicability

This test applies to all types of NR UE release 17 and forward that support SUL and UL MIMO operating on the SUL bands.

6.4D.2.1_1.3 Minimum conformance requirements

For UE with two transmit antenna connectors in closed-loop spatial multiplexing scheme, the Error Vector Magnitude requirements specified in clause 6.4.2.1 apply per layer. The requirements shall be met with the UL MIMO configurations specified in Table 6.2D.1_1.3-2.

The normative reference for this requirement is TS 38.101-1 [2] clause 6.4D.2.1.

6.4D.2.1_1.4 Test description

6.4D.2.1_1.4.1 Initial conditions

Initial conditions are a set of test configurations the UE needs to be tested in and the steps for the SS to take with the UE to reach the correct measurement state.

The initial test configurations consist of environmental conditions, test frequencies, test channel bandwidths and sub-carrier spacing based on NR operating bands specified in table 5.3.5-1. All of these configurations shall be tested with applicable test parameters for each combination of test channel bandwidth and sub-carrier spacing, and are shown in table 6.4D.2.1_1.4.1-1. The details of the uplink and downlink reference measurement channels (RMCs) are specified in Annexes A.2 and A.3. Configurations of PDSCH and PDCCH before measurement are specified in Annex C.2.

Table 6.4D.2.1_1.4.1-1: Test Configuration Table

Initial Conditions			
Test Environment as specified in TS 38.508-1 [5] subclause 4.1		Normal	
Test Frequencies as specified in TS 38.508-1 [5] subclause 4.3.1		Low, Mid, High range for SUL carrier Mid-range for Non-SUL carrier	
Test Channel Bandwidths as specified in TS 38.508-1 [5] subclause 4.3.1		Lowest, Highest for SUL carrier Lowest for Non-SUL carrier	
Test SCS as specified in Table 5.3.5-1		15kHz for SUL carrier and Lowest supported SCS for Non-SUL carrier	
Test Parameters for Channel Bandwidths			
Test ID	Downlink Configuration	UL Configuration	SUL Configuration
	N/A	N/A	Modulation RB allocation (NOTE 2)
1			CP-OFDM QPSK Inner Full
2			CP-OFDM QPSK Outer Full
3			CP-OFDM 16 QAM Inner Full
4			CP-OFDM 16 QAM Outer Full
5			CP-OFDM 64 QAM Outer Full
6			CP-OFDM 256 QAM Outer Full
NOTE 1: The specific configuration of each RB allocation is defined in Table 6.1-1.			
NOTE 2: Test Channel Bandwidths are checked separately for each SUL band combination, the applicable channel bandwidths are specified in Table 5.5C-1.			

1. Connect the SS to the UE antenna connectors as shown in TS 38.508-1 [5] Annex A, Figure A.3.1.1.5 for TE diagram and section A.3.2 for UE diagram.
2. The parameter settings for the cell are set up according to TS 38.508-1 [5] subclause 4.4.3.
3. Downlink signals are initially set up according to Annex C.0, C.1, C.2, and uplink signals according to Annex G.0, G.1, G.2, G.3.0.
4. The UL and DL Reference Measurement channels are set according to Table 6.4D.2.1_1.4.1-1
5. Propagation conditions are set according to Annex B.0.

6. Ensure the UE is in state RRC_CONNECTED with generic procedure parameters Connectivity NR, Connected without release On, Test Mode On and Test Loop Function On according to TS 38.508-1 [5] clause 4.5. Message contents are defined in clause 6.4D.2.1_1.4.3.

6.4D.2.1_1.4.2 Test procedure

Test procedure for PUSCH:

- 1.1. SS sends uplink scheduling information for each UL HARQ process via PDCCH DCI format 0_1 for C_RNTI to schedule the UL RMC according to Table 6.4D.2.1_1.4.1-1. Since the UE has no payload data to send, the UE transmits uplink MAC padding bits on the UL RMC. The PDCCH DCI format 0_1 is specified with the condition 2TX_UL_MIMO in 38.508-1 [5] subclause 4.3.6.1.1.2
- 1.2. Send continuously uplink power control "up" commands in the uplink scheduling information to the UE until the UE transmits at P_{UMAX} level, allow at least 200ms starting from the first TPC command in this step for the UE to reach P_{UMAX} level.
- 1.3. Measure the EVM and \overline{EVM}_{DMRS} using Global In-Channel Tx-Test for UL MIMO (Annex E with procedure in Annex E.8) for each layer using the two Tx antenna connectors of the UE. For TDD, only slots consisting of only UL symbols are under test.
- 1.4. For modulations except 256QAM, send uplink power control commands to the UE using 1dB power step size to ensure that the UE output power at each antenna connector under measurement measured by the test system is within the Uplink power control window, defined as +MU to +(MU + Uplink power control window size) dB of the target power level Pmin, where:
 - Pmin is the minimum output power according to Table 6.3D.1.3-1.
 - MU is the test system uplink power measurement uncertainty and is specified in Table F.1.2-1 for the carrier frequency f and the channel bandwidth BW.
 - Uplink power control window size = 1dB (UE power step size) + 0.7dB (UE power step tolerance) + (Test system relative power measurement uncertainty), where the UE power step tolerance is specified in TS 38.101-1 [2], Table 6.3.4.3-1 and is 0.7dB for 1dB power step size, and the Test system relative power measurement uncertainty is specified in Table F.1.2-1.

For 256 QAM, send uplink power control commands to the UE using 1dB power step size to ensure that the UE output power at each antenna connector under measurement measured by the test system is within the Uplink power control window, defined as +MU to +(MU + Uplink power control window size) dB of the target power level Pmin + 10 dB, where MU and Uplink power control window size are defined above. Pmin is the minimum output power according to Table 6.3D.1.3-1.

- 1.5. Measure the EVM and \overline{EVM}_{DMRS} using Global In-Channel Tx-Test for UL MIMO (Annex E with procedure in Annex E.8) for each layer using the two Tx antenna connectors of the UE. For TDD, only slots consisting of only UL symbols are under test.

NOTE1: The purpose of the Uplink power control window is to ensure that the actual UE output power at each antenna connector under measurement is no less than the target power level, and as close as possible to the target power level. The relationship between the Uplink power control window, the target power level and the corresponding possible actual UE Uplink power window is illustrated in Annex F.4.2.

NOTE2: Void.

6.4D.2.1_1.4.3 Message contents

Message contents are according to TS 38.508-1 [5] subclause 4.3.6.1.1.2 ensuring UL/SUL indicator in Table 4.3.6.1.1.2-1 with condition SUL, subclause 4.6 ensuring Table 4.6.1-28 with condition SUL AND (RF OR RRM), Tables 4.6.3-14 with condition SUL_SUL for SUL carrier, Table 4.6.3-167 with condition PUSCH_PUCCH_ON_SUL, and Table 4.6.3-182 with the condition 2TX_UL_MIMO.

6.4D.2.1_1.5 Test requirement

The requirements apply to each layer.

The PUSCH EVM, derived in Annex E.4.2 using Annex E.8, shall not exceed the values in Table 6.4D.2.1_1.5-1.

The PUSCH \overline{EVM}_{DMRS} , derived in Annex E.4.6.2 using Annex E.8, shall not exceed the values in Table 6.4D.2.1_1.5-1 when embedded with data symbols of the respective modulation scheme.

Table 6.4D.2.1_1.5-1: Test requirements for Error Vector Magnitude

Parameter	Unit	Average EVM Level
Pi/2-BPSK	%	30 + TT
QPSK	%	17.5 + TT
16 QAM	%	12.5 + TT
64 QAM	%	8 + TT
256 QAM	%	3.5 + TT
Note 1: TT is defined in Table 6.4D.2.1.5-2.		

Table 6.4D.2.1_1.5-2: Test Tolerance

Parameter	Unit	Average EVM Level
QPSK	%	0
16 QAM	%	0
64 QAM	%	0
256 QAM	%	0.3 for $15 \text{ dBm} < P_{UL}$ 0.8 for $-25 \text{ dBm} < P_{UL} \leq 15 \text{ dBm}$ 1.1 for $-40 \text{ dBm} \leq P_{UL} \leq -25 \text{ dBm}$

6.4D.2.2 Carrier leakage for UL MIMO

Editor's note:

- For a transition period until RAN#104 (June 2024) previous test procedure in TS 38.521-1 V18.0.0 is allowed for TE implementation.
- Working assumption is that the same MU applies for the new UL MIMO test procedure as for the test procedure in TS 38.521-1 V18.0.0. This does not preclude to update the MU in future meetings.

6.4D.2.2.1 Test purpose

The purpose of this test is to exercise the UE transmitter for UL MIMO to verify its modulation quality in terms of carrier leakage.

6.4D.2.2.2 Test applicability

This test case applies to all types of NR Power Class 1.5, Power Class 2 and Power Class 3 UE release 15 and forward that support 2-layer codebook based UL MIMO.

6.4D.2.2.3 Minimum conformance requirements

For UE with two transmit antenna connectors in closed-loop spatial multiplexing scheme, the Relative Carrier Leakage Power requirements specified in Table 6.4.2.2.3-1 which is defined in subclause 6.4.2.2.3 per layer. The requirements shall be met with the UL MIMO configurations specified in Table 6.2D.1.3-2

The normative reference for this requirement is TS 38.101-1 [2] clause 6.4D.2.2.

6.4D.2.2.4 Test description

6.4D.2.2.4.1 Initial conditions

Initial conditions are a set of test configurations the UE needs to be tested in and the steps for the SS to take with the UE to reach the correct measurement state.

The initial test configurations consist of environmental conditions, test frequencies, test channel bandwidths and sub-carrier spacing based on NR operating bands specified in table 5.3.5-1. All of these configurations shall be tested with applicable test parameters for each combination of test channel bandwidth and sub-carrier spacing, and are shown in table 6.4D.2.2.4.1-1. The details of the uplink and downlink reference measurement channels (RMCs) are specified in Annexes A.2 and A.3. Configurations of PDSCH and PDCCH before measurement are specified in Annex C.2.

Table 6.4D.2.2.4.1-1: Test Configuration Table

Initial Conditions			
Test Environment as specified in TS 38.508-1 [5] subclause 4.1		Normal	
Test Frequencies as specified in TS 38.508-1 [5] subclause 4.3.1		Low range, Mid range, High range	
Test Channel Bandwidths as specified in TS 38.508-1 [5] subclause 4.3.1		Mid	
Test SCS as specified in Table 5.3.5-1		Lowest	
Test Parameters			
Test ID	Downlink Configuration	Uplink Configuration	
	N/A	Modulation	RB allocation (NOTE 1, 3)
1		CP-OFDM QPSK	Inner_1RB_Left
NOTE 1: The specific configuration of each RB allocation is defined in Table 6.1-1.			
NOTE 2: Test Channel Bandwidths are checked separately for each NR band, which applicable channel bandwidths are specified in Table 5.3.5-1.			
NOTE 3: When the signalled DC carrier position is at Inner_1RB_Left, use Inner_1RB_Right for UL RB allocation.			

1. Connect the SS to the UE antenna connectors as shown in TS 38.508-1 [5] Annex A, Figure A.3.1.1.2 for TE diagram and section A.3.2 for UE diagram.
2. The parameter settings for the cell are set up according to TS 38.508-1 [5] subclause 4.4.3.
3. Downlink signals are initially set up according to Annex C.0, C.1, C.2, and uplink signals according to Annex G.0, G.1, G.2, G.3.0.
4. The UL Reference Measurement Channel is set according to Table 6.4D.2.2.4.1-1.
5. Propagation conditions are set according to Annex B.0.
6. Ensure the UE is in state RRC_CONNECTED with generic procedure parameters Connectivity NR, Connected without release On, Test Mode On and Test Loop Function On according to TS 38.508-1 [5] clause 4.5. Message contents are defined in clause 6.4D.2.2.4.3.

6.4D.2.2.4.2 Test procedure

1. SS sends uplink scheduling information for each UL HARQ process via PDCCH DCI format 0_1 for C_RNTI to schedule the UL RMC according to Table 6.4D.2.2.4.1-1. Since the UE has no payload and no loopback data to send the UE sends uplink MAC padding bits on the UL RMC. The PDCCH DCI format 0_1 is specified with the condition 2TX_UL_MIMO in 38.508-1 [5] subclause 4.3.6.1.1.2.
2. Send uplink power control commands to the UE using 1dB power step size to ensure that the UE output power at each antenna connector under measurement measured by the test system is within the Uplink power control window, defined as +MU to +(MU + Uplink power control window size) dB of the target power level 10 dBm, where:
 - MU is the test system uplink power measurement uncertainty and is specified in Table F.1.2-1 for the carrier frequency f and the channel bandwidth BW.
 - Uplink power control window size = 1dB (UE power step size) + 0.7dB (UE power step tolerance) + (Test system relative power measurement uncertainty), where, the UE power step tolerance is specified in TS 38.101-1 [2], Table 6.3.4.3-1 and is 0.7dB for 1dB power step size, and the Test system relative power measurement uncertainty is specified in Table F.1.2-1.
3. Measure carrier leakage using Global In-Channel Tx-Test for UL MIMO (Annex E with procedure in Annex E.8) for each layer using the two Tx antenna connectors of the UE. For TDD, only slots consisting of only UL symbols are under test.
4. Send uplink power control commands to the UE using 1dB power step size to ensure that the UE output power at each antenna connector under measurement measured by the test system is within the Uplink power control window, defined as +MU to +(MU + Uplink power control window size) dB of the target power level 0 dBm, where MU and Uplink power control window size are defined above.

5. Measure carrier leakage using Global In-Channel Tx-Test for UL MIMO (Annex E with procedure in Annex E.8) for each layer using the two Tx antenna connectors of the UE. For TDD, only slots consisting of only UL symbols are under test.
6. Send uplink power control commands to the UE using 1dB power step size to ensure that the UE output power at each antenna connector under measurement measured by the test system is within the Uplink power control window, defined as $+MU$ to $+(MU + \text{Uplink power control window size})$ dB of the target power level -30 dBm, where MU and Uplink power control window size are defined above.
7. Measure carrier leakage using Global In-Channel Tx-Test for UL MIMO (Annex E with procedure in Annex E.8) for each layer using the two Tx antenna connectors of the UE. For TDD, only slots consisting of only UL symbols are under test.
8. Send uplink power control commands to the UE using 1dB power step size to ensure that the UE output power at each antenna connector under measurement measured by the test system is within the Uplink power control window, defined as $+MU$ to $+(MU + \text{Uplink power control window size})$ dB of the target power level P_{min} , where MU and Uplink power control window size are defined above. P_{min} is the minimum output power according to Table 6.3D.1.3-1..
9. Measure carrier leakage using Global In-Channel Tx-Test for UL MIMO (Annex E with procedure in Annex E.8) for each layer using the two Tx antenna connectors of the UE. For TDD, only slots consisting of only UL symbols are under test.

NOTE: The purpose of the Uplink power control window is to ensure that the actual UE output power at each antenna connector under measurement is no less than the target power level, and as close as possible to the target power level. The relationship between the Uplink power control window, the target power level and the corresponding possible actual UE Uplink power window is illustrated in Annex F.4.2.

NOTE2: Void.

Table 6.4D.2.2.4.2-1: Void

Table 6.4D.2.1.4.2-2: Void

6.4D.2.2.4.3 Message contents

Message contents are according to TS 38.508-1 [5] subclause 4.6 with the condition 2TX_UL_MIMO.

6.4D.2.2.5 Test requirement

The requirements apply to each layer.

Each of the n carrier leakage results, derived in Annex E.3.1, shall not exceed the values in table 6.4D.2.2.5-1. Allocated RBs are not under test. n is 10 for 15kHz SCS, 20 for 30kHz SCS and 30 for 60kHz SCS.

Table 6.4D.2.2.5-1: Test requirements for Relative Carrier Leakage Power

LO Leakage	Parameters UE output power	Relative limit (dBc)
	$10 + MU$ to $10 + (MU + \text{Uplink power control window size})$ dBm	$-28 + TT$
	$0 + MU$ to $0 + (MU + \text{Uplink power control window size})$ dBm	$-25 + TT$
	$-30 + MU$ to $-30 + (MU + \text{Uplink power control window size})$ dBm	$-20 + TT$
	$-40 + MU$ to $-40 + (MU + \text{Uplink power control window size})$ dBm	$-10 + TT$
<p>NOTE 1: The measurement bandwidth is 1 RB and the limit is expressed as a ratio of measured power in one non-allocated RB to the measured total power in all allocated RBs.</p> <p>NOTE 2: The applicable frequencies for this limit depend on the parameter <i>txDirectCurrentLocation</i> in <i>UplinkTxDirectCurrent</i> IE, and are those that are enclosed either in the RBs containing the carrier leakage frequency, or in the two RBs immediately adjacent to the carrier leakage frequency but excluding any allocated RB.</p>		

NOTE 3: N_{RB} is the Transmission Bandwidth Configuration (see Section 5.3).

NOTE 4: Void

NOTE 5: MU is the test system uplink power measurement uncertainty and is specified in Table F.1.2-1 for the carrier frequency f and the channel bandwidth BW.

NOTE 6: Uplink power control window size = 1dB (UE power step size) + 0.7dB (UE power step tolerance) + (Test system relative power measurement uncertainty), where, the UE power step tolerance is specified in TS 38.101-1 [2], Table 6.3.4.3-1 and is 0.7dB for 1dB power step size, and the Test system relative power measurement uncertainty is specified in Table F.1.2-1.

NOTE 7: Test tolerance TT = 0.8 dB.

Table 6.4D.2.2.5-2: Void

6.4D.2.2_1 Carrier leakage for SUL with UL MIMO

Editor's note:

- For a transition period until RAN#104 (June 2024) previous test procedure in TS 38.521-1 V18.0.0 is allowed for TE implementation.
- Working assumption is that the same MU applies for the new UL MIMO test procedure as for the test procedure in TS 38.521-1 V18.0.0. This does not preclude to update the MU in future meetings.

6.4D.2.2_1.1 Test purpose

Same test purpose as in clause 6.4D.2.2.1.

6.4D.2.2_1.2 Test applicability

This test case applies to all types of NR UE release 17 and forward that support SUL and UL MIMO operating on the SUL bands.

6.4D.2.2_1.3 Minimum conformance requirements

For a terminal that supports SUL for the band combination specified in Table 5.2C-1, the current version of the specification assumes the terminal is configured with active transmission either on UL carrier or SUL carrier at any time in one serving cell and the UE requirements for single carrier shall apply for the active UL or SUL carrier accordingly.

For UE with two transmit antenna connectors in closed-loop spatial multiplexing scheme, the Relative Carrier Leakage Power requirements specified in Table 6.4.2.2.3-1 which is defined in subclause 6.4.2.2.3 apply per layer. The requirements shall be met with the UL MIMO configurations specified in Table 6.2D.1_1.3-2

The normative reference for this requirement is TS 38.101-1 [2] clause 6.4D.2.2.

6.4D.2.2_1.4 Test description

Same test description as specified in clause 6.4D.2.2.4 with following exceptions:

Instead of Table 5.3.5-1 → use Table 5.5C-1.

Instead of Table 6.4D.2.2.4.1-1 → use Table 6.4D.2.2_1.4-1

Table 6.4D.2.2_1.4-1: Test Configuration Table

Initial Conditions	
Test Environment as specified in TS 38.508-1 [5] subclause 4.1	Normal
Test Frequencies as specified in TS 38.508-1 [5] subclause 4.3.1	Low, Mid, High range for SUL carrier Mid range for Non-SUL carrier
Test Channel Bandwidths as specified in TS 38.508-1 [5] subclause 4.3.1	Mid for SUL carrier Lowest for Non-SUL carrier

Test SCS as specified in Table 5.3.5-1		15kHz for SUL carrier and Lowest supported SCS for Non-SUL carrier	
Test Parameters for Channel Bandwidths			
Test ID	Downlink Configuration	UL Configuration	SUL Configuration
	N/A	N/A	Modulation
1			CP-OFDM QPSK
			RB allocation (NOTE 1)
			Inner_1RB_Left
NOTE 1: The specific configuration of each RB allocation is defined in Table 6.1-1.			
NOTE 2: Test Channel Bandwidths are checked separately for each SUL band combination, the applicable channel bandwidths are specified in Table 5.5C-1.			
NOTE 3: When the signalled DC carrier position is at Inner_1RB_Left, use Inner_1RB_Right for UL RB allocation.			

- Connect the SS to the UE antenna connectors as shown in TS 38.508-1 [5] Annex A, Figure A.3.1.1.2 for TE diagram and section A.3.2 for UE diagram.
- The parameter setting for the cell are set up according to the TS 38.508-1 [5] subclause 4.4.3.
- Downlink signals are initially setup according to Annex C.0, C.1, C.2 and uplink signals according to Annex G.0, G.1, G.2, and G.3.0 with consideration of supplementary uplink physical channels.

Message contents in initial conditions are according to TS 38.508-1 [5] subclause 4.3.6.1.1.2 ensuring UL/SUL indicator in Table 4.3.6.1.1.2-1 with condition SUL, subclause 4.6 ensuring Table 4.6.1-28 with condition SUL AND (RF OR RRM), Table 4.6.3-14 with condition SUL_SUL for SUL carrier, and Table 4.6.3-167 with condition PUSCH_ON_SUL.

6.4D.2.2_1.5 Test requirement

The requirements measured on the SUL carrier apply to each layer.

Each of the n carrier leakage results, derived in Annex E.3.1 using procedure in Annex Annex E.8, shall not exceed the values in table 6.4D.2.2_1.5-1. Allocated RBs are not under test. n is 10 for 15kHz SCS, 20 for 30kHz SCS and 30 for 60kHz SCS.

Table 6.4D.2.2_1.5-1: Test requirements for Relative Carrier Leakage Power

LO Leakage	Parameters UE output power	Relative limit (dBc)
	10 + MU to 10 + (MU + Uplink power control window size) dBm	-28 + TT
	0 + MU to 0 + (MU + Uplink power control window size) dBm	-25 + TT
	-30 + MU to -30 + (MU + Uplink power control window size) dBm	-20 + TT
	-40 + MU to -40 + (MU + Uplink power control window size) dBm	-10 + TT
NOTE 1: The measurement bandwidth is 1 RB and the limit is expressed as a ratio of measured power in one non-allocated RB to the measured total power in all allocated RBs.		
NOTE 2: The applicable frequencies for this limit depend on the parameter <i>txDirectCurrentLocation</i> in <i>UplinkTxDirectCurrent</i> IE and are those that are enclosed either in the RBs containing the carrier leakage frequency, or in the two RBs immediately adjacent to the carrier leakage frequency but excluding any allocated RB.		
NOTE 3: N_{RB} is the Transmission Bandwidth Configuration (see Section 5.3).		
NOTE 4: Void		
NOTE 5: MU is the test system uplink power measurement uncertainty and is specified in Table F.1.2-1 for the carrier frequency f and the channel bandwidth BW.		
NOTE 6: Uplink power control window size = 1dB (UE power step size) + 0.7dB (UE power step tolerance) + (Test system relative power measurement uncertainty), where the UE power step tolerance is specified in TS 38.101-1 [2], Table		

6.3.4.3-1 and is 0.7dB for 1dB power step size, and the Test system relative power measurement uncertainty is specified in Table F.1.2-1.
 NOTE 7: Test tolerance TT = 0.8 dB.

6.4D.2.3 In-band emissions for UL MIMO

6.4D.2.3.1 Test purpose

The purpose of this test is to exercise the UE transmitter for UL MIMO to verify its modulation quality in terms of in-band emissions.

6.4D.2.3.2 Test applicability

This test case applies to all types of NR Power Class 1.5, Power Class 2 and Power Class 3 UE release 15 and forward that support 2-layer codebook based UL MIMO.

6.4D.2.3.3 Minimum conformance requirements

For UE with two transmit antenna connectors in closed-loop spatial multiplexing scheme, the In-band Emission requirements specified in Table 6.4.2.3.3-1 which is defined in subclause 6.4.2.3.3 apply at each transmit antenna connector. The requirements shall be met with the uplink MIMO configurations specified in Table 6.2D.1.3-2.

The normative reference for this requirement is TS 38.101-1 [2] clause 6.4D.2.3.

6.4D.2.3.4 Test description

6.4D.2.3.4.1 Initial conditions

Initial conditions are a set of test configurations the UE needs to be tested in and the steps for the SS to take with the UE to reach the correct measurement state.

The initial test configurations consist of environmental conditions, test frequencies, test channel bandwidths and sub-carrier spacing based on NR operating bands specified in table 5.3.5-1. All of these configurations shall be tested with applicable test parameters for each combination of test channel bandwidth and sub-carrier spacing, and are shown in table 6.4D.2.3.4.1-1. The details of the uplink and downlink reference measurement channels (RMCs) are specified in Annexes A.2 and A.3. Configurations of PDSCH and PDCCH before measurement are specified in Annex C.2.

Table 6.4D.2.3.4.1-1: Test Configuration Table

Initial Conditions			
Test Environment as specified in TS 38.508-1 [5] subclause 4.1		Normal	
Test Frequencies as specified in TS 38.508-1 [5] subclause 4.3.1		Low range, Mid range, High range	
Test Channel Bandwidths as specified in TS 38.508-1 [5] subclause 4.3.1		Lowest, Mid, Highest	
Test SCS as specified in Table 5.3.5-1		Lowest	
Test Parameters			
Test ID	Downlink Configuration	Uplink Configuration	
	N/A	Modulation	RB allocation (NOTE 1)
1		CP-OFDM QPSK	Inner_1RB_Left
2		CP-OFDM QPSK	Inner_1RB_Right
NOTE 1: The specific configuration of each RB allocation is defined in Table 6.1-1.			
NOTE 2: Test Channel Bandwidths are checked separately for each NR band, which applicable channel bandwidths are specified in Table 5.3.5-1.			

1. Connect the SS to the UE antenna connectors as shown in TS 38.508-1 [5] Annex A, Figure A.3.1.1.2 for TE diagram and section A.3.2 for UE diagram.
2. The parameter settings for the cell are set up according to TS 38.508-1 [5] subclause 4.4.3.
3. Downlink signals are initially set up according to Annex C.0, C.1, C.2, and uplink signals according to Annex G.0, G.1, G.2, G.3.0.

4. The UL Reference Measurement Channel is set according to Table 6.4D.2.3.4.1-1.
5. Propagation conditions are set according to Annex B.0.
6. Ensure the UE is in state RRC_CONNECTED with generic procedure parameters Connectivity *NR*, Connected without release *On*, Test Mode *On* and Test Loop Function *On* according to TS 38.508-1 [5] clause 4.5. Message contents are defined in clause 6.4D.2.3.4.3.

6.4D.2.3.4.2 Test procedure

Test procedure for PUSCH:

- 1.1. SS sends uplink scheduling information for each UL HARQ process via PDCCH DCI format 0_1 for C_RNTI to schedule the UL RMC according to Table 6.4D.2.3.4.1-1. Since the UE has no payload and no loopback data to send the UE sends uplink MAC padding bits on the UL RMC. The PDCCH DCI format 0_1 is specified with the condition 2TX_UL_MIMO in 38.508-1 [5] subclause 4.3.6.1.1.2.
- 1.2. Send uplink power control commands to the UE using 1dB power step size to ensure that the UE output power at each antenna connector under measurement measured by the test system is within the Uplink power control window, defined as +MU to +(MU + Uplink power control window size) dB of the target power level 10 dBm, where:
 - MU is the test system uplink power measurement uncertainty and is specified in Table F.1.2-1 for the carrier frequency *f* and the channel bandwidth BW.
 - Uplink power control window size = 1dB (UE power step size) + 0.7dB (UE power step tolerance) + (Test system relative power measurement uncertainty), where, the UE power step tolerance is specified in TS 38.101-1 [2], Table 6.3.4.3-1 and is 0.7dB for 1dB power step size, and the Test system relative power measurement uncertainty is specified in Table F.1.2-1.
- 1.3. Measure In-band emission using Global In-Channel Tx-Test (Annex E) for each of transmit antennas of the UE. For TDD, only slots consisting of only UL symbols are under test.
- 1.4. Send uplink power control commands to the UE using 1dB power step size to ensure that the UE output power at each antenna connector under measurement measured by the test system is within the Uplink power control window, defined as +MU to +(MU + Uplink power control window size) dB of the target power level 0 dBm, where MU and Uplink power control window size are defined above.
- 1.5. Measure In-band emission using Global In-Channel Tx-Test (Annex E) for each of transmit antennas of the UE. For TDD, only slots consisting of only UL symbols are under test.
- 1.6. Send uplink power control commands to the UE using 1dB power step size to ensure that the UE output power at each antenna connector under measurement measured by the test system is within the Uplink power control window, defined as +MU to +(MU + Uplink power control window size) dB of the target power level -30 dBm, where MU and Uplink power control window size are defined above.
- 1.7. Measure In-band emission using Global In-Channel Tx-Test (Annex E) for each of transmit antennas of the UE. For TDD, only slots consisting of only UL symbols are under test.
- 1.8. Send uplink power control commands to the UE using 1dB power step size to ensure that the UE output power at each antenna connector under measurement measured by the test system is within the Uplink power control window, defined as +MU to +(MU + Uplink power control window size) dB of the target power level *P_{min}*, where MU and Uplink power control window size are defined above. *P_{min}* is the minimum output power according to Table 6.3D.1.3-1.
- 1.9. Measure In-band emission using Global In-Channel Tx-Test (Annex E) for each of transmit antennas of the UE. For TDD, only slots consisting of only UL symbols are under test.

NOTE1: Void.

NOTE2: The purpose of the Uplink power control window is to ensure that the actual UE output power at each antenna connector under measurement is no less than the target power level, and as close as possible to the target power level. The relationship between the Uplink power control window, the target power level and the corresponding possible actual UE Uplink power window is illustrated in Annex F.4.2.

NOTE3: For the UE which the output power at each antenna connector can reach the Uplink power control window at the same time, execute measurement for each of antenna connectors. For the UE which the output power at each antenna connector cannot reach the Uplink power control window at the same time, execute measurement for the one antenna connector which the output power is within Uplink power control window. And then ensure output power of the other antenna connector is within Uplink power control window and execute measurement for this antenna connector.

Table 6.4D.2.3.4.2-1: Void**Table 6.4D.2.3.4.2-2: Void**

6.4D.2.3.4.3 Message contents

Message contents are according to TS 38.508-1 [5] subclause 4.6 with the condition 2TX_UL_MIMO.

6.4D.2.3.5 Test requirement

The requirements apply to each transmit antenna connector.

The averaged In-band emissions result, derived in Annex E.4.3, shall not exceed the corresponding values in Tables 6.4D.2.3.5-1. n is 10 for 15kHz SCS, 20 for 30kHz SCS and 40 for 60kHz SCS.

Table 6.4D.2.3.5-1: Test requirements for in-band emissions

Parameter description	Unit	Limit (NOTE 1)		Applicable Frequencies
General	dB	$\max \left\{ -25 - 10 \cdot \log_{10} (N_{RB} / L_{CRB}), \right.$ $20 \cdot \log_{10} EVM - 3 - 5 \cdot (\Delta_{RB} - 1) / L_{CRB},$ $\left. -57 \text{ dBm} + 10 \log_{10} (SCS / 15 \text{ kHz}) - P_{RB} \right\} + TT$		Any non-allocated (NOTE 2)
IQ Image	dB	-28 + TT	Image frequencies when output power > 10 dBm	Image frequencies (NOTES 2, 3)
		-25 + TT	Image frequencies when output power ≤ 10 dBm	
Carrier leakage	dBc	-28 + TT	Output power > 10 dBm	Carrier leakage frequency (NOTES 4, 5)
		-25 + TT	0 dBm ≤ Output power ≤ 10 dBm	
		-20 + TT	-30 dBm ≤ Output power ≤ 0 dBm	
		-10 + TT	-40 dBm ≤ Output power < -30 dBm	
<p>NOTE 1: An in-band emissions combined limit is evaluated in each non-allocated RB. For each such RB, the minimum requirement is calculated as the higher of $P_{RB} - 30$ dB and the power sum of all limit values (General, IQ Image or Carrier leakage) that apply. P_{RB} is defined in NOTE 10.</p> <p>NOTE 2: The measurement bandwidth is 1 RB and the limit is expressed as a ratio of measured power in one non-allocated RB to the measured average power per allocated RB, where the averaging is done across all allocated RBs.</p> <p>NOTE 3: The applicable frequencies for this limit are those that are enclosed in the reflection of the allocated bandwidth, based on symmetry with respect to the carrier leakage frequency, but excluding any allocated RBs.</p> <p>NOTE 4: The measurement bandwidth is 1 RB and the limit is expressed as a ratio of measured power in one non-allocated RB to the measured total power in all allocated RBs.</p> <p>NOTE 5: The applicable frequencies for this limit depend on the parameter <i>txDirectCurrentLocation</i> in <i>UplinkTxDirectCurrent</i> IE and are those that are enclosed either in the RB containing the carrier leakage frequency, or in the two RBs immediately adjacent to the carrier leakage frequency but excluding any allocated RB.</p> <p>NOTE 6: L_{CRB} is the Transmission Bandwidth (see Section 5.3).</p> <p>NOTE 7: N_{RB} is the Transmission Bandwidth Configuration (see Section 5.3).</p> <p>NOTE 8: EVM is the limit specified in Table 6.4.2.1.3-1 for the modulation format used in the allocated RBs.</p> <p>NOTE 9: Δ_{RB} is the starting frequency offset between the allocated RB and the measured non-allocated RB (e.g. $\Delta_{RB} = 1$ or $\Delta_{RB} = -1$ for the first adjacent RB outside of the allocated bandwidth).</p> <p>NOTE 10: P_{RB} is an average of the transmitted power over 10 sub-frames normalized by the number of allocated RBs, measured in dBm.</p> <p>NOTE 11: Test tolerance TT = 0.8 dB.</p>				

Table 6.4D.2.3.5-2: Void

6.4D.2.3_1 In-band emissions for SUL with UL MIMO

6.4D.2.3_1.1 Test purpose

Same test purpose as in clause 6.4D.2.3.1.

6.4D.2.3_1.2 Test applicability

This test case applies to all types of NR UE release 17 and forward that support SUL and UL MIMO operating on the SUL bands.

6.4D.2.3_1.3 Minimum conformance requirements

For a terminal that supports SUL for the band combination specified in Table 5.2C-1, the current version of the specification assumes the terminal is configured with active transmission either on UL carrier or SUL carrier at any time in one serving cell and the UE requirements for single carrier shall apply for the active UL or SUL carrier accordingly.

The normative reference for this requirement is TS 38.101-1 [2] clauses 4.3 and 6.4D.2.3.

6.4D.2.3_1.4 Test description

Same test description as specified in clause 6.4D.2.3.4 with following exceptions:

Instead of Table 5.3.5-1 → use Table 5.5C-1.

Instead of Table 6.4D.2.3.4.1-1 → use Table 6.4D.2.3_1.4-1

Table 6.4D.2.3_1.4-1: Test Configuration Table for PUSCH

		Initial Conditions	
Test Environment as specified in TS 38.508-1 [5] subclause 4.1		Normal	
Test Frequencies as specified in TS 38.508-1 [5] subclause 4.3.1		Low range, Mid range, High range for SUL carrier Mid range for Non-SUL carrier	
Test Channel Bandwidths as specified in TS 38.508-1 [5] subclause 4.3.1		Lowest, Mid, Highest for SUL carrier Lowest for Non-SUL carrier	
Test SCS as specified in Table 5.3.5-1		15kHz for SUL carrier and Lowest supported SCS for Non-SUL carrier	
Test Parameters for Channel Bandwidths			
Test ID	Downlink Configuration	UL Configuration	SUL Configuration
	N/A	N/A	Modulation
1			CP-OFDM QPSK
2			CP-OFDM QPSK
			RB allocation (NOTE 1)
			Inner_1RB_Left
			Inner_1RB_Right
NOTE 1: The specific configuration of each RB allocation is defined in Table 6.1-1.			
NOTE 2: Test Channel Bandwidths are checked separately for each SUL band combination, the applicable channel bandwidths are specified in Table 5.5C-1.			

- Connect the SS to the UE antenna connectors as shown in TS 38.508-1 [5] Annex A, Figure A.3.1.1.2 for TE diagram and section A.3.2 for UE diagram.
- The parameter setting for the cell are set up according to the TS 38.508-1 [5] subclause 4.4.3.
- Downlink signals are initially setup according to Annex C.0, C.1, C.2 and uplink signals according to Annex G.0, G.1, G.2, and G.3.0 with consideration of supplementary uplink physical channels.

Message contents in initial conditions are according to TS 38.508-1 [5] subclause 4.3.6.1.1.2 ensuring UL/SUL indicator in Table 4.3.6.1.1.2-1 with condition SUL, subclause 4.6 ensuring Table 4.6.1-28 with condition SUL AND (RF OR RRM), Tables 4.6.3-14 with condition SUL_SUL for SUL carrier, and Table 4.6.3-167 with condition PUSCH_PUCCH_ON_SUL.

6.4D.2.3_1.5 Test requirement

The requirements measured on the SUL carrier apply to each transmit antenna connector.

The averaged In-band emissions result, derived in Annex E.4.3, shall not exceed the corresponding values in Table 6.4D.2.3_1.5-1. n is 10 for 15kHz SCS, 20 for 30kHz SCS and 40 for 60kHz SCS.

Table 6.4D.2.3_1.5-1: Test requirements for in-band emissions

Parameter description	Unit	Limit (NOTE 1)		Applicable Frequencies
General	dB	$\max \left\{ -25 - 10 \cdot \log_{10} (N_{RB} / L_{CRB}), \right.$ $20 \cdot \log_{10} EVM - 3 - 5 \cdot (\Delta_{RB} - 1) / L_{CRB},$ $\left. -57 \text{ dBm} + 10 \log_{10} (SCS / 15\text{kHz}) - P_{RB} \right\} + TT$		Any non-allocated (NOTE 2)
IQ Image	dB	-28 + TT	Image frequencies when output power > 10 dBm	Image frequencies (NOTES 2, 3)
		-25 + TT	Image frequencies when output power ≤ 10 dBm	
Carrier leakage	dBc	-28 + TT	Output power > 10 dBm	Carrier leakage frequency (NOTES 4, 5)
		-25 + TT	0 dBm ≤ Output power ≤ 10 dBm	
		-20 + TT	-30 dBm ≤ Output power ≤ 0 dBm	
		-10 + TT	-40 dBm ≤ Output power < -30 dBm	
<p>NOTE 1: An in-band emissions combined limit is evaluated in each non-allocated RB. For each such RB, the minimum requirement is calculated as the higher of $P_{RB} - 30$ dB and the power sum of all limit values (General, IQ Image or Carrier leakage) that apply. P_{RB} is defined in NOTE 10.</p> <p>NOTE 2: The measurement bandwidth is 1 RB and the limit is expressed as a ratio of measured power in one non-allocated RB to the measured average power per allocated RB, where the averaging is done across all allocated RBs.</p> <p>NOTE 3: The applicable frequencies for this limit are those that are enclosed in the reflection of the allocated bandwidth, based on symmetry with respect to the carrier leakage frequency, but excluding any allocated RBs.</p> <p>NOTE 4: The measurement bandwidth is 1 RB and the limit is expressed as a ratio of measured power in one non-allocated RB to the measured total power in all allocated RBs.</p> <p>NOTE 5: The applicable frequencies for this limit depend on the parameter <i>txDirectCurrentLocation</i> in <i>UplinkTxDirectCurrent</i> IE and are those that are enclosed either in the RB containing the carrier leakage frequency, or in the two RBs immediately adjacent to the carrier leakage frequency but excluding any allocated RB.</p> <p>NOTE 6: L_{CRB} is the Transmission Bandwidth (see Section 5.3).</p> <p>NOTE 7: N_{RB} is the Transmission Bandwidth Configuration (see Section 5.3).</p> <p>NOTE 8: EVM is the limit specified in Table 6.4.2.1.3-1 for the modulation format used in the allocated RBs.</p> <p>NOTE 9: Δ_{RB} is the starting frequency offset between the allocated RB and the measured non-allocated RB (e.g. $\Delta_{RB} = 1$ or $\Delta_{RB} = -1$ for the first adjacent RB outside of the allocated bandwidth).</p> <p>NOTE 10: P_{RB} is an average of the transmitted power over 10 sub-frames normalized by the number of allocated RBs, measured in dBm.</p> <p>NOTE 11: Test tolerance TT = 0.8 dB.</p>				

6.4D.2.4 EVM equalizer spectrum flatness for UL MIMO

Editor's note:

- For a transition period until RAN#104 (June 2024) previous test procedure in TS 38.521-1 V18.0.0 is allowed for TE implementation.
- Working assumption is that the same MU applies for the new UL MIMO test procedure as for the test procedure in TS 38.521-1 V18.0.0. This does not preclude to update the MU in future meetings.

6.4D.2.4.1 Test purpose

The purpose of this test is to verify the zero-forcing equalizer correction applied in the EVM measurement process (as described in Annex E) meets a spectrum flatness requirement for the EVM measurement to be valid.

6.4D.2.4.2 Test applicability

This test case applies to all types of NR Power Class 1.5, Power Class 2 and Power Class 3 UE release 15 and forward that support 2-layer codebook based UL MIMO.

6.4D.2.4.3 Minimum conformance requirements

For UE with two transmit antenna connectors in closed-loop spatial multiplexing scheme, the EVM Equalizer Spectrum Flatness requirements specified in Table 6.4.2.4.3-1 and Table 6.4.2.4.3-2 which are defined in subclause 6.4.2.4.3 apply at each layer. The requirements shall be met with the UL MIMO configurations specified in Table 6.2D.1.3-2

The normative reference for this requirement is TS 38.101-1 [2] clause 6.4D.2.4.

6.4D.2.4.4 Test description

6.4D.2.4.4.1 Initial conditions

Initial conditions are a set of test configurations the UE needs to be tested in and the steps for the SS to take with the UE to reach the correct measurement state.

The initial test configurations consist of environmental conditions, test frequencies, test channel bandwidths and sub-carrier spacing based on NR operating bands specified in table 5.3.5-1. All of these configurations shall be tested with applicable test parameters for each combination of test channel bandwidth and sub-carrier spacing, and are shown in table 6.4D.2.4.4.1-1. The details of the uplink and downlink reference measurement channels (RMCs) are specified in Annexes A.2 and A.3. Configurations of PDSCH and PDCCH before measurement are specified in Annex C.2.

Table 6.4D.2.4.4.1-1: Test Configuration Table

Initial Conditions			
Test Environment as specified in TS 38.508-1 [5] subclause 4.1		Normal, TL/VL, TL/VH, TH/VL, TH/VH	
Test Frequencies as specified in TS 38.508-1 [5] subclause 4.3.1		Low range, Mid range, High range	
Test Channel Bandwidths as specified in TS 38.508-1 [5] subclause 4.3.1		Lowest, Mid, Highest	
Test SCS as specified in Table 5.3.5-1		Lowest	
Test Parameters			
Test ID	Downlink Configuration	Uplink Configuration	
	N/A	Modulation	RB allocation (NOTE 1)
1		CP-OFDM QPSK	Outer Full
NOTE 1: The specific configuration of each RB allocation is defined in Table 6.1-1.			
NOTE 2: Test Channel Bandwidths are checked separately for each NR band, which applicable channel bandwidths are specified in Table 5.3.5-1.			

1. Connect the SS to the UE antenna connectors as shown in TS 38.508-1 [5] Annex A, Figure A.3.1.2.2 for TE diagram and section A.3.2 for UE diagram.
2. The parameter settings for the cell are set up according to TS 38.508-1 [5] subclause 4.4.3.
3. Downlink signals are initially set up according to Annex C.0, C.1, C.2, and uplink signals according to Annex G.0, G.1, G.2, G.3.0.
4. The UL Reference Measurement Channel is set according to Table 6.4D.2.4.4.1-1.
5. Propagation conditions are set according to Annex B.0.
6. Ensure the UE is in state RRC_CONNECTED with generic procedure parameters Connectivity NR, Connected without release On, Test Mode On and Test Loop Function On according to TS 38.508-1 [5] clause 4.5. Message contents are defined in clause 6.4D.2.4.4.3.

6.4D.2.4.4.2 Test procedure

1. SS sends uplink scheduling information for each UL HARQ process via PDCCH DCI format 0_1 for C_RNTI to schedule the UL RMC according to Table 6.4D.2.4.4.1-1. Since the UE has no payload and no loopback data to

send the UE sends uplink MAC padding bits on the UL RMC. The PDCCH DCI format 0_1 is specified with the condition 2TX_UL_MIMO in 38.508-1 [5] subclause 4.3.6.1.1.2.

2. Send continuously uplink power control "up" commands in the uplink scheduling information to the UE until the UE transmits at P_{UMAX} level. Allow at least 200ms starting from the first TPC command in this step for the UE to reach P_{UMAX} level.
3. Measure spectrum flatness using Global In-Channel Tx-Test for UL MIMO (Annex E with procedure in Annex E.8) for each layer using the two Tx antenna connectors of the UE. For TDD, only slots consisting of only UL symbols are under test.

6.4D.2.4.4.3 Message contents

Message contents are according to TS 38.508-1 [5] subclause 4.6 with the condition 2TX_UL_MIMO.

6.4D.2.4.5 Test requirement

The requirements apply to each layer.

Each of the *n* spectrum flatness functions, shall derive four ripple results in Annex E.4.4.1 using Annex E.8. The derived results shall not exceed the values in Figure 6.4D.2.4.5-1:

For shaped Pi/2-BPSK modulated waveforms, the test requirements are TBD.

For normal conditions and unshaped modulated waveforms, the maximum ripple in Range 1 and Range 2 shall not exceed the values specified in Table 6.4D.2.4.5-1 and the following additional requirement: the relative difference between the maximum coefficient in Range 1 and the minimum coefficient in Range 2 must not be larger than 6.4 dB, and the relative difference between the maximum coefficient in Range 2 and the minimum coefficient in Range 1 must not be larger than 8.4 dB (see Figure 6.4D.2.4.5-1).

For normal conditions and for unshaped modulated waveforms, the peak-to-peak variation of the EVM equalizer coefficients contained within the frequency range of the uplink allocation shall not exceed the maximum ripple specified in Table 6.4D.2.4.5-1. For uplink allocations contained within both Range 1 and Range 2, the coefficients evaluated within each of these frequency ranges shall meet the corresponding ripple requirement and the following additional requirement: the relative difference between the maximum coefficient in Range 1 and the minimum coefficient in Range 2 must not be larger than 6.4 dB, and the relative difference between the maximum coefficient in Range 2 and the minimum coefficient in Range 1 must not be larger than 8.4 dB (see Figure 6.4D.2.4.5-1).

For extreme conditions, the EVM equalizer spectral flatness shall not exceed the values specified in Table 6.4D.2.4.5-2. For uplink allocations contained within both Range 1 and Range 2, the coefficients evaluated within each of these frequency ranges shall meet the corresponding ripple requirement and the following additional requirement: the relative difference between the maximum coefficient in Range 1 and the minimum coefficient in Range 2 must not be larger than 7.4 dB, and the relative difference between the maximum coefficient in Range 2 and the minimum coefficient in Range 1 must not be larger than 11.4 dB (see Figure 6.4D.2.4.5-1).

Table 6.4D.2.4.5-1: Requirements for EVM equalizer spectrum flatness for unshaped modulations (normal conditions)

Frequency range	Maximum ripple [dB]
$F_{UL_Meas} - F_{UL_Low} \geq 3 \text{ MHz}$ and $F_{UL_High} - F_{UL_Meas} \geq 3 \text{ MHz}$ (Range 1)	4 + TT (p-p)
$F_{UL_Meas} - F_{UL_Low} < 3 \text{ MHz}$ or $F_{UL_High} - F_{UL_Meas} < 3 \text{ MHz}$ (Range 2)	8 + TT (p-p)
NOTE 1: F_{UL_Meas} refers to the sub-carrier frequency for which the equalizer coefficient is evaluated	
NOTE 2: F_{UL_Low} and F_{UL_High} refer to each E-UTRA frequency band specified in Table 5.5-1	
NOTE 3: Test tolerance TT = 1.4 dB.	

Table 6.4D.2.4.5-2: Minimum requirements for EVM equalizer spectrum flatness for unshaped modulations (extreme conditions)

Frequency range	Maximum Ripple [dB]
$F_{UL_Meas} - F_{UL_Low} \geq 5 \text{ MHz}$ and $F_{UL_High} - F_{UL_Meas} \geq 5 \text{ MHz}$ (Range 1)	4 + TT (p-p)

$F_{UL_Meas} - F_{UL_Low} < 5 \text{ MHz}$ or $F_{UL_High} - F_{UL_Meas} < 5 \text{ MHz}$ (Range 2)	12 + TT (p-p)
NOTE 1: F_{UL_Meas} refers to the sub-carrier frequency for which the equalizer coefficient is evaluated	
NOTE 2: F_{UL_Low} and F_{UL_High} refer to each E-UTRA frequency band specified in Table 5.5-1	
NOTE 3: Test tolerance TT = 1.4 dB.	

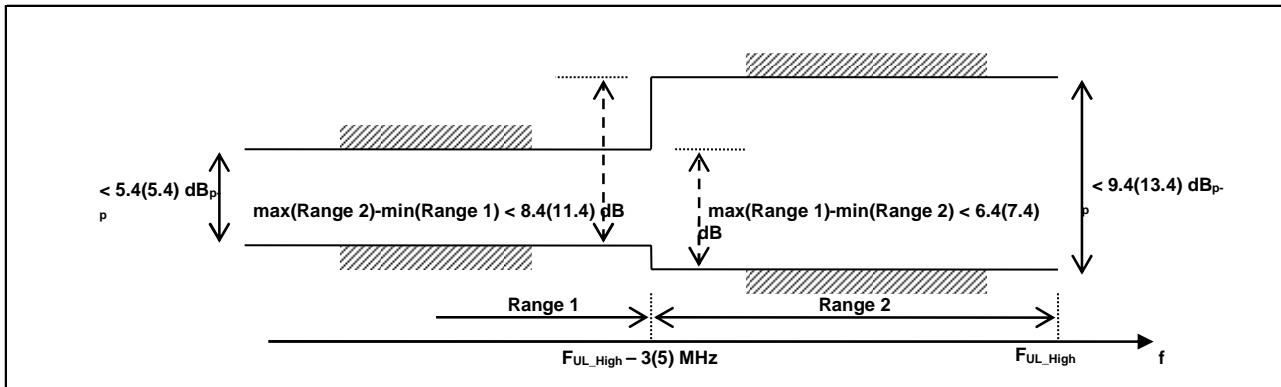


Figure 6.4D.2.4.5-1: The test requirements for EVM equalizer spectral flatness with the maximum allowed variation of the coefficients indicated for unshaped modulations (the ETC test requirements are within brackets)

6.4D.2.4_1 EVM equalizer spectrum flatness for SUL with UL MIMO

Editor's note:

- For a transition period until RAN#104 (June 2024) previous test procedure in TS 38.521-1 V18.0.0 is allowed for TE implementation.
- Working assumption is that the same MU applies for the new UL MIMO test procedure as for the test procedure in TS 38.521-1 V18.0.0. This does not preclude to update the MU in future meetings.

6.4D.2.4_1.1 Test purpose

The purpose of this test is to verify the zero-forcing equalizer correction applied in the EVM measurement process (as described in Annex E) meets a spectrum flatness requirement for the EVM measurement to be valid.

6.4D.2.4_1.2 Test applicability

This test applies to all types of NR UE release 17 and forward that support SUL and UL MIMO operating on the SUL bands.

6.4D.2.4_1.3 Minimum conformance requirements

For UE with two transmit antenna connectors in closed-loop spatial multiplexing scheme, the EVM Equalizer Spectrum Flatness requirements specified in Table 6.4.2.4.3-1 and Table 6.4.2.4.3-2 which are defined in subclause 6.4.2.4.3 apply at layer. The requirements shall be met with the UL MIMO configurations specified in Table 6.2D.1_1.3.

The normative reference for this requirement is TS 38.101-1 [2] clause 6.4D.2.4.

6.4D.2.4_1.4 Test description

6.4D.2.4_1.4.1 Initial conditions

Initial conditions are a set of test configurations the UE needs to be tested in and the steps for the SS to take with the UE to reach the correct measurement state.

The initial test configurations consist of environmental conditions, test frequencies, test channel bandwidths and sub-carrier spacing based on NR operating bands specified in table 5.3.5-1. All of these configurations shall be tested with applicable test parameters for each combination of test channel bandwidth and sub-carrier spacing, and are shown in table 6.4D.2.4_1.4.1-1. The details of the uplink and downlink reference measurement channels (RMCs) are specified in Annexes A.2 and A.3. Configurations of PDSCH and PDCCH before measurement are specified in Annex C.2.

Table 6.4D.2.4_1.4.1-1: Test Configuration Table

Initial Conditions			
Test Environment as specified in TS 38.508-1 [5] subclause 4.1		Normal, TL/VL, TL/VH, TH/VL, TH/VH	
Test Frequencies as specified in TS 38.508-1 [5] subclause 4.3.1		Low range, Mid range, High range	
Test Channel Bandwidths as specified in TS 38.508-1 [5] subclause 4.3.1		Lowest, Mid, Highest	
Test SCS as specified in Table 5.3.5-1		Lowest	
Test Parameters			
Test ID	Downlink Configuration	Uplink Configuration	
	N/A	Modulation	RB allocation (NOTE 1)
1		CP-OFDM QPSK	Outer Full
NOTE 1: The specific configuration of each RB allocation is defined in Table 6.1-1.			
NOTE 2: Test Channel Bandwidths are checked separately for each NR band, which applicable channel bandwidths are specified in Table 5.3.5-1.			

1. Connect the SS to the UE antenna connectors as shown in TS 38.508-1 [5] Annex A, Figure A.3.1.1.5 for TE diagram and section A.3.2 for UE diagram.
2. The parameter settings for the cell are set up according to TS 38.508-1 [5] subclause 4.4.3.
3. Downlink signals are initially set up according to Annex C.0, C.1, C.2, and uplink signals according to Annex G.0, G.1, G.2, G.3.0.
4. The UL Reference Measurement Channel is set according to Table 6.4D.2.4_1.4.1-1.
5. Propagation conditions are set according to Annex B.0.
6. Ensure the UE is in state RRC_CONNECTED with generic procedure parameters Connectivity *NR*, Connected without release *On*, Test Mode *On* and Test Loop Function *On* according to TS 38.508-1 [5] clause 4.5. Message contents are defined in clause 6.4D.2.4_1.4.3.

6.4D.2.4_1.4.2 Test procedure

1. SS sends uplink scheduling information for each UL HARQ process via PDCCH DCI format 0_1 for C_RNTI to schedule the UL RMC according to Table 6.4D.2.4.1-1. Since the UE has no payload and no loopback data to send the UE sends uplink MAC padding bits on the UL RMC. The PDCCH DCI format 0_1 is specified with the condition 2TX_UL_MIMO in 38.508-1 [5] subclause 4.3.6.1.1.2.
2. Send continuously uplink power control "up" commands in the uplink scheduling information to the UE until the UE transmits at P_{UMAX} level. Allow at least 200ms starting from the first TPC command in this step for the UE to reach P_{UMAX} level.
3. Measure spectrum flatness using Global In-Channel Tx-Test for UL MIMO (Annex E with procedure in Annex E.8) for each layer using the two Tx antenna connectors of the UE. For TDD, only slots consisting of only UL symbols are under test.

6.4D.2.4_1.4.3 Message contents

Message contents are according to TS 38.508-1 [5] subclause 4.3.6.1.1.2 ensuring UL/SUL indicator in Table 4.3.6.1.1.2-1 with condition SUL, subclause 4.6 ensuring Table 4.6.1-28 with condition SUL AND (RF OR RRM), Tables 4.6.3-14 with condition SUL_SUL for SUL carrier, Table 4.6.3-167 with condition PUSCH_PUCCH_ON_SUL, and Table 4.6.3-182 with the condition 2TX_UL_MIMO.

6.4D.2.4_1.5 Test requirement

The requirements apply to each layer.

Each of the n spectrum flatness functions, shall derive four ripple results in Annex E.4.4.1 using Annex E.8. The derived results shall not exceed the values in Figure 6.4D.2.4_1.5-1:

For shaped Pi/2-BPSK modulated waveforms, the test requirements are TBD.

For normal conditions and unshaped modulated waveforms, the maximum ripple in Range 1 and Range 2 shall not exceed the values specified in Table 6.4D.2.4_1.5-1 and the following additional requirement: the relative difference between the maximum coefficient in Range 1 and the minimum coefficient in Range 2 must not be larger than 6.4 dB, and the relative difference between the maximum coefficient in Range 2 and the minimum coefficient in Range 1 must not be larger than 8.4 dB (see Figure 6.4D.2.4_1.5-1).

For normal conditions and for unshaped modulated waveforms, the peak-to-peak variation of the EVM equalizer coefficients contained within the frequency range of the uplink allocation shall not exceed the maximum ripple specified in Table 6.4D.2.4_1.5-1. For uplink allocations contained within both Range 1 and Range 2, the coefficients evaluated within each of these frequency ranges shall meet the corresponding ripple requirement and the following additional requirement: the relative difference between the maximum coefficient in Range 1 and the minimum coefficient in Range 2 must not be larger than 6.4 dB, and the relative difference between the maximum coefficient in Range 2 and the minimum coefficient in Range 1 must not be larger than 8.4 dB (see Figure 6.4D.2.4_1.5-1).

For extreme conditions, the EVM equalizer spectral flatness shall not exceed the values specified in Table 6.4D.2.4_1.5-2. For uplink allocations contained within both Range 1 and Range 2, the coefficients evaluated within each of these frequency ranges shall meet the corresponding ripple requirement and the following additional requirement: the relative difference between the maximum coefficient in Range 1 and the minimum coefficient in Range 2 must not be larger than 7.4 dB, and the relative difference between the maximum coefficient in Range 2 and the minimum coefficient in Range 1 must not be larger than 11.4 dB (see Figure 6.4D.2.4_1.5-1).

Table 6.4D.2.4_1.5-1: Requirements for EVM equalizer spectrum flatness for unshaped modulations (normal conditions)

Frequency range	Maximum ripple [dB]
$F_{UL_Meas} - F_{UL_Low} \geq 3 \text{ MHz}$ and $F_{UL_High} - F_{UL_Meas} \geq 3 \text{ MHz}$ (Range 1)	4 + TT (p-p)
$F_{UL_Meas} - F_{UL_Low} < 3 \text{ MHz}$ or $F_{UL_High} - F_{UL_Meas} < 3 \text{ MHz}$ (Range 2)	8 + TT (p-p)
NOTE 1: F_{UL_Meas} refers to the sub-carrier frequency for which the equalizer coefficient is evaluated	
NOTE 2: F_{UL_Low} and F_{UL_High} refer to each E-UTRA frequency band specified in Table 5.5-1	
NOTE 3: Test tolerance TT = 1.4 dB.	

Table 6.4D.2.4_1.5-2: Minimum requirements for EVM equalizer spectrum flatness for unshaped modulations (extreme conditions)

Frequency range	Maximum Ripple [dB]
$F_{UL_Meas} - F_{UL_Low} \geq 5 \text{ MHz}$ and $F_{UL_High} - F_{UL_Meas} \geq 5 \text{ MHz}$ (Range 1)	4 + TT (p-p)
$F_{UL_Meas} - F_{UL_Low} < 5 \text{ MHz}$ or $F_{UL_High} - F_{UL_Meas} < 5 \text{ MHz}$ (Range 2)	12 + TT (p-p)
NOTE 1: F_{UL_Meas} refers to the sub-carrier frequency for which the equalizer coefficient is evaluated	
NOTE 2: F_{UL_Low} and F_{UL_High} refer to each E-UTRA frequency band specified in Table 5.5-1	
NOTE 3: Test tolerance TT = 1.4 dB.	

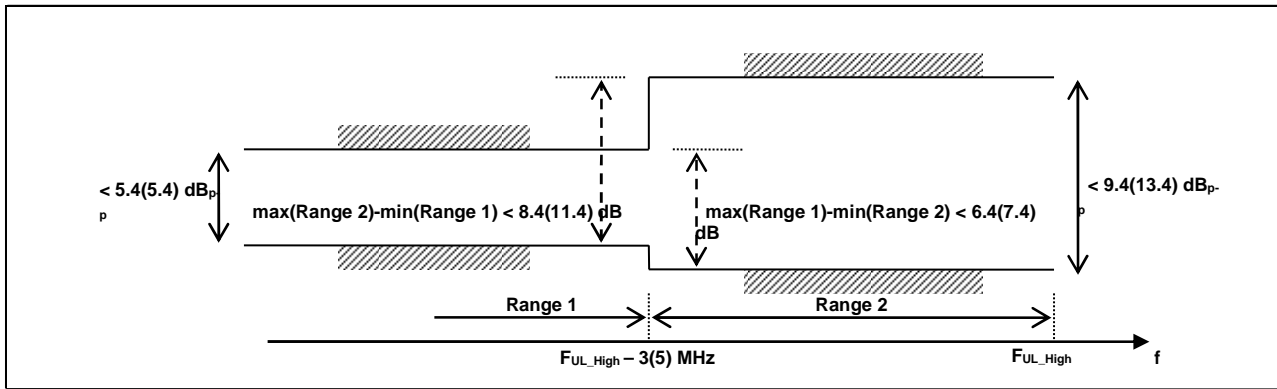


Figure 6.4D.2.4_1.5-1: The test requirements for EVM equalizer spectral flatness with the maximum allowed variation of the coefficients indicated for unshaped modulations (the ETC test requirements are within brackets)

6.4D.3 Time alignment error for UL MIMO

6.4D.3.1 Test purpose

To verify that the error of time alignment in UL MIMO does not exceed the range prescribed by the specified UL MIMO Time Alignment Error (TAE) and tolerance.

An excess time alignment error has the possibility to interfere to other channels or other systems and decrease UL MIMO performance because of the timing unsynchronization.

6.4D.3.2 Test applicability

This test case applies to all types of NR Power Class 1.5, Power Class 2 and Power Class 3 UE release 15 and forward that support 2-layer codebook based UL MIMO.

6.4D.3.3 Minimum conformance requirements

For UE(s) with multiple transmit antenna connectors supporting UL MIMO, this requirement applies to frame timing differences between transmissions on multiple transmit antenna connectors in the closed-loop spatial multiplexing scheme.

The time alignment error (TAE) is defined as the average frame timing difference between any two transmissions on different transmit antenna connectors.

For UE(s) with multiple transmit antenna connectors, the Time Alignment Error (TAE) shall not exceed 130 ns.

The normative reference for this requirement is TS 38.101-1 [2] clause 6.4D.3.

6.4D.3.4 Test description

6.4D.3.4.1 Initial condition

Initial conditions are a set of test configurations the UE needs to be tested in and the steps for the SS to take with the UE to reach the correct measurement state.

The initial test configurations consist of environmental conditions, test frequencies, test channel bandwidths and sub-carrier spacing based on NR operating bands specified in Table 5.3.5-1. All of these configurations shall be tested with applicable test parameters for each combination of channel bandwidth and sub-carrier spacing, are shown in table 6.4D.3.4.1-1. The details of the uplink reference measurement channels (RMCs) are specified in Annexes A.2. Configurations of PDSCH and PDCCH before measurement are specified in Annex C.2.

Table 6.4D.3.4.1-1: Test Configuration Table

Initial Conditions

Test Environment as specified in TS 38.508-1 [5] subclause 4.1	Normal		
Test Frequencies as specified in TS 38.508-1 [5] subclause 4.3.1	Mid range		
Test Channel Bandwidths as specified in TS 38.508-1 [5] subclause 4.3.1	Lowest, Mid, Highest		
Test SCS as specified in Table 5.3.5-1	Lowest, Highest		
Test Parameters for Channel Bandwidths			
Test ID	Downlink Configuration	Uplink Configuration	
	N/A for Time alignment error for UL MIMO	Modulation	RB allocation (NOTE 1)
1	test case	CP-OFDM QPSK	Outer Full
NOTE 1: The specific configuration of each RB allocation is defined in Table 6.1-1.			

1. Connect the SS to the UE antenna connectors as shown in TS 38.508-1 [5] Annex A, in Figure A.3.1.1.2 for TE diagram and section A.3.2 for UE diagram.
2. The parameter settings for the cell are set up according to TS 38.508-1 [5] subclause 4.4.3.
3. Downlink signals are initially set up according to Annex C.0, C.1, C.2, and uplink signals according to Annex G.0, G.1, G.2, G.3.0.
4. The UL Reference Measurement channels are set according to Table 6.4D.3.4.1-1.
5. Propagation conditions are set according to Annex B.0.
6. Ensure the UE is in state RRC_CONNECTED with generic procedure parameters Connectivity NR, Connected without release On, Test Mode On and Test Loop Function On according to TS 38.508-1 [5] clause 4.5. Message contents are defined in clause 6.4D.3.4.3.

6.4D.3.4.2 Test procedure

1. SS sends uplink scheduling information for each UL HARQ process via PDCCH DCI format 0_1 for C_RNTI to schedule the UL RMC according to Table 6.4D.3.4.1-1. Since the UE has no payload and no loopback data to send the UE sends uplink MAC padding bits on the UL RMC. The PDCCH DCI format 0_1 is specified with the condition 2TX_UL_MIMO in 38.508-1 [5] subclause 4.3.6.1.1.2.
2. Send continuously uplink power control "up" commands in every uplink scheduling information to the UE; allow at least 200ms from the first TPC command in this step for the UE to reach P_{UMAX} level.
3. Measure the timing of one sub-frame at each antenna connector.

6.4D.3.4.3 Message contents

Message contents are according to TS 38.508-1 [5] subclause 4.6 ensuring Table 4.6.3-182 with condition 2TX_UL_MIMO.

6.4D.3.5 Test requirement

For UE(s) with multiple transmit antenna connectors, the Time Alignment Error (TAE) shall not exceed 130 + TT ns.

Table 6.4D.3.5-1: Test Tolerance (Time alignment error for UL MIMO)

Test Tolerance
25ns

6.4D.3_1 Time alignment error for SUL with UL MIMO

6.4D.3_1.1 Test purpose

To verify that the error of time alignment in UL MIMO does not exceed the range prescribed by the specified UL MIMO Time Alignment Error (TAE) and tolerance.

An excess time alignment error has the possibility to interfere to other channels or other systems and decrease UL MIMO performance because of the timing unsynchronization.

6.4D.3_1.2 Test applicability

This test applies to all types of NR UE release 17 and forward that support SUL and UL MIMO operating on the SUL bands.

6.4D.3_1.3 Minimum conformance requirements

For UE(s) with multiple transmit antenna connectors supporting UL MIMO, this requirement applies to frame timing differences between transmissions on multiple transmit antenna connectors in the closed-loop spatial multiplexing scheme.

The time alignment error (TAE) is defined as the average frame timing difference between any two transmissions on different transmit antenna connectors.

For UE(s) with multiple transmit antenna connectors, the Time Alignment Error (TAE) shall not exceed 130 ns.

The normative reference for this requirement is TS 38.101-1 [2] clause 6.4D.3.

6.4D.3_1.4 Test description

6.4D.3_1.4.1 Initial condition

Initial conditions are a set of test configurations the UE needs to be tested in and the steps for the SS to take with the UE to reach the correct measurement state.

The initial test configurations consist of environmental conditions, test frequencies, test channel bandwidths and sub-carrier spacing based on NR operating bands specified in Table 5.3.5-1. All of these configurations shall be tested with applicable test parameters for each combination of channel bandwidth and sub-carrier spacing, are shown in table 6.4D.3_1.4.1-1. The details of the uplink reference measurement channels (RMCs) are specified in Annexes A.2. Configurations of PDSCH and PDCCH before measurement are specified in Annex C.2.

Table 6.4D.3_1.4.1-1: Test Configuration Table

Initial Conditions			
Test Environment as specified in TS 38.508-1 [5] subclause 4.1		Normal	
Test Frequencies as specified in TS 38.508-1 [5] subclause 4.3.1		Mid range	
Test Channel Bandwidths as specified in TS 38.508-1 [5] subclause 4.3.1		Lowest, Mid, Highest	
Test SCS as specified in Table 5.3.5-1		Lowest, Highest	
Test Parameters for Channel Bandwidths			
Test ID	Downlink Configuration	Uplink Configuration	
	N/A for Time alignment error for UL MIMO test case	Modulation	RB allocation (NOTE 1)
1		CP-OFDM QPSK	Outer Full
NOTE 1: The specific configuration of each RB allocation is defined in Table 6.1-1.			

1. Connect the SS to the UE antenna connectors as shown in TS 38.508-1 [5] Annex A, in Figure A.3.1.1.5 for TE diagram and section A.3.2 for UE diagram.
2. The parameter settings for the cell are set up according to TS 38.508-1 [5] subclause 4.4.3.
3. Downlink signals are initially set up according to Annex C.0, C.1, C.2, and uplink signals according to Annex G.0, G.1, G.2, G.3.0.
4. The UL Reference Measurement channels are set according to Table 6.4D.3_1.4.1-1.
5. Propagation conditions are set according to Annex B.0.
6. Ensure the UE is in state RRC_CONNECTED with generic procedure parameters Connectivity NR, Connected without release On, Test Mode On and Test Loop Function On according to TS 38.508-1 [5] clause 4.5. Message contents are defined in clause 6.4D.3_1.4.3.

6.4D.3_1.4.2 Test procedure

1. SS sends uplink scheduling information for each UL HARQ process via PDCCH DCI format 0_1 for C_RNTI to schedule the UL RMC according to Table 6.4D.3_1.4.1-1. Since the UE has no payload and no loopback data to send the UE sends uplink MAC padding bits on the UL RMC. The PDCCH DCI format 0_1 is specified with the condition 2TX_UL_MIMO in 38.508-1 [5] subclause 4.3.6.1.1.2.
2. Send continuously uplink power control "up" commands in every uplink scheduling information to the UE; allow at least 200ms from the first TPC command in this step for the UE to reach P_{UMAX} level.
3. Measure the timing of one sub-frame at each antenna connector.

6.4D.3_1.4.3 Message contents

Message contents are according to TS 38.508-1 [5] subclause 4.3.6.1.1.2 ensuring UL/SUL indicator in Table 4.3.6.1.1.2-1 with condition SUL, subclause 4.6 ensuring Table 4.6.1-28 with condition SUL AND (RF OR RRM), Tables 4.6.3-14 with condition SUL_SUL for SUL carrier, Table 4.6.3-167 with condition PUSCH_PUCCH_ON_SUL, and Table 4.6.3-182 with the condition 2TX_UL_MIMO.

6.4D.3_1.5 Test requirement

For UE(s) with multiple transmit antenna connectors, the Time Alignment Error (TAE) shall not exceed $130 + TT$ ns.

Table 6.4D.3_1.5-1: Test Tolerance (Time alignment error for UL MIMO)

Test Tolerance
25ns

6.4D.4 Requirements for coherent UL MIMO

Editor's note: This clause is incomplete. The following aspects are either missing or not yet determined:

- Test config table is still FFS.
- Scheduling pattern within 20ms measurement window is FFS
- The test procedure is FFS.
- MU and TT value are still FFS

6.4D.4.1 Test purpose

To verify that the difference of relative phase error and the difference of relative power error between antenna ports in coherent UL MIMO do not exceed the range prescribed by the specified requirements for coherent UL MIMO and tolerance.

An excess relative phase error or excess relative power error has the possibility to interfere to other channels and decrease UL MIMO performance because of the timing unsynchronization.

6.4D.4.2 Test applicability

This test case applies to all types of NR Power Class 1.5, Power Class 2 and Power Class 3 UE release 15 and forward that support coherent 2-layer codebook based UL MIMO.

6.4D.4.3 Minimum conformance requirements

For coherent UL MIMO, Table 6.4D.4.3-1 lists the maximum allowable difference between the measured relative power and phase errors between different antenna ports in any slot within the specified time window from the last transmitted SRS on the same antenna ports, for the purpose of uplink transmission (codebook or non-codebook usage) and those measured at that last SRS. The requirements in Table 6.4D.4.3-1 apply when the UL transmission power at each antenna port is larger than 0 dBm for SRS transmission and for the duration of time window.

Table 6.4D.4.3-1: Maximum allowable difference of relative phase and power errors in a given slot compared to those measured at last SRS transmitted

Difference of relative phase error	Difference of relative power error	Time window
40 degrees	4 dB	20 msec

The above requirements when all the following conditions are met within the specified time window:

- UE is not signalled with a change in number of SRS ports in SRS-config, or a change in PUSCH-config
- UE remains in DRX active time (UE does not enter DRX OFF time)
- No measurement gap occurs
- No instance of SRS transmission with the usage antenna switching occurs
- Active BWP remains the same
- EN-DC and CA configuration is not changed for the UE (UE is not configured or de-configured with PScell or SCell(s))
- When UE is not configured with uplink switching; or when UE is configured with uplink switching, and ‘fullCoherent’ codebook subset is supported in the corresponding carrier according to the capability *uplinkTxSwitching-PUSCH-TransCoherence* and/or *uplinkTxSwitching2T2T-PUSCH-TransCoherence*; or when UE is configured with uplink switching, ‘nonCoherent’ codebook subset is supported in the corresponding carrier according to the capability *uplinkTxSwitching-PUSCH-TransCoherence* and/or *uplinkTxSwitching2T2T-PUSCH-TransCoherence*, and uplink switching is not triggered by the switching mechanisms specified in sub-clause 6.1.6 of TS 38.214 [10] between last transmitted SRS and scheduled transmission.

The normative reference for this requirement is TS 38.101-1 [2] clause 6.4D.4

6.4D.4.4 Test description

6.4D.4.4.1 Initial condition

Initial conditions are a set of test configurations the UE needs to be tested in and the steps for the SS to take with the UE to reach the correct measurement state.

The initial test configurations consist of environmental conditions, test frequencies, test channel bandwidths and sub-carrier spacing based on NR operating bands specified in Table 5.3.5-1. All of these configurations shall be tested with applicable test parameters for each combination of channel bandwidth and sub-carrier spacing, are shown in table 6.4D.4.4.1-1. The details of the uplink reference measurement channels (RMCs) are specified in Annexes A.2. Configurations of PDSCH and PDCCH before measurement are specified in Annex C.2.

Table 6.4D.4.4.1-1: Test Configuration Table

FFS

1. Connect the SS to the UE antenna connectors as shown in TS 38.508-1 [5] Annex A, in Figure A.3.1.1.2 for TE diagram and section A.3.2 for UE diagram.
2. The parameter settings for the cell are set up according to TS 38.508-1 [5] subclause 4.4.3.
3. Downlink signals are initially set up according to Annex C.0, C.1, C.2, and uplink signals according to Annex G.0, G.1, G.2, G.3.0.
4. The UL Reference Measurement channels are set according to Table 6.4D.4.4.1-1.
5. Propagation conditions are set according to Annex B.0.
6. Ensure the UE is in state RRC_CONNECTED with generic procedure parameters Connectivity NR, Connected without release *On*, Test Mode *On* and Test Loop Function *On* according to TS 38.508-1 [5] clause 4.5. Message contents are defined in clause 6.4D.4.4.3

6.4D.4.4.2 Test procedure

1. SS sends uplink scheduling information for each UL HARQ process via PDCCH DCI format 0_1 for C_RNTI to schedule the UL RMC according to Table 6.4D.4.4.1-1. Since the UE has no payload and no loopback data to send the UE sends uplink MAC padding bits on the UL RMC.
2. Send continuously uplink power control "up" commands in every uplink scheduling information to the UE; allow at least 200ms starting from the first TPC command in this step to ensure that the UE reaches the P_{max} level of the test point.
3. Measure the mean power of the UE on each antenna port on SRS symbol in the SRS channel bandwidth according to the test configuration from table 6.4D.4.4.1-1. Calculate the power difference between antenna ports and save this value as 'Power_ref'.
4. On the slots within 20ms following the SRS symbol, measure the mean power of the UE on each antenna port in the channel bandwidth according to the test configuration from table 6.2.4.4.1-1. The period of measurement shall be at least the continuous duration of one active slot and in the uplink symbols. For TDD slots with transient periods are not under test. Calculate the power difference between antenna ports and save this value as 'Power_meas'.

6.4D.4.4.3 Message contents

Message contents are according to TS 38.508-1 [5] subclause 4.6 and 5.4 ensuring Table 4.6.3-182 with the condition 2TX_UL_MIMO.

6.4D.4.5 Test requirement

Maximum allowable difference of 'power_ref' measured in step 3 and 'power_meas' measured in step 4 shall not exceed the described relative power error in Table 6.4D.4.5-1.

Table 6.4D.4.5-1: Maximum allowable difference of relative phase and power errors in a given slot compared to those measured at last SRS transmitted

Difference of relative phase error	Difference of relative power error	Time window
40+TT degrees	4+TT ¹ dB	20 msec
NOTE 1: TT for relative power for each frequency and channel bandwidth is specified in Table 6.4D.4.5-2.		

Table 6.4D.4.5-2: Test Tolerance

	f ≤ 3.0GHz	3.0GHz < f ≤ 6GHz
BW ≤ 40MHz	FFS	FFS
40MHz < BW ≤ 100MHz	FFS	FFS

6.4E Transmit signal quality for V2X

6.4E.1 Frequency error for V2X

6.4E.2 Transmit modulation quality for V2X

6.4E.2.1 General

The transmit modulation quality requirements in this clause apply to V2X sidelink transmissions.

For NR V2X UE supporting SL MIMO, the transmit modulation quality requirements for single carrier shall apply to each transmit antenna connector.

If V2X UE transmits on one-antenna connector at a time, the requirements specified for single carrier apply to the active antenna connector.

6.4E.2.2 Error Vector Magnitude for V2X

6.4E.2.2.1 Error Vector Magnitude for V2X / non-concurrent operation

Editor's Note:

- The test case is not completed due to the following aspects are not yet determined:
- Test configuration is TBD
- Target power level is TBD

6.4E.2.2.1.1 Test purpose

The Error Vector Magnitude is a measure of the difference between the reference waveform and the measured waveform. This difference is called the error vector. Before calculating the EVM the measured waveform is corrected by the sample timing offset and RF frequency offset. Then the carrier leakage shall be removed from the measured waveform before calculating the EVM.

The measured waveform is further equalised using the channel estimates subjected to the EVM equaliser spectrum flatness requirement specified in sub-clause 6.4E.2.5.1.3. For CP-OFDM waveforms, the EVM result is defined after the front-end FFT as the square root of the ratio of the mean error vector power to the mean reference power expressed as a %.

6.4E.2.2.1.2 Test applicability

This test case applies to all types of NR UE release 16 and forward that support NR V2X sidelink communication.

6.4E.2.2.1.3 Minimum conformance requirements

For V2X sidelink physical channels PSCCH and PSSCH, the Error Vector Magnitude requirements shall be as specified for PUSCH in Table 6.4.2.1-1 except $\pi/2$ -BPSK for NR V2X operating bands in Table 5.2E.1-1. When sidelink transmissions are shortened due to transmission gap of 1 symbol at the end of the slot, the EVM measurement interval is reduced by one symbol, accordingly.

The normative reference for this requirement is TS 38.101-1 [2] clause 6.4E.2.2.

6.4E.2.2.1.4 Test description

6.4E.2.2.1.4.1 Initial condition

Initial conditions are a set of test configurations the UE needs to be tested in and the steps for the SS to take with the UE to reach the correct measurement state.

The initial test configurations consist of environmental conditions, test frequencies, test channel bandwidths and sub-carrier spacing based on NR operating bands specified in Table 5.2E.1-1 and Table 5.3.5-1. All of these configurations shall be tested with applicable test parameters for each combination of test channel bandwidth and sub-carrier spacing, and are shown in table 6.4E.2.2.1.4.1-1. The details of the V2X reference measurement channels (RMCs) are specified in Annex A.7.5 and the GNSS configuration in TS 38.508-1 [5] subclause 4.11.

Table 6.4E.2.2.1.4.1-1: Test Configuration Table for PSSCH and PSCCH

FFS

1. Connect the SS and GNSS simulator to the UE antenna connectors as shown in TS 38.508-1 [5] Annex A, Figure A.3.1.9.1 for TE diagram and section A.3.2.7 for UE diagram.
2. The parameter settings for the V2X sidelink transmission over PC5 are pre-configured according to TS 38.508-1 [5] subclause 4.10. Message content exceptions are defined in clause 6.4E.2.2.1.4.3.
3. The V2X Reference Measurement Channel is set according to Table 6.4E.2.2.1.4.1-1.
4. The GNSS simulator is configured for Scenario #1: static in Geographical area #1, as defined in TS38.508-1 [5] Table 4.11.2-2. Geographical area #1 is also pre-configured in the UE.
5. Propagation conditions are set according to Annex B.0.

6. Ensure the UE is in state *Out_of_Coverage* with generic procedure parameters *Sidelink On*, *Test Loop Function On* with UE test loop mode E closed for *Transmit Mode* according to TS 38.508-1 [5] clause 4.5.

6.4E.2.2.1.4.2 Test procedure

1. The UE starts to perform the V2X sidelink communication according to [SL-V2X-Preconfiguration]. Since the UE has no payload and no loopback data to send the UE sends uplink MAC padding bits on the V2X RMC.
2. Configure the UE to transmit at P_{UMAX} level.
3. Measure the EVM and \overline{EVM}_{DMRS} using Global In-Channel Tx-Test (Annex E). The measurement period is [15] subframes. When V2X transmissions are shortened due to transmission gap of 1 symbol at the end of the subframe, the EVM measurement interval is reduced by one symbol, accordingly.
4. Modify SL-V2X-Preconfiguration to ensure the UE to transmit at a relative low power, according to Table [TBD].
5. Ensure the UE is in State [TBD] in Transmit Mode according to TS 38.508-1 [5] clause [TBD] using the new UL power control setting.
6. The UE starts to perform the V2X sidelink communication according to [SL-V2X-Preconfiguration]. Since the UE has no payload and no loopback data to send the UE sends uplink MAC padding bits on the V2X RMC.
7. Measure EVM and \overline{EVM}_{DMRS} using Global In-Channel Tx-Test (Annex E). The measurement period is [15] subframes. When V2X transmissions are shortened due to transmission gap of 1 symbol at the end of the subframe, the EVM measurement interval is reduced by one symbol, accordingly.

6.4E.2.2.1.4.3 Message contents

Message contents are according to TS 38.508-1 [5] subclause 4.6 and 5.4 with the following exceptions:

FFS

6.4E.2.2.1.5 Test requirement

FFS

6.4E.2.2.1D Error Vector Magnitude for V2X / non-concurrent operation / SL-MIMO

Editor's Note:

- No test points are defined since there is no configuration satisfying $MPR=0dB$ requirements in TS 38.101-1.
- The test case is not completed due to the following aspects are not yet determined:
- Uplink RMC is TBD in TS 38.101-1
- Connection diagram is TBD
- Preconfiguration is TBD in 38.508-1
- Test state and generic procedure are TBD in 38.508-1

6.4E.2.2.1D.1 Test purpose

The Error Vector Magnitude is a measure of the difference between the reference waveform and the measured waveform. This difference is called the error vector. Before calculating the EVM the measured waveform is corrected by the sample timing offset and RF frequency offset. Then the carrier leakage shall be removed from the measured waveform before calculating the EVM.

The measured waveform is further equalised using the channel estimates subjected to the EVM equaliser spectrum flatness requirement specified in sub-clause 6.4E.2.5.1D.3. For CP-OFDM waveforms, the EVM result is defined after the front-end FFT as the square root of the ratio of the mean error vector power to the mean reference power expressed as a %.

6.4E.2.2.1D.2 Test applicability

This test case applies to all types of NR UE release 16 and forward that support NR V2X sidelink MIMO communication with non-concurrent operation.

NOTE: This test case can't be performed due to lack of appropriate test points.

6.4E.2.2.1D.3 Minimum conformance requirements

For NR V2X UE with two transmit antenna connectors, the requirements specified for single carrier described in clause 6.4E.2.2.1.3 shall apply to each transmit antenna connector.

The normative reference for this requirement is TS 38.101-1 [2] clause 6.4E.2.2.

6.4E.2.2.1D.4 Test description

6.4E.2.2.1D.4.1 Initial condition

Initial conditions are a set of test configurations the UE needs to be tested in and the steps for the SS to take with the UE to reach the correct measurement state.

The initial test configurations consist of environmental conditions, test frequencies, test channel bandwidths and sub-carrier spacing based on NR operating bands specified in Table 5.3.5-1. All of these configurations shall be tested with applicable test parameters for each combination of test channel bandwidth and sub-carrier spacing, and are shown in table 6.4E.2.2.1D.4.1-1. The details of the V2X reference measurement channels (RMCs) are specified in Annexes TBD.

Table 6.4E.2.2.1D.4.1-1: Test Configuration Table for PSSCH and PSCCH

FFS

NOTE: No test points are defined since there is no configuration satisfying MPR=0dB requirements in RAN4.

1. Connect the SS and GNSS simulator to the UE antenna connectors as shown in TS 38.508-1 [5] Annex A, Figure [TBD] for TE diagram and section [TBD] for UE diagram.
2. The parameter settings for the V2X sidelink transmission over PC5 are pre-configured according to TS 38.508-1 [5] subclause [TBD]. Message content exceptions are defined in clause 6.4E.2.2.1D.4.3.
3. The V2X Reference Measurement Channel is set according to Table 6.4E.2.2.1D.4.1-1.
4. The GNSS simulator is configured for Scenario #1: static in Geographical area #1, as defined in TS38.508-1 [5] Table [TBD]. Geographical area #1 is also pre-configured in the UE.
5. Propagation conditions are set according to Annex B.0.
6. Ensure the UE is in state [TBD].

6.4E.2.2.1D.4.2 Test procedure

1. The UE starts to perform the V2X sidelink communication according to [SL-V2X-Preconfiguration]. Since the UE has no payload and no loopback data to send the UE sends uplink MAC padding bits on the V2X RMC.
2. Configure the UE to transmit at P_{UMAX} level.
3. Measure the EVM and \overline{EVM}_{DMRS} using Global In-Channel Tx-Test (Annex E) for each of transmit antenna. The measurement period is [15] subframes. When V2X transmissions are shortened due to transmission gap of 1 symbol at the end of the subframe, the EVM measurement interval is reduced by one symbol, accordingly.
4. Modify SL-V2X-Preconfiguration to ensure the UE to transmit at a relative low power, according to Table [TBD].
5. Ensure the UE is in State [TBD] in Transmit Mode according to TS 38.508-1 [5] clause [TBD] using the new UL power control setting.

- 6. The UE starts to perform the V2X sidelink communication according to [SL-V2X-Preconfiguration]. Since the UE has no payload and no loopback data to send the UE sends uplink MAC padding bits on the V2X RMC.
- 7. Measure EVM and \overline{EVM}_{DMRS} using Global In-Channel Tx-Test (Annex E) for each of transmit antenna. The measurement period is [15] subframes. When V2X transmissions are shortened due to transmission gap of 1 symbol at the end of the subframe, the EVM measurement interval is reduced by one symbol, accordingly.

6.4E.2.2.1D.4.3 Message contents

Message contents are according to TS 38.508-1 [5] subclause 4.6 and 5.4 with the following exceptions:

FFS

6.4E.2.2.1D.5 Test requirement

FFS

6.4E.2.4 In-band emissions for V2X

6.4E.2.4.1 In-band emissions for V2X / non-concurrent operation

Editor’s Note:

- The test case is not completed due to the following aspects are not yet determined:
- Test configuration is TBD
- Target power level is TBD

6.4E.2.4.1.1 Test purpose

The in-band emissions are a measure of the interference falling into the non-allocated resources blocks, this is to verify that the in-band emissions of V2X sidelink non-concurrent operation satisfy the minimum requirements.

6.4E.2.4.1.2 Test applicability

This test case applies to all types of NR UE release 16 and forward that support NR V2X sidelink communication with non-concurrent operation.

6.4E.2.4.1.3 Minimum conformance requirements

For V2X sidelink physical channels PSCCH, PSSCH and PSBCH, the In-band emissions requirements shall be as specified for PUSCH in subclause 6.4.2.3 for the corresponding modulation and transmission bandwidth. When V2X transmissions are shortened due to transmission gap of one symbol at the end of the subframe, the In-band emissions measurement interval is reduced by one symbol, accordingly.

Consequently, the relative in-band emission of each sidelink physical channel shall not exceed the values specified in Table 6.4E.2.4.1.3-1.

Table 6.4E.2.4.1.3-1: Minimum requirements for in-band emissions

Parameter description	Unit	Limit (NOTE 1)		Applicable Frequencies
General	dB	$\max \left\{ -25 - 10 \cdot \log_{10} (N_{RB} / L_{CRB}), \right.$ $20 \cdot \log_{10} EVM - 3 - 5 \cdot (\Delta_{RB} - 1) / L_{CRB},$ $\left. -57 \text{ dBm} + 10 \log_{10} (SCS / 15 \text{ kHz}) - \overline{P_{RB}} \right\}$		Any non-allocated (NOTE 2)
IQ Image	dB	-28	Image frequencies when output power > 10 dBm	Image frequencies (NOTES 2, 3)
		-25	Image frequencies when output power ≤ 10 dBm	
Carrier leakage	dBc	-28	Output power > 10 dBm	Carrier leakage frequency (NOTES 4, 5)
		-25	0 dBm ≤ Output power ≤ 10 dBm	
		-20	-30 dBm ≤ Output power < 0 dBm	

	-10	-40 dBm ≤ Output power < -30 dBm
NOTE 1:	An in-band emissions combined limit is evaluated in each non-allocated RB. For each such RB, the minimum requirement is calculated as the higher of $\overline{P_{RB}} - 30$ dB and the power sum of all limit values (General, IQ Image or Carrier leakage) that apply. $\overline{P_{RB}}$ is defined in NOTE 10.	
NOTE 2:	The measurement bandwidth is 1 RB and the limit is expressed as a ratio of measured power in one non-allocated RB to the measured average power per allocated RB, where the averaging is done across all allocated RBs. For pi/2 BPSK with Spectrum Shaping, the limit is expressed as a ratio of measured power in one non-allocated RB to the measured power in the allocated RB with highest PSD.	
NOTE 3:	The applicable frequencies for this limit are those that are enclosed in the reflection of the allocated bandwidth, based on symmetry with respect to the carrier leakage frequency, but excluding any allocated RBs.	
NOTE 4:	The measurement bandwidth is 1 RB and the limit is expressed as a ratio of measured power in one non-allocated RB to the measured total power in all allocated RBs.	
NOTE 5:	The applicable frequencies for this limit depend on the parameter <i>txDirectCurrentLocation</i> in <i>UplinkTxDirectCurrent</i> IE, and are those that are enclosed either in the RB containing the carrier leakage frequency, or in the two RBs immediately adjacent to the carrier leakage frequency but excluding any allocated RB.	
NOTE 6:	L_{CRB} is the Transmission Bandwidth (see clause 5.3).	
NOTE 7:	N_{RB} is the Transmission Bandwidth Configuration (see clause 5.3).	
NOTE 8:	EVM is the limit specified in Table 6.4.2.1-1 for the modulation format used in the allocated RBs.	
NOTE 9:	Δ_{RB} is the starting frequency offset between the allocated RB and the measured non-allocated RB (e.g. $\Delta_{RB} = 1$ or $\Delta_{RB} = -1$ for the first adjacent RB outside of the allocated bandwidth).	
NOTE 10:	$\overline{P_{RB}}$ is an average of the transmitted power over 10 sub-frames normalized by the number of allocated RBs, measured in dBm.	
NOTE 11:	For almost contiguous allocations defined in clause 6.2.2, $L_{CRB} = N_{RB_alloc} + N_{RB_gap}$ with no in-gap emission requirement.	

The normative reference for this requirement is TS 38.101-1 [2] clause 6.4E.2.4.

6.4E.2.4.1.4 Test description

6.4E.2.4.1.4.1 Initial condition

Initial conditions are a set of test configurations the UE needs to be tested in and the steps for the SS to take with the UE to reach the correct measurement state.

The initial test configurations consist of environmental conditions, test frequencies, test channel bandwidths and sub-carrier spacing based on NR operating bands specified in Table 5.2E.1-1 and Table 5.3.5-1. All of these configurations shall be tested with applicable test parameters for each combination of test channel bandwidth and sub-carrier spacing, and are shown in table 6.4E.2.4.1.4.1-1 and 6.4E.2.4.1.4.1-2. The details of the V2X reference measurement channels (RMCs) are specified in Annex A.7.5 and the GNSS configuration in TS 38.508-1 [5] subclause 4.11.

Table 6.4E.2.4.1.4.1-1: Test Configuration Table for PSSCH and PSCCH

FFS

Table 6.4E.2.4.1.4.1-2: Test Configuration Table for PSBCH

FFS

1. Connect the SS and GNSS simulator to the UE antenna connectors as shown in TS 38.508-1 [5] Annex A, Figure A.3.1.9.1 for TE diagram and section A.3.2.7 for UE diagram.
2. The parameter settings for the V2X sidelink transmission over PC5 are pre-configured according to TS 38.508-1 [5] subclause 4.10. Message content exceptions are defined in clause 6.4E.2.4.1.4.3.
3. The V2X Reference Measurement Channel is set according to Table 6.4E.2.4.1.4.1-1.
4. The GNSS simulator is configured for Scenario #1: static in Geographical area #1, as defined in TS 38.508-1 [5] Table 4.11.2-2. Geographical area #1 is also pre-configured in the UE.
5. Propagation conditions are set according to Annex B.0.
6. Ensure the UE is in state *Out_of_Coverage* with generic procedure parameters *Sidelink On*, *Test Loop Function On* with UE test loop mode E closed for *Transmit Mode* according to TS 38.508-1 [5] clause 4.5.

6.4E.2.4.1.4.2 Test procedure

Test procedure for PSCCH+PSSCH:

1. Set the V2X sidelink communication parameters for both the V2X sidelink capable UE (hereinafter referred to as V2X UE) and SS according to *SL-PreconfigurationNR* in [TBD].
2. V2X UE schedules the V2X RMC according to *SL-PreconfigurationNR* which is in line with the test configuration in Table 6.4E.2.4.1.4.1-1.
3. Measure the V2X UE output power to make sure V2X UE transmission power to be [TBD]
4. Measure In-band emission using Global In-Channel Tx-Test (Annex E)

[TP2: V2X UE output power within (0 -30) dBm]

Repeat the above steps 1~4 with the exception that making sure V2X UE transmission power to be -25.5dBm+/-4.5dB for carrier frequency $f > 5\text{GHz}$ in step3.

Test procedure for PSBCH:

1. Set the V2X sidelink communication parameters for both the V2X sidelink capable UE (hereinafter referred to as V2X UE) and SS according to *SL-PreconfigurationNR* in [TBD].
2. V2X UE schedules the V2X RMC according to *SL-PreconfigurationNR* which is in line with the test configuration in Table 6.4E.2.4.1.4.1-2.
3. Measure the V2X UE output power to make sure V2X UE transmission power to be [TBD]
4. Measure In-band emission using Global In-Channel Tx-Test (Annex E)

[TP2: V2X UE output power within (0 -30) dBm]

Repeat the above steps 1~4 with the exception that making sure V2X UE transmission power to be -25.5dBm+/-4.5 dB for carrier frequency $f > 5\text{GHz}$ in step3.

6.4E.2.4.1.4.3 Message contents

Message contents are according to TS 38.508-1 [5] subclause 4.6 and 5.4 with the following exceptions:

FFS

6.4E.2.4.1.5 Test requirement

FFS

6.4E.2.4.1D In-band emissions for V2X / non-concurrent operation / SL-MIMO

Editor's Note:

- The test case is not completed due to the following aspects are not yet determined:

- Test configuration is TBD

- Target power level is TBD

6.4E.2.4.1D.1 Test purpose

The in-band emissions are a measure of the interference falling into the non-allocated resources blocks, this is to verify that the in-band emissions of V2X sidelink non-concurrent operation satisfy the minimum requirements.

6.4E.2.4.1D.2 Test applicability

This test case applies to all types of NR UE release 16 and forward that support NR V2X sidelink MIMO communication with non-concurrent operation.

NOTE: This test case can't be performed due to lack of appropriate test points.

6.4E.2.4.1D.3 Minimum conformance requirements

For NR V2X UE with two transmit antenna connectors, the requirements specified for single carrier described in clause 6.4E.2.4.1.3 shall apply to each transmit antenna connector.

The normative reference for this requirement is TS 38.101-1 [2] clause 6.4E.2.4.

6.4E.2.4.1D.4 Test description

6.4E.2.4.1D.4.1 Initial condition

Initial conditions are a set of test configurations the UE needs to be tested in and the steps for the SS to take with the UE to reach the correct measurement state.

The initial test configurations consist of environmental conditions, test frequencies, test channel bandwidths and sub-carrier spacing based on NR operating bands specified in Table 5.2E.1-1 and Table 5.3.5-1. All of these configurations shall be tested with applicable test parameters for each combination of test channel bandwidth and sub-carrier spacing, and are shown in table 6.4E.2.4.1D.4.1-1 and 6.4E.2.4.1D.4.1-2. The details of the V2X reference measurement channels (RMCs) are specified in Annexes A.7.5 and the GNSS configuration in TS 38.508-1 [5] subclause 4.11.

Table 6.4E.2.4.1D.4.1-1: Test Configuration Table for PSSCH and PSCCH

FFS

Table 6.4E.2.4.1D.4.1-2: Test Configuration Table for PSBCH

FFS

1. Connect the SS and GNSS simulator to the UE antenna connectors as shown in TS 38.508-1 [5] Annex A, Figure A.3.1.9.1 for TE diagram and section A.3.2.7 for UE diagram.
2. The parameter settings for the V2X sidelink transmission over PC5 are pre-configured according to TS 38.508-1 [5] subclause 4.10. Message content exceptions are defined in clause 6.4E.2.4.1D.4.3.
3. The V2X Reference Measurement Channel is set according to Table 6.4E.2.4.1D.4.1-1.
4. The GNSS simulator is configured for Scenario #1: static in Geographical area #1, as defined in TS38.508-1 [5] Table 4.11.2-2. Geographical area #1 is also pre-configured in the UE.
5. Propagation conditions are set according to Annex B.0.
6. Ensure the UE is in state *Out_of_Coverage* with generic procedure parameters *Sidelink On*, *Test Loop Function On* with UE test loop mode E closed for *Transmit Mode* according to TS 38.508-1 [5] clause 4.5.

6.4E.2.4.1D.4.2 Test procedure

Test procedure for PSCCH+PSSCH:

1. Set the V2X sidelink communication parameters for both the V2X sidelink capable UE (hereinafter referred to as V2X UE) and SS according to *SL-PreconfigurationNR* in [TBD].
2. V2X UE schedules the V2X RMC according to *SL-PreconfigurationNR* which is in line with the test configuration in Table 6.4E.2.4.1D.4.1-1.
3. Measure the V2X UE output power to make sure V2X UE transmission power to be [TBD].
4. Measure In-band emission using Global In-Channel Tx-Test (Annex E) for each of transmit antenna.

Test procedure for PSBCH:

1. Set the V2X sidelink communication parameters for both the V2X sidelink capable UE (hereinafter referred to as V2X UE) and SS according to *SL-PreconfigurationNR* in [TBD].
2. V2X UE schedules the V2X RMC according to *SL-PreconfigurationNR* which is in line with the test configuration in Table 6.4E.2.4.1D.4.1-2.
3. Measure the V2X UE output power to make sure V2X UE transmission power to be [TBD].

4. Measure In-band emission using Global In-Channel Tx-Test (Annex E) for each of transmit antenna.

6.4E.2.4.1D.4.3 Message contents

Message contents are according to TS 38.508-1 [5] subclause 4.6 and 5.4 with the following exceptions:

FFS

6.4E.2.4.1D.5 Test requirement

FFS

6.4E.2.4.2 In-band emissions for V2X / con-current operation

Editor's Note:

- The test case is not completed due to the following aspects are not yet determined:

- Test configuration is TBD

- Target power level is TBD

6.4E.2.4.2.1 Test purpose

The in-band emissions are a measure of the interference falling into the non-allocated resources blocks, this is to verify that the in-band emissions of V2X sidelink con-current operation satisfy the minimum requirements.

6.4E.2.4.2.2 Test applicability

This test case applies to all types of NR UE release 16 and forward that support NR V2X sidelink communication with con-current operation.

NOTE: This test case can't be performed due to lack of appropriate test points.

6.4E.2.4.2.3 Minimum conformance requirements

For V2X sidelink physical channels PSCCH, PSSCH and PSBCH, the In-band emissions requirements shall be as specified for PUSCH in subclause 6.4.2.3 for the corresponding modulation and transmission bandwidth. When V2X transmissions are shortened due to transmission gap of one symbol at the end of the subframe, the In-band emissions measurement interval is reduced by one symbol, accordingly.

The normative reference for this requirement is TS 38.101-1 [2] clause 6.4E.2.4.

6.4E.2.4.2.4 Test description

6.4E.2.4.2.4.1 Initial condition

Initial conditions are a set of test configurations the UE needs to be tested in and the steps for the SS to take with the UE to reach the correct measurement state.

The initial test configurations consist of environmental conditions, test frequencies, test channel bandwidths and sub-carrier spacing based on NR operating bands specified in Table 5.2E.1-1 and Table 5.3.5-1. All of these configurations shall be tested with applicable test parameters for each combination of test channel bandwidth and sub-carrier spacing, and are shown in table 6.4E.2.4.2.4.1-1 and 6.4E.2.4.2.4.1-2. The details of the V2X reference measurement channels (RMCs) are specified in Annexes A.7.5 and the GNSS configuration in TS 38.508-1 [5] subclause 4.11.

Table 6.4E.2.4.2.4.1-1: Test Configuration Table for PSSCH and PSCCH

FFS

Table 6.4E.2.4.2.4.1-2: Test Configuration Table for PSBCH

FFS

1. Connect the SS and GNSS simulator to the UE antenna connectors as shown in TS 38.508-1 [5] Annex A, Figure A.3.1.9.1 for TE diagram and section A.3.2.7 for UE diagram.

2. The parameter settings for the V2X sidelink transmission over PC5 are pre-configured according to TS 38.508-1 [5] subclause 4.10. Message content exceptions are defined in clause 6.4E.2.4.2.4.3.
3. The V2X Reference Measurement Channel is set according to Table 6.4E.2.4.2.4.1-1.
4. The GNSS simulator is configured for Scenario #1: static in Geographical area #1, as defined in TS38.508-1 [5] Table 4.11.2-2. Geographical area #1 is also pre-configured in the UE.
5. Propagation conditions are set according to Annex B.0.
6. Ensure the UE is in state *Out_of_Coverage* with generic procedure parameters *Sidelink On*, *Test Loop Function On* with UE test loop mode E closed for *Transmit Mode* according to TS 38.508-1 [5] clause 4.5.

6.4E.2.4.2.4.2 Test procedure

Test procedure for PSCCH+PSSCH:

1. Set the V2X sidelink communication parameters for both the V2X sidelink capable UE (hereinafter referred to as V2X UE) and SS according to *SL-PreconfigurationNR* in [TBD].
2. V2X UE schedules the V2X RMC according to *SL-PreconfigurationNR* which is in line with the test configuration in Table 6.4E.2.4.2.4.1-1.
3. Measure the V2X UE output power to make sure V2X UE transmission power to be [TBD].
4. Measure In-band emission using Global In-Channel Tx-Test (Annex E) for each of transmit antenna.

Test procedure for PSBCH:

1. Set the V2X sidelink communication parameters for both the V2X sidelink capable UE (hereinafter referred to as V2X UE) and SS according to *SL-PreconfigurationNR* in [TBD].
2. V2X UE schedules the V2X RMC according to *SL-PreconfigurationNR* which is in line with the test configuration in Table 6.4E.2.4.2.4.1-2.
3. Measure the V2X UE output power to make sure V2X UE transmission power to be [TBD].
4. Measure In-band emission using Global In-Channel Tx-Test (Annex E) for each of transmit antenna.

6.4E.2.4.2.4.3 Message contents

Message contents are according to TS 38.508-1 [5] subclause 4.6 and 5.4 with the following exceptions:

FFS

6.4E.2.4.2.5 Test requirement

FFS

6.4E.2.5 EVM equalizer spectrum flatness for V2X

6.4E.2.5.1 EVM equalizer spectrum flatness for V2X / non-concurrent operation

Editor's Note:

- The test case is not completed due to the following aspects are not yet determined:
- Test configuration is TBD
- Target power level is TBD

6.4E.2.5.1.1 Test purpose

The zero-forcing equalizer correction applied in the EVM measurement process (as described in Annex E) must meet a spectrum flatness requirement for the EVM measurement to be valid. The EVM equalizer spectrum flatness is defined in terms of the maximum peak-to-peak ripple of the equalizer coefficients (dB) across the V2X sidelink allocated block variation in dB of the equalizer coefficients generated by the EVM measurement process. The EVM equalizer spectrum

flatness requirement does not limit the correction applied to the signal in the EVM measurement process but for the EVM result to be valid, the equalizer correction that was applied must meet the EVM equalizer spectrum flatness minimum requirements. The basic measurement interval is the same as for EVM.

6.4E.2.5.1.2 Test applicability

This test case applies to all types of NR UE release 16 and forward that support NR V2X sidelink communication.

NOTE: This test case can't be performed due to lack of appropriate test points.

6.4E.2.5.1.3 Minimum conformance requirements

The peak-to-peak variation of the EVM equalizer coefficients contained within the frequency range of the V2X sidelink allocation shall not exceed the maximum ripple. The EVM equalizer spectrum flatness shall not exceed the values specified in Table 6.4E.2.5.1.3-1 for normal conditions. For V2X sidelink allocations contained within both Range 1 and Range 2, the coefficients evaluated within each of these frequency ranges shall meet the corresponding ripple requirement and the following additional requirement: the relative difference between the maximum coefficient in Range 1 and the minimum coefficient in Range 2 must not be larger than 5 dB, and the relative difference between the maximum coefficient in Range 2 and the minimum coefficient in Range 1 must not be larger than 7 dB (see Figure 6.4E.2.5.1.3-1).

The EVM equalizer spectrum flatness shall not exceed the values specified in Table 6.4E.2.5.1.3-2 for extreme conditions. For uplink allocations contained within both Range 1 and Range 2, the coefficients evaluated within each of these frequency ranges shall meet the corresponding ripple requirement and the following additional requirement: the relative difference between the maximum coefficient in Range 1 and the minimum coefficient in Range 2 must not be larger than 6 dB, and the relative difference between the maximum coefficient in Range 2 and the minimum coefficient in Range 1 must not be larger than 10 dB (see Figure 6.4E.2.5.1.3-1).

For V2X sidelink physical channels PSCCH, PSSCH and PSBCH, the EVM equalizer spectrum flatness requirements shall be as specified for PUSCH in clause 6.4.2.4 for the corresponding modulation and transmission bandwidth.

Table 6.4E.2.5.1.3-1: Minimum requirements for EVM equalizer spectrum flatness (normal conditions)

Frequency range	Maximum ripple (dB)
$F_{UL_Meas} - F_{UL_Low} \geq 3 \text{ MHz}$ and $F_{UL_High} - F_{UL_Meas} \geq 3 \text{ MHz}$ (Range 1)	4 (p-p)
$F_{UL_Meas} - F_{UL_Low} < 3 \text{ MHz}$ or $F_{UL_High} - F_{UL_Meas} < 3 \text{ MHz}$ (Range 2)	8 (p-p)
NOTE 1: F_{UL_Meas} refers to the sub-carrier frequency for which the equalizer coefficient is evaluated	
NOTE 2: F_{UL_Low} and F_{UL_High} refer to each NR frequency band specified in Table 5.2-1	

Table 6.4E.2.5.1.3-2: Minimum requirements for EVM equalizer spectrum flatness (extreme conditions)

Frequency range	Maximum Ripple (dB)
$F_{UL_Meas} - F_{UL_Low} \geq 5 \text{ MHz}$ and $F_{UL_High} - F_{UL_Meas} \geq 5 \text{ MHz}$ (Range 1)	4 (p-p)
$F_{UL_Meas} - F_{UL_Low} < 5 \text{ MHz}$ or $F_{UL_High} - F_{UL_Meas} < 5 \text{ MHz}$ (Range 2)	12 (p-p)
NOTE 1: F_{UL_Meas} refers to the sub-carrier frequency for which the equalizer coefficient is evaluated	
NOTE 2: F_{UL_Low} and F_{UL_High} refer to each NR frequency band specified in Table 5.2-1	

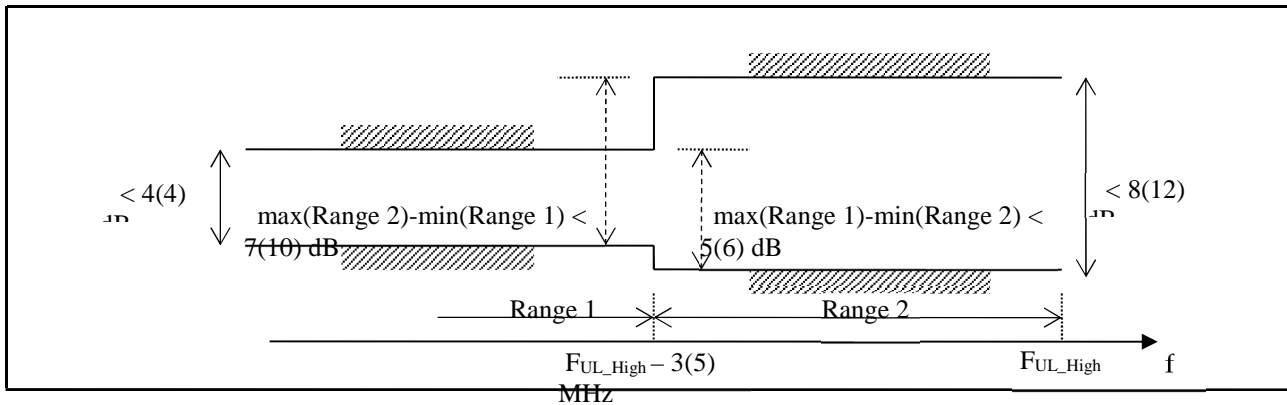


Figure 6.4E.2.5.1.3-1: The limits for EVM equalizer spectral flatness with the maximum allowed variation of the coefficients indicated (the ETC minimum requirement are within brackets).

The normative reference for this requirement is TS 38.101-1 [2] clause 6.4E.2.5.

6.4E.2.5.1.4 Test description

6.4E.2.5.1.4.1 Initial condition

Initial conditions are a set of test configurations the UE needs to be tested in and the steps for the SS to take with the UE to reach the correct measurement state.

The initial test configurations consist of environmental conditions, test frequencies, test channel bandwidths and sub-carrier spacing based on NR operating bands specified in Table 5.2E.1-1 and Table 5.3.5-1. All of these configurations shall be tested with applicable test parameters for each combination of test channel bandwidth and sub-carrier spacing, and are shown in table 6.4E.2.5.1.4.1-1. The details of the V2X reference measurement channels (RMCs) are specified in Annex A.7.5 and the GNSS configuration in TS 38.508-1 [5] subclause 4.11.

Table 6.4E.2.5.1.4.1-1: Test Configuration Table for PSSCH and PSCCH

FFS

1. Connect the SS and GNSS simulator to the UE antenna connectors as shown in TS 38.508-1 [5] Annex A, Figure A.3.1.9.1 for TE diagram and section A.3.2.7 for UE diagram.
2. The parameter settings for the V2X sidelink transmission over PC5 are pre-configured according to TS 38.508-1 [5] subclause 4.10. Message content exceptions are defined in clause 6.4E.2.5.1.4.3.
3. The V2X Reference Measurement Channel is set according to Table 6.4E.2.5.1.4.1-1.
4. The GNSS simulator is configured for Scenario #1: static in Geographical area #1, as defined in TS38.508-1 [5] Table 4.11.2-2. Geographical area #1 is also pre-configured in the UE.
5. Propagation conditions are set according to Annex B.0.
6. Ensure the UE is in state *Out_of_Coverage* with generic procedure parameters *Sidelink On*, *Test Loop Function On* with UE test loop mode E closed for *Transmit Mode* according to TS 38.508-1 [5] clause 4.5.

6.4E.2.5.1.4.2 Test procedure

1. The V2X UE schedules the V2X RMC with transmission power at P_{UMAX} level according to *SL-PreconfigurationNR* which is in line with the test configuration in Table 6.4E.2.5.1.4.1-1;
2. Measure spectrum flatness using Global In-Channel Tx-Test (Annex E). For TDD slots with transient periods are not under test.

6.4E.2.5.1.4.3 Message contents

Message contents are according to TS 38.508-1 [5] subclause 4.6 and 5.4 with the following exceptions:

FFS

6.4E.2.5.1.5 Test requirement

FFS

6.4E.2.5.1D EVM equalizer spectrum flatness for V2X / non-concurrent operation / SL-MIMO

Editor's Note:

- The test case is not completed due to the following aspects are not yet determined:
- Uplink RMC is TBD in RAN4
- Connection diagram is TBD
- Preconfiguration is TBD in 38.508-1
- Test state and generic procedure are TBD in 38.508-1

6.4E.2.5.1D.1 Test purpose

The zero-forcing equalizer correction applied in the EVM measurement process (as described in Annex E) must meet a spectrum flatness requirement for the EVM measurement to be valid. The EVM equalizer spectrum flatness is defined in terms of the maximum peak-to-peak ripple of the equalizer coefficients (dB) across the V2X sidelink allocated block variation in dB of the equalizer coefficients generated by the EVM measurement process. The EVM equalizer spectrum flatness requirement does not limit the correction applied to the signal in the EVM measurement process but for the EVM result to be valid, the equalizer correction that was applied must meet the EVM equalizer spectrum flatness minimum requirements. The basic measurement interval is the same as for EVM.

6.4E.2.5.1D.2 Test applicability

This test case applies to all types of NR UE release 16 and forward that support NR V2X sidelink MIMO communication with non-concurrent operation.

NOTE: This test case can't be performed due to lack of appropriate test points.

6.4E.2.5.1D.3 Minimum conformance requirements

For NR V2X UE with two transmit antenna connectors, the requirements specified for single carrier described in clause 6.4E.2.5.1.3 shall apply to each transmit antenna connector.

The normative reference for this requirement is TS 38.101-1 [2] clause 6.4E.2.5.

6.4E.2.5.1D.4 Test description

6.4E.2.5.1D.4.1 Initial condition

Initial conditions are a set of test configurations the UE needs to be tested in and the steps for the SS to take with the UE to reach the correct measurement state.

The initial test configurations consist of environmental conditions, test frequencies, test channel bandwidths and sub-carrier spacing based on NR operating bands specified in Table 5.3.5-1. All of these configurations shall be tested with applicable test parameters for each combination of test channel bandwidth and sub-carrier spacing, and are shown in table 6.4E.2.5.1.4.1-1. The details of the V2X reference measurement channels (RMCs) are specified in Annexes TBD.

Table 6.4E.2.5.1D.4.1-1: Test Configuration Table for PSSCH and PSCCH

FFS

1. Connect the SS and GNSS simulator to the UE antenna connectors as shown in TS 38.508-1 [5] Annex A, Figure [TBD] for TE diagram and section [TBD] for UE diagram.
2. The parameter settings for the V2X sidelink transmission over PC5 are pre-configured according to TS 38.508-1 [5] subclause [TBD]. Message content exceptions are defined in clause 6.4E.2.5.1.4.3.
3. The V2X Reference Measurement Channel is set according to Table 6.4E.2.5.1.4.1-1.

4. The GNSS simulator is configured for Scenario #1: static in Geographical area #1, as defined in TS38.508-1 [5] Table [TBD]. Geographical area #1 is also pre-configured in the UE.
5. Propagation conditions are set according to Annex B.0.
6. Ensure the UE is in state [TBD].

6.4E.2.5.1D.4.2 Test procedure

1. The V2X UE schedules the V2X RMC with transmission power at P_{UMAX} level according to *SL-PreconfigurationNR* which is in line with the test configuration in Table 6.4E.2.5.1D.4.1-1;
2. Measure spectrum flatness using Global In-Channel Tx-Test (Annex E). For TDD slots with transient periods are not under test.

6.4E.2.5.1D.4.3 Message contents

Message contents are according to TS 38.508-1 [5] subclause 4.6 and 5.4 with the following exceptions:

FFS

6.4E.2.5.1D.5 Test requirement

FFS

6.4E.2.5.2 EVM equalizer spectrum flatness for V2X / con-current operation

Editor's Note:

- The test case is not completed due to the following aspects are not yet determined:
- Uplink RMC is TBD in TS 38.101-1
- Connection diagram is TBD
- Preconfiguration is TBD in 38.508-1
- Test state and generic procedure are TBD in 38.508-1

6.4E.2.5.2.1 Test purpose

The zero-forcing equalizer correction applied in the EVM measurement process (as described in Annex E) must meet a spectrum flatness requirement for the EVM measurement to be valid. The EVM equalizer spectrum flatness is defined in terms of the maximum peak-to-peak ripple of the equalizer coefficients (dB) across the V2X sidelink allocated block variation in dB of the equalizer coefficients generated by the EVM measurement process. The EVM equalizer spectrum flatness requirement does not limit the correction applied to the signal in the EVM measurement process but for the EVM result to be valid, the equalizer correction that was applied must meet the EVM equalizer spectrum flatness minimum requirements. The basic measurement interval is the same as for EVM.

6.4E.2.5.2.2 Test applicability

This test case applies to all types of NR UE release 16 and forward that support NR V2X sidelink communication with con-current operation.

NOTE: This test case can't be performed due to lack of appropriate test points.

6.4E.2.5.2.3 Minimum conformance requirements

For V2X sidelink physical channels PSCCH, PSSCH and PSBCH, the EVM equalizer spectrum flatness requirements shall be as specified for PUSCH in clause 6.4.2.4 for the corresponding modulation and transmission bandwidth.

The normative reference for this requirement is TS 38.101-1 [2] clause 6.4E.2.5.

6.4E.2.5.2.4 Test description

6.4E.2.5.2.4.1 Initial condition

Initial conditions are a set of test configurations the UE needs to be tested in and the steps for the SS to take with the UE to reach the correct measurement state.

The initial test configurations consist of environmental conditions, test frequencies, test channel bandwidths and sub-carrier spacing based on NR operating bands specified in Table 5.3.5-1. All of these configurations shall be tested with applicable test parameters for each combination of test channel bandwidth and sub-carrier spacing, and are shown in table 6.4E.2.5.1.4.1-1. The details of the V2X reference measurement channels (RMCs) are specified in Annexes TBD.

Table 6.4E.2.5.2.4.1-1: Test Configuration Table for PSSCH and PSCCH

FFS

1. Connect the SS and GNSS simulator to the UE antenna connectors as shown in TS 38.508-1 [5] Annex A, Figure [TBD] for TE diagram and section [TBD] for UE diagram.
2. The parameter settings for the V2X sidelink transmission over PC5 are pre-configured according to TS 38.508-1 [5] subclause [TBD]. Message content exceptions are defined in clause 6.4E.2.5.2.4.3.
3. The V2X Reference Measurement Channel is set according to Table 6.4E.2.5.2.4.1-1.
4. The GNSS simulator is configured for Scenario #1: static in Geographical area #1, as defined in TS38.508-1 [5] Table [TBD]. Geographical area #1 is also pre-configured in the UE.
5. Propagation conditions are set according to Annex B.0.
6. Ensure the UE is in state [TBD].

6.4E.2.5.2.4.2 Test procedure

1. The V2X UE schedules the V2X RMC with transmission power at P_{UMAX} level according to *SL-PreconfigurationNR* which is in line with the test configuration in Table 6.4E.2.5.2.4.1-1;
2. Measure spectrum flatness using Global In-Channel Tx-Test (Annex E). For TDD slots with transient periods are not under test.

6.4E.2.5.2.4.3 Message contents

Message contents are according to TS 38.508-1 [5] subclause 4.6 and 5.4 with the following exceptions:

FFS

6.4E.2.5.2.5 Test requirement

FFS

6.4F Transmit signal quality for shared spectrum channel access

6.4F.1 Frequency error

Editor's Note: This test is incomplete. The following aspects are not yet determined:

- Test configuration table is FFS

6.4F.1.1 Test purpose

This test verifies the ability of both, the receiver and the transmitter, to process frequency correctly.

Receiver: to extract the correct frequency from the stimulus signal, offered by the System simulator, under ideal propagation conditions and low level.

Transmitter: to derive the correct modulated carrier frequency from the results, gained by the receiver.

6.4F.1.2 Test applicability

This test case applies to all types of NR UE release 16 and forward that support NR standalone shared spectrum channel access.

6.4F.1.3 Minimum conformance requirements

The requirements for frequency error requirements in clause 6.4.1 apply.

The normative reference for this requirement is TS 38.101-1 [2] clause 6.4F.1

6.4F.1.4 Test description

6.4F.1.4.1 Initial condition

Initial conditions are a set of test configurations the UE needs to be tested in and the steps for the SS to take with the UE to reach the correct measurement state.

The initial test configurations consist of environmental conditions, test frequencies, test channel bandwidths and sub-carrier spacing based on NR operating bands specified in Table 5.3.5-1. All of these configurations shall be tested with applicable test parameters for each combination of channel bandwidth and sub-carrier spacing, are shown in table 6.4F.1.4.1-1. The details of the uplink and downlink reference measurement channels (RMCs) are specified in Annexes A.2 and A.3. Configurations of PDSCH and PDCCH before measurement are specified in Annex C.2.

Table 6.4F.1.4.1-1: Test Configuration Table

FFS

1. Connect the SS to the UE antenna connectors as shown in TS 38.508-1 [5] Annex A, in Figure A.3.1.1.1 for TE diagram and section A.3.2 for UE diagram.
2. The parameter settings for the cell are set up according to TS 38.508-1 [5] subclause 4.4.3.
3. Downlink signals are initially set up according to Annex C.0, C.1, C.2, and uplink signals according to Annex G.0, G.1, G.2, G.3.0.
4. The DL and UL Reference Measurement channels are set according to Table 6.4F.1.4.1-1.
5. Propagation conditions are set according to Annex B.0.
6. Ensure the UE is in state RRC_CONNECTED with generic procedure parameters Connectivity *NR*, Connected without release *On*, Test Mode *On* and Test Loop Function *On* according to TS 38.508-1 [5] clause 4.5. Message contents are defined in clause 6.4F.1.4.3

6.4F.1.4.2 Test procedure

1. SS transmits PDSCH via PDCCH DCI format 1_1 for C_RNTI to transmit the DL RMC according to Table 6.4F.1.4.1-1. The SS sends downlink MAC padding bits on the DL RMC.
2. SS sends uplink scheduling information for each UL HARQ process via PDCCH DCI format 0_1 for C_RNTI to schedule the UL RMC according to Table 6.4F.1.4.1-1. Since the UL has no payload and no loopback data to send the UE sends uplink MAC padding bits on the UL RMC.
3. Set the Downlink signal level to the appropriate REFSENS value defined in Table 7.3.2.5-1. Send continuously uplink power control "up" commands to the UE in every uplink scheduling information to the UE so that the UE transmits at P_{UMAX} level for the duration of the test. Allow at least 200ms starting from the first TPC command in this step for the UE to reach P_{UMAX} level.
4. Measure the Frequency Error using Global In-Channel Tx-Test (Annex E). For TDD, only slots consisting of only UL symbols are under test.
5. For UEs supporting DSS, repeat steps 1~4 on the applicable bands as specified in Section 5.4.2.1 with message contents being according to TS 38.508-1 [5] subclause 4.6 ensuring Table 4.6.3-61 and Table 4.6.3-62 with condition DSS.

6.4F.1.4.3 Message contents

Message contents are according to TS 38.508-1 [5] subclause 4.6.

6.4F.1.5 Test requirement

The 10 frequency error Δf results must fulfil the test requirement:

$$|\Delta f| \leq (0.1 \text{ PPM} + 15 \text{ Hz})$$

6.4F.2 Transmit modulation quality

6.4F.2.0 General

Transmit modulation quality defines the modulation quality for expected in-channel RF transmissions from the UE. The transmit modulation quality is specified in terms of:

- Error Vector Magnitude (EVM) for the allocated resource blocks (RBs),
- EVM equalizer spectrum flatness derived from the equalizer coefficients generated by the EVM measurement process
- Carrier leakage
- In-band emissions for the non-allocated RB

All the parameters defined in subclause 6.4F.2 are defined using the measurement methodology specified in Annex E.

In case the parameter 3300 or 3301 is reported from UE via *txDirectCurrentLocation* IE (as defined in TS 38.331 [6]), carrier leakage measurement requirement in subclause 6.4F.2.2 and 6.4F.2.3 shall be waived, and the RF correction with regard to the carrier leakage and IQ image shall be omitted during the calculation of transmit modulation quality.

6.4F.2.1 Error Vector Magnitude

Editor's Note: This test is incomplete. The following aspects are not yet determined:

- Test configuration table is FFS
- MU and TT for > 6GHz (band n96)
- Message exception for NR-U

6.4F.2.1.1 Test Purpose

The Error Vector Magnitude is a measure of the difference between the reference waveform and the measured waveform. This difference is called the error vector. Before calculating the EVM the measured waveform is corrected by the sample timing offset and RF frequency offset. Then the carrier leakage shall be removed from the measured waveform before calculating the EVM.

The measured waveform is further equalised using the channel estimates subjected to the EVM equaliser spectrum flatness requirement specified in sub-clause 6.4F.2.4.3. For DFT-s-OFDM waveforms, the EVM result is defined after the front-end FFT and IDFT as the square root of the ratio of the mean error vector power to the mean reference power expressed as a %. For CP-OFDM waveforms, the EVM result is defined after the front-end FFT as the square root of the ratio of the mean error vector power to the mean reference power expressed as a %.

6.4F.2.1.2 Test applicability

This test case applies to all types of NR UE release 16 and forward that support NR standalone shared spectrum channel access.

6.4F.2.1.3 Minimum conformance requirements

The requirements for EVM requirements in clause 6.4.2.1 apply.

The normative reference for this requirement is TS 38.101 [2] clause 6.4F.2.1.

6.4F.2.1.4 Test description

6.4F.2.1.4.1 Initial conditions

Initial conditions are a set of test configurations the UE needs to be tested in and the steps for the SS to take with the UE to reach the correct measurement state.

The initial test configurations consist of environmental conditions, test frequencies, test channel bandwidths and sub-carrier spacing based on NR operating bands specified in Table 5.3.5-1. All of these configurations shall be tested with applicable test parameters for each combination of channel bandwidth and sub-carrier spacing, are shown in table 6.4F.2.1.4.1-1. The details of the uplink and downlink reference measurement channels (RMCs) are specified in Annexes A.2 and A.3. Configurations of PDSCH and PDCCH before measurement are specified in Annex C.2.

Table 6.4F.2.1.4.1-1: Test Configuration

FFS

1. Connect the SS to the UE antenna connectors as shown in TS 38.508-1 [5] Annex A, in Figure A.3.1.1.1 for TE diagram and section A.3.2 for UE diagram.
2. The parameter settings for the cell are set up according to TS 38.508-1 [5] subclause 4.4.3.
3. Downlink signals are initially set up according to Annex C.0, C.1, C.2, and uplink signals according to Annex G.0, G.1, G.2, G.3.0.
4. The UL Reference Measurement channels are set according to Table 6.4F.2.1.4.1-1.
5. Propagation conditions are set according to Annex B.0.
6. Ensure the UE is in state RRC_CONNECTED with generic procedure parameters Connectivity NR, Connected without release On, Test Mode On and Test Loop Function On according to TS 38.508-1 [5] clause 4.5. Message contents are defined in clause 6.4F.2.1.4.3

6.4F.2.1.4.2 Test procedure

Test procedure for PUSCH:

- 1.1. SS sends uplink scheduling information for each UL HARQ process via PDCCH DCI format 0_1 for C_RNTI to schedule the UL RMC according to Table 6.4F.2.1.4.1-1. Since the UE has no payload data to send, the UE transmits uplink MAC padding bits on the UL RMC.
- 1.2. Send continuously uplink power control "up" commands in the uplink scheduling information to the UE until the UE transmits at $P_{UMAX\ level}$, allow at least 200ms starting from the first TPC command in this step for the UE to reach P_{UMAX} level.
- 1.3. Measure the EVM and \overline{EVM}_{DMRS} using Global In-Channel Tx-Test (Annex E). For TDD, only slots consisting of only UL symbols are under test.
- 1.4. For modulations except 256QAM, send uplink power control commands to the UE using 1dB power step size to ensure that the UE output power measured by the test system is within the Uplink power control window, defined as +MU to +(MU + Uplink power control window size) dB of the target power level Pmin, where:
 - Pmin is the minimum output power according to Table 6.3.1.3-1.
 - MU is the test system uplink power measurement uncertainty and is specified in Table F.1.2-1 for the carrier frequency f and the channel bandwidth BW.
 - Uplink power control window size = 1dB (UE power step size) + 0.7dB (UE power step tolerance) + (Test system relative power measurement uncertainty), where, the UE power step tolerance is specified in TS 38.101-1 [2], Table 6.3.4.3-1 and is 0.7dB for 1dB power step size, and the Test system relative power measurement uncertainty is specified in Table F.1.2-1.

For 256 QAM, send uplink power control commands to the UE using 1dB power step size to ensure that the UE output power measured by the test system is within the Uplink power control window, defined as +MU to +(MU + Uplink power control window size) dB of the target power level Pmin + 10 dB, where Pmin, MU and Uplink power control window size are defined above.

1.5. Measure the EVM and \overline{EVM}_{DMRS} using Global In-Channel Tx-Test (Annex E). For TDD, only slots consisting of only UL symbols are under test.

NOTE1: When switching to DFT-s-OFDM waveform, as specified in the test configuration table 6.4F.2.1.4.1-1, send an NR RRCReconfiguration message according to TS 38.508-1 [5] clause 4.6.3 Table 4.6.3-118 PUSCH-Config with TRANSFORM_PRECODER_ENABLED condition.

NOTE2: The purpose of the Uplink power control window is to ensure that the actual UE output power is no less than the target power level, and as close as possible to the target power level. The relationship between the Uplink power control window, the target power level and the corresponding possible actual UE Uplink power window is illustrated in Annex F.4.2.

6.4F.2.1.4.3 Message contents

Message contents are according to TS 38.508-1 [5] subclause 4.6.

6.4F.2.1.5 Test requirement

The PUSCH EVM, derived in Annex E.4.2, shall not exceed the values in Table 6.4F.2.1.5-1.

The PUSCH \overline{EVM}_{DMRS} , derived in Annex E.4.6.2, shall not exceed the values in Table 6.4F.2.1.5-1 when embedded with data symbols of the respective modulation scheme.

Table 6.4F.2.1.5-1: Test requirements for Error Vector Magnitude

Parameter	Unit	Average EVM Level
Pi/2-BPSK	%	30 + TT
QPSK	%	17.5 + TT
16 QAM	%	12.5 + TT
64 QAM	%	8 + TT
256 QAM	%	3.5 + TT
Note 1: TT is defined in Table 6.4.2.1.5-2.		

Table 6.4F.2.1.5-2: Test Tolerance

Parameter	Unit	Average EVM Level
Pi/2-BPSK	%	0
QPSK	%	0
16 QAM	%	0
64 QAM	%	0
256 QAM	%	0.3 for $15 \text{ dBm} < P_{UL}$ 0.8 for $-25 \text{ dBm} < P_{UL} \leq 15 \text{ dBm}$ 1.1 for $-40 \text{ dBm} \leq P_{UL} \leq -25 \text{ dBm}$

6.4F.2.2 Carrier leakage

Editor’s Note: This test is incomplete. The following aspects are not yet determined:

- Test configuration table is FFS
- MU and TT for frequency > 5.925 GHz is TBD.

6.4F.2.2.1 Test purpose

Carrier leakage expresses itself as unmodulated sine wave with the carrier frequency or centre frequency of aggregated transmission bandwidth configuration. It is an interference of approximately constant amplitude and independent of the amplitude of the wanted signal.

The purpose of this test is to exercise the UE transmitter to verify its modulation quality in terms of carrier leakage for shared spectrum channel access.

6.4F.2.2.2 Test applicability

This test case applies to all types of NR UE release 16 and forward that support NR standalone shared spectrum channel access.

6.4F.2.2.3 Minimum conformance requirements

The requirements for carrier leakage in clause 6.4.2.2 apply.

The normative reference for this requirement is TS 38.101-1 [2] clause 6.4F.2.2.

6.4F.2.2.4 Test description

6.4F.2.2.4.1 Initial condition

Initial conditions are a set of test configurations the UE needs to be tested in and the steps for the SS to take with the UE to reach the correct measurement state.

The initial test configurations consist of environmental conditions, test frequencies, test channel bandwidths and sub-carrier spacing based on NR operating bands specified in Table 5.3.5-1. All of these configurations shall be tested with applicable test parameters for each combination of channel bandwidth and sub-carrier spacing, are shown in table 6.4F.2.2.4.1-1. The details of the uplink and downlink reference measurement channels (RMCs) are specified in Annexes A.2 and A.3. Configurations of PDSCH and PDCCH before measurement are specified in Annex C.2.

Table 6.4F.2.2.4.1-1: Test Configuration

Initial Conditions			
Test Environment as specified in TS 38.508-1 [5] subclause 4.1		Normal	
Test Frequencies as specified in TS 38.508-1 [5] subclause 4.3.1		Low range, Mid range, High range	
Test Channel Bandwidths as specified in TS 38.508-1 [5] subclause 4.3.1		Mid	
Test SCS as specified in Table 5.3.5-1		Lowest	
Test Parameters			
Test ID	Downlink Configuration	Uplink Configuration	
	N/A	Modulation	RB allocation (NOTE 1, 3)
1		CP-OFDM QPSK	Partial_Left
NOTE 1: The specific configuration of each RB allocation is defined in Table 6.1F-1.			
NOTE 2: Test Channel Bandwidths are checked separately for each NR band, which applicable channel bandwidths are specified in Table 5.3.5-1.			
NOTE 3: When the reported DC carrier position is at Partial_Left, use Partial_Right for UL RB allocation.			

1. Connect the SS to the UE antenna connectors as shown in TS 38.508-1 [5] Annex A, in Figure A.3.1.1.1 for TE diagram and section A.3.2 for UE diagram.
2. The parameter settings for the cell are set up according to TS 38.508-1 [5] subclause 4.4.3.
3. Downlink signals are initially set up according to Annex C.0, C.1, C.2 and uplink signals according to Annex G.0, G.1, G.2, G.3.0.
4. The UL Reference Measurement channels are set according to Table 6.4F.2.2.4.1-1.
5. Propagation conditions are set according to Annex B.0.
6. Ensure the UE is in state RRC_CONNECTED with generic procedure parameters Connectivity NR, Connected without release On, Test Mode On and Test Loop Function On according to TS 38.508-1 [5] clause 4.5. Message contents are defined in clause 6.4F.2.2.4.3.
7. In case the parameter 3300 or 3301 is reported from the UE via *txDirectCurrentLocation* IE, do not proceed to test procedure and mark the test not applicable with reasoning in the test report.

6.4F.2.2.4.2 Test procedure

1. SS sends uplink scheduling information for each UL HARQ process via PDCCH DCI format 0_1 for C_RNTI to schedule the UL RMC according to Table 6.4F.2.2.4.1-1. Since the UE has no payload and no loopback data to send the UE sends uplink MAC padding bits on the UL RMC.
2. Send uplink power control commands to the UE using 1dB power step size to ensure that the UE output power measured by the test system is within the Uplink power control window, defined as +MU to +(MU + Uplink power control window size) dB of the target power level 10 dBm, where:
 - MU is the test system uplink power measurement uncertainty and is specified in Table F.1.2-1 for the carrier frequency f and the channel bandwidth BW.
 - Uplink power control window size = 1dB (UE power step size) + 0.7 dB (UE power step tolerance) + (Test system relative power measurement uncertainty), where the UE power step tolerance is specified in TS 38.101-1 [2], Table 6.3.4.3-1 and is 0.7dB for 1dB power step size, and the Test system relative power measurement uncertainty is specified in Table F.1.2-1.
3. Measure carrier leakage using Global In-Channel Tx-Test (Annex E). For TDD, only slots consisting of only UL symbols are under test.
4. Send uplink power control commands to the UE using 1dB power step size to ensure that the UE output power measured by the test system is within the Uplink power control window, defined as +MU to +(MU + Uplink power control window size) dB of the target power level 0 dBm, where MU and Uplink power control window size are defined above.
5. Measure carrier leakage using Global In-Channel Tx-Test (Annex E). For TDD, only slots consisting of only UL symbols are under test.
6. Send uplink power control commands to the UE using 1dB power step size to ensure that the UE output power measured by the test system is within the Uplink power control window, defined as +MU to +(MU + Uplink power control window size) dB of the target power level -30 dBm, where MU and Uplink power control window size are defined above.
7. Measure carrier leakage using Global In-Channel Tx-Test (Annex E). For TDD, only slots consisting of only UL symbols are under test.
8. Send uplink power control commands to the UE using 1dB power step size to ensure that the UE output power measured by the test system is within the Uplink power control window, defined as +MU to +(MU + Uplink power control window size) dB of the target power level Pmin, where MU and Uplink power control window size are defined above, Pmin is the minimum output power according to Table 6.3.1.3-1.
9. Measure carrier leakage using Global In-Channel Tx-Test (Annex E). For TDD, only slots consisting of only UL symbols are under test.

NOTE: The purpose of the Uplink power control window is to ensure that the actual UE output power is no less than the target power level, and as close as possible to the target power level. The relationship between the Uplink power control window, the target power level and the corresponding possible actual UE Uplink power window is illustrated in Annex F.4.2.

6.4F.2.2.4.3 Message contents

Message contents are according to TS 38.508-1 [5] subclause 4.6 with the following exception:

Table 6.4F.2.2.4.3-1: PUSCH-Config

Derivation Path: TS 38.508-1 [5], Table 4.6.3-118 with condition TRANSFORM_PRECODER_ENABLED

Table 6.4F.2.2.4.3-2: CellGroupConfig

Derivation Path: TS 38.508-1 [5], Table 4.6.3-19			
Information Element	Value/remark	Comment	Condition
CellGroupConfig ::= SEQUENCE {			
reportUplinkTxDirectCurrent	true		
}			

6.4F.2.2.5 Test requirement

In case the parameter 3300 or 3301 is reported from UE via *txDirectCurrentLocation* IE, carrier leakage measurement requirement shall be waived. Otherwise, each of the n carrier leakage results, derived in Annex E.3.1, shall not exceed the values in table 6.4F.2.2.5-1. Allocated RBs are not under test.

Table 6.4F.2.2.5-1: Test requirements for Relative Carrier Leakage Power

Parameters UE output power	Relative limit (dBc)
10 + MU to 10 + (MU + Uplink power control window size) dBm	-28 + TT
0 + MU to 0 + (MU + Uplink power control window size) dBm	-25 + TT
-30 + MU to -30 + (MU + Uplink power control window size) dBm	-20 + TT
Pmin + MU to Pmin + (MU + Uplink power control window size) dBm	-10 + TT
<p>NOTE 1: The measurement bandwidth is 1 RB and the limit is expressed as a ratio of measured power in one non-allocated RB to the measured total power in all allocated RBs.</p> <p>NOTE 2: The applicable frequencies for this limit depend on the parameter <i>txDirectCurrentLocation</i> in <i>UplinkTxDirectCurrent</i> IE and are those that are enclosed either in the RBs containing the carrier leakage frequency, or in the two RBs immediately adjacent to the carrier leakage frequency but excluding any allocated RB.</p> <p>NOTE 3: N_{RB} is the Transmission Bandwidth Configuration (see Section 5.3).</p> <p>NOTE 4: MU is the test system uplink power measurement uncertainty and is specified in Table F.1.2-1 for the carrier frequency f and the channel bandwidth BW.</p> <p>NOTE 5: Uplink power control window size = 1dB (UE power step size) + 0.7dB (UE power step tolerance) + (Test system relative power measurement uncertainty), where the UE power step tolerance is specified in TS 38.101-1 [2], Table 6.3.4.3-1 and is 0.7dB for 1dB power step size, and the Test system relative power measurement uncertainty is specified in Table F.1.2-1.</p> <p>NOTE 6: Test tolerance TT = 0.8 dB.</p> <p>NOTE 7: Pmin is the minimum output power according to Table 6.3F.1.3-1.</p>	

6.4F.2.3 In-band emissions

Editor's Note: This test is incomplete. The following aspects are not yet determined:

- Test configuration table is FFS
- MU and TT for frequency > 5.925 GHz is TBD

6.4F.2.3.1 Test purpose

The purpose of this test is to exercise the UE transmitter to verify its modulation quality in terms of in-band emissions.

6.4F.2.3.2 Test applicability

This test case applies to all types of NR UE release 16 and forward that support NR standalone shared spectrum channel access.

6.4F.2.3.3 Minimum conformance requirements

The in-band emission is defined as the average emission across 12 sub-carriers and as a function of the RB offset from the edge of the allocated UL transmission bandwidth. The in-band emission is measured as the ratio of the UE output power in a non-allocated RB to the UE output power in an allocated RB.

The basic in-band emissions measurement interval is defined over one slot in the time domain; however, the minimum requirement applies when the in-band emission measurement is averaged over 10 sub-frames. When the PUSCH or PUCCH transmission slot is shortened, the in-band emissions measurement interval is reduced by one or more symbols, accordingly. The requirement applies for power class 5 UE for 20 MHz channel bandwidth and 15 kHz SCS,

Instead of the general requirement in clause 6.4.2.3, the average of the basic in-band emission measurement over 10 sub-frames shall not exceed the values specified in Table 6.4F.2.3.3-1.

Table 6.4F.2.3.3-1: Minimum requirements for in-band emissions

Parameter description	Unit	Limit (NOTE 1)		Applicable Frequencies
General	dB	$\max \left\{ \begin{array}{l} -10 - 6(\Delta_{RB} - 1), \\ -57 \frac{dBm}{180 \text{ kHz}} - P_{RB} \end{array} \right\}$		Any non-allocated (NOTE 2)
IQ Image	dB	-28	Image frequencies when output power > 10 dBm	Image frequencies (NOTES 2, 3)
		-25	Image frequencies when output power ≤ 10 dBm	
Carrier leakage	dBc	-28	Output power > 10 dBm	Carrier frequency (NOTES 4, 5)
		-25	0 dBm ≤ Output power ≤ 10 dBm	
		-20	-30 dBm ≤ Output power ≤ 0 dBm	
		-10	-40 dBm ≤ Output power < -30 dBm	
<p>NOTE 1: An in-band emissions combined limit is evaluated in each non-allocated RB. For each such RB, the minimum requirement is calculated as the higher of $P_{RB} - 30$ dB and the power sum of all limit values (General, IQ Image or Carrier leakage) that apply. P_{RB} is defined in NOTE 10.</p> <p>NOTE 2: The measurement bandwidth is 1 RB and the limit is expressed as a ratio of measured power in one non-allocated RB to the measured average power per allocated RB, where the averaging is done across all allocated RBs. The requirement applies with $\Delta_{RB} \leq 5$ for any non-allocated RB with $RIV=1$ and $RIV=5$ in the uplink scheduling grant where RIV is specified in [10].</p> <p>NOTE 3: [The applicable frequencies for this limit are those that are enclosed in the reflection of the allocated RBs, based on symmetry with respect to the reported carrier frequency location in $txDirectCurrentLocation$ field of the <i>UplinkTxDirectCurrentBWP</i>, but excluding any allocated RBs. If $txDirectCurrentLocation$ is not available or is reported with value 3300 or 3301, applicable frequencies shall be calculated with an assumed carrier frequency location at the centre of the channel.]</p> <p>NOTE 4: [The measurement bandwidth is 1 RB and the limit is expressed as a ratio of measured power in one non-allocated RB to the measured total power in all allocated RBs with $RIV=1$ and $RIV=5$ in the uplink scheduling grant.]</p> <p>NOTE 5: [The applicable frequencies for this limit are those that are enclosed in the RBs containing the DC frequency if N_{RB} is odd, or in the two RBs immediately adjacent to the DC frequency if N_{RB} is even, but excluding any allocated RB. The location of the DC frequency is given by $txDirectCurrentLocation$ field of the <i>UplinkTxDirectCurrentBWP</i>. If $txDirectCurrentLocation$ is not available or is reported with value 3300 or 3301, applicable frequencies shall be those that are enclosed in the RB(s) in the center of the channel.]</p> <p>NOTE 6: N_{RB} is the Transmission Bandwidth Configuration (see Figure 5.6-1 in TS 38.101-1 [2]).</p> <p>NOTE 7: Δ_{RB} is the starting frequency offset between the allocated RB and the measured non-allocated RB (e.g. $\Delta_{RB} = 1$ or $\Delta_{RB} = -1$ for the first adjacent RB outside of the allocated bandwidth).</p> <p>NOTE 10: P_{RB} is the transmitted power per $180 \cdot 2^{\mu}$ kHz in allocated RBs, measured in dBm.</p>				

The normative reference for this requirement is TS 38.101-1 [2] clause 6.4F.2.3.

- 6.4F.2.3.4 Test description
- 6.4F.2.3.4.1 Initial condition

Initial conditions are a set of test configurations the UE needs to be tested in and the steps for the SS to take with the UE to reach the correct measurement state.

The initial test configurations consist of environmental conditions, test frequencies, test channel bandwidths and sub-carrier spacing based on NR operating bands specified in Table 5.3.5-1. All of these configurations shall be tested with applicable test parameters for each combination of channel bandwidth and sub-carrier spacing, are shown in table 6.4F.2.3.4.1-1. The details of the uplink and downlink reference measurement channels (RMCs) are specified in Annexes A.2 and A.3. Configurations of PDSCH and PDCCH before measurement are specified in Annex C.2.

Table 6.4F.2.3.4.1-1: Test Configuration Table for PUSCH

Initial Conditions			
Test Environment as specified in TS 38.508-1 [5] subclause 4.1		Normal	
Test Frequencies as specified in TS 38.508-1 [5] subclause 4.3.1		Low range, Mid range, High range	
Test Channel Bandwidths as specified in TS 38.508-1 [5] subclause 4.3.1		Lowest, Mid, Highest	
Test SCS as specified in Table 5.3.5-1		Lowest	
Test Parameters			
Test ID	Downlink Configuration	Uplink Configuration	
	N/A	Modulation	RB allocation (NOTE 1)
1		DFT-s-OFDM QPSK	Inner_1RB_Left
2		DFT-s-OFDM QPSK	Inner_1RB_Right
3		CP-OFDM QPSK	Inner_1RB_Left
4		CP-OFDM QPSK	Inner_1RB_Right
NOTE 1: The specific configuration of each RB allocation is defined in Table 6.1-1.			
NOTE 2: Test Channel Bandwidths are checked separately for each NR band, which applicable channel bandwidths are specified in Table 5.3.5-1.			

Table 6.4F.2.3.4.1-2: Test Configuration Table for PUCCH

Initial Conditions					
Test Environment as specified in TS 38.508-1 [5] subclause 4.1		See Table 6.4F.2.3.4.1-1			
Test Frequencies as specified in TS 38.508-1 [5] subclause 4.3.1		See Table 6.4F.2.3.4.1-1			
Test Channel Bandwidths as specified in TS 38.508-1 [5] subclause 4.3.1		See Table 6.4F.2.3.4.1-1			
Test SCS as specified in Table 5.3.5-1		See Table 6.4F.2.3.4.1-1			
Test Parameters					
ID	Downlink Configuration		Uplink Configuration		
	Modulation	RB allocation	Waveform	PUCCH format	RB index
1	CP-OFDM QPSK	Full RB (Note 1)	DFT-s-OFDM	PUCCH format = Format 3 (Note 4) Length in OFDM symbols = 14	0
2	CP-OFDM QPSK	Full RB (Note 1)	DFT-s-OFDM	PUCCH format = Format 3 (Note 4) Length in OFDM symbols = 14	N _{RB} -1
3	CP-OFDM QPSK	Full RB (Note 1)	CP-OFDM	PUCCH format = Format 1 (Note 5) Length in OFDM symbols = 14	0
4	CP-OFDM QPSK	Full RB (Note 1)	CP-OFDM	PUCCH format = Format 1 (Note 5) Length in OFDM symbols = 14	N _{RB} -1
NOTE 1: Full RB allocation shall be used per each SCS and channel BW as specified in Table 7.3F.2.4.1-2.					
NOTE 2: Test Channel Bandwidths are checked separately for each NR band, which applicable channel bandwidths are specified in Table 5.3.5-1.					
NOTE 3: DFT-s-OFDM PI/2 BPSK test applies only for UEs which supports half Pi BPSK in FR1.					
NOTE 4: Void					
NOTE 5: For TDD and SCS 30 kHz, schedule the DL RMC as follows: if mod(i,10) = 3: Scheduled					

Other slots: Not scheduled
where i is slot index per frame

1. Connect the SS to the UE antenna connectors as shown in TS 38.508-1 [5] Annex A, in Figure A.3.1.1.1 for TE diagram and section A.3.2 for UE diagram.
2. The parameter settings for the cell are set up according to TS 38.508-1 [5] subclause 4.4.3.
3. Downlink signals are initially set up according to Annex C.0, C.1, C.2, and uplink signals according to Annex G.0, G.1, G.2, G.3.0.
4. The UL Reference Measurement channels are set according to Table 6.4F.2.3.4.1-1.
5. Propagation conditions are set according to Annex B.0.
6. Ensure the UE is in state RRC_CONNECTED with generic procedure parameters Connectivity *NR*, Connected without release *On*, Test Mode *On* and Test Loop Function *On* according to TS 38.508-1 [5] clause 4.5. Message contents are defined in clause 6.4F.2.3.4.3

6.4F.2.3.4.2 Test procedure

Test procedure for PUSCH:

- 1.1. SS sends uplink scheduling information for each UL HARQ process via PDCCH DCI format 0_1 for C_RNTI to schedule the UL RMC according to Table 6.4F.2.3.4.1-1. Since the UE has no payload and no loopback data to send the UE sends uplink MAC padding bits on the UL RMC.
- 1.2. Send uplink power control commands to the UE using 1dB power step size to ensure that the UE output power measured by the test system is within the Uplink power control window, defined as +MU to +(MU + Uplink power control window size) dB of the target power level 10 dBm, where:
 - MU is the test system uplink power measurement uncertainty and is specified in Table F.1.2-1 for the carrier frequency f and the channel bandwidth BW.
 - Uplink power control window size = 1dB (UE power step size) + 0.7dB (UE power step tolerance) + (Test system relative power measurement uncertainty), where the UE power step tolerance is specified in TS 38.101-1 [2], Table 6.3.4.3-1 and is 0.7dB for 1dB power step size, and the Test system relative power measurement uncertainty is specified in Table F.1.2-1.
- 1.3. Measure In-band emission using Global In-Channel Tx-Test (Annex E). For TDD, only slots consisting of only UL symbols are under test.
- 1.4. Send uplink power control commands to the UE using 1dB power step size to ensure that the UE output power measured by the test system is within the Uplink power control window, defined as +MU to +(MU + Uplink power control window size) dB of the target power level 0 dBm, where MU and Uplink power control window size are defined above.
- 1.5. Measure In-band emission using Global In-Channel Tx-Test (Annex E). For TDD, only slots consisting of only UL symbols are under test.
- 1.6. Send uplink power control commands to the UE using 1dB power step size to ensure that the UE output power measured by the test system is within the Uplink power control window, defined as +MU to +(MU + Uplink power control window size) dB of the target power level -30 dBm, where MU and Uplink power control window size are defined above.
- 1.7. Measure In-band emission using Global In-Channel Tx-Test (Annex E). For TDD, only slots consisting of only UL symbols are under test.
- 1.8. Send uplink power control commands to the UE using 1dB power step size to ensure that the UE output power measured by the test system is within the Uplink power control window, defined as +MU to +(MU + Uplink power control window size) dB of the target power level P_{min} , where MU and Uplink power control window size are defined above and P_{min} is the minimum output power according to Table 6.3.1.3-1.
- 1.9. Measure In-band emission using Global In-Channel Tx-Test (Annex E). For TDD, only slots consisting of only UL symbols are under test.

NOTE1: When switching to DFT-s-OFDM waveform, as specified in the test configuration table 6.4F.2.3.4.1-1, send an NR RRCReconfiguration message according to TS 38.508-1 [5] clause 4.6.3 Table 4.6.3-118 PUSCH-Config with TRANSFORM_PRECODER_ENABLED condition.

NOTE2: The purpose of the Uplink power control window is to ensure that the actual UE output power is no less than the target power level, and as close as possible to the target power level. The relationship between the Uplink power control window, the target power level and the corresponding possible actual UE Uplink power window is illustrated in Annex F.4.2.

Test procedure for PUCCH:

- 2.1. PUCCH is set according to Table 6.4F.2.3.4.1-2. SS transmits PDSCH via PDCCH DCI format 1-1 for C_RNTI to transmit the DL RMC according to Table 6.4F.2.3.4.1-2. The SS sends downlink MAC padding bits on the DL RMC. The transmission of PDSCH will make the UE send uplink ACK/NACK using PUCCH.
- 2.2. Send uplink power control commands for PUCCH to the UE using 1dB power step size to ensure that the UE output power measured by the test system is within the Uplink power control window, defined as +MU to +(MU + Uplink power control window size) dB of the target power level 10 dBm, where:
 - MU is the test system uplink power measurement uncertainty and is specified in Table F.1.2-1 for the carrier frequency f and the channel bandwidth BW.
 - Uplink power control window size = 1dB (UE power step size) + 2.0 dB (UE power step tolerance) + (Test system relative power measurement uncertainty), where the UE power step tolerance is specified in TS 38.101-1 [2], Table 6.3.4.3-1 and is 0.7dB for 1dB power step size and the Test system relative power measurement uncertainty is specified in Table F.1.2-1.
- 2.3. Measure In-band emission using Global In-Channel Tx-Test (Annex E)
- 2.4. Send uplink power control commands for PUCCH to the UE using 1dB power step size to ensure that the UE output power measured by the test system is within the Uplink power control window, defined as +MU to +(MU + Uplink power control window size) dB of the target power level 0 dBm, where MU and Uplink power control window size are defined above.
- 2.5. Measure In-band emission using Global In-Channel Tx-Test (Annex E)
- 2.6. Send uplink power control commands for PUCCH to the UE using 1dB power step size to ensure that the UE output power measured by the test system is within the Uplink power control window, defined as +MU to +(MU + Uplink power control window size) dB of the target power level -30 dBm, where MU and Uplink power control window size are defined above.
- 2.7. Measure In-band emission using Global In-Channel Tx-Test (Annex E)
- 2.8. Send uplink power control commands for PUCCH to the UE using 1dB power step size to ensure that the UE output power measured by the test system is within the Uplink power control window, defined as +MU to +(MU + Uplink power control window size) dB of the target power level Pmin, where MU and Uplink power control window size are defined above and Pmin is the minimum output power according to Table 6.3.1.3-1.
- 2.9. Measure In-band emission using Global In-Channel Tx-Test (Annex E)

NOTE1: When switching to DFT-s-OFDM waveform, as specified in the test configuration table 6.4F.2.3.4.1-2, send an NR RRCReconfiguration message according to TS 38.508-1 [5] clause 4.6.3 Table 4.6.3-118 PUSCH-Config with TRANSFORM_PRECODER_ENABLED condition.

NOTE2: The purpose of the Uplink power control window is to ensure that the actual UE output power is no less than the target power level, and as close as possible to the target power level. The relationship between the Uplink power control window, the target power level and the corresponding possible actual UE Uplink power window is illustrated in Annex F.4.2.

6.4F.2.3.4.3 Message contents

Message contents are according to TS 38.508-1 [5] subclause 4.6 with the following exceptions:

Table 6.4F.2.3.4.3-1: PDSCH-ServingCellConfig: PUCCH format3 measurement

Derivation Path: TS 38.508-1[15], Table 4.6.3-102

Information Element	Value/remark	Comment	Condition
PDSCH-ServingCellConfig ::= SEQUENCE {			
codeBlockGroupTransmission	Not present		
xOverhead	Not present		
nrofHARQ-ProcessesForPDSCH	n6		FDD
pucch-Cell	Not present		
maxMIMO-Layers	Not present		
processingType2Enabled	Not present		
pdsch-CodeBlockGroupTransmissionList-r16	Not present		
}			

6.4F.2.3.5 Test requirement

The averaged In-band emission result, derived in Annex E.4.3 shall not exceed the corresponding values in Tables 6.4F.2.3.5-1.

Table 6.4F.2.3.5-1: Test requirements for in-band emissions

Parameter description	Unit	Limit (NOTE 1)		Applicable Frequencies
General	dB	$\max \left\{ \begin{array}{l} -10 - 6(\Delta_{RB} - 1), \\ -57 \frac{dBm}{180} kHz - P_{RB} \end{array} \right\}$		Any non-allocated (NOTE 2)
IQ Image	dB	-28	Image frequencies when output power > 10 dBm	Image frequencies (NOTES 2, 3)
		-25	Image frequencies when output power ≤ 10 dBm	
Carrier leakage	dBc	-28	Output power > 10 dBm	Carrier frequency (NOTES 4, 5)
		-25	0 dBm ≤ Output power ≤ 10 dBm	
		-20	-30 dBm ≤ Output power ≤ 0 dBm	
		-10	-40 dBm ≤ Output power < -30 dBm	
<p>NOTE 1: An in-band emissions combined limit is evaluated in each non-allocated RB. For each such RB, the minimum requirement is calculated as the higher of $P_{RB} - 30$ dB and the power sum of all limit values (General, IQ Image or Carrier leakage) that apply. P_{RB} is defined in NOTE 10.</p> <p>NOTE 2: The measurement bandwidth is 1 RB and the limit is expressed as a ratio of measured power in one non-allocated RB to the measured average power per allocated RB, where the averaging is done across all allocated RBs. The requirement applies with $\Delta_{RB} \leq 5$ for any non-allocated RB with $RIV=1$ and $RIV=5$ in the uplink scheduling grant where RIV is specified in [10].</p> <p>NOTE 3: [The applicable frequencies for this limit are those that are enclosed in the reflection of the allocated RBs, based on symmetry with respect to the reported carrier frequency location in $txDirectCurrentLocation$ field of the $UplinkTxDirectCurrentBWP$, but excluding any allocated RBs. If $txDirectCurrentLocation$ is not available or is reported with value 3300 or 3301, applicable frequencies shall be calculated with an assumed carrier frequency location at the centre of the channel.]</p> <p>NOTE 4: [The measurement bandwidth is 1 RB and the limit is expressed as a ratio of measured power in one non-allocated RB to the measured total power in all allocated RBs with $RIV=1$ and $RIV=5$ in the uplink scheduling grant.]</p> <p>NOTE 5: [The applicable frequencies for this limit are those that are enclosed in the RBs containing the DC frequency if N_{RB} is odd, or in the two RBs immediately adjacent to the DC frequency if N_{RB} is even, but excluding any allocated RB. The location of the DC frequency is given by $txDirectCurrentLocation$ field of the $UplinkTxDirectCurrentBWP$. If $txDirectCurrentLocation$ is not available or is reported with value 3300 or 3301, applicable frequencies shall be those that are enclosed in the RB(s) in the centre of the channel.]</p> <p>NOTE 6: N_{RB} is the Transmission Bandwidth Configuration (see Figure 5.6-1 in TS 38.101-1 [2]).</p> <p>NOTE 7: Δ_{RB} is the starting frequency offset between the allocated RB and the measured non-allocated RB (e.g. $\Delta_{RB} = 1$ or $\Delta_{RB} = -1$ for the first adjacent RB outside of the allocated bandwidth).</p> <p>NOTE 10: P_{RB} is the transmitted power per $180 \cdot 2^u$ kHz in allocated RBs, measured in dBm.</p> <p>NOTE 11: Test tolerance TT = 0.8 dB.</p>				

NOTE 12: In case the parameter 3300 or 3301 is reported from UE via *txDirectCurrentLocation* IE, IQ Image and Carrier leakage limit do not apply and General limit applies for all non-allocated frequencies

6.4F.2.4 EVM equalizer spectrum flatness

Editor's Note: This test is incomplete. The following aspects are not yet determined:

- Test configuration table is FFS
- MU and TT for frequency > 5.925 GHz is TBD

6.4F.2.4.1 Test purpose

The zero-forcing equalizer correction applied in the EVM measurement process (as described in Annex E) must meet a spectral flatness requirement for the EVM measurement to be valid. The EVM equalizer spectrum flatness is defined in terms of the maximum peak-to-peak ripple of the equalizer coefficients (dB) across the allocated uplink block, at which the equalizer coefficients are generated by the EVM measurement process. The basic measurement interval is the same as for EVM.

The EVM equalizer spectrum flatness requirement does not limit the correction applied to the signal in the EVM measurement process but for the EVM result to be valid, the equalizer correction that was applied must meet the EVM equalizer spectrum flatness minimum requirements.

6.4F.2.4.2 Test applicability

This test case applies to all types of NR UE release 16 and forward that support NR standalone shared spectrum channel access.

6.4F.2.4.3 Minimum conformance requirements

The requirements for EVM equalizer spectrum flatness in clause 6.4.2.4 apply.

The normative reference for this requirement is TS 38.101-1 [2] clause 6.4F.2.4.

6.4F.2.4.4 Test description

6.4F.2.4.4.1 Initial condition

Initial conditions are a set of test configurations the UE needs to be tested in and the steps for the SS to take with the UE to reach the correct measurement state.

The initial test configurations consist of environmental conditions, test frequencies, test channel bandwidths and sub-carrier spacing based on NR operating bands specified in Table 5.3.5-1. All of these configurations shall be tested with applicable test parameters for each combination of channel bandwidth and sub-carrier spacing, are shown in table 6.4F.2.4.4.1-1. The details of the uplink and downlink reference measurement channels (RMCs) are specified in Annexes A.2 and A.3. Configurations of PDSCH and PDCCH before measurement are specified in Annex C.2.

Table 6.4F.2.4.4.1-1: Test Configuration

Initial Conditions			
Test Environment as specified in TS 38.508-1 [5] subclause 4.1		Normal, TL/VL, TL/VH, TH/VL, TH/VH	
Test Frequencies as specified in TS 38.508-1 [5] subclause 4.3.1		Low range, Mid range, High range	
Test Channel Bandwidths as specified in TS 38.508-1 [5] subclause 4.3.1		Lowest, Mid, Highest	
Test SCS as specified in Table 5.3.5-1		Lowest	
Test Parameters			
Test ID	Downlink Configuration	Uplink Configuration	
	N/A	Modulation	RB allocation (NOTE 1)
1		DFT-s-OFDM QPSK	Outer Full
2		CP-OFDM QPSK	Outer Full
NOTE 1: The specific configuration of each RB allocation is defined in Table 6.1-1.			
NOTE 2: Test Channel Bandwidths are checked separately for each NR band, which applicable channel bandwidths are specified in Table 5.3.5-1.			

1. Connect the SS to the UE antenna connectors as shown in TS 38.508-1 [5] Annex A, in Figure A.3.1.1.1 for TE diagram and section A.3.2 for UE diagram.
2. The parameter settings for the cell are set up according to TS 38.508-1 [5] subclause 4.4.3.
3. Downlink signals are initially set up according to Annex C.0, C.1, C.2, and uplink signals according to Annex G.0, G.1, G.2, G.3.0.
4. The UL Reference Measurement channels are set according to Table 6.4F.2.4.4.1-1.
5. Propagation conditions are set according to Annex B.0.
6. Ensure the UE is in state RRC_CONNECTED with generic procedure parameters Connectivity *NR*, Connected without release *On*, Test Mode *On* and Test Loop Function *On* according to TS 38.508-1 [5] clause 4.5. Message contents are defined in clause 6.4F.2.4.4.3.

6.4F.2.4.4.2 Test procedure

1. SS sends uplink scheduling information for each UL HARQ process via PDCCH DCI format 0_1 for C_RNTI to schedule the UL RMC according to Table 6.4F.2.4.4.1-1. Since the UE has no payload and no loopback data to send the UE sends uplink MAC padding bits on the UL RMC.
2. Send continuously uplink power control "up" commands in the uplink scheduling information to the UE until the UE transmits at P_{UMAX} level. Allow at least 200ms starting from the first TPC command in this step for the UE to reach P_{UMAX} level.
3. Measure spectrum flatness using Global In-Channel Tx-Test (Annex E). For TDD, only slots consisting of only UL symbols are under test.

6.4F.2.4.4.3 Message contents

Message contents are according to TS 38.508-1 [5] subclause 4.6.

6.4F.2.4.5 Test requirement

Each of the n spectrum flatness functions, shall derive four ripple results in Annex E.4.4.1. The derived results shall not exceed the values in Figure 6.4F.2.4.5-1:

For normal conditions, the maximum ripple in Range 1 and Range 2 shall not exceed the values specified in Table 6.4F.2.4.5-1 and the following additional requirement: the relative difference between the maximum coefficient in Range 1 and the minimum coefficient in Range 2 must not be larger than 6.4 dB, and the relative difference between the maximum coefficient in Range 2 and the minimum coefficient in Range 1 must not be larger than 8.4 dB (see Figure 6.4F.2.4.5-1).

For normal conditions, the peak-to-peak variation of the EVM equalizer coefficients contained within the frequency range of the uplink allocation shall not exceed the maximum ripple specified in Table 6.4F.2.4.5-1. For uplink allocations contained within both Range 1 and Range 2, the coefficients evaluated within each of these frequency ranges shall meet the corresponding ripple requirement and the following additional requirement: the relative difference between the maximum coefficient in Range 1 and the minimum coefficient in Range 2 must not be larger than 6.4 dB, and the relative difference between the maximum coefficient in Range 2 and the minimum coefficient in Range 1 must not be larger than 8.4 dB (see Figure 6.4F.2.4.5-1).

For extreme conditions, the EVM equalizer spectral flatness shall not exceed the values specified in Table 6.4F.2.4.5-2. For uplink allocations contained within both Range 1 and Range 2, the coefficients evaluated within each of these frequency ranges shall meet the corresponding ripple requirement and the following additional requirement: the relative difference between the maximum coefficient in Range 1 and the minimum coefficient in Range 2 must not be larger than 7.4 dB, and the relative difference between the maximum coefficient in Range 2 and the minimum coefficient in Range 1 must not be larger than 11.4 dB (see Figure 6.4F.2.4.5-1).

Table 6.4F.2.4.5-1: Requirements for EVM equalizer spectrum flatness (normal conditions)

Frequency range	Maximum ripple [dB]
$F_{UL_Meas} - F_{UL_Low} \geq 3 \text{ MHz}$ and $F_{UL_High} - F_{UL_Meas} \geq 3 \text{ MHz}$ (Range 1)	4 + TT (p-p)

$F_{UL_Meas} - F_{UL_Low} < 3 \text{ MHz}$ or $F_{UL_High} - F_{UL_Meas} < 3 \text{ MHz}$ (Range 2)	8 + TT (p-p)
NOTE 1: F_{UL_Meas} refers to the sub-carrier frequency for which the equalizer coefficient is evaluated	
NOTE 2: F_{UL_Low} and F_{UL_High} refer to each E-UTRA frequency band specified in Table 5.5-1	
NOTE 3: Test tolerance TT = 1.4 dB.	

Table 6.4F.2.4.5-2: Minimum requirements for EVM equalizer spectrum flatness (extreme conditions)

Frequency range	Maximum Ripple [dB]
$F_{UL_Meas} - F_{UL_Low} \geq 5 \text{ MHz}$ and $F_{UL_High} - F_{UL_Meas} \geq 5 \text{ MHz}$ (Range 1)	4 + TT (p-p)
$F_{UL_Meas} - F_{UL_Low} < 5 \text{ MHz}$ or $F_{UL_High} - F_{UL_Meas} < 5 \text{ MHz}$ (Range 2)	12 + TT (p-p)
NOTE 1: F_{UL_Meas} refers to the sub-carrier frequency for which the equalizer coefficient is evaluated	
NOTE 2: F_{UL_Low} and F_{UL_High} refer to each E-UTRA frequency band specified in Table 5.5-1	
NOTE 3: Test tolerance TT = 1.4 dB.	

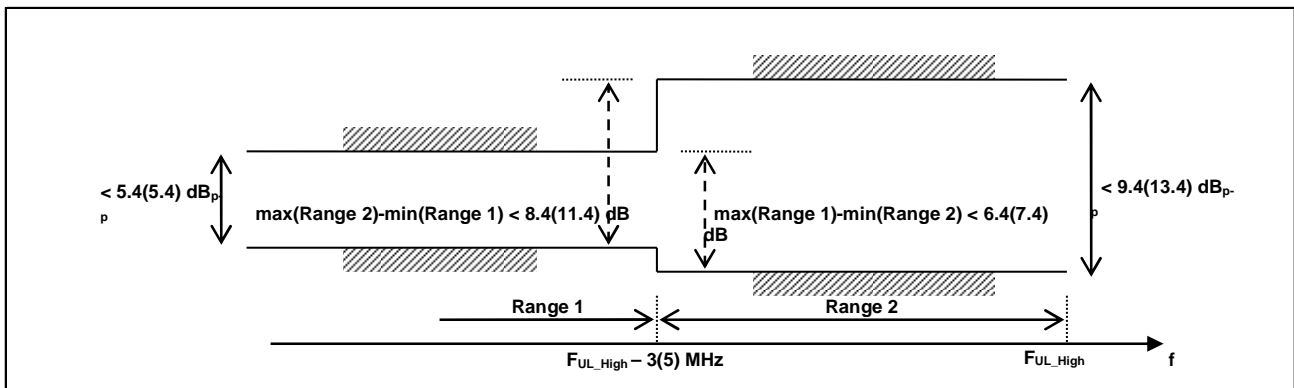


Figure 6.4F.2.4.5-1: The test requirements for EVM equalizer spectral flatness with the maximum allowed variation of the coefficients indicated for unshaped modulations (the ETC test requirements are within brackets)

6.4G Transmit signal quality for Tx Diversity

In this clause a multitude of results are derived, all using one common algorithm returning these results: Global In-Channels TX-Test Annex E. Each sub clause of this clause contains a procedure and test requirements described for a specific measurement. If all relevant test parameters in different sub clauses are the same, then the results, returned by the Global In-Channel TX-Test, may be used across the applicable sub clauses.

6.4G.1 Frequency error for Tx Diversity

6.4G.1.1 Test purpose

Same test purpose as in 6.4.1.1.

6.4G.1.2 Test applicability

This test case applies to all types of NR Power Class 1.5 UE, Power Class 2 and Power Class 3 UE release 15 and forward that support Tx diversity.

6.4G.1.3 Minimum conformance requirements

For UE(s) supporting Tx diversity, the basic measurement interval of modulated carrier frequency is 1 UL slot. The mean value of basic measurements of UE modulated carrier frequency at each transmit antenna connector shall be accurate to within ± 0.1 PPM observed over a period of 1 ms of cumulated measurement intervals compared to the carrier frequency received from the NR Node B.

The normative reference for this requirement is TS 38.101-1 [2] clause 6.4G.1

6.4G.1.4 Test description

Same test description as in clause 6.4.1.4 with the measurement performed at each transmit antenna connector.

6.4G.1.5 Test requirement

For each transmit antenna connector, the 10 frequency error Δf results must fulfil the test requirement:

$$|\Delta f| \leq (0.1 \text{ PPM} + 15 \text{ Hz})$$

6.4G.2 Transmit modulation quality for Tx Diversity

For UE supporting Tx diversity, the transmit modulation quality requirements are specified at each transmit antenna connector. The transmit modulation quality is specified in terms of:

- Error Vector Magnitude (EVM) for the allocated resource blocks (RBs)
- EVM equalizer spectrum flatness derived from the equalizer coefficients generated by the EVM measurement process
- Carrier leakage (caused by IQ offset)
- In-band emissions for the non-allocated RB

In case the parameter 3300 or 3301 is reported from UE via *txDirectCurrentLocation* IE (as defined in TS 38.331 [6]), carrier leakage measurement requirement in clause 6.4G.2.2 and 6.4G.2.3 shall be waived, and the RF correction with regard to the carrier leakage and IQ image shall be omitted during the calculation of transmit modulation quality.

6.4G.2.1 Error Vector Magnitude for Tx Diversity

6.4G.2.1.1 Test Purpose

Same test purpose as in 6.4.2.1.1.

6.4G.2.1.2 Test applicability

This test case applies to all types of NR Power Class 1.5 UE, Power Class 2 and Power Class 3 UE release 15 and forward that support Tx diversity.

6.4G.2.1.3 Minimum conformance requirements

For UE supporting Tx diversity, the Error Vector Magnitude requirements specified in clause 6.4.2.1.3. The total EVM requirement is derived based on the measurement at each antenna connector according to Annex E.4.8.

The normative reference for this requirement is TS 38.101 [2] clause 6.4G.2.1.

6.4G.2.1.4 Test description

6.4G.2.1.4.1 Initial conditions

Same initial conditions as in 6.4.2.1.4.1.

6.4G.2.1.4.2 Test procedure

Test procedure for PUSCH:

- 1.1. SS sends uplink scheduling information for each UL HARQ process via PDCCH DCI format 0_1 for C_RNTI to schedule the UL RMC according to Table 6.4.2.1.4.1-1. Since the UE has no payload data to send, the UE transmits uplink MAC padding bits on the UL RMC.
- 1.2. Send continuously uplink power control "up" commands in the uplink scheduling information to the UE until the UE transmits at $P_{UMAX\ level}$, allow at least 200ms starting from the first TPC command in this step for the UE to reach P_{UMAX} level.
- 1.3. Measure the mean power at each antenna connector in the channel bandwidth of the radio access mode. The period of measurement shall be at least the continuous duration of one active sub-frame (1ms) and in the uplink symbols. For TDD symbols with transient periods are not under test.
- 1.4. Measure the EVM and \overline{EVM}_{DMRS} using Global In-Channel Tx-Test (Annex E). For TDD, only slots consisting of only UL symbols are under test.
 - If the UE's transmit power measured in step 1.3 is higher than the minimum output power requirement in 6.3G.1.5 at both antenna connectors, the composite EVM is measured according to E.4.8.
 - If UE's transmit power measured in step 1.3 is higher than the minimum output power requirement in 6.3G.1.5 at only one antenna connector, the EVM is measured only on this antenna connector according to E.4.2 and E.4.6.
- 1.5. For modulations except 256QAM, send uplink power control commands to the UE using 1dB power step size to ensure that the UE output power measured by the test system is within the Uplink power control window, defined as +MU to +(MU + Uplink power control window size) dB of the target power level Pmin, where:
 - Pmin is the minimum output power according to Table 6.3.1.3-1.
 - MU is the test system uplink power measurement uncertainty and is specified in Table F.1.2-1 for the carrier frequency f and the channel bandwidth BW.
 - Uplink power control window size = 1dB (UE power step size) + 0.7dB (UE power step tolerance) + (Test system relative power measurement uncertainty), where, the UE power step tolerance is specified in TS 38.101-1 [2], Table 6.3.4.3-1 and is 0.7dB for 1dB power step size, and the Test system relative power measurement uncertainty is specified in Table F.1.2-1.

For 256 QAM, send uplink power control commands to the UE using 1dB power step size to ensure that the UE output power measured by the test system is within the Uplink power control window, defined as +MU to +(MU + Uplink power control window size) dB of the target power level Pmin + 10 dB, where Pmin, MU and Uplink power control window size are defined above.

- 1.6. Measure the mean power at each antenna connector in the channel bandwidth of the radio access mode. The period of measurement shall be at least the continuous duration of one active sub-frame (1ms) and in the uplink symbols. For TDD symbols with transient periods are not under test.
- 1.7. Measure the EVM and \overline{EVM}_{DMRS} using Global In-Channel Tx-Test (Annex E). For TDD, only slots consisting of only UL symbols are under test.
 - If the UE's transmit power measured in step 1.6 is higher than the minimum output power requirement in 6.3G.1.5 at both antenna connectors, the composite EVM is measured according to E.4.8.
 - If UE's transmit power measured in step 1.6 is higher than the minimum output power requirement in 6.3G.1.5 at only one antenna connector, the EVM is measured only on this antenna connector according to E.4.2 and E.4.6.

NOTE1: When switching to DFT-s-OFDM waveform, as specified in the test configuration table 6.4.2.1.4.1-1, send an NR RRCReconfiguration message according to TS 38.508-1 [5] clause 4.6.3 Table 4.6.3-118 PUSCH-Config with TRANSFORM_PRECODER_ENABLED condition.

NOTE2: The purpose of the Uplink power control window is to ensure that the actual UE output power is no less than the target power level, and as close as possible to the target power level. The relationship between the Uplink power control window, the target power level and the corresponding possible actual UE Uplink power window is illustrated in Annex F.4.2.

Test procedure for PUCCH:

- 2.1. PUCCH is set according to Table 6.4.2.1.4.1-2.
- 2.2. SS transmits PDSCH via PDCCH DCI format 1_1 for C_RNTI to transmit the DL RMC according to Table 6.4.2.1.4.1-2. The SS sends downlink MAC padding bits on the DL RMC. The transmission of PDSCH will make the UE send uplink ACK/NACK using PUCCH. There is no PUSCH transmission.
- 2.3. SS send appropriate TPC commands for PUCCH to the UE until the UE transmit PUCCH at P_{UMAX} level. Allow at least 200ms starting from the first TPC command in this step for the UE to reach P_{UMAX} level.
- 2.4. Measure the mean power at each antenna connector in the channel bandwidth of the radio access mode. The period of measurement shall be at least the continuous duration of one active sub-frame (1ms) and in the uplink symbols. For TDD symbols with transient periods are not under test.
- 2.5. Measure PUCCH EVM using Global In-Channel Tx-Test (Annex E).
 - If the UE's transmit power measured in step 2.4 is higher than the minimum output power requirement in 6.3G.1.5 at both antenna connectors, the composite EVM is measured according to E.5.9.4.
 - If UE's transmit power measured in step 2.4 is higher than the minimum output power requirement in 6.3G.1.5 at only one antenna connector, the EVM is measured only on this antenna connector according to E.5.9.2.
- 2.6. Send uplink power control commands for PUCCH to the UE using 1dB power step size to ensure that the UE PUCCH output power measured by the test system is within the Uplink power control window, defined as $+MU$ to $+(MU + \text{Uplink power control window size})$ dB of the target power level P_{min} , where:
 - P_{min} is the minimum output power according to Table 6.3.1.3-1.
 - MU is the test system uplink power measurement uncertainty and is specified in Table F.1.2-1 for the carrier frequency f and the channel bandwidth BW .
 - Uplink power control window size = 1dB (UE power step size) + 2.0dB (UE power step tolerance) + (Test system relative power measurement uncertainty), where, the UE power step tolerance is specified in TS 38.101-1 [2], Table 6.3.4.3-1 and is 2.0dB for 1dB power step size, and the Test system relative power measurement uncertainty is specified in Table F.1.2-1.
- 2.7. Measure the mean power at each antenna connector in the channel bandwidth of the radio access mode. The period of measurement shall be at least the continuous duration of one active sub-frame (1ms) and in the uplink symbols. For TDD symbols with transient periods are not under test.
- 2.8. Measure PUCCH EVM using Global In-Channel Tx-Test (Annex E).
 - If the UE's transmit power measured in step 2.7 is higher than the minimum output power requirement in 6.3G.1.5 at both antenna connectors, the composite EVM is measured according to E.5.9.4.
 - If UE's transmit power measured in step 2.7 is higher than the minimum output power requirement in 6.3G.1.5 at only one antenna connector, the EVM is measured only on this antenna connector according to E.5.9.4.

NOTE1: When switching to DFT-s-OFDM waveform, as specified in the test configuration table 6.4.2.1.4.1-2, send an NR RRCReconfiguration message according to TS 38.508-1 [5] clause 4.6.3 Table 4.6.3-118 PUSCH-Config with TRANSFORM_PRECODER_ENABLED condition.

NOTE2: The purpose of the Uplink power control window is to ensure that the actual UE output power is no less than the target power level, and as close as possible to the target power level. The relationship between the Uplink power control window, the target power level and the corresponding possible actual UE Uplink power window is illustrated in Annex F.4.2.

Test procedure for PRACH:

- 3.1. The SS shall set RS EPRE according to Table 6.4.2.1.4.1-3.
- 3.2. PRACH is set according to Table 6.4.2.1.4.1-3.

- 3.3. The SS shall signal a Random Access Preamble ID via a PDCCH order to the UE and initiate a Non-contention based Random Access procedure.
- 3.4. The UE shall send the signalled preamble to the SS.
- 3.5. In response to the preamble, the SS shall transmit a random access response not corresponding to the transmitted random access preamble, or send no response.
- 3.6. The UE shall consider the random access response reception not successful then re-transmit the preamble with the calculated PRACH transmission power.
- 3.7. Measure the output power of the transmitted PRACH preamble at each antenna connector.
- 3.8. Repeat step 3.5 ~ 3.7 until the SS collect enough PRACH preambles. Measure the EVM in PRACH channel using Global In-Channel Tx-Test (Annex E).
- If the UE's transmit power measured in step 3.7 is higher than the minimum output power requirement in 6.3G.1.5 at both antenna connectors, the composite EVM is measured according to E.6.9.3.
 - If UE's transmit power measured in step 3.7 is higher than the minimum output power requirement in 6.3G.1.5 at only one antenna connector, the EVM is measured only on this antenna connector according to E.6.9.2.

6.4G.2.1.4.3 Message contents

Same message contents as specified in 6.4.2.1.4.3.

6.4G.2.1.5 Test requirement

The PUSCH EVM, derived in steps 1.4 and 1.7, shall not exceed the values in Table 6.4G.2.1.5-1.

The PUSCH \overline{EVM}_{DMRS} , derived in steps 1.4 and 1.7, shall not exceed the values in Table 6.4G.2.1.5-1 when embedded with data symbols of the respective modulation scheme.

Table 6.4G.2.1.5-1: Test requirements for Error Vector Magnitude

Parameter	Unit	Average EVM Level
Pi/2-BPSK	%	30 + TT
QPSK	%	17.5 + TT
16 QAM	%	12.5 + TT
64 QAM	%	8 + TT
256 QAM	%	3.5 + TT
Note 1: TT is defined in Table 6.4G.2.1.5-2.		

Table 6.4G.2.1.5-2: Test Tolerance

Parameter	Unit	Average EVM Level
Pi/2-BPSK	%	0
QPSK	%	0
16 QAM	%	0
64 QAM	%	0
256 QAM	%	0.3 for $15 \text{ dBm} < P_{UL}$ 0.8 for $-25 \text{ dBm} < P_{UL} \leq 15 \text{ dBm}$ 1.1 for $-40 \text{ dBm} \leq P_{UL} \leq -25 \text{ dBm}$

The PUCCH EVM derived in steps 2.5 and 2.8 shall not exceed 17.5 %.

The PRACH EVM derived in step 3.8 shall not exceed 17.5%.

6.4G.2.2 Carrier leakage for Tx Diversity

6.4G.2.2.1 Test purpose

Same test purpose as in 6.4.2.2.1.

6.4G.2.2.2 Test applicability

This test case applies to all types of NR Power Class 1.5 UE, Power Class 2 and Power Class 3 UE release 15 and forward that support Tx diversity.

6.4G.2.2.3 Minimum conformance requirements

For UE supporting Tx diversity, the Relative Carrier Leakage Power requirements specified in Table 6.4.2.2.3-1 which is defined in clause 6.4.2.2.3 apply at each transmit antenna connector.

The normative reference for this requirement is TS 38.101-1 [2] clause 6.4G.2.2.

6.4G.2.2.4 Test description

Same test description as in clause 6.4.2.2.4 with the following exceptions:

- Adding the following test steps:
 10. Send continuously uplink power control "up" commands in the uplink scheduling information to the UE until the UE transmits at PUMAX level, allow at least 200ms starting from the first TPC command in this step for the UE to reach PUMAX level.
 11. Measure carrier leakage using Global In-Channel Tx-Test (Annex E) with the measurement performed at each transmit antenna connector. For TDD, only slots consisting of only UL symbols are under test.
- If the UE's transmit power at both antenna connectors are higher than the minimum output power requirement in 6.3G.1.5, the carrier leakage is measured on each transmit antenna. Pass the UE if the carrier leakage on each antenna connector meets the requirements in 6.4G.2.2.5.
- If UE's transmit power is higher than the minimum output power requirement in 6.3G.1.5 at only one antenna connector, the carrier leakage is measured only on this antenna connector. Pass the UE if the carrier leakage on this antenna connector meets the requirements in 6.4G.2.2.5.

6.4G.2.2.5 Test requirement

In case the parameter 3300 or 3301 is reported from UE via *txDirectCurrentLocation* IE, carrier leakage measurement requirement shall be waived. Otherwise, for each transmit antenna connector, each of the n carrier leakage results, derived in Annex E.3.1, shall not exceed the values in Table 6.4G.2.2.5-1. Allocated RBs are not under test. n is 10 for 15kHz SCS, 20 for 30kHz SCS and 30 for 60kHz SCS.

Table 6.4G.2.2.5-1: Test requirements for Relative Carrier Leakage Power

Parameters UE output power	Relative limit (dBc)
10 + MU to 10 + (MU + Uplink power control window size) dBm	-28 + TT
0 + MU to 0 + (MU + Uplink power control window size) dBm	-25 + TT
-30 + MU to -30 + (MU + Uplink power control window size) dBm	-20 + TT
Pmin + MU to Pmin + (MU + Uplink power control window size) dBm	-10 + TT
NOTE 1: The measurement bandwidth is 1 RB and the limit is expressed as a ratio of measured power in one non-allocated RB to the measured total power in all allocated RBs. NOTE 2: The applicable frequencies for this limit depend on the parameter <i>txDirectCurrentLocation</i> in <i>UplinkTxDirectCurrent</i> IE, and are those that are enclosed either in the RBs containing the carrier leakage frequency, or in the two RBs immediately adjacent to the carrier leakage frequency but excluding any allocated RB. NOTE 3: N_{RB} is the Transmission Bandwidth Configuration (see Section 5.3).	

NOTE 4:	MU is the test system uplink power measurement uncertainty and is specified in Table F.1.2-1 for the carrier frequency f and the channel bandwidth BW.
NOTE 5:	Uplink power control window size = 1dB (UE power step size) + 0.7dB (UE power step tolerance) + (Test system relative power measurement uncertainty), where, the UE power step tolerance is specified in TS 38.101-1 [2], Table 6.3.4.3-1 and is 0.7dB for 1dB power step size, and the Test system relative power measurement uncertainty is specified in Table F.1.2-1.
NOTE 6:	Test tolerance TT = 0.8 dB.
NOTE 7:	Pmin is the minimum output power according to Table 6.3.1.3-1.

6.4G.2.3 In-band emissions for Tx Diversity

6.4G.2.3.1 Test purpose

Same test purpose as in 6.4.2.3.1.

6.4G.2.3.2 Test applicability

This test case applies to all types of NR Power Class 1.5 UE, Power Class 2 and Power Class 3 UE release 15 and forward that support Tx diversity.

6.4G.2.3.3 Minimum conformance requirements

For UE supporting Tx diversity, the In-band Emission requirements specified in Table 6.4.2.3.3-1 which is defined in clause 6.4.2.3.3 apply at each transmit antenna connector.

The normative reference for this requirement is TS 38.101-1 [2] clause 6.4G.2.3.

6.4G.2.3.4 Test description

Same test description as in clause 6.4.2.3.4 with the following exceptions:

- Adding the following test steps:

Test procedure for PUSCH:

1.10 Send continuously uplink power control "up" commands in the uplink scheduling information to the UE until the UE transmits at PUMAX level, allow at least 200ms starting from the first TPC command in this step for the UE to reach PUMAX level.

1.11 Measure In-band emission using Global In-Channel Tx-Test (Annex E) with the measurement performed at each transmit antenna connector. For TDD, only slots consisting of only UL symbols are under test.

Test procedure for PUCCH:

2.10 Send continuously uplink power control "up" commands in the uplink scheduling information to the UE until the UE transmits at PUMAX level, allow at least 200ms starting from the first TPC command in this step for the UE to reach PUMAX level.

2.11 Measure In-band emission using Global In-Channel Tx-Test (Annex E) with the measurement performed at each transmit antenna connector.

- If the UE's transmit power at both antenna connectors are higher than the minimum output power requirement in 6.3G.1.5, the In-band emissions are measured on each transmit antenna. Pass the UE if the In-band emissions on each antenna connector meets the requirements in 6.4G.2.3.5.
- If UE's transmit power is higher than the minimum output power requirement in 6.3G.1.5 at only one antenna connector, the In-band emissions are measured only on this antenna connector. Pass the UE if the carrier leakage on this antenna connector meets the requirements in 6.4G.2.3.5.

6.4G.2.3.5 Test requirement

For each transmit antenna connector, the averaged In-band emission result, derived in Annex E.4.3 shall not exceed the corresponding values in Table 6.4G.2.3.5-1.

Table 6.4G.2.3.5-1: Test requirements for in-band emissions

Parameter description	Unit	Limit (NOTE 1)		Applicable Frequencies
General (NOTE 12)	dB	$\max \left\{ -25 - 10 \cdot \log_{10} (N_{RB} / L_{CRB}), \right.$ $20 \cdot \log_{10} EVM - 3 - 5 \cdot (\Delta_{RB} - 1) / L_{CRB},$ $\left. -57 \text{ dBm} + 10 \log_{10} (SCS / 15 \text{ kHz}) - \overline{P_{RB}} \right\} + TT$		Any non-allocated (NOTE 2)
IQ Image (NOTE 12)	dB	-28 + TT	Image frequencies when output power > 10 dBm	Image frequencies (NOTES 2, 3)
		-25 + TT	Image frequencies when output power ≤ 10 dBm	
Carrier leakage (NOTE 12)	dBc	-28 + TT	Output power > 10 dBm	Carrier leakage frequency (NOTES 4, 5)
		-25 + TT	0 dBm ≤ Output power ≤ 10 dBm	
		-20 + TT	-30 dBm ≤ Output power < 0 dBm	
		-10 + TT	-40 dBm ≤ Output power < -30 dBm	
<p>NOTE 1: An in-band emissions combined limit is evaluated in each non-allocated RB. For each such RB, the minimum requirement is calculated as the higher of $P_{RB} - 30$ dB and the power sum of all limit values (General, IQ Image or Carrier leakage) that apply. P_{RB} is defined in NOTE 10.</p> <p>NOTE 2: The measurement bandwidth is 1 RB and the limit is expressed as a ratio of measured power in one non-allocated RB to the measured average power per allocated RB, where the averaging is done across all allocated RBs.</p> <p>NOTE 3: The applicable frequencies for this limit are those that are enclosed in the reflection of the allocated bandwidth, based on symmetry with respect to the carrier leakage frequency, but excluding any allocated RBs.</p> <p>NOTE 4: The measurement bandwidth is 1 RB and the limit is expressed as a ratio of measured power in one non-allocated RB to the measured total power in all allocated RBs.</p> <p>NOTE 5: The applicable frequencies for this limit depend on the parameter <i>txDirectCurrentLocation</i> in <i>UplinkTxDirectCurrent</i> IE, and are those that are enclosed either in the RBs containing the carrier leakage frequency, or in the two RBs immediately adjacent to the carrier leakage frequency, but excluding any allocated RB.</p> <p>NOTE 6: L_{CRB} is the Transmission Bandwidth (see Section 5.3).</p> <p>NOTE 7: N_{RB} is the Transmission Bandwidth Configuration (see Section 5.3).</p> <p>NOTE 8: EVM is the limit specified in Table 6.4G.2.1.3-1 for the modulation format used in the allocated RBs.</p> <p>NOTE 9: Δ_{RB} is the starting frequency offset between the allocated RB and the measured non-allocated RB (e.g. $\Delta_{RB} = 1$ or $\Delta_{RB} = -1$ for the first adjacent RB outside of the allocated bandwidth).</p> <p>NOTE 10: $\overline{P_{RB}}$ is an average of the transmitted power over 10 sub-frames normalized by the number of allocated RBs, measured in dBm.</p> <p>NOTE 11: Test tolerance TT = 0.8 dB.</p> <p>NOTE 12: In case the parameter 3300 or 3301 is reported from UE via <i>txDirectCurrentLocation</i> IE, IQ Image and Carrier leakage limit do not apply and General limit applies for all non-allocated frequencies.</p>				

6.4G.2.4 EVM equalizer spectrum flatness for Tx Diversity

6.4G.2.4.1 Test purpose

Same test purpose as in 6.4.2.4.1.

6.4G.2.4.2 Test applicability

This test case applies to all types of NR Power Class 1.5 UE, Power Class 2 and Power Class 3 UE release 15 and forward that support Tx diversity.

6.4G.2.4.3 Minimum conformance requirements

For UE supporting Tx diversity, the EVM Equalizer Spectrum Flatness requirements specified in Table 6.4.2.4.3-1 and Table 6.4.2.4.3-2 which are defined in clause 6.4.2.4.3. The composite EVM equalizer $EC(f)$ is defined as

$$EC(f) = \frac{P_1 \cdot |EC_1(f)| + P_2 \cdot |EC_2(f)|}{P_1 + P_2}$$

where

$EC_n(f)$ represents equalizer coefficient for each antenna connector, $f \in F$, f is the allocated subcarriers within the transmission bandwidth ($|F|=12 \cdot L_{CRBS}$);

P_1 and P_2 denote the linear power measured at each antenna connector respectively.

The normative reference for this requirement is TS 38.101-1 [2] clause 6.4G.2.4.

6.4G.2.4.4 Test description

Same test description as specified in clause 6.4.2.4.4 with following exceptions:

Step 3 of Test procedure as in 6.4.2.4.4.2 is replaced by:

3. Measure the mean power at each antenna connector in the channel bandwidth of the radio access mode. The period of measurement shall be at least the continuous duration of one active sub-frame (1ms) and in the uplink symbols. For TDD symbols with transient periods are not under test.
4. Measure spectrum flatness using Global In-Channel Tx-Test (Annex E). For TDD, only slots consisting of only UL symbols are under test.
 - If the UE's transmit power at both antenna connectors are higher than the minimum output power requirement in 6.3G.1.5, spectrum flatness is measured at both antenna connectors and the composite EVM equalizer $EC(f)$ is determined by applying

$$EC(f) = \frac{P_1 \cdot |EC_1(f)| + P_2 \cdot |EC_2(f)|}{P_1 + P_2}$$

where

$EC_n(f)$ represents equalizer coefficient for each antenna connector, $f \in F$, f is the allocated subcarriers within the transmission bandwidth ($|F|=12 \cdot L_{CRBS}$);

P_1 and P_2 denote the linear power measured at each antenna connector respectively.

- If UE's transmit power is higher than the minimum output power requirement in 6.3G.1.5 at only one antenna connector, the spectrum flatness is measured only on this antenna connector using Global In-Channel Tx-Test (Annex E).

6.4G.2.4.5 Test requirement

Each of the n spectrum flatness functions, shall derive four ripple results in Annex E.4.4.1. The derived results shall not exceed the values in Figure 6.4G.2.4.5-1:

For normal conditions, the peak-to-peak variation of the EVM equalizer coefficients contained within the frequency range of the uplink allocation shall not exceed the maximum ripple specified in Table 6.4G.2.4.5-1. For uplink allocations contained within both Range 1 and Range 2, the coefficients evaluated within each of these frequency ranges shall meet the corresponding ripple requirement and the following additional requirement: the relative difference between the maximum coefficient in Range 1 and the minimum coefficient in Range 2 must not be larger than 6.4 dB, and the relative difference between the maximum coefficient in Range 2 and the minimum coefficient in Range 1 must not be larger than 8.4 dB (see Figure 6.4G.2.4.5-1).

For extreme conditions, the EVM equalizer spectral flatness shall not exceed the values specified in Table 6.4G.2.4.5-2. For uplink allocations contained within both Range 1 and Range 2, the coefficients evaluated within each of these frequency ranges shall meet the corresponding ripple requirement and the following additional requirement: the relative difference between the maximum coefficient in Range 1 and the minimum coefficient in Range 2 must not be larger than 7.4 dB, and the relative difference between the maximum coefficient in Range 2 and the minimum coefficient in Range 1 must not be larger than 11.4 dB (see Figure 6.4G.2.4.5-1).

Table 6.4G.2.4.5-1: Requirements for EVM equalizer spectrum flatness (normal conditions)

Frequency range	Maximum ripple [dB]
$F_{UL_Meas} - F_{UL_Low} \geq 3 \text{ MHz}$ and $F_{UL_High} - F_{UL_Meas} \geq 3 \text{ MHz}$ (Range 1)	4 + TT (p-p)
$F_{UL_Meas} - F_{UL_Low} < 3 \text{ MHz}$ or $F_{UL_High} - F_{UL_Meas} < 3 \text{ MHz}$ (Range 2)	8 + TT (p-p)
NOTE 1: F_{UL_Meas} refers to the sub-carrier frequency for which the equalizer coefficient is evaluated	
NOTE 2: F_{UL_Low} and F_{UL_High} refer to each E-UTRA frequency band specified in Table 5.5-1	
NOTE 3: Test tolerance TT = 1.4 dB.	

Table 6.4G.2.4.5-2: Minimum requirements for EVM equalizer spectrum flatness (extreme conditions)

Frequency range	Maximum Ripple [dB]
$F_{UL_Meas} - F_{UL_Low} \geq 5 \text{ MHz}$ and $F_{UL_High} - F_{UL_Meas} \geq 5 \text{ MHz}$ (Range 1)	4 + TT (p-p)
$F_{UL_Meas} - F_{UL_Low} < 5 \text{ MHz}$ or $F_{UL_High} - F_{UL_Meas} < 5 \text{ MHz}$ (Range 2)	12 + TT (p-p)
NOTE 1: F_{UL_Meas} refers to the sub-carrier frequency for which the equalizer coefficient is evaluated	
NOTE 2: F_{UL_Low} and F_{UL_High} refer to each E-UTRA frequency band specified in Table 5.5-1	
NOTE 3: Test tolerance TT = 1.4 dB	

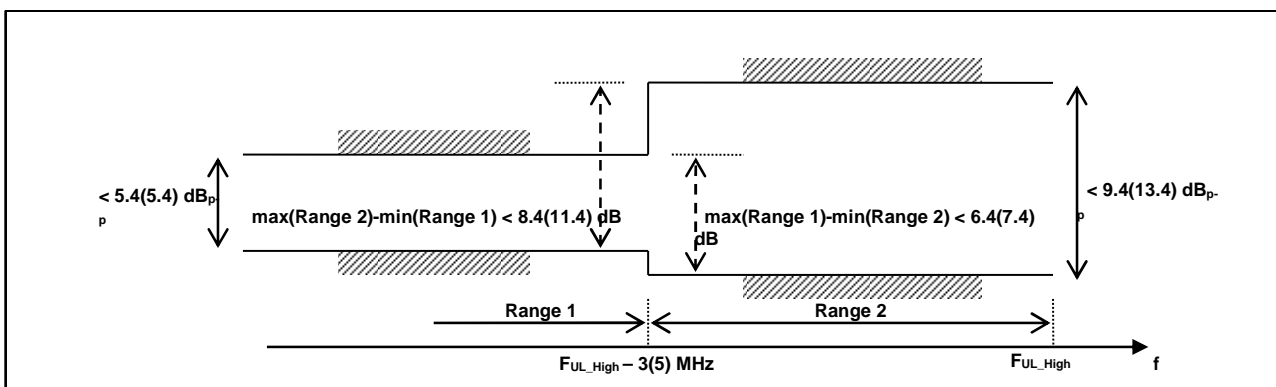


Figure 6.4G.2.4.5-1: The test requirements for EVM equalizer spectral flatness with the maximum allowed variation of the coefficients indicated for unshaped modulations (the ETC test requirements are within brackets)

6.4H Transmit signal quality for CA with UL MIMO

6.4H.1 Transmit signal quality for intra-band UL contiguous CA with UL MIMO

6.4H.1.1 Frequency error for intra-band UL contiguous CA with UL MIMO

6.4H.1.1.1 Test purpose

This test verifies the ability of both, the receiver and the transmitter, to process frequency for 2UL CA correctly.

Receiver: to extract the correct frequency from the stimulus signal, offered by the System simulator, under ideal propagation conditions and low level.

Transmitter: to derive the correct modulated carrier frequency from the results, gained by the receiver.

6.4H.1.1.2 Test applicability

This test case applies to all types of NR UE release 15 and forward that support intra-band UL contiguous CA with UL MIMO.

6.4H.1.1.3 Minimum conformance requirements

For UE supporting intra-band UL contiguous CA and UL MIMO, the basic measurement interval of modulated carrier frequency is 1 UL slot. The mean value of basic measurements of UE modulated carrier frequency at each transmit antenna connector on each CC shall be accurate to within ± 0.1 PPM observed over a period of 1 ms of cumulated measurement intervals compared to the carrier frequency of primary component carrier received from the NR Node B.

The normative reference for this requirement is TS 38.101-1 [2] clause 6.4H.1.1.

6.4H.1.1.4 Test description

Same test description as specified in clause 6.4A.1.1.4 for intra-band contiguous CA with following exceptions:

For initial conditions:

- Table 6.4A.1.1.4.1-2 is replaced by Table 6.4H.1.1.4-1.

Table 6.4H.1.1.4-1: Intra band contiguous CA Test Configuration Table

Initial Conditions				
Test Environment as specified in TS 38.508-1 [5] subclause 4.1		Normal, TL/VL, TL/VH, TH/VL, TH/VH		
Test Frequencies as specified in TS 38.508-1 [5] subclause 4.3.1.1.3 for inter band CA in FR1		Mid range		
Test Channel Bandwidths as specified in TS 38.508-1 [5] subclause 4.3.1		Highest N _{RB_agg}		
Test SCS as specified in Table 5.3.5-1		Lowest		
Test Parameters				
Test ID	Downlink Configuration		Uplink Configuration	
	Modulation	RB allocation	Modulation	RB allocation
1	CP-OFDM QPSK	Full RB (NOTE 1)	CP-OFDM QPSK	REFSENS (NOTE 2)
NOTE 1: Full RB allocation shall be used per each SCS and channel BW as specified in Table 7.3.2.4.1-2.				
NOTE 2: REFSENS refers to Table 7.3.2.4.1-3 for each carrier which defines uplink RB configuration and start RB location for each SCS, channel BW and NR band belongs to intra-band CA combination.				

- Connect the SS to the UE antenna connectors as shown in TS 38.508-1 [5] Annex A, Figure A.3.1.1.6 for TE diagram and section A.3.2.3.11 for UE diagram.
- The DL and UL Reference Measurement channels are set according to Table 6.4H.1.1.4-1 as appropriate.

For test procedures:

- Table 6.4A.1.1.4.1-2 is replaced by Table 6.4H.1.1.4-1.
 - Step 7 in 6.4A.1.1.4.1 is replaced by:
7. Measure the Frequency Error on PCC and SCC at each transmit antenna connector using Global In-Channel Tx-Test (Annex E) respectively. For TDD slots with transient periods are not under test.

For message contents:

- Ensuring Table 4.6.3-182 configured with the condition 2TX_UL_MIMO

Table 6.4H.1.1.4-2: FrequencyInfoUL-SIB for intra-band CA

Derivation Path: TS 38.508-1 [5] Table 4.6.3-62 FrequencyInfoUL-SIB			
Information Element	Value/remark	Comment	Condition

p-Max	10		Power class 3
	12		Power class 2

6.4H.1.1.5 Test requirement

The 10 frequency error Δf results must fulfil the test requirement:

$$|\Delta f| \leq (0.1 \text{ PPM} + \text{TT}) \text{ for each test point}$$

For intra-band contiguous CA, PPM refers to PCC UL frequency.

Table 6.4H.1.1.5-1: Test Tolerance for frequency error

	$f \leq 3.0\text{GHz}$	$3.0\text{GHz} < f \leq 6\text{GHz}$
$\text{BW} \leq 100\text{MHz}$	15Hz	15Hz

6.4H.1.2 Transmit modulation quality for intra-band UL contiguous CA with UL MIMO

6.4H.1.2.0 General

For UE supporting intra-band UL contiguous CA and UL MIMO, the transmit modulation quality requirements are specified based on measurements made at each transmit antenna connector on each CC.

The requirements in this clause apply with PCC and SCC in the UL configured and activated: PCC with PRB allocation and SCC without PRB allocation and without CSI reporting and SRS configured.

If UE is scheduled for single antenna-port PUSCH transmission by DCI format 0_0 or by DCI format 0_1 for single antenna port codebook based transmission with precoding matrix $W=1$ [6.3.1.5 TS 38.211], the requirements in clause 6.4A.2 apply.

The transmit modulation quality requirements listed below shall be met with UL MIMO configurations specified in Table 6.2D.1-2.

For all Transmit modulation quality requirements the Carrier leakage frequency is indicated by the UE with IE *UplinkTxDirectCurrentTwoCarrierList-r16* or *UplinkTxDirectCurrentMoreCarrierList-r17* or *UplinkTxDirectCurrentList*.

The carrier leakage measurement requirement in clauses 6.4H.1.2.2.3 and 6.4H.1.2.3.3 shall be waived and the UE's UL signal left uncorrected for carrier leakage when one of the following qualifying conditions apply:

1. UE reports the parameter 3300 or 3301
2. UE doesn't indicate the DC location parameters

Any requirement relaxation to accommodate the IQ image shall be omitted if the qualifying conditions above are present or if the IQ image frequency is outside the activated UL component carriers.

6.4H.1.2.1 Error Vector Magnitude for intra-band UL contiguous CA with UL MIMO

6.4H.1.2.1.1 Test purpose

For intra-band UL contiguous CA with UL MIMO, the Error Vector Magnitude requirement should be defined for each transmit antenna connector on each component carrier. Requirement applies for the allocated component carrier, when all other component carriers are activated, but not allocated.

Similar transmitter impairment removal procedures are applied for CA waveform before EVM calculation as is specified for non-CA waveform in clause 6.4.2.1.

6.4H.1.2.1.2 Test applicability

This test case applies to all types of NR UE release 15 and forward that support intra-band UL contiguous CA with UL MIMO.

6.4H.1.2.1.3 Minimum conformance requirements

For intra-band UL contiguous CA and UE with two transmit antenna connectors in closed-loop spatial multiplexing scheme, the Error Vector Magnitude requirements specified in clause 6.4A.2.1.0 apply per layer.

The normative reference for this requirement is TS 38.101-1 [2] clause 6.4H.1.2.1.

6.4H.1.2.1.4 Test description

Same test description as specified in clause 6.4A.2.1.1.4 for intra-band contiguous CA with following exceptions:

For initial conditions:

- Table 6.4A.2.1.1.4.1-2 is replaced by Table 6.4H.1.2.1.4-1.

Table 6.4H.1.2.1.4-1: Intra-band contiguous CA Test Configuration Table

Initial Conditions				
Test Environment as specified in TS 38.508-1 [5] subclause 4.1		Normal		
Test Frequencies as specified in TS 38.508-1 [5] subclause 4.3.1		Low range, High range		
Test Channel Bandwidths as specified in TS 38.508-1 [5] subclause 4.3.1		Lowest N_{RB_agg} , Highest N_{RB_agg}		
Test SCS as specified in Table 5.3.5-1		lowest and highest supported SCS		
Test Parameters				
Test ID	Downlink Configuration	Uplink Configuration		
		Modulation	RB allocation (NOTE 1)	
			PCC	SCC
1		CP-OFDM QPSK	Inner Full	0
2		CP-OFDM QPSK	Outer Full	0
3		CP-OFDM 16 QAM	Inner Full	0
4		CP-OFDM 16 QAM	Outer Full	0
5		CP-OFDM 64 QAM	Inner Full	0
6		CP-OFDM 64 QAM	Outer Full	0
7		CP-OFDM 256 QAM	Inner Full	0
8		CP-OFDM 256 QAM	Outer Full	0
NOTE 1: The specific configuration of each RB allocation is defined in Table 6.1-1.				
NOTE 2: Test Channel Bandwidths and Test SCS are checked separately for each NR CA band combination, which applicable channel bandwidths is specified in Table 5.5A.1-1 and SCS is specified in Table 5.3.5-1 for each NR band.				
NOTE 3: If the UE supports multiple CC Combinations in the CA Configuration with the same N_{RB_agg} , only the combination with the highest N_{RB_PCC} is tested.				

- Connect the SS to the UE antenna connectors as shown in TS 38.508-1 [5] Annex A, Figure A.3.1.1.6 for TE diagram and section A.3.2.3.11 for UE diagram.
- The DL and UL Reference Measurement channels are set according to Table 6.4H.1.2.1.4-1 as appropriate.

For test procedures:

- Step 4 in 6.4A.2.1.1.4.2 is replaced by:
- SS sends uplink scheduling information for each UL HARQ process via PDCCH DCI format 0_1 for C_RNTI to schedule the UL RMC according to Table 6.4H.1.2.1.4-1. Since the UE has no payload data to send, the UE transmits uplink MAC padding bits on the UL RMC. The PDCCH DCI format 0_1 is specified with the condition 2TX_UL_MIMO in 38.508-1 [5] subclause 4.3.6.1.1.2.
- In step 7, the UE output power is measured at each antenna connector.
 - In step 6 and step 8, the EVM and \overline{EVM}_{DMRS} are measured for each layer.

For message contents:

- Ensuring Table 4.6.3-182 configured with the condition 2TX_UL_MIMO

6.4H.1.2.1.5 Test requirement

The PUSCH EVM, derived in Annex E.4.2, shall not exceed the values in Table 6.4H.1.2.1.5-1.

The PUSCH \overline{EVM}_{DMRS} , derived in Annex E.4.6.2, shall not exceed the values in Table 6.4H.1.2.1.5-1 when embedded with data symbols of the respective modulation scheme.

Table 6.4H.1.2.1.5-1: Test requirements for Error Vector Magnitude

Parameter	Unit	Average EVM Level
QPSK	%	17.5+TT
16QAM	%	12.5+TT
64QAM	%	8+TT
256 QAM	%	3.5+TT

Table 6.4H.1.2.1.5-2: Test Tolerance for Error Vector Magnitude

Parameter	$f \leq 6.0\text{GHz}$, $BW \leq 100\text{MHz}$		
	$15\text{dBm} < P_{UL}$	$-25\text{dBm} < P_{UL} \leq 15\text{dBm}$	$-40\text{dBm} \leq P_{UL} \leq -25\text{dBm}$
QPSK	0%	0%	0%
16QAM	0%	0%	0%
64QAM	0%	0%	0%
256 QAM	0.3%	0.8%	1.1%

6.4H.1.2.2 Carrier leakage for intra-band UL contiguous CA with UL MIMO

6.4H.1.2.2.1 Test purpose

Carrier leakage is an additive sinusoid waveform that is confined within the aggregated transmission bandwidth configuration. The carrier leakage requirement for intra-band UL contiguous CA with UL MIMO is defined for each transmit antenna connector on each component carrier and is measured on the component carrier with PRBs allocated.

6.4H.1.2.2.2 Test applicability

This test case applies to all types of NR UE release 15 and forward that support intra-band UL contiguous CA with UL MIMO.

6.4H.1.2.2.3 Minimum conformance requirements

For UE supporting intra-band UL contiguous CA and UL MIMO, the relative carrier leakage power requirements specified in clause 6.4A.2.2.0 apply at each transmit antenna connector.

The normative reference for this requirement is TS 38.101-1 [2] clause 6.4H.1.2.2.

6.4H.1.2.2.4 Test description

Same test description as specified in clause 6.4A.2.2.1.4 for intra-band contiguous CA with following exceptions:

For initial conditions:

- Table 6.4A.2.2.1.4.1-2 is replaced by Table 6.4H.1.2.2.4-1.

Table 6.4H.1.2.2.4-1: Intra-band contiguous CA Test Configuration Table

Initial Conditions	
Test Environment as specified in TS 38.508-1 [5] subclause 4.1	Normal
Test Frequencies as specified in TS 38.508-1 [5] subclause 4.3.1	Low range, High range
Test Channel Bandwidths as specified in TS 38.508-1 [5] subclause 4.3.1	Highest N_{RB_agg}
Test SCS as specified in Table 5.3.5-1	Lowest

Test Parameters				
Test ID	Downlink Configuration	Uplink Configuration		
		Modulation	RB allocation (NOTE 1, 3)	
			PCC	SCC
1	N/A	CP-OFDM QPSK	Inner_1RB_Left	0
NOTE 1: The specific configuration of each RB allocation is defined in Table 6.1-1.				
NOTE 2: Test Channel Bandwidths and Test SCS are checked separately for each NR CA band combination, which applicable channel bandwidths is specified in Table 5.5A.1-1 and SCS is specified in Table 5.3.5-1 for each NR band.				
NOTE 3: When the signalled DC carrier position is at Inner_1RB_Left, use Inner_1RB_Right for UL RB allocation.				
NOTE 4: The frequencies of PCC and SCC shall be switched and tested in each configuration.				

- Connect the SS to the UE antenna connectors as shown in TS 38.508-1 [5] Annex A, Figure A.3.1.1.6 for TE diagram and section A.3.2.3.11 for UE diagram.
- The DL and UL Reference Measurement channels are set according to Table 6.4H.1.2.2.4-1 as appropriate.

For test procedures:

- Step 4 in 6.4A.2.1.1.4.2 is replaced by:
- 4. SS sends uplink scheduling information for each UL HARQ process via PDCCH DCI format 0_1 for C_RNTI to schedule the UL RMC according to Table 6.4H.1.2.2.4-1. Since the UE has no payload data to send, the UE transmits uplink MAC padding bits on the UL RMC. The PDCCH DCI format 0_1 is specified with the condition 2TX_UL_MIMO in 38.508-1 [5] subclause 4.3.6.1.1.2.
- In steps 5, 7, 9 and 11, the UE output power is measured at each antenna connector.
- In steps 6, 8, 10 and 12, the carrier leakage is measured at each antenna connector.

For message contents:

- Ensuring Table 4.6.3-182 configured with the condition 2TX_UL_MIMO

6.4H.1.2.2.5 Test requirement

Each of the [20] carrier leakage results, derived in Annex E.3.1, shall not exceed the values in table 6.4H.1.2.2.5-1. Allocated RBs are not under test.

Table 6.4H.1.2.2.5-1: Test requirements for Carrier Leakage

LO Leakage	Parameters UE output power	Relative limit (dBc)
	10 + MU to 10 + (MU + Uplink power control window size) dBm	-28+TT
	0 + MU to 0 + (MU + Uplink power control window size) dBm	-25+TT
	-30 + MU to -30 + (MU + Uplink power control window size) dBm	-20+TT
	Pmin + MU to Pmin + (MU + Uplink power control window size) dBm	-10+TT
NOTE 1: The measurement bandwidth is 1 RB and the limit is expressed as a ratio of measured power in one non-allocated RB to the measured total power in all allocated RBs.		
NOTE 2: The applicable frequencies for this limit depend on the parameter <i>txDirectCurrentLocation</i> in <i>UplinkTxDirectCurrent</i> IE, and are those that are enclosed in the RBs containing the carrier leakage frequency, or in the two RBs immediately adjacent to the carrier leakage frequency but excluding any allocated RB.		
NOTE 3: N_{RB} is the Transmission Bandwidth Configuration (see Section 5.3).		
NOTE 4: Void		

NOTE 5: MU is the test system uplink power measurement uncertainty and is specified in Table F.1.2-1 for the carrier frequency f and the channel bandwidth BW.

NOTE 6: Uplink power control window size = 1dB (UE power step size) + 0.7dB (UE power step tolerance) + (Test system relative power measurement uncertainty), where, the UE power step tolerance is specified in TS 38.101-1 [2], Table 6.3.4.3-1 and is 0.7dB for 1dB power step size, and the Test system relative power measurement uncertainty is specified in Table F.1.2-1.

NOTE 7: Pmin is the minimum output power according to Table 6.3.1.3-1.

Table 6.4H.1.2.2.5-2: Test Tolerance for Carrier Leakage

	f ≤ 3.0GHz	3.0GHz < f ≤ 6GHz
BW ≤ 40MHz	0.8dB	0.8dB
40MHz < BW ≤ 100MHz	0.8dB	0.8dB

6.4H.1.2.3 In-band emissions for intra-band UL contiguous CA with UL MIMO

6.4H.1.2.3.1 Test purpose

The in-band emissions are a measure of the interference falling into the non-allocated resources blocks. The in-band emission requirement for intra-band UL contiguous CA with UL MIMO is defined for each transmit antenna connector on each component carrier and is measured on the component carrier with PRBs allocated.

6.4H.1.2.3.2 Test applicability

This test case applies to all types of NR UE release 15 and forward that support intra-band UL contiguous CA with UL MIMO.

6.4H.1.2.3.3 Minimum conformance requirements

For UE supporting intra-band UL contiguous CA and UL MIMO, the In-band emission requirements specified in clause 6.4A.2.3.0 apply at each transmit antenna connector.

The normative reference for this requirement is TS 38.101-1 [2] clause 6.4H.1.2.3.

6.4H.1.2.3.4 Test description

Same test description as specified in clause 6.4A.2.3.1.4 for intra-band contiguous CA with following exceptions:

For initial conditions:

- Table 6.4A.2.3.1.4.1-2 is replaced by Table 6.4H.1.2.3.4-1.

Table 6.4H.1.2.3.4-1: Test Configuration Table for intra-band contiguous UL CA

Initial Conditions			
Test Environment as specified in TS 38.508-1 [5] subclause 4.1		Normal	
Test Frequencies as specified in TS 38.508-1 [5] subclause 4.3.1.1.3 for inter band CA in FR1		Low range, High range	
Test Channel Bandwidths as specified in TS 38.508-1 [5] subclause 4.3.1		Lowest N _{RB_agg} , Highest N _{RB_agg}	
Test SCS as specified in Table 5.3.5-1		Lowest	
Test Parameters			
Test ID	Downlink Configuration	Uplink Configuration	
		Modulation	RB allocation (NOTE 1)
1 ³		CP-OFDM QPSK	PCC
			SCC
2 ⁴		CP-OFDM QPSK	Edge_Full_Right
NOTE 1: The specific configuration of each RB allocation is defined in Table 6.1-1.			

NOTE 2: Test Channel Bandwidths are checked separately for each NR band, which applicable channel bandwidths are specified in Table 5.5A.1-1.
 NOTE 3: The component carrier with lower centre frequency is PCC.
 NOTE 4: The component carrier with higher centre frequency is PCC.

- Connect the SS to the UE antenna connectors as shown in TS 38.508-1 [5] Annex A, Figure A.3.1.1.6 for TE diagram and section A.3.2.3.11 for UE diagram.
- The DL and UL Reference Measurement channels are set according to Table 6.4H.1.2.3.4-1 as appropriate.

For test procedures:

- Step 4 in 6.4A.2.1.1.4.2 is replaced by:
- 4. SS sends uplink scheduling information for each UL HARQ process via PDCCH DCI format 0_1 for C_RNTI to schedule the UL RMC according to Table 6.4H.1.2.3.4-1. Since the UE has no payload data to send, the UE transmits uplink MAC padding bits on the UL RMC. The PDCCH DCI format 0_1 is specified with the condition 2TX_UL_MIMO in 38.508-1 [5] subclause 4.3.6.1.1.2.
- In steps 5, 7, 9 and 11, the UE output power is measured at each antenna connector.
- In steps 6, 8, 10 and 12, the in-band emission is measured at each antenna connector.

For message contents:

- Ensuring Table 4.6.3-182 configured with the condition 2TX_UL_MIMO

6.4H.1.2.3.5 Test requirement

The averaged In-band emission result, derived in Annex E.4.3, shall not exceed the corresponding values in Table 6.4H.1.2.3.5-1 and 6.4H.1.2.3.5-2. n is 10 for 15kHz SCS, 20 for 30kHz SCS and 40 for 60kHz SCS..

Table 6.4H.1.2.3.5-1: Test requirements for in-band emissions for intra-band contiguous CA (allocated component carrier)

Parameter	Unit	Limit		Applicable Frequencies
General	dB	$\max \left\{ -25 - 10 \cdot \log_{10} (N_{RB} / L_{CRB}), \right.$ $20 \cdot \log_{10} EVM - 3 - 5 \cdot (\Delta_{RB} - 1) / L_{CRB}, \quad +TT$ $\left. -57 \text{ dBm} + 10 \log_{10} (SCS / 15 \text{ kHz}) - \overline{P_{RB}} \right\}$		Any non-allocated (NOTE 2)
IQ Image	dB	-28+TT	Output power > 10 dBm	Image frequencies (NOTE 3)
		-25+TT	0 ≤ Output power ≤ 10 dBm	
Carrier leakage	dBc	-28+TT	Output power > 10 dBm	Carrier leakage frequency (NOTE 4,5)
		-25+TT	0 dBm ≤ Output power ≤ 10 dBm	
		-20+TT	-30 dBm ≤ Output power ≤ 0 dBm	
		-10+TT	-40 dBm ≤ Output power < -30 dBm	

NOTE 1: An in-band emissions combined limit is evaluated in each non-allocated RB. For each such RB, the minimum requirement is calculated as the higher of $\overline{P_{RB}} - 30$ dB and the power sum of all limit values (General, IQ Image or Carrier leakage) that apply. $\overline{P_{RB}}$ is defined in NOTE 10. The limit is evaluated in each non-allocated RB.

NOTE 2: The measurement bandwidth is 1 RB and the limit is expressed as a ratio of measured power in one non-allocated RB to the measured average power per allocated RB, where the averaging is done across all allocated RBs

NOTE 3: The applicable frequencies for this limit are those that are enclosed in the reflection of the allocated bandwidth, based on symmetry with respect to the carrier leakage frequency, but excluding any allocated RBs.

NOTE 4: Exceptions to the general limit are allowed for up to two contiguous non-allocated RBs. The measurement bandwidth is 1 RB and the limit is expressed as a ratio of measured power in the non-allocated RB to the measured total power in all allocated RBs.

NOTE 5: The applicable frequencies for this limit are those that are enclosed either in the RB containing the carrier leakage frequency, or in the two RBs immediately adjacent to the carrier leakage frequency but excluding any allocated RB. Carrier leakage frequency is indicated by the UE as described in clause 6.4A.2.1.0. When only one uplink carrier is activated, the applicable LO leakage frequency follow definition in clause 6.4.2.

NOTE 6: L_{CRE} is the Transmission Bandwidth (see clause 5.3) not exceeding $\lfloor N_{RB}/2-1 \rfloor$.

NOTE 7: N_{RB} is the Transmission Bandwidth Configuration (see clause 5.3) of the component carrier with RBs allocated.

NOTE 8: EVM is the limit specified in Table 6.4.2.1-1 for the modulation format used in the allocated RBs.

NOTE 9: Δ_{RB} is the starting frequency offset between the allocated RB and the measured non-allocated RB (e.g. $\Delta_{RB} = 1$ or $\Delta_{RB} = -1$ for the first adjacent RB outside of the allocated bandwidth).

NOTE 10: $\overline{P_{RB}}$ is an average of the transmitted power over 10 sub-frames normalized by the number of allocated RBs, measured in dBm.

Table 6.4H.1.2.3.5-2: Test requirements for in-band emissions for intra-band contiguous CA (not allocated component carrier)

Parameter	Unit	Meas BW NOTE 1	Limit	remark	Applicable Frequencies	
General	dB	BW of 1 RB	$\max \left\{ -25 - 10 \cdot \log_{10} (N_{RB} / L_{CRB}), \right.$ $20 \cdot \log_{10} EVM - 3 - 5 \cdot (\Delta_{RB} - 1) / L_{CRB},$ $\left. -57 \text{ dBm} + 10 \log_{10} (SCS / 15 \text{ kHz}) - \overline{P_{RB}} \right\}$	The reference value is the average power per allocated RB in the allocated component carrier	Any RB in the non-allocated component carrier. The frequency raster of the RBs is derived when this component carrier is allocated with RBs	
IQ Image	dB	BW of 1 RB	NOTE 2	The reference value is the average power per allocated RB in the allocated component carrier	Image frequencies (NOTES 6,7) If UE does not indicate exact frequency for carrier leakage, this requirement does not apply.	
			-28+TT			Output power > 10 dBm
			-25+TT			0 ≤ Output power ≤ 10 dBm
Carrier leakage	dBc	BW of 1 RB	NOTE 3	The reference value is the total power of the allocated RBs in the allocated component carrier	The frequencies of the up to 2 non-allocated RBs are indicated with IE <i>UplinkTxDirectCurrentMoreCarrierList-r17</i> . If UE does not indicate exact frequency for carrier leakage, this requirement does not apply.	
			-28+TT			Output power > 10 dBm
			-25+TT			0 dBm ≤ Output power ≤ 10 dBm
			-20+TT			-30 dBm ≤ Output power ≤ 0 dBm
			-10+TT			-40 dBm ≤ Output power < -30 dBm

NOTE 1:	Resolution BWs smaller than the measurement BW may be integrated to achieve the measurement bandwidth.
NOTE 2:	Exceptions to the general limit are allowed for up to $L_{CRE}+1$ RBs within a contiguous width of $L_{CRE}+1$ non-allocated RBs.
NOTE 3:	Two Exceptions to the general limit are allowed for up to two contiguous non-allocated RBs
NOTE 4:	NOTES 1, 5, 6, 7, 8, 9 from Table 6.4A.2.1.1-1 apply for Table 6.4A.2.1.2-2 as well.
NOTE 5:	Δ_{RB} for measured non-allocated RB in the non-allocated component carrier may take non-integer values when the carrier spacing between the CCs is not a multiple of RB.
NOTE 6:	The applicable frequencies for this limit are those that are enclosed in the reflection of the allocated bandwidth, based on symmetry with respect to the carrier leakage frequency, but excluding any allocated RBs
NOTE 7:	The measurement bandwidth is 1 RB and the limit is expressed as a ratio of measured power in one non-allocated RB to the measured average power per allocated RB, where the averaging is done across all allocated RBs.

Table 6.4H.1.2.3.5-3: Test Tolerance for In-band emission

	$f \leq 3.0\text{GHz}$	$3.0\text{GHz} < f \leq 6\text{GHz}$
BW $\leq 40\text{MHz}$	0.8dB	0.8dB
$40\text{MHz} < \text{BW} \leq 100\text{MHz}$	0.8dB	0.8dB
$100\text{MHz} < \text{BW} \leq 200\text{MHz}$	TBD	TBD

6.4H.1.3 Time alignment error for intra-band UL contiguous CA with UL MIMO

6.4H.1.3.1 Test purpose

To verify that the error of time alignment in UL MIMO does not exceed the range prescribed by the specified UL MIMO Time Alignment Error (TAE) and tolerance.

An excess time alignment error has the possibility to interfere to other channels or other systems and decrease UL MIMO performance because of the timing unsynchronization.

6.4H.1.3.2 Test applicability

This test case applies to all types of NR UE release 15 and forward that support intra-band UL contiguous CA with UL MIMO.

6.4H.1.3.3 Minimum conformance requirements

For intra-band UL contiguous CA and UE(s) with multiple transmit antenna connectors supporting UL MIMO, this requirement applies as specified in 6.4D.3: The time alignment error (TAE) is defined as the average frame timing difference between any two transmissions on different transmit antenna connectors for each CC. For UE(s) with multiple transmit antenna connectors, the Time Alignment Error (TAE) shall not exceed 130 ns.

The normative reference for this requirement is TS 38.101-1 [2] clause 6.4H.1.3.

6.4H.1.3.4 Test description

6.4H.1.3.4.1 Initial conditions

Initial conditions are a set of test configurations the UE needs to be tested in and the steps for the SS to take with the UE to reach the correct measurement state.

The initial test configurations consist of environmental conditions, test frequencies, test channel bandwidths and sub-carrier spacing based on NR CA configuration specified in clause 5.5A. All of these configurations shall be tested with applicable test parameters for each CA configuration, and are shown in Table 6.4H.1.3.4.1-1. The details of the uplink and downlink reference measurement channels (RMCs) are specified in Annexes A.2 and A.3. Configurations of PDSCH and PDCCH before measurement are specified in Annex C.2.

Table 6.4H.1.3.4.1-1: Intra band contiguous CA Test Configuration Table

Initial Conditions

Test Environment as specified in TS 38.508-1 [5] subclause 4.1		Normal		
Test Frequencies as specified in TS 38.508-1 [5] subclause 4.3.1		Mid range, High range		
Test Channel Bandwidths as specified in TS 38.508-1 [5] subclause 4.3.1		Lowest N_{RB_agg} , Highest N_{RB_agg}		
Test SCS as specified in Table 5.3.5-1		lowest and highest supported SCS		
Test Parameters				
Test ID	Downlink Configuration	Uplink Configuration		
		Modulation	RB allocation (NOTE 1)	
			PCC	SCC
1	N/A	CP-OFDM QPSK	Outer Full	0
NOTE 1: The specific configuration of each RB allocation is defined in Table 6.1-1.				
NOTE 2: Test Channel Bandwidths and Test SCS are checked separately for each NR CA band combination, which applicable channel bandwidths is specified in Table 5.5A.1-1 and SCS is specified in Table 5.3.5-1 for each NR band.				
NOTE 3: If the UE supports multiple CC Combinations in the CA Configuration with the same N_{RB_agg} , only the combination with the highest N_{RB_PCC} is tested.				
NOTE 4: The frequencies of PCC and SCC shall be switched and tested in each configuration.				

1. Connect the SS to the UE antenna connectors as shown in TS 38.508-1 [5] Annex A, in Figure A.3.1.1.6 for TE diagram and section A.3.2.3.11 for UE diagram.
2. The parameter settings for the cell are set up according to TS 38.508-1 [5] subclause 4.4.3.
3. Downlink signals for PCC are initially set up according to Annex C.0, C.1, C.2, and uplink signals according to Annex G.0, G.1, G.2, G.3.0.
4. The UL Reference Measurement channels are set according to Table 6.4H.1.3.4.1-1.
5. Propagation conditions are set according to Annex B.0.
6. Ensure the UE is in state RRC_CONNECTED with generic procedure parameters Connectivity *NR*, Connected without release *On*, Test Mode *On* and Test Loop Function *On* according to TS 38.508-1 [5] clause 4.5. Message contents are defined in clause 6.4A.2.1.1.4.3

6.4H.1.3.4.2 Test procedure

1. Configure SCC according to Annex C.0, C.1, C.2 for all downlink physical channels.
2. The SS shall configure SCC as per TS 38.508-1 [5] clause 5.5.1. Message contents are defined in clause 6.4H.1.3.4.3.
3. SS activates SCC by sending the activation MAC CE (Refer TS 38.321 [18], clauses 5.9, 6.1.3.10). Wait for at least 2 seconds (Refer TS 38.133[19], clause 9.3).
4. SS sends uplink scheduling information for each UL HARQ process via PDCCH DCI format 0_1 for C_RNTI to schedule the UL RMC according to Table 6.4A.2.1.1.4.1-1 and 6.4A.2.1.1.4.1-2. Since the UE has no payload data to send, the UE transmits uplink MAC padding bits on the UL RMC. The PDCCH DCI format 0_1 is specified with the condition 2TX_UL_MIMO in 38.508-1 [5] subclause 4.3.6.1.1.2.
5. Send continuously uplink power control "up" commands in the uplink scheduling information to the UE until the UE transmits at $P_{UMAX\ level}$, allow at least 200ms starting from the first TPC command in this step for the UE to reach $P_{UMAX\ level}$.
6. Measure the timing of one sub-frame at each antenna connector on PCC.

6.4H.1.3.4.3 Message contents

Message contents are according to TS 38.508-1 [5] subclause 4.6 ensuring Table 4.6.3-182 with condition 2TX_UL_MIMO.

6.4H.1.3.5 Test requirement

For UE(s) with multiple transmit antenna connectors, the Time Alignment Error (TAE) shall not exceed $130 + TT$ ns.

Table 6.4H.1.3.5-1: Test Tolerance (Time alignment error for UL MIMO)

Test Tolerance
25ns

6.4H.1.4 Coherent UL MIMO for intra-band UL contiguous CA with UL MIMO

Editor's note: This clause is incomplete. The following aspects are either missing or not yet determined:

- Test config table is still FFS.
- Scheduling pattern within 20ms measurement window is FFS
- The test procedure is FFS.
- MU and TT value are still FFS

6.4H.1.4.1 Test purpose

To verify that the difference of relative phase error and the difference of relative power error between antenna ports in coherent UL MIMO do not exceed the range prescribed by the specified requirements for coherent UL MIMO and tolerance.

6.4H.1.4.2 Test applicability

This test case applies to all types of NR UE release 15 and forward that support intra-band UL contiguous CA with UL MIMO.

6.4H.1.4.3 Minimum conformance requirements

For UE supporting intra-band UL contiguous CA and UL MIMO, the coherent UL MIMO requirement are specified on each CC as in 6.4D.4.

The normative reference for this requirement is TS 38.101-1 [2] clause 6.4H.1.4.

6.4H.1.4.4 Test description

6.4H.1.4.4.1 Initial conditions

Initial conditions are a set of test configurations the UE needs to be tested in and the steps for the SS to take with the UE to reach the correct measurement state.

The initial test configurations consist of environmental conditions, test frequencies, test channel bandwidths and sub-carrier spacing based on NR CA configuration specified in clause 5.5A. All of these configurations shall be tested with applicable test parameters for each CA configuration, and are shown in Table 6.4H.1.4.4.1-1. The details of the uplink and downlink reference measurement channels (RMCs) are specified in Annexes A.2 and A.3. Configurations of PDSCH and PDCCH before measurement are specified in Annex C.2.

Table 6.4H.1.4.4.1-1: Intra band contiguous CA Test Configuration Table

FFS

1. Connect the SS to the UE antenna connectors as shown in TS 38.508-1 [5] Annex A, in Figure A.3.1.1.6 for TE diagram and section A.3.2.3.11 for UE diagram.
2. The parameter settings for the cell are set up according to TS 38.508-1 [5] subclause 4.4.3.
3. Downlink signals for PCC are initially set up according to Annex C.0, C.1, C.2, and uplink signals according to Annex G.0, G.1, G.2, G.3.0.
4. The UL Reference Measurement channels are set according to Table 6.4H.1.4.4.1-1.
5. Propagation conditions are set according to Annex B.0.

6. Ensure the UE is in state RRC_CONNECTED with generic procedure parameters Connectivity NR, Connected without release On, Test Mode On and Test Loop Function On according to TS 38.508-1 [5] clause 4.5. Message contents are defined in clause 6.4A.2.1.1.4.3

6.4H.1.4.4.2 Test procedure

1. Configure SCC according to Annex C.0, C.1, C.2 for all downlink physical channels.
2. The SS shall configure SCC as per TS 38.508-1 [5] clause 5.5.1. Message contents are defined in clause 6.4H.1.4.4.3.
3. SS activates SCC by sending the activation MAC CE (Refer TS 38.321 [18], clauses 5.9, 6.1.3.10). Wait for at least 2 seconds (Refer TS 38.133[19], clause9.3).
4. SS sends uplink scheduling information for each UL HARQ process via PDCCH DCI format 0_1 for C_RNTI to schedule the UL RMC according to Table 6.4H.1.4.4.1-1. Since the UE has no payload data to send, the UE transmits uplink MAC padding bits on the UL RMC. The PDCCH DCI format 0_1 is specified with the condition 2TX_UL_MIMO in 38.508-1 [5] subclause 4.3.6.1.1.2.
5. Send continuously uplink power control "up" commands in the uplink scheduling information to the UE until the UE transmits at P_{UMAX} level, allow at least 200ms starting from the first TPC command in this step for the UE to reach P_{UMAX} level.
6. Measure the mean power of the UE on each antenna port on SRS symbol in the SRS channel bandwidth according to the test configuration from table 6.4H.1.4.4.1-1. Calculate the power difference between antenna ports and save this value as 'Power_ref'.
7. On the slots within 20ms following the SRS symbol, measure the mean power of the UE on each antenna port in the channel bandwidth according to the test configuration from table 6.2.4.4.1-1. The period of measurement shall be at least the continuous duration of one active slot and in the uplink symbols. For TDD slots with transient periods are not under test. Calculate the power difference between antenna ports and save this value as 'Power_meas'.

6.4H.1.4.4.3 Message contents

Message contents are according to TS 38.508-1 [5] subclause 4.6 ensuring Table 4.6.3-182 with condition 2TX_UL_MIMO.

6.4H.1.4.5 Test requirement

Maximum allowable difference of 'power_ref' measured in step 6 and 'power_meas' measured in step 7 shall not exceed the described relative power error in Table 6.4H.1.4.5-1.

Table 6.4H.1.4.5-1: Maximum allowable difference of relative phase and power errors in a given slot compared to those measured at last SRS transmitted

Difference of relative phase error	Difference of relative power error	Time window
40+TT degrees	4+TT ¹ dB	20 msec
NOTE 1: TT for relative power for each frequency and channel bandwidth is specified in Table 6.4H.1.4.5-2.		

Table 6.4H.1.4.5-2: Test Tolerance

	f ≤ 3.0GHz	3.0GHz < f ≤ 6GHz
BW ≤ 40MHz	FFS	FFS
40MHz < BW ≤ 100MHz	FFS	FFS

6.5 Output RF spectrum emissions

6.5.0 General

Unwanted emissions are divided into "Out-of-band emission" and "Spurious emissions" in 3GPP RF specifications. This notation is in line with ITU-R recommendations such as SM.329-10 and the Radio Regulations [22].

ITU defines:

Out-of-band emission = Emission on a frequency or frequencies immediately outside the necessary bandwidth which results from the modulation process but excluding spurious emissions.

Spurious emission = Emission on a frequency, or frequencies, which are outside the necessary bandwidth and the level of which may be reduced without affecting the corresponding transmission of information. Spurious emissions include harmonic emissions, parasitic emissions, intermodulation products and frequency conversion products but exclude out-of-band emissions.

Unwanted emissions = Consist of spurious emissions and out-of-band emissions.

The UE transmitter spectrum emission consists of the three components: the occupied bandwidth (channel bandwidth), the Out Of Band (OOB) emissions and the far out spurious emission domain.

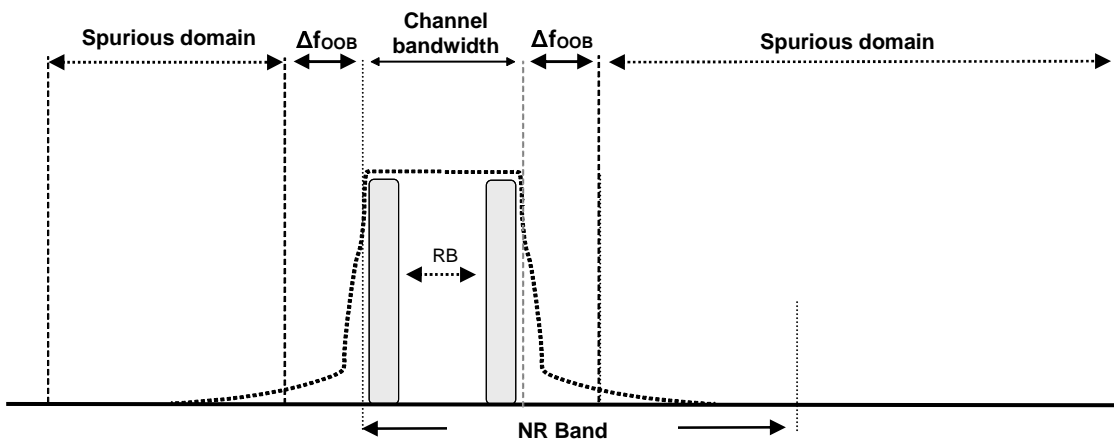


Figure 6.5.0-1: Transmitter RF spectrum

6.5.1 Occupied bandwidth

6.5.1.1 Test purpose

To verify that the UE occupied bandwidth for all transmission bandwidth configurations supported by the UE are less than their specific limits.

6.5.1.2 Test applicability

This test case applies to all types of NR Power Class 1 release 15 and forward.

This test case applies to all types of NR Power Class 2 and Power Class 3 UE release 15 and forward that don't support Tx diversity.

6.5.1.3 Minimum conformance requirements

Occupied bandwidth is defined as the bandwidth containing 99 % of the total integrated mean power of the transmitted spectrum on the assigned channel. The occupied bandwidth for all transmission bandwidth configurations (Resources Blocks) shall be less than the channel bandwidth specified in Table 6.5.1.3-1.

Table 6.5.1.3-1: Occupied channel bandwidth

	NR channel bandwidth															
	3 MHz	5 MHz	10 MHz	15 MHz	20 MHz	25 MHz	30 MHz	35 MHz	40 MHz	45 MHz	50 MHz	60 MHz	70 MHz	80 MHz	90 MHz	100 MHz
Occupied channel bandwidth (MHz)	3	5	10	15	20	25	30	35	40	45	50	60	70	80	90	100

The normative reference for this requirement is TS 38.101-1 [2] clause 6.5.1.

6.5.1.4 Test description

6.5.1.4.1 Initial conditions

Initial conditions are a set of test configurations the UE needs to be tested in and the steps for the SS to take with the UE to reach the correct measurement state.

The initial test configurations consist of environmental conditions, test frequencies, test channel bandwidths and sub-carrier spacing based on NR operating bands specified in table 5.3.5-1. All of these configurations shall be tested with applicable test parameters for each combination of channel bandwidth and sub-carrier spacing, are shown in table 6.5.1.4.1-1. The details of the uplink reference measurement channels (RMCs) are specified in Annexes A.2. Configurations of PDSCH and PDCCH before measurement are specified in Annex C.2.

Table 6.5.1.4.1-1: Test Configuration Table

Initial Conditions			
Test Environment as specified in TS 38.508-1 [5] subclause 4.1		Normal	
Test Frequencies as specified in TS 38.508-1 [5] subclause 4.3.1		Mid range by default, exceptions listed in Table 6.5.1.4.1-2	
Test Channel Bandwidths as specified in TS 38.508-1 [5] subclause 4.3.1		All	
Test SCS as specified in Table 5.3.5-1		Lowest	
Test Parameters			
Test ID	Downlink Configuration	Uplink Configuration	
1	N/A for occupied bandwidth test case	Modulation	RB allocation (NOTE 1)
		CP-OFDM QPSK	Outer_full
NOTE 1: The specific configuration of each RB allocation is defined in Table 6.1-1.			

Table 6.5.1.4.1-2: Test frequency exceptions for Occupied Bandwidth

5G NR Band	Test Frequency
n77	Low Range, Mid Range, High Range
n78	Low Range, Mid Range, High Range
n79	Low Range, Mid Range, High Range
n28	Low Range for 30MHz channel bandwidth
n14	Low Range for 10MHz channel bandwidth

1. Connect the SS to the UE antenna connectors as shown in TS 38.508-1 [5] Annex A, Figure A.3.1.1.1 for TE diagram and section A.3.2 for UE diagram.
2. The parameter settings for the cell are set up according to TS 38.508-1 [5] subclause 4.4.3.
3. Downlink signals are initially set up according to Annex C.0, C.1, C.2, and uplink signals according to Annex G.0, G.1, G.2, G.3.0.
4. The UL Reference Measurement channels are set according to Table 6.5.1.4.1-1.

5. Propagation conditions are set according to Annex B.0 -
6. Ensure the UE is in state RRC_CONNECTED with generic procedure parameters Connectivity NR, Connected without release On, Test Mode On and Test Loop Function On according to TS 38.508-1 [5] clause 4.5. Message contents are defined in clause 6.5.1.4.3

6.5.1.4.2 Test procedure

1. SS sends uplink scheduling information for each UL HARQ process via PDCCH DCI format 0_1 for C_RNTI to schedule the UL RMC according to Table 6.5.1.4.1-1. Since the UL has no payload and no loopback data to send the UE sends uplink MAC padding bits on the UL RMC.
2. Send continuously power control “up” commands to the UE until the UE transmits at PUMAX level. Allow at least 200ms for the UE to reach PUMAX level.
3. Measure the power spectrum distribution within two times or more range over the requirement for Occupied Bandwidth specification centring on the current carrier frequency. The characteristics of the filter shall be approximately Gaussian (typical spectrum analyser filter). Other methods to measure the power spectrum distribution are allowed. The measuring duration is at least 1ms over consecutive active uplink slots.
4. Calculate the total power within the range of all frequencies measured in step 3 and save this value as “Total power”.
5. Identify the measurement window whose centre is aligned on the centre of the channel for which the sum of the power measured is 99% of the “Total power”.
6. The “Occupied Bandwidth” is the width of the measurement window obtained in step 5.

6.5.1.4.3 Message contents

Message contents are according to TS 38.508-1 [5] subclause 4.6.

6.5.1.5 Test requirement

The measured Occupied Bandwidth shall not exceed values in Table 6.5.1.5-1.

Table 6.5.1.5-1: Occupied channel bandwidth

	NR channel bandwidth															
	3 MHz	5 MHz	10 MHz	15 MHz	20 MHz	25 MHz	30 MHz	35 MHz	40 MHz	45 MHz	50 MHz	60 MHz	70 MHz	80 MHz	90 MHz	100 MHz
Occupied channel bandwidth (MHz)	3	5	10	15	20	25	30	35	40	45	50	60	70	80	90	100

6.5.2 Out of band emission

6.5.2.1 General

The Out of band emissions are unwanted emissions immediately outside the assigned channel bandwidth resulting from the modulation process and non-linearity in the transmitter but excluding spurious emissions. This out of band emission limit is specified in terms of a spectrum emission mask and an adjacent channel leakage power ratio.

To improve measurement accuracy, sensitivity and efficiency, the resolution bandwidth may be smaller than the measurement bandwidth. When the resolution bandwidth is smaller than the measurement bandwidth, the result should be integrated over the measurement bandwidth in order to obtain the equivalent noise bandwidth of the measurement bandwidth.

6.5.2.2 Spectrum emission mask

6.5.2.2.1 Test purpose

To verify that the power of any UE emission shall not exceed specified level for the specified channel bandwidth.

6.5.2.2.2 Test applicability

This test case applies to all types of NR Power Class 1 release 15 and forward.

This test case applies to all types of NR Power Class 2 and Power Class 3 UE release 15 and forward that don't support Tx diversity.

6.5.2.2.3 Minimum conformance requirements

The spectrum emission mask of the UE applies to frequencies (Δf_{OOB}) starting from the \pm edge of the assigned NR channel bandwidth. For frequencies offset greater than Δf_{OOB} , the spurious requirements in subclause 6.5.3 are applicable.

NOTE: For measurement conditions at the edge of each frequency range, the lowest frequency of the measurement position in each frequency range should be set at the lowest boundary of the frequency range plus MBW/2. The highest frequency of the measurement position in each frequency range should be set at the highest boundary of the frequency range minus MBW/2. MBW denotes the measurement bandwidth defined for the protected band.

The power of any UE emission shall not exceed the levels specified in Table 6.5.2.2.3-1 for the specified channel bandwidth.

Table 6.5.2.2.3-1: General NR spectrum emission mask

Δf_{OOB} (MHz)	Channel bandwidth (MHz) / Spectrum emission limit (dBm)				Measurement bandwidth
	3	5	10, 15, 20, 25, 30, 35, 40, 45	50, 60, 70, 80, 90, 100	
$\pm 0-1$	-13	-13	-13		1 % of channel BW
$\pm 0-1$				-24	30 kHz
$\pm 1-5$	-10	-10	-10		1 MHz
$\pm 5-6$	-25	-13			
$\pm 6-10$		-25			
$\pm 5-BW_{Channel}$			-13		
$\pm BW_{Channel}-(BW_{Channel}+5)$			-25		

The normative reference for this requirement is TS 38.101-1 [2] clause 6.5.2.2

6.5.2.2.4 Test description

6.5.2.2.4.1 Initial conditions

Initial conditions are a set of test configurations the UE needs to be tested in and the steps for the SS to take with the UE to reach the correct measurement state.

The initial test configurations consist of environmental conditions, test frequencies, test channel bandwidths and sub-carrier spacing based on NR operating bands specified in table 5.3.5-1. All of these configurations shall be tested with applicable test parameters for each combination of channel bandwidth and sub-carrier spacing, are shown in table 6.5.2.2.4.1-1, 6.5.2.2.4.1-2, 6.5.2.2.4.1-2a and Table 6.5.2.2.4.1-3. The details of the uplink reference measurement channels (RMCs) are specified in Annexes A.2. Configurations of PDSCH and PDCCH before measurement are specified in Annex C.2

Table 6.5.2.2.4.1-1: Test Configuration Table for power class 3 (contiguous allocation)

Default Conditions					
Test Environment as specified in TS 38.508-1 [5] subclause 4.1			Normal		
Test Frequencies as specified in TS 38.508-1 [5] subclause 4.3.1			Low range, High range		
Test Channel Bandwidths as specified in TS 38.508-1 [5] subclause 4.3.1			Lowest, Highest		
Test SCS as specified in Table 5.3.5-1			Lowest, Highest		
Test Parameters for Channel Bandwidths					
Test ID	Freq	ChBw	SCS	Downlink Configuration	Uplink Configuration

		Default	Default	N/A for Spectrum Emission Mask test case	Modulation (NOTE 2)	RB allocation (NOTE 1)
1 ³	Low				DFT-s-OFDM PI/2 BPSK	Edge_1RB_Left
2 ³	High				DFT-s-OFDM PI/2 BPSK	Edge_1RB_Right
3 ³	Default				DFT-s-OFDM PI/2 BPSK	Outer_Full
4 ⁴	Low				DFT-s-OFDM PI/2 BPSK	Edge_1RB_Left
5 ⁴	High				DFT-s-OFDM PI/2 BPSK	Edge_1RB_Right
6 ⁴	Default				DFT-s-OFDM PI/2 BPSK	Outer_Full
7	Low				DFT-s-OFDM QPSK	Edge_1RB_Left
8	High				DFT-s-OFDM QPSK	Edge_1RB_Right
9	Default				DFT-s-OFDM QPSK	Outer_Full
10	Low				DFT-s-OFDM 16 QAM	Edge_1RB_Left
11	High				DFT-s-OFDM 16 QAM	Edge_1RB_Right
12	Default				DFT-s-OFDM 16 QAM	Outer_Full
13	Low				DFT-s-OFDM 64 QAM	Edge_1RB_Left
14	High				DFT-s-OFDM 64 QAM	Edge_1RB_Right
15	Default				DFT-s-OFDM 64 QAM	Outer_Full
16	Low				DFT-s-OFDM 256 QAM	Edge_1RB_Left
17	High				DFT-s-OFDM 256 QAM	Edge_1RB_Right
18	Default				DFT-s-OFDM 256 QAM	Outer_Full
19	Low				CP-OFDM QPSK	Edge_1RB_Left
20	High				CP-OFDM QPSK	Edge_1RB_Right
21	Default				CP-OFDM QPSK	Outer_Full
22	Low				CP-OFDM 16 QAM	Edge_1RB_Left
23	High				CP-OFDM 16 QAM	Edge_1RB_Right
24	Default				CP-OFDM 16 QAM	Outer_Full
25	Low				CP-OFDM 64 QAM	Edge_1RB_Left
26	High				CP-OFDM 64 QAM	Edge_1RB_Right
27	Default				CP-OFDM 64 QAM	Outer_Full
28	Low				CP-OFDM 256 QAM	Edge_1RB_Left
29	High				CP-OFDM 256 QAM	Edge_1RB_Right
30	Default				CP-OFDM 256 QAM	Outer_Full
31 ^{5,6}	Low				DFT-s-OFDM Pi/2 BPSK w Pi/2 BPSK DMRS	Edge_1RB_Left

32 ^{5,6}	High				DFT-s-OFDM Pi/2 BPSK w Pi/2 BPSK DMRS	Edge_1RB_Right
33 ^{5,6}	Default				DFT-s-OFDM Pi/2 BPSK w Pi/2 BPSK DMRS	Outer Full
<p>NOTE 1: The specific configuration of each RF allocation is defined in Table 6.1-1.</p> <p>NOTE 2: DFT-s-OFDM Pi/2 BPSK test applies only for UEs which supports half Pi BPSK in FR1.</p> <p>NOTE 3: UE operating in TDD mode with Pi/2 BPSK modulation and UE indicates support for UE capability <i>powerBoosting-pi2BPSK</i> and the IE <i>powerBoostPi2BPSK</i> is set to 1 for bands n40, n41, n77, n78 and n79.</p> <p>NOTE 4: UE operating in FDD mode, or in TDD mode in bands other than n40, n41, n77, n78 and n79, or in TDD mode the IE <i>powerBoostPi2BPSK</i> is set to 0 for bands n40, n41, n77, n78 and n79.</p> <p>NOTE 5: For Power Class 3 testing, UE operating in FDD mode, or in TDD mode in bands other than n40, n41, n77, n78 and n79, or in TDD mode the IE <i>powerBoostPi2BPSK</i> is set to 0 for bands n40, n77, n78 and n79.</p> <p>NOTE 6: Applicable to UEs indicating support for UE capability <i>lowPAPR-DMRS-PUSCHwithPrecoding-r16</i>.</p>						

Table 6.5.2.2.4.1-2: Test Configuration Table for power class 2 (contiguous allocation)

		Initial Conditions		
Test Environment as specified in TS 38.508-1 [5] subclause 4.1		Normal		
Test Frequencies as specified in TS 38.508-1 [5] subclause 4.3.1		Low range, High range		
Test Channel Bandwidths as specified in TS 38.508-1 [5] subclause 4.3.1		Lowest, Highest		
Test SCS as specified in Table 5.3.5-1		Lowest, Highest		
Test Parameters for Channel Bandwidths				
Test ID	Freq	Downlink Configuration	Uplink Configuration	
		N/A	Modulation (NOTE 2)	
			RB allocation (NOTE 1)	
1	Low		DFT-s-OFDM Pi/2 BPSK	Edge_1RB_Left
2	High		DFT-s-OFDM Pi/2 BPSK	Edge_1RB_Right
3	Default		DFT-s-OFDM Pi/2 BPSK	Outer Full
4	Low		DFT-s-OFDM QPSK	Edge_1RB_Left
5	High		DFT-s-OFDM QPSK	Edge_1RB_Right
6	Default		DFT-s-OFDM QPSK	Outer Full
7	Low		DFT-s-OFDM 16 QAM	Edge_1RB_Left
8	High		DFT-s-OFDM 16 QAM	Edge_1RB_Right
9	Default		DFT-s-OFDM 16 QAM	Outer Full
10	Low		DFT-s-OFDM 64 QAM	Edge_1RB_Left
11	High		DFT-s-OFDM 64 QAM	Edge_1RB_Right
12	Default		DFT-s-OFDM 64 QAM	Outer Full
13	Low		DFT-s-OFDM 256 QAM	Edge_1RB_Left
14	High		DFT-s-OFDM 256 QAM	Edge_1RB_Right
15	Default		DFT-s-OFDM 256 QAM	Outer Full
16	Low		CP-OFDM QPSK	Edge_1RB_Left
17	High		CP-OFDM QPSK	Edge_1RB_Right
18	Default		CP-OFDM QPSK	Outer Full
19	Low		CP-OFDM 16 QAM	Edge_1RB_Left
20	High		CP-OFDM 16 QAM	Edge_1RB_Right
21	Default		CP-OFDM 16 QAM	Outer Full
22	Low		CP-OFDM 64 QAM	Edge_1RB_Left
23	High		CP-OFDM 64 QAM	Edge_1RB_Right
24	Default		CP-OFDM 64 QAM	Outer Full
25	Low		CP-OFDM 256 QAM	Edge_1RB_Left
26	High	CP-OFDM 256 QAM	Edge_1RB_Right	
27	Default	CP-OFDM 256 QAM	Outer Full	
NOTE 1: The specific configuration of each RB allocation is defined in Table 6.1-1.				
NOTE 2: DFT-s-OFDM Pi/2 BPSK test applies only for UEs which supports half Pi BPSK in FR1.				

NOTE 3: It is essential that all test points in this table also exist in table 6.2.2.4.1-2.

Table 6.5.2.2.4.1-2a: Test Configuration Table for power class 1 for Band n14 (contiguous allocation)

Initial Conditions				
Test Environment as specified in TS 38.508-1 [5] subclause 4.1		Normal		
Test Frequencies as specified in TS 38.508-1 [5] subclause 4.3.1		Low range, High range		
Test Channel Bandwidths as specified in TS 38.508-1 [5] subclause 4.3.1		Lowest, Highest		
Test SCS as specified in Table 5.3.5-1		Lowest, Highest		
Test Parameters for Channel Bandwidths				
Test ID	Freq	Downlink Configuration	Uplink Configuration	
		N/A for Spectrum Emission Mask test case	Modulation (NOTE 2)	
			RB allocation (NOTE 1)	
1	Default		DFT-s-OFDM Pi/2 BPSK	Inner Full
2	Low		DFT-s-OFDM Pi/2 BPSK	Edge_1RB_Left
3	High		DFT-s-OFDM Pi/2 BPSK	Edge_1RB_Right
4	Default		DFT-s-OFDM Pi/2 BPSK	Outer Full
5	Default		DFT-s-OFDM QPSK	Inner Full
6	Low		DFT-s-OFDM QPSK	Edge_1RB_Left
7	High		DFT-s-OFDM QPSK	Edge_1RB_Right
8	Default		DFT-s-OFDM QPSK	Outer Full
9	Default		DFT-s-OFDM 16 QAM	Inner Full
10	Low		DFT-s-OFDM 16 QAM	Edge_1RB_Left
11	High		DFT-s-OFDM 16 QAM	Edge_1RB_Right
12	Default		DFT-s-OFDM 16 QAM	Outer Full
13	Low		DFT-s-OFDM 64 QAM	Edge_1RB_Left
14	High		DFT-s-OFDM 64 QAM	Edge_1RB_Right
15	Default		DFT-s-OFDM 64 QAM	Outer Full
16	Low		DFT-s-OFDM 256 QAM	Edge_1RB_Left
17	High		DFT-s-OFDM 256 QAM	Edge_1RB_Right
18	Default		DFT-s-OFDM 256 QAM	Outer Full
19	Default		CP-OFDM QPSK	Inner Full
20	Low		CP-OFDM QPSK	Edge_1RB_Left
21	High		CP-OFDM QPSK	Edge_1RB_Right
22	Default		CP-OFDM QPSK	Outer Full
23	Default		CP-OFDM 16 QAM	Inner Full
24	Low		CP-OFDM 16 QAM	Edge_1RB_Left
25	High		CP-OFDM 16 QAM	Edge_1RB_Right
26	Default		CP-OFDM 16 QAM	Outer Full
27	Low		CP-OFDM 64 QAM	Edge_1RB_Left
28	High		CP-OFDM 64 QAM	Edge_1RB_Right
29	Default		CP-OFDM 64 QAM	Outer Full
30	Low		CP-OFDM 256 QAM	Edge_1RB_Left
31	High		CP-OFDM 256 QAM	Edge_1RB_Right
32	Default		CP-OFDM 256 QAM	Outer Full
33 ³	Low		DFT-s-OFDM Pi/2 BPSK w Pi/2 BPSK DMRS	Edge_1RB_Left
34 ³	High	DFT-s-OFDM Pi/2 BPSK w Pi/2 BPSK DMRS	Edge_1RB_Right	
35 ³	Default	DFT-s-OFDM Pi/2 BPSK w Pi/2 BPSK DMRS	Outer Full	
NOTE 1: The specific configuration of each RB allocation is defined in Table 6.1-1.				
NOTE 2: DFT-s-OFDM Pi/2 BPSK test applies only for UEs which supports half Pi BPSK in FR1.				
NOTE 3: Applicable to UEs indicating support for UE capability <i>lowPAPR-DMRS-PUSCHwithPrecoding-r16</i> .				
NOTE 4: It is essential that all test points in this table also exist in table 6.2.2.4.1-2.				

Table 6.5.2.2.4.1-3: Test Configuration Table for power class 2&3 (almost contiguous allocation)

Initial Conditions	
Test Environment as specified in TS 38.508-1 [5] subclause 4.1	Normal

Test Frequencies as specified in TS 38.508-1 [5] subclause 4.3.1	Low range, High range			
Test Channel Bandwidths as specified in TS 38.508-1 [5] subclause 4.3.1	Highest			
Test SCS as specified in Table 5.3.5-1	Lowest, Highest			
Test Parameters for Channel Bandwidths				
Test ID	Freq	Downlink Configuration	Uplink Configuration	
		N/A	Modulation	
			RB allocation (NOTE 1)	
1	Default		CP-OFDM QPSK	Inner Full
2	Default		CP-OFDM QPSK	Outer Full
3	Default		CP-OFDM 16 QAM	Inner Full
4	Default		CP-OFDM 16 QAM	Outer Full
5	Default		CP-OFDM 64 QAM	Outer Full
6	Default	CP-OFDM 256 QAM	Outer Full	
NOTE 1: The specific configuration of each RB allocation is defined in Tables 6.2.2.4.1-4, 6.2.2.4.1-4a and 6.2.2.4.1-4b.				
NOTE 2: It is essential that all test points in this table also exist in table 6.2.2.4.1-3.				
NOTE 3: Test applies only for UEs which support almost contiguous UL CP-OFDM transmissions. For PC2 UE which support almost contiguous UL CP-OFDM transmissions, test is only applicable for Release 16 and forward.				

1. Connect the SS to the UE antenna connectors as shown in TS 38.508-1 [5] Annex A, Figure A.3.1.1.1 for TE diagram and section A.3.2 for UE diagram.
2. The parameter settings for the cell are set up according to TS 38.508-1 [5] subclause 4.4.3.
3. Downlink signals are initially set up according to Annex C.0, C.1, C.2 and uplink signals according to Annex G.0, G.1, G.2, G.3.0.
4. The UL Reference Measurement channels are set according to Table 6.5.2.2.4.1-1.
5. Propagation conditions are set according to Annex B.0.
6. Ensure the UE is in state RRC_CONNECTED with generic procedure parameters Connectivity NR, Connected without release On, Test Mode On and Test Loop Function On according to TS 38.508-1 [5] clause 4.5. Message contents are defined in clause 6.5.2.2.4.3.

6.5.2.2.4.2 Test procedure

1. SS sends uplink scheduling information for each UL HARQ process via PDCCH DCI format 0_1 for C_RNTI to schedule the UL RMC according to Table 6.5.2.2.4.1-1, Table 6.5.2.2.4.1-2, Table 6.5.2.2.4.1-2a and Table 6.5.2.2.4.1-3. Since the UL has no payload and no loopback data to send the UE sends uplink MAC padding bits on the UL RMC.
2. Send continuously power control “up” commands to the UE until the UE transmits at PUMAX level. Allow at least 200ms for the UE to reach PUMAX level.
3. Measure the mean power of the UE in the channel bandwidth of the radio access mode according to the test configuration, which shall meet the requirements described in Table 6.2.2.5-1 to 6.2.2.5-9. The period of the measurement shall be at least the continuous duration of 1ms over consecutive active uplink slots. For TDD, only slots consisting of only UL symbols are under test.
4. Measure the power of the transmitted signal with a measurement filter of bandwidths according to table 6.5.2.2.5-1 and using a rms detector. If the sweep count is higher than one, the trace mode shall be average. The centre frequency of the filter shall be stepped in continuous steps according to the same table. The measured power shall be recorded for each step. The measurement period shall capture the active TSs.

NOTE 1: When switching to DFT-s-OFDM waveform, as specified in the test configuration table 6.5.2.2.4.1-1, table 6.5.2.2.4.1-2, and table 6.5.2.2.4.1-2a, send an NR RRCReconfiguration message according to TS 38.508-1 [5] clause 4.6.3 Table 4.6.3-118 PUSCH-Config with TRANSFORM_PRECODER_ENABLED condition.

6.5.2.2.4.3 Message contents

Message contents are according to TS 38.508-1 [5] subclause 4.6 with the following exceptions:

Table 6.5.2.2.4.3-1: PUSCH-Config

Derivation Path: TS 38.508-1 [5] subclause 4.6.3 Table 4.6.3-118 PUSCH-Config			
Information Element	Value/remark	Comment	Condition
PUSCH-Config ::= SEQUENCE {			
resourceAllocation	resourceAllocationType0		Almost contiguous allocation
	resourceAllocationType1		Contiguous allocation
}			

Table 6.5.2.2.4.3-2: DMRS-UplinkConfig (Test ID 31 – 33 in Table 6.5.2.2.4.1-1)

Derivation Path: TS 38.508-1 [5], Table 4.6.3-51			
Information Element	Value/remark	Comment	Condition
DMRS-UplinkConfig ::= SEQUENCE {			
transformPrecodingEnabled SEQUENCE {			
dmrs-UplinkTransformPrecoding-r16 SEQUENCE {			
pi2BPSK-ScramblingID0	Not present		
pi2BPSK-ScramblingID1	Not present		
}			
}			

6.5.2.2.5 Test requirement

The measured UE mean power in the channel bandwidth, derived in step 3, shall fulfil requirements in Tables 6.2.2.5-1 to 6.2.2.5-9 as appropriate, and the power of any UE emission shall fulfil requirements in Table 6.5.2.2.5-1.

Table 6.5.2.2.5-1: General NR spectrum emission mask

Δf_{00B} (MHz)	Channel bandwidth (MHz) / Spectrum emission limit (dBm)				Measurement bandwidth
	3	5	10, 15, 20, 25, 30, 35, 40, 45	50, 60, 70, 80, 90, 100	
$\pm 0-1$	-13 + TT	-13 + TT	-13 + TT		1 % of channel BW
$\pm 0-1$				-24 + TT	30 kHz
$\pm 1-5$	-10 + TT	-10 + TT	-10 + TT		1 MHz
$\pm 5-6$	-25 + TT	-13 + TT			
$\pm 6-10$		-25 + TT			
$\pm 5-BW_{Channel}$			-13 + TT		
$\pm BW_{Channel}-(BW_{Channel}+5)$			-25 + TT		
Note 1:	The first and last measurement position with a 30 kHz filter is at Δf_{00B} equals to 0.015 MHz and 0.985 MHz.				
Note 2:	At the boundary of spectrum emission limit, the first and last measurement position with a 1 MHz filter is the inside of +0.5MHz and -0.5MHz, respectively.				
Note 3:	The measurements are to be performed above the upper edge of the channel and below the lower edge of the channel.				
Note 4:	TT for each frequency and channel bandwidth is specified in Table 6.5.2.2.5-2.				

Table 6.5.2.2.5-2: Test Tolerance (Spectrum Emission Mask)

	$f \leq 3.0GHz$	$3.0GHz < f \leq 4.2GHz$	$4.2GHz < f \leq 6.0GHz$
$BW \leq 100MHz$	1.5 dB	1.8 dB	1.8 dB

NOTE: As a general rule, the resolution bandwidth of the measuring equipment should be equal to the measurement bandwidth. However, to improve measurement accuracy, sensitivity and efficiency, the resolution bandwidth may be smaller than the measurement bandwidth. When the resolution bandwidth is smaller than the measurement bandwidth, the result should be integrated over the measurement bandwidth in order to obtain the equivalent noise bandwidth of the measurement bandwidth.

6.5.2.3 Additional spectrum emission mask

6.5.2.3.1 Test purpose

To verify that the power of any UE emission shall not exceed specified level for the specified channel bandwidth under the deployment scenarios where additional requirements are specified.

6.5.2.3.2 Test applicability

This test case applies to all types of NR Power Class 1 UE release 15 and forward.

This test case applies to all types of NR Power Class 2 and Power Class 3 UE release 15 and forward that don't support Tx diversity.

6.5.2.3.3 Minimum conformance requirements

6.5.2.3.3.1 Minimum requirement for "NS_35"

Additional spectrum emission requirements are signalled by the network to indicate that the UE shall meet an additional requirement for a specific deployment scenario as part of the cell handover/broadcast message.

When "NS_35" is indicated in the cell, the power of any UE emission shall not exceed the levels specified in Table 6.5.2.2.3.3.1-1.

Table 6.5.2.2.3.3.1-1: Additional requirements for "NS_35"

Spectrum emission limit (dBm) / Channel bandwidth					
Δf_{OoB} (MHz)	5 MHz	10 MHz	15 MHz	20 MHz	Measurement bandwidth (unless otherwise stated)
$\pm 0-0.1$	-15	-18	-20	-21	30 kHz
$\pm 0.1-6$	-13	-13	-13	-13	100 kHz
$\pm 6-10$	-25 ¹	-13	-13	-13	100 kHz
$\pm 10-15$		-25 ¹	-13	-13	100 kHz
$\pm 15-20$			-25 ¹	-13	100 kHz
$\pm 20-25$				-25	1 MHz
NOTE 1: The measurement bandwidth shall be 1 MHz					

NOTE: As a general rule, the resolution bandwidth of the measuring equipment should be equal to the measurement bandwidth. However, to improve measurement accuracy, sensitivity and efficiency, the resolution bandwidth may be smaller than the measurement bandwidth. When the resolution bandwidth is smaller than the measurement bandwidth, the result should be integrated over the measurement bandwidth in order to obtain the equivalent noise bandwidth of the measurement bandwidth.

The normative reference for this requirement is TS 38.101-1 [2] clause 6.5.2.3.1.

6.5.2.3.3.2 Requirements for network signalling value "NS_04"

Additional spectrum emission requirements are signalled by the network to indicate that the UE shall meet an additional requirement for a specific deployment scenario as part of the cell handover/broadcast message.

The n41 SEM transition point from -13 dBm/MHz to -25 dBm/MHz is based on the emission bandwidth. The emission bandwidth is defined as the width of the signal between two points, one below the carrier centre frequency and one above the carrier c frequency, outside of which all emissions are attenuated at least 26 dB below the transmitter power. Since the 26-dB emission bandwidth is implementation dependent, the maximum transmission bandwidths in MHz ($N_{\text{RB}} * \text{SCS} * 12 / 1,000$) is used for the SEM.

Table 6.5.2.3.3.2-1: n41 maximum transmission bandwidths (MHz) for CP-OFDM

SCS (kHz)	Channel bandwidths (MHz) / Maximum transmission bandwidth (MHz)										
	10	15	20	30	40	50	60	70	80	90	100
15	9.36	14.22	19.08	28.80	38.88	48.6	N/A	N/A	N/A	N/A	N/A
30	8.64	13.68	18.36	28.08	38.16	47.88	58.32	68.04	78.12	88.02	98.28
60	7.92	12.96	17.28	27.36	36.72	46.8	56.88	66.96	77.04	87.12	97.20

Table 6.5.2.3.3.2-2: n41 maximum transmission bandwidths (MHz) for DFT-S-OFDM

SCS (kHz)	Channel bandwidths (MHz) / Maximum transmission bandwidth (MHz)										
	10	15	20	30	40	50	60	70	80	90	100
15	9.00	13.50	18.00	28.80	38.88	48.60	N/A	N/A	N/A	N/A	N/A
30	8.64	12.96	18.00	27.00	36.00	46.08	58.32	64.80	77.76	87.48	97.20
60	7.20	12.96	17.28	25.92	36.00	46.08	54.00	64.80	72.00	86.40	97.20

When "NS_04" is indicated in the cell, the power of any UE emission shall not exceed the levels specified in Table 6.5.2.3.3.2-3.

Table 6.5.2.3.3.2-3: n41 SEM with "NS_04"

Δf_{OoB} MHz	Channel bandwidth (MHz) / Spectrum emission limit (dBm)											Measurement bandwidth
	10	15	20	30	40	50	60	70	80	90	100	
$\pm 0 - 1$	-10	-10	-10	-10	-10							2 % channel bandwidth
							-10					
$\pm 1 - 5$	-10											1 MHz
$\pm 5 - X$	-13											
$\pm X - (BW_{\text{Channel}} + 5)$ MHz)	-25											
NOTE: X is defined in Table 6.5.2.3.3.2-1 for CP-OFDM and 6.5.2.3.3.2-2 for DFT-S-OFDM												

The normative reference for this requirement is TS 38.101-1 [2] clause 6.5.2.3.2.

6.5.2.3.3.3 Requirements for network signalling value "NS_03" and "NS_03U"

Additional spectrum emission requirements are signalled by the network to indicate that the UE shall meet an additional requirement for a specific deployment scenario as part of the cell handover/broadcast message.

When "NS_03" or "NS_03U", is indicated in the cell, the power of any UE emission shall not exceed the levels specified in Table 6.5.2.3.3.3-1.

Table 6.5.2.3.3.3-1: Additional requirements for "NS_03" and "NS_03U"

Δf_{OoB} MHz	Channel bandwidth (MHz) / Spectrum emission limit (dBm)		Measurement bandwidth
	5	10, 15, 20, 25, 30, 35, 40, 45	
$\pm 0-1$	-13	-13	1 % of channel BW
$\pm 1-6$	-13	-13	1 MHz
$\pm 6-10$	-25		
$\pm 1-BW_{\text{Channel}}$			
$\pm BW_{\text{Channel}}-(BW_{\text{Channel}}+5)$		-25	

NOTE: As a general rule, the resolution bandwidth of the measuring equipment should be equal to the measurement bandwidth. However, to improve measurement accuracy, sensitivity and efficiency, the resolution bandwidth may be smaller than the measurement bandwidth. When the resolution bandwidth is smaller than the measurement bandwidth, the result should be integrated over the measurement bandwidth in order to obtain the equivalent noise bandwidth of the measurement bandwidth.

The normative reference for this requirement is TS 38.101-1 [2] clause 6.5.2.3.3.

6.5.2.3.3.4 Requirements for network signalling value "NS_06" or "NS_07"

Additional spectrum emission requirements are signalled by the network to indicate that the UE shall meet an additional requirement for a specific deployment scenario as part of the cell handover/broadcast message.

When "NS_06" or "NS_07" is indicated in the cell, the power of any UE emission shall not exceed the levels specified in Table 6.5.2.3.3.4-1.

Table 6.5.2.3.3.4-1: Additional requirements for "NS_06" or "NS_07"

Δf_{OoB} (MHz)	Channel bandwidth (MHz) / Spectrum emission limit (dBm)				Measurement bandwidth
	3	5	10	15	
$\pm 0 - 0.1$	-13	-15	-18	-20	30 kHz
$\pm 0.1 - 1$	-13	-13	-13	-13	100 kHz
$\pm 1 - 5$	-13	-13	-13	-13	1 MHz
$\pm 1 - 6$	-25	-13	-13	-13	1 MHz
$\pm 6 - 10$		-25			
$\pm 10 - 15$			-25		
$\pm 15 - 20$			-25		

NOTE: As a general rule, the resolution bandwidth of the measuring equipment should be equal to the measurement bandwidth. However, to improve measurement accuracy, sensitivity and efficiency, the resolution bandwidth may be smaller than the measurement bandwidth. When the resolution bandwidth is smaller than the measurement bandwidth, the result should be integrated over the measurement.

The normative reference for this requirement is TS 38.101-1 [2] clause 6.5.2.3.4.

6.5.2.3.3.5 Void

6.5.2.3.3.6 Void

6.5.2.3.3.7 Void

6.5.2.3.3.8 Requirements for network signalling value "NS_27"

Additional spectrum emission requirements are signalled by the network to indicate that the UE shall meet an additional requirement for a specific deployment scenario as part of the cell handover/broadcast message.

When "NS_27" is indicated in the cell, the power of any UE emission shall not exceed the levels specified in Table 6.5.2.3.3.8-1.

Table 6.5.2.3.3.8-1: Additional requirements for "NS_27"

Δf_{OoB} MHz	Channel bandwidth (MHz) / Spectrum emission limit (dBm)						Measurement bandwidth
	5	10	15	20	30	40	
$\pm 0 - 1$	-13						1 % channel bandwidth
$\pm 1 - X$	-13						1 MHz
$< -X$ or $> X$	-25						
NOTE 1: X is occupied channel bandwidth as defined in Table 6.5.1.3-1.							
NOTE 2: The requirements apply only at the frequency range from 3540 MHz to 3710 MHz.							

NOTE: As a general rule, the resolution bandwidth of the measuring equipment should be equal to the measurement bandwidth. However, to improve measurement accuracy, sensitivity and efficiency, the resolution bandwidth may be smaller than the measurement bandwidth. When the resolution bandwidth is smaller than the measurement bandwidth, the result should be integrated over the measurement.

The normative reference for this requirement is TS 38.101-1 [2] clause 6.5.2.3.8.

6.5.2.3.3.9 Requirements for network signalling value "NS_21"

Additional spectrum emission requirements are signalled by the network to indicate that the UE shall meet an additional requirement for a specific deployment scenario as part of the cell handover/broadcast message.

When "NS_21" is indicated in the cell, the power of any UE emission shall not exceed the levels specified in Table 6.5.2.3.3.9-1.

Table 6.5.2.3.3.9-1: Additional requirements for "NS_21" (applicable to UEs Release 17 and forward indicating *modifiedMPR-Behavior*)

Δf_{OOB} MHz	Channel bandwidth (MHz) / Spectrum emission limit (dBm)		Measurement bandwidth
	5	10	
$\pm 0-1$	-13	-13	1 MHz
$\pm 1-6$	-13	-13	1 MHz
$\pm 6-10$	-25	-13	1 MHz
$\pm 10-15$		-25	1 MHz

NOTE 1: As a general rule, the resolution bandwidth of the measuring equipment should be equal to the measurement bandwidth. However, to improve measurement accuracy, sensitivity and efficiency, the resolution bandwidth may be smaller than the measurement bandwidth. When the resolution bandwidth is smaller than the measurement bandwidth, the result should be integrated over the measurement bandwidth in order to obtain the equivalent noise bandwidth of the measurement bandwidth.

NOTE 2: For $\Delta f_{\text{OOB}} = \pm 0-1$ MHz, a resolution bandwidth of as close as possible to, without being less than 1% of the channel bandwidth, shall be employed provided that the measured power is integrated over the full required measurement bandwidth of 1 MHz.

6.5.2.3.4 Test description

6.5.2.3.4.1 Initial conditions

Initial conditions are a set of test configurations the UE needs to be tested in and the steps for the SS to take with the UE to reach the correct measurement state.

The initial test configurations consist of environmental conditions, test frequencies, test channel bandwidths and sub-carrier spacing based on NR operating bands specified in table 5.3.5-1. All of these configurations shall be tested with applicable test parameters for each combination of test channel bandwidth and sub-carrier spacing, and are shown in clause 6.2.3.4.1. The details of the uplink reference measurement channels (RMCs) are specified in Annex A.2. Configurations of PDSCH and PDCCH before measurement are specified in Annex C.2.

1. Connect the SS to the UE antenna connectors as shown in TS 38.508-1 [5] Annex A, Figure A.3.1.1.1 for TE diagram and section A.3.2 for UE diagram.
2. The parameter settings for the cell are set up according to TS 38.508-1 [5] subclause 4.4.3.
3. Downlink signals are initially set up according to Annex C.0, C.1, C.2 and uplink signals according Annex G.0, G.1, G.2, G.3.0.
4. The UL Reference Measurement channels are set according to the applicable test configuration table in clause 6.2.3.4.1.
5. Propagation conditions are set according to Annex B.0.
6. Ensure the UE is in state RRC_CONNECTED with generic procedure parameters Connectivity NR, Connected without release On, Test Mode On and Test Loop Function On according to TS 38.508-1 [5] clause 4.5. Message contents are defined in clause 6.5.2.3.4.3.

6.5.2.3.4.2 Test procedure

1. SS sends uplink scheduling information for each UL HARQ process via PDCCH DCI format 0_1 for C_RNTI to schedule the UL RMC according to the applicable test configuration table in clause 6.2.3.4.1. Since the UE has no payload data to send, the UE transmits uplink MAC padding bits on the UL RMC.

2. Send continuously uplink power control "up" commands in the uplink scheduling information to the UE. Allow at least 200ms starting from the first TPC command in this step for the UE to reach P_{UMAX} level.
3. Measure the mean power of the UE in the channel bandwidth of the radio access mode according to the test configuration, which shall meet the requirements described in applicable table from Table 6.2.3.5-1 to Table 6.2.3.5-35. The period of measurement shall be at least the continuous duration one sub-frame (1ms). For TDD slots with transient periods are not under test.
4. Measure the power of the transmitted signal with a measurement filter of bandwidths according to applicable test configuration tables in subclause 6.5.2.3.5 and using a rms detector. If the sweep count is higher than one, the trace mode shall be average. The centre frequency of the filter shall be stepped in continuous steps according to the applicable test requirement table. The measured power shall be recorded for each step. The measurement period shall capture the active TSs.

NOTE 1: When switching to DFT-s-OFDM waveform, as specified in the test configuration Table 6.2.3.4.1-1 through 6.2.3.4.1-2, send an NR RRCReconfiguration message according to TS 38.508-1 [5] clause 4.6.3 Table 4.6.3-118 PUSCH-Config with TRANSFORM_PRECODER_ENABLED condition.

6.5.2.3.4.3 Message contents

Message contents are according to TS 38.508-1 [5] subclause 4.6, with the following exceptions for each network signalling value.

6.5.2.3.4.3.1 Message contents exceptions (network signalling value "NS_35")

For "NS_35" see A-MPR test case in table 6.2.3.4.3.2-1.

6.5.2.3.4.3.2 Message contents exceptions (network signalling value "NS_04")

For "NS_04" see A-MPR test case in table 6.2.3.4.3.4-1.

6.5.2.3.4.3.3 Message contents exceptions (network signalling value "NS_03")

For "NS_03" see A-MPR test case in table 6.2.3.4.3.1-1.

6.5.2.3.4.3.4 Message contents exceptions (network signalling value "NS_03U")

For "NS_03U" see A-MPR test case in table 6.2.3.4.3.3-1.

6.5.2.3.4.3.5 Message contents exceptions (network signalling value "NS_06") or "NS_07"

For "NS_06" see A-MPR test case in table 6.2.3.4.3.7-1. For "NS_07" see A-MPR test case in table 6.2.3.4.3.35-1

6.5.2.3.4.3.6 Message contents exceptions (network signalling value "NS_21")

For "NS_21" see A-MPR test case in table 6.2.3.4.3.20-1.

6.5.2.3.4.3.7 Message contents exceptions (network signalling value "NS_27")

For "NS_27" see A-MPR test case in table 6.2.3.4.3.22-1.

6.5.2.3.5 Test requirement

Table 6.5.2.3.5-1: Test Tolerance (Additional spectrum emission mask)

	$f \leq 3.0\text{GHz}$	$3.0\text{GHz} < f \leq 4.2\text{GHz}$	$4.2\text{GHz} < f \leq 6.0\text{GHz}$
$BW \leq 100\text{MHz}$	1.5 dB	1.8 dB	1.8 dB

6.5.2.3.5.1 Test requirements (network signalling value "NS_35")

When "NS_35" is indicated in the cell:

- the measured UE mean power in the channel bandwidth, derived in step 3, shall fulfil requirements in table 6.2.3.5-1 as appropriate for a NR UE.

and

- the power of any UE emission shall fulfil requirements in table 6.5.2.3.5.1-1, as applicable.

Table 6.5.2.3.5.1-1: Additional test requirements "NS_35"

Spectrum emission limit (dBm) / Channel bandwidth					
Δf_{OoB} (MHz)	5 MHz	10 MHz	15 MHz	20 MHz	Measurement bandwidth (unless otherwise stated)
$\pm 0-0.1$	-15.0 + TT	-18.0 + TT	-20.0 + TT	-21.0 + TT	30 kHz
$\pm 0.1-6$	-13.0 + TT-	-13.0 + TT	-13.0 + TT	-13.0 + TT	100 kHz
$\pm 6-10$	-25 ¹ + TT	-13.0 + TT	-13.0 + TT	-13.0 + TT	100 kHz
$\pm 10-15$		-25 ¹ 0 + TT	-13.0 + TT	-13.0 + TT	100 kHz
$\pm 15-20$			-25 ¹ 0 + TT	-13.0 + TT	100 kHz
$\pm 20-25$				-25 + TT	1 MHz

NOTE 1: The measurement bandwidth shall be 1 MHz.
NOTE 2: TT for each frequency and channel bandwidth is specified in Table 6.5.2.3.5-1.

NOTE: As a general rule, the resolution bandwidth of the measuring equipment should be equal to the measurement bandwidth. However, to improve measurement accuracy, sensitivity and efficiency, the resolution bandwidth may be smaller than the measurement bandwidth. When the resolution bandwidth is smaller than the measurement bandwidth, the result should be integrated over the measurement bandwidth in order to obtain the equivalent noise bandwidth of the measurement bandwidth.

6.5.2.3.5.2 Test requirements (network signalling value "NS_04")

When "NS_04" is indicated in the cell:

- the measured UE mean power in the channel bandwidth, derived in step 3, shall fulfil requirements in Table 6.2.3.5-2 for UE power class 2 or Table 6.2.3.5-3 UE power class 3.

and

- the power of any UE emission shall fulfil requirements in table 6.5.2.3.5.2-1.

Table 6.5.2.3.5.2-1: Additional test requirements for "NS_04"

Δf_{OoB} MHz	Spectrum emission limit (dBm) / measurement bandwidth for each channel bandwidth (MHz)											Measurement bandwidth	
	10	15	20	30	40	50	60	70	80	90	100		
$\pm 0 - 1$	-10+TT	-10+TT	-10+TT	-10+TT	-10+TT								2 % channel bandwidth
							-10						1 MHz
$\pm 1 - 5$	-10 + TT											1 MHz	
$\pm 5 - X$	-13 + TT												
$\pm X -$ ($BW_{\text{Channel}} + 5$ MHz)	-25 + TT												

NOTE 1: X is defined in Table 6.5.2.3.3.2-1 for CP-OFDM and 6.5.2.3.3.2-2 for DFT-S-OFDM.
NOTE 2: TT for each frequency and channel bandwidth is specified in Table 6.5.2.3.5-1.

6.5.2.3.5.3 Test requirements (network signalling value "NS_03", "NS_03U")

When "NS_03" or "NS_03U" is indicated in the cell:

- the measured UE mean power in the channel bandwidth, derived in step 3, shall fulfil requirements in table 6.2.3.5-4 or 6.2.3.5-5 as appropriate for a NR UE.

and

- the power of any UE emission shall fulfil requirements in table 6.5.2.3.5.3-1, as applicable.

Table 6.5.2.3.5.3-1: Additional requirements for "NS_03", "NS_03U"

Δf_{OoB} MHz	Channel bandwidth (MHz) / Spectrum emission limit (dBm)		Measurement bandwidth
	5	10, 15, 20, 25, 30, 35, 40, 45	
$\pm 0-1$	-13 + TT	-13 + TT	1 % of channel BW
$\pm 1-6$	-13 + TT	-13 + TT	1 MHz
$\pm 6-10$	-25 + TT		
$\pm 1\text{-BWChannel}$			
$\pm \text{BWChannel} - (\text{BWChannel}+5)$		-25 + TT	
NOTE 1: TT for each frequency and channel bandwidth is specified in Table 6.5.2.3.5-1.			

NOTE: As a general rule, the resolution bandwidth of the measuring equipment should be equal to the measurement bandwidth. However, to improve measurement accuracy, sensitivity and efficiency, the resolution bandwidth may be smaller than the measurement bandwidth. When the resolution bandwidth is smaller than the measurement bandwidth, the result should be integrated over the measurement bandwidth in order to obtain the equivalent noise bandwidth of the measurement bandwidth.

6.5.2.3.5.4 Test requirements (network signalling value "NS_06" or "NS_07")

When "NS_06" is indicated in the cell:

- the measured UE mean power in the channel bandwidth, derived in step 3, shall fulfil requirements in table 6.2.3.5-34 as appropriate for a NR UE

When "NS_07" is indicated in the cell:

- the measured UE mean power in the channel bandwidth, derived in step 3, shall fulfil requirements in table 6.2.3.5-37 as appropriate for a NR UE

and

- the power of any UE emission shall fulfil requirements in table 6.5.2.3.5.4-1, as applicable.

Table 6.5.2.3.5.4-1: Additional requirements for "NS_06" or "NS_07"

Δf_{OoB} (MHz)	Spectrum emission limit (dBm) / Channel bandwidth				
	3 MHz	5 MHz	10 MHz	15 MHz	Measurement bandwidth
$\pm 0 - 0.1$	-13 + TT	-15 + TT	-18 + TT	-20 + TT	30 kHz
$\pm 0.1 - 1$	-13 + TT	-13 + TT	-13 + TT	-13 + TT	100 kHz
$\pm 1 - 5$	-13 + TT	-13 + TT	-13 + TT	-13 + TT	1 MHz
$\pm 5 - 6$	-25 + TT	-13 + TT	-13 + TT	-13 + TT	1 MHz
$\pm 6 - 10$		-25 + TT	-13 + TT	-13 + TT	1 MHz
$\pm 10 - 15$			-25 + TT	-13 + TT	1 MHz
$\pm 15 - 20$				-25 + TT	1 MHz
NOTE 1: TT for each frequency and channel bandwidth is specified in Table 6.5.2.3.5-1.					

NOTE: As a general rule, the resolution bandwidth of the measuring equipment should be equal to the measurement bandwidth. However, to improve measurement accuracy, sensitivity and efficiency, the resolution bandwidth may be smaller than the measurement bandwidth. When the resolution bandwidth is smaller than the measurement bandwidth, the result should be integrated over the measurement bandwidth in order to obtain the equivalent noise bandwidth of the measurement bandwidth.

6.5.2.3.5.5	Void
6.5.2.3.5.6	Void
6.5.2.3.5.7	Void
6.5.2.3.5.8	FFS
6.5.2.3.5.9	Test requirements for network signalling value "NS_21"

When "NS_21" is indicated in the cell, the power of any UE emission shall not exceed the levels specified in Table 6.5.2.3.5.9-1.

Table 6.5.2.3.5.9-1: Additional requirements for "NS_21" (applicable to UEs Release 17 and forward indicating *modifiedMPR-Behavior*)

Δf_{OoB} MHz	Channel bandwidth (MHz) / Spectrum emission limit (dBm)		Measurement bandwidth
	5	10	
$\pm 0-1$	-13+TT	-13+TT	1 MHz
$\pm 1-6$	-13+TT	-13+TT	1 MHz
$\pm 6-10$	-25+TT	-13+TT	1 MHz
$\pm 10-15$		-25+TT	1 MHz

NOTE 1: As a general rule, the resolution bandwidth of the measuring equipment should be equal to the measurement bandwidth. However, to improve measurement accuracy, sensitivity and efficiency, the resolution bandwidth may be smaller than the measurement bandwidth. When the resolution bandwidth is smaller than the measurement bandwidth, the result should be integrated over the measurement bandwidth in order to obtain the equivalent noise bandwidth of the measurement bandwidth.

NOTE 2: For $\Delta f_{\text{OoB}} = \pm 0-1$ MHz, a resolution bandwidth of as close as possible to, without being less than 1% of the channel bandwidth, shall be employed provided that the measured power is integrated over the full required measurement bandwidth of 1 MHz.

6.5.2.4 Adjacent channel leakage ratio

Adjacent channel leakage power Ratio (ACLR) is the ratio of the filtered mean power centred on the assigned channel frequency to the filtered mean power centred on an adjacent channel frequency.

6.5.2.4.1 NR ACLR

6.5.2.4.1.1 Test purpose

To verify that UE transmitter does not cause unacceptable interference to adjacent channels in terms of Adjacent Channel Leakage power Ratio (ACLR).

6.5.2.4.1.2 Test applicability

This test case applies to all types of NR Power Class 1 release 15 and forward.

This test case applies to all types of NR Power Class 2 and Power Class 3 UE release 15 and forward that don't support Tx diversity.

6.5.2.4.1.3 Minimum conformance requirements

NR adjacent channel leakage power ratio (NR_{ACLR}) is the ratio of the filtered mean power centred on the assigned NR channel frequency to the filtered mean power centred on an adjacent NR channel frequency at nominal channel spacing.

The assigned NR channel power and adjacent NR channel power are measured with rectangular filters with measurement bandwidths specified in Table 6.5.2.4.1.3-1.

If the measured adjacent channel power is greater than -50 dBm then the NR_{ACLR} shall be higher than the value specified in Table 6.5.2.4.1.3-2.

Table 6.5.2.4.1.3-1: NR ACLR measurement bandwidth

Channel bandwidth	(MHz)	3, 5,10,15,20,25,30,35,40,45,50	60,70,80,90,100
REF_SCS	(kHz)	15	30
NR ACLR measurement bandwidth	(MHz)	$MBW=REF_SCS*(12*N_{RB}+1)/1000$	
NOTE: "N _{RB} " in the formula is the maximum transmission bandwidth configuration as defined in Table 5.3.2-1.			

Table 6.5.2.4.1.3-2: NR ACLR requirement

	Power class 1 ¹	Power class 2	Power class 3
NR ACLR	37 dB ¹	31 dB	30 dB
NOTE 1: Applicable for power class 1 UE operating in Band n14.			

The normative reference for this requirement is TS 38.101-1 [2] clause 6.5.2.4.1.

6.5.2.4.1.4 Test description

6.5.2.4.1.4.1 Initial conditions

Initial conditions are a set of test configurations the UE needs to be tested in and the steps for the SS to take with the UE to reach the correct measurement state.

The initial test configurations consist of environmental conditions, test frequencies, test channel bandwidths and sub-carrier spacing based on NR operating bands specified in Table 5.3.5-1. All of these configurations shall be tested with applicable test parameters for each combination of channel bandwidth and sub-carrier spacing, are shown in the test configuration tables in clause 6.2.2.4.1. The details of the uplink reference measurement channels (RMCs) are specified in Annexes A.2. Configurations of PDSCH and PDCCH before measurement are specified in Annex C.2

Table 6.5.2.4.1.4.1-1: Void

Table 6.5.2.4.1.4.1-2: Void

Table 6.5.2.4.1.4.1-2a: Void

Table 6.5.2.4.1.4.1-3: Void

Table 6.5.2.4.1.4.1-4: Void

1. Connect the SS to the UE antenna connectors as shown in TS 38.508-1 [5] Annex A, Figure A.3.1.1.1 for TE diagram and section A.3.2 for UE diagram.
2. The parameter settings for the cell are set up according to TS 38.508-1 [5] subclause 4.4.3.
3. Downlink signals are initially set up according to Annex C.0, C.1, C.2, and uplink signals according to Annex G.0, G.1, G.2, G.3.0.
4. The UL Reference Measurement channels are set according to the test configuration tables in clause 6.2.2.4.1.
5. Propagation conditions are set according to Annex B.0.
6. Ensure the UE is in state RRC_CONNECTED with generic procedure parameters Connectivity *NR*, Connected without release *On*, Test Mode *On* and Test Loop Function *On* according to TS 38.508-1 [5] clause 4.5. Message contents are defined in clause 6.5.2.4.1.4.3.

6.5.2.4.1.4.2 Test procedure

1. SS sends uplink scheduling information for each UL HARQ process via PDCCH DCI format 0_1 for C_RNTI to schedule the UL RMC according to the test configuration tables in clause 6.2.2.4.1T. Since the UL has no payload and no loopback data to send the UE sends uplink MAC padding bits on the UL RMC.

2. Send continuously power control “up” commands to the UE until the UE transmits at P_{UMAX} level. Allow at least 200ms for the UE to reach P_{UMAX} level.
3. Measure the mean power of the UE in the channel bandwidth of the radio access mode according to the test configuration, as measured in step 3 of 6.2.2.4.2, which shall meet the requirements described in clause 6.2.2.5 as appropriate.
4. Measure the rectangular filtered mean power for the assigned NR channel using a rms detector. If the sweep count is higher than one, the trace mode shall be average.
5. Measure the rectangular filtered mean power of the first NR adjacent channel on both lower and upper side of the assigned NR channel using a rms detector, respectively. If the sweep count is higher than one, the trace mode shall be average.
6. Calculate the ratios of the power between the values measured in step 4 over step 5 for lower and upper NR ACLR, respectively.
7. For UEs supporting Power Class 1 in Band n14 and Power Class 2, repeat steps 1~6 for Test ID 22 and 36 in Table 6.2.2.4.1-1 on the applicable bands with message exception of P-Max defined in Table 6.5.2.4.1.4.3-1.

NOTE 1: When switching to DFT-s-OFDM waveform, as specified in the test configuration tables in clause 6.2.2.4.1, send an NR RRCReconfiguration message according to TS 38.508-1 [5] clause 4.6.3 Table 4.6.3-118 PUSCH-Config with TRANSFORM_PRECODER_ENABLED condition.

6.5.2.4.1.4.3 Message contents

Message contents are according to TS 38.508-1 [5] subclause 4.6 and 5.4 with the following exceptions:

Table 6.5.2.4.1.4.3-1: P-Max (Step 7)

Derivation Path: TS 38.508-1 [5], Table 4.6.3-89			
Information Element	Value/remark	Comment	Condition
P-Max	23		PC2 UE or PC1 UE

Table 6.5.2.4.1.4.3-1a: Void

Table 6.5.2.4.1.4.3-2: PUSCH-Config

Derivation Path: TS 38.508-1 [5] subclause 4.6.3 Table 4.6.3-118 PUSCH-Config			
Information Element	Value/remark	Comment	Condition
PUSCH-Config ::= SEQUENCE {			
resourceAllocation	resourceAllocationType0		Almost contiguous allocation
	resourceAllocationType1		Contiguous allocation
}			

Table 6.5.2.4.1.4.3-3: DMRS-UplinkConfig (Test ID 37 – 39 in Table 6.2.2.4.1-1)

Derivation Path: TS 38.508-1 [5], Table 4.6.3-51			
Information Element	Value/remark	Comment	Condition
DMRS-UplinkConfig ::= SEQUENCE {			
transformPrecodingEnabled SEQUENCE			
{			
dmrs-UplinkTransformPrecoding-r16 {			
Setup SEQUENCE {			
pi2BPSK-ScramblingID0	Not present		
pi2BPSK-ScramblingID1	Not present		
}			
}			
}			
}			

Table 6.5.2.4.1.4.3-4: ServingCellConfig

Derivation Path: TS 38.508-1 [5] Table 4.6.3-167			
Information Element	Value/remark	Comment	Condition
ServingCellConfig ::= SEQUENCE {			
uplinkConfig SEQUENCE {			
powerBoostPi2BPSK	1		Test IDs where NOTE 3 in Table 6.2.2.4.1-1 applies.
	0		Test IDs where NOTE 4 in Table 6.2.2.4.1-1 applies.
}			
}			

6.5.2.4.1.5 Test requirement

The measured UE mean power in the channel bandwidth, derived in step 3, shall fulfil requirements in clause 6.2.2.5 as appropriate, and if the measured adjacent channel power is greater than -50 dBm then the measured NR ACLR, derived in step 6, shall be higher than the limits in Table 6.5.2.4.1.5-2.

The measured UE mean power in the channel bandwidth, derived in step 7, shall fulfil power class 3 requirements in Tables 6.2.2.5-1 and 6.2.2.5-3 as appropriate, and if the measured adjacent channel power is greater than -50 dBm then the measured NR ACLR, derived in step 7, shall be higher than the power class 3 limits in Table 6.5.2.4.1.5-2.

Table 6.5.2.4.1.5-1: NR ACLR measurement bandwidth

Channel bandwidth	(MHz)	3, 5,10,15,20,25,30,35,40,45,50	60,70,80,90,100
REF_SCS	(kHz)	15	30
NR ACLR measurement bandwidth	(MHz)	$MBW = REF_SCS * (12 * N_{RB} + 1) / 1000$	
NOTE: "N _{RB} " in the formula is the maximum transmission bandwidth configuration as defined in Table 5.3.2-1.			

Table 6.5.2.4.1.5-2: NR ACLR requirement

	Power class 1 ²	Power class 2	Power class 3
NR ACLR	37 - TT dB ²	31 - TT dB	30 - TT dB
NOTE 1: TT for each frequency and channel bandwidth is specified in Table 6.5.2.4.1.5-3.			
NOTE 2: Applicable for power class 1 UE operating in Band n14.			

Table 6.5.2.4.1.5-3: Test Tolerance (NR ACLR)

	$f \leq 3.0\text{GHz}$	$3.0\text{GHz} < f \leq 4.2\text{GHz}$	$4.2\text{GHz} < f \leq 6.0\text{GHz}$
$BW \leq 100\text{MHz}$	0.8 dB	0.8 dB	0.8 dB

6.5.2.4.2 UTRA ACLR

6.5.2.4.2.1 Test purpose

To verify that UE transmitter does not cause unacceptable interference to adjacent channels in terms of Adjacent Channel Leakage power Ratio (ACLR).

6.5.2.4.2.2 Test applicability

This test case applies for network signalling values NS_03U, NS_05U, NS_43U, and NS_100 to all types of NR Power Class 3 UE release 15 and forward that don't support Tx diversity.

6.5.2.4.2.3 Minimum conformance requirements

UTRA adjacent channel leakage power ratio ($UTRA_{ACLR}$) is the ratio of the filtered mean power centred on the assigned NR channel frequency to the filtered mean power centred on an adjacent(s) UTRA channel frequency.

$UTRA_{ACLR}$ is specified for the first adjacent UTRA channel ($UTRA_{ACLR1}$) which centre frequency is ± 2.5 MHz from NR channel edge and for the 2nd adjacent UTRA channel ($UTRA_{ACLR2}$) which centre frequency is ± 7.5 MHz from NR channel edge.

The UTRA channel power is measured with an RRC filter with roll-off factor $\alpha = 0.22$ and bandwidth of 3.84 MHz. The assigned NR channel power is measured with a rectangular filter with measurement bandwidth specified in Table 6.5.2.4.1.3-1.

If the measured adjacent channel power is greater than - 50dBm then the $UTRA_{ACLR1}$ and $UTRA_{ACLR2}$ shall be higher than the value specified in Table 6.5.2.4.2.3-1.

$UTRA_{ACLR}$ is not applicable to the power class 3 UE operating in Band n12, n14, n17, and n30.

$UTRA_{ACLR}$ is not applicable to the power class 1 UE operating in Band n7, n14, n41, n78, n100 and n101.

Table 6.5.2.4.2.3-1: UTRA ACLR requirement

	Power class 3
$UTRA_{ACLR1}$	33 dB
$UTRA_{ACLR2}$	36 dB

UTRA ACLR requirement is applicable when signalled by the network with network signalling value indicated by the field *additionalSpectrumEmission*.

The normative reference for this requirement is TS 38.101-1 [2] clause 6.5.2.4.2.

6.5.2.4.2.4 Test description

6.5.2.4.2.4.1 Initial conditions

Same as in subclause 6.2.3.4.1 with the following exception;

- Only network signalling values NS_03U, NS_05U, NS_43U, and NS_100 with the corresponding band defined in Table 6.2.3.3.1-1 need to perform UTRA ACLR test.
- Message contents in step 6 are defined in clause 6.5.2.4.2.4.3.

6.5.2.4.2.4.2 Test procedure

1. SS sends uplink scheduling information for each UL HARQ process via PDCCH DCI format 0_1 for C_RNTI to schedule the UL RMC according to the applicable test configuration table in clause 6.2.3.4.1. Since the UL has no payload and no loopback data to send the UE sends uplink MAC padding bits on the UL RMC.
2. Send continuously power control “up” commands to the UE until the UE transmits at P_{UMAX} level. Allow at least 200ms for the UE to reach P_{UMAX} level.
3. Measure the mean power of the UE in the channel bandwidth of the radio access mode according to the test configuration, which shall meet the requirements described in 6.2.3.5 as appropriate. The period of the measurement shall be at least the continuous duration of one active sub-frame (1 ms) and in the uplink symbols. For TDD slots with transient periods are not under test.
4. Measure the rectangular filtered mean power for the assigned NR channel using a rms detector. If the sweep count is higher than one, the trace mode shall be average.
5. Measure the RRC filtered mean power of the first and the second UTRA adjacent channel on both lower and upper side of the NR channel using a rms detector, respectively. If the sweep count is higher than one, the trace mode shall be average.
6. Calculate the ratios of the power between the values measured in step 4 over step 5 for lower and upper UTRA ACLR, respectively.

NOTE 1: When switching to DFT-s-OFDM waveform, as specified in the test configuration tables in 6.2.3.4.1 as appropriate, send an NR RRCReconfiguration message according to TS 38.508-1 [5] clause 4.6.3 Table 4.6.3-118 PUSCH-Config with TRANSFORM_PRECODER_ENABLED condition.

6.5.2.4.2.4.3 Message contents

Message contents are according to TS 38.508-1 [5] subclause 4.6 with the following exceptions:

Table 6.5.2.4.2.4.3-1: AdditionalSpectrumEmission

Derivation Path: 38.508-1 [5] clause 4.6.3, Table 4.6.3-1 AdditionalSpectrumEmission			
Information Element	Value/remark	Comment	Condition
AdditionalSpectrumEmission	3 (NS_03U)	for band n2, n25, n66, n86	
	3 (NS_05U)	for band n1, n84	
	3 (NS_43U)	for band n8, n81	
	1 (NS_100)	for band n1, n2, n3, n5, n8, n25, n66 (NOTE1)	
NOTE 1: This NS can be signalled for NR bands that have UTRA services deployed			

6.5.2.4.2.5 Test requirement

The measured UE mean power in the channel bandwidth, derived in step 3, shall fulfil requirements described in 6.2.3.5 as appropriate, and if the measured adjacent channel power is greater than -50 dBm then the measured UTRA ACLR, derived in step 6, shall be higher than the limits in table 6.5.2.4.2.5-2.

Table 6.5.2.4.2.5-1: Void

Table 6.5.2.4.2.5-2: UTRA ACLR requirement

	Power class 3
UTRA _{ACLR1}	33 dB -TT
UTRA _{ACLR2}	36 dB - TT
NOTE 1: TT = 0.8 dB	

6.5.3 Spurious emissions

Spurious emissions are emissions which are caused by unwanted transmitter effects such as harmonics emission, parasitic emissions, intermodulation products and frequency conversion products, but exclude out of band emissions unless otherwise stated. The spurious emission limits are specified in terms of general requirements in line with SM.329 [22] and NR operating band requirement to address UE co-existence.

To improve measurement accuracy, sensitivity and efficiency, the resolution bandwidth may be smaller than the measurement bandwidth. When the resolution bandwidth is smaller than the measurement bandwidth, the result should be integrated over the measurement bandwidth in order to obtain the equivalent noise bandwidth of the measurement bandwidth.

NOTE: For measurement conditions at the edge of each frequency range, the lowest frequency of the measurement position in each frequency range should be set at the lowest boundary of the frequency range plus MBW/2. The highest frequency of the measurement position in each frequency range should be set at the highest boundary of the frequency range minus MBW/2. MBW denotes the measurement bandwidth defined for the protected band.

6.5.3.1 General spurious emissions

6.5.3.1.1 Test purpose

To verify that UE transmitter does not cause unacceptable interference to other channels or other systems in terms of transmitter spurious emissions.

6.5.3.1.2 Test applicability

This test case applies to all types of NR Power Class 1 release 15 and forward.

This test case applies to all types of NR Power Class 2 and Power Class 3 UE release 15 and forward that don't support Tx diversity.

6.5.3.1.3 Minimum conformance requirements

Unless otherwise stated, the spurious emission limits apply for the frequency ranges that are more than F_{OOB} (MHz) in Table 6.5.3.1.3-1 from the edge of the channel bandwidth. The spurious emission limits in Table 6.5.3.1.3-2 apply for all transmitter band configurations (N_{RB}) and channel bandwidths.

Table 6.5.3.1.3-1: Boundary between NR out of band and general spurious emission domain

Channel bandwidth	OOB boundary F_{OOB} (MHz)
3	6
5, 10, 15, 20, 25, 30, 35, 40, 45, 50, 60, 70, 80, 90, 100	$BW_{Channel} + 5$

Table 6.5.3.1.3-2: Requirement for general spurious emissions limits

Frequency Range	Maximum Level	Measurement bandwidth	NOTE
$9 \text{ kHz} \leq f < 150 \text{ kHz}$	-36 dBm	1 kHz	
$150 \text{ kHz} \leq f < 30 \text{ MHz}$	-36 dBm	10 kHz	
$30 \text{ MHz} \leq f < 1000 \text{ MHz}$	-36 dBm	100 kHz	
$1 \text{ GHz} \leq f < 12.75 \text{ GHz}$	-30 dBm	1 MHz	4
	-25 dBm	1 MHz	3
$12.75 \text{ GHz} \leq f < 5\text{th}$ harmonic of the upper frequency edge of the UL operating band in GHz	-30 dBm	1 MHz	1
$12.75 \text{ GHz} < f < 26 \text{ GHz}$	-30 dBm	1 MHz	2
NOTE 1: Applies for Band for which the upper frequency edge of the UL Band is greater than 2.55 GHz and less than or equal to 5.2 GHz			
NOTE 2: Applies for Band that the upper frequency edge of the UL Band more than 5.2 GHz			
NOTE 3: Applies for Band n41, CA configurations including Band n41, and EN-DC configurations that include n41 specified in sub-clause 5.2B of [4] when NS_04 is signalled.			
NOTE 4: Does not apply for Band n41, CA configurations including Band n41, and EN-DC configurations that include n41 specified in subclause 5.2B of TS 38.101-3 [4] when NS_04 is signalled.			

The normative reference for this requirement is TS 38.101-1 [2] subclause 6.5.3.1

6.5.3.1.4 Test description

6.5.3.1.4.1 Initial conditions

Initial conditions are a set of test configurations the UE needs to be tested in and the steps for the SS to take with the UE to reach the correct measurement state.

The initial test configurations consist of environmental conditions, test frequencies, test channel bandwidths and sub-carrier spacing based on NR operating bands specified in Table 5.3.5-1. All of these configurations shall be tested with applicable test parameters for each combination of channel bandwidth and sub-carrier spacing, are shown in Table 6.5.3.1.4.1-1. The details of the uplink reference measurement channels (RMCs) are specified in Annexes A.2. Configurations of PDSCH and PDCCH before measurement are specified in Annex C.2.

Table 6.5.3.1.4.1-1: Test Configuration Table

Initial Conditions	
Test Environment as specified in TS 38.508-1 [5] subclause 4.1.	Normal

Test Frequencies as specified in TS 38.508-1 [5] subclause 4.3.1.	Low range, Mid range, High range (NOTE 2)		
Test Channel Bandwidths as specified in TS 38.508-1 [5] subclause 4.3.1.	Lowest, Mid, Highest		
Test SCS as specified in Table 5.3.5-1	Lowest		
Test Parameters			
Test ID	Downlink Configuration	Uplink Configuration	
	N/A for Spurious Emissions testing	Modulation	RB allocation (NOTE 1)
1		CP-OFDM QPSK	OuterFull
2		CP-OFDM QPSK	Edge_1RB_Left
3		CP-OFDM QPSK	Edge_1RB_Right
NOTE 1: The specific configuration of each RB allocation is defined in Table 6.1-1 Common UL configuration.			
NOTE 2: For NR band n28, 30MHz test channel bandwidth is tested with Low range and High range test frequencies.			

1. Connect the SS to the UE antenna connectors as shown in TS 38.508-1 [5] Annex A, Figure A.3.1.1.1 for TE diagram and section A.3.2 for UE diagram.
2. The parameter settings for the cell are set up according to TS 38.508-1 [5] subclause 4.4.3.
3. Downlink signals are initially set up according to Annex C.0, C.1 and C.2, and uplink signals according to Annex G.0, G.1, G.2, G.3.0.
4. The UL Reference Measurement channels are set according to Table 6.5.3.1.4.1-1.
5. Propagation conditions are set according to Annex B.0.
6. Ensure the UE is in state RRC_CONNECTED with generic procedure parameters Connectivity *NR*, Connected without release *On*, Test Mode *On* and Test Loop Function *On* according to TS 38.508-1 [5] clause 4.5. Message contents are defined in clause 6.5.3.1.4.3 with no exceptions.

6.5.3.1.4.2 Test procedure

1. SS sends uplink scheduling information for each UL HARQ process via PDCCH DCI format 0_1 for C_RNTI to schedule the UL RMC according to Table 6.5.3.1.4.1-1. Since the UE has no payload data to send, the UE transmits uplink MAC padding bits on the UL RMC.
2. Send continuously uplink power control "up" commands in the uplink scheduling information to the UE until the UE transmits at P_{UMAX} level.
3. Measure the power of the transmitted signal with a measurement filter of bandwidths according to Table 6.5.3.1.5-1. The centre frequency of the filter shall be stepped in contiguous steps according to Table 6.5.3.1.5-1. The measured power shall be verified for each step. The measurement period shall capture the active time slots. During measurement the spectrum analyser shall be set to 'Detector' = RMS. If the sweep count is higher than one, the trace mode shall be average.
4. For UE operating on Band n41, redo the test for frequency range 1 GHz ≤ f < 12.75 GHz with the message content in step 6 of initial conditions with exceptions defined in clause 6.5.3.1.4.3.

6.5.3.1.4.3 Message contents

Message contents are according to TS 38.508-1 [5] subclause 4.6.

Exception for step 4 in test procedure:

Table 6.5.3.1.4.3-1: Message contents

Derivation Path: TS 38.508-1 [5], Table 4.6.3-1			
Information Element	Value/remark	Comment	Condition
additionalSpectrumEmission	1 (NS_04)		

6.5.3.1.5 Test requirement

This clause specifies the requirements for the specified NR band for Transmitter Spurious emissions requirement with frequency range as indicated in Table 6.5.3.1.5-1.

Unless otherwise stated, the spurious emission limits apply for the frequency ranges that are more than F_{OOB} (MHz) in Table 6.5.3.1.3-1 from the edge of the channel bandwidth. The spurious emission limits in Table 6.5.3.1.5-1 apply for all transmitter band configurations (NRB) and channel bandwidths.

The measured average power of spurious emission, derived in step 3, shall not exceed the described value in Table 6.5.3.1.5-1.

Table 6.5.3.1.5-1: General spurious emissions test requirements

Frequency Range	Maximum Level	Measurement bandwidth	NOTE
$9 \text{ kHz} \leq f < 150 \text{ kHz}$	-36 dBm	1 kHz	
$150 \text{ kHz} \leq f < 30 \text{ MHz}$	-36 dBm	10 kHz	
$30 \text{ MHz} \leq f < 1000 \text{ MHz}$	-36 dBm	100 kHz	
$1 \text{ GHz} \leq f < 12.75 \text{ GHz}$	-30 dBm	1 MHz	4
	-25 dBm	1 MHz	3
12.75 GHz $\leq f <$ 5th harmonic of the upper frequency edge of the UL operating band in GHz	-30 dBm	1 MHz	1
$12.75 \text{ GHz} < f < 26 \text{ GHz}$	-30 dBm	1 MHz	2
NOTE 1: Applies for Band for which the upper frequency edge of the UL Band is greater than 2.55 GHz and less than or equal to 5.2 GHz			
NOTE 2: Applies for Band that the upper frequency edge of the UL Band more than 5.2 GHz			
NOTE 3: Applies for Band n41, CA configurations including Band n41, and EN-DC configurations that include n41 specified in sub-clause 5.2B of 38.101-3 [4] when NS_04 is signalled.			
NOTE 4: Does not apply for Band n41, CA configurations including Band n41, and EN-DC configurations that include n41 specified in subclause 5.2B of TS 38.101-3 [4] when NS_04 is signalled.			

6.5.3.2 Spurious emissions for UE co-existence

6.5.3.2.1 Test purpose

To verify that UE transmitter does not cause unacceptable interference to co-existing systems for the specified bands which has specific requirements in terms of transmitter spurious emissions.

6.5.3.2.2 Test applicability

This test case applies to all types of NR Power Class 1 release 15 and forward.

This test case applies to all types of NR Power Class 2 and Power Class 3 UE release 15 and forward that don't support Tx diversity.

6.5.3.2.3 Minimum conformance requirements

This clause specifies the requirements for the specified NR band for coexistence with protected bands as indicated in Tables 6.5.3.2.3-1 to 6.5.3.2.3-4.

NOTE: For measurement conditions at the edge of each frequency range, the lowest frequency of the measurement position in each frequency range should be set at the lowest boundary of the frequency range plus MBW/2. The highest frequency of the measurement position in each frequency range should be set at the highest boundary of the frequency range minus MBW/2. MBW denotes the measurement bandwidth defined for the protected band.

Table 6.5.3.2.3-1: Requirements for spurious emissions for UE co-existence Rel-15

NR Band	Spurious emission for UE co-existence						
	Protected band	Frequency range (MHz)			Maximum Level (dBm)	MBW (MHz)	NOTE
n1, n84	E-UTRA Band 1, 5, 7, 8, 11, 18, 19, 20, 21, 22, 26, 27, 28, 31, 32, 38, 40, 41, 42, 43, 44, 45, 50, 51, 52, 65, 67, 68, 69, 72, 73, 74, 75, 76 NR Band n78, n79	F _{DL_low}	--	F _{DL_high}	-50	1	
	NR Band n77	F _{DL_low}	-	F _{DL_high}	-50	1	2
	E-UTRA Band 3, 34	F _{DL_low}	-	F _{DL_high}	-50	1	15
	Frequency range	1880	-	1895	-40	1	15, 27
	Frequency range	1895	-	1915	-15.5	5	15, 26, 27
	Frequency range	1915	-	1920	+1.6	5	15, 26, 27
n2	E-UTRA Band 4, 5, 12, 13, 14, 17, 24, 26, 27, 28, 29, 30, 41, 42, 50, 51, 53, 66, 70, 71, 74, 85	F _{DL_low}	-	F _{DL_high}	-50	1	
	E-UTRA Band 2, 25	F _{DL_low}	-	F _{DL_high}	-50	1	15
	E-UTRA Band 43	F _{DL_low}	-	F _{DL_high}	-50	1	2
n3, n80	E-UTRA Band 1, 5, 7, 8, 20, 26, 27, 28, 31, 32, 33, 34, 38, 39, 40, 41, 43, 44, 45, 50, 51, 65, 67, 68, 69, 72, 73, 74, 75, 76 NR Band n79	F _{DL_low}	-	F _{DL_high}	-50	1	
	E-UTRA Band 3	F _{DL_low}	-	F _{DL_high}	-50	1	15
	E-UTRA Band 11, 18, 19, 21	F _{DL_low}	-	F _{DL_high}	-50	1	
	E-UTRA Band 22, 42, 52 NR Band n77, n78	F _{DL_low}	-	F _{DL_high}	-50	1	2
	Frequency range	1884.5	-	1915.7	-41	0.3	8
n5	E-UTRA Band 1, 2, 3, 4, 5, 7, 8, 12, 13, 14, 17, 18, 19, 24, 25, 26, 28, 29, 30, 31, 34, 38, 40, 42, 43, 45, 48, 50, 51, 65, 66, 70, 71, 73, 74, 85 NR Band n79	F _{DL_low}	-	F _{DL_high}	-50	1	
	E-UTRA Band 41, 52, 53 NR Band n77, n78	F _{DL_low}	-	F _{DL_high}	-50	1	2
	E-UTRA Band 11, 21	F _{DL_low}	-	F _{DL_high}	-50	1	
	Frequency range	1884.5	-	1915.7	-41	0.3	8
n7	E-UTRA Band 1, 2, 3, 4, 5, 7, 8, 12, 13, 14, 17, 20, 22, 26, 27, 28, 29, 30, 31, 32, 33, 34, 40, 42, 43, 50, 51, 52, 65, 66, 67, 68, 72, 74, 75, 76, 85, NR Band n77, n78	F _{DL_low}	-	F _{DL_high}	-50	1	
	NR Band n79	F _{DL_low}	-	F _{DL_high}	-50	1	2
	Frequency range	2570	-	2575	+1.6	5	15, 21, 26
	Frequency range	2575	-	2595	-15.5	5	15, 21, 26
	Frequency range	2595	-	2620	-40	1	15, 21
n8, n81	E-UTRA Band 1, 20, 28, 31, 32, 33, 34, 38, 39, 40, 45, 50, 51, 65, 67, 68, 69, 72, 73, 74, 75, 76	F _{DL_low}	-	F _{DL_high}	-50	1	
	E-UTRA band 3, 7, 22, 41, 42, 43, 52, NR Band n77, n78, n79	F _{DL_low}	-	F _{DL_high}	-50	1	2
	E-UTRA 8	F _{DL_low}	-	F _{DL_high}	-50	1	15
	E-UTRA Band 11, 21	F _{DL_low}	-	F _{DL_high}	-50	1	

	Frequency range	1884.5	-	1915.7	-41	0.3	8
n12	E-UTRA Band 2, 5, 13, 14, 17, 24, 25, 26, 27, 30, 41, 53, 70, 71, 74	F _{DL_low}	-	F _{DL_high}	-50	1	
	E-UTRA Band 4, 48, 51, 66	F _{DL_low}	-	F _{DL_high}	-50	1	2
	E-UTRA Band 12, 85	F _{DL_low}	-	F _{DL_high}	-50	1	15
n20, n82	E-UTRA Band 1, 3, 7, 8, 22, 31, 32, 33, 34, 40, 43, 50, 51, 65, 67, 68, 72, 74, 75, 76	F _{DL_low}	-	F _{DL_high}	-50	1	
	E-UTRA Band 20	F _{DL_low}	-	F _{DL_high}	-50	1	15
	E-UTRA Band 38, 42, 52, 69 NR Band n77, n78	F _{DL_low}	-	F _{DL_high}	-50	1	2
	Frequency range	758	-	788	-50	1	
n25	E-UTRA Band 4, 5, 12, 13, 14, 17, 24, 26, 27, 28, 29, 30, 41, 42, 53, 66, 70, 71, 85	F _{DL_low}	-	F _{DL_high}	-50	1	
	E-UTRA Band 2	F _{DL_low}	-	F _{DL_high}	-50	1	15
	E-UTRA Band 25	F _{DL_low}	-	F _{DL_high}	-50	1	15
	E-UTRA Band 43, 48	F _{DL_low}	-	F _{DL_high}	-50	1	2
n28, n83	E-UTRA Band 1, 4, 22, 32, 42, 43, 50, 51, 65, 66, 74, 75, 76 NR Band n77, n78	F _{DL_low}	-	F _{DL_high}	-50	1	2
	E-UTRA Band 1	F _{DL_low}	-	F _{DL_high}	-50	1	19, 25
	E-UTRA Band 2, 3, 5, 7, 8, 18, 19, 20, 25, 26, 27, 31, 34, 38, 40, 41, 52, 72, 73 NR Band n79	F _{DL_low}	-	F _{DL_high}	-50	1	
	E-UTRA Band 11, 21	F _{DL_low}	-	F _{DL_high}	-50	1	19, 24
	Frequency range	470	-	694	-42	8	15, 35
	Frequency range	470	-	710	-26.2	6	34
	Frequency range	662	-	694	-26.2	6	15
	Frequency range	758	-	773	-32	1	15
	Frequency range	773	-	803	-50	1	
n34	E-UTRA Band 1, 3, 7, 8, 11, 18, 19, 20, 21, 22, 26, 28, 31, 32, 33, 38, 39, 40, 41, 42, 43, 44, 45, 50, 51, 52, 65, 67, 69, 72, 74, 75, 76 NR Band n78, n79	F _{DL_low}	-	F _{DL_high}	-50	1	5
	NR Band n77	F _{DL_low}	-	F _{DL_high}	-50	1	2
	Frequency range	1884.5	-	1915.7	-41	0.3	8
	n38	E-UTRA Band 1, 2, 3, 4, 5, 8, 12, 13, 14, 17, 20, 22, 27, 28, 29, 30, 31, 32, 33, 34, 40, 42, 43, 50, 51, 52, 65, 66, 67, 68, 72, 74, 75, 76, 85,	F _{DL_low}	-	F _{DL_high}	-50	1
Frequency range		2620	-	2645	-15.5	5	15, 22, 26
Frequency range		2645	-	2690	-40	1	15, 22
n39	E-UTRA Band 1, 8, 22, 26, 34, 40, 41, 42, 44, 45, 50, 51, 52, 74 NR Band n79	F _{DL_low}	-	F _{DL_high}	-50		
	NR Band n77, n78	F _{DL_low}	-	F _{DL_high}	-50	1	2
	Frequency range	1805	-	1855	-40	1	33
	Frequency range	1855	-	1880	-15.5	5	15, 26, 33
n40	E-UTRA Band 1, 3, 5, 7, 8, 11, 18, 19, 20, 21, 22, 26, 27, 28, 31, 32, 33, 34, 38, 39, 42, 43, 44, 45, 50, 51, 52, 65, 67, 68, 69, 72, 74, 75, 76 NR Band n77, n78	F _{DL_low}	-	F _{DL_high}	-50	1	
	NR Band n79	F _{DL_low}	-	F _{DL_high}	-50	1	2

	Frequency range	1884.5		1915.7	-41	0.3	8
n41	E-UTRA Band 1, 2, 3, 4, 5, 8, 12, 13, 14, 17, 24, 25, 26, 27, 28, 29, 30, 34, 39, 42, 44, 45, 48, 50, 51, 52, 65, 66, 70, 71, 73, 74, 85, NR Band n77, n78	F _{DL_low}	-	F _{DL_high}	-50	1	
	NR Band n79	F _{DL_low}	-	F _{DL_high}	-50	1	2
	E-UTRA Band 11, 18, 19, 21	F _{DL_low}	-	F _{DL_high}	-50	1	
	Frequency range	1884.5		1915.7	-41	0.3	8
n50	E-UTRA Band 1, 2, 3, 4, 5, 7, 8, 12, 13, 17, 20, 26, 28, 29, 31, 34, 38, 39, 40, 41, 42, 43, 48, 52, 65, 66, 67, 68, 85	F _{DL_low}	-	F _{DL_high}	-50	1	
n51	E-UTRA Band 1, 2, 3, 4, 5, 7, 8, 12, 13, 17, 20, 26, 28, 29, 31, 34, 38, 39, 40, 41, 42, 43, 48, 65, 66, 67, 68	F _{DL_low}	-	F _{DL_high}	-50	1	
n66, n86	E-UTRA Band 2, 4, 5, 7, 12, 13, 14, 17, 25, 26, 27, 28, 29, 30, 38, 41, 43, 50, 51, 53, 66, 70, 71, 74, 85	F _{DL_low}	-	F _{DL_high}	-50	1	
	E-UTRA Band 42, 48	F _{DL_low}	-	F _{DL_high}	-50	1	2
n70	E-UTRA Band 2, 4, 5, 12, 13, 14, 17, 24, 25, 26, 29, 30, 41, 48, 66, 70, 71, 85	F _{DL_low}	-	F _{DL_high}	-50	1	2
n71	E-UTRA Band 4, 5, 12, 13, 14, 17, 24, 26, 30, 48, 53, 66, 85	F _{DL_low}	-	F _{DL_high}	-50	1	
	E-UTRA Band 2, 25, 41, 70	F _{DL_low}	-	F _{DL_high}	-50	1	2
	E-UTRA Band 29	F _{DL_low}	-	F _{DL_high}	-38	1	15
	E-UTRA Band 71	F _{DL_low}	-	F _{DL_high}	-50	1	15
n74	E-UTRA Band 1, 2, 3, 4, 5, 7, 8, 12, 13, 17, 18, 19, 20, 26, 28, 29, 31, 34, 38, 39, 40, 41, 42, 43, 48, 52, 65, 66, 67, 68, 85 NR Band n77, n78	F _{DL_low}	-	F _{DL_high}	-50	1	
	NR Band n79	F _{DL_low}	-	F _{DL_high}	-50	1	2
	Frequency range	1884.5	-	1915.7	-41	0.3	8
	Frequency range	1400	-	1427	-32	27	15, 41
	Frequency range	1475	-	1488	-50	1	42
	Frequency range	1475	-	1488	-28	1	15, 42
	Frequency range	1475	-	1488	-50	1	15, 45
	Frequency range	1475.9	-	1510.9	-35	1	15, 46
n77	E-UTRA Band 1, 3, 5, 7, 8, 11, 18, 19, 20, 21, 26, 28, 34, 39, 40, 41, 65, 74	F _{DL_low}	--	F _{DL_high}	-50	1	
	Frequency range	1884.5	--	1915.7	-41	0.3	8
n78	E-UTRA Band 1, 3, 5, 7, 8, 11, 18, 19, 20, 21, 26, 28, 32, 34, 39, 40, 41, 65, 74, 75, 76	F _{DL_low}	-	F _{DL_high}	-50	1	
	Frequency range	1884.5	-	1915.7	-41	0.3	8
n79	E-UTRA Band 1, 3, 5, 7, 8, 11, 18, 19, 21, 28, 34, 39, 40, 41, 42, 65, 74	F _{DL_low}	--	F _{DL_high}	-50	1	
	Frequency range	1884.5	--	1915.7	-41	0.3	
<p>NOTE 1: F_{DL_low} and F_{DL_high} refer to each frequency band specified in Table 5.2-1 for NR band, Table 5.2-1 in TS 36.521-1 [21] for E-UTRA band.</p> <p>NOTE 2: As exceptions, measurements with a level up to the applicable requirements defined in Table 6.5.3.1.3-2 are permitted for each assigned NR carrier used in the measurement due to 2nd, 3rd, 4th or 5th harmonic spurious emissions. Due to spreading of the harmonic emission the exception is also allowed for the first 1 MHz frequency range immediately outside the harmonic emission on both sides of the harmonic emission. This results in an overall exception interval centred at the harmonic emission of (2MHz + N x LCRB x RBSizekHz), where N is 2, 3, 4, [5] for the 2nd, 3rd, 4th</p>							

- [or 5th] harmonic respectively. The exception is allowed if the measurement bandwidth (MBW) totally or partially overlaps the overall exception interval.
- NOTE 3: 15 kHz SCS is assumed when RB is mentioned in the note when channel bandwidth is less than or equal to 50MHz, lowest SCS is assumed when channel bandwidth is larger than 50MHz. The transmission bandwidth in terms of RB position and range is not limited to 15 kHz SCS and shall scale with SCS accordingly.
- NOTE 4: Void
- NOTE 5: For non synchronised TDD operation to meet these requirements some restriction will be needed for either the operating band or protected band.
- NOTE 6: N/A
- NOTE 7: Void.
- NOTE 8: Applicable when co-existence with PHS system operating in 1884.5 -1915.7MHz.
- NOTE 9: Void
- NOTE 10: Void
- NOTE 11: Void
- NOTE 12: Void
- NOTE 13: Void.
- NOTE 14: Void
- NOTE 15: These requirements also apply for the frequency ranges that are less than F_{OoB} (MHz) in Table 6.5.3.1.3-1 from the edge of the channel bandwidth.
- NOTE 16: Void
- NOTE 17: Void
- NOTE 18: Void
- NOTE 19: Applicable when the assigned NR carrier is confined within 718 MHz and 748 MHz and when the channel bandwidth used is 5 or 10 MHz.
- NOTE 20: Void
- NOTE 21: This requirement is applicable for any channel bandwidths within the range 2500 - 2570 MHz with the following restriction: for carriers of 15 MHz bandwidth when carrier centre frequency is within the range 2560.5 - 2562.5 MHz and for carriers of 20 MHz bandwidth when carrier centre frequency is within the range 2552 - 2560 MHz the requirement is applicable only for an uplink transmission bandwidth less than or equal to 54 RB.
- NOTE 22: This requirement is applicable for power class 3 UE for any channel bandwidths within the range 2570 - 2615 MHz with the following restriction: for carriers of 15 MHz bandwidth when carrier centre frequency is within the range 2605.5 - 2607.5 MHz and for carriers of 20 MHz bandwidth when carrier centre frequency is within the range 2597 - 2605 MHz the requirement is applicable only for an uplink transmission bandwidth less than or equal to 54 RB. For power class 2 UE for any channel bandwidths within the range 2570 - 2615 MHz, NS_44 shall apply. For power class 2 or 3 UE for carriers with channel bandwidth overlapping the frequency range 2615 - 2620 MHz the requirement applies with the maximum output power configured to +19 dBm in the IE P-Max.
- NOTE 23: Void.
- NOTE 24: As exceptions, measurements with a level up to the applicable requirement of -38 dBm/MHz is permitted for each assigned NR carrier used in the measurement due to 2nd harmonic spurious emissions. An exception is allowed if there is at least one individual RB within the transmission bandwidth (see Figure 5.3.1-1) for which the 2nd harmonic totally or partially overlaps the measurement bandwidth (MBW).
- NOTE 25: As exceptions, measurements with a level up to the applicable requirement of -36 dBm/MHz is permitted for each assigned NR carrier used in the measurement due to 3rd harmonic spurious emissions. An exception is allowed if there is at least one individual RB within the transmission bandwidth (see Figure 5.3.1-1) for which the 3rd harmonic totally or partially overlaps the measurement bandwidth (MBW).
- NOTE 26: For these adjacent bands, the emission limit could imply risk of harmful interference to UE(s) operating in the protected operating band.
- NOTE 27: This requirement is applicable for any channel bandwidths within the range 1920 - 1980 MHz with the following restriction: for carriers of 15 MHz bandwidth when carrier centre frequency is within the range 1927.5 - 1929.5 MHz and for carriers of 20 MHz bandwidth when carrier centre frequency is within the range 1930 - 1938 MHz the requirement is applicable only for an uplink transmission bandwidth less than or equal to 54 RB.
- NOTE 28: Void
- NOTE 29: Void
- NOTE 30: Void
- NOTE 31: Void
- NOTE 32: Void
- NOTE 33: This requirement is only applicable for carriers with bandwidth up to 20MHz and confined within 1885-1920 MHz (requirement for carriers with at least 1RB confined within 1880 - 1885 MHz is not specified). This requirement applies for an uplink transmission bandwidth less than or equal to 54 RB for carriers of 15 MHz bandwidth when carrier centre frequency is within the range 1892.5 - 1894.5 MHz and for carriers of 20 MHz bandwidth when carrier centre frequency is within the range 1895 - 1903 MHz.

NOTE 34: This requirement is applicable for 5 and 10 MHz NR channel bandwidth allocated within 718-728MHz. For carriers of 10 MHz bandwidth, this requirement applies for an uplink transmission bandwidth less than or equal to 30 RB with $RB_{start} > 1$ and $RB_{start} < 48$.

NOTE 35: This requirement is applicable in the case of a 10 MHz NR carrier confined within 703 MHz and 733 MHz, otherwise the requirement of -25 dBm with a measurement bandwidth of 8 MHz applies.

NOTE 36: Void

NOTE 37: Void

NOTE 38: Void

NOTE 39: Void.

NOTE 40: Void

NOTE 41: Applicable for cases when the lower edge of the assigned NR UL channel bandwidth frequency is greater than or equal to 1427 MHz + the channel BW assigned for 5 and 10 MHz bandwidth, and when the lower edge of the assigned NR UL channel bandwidth frequency is greater than or equal to 1440 MHz for 15 and 20 MHz bandwidth. This requirement shall be verified with UE transmission power of 15 dBm.

NOTE 42: Applicable when upper edge of the assigned NR UL channel bandwidth frequency is more than 1460MHz and more than 1460MHz and less than or equal to 1470MHz for 5 MHz bandwidth, and when the upper edge of the assigned NR UL channel bandwidth frequency is less than or equal to 1465 MHz for 10 MHz bandwidth.

NOTE 43: Void

NOTE 44: Void

NOTE 45: Applicable when upper edge of the assigned NR UL channel bandwidth frequency is equal to or less than 1460MHz.

NOTE 46: Applicable for 5MHz bandwidth and when the NR carrier is within 1447.9 – 1462.9 MHz.

NOTE: To simplify Table 6.5.3.2.3-1, E-UTRA band numbers are listed for bands which are specified only for E-UTRA operation or both E-UTRA and NR operation. NR band numbers are listed for bands which are specified only for NR operation.

Table 6.5.3.2.3-2 Requirements for spurious emissions for UE co-existence Rel-16 specifies the requirements for NR bands for coexistence with protected bands.

Table 6.5.3.2.3-2: Requirements for spurious emissions for UE co-existence Rel-16

NR Band	Spurious emission for UE co-existence						
	Protected band	Frequency range (MHz)			Maximum Level (dBm)	MBW (MHz)	NOTE
n1, n84	E-UTRA Band 1, 5, 7, 8, 11, 18, 19, 20, 21, 22, 26, 27, 28, 31, 32, 38, 40, 41, 42, 43, 44, 45, 50, 51, 52, 65, 67, 68, 69, 72, 73, 74, 75, 76 NR Band n78, n79	F _{DL_low}	--	F _{DL_high}	-50	1	
	NR Band n77	F _{DL_low}	-	F _{DL_high}	-50	1	2
	E-UTRA Band 3	F _{DL_low}	-	F _{DL_high}	-50	1	15
	E-UTRA Band 34	F _{DL_low}	-	F _{DL_high}	-50	1	15, 43
	Frequency range	1880	-	1895	-40	1	15, 27
	Frequency range	1895	-	1915	-15.5	5	15, 26, 27
	Frequency range	1915	-	1920	+1.6	5	15, 26, 27
n2	E-UTRA Band 4, 5, 12, 13, 14, 17, 24, 26, 27, 28, 29, 30, 41, 42, 50, 51, 53, 66, 70, 71, 74, 85	F _{DL_low}	-	F _{DL_high}	-50	1	
	E-UTRA Band 2, 25	F _{DL_low}	-	F _{DL_high}	-50	1	15
	E-UTRA Band 43, 48 NR Band n77	F _{DL_low}	-	F _{DL_high}	-50	1	2
n3, n80	E-UTRA Band 1, 5, 7, 8, 20, 26, 27, 28, 31, 32, 33, 34, 38, 39, 40, 41, 43, 44, 45, 50, 51, 65, 67, 68, 69, 72, 73, 74, 75, 76. NR Band n79	F _{DL_low}	-	F _{DL_high}	-50	1	
	E-UTRA Band 3	F _{DL_low}	-	F _{DL_high}	-50	1	15

	E-UTRA Band 11, 18, 19, 21	F _{DL_low}	-	F _{DL_high}	-50	1	
	E-UTRA Band 22, 42, 52 NR Band n77, n78	F _{DL_low}	-	F _{DL_high}	-50	1	2
	Frequency range	1884.5	-	1915.7	-41	0.3	8
n5, n89	E-UTRA Band 1, 2, 3, 4, 5, 7, 8, 12, 13, 14, 17, 18, 19, 24, 25, 26, 28, 29, 30, 31, 34, 38, 40, 42, 43, 45, 48, 50, 51, 65, 66, 70, 71, 73, 74, 85 NR Band n79	F _{DL_low}	-	F _{DL_high}	-50	1	
	E-UTRA Band 41, 52, 53 NR Band n77, n78	F _{DL_low}	-	F _{DL_high}	-50	1	2
	E-UTRA Band 11, 21	F _{DL_low}	-	F _{DL_high}	-50	1	
	Frequency range	1884.5	-	1915.7	-41	0.3	8
n7	E-UTRA Band 1, 2, 3, 4, 5, 7, 8, 12, 13, 14, 17, 20, 22, 26, 27, 28, 29, 30, 31, 32, 33, 34, 40, 42, 43, 50, 51, 52, 65, 66, 67, 68, 72, 74, 75, 76, 85 NR Band n77, n78	F _{DL_low}	-	F _{DL_high}	-50	1	
	NR Band n79	F _{DL_low}	-	F _{DL_high}	-50	1	2
	Frequency range	2570	-	2575	+1.6	5	15, 21, 26
	Frequency range	2575	-	2595	-15.5	5	15, 21, 26
	Frequency range	2595	-	2620	-40	1	15, 21
n8, n81, n93, n94	E-UTRA Band 1, 20, 28, 31, 32, 33, 34, 38, 39, 40, 45, 50, 51, 65, 67, 68, 69, 72, 73, 74, 75, 76	F _{DL_low}	-	F _{DL_high}	-50	1	
	E-UTRA band 3, 7, 22, 41, 42, 43, 52 NR Band n77, n78, n79	F _{DL_low}	-	F _{DL_high}	-50	1	2
	E-UTRA 8	F _{DL_low}	-	F _{DL_high}	-50	1	15
	E-UTRA Band 11, 21	F _{DL_low}	-	F _{DL_high}	-50	1	
	Frequency range	1884.5	-	1915.7	-41	0.3	8
n12	E-UTRA Band 2, 5, 13, 14, 17, 24, 25, 26, 27, 30, 41, 53, 70, 71, 74	F _{DL_low}	-	F _{DL_high}	-50	1	
	E-UTRA Band 4, 48, 50, 51, 66 NR Band n77	F _{DL_low}	-	F _{DL_high}	-50	1	2
	E-UTRA Band 12, 85	F _{DL_low}	-	F _{DL_high}	-50	1	15
n14	E-UTRA Band 2, 4, 5, 12, 13, 14, 17, 23, 24, 25, 26, 27, 29, 30, 41, 48, 53, 66, 70, 71, 85	F _{DL_low}	-	F _{DL_high}	-50	1	
	NR Band n77	F _{DL_low}	-	F _{DL_high}	-50	1	2
	Frequency range	769	-	775	-35	0.0062 5	12, 15
	Frequency range	799	-	805	-35	0.0062 5	11, 12, 15
n18	E-UTRA Band 1, 3, 11, 21, 34, 40, 42, 65 NR Band n79	F _{DL_low}	-	F _{DL_high}	-50	1	
	NR Band n77, n78	F _{DL_low}	-	F _{DL_high}	-50	1	2
	Frequency range	758	-	799	-50	1	
	Frequency range	799	-	803	-40	1	
	Frequency range	860	-	890	-40	1	
	Frequency range	945	-	960	-50	1	
	Frequency range	1884.5	-	1915.7	-41	0.3	8
	Frequency range	2545	-	2575	-50	1	
	Frequency range	2595	-	2645	-50	1	
n20, n82, n91, n92	E-UTRA Band 1, 3, 7, 8, 22, 31, 32, 33, 34, 40, 43, 50, 51, 65, 67, 68, 72, 74, 75, 76	F _{DL_low}	-	F _{DL_high}	-50	1	
	E-UTRA Band 20	F _{DL_low}	-	F _{DL_high}	-50	1	15

	E-UTRA Band 38, 42, 52, 69 NR Band n77, n78	F _{DL_low}	-	F _{DL_high}	-50	1	2
	Frequency range	758	-	788	-50	1	
n25	E-UTRA Band 4, 5, 12, 13, 14, 17, 24, 26, 27, 28, 29, 30, 41, 42, 53, 66, 70, 71, 85	F _{DL_low}	-	F _{DL_high}	-50	1	
	E-UTRA Band 2	F _{DL_low}	-	F _{DL_high}	-50	1	15
	E-UTRA Band 25	F _{DL_low}	-	F _{DL_high}	-50	1	15
	E-UTRA Band 43, 48 NR Band n77	F _{DL_low}	-	F _{DL_high}	-50	1	2
n26	E-UTRA Band 1, 2, 3, 4, 5, 11, 12, 13, 14, 17, 18,19, 21, 24, 25, 26, 29, 30, 31, 34, 39, 40, 42, 43, 48, 50, 51, 65, 66, 70, 71, 73,74, 85	F _{DL_low}	-	F _{DL_high}	-50	1	
	E-UTRA Band 41, 53 NR Band n77, n78, n79	F _{DL_low}	-	F _{DL_high}	-50	1	2
	Frequency range	703	-	799	-50	1	
	Frequency range	799	-	803	-40	1	15
	Frequency range	945	-	960	-50	1	
	Frequency range	1884.5	-	1915.7	-41	0.3	8
n28, n83	E-UTRA Band 1, 4, 22, 32, 42, 43, 50, 51, 65, 66, 74, 75, 76 NR Band n77, n78	F _{DL_low}	-	F _{DL_high}	-50	1	2
	E-UTRA Band 1	F _{DL_low}	-	F _{DL_high}	-50	1	19, 25
	E-UTRA Band 2, 3, 5, 7, 8, 18, 19, 20, 25, 26, 27, 31, 34, 38, 39, 40, 41, 52, 72, 73 NR Band n79	F _{DL_low}	-	F _{DL_high}	-50	1	
	E-UTRA Band 11, 21	F _{DL_low}	-	F _{DL_high}	-50	1	19, 24
	Frequency range	470	-	694	-42	8	15, 35
	Frequency range	470	-	710	-26.2	6	34
	Frequency range	662	-	694	-26.2	6	15
	Frequency range	758	-	773	-32	1	15
	Frequency range	773	-	803	-50	1	
	Frequency range	1884.5	-	1915.7	-41	0.3	8, 19
n30	E-UTRA Band 2, 4, 5, 7, 12, 13, 14, 17, 24, 25, 26, 27, 29, 30, 38, 41, 48, 53, 66, 70, 71, 85 NR Band n77	F _{DL_low}	-	F _{DL_high}	-50	1	
n34	E-UTRA Band 1, 3, 7, 8, 11, 18, 19, 20, 21, 22, 26, 28, 31, 32, 33, 38,39, 40, 41, 42, 43, 44, 45, 50, 51, 52, 65, 67, 69, 72, 74, 75, 76 NR Band n78, n79	F _{DL_low}	-	F _{DL_high}	-50	1	5
	NR Band n77	F _{DL_low}	-	F _{DL_high}	-50	1	2
	Frequency range	1884.5	-	1915.7	-41	0.3	8
n38	E-UTRA Band 1, 2, 3, 4, 5, 8, 12, 13, 14, 17, 20, 22, 27, 28, 29, 30, 31, 32, 33, 34, 40, 42, 43, 50, 51, 52, 65, 66, 67, 68, 72, 74, 75, 76, 85	F _{DL_low}	-	F _{DL_high}	-50	1	
	NR Band n77, n78, n79	F _{DL_low}	-	F _{DL_high}	-50	1	
	Frequency range	2620	-	2645	-15.5	5	15, 22, 26
	Frequency range	2645	-	2690	-40	1	15, 22
n39	E-UTRA Band 1, 8, 22, 26, 28, 34, 40, 41, 42, 44, 45, 50, 51, 52, 74 NR Band n79	F _{DL_low}	-	F _{DL_high}	-50	1	
	NR Band n77, n78	F _{DL_low}	-	F _{DL_high}	-50	1	2
	Frequency range	1805	-	1855	-40	1	33

	Frequency range	1855	-	1880	-15.5	5	15, 26, 33
n40	E-UTRA Band 1, 3, 5, 7, 8, 11, 18, 19, 20, 21, 22, 26, 27, 28, 31, 32, 33, 34, 38, 39, 41, 42, 43, 44, 45, 50, 51, 52, 65, 67, 68, 69, 72, 74, 75, 76 NR Band n77, n78	F _{DL_low}	-	F _{DL_high}	-50	1	44
	NR Band n79	F _{DL_low}	-	F _{DL_high}	-50	1	2
	Frequency range	1884.5		1915.7	-41	0.3	8
n41	E-UTRA Band 1, 2, 3, 4, 5, 8, 12, 13, 14, 17, 24, 25, 26, 27, 28, 29, 30, 34, 39, 42, 44, 45, 48, 50, 51, 52, 65, 66, 70, 71, 73, 74, 85 NR Band n77, n78	F _{DL_low}	-	F _{DL_high}	-50	1	
	E-UTRA Band 40	F _{DL_low}	-	F _{DL_high}	-40	1	
	NR Band n79	F _{DL_low}	-	F _{DL_high}	-50	1	2
	E-UTRA Band 11, 18, 19, 21	F _{DL_low}	-	F _{DL_high}	-50	1	
	Frequency range	1884.5		1915.7	-41	0.3	8
n47	E-UTRA Band 1, 3, 5, 7, 8, 22, 26, 28, 34, 39, 40, 41, 42, 44, 45, 65, 68, 72, 73	F _{DL_low}	-	F _{DL_high}	-50	1	
	NR Band n71, n77, n78, n79	F _{DL_low}	-	F _{DL_high}	-50	1	
n48	E-UTRA Band 2, 4, 5, 12, 13, 14, 17, 24, 25, 26, 29, 30, 41, 50, 51, 66, 70, 71, 74, 85	F _{DL_low}	-	F _{DL_high}	-50	1	
n50	E-UTRA Band 1, 2, 3, 4, 5, 7, 8, 12, 13, 17, 20, 26, 28, 29, 31, 34, 38, 39, 40, 41, 42, 43, 48, 65, 66, 67, 68	F _{DL_low}	-	F _{DL_high}	-50	1	
n51	E-UTRA Band 1, 2, 3, 4, 5, 7, 8, 12, 13, 17, 20, 26, 28, 29, 31, 34, 38, 39, 40, 41, 42, 43, 48, 52, 65, 66, 67, 68, 85	F _{DL_low}	-	F _{DL_high}	-50	1	
n53	E-UTRA Band 2, 4, 5, 12, 13, 14, 17, 24, 25, 26, 29, 30, 48, 66, 70, 71, 85 NR Band n77	F _{DL_low}	-	F _{DL_high}	-50	1	
n65	E-UTRA Band 1, 3, 5, 7, 8, 11, 18, 19, 20, 21, 22, 26, 27, 28, 31, 32, 38, 40, 41, 42, 43, 50, 51, 65, 68, 69, 72, 74, 75, 76 NR Band n78, n79	F _{DL_low}	-	F _{DL_high}	-50	1	
	NR Band n77	F _{DL_low}	-	F _{DL_high}	-50	1	2
	E-UTRA Band 34	F _{DL_low}	-	F _{DL_high}	-50	1	43
	Frequency range	1900	-	1915	-15.5	5	15, 26, 27
	Frequency range	1915	-	1920	+1.6	5	15, 26, 27
n66, n86	E-UTRA Band 2, 4, 5, 7, 12, 13, 14, 17, 25, 26, 27, 28, 29, 30, 38, 41, 43, 50, 51, 53, 66, 70, 71, 74, 85	F _{DL_low}	-	F _{DL_high}	-50	1	
	E-UTRA Band 42, 48 NR Band n77	F _{DL_low}	-	F _{DL_high}	-50	1	2
n70	E-UTRA Band 2, 4, 5, 12, 13, 14, 17, 24, 25, 26, 29, 30, 41, 48, 66, 70, 71, 85	F _{DL_low}	-	F _{DL_high}	-50	1	
	NR Band n47, n77	F _{DL_low}	-	F _{DL_high}	-50	1	2
n71	E-UTRA Band 4, 5, 12, 13, 14, 17, 24, 26, 30, 48, 53, 66, 85	F _{DL_low}	-	F _{DL_high}	-50	1	
	E-UTRA Band 2, 25, 41, 70 NR Band n77	F _{DL_low}	-	F _{DL_high}	-50	1	2
	E-UTRA Band 29	F _{DL_low}	-	F _{DL_high}	-38	1	15

	E-UTRA Band 71	F _{DL_low}	-	F _{DL_high}	-50	1	15
n74	E-UTRA Band 1, 2, 3, 4, 5, 7, 8, 12, 13, 17, 18, 19, 20, 26, 28, 29, 31, 34, 38, 39, 40, 41, 42, 43, 48, 52, 65, 66, 67, 68, 85 NR Band n77, n78	F _{DL_low}	-	F _{DL_high}	-50	1	
	NR Band n79	F _{DL_low}	-	F _{DL_high}	-50	1	2
	Frequency range	1884.5	-	1915.7	-41	0.3	8
	Frequency range	1400	-	1427	-32	27	15, 41
	Frequency range	1475	-	1488	-28	1	15, 42
	Frequency range	1475	-	1488	-50	1	15, 45
	Frequency range	1475.9	-	1510.9	-35	1	15, 46
	Frequency range	1488	-	1518	-50	1	15
n77	E-UTRA Band 1, 2, 3, 4, 5, 7, 8, 11, 12, 13, 14, 17, 18, 19, 20, 21, 24, 25, 26, 27, 28, 29, 30, 34, 39, 40, 41, 53, 65, 66, 70, 71, 74, 85	F _{DL_low}	-	F _{DL_high}	-50	1	
	Frequency range	1884.5	-	1915.7	-41	0.3	8
n78	E-UTRA Band 1, 3, 5, 7, 8, 11, 18, 19, 20, 21, 26, 28, 32, 34, 39, 40, 41, 65, 75, 76	F _{DL_low}	-	F _{DL_high}	-50	1	
	Frequency range	1884.5	-	1915.7	-41	0.3	8
n79	E-UTRA Band 1, 3, 5, 7, 8, 11, 18, 19, 21, 28, 34, 39, 40, 41, 42, 65, 74	F _{DL_low}	-	F _{DL_high}	-50	1	
	Frequency range	1884.5	-	1915.7	-41	0.3	8
n95	E-UTRA Band 1, 3, 5, 8, 28, 39, 40, 41 NR Band n78, n79	F _{DL_low}	-	F _{DL_high}	-50	1	5
	NR Band n77	F _{DL_low}	-	F _{DL_high}	-50	1	2
	Frequency range	1884.5	-	1915.7	-41	0.3	8
NOTE 1: F _{DL_low} and F _{DL_high} refer to each frequency band specified in Table 5.2-1 in TS 38.101-1 or Table 5.5-1 in TS 36.101.							
NOTE 2: As exceptions, measurements with a level up to the applicable requirements defined in Table 6.5.3.1-2 are permitted for each assigned NR carrier used in the measurement due to 2nd, 3rd, 4th or 5th harmonic spurious emissions. Due to spreading of the harmonic emission the exception is also allowed for the first 1 MHz frequency range immediately outside the harmonic emission on both sides of the harmonic emission. This results in an overall exception interval centred at the harmonic emission of (2 MHz + N x L _{CRB} x R _{Size} kHz), where N is 2, 3, 4, 5 for the 2nd, 3rd, 4th or 5th harmonic respectively. The exception is allowed if the measurement bandwidth (MBW) totally or partially overlaps the overall exception interval.							
NOTE 3: 15 kHz SCS is assumed when RB is mentioned in the note when channel bandwidth is less than or equal to 50 MHz, lowest SCS is assumed when channel bandwidth is larger than 50 MHz. The transmission bandwidth in terms of RB position and range is not limited to 15 kHz SCS and shall scale with SCS accordingly.							
NOTE 4: Void							
NOTE 5: For non-synchronised TDD operation to meet these requirements some restriction will be needed for either the operating band or protected band.							
NOTE 6: N/A							
NOTE 7: Void.							
NOTE 8: Applicable when co-existence with PHS system operating in 1884.5 -1915.7 MHz.							
NOTE 9: Void							
NOTE 10: Void							
NOTE 11: Void							
NOTE 12: The emissions measurement shall be sufficiently power averaged to ensure a standard deviation < 0.5 dB							
NOTE 13: Void.							
NOTE 14: Void							
NOTE 15: These requirements also apply for the frequency ranges that are less than F _{OOB} (MHz) in Table 6.5.3.1.3-1 from the edge of the channel bandwidth.							
NOTE 16: Void							
NOTE 17: Void							
NOTE 18: Void							
NOTE 19: Applicable when the assigned NR carrier is confined within 718 MHz and 748 MHz and when the channel bandwidth used is 5 or 10 MHz.							

- NOTE 20: Void
- NOTE 21: This requirement is applicable for any channel bandwidths up to 20 MHz within the range 2500 - 2570 MHz with the following restriction: for carriers of 15 MHz bandwidth when carrier centre frequency is within the range 2560.5 - 2562.5 MHz and for carriers of 20 MHz bandwidth when carrier centre frequency is within the range 2552 - 2560 MHz the requirement is applicable only for an uplink transmission bandwidth less than or equal to 54 RB.
- NOTE 22: This requirement is applicable for power class 3 UE for any channel bandwidths up to 20 MHz. For channel bandwidth within the range 2570 - 2615 MHz with the following restriction: for carriers of 15 MHz bandwidth when the carrier centre frequency is within the range 2605.5 - 2607.5 MHz and for carriers of 20 MHz bandwidth when the carrier centre frequency is within the range 2597 - 2605 MHz the requirement is applicable only for an uplink transmission bandwidth less than or equal to 54 RB. For carriers overlapping the frequency range 2615 - 2620 MHz the requirement applies with the maximum output power configured to +19 dBm in the IE P-Max.
- NOTE 23: Void.
- NOTE 24: As exceptions, measurements with a level up to the applicable requirement of -38 dBm/MHz is permitted for each assigned NR carrier used in the measurement due to 2nd harmonic spurious emissions. An exception is allowed if there is at least one individual RB within the transmission bandwidth (see Figure 5.3.1-1) for which the 2nd harmonic totally or partially overlaps the measurement bandwidth (MBW).
- NOTE 25: As exceptions, measurements with a level up to the applicable requirement of -36 dBm/MHz is permitted for each assigned NR carrier used in the measurement due to 3rd harmonic spurious emissions. An exception is allowed if there is at least one individual RB within the transmission bandwidth (see Figure 5.3.1-1) for which the 3rd harmonic totally or partially overlaps the measurement bandwidth (MBW).
- NOTE 26: For these adjacent bands, the emission limit could imply risk of harmful interference to UE(s) operating in the protected operating band.
- NOTE 27: This requirement is applicable for channel bandwidths up to 20 MHz within the range 1920 - 1980 MHz with the following restriction: for carriers of 15 MHz bandwidth when the carrier centre frequency is within the range 1927.5 - 1929.5 MHz and for carriers of 20 MHz bandwidth when the carrier centre frequency is within the range 1930 - 1938 MHz the requirement is applicable only for an uplink transmission bandwidth less than or equal to 54 RB.
- NOTE 28: Void
- NOTE 29: Void
- NOTE 30: Void
- NOTE 31: Void
- NOTE 32: Void
- NOTE 33: This requirement is only applicable for carriers with bandwidth up to 20MHz and confined within 1885-1920 MHz (requirement for carriers with at least 1RB confined within 1880 - 1885 MHz is not specified). This requirement applies for an uplink transmission bandwidth less than or equal to 54 RB for carriers of 15 MHz bandwidth when carrier centre frequency is within the range 1892.5 - 1894.5 MHz and for carriers of 20 MHz bandwidth when carrier centre frequency is within the range 1895 - 1903 MHz.
- NOTE 34: This requirement is applicable for 5 and 10 MHz NR channel bandwidth allocated within 718-728 MHz. For carriers of 10 MHz bandwidth, this requirement applies for an uplink transmission bandwidth less than or equal to 30 RB with $RB_{start} > 1$ and $RB_{start} < 48$.
- NOTE 35: This requirement is applicable in the case of a 10 MHz NR carrier confined within 703 MHz and 733 MHz, otherwise the requirement of -25 dBm with a measurement bandwidth of 8 MHz applies.
- NOTE 36: Void
- NOTE 37: Void
- NOTE 38: Void
- NOTE 39: Void.
- NOTE 40: Void
- NOTE 41: Applicable for cases and when the lower edge of the assigned NR UL channel bandwidth frequency is greater than or equal to 1427 MHz + the channel BW assigned for 5 and 10 MHz bandwidth, and when the lower edge of the assigned NR UL channel bandwidth frequency is greater than or equal to 1440 MHz for 15 and 20 MHz bandwidth. This requirement shall be verified with UE transmission power configured as high as possible but no higher than 15 dBm.
- NOTE 42: Applicable when upper edge of the assigned NR UL channel bandwidth frequency is more than 1460 MHz and less than or equal to 1470 MHz for 5 MHz bandwidth, and when the upper edge of the assigned NR UL channel bandwidth frequency is more than 1460 MHz and less than or equal to 1465 MHz for 10 MHz bandwidth.
- NOTE 43: This requirement is applicable for UE which is operating in power class 3 and NR channel bandwidths up to 20 MHz within frequency range 1920-1980 MHz.
- NOTE 44: As exceptions, for 90 and 100 MHz channel bandwidth, -40 dBm/MHz is applicable in the frequency range of 2496 – 2505 MHz
- NOTE 45: Applicable when upper edge of the assigned NR UL channel bandwidth frequency is equal to or less than 1460MHz.
- NOTE 46: Applicable for 5MHz bandwidth and when the NR carrier is within 1447.9 – 1462.9 MHz.

Table 6.5.3.2.3-3: Requirements for spurious emissions for UE co-existence Rel-17

NR Band	Spurious emission for UE co-existence						
	Protected band	Frequency range (MHz)			Maximum Level (dBm)	MBW (MHz)	NOTE
n1, n84	E-UTRA Band 1, 5, 7, 8, 11, 18, 19, 20, 21, 22, 26, 27, 28, 31, 32, 38, 40, 41, 42, 43, 44, 45, 50, 51, 52, 65, 67, 68, 69, 72, 73, 74, 75, 76, NR Band n78, n79, n100	F _{DL_low}	-	F _{DL_high}	-50	1	
	NR Band n77	F _{DL_low}	-	F _{DL_high}	-50	1	2
	E-UTRA Band 3	F _{DL_low}	-	F _{DL_high}	-50	1	15
	E-UTRA Band 34	F _{DL_low}	-	F _{DL_high}	-50	1	15, 43
	Frequency range	1880	-	1895	-40	1	15, 27
	Frequency range	1895	-	1915	-15.5	5	15, 26, 27
	Frequency range	1915	-	1920	+1.6	5	15, 26, 27
n2	E-UTRA Band 4, 5, 7, 12, 13, 14, 17, 24, 26, 27, 28, 29, 30, 41, 42, 50, 51, 53, 66, 70, 71, 74, 85, 103	F _{DL_low}	-	F _{DL_high}	-50	1	
	E-UTRA Band 2, 25	F _{DL_low}	-	F _{DL_high}	-50	1	15
	E-UTRA Band 43, 48 NR Band n77	F _{DL_low}	-	F _{DL_high}	-50	1	2
n3, n80	E-UTRA Band 1, 5, 7, 8, 20, 26, 27, 28, 31, 32, 33, 34, 38, 39, 40, 41, 43, 44, 45, 50, 51, 65, 67, 68, 69, 72, 73, 74, 75, 76. NR Band n79, n100, n101	F _{DL_low}	-	F _{DL_high}	-50	1	
	E-UTRA Band 3	F _{DL_low}	-	F _{DL_high}	-50	1	15
	E-UTRA Band 11, 18, 19, 21	F _{DL_low}	-	F _{DL_high}	-50	1	
	E-UTRA Band 22, 42, 52 NR Band n77, n78	F _{DL_low}	-	F _{DL_high}	-50	1	2
	Frequency range	1884.5	-	1915.7	-41	0.3	8
n5, n89	E-UTRA Band 1, 2, 3, 4, 5, 7, 8, 12, 13, 14, 17, 18, 19, 24, 25, 26, 28, 29, 30, 31, 34, 38, 40, 42, 43, 45, 48, 50, 51, 65, 66, 70, 71, 73, 74, 85, 103 NR Band n79	F _{DL_low}	-	F _{DL_high}	-50	1	
	E-UTRA Band 41, 52, 53 NR Band n77, n78	F _{DL_low}	-	F _{DL_high}	-50	1	2
	E-UTRA Band 11, 21	F _{DL_low}	-	F _{DL_high}	-50	1	
	Frequency range	1884.5	-	1915.7	-41	0.3	8
n7	E-UTRA Band 1, 2, 3, 4, 5, 7, 8, 12, 13, 14, 17, 20, 22, 25, 26, 27, 28, 29, 30, 31, 32, 33, 34, 40, 42, 43, 50, 51, 52, 65, 66, 67, 68, 71, 72, 74, 75, 76, 85, 103 NR Band n77, n78, n100, n101	F _{DL_low}	-	F _{DL_high}	-50	1	
	NR Band n79	F _{DL_low}	-	F _{DL_high}	-50	1	2
	Frequency range	2570	-	2575	+1.6	5	15, 21, 26
	Frequency range	2575	-	2595	-15.5	5	15, 21, 26
	Frequency range	2595	-	2620	-40	1	15, 21
n8, n81, n93, n94	E-UTRA Band 1, 20, 28, 31, 32, 33, 34, 38, 39, 40, 45, 50, 51, 65, 67, 68, 69, 72, 73, 74, 75, 76	F _{DL_low}	-	F _{DL_high}	-50	1	

NR Band	Spurious emission for UE co-existence						
	Protected band	Frequency range (MHz)			Maximum Level (dBm)	MBW (MHz)	NOTE
	NR Band n101						
	E-UTRA band 3, 7, 22, 41, 42, 43, 52, NR Band n77, n78, n79	F _{DL_low}	-	F _{DL_high}	-50	1	2
	E-UTRA 8	F _{DL_low}	-	F _{DL_high}	-50	1	15
	E-UTRA Band 11, 21	F _{DL_low}	-	F _{DL_high}	-50	1	
	Frequency range	1884.5	-	1915.7	-41	0.3	8
n12	E-UTRA Band 2, 5, 13, 14, 17, 24, 25, 26, 27, 30, 41, 53, 70, 71, 74, 103	F _{DL_low}	-	F _{DL_high}	-50	1	
	E-UTRA Band 4, 48, 50, 51, 66 NR Band n77	F _{DL_low}	-	F _{DL_high}	-50	1	2
	E-UTRA Band 12, 85	F _{DL_low}	-	F _{DL_high}	-50	1	15
n13	E-UTRA Band 2, 4, 5, 12, 13, 17, 25, 26, 27, 29, 41, 48, 50, 51, 53, 66, 70, 71, 74, 85	F _{DL_low}	-	F _{DL_high}	-50	1	
	E-UTRA Band 14, 103	F _{DL_low}	-	F _{DL_high}	-50	1	15
	E-UTRA Band 24, 30 NR Band n77	F _{DL_low}	-	F _{DL_high}	-50	1	2
	Frequency range	769	-	775	-35	0.00625	15
	Frequency range	799	-	805	-35	0.00625	11, 15
n14	E-UTRA Band 2, 4, 5, 12, 13, 14, 17, 23, 24, 25, 26, 27, 29, 30, 41, 48, 53, 66, 70, 71, 85, 103	F _{DL_low}	-	F _{DL_high}	-50	1	
	NR Band n77	F _{DL_low}	-	F _{DL_high}	-50	1	2
	Frequency range	769	-	775	-35	0.00625	12, 15
	Frequency range	799	-	805	-35	0.00625	11, 12, 15
n18	E-UTRA Band 1, 3, 11, 21, 34, 40, 42, 65 NR Band n79	F _{DL_low}	-	F _{DL_high}	-50	1	
	NR Band n77, n78	F _{DL_low}	-	F _{DL_high}	-50	1	2
	Frequency range	758	-	799	-50	1	
	Frequency range	799	-	803	-40	1	
	Frequency range	860	-	890	-40	1	
	Frequency range	945	-	960	-50	1	
	Frequency range	1884.5	-	1915.7	-41	0.3	8
	Frequency range	2545	-	2575	-50	1	
n20, n82, n91, n92	E-UTRA Band 1, 3, 7, 8, 22, 31, 32, 33, 34, 40, 43, 50, 51, 65, 67, 68, 72, 74, 75, 76 NR Band n100, n101	F _{DL_low}	-	F _{DL_high}	-50	1	
	E-UTRA Band 20	F _{DL_low}	-	F _{DL_high}	-50	1	15
	E-UTRA Band 38, 42, 52, 69, NR Band n77, n78	F _{DL_low}	-	F _{DL_high}	-50	1	2
	Frequency range	758	-	788	-50	1	
n24, n99	E-UTRA Band 2, 4, 5, 10, 12, 13, 14, 17, 24, 25, 26, 29, 30, 41, 48, 66, 70, 71, 85, 103	F _{DL_low}	-	F _{DL_high}	-50	1	
	NR Band n77	F _{DL_low}	-	F _{DL_high}	-50	1	2
n25	E-UTRA Band 4, 5, 7, 12, 13, 14, 17, 24, 26, 27, 28, 29, 30, 41, 42, 53, 66, 70, 71, 85, 103	F _{DL_low}	-	F _{DL_high}	-50	1	
	E-UTRA Band 2	F _{DL_low}	-	F _{DL_high}	-50	1	15
	E-UTRA Band 25	F _{DL_low}	-	F _{DL_high}	-50	1	15

NR Band	Spurious emission for UE co-existence						
	Protected band	Frequency range (MHz)			Maximum Level (dBm)	MBW (MHz)	NOTE
	E-UTRA Band 43, 48 NR Band n77	F _{DL_low}	-	F _{DL_high}	-50	1	2
n26	E-UTRA Band 1, 2, 3, 4, 5, 11, 12, 13, 14, 17, 18, 19, 21, 24, 25, 26, 29, 30, 31, 34, 39, 40, 42, 43, 48, 50, 51, 65, 66, 70, 71, 73, 74, 85, 103	F _{DL_low}	-	F _{DL_high}	-50	1	
	E-UTRA Band 41, 53 NR Band n77, n78, n79	F _{DL_low}	-	F _{DL_high}	-50	1	2
	Frequency range	703	-	799	-50	1	
	Frequency range	799	-	803	-40	1	15
	Frequency range	945	-	960	-50	1	
	Frequency range	1884.5	-	1915.7	-41	0.3	8
n28, n83	E-UTRA Band 1, 4, 22, 32, 42, 43, 50, 51, 65, 66, 74, 75, 76 NR Band n77, n78, n100, n101	F _{DL_low}	-	F _{DL_high}	-50	1	2
	E-UTRA Band 1	F _{DL_low}	-	F _{DL_high}	-50	1	19, 25
	E-UTRA Band 2, 3, 5, 7, 8, 18, 19, 20, 25, 26, 27, 31, 34, 38, 39, 40, 41, 52, 72, 73 NR Band n79	F _{DL_low}	-	F _{DL_high}	-50	1	
	E-UTRA Band 11, 21	F _{DL_low}	-	F _{DL_high}	-50	1	19, 24
	Frequency range	470	-	694	-42	8	15, 35
	Frequency range	470	-	710	-26.2	6	34
	Frequency range	662	-	694	-26.2	6	15
	Frequency range	758	-	773	-32	1	15
	Frequency range	773	-	803	-50	1	
	Frequency range	1884.5	-	1915.7	-41	0.3	8, 19
n30	E-UTRA Band 2, 4, 5, 7, 12, 13, 14, 17, 24, 25, 26, 27, 29, 30, 38, 41, 48, 53, 66, 70, 71, 85, 103 NR Band n77	F _{DL_low}	-	F _{DL_high}	-50	1	
n34	E-UTRA Band 1, 3, 7, 8, 11, 18, 19, 20, 21, 22, 26, 28, 31, 32, 33, 38, 39, 40, 41, 42, 43, 44, 45, 50, 51, 52, 65, 67, 69, 72, 74, 75, 76 NR Band n78, n79, n100, n101	F _{DL_low}	-	F _{DL_high}	-50	1	5
	NR Band n77	F _{DL_low}	-	F _{DL_high}	-50	1	2
	Frequency range	1884.5	-	1915.7	-41	0.3	8
n38	E-UTRA Band 1, 2, 3, 4, 5, 8, 12, 13, 14, 17, 20, 22, 27, 28, 29, 30, 31, 32, 33, 34, 40, 42, 43, 50, 51, 52, 65, 66, 67, 68, 72, 74, 75, 76, 85, 103 NR Band n100, n101	F _{DL_low}	-	F _{DL_high}	-50	1	
	NR Band n77, n78, n79	F _{DL_low}	-	F _{DL_high}	-50	1	
	Frequency range	2620	-	2645	-15.5	5	15, 22, 26
	Frequency range	2645	-	2690	-40	1	15, 22
n39, n98	E-UTRA Band 1, 8, 22, 26, 28, 34, 40, 41, 42, 44, 45, 50, 51, 52, 74 NR Band n79	F _{DL_low}	-	F _{DL_high}	-50	1	
	NR Band n77, n78	F _{DL_low}	-	F _{DL_high}	-50	1	2
	Frequency range	1805	-	1855	-40	1	33
	Frequency range	1855	-	1880	-15.5	5	15, 26, 33

NR Band	Spurious emission for UE co-existence						
	Protected band	Frequency range (MHz)			Maximum Level (dBm)	MBW (MHz)	NOTE
n40, n97	E-UTRA Band 1, 3, 5, 7, 8, 11, 18, 19, 20, 21, 22, 26, 27, 28, 31, 32, 33, 34, 38, 39, 41, 42, 43, 44, 45, 50, 51, 52, 65, 67, 68, 69, 72, 74, 75, 76 NR Band n77, n78, n100, n101	F _{DL_low}	-	F _{DL_high}	-50	1	44
	NR Band n79	F _{DL_low}	-	F _{DL_high}	-50	1	2
	Frequency range	1884.5	-	1915.7	-41	0.3	8
n41	E-UTRA Band 1, 2, 3, 4, 5, 8, 12, 13, 14, 17, 24, 25, 26, 27, 28, 29, 30, 34, 39, 42, 44, 45, 48, 50, 51, 52, 65, 66, 70, 71, 73, 74, 85, 103 NR Band n77, n78	F _{DL_low}	-	F _{DL_high}	-50	1	
	E-UTRA Band 40	F _{DL_low}	-	F _{DL_high}	-40	1	
	NR Band n79	F _{DL_low}	-	F _{DL_high}	-50	1	2
	E-UTRA Band 11, 18, 19, 21	F _{DL_low}	-	F _{DL_high}	-50	1	
	Frequency range	1884.5	-	1915.7	-41	0.3	8
n47	E-UTRA Band 1, 3, 5, 7, 8, 22, 26, 28, 34, 39, 40, 41, 42, 44, 45, 65, 68, 72, 73	F _{DL_low}	-	F _{DL_high}	-50	1	
	NR Band n71, n77, n78, n79	F _{DL_low}	-	F _{DL_high}	-50	1	
n48	E-UTRA Band 2, 4, 5, 12, 13, 14, 17, 24, 25, 26, 29, 30, 41, 50, 51, 66, 70, 71, 74, 85, 103	F _{DL_low}	-	F _{DL_high}	-50	1	
n50	E-UTRA Band 1, 2, 3, 4, 5, 7, 8, 12, 13, 17, 20, 26, 28, 29, 31, 34, 38, 39, 40, 41, 42, 43, 48, 65, 66, 67, 68, 103 NR Band n100, n101	F _{DL_low}	-	F _{DL_high}	-50	1	
n51	E-UTRA Band 1, 2, 3, 4, 5, 7, 8, 12, 13, 17, 20, 26, 28, 29, 31, 34, 38, 39, 40, 41, 42, 43, 48, 52, 65, 66, 67, 68, 85, 103 NR Band n100, n101	F _{DL_low}	-	F _{DL_high}	-50	1	
n53	E-UTRA Band 2, 4, 5, 12, 13, 14, 17, 24, 25, 26, 29, 30, 48, 66, 70, 71, 85, 103 NR Band n77	F _{DL_low}	-	F _{DL_high}	-50	1	
n65	E-UTRA Band 1, 3, 5, 7, 8, 11, 18, 19, 20, 21, 22, 26, 27, 28, 31, 32, 38, 40, 41, 42, 43, 50, 51, 65, 68, 69, 72, 74, 75, 76 NR Band n78, n79, n100	F _{DL_low}	-	F _{DL_high}	-50	1	
	NR Band n77	F _{DL_low}	-	F _{DL_high}	-50	1	2
	E-UTRA Band 34	F _{DL_low}	-	F _{DL_high}	-50	1	43
	Frequency range	1900	-	1915	-15.5	5	15, 26, 27
	Frequency range	1915	-	1920	+1.6	5	15, 26, 27
n66, n86	E-UTRA Band 2, 4, 5, 7, 12, 13, 14, 17, 25, 26, 27, 28, 29, 30, 38, 41, 43, 50, 51, 53, 66, 70, 71, 74, 85, 103	F _{DL_low}	-	F _{DL_high}	-50	1	
	E-UTRA Band 42, 48, NR Band n77	F _{DL_low}	-	F _{DL_high}	-50	1	2
n70	E-UTRA Band 2, 4, 5, 12, 13, 14, 17, 24, 25, 26, 29, 30, 41, 47, 48, 66, 70, 71, 85, 103	F _{DL_low}	-	F _{DL_high}	-50	1	
	NR Band n77	F _{DL_low}	-	F _{DL_high}	-50	1	2

NR Band	Spurious emission for UE co-existence						
	Protected band	Frequency range (MHz)			Maximum Level (dBm)	MBW (MHz)	NOTE
n71	E-UTRA Band 4, 5, 12, 13, 14, 17, 24, 26, 30, 48, 53, 66, 85, 103	F _{DL_low}	-	F _{DL_high}	-50	1	
	E-UTRA Band 2, 7, 25, 41, 70, NR Band n77	F _{DL_low}	-	F _{DL_high}	-50	1	2
	E-UTRA Band 29	F _{DL_low}	-	F _{DL_high}	-38	1	15
	E-UTRA Band 71	F _{DL_low}	-	F _{DL_high}	-50	1	15
n74	E-UTRA Band 1, 2, 3, 4, 5, 7, 8, 12, 13, 17, 18, 19, 20, 26, 28, 29, 31, 34, 38, 39, 40, 41, 42, 43, 48, 52, 65, 66, 67, 68, 85 NR Band n77, n78, n100, n101, n103	F _{DL_low}	-	F _{DL_high}	-50	1	
	NR Band n79	F _{DL_low}	-	F _{DL_high}	-50	1	2
	Frequency range	1884.5	-	1915.7	-41	0.3	8
	Frequency range	1400	-	1427	-32	27	15, 41
	Frequency range	1475	-	1488	-28	1	15, 42
	Frequency range	1475	-	1488	-50	1	15, 45
	Frequency range	1475.9	-	1510.9	-35	1	15, 46
n77	E-UTRA Band 1, 2, 3, 4, 5, 7, 8, 11, 12, 13, 14, 17, 18, 19, 20, 21, 24, 25, 26, 27, 28, 29, 30, 34, 39, 40, 41, 53, 65, 66, 70, 71, 74, 85, 103 NR Band n100, n101	F _{DL_low}	-	F _{DL_high}	-50	1	
	Frequency range	1884.5	-	1915.7	-41	0.3	8
	Frequency range	1884.5	-	1915.7	-41	0.3	8
n78	E-UTRA Band 1, 2, 3, 5, 7, 8, 11, 18, 19, 20, 21, 25, 26, 28, 32, 34, 39, 40, 41, 65, 66, 74, 75, 76 NR Band n100, n101	F _{DL_low}	-	F _{DL_high}	-50	1	
	Frequency range	1884.5	-	1915.7	-41	0.3	8
n79	E-UTRA Band 1, 3, 5, 7, 8, 11, 18, 19, 21, 28, 34, 39, 40, 41, 42, 65, 74	F _{DL_low}	-	F _{DL_high}	-50	1	
	Frequency range	1884.5	-	1915.7	-41	0.3	8
n85	E-UTRA Band 2, 5, 13, 14, 17, 24, 25, 26, 27, 30, 41, 53, 70, 71, 74, 103	F _{DL_low}	-	F _{DL_high}	-50	1	
	E-UTRA Band 4, 48, 50, 51, 66 NR Band n77, n78	F _{DL_low}	-	F _{DL_high}	-50	1	2
	E-UTRA Band 12, 85	F _{DL_low}	-	F _{DL_high}	-50	1	15
n95	E-UTRA Band 1, 3, 5, 8, 28, 39, 40, 41 NR Band n78, n79	F _{DL_low}	-	F _{DL_high}	-50	1	5
	NR Band n77	F _{DL_low}	-	F _{DL_high}	-50	1	2
	Frequency range	1884.5	-	1915.7	-41	0.3	8
n100	E-UTRA Band 1, 3, 8, 20, 28, 31, 32, 33, 34, 38, 40, 43, 50, 51, 52, 65, 67, 68, 69, 72, 74, 75, 76 NR Band n101	F _{DL_low}	-	F _{DL_high}	-50	1	
	E-UTRA Band 7, 22, 42 NR Band n77, n78	F _{DL_low}	-	F _{DL_high}	-50	1	2
	Frequency range	758	-	788	-50	1	
n101	E-UTRA Band 1, 3, 8, 20, 22, 28, 31, 32, 34, 38, 40, 50, 51, 52, 65, 67, 68, 69, 72, 74, 75, 76 NR Band n100	F _{DL_low}	-	F _{DL_high}	-50	1	

NR Band	Spurious emission for UE co-existence						
	Protected band	Frequency range (MHz)			Maximum Level (dBm)	MBW (MHz)	NOTE
	E-UTRA Band 7, 42, 43 NR Band n77, n78	F _{DL_low}	-	F _{DL_high}	-50	1	2
	Frequency range	758	-	788	-50	1	
<p>NOTE 1: F_{DL_low} and F_{DL_high} refer to each frequency band specified in Table 5.2-1 in TS 38.101-1 [2] or Table 5.5-1 in TS 36.101</p> <p>NOTE 2: As exceptions, measurements with a level up to the applicable requirements defined in Table 6.5.3.1-2 are permitted for each assigned NR carrier used in the measurement due to 2nd, 3rd, 4th or 5th harmonic spurious emissions. Due to spreading of the harmonic emission the exception is also allowed for the first 1 MHz frequency range immediately outside the harmonic emission on both sides of the harmonic emission. This results in an overall exception interval centred at the harmonic emission of (2 MHz + N x L_{CRB} x R_{Bsize} kHz), where N is 2, 3, 4, 5 for the 2nd, 3rd, 4th or 5th harmonic respectively. The exception is allowed if the measurement bandwidth (MBW) totally or partially overlaps the overall exception interval.</p> <p>NOTE 3: 15 kHz SCS is assumed when RB is mentioned in the note when channel bandwidth is less than or equal to 50 MHz, lowest SCS is assumed when channel bandwidth is larger than 50 MHz. The transmission bandwidth in terms of RB position and range is not limited to 15 kHz SCS and shall scale with SCS accordingly.</p> <p>NOTE 4: Void</p> <p>NOTE 5: For non-synchronised TDD operation to meet these requirements some restriction will be needed for either the operating band or protected band</p> <p>NOTE 6: N/A</p> <p>NOTE 7: Void</p> <p>NOTE 8: Applicable when co-existence with PHS system operating in 1884.5 - 1915.7 MHz.</p> <p>NOTE 9: Void</p> <p>NOTE 10: Void</p> <p>NOTE 11: Void</p> <p>NOTE 12: The emissions measurement shall be sufficiently power averaged to ensure a standard deviation < 0.5 dB</p> <p>NOTE 13: Void</p> <p>NOTE 14: Void</p> <p>NOTE 15: These requirements also apply for the frequency ranges that are less than F_{OOB} (MHz) in Table 6.5.3.1-1 from the edge of the channel bandwidth.</p> <p>NOTE 16: Void</p> <p>NOTE 17: Void</p> <p>NOTE 18: Void</p> <p>NOTE 19: Applicable when the assigned NR carrier is confined within 718 MHz and 748 MHz and when the channel bandwidth used is 5 or 10 MHz.</p> <p>NOTE 20: Void</p> <p>NOTE 21: This requirement is applicable for any channel bandwidths up to 20MHz within the range 2500 - 2570 MHz with the following restriction: for carriers of 15 MHz bandwidth when carrier centre frequency is within the range 2560.5 - 2562.5 MHz and for carriers of 20 MHz bandwidth when carrier centre frequency is within the range 2552 - 2560 MHz the requirement is applicable only for an uplink transmission bandwidth less than or equal to 54 RB.</p> <p>NOTE 22: This requirement is applicable for power class 3 UE for any channel bandwidths up to 20 MHz. For channel bandwidth within the range 2570 - 2615 MHz with the following restriction: for carriers of 15 MHz bandwidth when the carrier centre frequency is within the range 2605.5 - 2607.5 MHz and for carriers of 20 MHz bandwidth when the carrier centre frequency is within the range 2597 - 2605 MHz the requirement is applicable only for an uplink transmission bandwidth less than or equal to 54 RB. For carriers overlapping the frequency range 2615 - 2620 MHz the requirement applies with the maximum output power configured to +19 dBm in the IE P-Max.</p> <p>NOTE 23: Void</p> <p>NOTE 24: As exceptions, measurements with a level up to the applicable requirement of -38 dBm/MHz is permitted for each assigned NR carrier used in the measurement due to 2nd harmonic spurious emissions. An exception is allowed if there is at least one individual RB within the transmission bandwidth (see Figure 5.3.1-1) for which the 2nd harmonic totally or partially overlaps the measurement bandwidth (MBW).</p> <p>NOTE 25: As exceptions, measurements with a level up to the applicable requirement of -36 dBm/MHz is permitted for each assigned NR carrier used in the measurement due to 3rd harmonic spurious emissions. An exception is allowed if there is at least one individual RB within the transmission bandwidth (see Figure 5.3.1-1) for which the 3rd harmonic totally or partially overlaps the measurement bandwidth (MBW).</p> <p>NOTE 26: For these adjacent bands, the emission limit could imply risk of harmful interference to UE(s) operating in the protected operating band.</p>							

NR Band	Spurious emission for UE co-existence				
	Protected band	Frequency range (MHz)	Maximum Level (dBm)	MBW (MHz)	NOTE
<p>NOTE 27: This requirement is applicable for channel bandwidths up to 20 MHz within the range 1920 - 1980 MHz with the following restriction: for carriers of 15 MHz bandwidth when the carrier centre frequency is within the range 1927.5 - 1929.5 MHz and for carriers of 20 MHz bandwidth when the carrier centre frequency is within the range 1930 - 1938 MHz the requirement is applicable only for an uplink transmission bandwidth less than or equal to 54 RB.</p> <p>NOTE 28: Void</p> <p>NOTE 29: Void</p> <p>NOTE 30: Void</p> <p>NOTE 31: Void</p> <p>NOTE 32: Void</p> <p>NOTE 33: This requirement is only applicable for carriers with bandwidth up to 20MHz and confined within 1885-1920 MHz (requirement for carriers with at least 1RB confined within 1880 - 1885 MHz is not specified). This requirement applies for an uplink transmission bandwidth less than or equal to 54 RB for carriers of 15 MHz bandwidth when carrier center frequency is within the range 1892.5 - 1894.5 MHz and for carriers of 20 MHz bandwidth when carrier center frequency is within the range 1895 - 1903 MHz. The above restriction is applicable to only power class 3 UEs.</p> <p>NOTE 34: This requirement is applicable for 5 and 10 MHz NR channel bandwidth allocated within 718-728 MHz. For carriers of 10 MHz bandwidth, this requirement applies for an uplink transmission bandwidth less than or equal to 30 RB with $R_{Bstart} > 1$ and $R_{Bstart} < 48$.</p> <p>NOTE 35: This requirement is applicable in the case of a 10 MHz NR carrier confined within 703 MHz and 733 MHz, otherwise the requirement of -25 dBm with a measurement bandwidth of 8 MHz applies.</p> <p>NOTE 36: Void</p> <p>NOTE 37: Void</p> <p>NOTE 38: Void</p> <p>NOTE 39: Void</p> <p>NOTE 40: Void</p> <p>NOTE 41: Applicable for cases and when the lower edge of the assigned NR UL channel bandwidth frequency is greater than or equal to 1427 MHz + the channel BW assigned for 5 and 10 MHz bandwidth, and when the lower edge of the assigned NR UL channel bandwidth frequency is greater than or equal to 1440 MHz for 15 and 20 MHz bandwidth. This requirement shall be verified with UE transmission power configured as high as possible but no higher than 15 dBm.</p> <p>NOTE 42: Applicable when upper edge of the assigned NR UL channel bandwidth frequency is more than 1460 MHz and less than or equal to 1470 MHz for 5 MHz bandwidth, and when the upper edge of the assigned NR UL channel bandwidth frequency is more than 1460 MHz and less than or equal to 1465 MHz for 10 MHz bandwidth.</p> <p>NOTE 43: This requirement is applicable for UE which is operating in power class 3 and NR channel bandwidths up to 20 MHz within frequency range 1920-1980 MHz.</p> <p>NOTE 44: As exceptions, for 90 and 100 MHz channel bandwidth, -40 dBm/MHz is applicable in the frequency range of 2496 – 2505 MHz.</p> <p>NOTE 45: Applicable when upper edge of the assigned NR UL channel bandwidth frequency is equal to or less than 1460 MHz.</p> <p>NOTE 46: Applicable for 5 MHz bandwidth and when the NR carrier is within 1447.9 – 1462.9 MHz.</p>					

Table 6.5.3.2.3-4: Requirements for spurious emissions for UE co-existence Rel-18

NR Band	Spurious emission for UE co-existence						
	Protected band	Frequency range (MHz)	Maximum Level (dBm)	MBW (MHz)	NOTE		
n1, n84	E-UTRA Band 1, 5, 7, 8, 11, 18, 19, 20, 21, 22, 26, 27, 28, 31, 32, 38, 40, 41, 42, 43, 44, 45, 50, 51, 52, 65, 67, 68, 69, 72, 73, 74, 75, 76, NR Band n78, n79, n100	F _{DL_low}	-	F _{DL_high}	-50	1	
	NR Band n77	F _{DL_low}	-	F _{DL_high}	-50	1	2
	E-UTRA Band 3	F _{DL_low}	-	F _{DL_high}	-50	1	15
	E-UTRA Band 34	F _{DL_low}	-	F _{DL_high}	-50	1	15, 43
	Frequency range	1880	-	1895	-40	1	15, 27
	Frequency range	1895	-	1915	-15.5	5	15, 26, 27

NR Band	Spurious emission for UE co-existence						
	Protected band	Frequency range (MHz)			Maximum Level (dBm)	MBW (MHz)	NOTE
	Frequency range	1915	-	1920	+1.6	5	15, 26, 27
n2	E-UTRA Band 4, 5, 7, 12, 13, 14, 17, 24, 26, 27, 28, 29, 30, 38, 41, 42, 50, 51, 53, 54, 66, 70, 71, 74, 85, 103, 106	F _{DL_low}	-	F _{DL_high}	-50	1	
	E-UTRA Band 2, 25	F _{DL_low}	-	F _{DL_high}	-50	1	15
	E-UTRA Band 43, 48 NR Band n77, n78	F _{DL_low}	-	F _{DL_high}	-50	1	2
n3, n80	E-UTRA Band 1, 5, 7, 8, 20, 26, 27, 28, 31, 32, 33, 34, 38, 39, 40, 41, 43, 44, 45, 50, 51, 65, 67, 68, 69, 72, 73, 74, 75, 76. NR Band n79, n100, n101	F _{DL_low}	-	F _{DL_high}	-50	1	
	E-UTRA Band 3	F _{DL_low}	-	F _{DL_high}	-50	1	15
	E-UTRA Band 11, 18, 19, 21	F _{DL_low}	-	F _{DL_high}	-50	1	
	E-UTRA Band 22, 42, 52, NR Band n77, n78	F _{DL_low}	-	F _{DL_high}	-50	1	2
	Frequency range	1884.5	-	1915.7	-41	0.3	8
n5, n89	E-UTRA Band 1, 2, 3, 4, 5, 7, 8, 12, 13, 14, 17, 18, 19, 24, 25, 28, 29, 30, 31, 34, 38, 40, 42, 43, 45, 48, 50, 51, 65, 66, 70, 71, 73, 74, 85, 103, 106 NR Band n79	F _{DL_low}	-	F _{DL_high}	-50	1	
	E-UTRA Band 41, 52, 53, 54 NR Band n77, n78	F _{DL_low}	-	F _{DL_high}	-50	1	2
	E-UTRA Band 11, 21	F _{DL_low}	-	F _{DL_high}	-50	1	
	E-UTRA Band 26	F _{DL_low}	-	F _{DL_high}	-50	1	15
	Frequency range	1884.5	-	1915.7	-41	0.3	8
n7	E-UTRA Band 1, 2, 3, 4, 5, 7, 8, 12, 13, 14, 17, 20, 22, 25, 26, 27, 28, 29, 30, 31, 32, 33, 34, 40, 42, 43, 50, 51, 52, 65, 66, 67, 68, 71, 72, 74, 75, 76, 85, 103 NR Band n77, n78, n100, n101	F _{DL_low}	-	F _{DL_high}	-50	1	
	NR Band n79	F _{DL_low}	-	F _{DL_high}	-50	1	2
	Frequency range	2570	-	2575	+1.6	5	15, 21, 26
	Frequency range	2575	-	2595	-15.5	5	15, 21, 26
	Frequency range	2595	-	2620	-40	1	15, 21
n8, n81, n93, n94	E-UTRA Band 1, 20, 28, 31, 32, 33, 34, 38, 39, 40, 45, 50, 51, 54, 65, 67, 68, 69, 72, 73, 74, 75, 76 NR Band n101	F _{DL_low}	-	F _{DL_high}	-50	1	
	E-UTRA band 3, 7, 22, 41, 42, 43, 52 NR Band n77, n78, n79	F _{DL_low}	-	F _{DL_high}	-50	1	2
	E-UTRA 8	F _{DL_low}	-	F _{DL_high}	-50	1	15
	E-UTRA Band 11, 21	F _{DL_low}	-	F _{DL_high}	-50	1	
	Frequency range	1884.5	-	1915.7	-41	0.3	8
n12	E-UTRA Band 2, 5, 13, 14, 17, 24, 25, 26, 27, 30, 41, 53, 54, 70, 71, 74, 103, 106	F _{DL_low}	-	F _{DL_high}	-50	1	
	E-UTRA Band 4, 48, 50, 51, 66 NR Band n77	F _{DL_low}	-	F _{DL_high}	-50	1	2
	E-UTRA Band 12, 85	F _{DL_low}	-	F _{DL_high}	-50	1	15

NR Band	Spurious emission for UE co-existence						
	Protected band	Frequency range (MHz)			Maximum Level (dBm)	MBW (MHz)	NOTE
n13	E-UTRA Band 2, 4, 5, 12, 13, 17, 25, 26, 27, 29, 41, 48, 50, 51, 53, 54, 66, 70, 71, 74, 85, 106	F _{DL_low}	-	F _{DL_high}	-50	1	
	E-UTRA Band 14, 103	F _{DL_low}	-	F _{DL_high}	-50	1	15
	E-UTRA Band 24, 30 NR Band n77	F _{DL_low}	-	F _{DL_high}	-50	1	2
	Frequency range	769	-	775	-35	0.00625	15
	Frequency range	799	-	805	-35	0.00625	11, 15
n14	E-UTRA Band 2, 4, 5, 12, 13, 14, 17, 23, 24, 25, 26, 27, 29, 30, 41, 48, 53, 54, 66, 70, 71, 85, 103, 106	F _{DL_low}	-	F _{DL_high}	-50	1	
	NR Band n77	F _{DL_low}	-	F _{DL_high}	-50	1	2
	Frequency range	769	-	775	-35	0.00625	12, 15
	Frequency range	799	-	805	-35	0.00625	11, 12, 15
n18	E-UTRA Band 1, 3, 11, 21, 34, 40, 42, 65 NR Band n79	F _{DL_low}	-	F _{DL_high}	-50	1	
	NR Band n77, n78	F _{DL_low}	-	F _{DL_high}	-50	1	2
	Frequency range	758	-	799	-50	1	
	Frequency range	799	-	803	-40	1	
	Frequency range	860	-	890	-40	1	
	Frequency range	945	-	960	-50	1	
	Frequency range	1884.5	-	1915.7	-41	0.3	8
	Frequency range	2545	-	2575	-50	1	
n20, n82, n91, n92	E-UTRA Band 1, 3, 7, 8, 22, 31, 32, 33, 34, 40, 43, 50, 51, 65, 67, 68, 72, 74, 75, 76 NR Band n100, n101	F _{DL_low}	-	F _{DL_high}	-50	1	
	E-UTRA Band 20	F _{DL_low}	-	F _{DL_high}	-50	1	15
	E-UTRA Band 38, 42, 52, 69, NR Band n77, n78	F _{DL_low}	-	F _{DL_high}	-50	1	2
	Frequency range	758	-	788	-50	1	
n24, n99	E-UTRA Band 2, 4, 5, 10, 12, 13, 14, 17, 24, 25, 26, 29, 30, 41, 48, 66, 70, 71, 85, 103, 106	F _{DL_low}	-	F _{DL_high}	-50	1	
	NR Band n77	F _{DL_low}	-	F _{DL_high}	-50	1	2
n25	E-UTRA Band 4, 5, 7, 12, 13, 14, 17, 24, 26, 27, 28, 29, 30, 38, 41, 42, 53, 54, 66, 70, 71, 85, 103, 106	F _{DL_low}	-	F _{DL_high}	-50	1	
	E-UTRA Band 2	F _{DL_low}	-	F _{DL_high}	-50	1	15
	E-UTRA Band 25	F _{DL_low}	-	F _{DL_high}	-50	1	15
	E-UTRA Band 43, 48 NR Band n77, n78	F _{DL_low}	-	F _{DL_high}	-50	1	2
n26	E-UTRA Band 1, 2, 3, 4, 5, 7, 11, 12, 13, 14, 17, 18, 19, 21, 24, 25, 29, 30, 31, 34, 39, 40, 42, 43, 48, 50, 51, 65, 66, 70, 71, 73, 74, 85, 103, 106	F _{DL_low}	-	F _{DL_high}	-50	1	
	E-UTRA Band 41, 53, 54 NR Band n77, n78, n79	F _{DL_low}	-	F _{DL_high}	-50	1	2
	E-UTRA Band 26	F _{DL_low}	-	F _{DL_high}	-50	1	15
	Frequency range	703	-	799	-50	1	
	Frequency range	799	-	803	-40	1	15

NR Band	Spurious emission for UE co-existence						
	Protected band	Frequency range (MHz)			Maximum Level (dBm)	MBW (MHz)	NOTE
	Frequency range	945	-	960	-50	1	
	Frequency range	1884.5	-	1915.7	-41	0.3	8
n28, n83	E-UTRA Band 1, 4, 22, 32, 42, 43, 50, 51, 65, 66, 74, 75, 76, NR Band n77, n78, n100, n101	F _{DL_low}	-	F _{DL_high}	-50	1	2
	E-UTRA Band 1	F _{DL_low}	-	F _{DL_high}	-50	1	19, 25
	E-UTRA Band 2, 3, 5, 7, 8, 18, 19, 20, 25, 26, 27, 31, 34, 38, 39, 40, 41, 52, 71, 72, 73 NR Band n79	F _{DL_low}	-	F _{DL_high}	-50	1	
	E-UTRA Band 11, 21	F _{DL_low}	-	F _{DL_high}	-50	1	19, 24
	Frequency range	470	-	694	-42	8	15, 35
	Frequency range	470	-	710	-26.2	6	34
	Frequency range	662	-	694	-26.2	6	15
	Frequency range	758	-	773	-32	1	15
	Frequency range	773	-	803	-50	1	
	Frequency range	1884.5	-	1915.7	-41	0.3	8, 19
	n30	E-UTRA Band 2, 4, 5, 7, 12, 13, 14, 17, 24, 25, 26, 27, 29, 30, 38, 41, 48, 53, 54, 66, 70, 71, 85, 103, 106 NR Band n77	F _{DL_low}	-	F _{DL_high}	-50	1
n34	E-UTRA Band 1, 3, 7, 8, 11, 18, 19, 20, 21, 22, 26, 28, 31, 32, 33, 38, 39, 40, 41, 42, 43, 44, 45, 50, 51, 52, 65, 67, 69, 72, 74, 75, 76, NR Band n78, n79, n100, n101	F _{DL_low}	-	F _{DL_high}	-50	1	5
	NR Band n77	F _{DL_low}	-	F _{DL_high}	-50	1	2
	Frequency range	1884.5	-	1915.7	-41	0.3	8
n38	E-UTRA Band 1, 2, 3, 4, 5, 8, 12, 13, 14, 17, 20, 22, 25, 27, 28, 29, 30, 31, 32, 33, 34, 40, 42, 43, 50, 51, 52, 65, 66, 67, 68, 71, 72, 74, 75, 76, 85, 103 NR Band n100, n101	F _{DL_low}	-	F _{DL_high}	-50	1	
	NR Band n77, n78, n79	F _{DL_low}	-	F _{DL_high}	-50	1	
	Frequency range	2620	-	2645	-15.5	5	15, 22, 26
	Frequency range	2645	-	2690	-40	1	15, 22
n39, n98	E-UTRA Band 1, 8, 22, 26, 28, 34, 40, 41, 42, 44, 45, 50, 51, 52, 74, NR Band n79	F _{DL_low}	-	F _{DL_high}	-50	1	
	NR Band n77, n78	F _{DL_low}	-	F _{DL_high}	-50	1	2
	Frequency range	1805	-	1855	-40	1	33
	Frequency range	1855	-	1880	-15.5	5	15, 26, 33
n40, n97	E-UTRA Band 1, 3, 5, 7, 8, 11, 18, 19, 20, 21, 22, 26, 27, 28, 31, 32, 33, 34, 38, 39, 41, 42, 43, 44, 45, 50, 51, 52, 65, 67, 68, 69, 72, 74, 75, 76, NR Band n77, n78, n100, n101	F _{DL_low}	-	F _{DL_high}	-50	1	44
	NR Band n79	F _{DL_low}	-	F _{DL_high}	-50	1	2
	Frequency range	1884.5	-	1915.7	-41	0.3	8
n41	E-UTRA Band 1, 2, 3, 4, 5, 8, 12, 13, 14, 17, 24, 25, 26, 27, 28, 29, 30, 34, 39, 42, 44, 45,	F _{DL_low}	-	F _{DL_high}	-50	1	

NR Band	Spurious emission for UE co-existence						
	Protected band	Frequency range (MHz)			Maximum Level (dBm)	MBW (MHz)	NOTE
	48, 50, 51, 52, 54, 65, 66, 70, 71, 73, 74, 85, 103, 106 NR Band n77, n78						
	E-UTRA Band 40	F _{DL_low}	-	F _{DL_high}	-40	1	
	NR Band n79	F _{DL_low}	-	F _{DL_high}	-50	1	2
	E-UTRA Band 11, 18, 19, 21	F _{DL_low}	-	F _{DL_high}	-50	1	
	Frequency range	1884.5		1915.7	-41	0.3	8
n47	E-UTRA Band 1, 3, 5, 7, 8, 22, 26, 28, 34, 39, 40, 41, 42, 44, 45, 65, 68, 72, 73	F _{DL_low}	-	F _{DL_high}	-50	1	
	NR Band n71, n77, n78, n79	F _{DL_low}	-	F _{DL_high}	-50	1	
n48	E-UTRA Band 2, 4, 5, 12, 13, 14, 17, 24, 25, 26, 29, 30, 41, 50, 51, 53, 54, 66, 70, 71, 74, 85, 103, 106	F _{DL_low}	-	F _{DL_high}	-50	1	
n50	E-UTRA Band 1, 2, 3, 4, 5, 7, 8, 12, 13, 17, 20, 26, 28, 29, 31, 34, 38, 39, 40, 41, 42, 43, 48, 65, 66, 67, 68, 103 NR Band n100, n101	F _{DL_low}	-	F _{DL_high}	-50	1	
n51	E-UTRA Band 1, 2, 3, 4, 5, 7, 8, 12, 13, 17, 20, 26, 28, 29, 31, 34, 38, 39, 40, 41, 42, 43, 48, 52, 65, 66, 67, 68, 85, 103 NR Band n100, n101	F _{DL_low}	-	F _{DL_high}	-50	1	
n53	E-UTRA Band 2, 4, 5, 12, 13, 14, 17, 24, 25, 26, 29, 30, 48, 54, 66, 70, 71, 85, 103, 106 NR Band n77	F _{DL_low}	-	F _{DL_high}	-50	1	
n65	E-UTRA Band 1, 3, 5, 7, 8, 11, 18, 19, 20, 21, 22, 26, 27, 28, 31, 32, 38, 40, 41, 42, 43, 50, 51, 65, 68, 69, 72, 74, 75, 76 NR Band n78, n79, n100	F _{DL_low}	-	F _{DL_high}	-50	1	
	NR Band n77	F _{DL_low}	-	F _{DL_high}	-50	1	2
	E-UTRA Band 34	F _{DL_low}	-	F _{DL_high}	-50	1	43
	Frequency range	1900	-	1915	-15.5	5	15, 26, 27
	Frequency range	1915	-	1920	+1.6	5	15, 26, 27
n66, n86	E-UTRA Band 2, 4, 5, 7, 12, 13, 14, 17, 25, 26, 27, 28, 29, 30, 38, 41, 43, 50, 51, 53, 66, 70, 71, 74, 85, 103, 106	F _{DL_low}	-	F _{DL_high}	-50	1	
	E-UTRA Band 42, 48 NR Band n77	F _{DL_low}	-	F _{DL_high}	-50	1	2
n70	E-UTRA Band 2, 4, 5, 12, 13, 14, 17, 24, 25, 26, 29, 30, 41, 47, 48, 66, 70, 71, 85, 103, 106	F _{DL_low}	-	F _{DL_high}	-50	1	
	NR Band n77, n78	F _{DL_low}	-	F _{DL_high}	-50	1	2
n71	E-UTRA Band 4, 5, 12, 13, 14, 17, 24, 26, 28, 30, 38, 48, 53, 54, 66, 85, 103, 106	F _{DL_low}	-	F _{DL_high}	-50	1	
	E-UTRA Band 2, 7, 25, 41, 70, NR Band n77, n78	F _{DL_low}	-	F _{DL_high}	-50	1	2
	E-UTRA Band 29	F _{DL_low}	-	F _{DL_high}	-38	1	15
	E-UTRA Band 71	F _{DL_low}	-	F _{DL_high}	-50	1	15
n74	E-UTRA Band 1, 2, 3, 4, 5, 7, 8, 12, 13, 17, 18, 19, 20, 26, 28,	F _{DL_low}	-	F _{DL_high}	-50	1	

NR Band	Spurious emission for UE co-existence						
	Protected band	Frequency range (MHz)			Maximum Level (dBm)	MBW (MHz)	NOTE
	29, 31, 34, 38, 39, 40, 41, 42, 43, 48, 52, 65, 66, 67, 68, 85 NR Band n77, n78, n100, n101						
	NR Band n79	F _{DL_low}	-	F _{DL_high}	-50	1	2
	Frequency range	1884.5	-	1915.7	-41	0.3	8
	Frequency range	1400	-	1427	-32	27	15, 41
	Frequency range	1475	-	1488	-28	1	15, 42
	Frequency range	1475	-	1488	-50	1	15, 45
	Frequency range	1475.9	-	1510.9	-35	1	15, 46
	Frequency range	1488	-	1518	-50	1	15
n77	E-UTRA Band 1, 2, 3, 4, 5, 7, 8, 11, 12, 13, 14, 17, 18, 19, 20, 21, 24, 25, 26, 27, 28, 29, 30, 34, 39, 40, 41, 53, 54, 65, 66, 70, 71, 74, 85, 103 NR Band n100, n101	F _{DL_low}	-	F _{DL_high}	-50	1	
	Frequency range	1884.5	-	1915.7	-41	0.3	8
n78	E-UTRA Band 1, 2, 3, 5, 7, 8, 11, 18, 19, 20, 21, 25, 26, 28, 32, 34, 38, 39, 40, 41, 50, 65, 66, 67, 70, 71, 74, 75, 76 NR Band n100, n101	F _{DL_low}	-	F _{DL_high}	-50	1	
	Frequency range	1884.5	-	1915.7	-41	0.3	8
n79	E-UTRA Band 1, 3, 5, 7, 8, 11, 18, 19, 21, 28, 34, 39, 40, 41, 42, 65, 74	F _{DL_low}	-	F _{DL_high}	-50	1	
	Frequency range	1884.5	-	1915.7	-41	0.3	8
n85	E-UTRA Band 2, 5, 13, 14, 17, 24, 25, 26, 27, 30, 41, 53, 54, 70, 71, 74, 103, 106	F _{DL_low}	-	F _{DL_high}	-50	1	
	E-UTRA Band 4, 48, 50, 51, 66 NR Band n77, n78	F _{DL_low}	-	F _{DL_high}	-50	1	2
	E-UTRA Band 12, 85	F _{DL_low}	-	F _{DL_high}	-50	1	15
n95	E-UTRA Band 1, 3, 5, 8, 28, 39, 40, 41 NR Band n78, n79	F _{DL_low}	-	F _{DL_high}	-50	1	5
	NR Band n77	F _{DL_low}	-	F _{DL_high}	-50	1	2
	Frequency range	1884.5	-	1915.7	-41	0.3	8
n100	E-UTRA Band 1, 3, 8, 20, 28, 31, 32, 33, 34, 38, 40, 43, 50, 51, 52, 65, 67, 68, 69, 72, 74, 75, 76 NR Band n101	F _{DL_low}	-	F _{DL_high}	-50	1	
	E-UTRA Band 7, 22, 42 NR Band n77, n78	F _{DL_low}	-	F _{DL_high}	-50	1	2
	Frequency range	758	-	788	-50	1	
n101	E-UTRA Band 1, 3, 8, 20, 22, 28, 31, 32, 38, 40, 50, 51, 52, 65, 67, 68, 69, 72, 74, 75, 76 NR Band n100	F _{DL_low}	-	F _{DL_high}	-50	1	
	E-UTRA Band 7, 42, 43 NR Band n77, n78	F _{DL_low}	-	F _{DL_high}	-50	1	2
	Frequency range	758	-	788	-50	1	
n106	E-UTRA Band 2, 4, 12, 13, 14, 23, 24, 25, 30, 53, 54, 66, 70, 71, 85, 103, 106	F _{DL_low}	-	F _{DL_high}	-50	1	
	E-UTRA Band 41, 48, NR Band n77	F _{DL_low}	-	F _{DL_high}	-50	1	2
	E-UTRA Band 5, 26	F _{DL_low}	-	F _{DL_high}	-30	1	

NR Band	Spurious emission for UE co-existence				
	Protected band	Frequency range (MHz)	Maximum Level (dBm)	MBW (MHz)	NOTE
	<p>NOTE 1: F_{DL_low} and F_{DL_high} refer to each frequency band specified in Table 5.2-1 in TS 38.101-1 [2] or Table 5.5-1 in TS 36.101</p> <p>NOTE 2: As exceptions, measurements with a level up to the applicable requirements defined in Table 6.5.3.1-2 are permitted for each assigned NR carrier used in the measurement due to 2nd, 3rd, 4th or 5th harmonic spurious emissions. Due to spreading of the harmonic emission the exception is also allowed for the first 1 MHz frequency range immediately outside the harmonic emission on both sides of the harmonic emission. This results in an overall exception interval centred at the harmonic emission of $(2 \text{ MHz} + N \times L_{CRB} \times RB_{size} \text{ kHz})$, where N is 2, 3, 4, 5 for the 2nd, 3rd, 4th or 5th harmonic respectively. The exception is allowed if the measurement bandwidth (MBW) totally or partially overlaps the overall exception interval.</p> <p>NOTE 3: 15 kHz SCS is assumed when RB is mentioned in the note when channel bandwidth is less than or equal to 50 MHz, lowest SCS is assumed when channel bandwidth is larger than 50 MHz. The transmission bandwidth in terms of RB position and range is not limited to 15 kHz SCS and shall scale with SCS accordingly.</p> <p>NOTE 4: Void</p> <p>NOTE 5: For non-synchronised TDD operation to meet these requirements some restriction will be needed for either the operating band or protected band</p> <p>NOTE 6: N/A</p> <p>NOTE 7: Void</p> <p>NOTE 8: Applicable when co-existence with PHS system operating in 1884.5 - 1915.7 MHz.</p> <p>NOTE 9: Void</p> <p>NOTE 10: Void</p> <p>NOTE 11: Void</p> <p>NOTE 12: The emissions measurement shall be sufficiently power averaged to ensure a standard deviation < 0.5 dB</p> <p>NOTE 13: Void</p> <p>NOTE 14: Void</p> <p>NOTE 15: These requirements also apply for the frequency ranges that are less than F_{OOB} (MHz) in Table 6.5.3.1-1 from the edge of the channel bandwidth.</p> <p>NOTE 16: Void</p> <p>NOTE 17: Void</p> <p>NOTE 18: Void</p> <p>NOTE 19: Applicable when the assigned NR carrier is confined within 718 MHz and 748 MHz and when the channel bandwidth used is 5 or 10 MHz.</p> <p>NOTE 20: Void</p> <p>NOTE 21: This requirement is applicable for any channel bandwidths up to 20MHz within the range 2500 - 2570 MHz with the following restriction: for carriers of 15 MHz bandwidth when carrier centre frequency is within the range 2560.5 - 2562.5 MHz and for carriers of 20 MHz bandwidth when carrier centre frequency is within the range 2552 - 2560 MHz the requirement is applicable only for an uplink transmission bandwidth less than or equal to 54 RB.</p> <p>NOTE 22: This requirement is applicable for power class 3 UE for any channel bandwidths up to 20 MHz. For channel bandwidth within the range 2570 - 2615 MHz with the following restriction: for carriers of 15 MHz bandwidth when the carrier centre frequency is within the range 2605.5 - 2607.5 MHz and for carriers of 20 MHz bandwidth when the carrier centre frequency is within the range 2597 - 2605 MHz the requirement is applicable only for an uplink transmission bandwidth less than or equal to 54 RB. For carriers overlapping the frequency range 2615 - 2620 MHz the requirement applies with the maximum output power configured to +19 dBm in the IE P-Max.</p> <p>NOTE 23: Void</p> <p>NOTE 24: As exceptions, measurements with a level up to the applicable requirement of -38 dBm/MHz is permitted for each assigned NR carrier used in the measurement due to 2nd harmonic spurious emissions. An exception is allowed if there is at least one individual RB within the transmission bandwidth (see Figure 5.3.1-1) for which the 2nd harmonic totally or partially overlaps the measurement bandwidth (MBW).</p> <p>NOTE 25: As exceptions, measurements with a level up to the applicable requirement of -36 dBm/MHz is permitted for each assigned NR carrier used in the measurement due to 3rd harmonic spurious emissions. An exception is allowed if there is at least one individual RB within the transmission bandwidth (see Figure 5.3.1-1) for which the 3rd harmonic totally or partially overlaps the measurement bandwidth (MBW).</p> <p>NOTE 26: For these adjacent bands, the emission limit could imply risk of harmful interference to UE(s) operating in the protected operating band.</p> <p>NOTE 27: This requirement is applicable for channel bandwidths up to 20 MHz within the range 1920 - 1980 MHz with the following restriction: for carriers of 15 MHz bandwidth when the carrier centre frequency is within the range 1927.5 - 1929.5 MHz and for carriers of 20 MHz bandwidth when the</p>				

NR Band	Spurious emission for UE co-existence				
	Protected band	Frequency range (MHz)	Maximum Level (dBm)	MBW (MHz)	NOTE
	carrier centre frequency is within the range 1930 - 1938 MHz the requirement is applicable only for an uplink transmission bandwidth less than or equal to 54 RB.				
	NOTE 28: Void				
	NOTE 29: Void				
	NOTE 30: Void				
	NOTE 31: Void				
	NOTE 32: Void				
	NOTE 33: This requirement is only applicable for carriers with bandwidth up to 20MHz and confined within 1885-1920 MHz (requirement for carriers with at least 1RB confined within 1880 - 1885 MHz is not specified). This requirement applies for an uplink transmission bandwidth less than or equal to 54 RB for carriers of 15 MHz bandwidth when carrier center frequency is within the range 1892.5 - 1894.5 MHz and for carriers of 20 MHz bandwidth when carrier center frequency is within the range 1895 - 1903 MHz. The above restriction is applicable to only power class 3 UEs.				
	NOTE 34: This requirement is applicable for 5 and 10 MHz NR channel bandwidth allocated within 718-728 MHz. For carriers of 10 MHz bandwidth, this requirement applies for an uplink transmission bandwidth less than or equal to 30 RB with $RB_{start} > 1$ and $RB_{start} < 48$.				
	NOTE 35: This requirement is applicable in the case of a 10 MHz NR carrier confined within 703 MHz and 733 MHz, otherwise the requirement of -25 dBm with a measurement bandwidth of 8 MHz applies.				
	NOTE 36: Void				
	NOTE 37: Void				
	NOTE 38: Void				
	NOTE 39: Void				
	NOTE 40: Void				
	NOTE 41: Applicable for cases and when the lower edge of the assigned NR UL channel bandwidth frequency is greater than or equal to 1427 MHz + the channel BW assigned for 5 and 10 MHz bandwidth, and when the lower edge of the assigned NR UL channel bandwidth frequency is greater than or equal to 1440 MHz for 15 and 20 MHz bandwidth. This requirement shall be verified with UE transmission power configured as high as possible but no higher than 15 dBm.				
	NOTE 42: Applicable when upper edge of the assigned NR UL channel bandwidth frequency is more than 1460 MHz and less than or equal to 1470 MHz for 5 MHz bandwidth, and when the upper edge of the assigned NR UL channel bandwidth frequency is more than 1460 MHz and less than or equal to 1465 MHz for 10 MHz bandwidth.				
	NOTE 43: This requirement is applicable for UE which is operating in power class 3 and NR channel bandwidths up to 20 MHz within frequency range 1920-1980 MHz.				
	NOTE 44: As exceptions, for 90 and 100 MHz channel bandwidth, -40 dBm/MHz is applicable in the frequency range of 2496 – 2505 MHz.				
	NOTE 45: Applicable when upper edge of the assigned NR UL channel bandwidth frequency is equal to or less than 1460 MHz.				
	NOTE 46: Applicable for 5 MHz bandwidth and when the NR carrier is within 1447.9 – 1462.9 MHz.				

NOTE: To simplify Table 6.5.3.2.3-2 and 6.5.3.2.3-4, E-UTRA band numbers are listed for bands which are specified only for E-UTRA operation or both E-UTRA and NR operation. NR band numbers are listed for bands which are specified only for NR operation.

The normative reference for this requirement is TS 38.101-1 [2] subclause 6.5.3.2. This test use minimum requirements from many releases of TS 38.101-1 [2] due to release independence defined in TS 38.307 [23].

6.5.3.2.4 Test description

6.5.3.2.4.1 Initial conditions

Initial conditions are a set of test configurations the UE needs to be tested in and the steps for the SS to take with the UE to reach the correct measurement state.

The initial test configurations consist of environmental conditions, test frequencies, test channel bandwidths and sub-carrier spacing based on NR operating bands specified in Table 5.3.5-1. All of these configurations shall be tested with applicable test parameters for each combination of channel bandwidth and sub-carrier spacing, are shown in Table 6.5.3.2.4.1-1. The details of the uplink reference measurement channels (RMCs) are specified in Annexes A.2. Configurations of PDSCH and PDCCH before measurement are specified in Annex C.2.

Table 6.5.3.2.4.1-1: Test Configuration Table

Initial Conditions			
Test Environment as specified in TS 38.508-1 [5] subclause 4.1.		Normal	
Test Frequencies as specified in TS 38.508-1 [5] subclause 4.3.1.		Low range, Mid range, High range (NOTE 2)	
Test Channel Bandwidths as specified in TS 38.508-1 [5] subclause 4.3.1.		Lowest, Mid, Highest	
Test SCS as specified in Table 5.3.5-1		Lowest	
Test Parameters			
Test ID	Downlink Configuration	Uplink Configuration	
		Modulation	RB allocation (NOTE 1)
1	N/A	CP-OFDM QPSK	Outer_Full
2		CP-OFDM QPSK	Edge_1RB_Left
3		CP-OFDM QPSK	Edge_1RB_Right
NOTE 1: The specific configuration of each RB allocation is defined in Table 6.1-1 Common UL configuration.			
NOTE 2: For NR band n28, 30MHz test channel bandwidth is tested with Low range and High range test frequencies.			

1. Connect the SS to the UE antenna connectors as shown in TS 38.508-1 [5] Annex A, Figure A.3.1.1.1 for TE diagram and section A.3.2 for UE diagram.
2. The parameter settings for the cell are set up according to TS 38.508-1 [5] subclause 4.4.3.
3. Downlink signals are initially set up according to Annex C.0, C.1, C.2, and uplink signals according to Annex G.0, G.1, G.2, G.3.0.
4. The UL Reference Measurement channels are set according to Table 6.5.3.2.4.1-1.
5. Propagation conditions are set according to Annex B.0.
6. Ensure the UE is in state RRC_CONNECTED with generic procedure parameters Connectivity *NR*, Connected without release *On*, Test Mode *On* and Test Loop Function *On* according to TS 38.508-1 [5] clause 4.5. Message contents are defined in clause 6.5.3.2.4.3.

6.5.3.2.4.2 Test procedure

1. SS sends uplink scheduling information for each UL HARQ process via PDCCH DCI format 0_1 for C_RNTI to schedule the UL RMC according to Table 6.5.3.2.4.1-1. Since the UE has no payload data to send, the UE transmits uplink MAC padding bits on the UL RMC.
2. Send continuously uplink power control "up" commands in the uplink scheduling information to the UE until the UE transmits at P_{UMAX} level.
3. Measure the power of the transmitted signal with a measurement filter of bandwidths according to Tables 6.5.3.2.3-1 to 6.5.3.2.3-3. The centre frequency of the filter shall be stepped in contiguous steps according to Tables 6.5.3.2.3-1 to 6.5.3.2.3-3. The measured power shall be verified for each step. The measurement period shall capture the active time slots. During measurement the spectrum analyser shall be set to 'Detector' = RMS. If the sweep count is higher than one, the trace mode shall be average.

6.5.3.2.4.3 Message contents

Message contents are according to TS 38.508-1 [5] subclause 4.6.

6.5.3.2.5 Test requirement

Test requirements for Spurious Emissions UE Co-existence are the same as the minimum requirements and are not repeated in this section.

Unless otherwise stated, the spurious emission limits apply for the frequency ranges that are more than F_{OOB} (MHz) in Tables 6.5.3.1.3-1 from the edge of the channel bandwidth. The spurious emission limits in Tables 6.5.3.2.3-1 to 6.5.3.2.3-4 apply for all transmitter band configurations (NRB) and channel bandwidths.

The measured average power of spurious emission, derived in step 3, shall not exceed the described value in Table 6.5.3.2.3-1 to 6.5.3.2.3-4 for difference releases.

The requirements for the UE are release specific and can be found in Tables 6.5.3.2.3-1 to 6.5.3.2.3-4. If the UE support a band, which is not defined in the table corresponding UE's release, the requirements for this band are taken from the table of earliest release where requirements for this band are defined. This has been described in following Table 6.5.3.2.5-1.

Table 6.5.3.2.5-1: UE Requirements according to UE NR release and supported E-UTRA and NR band

UE Requirements per release				
NR Band	Rel-15	Rel-16	Rel-17	Rel-18
n1	Table 6.5.3.2.3-1	Table 6.5.3.2.3-2	Table 6.5.3.2.3-3	Table 6.5.3.2.3-4
n2	Table 6.5.3.2.3-1	Table 6.5.3.2.3-2	Table 6.5.3.2.3-3	Table 6.5.3.2.3-4
n3	Table 6.5.3.2.3-1	Table 6.5.3.2.3-2	Table 6.5.3.2.3-3	Table 6.5.3.2.3-4
n5	Table 6.5.3.2.3-1	Table 6.5.3.2.3-2	Table 6.5.3.2.3-3	Table 6.5.3.2.3-4
n7	Table 6.5.3.2.3-1	Table 6.5.3.2.3-2	Table 6.5.3.2.3-3	Table 6.5.3.2.3-4
n8	Table 6.5.3.2.3-1	Table 6.5.3.2.3-2	Table 6.5.3.2.3-3	Table 6.5.3.2.3-4
n12	Table 6.5.3.2.3-1	Table 6.5.3.2.3-2	Table 6.5.3.2.3-3	Table 6.5.3.2.3-4
n13	Table 6.5.3.2.3-3	Table 6.5.3.2.3-3	Table 6.5.3.2.3-3	Table 6.5.3.2.3-4
n14	Table 6.5.3.2.3-2	Table 6.5.3.2.3-2	Table 6.5.3.2.3-3	Table 6.5.3.2.3-4
n18	Table 6.5.3.2.3-2	Table 6.5.3.2.3-2	Table 6.5.3.2.3-3	Table 6.5.3.2.3-4
n20	Table 6.5.3.2.3-1	Table 6.5.3.2.3-2	Table 6.5.3.2.3-3	Table 6.5.3.2.3-4
n24	Table 6.5.3.2.3-3	Table 6.5.3.2.3-3	Table 6.5.3.2.3-3	Table 6.5.3.2.3-4
n25	Table 6.5.3.2.3-1	Table 6.5.3.2.3-2	Table 6.5.3.2.3-3	Table 6.5.3.2.3-4
n26	Table 6.5.3.2.3-2	Table 6.5.3.2.3-2	Table 6.5.3.2.3-3	Table 6.5.3.2.3-4
n28	Table 6.5.3.2.3-1	Table 6.5.3.2.3-2	Table 6.5.3.2.3-3	Table 6.5.3.2.3-4
n30	Table 6.5.3.2.3-2	Table 6.5.3.2.3-2	Table 6.5.3.2.3-3	Table 6.5.3.2.3-4
n34	Table 6.5.3.2.3-1	Table 6.5.3.2.3-2	Table 6.5.3.2.3-3	Table 6.5.3.2.3-4
n38	Table 6.5.3.2.3-1	Table 6.5.3.2.3-2	Table 6.5.3.2.3-3	Table 6.5.3.2.3-4
n39	Table 6.5.3.2.3-1	Table 6.5.3.2.3-2	Table 6.5.3.2.3-3	Table 6.5.3.2.3-4
n40	Table 6.5.3.2.3-1	Table 6.5.3.2.3-2	Table 6.5.3.2.3-3	Table 6.5.3.2.3-4
n41	Table 6.5.3.2.3-1	Table 6.5.3.2.3-2	Table 6.5.3.2.3-3	Table 6.5.3.2.3-4
n48	Table 6.5.3.2.3-2	Table 6.5.3.2.3-2	Table 6.5.3.2.3-3	Table 6.5.3.2.3-4
n50	Table 6.5.3.2.3-1	Table 6.5.3.2.3-2	Table 6.5.3.2.3-3	Table 6.5.3.2.3-4
n51	Table 6.5.3.2.3-1	Table 6.5.3.2.3-2	Table 6.5.3.2.3-3	Table 6.5.3.2.3-4
n53	Table 6.5.3.2.3-2	Table 6.5.3.2.3-2	Table 6.5.3.2.3-3	Table 6.5.3.2.3-4
n65	Table 6.5.3.2.3-2	Table 6.5.3.2.3-2	Table 6.5.3.2.3-3	Table 6.5.3.2.3-4
n66	Table 6.5.3.2.3-1	Table 6.5.3.2.3-2	Table 6.5.3.2.3-3	Table 6.5.3.2.3-4
n70	Table 6.5.3.2.3-1	Table 6.5.3.2.3-2	Table 6.5.3.2.3-3	Table 6.5.3.2.3-4
n71	Table 6.5.3.2.3-1	Table 6.5.3.2.3-2	Table 6.5.3.2.3-3	Table 6.5.3.2.3-4
n74	Table 6.5.3.2.3-1	Table 6.5.3.2.3-2	Table 6.5.3.2.3-3	Table 6.5.3.2.3-4
n77, n78	Table 6.5.3.2.3-1	Table 6.5.3.2.3-2	Table 6.5.3.2.3-3	Table 6.5.3.2.3-4
n79	Table 6.5.3.2.3-1	Table 6.5.3.2.3-2	Table 6.5.3.2.3-3	Table 6.5.3.2.3-4
n85	Table 6.5.3.2.3-3	Table 6.5.3.2.3-3	Table 6.5.3.2.3-3	Table 6.5.3.2.3-4
n91	Table 6.5.3.2.3-2	Table 6.5.3.2.3-2	Table 6.5.3.2.3-3	Table 6.5.3.2.3-4
n92	Table 6.5.3.2.3-2	Table 6.5.3.2.3-2	Table 6.5.3.2.3-3	Table 6.5.3.2.3-4
n93	Table 6.5.3.2.3-2	Table 6.5.3.2.3-2	Table 6.5.3.2.3-3	Table 6.5.3.2.3-4
n94	Table 6.5.3.2.3-2	Table 6.5.3.2.3-2	Table 6.5.3.2.3-3	Table 6.5.3.2.3-4
n100	Table 6.5.3.2.3-3	Table 6.5.3.2.3-3	Table 6.5.3.2.3-3	Table 6.5.3.2.3-4
n101	Table 6.5.3.2.3-3	Table 6.5.3.2.3-3	Table 6.5.3.2.3-3	Table 6.5.3.2.3-4
n106	Table 6.5.3.2.3-4	Table 6.5.3.2.3-4	Table 6.5.3.2.3-4	Table 6.5.3.2.3-4
NOTE 1:	The frequency range applicable with network signalling values of NS_04, NS_17, NS_18, NS_05, NS_43, NS_37, NS_38, NS_39, NS_40, NS_41, NS_42, NS_45 and NS_56 are covered in subclause 6.5.3.3 Additional Spurious Emissions			
NOTE 2:	The restriction on the maximum uplink transmission to 54 RB in Notes 21 and 22 of Tables 6.5.3.2.3-1 to 6.5.3.2.3-3 is intended for conformance testing and may be applied to network operation to facilitate coexistence when the aggressor and victim bands are deployed in the same geographical area. The applicable spurious emission requirement of -15.5 dBm/5MHz is a least restrictive technical requirement for FDD/TDD coexistence and may have to be revised in the future.			

6.5.3.3 Additional spurious emissions

Editor's note: This clause is incomplete. The following aspects are either missing or not yet determined.

.

Test requirement for NS_38, NS_39, NS_40 are incomplete.

The requirements of this test case for NS_44, NS_46, NS_47, NS_48, and NS_49 apply to all types of NR UE release 16 forward, and release 15 if the corresponding channel bandwidths are supported.

Clarification from RAN4 is needed for NOTE 1 in Table 6.5.3.3.3.10-1 of 38.101-1 as a UE's output power may not be able to reach 15dBm.

6.5.3.3.1 Test purpose

To verify that UE transmitter does not cause unacceptable interference to other channels or other systems in terms of transmitter spurious emissions under the deployment scenarios where additional requirements are specified.

6.5.3.3.2 Test applicability

This test case applies for network signalling values NS_04, NS_05, NS_05U, NS_07, NS_12, NS_13, NS_14, NS_15, NS_17, NS_18, NS_21, NS_24, NS_27, NS_37, NS_38, NS_39, NS_40, NS_41, NS_42, NS_43, NS_43U, NS_44, NS_45, NS_47, NS_48, NS_49, NS_50 and NS_56 to all types of NR Power Class 2 and Power Class 3 UE release 15 and forward that don't support Tx diversity.

6.5.3.3.3 Minimum conformance requirements

These requirements are specified in terms of an additional spectrum emission requirement. Additional spurious emission requirements are signalled by the network to indicate that the UE shall meet an additional requirement for a specific deployment scenario as part of the cell handover/broadcast message.

6.5.3.3.3.1 Minimum conformance requirements (network signalling value "NS_04")

When "NS_04" is indicated in the cell, the power of any UE emission shall not exceed the levels specified in Table 6.5.3.3.3.1-1. This requirement also applies for the frequency ranges that are less than F_{OOB} (MHz) in Table 6.5.3.1.3-1 from the edge of the channel bandwidth.

Table 6.5.3.3.3.1-1: Additional requirements for "NS_04"

Frequency range (MHz)	Channel bandwidth (MHz) / Spectrum emission limit (dBm)	Measurement bandwidth
	10, 15, 20, 30, 40, 50, 60, 70, 80, 90, 100	
$2495 \leq f < 2496$	-13	1% of Channel BW
$2490.5 \leq f < 2495$	-13	1 MHz
$0.009 < f < 2490.5$	-25	1 MHz

The normative reference for this requirement is TS 38.101-1 [2] subclause 6.5.3.3.1.

6.5.3.3.3.2 Minimum conformance requirements (network signalling value "NS_17")

When "NS_17" is indicated in the cell, the power of any UE emission shall not exceed the levels specified in Table 6.5.3.3.3.2-1. This requirement also applies for the frequency ranges that are less than F_{OOB} (MHz) in Table 6.5.3.1.3-1 from the edge of the channel bandwidth.

Table 6.5.3.3.3.2-1: Additional requirements for "NS_17"

Frequency range (MHz)	Channel bandwidth (MHz)/ Spectrum emission limit (dBm)	Measurement bandwidth	NOTE
	3, 5, 10		
$470 \leq f \leq 710$	-26.2	6 MHz	1
NOTE 1: Applicable when the assigned NR carrier is confined within 718 MHz and 748 MHz and when the channel bandwidth is 5 or 10 MHz.			

The normative reference for this requirement is TS 38.101-1 [2] subclause 6.5.3.3.2.

6.5.3.3.3.3 Minimum conformance requirements (network signalling value "NS_18")

When "NS_18" is indicated in the cell, the power of any UE emission shall not exceed the levels specified in Table 6.5.3.3.3-1. This requirement also applies for the frequency ranges that are less than F_{OOB} (MHz) in Table 6.5.3.1.3-1 from the edge of the channel bandwidth.

Table 6.5.3.3.3-1: Additional requirements for "NS_18"

Frequency range (MHz)	Channel bandwidth (MHz)/ Spectrum emission limit (dBm)	Measurement bandwidth	
	3, 5, 10, 15, 20, 30		
692-698	-26.2	6 MHz	

The normative reference for this requirement is TS 38.101-1 [2] subclause 6.5.3.3.3.

6.5.3.3.3.4 Minimum conformance requirements (network signalling value "NS_05" and "NS_05U")

When "NS_05" is indicated in the cell, the power of any UE emission shall not exceed the levels specified in Table 6.5.3.3.4-1. This requirement also applies for the frequency ranges that are less than F_{OOB} (MHz) in Table 6.5.3.1.3-1 from the edge of the channel bandwidth.

Table 6.5.3.3.4-1: Additional requirements for "NS_05" and "NS_05U"

Frequency range (MHz)	Channel bandwidth (MHz) / Spectrum emission limit (dBm)	Measurement bandwidth	NOTE
	5, 10, 15, 20		
$1884.5 \leq f \leq 1915.7$	-41	300 kHz	

The normative reference for this requirement is TS 38.101-1 [2] subclause 6.5.3.3.4.

6.5.3.3.3.5 Minimum conformance requirements (network signalling value "NS_43" and "NS_43U")

When "NS_43" is indicated in the cell, the power of any UE emission shall not exceed the levels specified in Table 6.5.3.3.5-1. This requirement also applies for the frequency ranges that are less than F_{OOB} (MHz) in Table 6.5.3.1.3-1 from the edge of the channel bandwidth.

Table 6.5.3.3.5-1: Additional requirement for "NS_43" and "NS_43U"

Frequency range (MHz)	Channel bandwidth (MHz) / Spectrum emission limit (dBm)	Measurement bandwidth
	5, 10, 15	
$860 \leq f \leq 890$	-40	1 MHz
NOTE 1: Applicable for 5 MHz and 15 MHz channel BW confined between 900 MHz and 915 MHz and for 10 MHz channel BW confined between 905 MHz and 915 MHz		

The normative reference for this requirement is TS 38.101-1 [2] subclause 6.5.3.3.5.

6.5.3.3.3.6 Minimum conformance requirements (network signalling value "NS_37")

When "NS_37" is indicated in the cell, the power of any UE emission shall not exceed the levels specified in Table 6.5.3.3.6-1. This requirement also applies for the frequency ranges that are less than F_{OOB} (MHz) in Table 6.5.3.1.3-1 from the edge of the channel bandwidth.

Table 6.5.3.3.6-1: Additional requirement for "NS_37"

Frequency range	Channel bandwidth (MHz) / Spectrum emission limit (dBm)	

(MHz)	5, 10, 15, 20	Measurement bandwidth
$1475.9 \leq f \leq 1510.9$	-35	1 MHz

The normative reference for this requirement is TS 38.101-1 [2] subclause 6.5.3.3.6.

6.5.3.3.3.7 Minimum conformance requirements (network signalling value "NS_38")

When "NS_38" is indicated in the cell, the power of any UE emission shall not exceed the levels specified in Table 6.5.3.3.3.7-1. This requirement also applies for the frequency ranges that are less than F_{OOB} (MHz) in Table 6.5.3.1.3-1 from the edge of the channel bandwidth.

Table 6.5.3.3.3.7-1: Additional requirements for "NS_38"

Frequency range (MHz)	Channel bandwidth (MHz) / Spectrum emission limit (dBm)	Measurement bandwidth
	5, 10, 15, 20	
$1400 \leq f \leq 1427$	-32	27 MHz
NOTE 1: This requirement shall be verified with UE transmission power of 15 dBm.		

The normative reference for this requirement is TS 38.101-1 [2] subclause 6.5.3.3.7.

6.5.3.3.3.8 Minimum conformance requirements (network signalling value "NS_39")

When "NS_39" is indicated in the cell, the power of any UE emission shall not exceed the levels specified in Table 6.5.3.3.3.8-1. This requirement also applies for the frequency ranges that are less than F_{OOB} (MHz) in Table 6.5.3.1.3-1 from the edge of the channel bandwidth.

Table 6.5.3.3.3.8-1: Additional requirements for "NS_39"

Frequency range (MHz)	Channel bandwidth (MHz) / Spectrum emission limit (dBm)	Measurement bandwidth
	5, 10, 15, 20	
$1475 \leq f \leq 1488$	-28	1MHz

The normative reference for this requirement is TS 38.101-1 [2] subclause 6.5.3.3.8.

6.5.3.3.3.9 Minimum conformance requirements (network signalling value "NS_40")

When "NS_40" is indicated in the cell, the power of any UE emission shall not exceed the levels specified in Table 6.5.3.3.3.9-1. This requirement also applies for the frequency ranges that are less than F_{OOB} (MHz) in Table 6.5.3.1.3-1 from the edge of the channel bandwidth.

Table 6.5.3.3.3.9-1: Additional requirements for NR channels assigned within 1427-1452MHz for "NS_40"

Frequency range (MHz)	Channel bandwidth (MHz) / Spectrum emission limit (dBm)	Measurement bandwidth
	5	
$1400 \leq f \leq 1427$	-32	27 MHz
NOTE 1: This requirement shall be verified with UE transmission power of 15 dBm.		

The normative reference for this requirement is TS 38.101-1 [2] subclause 6.5.3.3.9.

6.5.3.3.3.10 Minimum conformance requirements (network signalling value "NS_41")

When "NS_41" is indicated in the cell, the power of any UE emission shall not exceed the levels specified in Table 6.5.3.3.3.10-1. This requirement also applies for the frequency ranges that are less than F_{OOB} (MHz) in Table 6.5.3.1.3-1 from the edge of the channel bandwidth.

Table 6.5.3.3.10-1: Additional requirements for NR channels assigned within 1432-1517 MHz for "NS_41"

Frequency range (MHz)	Channel bandwidth (MHz) / Spectrum emission limit (dBm)	Measurement bandwidth
	5, 10, 15, 20, 40, 50, 60	
$1400 \leq f \leq 1427$	-32	27 MHz
NOTE 1: This requirement shall be verified with UE transmission power of 15 dBm.		

The normative reference for this requirement is TS 38.101-1 [2] subclause 6.5.3.3.10.

6.5.3.3.3.11 Minimum conformance requirements (network signalling value "NS_42")

When "NS_42" is indicated in the cell, the power of any UE emission shall not exceed the levels specified in Table 6.5.3.3.3.11-1. This requirement also applies for the frequency ranges that are less than F_{OOB} (MHz) in Table 6.5.3.1.3-1 from the edge of the channel bandwidth.

Table 6.5.3.3.3.11-1: Additional requirements for NR channels assigned within 1432-1517MHz for "NS_42"

Frequency range (MHz)	Channel bandwidth (MHz) / Spectrum emission limit (dBm)	Measurement bandwidth
	5, 10, 15, 20, 40, 50, 60	
$1518 \leq f \leq 1520$	-0.8	1 MHz
$1520 < f \leq 1559$	-30	1 MHz

The normative reference for this requirement is TS 38.101-1 [2] subclause 6.5.3.3.11.

6.5.3.3.3.12 Minimum conformance requirements (network signalling value "NS_21")

When "NS_21" is indicated in the cell, the power of any UE emission shall not exceed the levels specified in Table 6.5.3.3.3.12-1. These requirements also apply for the frequency ranges that are less than F_{OOB} (MHz) in Table 6.5.3.1.3-1 from the edge of the channel bandwidth.

Table 6.5.3.3.3.12-1: Additional requirements for "NS_21"

Frequency range (MHz)	Channel bandwidth (MHz) / Spectrum emission limit (dBm)	Measurement bandwidth
	5, 10	
$2200 \leq f < 2288$	-40	1 MHz
$2288 \leq f < 2292$	-37	1 MHz
$2292 \leq f < 2296$	-31	1 MHz
$2296 \leq f < 2300$	-25	1 MHz
$2320 \leq f < 2324$	-25	1 MHz
$2324 \leq f < 2328$	-31	1 MHz
$2328 \leq f < 2332$	-37	1 MHz
$2332 \leq f \leq 2395$	-40	1 MHz

The normative reference for this requirement is TS 38.101-1 [2] subclause 6.5.3.3.12.

6.5.3.3.3.13 Minimum conformance requirements (network signalling value "NS_24")

When "NS_24" is indicated in the cell, the power of any UE emission shall not exceed the levels specified in Table 6.5.3.3.3.13-1. This requirement also applies for the frequency ranges that are less than F_{OOB} (MHz) in Table 6.5.3.1.3-1 from the edge of the channel bandwidth.

Table 6.5.3.3.3.13-1: Additional requirements for "NS_24"

Frequency range (MHz)	Channel bandwidth (MHz) / Spectrum emission limit (dBm)	Measurement bandwidth

	5, 10, 15, 20	
2010 ≤ f ≤ 2025	-50	1 MHz
NOTE 1: This requirement applies at a frequency offset equal or larger than 5 MHz from the upper edge of the channel bandwidth, whenever these frequencies overlap with the specified frequency band.		

The normative reference for this requirement is TS 38.101-1 [2] subclause 6.5.3.3.13.

6.5.3.3.3.14 Minimum conformance requirements (network signalling value "NS_27")

When "NS_27" is indicated in the cell, the power of any UE emission shall not exceed the levels specified in Table 6.5.3.3.3.14-1. This requirement also applies for the frequency ranges that are less than F_{OOB} (MHz) in Table 6.5.3.1.3-1 from the edge of the channel bandwidth.

Table 6.5.3.3.14-1: Additional requirements for "NS_27"

Frequency range (MHz)	Channel bandwidth (MHz) / Spectrum emission limit (dBm)	Measurement bandwidth
	5, 10, 15, 20, 30, 40	
9 kHz – 3530 MHz	-40	1 MHz
3530 MHz – 3540 MHz	-25	
3710 MHz – 3720 MHz	-25	
3720 MHz – 12.75 GHz	-40	

The normative reference for this requirement is TS 38.101-1 [2] subclause 6.5.3.3.14.

6.5.3.3.3.15 Minimum conformance requirements (network signalling value "NS_47")

When "NS_47" is indicated in the cell, the power of any UE emission shall not exceed the levels specified in Table 6.5.3.3.3.15-1. This requirement also applies for the frequency ranges that are less than F_{OOB} (MHz) in Table 6.5.3.1.3-1 from the edge of the channel bandwidth.

Table 6.5.3.3.3.15-1: Additional requirements for NR channels assigned within 2545 - 2575 MHz for "NS_47"

Frequency range (MHz)	Channel bandwidth (MHz) / Spectrum emission limit (dBm)	Measurement bandwidth
	30	
2530 ≤ f ≤ 2535	-25	1 MHz
2505 ≤ f ≤ 2530	-30	1 MHz

The normative reference for this requirement is TS 38.101-1 [2] subclause 6.5.3.3.15.

6.5.3.3.3.16 Minimum conformance requirements (network signalling value "NS_50")

When "NS_50" is indicated in the cell, the power of any UE emission shall not exceed the levels specified in Table 6.5.3.3.3.16-1. This requirement also applies for the frequency ranges that are less than F_{OOB} (MHz) in Table 6.5.3.1.3-1 from the edge of the channel bandwidth.

Table 6.5.3.3.3.16-1: Additional requirements for "NS_50"

Protected band	Frequency range (MHz)			Maximum Level (dBm)	MBW (MHz)	NOTE
Frequency range	1805	-	1855	-40	1	1
Frequency range	1855	-	1880	-15.5	5	1, 2, 3
NOTE 1: This requirement is applicable for carriers with aggregated channel bandwidths confined in 1885-1920 MHz for ≤ 30MHz channel BWs and confined in 1880-1920 MHz for 40MHz channel BW.						
NOTE 2: The requirement also applies for the frequency ranges that are less than F _{OOB} (MHz) in Table 6.5.3.1.3-1 and Table 6.5A.3.1.0-1 from the edge of the channel bandwidth.						
NOTE 3: For these adjacent bands, the emission limit could imply risk of harmful interference to UE(s) operating in the protected operating band.						

The normative reference for this requirement is TS 38.101-1 [2] subclause 6.5.3.3.16.

6.5.3.3.3.17 Minimum conformance requirements (network signalling value "NS_12")

When "NS_12" is indicated in the cell, the power of any UE emission shall not exceed the levels specified in Table 6.5.3.3.3.17-1. This requirement also applies for the frequency ranges that are less than F_{OOB} (MHz) in Table 6.5.3.1.3-1 from the edge of the channel bandwidth.

Table 6.5.3.3.3.17-1: Additional requirements for "NS_12"

Frequency range (MHz)	Channel bandwidth / Spectrum emission limit (dBm)	Measurement bandwidth
	3 MHz, 5 MHz, 10 MHz	
$806 \leq f \leq 813.5$	-42	6.25 kHz
NOTE 1: The requirement applies for NR carriers with lower channel edge at or above 814 MHz.		
NOTE 2: The emissions measurement shall be sufficiently power averaged to ensure a standard deviation < 0.5 dB.		

The normative reference for this requirement is TS 38.101-1 [2] subclause 6.5.3.3.17.

6.5.3.3.3.18 Minimum conformance requirements (network signalling value "NS_13")

When "NS_13" is indicated in the cell, the power of any UE emission shall not exceed the levels specified in Table 6.5.3.3.3.18-1. This requirement also applies for the frequency ranges that are less than F_{OOB} (MHz) in Table 6.5.3.1.3-1 from the edge of the channel bandwidth.

Table 6.5.3.3.3.18-1: Additional requirements for "NS_13"

Frequency range (MHz)	Channel bandwidth / Spectrum emission limit (dBm)	Measurement bandwidth
	3 MHz, 5 MHz	
$806 \leq f \leq 816$	-42	6.25 kHz
NOTE 1: The requirement applies for NR carriers with lower channel edge at or above 817 MHz.		
NOTE 2: The emissions measurement shall be sufficiently power averaged to ensure a standard deviation < 0.5 dB.		

The normative reference for this requirement is TS 38.101-1 [2] subclause 6.5.3.3.18.

6.5.3.3.3.19 Minimum conformance requirements (network signalling value "NS_14")

When "NS_14" is indicated in the cell, the power of any UE emission shall not exceed the levels specified in Table 6.5.3.3.3.19-1. This requirement also applies for the frequency ranges that are less than F_{OOB} (MHz) in Table 6.5.3.1.3-1 from the edge of the channel bandwidth.

Table 6.5.3.3.3.19-1: Additional requirements for "NS_14"

Frequency range (MHz)	Channel bandwidth / Spectrum emission limit (dBm)	Measurement bandwidth
	10 MHz, 15 MHz, 20MHz	
$806 \leq f \leq 816$	-42	6.25 kHz
NOTE 1: The requirement applies for NR carriers with lower channel edge at or above 824 MHz.		
NOTE 2: The emissions measurement shall be sufficiently power averaged to ensure a standard deviation < 0.5 dB.		

The normative reference for this requirement is TS 38.101-1 [2] subclause 6.5.3.3.19.

6.5.3.3.3.20 Minimum conformance requirements (network signalling value "NS_15")

When "NS_15" is indicated in the cell, the power of any UE emission shall not exceed the levels specified in Table 6.5.3.3.20-1. This requirement also applies for the frequency ranges that are less than F_{OOB} (MHz) in Table 6.5.3.1.3-1 from the edge of the channel bandwidth.

Table 6.5.3.3.20-1: Additional requirements NS_15

Frequency range (MHz)	Channel bandwidth / Spectrum emission limit (dBm)	Measurement bandwidth
	3 MHz, 5 MHz, 10 MHz, 15 MHz, 20 MHz	
$851 \leq f \leq 859$	-53	6.25 kHz
NOTE 1: The emissions measurement shall be sufficiently power averaged to ensure a standard deviation < 0.5 dB.		

6.5.3.3.3.21 Minimum conformance requirements (network signalling value "NS_45")

When "NS_45" is indicated in the cell, the power of any UE emission shall not exceed the levels specified in Table 6.5.3.3.21-1. This requirement also applies for the frequency ranges that are less than F_{OOB} (MHz) in Table 6.5.3.1.3-1 from the edge of the channel bandwidth.

Table 6.5.3.3.21-1: Additional requirements

Frequency range (MHz)	Channel bandwidth / Spectrum emission limit (dBm)		Measurement bandwidth
	5 MHz	10 MHz	
$0.009 < f \leq 2473.5$	-25	-25	1 MHz
$2473.5 < f \leq 2477.5$	-25	-13	1 MHz
$2477.5 < f \leq 2478.5$	-13	-13	1 MHz
$2478.5 < f \leq 2483.5$	-10	-10	1 MHz
$2495 \leq f < 2496$	-13	-13	1% of Channel Bandwidth
$2496 \leq f < 2501$	-13	-13	1 MHz
$2501 < f \leq 2505$	-25	-13	1 MHz
$2505 \leq f \leq 5^{\text{th}}$ harmonic of the upper frequency edge of the UL operating band	-25	-25	1 MHz

The normative reference for this requirement is TS 38.101-1 [2] subclause 6.5.3.3.21.

6.5.3.3.3.22 Minimum conformance requirements (network signalling value "NS_48" and "NS_51")

When "NS_48" or "NS_51" is indicated in the cell, the power of any UE emission shall not exceed the levels specified in Table 6.5.3.3.22-1. This requirement also applies for the frequency ranges that are less than F_{OOB} (MHz) in Table 6.5.3.1.3-1 from the edge of the channel bandwidth.

Table 6.5.3.3.22-1: Additional requirements for "NS_48" and "NS_51"

Protected band	Frequency range (MHz)			Maximum Level (dBm)	MBW (MHz)	NOTE
E-UTRA band 34 – NR band n34	F_{DL_low}	-	F_{DL_high}	-50	1	
Frequency range	1900	-	1915	-15.5	5	1
Frequency range	1915	-	1920	+1.6	5	1
NOTE 1: For these adjacent bands, the emission limit could imply risk of harmful interference to UE(s) operating in the protected operating band.						

The normative reference for this requirement is TS 38.101-1 [2] subclause 6.5.3.3.22.

6.5.3.3.3.23 Minimum conformance requirements (network signalling value "NS_49")

When "NS_49" is indicated in the cell, the power of any UE emission shall not exceed the levels specified in Table 6.5.3.3.3.23-1. This requirement also applies for the frequency ranges that are less than F_{OOB} (MHz) in Table 6.5.3.1.3-1 from the edge of the channel bandwidth.

Table 6.5.3.3.3.23-1: Additional requirements for "NS_49"

Protected band	Frequency range (MHz)			Maximum Level (dBm)	MBW (MHz)	NOTE
E-UTRA band 34 - NR band n34	F_{DL_low}	-	F_{DL_high}	-50	1	
Frequency range	1880	-	1895	-40	1	
Frequency range	1895		1915	-15.5	5	1
Frequency range	1915	-	1920	1.6	5	1
NOTE 1: For these adjacent bands, the emission limit could imply risk of harmful interference to UE(s) operating in the protected operating band.						

The normative reference for this requirement is TS 38.101-1 [2] subclause 6.5.3.3.23.

6.5.3.3.3.24 Minimum conformance requirements (network signalling value "NS_44")

When "NS_44" is indicated in the cell, the power of any UE emission shall not exceed the levels specified in Table 6.5.3.3.3.24-1. This requirement also applies for the frequency ranges that are less than F_{OOB} (MHz) in Table 6.5.3.1.3-1 from the edge of the channel bandwidth.

Table 6.5.3.3.3.24-1: Additional requirements for "NS_44"

Protected band	Frequency range (MHz)			Maximum Level (dBm)	MBW (MHz)	NOTE
Frequency range	2620	-	2645	-15.5	5	1, 2
Frequency range	2645	-	2690	-40	1	1
NOTE 1: This requirement is applicable for carriers confined in 2570-2615 MHz.						
NOTE 2: For these adjacent bands, the emission limit could imply risk of harmful interference to UE(s) operating in the protected operating band.						

The normative reference for this requirement is TS 38.101-1 [2] subclause 6.5.3.3.24.

6.5.3.3.3.25 Minimum conformance requirements (network signalling value "NS_46")

When "NS_46" is indicated in the cell, the power of any UE emission shall not exceed the levels specified in Table 6.5.3.3.3.25-1. This requirement also applies for the frequency ranges that are less than F_{OOB} (MHz) in Table 6.5.3.1-1 from the edge of the channel bandwidth.

Table 6.5.3.3.3.25-1: Additional requirements for "NS_46"

Protected band	Frequency range (MHz)			Maximum Level (dBm)	MBW (MHz)	NOTE
Frequency range	2570	-	2575	+1.6	5	1, 2
Frequency range	2575	-	2595	-15.5	5	1, 2
Frequency range	2595	-	2620	-40	1	1
NOTE 1: This requirement is applicable for power class 3 UE for all carriers confined in 2500-2570 MHz. Special restrictions apply for channel bandwidths up to 20MHz: For carriers of 15 MHz bandwidth when carrier centre frequency is within the range 2560.5 - 2562.5 MHz and for carriers of 20 MHz bandwidth when carrier centre frequency is within the range 2552 - 2560 MHz the requirement is applicable only for an uplink transmission bandwidth less than or equal to 54 RB with the minimum supported SCS of 15KHz.						
NOTE 2: For these adjacent bands, the emission limit could imply risk of harmful interference to UE(s) operating in the protected operating band.						

The normative reference for this requirement is TS 38.101-1 [2] subclause 6.5.3.3.25.

6.5.3.3.3.26 Minimum conformance requirements (network signalling value "NS_07")

When "NS_07" is indicated in the cell, the power of any UE emission shall not exceed the levels specified in Table 6.5.3.3.3.26-1. This requirement also applies for the frequency ranges that are less than F_{OOB} (MHz) in Table 6.5.3.1-1 from the edge of the channel bandwidth.

Table 6.5.3.3.26-1: Additional requirements for "NS_07"

Frequency range (MHz)	Channel bandwidth / Spectrum emission limit (dBm)	Measurement bandwidth
	10 MHz	
$769 \leq f \leq 775$	-57	6.25 kHz
NOTE: The emissions measurement shall be sufficiently power averaged to ensure standard standard deviation < 0.5 dB.		

The normative reference for this requirement is TS 38.101-1 [2] subclause 6.5.3.3.26.

6.5.3.3.3.27 Minimum conformance requirements (network signalling value "NS_56")

When "NS_56" is indicated in the cell, the power of any UE emission shall not exceed the levels specified in Table 6.5.3.3.27-1. This requirement also applies for the frequency ranges that are less than F_{OOB} (MHz) in Table 6.5.3.1.3-1 from the edge of the channel bandwidth.

Table 6.5.3.3.27-1: Additional requirements for "NS_56"

Frequency range	Channel bandwidth / Spectrum emission limit ¹ (dBm)	Measurement bandwidth	NOTE
	5 MHz, 10MHz		
$1541 \leq f \leq 1559$	-102	2kHz	Averaged over any 2 millisecond active transmission interval
$1559 \leq f \leq 1608$	-85	700Hz	
$1608 \leq f \leq 1610$	$-85 + 5/2 (f-1608)$	700Hz	
$1610 \leq f \leq 1625$	$-80 + 66/15 (f-1610)$	700Hz	
$1541 \leq f \leq 1608$	-75	1MHz	Averaged over any 2 millisecond active transmission interval
$1608 \leq f \leq 1610$	$-75 + 5/2 (f-1608)$	1MHz	
$1610 \leq f \leq 1627.5$	$-70 + 57/17.5 (f-1610)$	1MHz	
1627.5	-37	4kHz	
$1638.5 \leq f \leq 1645.5$	-28	4kHz	
$1657.5 \leq f \leq 1660.5$	-28	4kHz	
NOTE 1: The EIRP requirement in regulation is converted to conducted requirement using a 0 dBi antenna.			

The normative reference for this requirement is TS 38.101-1 [2] subclause 6.5.3.3.27.

6.5.3.3.4 Test description

6.5.3.3.4.1 Initial conditions

Initial conditions are a set of test configurations the UE needs to be tested in and the steps for the SS to take with the UE to reach the correct measurement state.

The initial test configurations consist of environmental conditions, test frequencies, test channel bandwidths and sub-carrier spacing based on NR operating bands specified in Table 5.3.5-1. All these configurations shall be tested with applicable test parameters for each channel bandwidth and sub-carrier spacing, are shown in Tables 6.5.3.3.4.1-1 through Table 6.5.3.3.4.1-27 for different NS values. The details of the uplink reference measurement channels (RMCs) are specified in Annex A.2.2. Configurations of PDSCH and PDCCH before measurement are specified in Annex C.2.

Table 6.5.3.3.4.1-1: Test Configuration Table (network signalling value "NS_04")

Same test configuration as listed in Table 6.2.3.4.1-2 shall be used.

Table 6.5.3.3.4.1-2: Test Configuration Table (network signalling value "NS_17")

Initial Conditions	
Test Environment as specified in TS 38.508-1 [5] subclause 4.1	Normal
Test Frequencies as specified in TS 38.508-1 [5] subclause 4.3.1	Mid range

Test Channel Bandwidths as specified in TS 38.508-1 [5] subclause 4.3.1	5MHz, 10MHz		
Test SCS as specified in Table 5.3.5-1	Lowest		
Test Parameters			
Test ID	Downlink Configuration	Uplink Configuration	
	N/A	Modulation	RB allocation (NOTE 1)
1		CP-OFDM QPSK	OuterFull
2		CP-OFDM QPSK	Edge_1RB_Left
NOTE 1: The specific configuration of each RB allocation is defined in Table 6.1-1 Common UL configuration			

Table 6.5.3.3.4.1-3: Test Configuration Table (network signalling value "NS_18")

Same test configuration as listed in Table 6.2.3.4.1-11 shall be used with the following exceptions:

Test SCS shall be: No exception for UE mean power testing(step 3) and only Lowest for additional spurious emission testing(step 4).

Table 6.5.3.3.4.1-4: Test Configuration Table (network signalling value "NS_05" and "NS_05U")

Same test configuration as listed in Table 6.2.3.4.1-4 and Table 6.2.3.4.1-4a for NS_05, Table 6.2.3.4.1-4a and Table 6.2.3.4.1-5 for NS_05U shall be used with the following exceptions:

- Test SCS shall be: No exception for UE mean power testing(step 3) and only Lowest for additional spurious emission testing(step 4).

Table 6.5.3.3.4.1-5: Test Configuration Table (network signalling value "NS_43" and "NS_43U")

Same test configuration as listed in Table 6.2.3.4.1-6 for NS_43 and Table 6.2.3.4.1-7 for NS_43U shall be used

Table 6.5.3.3.4.1-6: Test Configuration Table (network signalling value "NS_37")

Same test configuration as listed in Table 6.2.3.4.1-8 shall be used

Table 6.5.3.3.4.1-7: Test Configuration Table (network signalling value "NS_38")

Same test configuration as listed in Table 6.2.3.4.1-9 shall be used.

Table 6.5.3.3.4.1-8: Test Configuration Table (network signalling value "NS_39")

Same test configuration as listed in Table 6.2.3.4.1-10 shall be used.

Table 6.5.3.3.4.1-9: Test Configuration Table (network signalling value "NS_40")

Same test configuration as listed in Table 6.2.3.4.1-14 shall be used.

Table 6.5.3.3.4.1-10: Test Configuration Table (network signalling value "NS_41")

Same test configuration as listed in Table 6.2.3.4.1-15 shall be used.

Table 6.5.3.3.4.1-11: Test Configuration Table (network signalling value "NS_42")

Same test configuration as listed in Table 6.2.3.4.1-16 shall be used.

Table 6.5.3.3.4.1-12: Test Configuration Table (network signalling value "NS_45")

Same test configuration as listed in Table 6.2.3.4.1-28 shall be used.

Table 6.5.3.3.4.1-13: Test Configuration Table (network signalling value "NS_24")

Same test configuration as listed in Table 6.2.3.4.1-12 shall be used.

Table 6.5.3.3.4.1-14: Test Configuration Table (network signalling value "NS_27")

Same test configuration as listed in Table 6.2.3.4.1-13 shall be used

Table 6.5.3.3.4.1-15: Test Configuration Table (network signalling value "NS_47")

Same test configuration as listed in Table 6.2.3.4.1-17, Table 6.2.3.4.1-17a, Table 6.2.3.4.1-18 and Table 6.2.3.4.1-18A shall be used.

Table 6.5.3.3.4.1-16: Test Configuration Table (network signalling value "NS_50")

Same test configuration as listed in Table 6.2.3.4.1-31 shall be used for NS_50 (Power Class 3).

Same test configuration as listed in Table 6.2.3.4.1-32 shall be used for NS_50 (Power Class 2).

Table 6.5.3.3.4.1-17: Test Configuration Table (network signalling value "NS_12")

Same test configuration as listed in Table 6.2.3.4.1-21 shall be used.

Table 6.5.3.3.4.1-18: Test Configuration Table (network signalling value "NS_13")

Same test configuration as listed in Table 6.2.3.4.1-22 shall be used.

Table 6.5.3.3.4.1-19: Test Configuration Table (network signalling value "NS_14")

Same test configuration as listed in Table 6.2.3.4.1-23 shall be used with the following exceptions:

- Test Frequency shall be: No exception for UE mean power testing(step 3) and only High Range for additional spurious emission testing(step 4).

Table 6.5.3.3.4.1-20: Test Configuration Table (network signalling value "NS_15")

Same test configuration as listed in Table 6.2.3.4.1-24 shall be used.

Table 6.5.3.3.4.1-21: Test Configuration Table (network signalling value "NS_07")

Same test configuration as listed in Table 6.2.3.4.1-31 shall be used.

Table 6.5.3.3.4.1-22: Test Configuration Table (network signalling value "NS_48")

Same test configuration as listed in Table 6.2.3.4.1-19 and Table 6.2.3.4.1-20 shall be used.

Table 6.5.3.3.4.1-23: Test Configuration Table (network signalling value "NS_49")

Same test configuration as listed in Table 6.2.3.4.1-29 and Table 6.2.3.4.1-29a shall be used.

Table 6.5.3.3.4.1-24: Test Configuration Table (network signalling value "NS_44")

Same test configuration as listed in Table 6.2.3.4.1-26 shall be used with the following exceptions:

- Test SCS shall be: No exception for UE mean power testing(step 3) and only Lowest for additional spurious emission testing(step 4).

Table 6.5.3.3.4.1-25: Test Configuration Table (network signalling value "NS_21")

Same test configuration as listed in Table 6.2.3.4.1-27 shall be used.

Table 6.5.3.3.4.1-27: Test Configuration Table (network signalling value "NS_56")

Same test configuration as listed in Table 6.2.3.4.1-30 shall be used.

Table 6.5.3.3.4.1-28: Test Configuration Table (network signalling value "NS_46")

Same test configuration as listed in Table 6.2.3.4.1-25 shall be used.

1. Connect the SS to the UE to the UE antenna connectors as shown in TS 38.508-1 [5] Annex A, Figure A.3.1.1.1 for TE diagram and section A.3.2 for UE diagram.
2. The parameter settings for the cell are set up according to TS 38.508-1 [5] subclause 4.4.3.
3. Downlink signals are initially set up according to Annex C.0, C.1, C.2, and uplink signals according to Annex G.0, G.1, G.2, G.3.0.

4. The UL Reference Measurement channels are set according to Table 6.5.3.3.4.1-1 through Table 6.5.3.3.4.1-27.
5. Propagation conditions are set according to Annex B.0.
6. Ensure the UE is in state RRC_CONNECTED with generic procedure parameters Connectivity NR, Connected without release On, Test Mode On and Test Loop Function On according to TS 38.508-1 [5] clause 4.5. Message contents are defined in clause 6.5.3.3.4.3.

6.5.3.3.4.2 Test procedure

1. SS sends uplink scheduling information for each UL HARQ process via PDCCH DCI format 0_1 for C_RNTI to schedule the UL RMC according to Table 6.5.3.3.4.1-1 through Table 6.5.3.3.4.1-28. Since the UE has no payload data to send, the UE transmits uplink MAC padding bits on the UL RMC.
2. Send continuously uplink power control "up" commands in the uplink scheduling information to the UE until the UE transmits at P_{UMAX} level.
3. Measure the mean power of the UE in the channel bandwidth of the radio access mode according to the test configuration in Tables 6.5.3.3.4.1-1 through 6.5.3.3.4.1-28 as appropriate, which shall meet the requirements in clause 6.5.3.3.5 with allowed A-MPR values specified in 6.2.3.5. The measured power shall be verified for each step. The measurement period shall capture the active time slots.
4. Measure the power of the transmitted signal with a measurement filter of bandwidths according to clauses 6.5.3.3.3.1 to 6.5.3.3.3.27 as appropriate. The centre frequency of the filter shall be stepped in contiguous steps according to the same table. During measurement the spectrum analyser shall be set to 'Detector' = RMS. If the sweep count is higher than one, the trace mode shall be average. For NS_38, NS_40, NS_41 the additional spurious emissions requirement shall be verified with UE transmission power obtained by sending uplink power control commands to the UE using 1dB power step size to ensure that the UE output power measured by the test system is within the Uplink power control window, defined as -MU to -(MU + Uplink power control window size) dB of the target power level 15dBm for at least the duration of the additional spurious emissions measurement, where:
 - MU is the test system uplink power measurement uncertainty and is specified in Table F.1.3-1 for the carrier frequency f and the channel bandwidth BW
 - Uplink power control window size = 1dB (UE power step size) + 0.7dB (UE power step tolerance) + (Test system relative power measurement uncertainty), where, the UE power step tolerance is specified in Table 6.3.4.3.3-1 and is 0.7dB for 1dB power step size, and the Test system relative power measurement uncertainty is specified for test case 6.3.4.3 in Table F.1.2-1

6.5.3.3.4.3 Message contents

6.5.3.3.4.3.1 Message contents exceptions (network signalling value "NS_04")

Message contents are according to TS 38.508-1 [5] subclause 4.6, with the following exceptions:

1. Information element additionalSpectrumEmission is set to NS_04. This can be set in SIB1 as part of the cell broadcast message. This exception indicates that the UE shall meet the additional spurious emission requirement for a specific deployment scenario.

Table 6.5.3.3.4.3.1-1: AdditionalSpectrumEmission: Additional spurious emissions test requirement for "NS_04"

Derivation Path: TS 38.508-1 [5] clause 4.6.3, Table 4.6.3-1			
Information Element	Value/remark	Comment	Condition
additionalSpectrumEmission	1 (NS_04)		

6.5.3.3.4.3.2 Message contents exceptions (network signalling value "NS_17")

Message contents are according to TS 38.508-1 [5] subclause 4.6, with the following exceptions:

1. Information element additionalSpectrumEmission is set to NS_17. This can be set in SIB1 as part of the cell broadcast message. This exception indicates that the UE shall meet the additional spurious emission requirement for a specific deployment scenario.

Table 6.5.3.4.3.2-1: AdditionalSpectrumEmission: Additional spurious emissions test requirement for "NS_17"

Derivation Path: TS 38.508-1 [5] clause 4.6.3, Table 4.6.3-1			
Information Element	Value/remark	Comment	Condition
additionalSpectrumEmission	1 (NS_17)		

6.5.3.4.3.3 Message contents exceptions (network signalling value "NS_18")

Message contents are according to TS 38.508-1 [5] subclause 4.6, with the following exceptions:

1. Information element additionalSpectrumEmission is set to NS_18. This can be set in *SIB1* as part of the cell broadcast message. This exception indicates that the UE shall meet the additional spurious emission requirement for a specific deployment scenario.

Table 6.5.3.4.3.3-1: AdditionalSpectrumEmission: Additional spurious emissions test requirement for "NS_18"

Derivation Path: TS 38.508-1 [5] clause 4.6.3, Table 4.6.3-1			
Information Element	Value/remark	Comment	Condition
additionalSpectrumEmission	2 (NS_18)		

6.5.3.4.3.4 Message contents exceptions (network signalling value "NS_05")

Message contents are according to TS 38.508-1 [5] subclause 4.6, with the following exceptions:

1. Information element additionalSpectrumEmission is set to NS_05. This can be set in *SIB1* as part of the cell broadcast message. This exception indicates that the UE shall meet the additional spurious emission requirement for a specific deployment scenario.

Table 6.5.3.4.3.4-1: AdditionalSpectrumEmission: Additional spurious emissions test requirement for "NS_05"

Derivation Path: TS 38.508-1 [5] clause 4.6.3, Table 4.6.3-1			
Information Element	Value/remark	Comment	Condition
additionalSpectrumEmission	2 (NS_05)		

6.5.3.4.3.4a Message contents exceptions (network signalling value "NS_05U")

Message contents are according to TS 38.508-1 [5] subclause 4.6, with the following exceptions:

1. Information element additionalSpectrumEmission is set to NS_05U. This can be set in *SIB1* as part of the cell broadcast message. This exception indicates that the UE shall meet the additional spurious emission requirement for a specific deployment scenario.

Table 6.5.3.4.3.4a-1: AdditionalSpectrumEmission: Additional spurious emissions test requirement for "NS_05U"

Derivation Path: TS 38.508-1 [5] clause 4.6.3, Table 4.6.3-1			
Information Element	Value/remark	Comment	Condition
additionalSpectrumEmission	3 (NS_05U)		

6.5.3.4.3.5 Message contents exceptions (network signalling value "NS_43")

Message contents are according to TS 38.508-1 [5] subclause 4.6, with the following exceptions:

1. Information element additionalSpectrumEmission is set to NS_43. This can be set in *SIB1* as part of the cell broadcast message. This exception indicates that the UE shall meet the additional spurious emission requirement for a specific deployment scenario.

Table 6.5.3.3.4.3.5-1: AdditionalSpectrumEmission: Additional spurious emissions test requirement for "NS_43"

Derivation Path: TS 38.508-1 [5] clause 4.6.3, Table 4.6.3-1			
Information Element	Value/remark	Comment	Condition
additionalSpectrumEmission	2 (NS_43)		

6.5.3.3.4.3.5a Message contents exceptions (network signalling value "NS_43U")

Message contents are according to TS 38.508-1 [5] subclause 4.6, with the following exceptions:

1. Information element additionalSpectrumEmission is set to NS_43U. This can be set in *SIB1* as part of the cell broadcast message. This exception indicates that the UE shall meet the additional spurious emission requirement for a specific deployment scenario.

Table 6.5.3.3.4.3.5a-1: AdditionalSpectrumEmission: Additional spurious emissions test requirement for "NS_43U"

Derivation Path: TS 38.508-1 [5] clause 4.6.3, Table 4.6.3-1			
Information Element	Value/remark	Comment	Condition
additionalSpectrumEmission	3 (NS_43U)		

6.5.3.3.4.3.6 Message contents exceptions (network signalling value "NS_37")

Message contents are according to TS 38.508-1 [5] subclause 4.6, with the following exceptions:

1. Information element additionalSpectrumEmission is set to NS_37. This can be set in *SIB1* as part of the cell broadcast message. This exception indicates that the UE shall meet the additional spurious emission requirement for a specific deployment scenario.

Table 6.5.3.3.4.3.6-1: AdditionalSpectrumEmission: Additional spurious emissions test requirement for "NS_37"

Derivation Path: TS 38.508-1 [5] clause 4.6.3, Table 4.6.3-1			
Information Element	Value/remark	Comment	Condition
additionalSpectrumEmission	1 (NS_37)		

6.5.3.3.4.3.7 Message contents exceptions (network signalling value "NS_38")

Message contents are according to TS 38.508-1 [5] subclause 4.6, with the following exceptions:

1. Information element additionalSpectrumEmission is set to NS_38. This can be set in *SIB1* as part of the cell broadcast message. This exception indicates that the UE shall meet the additional spurious emission requirement for a specific deployment scenario.

Table 6.5.3.3.4.3.7-1: AdditionalSpectrumEmission: Additional spurious emissions test requirement for "NS_38"

Derivation Path: TS 38.508-1 [5] clause 4.6.3, Table 4.6.3-1			
Information Element	Value/remark	Comment	Condition
additionalSpectrumEmission	2 (NS_38)		

6.5.3.3.4.3.8 Message contents exceptions (network signalling value "NS_39")

Message contents are according to TS 38.508-1 [5] subclause 4.6, with the following exceptions:

1. Information element additionalSpectrumEmission is set to NS_39. This can be set in *SIB1* as part of the cell broadcast message. This exception indicates that the UE shall meet the additional spurious emission requirement for a specific deployment scenario.

Table 6.5.3.4.3.8-1: AdditionalSpectrumEmission: Additional spurious emissions test requirement for "NS_39"

Derivation Path: TS 38.508-1 [5] clause 4.6.3, Table 4.6.3-1			
Information Element	Value/remark	Comment	Condition
additionalSpectrumEmission	3 (NS_39)		

6.5.3.4.3.9 Message contents exceptions (network signalling value "NS_40")

Message contents are according to TS 38.508-1 [5] subclause 4.6, with the following exceptions:

1. Information element additionalSpectrumEmission is set to NS_40. This can be set in *SIB1* as part of the cell broadcast message. This exception indicates that the UE shall meet the additional spurious emission requirement for a specific deployment scenario.

Table 6.5.3.4.3.9-1: AdditionalSpectrumEmission: Additional spurious emissions test requirement for "NS_40"

Derivation Path: TS 38.508-1 [5] clause 4.6.3, Table 4.6.3-1			
Information Element	Value/remark	Comment	Condition
additionalSpectrumEmission	1 (NS_40)		

6.5.3.4.3.10 Message contents exceptions (network signalling value "NS_41")

Message contents are according to TS 38.508-1 [5] subclause 4.6, with the following exceptions:

1. Information element additionalSpectrumEmission is set to NS_41. This can be set in *SIB1* as part of the cell broadcast message. This exception indicates that the UE shall meet the additional spurious emission requirement for a specific deployment scenario.

Table 6.5.3.4.3.10-1: AdditionalSpectrumEmission: Additional spurious emissions test requirement for "NS_41"

Derivation Path: TS 38.508-1 [5] clause 4.6.3, Table 4.6.3-1			
Information Element	Value/remark	Comment	Condition
additionalSpectrumEmission	1 (NS_41)		

6.5.3.4.3.11 Message contents exceptions (network signalling value "NS_42")

Message contents are according to TS 38.508-1 [5] subclause 4.6, with the following exceptions:

1. Information element additionalSpectrumEmission is set to NS_42. This can be set in *SIB1* as part of the cell broadcast message. This exception indicates that the UE shall meet the additional spurious emission requirement for a specific deployment scenario.

Table 6.5.3.4.3.11-1: AdditionalSpectrumEmission: Additional spurious emissions test requirement for "NS_42"

Derivation Path: TS 38.508-1 [5] clause 4.6.3, Table 4.6.3-1			
Information Element	Value/remark	Comment	Condition
additionalSpectrumEmission	2 (NS_42)		

6.5.3.4.3.12 Message contents exceptions (network signalling value "NS_21")

Message contents are according to TS 38.508-1 [5] subclause 4.6, with the following exceptions:

1. Information element additionalSpectrumEmission is set to NS_21. This can be set in *SIB1* as part of the cell broadcast message. This exception indicates that the UE shall meet the additional spurious emission requirement for a specific deployment scenario.

Table 6.5.3.3.4.3.12-1: AdditionalSpectrumEmission: Additional spurious emissions test requirement for "NS_21"

Derivation Path: TS 38.508-1 [5] clause 4.6.3, Table 4.6.3-1			
Information Element	Value/remark	Comment	Condition
additionalSpectrumEmission	1 (NS_21)		

6.5.3.3.4.3.13 Message contents exceptions (network signalling value "NS_24")

Message contents are according to TS 38.508-1 [5] subclause 4.6, with the following exceptions:

1. Information element additionalSpectrumEmission is set to NS_24. This can be set in *SIB1* as part of the cell broadcast message. This exception indicates that the UE shall meet the additional spurious emission requirement for a specific deployment scenario.

Table 6.5.3.3.4.3.13-1: AdditionalSpectrumEmission: Additional spurious emissions test requirement for "NS_24"

Derivation Path: TS 38.508-1 [5] clause 4.6.3, Table 4.6.3-1			
Information Element	Value/remark	Comment	Condition
additionalSpectrumEmission	1 (NS_24)		

6.5.3.3.4.3.14 Message contents exceptions (network signalling value "NS_27")

Message contents are according to TS 38.508-1 [5] subclause 4.6, with the following exceptions:

1. Information element additionalSpectrumEmission is set to NS_27. This can be set in *SIB1* as part of the cell broadcast message. This exception indicates that the UE shall meet the additional spurious emission requirement for a specific deployment scenario.

Table 6.5.3.3.4.3.14-1: AdditionalSpectrumEmission: Additional spurious emissions test requirement for "NS_27"

Derivation Path: TS 38.508-1 [5] clause 4.6.3, Table 4.6.3-1			
Information Element	Value/remark	Comment	Condition
additionalSpectrumEmission	1 (NS_27)		

6.5.3.3.4.3.15 Message contents exceptions (network signalling value "NS_47")

1. Information element additionalSpectrumEmission is set to NS_47. This can be set in the *SIB1* as part of the cell broadcast message. This exception indicates that the UE shall meet the additional spurious emission requirement for a specific deployment scenario.

Table 6.5.3.3.4.3.15-1: AdditionalSpectrumEmission: Additional spurious emissions test requirement for "NS_47"

Derivation Path: TS 38.508-1 [5] clause 4.6.3, Table 4.6.3-1			
Information Element	Value/remark	Comment	Condition
additionalSpectrumEmission	2 (NS_47)		

6.5.3.3.4.3.16 Message contents exceptions (network signalling value "NS_50")

Message contents are according to TS 38.508-1 [5] subclause 4.6, with the following exceptions:

1. Information element additionalSpectrumEmission is set to NS_50. This can be set in *SIB1* as part of the cell broadcast message. This exception indicates that the UE shall meet the additional spurious emission requirement for a specific deployment scenario.

Table 6.5.3.3.4.3.16-1: AdditionalSpectrumEmission: Additional spurious emissions test requirement for "NS_50"

Derivation Path: TS 38.508-1 [5] clause 4.6.3, Table 4.6.3-1			
Information Element	Value/remark	Comment	Condition
additionalSpectrumEmission	2 (NS_50)		

additionalSpectrumEmission	1 (NS_50)		
----------------------------	-----------	--	--

6.5.3.3.4.3.17 Message contents exceptions (network signalling value "NS_12")

Message contents are according to TS 38.508-1 [5] subclause 4.6, with the following exceptions:

1. Information element additionalSpectrumEmission is set to NS_12. This can be set in *SIB1* as part of the cell broadcast message. This exception indicates that the UE shall meet the additional spurious emission requirement for a specific deployment scenario.

Table 6.5.3.3.4.3.17-1: AdditionalSpectrumEmission: Additional spurious emissions test requirement for "NS_12"

Derivation Path: TS 38.508-1 [5] clause 4.6.3, Table 4.6.3-1			
Information Element	Value/remark	Comment	Condition
additionalSpectrumEmission	1 (NS_12)		

6.5.3.3.4.3.18 Message contents exceptions (network signalling value "NS_13")

Message contents are according to TS 38.508-1 [5] subclause 4.6, with the following exceptions:

1. Information element additionalSpectrumEmission is set to NS_13. This can be set in *SIB1* as part of the cell broadcast message. This exception indicates that the UE shall meet the additional spurious emission requirement for a specific deployment scenario.

Table 6.5.3.3.4.3.18-1: AdditionalSpectrumEmission: Additional spurious emissions test requirement for "NS_13"

Derivation Path: TS 38.508-1 [5] clause 4.6.3, Table 4.6.3-1			
Information Element	Value/remark	Comment	Condition
additionalSpectrumEmission	1 (NS_13)		

6.5.3.3.4.3.19 Message contents exceptions (network signalling value "NS_14")

Message contents are according to TS 38.508-1 [5] subclause 4.6, with the following exceptions:

1. Information element additionalSpectrumEmission is set to NS_14. This can be set in *SIB1* as part of the cell broadcast message. This exception indicates that the UE shall meet the additional spurious emission requirement for a specific deployment scenario.

Table 6.5.3.3.4.3.19-1: AdditionalSpectrumEmission: Additional spurious emissions test requirement for "NS_14"

Derivation Path: TS 38.508-1 [5] clause 4.6.3, Table 4.6.3-1			
Information Element	Value/remark	Comment	Condition
additionalSpectrumEmission	1 (NS_14)		

6.5.3.3.4.3.20 Message contents exceptions (network signalling value "NS_15")

Message contents are according to TS 38.508-1 [5] subclause 4.6, with the following exceptions:

1. Information element additionalSpectrumEmission is set to NS_15. This can be set in *SIB1* as part of the cell broadcast message. This exception indicates that the UE shall meet the additional spurious emission requirement for a specific deployment scenario.

Table 6.5.3.3.4.3.20-1: AdditionalSpectrumEmission: Additional spurious emissions test requirement for "NS_15"

Derivation Path: TS 38.508-1 [5] clause 4.6.3, Table 4.6.3-1			
Information Element	Value/remark	Comment	Condition
additionalSpectrumEmission	1 (NS_15)		

6.5.3.3.4.3.21 Message contents exceptions (network signalling value "NS_45")

Message contents are according to TS 38.508-1 [5] subclause 4.6, with the following exceptions:

1. Information element `additionalSpectrumEmission` is set to `NS_45`. This can be set in *SIB1* as part of the cell broadcast message. This exception indicates that the UE shall meet the additional spurious emission requirement for a specific deployment scenario.

Table 6.5.3.3.4.3.21-1: *AdditionalSpectrumEmission*: Additional spurious emissions test requirement for "NS_45"

Derivation Path: TS 38.508-1 [5], Table 4.6.3-1			
Information Element	Value/remark	Comment	Condition
<code>additionalSpectrumEmission</code>	1 (NS_45)		

6.5.3.3.4.3.22 Message contents exceptions (network signalling value "NS_48")

Message contents are according to TS 38.508-1 [5] subclause 4.6, with the following exceptions:

1. Information element `additionalSpectrumEmission` is set to `NS_48`. This can be set in *SIB1* as part of the cell broadcast message. This exception indicates that the UE shall meet the additional spurious emission requirement for a specific deployment scenario.

Table 6.5.3.3.4.3.22-1: *AdditionalSpectrumEmission*: Additional spurious emissions test requirement for "NS_48"

Derivation Path: TS 38.508-1 [5] clause 4.6.3, Table 4.6.3-1			
Information Element	Value/remark	Comment	Condition
<code>additionalSpectrumEmission</code>	4 (NS_48)		

6.5.3.3.4.3.23 Message contents exceptions (network signalling value "NS_49")

Message contents are according to TS 38.508-1 [5] subclause 4.6, with the following exceptions:

1. Information element `additionalSpectrumEmission` is set to `NS_49`. This can be set in *SIB1* as part of the cell broadcast message. This exception indicates that the UE shall meet the additional spurious emission requirement for a specific deployment scenario.

Table 6.5.3.3.4.3.23-1: *AdditionalSpectrumEmission*: Additional spurious emissions test requirement for "NS_49"

Derivation Path: TS 38.508-1 [5] clause 4.6.3, Table 4.6.3-1			
Information Element	Value/remark	Comment	Condition
<code>additionalSpectrumEmission</code>	5 (NS_49)		

6.5.3.3.4.3.24 Message contents exceptions (network signalling value "NS_44")

Message contents are according to TS 38.508-1 [5] subclause 4.6, with the following exceptions:

1. Information element `additionalSpectrumEmission` is set to `NS_44`. This can be set in *SIB1* as part of the cell broadcast message. This exception indicates that the UE shall meet the additional spurious emission requirement for a specific deployment scenario.

Table 6.5.3.3.4.3.24-1: *AdditionalSpectrumEmission*: Additional spurious emissions test requirement for "NS_44"

Derivation Path: TS 38.508-1 [5] clause 4.6.3, Table 4.6.3-1			
Information Element	Value/remark	Comment	Condition
<code>additionalSpectrumEmission</code>	1 (NS_44)		

6.5.3.3.4.3.25 Message contents exceptions (network signalling value "NS_46")

Message contents are according to TS 38.508-1 [5] subclause 4.6, with the following exceptions:

- Information element `additionalSpectrumEmission` is set to `NS_46`. This can be set in *SIB1* as part of the cell broadcast message. This exception indicates that the UE shall meet the additional spurious emission requirement for a specific deployment scenario.

Table 6.5.3.3.4.3.25-1: *AdditionalSpectrumEmission*: Additional spurious emissions test requirement for "NS_46"

Derivation Path: TS 38.508-1 [5] clause 4.6.3, Table 4.6.3-1			
Information Element	Value/remark	Comment	Condition
<code>additionalSpectrumEmission</code>	1 (NS_46)		

6.5.3.3.4.3.26 Message contents exceptions (network signalling value "NS_07")

Message contents are according to TS 38.508-1 [5] subclause 4.6, with the following exceptions:

- Information element `additionalSpectrumEmission` is set to `NS_07`. This can be set in *SIB1* as part of the cell broadcast message. This exception indicates that the UE shall meet the additional spurious emission requirement for a specific deployment scenario.

Table 6.5.3.3.4.3.26-1: *AdditionalSpectrumEmission*: Additional spurious emissions test requirement for "NS_07"

Derivation Path: TS 38.508-1 [5] clause 4.6.3, Table 4.6.3-1			
Information Element	Value/remark	Comment	Condition
<code>additionalSpectrumEmission</code>	1 (NS_07)		

6.5.3.3.4.3.27 Message contents exceptions (network signalling value "NS_56")

Message contents are according to TS 38.508-1 [5] subclause 4.6, with the following exceptions:

- Information element `additionalSpectrumEmission` is set to `NS_56`. This can be set in *SIB1* as part of the cell broadcast message. This exception indicates that the UE shall meet the additional spurious emission requirement for a specific deployment scenario.

Table 6.5.3.3.4.3.27-1: *AdditionalSpectrumEmission*: Additional spurious emissions test requirement for "NS_56"

Derivation Path: TS 38.508-1 [5] clause 4.6.3, Table 4.6.3-1			
Information Element	Value/remark	Comment	Condition
<code>additionalSpectrumEmission</code>	1 (NS_56)		

6.5.3.3.5 Test requirement

This clause specifies the requirements for the specified NR band for an additional spectrum emission requirement with protected bands as indicated from Table 6.5.3.3.5.1 to Table 6.5.3.3.5.27 for different `NS_` values.

NOTE: For measurement conditions at the edge of each frequency range, the lowest frequency of the measurement position in each frequency range should be set at the lowest boundary of the frequency range plus $MBW/2$. The highest frequency of the measurement position in each frequency range should be set at the highest boundary of the frequency range minus $MBW/2$. MBW denotes the measurement bandwidth defined for the protected band.

6.5.3.3.5.1 Test requirement (network signalling value "NS_04")

When "NS_04" is indicated in the cell,

The measured UE mean power in the channel bandwidth, derived in step 3, shall fulfil requirements in Table 6.2.3.5-2 for power class 2 UE, and Table 6.2.3.5-3 for power class 3 UE.

The power of any UE emission shall not exceed the levels specified in Table 6.5.3.3.5.1-1. This requirement also applies for the frequency ranges that are less than F_{OoB} (MHz) in Table 6.5.3.1.3-1 from the edge of the channel bandwidth.

Table 6.5.3.3.5.1-1: Additional requirements for "NS_04"

Frequency range (MHz)	Channel bandwidth / Spectrum emission limit (dBm)	Measurement bandwidth
	10, 15, 20, 30, 40, 50, 60, 70, 80, 90, 100 (MHz)	
$2495 \leq f < 2496$	-13	1% of Channel BW
$2490.5 \leq f < 2495$	-13	1 MHz
$0.009 < f < 2490.5$	-25	1 MHz

6.5.3.3.5.2 Test requirement (network signalling value "NS_17")

When "NS_17" is indicated in the cell,

The power of any UE emission shall not exceed the levels specified in Table 6.5.3.3.5.2-1. This requirement also applies for the frequency ranges that are less than F_{OOB} (MHz) in Table 6.5.3.1.3-1 and Table 6.5.3.1.3-2 from the edge of the channel bandwidth.

Table 6.5.3.3.5.2-1: Additional requirements for "NS_17"

Frequency range (MHz)	Channel bandwidth / Spectrum emission limit (dBm)	Measurement bandwidth	NOTE
	3, 5, 10 MHz		
$470 \leq f \leq 710$	-26.2	6 MHz	1
NOTE 1: Applicable when the assigned E-UTRA carrier is confined within 718 MHz and 748 MHz and when the channel bandwidth used is 5 or 10 MHz.			

6.5.3.3.5.3 Test requirement (network signalling value "NS_18")

When "NS_18" is indicated in the cell,

The measured UE mean power in the channel bandwidth, derived in step 3, shall fulfil requirements in Table 6.2.3.5-8 for power class 3 UE.

The power of any UE emission shall not exceed the levels specified in Table 6.5.3.3.5.3-1. This requirement also applies for the frequency ranges that are less than F_{OOB} (MHz) in Table 6.5.3.1.3-1 from the edge of the channel bandwidth.

Table 6.5.3.3.5.3-1: Additional requirements for "NS_18"

Frequency range (MHz)	Channel bandwidth / Spectrum emission limit (dBm)	Measurement bandwidth	
	3, 5, 10, 15, 20, 30 MHz		
692-698	-26.2	6 MHz	

6.5.3.3.5.4 Test requirement (network signalling value "NS_05" and "NS_05U")

When "NS_05" or "NS_05U" is indicated in the cell,

The measured UE mean power in the channel bandwidth, derived in step 3, shall fulfil requirements in Table 6.2.3.5-6 for power class 3 UE.

The power of any UE emission shall not exceed the levels specified in Table 6.5.3.3.5.4-1. This requirement also applies for the frequency ranges that are less than F_{OOB} (MHz) in Table 6.5.3.1.3-1 from the edge of the channel bandwidth.

Table 6.5.3.3.5.4-1: Additional requirements for "NS_05" and "NS_05U"

Frequency range (MHz)	Channel bandwidth / Spectrum emission limit (dBm)	Measurement bandwidth	
	5, 10, 15, 20 MHz		
$1884.5 \leq f \leq 1915.7$	-41	300 kHz	

6.5.3.3.5.5 Test requirement (network signalling value "NS_43" and "NS_43U")

When "NS_43" or "NS_43U" is indicated in the cell,

The measured UE mean power in the channel bandwidth, derived in step 3, shall fulfil requirements in Table 6.2.3.5-10 for power class 3 UE.

The power of any UE emission shall not exceed the levels specified in Table 6.5.3.3.5.5-1. This requirement also applies for the frequency ranges that are less than F_{OOB} (MHz) in Table 6.5.3.1.3-1 from the edge of the channel bandwidth.

Table 6.5.3.3.5.5-1: Additional requirement for "NS_43" and "NS_43U"

Frequency range (MHz)	Channel bandwidth / Spectrum emission limit (dBm)	Measurement bandwidth
	5, 10, 15 MHz	
$860 \leq f \leq 890$	-40	1 MHz
NOTE 1: Applicable for 5 MHz and 15 MHz channel BW confined between 900 MHz and 915 MHz and for 10 MHz channel BW confined between 905 MHz and 915 MHz		

6.5.3.3.5.6 Test requirement (network signalling value "NS_37")

When "NS_37" is indicated in the cell,

The measured UE mean power in the channel bandwidth, derived in step 3, shall fulfil requirements in Table 6.2.3.5-14 for power class 3 UE.

The power of any UE emission shall not exceed the levels specified in Table 6.5.3.3.5.6-1. This requirement also applies for the frequency ranges that are less than F_{OOB} (MHz) in Table 6.5.3.1.3-1 from the edge of the channel bandwidth.

Table 6.5.3.3.5.6-1: Additional requirement for "NS_37"

Frequency range (MHz)	Channel bandwidth (MHz) / Spectrum emission limit (dBm)	Measurement bandwidth
	5, 10, 15, 20	
$1475.9 \leq f \leq 1510.9$	-35	1 MHz

6.5.3.3.5.7 Test requirement (network signalling value "NS_38")

TBD

6.5.3.3.5.8 Test requirement (network signalling value "NS_39")

TBD

6.5.3.3.5.9 Test requirement (network signalling value "NS_40")

TBD

6.5.3.3.5.10 Test requirement (network signalling value "NS_41")

When "NS_41" is indicated in the cell,

The measured UE mean power in the channel bandwidth, derived in step 3, shall fulfil requirements in Table 6.2.3.5-20 for power class 3 UE.

The power of any UE emission shall not exceed the levels specified in Table 6.5.3.3.5.10-1. This requirement also applies for the frequency ranges that are less than F_{OOB} (MHz) in Table 6.5.3.1.3-1 from the edge of the channel bandwidth.

Table 6.5.3.3.5.10-1: Additional requirements for NR channels assigned within 1432-1517 MHz for "NS_41"

Frequency range (MHz)	Channel bandwidth (MHz) / Spectrum emission limit (dBm)	Measurement bandwidth
	5, 10, 15, 20, 40, 50, 60	
$1400 \leq f \leq 1427$	-32	27 MHz
NOTE 1: This requirement shall be verified with UE transmission power of 15 dBm.		

6.5.3.3.5.11 Test requirement (network signalling value "NS_42")

When "NS_42" is indicated in the cell,

The measured UE mean power in the channel bandwidth, derived in step 3, shall fulfil requirements in Table 6.2.3.5-21 for power class 3 UE.

The power of any UE emission shall not exceed the levels specified in Table 6.5.3.3.5.11-1. This requirement also applies for the frequency ranges that are less than F_{OoB} (MHz) in Table 6.5.3.1.3-1 from the edge of the channel bandwidth.

Table 6.5.3.3.5.11-1: Additional requirements for NR channels assigned within 1432-1517MHz for "NS_42"

Frequency range (MHz)	Channel bandwidth (MHz) / Spectrum emission limit (dBm)	Measurement bandwidth
	5, 10, 15, 20, 40, 50, 60	
$1518 \leq f \leq 1520$	-0.8	1 MHz
$1520 < f \leq 1559$	-30	1 MHz

6.5.3.3.5.12 Test requirement (network signalling value "NS_21")

When "NS_21" is indicated in the cell, the power of any UE emission shall not exceed the levels specified in Table 6.5.3.3.5.12-1. These requirements also apply for the frequency ranges that are less than F_{OoB} (MHz) in Table 6.5.3.1.3-1 from the edge of the channel bandwidth.

Table 6.5.3.3.5.12-1: Additional requirements for "NS_21"

Frequency range (MHz)	Channel bandwidth (MHz) / Spectrum emission limit (dBm)	Measurement bandwidth
	5, 10	
$2200 \leq f < 2288$	-40	1 MHz
$2288 \leq f < 2292$	-37	1 MHz
$2292 \leq f < 2296$	-31	1 MHz
$2296 \leq f < 2300$	-25	1 MHz
$2320 \leq f < 2324$	-25	1 MHz
$2324 \leq f < 2328$	-31	1 MHz
$2328 \leq f < 2332$	-37	1 MHz
$2332 \leq f \leq 2395$	-40	1 MHz

6.5.3.3.5.13 Test requirement (network signalling value "NS_24")

When "NS_24" is indicated in the cell,

The measured UE mean power in the channel bandwidth, derived in step 3, shall fulfil requirements in Table 6.2.3.5-17.

The power of any UE emission shall not exceed the levels specified in Table 6.5.3.3.5.13-1. This requirement also applies for the frequency ranges that are less than F_{OoB} (MHz) in Table 6.5.3.1.3-1 from the edge of the channel bandwidth.

Table 6.5.3.3.5.13-1: Additional requirements for "NS_24"

Frequency range (MHz)	Channel bandwidth / Spectrum emission limit	Measurement bandwidth
-----------------------	---	-----------------------

	(dBm)	
	5 MHz, 10 MHz, 15 MHz, 20 MHz	
2010 ≤ f ≤ 2025	-50	1 MHz
NOTE 1: This requirement applies at a frequency offset equal or larger than 5 MHz from the upper edge of the channel bandwidth, whenever these frequencies overlap with the specified frequency band.		

6.5.3.3.5.14 Test requirement (network signalling value "NS_27")

When "NS_27" is indicated in the cell,

The measured UE mean power in the channel bandwidth, derived in step 3, shall fulfil requirements in Table 6.2.3.5-18 for power class 3 UE.

The power of any UE emission shall not exceed the levels specified in Table 6.5.3.3.5.14-1. This requirement also applies for the frequency ranges that are less than F_{OOB} (MHz) in Table 6.5.3.1.3-1 from the edge of the channel bandwidth.

Table 6.5.3.3.5.14-1: Additional requirement for "NS_27"

Frequency range (MHz)	Channel bandwidth (MHz) / Spectrum emission limit (dBm)	Measurement bandwidth
	5, 10, 15, 20, 30, 40	
9 kHz – 3530 MHz	-40	1 MHz
3530 MHz – 3540 MHz	-25	
3710 MHz – 3720 MHz	-25	
3720 MHz – 12.75 GHz	-40	

6.5.3.3.5.15 Test requirement (network signalling value "NS_47")

When "NS_47" is indicated in the cell, the power of any UE emission shall not exceed the levels specified in Table 6.5.3.3.5.15-1. This requirement also applies for the frequency ranges that are less than F_{OOB} (MHz) in Table 6.5.3.1.3-1 from the edge of the channel bandwidth.

Table 6.5.3.3.5.15-1: Additional requirement for "NS_47"

Frequency range (MHz)	Channel bandwidth (MHz) / Spectrum emission limit (dBm)	Measurement bandwidth
	30	
2530 ≤ f ≤ 2535	-25	1 MHz
2505 ≤ f ≤ 2530	-30	1 MHz

6.5.3.3.5.16 Test requirement (network signalling value "NS_50")

When "NS_50" is indicated in the cell, the power of any UE emission shall not exceed the levels specified in Table 6.5.3.3.5.16-1. This requirement also applies for the frequency ranges that are less than F_{OOB} (MHz) in Table 6.5.3.1.3-1 from the edge of the channel bandwidth.

Table 6.5.3.3.5.16-1: Additional requirements for "NS_50"

Protected band	Frequency range (MHz)			Maximum Level (dBm)	MBW (MHz)	NOTE
Frequency range	1805	-	1855	-40	1	1
Frequency range	1855	-	1880	-15.5	5	1, 2, 3
NOTE 1: This requirement is applicable for carriers with aggregated channel bandwidths confined in 1885-1920 MHz for ≤ 30MHz channel BWs and confined in 1880-1920 MHz for 40MHz channel BW.						
NOTE 2: The requirement also applies for the frequency ranges that are less than F_{OOB} (MHz) in Table 6.5.3.1.3-1 from the edge of the channel bandwidth.						
NOTE 3: For these adjacent bands, the emission limit could imply risk of harmful interference to UE(s) operating in the protected operating band.						

6.5.3.3.5.17 Test requirement (network signalling value "NS_12")

Table 6.5.3.3.5.17-1: Additional requirements for "NS_12"

Frequency range (MHz)	Channel bandwidth / Spectrum emission limit (dBm)	Measurement bandwidth
	3 MHz, 5 MHz, 10 MHz	
$806 \leq f \leq 813.5$	-42	6.25 kHz
NOTE 1: The requirement applies for E-UTRA carriers with lower channel edge at or above 814 MHz.		
NOTE 2: The emissions measurement shall be sufficiently power averaged to ensure a standard deviation < 0.5 dB.		

6.5.3.3.5.18 Test requirement (network signalling value "NS_13")

Table 6.5.3.3.5.18-1: Additional requirements for "NS_13"

Frequency range (MHz)	Channel bandwidth / Spectrum emission limit (dBm)	Measurement bandwidth
	3 MHz, 5 MHz	
$806 \leq f \leq 816$	-42	6.25 kHz
NOTE 1: The requirement applies for E-UTRA carriers with lower channel edge at or above 817 MHz.		
NOTE 2: The emissions measurement shall be sufficiently power averaged to ensure a standard deviation < 0.5 dB.		

6.5.3.3.5.19 Test requirement (network signalling value "NS_14")

Table 6.5.3.3.5.19-1: Additional requirements for "NS_14"

Frequency range (MHz)	Channel bandwidth / Spectrum emission limit (dBm)	Measurement bandwidth
	10 MHz, 15 MHz, 20MHz	
$806 \leq f \leq 816$	-42	6.25 kHz
NOTE 1: The requirement applies for E-UTRA carriers with lower channel edge at or above 817 MHz.		
NOTE 2: The emissions measurement shall be sufficiently power averaged to ensure a standard deviation < 0.5 dB.		

6.5.3.3.5.20 Test requirement (network signalling value "NS_15")

Table 6.5.3.3.5.20-1: Additional requirements for "NS_15"

Frequency range (MHz)	Channel bandwidth / Spectrum emission limit (dBm)	Measurement bandwidth
	3 MHz, 5 MHz, 10 MHz, 15 MHz, 20 MHz	
$851 \leq f \leq 859$	-53	6.25 kHz
NOTE 1: The emissions measurement shall be sufficiently power averaged to ensure a standard deviation < 0.5 dB.		

6.5.3.3.5.21 Test requirement (network signalling value "NS_45")

When "NS_45" is indicated in the cell,

The measured UE mean power in the channel bandwidth, derived in step 3, shall fulfil requirements in Table 6.2.3.5-29.

The power of any UE emission shall not exceed the levels specified in Table 6.5.3.3.5.21-1. This requirement also applies for the frequency ranges that are less than F_{OOB} (MHz) in Table 6.5.3.1.3-1 from the edge of the channel bandwidth.

Table 6.5.3.3.5.21-1: Additional requirements for "NS_45"

Frequency range (MHz)	Channel bandwidth / Spectrum emission limit (dBm)		Measurement bandwidth
	5 MHz	10 MHz	
$0.009 < f \leq 2473.5$	-25	-25	1 MHz
$2473.5 < f \leq 2477.5$	-25	-13	1 MHz
$2477.5 < f \leq 2478.5$	-13	-13	1 MHz
$2478.5 < f \leq 2483.5$	-10	-10	1 MHz
$2495 \leq f < 2496$	-13	-13	1% of Channel Bandwidth
$2496 \leq f < 2501$	-13	-13	1 MHz
$2501 < f \leq 2505$	-25	-13	1 MHz
$2505 \leq f \leq 5^{\text{th}}$ harmonic of the upper frequency edge of the UL operating band	-25	-25	1 MHz

6.5.3.3.5.22 Test requirement (network signalling value "NS_48")

When "NS_48" is indicated in the cell,

The measured UE mean power in the channel bandwidth, derived in step 3, shall fulfil requirements in Table 6.2.3.5-24.

The power of any UE emission shall not exceed the levels specified in Table 6.5.3.3.5.22-1. This requirement also applies for the frequency ranges that are less than F_{OOB} (MHz) in Table 6.5.3.1.3-1 from the edge of the channel bandwidth.

Table 6.5.3.3.5.22-1: Additional requirements for "NS_48"

Protected band	Frequency range (MHz)			Maximum Level (dBm)	MBW (MHz)	NOTE
E-UTRA band 34 – NR band n34	F_{DL_low}	-	F_{DL_high}	-50	1	
Frequency range	1900	-	1915	-15.5	5	1
Frequency range	1915	-	1920	+1.6	5	1
NOTE 1: For these adjacent bands, the emission limit could imply risk of harmful interference to UE(s) operating in the protected operating band.						

6.5.3.3.5.23 Test requirement (network signalling value "NS_49")

When "NS_49" is indicated in the cell,

The measured UE mean power in the channel bandwidth, derived in step 3, shall fulfil requirements in Table 6.2.3.5-33 for PC3 or Table 6.2.3.5-33a for PC2.

The power of any UE emission shall not exceed the levels specified in Table 6.5.3.3.5.23-1. This requirement also applies for the frequency ranges that are less than F_{OOB} (MHz) in Table 6.5.3.1.3-1 from the edge of the channel bandwidth.

Table 6.5.3.3.5.23-1: Additional requirements for "NS_49"

Protected band	Frequency range (MHz)			Maximum Level (dBm)	MBW (MHz)	NOTE
E-UTRA band 34 - NR band n34	F_{DL_low}	-	F_{DL_high}	-50	1	
Frequency range	1880	-	1895	-40	1	
Frequency range	1895	-	1915	-15.5	5	1
Frequency range	1915	-	1920	1.6	5	1
NOTE 1: For these adjacent bands, the emission limit could imply risk of harmful interference to UE(s) operating in the protected operating band.						

6.5.3.3.5.24 Test requirement (network signalling value "NS_44")

When "NS_44" is indicated in the cell,

The measured UE mean power in the channel bandwidth, derived in step 3, shall fulfil requirements in Table 6.2.3.5-31.

The power of any UE emission shall not exceed the levels specified in Table 6.5.3.3.5.24-1. This requirement also applies for the frequency ranges that are less than F_{OOB} (MHz) in Table 6.5.3.1.3-1 from the edge of the channel bandwidth.

Table 6.5.3.3.5.24-1: Additional requirements for "NS_44"

Protected band	Frequency range (MHz)			Maximum Level (dBm)	MBW (MHz)	NOTE
Frequency range	2620	-	2645	-15.5	5	1, 2
Frequency range	2645	-	2690	-40	1	1
NOTE 1: This requirement is applicable for carriers confined in 2570-2615 MHz.						
NOTE 2: For these adjacent bands, the emission limit could imply risk of harmful interference to UE(s) operating in the protected operating band.						

6.5.3.3.5.25 Test requirement (network signalling value "NS_46")

When "NS_46" is indicated in the cell, the measured UE mean power in the channel bandwidth, derived in step 3, shall fulfil requirements in Table 6.2.3.5-30. The power of any UE emission shall not exceed the levels specified in Table 6.5.3.3.5.25-1. This requirement also applies for the frequency ranges that are less than F_{OOB} (MHz) in Table 6.5.3.1.3-1 from the edge of the channel bandwidth.

Table 6.5.3.3.25-1: Additional requirements for "NS_46"

Protected band	Frequency range (MHz)			Maximum Level (dBm)	MBW (MHz)	NOTE
Frequency range	2570	-	2575	+1.6	5	1, 2
Frequency range	2575	-	2595	-15.5	5	1, 2
Frequency range	2595	-	2620	-40	1	1
NOTE 1: This requirement is applicable for all carriers confined in 2500-2570 MHz. Special restrictions apply for channel bandwidths up to 20MHz: For carriers of 15 MHz bandwidth when carrier centre frequency is within the range 2560.5 - 2562.5 MHz and for carriers of 20 MHz bandwidth when carrier centre frequency is within the range 2552 - 2560 MHz the requirement is applicable only for an uplink transmission bandwidth less than or equal to 54 RB with the minimum supported SCS of 15KHz.						
NOTE 2: For these adjacent bands, the emission limit could imply risk of harmful interference to UE(s) operating in the protected operating band.						

6.5.3.3.5.26 Test requirement (network signalling value "NS_07")

When "NS_07" is indicated in the cell, the measured UE mean power in the channel bandwidth, derived in step 3, shall fulfil requirements in Table 6.2.3.5-37. The power of any UE emission shall not exceed the levels specified in Table 6.5.3.3.5.26-1. This requirement also applies for the frequency ranges that are less than F_{OOB} (MHz) in Table 6.5.3.1.3-1 from the edge of the channel bandwidth.

Table 6.5.3.3.26-1: Additional requirements for "NS_07"

Frequency range (MHz)	Channel bandwidth / Spectrum emission limit (dBm)	Measurement bandwidth
	10 MHz	
$769 \leq f \leq 775$	-57	6.25 kHz
NOTE: The emissions measurement shall be sufficiently power averaged to ensure standard standard deviation < 0.5 dB.		

6.5.3.3.5.27 Test requirement (network signalling value "NS_56")

When "NS_56" is indicated in the cell,

The measured UE mean power in the channel bandwidth, derived in step 3, shall fulfil requirements in Table 6.2.3.5-36.

The power of any UE emission shall not exceed the levels specified in Table 6.5.3.3.5.27-1. This requirement also applies for the frequency ranges that are less than F_{OOB} (MHz) in Table 6.5.3.1.3-1 from the edge of the channel bandwidth.

Table 6.5.3.3.5.27-1: Additional requirements

Frequency range (MHz)	Channel bandwidth / Spectrum emission limit ¹ (dBm)	Measurement bandwidth	NOTE
	5 MHz, 10MHz		
$1541 \leq f \leq 1559$	-102	2kHz	Averaged over any 2millisecond active transmission interval
$1559 \leq f \leq 1608$	-85	700Hz	
$1608 \leq f \leq 1610$	$-85 + 5/2 (f-1608)$	700Hz	
$1610 \leq f \leq 1625$	$-80 + 66/15 (f-1610)$	700Hz	
$1541 \leq f \leq 1608$	-75	1MHz	Averaged over any 2millisecond active transmission interval
$1608 \leq f \leq 1610$	$-75 + 5/2 (f-1608)$	1MHz	
$1610 \leq f \leq 1627.5$	$-70 + 57/17.5 (f-1610)$	1MHz	
1627.5	-37	4kHz	
$1638.5 \leq f \leq 1645.5$	-28	4kHz	
$1657.5 \leq f \leq 1660.5$	-28	4kHz	
NOTE 1: The EIRP requirement in regulation is converted to conducted requirement using a 0 dBi antenna.			

6.5.4 Transmit intermodulation

6.5.4.1 Test purpose

To verify that the UE transmit intermodulation does not exceed the described value in the test requirement.

The transmit intermodulation performance is a measure of the capability of the transmitter to inhibit the generation of signals in its non-linear elements caused by presence of the wanted signal and an interfering signal reaching the transmitter via the antenna.

6.5.4.2 Test applicability

This test case applies to all types of NR Power Class 1 release 15 and forward.

This test case applies to all types of NR Power Class 2 and Power Class 3 UE release 15 and forward that don't support Tx diversity.

6.5.4.3 Minimum conformance requirements

UE transmit intermodulation is defined by the ratio of the mean power of the wanted signal to the mean power of the intermodulation product when an interfering CW signal is added at a level below the wanted signal at each transmitter antenna port with the other antenna port(s) if any terminated. Both the wanted signal power and the intermodulation product power are measured through NR rectangular filter with measurement bandwidth shown in Table 6.5.4.3-1.

The requirement of transmit intermodulation is specified in Table 6.5.4.3-1.

Table 6.5.4.3-1: Transmit Intermodulation

Wanted signal channel bandwidth	$BW_{Channel}$	
Interference signal frequency offset from channel centre	$BW_{Channel}$	$2 * BW_{Channel}$

Interference CW signal level	-40dBc	
Intermodulation product	< -29dBc	< -35dBc
Measurement bandwidth	The maximum transmission bandwidth configuration among the different SCSs for the channel BW as defined in Table 6.5.2.4.1.3-1	
Measurement offset from channel centre	BW _{Channel} and 2*BW _{Channel}	2*BW _{Channel} and 4*BW _{Channel}

The normative reference for this requirement is TS 38.101-1 [2] clause 6.5.4.

6.5.4.4 Test description

6.5.4.4.1 Initial conditions

Initial conditions are a set of test configurations the UE needs to be tested in and the steps for the SS to take with the UE to reach the correct measurement state.

The initial test configurations consist of environmental conditions, test frequencies, test channel bandwidths and sub-carrier spacing based on NR operating bands specified in table 5.3.5-1. All of these configurations shall be tested with applicable test parameters for each combination of channel bandwidth and sub-carrier spacing, and are shown in table 6.5.4.4.1-1. The details of the uplink reference measurement channels (RMCs) are specified in Annexes A.2. Configurations of PDSCH and PDCCH before measurement are specified in Annex C.2.

Table 6.5.4.4.1-1: Test Configuration Table

Initial Conditions			
Test Environment as specified in TS 38.508-1 [5] subclause 4.1		Normal	
Test Frequencies as specified in TS 38.508-1 [5] subclause 4.3.1		Mid range (NOTE 2)	
Test Channel Bandwidths as specified in TS 38.508-1 [5] subclause 4.3.1		Mid, Highest	
Test SCS as specified in Table 5.3.5-1		Lowest, Highest	
Test Parameters			
Test ID	Downlink Configuration	Uplink Configuration	
		Modulation	RB allocation (NOTE 1)
1	N/A for transmit intermodulation test case	DFT-s-OFDM PI/2 BPSK	Inner Full
2		DFT-s-OFDM QPSK	Inner Full
NOTE 1: The specific configuration of each RB allocation is defined in Table 6.1-1.			
NOTE 2: For NR band n28, 30MHz test channel bandwidth is tested with Low range test frequencies.			

1. Connect the SS to the UE antenna connectors as shown in TS 38.508-1 [5] Annex A, in Figure A.3.1.3.1 for TE diagram and section A.3.2 for UE diagram.
2. The parameter settings for the cell are set up according to TS 38.508-1 [5] subclause 4.4.3.
3. Downlink signals are initially set up according to Annex C.0, C.1, C.2, and uplink signals according to Annex G.0, G.1, G.2, G.3.0.
4. The UL Reference Measurement channels are set according to Table 6.5.4.4.1-1.
5. Propagation conditions are set according to Annex B.0.
6. Ensure the UE is in State RRC_CONNECTED with generic procedure parameters Connectivity NR, Connected without release On, Test Mode On and Test Loop Function On according to TS 38.508-1 [5] clause 4.5. Message contents are defined in clause 6.5.4.4.3.

6.5.4.4.2 Test procedure

1. SS sends uplink scheduling information for each UL HARQ process via PDCCH DCI format 0_1 for C_RNTI to schedule the UL RMC according to Table 6.5.4.4.1-1. Since the UE has no payload and no loopback data to send the UE sends uplink MAC padding bits on the UL RMC.
2. Send continuously uplink power control "up" commands to the UE until the UE transmits at its P_{UMAX} level.

3. Measure the rectangular filtered mean power of the UE. For TDD, only slots consisting of only UL symbols are under test for the wanted signal and for the intermodulation product.
4. Set the interference signal frequency below the UL carrier frequency using the first offset in table 6.5.4.5-1.
5. Set the interference CW signal level according to table 6.5.4.5-1.
6. Search the intermodulation product signals below and above the UL carrier frequency, then measure the rectangular filtered mean power of transmitting intermodulation for both signals, and calculate the ratios with the power measured in step 3.
7. Set the interference signal frequency above the UL carrier frequency using the first offset in table 6.5.4.5-1.
8. Search the intermodulation product signals below and above the UL carrier frequency, then measure the rectangular filtered mean power of transmitting intermodulation for both signals, and calculate the ratios with the power measured in step 3.
9. Repeat the measurement using the second offset in table 6.5.4.5-1.

6.5.4.4.3 Message contents

Message contents are according to TS 38.508-1 [5] subclause 4.6 with the following exception:

Table 6.5.4.4.3-1: PUSCH-Config

Derivation Path: TS 38.508-1 [5], Table 4.6.3-118 with condition TRANSFORM_PRECODER_ENABLED
--

6.5.4.5 Test requirement

The ratio derived in step 6 and 8, shall not exceed the described value in table 6.5.4.5-1.

Table 6.5.4.5-1: Transmit Intermodulation

Wanted signal channel bandwidth	BW_{Channel}	
Interference signal frequency offset from channel centre	BW_{Channel}	$2 \cdot BW_{\text{Channel}}$
Interference CW signal level	-40dBc	
Intermodulation product	< -29dBc	< -35dBc
Measurement bandwidth	The maximum transmission bandwidth configuration among the different SCSs for the channel BW as defined in Table 6.5.2.4.1.5-1	
Measurement offset from channel centre	BW_{Channel} and $2 \cdot BW_{\text{Channel}}$	$2 \cdot BW_{\text{Channel}}$ and $4 \cdot BW_{\text{Channel}}$
Note 1:	The test requirements do not apply when the interfering signal overlaps with the channel bandwidth of the downlink signal.	

6.5A Output RF spectrum emissions for CA

6.5A.1 Occupied bandwidth for CA

6.5A.1.0 Minimum conformance requirements

6.5A.1.0.1 Void

6.5A.1.0.1a Occupied bandwidth for Intra-band contiguous CA

For intra-band contiguous carrier aggregation the occupied bandwidth is a measure of the bandwidth containing 99 % of the total integrated power of the transmitted spectrum. The OBW shall be less than the aggregated channel bandwidth defined in subclause 5.3A.3.

6.5A.1.0.2 Occupied bandwidth for Intra-band non-contiguous CA

For intra-band non-contiguous carrier aggregation, the OBW requirement is met when the ratio of the transmitted power in all sub-blocks of the uplink CA configuration to the total integrated power of the transmitted spectrum is greater than 99%.

6.5A.1.0.3 Occupied bandwidth for Inter-band CA

For inter-band carrier aggregation with uplink assigned to two NR bands, the occupied bandwidth is defined per component carrier. Occupied bandwidth is the bandwidth containing 99 % of the total integrated mean power of the transmitted spectrum on assigned channel bandwidth on the component carrier. The occupied bandwidth shall be less than the channel bandwidth specified in Table 6.5.1.3-1.

6.5A.1.1 Occupied bandwidth for CA (2UL CA)

Editor's Note:

- Due to lack of MPR requirements in core specification, this test case is incomplete for intra-band contiguous UL CA for power class 2 UEs indicating IE dualPA-Architecture supported, and incomplete for intra-band non-contiguous UL CA for power class 2 UEs, and power class 3 UEs when signalling is absent for dualPA-Architecture.

- MU needs to be reassessed.

6.5A.1.1.1 Test purpose

To verify that the UE occupied bandwidth for all transmission bandwidth configurations supported by the UE are less than their specific limits for 2 UL CA

6.5A.1.1.2 Test applicability

This test case applies to all types of NR UE release 15 and forward that supports 2UL CA

6.5A.1.1.3 Minimum conformance requirements

The minimum conformance requirements are defined in subclause 6.5A.1.0.

6.5A.1.1.4 Test description

6.5A.1.1.4.1 Initial conditions

Initial conditions are a set of test configurations the UE needs to be tested in and the steps for the SS to take with the UE to reach the correct measurement state.

The initial test configurations consist of environmental conditions, test frequencies, test channel bandwidths and sub-carrier spacing based on NR CA configuration specified in clause 5.5A. All of these configurations shall be tested with applicable test parameters for each CA configuration, are shown in Table 6.5A.1.1.4.1-1 for inter-band UL CA, table 6.5A.1.1.4.1-2 for intra-band contiguous CA and table 6.5A.1.1.4.1-3 for intra-band non-contiguous CA. The details of the uplink reference measurement channels (RMCs) are specified in Annexes A.2. Configurations of PDSCH and PDCCH before measurement are specified in Annex C.2.

Table 6.5A.1.1.4.1-1: Inter band CA Test Configuration Table

Initial Conditions			
Test Environment as specified in TS 38.508-1 [5] subclause 4.1		Normal	
Test Frequencies as specified in TS 38.508-1 [5] subclause 4.3.1		Mid range for both PCC and SCC (NOTE 4)	
Test Channel Bandwidths as specified in TS 38.508-1 [5] subclause 4.3.1		Lowest N_{RB_agg} for both PCC and SCC Highest N_{RB_agg} for both PCC and SCC	
Test SCS as specified in Table 5.3.5-1		Smallest supported SCS per Channel Bandwidth	
Test Parameters			
Test ID	Downlink Configuration for PCC & SCC	Uplink Configuration	
		Modulation for all CCs (NOTE 2)	RB allocation (NOTE 1)
			PCC

1	N/A for this test	CP-OFDM QPSK	Outer_Full	Outer_Full
NOTE 1: The specific configuration of each RB allocation is defined in Table 6.1-1.				
NOTE 2: CA Configuration Test CC Combination settings are checked separately for each CA Configuration, which applicable aggregated channel bandwidths are specified in Table 5.3A.4-1.				
NOTE 3: Test Channel Bandwidths and Test SCS are checked separately for each NR CA band combination, which applicable channel bandwidths is specified in Table 5.5A.3.1-1 and SCS is specified in Table 5.3.5-1 for each NR band.				
NOTE 4: For NR band n28, 30MHz test channel bandwidth is tested with Low range test frequencies.				

Table 6.5A.1.1.4.1-2: Intra band contiguous CA Test Configuration Table

Initial Conditions			
Test Environment as specified in TS 38.508-1 [5] subclause 4.1		Normal	
Test Frequencies as specified in TS 38.508-1 [5] subclause 4.3.1		Mid range	
Test Channel Bandwidths as specified in TS 38.508-1 [5] subclause 4.3.1		All aggregated channel bandwidth	
Test SCS as specified in Table 5.3.5-1		Smallest supported SCS per Channel Bandwidth	
Test Parameters			
Test ID	Downlink Configuration for PCC & SCC	Uplink Configuration	
		Modulation for all CCs (NOTE 2)	RB allocation (NOTE 1)
1	N/A for this test	CP-OFDM QPSK	Outer_Full
NOTE 1: The specific configuration of each RB allocation is defined in Table 6.1A-1a.			
NOTE 2: CA Configuration Test CC Combination settings are checked separately for each CA Configuration, which applicable aggregated channel bandwidths are specified in Table 5.5A.1-1.			
NOTE 3: If the UE supports multiple CC Combinations in the CA Configuration with the same N_{RB_agg} , only the combination with the highest N_{RB_PCC} is tested.			

Table 6.5A.1.1.4.1-3: Intra band non-contiguous CA Test Configuration Table

Initial Conditions									
Test Environment as specified in TS 38.508-1 [5] subclause 4.1					Normal				
Test Frequencies as specified in TS 38.508-1 [5] subclause 4.3.1					Low range and High range test frequencies as specified in tables for non-contiguous CA configuration with UL CA				
Test Channel Bandwidths as specified in TS 38.508-1 [5] subclause 4.3.1					All aggregated channel bandwidth				
Test SCS as specified in Table 5.3.5-1					Smallest supported SCS per Channel Bandwidth				
Test Parameters									
ID	CA config					DL config	UL config		
	PCC		SCC		W_{gap}		CC MOD	RB allocation (NOTE 1)	
	Band	Range	Band	Range				PCC	SCC
1	nX	CC1	nX	CC2	Max (NOTE 4)	N/A	CP-OFDM QPSK	Outer_Full	Outer_Full
NOTE 1: The RB allocation is defined in table 6.1-1 for each CC.									
NOTE 2: Test Channel Bandwidths and Test SCS are checked separately for each NR CA band combination, which applicable channel bandwidths and SCS are specified in Table 5.5A.2-1.									
NOTE 3: If the UE supports multiple CC Combinations in the CA Configuration with the same N_{RB_agg} , only the combination with the highest N_{RB_PCC} is tested.									
NOTE 4: The W_{gap} is defined to be widest possible on band based on the PCC and SCC configuration									

1. Connect the SS to the UE antenna connectors as shown in TS 38.508-1 [5] Annex A, in Figure A.3.1.1.3 for TE diagram and section A.3.2.1 for UE diagram.
2. The parameter settings for the cell are set up according to TS 38.508-1 [5] subclause 4.4.3.
3. Downlink signals for PCC are initially set up according to Annex C.0, C.1 and C.2, and uplink signals according to Annex G.0, G.1, G.2, G.3.0.
4. The UL Reference Measurement channels are set according to Table 6.5A.1.1.4.1-1 to Table 6.5A.1.1.4.1-3.

5. Propagation conditions are set according to Annex B.0.
6. Ensure the UE is in state RRC_CONNECTED with generic procedure parameters Connectivity NR, Connected without release On, Test Mode On and Test Loop Function On according to TS 38.508-1 [5] clause 4.5. Message contents are defined in clause 6.5A.1.1.4.3.

6.5A.1.1.4.2 Test procedure

1. Configure SCC according to Annex C.0, C.1, C.2 for all downlink physical channels.
2. The SS shall configure SCC as per TS 38.508-1 [5] clause 5.5.1. Message contents are defined in clause 6.5A.1.1.4.3.
3. SS activates SCC by sending the activation MAC CE (Refer TS 38.321 [18], clauses 5.9, 6.1.3.10). Wait for at least 2 seconds (Refer TS 38.133[19], clause 9.3).
4. SS sends uplink scheduling information for each UL HARQ process via PDCCH DCI format 0_1 for C_RNTI to schedule the UL RMC according to Table 6.5A.1.1.4.1-1 or Table 6.5A.1.1.4.1-2 as appropriate. Since the UL has no payload and no loopback data to send the UE sends uplink MAC padding bits on the UL RMC.
5. Send continuously power control “up” commands to the UE until the UE transmits at PUMAX level. Allow at least 200ms for the UE to reach PUMAX level.
6. **For inter-band CA:** measure the power spectrum distribution of both PCC and SCC within two times or more range over the requirement for Occupied Bandwidth specification centring on the current carrier frequency.

For Intra-band contiguous CA: measure the power spectrum distribution over all component carriers within two times or more range over the aggregated channel bandwidth requirement for Occupied Bandwidth specification centring on the centre of aggregated channel bandwidth. The characteristics of the filter shall be approximately Gaussian (typical spectrum analyser filter). Other methods to measure the power spectrum distribution are allowed. The measuring duration is at least 1ms over consecutive active uplink slots.

For intra-band non-contiguous CA: measure the power spectrum distribution of each sub-block over all component carriers within the requirement for Occupied Bandwidth for CA specification, centring on the carrier frequency of each sub-block in CA configuration. The characteristic of the filter shall be approximately Gaussian (typical spectrum analyzer filter). Other methods to measure the power spectrum distribution are allowed. The measuring duration is one active uplink subframe. For TDD slots with transient periods are not under test.

7. Calculate the total power within the range of all frequencies measured in step 6 and save this value as “Total power”. “Total power” is calculated for each CC separately for inter-band carrier aggregation, and for all CCs together for intra-band contiguous and non-contiguous carrier aggregation.
8. Identify the measurement window whose centre is aligned on the centre of the channel bandwidth on each carrier for inter-band carrier aggregation, or on the centre of the aggregated channel bandwidth for intra-band contiguous carrier aggregation or centring on each carrier frequency of each sub-block for which the sum of the power measured is 99% of the “Total power”.
9. The “Occupied Bandwidth” is the width of the measurement window obtained in step 8.

6.5A.1.1.4.3 Message contents

Message contents are according to TS 38.508-1 [5] subclause 4.6 with following exception.

Table 6.5A.1.1.4.3-1: FrequencyInfoUL-SIB for inter-band CA

Derivation Path: TS 38.508-1 [5] Table 4.6.3-62 FrequencyInfoUL-SIB			
Information Element	Value/remark	Comment	Condition
p-Max	20		Power class 3 and Inter-band CA

Table 6.5A.1.1.4.3-2: FrequencyInfoUL-SIB for intra-band contiguous CA (contiguous RB allocation)

Derivation Path: TS 38.508-1 [5] Table 4.6.3-62 FrequencyInfoUL-SIB			
Information Element	Value/remark	Comment	Condition
p-Max	15		Power class 3 and Bandwidth class B

	10		Power class 3 and Bandwidth class C
--	----	--	-------------------------------------

6.5A.1.1.5 Test requirements

For inter-band carrier aggregation, the measured Occupied Bandwidth for each component carrier shall not exceed values in Table 6.5.1.5-1.

Table 6.5A.1.1.5-1: Void

For intra-band contiguous carrier aggregation, the measured Occupied Bandwidth shall not exceed the aggregated channel bandwidth as defined in subclause 5.3A.3.

For intra-band non-contiguous carrier aggregation, the measured Occupied Bandwidth shall not exceed values of channel bandwidth as defined in section 5.5A.2.

6.5A.2 Out of band emission for CA

6.5A.2.1 General

This clause contains requirements for out of band emissions for UE configured of carrier aggregation.

6.5A.2.2 Spectrum emission mask

Editor's note: The following aspects are either missing or not yet determined:

- This test case is incomplete when signalling is absent for dualPA-Architecture IE due to lack of core requirements.

6.5A.2.2.0 Minimum conformance requirements

For intra-band contiguous carrier aggregation the spectrum emission mask of the UE applies to frequencies (Δf_{OOB}) starting from the \pm edge of the aggregated channel bandwidth. For intra-band contiguous carrier aggregation, the power of any UE emission shall not exceed the levels specified in Table 6.5A.2.2.0-1 for the specified channel bandwidth.

For power class 2 intra-band contiguous carrier aggregation, the spectrum emission mask is measured as the sum from both UE transmit antenna connectors when UE indicates support for *dualPA-Architecture* IE.

Table 6.5A.2.2.0-1: General NR CA spectrum emission mask

Δf_{OOB} (MHz)	Spectrum emission limit(dBm)	MBW(MHz)
$\pm 0 - 1$	-13	$\text{Min}(0.01 * \text{BW}_{\text{channel_CA}}, 0.4)$
$\pm 1 - 5$	-10	1MHz
$\pm 5 - \text{BW}_{\text{channel_CA}}$	-13	1MHz
$\pm \text{BW}_{\text{channel_CA}} - \text{BW}_{\text{channel_CA}} + 5$	-25	1MHz

For intra-band non-contiguous carrier aggregation the spectrum emission mask requirement is defined as a composite spectrum emissions mask. Composite spectrum emission mask applies to frequencies up to Δf_{OOB} starting from the edges of the sub-blocks. Composite spectrum emission mask is defined as follows:

- Composite spectrum emission mask is a combination of individual sub-block spectrum emissions masks
- In case the sub-block consist of one component carrier the sub-lock general spectrum emission mask is defined in subclause 6.5.2.2
- If for some frequency sub-block spectrum emission masks overlap then spectrum emission mask allowing higher power spectral density applies for that frequency
- If for some frequency a sub-block spectrum emission mask overlaps with the sub-block bandwidth of another sub-block, then the emission mask does not apply for that frequency.

When signalling for dualPA-Architecture IE is absent, carrier leakage or I/Q image may land inside the gap spectrum between 2 UL CCs when UL CCs are synchronized with frequencies in the gap.

For inter-band carrier aggregation with uplink assigned to two NR bands, the minimum conformance requirements specified in subclause 6.5.2.2 shall apply on each component carrier with all component carriers active. If for some frequency spectrum emission masks of component carriers overlap then spectrum emission mask allowing higher power spectral density applies for that frequency. If for some frequency a component carrier spectrum emission mask overlaps with the channel bandwidth of another component carrier, then the emission mask does not apply for that frequency.

6.5A.2.2.1 Spectrum emission mask for CA (2UL CA)

6.5A.2.2.1.1 Test purpose

To verify that the power of any UE emission shall not exceed specified level for the specified channel bandwidth for 2UL CA.

6.5A.2.2.1.2 Test applicability

This test case applies to all types of NR UE release 15 and forward that supports 2UL CA.

6.5A.2.2.1.3 Minimum conformance requirements

The minimum conformance requirements are defined in subclause 6.5A.2.2.0.

6.5A.2.2.1.4 Test description

6.5A.2.2.1.4.1 Initial conditions

Initial conditions are a set of test configurations the UE needs to be tested in and the steps for the SS to take with the UE to reach the correct measurement state.

The initial test configurations consist of environmental conditions, test frequencies, test channel bandwidths and sub-carrier spacing based on NR CA configuration specified in clause 5.5A. All of these configurations shall be tested with applicable test parameters for each CA configuration, are shown in Tables 6.5A.2.2.1.4.1-1 through 6.5A.2.2.1.4.1-3. The details of the uplink reference measurement channels (RMCs) are specified in Annexes A.2. Configurations of PDSCH and PDCCH before measurement are specified in Annex C.2.

Table 6.5A.2.2.1.4.1-1: Inter band CA Test Configuration Table

Initial Conditions					
Test Environment as specified in TS 38.508-1 [5] subclause 4.1			Normal		
Test Frequencies as specified in TS 38.508-1 [5] subclause 4.3.1.1.3 for inter band CA in FR1			Low range for PCC and SCC High range for PCC and SCC		
Test Channel Bandwidths as specified in TS 38.508-1 [5] subclause 4.3.1			Lowest N_{RB_agg} for both PCC and SCC Highest N_{RB_agg} for both PCC and SCC		
Test SCS as specified in Table 5.3.5-1			Smallest and biggest supported SCS per Channel Bandwidth		
Test Parameters					
Test ID	Freq	Downlink Configuration	Uplink Configuration Modulation	RB allocation (NOTE 1)	
				PCC	SCC
1 ³	Low	N/A	DFT-s-OFDM PI/2 BPSK	Edge_1RB_Left	Edge_1RB_Left
2 ³	High		DFT-s-OFDM PI/2 BPSK	Edge_1RB_Right	Edge_1RB_Right
3	Low		DFT-s-OFDM QPSK	Edge_1RB_Left	Edge_1RB_Left
4	High		DFT-s-OFDM QPSK	Edge_1RB_Right	Edge_1RB_Right
5	Low		DFT-s-OFDM 16 QAM	Edge_1RB_Left	Edge_1RB_Left
6	High		DFT-s-OFDM 16 QAM	Edge_1RB_Right	Edge_1RB_Right
7	Default		DFT-s-OFDM 64 QAM	Outer_Full	Outer_Full
8	Default		DFT-s-OFDM 256 QAM	Outer_Full	Outer_Full
9	Low		CP-OFDM QPSK	Edge_1RB_Left	Edge_1RB_Left
10	High		CP-OFDM QPSK	Edge_1RB_Right	Edge_1RB_Right
11	Low		CP-OFDM 16 QAM	Edge_1RB_Left	Edge_1RB_Left

12	High		CP-OFDM 16 QAM	Edge_1RB_Right	Edge_1RB_Right
13	Default		CP-OFDM 64 QAM	Outer_Full	Outer_Full
14	Default		CP-OFDM 256 QAM	Outer_Full	Outer_Full
<p>NOTE 1: The specific configuration of each RB allocation is defined in Table 6.1-1.</p> <p>NOTE 2: Test Channel Bandwidths and Test SCS are checked separately for each NR CA band combination, which applicable channel bandwidths is specified in Table 5.5A.3.1-1 and SCS is specified in Table 5.3.5-1 for each NR band.</p> <p>NOTE 3: UE operating in FDD mode, or in TDD mode in bands other than n40, n41, n77, n78 and n79, or in TDD mode the IE powerBoostPi2BPSK is set to 0 for bands n40, n41, n77, n78 and n79.</p>					

Table 6.5A.2.2.1.4.1-2: Intra-band contiguous CA Test Configuration Table for PC3 and PC2

Initial Conditions				
Test Environment as specified in TS 38.508-1 [5] subclause 4.1			Normal	
Test Frequencies as specified in TS 38.508-1 [5] subclause 4.3.1			Low range High range	
Test Channel Bandwidths as specified in TS 38.508-1 [5] subclause 4.3.1			Lowest N _{RB_agg} , Highest N _{RB_agg} (NOTE 1)	
Test SCS as specified in Table 5.3.5-1			Lowest, Highest	
Test Parameters for CA bandwidth class B and C				
Test ID	DL configuration for PCC & SCC	UL configuration		
		Modulations for all CCs (NOTE 2)		RB allocation (NOTE 3)
1	N/A	DFT-s-OFDM	Pi/2 BPSK	Outer Full
2			QPSK	Outer Full
3			16QAM	Outer Full
4			64QAM	Outer Full
5			256QAM	Outer Full
6		CP-OFDM	QPSK	Outer Full
7			16QAM	Outer Full
8			64QAM	Outer Full
9			256QAM	Outer Full
<p>NOTE 1: The Test CC Combination settings are checked separately for each CA Configuration, which applicable aggregated channel bandwidths are specified in Table 5.5A.1-1.</p> <p>NOTE 2: DFT-s-OFDM Pi/2 BPSK test applies only for UEs which supports Pi/2 BPSK in FR1.</p> <p>NOTE 3: The specific configuration of each RB allocation is defined in Table 6.1A-1a.</p> <p>NOTE 4: If the UE supports multiple CC Combinations in the CA Configuration with the same N_{RB_agg}, only the combination with the highest N_{RB_PCC} is tested.</p>				

Table 6.5A.2.2.1.4.1-3: Intra-band non-contiguous CA Test Configuration Table

Initial Conditions				
Test Environment as specified in TS 38.508-1 [5] subclause 4.1			Normal	
Test Frequencies as specified in TS 38.508-1 [5] subclause 4.3.1.1.3 for inter band CA in FR1			Low range and High range test frequencies as specified in tables for non-contiguous CA configuration with UL CA	
Test Channel Bandwidths as specified in TS 38.508-1 [5] subclause 4.3.1			Lowest for both PCC and SCC Highest for both PCC and SCC	
Test SCS as specified in Table 5.3.5-1			Smallest and biggest supported SCS per Channel Bandwidth	
Test Parameters				
Test ID	Downlink Configuration	Uplink Configuration		
		Modulation (NOTE 4)	RB allocation (NOTE 2)	
			PCC	SCC
1	N/A	DFT-s-OFDM Pi/2 BPSK	Edge_1RB_Left	Edge_1RB_Right
2		DFT-s-OFDM QPSK	Edge_1RB_Left	Edge_1RB_Right
3		DFT-s-OFDM 16 QAM	Edge_1RB_Left	Edge_1RB_Right
4		DFT-s-OFDM 64 QAM	Edge_1RB_Left	Edge_1RB_Right
5		DFT-s-OFDM 256 QAM	Edge_1RB_Left	Edge_1RB_Right
6		CP-OFDM QPSK	Edge_1RB_Left	Edge_1RB_Right
7		CP-OFDM 16 QAM	Edge_1RB_Left	Edge_1RB_Right

8		CP-OFDM 64 QAM	Edge_1RB_Left	Edge_1RB_Right
9		CP-OFDM 256 QAM	Edge_1RB_Left	Edge_1RB_Right
<p>NOTE 1: This test configuration is only applicable for UEs indicating IE <i>dualPA-Architecture</i> supported</p> <p>NOTE 2: The specific configuration of each RB allocation is defined in Table 6.1-1.</p> <p>NOTE 3: Test Channel Bandwidths and Test SCS are checked separately for each NR CA band combination, which applicable channel bandwidths is specified in Table 5.5A.3.1-1 and SCS is specified in Table 5.3.5-1 for each NR band.</p> <p>NOTE 4: DFT-s-OFDM PI/2 BPSK test applies only for UEs which supports half Pi BPSK in FR1.</p>				

1. Connect the SS to the UE antenna connectors as shown in TS 38.508-1 [5] Annex A, in Figure A.3.1.1.3 for TE diagram and section A.3.2 for UE diagram.
2. The parameter settings for the cell are set up according to TS 38.508-1 [5] subclause 4.4.3.
3. Downlink signals for PCC are initially set up according to Annex C.0, C.1, C.2, and uplink signals according to Annex G.0, G.1, G.2, G.3.0.
4. The UL Reference Measurement channels are set according to Tables 6.5A.2.2.1.4.1-1 through 6.5A.2.2.1.4.1-3 as appropriate.
5. Propagation conditions are set according to Annex B.0.
6. Ensure the UE is in state RRC_CONNECTED with generic procedure parameters Connectivity *NR*, Connected without release *On*, Test Mode *On* and Test Loop Function *On* according to TS 38.508-1 [5] clause 4.5. Message contents are defined in clause 6.5A.2.2.1.4.3.

6.5A.2.2.1.4.2 Test procedure

1. Configure SCC according to Annex C.0, C.1, C.2 for all downlink physical channels.
2. The SS shall configure SCC as per TS 38.508-1 [5] clause 5.5.1. Message contents are defined in clause 6.5A.2.2.1.4.3.
3. SS activates SCC by sending the activation MAC CE (Refer TS 38.321 [18], clauses 5.9, 6.1.3.10). Wait for at least 2 seconds (Refer TS 38.133[19], clause 9.3).
4. SS sends uplink scheduling information for each UL HARQ process via PDCCH DCI format 0_1 for C_RNTI to schedule the UL RMC according to Tables 6.5A.2.2.1.4.1-1 through 6.5A.2.2.1.4.1-3 on both PCC and SCC as appropriate. Since the UL has no payload and no loopback data to send the UE sends uplink MAC padding bits on the UL RMC.
5. Send continuously power control “up” commands in every uplink scheduling information to the UE until the UE transmits at PUMAX level. Allow at least 200ms for the UE to reach PUMAX level.
6. For inter-band CA: measure the mean power of the UE in the channel bandwidth of the radio access mode for each CC according to the test configuration, which shall meet the requirements described in clause 6.2A.2. The period of the measurement shall be at least the continuous duration of one active sub-frame (1ms) and in the uplink symbols. For TDD slots with transient periods are not under test.

For intra-band CA: measure the mean power over all component carriers in the CA configuration of the radio access mode, which shall meet the requirements described in clause 6.2A.2. The period of the measurement shall be at least the continuous duration of one active sub-frame (1ms) and in the uplink symbols. For TDD slots with transient periods are not under test.

7. For inter-band CA: measure the power of the transmitted signal with a measurement filter of bandwidths for each CC according to Table 6.5A.2.2.1.5-1 and using a rms detector. If the sweep count is higher than one, the trace mode shall be average. The centre frequency of the filter shall be stepped in continuous steps according to the same table. The measured power shall be recorded for each step. The measurement period shall capture the active TSs.

For intra-band contiguous CA: measure the power of the transmitted signal with a measurement filter of bandwidths according to table 6.5A.2.2.1.5-3 and using a rms detector. If the sweep count is higher than one, the trace mode shall be average. The centre frequency of the filter shall be stepped in continuous steps according to the same table. The measured power shall be recorded for each step. The measurement period shall capture the

active TSs. For power class 2 UE, the power is measured as the sum from both UE transmit antenna connectors when UE indicates support for *dualPA-Architecture IE*.

For intra-band non-contiguous CA: measure the power of the transmitted signal with a measurement filter of bandwidths according to Table 6.5A.2.2.1.5-1 and using a rms detector. If the sweep count is higher than one, the trace mode shall be average. The centre frequency of the filter shall be stepped in continuous steps according to the same table. The measured power shall be recorded for each step. The measurement period shall capture the active TSs. For power class 2 UE, the power is measured as the sum from both UE transmit antenna connectors when UE indicates support for *dualPA-Architecture IE*.

NOTE 1: When switching to DFT-s-OFDM waveform, as specified in the test configuration table 6.5.2.2.4.1-1, send an NR RRCReconfiguration message according to TS 38.508-1 [5] clause 4.6.3 Table 4.6.3-118 PUSCH-Config with TRANSFORM_PRECODER_ENABLED condition.

6.5A.2.2.1.4.3 Message contents

Message contents are according to TS 38.508-1 [5] subclause 4.6 with following exception.

Table 6.5A.2.2.1.4.3-1: FrequencyInfoUL-SIB for inter-band CA

Derivation Path: TS 38.508-1 [5] Table 4.6.3-62 FrequencyInfoUL-SIB			
Information Element	Value/remark	Comment	Condition
p-Max	22		Power class 3 and Inter-band CA Test IDs 1-4
	21		Power class 3 and Inter-band CA Test IDs 5, 6
	20		Power class 3 and Inter-band CA Test IDs 7, 9-13
	19		Power class 3 and Inter-band CA Test IDs 8
	17		Power class 3 and Inter-band CA Test IDs 14

Table 6.5A.2.2.1.4.3-1a: FrequencyInfoUL-SIB for inter-band CA (Power Class 2 with both bands supporting PC3)

Derivation Path: TS 38.508-1 [5] Table 4.6.3-62 FrequencyInfoUL-SIB			
Information Element	Value/remark	Comment	Condition
p-Max	23		Test IDs 1-4
	22		Test IDs 5, 6
	21		Test IDs 7, 9-12
	20		Test IDs 13
	19		Test IDs 8
	17		Test IDs 14

Table 6.5A.2.2.1.4.3-1b: FrequencyInfoUL-SIB for inter-band CA (PCC supporting PC3 and SCC supporting PC3)

Derivation Path: TS 38.508-1 [5] Table 4.6.3-62 FrequencyInfoUL-SIB			
Information Element	Value/remark	Comment	Condition
p-Max	23		Test IDs 1-4, 7
	22		Test IDs 5, 6, 9-13
	21		Test IDs 8
	19		Test IDs 14

Table 6.5A.2.2.1.4.3-2: FrequencyInfoUL-SIB for intra-band contiguous CA

Derivation Path: TS 38.508-1 [5] Table 4.6.3-62 FrequencyInfoUL-SIB			
Information Element	Value/remark	Comment	Condition
p-Max	20		Power class 3 and Intra-band CA Test IDs 2
	17		Power class 3 and Intra-band CA Test IDs 3

	16		Power class 3 and Intra-band CA Test IDs 1, 4, 5, 6, 8, 9
	14		Power class 3 and Intra-band CA Test IDs 7
	15		Power class 2 and Test IDs 1, 2, 3, 4
	14		Power class 2 and Test IDs 5, 6, 7, 8, 9

6.5A.2.2.1.5 Test requirement

The measured UE mean power in the applicable channel bandwidth, derived in step 6, shall fulfil requirements in clause 6.2A.2 as appropriate, and the power of any UE emission, derived in step 7, shall fulfil requirements in Table 6.5A.2.2.1.5-1 for inter-band CA and table 6.5A.2.2.1.5-3 for intra-band contiguous CA. If for some frequency spectrum emission masks of component carriers overlap then spectrum emission mask allowing higher power spectral density applies for that frequency. If for some frequency a component carrier spectrum emission mask overlaps with the channel bandwidth of another component carrier, then the emission mask does not apply for that frequency.

Table 6.5A.2.2.1.5-1: NR General spectrum emission mask

Spectrum emission limit (dBm) / Channel bandwidth														
$\Delta f_{\text{оов}}$ (MHz)	5 MHz	10 MHz	15 MHz	20 MHz	25 MHz	30 MHz	40 MHz	50 MHz	60 MHz	70 MHz	80 MHz	90 MHz	100 MHz	Measurement bandwidth
$\pm 0-1$	- 13+ TT	- 13+ TT	- 13+ TT	- 13+ TT	-13+TT	-13+TT	-13+TT							1 % channel bandwidth
$\pm 0-1$								-24	-24	-24	-24	-24	-24	30 kHz
$\pm 1-5$	- 10+ TT	- 10+ TT	- 10+ TT	- 10+ TT	-10+TT	-10+TT	-10+TT	- 10+ TT	-10+TT	-10+TT	-10+TT	-10+TT	- 10+ TT	1 MHz
$\pm 5-6$	- 13+ TT	- 13+ TT	- 13+ TT	- 13+ TT	-13+TT	-13+TT	-13+TT	- 13+ TT	-13+TT	-13+TT	-13+TT	-13+TT	- 13+ TT	
$\pm 6-10$	- 25+ TT	- 13+ TT	- 13+ TT	- 13+ TT	-13+TT	-13+TT	-13+TT	- 13+ TT	-13+TT	-13+TT	-13+TT	-13+TT	- 13+ TT	
$\pm 10-15$		- 25+ TT	- 13+ TT	- 13+ TT	-13+TT	-13+TT	-13+TT	- 13+ TT	-13+TT	-13+TT	-13+TT	-13+TT	- 13+ TT	
$\pm 15-20$			- 25+ TT	- 13+ TT	-13+TT	-13+TT	-13+TT	- 13+ TT	-13+TT	-13+TT	-13+TT	-13+TT	- 13+ TT	
$\pm 20-25$				- 25+ TT	-13+TT	-13+TT	-13+TT	- 13+ TT	-13+TT	-13+TT	-13+TT	-13+TT	- 13+ TT	
$\pm 25-30$					-25+TT	-13+TT	-13+TT	- 13+ TT	-13+TT	-13+TT	-13+TT	-13+TT	- 13+ TT	
$\pm 30-35$						-25+TT	-13+TT	- 13+ TT	-13+TT	-13+TT	-13+TT	-13+TT	- 13+ TT	
$\pm 35-40$							-25+TT	- 13+ TT	-13+TT	-13+TT	-13+TT	-13+TT	- 13+ TT	
$\pm 40-45$								- 13+ TT	-13+TT	-13+TT	-13+TT	-13+TT	- 13+ TT	
$\pm 45-50$								- 13+ TT	-13+TT	-13+TT	-13+TT	-13+TT	- 13+ TT	
$\pm 50-55$								- 25+ TT	-13+TT	-13+TT	-13+TT	-13+TT	- 13+ TT	
$\pm 55-60$									-25+TT	-13+TT	-13+TT	-13+TT	- 13+ TT	
$\pm 60-65$										-25+TT	-13+TT	-13+TT	- 13+ TT	
$\pm 65-70$											-25+TT	-13+TT	- 13+ TT	
$\pm 70-75$												-25+TT	- 13+ TT	
$\pm 75-80$													- 13+ TT	
$\pm 80-85$												-25+TT	- 13+ TT	
$\pm 85-90$													- 13+ TT	
$\pm 90-95$												-25+TT	- 13+ TT	
$\pm 95-100$													- 13+ TT	

- Tests for network signalling value other than CA_NS_04 are not complete.

6.5A.2.3.1.1 Test purpose

To verify that the power of any UE emission shall not exceed specified level for the specified channel bandwidth under the deployment scenarios where additional requirements are specified.

6.5A.2.3.1.2 Test applicability

This test case applies to all types of NR UE release 15 and forward that supports 2UL CA.

6.5A.2.3.1.3 Minimum conformance requirements

The minimum conformance requirements are defined in subclause 6.5A.2.3.0.

6.5A.2.3.1.4 Test description

6.5A.2.3.1.4.1 Initial conditions

Initial conditions are a set of test configurations the UE needs to be tested in and the steps for the SS to take with the UE to reach the correct measurement state.

The initial test configurations consist of environmental conditions, test frequencies, test channel bandwidths and sub-carrier spacing based on NR CA configuration specified in clause 5.5A. All of these configurations shall be tested with applicable test parameters for each CA configuration, are shown below. The details of the uplink reference measurement channels (RMCs) are specified in Annexes A.2. Configurations of PDSCH and PDCCH before measurement are specified in Annex C.2

Table 6.5A.2.3.1.4.1-1: Test Configuration Table (network signalling value "CA_NS_04")

Same test configuration as listed in Table 6.2A.3.1.4.1-7 shall be used with the following exceptions:

- Only Test IDs 1~4 are tested.
1. Connect the SS to the UE antenna connectors as shown in TS 38.508-1 [5] Annex A, in Figure A.3.1.1.3 for TE diagram and section A.3.2 for UE diagram.
 2. The parameter settings for the cell are set up according to TS 38.508-1 [5] subclause 4.4.3.
 3. Downlink signals for PCC are initially set up according to Annex C.0, C.1, C.2, and uplink signals according to Annex G.0, G.1, G.2, G.3.0.
 4. The UL Reference Measurement channels are set according to the test configuration tables in clause 6.2A.2.1.4.1.
 5. Propagation conditions are set according to Annex B.0
 6. Ensure the UE is in state RRC_CONNECTED with generic procedure parameters Connectivity *NR*, Connected without release *On*, Test Mode *On* and Test Loop Function *On* according to TS 38.508-1 [5] clause 4.5. Message contents are defined in clause 6.5A.2.3.1.4.3

6.5A.2.3.1.4.2 Test procedure

1. Configure SCC according to Annex C.0, C.1, C.2 for all downlink physical channels.
2. The SS shall configure SCC as per TS 38.508-1 [5] clause 5.5.1. Message contents are defined in clause 6.5A.2.3.1.4.3.
3. SS activates SCC by sending the activation MAC CE (Refer TS 38.321 [18], clauses 5.9, 6.1.3.10). Wait for at least 2 seconds (Refer TS 38.133[19], clause 9.3).
4. SS sends uplink scheduling information for each UL HARQ process via PDCCH DCI format 0_1 for C_RNTI to schedule the UL RMC according to Table 6.5A.2.3.1.4.1-1 on both PCC and SCC. Since the UL has no payload and no loopback data to send the UE sends uplink MAC padding bits on the UL RMC.
5. Send continuously power control "up" commands in every uplink scheduling information to the UE until the UE transmits at P_{UMAX} level. Allow at least 200ms for the UE to reach P_{UMAX} level.

6. Measure the mean power over all component carriers in the CA configuration of the radio access mode, which shall meet the requirements described in clause 6.2A.3. The period of the measurement shall be at least the continuous duration of one active sub-frame (1ms) and in the uplink symbols. For TDD slots with transient periods are not under test. For power class 2 intra-band contiguous carrier aggregation, the additional spectrum emission mask is measured as the sum from both UE transmit antenna connectors when UE indicates support for *dualPA-Architecture* IE.
7. Measure the power of the transmitted signal with a measurement filter of bandwidths according to Table 6.5A.2.3.1.5.1-1 and using a rms detector. If the sweep count is higher than one, the trace mode shall be average. The centre frequency of the filter shall be stepped in continuous steps according to the same table. The measured power shall be recorded for each step. The measurement period shall capture the active TSs. For power class 2 UE, the power is measured as the sum from both UE transmit antenna connectors when UE indicates support for *dualPA-Architecture* IE.

6.5A.2.3.1.4.3 Message contents

Message contents are same as 6.2A.3.1.4.3.

6.5A.2.3.1.5 Test requirement

Table 6.5A.2.3.1.5-1: Test Tolerance for Additional Spectrum emission mask

	$f \leq 3.0\text{GHz}$	$3.0\text{GHz} < f \leq 6\text{GHz}$
$\text{BW} \leq 40\text{MHz}$	1.5dB	1.8dB
$40\text{MHz} < \text{BW} \leq 100\text{MHz}$	1.5dB	1.8dB

6.5A.2.3.1.5.1 Test requirements (network signalling value "CA_NS_04")

When "CA_NS_04" is indicated in the cell:

- the measured UE mean power in the channel bandwidth, derived in step 6, shall fulfil requirements in Table 6.2A.3.1.5-7 for UE power class 3 or Table 6.2A.3.1.5-8 UE power class 2.

and

- the power of any UE emission derived in step 7 shall fulfil requirements in table 6.5A.2.3.1.5.1-1.

Table 6.5A.2.3.1.5.1-1: Additional test requirements for "CA_NS_04"

Δf_{OoB} MHz	BW _{Channel_CA} (MHz) / Spectrum emission limit (dBm)		Measurement bandwidth
	≤ 50	> 50	
$\pm 0 - 1$	-10+TT	-10+TT	2 % of BW _{Channel_CA}
$\pm 1 - 5$		-10+TT	1 MHz
$\pm 5 - X$		-13+TT	1 MHz
$\pm X - (\text{BW}_{\text{Channel_CA}} + 5 \text{ MHz})$		-25+TT	
NOTE 1: X is aggregated bandwidth			
NOTE 2: TT for each frequency and channel bandwidth is specified in Table 6.5A.2.3.1.5-1.			

6.5A.2.4 Adjacent channel leakage ratio

6.5A.2.4.1 NR ACLR

6.5A.2.4.1.0 Minimum conformance requirements

6.5A.2.4.1.0.1 NR ACLR for intra-band contiguous CA

For intra-band contiguous carrier aggregation the carrier aggregation the Adjacent Channel Leakage power Ratio is the ratio of the filtered mean power centred on the aggregated channel bandwidth to the filtered mean power centred on an adjacent aggregated channel bandwidth at nominal channel spacing. The assigned aggregated channel bandwidth power and adjacent aggregated channel bandwidth power are measured with rectangular filters with measurement bandwidths

specified in Table 6.5A.2.4.1.0.1-1. If the measured adjacent channel power is greater than -50dBm then the NR_{ACLR} shall be higher than the value specified in Table 6.5A.2.4.1.0.1-1.

Table 6.5A.2.4.1.0.1-1: General requirements for intra-band contiguous CA ACLR

	ACLR / Measurement bandwidth
CA ACLR	30 dB
CA Measurement bandwidth (NOTE 1)	Nominal channel space+ $\text{MBW}_{\text{ACLR,low}}/2$ + $\text{MBW}_{\text{ACLR,high}}/2$
Adjacent channel centre frequency offset (in MHz)	+ $\text{BW}_{\text{Channel_CA}}$ / - $\text{BW}_{\text{Channel_CA}}$
Difference between ACLR MBW center and $F_{\text{c,low}}$	$\text{MBW}_{\text{shift}} = (\text{MBW}_{\text{ACLR_CA}} - \text{MBW}_{\text{ACLR,low}})/2$
NOTE 1: $\text{MBW}_{\text{ACLR,low}}$ and $\text{MBW}_{\text{ACLR,high}}$ are the single-channel ACLR measurement bandwidths specified for channel bandwidths $\text{BW}_{\text{channel(low)}}$ and $\text{BW}_{\text{channel(high)}}$ in 6.5.2.4.1.3, respectively.	

Table 6.5A.2.4.1.0.1-2: requirements for intra-band contiguous CA ACLR power class 2

	ACLR / Measurement bandwidth
CA ACLR	31 dB
CA Measurement bandwidth (NOTE 1)	Nominal channel space+ $\text{MBW}_{\text{ACLR,low}}/2$ + $\text{MBW}_{\text{ACLR,high}}/2$
Adjacent channel centre frequency offset (in MHz)	+ $\text{BW}_{\text{Channel_CA}}$ / - $\text{BW}_{\text{Channel_CA}}$
Difference between ACLR MBW center and $F_{\text{c,low}}$	$\text{MBW}_{\text{shift}} = (\text{MBW}_{\text{ACLR_CA}} - \text{MBW}_{\text{ACLR,low}})/2$
NOTE 1: $\text{MBW}_{\text{ACLR,low}}$ and $\text{MBW}_{\text{ACLR,high}}$ are the single-channel ACLR measurement bandwidths specified for channel bandwidths $\text{BW}_{\text{channel(low)}}$ and $\text{BW}_{\text{channel(high)}}$ in 6.5.2.4.1.3 respectively.	

6.5A.2.4.1.0.2 NR ACLR for intra-band non-contiguous CA

For intra-band non-contiguous carrier aggregation, CA Adjacent Channel Leakage power Ratio(CA_{ACLR}) is the ratio of the sum of the filtered mean power centred on each assigned channel frequency to the filtered mean power centred on an adjacent NR channel frequency at nominal channel spacing. In case the gap bandwidth W_{gap} between 2 uplink CCs is smaller than maximum of the 2 uplink channel bandwidths then no CA_{ACLR} requirement is set for the gap. Each assigned NR channel power and adjacent NR channel power are measured with rectangular filters with measurement bandwidths specified in Table 6.5.2.4.1.3-1. If the measured adjacent channel power is greater than -50dBm then the ACLR shall be higher than the value specified in Table 6.5A.2.4.1.0.2-1.

Table 6.5A.2.4.1.0.2-1: General requirements for intra-band non-contiguous CA ACLR

	ACLR / Measurement bandwidth
CA ACLR	30 dB
CA Measurement bandwidth for each sub block (NOTE 1)	MBW_{ACLR}
Adjacent channel centre frequency offset (in MHz)	+ $\text{BW}_{\text{Channel}}$ / - $\text{BW}_{\text{Channel}}$
NOTE 1: MBW_{ACLR} is the single-channel ACLR measurement bandwidths specified in 6.5.2.4.1.3.	

When the signalling is absent for dualPA-Architecture IE, if carrier leakage or I/Q image lands inside the gap spectrum between 2 UL CCs when UL CCs are synchronized with frequencies in the gap, exception to the ACLR requirement with 3dB relaxation applies.

6.5A.2.4.1.0.3 NR ACLR for Inter-band CA

For inter-band carrier aggregation with uplink assigned to two NR bands, the NR Adjacent Channel Leakage power Ratio (NRACLR) is defined per component carrier while both component carriers are active and the requirement is specified in clause 6.5.2.4.1.3.

6.5A.2.4.1.1 NR ACLR for CA (2UL CA)

Editor's Note: The following aspects are not yet determined:

- MU and TT for aggregate BW>100MHz are FFS.

6.5A.2.4.1.1.1 Test purpose

To verify that UE transmitter does not cause unacceptable interference to adjacent channels in terms of Adjacent Channel Leakage power Ratio (ACLR) for 2UL CA.

6.5A.2.4.1.1.2 Test applicability

This test case applies to all types of NR UE release 15 and forward that supports 2UL CA.

6.5A.2.4.1.1.3 Minimum conformance requirements

The minimum conformance requirements are defined in subclause 6.5A.2.4.1.0.

6.5A.2.4.1.1.4 Test description

6.5A.2.4.1.1.4.1 Initial conditions

Initial conditions are a set of test configurations the UE needs to be tested in and the steps for the SS to take with the UE to reach the correct measurement state.

The initial test configurations consist of environmental conditions, test frequencies, test channel bandwidths and sub-carrier spacing based on NR CA configuration specified in clause 5.5A. All of these configurations shall be tested with applicable test parameters for each CA configuration, are shown in the test configuration tables in clause 6.2A.2.1.4.1. The details of the uplink reference measurement channels (RMCs) are specified in Annexes A.2. Configurations of PDSCH and PDCCH before measurement are specified in Annex C.2

Table 6.5A.2.4.1.1.4.1-1: Void

Table 6.5A.2.4.1.1.4.1-2: Void

Table 6.5A.2.4.1.1.4.1-3: Void

1. Connect the SS to the UE antenna connectors as shown in TS 38.508-1 [5] Annex A, in Figure A.3.1.1.3 for TE diagram and section A.3.2 for UE diagram.
2. The parameter settings for the cell are set up according to TS 38.508-1 [5] subclause 4.4.3.
3. Downlink signals for PCC are initially set up according to Annex C.0, C.1, C.2, and uplink signals according to Annex G.0, G.1, G.2, G.3.0.
4. The UL Reference Measurement channels are set according to the test configuration tables in clause 6.2A.2.1.4.1.
5. Propagation conditions are set according to Annex B.0
6. Ensure the UE is in state RRC_CONNECTED with generic procedure parameters Connectivity *NR*, Connected without release *On*, Test Mode *On* and Test Loop Function *On* according to TS 38.508-1 [5] clause 4.5. Message contents are defined in clause 6.5A.2.4.1.1.4.3

6.5A.2.4.1.1.4.2 Test procedure

1. Configure SCC according to Annex C.0, C.1, C.2 for all downlink physical channels.

2. The SS shall configure SCC as per TS 38.508-1 [5] clause 5.5.1. Message contents are defined in clause 6.5A.2.4.1.1.4.3.
3. SS activates SCC by sending the activation MAC CE (Refer TS 38.321 [18], clauses 5.9, 6.1.3.10). Wait for at least 2 seconds (Refer TS 38.133[19], clause 9.3).
4. SS sends uplink scheduling information for each UL HARQ process via PDCCH DCI format 0_1 for C_RNTI to schedule the UL RMC according to the test configuration tables in clause 6.2A.2.1.4.1 on both PCC and SCC. Since the UL has no payload and no loopback data to send the UE sends uplink MAC padding bits on the UL RMC.
5. Send continuously power control “up” commands in every uplink scheduling information to the UE until the UE transmits at P_{UMAX} level. Allow at least 200ms for the UE to reach P_{UMAX} level.
6. Measure the sum of mean transmitted power over all component carriers in the CA configuration of the radio access mode, as measured in step 6 of 6.2A.2.1.4.2, which shall meet the requirements in clause 6.2A.2.1.5 as appropriate.
7. For intra-band contiguous 2UL CA UE, execute 7a) to 7c):
 - 7a) Measure the rectangular filtered mean power for the assigned NR aggregated channel bandwidth using a rms detector. If the sweep count is higher than one, the trace mode shall be average.
 - 7b) Measure the rectangular filtered mean power of the first NR adjacent aggregated channel on both lower and upper side of the assigned NR channel using a rms detector, respectively. If the sweep count is higher than one, the trace mode shall be average.
 - 7c) Calculate the ratios of the power between the values measured in step 7a) over step 7b) for lower and upper CA NR_{ACLR} , respectively.
8. For intra-band non-contiguous 2UL CA UE, execute 8a) to 8e):
 - 8a) Measure the rectangular filtered mean power for the assigned NR channel on the lowest sub-block and highest sub-block respectively using a rms detector. If the sweep count is higher than one, the trace mode shall be average.
 - 8b) Measure the rectangular filtered mean power of the first NR adjacent channel on lower side of the lowest sub-block, and the higher side of the highest sub-block (out of gap measurement) using a rms detector. If the sweep count is higher than one, the trace mode shall be average.
 - 8c) If W_{gap} is larger or equal to either of the sub-block bandwidths, perform this step, otherwise continue to next step. Measure the rectangular filtered mean power of the first NR adjacent channel on higher side of the lowest sub-block, and/or the lower side of the highest sub-block (in gap measurement).
 - 8d) Calculate the ratio of the power between the values measured in step 8a) over step 8b) for CA NR_{ACLR} (out of gap measurement).
 - 8e) Calculate the ratio of the power between the values measured in step 8a) over step 8c) for CA NR_{ACLR} (in gap measurement).
9. For inter-band 2UL CA UE, execute 9a) to 9f):
 - 9a) Measure the rectangular filtered mean power for the assigned NR channel on PCC using a rms detector. If the sweep count is higher than one, the trace mode shall be average.
 - 9b) Measure the rectangular filtered mean power of the first NR adjacent channel on both lower and upper side of the assigned NR channel on PCC, respectively using a rms detector. If the sweep count is higher than one, the trace mode shall be average.
 - 9c) Calculate the ratios of the power between the values measured in step 9a) over step 9b) for lower and upper NR ACLR, respectively.
 - 9d) Measure the rectangular filtered mean power for the assigned NR channel on SCC using a rms detector. If the sweep count is higher than one, the trace mode shall be average.

9e) Measure the rectangular filtered mean power of the first NR adjacent channel on both lower and upper side of the assigned NR channel on SCC, respectively using a rms detector. If the sweep count is higher than one, the trace mode shall be average.

9f) Calculate the ratios of the power between the values measured in step 9d over step 9e for lower and upper NR ACLR, respectively.

NOTE 1: When switching to DFT-s-OFDM waveform, as specified in the test configuration tables in clause 6.2A.2.1.4.1, send an NR RRCReconfiguration message according to TS 38.508-1 [5] clause 4.6.3 Table 4.6.3-118 PUSCH-Config with TRANSFORM_PRECODER_ENABLED condition.

6.5A.2.4.1.1.4.3 Message contents

Message contents are same as 6.2A.2.1.4.3.

Table 6.5A.2.4.1.1.4.3-1: Void

6.5A.2.4.1.1.5 Test requirement

The measured UE mean power in the channel bandwidth, derived in step 6, shall fulfil requirements in clause 6.2A.2.1 as appropriate, and if the measured adjacent channel power is greater than -50 dBm, then the measured NR ACLR derived in step 7c, step 8d, step 8e, and step 9f, shall be higher than the limits in Table 6.5A.2.4.1.1.5-1, Table 6.5A.2.4.1.1.5-1a, 6.5A.2.4.1.1.5-2 and 6.5A.2.4.1.1.5-3 respectively.

Table 6.5A.2.4.1.1.5-1: General requirements for intra-band contiguous CA ACLR power class 3

	ACLR / Measurement bandwidth
CA ACLR	30 - TT dB
CA Measurement bandwidth (NOTE 1)	Nominal channel space+ $MBW_{ACLR,low}/2$ + $MBW_{ACLR,high}/2$
Adjacent channel centre frequency offset (in MHz)	+ $BW_{Channel_CA}$ / - $BW_{Channel_CA}$
Difference between ACLR MBW center and $F_{c,low}$	$MBW_{shift} = (MBW_{ACLR_CA} - MBW_{ACLR,low})/2$
NOTE 1: $MBW_{ACLR,low}$ and $MBW_{ACLR,high}$ are the single-channel ACLR measurement bandwidths specified for channel bandwidths $BW_{channel(low)}$ and $BW_{channel(high)}$ in 6.5.2.4.1.3, respectively.	

Table 6.5A.2.4.1.1.5-1a: General requirements for intra-band contiguous CA ACLR power class 2

	ACLR / Measurement bandwidth
CA ACLR	31 - TT dB
CA Measurement bandwidth (NOTE 1)	Nominal channel space+ $MBW_{ACLR,low}/2$ + $MBW_{ACLR,high}/2$
Adjacent channel centre frequency offset (in MHz)	+ $BW_{Channel_CA}$ / - $BW_{Channel_CA}$
Difference between ACLR MBW center and $F_{c,low}$	$MBW_{shift} = (MBW_{ACLR_CA} - MBW_{ACLR,low})/2$
NOTE 1: $MBW_{ACLR,low}$ and $MBW_{ACLR,high}$ are the single-channel ACLR measurement bandwidths specified for channel bandwidths $BW_{channel(low)}$ and $BW_{channel(high)}$ in 6.5.2.4.1.3, respectively.	

Table 6.5A.2.4.1.1.5-2: General requirements for intra-band non-contiguous CA ACLR

	ACLR / Measurement bandwidth
CA ACLR	30 - TT dB
CA Measurement bandwidth for each sub block (NOTE 1)	MBW_{ACLR}

Adjacent channel centre frequency offset (in MHz)	+ BW_{Channel} / - BW_{Channel}
NOTE 1: MBW_{ACLR} is the single-channel ACLR measurement bandwidths specified in 6.5.2.4.1.	

Table 6.5A.2.4.1.1.5-3: General requirements for inter-band CA ACLR

	Power class 1	Power class 2	Power class 3
NR ACLR		31 - TT dB	30 - TT dB

Table 6.5A.2.4.1.1.5-4: NR ACLR measurement bandwidth for inter-band CA

NR channel bandwidth / NR ACLR measurement bandwidth												
	5 MHz	10 MHz	15 MHz	20 MHz	25 MHz	30 MHz	40 MHz	50 MHz	60 MHz	80 MHz	90 MHz	100 MHz
NR ACLR measurement bandwidth	4.515	9.375	14.235	19.095	23.955	28.815	38.895	48.615	58.35	78.15	88.23	98.31

Table 6.5A.2.4.1.1.5-5: Test Tolerance for NR ACLR

	$f \leq 3.0\text{GHz}$	$3.0\text{GHz} < f \leq 6\text{GHz}$
BW $\leq 100\text{MHz}$	0.8dB	0.8dB
Aggregated BW $\leq 200\text{MHz}$	FFS	FFS

6.5A.2.4.2 UTRA ACLR

Editor's note:

- No UTRA ACLR minimum requirements for intra-band CA are specified in TS 38.101-1

6.5A.2.4.2.0 Minimum conformance requirements

For inter-band carrier aggregation with uplink assigned to two NR bands, the UTRA Adjacent Channel Leakage power Ratio (UTRA ACLR) is defined per component carrier while both component carrier are active and the requirement is specified in clause 6.5.2.4.2.3.

The normative reference for this requirement is TS 38.101-1 [2] clause 6.5A.2.4.2.

6.5A.2.4.2.1 UTRA ACLR for CA (2UL CA)

6.5A.2.4.2.1.1 Test purpose

To verify that UE transmitter does not cause unacceptable interference to adjacent UTRA channels in terms of Adjacent Channel Leakage power Ratio (UTRA ACLR) for 2UL CA.

6.5A.2.4.2.1.2 Test applicability

This test case applies for network signalling values NS_03U, NS_05U, NS_43U, and NS_100 to all types of NR UE release 15 and forward that supports 2UL inter-band CA.

6.5A.2.4.2.1.3 Minimum conformance requirements

The minimum conformance requirements are defined in subclause 6.5A.2.4.2.0.

6.5A.2.4.2.1.4 Test description

6.5A.2.4.2.1.4.1 Initial conditions

Same as in subclause 6.2A.3.1.4.1 with the following exception;

- Only network signalling values NS_03U, NS_05U, NS_43U, and NS_100 with the corresponding CA configuration defined in Table 6.2A.3.1.4.1-1 need to perform UTRA ACLR test.

- Message contents in step 6 are defined in clause 6.5A.2.4.2.1.4.3.

6.5A.2.4.2.1.4.2 Test procedure

1. Configure SCC according to Annex C.0, C.1, C.2 for all downlink physical channels.
2. The SS shall configure SCC as per TS 38.508-1 [5] clause 5.5.1. Message contents are defined in clause 6.5A.2.4.2.1.4.3.
3. SS activates SCC by sending the activation MAC CE (Refer TS 38.321 [18], clauses 5.9, 6.1.3.10). Wait for at least 2 seconds (Refer TS 38.133[19], clause 9.3).
4. SS sends uplink scheduling information for each UL HARQ process via PDCCH DCI format 0_1 for C_RNTI to schedule the UL RMC according to the applicable test configuration tables in clause 6.2A.3.1.4.1 on both PCC and SCC. Since the UL has no payload and no loopback data to send the UE sends uplink MAC padding bits on the UL RMC.
5. Send continuously power control “up” commands in every uplink scheduling information to the UE until the UE transmits at P_{UMAX} level. Allow at least 200ms for the UE to reach P_{UMAX} level.
6. Measure the sum of mean transmitted power over all component carriers in the CA configuration of the radio access mode. The period of measurement shall be at least the continuous duration of 1ms uplink. For TDD only slots consisting of only UL symbols are under test. For FDD band in inter-band CA with both TDD band and FDD band, only slots overlapping with only UL symbols in TDD are under test.
7. Measure the rectangular filtered mean power for the assigned NR channel on PCC using a rms detector. If the sweep count is higher than one, the trace mode shall be average.
8. Measure the RRC filtered mean power of the first and the second UTRA adjacent channel on both lower and upper side of the assigned NR channel on PCC using a rms detector, respectively. If the sweep count is higher than one, the trace mode shall be average.
9. Calculate the ratios of the power between the values measured in step 7 over step 8 for lower and upper UTRA ACLR, respectively.
10. Measure the rectangular filtered mean power for the assigned NR channel on SCC using a rms detector. If the sweep count is higher than one, the trace mode shall be average.
11. Measure the RRC filtered mean power of the first and the second UTRA adjacent channel on both lower and upper side of the assigned NR channel on SCC using a rms detector, respectively. If the sweep count is higher than one, the trace mode shall be average.
12. Calculate the ratios of the power between the values measured in step 10 over step 11 for lower and upper UTRA ACLR, respectively.

NOTE 1: When switching to DFT-s-OFDM waveform, as specified in the test configuration table 6.5.2.2.4.1-1, send an NR RRCReconfiguration message according to TS 38.508-1 [5] clause 4.6.3 Table 4.6.3-118 PUSCH-Config with TRANSFORM_PRECODER_ENABLED condition.

6.5A.2.4.2.1.4.3 Message contents

Message contents are according to TS 38.508-1 [5] subclause 4.6 with the following exceptions:

Table 6.5A.2.4.2.1.4.3-1: FrequencyInfoUL-SIB for inter-band CA

Derivation Path: TS 38.508-1 [5] Table 4.6.3-62 FrequencyInfoUL-SIB			
Information Element	Value/remark	Comment	Condition
p-Max	20		Power class 3 and Inter-band CA

6.5A.2.4.2.1.4.3.1 Message contents exceptions (network signalling value "NS_100" on PCC)

Table 6.5A.2.4.2.1.4.3.1-1: AdditionalSpectrumEmission: Additional spurious emissions test requirement for "NS_100" on PCC

Derivation Path: TS 38.508-1 [5] clause 4.6.3, Table 4.6.3-1 <i>AdditionalSpectrumEmission</i>			
Information Element	Value/remark	Comment	Condition
AdditionalSpectrumEmission	1 (NS_100)		not for band n65
	2 (NS_100)		for band n65

6.5A.2.4.2.1.4.3.2 Message contents exceptions (network signalling value "NS_43U" on PCC)

Table 6.5A.2.4.2.1.4.3.2-1: AdditionalSpectrumEmission: Additional spurious emissions test requirement for "NS_43U" on PCC

Derivation Path: TS 38.508-1 [5] clause 4.6.3, Table 4.6.3-1 <i>AdditionalSpectrumEmission</i>			
Information Element	Value/remark	Comment	Condition
AdditionalSpectrumEmission	3 (NS_43U)		

6.5A.2.4.2.1.5 Test requirement

The measured UE mean power in the channel bandwidth, derived in step 6, shall fulfil requirements in clause 6.2A.3.1 as appropriate, and if the measured adjacent channel power is greater than -50 dBm, then the measured UTRA ACLR for each CC, derived in step 9 and step 13, shall be higher than the limits in Table 6.5A.2.4.2.1.5-2.

Table 6.5A.2.4.2.1.5-1: Measurement bandwidth for NR carrier

	NR channel bandwidth / UTRA ACLR measurement bandwidth												
	5 MH z	10 MH z	15 MH z	20 MH z	25 MH z	30 MH z	40 MH z	50 MH z	60 MH z	70 MH z	80 MH z	90 MH z	100 MH z
NR channel measurement bandwidth (MHz)	4.5 15	9.3 75	14. 235	19. 095	23. 955	28. 815	38. 895	48. 615	58. 35	68. 07	78. 15	88. 23	98. 31
UTRA channel Measurement bandwidth (MHz)	3.84												
1 st Adjacent channel centre frequency offset	± 2.5 MHz from NR channel edge												
2 nd Adjacent channel centre frequency offset	± 7.5 MHz from NR channel edge												

Table 6.5A.2.4.2.1.5-2: UTRA ACLR requirement

	Power class 3
UTRA _{ACLR1}	33 dB - TT
UTRA _{ACLR2}	36 dB - TT

Table 6.5A.2.4.2.1.5-3: Test Tolerance for UTRA ACLR

	$f \leq 3.0\text{GHz}$	$3.0\text{GHz} < f \leq 6\text{GHz}$
BW $\leq 100\text{MHz}$	0.8dB	0.8dB

6.5A.3 Spurious emission for CA

6.5A.3.1 General spurious emissions for CA

6.5A.3.1.0 Minimum conformance requirements

For inter-band carrier aggregation with uplink assigned to two NR bands, the spurious emission requirement Table 6.5.3.1.3-2 apply for the frequency ranges that are more than F_{OOB} as defined in Table 6.5.3.1.3-1 away from edges of

the assigned channel bandwidth on a component carrier. If for some frequency a spurious emission requirement of individual component carrier overlaps with the spectrum emission mask or channel bandwidth of another component carrier then it does not apply.

NOTE 1: For inter-band carrier aggregation with uplink assigned to two NR bands the requirements in Table 6.5.3.1.3-2 could be verified by measuring spurious emissions at the specific frequencies where second and third order intermodulation products generated by the two transmitted carriers can occur; in that case, the requirements for remaining applicable frequencies in Table 6.5.3.1.3-2 would be considered to be verified by the measurements verifying the one uplink inter-band CA spurious emission requirement.

For intra-band contiguous carrier aggregation the spurious emission limits apply for the frequency ranges that are more than FOOB (MHz) in Table 6.5A.3.1.0-1 from the edge of the aggregated channel bandwidth. For frequencies Δf_{OOB} greater than FOOB as specified in Table 6.5A.3.1.0-1 the spurious emission requirements in Table 6.5.3.1.3-2 are applicable. For power class 2 intra-band contiguous carrier aggregation, the spurious emissions is measured as the sum from both UE transmit antenna connectors when UE indicates support for *dualPA-Architecture* IE.

Table 6.5A.3.1.0-1: Boundary between out of band and spurious emission domain for intra-band contiguous carrier aggregation

Aggregated Channel bandwidth	OOB boundary F_{OOB} (MHz)
$BW_{\text{Channel_CA}}$	$BW_{\text{Channel_CA}} + 5$

For intra-band non-contiguous carrier aggregation transmission the spurious emission requirement is defined as a composite spurious emission requirement. Composite spurious emission requirement applies to frequency ranges that are more than FOOB away from the edges of each carrier in the gap and out of the gap. Composite spurious emission requirement is defined as follows:

- Composite spurious emission requirement is a combination of individual sub-block spurious emission requirements
- In case the sub-block consist of one component carrier the sub-lock spurious emission requirement and FOOB are defined in subclause 6.5.3.1
- If for some frequency an individual sub-block spurious emission requirement overlaps with the general spectrum emission mask or the sub-block bandwidth of another sub-block then it does not apply

For intra-band non-contiguous carrier aggregation, the spurious emissions is measured as the sum from both UE transmit antenna connectors when UE indicates support for *dualPA-Architecture* IE.

For combinations of intra-band and inter-band carrier aggregation with three uplink component carriers (up to two contiguously aggregated carriers per operating band), the spurious emission requirement is defined as follows. For the NR band supporting one component carrier the requirements in Table 6.5.3.1.3-2 apply for frequency ranges that are more than FOOB (MHz) from the edges of assigned channel bandwidth as defined in Table 6.5.3.1.3-1. For the NR band supporting two contiguous component carriers the requirements in Table 6.5.3.1-2 apply for frequency ranges that are more than FOOB (MHz) from the edges of assigned aggregated channel bandwidth as defined in Table 6.5A.3.1.3-1. If for some frequency a spurious emission requirement of a single component carrier or two contiguous component carriers overlap with the spurious emission requirement or channel bandwidth of another component carrier or two contiguously aggregated carriers then it does not apply.

The normative reference for this requirement is TS 38.101-1 [2] subclause 6.5A.3.1

6.5A.3.1.1 General spurious emissions for CA (2UL CA)

6.5A.3.1.1.1 Test purpose

To verify that UE transmitter does not cause unacceptable interference to other channels or other systems in terms of transmitter spurious emissions.

6.5A.3.1.1.2 Test applicability

This test case applies to all types of NR UE release 15 and forward that supports 2UL CA.

6.5A.3.1.1.3 Minimum conformance requirements

The minimum conformance requirements are defined in subclause 6.5A.3.1.0.

6.5A.3.1.1.4 Test description

6.5A.3.1.1.4.1 Initial conditions

Initial conditions are a set of test configurations the UE needs to be tested in and the steps for the SS to take with the UE to reach the correct measurement state.

The initial test configurations consist of environmental conditions, test frequencies, test channel bandwidths and sub-carrier spacing based on NR CA configuration specified in clause 5.5A. All of these configurations shall be tested with applicable test parameters for each CA configuration, are shown in Tables 6.5A.3.1.1.4.1-1 to 6.5A.3.1.1.4.1-3. The details of the uplink reference measurement channels (RMCs) are specified in Annexes A.2. Configurations of PDSCH and PDCCH before measurement are specified in Annex C.2.

Table 6.5A.3.1.1.4.1-1: Inter band CA Test Configuration Table

Initial Conditions				
Test Environment as specified in TS 38.508-1 [5] subclause 4.1		Normal		
Test Frequencies as specified in TS 38.508-1 [5] subclause 4.3.1.1.3 for inter band CA in FR1		Low range for PCC and SCC High range for PCC and SCC		
Test Channel Bandwidths as specified in TS 38.508-1 [5] subclause 4.3.1		Lowest N_{RB_agg} for both PCC and SCC Highest N_{RB_agg} for both PCC and SCC		
Test SCS as specified in Table 5.3.5-1		Lowest		
Test Parameters				
Test ID	Downlink Configuration	Uplink Configuration		
		Modulation	RB allocation (NOTE 1)	
			PCC	SCC
1	N/A	CP-OFDM QPSK	Outer_Full	Outer_Full
2		CP-OFDM QPSK	Edge_1RB_Left	Edge_1RB_Left
3		CP-OFDM QPSK	Edge_1RB_Right	Edge_1RB_Right
NOTE 1: The specific configuration of each RB allocation is defined in Table 6.1-1.				
NOTE 2: Test Channel Bandwidths and Test SCS are checked separately for each NR CA band combination, which applicable channel bandwidths is specified in Table 5.5A.3.1-1 and SCS is specified in Table 5.3.5-1 for each NR band.				

Table 6.5A.3.1.1.4.1-2: Intra-band contiguous CA Test Configuration Table

Initial Conditions				
Test Environment as specified in TS 38.508-1 [5] subclause 4.1		Normal		
Test Frequencies as specified in TS 38.508-1 [5] subclause 4.3.1.1.3 for inter band CA in FR1		Low range High range		
Test Channel Bandwidths as specified in TS 38.508-1 [5] subclause 4.3.1		Lowest N_{RB_agg} Highest N_{RB_agg}		
Test SCS as specified in Table 5.3.5-1		Lowest		
Test Parameters				
Test ID	Downlink Configuration	Uplink Configuration		
		Modulation	RB allocation (NOTE 1)	
			PCC	SCC
1	N/A	CP-OFDM QPSK	Outer_Full	N/A
2		CP-OFDM QPSK	Edge_1RB_Left	N/A
3		CP-OFDM QPSK	Edge_1RB_Right	N/A
4		CP-OFDM QPSK	Edge_1RB_Left	Edge_1RB_Right
5		CP-OFDM QPSK	Outer_Full	Outer_Full
NOTE 1: The specific configuration of each RB allocation is defined in Table 6.1-1.				
NOTE 2: Test Channel Bandwidths and Test SCS are checked separately for each NR CA band combination, which applicable channel bandwidths is specified in Table 5.5A.3.1-1 and SCS is specified in Table 5.3.5-1 for each NR band..				

Table 6.5A.3.1.1.4.1-3: Intra-band non-contiguous CA Test Configuration Table

Initial Conditions				
Test Environment as specified in TS 38.508-1 [5] subclause 4.1		Normal		
Test Frequencies as specified in TS 38.508-1 [5] subclause 4.3.1.1.3 for inter band CA in FR1		Low range and High range test frequencies as specified in tables for non-contiguous CA configuration with UL CA		
Test Channel Bandwidths as specified in TS 38.508-1 [5] subclause 4.3.1		Lowest N_{RB_agg} Highest N_{RB_agg}		
Test SCS as specified in Table 5.3.5-1		Lowest		
Test Parameters				
Test ID	Downlink Configuration	Uplink Configuration		
		Modulation	RB allocation (NOTE 1)	
			PCC	SCC
1	N/A	CP-OFDM QPSK	Edge_1RB_Left	Edge_1RB_Left
2		CP-OFDM QPSK	Edge_1RB_Right	Edge_1RB_Right
3		CP-OFDM QPSK	Outer_Full	Outer_Full
NOTE 1: The specific configuration of each RB allocation is defined in Table 6.1-1.				
NOTE 2: Test Channel Bandwidths and Test SCS are checked separately for each NR CA band combination, which applicable channel bandwidths is specified in Table 5.5A.3.1-1 and SCS is specified in Table 5.3.5-1 for each NR band.				

1. Connect the SS to the UE antenna connectors as shown in TS 38.508-1 [5] Annex A, in Figure A.3.1.1.3 for TE diagram and section A.3.2 for UE diagram.
2. The parameter settings for the cell are set up according to TS 38.508-1 [5] subclause 4.4.3.
3. Downlink signals for PCC are initially set up according to Annex C.0, C.1 and C.2, and uplink signals according to Annex G.0, G.1, G.2, G.3.0.
4. The UL Reference Measurement channels are set according to Tables 6.5A.3.1.1.4.1-1, 6.5A.3.1.1.4.1-2 and 6.5A.3.1.1.4.1-3 as appropriate.
5. Propagation conditions are set according to Annex B.0.
6. Ensure the UE is in state RRC_CONNECTED with generic procedure parameters Connectivity *NR*, Connected without release *On*, Test Mode *On* and Test Loop Function *On* according to TS 38.508-1 [5] clause 4.5. Message contents are defined in clause 6.5A.3.1.1.4.3.

6.5A.3.1.1.4.2 Test procedure

1. Configure SCC according to Annex C.0, C.1, C.2 for all downlink physical channels.
2. The SS shall configure SCC as per TS 38.508-1 [5] clause 5.1.1. Message contents are defined in clause 6.5A.3.1.1.4.3.
3. SS activates SCC by sending the activation MAC CE (Refer TS 38.321 [18], clauses 5.9, 6.1.3.10). Wait for at least 2 seconds (Refer TS 38.133[19], clause 9.3).
4. SS sends uplink scheduling information for each UL HARQ process via PDCCH DCI format 0_1 for C_RNTI to schedule the UL RMC according to Tables 6.5A.3.1.1.4.1-1, 6.5A.3.1.1.4.1-2 and 6.5A.3.1.1.4.1-3 as appropriate on both PCC and SCC. Since the UE has no payload data to send, the UE transmits uplink MAC padding bits on the UL RMC.
5. Send continuously uplink power control "up" commands in every uplink scheduling information to the UE until the UE transmits at P_{UMAX} level.
6. Measure the power of the transmitted signal with a measurement filter of bandwidths according to Table 6.5A.3.1.1.5-1 for inter-band CA, table 6.5A.3.1.1.5-3 for intra-band contiguous CA and intra-band non-contiguous CA. The centre frequency of the filter shall be stepped in contiguous steps according to Table 6.5A.3.1.1.5-1 for inter-band CA, table 6.5A.3.1.1.5-3 for intra-band contiguous CA and intra-band non-contiguous CA.

The measured power shall be verified for each step. The measurement period shall capture the active time slots. During measurement the spectrum analyser shall be set to 'Detector' = RMS. If the sweep count is higher than

one, the trace mode shall be average. For power class 2 intra-band contiguous carrier aggregation, the spurious emissions is measured as the sum from both UE transmit antenna connectors when UE indicates support for dualPA-Architecture IE.

6.5A.3.1.1.4.3 Message contents

Message contents are according to TS 38.508-1 [5] subclause 4.6 with following exception.

Table 6.5A.3.1.1.4.3-1: FrequencyInfoUL-SIB for inter-band CA

Derivation Path: TS 38.508-1 [5] Table 4.6.3-62 FrequencyInfoUL-SIB			
Information Element	Value/remark	Comment	Condition
p-Max	16		Power class 3 and Inter-band CA

Table 6.5A.3.1.1.4.3-2: FrequencyInfoUL-SIB for intra-band contiguous CA

Derivation Path: TS 38.508-1 [5] Table 4.6.3-62 FrequencyInfoUL-SIB			
Information Element	Value/remark	Comment	Condition
p-Max	10		Power class 3 and Intra-band contiguous CA with Bandwidth class C Test ID 4
	5		Power class 3 and Intra-band contiguous CA with Bandwidth class C Test ID 5
	8		Power class 3 and Intra-band contiguous CA with Bandwidth class B Test ID 4
	3		Power class 3 and Intra-band contiguous CA with Bandwidth class B Test ID 5
	11		Power class 2 and Intra-band contiguous CA with Bandwidth class C Test ID 4
	5		Power class 3 and Intra-band contiguous CA with Bandwidth class C Test ID 5

6.5A.3.1.1.5 Test requirement

This clause specifies the requirements for the specified NR band for Transmitter Spurious emissions requirement with frequency range as indicated in Table 6.5A.3.1.1.5-1 for inter-band UL CA configuration and Table 6.5A.3.1.1.5-3 for intra-band contiguous and non-contiguous UL CA configuration. The test requirement of configurations for CA operating band including Band n41 also apply for the corresponding CA operating bands with Band n90 replacing Band n41.

For inter-band CA, the spurious emission limits apply for the frequency ranges that are more than Δf_{OOB} (MHz) in Table 6.5.3.1.3-1 from the edge of the channel bandwidth. If for some frequency a spurious emission requirement of individual component carrier overlaps with the spectrum emission mask or channel bandwidth of another component carrier, then it does not apply.

For intra-band contiguous CA, the spurious emission limits apply for the frequency ranges that are more than Δf_{OOB} (MHz) in Table 6.5A.3.1.0-1 from the edge of the aggregated channel bandwidth.

For intra-band non-contiguous CA, the spurious emission limits apply to frequency ranges that are more than F_{OOB} in Table 6.5.3.1.3-1 away from the edges of each carrier in the gap and out of the gap.

The measured average power of spurious emission, derived in step 6, shall not exceed the described value in Table 6.5A.3.1.1.5-1 for inter-band UL CA configuration and Table 6.5A.3.1.1.5-3 for intra-band contiguous UL CA and intra-band non-contiguous configuration.

Table 6.5A.3.1.1.5-1: General spurious emissions test requirements for inter-band UL CA

Frequency Range	Maximum Level	Measurement Bandwidth	Notes
Test requirements for CA_n1A-n3A Configuration			
135 MHz ≤ f ≤ 270 MHz	-36 dBm+TT	100kHz	
1440 MHz ≤ f ≤ 1650 MHz 2055 MHz ≤ f ≤ 2250 MHz 3630 MHz ≤ f ≤ 3765 MHz 5340 MHz ≤ f ≤ 5550 MHz 5550 MHz ≤ f ≤ 5745 MHz	-30 dBm+TT	1MHz	
Test requirements for CA_n1A-n8A Configuration			
90 MHz ≤ f ≤ 220 MHz	-36 dBm+TT	100kHz	
1005 MHz ≤ f ≤ 1100 MHz 2800 MHz ≤ f ≤ 2895 MHz 2925 MHz ≤ f ≤ 3080 MHz 3680 MHz ≤ f ≤ 3810 MHz 4720 MHz ≤ f ≤ 4875 MHz	-30 dBm+TT	1MHz	
Test requirements for CA_n1A-n28A Configuration			
424 MHz ≤ f ≤ 574 MHz	-36 dBm+TT	100kHz	
1172 MHz ≤ f ≤ 1277 MHz 2623 MHz ≤ f ≤ 2728 MHz 3092 MHz ≤ f ≤ 3257 MHz 3326 MHz ≤ f ≤ 3476 MHz 4543 MHz ≤ f ≤ 4708 MHz	-30 dBm+TT	1MHz	
Test requirements for CA_n1A-n78A Configuration			
40 MHz ≤ f ≤ 660 MHz	-36 dBm+TT	100kHz	
1320 MHz ≤ f ≤ 1880 MHz 4620 MHz ≤ f ≤ 5780 MHz 7140 MHz ≤ f ≤ 7760 MHz 8520 MHz ≤ f ≤ 9580 MHz	-30 dBm+TT	1MHz	
Test requirements for CA_n1A-n79A Configuration			
440 MHz ≤ f ≤ 1000 MHz	-36 dBm+TT	100kHz	
1000 MHz ≤ f ≤ 1160 MHz 2420 MHz ≤ f ≤ 3080 MHz 6320 MHz ≤ f ≤ 8080 MHz 8240 MHz ≤ f ≤ 8960 MHz 10720 MHz ≤ f ≤ 11980 MHz	-30 dBm+TT	1MHz	
Test requirements for CA_n2A-n5A Configuration			
152 MHz ≤ f ≤ 262 MHz	-36 dBm+TT	100 kHz	
1001 MHz ≤ f ≤ 1086 MHz 2674 MHz ≤ f ≤ 2759 MHz 2851 MHz ≤ f ≤ 2996 MHz 3498 MHz ≤ f ≤ 3608 MHz 4524 MHz ≤ f ≤ 4669 MHz	-30 dBm+TT	1 MHz	
Test requirements for CA_n2A-n14A Configuration			
254 MHz ≤ f ≤ 334 MHz	-36 dBm+TT	100 kHz	
1052 MHz ≤ f ≤ 1122 MHz 2638 MHz ≤ f ≤ 2708 MHz 2902 MHz ≤ f ≤ 3032 MHz 3426 MHz ≤ f ≤ 3506 MHz	-30 dBm+TT	1 MHz	
Test requirements for CA_n2A-n30A Configuration			
395 MHz ≤ f ≤ 465 MHz	-36 dBm+TT	100 kHz	
1385 MHz ≤ f ≤ 1515 MHz 2700 MHz ≤ f ≤ 2780 MHz 4155 MHz ≤ f ≤ 4225 MHz	-30 dBm+TT	1 MHz	

6005 MHz ≤ f ≤ 6135 MHz 6460 MHz ≤ f ≤ 6540 MHz			
Test requirements for CA_n2A-n48A Configuration			
9 kHz ≤ f < 150 kHz	-36 dBm	1 kHz	
150 kHz ≤ f < 30 MHz	-36 dBm	10 kHz	
30 MHz ≤ f < 270 MHz	-36 dBm	100 kHz	
1640 MHz ≤ f ≤ 1850 MHz 5190 MHz ≤ f ≤ 5610 MHz 7250 MHz ≤ f ≤ 7520 MHz 8950 MHz ≤ f ≤ 9310 MHz	-30 dBm	1 MHz	
Test requirements for CA_n2A-n77A Configuration			
500 MHz ≤ f ≤ 520 MHz	-36 dBm +TT	100 kHz	
1390 MHz ≤ f ≤ 2350 MHz 4690 MHz ≤ f ≤ 6550 MHz 7000 MHz ≤ f ≤ 8020 MHz 8450 MHz ≤ f ≤ 10310 MHz	-30 dBm +TT	1 MHz	
Test requirements for CA_n3A-n8A Configuration			
25 MHz ≤ f < 30 MHz	-36 dBm	10kHz	
30 MHz ≤ f ≤ 120 MHz 795 MHz ≤ f ≤ 905 MHz	-36 dBm	100kHz	
2505 MHz ≤ f ≤ 2700 MHz 3470 MHz ≤ f ≤ 3615 MHz 4300 MHz ≤ f ≤ 4485 MHz	-30 dBm	1MHz	
Test requirements for CA_n3A-n28A Configuration			
214 MHz ≤ f ≤ 379 MHz 962 MHz ≤ f ≤ 1000 MHz	-36 dBm +TT	100 kHz	
1000 MHz ≤ f ≤ 1082 MHz 2413 MHz ≤ f ≤ 2533 MHz 2672 MHz ≤ f ≤ 2867 MHz 3116 MHz ≤ f ≤ 3281 MHz 4123 MHz ≤ f ≤ 4318 MHz	-30 dBm +TT	1 MHz	
Test requirements for CA_n3A-n41A Configuration			
711 MHz ≤ f ≤ 1000 MHz	-36 dBm +TT	100 kHz	
1000 MHz ≤ f ≤ 1074 MHz 3207 MHz ≤ f ≤ 3670 MHz 4206 MHz ≤ f ≤ 4475 MHz 5916 MHz ≤ f ≤ 6260 MHz 6702 MHz ≤ f ≤ 7165 MHz	-30 dBm	1MHz	To be tested with NS_01 signalled for band n41
	-25 dBm	1MHz	To be tested with NS_04 signalled for band n41
Test requirements for CA_n3A-n77A Configuration			
270 MHz ≤ f ≤ 780 MHz	-36 dBm +TT	100 kHz	
1515 MHz ≤ f ≤ 2490 MHz 4815 MHz ≤ f ≤ 6690 MHz 6720 MHz ≤ f ≤ 7770 MHz 8310 MHz ≤ f ≤ 10185 MHz	-30 dBm +TT	1 MHz	
Test requirements for CA_n3A-n78A Configuration			
270 MHz ≤ f ≤ 380 MHz	-36 dBm+TT	100 kHz	
1515MHz ≤ f ≤ 2090 MHz 4815 MHz ≤ f ≤ 5890 MHz 6720 MHz ≤ f ≤ 7370 MHz 8310 MHz ≤ f ≤ 9385 MHz	-30 dBm+TT	1 MHz	
Test requirements for CA_n5A-n30A Configuration			
607 MHz ≤ f ≤ 667 MHz	-36 dBm+TT	100 kHz	
1456 MHz ≤ f ≤ 1491 MHz 3129 MHz ≤ f ≤ 3164 MHz 3761 MHz ≤ f ≤ 3806 MHz	-30 dBm+TT	1 MHz	

3953 MHz ≤ f ≤ 4013 MHz 5434 MHz ≤ f ≤ 5479 MHz			
Test requirements for CA_n5A-n48A Configuration			
1852 MHz ≤ f ≤ 2052 MHz 2701 MHz ≤ f ≤ 2876 MHz 4374 MHz ≤ f ≤ 4549 MHz 5198 MHz ≤ f ≤ 5398 MHz 6251 MHz ≤ f ≤ 6576 MHz 7924 MHz ≤ f ≤ 8249 MHz	-30 dBm	1 MHz	
Test requirements for CA_n5A-n66A Configuration			
12 MHz ≤ f ≤ 30 MHz	-36 dBm+TT	10 kHz	
30 MHz ≤ f ≤ 132 MHz 861 MHz ≤ f ≤ 956 MHz	-36 dBm+TT	100 kHz	
2534 MHz ≤ f ≤ 2736 MHz 3358 MHz ≤ f ≤ 3478 MHz 4244 MHz ≤ f ≤ 4409 MHz	-30 dBm+TT	1 MHz	
Test requirements for CA_n5A-n77A Configuration			
1602 MHz ≤ f ≤ 3376 MHz 4124 MHz ≤ f ≤ 5898 MHz 5751 MHz ≤ f ≤ 9249 MHz	-30 dBm +TT	1 MHz	
Test requirements for CA_n8A-n78A Configuration			
1470 MHz ≤ f ≤ 2040 MHz 2385 MHz ≤ f ≤ 2920 MHz 4180 MHz ≤ f ≤ 4715 MHz 5060 MHz ≤ f ≤ 5630 MHz 5685 MHz ≤ f ≤ 6720 MHz 7480 MHz ≤ f ≤ 8515 MHz	-30 dBm+TT	1 MHz	
Test requirements for CA_n14A-n30A Configuration			
709 MHz ≤ f ≤ 739 MHz	-36 dBm+TT	100 kHz	
1507 MHz ≤ f ≤ 1527 MHz 2093 MHz ≤ f ≤ 3113 MHz 3812 MHz ≤ f ≤ 3842 MHz 3881 MHz ≤ f ≤ 3911 MHz	-30 dBm+TT	1 MHz	
Test requirements for CA_n14A-n66A Configuration			
114 MHz ≤ f ≤ 204 MHz 912 MHz ≤ f ≤ 992 MHz	-36 dBm+TT	100 kHz	
2498 MHz ≤ f ≤ 2578 MHz 2622 MHz ≤ f ≤ 2772 MHz 3286 MHz ≤ f ≤ 3376 MHz 4208 MHz ≤ f ≤ 4358 MHz	-30 dBm+TT	1 MHz	
Test requirements for CA_n14A-n77A Configuration			
1704 MHz ≤ f ≤ 3412 MHz 4088 MHz ≤ f ≤ 5796 MHz 5808 MHz ≤ f ≤ 9198 MHz	-30 dBm +TT	1 MHz	
Test requirements for CA_n20A-n78A Configuration			
1576 MHz ≤ f ≤ 2136 MHz 2438 MHz ≤ f ≤ 2968 MHz 4132 MHz ≤ f ≤ 4662 MHz 4964 MHz ≤ f ≤ 5524 MHz 5738 MHz ≤ f ≤ 6768 MHz 7432 MHz ≤ f ≤ 8462 MHz	-30 dBm+TT	1 MHz	
Test requirements for CA_n24A-n41A Configuration			
563 MHz ≤ f ≤ 825 MHz 835.5 MHz ≤ f ≤ 1000 MHz	-36 dBm+TT	100 kHz	
1000 MHz ≤ f ≤ 1063.5 MHz 3331.5 MHz ≤ f ≤ 3753.5 MHz 4122.5 MHz ≤ f ≤ 4350.5 MHz	-25 dBm+TT	1 MHz	NS-01 signalled for n41
5749 MHz ≤ f ≤ 6011 MHz 6618.5 MHz ≤ f ≤ 7040.5 MHz	-30 dBm+TT	1 MHz	NS-04 signalled for n41
Test requirements for CA_n24A-n48A Configuration			
229 MHz ≤ f ≤ 447 MHz	-36 dBm+TT	100 kHz	
1889.5 MHz ≤ f ≤ 2073.5 MHz 5176.5 MHz ≤ f ≤ 5360.5 MHz	-30 dBm+TT	1 MHz	

5439.5 MHz ≤ f ≤ 5773.5 MHz 6803 MHz ≤ f ≤ 7021 MHz 8726.5 MHz ≤ f ≤ 9060.5 MHz			
Test requirements for CA_n24A-n77A Configuration			
21 MHz ≤ f < 30 MHz	-36 dBm+TT	10 kHz	
30 MHz ≤ f < 947 MHz	-36 dBm+TT	100 kHz	
1639.5 MHz ≤ f ≤ 2573.5 MHz 4926.5 MHz ≤ f ≤ 7521 MHz 8226.5 MHz ≤ f ≤ 10060.5 MHz	-30 dBm+TT	1 MHz	
Test requirements for CA_n25A-n66A Configuration			
70 MHz ≤ f ≤ 205 MHz	-36 dBm+TT	100 kHz	
1505 MHz ≤ f ≤ 1710 MHz 1920 MHz ≤ f ≤ 2120 MHz 3560 MHz ≤ f ≤ 3695 MHz 5270 MHz ≤ f ≤ 5610 MHz	-30 dBm+TT	1 MHz	
Test requirements for CA_n25A-n77A Configuration			
500 MHz ≤ f ≤ 530 MHz	-36 dBm+TT	100 kHz	
1385 MHz ≤ f ≤ 2350 MHz 4685 MHz ≤ f ≤ 6550 MHz 7000 MHz ≤ f ≤ 8030 MHz 8450 MHz ≤ f ≤ 10315 MHz	-30 dBm+TT	1 MHz	
Test requirements for CA_n25A-n78A Configuration			
100 MHz ≤ f ≤ 530 MHz	-36 dBm+TT	100 kHz	
1385 MHz ≤ f ≤ 1950 MHz 4685 MHz ≤ f ≤ 5750 MHz 7000 MHz ≤ f ≤ 7630 MHz 8450 MHz ≤ f ≤ 9515 MHz	-30 dBm+TT	1 MHz	
Test requirements for CA_n26A-n66A Configuration			
12 MHz ≤ f < 30 MHz	-36 dBm+TT	10 kHz	
30 MHz ≤ f ≤ 152 MHz 861 MHz ≤ f ≤ 966 MHz	-36 dBm+TT	100 kHz	
2524 MHz ≤ f ≤ 2746 MHz 3338 MHz ≤ f ≤ 3478 MHz 4234 MHz ≤ f ≤ 4409 MHz	-30 dBm+TT	1 MHz	
Test requirements for CA_n26A-n70A Configuration			
3 MHz ≤ f < 30 MHz	-36 dBm+TT	10 kHz	
30 MHz ≤ f < 82 MHz	-36 dBm+TT	100 kHz	
846 MHz ≤ f ≤ 896 MHz	-36 dBm+TT	100 kHz	
2509 MHz ≤ f ≤ 2606 MHz 3323 MHz ≤ f ≤ 3408 MHz 4204 MHz ≤ f ≤ 4269 MHz	-30 dBm+TT	1 MHz	
Test requirements for CA_n28A-n41A Configuration			
1000MHz ≤ f ≤ 1284 MHz 1748MHz ≤ f ≤ 1987 MHz 3199MHz ≤ f ≤ 3438 MHz 3902MHz ≤ f ≤ 4186 MHz 4244MHz ≤ f ≤ 4677 MHz 5695MHz ≤ f ≤ 6128MHz	-25 dBm+TT	1MHz	
Test requirements for CA_n28A-n77A Configuration			
1804 MHz ≤ f ≤ 3497 MHz 4003 MHz ≤ f ≤ 5696 MHz 5852 MHz ≤ f ≤ 9148 MHz	-30 dBm+TT	1 MHz	
Test requirements for CA_n28A-n78A Configuration			
1804 MHz ≤ f ≤ 2394 MHz 2552 MHz ≤ f ≤ 3097 MHz 4003 MHz ≤ f ≤ 4548 MHz 4706 MHz ≤ f ≤ 5296 MHz	-30 dBm+TT	1 MHz	

5852 MHz ≤ f ≤ 6897 MHz 7303 MHz ≤ f ≤ 8348 MHz			
Test requirements for CA_n28A-n79A Configuration			
2904 MHz ≤ f ≤ 3594 MHz 3652 MHz ≤ f ≤ 4297 MHz 5103 MHz ≤ f ≤ 5748 MHz 5806 MHz ≤ f ≤ 6496 MHz 8052 MHz ≤ f ≤ 9297 MHz 9503 MHz ≤ f ≤ 10748 MHz	-30 dBm+TT	1 MHz	
Test requirements for CA_n30A-n66A Configuration			
525 MHz ≤ f ≤ 605 MHz	-36 dBm+TT	100 kHz	
1105 MHz ≤ f ≤ 1255 MHz 2830 MHz ≤ f ≤ 2920 MHz 4015 MHz ≤ f ≤ 4095 MHz 5725 MHz ≤ f ≤ 5875 MHz 6320 MHz ≤ f ≤ 6410 MHz	-30 dBm+TT	1 MHz	
Test requirements for CA_n30A-n77A Configuration			
410 MHz ≤ f ≤ 1000 MHz	-36 dBm+TT	100 kHz	
1000 MHz ≤ f ≤ 1895 MHz 4285 MHz ≤ f ≤ 6515 MHz 7910 MHz ≤ f ≤ 8830 MHz 8905 MHz ≤ f ≤ 10715 MHz	-30 dBm+TT	1 MHz	
Test requirements for CA_n39A-n41A Configuration			
576 MHz ≤ f ≤ 810 MHz	-36 dBm+TT	100 kHz	
1070 MHz ≤ f ≤ 1344 MHz 3072 MHz ≤ f ≤ 3500 MHz 4376 MHz ≤ f ≤ 4610 MHz 6256 MHz ≤ f ≤ 6530 MHz 6872 MHz ≤ f ≤ 7300 MHz	-30 dBm+TT	1 MHz	4
	-25 dBm +TT	1MHz	3
Test requirements for CA_n41A-n77A Configuration			
610 MHz ≤ f ≤ 1000 MHz	-36 dBm+TT	100kHz	
1000 MHz ≤ f ≤ 2080 MHz 3910 MHz ≤ f ≤ 6890 MHz 8292 MHz ≤ f ≤ 11090 MHz	-30 dBm+TT	1MHz	
Test requirements for CA_n41A-n79A Configuration			
8 MHz ≤ f ≤ 30 MHz	-36 dBm+TT	10kHz	
30 MHz ≤ f ≤ 980 MHz	-36 dBm+TT	100kHz	
1710MHz ≤ f ≤ 2504MHz 6110MHz ≤ f ≤ 7690MHz 9392MHz ≤ f ≤ 10380MHz 11296MHz ≤ f ≤ 12690MHz	-30 dBm+TT	1MHz	
Test requirements for CA_n48A-n66A Configuration			
10 MHz ≤ f < 30 MHz	-36 dBm+TT	10 kHz	
30 MHz ≤ f < 280 MHz	-36 dBm+TT	100 kHz	
1770 MHz ≤ f ≤ 1990 MHz 5260 MHz ≤ f ≤ 5690 MHz 6970 MHz ≤ f ≤ 7260 MHz 8810 MHz ≤ f ≤ 9180 MHz	-30 dBm+TT	1 MHz	
Test requirements for CA_n48A-n70A Configuration			
130 MHz ≤ f ≤ 310 MHz	-36 dBm+TT	100 kHz	
1840 MHz ≤ f ≤ 2005 MHz 5245 MHz ≤ f ≤ 5705 MHz 6940 MHz ≤ f ≤ 7120 MHz 8795 MHz ≤ f ≤ 9110 MHz	-30 dBm+TT	1 MHz	
Test requirements for CA_n48A-n71A Configuration			

2154 MHz ≤ f ≤ 2374 MHz 2852 MHz ≤ f ≤ 3037 MHz 4213 MHz ≤ f ≤ 4398 MHz 4876 MHz ≤ f ≤ 5096 MHz 6402 MHz ≤ f ≤ 6737 MHz 7763 MHz ≤ f ≤ 8098 MHz	-30 dBm+TT	1 MHz	
Test requirements for CA_n66A-n71A Configuration			
314 MHz ≤ f < 454 MHz	-36 dBm+TT	100 kHz	
1012 MHz ≤ f ≤ 1117 MHz 2373 MHz ≤ f ≤ 2478 MHz 2722 MHz ≤ f ≤ 2897 MHz 3036 MHz ≤ f ≤ 3176 MHz 4083 MHz ≤ f ≤ 4258 MHz	-30 dBm+TT	1 MHz	
Test requirements for CA_n66A-n77A Configuration			
260 MHz ≤ f ≤ 780 MHz	-36 dBm +TT	100 kHz	
1520 MHz ≤ f ≤ 2490 MHz 4820 MHz ≤ f ≤ 6690 MHz 6720 MHz ≤ f ≤ 7760 MHz 8310 MHz ≤ f ≤ 10180 MHz	-30 dBm +TT	1 MHz	
Test requirements for CA_n66A-n78A Configuration			
260 MHz ≤ f ≤ 380 MHz	-36 dBm +TT	100 kHz	
1520 MHz ≤ f ≤ 2090 MHz 4820 MHz ≤ f ≤ 5890 MHz 6720 MHz ≤ f ≤ 7360 MHz 8310 MHz ≤ f ≤ 9380 MHz	-30 dBm +TT	1 MHz	
Test requirements for CA_n70A-n71A Configuration			
299 MHz ≤ f < 384 MHz 997 MHz ≤ f < 1000 MHz	-36 dBm+TT	100 kHz	
1000 MHz ≤ f ≤ 1047 MHz 2358 MHz ≤ f ≤ 2408 MHz 2692 MHz ≤ f ≤ 2757 MHz 3021 MHz ≤ f ≤ 3106 MHz 4053 MHz ≤ f ≤ 4118 MHz	-30 dBm+TT	1 MHz	
Test requirements for CA_n71A-n77A Configuration			
1904 MHz ≤ f ≤ 3537 MHz 3963 MHz ≤ f ≤ 5596 MHz 5902 MHz ≤ f ≤ 9098 MHz	-30 dBm+TT	1 MHz	
Test requirements for CA_n71A-n78A Configuration			
1904 MHz ≤ f ≤ 2474 MHz 2602 MHz ≤ f ≤ 3137 MHz 3963 MHz ≤ f ≤ 4498 MHz 4626 MHz ≤ f ≤ 5196 MHz 5902 MHz ≤ f ≤ 6937 MHz 7263 MHz ≤ f ≤ 8298 MHz	-30 dBm+TT	1 MHz	
NOTE 1: Applies for Band for which the upper frequency edge of the UL Band is greater than 2.55 GHz and less than or equal to 5.2 GHz			
NOTE 2: Applies for Band that the upper frequency edge of the UL Band more than 5.2 GHz			
NOTE 3: Applies for Band n41, CA configurations including Band n41, and EN-DC configurations that include n41 specified in clause 5.2B of TS 38.101-3 [4] when NS_04 is signalled.			
NOTE 4: Does not apply for Band n41, CA configurations including Band n41, and EN-DC configurations that include n41 specified in subclause 5.2B of TS 38.101-3 [4] when NS_04 is signalled.			

Table 6.5A.3.1.1.5-2: Test Tolerance for General spurious emissions

	f ≤ 3.0GHz	3.0GHz < f ≤ 6GHz
BW ≤ 40MHz	0	0
40MHz < BW ≤ 100MHz	0	0

Table 6.5A.3.1.1.5-3: General spurious emissions test requirements for intra-band contiguous and non-contiguous UL CA

Frequency Range	Maximum Level	Measurement bandwidth	NOTE
$9 \text{ kHz} \leq f < 150 \text{ kHz}$	-36 dBm	1 kHz	
$150 \text{ kHz} \leq f < 30 \text{ MHz}$	-36 dBm	10 kHz	
$30 \text{ MHz} \leq f < 1000 \text{ MHz}$	-36 dBm	100 kHz	
$1 \text{ GHz} \leq f < 12.75 \text{ GHz}$	-30 dBm	1 MHz	4
	-25 dBm	1 MHz	3
12.75 GHz $\leq f < 5$ th harmonic of the upper frequency edge of the UL operating band in GHz	-30 dBm	1 MHz	1
$12.75 \text{ GHz} < f < 26 \text{ GHz}$	-30 dBm	1 MHz	2
NOTE 1: Applies for Band for which the upper frequency edge of the UL Band is greater than 2.55 GHz and less than or equal to 5.2 GHz			
NOTE 2: Applies for Band that the upper frequency edge of the UL Band more than 5.2 GHz			
NOTE 3: Applies for Band n41, CA configurations including Band n41, and EN-DC configurations that include n41 specified in sub-clause 5.2B of [4] when NS_04 is signalled.			
NOTE 4: Does not apply for Band n41, CA configurations including Band n41, and EN-DC configurations that include n41 specified in subclause 5.2B of TS 38.101-3 [4] when NS_04 is signalled.			

6.5A.3.2 Spurious emission for UE co-existence

6.5A.3.2.0 Minimum conformance requirements

6.5A.3.2.0.0 General

Unless otherwise stated, the spurious emission for UE co-existence apply for the frequency ranges that are more than F_{OoB} (MHz) in Table 6.5.3.1.3-1 from the edge of the channel bandwidth configured on each component carrier.

6.5A.3.2.0.1 Spurious emissions for UE co-existence for intra-band contiguous CA

This clause specifies the requirements for the specified intra-band contiguous carrier aggregation configurations for coexistence with protected bands, the requirements in Tables 6.5A.3.2.0.1-1 to Table 6.5A.3.2.0.1-3 apply. For power class 2 intra-band contiguous carrier aggregation, the spurious emissions is measured as the sum from both UE transmit antenna connectors when UE indicates support for *dualPA-Architecture* IE.

NOTE: For measurement conditions at the edge of each frequency range, the lowest frequency of the measurement position in each frequency range should be set at the lowest boundary of the frequency range plus MBW/2. The highest frequency of the measurement position in each frequency range should be set at the highest boundary of the frequency range minus MBW/2. MBW denotes the measurement bandwidth defined for the protected band.

Table 6.5A.3.2.0.1-1: Requirements for uplink intra-band contiguous carrier aggregation (Rel-16)

NR CA combination	Spurious emission					NOTE	
	Protected Band	Frequency range (MHz)			Maximum Level (dBm)		MBW (MHz)
CA_n7	E-UTRA Band 1, 2, 3, 4, 5, 7, 8, 12, 13, 14, 17, 20, 22, 26, 27, 28, 29, 30, 31, 32, 33, 34, 40, 42, 43, 50, 51, 52, 65, 66, 67, 68, 72, 74, 75, 76, 85, NR Band n77, n78	F _{DL_low}	-	F _{DL_high}	-50	1	
CA_n41	E-UTRA Band 1, 2, 3, 4, 5, 8, 12, 13, 14, 17, 24, 25, 26, 27, 28, 29, 30, 34, 39, 42, 44, 45,	F _{DL_low}	-	F _{DL_high}	-50	1	

	48, 50, 51, 52, 65, 66, 70, 71, 73, 74, 85, NR Band n77, n78						
	NR Band n79	F _{DL_low}	-	F _{DL_high}	-50	1	2, 4
	E-UTRA Band 9, 11, 18, 19, 21	F _{DL_low}	-	F _{DL_high}	-50	1	6
	E-UTRA Band 40	F _{DL_low}	-	F _{DL_high}	-40	1	
	Frequency range	1884.5		1915.7	-41	0.3	5, 6
CA_n48	E-UTRA Band 2, 4, 5, 12, 13, 14, 17, 24, 25, 26, 29, 30, 41, 50, 51, 66, 70, 71, 74, 85	F _{DL_low}	-	F _{DL_high}	-50	1	
CA_n77	E-UTRA Band 1, 3, 5, 7, 8, 11, 18, 19, 20, 21, 26, 28, 34, 39, 40, 41, 65	F _{DL_low}	-	F _{DL_high}	-50	1	
	Frequency range	1884.5	-	1915.7	-41	0.3	5
CA_n78	E-UTRA Band 1, 3, 5, 7, 8, 11, 18, 19, 20, 21, 26, 28, 34, 39, 40, 41, 65	F _{DL_low}	-	F _{DL_high}	-50	1	
	Frequency range	1884.5	-	1915.7	-41	0.3	5
CA_n79	E-UTRA Band 1, 3, 5, 8, 11, 18, 19, 21, 28, 34, 39, 40, 41, 42, 65	F _{DL_low}	-	F _{DL_high}	-50	1	
	Frequency range	1884.5	-	1915.7	-41	0.3	5
<p>NOTE 1: Void.</p> <p>NOTE 2: Void.</p> <p>NOTE 3: Void.</p> <p>NOTE 4: As exceptions, measurements with a level up to the applicable requirements defined in Table 6.5.3.1-2 are permitted for each assigned NR carrier used in the measurement due to 2nd, 3rd, 4th or 5th harmonic spurious emissions. Due to spreading of the harmonic emission the exception is also allowed for the first 1 MHz frequency range immediately outside the harmonic emission on both sides of the harmonic emission. This results in an overall exception interval centred at the harmonic emission of (2 MHz + N x L_{CRB} x R_{Bsize} kHz), where N is 2, 3, 4, 5 for the 2nd, 3rd, 4th or 5th harmonic respectively. The exception is allowed if the measurement bandwidth (MBW) totally or partially overlaps the overall exception interval.</p> <p>NOTE 5: Applicable when co-existence with PHS system operating in 1884.5 - 1915.7 MHz.</p> <p>NOTE 6: This requirement applies when the NR carrier is confined within 2545 – 2575 MHz or 2595 – 2645 MHz and the channel bandwidth is 10 or 20 MHz.</p>							

Table 6.5A.3.2.0.1-2: Requirements for uplink intra-band contiguous carrier aggregation (Rel-17)

NR CA combination	Spurious emission						
	Protected Band	Frequency range (MHz)			Maximum Level (dBm)	MBW (MHz)	NOTE
CA_n7	E-UTRA Band 1, 2, 3, 4, 5, 7, 8, 12, 13, 14, 17, 20, 22, 26, 27, 28, 29, 30, 31, 32, 33, 34, 40, 42, 43, 50, 51, 52, 65, 66, 67, 68, 72, 74, 75, 76, 85, 103 NR Band n77, n78, n100	F _{DL_low}	-	F _{DL_high}	-50	1	
CA_n41	E-UTRA Band 1, 2, 3, 4, 5, 8, 12, 13, 14, 17, 24, 25, 26, 27, 28, 29, 30, 34, 39, 42, 44, 45, 48, 50, 51, 52, 65, 66, 70, 71, 73, 74, 85, 103 NR Band n77, n78, n100	F _{DL_low}	-	F _{DL_high}	-50	1	
	NR Band n79	F _{DL_low}	-	F _{DL_high}	-50	1	2, 4
	E-UTRA Band 9, 11, 18, 19, 21	F _{DL_low}	-	F _{DL_high}	-50	1	6
	E-UTRA Band 40	F _{DL_low}	-	F _{DL_high}	-40	1	
	Frequency range	1884.5		1915.7	-41	0.3	5, 6
CA_n48	E-UTRA Band 2, 4, 5, 12, 13, 14, 17, 24, 25, 26, 29, 30, 41, 50, 51, 66, 70, 71, 74, 85, 103	F _{DL_low}	-	F _{DL_high}	-50	1	

CA_n77	E-UTRA Band 1, 3, 5, 7, 8, 11, 18, 19, 20, 21, 26, 28, 34, 39, 40, 41, 65, n100	F _{DL_low}	-	F _{DL_high}	-50	1	
	Frequency range	1884.5	-	1915.7	-41	0.3	5
CA_n78	E-UTRA Band 1, 3, 5, 7, 8, 11, 18, 19, 20, 21, 26, 28, 34, 39, 40, 41, 65, n100	F _{DL_low}	-	F _{DL_high}	-50	1	
	Frequency range	1884.5	-	1915.7	-41	0.3	5
CA_n79	E-UTRA Band 1, 3, 5, 8, 11, 18, 19, 21, 28, 34, 39, 40, 41, 42, 65	F _{DL_low}	-	F _{DL_high}	-50	1	
	Frequency range	1884.5	-	1915.7	-41	0.3	5
<p>NOTE 1: Void NOTE 2: Void NOTE 3: Void NOTE 4: As exceptions, measurements with a level up to the applicable requirements defined in Table 6.5.3.1-2 are permitted for each assigned NR carrier used in the measurement due to 2nd, 3rd, 4th or 5th harmonic spurious emissions. Due to spreading of the harmonic emission the exception is also allowed for the first 1 MHz frequency range immediately outside the harmonic emission on both sides of the harmonic emission. This results in an overall exception interval centred at the harmonic emission of (2 MHz + N x L_{CRB} x R_{Bsize} kHz), where N is 2, 3, 4, 5 for the 2nd, 3rd, 4th or 5th harmonic respectively. The exception is allowed if the measurement bandwidth (MBW) totally or partially overlaps the overall exception interval. NOTE 5: Applicable when co-existence with PHS system operating in 1884.5 - 1915.7 MHz. NOTE 6: This requirement applies when the NR carrier is confined within 2545 – 2575 MHz or 2595 – 2645 MHz and the channel bandwidth is 10 or 20 MHz. NOTE 7: As exceptions, for 90 and 100 MHz aggregated bandwidth, -40 dBm/MHz is applicable in the frequency range of 2496 – 2505 MHz.</p>							

Table 6.5A.3.2.0.1-3: Requirements for uplink intra-band contiguous carrier aggregation (Rel-18)

NR CA combination	Spurious emission						
	Protected Band	Frequency range (MHz)			Maximum Level (dBm)	MBW (MHz)	NOTE
CA_n7	E-UTRA Band 1, 2, 3, 4, 5, 7, 8, 12, 13, 14, 17, 20, 22, 26, 27, 28, 29, 30, 31, 32, 33, 34, 40, 42, 43, 50, 51, 52, 65, 66, 67, 68, 72, 74, 75, 76, 85, 103 NR Band n77, n78, n100	F _{DL_low}	-	F _{DL_high}	-50	1	
CA_n41	E-UTRA Band 1, 2, 3, 4, 5, 8, 12, 13, 14, 17, 24, 25, 26, 27, 28, 29, 30, 34, 39, 42, 44, 45, 48, 50, 51, 52, 54, 65, 66, 70, 71, 73, 74, 85, 103 NR Band n77, n78, n100	F _{DL_low}	-	F _{DL_high}	-50	1	
	NR Band n79	F _{DL_low}	-	F _{DL_high}	-50	1	2, 4
	E-UTRA Band 9, 11, 18, 19, 21	F _{DL_low}	-	F _{DL_high}	-50	1	6
	E-UTRA Band 40 Frequency range	F _{DL_low} 1884.5	-	F _{DL_high} 1915.7	-40 -41	1 0.3	5, 6
CA_n48	E-UTRA Band 2, 4, 5, 12, 13, 14, 17, 24, 25, 26, 29, 30, 41, 50, 51, 54, 66, 70, 71, 74, 85, 103	F _{DL_low}	-	F _{DL_high}	-50	1	
CA_n77	E-UTRA Band 1, 3, 5, 7, 8, 11, 18, 19, 20, 21, 26, 28, 34, 39, 40, 41, 54, 65, n100	F _{DL_low}	-	F _{DL_high}	-50	1	
	Frequency range	1884.5	-	1915.7	-41	0.3	5
CA_n78	E-UTRA Band 1, 3, 5, 7, 8, 11, 18, 19, 20, 21, 26, 28, 34, 39, 40, 41, 65, n100	F _{DL_low}	-	F _{DL_high}	-50	1	

	Frequency range	1884.5	-	1915.7	-41	0.3	5
CA_n79	E-UTRA Band 1, 3, 5, 8, 11, 18, 19, 21, 28, 34, 39, 40, 41, 42, 65	F _{DL_low}	-	F _{DL_high}	-50	1	
	Frequency range	1884.5	-	1915.7	-41	0.3	5
<p>NOTE 1: Void</p> <p>NOTE 2: Void</p> <p>NOTE 3: Void</p> <p>NOTE 4: As exceptions, measurements with a level up to the applicable requirements defined in Table 6.5.3.1-2 are permitted for each assigned NR carrier used in the measurement due to 2nd, 3rd, 4th or 5th harmonic spurious emissions. Due to spreading of the harmonic emission the exception is also allowed for the first 1 MHz frequency range immediately outside the harmonic emission on both sides of the harmonic emission. This results in an overall exception interval centred at the harmonic emission of (2 MHz + N x L_{CRB} x R_{Bsize} kHz), where N is 2, 3, 4, 5 for the 2nd, 3rd, 4th or 5th harmonic respectively. The exception is allowed if the measurement bandwidth (MBW) totally or partially overlaps the overall exception interval.</p> <p>NOTE 5: Applicable when co-existence with PHS system operating in 1884.5 - 1915.7 MHz.</p> <p>NOTE 6: This requirement applies when the NR carrier is confined within 2545 – 2575 MHz or 2595 – 2645 MHz and the channel bandwidth is 10 or 20 MHz.</p> <p>NOTE 7: As exceptions, for 90 and 100 MHz aggregated bandwidth, -40 dBm/MHz is applicable in the frequency range of 2496 – 2505 MHz.</p>							

6.5A.3.2.0.2 Void

6.5A.3.2.0.2a Spurious emissions for UE co-existence for Intra-band non-contiguous CA

This clause specifies the requirements for the specified intra-band non-contiguous carrier aggregation configurations for coexistence with protected bands, the requirements in Table 6.5A.3.2.0.2a-1 apply.

NOTE: For measurement conditions at the edge of each frequency range, the lowest frequency of the measurement position in each frequency range should be set at the lowest boundary of the frequency range plus MBW/2. The highest frequency of the measurement position in each frequency range should be set at the highest boundary of the frequency range minus MBW/2. MBW denotes the measurement bandwidth defined for the protected band.

Table 6.5A.3.2.0.2a-1: Requirements for uplink intra-band non-contiguous carrier aggregation

NR CA combination	Spurious emission						
	Protected Band	Frequency range (MHz)			Maximum Level (dBm)	MBW (MHz)	NOTE
CA_n77	E-UTRA Band 1, 3, 5, 7, 8, 11, 18, 19, 20, 21, 26, 28, 34, 39, 40, 41, 65	F _{DL_low}	-	F _{DL_high}	-50	1	
CA_n78	E-UTRA Band 1, 3, 5, 7, 8, 11, 18, 19, 20, 21, 26, 28, 34, 39, 40, 41, 65 NR Band n101	F _{DL_low}	-	F _{DL_high}	-50	1	
<p>NOTE 1: FFS</p> <p>NOTE 2: FFS</p>							

6.5A.3.2.0.3 Spurious emissions for UE co-existence for Inter-band CA

This clause specifies the additional requirements for inter-band uplink carrier aggregation configurations with the single CC uplink assigned to two NR bands for coexistence with protected bands for the specified uplink carrier aggregation configurations in Table 6.5A.3.2.0.3-1 to Table 6.5A.3.2.0.3-4. The intersection of the requirements for the individual bands specified in clause 6.5.3.2 shall also apply for the specified uplink carrier aggregation configurations. Intersection of a requirement means that both UL constituent bands have the same protected band requirement specified and if one or both protected bands have note(s) associated those note(s) also apply.

For inter-band carrier aggregation with two contiguous carriers assigned to one NR band, the requirements in subclause 6.5A.3.2.0.1 apply for that band.

For inter-band carrier aggregation with two uplink non-contiguous carrier assigned to one NR band, the spurious emissions for UE co-existence requirements in subclause 6.5A.3.2.0.2a apply for that band.

For inter-band carrier aggregation with the uplink assigned to two NR bands, the requirements in Table 6.5A.3.2.0.3-1 to 6.5A.3.2.0.3-4 apply on each component carrier with all component carriers are active.

NOTE: For inter-band carrier aggregation with single CC uplink assigned to two NR bands, the requirements in Tables 6.5A.3.2.0.3-1 to 6.5A.3.2.0.3-4 could be verified by measuring spurious emissions at the specific frequencies where second and third order intermodulation products generated by the two transmitted carriers can occur; in that case, the requirements for remaining applicable frequencies in Tables 6.5A.3.2.0.3-1 to Table 6.5A.3.2.0.3-4 and in clause 6.5.3.2 would be considered to be verified by the measurements verifying the one uplink inter-band CA UE to UE co-existence requirements.

Table 6.5A.3.2.0.3-1: Requirements for uplink inter-band carrier aggregation (two bands) Rel-15

NR CA combination	Spurious emission						
	Protected Band	Frequency range (MHz)			Maximum Level (dBm)	MBW (MHz)	NOTE
CA_n3-n78	E-UTRA Band 1, 3, 5, 7, 8, 11, 18, 19, 20, 21, 26, 28, 34, 39, 40, 41, 65, 74	F _{DL_low}	-	F _{DL_high}	-50	1	
	Frequency range	1884.5	-	1915.7	-41	0.3	3
CA_n8-n78	E-UTRA Band 1, 8, 11, 20, 21, 28, 34, 39, 40, 65, 74	F _{DL_low}	-	F _{DL_high}	-50	1	
	E-UTRA Band 3, 7, 41	F _{DL_low}	-	F _{DL_high}	-50	1	2
	Frequency range	1884.5	-	1915.7	-41	0.3	3
NOTE 1: F _{DL_low} and F _{DL_high} refer to each frequency band specified in Table 5.2-1 in TS 38.101-1 or Table 5.5-1 in TS 36.101							
NOTE 2: As exceptions, measurements with a level up to the applicable requirements defined in Table 6.5.3.1-2 are permitted for each assigned NR carrier used in the measurement due to 2nd, 3rd, 4th or 5 th harmonic spurious emissions. Due to spreading of the harmonic emission the exception is also allowed for the first 1 MHz frequency range immediately outside the harmonic emission on both sides of the harmonic emission. This results in an overall exception interval centred at the harmonic emission of (2 MHz + N x L _{CRB} x 180kHz), where N is 2, 3, 4, 5 for the 2nd, 3rd, 4th or 5th harmonic respectively. The exception is allowed if the measurement bandwidth (MBW) totally or partially overlaps the overall exception interval.							
NOTE 3: Applicable when co-existence with PHS system operating in 1884.5 -1915.7 MHz							
NOTE 4: These requirements also apply for the frequency ranges that are less than F _{OOB} (MHz) in Table 6.5.3.1-1 from the edge of the channel bandwidth.							
NOTE 5: Void.							

NOTE: To simplify Table 6.5A.3.2.0.3-1, E-UTRA band numbers are listed for bands which are specified only for E-UTRA operation or both E-UTRA and NR operation. NR band numbers are listed for bands which are specified only for NR operation.

Table 6.5A.3.2.0.3-2: Requirements for uplink inter-band carrier aggregation (two bands) Rel-16

NR CA Configuration	Spurious emission						
	Protected Band	Frequency range (Mhz)			Maximum Level (dBm)	MBW (MHz)	NOTE
CA_n1-n28	Frequency range	470	-	694	-42	8	4, 14
	Frequency range	470	-	710	-26.2	6	15
	Frequency range	758	-	773	-30	1	4
	Frequency range	773	-	803	-50	1	
	Frequency range	662	-	694	-26.2	6	4
CA_n3-n28	Frequency range	470	-	694	-42	8	4, 14
	Frequency range	470	-	710	-26.2	6	15
	Frequency range	758	-	773	-30	1	4
	Frequency range	773	-	803	-50	1	
	Frequency range	662	-	694	-26.2	6	4
	Frequency range	1839.9	-	1879.9	-50	1	4
	Frequency range	1884.5	-	1915.7	-41	0.3	3, 11
CA_n3-n41	Frequency range	1884.5	-	1915.7	-41	0.3	3
CA_n3-n77	Frequency range	1884.5	-	1915.7	-41	0.3	3
CA_n3-n78	Frequency range	1884.5	-	1915.7	-41	0.3	3
CA_n5-n77	Frequency range	1884.5	-	1915.7	-41	0.3	3
CA_n8-n78	Frequency range	1884.5	-	1915.7	-41	0.3	3

CA_n28-n40	Frequency range	1884.5	-	1915.7	-41	0.3	3
CA_n28-n41	Frequency range	470	-	694	-42	8	4, 14
	Frequency range	470	-	710	-26.2	6	13
	Frequency range	662	-	694	-26.2	6	4
	Frequency range	758	-	773	-32	1	4
	Frequency range	773	-	803	-50	1	
CA_n41-n79	Frequency range	1884.5	-	1915.7	-41	0.3	3, 11
<p>NOTE 1: Void.</p> <p>NOTE 2: Void.</p> <p>NOTE 3: Applicable when co-existence with PHS system operating in 1884.5 -1915.7MHz</p> <p>NOTE 4: These requirements also apply for the frequency ranges that are less than F_{OOB} (MHz) in Table 6.5.3.1-1 and Table 6.5A.3.1-1 from the edge of the channel bandwidth.</p> <p>NOTE 5: Void.</p> <p>NOTE 6: This requirement is applicable for any channel bandwidths within the range 1920 – 1980 MHz with the following restriction: for carriers of 15 MHz bandwidth when carrier centre frequency is within the range 1927.5 - 1929.5 MHz and for carriers of 20 MHz bandwidth when carrier centre frequency is within the range 1930 – 1938 MHz the requirement is applicable only for an uplink transmission bandwidth less than or equal to 54 RB.</p> <p>NOTE 7: For these adjacent bands, the emission limit could imply risk of harmful interference to UE(s) operating in the protected operating band.</p> <p>NOTE 8: This requirement is only applicable for carriers with bandwidth confined within 1885-1920 MHz (requirement for carriers with at least 1RB confined within 1880 - 1885 MHz is not specified). This requirement applies for an uplink transmission bandwidth less than or equal to 54 RB for carriers of 15 MHz bandwidth when carrier centre frequency is within the range 1892.5 - 1894.5 MHz and for carriers of 20 MHz bandwidth when carrier centre frequency is within the range 1895 - 1903 MHz.</p> <p>NOTE 9: Void.</p> <p>NOTE 10: Void.</p> <p>NOTE 11: Applicable when the assigned NR carrier is confined within 718 MHz and 748 MHz and when the channel bandwidth used is 5 or 10 MHz.</p> <p>NOTE 12: Void.</p> <p>NOTE 13: This requirement is applicable for 5 and 10 MHz NR channel bandwidth allocated within 718 - 728 MHz. For carriers of 10 MHz bandwidth, this requirement applies for an uplink transmission bandwidth less than or equal to 30 RB with RBstart > 1 and RBstart < 48.</p> <p>NOTE 14: This requirement is applicable in the case of a 10 MHz NR carrier confined within 703 MHz and 733 MHz, otherwise the requirement of -25 dBm with a measurement bandwidth of 8 MHz applies.</p> <p>NOTE 15: As exceptions, measurements with a level up to the applicable requirement of -36 dBm/MHz is permitted for each assigned E-UTRA carrier used in the measurement due to 3rd harmonic spurious emissions. An exception is allowed if there is at least one individual RB within the transmission bandwidth (see Figure 5.6-1) for which the 3rd harmonic totally or partially overlaps the measurement bandwidth (MBW).</p>							

Table 6.5A.3.2.0.3-3: Requirements for uplink inter-band carrier aggregation (two bands) Rel-17

NR CA Configuration	Spurious emission						
	Protected Band	Frequency range (Mhz)			Maximum Level (dBm)	MBW (MHz)	NOTE
CA_n1-n28	Frequency range	470	-	694	-42	8	4, 14
	Frequency range	470	-	710	-26.2	6	15
	Frequency range	758	-	773	-30	1	4
	Frequency range	773	-	803	-50	1	
	Frequency range	662	-	694	-26.2	6	4
CA_n2-n14	Frequency range	769	-	775	-35	0.00625	4
	Frequency range	799	-	805	-35	0.00625	4
CA_n3-n8	Frequency range	1884.5	-	1915.7	-41	0.3	3
CA_n3-n28	Frequency range	470	-	694	-42	8	4, 14
	Frequency range	470	-	710	-26.2	6	15
	Frequency range	758	-	773	-30	1	4
	Frequency range	773	-	803	-50	1	
	Frequency range	662	-	694	-26.2	6	4
	Frequency range	1839.9	-	1879.9	-50	1	4
	Frequency range	1884.5	-	1915.7	-41	0.3	3, 11
CA_n3-n41	Frequency range	1884.5	-	1915.7	-41	0.3	3
CA_n3-n77	Frequency range	1884.5	-	1915.7	-41	0.3	3

CA_n3-n78	Frequency range	1884.5	-	1915.7	-41	0.3	3
CA_n5-n48	Frequency range	1884.5	-	1915.7	-41	0.3	8
CA_n5-n66	Frequency range	1884.5	-	1915.7	-41	0.3	3
CA_n5-n77	Frequency range	1884.5	-	1915.7	-41	0.3	3
CA_n8-n78	Frequency range	1884.5	-	1915.7	-41	0.3	3
CA_n14-n30	Frequency range	769	-	775	-35	0.00625	4
	Frequency range	799	-	805	-35	0.00625	4
CA_n14-n66	Frequency range	769	-	775	-35	0.00625	4
	Frequency range	799	-	805	-35	0.00625	4
CA_n14-n77	Frequency range	769	-	775	-35	0.00625	4,20
	Frequency range	799	-	805	-35	0.00625	4,20
CA_n26-n66	Frequency range	1884.5	-	1915.7	-41	0.3	3
CA_n26-n70	Frequency range	1884.5	-	1915.7	-41	0.3	3
CA_n28-n41	Frequency range	470	-	694	-42	8	4, 14
	Frequency range	470	-	710	-26.2	6	13
	Frequency range	662	-	694	-26.2	6	4
	Frequency range	758	-	773	-32	1	4
	Frequency range	773	-	803	-50	1	
	Frequency range	1884.5	-	1915.7	-41	0.3	3, 11
CA_n28-n77	Frequency range	758	-	773	-32	1	
	Frequency range	773	-	803	-50	1	
	Frequency range	1884.5	-	1915.7	-41	0.3	3, 11
CA_n28-n78	Frequency range	758	-	773	-32	1	
	Frequency range	773	-	803	-50	1	
	Frequency range	1884.5	-	1915.7	-41	0.3	3, 11
CA_n28-n79	Frequency range	470	-	694	-42	8	4, 14
	Frequency range	470	-	710	-26.2	6	13
	Frequency range	662	-	694	-26.2	6	4
	Frequency range	758	-	773	-32	1	4
	Frequency range	773	-	803	-50	1	
	Frequency range	1884.5	-	1915.7	-41	0.3	3, 10, 11
CA_n41-n77	Frequency range	1884.5	-	1915.7	-41	0.3	3
CA_n41-n79	Frequency range	1884.5	-	1915.7	-41	0.3	3

NOTE 1: Void.

NOTE 2: Void.

NOTE 3: Applicable when co-existence with PHS system operating in 1884.5 -1915.7MHz

NOTE 4: These requirements also apply for the frequency ranges that are less than F_{00B} (MHz) in Table 6.5.3.1-1 and Table 6.5A.3.1-1 from the edge of the channel bandwidth.

NOTE 5: Void.

NOTE 6: This requirement is applicable for any channel bandwidths within the range 1920 – 1980 MHz with the following restriction: for carriers of 15 MHz bandwidth when carrier centre frequency is within the range 1927.5 - 1929.5 MHz and for carriers of 20 MHz bandwidth when carrier centre frequency is within the range 1930 – 1938 MHz the requirement is applicable only for an uplink transmission bandwidth less than or equal to 54 RB.

NOTE 7: For these adjacent bands, the emission limit could imply risk of harmful interference to UE(s) operating in the protected operating band.

NOTE 8: This requirement is only applicable for carriers with bandwidth confined within 1885-1920 MHz (requirement for carriers with at least 1RB confined within 1880 - 1885 MHz is not specified). This requirement applies for an uplink transmission bandwidth less than or equal to 54 RB for carriers of 15 MHz bandwidth when carrier centre frequency is within the range 1892.5 - 1894.5 MHz and for carriers of 20 MHz bandwidth when carrier centre frequency is within the range 1895 - 1903 MHz.

NOTE 9: Void.

NOTE 10: Void.

NOTE 11: Applicable when the assigned NR carrier is confined within 718 MHz and 748 MHz and when the channel bandwidth used is 5 or 10 MHz.

NOTE 12: Void.

NOTE 13: This requirement is applicable for 5 and 10 MHz NR channel bandwidth allocated within 718 - 728 MHz. For carriers of 10 MHz bandwidth, this requirement applies for an uplink transmission bandwidth less than or equal to 30 RB with $RB_{start} > 1$ and $RB_{start} < 48$.

NOTE 14: This requirement is applicable in the case of a 10 MHz NR carrier confined within 703 MHz and 733 MHz, otherwise the requirement of -25 dBm with a measurement bandwidth of 8 MHz applies.

NOTE 15: As exceptions, measurements with a level up to the applicable requirement of -36 dBm/MHz is permitted for each assigned E-UTRA carrier used in the measurement due to 3rd harmonic spurious emissions. An exception is allowed if there is at least one individual RB within the transmission bandwidth (see Figure 5.6-1) for which the 3rd harmonic totally or partially overlaps the measurement bandwidth (MBW).

NOTE 16: Void.

NOTE 17: Void

NOTE 18: Void
 NOTE 19: Void
 NOTE 20: Applicable for cases and when the lower edge of the assigned NR UL channel bandwidth frequency is greater than or equal to 1427 MHz + the channel BW assigned for 5 and 10 MHz bandwidth, and when the lower edge of the assigned NR UL channel bandwidth frequency is greater than or equal to 1440 MHz for 15 and 20 MHz bandwidth.

Table 6.5A.3.2.0.3-4: Requirements for uplink inter-band carrier aggregation (two bands) Rel-18

NR CA Configuration	Spurious emission						
	Protected Band	Frequency range (Mhz)			Maximum Level (dBm)	MBW (MHz)	NOTE
CA_n1-n28	Frequency range	470	-	694	-42	8	4, 14
	Frequency range	470	-	710	-26.2	6	15
	Frequency range	758	-	773	-30	1	4
	Frequency range	773	-	803	-50	1	
	Frequency range	662	-	694	-26.2	6	4
CA_n2-n14	Frequency range	769	-	775	-35	0.00625	4
	Frequency range	799	-	805	-35	0.00625	4
CA_n3-n8	Frequency range	1884.5	-	1915.7	-41	0.3	3
CA_n3-n28	Frequency range	470	-	694	-42	8	4, 14
	Frequency range	470	-	710	-26.2	6	15
	Frequency range	758	-	773	-30	1	4
	Frequency range	773	-	803	-50	1	
	Frequency range	662	-	694	-26.2	6	4
	Frequency range	1839.9	-	1879.9	-50	1	4
	Frequency range	1884.5	-	1915.7	-41	0.3	3, 11
CA_n3-n41	Frequency range	1884.5	-	1915.7	-41	0.3	3
CA_n3-n78	Frequency range	1884.5	-	1915.7	-41	0.3	3
CA_n5-n48	Frequency range	1884.5	-	1915.7	-41	0.3	8
CA_n5-n66	Frequency range	1884.5	-	1915.7	-41	0.3	3
CA_n5-n77	Frequency range	1884.5	-	1915.7	-41	0.3	3
CA_n8-n78	Frequency range	1884.5	-	1915.7	-41	0.3	3
CA_n14-n30	Frequency range	769	-	775	-35	0.00625	4
	Frequency range	799	-	805	-35	0.00625	4
CA_n14-n66	Frequency range	769	-	775	-35	0.00625	4
	Frequency range	799	-	805	-35	0.00625	4
CA_n14-n77	Frequency range	769	-	775	-35	0.00625	4,20
	Frequency range	799	-	805	-35	0.00625	4,20
CA_n26-n66	Frequency range	1884.5	-	1915.7	-41	0.3	3
CA_n26-n70	Frequency range	1884.5	-	1915.7	-41	0.3	3
CA_n28-n41	Frequency range	470	-	694	-42	8	4, 14
	Frequency range	470	-	710	-26.2	6	13
	Frequency range	662	-	694	-26.2	6	4
	Frequency range	758	-	773	-32	1	4
	Frequency range	773	-	803	-50	1	
	Frequency range	1884.5	-	1915.7	-41	0.3	3, 11
CA_n28-n78	Frequency range	758	-	773	-32	1	
	Frequency range	773	-	803	-50	1	
	Frequency range	1884.5	-	1915.7	-41	0.3	3, 11
CA_n41-n79	Frequency range	1884.5	-	1915.7	-41	0.3	3
NOTE 1: Void							
NOTE 2: Void							
NOTE 3: Applicable when co-existence with PHS system operating in 1884.5 -1915.7MHz							
NOTE 4: These requirements also apply for the frequency ranges that are less than F _{00B} (MHz) in Table 6.5.3.1-1 and Table 6.5A.3.1-1 from the edge of the channel bandwidth.							
NOTE 5: Void.							
NOTE 6: This requirement is applicable for any channel bandwidths within the range 1920 – 1980 MHz with the following restriction: for carriers of 15 MHz bandwidth when carrier centre frequency is within the range 1927.5 - 1929.5 MHz and for carriers of 20 MHz bandwidth when carrier centre frequency is within the range 1930 – 1938 MHz the requirement is applicable only for an uplink transmission bandwidth less than or equal to 54 RB.							
NOTE 7: For these adjacent bands, the emission limit could imply risk of harmful interference to UE(s) operating in the protected operating band.							

NOTE 8: This requirement is only applicable for carriers with bandwidth confined within 1885-1920 MHz (requirement for carriers with at least 1RB confined within 1880 - 1885 MHz is not specified). This requirement applies for an uplink transmission bandwidth less than or equal to 54 RB for carriers of 15 MHz bandwidth when carrier centre frequency is within the range 1892.5 - 1894.5 MHz and for carriers of 20 MHz bandwidth when carrier centre frequency is within the range 1895 - 1903 MHz.
NOTE 9: Void.
NOTE 10: Void.
NOTE 11: Applicable when the assigned NR carrier is confined within 718 MHz and 748 MHz and when the channel bandwidth used is 5 or 10 MHz.
NOTE 12: Void
NOTE 13: This requirement is applicable for 5 and 10 MHz NR channel bandwidth allocated within 718 - 728 MHz. For carriers of 10 MHz bandwidth, this requirement applies for an uplink transmission bandwidth less than or equal to 30 RB with RBstart > 1 and Rbstart < 48.
NOTE 14: This requirement is applicable in the case of a 10 MHz NR carrier confined within 703 MHz and 733 MHz, otherwise the requirement of -25 dBm with a measurement bandwidth of 8 MHz applies.
NOTE 15: As exceptions, measurements with a level up to the applicable requirement of -36 dBm/MHz is permitted for each assigned E-UTRA carrier used in the measurement due to 3rd harmonic spurious emissions. An exception is allowed if there is at least one individual RB within the transmission bandwidth (see Figure 5.6-1) for which the 3rd harmonic totally or partially overlaps the measurement bandwidth (MBW).
NOTE 16: Void
NOTE 17: Void
NOTE 18: Void
NOTE 19: Void
NOTE 20: Applicable for cases and when the lower edge of the assigned NR UL channel bandwidth frequency is greater than or equal to 1427 MHz + the channel BW assigned for 5 and 10 MHz bandwidth, and when the lower edge of the assigned NR UL channel bandwidth frequency is greater than or equal to 1440 MHz for 15 and 20 MHz bandwidth.

The normative reference for this requirement is TS 38.101-1 [2] subclause 6.5A.3.2.

6.5A.3.2.1 Spurious emissions for UE co-existence for CA (2UL CA)

6.5A.3.2.1.1 Test purpose

To verify that UE transmitter does not cause unacceptable interference to co-existing systems for the specified bands which has specific requirements in terms of transmitter spurious emissions for 2UL CA.

6.5A.3.2.1.2 Test applicability

This test case applies to all types of NR UE release 15 and forward that support 2UL CA.

6.5A.3.2.1.3 Minimum conformance requirements

The minimum conformance requirements are defined in subclause 6.5A.3.2.0.

6.5A.3.2.1.4 Test description

6.5A.3.2.1.4.1 Initial conditions

Initial conditions are a set of test configurations the UE needs to be tested in and the steps for the SS to take with the UE to reach the correct measurement state.

The initial test configurations consist of environmental conditions, test frequencies, test channel bandwidths and sub-carrier spacing based on NR CA configuration specified in clause 5.5A. All of these configurations shall be tested with applicable test parameters for each CA configuration, are shown in Table 6.5A.3.2.1.4.1-1. The details of the uplink reference measurement channels (RMCs) are specified in Annexes A.2. Configurations of PDSCH and PDCCH before measurement are specified in Annex C.2.

Table 6.5A.3.2.1.4.1-1: Inter band CA Test Configuration Table

Initial Conditions	
Test Environment as specified in TS 38.508-1 [5] subclause 4.1	Normal
Test Frequencies as specified in TS 38.508-1 [5] subclause 4.3.1.1.3 for inter band CA in FR1	For test frequencies refer to "Range" columns.

Test Channel Bandwidths as specified in TS 38.508-1 [5] subclause 4.3.1					Refer to "PCC N _{RB} @SCS" and "SCC N _{RB} @SCS" columns							
Test SCS as specified in Table 5.3.5-1					Lowest SCS for default test points. CA configuration specific test points: Refer to "PCC N _{RB} @SCS" and "SCC N _{RB} @SCS" columns							
Test Parameters for CA Configurations												
ID	CA Configuration / N _{RB_agg}				DL Allocation				UL Allocation			
	CA Configuration				PCC N _{RB} @SCS	SCC N _{RB} @SCS	CC MOD	PCC & SCC RB allocation		CC MOD	PCC & SCC RB allocations (L _{CRB} @ RB _{start})	
	PCC		SCC					PCC	SCC			
	Band	Range	Band	Range								
1	n1	Low	n3	Low	25@15kHz	25@15kHz	CP-OFDM QPSK	NA	CP-OFDM QPSK	1@0	1@0	
2	n1	Mid	n3	Low	25@15kHz	25@15kHz	CP-OFDM QPSK	NA	CP-OFDM QPSK	1@0	1@24	
1	n1	Low	n8	Low	25@15kHz	25@15kHz	CP-OFDM QPSK	NA	CP-OFDM QPSK	1@0	1@0	
Test Settings for CA_n1A-n28A Configuration												
1	n1	Low	n28	Low	25@15kHz	25@15kHz	CP-OFDM QPSK	NA	CP-OFDM QPSK	1@0	1@0	
1	n1	LOW	n79	MID	106@15kHz	273@30kHz	CP-OFDM QPSK	NA	CP-OFDM QPSK	1@0	1@181	
2	n1	LOW	n79	4618,41 MHz (NOTE 3)	79@15kHz	216@15kHz	CP-OFDM QPSK	NA	CP-OFDM QPSK	1@0	1@0	
3	n1	LOW	n79	MID	106@15kHz	273@30kHz	CP-OFDM QPSK	NA	CP-OFDM QPSK	1@105	1@245	
4	n1	LOW	n79	4785,54 MHz (NOTE 4)	106@15kHz	216@15kHz	CP-OFDM QPSK	NA	CP-OFDM QPSK	1@0	1@0	
1	n2	Low	n5	low	20/106	20/106	CP-OFDM QPSK	NA	CP-OFDM QPSK	1@0	1@0	
2	n2	High	n5	High	20/106	20/106	CP-OFDM QPSK	NA	CP-OFDM QPSK	1@105	1@105	
Test Settings for CA_n2A-n14A Configuration												
1	n2	Mid	n14	High	216@15kHz	52@15kHz	CP-OFDM QPSK	NA	CP-OFDM QPSK	1@0	1@51	
2	n2	Mid	n14	Low	216@15kHz	52@15kHz	CP-OFDM QPSK	NA	CP-OFDM QPSK	1@0	1@0	
1	n2	Low	n77	Mid	106@15kHz	273@30kHz	CP-OFDM QPSK	NA	CP-OFDM QPSK	1@0	1@272	
2	n2	High	n77	3850,23 MHz (NOTE 5)	106@15kHz	52@15kHz	CP-OFDM QPSK	NA	CP-OFDM QPSK	1@0	1@0	
3	n2	High	n77	3965,25 MHz (NOTE 6)	106@15kHz	52@15kHz	CP-OFDM QPSK	NA	CP-OFDM QPSK	1@0	1@0	
4	n2	Low	n77	3500 MHz (NOTE 18)	106@15kHz	273@30kHz	CP-OFDM QPSK	NA	CP-OFDM QPSK	1@0	1@200	
1	n3	Low	n8	Low	100@15kHz	100@15kHz	CP-OFDM QPSK	NA	CP-OFDM QPSK	1@99	1@0	
2	n3	High	n8	High	100@15kHz	100@15kHz	CP-OFDM QPSK	NA	CP-OFDM QPSK	1@99	1@100	
3	n3	Low	n8	High	100@15kHz	100@15kHz	CP-OFDM QPSK	NA	CP-OFDM QPSK	1@0	1@100	
Test Settings for CA_n3A-n77A Configuration												
5	n3	LOW	n77	3660.15MHz	106@15kHz	273@30kHz	CP-OFDM QPSK	NA	CP-OFDM QPSK	1@0	1@0	
Test Settings for CA_n3A-n78A Configuration												
1	n3	LOW	n78	HIGH	160@15kHz	273@30kHz	CP-OFDM QPSK	NA	CP-OFDM QPSK	1@159	1@272	

Test Settings for CA_n5A-n48A Configuration											
1	n5	Low	n48	Low	106@15kHz	106@30kHz	CP-OFDM QPSK	NA	CP-OFDM QPSK	1@0	1@0
Test Settings for CA_n5A-n77A Configuration											
7	n5	LOW	n77	3538,29 MHz (NOTE 11)	106@15kHz	52@15kHz	CP-OFDM QPSK	NA	CP-OFDM QPSK	1@0	1@0
Test Settings for CA_n8A-n78A Configuration											
3	n8	HIGH	n78	HIGH	106@15kHz	273@30kHz	CP-OFDM QPSK	NA	CP-OFDM QPSK	1@105	1@35
Test Settings for CA_n28A-n78A Configuration											
1	n28	Low	n78	Low	106@15kHz	273@30kHz	CP-OFDM QPSK	NA	CP-OFDM QPSK	1@0	1@0
Test Settings for CA_n28A-n41A Configuration											
2	n28	HIGH	n41	HIGH	79@15kHz	217@30kHz	CP-OFDM QPSK	NA	CP-OFDM QPSK	1@78	1@115
Test Settings for CA_n28A-n77A Configuration											
7	N28	Low	N77	Low	106@15kHz	273@30kHz	CP-OFDM QPSK	NA	CP-OFDM QPSK	1@0	1@0
Test Settings for CA_n41A-n77A Configuration											
1	n41	MID	n77	LOW	273@30kHz	273@30kHz	CP-OFDM QPSK	NA	CP-OFDM QPSK	1@272	1@272
Test Settings for CA_n41A-n79A Configuration											
4	n41	HIGH	n79	LOW	273@30kHz	273@30kHz	CP-OFDM QPSK	NA	CP-OFDM QPSK	1@0	1@0
Test Settings for CA_n66A-n78A Configuration											
1	n66	Mid	n78	High	216@15kHz	273@30kHz	CP-OFDM QPSK	NA	CP-OFDM QPSK	1@215	1@0
Test Settings for CA_n70A-n71A Configuration											
1	n70	Low	n71	Low	79@15kHz	106@15kHz	QPSK/CP-OFDM QPSK	NA	QPSK / CP-OFDM QPSK	1@0	1@0
NOTE 1: No impact on the protected bands by 2nd and 3rd order IM products caused by the NR CA band combination.											
NOTE 2: Test Point ID 2 for CA_n1A-n78A and Band n78 is defined as a carrier with CBW=10MHz and centre frequency at 3421.14MHz (NR ARFCN=628067).											
NOTE 3: Test Point ID 2 for CA_n1A-n79A and Band n79 is defined as a carrier with CBW=40MHz and centre frequency at 4618.41MHz (NR ARFCN=707867).											
NOTE 4: Test Point ID 4 for CA_n1A-n79A and Band n79 is defined as a carrier with CBW=40MHz and centre frequency at 4785.54MHz (NR ARFCN=719000).											
NOTE 5: Test Point ID 2 for CA_n2A-n77A and Band n77 is defined as a carrier with CBW=10MHz and centre frequency at 3850.23MHz (NR ARFCN=656667).											
NOTE 6: Test Point ID 3 for CA_n2A-n77A and Band n77 is defined as a carrier with CBW=10MHz and centre frequency at 3965.25MHz (NR ARFCN=664333).											
NOTE 7: Test point ID 5 and 6 for CA_n3A-n41A test protected NR band 100 introduced in Rel-17.											
NOTE 8: Test Point ID 3 for CA_n5A-n77A and Band n77 is defined as a carrier with CBW=10MHz and centre frequency at 3458.79MHz (NR ARFCN=630533).											
NOTE 9: Test Point ID 4 for CA_n5A-n77A and Band n77 is defined as a carrier with CBW=10MHz and centre frequency at 3593.79MHz (NR ARFCN=639533).											
NOTE 10: Test Point ID 5 for CA_n5A-n77A and Band n77 is defined as a carrier with CBW=10MHz and centre frequency at 4021.89MHz (NR ARFCN=668067).											
NOTE 11: Test Point ID 7 for CA_n5A-n77A and Band n77 is defined as a carrier with CBW=10MHz and centre frequency at 3538.29MHz (NR ARFCN=635867).											
NOTE 12: Test Point ID 1 for CA_n66A-n77A and Band n77 is defined as a carrier with CBW=10MHz and centre frequency at 3825.24MHz (NR ARFCN=655000).											
NOTE 13: Test Point ID 3 for CA_n66A-n77A and Band n77 is defined as a carrier with CBW=10MHz and centre frequency at 4065.18MHz (NR ARFCN=671000).											
NOTE 14: Test point ID 6 for CA_n66A-n77A tests protected E-UTRA band 103 introduced in Rel-17.											
NOTE 15: Test Point ID 2 for CA_n28A-n77A and Band n77 is defined as a carrier with CBW=10MHz and centre frequency at 3421.14MHz (NR ARFCN=628076).											
NOTE 16: Test Point ID 3 and 6 for CA_n28A-n77A and Band n77 is defined as a carrier with CBW=10MHz and centre frequency at 3531.36MHz (NR ARFCN=635424).											
NOTE 17: Test Point ID 5 for CA_n28A-n77A test protected NR band 101 introduced in Rel-17.											
NOTE 18: Test point ID 4 for CA_n2A-n77A and Band n77 has the centre frequency of 3500 MHz in Band n77 (NR ARFCN=633333).											

Table 6.5A.3.2.1.4.1-2: Intra-band contiguous CA Test Configuration Table

Initial Conditions				
Test Environment as specified in TS 38.508-1 [5] subclause 4.1		Normal		
Test Frequencies as specified in TS 38.508-1 [5] subclause 4.3.1.1.3 for inter band CA in FR1		Low range, High range		
Test Channel Bandwidths as specified in TS 38.508-1 [5] subclause 4.3.1		Lowest N_{RB_agg} , Highest N_{RB_agg}		
Test SCS as specified in Table 5.5A.3-1		Lowest		
Test Parameters				
Test ID	Downlink Configuration	Uplink Configuration		
		Modulation	RB allocation (NOTE 1)	
			PCC	SCC
1	N/A	CP-OFDM QPSK	Edge_1RB_Left	Edge_1RB_Right
2		CP-OFDM QPSK	Outer_Full	Outer_Full
NOTE 1: The specific configuration of each RB allocation is defined in Table 6.1-1.				
NOTE 2: Test Channel Bandwidths and Test SCS are checked separately for each NR CA band combination, which applicable channel bandwidths and SCS are specified in Table 5.5A.3-1.				

Table 6.5A.3.2.1.4.1-3: Intra-band non-contiguous CA Test Configuration Table

Initial Conditions				
Test Environment as specified in TS 38.508-1 [5] subclause 4.1		Normal		
Test Frequencies as specified in TS 38.508-1 [5] subclause 4.3.1.1.3 for inter band CA in FR1		Low range and High range test frequencies as specified in tables for non-contiguous CA configuration with UL CA		
Test Channel Bandwidths as specified in TS 38.508-1 [5] subclause 4.3.1		Lowest N_{RB} for PCC and SCC Highest N_{RB} for PCC and SCC		
Test SCS as specified in Table 5.5A.3-1		Lowest		
Test Parameters				
Test ID	Downlink Configuration	Uplink Configuration		
		Modulation	RB allocation (NOTE 1)	
			PCC	SCC
1	N/A	CP-OFDM QPSK	Edge_1RB_Left	Edge_1RB_Right
2		CP-OFDM QPSK	Outer_Full	Outer_Full
NOTE 1: The specific configuration of each RB allocation is defined in Table 6.1-1.				
NOTE 2: Test Channel Bandwidths and Test SCS are checked separately for each NR CA band combination, which applicable channel bandwidths and SCS are specified in Table 5.5A.3-1.				

1. Connect the SS to the UE antenna connectors as shown in TS 38.508-1 [5] Annex A, in Figure A.3.1.1.3 for TE diagram and section A.3.2 for UE diagram.
2. The parameter settings for the cell are set up according to TS 38.508-1 [6] subclause 4.4.3.
3. Downlink signals for PCC are initially set up according to Annex C.0, C.1, C.2, and uplink signals according to Annex G.0, G.1, G.2, G.3.0.
4. The UL Reference Measurement channels are set according to Table 6.5A.3.2.1.4.1-1.
5. Propagation conditions are set according to Annex B.0.
6. Ensure the UE is in state RRC_CONNECTED with generic procedure parameters Connectivity *NR*, Connected without release *On*, Test Mode *On* and Test Loop Function *On* according to TS 38.508-1 [5] clause 4.5. Message contents are defined in clause 6.5A.3.2.1.4.3.

6.5A.3.2.1.4.2 Test procedure

1. Configure SCC according to Annex C.0, C.1, and Annex C.2 for all downlink physical channels.
2. The SS shall configure SCC as per TS 38.508-1 [5] clause 5.5.1. Message contents are defined in clause 6.5A.3.2.1.4.3.

3. SS activates SCC by sending the activation MAC CE (Refer TS 38.321 [18], clauses 5.9, 6.1.3.10). Wait for at least 2 seconds (Refer TS 38.133[19], clause 9.3).
4. SS sends uplink scheduling information for each UL HARQ process via PDCCH DCI format 0_1 for C_RNTI to schedule the UL RMC according to Table 6.5A.3.2.1.4.1-1, Table 6.5A.3.2.1.4.1-2 or Table 6.5A.3.2.1.4.1-3 on both PCC and SCC. Since the UE has no payload data to send, the UE transmits uplink MAC padding bits on the UL RMC.
5. Send continuously uplink power control "up" commands in every uplink scheduling information to the UE until the UE transmits at P_{UMAX} level.
6. Measure the power of the transmitted signal with a measurement filter of bandwidths according to Table 6.5A.3.2.1.5-1, 6.5A.3.2.1.5-3 or 6.5A.3.2.1.5-4. The centre frequency of the filter shall be stepped in contiguous steps according to Table 6.5A.3.2.1.5-1, 6.5A.3.2.1.5-3 or 6.5A.3.2.1.5-4. The measured power shall be verified for each step. The measurement period shall capture the active time slots. During measurement the spectrum analyser shall be set to 'Detector' = RMS. If the sweep count is higher than one, the trace mode shall be average. For power class 2 intra-band contiguous carrier aggregation, the spurious emission is measured as the sum from both UE transmit antenna connectors when UE indicates support for dualPA-Architecture IE.

6.5A.3.2.1.4.3 Message contents

Message contents are according to TS 38.508-1 [5] subclause 4.6 with following exception.

Table 6.5A.3.2.1.4.3-1: FrequencyInfoUL-SIB for inter-band contiguous CA

Derivation Path: TS 38.508-1 [5] Table 4.6.3-62 FrequencyInfoUL-SIB			
Information Element	Value/remark	Comment	Condition
p-Max	16		Power class 3 and Inter-band CA

Table 6.5A.3.2.1.4.3-2: FrequencyInfoUL-SIB for intra-band contiguous CA

Derivation Path: TS 38.508-1 [5] Table 4.6.3-62 FrequencyInfoUL-SIB			
Information Element	Value/remark	Comment	Condition
p-Max	10		Power class 3 and Intra-band contiguous CA with Bandwidth class C Test ID 1
	5		Power class 3 and Intra-band contiguous CA with Bandwidth class C Test ID 2
	8		Power class 3 and Intra-band contiguous CA with Bandwidth class B Test ID 1
	3		Power class 3 and Intra-band contiguous CA with Bandwidth class B Test ID 2
	11		Power class 2 and Intra-band contiguous CA with Bandwidth class C Test ID 1
	5		Power class 2 and Intra-band contiguous CA with Bandwidth class C Test ID 2

Table 6.5A.3.2.1.4.3-2: FrequencyInfoUL-SIB for intra-band non-contiguous CA

Derivation Path: TS 38.508-1 [5] Table 4.6.3-62 FrequencyInfoUL-SIB			
Information Element	Value/remark	Comment	Condition
p-Max	6		Power class 3 and Intra-band non-contiguous CA Test ID 1
	6		Power class 3 and Intra-band non-contiguous CA Test ID 2

6.5A.3.2.1.5 Test requirement

Test requirements for Spurious Emissions UE Co-existence for inter-band CA are release specific and can be found in Table 6.5A.3.2.1.5-1, 6.5A.3.2.1.5-3 and 6.5A.3.2.1.5-4. If the UE support a band combination from a later release, the requirements for this band combination are taken from the table of earliest release where requirements for this band combination are defined. The test requirement of configurations for CA operating band including Band n41 also apply for the corresponding CA operating bands with Band n90 replacing Band n41.

For intra-band contiguous CA, the measured average power of spurious emission, derived in step 6, shall not exceed the described value in Tables 6.5A.3.2.1.5-3.

For intra-band non-contiguous CA, the measured average power of spurious emission, derived in step 6, shall not exceed the described value in Tables 6.5A.3.2.1.5-4.

Table 6.5A.3.2.1.5-1: Requirements for uplink inter-band carrier aggregation according to UE NR release (two bands)

NR CA Configuration	Release	Spurious emission						
		Protected Band	Frequency range (Mhz)		Maximum Level (dBm)	MBW (MHz)	NOT E	
CA_n1-n28	Rel-16 Rel-17 Rel-18	Frequency range	470	-	694	-42	8	4, 14
		Frequency range	470	-	710	-26.2	6	15
CA_n2-n14	Rel-17 Rel-18	Frequency range	769	-	775	-35	0.00625	4
		Frequency range	799	-	805	-35	0.00625	4
CA_n3-n77	Rel-16 Rel-17 Rel-18	Frequency range	1884.5	-	1915.7	-41	0.3	3
CA_n3-n78	Rel-15 Rel-16 Rel-17 Rel-18	Frequency range	1884.5	-	1915.7	-41	0.3	3
CA_n5-n48	Rel-17 Rel-18	Frequency range	1884.5	-	1915.7	-41	0.3	8
CA_n5-n77	Rel-16 Rel-17 Rel-18	Frequency range	1884.5	-	1915.7	-41	0.3	3
CA_n8-n78	Rel-15 Rel-16 Rel-17 Rel-18	Frequency range	1884.5	-	1915.7	-41	0.3	3
CA_n28-n41	Rel-16 Rel-17 Rel-18	Frequency range	1884.5	-	1915.7	-41	0.3	3, 11
CA_n28-n77	Rel-16 Rel-17 Rel-18	Frequency range	1884.5	-	1915.7	-41	0.3	3, 11
CA_n28-n78	Rel-16 Rel-17 Rel-18	Frequency range	1884.5	-	1915.7	-41	0.3	3,11
CA_n41-n77	Rel-17 Rel-18	Frequency range	1884.5	-	1915.7	-41	0.3	3
CA_n41-n79	Rel-16 Rel-17 Rel-18	Frequency range	1884.5	-	1915.7	-41+TT	0.3	3
CA_n78-n79	Rel-17 Rel-18	Frequency range	1884.5	-	1915.7	-41	0.3	3

NOTE 1: Void

NOTE 2: Void

NOTE 3: Applicable when co-existence with PHS system operating in 1884.5 -1915.7MHz

NOTE 4: These requirements also apply for the frequency ranges that are less than F_{00B} (MHz) in Table 6.5.3.1-1 and Table 6.5A.3.1-1 from the edge of the channel bandwidth.

NOTE 5: Void

NOTE 6: Void
 NOTE 7: Void
 NOTE 8: This requirement is only applicable for carriers with bandwidth confined within 1885-1920 MHz (requirement for carriers with at least 1RB confined within 1880 - 1885 MHz is not specified). This requirement applies for an uplink transmission bandwidth less than or equal to 54 RB for carriers of 15 MHz bandwidth when carrier centre frequency is within the range 1892.5 - 1894.5 MHz and for carriers of 20 MHz bandwidth when carrier centre frequency is within the range 1895 - 1903 MHz.
 NOTE 9: Void.
 NOTE 10: Void.
 NOTE 11: Applicable when the assigned NR carrier is confined within 718 MHz and 748 MHz and when the channel bandwidth used is 5 or 10 MHz.
 NOTE 12: Void
 NOTE 13: Void
 NOTE 14: Void
 NOTE 15: Void
 NOTE 16: Void
 NOTE 17: Void
 NOTE 18: Void
 NOTE 19: Void
 NOTE 20: Applicable for cases and when the lower edge of the assigned NR UL channel bandwidth frequency is greater than or equal to 1427 MHz + the channel BW assigned for 5 and 10 MHz bandwidth, and when the lower edge of the assigned NR UL channel bandwidth frequency is greater than or equal to 1440 MHz for 15 and 20 MHz bandwidth.

Table 6.5A.3.2.1.5-1a: Void

Table 6.5A.3.2.1.5-1b: Void

Table 6.5A.3.2.1.5-2: Void

Unless otherwise stated, the spurious emission limits apply for the frequency ranges that are more than Δf_{OOB} (MHz) in Table 6.5.3.2.3-1 from the edge of the channel bandwidth. The spurious emission limits in Table 6.5.3.2.3-1 apply for all transmitter band configurations (NRB) and channel bandwidths for all CC combinations.

Table 6.5A.3.2.1.5-3: Requirements for uplink intra-band contiguous carrier aggregation

NR CA combination	Release	Spurious emission						
		Protected Band	Frequency range (MHz)			Maximum Level (dBm)	MBW (MHz)	NOTE
CA_n41	Rel-16	E-UTRA Band 1, 2, 3, 4, 5, 8, 12, 13, 14, 17, 24, 25, 26, 27, 28, 29, 30, 34, 39, 42, 44, 45, 48, 50, 51, 52, 65, 66, 70, 71, 73, 74, 85, NR Band n77, n78	F _{DL_low}	-	F _{DL_high}	-50	1	
		NR Band n79	F _{DL_low}	-	F _{DL_high}	-50	1	2, 4
		E-UTRA Band 9, 11, 18, 19, 21	F _{DL_low}	-	F _{DL_high}	-50	1	6
		E-UTRA Band 40	F _{DL_low}	-	F _{DL_high}	-40	1	
		Frequency range	1884.5		1915.7	-41	0.3	5, 6
	Rel-17	E-UTRA Band 1, 2, 3, 4, 5, 8, 12, 13, 14, 17, 24, 25, 26, 27, 28, 29, 30, 34, 39, 42, 44, 45, 48, 50, 51, 52, 65, 66, 70, 71, 73, 74, 85, 103 NR Band n77, n78, n100	F _{DL_low}	-	F _{DL_high}	-50	1	
		NR Band n79	F _{DL_low}	-	F _{DL_high}	-50	1	2, 4
		E-UTRA Band 9, 11, 18, 19, 21	F _{DL_low}	-	F _{DL_high}	-50	1	6
		E-UTRA Band 40	F _{DL_low}	-	F _{DL_high}	-40	1	
		Frequency range	1884.5		1915.7	-41	0.3	5, 6
	Rel-18	E-UTRA Band 1, 2, 3, 4, 5, 8, 12, 13, 14, 17, 24, 25, 26, 27, 28, 29, 30, 34, 39, 42, 44, 45, 48, 50, 51, 52, 54,	F _{DL_low}	-	F _{DL_high}	-50	1	

		65, 66, 70, 71, 73, 74, 85, 103 NR Band n77, n78, n100						
		NR Band n79	F _{DL_low}	-	F _{DL_high}	-50	1	2, 4
		E-UTRA Band 9, 11, 18, 19, 21	F _{DL_low}	-	F _{DL_high}	-50	1	6
		E-UTRA Band 40	F _{DL_low}	-	F _{DL_high}	-40	1	
		Frequency range	1884.5	-	1915.7	-41	0.3	5, 6
CA_n48	Rel-16	E-UTRA Band 2, 4, 5, 12, 13, 14, 17, 24, 25, 26, 29, 30, 41, 50, 51, 66, 70, 71, 74, 85	F _{DL_low}	-	F _{DL_high}	-50	1	
	Rel-17	E-UTRA Band 2, 4, 5, 12, 13, 14, 17, 24, 25, 26, 29, 30, 41, 50, 51, 66, 70, 71, 74, 85, 103	F _{DL_low}	-	F _{DL_high}	-50	1	
	Rel-18	E-UTRA Band 2, 4, 5, 12, 13, 14, 17, 24, 25, 26, 29, 30, 41, 50, 51, 54, 66, 70, 71, 74, 85, 103	F _{DL_low}	-	F _{DL_high}	-50	1	
CA_n77	Rel-16	E-UTRA Band 1, 3, 5, 7, 8, 11, 18, 19, 20, 21, 26, 28, 34, 39, 40, 41, 65	F _{DL_low}	-	F _{DL_high}	-50	1	
		Frequency range	1884.5	-	1915.7	-41	0.3	5
	Rel-17	E-UTRA Band 1, 3, 5, 7, 8, 11, 18, 19, 20, 21, 26, 28, 34, 39, 40, 41, 65, n100	F _{DL_low}	-	F _{DL_high}	-50	1	
		Frequency range	1884.5	-	1915.7	-41	0.3	5
	Rel-18	E-UTRA Band 1, 3, 5, 7, 8, 11, 18, 19, 20, 21, 26, 28, 34, 39, 40, 41, 54, 65, n100	F _{DL_low}	-	F _{DL_high}	-50	1	
Frequency range		1884.5	-	1915.7	-41	0.3	5	
CA_n78	Rel-16	E-UTRA Band 1, 3, 5, 7, 8, 11, 18, 19, 20, 21, 26, 28, 34, 39, 40, 41, 65	F _{DL_low}	-	F _{DL_high}	-50	1	
		Frequency range	1884.5	-	1915.7	-41	0.3	5
	Rel-17 Rel-18	E-UTRA Band 1, 3, 5, 7, 8, 11, 18, 19, 20, 21, 26, 28, 34, 39, 40, 41, 65, n100	F _{DL_low}	-	F _{DL_high}	-50	1	
	Frequency range	1884.5	-	1915.7	-41	0.3	5	
CA_n79	Rel-16 Rel-17 Rel-18	E-UTRA Band 1, 3, 5, 8, 11, 18, 19, 21, 28, 34, 39, 40, 41, 42, 65	F _{DL_low}	-	F _{DL_high}	-50	1	
	Frequency range	1884.5	-	1915.7	-41	0.3	5	
	<p>NOTE 1: Void.</p> <p>NOTE 2: Void.</p> <p>NOTE 3: Void.</p> <p>NOTE 4: As exceptions, measurements with a level up to the applicable requirements defined in Table 6.5.3.1-2 are permitted for each assigned NR carrier used in the measurement due to 2nd, 3rd, 4th or 5th harmonic spurious emissions. Due to spreading of the harmonic emission the exception is also allowed for the first 1 MHz frequency range immediately outside the harmonic emission on both sides of the harmonic emission. This results in an overall exception interval centred at the harmonic emission of (2 MHz + N x L_{CRB} x R_{Bsize} kHz), where N is 2, 3, 4, 5 for the 2nd, 3rd, 4th or 5th harmonic respectively. The exception is allowed if the measurement bandwidth (MBW) totally or partially overlaps the overall exception interval.</p> <p>NOTE 5: Applicable when co-existence with PHS system operating in 1884.5 - 1915.7 MHz.</p> <p>NOTE 6: This requirement applies when the NR carrier is confined within 2545 – 2575 MHz or 2595 – 2645 MHz and the channel bandwidth is 10 or 20 MHz</p> <p>NOTE 7: As exceptions, for 90 and 100 MHz aggregated bandwidth, -40 dBm/MHz is applicable in the frequency range of 2496 – 2505 MHz.</p>							

Table 6.5A.3.2.1.5-4: Requirements for uplink intra-band non-contiguous carrier aggregation

NR CA combination	Release	Spurious emission				
		Protected Band	Frequency range (MHz)	Maximum Level (dBm)	MBW (MHz)	NOTE

CA_n77	Rel-16	E-UTRA Band 1, 3, 5, 7, 8, 11, 18, 19, 20, 21, 26, 28, 34, 39, 40, 41, 65	FDL_low	-	FDL_high	-50	1	
	Rel-17	E-UTRA Band 1, 3, 5, 7, 8, 11, 18, 19, 20, 21, 26, 28, 34, 39, 40, 41, 65 NR Band n100	FDL_low	-	FDL_high	-50	1	
CA_n78	Rel-16	E-UTRA Band 1, 3, 5, 7, 8, 11, 18, 19, 20, 21, 26, 28, 34, 39, 40, 41, 65	FDL_low	-	FDL_high	-50	1	
	Rel-17 Rel-18	E-UTRA Band 1, 3, 5, 7, 8, 11, 18, 19, 20, 21, 26, 28, 34, 39, 40, 41, 65 NR Band n101	FDL_low	-	FDL_high	-50	1	
NOTE 1: FFS.								
NOTE 2: FFS.								

6.5A.3.3 Additional spurious emissions for CA

6.5A.3.3.0 Minimum conformance requirements

6.5A.3.3.0.1 Additional spurious emissions for intra-band contiguous CA

6.5A.3.3.0.1.1 Requirement for network signalling value "CA_NS_04"

When "CA_NS04" is indicated in the cell, the power of any UE emission shall not exceed the levels specified in Table 6.5A.3.3.0.1.1-1. This requirement also applies for the frequency ranges that are less than FOOB (MHz) in Table 6.5A.3.1.0-1 from the edge of the aggregated channel bandwidth. For power class 2 intra-band contiguous carrier aggregation, the additional spurious emissions are measured as the sum from both UE transmit antenna connectors when UE indicates support for *dualPA-Architecture IE*.

Table 6.5A.3.3.0.1.1-1: Additional requirements for "CA_NS_04"

Frequency range (MHz)	BWChannel_CA (MHz) / Spectrum emission limit (dBm)	Measurement bandwidth
	20 to 190 MHz	
$2495 \leq f < 2496$	-13	Max(1 % of BW _{Channel_CA} , 1 MHz)
$2490.5 \leq f < 2495$	-13	1 MHz
$0.009 < f < 2490.5$	-25	1 MHz

The normative reference for this requirement is TS 38.101-1 [2] subclause 6.5A.3.3.1

6.5A.3.3.1 Additional spurious emissions for CA (2UL CA)

Editor's note: The following aspects are either missing or not yet determined:

- Tests for network signalling value other than NS_04 are not complete.

6.5A.3.3.1.1 Test purpose

To verify that UE transmitter does not cause unacceptable interference to other channels or other systems in terms of transmitter spurious emissions under the deployment scenarios where additional requirements are specified.

6.5A.3.3.1.2 Test applicability

This test case applies to all types of NR UE release 15 and forward that supports 2UL CA.

6.5A.3.3.1.3 Minimum conformance requirements

The minimum conformance requirements are defined in subclause 6.5A.3.3.0.

6.5A.3.3.1.4 Test description

6.5A.3.3.1.4.1 Initial conditions

Initial conditions are a set of test configurations the UE needs to be tested in and the steps for the SS to take with the UE to reach the correct measurement state.

The initial test configurations consist of environmental conditions, test frequencies, test channel bandwidths and sub-carrier spacing based on NR CA configuration specified in clause 5.5A. All of these configurations shall be tested with applicable test parameters for each CA configuration, are shown in Table 6.5A.3.3.1.4.1-1. The details of the uplink reference measurement channels (RMCs) are specified in Annexes A.2. Configurations of PDSCH and PDCCH before measurement are specified in Annex C.2.

Table 6.5A.3.3.1.4.1-1: Test Configuration Table (network signalling value "CA_NS_04")

Same test configuration as listed in Table 6.2A.3.1.4.1-7 shall be used with the following exceptions:

- Only Test IDs 3~13 are tested.
- 1. Connect the SS to the UE antenna connectors as shown in TS 38.508-1 [5] Annex A, in Figure A.3.1.1.3 for TE diagram and section A.3.2 for UE diagram.
- 2. The parameter settings for the cell are set up according to TS 38.508-1 [5] subclause 4.4.3.
- 3. Downlink signals for PCC are initially set up according to Annex C.0, C.1 and C.2, and uplink signals according to Annex G.0, G.1, G.2, G.3.0.
- 4. The UL Reference Measurement channels are set according to Table 6.5A.3.3.1.4.1-1.
- 5. Propagation conditions are set according to Annex B.0.
- 6. Ensure the UE is in state RRC_CONNECTED with generic procedure parameters Connectivity *NR*, Connected without release *On*, Test Mode *On* and Test Loop Function *On* according to TS 38.508-1 [5] clause 4.5. Message contents are defined in clause 6.5A.3.3.1.4.3.

6.5A.3.3.1.4.2 Test procedure

1. Configure SCC according to Annex C.0, C.1, C.2 for all downlink physical channels.
2. The SS shall configure SCC as per TS 38.508-1 [5] clause 5.1.1. Message contents are defined in clause 6.5A.3.3.1.4.3.
3. SS activates SCC by sending the activation MAC CE (Refer TS 38.321 [18], clauses 5.9, 6.1.3.10). Wait for at least 2 seconds (Refer TS 38.133[19], clause 9.3).
4. SS sends uplink scheduling information for each UL HARQ process via PDCCH DCI format 0_1 for C_RNTI to schedule the UL RMC according to Table 6.5A.3.3.1.4.1-1 on both PCC and SCC. Since the UE has no payload data to send, the UE transmits uplink MAC padding bits on the UL RMC.
5. Send continuously uplink power control "up" commands in every uplink scheduling information to the UE until the UE transmits at P_{UMAX} level. Allow at least 200ms for the UE to reach P_{UMAX} level.
6. Measure the mean power over all component carriers in the CA configuration of the radio access mode, which shall meet the requirements described in clause 6.2A.3. The period of the measurement shall be at least the continuous duration of one active sub-frame (1ms) and in the uplink symbols. For TDD slots with transient periods are not under test. For power class 2 intra-band contiguous carrier aggregation, the additional spectrum emission mask is measured as the sum from both UE transmit antenna connectors when UE indicates support for *dualPA-Architecture IE*.
7. Measure the power of the transmitted signal with a measurement filter of bandwidths according to Table 6.5A.3.3.1.5.1-1. The centre frequency of the filter shall be stepped in contiguous steps according to Table 6.5A.3.3.1.5.1-1. The measured power shall be verified for each step. The measurement period shall capture the active time slots. During measurement the spectrum analyser shall be set to 'Detector' = RMS. If the sweep count is higher than one, the trace mode shall be average. For power class 2 intra-band contiguous carrier aggregation, the additional spectrum emission mask is measured as the sum from both UE transmit antenna connectors when UE indicates support for *dualPA-Architecture IE*.

6.5A.3.3.1.4.3 Message contents

Message contents are same as 6.2A.3.1.4.3.

6.5A.3.3.1.5 Test requirement

6.5A.3.3.1.5.1 Test requirements (network signalling value "CA_NS_04")

When "CA_NS_04" is indicated in the cell:

- the measured UE mean power in the channel bandwidth, derived in step 6, shall fulfil requirements in Table 6.2A.3.1.5-7 for UE power class 3 or Table 6.2A.3.1.5-8 UE power class 2.

and

- the power of any UE emission derived in step 7 shall fulfil requirements in table 6.5A.2.3.1.5.1-1. This requirement also applies for the frequency ranges that are less than FOOB (MHz) in Table 6.5A.3.1-1 from the edge of the aggregated channel bandwidth.

Table 6.5A.3.3.1.5.1-1: Additional requirements for "CA_NS_04"

Frequency range (MHz)	BWChannel_CA (MHz) / Spectrum emission limit (dBm)	Measurement bandwidth
	20 to 190 MHz	
$2495 \leq f < 2496$	-13	Max(1 % of BW _{Channel_CA} , 1 MHz)
$2490.5 \leq f < 2495$	-13	1 MHz
$0.009 < f < 2490.5$	-25	1 MHz

6.5A.4 Transmit intermodulation for CA

6.5A.4.0 Minimum conformance requirements

For inter-band carrier aggregation with uplink assigned to two NR bands, the transmit intermodulation requirement is specified in Table 6.5.4-1 which shall apply on each component carrier with both component carriers active.

For intra-band contiguous carrier aggregation the requirement of transmitting intermodulation is specified in Table 6.5A.4.0-1.

Table 6.5A.4.0-1: Transmit Intermodulation

CA bandwidth class(UL)	B and C	
Interference Signal Frequency Offset	BW _{Channel_CA}	2*BW _{Channel_CA}
Interference CW Signal Level	-40dBc	
Intermodulation Product	-29dBc	-35dBc
Measurement bandwidth (NOTE1)	Nominal channel space+MBW _{ACLR,low} /2+ MBW _{ACLR,high} /2	
Measurement offset from channel center	BW _{Channel_CA} and 2*BW _{Channel_CA}	2*BW _{Channel_CA} and 4*BW _{Channel_CA}
NOTE 1: MBW _{ACLR,low} and MBW _{ACLR,high} are the single-channel ACLR measurement bandwidths specified for channel bandwidths BW _{channel(low)} and BW _{channel(high)} in 6.5.2.4.1, respectively.		

The normative reference for this requirement is TS 38.101-1 [2] clause 6.5A.4.

6.5A.4.1 Transmit intermodulation for CA (2UL CA)

6.5A.4.1.1 Test purpose

To verify that the UE transmit intermodulation does not exceed the described value in the test requirement.

The transmit intermodulation performance is a measure of the capability of the transmitter to inhibit the generation of signals in its non-linear elements caused by presence of the wanted signal and an interfering signal reaching the transmitter via the antenna.

6.5A.4.1.2 Test applicability

This test case applies to all types of NR UE release 15 and forward that supports 2UL CA.

6.5A.4.1.3 Minimum conformance requirements

The minimum conformance requirements are defined in subclause 6.5A.4.0.

6.5A.4.1.4 Test description

6.5A.4.1.4.1 Initial conditions

Initial conditions are a set of test configurations the UE needs to be tested in and the steps for the SS to take with the UE to reach the correct measurement state.

The initial test configurations consist of environmental conditions, test frequencies, test channel bandwidths and sub-carrier spacing based on NR CA configuration specified in clause 5.5A. All of these configurations shall be tested with applicable test parameters for each CA configuration, are shown in Tables 6.5A.4.1.4.1-1 and 6.5A.4.1.4.1-2. The details of the uplink reference measurement channels (RMCs) are specified in Annexes A.2. Configurations of PDSCH and PDCCH before measurement are specified in Annex C.2.

Table 6.5A.4.1.4.1-1: Inter-band CA Test Configuration Table

Initial Conditions				
Test Environment as specified in TS 38.508-1 [5] subclause 4.1		Normal		
Test Frequencies as specified in TS 38.508-1 [5] subclause 4.3.1.1.3 for inter band CA in FR1		Mid range for PCC and SCC (NOTE 4)		
Test Channel Bandwidths as specified in TS 38.508-1 [5] subclause 4.3.1		Lowest N_{RB_agg} for both PCC and SCC Highest N_{RB_agg} for both PCC and SCC		
Test SCS as specified in Table 5.3.5-1		Smallest and biggest supported SCS per Channel Bandwidth		
Test Parameters				
Test ID	Downlink Configuration	Uplink Configuration		
		Modulation (NOTE 3)	RB allocation (NOTE 1)	
			PCC	SCC
1 ³	N/A	DFT-s-OFDM PI/2 BPSK	Inner Full	Inner Full
2		DFT-s-OFDM QPSK	Inner Full	Inner Full
NOTE 1: The specific configuration of each RB allocation is defined in Table 6.1-1.				
NOTE 2: Test Channel Bandwidths and Test SCS are checked separately for each NR CA band combination, which applicable channel bandwidths is specified in Table 5.5A.3.1-1 and SCS is specified in Table 5.3.5-1 for each NR band.				
NOTE 3: DFT-s-OFDM PI/2 BPSK test applies only for UEs which supports half Pi BPSK in FR1.				
NOTE 4: For NR band n28, 30MHz test channel bandwidth is tested with Low range test frequencies.				

Table 6.5A.4.1.4.1-2: Intra-band CA Test Configuration Table

Initial Conditions	
Test Environment as specified in TS 38.508-1 [5] subclause 4.1	Normal
Test Frequencies as specified in TS 38.508-1 [5] subclause 4.3.1.1.3 for inter band CA in FR1	Mid range for PCC and SCC (NOTE 4)
Test Channel Bandwidths as specified in TS 38.508-1 [5] subclause 4.3.1	Lowest N_{RB_agg} for both PCC and SCC Highest N_{RB_agg} for both PCC and SCC
Test SCS as specified in Table 5.3.5-1	Lowest and highest supported SCS per Channel Bandwidth
Test Parameters	

Test ID	Downlink Configuration	Uplink Configuration	
		Modulation(NOTE 3)	RB allocation (NOTE 1)
1 ³	N/A	DFT-s-OFDM PI/2 BPSK	Inner Full
2		DFT-s-OFDM QPSK	Inner Full
NOTE 1: The specific configuration of each RB allocation is defined in Table 6.1A-1a.			
NOTE 2: Test Channel Bandwidths and Test SCS are checked separately for each NR CA band combination, which applicable channel bandwidths is specified in Table 5.5A.1-1 and SCS is specified in Table 5.3.5-1 for each NR band.			
NOTE 3: DFT-s-OFDM PI/2 BPSK test applies only for UEs which supports half Pi BPSK in FR1.			

1. Connect the SS to the UE antenna connectors as shown in TS 38.508-1 [5] Annex A, in Figure A.3.1.1.3 for TE diagram and section A.3.2 for UE diagram.
2. The parameter settings for the cell are set up according to TS 38.508-1 [5] subclause 4.4.3.
3. Downlink signals for PCC are initially set up according to Annex C.0, C.1, C.2, and uplink signals according to Annex G.0, G.1, G.2, G.3.0.
4. The UL Reference Measurement channels are set according to Tables 6.5A.4.1.4.1-1 and 6.5A.4.1.4.1-2.
5. Propagation conditions are set according to Annex B.0.
6. Ensure the UE is in State RRC_CONNECTED with generic procedure parameters Connectivity NR, Connected without release On, Test Mode On and Test Loop Function On according to TS 38.508-1 [5] clause 4.5. Message contents are defined in clause 6.5A.4.1.4.3.

6.5A.4.1.4.2 Test procedure

1. Configure SCC according to Annex C.0, C.1, C.2 for all downlink physical channels.
2. The SS shall configure SCC as per TS 38.508-1 [5] clause 5.5.1. Message contents are defined in clause 6.5A.4.1.4.3.
3. SS activates SCC by sending the activation MAC CE (Refer TS 38.321 [18], clauses 5.9, 6.1.3.10). Wait for at least 2 seconds (Refer TS 38.133[19], clause 9.3).
4. SS sends uplink scheduling information for each UL HARQ process via PDCCH DCI format 0_1 for C_RNTI to schedule the UL RMC according to Table 6.5A.4.1.4.1-1 for inter-band CA or 6.5A.4.1.4.1-2 for intra-band CA on both PCC and SCC. Since the UE has no payload and no loopback data to send the UE sends uplink MAC padding bits on the UL RMC.
5. Send continuously uplink power control "up" commands on PCC and SCC to the UE until the UE transmits at its P_{UMAX} level; allow at least 200ms starting from the first TPC command in this step for the UE to reach P_{UMAX} level
6. Measure the rectangular filtered mean power of the UE. For TDD slots with transient periods are not under test for the wanted signal and for the intermodulation product.
7. For inter-band CA: Set the interference signal frequency below the UL carrier frequency of the PCC using the first offset in Table 6.5A.4.1.5-1.

For intra-band CA: set interference signal frequency below the UL carrier frequency of the lowest carrier using the first offset in Table 6.5A.4.1.5-1a.
8. Set the interference CW signal level according to Table 6.5A.4.1.5-1 for inter-band CA and table 6.5A.4.1.5-1a for intra-band contiguous CA.
9. For inter-band CA: Search the intermodulation product signals below and above the UL carrier frequency of the PCC and not overlapping with the UL BW of the other CC, then measure the rectangular filtered mean power of transmitting intermodulation for both signals and calculate the ratios with the power measured in step 6.

For intra-band CA: Search the intermodulation product signals below and above the aggregated UL carriers, then measure the rectangular filtered mean power of transmitting intermodulation for both signals, and calculate the ratios with the power measured in step 6.

- 10. For inter-band CA: Set the interference signal frequency above the UL carrier frequency of the PCC using the first offset in Table 6.5A.4.1.5-1.

For intra-band CA: set interference signal frequency above the UL carrier frequency of the highest carrier using the first offset in Table 6.5A.4.1.5-1a.

- 11. For inter-band CA: Search the intermodulation product signals below and above the UL carrier frequency of the PCC and not overlapping with the UL BW of the other CC, then measure the rectangular filtered mean power of transmitting intermodulation for both signals, and calculate the ratios with the power measured in step 6.

For intra-band CA: Search the intermodulation product signals below and above the aggregated UL carriers, then measure the rectangular filtered mean power of transmitting intermodulation for both signals, and calculate the ratios with the power measured in step 6.

- 12. For inter-band CA: Set the interference signal frequency below the UL carrier frequency of the SCC using the first offset in Table 6.5A.4.1.5-1.

- 13. For inter-band CA: Search the intermodulation product signals below and above the UL carrier frequency of the SCC and not overlapping with the UL BW of the other CC, then measure the rectangular filtered mean power of transmitting intermodulation for both signals and calculate the ratios with the power measured in step 6.

- 14. For inter-band CA: Set the interference signal frequency above the UL carrier frequency of the SCC using the first offset in Table 6.5A.4.1.5-1.

- 15. For inter-band CA: Search the intermodulation product signals below and above the UL carrier frequency of the SCC and not overlapping with the UL BW of the other CC, then measure the rectangular filtered mean power of transmitting intermodulation for both signals and calculate the ratios with the power measured in step 6.

- 16. Repeat the measurement using the second offset in Table 6.5A.4.1.5-1 for inter-band CA and table 6.5A.4.1.5-1a for intra-band CA.

NOTE 1: When switching to DFT-s-OFDM waveform, as specified in the test configuration table 6.5.2.2.4.1-1, send an NR RRCReconfiguration message according to TS 38.508-1 [5] clause 4.6.3 Table 4.6.3-118 PUSCH-Config with TRANSFORM_PRECODER_ENABLED condition.

6.5A.4.1.4.3 Message contents

Message contents are according to TS 38.508-1 [5] subclause 4.6 with following exception:

Table 6.5A.4.1.4.3-1: FrequencyInfoUL-SIB for inter-band CA

Derivation Path: TS 38.508-1 [5] Table 4.6.3-62 FrequencyInfoUL-SIB			
Information Element	Value/remark	Comment	Condition
p-Max	20		Power class 3 and Inter-band CA

6.5A.4.1.5 Test requirement

Inter-band CA: The ratio derived in steps 9, 11, 13 and 15, shall not exceed the described value in Table 6.5A.4.1.5-1.

Intra-band CA: The ratio derived in steps 9, 11, shall not exceed the described value in Table 6.5A.4.1.5-1a.

Table 6.5A.4.1.5-1: Transmit Intermodulation for inter-band CA

Wanted signal channel bandwidth	BW _{Channel}		
Interference signal frequency offset from channel centre	BW _{Channel}	2*BW _{Channel}	
Interference CW signal level	-40dBc		

Intermodulation product	<-29dBc+TT	< -35dBc+TT
Measurement bandwidth	The maximum transmission bandwidth configuration among the different SCSs for the channel BW as defined in Table 6.5.2.4.1.5-1	
Measurement offset from channel centre	BW _{Channel} and 2*BW _{Channel}	2*BW _{Channel} and 4*BW _{Channel}

Table 6.5A.4.1.5-1a: Transmit Intermodulation for intra-band CA

CA bandwidth class(UL)	B and C	
Interference Signal Frequency Offset	BW _{Channel_CA}	2*BW _{Channel_CA}
Interference CW Signal Level	-40dBc	
Intermodulation Product	-29dBc	-35dBc
Measurement bandwidth (NOTE1)	Nominal channel space+MBW _{ACLR,low} /2+ MBW _{ACLR,high} /2	
Measurement offset from channel center	BW _{Channel_CA} and 2*BW _{Channel_CA}	2*BW _{Channel_CA} and 4*BW _{Channel_CA}
NOTE 1: MBW _{ACLR,low} and MBW _{ACLR,high} are the single-channel ACLR measurement bandwidths specified for channel bandwidths BW _{channel(low)} and BW _{channel(high)} in 6.5.2.4.1.5-1, respectively.		

Table 6.5A.4.1.5-2: Test Tolerance for Transmit Intermodulation

	f ≤ 3.0GHz	3.0GHz < f ≤ 6GHz
BW ≤ 40MHz	0dB	0dB
40MHz < BW ≤ 100MHz	0dB	0dB

6.5B Output RF spectrum emissions for NR-DC

For inter-band NR-DC with one uplink carrier assigned per NR band, the output RF spectrum emissions for the corresponding inter-band CA configuration as specified in clause 6.5A applies.

Note: For NR-DC testing, replace CA by NR-DC, PCC by PCell, and SCC by PSCell in clause 6.5A.

6.5B.1 Occupied bandwidth for NR-DC

For inter-band dual connectivity, the occupied bandwidth for the corresponding inter-band CA configuration as specified in clause 6.5A.1 applies.

Note: For NR-DC testing, replace CA by NR-DC, PCC by PCell, and SCC by PSCell in clause 6.5A.1.

6.5B.2 Out of band emission for NR-DC

6.5B.2.1 General

This clause contains requirements for out of band emissions for UE configured of dual connectivity.

6.5B.2.2 Spectrum emission mask

For inter-band dual connectivity, the Spectrum emission mask for the corresponding inter-band CA configuration as specified in clause 6.5A.2.2 applies.

Note: For NR-DC testing, replace CA by NR-DC, PCC by PCell, and SCC by PSCell in clause 6.5A.2.2.

6.5B.2.4 Adjacent channel leakage ratio

For inter-band dual connectivity, the Adjacent Channel Leakage power Ratio (ACLR) for the corresponding inter-band CA configuration as specified in clause 6.5A.2.4 applies.

Note: For NR-DC testing, replace CA by NR-DC, PCC by PCell, and SCC by PSCell in clause 6.5A.2.4.

6.5B.3 Spurious emission for NR-DC

For inter-band dual connectivity, the spurious emissions for the corresponding inter-band CA configuration as specified in clause 6.5A.3 applies.

Note: For NR-DC testing, replace CA by NR-DC, PCC by PCell, and SCC by PSCell in clause 6.5A.3.

6.5B.4 Transmit intermodulation for NR-DC

For inter-band dual connectivity, the transmit intermodulation for the corresponding inter-band CA configuration as specified in clause 6.5A.4 applies.

Note: For NR-DC testing, replace CA by NR-DC, PCC by PCell, and SCC by PSCell in clause 6.5A.4.

6.5C Output RF spectrum emissions for SUL

For a terminal that supports SUL for the band combination specified in Table 5.2C-1, the current version of the specification assumes the terminal is configured with active transmission either on UL carrier or SUL carrier at any time in one serving cell and the UE requirements for single carrier shall apply for the active UL or SUL carrier accordingly

6.5C.1 Occupied bandwidth for SUL

6.5C.1.1 Test purpose

To verify that the UE occupied bandwidth for all transmission bandwidth configurations supported by the UE supporting SUL are less than their specific limits when UE is configured using SUL transmission.

6.5C.1.2 Test applicability

This test applies to all types of NR UE release 15 and forward that support SUL operating on the SUL bands.

6.5C.1.3 Minimum conformance requirements

Same minimum conformance requirements as in clause 6.5.1.3

6.5C.1.4 Test description

Same test description as specified in clause 6.5.1.4 with following exceptions:

- Instead of Table 5.3.5-1 → use Table 5.5C-1
- Instead of Table 6.5.1.4.1-1 → use Table 6.5C.1.4-1

Table 6.5C.1.4-1: Test Configuration Table

Initial Conditions			
Test Environment as specified in TS 38.508-1 [5] subclause 4.1		Normal	
Test Frequencies as specified in TS 38.508-1 [5] subclause 4.3.1		Mid range by default for SUL carrier Mid Range for Non-SUL carrier	
Test Channel Bandwidths as specified in TS 38.508-1 [5] subclause 4.3.1		All for SUL carrier Lowest for Non-SUL carrier	
Test SCS as specified in Table 5.3.5-1		15kHz for SUL carrier and Lowest supported SCS for Non-SUL carrier	
Test Parameters for Channel Bandwidths			
	Downlink Configuration	UL Configuration	SUL Configuration

Test ID	N/A	N/A	Modulation	RB allocation
1			CP-OFDM QPSK	Outer full
Note 1:	Test Channel Bandwidths are checked separately for each SUL band combination, the applicable channel bandwidths are specified in Table 5.5C-1.			
Note 2:	The specific configuration of each RB allocation is defined in Table 6.1-1.			
Note 3:	For NR band n83, 30MHz test channel bandwidth is tested with Low range test frequency.			

- Connect the SS to the UE antenna connectors as shown in TS 38.508-1 [5] Annex A, Figure A.3.1.1.4 for TE diagram and section A.3.2 for UE diagram.
- The parameter setting for the cell are set up according to the TS 38.508-1 [5] subclause 4.4.3
- Downlink signals are initially setup according to Annex C.0, C.1, C.2 and uplink signals according to Annex G.0, G.1, G.2, and G.3.0 with consideration of supplementary uplink physical channels.
- Message contents in initial conditions are according to TS 38.508-1 [5] subclause 4.3.6.1.1.2 ensuring UL/SUL indicator in Table 4.3.6.1.1.2-1 with condition SUL, subclause 4.6 ensuring Tables 4.6.1-28 with condition SUL AND (RF OR RRM), 4.6.3-14 with condition SUL_SUL for SUL carrier, with condition SUL, and Table 4.6.3-167 with condition PUSCH_PUCCH_ON_SUL.

6.5C.1.5 Test requirement

The measured Occupied Bandwidth on SUL carrier shall not exceed values in Table 6.5C.1.5-1.

Table 6.5C.1.5-1: Occupied channel bandwidth

	NR channel bandwidth								
	5 MHz	10 MHz	15 MHz	20 MHz	25 MHz	30 MHz	40 MHz	45 MHz	50 MHz
Occupied channel bandwidth (MHz)	5	10	15	20	25	30	40	45	50

6.5C.2 Out of band emission for SUL

6.5C.2.1 General

Void

6.5C.2.2 Spectrum emission mask for SUL

The spectrum emission mask of the UE applies to frequencies (Δf_{OoB}) starting from the \pm edge of the assigned NR channel bandwidth. For frequencies greater than (Δf_{OoB}) the spurious requirements in subclause 6.5.3 are applicable.

NOTE: For measurement conditions at the edge of each frequency range, the lowest frequency of the measurement position in each frequency range should be set at the lowest boundary of the frequency range plus MBW/2. The highest frequency of the measurement position in each frequency range should be set at the highest boundary of the frequency range minus MBW/2. MBW denotes the measurement bandwidth defined for the protected band.

6.5C.2.2.1 Test purpose

To verify that the power of any UE emission shall not exceed specified level for the specified channel bandwidth.

6.5C.2.2.2 Test applicability

This test applies to all types of NR UE release 15 and forward that support SUL operating on the SUL bands.

6.5C.2.2.3 Minimum conformance requirements

Same minimum conformance requirements as in the clause 6.5.2.2.3.

6.5C.2.2.4 Test description

Same test description as PC 3 with contiguous allocation specified in clause 6.5.2.2 with following exceptions:

- Instead of Table 5.3.5-1 → use Table 5.5C-1
- Instead of Table 6.5.2.2.4.1-1 → use Table 6.5C.2.2.4-1

Table 6.5C.2.2.4-1: Test Configuration Table

Initial Conditions					
Test Environment as specified in TS 38.508-1 [5] subclause 4.1			Normal		
Test Frequencies as specified in TS 38.508-1 [5] subclause 4.3.1			Low range, High range for SUL carrier Mid range for Non-SUL carrier		
Test Channel Bandwidths as specified in TS 38.508-1 [5] subclause 4.3.1			Lowest, Highest for SUL carrier Lowest for Non-SUL carrier		
Test SCS as specified in Table 5.5C-1			15kHz for SUL carrier and Lowest supported SCS for Non-SUL carrier		
Test Parameters for Channel Bandwidths					
Test ID	Freq	Downlink Configuration	UL Configuration	SUL Configuration	
		N/A	N/A	Modulation	RB allocation
1	Low			DFT-s-OFDM Pi/2 BPSK	Edge_1RB_Left
2	High			DFT-s-OFDM Pi/2 BPSK	Edge_1RB_Right
3	Default			DFT-s-OFDM Pi/2 BPSK	Outer_Full
4	Low			DFT-s-OFDM QPSK	Edge_1RB_Left
5	High			DFT-s-OFDM QPSK	Edge_1RB_Right
6	Default			DFT-s-OFDM QPSK	Outer_Full
7	Low			DFT-s-OFDM 16 QAM	Edge_1RB_Left
8	High			DFT-s-OFDM 16 QAM	Edge_1RB_Right
9	Default			DFT-s-OFDM 16 QAM	Outer_Full
10	Low			DFT-s-OFDM 64 QAM	Edge_1RB_Left
11	High			DFT-s-OFDM 64 QAM	Edge_1RB_Right
12	Default			DFT-s-OFDM 64 QAM	Outer_Full
13	Low			DFT-s-OFDM 256 QAM	Edge_1RB_Left
14	High			DFT-s-OFDM 256 QAM	Edge_1RB_Right
15	Default			DFT-s-OFDM 256 QAM	Outer_Full
16	Low			CP-OFDM QPSK	Edge_1RB_Left
17	High			CP-OFDM QPSK	Edge_1RB_Right
18	Default			CP-OFDM QPSK	Outer_Full
19	Low			CP-OFDM 16 QAM	Edge_1RB_Left
20	High			CP-OFDM 16 QAM	Edge_1RB_Right
21	Default			CP-OFDM 16 QAM	Outer_Full
22	Low			CP-OFDM 64 QAM	Edge_1RB_Left
23	High			CP-OFDM 64 QAM	Edge_1RB_Right
24	Default			CP-OFDM 64 QAM	Outer_Full
25	Low			CP-OFDM 256 QAM	Edge_1RB_Left
26	High			CP-OFDM 256 QAM	Edge_1RB_Right
27	Default			CP-OFDM 256 QAM	Outer_Full
28 ⁴	Low			DFT-s-OFDM Pi/2 BPSK w Pi/2 BPSK DMRS	Edge_1RB_Left
29 ⁴	High			DFT-s-OFDM Pi/2 BPSK w Pi/2 BPSK DMRS	Edge_1RB_Right
30 ⁴	Default			DFT-s-OFDM Pi/2 BPSK w Pi/2 BPSK DMRS	Outer Full
Note 1: Test Channel Bandwidths are checked separately for each SUL band combination, the applicable channel bandwidths are specified in Table 5.5C-1. Note 2: The specific configuration of each RF allocation is defined in Table 6.1-1. Note 3: DFT-s-OFDM Pi/2 BPSK test applies only for UEs which supports half Pi BPSK in FR1. Note 4: Applicable to UEs indicating support for UE capability <i>lowPAPR-DMRS-PUSCHwithPrecoding-r16</i> .					

- Connect the SS to the UE antenna connectors as shown in TS 38.508-1 [5] Annex A, Figure A.3.1.1.4 for TE diagram and section A.3.2 for UE diagram.

- The parameter setting for the cell are set up according to the TS 38.508-1 [5] subclause 4.4.3
- Downlink signals are initially setup according to Annex C.0, C.1, C.2 and uplink signals according to Annex G.0, G.1, G.2, and G.3.0 with consideration of supplementary uplink physical channels.
- Message contents in initial conditions are according to TS 38.508-1 [5] subclause 4.3.6.1.1.2 ensuring UL/SUL indicator in Table 4.3.6.1.1.2-1 with condition SUL, subclause 4.6 ensuring Table 4.6.1-28 with condition SUL AND (RF OR RRM), Tables 4.6.3-14 with condition SUL_NUL for SUL carrier, and Table 4.6.3-167 with condition PUSCH_PUCCH_ON_SUL. Message contents in Table 6.5.2.2.4.3-2 in clause 6.5.2.2 only apply to Test ID 28-30 in Table 6.5C.2.2.4.1-1.

6.5C.2.2.5 Test requirement

The measured sum of the UE mean power in the channel bandwidth on the SUL carrier, derived in step 3, shall fulfil requirements in Tables 6.2C.4.5-1 as appropriate, and the power of any UE emission shall fulfil requirements in Table 6.5C.2.2.5-1.

Table 6.5C.2.2.5-1: NR General spectrum emission mask

Spectrum emission limit (dBm) / Channel bandwidth														
Δf_{OoB} (MHz)	5 MHz	10 MHz	15 MHz	20 MHz	25 MHz	30 MHz	40 MHz	50 MHz	60 MHz	70 MHz	80 MHz	90 MHz	100 MHz	Measuremer bandwidth
± 0-1	-13+TT	-13+TT	-13+TT	-13+TT	-13+TT	-13+TT	-13+TT							1 % channel bandwidth
± 0-1								-24+TT	-24+TT	-24+TT	-24+TT	-24+TT	-24+TT	30 kHz
± 1-5	-10+TT	-10+TT	-10+TT	-10+TT	-10+TT	-10+TT	-10+TT	-10+TT	-10+TT	-10+TT	-10+TT	-10+TT	-10+TT	
± 5-6	-13+TT	-13+TT	-13+TT	-13+TT	-13+TT	-13+TT	-13+TT	-13+TT	-13+TT	-13+TT	-13+TT	-13+TT	-13+TT	
± 6-10	-25+TT	-13+TT	-13+TT	-13+TT	-13+TT	-13+TT	-13+TT	-13+TT	-13+TT	-13+TT	-13+TT	-13+TT	-13+TT	
± 10-15		-25+TT	-13+TT	-13+TT	-13+TT	-13+TT	-13+TT	-13+TT	-13+TT	-13+TT	-13+TT	-13+TT	-13+TT	
± 15-20			-25+TT	-13+TT	-13+TT	-13+TT	-13+TT	-13+TT	-13+TT	-13+TT	-13+TT	-13+TT	-13+TT	
± 20-25				-25+TT	-13+TT	-13+TT	-13+TT	-13+TT	-13+TT	-13+TT	-13+TT	-13+TT	-13+TT	
± 25-30					-25+TT	-13+TT	-13+TT	-13+TT	-13+TT	-13+TT	-13+TT	-13+TT	-13+TT	
± 30-35						-25+TT	-13+TT	-13+TT	-13+TT	-13+TT	-13+TT	-13+TT	-13+TT	
± 35-40							-25+TT	-13+TT	-13+TT	-13+TT	-13+TT	-13+TT	-13+TT	
± 40-45								-25+TT	-13+TT	-13+TT	-13+TT	-13+TT	-13+TT	
± 45-50									-13+TT	-13+TT	-13+TT	-13+TT	-13+TT	
± 50-55								-25+TT	-13+TT	-13+TT	-13+TT	-13+TT	-13+TT	
± 55-60									-25+TT	-13+TT	-13+TT	-13+TT	-13+TT	
± 60-65										-25+TT	-13+TT	-13+TT	-13+TT	
± 65-70											-25+TT	-13+TT	-13+TT	
± 70-75										-25+TT	-13+TT	-13+TT	-13+TT	
± 75-80											-25+TT	-13+TT	-13+TT	
± 80-85												-25+TT	-13+TT	
± 85-90													-25+TT	
± 90-95														
± 95-100														

± 100-105													- 25+ TT
Note 1:	The first and last measurement position with a 30 kHz filter is at Δf _{OOB} equals to 0.015 MHz and 0.985 MHz.												
Note 2:	At the boundary of spectrum emission limit, the first and last measurement position with a 1 MHz filter is the inside of +0.5MHz and -0.5MHz, respectively.												
Note 3:	The measurements are to be performed above the upper edge of the channel and below the lower edge of the channel.												
Note 4:	TT = 1.5 dB for f ≤ 3GHz, TT = 1.8 dB for 3GHz < f ≤ 4.2GHz, TT = 1.8 dB for 4.2GHz < f ≤ 6.0GHz.												

NOTE: As a general rule, the resolution bandwidth of the measuring equipment should be equal to the measurement bandwidth. However, to improve measurement accuracy, sensitivity and efficiency, the resolution bandwidth may be smaller than the measurement bandwidth. When the resolution bandwidth is smaller than the measurement bandwidth, the result should be integrated over the measurement bandwidth in order to obtain the equivalent noise bandwidth of the measurement bandwidth.

6.5C.2.3 Additional spectrum emission mask for SUL

6.5C.2.3.1 Test purpose

Same test purpose as in clause 6.5.2.3.1

6.5C.2.3.2 Test applicability

This test applies to all types of NR UE release 15 and forward that support SUL operating on the SUL bands.

6.5C.2.3.3 Minimum conformance requirements

Same minimum conformance requirements as in the clause 6.5.2.3.3 with consideration of the NS_03 and NS_03U applicable to the SUL bands.

6.5C.2.3.4 Test description

Same test description as specified in clause 6.5.2.3.4 with following exceptions:

- Instead of Table 5.3.5-1 → use Table 5.5C-1
- Connect the SS to the UE antenna connectors as shown in TS 38.508-1 [5] Annex A, Figure A.3.1.1.4 for TE diagram and section A.3.2 for UE diagram.
- The parameter setting for the cell are set up according to the TS 38.508-1 [5] subclause [4.4.3]
- Downlink signals are initially setup according to Annex C.0, C.1, C.2 and uplink signals according to Annex G.0, G.1, G.2, and G.3.0 with consideration of supplementary uplink physical channels.
- Message contents in initial conditions are according to TS 38.508-1 [5] subclause 4.3.6.1.1.2 ensuring UL/SUL indicator in Table 4.3.6.1.1.2-1 with condition SUL, subclause 4.6 ensuring Tables 4.6.1-28 with condition SUL AND (RF OR RRM), 4.6.3-14 with condition SUL_SUL for SUL carrier, and Table 4.6.3-167 with condition PUSCH_PUCCH_ON_SUL. All the AdditionalSpectrumEmission in 6.2.3.4.3 are sent in *SIB1* as part of *supplementaryUplink* instead of *uplinkConfigCommon*.

6.5C.2.3.5 Test requirement

6.5C.2.3.5.1 Test requirements (network signalling value "NS_03" and "NS_03U")

When "NS_03" or "NS_03U" is indicated in the cell:

- the measured UE mean power in the channel bandwidth, derived in step 3, shall fulfil requirements in Table 6.2C.5.5-1 for a NR UE.

and

- the power of any UE emission shall fulfil requirements in Table 6.5C.2.3.5.1-1, as applicable.

Table 6.5C.2.3.5.1-1: Additional requirements for "NS_03" and "NS_03U"

Spectrum emission limit (dBm)/ Channel bandwidth

Δf_{OOB} (MHz)	5 MHz	10 MHz	15 MHz	20 MHz	40 MHz	Measurement bandwidth
$\pm 0-1$	-13 + TT	-13 + TT	-13 + TT	-13 + TT	-13 + TT	1 % of channel BW
$\pm 1-6$	-13 + TT	-13 + TT	-13 + TT	-13 + TT	-13 + TT	1 MHz
$\pm 6-10$	-25+ TT	-13+ TT	-13 + TT	-13 + TT	-13 + TT	1 MHz
$\pm 10-15$		-25+ TT	-13 + TT	-13 + TT	-13 + TT	1 MHz
$\pm 15-20$			-25+ TT	-13 + TT	-13 + TT	1 MHz
$\pm 20-25$				-25+ TT	-13+ TT	1 MHz
$\pm 25-40$					-13+ TT	1 MHz
$\pm 40-45$					-25+ TT	1 MHz
NOTE 1: TT for each frequency and channel bandwidth is specified in Table 6.5.2.3.5-1.						

NOTE: As a general rule, the resolution bandwidth of the measuring equipment should be equal to the measurement bandwidth. However, to improve measurement accuracy, sensitivity and efficiency, the resolution bandwidth may be smaller than the measurement bandwidth. When the resolution bandwidth is smaller than the measurement bandwidth, the result should be integrated over the measurement bandwidth in order to obtain the equivalent noise bandwidth of the measurement bandwidth.

6.5C.2.4 Adjacent channel leakage ratio for SUL

Adjacent channel leakage power Ratio (ACLR) is the ratio of the filtered mean power centred on the assigned channel frequency to the filtered mean power centred on an adjacent channel frequency.

6.5C.2.4.1 NR ACLR for SUL

6.5C.2.4.1.1 Test purpose

To verify that UE transmitter does not cause unacceptable interference to adjacent channels in terms of Adjacent Channel Leakage power Ratio (ACLR).

6.5C.2.4.1.2 Test applicability

This test applies to all types of NR UE release 15 and forward that support SUL operating on the SUL bands.

6.5C.2.4.1.3 Minimum conformance requirements

The minimum conformance requirements specified in Clause 6.5.2.4.1.3 applies to the UE that support SUL operating on the SUL bands.

The normative reference for this requirement is TS 38.101-1 clauses 6.5.2.4.1.

6.5C.2.4.1.4 Test description

Same test description as PC 3 with contiguous allocation specified in clause 6.5.2.4.1.4 with following exceptions:

- Instead of Table 5.3.5-1 → use Table 5.5C-1
- Instead of the test configuration tables in clause 6.2.2.4.1 → use the test configuration tables in clause 6.2C.4.4
- Instead of the requirements described in clause 6.2.2.5 → use the requirements described in clause 6.2C.4.5

Table 6.5C.2.4.1.4-1: Void

- Connect the SS to the UE antenna connectors as shown in TS 38.508-1 [5] Annex A, Figure A.3.1.1.4 for TE diagram and section A.3.2 for UE diagram.
- The parameter setting for the cell are set up according to the TS 38.508-1 [5] subclause 4.4.3
- Downlink signals are initially setup according to Annex C.0, C.1, C.2 and uplink signals according to Annex G.0, G.1, G.2, and G.3.0 with consideration of supplementary uplink physical channels.
- Message contents in initial conditions are according to TS 38.508-1 [5] subclause 4.3.6.1.1.2 ensuring UL/SUL indicator in Table 4.3.6.1.1.2-1 with condition SUL, subclause 4.6 ensuring Table 4.6.1-28 with condition SUL AND (RF OR RRM), Tables 4.6.3-14 with condition SUL_SUL for SUL carrier, and Table 4.6.3-167 with

condition PUSCH_PUCCH_ON_SUL. Message contents in Table 6.5.2.4.1.4.3-3 in clause 6.5.2.4.1.4 only apply to Test ID 33-35 in Table 6.2C.4.4-1.

6.5C.2.4.1.5 Test requirement

The measured UE mean power in the channel bandwidth on SUL carrier, derived in step 3, shall fulfil requirements in Clause 6.2C.4.5 as appropriate, and if the measured adjacent channel power is greater than -50 dBm then the measured NR ACLR, derived in step 6, shall be higher than the limits in Table 6.5C.2.4.1.5-1.

Table 6.5C.2.4.1.5-1: NR ACLR measurement bandwidth

NR channel bandwidth / NR ACLR measurement bandwidth												
	5 MHz	10 MHz	15 MHz	20 MHz	25 MHz	30 MHz	40 MHz	50 MHz	60 MHz	80 MHz	90 MHz	100 MHz
NR ACLR measurement bandwidth	4.515	9.375	14.235	19.095	23.955	28.815	38.895	48.615	58.35	78.15	88.23	98.31

Table 6.5C.2.4.1.5-2: NR ACLR requirement

	Power class 1	Power class 2	Power class 3
NR ACLR			30 + TT dB
NOTE 1: TT = 0.8 dB for $f \leq 4.0\text{GHz}$, TT = 1.0 dB for $4.0\text{GHz} < f \leq 6.0\text{GHz}$,			

6.5C.2.4.2 UTRA ACLR for SUL

6.5C.2.4.2.1 Test purpose

To verify that UE transmitter does not cause unacceptable interference to adjacent channels in terms of Adjacent Channel Leakage power Ratio (ACLR).

6.5C.2.4.2.2 Test applicability

This test applies for network signalling values NS_03U, NS_05U, NS_43U, and NS_100 to all types of NR UE release 15 and forward that support SUL operating on the SUL bands.

6.5C.2.4.2.3 Minimum conformance requirements

The minimum conformance requirements specified in Clause 6.5.2.4.2.3 applies to the UE that support SUL operating on the SUL bands.

The normative reference for this requirement is TS 38.101-clause 6.5.2.4.2.

6.5C.2.4.2.4 Test description

Same test description as specified in clause 6.5.2.4.2.4 with following exceptions:

Initial conditions are same as in subclause 6.2C.5.4 with the following exceptions:

- Only network signalling values NS_03U, NS_05U, NS_43U, and NS_100 with the corresponding SUL band defined in Table 6.2.3.3.1-1 need to perform UTRA ACLR test.
- Message contents in initial conditions are according to TS 38.508-1 [5] subclause 4.6 ensuring Tables 4.6.1-28 with condition SUL AND (RF OR RRM), Tables 4.6.3-14 with condition SUL_SUL for SUL carrier, and Table 4.6.3-167 with condition PUSCH_PUCCH_ON_SUL, together with the exceptions as specified in Table 6.5C.2.4.2.4-1

Table 6.5C.2.4.2.4-1: AdditionalSpectrumEmission

Derivation Path: TS 38.508-1 [5] clause 4.6.3, Table 4.6.3-1 <i>AdditionalSpectrumEmission</i>			
Information Element	Value/remark	Comment	Condition
AdditionalSpectrumEmission	3 (NS_03U)	For SUL band n86	
	3 (NS_05U)	For SUL band n84	
	1 (NS_100)	For SUL band n84 and n86	
	3 (NS_43U)	For SUL band n81	

6.5C.2.4.2.5 Test requirement

UTRA ACLR requirement is applicable when signalled by the network with network signalling value indicated by the field *additionalSpectrumEmission*.

The measured UE mean total power in the channel bandwidth on SUL carrier, derived in step 3, shall fulfil requirements in Clause 6.2C.5.5 as appropriate, and if the measured adjacent channel power is greater than -50 dBm then the measured UTRA ACLR, derived in step 6, shall be higher than the limits in Table 6.5C.2.4.2.5-1.

Table 6.5C.2.4.2.5-1: NR ACLR requirement

	Power class 3
UTRA_{ACLR1}	33 dB - TT
UTRA_{ACLR2}	36 dB - TT
NOTE 1: TT = 0.8 dB	

6.5C.3 Spurious emissions for SUL

6.5C.3.1 General spurious emissions for SUL

6.5C.3.1.1 Test purpose

To verify that UE transmitter does not cause unacceptable interference to other channels or other systems in terms of transmitter spurious emissions.

6.5C.3.1.2 Test applicability

This test applies to all types of NR UE release 15 and forward that support SUL operating on the SUL bands.

6.5C.3.1.3 Minimum conformance requirements

The general spurious emission requirement specified in clause 6.5.3.1.3 applies to the UE that support SUL operating on the SUL bands.

The normative reference for this requirement is TS 38.101-1 [2] subclauses 6.5.3.1

6.5C.3.1.4 Test description

Same test description as specified in clause 6.5.3.1.4 with following exceptions:

- Instead of Table 5.3.5-1 → use Table 5.5C-1
- Instead of Table 6.5.3.1.4.1-1 → use Table 6.5C.3.1.4-1

Table 6.5C.3.1.4-1: Test Configuration Table

Initial Conditions				
Test Environment as specified in TS 38.508-1 [5] subclause 4.1		Normal		
Test Frequencies as specified in TS 38.508-1 [5] subclause 4.3.1		Low range, Mid range, High range for SUL carrier Mid range for Non-SUL carrier		
Test Channel Bandwidths as specified in TS 38.508-1 [5] subclause 4.3.1		Lowest, Mid, Highest for SUL carrier Lowest for Non-SUL carrier		
Test SCS as specified in Table 5.3.5-1		15kHz for SUL carrier and Lowest supported SCS for Non-SUL carrier		
Test Parameters for Channel Bandwidths				
Test ID	Downlink Configuration	UL Configuration	SUL Configuration	
	N/A	N/A	Modulation	RB allocation (NOTE 2)
1			CP-OFDM QPSK	OuterFull
2			CP-OFDM QPSK	Edge_1RB_Left
3			CP-OFDM QPSK	Edge_1RB_Right

NOTE 1: Test Channel Bandwidths are checked separately for each SUL band combination, the applicable channel bandwidths are specified in Table 5.5C-1.
 NOTE 2: The specific configuration of each RB allocation is defined in Table 6.1-1.
 NOTE 3: Void
 NOTE 4: For NR band n83, 30MHz test channel bandwidth is tested with Low range and High range test frequencies.

- Connect the SS to the UE antenna connectors as shown in TS 38.508-1 [5] Annex A, Figure A.3.1.1.4 for TE diagram and section A.3.2 for UE diagram.
- The parameter setting for the cell are set up according to the TS 38.508-1 [5] subclause 4.4.3
- Downlink signals are initially setup according to Annex C.0, C.1, C.2 and uplink signals according to Annex G.0, G.1, G.2, and G.3.0 with consideration of supplementary uplink physical channels.
- Message contents in initial conditions are according to TS 38.508-1 [5] subclause 4.3.6.1.1.2 ensuring UL/SUL indicator in Table 4.3.6.1.1.2-1 with condition SUL, subclause 4.6 ensuring Tables 4.6.1-28 with condition SUL AND (RF OR RRM), 4.6.3-14 with condition SUL_SUL for SUL carrier, and Table 4.6.3-167 with condition PUSCH_PUCCH_ON_SUL.

6.5C.3.1.5 Test requirement

The measured average power of spurious emission on the SUL carrier, derived in step 3, shall not exceed the described value in Table 6.5C.3.1.5-1.

The spurious emission limits apply for the frequency ranges that are more than Δf_{OOB} (MHz) in Table 6.5.3.1.3-1 from the edge of the channel bandwidth.

Table 6.5C.3.1.5-1: General spurious emissions test requirements

Frequency Range	Maximum Level	Measurement bandwidth	NOTE
$9 \text{ kHz} \leq f < 150 \text{ kHz}$	-36 dBm	1 kHz	
$150 \text{ kHz} \leq f < 30 \text{ MHz}$	-36 dBm	10 kHz	
$30 \text{ MHz} \leq f < 1000 \text{ MHz}$	-36 dBm	100 kHz	
$1 \text{ GHz} \leq f < 12.75 \text{ GHz}$	-30 dBm	1 MHz	
$12.75 \text{ GHz} \leq f < 5\text{th}$ harmonic of the upper frequency edge of the UL operating band in GHz	-30 dBm	1 MHz	1
$12.75 \text{ GHz} < f < 26 \text{ GHz}$	-30 dBm	1 MHz	2
NOTE 1: Applies for Band that the upper frequency edge of the UL Band more than 2.69 GHz			
NOTE 2: Applies for Band that the upper frequency edge of the UL Band more than 5.2 GHz			

6.5C.3.2 Spurious emissions for UE co-existence for SUL

6.5C.3.2.1 Test purpose

To verify that UE transmitter does not cause unacceptable interference to co-existing systems for the specified bands which has specific requirements in terms of transmitter spurious emissions.

6.5C.3.2.2 Test applicability

This test applies to all types of NR UE release 15 and forward that support SUL operating on the SUL bands.

6.5C.3.2.3 Minimum conformance requirements

The requirements for NR bands for coexistence with protected bands specified in subclause 6.5.3.2.3 apply to the UE that support SUL operating on the SUL bands

The normative reference for this requirement is TS 38.101-1 [2] subclause 6.5.3.2.

6.5C.3.2.4 Test description

Same test description as specified in clause 6.5.3.2.4 with following exceptions:

- Instead of Table 5.3.5-1 → use Table 5.5C-1
- Instead of Table 6.5.3.2.4.1-1 → use Table 6.5C.3.2.4-1

Table 6.5C.3.2.4-1: Test Configuration Table

Initial Conditions				
Test Environment as specified in TS 38.508-1 [5] subclause 4.1		Normal		
Test Frequencies as specified in TS 38.508-1 [5] subclause 4.3.1		Low range, Mid range, High range for SUL carrier Mid range for Non-SUL carrier		
Test Channel Bandwidths as specified in TS 38.508-1 [5] subclause 4.3.1		Lowest, Mid, Highest for SUL carrier Lowest for Non-SUL carrier		
Test SCS as specified in Table 5.3.5-1		15kHz for SUL carrier and Lowest supported SCS for Non-SUL carrier		
Test Parameters for Channel Bandwidths				
Test ID	Downlink Configuration	UL Configuration	SUL Configuration	
	N/A	N/A	Modulation	RB allocation (NOTE 1)
1			CP-OFDM QPSK	OuterFull
2			CP-OFDM QPSK	Edge_1RB_Left
3			CP-OFDM QPSK	Edge_1RB_Right
NOTE 1: The specific configuration of each RB allocation is defined in Table 6.1-1 Common UL configuration.				
NOTE 2: Test Channel Bandwidths are checked separately for each SUL band combination, the applicable channel bandwidths are specified in Table 5.5C-1.				
NOTE 3: For NR band n83, 30MHz test channel bandwidth is tested with Low range and High range test frequencies.				

- Connect the SS to the UE antenna connectors as shown in TS 38.508-1 [5] Annex A, Figure A.3.1.1.4 for TE diagram and section A.3.2 for UE diagram.
- The parameter setting for the cell are set up according to the TS 38.508-1 [5] subclause 4.4.3
- Downlink signals are initially setup according to Annex C.0, C.1, C.2 and uplink signals according to Annex G.0, G.1, G.2, and G.3.0 with consideration of supplementary uplink physical channels.
- Message contents in initial conditions are according to TS 38.508-1 [5] subclause 4.3.6.1.1.2 ensuring UL/SUL indicator in Table 4.3.6.1.1.2-1 with condition SUL, subclause 4.6 ensuring Tables 4.6.1-28 with condition SUL AND (RF OR RRM), 4.6.3-14 with condition SUL_SUL for SUL carrier, and Table 4.6.3-167 with condition PUSCH_PUCCH_ON_SUL.

6.5C.3.2.5 Test requirement

Test requirements for Spurious Emissions UE Co-existence are the same as specified in clause 6.5.3.2.3.

The measured average power of spurious emission, derived in step 3, shall not exceed the described value in Table 6.5.3.2.3-1 to Table 6.5.3.2.3-4. If the UE support a band, which is not defined in the table corresponding UE’s release, the requirements for this band are taken from the table of earliest release where requirements for this band are defined. This has been described in following Table 6.5C.3.2.5-1.

Table 6.5C.3.2.5-1: UE Requirements according to UE NR release and supported NR band

UE Requirements per release				
NR Band	Rel-15	Rel-16	R17	R18
n80	Table 6.5.3.2.3-1	Table 6.5.3.2.3-2	Table 6.5.3.2.3-3	Table 6.5.3.2.3-4
n81	Table 6.5.3.2.3-1	Table 6.5.3.2.3-2	Table 6.5.3.2.3-3	Table 6.5.3.2.3-4
n82	Table 6.5.3.2.3-1	Table 6.5.3.2.3-2	Table 6.5.3.2.3-3	Table 6.5.3.2.3-4
n83	Table 6.5.3.2.3-1	Table 6.5.3.2.3-2	Table 6.5.3.2.3-3	Table 6.5.3.2.3-4
n84	Table 6.5.3.2.3-1	Table 6.5.3.2.3-2	Table 6.5.3.2.3-3	Table 6.5.3.2.3-4
n86	Table 6.5.3.2.3-1	Table 6.5.3.2.3-2	Table 6.5.3.2.3-3	Table 6.5.3.2.3-4
n89	Table 6.5.3.2.3-2	Table 6.5.3.2.3-2	Table 6.5.3.2.3-3	Table 6.5.3.2.3-4
n95	Table 6.5.3.2.3-2	Table 6.5.3.2.3-2	Table 6.5.3.2.3-3	Table 6.5.3.2.3-4
n97	Table 6.5.3.2.3-3	Table 6.5.3.2.3-3	Table 6.5.3.2.3-3	Table 6.5.3.2.3-4

n98	Table 6.5.3.2.3-3	Table 6.5.3.2.3-3	Table 6.5.3.2.3-3	Table 6.5.3.2.3-4
n99	Table 6.5.3.2.3-3	Table 6.5.3.2.3-3	Table 6.5.3.2.3-3	Table 6.5.3.2.3-4

6.5C.3.3 Additional spurious emissions for SUL

6.5C.3.3.1 Test purpose

To verify that UE transmitter does not cause unacceptable interference to other channels or other systems in terms of transmitter spurious emissions under the deployment scenarios where additional requirements are specified.

6.5C.3.3.2 Test applicability

This test applies to all types of NR UE release 15 and forward that support SUL operating on the SUL bands.

6.5C.3.3.3 Minimum conformance requirements

The additional spurious emission requirements specified in 6.5.3.3.3 apply to the UE operating on SUL bands.

The normative reference for this requirement is TS 38.101-1 [2] clause 6.5.3.3

6.5C.3.3.4 Test description

Same test description as specified in clause 6.5.3.3.4 with following exceptions:

- Instead of table 5.3.5-1 → use Table 5.5C-1
- For NS_05, instead of Table 6.5.3.3.4.1-4 → use Table 6.5C.3.3.4-1
- For NS_43, instead of Table 6.5.3.3.4.1-5 → use Table 6.5C.3.3.4-2
- For NS_18, instead of Table 6.5.3.3.4.1-3 → use Table 6.5C.3.3.4-3
- For NS_48, instead of Table 6.5.3.3.4.1-22 → use Table 6.5C.3.3.4-4
- For NS_49, instead of Table 6.5.3.3.4.1-23 → use Table 6.5C.3.3.4-5
- For NS_56, instead of Table 6.5.3.3.4.1-27 → use Table 6.5C.3.3.4-6

Table 6.5C.3.3.4-1: Test Configuration Table (network signalling value “NS_05”)

Initial Conditions										
Test Environment as specified in TS 38.508-1 [5] subclause 4.1				Normal						
Test Frequencies as specified in TS 38.508-1 [5] subclause 4.3.1				Use centre frequency (Fc) as specified in test parameters for SUL carrier Mid range for Non-SUL carrier						
Test Channel Bandwidths as specified in TS 38.508-1 [5] subclause 4.3.1				5 MHz, 10 MHz, 15 MHz, 20 MHz for SUL carrier Lowest for Non-SUL carrier						
Test SCS as specified in Table 5.3.5-1				15kHz for SUL carrier and Lowest supported SCS for Non-SUL carrier						
Additional Spurious for SUL test parameters for NS_05										
Test ID	Fc (MHz)	SUL ChBw (MHz)	Downlink Config.	Uplink Config	A-MPR	SUL Configuration				
						DFT-s-OFDM	Modulation (NOTE 2)	RB allocation (Note 1)		
1	1922.5	5	N/A	N/A	A 3		PI/2 BPSK	Outer_Full		
2	1925	10				A 1			PI/2 BPSK	Outer_Full
3	1925	10				A 7			PI/2 BPSK	40@10
4	1925	10				A 2			PI/2 BPSK	6@40
5	1935	10				A 4			PI/2 BPSK	Outer_Full

6	1927.5	15			A 1	PI/2 BPSK	Outer_Full
7	1927.5	15			A 7	PI/2 BPSK	60@19
8	1927.5	15			A 2	PI/2 BPSK	6@56
9	1932.5	15			A 1	PI/2 BPSK	Outer_Full
10	1932.5	15			A 2	PI/2 BPSK	6@68
11	1942.5	15			A 5	PI/2 BPSK	Outer_Full
12	1930	20			A 1	PI/2 BPSK	Outer_Full
13	1930	20			A 7	PI/2 BPSK	72@28
14	1930	20			A 2	PI/2 BPSK	6@76
15	1950	20			A 6	PI/2 BPSK	Outer_Full
16	1922.5	5			A 3	QPSK	Outer_Full
17	1925	10			A 1	QPSK	Outer_Full
18	1925	10			A 7	QPSK	40@10
19	1925	10			A 2	QPSK	6@40
20	1927.5	15			A 1	QPSK	Outer_Full
21	1927.5	15			A 7	QPSK	60@19
22	1927.5	15			A 2	QPSK	6@56
23	1932.5	15			A 1	QPSK	Outer_Full
24	1932.5	15			A 2	QPSK	6@68
25	1942.5	15			A 5	QPSK	Outer_Full
26	1930	20			A 1	QPSK	Outer_Full
27	1930	20			A 7	QPSK	72@28
28	1930	20			A 2	QPSK	6@76
29	1950	20			A 6	QPSK	Outer_Full
30	1922.5	5			A 3	16 QAM	Outer_Full
31	1925	10			A 1	16 QAM	Outer_Full
32	1925	10			A 7	16 QAM	40@10
33	1925	10			A 2	16 QAM	6@40
34	1927.5	15			A 1	16 QAM	Outer_Full
35	1927.5	15			A 7	16 QAM	60@19
36	1927.5	15			A 2	16 QAM	6@56
37	1932.5	15			A 1	16 QAM	Outer_Full
38	1932.5	15			A 2	16 QAM	6@68

39	1930	20			A 1	16 QAM	Outer_Full
40	1930	20			A 7	16 QAM	72@28
41	1930	20			A 2	16 QAM	6@76
42	1922.5	5			A 3	64 QAM	Outer_Full
43	1925	10			A 1	64 QAM	Outer_Full
44	1925	10			A 7	64 QAM	40@10
45	1925	10			A 2	64 QAM	6@40
46	1927.5	15			A 1	64 QAM	Outer_Full
47	1927.5	15			A 7	64 QAM	60@19
48	1927.5	15			A 2	64 QAM	6@56
49	1932.5	15			A 1	64 QAM	Outer_Full
50	1932.5	15			A 2	64 QAM	6@68
51	1930	20			A 1	64 QAM	Outer_Full
52	1930	20			A 7	64 QAM	72@28
53	1930	20			A 2	64 QAM	6@76
54	1922.5	5			A 3	256 QAM	Outer_Full
55	1925	10			A 1	256 QAM	Outer_Full
56	1925	10			A 7	256 QAM	40@10
57	1925	10			A 2	256 QAM	6@40
58	1927.5	15			A 1	256 QAM	Outer_Full
59	1927.5	15			A 7	256 QAM	60@19
60	1927.5	15			A 2	256 QAM	6@56
61	1932.5	15			A 1	256 QAM	Outer_Full
62	1932.5	15			A 2	256 QAM	6@68
63	1930	20			A 1	256 QAM	Outer_Full
64	1930	20			A 7	256 QAM	72@28
65	1930	20			A 2	256 QAM	6@76
66	1922.5	5			A 3	QPSK	Outer_Full
67	1925	10			A 1	QPSK	Outer_Full
68	1925	10			A 7	QPSK	42@10
69	1925	10			A 2	QPSK	6@40
70	1935	10			A 4	QPSK	Outer_Full
71	1927.5	15			A 1	QPSK	Outer_Full

CP-OFDM

72	1927.5	15			A 7	QPSK	60@19
73	1927.5	15			A 2	QPSK	6@56
74	1932.5	15			A 1	QPSK	Outer_Full
75	1932.5	15			A 2	QPSK	6@68
76	1942.5	15			A 5	QPSK	Outer_Full
77	1930	20			A 1	QPSK	Outer_Full
78	1930	20			A 7	QPSK	78@28
79	1930	20			A 2	QPSK	6@76
80	1950	20			A 6	QPSK	Outer_Full
81	1922.5	5			A 3	16 QAM	Outer_Full
82	1925	10			A 1	16 QAM	Outer_Full
83	1925	10			A 7	16 QAM	42@10
84	1925	10			A 2	16 QAM	6@40
85	1935	10			A 4	16 QAM	Outer_Full
86	1927.5	15			A 1	16 QAM	Outer_Full
87	1927.5	15			A 7	16 QAM	60@19
88	1927.5	15			A 2	16 QAM	6@56
89	1932.5	15			A 1	16 QAM	Outer_Full
90	1932.5	15			A 2	16 QAM	6@68
91	1942.5	15			A 5	16 QAM	Outer_Full
92	1930	20			A 1	16 QAM	Outer_Full
93	1930	20			A 7	16 QAM	78@28
94	1930	20			A 2	16 QAM	6@76
95	1950	20			A 6	16 QAM	Outer_Full
96	1922.5	5			A 3	64 QAM	Outer_Full
97	1925	10			A 1	64 QAM	Outer_Full
98	1925	10			A 7	64 QAM	42@10
99	1925	10			A 2	64 QAM	6@40
100	1927.5	15			A 1	64 QAM	Outer_Full
101	1927.5	15			A 7	64 QAM	60@19
102	1927.5	15			A 2	64 QAM	6@56
103	1932.5	15			A 1	64 QAM	Outer_Full
104	1932.5	15			A 2	64 QAM	6@68

105	1930	20			A 1	64 QAM	Outer_Full
106	1930	20			A 7	64 QAM	78@28
107	1930	20			A 2	64 QAM	6@76
108	1922.5	5			A 3	256 QAM	Outer_Full
109	1925	10			A 1	256 QAM	Outer_Full
110	1925	10			A 7	256 QAM	42@10
111	1927.5	15			A 1	256 QAM	Outer_Full
112	1927.5	15			A 7	256 QAM	60@19
113	1932.5	15			A 1	256 QAM	Outer_Full
114	1930	20			A 1	256 QAM	Outer_Full
115	1930	20			A 7	256 QAM	78@28

NOTE 1: The specific configuration of each RB allocation is defined in Table 6.1-1 unless otherwise stated in this table.
 NOTE 2: DFT-s-OFDM PI/2 BPSK test applies only for UEs which supports half Pi BPSK in FR1.
 NOTE 3: AMPR requirement for NS_05 is specified in 6.2.3.3.4.

Table 6.5C.3.3.4-2: Test Configuration Table (network signalling value “NS_43”)

Initial Conditions							
Test Environment as specified in TS 38.508-1 [5] subclause 4.1				Normal			
Test Frequencies as specified in TS 38.508-1 [5] subclause 4.3.1				Use carrier centre frequency (F _c) as specified in test parameters for SUL carrier Mid range for Non-SUL carrier			
Test Channel Bandwidths as specified in TS 38.508-1 [5] subclause 4.3.1				5 MHz, 10 MHz, 15 MHz for SUL carrier Lowest for Non-SUL carrier			
Test SCS as specified in Table 5.3.5-1				15 kHz for SUL carrier and Lowest supported SCS for Non-SUL carrier			
Additional Spurious for SUL test parameters for NS_43							
Test ID	F _c (MHz)	SUL Ch BW (MHz)	Downlink Configuration	Uplink Configuration	SUL Configuration		
					Modulation (Note 2)	RB allocation (Note 1)	
1	910	10	N/A	N/A		DFT-s-OFDM	PI/2 BPSK
2	907.5	15			PI/2 BPSK		Edge_1RB_Left (A6)
3	907.5	15			PI/2 BPSK		Outer_Full (A6)
4	902.5	5			QPSK		Outer_Full (A1)
5	910	10			QPSK		Outer_Full (A4)
6	907.5	15			QPSK		Edge_1RB_Left (A6)
7	907.5	15			QPSK		Outer_Full (A6)
8	910	10			16 QAM		Outer_Full (A5)
9	907.5	15			16 QAM		Edge_1RB_Left (A6)
10	907.5	15			16 QAM		Outer_Full (A6)
11	910	10			64 QAM		Outer_Full (A3)
12	907.5	15			64 QAM		Edge_1RB_Left (A6)
13	907.5	15			64 QAM		Outer_Full (A6)
14	907.5	15			256 QAM		Edge_1RB_Left (A6)
15	907.5	15			256 QAM		Outer_Full (A6)
16	902.5	5			CP-OFDM	QPSK	Outer_Full (A1)
17	910	10				QPSK	Outer_Full (A5)
18	907.5	15				QPSK	Edge_1RB_Left (A6)
19	907.5	15				QPSK	Outer_Full (A6)
20	902.5	5				16 QAM	Outer_Full (A1)
21	910	10				16 QAM	Outer_Full (A5)

22	907.5	15			16 QAM	Edge_1RB_Left (A6)
23	907.5	15			16 QAM	Outer_Full (A6)
24	910	10			64 QAM	Outer_Full (A3)
25	907.5	15			64 QAM	Edge_1RB_Left (A6)
26	907.5	15			64 QAM	Outer_Full (A6)
27	907.5	15			256 QAM	Edge_1RB_Left (A6)
28	907.5	15			256 QAM	Outer_Full (A6)

NOTE 1: The specific configuration of each RB allocation is defined in Table 6.1-1 unless otherwise stated in this table.
 NOTE 2: DFT-s-OFDM PI/2 BPSK test applies only for UEs which supports half Pi BPSK in FR1.
 NOTE 2: AMPR requirement for NS_43 is specified in 6.2.3.3.6.

Table 6.5C.3.3.4-3: Test Configuration Table (network signalling value “NS_18”)

Initial Conditions						
Test Environment as specified in TS 38.508-1 [5] subclause 4.1				Normal		
Test Frequencies as specified in TS 38.508-1 [5] subclause 4.3.1				Low range for SUL carrier Mid range for Non-SUL carrier		
Test Channel Bandwidths as specified in TS 38.508-1 [5] subclause 4.3.1				5MHz 10MHz 20MHz 30MHz for SUL carrier Lowest for Non-SUL carrier		
Test SCS as specified in Table 5.3.5-1				15 kHz for SUL carrier and Lowest supported SCS for Non-SUL carrier		
A-MPR test parameters for NS_18						
Test ID	ChBw SCS	Downlink Configuration	SUL Configuration			
			Modulation (Note 2)	RB allocation (Note 1)	Comment	
1	5MHz, 10MHz, 20MHz	N/A	DFT-s OFDM	QPSK	Edge_1RB_Left	A1, A2
2				QPSK	Outer_Full	A1, A2
3				16 QAM	Edge_1RB_Left	A1, A2
4				16 QAM	Outer_Full	A1, A2
5				64 QAM	Edge_1RB_Left	A1, A2
6				64 QAM	Outer_Full	A1, A2
7				256 QAM	Edge_1RB_Left	A1, A2
8				256 QAM	Outer_Full	A1, A2
9			CP-s OFDM	QPSK	Edge_1RB_Left	A1, A2
10				QPSK	Outer_Full	A1, A2
11				16 QAM	Edge_1RB_Left	A1, A2
12				16 QAM	Outer_Full	A1, A2
13				64 QAM	Edge_1RB_Left	A1, A2
14				64 QAM	Outer_Full	A1, A2
15				256 QAM	Edge_1RB_Left	A1, A2
16				256 QAM	Outer_Full	A1, A2
17	30MHz		CP-s OFDM IM	256 QAM	81@70	A3
18				256 QAM	Outer_Full	A4
19				256 QAM	87@73	A3
20				256 QAM	Outer_Full	A4

NOTE 1: The specific configuration of each RB allocation is defined in Table 6.1-1 unless otherwise stated in this table.

Table 6.5C.3.3.4-4: Test Configuration Table (network signalling value “NS_48”)

Initial Conditions	
Test Environment as specified in TS 38.508-1 [5] subclause 4.1	Normal
Test Frequencies as specified in TS 38.508-1 [5] subclause 4.3.1	Low range, High range for SUL carrier Mid range for non-SUL carrier
Test Channel Bandwidths as specified in TS 38.508-1 [5] subclause 4.3.1	25 MHz, 30MHz, 40MHz, 50MHz for SUL carrier Lowest for non-SUL carrier

Test SCS as specified in Table 5.3.5-1				15 kHz for SUL carrier and Lowest supported SCS for Non-SUL carrier			
A-MPR test parameters for NS_48							
Test ID	F _c (MHz)	Ch BW (MHz)	Uplink Configuration	Downlink Configuration	SUL Configuration		
					Modulation (Note 2)	RB allocation (Note 1)	
1	Default	25	N/A	N/A	DFT-s-OFDM	QPSK	Outer_Full (A3)
2	Default	25				QPSK	Edge_1RB_Right (A3)
3	Default	30				QPSK	Outer_Full (A3)
4	Default	30				QPSK	Edge_1RB_Right (A5)
5	Default	40				QPSK	16@0 (A2)
6	Default	40				QPSK	90@0 (A3)
7	Default	40				QPSK	150@0 (A4)
8	Default	40				QPSK	192@0 (A2)
9	Default	40				QPSK	5@187 (A3)
10	Default	40				QPSK	Outer_Full (A1)
11	Default	50				QPSK	32@0 (A2)
12	Default	50				QPSK	108@0 (A4)
13	Default	50				QPSK	225@0 (A2)
14	Default	50				QPSK	5@223 (A5)
15	Default	50				QPSK	Outer_Full (A1)
16	Default	25				256 QAM	Outer_Full (A3)
17	Default	25				256 QAM	Edge_1RB_Right (A3)
18	Default	30				256 QAM	Outer_Full (A3)
19	Default	30				256 QAM	Edge_1RB_Right (A5)
20	Default	40				256 QAM	16@0 (A2)
21	Default	40				256 QAM	90@0 (A3)
22	Default	40				256 QAM	150@0 (A4)
23	Default	40				256 QAM	192@0 (A2)
24	Default	40				256 QAM	5@187 (A3)
25	Default	40				256 QAM	Outer_Full (A1)
26	Default	50				256 QAM	32@0 (A2)
27	Default	50				256 QAM	108@0 (A4)
28	Default	50				256 QAM	225@0 (A2)
29	Default	50				256 QAM	5@223 (A5)
30	Default	50			256 QAM	Outer_Full (A1)	
31	Default	25			CP-OFDM	QPSK	Outer_Full (A3)
32	Default	25				QPSK	Edge_1RB_Right (A3)
33	Default	30				QPSK	Outer_Full (A3)
34	Default	30				QPSK	Edge_1RB_Right (A5)
35	Default	40				QPSK	16@0 (A2)
36	Default	40				QPSK	95@0 (A3)
37	Default	40				QPSK	152@0 (A4)
38	Default	40				QPSK	192@0 (A2)
39	Default	40				QPSK	5@187 (A3)
40	Default	40				QPSK	Outer_Full (A1)
41	Default	50				QPSK	34@0 (A2)
42	Default	50				QPSK	115@0 (A4)
43	Default	50				QPSK	228@0 (A2)
44	Default	50				QPSK	5@223 (A5)
45	Default	50				QPSK	Outer_Full (A1)
46	Default	25				256 QAM	Outer_Full (A3)
47	Default	25				256 QAM	Edge_1RB_Right (A3)
48	Default	30				256 QAM	Outer_Full (A3)
49	Default	30				256 QAM	Edge_1RB_Right (A5)
50	Default	40				256 QAM	16@0 (A2)
51	Default	40				256 QAM	95@0 (A3)
52	Default	40				256 QAM	152@0 (A4)
53	Default	40				256 QAM	192@0 (A2)
54	Default	40				256 QAM	5@187 (A3)
55	Default	40				256 QAM	Outer_Full (A1)
56	Default	50				256 QAM	34@0 (A2)
57	Default	50				256 QAM	115@0 (A4)
58	Default	50				256 QAM	228@0 (A2)

59	Default	50				256 QAM	5@223 (A5)
60	Default	50				256 QAM	Outer_Full (A1)
NOTE 1: The specific configuration of each RB allocation is defined in Table 6.1-1 unless otherwise stated in this table.							

Table 6.5C.3.3.4-5: Test Configuration Table (network signalling value “NS_49”)

Initial Conditions							
Test Environment as specified in TS 38.508-1 [5] subclause 4.1				Normal			
Test Frequencies as specified in TS 38.508-1 [5] subclause 4.3.1				Low range, High range for SUL carrier Mid range for non-SUL carrier			
Test Channel Bandwidths as specified in TS 38.508-1 [5] subclause 4.3.1				25 MHz, 30MHz, 40MHz, 50MHz for SUL carrier Lowest for non-SUL carrier			
Test SCS as specified in Table 5.3.5-1				15 kHz for SUL carrier and Lowest supported SCS for Non-SUL carrier			
A-MPR test parameters for NS_49							
Test ID	F _c (MHz)	Ch BW (MHz)	Downlink Configuration	Uplink Configuration	SUL Configuration		
					Modulation (Note 2)	RB allocation (Note 1)	
1	Default	25	N/A	N/A	CP-OFDM	QPSK	Outer_Full (A3)
2	Default	25				QPSK	Edge_1RB_Right (A3)
3	Default	25				QPSK	Edge_1RB_Left (A3)
4	Default	30				QPSK	20@0 (A1)
5	Default	30				QPSK	36@0 (A5)
6	Default	30				QPSK	80@0 (A3)
7	Default	30				QPSK	120@0 (A4)
8	Default	30				QPSK	Outer_Full (A2)
9	Default	30				QPSK	Edge_1RB_Right (A5)
10	Default	40				QPSK	40@0 (A1)
11	Default	40				QPSK	5@53 (A5)
12	Default	40				QPSK	100@0 (A4)
13	Default	40				QPSK	150@33 (A2)
14	Default	40				QPSK	5@187 (A5)
15	Default	40				QPSK	192@0 (A1)
16	Default	40				QPSK	Outer_Full (A1)
17	Default	50				QPSK	5@75 (A5)
18	Default	50				QPSK	5@215 (A5)
19	Default	50				QPSK	162@45 (A2)
20	Default	50				QPSK	220@0 (A1)
21	Default	50				QPSK	Outer_Full (A1)
22	Default	25				256 QAM	Outer_Full (A3)
23	Default	25				256 QAM	Edge_1RB_Right (A3)
24	Default	25				256 QAM	Edge_1RB_Left (A3)
25	Default	30				256 QAM	20@0 (A1)
26	Default	30				256 QAM	36@0 (A5)
27	Default	30				256 QAM	80@0 (A3)
28	Default	30				256 QAM	120@0 (A4)
29	Default	30				256 QAM	Outer_Full (A2)
30	Default	30				256 QAM	Edge_1RB_Right (A5)
31	Default	40				256 QAM	40@0 (A1)
32	Default	40				256 QAM	5@53 (A5)
33	Default	40				256 QAM	100@0 (A4)
34	Default	40				256 QAM	150@33 (A2)
35	Default	40				256 QAM	5@187 (A5)
36	Default	40				256 QAM	192@0 (A1)
37	Default	40				256 QAM	Outer_Full (A1)
38	Default	50				256 QAM	5@75 (A5)
39	Default	50				256 QAM	5@215 (A5)
40	Default	50				256 QAM	162@45 (A2)
41	Default	50				256 QAM	216@0 (A1)
42	Default	50				256 QAM	Outer_Full (A1)
43	Default	25				QPSK	Outer_Full (A3)
44	Default	25				QPSK	Edge_1RB_Right (A3)

45	Default	25				QPSK	Edge_1RB_Left (A3)
46	Default	30				QPSK	20@0 (A1)
47	Default	30				QPSK	36@0 (A5)
48	Default	30				QPSK	80@0 (A3)
49	Default	30				QPSK	120@0 (A4)
50	Default	30				QPSK	Outer_Full (A2)
51	Default	30				QPSK	Edge_1RB_Right (A5)
52	Default	40				QPSK	40@0 (A1)
53	Default	40				QPSK	5@53 (A5)
54	Default	40				QPSK	100@0 (A4)
55	Default	40				QPSK	159@33 (A2)
56	Default	40				QPSK	5@187 (A5)
57	Default	40				QPSK	192@0 (A1)
58	Default	40				QPSK	Outer_Full (A1)
59	Default	50				QPSK	5@75 (A5)
60	Default	50				QPSK	5@215 (A5)
61	Default	50				QPSK	175@45 (A2)
62	Default	50				QPSK	216@0 (A1)
63	Default	50				QPSK	Outer_Full (A1)
64	Default	25				256 QAM	Outer_Full (A3)
65	Default	25				256 QAM	Edge_1RB_Right (A3)
66	Default	25				256 QAM	Edge_1RB_Left (A3)
67	Default	30				256 QAM	20@0 (A1)
68	Default	30				256 QAM	36@0 (A5)
69	Default	30				256 QAM	80@0 (A3)
70	Default	30				256 QAM	120@0 (A4)
71	Default	30				256 QAM	Outer_Full (A2)
72	Default	30				256 QAM	Edge_1RB_Right (A5)
73	Default	40				256 QAM	40@0 (A1)
74	Default	40				256 QAM	5@53 (A5)
75	Default	40				256 QAM	100@0 (A4)
76	Default	40				256 QAM	150@33 (A2)
77	Default	40				256 QAM	5@187 (A5)
78	Default	40				256 QAM	192@0 (A1)
79	Default	40				256 QAM	Outer_Full (A1)
80	Default	50				256 QAM	5@75 (A5)
81	Default	50				256 QAM	5@215 (A5)
82	Default	50				256 QAM	175@45 (A2)
83	Default	50				256 QAM	220@0 (A1)
84	Default	50				256 QAM	Outer_Full (A1)

NOTE 1: The specific configuration of each RB allocation is defined in Table 6.1-1 unless otherwise stated in this table.

Table 6.5C.3.3.4-6: Test Configuration Table (network signalled value “NS_56”)

Initial Conditions								
Test Environment as specified in TS 38.508-1 [5] subclause 4.1						Normal		
Test Frequencies as specified in TS 38.508-1 [5] subclause 4.3.1						Use uplink carrier centre frequency (Fc) as specified in test parameters		
Test Channel Bandwidths as specified in TS 38.508-1 [5] subclause 4.3.1						5 MHz, 10 MHz as specified in test parameters for SUL carrier Lowest for non-SUL carrier		
Test SCS as specified in Table 5.3.5-1						15 kHz for SUL carrier and Lowest supported SCS for Non-SUL carrier		
A-MPR test parameters for NS_56								
Test ID	Fc (MHz)	ChBw (MHz)	Downlink Configuration	Uplink Configuration	A-MPR	Uplink Configuration		
						Modulation (NOTE 2)	RB allocation (Note 1)	
							SCS 15 kHz	
1	Low	5	N/A for A-MPR testing	N/A	14	DFT-s-OFDM	PI/2 BPSK	Edge_1RB_Left
2	Low	5			6		PI/2 BPSK	Outer_Full
3	Low	5			4		PI/2 BPSK	20@4
4	Low	5			4		PI/2 BPSK	1@4
5	Low	5			14		QPSK	Edge_1RB_Left
6	Low	5			6		QPSK	Outer_Full

7	Low	5			4	QPSK	20@4
8	Low	5			4	QPSK	1@4
9	Low	5			14	16 QAM	Edge_1RB_Left
10	Low	5			6	16 QAM	Outer_Full
11	Low	5			4	16 QAM	20@4
12	Low	5			4	16 QAM	1@4
13	Low	5			14	64 QAM	Edge_1RB_Left
14	Low	5			6	64 QAM	Outer_Full
15	Low	5			4	64 QAM	20@4
16	Low	5			4	64 QAM	1@4
17	Low	5			14	256 QAM	Edge_1RB_Left
18	Low	5			6	256 QAM	Outer_Full
19	Low	5			4	256 QAM	20@4
20	Low	5			4	256 QAM	1@4
21	Low	10			12	PI/2 BPSK	Edge_1RB_Left
22	Low	10			8	PI/2 BPSK	Outer_Full
23	Low	10			6	PI/2 BPSK	1@3
24	Low	10			6	PI/2 BPSK	40@9
25	Low	10			4	PI/2 BPSK	1@35
26	Low	10			2	PI/2 BPSK	16@35
27	Low	10			5	PI/2 BPSK	Edge_1RB_Right
28	Low	10			5	PI/2 BPSK	1@40
29	Low	10			3	PI/2 BPSK	8@44
30	Low	10			12	QPSK	Edge_1RB_Left
31	Low	10			8	QPSK	Outer_Full
32	Low	10			6	QPSK	1@3
33	Low	10			6	QPSK	40@9
34	Low	10			4	QPSK	1@35
35	Low	10			2	QPSK	16@35
36	Low	10			5	QPSK	Edge_1RB_Right
37	Low	10			5	QPSK	1@40
38	Low	10			3	QPSK	8@44
39	Low	10			12	16 QAM	Edge_1RB_Left
40	Low	10			8	16 QAM	Outer_Full
41	Low	10			6	16 QAM	1@3
42	Low	10			6	16 QAM	40@9
43	Low	10			4	16 QAM	1@35
44	Low	10			2	16 QAM	16@35
45	Low	10			5	16 QAM	Edge_1RB_Right
46	Low	10			5	16 QAM	1@40
47	Low	10			3	16 QAM	8@44
48	Low	10			12	64 QAM	Edge_1RB_Left
49	Low	10			8	64 QAM	Outer_Full
50	Low	10			6	64 QAM	1@3
51	Low	10			6	64 QAM	40@9
52	Low	10			4	64 QAM	1@35
53	Low	10			2	64 QAM	16@35
54	Low	10			5	64 QAM	Edge_1RB_Right
55	Low	10			5	64 QAM	1@40
56	Low	10			3	64 QAM	8@44
57	Low	10			12	256 QAM	Edge_1RB_Left
58	Low	10			8	256 QAM	Outer_Full
59	Low	10			6	256 QAM	1@3
60	Low	10			6	256 QAM	40@9
61	Low	10			4	256 QAM	1@35
62	Low	10			2	256 QAM	16@35
63	Low	10			5	256 QAM	Edge_1RB_Right
64	Low	10			5	256 QAM	1@40
65	Low	10			3	256 QAM	8@44
66	Low	5			14	QPSK	Edge_1RB_Left
67	Low	5			6	QPSK	Outer_Full
68	Low	5	N/A for A-MPR testing	N/A	4	QPSK	21@4
69	Low	5			4	QPSK	1@4
70	Low	5			14	16 QAM	Edge_1RB_Left
71	Low	5			6	16 QAM	Outer_Full

72	Low	5			4	16 QAM	21@4
73	Low	5			4	16 QAM	1@4
74	Low	5			14	64 QAM	Edge_1RB_Left
75	Low	5			6	64 QAM	Outer_Full
76	Low	5			4	64 QAM	21@4
77	Low	5			4	64 QAM	1@4
78	Low	5			14	256 QAM	Edge_1RB_Left
79	Low	5			6	256 QAM	Outer_Full
80	Low	5			4	256 QAM	21@4
81	Low	5			4	256 QAM	1@4
82	Low	10			12	QPSK	Edge_1RB_Left
83	Low	10			8	QPSK	Outer_Full
84	Low	10			6	QPSK	1@3
85	Low	10			6	QPSK	43@9
86	Low	10			4	QPSK	1@35
87	Low	10			2	QPSK	17@35
88	Low	10			5	QPSK	Edge_1RB_Right
89	Low	10			5	QPSK	1@40
90	Low	10			3	QPSK	8@44
91	Low	10			12	16 QAM	Edge_1RB_Left
92	Low	10			8	16 QAM	Outer_Full
93	Low	10			6	16 QAM	1@3
94	Low	10			6	16 QAM	43@9
95	Low	10			4	16 QAM	1@35
96	Low	10			2	16 QAM	17@35
97	Low	10			5	16 QAM	Edge_1RB_Right
98	Low	10			5	16 QAM	1@40
99	Low	10			3	16 QAM	8@44
100	Low	10			12	64 QAM	Edge_1RB_Left
101	Low	10			8	64 QAM	Outer_Full
102	Low	10			6	64 QAM	1@3
103	Low	10			6	64 QAM	43@9
104	Low	10			4	64 QAM	1@35
105	Low	10			2	64 QAM	17@35
106	Low	10			5	64 QAM	Edge_1RB_Right
107	Low	10			5	64 QAM	1@40
108	Low	10			3	64 QAM	8@44
109	Low	10			12	256 QAM	Edge_1RB_Left
110	Low	10			8	256 QAM	Outer_Full
111	Low	10			6	256 QAM	1@3
112	Low	10			6	256 QAM	43@9
113	Low	10			4	256 QAM	1@35
114	Low	10			2	256 QAM	17@35
115	Low	10			5	256 QAM	Edge_1RB_Right
116	Low	10			5	256 QAM	1@40
117	Low	10			3	256 QAM	8@44

NOTE 1: The specific configuration of each RB allocation is defined in Table 6.1-1 unless otherwise stated in this table.
 NOTE 2: DFT-s-OFDM PI/2 BPSK test applies only for UEs which supports half Pi BPSK in FR1.

- Connect the SS to the UE antenna connectors as shown in TS 38.508-1 [5] Annex A, Figure A.3.1.1.4 for TE diagram and section A.3.2 for UE diagram.
- The parameter setting for the cell are set up according to the TS 38.508-1 [5] subclause 4.4.3
- Downlink signals are initially setup according to Annex C.0, C.1, C.2 and uplink signals according to Annex G.0, G.1, G.2, and G.3.0 with consideration of supplementary uplink physical channels.

Message contents in initial conditions are according to TS 38.508-1 [5] subclause 4.3.6.1.1.2 ensuring UL/SUL indicator in Table 4.3.6.1.1.2-1 with condition SUL, subclause 4.6 ensuring Table 4.6.1-28 with condition SUL AND (RF OR RRM), Tables 4.6.3-14 with condition SUL_SUL for SUL carrier, and Table 4.6.3-167 with condition PUSCH_PUCCH_ON_SUL, together with exceptions as specified in clause 6.5.3.3.4.3 as appropriate for different NS values.

Table 6.5C.3.3.4-2: Void**6.5C.3.3.5 Test requirement**

For SUL operation, the Additional Spurious emission requirement specified in clause 6.5.3.3.5 shall be met for specific NS values.

Table 6.5C.3.3.5-1: Void**6.5C.4 Transmit intermodulation for SUL****6.5C.4.1 Test purpose**

To verify that the UE transmit intermodulation does not exceed the described value in the test requirement.

The transmit intermodulation performance is a measure of the capability of the transmitter to inhibit the generation of signals in its non-linear elements caused by presence of the wanted signal and an interfering signal reaching the transmitter via the antenna.

6.5C.4.2 Test applicability

This test applies to all types of NR UE release 15 and forward that support SUL operating on the SUL bands.

6.5C.4.3 Minimum conformance requirements

The requirements in subclause 6.5.4 apply to the UE operating on SUL bands

The normative reference for this requirement is TS 38.101-1 [2] clause 6.5.4.

6.5C.4.4 Test description

Same test description as specified in clause 6.2.4.4 with following exceptions:

- Instead of Table 5.3.5-1 → use Table 5.5C-1
- Instead of Table 6.5.4.4.1-1 → use Table 6.5C.4.4-1

Table 6.5C.4.4-1: Test Configuration Table

Initial Conditions				
Test Environment as specified in TS 38.508-1 [5] subclause 4.1		Normal		
Test Frequencies as specified in TS 38.508-1 [5] subclause 4.3.1		Mid range for both SUL carrier and Non-SUL carrier		
Test Channel Bandwidths as specified in TS 38.508-1 [5] subclause 4.3.1		Mid, Highest for SUL carrier Lowest for Non-SUL carrier		
Test SCS as specified in Table 5.3.5-1		15kHz for SUL carrier and Lowest supported SCS for Non-SUL carrier		
Test Parameters for Channel Bandwidths				
Test ID	Downlink Configuration	UL Configuration	SUL Configuration	
	N/A	N/A	Modulation	RB allocation (NOTE 2)
1			DFT-s-OFDM Pi/2 BPSK	Inner Full
2			DFT-s-OFDM QPSK	Inner Full
NOTE 1: Test Channel Bandwidths are checked separately for each SUL band combination, the applicable channel bandwidths are specified in Table 5.5C-1.				
NOTE 2: The specific configuration of each RB allocation is defined in Table 6.1-1.				
NOTE 3: DFT-s-OFDM PI/2 BPSK test applies only for UEs which supports half Pi BPSK in FR1.				
NOTE 4: For NR band n83, 30MHz test channel bandwidth is tested with Low range test frequency.				

- Connect the SS to the UE antenna connectors as shown in TS 38.508-1 [5] Annex A, Figure A.3.1.3.4 for TE diagram and section A.3.2 for UE diagram.
- The parameter setting for the cell are set up according to the TS 38.508-1 [5] subclause 4.4.3

- Downlink signals are initially setup according to Annex C.0, C.1, C.2 and uplink signals according to Annex G.0, G.1, G.2, and G.3.0 with consideration of supplementary uplink physical channels.
- Instead of Table 6.5.4.5-1 → use Table 6.5C.4.5-1
- Message contents in initial conditions are according to TS 38.508-1 [5] subclause 4.3.6.1.1.2 ensuring UL/SUL indicator in Table 4.3.6.1.1.2-1 with condition SUL, subclause 4.6 ensuring Tables 4.6.1-28 with condition SUL AND (RF OR RRM), 4.6.3-14 with condition SUL_SUL for SUL carrier, and Table 4.6.3-167 with condition PUSCH_PUCCH_ON_SUL.

6.5C.4.5 Test requirement

The ratio derived in step 6 and 8, shall not exceed the described value in Table 6.5C.4.5-1.

Table 6.5C.4.5-1: Transmit Intermodulation

Wanted signal channel bandwidth	BW_{Channel}	
Interference signal frequency offset from channel centre	BW_{Channel}	$2 \cdot BW_{\text{Channel}}$
Interference CW signal level	-40dBc	
Intermodulation product	< -29dBc	< -35dBc
Measurement bandwidth	The maximum transmission bandwidth configuration among the different SCSs for the channel BW as defined in Table 6.5.2.4.1.3-1	
Measurement offset from channel centre	BW_{Channel} and $2 \cdot BW_{\text{Channel}}$	$2 \cdot BW_{\text{Channel}}$ and $4 \cdot BW_{\text{Channel}}$

6.5D Output RF spectrum emissions for UL MIMO

6.5D.1 Occupied bandwidth for UL MIMO

6.5D.1.1 Test purpose

To verify that the UE occupied bandwidth for all transmission bandwidth configurations supported by the UE supporting UL MIMO are less than their specific limits when UE is configured using UL MIMO transmission.

6.5D.1.2 Test applicability

This test applies to all types of NR Power Class 1.5, Power Class 2 and Power Class 3 UE release 15 and forward that support 2-layer codebook based UL MIMO.

6.5D.1.3 Minimum conformance requirements

For UE supporting UL MIMO, the requirements for occupied bandwidth apply to the sum of the powers from both UE transmit antenna connectors. The occupied bandwidth is defined as the bandwidth containing 99 % of the total integrated mean power of the transmitted spectrum on the assigned channel at each transmit antenna connector.

For UE with two transmit antenna connectors in closed-loop spatial multiplexing scheme, the occupied bandwidth at each transmitter antenna shall be less than the channel bandwidth specified in table 6.5.1.3-1. The requirements shall be met with UL MIMO configurations described in sub-clause 6.2D.1.3.

If UE is configured for transmission on single-antenna port by DCI format 0_0 or by DCI format 0_1 for single antenna port codebook based transmission, the requirements in subclause 6.5.1.3 apply

The normative reference for this requirement is TS 38.101-1 [2] clause 6.5D.1.

6.5D.1.4 Test description

6.5D.1.4.1 Initial conditions

Initial conditions are a set of test configurations the UE needs to be tested in and the steps for the SS to take with the UE to reach the correct measurement state.

The initial test configurations consist of environmental conditions, test frequencies, test channel bandwidths and sub-carrier spacing based on NR operating bands specified in table 5.3.5-1. All of these configurations shall be tested with applicable test parameters for each combination of channel bandwidth and sub-carrier spacing, are shown in table 6.5D.1.4.1-1. The details of the uplink reference measurement channels (RMCs) are specified in Annexes A.2. Configurations of PDSCH and PDCCH before measurement are specified in Annex C.2.

Table 6.5D.1.4.1-1: Test Configuration Table

Initial Conditions			
Test Environment as specified in TS 38.508-1 [5] subclause 4.1		Normal	
Test Frequencies as specified in TS 38.508-1 [5] subclause 4.3.1		Mid range by default, exceptions listed in Table 6.5D.1.4.1-2	
Test Channel Bandwidths as specified in TS 38.508-1 [5] subclause 4.3.1		All	
Test SCS as specified in Table 5.3.5-1		Lowest SCS	
Test Parameters			
Test ID	Downlink Configuration	Uplink Configuration	
	N/A for occupied bandwidth test case	Modulation	RB allocation (NOTE 1)
1		CP-OFDM QPSK	Outer_full
NOTE 1: The specific configuration of each RB allocation is defined in Table 6.1-1.			

Table 6.5D.1.4.1-2: Test frequency exceptions for Occupied Bandwidth

5G NR Band	Test Frequency
n77	Low Range, Mid Range, High Range
n78	Low Range, Mid Range, High Range
n79	Low Range, Mid Range, High Range

1. Connect the SS to the UE antenna connectors as shown in TS 38.508-1 [5] Annex A, Figure A.3.1.1.2 for TE diagram and section A.3.2 for UE diagram.
2. The parameter settings for the cell are set up according to TS 38.508-1 [5] subclause 4.4.3.
3. Downlink signals are initially set up according to Annex C.0, C.1, C.2, and uplink signals according to Annex G.0, G.1, G.2, G.3.0.
4. The UL Reference Measurement channels are set according to Table 6.5D.1.4.1-1.
5. Propagation conditions are set according to Annex B.0.
6. Ensure the UE is in state RRC_CONNECTED with generic procedure parameters Connectivity NR, Connected without release On, Test Mode On and Test Loop Function On according to TS 38.508-1 [5] clause 4.5. Message contents are defined in clause 6.5D.1.4.3

6.5D.1.4.2 Test procedure

1. SS sends uplink scheduling information for each UL HARQ process via PDCCH DCI format 0_1 for C_RNTI to schedule the UL RMC according to Table 6.5D.1.4.1-1. Since the UL has no payload and no loopback data to send the UE sends uplink MAC padding bits on the UL RMC. The PDCCH DCI format 0_1 is specified with condition 2TX_UL_MIMO in 38.508-1 [5] subclause 4.3.6.1.1.2
2. Send continuously power control “up” commands to the UE until the UE transmits at P_{UMAX} level. Allow at least 200ms for the UE to reach P_{UMAX} level.
3. Measure the power spectrum distribution as the sum of the powers from both UE transmit antenna connectors within two times or more range over the requirement for Occupied Bandwidth specification centring on the current carrier frequency. The characteristics of the filter shall be approximately Gaussian (typical spectrum analyser filter). Other methods to measure the power spectrum distribution are allowed. The measuring duration is 1ms over consecutive active uplink slots. For TDD, only slots consisting of only UL symbols are under test.

4. Calculate the total power within the range of all frequencies measured in step 3 and save this value as “Total power”.
5. Sum up the power upward from the lower boundary of the measured frequency range in step 3 and seek the limit frequency point by which this sum becomes 0.5% of “Total power” and save this point as “Lower Frequency”.
6. Sum up the power downward from the upper boundary of the measured frequency range in step 3 and seek the limit frequency point by which this sum becomes 0.5% of “Total power” and save this point as “Upper Frequency”.
7. Calculate the difference “Upper Frequency” – “Lower Frequency” = “Occupied Bandwidth” between the two limit frequencies obtained in step 5 and step 6.

6.5D.1.4.3 Message contents

Message contents are according to TS 38.508-1 [5] subclause 4.6 ensuring Table 4.6.3-182 with condition 2TX_UL_MIMO

6.5D.1.5 Test requirement

The measured Occupied Bandwidth in step 7 shall not exceed values in Table 6.5D.1.5-1.

Table 6.5D.1.5-1: Occupied channel bandwidth

	NR channel bandwidth														
	5 MHz	10 MHz	15 MHz	20 MHz	25 MHz	30 MHz	35 MHz	40 MHz	45 MHz	50 MHz	60 MHz	70 MHz	80 MHz	90 MHz	100 MHz
Occupied channel bandwidth (MHz)	5	10	15	20	25	30	35	40	45	50	60	70	80	90	100

6.5D.1_1 Void

6.5D.1_2 Occupied bandwidth for SUL with UL MIMO

6.5D.1_2.1 Test purpose

Same as test purpose in clause 6.5D.1.1.

6.5D.1_2.2 Test applicability

This test applies to all types of NR UE release 17 and forward that support SUL and UL MIMO operating on the SUL bands.

6.5D.1_2.3 Minimum conformance requirements

For UE supporting UL MIMO, the requirements for occupied bandwidth apply to the sum of the powers from both UE transmit antenna connectors. The occupied bandwidth is defined as the bandwidth containing 99 % of the total integrated mean power of the transmitted spectrum on the assigned channel at each transmit antenna connector.

For UE with two transmit antenna connectors in closed-loop spatial multiplexing scheme, the occupied bandwidth shall be less than the channel bandwidth specified in table 6.5.1.3-1. The requirements shall be met with UL MIMO configurations described in clause 6.2D.1_1.3.

If UE is scheduled for single antenna-port PUSCH transmission by DCI format 0_0 or by DCI format 0_1 for single antenna port codebook-based transmission, the requirements in clause 6.5.1 apply.

The normative reference for this requirement is TS 38.101-1 [2] clause 6.5D.1.

6.5D.1_2.4 Test description

6.5D.1_2.4.1 Initial conditions

Initial conditions are a set of test configurations the UE needs to be tested in and the steps for the SS to take with the UE to reach the correct measurement state.

The initial test configurations consist of environmental conditions, test frequencies, test channel bandwidths and sub-carrier spacing based on NR operating bands specified in table 5.3.5-1. All of these configurations shall be tested with applicable test parameters for each combination of channel bandwidth and sub-carrier spacing, are shown in table 6.5D.1_2.4.1-1. The details of the uplink reference measurement channels (RMCs) are specified in Annexes A.2. Configurations of PDSCH and PDCCH before measurement are specified in Annex C.2.

Table 6.5D.1_2.4.1-1: Test Configuration Table

Initial Conditions				
Test Environment as specified in TS 38.508-1 [5] subclause 4.1		Normal		
Test Frequencies as specified in TS 38.508-1 [5] subclause 4.3.1		Mid Range for SUL carrier Mid Range for Non-SUL carrier		
Test Channel Bandwidths as specified in TS 38.508-1 [5] subclause 4.3.1		All for SUL carrier Lowest for Non-SUL carrier		
Test SCS as specified in Table 5.3.5-1		15kHz for SUL carrier and Lowest supported SCS for Non-SUL carrier		
Test Parameters for Channel Bandwidths				
	Downlink Configuration	UL Configuration	SUL Configuration	
Test ID	N/A	N/A	Modulation	RB allocation
1			CP-OFDM QPSK	Outer_full
Note 1: Test Channel Bandwidths are checked separately for each SUL band combination, the applicable channel bandwidths are specified in Table 5.5C-1.				
Note 2: The specific configuration of each RB allocation is defined in Table 6.1-1.				

1. Connect the SS to the UE antenna connectors as shown in TS 38.508-1 [5] Annex A, Figure A.3.1.1.5 for TE diagram and section A.3.2 for UE diagram.
2. The parameter settings for the cell are set up according to TS 38.508-1 [5] subclause 4.4.3.
3. Downlink signals are initially set up according to Annex C.0, C.1, C.2, and uplink signals according to Annex G.0, G.1, G.2, G.3.0.
4. The UL and DL Reference Measurement channels are set according to Table 6.5D.1_2.4.1-1
5. Propagation conditions are set according to Annex B.0.
6. Ensure the UE is in state RRC_CONNECTED with generic procedure parameters Connectivity *NR*, Connected without release *On*, Test Mode *On* and Test Loop Function *On* according to TS 38.508-1 [5] clause 4.5. Message contents are defined in clause 6.3D.4.3.4.3.

6.5D.1_2.4.2 Test procedure

1. SS sends uplink scheduling information for each UL HARQ process via PDCCH DCI format 0_1 for C_RNTI to schedule the UL RMC according to Table 6.5D.1_2.4.1-1. Since the UL has no payload and no loopback data to send the UE sends uplink MAC padding bits on the UL RMC. The PDCCH DCI format 0_1 is specified with condition 2TX_UL_MIMO in 38.508-1 [5] subclause 4.3.6.1.1.2
2. Send continuously power control “up” commands to the UE until the UE transmits at P_{UMAX} level. Allow at least 200ms for the UE to reach P_{UMAX} level.
3. Measure the power spectrum distribution as the sum of the powers from both UE transmit antenna connectors within two times or more range over the requirement for Occupied Bandwidth specification centring on the current carrier frequency. The characteristics of the filter shall be approximately Gaussian (typical spectrum analyser filter). Other methods to measure the power spectrum distribution are allowed. The measuring duration is 1ms over consecutive active uplink slots. For TDD, only slots consisting of only UL symbols are under test.

4. Calculate the total power within the range of all frequencies measured in step 3 and save this value as “Total power”.
5. Sum up the power upward from the lower boundary of the measured frequency range in step 3 and seek the limit frequency point by which this sum becomes 0.5% of “Total power” and save this point as “Lower Frequency”.
6. Sum up the power downward from the upper boundary of the measured frequency range in step 3 and seek the limit frequency point by which this sum becomes 0.5% of “Total power” and save this point as “Upper Frequency”.
7. Calculate the difference “Upper Frequency” – “Lower Frequency” = “Occupied Bandwidth” between the two limit frequencies obtained in step 5 and step 6.

6.5D.1_2.4.3 Message contents

Message contents are according to TS 38.508-1 [5] subclause 4.3.6.1.1.2 ensuring UL/SUL indicator in Table 4.3.6.1.1.2-1 with condition SUL, subclause 4.6 ensuring Table 4.6.1-28 with condition SUL AND (RF OR RRM), Tables 4.6.3-14 with condition SUL_SUL for SUL carrier, Table 4.6.3-167 with condition PUSCH_PUCCH_ON_SUL, and Table 4.6.3-182 with the condition 2TX_UL_MIMO.

6.5D.1_2.5 Test requirement

The measured Occupied Bandwidth in step 7 shall not exceed values in Table 6.5D.1_2.5-1.

Table 6.5D.1_2.5-1: Occupied channel bandwidth

	NR channel bandwidth								
	5 MHz	10 MHz	15 MHz	20 MHz	25 MHz	30 MHz	40 MHz	45 MHz	50 MHz
Occupied channel bandwidth (MHz)	5	10	15	20	25	30	40	45	50

6.5D.2 Out of band emission for UL MIMO

6.5D.2.1 General

For UE supporting UL MIMO, the requirements for Out of band emissions resulting from the modulation process and non-linearity in the transmitters are specified as the sum of the emissions from both UE transmit antenna connectors.

For UEs with two transmit antenna connectors in closed-loop spatial multiplexing scheme, the requirements in subclause 6.5.2 apply. The requirements shall be met with UL MIMO configurations described in sub-clause 6.2D.1.3

If UE is scheduled for single antenna-port PUSCH transmission by DCI format 0_0 or by DCI format 0_1 for single antenna port codebook-based transmission, the requirements in subclause 6.5.2 apply.

6.5D.2.2 Spectrum emission mask for UL MIMO

6.5D.2.2.1 Test purpose

To verify that the power of any UE emission shall not exceed specified level for the specified channel bandwidth.

6.5D.2.2.2 Test applicability

This test case applies to all types of NR Power Class 1.5, Power Class 2 and Power Class 3 UE release 15 and forward that supports 2-layer codebook based UL MIMO.

This test case applies to all types of NR Power Class 1.5, Power Class 2 and Power Class 3 UE release 16 and forward that support UL full power transmission (ULFPTx).

6.5D.2.2.3 Minimum conformance requirements

The sum of power of any UE emission shall not exceed the levels specified in Table 6.5.2.2.3-1 for the specified channel bandwidth from both transmit antenna connectors.

For UE support uplink full power transmission (ULFPTx) for UL MIMO, the requirements in clause 6.5.2.2 shall apply. The requirements shall be met with the PUSCH configurations specified in Table 6.2D.1.3-3, based upon UE’s support of uplink full power transmission mode.

If UE is scheduled for single antenna-port PUSCH transmission by DCI format 0_0 or by DCI format 0_1 for single antenna port codebook based transmission, the requirements in clause 6.5.2.2 apply.

The normative reference for this requirement is TS 38.101-1 [2] clause 6.5D.2 and 6.5.2.2

6.5D.2.2.4 Test description

6.5D.2.2.4.1 Initial conditions

Initial conditions are a set of test configurations the UE needs to be tested in and the steps for the SS to take with the UE to reach the correct measurement state.

The initial test configurations consist of environmental conditions, test frequencies, test channel bandwidths and sub-carrier spacing based on NR operating bands specified in table 5.3.5-1. All of these configurations shall be tested with applicable test parameters for each combination of channel bandwidth and sub-carrier spacing, and are shown in tables 6.5D.2.2.4.1-1 to 6.5D.2.2.4.1-3. The details of the uplink reference measurement channels (RMCs) are specified in Annexes A.2. Configurations of PDSCH and PDCCH before measurement are specified in Annex C.2

Table 6.5D.2.2.4.1-1: Test Configuration Table for power class 3, power class 2 and power class 1.5

Default Conditions						
Test Environment as specified in TS 38.508-1 [5] subclause 4.1					Normal	
Test Frequencies as specified in TS 38.508-1 [5] subclause 4.3.1					Low range, High range	
Test Channel Bandwidths as specified in TS 38.508-1 [5] subclause 4.3.1					Lowest, Highest	
Test SCS as specified in Table 5.3.5-1					Lowest and Highest	
Test Parameters for Channel Bandwidths						
Test ID	Freq	ChBw	SCS	Downlink Configuration	Uplink Configuration	
		Default	Default	N/A for Spectrum Emission Mask test case	Modulation	RB allocation (NOTE 1)
1	Low				CP-OFDM QPSK	Edge_1RB_Left
2	High				CP-OFDM QPSK	Edge_1RB_Right
3	Default				CP-OFDM QPSK	Outer_Full
4	Low				CP-OFDM 16 QAM	Edge_1RB_Left
5	High				CP-OFDM 16 QAM	Edge_1RB_Right
6	Default				CP-OFDM 16 QAM	Outer_Full
7	Low				CP-OFDM 64 QAM	Edge_1RB_Left
8	High				CP-OFDM 64 QAM	Edge_1RB_Right
9	Default				CP-OFDM 64 QAM	Outer_Full
10	Low				CP-OFDM 256 QAM	Edge_1RB_Left
11	High				CP-OFDM 256 QAM	Edge_1RB_Right
12	Default				CP-OFDM 256 QAM	Outer_Full
NOTE 1: The specific configuration of each RF allocation is defined in Table 6.1-1.						

Table 6.5D.2.2.4.1-2: Test Configuration Table for power class 3 with supporting ULFPTx

Initial Conditions

Test Environment as specified in TS 38.508-1 [5] subclause 4.1		Normal		
Test Frequencies as specified in TS 38.508-1 [5] subclause 4.3.1		Low range, High range		
Test Channel Bandwidths as specified in TS 38.508-1 [5] subclause 4.3.1		Lowest, Highest		
Test SCS as specified in Table 5.3.5-1		Lowest, Highest		
Test Parameters for Channel Bandwidths				
Test ID	Freq	Downlink Configuration	Uplink Configuration	
		N/A for Maximum Power Reduction (MPR) test case	Modulation (NOTE 2)	
			RB allocation (NOTE 1)	
1 ⁴	Low		DFT-s-OFDM Pi/2 BPSK	Edge_1RB_Left
2 ⁴	High		DFT-s-OFDM Pi/2 BPSK	Edge_1RB_Right
3 ⁴	Default		DFT-s-OFDM Pi/2 BPSK	Outer Full
4 ⁴	Low		DFT-s-OFDM QPSK	Edge_1RB_Left
5	High		DFT-s-OFDM QPSK	Edge_1RB_Right
6	Default		DFT-s-OFDM QPSK	Outer Full
7	Low		DFT-s-OFDM 16 QAM	Edge_1RB_Left
8	High		DFT-s-OFDM 16 QAM	Edge_1RB_Right
9	Default		DFT-s-OFDM 16 QAM	Outer Full
10	Low		DFT-s-OFDM 64 QAM	Edge_1RB_Left
11	High		DFT-s-OFDM 64 QAM	Edge_1RB_Right
12	Default		DFT-s-OFDM 64 QAM	Outer Full
13	Low		DFT-s-OFDM 256 QAM	Edge_1RB_Left
14	High		DFT-s-OFDM 256 QAM	Edge_1RB_Right
15	Default		DFT-s-OFDM 256 QAM	Outer Full
16	Low		CP-OFDM QPSK	Edge_1RB_Left
17	High		CP-OFDM QPSK	Edge_1RB_Right
18	Default		CP-OFDM QPSK	Outer Full
19	Low		CP-OFDM 16 QAM	Edge_1RB_Left
20	High		CP-OFDM 16 QAM	Edge_1RB_Right
21	Default		CP-OFDM 16 QAM	Outer Full
22	Low		CP-OFDM 64 QAM	Edge_1RB_Left
23	High		CP-OFDM 64 QAM	Edge_1RB_Right
24	Default		CP-OFDM 64 QAM	Outer Full
25	Low		CP-OFDM 256 QAM	Edge_1RB_Left
26	High	CP-OFDM 256 QAM	Edge_1RB_Right	
27	Default	CP-OFDM 256 QAM	Outer Full	
NOTE 1: The specific configuration of each RB allocation is defined in Table 6.1-1.				
NOTE 2: DFT-s-OFDM Pi/2 BPSK test applies only for UEs which supports half Pi BPSK in FR1.				
NOTE 3: Test ID 16 ~ 27 with CP-OFDM modulation are not needed if PDCCH DCI format 0_1 indicates ULFPTx_Mode1.				
NOTE 4: UE operating in FDD mode, or in TDD mode in bands other than n40, n41, n77, n78 and n79, or in TDD mode the IE <i>powerBoostPi2BPSK</i> is set to 0 for bands n40, n41, n77, n78 and n79.				

Table 6.5D.2.2.4.1-3: Test Configuration Table for power class 2 with supporting ULFPTx

Initial Conditions			
Test Environment as specified in TS 38.508-1 [5] subclause 4.1		Normal	
Test Frequencies as specified in TS 38.508-1 [5] subclause 4.3.1		Low range, High range	
Test Channel Bandwidths as specified in TS 38.508-1 [5] subclause 4.3.1		Lowest, Highest	
Test SCS as specified in Table 5.3.5-1		Lowest, Highest	
Test Parameters for Channel Bandwidths			
Test ID	Freq	Downlink Configuration	Uplink Configuration
		N/A for Maximum Power Reduction (MPR) test case	Modulation (NOTE 2)
			RB allocation (NOTE 1)
1	Low		DFT-s-OFDM Pi/2 BPSK
2	High	DFT-s-OFDM Pi/2 BPSK	Edge_1RB_Right

3	Default	DFT-s-OFDM Pi/2 BPSK	Outer Full
4	Low	DFT-s-OFDM QPSK	Edge_1RB_Left
5	High	DFT-s-OFDM QPSK	Edge_1RB_Right
6	Default	DFT-s-OFDM QPSK	Outer Full
7	Low	DFT-s-OFDM 16 QAM	Edge_1RB_Left
8	High	DFT-s-OFDM 16 QAM	Edge_1RB_Right
9	Default	DFT-s-OFDM 16 QAM	Outer Full
10	Low	DFT-s-OFDM 64 QAM	Edge_1RB_Left
11	High	DFT-s-OFDM 64 QAM	Edge_1RB_Right
12	Default	DFT-s-OFDM 64 QAM	Outer Full
13	Low	DFT-s-OFDM 256 QAM	Edge_1RB_Left
14	High	DFT-s-OFDM 256 QAM	Edge_1RB_Right
15	Default	DFT-s-OFDM 256 QAM	Outer Full
16	Low	CP-OFDM QPSK	Edge_1RB_Left
17	High	CP-OFDM QPSK	Edge_1RB_Right
18	Default	CP-OFDM QPSK	Outer Full
19	Low	CP-OFDM 16 QAM	Edge_1RB_Left
20	High	CP-OFDM 16 QAM	Edge_1RB_Right
21	Default	CP-OFDM 16 QAM	Outer Full
22	Low	CP-OFDM 64 QAM	Edge_1RB_Left
23	High	CP-OFDM 64 QAM	Edge_1RB_Right
24	Default	CP-OFDM 64 QAM	Outer Full
25	Low	CP-OFDM 256 QAM	Edge_1RB_Left
26	High	CP-OFDM 256 QAM	Edge_1RB_Right
27	Default	CP-OFDM 256 QAM	Outer Full

NOTE 1: The specific configuration of each RB allocation is defined in Table 6.1-1.
 NOTE 2: DFT-s-OFDM Pi/2 BPSK test applies only for UEs which supports half Pi BPSK in FR1.
 NOTE 3: Test ID 16 ~ 27 with CP-OFDM modulation are not needed if PDCCH DCI format 0_1 indicates ULFPTx_Mode1.

Table 6.5D.2.2.4.1-4: Test Configuration Table for power class 1.5 UEs supporting ULFPTx except the feature *ul-FullPwrMode-r16* or *ul-FullPwrMode2-TPMIGroup-r16*

Initial Conditions				
Test Environment as specified in TS 38.508-1 [5] subclause 4.1		Normal		
Test Frequencies as specified in TS 38.508-1 [5] subclause 4.3.1		Low range, High range		
Test Channel Bandwidths as specified in TS 38.508-1 [5] subclause 4.3.1		Lowest, Highest		
Test SCS as specified in Table 5.3.5-1		Lowest, Highest		
Test Parameters for Channel Bandwidths				
Test ID	Freq	Downlink Configuration	Uplink Configuration	
		N/A for Maximum Power	Modulation (NOTE 2)	
			RB allocation (NOTE 1)	
1	Low		DFT-s-OFDM Pi/2 BPSK	Edge_1RB_Left
2	High		DFT-s-OFDM Pi/2 BPSK	Edge_1RB_Right
3	Default		DFT-s-OFDM Pi/2 BPSK	Outer Full
4	Low		DFT-s-OFDM QPSK	Edge_1RB_Left
5	High		DFT-s-OFDM QPSK	Edge_1RB_Right
6	Default		DFT-s-OFDM QPSK	Outer Full
7	Low		DFT-s-OFDM 16 QAM	Edge_1RB_Left
8	High		DFT-s-OFDM 16 QAM	Edge_1RB_Right
9	Default		DFT-s-OFDM 16 QAM	Outer Full
10	Low		DFT-s-OFDM 64 QAM	Edge_1RB_Left
11	High		DFT-s-OFDM 64 QAM	Edge_1RB_Right
12	Default		DFT-s-OFDM 64 QAM	Outer Full
13	Low		DFT-s-OFDM 256 QAM	Edge_1RB_Left
14	High		DFT-s-OFDM 256 QAM	Edge_1RB_Right
15	Default		DFT-s-OFDM 256 QAM	Outer Full
16	Low		CP-OFDM QPSK	Edge_1RB_Left
17	High		CP-OFDM QPSK	Edge_1RB_Right
18	Default		CP-OFDM QPSK	Outer Full
19	Low	CP-OFDM 16 QAM	Edge_1RB_Left	
20	High	CP-OFDM 16 QAM	Edge_1RB_Right	

21	Default	CP-OFDM 16 QAM	Outer Full
22	Low	CP-OFDM 64 QAM	Edge_1RB_Left
23	High	CP-OFDM 64 QAM	Edge_1RB_Right
24	Default	CP-OFDM 64 QAM	Outer Full
25	Low	CP-OFDM 256 QAM	Edge_1RB_Left
26	High	CP-OFDM 256 QAM	Edge_1RB_Right
27	Default	CP-OFDM 256 QAM	Outer Full

NOTE 1: The specific configuration of each RB allocation is defined in Table 6.1-1.
NOTE 2: DFT-s-OFDM Pi/2 BPSK test applies only for UEs which supports half Pi BPSK in FR1.
NOTE 3: Test ID 16 ~ 27 with CP-OFDM modulation are not needed if PDCCH DCI format 0_1 indicates ULFPTx_Mode1.

1. Connect the SS to the UE antenna connectors as shown in TS 38.508-1 [5] Annex A, Figure A.3.1.1.2 for TE diagram and section A.3.2 for UE diagram.
2. The parameter settings for the cell are set up according to TS 38.508-1 [5] subclause 4.4.3.
3. Downlink signals are initially set up according to Annex C.0, C.1, C.2, and uplink signals according to Annex G.0, G.1, G.2, G.3.0.
4. The UL Reference Measurement channels are set according to tables 6.5D.2.2.4.1-1 to 6.5D.2.2.4.1-3.
5. Propagation conditions are set according to Annex B.0.
6. Ensure the UE is in state RRC_CONNECTED with generic procedure parameters Connectivity NR, Connected without release On, Test Mode On and Test Loop Function On according to TS 38.508-1 [5] clause 4.5. Message contents are defined in clause 6.5D.2.2.4.3

6.5D.2.2.4.2 Test procedure

1. SS sends uplink scheduling information for each UL HARQ process via PDCCH DCI format 0_1 for C_RNTI to schedule the UL RMC according to Table 6.5D.2.2.4.1-1. Since the UL has no payload and no loopback data to send the UE sends uplink MAC padding bits on the UL RMC. The PDCCH DCI format 0_1 is specified with condition 2TX_UL_MIMO in 38.508-1 [5] subclause 4.3.6.1.1.2
2. Send continuously power control “up” commands to the UE until the UE transmits at P_{UMAX} level. Allow at least 200ms for the UE to reach P_{UMAX} level.
3. Measure the sum of the mean power of the UE in the channel bandwidth of the radio access mode according to the test configuration, which shall meet the requirements described in Tables 6.2D.2.5-1 or 6.2D.2.5-2 as appropriate. The period of the measurement shall be at least the continuous duration of 1ms over consecutive active uplink slots and uplink symbols. For TDD, only slots consisting of only UL symbols are under test.
4. Measure the sum of power of the transmitted signal from both antenna connectors with a measurement filter of bandwidths according to Table 6.5D.2.2.5-1 and using a rms detector. If the sweep count is higher than one, the trace mode shall be average. The centre frequency of the filter shall be stepped in continuous steps according to the same table. The measured power shall be recorded for each step. The measurement period shall capture the active TSs.
5. If UE supports ULFPTx, repeat test steps 1~3 with UL RMC according to Table 6.5D.2.2.4.1-2 through Table 6.5D.2.2.4.1-4 as appropriate. The PDCCH DCI format 0_1 is specified with the condition ULFPTx_Mode1, ULFPTx_Mode2 or ULFPTx_ModeFull in 38.508-1 [5] subclause 4.3.6.1.1.2 depending on UE reported capability. Message contents are according to TS 38.508-1 [5] clause 4.6.3 Table 4.6.3-118 with condition TRANSFORM_PRECODER_ENABLED.

NOTE 1: When switching to DFT-s-OFDM waveform, as specified in the test configuration Table 6.5D.2.2.4.1-2, send an NR RRCReconfiguration message according to TS 38.508-1 [5] clause 4.6.3 Table 4.6.3-118 PUSCH-Config with TRANSFORM_PRECODER_ENABLED condition.

6.5D.2.2.4.3 Message contents

Message contents are according to TS 38.508-1 [5] subclause 4.6 and 5.4 ensuring Table 4.6.3-182 with condition 2TX_UL_MIMO.

6.5D.2.2.5 Test requirement

The measured sum of the UE mean power in the channel bandwidth, derived in step 3, shall fulfil requirements in clause 6.2D.2.5 as appropriate, and the sum of power of any UE emission measured from both antennas in step 4 and step 5 shall fulfill requirements in Table 6.5D.2.2.5-1.

Table 6.5D.2.2.5-1: NR General spectrum emission mask

Δf_{OoB} (MHz)	Channel bandwidth (MHz) / Spectrum emission limit (dBm)			Measurement bandwidth
	5	10, 15, 20, 25, 30, 35, 40, 45	50, 60, 70, 80, 90, 100	
$\pm 0-1$	-13 + TT	-13 + TT		1 % of channel BW
$\pm 0-1$			-24 + TT	30 kHz
$\pm 1-5$	-10 + TT	-10 + TT		1 MHz
$\pm 5-6$	-13 + TT			
$\pm 6-10$	-25 + TT			
$\pm 5-BW_{\text{Channel}}$		-13 + TT		
$\pm BW_{\text{Channel}}-(BW_{\text{Channel}}+5)$		-25 + TT		
Note 1:	The first and last measurement position with a 30 kHz filter is at Δf_{OoB} equals to 0.015 MHz and 0.985 MHz.			
Note 2:	At the boundary of spectrum emission limit, the first and last measurement position with a 1 MHz filter is the inside of +0.5MHz and -0.5MHz, respectively.			
Note 3:	The measurements are to be performed above the upper edge of the channel and below the lower edge of the channel.			
Note 4:	TT for each frequency and channel bandwidth is specified in Table 6.5D.2.2.5-2.			

Table 6.5D.2.2.5-2: Test Tolerance (Spectrum Emission Mask)

	$f \leq 3.0\text{GHz}$	$3.0\text{GHz} < f \leq 4.2\text{GHz}$	$4.2\text{GHz} < f \leq 6.0\text{GHz}$
$BW \leq 100\text{MHz}$	1.5 dB	1.8 dB	1.8 dB

NOTE: As a general rule, the resolution bandwidth of the measuring equipment should be equal to the measurement bandwidth. However, to improve measurement accuracy, sensitivity and efficiency, the resolution bandwidth may be smaller than the measurement bandwidth. When the resolution bandwidth is smaller than the measurement bandwidth, the result should be integrated over the measurement bandwidth in order to obtain the equivalent noise bandwidth of the measurement bandwidth.

6.5D.2.2_1 Spectrum emission mask for SUL with UL MIMO

6.5D.2.2_1.1 Test purpose

Same as test purpose in clause 6.5D.2.2.1.

6.5D.2.2_1.2 Test applicability

This test applies to all types of NR UE release 17 and forward that support SUL and UL MIMO operating on the SUL bands.

This test applies to all types of NR UE release 17 and forward that support SUL and UL full power transmission (ULFPTx) on the SUL bands.

6.5D.2.2_1.3 Minimum conformance requirements

Same as minimum conformance requirements in clause 6.5D.2.2.3.

6.5D.2.2_1.4 Test description

6.5D.2.2_1.4.1 Initial conditions

Initial conditions are a set of test configurations the UE needs to be tested in and the steps for the SS to take with the UE to reach the correct measurement state.

The initial test configurations consist of environmental conditions, test frequencies, test channel bandwidths and sub-carrier spacing based on NR operating bands specified in table 5.3.5-1. All of these configurations shall be tested with applicable test parameters for each combination of channel bandwidth and sub-carrier spacing and are shown in tables 6.5D.2.2_1.4.1-1 to 6.5D.2.2_1.4.1-2. The details of the uplink reference measurement channels (RMCs) are specified in Annexes A.2. Configurations of PDSCH and PDCCH before measurement are specified in Annex C.2

Table 6.5D.2.2_1.4.1-1: Test Configuration Table for power class 3 and power class 2

Initial Conditions					
Test Environment as specified in TS 38.508-1 [5] subclause 4.1			Normal		
Test Frequencies as specified in TS 38.508-1 [5] subclause 4.3.1			Low range, High range for SUL carrier Mid-range for Non-SUL carrier		
Test Channel Bandwidths as specified in TS 38.508-1 [5] subclause 4.3.1			Lowest, Highest for SUL carrier Lowest for Non-SUL carrier		
Test SCS as specified in Table 5.5C-1			15kHz for SUL carrier and Lowest supported SCS for Non-SUL carrier		
Test Parameters for Channel Bandwidths					
Test ID	Freq	Downlink Configuration	UL Configuration	SUL Configuration	
		N/A	N/A	Modulation	RB allocation
1	Low			CP-OFDM QPSK	Edge_1RB_Left
2	High			CP-OFDM QPSK	Edge_1RB_Right
3	Default			CP-OFDM QPSK	Outer_Full
4	Low			CP-OFDM 16 QAM	Edge_1RB_Left
5	High			CP-OFDM 16 QAM	Edge_1RB_Right
6	Default			CP-OFDM 16 QAM	Outer_Full
7	Low			CP-OFDM 64 QAM	Edge_1RB_Left
8	High			CP-OFDM 64 QAM	Edge_1RB_Right
9	Default			CP-OFDM 64 QAM	Outer_Full
10	Low			CP-OFDM 256 QAM	Edge_1RB_Left
11	High			CP-OFDM 256 QAM	Edge_1RB_Right
12	Default			CP-OFDM 256 QAM	Outer_Full
Note 1: Test Channel Bandwidths are checked separately for each SUL band combination, the applicable channel bandwidths are specified in Table 5.5C-1.					
Note 2: The specific configuration of each RF allocation is defined in Table 6.1-1.					

Table 6.5D.2.2_1.4.1-2: Test Configuration Table for UE supporting ULFPTx

Initial Conditions					
Test Environment as specified in TS 38.508-1 [5] subclause 4.1			Normal		
Test Frequencies as specified in TS 38.508-1 [5] subclause 4.3.1			Low range, High range for SUL carrier Mid-range for Non-SUL carrier		
Test Channel Bandwidths as specified in TS 38.508-1 [5] subclause 4.3.1			Lowest, Highest for SUL carrier Lowest for Non-SUL carrier		
Test SCS as specified in Table 5.5C-1			15kHz for SUL carrier and Lowest supported SCS for Non-SUL carrier		
Test Parameters for Channel Bandwidths					
Test ID	Freq	Downlink Configuration	UL Configuration	SUL Configuration	
		N/A	N/A	Modulation	RB allocation

1 ⁵	Low		DFT-s-OFDM PI/2 BPSK	Edge_1RB_Left
2 ⁵	High		DFT-s-OFDM PI/2 BPSK	Edge_1RB_Right
3 ⁵	Default		DFT-s-OFDM PI/2 BPSK	Outer_Full
4 ⁵	Low		DFT-s-OFDM QPSK	Edge_1RB_Left
5	High		DFT-s-OFDM QPSK	Edge_1RB_Right
6	Default		DFT-s-OFDM QPSK	Outer_Full
7	Low		DFT-s-OFDM 16 QAM	Edge_1RB_Left
8	High		DFT-s-OFDM 16 QAM	Edge_1RB_Right
9	Default		DFT-s-OFDM 16 QAM	Outer_Full
10	Low		DFT-s-OFDM 64 QAM	Edge_1RB_Left
11	High		DFT-s-OFDM 64 QAM	Edge_1RB_Right
12	Default		DFT-s-OFDM 64 QAM	Outer_Full
13	Low		DFT-s-OFDM 256 QAM	Edge_1RB_Left
14	High		DFT-s-OFDM 256 QAM	Edge_1RB_Right
15	Default		DFT-s-OFDM 256 QAM	Outer_Full
16	Low		CP-OFDM QPSK	Edge_1RB_Left
17	High		CP-OFDM QPSK	Edge_1RB_Right
18	Default		CP-OFDM QPSK	Outer_Full
19	Low		CP-OFDM 16 QAM	Edge_1RB_Left
20	High		CP-OFDM 16 QAM	Edge_1RB_Right
21	Default		CP-OFDM 16 QAM	Outer_Full
22	Low		CP-OFDM 64 QAM	Edge_1RB_Left
23	High		CP-OFDM 64 QAM	Edge_1RB_Right
24	Default		CP-OFDM 64 QAM	Outer_Full
25	Low		CP-OFDM 256 QAM	Edge_1RB_Left
26	High		CP-OFDM 256 QAM	Edge_1RB_Right
27	Default		CP-OFDM 256 QAM	Outer_Full
Note 1: Test Channel Bandwidths are checked separately for each SUL band combination, the applicable channel bandwidths are specified in Table 5.5C-1.				
Note 2: The specific configuration of each RF allocation is defined in Table 6.1-1.				
Note 3: DFT-s-OFDM PI/2 BPSK test applies only for UEs which supports half Pi BPSK in FR1.				
Note 4: Test ID 16 ~ 27 with CP-OFDM modulation are not needed if PDCCH DCI format 0_1 indicates ULFPTx_Mode1.				
Note 5: For UE indicating PC2, or UE indicating PC3 and operating in FDD mode, or in TDD mode in bands other than n40, n41, n77, n78 and n79, or in TDD mode the IE <i>powerBoostPi2BPSK</i> is set to 0 for bands n40, n41, n77, n78 and n79.				

1. Connect the SS to the UE antenna connectors as shown in TS 38.508-1 [5] Annex A, Figure A.3.1.1.5 for TE diagram and section A.3.2 for UE diagram.

2. The parameter settings for the cell are set up according to TS 38.508-1 [5] subclause 4.4.3.
3. Downlink signals are initially set up according to Annex C.0, C.1, C.2, and uplink signals according to Annex G.0, G.1, G.2, G.3.0.
4. The UL and DL Reference Measurement channels are set according to Table 6.5D.2.2_1.4.1-1 and 6.5D.2.2_1.4.1-2
5. Propagation conditions are set according to Annex B.0.
6. Ensure the UE is in state RRC_CONNECTED with generic procedure parameters Connectivity NR, Connected without release On, Test Mode On and Test Loop Function On according to TS 38.508-1 [5] clause 4.5. Message contents are defined in clause 6.3D.4.3.4.3.

6.5D.2.2_1.4.2 Test procedure

1. SS sends uplink scheduling information for each UL HARQ process via PDCCH DCI format 0_1 for C_RNTI to schedule the UL RMC according to Table 6.5D.2.2_1.4.1-1. Since the UL has no payload and no loopback data to send the UE sends uplink MAC padding bits on the UL RMC. The PDCCH DCI format 0_1 is specified with condition 2TX_UL_MIMO in 38.508-1 [5] subclause 4.3.6.1.1.2
2. Send continuously power control “up” commands to the UE until the UE transmits at PUMAX level. Allow at least 200ms for the UE to reach PUMAX level.
3. Measure the sum of the mean power of the UE in the channel bandwidth of the radio access mode according to the test configuration, which shall meet the requirements described in Tables 6.2D.1_1.5-1. The period of the measurement shall be at least the continuous duration of 1ms over consecutive active uplink slots and uplink symbols. For TDD, only slots consisting of only UL symbols are under test.
4. Measure the sum of power of the transmitted signal from both antenna connectors with a measurement filter of bandwidths according to Table 6.5D.2.2_1.5-1 and using a rms detector. If the sweep count is higher than one, the trace mode shall be average. The centre frequency of the filter shall be stepped in continuous steps according to the same table. The measured power shall be recorded for each step. The measurement period shall capture the active TSs.
5. If UE supports ULFPTx, repeat test steps 1~3 with UL RMC according to Table 6.5D.2.2_1.4.1-2. The PDCCH DCI format 0_1 is specified with the condition ULFPTx_Mode1, ULFPTx_Mode2 or ULFPTx_ModeFull in 38.508-1 [5] subclause 4.3.6.1.1.2 depending on UE reported capability. Message contents are according to TS 38.508-1 [5] clause 4.6.3 Table 4.6.3-118 with condition TRANSFORM_PRECODER_ENABLED.

NOTE 1: When switching to DFT-s-OFDM waveform, as specified in the test configuration Table 6.5D.2.2_1.4.1-2, send an NR RRCReconfiguration message according to TS 38.508-1 [5] clause 4.6.3 Table 4.6.3-118 PUSCH-Config with TRANSFORM_PRECODER_ENABLED condition.

6.5D.2.2_1.4.3 Message contents

Message contents are according to TS 38.508-1 [5] subclause 4.3.6.1.1.2 ensuring UL/SUL indicator in Table 4.3.6.1.1.2-1 with condition SUL, subclause 4.6 ensuring Table 4.6.1-28 with condition SUL AND (RF OR RRM), Tables 4.6.3-14 with condition SUL_SUL for SUL carrier, Table 4.6.3-167 with condition PUSCH_PUCCH_ON_SUL, and Table 4.6.3-182 with the condition 2TX_UL_MIMO.

6.5D.2.2_1.5 Test requirement

The measured sum of the UE mean power in the channel bandwidth, derived in step 3, shall fulfil requirements in Tables [6.2D.2.5-1, 6.2D.2.5-2, 6.2D.2.5-2a and 6.2D.2.5-2b] as appropriate, and the sum of power of any UE emission measured from both antennas in step 4 and step 5 shall fulfil requirements in Table 6.5D.2.2.5-1.

Table 6.5D.2.2_1.5-1: NR General spectrum emission mask

Δf_{OoB} (MHz)	Channel bandwidth (MHz) / Spectrum emission limit (dBm)			Measurement bandwidth
	5	10, 15, 20, 25, 30, 40, 45	50, 60, 70, 80, 90, 100	
± 0.1	-13 + TT	-13 + TT		1 % of channel BW
± 0.1			-24 + TT	30 kHz

$\pm 1-5$	$-10 + TT$	$-10 + TT$	1 MHz
$\pm 5-6$	$-13 + TT$		
$\pm 6-10$	$-25 + TT$		
$\pm 5-BW_{\text{Channel}}$		$-13 + TT$	
$\pm BW_{\text{Channel}}-(BW_{\text{Channel}}+5)$		$-25 + TT$	
Note 1:	The first and last measurement position with a 30 kHz filter is at Δf_{OOB} equals to 0.015 MHz and 0.985 MHz.		
Note 2:	At the boundary of spectrum emission limit, the first and last measurement position with a 1 MHz filter is the inside of +0.5MHz and -0.5MHz, respectively.		
Note 3:	The measurements are to be performed above the upper edge of the channel and below the lower edge of the channel.		
Note 4:	TT for each frequency and channel bandwidth is specified in Table 6.5D.2.2.5-2.		

Table 6.5D.2.2_1.5-2: Test Tolerance (Spectrum Emission Mask)

	$f \leq 3.0\text{GHz}$	$3.0\text{GHz} < f \leq 4.2\text{GHz}$	$4.2\text{GHz} < f \leq 6.0\text{GHz}$
$BW \leq 100\text{MHz}$	1.5 dB	1.8 dB	1.8 dB

NOTE: As a general rule, the resolution bandwidth of the measuring equipment should be equal to the measurement bandwidth. However, to improve measurement accuracy, sensitivity and efficiency, the resolution bandwidth may be smaller than the measurement bandwidth. When the resolution bandwidth is smaller than the measurement bandwidth, the result should be integrated over the measurement bandwidth in order to obtain the equivalent noise bandwidth of the measurement bandwidth.

6.5D.2.3 Additional spectrum emission mask for UL MIMO

Editor's note:

-Test coverage for the NS_XXs other than NS_03, NS_03U, NS_04 and NS_35 is FFS

- Supporting of ULFPTx is only completed for NS_04, NS_03, NS_03U in A-MPR

6.5D.2.3.1 Test purpose

To verify that the sum of power of any UE emission from both transmit antennas shall not exceed specified lever for the specified channel bandwidth under the deployment scenarios where additional requirements are specified.

6.5D.2.3.2 Test applicability

This test case applies to all types of NR Power Class 1.5, Power Class 2 and Power Class 3UE release 15 and forward that supports 2-layer codebook based UL MIMO.

This test case applies to all types of NR Power Class 1.5, Power Class 2 and Power Class 3UE release 16 and forward that supports UL full power transmission (ULFPTx).

6.5D.2.3.3 Minimum conformance requirements

The sum of power of any UE emission shall not exceed the levels specified in Table 6.5.2.3.3-1 for NS_35, Table 6.5.2.3.3.2-1 for NS_04, and Table 6.5.2.3.3.3 for NS_03 and NS_03U for the specified channel bandwidth from both transmit antenna connectors.

The normative reference for this requirement is TS 38.101-1 [2] clause 6.5D.2 and 6.5.2.3

6.5D.2.3.4 Test description

6.5D.2.3.4.1 Initial conditions

Initial conditions are a set of test configurations the UE needs to be tested in and the steps for the SS to take with the UE to reach the correct measurement state.

The initial test configurations consist of environmental conditions, test frequencies, test channel bandwidths and sub-carrier spacing based on NR operating bands specified in table 5.3.5-1. All of these configurations shall be tested with applicable test parameters for each combination of channel bandwidth and sub-carrier spacing, and are shown in clause

6.2D.3. The details of the uplink reference measurement channels (RMCs) are specified in Annexes A.2. Configurations of PDSCH and PDCCH before measurement are specified in Annex C.2.

Table 6.5D.2.3.4.1-1: Void

Table 6.5D.2.3.4.1-2: Void

Table 6.5D.2.3.4.1-3: Void

1. Connect the SS to the UE antenna connectors as shown in TS 38.508-1 [5] Annex A, Figure A.3.1.1.2 for TE diagram and section A.3.2 for UE diagram.
2. The parameter settings for the cell are set up according to TS 38.508-1 [5] subclause 4.4.3.
3. Downlink signals are initially set up according to Annex C.0, C.1, C.2, and uplink signals according to Annex G.0, G.1, G.2, G.3.0.
4. The UL Reference Measurement channels are set according to applicable test configuration table in clause 6.2D.3.4.1.
5. Propagation conditions are set according to Annex B.0.
6. Ensure the UE is in state RRC_CONNECTED with generic procedure parameters Connectivity NR, Connected without release On, Test Mode On and Test Loop Function On according to TS 38.508-1 [5] clause 4.5. Message contents are defined in clause 6.5D.2.3.4.3.

6.5D.2.3.4.2 Test procedure

Same test procedure as defined in clause 6.5D.2.2.4.2 with the following exceptions:

- Instead of Table 6.2D.2.5-1, test requirements in clause 6.2D.3.5 are applied in step 3;
- Instead of Table 6.5D.2.2.5-1, test requirements in clause 6.5D.2.3.5 are applied in step 4;
- Instead of Table 6.5D.2.2.4.1-2 and Table 6.5D.2.2.4.1-3, test configurations for ULFP_{Tx} in clause 6.2D.3 are applied in step 5;

6.5D.2.3.4.3 Message contents

Message contents are according to TS 38.508-1 [5] subclause 4.6 ensuring Table 4.6.3-182 with condition 2TX_UL_MIMO and exceptions listed in clause 6.2D.3.4.3.

6.5D.2.3.5 Test requirement

The measured sum of the UE mean power in the channel bandwidth, derived in step 3 and step 5 shall fulfill the requirements as specified in clause 6.2D.3.5 for NS_35, NS_04, NS_03 and NS_03U as appropriate, and the sum of power of any UE emission measured from both antennas in step 4 and step 5 shall fulfill requirements in current subclause.

Table 6.5D.2.3.5-1: Additional requirements for “NS_35”

Spectrum emission limit (dBm) / Channel bandwidth					
Δf_{OoB} (MHz)	5 MHz	10 MHz	15 MHz	20 MHz	Measurement bandwidth (unless otherwise stated)
$\pm 0-0.1$	-15 + TT	-18 + TT	-20 + TT	-21 + TT	30 kHz
$\pm 0.1-6$	-13 + TT	-13 + TT	-13 + TT	-13 + TT	100 kHz
$\pm 6-10$	-25 ¹ + TT	-13 + TT	-13 + TT	-13 + TT	100 kHz
$\pm 10-15$		-25 ¹ + TT	-13 + TT	-13 + TT	100 kHz

± 15-20			-25 ¹ + TT	-13 + TT	100 kHz
± 20-25				-25 + TT	1 MHz
NOTE 1: The measurement bandwidth shall be 1 MHz; NOTE 2: TT for each frequency and channel bandwidth is specified in Table 6.5D.2.3.5-2					

Table 6.5D.2.3.5-2: Test Tolerance (Spectrum Emission Mask)

	f ≤ 3.0GHz	3.0GHz < f ≤ 4.2GHz	4.2GHz < f ≤ 6.0GHz
BW ≤ 100MHz	1.5 dB	1.8 dB	1.8 dB

Table 6.5D.2.3.5-3: Additional requirements for "NS_04"

Δf _{oob} MHz	Spectrum emission limit (dBm) / measurement bandwidth for each channel bandwidth											Measurement bandwidth
	10	15	20	30	40	50	60	70	80	90	100	
± 0 - 1	-10 + TT	-10 + TT	-10 + TT	-10 + TT	-10 + TT						2 % channel bandwidth	
						-10 + TT					1 MHz	
± 1 - 5	-10 + TT											1 MHz
± 5 - X	-13 + TT											
± X - (BW _{Channel} + 5 MHz)	-25 + TT											
NOTE 1: X is defined in Table 6.5D.2.3.5-3a for CP-OFDM NOTE 2: TT for each frequency and channel bandwidth is specified in Table 6.5D.2.3.5-2.												

Table 6.5D.2.3.5-3a: n41 maximum transmission bandwidths (MHz) for CP-OFDM

SCS (kHz)	Channel bandwidths (MHz)										
	10	15	20	30	40	50	60	70	80	90	100
15	9.36	14.22	19.08	28.80	38.88	48.6	N/A	N/A	N/A	N/A	N/A
30	8.64	13.68	18.36	28.08	38.16	47.88	58.32	68.04	78.12	88.02	98.28
60	7.92	12.96	17.28	27.36	36.72	46.8	56.88	66.96	77.04	87.12	97.20

Table 6.5D.2.3.5-4: Additional requirements for "NS_03 and NS_03U"

Δf _{oob} MHz	Channel bandwidth (MHz) / Spectrum emission limit (dBm)		Measurement bandwidth
	5	10, 15, 20, 25, 30, 35, 40, 45	
± 0-1	-13 + TT	-13 + TT	1 % of channel BW
± 1-6	-13 + TT	-13 + TT	1 MHz
± 6-10	-25 + TT		
± 1-BWChannel			
± BWChannel-(BWChannel+5)		-25 + TT	
NOTE 1: TT for each frequency and channel bandwidth is specified in Table 6.5D.2.3.5-2.			

NOTE: As a general rule, the resolution bandwidth of the measuring equipment should be equal to the measurement bandwidth. However, to improve measurement accuracy, sensitivity and efficiency, the resolution bandwidth may be smaller than the measurement bandwidth. When the resolution bandwidth is smaller than the measurement bandwidth, the result should be integrated over the measurement bandwidth in order to obtain the equivalent noise bandwidth of the measurement bandwidth.

6.5D.2.4 Adjacent channel leakage ratio for UL MIMO

Adjacent channel leakage power Ratio (ACLR) is the ratio of the filtered mean power centred on the assigned channel frequency to the filtered mean power centred on an adjacent channel frequency.

6.5D.2.4.1 NR ACLR for UL MIMO

6.5D.2.4.1.1 Test purpose

To verify that UE transmitter does not cause unacceptable interference to adjacent channels in terms of Adjacent Channel Leakage power Ratio (ACLR).

6.5D.2.4.1.2 Test applicability

This test case applies to all types of NR Power Class 1.5, Power Class 2 and Power Class 3 UE release 15 and forward that supports 2-layer codebook based UL MIMO.

This test case applies to all types of NR Power Class 1.5, Power Class 2 and Power Class 3 UE release 16 and forward that support UL full power transmission (ULFPTx).

6.5D.2.4.1.3 Minimum conformance requirements

For UE supporting UL MIMO, the requirements for Out of band emissions resulting from the modulation process and non-linearity in the transmitters is defined as the sum of the emissions from both UE transmit antenna connectors.

For UEs with two transmit antenna connectors in closed-loop spatial multiplexing scheme, the requirements in subclause 6.5.2.4.2.3 apply. The requirements shall be met with UL MIMO configurations described in clause 6.2D.1.3.

For UE support uplink full power transmission (ULFPTx) for UL MIMO, the requirements in clause 6.5.2.4.2.3 shall apply. The requirements shall be met with the PUSCH configurations specified in Table 6.2D.1.3-3, based upon UE's support of uplink full power transmission mode.

If UE is scheduled for single antenna-port PUSCH transmission by DCI format 0_0 or by DCI format 0_1 for single antenna port codebook based transmission, the requirements in clause 6.5.2.4.2.3 apply.

The normative reference for this requirement is TS 38.101-1 [2] clauses and 6.5D.2 and 6.5.2.4.1.

6.5D.2.4.1.4 Test description

6.5D.2.4.1.4.1 Initial conditions

Initial conditions are a set of test configurations the UE needs to be tested in and the steps for the SS to take with the UE to reach the correct measurement state.

The initial test configurations consist of environmental conditions, test frequencies, test channel bandwidths and sub-carrier spacing based on NR operating bands specified in Table 5.3.5-1. All of these configurations shall be tested with applicable test parameters for each combination of channel bandwidth and sub-carrier spacing, are shown in the test configuration tables in clause 6.2D.2. 4.1. The details of the uplink reference measurement channels (RMCs) are specified in Annexes A.2. Configurations of PDSCH and PDCCH before measurement are specified in Annex C.2

Table 6.5D.2.4.1.4.1-1: Void

1. Connect the SS to the UE antenna connectors as shown in TS 38.508-1 [5] Annex A, Figure A.3.1.1.2 for TE diagram and section A.3.2 for UE diagram.
2. The parameter settings for the cell are set up according to TS 38.508-1 [5] subclause 4.4.3.
3. Downlink signals are initially set up according to Annex C.0, C.1, C.2, and uplink signals according to Annex G.0, G.1, G.2, G.3.0.
4. The UL Reference Measurement channels are set according to the test configuration tables in clause 6.2D.2.4.1.
5. Propagation conditions are set according to Annex B.0
6. Ensure the UE is in state RRC_CONNECTED with generic procedure parameters Connectivity *NR*, Connected without release *On*, Test Mode *On* and Test Loop Function *On* according to TS 38.508-1 [5] clause 4.5. Message contents are defined in clause 6.5D.2.4.1.4.3 (If UE supports ULFPTx. The PDCCH DCI format 0_1 is specified

with the condition ULFPTx_Mode1, ULFPTx_Mode2 or ULFPTx_ModeFull in 38.508-1 [5] subclause 4.3.6.1.1.2 depending on UE reported capability.)

6.5D.2.4.1.4.2 Test procedure

1. SS sends uplink scheduling information for each UL HARQ process via PDCCH DCI format 0_1 for C_RNTI to schedule the UL RMC according to the test configuration tables in clause 6.2D.2.4.1. Since the UL has no payload and no loopback data to send the UE sends uplink MAC padding bits on the UL RMC. The PDCCH DCI format 0_1 is specified with condition 2TX_UL_MIMO in 38.508-1 [5] subclause 4.3.6.1.1.2
2. Send continuously power control “up” commands to the UE until the UE transmits at P_{UMAX} level. Allow at least 200ms for the UE to reach P_{UMAX} level.
3. Measure the sum of the mean power of the UE at from both antenna connectors in the channel bandwidth of the radio access mode according to the test configuration, as measured in step 3 of 6.2D.2.4.2, which shall meet the requirements described in clause 6.2D.2.5 as appropriate.
4. Measure the sum of the rectangular filtered mean power for the assigned NR channel at each antenna connector of UE using a rms detector. If the sweep count is higher than one, the trace mode shall be average.
5. Measure the sum of rectangular filtered mean power of the first NR adjacent channel at each antenna connector of UE on both lower and upper side of the assigned NR channel using a rms detector, respectively. If the sweep count is higher than one, the trace mode shall be average.
6. Calculate the ratios of the power between the values measured in step 4 over step 5 for lower and upper NR ACLR, respectively.
7. If UE supports ULFPTx, repeat test steps 1~6 with UL RMC according to Table 6.2D.2.4.1-1a through Table 6.2D.2.4.1-3a. The PDCCH DCI format 0_1 is specified with the condition ULFPTx_Mode1, ULFPTx_Mode2 or ULFPTx_ModeFull in 38.508-1 [5] subclause 4.3.6.1.1.2 depending on UE reported capability.

6.5D.2.4.1.4.3 Message contents

Message contents are according to TS 38.508-1 [5] subclause 4.6 ensuring Table 4.6.3-182 with condition 2TX_UL_MIMO.

6.5D.2.4.1.5 Test requirement

The measured UE mean total power derived in step 3, shall fulfil requirements in Clause 6.2D.2.5 as appropriate, and if the measured adjacent channel power is greater than -50 dBm then the measured NR ACLR, derived in step 6 for each antenna connector, shall be higher than the limits in Table 6.5D.2.4.1.5-2.

Table 6.5D.2.4.1.5-1: Void

Table 6.5D.2.4.1.5-2: NR ACLR requirement

	Power class 1	Power class 1.5	Power class 2	Power class 3
NR ACLR		31 - TT dB	31 - TT dB	30 - TT dB
NOTE 1: TT = 0.8 dB				

6.5D.2.4.1_1 NR ACLR for SUL with UL MIMO

6.5D.2.4.1_1.1 Test purpose

To verify that UE transmitter does not cause unacceptable interference to adjacent channels in terms of Adjacent Channel Leakage Power Ratio (ACLR).

6.5D.2.4.1_1.2 Test applicability

This test case applies to all types of NR UE release 17 and forward that support SUL and UL MIMO operating on the SUL bands.

6.5D.2.4.1_1.3 Minimum conformance requirements

For a terminal that supports SUL for the band combination specified in Table 5.2C-1, the current version of the specification assumes the terminal is configured with active transmission either on UL carrier or SUL carrier at any time in one serving cell and the UE requirements for single carrier shall apply for the active UL or SUL carrier accordingly.

For UE supporting UL MIMO, the requirements for Out of band emissions resulting from the modulation process and non-linearity in the transmitters is defined as the sum of the emissions from both UE transmit antenna connectors.

For UEs with two transmit antenna connectors in closed-loop spatial multiplexing scheme, the requirements in subclause 6.5.2.4.2.3 apply. The requirements shall be met with UL MIMO configurations described in clause 6.2D.1_1.3.

The normative reference for this requirement is TS 38.101-1 [2] clauses and 6.5D.2 and 6.5.2.4.1.

6.5D.2.4.1_1.4 Test description

6.5D.2.4.1_1.4.1 Initial conditions

Same initial conditions as in 6.2D.2_1.4.1.

6.5D.2.4.1_1.4.2 Test procedure

1. SS sends uplink scheduling information for each UL HARQ process via PDCCH DCI format 0_1 for C_RNTI to schedule the UL RMC according to the test configuration tables in clause 6.2D.2_1. 4.1. Since the UL has no payload and no loopback data to send the UE sends uplink MAC padding bits on the UL RMC. The PDCCH DCI format 0_1 is specified with condition 2TX_UL_MIMO in 38.508-1 [5] subclause 4.3.6.1.1.2
2. Send continuously power control “up” commands to the UE until the UE transmits at P_{UMAX} level. Allow at least 200ms for the UE to reach P_{UMAX} level.
3. Measure the sum of the mean power of the UE at from both antenna connectors in the channel bandwidth of the radio access mode according to the test configuration, as measured in step 3 of 6.2D.2_1.4.2, which shall meet the requirements described in clauses 6.2D.2_1.5 as appropriate.
4. Measure the sum of the rectangular filtered mean power for the assigned NR channel at each antenna connector of UE using a rms detector. If the sweep count is higher than one, the trace mode shall be average.
5. Measure the sum of rectangular filtered mean power of the first NR adjacent channel at each antenna connector of UE on both lower and upper side of the assigned NR channel using a rms detector, respectively. If the sweep count is higher than one, the trace mode shall be average.
6. Calculate the ratios of the power between the values measured in step 4 over step 5 for lower and upper NR ACLR, respectively.

6.5D.2.4.1_1.4.3 Message contents

Message contents in initial conditions are according to TS 38.508-1 [5] subclause 4.3.6.1.1.2 ensuring UL/SUL indicator in Table 4.3.6.1.1.2-1 with condition SUL, subclause 4.6 ensuring Table 4.6.1-28 with condition SUL AND (RF OR RRM), Table 4.6.3-14 with condition SUL_SUL for SUL carrier, and Table 4.6.3-167 with condition PUSCH_PUCCH_ON_SUL.

Message contents are according to TS 38.508-1 [5] subclause 4.6 ensuring Table 4.6.3-182 with condition 2TX_UL_MIMO.

6.5D.2.4.1_1.5 Test requirement

The measured UE mean total power derived in step 3, shall fulfil requirements in clause 6.2D.2_1.5 as appropriate, and if the measured adjacent channel power is greater than -50 dBm then the measured NR ACLR, derived in step 6 for each antenna connector, shall be higher than the limits in Table 6.5D.2.4.1_1.5-1.

Table 6.5D.2.4.1_1.5-1: NR ACLR requirement

	Power class 1	Power class 2	Power class 3
NR ACLR		31 - TT dB	30 - TT dB

NOTE 1: TT = 0.8 dB

6.5D.2.4.2 UTRA ACLR for UL MIMO

6.5D.2.4.2.1 Test purpose

To verify that UE transmitter does not cause unacceptable interference to adjacent channels in terms of Adjacent Channel Leakage power Ratio (ACLR).

6.5D.2.4.2.2 Test applicability

This test case applies for NS_03U, NS_05U, and NS_100 to all types of NR Power Class 1.5, Power Class 2 and Power Class 3 UE release 15 and forward that supports 2-layer codebook based UL MIMO.

This test case applies for NS_03U to all types of NR Power Class 1.5, Power Class 2 and Power Class 3 UE release 16 and forward that supports UL full power transmission (ULFPTx).

6.5D.2.4.2.3 Minimum conformance requirements

For UE supporting UL MIMO, the requirements for Out of band emissions resulting from the modulation process and non-linearity in the transmitters is defined as the sum of the emissions from both UE transmit antenna connectors.

For UEs with two transmit antenna connectors in closed-loop spatial multiplexing scheme, the requirements in subclause 6.5.2.4.2.3 apply. The requirements shall be met with UL MIMO configurations described in clause 6.2D.1.3.

For UE support uplink full power transmission (ULFPTx) for UL MIMO, the requirements in clause 6.5.2.4.2.3 shall apply. The requirements shall be met with the PUSCH configurations specified in Table 6.2D.1.3-3, based upon UE's support of uplink full power transmission mode.

If UE is scheduled for single antenna-port PUSCH transmission by DCI format 0_0 or by DCI format 0_1 for single antenna port codebook based transmission, the requirements in clause 6.5.2.4.2.3 apply.

The normative reference for this requirement is TS 38.101-1 [2] clauses 6.5D.2 and 6.5.2.4.2.

6.5D.2.4.2.4 Test description

6.5D.2.4.2.4.1 Initial conditions

Same as in subclause 6.2D.3.4.1 with the following exception;

- Only network signalling values NS_03U, NS_05U, NS_100 with the corresponding band defined in Table 6.2.3.3.1-1 need to perform UTRA ACLR for MIMO testing.
- Message contents in step 6 are defined in clause 6.5D.2.4.2.4.3.

Table 6.5D.2.4.2.4.1-1: Void

Table 6.5D.2.4.2.4.1-2: Void

6.5D.2.4.2.4.2 Test procedure

1. SS sends uplink scheduling information for each UL HARQ process via PDCCH DCI format 0_1 for C_RNTI to schedule the UL RMC according to the applicable test configuration table in clause 6.2D.3.4.1. Since the UL has no payload and no loopback data to send the UE sends uplink MAC padding bits on the UL RMC. The PDCCH DCI format 0_1 is specified with condition 2TX_UL_MIMO in 38.508-1 [5] subclause 4.3.6.1.1.2
2. Send continuously power control "up" commands to the UE until the UE transmits at P_{UMAX} level. Allow at least 200ms for the UE to reach P_{UMAX} level.
3. Measure the sum of the mean power of the UE at each antenna connector in the channel bandwidth of the radio access mode according to the test configuration, which shall meet the requirements described in clause 6.2D.3.5

as appropriate. The period of the measurement shall be at least the continuous duration of 1ms over consecutive active uplink slots and uplink symbols. For TDD, only slots consisting of only UL symbols are under test.

4. Measure the sum of the rectangular filtered mean power for the assigned NR channel at each antenna connector of UE using a rms detector. If the sweep count is higher than one, the trace mode shall be average.
5. Measure the sum of the RRC filtered mean power of the first and the second UTRA adjacent channel at each antenna connector of UE on both lower and upper side of the assigned NR channel using a rms detector, respectively. If the sweep count is higher than one, the trace mode shall be average.
6. Calculate the ratio of the power between the values measured in step 4 over step 5 for $UTRA_{ACLR1}$, $UTRA_{ACLR2}$ for both lower and upper side of the assigned NR channel, respectively.
7. If UE supports ULFPTx, repeat test steps 1~6 with UL RMC according to the applicable test configuration table supporting ULFPTx in clause 6.2D.3.4.1. The PDCCH DCI format 0_1 is specified with the condition ULFPTx_Mode1, ULFPTx_Mode2 or ULFPTx_ModeFull in 38.508-1 [5] subclause 4.3.6.1.1.2 depending on UE reported capability.

6.5D.2.4.2.4.3 Message contents

Message contents are according to TS 38.508-1 [5] subclause 4.6 ensuring Table 4.6.3-182 with condition 2TX_UL_MIMO and with the exception specified in Table 6.5D.2.4.2.4.3 - 1

Table 6.5D.2.4.2.4.3-1: AdditionalSpectrumEmission: UTRA ACLR test requirement for "NS_XX"

Derivation Path: TS 38.508-1 [5] clause 4.6.3, Table 4.6.3-1 AdditionalSpectrumEmission from SIB1			
Information Element	Value/remark	Comment	Condition
AdditionalSpectrumEmission	1	NS_100 for band n1, n2, n3, n5, n25, n66, n80, n84 NOTE1	
	3	NS_03U for n2, n25, n66 NS_05U for n1, n84	
	4	NS_05U for n65	
NOTE 1: This NS can be signalled for NR bands that have UTRA services deployed			

6.5D.2.4.2.5 Test requirement

UTRA ACLR requirement is applicable when signalled by the network with network signalling value indicated by the field *additionalSpectrumEmission*.

The measured UE mean total power in the channel bandwidth at all the antenna connectors, derived in step 3, shall fulfil requirements in Clause 6.2D.3.5 as appropriate, and if the measured adjacent channel power is greater than -50 dBm then the measured UTRA ACLR, derived in step 6 for each antenna connector, shall be higher than the limits in Table 6.5D.2.4.2.5-1.

Table 6.5D.2.4.2.5-1: UTRA ACLR requirement

	Power class 3
$UTRA_{ACLR1}$	33 dB - TT
$UTRA_{ACLR2}$	36 dB - TT
NOTE 1: TT = 0.8 dB	

6.5D.2.4.2.1 UTRA ACLR for SUL with UL MIMO

6.5D.2.4.2.1.1 Test purpose

To verify that UE transmitter does not cause unacceptable interference to adjacent channels in terms of Adjacent Channel Leakage power Ratio (ACLR).

6.5D.2.4.2_1.2 Test applicability

This test case applies for NS_05U to all types of NR UE release 17 and forward that support SUL and UL MIMO operating on the SUL bands.

6.5D.2.4.2_1.3 Minimum conformance requirements

For a terminal that supports SUL for the band combination specified in Table 5.2C-1, the current version of the specification assumes the terminal is configured with active transmission either on UL carrier or SUL carrier at any time in one serving cell and the UE requirements for single carrier shall apply for the active UL or SUL carrier accordingly.

For UE supporting UL MIMO, the requirements for Out of band emissions resulting from the modulation process and non-linearity in the transmitters is defined as the sum of the emissions from both UE transmit antenna connectors.

For UEs with two transmit antenna connectors in closed-loop spatial multiplexing scheme, the requirements in subclause 6.5.2.4.2.3 apply. The requirements shall be met with UL MIMO configurations described in clause 6.2D.1_1.3.

The normative reference for this requirement is TS 38.101-1 [2] clauses 6.5D.2 and 6.5.2.4.2.

6.5D.2.4.2_1.4 Test description

6.5D.2.4.2_1.4.1 Initial conditions

S Initial conditions are a set of test configurations the UE needs to be tested in and the steps for the SS to take with the UE to reach the correct measurement state.

The initial test configurations consist of environmental conditions, test frequencies, test channel bandwidths and sub-carrier spacing based on NR operating bands specified in Table 5.5C-1. All of these configurations shall be tested with applicable test parameters for each combination of channel bandwidth and sub-carrier spacing, are shown in table 6.5D.2.4.2_1.4.1-1. The details of the uplink reference measurement channels (RMCs) are specified in Annexes A.2. Configurations of PDSCH and PDCCH before measurement are specified in Annex C.2

Table 6.5D.2.4.2_1.4.1-1: Test Configuration Table for NS_05U

Initial Conditions								
Test Environment as specified in TS 38.508-1 [5] subclause 4.1				Normal				
Test Frequencies as specified in TS 38.508-1 [5] subclause 4.3.1				SUL carrier: Use Fc as specified in test parameters NUL carrier: Mid range				
Test Channel Bandwidths as specified in TS 38.508-1 [5] subclause 4.3.1				SUL carrier: 5 MHz, 10 MHz, 15 MHz, 20 MHz NUL carrier: Highest				
Test SCS as specified in Table 5.3.5-1				15kHz for SUL and Lowest supported SCS for NUL carrier				
AMPR Test parameters for NS_05U								
Test ID	Fc (MHz)	ChBw (MHz)	Downlink Config.	Uplink config.	A-MPR	SUL Configuration		
						Modulation (NOTE 2)	RB allocation (Note 1)	
1	1922.5	5			A3	CP-OFDM	QPSK	Outer_Full
2	1925	10			A1		QPSK	Outer_Full
3	1925	10			A7		QPSK	42@10
4	1925	10			A2		QPSK	6@40
5	1935	10			A4		QPSK	Outer_Full
6	1927.5	15			A1		QPSK	Outer_Full
7	1927.5	15			A7		QPSK	60@19
8	1927.5	15			A2		QPSK	6@56
9	1932.5	15			A1		QPSK	Outer_Full
10	1932.5	15			A2		QPSK	6@68
11	1942.5	15			A5		QPSK	Outer_Full
12	1930	20			A1		QPSK	Outer_Full
13	1930	20			A7		QPSK	78@28
14	1930	20			A2		QPSK	6@76

15	1950	20		A6	QPSK	Outer_Full
16	1922.5	5		A3	16 QAM	Outer_Full
17	1925	10		A1	16 QAM	Outer_Full
18	1925	10		A7	16 QAM	42@10
19	1925	10		A2	16 QAM	6@40
20	1935	10		A4	16 QAM	Outer_Full
21	1927.5	15		A1	16 QAM	Outer_Full
22	1927.5	15		A7	16 QAM	60@19
23	1927.5	15		A2	16 QAM	6@56
24	1932.5	15		A1	16 QAM	Outer_Full
25	1932.5	15		A2	16 QAM	6@68
26	1942.5	15		A5	16 QAM	Outer_Full
27	1930	20		A1	16 QAM	Outer_Full
28	1930	20		A7	16 QAM	78@28
29	1930	20		A2	16 QAM	6@76
30	1950	20		A6	16 QAM	Outer_Full
31	1922.5	5		A3	64 QAM	Outer_Full
32	1925	10		A1	64 QAM	Outer_Full
33	1925	10		A7	64 QAM	42@10
34	1925	10		A2	64 QAM	6@40
35	1935	10		A4	64 QAM	Outer_Full
36	1927.5	15		A1	64 QAM	Outer_Full
37	1927.5	15		A7	64 QAM	60@19
38	1927.5	15		A2	64 QAM	6@56
39	1932.5	15		A1	64 QAM	Outer_Full
40	1932.5	15		A2	64 QAM	6@68
41	1942.5	15		A5	64 QAM	Outer_Full
42	1930	20		A1	64 QAM	Outer_Full
43	1930	20		A7	64 QAM	78@28
44	1930	20		A2	64 QAM	6@76
45	1950	20		A6	64 QAM	Outer_Full
46	1922.5	5		A3	256 QAM	Outer_Full
47	1925	10		A1	256 QAM	Outer_Full
48	1925	10		A7	256 QAM	42@10
49	1935	10		A4	256 QAM	Outer_Full
50	1927.5	15		A1	256 QAM	Outer_Full
51	1927.5	15		A7	256 QAM	60@19
52	1932.5	15		A1	256 QAM	Outer_Full
53	1942.5	15		A5	256 QAM	Outer_Full
54	1930	20		A1	256 QAM	Outer_Full
55	1930	20		A7	256 QAM	78@28
56	1950	20		A6	256 QAM	Outer_Full

NOTE 1: The specific configuration of each RB allocation is defined in Table 6.1-1 unless otherwise stated in this table.

1. Connect the SS to the UE antenna connectors as shown in TS 38.508-1 [5] Annex A, Figure A.3.1.1.2 for TE diagram and section A.3.2 for UE diagram.
2. The parameter settings for the cell are set up according to TS 38.508-1 [5] subclause 4.4.3.
3. Downlink signals are initially set up according to Annex C.0, C.1, C.2, and uplink signals according to Annex G.0, G.1, G.2, G.3.0 with consideration of supplementary uplink physical channels.
4. The UL Reference Measurement channels are set according to Table 6.5D.2.4.2_1.4.1-1.
5. Propagation conditions are set according to Annex B.0
6. Ensure the UE is in state RRC_CONNECTED with generic procedure parameters Connectivity NR, Connected without release On, Test Mode On and Test Loop Function On according to TS 38.508-1 [5] clause 4.5. Message contents are defined in clause 6.5D.2.4.2_1.4.3

6.5D.2.4.2_1.4.2 Test procedure

1. SS sends uplink scheduling information for each UL HARQ process via PDCCH DCI format 0_1 for C_RNTI to schedule the UL RMC according to the test configuration tables in clause 6.2D.3_1. 4.1. Since the UL has no

payload and no loopback data to send the UE sends uplink MAC padding bits on the UL RMC. The PDCCH DCI format 0_1 is specified with condition 2TX_UL_MIMO in 38.508-1 [5] subclause 4.3.6.1.1.2

2. Send continuously power control “up” commands to the UE until the UE transmits at P_{UMAX} level. Allow at least 200ms for the UE to reach P_{UMAX} level.
3. Measure the sum of the mean power of the UE at each antenna connector in the channel bandwidth of the radio access mode according to the test configuration, which shall meet the requirements described in clause 6.2D.3_1.5 as appropriate. The period of the measurement shall be at least the continuous duration of 1ms over consecutive active uplink slots and uplink symbols. For TDD, only slots consisting of only UL symbols are under test.
4. Measure the sum of the rectangular filtered mean power for the assigned NR channel at each antenna connector of UE using a rms detector. If the sweep count is higher than one, the trace mode shall be average.
5. Measure the sum of the RRC filtered mean power of the first and the second UTRA adjacent channel at each antenna connector of UE on both lower and upper side of the assigned NR channel using a rms detector, respectively. If the sweep count is higher than one, the trace mode shall be average.
6. Calculate the ratio of the power between the values measured in step 4 over step 5 for UTRA_{ACLR1}, UTRA_{ACLR2} for both lower an upper side of the assigned NR channel, respectively.

6.5D.2.4.2_1.4.3 Message contents

Message contents in initial conditions are according to TS 38.508-1 [5] subclause 4.3.6.1.1.2 ensuring UL/SUL indicator in Table 4.3.6.1.1.2-1 with condition SUL, subclause 4.6 ensuring Table 4.6.1-28 with condition SUL AND (RF OR RRM), Table 4.6.3-14 with condition SUL_SUL for SUL carrier, and Table 4.6.3-167 with condition PUSCH_PUCCH_ON_SUL.

Message contents are according to TS 38.508-1 [5] subclause 4.6 ensuring Table 4.6.3-182 with condition 2TX_UL_MIMO and with the exception specified in Table 6.5D.2.4.2_1.4.3-1.

Table 6.5D.2.4.2_1.4.3-1: AdditionalSpectrumEmission: UTRA ACLR test requirement for NS_05U

Derivation Path: TS 38.508-1 [5] clause 4.6.3, Table 4.6.3-1 AdditionalSpectrumEmission from SIB1			
Information Element	Value/remark	Comment	Condition
AdditionalSpectrumEmission	3	NS_05U for band n84	

6.5D.2.4.2_1.5 Test requirement

UTRA ACLR requirement is applicable when signalled by the network with network signalling value indicated by the field *additionalSpectrumEmission*.

The measured UE mean total power in the channel bandwidth at all the antenna connectors, derived in step 3, shall fulfil requirements in clause 6.2D.3_1.5 as appropriate, and if the measured adjacent channel power is greater than -50 dBm then the measured UTRA ACLR, derived in step 6, shall be higher than the limits in Table 6.5D.2.4.2_1.5-1.

Table 6.5D.2.4.2_1.5-1: UTRA ACLR requirement

	Power class 3
UTRA _{ACLR1}	33 dB - TT
UTRA _{ACLR2}	36 dB - TT
NOTE 1: TT = 0.8 dB	

6.5D.2_1 Void

6.5D.3 Spurious emissions for UL MIMO

For UE supporting UL MIMO, the requirements for Spurious emissions which are caused by unwanted transmitter effects such as harmonics emission, parasitic emissions, intermodulation products and frequency conversion products are specified at each transmit antenna connector.

For UEs with two transmit antenna connectors in closed-loop spatial multiplexing scheme, the requirements specified in subclause 6.5.3 apply to each transmit antenna connector. The requirements shall be met with the UL MIMO configurations described in sub-clause 6.2D.1.3.

If UE is configured for transmission on single-antenna port, the requirements in subclause 6.5.3 apply.

The normative reference for this requirement is TS 38.101-1 [2] clause 6.5D.3

6.5D.3.1 General spurious emissions for UL MIMO

6.5D.3.1.1 Test purpose

To verify that UE transmitter does not cause unacceptable interference to other channels or other systems in terms of transmitter spurious emissions.

6.5D.3.1.2 Test applicability

This test case applies to all types of NR Power Class 1.5, Power Class 2 and Power Class 3 UE release 15 that support 2-layer codebook based UL MIMO.

6.5D.3.1.3 Minimum conformance requirements

The general spurious emission requirement specified in clause 6.5.3.1.3 applies to each antenna connector of the UE.

The normative reference for this requirement is TS 38.101-1 [2] subclauses 6.5D.3 and 6.5.3.1.

6.5D.3.1.4 Test description

6.5D.3.1.4.1 Initial conditions

Initial conditions are a set of test configurations the UE needs to be tested in and the steps for the SS to take with the UE to reach the correct measurement state.

The initial test configurations consist of environmental conditions, test frequencies, test channel bandwidths and sub-carrier spacing based on NR operating bands specified in Table 5.3.5-1. All of these configurations shall be tested with applicable test parameters for each combination of channel bandwidth and sub-carrier spacing, are shown in table 6.5D.3.1.4.1-1. The details of the uplink reference measurement channels (RMCs) are specified in Annexes A.2. Configurations of PDSCH and PDCCH before measurement are specified in Annex C.2.

Table 6.5D.3.1.4.1-1: Test Configuration Table

Initial Conditions			
Test Environment as specified in TS 38.508-1 [5] subclause 4.1.		Normal	
Test Frequencies as specified in TS 38.508-1 [5] subclause 4.3.1.		Low range, Mid range, High range	
Test Channel Bandwidths as specified in TS 38.508-1 [5] subclause 4.3.1.		Lowest, Mid, Highest	
Test SCS as specified in Table 5.3.5-1		Lowest	
Test Parameters			
Test ID	Downlink Configuration	Uplink Configuration	
	N/A for Spurious Emissions testing	Modulation	RB allocation (NOTE 1)
1		CP-OFDM QPSK	OuterFull
2		CP-OFDM QPSK	Edge_1RB_Left
3		CP-OFDM QPSK	Edge_1RB_Right
NOTE 1: The specific configuration of each RB allocation is defined in Table 6.1-1 Common UL configuration			

1. Connect the SS to the UE antenna connectors as shown in TS 38.508-1 [5] Annex [A, Figure A.3.1.2.2 for TE diagram and section A.3.2 for UE diagram.
2. The parameter settings for the cell are set up according to TS 38.508-1 [5] subclause 4.4.3.
3. Downlink signals are initially set up according to Annex C.0, C.1 and C.2, and uplink signals according to Annex G.0, G.1, G.2, and G.3.0.
4. The UL Reference Measurement channels are set according to Table 6.5.3.1.4.1-1.
5. Propagation conditions are set according to Annex B.0.
6. Ensure the UE is in state RRC_CONNECTED with generic procedure parameters Connectivity NR, Connected without release On, Test Mode On and Test Loop Function On according to TS 38.508-1 [5] clause 4.5. Message contents are defined in clause 6.5D.3.1.4.3.

6.5D.3.1.4.2 Test procedure

1. SS sends uplink scheduling information for each UL HARQ process via PDCCH DCI format 0_1 for C_RNTI to schedule the UL RMC according to Table 6.5D.3.1.4.1-1. Since the UE has no payload data to send, the UE transmits uplink MAC padding bits on the UL RMC. The PDCCH DCI format 0_1 is specified with condition 2TX_UL_MIMO in 38.508-1 [5] subclause 4.3.6.1.1.2.
2. Send continuously uplink power control "up" commands in the uplink scheduling information to the UE until the UE transmits at P_{UMAX} level.
3. Measure the power of the transmitted signal at each antenna connector with a measurement filter of bandwidths according to table 6.5D.3.1.5-1. The centre frequency of the filter shall be stepped in contiguous steps according to table 6.5D.3.1.5-1. The measured power shall be verified for each step. The measurement period shall capture the active time slots. During measurement the spectrum analyser shall be set to 'Detector' = RMS. If the sweep count is higher than one, the trace mode shall be average.

6.5D.3.1.4.3 Message contents

Message contents are according to TS 38.508-1 [5] subclause 4.6 ensuring Table 4.6.3-182 with condition 2TX_UL_MIMO.

6.5D.3.1.5 Test requirement

The measured average power of spurious emission at each antenna connector, derived in step 3, shall not exceed the described value in Table 6.5D.3.1.5-1.

The spurious emission limits apply for the frequency ranges that are more than Δf_{OOB} (MHz) in Table 6.5.3.1.3-1 from the edge of the channel bandwidth.

Table 6.5D.3.1.5-1: General spurious emissions test requirements

Frequency Range	Maximum Level	Measurement bandwidth	NOTE
$9 \text{ kHz} \leq f < 150 \text{ kHz}$	-36 dBm	1 kHz	
$150 \text{ kHz} \leq f < 30 \text{ MHz}$	-36 dBm	10 kHz	
$30 \text{ MHz} \leq f < 1000 \text{ MHz}$	-36 dBm	100 kHz	
$1 \text{ GHz} \leq f < 12.75 \text{ GHz}$	-30 dBm	1 MHz	
$12.75 \text{ GHz} \leq f < 5\text{th}$ harmonic of the upper frequency edge of the UL operating band in GHz	-30 dBm	1 MHz	1
$12.75 \text{ GHz} < f < 26 \text{ GHz}$	-30 dBm	1 MHz	2
NOTE 1: Applies for Band that the upper frequency edge of the UL Band more than 2.69 GHz			
NOTE 2: Applies for Band that the upper frequency edge of the UL Band more than 5.2 GHz			

6.5D.3.2 Spurious emissions for UE co-existence for UL MIMO

6.5D.3.2.1 Test purpose

To verify that UE transmitter does not cause unacceptable interference to co-existing systems for the specified bands which has specific requirements in terms of transmitter spurious emissions.

6.5D.3.2.2 Test applicability

This test case applies to all types of NR Power Class 1.5, Power Class 2 and Power Class 3 UE release 15 that support 2-layer codebook based UL MIMO.

6.5D.3.2.3 Minimum conformance requirements

The requirements for NR bands for coexistence with protected bands specified in subclause 6.5.3.2.3 apply to each UE transmit antenna connector

The normative reference for this requirement is TS 38.101-1 [2] subclauses 6.5.3.2 and 6.5D.3.

6.5D.3.2.4 Test description

6.5D.3.2.4.1 Initial conditions

Initial conditions are a set of test configurations the UE needs to be tested in and the steps for the SS to take with the UE to reach the correct measurement state.

The initial test configurations consist of environmental conditions, test frequencies, test channel bandwidths and sub-carrier spacing based on NR operating bands specified in Table 5.3.5-1. All of these configurations shall be tested with applicable test parameters for each combination of channel bandwidth and sub-carrier spacing, are shown in table 6.5D.3.2.4.1-1. The details of the uplink reference measurement channels (RMCs) are specified in Annexes A.2. Configurations of PDSCH and PDCCH before measurement are specified in Annex C.2.

Table 6.5D.3.2.4.1-1: Test Configuration Table

Initial Conditions			
Test Environment as specified in TS 38.508-1 [5] subclause 4.1.		Normal	
Test Frequencies as specified in TS 38.508-1 [5] subclause 4.3.1.		Low range, Mid range, High range	
Test Channel Bandwidths as specified in TS 38.508-1 [5] subclause 4.3.1.		Lowest, Mid, Highest	
Test SCS as specified in Table 5.3.5-1		Lowest	
Test Parameters			
Test ID	Downlink Configuration	Uplink Configuration	
	N/A for Spurious Emissions testing	Modulation	RB allocation (NOTE 1)
1		CP-OFDM QPSK	Outer_Full
2		CP-OFDM QPSK	Edge_1RB_Left
3		CP-OFDM QPSK	Edge_1RB_Right
NOTE 1: The specific configuration of each RB allocation is defined in Table 6.1-1 Common UL configuration.			

1. Connect the SS to the UE antenna connectors as shown in TS 38.508-1 [5] Annex A, Figure A.3.1.2.2 for TE diagram and section A.3.2 for UE diagram.
2. The parameter settings for the cell are set up according to TS 38.508-1 [6] subclause 4.4.3..
3. Downlink signals are initially set up according to Annex C.0, C.1, C.2, and uplink signals according to Annex G.0, G.1, G.2, G.3.0.
4. The UL Reference Measurement channels are set according to Table 6.5D.3.2.4.1-1.
5. Propagation conditions are set according to Annex B.0.
6. Ensure the UE is in state RRC_CONNECTED with generic procedure parameters Connectivity NR, Connected without release On, Test Mode On and Test Loop Function On according to TS 38.508-1 [5] clause 4.5. Message contents are defined in clause 6.5D.3.2.4.3.

6.5D.3.2.4.2 Test procedure

- 1 SS sends uplink scheduling information for each UL HARQ process via PDCCH DCI format 0_1 for C_RNTI to schedule the UL RMC according to Table 6.5D.3.2.4.1-1. Since the UE has no payload data to send, the UE transmits uplink MAC padding bits on the UL RMC. The PDCCH DCI format 0_1 is specified with condition 2TX_UL_MIMO in 38.508-1 [5] subclause 4.3.6.1.1.2.
2. Send continuously uplink power control "up" commands in the uplink scheduling information to the UE until the UE transmits at P_{UMAX} level.
3. Measure the power of the transmitted signal at each UE antenna connector with a measurement filter of bandwidths according to 6.5.3.2.3. The centre frequency of the filter shall be stepped in contiguous steps according to 6.5.3.2.3. The measured power shall be verified for each step. The measurement period shall capture the active time slots. During measurement the spectrum analyser shall be set to 'Detector' = RMS. If the sweep count is higher than one, the trace mode shall be average.

6.5D.3.2.4.3 Message contents

Message contents are according to TS 38.508-1 [5] subclause 4.6 ensuring Table 4.6.3-182 with condition 2TX_UL_MIMO.

6.5D.3.2.5 Test requirement

Test requirements for Spurious Emissions UE Co-existence are the same as the minimum requirements and are not repeated in this section.

The measured average power of spurious emission, derived in step 3 at each UE antenna connector, shall not exceed the described value in clause 6.5.3.2.3 according to the following rule:

The release of the requirements for the UE depends on vendor declaration, and shall not be less than the UE release.

If there is no vendor declaration, the default release of requirements is same as UE release (if UE support a band from a later release compare to UE release, the release of requirements is the earliest release where requirements for this band are defined).

6.5D.3.3 Additional spurious emissions for UL MIMO

Editor's note: This clause is incomplete. The following aspects are either missing or not yet determined:

- There are NS-XXs other than NS_04, NS_21 and NS_47 that are FFS:

6.5D.3.3.1 Test purpose

To verify that UE transmitter does not cause unacceptable interference to other channels or other systems in terms of transmitter spurious emissions under the deployment scenarios where additional requirements are specified.

6.5D.3.3.2 Test applicability

This test case applies to all types of NR Power Class 1.5, Power Class 2 and Power Class 3 UE release 15 that support 2-layer codebook based UL MIMO.

6.5D.3.3.3 Minimum conformance requirements

The additional spurious emission requirements specified in 6.5.3.3.3 apply to each UE antenna connector.

The normative reference for this requirement is TS 38.101-1 [2] clauses 6.5D.3 and 6.5.3.3

6.5D.3.3.4 Test description

6.5D.3.3.4.1 Initial conditions

Initial conditions are a set of test configurations the UE needs to be tested in and the steps for the SS to take with the UE to reach the correct measurement state.

The initial test configurations consist of environmental conditions, test frequencies, test channel bandwidths and sub-carrier spacing based on NR operating bands specified in Table 5.3.5-1. All these configurations shall be tested with applicable test parameters for each combination of channel bandwidth and sub-carrier spacing, and are shown in Table

6.5D.3.3.4.1-1 through Table 6.5D.3.3.4.1-4. The details of the uplink reference measurement channels (RMCs) are specified in Annex A.2.2. Configurations of PDSCH and PDCCH before measurement are specified in Annex C.2.

Table 6.5D.3.3.4.1-1: Test Configuration Table (network signalling value "NS_04")

Initial Conditions				
Test Environment as specified in TS 38.508-1 [5] subclause 4.1				Normal
Test Frequencies as specified in TS 38.508-1 [5] subclause 4.3.1				(See Freq column)
Test Channel Bandwidths as specified in TS 38.508-1 [5] subclause 4.3.1				Lowest, Highest
Test SCS as specified in Table 5.3.5-1				Lowest
Additional spurious emissions test parameters for NS_04				
Test ID	Freq	N/A for A-MPR testing	Uplink Configuration	
			Modulation (NOTE 2)	RB allocation (NOTE 1)
1	Low		CP-OFDM QPSK	Edge_1RB_Left
2	Table 6.2.3.4.1-2a - Table 6.2.3.4.1-2c		CP-OFDM QPSK	Edge_1RB_Left
3	Table 6.2.3.4.1-2d - Table 6.2.3.4.1-2f		CP-OFDM QPSK	Edge_1RB_Left
4	Low		CP-OFDM QPSK	Outer Full
5	High		CP-OFDM QPSK	Edge_1RB_Right
6	High		CP-OFDM QPSK	Outer Full
7	Low		CP-OFDM 16 QAM	Edge_1RB_Left
8	Table 6.2.3.4.1-2a - Table 6.2.3.4.1-2c		CP-OFDM 16 QAM	Edge_1RB_Left
9	Table 6.2.3.4.1-2d - Table 6.2.3.4.1-2f		CP-OFDM 16 QAM	Edge_1RB_Left
10	Low		CP-OFDM 16 QAM	Outer Full
11	High		CP-OFDM 16 QAM	Edge_1RB_Right
12	High		CP-OFDM 16 QAM	Outer Full
13	Low		CP-OFDM 64 QAM	Edge_1RB_Left
14	Table 6.2.3.4.1-2a - Table 6.2.3.4.1-2c		CP-OFDM 64 QAM	Edge_1RB_Left
15	Table 6.2.3.4.1-2d - Table 6.2.3.4.1-2f		CP-OFDM 64 QAM	Edge_1RB_Left
16	Low		CP-OFDM 64 QAM	Outer Full
17	High		CP-OFDM 64 QAM	Edge_1RB_Right
18	High		CP-OFDM 64 QAM	Outer Full
19	Low		CP-OFDM 256 QAM	Edge_1RB_Left
20	Table 6.2.3.4.1-2a - Table 6.2.3.4.1-2c		CP-OFDM 256 QAM	Edge_1RB_Left
21	Table 6.2.3.4.1-2d - Table 6.2.3.4.1-2f		CP-OFDM 256 QAM	Edge_1RB_Left
22	Low		CP-OFDM 256 QAM	Outer Full
23	High		CP-OFDM 256 QAM	Edge_1RB_Right
24	High		CP-OFDM 256 QAM	Outer Full

NOTE 1: The specific configuration of each RB allocation is defined in Table 6.1-1.

Table 6.5D.3.3.4.1-2: Test Configuration table for NS_47 power class 3 (contiguous allocation)

Initial Conditions							
Test Environment as specified in TS 38.508-1 [5] subclause 4.1					Normal		
Test Frequencies					As specified in Table 6.2.3.4.1-19 and 6.2.3.4.1-20		
Test Channel Bandwidths as specified in TS 38.508-1 [5] subclause 4.3.1					30 MHz		
Test SCS as specified in Table 5.3.5-1					Lowest		
A-MPR test parameters for NS_47							
Test ID	F _c (MHz)	Ch BW (MHz)	SCS (kHz)	Downlink Configuration	Uplink Configuration		
					Modulation (Note 2)	RB allocation (Note 1)	
					SCS 15 kHz	SCS 30 kHz	SCS 60 kHz
43	Default	30	Default	QPSK	Edge_1RB_Left (A1)		
44	Default	30	Default		QPSK	1@29 (A2)	1@15 (A2)

45	Default	30	Default			QPSK	Edge_1RB_Right (A3)			
46	Default	30	Default			QPSK	Outer_Full (A2)			
47	Default	30	Default			QPSK	108@0 (A4)	54@0 (A4)	27@0 (A4)	
48	Default	30	Default			QPSK	80@0 (A4)	40@0 (A4)	20@0 (A4)	
49	Default	30	Default			QPSK	54@0 (A2)	27@0 (A2)	12@0 (A2)	
50	Default	30	Default			16 QAM	Edge_1RB_Left (A1)			
51	Default	30	Default			16 QAM	1@29 (A2)	1@15 (A2)	1@8 (A2)	
52	Default	30	Default			16 QAM	Edge_1RB_Right (A3)			
53	Default	30	Default			16 QAM	Outer_Full (A2)			
54	Default	30	Default			16 QAM	108@0 (A4)	54@0 (A4)	27@0 (A4)	
55	Default	30	Default			16 QAM	80@0 (A4)	40@0 (A4)	20@0 (A4)	
56	Default	30	Default			16 QAM	54@0 (A2)	27@0 (A2)	12@0 (A2)	
57	Default	30	Default			64 QAM	Edge_1RB_Left (A1)			
58	Default	30	Default			64 QAM	1@29 (A2)	1@15 (A2)	1@8 (A2)	
59	Default	30	Default			64 QAM	Edge_1RB_Right (A3)			
60	Default	30	Default			64 QAM	Outer_Full (A2)			
61	Default	30	Default			64 QAM	108@0 (A4)	54@0 (A4)	27@0 (A4)	
62	Default	30	Default			64 QAM	80@0 (A4)	40@0 (A4)	20@0 (A4)	
63	Default	30	Default			64 QAM	54@0 (A2)	27@0 (A2)	12@0 (A2)	
64	Default	30	Default			256 QAM	Edge_1RB_Left (A1)			
65	Default	30	Default	256 QAM	1@29 (A2)	1@15 (A2)	1@8 (A2)			
66	Default	30	Default	256 QAM	Edge_1RB_Right (A3)					
67	Default	30	Default	256 QAM	Outer_Full (A2)					
68	Default	30	Default	256 QAM	108@0 (A4)	54@0 (A4)	27@0 (A4)			
69	Default	30	Default	256 QAM	80@0 (A4)	40@0 (A4)	20@0 (A4)			
70	Default	30	Default	256 QAM	54@0 (A2)	27@0 (A2)	12@0 (A2)			

NOTE 1: The specific configuration of each RB allocation is defined in Table 6.1-1 unless otherwise stated in this table.
 NOTE 2: DFT-s-OFDM Pi/2 BPSK test applies only for UEs which supports half Pi BPSK in FR1.
 NOTE 3: UE operating in TDD mode with Pi/2 BPSK modulation and UE indicates support for UE capability *powerBoosting-pi2BPSK* and the IE *powerBoostPi2BPSK* is set to 1 for bands n41.
 NOTE 4: UE operating in FDD mode, or in TDD mode in bands other than n41, or in TDD mode the IE *powerBoostPi2BPSK* is set to 0 for bands n41.
 NOTE 5: Void

Table 6.5D.3.3.4.1-3: Test Configuration table for NS_47 power class 3 (almost contiguous allocation)

Initial Conditions							
Test Environment as specified in TS 38.508-1 [5] subclause 4.1					Normal		
Test Frequencies					As specified in Table 6.2.3.4.1-19 and 6.2.3.4.1-20		
Test Channel Bandwidths as specified in TS 38.508-1 [5] subclause 4.3.1					30 MHz		
Test SCS as specified in Table 5.3.5-1					Lowest		
A-MPR test parameters for NS_47							
Test ID	F _c (MHz)	Ch BW (MHz)	SCS (kHz)	Downlink Configuration	Uplink Configuration		
					Modulation	RB allocation (Note 1)	
1	Default	30	Default	n	CP-OFDM	QPSK	Outer_Full (A2)
2	Default	30	Default			16 QAM	Outer_Full (A2)
3	Default	30	Default			64 QAM	Outer_Full (A2)
4	Default	30	Default			256 QAM	Outer_Full (A2)

NOTE 1: The specific configuration of each RB allocation is defined in Table 6.2.2.4.1-4.
 NOTE 2: Void.

Table 6.5D.3.3.4.1-4: Test Configuration table for NS_47 power class 2 (contiguous allocation)

Initial Conditions	
Test Environment as specified in TS 38.508-1 [5] subclause 4.1	Normal
Test Frequencies	As specified in Table 6.2.3.4.1-19 and 6.2.3.4.1-20
Test Channel Bandwidths as specified in TS 38.508-1 [5] subclause 4.3.1	30 MHz
Test SCS as specified in Table 5.3.5-1	Lowest

A-MPR test parameters for NS_47				Uplink Configuration				
Test ID	F _c (MHz)	Ch BW (MHz)	SCS (kHz)	Downlink Configuration	Modulation (Note 2)	RB allocation (Note 1)		
						SCS 15 kHz	SCS 30 kHz	SCS 60 kHz
36	Default	30	Default	CP-OFDM	QPSK	Edge_1RB_Left (A1)		
37	Default	30	Default		QPSK	1@29 (A2)	1@15 (A2)	1@8 (A2)
38	Default	30	Default		QPSK	Edge_1RB_Right (A3)		
39	Default	30	Default		QPSK	Outer_Full (A2)		
40	Default	30	Default		QPSK	108@0 (A4)	54@0 (A4)	27@0 (A4)
41	Default	30	Default		QPSK	80@0 (A4)	40@0 (A4)	20@0 (A4)
42	Default	30	Default		QPSK	54@0 (A2)	27@0 (A2)	12@0 (A2)
43	Default	30	Default		16 QAM	Edge_1RB_Left (A1)		
44	Default	30	Default		16 QAM	1@29 (A2)	1@15 (A2)	1@8 (A2)
45	Default	30	Default		16 QAM	Edge_1RB_Right (A3)		
46	Default	30	Default		16 QAM	Outer_Full (A2)		
47	Default	30	Default		16 QAM	108@0 (A4)	54@0 (A4)	27@0 (A4)
48	Default	30	Default		16 QAM	80@0 (A4)	40@0 (A4)	20@0 (A4)
49	Default	30	Default		16 QAM	54@0 (A2)	27@0 (A2)	12@0 (A2)
50	Default	30	Default		64 QAM	Edge_1RB_Left (A1)		
51	Default	30	Default		64 QAM	1@29 (A2)	1@15 (A2)	1@8 (A2)
52	Default	30	Default		64 QAM	Edge_1RB_Right (A3)		
53	Default	30	Default		64 QAM	Outer_Full (A2)		
54	Default	30	Default		64 QAM	108@0 (A4)	54@0 (A4)	27@0 (A4)
55	Default	30	Default		64 QAM	80@0 (A4)	40@0 (A4)	20@0 (A4)
56	Default	30	Default		64 QAM	54@0 (A2)	27@0 (A2)	12@0 (A2)
57	Default	30	Default		256 QAM	Edge_1RB_Left (A1)		
58	Default	30	Default		256 QAM	1@29 (A2)	1@15 (A2)	1@8 (A2)
59	Default	30	Default		256 QAM	Edge_1RB_Right (A3)		
60	Default	30	Default		256 QAM	Outer_Full (A2)		
61	Default	30	Default		256 QAM	108@0 (A4)	54@0 (A4)	27@0 (A4)
62	Default	30	Default		256 QAM	80@0 (A4)	40@0 (A4)	20@0 (A4)
63	Default	30	Default		256 QAM	54@0 (A2)	27@0 (A2)	12@0 (A2)

NOTE 1: The specific configuration of each RB allocation is defined in Table 6.1-1 unless otherwise stated in this table.
 NOTE 2: DFT-s-OFDM PI/2 BPSK test applies only for UEs which supports half Pi BPSK in FR1.
 NOTE 3: Void

Table 6.5D.3.3.4.1-5: Test Configuration table for NS_21

Initial Conditions							
Test Environment as specified in TS 38.508-1 [5] subclause 4.1						Normal	
Test Frequencies as specified in TS 38.508-1 [5] subclause 4.3.1						Low range, High range	
Test Channel Bandwidths as specified in TS 38.508-1 [5] subclause 4.3.1						Lowest, Highest	
Test SCS as specified in Table 5.3.5-1						Lowest	
A-MPR test parameters for NS_21							
Test ID	Freq	ChBw	SCS	Downlink Configuration	Uplink Configuration		
					Modulation (Note 2)	RB allocation (Note 1)	
						SCS 15 kHz	SCS 30 kHz
26	Low	Default	Default	N/A for A-MPR test cases	QPSK	Edge_1RB_Left	
27	High	Default	Default		QPSK	Edge_1RB_Right	
28	Default	Default	Default		QPSK	Outer_Full	
29	Default	10 MHz	Default		QPSK	4@0	2@0
30	Default	10 MHz	Default		QPSK	4@48	2@22
31	Low	Default	Default		16 QAM	Edge_1RB_Left	
32	High	Default	Default		16 QAM	Edge_1RB_Right	
33	Default	Default	Default		16 QAM	Outer_Full	
34	Default	10 MHz	Default		16 QAM	4@0	2@0
35	Default	10 MHz	Default		16 QAM	4@48	2@22
36	Low	Default	Default		64 QAM	Edge_1RB_Left	

37	High	Default	Default		64 QAM	Edge_1RB_Right	
38	Default	Default	Default		64 QAM	Outer_Full	
39	Default	10 MHz	Default		64 QAM	4@0	2@0
40	Default	10 MHz	Default		64 QAM	4@48	2@22
41	Low	Default	Default		256 QAM	Edge_1RB_Left	
42	High	Default	Default		256 QAM	Edge_1RB_Right	
43	Default	Default	Default		256 QAM	Outer_Full	
44	Default	10 MHz	Default		256 QAM	4@0	2@0
45	Default	10 MHz	Default		256 QAM	4@48	2@22
NOTE 1: The specific configuration of each RB allocation is defined in Table 6.1-1 unless otherwise stated in this table.							
NOTE 2: DFT-s-OFDM PI/2 BPSK test applies only for UEs which supports half Pi BPSK in FR1.							

1. Connect the SS to the UE to the UE antenna connectors as shown in TS 38.508-1 [5] Annex A Figure A.3.1.2.2 for TE diagram and section A.3.2 for UE diagram.
2. The parameter settings for the cell are set up according to TS 38.508-1 [5] subclause 4.4.3.
3. Downlink signals are initially set up according to Annex C.0, C.1, C.2, and uplink signals according to Annex G.0, G.1, G.2, G.3.0.
4. The UL Reference Measurement channels are set according to Table 6.5D.3.3.4.1-1 for NS_04 and to Table 6.5D.3.3.4.1-2 to 6.5D.3.3.4.1-4 for NS_47.
5. Propagation conditions are set according to Annex B.0.
6. Ensure the UE is in state RRC_CONNECTED with generic procedure parameters Connectivity NR, Connected without release On, Test Mode On and Test Loop Function On according to TS 38.508-1 [5] clause 4.5. Message contents are defined in clause 6.5D.3.3.4.3.

6.5D.3.3.4.2 Test procedure

1. SS sends uplink scheduling information for each UL HARQ process via PDCCH DCI format 0_1 for C_RNTI to schedule the UL RMC according to Table 6.5D.3.3.4.1-1 as appropriate for NS_04. Since the UE has no payload data to send, the UE transmits uplink MAC padding bits on the UL RMC. The PDCCH DCI format 0_1 is specified with condition 2TX_UL_MIMO in 38.508-1 [5] subclause 4.3.6.1.1.2.
2. Send continuously uplink power control "up" commands in the uplink scheduling information to the UE until the UE transmits at P_{UMAX} level.
3. Measure the sum of the mean power at each UE antenna connector in the channel bandwidth of the radio access mode, which shall meet the requirements described in Clauses from 6.2D.2.5, or 6.2D.3.5 as appropriate for NS_04 and NS_47. The period of measurement shall be at least the continuous duration of 1ms over consecutive active uplink slots and uplink symbols. For TDD, only slots consisting of only UL symbols are under test.
4. Measure the power of the transmitted signal at each UE antenna connector with a measurement filter of bandwidths according to Tables 6.5.3.3.5.1-1 as appropriate for NS_04, Table 6.5.3.3.3.151 as appropriate for NS_47, and Table 6.5.3.3.3.12-1 as appropriate for NS_21. The centre frequency of the filter shall be stepped in contiguous steps according to the same table the measured power shall be verified for each step. The measurement period shall capture the active time slots. During measurement the spectrum analyser shall be set to 'Detector' = RMS. If the sweep count is higher than one, the trace mode shall be average.

6.5D.3.3.4.3 Message contents

Message contents are according to TS 38.508-1 [5] subclause 4.6 ensuring Table 4.6.3-182 with condition 2TX_UL_MIMO and same exceptions listed in clause 6.5.3.3.4.3

6.5D.3.3.5 Test requirement

The measured power at each UE antenna connector derived in step 4 shall meet the requirements for the specified NR band for an additional spurious emission requirement with protected bands as indicated in clause 6.5.3.3.5 for different NS values.

NOTE: For measurement conditions at the edge of each frequency range, the lowest frequency of the measurement position in each frequency range should be set at the lowest boundary of the frequency range plus MBW/2. The highest frequency of the measurement position in each frequency range should be set at the highest boundary of the frequency range minus MBW/2. MBW denotes the measurement bandwidth defined for the protected band.

6.5D.3_1 Spurious emissions for UL MIMO (Rel-16 onward)

6.5D.3_1.1 General spurious emissions for UL MIMO (Rel-16 onward)

6.5D.3_1.1.1 Test purpose

To verify that UE transmitter does not cause unacceptable interference to other channels or other systems in terms of transmitter spurious emissions.

6.5D.3_1.1.2 Test applicability

This test case applies to all types of NR Power Class 1.5, Power Class 2 and Power Class 3 UE release 16 and forward that support 2-layer codebook based UL MIMO.

This test case applies to all types of NR Power Class 1.5, Power Class 2 and Power Class 3 UE release 16 and forward that support UL full power transmission (ULFPTx).

6.5D.3_1.1.3 Minimum conformance requirements

For UE supporting UL MIMO, the requirements for spurious emissions which are caused by unwanted transmitter effects such as harmonics emission, parasitic emissions, intermodulation products and frequency conversion products is defined as the sum of the emissions from both UE transmit antenna connectors.

The general spurious emission requirements specified in clause 6.5.3.1.3 apply. For UEs with two transmit antenna connectors in closed-loop spatial multiplexing scheme, the requirements shall be met with the UL MIMO configurations described in clause 6.2D.1. For UEs supporting ULFPTx for UL MIMO, the requirements shall be met with the PUSCH configurations specified in Table 6.2D.1.3-3, based upon UE's support of uplink full power transmission mode.

If UE is scheduled for single antenna-port PUSCH transmission by DCI format 0_0 or by DCI format 0_1 for single antenna port codebook based transmission, the requirements in clause 6.5.3 apply.

The normative reference for this requirement is TS 38.101-1 [2] subclauses 6.5D.3 and 6.5.3.1.

6.5D.3_1.1.4 Test description

6.5D.3_1.1.4.1 Initial conditions

Same initial conditions as in clause 6.5D.3.1.4.1.

6.5D.3_1.1.4.2 Test procedure

1. SS sends uplink scheduling information for each UL HARQ process via PDCCH DCI format 0_1 for C_RNTI to schedule the UL RMC according to Table 6.5D.3.1.4.1-1. Since the UE has no payload data to send, the UE transmits uplink MAC padding bits on the UL RMC. The PDCCH DCI format 0_1 is specified with condition 2TX_UL_MIMO in 38.508-1 [5] subclause 4.3.6.1.1.2.
2. Send continuously uplink power control "up" commands in the uplink scheduling information to the UE until the UE transmits at P_{UMAX} level.
3. Measure the sum of transmitted power at each antenna connector with a measurement filter of bandwidths according to table 6.5D.3_1.1.5-1. The centre frequency of the filter shall be stepped in contiguous steps according to table 6.5D.3_1.1.5-1. The measured power shall be verified for each step. The measurement period shall capture the active time slots. During measurement the spectrum analyser shall be set to 'Detector' = RMS. If the sweep count is higher than one, the trace mode shall be average.
4. If UE supports ULFPTx Mode-2 or Mode-full power, repeat test steps 1~3 with the exception that the PDCCH DCI format 0_1 is specified with the condition ULFPTx_Mode2 or ULFPTx_ModeFull in 38.508-1 [5] subclause 4.3.6.1.1.2 depending on UE reported capability.

6.5D.3_1.1.4.3 Message contents

Message contents are according to TS 38.508-1 [5] subclause 4.6 and 5.4 ensuring Table 4.6.3-182 with the condition 2TX_UL_MIMO.

6.5D.3_1.1.5 Test requirement

The measured average power of spurious emission, derived in step 3 or step 4, shall not exceed the described value in Table 6.5D.3_1.1.5-1.

The spurious emission limits apply for the frequency ranges that are more than Δf_{OOB} (MHz) in Table 6.5.3.1.3-1 from the edge of the channel bandwidth.

Table 6.5D.3_1.1.5-1: General spurious emissions test requirements

Frequency Range	Maximum Level	Measurement bandwidth	NOTE
$9 \text{ kHz} \leq f < 150 \text{ kHz}$	-36 dBm	1 kHz	
$150 \text{ kHz} \leq f < 30 \text{ MHz}$	-36 dBm	10 kHz	
$30 \text{ MHz} \leq f < 1000 \text{ MHz}$	-36 dBm	100 kHz	
$1 \text{ GHz} \leq f < 12.75 \text{ GHz}$	-30 dBm	1 MHz	
$12.75 \text{ GHz} \leq f < 5\text{th}$ harmonic of the upper frequency edge of the UL operating band in GHz	-30 dBm	1 MHz	1
$12.75 \text{ GHz} < f < 26 \text{ GHz}$	-30 dBm	1 MHz	2
NOTE 1: Applies for Band that the upper frequency edge of the UL Band more than 2.69 GHz			
NOTE 2: Applies for Band that the upper frequency edge of the UL Band more than 5.2 GHz			

6.5D.3_1.2 Spurious emission for UE co-existence for UL MIMO (Rel-16 onward)

6.5D.3_1.2.1 Test purpose

To verify that UE transmitter does not cause unacceptable interference to co-existing systems for the specified bands which has specific requirements in terms of transmitter spurious emissions.

6.5D.3_1.2.2 Test applicability

This test case applies to all types of NR Power Class 1.5, Power Class 2 and Power Class 3 UE release 16 and forward that support 2-layer codebook based UL MIMO.

This test case applies to all types of NR Power Class 1.5, Power Class 2 and Power Class 3 UE release 16 and forward that support UL full power transmission (ULFPTx).

6.5D.3_1.2.3 Minimum conformance requirements

For UE supporting UL MIMO, the requirements for Spurious emissions which are caused by unwanted transmitter effects such as harmonics emission, parasitic emissions, intermodulation products and frequency conversion products is defined as the sum of the emissions from both UE transmit antenna connectors.

The spurious emission for UE co-existence requirements specified in clause 6.5.3.2.3 apply. For UEs with two transmit antenna connectors in closed-loop spatial multiplexing scheme, the requirements shall be met with the UL MIMO configurations described in clause 6.2D.1. For UEs supporting ULFPTx for UL MIMO, the requirements shall be met with the PUSCH configurations specified in Table 6.2D.1.3-3, based upon UE's support of uplink full power transmission mode.

The normative reference for this requirement is TS 38.101-1 [2] subclauses 6.5.3.2 and 6.5D.3.

6.5D.3_1.2.4 Test description

6.5D.3_1.2.4.1 Initial conditions

Same initial conditions as in clause 6.5D.3.2.4.1.

6.5D.3_1.2.4.2 Test procedure

- 1 SS sends uplink scheduling information for each UL HARQ process via PDCCH DCI format 0_1 for C_RNTI to schedule the UL RMC according to Table 6.5D.3.2.4.1-1. Since the UE has no payload data to send, the UE transmits uplink MAC padding bits on the UL RMC. The PDCCH DCI format 0_1 is specified with condition 2TX_UL_MIMO in 38.508-1 [5] subclause 4.3.6.1.1.2.
2. Send continuously uplink power control "up" commands in the uplink scheduling information to the UE until the UE transmits at P_{UMAX} level.
3. Measure the sum of transmitted power at each UE antenna connector with a measurement filter of bandwidths according to table 6.5.3.2.3-1. The centre frequency of the filter shall be stepped in contiguous steps according to table 6.5.3.2.3-1. The measured power shall be verified for each step. The measurement period shall capture the active time slots. During measurement the spectrum analyser shall be set to 'Detector' = RMS. If the sweep count is higher than one, the trace mode shall be average.
4. If UE supports ULFPTx Mode-2 or Mode-full power, repeat test steps 1~3 with the exception that the PDCCH DCI format 0_1 is specified with the condition ULFPTx_Mode2 or ULFPTx_ModeFull in 38.508-1 [5] subclause 4.3.6.1.1.2 depending on UE reported capability.

6.5D.3_1.2.4.3 Message contents

Message contents are according to TS 38.508-1 [5] subclause 4.6 and 5.4 ensuring Table 4.6.3-182 with the condition 2TX_UL_MIMO.

6.5D.3_1.2.5 Test requirement

The measured average power of spurious emission, derived in step 3 or step 4 from both UE antenna connectors, shall not exceed the described value in Table 6.5.3.2.3-1.

6.5D.3_1.3 Additional spurious emissions for UL MIMO (Rel-16 onward)

6.5D.3_1.3.1 Test purpose

To verify that UE transmitter does not cause unacceptable interference to other channels or other systems in terms of transmitter spurious emissions under the deployment scenarios where additional requirements are specified.

6.5D.3_1.3.2 Test applicability

This test case applies to all types of NR Power Class 1.5, Power Class 2 and Power Class 3 UE release 16 and forward that support 2-layer codebook based UL MIMO.

This test case applies to all types of NR Power Class 1.5, Power Class 2 and Power Class 3 UE release 16 and forward that support UL full power transmission (ULFPTx).

6.5D.3_1.3.3 Minimum conformance requirements

For UE supporting UL MIMO, the requirements for Spurious emissions which are caused by unwanted transmitter effects such as harmonics emission, parasitic emissions, intermodulation products and frequency conversion products is defined as the sum of the emissions from both UE transmit antenna connectors.

The additional spurious emission requirements specified in clause 6.5.3.3.3 apply. For UEs with two transmit antenna connectors in closed-loop spatial multiplexing scheme, the requirements shall be met with the UL MIMO configurations described in clause 6.2D.1. For UEs supporting ULFPTx for UL MIMO, the requirements shall be met with the PUSCH configurations specified in Table 6.2D.1.3-3, based upon UE's support of uplink full power transmission mode.

The normative reference for this requirement is TS 38.101-1 [2] clauses 6.5D.3 and 6.5.3.3

6.5D.3_1.3.4 Test description

6.5D.3_1.3.4.1 Initial conditions

Same initial conditions as in clause 6.5D.3.3.4.1 together with tables 6.5D.3_1.3.4-1 to 6.5D.3_1.3.4-3.

Table 6.5D.3_1.3.4.1-1: Test Configuration table for NS_05

Same test configuration as listed in Table 6.2.3.4.1-4 shall be used with the following exceptions:

- Test SCS shall be: [Lowest].
- Only Test IDs 66 to 115 shall be tested.

Table 6.5D.3_1.3.4.1-2: Test Configuration table for NS_48

Same test configuration as listed in Table 6.2.3.4.1-19 shall be used with the following exceptions:

- Test Channel Bandwidths shall be: 25, 30, 40, 45 and 50 MHz
- Test SCS shall be: Lowest.
- Only Test IDs 41 to 80 shall be tested.

Table 6.5D.3_1.3.4.1-3: Test Configuration table for NS_49

Same test configuration as listed in Table 6.2.3.4.1-29 shall be used with the following exceptions:

- Test Channel Bandwidths shall be: 25, 30, 40, 45 and 50 MHz
- Test SCS shall be: Lowest.
- Only Test IDs 53 to 104 shall be tested.

Table 6.5D.3_1.3.4.1-4: Test Configuration table for NS_46

Same test configuration as listed in Table 6.2.3.4.1-25 shall be used with the following exceptions:

- Test SCS shall be: Lowest.
- Only Test IDs 11 to 22 shall be tested.

Table 6.5D.3_1.3.4.1-5: Test Configuration table for NS_21

Same test configuration as listed in Table 6.2.3.4.1-27 shall be used with the following exceptions:

- Test SCS shall be: Lowest.
- Only Test IDs 26 to 45 shall be tested.

Table 6.5D.3_1.3.4.1-6: Test Configuration table for NS_44

Same test configuration as listed in Table 6.2.3.4.1-26 shall be used with the following exceptions:

- Test SCS shall be: Lowest.
- Only Test IDs 23 to 44 shall be tested.

Table 6.5D.3_1.3.4.1-7: Test Configuration table for NS_27

Same test configuration as listed in Table 6.2.3.4.1-13 shall be used with the following exceptions:

- Test SCS shall be: Lowest.
- Only Test IDs 141 to 252 shall be tested.

Table 6.5D.3_1.3.4.1-8: Test Configuration table for NS_50

Same test configuration as listed in Table 6.2.3.4.1-33 shall be used with the following exceptions:

- Test SCS shall be: Lowest.
- Only Test IDs 23 to 44 shall be tested.

6.5D.3_1.3.4.2 Test procedure

- 1 SS sends uplink scheduling information for each UL HARQ process via PDCCH DCI format 0_1 for C_RNTI to schedule the UL RMC according to tables in clause 6.5D.3_1.3.4.1 as appropriate. Since the UE has no payload data to send, the UE transmits uplink MAC padding bits on the UL RMC. The PDCCH DCI format 0_1 is specified with condition 2TX_UL_MIMO in 38.508-1 [5] subclause 4.3.6.1.1.2.
2. Send continuously uplink power control "up" commands in the uplink scheduling information to the UE until the UE transmits at P_{UMAX} level.
3. Measure the sum of the mean power at each UE antenna connector in the channel bandwidth of the radio access mode according to the test configurations in clause 6.5D.3_1.3.4.1, which shall meet the requirements described in clauses 6.2D.3.5 as appropriate for each network signalling. The period of measurement shall be at least the continuous duration of 1ms over consecutive active uplink slots and uplink symbols. For TDD, only slots consisting of only UL symbols are under test.
4. Measure the sum of transmitted power at each UE antenna connector with a measurement filter of bandwidths according to clauses 6.5.3.3.3.1 to 6.5.3.3.3.25 as appropriate. The centre frequency of the filter shall be stepped in contiguous steps according to the same table the measured power shall be verified for each step. The measurement period shall capture the active time slots. During measurement the spectrum analyser shall be set to 'Detector' = RMS. If the sweep count is higher than one, the trace mode shall be average.
5. If UE supports ULFPTx Mode-2 or Mode-full power, repeat test steps 1~4 with the exception that the PDCCH DCI format 0_1 is specified with the condition ULFPTx_Mode2 or ULFPTx_ModeFull in 38.508-1 [5] subclause 4.3.6.1.1.2 depending on UE reported capability.

6.5D.3_1.3.4.3 Message contents

Message contents are according to TS 38.508-1 [5] subclause 4.6 and 5.4 ensuring Table 4.6.3-182 with condition 2TX_UL_MIMO and same exceptions listed in clause 6.5.3.3.4.3.

6.5D.3_1.3.5 Test requirement

The measured power from both UE antenna connector derived in step 4 or step 5 shall meet the requirements for the specified NR band for an additional spectrum emission requirement with protected bands as indicated in clause 6.5.3.3.5.

NOTE: For measurement conditions at the edge of each frequency range, the lowest frequency of the measurement position in each frequency range should be set at the lowest boundary of the frequency range plus $MBW/2$. The highest frequency of the measurement position in each frequency range should be set at the highest boundary of the frequency range minus $MBW/2$. MBW denotes the measurement bandwidth defined for the protected band.

6.5D.3_2 Spurious emissions for SUL with UL MIMO

6.5D.3_2.1 General spurious emissions for SUL with UL MIMO

6.5D.3_2.1.1 Test purpose

To verify that UE transmitter does not cause unacceptable interference to other channels or other systems in terms of transmitter spurious emissions.

6.5D.3_2.1.2 Test applicability

This test case applies to all types of NR UE release 17 and forward that support SUL and UL MIMO operating on the SUL bands.

6.5D.3_2.1.3 Minimum conformance requirements

For a terminal that supports SUL for the band combination specified in Table 5.2C-1, the current version of the specification assumes the terminal is configured with active transmission either on UL carrier or SUL carrier at any time in one serving cell and the UE requirements for single carrier shall apply for the active UL or SUL carrier accordingly.

For UE supporting UL MIMO, the requirements for spurious emissions which are caused by unwanted transmitter effects such as harmonics emission, parasitic emissions, intermodulation products and frequency conversion products is defined as the sum of the emissions from both UE transmit antenna connectors.

The normative reference for this requirement is TS 38.101-1 [2] subclauses 6.5D.3 and 6.5.3.1.

6.5D.3_2.1.4 Test description

6.5D.3_2.1.4.1 Initial conditions

Initial conditions are a set of test configurations the UE needs to be tested in and the steps for the SS to take with the UE to reach the correct measurement state.

The initial test configurations consist of environmental conditions, test frequencies, test channel bandwidths and sub-carrier spacing based on NR operating bands specified in Table 5.5C-1. All of these configurations shall be tested with applicable test parameters for each combination of channel bandwidth and sub-carrier spacing, are shown in table 6.5D.3_2.1.4.1-1. The details of the uplink reference measurement channels (RMCs) are specified in Annexes A.2. Configurations of PDSCH and PDCCH before measurement are specified in Annex C.2.

Table 6.5D.3_2.1.4-1: Test Configuration Table

Initial Conditions				
Test Environment as specified in TS 38.508-1 [5] subclause 4.1		Normal		
Test Frequencies as specified in TS 38.508-1 [5] subclause 4.3.1		Low range, Mid range, High range for SUL carrier Mid range for Non-SUL carrier		
Test Channel Bandwidths as specified in TS 38.508-1 [5] subclause 4.3.1		Lowest, Mid, Highest for SUL carrier Lowest for Non-SUL carrier		
Test SCS as specified in Table 5.3.5-1		15kHz for SUL carrier and Lowest supported SCS for Non-SUL carrier		
Test Parameters for Channel Bandwidths				
Test ID	Downlink Configuration	UL Configuration	SUL Configuration	
	N/A	N/A	Modulation	RB allocation (NOTE 2)
1			CP-OFDM QPSK	OuterFull
2			CP-OFDM QPSK	Edge_1RB_Left
3			CP-OFDM QPSK	Edge_1RB_Right
NOTE 1: Test Channel Bandwidths are checked separately for each SUL band combination, the applicable channel bandwidths are specified in Table 5.5C-1.				
NOTE 2: The specific configuration of each RB allocation is defined in Table 6.1-1.				
NOTE 3: Void				

1. Connect the SS to the UE antenna connectors as shown in TS 38.508-1 [5] Annex [A, Figure A.3.1.2.2 for TE diagram and section A.3.2 for UE diagram.
2. The parameter settings for the cell are set up according to TS 38.508-1 [5] subclause 4.4.3.
3. Downlink signals are initially set up according to Annex C.0, C.1 and C.2, and uplink signals according to Annex G.0, G.1, G.2, and G.3.0 with consideration of supplementary uplink physical channels.
4. The UL Reference Measurement channels are set according to Table 6.5D.3_2.1.4.1-1.
5. Propagation conditions are set according to Annex B.0.
6. Ensure the UE is in state RRC_CONNECTED with generic procedure parameters Connectivity NR, Connected without release On, Test Mode On and Test Loop Function On according to TS 38.508-1 [5] clause 4.5. Message contents are defined in clause 6.5D.3_2.1.4.3.

6.5D.3_2.1.4.2 Test procedure

1. SS sends uplink scheduling information for each UL HARQ process via PDCCH DCI format 0_1 for C_RNTI to schedule the UL RMC according to Table 6.5D.3_2.1.4.1-1. Since the UE has no payload data to send, the UE transmits uplink MAC padding bits on the UL RMC. The PDCCH DCI format 0_1 is specified with condition 2TX_UL_MIMO in 38.508-1 [5] subclause 4.3.6.1.1.2.

2. Send continuously uplink power control "up" commands in the uplink scheduling information to the UE until the UE transmits at P_{UMAX} level.
3. Measure the sum of transmitted power at each antenna connector with a measurement filter of bandwidths according to Table 6.5D.3_2.1.5-1. The centre frequency of the filter shall be stepped in contiguous steps according to Table 6.5D.3_2.1.5-1. The measured power shall be verified for each step. The measurement period shall capture the active time slots. During measurement the spectrum analyser shall be set to 'Detector' = RMS. If the sweep count is higher than one, the trace mode shall be average.

6.5D.3_2.1.4.3 Message contents

Message contents are according to TS 38.508-1 [5] subclause 4.6 and 5.4 ensuring Table 4.6.3-182 with the condition 2TX_UL_MIMO.

Message contents in initial conditions are according to TS 38.508-1 [5] subclause 4.3.6.1.1.2 ensuring UL/SUL indicator in Table 4.3.6.1.1.2-1 with condition SUL, subclause 4.6 ensuring Tables 4.6.1-28 with condition SUL AND (RF OR RRM), 4.6.3-14 with condition SUL_SUL for SUL carrier, and Table 4.6.3-167 with condition PUSCH_PUCCH_ON_SUL.

6.5D.3_2.1.5 Test requirement

The measured average power of spurious emission on the SUL carrier shall not exceed the described value in Table 6.5D.3_2.1.5-1.

The spurious emission limits apply for the frequency ranges that are more than Δf_{OOB} (MHz) in Table 6.5.3.1.3-1 from the edge of the channel bandwidth.

Table 6.5D.3_2.1.5-1: General spurious emissions test requirements

Frequency Range	Maximum Level	Measurement bandwidth	NOTE
$9 \text{ kHz} \leq f < 150 \text{ kHz}$	-36 dBm	1 kHz	
$150 \text{ kHz} \leq f < 30 \text{ MHz}$	-36 dBm	10 kHz	
$30 \text{ MHz} \leq f < 1000 \text{ MHz}$	-36 dBm	100 kHz	
$1 \text{ GHz} \leq f < 12.75 \text{ GHz}$	-30 dBm	1 MHz	
$12.75 \text{ GHz} \leq f < 5\text{th}$ harmonic of the upper frequency edge of the UL operating band in GHz	-30 dBm	1 MHz	1
$12.75 \text{ GHz} < f < 26 \text{ GHz}$	-30 dBm	1 MHz	2
NOTE 1: Applies for Band that the upper frequency edge of the UL Band more than 2.69 GHz			
NOTE 2: Applies for Band that the upper frequency edge of the UL Band more than 5.2 GHz			

6.5D.3_2.2 Spurious emissions for UE co-existence for SUL with UL MIMO

6.5D.3_2.2.1 Test purpose

To verify that UE transmitter does not cause unacceptable interference to co-existing systems for the specified bands which has specific requirements in terms of transmitter spurious emissions.

6.5D.3_2.2.2 Test applicability

This test applies to all types of NR UE release 15 and forward that support SUL operating on the SUL bands.

6.5D.3_2.2.3 Minimum conformance requirements

For a terminal that supports SUL for the band combination specified in Table 5.2C-1, the current version of the specification assumes the terminal is configured with active transmission either on UL carrier or SUL carrier at any time in one serving cell and the UE requirements for single carrier shall apply for the active UL or SUL carrier accordingly.

For UE supporting UL MIMO, the requirements for Spurious emissions which are caused by unwanted transmitter effects such as harmonics emission, parasitic emissions, intermodulation products and frequency conversion products is defined as the sum of the emissions from both UE transmit antenna connectors.

The spurious emission for UE co-existence requirements specified in clause 6.5.3.2.3 apply. For UEs with two transmit antenna connectors in closed-loop spatial multiplexing scheme, the requirements shall be met with the UL MIMO configurations described in clause 6.2D.1_1.

The normative reference for this requirement is TS 38.101-1 [2] subclauses 6.5D.3 and 6.5.3.2.

6.5D.3_2.2.4 Test description

6.5D.3_2.2.4.1 Initial conditions

Initial conditions are a set of test configurations the UE needs to be tested in and the steps for the SS to take with the UE to reach the correct measurement state.

The initial test configurations consist of environmental conditions, test frequencies, test channel bandwidths and sub-carrier spacing based on NR operating bands specified in Table 5.5C-1. All of these configurations shall be tested with applicable test parameters for each combination of channel bandwidth and sub-carrier spacing, are shown in table 6.5D.3_2.2.4.1-1. The details of the uplink reference measurement channels (RMCs) are specified in Annexes A.2. Configurations of PDSCH and PDCCH before measurement are specified in Annex C.2.

Table 6.5D.3_2.2.4-1: Test Configuration Table

Initial Conditions				
Test Environment as specified in TS 38.508-1 [5] subclause 4.1		Normal		
Test Frequencies as specified in TS 38.508-1 [5] subclause 4.3.1		Low range, Mid range, High range for SUL carrier Mid range for Non-SUL carrier		
Test Channel Bandwidths as specified in TS 38.508-1 [5] subclause 4.3.1		Lowest, Mid, Highest for SUL carrier Lowest for Non-SUL carrier		
Test SCS as specified in Table 5.3.5-1		15kHz for SUL carrier and Lowest supported SCS for Non-SUL carrier		
Test Parameters for Channel Bandwidths				
Test ID	Downlink Configuration	UL Configuration	SUL Configuration	
	N/A	N/A	Modulation	RB allocation (NOTE 1)
1			CP-OFDM QPSK	OuterFull
2			CP-OFDM QPSK	Edge_1RB_Left
3			CP-OFDM QPSK	Edge_1RB_Right
NOTE 1: The specific configuration of each RB allocation is defined in Table 6.1-1 Common UL configuration.				
NOTE 2: Test Channel Bandwidths are checked separately for each SUL band combination, the applicable channel bandwidths are specified in Table 5.5C-1.				

1. Connect the SS to the UE antenna connectors as shown in TS 38.508-1 [5] Annex A, Figure A.3.1.2.2 for TE diagram and section A.3.2 for UE diagram.
2. The parameter settings for the cell are set up according to TS 38.508-1 [6] subclause 4.4.3.
3. Downlink signals are initially set up according to Annex C.0, C.1, C.2, and uplink signals according to Annex G.0, G.1, G.2, G.3.0 with consideration of supplementary uplink physical channels.
4. The UL Reference Measurement channels are set according to Table 6.5D.3_2.2.4.1-1.
5. Propagation conditions are set according to Annex B.0.
6. Ensure the UE is in state RRC_CONNECTED with generic procedure parameters Connectivity *NR*, Connected without release *On*, Test Mode *On* and Test Loop Function *On* according to TS 38.508-1 [5] clause 4.5. Message contents are defined in clause 6.5D.3_2.2.4.3.

6.5D.3_2.2.4.2 Test procedure

- 1 SS sends uplink scheduling information for each UL HARQ process via PDCCH DCI format 0_1 for C_RNTI to schedule the UL RMC according to Table 6.5D.3_2.2.4.1-1. Since the UE has no payload data to send, the UE

transmits uplink MAC padding bits on the UL RMC. The PDCCH DCI format 0_1 is specified with condition 2TX_UL_MIMO in 38.508-1 [5] subclause 4.3.6.1.1.2.

2. Send continuously uplink power control "up" commands in the uplink scheduling information to the UE until the UE transmits at P_{UMAX} level.
3. Measure the sum of transmitted power at each UE antenna connector with a measurement filter of bandwidths according to Table 6.5.3.2.3-1. The centre frequency of the filter shall be stepped in contiguous steps according to Table 6.5.3.2.3-1. The measured power shall be verified for each step. The measurement period shall capture the active time slots. During measurement the spectrum analyser shall be set to 'Detector' = RMS. If the sweep count is higher than one, the trace mode shall be average.

6.5D.3_2.2.4.3 Message contents

Message contents are according to TS 38.508-1 [5] subclause 4.6 ensuring Table 4.6.3-182 with condition 2TX_UL_MIMO.

Message contents in initial conditions are according to TS 38.508-1 [5] subclause 4.3.6.1.1.2 ensuring UL/SUL indicator in Table 4.3.6.1.1.2-1 with condition SUL, subclause 4.6 ensuring Tables 4.6.1-28 with condition SUL AND (RF OR RRM), 4.6.3-14 with condition SUL_SUL for SUL carrier, and Table 4.6.3-167 with condition PUSCH_PUCCH_ON_SUL.

6.5D.3_2.2.5 Test requirement

The measured average power of spurious emission, derived in step 3 from both UE antenna connectors, shall not exceed the described value in Table 6.5.3.2.3-1.

6.5D.3_2.3 Additional spurious emissions for SUL with UL MIMO

6.5D.3_2.3.1 Test purpose

To verify that UE transmitter does not cause unacceptable interference to other channels or other systems in terms of transmitter spurious emissions under the deployment scenarios where additional requirements are specified.

6.5D.3_2.3.2 Test applicability

This test applies to all types of NR UE release 17 and forward that support SUL and UL MIMO operating on the SUL bands.

6.5D.3_2.3.3 Minimum conformance requirements

For UE supporting UL MIMO, the requirements for Spurious emissions which are caused by unwanted transmitter effects such as harmonics emission, parasitic emissions, intermodulation products and frequency conversion products is defined as the sum of the emissions from both UE transmit antenna connectors.

The additional spurious emission requirements specified in clause 6.5.3.3.3 apply to the UE operating on SUL bands. For UEs with two transmit antenna connectors in closed-loop spatial multiplexing scheme, the requirements shall be met with the UL MIMO configurations described in clause 6.2D.1_1.

The normative reference for this requirement is TS 38.101-1 [2] clauses 6.5D.3 and 6.5.3.3

6.5D.3_2.3.4 Test description

6.5D.3_2.3.4.1 Initial conditions

Initial conditions are a set of test configurations the UE needs to be tested in and the steps for the SS to take with the UE to reach the correct measurement state.

The initial test configurations consist of environmental conditions, test frequencies, test channel bandwidths and sub-carrier spacing based on NR operating bands specified in Table 5.5C-1. All these configurations shall be tested with applicable test parameters for each combination of channel bandwidth and sub-carrier spacing, and are shown in Table 6.5D.3_2.3.4.1-1 through Table 6.5D.3_2.3.4.1-3. The details of the uplink reference measurement channels (RMCs) are specified in Annex A.2.2. Configurations of PDSCH and PDCCH before measurement are specified in Annex C.2.

Table 6.5D.3_2.3.4-1: Test Configuration Table (network signalling value “NS_05”)

Initial Conditions							
Test Environment as specified in TS 38.508-1 [5] subclause 4.1			Normal				
Test Frequencies as specified in TS 38.508-1 [5] subclause 4.3.1			Use centre frequency (Fc) as specified in test parameters for SUL carrier Mid range for Non-SUL carrier				
Test Channel Bandwidths as specified in TS 38.508-1 [5] subclause 4.3.1			5 MHz, 10 MHz, 15 MHz, 20 MHz for SUL carrier Lowest for Non-SUL carrier				
Test SCS as specified in Table 5.3.5-1			15kHz for SUL carrier and Lowest supported SCS for Non-SUL carrier				
Additional Spurious for SUL test parameters for NS_05							
Test ID	Fc (MHz)	SUL ChBw (MHz)	Downlink Config.	Uplink Config	A-MPR	SUL Configuration	
						Modulation	RB allocation (Note 1)
1	1922.5	5			A3	QPSK	Outer_Full
2	1925	10			A1	QPSK	Outer_Full
3	1925	10			A7	QPSK	42@10
4	1925	10			A2	QPSK	6@40
5	1935	10			A4	QPSK	Outer_Full
6	1927.5	15			A1	QPSK	Outer_Full
7	1927.5	15			A7	QPSK	60@19
8	1927.5	15			A2	QPSK	6@56
9	1932.5	15			A1	QPSK	Outer_Full
10	1932.5	15			A2	QPSK	6@68
11	1942.5	15			A5	QPSK	Outer_Full
12	1930	20			A1	QPSK	Outer_Full
13	1930	20			A7	QPSK	78@28
14	1930	20			A2	QPSK	6@76
15	1950	20			A6	QPSK	Outer_Full
16	1922.5	5			A3	16 QAM	Outer_Full
17	1925	10			A1	16 QAM	Outer_Full
18	1925	10			A7	16 QAM	42@10
19	1925	10			A2	16 QAM	6@40
20	1935	10			A4	16 QAM	Outer_Full
21	1927.5	15			A1	16 QAM	Outer_Full
22	1927.5	15			A7	16 QAM	60@19
23	1927.5	15			A2	16 QAM	6@56
24	1932.5	15			A1	16 QAM	Outer_Full
25	1932.5	15			A2	16 QAM	6@68
26	1942.5	15			A5	16 QAM	Outer_Full
27	1930	20			A1	16 QAM	Outer_Full
28	1930	20			A7	16 QAM	78@28
29	1930	20			A2	16 QAM	6@76
30	1950	20			A6	16 QAM	Outer_Full
31	1922.5	5			A3	64 QAM	Outer_Full
32	1925	10			A1	64 QAM	Outer_Full
33	1925	10			A7	64 QAM	42@10
34	1925	10			A2	64 QAM	6@40
35	1927.5	15			A1	64 QAM	Outer_Full
36	1927.5	15			A7	64 QAM	60@19
37	1927.5	15			A2	64 QAM	6@56
38	1932.5	15			A1	64 QAM	Outer_Full
39	1932.5	15			A2	64 QAM	6@68
40	1930	20			A1	64 QAM	Outer_Full
41	1930	20			A7	64 QAM	78@28
42	1930	20			A2	64 QAM	6@76
43	1922.5	5			A3	256 QAM	Outer_Full
44	1925	10			A1	256 QAM	Outer_Full
45	1925	10			A7	256 QAM	42@10
46	1927.5	15			A1	256 QAM	Outer_Full
47	1927.5	15			A7	256 QAM	60@19
48	1932.5	15			A1	256 QAM	Outer_Full

49	1930	20		A1	256 QAM	Outer_Full
50	1930	20		A7	256 QAM	78@28
NOTE 1: The specific configuration of each RB allocation is defined in Table 6.1-1 unless otherwise stated in this table.						

Table 6.5D.3_2.3.4-2: Test Configuration Table (network signalling value “NS_05U”)

Initial Conditions								
Test Environment as specified in TS 38.508-1 [5] subclause 4.1			Normal					
Test Frequencies as specified in TS 38.508-1 [5] subclause 4.3.1			Use centre frequency (Fc) as specified in test parameters for SUL carrier Mid range for Non-SUL carrier					
Test Channel Bandwidths as specified in TS 38.508-1 [5] subclause 4.3.1			5 MHz, 10 MHz, 15 MHz, 20 MHz for SUL carrier Lowest for Non-SUL carrier					
Test SCS as specified in Table 5.3.5-1			15kHz for SUL carrier and Lowest supported SCS for Non-SUL carrier					
Additional Spurious for SUL test parameters for NS_05								
Test ID	Fc (MHz)	SUL ChBw (MHz)	Downlink Config.	Uplink Config	A-MPR	SUL Configuration		
						Modulation	RB allocation (Note 1)	
1	1922.5	5			A3	CP-OFDM	QPSK	Outer_Full
2	1925	10			A1		QPSK	Outer_Full
3	1925	10			A7		QPSK	42@10
4	1925	10			A2		QPSK	6@40
5	1935	10			A4		QPSK	Outer_Full
6	1927.5	15			A1		QPSK	Outer_Full
7	1927.5	15			A7		QPSK	60@19
8	1927.5	15			A2		QPSK	6@56
9	1932.5	15			A1		QPSK	Outer_Full
10	1932.5	15			A2		QPSK	6@68
11	1942.5	15			A5		QPSK	Outer_Full
12	1930	20			A1		QPSK	Outer_Full
13	1930	20			A7		QPSK	78@28
14	1930	20			A2		QPSK	6@76
15	1950	20			A6		QPSK	Outer_Full
16	1922.5	5			A3		16 QAM	Outer_Full
17	1925	10			A1		16 QAM	Outer_Full
18	1925	10			A7		16 QAM	42@10
19	1925	10			A2		16 QAM	6@40
20	1935	10			A4		16 QAM	Outer_Full
21	1927.5	15			A1		16 QAM	Outer_Full
22	1927.5	15			A7		16 QAM	60@19
23	1927.5	15			A2		16 QAM	6@56
24	1932.5	15			A1		16 QAM	Outer_Full
25	1932.5	15			A2		16 QAM	6@68
26	1942.5	15			A5		16 QAM	Outer_Full
27	1930	20			A1		16 QAM	Outer_Full
28	1930	20			A7		16 QAM	78@28
29	1930	20			A2		16 QAM	6@76
30	1950	20			A6		16 QAM	Outer_Full
31	1922.5	5			A3		64 QAM	Outer_Full
32	1925	10			A1		64 QAM	Outer_Full
33	1925	10			A7		64 QAM	42@10
34	1925	10			A2		64 QAM	6@40
35	1935	10			A4		64 QAM	Outer_Full
36	1927.5	15			A1		64 QAM	Outer_Full
37	1927.5	15			A7		64 QAM	60@19
38	1927.5	15			A2		64 QAM	6@56
39	1932.5	15			A1		64 QAM	Outer_Full
40	1932.5	15			A2		64 QAM	6@68
41	1942.5	15			A5		64 QAM	Outer_Full
42	1930	20			A1		64 QAM	Outer_Full

43	1930	20			A7	64 QAM	78@28
44	1930	20			A2	64 QAM	6@76
45	1950	20			A6	64 QAM	Outer_Full
46	1922.5	5			A3	256 QAM	Outer_Full
47	1925	10			A1	256 QAM	Outer_Full
48	1925	10			A7	256 QAM	42@10
49	1935	10			A4	256 QAM	Outer_Full
50	1927.5	15			A1	256 QAM	Outer_Full
51	1927.5	15			A7	256 QAM	60@19
52	1932.5	15			A1	256 QAM	Outer_Full
53	1942.5	15			A5	256 QAM	Outer_Full
54	1930	20			A1	256 QAM	Outer_Full
55	1930	20			A7	256 QAM	78@28
56	1950	20			A6	256 QAM	Outer_Full

NOTE 1: The specific configuration of each RB allocation is defined in Table 6.1-1 unless otherwise stated in this table.

Table 6.5D.3_2.3.4-3: Test Configuration Table (network signalled value “NS_56”)

Initial Conditions								
Test Environment as specified in TS 38.508-1 [5] subclause 4.1				Normal				
Test Frequencies as specified in TS 38.508-1 [5] subclause 4.3.1				Use uplink carrier centre frequency (Fc) as specified in test parameters				
Test Channel Bandwidths as specified in TS 38.508-1 [5] subclause 4.3.1				5 MHz, 10 MHz as specified in test parameters for SUL carrier Lowest for non-SUL carrier				
Test SCS as specified in Table 5.3.5-1				15 kHz for SUL carrier and Lowest supported SCS for Non-SUL carrier				
A-MPR test parameters for NS_56								
Test ID	Fc (MHz)	ChB w (MHz)	Downlink Configuration	Uplink Configuration	A-MPR	Uplink Configuration		
						Modulation	RB allocation (Note 1) SCS 15 kHz	
66	Low	5	N/A for A-MPR testing	N/A	14	QPSK	Edge_1RB_Left	
67	Low	5			6	QPSK	Outer_Full	
68	Low	5			4	QPSK	21@4	
69	Low	5			4	QPSK	1@4	
70	Low	5			14	16 QAM	Edge_1RB_Left	
71	Low	5			6	16 QAM	Outer_Full	
72	Low	5			4	16 QAM	21@4	
73	Low	5			4	16 QAM	1@4	
74	Low	5			14	64 QAM	Edge_1RB_Left	
75	Low	5			6	64 QAM	Outer_Full	
76	Low	5			4	64 QAM	21@4	
77	Low	5			4	64 QAM	1@4	
78	Low	5			14	256 QAM	Edge_1RB_Left	
79	Low	5			6	256 QAM	Outer_Full	
80	Low	5			4	256 QAM	21@4	
81	Low	5			4	256 QAM	1@4	
82	Low	10				12	QPSK	Edge_1RB_Left
83	Low	10				8	QPSK	Outer_Full
84	Low	10				6	QPSK	1@3
85	Low	10				6	QPSK	43@9
86	Low	10				4	QPSK	1@35
87	Low	10				2	QPSK	17@35
88	Low	10				5	QPSK	Edge_1RB_Right
89	Low	10				5	QPSK	1@40
90	Low	10				3	QPSK	8@44
91	Low	10				12	16 QAM	Edge_1RB_Left
92	Low	10				8	16 QAM	Outer_Full
93	Low	10				6	16 QAM	1@3
94	Low	10				6	16 QAM	43@9
95	Low	10				4	16 QAM	1@35
96	Low	10				2	16 QAM	17@35
97	Low	10		5	16 QAM	Edge_1RB_Right		

98	Low	10			5	16 QAM	1@40
99	Low	10			3	16 QAM	8@44
100	Low	10			12	64 QAM	Edge_1RB_Left
101	Low	10			8	64 QAM	Outer_Full
102	Low	10			6	64 QAM	1@3
103	Low	10			6	64 QAM	43@9
104	Low	10			4	64 QAM	1@35
105	Low	10			2	64 QAM	17@35
106	Low	10			5	64 QAM	Edge_1RB_Right
107	Low	10			5	64 QAM	1@40
108	Low	10			3	64 QAM	8@44
109	Low	10			12	256 QAM	Edge_1RB_Left
110	Low	10			8	256 QAM	Outer_Full
111	Low	10			6	256 QAM	1@3
112	Low	10			6	256 QAM	43@9
113	Low	10			4	256 QAM	1@35
114	Low	10			2	256 QAM	17@35
115	Low	10			5	256 QAM	Edge_1RB_Right
116	Low	10			5	256 QAM	1@40
117	Low	10			3	256 QAM	8@44
NOTE 1: The specific configuration of each RB allocation is defined in Table 6.1-1 unless otherwise stated in this table.							

1. Connect the SS to the UE to the UE antenna connectors as shown in TS 38.508-1 [5] Annex A Figure A.3.1.2.2 for TE diagram and section A.3.2 for UE diagram.
2. The parameter settings for the cell are set up according to TS 38.508-1 [5] subclause 4.4.3.
3. Downlink signals are initially set up according to Annex C.0, C.1, C.2, and uplink signals according to Annex G.0, G.1, G.2, G.3.0 with consideration of supplementary uplink physical channels.
4. The UL Reference Measurement channels are set according to Table 6.5D.3_2.3.4.1-1 to Table 6.5D.3_2.3.4.1-3 as appropriate.
5. Propagation conditions are set according to Annex B.0.
6. Ensure the UE is in state RRC_CONNECTED with generic procedure parameters Connectivity NR, Connected without release On, Test Mode On and Test Loop Function On according to TS 38.508-1 [5] clause 4.5. Message contents are defined in clause 6.5D.3_2.3.4.3.

6.5D.3_2.3.4.2 Test procedure

- 1 SS sends uplink scheduling information for each UL HARQ process via PDCCH DCI format 0_1 for C_RNTI to schedule the UL RMC according to Table 6.5D.3_2.3.4.1-1 to Table 6.5D.3_2.3.4.1-3 as appropriate. Since the UE has no payload data to send, the UE transmits uplink MAC padding bits on the UL RMC. The PDCCH DCI format 0_1 is specified with condition 2TX_UL_MIMO in 38.508-1 [5] subclause 4.3.6.1.1.2.
2. Send continuously uplink power control "up" commands in the uplink scheduling information to the UE until the UE transmits at P_{UMAX} level.
3. Measure the sum of the mean power at each UE antenna connector in the channel bandwidth of the radio access mode, which shall meet the requirements described in clauses from 6.2D.2.5, or 6.2D.3.5 as appropriate. The period of measurement shall be at least the continuous duration of 1ms over consecutive active uplink slots and uplink symbols. For TDD, only slots consisting of only UL symbols are under test.
4. Measure the sum of transmitted power at each UE antenna connector with a measurement filter of bandwidths according to clauses 6.5.3.3.3.1 to 6.5.3.3.3.25 as appropriate. The centre frequency of the filter shall be stepped in contiguous steps according to the same table the measured power shall be verified for each step. The measurement period shall capture the active time slots. During measurement the spectrum analyser shall be set to 'Detector' = RMS. If the sweep count is higher than one, the trace mode shall be average.

6.5D.3_2.3.4.3 Message contents

Message contents are according to TS 38.508-1 [5] subclause 4.6 ensuring Table 4.6.3-182 with condition 2TX_UL_MIMO and same exceptions listed in clause 6.5.3.3.4.3

Message contents in initial conditions are according to TS 38.508-1 [5] subclause 4.3.6.1.1.2 ensuring UL/SUL indicator in Table 4.3.6.1.1.2-1 with condition SUL, subclause 4.6 ensuring Table 4.6.1-28 with condition SUL AND (RF OR RRM), Tables 4.6.3-14 with condition SUL_SUL for SUL carrier, and Table 4.6.3-167 with condition PUSCH_PUCCH_ON_SUL, together with exceptions as specified in clause 6.5.3.3.4.3 as appropriate for different NS values.

6.5D.3_2.3.5 Test requirement

For SUL operation, the measured power at each UE antenna connector shall meet the requirements for the specified NR band for an additional spurious emission requirement with protected bands as indicated in clause 6.5.3.3.5 for different NS values.

NOTE: For measurement conditions at the edge of each frequency range, the lowest frequency of the measurement position in each frequency range should be set at the lowest boundary of the frequency range plus MBW/2. The highest frequency of the measurement position in each frequency range should be set at the highest boundary of the frequency range minus MBW/2. MBW denotes the measurement bandwidth defined for the protected band.

6.5D.4 Transmit intermodulation for UL MIMO

6.5D.4.1 Test purpose

To verify that the UE transmit intermodulation does not exceed the described value in the test requirement.

The transmit intermodulation performance is a measure of the capability of the transmitter to inhibit the generation of signals in its non-linear elements caused by presence of the wanted signal and an interfering signal reaching the transmitter via the antenna.

6.5D.4.2 Test applicability

This test case applies to all types of NR Power Class 1.5, Power Class 2 and Power Class 3 UE release 15 and forward that support 2-layer codebook based UL MIMO.

6.5D.4.3 Minimum conformance requirements

For UE supporting UL MIMO, the transmit intermodulation requirements are specified at each transmit antenna connector and the wanted signal is defined as the sum of output power at each transmit antenna connector.

For UEs with two transmit antenna connectors in closed-loop spatial multiplexing scheme, the requirements specified in subclause 6.5.4 apply to each transmit antenna connector. The requirements shall be met with the UL MIMO configurations described in sub-clause 6.2D.1.

If UE is configured for transmission on single-antenna port, the requirements in subclause 6.5.4 apply.

The normative reference for this requirement is TS 38.101-1 [2] clauses 6.5D.4 and 6.5.4.

6.5D.4.4 Test description

6.5D.4.4.1 Initial conditions

Initial conditions are a set of test configurations the UE needs to be tested in and the steps for the SS to take with the UE to reach the correct measurement state.

The initial test configurations consist of environmental conditions, test frequencies, test channel bandwidths and sub-carrier spacing based on NR operating bands specified in table 5.3.5-1. All of these configurations shall be tested with applicable test parameters for each combination of channel bandwidth and sub-carrier spacing, and are shown in table 6.5D.4.4.1-1. The details of the uplink reference measurement channels (RMCs) are specified in Annexes A.2. Configurations of PDSCH and PDCCH before measurement are specified in Annex C.2.

Table 6.5D.4.4.1-1: Test Configuration Table

Initial Conditions	
Test Environment as specified in TS 38.508-1 [5] subclause 4.1	Normal
Test Frequencies as specified in TS 38.508-1 [5] subclause 4.3.1	Mid range

Test Channel Bandwidths as specified in TS 38.508-1 [5] subclause 4.3.1		Mid, Highest	
Test SCS as specified in Table 5.3.5-1		Lowest, Highest	
Test Parameters			
Test ID	Downlink Configuration	Uplink Configuration	
	N/A for transmit intermodulation test case	Modulation	RB allocation (NOTE 1)
1		CP-OFDM QPSK	Inner Full
NOTE 1: The specific configuration of each RB allocation is defined in Table 6.1-1.			

1. Connect the SS to the UE antenna connectors as shown in TS 38.508-1 [5] Annex A, in Figure A.3.1.3.2 for TE diagram and section A.3.2 for UE diagram.
2. The parameter settings for the cell are set up according to TS 38.508-1 [5] subclause 4.4.3.
3. Downlink signals are initially set up according to Annex C.0, C.1, C.2, and uplink signals according to Annex G.0, G.1, G.2, G.3.0.
4. The UL Reference Measurement channels are set according to Table 6.5D.4.4.1-1.
5. Propagation conditions are set according to Annex B.0.
6. Ensure the UE is in State RRC_CONNECTED with generic procedure parameters Connectivity *NR*, Connected without release *On*, Test Mode *On* and Test Loop Function *On* according to TS 38.508-1 [5] clause 4.5. Message contents are defined in clause 6.5D.4.4.3.

6.5D.4.4.2 Test procedure

1. SS sends uplink scheduling information for each UL HARQ process via PDCCH DCI format 0_1 for C_RNTI to schedule the UL RMC according to Table 6.5D.4.4.1-1. Since the UE has no payload and no loopback data to send the UE sends uplink MAC padding bits on the UL RMC. The PDCCH DCI format 0_1 is specified with condition 2TX_UL_MIMO in 38.508-1 [5] subclause 4.3.6.1.1.2
2. Send continuously uplink power control "up" commands to the UE until the UE transmits at its P_{UMAX} level.
3. Measure the rectangular filtered mean power at each antenna connector of the UE. For TDD, only slots consisting of only UL symbols are under test.
4. Set the interference signal frequency below the UL carrier frequency using the first offset in table 6.5D.4.5-1.
5. Set the interference CW signal level according to table 6.5D.4.5-1.
6. Search the intermodulation product signals below and above the UL carrier frequency at each UE antenna connector, then measure the rectangular filtered mean power of transmitting intermodulation for both signals, and calculate the ratios for each UE antenna connector with the power measured in step 3.
7. Set the interference signal frequency above the UL carrier frequency using the first offset in table 6.5D.4.5-1.
8. Search the intermodulation product signals below and above the UL carrier frequency at each UE antenna connector, then measure the rectangular filtered mean power of transmitting intermodulation for both signals, and calculate the ratios for each UE antenna with the power measured in step 3.
9. Repeat the measurement using the second offset in table 6.5D.4.5-1.
10. Repeat step 3) until 9) for each of transmit antenna of the UE.

6.5D.4.4.3 Message contents

Message contents are according to TS 38.508-1 [5] subclause 4.6 ensuring Table 4.6.3-182 with condition 2TX_UL_MIMO.

6.5D.4.5 Test requirement

The ratio derived in step 6 and 8, shall not exceed the described value in table 6.5D.4.5-1.

Table 6.5D.4.5-1: Transmit Intermodulation

Wanted signal channel bandwidth	BW_{Channel}	
Interference signal frequency offset from channel centre	BW_{Channel}	$2 \cdot BW_{\text{Channel}}$
Interference CW signal level	-40dBc	
Intermodulation product	< -29dBc	< -35dBc
Measurement bandwidth	The maximum transmission bandwidth configuration among the different SCSs for the channel BW as defined in Table 6.5.2.4.1.5-1	
Measurement offset from channel centre	BW_{Channel} and $2 \cdot BW_{\text{Channel}}$	$2 \cdot BW_{\text{Channel}}$ and $4 \cdot BW_{\text{Channel}}$

6.5D.4_1 Transmit intermodulation for SUL with UL MIMO

6.5D.4_1.1 Test purpose

To verify that the UE transmit intermodulation does not exceed the described value in the test requirement.

The transmit intermodulation performance is a measure of the capability of the transmitter to inhibit the generation of signals in its non-linear elements caused by presence of the wanted signal and an interfering signal reaching the transmitter via the antenna.

6.5D.4_1.2 Test applicability

This test applies to all types of NR UE release 17 and forward that support SUL and UL MIMO operating on the SUL bands.

6.5D.4_1.3 Minimum conformance requirements

For UE supporting UL MIMO, the transmit intermodulation requirements are specified at each transmit antenna connector and the wanted signal is defined as the sum of output power at each transmit antenna connector.

For UEs with two transmit antenna connectors in closed-loop spatial multiplexing scheme, the requirements specified in subclause 6.5.4 apply to each transmit antenna connector. The requirements shall be met with the UL MIMO configurations described in sub-clause 6.2D.1.

If UE is configured for transmission on single-antenna port, the requirements in subclause 6.5.4 apply.

The normative reference for this requirement is TS 38.101-1 [2] clauses 6.5D.4 and 6.5.4.

6.5D.4_1.4 Test description

6.5D.4_1.4.1 Initial conditions

Initial conditions are a set of test configurations the UE needs to be tested in and the steps for the SS to take with the UE to reach the correct measurement state.

The initial test configurations consist of environmental conditions, test frequencies, test channel bandwidths and sub-carrier spacing based on NR operating bands specified in table 5.3.5-1. All of these configurations shall be tested with applicable test parameters for each combination of channel bandwidth and sub-carrier spacing and are shown in table 6.5D.4_1.4.1-1. The details of the uplink reference measurement channels (RMCs) are specified in Annexes A.2. Configurations of PDSCH and PDCCH before measurement are specified in Annex C.2.

Table 6.5D.4_1.4.1-1: Test Configuration Table

Initial Conditions	
Test Environment as specified in TS 38.508-1 [5] subclause 4.1	Normal
Test Frequencies as specified in TS 38.508-1 [5] subclause 4.3.1	Mid range

Test Channel Bandwidths as specified in TS 38.508-1 [5] subclause 4.3.1		Mid, Highest	
Test SCS as specified in Table 5.3.5-1		Lowest, Highest	
Test Parameters			
Test ID	Downlink Configuration	Uplink Configuration	
	N/A for transmit intermodulation test case	Modulation	RB allocation (NOTE 1)
1		CP-OFDM QPSK	Inner Full
NOTE 1: The specific configuration of each RB allocation is defined in Table 6.1-1.			

1. Connect the SS to the UE antenna connectors as shown in TS 38.508-1 [5] Annex A, in Figure A.3.1.1.5 for TE diagram and section A.3.2 for UE diagram.
2. The parameter settings for the cell are set up according to TS 38.508-1 [5] subclause 4.4.3.
3. Downlink signals are initially set up according to Annex C.0, C.1, C.2, and uplink signals according to Annex G.0, G.1, G.2, G.3.0.
4. The UL Reference Measurement channels are set according to Table 6.5D.4_1.4.1-1.
5. Propagation conditions are set according to Annex B.0.
6. Ensure the UE is in State RRC_CONNECTED with generic procedure parameters Connectivity *NR*, Connected without release *On*, Test Mode *On* and Test Loop Function *On* according to TS 38.508-1 [5] clause 4.5. Message contents are defined in clause 6.5D.4_1.4.3.

6.5D.4_1.4.2 Test procedure

1. SS sends uplink scheduling information for each UL HARQ process via PDCCH DCI format 0_1 for C_RNTI to schedule the UL RMC according to Table 6.5D.4.1.4.1-1. Since the UE has no payload and no loopback data to send the UE sends uplink MAC padding bits on the UL RMC. The PDCCH DCI format 0_1 is specified with condition 2TX_UL_MIMO in 38.508-1 [5] subclause 4.3.6.1.1.2
2. Send continuously uplink power control "up" commands to the UE until the UE transmits at its P_{UMAX} level.
3. Measure the rectangular filtered mean power at each antenna connector of the UE. For TDD, only slots consisting of only UL symbols are under test.
4. Set the interference signal frequency below the UL carrier frequency using the first offset in table 6.5D.4_1.5-1.
5. Set the interference CW signal level according to table 6.5D.4_1.5-1.
6. Search the intermodulation product signals below and above the UL carrier frequency at each UE antenna connector, then measure the rectangular filtered mean power of transmitting intermodulation for both signals and calculate the ratios for each UE antenna connector with the power measured in step 3.
7. Set the interference signal frequency above the UL carrier frequency using the first offset in table 6.5D.4_1.5-1.
8. Search the intermodulation product signals below and above the UL carrier frequency at each UE antenna connector, then measure the rectangular filtered mean power of transmitting intermodulation for both signals and calculate the ratios for each UE antenna with the power measured in step 3.
9. Repeat the measurement using the second offset in table 6.5D.4_1.5-1.
10. Repeat step 3) until 9) for each of transmit antenna of the UE.

6.5D.4_1.4.3 Message contents

Message contents are according to TS 38.508-1 [5] subclause 4.3.6.1.1.2 ensuring UL/SUL indicator in Table 4.3.6.1.1.2-1 with condition SUL, subclause 4.6 ensuring Table 4.6.1-28 with condition SUL AND (RF OR RRM), Tables 4.6.3-14 with condition SUL_SUL for SUL carrier, Table 4.6.3-167 with condition PUSCH_PUCCH_ON_SUL, and Table 4.6.3-182 with the condition 2TX_UL_MIMO.

6.5D.4_1.5 Test requirement

The ratio derived in step 6 and 8, shall not exceed the described value in table 6.5D.4_1.5-1.

Table 6.5D.4_1.5-1: Transmit Intermodulation

Wanted signal channel bandwidth	BW_{Channel}	
Interference signal frequency offset from channel centre	BW_{Channel}	$2 \cdot BW_{\text{Channel}}$
Interference CW signal level	-40dBc	
Intermodulation product	< -29dBc	< -35dBc
Measurement bandwidth	The maximum transmission bandwidth configuration among the different SCSs for the channel BW as defined in Table 6.5.2.4.1.5-1	
Measurement offset from channel centre	BW_{Channel} and $2 \cdot BW_{\text{Channel}}$	$2 \cdot BW_{\text{Channel}}$ and $4 \cdot BW_{\text{Channel}}$

6.5E Output RF spectrum emissions for V2X

6.5E.1 Occupied bandwidth for V2X

6.5E.2 Out of band emission for V2X

6.5E.2.1 General

When UE is configured for NR V2X sidelink transmissions non-concurrent with NR uplink transmissions for NR V2X operating bands specified in Table 5.2E.1-1, the requirements in clause 6.5E.2 apply for NR V2X sidelink transmission.

For NR V2X UE with two transmit antenna connectors, the requirements specified for single carrier shall apply to each transmit antenna connector. The requirements shall be met with SL MIMO configurations described in clause 6.2D.1.

6.5E.2.2 Spectrum emission mask for V2X

6.5E.2.2.1 Spectrum emission mask for V2X / non-concurrent operation

Editor's Note: This clause is incomplete for PSFCH and PSBCH measurement. The following aspects are either missing or not yet determined:

- Measurement period of PSFCH and PSBCH is FFS.

6.5E.2.2.1.1 Test purpose

To verify that the power of any UE emission shall not exceed specified level for the specified channel bandwidth when UE is configured for NR V2X sidelink transmissions non-concurrent with NR uplink transmissions.

6.5E.2.2.1.2 Test applicability

This test case applies to all types of NR UE release 16 and forward that support NR V2X sidelink communication with non-concurrent operation.

6.5E.2.2.1.3 Minimum conformance requirements

For NR V2X UE, the existing NR general spectrum emission mask in clause 6.5.2.2 applied for all supporting NR V2X channel bandwidths. The spectrum emission mask of the UE applies to frequencies (Δf_{OOB}) starting from the \pm edge of the assigned NR channel bandwidth. For frequencies greater than (Δf_{OOB}), the power of any UE emission shall not exceed the levels specified in Table 6.5.2.2.3-1 for the specified channel bandwidth for NR V2X operating bands in Table 5.2E.1-1.

The normative reference for this requirement is TS 38.101-1 [2] clause 6.5E.2.2.

6.5E.2.2.1.4 Test description

6.5E.2.2.1.4.1 Initial conditions

Initial conditions are a set of test configurations the UE needs to be tested in and the steps for the SS to take with the UE to reach the correct measurement state.

The initial test configurations consist of environmental conditions, test frequencies, test channel bandwidths and sub-carrier spacing based on NR operating bands specified in Table 5.2E.1-1 and Table 5.3.5-1. All of these configurations shall be tested with applicable test parameters for each combination of test channel bandwidth and sub-carrier spacing, and are shown in table 6.5E.2.2.1.4.1-1. The details of the V2X reference measurement channels (RMCs) are specified in Annexe A.7.5 and the GNSS configuration in TS 38.508-1 [5] subclause 4.11.

Table 6.5E.2.2.1.4.1-1: Test Configuration Table for contiguous PSCCH and PSSCH allocation

Initial Conditions			
Test Environment as specified in TS 38.508-1 [5] subclause 4.1		Normal	
Test Frequencies as specified in TS 38.508-1 [5] subclause 4.3.1.8		Low range, High range	
Test Channel Bandwidths as specified TS 38.508-1 [5] subclause 4.3.1		Lowest, Highest	
Test SCS as specified in Table 5.3.5-1		Lowest, Highest	
Test Parameters for Channel Bandwidths			
Test ID	Freq	V2X Configuration to Transmit	
		Modulation	PSSCH RB allocation (Note 1)
1	Default	QPSK	Outer_Full
2	Default	QPSK	Inner_Full
3	Default	16QAM	Outer_Full
4	Default	16QAM	Inner_Full
5	Default	64QAM	Outer_Full
6	Default	256QAM	Outer_Full
NOTE 1: The specific configuration of each RB allocation is defined in Table 6.1E-1.			

Table 6.5E.2.2.1.4.1-2: Test Configuration Table for PSFCH

Initial Conditions		
Test Environment as specified in TS 38.508-1 [5] subclause 4.1		Normal
Test Frequencies as specified in TS 38.508-1 [5] subclause 4.3.1.8		Low range, High range
Test Channel Bandwidths as specified TS 38.508-1 [5] subclause 4.3.1		Lowest, Highest
Test SCS as specified in Table 5.3.5-1		Lowest, Highest
Test Parameters for Channel Bandwidths		
Test ID	Freq	V2X Configuration to Transmit
		PSFCH RB allocation (Note 1)
1	Low range	PSFCH_1RB_Left
2	High range	PSFCH_1RB_Right
3	Low range	PSFCH_2RB_Left
4	High range	PSFCH_2RB_Right
5	Default	PSFCH_Max_Gap
NOTE 1: The specific configuration of each RB allocation is defined in Table 6.1E-2.		

Table 6.5E.2.2.1.4.1-3: Test Configuration Table for S-SSB

Initial Conditions	
Test Environment as specified in TS 38.508-1 [5] subclause 4.1	Normal
Test Frequencies as specified in TS 38.508-1 [5] subclause 4.3.1.8	Low range, High range

Test Channel Bandwidths as specified TS 38.508-1 [5] subclause 4.3.1		Lowest, Highest
Test SCS as specified in Table 5.3.5-1		Lowest, Highest
Test Parameters for Channel Bandwidths		
Test ID	Freq	V2X Configuration to Transmit
		S-SSB RB allocation (Note 1)
1	Low range	S-SSB_Low
2	High range	S-SSB_High
3	Default	S-SSB_Mid
NOTE 1: The specific configuration of each RB allocation is defined in Table 6.1E-3.		

1. Connect the SS and GNSS simulator to the UE antenna connectors as shown in TS 38.508-1 [5] Annex A, Figure A.3.1.9.1 for TE diagram and section A.3.2.7 for UE diagram.
2. The parameter settings for the NR sidelink transmission over PC5 are pre-configured according to TS 38.508-1 [5] subclause 4.10. Message content exceptions are defined in clause 6.5E.2.2.1.4.3.
3. The V2X Reference Measurement Channel is set according to Table 6.5E.2.2.1.4.1-1.
4. The GNSS simulator is configured for Scenario #1: static in Geographical area #1, as defined in TS 38.508-1 [5] Table 4.11.2-2. Geographical area #1 is also pre-configured in the UE.
5. Propagation conditions are set according to Annex B.0.

6.5E.2.2.1.4.2 Test procedure

Subtest 1: PSCCH/PSSCH

1. Ensure the UE is in state *Out_of_Coverage* with generic procedure parameters *Sidelink On*, Test Loop Function *On* with UE test loop mode E closed for *Transmit Mode* according to TS 38.508-1 [5] clause 4.5.
2. The UE starts to perform the NR sidelink communication according to *SL-PreconfigurationNR*. Since the UE has no payload and no loopback data to send the UE sends uplink MAC padding bits on the NR sidelink RMC.
3. Measure the mean power of the UE in the channel bandwidth of the radio access mode according to the test configuration from Table 6.5E.2.2.1.4.1-1, which shall meet the requirements described in Table 6.2E.2.1.5-1 for Power Class 3 UEs. The period of measurement shall be at least continuous duration of one active sub-frame (1ms) excluding guard symbols.
4. Measure the power of the transmitted signal with a measurement filter of bandwidths according to Table 6.5E.2.2.1.5-1 and using a rms detector. If the sweep count is higher than one, the trace mode shall be average. The centre frequency of the filter shall be stepped in continuous steps according to the same table. The measured power shall be recorded for each step. The measurement period shall capture the active TSs.

Subtest 2: PSFCH

1. Ensure the UE is in state *Out_of_Coverage* with generic procedure parameters *Sidelink On*, Cast type *Unicast*, Test Loop Function *On* with UE test loop mode E closed for *Receive Mode* according to TS 38.508-1 [5] clause 4.5.
2. The UE starts to perform the NR sidelink reception according to *SL-PreconfigurationNR*.
3. The UE's PSFCH transmission occasion is on slot n according to Table 6.5E.2.2.1.4.1-2. SS transmits PSSCH on combination of slot and subchannel as below:
 - a) Test ID 1: slot n-6, Lowest sub-channel
 - b) Test ID 2: slot n-3, Highest sub-channel
 - c) Test ID 3: slot n-6 and n-5, Lowest sub-channel
 - d) Test ID 4: slot n-4 and n-3, Highest sub-channel
 - e) Test ID 5: slot n-6, Highest sub-channel and slot n-3, Highest sub-channel

4. Measure the mean power of the UE on slot *n* in the channel bandwidth according to the test configuration from Table 6.5E.2.2.1.4.1-2, which shall meet the requirements described in Table 6.2E.2.1.5-2 for Power Class 3 UEs. The period of measurement is FFS.
5. Measure the power of the transmitted signal with a measurement filter of bandwidths according to Table 6.5E.2.2.1.5-1 and using a rms detector. If the sweep count is higher than one, the trace mode shall be average. The centre frequency of the filter shall be stepped in continuous steps according to the same table. The measured power shall be recorded for each step. The measurement period shall capture the active TSs.

Subtest 3: S-SSB

1. Ensure the UE is in state *Out_of_Coverage* with generic procedure parameters *Sidelink On* according to TS 38.508-1 [5] clause 4.5. The UE is synchronized to GNSS,
2. The UE transmits PSBCH according *SL-PreconfigurationNR*.
3. Measure the mean power of the S-SSB in the channel bandwidth according to the test configuration from Table 6.5E.2.2.1.4.1-3, which shall meet the requirements described in Table 6.2E.2.1.5-3 for Power Class 3 UEs. The period of measurement is FFS.
4. Measure the power of the transmitted signal with a measurement filter of bandwidths according to Table 6.5E.2.2.1.5-1 and using a rms detector. If the sweep count is higher than one, the trace mode shall be average. The centre frequency of the filter shall be stepped in continuous steps according to the same table. The measured power shall be recorded for each step. The measurement period shall capture the active TSs.

6.5E.2.2.1.4.3 Message contents

Message contents are according to TS 38.508-1 [5] subclause 4.10.

6.5E.2.2.1.5 Test requirement

The measured UE mean power in the channel bandwidth, derived in step 4 of Subtest 1, step 5 of Subtest 2 and step 4 of Subtest 3, shall fulfil requirements in Table 6.2E.2.2.1.5-1 as appropriate, and the power of any UE emission shall fulfil requirements in Table 6.5E.2.2.1.5-1.

Table 6.5E.2.2.1.5-1: General NR spectrum emission mask for V2X / non-concurrent operation

Spectrum emission limit (dBm) / Channel bandwidth													
Δf_{foob} (MHz)	5 MHz	10 MHz	15 MHz	20 MHz	25 MHz	30 MHz	40 MHz	50 MHz	60 MHz	80 MHz	90 MHz	100 MHz	Measurement bandwidth
$\pm 0-1$	-13 + TT	-13 + TT	-13 + TT	-13 + TT	-13 + TT	-13 + TT	-13 + TT						1 % channel bandwidth
$\pm 0-1$								-24 + TT	-24 + TT	-24 + TT	-24 + TT	-24 + TT	30 kHz
$\pm 1-5$	-10 + TT	-10 + TT	-10 + TT	-10 + TT	-10 + TT	-10 + TT	-10 + TT	-10 + TT	-10 + TT	-10 + TT	-10 + TT	-10 + TT	1 MHz
$\pm 5-6$	-13 + TT	-13 + TT	-13 + TT	-13 + TT	-13 + TT	-13 + TT	-13 + TT	-13 + TT	-13 + TT	-13 + TT	-13 + TT	-13 + TT	
$\pm 6-10$	-25 + TT												
$\pm 10-15$		-25 + TT											
$\pm 15-20$			-25 + TT										
$\pm 20-25$				-25 + TT				-13 + TT	-13 + TT	-13 + TT	-13 + TT		
$\pm 25-30$					-25 + TT								
$\pm 30-35$						-25 + TT							
$\pm 35-40$													
$\pm 40-45$							-25 + TT						
$\pm 45-50$													

± 50-55									-25 + TT				
± 55-60													
± 60-65										-25 + TT			
± 65-80													
± 80-85											-25 + TT		
± 85-90													
± 90-95												-25 + TT	
± 95-100													
± 100-105													-25 + TT
<p>Note 1: The first and last measurement position with a 30 kHz filter is at Δf_{OOB} equals to 0.015 MHz and 0.985 MHz.</p> <p>Note 2: At the boundary of spectrum emission limit, the first and last measurement position with a 1 MHz filter is the inside of +0.5MHz and -0.5MHz, respectively.</p> <p>Note 3: The measurements are to be performed above the upper edge of the channel and below the lower edge of the channel.</p> <p>Note 4: TT for each frequency and channel bandwidth is specified in Table 6.5E.2.2.1.5-2.</p>													

Table 6.5E.2.2.1.5-2: Test Tolerance

FFS

NOTE: As a general rule, the resolution bandwidth of the measuring equipment should be equal to the measurement bandwidth. However, to improve measurement accuracy, sensitivity and efficiency, the resolution bandwidth may be smaller than the measurement bandwidth. When the resolution bandwidth is smaller than the measurement bandwidth, the result should be integrated over the measurement bandwidth in order to obtain the equivalent noise bandwidth of the measurement bandwidth.

6.5E.2.2.1D Spectrum emission mask for V2X / non-concurrent operation / SL-MIMO

Editor’s Note:

- Test config table is FFS
- Uplink RMC is TBD in TS 38.101-1
- Connection diagram is TBD
- Preconfiguration is TBD in 38.508-1
- Test state and generic procedure are TBD in 38.508-1

6.5E.2.2.1D.1 Test purpose

To verify that the power of any UE emission shall not exceed specified level for the specified channel bandwidth when UE is configured for NR V2X sidelink MIMO transmissions non-concurrent with NR uplink transmissions.

6.5E.2.2.1D.2 Test applicability

This test case applies to all types of NR UE release 16 and forward that support NR V2X sidelink MIMO communication with non-concurrent operation.

6.5E.2.2.1D.3 Minimum conformance requirements

For NR V2X UE with two transmit antenna connectors, the requirements specified for single carrier shall apply to each transmit antenna connector. The requirements shall be met with SL MIMO configurations described in clause 6.2D.1.

The normative reference for this requirement is TS 38.101-1 [2] clause 6.5E.2.

- 6.5E.2.2.1D.4 Test description
- 6.5E.2.2.1D.4.1 Initial conditions

Initial conditions are a set of test configurations the UE needs to be tested in and the steps for the SS to take with the UE to reach the correct measurement state.

The initial test configurations consist of environmental conditions, test frequencies, test channel bandwidths and sub-carrier spacing based on NR operating bands specified in Table 5.3.5-1. All of these configurations shall be tested with applicable test parameters for each combination of test channel bandwidth and sub-carrier spacing, and are shown in table 6.5E.2.2.1D.4.1-1. The details of the V2X reference measurement channels (RMCs) are specified in Annexes TBD.

Table 6.5E.2.2.1D.4.1-1: Test Configuration Table

FFS

1. Connect the SS and GNSS simulator to the UE antenna connectors as shown in TS 38.508-1 [5] Annex A, Figure TBD for TE diagram and section TBD for UE diagram.
2. The parameter settings for the V2X sidelink transmission over PC5 are pre-configured according to TS 38.508-1 [5] subclause TBD. Message content exceptions are defined in clause 6.5E.2.2.1D.4.3.
3. The V2X Reference Measurement Channel is set according to Table 6.5E.2.2.1D.4.1-1.
4. The GNSS simulator is configured for Scenario #1: static in Geographical area #1, as defined in TS36.508 [25] Table 4.11.2-2. Geographical area #1 is also pre-configured in the UE.
5. Propagation conditions are set according to Annex B.0.
6. Ensure the UE is in state TBD.

6.5E.2.2.1D.4.2 Test procedure

1. The V2X UE schedules the V2X RMC with transmission power at P_{UMAX} level according to *SL-V2X-Preconfiguration* which is in line with the test configuration in Table 6.5E.2.2.1D.4.1-1.
2. Measure the sum of mean power of each antenna connector in the channel bandwidth of the radio access mode according to the test configuration, which shall meet the requirements described in [TBD] for Power Class 3 UEs. The period of the measurement shall be at least the continuous duration of one sub-frame (1ms). For TDD slots with transient periods are not under test.
3. Measure the power of each antenna connector of the transmitted signal with a measurement filter of bandwidths according to Table 6.5E.2.2.1D.5-1 and using a rms detector. If the sweep count is higher than one, the trace mode shall be average. The centre frequency of the filter shall be stepped in continuous steps according to the same table. The measured power shall be recorded for each step. The measurement period shall capture the active TSs.

6.5E.2.2.1D.4.3 Message contents

Message contents are according to TS 38.508-1 [5] subclause 4.6 and 5.4.

6.5E.2.2.1D.5 Test requirement

The measured sum of mean power of each antenna connector in the channel bandwidth, derived in step 2, shall fulfil requirements in [TBD] as appropriate, and the power of any UE emission at each antenna connector shall fulfil requirements in Table 6.5E.2.2.1D.5-1.

Table 6.5E.2.2.1D.5-1: General NR spectrum emission mask for V2X / non-concurrent operation / SL-MIMO

	Spectrum emission limit (dBm) / Channel bandwidth												
Δf_{00B} (MHz)	5 MHz	10 MHz	15 MHz	20 MHz	25 MHz	30 MHz	40 MHz	50 MHz	60 MHz	80 MHz	90 MHz	100 MHz	Measurement bandwidth

± 0-1	-13 + TT	-13 + TT	-13 + TT	-13 + TT	-13 + TT	-13 + TT	-13 + TT							1 % channel bandwidth
± 0-1								-24 + TT	-24 + TT	-24 + TT	-24 + TT	-24 + TT		30 kHz
± 1-5	-10 + TT	-10 + TT	-10 + TT	-10 + TT	-10 + TT	-10 + TT	-10 + TT	-10 + TT	-10 + TT	-10 + TT	-10 + TT	-10 + TT		1 MHz
± 5-6	-13 + TT	-13 + TT	-13 + TT	-13 + TT	-13 + TT	-13 + TT	-13 + TT	-13 + TT	-13 + TT	-13 + TT	-13 + TT	-13 + TT		
± 6-10	-25 + TT	-13 + TT	-13 + TT	-13 + TT	-13 + TT	-13 + TT	-13 + TT	-13 + TT	-13 + TT	-13 + TT	-13 + TT	-13 + TT		
± 10-15		-25 + TT	-13 + TT	-13 + TT	-13 + TT	-13 + TT	-13 + TT	-13 + TT	-13 + TT	-13 + TT	-13 + TT	-13 + TT		
± 15-20			-25 + TT	-13 + TT	-13 + TT	-13 + TT	-13 + TT	-13 + TT	-13 + TT	-13 + TT	-13 + TT	-13 + TT		
± 20-25				-25 + TT	-13 + TT	-13 + TT	-13 + TT	-13 + TT	-13 + TT	-13 + TT	-13 + TT	-13 + TT		
± 25-30					-25 + TT	-13 + TT	-13 + TT	-13 + TT	-13 + TT	-13 + TT	-13 + TT	-13 + TT		
± 30-35						-25 + TT	-13 + TT	-13 + TT	-13 + TT	-13 + TT	-13 + TT	-13 + TT		
± 35-40							-25 + TT	-13 + TT	-13 + TT	-13 + TT	-13 + TT	-13 + TT		
± 40-45								-25 + TT	-13 + TT	-13 + TT	-13 + TT	-13 + TT		
± 45-50									-13 + TT	-13 + TT	-13 + TT	-13 + TT		
± 50-55								-25 + TT	-13 + TT	-13 + TT	-13 + TT	-13 + TT		
± 55-60									-25 + TT	-13 + TT	-13 + TT	-13 + TT		
± 60-65										-25 + TT	-13 + TT	-13 + TT		
± 65-80											-25 + TT	-13 + TT		
± 80-85												-25 + TT		
± 85-90														
± 90-95												-25 + TT		
± 95-100														
± 100-105												-25 + TT		
<p>Note 1: The first and last measurement position with a 30 kHz filter is at Δf_{OOB} equals to 0.015 MHz and 0.985 MHz.</p> <p>Note 2: At the boundary of spectrum emission limit, the first and last measurement position with a 1 MHz filter is the inside of +0.5MHz and -0.5MHz, respectively.</p> <p>Note 3: The measurements are to be performed above the upper edge of the channel and below the lower edge of the channel.</p> <p>Note 4: TT for each frequency and channel bandwidth is specified in Table 6.5E.2.2.5-2.</p>														

Table 6.5E.2.2.1D.5-2: Test Tolerance

FFS

6.5E.2.3 Additional Spectrum emission mask for V2X

6.5E.2.3.0 Minimum conformance requirements

6.5E.2.3.0.1 Requirements for network signalling value "NS_33"

The additional spectrum mask in Table 6.5E.2.3.0.1-1 applies for NR V2X UE within 5 855 MHz to 5 950 MHz according to ETSI EN 302 571. Additional spectrum emission requirements are signalled by the network to indicate that the UE shall meet an additional requirement for a specific deployment scenario as part of the cell handover/broadcast message.

When "NS_33" is indicated in the cell or pre-configured radio parameters, the power of any V2X UE emission shall not exceed the levels specified in Table 6.5E.2.3.0.1-1.

Table 6.5E.2.3.0.1-1: Additional spectrum mask requirements for 10MHz channel bandwidth

Spectrum emission limit (dBm EIRP)/ Channel bandwidth
--

Δf_{OoB} (MHz)	10 MHz	Measurement bandwidth
$\pm 0-0.5$	$[-13 - 12 \left(\frac{ \Delta f_{\text{OoB}} }{\text{MHz}} \right)]$	100 kHz
$\pm 0.5-5$	$[-19 - \frac{16}{9} \left(\frac{ \Delta f_{\text{OoB}} }{\text{MHz}} - 0.5 \right)]$	100 kHz
$\pm 5-10$	$[-27 - 2 \left(\frac{ \Delta f_{\text{OoB}} }{\text{MHz}} - 5.0 \right)]$	100 kHz

NOTE 1: As a general rule, the resolution bandwidth of the measuring equipment should be equal to the measurement bandwidth. However, to improve measurement accuracy, sensitivity and efficiency, the resolution bandwidth may be smaller than the measurement bandwidth. When the resolution bandwidth is smaller than the measurement bandwidth, the result should be integrated over the measurement bandwidth in order to obtain the equivalent noise bandwidth of the measurement bandwidth.

NOTE 2: Additional SEM for NR V2X overrides any other requirements in frequency range 5855-5950MHz.

NOTE 3: The EIRP requirement is converted to conducted requirement depend on the supported post antenna connector gain $G_{\text{post connector}}$ declared by the UE following the principle described in annex I in [11].

6.5E.2.3.0.2 Requirements for network signalling value "NS_52"

The additional spectrum mask in Table 6.5E.2.3.0.2-1 applies for NR V2X UE within 5 765 MHz to 6 005 MHz according to FCC regulation. Additional spectrum emission requirements are signalled by the network to indicate that the UE shall meet an additional requirement for a specific deployment scenario as part of the cell handover/broadcast message.

When "NS_52" is indicated in the cell or pre-configured radio parameters, the power of any V2X UE emission shall not exceed the levels specified in Table 6.5E.2.3.0.2-1.

Table 6.5E.2.3.0.2-1: Additional spectrum mask requirements for 40MHz channel bandwidth ($f_c = 5885\text{MHz}$)

Δf_{OoB} (MHz)	Emission Limit (dBm)	Measurement Bandwidth
$\pm 0-2$	-32	100kHz
$\pm 2-10$	-36	100kHz
$\pm 10-20$	-38	100kHz
$\pm 20-40$	-43	100kHz
$\pm 40-100$	-50	100kHz

NOTE: The ASE requirements for NS_52 will not be verified until the corresponding regulation release a formal rule for C-V2X emission limits.

The normative reference for this requirement is TS 38.101-1 [2] clause 6.5E.2.3.

6.5E.2.3.1 Additional Spectrum emission mask for V2X / non-concurrent operation

6.5E.2.3.1.1 Test purpose

To verify that the power of NR V2X UE emission shall not exceed specified level for the specified channel bandwidth under the deployment scenarios where additional requirements are specified.

6.5E.2.3.1.2 Test applicability

This test case applies to all types of NR UE release 16 and forward that support NR V2X sidelink communication with non-concurrent operation.

6.5E.2.3.1.3 Minimum conformance requirements

The minimum conformance requirements are defined in clause 6.5E.2.3.0.

6.5E.2.3.1.3.1	Void
6.5E.2.3.1.3.2	Void
6.5E.2.3.1.4	Test description
6.5E.2.3.1.4.1	Initial conditions

Initial conditions are a set of test configurations the UE needs to be tested in and the steps for the SS to take with the UE to reach the correct measurement state.

The initial test configurations consist of environmental conditions, test frequencies, test channel bandwidths and sub-carrier spacing based on NR operating bands specified in Table 5.2E.1-1 and Table 5.3.5-1. All of these configurations shall be tested with applicable test parameters for each combination of test channel bandwidth and sub-carrier spacing, and are shown in clause 6.2E.3.1.4.1. The details of the V2X reference measurement channels (RMCs) are specified in Annex A.7.5 and the GNSS configuration in TS 38.508-1 [5] subclause 4.11.

Table 6.5E.2.3.1.4.1-1: Void

1. Connect the SS and GNSS simulator to the UE antenna connectors as shown in TS 38.508-1 [5] Annex A, Figure A.3.1.9.1 for TE diagram and section A.3.2.7 for UE diagram.
2. The parameter settings for the NR sidelink transmission over PC5 are pre-configured according to TS 38.508-1 [5] subclause 4.10. Message content exceptions are defined in clause 6.5E.2.3.1.4.3.
3. The V2X Reference Measurement Channel is set according to clause 6.2E.3.1.4.1.
4. The GNSS simulator is configured for Scenario #1: static in Geographical area #1, as defined in TS 38.508-1 [5] Table 4.11.2-2. Geographical area #1 is also pre-configured in the UE.
5. Propagation conditions are set according to Annex B.0.
6. Ensure the UE is in state *Out_of_Coverage* with generic procedure parameters *Sidelink On*, *Test Loop Function On* with UE test loop mode E closed for *Transmit Mode* according to TS 38.508-1 [5] clause 4.5.

6.5E.2.3.1.4.2 Test procedure

Subtest 1: PSCCH/PSSCH

1. Ensure the UE is in state *Out_of_Coverage* with generic procedure parameters *Sidelink On*, *Test Loop Function On* with UE test loop mode E closed for *Transmit Mode* according to TS 38.508-1 [5] clause 4.5.
2. The UE starts to perform the NR sidelink communication according to SL-PreconfigurationNR. Since the UE has no payload and no loopback data to send the UE sends uplink MAC padding bits on the NR sidelink RMC.
3. Measure the mean power of the UE in the channel bandwidth according to the test configuration from Table 6.2E.3.1.4.1-1, which shall meet the requirements described in Table 6.2E.3.1.5-1. The period of the measurement shall be at least the continuous duration of one sub-frame (1ms) excluding guard symbols.
4. Measure the power of the transmitted signal with a measurement filter of bandwidths according to Table 6.5E.2.3.1.5.1-1 or Table 6.5E.2.3.1.5.2-1 and using a rms detector. If the sweep count is higher than one, the trace mode shall be average. The centre frequency of the filter shall be stepped in continuous steps according to the same table. The measured power shall be recorded for each step. The measurement period shall capture the active TSs.

Subtest 2: PSFCH

1. Ensure the UE is in state *Out_of_Coverage* with generic procedure parameters *Sidelink On*, *Cast type Unicast*, *Test Loop Function On* with UE test loop mode E closed for *Receive Mode* according to TS 38.508-1 [5] clause 4.5.
2. The UE starts to perform the NR sidelink reception according to SL-PreconfigurationNR.
3. The UE's PSFCH transmission occasion is on slot n according to Table 6.2E.3.1.4.1-2. SS transmits PSSCH on combination of slot and subchannel as below:

- a) Test ID 1: slot n-6, Lowest sub-channel
 - b) Test ID 2, 4, 5 and 6: slot n-6, Lowest sub-channel and slot n-3, Highest sub-channel
 - c) Test ID 3: slot n-3, Highest sub-channel
4. Measure the mean power of the UE on slot n in the channel bandwidth according to the test configuration from Table 6.2E.3.1.4.1-2, which shall meet the requirements described in Table 6.2E.3.1.5-2. The cumulative measurement period is at least 1ms.
 5. Measure the power of the transmitted signal with a measurement filter of bandwidths according to Table 6.5E.2.3.1.5.1-2 or Table 6.5E.2.3.1.5.2-2 and using a rms detector. If the sweep count is higher than one, the trace mode shall be average. The centre frequency of the filter shall be stepped in continuous steps according to the same table. The measured power shall be recorded for each step. The measurement period shall capture the active TSs.

Subtest 3: S-SSB

1. Ensure the UE is in state Out_of_Coverage with generic procedure parameters Sidelink On according to TS 38.508-1 [5] clause 4.5. The UE is synchronized to GNSS,
2. The UE transmits PSBCH according SL-PreconfigurationNR.
3. Measure the mean power of the S-SSB in the channel bandwidth according to the test configuration from Table 6.2E.3.1.4.1-3, which shall meet the requirements described in Table 6.2E.3.1.5-3. The cumulative measurement period is at least 1ms.
4. Measure the power of the transmitted signal with a measurement filter of bandwidths according to Table 6.5E.2.3.1.5.1-3 or Table 6.5E.2.3.1.5.2-3 and using a rms detector. If the sweep count is higher than one, the trace mode shall be average. The centre frequency of the filter shall be stepped in continuous steps according to the same table. The measured power shall be recorded for each step. The measurement period shall capture the active TSs.

6.5E.2.3.1.4.3 Message contents

Message contents are according to TS 38.508-1 [5] subclause 4.10 with following exceptions.

6.5E.2.3.1.4.3.1 Message contents exceptions (network signalling value "NS_33")

For "NS_33" see A-MPR test case in clause 6.2E.3.1.4.3.1.

Table 6.5E.2.3.1.4.3.1-1: Void

6.5E.2.3.1.4.3.2 Message contents exceptions (network signalling value "NS_52")

Table 6.5E.2.3.1.4.3.2-1: Network signalling value "NS_52"

Derivation Path: TS 38.508-1 [5] clause 4.6.3, Table 4.6.3-1			
Information Element	Value/remark	Comment	Condition
additionalSpectrumEmission	1 (NS_52)		

6.5E.2.3.1.5 Test requirement

Table 6.5E.2.3.1.5-1: Test Tolerance (Additional spectrum emission mask)

	$f \leq 3.0\text{GHz}$	$3.0\text{GHz} < f \leq 6.0\text{GHz}$
$\text{BW} \leq 40\text{MHz}$	1.5 dB	1.8 dB

6.5E.2.3.1.5.1 Requirements for network signalling value "NS_33"

When "NS_33" is indicated in the cell or pre-configured radio parameters, the power of any NR V2X UE emission shall not exceed the levels specified in Table 6.5E.2.3.1.5.1-1.

Table 6.5E.2.3.1.5.1-1: Additional spectrum mask requirements for 10MHz channel bandwidth

Spectrum emission limit (dBm EIRP)/ Channel bandwidth		
Δf_{OoB} (MHz)	10 MHz	Measurement bandwidth
$\pm 0-0.5$	$[-13 - 12 \left(\frac{ \Delta f_{\text{OoB}} }{\text{MHz}} \right)] + \text{TT}$	100 kHz
$\pm 0.5-5$	$[-19 - \frac{16}{9} \left(\frac{ \Delta f_{\text{OoB}} }{\text{MHz}} - 0.5 \right)] + \text{TT}$	100 kHz
$\pm 5-10$	$[-27 - 2 \left(\frac{ \Delta f_{\text{OoB}} }{\text{MHz}} - 5.0 \right)] + \text{TT}$	100 kHz
NOTE 1: TT for each frequency and channel bandwidth is specified in Table 6.5E.2.3.1.5-1.		

6.5E.2.3.1.5.2 Requirements for network signalling value "NS_52"

When "NS_52" is indicated in the cell, the power of any NR V2X UE emission shall fulfil requirements in Table 6.5E.2.3.1.5.2-1.

Table 6.5E.2.3.1.5.2-1: Additional spectrum mask requirements for 40MHz channel bandwidth (fc = 5885MHz)

Δf_{OoB} (MHz)	Emission Limit (dBm)	Measurement Bandwidth
$\pm 0-2$	-32+TT	100kHz
$\pm 2-10$	-36+TT	100kHz
$\pm 10-20$	-38+TT	100kHz
$\pm 20-40$	-43+TT	100kHz
$\pm 40-100$	-50+TT	100kHz
NOTE 1: TT for each frequency and channel bandwidth is specified in Table 6.5E.2.3.1.5-1.		

6.5E.2.3.1D Additional Spectrum emission mask for V2X / non-concurrent operation / SL-MIMO

6.5E.2.3.1D.1 Test purpose

To verify that the power of NR V2X UE emission shall not exceed specified level for the specified channel bandwidth under the deployment scenarios where additional requirements are specified.

6.5E.2.3.1D.2 Test applicability

This test case applies to all types of NR UE release 16 and forward that support NR V2X sidelink MIMO communication with non-concurrent operation.

6.5E.2.3.1D.3 Minimum conformance requirements

The minimum conformance requirements are defined in clause 6.5E.2.1 and 6.5E.2.3.0.

6.5E.2.3.1D.4 Test description

6.5E.2.3.1D.4.1 Initial conditions

Initial conditions are a set of test configurations the UE needs to be tested in and the steps for the SS to take with the UE to reach the correct measurement state.

The initial test configurations consist of environmental conditions, test frequencies, test channel bandwidths and sub-carrier spacing based on NR operating bands specified in Table 5.2E.1-1 and Table 5.3.5-1. All of these configurations shall be tested with applicable test parameters for each combination of test channel bandwidth and sub-carrier spacing, and are shown in clause 6.2E.3.1D.4.1. The details of the V2X reference measurement channels (RMCs) are specified in Annexes A.7.5 and the GNSS configuration in TS 38.508-1 [5] subclause 4.11.

Table 6.5E.2.3.1D.4.1-1: Void

1. Connect the SS and GNSS simulator to the UE antenna connectors as shown in TS 38.508-1 [5] Annex A, Figure A.3.1.9.2 for TE diagram and section A.3.2.7 for UE diagram.
2. The parameter settings for the V2X sidelink transmission over PC5 are pre-configured according to TS 38.508-1 [5] subclause 4.10. Message content exceptions are defined in clause 6.5E.2.3.1D.4.3.
3. The V2X Reference Measurement Channel is set according to clause 6.2E.3.1D.4.1.
4. The GNSS simulator is configured for Scenario #1: static in Geographical area #1, as defined in TS36.508 [25] Table 4.11.2-2. Geographical area #1 is also pre-configured in the UE.
5. Propagation conditions are set according to Annex B.0.
6. Ensure the UE is in state 4-A as defined in TS 38.508-1 [4], subclause 4.4A using generic procedure parameter Sidelink (On), Cast Type (Unicast), GNSS Sync (On) and Transmit Mode with SL-MIMO.

6.5E.2.3.1D.4.2 Test procedure

1. The UE starts to perform the NR sidelink communication according to SL-PreconfigurationNR with 2-layer MIMO codebook TPMI 0. Since the UE has no payload and no loopback data to send the UE sends uplink MAC padding bits on the NR sidelink RMC.
2. Measure the sum of mean power of the UE at each transmit antenna connector in the channel bandwidth according to the test configuration from clause 6.2E.3.1D.4.1, which shall meet the requirements described in clause 6.2E.3.1D.5. The period of the measurement shall be at least the continuous duration of one sub-frame (1ms) excluding guard symbols.
3. Measure the power of the transmitted signal at each transmit antenna connector with a measurement filter of bandwidths according to Table 6.5E.2.3.1D.5.1-1 or Table 6.5E.2.3.1D.5.2-1 and using a rms detector. If the sweep count is higher than one, the trace mode shall be average. The centre frequency of the filter shall be stepped in continuous steps according to the same table. The measured power shall be recorded for each step. The measurement period shall capture the active TSs.

6.5E.2.3.1D.4.3 Message contents

Message contents are according to TS 38.508-1 [5] subclause 4.10 with following exceptions.

6.5E.2.3.1D.5 Test requirement

Table 6.5E.2.3.1D.5-1: Test Tolerance

	f ≤ 3.0GHz	3.0GHz < f ≤ 6.0GHz
BW ≤ 40MHz	1.5 dB	1.8 dB

6.5E.2.3.1D.5.1 Requirements for network signalling value "NS_33"

When "NS_33" is indicated in the cell or pre-configured radio parameter, the power of any NR V2X UE emission at each antenna connector shall not exceed the levels specified in Table 6.5E.2.3.1D.5.1-1.

Table 6.5E.2.3.1D.5.1-1: Additional spectrum mask requirements for 10MHz channel bandwidth

Spectrum emission limit (dBm EIRP)/ Channel bandwidth		
Δf_{oob} (MHz)	10 MHz	Measurement bandwidth
± 0-0.5	$[-13 - 12 \left(\frac{ \Delta f_{oob} }{MHz} \right)] + TT$	100 kHz
± 0.5-5	$[-19 - \frac{16}{9} \left(\frac{ \Delta f_{oob} }{MHz} - 0.5 \right)] + TT$	100 kHz
± 5-10	$[-27 - 2 \left(\frac{ \Delta f_{oob} }{MHz} - 5.0 \right)] + TT$	100 kHz
NOTE 1: TT for each frequency and channel bandwidth is specified in Table 6.5E.2.3.1D.5-1.		

6.5E.2.3.1D.5.2 Requirements for network signalling value "NS_52"

When "NS_52" is indicated in the cell, the power of any NR V2X UE emission at each antenna connector shall fulfil requirements in Table 6.5E.2.3.1D.5.2-1.

Table 6.5E.2.3.1D.5.2-1: Additional spectrum mask requirements for 40MHz channel bandwidth (fc = 5885MHz)

Δf_{OoB} (MHz)	Emission Limit (dBm)	Measurement Bandwidth
$\pm 0-2$	$-32+TT$	100kHz
$\pm 2-10$	$-36+TT$	100kHz
$\pm 10-20$	$-38+TT$	100kHz
$\pm 20-40$	$-43+TT$	100kHz
$\pm 40-100$	$-50+TT$	100kHz
NOTE 1: TT for each frequency and channel bandwidth is specified in Table 6.5E.2.3.1D.5-1.		

6.5E.2.4 Adjacent channel leakage ratio for V2X

6.5E.2.4.1 Adjacent channel leakage ratio for V2X / non-concurrent operation

Editor's Note: This clause is incomplete for PSFCH and PSBCH measurement. The following aspects are either missing or not yet determined:

- Measurement period of PSFCH and PSBCH is FFS.

6.5E.2.4.1.1 Test purpose

To verify that V2X UE transmitter does not cause unacceptable interference to adjacent channels in terms of Adjacent Channel Leakage Power Ratio (ACLR) when UE is configured for NR V2X sidelink transmissions non-concurrent with NR uplink transmissions.

6.5E.2.4.1.2 Test applicability

This test case applies to all types of NR UE release 16 and forward that support NR V2X sidelink communication with non-concurrent operation.

6.5E.2.4.1.3 Minimum conformance requirements

Adjacent Channel Leakage power Ratio (ACLR) is the ratio of the filtered mean power centred on the assigned channel frequency to the filtered mean power centred on an adjacent channel frequency.

For NR V2X UE, the existing ACLR requirement for NR uplink transmission in clause 6.5.2.4 are applied for NR V2X UE for NR V2X operating bands in 5.2E.1-1.

The normative reference for this requirement is TS 38.101-1 [2] clause 6.5E.2.4.

6.5E.2.4.1.4 Test description

6.5E.2.4.1.4.1 Initial conditions

Initial conditions are a set of test configurations the UE needs to be tested in and the steps for the SS to take with the UE to reach the correct measurement state.

The initial test configurations consist of environmental conditions, test frequencies, test channel bandwidths and sub-carrier spacing based on NR operating bands specified in Table 5.2E.1-1 and Table 5.3.5-1. All of these configurations shall be tested with applicable test parameters for each combination of test channel bandwidth and sub-carrier spacing, and are shown in the test configuration tables in clause 6.2E.2.1.4. The details of the V2X reference measurement channels (RMCs) are specified in Annexe A.7.5 and the GNSS configuration in TS 38.508-1 [5] subclause 4.11.

Table 6.5E.2.4.1.4.1-1: Void

1. Connect the SS and GNSS simulator to the UE antenna connectors as shown in TS 38.508-1 [5] Annex A, Figure A.3.1.9.1 for TE diagram and section A.3.2.7 for UE diagram.
2. The parameter settings for the NR sidelink transmission over PC5 are pre-configured according to TS 38.508-1 [5] subclause 4.10. Message content exceptions are defined in clause 6.5E.2.4.1.4.3.
3. The V2X Reference Measurement Channel is set according to the test configuration tables in clause 6.2E.2.1.4.1.
4. The GNSS simulator is configured for Scenario #1: static in Geographical area #1, as defined in TS 38.508-1 [5] Table 4.11.2-2. Geographical area #1 is also pre-configured in the UE.
5. Propagation conditions are set according to Annex B.0.

6.5E.2.4.1.4.2 Test procedure

Subtest 1: PSCCH/PSSCH

1. Ensure the UE is in state *Out_of_Coverage* with generic procedure parameters *Sidelink On*, Test Loop Function *On* with UE test loop mode E closed for *Transmit Mode* according to TS 38.508-1 [5] clause 4.5.
2. The UE starts to perform the NR sidelink communication according to *SL-PreconfigurationNR*. Since the UE has no payload and no loopback data to send the UE sends uplink MAC padding bits on the NR sidelink RMC.
3. Measure the mean power of the UE in the channel bandwidth of the radio access mode according to the test configuration from Table 6.2E.2.1.4.1-1, which shall meet the requirements described in Table 6.2E.2.1.5-1 for Power Class 3 UEs. The period of measurement shall be at least continuous duration of one active sub-frame (1ms) excluding guard symbols.
4. Measure the rectangular filtered mean power for assigned NR V2X sidelink using a rms detector. If the sweep count is higher than one, the trace mode shall be average.
5. Measure the rectangular filtered mean power of the first NR adjacent channel on both lower and upper side of the assigned NR V2X sidelink channel using a rms detector, respectively. If the sweep count is higher than one, the trace mode shall be average.
6. Calculate the ratios of the power between the values measured in step 4 over step 5 for lower and upper NR_{ACL}.

Subtest 2: PSFCH

1. Ensure the UE is in state *Out_of_Coverage* with generic procedure parameters *Sidelink On*, Cast type *Unicast*, Test Loop Function *On* with UE test loop mode E closed for *Receive Mode* according to TS 38.508-1 [5] clause 4.5.
2. The UE starts to perform the NR sidelink reception according to *SL-PreconfigurationNR*.
3. The UE's PSFCH transmission occasion is on slot n according to Table 6.2E.2.1.4.1-2. SS transmits PSSCH on combination of slot and subchannel as below:
 - a) Test ID 1: slot n-6, Lowest sub-channel
 - b) Test ID 2: slot n-3, Highest sub-channel
 - c) Test ID 3: slot n-6 and n-5, Lowest sub-channel
 - d) Test ID 4: slot n-4 and n-3, Highest sub-channel
 - e) Test ID 5: slot n-6, Highest sub-channel and slot n-3, Highest sub-channel
4. Measure the mean power of the UE on slot n in the channel bandwidth according to the test configuration from Table 6.2E.2.1.4.1-2, which shall meet the requirements described in Table 6.2E.2.1.5-2 for Power Class 3 UEs. The period of measurement is FFS.
5. Measure the rectangular filtered mean power for assigned NR V2X sidelink using a rms detector. If the sweep count is higher than one, the trace mode shall be average.

6. Measure the rectangular filtered mean power of the first NR adjacent channel on both lower and upper side of the assigned NR V2X sidelink channel using a rms detector, respectively. If the sweep count is higher than one, the trace mode shall be average.
7. Calculate the ratios of the power between the values measured in step 5 over step 6 for lower and upper NR_{ACLR}.

Subtest 3: S-SSB

1. Ensure the UE is in state Out_of_Coverage with generic procedure parameters Sidelink On according to TS 38.508-1 [5] clause 4.5. The UE is synchronized to GNSS,
2. The UE transmits PSBCH according *SL-PreconfigurationNR*.
3. Measure the mean power of the S-SSB in the channel bandwidth according to the test configuration from Table 6.2E.2.1.4.1-3, which shall meet the requirements described in Table 6.2E.2.1.5-3 for Power Class 3 UEs. The period of measurement is FFS.
4. Measure the rectangular filtered mean power for assigned NR V2X sidelink using a rms detector. If the sweep count is higher than one, the trace mode shall be average.
5. Measure the rectangular filtered mean power of the first NR adjacent channel on both lower and upper side of the assigned NR V2X sidelink channel using a rms detector, respectively. If the sweep count is higher than one, the trace mode shall be average.
6. Calculate the ratios of the power between the values measured in step 4 over step 5 for lower and upper NR_{ACLR}.

6.5E.2.4.1.4.3 Message contents

Message contents are according to TS 38.508-1 [5] subclause 4.10.

6.5E.2.4.1.5 Test requirement

The measured mean power of V2X UE in the channel bandwidth, derived in step 6 of Subtest 1, step 7 of Subtest 2 and step 6 of Subtest 3, shall fulfil requirements in clause 6.2E.2.1.5, and if the measured adjacent channel power is greater than -50 dBm then the measured NR ACLR, derived in step 5, shall be higher than the limits in Table 6.5E.2.4.1.5-2.

Table 6.5E.2.4.1.5-1: Measurement bandwidth

NR channel bandwidth / NR ACLR measurement bandwidth												
	5 MHz	10 MHz	15 MHz	20 MHz	25 MHz	30 MHz	40 MHz	50 MHz	60 MHz	80 MHz	90 MHz	100 MHz
NR ACLR measurement bandwidth	4.515	9.375	14.235	19.095	23.955	28.815	38.895	48.615	58.35	78.15	88.23	98.31

Table 6.5E.2.4.1.5-2: NR ACLR requirement for V2X / non-concurrent operation

	Power class 1	Power class 2	Power class 3
NR ACLR			30 - TT dB
NOTE 1: TT for each frequency and channel bandwidth is specified in Table 6.5E.2.4.1.5-3.			

Table 6.5E.2.4.1.5-3: Test Tolerance

FFS

6.5E.2.4.1D Adjacent channel leakage ratio for V2X / non-concurrent operation / SL-MIMO

Editor’s Note:

- Test config table is FFS
- Uplink RMC is TBD in TS 38.101-1
- Connection diagram is TBD

- Preconfiguration is TBD in 38.508-1

- Test state and generic procedure are TBD in 38.508-1

6.5E.2.4.1D.1 Test purpose

To verify that V2X UE transmitter does not cause unacceptable interference to adjacent channels in terms of Adjacent Channel Leakage Power Ratio (ACLR) when UE is configured for NR V2X sidelink MIMO transmissions non-concurrent with NR uplink transmissions.

6.5E.2.4.1D.2 Test applicability

This test case applies to all types of NR UE release 16 and forward that support NR V2X sidelink MIMO communication with non-concurrent operation.

6.5E.2.4.1D.3 Minimum conformance requirements

For NR V2X UE with two transmit antenna connectors, the requirements specified for single carrier shall apply to each transmit antenna connector. The requirements shall be met with SL MIMO configurations described in clause 6.2D.1.

If V2X UE transmits on one antenna connector at a time, the requirements specified for single carrier shall apply to the active antenna connector.

The normative reference for this requirement is TS 38.101-1 [2] clause 6.5E.2.4.

6.5E.2.4.1D.4 Test description

6.5E.2.4.1D.4.1 Initial conditions

Initial conditions are a set of test configurations the UE needs to be tested in and the steps for the SS to take with the UE to reach the correct measurement state.

The initial test configurations consist of environmental conditions, test frequencies, test channel bandwidths and sub-carrier spacing based on NR operating bands specified in Table 5.3.5-1. All of these configurations shall be tested with applicable test parameters for each combination of test channel bandwidth and sub-carrier spacing, and are shown in the test configuration tables in clause 6.2E.2.1D.4.1. The details of the V2X reference measurement channels (RMCs) are specified in Annexes TBD.

Table 6.5E.2.4.1D.4.1-1: Void

1. Connect the SS and GNSS simulator to the UE antenna connectors as shown in TS 38.508-1 [5] Annex A, Figure TBD for TE diagram and section TBD for UE diagram.
2. The parameter settings for the V2X sidelink transmission over PC5 are pre-configured according to TS 38.508-1 [5] subclause TBD. Message content exceptions are defined in clause 6.5E.2.4.1.4.3.
3. The V2X Reference Measurement Channel is set according to the test configuration tables in clause 6.2E.2.1D.4.1.
4. The GNSS simulator is configured for Scenario #1: static in Geographical area #1, as defined in TS36.508 [25] Table 4.11.2-2. Geographical area #1 is also pre-configured in the UE.
5. Propagation conditions are set according to Annex B.0.
6. Ensure the UE is in state TBD.

6.5E.2.4.1D.4.2 Test procedure

1. The V2X UE schedules the V2X RMC with transmission power at P_{UMAX} level according to *SL-V2X-Preconfiguration* which is in line with the test configuration in the test configuration tables in clause 6.2E.2.1D.4.1;
2. Measure the sum of mean power of the UE at both antenna connector in the channel bandwidth of the radio access mode according to the test configuration, as measured in 6.2E.2.1D.4.2, which shall meet the requirements in clause 6.2E.2.1D.5 as appropriate.

3. Measure the rectangular filtered mean power for assigned NR V2X sidelink at each antenna connector using a rms detector. If the sweep count is higher than one, the trace mode shall be average.
4. Measure the rectangular filtered mean power of the first NR adjacent channel on both lower and upper side of the assigned NR V2X sidelink channel at each antenna connector using a rms detector, respectively. If the sweep count is higher than one, the trace mode shall be average.
5. Calculate the ratios of the power between the values measured in step 3 over step 4 for lower and upper NR_{ACLR} for each antenna connector.

6.5E.2.4.1D.4.3 Message contents

Message contents are according to TS 38.508-1 [5] subclause 4.6 and 5.4.

6.5E.2.4.1D.5 Test requirement

The measured sum of mean power of V2X UE at both antenna connector in the channel bandwidth, derived in step 2, shall fulfil requirements in clause 6.2E.2.1D.5, and if the measured adjacent channel power is greater than -50 dBm then the measured NR ACLR for each antenna connector, derived in step 5, shall be higher than the limits in Table 6.5E.2.4.1D.5-2.

Table 6.5E.2.4.1D.5-1: Measurement bandwidth

NR channel bandwidth / NR ACLR measurement bandwidth												
	5 MHz	10 MHz	15 MHz	20 MHz	25 MHz	30 MHz	40 MHz	50 MHz	60 MHz	80 MHz	90 MHz	100 MHz
NR ACLR measurement bandwidth	4.515	9.375	14.235	19.095	23.955	28.815	38.895	48.615	58.35	78.15	88.23	98.31

Table 6.5E.2.4.1D.5-2: NR ACLR requirement for V2X / non-concurrent operation / SL-MIMO

	Power class 1	Power class 2	Power class 3
NR ACLR			30 - TT dB
NOTE 1: TT for each frequency and channel bandwidth is specified in Table 6.5E.2.4.1D.5-3.			

Table 6.5E.2.4.1D.5-3: Test Tolerance

FFS

6.5E.3 Spurious emissions for V2X

6.5E.3.1 General spurious emissions for V2X

6.5E.3.2 Spurious emissions for UE co-existence for V2X

6.5E.3.2.1 Spurious emissions for UE co-existence for V2X / non-concurrent operation

Editor's Note:

- Test config table is FFS

6.5E.3.2.1.1 Test purpose

To verify that UE transmitter does not cause unacceptable interference to co-existing systems for the specified bands which has specific requirements in terms of transmitter spurious emissions.

6.5E.3.2.1.2 Test applicability

This test case applies to all types of NR UE release 16 and forward that support NR V2X sidelink communication with non-concurrent operation.

6.5E.3.2.1.3 Minimum conformance requirements

When UE is configured for NR V2X sidelink transmissions non-concurrent with NR uplink transmissions for NR V2X operating bands specified in Table 5.2E.1-1, the requirements in clause 6.5.3.2 shall apply for NR V2X sidelink transmission.

The normative reference for this requirement is TS 38.101-1 [2] clause 6.5E.3.2.

6.5E.3.2.1.4 Test description

6.5E.3.2.1.4.1 Initial conditions

Initial conditions are a set of test configurations the UE needs to be tested in and the steps for the SS to take with the UE to reach the correct measurement state.

The initial test configurations consist of environmental conditions, test frequencies, test channel bandwidths and sub-carrier spacing based on NR operating bands specified in Table 5.2E.1-1 and Table 5.3.5-1. All of these configurations shall be tested with applicable test parameters for each combination of test channel bandwidth and sub-carrier spacing, and are shown in table 6.5E.3.2.1.4.1-1. The details of the V2X reference measurement channels (RMCs) are specified in Annexes A.7.5 and the GNSS configuration in TS 38.508-1 [5] subclause 4.11.

Table 6.5E.3.2.1.4.1-1: Test Configuration Table

FFS

1. Connect the SS and GNSS simulator to the UE antenna connectors as shown in TS 38.508-1 [5] Annex A, Figure A.3.1.9.1 for TE diagram and section A.3.2.7 for UE diagram.
2. The parameter settings for the NR sidelink transmission over PC5 are pre-configured according to TS 38.508-1 [5] subclause 4.10. Message content exceptions are defined in clause 6.5E.3.2.1.4.3.
3. The V2X Reference Measurement Channel is set according to Table 6.5E.3.2.1.4.1-1.
4. The GNSS simulator is configured for Scenario #1: static in Geographical area #1, as defined in TS 38.508-1 [5] Table 4.11.2-2. Geographical area #1 is also pre-configured in the UE.
5. Propagation conditions are set according to Annex B.0.
6. Ensure the UE is in state *Out_of_Coverage* with generic procedure parameters *Sidelink On*, *Test Loop Function On* with UE test loop mode E closed for *Transmit Mode* according to TS 38.508-1 [5] clause 4.5.

6.5E.3.2.1.4.2 Test procedure

1. The V2X UE schedules the V2X RMC with transmission power at P_{UMAX} level according to *SL-PreconfigurationNR* which is in line with the test configuration in Table 6.5E.3.2.1.4.1-1.
2. Measure the power of the transmitted signal with a measurement filter of bandwidths according to Table 6.5.3.2.3-2. The centre frequency of the filter shall be stepped in contiguous steps according to Table 6.5.3.2.3-2. The measured power shall be verified for each step. The measurement period shall capture the active time slots. During measurement the spectrum analyser shall be set to 'Detector' = RMS. If the sweep count is higher than one, the trace mode shall be average.

6.5E.3.2.1.4.3 Message contents

Message contents are according to TS 38.508-1 [5] subclause 4.10.

6.5E.3.2.1.5 Test requirement

Unless otherwise stated, the spurious emission limits apply for the frequency ranges that are more than Δf_{OOB} (MHz) in Tables 6.5.3.2.3-2 from the edge of the channel bandwidth. The spurious emission limits in Tables 6.5.3.2.3-2 apply for all transmitter band configurations (NRB) and channel bandwidths.

The measured average power of spurious emission, derived in step 2, shall not exceed the described value in Table 6.5.3.2.3-2.

6.5E.3.2.1D Spurious emissions for UE co-existence for V2X / non-concurrent operation / SL-MIMO

Editor's Note:

- Test config table is FFS
- Uplink RMC is TBD in TS 38.101-1
- Connection diagram is TBD
- Preconfiguration is TBD in 38.508-1
- Test state and generic procedure are TBD in 38.508-1

6.5E.3.2.1D.1 Test purpose

To verify that UE transmitter does not cause unacceptable interference to co-existing systems for the specified bands which has specific requirements in terms of transmitter spurious emissions.

6.5E.3.2.1D.2 Test applicability

This test case applies to all types of NR UE release 16 and forward that support NR V2X sidelink MIMO communication with non-concurrent operation.

6.5E.3.2.1D.3 Minimum conformance requirements

For NR V2X UE with two transmit antenna connectors, the requirements specified for single carrier shall apply to each transmit antenna connector. The requirements shall be met with the SL MIMO configurations described in clause 6.2D.1.

The normative reference for this requirement is TS 38.101-1 [2] clause 6.5E.3.2.

6.5E.3.2.1D.4 Test description

6.5E.3.2.1D.4.1 Initial conditions

Initial conditions are a set of test configurations the UE needs to be tested in and the steps for the SS to take with the UE to reach the correct measurement state.

The initial test configurations consist of environmental conditions, test frequencies, test channel bandwidths and sub-carrier spacing based on NR operating bands specified in Table 5.3.5-1. All of these configurations shall be tested with applicable test parameters for each combination of test channel bandwidth and sub-carrier spacing, and are shown in table 6.5E.3.2.1D.4.1-1. The details of the V2X reference measurement channels (RMCs) are specified in Annexes TBD.

Table 6.5E.3.2.1D.4.1-1: Test Configuration Table

FFS

1. Connect the SS and GNSS simulator to the UE antenna connectors as shown in TS 38.508-1 [5] Annex A, Figure TBD for TE diagram and section TBD for UE diagram.
2. The parameter settings for the V2X sidelink transmission over PC5 are pre-configured according to TS 38.508-1 [5] subclause TBD. Message content exceptions are defined in clause 6.5E.3.2.1D.4.3.
3. The V2X Reference Measurement Channel is set according to Table 6.5E.3.2.1D.4.1-1.
4. The GNSS simulator is configured for Scenario #1: static in Geographical area #1, as defined in TS36.508 [25] Table 4.11.2-2. Geographical area #1 is also pre-configured in the UE.
5. Propagation conditions are set according to Annex B.0.
6. Ensure the UE is in state TBD.

6.5E.3.2.1D.4.2 Test procedure

1. The V2X UE schedules the V2X RMC with transmission power at P_{UMAX} level according to *SL-V2X-Preconfiguration* which is in line with the test configuration in Table 6.5E.3.2.1D.4.1-1.
2. Measure the power of the transmitted signal at each antenna connector with a measurement filter of bandwidths according to Table 6.5.3.2.3-2. The centre frequency of the filter shall be stepped in contiguous steps according to Table 6.5.3.2.3-2. The measured power shall be verified for each step. The measurement period shall capture the active time slots. During measurement the spectrum analyser shall be set to 'Detector' = RMS. If the sweep count is higher than one, the trace mode shall be average.

6.5E.3.2.1D.4.3 Message contents

Message contents are according to TS 38.508-1 [5] subclause 4.6 and 5.4.

6.5E.3.2.1D.5 Test requirement

Unless otherwise stated, the spurious emission limits apply for the frequency ranges that are more than Δf_{OOB} (MHz) in Tables 6.5.3.2.3-2 from the edge of the channel bandwidth. The spurious emission limits in Tables 6.5.3.2.3-2 apply for all transmitter band configurations (NRB) and channel bandwidths.

The measured average power of spurious emission at each antenna connector, derived in step 2, shall not exceed the described value in Table 6.5.3.2.3-2.

6.5E.3.3 Additional spurious emissions requirements for V2X

6.5E.3.3.0 Minimum conformance requirements

6.5E.3.3.0.1 Requirements for network signalling value "NS_33"

Table 6.5E.3.3.0.1-1: Additional requirements for "NS_33"

Protected band	Frequency range (MHz)			Maximum Level (EIRP ²)	MBW (MHz)	NOTE
Frequency range	5925	-	5950	-30	1	1
Frequency range	5815	-	5855	-30	1	3
NOTE 1: In the frequency range x-5950MHz, SE requirement of -30dBm/MHz should be applied; where x = max(5925, $f_c + 15$), where f_c is the channel centre frequency.						
NOTE 2: The EIRP requirement is converted to conducted requirement depend on the supported post antenna connector gain $G_{post_connector}$ declared by the UE following the principle described in annex I in [11].						
NOTE 3: Resolution BW is 10% of the measurement BW and the result should be integrated to achieve the measurement bandwidth. The sweep time shall be set larger than (symbol length)*(number of points in sweep) to improve the measurement accuracy.						

When "NS_33" is configured from pre-configured radio parameters or the cell, and the indication from upper layers has indicated that the UE is within the protection zone of CEN DSRC devices or HDR DSRC devices, the power of any NR V2X UE emission shall fulfil either one of the two sets of conditions.

Table 6.5E.3.3.0.1-2: Requirements for spurious emissions to protect CEN DSRC for V2X UE

	Maximum Transmission Power (dBm EIRP ¹)	Emission Limit in Frequency Range 5795-5815 (dBm/MHz EIRP ¹)
Condition 1	10	-65
Condition 2	10	-45
NOTE 1: The EIRP requirement is converted to conducted requirement depend on the supported post antenna connector gain $G_{post_connector}$ declared by the UE following the principle described in annex I in [11].		

The normative reference for this requirement is TS 38.101-1 [2] clause 6.5E.3.4.

6.5E.3.3.1 Additional spurious emissions requirements for V2X / non-concurrent operation

6.5E.3.3.1.1 Test purpose

To verify that UE transmitter does not cause unacceptable interference to other channels or other systems in terms of transmitter spurious emissions under the deployment scenarios where additional requirements are specified.

6.5E.3.3.1.2 Test applicability

This test case applies to all types of NR UE release 16 and forward that support NR V2X sidelink communication with non-concurrent operation.

6.5E.3.3.1.3 Minimum conformance requirements

The minimum conformance requirements are defined in clause 6.5E.2.3.0.

Table 6.5E.3.3.1.3-1: Void

Table 6.5E.3.3.1.3-2: Void

6.5E.3.3.1.4 Test description

6.5E.3.3.1.4.1 Initial conditions

Initial conditions are a set of test configurations the UE needs to be tested in and the steps for the SS to take with the UE to reach the correct measurement state.

The initial test configurations consist of environmental conditions, test frequencies, test channel bandwidths and sub-carrier spacing based on NR operating bands specified in Table 5.2E.1-1 and Table 5.3.5-1. All of these configurations shall be tested with applicable test parameters for each combination of test channel bandwidth and sub-carrier spacing, and are shown in clause 6.2E.3.1.4. The details of the V2X reference measurement channels (RMCs) are specified in Annexes A.7.5 and the GNSS configuration in TS 38.508-1 [5] subclause 4.11.

Table 6.5E.3.3.1.4.1-1: Void

1. Connect the SS and GNSS simulator to the UE antenna connectors as shown in TS 38.508-1 [5] Annex A, Figure A.3.1.9.1 for TE diagram and section A.3.2.7 for UE diagram.
2. The parameter settings for the NR sidelink transmission over PC5 are pre-configured according to TS 38.508-1 [5] subclause 4.10. Message content exceptions are defined in clause 6.5E.3.3.1.4.3.
3. The V2X Reference Measurement Channel is set according to clause 6.2E.3.1.4.1.
4. The GNSS simulator is configured for Scenario #1: static in Geographical area #1, as defined in TS 38.508-1 [5] Table 4.11.2-2. Geographical area #1 is also pre-configured in the UE.
5. Propagation conditions are set according to Annex B.0.
6. Ensure the UE is in state *Out_of_Coverage* with generic procedure parameters *Sidelink On*, *Test Loop Function On* with UE test loop mode E closed for *Transmit Mode* according to TS 38.508-1 [5] clause 4.5.

6.5E.3.3.1.4.2 Test procedure

Subtest 1: PSCCH/PSSCH

1. Ensure the UE is in state *Out_of_Coverage* with generic procedure parameters *Sidelink On*, *Test Loop Function On* with UE test loop mode E closed for *Transmit Mode* according to TS 38.508-1 [5] clause 4.5.
2. The UE starts to perform the NR sidelink communication according to *SL-PreconfigurationNR*. Since the UE has no payload and no loopback data to send the UE sends uplink MAC padding bits on the NR sidelink RMC.
3. Measure the power of the transmitted signal with a measurement filter of bandwidths according to Table 6.5E.3.3.1.5.1-1 and using a rms detector. If the sweep count is higher than one, the trace mode shall be average. The centre frequency of the filter shall be stepped in continuous steps according to the same table. The measured power shall be recorded for each step. The measurement period shall capture the active TSs.

Subtest 2: PSFCH

1. Ensure the UE is in state *Out_of_Coverage* with generic procedure parameters *Sidelink On*, *Cast type Unicast*, *Test Loop Function On* with UE test loop mode E closed for *Receive Mode* according to TS 38.508-1 [5] clause 4.5.

2. The UE starts to perform the NR sidelink reception according to SL-PreconfigurationNR.
3. The UE's PSFCH transmission occasion is on slot n according to Table 6.2E.3.1.4.1-2. SS transmits PSSCH on combination of slot and subchannel as below:
 - a) Test ID 1: slot n-6, Lowest sub-channel
 - b) Test ID 2, 4, 5 and 6: slot n-6, Lowest sub-channel and slot n-3, Highest sub-channel
 - c) Test ID 3: slot n-3, Highest sub-channel
4. Measure the power of the transmitted signal with a measurement filter of bandwidths according to Table 6.5E.3.3.1.5.1-1 and using a rms detector. If the sweep count is higher than one, the trace mode shall be average. The centre frequency of the filter shall be stepped in continuous steps according to the same table. The measured power shall be recorded for each step. The measurement period shall capture the active TSs.

Subtest 3: S-SSB

1. Ensure the UE is in state Out_of_Coverage with generic procedure parameters Sidelink On according to TS 38.508-1 [5] clause 4.5. The UE is synchronized to GNSS,
2. The UE transmits PSBCH according SL-PreconfigurationNR.
3. Measure the power of the transmitted signal with a measurement filter of bandwidths according to Table 6.5E.3.3.1.5.1-1 and using a rms detector. If the sweep count is higher than one, the trace mode shall be average. The centre frequency of the filter shall be stepped in continuous steps according to the same table. The measured power shall be recorded for each step. The measurement period shall capture the active TSs.

6.5E.3.3.1.4.3 Message contents

Message contents are according to TS 38.508-1 [5] subclause 4.10 with following exceptions.

For "NS_33" see message contents for A-MPR test case in clause 6.2E.3.1.4.3.1.

Table 6.5E.3.3.1.4.3-1: Void

6.5E.3.3.1.5 Test requirement

6.5E.3.3.1.5.1 Message contents exceptions (network signalling value "NS_33")

The transmitted spurious emission power derived in step 3 of subtest 1, step 4 of subtest 2 and step 3 of subtest 3 should be converted to EIRP value depend on the supported post antenna connector gain $G_{\text{post connector}}$ declared by the UE following the principle described in annex I in [11]. The EIRP value should not exceed test requirements in Table 6.5E.3.3.1.5.1-1.

Table 6.5E.3.3.1.5.1-1: Test requirements for "NS_33"

Protected band	Frequency range (MHz)			Maximum Level (EIRP ²)	MBW (MHz)
Frequency range	5925	-	5950	-30	1
Frequency range	5815	-	5855	-30	1

6.5F Output RF spectrum emissions for shared spectrum channel access

6.5F.1 Occupied bandwidth for shared spectrum channel access

Editor's Note: This test is incomplete. The following aspects are not yet determined:

- MU and TT for > 5.925 GHz
- Message exception for NR-U

6.5F.1.1 Test purpose

To verify that the UE occupied bandwidth for all transmission bandwidth configurations supported by the UE are less than their specific limits.

6.5F.1.2 Test applicability

This test applies to all types of NR UE release 16 and forward that support NR standalone shared spectrum channel access.

6.5F.1.3 Minimum conformance requirements

Occupied bandwidth is defined as the bandwidth containing 99 % of the total integrated mean power of the transmitted spectrum on the assigned channel. The occupied bandwidth for all transmission bandwidth configurations (Resources Blocks) shall be less than the channel bandwidth specified in Table 6F.5.1.3-1.

Table 6.5F.1.3-1: Occupied channel bandwidth

	NR channel bandwidth				
	10 MHz	20 MHz	40 MHz	60 MHz	80 MHz
Occupied channel bandwidth (MHz)	10	20	40	60	80

The normative reference for this requirement is TS 38.101-1 [2] clause 6.5F.1.

6.5F.1.4 Test description

6.5F.1.4.1 Initial conditions

Initial conditions are a set of test configurations the UE needs to be tested in and the steps for the SS to take with the UE to reach the correct measurement state.

The initial test configurations consist of environmental conditions, test frequencies, test channel bandwidths and sub-carrier spacing based on NR operating bands specified in table 5.3.5-1. All of these configurations shall be tested with applicable test parameters for each combination of channel bandwidth and sub-carrier spacing, are shown in table 6.5F.1.4.1-1. The details of the uplink reference measurement channels (RMCs) are specified in Annexes A.2. Configurations of PDSCH and PDCCH before measurement are specified in Annex C.2.

Table 6.5F.1.4.1-1: Test Configuration Table

Initial Conditions			
Test Environment as specified in TS 38.508-1 [5] subclause 4.1		Normal	
Test Frequencies as specified in TS 38.508-1 [5] subclause 4.3.1		Mid range	
Test Channel Bandwidths as specified in TS 38.508-1 [5] subclause 4.3.1		All	
Test SCS as specified in Table 5.3.5-1		Lowest	
Test Parameters			
Test ID	Downlink Configuration	Uplink Configuration	
	N/A for occupied bandwidth test case	Modulation	RB allocation (NOTE 1)
1		CP-OFDM QPSK	Outer_full
NOTE 1: The specific configuration of each RB allocation is defined in Table 6.1-1.			

1. Connect the SS to the UE antenna connectors as shown in TS 38.508-1 [5] Annex A, Figure A.3.1.1.1 for TE diagram and section A.3.2 for UE diagram.
2. The parameter settings for the cell are set up according to TS 38.508-1 [5] subclause 4.4.3.
3. Downlink signals are initially set up according to Annex C.0, C.1, C.2, and uplink signals according to Annex G.0, G.1, G.2, G.3.0.
4. The UL Reference Measurement channels are set according to Table 6.5F.1.4.1-1.
5. Propagation conditions are set according to Annex B.0

6. Ensure the UE is in state RRC_CONNECTED with generic procedure parameters Connectivity NR, Connected without release On, Test Mode On and Test Loop Function On according to TS 38.508-1 [5] clause 4.5. Message contents are defined in clause 6.5F.1.4.3

6.5F.1.4.2 Test procedure

1. SS sends uplink scheduling information for each UL HARQ process via PDCCH DCI format 0_1 for C_RNTI to schedule the UL RMC according to Table 6.5F.1.4.1-1. Since the UL has no payload and no loopback data to send the UE sends uplink MAC padding bits on the UL RMC.
2. Send continuously power control "up" commands to the UE until the UE transmits at PUMAX level. Allow at least 200ms for the UE to reach PUMAX level.
3. Measure the power spectrum distribution within two times or more range over the requirement for Occupied Bandwidth specification centring on the current carrier frequency. The characteristics of the filter shall be approximately Gaussian (typical spectrum analyser filter). Other methods to measure the power spectrum distribution are allowed. The measuring duration is at least 1ms over consecutive active uplink slots.
4. Calculate the total power within the range of all frequencies measured in step 3 and save this value as "Total power".
5. Identify the measurement window whose centre is aligned on the centre of the channel for which the sum of the power measured is 99% of the "Total power".
6. The "Occupied Bandwidth" is the width of the measurement window obtained in step 5.

6.5F.1.4.3 Message contents

Message contents are according to TS 38.508-1 [5] subclause 4.6.

6.5F.1.5 Test requirement

The measured Occupied Bandwidth shall not exceed values in Table 6.5F.1.5-1.

Table 6.5F.1.5-1: Occupied channel bandwidth	NR channel bandwidth				
	10 MHz	20 MHz	40 MHz	60 MHz	80 MHz
Occupied channel bandwidth (MHz)	10	20	40	60	80

6.5F.2 Out of band emission for shared spectrum channel access

6.5F.2.1 General

The Out of band emissions are unwanted emissions immediately outside the assigned channel bandwidth resulting from the modulation process and non-linearity in the transmitter but excluding spurious emissions. This out of band emission limit is specified in terms of a spectrum emission mask and an adjacent channel leakage power ratio.

To improve measurement accuracy, sensitivity and efficiency, the resolution bandwidth may be smaller than the measurement bandwidth. When the resolution bandwidth is smaller than the measurement bandwidth, the result should be integrated over the measurement bandwidth in order to obtain the equivalent noise bandwidth of the measurement bandwidth.

6.5F.2.2 Spectrum emission mask for operation with shared spectrum channel access

Editor's Note:

- Message content is TBD

The spectrum emission mask of the UE applies to frequencies (Δf_{OOB}) starting from the \pm edge of the assigned NR channel bandwidth. For frequencies offset greater than Δf_{OOB} , the spurious requirements in subclause 6.5.3 are applicable.

NOTE: For measurement conditions at the edge of each frequency range, the lowest frequency of the measurement position in each frequency range should be set at the lowest boundary of the frequency range plus MBW/2. The highest frequency of the measurement position in each frequency range should be set at the highest boundary of the frequency range minus MBW/2. MBW denotes the measurement bandwidth defined for the protected band.

6.5F.2.2.1 Test purpose

To verify that the power of any UE emission shall not exceed specified level for the specified channel bandwidth when UE is operating with shared spectrum channel access.

6.5F.2.2.2 Test applicability

This test case applies to all types of NR UE release 16 and forward that support NR standalone shared spectrum channel access.

6.5F.2.2.3 Minimum conformance requirements

Instead of the general spectrum emission mask requirement in clause 6.5.2.2, when operating with shared spectrum channel access the relative power of any UE emission shall not exceed the levels specified in Table 6.5F.2.2.3-1 for the specified channel bandwidth or -30 dBm/MHz whichever is the greatest. The spectrum emission mask for operation with shared spectrum channel access is defined relative to the maximum power density in a 1 MHz measurement bandwidth within the channel bandwidth.

The spectrum emission mask for operation with shared spectrum channel access applies to frequencies (Δf_{OOB}) starting from the \pm edge of the assigned channel bandwidth. For frequencies offset greater than Δf_{OOB} , the spurious requirements in clause 6.5.3 are applicable.

Table 6.5F.2.2.3-1: Spectrum emission mask for operation with shared spectrum channel access

Spectrum emission limit (dBr) / Channel bandwidth						
Δf_{OOB} (MHz)	10 MHz	20 MHz	40 MHz	60 MHz	80 MHz	Measurement bandwidth (MBW)
$\pm 0-1$	$-20 \Delta f_{OOB} $					$[100\text{kHz}]^3$
$\pm 1-5$	NOTE 1	NOTE 1	NOTE 1	NOTE 1	NOTE 1	1 MHz
$\pm 5-10$	NOTE 2					
$\pm 10-20$	-40	NOTE 2	NOTE 2	NOTE 2		
$\pm 20-30$		-40				
$\pm 30-40$			NOTE 2	NOTE 2		
$\pm 40-50$		-40				
$\pm 50-60$						
$\pm 60-70$				-40		
$\pm 70-80$						
$\pm 80-100$					-40	
NOTE 1: Given as: $-20 - \left(\frac{8}{A}\right) \Delta f_{OOB} - 1 $ where $A = \left(\frac{\text{Channel Bandwidth}}{2}\right) - 1$ NOTE 2: Given as: $-16 - \left(\frac{12}{B}\right) \Delta f_{OOB} $ where $B = \left(\frac{\text{Channel Bandwidth}}{2}\right)$ NOTE 3: The measured value shall be scaled by a factor equal to the ratio of the reference bandwidth (1 MHz) to the measurement bandwidth before the emission limit (dBr) is applied. NOTE 4: The carrier leakage exceptions from Table 6.4F.2.3.3-1 apply and carrier leakage contribution shall be removed prior to setting the 0dBr level of the mask, the reported carrier frequency location in <i>txDirectCurrentLocation</i> field of the <i>UplinkTxDirectCurrentBWP</i> can be used to cancel the carrier leakage contribution. If <i>txDirectCurrentLocation</i> is not available or is reported with value 3300 or 3301, a carrier frequency location at the centre of the channel shall be assumed.						

For measurement conditions at the edge of each frequency range, the lowest frequency of the measurement position in each frequency range should be set at the lowest boundary of the frequency range plus MBW/2. The highest frequency of the measurement position in each frequency range should be set at the highest boundary of the frequency range minus MBW/2.

6.5F.2.2.3.1 Spectrum emission mask for non-transmitted channels

In the case of non-transmitted 20 MHz channel(s) on the edges of an assigned channel bandwidth the spectrum emission mask for operation with shared spectrum channel access, specified in Table 6.5F.2.2.3-1, is applied by using the total

bandwidth of the remaining transmitted channels. The spectrum emission mask for non-transmitted channels is floored at -28dB_r.

The relative power of any UE emission shall not exceed the most stringent levels given by the spectrum emission mask for operation with shared spectrum channel access with full channel bandwidth and the spectrum emission mask for non-transmitted channels with the channel bandwidth of the transmitted channels in the case of non-transmitted channels at the edge of an assigned channel bandwidth.

An exception to the spectrum emission mask for non-transmitted channels allows a single [2] MHz bandwidth to extend to [-28] dBc relative to total transmit power, or [-20] dBm, whichever is the greatest.

The normative reference for this requirement is TS 38.101-1 [2] clause 6.5F.2.2.

6.5F.2.2.4 Test description

6.5F.2.2.4.1 Initial conditions

Initial conditions are a set of test configurations the UE needs to be tested in and the steps for the SS to take with the UE to reach the correct measurement state.

The initial test configurations consist of environmental conditions, test frequencies, test channel bandwidths and sub-carrier spacing based on NR operating bands with shared spectrum channel access specified in table 5.3.5-1. All of these configurations shall be tested with applicable test parameters for each combination of channel bandwidth and sub-carrier spacing, are shown in table 6.5F.2.2.4.1-1. The details of the uplink reference measurement channels (RMCs) are specified in Annexes A.2. Configurations of PDSCH and PDCCH before measurement are specified in Annex C.2.

Table 6.5F.2.2.4.1-1: Test Configuration Table

Initial Conditions				
Test Environment as specified in TS 38.508-1 [5] subclause 4.1		Normal		
Test Frequencies as specified in TS 38.508-1 [5] subclause 4.3.1		Low range, High range		
Test Channel Bandwidths as specified in TS 38.508-1 [5] subclause 4.3.1		20 MHz, Highest		
Test SCS as specified in Table 5.3.5-1		Lowest, Highest		
Test Parameters for Channel Bandwidths				
Test ID	Freq	Downlink Configuration	Uplink Configuration	
		N/A	Modulation (NOTE 2)	
			RB allocation (NOTE 1)	
1 ²	Default		DFT-s-OFDM Pi/2 BPSK	Full
2	Default		DFT-s-OFDM QPSK	Full
3	Default		DFT-s-OFDM 16 QAM	Full
4	Default		DFT-s-OFDM 64 QAM	Full
5	Default		DFT-s-OFDM 256 QAM	Full
6	Low		CP-OFDM QPSK	Partial_Left
7	High		CP-OFDM QPSK	Partial_Right
8	Default		CP-OFDM QPSK	Full
9	Low		CP-OFDM 16 QAM	Partial_Left
10	High		CP-OFDM 16 QAM	Partial_Right
11	Default		CP-OFDM 16 QAM	Full
12	Low		CP-OFDM 64 QAM	Partial_Left
13	High		CP-OFDM 64 QAM	Partial_Right
14	Default		CP-OFDM 64 QAM	Full
15	Low		CP-OFDM 256 QAM	Partial_Left
16	High		CP-OFDM 256 QAM	Partial_Right
17	Default	CP-OFDM 256 QAM	Full	
18	Default	DFT-s-OFDM Pi/2 BPSK w Pi/2 BPSK DMRS ³	Full	
NOTE 1: The specific configuration of each RB allocation is defined in Table 6.1F-1.				
NOTE 2: DFT-s-OFDM Pi/2 BPSK test applies only for UEs which supports Pi/2 BPSK in FR1 and when IE powerBoostPi2BPSK is set to 0.				
NOTE 3: Applicable to UEs indicating support for UE capability <i>lowPAPR-DMRS-PUSCHwithPrecoding-r16</i> .				

1. Connect the SS to the UE antenna connectors as shown in TS 38.508-1 [5] Annex A, Figure A.3.1.1.1 for TE diagram and section A.3.2 for UE diagram.
2. The parameter settings for the cell are set up according to TS 38.508-1 [5] subclause 4.4.3.
3. Downlink signals are initially set up according to Annex C.0, C.1, C.2 and uplink signals according to Annex G.0, G.1, G.2, G.3.0.
4. The UL Reference Measurement channels are set according to Table 6.5F.2.2.4.1-1.
5. Propagation conditions are set according to Annex B.0.
6. Ensure the UE is in state RRC_CONNECTED with generic procedure parameters Connectivity NR, Connected without release On, Test Mode On and Test Loop Function On according to TS 38.508-1 [5] clause 4.5. Message contents are defined in clause 6.5F.2.2.4.3

6.5F.2.2.4.2 Test procedure

1. SS sends uplink scheduling information for each UL HARQ process via PDCCH DCI format 0_1 for C_RNTI to schedule the UL RMC according to Table 6.5F.2.2.4.1-1. Since the UL has no payload and no loopback data to send the UE sends uplink MAC padding bits on the UL RMC.
2. Send continuously power control “up” commands to the UE until the UE transmits at PUMAX level. Allow at least 200ms for the UE to reach PUMAX level.
3. Measure the mean power of the UE in the channel bandwidth of the radio access mode according to the test configuration, which shall meet the requirements described in Table 6.2F.2.5-1. The period of the measurement shall be at least the continuous duration of 1ms over consecutive active uplink slots.
4. Measure the power of the transmitted signal with a measurement filter of bandwidths according to table 6.5F.2.2.5-1 and using a rms detector. If the sweep count is higher than one, the trace mode shall be average. The centre frequency of the filter shall be stepped in continuous steps according to the same table. The measured power shall be recorded for each step. The measurement period shall capture the active TSs.

NOTE 1: When switching to DFT-s-OFDM waveform, as specified in the test configuration Table 6.5F.2.2.4.1-1, send an NR RRCReconfiguration message according to TS 38.508-1 [5] clause 4.6.3 Table 4.6.3-118 PUSCH-Config with TRANSFORM_PRECODER_ENABLED condition.

6.5F.2.2.4.3 Message contents

Message contents are according to TS 38.508-1 [5] subclause 4.6 with the following exceptions:

FFS

6.5F.2.2.5 Test requirement

The measured UE mean power in the channel bandwidth, derived in step 3, shall fulfil requirements in Table 6.2F.2.5-1, and the power of any UE emission shall fulfil requirements in Table 6.5F.2.2.5-1.

Table 6.5F.2.2.5-1: General NR spectrum emission mask

Spectrum emission limit (dBr) / Channel bandwidth						
Δf_{OoB} (MHz)	10 MHz	20 MHz	40 MHz	60 MHz	80 MHz	Measurement bandwidth (MBW)
$\pm 0-1$	$-20 \Delta f_{OoB} $					$[100\text{kHz}]^3$
$\pm 1-5$	(NOTE 1) +TT	(NOTE 1) +TT	(NOTE 1) +TT	(NOTE 1) +TT	(NOTE 1) +TT	1 MHz
$\pm 5-10$	(NOTE 2) +TT	(NOTE 2) +TT	(NOTE 2) +TT	(NOTE 2) +TT	(NOTE 2) +TT	
$\pm 10-20$	-40 +TT					
$\pm 20-30$		-40 +TT	(NOTE 2) +TT	(NOTE 2) +TT		
$\pm 30-40$						
$\pm 40-50$		-40 +TT				
$\pm 50-60$				-40 +TT	(NOTE 2) +TT	
$\pm 60-70$						
$\pm 70-80$						
$\pm 80-100$					-40 +TT	

NOTE 1: Given as: $-20 - \left(\frac{8}{A}\right) \Delta f_{00B} - 1 $ where $A = \left(\frac{\text{Channel Bandwidth}}{2}\right) - 1$
NOTE 2: Given as: $-16 - \left(\frac{12}{B}\right) \Delta f_{00B} $ where $B = \left(\frac{\text{Channel Bandwidth}}{2}\right)$
NOTE 3: The measured value shall be scaled by a factor equal to the ratio of the reference bandwidth (1 MHz) to the measurement bandwidth before the emission limit (dBr) is applied.
NOTE 4: The carrier leakage exceptions from Table 6.4F.2.3.3-1 apply and carrier leakage contribution shall be removed prior to setting the 0dBr level of the mask, the reported carrier frequency location in <i>txDirectCurrentLocation</i> field of the <i>UplinkTxDirectCurrentBWP</i> can be used to cancel the carrier leakage contribution. If <i>txDirectCurrentLocation</i> is not available or is reported with value 3300 or 3301, a carrier frequency location at the centre of the channel shall be assumed.
NOTE 5: TT for each frequency and channel bandwidth is specified in Table 6.5F.2.2.5-2.

Table 6.5F.2.2.5-2: Test Tolerance (Spectrum Emission Mask)

	$f \leq 3.0\text{GHz}$	$3.0\text{GHz} < f \leq 4.2\text{GHz}$	$4.2\text{GHz} < f \leq 6.0\text{GHz}$	$6.0\text{GHz} < f \leq 7.125\text{GHz}$
$\text{BW} \leq 100\text{MHz}$	1.5 dB	1.8 dB	1.8 dB	1.8 dB

NOTE: As a general rule, the resolution bandwidth of the measuring equipment should be equal to the measurement bandwidth. However, to improve measurement accuracy, sensitivity and efficiency, the resolution bandwidth may be smaller than the measurement bandwidth. When the resolution bandwidth is smaller than the measurement bandwidth, the result should be integrated over the measurement bandwidth in order to obtain the equivalent noise bandwidth of the measurement bandwidth.

6.5F.2.4 Adjacent channel leakage ratio for operation with shared spectrum channel access

Adjacent Channel Leakage power Ratio (ACLR) is the ratio of the filtered mean power centred on the assigned channel frequency to the filtered mean power centred on an adjacent channel frequency.

To improve measurement accuracy, sensitivity and efficiency, the resolution bandwidth may be smaller than the measurement bandwidth. When the resolution bandwidth is smaller than the measurement bandwidth, the result should be integrated over the measurement bandwidth in order to obtain the equivalent noise bandwidth of the measurement bandwidth.

6.5F.2.4.1 Shared spectrum channel access ACLR

Editor's Note: The following aspects are not yet determined:

- MU and TT for >6GHz (band n96) are TBD are working assumption based on analysis of single TE vendor. Values will be revisited once analysis from other TE vendors is available.

- Message exceptions

6.5F.2.4.1.1 Test purpose

To verify that UE transmitter does not cause unacceptable interference to adjacent channels in terms of Adjacent Channel Leakage power Ratio (ACLR).

6.5F.2.4.1.2 Test applicability

This test case applies to all types of NR UE release 16 and forward that support NR standalone operation with shared spectrum channel access.

6.5F.2.4.1.3 Minimum conformance requirements

The Adjacent Channel Leakage power Ratio is the ratio of the filtered mean power centred on the assigned channel frequency to the filtered mean power centred on an adjacent channel frequency at nominal channel spacing. The assigned channel power and adjacent channel power are measured with rectangular filters with measurement bandwidths specified in Table 6.5.2.4.1.3-1.

Instead of the general ACLR requirement in clause 6.5.2.4, if the measured adjacent channel power is greater than -47 dBm then the ACLR shall be higher than the value specified in Table 6.5F.2.4.1.3-1.

Table 6.5F.2.4.1.3-1: Shared spectrum channel access ACLR requirement

	Power class 5
ACLR	27 dB

The normative reference for this requirement is TS 38.101-1 [2] clause 6.5F.2.4.1.

6.5F.2.4.1.4 Test description

6.5F.2.4.1.4.1 Initial conditions

Initial conditions are a set of test configurations the UE needs to be tested in and the steps for the SS to take with the UE to reach the correct measurement state.

The initial test configurations consist of environmental conditions, test frequencies, test channel bandwidths and sub-carrier spacing based on NR operating bands specified in Table 5.3.5-1. All of these configurations shall be tested with applicable test parameters for each combination of channel bandwidth and sub-carrier spacing, are shown in the test configuration tables in Table 6.2F.2.4.1-1. The details of the uplink reference measurement channels (RMCs) are specified in Annexes A.2. Configurations of PDSCH and PDCCH before measurement are specified in Annex C.2

Table 6.5F.2.4.1.4.1-1: Void

1. Connect the SS to the UE antenna connectors as shown in TS 38.508-1 [5] Annex A, Figure A.3.1.1.1 for TE diagram and section A.3.2 for UE diagram.
2. The parameter settings for the cell are set up according to TS 38.508-1 [5] subclause 4.4.3.
3. Downlink signals are initially set up according to Annex C.0, C.1, C.2, and uplink signals according to Annex G.0, G.1, G.2, G.3.0.
4. The UL Reference Measurement channels are set according to the test configuration tables in clause 6.2F.2.4.1[TBD].
5. Propagation conditions are set according to Annex B.0.
6. Ensure the UE is in state RRC_CONNECTED with generic procedure parameters Connectivity NR, Connected without release On, Test Mode On and Test Loop Function On according to TS 38.508-1 [5] clause 4.5. Message contents are defined in clause 6.5F.2.4.1.4.3.

6.5F.2.4.1.4.2 Test procedure

1. SS sends uplink scheduling information for each UL HARQ process via PDCCH DCI format 0_1 for C_RNTI to schedule the UL RMC according to the test configuration tables in clause Table 6.2F.2.4.1. Since the UL has no payload and no loopback data to send the UE sends uplink MAC padding bits on the UL RMC.
2. Send continuously power control “up” commands to the UE until the UE transmits at P_{UMAX} level. Allow at least 200ms for the UE to reach P_{UMAX} level.
3. Measure the mean power of the UE in the channel bandwidth of the radio access mode according to the test configuration, as measured in step 3 of 6.2F.2.4.2, which shall meet the requirements in clause 6.2F.2.5 as appropriate.
4. Measure the rectangular filtered mean power for the assigned NR channel using a rms detector. If the sweep count is higher than one, the trace mode shall be average.
5. Measure the rectangular filtered mean power of the first NR adjacent channel on both lower and upper side of the assigned NR channel using a rms detector, respectively. If the sweep count is higher than one, the trace mode shall be average.
6. Calculate the ratios of the power between the values measured in step 4 over step 5 for lower and upper NR ACLR, respectively.

NOTE 1: When switching to DFT-s-OFDM waveform, as specified in the test configuration tables in clause 6.2F.2.4.1[TBD], send an NR RRCReconfiguration message according to TS 38.508-1 [5] clause 4.6.3 Table 4.6.3-118 PUSCH-Config with TRANSFORM_PRECODER_ENABLED condition.

6.5F.2.4.1.4.3 Message contents

Message contents are according to TS 38.508-1 [5] subclause 4.6 and 5.4 with the following exceptions:

FFS

6.5F.2.4.1.5 Test requirement

The measured UE mean power in the channel bandwidth, derived in step 3, shall fulfil requirements in clause 6.2F.2.5, and if the measured adjacent channel power is greater than -47 dBm then the measured NR ACLR, derived in step 6, shall be higher than the limits in Table 6.5F.2.4.1.5-2.

Table 6.5F.2.4.1.5-1: NR ACLR measurement bandwidth

	10 MHz	20 MHz	40 MHz	60 MHz	80 MHz
NR ACLR measurement bandwidth (MHz)	9.375	19.095	38.895	58.35	78.15

Table 6.5F.2.4.1.5-2: NR ACLR requirement

	Power class 5
NR ACLR	27 - TT dB
NOTE 1: TT for each frequency and channel bandwidth is specified in Table 6.5F.2.4.1.5-3.	

Table 6.5F.2.4.1.5-3: Test Tolerance (TT) (NR ACLR)

	$f \leq 3.0\text{GHz}$	$3.0\text{GHz} < f \leq 4.2\text{GHz}$	$4.2\text{GHz} < f \leq 5.925\text{GHz}$	$5.925\text{GHz} < f \leq 7.125\text{GHz}$
BW $\leq 100\text{MHz}$	0.8 dB	0.8 dB	0.8 dB	0.8 dB

6.5F.2.4.2 Shared spectrum channel access ACLR with additional requirement for NS_29

Editor's Note: The following aspects are not yet determined:

- MU and TT for $>6\text{GHz}$ (band n96) are TBD.
- RMC in Annex A.
- Test coverage for UL-MIMO
- Message exceptions
- Test state and generic procedure are TBD in 38.508-1

6.5F.2.4.2.1 Test purpose

To verify that UE transmitter does not cause unacceptable interference to adjacent channels in terms of Adjacent Channel Leakage power Ratio (ACLR).

6.5F.2.4.2.2 Test applicability

This test case applies for network signalling value NS_29 to all types of NR UE release 16 and forward that support NR standalone operation with shared spectrum channel access.

6.5F.2.4.2.3 Minimum conformance requirements

When "NS_29" is indicated in the cell, the UE emission shall meet the additional requirements specified in Table 6.5F.2.4.2.3-1 for shared spectrum channels assigned within 5150 – 5350 MHz and 5470 – 5730 MHz.

Table 6.5F.2.4.2.3-1: ACLR2 requirement for "NS_29"

Power class 5	20 MHz	40 MHz	60, 80 MHz
ACLR2	40 dB	40 dB	N/A

Measurement bandwidth	20 MHz	40 MHz	N/A
Adjacent channel centre frequency offset (MHz)	+40 / -40	+80 / -80	N/A

The normative reference for this requirement is TS 38.101-1 [2] clause 6.5F.2.4.2.

6.5F.2.4.2.4 Test description

6.5F.2.4.2.4.1 Initial conditions

Initial conditions are a set of test configurations the UE needs to be tested in and the steps for the SS to take with the UE to reach the correct measurement state.

The initial test configurations consist of environmental conditions, test frequencies, test channel bandwidths and sub-carrier spacing based on NR operating bands specified in Table 5.3.5-1. All of these configurations shall be tested with applicable test parameters for each combination of channel bandwidth and sub-carrier spacing, are shown in the test configuration tables in clause 6.5F.2.4.1.4.1. The details of the uplink reference measurement channels (RMCs) are specified in Annexes A.2. Configurations of PDSCH and PDCCH before measurement are specified in Annex C.2

1. Connect the SS to the UE antenna connectors as shown in TS 38.508-1 [5] Annex A, Figure A.3.1.1.1 for TE diagram and section A.3.2 for UE diagram.
2. The parameter settings for the cell are set up according to TS 38.508-1 [5] subclause 4.4.3.
3. Downlink signals are initially set up according to Annex C.0, C.1, C.2, and uplink signals according to Annex G.0, G.1, G.2, G.3.0.
4. The UL Reference Measurement channels are set according to the test configuration tables in clause 6.5F.2.4.1.4.1.
5. Propagation conditions are set according to Annex B.0.
6. Ensure the UE is in state RRC_CONNECTED with generic procedure parameters Connectivity *NR*, Connected without release *On*, Test Mode *On* and Test Loop Function *On* according to TS 38.508-1 [5] clause 4.5. Message contents are defined in clause 6.5F.2.4.2.4.3.

6.5F.2.4.2.4.2 Test procedure

1. SS sends uplink scheduling information for each UL HARQ process via PDCCH DCI format 0_1 for C_RNTI to schedule the UL RMC according to the test configuration tables in clause 6.2F.2.4.1. Since the UL has no payload and no loopback data to send the UE sends uplink MAC padding bits on the UL RMC.
2. Send continuously power control “up” commands to the UE until the UE transmits at P_{UMAX} level. Allow at least 200ms for the UE to reach P_{UMAX} level.
3. Measure the mean power of the UE in the channel bandwidth of the radio access mode according to the test configuration, as measured in step 3 of 6.2F.2.4.2, which shall meet the requirements in clause 6.2F.2.5 as appropriate.
4. Measure the rectangular filtered mean power for the assigned NR channel.
5. Measure the rectangular filtered mean power of the first NR adjacent channel on both lower and upper side of the assigned NR channel, respectively.
6. Calculate the ratios of the power between the values measured in step 4 over step 5 for lower and upper NR ACLR, respectively.

NOTE 1: When switching to DFT-s-OFDM waveform, as specified in the test configuration tables in clause 6.2F.2.4.1[TBD], send an NR RRCReconfiguration message according to TS 38.508-1 [5] clause 4.6.3 Table 4.6.3-118 PUSCH-Config with TRANSFORM_PRECODER_ENABLED condition.

6.5F.2.4.2.4.3 Message contents

Message contents are according to TS 38.508-1 [5] subclause 4.6 and 5.4 with the following exceptions:

Table 6.5F.2.4.2.4.3-1: AdditionalSpectrumEmission: Additional spurious emissions test requirement for "NS_29"

Derivation Path: TS 38.508-1 [5] clause 4.6.3, Table 4.6.3-1 AdditionalSpectrumEmission			
Information Element	Value/remark	Comment	Condition
AdditionalSpectrumEmission	2 (NS_29)	for band n46	

6.5F.2.4.2.5 Test requirement

The measured UE mean power in the channel bandwidth, derived in step 3, shall fulfil requirements in clause 6.2F.2.5[TBD], and if the measured adjacent channel power is greater than -50 dBm then the measured NR ACLR, derived in step 6, shall be higher than the limits in Table 6.5F.2.4.2.5-2.

Table 6.5F.2.4.2.5-1: NR ACLR2 measurement bandwidth and offset

	20 MHz	40 MHz	60, 80 MHz
NR ACLR2 measurement bandwidth (MHz)	20 MHz	40 MHz	N/A
Adjacent channel centre frequency offset (MHz)	+40 / -40	+80 / -80	N/A

Table 6.5F.2.4.2.5-2: NR ACLR2 requirement

NR ACLR2	Power class 5
	40 - TT dB
NOTE 1: TT for each frequency and channel bandwidth is specified in Table 6.5F.2.4.2.5-3.	

Table 6.5F.2.4.2.5-3: Test Tolerance (TT) (NR ACLR2)

	$f \leq 3.0\text{GHz}$	$3.0\text{GHz} < f \leq 4.2\text{GHz}$	$4.2\text{GHz} < f \leq 5.925\text{GHz}$	$5.925\text{GHz} < f \leq 7.125\text{GHz}$
BW $\leq 100\text{MHz}$	0.8 dB	0.8 dB	0.8 dB	0.8 dB

6.5F.3 Spurious emissions for shared spectrum channel access

Spurious emissions are emissions which are caused by unwanted transmitter effects such as harmonics emission, parasitic emissions, intermodulation products and frequency conversion products, but exclude out of band emissions unless otherwise stated. The spurious emission limits are specified in terms of general requirements in line with SM.329 [9] and NR operating band requirement to address UE co-existence.

To improve measurement accuracy, sensitivity and efficiency, the resolution bandwidth may be smaller than the measurement bandwidth. When the resolution bandwidth is smaller than the measurement bandwidth, the result should be integrated over the measurement bandwidth in order to obtain the equivalent noise bandwidth of the measurement bandwidth.

NOTE: For measurement conditions at the edge of each frequency range, the lowest frequency of the measurement position in each frequency range should be set at the lowest boundary of the frequency range plus MBW/2. The highest frequency of the measurement position in each frequency range should be set at the highest boundary of the frequency range minus MBW/2. MBW denotes the measurement bandwidth defined for the protected band.

6.5F.3.1 General spurious emissions

6.5F.3.1.1 Test purpose

To verify that UE transmitter does not cause unacceptable interference to other channels or other systems in terms of transmitter spurious emissions.

6.5F.3.1.2 Test applicability

This test case applies to all types of NR UE release 16 and forward that support NR standalone shared spectrum channel access.

6.5F.3.1.3 Minimum conformance requirements

The requirements for general spurious emission requirements in clause 6.5.3.1 apply.

The normative reference for this requirement is TS 38.101-1 [2] subclause 6.5F.3.1.

6.5F.3.1.4 Test description

6.5F.3.1.4.1 Initial conditions

Initial conditions are a set of test configurations the UE needs to be tested in and the steps for the SS to take with the UE to reach the correct measurement state.

The initial test configurations consist of environmental conditions, test frequencies, test channel bandwidths and sub-carrier spacing based on NR operating bands specified in Table 5.3.5-1. All of these configurations shall be tested with applicable test parameters for each combination of channel bandwidth and sub-carrier spacing, are shown in table 6.5F.3.1.4.1-1. The details of the uplink reference measurement channels (RMCs) are specified in Annexes A.2. Configurations of PDSCH and PDCCH before measurement are specified in Annex C.2.

Table 6.5F.3.1.4.1-1: Test Configuration Table

Initial Conditions			
Test Environment as specified in TS 38.508-1 [5] subclause 4.1.		Normal	
Test Frequencies as specified in TS 38.508-1 [5] subclause 4.3.1.		Low range, Mid range, High range (NOTE 2)	
Test Channel Bandwidths as specified in TS 38.508-1 [5] subclause 4.3.1.		Lowest, Mid, Highest	
Test SCS as specified in Table 5.3.5-1		Lowest	
Test Parameters			
Test ID	Downlink Configuration	Uplink Configuration	
	N/A for Spurious Emissions testing	Modulation	RB allocation (NOTE 1)
1		CP-OFDM QPSK	OuterFull
2		CP-OFDM QPSK	Edge_1RB_Left
3		CP-OFDM QPSK	Edge_1RB_Right
NOTE 1: The specific configuration of each RB allocation is defined in Table 6.1-1 Common UL configuration.			

1. Connect the SS to the UE antenna connectors as shown in TS 38.508-1 [5] Annex A, Figure A.3.1.1.1 for TE diagram and section A.3.2 for UE diagram.
2. The parameter settings for the cell are set up according to TS 38.508-1 [5] subclause 4.4.3.
3. Downlink signals are initially set up according to Annex C.0, C.1 and C.2, and uplink signals according to Annex G.0, G.1, G.2, G.3.0.
4. The UL Reference Measurement channels are set according to Table 6.5F.3.1.4.1-1.
5. Propagation conditions are set according to Annex B.0.
6. Ensure the UE is in state RRC_CONNECTED with generic procedure parameters Connectivity NR, Connected without release On, Test Mode On and Test Loop Function On according to TS 38.508-1 [5] clause 4.5. Message contents are defined in clause 6.5F.3.1.4.3.

6.5F.3.1.4.2 Test procedure

1. SS sends uplink scheduling information for each UL HARQ process via PDCCH DCI format 0_1 for C_RNTI to schedule the UL RMC according to Table 6.5F.3.1.4.1-1. Since the UE has no payload data to send, the UE transmits uplink MAC padding bits on the UL RMC.

2. Send continuously uplink power control "up" commands in the uplink scheduling information to the UE until the UE transmits at P_{UMAX} level.
3. Measure the power of the transmitted signal with a measurement filter of bandwidths according to table 6.5F.3.1.5-1. The centre frequency of the filter shall be stepped in contiguous steps according to table 6.5F.3.1.5-1. The measured power shall be verified for each step. The measurement period shall capture the active time slots. During measurement the spectrum analyser shall be set to 'Detector' = RMS. If the sweep count is higher than one, the trace mode shall be average.

6.5F.3.1.4.3 Message contents

Message contents are according to TS 38.508-1 [5] subclause 4.6.

6.5F.3.1.5 Test requirement

This clause specifies the requirements for the specified NR standalone shared spectrum channel access for Transmitter Spurious emissions requirement with frequency range as indicated in table 6.5F.3.1.5-1.

Unless otherwise stated, the spurious emission limits apply for the frequency ranges that are more than F_{OOB} (MHz) in Table 6.5.3.1.3-1 from the edge of the channel bandwidth. The spurious emission limits in Table 6.5F.3.1.5-1 apply for all transmitter band configurations (NRB) and channel bandwidths for shared spectrum channel access.

The measured average power of spurious emission, derived in step 3, shall not exceed the described value in Table 6.5F.3.1.5-1.

Table 6.5F.3.1.5-1: General spurious emissions test requirements

Frequency Range	Maximum Level	Measurement bandwidth	NOTE
$9 \text{ kHz} \leq f < 150 \text{ kHz}$	-36 dBm	1 kHz	
$150 \text{ kHz} \leq f < 30 \text{ MHz}$	-36 dBm	10 kHz	
$30 \text{ MHz} \leq f < 1000 \text{ MHz}$	-36 dBm	100 kHz	
$1 \text{ GHz} \leq f < 12.75 \text{ GHz}$	-30 dBm	1 MHz	
	-25 dBm	1 MHz	
12.75 GHz $\leq f <$ 5th harmonic of the upper frequency edge of the UL operating band in GHz	-30 dBm	1 MHz	1
$12.75 \text{ GHz} < f < 26 \text{ GHz}$	-30 dBm	1 MHz	2
NOTE 1: Applies for Band that the upper frequency edge of the UL Band more than 2.69 GHz			
NOTE 2: Applies for Band that the upper frequency edge of the UL Band more than 5.2 GHz			

6.5F.3.2 Spurious emissions for UE co-existence

Spurious emissions requirements for UE coexistence are not applicable to bands restricted to stand-alone operation with shared spectrum channel access as identified in Table 5.2-1.

6.5F.3.3 Additional spurious emissions for shared spectrum channel access

Editor's note: This clause is incomplete. The following aspects are either missing or not yet determined:

- Test points are TBD except for NS_28 and NS_29
- MU and TT for >6GHz (band n96) are working assumption based on analysis of single TE vendor. Values will be revisited once analysis from other TE vendors is available.
- RMC in Annex A.
- Test coverage for UL-MIMO
- Message exceptions

- Test state and generic procedure are TBD in 38.508-1

6.5F.3.3.1 Test purpose

To verify that UE transmitter does not cause unacceptable interference to other channels or other systems in terms of transmitter spurious emissions under the deployment scenarios where additional requirements are specified.

6.5F.3.3.2 Test applicability

This test case applies to all types of NR UE release 16 and forward that support NR standalone shared spectrum channel access.

6.5F.3.3.3 Minimum conformance requirements

These requirements are specified in terms of an additional spectrum emission requirement. Additional spurious emission requirements are signalled by the network to indicate that the UE shall meet an additional requirement for a specific deployment scenario as part of the cell handover/broadcast message.

6.5F.3.3.3.1 Minimum conformance requirements (network signalling value "NS_28")

When "NS_28" is indicated in the cell, the power of any UE emission for channels assigned within 5150-5350 and 5470-5725 MHz shall not exceed the levels specified in Table 6.5F.3.3.1-1. This requirement also applies for the frequency ranges that are less than F_{OOB} (MHz) in Table 6.6.3.1-1 from the edge of the channel bandwidth.

Table 6.5F.3.3.3.1-1: Additional requirements

Frequency band (MHz)	Channel bandwidth / Spectrum emission limit (dBm)	Measurement bandwidth
	20, 40, 60, 80, [100] MHz	
$47 \leq f \leq 74$	-54	100 kHz
$87.5 \leq f \leq 118$	-54	100 kHz
$174 \leq f \leq 230$	-54	100 kHz
$470 \leq f \leq 862$	-54	100 kHz
$1000 \leq f \leq 5150$	-30	1 MHz
$5350 \leq f \leq 5470$	-30	1 MHz
$5725 \leq f \leq 26000$	-30	1 MHz

The normative reference for this requirement is TS 38.101-1 [2] subclause 6.5F.3.3.1.

6.5F.3.3.3.2 Minimum conformance requirements (network signalling value "NS_29")

When "NS_29" is indicated in the cell, the power of any UE emission for channels assigned within 5150-5350 and 5470-5730 MHz shall not exceed the levels specified in Table 6.5F.3.3.2-1, Table 6.5F.3.3.2-2, and Table 6.F.3.3.2-3. This requirement also applies for the frequency ranges that are less than F_{OOB} (MHz) in Table 6.6.3.1-1 from the edge of the channel bandwidth.

Table 6.5F.3.3.3.2-1: Additional requirements for 20 MHz channel bandwidth

Center Frequency F_c [MHz]	Protected range [MHz]	Minimum requirement [dBm]	Measurement bandwidth
$5179.98 \leq F_c \leq 5239.98$	$5135 \leq f \leq 5142$	-26	1 MHz
	$5142 < f \leq 5150$	-18	
	$5250 \leq f < 5250.2$	3 to -2	
	$5250.2 \leq f < 5251$	-2 to -10	
	$5251 \leq f < 5260$	-10 to -18	
	$5260 \leq f < 5266.7$	-18 to -26	
	$5266.7 \leq f \leq 5365$	-26	
$5260.02 \leq F_c \leq 5320.02$	$5135 \leq f \leq 5233.3$	-26	1 MHz
	$5233.3 < f \leq 5240$	-26 to -18	
	$5240 < f \leq 5249$	-18 to -10	
	$5249 < f \leq 5249.8$	-10 to -2	
	$5249.8 < f \leq 5250$	-2 to 3	

	$5350 \leq f \leq 5365$	-26
$5500.02 \leq F_c \leq 5719.98$	$5420 \leq f \leq 5460$	-26
	$5460 < f \leq 5470$	-19
	$5745 \leq f < 5765$	-19
	$5765 \leq f \leq 5800$	-26
NOTE: The minimum requirement when specified as a range denotes the emission requirement at the end points of the protected range. The requirement within the protected range is obtained by linear interpolation between the requirements at the end points.		

Table 6.5F.3.3.2-2: Additional requirements for 40 MHz channel bandwidth

Center Frequency F_c [MHz]	Protected range [MHz]	Minimum requirement [dBm]	Measurement bandwidth
$5190 \leq F_c \leq 5230.02$	$5100 \leq f \leq 5141.6$	-26	1 MHz
	$5141.6 < f \leq 5150$	-18	
	$5250 \leq f < 5251$	-3 to -13	
	$5251 \leq f < 5270$	-13 to -21	
	$5270 \leq f < 5278.4$	-21 to -26	
	$5278.4 \leq f \leq 5400$	-26	
$5269.98 \leq F_c \leq 5310$	$5210 < f \leq 5221.6$	-26	
	$5221.6 < f \leq 5230$	-26 to -21	
	$5230 < f \leq 5249$	-21 to -13	
	$5249 \leq f \leq 5250$	-13 to -3	
	$5350 \leq f \leq 5358.4$	-18	
	$5358.4 < f \leq 5400$	-26	
$5509.98 \leq F_c \leq 5670$	$5420 \leq f \leq 5460$	-19	
	$5460 < f \leq 5470$	-13	
	$5770 \leq f \leq 5800$	-19	
NOTE: The minimum requirement when specified as a range denotes the emission requirement at the end points of the protected range. The requirement within the protected range is obtained by linear interpolation between the requirements at the end points.			

Table 6.5F.3.3.2-3: Additional requirements for 60 and 80 MHz channel bandwidth

Center Frequency F_c [MHz]	Protected range [MHz]	Minimum requirement [dBm]	Measurement bandwidth
$5200.02 \leq F_c \leq 5220$	$5020 \leq f \leq 5123.2$	-26	1 MHz
	$5123.2 < f \leq 5150$	-18	
	$5250 \leq f < 5251$	-6 to -16	
	$5251 \leq f < 5290$	-16 to -24	
	$5290 \leq f < 5296.7$	-24 to -26	
	$5296.7 \leq f \leq 5480$	-26	
$5280 \leq F_c \leq 5299.98$	$5020 \leq f \leq 5203.3$	-26	
	$5203.3 < f \leq 5210$	-26 to -24	
	$5210 < f \leq 5249$	-24 to -16	
	$5249 < f \leq 5250$	-16 to -6	
	$5350 \leq f < 5376.8$	-18	
	$5376.8 \leq f \leq 5480$	-26	
$5520 \leq F_c \leq 5689.98$	$5340 \leq f \leq 5460$	-19	
	$5460 < f \leq 5469.5$	-13	
	$5469.5 < f \leq 5470$	-13	
	$5770 \leq f \leq 5800$	-19	

NOTE: The minimum requirement when specified as a range denotes the emission requirement at the end points of the protected range. The requirement within the protected range is obtained by linear interpolation between the requirements at the end points.

The normative reference for this requirement is TS 38.101-1 [2] subclause 6.5F.3.3.2.

6.5F.3.3.4 Test description

6.5F.3.3.4.1 Initial conditions

Initial conditions are a set of test configurations the UE needs to be tested in and the steps for the SS to take with the UE to reach the correct measurement state.

The initial test configurations consist of environmental conditions, test frequencies, test channel bandwidths and sub-carrier spacing based on NR operating bands specified in Table 5.3.5-1. All these configurations shall be tested with applicable test parameters for each combination of channel bandwidth and sub-carrier spacing, and are shown in Table 6.5F.3.3.4.1-1 through Table 6.5F.3.3.4.1-2. The details of the uplink reference measurement channels (RMCs) are specified in Annex A.2.2. Configurations of PDSCH and PDCCH before measurement are specified in Annex C.2.

Table 6.5F.3.3.4.1-1: Test Configuration Table (network signalling value "NS_28")

Same test configuration as listed in Table 6.2F.3.4.1-1 shall be used.

Table 6.5F.3.3.4.1-2: Test Configuration Table (network signalling value "NS_29")

Same test configuration as listed in Table 6.2F.3.4.1-1 shall be used.

1. Connect the SS to the UE to the UE antenna connectors as shown in TS 38.508-1 [5] Annex A Figure A.3.1.2.2 for TE diagram and section A.3.2 for UE diagram.
2. The parameter settings for the cell are set up according to TS 38.508-1 [5] subclause 4.4.3.
3. Downlink signals are initially set up according to Annex C.0, C.1, C.2, and uplink signals according to Annex G.0, G.1, G.2, G.3.0.
4. The UL Reference Measurement channels are set according to Table 6.5F.3.3.4.1-1 through Table 6.5F.3.3.4.1-2.
5. Propagation conditions are set according to Annex B.0.
6. Ensure the UE is in state RRC_CONNECTED with generic procedure parameters Connectivity NR, Connected without release On, Test Mode On and Test Loop Function On according to TS 38.508-1 [5] clause 4.5. Message contents are defined in clause 6.5F.3.3.4.3.

6.5F.3.3.4.2 Test procedure

- 1 SS sends uplink scheduling information for each UL HARQ process via PDCCH DCI format 0_1 for C_RNTI to schedule the UL RMC according to Table 6.5F.3.3.4.1-1 through Table 6.5F.3.3.4.1-2. Since the UE has no payload data to send, the UE transmits uplink MAC padding bits on the UL RMC..
2. Send continuously uplink power control "up" commands in the uplink scheduling information to the UE until the UE transmits at P_{UMAX} level.
3. Measure the mean power of the UE in the channel bandwidth of the radio access mode according to the test configuration in Tables 6.5F.3.3.4.1-1 through 6.5F.3.3.4.1-2 as appropriate, which shall meet the requirements in clause 6.5F.3.3.5 with allowed A-MPR values specified in 6.2F.3.5. The measured power shall be verified for each step. The measurement period shall capture the active time slots.
4. Measure the power of the transmitted signal at each UE antenna connector with a measurement filter of bandwidths to clauses 6.5F.3.3.3.1 to 6.5F.3.3.3.2 as appropriate. The centre frequency of the filter shall be stepped in contiguous steps according to the same table the measured power shall be verified for each step. The

measurement period shall capture the active time slots. During measurement the spectrum analyser shall be set to 'Detector' = RMS. If the sweep count is higher than one, the trace mode shall be average.

6.5F.3.3.4.3 Message contents

Message contents are according to TS 38.508-1 [5] subclause 4.6 and same exceptions listed in 6.2F.3.4.3

6.5F.3.3.5 Test requirement

The measured power at each UE antenna connector derived in step 4 shall meet the requirements for the specified NR band for an additional spurious emission requirement with protected bands as indicated from Table 6.5F.3.3.5.1 to Table 6.5F.3.3.5.2 for different NS values.

NOTE: For measurement conditions at the edge of each frequency range, the lowest frequency of the measurement position in each frequency range should be set at the lowest boundary of the frequency range plus MBW/2. The highest frequency of the measurement position in each frequency range should be set at the highest boundary of the frequency range minus MBW/2. MBW denotes the measurement bandwidth defined for the protected band.

6.5F.3.3.5.1 Test requirement (network signalling value "NS_28")

When "NS_28" is indicated in the cell,

The measured UE mean power in the channel bandwidth, derived in step 3, shall fulfil requirements in Table 6.2F.3.5-1 for power class 5 UE.

The power of any UE emission for channels assigned within 5150-5350 and 5470-5725 MHz shall not exceed the levels specified in Table 6.5F.3.3.5.1-1. This requirement also applies for the frequency ranges that are less than F_{OoB} (MHz) in Table 6.5.3.1.3-1 from the edge of the channel bandwidth

Table 6.5F.3.3.5.1-1: Additional requirements

Frequency band (MHz)	Channel bandwidth / Spectrum emission limit (dBm)	Measurement bandwidth
	20, 40, 60, 80, [100] MHz	
$47 \leq f \leq 74$	-54	100 kHz
$87.5 \leq f \leq 118$	-54	100 kHz
$174 \leq f \leq 230$	-54	100 kHz
$470 \leq f \leq 862$	-54	100 kHz
$1000 \leq f \leq 5150$	-30	1 MHz
$5350 \leq f \leq 5470$	-30	1 MHz
$5725 \leq f \leq 26000$	-30	1 MHz

6.5F.3.3.5.2 Test requirement (network signalling value "NS_29")

When "NS_29" is indicated in the cell,

The measured UE mean power in the channel bandwidth, derived in step 3, shall fulfil requirements in Table 6.2F.3.5-2 for power class 5 UE.

The power of any UE emission for channels assigned within 5150-5350 and 5470-5730 MHz shall not exceed the levels specified in Table 6.5F.3.3.5.2-1 and Table 6.5F.3.3.5.2-2. This requirement also applies for the frequency ranges that are less than F_{OoB} (MHz) in Table 6.5.3.1.3-1 from the edge of the channel bandwidth

Table 6.5F.3.3.5.2-1: Additional requirements for 40 MHz channel bandwidth

Center Frequency F_c [MHz]	Protected range [MHz]	Minimum requirement [dBm]	Measurement bandwidth
$5190 \leq F_c \leq 5230.02$	$5100 \leq f \leq 5141.6$	-26	1 MHz
	$5141.6 < f \leq 5150$	-18	
	$5250 \leq f < 5251$	-3 to -13	
	$5251 \leq f < 5270$	-13 to -21	
	$5270 \leq f < 5278.4$	-21 to -26	

	$5278.4 \leq f \leq 5400$	-26
$5269.98 \leq F_c \leq 5310$	$5210 < f \leq 5221.6$	-26
	$5221.6 < f \leq 5230$	-26 to -21
	$5230 < f \leq 5249$	-21 to -13
	$5249 \leq f \leq 5250$	-13 to -3
	$5350 \leq f \leq 5358.4$	-18
	$5358.4 < f \leq 5400$	-26
$5509.98 \leq F_c \leq 5670$	$5420 \leq f \leq 5460$	-19
	$5460 < f \leq 5470$	-13
	$5770 \leq f \leq 5800$	-19
NOTE: The minimum requirement when specified as a range denotes the emission requirement at the end points of the protected range. The requirement within the protected range is obtained by linear interpolation between the requirements at the end points.		

Table 6.5F.3.3.5.2-2: Additional requirements for 60 and 80 MHz channel bandwidth

Center Frequency F_c [MHz]	Protected range [MHz]	Minimum requirement [dBm]	Measurement bandwidth
$5200.02 \leq F_c \leq 5220$	$5020 \leq f \leq 5123.2$	-26	1 MHz
	$5123.2 < f \leq 5150$	-18	
	$5250 \leq f < 5251$	-6 to -16	
	$5251 \leq f < 5290$	-16 to -24	
	$5290 \leq f < 5296.7$	-24 to -26	
	$5296.7 \leq f \leq 5480$	-26	
$5280 \leq F_c \leq 5299.98$	$5020 \leq f \leq 5203.3$	-26	
	$5203.3 < f \leq 5210$	-26 to -24	
	$5210 < f \leq 5249$	-24 to -16	
	$5249 < f \leq 5250$	-16 to -6	
	$5350 \leq f < 5376.8$	-18	
	$5376.8 \leq f \leq 5480$	-26	
$5520 \leq F_c \leq 5689.98$	$5340 \leq f \leq 5460$	-19	
	$5460 < f \leq 5469.5$	-13	
	$5469.5 < f \leq 5470$	-13	
	$5770 \leq f \leq 5800$	-19	
NOTE: The minimum requirement when specified as a range denotes the emission requirement at the end points of the protected range. The requirement within the protected range is obtained by linear interpolation between the requirements at the end points.			

6.5F.4 Transmit intermodulation for shared spectrum channel access

Editor's Note: This test is incomplete. The following aspects are not yet determined:

- MU and TT for >6GHz (band n96) are TBD are working assumption based on analysis of single TE vendor. Values will be revisited once analysis from other TE vendors is available.

6.5F.4.1 Test purpose

To verify that the UE transmit intermodulation does not exceed the described value in the test requirement when UE is operating with shared spectrum channel access.

The transmit intermodulation performance is a measure of the capability of the transmitter to inhibit the generation of signals in its non-linear elements caused by presence of the wanted signal and an interfering signal reaching the transmitter via the antenna.

6.5F.4.2 Test applicability

This test case applies to all types of NR UE release 16 and forward that support NR standalone shared spectrum channel access.

6.5F.4.3 Minimum conformance requirements

The requirements for transmit intermodulation in clause 6.5F.4 apply.

The normative reference for this requirement is TS 38.101-1 [2] clause 6.5F.4.

6.5F.4.4 Test description

6.5F.4.4.1 Initial conditions

Initial conditions are a set of test configurations the UE needs to be tested in and the steps for the SS to take with the UE to reach the correct measurement state.

The initial test configurations consist of environmental conditions, test frequencies, test channel bandwidths and sub-carrier spacing based on NR operating bands specified in table 5.3.5-1. All of these configurations shall be tested with applicable test parameters for each combination of channel bandwidth and sub-carrier spacing and are shown in table 6.5F.4.4.1-1. The details of the uplink reference measurement channels (RMCs) are specified in Annexes A.2. Configurations of PDSCH and PDCCH before measurement are specified in Annex C.2.

Table 6.5F.4.4.1-1: Test Configuration Table

Initial Conditions			
Test Environment as specified in TS 38.508-1 [5] subclause 4.1		Normal	
Test Frequencies as specified in TS 38.508-1 [5] subclause 4.3.1		Mid range	
Test Channel Bandwidths as specified in TS 38.508-1 [5] subclause 4.3.1		20 MHz, Highest	
Test SCS as specified in Table 5.3.5-1		Lowest, Highest	
Test Parameters			
Test ID	Downlink Configuration	Uplink Configuration	
	N/A for transmit intermodulation test case	Modulation	RB allocation (NOTE 1)
1		DFT-s-OFDM PI/2 BPSK	Outer Full
2		DFT-s-OFDM QPSK	Outer Full
NOTE 1: The specific configuration of each RB allocation is defined in Table 6.1-1.			

1. Connect the SS to the UE antenna connectors as shown in TS 38.508-1 [5] Annex A, in Figure A.3.1.3.1 for TE diagram and section A.3.2 for UE diagram.
2. The parameter settings for the cell are set up according to TS 38.508-1 [5] subclause 4.4.3.
3. Downlink signals are initially set up according to Annex C.0, C.1, C.2, and uplink signals according to Annex G.0, G.1, G.2, G.3.0.
4. The UL Reference Measurement channels are set according to Table 6.5F.4.4.1-1.
5. Propagation conditions are set according to Annex B.0.
6. Ensure the UE is in State RRC_CONNECTED with generic procedure parameters Connectivity *NR*, Connected without release *On*, Test Mode *On* and Test Loop Function *On* according to TS 38.508-1 [5] clause 4.5. Message contents are defined in clause 6.5F.4.4.3.

6.5F.4.4.2 Test procedure

1. SS sends uplink scheduling information for each UL HARQ process via PDCCH DCI format 0_1 for C_RNTI to schedule the UL RMC according to Table 6.5F.4.4.1-1. Since the UE has no payload and no loopback data to send the UE sends uplink MAC padding bits on the UL RMC.
2. Send continuously uplink power control "up" commands to the UE until the UE transmits at its P_{UMAX} level.

3. Measure the rectangular filtered mean power of the UE. For TDD, only slots consisting of only UL symbols are under test for the wanted signal and for the intermodulation product.
4. Set the interference signal frequency below the UL carrier frequency using the first offset in table 6.5F.4.5-1.
5. Set the interference CW signal level according to table 6.5F.4.5-1.
6. Search the intermodulation product signals below and above the UL carrier frequency, then measure the rectangular filtered mean power of transmitting intermodulation for both signals and calculate the ratios with the power measured in step 3.
7. Set the interference signal frequency above the UL carrier frequency using the first offset in table 6.5F.4.5-1.
8. Search the intermodulation product signals below and above the UL carrier frequency, then measure the rectangular filtered mean power of transmitting intermodulation for both signals and calculate the ratios with the power measured in step 3.
9. Repeat the measurement using the second offset in table 6.5F.4.5-1.

6.5F.4.4.3 Message contents

Message contents are according to TS 38.508-1 [5] subclause 4.6 with the following exception:

Table 6.5F.4.4.3-1: PUSCH-Config

Derivation Path: TS 38.508-1 [5], Table 4.6.3-118 with condition TRANSFORM_PRECODER_ENABLED
--

6.5F.4.5 Test requirement

The ratio derived in step 6 and 8, shall not exceed the described value in table 6.5F.4.5-1.

Table 6.5F.4.5-1: Transmit Intermodulation

Wanted signal channel bandwidth	$BW_{Channel}$	
Interference signal frequency offset from channel centre	$BW_{Channel}$	$2 \cdot BW_{Channel}$
Interference CW signal level	-40dBc	
Intermodulation product	< -29dBc	< -35dBc
Measurement bandwidth	The maximum transmission bandwidth configuration among the different SCSs for the channel BW as defined in Table 6.5F.2.4.1.5-1	
Measurement offset from channel centre	$BW_{Channel}$ and $2 \cdot BW_{Channel}$	$2 \cdot BW_{Channel}$ and $4 \cdot BW_{Channel}$
Note 1:	The test requirements do not apply when the interfering signal overlaps with the channel bandwidth of the downlink signal.	

6.5G Output RF spectrum emissions for Tx Diversity

6.5G.1 Occupied bandwidth for Tx Diversity

6.5G.1.1 Test purpose

To verify that the UE occupied bandwidth for Tx Diversity for all transmission bandwidth configurations supported by the UE are less than their specific limits.

6.5G.1.2 Test applicability

This test case applies to all types of NR Power Class 1.5 UE, Power Class 2 and Power Class 3 UE release 15 and forward that support Tx diversity.

6.5G.1.3 Minimum conformance requirements

For UE supporting Tx diversity, the requirements for occupied bandwidth apply to the transmitted spectrum as measured as the sum of the power from all UE transmit antenna connectors. The occupied bandwidth is defined as the bandwidth containing 99 % of the total integrated mean power of the transmitted spectrum on the assigned channel at each transmit antenna connector.

The normative reference for this requirement is TS 38.101-1 [2] clause 6.5G.1.

6.5G.1.4 Test description

Same test description as specified in clause 6.5.1.4 with following exceptions:

Step 3 of Test procedure as in 6.5.1.4.2 is replaced by:

3. Measure the power spectrum distribution as the sum of the power from all UE transmit antenna connectors within two times or more range over the requirement for Occupied Bandwidth specification centring on the current carrier frequency. The characteristics of the filter shall be approximately Gaussian (typical spectrum analyser filter). Other methods to measure the power spectrum distribution are allowed. The measuring duration is at least 1ms over consecutive active uplink slots.

6.5G.1.5 Test requirement

The measured Occupied Bandwidth shall not exceed values in Table 6.5.1.5-1.

6.5G.2 Out of band emission for Tx Diversity

6.5G.2.1 Spectrum emission mask for Tx Diversity

6.5G.2.1.1 Test purpose

Same test purpose as in 6.5.2.2.1.

6.5G.2.1.2 Test applicability

This test case applies to all types of NR Power Class 1.5, Power Class 2 and Power Class 3 UE release 15 and forward that support Tx diversity.

6.5G.2.1.3 Minimum conformance requirements

For UE supporting Tx diversity, the requirements for Out of band emissions resulting from the modulation process and non-linearity in the transmitters apply to the sum of the emissions from all UE transmit antenna connectors.

If UE indicates Tx diversity capability, Adjacent Channel Leakage power Ratio (ACLR) is defined as the ratio of sum of the filtered mean power at each antenna connector centred on the assigned channel frequency to sum of the filtered mean power at each antenna connector centred on an adjacent channel frequency.

The normative reference for this requirement is TS 38.101-1 [2] clause 6.5G.2.1

6.5G.2.1.4 Test description

6.5G.2.1.4.1 Initial conditions

Initial conditions are a set of test configurations the UE needs to be tested in and the steps for the SS to take with the UE to reach the correct measurement state.

The initial test configurations consist of environmental conditions, test frequencies, test channel bandwidths and sub-carrier spacing based on NR operating bands specified in table 5.3.5-1. All of these configurations shall be tested with applicable test parameters for each combination of channel bandwidth and sub-carrier spacing, are shown in table 6.5G.2.1.4.1-1, 6.5G.2.1.4.1-2, 6.5G.2.1.4.1-2a and Table 6.5G.2.1.4.1-3. The details of the uplink reference measurement channels (RMCs) are specified in Annexes A.2. Configurations of PDSCH and PDCCCH before measurement are specified in Annex C.2

Table 6.5G.2.1.4.1-1: Test Configuration Table for power class 3 (contiguous allocation)

Default Conditions

Test Environment as specified in TS 38.508-1 [5] subclause 4.1				Normal		
Test Frequencies as specified in TS 38.508-1 [5] subclause 4.3.1				Low range, High range		
Test Channel Bandwidths as specified in TS 38.508-1 [5] subclause 4.3.1				Lowest, Highest		
Test SCS as specified in Table 5.3.5-1				Lowest, Highest		
Test Parameters for Channel Bandwidths						
Test ID	Freq	ChBw	SCS	Downlink Configuration	Uplink Configuration	
		Default	Default	N/A for Spectrum Emission Mask test case	Modulation (NOTE 2)	RB allocation (NOTE 1)
1 ³	Low				DFT-s-OFDM PI/2 BPSK	Edge_1RB_Left
2 ³	High				DFT-s-OFDM PI/2 BPSK	Edge_1RB_Right
3 ³	Default				DFT-s-OFDM PI/2 BPSK	Outer_Full
4 ⁴	Low				DFT-s-OFDM PI/2 BPSK	Edge_1RB_Left
5 ⁴	High				DFT-s-OFDM PI/2 BPSK	Edge_1RB_Right
6 ⁴	Default				DFT-s-OFDM PI/2 BPSK	Outer_Full
7	Low				DFT-s-OFDM QPSK	Edge_1RB_Left
8	High				DFT-s-OFDM QPSK	Edge_1RB_Right
9	Default				DFT-s-OFDM QPSK	Outer_Full
10	Low				DFT-s-OFDM 16 QAM	Edge_1RB_Left
11	High				DFT-s-OFDM 16 QAM	Edge_1RB_Right
12	Default				DFT-s-OFDM 16 QAM	Outer_Full
13	Low				DFT-s-OFDM 64 QAM	Edge_1RB_Left
14	High				DFT-s-OFDM 64 QAM	Edge_1RB_Right
15	Default				DFT-s-OFDM 64 QAM	Outer_Full
16	Low				DFT-s-OFDM 256 QAM	Edge_1RB_Left
17	High				DFT-s-OFDM 256 QAM	Edge_1RB_Right
18	Default				DFT-s-OFDM 256 QAM	Outer_Full
19	Low				CP-OFDM QPSK	Edge_1RB_Left
20	High				CP-OFDM QPSK	Edge_1RB_Right
21	Default				CP-OFDM QPSK	Outer_Full
22	Low				CP-OFDM 16 QAM	Edge_1RB_Left
23	High				CP-OFDM 16 QAM	Edge_1RB_Right
24	Default				CP-OFDM 16 QAM	Outer_Full
25	Low				CP-OFDM 64 QAM	Edge_1RB_Left
26	High				CP-OFDM 64 QAM	Edge_1RB_Right
27	Default	CP-OFDM 64 QAM	Outer_Full			

28	Low			CP-OFDM 256 QAM	Edge_1RB_Left
29	High			CP-OFDM 256 QAM	Edge_1RB_Right
30	Default			CP-OFDM 256 QAM	Outer_Full
31 ^{5,6}	Low			DFT-s-OFDM Pi/2 BPSK w Pi/2 BPSK DMRS	Edge_1RB_Left
32 ^{5,6}	High			DFT-s-OFDM Pi/2 BPSK w Pi/2 BPSK DMRS	Edge_1RB_Right
33 ^{5,6}	Default			DFT-s-OFDM Pi/2 BPSK w Pi/2 BPSK DMRS	Outer Full
<p>NOTE 1: The specific configuration of each RF allocation is defined in Table 6.1-1.</p> <p>NOTE 2: DFT-s-OFDM Pi/2 BPSK test applies only for UEs which supports half Pi BPSK in FR1.</p> <p>NOTE 3: UE operating in TDD mode with Pi/2 BPSK modulation and UE indicates support for UE capability <i>powerBoosting-pi2BPSK</i> and the IE <i>powerBoostPi2BPSK</i> is set to 1 for bands n40, n41, n77, n78 and n79.</p> <p>NOTE 4: UE operating in FDD mode, or in TDD mode in bands other than n40, n41, n77, n78 and n79, or in TDD mode the IE <i>powerBoostPi2BPSK</i> is set to 0 for bands n40, n41, n77, n78 and n79.</p> <p>NOTE 5: For Power Class 3 testing, UE operating in FDD mode, or in TDD mode in bands other than n40, n41, n77, n78 and n79, or in TDD mode the IE <i>powerBoostPi2BPSK</i> is set to 0 for bands n40, n77, n78 and n79.</p> <p>NOTE 6: Applicable to UEs indicating support for UE capability <i>lowPAPR-DMRS-PUSCHwithPrecoding-r16</i>.</p> <p>NOTE 7: It is essential that all test points in this table also exist in table 6.2G.2.4.1-2a.</p>					

Table 6.5G.2.1.4.1-2: Test Configuration Table for power class 2 (contiguous allocation)

Initial Conditions																																									
Test Environment as specified in TS 38.508-1 [5] subclause 4.1		Normal																																							
Test Frequencies as specified in TS 38.508-1 [5] subclause 4.3.1		Low range, High range																																							
Test Channel Bandwidths as specified in TS 38.508-1 [5] subclause 4.3.1		Lowest, Highest																																							
Test SCS as specified in Table 5.3.5-1		Lowest, Highest																																							
Test Parameters for Channel Bandwidths																																									
Test ID	Freq	Downlink Configuration	Uplink Configuration																																						
		N/A	<table border="1"> <thead> <tr> <th>Modulation (NOTE 2)</th> <th>RB allocation (NOTE 1)</th> </tr> </thead> <tbody> <tr><td>DFT-s-OFDM Pi/2 BPSK</td><td>Edge_1RB_Left</td></tr> <tr><td>DFT-s-OFDM Pi/2 BPSK</td><td>Edge_1RB_Right</td></tr> <tr><td>DFT-s-OFDM Pi/2 BPSK</td><td>Outer Full</td></tr> <tr><td>DFT-s-OFDM QPSK</td><td>Edge_1RB_Left</td></tr> <tr><td>DFT-s-OFDM QPSK</td><td>Edge_1RB_Right</td></tr> <tr><td>DFT-s-OFDM QPSK</td><td>Outer Full</td></tr> <tr><td>DFT-s-OFDM 16 QAM</td><td>Edge_1RB_Left</td></tr> <tr><td>DFT-s-OFDM 16 QAM</td><td>Edge_1RB_Right</td></tr> <tr><td>DFT-s-OFDM 16 QAM</td><td>Outer Full</td></tr> <tr><td>DFT-s-OFDM 64 QAM</td><td>Edge_1RB_Left</td></tr> <tr><td>DFT-s-OFDM 64 QAM</td><td>Edge_1RB_Right</td></tr> <tr><td>DFT-s-OFDM 64 QAM</td><td>Outer Full</td></tr> <tr><td>DFT-s-OFDM 256 QAM</td><td>Edge_1RB_Left</td></tr> <tr><td>DFT-s-OFDM 256 QAM</td><td>Edge_1RB_Right</td></tr> <tr><td>DFT-s-OFDM 256 QAM</td><td>Outer Full</td></tr> <tr><td>CP-OFDM QPSK</td><td>Edge_1RB_Left</td></tr> <tr><td>CP-OFDM QPSK</td><td>Edge_1RB_Right</td></tr> <tr><td>CP-OFDM QPSK</td><td>Outer Full</td></tr> </tbody> </table>	Modulation (NOTE 2)	RB allocation (NOTE 1)	DFT-s-OFDM Pi/2 BPSK	Edge_1RB_Left	DFT-s-OFDM Pi/2 BPSK	Edge_1RB_Right	DFT-s-OFDM Pi/2 BPSK	Outer Full	DFT-s-OFDM QPSK	Edge_1RB_Left	DFT-s-OFDM QPSK	Edge_1RB_Right	DFT-s-OFDM QPSK	Outer Full	DFT-s-OFDM 16 QAM	Edge_1RB_Left	DFT-s-OFDM 16 QAM	Edge_1RB_Right	DFT-s-OFDM 16 QAM	Outer Full	DFT-s-OFDM 64 QAM	Edge_1RB_Left	DFT-s-OFDM 64 QAM	Edge_1RB_Right	DFT-s-OFDM 64 QAM	Outer Full	DFT-s-OFDM 256 QAM	Edge_1RB_Left	DFT-s-OFDM 256 QAM	Edge_1RB_Right	DFT-s-OFDM 256 QAM	Outer Full	CP-OFDM QPSK	Edge_1RB_Left	CP-OFDM QPSK	Edge_1RB_Right	CP-OFDM QPSK	Outer Full
Modulation (NOTE 2)	RB allocation (NOTE 1)																																								
DFT-s-OFDM Pi/2 BPSK	Edge_1RB_Left																																								
DFT-s-OFDM Pi/2 BPSK	Edge_1RB_Right																																								
DFT-s-OFDM Pi/2 BPSK	Outer Full																																								
DFT-s-OFDM QPSK	Edge_1RB_Left																																								
DFT-s-OFDM QPSK	Edge_1RB_Right																																								
DFT-s-OFDM QPSK	Outer Full																																								
DFT-s-OFDM 16 QAM	Edge_1RB_Left																																								
DFT-s-OFDM 16 QAM	Edge_1RB_Right																																								
DFT-s-OFDM 16 QAM	Outer Full																																								
DFT-s-OFDM 64 QAM	Edge_1RB_Left																																								
DFT-s-OFDM 64 QAM	Edge_1RB_Right																																								
DFT-s-OFDM 64 QAM	Outer Full																																								
DFT-s-OFDM 256 QAM	Edge_1RB_Left																																								
DFT-s-OFDM 256 QAM	Edge_1RB_Right																																								
DFT-s-OFDM 256 QAM	Outer Full																																								
CP-OFDM QPSK	Edge_1RB_Left																																								
CP-OFDM QPSK	Edge_1RB_Right																																								
CP-OFDM QPSK	Outer Full																																								
1	Low																																								
2	High																																								
3	Default																																								
4	Low																																								
5	High																																								
6	Default																																								
7	Low																																								
8	High																																								
9	Default																																								
10	Low																																								
11	High																																								
12	Default																																								
13	Low																																								
14	High																																								
15	Default																																								
16	Low																																								
17	High																																								
18	Default																																								

19	Low	CP-OFDM 16 QAM	Edge_1RB_Left
20	High	CP-OFDM 16 QAM	Edge_1RB_Right
21	Default	CP-OFDM 16 QAM	Outer Full
22	Low	CP-OFDM 64 QAM	Edge_1RB_Left
23	High	CP-OFDM 64 QAM	Edge_1RB_Right
24	Default	CP-OFDM 64 QAM	Outer Full
25	Low	CP-OFDM 256 QAM	Edge_1RB_Left
26	High	CP-OFDM 256 QAM	Edge_1RB_Right
27	Default	CP-OFDM 256 QAM	Outer Full

NOTE 1: The specific configuration of each RB allocation is defined in Table 6.1-1.
 NOTE 2: DFT-s-OFDM Pi/2 BPSK test applies only for UEs which supports half Pi BPSK in FR1.
 NOTE 3: It is essential that all test points in this table also exist in table 6.2G.2.4.1-1.

Table 6.5G.2.1.4.1-3: Test Configuration Table for power class 1.5 (contiguous allocation)

Initial Conditions				
Test Environment as specified in TS 38.508-1 [5] subclause 4.1		Normal		
Test Frequencies as specified in TS 38.508-1 [5] subclause 4.3.1		Low range, High range		
Test Channel Bandwidths as specified in TS 38.508-1 [5] subclause 4.3.1		Lowest, Highest		
Test SCS as specified in Table 5.3.5-1		Lowest, Highest		
Test Parameters for Channel Bandwidths				
Test ID	Freq	Downlink Configuration	Uplink Configuration	
		N/A for Spectrum Emission Mask test case	Modulation (NOTE 2)	
			RB allocation (NOTE 1)	
1	Low		DFT-s-OFDM Pi/2 BPSK	Edge_1RB_Left
2	High		DFT-s-OFDM Pi/2 BPSK	Edge_1RB_Right
3	Default		DFT-s-OFDM Pi/2 BPSK	Outer Full
4	Low		DFT-s-OFDM QPSK	Edge_1RB_Left
5	High		DFT-s-OFDM QPSK	Edge_1RB_Right
6	Default		DFT-s-OFDM QPSK	Outer Full
7	Low		DFT-s-OFDM 16 QAM	Edge_1RB_Left
8	High		DFT-s-OFDM 16 QAM	Edge_1RB_Right
9	Default		DFT-s-OFDM 16 QAM	Outer Full
10	Low		DFT-s-OFDM 64 QAM	Edge_1RB_Left
11	High		DFT-s-OFDM 64 QAM	Edge_1RB_Right
12	Default		DFT-s-OFDM 64 QAM	Outer Full
13	Low		DFT-s-OFDM 256 QAM	Edge_1RB_Left
14	High		DFT-s-OFDM 256 QAM	Edge_1RB_Right
15	Default		DFT-s-OFDM 256 QAM	Outer Full
16	Low		CP-OFDM QPSK	Edge_1RB_Left
17	High		CP-OFDM QPSK	Edge_1RB_Right
18	Default		CP-OFDM QPSK	Outer Full
19	Low		CP-OFDM 16 QAM	Edge_1RB_Left
20	High		CP-OFDM 16 QAM	Edge_1RB_Right
21	Default		CP-OFDM 16 QAM	Outer Full
22	Low		CP-OFDM 64 QAM	Edge_1RB_Left
23	High		CP-OFDM 64 QAM	Edge_1RB_Right
24	Default		CP-OFDM 64 QAM	Outer Full
25	Low		CP-OFDM 256 QAM	Edge_1RB_Left
26	High		CP-OFDM 256 QAM	Edge_1RB_Right
27	Default		CP-OFDM 256 QAM	Outer Full
28	Low		DFT-s-OFDM Pi/2 BPSK w Pi/2 BPSK DMRS	Edge_1RB_Left
29	High	DFT-s-OFDM Pi/2 BPSK w Pi/2 BPSK DMRS	Edge_1RB_Right	
30	Default	DFT-s-OFDM Pi/2 BPSK w Pi/2 BPSK DMRS	Outer Full	

NOTE 1: The specific configuration of each RB allocation is defined in Table 6.1-1.
 NOTE 2: DFT-s-OFDM Pi/2 BPSK test applies only for UEs which supports half Pi BPSK in FR1.
 NOTE 3: Applicable to UEs indicating support for UE capability *lowPAPR-DMRS-PUSCHwithPrecoding-r16*.
 NOTE 4: It is essential that all test points in this table also exist in table 6.2G.2.4.1-2.

Table 6.5G.2.1.4.1-4: Test Configuration Table for power class 2&3 (almost contiguous allocation)

Initial Conditions				
Test Environment as specified in TS 38.508-1 [5] subclause 4.1		Normal		
Test Frequencies as specified in TS 38.508-1 [5] subclause 4.3.1		Low range, High range		
Test Channel Bandwidths as specified in TS 38.508-1 [5] subclause 4.3.1		Highest		
Test SCS as specified in Table 5.3.5-1		Lowest, Highest		
Test Parameters for Channel Bandwidths				
Test ID	Freq	Downlink Configuration	Uplink Configuration	
		N/A	Modulation	
			RB allocation (NOTE 1)	
1	Default		CP-OFDM QPSK	Inner Full
2	Default		CP-OFDM QPSK	Outer Full
3	Default		CP-OFDM 16 QAM	Inner Full
4	Default		CP-OFDM 16 QAM	Outer Full
5	Default		CP-OFDM 64 QAM	Outer Full
6	Default	CP-OFDM 256 QAM	Outer Full	
NOTE 1: The specific configuration of each RB allocation is defined in Table 6.2G.2.4.1-4.				
NOTE 2: It is essential that all test points in this table also exist in table 6.2G.2.4.1-3.				
NOTE 3: Test applies only for UEs which support almost contiguous UL CP-OFDM transmissions. For PC2 UE which support almost contiguous UL CP-OFDM transmissions, test is only applicable for Release 16 and forward.				

1. Connect the SS to the UE antenna connectors as shown in TS 38.508-1 [5] Annex A, Figure A.3.1.1.1 for TE diagram and section A.3.2 for UE diagram.
2. The parameter settings for the cell are set up according to TS 38.508-1 [5] subclause 4.4.3.
3. Downlink signals are initially set up according to Annex C.0, C.1, C.2 and uplink signals according to Annex G.0, G.1, G.2, G.3.0.
4. The UL Reference Measurement channels are set according to Table 6.5G.2.1.4.1-1.
5. Propagation conditions are set according to Annex B.0.
6. Ensure the UE is in state RRC_CONNECTED with generic procedure parameters Connectivity *NR*, Connected without release *On*, Test Mode *On* and Test Loop Function *On* according to TS 38.508-1 [5] clause 4.5. Message contents are defined in clause 6.5G.2.1.4.3.

6.5G.2.1.4.2 Test procedure

1. SS sends uplink scheduling information for each UL HARQ process via PDCCH DCI format 0_1 for C_RNTI to schedule the UL RMC according to Table 6.5G.2.1.4.1-1, Table 6.5G.2.1.4.1-2, Table 6.5G.2.1.4.1-3 and Table 6.5G.2.1.4.1-4. Since the UL has no payload and no loopback data to send the UE sends uplink MAC padding bits on the UL RMC.
2. Send continuously power control “up” commands to the UE until the UE transmits at PUMAX level. Allow at least 200ms for the UE to reach PUMAX level.
3. Measure the sum of the mean power of the UE from both transmit antenna connectors in the channel bandwidth of the radio access mode according to the test configuration, which shall meet the requirements described in clause 6.2G.2.5. The period of the measurement shall be at least the continuous duration of 1ms over consecutive active uplink slots. For TDD, only slots consisting of only UL symbols are under test.
4. Measure the sum of the mean power of the transmitted signal from both transmit antenna connectors with a measurement filter of bandwidths according to table 6.5G.2.1.5-1 and using a rms detector. If the sweep count is higher than one, the trace mode shall be average. The centre frequency of the filter shall be stepped in continuous steps according to the same table. The measured power shall be recorded for each step. The measurement period shall capture the active TSs.

NOTE 1: When switching to DFT-s-OFDM waveform, as specified in the test configuration table 6.5G.2.1.4.1-1, table 6.5G.2.1.4.1-2, and table 6.5G.2.1.4.1-2a, send an NR RRCReconfiguration message according to TS 38.508-1 [5] clause 4.6.3 Table 4.6.3-118 PUSCH-Config with TRANSFORM_PRECODER_ENABLED condition.

6.5G.2.1.4.3 Message contents

Message contents are according to TS 38.508-1 [5] subclause 4.6 with the following exceptions:

Table 6.5G.2.1.4.3-1: PUSCH-Config

Derivation Path: TS 38.508-1 [5] subclause 4.6.3 Table 4.6.3-118 PUSCH-Config			
Information Element	Value/remark	Comment	Condition
PUSCH-Config ::= SEQUENCE {			
resourceAllocation	resourceAllocationType0		Almost contiguous allocation
	resourceAllocationType1		Contiguous allocation
}			

Table 6.5G.2.1.4.3-2: DMRS-UplinkConfig (Test ID 31 – 33 in Table 6.5G.2.1.4.1-1)

Derivation Path: TS 38.508-1 [5], Table 4.6.3-51			
Information Element	Value/remark	Comment	Condition
DMRS-UplinkConfig ::= SEQUENCE {			
transformPrecodingEnabled SEQUENCE {			
dmrs-UplinkTransformPrecoding-r16 SEQUENCE {			
pi2BPSK-ScramblingID0	Not present		
pi2BPSK-ScramblingID1	Not present		
}			
}			
}			

6.5G.2.1.5 Test requirement

The measured UE mean power in the channel bandwidth, derived in step 3, shall fulfil requirements in clause 6.2G.2.5 as appropriate, and the power of any UE emission shall fulfil requirements in Table 6.5G.2.1.5-1.

Table 6.5G.2.1.5-1: General NR spectrum emission mask

Δf_{OoB} (MHz)	Channel bandwidth (MHz) / Spectrum emission limit (dBm)			Measurement bandwidth
	5	10, 15, 20, 25, 30, 40, 45	50, 60, 70, 80, 90, 100	
$\pm 0-1$	-13 + TT	-13 + TT		1 % of channel BW
$\pm 0-1$			-24 + TT	30 kHz
$\pm 1-5$	-10 + TT	-10 + TT		1 MHz
$\pm 5-6$	-13 + TT			
$\pm 6-10$	-25 + TT			
$\pm 5-BW_{\text{Channel}}$		-13 + TT		
$\pm BW_{\text{Channel}} - (BW_{\text{Channel}}+5)$		-25 + TT		

- Note 1: The first and last measurement position with a 30 kHz filter is at Δf_{OoB} equals to 0.015 MHz and 0.985 MHz.
- Note 2: At the boundary of spectrum emission limit, the first and last measurement position with a 1 MHz filter is the inside of +0.5MHz and -0.5MHz, respectively.
- Note 3: The measurements are to be performed above the upper edge of the channel and below the lower edge of the channel.
- Note 4: TT for each frequency and channel bandwidth is specified in Table 6.5G.2.1.5-2.

Table 6.5G.2.1.5-2: Test Tolerance (Spectrum Emission Mask)

	$f \leq 3.0\text{GHz}$	$3.0\text{GHz} < f \leq 4.2\text{GHz}$	$4.2\text{GHz} < f \leq 6.0\text{GHz}$
$BW \leq 100\text{MHz}$	1.5 dB	1.8 dB	1.8 dB

NOTE: As a general rule, the resolution bandwidth of the measuring equipment should be equal to the measurement bandwidth. However, to improve measurement accuracy, sensitivity and efficiency, the resolution bandwidth may be smaller than the measurement bandwidth. When the resolution bandwidth is smaller than the measurement bandwidth, the result should be integrated over the measurement bandwidth in order to obtain the equivalent noise bandwidth of the measurement bandwidth.

6.5G.2.2 Additional spectrum emission mask for Tx Diversity

Editor's Note: The following aspects are either missing or not yet determined:

- Tests for network signalling values other than NS_04 are incomplete due to lack of test requirement in 6.2G.3.

6.5G.2.2.1 Test purpose

The same test purpose as in 6.5.2.3.1.

6.5G.2.2.2 Test applicability

This test case applies to all types of NR Power Class 1.5, Power Class 2 and Power Class 3 UE release 15 and forward that support Tx diversity.

6.5G.2.2.3 Minimum conformance requirements

For UE supporting Tx diversity, the requirements for Out of band emissions resulting from the modulation process and non-linearity in the transmitters apply to the sum of the emissions from all UE transmit antenna connectors.

If UE indicates IE Tx diversity capability, Adjacent Channel Leakage power Ratio (ACLR) is defined as the ratio of sum of the filtered mean power at each antenna connector centred on the assigned channel frequency to sum of the filtered mean power at each antenna connector centred on an adjacent channel frequency.

The normative reference for this requirement is TS 38.101-1 [2] clause 6.5G.2.

6.5G.2.2.4 Test description

Same test description as specified in clause 6.5.2.3.4 with following exceptions:

Step 3 and 4 of Test procedure as in 6.5.2.3.4.2 is replaced by:

3. Measure the mean power of the UE as the sum of the power from all UE transmit antenna connectors in the channel bandwidth of the radio access mode according to the test configuration, which shall meet the requirements described in applicable table of clause 6.2G.3.5. The period of measurement shall be at least the continuous duration one sub-frame (1ms). For TDD slots with transient periods are not under test.
4. Measure the power of the transmitted signal as the sum of the power from all UE transmit antenna connectors with a measurement filter of bandwidths according to applicable test configuration tables in subclause 6.5G.2.2.5 and using a rms detector. If the sweep count is higher than one, the trace mode shall be average. The centre frequency of the filter shall be stepped in continuous steps according to the applicable test requirement table. The measured power shall be recorded for each step. The measurement period shall capture the active TSs.

6.5G.2.2.5 Test requirement

Table 6.5G.2.2.5-1: Test Tolerance (Additional spectrum emission mask)

	$f \leq 3.0\text{GHz}$	$3.0\text{GHz} < f \leq 4.2\text{GHz}$	$4.2\text{GHz} < f \leq 6.0\text{GHz}$
BW \leq 100MHz	1.5 dB	1.8 dB	1.8 dB

6.5G.2.2.5.1 Test requirements (network signalling value "NS_35")

When "NS_35" is indicated in the cell:

- the measured UE mean power in the channel bandwidth, derived in step 3, shall fulfil requirements in table FFS as appropriate for a NR UE.

and

- the power of any UE emission shall fulfil requirements in table 6.5G.2.2.5.1-1, as applicable.

Table 6.5G.2.2.5.1-1: Additional test requirements "NS_35"

Spectrum emission limit (dBm) / Channel bandwidth					
Δf_{OOB} (MHz)	5 MHz	10 MHz	15 MHz	20 MHz	Measurement bandwidth (unless otherwise stated)
$\pm 0-0.1$	-15.0 + TT	-18.0 + TT	-20.0 + TT	-21.0 + TT	30 kHz
$\pm 0.1-6$	-13.0 + TT	-13.0 + TT	-13.0 + TT	-13.0 + TT	100 kHz
$\pm 6-10$	-25 ¹ + TT	-13.0 + TT	-13.0 + TT	-13.0 + TT	100 kHz
$\pm 10-15$		-25 ¹ + TT	-13.0 + TT	-13.0 + TT	100 kHz
$\pm 15-20$			-25 ¹ + TT	-13.0 + TT	100 kHz
$\pm 20-25$				-25 + TT	1 MHz

NOTE 1: The measurement bandwidth shall be 1 MHz.
 NOTE 2: TT for each frequency and channel bandwidth is specified in Table 6.5G.2.2.5-1.

NOTE: As a general rule, the resolution bandwidth of the measuring equipment should be equal to the measurement bandwidth. However, to improve measurement accuracy, sensitivity and efficiency, the resolution bandwidth may be smaller than the measurement bandwidth. When the resolution bandwidth is smaller than the measurement bandwidth, the result should be integrated over the measurement bandwidth in order to obtain the equivalent noise bandwidth of the measurement bandwidth.

6.5G.2.2.5.2 Test requirements (network signalling value "NS_04")

When "NS_04" is indicated in the cell:

- the measured UE mean power in the channel bandwidth, derived in step 3, shall fulfil requirements in Table 6.2G.3.5-1 for UE power class 2, Table 6.2G.3.5-2 for UE power class 1.5 or Table FFS for UE power class 3.

and

- the power of any UE emission shall fulfil requirements in table 6.5G.2.2.5.2-1.

Table 6.5G.2.2.5.2-1: Additional test requirements for "NS_04"

Δf_{OOB} MHz	Spectrum emission limit (dBm) / measurement bandwidth for each channel bandwidth (MHz)											Measurement bandwidth	
	10	15	20	30	40	50	60	70	80	90	100		
$\pm 0 - 1$	-10+TT	-10+TT	-10+TT	-10+TT	-10+TT								2 % channel bandwidth
												-10	1 MHz
$\pm 1 - 5$	-10 + TT											1 MHz	
$\pm 5 - X$	-13 + TT												
$\pm X -$ ($BW_{Channel} + 5$ MHz)	-25 + TT												

NOTE 1: X is defined in Table 6.5.2.3.3.2-1 for CP-OFDM and 6.5.2.3.3.2-2 for DFT-S-OFDM.
 NOTE 2: TT for each frequency and channel bandwidth is specified in Table 6.5G.2.2.5-1.

6.5G.2.2.5.3 Test requirements (network signalling value "NS_03", "NS_03U" and "NS_21")

When "NS_03" or "NS_03U" or "NS_21" is indicated in the cell:

- the measured UE mean power in the channel bandwidth, derived in step 3, shall fulfil requirements in table FFS as appropriate for a NR UE.

and

- the power of any UE emission shall fulfil requirements in table 6.5G.2.2.5.3-1, as applicable.

Table 6.5G.2.2.5.3-1: Additional requirements for "NS_03", "NS_03U" and "NS_21"

Δf_{OOB} MHz	Channel bandwidth (MHz) / Spectrum emission limit (dBm)							Measurement bandwidth
	5	10	15	20	25	30	40	
$\pm 0-1$	-13 + TT	-13 + TT	-13 + TT	-13 + TT	-13 + TT	-13 + TT	-13 + TT	1 % of channel BW
$\pm 1-6$	-13 + TT	-13 + TT	-13 + TT	-13 + TT	-13 + TT	-13 + TT	-13 + TT	1 MHz
$\pm 6-10$	-25 + TT	-13 + TT	-13 + TT	-13 + TT	-13 + TT	-13 + TT	-13 + TT	1 MHz
$\pm 10-15$		-25 + TT	-13 + TT	-13 + TT	-13 + TT	-13 + TT	-13 + TT	1 MHz
$\pm 15-20$			-25 + TT	-13 + TT	-13 + TT	-13 + TT	-13 + TT	1 MHz
$\pm 20-25$				-25 + TT	-13 + TT	-13 + TT	-13 + TT	1 MHz
$\pm 25-30$					-25 + TT	-13 + TT	-13 + TT	1 MHz
$\pm 30-35$						-25 + TT	-13 + TT	1 MHz
$\pm 35-40$							-13 + TT	1 MHz
$\pm 40-45$							-25 + TT	1 MHz

NOTE 1: TT for each frequency and channel bandwidth is specified in Table 6.5G.2.2.5-1.

NOTE: As a general rule, the resolution bandwidth of the measuring equipment should be equal to the measurement bandwidth. However, to improve measurement accuracy, sensitivity and efficiency, the resolution bandwidth may be smaller than the measurement bandwidth. When the resolution bandwidth is smaller than the measurement bandwidth, the result should be integrated over the measurement bandwidth in order to obtain the equivalent noise bandwidth of the measurement bandwidth.

6.5G.2.2.5.4 Test requirements (network signalling value "NS_06")

When "NS_06" is indicated in the cell:

- the measured UE mean power in the channel bandwidth, derived in step 3, shall fulfil requirements in table FFS as appropriate for a NR UE

and

- the power of any UE emission shall fulfil requirements in table 6.5G.2.2.5.4-1, as applicable.

Table 6.5G.2.2.5.4-1: Additional requirements for "NS_06"

Δf_{OOB} (MHz)	Spectrum emission limit (dBm) / Channel bandwidth			Measurement bandwidth
	5 MHz	10 MHz	15 MHz	
$\pm 0 - 0.1$	-15 + TT	-18 + TT	-20 + TT	30 kHz
$\pm 0.1 - 1$	-13 + TT	-13 + TT	-13 + TT	100 kHz
$\pm 1 - 6$	-13 + TT	-13 + TT	-13 + TT	1 MHz
$\pm 6 - 10$	-25 + TT	-13 + TT	-13 + TT	1 MHz
$\pm 10 - 15$		-25 + TT	-13 + TT	1 MHz
$\pm 15 - 20$			-25 + TT	1 MHz

NOTE 1: TT for each frequency and channel bandwidth is specified in Table 6.5G.2.2.5-1.

NOTE: As a general rule, the resolution bandwidth of the measuring equipment should be equal to the measurement bandwidth. However, to improve measurement accuracy, sensitivity and efficiency, the resolution bandwidth may be smaller than the measurement bandwidth. When the resolution bandwidth is smaller than the measurement bandwidth, the result should be integrated over the measurement bandwidth in order to obtain the equivalent noise bandwidth of the measurement bandwidth.

6.5G.2.3 Adjacent channel leakage ratio for Tx Diversity

If UE indicates IE Tx diversity capability, Adjacent Channel Leakage power Ratio (ACLR) is defined as the ratio of sum of the filtered mean power at each antenna connector centred on the assigned channel frequency to sum of the filtered mean power at each antenna connector centred on an adjacent channel frequency.

6.5G.2.3.1 NR ACLR for Tx Diversity

6.5G.2.3.1.1 Test purpose

To verify that UE transmitter does not cause unacceptable interference to adjacent channels in terms of Adjacent Channel Leakage power Ratio (ACLR).

6.5G.2.3.1.2 Test applicability

This test case applies to all types of NR Power Class 1.5 UE, Power Class 2 and Power Class 3 UE release 15 and forward that support Tx diversity.

6.5G.2.3.1.3 Minimum conformance requirements

NR adjacent channel leakage power ratio (NR_{ACLR}) is the ratio of sum of the filtered mean power at each antenna connector centred on the assigned NR channel frequency to sum of the filtered mean power at each antenna connector centred on an adjacent NR channel frequency at nominal channel spacing.

The assigned NR channel power and adjacent NR channel power are measured with rectangular filters with measurement bandwidths specified in Table 6.5G.2.3.1.3-1.

If the measured adjacent channel power is greater than -50dBm then the NR_{ACLR} shall be higher than the value specified in Table 6.5G.2.3.1.3-2.

Table 6.5G.2.3.1.3-1: NR ACLR measurement bandwidth

Channel bandwidth	(MHz)	5,10,15,20,25,30,35,40,45,50	60,70,80,90,100
REF_SCS	(kHz)	15	30
NR ACLR measurement bandwidth	(MHz)	$MBW=REF_SCS*(12*N_{RB}+1)/1000$	

Table 6.5G.2.3.1.3-2: NR ACLR requirement

	Power class 1.5	Power class 2	Power class 3
NR ACLR	31 dB	31 dB	30 dB

The normative reference for this requirement is TS 38.101-1 [2] clause 6.5G.2.3.1.

6.5G.2.3.1.4 Test description

6.5G.2.3.1.4.1 Initial conditions

Same initial conditions as 6.2G.2.4.1.

6.5G.2.3.1.4.2 Test procedure

1. SS sends uplink scheduling information for each UL HARQ process via PDCCH DCI format 0_1 for C_RNTI to schedule the UL RMC according to the test configuration tables in clause 6.2.2.4.1. Since the UL has no payload and no loopback data to send the UE sends uplink MAC padding bits on the UL RMC.
2. Send continuously power control “up” commands to the UE until the UE transmits at P_{UMAX} level. Allow at least 200ms for the UE to reach P_{UMAX} level.
3. Measure the sum of the mean power of the UE at each antenna connector in the channel bandwidth of the radio access mode according to the test configuration, as measured in step 3 of 6.2G.2.4.2, which shall meet the requirements described in clause 6.2G.2.5 as appropriate.

4. Measure the sum of the rectangular filtered mean power at each antenna connector for the assigned NR channel using a rms detector. If the sweep count is higher than one, the trace mode shall be average.
5. Measure the sum of the rectangular filtered mean power at each antenna connector of the first NR adjacent channel on both lower and upper side of the assigned NR channel using a rms detector, respectively. If the sweep count is higher than one, the trace mode shall be average.
6. Calculate the ratios of the power between the values measured in step 4 over step 5 for lower and upper NR ACLR, respectively.

NOTE 1: When switching to DFT-s-OFDM waveform, as specified in the test configuration tables in clause 6.2.2.4.1, send an NR RRCReconfiguration message according to TS 38.508-1 [5] clause 4.6.3 Table 4.6.3-118 PUSCH-Config with TRANSFORM_PRECODER_ENABLED condition.

6.5G.2.3.1.4.3 Message contents

Message contents are according to TS 38.508-1 [5] subclause 4.6 and 5.4 with the following exceptions:

Table 6.5G.2.3.1.4.3-1: PUSCH-Config

Derivation Path: TS 38.508-1 [5] subclause 4.6.3 Table 4.6.3-118 PUSCH-Config			
Information Element	Value/remark	Comment	Condition
PUSCH-Config ::= SEQUENCE {			
resourceAllocation	resourceAllocationType0		Almost contiguous allocation
	resourceAllocationType1		Contiguous allocation
}			

6.5G.2.3.1.5 Test requirement

The measured UE mean power in the channel bandwidth, derived in step 3, shall fulfil requirements in clause 6.2G.2.5 as appropriate, and if the measured adjacent channel power is greater than -50 dBm then the measured NR ACLR, derived in step 6, shall be higher than the limits in Table 6.5G.2.3.1.5-2 with TT applying for the sum of power at each of UE antenna connector.

Table 6.5G.2.3.1.5-1: NR ACLR measurement bandwidth

NR channel bandwidth / NR ACLR measurement bandwidth													
	5 MHz	10 MHz	15 MHz	20 MHz	25 MHz	30 MHz	40 MHz	50 MHz	60 MHz	70 MHz	80 MHz	90 MHz	100 MHz
NR ACLR measurement bandwidth (MHz)	4.515	9.375	14.235	19.095	23.955	28.815	38.895	48.615	58.35	68.07	78.15	88.23	98.3

Table 6.5G.2.3.1.5-2: NR ACLR requirement for Tx Diversity

	Power class 1.5	Power class 2	Power class 3
NR ACLR	31 - TT dB	31 - TT dB	30 - TT dB
NOTE 1: TT for each frequency and channel bandwidth is specified in Table 6.5G.2.3.1.5-3.			
NOTE 2: TT for the sum of power at each of UE antenna connector.			

Table 6.5G.2.3.1.5-3: Test Tolerance (NR ACLR)

	f ≤ 3.0GHz	3.0GHz < f ≤ 4.2GHz	4.2GHz < f ≤ 6.0GHz
BW ≤ 100MHz	0.8 dB	0.8 dB	0.8 dB

6.5G.2.3.2 UTRA ACLR for Tx Diversity

6.5G.2.3.2.1 Test purpose

To verify that UE transmitter does not cause unacceptable interference to adjacent channels in terms of Adjacent Channel Leakage power Ratio (ACLR).

6.5G.2.3.2.2 Test applicability

This test case applies for network signalling values NS_03U, NS_05U, NS_43U, and NS_100 to all types of NR Power Class 3 UE release 15 and forward that support Tx diversity.

6.5G.2.3.2.3 Minimum conformance requirements

For UE supporting Tx diversity, the requirements for Out of band emissions resulting from the modulation process and non-linearity in the transmitters apply to the sum of the emissions from all UE transmit antenna connectors.

If UE indicates IE *txDiversity-r16*, Adjacent Channel Leakage power Ratio (ACLR) is defined as the ratio of sum of the filtered mean power at each antenna connector centred on the assigned channel frequency to sum of the filtered mean power at each antenna connector centred on an adjacent channel frequency.

The requirements specified in clause 6.5.2 apply.

The normative reference for this requirement is TS 38.101-1 [2] clause 6.5G.2.

6.5G.2.3.2.4 Test description

Same test description as specified in clause 6.5.2.4.2.4 with following exceptions:

Step 3, 4 and 5 of Test procedure as in 6.5.1.4.2 is replaced by:

3. Measure the mean power of the UE as the sum of the power from all UE transmit antenna connectors in the channel bandwidth of the radio access mode according to the test configuration, which shall meet the requirements described in 6.2.3.5 as appropriate. The period of the measurement shall be at least the continuous duration of one active sub-frame (1ms) and in the uplink symbols. For TDD slots with transient periods are not under test.
4. Measure the rectangular filtered mean power as the sum of the power from all UE transmit antenna connectors for the assigned NR channel using a rms detector. If the sweep count is higher than one, the trace mode shall be average.
5. Measure the RRC filtered mean power as the sum of the power from all UE transmit antenna connectors of the first and the second UTRA adjacent channel on both lower and upper side of the NR channel using a rms detector, respectively. If the sweep count is higher than one, the trace mode shall be average.

6.5G.2.3.2.5 Test requirement

The measured UE mean power in the channel bandwidth, derived in step 3, shall fulfil requirements described in clause 6.2G.3.5 as appropriate, and if the measured adjacent channel power is greater than -50 dBm then the measured UTRA ACLR, derived in step 6, shall be higher than the limits in table 6.5G.2.3.2.5-1.

Table 6.5G.2.3.2.5-1: UTRA ACLR requirement

	Power class 3
$UTRA_{ACLR1}$	33 dB - TT
$UTRA_{ACLR2}$	36 dB - TT
NOTE 1: TT = 0.8 dB	

6.5G.3 Spurious emission for Tx Diversity

6.5G.3.1 General spurious emissions for Tx Diversity

6.5G.3.1.1 Test purpose

To verify that UE transmitter does not cause unacceptable interference to other channels or other systems in terms of transmitter spurious emissions.

6.5G.3.1.2 Test applicability

This test case applies to all types of NR Power Class 1.5 UE, Power Class 2 and Power Class 3 UE release 15 and forward that support Tx diversity.

6.5G.3.1.3 Minimum conformance requirements

For UE supporting Tx diversity, the requirements for Spurious emissions which are caused by unwanted transmitter effects such as harmonics emission, parasitic emissions, intermodulation products and frequency conversion products apply to the sum of the emissions from all UE transmit antenna connectors.

The normative reference for this requirement is TS 38.101-1 [2] subclause 6.5G.3.

6.5G.3.1.4 Test description

Same test description as specified in clause 6.5.3.1.4 with following exceptions:

Step 3 of Test procedure as in 6.5.3.1.4.2 is replaced by:

3. Measure the sum power of the transmitted signal at all antenna connectors with a measurement filter of bandwidths according to Table 6.5G.3.1.5-1. The centre frequency of the filter shall be stepped in contiguous steps according to Table 6.5G.3.1.5-1. The measured power shall be verified for each step. The measurement period shall capture the active time slots. During measurement the spectrum analyser shall be set to 'Detector' = RMS. If the sweep count is higher than one, the trace mode shall be average.

6.5G.3.1.5 Test requirement

The measured average power of spurious emission, derived in step 3, shall not exceed the described value in Table 6.5G.3.1.5-1.

Table 6.5G.3.1.5-1: General spurious emissions for Tx Diversity test requirements

Frequency Range	Maximum Level	Measurement bandwidth	NOTE
$9 \text{ kHz} \leq f < 150 \text{ kHz}$	-36 dBm	1 kHz	
$150 \text{ kHz} \leq f < 30 \text{ MHz}$	-36 dBm	10 kHz	
$30 \text{ MHz} \leq f < 1000 \text{ MHz}$	-36 dBm	100 kHz	
$1 \text{ GHz} \leq f < 12.75 \text{ GHz}$	-30 dBm	1 MHz	4
	-25 dBm	1 MHz	3
12.75 GHz $\leq f <$ 5th harmonic of the upper frequency edge of the UL operating band in GHz	-30 dBm	1 MHz	1
$12.75 \text{ GHz} < f < 26 \text{ GHz}$	-30 dBm	1 MHz	2
NOTE 1: Applies for Band for which the upper frequency edge of the UL Band is greater than 2.55 GHz and less than or equal to 5.2 GHz			
NOTE 2: Applies for Band that the upper frequency edge of the UL Band more than 5.2 GHz			
NOTE 3: Applies for Band n41, CA configurations including Band n41, and EN-DC configurations that include n41 specified in sub-clause 5.2B of 38.101-3 [4] when NS_04 is signalled.			
NOTE 4: Does not apply for Band n41, CA configurations including Band n41, and EN-DC configurations that include n41 specified in subclause 5.2B of TS 38.101-3 [4] when NS_04 is signalled.			

6.5G.3.2 Spurious emissions for UE co-existence for Tx Diversity

6.5G.3.2.1 Test purpose

To verify that UE transmitter does not cause unacceptable interference to co-existing systems for the specified bands which has specific requirements in terms of transmitter spurious emissions.

6.5G.3.2.2 Test applicability

This test case applies to all types of NR Power Class 1.5, Power Class 2 and Power Class 3 UE release 15 and forward that support Tx diversity.

6.5G.3.2.3 Minimum conformance requirements

For UE supporting Tx diversity, the requirements for Spurious emissions which are caused by unwanted transmitter effects such as harmonics emission, parasitic emissions, intermodulation products and frequency conversion products apply to the sum of the emissions from all UE transmit antenna connectors.

The requirements specified in clause 6.5.3 apply.

The normative reference for this requirement is TS 38.101-1 [2] subclause 6.5G.3.

6.5G.3.2.4 Test description

Same test description as specified in clause 6.5.3.2.4 with following exceptions:

Step 3 of Test procedure as in 6.5.3.2.4.2 is replaced by:

3. Measure the sum power of the transmitted signal at all antenna connectors with a measurement filter of bandwidths according to table 6.5.3.2.3-1 to 6.5.3.2.3-3. The centre frequency of the filter shall be stepped in contiguous steps according to table 6.5.3.2.3-1 to 6.5.3.2.3-3. The measured power shall be verified for each step. The measurement period shall capture the active time slots. During measurement the spectrum analyser shall be set to 'Detector' = RMS. If the sweep count is higher than one, the trace mode shall be average.

6.5G.3.2.5 Test requirement

Test requirements for Spurious Emissions UE Co-existence are the same as the minimum requirements and are not repeated in this section.

Unless otherwise stated, the spurious emission limits apply for the frequency ranges that are more than F_{OOB} (MHz) in Tables 6.5.3.1.3-1 from the edge of the channel bandwidth. The spurious emission limits in Tables 6.5.3.2.3-1 to 6.5.3.2.3-3 apply for all transmitter band configurations (NRB) and channel bandwidths.

The measured average power of spurious emission, derived in step 3, shall not exceed the described value in Table 6.5.3.2.3-1 to 6.5.3.2.3-3 for difference releases.

The requirements for the UE are release specific and can be found in Tables 6.5.3.2.3-1 to 6.5.3.2.3-3. If the UE support a band, which is not defined in the table corresponding UE's release, the requirements for this band are taken from the table of earliest release where requirements for this band are defined. This has been described in following Table 6.5G.3.2.5-1.

Table 6.5G.3.2.5-1: UE Requirements according to UE NR release and supported E-UTRA and NR band

UE Requirements per release			
NR Band	Rel-15	Rel-16	R17
n1	Table 6.5.3.2.3-1	Table 6.5.3.2.3-2	Table 6.5.3.2.3-3
n2	Table 6.5.3.2.3-1	Table 6.5.3.2.3-2	Table 6.5.3.2.3-3
n3	Table 6.5.3.2.3-1	Table 6.5.3.2.3-2	Table 6.5.3.2.3-3
n5	Table 6.5.3.2.3-1	Table 6.5.3.2.3-2	Table 6.5.3.2.3-3
n7	Table 6.5.3.2.3-1	Table 6.5.3.2.3-2	Table 6.5.3.2.3-3
n8	Table 6.5.3.2.3-1	Table 6.5.3.2.3-2	Table 6.5.3.2.3-3
n12	Table 6.5.3.2.3-1	Table 6.5.3.2.3-2	Table 6.5.3.2.3-3
n14	Table 6.5.3.2.3-2	Table 6.5.3.2.3-2	Table 6.5.3.2.3-3
n18	Table 6.5.3.2.3-2	Table 6.5.3.2.3-2	Table 6.5.3.2.3-3

n20	Table 6.5.3.2.3-1	Table 6.5.3.2.3-2	Table 6.5.3.2.3-3
n24	Table 6.5.3.2.3-3	Table 6.5.3.2.3-3	Table 6.5.3.2.3-3
n25	Table 6.5.3.2.3-1	Table 6.5.3.2.3-2	Table 6.5.3.2.3-3
n26	Table 6.5.3.2.3-2	Table 6.5.3.2.3-2	Table 6.5.3.2.3-3
n28	Table 6.5.3.2.3-1	Table 6.5.3.2.3-2	Table 6.5.3.2.3-3
n30	Table 6.5.3.2.3-2	Table 6.5.3.2.3-2	Table 6.5.3.2.3-3
n34	Table 6.5.3.2.3-1	Table 6.5.3.2.3-2	Table 6.5.3.2.3-3
n38	Table 6.5.3.2.3-1	Table 6.5.3.2.3-2	Table 6.5.3.2.3-3
n39	Table 6.5.3.2.3-1	Table 6.5.3.2.3-2	Table 6.5.3.2.3-3
n40	Table 6.5.3.2.3-1	Table 6.5.3.2.3-2	Table 6.5.3.2.3-3
n41	Table 6.5.3.2.3-1	Table 6.5.3.2.3-2	Table 6.5.3.2.3-3
n48	Table 6.5.3.2.3-2	Table 6.5.3.2.3-2	Table 6.5.3.2.3-3
n50	Table 6.5.3.2.3-1	Table 6.5.3.2.3-2	Table 6.5.3.2.3-3
n51	Table 6.5.3.2.3-1	Table 6.5.3.2.3-2	Table 6.5.3.2.3-3
n53	Table 6.5.3.2.3-2	Table 6.5.3.2.3-2	Table 6.5.3.2.3-3
n65	Table 6.5.3.2.3-2	Table 6.5.3.2.3-2	Table 6.5.3.2.3-3
n66	Table 6.5.3.2.3-1	Table 6.5.3.2.3-2	Table 6.5.3.2.3-3
n70	Table 6.5.3.2.3-1	Table 6.5.3.2.3-2	Table 6.5.3.2.3-3
n71	Table 6.5.3.2.3-1	Table 6.5.3.2.3-2	Table 6.5.3.2.3-3
n74	Table 6.5.3.2.3-1	Table 6.5.3.2.3-2	Table 6.5.3.2.3-3
n77, n78	Table 6.5.3.2.3-1	Table 6.5.3.2.3-2	Table 6.5.3.2.3-3
n79	Table 6.5.3.2.3-1	Table 6.5.3.2.3-2	Table 6.5.3.2.3-3
NOTE 1: The frequency range applicable with network signalling values of NS_04, NS_17, NS_18, NS_05, NS_43, NS_37, NS_38, NS_39, NS_40, NS_41, NS_42, NS_45 and NS_56 are covered in subclause 6.5.3.3 Additional Spurious Emissions			
NOTE 2: The restriction on the maximum uplink transmission to 54 RB in Notes 21 and 22 of Tables 6.5G.3.2.3-1 to 6.5G.3.2.3-3 is intended for conformance testing and may be applied to network operation to facilitate coexistence when the aggressor and victim bands are deployed in the same geographical area. The applicable spurious emission requirement of -15.5 dBm/5MHz is a least restrictive technical condition for FDD/TDD coexistence and may have to be revised in the future.			

6.5G.3.3 Additional spurious emissions for Tx Diversity

Editor's note: The following aspects are either missing or not yet determined:

- Tests for network signalling values other than NS_04 are incomplete due to lack of test requirement in 6.2G.3.

6.5G.3.3.1 Test purpose

To verify that UE transmitter does not cause unacceptable interference to other channels or other systems in terms of transmitter spurious emissions under the deployment scenarios where additional requirements are specified.

6.5G.3.3.2 Test applicability

This test case applies to all types of NR Power Class 1.5, Power Class 2 and Power Class 3 UE release 15 and forward that support Tx diversity.

6.5G.3.3.3 Minimum conformance requirements

For UE supporting Tx diversity, the requirements for Spurious emissions which are caused by unwanted transmitter effects such as harmonics emission, parasitic emissions, intermodulation products and frequency conversion products apply to the sum of the emissions from all UE transmit antenna connectors.

The requirements specified in clause 6.5.3.3 apply.

The normative reference for this requirement is TS 38.101-1 [2] subclause 6.5G.3.

6.5G.3.3.4 Test description

For Power Class 2 and Power Class 3 UE, same test description as specified in clause 6.5.3.3.4 with following exceptions:

Steps 3 and 4 of Test procedure as in 6.5.3.3.4.2 is replaced by:

3. Measure the sum of the mean power of the UE at each antenna connector in the channel bandwidth of the radio access mode, which shall meet the requirements described in Clauses 6.2G.3.5. The period of measurement shall be at least the continuous duration of 1ms over consecutive active uplink slots and uplink symbols. For TDD, only slots consisting of only UL symbols are under test.
4. Measure the sum power of the transmitted signal at all antenna connectors with a measurement filter of bandwidths according to Tables 6.5.3.3.3.1 to 6.5.3.3.3.27 as appropriate. The centre frequency of the filter shall be stepped in contiguous steps according to the same table the measured power shall be verified for each step. The measurement period shall capture the active time slots. During measurement the spectrum analyser shall be set to 'Detector' = RMS. If the sweep count is higher than one, the trace mode shall be average.

For Power Class 1.5 UE, same test configuration as listed in Table 6.2G.3.4.1-2 shall be used for NS_50 (Power Class 1.5).

6.5G.3.3.5 Test requirement

This clause specifies the requirements for the specified NR band for an additional spectrum emission requirement with protected bands as indicated from Table 6.5.3.3.5.1 to Table 6.5.3.3.5.27 for different NS_values.

The measured UE mean power in the channel bandwidth, derived in step 3, shall fulfil requirements specified as 6.2G.3.5 for different NS_values.

The measured power derived in step 4 shall meet the requirements for the specified NR band for an additional spurious emission requirement with protected bands as indicated in clause 6.5.3.3.5 for different NS values.

NOTE: For measurement conditions at the edge of each frequency range, the lowest frequency of the measurement position in each frequency range should be set at the lowest boundary of the frequency range plus MBW/2. The highest frequency of the measurement position in each frequency range should be set at the highest boundary of the frequency range minus MBW/2. MBW denotes the measurement bandwidth defined for the protected band.

6.5G.4 Transmit intermodulation for Tx Diversity

6.5G.4.1 Test purpose

To verify that the UE transmit intermodulation for Tx Diversity does not exceed the described value in the test requirement.

The transmit intermodulation performance is a measure of the capability of the transmitter to inhibit the generation of signals in its non-linear elements caused by presence of the wanted signal and an interfering signal reaching the transmitter via the antenna.

6.5G.4.2 Test applicability

This test case applies to all types of NR Power Class 1.5 UE, Power Class 2 and Power Class 3 UE release 15 and forward that support Tx diversity.

6.5G.4.3 Minimum conformance requirements

For UE supporting Tx diversity, the transmit intermodulation requirements are specified at each transmit antenna connector and the wanted signal is defined as the sum of output power from all UE transmit antenna connectors.

The normative reference for this requirement is TS 38.101-1 [2] clause 6.5G.4.

6.5G.4.4 Test description

Same test description as specified in clause 6.5.4.4 with following exceptions:

Test procedure as in 6.5.4.4.2 is replaced by:

1. SS sends uplink scheduling information for each UL HARQ process via PDCCH DCI format 0_1 for C_RNTI to schedule the UL RMC according to Table 6.5.4.4.1-1. Since the UE has no payload and no loopback data to send the UE sends uplink MAC padding bits on the UL RMC.

2. Send continuously uplink power control "up" commands to the UE until the UE transmits at its P_{UMAX} level.
3. Measure the rectangular filtered mean power at each antenna connector of the UE. For TDD, only slots consisting of only UL symbols are under test for the wanted signal and for the intermodulation product.
4. Set the interference signal frequency below the UL carrier frequency using the first offset in table 6.5.4.5-1.
5. Set the interference CW signal level according to table 6.5.4.5-1.
6. Search the intermodulation product signals below and above the UL carrier frequency at each UE antenna connector, then measure the rectangular filtered mean power at each antenna connector of transmitting intermodulation for both signals, and calculate the ratios with the power measured in step 3.
7. Set the interference signal frequency above the UL carrier frequency using the first offset in table 6.5.4.5-1.
8. Search the intermodulation product signals below and above the UL carrier frequency at each UE antenna connector, then measure the rectangular filtered mean power at each antenna connector of transmitting intermodulation for both signals, and calculate the ratios with the power measured in step 3.
9. Repeat the measurement using the second offset in table 6.5.4.5-1.
10. Repeat step 3) until 9) for each of transmit antenna of the UE.

6.5G.4.5 Test requirement

The ratio derived in step 6 and 8, shall not exceed the described value in table 6.5.4.5-1.

6.5H Output RF spectrum emissions for CA with UL MIMO

6.5H.1 Output RF spectrum emissions for intra-band UL contiguous CA with UL MIMO

6.5H.1.1 Occupied bandwidth for intra-band UL contiguous CA for UL MIMO

Editor's Note:

- Due to lack of MPR requirements in core specification, this test case is incomplete for intra-band contiguous UL CA for power class 2 UEs indicating IE dualPA-Architecture supported, and power class 3 UEs when signalling is absent for dualPA-Architecture.
- MU needs to be reassessed.

6.5H.1.1.1 Test purpose

To verify that the UE occupied bandwidth for all transmission bandwidth configurations supported by the UE are less than their specific limits for 2 UL CA.

6.5H.1.1.2 Test applicability

This test case applies to all types of NR UE release 15 and forward that supports intra-band UL contiguous CA with UL MIMO.

6.5H.1.1.3 Minimum conformance requirements

For UE supporting intra-band UL contiguous CA and UL MIMO, the requirements for occupied bandwidth specified in clause 6.5A.1.0.1a apply to the sum of the powers from both UE transmit antenna connectors and all UL CCs. The requirements shall be met with UL MIMO configurations described in clause 6.2H.1.1.

If UE is scheduled for single antenna-port PUSCH transmission by DCI format 0_0 or by DCI format 0_1 for single antenna port codebook based transmission with precoding matrix $W=1$ [6.3.1.5 TS 38.211], the requirements in clause 6.5A.1.0.1a apply.

The normative reference for this requirement is TS 38.101-1 [2] clause 6.5H.1.1.

6.5H.1.1.4 Test description

Same test description as specified in clause 6.5A.1.1.4 for intra-band contiguous CA with following exceptions:

For initial conditions:

- Connect the SS to the UE antenna connectors as shown in TS 38.508-1 [5] Annex A, Figure A.3.1.1.6 for TE diagram and section A.3.2.3.11 for UE diagram.

For test procedures:

- Step 4 in 6.5A.1.1.4.2 is replaced by:
 4. SS sends uplink scheduling information for each UL HARQ process via PDCCH DCI format 0_1 for C_RNTI to schedule the UL RMC according to Table 6.5A.1.1.4.1-2 on both PCC and SCC as appropriate. Since the UE has no payload and no loopback data to send the UE sends uplink MAC padding bits on the UL RMC. The PDCCH DCI format 0_1 is specified with the condition 2TX_UL_MIMO in 38.508-1 [5] subclause 4.3.6.1.1.2.
- Step 6 in 6.5A.1.1.4.2 is replaced by:
 6. Measure the power spectrum distribution as the sum of the powers from both UE transmit antenna connectors over all component carriers within two times or more range over the aggregated channel bandwidth requirement for Occupied Bandwidth specification centring on the centre of aggregated channel bandwidth. The characteristics of the filter shall be approximately Gaussian (typical spectrum analyser filter). Other methods to measure the power spectrum distribution are allowed. The measuring duration is at least 1ms over consecutive active uplink slots.

For message contents:

- Message contents are according to TS 38.508-1 [5] subclause 4.6 and 5.4 ensuring Table 4.6.3-182 with the condition 2TX_UL_MIMO with the following exceptions:

Table 6.5H.1.1.4-1: FrequencyInfoUL-SIB for intra-band contiguous CA with UL MIMO of Power Class 3 (contiguous RB allocation) for CA_n41C

Derivation Path: TS 38.508-1 [5] Table 4.6.3-62 FrequencyInfoUL-SIB			
Information Element	Value/remark	Comment	Condition
p-Max	10		

Table 6.5H.1.1.4-2: FrequencyInfoUL-SIB for intra-band contiguous CA with UL MIMO of Power Class 2 (contiguous RB allocation) for CA_n41C

Derivation Path: TS 38.508-1 [5] Table 4.6.3-62 FrequencyInfoUL-SIB			
Information Element	Value/remark	Comment	Condition
p-Max	12		

6.5H.1.1.5 Test requirements

For intra-band contiguous carrier aggregation with UL MIMO, the measured Occupied Bandwidth shall not exceed the aggregated channel bandwidth as defined in subclause 5.3A.3.

6.5H.1.2 Out of band emission for intra-band UL contiguous CA for UL MIMO

6.5H.1.2.0 Minimum conformance requirements

For UE supporting intra-band UL contiguous CA and UL MIMO, the requirements for Out of band emissions resulting from the modulation process and non-linearity in the transmitters is defined as the sum of the emissions from both UE transmit antenna connectors and all UL CCs, the requirements in subclause 6.5A.2.2.0, 6.5A.2.3.0 and 6.5A.2.4.1.0 apply. The requirements shall be met with UL MIMO configurations described in clause 6.2H.1.1.

If UE is scheduled for single antenna-port PUSCH transmission by DCI format 0_0 or by DCI format 0_1 for single antenna port codebook based transmission with precoding matrix $W=1$ [6.3.1.5 TS 38.211], the requirements in clause 6.5A.2.2.0, 6.5A.2.3.0 and 6.5A.2.4.1.0 apply.

The normative reference for this requirement is TS 38.101-1 [2] clause 6.5H.1.2.

6.5H.1.2.1 Spectrum emission mask for intra-band UL contiguous CA for UL MIMO

6.5H.1.2.1.1 Test purpose

To verify that the power of any UE emission shall not exceed specified level for the specified channel bandwidth for intra-band UL contiguous CA for UL MIMO.

6.5H.1.2.1.2 Test applicability

This test case applies to all types of NR UE release 15 and forward that support intra-band UL contiguous CA with UL MIMO.

6.5H.1.2.1.3 Minimum conformance requirements

The minimum conformance requirements are defined in subclause 6.5H.1.2.0.

6.5H.1.2.1.4 Test description

6.5H.1.2.1.4.1 Initial conditions

Initial conditions are a set of test configurations the UE needs to be tested in and the steps for the SS to take with the UE to reach the correct measurement state.

The initial test configurations consist of environmental conditions, test frequencies, test channel bandwidths and sub-carrier spacing based on NR CA configuration specified in clause 5.5A. All of these configurations shall be tested with applicable test parameters for each CA configuration of test channel bandwidth and sub-carrier spacing, and are shown in Table 6.5H.1.2.1.4.1-1. The details of the uplink reference measurement channels (RMCs) are specified in Annexes A.2. Configurations of PDSCH and PDCCH before measurement are specified in Annex C.2.

Table 6.5H.1.2.1.4.1-1: Test Configuration Table (contiguous RB allocation)

Initial Conditions				
Test Environment as specified in TS 38.508-1 [5] subclause 4.1		Normal		
Test Frequencies as specified in TS 38.508-1 [5] subclause 4.3.1		Low range High range		
Test Channel Bandwidths as specified in TS 38.508-1 [5] subclause 4.3.1		Lowest N_{RB_agg} , Highest N_{RB_agg} (NOTE 1)		
Test SCS as specified in Table 5.3.5-1		Lowest, Highest		
Test Parameters for CA bandwidth class B and C				
Test ID	DL configuration for PCC & SCC	UL configuration		
		Modulations for all CCs	RB allocation (NOTE 2)	
1		CP-OFDM	QPSK	Outer Full
2			16QAM	Outer Full
3			64QAM	Outer Full
4			256QAM	Outer Full
NOTE 1: The Test CC Combination settings are checked separately for each CA Configuration, which applicable aggregated channel bandwidths are specified in Table 5.5A.1-1.				
NOTE 2: The specific configuration of each RB allocation is defined in Table 6.1A-1a.				
NOTE 3: If the UE supports multiple CC Combinations in the CA Configuration with the same N_{RB_agg} , only the combination with the highest N_{RB_PCC} is tested.				

1. Connect the SS to the UE antenna connectors as shown in TS 38.508-1 [5] Annex A, Figure A.3.1.1.6 for TE diagram and section A.3.2.3.11 for UE diagram.
2. The parameter settings for the cell are set up according to TS 38.508-1 [5] subclause 4.4.3.
3. Downlink signals for PCC are initially set up according to Annex C.0, C.1, C.2, and uplink signals according to Annex G.0, G.1, G.2, G.3.0.
4. The UL Reference Measurement Channel is set according to Table 6.5H.1.2.1.4.1-1.
5. Propagation conditions are set according to Annex B.0.

6. Ensure the UE is in state RRC_CONNECTED with generic procedure parameters Connectivity NR, Connected without release On, Test Mode On and Test Loop Function On according to TS 38.508-1 [5] clause 4.5. Message contents are defined in clause 6.5H.1.2.1.4.3.

6.5H.1.2.1.4.2 Test procedure

1. Configure SCC according to Annex C.0, C.1, and C.2 for all downlink physical channels.
2. The SS shall configure SCC as per TS 38.508-1 [5] clause 5.5.1. Message contents are defined in clause 6.5H.1.2.1.4.3.
3. SS activates SCC by sending the activation MAC CE (Refer TS 38.321 [18], clauses 5.9, 6.1.3.10). Wait for at least 2 seconds (Refer TS 38.133[19], clause 9.3).
4. SS sends uplink scheduling information for each UL HARQ process via PDCCH DCI format 0_1 for C_RNTI to schedule the UL RMC according to Tables 6.5H.1.2.1.4.1-1 on both PCC and SCC as appropriate. Since the UE has no payload and no loopback data to send the UE sends uplink MAC padding bits on the UL RMC. The PDCCH DCI format 0_1 is specified with the condition 2TX_UL_MIMO in 38.508-1 [5] subclause 4.3.6.1.1.2.
5. Send continuously uplink power control "up" commands in every uplink scheduling information to the UE; allow at least 200ms starting from the first TPC command in this step for the UE to reach P_{UMAX} level.
6. Measure the sum of mean power from both antenna connectors and all component carriers in the CA configuration of the radio access mode, which shall meet the requirements described in clause 6.2H.1.2. The period of the measurement shall be at least the continuous duration of one active sub-frame (1ms) and in the uplink symbols. For TDD slots with transient periods are not under test.
7. Measure the sum of power of the transmitted signal at each antenna connector with a measurement filter of bandwidths according to Table 6.5H.1.2.1.5-1 and using a rms detector. If the sweep count is higher than one, the trace mode shall be average. The centre frequency of the filter shall be stepped in continuous steps according to the same table. The measured power shall be recorded for each step. The measurement period shall capture the active TSs.

6.5H.1.2.1.4.3 Message contents

Message contents are according to TS 38.508-1 [5] subclause 4.6 and 5.4 ensuring Table 4.6.3-182 with the condition 2TX_UL_MIMO with the following exceptions:

Table 6.5H.1.2.1.4.3-1: FrequencyInfoUL-SIB for intra-band contiguous CA with UL MIMO of Power Class 3 (contiguous RB allocation) for CA_n41C

Derivation Path: TS 38.508-1 [5] Table 4.6.3-62 FrequencyInfoUL-SIB			
Information Element	Value/remark	Comment	Condition
p-Max	16		Test IDs 1, 3
	14		Test ID 5
	11		Test ID 7
	10		Test IDs 2, 4, 6, 8

Table 6.5H.1.2.1.4.3-2: FrequencyInfoUL-SIB for intra-band contiguous CA with UL MIMO of Power Class 2 (contiguous RB allocation) for CA_n41C

Derivation Path: TS 38.508-1 [5] Table 4.6.3-62 FrequencyInfoUL-SIB			
Information Element	Value/remark	Comment	Condition
p-Max	19		Test IDs 1, 3
	17		Test ID 5
	14		Test ID 7
	12		Test IDs 2, 4, 6, 8

6.5H.1.2.1.5 Test requirement

The measured UE mean power in the applicable channel bandwidth, derived in step 6, shall fulfil requirements in clause 6.2H.1.2 as appropriate, and the power of any UE emission, derived in step 7, shall fulfil requirements in Table 6.5H.1.2.1.5-1.

Table 6.5H.1.2.1.5-1: NR General spectrum emission mask for intra-band contiguous CA for UL MIMO

Δf_{OBS} (MHz)	Spectrum emission limit (dBm)	MBW (MHz)
$\pm 0 - 1$	-13+TT	Min(0.01*BW _{channel_CA} , 0.4)
$\pm 1 - 5$	-10+TT	1MHz
$\pm 5 - BW_{\text{channel_CA}}$	-13+TT	1MH
$\pm BW_{\text{channel_CA}} - BW_{\text{channel_CA}} + 5$	-25+TT	1MHz

Table 6.5H.1.2.1.5-2: Test Tolerance for Spectrum emission mask

	$f \leq 3.0\text{GHz}$	$3.0\text{GHz} < f \leq 6\text{GHz}$
$BW \leq 40\text{MHz}$	1.5 dB	1.8dB
$40\text{MHz} < BW \leq 100\text{MHz}$	1.5dB	1.8dB

NOTE: As a general rule, the resolution bandwidth of the measuring equipment should be equal to the measurement bandwidth. However, to improve measurement accuracy, sensitivity and efficiency, the resolution bandwidth may be smaller than the measurement bandwidth. When the resolution bandwidth is smaller than the measurement bandwidth, the result should be integrated over the measurement bandwidth in order to obtain the equivalent noise bandwidth of the measurement bandwidth.

6.5H.1.2.2 Additional spectrum emission mask for intra-band UL contiguous CA for UL MIMO

Editor's note: The following aspects are either missing or not yet determined:

- Tests for network signalling value other than NS_04 are not complete.

6.5H.1.2.2.1 Test purpose

To verify that the power of any UE emission shall not exceed specified level for the specified channel bandwidth under the deployment scenarios where additional requirements are specified.

6.5H.1.2.2.2 Test applicability

This test case applies for network signalling values CA_NS_04 to all types of NR UE release 15 and forward that support intra-band UL contiguous CA with UL MIMO.

6.5H.1.2.2.3 Minimum conformance requirements

The minimum conformance requirements are defined in subclause 6.5H.1.2.0.

6.5H.1.2.2.4 Test description

Same test description as specified in clause 6.5A.2.3.1.4 for intra-band contiguous CA with following exceptions:

For initial conditions:

- For CA_NS_04, same test configuration as listed in Table 6.2H.1.3.4.1-1 shall be used with only Test IDs 1~4 tested.
- Connect the SS to the UE antenna connectors as shown in TS 38.508-1 [5] Annex A, Figure A.3.1.1.6 for TE diagram and section A.3.2.3.11 for UE diagram.
- The UL Reference Measurement channels are set according to the test configuration tables in clause 6.2H.1.3.4.1.

For test procedures:

- Step 4 in 6.5A.2.3.1.4.2 is replaced by:
4. SS sends uplink scheduling information for each UL HARQ process via PDCCH DCI format 0_1 for C_RNTI to schedule the UL RMC according to clause 6.2H.1.3.4.1 on both PCC and SCC as appropriate. Since the UE has

no payload and no loopback data to send the UE sends uplink MAC padding bits on the UL RMC. The PDCCH DCI format 0_1 is specified with the condition 2TX_UL_MIMO in 38.508-1 [5] subclause 4.3.6.1.1.2.

- Step 6 and 7 in 6.5A.2.3.1.4.2 are replaced by:
- 6. Measure the sum of mean power from both antenna connectors and all component carriers in the CA configuration of the radio access mode, which shall meet the requirements described in clause 6.2H.1.3. The period of the measurement shall be at least the continuous duration of one active sub-frame (1ms) and in the uplink symbols. For TDD slots with transient periods are not under test.
- 7. Measure the sum of power of the transmitted signal at each antenna connector with a measurement filter of bandwidths according to Table 6.5H.1.2.2.5.1-1 and using a rms detector. If the sweep count is higher than one, the trace mode shall be average. The centre frequency of the filter shall be stepped in continuous steps according to the same table. The measured power shall be recorded for each step. The measurement period shall capture the active TSs.

For message contents:

- Ensuring Table 4.6.3-182 configured with the condition 2TX_UL_MIMO
- For CA_NS_04, message contents exceptions in 6.2H.1.3.4.3 for Test IDs 1~4 apply.

6.5H.1.2.2.5 Test requirement

Table 6.5H.1.2.2.5-2: Test Tolerance for Spectrum emission mask

	f ≤ 3.0GHz	3.0GHz < f ≤ 6GHz
BW ≤ 40MHz	1.5 dB	1.8dB
40MHz < BW ≤ 100MHz	1.5dB	1.8dB

6.5H.1.2.2.5.1 Test requirements (network signalling value "CA_NS_04")

When "CA_NS_04" is indicated in the cell:

- the measured UE mean power in the channel bandwidth, derived in step 6, shall fulfil requirements in Table 6.2H.1.3.5-1 for UE power class 3 or Table 6.2H.1.3.5-2 for UE power class 2.

and

- the power of any UE emission derived in step 7 shall fulfil requirements in table 6.5H.1.2.2.5.1-1.

Table 6.5H.1.2.2.5.1-1: Additional test requirements for "CA_NS_04"

Δf _{oob} MHz	BW _{Channel_CA} (MHz) / Spectrum emission limit (dBm)		Measurement bandwidth
	≤50	>50	
± 0 – 1	-10+TT		2 % of BW _{Channel_CA}
		-10+TT	1 MHz
± 1 – 5	-10+TT		1 MHz
± 5 – X	-13+TT		
± X - (BW _{Channel_CA} + 5 MHz)	-25+TT		
NOTE 1: X is aggregated bandwidth			
NOTE 2: TT for each frequency and channel bandwidth is specified in Table 6.5A.2.3.1.5-1.			

6.5H.1.2.3 NR ACLR for intra-band UL contiguous CA for UL MIMO

Editor’s Note:

- Test tolerance for BW>100M is FFS.

6.5H.1.2.3.1 Test purpose

To verify that UE transmitter does not cause unacceptable interference to adjacent channels in terms of Adjacent Channel Leakage power Ratio (ACLR) for intra-band UL contiguous CA for UL MIMO.

6.5H.1.2.3.2 Test applicability

This test case applies to all types of NR UE release 15 and forward that support intra-band UL contiguous CA with UL MIMO.

6.5H.1.2.3.3 Minimum conformance requirements

For UE supporting intra-band UL contiguous CA and UL MIMO, the requirements for Out of band emissions resulting from the modulation process and non-linearity in the transmitters is defined as the sum of the emissions from both UE transmit antenna connectors and all UL CCs, the requirements in subclause 6.5A.2.4.1.1 apply. The requirements shall be met with UL MIMO configurations described in clause 6.2H.1.1.

If UE is scheduled for single antenna-port PUSCH transmission by DCI format 0_0 or by DCI format 0_1 for single antenna port codebook based transmission with precoding matrix $W=1$ [6.3.1.5 TS 38.211], the requirements in clause 6.5A.2.2.1, 6.5A.2.3.1 and 6.5A.2.4.1.1 apply.

The normative reference for this requirement is TS 38.101-1 [2] clause 6.5H.1.2.

6.5H.1.2.3.4 Test description

6.5H.1.2.3.4.1 Initial conditions

Initial conditions are a set of test configurations the UE needs to be tested in and the steps for the SS to take with the UE to reach the correct measurement state.

The initial test configurations consist of environmental conditions, test frequencies, test channel bandwidths and sub-carrier spacing based on NR CA configuration specified in clause 5.5A. All of these configurations shall be tested with applicable test parameters for each CA configuration of test channel bandwidth and sub-carrier spacing, and are shown in clause 6.2H.1.2. The details of the uplink reference measurement channels (RMCs) are specified in Annexes A.2. Configurations of PDSCH and PDCCH before measurement are specified in Annex C.2.

1. Connect the SS to the UE antenna connectors as shown in TS 38.508-1 [5] Annex A, Figure A.3.1.1.6 for TE diagram and section A.3.2.3.11 for UE diagram.
2. The parameter settings for the cell are set up according to TS 38.508-1 [5] subclause 4.4.3.
3. Downlink signals for PCC are initially set up according to Annex C.0, C.1, C.2, and uplink signals according to Annex G.0, G.1, G.2, G.3.0.
4. The UL Reference Measurement Channel is set according to Table 6.2H.1.2.4.1-1.
5. Propagation conditions are set according to Annex B.0.
6. Ensure the UE is in state RRC_CONNECTED with generic procedure parameters Connectivity *NR*, Connected without release *On*, Test Mode *On* and Test Loop Function *On* according to TS 38.508-1 [5] clause 4.5. Message contents are defined in clause 6.5H.1.2.3.4.3.

6.5H.1.2.3.4.2 Test procedure

1. Configure SCC according to Annex C.0, C.1, and C.2 for all downlink physical channels.
2. The SS shall configure SCC as per TS 38.508-1 [5] clause 5.5.1. Message contents are defined in clause 6.5H.1.2.3.4.3.
3. SS activates SCC by sending the activation MAC CE (Refer TS 38.321 [18], clauses 5.9, 6.1.3.10). Wait for at least 2 seconds (Refer TS 38.133[19], clause 9.3).
4. SS sends uplink scheduling information for each UL HARQ process via PDCCH DCI format 0_1 for C_RNTI to schedule the UL RMC according to Tables 6.2H.1.2.4.1-1 on both PCC and SCC as appropriate. Since the UE has no payload and no loopback data to send the UE sends uplink MAC padding bits on the UL RMC. The PDCCH DCI format 0_1 is specified with the condition 2TX_UL_MIMO in 38.508-1 [5] subclause 4.3.6.1.1.2.

5. Send continuously uplink power control "up" commands in every uplink scheduling information to the UE; allow at least 200ms starting from the first TPC command in this step for the UE to reach P_{UMAX} level.
6. Measure the sum of mean power from both antenna connectors and all component carriers in the CA configuration of the radio access mode, which shall meet the requirements described in clause 6.2H.1.2.5. The period of the measurement shall be at least the continuous duration of one active sub-frame (1 ms) and in the uplink symbols. For TDD slots with transient periods are not under test.
7. Execute 7a) to 7c):
 - 7a) Measure the sum of rectangular filtered mean power for the assigned NR aggregated channel bandwidth at each antenna connector of UE using a rms detector. If the sweep count is higher than one, the trace mode shall be average.
 - 7b) Measure the sum of rectangular filtered mean power of the first NR adjacent aggregated channel at each antenna connector on both lower and upper side of the assigned NR channel using a rms detector, respectively. If the sweep count is higher than one, the trace mode shall be average.
 - 7c) Calculate the ratios of the power between the values measured in step 7a) over step 7b) for lower and upper CA NR_{ACLR}, respectively.

6.5H.1.2.3.4.3 Message contents

Message contents are same as 6.2H.1.2.4.3.

6.5H.1.2.3.5 Test requirement

The measured UE mean power in the channel bandwidth, derived in step 6, shall fulfil requirements in clause 6.2H.1.2 as appropriate, and if the measured adjacent channel power is greater than -50 dBm, then the measured NR ACLR derived in step 7c, shall be higher than the limits in Table 6.5H.1.2.3.5-1 and Table 6.5H.1.2.3.5-2 respectively.

Table 6.5H.1.2.3.5-1: General requirements for power class 3

	ACLR / Measurement bandwidth
CA ACLR	30 - TT dB
CA Measurement bandwidth (NOTE 1)	Nominal channel space+ $MBW_{ACLR,low}/2$ + $MBW_{ACLR,high}/2$
Adjacent channel centre frequency offset (in MHz)	+ $BW_{Channel_CA}$ / - $BW_{Channel_CA}$
Difference between ACLR MBW centre and $F_{c,low}$	$MBW_{shift} = (MBW_{ACLR_CA} - MBW_{ACLR,low})/2$
NOTE 1: $MBW_{ACLR,low}$ and $MBW_{ACLR,high}$ are the single-channel ACLR measurement bandwidths specified for channel bandwidths $BW_{channel(low)}$ and $BW_{channel(high)}$ in 6.5.2.4.1.3, respectively.	

Table 6.5H.1.2.3.5-2: General requirements for intra-band contiguous CA ACLR power class 2

	ACLR / Measurement bandwidth
CA ACLR	31 - TT dB
CA Measurement bandwidth (NOTE 1)	Nominal channel space+ $MBW_{ACLR,low}/2$ + $MBW_{ACLR,high}/2$
Adjacent channel centre frequency offset (in MHz)	+ $BW_{Channel_CA}$ / - $BW_{Channel_CA}$
Difference between ACLR MBW center and $F_{c,low}$	$MBW_{shift} = (MBW_{ACLR_CA} - MBW_{ACLR,low})/2$
NOTE 1: $MBW_{ACLR,low}$ and $MBW_{ACLR,high}$ are the single-channel ACLR measurement bandwidths specified for channel bandwidths $BW_{channel(low)}$ and $BW_{channel(high)}$ in 6.5.2.4.1.3, respectively.	

Table 6.5H.1.2.3.5-3: Test Tolerance for NR ACLR

	$f \leq 3.0\text{GHz}$	$3.0\text{GHz} < f \leq 6\text{GHz}$
$BW \leq 100\text{MHz}$	0.8	0.8
$100\text{MHz} < BW \leq 200\text{MHz}$	FFS	FFS

6.5H.1.3 Spurious emission for intra-band UL contiguous CA for UL MIMO

6.5H.1.3.0 Minimum conformance requirements

For UE supporting intra-band UL contiguous CA and UL MIMO, the requirements for Spurious emissions is defined as the sum of the emissions from both UE transmit antenna connectors and all UL CCs, the requirements specified in subclause 6.5A.3.1.0, 6.5A.3.2.0.1 and 6.5A.3.3.0.1 apply. The requirements shall be met with the UL MIMO configurations described in clause 6.2H.1.1.

If UE is scheduled for single antenna-port PUSCH transmission by DCI format 0_0 or by DCI format 0_1 for single antenna port codebook based transmission with precoding matrix $W=1$ [6.3.1.5 TS 38.211], the requirements in clause 6.5A.3.1.0, 6.5A.3.2.0.1 and 6.5A.3.3.0.1 apply.

The normative reference for this requirement is TS 38.101-1 [2] clause 6.5H.1.3.

6.5H.1.3.1 General spurious emissions for intra-band UL contiguous CA for UL MIMO

6.5H.1.3.1.1 Test purpose

To verify that UE transmitter does not cause unacceptable interference to other channels or other systems in terms of transmitter spurious emissions.

6.5H.1.3.1.2 Test applicability

This test case applies to all types of NR UE release 15 and forward that support intra-band UL contiguous CA with UL MIMO.

6.5H.1.3.1.3 Minimum conformance requirements

The minimum conformance requirements are defined in subclause 6.5H.1.3.0.

6.5H.1.3.1.4 Test description

Same test description as specified in clause 6.5A.3.1.1.4 for intra-band contiguous CA with following exceptions:

For initial conditions:

- Connect the SS to the UE antenna connectors as shown in TS 38.508-1 [5] Annex A, Figure A.3.1.1.6 for TE diagram and section A.3.2.3.11 for UE diagram.

For test procedures:

- Step 4 in 6.5A.3.1.1.4.2 is replaced by:
 4. SS sends uplink scheduling information for each UL HARQ process via PDCCH DCI format 0_1 for C_RNTI to schedule the UL RMC according to Table 6.5A.3.1.1.4.1-2 on both PCC and SCC as appropriate. Since the UE has no payload and no loopback data to send the UE sends uplink MAC padding bits on the UL RMC. The PDCCH DCI format 0_1 is specified with the condition 2TX_UL_MIMO in 38.508-1 [5] subclause 4.3.6.1.1.2.
- Step 6 in 6.5A.3.1.1.4.2 is replaced by:
 6. Measure the sum of power of the transmitted signal at each antenna connector with a measurement filter of bandwidths according to Table 6.5H.1.3.1.5-1 for intra-band non-contiguous CA. The centre frequency of the filter shall be stepped in contiguous steps according to Table 6.5H.1.3.1.5-1.

The measured power shall be verified for each step. The measurement period shall capture the active time slots. During measurement the spectrum analyser shall be set to 'Detector' = RMS. If the sweep count is higher than one, the trace mode shall be average.

For message contents:

- Ensuring Table 4.6.3-182 configured with the condition 2TX_UL_MIMO

6.5H.1.3.1.5 Test requirement

This clause specifies the requirements for the specified NR band for Transmitter Spurious emissions requirement with frequency range as indicated in Table 6.5H.1.3.1.5-1 for intra-band contiguous UL CA configuration. The test requirement of configurations for CA operating band including Band n41 also apply for the corresponding CA operating bands with Band n90 replacing Band n41.

For intra-band contiguous CA, the spurious emission limits apply for the frequency ranges that are more than Δf_{OoB} (MHz) in Table 6.5A.3.1.0-1 from the edge of the aggregated channel bandwidth.

The measured average power of spurious emission, derived in step 6, shall not exceed the described value in Table 6.5H.1.3.1.5-1 for intra-band contiguous UL CA.

Table 6.5H.1.3.1.5-0: Test Tolerance for General spurious emissions

	$f \leq 3.0\text{GHz}$	$3.0\text{GHz} < f \leq 6\text{GHz}$
$\text{BW} \leq 40\text{MHz}$	0	0
$40\text{MHz} < \text{BW} \leq 100\text{MHz}$	0	0

Table 6.5H.1.3.1.5-1: General spurious emissions test requirements for intra-band contiguous and non-contiguous UL CA

Frequency Range	Maximum Level	Measurement bandwidth	NOTE
$9\text{ kHz} \leq f < 150\text{ kHz}$	-36 dBm	1 kHz	
$150\text{ kHz} \leq f < 30\text{ MHz}$	-36 dBm	10 kHz	
$30\text{ MHz} \leq f < 1000\text{ MHz}$	-36 dBm	100 kHz	
$1\text{ GHz} \leq f < 12.75\text{ GHz}$	-30 dBm	1 MHz	4
	-25 dBm	1 MHz	3
12.75 GHz $\leq f <$ 5th harmonic of the upper frequency edge of the UL operating band in GHz	-30 dBm	1 MHz	1
$12.75\text{ GHz} < f < 26\text{ GHz}$	-30 dBm	1 MHz	2
NOTE 1: Applies for Band for which the upper frequency edge of the UL Band is greater than 2.55 GHz and less than or equal to 5.2 GHz			
NOTE 2: Applies for Band that the upper frequency edge of the UL Band more than 5.2 GHz			
NOTE 3: Applies for Band n41, CA configurations including Band n41, and EN-DC configurations that include n41 specified in sub-clause 5.2B of [4] when NS_04 is signalled.			
NOTE 4: Does not apply for Band n41, CA configurations including Band n41, and EN-DC configurations that include n41 specified in subclause 5.2B of TS 38.101-3 [4] when NS_04 is signalled.			

6.5H.1.3.2 Spurious emissions for UE co-existence for intra-band UL contiguous CA for UL MIMO

6.5H.1.3.2.1 Test purpose

To verify that UE transmitter does not cause unacceptable interference to co-existing systems for the specified bands which has specific requirements in terms of transmitter spurious emissions for 2UL CA.

6.5H.1.3.2.2 Test applicability

This test case applies to all types of NR UE release 15 and forward that support intra-band UL contiguous CA with UL MIMO.

6.5H.1.3.2.3 Minimum conformance requirements

The minimum conformance requirements are defined in subclause 6.5H.1.3.0.

6.5H.1.3.2.4 Test description

Same test description as specified in clause 6.5A.3.2.1.4 for intra-band contiguous CA with following exceptions:

For initial conditions:

- Connect the SS to the UE antenna connectors as shown in TS 38.508-1 [5] Annex A, Figure A.3.1.1.6 for TE diagram and section A.3.2.3.11 for UE diagram.

For test procedures:

- Step 4 in 6.5A.3.1.1.4.2 is replaced by:
4. SS sends uplink scheduling information for each UL HARQ process via PDCCH DCI format 0_1 for C_RNTI to schedule the UL RMC according to Table 6.5A.3.2.1.4.1-2 on both PCC and SCC. Since the UE has no payload and no loopback data to send the UE sends uplink MAC padding bits on the UL RMC. The PDCCH DCI format 0_1 is specified with the condition 2TX_UL_MIMO in 38.508-1 [5] subclause 4.3.6.1.1.2.
 - Step 6 in 6.5A.3.1.1.4.2 is replaced by:
 6. Measure the sum of power of the transmitted signal at each antenna connector with a measurement filter of bandwidths according to Table 6.5H.1.3.2.5-1. The centre frequency of the filter shall be stepped in contiguous steps according to Table 6.5H.1.3.2.5-1. The measured power shall be verified for each step. The measurement period shall capture the active time slots. During measurement the spectrum analyser shall be set to 'Detector' = RMS. If the sweep count is higher than one, the trace mode shall be average.

For message contents:

- Ensuring Table 4.6.3-182 configured with the condition 2TX_UL_MIMO

6.5H.1.3.2.5 Test requirement

For intra-band contiguous CA, the measured average power of spurious emission, derived in step 6, shall not exceed the described value in Tables 6.5H.1.3.2.5-1.

The requirements for the UE are release specific and can be found in Table 6.5H.1.3.2.5-1. If the UE support a CA configuration, which is not defined in the table corresponding UE's release, the requirements for this CA configuration are taken from the table of earliest release where requirements for this CA configuration are defined.

Table 6.5H.1.3.2.5-0: Test Tolerance for uplink carrier aggregation

	$f \leq 3.0\text{GHz}$	$3.0\text{GHz} < f \leq 6\text{GHz}$
BW \leq 40MHz	0	0
40MHz < BW \leq 100MHz	0	0

Table 6.5H.1.3.2.5-1: Requirements for uplink intra-band contiguous carrier aggregation

NR CA combination	Release	Spurious emission					NOTE	
		Protected Band	Frequency range (MHz)		Maximum Level (dBm)	MBW (MHz)		
CA_n41	Rel-16	E-UTRA Band 1, 2, 3, 4, 5, 8, 12, 13, 14, 17, 24, 25, 26, 27, 28, 29, 30, 34, 39, 42, 44, 45, 48, 50, 51, 52, 65, 66, 70, 71, 73, 74, 85, NR Band n77, n78	F _{DL_low}	-	F _{DL_high}	-50	1	
		NR Band n79	F _{DL_low}	-	F _{DL_high}	-50	1	2, 4
		E-UTRA Band 9, 11, 18, 19, 21	F _{DL_low}	-	F _{DL_high}	-50	1	6
		E-UTRA Band 40	F _{DL_low}	-	F _{DL_high}	-40	1	
		Frequency range	1884.5	-	1915.7	-41	0.3	5, 6

	Rel-17	E-UTRA Band 1, 2, 3, 4, 5, 8, 12, 13, 14, 17, 24, 25, 26, 27, 28, 29, 30, 34, 39, 42, 44, 45, 48, 50, 51, 52, 65, 66, 70, 71, 73, 74, 85, 103 NR Band n77, n78, n100	F _{DL_low}	-	F _{DL_high}	-50	1		
		NR Band n79	F _{DL_low}	-	F _{DL_high}	-50	1	2, 4	
		E-UTRA Band 9, 11, 18, 19, 21	F _{DL_low}	-	F _{DL_high}	-50	1	6	
		E-UTRA Band 40	F _{DL_low}	-	F _{DL_high}	-40	1		
		Frequency range	1884.5	-	1915.7	-41	0.3	5, 6	
	Rel-18	E-UTRA Band 1, 2, 3, 4, 5, 8, 12, 13, 14, 17, 24, 25, 26, 27, 28, 29, 30, 34, 39, 42, 44, 45, 48, 50, 51, 52, 54, 65, 66, 70, 71, 73, 74, 85, 103 NR Band n77, n78, n100	F _{DL_low}	-	F _{DL_high}	-50	1		
		NR Band n79	F _{DL_low}	-	F _{DL_high}	-50	1	2, 4	
		E-UTRA Band 9, 11, 18, 19, 21	F _{DL_low}	-	F _{DL_high}	-50	1	6	
		E-UTRA Band 40	F _{DL_low}	-	F _{DL_high}	-40	1		
		Frequency range	1884.5	-	1915.7	-41	0.3	5, 6	
	CA_n78	Rel-16	E-UTRA Band 1, 3, 5, 7, 8, 11, 18, 19, 20, 21, 26, 28, 34, 39, 40, 41, 65	F _{DL_low}	-	F _{DL_high}	-50	1	
			Frequency range	1884.5	-	1915.7	-41	0.3	5
Rel-17		E-UTRA Band 1, 3, 5, 7, 8, 11, 18, 19, 20, 21, 26, 28, 34, 39, 40, 41, 65, n100	F _{DL_low}	-	F _{DL_high}	-50	1		
		Frequency range	1884.5	-	1915.7	-41	0.3	5	
<p>NOTE 1: Void.</p> <p>NOTE 2: Void.</p> <p>NOTE 3: Void.</p> <p>NOTE 4: As exceptions, measurements with a level up to the applicable requirements defined in Table 6.5.3.1-2 are permitted for each assigned NR carrier used in the measurement due to 2nd, 3rd, 4th or 5th harmonic spurious emissions. Due to spreading of the harmonic emission the exception is also allowed for the first 1 MHz frequency range immediately outside the harmonic emission on both sides of the harmonic emission. This results in an overall exception interval centred at the harmonic emission of $(2 \text{ MHz} + N \times L_{\text{CRB}} \times R_{\text{Bsize}} \text{ kHz})$, where N is 2, 3, 4, 5 for the 2nd, 3rd, 4th or 5th harmonic respectively. The exception is allowed if the measurement bandwidth (MBW) totally or partially overlaps the overall exception interval.</p> <p>NOTE 5: Applicable when co-existence with PHS system operating in 1884.5 - 1915.7 MHz.</p> <p>NOTE 6: This requirement applies when the NR carrier is confined within 2545 – 2575 MHz or 2595 – 2645 MHz and the channel bandwidth is 10 or 20 MHz</p> <p>NOTE 7: As exceptions, for 90 and 100 MHz aggregated bandwidth, -40 dBm/MHz is applicable in the frequency range of 2496 – 2505 MHz.</p>									

6.5H.1.3.3 Additional spurious emissions for intra-band UL contiguous CA for UL MIMO

Editor's note: The following aspects are either missing or not yet determined:

- **Tests for network signalling value other than NS_04 are not complete.**

6.5H.1.3.3.1 Test purpose

To verify that UE transmitter does not cause unacceptable interference to other channels or other systems in terms of transmitter spurious emissions under the deployment scenarios where additional requirements are specified.

6.5H.1.3.3.2 Test applicability

This test case applies for network signalling values CA_NS_04 to all types of NR UE release 15 and forward that support intra-band UL contiguous CA with UL MIMO.

6.5H.1.3.3.3 Minimum conformance requirements

The minimum conformance requirements are defined in subclause 6.5A.3.3.0.

6.5H.1.3.3.4 Test description

Same test description as specified in clause 6.5A.3.3.1.4 for intra-band contiguous CA with following exceptions:

For initial conditions:

- For CA_NS_04, same test configuration as listed in Table 6.2H.1.3.4.1-1 shall be used with only Test IDs 3~8 tested.
- Connect the SS to the UE antenna connectors as shown in TS 38.508-1 [5] Annex A, Figure A.3.1.1.6 for TE diagram and section A.3.2.3.11 for UE diagram.
- The UL Reference Measurement channels are set according to the test configuration tables in clause 6.2H.1.3.4.1.

For test procedures:

- Step 4 in 6.5A.3.3.1.4.2 is replaced by:
 4. SS sends uplink scheduling information for each UL HARQ process via PDCCH DCI format 0_1 for C_RNTI to schedule the UL RMC according to clause 6.2H.1.3.4.1 on both PCC and SCC as appropriate. Since the UE has no payload and no loopback data to send the UE sends uplink MAC padding bits on the UL RMC. The PDCCH DCI format 0_1 is specified with the condition 2TX_UL_MIMO in 38.508-1 [5] subclause 4.3.6.1.1.2.
- Step 6 and 7 in 6.5A.3.3.1.4.2 are replaced by:
 6. Measure the sum of mean power from both antenna connectors and all component carriers in the CA configuration of the radio access mode, which shall meet the requirements described in clause 6.2H.1.3. The period of the measurement shall be at least the continuous duration of one active sub-frame (1ms) and in the uplink symbols. For TDD slots with transient periods are not under test. During measurement the spectrum analyser shall be set to 'Detector' = RMS. If the sweep count is higher than one, the trace mode shall be average.
 7. Measure the sum of power of the transmitted signal at each antenna connector with a measurement filter of bandwidths according to Table 6.5H.1.3.3.5.1-1 and using a rms detector. If the sweep count is higher than one, the trace mode shall be average. The centre frequency of the filter shall be stepped in continuous steps according to the same table. The measured power shall be verified for each step. The measurement period shall capture the active time slots.

For message contents:

- Ensuring Table 4.6.3-182 configured with the condition 2TX_UL_MIMO
- For CA_NS_04, message contents exceptions in 6.2H.1.3.4.3 for Test IDs 3~8 apply.

6.5H.1.3.3.5 Test requirement

6.5H.1.3.3.5.1 Test requirements (network signalling value "CA_NS_04")

When "CA_NS_04" is indicated in the cell:

- the measured UE mean power in the channel bandwidth, derived in step 6, shall fulfil requirements in Table 6.2H.1.3.5-1 for UE power class 3 or Table 6.2H.1.3.5-2 for UE power class 2.

and

- the power of any UE emission derived in step 7 shall fulfil requirements in table 6.5H.1.3.3.5.1-1. This requirement also applies for the frequency ranges that are less than FOOB (MHz) in Table 6.5A.3.1-1 from the edge of the aggregated channel bandwidth.

Table 6.5H.1.3.3.5.1-1: Additional requirements for "CA_NS_04"

Frequency range (MHz)	BWChannel_CA (MHz) / Spectrum emission limit (dBm)	Measurement bandwidth
	20 to 190 MHz	
$2495 \leq f < 2496$	-13	Max(1 % of BW _{Channel_CA} , 1 MHz)
$2490.5 \leq f < 2495$	-13	1 MHz

0.009 < f < 2490.5	-25	1 MHz
--------------------	-----	-------

6.5H.1.4 Transmit intermodulation for intra-band UL contiguous CA for UL MIMO

6.5H.1.4.1 Test purpose

To verify that the UE transmit intermodulation does not exceed the described value in the test requirement.

The transmit intermodulation performance is a measure of the capability of the transmitter to inhibit the generation of signals in its non-linear elements caused by presence of the wanted signal and an interfering signal reaching the transmitter via the antenna.

6.5H.1.4.2 Test applicability

This test case applies to all types of NR UE release 15 and forward that support intra-band UL contiguous CA with UL MIMO.

6.5H.1.4.3 Minimum conformance requirements

For UE supporting intra-band UL contiguous CA and UL MIMO, the transmit intermodulation requirements are specified at each transmit antenna connector and the wanted signal is defined as the sum of output powers from both UE transmit antenna connectors, the requirements specified in clause 6.5A.4.0 apply. The requirements shall be met with the UL MIMO configurations described in clause 6.2H.1.1.3.

If UE is scheduled for single antenna-port PUSCH transmission by DCI format 0_0 or by DCI format 0_1 for single antenna port codebook based transmission with precoding matrix $W=1$ [6.3.1.5 TS 38.211], the requirements in clause 6.5A.4.0 apply.

The normative reference for this requirement is TS 38.101-1 [2] clause 6.5H.1.4.

6.5H.1.4.4 Test description

Same test description as specified in clause 6.5A.4.1.4 for intra-band contiguous CA with following exceptions:

For initial conditions:

- Test configuration Table 6.5A.4.1.4.1-2 is replaced by Table 6.5H.1.4.4-1.

Table 6.5H.1.4.4-1: Intra-band CA Test Configuration Table

Initial Conditions			
Test Environment as specified in TS 38.508-1 [5] subclause 4.1		Normal	
Test Frequencies as specified in TS 38.508-1 [5] subclause 4.3.1.1.3 for inter band CA in FR1		Mid range for PCC and SCC	
Test Channel Bandwidths as specified in TS 38.508-1 [5] subclause 4.3.1		Lowest N_{RB_agg} for both PCC and SCC Highest N_{RB_agg} for both PCC and SCC	
Test SCS as specified in Table 5.3.5-1		Lowest and highest supported SCS per Channel Bandwidth	
Test Parameters			
Test ID	Downlink Configuration	Uplink Configuration	
		Modulation	RB allocation (NOTE 1)
1		CP-OFDM QPSK	Inner Full
NOTE 1: The specific configuration of each RB allocation is defined in Table 6.1A-1a.			
NOTE 2: Test Channel Bandwidths and Test SCS are checked separately for each NR CA band combination, which applicable channel bandwidths is specified in Table 5.5A.1-1 and SCS is specified in Table 5.3.5-1 for each NR band.			

- Connect the SS to the UE antenna connectors as shown in TS 38.508-1 [5] Annex A, Figure A.3.1.1.6 for TE diagram and section A.3.2.3.11 for UE diagram.
- The UL Reference Measurement channels are set according to the test configuration tables in clause 6.2H.1.4.4.1-1.

For test procedures:

- Step 4 in 6.5A.4.1.4.2 is replaced by:
- 4. SS sends uplink scheduling information for each UL HARQ process via PDCCH DCI format 0_1 for C_RNTI to schedule the UL RMC according to Table 6.5H.1.4.4.1-1 on both PCC and SCC. Since the UE has no payload and no loopback data to send the UE sends uplink MAC padding bits on the UL RMC. The PDCCH DCI format 0_1 is specified with the condition 2TX_UL_MIMO in 38.508-1 [5] subclause 4.3.6.1.1.2.
- Step 6 in 6.5A.4.1.4.2 is replaced by:
- 6. Measure the sum of rectangular filtered mean power from both antenna connectors of the UE. For TDD slots with transient periods are not under test for the wanted signal and for the intermodulation product.
- For step 9 and step 11, the measurement of transmitting intermodulation is the sum of rectangular filtered mean power from both antenna connectors.

For message contents:

- Ensuring Table 4.6.3-182 configured with the condition 2TX_UL_MIMO.

Table 6.5H.1.4.4-2: FrequencyInfoUL-SIB for intra-band contiguous CA (contiguous RB allocation) for CA_n41C

Derivation Path: TS 38.508-1 [5] Table 4.6.3-62 FrequencyInfoUL-SIB			
Information Element	Value/remark	Comment	Condition
p-Max	16		Power class 3
	19		Power class 2

6.5H.1.4.5 Test requirement

Intra-band CA: The ratio derived in steps 9, 11, shall not exceed the described value in Table 6.5H.1.4.5-1.

Table 6.5H.1.4.5-1: Transmit Intermodulation for intra-band CA

CA bandwidth class(UL)	B and C	
Interference Signal Frequency Offset	$BW_{Channel_CA}$	$2 * BW_{Channel_CA}$
Interference CW Signal Level	-40dBc	
Intermodulation Product	-29dBc	-35dBc
Measurement bandwidth (NOTE1)	Nominal channel space + $MBW_{ACLR,low}/2 + MBW_{ACLR,high}/2$	
Measurement offset from channel centre	$BW_{Channel_CA}$ and $2 * BW_{Channel_CA}$	$2 * BW_{Channel_CA}$ and $4 * BW_{Channel_CA}$
NOTE 1: $MBW_{ACLR,low}$ and $MBW_{ACLR,high}$ are the single-channel ACLR measurement bandwidths specified for channel bandwidths $BW_{channel(low)}$ and $BW_{channel(high)}$ in 6.5.2.4.1.5-1, respectively.		

Table 6.5H.1.4.5-2: Test Tolerance for Transmit Intermodulation

	$f \leq 3.0GHz$	$3.0GHz < f \leq 6GHz$
$BW \leq 40MHz$	0dB	0dB
$40MHz < BW \leq 100MHz$	0dB	0dB

6.5H.3 Output RF spectrum emissions for inter-band UL CA with UL MIMO

6.5H.3.1 Occupied bandwidth for inter-band UL CA with UL MIMO

6.5H.3.1.1 Test purpose

To verify that the UE occupied bandwidth for all transmission bandwidth configurations supported by the UE are less than their specific limits for 2 UL CA.

6.5H.3.1.2 Test applicability

This test case applies to all types of NR UE release 17 and forward that support inter-band UL CA with UL MIMO.

6.5H.3.1.3 Minimum conformance requirements

For inter-band UL CA with UL MIMO in one of the two frequency bands, the occupied bandwidth is defined per component carrier. The requirement specified in clause 6.5.1 shall apply for the component carrier without UL MIMO and the requirement specified in clause 6.5D.1 shall apply for the component carrier configured with UL MIMO.

The normative reference for this requirement is TS 38.101-1 [2] clause 6.5H.3.1.

6.5H.3.1.4 Test description

This test is covered by clauses 6.5.1 Occupied bandwidth and 6.5D.1 Occupied bandwidth for UL MIMO.

6.5H.3.1.5 Test requirements

Same test requirement as 6.5D.1 for the band supporting UL MIMO and 6.5.1 for other band.

6.5J Output RF spectrum emissions for ATG

6.5J.0 General

Unwanted emissions are divided into "Out-of-band emission" and "Spurious emissions" in 3GPP RF specifications. This notation is in line with ITU-R recommendations such as SM.329-10 and the Radio Regulations [22].

ITU defines:

Out-of-band emission = Emission on a frequency or frequencies immediately outside the necessary bandwidth which results from the modulation process but excluding spurious emissions.

Spurious emission = Emission on a frequency, or frequencies, which are outside the necessary bandwidth and the level of which may be reduced without affecting the corresponding transmission of information. Spurious emissions include harmonic emissions, parasitic emissions, intermodulation products and frequency conversion products but exclude out-of-band emissions.

Unwanted emissions = Consist of spurious emissions and out-of-band emissions.

The UE transmitter spectrum emission consists of the three components: the occupied bandwidth (channel bandwidth), the Out Of Band (OOB) emissions and the far out spurious emission domain.

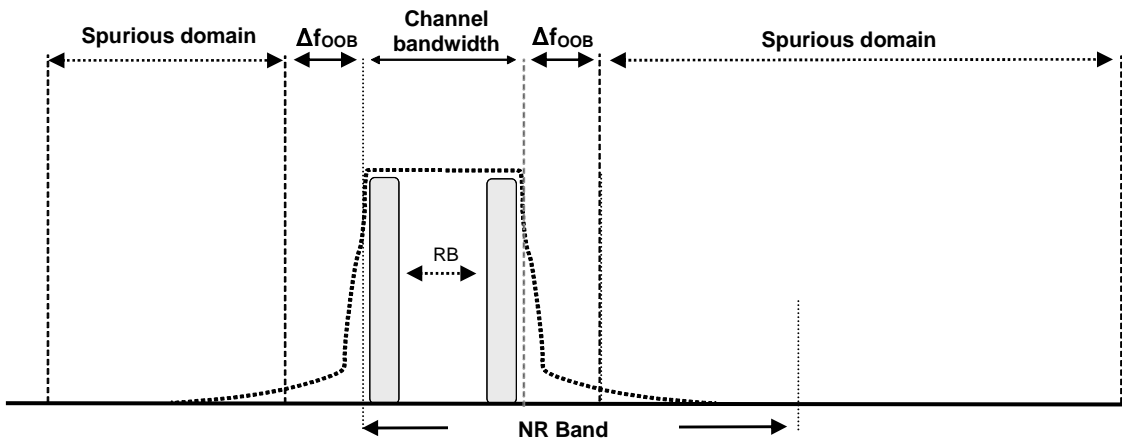


Figure 6.5J.0-1: Transmitter RF spectrum

6.5J.1 Occupied bandwidth for ATG

Editor’s Note: This test is incomplete. The following aspects are not yet determined:

- Annex F MU/TT is FFS.
- Message contents are TBC pending on Rel-18 ASN.1 freeze.

6.5J.1.1 Test purpose

To verify that the NR ATG UE occupied bandwidth for all transmission bandwidth configurations supported by the ATG UE are less than their specific limits.

6.5J.1.2 Test applicability

This test case applies to all types of NR ATG UE release 18 and forward.

6.5J.1.3 Minimum conformance requirements

Occupied bandwidth is defined as the bandwidth containing 99 % of the total integrated mean power of the transmitted spectrum on the assigned channel. The occupied bandwidth for all transmission bandwidth configurations (Resources Blocks) shall be less than the channel bandwidth specified in Table 6.5J.1.3-1.

Table 6.5J.1.3-1: Occupied channel bandwidth

	NR channel bandwidth														
	5 MHz	10 MHz	15 MHz	20 MHz	25 MHz	30 MHz	35 MHz	40 MHz	45 MHz	50 MHz	60 MHz	70 MHz	80 MHz	90 MHz	100 MHz
Occupied channel bandwidth (MHz)	5	10	15	20	25	30	35	40	45	50	60	70	80	90	100

The normative reference for this requirement is TS 38.101-1 [2] clause 6.5J.1.

6.5J.1.4 Test description

6.5J.1.4.1 Initial conditions

Initial conditions are a set of test configurations the UE needs to be tested in and the steps for the SS to take with the UE to reach the correct measurement state.

The initial test configurations consist of environmental conditions, test frequencies, test channel bandwidths and sub-carrier spacing based on NR operating bands specified in table 5.3.5-1 that are restricted to the ATG UE. All of these configurations shall be tested with applicable test parameters for each combination of channel bandwidth and sub-carrier spacing, are shown in table 6.5J.1.4.1-1. The details of the uplink reference measurement channels (RMCs) are specified in Annexes A.2. Configurations of PDSCH and PDCCH before measurement are specified in Annex C.2.

Table 6.5J.1.4.1-1: Test Configuration Table

Initial Conditions			
Test Environment as specified in TS 38.508-1 [5] subclause 4.1		Normal	
Test Frequencies as specified in TS 38.508-1 [5] subclause 4.3.1		Mid range by default, exceptions listed in Table 6.5J.1.4.1-2	
Test Channel Bandwidths as specified in TS 38.508-1 [5] subclause 4.3.1		All	
Test SCS as specified in Table 5.3.5-1		Lowest	
Test Parameters			
Test ID	Downlink Configuration	Uplink Configuration	
	N/A for occupied bandwidth test case	Modulation	RB allocation (NOTE 1)
1		CP-OFDM QPSK	Outer_full
NOTE 1: The specific configuration of each RB allocation is defined in Table 6.1-1.			

Table 6.5J.1.4.1-2: Test frequency exceptions for Occupied Bandwidth

5G NR Band	Test Frequency
n78	Low Range, Mid Range, High Range
n79	Low Range, Mid Range, High Range

1. Connect the SS to the UE antenna connectors as shown in TS 38.508-1 [5] Annex A, Figure A.3.1.1.1 for TE diagram and section A.3.2 for UE diagram.
2. The parameter settings for the cell are set up according to TS 38.508-1 [5] subclause 4.4.3.
3. Downlink signals are initially set up according to Annex C.0, C.1, C.2, and uplink signals according to Annex G.0, G.1, G.2, G.3.0.
4. The UL Reference Measurement channels are set according to Table 6.5J.1.4.1-1.
5. Propagation conditions are set according to Annex B.0 -
6. Ensure the UE is in state RRC_CONNECTED with generic procedure parameters Connectivity *NR*, Connected without release *On*, Test Mode *On* and Test Loop Function *On* according to TS 38.508-1 [5] clause 4.5. Message contents are defined in clause 6.5J.1.4.3

6.5J.1.4.2 Test procedure

1. SS sends uplink scheduling information for each UL HARQ process via PDCCH DCI format 0_1 for C_RNTI to schedule the UL RMC according to Table 6.5J.1.4.1-1. Since the UL has no payload and no loopback data to send the UE sends uplink MAC padding bits on the UL RMC.
2. Send continuously power control “up” commands to the UE until the UE transmits at PUMAX level. Allow at least 200ms for the UE to reach PUMAX level.
3. Measure the power spectrum distribution as the sum of the powers from all the UE transmit antenna connectors within two times or more range over the requirement for Occupied Bandwidth specification centring on the current carrier frequency. The characteristics of the filter shall be approximately Gaussian (typical spectrum analyser filter). Other methods to measure the power spectrum distribution are allowed. The measuring duration is at least 1ms over consecutive active uplink slots. For TDD, only slots consisting of only UL symbols are under test.

4. Calculate the total power within the range of all frequencies measured in step 3 and save this value as “Total power”.
5. Identify the measurement window whose centre is aligned on the centre of the channel for which the sum of the power measured is 99% of the “Total power”.
6. The “Occupied Bandwidth” is the width of the measurement window obtained in step 5.

6.5J.1.4.3 Message contents

FFS

6.5J.1.5 Test requirement

The measured Occupied Bandwidth shall not exceed values in Table 6.5J.1.5-1.

Table 6.5J.1.5-1: Occupied channel bandwidth

	NR channel bandwidth														
	5 MHz	10 MHz	15 MHz	20 MHz	25 MHz	30 MHz	35 MHz	40 MHz	45 MHz	50 MHz	60 MHz	70 MHz	80 MHz	90 MHz	100 MHz
Occupied channel bandwidth (MHz)	5	10	15	20	25	30	35	40	45	50	60	70	80	90	100

6.5J.2 Out of band emission for ATG

6.5J.2.1 General

The Out of band emissions are unwanted emissions immediately outside the assigned channel bandwidth resulting from the modulation process and non-linearity in the transmitter but excluding spurious emissions. This out of band emission limit is specified in terms of a spectrum emission mask and an adjacent channel leakage power ratio.

To improve measurement accuracy, sensitivity and efficiency, the resolution bandwidth may be smaller than the measurement bandwidth. When the resolution bandwidth is smaller than the measurement bandwidth, the result should be integrated over the measurement bandwidth in order to obtain the equivalent noise bandwidth of the measurement bandwidth.

6.5J.3 Spurious emissions for ATG

6.5J.3.0 General

Spurious emissions are emissions which are caused by unwanted transmitter effects such as harmonics emission, parasitic emissions, intermodulation products and frequency conversion products, but exclude out of band emissions unless otherwise stated. The spurious emission limits are specified in terms of general requirements in line with SM.329 [22] and NR operating band requirement to address UE co-existence.

To improve measurement accuracy, sensitivity and efficiency, the resolution bandwidth may be smaller than the measurement bandwidth. When the resolution bandwidth is smaller than the measurement bandwidth, the result should be integrated over the measurement bandwidth in order to obtain the equivalent noise bandwidth of the measurement bandwidth.

NOTE: For measurement conditions at the edge of each frequency range, the lowest frequency of the measurement position in each frequency range should be set at the lowest boundary of the frequency range plus MBW/2. The highest frequency of the measurement position in each frequency range should be set at the highest boundary of the frequency range minus MBW/2. MBW denotes the measurement bandwidth defined for the protected band.

6.5J.3.1 General spurious emissions for ATG

Editor’s Note: This test is incomplete. The following aspects are not yet determined:

- Annex F MU/TT is FFS.

- Message contents are TBC pending on Rel-18 ASN.1 freeze.

6.5.3J.1.1 Test purpose

To verify that NR ATG UE transmitter does not cause unacceptable interference to other channels or other systems in terms of transmitter spurious emissions.

6.5.3J.1.2 Test applicability

This test case applies to all types of NR ATG UE release 18 and forward.

6.5.3J.1.3 Minimum conformance requirements

For ATG UE, the minimum conformance requirements shall be the same as in clause 6.5.3.1.3.

The normative reference for this requirement is TS 38.101-1 [2] subclause 6.5J.3

6.5.3J.1.4 Test description

6.5.3J.1.4.1 Initial conditions

Initial conditions are a set of test configurations the UE needs to be tested in and the steps for the SS to take with the UE to reach the correct measurement state.

The initial test configurations consist of environmental conditions, test frequencies, test channel bandwidths and sub-carrier spacing based on NR operating bands specified in Table 5.3.5-1. All of these configurations shall be tested with applicable test parameters for each combination of channel bandwidth and sub-carrier spacing, are shown in Table 6.5.3J.1.4.1-1. The details of the uplink reference measurement channels (RMCs) are specified in Annexes A.2. Configurations of PDSCH and PDCCH before measurement are specified in Annex C.2.

Table 6.5.3J.1.4.1-1: Test Configuration Table

Initial Conditions			
Test Environment as specified in TS 38.508-1 [5] subclause 4.1.		Normal	
Test Frequencies as specified in TS 38.508-1 [5] subclause 4.3.1.		Low range, Mid range, High range	
Test Channel Bandwidths as specified in TS 38.508-1 [5] subclause 4.3.1.		Lowest, Mid, Highest	
Test SCS as specified in Table 5.3.5-1		Lowest	
Test Parameters			
Test ID	Downlink Configuration	Uplink Configuration	
	N/A for Spurious Emissions testing	Modulation	RB allocation (NOTE 1)
1		CP-OFDM QPSK	OuterFull
2		CP-OFDM QPSK	Edge_1RB_Left
3		CP-OFDM QPSK	Edge_1RB_Right
NOTE 1: The specific configuration of each RB allocation is defined in Table 6.1-1 Common UL configuration.			

1. Connect the SS to the UE antenna connectors as shown in TS 38.508-1 [5] Annex A, Figure A.3.1.1.1 for TE diagram and section A.3.2 for UE diagram.
2. The parameter settings for the cell are set up according to TS 38.508-1 [5] subclause 4.4.3.
3. Downlink signals are initially set up according to Annex C.0, C.1 and C.2, and uplink signals according to Annex G.0, G.1, G.2, G.3.0.
4. The UL Reference Measurement channels are set according to Table 6.5.3J.1.4.1-1.
5. Propagation conditions are set according to Annex B.0.
6. Ensure the UE is in state RRC_CONNECTED with generic procedure parameters Connectivity NR, Connected without release On, Test Mode On and Test Loop Function On according to TS 38.508-1 [5] clause 4.5. Message contents are defined in clause 6.5.3J.1.4.3 with no exceptions.

6.5.3J.1.4.2 Test procedure

1. SS sends uplink scheduling information for each UL HARQ process via PDCCH DCI format 0_1 for C_RNTI to schedule the UL RMC according to Table 6.5.3J.1.4.1-1. Since the UE has no payload data to send, the UE transmits uplink MAC padding bits on the UL RMC.
2. Send continuously uplink power control "up" commands in the uplink scheduling information to the UE until the UE transmits at P_{UMAX} level.
3. Measure the power of the transmitted signal at each antenna connector with a measurement filter of bandwidths according to Table 6.5.3J.1.5-1. The centre frequency of the filter shall be stepped in contiguous steps according to Table 6.5.3J.1.5-1. The measured power shall be verified for each step. The measurement period shall capture the active time slots. During measurement the spectrum analyser shall be set to 'Detector' = RMS. If the sweep count is higher than one, the trace mode shall be average.

6.5.3J.1.4.3 Message contents

FFS

6.5.3J.1.5 Test requirement

This clause specifies the requirements for the specified NR band for Transmitter Spurious emissions requirement with frequency range as indicated in Table 6.5.3J.1.5-1.

Unless otherwise stated, the spurious emission limits apply for the frequency ranges that are more than F_{OOB} (MHz) in Table 6.5.3J.1.3-1 from the edge of the channel bandwidth. The spurious emission limits in Table 6.5.3J.1.5-1 apply for all transmitter band configurations (NRB) and channel bandwidths.

The measured average power of spurious emission, derived in step 3, shall not exceed the described value in Table 6.5.3J.1.5-1.

Table 6.5.3J.1.5-1: General spurious emissions test requirements for ATG UG

Frequency Range	Maximum Level	Measurement bandwidth	NOTE
$9 \text{ kHz} \leq f < 150 \text{ kHz}$	-36 dBm	1 kHz	
$150 \text{ kHz} \leq f < 30 \text{ MHz}$	-36 dBm	10 kHz	
$30 \text{ MHz} \leq f < 1000 \text{ MHz}$	-36 dBm	100 kHz	
$1 \text{ GHz} \leq f < 12.75 \text{ GHz}$	-30 dBm	1 MHz	2
$12.75 \text{ GHz} \leq f < 5\text{th}$ harmonic of the upper frequency edge of the UL operating band in GHz	-30 dBm	1 MHz	1
NOTE 1: Applies for Band for which the upper frequency edge of the UL Band is greater than 2.55 GHz and less than or equal to 5.2 GHz			
NOTE 2: Does not apply for Band n41, CA configurations including Band n41, and EN-DC configurations that include n41 specified in subclause 5.2B of TS 38.101-3 [4] when NS_04 is signalled.			

7 Receiver characteristics

TBD

7.1 General

Unless otherwise stated the receiver characteristics are specified at the antenna connector(s) of the UE. For UE(s) with an integral antenna only, a reference antenna(s) with a gain of 0 dBi is assumed for each antenna port(s). UE with an integral antenna(s) may be taken into account by converting these power levels into field strength requirements, assuming a 0 dBi gain antenna. For UEs with more than one receiver antenna connector, identical interfering signals shall be applied to each receiver antenna port if more than one of these is used (diversity).

The levels of the test signal applied to each of the antenna connectors shall be as defined in the respective clauses below.

Unless otherwise stated, Channel Bandwidth shall be prioritized in the selecting of test points. Subcarrier spacing shall be selected after Test Channel Bandwidth is selected.

The applicability of receiver requirements for Band n90 is in accordance with that for Band n41; a UE supporting Band n90 shall meet the minimum requirements for Band n41.

With the exception of clause 7.3, the requirements shall be verified with the network signalling value NS_01 configured (Table 6.2.3.3-1).

All the parameters in clause 7 are defined using the UL reference measurement channels specified in Annexes A.2.2 and A.2.3, the DL reference measurement channels specified in Annex A.3.2 and A.3.3, and using the set-up specified in Annex C.3.1.

The minimum requirements specified in clauses 7.5, 7.6, 7.7 and 7.8 for NR band n48 refer to the minimum requirements for NR bands < 2.7 GHz.

For the additional requirements for intra-band non-contiguous carrier aggregation of two or more sub-blocks, an in-gap test refers to the case when the interfering signal is located at a negative offset with respect to the assigned lowest channel frequency of the highest sub-block and located at a positive offset with respect to the assigned highest channel frequency of the lowest sub-block.

For the additional requirements for intra-band non-contiguous carrier aggregation of two or more sub-blocks, an out-of-gap test refers to the case when the interfering signal(s) is (are) located at a positive offset with respect to the assigned channel frequency of the highest carrier frequency or located at a negative offset with respect to the assigned channel frequency of the lowest carrier frequency.

For the additional requirements for intra-band non-contiguous carrier aggregation of two or more sub-blocks with channel bandwidth larger than or equal to 5 MHz, the existing adjacent channel selectivity requirements, in-band blocking requirements (for each case), and narrow band blocking requirements apply for in-gap tests only if the corresponding interferer frequency offsets with respect to the two measured carriers satisfy the following condition in relation to the sub-block gap size W_{gap} for at least one of these carriers $j = 1, 2$, so that the interferer frequency position does not change the nature of the core requirement tested:

$$W_{\text{gap}} \geq 2 \cdot |F_{\text{Interferer (offset)}_j} - BW_{\text{Channel}(j)}|$$

where $F_{\text{Interferer (offset)}_j}$ for a sub-block with a single component carrier is the interferer frequency offset with respect to carrier j as specified in clause 7.5, clause 7.6.2 and clause 7.6.4 for the respective requirement and $BW_{\text{Channel}(j)}$ the channel bandwidth of carrier j . $F_{\text{Interferer (offset)}_j}$ for a sub-block with two or more contiguous component carriers is the interference frequency offset with respect to the carrier adjacent to the gap is specified in clause 7.5A, 7.6A.2 and 7.6A.3. The interferer frequency offsets for adjacent channel selectivity, each in-band blocking case and narrow-band blocking shall be tested separately with a single in-gap interferer at a time.

For the additional requirements for operation with shared spectrum channel access, the receiver requirements apply under the assumption that all 20 MHz sub-bands and all RBs of each sub-band within the downlink channel are allocated with intra-cell guard bands configured to zero.

7.1A General

The minimum requirements for band combinations including Band n41 also apply for the corresponding band combinations with Band n90 replacing Band n41 but with otherwise identical parameters. For brevity the said band combinations with Band n90 are not listed in the tables below but are covered by this specification.

The minimum requirements specified in clauses 7.5A, 7.6A, 7.7A and 7.8A for NR band n48 refer to the minimum requirements for NR bands < 2.7 GHz.

7.1I General

For a Redcap UE the requirements in Section 7 shall be verified with the channel bandwidth up to 20MHz and REFSSENS specified in clause 7.3I.

7.1J General for ATG

Unless otherwise stated, the receiver characteristics are specified at the antenna connector(s) of the ATG UE with one or multiple omni-directional antenna(s) or at the *transceiver array boundary* (TAB) connectors of the ATG UE with the antenna array. The definition about *transceiver array boundary* (TAB) is specified in clause 4.3.2 of TS 38.104 [27].

For the ATG UE with multiple omni-directional antennas not indicating the capability [*antennaArrayType-r18*], the receiver RF requirements are defined on top of each antenna connector.

For the ATG UE with the antenna array indicating the capability [*antennaArrayType-r18*], the receiver RF requirements are defined on top of each TAB connector.

7.2 Diversity characteristics

The UE is required to be equipped with a minimum of two Rx antenna ports in all operating bands except for the bands n7, n38, n41, n77, n78, n79 where the UE is required to be equipped with a minimum of four Rx antenna ports. An exception is allowed for two Rx vehicular UE to be equipped with a minimum of two Rx antenna ports in bands n7, n38, n41, n77, n78, n79. This requirement applies when the band is used as a standalone band or as part of a band combination.

For the single carrier REFSSENS requirements in clause 7, the UE shall be verified with two Rx antenna ports in all supported frequency bands, additional requirements for four Rx ports shall be verified in operating bands where the UE is equipped with four Rx antenna ports.

For Rx requirements other than single carrier REFSSENS in Clause 7, the UE shall be verified with four Rx antenna ports and skip two Rx antenna ports requirements in operating bands where the UE is equipped with four Rx antenna ports, otherwise, the UE shall be verified with two Rx antenna ports.

The above rules apply for all subclasses with the exception of clause 7.9.

A RedCap UE is required to be equipped with a minimum of single Rx antenna port and maximum of two Rx antenna ports. Clause 7 requirements for four Rx antenna ports do not apply to a RedCap UE.

7.2J Diversity characteristics for ATG

The ATG UE is required to be equipped with a minimum of two Rx antenna ports in all operating bands. ATG UE is required optionally to be equipped with four Rx antenna ports.

7.3 Reference sensitivity

7.3.1 General

The reference sensitivity power level REFSSENS is the minimum mean power applied to each one of the UE antenna ports for all UE categories, at which the throughput shall meet or exceed the requirements for the specified reference measurement channel.

In later clauses of Clause 7 where the value of REFSSENS is used as a reference to set the corresponding requirement:

In all bands, the UE shall be verified against those requirements by applying the REFSSENS value in Table 7.3.2.3-1a, Table 7.3.2.3-1b and Table 7.3.2.3-1c or Table 7.3.2.3-1d with 2 Rx antenna ports tested;

For bands where the UE is required to be equipped with 4 Rx antenna ports, the UE shall additionally be verified against those requirements by applying the resulting REFSSENS value derived from the requirement in Table 7.3.2.3-2 with 4 Rx antenna ports tested.

7.3.2 Reference sensitivity power level

7.3.2.1 Test purpose

The test purpose is to verify the ability of the UE to receive data with a given average throughput for a specified reference measurement channel, under conditions of low signal level, ideal propagation and no added noise.

7.3.2.2 Test applicability

This test case applies to all types of NR UE release 15 and forward that don't support RedCap.

7.3.2.3 Minimum conformance requirements

The reference sensitivity power level REFSSENS is the minimum mean power applied to each one of the UE antenna ports for all UE categories, at which the throughput shall meet or exceed the requirements for the specified reference measurement channel.

The throughput shall be $\geq 95\%$ of the maximum throughput of the reference measurement channels as specified in Annexes A.2.2.2, A.2.3.2, A.3.2 and A.3.3 (with one sided dynamic OCNG Pattern OP.1 FDD/TDD for the DL-signal as described in Annex A.5.1.1/A.5.2.1) with parameters specified in Table 7.3.2.3-1a, 7.3.2.3-1b, Table 7.3.2.3-1c, Table 7.3.2.3-1d and Table 7.3.2.3-2.

Table 7.3.2.3-1a: Two antenna port reference sensitivity QPSK P_{REFSENS} for FDD bands

Operating Band	Operating band / SCS / Channel bandwidth											
	SCS (kHz)	3 MHz (dBm)	5 MHz (dBm)	10 MHz (dBm)	15 MHz (dBm)	20 MHz (dBm)	25 MHz (dBm)	30 MHz (dBm)	35 MHz (dBm)	40 MHz (dBm)	45 MHz (dBm)	50 MHz (dBm)
n1	15		-100.0	-96.8	-95.0	-93.8	-92.7	-91.9		-90.6	-90.1	-89.6
	30			-97.1	-95.1	-94.0	-92.8	-92.0		-90.7	-90.2	-89.7
	60			-97.5	-95.4	-94.2	-93.0	-92.1		-90.9	-90.3	-89.7
n2	15		-98	-94.8	-93	-91.8	-90.7	-84.1		-81.5		
	30			-95.1	-93.1	-92	-90.8	-84.2		-81.6		
	60			-95.5	-93.4	-92.2	-90.9	-84.3		-81.7		
n3	15		-97.0	-93.8	-92.0	-90.8	-89.7	-88.9	-86.2	-82.3	-81.3	-79.7
	30			-94.1	-92.1	-91.0	-89.8	-89.0	-86.3	-82.4	-81.4	-79.8
	60			-94.5	-92.4	-91.2	-90.0	-89.1	-86.4	-82.6	-81.5	-79.9
n5	15		-98.0	-94.8	-93.0	-86.8	-84.8					
	30			-95.1	-93.1	-88.6	-84.9					
n7 ¹	15		-98.0	-94.8	-93.0	-91.8	-90.7	-89.9		-88.6		-81.5
	30			-95.1	-93.1	-92.0	-90.8	-90.0		-88.7		-81.5
	60			-95.5	-93.4	-92.2	-91.0	-90.1		-88.9		-81.5
n8	15		-97.0	-93.8	-91.4	-85.8			-78.4			
	30			-94.1	-91.7	-87.2			-78.5			
n12	15		-97.0	-93.8	-84.0							
	30			-94.1	-84.1							
n13	15		-97.0	-93.8								
	30			-94.1								
n14	15		-97.0	-93.8								
	30			-94.1								
n20	15		-97.0	-93.8	-91.0	-89.8						
	30			-94.1	-91.1	-90.0						
n24	15		-100.0	-96.8								
	30			-97.1								
	60			-97.5								
n25	15		-96.5	-93.3	-91.5	-90.3	-89.3	-82.2	-81.7	-79.5	-77.6	

Operating Band	Operating band / SCS / Channel bandwidth												
	SCS (kHz)	3 MHz (dBm)	5 MHz (dBm)	10 MHz (dBm)	15 MHz (dBm)	20 MHz (dBm)	25 MHz (dBm)	30 MHz (dBm)	35 MHz (dBm)	40 MHz (dBm)	45 MHz (dBm)	50 MHz (dBm)	
	30			-93.6	-91.6	-90.5	-89.4	-82.3	-81.8	-79.6	-77.7		
	60			-94.0	-91.9	-90.7	-89.6	-82.4	-81.9	-79.7	-77.8		
n26	15	-99.7	-97.5 ⁶	-94.5 ⁶	-92.7 ⁶	-87.6							
	30			-94.8 ⁶	-92.7 ⁶	-87.7							
n28	15	-100.2	-98.5	-95.5	-93.5	-90.8		-78.5					
	30			-95.6	-93.6	-91.0		-78.6					
n30	15		-99.0	-95.8									
	30			-96.1									
n65	15		-99.5	-96.3	-94.5	-93.3						-89.2	
	30			-96.6	-94.6	-93.5						-89.3	
	60			-97.0	-94.9	-93.7						-89.4	
n66	15		-99.5	-96.3	-94.5	-93.3	-92.2	-91.4		-90.1	-89.6		
	30			-96.6	-94.6	-93.5	-92.3	-91.5		-90.2	-89.7		
	60			-97.0	-94.9	-93.7	-92.5	-91.6		-90.4	-89.8		
n70	15		-100.0	-96.8	-95.0	-93.8	-92.7						
	30			-97.1	-95.1	-94.0	-92.8						
	60			-97.5	-95.4	-94.2	-93.0						
n71	15		-97.2	-94.0	-91.6	-86.0	-84.1 ⁸ -74.8 ⁹	-82.5 ⁸ -67.1 ⁹	-80.7 ⁸ -64.0 ⁹				
	30			-94.3	-91.9	-87.4	-84.2 ⁸ -74.9 ⁹	-82.6 ⁸ -67.2 ⁹	-80.8 ⁸ -64.1 ⁹				
n74	15		-99.5 ³	-96.3 ³	-94.5 ³	-89.3 ³							
	30			-96.6 ³	-94.6 ³	-89.5 ³							
	60			-97.0 ³	-94.9 ³	-89.6 ³							
n85	15	-99.2	-97.0	-93.8	-84.0								
	30			-94.1	-84.1								
n100	15	-102.2	-100										
n106	15	-99.2											

NOTE 1: Four Rx antenna ports shall be the baseline for this operating band except for two Rx vehicular UE. Four Rx antenna ports for RedCap UE is not supported for this operating band.
 NOTE 2: The transmitter shall be set to P_{UMAX} as defined in clause 6.2.4
 NOTE 3: The requirement is modified by -0.5 dB when the assigned NR channel bandwidth is confined within 1475.9 - 1510.9 MHz.
 NOTE 4: Void
 NOTE 5: Void
 NOTE 6: Values are modified by -0.5dB when carrier channel BW is between 865MHz and 894MHz.
 NOTE 7: Void.
 NOTE 8: Applies to UEs that support a maximum uplink BW of 20 MHz in this band.
 NOTE 9: Applies to UEs that support optional symmetric UL/DL for this BW.

Table 7.3.2.3-1b: Two antenna port reference sensitivity QPSK PREFSENS for TDD, SDL and FDD with variable duplex operation bands

Operating band	SCS (kHz)	Operating band / SCS / Channel bandwidth / REFSENS		Duplex Mode
		Channel bandwidth (MHz)	REFSENS (dBm) ⁸	
n34	15	5, 10, 15	-100 + 10log ₁₀ (N _{RB} /25)	TDD
	30	10, 15	-97.1 + 10log ₁₀ (N _{RB} /24)	
	60	10, 15	-97.5 + 10log ₁₀ (N _{RB} /11)	
n38 ¹	15	5, 10, 15, 20, 25, 30, 40	-100 + 10log ₁₀ (N _{RB} /25)	TDD
	30	10, 15, 20, 25, 30, 40	-97.1 + 10log ₁₀ (N _{RB} /24)	
	60	10, 15, 20, 25, 30, 40	-97.5 + 10log ₁₀ (N _{RB} /11)	
n39	15	5, 10, 15, 20, 25, 30, 40	-100 + 10log ₁₀ (N _{RB} /25)	TDD
	30	10, 15, 20, 25, 30, 40	-97.1 + 10log ₁₀ (N _{RB} /24)	
	60	10, 15, 20, 25, 30, 40	-97.5 + 10log ₁₀ (N _{RB} /11)	
n40	15	5, 10, 15, 20, 25, 30, 40, 50	-100 + 10log ₁₀ (N _{RB} /25)	TDD
	30	10, 15, 20, 25, 30, 40, 50, 60, 80, 90, 100	-97.1 + 10log ₁₀ (N _{RB} /24)	

	60	10, 15, 20, 25, 30, 40, 50, 60, 80, 90, 100	$-97.5 + 10\log_{10}(N_{RB}/11)$	
n41 ¹	15	10, 15, 20, 30, 40, 50	$-94.8 + 10\log_{10}(N_{RB}/52)$	TDD
	30	10, 15, 20, 30, 40, 50, 60, 70, 80, 90, 100	$-95.1 + 10\log_{10}(N_{RB}/24)$	
	60	10, 15, 20, 30, 40, 50, 60, 70, 80, 90, 100	$-95.5 + 10\log_{10}(N_{RB}/11)$	
n48 ¹	15	5, 10, 15, 20, 30, 40, 50 ⁵	$-99 + 10\log_{10}(N_{RB}/25)$	TDD
	30	10, 15, 20, 30, 40, 50 ⁵ , 60 ⁵ , 70 ⁵ , 80 ⁵ , 90 ⁵ , 100 ⁵	$-96.1 + 10\log_{10}(N_{RB}/24)$	
	60	10, 15, 20, 30, 40, 50 ⁵ , 60 ⁵ , 70 ⁵ , 80 ⁵ , 90 ⁵ , 100 ⁵	$-96.5 + 10\log_{10}(N_{RB}/11)$	
n50	15	5, 10, 15, 20, 30, 40, 50	$-100 + 10\log_{10}(N_{RB}/25)$	TDD
	30	10, 15, 20, 30, 40, 50, 60, 80	$-97.1 + 10\log_{10}(N_{RB}/24)$	
	60	10, 15, 20, 30, 40, 50, 60, 80	$-97.5 + 10\log_{10}(N_{RB}/11)$	
n51	15	5	-100	TDD
n53	15	5, 10	$-100 + 10\log_{10}(N_{RB}/25)$	TDD
	30	10	-97.1	
	60	10	-97.5	
n75 ⁷	15	5,10,15,20	$-100 + 10\log_{10}(N_{RB}/25)$	SDL
	30	10,15,20	$-97.1 + 10\log_{10}(N_{RB}/24)$	
	60	10,15,20	$-97.5 + 10\log_{10}(N_{RB}/11)$	
n76 ⁷	15	5	-100	SDL
n77 ^{1,4}	15	10, 15, 20, 40, 50	$-95.3 + 10\log_{10}(N_{RB}/52)$	TDD
	30	10, 15, 20, 25, 30, 40, 50, 60, 70, 80, 90, 100	$-95.6 + 10\log_{10}(N_{RB}/24)$	
	60	10, 15, 20, 25, 30, 40, 50, 60, 70, 80, 90, 100	$-96.0 + 10\log_{10}(N_{RB}/11)$	
n78 ¹	15	10, 15, 20, 25, 30, 40, 50	$-95.8 + 10\log_{10}(N_{RB}/52)$	TDD
	30	10, 15, 20, 40, 50, 60, 70, 80, 90, 100	$-96.1 + 10\log_{10}(N_{RB}/24)$	
	60	10, 15, 20, 40, 50, 60, 70, 80, 90, 100	$-96.5 + 10\log_{10}(N_{RB}/11)$	
n79 ¹	15	10,20,40, 50	$-95.8 + 10\log_{10}(N_{RB}/52)$	TDD
	30	10, 20, 40, 50, 60, 80, 100	$-96.1 + 10\log_{10}(N_{RB}/24)$	
	60	10, 20, 40, 50, 60, 80, 100	$-96.5 + 10\log_{10}(N_{RB}/11)$	
n91	15	5	-100	FDD
n92	15	5, 10, 15, 20	$-100 + 10\log_{10}(N_{RB}/25)$	FDD
	30	10, 15, 20	$-97.1 + 10\log_{10}(N_{RB}/24)$	
n93	15	5	-100	FDD
n94	15	5, 10, 15, 20	$-100 + 10\log_{10}(N_{RB}/25)$	FDD
	30	10, 15, 20	$-97.1 + 10\log_{10}(N_{RB}/24)$	
n101	15	5, 10	$-100 + 10\log_{10}(N_{RB}/25)$	TDD
	30	10	$-97.1 + 10\log_{10}(N_{RB}/24)$	
<p>NOTE 1: Four Rx antenna ports shall be the baseline for this operating band except for two Rx vehicular UE. Four Rx antenna ports for RedCap UE is not supported for this operating band.</p> <p>NOTE 2: The transmitter shall be set to P_{UMAX} as defined in clause 6.2.4.</p> <p>NOTE 3: Void</p> <p>NOTE 4: The requirement is modified by -0.5 dB when the assigned UE channel bandwidth is confined within 3300 - 3800 MHz.</p> <p>NOTE 5: For these bandwidths, the minimum requirements are restricted to operation when carrier is configured as a downlink carrier part of CA configuration.</p> <p>NOTE 6: Void</p> <p>NOTE 7: For SDL bands, the reference sensitivity requirements shall be verified by inter-band CA combinations with SDL band, which are supported by UE.</p> <p>NOTE 8: The REFSSENS value is rounded to the nearest number down to one decimal point. "N_{RB}" in REFSSENS formula is the maximum transmission bandwidth configuration as defined in Table 5.3.2-1.</p>				

For power class 2 UEs, certain degradation of the reference sensitivity in Table 7.3.2.3-1a is allowed. The maximum amount of degradation is specified in Table 7.3.2.3-1c, and in Table 7.3.2.3-1d for a UE that indicates *txDiversity-r16* [26].

Table 7.3.2.3-1c Reference Sensitivity Degradation from PC3 to PC2 for FDD bands for UE not supporting Tx Diversity

Operating Band	5 MHz (dB)	10 MHz (dB)	15 MHz (dB)	20 MHz (dB)	25 MHz (dB)	30 MHz (dB)	35 MHz (dB)	40 MHz (dB)	45 MHz (dB)	50 MHz (dB)
n1	0	0	0	0	0	0	-	0	0	0
n3	0.5	0.5	0.5	0.5	0.6	0.8	1.1	1.5	2.3	2.8
n8	0.5	0.7	0.8	2.3	2.8	3.2	3.1			

Operating Band	5 MHz (dB)	10 MHz (dB)	15 MHz (dB)	20 MHz (dB)	25 MHz (dB)	30 MHz (dB)	35 MHz (dB)	40 MHz (dB)	45 MHz (dB)	50 MHz (dB)
NOTE 1: The transmitter shall be set to P_{UMAX} as defined in clause 6.2.4										

Table 7.3.2.3-1d Reference Sensitivity Degradation from PC3 to PC2 for FDD bands for UE supporting Tx Diversity

Operating Band	5 MHz (dB)	10 MHz (dB)	15 MHz (dB)	20 MHz (dB)	25 MHz (dB)	30 MHz (dB)	35 MHz (dB)	40 MHz (dB)	45 MHz (dB)	50 MHz (dB)
n1	0	0	0	0	0	0	-	0	0	0
n3	1.4	1.5	1.5	1.5	1.6	1.7	2.8	5	5.5	6.0
n8	1.3	1.4	2.1	5.8	6.1	6.5	7.0			
NOTE 1: The transmitter shall be set to P_{UMAX} as defined in clause 6.2G.4										

For UE(s) equipped with 4 Rx antenna ports, reference sensitivity for 2Rx antenna ports in Table 7.3.2.3-1a and in Table 7.3.2.3-1b shall be modified by the amount given in $\Delta R_{IB,4R}$ in Table 7.3.2.3-2 for the applicable operating bands.

Table 7.3.2.3-2: Four antenna port reference sensitivity allowance $\Delta R_{IB,4R}$

Operating band	$\Delta R_{IB,4R}$ (dB)
n8, n28, n71	-2.7 ¹
n1, n2, n3, n30, n40, n7, n34, n38, n39, n41, n66, n70	-2.7
n48, n77, n78, n79	-2.2
NOTE 1: 4 Rx operation is targeted for FWA form factor	

The reference sensitivity (REFSENS) requirement specified in Table 7.3.2.3-1a, Table 7.3.2.3-1b, Table 7.3.2.3-1c, Table 7.3.2.3-1d and Table 7.3.2.3-2 shall be met with uplink transmission bandwidth less than or equal to that specified in Table 7.3.2.3-3.

Table 7.3.2.3-3: Uplink configuration for reference sensitivity

Operating Band	SCS	Operating band / SCS (kHz) / Channel bandwidth (MHz) / Duplex mode																
		3	5	10	15	20	25	30	35	40	45	50	60	70	80	90	100	Duplex Mode
n1	15		25	50 ¹	75 ¹	100 ¹	128 ¹	128 ¹		128 ¹	128 ¹	128 ¹						FDD
	30			24	36 ¹	50 ¹	64 ¹	64 ¹		64 ¹	64 ¹	64 ¹						
	60			10 ¹	18	24	30 ¹	30 ¹		30 ¹	30 ¹	30 ¹						
n2	15		25	50 ¹	50 ¹	50 ¹	50 ¹	48 ¹		40 ¹								FDD
	30		10 ¹	24	24 ¹	24 ¹	24 ¹	24 ¹		20 ¹								
	60			10 ¹	10 ¹	10 ¹	10 ¹	10 ¹		10 ¹								
n3	15		25	50 ¹	50 ¹	50 ¹	50 ¹	50 ¹	50 ¹	50 ¹	50 ¹	50 ¹						FDD
	30			24	24 ¹	24 ¹	24 ¹	24 ¹	24 ¹	24 ¹	24 ¹	24 ¹						
	60			10 ¹	10 ¹	10 ¹	10 ¹	10 ¹	10 ¹	10 ¹	10 ¹	10 ¹						
n5	15		25	25 ¹	25 ¹	25 ¹	Note 5											FDD
	30			10 ¹	10 ¹	10 ¹	Note 5											
n7	15		25	50 ¹	75 ¹	75 ¹	72 ¹	64 ¹		45 ¹		45 ¹						FDD
	30			24	36 ¹	36 ¹	36 ¹	32 ¹		20 ¹		20 ¹						
	60			10 ¹	18	18 ¹	18 ¹	16 ¹		10 ¹		10 ¹						
n8	15		25	25 ¹	25 ¹	25 ¹			Note 5									FDD
	30			10 ¹	10 ¹	10 ¹			Note 5									
n12	15		20 ¹	20 ¹	20 ¹													FDD
	30			10 ¹	10 ¹													
n13	15		20 ¹	20 ¹														FDD
	30			10 ¹														
n14	15		20 ¹	20 ¹														FDD
	30			10 ¹														
n20	15		25	20 ¹	20 ²	20 ²												FDD
	30			10 ¹	10 ²	10 ²												
n24	15		25	50														FDD
	30			24														
	60			10														
n25	15		25	50 ¹	50 ¹	50 ¹	50 ¹	48 ¹	40 ¹	40 ¹	Note 5							FDD
	30			24	24 ¹	24 ¹	24 ¹	24 ¹	20 ¹	20 ¹	Note 5							
	60			10 ¹	10 ¹	10 ¹	10 ¹	10 ¹	10 ¹	10 ¹	Note 5							
n26	15	15	25	25 ¹	25 ¹	25 ¹												FDD
	30			12 ¹	12 ¹	12 ¹												
n28	15	15	25	25 ¹	25 ¹	25 ¹		25 ¹										FDD
	30			10 ¹	10 ¹	10 ¹		10 ¹										
n30	15		20 ¹	20 ¹														FDD
	30			10 ¹														
n34	15		25	50	75													TDD
	30			24	36													
	60			10	18													

Operating band / SCS (kHz) / Channel bandwidth (MHz) / Duplex mode																		
Operating Band	SCS	3	5	10	15	20	25	30	35	40	45	50	60	70	80	90	100	Duplex Mode
n38	15		25	50	75	100	128	160		216								TDD
	30			24	36	50	64	75		100								
	60			10	18	24	30	36		50								
n39	15		25	50	75	100	128	160		216								TDD
	30			24	36	50	64	75		100								
	60			10	18	24	30	36		50								
n40	15		25	50	75	100	128	160		216		270						TDD
	30			24	36	50	64	75		100		128	162		216			
	60			10	18	24	30	36		50		64	75		100			
n41	15			50	75	100		160		216		270						TDD
	30			24	36	50		75		100		128	162	180	216 ^f	243	270	
	60			10	18	24		36		50		64	75	90	100	120	135	
n48	15		25	50	75	100		160		216								TDD
	30			24	36	50		75		100								
	60			10	18	24		36		50								
n50	15		25	50	75	100		160		216		270						TDD
	30			24	36	50		75		100		128	162		Note 3			
	60			10	18	24		36		50		64	75		Note 3			
n51	15		25															TDD
n53	15		25	50														TDD
	30			24														
	60			10														
n65	15		25	50 ¹	75 ¹	100 ¹												FDD
	30			24	36 ¹	50 ¹												
	60			10 ¹	18	24												
n66	15		25	50 ¹	75 ¹	100 ¹	128 ¹	160		216								FDD
	30			24	36 ¹	50 ¹	64 ¹	75 ¹		100 ¹								
	60			10 ¹	18	24	30 ¹	36 ¹		50 ¹								
n70	15		25	50 ¹	75 ¹	Note 3	Note 3											FDD
	30			24	36 ¹	Note 3	Note 3											
	60			10 ¹	18	Note 3	Note 3											
n71	15		25	25 ¹	20 ¹	20 ¹	20 ^{1,6}	20 ^{1,6}		20 ^{1,6}								FDD
	30			12 ¹	10 ¹	10 ¹	10 ^{1,6}	10 ^{1,6}		10 ^{1,6}								
n74	15		25	25 ¹	25 ¹	25 ¹												FDD
	30			10 ¹	10 ¹	10 ¹												
	60			5 ¹	5 ¹	5 ¹												

Operating band / SCS (kHz) / Channel bandwidth (MHz) / Duplex mode																		
Operating Band	SCS	3	5	10	15	20	25	30	35	40	45	50	60	70	80	90	100	Duplex Mode
n77	15			50	75	100				216		270						TDD
	30			24	36	50				100		128	162	180	216	243	270	
	60			10	18	24				50		64	75	90	100	120	135	
n78	15			50	75	100	128	160		216		270						TDD
	30			24	36	50	64	75		100		128	162	180	216	243	270	
	60			10	18	24	30	36		50		64	75	90	100	120	135	
n79	15			50		100				216		270						TDD
	30			24		50				100		128	162		216		270	
	60			10		24				50		64	75		100		135	
n85	15	15	20 ¹	20 ¹	20 ¹													FDD
	30			10 ¹	10 ¹													
n91	15		25 ⁴	20 ^{1,4}														FDD
	30																	
	60																	
n92	15		25	20 ¹	20 ¹	20 ¹												FDD
	30			10 ¹	10 ¹	10 ¹												
	60																	
n93	15		25 ⁴	25 ^{1,4}														FDD
	30																	
	60																	
n94	15		25	25 ¹	20 ¹	20 ¹												FDD
	30			12 ¹	10 ¹	10 ¹												
	60																	
n100	15	15	25															FDD
	30																	
	60																	
n101	15		25	50														TDD
	30			24														
	60																	
n106	15	15																FDD

NOTE 1: UL resource blocks shall be located as close as possible to the downlink operating band but confined within the transmission bandwidth configuration for the channel bandwidth (Table 5.3.2-1).

NOTE 2: For band n20; for 15kHz SCS, in the case of 15MHz channel bandwidth, the UL resource blocks shall be located at $RB_{start}=11$ and in the case of 20MHz channel bandwidth, the UL resource blocks shall be located at $RB_{start}=16$; for 30kHz SCS, in the case of 15MHz channel bandwidth, the UL resource blocks shall be located at $RB_{start}=6$ and in the case of 20MHz channel bandwidth, the UL resource blocks shall be located at $RB_{start}=8$; for 60kHz SCS, in the case of 15MHz channel bandwidth, the UL resource blocks shall be located at $RB_{start}=3$ and in the case of 20MHz channel bandwidth, the UL resource blocks shall be located at $RB_{start}=4$.

NOTE 3: For DL channel bandwidths that do not have symmetric UL channel bandwidth, highest valid UL configuration with lowest duplex distance shall be used.

NOTE 4: For band n91 and n93, largest supported UL bandwidth configuration shall be used.

NOTE 5: For this DL channel bandwidth, the UL configuration of the highest UL channel bandwidth specified in Table 5.3.6-1 and the nominal Tx-Rx frequency separation specified in Table 5.4.4-1 shall be used, i.e. ΔF_{TX-RX} as defined in clause 5.3 does not apply.

Operating band / SCS (kHz) / Channel bandwidth (MHz) / Duplex mode																		
Operating Band	SCS	3	5	10	15	20	25	30	35	40	45	50	60	70	80	90	100	Duplex Mode
Note 6:	UEs supporting the optional symmetrical UL/DL bandwidths shall use this UL configuration. For UEs not supporting this uplink channel bandwidth, the UL configuration of the 20MHz UL channel bandwidth and the nominal Tx-Rx frequency separation specified in Table 5.4.4-1 shall be used, i.e. $\Delta F_{\text{TX-RX}}$ as defined in clause 5.3.6 does not apply.																	

Unless given by Table 7.3.2.3-4, the minimum requirements specified in Tables 7.3.2.3-1a, Tables 7.3.2.3-1b, Tables 7.3.2.3-1c, Tables 7.3.2.3-1d shall be verified with the network signalling value NS_01 (Table 6.2.3.3-1) configured.

Table 7.3.2.3-4: Network signalling value for reference sensitivity

Operating band	Network Signalling value
n2	NS_03
n12	NS_06
n13	NS_06
n14	NS_06
n24	NS_56
n25	NS_03
n30	NS_21
n48	NS_27
n53	NS_45
n66	NS_03
n70	NS_03
n71	NS_35
n85	NS_06

For the UE which supports CA, SUL or DC band combination, the minimum requirement for reference sensitivity in Table 7.3.2.3-1a and Table 7.3.2.3-1b shall be increased by the amount given in $\Delta R_{IB,c}$ defined in subclause 7.3.3 for the applicable operating bands.

The normative reference for this requirement is TS 38.101-1 [2] clause 7.3.2.

7.3.2.4 Test description

7.3.2.4.1 Initial conditions

Initial conditions are a set of test configurations the UE needs to be tested in and the steps for the SS to take with the UE to reach the correct measurement state.

The initial test configurations consist of environmental conditions, test frequencies, and channel bandwidths based on NR operating bands specified in Table 5.3.5-1. All of these configurations shall be tested with applicable test parameters for each channel bandwidth, and are shown in Table 7.3.2.4.1-1, Table 7.3.2.4.1-2, and Table 7.3.2.4.1-3. The details of the uplink reference measurement channels (RMCs) are specified in Annex A2.2. Configurations of PDSCH and PDCCH before measurement are specified in Annex C.2.

Table 7.3.2.4.1-1: Test Configuration Table

Initial Conditions				
Test Environment as specified in TS 38.508-1 [5] subclause 4.1		Normal, TL/VL, TL/VH, TH/VL, TH/VH		
Test Frequencies as specified in TS 38.508-1 [5] subclause 4.3.1		Low range, Mid range, High range (NOTE 4)		
Test Channel Bandwidths as specified in TS 38.508-1 [5] subclause 4.3.1		Lowest, Mid, Highest Lowest UL / Lowest DL, Lowest UL / Highest DL (NOTE 3)		
Test SCS as specified in Table 5.3.5-1		Lowest		
Test Parameters				
Test ID	Downlink Configuration		Uplink Configuration	
	Modulation	RB allocation	Modulation	RB allocation
1	CP-OFDM QPSK	Full RB (NOTE 1)	DFT-s-OFDM QPSK	REFSENS (NOTE 2)
NOTE 1: Full RB allocation shall be used per each SCS and channel BW as specified in Table 7.3.2.4.1-2.				
NOTE 2: REFSENS refers to Table 7.3.2.4.1-3 which defines uplink RB configuration and start RB location for each SCS, channel BW and NR band.				
NOTE 3: Additional test points selected according to asymmetric channel bandwidths specified in clause 5.3.6. DL channel bandwidth shall be selected first.				
NOTE 4: For NR band n28, 30MHz test channel bandwidth is tested with Low range and High range test frequencies.				
NOTE 5: In a band where UE supports 4Rx, the test needs to be repeated with only 2Rx antennas connected and the other antennas terminated.				

Table 7.3.2.4.1-2: Downlink Configuration of each RB allocation

Channel Bandwidth	SCS(kHz)	LCRBmax	Outer RB allocation / Normal RB allocation
3MHz	15	15	15@0
5MHz	15	25	25@0
	30	11	11@0
	60	N/A	N/A
10MHz	15	52	52@0
	30	24	24@0
	60	11	11@0
15MHz	15	79	79@0
	30	38	38@0
	60	18	18@0
20MHz	15	106	106@0
	30	51	51@0
	60	24	24@0
25MHz	15	133	133@0
	30	65	65@0
	60	31	31@0
30MHz	15	160	160@0
	30	78	78@0
	60	38	38@0
35MHz	15	188	188@0
	30	92	92@0
	60	44	38@0
40MHz	15	216	216@0
	30	106	106@0
	60	51	51@0
45MHz	15	242	242@0
	30	119	119@0
	60	58	58@0
50MHz	15	270	270@0
	30	133	133@0
	60	65	65@0
60MHz	15	N/A	N/A
	30	162	162@0
	60	79	79@0
70MHz	15	N/A	N/A
	30	189	189@0
	60	93	93@0
80MHz	15	N/A	N/A
	30	217	217@0
	60	107	107@0
90MHz	15	N/A	N/A
	30	245	245@0

	60	121	121@0
100MHz	15	N/A	N/A
	30	273	273@0
	60	135	135@0
NOTE 1: Test Channel Bandwidths are checked separately for each NR band, the applicable channel bandwidths are specified in Table 5.3.5-1.			

Table 7.3.2.4.1-3: Uplink configuration for reference sensitivity, LCRB @ RBstart format

Operating Band	SCS (kHz)	3 MHz	5 MHz	10 MHz	15 MHz	20 MHz	25 MHz	30 MHz	35 MHz	40 MHz	45 MHz	50 MHz	60 MHz	70 MHz	80 MHz	90 MHz	100 MHz	Duplex Mode
n1	15		25@0	50@2 ¹	75@4 ¹	100@6 ₁	128@5 ₁	128@32 ₁		128@88 ₁	128@114 ₁	128@142 ₁						FDD
	30			24@0	36@2 ¹	50@1 ¹	64@1 ¹	64@14 ¹		64@42 ¹	64@55 ¹	64@69 ¹						
	60			10@1 ¹	18@0	24@0	30@1 ¹	30@8 ¹		30@21 ¹	30@28 ¹	30@35 ¹						
n2	15		25@0	50@2 ¹	50@29 ₁	50@56 ₁	50@83 ₁	48@112 ₁		40@176 ₁								FDD
	30		10@1 ¹	24@0	24@14 ₁	24@27 ₁	24@41 ₁	24@54 ¹		20@86 ¹								
	60			10@1 ¹	10@8 ¹	10@14 ₁	10@21 ₁	10@28 ¹		10@41 ¹								
n3	15		25@0	50@2 ¹	50@29 ₁	50@56 ₁	50@83 ₁	50@110 ₁	50@138 ₁	50@166 ₁	50@192 ¹	50@220 ¹						FDD
	30			24@0	24@14 ₁	24@27 ₁	24@41 ₁	24@54 ¹	24@68 ¹	24@82 ¹	24@95 ¹	24@109 ¹						
	60			10@1 ¹	10@8 ¹	10@14 ₁	10@21 ₁	10@28 ¹	10@34 ¹	10@41 ¹	10@48 ¹	10@55 ¹						
n5	15		25@0	25@27 ¹	25@54 ₁	25@81 ₁	Note 5											FDD
	30			10@14 ¹	10@28 ₁	10@41 ₁	Note 5											
	60																	
n7	15		25@0	50@2 ¹	75@4 ¹	75@31 ₁	72@61 ₁	64@96 ¹		45@171 ₁		45@225 ¹						FDD
	30			24@0	36@2 ¹	36@15 ₁	36@29 ₁	32@46 ¹		20@86 ¹		20@113 ¹						
	60			10@1 ¹	18@0	18@6 ¹	18@13 ₁	16@22 ¹		10@41 ¹		10@55 ¹						
n8	15		25@0	25@27 ¹	25@54 ₁	25@81 ₁			Note 5									FDD
	30			10@14 ¹	10@28 ₁	10@41 ₁			Note 5									
	60																	
n12	15		20@5 ¹	20@32 ¹	20@59 ₁													FDD
	30			10@14 ¹	10@28 ₁													
	60																	
n13	15		20@0 ¹	20@0 ¹														FDD
	30			10@0 ¹														
	60																	

	30			24@0	36@0	50@0		75@0		100@0		128@0	162@0	180@0	216@0	243@0	270@0	
	60			10@0	18@0	24@0		36@0		50@0		64@0	75@0	90@0	100@0	120@0	135@0	
n48	15		25@0	50@0	75@0	100@0		160@0		216@0								
	30			24@0	36@0	50@0		75@0		100@0								
	60			10@0	18@0	24@0		36@0		50@0								
n50	15		25@0	50@0	75@0	100@0				216@0		270@0						
	30			24@0	36@0	50@0				100@0		128@0	162@0		NOTE 3			
	60			10@0	18@0	24@0				50@0		64@0	75@0		NOTE 3			
n51	15		25@0															
	30																	
	60																	
n53	15		25@0	50@0														
	30			24@0														
	60			10@0														
n65	15		25@0	50@2 ¹	75@4 ¹	100@6 ₁												
	30			24@0	36@2 ¹	50@1 ¹												
	60			10@1 ¹	18@0	24@0												
n66	15		25@0	50@2 ¹	75@4 ¹	100@6 ₁	128@5 ₁	160@0		216@0								
	30			24@0	36@2 ¹	50@1 ¹	64@1 ¹	75@3 ¹		100@6 ¹								
	60			10@1 ¹	18@0	24@0	30@1 ¹	36@2 ¹		50@1 ¹								
n70	15		25@0	50@2 ¹	75@4 ¹	NOTE 3	NOTE 3											
	30			24@0	36@2 ¹	NOTE 3	NOTE 3											
	60			10@1 ¹	18@0	NOTE 3	NOTE 3											
n71	15		25@0	25@0 ¹	20@0 ¹	20@0 ¹				20@0 ^{1,6}	20@0 ^{1,6}							
	30			12@0 ¹	10@0 ¹	10@0 ¹				10@0 ^{1,6}	10@0 ^{1,6}							
	60				10@0 ¹					10@0 ^{1,6}	10@0 ^{1,6}							
n74	15		25@0	25@27 ¹	25@54 ₁	25@81 ₁												
	30			10@14 ¹	10@28 ₁	10@41 ₁												
	60			5@6 ¹	5@13 ¹	5@19 ¹												
n77	15			50@0	75@0	100@0	128@0	160@0		216@0		270@0						TDD

	30			24@0	36@0	50@0	64@0	75@0		100@0		128@0	162@0	180@0	216@0	243@0	270@0	
	60		-	10@0	18@0	24@0	30@0	36@0		50@0		64@0	75@0	90@0	100@0	120@0	135@0	
n78	15			50@0	75@0	100@0	128@0	160@0		216@0		270@0						TDD
	30			24@0	36@0	50@0	64@0	75@0		100@0		128@0	162@0	180@0	216@0	243@0	270@0	
	60			10@0	18@0	24@0	30@0	36@0		50@0		64@0	75@0	90@0	100@0	120@0	135@0	
n79	15			50@0		100@0				216@0		270@0						TDD
	30			24@0		50@0				100@0		128@0	162@0		216@0		270@0	
	60			10@0		24@0				50@0		64@0	75@0		100@0		135@0	
n85	15	15@0	20@5 ¹	20@32 ¹	20@59 ₁													FDD
	30			10@14 ¹	10@28 ₁													
n91	15		25@0 ⁴	20@32 ¹ _{,4}														FDD
	30																	
	60																	
n92	15		25@0	20@32 ¹	20@59 ₁	20@86 ₁												FDD
	30			10@14 ¹	10@28 ₁	10@41 ₁												
	60																	
n93	15		25@0 ⁴	25@27 ¹ _{,4}														FDD
	30																	
	60																	
n94	15		25@0	25@27 ¹	20@59 ₁	20@86 ₁												FDD
	30			12@12 ¹	10@28 ₁	10@41 ₁												
	60																	
n100	15	15@0	25@0															FDD
	30																	
	60																	
n101	15		25@0	50@0														TDD
	30			24@0														
	60																	
n106	15	15@0																FDD

NOTE 1: UL resource blocks shall be located as close as possible to the downlink operating band but confined within the transmission bandwidth configuration for the channel bandwidth (Table 5.3.2-1).

NOTE 2: For band n20; for 15kHz SCS, in the case of 15MHz channel bandwidth, the UL resource blocks shall be located at RBstart =11 and in the case of 20MHz channel bandwidth, the UL resource blocks shall be located at RBstart =16; for 30kHz SCS, in the case of 15MHz channel bandwidth, the UL resource blocks shall be located at RBstart =6 and in the case of 20MHz channel bandwidth, the UL resource blocks shall be located at RBstart =8; for 60kHz SCS, in the case of 15MHz channel bandwidth, the UL resource blocks shall be located at RBstart =3 and in the case of 20MHz channel bandwidth, the UL resource blocks shall be located at RBstart =4.

NOTE 3: For DL channel bandwidths that do not have symmetric UL channel bandwidth, highest valid UL configuration with lowest duplex distance shall be used.

NOTE 4: For band n91 and n93, largest supported UL bandwidth configuration shall be used.

NOTE 5: For this DL channel bandwidth, the UL configuration of the highest UL channel bandwidth specified in Table 5.3.6-1 and the nominal Tx-Rx frequency separation specified in Table 5.4.4-1 shall be used, i.e. ΔF_{TX-RX} as defined in clause 5.3. does not apply.

Note 6: UEs supporting the optional symmetrical UL/DL bandwidths shall use this UL configuration. For UEs not supporting this uplink channel bandwidth, the UL configuration of the 20MHz UL channel bandwidth and the nominal Tx-Rx frequency separation specified in Table 5.4.4-1 shall be used, i.e. ΔF_{TX-RX} as defined in clause 5.3.6 does not apply.

1. Connect the SS to the UE antenna connectors as shown in TS 38.508-1 [5] Annex A, Figure A.3.1.1.1 for TE diagram and section A.3.2 for UE diagram.
2. The parameter settings for the cell are set up according to TS 38.508-1 [5] subclause 4.4.3.
3. Downlink signals are initially set up according to Annex C.0, C.1, C.2, and C.3.1, and uplink signals according to Annex G.0, G.1, G.2, and G.3.1.
4. The UL and Reference Measurement Channel is set according to Table 7.3.2.4.1-1, Table 7.3.2.4.1-2, and Table 7.3.2.4.1-3.
5. Propagation conditions are set according to Annex B.0.
6. Ensure the UE is in State RRC_CONNECTED with generic procedure parameters Connectivity *NR*, Connected without release *On*, Test Mode *On* and Test Loop Function *On* according to TS 38.508-1 [5] clause 4.5. Message contents are defined in clause 7.3.2.4.3.

7.3.2.4.2 Test procedure

1. SS transmits PDSCH via PDCCH DCI format 1_1 for C_RNTI to transmit the DL RMC according to Table 7.3.2.4.1-1. The SS sends downlink MAC padding bits on the DL RMC.
2. SS sends uplink scheduling information for each UL HARQ process via PDCCH DCI format 0_1 for C_RNTI to schedule the UL RMC according to Tables 7.3.2.4.1-1. Since the UE has no payload data to send, the UE transmits uplink MAC padding bits on the UL RMC.
3. Set the Downlink signal level to the appropriate REFSSENS value defined in Table 7.3.2.5-1 if 2Rx antennas connected or Table 7.3.2.5-2 if 4Rx antennas connected. Send continuously uplink power control "up" commands in the uplink scheduling information to the UE to ensure the UE transmits PUMAX level for at least the duration of the Throughput measurement.
4. Measure the average throughput for a duration sufficient to achieve statistical significance according to Annex H.2

7.3.2.4.3 Message contents

Message contents are according to TS 38.508-1 [5] clause 4.6 ensuring Table 4.6.3-118 with condition TRANSFORM_PRECODER_ENABLED for NR band.

Message contents are according to TS 38.508-1[5] subclause 4.6 with the following exceptions for each network signalling value.

7.3.2.4.3.1 Message contents exceptions (network signalling value "NS_01")

Message contents according to TS 38.508-1 [5] subclause 4.6 can be used without exceptions.

7.3.2.4.3.2 Message contents exceptions (network signalling value "NS_03")

1. Information element additionalSpectrumEmission is set to NS_03. This can be set in *SIB1* as part of the cell broadcast message. This exception indicates that the UE shall meet the additional spurious emission requirement for a specific deployment scenario.

Table 7.3.2.4.3.2-1: AdditionalSpectrumEmission: Additional spurious emissions test requirement for "NS_03" and NR band n2, n25 and n66

Derivation Path: TS 38.508-1 [5] clause 4.6.3, Table 4.6.3-1			
Information Element	Value/remark	Comment	Condition
additionalSpectrumEmission	2 (NS_03)		

Table 7.3.2.4.3.2-2: AdditionalSpectrumEmission: Additional spurious emissions test requirement for "NS_03" and NR band n70

Derivation Path: TS 38.508-1 [5] clause 4.6.3, Table 4.6.3-1			
Information Element	Value/remark	Comment	Condition
additionalSpectrumEmission	1 (NS_03)		

7.3.2.4.3.3 Message contents exceptions (network signalling value "NS_06")

1. Information element additionalSpectrumEmission is set to NS_06. This can be set in *SIB1* as part of the cell broadcast message. This exception indicates that the UE shall meet the additional spurious emission requirement for a specific deployment scenario.

Table 7.3.2.4.3.3-1: AdditionalSpectrumEmission: Additional spurious emissions test requirement for "NS_06" and NR band n12, n13 and n14

Derivation Path: TS 38.508-1 [5] clause 4.6.3, Table 4.6.3-1			
Information Element	Value/remark	Comment	Condition
additionalSpectrumEmission	1 (NS_06)		

7.3.2.4.3.4 Message contents exceptions (network signalling value "NS_35")

1. Information element `additionalSpectrumEmission` is set to `NS_35`. This can be set in *SIB1* as part of the cell broadcast message. This exception indicates that the UE shall meet the additional spurious emission requirement for a specific deployment scenario.

Table 7.3.2.4.3.4-1: *AdditionalSpectrumEmission*: Additional spurious emissions test requirement for "NS_35" and NR band n71

Derivation Path: TS 38.508-1 [5] clause 4.6.3, Table 4.6.3-1			
Information Element	Value/remark	Comment	Condition
<code>additionalSpectrumEmission</code>	1 (NS_35)		

7.3.2.4.3.5 Message contents exceptions (network signalling value "NS_27")

1. Information element `additionalSpectrumEmission` is set to `NS_27`. This can be set in *SIB1* as part of the cell broadcast message. This exception indicates that the UE shall meet the additional spurious emission requirement for a specific deployment scenario.

Table 7.3.2.4.3.5-1: *AdditionalSpectrumEmission*: Additional spurious emissions test requirement for "NS_27" and NR band n48

Derivation Path: TS 38.508-1 [5] clause 4.6.3, Table 4.6.3-1			
Information Element	Value/remark	Comment	Condition
<code>additionalSpectrumEmission</code>	1 (NS_27)		

7.3.2.4.3.6 Message contents exceptions (network signalling value "NS_21")

1. Information element `additionalSpectrumEmission` is set to `NS_21`. This can be set in *SIB1* as part of the cell broadcast message. This exception indicates that the UE shall meet the additional spurious emission requirement for a specific deployment scenario.

Table 7.3.2.4.3.6-1: *AdditionalSpectrumEmission*: Additional spurious emissions test requirement for "NS_21" and NR band n30

Derivation Path: TS 38.508-1 [5] clause 4.6.3, Table 4.6.3-1			
Information Element	Value/remark	Comment	Condition
<code>additionalSpectrumEmission</code>	1 (NS_21)		

7.3.2.4.3.7 Message contents exceptions (network signalling value "NS_45")

1. Information element `additionalSpectrumEmission` is set to `NS_45`. This can be set in *SIB1* as part of the cell broadcast message. This exception indicates that the UE shall meet the additional spurious emission requirement for a specific deployment scenario.

Table 7.3.2.4.3.7-1: *AdditionalSpectrumEmission*: Additional spurious emissions test requirement for "NS_45" and NR band n53

Derivation Path: TS 38.508-1 [5], Table 4.6.3-1			
Information Element	Value/remark	Comment	Condition
<code>additionalSpectrumEmission</code>	1 (NS_45)		

7.3.2.4.3.8 Message contents exceptions (network signalling value "NS_56")

1. Information element `additionalSpectrumEmission` is set to `NS_56`. This can be set in *SIB1* as part of the cell broadcast message. This exception indicates that the UE shall meet the additional spurious emission requirement for a specific deployment scenario.

Table 7.3.2.4.3.8-1: *AdditionalSpectrumEmission*: Additional spurious emissions test requirement for "NS_56" and NR band n24

Derivation Path: TS 38.508-1 [5], Table 4.6.3-1			
---	--	--	--

Information Element	Value/remark	Comment	Condition
additionalSpectrumEmission	1 (NS_56)		

7.3.2.5 Test requirement

The throughput shall be $\geq 95\%$ of the maximum throughput of the reference measurement channels as specified in Annex A3.2 with reference receive power level specified in Tables 7.3.2.5-1a and Tables 7.3.2.5-1b for 2 Rx antenna port, Tables 7.3.2.5-2 a and Tables 7.3.2.5-2b for 4 Rx antenna port, Table 7.3.2.5-2c and Table 7.3.2.5-2d for PC2 UE on FDD bands, and parameters specified Table 7.3.2.4.1-1, Table 7.3.2.4.1-2 and Table 7.3.2.4.1-3.

Table 7.3.2.5-1a: Two antenna port Reference sensitivity QPSK P_{REFSENS} for FDD bands for PC3

Operating band / SCS / Channel bandwidth / Duplex-mode														
Operating Band	SCS (kHz)	3 MHz (dBm)	5 MHz (dBm)	10 MHz (dBm)	15 MHz (dBm)	20 MHz (dBm)	25 MHz (dBm)	30 MHz (dBm)	35 MHz (dBm)	40 MHz (dBm)	45 MHz (dBm)	50 MHz (dBm)	Duplex Mode	
n1	15		-100.0 +TT	-96.8 +TT	-95.0 +TT	-93.8 +TT	-92.7 +TT	-91.9 +TT		-90.6 +TT	-90.1 +TT	-89.6 +TT	FDD	
	30			-97.1 +TT	-95.1 +TT	-94.0 +TT	-92.8 +TT	-92.0 +TT		-90.7 +TT	-90.2 +TT	-89.7 +TT		FDD
	60			-97.5 +TT	-95.4 +TT	-94.2 +TT	-93.0 +TT	-92.1 +TT		-90.9 +TT	-90.3 +TT	-89.7 +TT		
n2	15		-98.0 +TT	-94.8 +TT	-93.0 +TT	-91.8 +TT	-90.7 +TT	-84.1 +TT		-81.5 +TT			FDD	
	30			-95.1 +TT	-93.1 +TT	-92.0 +TT	-90.8 +TT	-84.2 +TT		-81.6 +TT				FDD
	60			-95.5 +TT	-93.4 +TT	-92.2 +TT	-90.9 +TT	-84.3 +TT		-81.7 +TT				
n3	15		-97.0 +TT	-93.8 +TT	-92.0 +TT	-90.8 +TT	-89.7 +TT	-88.9 +TT	-86.2+TT	-82.3 +TT	-81.3+TT	-79.7 +TT	FDD	
	30			-94.1 +TT	-92.1 +TT	-91.0 +TT	-89.8 +TT	-89.0 +TT	-86.3+TT	-82.4 +TT	-81.4+TT	-79.8 +TT		FDD
	60			-94.5 +TT	-92.4 +TT	-91.2 +TT	-90.0 +TT	-89.1 +TT	-86.4+TT	-82.6 +TT	-81.5+TT	-79.9 +TT		
n5	15		-98.0 +TT	-94.8 +TT	-93.0 +TT	-86.8 +TT	-84.8 +TT						FDD	
	30			-95.1 +TT	-93.1 +TT	-88.6 +TT	-84.9 +TT							FDD
	60													
n7 ¹	15		-98.0 +TT	-94.8 +TT	-93.0 +TT	-91.8 +TT	-90.7 +TT	-89.9 +TT		-88.6 +TT		-81.5 +TT	FDD	
	30			-95.1 +TT	-93.1 +TT	-92.0 +TT	-90.8 +TT	-90.0 +TT		-88.7 +TT		-81.5 +TT		FDD
	60			-95.5 +TT	-93.4 +TT	-92.2 +TT	-91.0 +TT	-90.1 +TT		-88.9 +TT		-81.5 +TT		
n8	15		-97.0 +TT	-93.8 +TT	-91.4 +TT	-85.8 +TT			-78.4+TT				FDD	
	30			-94.1 +TT	-91.7 +TT	-87.2 +TT			-78.5+TT					FDD
	60													
n12	15		-97.0 +TT	-93.8 +TT	-84.0 +TT								FDD	
	30			-94.1 +TT	-84.1 +TT									FDD
	60													
n13	15		-97.0 +TT	-93.8 +TT									FDD	
	30			-94.1 +TT										FDD
	60													
n14	15		-97.0 +TT	-93.8 +TT									FDD	
	30			-94.1 +TT										FDD
	60													

	60	10, 15, 20, 25, 30, 40	$-97.5 + 10\log_{10}(N_{RB}/11) + TT$	
n40	15	5, 10, 15, 20, 25, 30, 40, 50	$-100 + 10\log_{10}(N_{RB}/25) + TT$	TDD
	30	10, 15, 20, 25, 30, 40, 50, 60, 80, 90, 100	$-97.1 + 10\log_{10}(N_{RB}/24) + TT$	
	60	10, 15, 20, 25, 30, 40, 50, 60, 80, 90, 100	$-97.5 + 10\log_{10}(N_{RB}/11) + TT$	
n41 ¹	15	10, 15, 20, 30, 40, 50	$-94.8 + 10\log_{10}(N_{RB}/52) + TT$	TDD
	30	10, 15, 20, 30, 40, 50, 60, 70, 80, 90, 100	$-95.1 + 10\log_{10}(N_{RB}/24) + TT$	
	60	10, 15, 20, 30, 40, 50, 60, 70, 80, 90, 100	$-95.5 + 10\log_{10}(N_{RB}/11) + TT$	
n48 ¹	15	5, 10, 15, 20, 30, 40, 50 ⁵	$-99 + 10\log_{10}(N_{RB}/25) + TT$	TDD
	30	10, 15, 20, 30, 40, 50 ⁵ , 60 ⁵ , 70 ⁵ , 80 ⁵ , 90 ⁵ , 100 ⁵	$-96.1 + 10\log_{10}(N_{RB}/24) + TT$	
	60	10, 15, 20, 30, 40, 50 ⁵ , 60 ⁵ , 70 ⁵ , 80 ⁵ , 90 ⁵ , 100 ⁵	$-96.5 + 10\log_{10}(N_{RB}/11) + TT$	
n50	15	5, 10, 15, 20, 30, 40, 50	$-100 + 10\log_{10}(N_{RB}/25) + TT$	TDD
	30	10, 15, 20, 30, 40, 50, 60, 80	$-97.1 + 10\log_{10}(N_{RB}/24) + TT$	
	60	10, 15, 20, 30, 40, 50, 60, 80	$-97.5 + 10\log_{10}(N_{RB}/11) + TT$	
n51	15	5	$-100 + TT$	TDD
n53	15	5, 10	$-100 + 10\log_{10}(N_{RB}/25) + TT$	TDD
	30	10	$-97.1 + TT$	
	60	10	$-97.5 + TT$	
n77 ^{1,4}	15	10, 15, 20, 25, 30, 40, 50	$-95.3 + 10\log_{10}(N_{RB}/52) + TT$	TDD
	30	10, 15, 20, 25, 30, 40, 50, 60, 70, 80, 90, 100	$-95.6 + 10\log_{10}(N_{RB}/24) + TT$	
	60	10, 15, 20, 25, 30, 40, 50, 60, 70, 80, 90, 100	$-96.0 + 10\log_{10}(N_{RB}/11) + TT$	
n78 ¹	15	10, 15, 20, 25, 30, 40, 50	$-95.8 + 10\log_{10}(N_{RB}/52) + TT$	TDD
	30	10, 15, 20, 25, 30, 40, 50, 60, 70, 80, 90, 100	$-96.1 + 10\log_{10}(N_{RB}/24) + TT$	
	60	10, 15, 20, 25, 30, 40, 50, 60, 70, 80, 90, 100	$-96.5 + 10\log_{10}(N_{RB}/11) + TT$	
n79 ¹	15	10, 20, 40, 50	$-95.8 + 10\log_{10}(N_{RB}/52) + TT$	TDD

	30	10, 20, 40, 50, 60, 80, 100	$-96.1 + 10\log_{10}(N_{RB}/24) + TT$	
	60	10, 20, 40, 50, 60, 80, 100	$-96.5 + 10\log_{10}(N_{RB}/11) + TT$	
n91	15	5	$-100 + TT$	FDD
n92	15	5, 10, 15, 20	$-100 + 10\log_{10}(N_{RB}/25) + TT$	FDD
	30	10, 15, 20	$-97.1 + 10\log_{10}(N_{RB}/24) + TT$	
n93	15	5	$-100 + TT$	FDD
n94	15	5, 10, 15, 20	$-100 + 10\log_{10}(N_{RB}/25) + TT$	FDD
	30	10, 15, 20	$-97.1 + 10\log_{10}(N_{RB}/24) + TT$	
n101	15	5, 10	$-100 + 10\log_{10}(N_{RB}/25) + TT$	TDD
	30	10	$-97.1 + 10\log_{10}(N_{RB}/24) + TT$	
<p>NOTE 1: Four Rx antenna ports shall be the baseline for this operating band except for two Rx vehicular UE. Four Rx antenna ports for RedCap UE is not supported for this operating band.</p> <p>NOTE 2: The transmitter shall be set to P_{UMAX} as defined in clause 6.2.4.</p> <p>NOTE 3: Void</p> <p>NOTE 4: The requirement is modified by -0.5 dB when the assigned UE channel bandwidth is confined within 3300 - 3800 MHz.</p> <p>NOTE 5: For these bandwidths, the minimum requirements are restricted to operation when carrier is configured as a downlink carrier part of CA configuration.</p> <p>NOTE 6: Void</p> <p>NOTE 7: For SDL bands, the reference sensitivity requirements shall be verified by inter-band CA combinations with SDL band, which are supported by UE.</p> <p>NOTE 8: The REFSSENS value is rounded to the nearest number down to one decimal point. "N_{RB}" in REFSSENS formula is the maximum transmission bandwidth configuration as defined in Table 5.3.2-1.</p> <p>NOTE 9: TT for each frequency and channel bandwidth is specified in Table 7.3.2.5-3.</p>				

Table 7.3.2.5-2a: Four antenna port Reference sensitivity QPSK P_{REFSENS} FDD bands for PC3

Operating Band	SCS (kHz)	5 MHz (dBm)	10 MHz (dBm)	15 MHz (dBm)	20 MHz (dBm)	25 MHz (dBm)	30 MHz (dBm)	35 MHz (dBm)	40 MHz (dBm)	45 MHz (dBm)	50 MHz (dBm)	Duplex Mode
n1	15	$-102.7 + TT$	$-99.5 + TT$	$-97.7 + TT$	$-96.5 + TT$	$-95.4 + TT$	$-94.6 + TT$		$-93.3 + TT$	$-92.8 + TT$	$-92.3 + TT$	FDD

	30		-99.8 +TT	-97.8 +TT	-96.7 +TT	-95.5 +TT	-94.7 +TT		-93.4 +TT	-92.9 +TT	-92.4 +TT	
	60		-100.2 +TT	-98.1 +TT	-96.9 +TT	-95.7 +TT	-94.8 +TT		-93.6 +TT	-93 +TT	-92.4 +TT	
n2	15	-100.7 +TT	-97.5 +TT	-95.7 +TT	-94.5 +TT	-93.4 +TT	-86.8 +TT		-84.2 +TT			FDD
	30		-97.8 +TT	-95.8 +TT	-94.7 +TT	-93.5 +TT	-86.9 +TT		-83.3 +TT			
	60		-98.2 +TT	-96.1 +TT	-94.9 +TT	-93.6 +TT	-87.0 +TT		-84.4 +TT			
n3	15	-99.7 +TT	-96.5 +TT	-94.7 +TT	-93.5 +TT	-92.4 +TT	-91.6 +TT	- 88.9+ TT	-90.3 +TT	- 84.0+ TT	-82.4 +TT	FDD
	30		-96.8 +TT	-94.8 +TT	-93.7 +TT	-92.5 +TT	-91.7 +TT	- 90.0+ TT	-90.4 +TT	- 84.1+ TT	-82.5 +TT	
	60		-97.2 +TT	-95.1 +TT	-93.9 +TT	-92.7 +TT	-91.8 +TT	- 90.1+ TT	-90.6 +TT	- 84.2+ TT	-82.6 +TT	
n7 ¹	15	-100.7 +TT	-97.5 +TT	-95.7 +TT	-94.5 +TT	-93.4 +TT	-92.6 +TT		-91.3 +TT		-84.2 +TT	FDD
	30		-97.8 +TT	-95.8 +TT	-94.7 +TT	-93.5 +TT	-92.7 +TT		-91.4 +TT		-84.2 +TT	
	60		-98.2 +TT	-97.1 +TT	-94.9 +TT	-93.7 +TT	-92.8 +TT		-91.6 +TT		-84.2 +TT	
n8	15	-99.7 +TT	-96.5 +TT	-94.1 +TT	-88.5 +TT			-81.1 +TT				FDD
	30		-96.8 +TT	-94.4 +TT	-89.9 +TT			-81.2 +TT				
	60											
n30	15	-101.7 +TT	-98.5 +TT									FDD
	30		-98.8 +TT									
	60											
n66	15	-102.2 +TT	-99.0 +TT	-97.2 +TT	-96.0 +TT	-94.9 +TT	-94.1 +TT		-92.8 +TT			FDD
	30		-99.3 +TT	-97.3 +TT	-96.2 +TT	-95.0 +TT	-94.2 +TT		-92.9 +TT			
	60		-99.7 +TT	-97.6 +TT	-96.4 +TT	-95.2 +TT	-94.3 +TT		-93.1 +TT			
n70	15	-102.7 +TT	-99.5 +TT	-97.7 +TT	-96.5 +TT	-95.4 +TT						FDD

	30		-99.8 +TT	-97.8 +TT	-96.7 +TT	-95.5 +TT						
	60		-100.2 +TT	-98.1 +TT	-96.9 +TT	-95.7 +TT						

NOTE 1: Four Rx antenna ports shall be the baseline for above listed operating band except for two Rx vehicular UE. Four Rx antenna ports for RedCap UE is not supported for this operating band.

NOTE 2: The requirement is modified by -0.5 dB when the assigned UE channel bandwidth is confined within 3300 - 3800 MHz.

NOTE 3: For these bandwidths, the minimum requirements are restricted to operation when carrier is configured as a downlink carrier part of CA configuration.

NOTE 4: TT for each frequency and channel bandwidth is specified in Table 7.3.2.5-3.

Table 7.3.2.5-2b: Four antenna port Reference sensitivity QPSK P_{REFSENS} for TDD, SDL and FDD with variable duplex operation bands for PC3, PC2, PC1.5

Operating band / SCS / Channel bandwidth / REFSENS				
Operating band	SCS (kHz)	Channel bandwidth (MHz)	REFSENS (dBm) ⁸	Duplex Mode
n34	15	5, 10, 15	$-100 + 10\log_{10}(N_{\text{RB}}/25) - 2.7 + \text{TT}$	TDD
	30	10, 15	$-97.1 + 10\log_{10}(N_{\text{RB}}/24) + 2.7 \text{ TT}$	
	60	10, 15	$-97.5 + 10\log_{10}(N_{\text{RB}}/11) - 2.7 + \text{TT}$	
n38 ¹	15	5, 10, 15, 20, 25, 30, 40	$-100 + 10\log_{10}(N_{\text{RB}}/25) - 2.7 + \text{TT}$	TDD
	30	10, 15, 20, 25, 30, 40	$-97.1 + 10\log_{10}(N_{\text{RB}}/24) - 2.7 + \text{TT}$	
	60	10, 15, 20, 25, 30, 40	$-97.5 + 10\log_{10}(N_{\text{RB}}/11) - 2.7 + \text{TT}$	
n39	15	5, 10, 15, 20, 25, 30, 40	$-100 + 10\log_{10}(N_{\text{RB}}/25) - 2.7 + \text{TT}$	TDD
	30	10, 15, 20, 25, 30, 40	$-97.1 + 10\log_{10}(N_{\text{RB}}/24) - 2.7 + \text{TT}$	
	60	10, 15, 20, 25, 30, 40	$-97.5 + 10\log_{10}(N_{\text{RB}}/11) - 2.7 + \text{TT}$	
n40	15	5, 10, 15, 20, 25, 30, 40, 50	$-100 + 10\log_{10}(N_{\text{RB}}/25) - 2.7 + \text{TT}$	TDD
	30	10, 15, 20, 25, 30, 40, 50, 60, 80, 90, 100	$-97.1 + 10\log_{10}(N_{\text{RB}}/24) - 2.7 + \text{TT}$	
	60	10, 15, 20, 25, 30, 40, 50, 60, 80, 90, 100	$-97.5 + 10\log_{10}(N_{\text{RB}}/11) - 2.7 + \text{TT}$	
n41 ¹	15	10, 15, 20, 30, 40, 50	$-94.8 + 10\log_{10}(N_{\text{RB}}/52) - 2.7 + \text{TT}$	TDD

	30	10, 15, 20, 30, 40, 50, 60, 70, 80, 90, 100	$-95.1 + 10\log_{10}(N_{RB}/24) - 2.7 + TT$	
	60	10, 15, 20, 30, 40, 50, 60, 70, 80, 90, 100	$-95.5 + 10\log_{10}(N_{RB}/11) - 2.7 + TT$	
n48 ¹	15	5, 10, 15, 20, 30, 40, 50 ⁵	$-99 + 10\log_{10}(N_{RB}/25) - 2.2 + TT$	TDD
	30	10, 15, 20, 40, 50 ⁵ , 60 ⁵ , 70 ⁵ , 80 ⁵ , 90 ⁵ , 100 ⁵	$-96.1 + 10\log_{10}(N_{RB}/24) - 2.2 + TT$	
	60	10, 15, 20, 40, 50 ⁵ , 60 ⁵ , 70 ⁵ , 80 ⁵ , 90 ⁵ , 100 ⁵	$-96.5 + 10\log_{10}(N_{RB}/11) - 2.2 + TT$	
n77 ^{1,4}	15	10, 15, 20, 25, 30, 40, 50	$-95.3 + 10\log_{10}(N_{RB}/52) - 2.2 + TT$	TDD
	30	10, 15, 20, 25, 30, 40, 50, 60, 70, 80, 90, 100	$-95.6 + 10\log_{10}(N_{RB}/24) - 2.2 + TT$	
	60	10, 15, 20, 25, 30, 40, 50, 60, 70, 80, 90, 100	$-96.0 + 10\log_{10}(N_{RB}/11) - 2.2 + TT$	
n78 ¹	15	10, 15, 20, 25, 30, 40, 50	$-95.8 + 10\log_{10}(N_{RB}/52) - 2.2 + TT$	TDD
	30	10, 15, 20, 25, 30, 40, 50, 60, 70, 80, 90, 100	$-96.1 + 10\log_{10}(N_{RB}/24) - 2.2 + TT$	
	60	10, 15, 20, 25, 30, 40, 50, 60, 70, 80, 90, 100	$-96.5 + 10\log_{10}(N_{RB}/11) - 2.2 + TT$	
n79 ¹	15	10, 20, 40, 50	$-95.8 + 10\log_{10}(N_{RB}/52) - 2.2 + TT$	TDD
	30	10, 20, 40, 50, 60, 80, 100	$-96.1 + 10\log_{10}(N_{RB}/24) - 2.2 + TT$	
	60	10, 20, 40, 50, 60, 80, 100	$-96.5 + 10\log_{10}(N_{RB}/11) - 2.2 + TT$	
<p>NOTE 1: Four Rx antenna ports shall be the baseline for this operating band except for two Rx vehicular UE. Four Rx antenna ports for RedCap UE is not supported for this operating band.</p> <p>NOTE 2: The transmitter shall be set to P_{UMAX} as defined in clause 6.2.4.</p> <p>NOTE 3: Void</p> <p>NOTE 4: The requirement is modified by -0.5 dB when the assigned UE channel bandwidth is confined within 3300 - 3800 MHz.</p> <p>NOTE 5: For these bandwidths, the minimum requirements are restricted to operation when carrier is configured as a downlink carrier part of CA configuration.</p> <p>NOTE 6: Void</p> <p>NOTE 7: For SDL bands, the reference sensitivity requirements shall be verified by inter-band CA combinations with SDL band, which are supported by UE.</p> <p>NOTE 8: The REFSSENS value is rounded to the nearest number down to one decimal point. "N_{RB}" in REFSSENS formula is the maximum transmission bandwidth configuration as defined in Table 5.3.2-1.</p> <p>NOTE 9: TT for each frequency and channel bandwidth is specified in Table 7.3.2.5-3.</p>				

Table 7.3.2.5-2c: Reference Sensitivity for PC2 UE on FDD bands for UE not supporting Tx Diversity

Operating Band	5 MHz (dB)	10 MHz (dB)	15 MHz (dB)	20 MHz (dB)	25 MHz (dB)	30 MHz (dB)	35 MHz (dB)	40 MHz (dB)	45 MHz (dB)	50 MHz (dB)
n1	REFS ENS_ n1	REFS ENS_ n1	REFS ENS_ n1	REFS ENS_ n1	REFS ENS_ n1	REFS ENS_ n1	-	REFS ENS_ n1	REFS ENS_ n1	REFS ENS_ n1
n3	REFS ENS_ n3 +0.5	REFS ENS_ n3+ 0.5	REFS ENS_ n3+ 0.5	REFS ENS_ n3+ 0.5	REFS ENS_ n3+ 0.6	REFS ENS_ n3+ 0.8	REFS ENS_ n3+ 1.1	REFS ENS_ n3+ 1.5	REFS ENS_ n3+ 2.3	REFS ENS_ n3+ 3+ 2.8
n8	REFS ENS_ n8 +0.5	REFS ENS_ n8 +0.7	REFS ENS_ n8 +0.8	REFS ENS_ n8 +2.3	-	-	REFS ENS_ n8 +3.1	-	-	-
NOTE 1: The transmitter shall be set to P _{UMAX} as defined in clause 6.2.4										
NOTE 2: REFS _{ENS_n1} refers to the two antenna port and four antenna port Reference Sensitivity of n1 in Table 7.3.2.5-1a and Table 7.3.2.5-2a.										
NOTE 3: REFS _{ENS_n3} refers to the two antenna port and four antenna port Reference Sensitivity of n3 in Table 7.3.2.5-1a and Table 7.3.2.5-2a.										
NOTE 4: REFS _{ENS_n8} refers to the two antenna port and four antenna port Reference Sensitivity of n8 in Table 7.3.2.5-1a and Table 7.3.2.5-2a.										

Table 7.3.2.5-2d: Reference Sensitivity for PC2 UE on FDD bands for UE supporting Tx Diversity operation bands

Operating Band	5 MHz (dB)	10 MHz (dB)	15 MHz (dB)	20 MHz (dB)	25 MHz (dB)	30 MHz (dB)	35 MHz (dB)	40 MHz (dB)	45 MHz (dB)	50 MHz (dB)
n1	REFS ENS_ n1	REFS ENS_ n1	REFS ENS_ n1	REFS ENS_ n1	REFS ENS_ n1	REFS ENS_ n1	-	REFS ENS_ n1	REFS ENS_ n1	REFS ENS_ n1
n3	REFS ENS_ n3+ 1.4	REFS ENS_ n3+ 1.5	REFS ENS_ n3+ 1.5	REFS ENS_ n3+ 1.5	REFS ENS_ n3+ 1.6	REFS ENS_ n3+ 1.7	REFS ENS_ n3+ 2.8	REFS ENS_ n3+ 5	REFS ENS_ n3+ 5.5	REFS ENS_ n3+ 3+ 6.0
n8	REFS ENS_ n8 +1.3	REFS ENS_ n8 +1.4	REFS ENS_ n8 +2.1	REFS ENS_ n8 +5.8	-	-	REFS ENS_ n8 +7.0			
NOTE 1: The transmitter shall be set to P _{UMAX} as defined in clause 6.2G.4										
NOTE 2: REFS _{ENS_n1} refers to the two antenna port and four antenna port Reference Sensitivity of n1 in Table 7.3.2.5-1a and Table 7.3.2.5-2a.										

Operating Band	5 MHz (dB)	10 MHz (dB)	15 MHz (dB)	20 MHz (dB)	25 MHz (dB)	30 MHz (dB)	35 MHz (dB)	40 MHz (dB)	45 MHz (dB)	50 MHz (dB)
NOTE 3: REFSENS_n3 refers to the two antenna port and four antenna port Reference Sensitivity of n3 in Table 7.3.2.5-1a and Table 7.3.2.5-2a.										
NOTE 4: REFSENS_n8 refers to the two antenna port and four antenna port Reference Sensitivity of n8 in Table 7.3.2.5-1a and Table 7.3.2.5-2a.										

Table 7.3.2.5-3: Test Tolerance (TT) for RX sensitivity level

$f \leq 3.0\text{GHz}$	$3.0\text{GHz} < f \leq 6.0\text{ GHz}$
0.7 dB	1.0 dB

For the UE which supports CA, SUL or DC band combination, the minimum requirement for reference sensitivity in Table 7.3.2.5-1 a and Table 7.3.2.5-1b shall be increased by the amount given in $\Delta R_{IB,c}$ defined in subclause 7.3.3 for the applicable operating bands.

7.3.3 $\Delta R_{IB,c}$

For a UE supporting CA, SUL or DC band combination, the minimum requirement for reference sensitivity in Table 7.3.2.3-1 shall be increased by the amount given by $\Delta R_{IB,c}$ defined in subclause 7.3A.0.3, 7.3C.0.3, 7.3B in this specification and 7.3A, 7.3B in TS 38.101-3 [4] for the applicable operating bands.

In case the UE supports more than one of band combinations for CA, SUL or DC, and an operating band belongs to more than one band combinations then

- When the operating band frequency range is ≤ 1 GHz, the applicable additional $\Delta R_{IB,c}$ shall be the average value for all band combinations defined in subclause 7.3A.0.3, 7.3C.0.3, 7.3B in this specification and 7.3A, 7.3B in TS 38.101-3 [4], truncated to one decimal place that apply for that operating band among the supported band combinations. In case there is a harmonic relation between low band UL and high band DL, then the maximum $\Delta R_{IB,c}$ among the different supported band combinations involving such band shall be applied
- When the operating band frequency range is > 1 GHz, the applicable additional $\Delta R_{IB,c}$ shall be the maximum value for all band combinations defined in subclause 7.3A.0.3, 7.3C.0.3, 7.3B in this specification and 7.3A, 7.3B in TS 38.101-3 [4] for the applicable operating bands.

7.3A Reference sensitivity for CA

Editor's Note: This clause is incomplete. The following aspects are either missing or not yet determined:

Test requirement table for 2DL/2UL is not complete.

- Reference sensitivity power level for 4DL_CA and 5DL_CA are FFS.

- Test description for exceptional cases are incomplete.

7.3A.0 Minimum conformance requirements

7.3A.0.1 General

The reference sensitivity power level REFSENS is the minimum mean power applied to each one of the UE antenna ports for all UE categories, at which the throughput shall meet or exceed the requirements for the specified reference measurement channel. For operations with 4 Rx antenna ports, the MSD in the applicable bands shall be increased by the absolute value of $\Delta R_{IB,4R}$ in Table 7.3.2.3-2 when $MSD > 0$.

For reference sensitivity exception test points where the specified carrier frequency does not correspond to a valid NR-ARFCN, the closest NR-ARFCN as specified in clause 5.4.2 applies.

7.3A.0.2 Reference sensitivity power level for CA

7.3A.0.2.1 Reference sensitivity power level for Intra-band contiguous CA

For intra-band contiguous carrier aggregation, the throughput of each component carrier shall be $\geq 95\%$ of the maximum throughput of the reference measurement channels as specified in Annex A.2.2.2, A.2.3.2, A.3.2, and A.3.3 (with one sided dynamic OCNG Pattern OP.1 FDD/TDD for the DL-signal as described in Annex A.5.1.1/A.5.2.1) with parameters specified in Table 7.3.2.3-1a, Table 7.3.2.3-1b, Table 7.3.2.3-1c, Table 7.3.2.3-1d, Table 7.3.2.3-2, and Table 7.3.2.3-3.

For UE(s) supporting one uplink carrier, the uplink configuration of the PCC shall be in accordance with Table 7.3.2.3-3 and the downlink PCC carrier centre frequency shall be configured closer to uplink operating band than any of the downlink SCC centre frequency.

7.3A.0.2.2 Reference sensitivity power level for Intra-band non-contiguous CA

For intra-band non-contiguous carrier aggregation with one uplink carrier and two or more downlink sub-blocks, throughput of each downlink component carrier shall be $\geq 95\%$ of the maximum throughput of the reference measurement channels as specified in Annexes A.2.2, A.2.3 and A.3.2 (with one sided dynamic OCNG Pattern OP.1 FDD/TDD for the DL-signal as described in Annex A.5.1.1/A.5.2.1) and parameters specified in Table 7.3.2.3-1, Table 7.3.2.3-2, and Table 7.3A.0.2.2-1 with the reference sensitivity power level increased by ΔR_{BNC} given in Table 7.3A.0.2.2-1 for the SCC(s).

For aggregation of two or more downlink FDD carriers with one uplink carrier the reference sensitivity is defined only for the specific uplink and downlink test points which are specified in Table 7.3A.0.2.2-1. The requirements apply with all downlink carriers active. Unless given by Table 7.3.2.3-4, the reference sensitivity requirements shall be verified with the network signalling value NS_01 (Table 6.2.3.3.1-1) configured.

Table 7.3A.0.2.2-1: Intra-band non-contiguous CA with one uplink configuration for reference sensitivity in FDD bands

CA configuration	SCS (PCC/SCC) (kHz)	Aggregated channel bandwidth (PCC+SCC)	W_{gap} / [MHz]	UL PCC allocation	ΔR_{BNC} (dB)	Duplex mode
CA_n2(2A)	15/15	5MHz + 5MHz	$W_{\text{gap}} = 55.0$	10^5	5.0	FDD
			$W_{\text{gap}} = 30.0$	25	0.0	
CA_n66(2A), CA_n66(3A)	N/A	NOTE 1	NOTE 2	NOTE 3, NOTE 4	0.0	FDD
CA_n71(2A)	15/15	5MHz + 5MHz	$W_{\text{gap}} = 25.0$	5	4.0	FDD
			$W_{\text{gap}} = 5.0$	20	0.0	
		10MHz + 5MHz	$W_{\text{gap}} = 20.0$	5 ($\text{RB}_{\text{start}} = 9$)	4.6	
			$W_{\text{gap}} = 5.0$	20 ($\text{RB}_{\text{start}} = 9$)	2.3	
		15MHz + 10MHz	$W_{\text{gap}} = 10.0$	5 ($\text{RB}_{\text{start}} = 2$)	22.2	
$W_{\text{gap}} = 5.0$	20 ($\text{RB}_{\text{start}} = 19$)	5.2				
NOTE 1: All combinations of channel bandwidths defined in Table 5.5A.2-1.						
NOTE 2: All applicable sub-block gap sizes.						
NOTE 3: The PCC allocation is same as Transmission bandwidth configuration N_{RB} as defined in Table 5.3.2-1.						
NOTE 4: The carrier centre frequency of PCC in the DL operating band is configured closer to the UL operating band.						

NOTE 5: Refers to the UL resource blocks shall be located as close as possible to the downlink operating band but confined within the transmission.

NOTE 6: W_{gap} is the sub-block gap between the two sub-blocks.

NOTE 7: The carrier centre frequency of SCC in the DL operating band is configured closer to the UL operating band.

7.3A.0.2.3 Reference sensitivity power level for Inter-band CA

For inter-band carrier aggregation with one component carrier per operating band and the uplink assigned to one NR band the throughput shall be $\geq 95\%$ of the maximum throughput of the reference measurement channels as specified in Annexes A.2.2.2, A.2.3.2, A.3.2, and A.3.3 (with one sided dynamic OCNG Pattern OP.1 FDD/TDD for the DL-signal as described in Annex A.5.1.1/A.5.2.1 with parameters specified in Table 7.3.2.3-1, Table 7.3.2.3-2 and Table 7.3.2.3-3 modified in accordance with subclause 7.3A.0.3.2. The reference sensitivity is defined to be met with all downlink component carriers active and one of the uplink carriers active. Exceptions to reference sensitivity are allowed in accordance with subclause 7.3A.0.4, 7.3A.0.5 and 7.3A.0.6.

For the combination of intra-band and inter-band carrier aggregation, the intra-band CA relaxation, ΔR_{IBC} and ΔR_{IBNC} , are also applied according to the clause 7.3A.0.2.1 and 7.3A.0.2.2.

7.3A.0.2.4 Void

7.3A.0.3 $\Delta R_{IB,c}$ for CA

7.3A.0.3.1 General

For a UE supporting a CA configuration, the $\Delta R_{IB,c}$ applies for both SC and CA operation.

7.3A.0.3.2 $\Delta R_{IB,c}$ for Inter-band CA

For the UE which supports inter-band carrier aggregation, the minimum requirement for reference sensitivity in subclause 7.3A.0 shall be increased by the amount given by $\Delta R_{IB,c}$ defined in subclause 7.3A.0.3.2 for the applicable operating bands. Unless otherwise stated, $\Delta R_{IB,c}$ is set to zero.

In case the UE supports more than one of band combinations for CA, SUL or DC, and an operating band belongs to more than one band combinations then

- When the operating band frequency range is ≤ 1 GHz, the applicable additional $\Delta R_{IB,c}$ shall be the average value for all band combinations defined in subclause 7.3A, 7.3B, 7.3C in this specification and 7.3A, 7.3B in TS 38.521-3 [14], truncated to one decimal place that apply for that operating band among the supported band combinations. In case there is a harmonic relation between low band UL and high band DL, then the maximum $\Delta R_{IB,c}$ among the different supported band combinations involving such band shall be applied.
- When the operating band frequency range is > 1 GHz, the applicable additional $\Delta R_{IB,c}$ shall be the maximum value for all band combinations defined in subclause 7.3A, 7.3B, 7.3C in this specification and 7.3A, 7.3B in TS 38.521-3 [14] for the applicable operating bands.

7.3A.0.3.2.1 $\Delta R_{IB,c}$ for two bands

Table 7.3A.0.3.2.1-1: $\Delta R_{IB,c}$ due to CA (two bands)

Inter-band CA configuration	NR Band	$\Delta R_{IB,c}$ (dB)
CA_n1-n28	n28	0.2
CA_n1-n41	n1	0
	n41	0
CA_n1-n77	n1	0.2
	n77	0.5
CA_n1-n78	n78	0.5
CA_n2-n48	n2	0.2
	n48	0.5
CA_n2-n66	n2	0.3
	n66	0.3
CA_n2-n77	n2	0.2
	n77	0.5
CA_n3-n28	n3	0
	n28	0
CA_n3-n41	n41	0 ²
		0.5 ³
CA_n3-n77	n3	0.2
	n77	0.5
CA_n3-n78	n3	0.2
	n78	0.5
CA_n5-n77	n5	0.2
	n77	0.5
CA_n5-n78	n5	0.2
	n78	0.5
CA_n7-n78	n7	0.5
	n78	0.5
CA_n8-n78	n8	0.2
	n78	0.5
CA_n14-n77	n14	0.2
	n77	0.5
CA_n20-n78	n78	0.5
CA_n24-n48	n24	0.2
	n48	0.5
CA_n24-n77	n24	0.2

	n77	0.5
CA_n25-n66	n25	0.3
	n66	0.3
CA_n25-n77	n25	0.2
	n77	0.5
CA_n25-n78	n25	0.2
	n78	0.5
CA_n28-n77	n28	0.2
	n77	0.5
CA_n28-n78	n28	0.2
	n78	0.5
CA_n28-n79	n28	0.2
	n79	0.5
CA_n30-n66	n30	0.5
	n66	0.4
CA_n30-n77	n30	-
	n77	0.5
CA_n39-n41	n39	0.2
	n41	0.2
CA_n41-n66	n41	0.5 ⁴
		1 ⁵
	n66	0.5
CA_n41-n71	n71	0.2
CA_n41-n77 ¹	n77	0.5
CA_n41-n79	n41	0.5
	n79	0.5
CA_n48-n66	n48	0.5
	n66	0.2
CA_n48-n70	n48	0.5
	n70	0.2
CA_n66-n77	n66	0.2
	n77	0.5
CA_n66-n78	n66	0.2
	n78	0.5
CA_n71-n77	n71	0.2
	n77	0.5
CA_n71-n78	n71	0.2
	n78	0.5
NOTE 1: The requirements only apply when the sub-frame and Tx-Rx timings are synchronized between the component carriers. In the absence of synchronization, the requirements are not within scope of these specifications.		
NOTE 2: The requirement is applied for UE transmitting on the frequency range of 2515 – 2690 MHz.		
NOTE 3: The requirement is applied for UE transmitting on the frequency range of 2496 – 2515 MHz.		
NOTE 4: The requirement is applied for UE transmitting on the frequency range of 2545-2690 MHz.		
NOTE 5: The requirement is applied for UE transmitting on the frequency range of 2496-2545 MHz.		
NOTE 6: Only applicable for UE supporting inter-band carrier aggregation with uplink in one NR band and without simultaneous Rx/Tx.		
NOTE 7: Applicable for UE supporting inter-band carrier aggregation without simultaneous Rx/Tx.		

7.3A.0.3.2.2 Void

7.3A.0.3.2.3 $\Delta R_{IB,c}$ for three bands**Table 7.3A.0.3.2.3-1: $\Delta R_{IB,c}$ due to CA (three bands)**

Inter-band CA combination	NR Band	$\Delta R_{IB,c}$ (dB)
CA_n1-n3-n28	n28	0.2

CA_n1-n3-n77	n1	0.2
	n3	0.2
	n77	0.5
CA_n1-n3-n78	n1	0.2
	n3	0.2
	n78	0.5
CA_n1-n8-n78	n8	0.2
	n78	0.5
CA_n1-n8-n78	n8	0.2
	n78	0.5
CA_n1-n28-n77	n1	0.2
	n28	0.2
	n77	0.5
CA_n1-n28-n78	n28	0.2
	n78	0.5
CA_n1-n41-n77	n1	0.2
	n77	0.5
CA_n1-n78-n79	n78	0.5
CA_n2-n5-n48	n2	0.2
	n5	0.0
	n48	0.5
CA_n2-n5-n77	n2	0.2
	n5	0.5
	n77	0.5
CA_n2-n48-n66	n2	0.3
	n48	0.5
	n66	0.3
CA_n2-n48-n77	n2	0.2
	n48	0.5
	n77	0.5
CA_n2-n66-n77	n2	0.2
	n66	0.2
	n77	0.5
CA_n3-n8-n78	n3	0.2
	n8	0.2
	n78	0.5
CA_n3-n28-n41	n41	0 ¹ /0.5 ²
CA_n3-n28-n77	n3	0.2
	n28	0.2
	n77	0.5
CA_n3-n28-n78	n28	0.2
	n78	0.5
CA_n3-n41-n77	n3	0.2
	n41	0 ¹ /0.5 ²
	n77	0.5
CA_n5-n48-n66	n5	0
	n48	0.5
	n66	0.2
CA_n5-n48-n77	n5	0.2
	n48	0.5
	n77	0.5
CA_n5-n66-n77	n5	0.2
	n66	0.2
	n77	0.5
CA_n25-n66-n77	n25	0.3
	n66	0.3
	n77	0.5
CA_n25-n66-n78	n25	0.3
	n66	0.3
	n78	0.5
CA_n28-n41-n79	n28	0.2
	n41	0.5
	n79	0.5
CA_n41-n66-n71	n41	0.5 ¹
		1 ²

	n66	0.5
CA_n48-n66-n70	n48	0.5
	n66	0.2
	n70	0.2
CA_n48-n66-n71	n48	0.2
	n70	0.2
	n71	0.2
CA_n48-n66-n77	n48	0.5
	n66	0.2
	n77	0.5
CA_n48-n70-n71	n48	0.2
	n70	0.2
	n71	0.2
CA_n66-n71-n77	n66	0.2
	n71	0.2
	n77	0.5
CA_n66-n71-n78	n66	0.2
	n71	0.2
	n78	0.5
NOTE 1: Applicable for the frequency range of 2515-2690 MHz.		
NOTE 2: Applicable for the frequency range of 2496-2515 MHz.		

7.3A.0.3.2.4 $\Delta R_{IB,c}$ for four bands

Table 7.3A.0.3.2.4-1: $\Delta R_{IB,c}$ due to CA (four bands)

Inter-band CA combination	$\Delta R_{IB,c}$ for NR bands (dB) ⁷			
	Component band in order of bands in configuration ⁸			
CA_n1-n3-n28-n78	0.2	0.2	0.2	0.5
CA_n2-n5-n48-n66	0.2	-	0.5	0.2
CA_n2-n5-n48-n77	0.2	-	0.5	0.5
CA_n2-n5-n66-n77	0.3	-	0.3	0.5
CA_n2-n48-n66-n77	0.3	0.5	0.3	0.5
CA_n3-n28-n41-n77	0.5	0.2	0 ¹ / 0.5 ²	0.5
CA_n5-n48-n66-n77	0.2	0.5	0.2	0.5
NOTE 1: Applicable for the frequency range of 2515-2690 MHz.				
NOTE 2: Applicable for the frequency range of 2496-2515 MHz.				
NOTE 5: FFS				
NOTE 6: FFS				
NOTE 7: “-” denotes $\Delta R_{IB,c} = 0$.				
NOTE 8: The component band order in the configuration should be listed by the order of NR bands, such as for CA_n1-n3-n7-n78 the band order from left to right is n1 n3, n7 and n78.				

7.3A.0.4 Reference sensitivity exceptions due to UL harmonic interference for CA

Editor’s Note:

- 38.101-1 (V17.9.0) Table 7.3A.4-4 UL n77 aggressor band impacts on DL band n5 indicates a case of UL/DL bandwidth of 5 MHz/5 MHz, but there is no definition of reference sensitivity for 5MHz bandwidth of n77. Therefore in Table 7.3A.0.4-4b corresponding case, UL n77 minimum bandwidth of 10 MHz is used instead.

Table 7.3A.0.4-1: Reference sensitivity exceptions due to UL harmonic for NR CA FR1

UL band	DL band	UL BW	SCS of UL band	UL RB Allocation	DL BW	MSD	UL/DL fc condition	UL/DL harmonic order
		(MHz)	(kHz)	L _{CRB}	(MHz)	(dB)		
n1	n77	5	15	25 (RBstart=0)	10	23.9	NOTE 2	UL2/DL1 direct-hit
n1	n77	20	15	100 (RBstart=0)	100	13.8	NOTE 2	UL2/DL1 direct-hit

n1	n77	5	15	25 (RBstart=0)	10	1.1	NOTE 6	UL2/DL1 near-miss
n2	n48	5	15	25 (RBstart=0)	5	27.1	NOTE 2	UL2/DL1 direct-hit
n2	n48	10	15	50 (RBstart=0)	100 ⁷	13.8	NOTE 2	UL2/DL1 direct-hit
n2	n48	5	15	25 (RBstart=0)	10	1.9	NOTE 6	UL2/DL1 near-miss
n2	n77	5	15	25 (RBstart=0)	10	23.9	NOTE 2	UL2/DL1 direct-hit
n2	n77	10	15	50 (RBstart=0)	100	13.8	NOTE 2	UL2/DL1 direct-hit
n2	n77	5	15	25 (RBstart=0)	10	1.1	NOTE 6	UL2/DL1 near-miss
n3	n77	5	15	25 (RBstart=0)	10	23.9	NOTE 2	UL2/DL1 direct-hit
n3	n77	10	15	50 (RBstart=0)	100	13.8	NOTE 2	UL2/DL1 direct-hit
n3	n77	5	15	25 (RBstart=0)	10	1.1	NOTE 6	UL2/DL1 near-miss
n3	n78	5	15	25 (RBstart=0)	10	23.9	NOTE 2	UL2/DL1 direct-hit
n3	n78	10	15	50 (RBstart=0)	100	13.8	NOTE 2	UL2/DL1 direct-hit
n3	n78	5	15	25 (RBstart=0)	10	1.1	NOTE 6	UL2/DL1 near-miss
n5	n77 ⁸	5	15	16 (RBstart=0)	10	10.5	NOTE 4	UL4/DL1 direct-hit
n5	n77 ⁸	5	15	25 (RBstart=0)	100	1.4	NOTE 4	UL4/DL1 direct-hit
n5	n77 ⁸	5	15	16 (RBstart=0)	10	10.4	NOTE 5	UL5/DL1 direct-hit
n5	n77 ⁸	5	15	25 (RBstart=0)	100	0.7	NOTE 5	UL5/DL1 direct-hit
n5	n78	5	15	16 (RBstart=0)	10	10.5	NOTE 4	UL4/DL1 direct-hit
n5	n78	5	15	25 (RBstart=0)	100	1.4	NOTE 4	UL4/DL1 direct-hit
n8	n78	5	15	16 (RBstart=0)	10	10.8	NOTE 4	UL4/DL1 direct-hit
n8	n78	5	15	25 (RBstart=0)	100	1.4	NOTE 4	UL4/DL1 direct-hit
n14	n77	5	15	10 (RBstart=0)	10	10.4	NOTE 5	UL5/DL1 direct-hit
n14	n77	5	15	20 (RBstart=0)	100	0.7	NOTE 5	UL5/DL1 direct-hit
n20	n78	5	15	16 (RBstart=0)	10	10.8	NOTE 4	UL4/DL1 direct-hit
n20	n78	5	15	25 (RBstart=0)	100	1.4	NOTE 4	UL4/DL1 direct-hit
n24	n77 ¹²	N/A	N/A	N/A	N/A	N/A	NOTE 2	UL2/DL1 direct-hit
n24	n77 ¹²	N/A	N/A	N/A	N/A	N/A	NOTE 2	UL2/DL1 direct-hit
n25	n77	5	15	25 (RBstart=0)	10	23.9	NOTE 2	UL2/DL1 direct-hit
n25	n77	10	15	50 (RBstart=0)	100	13.8	NOTE 2	UL2/DL1 direct-hit
n25	n77	5	15	25 (RBstart=0)	10	1.1	NOTE 6	UL2/DL1 near-miss
n25	n78	5	15	25 (RBstart=0)	10	23.9	NOTE 2	UL2/DL1 direct-hit
n25	n78	10	15	50 (RBstart=0)	100	13.8	NOTE 2	UL2/DL1 direct-hit
n25	n78	5	15	25 (RBstart=0)	10	1.1	NOTE 6	UL2/DL1 near-miss

n28	n1	5	15	8 (RBstart=0)	5	10.2	NOTE 3	UL3/DL1 direct-hit
n28	n1	5	15	25 (RBstart=0)	50	1.1	NOTE 3	UL3/DL1 direct-hit
n28	n77	5	15	10 (RBstart=0)	10	10.4	NOTE 5	UL5/DL1 direct-hit
n28	n77	5	15	25 (RBstart=0)	100	0.7	NOTE 5	UL5/DL1 direct-hit
n28	n78	5	15	10 (RBstart=0)	10	10.4	NOTE 5	UL5/DL1 direct-hit
n28	n78	5	15	25 (RBstart=0)	100	0.7	NOTE 5	UL5/DL1 direct-hit
n66	n48	5	15	12 (RBstart=0)	5	27.1	NOTE 2	UL2/DL1 direct-hit
n66	n48	40	15	200 (RBstart=0)	100 ⁷	13.8	NOTE 2	UL2/DL1 direct-hit
n66	n48	5	15	12 (RBstart=0)	5	1.9	NOTE 6	UL2/DL1 near-miss
n66	n77	5	15	25 (RBstart=0)	10	23.9	NOTE 2	UL2/DL1 direct-hit
n66	n77	20	15	100 (RBstart=0)	100	13.8	NOTE 2	UL2/DL1 direct-hit
n66	n77	5	15	25 (RBstart=0)	10	1.1	NOTE 6	UL2/DL1 near-miss
n66	n78	5	15	25 (RBstart=0)	10	23.9	NOTE 2	UL2/DL1 direct-hit
n66	n78	20	15	100 (RBstart=0)	100	13.8	NOTE 2	UL2/DL1 direct-hit
n66	n78	5	15	25 (RBstart=0)	10	1.1	NOTE 6	UL2/DL1 near-miss
n71	n41	5	15	16 (RBstart=0)	10	10.8	NOTE 4	UL4/DL1 direct-hit
n71	n41	5	15	25 (RBstart=0)	100	1.4	NOTE 4	UL4/DL1 direct-hit
n71	n70	5	15	8 (RBstart=0)	5	9.9	NOTE 3	UL3/DL1 direct-hit
n71	n70	5	15	20 (RBstart=0)	25	4.1	NOTE 3	UL3/DL1
n71	n78	5	15	10 (RBstart=0)	10	10.4	NOTE 5	UL5/DL1 direct-hit

NOTE 1: These requirements apply when there is at least one individual RE within the uplink transmission bandwidth of the aggressor (lower) band for which the 2nd / 3rd / 4th / 5th transmitter harmonic is within the downlink transmission bandwidth of a victim (higher) band.

NOTE 2: The requirements should be verified for UL NR ARFCN of the aggressor (lower) band (superscript LB) such that $f_{UL}^{LB} = \lfloor f_{DL}^{HB} / 0.2 \rfloor \cdot 0.1$ in MHz and $F_{UL_low}^{LB} + BW_{Channel}^{LB} / 2 \leq f_{UL}^{LB} \leq F_{UL_high}^{LB} - BW_{Channel}^{LB} / 2$ with carrier frequency in the victim (higher) band in MHz and the channel bandwidth configured in the lower band.

NOTE 3: The requirements should be verified for UL NR ARFCN of the aggressor (lower) band (superscript LB) such that $f_{UL}^{LB} = \lfloor f_{DL}^{HB} / 0.3 \rfloor \cdot 0.1$ in MHz and $F_{UL_low}^{LB} + BW_{Channel}^{LB} / 2 \leq f_{UL}^{LB} \leq F_{UL_high}^{LB} - BW_{Channel}^{LB} / 2$ with the carrier frequency in the victim (higher) band in MHz and the channel bandwidth configured in the low band.

NOTE 4: The requirements should be verified for UL NR-ARFCN of the aggressor (lower) band (superscript LB) such that $f_{UL}^{LB} = \lfloor f_{DL}^{HB} / 0.4 \rfloor \cdot 0.1$ in MHz and $F_{UL_low}^{LB} + BW_{Channel}^{LB} / 2 \leq f_{UL}^{LB} \leq F_{UL_high}^{LB} - BW_{Channel}^{LB} / 2$ with f_{DL}^{HB} carrier frequency in the victim (higher) band in MHz and $BW_{Channel}^{LB}$ the channel bandwidth configured in the lower band.

NOTE 5: The requirements should be verified for UL NR-ARFCN of the aggressor (lower) band (superscript LB) such that $f_{UL}^{LB} = \lfloor f_{DL}^{HB} / 0.5 \rfloor \cdot 0.1$ in MHz and $F_{UL_low}^{LB} + BW_{Channel}^{LB} / 2 \leq f_{UL}^{LB} \leq F_{UL_high}^{LB} - BW_{Channel}^{LB} / 2$ with f_{DL}^{HB} carrier frequency in the victim (higher) band in MHz and $BW_{Channel}^{LB}$ the channel bandwidth configured in the lower band.

NOTE 6: The requirements are only applicable to channel bandwidths no larger than 20 MHz and with a carrier frequency at $\pm (20 + BW_{Channel}^{HB} / 2)$ MHz offset from $2 f_{UL}^{LB}$ in the victim (higher band) with $F_{UL_low}^{LB} + BW_{Channel}^{LB} / 2 \leq f_{UL}^{LB} \leq F_{UL_high}^{LB} - BW_{Channel}^{LB} / 2$, where $BW_{Channel}^{LB}$ and $BW_{Channel}^{HB}$ are the channel bandwidths configured in the aggressor (lower) and victim (higher) bands in MHz, respectively.

NOTE 7: For these bandwidths, the minimum requirements are restricted to operation when carrier is configured as a downlink carrier part of CA configuration.

NOTE 8: For a UE which supports this band combination only when the Band n77 frequency range restriction defined in NOTE 12 of Table 5.2-1 applies, the MSD test point(s) cannot be verified for the band combination and the test point(s) can be skipped.

NOTE 9: Void.

NOTE 10: These requirements apply when the lower edge frequency of the 10 MHz, 15 MHz, or 20 MHz uplink channel in Band 71 is located at or below 668 MHz and the downlink channel in Band n25 is located with its upper edge at 1995 MHz.

NOTE 11: These requirements apply when the lower edge frequency of the uplink channel in Band n71 is located at or below 668 MHz and the downlink channel in Band n25 is located with its upper edge at 1990 MHz.

NOTE 12: In the USA, n77 band is restricted to 3450 – 3550 MHz and 3700 – 3980 MHz. There is no UL harmonic due to n24 UL in downlink for n77 operating in 3450 – 3550 MHz and 3700 – 3980 MHz.

NOTE 13: No requirements apply when there is at least one individual RE within the uplink transmission bandwidth of the low band for which the 2nd transmitter harmonic is within the downlink transmission bandwidth of the high band. The reference sensitivity for all active downlink component carriers is only verified when this is not the case (the requirements specified in clause 7.3.2 apply unless otherwise specified).

Table 7.3A.0.4-1a: Void

Table 7.3A.0.4-2: Void

Table 7.3A.0.4-3: Void

Table 7.3A.0.4-3a: Void

Sensitivity degradation is allowed for a band if it is impacted by receiver harmonic mixing due to another band part of the same CA configuration. Reference sensitivity exceptions and uplink/downlink configurations due to harmonic mixing from a PC3 aggressor NR UL band for DL NR CA FR1 is specified in Table 7.3A.0.4-4b. Reference sensitivity exceptions and uplink/downlink configurations due to harmonic mixing from a PC2 aggressor NR UL band for NR DL CA FR1 is specified in Table 7.3A.0.4-4c.

Table 7.3A.0.4-4: Void

Table 7.3A.0.4-4a: Void

Table 7.3A.0.4-4b: Reference sensitivity exceptions and uplink/downlink configurations due to harmonic mixing from a PC3 aggressor NR UL band for DL NR CA FR1

UL band	DL band	UL BW	SCS of UL band	UL RB Allocation	DL BW	MSD	UL/DL fc condition	UL/DL harmonic order
		(MHz)	(kHz)	L _{CRB}	(MHz)	(dB)		
n39	n41	5	15	25 (RBstart=0)	5	8.1	NOTE 11	UL4/DL3
n39	n41	5	15	25 (RBstart=0)	100	3.3	NOTE 11	UL4/DL3
n40	n28	5	15	25 (RBstart=0)	5	37.8	NOTE 4	UL1/DL3
n40	n28	20	15	100 (RBstart=0)	20	30.3	NOTE 4	UL1/DL3
n41	n39	10	15	25 (RBstart=0)	5	4.3	NOTE 12	UL3/DL4
n41	n39	10	15	25 (RBstart=0)	40	0.8	NOTE 12	UL3/DL4
n77	n2	10	15	25 (RBstart=0)	5	6.7	NOTE 7	UL1/DL2
n77	n2	20	15	100 (RBstart=0)	20	3.7	NOTE 7	UL1/DL2
n77	n5	10	15	25 (RBstart=0)	5	5.7	NOTE 8	UL1/DL4
n77	n5	20	15	100 (RBstart=0)	20	2.7	NOTE 8	UL1/DL4
n77	n14	10	15	25 (RBstart=0)	5	31	NOTE 5	UL1/DL5
n77	n14	10	15	50 (RBstart=0)	10	28	NOTE 5	UL1/DL5
n77	n25	10	15	25 (RBstart=0)	5	6.7	NOTE 7	UL1/DL2
n77	n25	20	15	100 (RBstart=0)	40	1.1	NOTE 7	UL1/DL2
n77	n30	10	15	12 (RBstart=0)	5	10.4	NOTE 2	UL2/DL3
n77	n30	10	15	24 (RBstart=0)	10	8.0	NOTE 2	UL2/DL3
n77	n41	20	30	50 (RBstart=0)	10	10.4	NOTE 2	UL2/DL3
n77	n41	20	30	50 (RBstart=0)	100	6.3	NOTE 2	UL2/DL3
n78	n28	10	15	25 (RBstart=0)	5	31	NOTE 5	UL1/DL5

NOTE 1: FFS.

NOTE 2: The requirements should be verified for DL NR-ARFCN of the victim (lower) band (superscript LB) such that $f_{DL}^{LB} = \lfloor f_{UL}^{HB} / 0.15 \rfloor 0.1$ and $F_{UL_low}^{HB} + BW_{Channel}^{HB} / 2 \leq f_{UL}^{HB} \leq F_{UL_high}^{HB} - BW_{Channel}^{HB} / 2$ with f_{UL}^{HB} the UL carrier frequency and $BW_{Channel}^{HB}$ the channel bandwidth configured in the higher band, both in MHz.

NOTE 3: FFS.

NOTE 4: The requirements should be verified for UL NR-ARFCN of the aggressor (higher) band (superscript HB) such that $f_{DL}^{LB} = \lfloor f_{UL}^{HB} / 0.3 \rfloor 0.1$ in MHz and $F_{UL_low}^{HB} + BW_{Channel}^{HB} / 2 \leq f_{UL}^{HB} \leq F_{UL_high}^{HB} - BW_{Channel}^{HB} / 2$ with f_{DL}^{LB} the carrier frequency in the victim (lower) band and $BW_{Channel}^{HB}$ the channel bandwidth configured in the higher band.

NOTE 5: The requirements should be verified for DL NR-ARFCN of the victim (lower) band (superscript LB) such that $f_{DL}^{LB} = \lfloor f_{UL}^{HB} / 0.5 \rfloor 0.1$ with f_{DL}^{LB} the DL carrier frequency in the lower band and f_{UL}^{HB} the UL carrier frequency in the higher band, both in MHz.

NOTE 6: FFS.

NOTE 7: The requirements should be verified for UL NR-ARFCN of the aggressor (higher) band (superscript HB) such that $f_{DL}^{LB} = \lfloor f_{UL}^{HB} / 0.2 \rfloor 0.1$ in MHz and $F_{UL_low}^{LB} + BW_{Channel}^{LB} / 2 \leq f_{UL}^{LB} \leq F_{UL_high}^{LB} - BW_{Channel}^{LB} / 2$ with f_{DL}^{LB} the carrier frequency in the victim (lower) band and $BW_{Channel}^{HB}$ the channel bandwidth configured in the higher band.

NOTE 8: The requirements should be verified for UL NR-ARFCN of the aggressor (higher) band (superscript HB) such that $f_{DL}^{LB} = \lfloor f_{UL}^{HB} / 0.4 \rfloor 0.1$ in MHz and $F_{UL_low}^{LB} + BW_{Channel}^{LB} / 2 \leq f_{UL}^{LB} \leq F_{UL_high}^{LB} - BW_{Channel}^{LB} / 2$ with f_{DL}^{LB} the carrier frequency in the victim (lower) band and $BW_{Channel}^{HB}$ the channel bandwidth configured in the higher band.

NOTE 9: FFS.

NOTE 10: FFS.

NOTE 11: The requirements should be verified for UL NR-ARFCN of the aggressor (lower) band (superscript LB) such that $f_{UL}^{LB} = \lfloor 7.5 * f_{DL}^{HB} \rfloor 0.1$ in MHz and $F_{UL_low}^{LB} + BW_{Channel}^{LB} / 2 \leq f_{UL}^{LB} \leq F_{UL_high}^{LB} - BW_{Channel}^{LB} / 2$ with f_{DL}^{HB} carrier frequency in the victim (higher) band in MHz and $BW_{Channel}^{LB}$ the channel bandwidth configured in the lower band.

NOTE 12: The requirements should be verified for UL NR-ARFCN of the aggressor (lower) band (superscript LB) such that $f_{UL}^{LB} = \lfloor f_{DL}^{HB} / 0.075 \rfloor 0.1$ in MHz and $F_{UL_low}^{LB} + BW_{Channel}^{LB} / 2 \leq f_{UL}^{LB} \leq F_{UL_high}^{LB} - BW_{Channel}^{LB} / 2$ with f_{DL}^{HB} carrier frequency in the victim (higher) band in MHz and $BW_{Channel}^{LB}$ the channel bandwidth configured in the lower band.

Table 7.3A.0.4-4c: Reference sensitivity exceptions and uplink/downlink configurations due to harmonic mixing from a PC2 aggressor NR UL band for NR DL CA FR1

UL band	DL band	UL BW	SCS of UL band	UL RB Allocation	DL BW	MSD	UL/DL fc condition	UL/DL harmonic order
		(MHz)	(kHz)	L _{CRB}	(MHz)	(dB)		
n77	n2	10	15	25 (RBstart=0)	5	9.1	NOTE 4	UL1/DL2
n77	n2	20	15	100 (RBstart=0)	20	6.7	NOTE 4	UL1/DL2
n77	n5	10	15	25 (RBstart=0)	5	8.1	NOTE 5	UL1/DL4
n77	n5	20	15	20 (RBstart=0)	20	4.3	NOTE 5	UL1/DL4
n77	n14	10	15	25 (RBstart=0)	5	34	NOTE 1	UL1/DL5
n77	n14	10	15	50 (RBstart=0)	10	31	NOTE 1	UL1/DL5
n78	n3	5	15	25 (RBstart=0)	5	8.1	NOTE 4	UL1/DL2
n78	n3	40	15	216 (RBstart=0)	40	1	NOTE 4	UL1/DL2

NOTE 1: The requirements should be verified for DL NR-ARFCN of the victim (lower) band (superscript LB) such that $f_{DL}^{LB} = \lfloor f_{UL}^{HB} / 0.5 \rfloor 0.1$ with f_{DL}^{LB} the DL carrier frequency in the lower band and f_{UL}^{HB} the UL carrier frequency in the higher band, both in MHz.

NOTE 2: FFS

NOTE 3: FFS

NOTE 4: The requirements should be verified for UL NR-ARFCN of the aggressor (higher) band (superscript HB) such that $f_{DL}^{LB} = \lfloor f_{UL}^{HB} / 0.2 \rfloor 0.1$ in MHz and $F_{UL_low}^{LB} + BW_{Channel}^{LB} / 2 \leq f_{UL}^{LB} \leq F_{UL_high}^{LB} - BW_{Channel}^{LB} / 2$ with

f_{DL}^{LB} the carrier frequency in the victim (lower) band and $BW_{Channel}^{HB}$ the channel bandwidth configured in the higher band.

NOTE 5: The requirements should be verified for UL NR-ARFCN of the aggressor (higher) band (superscript HB) such that $f_{DL}^{LB} = \lfloor f_{UL}^{HB} / 0.4 \rfloor \cdot 0.1$ in MHz and $F_{UL_low}^{LB} + BW_{Channel}^{LB} / 2 \leq f_{UL}^{LB} \leq F_{UL_high}^{LB} - BW_{Channel}^{LB} / 2$ with

f_{DL}^{LB} the carrier frequency in the victim (lower) band and $BW_{Channel}^{HB}$ the channel bandwidth configured in the higher band.

7.3A.0.5 Reference sensitivity exceptions due to intermodulation interference due to 2UL CA

For inter-band carrier aggregation with uplink assigned to two NR bands given in Table 7.3A.0.5-1 and Table 7.3A.0.5-1a, the reference sensitivity is defined only for the specific uplink and downlink test points specified in Table 7.3A.0.5-1 and Table 7.3A.0.5-1a. For these test points the reference sensitivity requirement specified in Table 7.3.2.3-1 and Table 7.3.2.3-2 are relaxed by the amount of the corresponding parameter MSD given in Table 7.3A.0.5-1 and Table 7.3A.0.5-1a.

Table 7.3A.0.5-1: 2DL/2UL interband Reference sensitivity QPSK $P_{REFSENS}$ and uplink/downlink configurations for PC3 CA

NR CA Configuration	Band / Channel bandwidth / N_{RB} / Duplex mode							Source of IMD
	NR band	UL F_c (MHz)	UL/DL BW (MHz)	UL L_{CRB}	DL F_c (MHz)	MSD (dB)	Duplex mode	
CA_n1-n3	n1	1950	5	25	2140	23	FDD	IMD3
	n3	1760	5	25	1855	N/A	FDD	N/A
CA_n1-n8	n1	1965	5	25	2155	6.0	FDD	IMD4
	n8	887.5	5	25	932.5	N/A	FDD	N/A
CA_n1-n78	n1	1950	5	25	2140	8.0	FDD	IMD4
	n78	3710	10	50	3710	N/A	TDD	N/A
CA_n2-n48	n2	1852.5	5	25	1932.5	12	FDD	IMD4
	n48	3625	20	100	3625	N/A	TDD	N/A
CA_n2-n66	n2	1855	5	25	1935	20	FDD	IMD3
	n66	1775	5	25	2175	N/A	FDD	N/A
	n2	1883.3	5	25	1963.3	N/A	FDD	N/A
	n66	1750	5	25	2150	4	FDD	IMD5
CA_n2-n77	n2	1855	5	25	1935	26	FDD	IMD2
	n77	3790	10	50	3790	N/A	TDD	N/A
	n2	1900	5	25	1980	8.0	FDD	IMD4
	n77	3720	10	50	3720	N/A	TDD	N/A
	n2	1885	5	25	1965	5	FDD	IMD5
	n77	3810	10	50	3810	N/A	TDD	N/A
	n2	N/A	5	N/A	1987.5	2.7	FDD	IMD7
	n77 ¹²	3455	10	1 RB _{START} =10	3455	N/A	TDD	N/A
	3945	10	1 RB _{START} =0	3945				
CA_n3-n5	n3	1771	10	50	1866	4	FDD	IMD4
	n5	838	5	25	883	N/A	FDD	N/A
CA_n3-n8	n3	1755	10	50	1850	N/A	FDD	N/A
	n8	900	5	25	945	8	FDD	IMD4 ⁴
	n3	1747.5	10	50	1842.5	6.4	FDD	IMD5
	n8	897.5	5	25	942.5	N/A	FDD	N/A
CA_n3-n41	n3	1740	5	25	1835	8.2	FDD	IMD4
	n41	2657.5	10	50	2657.5	N/A	TDD	N/A
CA_n3-n5	n3	1721	10	50	1816	N/A	FDD	N/A
	n5	838	5	25	883	24	FDD	IMD2 ³
CA_n3-n77	n3	1740	5	25	1835	26	FDD	IMD2 ⁴
	n77	3575	10	50	3575	N/A	TDD	N/A
	n3	1765	5	25	1860	8.0	FDD	IMD4 ⁴
	n77	3435	10	50	3435	N/A	TDD	N/A
CA_n3-n78	n3	1740	5	25	1835	26	FDD	IMD2 ⁴
	n78	3575	10	25	3575	N/A	TDD	N/A

	n3	1765	5	25	1860	8.0	FDD	IMD4 ⁴
	n78	3435	10	25	3435	N/A	TDD	N/A
CA_n5-n66	n5	838	5	25	883	30	FDD	IMD24
	n66	1721	5	25	2121	N/A	FDD	N/A
CA_n5-n77 ⁶	n5	844	5	25	889	8.3	FDD	IMD4
	n77	3421	10	50	3421	N/A	TDD	N/A
	n5	829	5	25	874	5.5	FDD	IMD5
CA_n8-n78	n77	4190	10	50	4190	N/A	TDD	N/A
	n8	897.5	5	25	942.5	8.3	FDD	IMD4
CA_n14A-n77A	n78	3635	10	50	3635	N/A	TDD	N/A
	n14	793	5	20	763	5.5	FDD	IMD5
CA_n20A-n78A	n77	3935	10	50	3935	N/A	TDD	
	n20	850	5	25	809	11	FDD	IMD4
CA_n24-n77 ¹⁰	n78	3359	10	50	3359	N/A	TDD	N/A
	n24	N/A	N/A	N/A	N/A	N/A	FDD	IMD4
CA_n25-n66	n77	N/A	N/A	N/A	N/A	N/A	TDD	N/A
	n66	1775	5	25	2175	N/A	FDD	N/A
	n25	1855	5	25	1935	20	FDD	IMD3
	n66	1712.5	5	25	2112.5	23	FDD	IMD3
	n25	1912.5	5	25	1992.5	N/A	FDD	N/A
	n66	1750	5	25	2150	4	FDD	IMD5
CA_n25-n77	n25	1883.3	5	25	1963.3	N/A	FDD	N/A
	n25	1855	5	25	1935	26	FDD	IMD2
	n77	3790	10	50	3790	N/A	TDD	N/A
	n25	1900	5	25	1980	8.0	FDD	IMD4
	n77	3690	10	50	3690	N/A	TDD	N/A
	n25	1885	5	25	1965	5	FDD	IMD5
CA_n25-n78	n77	3790	10	50	3790	N/A	TDD	N/A
	n25	1855	5	25	1935	26	FDD	IMD2 ⁴
CA_n26-n66	n78	3790	10	50	3790	N/A	TDD	N/A
	n26	838	5	25	883	30	FDD	IMD2 ⁴
CA_n26-n70	n66	1721	5	25	2121	N/A	FDD	N/A
	n26	831	5	25	876	30	FDD	IMD2 ⁴
CA_n28-n77	n70	1707.5	5	25	2007.5	N/A	FDD	N/A
	n28	705.5	5	25	760.5	5.5	FDD	IMD5
CA_n30-n77	n77	3582.5	10	50	3582.5	N/A	TDD	N/A
	n30	2310	5	25	2355	8.0	FDD	IMD4
CA_n41-n77	n77	3487.5	10	50	3487.5	N/A	TDD	N/A
	n41	2545	60	1 (RB _{START} =0)	2545	N/A	TDD	N/A
		2625	100	1 (RB _{START} =272)	2625			
CA_n48-n66	n77	N/A	10	N/A	3305	2.7	FDD	IMD9
	n48	3660	5	25	3660	N/A	TDD	N/A
CA_n48-n70	n66	1730	5	25	2130	5.0	FDD	IMD5
	n70	1697.5	25/15	25	1997.5	26	FDD	IMD2 ⁴
CA_n66-n71	n48	3695	10	50	3695	N/A	TDD	N/A
	n66	1750	5	25	2150	5	FDD	IMD4
CA_n66-n77	n71	675	5	25	629	N/A	FDD	N/A
	n66	1775	5	25	2175	31	FDD	IMD2
	n77	3950	10	50	3950	N/A	TDD	N/A
	n66	1760	5	25	2160	5.0	FDD	IMD5
	n77	3720	10	50	3720	N/A	TDD	N/A
	n66	N/A	5	N/A	2197.5	15	FDD	IMD5 ¹³
	n77 ¹²	3305	10	1 (RB _{START} =0)	3305	N/A	TDD	N/A
		3855	10	1 (RB _{START} =8)	3855			
	n66	N/A	5	N/A	2197.5	1.7	FDD	IMD7
CA_n66-n78	n77 ¹²	3455	10	1 (RB _{START} =10)	3455	N/A	TDD	N/A
		3875	10	1 (RB _{START} =0)	3875			
CA_n70-n71	n66	1730	5	25	2130	5.0	FDD	IMD5
	n78	3660	10	50	3660	N/A	TDD	N/A
CA_n71-n77	n70	1697.5	5	25	1997.5	5	FDD	IMD4
	n71	695.5	5	25	649.5	N/A	FDD	N/A
CA_n71-n78	n71	671	5	25	625	5.5	FDD	IMD5
	n77	3309	10	50	3309	N/A	TDD	N/A
CA_n71-n78	n71	681.5	5	25	635.5	5.5	FDD	IMD5
	n78	3361.5	10	50	3361.5	N/A	TDD	N/A

NOTE 1: Both of the transmitters shall be set min(+20 dBm, P_{CMAX_L,f,c}) as defined in subclause 6.2A.4
 NOTE 2: RB_{START} = 0, 15kHz SCS is assumed.
 NOTE 3: No requirements apply when there is at least one individual RE within the intermodulation generated by the dual uplink is within the downlink transmission bandwidth of the FDD band. The reference sensitivity should only be verified when this is not the case (the requirements specified in clause 7.3 apply).
 NOTE 4: This band is subject to IMD5 also which MSD is not specified.
 NOTE 5: Void.
 NOTE 6: TBD
 NOTE 7: TBD
 NOTE 8: TBD
 NOTE 9: TBD
 NOTE 10: There is no IMD4 product in band n24 downlink for n77 operating in 3450 – 3980 MHz and n24 uplink restricted to between 1627.5 – 1637.5 MHz and between 1646.5 – 1656.5 MHz.
 NOTE 11: TBD
 NOTE 12: This band supports intra-band non-contiguous uplink configuration.
 NOTE 13: For a UE which supports this band combination only when the Band n77 frequency range restriction defined in NOTE 12 of Table 5.2-1 applies, the MSD test point(s) cannot be verified for the band combination and the test point(s) can be skipped.

Table 7.3A.0.5-1a: 2DL/2UL interband Reference sensitivity QPSK P_{REFSENS} and uplink/downlink configurations for PC2 CA

Band / Channel bandwidth / N _{RB} / Duplex mode								Source of IMD
NR CA Configuration	NR band	UL F _c (MHz)	UL/DL BW (MHz)	UL L _{CR}	DL F _c (MHz)	MSD (dB)	Duplex mode	
CA_n1-n78	n1	1950	5	25	2140	17.8	FDD	IMD4
	n78	3710	10	50	3710	N/A	TDD	N/A
CA_n2-n77	n2	1855	5	25	1935	32.10	FDD	IMD2
	n77	3790	10	50	3790	N/A	TDD	N/A
	n2	1900	5	25	1980	19.10	FDD	IMD4
	n77	3720	10	50	3720	N/A	TDD	N/A
CA_n3-n41	n3	1740	5	25	1835	18.4	FDD	IMD4
	n41	2657.5	10	50	2657.5	N/A	TDD	N/A
CA_n3-n78	n3	1740	5	25	1835	31.9	FDD	IMD2
	n78	3575	10	50	3575	N/A	TDD	N/A
	n3	1765	5	25	1860	18.5	FDD	IMD4
	n78	3435	10	50	3435	N/A	TDD	N/A
CA_n5-n77	5	844	5	25	889	18.6	FDD	IMD4
	n77	3421	10	50	3421	N/A	TDD	N/A
CA_n66-n77	n66	1775	5	25	2175	34.33	FDD	IMD2
	n77	3950	10	50	3950	N/A	TDD	N/A
	n66	1760	5	25	2160	11.27	FDD	IMD5
	n77	3720	10	50	3720	N/A	TDD	N/A

NOTE 1: Both of the transmitters shall be set min(+23 dBm, P_{CMAX_L,f,c}) as defined in clause 6.2A.4
 NOTE 2: RB_{START} = 0, 15 kHz SCS is assumed.
 NOTE 3: No requirements apply when there is at least one individual RE within the intermodulation generated by the dual uplink is within the downlink transmission bandwidth of the FDD band. The reference sensitivity should only be verified when this is not the case (the requirements specified in clause 7.3 apply).

Editor’s Note:

The n78 UL RB size of 10MHz BW in CA_n1-n3-n78 is different from the Table 7.3A.5-2 in TS 38.101-1 (V17.9.0), since the values in the latter cannot be applied to DFT-s-OFDM. The closest smaller valid value has been applied in Table 7.3A.0.5-2.

Table 7.3A.0.5-2: 3DL/2UL interband Reference sensitivity QPSK P_{REFSENS} and uplink/downlink configurations

Band / Channel bandwidth / N _{RB} / Duplex mode								Source of IMD
NR CA band combination	NR band	UL F _c (MHz)	UL/DL BW (MHz)	UL L _{CR}	DL F _c (MHz)	MSD (dB)	Duplex mode	

CA_n1-n3-n28	n1	1975	5	25	2165	N/A	FDD	N/A
	n28	710.5	5	25	765.5	N/A	FDD	N/A
	n3	1723.5	5	25	1818.5	4.0	FDD	IMD5
	n3	1780	5	25	1875	N/A	FDD	N/A
	n28	710.5	5	25	765.5	N/A	FDD	N/A
CA_n1-n3-n77	n1	1949	5	25	2139	11.0	FDD	IMD4
	n1	1950	5	25	2140	N/A	FDD	N/A
	n3	1750	5	25	1845	N/A	FDD	N/A
	n77	N/A	10	N/A	3700	28.4	TDD	IMD2 ²
	n1	1950	5	25	2140	N/A	FDD	N/A
	n3	N/A	5	N/A	1807.5	31.5	FDD	IMD2 ^{1,2}
	n77	3757.5	10	50	3757.5	N/A	TDD	N/A
	n1	N/A	5	N/A	2140	31.0	FDD	IMD2 ¹
CA_n1-n3-n78	n3	1775	5	25	1870	N/A	FDD	N/A
	n77	3915	10	50	3915	N/A	TDD	N/A
	n1	1950	5	25	2140	N/A	FDD	N/A
	n3	1750	5	25	1845	N/A	FDD	N/A
	n78	N/A	10	N/A	3700	28.4	TDD	IMD2
	n1	1950	5	25	2140	N/A	FDD	N/A
	n3	1770	5	25	1865	N/A	FDD	N/A
	n78	N/A	10	N/A	3360	11.2	TDD	IMD4
CA_n1-n3-n78	n1	1950	5	25	2140	N/A	FDD	N/A
	n3	N/A	5	N/A	1830	27.9	FDD	IMD2
	n78	3780	10	50	3780	N/A	TDD	N/A

Band / Channel bandwidth / N _{RB} / Duplex mode								Source of IMD
NR CA band combination	NR band	UL F _c (MHz)	UL/DL BW (MHz)	UL L _{CR}	DL F _c (MHz)	MSD (dB)	Duplex mode	
CA_n1-n8-n78	n1	1945	5	25	2135	N/A	FDD	N/A
	n8	900	5	25	945	N/A	FDD	N/A
	n78	N/A	10	N/A	3745	14.9	TDD	IMD3
	n1	1940	5	25	2130	N/A	FDD	N/A
	n8	N/A	5	N/A	940	3.3	FDD	IMD5
CA_n1-n28-n77	n78	3380	10	50	3380	N/A	TDD	N/A
	n1	1950	5	25	2140	N/A	FDD	N/A
	n28	733	5	25	788	N/A	FDD	N/A
	n77	N/A	10	N/A	3416	15.7	TDD	IMD3 ²
	n1	1950	5	25	2140	N/A	FDD	N/A
	n77	3320	10	50	3320	N/A	TDD	N/A
	n28	N/A	5	N/A	790	4.2	FDD	IMD5
	n28	740	5	25	795	N/A	FDD	N/A
CA_n1-n28-n78	n77	3630	10	50	3630	N/A	TDD	N/A
	n1	N/A	5	N/A	2150	15.7	FDD	IMD3
	n1	N/A	5	N/A	2150	15.7	FDD	IMD3
	n28	740	5	25	795	N/A	FDD	N/A
	n78	3630	10	50	3630	N/A	TDD	N/A
	n1	1970	5	25	2160	N/A	FDD	N/A
	n28	N/A	5	N/A	794	4.2	FDD	IMD5
	n78	3352	10	50	3352	N/A	TDD	N/A
CA_n1-n41-n77	n1	1950	5	25	2140	N/A	FDD	N/A
	n28	733	5	25	788	N/A	FDD	N/A
	n78	N/A	10	N/A	3416	15.7	TDD	IMD3
	n1	1970	5	25	2160	N/A	FDD	N/A
	n41	2650	10	50	2650	N/A	TDD	N/A
	n77	N/A	10	N/A	3330	19.6	TDD	IMD3 ^{1,2}
	n1	1975	5	10	2165	N/A	FDD	N/A
	n77	3410	10	50	3410	N/A	TDD	N/A
CA_n1-n78-n79	n41	N/A	10	N/A	2515	11.5	TDD	IMD4 ¹
	n41	2640	10	50	2640	N/A	TDD	N/A
	n77	3710	10	50	3710	N/A	TDD	N/A
	n1	N/A	5	N/A	2140	9.3	FDD	IMD4
	n1	1950	5	25	2140	N/A	FDD	N/A

	n78	3410	10	50	3410	N/A	TDD	N/A
	n79	4870	40	216	4870	15.9	TDD	IMD3 ^{1,3}
	n1	1950	5	25	2140	N/A	FDD	N/A
	n78	3490	10	50	3490	4.6	TDD	IMD5 ³
	n79	4670	40	216	4670	N/A	TDD	N/A
	n1	1950	5	25	2140	15.6	FDD	IMD3 ^{1,2}
	n78	3400	10	50	3400	N/A	TDD	N/A
	n79	4660	40	216	4660	N/A	TDD	N/A
CA_n2-n5-n30	n2	1870	5	25	1959	N/A	FDD	N/A
	n5	835	5	25	880	9.7	FDD	IMD4
	n30	2310	10	50	2355	N/A	FDD	N/A
CA_n2-n5-n48	n2	N/A	5	N/A	1962	15.6	FDD	IMD3
	n5	839	5	25	884	N/A	FDD	N/A
	n48	3640	10	50	3640	N/A	TDD	N/A
	n2	1905	5	25	1985	N/A	FDD	N/A
	n5	844	5	25	889	N/A	FDD	N/A
	n48	N/A	10	50	3593	16.6	TDD	IMD3
CA_n2-n5-n66	n2	1900	5	25	1980	N/A	FDD	N/A
	n5	830	5	25	875	N/A	FDD	N/A
	n66	N/A	5	N/A	2140	7.2	FDD	IMD4
CA_n2-n5-n77	n2	1907.5	5	25	1987.5	N/A	FDD	N/A
	n5	N/A	5	N/A	887.5	3.8	FDD	IMD5 ⁵
	n77	3305	10	50	3305	N/A	TDD	N/A
	n2	N/A	5	N/A	1987	16.5	FDD	IMD3 ⁵
	n5	846.5	5	25	891.5	N/A	FDD	N/A
	n77	3680	10	50	3680	N/A	TDD	N/A
	n2	1880	5	25	1960	N/A	FDD	N/A
	n5	830	5	25	875	N/A	FDD	N/A
	n77	N/A	10	N/A	3540	16.0	TDD	IMD3 ¹
CA_n2-n12-n77	n2	1880	5	25	1960	16.5	FDD	IMD3 ²
	n12	707.5	5	25	737.5	N/A	FDD	N/A
	n77	3375	10	50	3375	N/A	TDD	N/A
	n2	1900	5	25	1980	N/A	FDD	N/A
	n12	707.5	5	25	737.5	N/A	FDD	N/A
	n77	3315	10	50	3315	16.0	TDD	IMD3 ^{1,2}
CA_n2-n14-n77	n2	1880	5	25	1960	16.5	FDD	IMD3
	n14	793	5	25	763	N/A	FDD	N/A
	n77	3546	10	50	3546	N/A	TDD	N/A
	n2	1880	5	25	1960	N/A	FDD	N/A
	n14	793	5	25	763	N/A	FDD	N/A
	n77	3466	10	50	3466	16.0	TDD	IMD3 ¹
CA_n2-n30-n77	n2	1906	5	25	1986	8.6	FDD	IMD4
	n30	2312	5	25	2357	N/A	FDD	N/A
	n77	3305	10	50	3305	N/A	TDD	N/A
	n2	1905	5	25	1985	N/A	FDD	N/A
	n30	2309	5	25	2354	10.6	FDD	IMD4 ¹
	n77	3361	10	50	3361	N/A	TDD	N/A
	n2	1870	5	25	1950	N/A	FDD	N/A
	n30	2310	5	25	2355	N/A	FDD	N/A
	n77	4180	10	50	4180	29.4	TDD	IMD2 ²
CA_n2-n48-n66	n2	1855	5	25	1935	N/A	FDD	N/A
	n48	N/A	10	50	3625	32.0	TDD	IMD2
	n66	1770	5	25	2190	N/A	FDD	N/A
	n2	1905	5	25	1985	N/A	FDD	N/A
	n48	3560	10	50	3560	N/A	TDD	N/A
	n66	N/A	5	N/A	2155	12.1	FDD	IMD4
	n2	N/A	5	N/A	1960	28.3	FDD	IMD2 ¹
	n48	3695	10	50	3695	N/A	TDD	N/A
	n66	1735	5	25	2135	N/A	FDD	N/A

Band / Channel bandwidth / N _{RB} / Duplex mode	Source of IMD
--	---------------

NR CA band combination	NR band	UL F _c (MHz)	UL/DL BW (MHz)	UL L _{CR}	DL F _c (MHz)	MSD (dB)	Duplex mode	
CA_n2-n66-n77	n2	1880	5	25	1960	N/A	FDD	N/A
	n66	1740	5	25	2140	N/A	FDD	N/A
	n77	N/A	10	N/A	3620	29.4	TDD	IMD2 ⁵
	n2	1880	5	25	1960	N/A	FDD	N/A
	n66	1740	5	25	2140	N/A	FDD	N/A
	n77	N/A	10	N/A	3900	8.9	TDD	IMD4
	n2	1855	5	25	1935	N/A	FDD	N/A
	n66	N/A	5	N/A	2115	29.2	FDD	IMD2
	n77	3970	10	50	3970	N/A	TDD	N/A
	n2	1880	5	25	1960	N/A	FDD	N/A
	n66	N/A	5	N/A	2140	10.4	FDD	IMD4
	n77	3500	10	50	3500	N/A	TDD	N/A
	n2	1885	5	25	1965	N/A	FDD	N/A
	n66	N/A	5	N/A	2175	4.0	FDD	IMD5
	n77	3915	10	50	3915	N/A	TDD	N/A
	n2	N/A	5	N/A	1960	32.1	FDD	IMD2
	n66	1760	5	25	2160	N/A	FDD	N/A
	n77	3720	10	50	3720	N/A	TDD	N/A
	n2	N/A	5	N/A	1960	9.1	FDD	IMD4 ⁵
	n66	1770	5	25	2170	N/A	FDD	N/A
n77	3350	10	50	3350	N/A	TDD	N/A	
n2	N/A	5	N/A	1960	2.1	FDD	IMD5 ⁵	
n66	1760	5	25	2160	N/A	FDD	N/A	
n77	3620	10	50	3620	N/A	TDD	N/A	
CA_n3-n8-n78	n3	1730	5	25	1825	N/A	FDD	N/A
	n8	910	5	25	955	N/A	FDD	N/A
	n78	N/A	10	N/A	3550	16.1	TDD	IMD3
	n3	1730	5	25	1825	N/A	FDD	N/A
	n8	910	5	25	955	N/A	FDD	N/A
	n78	N/A	10	N/A	3370	4.5	TDD	IMD5
	n3	N/A	5	N/A	1820	15.7	FDD	IMD3
n8	910	5	25	955	N/A	FDD	N/A	
n78	3640	10	50	3640	N/A	TDD	N/A	
CA_n3-n28-n41	n3	1715	5	25	1810	N/A	FDD	N/A
	n28	743	5	25	798	N/A	FDD	N/A
	n41	2518	5	25	2518	27.4	TDD	IMD2
	n3	1715	5	25	1810	N/A	FDD	N/A
	n28	743	5	25	798	N/A	FDD	N/A
	n41	2687	5	25	2687	15.9	TDD	IMD3
	n3	1720	5	25	1815	N/A	FDD	N/A
	n41	2510	5	25	2510	N/A	TDD	N/A
	n28	735	5	25	790	26.0	FDD	IMD2 ⁴
	n28	710.5	5	25	765.5	N/A	FDD	N/A
n41	2543	10	50	2543	N/A	TDD	N/A	
n3	1737.5	5	25	1832.5	26.0	FDD	IMD2	
CA_n3-n28-n77	n3	1720	5	25	1815	N/A	FDD	N/A
	n28	733	5	25	788	N/A	FDD	N/A
	n77	4173	10	50	4173	15.9	TDD	IMD3
	n28	735	5	25	790	N/A	FDD	N/A
	n77	3320	10	50	3320	N/A	TDD	N/A
	n3	1755	5	25	1850	17.0	FDD	IMD3
	n3	1712.5	5	25	1807.5	N/A	FDD	N/A
	n77	4195	10	50	4195	N/A	TDD	N/A
	n28	715	5	25	770	15.3	FDD	IMD3
CA_n3-n28-n78	n3	1755	5	25	1850	N/A	FDD	N/A
	n28	735	5	25	790	N/A	FDD	N/A
	n78	N/A	10	N/A	3320	17.3	TDD	IMD3
	n3	1750	5	25	1845	N/A	FDD	N/A
	n28	743	5	25	798	N/A	FDD	N/A
n78	N/A	10	N/A	3764	4.5	TDD	IMD5	

Band / Channel bandwidth / N _{RB} / Duplex mode								Source of IMD
NR CA band combination	NR band	UL F _c (MHz)	UL/DL BW (MHz)	UL L _{CR}	DL F _c (MHz)	MSD (dB)	Duplex mode	
CA_n3-n41-n77	n3	1720	5	25	1815	N/A	FDD	N/A
	n77	3900	10	50	3900	N/A	TDD	N/A
	n41	N/A	5	N/A	2640	5.3	TDD	IMD5
	n41	2620	5	25	2620	N/A	TDD	N/A
	n77	3400	10	50	3400	N/A	TDD	N/A
	n3	N/A	5	N/A	1840	16.4	FDD	IMD3
	n41	2580	5	25	2580	N/A	TDD	N/A
	n3	1720	5	25	1815	N/A	FDD	N/A
n77	N/A	10	N/A	3440	16.8	TDD	IMD3 ¹	

Band / Channel bandwidth / N _{RB} / Duplex mode								Source of IMD	
NR CA band combination	NR band	UL F _c (MHz)	UL/DL BW (MHz)	UL L _{CR}	DL F _c (MHz)	MSD (dB)	Duplex mode		
CA_n5-n12-n77	n5	835	5	25	880	3.9	FDD	IMD5	
	n12	707.5	5	25	737.5	N/A	FDD	N/A	
	n77	3710	10	50	3710	N/A	TDD	N/A	
	n5	835	5	25	880	N/A	FDD	N/A	
	n12	710	5	25	740	4.4	FDD	IMD5	
	n77	4080	10	50	4080	N/A	TDD	N/A	
	n5	830	5	25	875	N/A	FDD	N/A	
	n12	707.5	5	25	737.5	N/A	FDD	N/A	
CA_n5-n14-n77	n77	3905	10	50	3905	4.4	TDD	IMD5	
	n5	835	5	25	880	3.9	FDD	IMD5	
	n14	793	5	25	763	N/A	FDD	N/A	
	n77	4052	10	50	4052	N/A	TDD	N/A	
	n5	846.5	5	25	891.5	N/A	FDD	N/A	
	n14	795.5	5	25	765.5	11.6	FDD	IMD4 ¹	
	n77	3305	10	50	3305	N/A	TDD	N/A	
	n5	835	5	25	880	N/A	FDD	N/A	
CA_n5-n25-n66	n14	793	5	25	763	N/A	FDD	N/A	
	n77	3298	10	50	3298	10.3	TDD	IMD4 ¹	
	n5	834	5	25	879	N/A	FDD	N/A	
	n25	1900	5	25	1980	N/A	FDD	N/A	
	n66	1712	5	25	2132	7.2	FDD	IMD4	
	CA_n5-n25-n77	n5	830	5	25	875	N/A	FDD	N/A
		n25	1880	5	25	1960	N/A	FDD	N/A
		n77	3540	10	50	3540	16.0	TDD	IMD3
n5		844	5	25	889	3.8	FDD	IMD5	
n25		1907	5	25	1987	N/A	FDD	N/A	
n77		3305	10	50	3305	N/A	TDD	N/A	
n5		846.5	5	25	891.5	N/A	FDD	N/A	
n25		1907	5	25	1987	16.5	FDD	IMD3	
CA_n5-n30-n66	n77	3680	10	25	3680	N/A	TDD	N/A	
	n5	830	5	25	875	N/A	FDD	N/A	
	n30	2307.5	5	25	2352.5	N/A	FDD	N/A	
	n66	1725	5	25	2125	4	FDD	IMD5	
	CA_n5-n30-n77	n5	835	5	25	880	15.2	FDD	IMD3
		n30	2310	5	25	2355	N/A	FDD	N/A
		n77	3740	10	50	3740	N/A	TDD	N/A
		n5	835	5	25	880	N/A	FDD	N/A
n30		2310	5	25	2355	13.2	FDD	IMD3	
n77		4025	10	50	4025	N/A	TDD	N/A	
n5		840	5	25	885	N/A	FDD	N/A	
n30		2310	5	25	2355	N/A	FDD	N/A	
CA_n5-n48-n66	n77	3780	10	50	3780	16.1	TDD	IMD3	
	n5	829	5	25	874	N/A	FDD	N/A	
	n48	N/A	10	N/A	3622	3.6	TDD	IMD5	
	n66	1760	5	25	2160	N/A	FDD	N/A	

CA_n5-n66-n77	n5	845	5	25	890	N/A	FDD	N/A
	n66	1775	5	25	2175	N/A	FDD	N/A
	n77	N/A	10	N/A	3465	16.1	TDD	IMD3
	n5	826.5	5	25	871.5	N/A	FDD	N/A
	n66	1712.5	5	25	2112.5	N/A	FDD	N/A
	n77	N/A	10	N/A	4192	8.2	TDD	IMD4 ⁵
	n5	835	5	25	880	N/A	FDD	N/A
	n66	1735	5	25	2135	N/A	FDD	N/A
	n77	N/A	10	N/A	3535	3.3	TDD	IMD5
	n5	826.5	5	25	871.5	N/A	FDD	N/A
	n66	N/A	5	N/A	2142	13.2	FDD	IMD3
n77	3795	10	50	3795	N/A	TDD	N/A	

Band / Channel bandwidth / N _{RB} / Duplex mode								Source of IMD
NR CA band combination	NR band	UL F _c (MHz)	UL/DL BW (MHz)	UL L _{CR}	DL F _c (MHz)	MSD (dB)	Duplex mode	
CA_n12-n30-n77	n12	710	5	25	740	15.2	FDD	IMD3 ¹
	n30	2310	5	25	2355	N/A	FDD	N/A
	n77	3880	10	50	3880	N/A	TDD	N/A
	n12	707.5	5	25	737.5	N/A	FDD	N/A
	n30	2310	5	25	2355	13.2	FDD	IMD3
	n77	3770	10	50	3770	N/A	TDD	N/A
	n12	707	5	25	737	N/A	FDD	N/A
CA_n12-n66-n77	n30	2310	5	25	2355	N/A	FDD	N/A
	n77	3913	10	50	3913	16.0	TDD	IMD3
	n12	710	5	25	740	15.2	FDD	IMD3
	n66	1720	5	25	2120	N/A	FDD	N/A
	n77	4180	10	50	4180	N/A	TDD	N/A
	n12	707	5	25	737	N/A	FDD	N/A
	n66	1746	5	25	2146	13.2	FDD	IMD3
CA_n14-n30-n77	n77	3560	10	50	3560	N/A	TDD	N/A
	n12	704	5	25	734	N/A	FDD	N/A
	n66	1723	5	25	2123	N/A	FDD	N/A
	n77	4150	10	50	4150	16.0	TDD	IMD3 ^{1,2}
	n14	793	5	25	763	15.2	FDD	IMD3 ¹
	n30	2310	5	25	2355	N/A	FDD	N/A
	n77	3857	10	50	3857	N/A	TDD	N/A
CA_n14-n66-n77	n14	793	5	25	763	N/A	FDD	N/A
	n30	2310	5	25	2355	13.2	FDD	IMD3
	n77	3941	10	50	3941	N/A	TDD	N/A
	n14	793	5	25	763	N/A	FDD	N/A
	n30	2310	5	25	2355	N/A	FDD	N/A
	n77	3896	10	50	3896	16.0	TDD	IMD3
	n14	793	5	25	763	15.2	FDD	IMD3
CA_n14-n66-n77	n66	1712.5	5	25	2112.5	N/A	FDD	N/A
	n77	4188	10	50	4188	N/A	TDD	N/A
	n14	793	5	25	763	N/A	FDD	N/A
	n66	1755	5	25	2155	13.2	FDD	IMD3
	n77	3741	10	50	3741	N/A	TDD	N/A
	n14	793	5	25	763	N/A	FDD	N/A
	n66	1755	5	25	2155	N/A	FDD	N/A
n77	3341	10	50	3341	16.0	TDD	IMD3 ^{1,2}	

Band / Channel bandwidth / N _{RB} / Duplex mode								Source of IMD
NR CA band combination	NR band	UL F _c (MHz)	UL/DL BW (MHz)	UL L _{CR}	DL F _c (MHz)	MSD (dB)	Duplex mode	
CA_n25-n41-n66	n25	1860	5	25	1940	11.0	FDD	IMD4
	n41	2685	10	50	2685	N/A	TDD	N/A
	n66	1715	5	25	2115	N/A	FDD	N/A

Band / Channel bandwidth / N _{RB} / Duplex mode								Source of IMD
NR CA band combination	NR band	UL F _c (MHz)	UL/DL BW (MHz)	UL L _{CR}	DL F _c (MHz)	MSD (dB)	Duplex mode	
CA_n25-n66-n77	n25	1900	5	25	1980	N/A	FDD	N/A
	n66	1760	5	25	2160	29.2	FDD	IMD2
	n77	4060	10	50	4060	N/A	TDD	N/A
	n25	1900	5	25	1980	N/A	FDD	N/A
	n66	1760	5	25	2160	10.4	FDD	IMD4
	n77	3540	10	50	3540	10	TDD	N/A
	n25	1900	5	25	1980	N/A	FDD	N/A
	n66	1760	5	25	2160	4.0	FDD	IMD5
	n77	3930	10	50	3930	N/A	TDD	N/A
	n25	1880	5	25	1960	32.1	FDD	IMD2
	n66	1740	5	25	2140	N/A	FDD	N/A
	n77	3700	10	50	3700	N/A	TDD	N/A
	n25	1880	5	25	1960	9.1	FDD	IMD4
	n66	1770	5	25	2170	N/A	FDD	N/A
	n77	3350	10	50	3350	N/A	TDD	N/A
	n25	1880	5	25	1960	2.1	FDD	IMD5
	n66	1760	5	25	2160	N/A	FDD	N/A
	n77	3620	10	50	3620	N/A	TDD	N/A
	n25	1880	5	25	1960	N/A	FDD	N/A
	n66	1740	5	25	2140	N/A	FDD	N/A
n77	3620	10	50	3620	29.4	TDD	IMD2	
n25	1880	5	25	1960	N/A	FDD	N/A	
n66	1740	5	25	2140	N/A	FDD	N/A	
n77	3340	10	50	3340	8.9	TDD	IMD4	
CA_n25-n66-n78	n25	1880	5	25	1960	N/A	FDD	N/A
	n66	1740	5	25	2140	N/A	FDD	N/A
	n78	N/A	10	N/A	3620	29.4	TDD	IMD2
CA_n25-n71-n77	n25	1907.5	5	25	1987.5	N/A	FDD	N/A
	n71	695.5	5	25	649.5	N/A	FDD	N/A
	n77	3305	10	50	3305	8.0	TDD	IMD3 ^{1,2}
	n25	1874	5	25	1954	16.5	FDD	IMD3 ²
	n71	693	5	25	647	N/A	FDD	N/A
n77	3340	10	50	3340	N/A	TDD	N/A	

Band / Channel bandwidth / N _{RB} / Duplex mode								Source of IMD
NR CA band combination	NR band	UL F _c (MHz)	UL/DL BW (MHz)	UL L _{CR}	DL F _c (MHz)	MSD (dB)	Duplex mode	
CA_n28-n41-n79	n28	N/A	5	N/A	780	13.0	FDD	IMD3 ¹
	n41	2600	10	50	2600	N/A	TDD	N/A
	n79	4600	40	216	4600	N/A	TDD	N/A
	n28	720	5	25	780	N/A	FDD	N/A
	n41	2600	10	50	2600	N/A	TDD	N/A
	n79	N/A	40	N/A	4600	10.1	TDD	IMD3 ²
	n28	735	5	25	790	N/A	FDD	N/A
	n41	N/A	10	N/A	2645	10.4	TDD	IMD4
CA_n28-n77-n79	n77	3620	10	52	3620	N/A	N/A	n77
	n79	4420	40	216	4420	N/A	N/A	n79
	n28	745	5	25	800	16.2	IMD2 ^{1,2}	n28
CA_n30-n66-n77	n30	2310	5	25	2355	29.2	FDD	IMD2 ¹
	n66	1745	5	25	2145	N/A	FDD	N/A
	n77	4100	10	50	4100	N/A	TDD	N/A
	n30	2310	5	25	2355	N/A	FDD	N/A
	n66	1760	5	25	2160	8.7	FDD	IMD4
	n77	3390	10	50	3390	N/A	TDD	N/A
	n30	2310	5	25	2355	N/A	FDD	N/A
	n66	1745	5	25	2145	N/A	FDD	N/A
n77	4055	10	50	4055	28.4	TDD	IMD2 ¹	

Band / Channel bandwidth / N _{RB} / Duplex mode								Source of IMD
NR CA band combination	NR band	UL F _c (MHz)	UL/DL BW (MHz)	UL L _{CR}	DL F _c (MHz)	MSD (dB)	Duplex mode	
CA_n41-n66-n77	n41	2560	5	25	2560	N/A	TDD	N/A
	n66	1730	5	25	2130	N/A	FDD	N/A
	n77	3390	10	50	3390	16.1	TDD	IMD3 ^{1,2}
	n41	2670	5	25	2670	5.2	TDD	IMD5
	n66	1715	5	25	2115	N/A	FDD	N/A
	n77	4190	10	50	4190	N/A	TDD	N/A
	n41	2530	5	25	2530	N/A	TDD	N/A
	n66	1760	5	25	2160	9.0	FDD	IMD4
CA_n41-n71-n77	n41	2615	5	25	2615	N/A	TDD	N/A
	n71	693	5	25	647	N/A	FDD	N/A
	n77	3308	10	50	3308	29.1	TDD	IMD2 ¹
	n41	2615	5	25	2615	N/A	TDD	N/A
	n71	693	5	25	647	N/A	FDD	N/A
	n77	4001	10	50	4001	16.3	TDD	IMD3 ¹
	n41	2580	5	25	2580	N/A	TDD	N/A
	n71	693	5	25	647	N/A	FDD	N/A
	n77	3774	10	50	3774	10.3	TDD	IMD4 ¹
	n41	2615	5	25	2615	28.7	TDD	IMD2
	n71	693	5	25	647	N/A	FDD	N/A
	n77	3308	10	50	3308	N/A	TDD	N/A
	n41	2615	5	25	2615	15.5	TDD	IMD3
	n71	693	5	25	647	N/A	FDD	N/A
	n77	4001	10	50	4001	N/A	TDD	N/A
	n41	2642	5	25	2642	N/A	TDD	N/A
n71	743	5	25	798	30.8	FDD	IMD2	
n77	3440	10	50	3440	N/A	TDD	N/A	
CA_n48-n66-n70	n48	3625	10	50	3625	N/A	TDD	N/A
	n66	1742.5	5	25	2142.5	2.8	FDD	IMD5
	n70	1702.5	5	25	2002.5	N/A	FDD	N/A
CA_n48-n66-n71	n48	3552.5	10	50	3552.5	N/A	TDD	N/A
	n66	1761.5	5	25	2161.5	14.4	FDD	IMD3
	n71	695.5	5	25	649.5	N/A	FDD	N/A
	n48	3695	10	50	3695	5.2	TDD	IMD4
	n66	1712.5	5	25	2112.5	N/A	FDD	N/A
n71	665.5	5	25	619.5	N/A	FDD	N/A	

Band / Channel bandwidth / N _{RB} / Duplex mode								Source of IMD
NR CA band combination	NR band	UL F _c (MHz)	UL/DL BW (MHz)	UL L _{CR}	DL F _c (MHz)	MSD (dB)	Duplex mode	
CA_n48-n70-n71	n48	3694	10	50	3694	9	TDD	IMD4 ¹
	n70	1697.5	5	25	1997.5	N/A	FDD	N/A
	n71	665.5	5	25	619.5	N/A	FDD	N/A
CA_n66-n71-n77	n66	1720	5	25	2120	N/A	FDD	N/A
	n71	668	5	25	622	N/A	FDD	N/A
	n77	4108	10	50	4108	15.9	TDD	IMD3 ^{1,2}
	n66	1760	5	25	2160	15.5	FDD	IMD3 ²
	n71	693	5	25	647	N/A	FDD	N/A
	n77	3546	10	50	3546	N/A	TDD	N/A
	n66	1720	5	25	2120	N/A	FDD	N/A
	n71	686	5	25	640	15.3	FDD	IMD3
CA_n66-n71-n78	n77	4080	10	50	4080	N/A	TDD	N/A
	n66	1720	5	25	2120	N/A	FDD	N/A
	n71	668	5	25	622	N/A	FDD	N/A
	n78	N/A	10	N/A	3724	9	TDD	IMD4 ¹
n66	N/A	5	N/A	2160	15.5	FDD	IMD3	

	n71	693	5	25	647	N/A	FDD	N/A
	n78	3546	10	50	3546	N/A	TDD	N/A
NOTE 1: This band is subject to IMD5 also which MSD is not specified.								
NOTE 2: This band is subject to IMD4 also which MSD is not specified.								
NOTE 3: The requirements only apply for UEs supporting inter-band carrier aggregation with simultaneous Rx/Tx capability. Simultaneous Rx/Tx capability does not apply for UEs supporting band n78 with a n77 implementation.								
NOTE 4: This band is subject to IMD3 also which MSD is not specified.								
NOTE 5: For a UE which supports this band combination only when the Band n77 frequency range restriction defined in NOTE 12 of Table 5.2-1 applies, the MSD test point(s) cannot be verified for the band combination and the test point(s) can be skipped.								
NOTE 6: Both of the transmitters shall be set min(+20 dBm, $P_{\text{CMAX_L,f,c}}$) as defined in clause 6.2A.4								

Table 7.3A.0.5-2a: 3DL/2UL interband Reference sensitivity QPSK P_{REFSENS} and uplink/downlink configurations for PC2 CA

Band / Channel bandwidth / N_{RB} / Duplex mode								Source of IMD
NR CA band combination	NR band	UL F_c (MHz)	UL/DL BW (MHz)	UL L_{CR}	DL F_c (MHz)	MSD (dB)	Duplex mode	
CA_n2A-n5A-n77A	n2	1907.5	5	25	1987.5	N/A	FDD	N/A
	n5	N/A	5	N/A	887.5	13.6	FDD	IMD5 ⁵
	n77	3305	10	50	3305	N/A	TDD	N/A
	n2	N/A	5	N/A	1987	24.8	FDD	IMD3 ⁵
	n5	846.5	5	25	891.5	N/A	FDD	N/A
	n77	3680	10	50	3680	N/A	TDD	N/A
CA_n2-n66-n77	n2	1855	5	25	1935	N/A	FDD	N/A
	n66	N/A	5	N/A	2115	34.7	FDD	IMD2 ^{1,2}
	n77	3970	10	50	3970	N/A	TDD	N/A
	n2	N/A	5	N/A	1960	37.6	FDD	IMD2 ^{1,2}
	n66	1760	5	25	2160	N/A	FDD	N/A
CA_n5-n66-n77	n77	3720	10	50	3720	N/A	TDD	N/A
	n5	826.5	5	25	871.5	N/A	FDD	N/A
	n66	N/A	5	N/A	2142	22.2	FDD	IMD3
	n77	3795	10	50	3795	N/A	TDD	N/A
NOTE 1: This band is subject to IMD5 also which MSD is not specified.								
NOTE 2: This band is subject to IMD4 also which MSD is not specified.								
NOTE 3: FFS								
NOTE 4: FFS								
NOTE 5: For a UE which supports this band combination only when the Band n77 frequency range restriction defined in NOTE 12 of Table 5.2-1 of 38.101-1 applies, the MSD test point(s) cannot be verified for the band combination and the test point(s) can be skipped.								

7.3A.0.6 Reference sensitivity exceptions due to cross band isolation for CA

Sensitivity degradation is allowed for a band if it is impacted by UL of another band part which belongs to NR band of the same NR CA configuration due to cross band isolation issues. The reference sensitivity degradation for the victim band due to cross band isolation is specified only for the specific uplink and downlink test points specified in Table 7.3A.0.6-1 for either PC3 and PC2 NR CA from a PC3 aggressor NR UL band

In Tables 7.3A.0.6-1 the following terminology is used to define the source of cross-band isolation interference:

- "ACLR1" indicates that the first adjacent channel of the aggressor UL band falls into the Rx channel of victim band.
- "ACLR2" indicates that the second adjacent channel of the aggressor UL band falls into the Rx channel of victim band.

">ACLR2" indicates that neither the first, nor the second adjacent channel of the aggressor UL band falls into the Rx channel of victim band.

Table 7.3A.0.6-1: Reference sensitivity exceptions (MSD) and uplink/downlink configurations due to cross band isolation from a PC3 aggressor NR UL band for NR CA FR1

UL band	DL band	UL F _c	UL BW	SCS of UL band	UL RB Allocation	DL F _c	DL BW	MSD	Cross-band Interference source
		(MHz)	(MHz)	(kHz)	L _{CRB}	(MHz)	(MHz)	(dB)	
n1	n3	1922.5	5	15	25 (RBstart=0)	1877.5	5	3	>ACLR2
n1	n3	1945	50	15	128 (RBstart=0)	1877.5	5	19.7	ACLR1
n1	n41	1955	50	15	128 (RBstart=142)	2501	10	6.1	>ACLR2
n1	n41	1970	20	15	100 (RBstart=6)	2546	100	0.7	>ACLR2
n3	n41	1765	40	15	50 (RBstart=166)	2501	10	0.7	>ACLR2
n3	n41	1765	40	15	50 (RBstart=166)	2546	100	0.7	>ACLR2
n30	n66	2310	10	15	20 (RBstart=0)	2197.5	5	8.3	>ACLR2
n39	n41	1900	40	15	216 (RBstart=0)	2501	10	3.3	>ACLR2
n41	n39	2546	100	30	270 (RBstart=3)	1917.5	5	1.6	>ACLR2
n41	n1	2546	100	30	270 (RBstart=0)	2167.5	5	18.1	>ACLR2
n41	n3	2546	100	30	270 (RBstart=0)	1877.5	5	0.6	>ACLR2
n41 ¹	n66	2546	100	30	270 (RBstart=0)	2197.5	5	10.5	>ACLR2
n41	n77	2640	100	30	270 (RBstart=3)	3305	10	8.3	>ACLR2
n71	n29	688	20	15	20 (RBstart=86)	719.5	5	17.5	ACLR2
n77	n41 ¹	3350	100	30	270 (RBstart=0)	2685	10	4.5	>ACLR2
n77	n41 ¹	3350	100	30	270 (RBstart=0)	2640	100	4.5	>ACLR2
n78	n7 ¹	3350	100	30	270 (RBstart=0)	2687.5	5	4.5	>ACLR2
n78 ³	n79	3750	100	30	270 (RBstart=3)	4420	40	2	>ACLR2
n78 ³	n79	3750	100	30	270 (RBstart=3)	4450	100	2	>ACLR2
n79	n78 ³	4450	100	30	270 (RBstart=0)	3795	10	2.6	>ACLR2
n79	n78 ³	4450	100	30	270 (RBstart=0)	3750	100	2.6	>ACLR2

NOTE 1: Applicable only when harmonic mixing MSD for this combination is not applied.
NOTE 2: Void

NOTE 3: The requirements only apply for UEs supporting inter-band carrier aggregation with simultaneous Rx/Tx capability. Simultaneous Rx/Tx capability does not apply for UEs supporting band n78 with a n77 implementation.

NOTE 4: Void

NOTE 5: The MSD exceptions are applicable to the case that interference of UL band 3rd order IMD product falls into the affected DL channels.

Table 7.3A.0.6-2: Void

Table 7.3A.0.6-3: Void

Table 7.3A.0.6-3a: Reference sensitivity exceptions (MSD) and uplink/downlink configurations due to cross band isolation from a PC2 aggressor NR UL band for NR CA FR1

UL band	DL band	UL F _c	UL BW	SCS of UL band	UL RB Allocation	DL F _c	DL BW	MSD	Cross-band Interference source
		(MHz)	(MHz)	(kHz)	L _{CRB}	(MHz)	(MHz)	(dB)	
n41	n3	2546	100	30	270 (RBstart=0)	1877.5	5	2.3	>ACLR2
n41	n79	2640	100	30	270 (RBstart=3)	4405	10	3.1	>ACLR2
n77	n2	3305	100	30	270 (RBstart=0)	1987.5	5	1.0	>ACLR2
n77	n66	3350	100	30	270 (RBstart=0)	2197.5	5	1.0	>ACLR2
n79	n41	4450	100	30	270 (RBstart=0)	2685	10	3.5	>ACLR2
n78 ³	n79	3750	100	30	270 (RBstart=3)	4405	10	5	>ACLR2
n78 ³	n79	3750	100	30	270 (RBstart=3)	4420	40	5	>ACLR2
n78 ³	n79	3750	100	30	270 (RBstart=3)	4450	100	5	>ACLR2
n79	n78 ³	4450	100	30	270 (RBstart=0)	3795	10	5.6	>ACLR2
n79	n78 ³	4450	100	30	270 (RBstart=0)	3750	100	5.6	>ACLR2

NOTE 1: Applicable only when harmonic mixing MSD for this combination is not applied.

NOTE 2: Void

NOTE 3: The requirements only apply for UEs supporting inter-band carrier aggregation with simultaneous Rx/Tx capability. Simultaneous Rx/Tx capability does not apply for UEs supporting band n78 with a n77 implementation.

The normative reference for this requirement is TS 38.101-1 [2] clause 7.3.A.

7.3A.1 Reference sensitivity power level for 2DL CA without exception

7.3A.1.1 Test purpose

To verify the ability of UE that support CA to receive data with a given average throughput for a specified reference measurement channel, under conditions of low signal level, ideal propagation and no added noise when no CA exceptions are allowed and single carrier requirements apply.

A UE unable to meet the throughput requirement under these conditions will decrease the effective coverage area.

7.3A.1.2 Test applicability

This test case applies to all types of NR UE release 15 and forward that support NR 2DL CA.

7.3A.1.3 Minimum requirements

The minimum conformance requirements are defined in clause 7.3A.0.

7.3A.1.4 Test description

7.3A.1.4.1 Initial conditions

Initial conditions are a set of test configurations the UE needs to be tested in and the steps for the SS to take with the UE to reach the correct measurement state.

The initial test configurations consist of environmental conditions, test frequencies, and channel bandwidths based on NR operating bands specified in Table 5.2-1. All of these configurations shall be tested with applicable test parameters for each channel bandwidth, and are shown in Table 7.3A.1.4.1-1, 7.3A.1.4.1-2 and 7.3A.1.4.1-3. The details of the uplink reference measurement channels (RMCs) are specified in Annex A2.2. Configurations of PDSCH and PDCCH before measurement are specified in Annex C.2.

Table 7.3A.1.4.1-1: Test Configuration Table for intra-band contiguous 2DL CA without exception

Initial Conditions						
Test Environment as specified in TS 38.508-1 [5] subclause 4.1			Normal, TL/VL, TL/VH, TH/VL, TH/VH			
Test Frequencies as specified in TS 38.508-1 [5] subclause 4.3.1			Low range, High range			
Test CC Combination setting (N_{RB_agg}) as specified in subclause Table 5.5A.1-1 for the CA Configuration across bandwidth combination sets supported by the UE.			Lowest N_{RB_agg} , Highest N_{RB_agg} (NOTE 3)			
Test SCS as specified in Table 5.3.5-1			Lowest			
Test Parameters CA Configurations						
CA Configuration /NRB		DL Allocation		UL Allocation		
PCC NRB	SCC NRB	CC MOD	PCC & SCC RB allocation	CC MOD	PCC & SCC RB allocations (LCRB @ RB _{start})	
Lowest N_{RB_agg} (NOTE 4)	Lowest N_{RB_agg} (NOTE 4)	CP-OFDM QPSK	Full RB	DFT-s-OFDM QPSK	REFSENS	-
Highest N_{RB_agg} (NOTE 4)	Highest N_{RB_agg} (NOTE 4)	CP-OFDM QPSK	Full RB	DFT-s-OFDM QPSK	REFSENS	-
Note 1: Full RB allocation shall be used per each SCS and channel BW as specified in Table 7.3.2.4.1-2. Note 2: REFSENS refers to the single carrier Uplink RB allocation for reference sensitivity according to table 7.3.2.4.1-3. Note 3: If the UE supports multiple CC Combinations in the CA Configuration with the same N_{RB_agg} , only the combination with the highest N_{RB_PCC} is tested Note 4: In CA _{n66B} configuration with the same N_{RB_agg} CC combination, PCC shall be selected as the lower CH BW Note 5: In a band where UE supports 4Rx, the test needs to be performed only with 4Rx antennas connected.						

Table 7.3A.1.4.1-2: Test Configuration Table for inter-band 2DL CA without exception

Initial Conditions											
Test Environment as specified in TS 38.508-1 [5] subclause 4.1					Normal, TL/VL, TL/VH, TH/VL, TH/VH						
Test Frequencies as specified in TS 38.508-1 [5] subclause 4.3.1					Mid range for PCC and SCC with exceptions for CA configurations containing the following band combinations (Note 8): CA_n1-n77: Mid in band n1 and Low in band n77 CA_n2-n77: UL and DL Mid in band n2 and band n77 at 3850MHz CA_n3-n77: Mid in band 3 and High in band 77. CA_n8-nX: Low range for PCC in Band 8 CA_n14-n77: Mid in band n14 and Low in band n77 CA_n70-n71: High range for PCC in band 71. CA_n3-n78: Mid in band 3 and High in band 78. CA_n5-n78: Mid in band 5 and High in band 78 CA_n29-n71: Low in band 29 and High in band 71. CA_n41-n71: Low in band 41 and Low in band 71.						
Test CC Combination setting (CBW) as specified in subclause Table 5.5A.3.1-1 for the CA Configuration across bandwidth combination sets supported by the UE.					Refer to "PCC N _{RB} " and "SCC N _{RB} " columns						
Test SCS as specified in Table 5.3.5-1					Lowest						
Network signalling value					NS_01 Unless given by Table 7.3.2.3-4 for the band with active uplink carrier						
Test Parameters for CA Configurations											
ID	CA Configuration / CBW					DL Allocation			UL Allocation (Note 2,3)		
	CA Configuration				PCC N _{RB}	SCC N _{RB}	CC MOD	PCC & SCC RB allocation		CC MOD	PCC & SCC RB allocations (L _{CRB} @ RB _{start})
	PCC		SCC					PCC	SCC		
	Band	Range	Band	Range							
Default Test Settings for a CA_nXA-nYA Configuration											
1	nX	default	nY	default	Highest (Note 6)	Highest	CP-OFDM QPSK	Full RB	DFT-s-OFDM QPSK	REFSENS	-

2	nY	default	nX	default	Highest (Note 6)	Highest	CP-OFDM QPSK	Full RB	DFT-s-OFDM QPSK	REFSENS	-
<p>Note 1: CA Configuration Test CC Combination test settings are checked separately for each CA Configuration.</p> <p>Note 2: Use CA Configuration – specific test points if present in the table, otherwise use test points from matching Group Test Settings, if present in the table. Otherwise use the Default Test Settings test points.</p> <p>Note 3: X,Y correspond to the different bands in the CA Configuration. E.g. for CA_n1A-n3A, X=1, Y=3.</p> <p>Note 4: REFSENS refers to the PCC bands and PCC N_{RB}'s single carrier Uplink RB allocation for reference sensitivity according to table 7.3.2.4.1-3.</p> <p>Note 5: For band combinations including operating band without uplink band (as noted in Table 5.2-1), only the CA configuration where PCC band has uplink band shall be tested.</p> <p>Note 6: Each of Highest UL and Highest DL shall be selected according to clause 5.5A.3.1. DL channel bandwidth shall be selected first.</p> <p>Note 7: In a band where UE supports 4Rx, the test needs to be performed only with 4Rx antennas connected.</p> <p>Note 8: For NR band n28, 30MHz test channel bandwidth is tested with Low range test frequencies.</p> <p>Note 9: CA_n29A-n71A testpoint 2, is tested according to reference sensitivity levels specified in Clause 7.3A.1_1.5 due to cross band isolation exception specified in Table 7.3A.0.6-3. Testpoint 1 is not applicable due to SDL.</p> <p>Note 10: CA_n41A-n66A, testpoint 1, is tested according to reference sensitivity levels specified in Clause 7.3A.1_1.5 due to cross band isolation exception specified in Table 7.3A.0.6-3. Testpoint 2 (UL on n66) shall be tested in this testcase.</p>											

Table 7.3A.1.4.1-3: Test Configuration Table for intra-band non-contiguous 2DL CA without exception

Initial Conditions										
Test Environment as specified in TS 38.508-1 [5] subclause 4.1					Normal, TL/VL, TL/VH, TH/VL, TH/VH					
Test Frequencies as specified in TS 38.508-1 [5] subclause 4.3.1					For test frequencies refer to “Range” columns.					
Test CC Combination setting (CBW) as specified in subclause Table 5.5A.2-1 for the CA Configuration across bandwidth combination sets supported by the UE.					Refer to “PCC N _{RB} ” and “SCC N _{RB} ” columns					
Test SCS as specified in Table 5.3.5-1					Lowest					
Network signalling value					NS_01 Unless given by Table 7.3.2.3-4 for the band with active uplink carrier					
Test Parameters for CA Configurations										
ID	CA Configuration / CBW				DL Allocation			UL Allocation (Note 2,3)		
	CA Configuration		PCC	W _{gap} / [MHz]	SCC	CC MOD	PCC & SCC RB allocation		CC MOD	PCC & SCC RB allocations (L _{CRB} @ RB _{start})
	PCC	SCC					UL	CS		

Band	Range	Band	Range									
Default Test Settings for a CA_nX(2A) Configuration												
1	nX	CC1	nX	CC2	Highest	Max (NOTE 4)	Lowest	CP-OFDM QPSK	Full RB	DFT-s-OFDM QPSK	REFSENS	-
2	nX	CC1	nX	CC2	Highest N _{RB_agg} (NOTE 5)	Max (NOTE 4)	Highest N _{RB_agg} (NOTE 5)	CP-OFDM QPSK	Full RB	DFT-s-OFDM QPSK	REFSENS	-
Test Settings for a CA_n2(2A) Configuration												
1	n2	CC1	n2	CC2	5MHz	30.0 (NOTE 7)	5MHz	CP-OFDM QPSK	Full RB	DFT-s-OFDM QPSK	25@0	-
Test Settings for a CA_n71(2A) Configuration												
1	n71	CC1	n71	CC2	5MHz	5.0 (NOTE 8)	5MHz	CP-OFDM QPSK	Full RB	DFT-s-OFDM QPSK	20@0	-
<p>Note 1: CA Configuration Test CC Combination test settings are checked separately for each CA Configuration.</p> <p>Note 2: Use CA Configuration – specific test points if present in the table, otherwise use test points from matching Group Test Settings, if present in the table. Otherwise use the Default Test Settings test points.</p> <p>Note 3: REFSENS refers to the PCC bands and PCC N_{RB} 's single carrier Uplink RB allocation for reference sensitivity according to table 7.3.2.4.1-3.</p> <p>Note 4: The Wgap is defined to be widest possible on band based on the PCC and SCC configuration</p> <p>Note 5: If the UE supports multiple CC Combinations in the CA Configuration with the same N_{RB_agg}, only the combination with the highest N_{RB_PCC} is tested</p> <p>Note 6: In a band where UE supports 4Rx, the test needs to be performed only with 4Rx antennas connected.</p> <p>Note 7: The Wgap is centered in the middle of the band. Specific frequency parameters are defined in Table 7.3A.1.4.1-3a.</p> <p>Note 8: The Wgap is centered in the middle of the band. Specific frequency parameters are defined in Table 7.3A.1.4.1-3b.</p>												

Table 7.3A.1.4.1-3a: Test Frequencies for NR Intra-Band non-contiguous CA configuration CA_n2(2A), SCS=15 kHz, Wgap = 30MHz

UL/DL Bandwidth combination	CBW [MHz]	carrier Band width [PRBs]	Range	Carrier centre [MHz]	Carrier centre [ARFCN]	point A [MHz]	absoluteF requency PointA [ARFCN]	offsetToC arrier [Carrier PRBs]	SS block SCS [kHz]	GSCN	absolute Frequen cySSB [ARFCN]	k_{SSB}	Offset Carrier CORESET #0 [RBs] Note 2	CORESET #0 Index (Offset [RBs]) Note 1	offsetTo PointA (SIB1) [PRBs] Note 1	
5/5	5	25	Downlink	SB1	1942.5	388500	1940.25	388050	0	15	4857	388590	0	1	2 (4)	5
				SB2	1977.5	395500	1884.53	376906	504		4943	395530	4	1	1 (2)	507
	5	25	Uplink	SB1	1862.5	372500	1860.25	372050	0	-	-	-	-	-	-	-
				SB2	1897.5	379500	1894.17	378834	6		-	-	-	-	-	-

Table 7.3A.1.4.1-3b: Test Frequencies for NR Intra-Band non-contiguous CA configuration CA_n71(2A), SCS=15 kHz, Wgap = 5MHz

UL/DL Bandwidth combination	CBW [MHz]	carrier Band width [PRBs]	Range		Carrier centre [MHz]	Carrier centre [ARFCN]	point A [MHz]	absolute Frequency PointA [ARFCN]	offsetTo Carrier [Carrier PRBs]	SS block SCS [kHz]	GSCN	absolute FrequencySSB [ARFCN]	k_{SSB}	Offset Carrier CORESET #0 [RBs] Note 2	CORESET #0 Index (Offset [RBs]) Note 1	offsetTo PointA (SIB1) [PRBs] Note 1
5/5	5	25	Downlink	SB1	629.5	125900	627.25	125450	0	15	1573	125810	0	0	0 (0)	0
				SB2	639.5	127900	546.53	109306	504		1598	127930	4	1	1 (2)	507
	5	25	Uplink	SB1	675.5	135100	673.25	134650	0	-	-	-	-	-	-	-
				SB2	685.5	137100	682.17	136434	6	-	-	-	-	-	-	

1. Connect the SS to the UE antenna connectors as shown in TS 38.508-1 [5] Annex A, Figure A.3.1.1.3 for TE diagram and section A.3.2 for UE diagram.
2. The parameter settings for the cell are set up according to TS 38.508-1 [5] subclause 4.4.3.
3. Downlink signals for PCC are initially set up according to Annex C.0, C.1, C.2, and C.3.1, and uplink signals according to Annex G.0, G.1, G.2, and G.3.1.
4. The UL and Reference Measurement Channel is set according to Tables 7.3A.1.4.1-1, 7.3A.1.4.1-2 and 7.3A.1.4.1-3.
5. Propagation conditions are set according to Annex B.0.
6. Ensure the UE is in State RRC_CONNECTED with generic procedure parameters Connectivity NR, Connected without release On, Test Mode On and Test Loop Function On according to TS 38.508-1 [5] clause 4.5. Message contents are defined in clause 7.3A.1.4.3.

7.3A.1.4.2 Test procedure

1. Configure SCC according to Annex C.0, C.1, C.2 for all downlink physical channels.
2. The SS shall configure SCC as per TS 38.508-1 [5] clause 5.5.1. Message contents are defined in clause 7.3A.1.4.3.
3. SS activates SCC by sending the activation MAC CE (Refer TS 38.321 [18], clauses 5.9, 6.1.3.10). Wait for at least 2 seconds (Refer TS 38.133[19], clause 9.3).
4. SS transmits PDSCH via PDCCH DCI format 1-1 for C_RNTI to transmit the DL RMC according to Tables 7.3A.1.4.1-1, 7.3A.1.4.1-2 and 7.3A.1.4.1-3 on both PCC and SCC. The SS sends downlink MAC padding bits on the DL RMC.
5. SS sends uplink scheduling information for each UL HARQ process via PDCCH DCI format 0_1 for C_RNTI to schedule the UL RMC according to Table 7.3A.1.4.1-1, 7.3A.1.4.1-2 and 7.3A.1.4.1-3 on PCC. Since the UE has no payload and no loopback data to send the UE sends uplink MAC padding bits on the UL RMC.
6. Set the Downlink signal level to the appropriate REFSSENS value defined in Tables 7.3.2.5-1, 7.3.2.5-2. Send continuously uplink power control "up" commands in every uplink scheduling information to the UE to ensure the UE transmits P_{UMAX} level for at least the duration of the throughput measurement. Allow at least 200ms starting from the first TPC command in this step for the UE to reach P_{UMAX} level.
7. Measure the average throughput for each component carrier for a duration sufficient to achieve statistical significance according to Annex H.2A.

7.3A.1.4.3 Message contents

Message contents are according to TS 38.508-1 [5] subclause 4.6 Table 4.6.3-118 with condition TRANSFORM_PRECODER_ENABLED.

7.3A.1.5 Test requirement

For 2DL carrier aggregation, test parameters are specified in table 7.3A.1.4.1-1, 7.3A.1.4.1-2 and 7.3A.1.4.1-3. For the CA configurations listed in table 7.3A.1.5-1, the throughput of each component carrier shall be $\geq 95\%$ of the maximum throughput of the reference measurement channels as specified in Annexes A.2.2, A.2.3 and A.3.2 (with one sided dynamic OCNG Pattern OP.1 FDD/TDD for the DL-signal as described in Annex A.5.1.1/A.5.2.1) with reference power level specified in table 7.3.2.5-1 for non-SDL carrier for 2 Rx antenna port, in table 7.3.2.5-2 for non-SDL carrier for 4 Rx antenna port and in table 7.3A.1.5-2 for SDL carrier with following additional requirements:

The test requirement of configurations for CA operating band including Band n41 also apply for the corresponding CA operating bands with Band n90 replacing Band n41.

For the UE which supports inter-band carrier aggregation, the test requirement for reference sensitivity shall be increased by the amount given by $\Delta R_{IB,c}$ defined in clause 7.3A.0.3 for the applicable operating bands. Unless otherwise stated, $\Delta R_{IB,c}$ is set to zero.

For intra-band non-contiguous 2 DL CA, the test requirement for shall be increased by ΔR_{IBNC} given in Table 7.3A.0.2.2-1 for the SCC. Unless given by Table 7.3.2.3-4, the reference sensitivity requirements shall be verified with the network signalling value NS_01 (Table 6.2.3.1-1) configured.

Table 7.3A.1.5-1: Reference sensitivity requirement for 2DL CA

Carrier aggregation type	DL CA configuration	UL CA configuration
Intra-band contiguous 2DL CA	CA_n5B	-
	CA_n41C	-
	CA_n48B	-
	CA_n48C	-
	CA_n66B	-
	CA_n77C	-
	CA_n78B	-
	CA_n78C	-
	CA_n79C	-
	CA_n48(2A)	-
	CA_n2(2A)	-
	CA_n66(2A)	-

Intra-band non-contiguous 2DL CA	CA_n77(2A)	-
	CA_n78(2A)	-
	CA_n71(2A)	-
Inter-band 2DL CA	CA_n1A-n3A	
	CA_n1A-n8A	-
	CA_n1A-n28A	-
	CA_n1A-n41A	
	CA_n1A-n77A	-
	CA_n1A-n78A	-
	CA_n2A-n5A	
	CA_n2A-n14A	
	CA_n2A-n30A	-
	CA_n2A-n48A	-
	CA_n2A-n66A	-
	CA_n2A-n77A	-
	CA_n3A-n5A	
	CA_n3A-n8A	-
	CA_n3A-n28A	-
	CA_n3A-n41A	
	CA_n3A-n77A	-
	CA_n3A-n78A	-
	CA_n5A-n30A	-
	CA_n5A-n48A	
	CA_n5A-n66A	-
	CA_n5A-n77A	-
	CA_n5A-n78A	
	CA_n8A-n78A	-
	CA_n14A-n30A	
	CA_n14A-n66A	
	CA_n14A-n77A	
	CA_n20A-n78A	-
	CA_n24A-n41A	
	CA_n24A-n48A	
	CA_n24A-n77A	
	CA_n25A-n77A	-
	CA_n25A-n78A	-
	CA_n28A-n40A	-
	CA_n28A-n41A	-
	CA_n28A-n77A	-
	CA_n28A-n78A	-
	CA_n28A-n79A	-
	CA_n30A-n66A	-
	CA_n30A-n77A	-
	CA_n39A-n41A	
	CA_n41A-n66A (Note 1)	-
	CA_n41A-n71A	-
	CA_n41A-n77A	
	CA_n41A-n79A	-
	CA_n48A-n77A	-
	CA_n66A-n70A	-
	CA_n66A-n71A	-
	CA_n66A-n77A	
	CA_n66A-n78A	-
CA_n70A-n71A	-	
CA_n71A-n77A	-	
CA_n71A-n78A	-	
SDL configuration	CA_n29A-n66A	-
	CA_n29A-n70A	-
	CA_n29A-n71A (NOTE 1)	-
Note 1:	Configuration has sensitivity exceptions according to notes in table 7.3A.1.4.1-2. Other Rx cases shall be tested with reference sensitivity levels defined in Clause 7.3A.1_1	
Note 2:	CA_n41A-66A testpoint 1, reference sensitivity requirement is tested in Clause 7.3A.1_1 due to cross band isolation exception specified in Table 7.3A.0.6-3. Other Rx cases using configuration for testpoint 1 shall be tested with reference sensitivity levels defined in Clause 7.3A.1_1.5.	

Table 7.3A.1.5-2: Reference sensitivity for SDL bands

NR band	SCS (kHz)	5 MHz	10 MHz	15 MHz	20 MHz	25 MHz	30 MHz	40 MHz	50 MHz	60 MHz	80 MHz	90 MHz	100 MHz
		dB	dB	dB	dB	dB	dB	dB	dB	dB	dB	dB	dB
n29	15	-97.0 +TT	-93.8 +TT										
	30		-94.1 +TT										

Note 1: TT for each frequency and channel bandwidth is specified in Table 7.3.2.5-3.

For intra-band non-contiguous carrier aggregation with one uplink carrier and two or more downlink sub-blocks, throughput of each downlink component carrier shall be $\geq 95\%$ of the maximum throughput of the reference measurement channels as specified in Annexes A.2.2, A.2.3 and A.3.2 (with one sided dynamic OCNG Pattern OP.1 FDD/TDD for the DL-signal as described in Annex A.5.1.1/A.5.2.1) and parameters specified in Table 7.3.2.4.1-1, Table 7.3.2.4.1-2, Table 7.3.2.4.1-3, Table 7.3.2.5-1, Table 7.3.2.5-2 and Table 7.3A.1.4-1 with the reference sensitivity power level increased by ΔR_{IBNC} given in Table 7.3A.0.2.2-1 for the SCC(s). For aggregation of two downlink FDD carriers with one uplink carrier the reference sensitivity is defined only for the specific uplink and downlink test points which are specified in Table 7.3A.0.2.2-1. The requirements apply with all downlink carriers active. Unless given by Table 7.3.2.3-4, the reference sensitivity requirements shall be verified with the network signalling value NS_01 (Table 6.2.3.1-1) configured.

For band combinations including operating bands without uplink band (as noted in Table 5.2-1), the requirements are specified in Table 7.3A.1.5-1 and for any band with uplink the uplink configuration specified in Table 7.3.2.4.1-2. The throughput of each carrier shall be $\geq 95\%$ of the maximum throughput of the reference measurement channels, as specified in Annexes A.2.2, A.2.3, A.3.2, and A.3.3 (with one-sided dynamic OCNG Pattern OP.1 FDD/TDD for the DL-signal, as described in Annex A.5.1.1/A.5.2.1). The reference sensitivity is defined to be met with all downlink component carriers active and one of the uplink carriers active.

7.3A.1_1 Reference sensitivity power level for 2DL CA exceptions

Editor's Note: The following aspects are either missing or not yet determined:

- Test point analysis for CA_n3A-n5A IMD2 and IMD4 is currently missing in TR 38.905.

7.3A.1_1.1 Test purpose

To verify the ability of UE that support CA to receive data with a given average throughput for a specified reference measurement channel, under conditions of low signal level, ideal propagation and no added noise when CA exceptions are allowed.

A UE unable to meet the throughput requirement under these conditions will decrease the effective coverage area.

7.3A.1_1.2 Test applicability

This test case applies to all types of NR UE release 15 and forward that support NR 2DL CA

7.3A.1_1.3 Minimum requirements

The minimum conformance requirements are defined in clause 7.3A.0.

7.3A.1_1.4 Test description

7.3A.1_1.4.1 Initial conditions

Initial conditions are a set of test configurations the UE needs to be tested in and the steps for the SS to take with the UE to reach the correct measurement state.

The initial test configurations consist of environmental conditions, test frequencies, and channel bandwidths based on NR operating bands specified in Table 5.2-1. All of these configurations shall be tested with applicable test parameters for each channel bandwidth, and are shown in Table 7.3A.1_1.4.1-1. The details of the uplink reference measurement channels (RMCs) are specified in Annex A2.2. Configurations of PDSCH and PDCCH before measurement are specified in Annex C.2.

Table 7.3A.1_1.4.1-1: Test Configuration Table for inter-band 2DL CA exceptions

Initial Conditions											
Test Environment as specified in TS 38.508-1 [5] subclause 4.1					Normal, TL/VL, TL/VH, TH/VL, TH/VH						
Test Frequencies as specified in TS 38.508-1 [5] subclause 4.3.1					For test frequencies refer to "Range" columns.						
Test CC Combination setting (CBW) as specified in subclause Table 5.5A.3.1-1 for the CA Configuration across bandwidth combination sets supported by the UE					Refer to "PCC" and "SCC" columns						
Test SCS as specified in Table 5.3.5-1					Lowest						
Network signalling value					NS_01 Unless given by Table 7.3.2.3-4 for the band with active uplink carrier						
Test Parameters for CA Configurations											
ID	CA Configuration / CBW				DL Allocation				UL Allocation (Note 2)		
	CA Configuration				PCC	SCC	CC MOD	PCC & SCC RB allocation		CC MOD	PCC & SCC RB allocations (LCRB @ RB _{start})
	PCC		SCC					PCC	SCC		
	Band	Range	Band	Range							
Test Settings for CA_n1A-n3A Configuration											
1	n1	1950 MHz (UL)	n3	1760 MHz	5MHz	5MHz	CP-OFDM QPSK	Full RB	DFT-s-OFDM QPSK	REFSENS_CA_3	REFSENS_CA_3
2	n1	Low	n3	High	5MHz	5MHz	CP-OFDM QPSK	Full RB	DFT-s-OFDM QPSK	REFSENS_CA_4	-
3	n1	Low	n3	High	50MHz	5MHz	CP-OFDM QPSK	Full RB	DFT-s-OFDM QPSK	REFSENS_CA_4	-
Test Settings for CA_n1A-n8A Configuration											
1	n1	1965 MHz (UL)	n8	887.5 MHz	5MHz	5MHz	CP-OFDM QPSK	Full RB	DFT-s-OFDM QPSK	REFSENS_CA_3	REFSENS_CA_3
Test Settings for CA_n1A-n28A Configuration											
1	n1	2139 MHz	n28	713 MHz (UL)	5 MHz	5 MHz	CP-OFDM QPSK	Full RB	DFT-s-OFDM QPSK	REFSENS_CA_1	-

2	n1	2139 MHz	n28	713 MHz (UL)	50 MHz	5 MHz	CP-OFDM QPSK	Full RB	DFT-s-OFDM QPSK	REFSENS_CA_1	-
Test Settings for CA_n1A-n41A Configuration											
1	n1	1955 MHz (UL)	n41	2501 MHz	50 MHz	10 MHz	CP-OFDM QPSK	Full RB	DFT-s-OFDM QPSK	REFSENS_CA_4	-
2	n1	1970 MHz (UL)	n41	2546 MHz	20 MHz	100 MHz	CP-OFDM QPSK	Full RB	DFT-s-OFDM QPSK	REFSENS_CA_4	-
3	n41	2546 MHz	n1	2167.5 MHz (UL)	30 MHz	5 MHz	CP-OFDM QPSK	Full RB	DFT-s-OFDM QPSK	REFSENS_CA_4	-
Test Settings for CA_n1A-n77A Configuration											
1	n1	Mid	n77	3900 MHz	5 MHz	10 MHz	CP-OFDM QPSK	Full RB	DFT-s-OFDM QPSK	REFSENS_CA_1	-
2	n1	Mid	n77	3900 MHz	20 MHz	100 MHz	CP-OFDM QPSK	Full RB	DFT-s-OFDM QPSK	REFSENS_CA_1	-
3	n1	Mid	n77	3875 MHz	5 MHz	10 MHz	CP-OFDM QPSK	Full RB	DFT-s-OFDM QPSK	REFSENS_CA_1	-

Test Parameters for CA Configurations												
ID	CA Configuration / CBW				DL Allocation			UL Allocation (Note 2)				
	CA Configuration				PCC	SCC	CC MOD	PCC & SCC RB allocation		CC MOD	PCC & SCC RB allocations (LCRB @ RB _{start})	
	PCC		SCC					PCC	SCC			
	Band	Range	Band	Range								
Test Settings for CA_n1A-n78A Configuration												
1	n1	1950 MHz (UL)	n78	3710 MHz	5 MHz	10 MHz	CP-OFDM QPSK	Full RB	DFT-s-OFDM QPSK	REFSENS_CA_3	REFSENS_CA_3	
Test Settings for CA_n2A-n48A Configuration												
1	n2	1860 MHz (UL)	n48	3690 MHz	5 MHz	10 MHz	CP-OFDM QPSK	Full RB	DFT-s-OFDM QPSK	REFSENS_CA_1	-	
2	n2	UL 1852.5 /DL 1932.5	n48	3625 MHz	5 MHz	20 MHz	CP-OFDM QPSK	Full RB	DFT-s-OFDM QPSK	REFSENS_CA_3	REFSENS_CA_3	
Test Settings for CA_n2A-n66A Configuration												
1	n2	UL 1855/ DL 1935	n66	UL 1775/ DL 2175	5 MHz	5 MHz	CP-OFDM QPSK	Full RB	DFT-s-OFDM QPSK	REFSENS_CA_3	REFSENS_CA_3	
2	n2	UL 1883.3 /DL 1963.3	n66	UL 1750/ DL 2150	5 MHz	5 MHz	CP-OFDM QPSK	Full RB	DFT-s-OFDM QPSK	REFSENS_CA_3	REFSENS_CA_3	
Test Settings for CA_n2A-n77A Configuration												
1	n2	1880 MHz (UL)	n77	3760 MHz	5 MHz	10 MHz	CP-OFDM QPSK	Full RB	DFT-s-OFDM QPSK	REFSENS_CA_1	-	
2	n2	1880 MHz (UL)	n77	3760 MHz	10 MHz	100 MHz	CP-OFDM QPSK	Full RB	DFT-s-OFDM QPSK	REFSENS_CA_1	-	
3	n2	1880 MHz (UL)	n77	3735 MHz	5 MHz	10 MHz	CP-OFDM QPSK	Full RB	DFT-s-OFDM QPSK	REFSENS_CA_1	-	
4	n77	3920 MHz	n2	DL Mid	10 MHz	5 MHz	CP-OFDM QPSK	Full RB	DFT-s-OFDM QPSK	REFSENS_CA_2	-	
5	n77	3920 MHz	n2	DL Mid	20 MHz	20 MHz	CP-OFDM QPSK	Full RB	DFT-s-OFDM QPSK	REFSENS_CA_2	-	
6	n2	UL 1855/ DL 1935	n77	3790 MHz	5 MHz	10 MHz	CP-OFDM QPSK	Full RB	DFT-s-OFDM QPSK	REFSENS_CA_3	REFSENS_CA_3	
7	n2	UL 1900/ DL 1980	n77	3720 MHz	5 MHz	10 MHz	CP-OFDM QPSK	Full RB	DFT-s-OFDM QPSK	REFSENS_CA_3	REFSENS_CA_3	

8	n2	UL 1885/ DL 1965	n77	3810 MHz	5 MHz	10 MHz	CP- OFDM QPSK	Full RB	DFT- s- OFDM QPSK	REFSENS_CA_3	REFSENS_CA_3
9 ⁵	n2	1987.5 MHz (DL)	n77	3305 MHz	5 MHz	100 MHz	CP- OFDM QPSK	Full RB	DFT- s- OFDM QPSK	-	REFSENS_CA_4
Test Settings for CA_n3A-n5A Configuration											
1	n3	TBD	n77	TBD	Highest	Highest	CP- OFDM QPSK	Full RB	DFT- s- OFDM QPSK	REFSENS_CA_1	
2	n3	1721 MHz (UL)	n5	838 MHz	10 MHz	5 MHz	CP- OFDM QPSK	Full RB	DFT- s- OFDM QPSK	REFSENS_CA_3	REFSENS_CA_3
Test Settings for CA_n3A-n8A Configuration											
1	n3	1755M Hz	n8	900M Hz	10MHz	5MHz	CP- OFDM QPSK	Full RB	DFT- s- OFDM QPSK	REFSENS_CA_3	REFSENS_CA_3
2	n3	Mid	n8	Mid	10MHz	5MHz	CP- OFDM QPSK	Full RB	DFT- s- OFDM QPSK	REFSENS_CA_3	REFSENS_CA_3
Test Settings for CA_n3A-n41A Configuration											
1	n3	1740 MHz (UL)	n41	2657.5 MHz	5 MHz	10 MHz	CP- OFDM QPSK	Full RB	DFT- s- OFDM QPSK	REFSENS_CA_3	REFSENS_CA_3
2	n41	2546 MHz (UL)	n3	1877.5 MHz	100 MHz	5 MHz	CP- OFDM QPSK	Full RB	DFT- s- OFDM QPSK	REFSENS_CA_4	-
Test Settings for CA_n3A-n77A Configuration											
1	n3	Mid	n77	3495 MHz	5 MHz	10 MHz	CP- OFDM QPSK	Full RB	DFT- s- OFDM QPSK	REFSENS_CA_1	
2	n3	Mid	n77	3495 MHz	10 MHz	100 MHz	CP- OFDM QPSK	Full RB	DFT- s- OFDM QPSK	REFSENS_CA_1	
3	n3	Mid	n77	3470 MHz	5 MHz	10 MHz	CP- OFDM QPSK	Full RB	DFT- s- OFDM QPSK	REFSENS_CA_1	
4	n3	1740 MHz (UL)	n77	3575 MHz	5 MHz	10 MHz	CP- OFDM QPSK	Full RB	DFT- s- OFDM QPSK	REFSENS_CA_3	REFSENS_CA_3
5	n3	1765 MHz (UL)	n77	3435 MHz	5 MHz	10 MHz	CP- OFDM QPSK	Full RB	DFT- s- OFDM QPSK	REFSENS_CA_3	REFSENS_CA_3
Test Settings for CA_n3A-n78A Configuration											
1	n3	Mid	n78	3495 MHz	5 MHz	10 MHz	CP- OFDM QPSK	Full RB	DFT- s- OFDM QPSK	REFSENS_CA_1	-
2	n3	Mid	n78	3495 MHz	10 MHz	100 MHz	CP- OFDM QPSK	Full RB	DFT- s- OFDM QPSK	REFSENS_CA_1	-

3	n3	Mid	n78	3470 MHz	5 MHz	10 MHz	CP-OFDM QPSK	Full RB	DFT-s-OFDM QPSK	REFSENS_CA_1	-
4	n3	1740 MHz (UL)	n78	3575 MHz	5 MHz	10 MHz	CP-OFDM QPSK	Full RB	DFT-s-OFDM QPSK	REFSENS_CA_3	REFSENS_CA_3
5	n3	1765 MHz (UL)	n78	3435 MHz	5 MHz	10 MHz	CP-OFDM QPSK	Full RB	DFT-s-OFDM QPSK	REFSENS_CA_3	REFSENS_CA_3
6 ⁵	n78	3685 MHz	n3	DL Mid	5 MHz	5 MHz	CP-OFDM QPSK	Full RB	DFT-s-OFDM QPSK	REFSENS_CA_2	-
7 ⁵	n78	3685 MHz	n3	DL Mid	40 MHz	40 MHz	CP-OFDM QPSK	Full RB	DFT-s-OFDM QPSK	REFSENS_CA_2	-
Test Settings for a CA_n5A-n66A Configuration											
1	n5	UL 838/DL 883	n66	UL 1721/DL 2121	5 MHz	5 MHz	CP-OFDM QPSK	Full RB	DFT-s-OFDM QPSK	REFSENS_CA_3	REFSENS_CA_3
Test Settings for a CA_n5A-n77A Configuration											
1	n5	836.5 MHz (UL)	n77	3346 MHz	5 MHz	10 MHz	CP-OFDM QPSK	Full RB	DFT-s-OFDM QPSK	REFSENS_CA_1	-
2	n5	846.5 MHz (UL)	n77	3386 MHz	5 MHz	100 MHz	CP-OFDM QPSK	Full RB	DFT-s-OFDM QPSK	REFSENS_CA_1	-
3	n5	826.5 MHz (UL)	n77	4132.5 MHz	5 MHz	10 MHz	CP-OFDM QPSK	Full RB	DFT-s-OFDM QPSK	REFSENS_CA_1	-
4	n5	826.5 MHz (UL)	n77	4132.5 MHz	5 MHz	100 MHz	CP-OFDM QPSK	Full RB	DFT-s-OFDM QPSK	REFSENS_CA_1	-
5	n77	3526 MHz	n5	DL Mid	20 MHz	20 MHz	CP-OFDM QPSK	Full RB	DFT-s-OFDM QPSK	REFSENS_CA_2	-
6	n77	3526 MHz	n5	DL Mid	10 MHz	5 MHz	CP-OFDM QPSK	Full RB	DFT-s-OFDM QPSK	REFSENS_CA_2	-
7	n5	UL 844/DL 889	n77	3421 MHz	5 MHz	10 MHz	CP-OFDM QPSK	Full RB	DFT-s-OFDM QPSK	REFSENS_CA_3	REFSENS_CA_3
8	n5	UL 829/DL 874	n77	4190 MHz	5 MHz	10 MHz	CP-OFDM QPSK	Full RB	DFT-s-OFDM QPSK	REFSENS_CA_3	REFSENS_CA_3

Test Parameters for CA Configurations											
ID	CA Configuration / CBW					DL Allocation			UL Allocation (Note 2)		
	CA Configuration				PCC	SCC	CC MOD	PCC & SCC RB allocation		CC MOD	PCC & SCC RB allocations (LCRB @ RB _{start})
	PCC		SCC					PCC	SCC		
	Band	Range	Band	Range							
Test Settings for CA_n5A-n78A Configuration											
1	n5	Mid	n78	3346 MHz	5 MHz	10 MHz	CP-OFDM QPSK	Full RB	DFT-s-OFDM QPSK	REFSENS_CA_1	-
2	n5	846.5 MHz (UL)	n78	3386 MHz	5 MHz	100 MHz	CP-OFDM QPSK	Full RB	DFT-s-OFDM QPSK	REFSENS_CA_1	-
Test Settings for CA_n7A-n78A Configuration											
1	n78	3350 MHz	n7	2687.5 MHz	100 MHz	5 MHz	CP-OFDM QPSK	Full RB	DFT-s-OFDM QPSK	REFSENS_CA_4	-
Test Settings for CA_n8A-n78A Configuration											
1	n8	Mid	n78	3590 MHz	5 MHz	10 MHz	CP-OFDM QPSK	Full RB	DFT-s-OFDM QPSK	REFSENS_CA_1	-
2	n8	Mid	n78	3590 MHz	5 MHz	100 MHz	CP-OFDM QPSK	Full RB	DFT-s-OFDM QPSK	REFSENS_CA_1	-
3	n8	897.5 MHz (UL)	n78	3635 MHz	5 MHz	10 MHz	CP-OFDM QPSK	Full RB	DFT-s-OFDM QPSK	REFSENS_CA_3	REFSENS_CA_3
Test Settings for CA_n14A-n77A Configuration											
1	n14	Mid	n77	3965 MHz	5 MHz	10 MHz	CP-OFDM QPSK	10@0	DFT-s-OFDM QPSK	REFSENS_CA_1	-
2	n14	Mid	n77	3965 MHz	5 MHz	100 MHz	CP-OFDM QPSK	20@0	DFT-s-OFDM QPSK	REFSENS_CA_1	-
3	n14	793 MHz (UL)	n77	3935 MHz	5 MHz	10 MHz	CP-OFDM QPSK	Full RB	DFT-s-OFDM QPSK	REFSENS_CA_3	REFSENS_CA_3
4	n77	3815 MHz	n14	Mid	10 MHz	5 MHz	CP-OFDM QPSK	25@0	DFT-s-OFDM QPSK	-	REFSENS_CA_2
5	n77	3815 MHz	n14	Mid	10 MHz	10 MHz	CP-OFDM QPSK	50@0	DFT-s-OFDM QPSK	-	REFSENS_CA_2
Test Settings for CA_n20A-n78A Configuration											
1	n20	Mid	n78	High	5 MHz	10 MHz	CP-OFDM QPSK	Full RB	DFT-s-	REFSENS_CA_1	

									OFDM QPSK		
2	n20	Mid	n78	3388 MHz	5 MHz	100 MHz	CP-OFDM QPSK	Full RB	DFT-s-OFDM QPSK	REFSENS_CA_1	
3	n20	850 MHz (UL)	n78	3359 MHz	5 MHz	10 MHz	CP-OFDM QPSK	Full RB	DFT-s-OFDM QPSK	REFSENS_CA_3	
Test Settings for CA_n25A-n77A Configuration											
1	n25	1882.5 MHz (UL)	n77	3765 MHz	5 MHz	10 MHz	CP-OFDM QPSK	Full RB	DFT-s-OFDM QPSK	REFSENS_CA_1	-
2	n25	1882.5 MHz (UL)	n77	3765 MHz	10 MHz	100 MHz	CP-OFDM QPSK	Full RB	DFT-s-OFDM QPSK	REFSENS_CA_1	-
3	n25	1852.5 MHz (UL)	n77	3680 MHz	5 MHz	10 MHz	CP-OFDM QPSK	Full RB	DFT-s-OFDM QPSK	REFSENS_CA_1	-
4	n25	1962.5 MHz	n77	3925 MHz (UL)	5 MHz	10 MHz	CP-OFDM QPSK	Full RB	DFT-s-OFDM QPSK	-	REFSENS_CA_2
5	n25	1962.5 MHz	n77	3925 MHz (UL)	40 MHz	20 MHz	CP-OFDM QPSK	Full RB	DFT-s-OFDM QPSK	-	REFSENS_CA_2
Test Settings for CA_n25A-n78A Configuration											
1	n25	1882.5 MHz (UL)	n78	3765 MHz	5 MHz	10 MHz	CP-OFDM QPSK	Full RB	DFT-s-OFDM QPSK	REFSENS_CA_1	-
2	n25	1882.5 MHz (UL)	n78	3765 MHz	10 MHz	100 MHz	CP-OFDM QPSK	Full RB	DFT-s-OFDM QPSK	REFSENS_CA_1	-
3	n25	1852.5 MHz (UL)	n78	3680 MHz	5 MHz	10 MHz	CP-OFDM QPSK	Full RB	DFT-s-OFDM QPSK	REFSENS_CA_1	-
Test Settings for CA_n26A-n66A Configuration											
1	n66	1721 MHz (UL)	n26	838 MHz (UL)	5 MHz	5 MHz	CP-OFDM QPSK	Full RB	DFT-s-OFDM QPSK	REFSENS_CA_3	REFSENS_CA_3
Test Settings for CA_n26A-n70A Configuration											
1	n70	1707.5 MHz (UL) / 2007.5 MHz (DL)	n26	831 MHz (UL) / 876 MHz (DL)	5 MHz UL / 5 MHz DL	5 MHz	CP-OFDM QPSK	Full RB	DFT-s-OFDM QPSK	REFSENS_CA_3	REFSENS_CA_3
Test Settings for CA_n28A-n40A Configuration											
	n40	2341.5 MHz	n28	780.5 MHz (DL)	5 MHz	5 MHz	CP-OFDM QPSK	Full RB	DFT-s-OFDM QPSK	REFSENS_CA_2	-
	n40	2341.5 MHz	n28	780.5 MHz (DL)	20 MHz	20 MHz	CP-OFDM QPSK	Full RB	DFT-s-OFDM QPSK	REFSENS_CA_2	-

Test Settings for CA_n28A-n77A Configuration											
1	n28	705.5 MHz (UL)	n77	3527.5 MHz	5 MHz	10 MHz	CP-OFDM QPSK	Full RB	DFT-s-OFDM QPSK	REFSENS_CA_1	
2	n28	705.5 MHz (UL)	n77	3527.5 MHz	5 MHz	100 MHz	CP-OFDM QPSK	Full RB	DFT-s-OFDM QPSK	REFSENS_CA_1	
3	n28	705.5 MHz (UL)	n77	3587.5 MHz	5 MHz	10 MHz	CP-OFDM QPSK	Full RB	DFT-s-OFDM QPSK	REFSENS_CA_3	REFSENS_CA_3
Test Settings for CA_n28A-n78A Configuration											
1	n28	705.5 MHz (UL)	n78	3527.5 MHz	5 MHz	10MHz	CP-OFDM QPSK	Full RB	DFT-s-OFDM QPSK	REFSENS_CA_1	-
2	n28	705.5 MHz (UL)	n78	3527.5 MHz	5 MHz	100MHz	CP-OFDM QPSK	Full RB	DFT-s-OFDM QPSK	REFSENS_CA_1	-
3	n28	705.5 MHz (UL)	n78	3527.5 MHz (UL)	5 MHz	10MHz	CP-OFDM QPSK	Full RB	DFT-s-OFDM QPSK	-	REFSENS_CA_2
Test Settings for CA_n29A-n71A Configuration											
1	n71	High	n29	Low	20 MHz	5 MHz	CP-OFDM QPSK	Full RB	DFT-s-OFDM QPSK	REFSENS_CA_4	
Test Settings for CA_n30A-n66A Configuration											
1	n30	2310 MHz (UL)	n66	2197.5 MHz	10 MHz	15 MHz	CP-OFDM QPSK	Full RB	DFT-s-OFDM QPSK	REFSENS_CA_4	
Test Settings for CA_n30A-n77A Configuration											
1	n77	3532.5 MHz	n30	Mid	10 MHz	5 MHz	CP-OFDM QPSK	Full RB	DFT-s-OFDM QPSK		REFSENS_CA_2
2	n77	3487.5 MHz	n30	Mid	10 MHz	10 MHz	CP-OFDM QPSK	Full RB	DFT-s-OFDM QPSK		REFSENS_CA_2
3	n30	Mid	n77	3487.5 MHz	10 MHz	5 MHz	CP-OFDM QPSK	Full RB	DFT-s-OFDM QPSK	REFSENS_CA_3	REFSENS_CA_3

Test Parameters for CA Configurations											
ID	CA Configuration / CBW				DL Allocation				UL Allocation (Note 2)		
	CA Configuration				PCC	SCC	CC MOD	PCC & SCC RB allocation		CC MOD	PCC & SCC RB allocations (LCRB @ RB _{start})
	PCC		SCC					PCC	SCC		
	Band	Range	Band	Range							
Test Settings for a CA_n39A-n41A Configuration											
1	n39	1912.5 MHz	n41	2550 MHz	5 MHz	5 MHz	CP-OFDM QPSK	Full RB	DFT-s-OFDM QPSK	REFSENS_CA_2	
2	n39	1912.5 MHz	n41	2550 MHz	5 MHz	100 MHz	CP-OFDM QPSK	Full RB	DFT-s-OFDM QPSK	REFSENS_CA_2	
3	n41	2530 MHz	n39	1897.5 MHz	10 MHz	5 MHz	CP-OFDM QPSK	Full RB	DFT-s-OFDM QPSK	REFSENS_CA_2	
4	n41	2530 MHz	n39	1897.5 MHz	10 MHz	40 MHz	CP-OFDM QPSK	Full RB	DFT-s-OFDM QPSK	REFSENS_CA_2	
5	n39	1900 MHz	n41	2501 MHz	40 MHz	10 MHz	CP-OFDM QPSK	Full RB	DFT-s-OFDM QPSK	REFSENS_CA_4	
6	n41	2546 MHz	n39	1917.5 MHz	100 MHz	10 MHz	CP-OFDM QPSK	Full RB	DFT-s-OFDM QPSK	REFSENS_CA_4	-
Test Settings for a CA_n41A-n66A Configuration											
1	n41	2546 MHz	n66	2197.5 MHz	100 MHz	5 MHz	CP-OFDM QPSK	Full RB	DFT-s-OFDM QPSK	REFSENS_CA_4	-
Test Settings for CA_n41A-n71A Configuration											
1	n71	Low	n41	2662 MHz	5 MHz	10 MHz	CP-OFDM QPSK	Full RB	DFT-s-OFDM QPSK	REFSENS_CA_1	-
2	n71	Low	n41	High	5 MHz	100 MHz	CP-OFDM QPSK	Full RB	DFT-s-OFDM QPSK	REFSENS_CA_1	-
Test Settings for CA_n41A-n77A Configuration											
1	n77	3960 MHz	n41	2640 MHz	20 MHz	10 MHz	CP-OFDM QPSK	Full RB	DFT-s-OFDM QPSK	REFSENS_CA_2	-
2	n77	3960 MHz	n41	2640 MHz	20 MHz	100 MHz	CP-OFDM QPSK	Full RB	DFT-s-OFDM QPSK	REFSENS_CA_2	-
3	n41	2545 MHz	n77	3305 MHz	60 MHz	10 MHz	CP-OFDM QPSK	Full RB	DFT-s-OFDM QPSK	REFSENS_CA_3	REFSENS_CA_3

4	n41	2625 MHz	n77	3305 MHz	100 MHz	10 MHz	CP-OFDM QPSK	Full RB	DFT-s-OFDM QPSK	REFSENS_CA_3	REFSENS_CA_3
5	n41	2640 MHz	n77	3305 MHz	100 MHz	10 MHz	CP-OFDM QPSK	Full RB	DFT-s-OFDM QPSK	REFSENS_CA_4	-
6	n77	3350 MHz	n41	2685 MHz	100 MHz	10 MHz	CP-OFDM QPSK	Full RB	DFT-s-OFDM QPSK	REFSENS_CA_4	-
7	n77	3350 MHz	n41	2640 MHz	100 MHz	100 MHz	CP-OFDM QPSK	Full RB	DFT-s-OFDM QPSK	REFSENS_CA_4	-
Test Settings for CA_n41A-n79A Configuration											
1 ⁵	n41	2640 MHz	n79	4405 MHz	100 MHz	10 MHz	CP-OFDM QPSK	Full RB	DFT-s-OFDM QPSK	REFSENS_CA_4	-
2 ⁵	n79	4450 MHz	n41	2685 MHz	100 MHz	10 MHz	CP-OFDM QPSK	Full RB	DFT-s-OFDM QPSK	REFSENS_CA_4	-
Test Settings for CA_n48A-n66A Configuration											
1	n66	1730 MHz (UL)	n48	3660 MHz (UL)	5 MHz	5 MHz	CP-OFDM QPSK	Full RB	DFT-s-OFDM QPSK	REFSENS_CA_3	REFSENS_CA_3
2	n66	High	n48	3555 MHz	5 MHz	5 MHz	CP-OFDM QPSK	Full RB	DFT-s-OFDM QPSK	REFSENS_CA_1	-
3	n66	High	n48	Low	40 MHz	100 MHz	CP-OFDM QPSK	Full RB	DFT-s-OFDM QPSK	REFSENS_CA_1	-
4	n66	1777.5 MHz	n48	3580 MHz	5 MHz	5 MHz	CP-OFDM QPSK	Full RB	DFT-s-OFDM QPSK	REFSENS_CA_1	-
Test Settings for CA_n48A-n70A Configuration											
1	n48	3695 MHz (UL)	n70	1697.5 MHz (UL)	10 MHz	15 MHz UL / 25 MHz DL	CP-OFDM QPSK	Full RB	DFT-s-OFDM QPSK	REFSENS_CA_3	REFSENS_CA_3
Test Settings for CA_n66A-n71A Configuration											
1	n66	1750 MHz (UL)	n71	675 MHz (UL)	5 MHz	5 MHz	CP-OFDM QPSK	Full RB	DFT-s-OFDM QPSK	REFSENS_CA_3	REFSENS_CA_3
Test Settings for CA_n66A-n77A Configuration											
1	n66	1750 MHz (UL)	n77	3500 MHz	5 MHz	10 MHz	CP-OFDM QPSK	Full RB	DFT-s-OFDM QPSK	REFSENS_CA_1	-
2	n66	1750 MHz (UL)	n77	3500 MHz	20 MHz	100 MHz	CP-OFDM QPSK	Full RB	DFT-s-OFDM QPSK	REFSENS_CA_1	-
3	n66	1712.5 MHz (UL)	n77	3400 MHz	5 MHz	10 MHz	CP-OFDM QPSK	Full RB	DFT-s-OFDM QPSK	REFSENS_CA_1	-

4	n66	UL 1775/ DL 2175	n77	3950 MHz	5 MHz	10 MHz	CP- OFDM QPSK	Full RB	DFT- s- OFDM QPSK	REFSENS_CA_3	REFSENS_CA_3
5	n66	UL 1760/ DL 2160	n77	3720 MHz	5 MHz	10 MHz	CP- OFDM QPSK	Full RB	DFT- s- OFDM QPSK	REFSENS_CA_3	REFSENS_CA_3

Test Settings for CA_n66A-n78A Configuration

1	n66	1750 MHz (UL)	n78	3500 MHz	5 MHz	10 MHz	CP- OFDM QPSK	Full RB	DFT- s- OFDM QPSK	REFSENS_CA_1	-
2	n66	1750 MHz (UL)	n78	3500 MHz	20 MHz	100 MHz	CP- OFDM QPSK	Full RB	DFT- s- OFDM QPSK	REFSENS_CA_1	-
3	n66	1712.5 MHz (UL)	n78	3400 MHz	5 MHz	10 MHz	CP- OFDM QPSK	Full RB	DFT- s- OFDM QPSK	REFSENS_CA_1	-

Test Settings for CA_n70A-n71A Configuration

1	n71	Low	n70	Low	5 MHz	25 MHz	CP- OFDM QPSK	Full RB	DFT- s- OFDM QPSK	REFSENS_CA_1	-
2	n71	Low	n70	Low	5 MHz	5 MHz	CP- OFDM QPSK	Full RB	DFT- s- OFDM QPSK	REFSENS_CA_1	-
3	n70	1697.5 MHz (UL)	n71	695.5 MHz (UL)	5 MHz	5 MHz	CP- OFDM QPSK	Full RB	DFT- s- OFDM QPSK	REFSENS_CA_3	REFSENS_CA_3

Test Settings for CA_n71A-n77A Configuration

1	n71	671 MHz (UL)	n77	3309 MHz (UL)	5 MHz	10 MHz	CP- OFDM QPSK	Full RB	DFT- s- OFDM QPSK	REFSENS_CA_3	REFSENS_CA_3
---	-----	--------------------	-----	---------------------	-------	--------	---------------------	---------	----------------------------	--------------	--------------

Test Settings for CA_n71A-n78A Configuration

1	n71	680.5 MHz (UL)	n78	3402.5 MHz	5 MHz	10 MHz	CP- OFDM QPSK	Full RB	DFT- s- OFDM QPSK	REFSENS_CA_1	-
2	n71	681.5 MHz (UL)	n78	3361.5 MHz (UL)	5 MHz	10 MHz	CP- OFDM QPSK	Full RB	DFT- s- OFDM QPSK	REFSENS_CA_3	REFSENS_CA_3

Test Settings for CA_n78A-n79A Configuration

1	n78	3750	n79	4405	100	10	CP- OFDM QPSK	Full RB	DFT- s- OFDM QPSK	REFSENS_CA_4	-
2	n78	3750	n79	4420	100	40	CP- OFDM QPSK	Full RB	DFT- s- OFDM QPSK	REFSENS_CA_4	-
3	n79	4450	n78	3795	100	10	CP- OFDM QPSK	Full RB	DFT- s- OFDM QPSK	REFSENS_CA_4	-
4	n79	4450	n78	3750	100	100	CP- OFDM QPSK	Full RB	DFT- s-	REFSENS_CA_4	-

									OFDM QPSK		
5 ⁵	n78	3750	n79	4450	100	100	CP-OFDM QPSK	Full RB	DFT-s-OFDM QPSK	REFSENS_CA_4	-
Note 1:	CA Configuration Test CC Combination test settings are checked separately for each CA Configuration.										
Note 2:	REFSENS refers to the PCC bands and PCC N _{RB} 's single carrier Uplink RB allocation for reference sensitivity according to table 7.3.2.4.1-3. REFSENS_CA_1 refers to the Uplink RB allocation for reference sensitivity exceptions due to UL harmonic interference according to table 7.3A.0.4-1. REFSENS_CA_2 refers to the Uplink RB allocation for reference sensitivity exceptions due to receiver harmonic mixing according to table 7.3A.0.4-4b for PC3 and Table 7.3A.0.4-4c for PC2. REFSENS_CA_3 refers to the Uplink RB allocation for reference sensitivity exceptions due to intermodulation interference due to 2UL CA according to table 7.3A.0.5-1 for PC3 and table 7.3A.0.5-1a for PC2. REFSENS_CA_4 refers to the Uplink RB allocation for reference sensitivity exceptions due to cross band isolation for NR CA FR1 according to table 7.3A.0.6-1 for PC3 and Table 7.3A.0.6-3a for PC2.										
Note 3:	In a band where UE supports 4Rx, the test needs to be performed only with 4Rx antennas connected.										
Note 4:	The test points are executed only when UEs support simultaneous Rx/Tx capability as indicated in Table A.4.3.2A.4.1-3 of TS 38.508-2.										
Note 5:	This test ID is for UL PC2 only.										

Table 7.3A.1_1.4.1-2: Test Configuration Table for intra-band non-contiguous 2DL CA exceptions

Initial Conditions	
Test Environment as specified in TS 38.508-1 [5] subclause 4.1	NC, TL/VL, TL/VH, TH/VL, TH/VH
Test Frequencies as specified in TS 38.508-1 [5] subclause 4.3.1	For test frequencies refer to “Range” columns.
Test CC Combination setting (CBW) as specified in subclause Table 5.5A.2-1 for the CA Configuration across bandwidth combination sets supported by the UE.	Refer to “PCC N _{RB} ” and “SCC N _{RB} ” columns
Test SCS as specified in Table 5.3.5-1	Lowest
Network signalling value	NS_01 Unless given by Table 7.3.2.3-4 for the band with active uplink carrier

Test Parameters for CA Configurations

ID	CA Configuration / CBW						DL Allocation			UL Allocation (Note 2,3)		
	CA Configuration				PCC	W _{gap} / [MHz]	SCC	CC MOD	PCC & SCC RB allocation		CC MOD	PCC & SCC RB allocations (LCRB @ RB _{start})
	PCC		SCC						PCC	SCC		
	Band	Range	Band	Range								

Test Settings for a CA_n71(2A) Configuration

1	n71	CC1	n71	CC2	5MHz	25.0	5MHz	CP-OFDM QPSK	Full RB	DFT-s-OFDM QPSK	5@0	-
2	n71	CC1	n71	CC2	15MHz	10.0	10MHz	CP-OFDM QPSK	Full RB	DFT-s-OFDM QPSK	5@2	-
3	n71	CC1	n71	CC2	15MHz	5.0	10MHz	CP-OFDM QPSK	Full RB	DFT-s-OFDM QPSK	20@19	-

- Note 1: CA Configuration Test CC Combination test settings are checked separately for each CA Configuration.
- Note 2: Use CA Configuration – specific test points if present in the table, otherwise use test points from matching Group Test Settings, if present in the table. Otherwise use the Default Test Settings test points.
- Note 3: REFSENS_CA_1 refers to the Uplink RB allocation for reference sensitivity exceptions according to table 7.3A.0.2.2-1
- Note 4: The W_{gap} is defined to be widest possible on band based on the PCC and SCC configuration
- Note 5: If the UE supports multiple CC Combinations in the CA Configuration with the same NRB_{agg}, only the combination with the highest NRB_PCC is tested
- Note 6: In a band where UE supports 4Rx, the test needs to be performed only with 4Rx antennas connected.

1. Connect the SS to the UE antenna connectors as shown in TS 38.508-1 [5] Annex A, Figure A.3.1.1.3 for TE diagram and section A.3.2 for UE diagram.
2. The parameter settings for the cell are set up according to TS 38.508-1 [5] subclause 4.4.3.
3. Downlink signals for PCC are initially set up according to Annex C.0, C.1, C.2, and C.3.1, and uplink signals according to Annex G.0, G.1, G.2, and G.3.1.
4. The UL and Reference Measurement Channel is set according to Tables 7.3A.1_1.4.1-1 and 7.3A.1_1.4.1-2.
5. Propagation conditions are set according to Annex B.0.
6. Ensure the UE is in State RRC_CONNECTED with generic procedure parameters Connectivity *NR*, Connected without release *On*, Test Mode *On* and Test Loop Function *On* according to TS 38.508-1 [5] clause 4.5. Message contents are defined in clause 7.3A.1_1.4.3.

7.3A.1_1.4.2 Test procedure

1. Configure SCC according to Annex C.0, C.1, C.2 for all downlink physical channels.
2. The SS shall configure SCC as per TS 38.508-1 [5] clause 5.5.1. Message contents are defined in clause 7.3A.1_1.1.4.3.
3. SS activates SCC by sending the activation MAC CE (Refer TS 38.321 [18], clauses 5.9, 6.1.3.10). Wait for at least 2 seconds (Refer TS 38.133[19], clause 9.3).
4. SS transmits PDSCH via PDCCH DCI format 1_1 for C_RNTI to transmit the DL RMC according to Tables 7.3A.1_1.4.1-1 and 7.3A.1_1.4.1-2. on both PCC and SCC. The SS sends downlink MAC padding bits on the DL RMC.
5. SS sends uplink scheduling information for each UL HARQ process via PDCCH DCI format 0_1 for C_RNTI to schedule the UL RMC according to Table 6.2A.1.1.4.1-1 on both PCC and SCC. Since the UE has no payload and no loopback data to send the UE sends uplink MAC padding bits on the UL RMC.
6. Set the Downlink signal level to the appropriate REFSSENS value defined in Table 7.3A.1_1.5-1 and 7.3A.1_1.5-2 for PC3 CA, and in Table 7.3A.1_1.5-1a for PC2 CA. Send continuously uplink power control "up" commands in every uplink scheduling information to the UE to ensure the UE transmits P_{UMAX} level for at least the duration of the throughput measurement. Allow at least 200ms starting from the first TPC command in this step for the UE to reach P_{UMAX} level.
7. Measure the average throughput for each component carrier for a duration sufficient to achieve statistical significance according to Annex H.2A.

7.3A.1_1.4.3 Message contents

Message contents are according to TS 38.508-1 [5] subclause 4.6 Table 4.6.3-118 with condition TRANSFORM_PRECODER_ENABLED and following exception:

For test points with "REFSENS_CA_3" UL configuration in table 7.3A.1_1.4.1-1, message exception in table 7.3A.1_1.4.3-1 applies.

Table 7.3A.1_1.4.3-1: FrequencyInfoUL-SIB

Derivation Path: TS 38.508-1 [5] Table 4.6.3-62 FrequencyInfoUL-SIB			
Information Element	Value/remark	Comment	Condition
p-Max	20		Power class 3 and Inter-band 2UL CA
	23		Power class 2 and Inter-band 2UL CA

7.3A.1_1.5 Test requirement

For inter-band carrier aggregation the throughput shall be $\geq 95\%$ of the maximum throughput of the reference measurement channels as specified in Annex A.2.2 with parameters specified in Table 7.3A.1_1.5-1 for PC3 2UL CA configuration and CA configuration with single uplink carrier indicating power class 3 in TS 38.508-2 table A.4.3.2A.4.1-3, and in Table 7.3A.1_1.5-1a for PC2 2UL CA configuration and CA configuration with single uplink carrier indicating power class 2 in TS 38.508-2 table A.4.3.2A.4.1-3. The test requirement of configurations for CA

operating band including Band n41 also apply for the corresponding CA operating bands with Band n90 replacing Band n41.

Table 7.3A.1_1.5-1: Reference sensitivity requirement for inter band CA with PC3 single UL carrier or PC3 2UL CA

CA configuration	Test ID	NR band	CBW (MHz)	REFSENS test requirement of NR band (dBm)	
				2Rx	4Rx
CA_n1A-n3A	1	n1	5	-100+23+TT	-100 +23+TT
		n3	5	-97+TT	--97-2.7+TT
	2	n1	5	-100+TT	-100-2.7+TT
		n3	5	-97+3+TT	--97+3+TT
	3	n1	5	-89.6+TT	-89.6-2.7+TT
		n3	5	-97+19.7+TT	-97+19.7+TT
CA_n1A-n8A	1	n1	5	-100+6+TT	-100+6+TT
		n8	5	-97+TT	-97-2.7 ⁶ +TT
CA_n1A-n28A	1	n1	5	-100+10.2+TT	-100+10.2+TT
		n28	5	-98.5+TT	-98.5-2.7+TT
	2	n1	50	-89.6+1.1+TT	-89.6+1.1+TT
		n28	5	-98.5+TT	-98.5-2.7+TT
CA_n1A-n41A	1	n1	50	-93.8+TT	-93.8-2.7+TT
		n41	10	-94.8+6.1+TT	-94.8+6.1+TT
	2	n1	20	-93.8+TT	-93.8-2.7+TT
		n41	100	-94.8+0.7+TT	-94.8+0.7+TT
	3	n1	5	-93.8+18.1+TT	-93.8+18.1+TT
		n41	100	-94.8+TT	-94.8-2.7+TT
CA_n1A-n77A	1	n1	5	-93.8+TT	-93.8-2.7+TT
		n77	10	-95.3 ⁴ +27.1+TT	-95.3 ⁴ +27.1+TT
	2	n1	20	-93.8+TT	-93.8-2.7+TT
		n77	100	-85.1 ⁴ +13.8+TT	-85.1 ⁴ +13.8+TT
	3	n1	5	-93.8+TT	-93.8-2.7+TT
		n77	10	-95.3 ⁴ +1.9+TT	-95.3 ⁴ +1.9+TT
CA_n1A-n78A	1	n1	5	-100 +8+TT	-100 +8+TT
		n78	10	-95.8 +TT	-95.8 -2.2 +TT
CA_n2A-n48A	1	n2	5	-98.0 +TT	-100.7+TT
		n48	10	-95.8+1.9+TT	-95.8+1.9+TT
	2	n2	5	-98.0 +12+TT	-98.0 +12+TT
		n48	20	-92.7 +TT	-94.9 +TT
CA_n2A-n66A	1	n2	5	-98.0 +20+TT	-98.0+20+TT
		n66	5	-99.5+TT	-102.2+TT
	2	n2	5	-98.0 +TT	-100.7 +TT
		n66	5	-99.5 +4+TT	-99.5+4+TT
CA_n2A-n77A	1	n2	5	-98+TT	-98-2.7+TT
		n77 ⁴	10	-95.3+23.9+TT	-95.3+23.9+TT
	2	n2	10	-94.8+TT	-94.8-2.7+TT
		n77 ⁴	100	-89.4+13.8+TT	-89.4+13.8+TT
	3	n2	5	-98+TT	-98-2.7+TT
		n77 ⁴	10	-95.3+1.1+TT	-95.3+1.1+TT
	4	n2	5	-98+6.7+TT	-98+6.7+TT
		n77 ⁴	10	-95.3+TT	-95.3-2.2+TT
	5	n2	20	-91.8+3,7+TT	-91.8+3,7+TT
		n77 ⁴	20	-92.2+TT	-92.2-2.2+TT

	6	n2	5	-98.0 +26+TT	-98.0+28.7+TT
		n77 ⁴	10	-95.3+TT	-97.5+TT
	7	n2	5	-98.0 +8+TT	-98.0 +8+TT
		n77 ⁴	10	-95.3+TT	-97.5+TT
	8	n2	5	-98.0 +5+TT	-98.0 +5+TT
		n77 ⁴	10	-95.3+TT	-97.5+TT
CA_n3A-n8A	1	n3	10	-93.8+TT	-93.8-2.7+TT
		n8	5	-97.0+8+TT	-97.0+8+TT
	2	n3	10	-93.8+6.4+TT	-93.8+6.4+TT
		n8	5	-97.0+TT	-97.0-2.7 ⁶ +TT
CA_n3A-n41A	1	n3	5	-97.0+8.2+TT	-97.0+8.2+TT
		n41	10	-94.9 +TT	-94.9 -2.7 +TT
	2	n3	5	-97.0+0.6+TT	-97.0+0.6+TT
		n41	100	-84.6+TT	-84.6 -2.7+TT
CA_n3A-n77A	1	n3	5	-97+TT	-97-2.7+TT
		n77	10	-95.3+23.9+TT	-95.3+23.9+TT
	2	n3	10	-93.8+TT	-93.8-2.7+TT
		n77	100	-85+13.8+TT	-85+13.8+TT
	3	n3	5	-97+TT	-97-2.7+TT
		n77	10	-95.3+1.1+TT	-95.3+1.1+TT
	4	n3	5	-97.0 +26.0 +TT	-97.0 +26 +TT
		n77	10	-95.3 +TT	-95.3 -2.2+TT
	5	n3	5	-97.0 +8.0 +TT	-97.0+8 +TT
		n77	10	-95.3 +TT	-95.3 -2.2+TT
CA_n3A-n78A	1	n3	5	-97+TT	-97-2.7+TT
		n78	10	-95.8+23.9+TT	-95.8+23.9+TT
	2	n3	10	-93.8+TT	-93.8-2.7+TT
		n78	100	-85.5+13.8+TT	-85.5+13.8+TT
	3	n3	5	-97+TT	-97-2.7+TT
		n78	10	-95.8+1.1+TT	-95.8+1.1+TT
	4	n3	5	-97+26+TT	-97+26+TT
		n78	10	-95.8+TT	-95.8-2.2+TT
	5	n3	5	-97+8+TT	-97+8+TT
		n78	10	-95.8+TT	-95.8-2.2+TT
CA_n5A-n66A	1	n5	5	-98.0 +30+TT	-
		n66	5	-99.5+TT	-102.2+TT
CA_n5A-n77A	1	n5	5	-98+TT	-
		n77	10	-95.3+10.5+TT	-95.3+10.5+TT
	2	n5	5	-98+TT	-
		n77	100	-85+1.4+TT	-85+1.4+TT
	3	n5	5	-98+TT	-
		n77	10	-95.3+10.4+TT	-95.3+10.4+TT
	4	n5	5	-98+TT	-
		n77	100	-85+0.7+TT	-85+0.7+TT
	5	n5	20	-90.8 +2.7+TT	-
		n77	20	-92.2+TT	-94.4+TT
	6	n5	5	-98.0 +5.7+TT	-
		n77	10	-95.3+TT	-97.5+TT
	7	n5	5	-98.0 +8.3+TT	-

	8	n77	10	-95.3+TT	-97.5+TT
		n5	5	-98.0 +5.5+TT	-
		n77	10	-95.3+TT	-97.5+TT
CA_n5A-n78A	1	n5	5	-98+TT	-
		n78	10	-95.8+10.5+TT	-95.8+10.5+TT
	2	n5	5	-98+TT	-
		n78	100	-85.5+1.4+TT	-85.5+1.4+TT
CA_n7A-n78A	1	n7	5	-98+4.5+TT	-98+4.5+TT
		n78	100	-85.5+TT	-85.5-2.2+TT
CA_n8A-n78A	1	n8	5	-97+TT	-97-2.7 ⁶ +TT
		n78	10	-95.8+10.8+TT	-95.8+10.8+TT
	2	n8	5	-97+TT	-97-2.7 ⁶ +TT
		n78	100	-85.5+1.4+TT	-85.5+1.4+TT
	3	n8	5	-97+8.3+TT	-97+8.3+TT
		n78	10	-95.8+TT	-95.8+TT
CA_n14A-n77A	1	n14	5	-97.0 +TT	-
		n77	10	-95.3 +10.4 +TT	-95.3+10.4 +TT
		n14	5	-97.0 +TT	-
	2	n77	100	-85.1 +0.7+TT	-85.1 +0.7+TT
		n14	5	-97.0 + 5.5 +TT	-
	3	n77	10	-95.3 +TT	-95.3 -2.2 +TT
		n14	5	-97.0 + 31 +TT	-
	4	n77	10	-95.3 +TT	-95.3 -2.2 +TT
		n14	10	-93.8 + 28 +TT	-
	5	n77	10	-95.3 +TT	-95.3 -2.2 +TT
CA_n20A-n78A	1	n20	5	-97.0+TT	-
		n78	10	-95.8+10.8+TT	-95.8+10.8+TT
	2	n20	5	-97.0+TT	-
		n78	100	-85.5+1.4+TT	-85.5+1.4+TT
	3	n20	5	-97.0 + 11 +TT	-
		n78	10	-95.8 +TT	-95.8 -2.2 +TT
CA_n25A-n66A	1	n66	5	-99.5+TT	-99.5-2.7+TT
		n25	5	-96.5+20+TT	-
	2	n66	5	-99.5+23+TT	-99.5+23+TT
		n25	5	-96.5+TT	-
	3	n66	5	-99.5+4+TT	-99.5+4+TT
		n25	5	-96.5+TT	-
CA_n25A-n77A	1	n25	5	-96.5+TT	-
		n77	10	-95.3+23.9+TT	-95.3+23.9+TT
	2	n25	10	-93.3+TT	-
		n77	100	-85.1+13.8+TT	-85.1+13.8+TT
	3	n25	5	-96.5+TT	-
		n77	10	-95.3+1.1+TT	-95.3+1.1+TT
CA_n25A-n78A	1	n25	5	-96.5+TT	-
		n78	10	-95.8+23.9+TT	-95.3+23.9+TT
	2	n25	10	-93.3+TT	-
		n78	100	-85.5+13.8+TT	-85.5+13.8+TT
	3	n25	5	-96.5+TT	-
		n78	10	-95.8+1.1+TT	-95.3+1.1+TT

CA_n41A-n66A	1	n41	10	-84.5 +TT	-84.5 -2.7+TT
		n41	100	-84.6+TT	-84.6-2.7+TT
		n66	5	-99.5+10.5+TT	-99.5+10.5+TT
CA_n41A-n71A	1	n41	10	-94.8 + 10.8 + TT	-94.8+ 10.8 + TT
		n71	5	-97.2 + TT	-97.2-2.7 ⁶ + TT
	2	n41	100	-84.6 + 1.4 + TT	-84.6+ 1.4 + TT
CA_n41A-n77A	1	n41	10	-94.8+10.4+TT	-94.8+10.4+TT
		n77	20	-95.3+TT	-95.3-2.2+TT
	2	n41	100	-94.8+6.3+TT	-94.8+6.3+TT
		n77	20	-95.3+TT	-95.3-2.2+TT
	3	n41	60	-94.8+TT	-94.8-2.7+TT
		n77	10	-95.3+2.7+TT	-95.3+2.7+TT
	4	n41	100	-94.8+TT	-94.8-2.7+TT
		n77	10	-95.3+2.7+TT	-95.3+2.7+TT
	5	n41	100	-94.8+TT	-94.8-2.7+TT
		n77	10	-95.3+8.3+TT	-95.3+8.3+TT
	6	n41	10	-94.8+4.5+TT	-94.8+4.5+TT
		n77	100	-95.3+TT	-95.3-2.2+TT
	7	n41	100	-94.8+4.5+TT	-94.8+4.5+TT
		n77	100	-95.3+TT	-95.3-2.2+TT
CA_n48A-n66A	1	n48	5	-99.0 + TT	-99.0 -2.2+ TT
		n66	5	-99.5 + 5.0 + TT	-99.5 +5.0+TT
		n48	5	-99.0+27.1 + TT	-99.0+ 27.1+TT
	2	n66	5	-99.5 +TT	-99.5 -2.7 +TT
		n48	100	-85.5 + 13.8 +TT	-85.5-2.2 + 13.8 +TT
	4	n66	40	-90.1 +TT	-90.1 -2.7 +TT
		n48	10	-95.8 + 1.9+ TT	-95.8+ 1.9 + TT
		n66	5	-99.5 +TT	-99.5 -2.7 +TT
CA_n48A-n70A	1	n48	10	-95.8 + TT	-95.8-2.2 + TT
		n70	15 MHz UL /25 MHz DL	-92.7 +26 +TT	-92.7 +26 +TT
CA_n66A-n71A	1	n66	5	-99.5 +5 +TT	-99.5+5 +TT
		n71	5	-97.2 +TT	-97.2-2.7 ⁶ +TT
CA_n66A-n77A	1	n66	5	-99.5+TT	-102.2+TT
		n77	10	-95.3 +23.9+TT	-95.3 +23.9+TT
	2	n66	20	-93.3+TT	-96.0+TT
		n77	100	-85.1 +13.8+TT	-85.1+13.8+TT
	3	n66	5	-99.5+TT	-102.2+TT
		n77	10	-95.3 +1.1+TT	-95.3+1.1+TT
	4	n66	5	-99.5 +31 +TT	-99.5+31 +TT
		n77	10	-95.3 +TT	-97.5+TT
	5	n66	5	-99.5 +5 +TT	-99.5+5 +TT
		n77	10	-95.3 +TT	-97.5+TT
CA_n66A-n78A	1	n66	5	-99.5+TT	-99.5-2.7+TT
		n78	10	-95.8+23.9+TT	-95.8+23.9+TT
	2	n66	20	-93.3+TT	-93.3-2.7+TT
		n78	100	-85.5+13.8+TT	-85.5+13.8+TT
	3	n66	5	-99.5+TT	-99.5-2.7+TT
		n78	10	-95.8+1.1+TT	-95.8+1.1+TT

CA_n70A-n71A	1	n70	25	-92.7 +4.1 +TT	-92.7+4.1 +TT	
		n71	5	-94.0 +TT	-94.0-2.7 ⁶ +TT	
	2	n70	5	-100.0 +9.9 +TT	-100.0+9.9 +TT	
		n71	5	-97.2 +TT	-97.2-2.7 ⁶ +TT	
	3	n70	5	-100.0 +5 +TT	-100.0+5 +TT	
		n71	5	-97.2 +TT	-97.2-2.7 ⁶ +TT	
CA_n71A-n77A	1	n71	5	-97.2 +5.5 +TT	-97.2+5.5 +TT	
		n77	10	-95.3 +TT	-95.3 -2.2 +TT	
CA_n71A-n78A	1	n71	5	-97.2 +TT	-99.9 +TT	
		n78	10	-95.8 +10.4 +TT	-95.8 +10.4 +TT	
	2	n71	5	-97.2 +5.5 +TT	-97.2 +5.5 +TT	
		n78	10	-95.8 +TT	-95.8 -2.2 +TT	
CA_n78A-n79A	1	n78	100	-85.5+TT	-85.5-2.2+TT	
		n79	10	-96.1 +2+TT	-96.1 +2+TT	
	2	n78	100	-85.5+TT	-85.5-2.2+TT	
		n79	40	-89.6 +2+TT	-89.6 +2+TT	
	3	n78	10	-96.1 +2.6+TT	-96.1+2.6+TT	
		n79	100	-85.5+TT	-85.5-2.2+TT	
	4	n78	100	-85.5+2.6+TT	-85.5+2.6+TT	
		n79	100	-85.5+TT	-85.5-2.2+TT	
	<p>Note 1: The transmitter shall be set to maximum output power level (Table 7.3A.3.5-2)</p> <p>Note 2: The reference measurement channel is specified in Annex A2.2. Configurations of PDSCH and PDCCH before measurement are specified in Annex C.2.</p> <p>Note 3: TT for each frequency and channel bandwidth is specified in Table 7.3.2.5-3.</p> <p>Note 4: The requirement is modified by -0.5 dB when the assigned UE channel bandwidth is confined within 3300 - 3800 MHz.</p> <p>Note 5: Values are modified by -0.5dB when carrier channel BW is between 865MHz and 894MHz.</p> <p>Note 6: 4 Rx operation is targeted for FWA form factor</p>					

Table 7.3A.1_1.5-1a: Reference sensitivity requirement for inter band CA with PC2 single UL carrier or PC2 2UL CA

CA configuration	Test ID	NR band	CBW (MHz)	REFSENS test requirement of NR band (dBm)	
				2Rx	4Rx
CA_n1A-n78A	1	n1	5	-100 +17.8+TT	-100 +17.8+TT
		n78	10	-95.8 +TT	-95.8 -2.2 +TT
CA_n2A-n77A	4	n2	5	-98+9.1+TT	-98+9.1+TT
		n77 ⁴	10	-95.3+TT	-95.3-2.2+TT
	5	n2	5	-91.8+6.7+TT	-91.8+6.7+TT
		n77 ⁴	10	-92.2+TT	-92.2-2.2+TT
	6	n2	5	-98.0+32.1+TT	-98.0 +32.1+TT
		n77 ⁴	10	-95.3+TT	-95.3+TT
	7	n2	5	-98.0 +19.1+TT	-98.0 +19.1+TT
		n77 ⁴	10	-95.3+TT	-97.5+TT
	9	n2	5	-98.0 +1.0 +TT	-98.0+1.0 +TT
		n77 ⁴	100	-85.1 +TT	-87.3 +TT
CA_n3A-n41A	1	n3	5	-97.0+18.4+TT	-97.0 +18.4+TT
		n41	10	-94.9 +TT	-94.9 -2.7 +TT
	2	n3	5	-97.0+2.3+TT	-97.0+2.3+TT

CA_n3A-n78A	6	n41	100	-84.6+TT	-84.6 -2.7+TT
		n3	5	-97.0 + 8.1 +TT	-97.0 +8.1 +TT
		n78	5	-97.0 +TT	-97.0 -2.7 +TT
CA_n5A-n77A	5	n3	40	-89.4 + 1.0 +TT	-89.4 + 1.0+TT
		n78	40	-89.4 +TT	-89.4 -2.7 +TT
		n5	20	-90.8 +4.3+TT	-
CA_n14A_n77A	4	n77	20	-92.2+TT	-94.4+TT
		n5	10	-98.0 +8.1+TT	-
		n77	10	-95.3+TT	-97.5+TT
CA_n41A-n79A	1	n5	5	-98.0 +18.6+TT	-
		n77	10	-95.3+TT	-97.5+TT
		n14	10	-97.0 + 34 +TT	-
CA_n41A-n79A	2	n14	10	-95.3+TT	-97.5+TT
		n77	10	-93.8 + 31 +TT	-
		n79	10	-95.3+TT	-97.5+TT
CA_n66A-n77A	4	n41	100	-84.6+TT	-84.6 -2.7 +TT
		n79	10	-98.9+3.1+TT	-98.9+3.1+TT
		n41	10	-94.8+3.5+TT	-94.8+3.5+TT
CA_n66A-n77A	5	n79	100	-85.6+TT	-85.6 -2.2+TT
		n66	5	-99.5 +34.33 +TT	-99.5 +34.33 +TT
		n77	10	-95.3 +TT	-97.5+TT
CA_n78A-n79A	1	n66	5	-99.5 +11.27 +TT	-99.5+11.27 +TT
		n77	10	-95.3 +TT	-97.5+TT
		n78	100	-85.5+TT	-85.5-2.2+TT
	2	n79	10	-96.1+5+TT	-96.1+5+TT
		n78	100	-85.5+TT	-85.5-2.2+TT
		n79	40	-89.6 +5+TT	-89.6+5+TT
	3	n78	10	-96.1+5.6+TT	-96.1+5.6+TT
		n79	100	-85.5+TT	-85.5-2.2+TT
		n78	100	-85.5+5.6+TT	-85.5+5.6+TT
	4	n79	100	-85.5+TT	-85.5-2.2+TT
		n78	100	-85.5+TT	-85.5-2.2+TT
		n79	100	-85.5+5+TT	-85.5+5+TT

Note 1: The transmitter shall be set to maximum output power level (Table 7.3A.3.5-2)
 Note 2: The reference measurement channel is specified in Annex A2.2. Configurations of PDSCH and PDCCH before measurement are specified in Annex C.2.
 Note 3: TT for each frequency and channel bandwidth is specified in Table 7.3.2.5-3.
 Note 4: The requirement is modified by -0.5 dB when the assigned UE channel bandwidth is confined within 3300 - 3800 MHz.
 Note 5: Values are modified by -0.5dB when carrier channel BW is between 865MHz and 894MHz.
 Note 6: 4 Rx operation is targeted for FWA form factor

Table 7.3A.1_1.5-2: Reference sensitivity requirement for intraband non-contiguous CA

CA configuration	Test ID	NR band	SC S kHz	Channel Bandwidth													
				5 MHz (dBm)	10 MHz (dBm)	15 MHz (dBm)	20 MHz (dBm)	25 MHz (dBm)	30 MHz (dBm)	40 MHz (dBm)	50 MHz (dBm)	60 MHz (dBm)	70 MHz (dBm)	80 MHz (dBm)	90 MHz (dBm)	100 MHz (dBm)	

CA_n71(2A)	1	n71	15	-97.2 +TT for PCC -97.2 + 4.0 +TT for SCC												
	2	n71	15		-94.0 +22.2 +TT	-91.6 +TT										
	3	n71	15		-94.0 +5.2 +TT	-91.6 +TT										

Note 1: The transmitter shall be set to maximum output power level (Table 7.3A.3.5-2)
 Note 2: The reference measurement channel is specified in Annexe A2.2. Configurations of PDSCH and PDCCH before measurement are specified in Annex C.2.
 Note 3: TT for each frequency and channel bandwidth is specified in Table 7.3.2.5-3.

7.3A.2 Reference sensitivity power level for 3DL CA without exceptions

7.3A.2.1 Test purpose

To verify the ability of UE that support CA to receive data with a given average throughput for a specified reference measurement channel, under conditions of low signal level, ideal propagation and no added noise.

A UE unable to meet the throughput requirement under these conditions will decrease the effective coverage area.

7.3A.2.2 Test applicability

This test case applies to all types of NR UE release 15 and forward that support NR 3DL CA.

7.3A.2.3 Minimum requirements

The minimum conformance requirements are defined in clause 7.3A.0.

7.3A.2.4 Test description

7.3A.2.4.1 Initial conditions

Initial conditions are a set of test configurations the UE needs to be tested in and the steps for the SS to take with the UE to reach the correct measurement state.

The initial test configurations consist of environmental conditions, test frequencies, and channel bandwidths based on NR operating bands specified in Table 5.2-1. All of these configurations shall be tested with applicable test parameters for each channel bandwidth, and are shown in Table 7.2A.2.4.1-1. The details of the uplink reference measurement channels (RMCs) are specified in Annex A2.2. Configurations of PDSCH and PDCCH before measurement are specified in Annex C.2.

Table 7.3A.2.4.1-1: Test Configuration Table for 3DL CA without exceptions

Initial conditions																		
Test Environment as specified in TS 38.508-1 [5] subclause 4.1										Normal, TL/VL, TL/VH, TH/VL, TH/VH								
Test Frequencies as specified in TS 38.508-1 [5] subclause 4.3.1										For test frequencies refer to "Range" columns. For Inter-band CA: CA_nXA-nYA-nZA: Mid range for PCC and SCC with exceptions (Note 11): CA_nXC-nYA, CA_nYA-nXC, CA_nYA-nXB and CA_nXB-nYA :Low range, High Range for nXC and nXB, mid range for nYA for PCC and SCC with exceptions : CA configurations containing the following band combinations: CA_n1-n77: Mid in band n1 and Low in band n77 CA_n2-n77: UL and DL Mid in band n2 and band n77 at 3850MHz CA_n3-n77: TBD in band 3 and TBD in band 77. CA_n3-n78: Mid in band 3 and High in band 78. CA_n8-nX: Low range for PCC in Band 8 CA_n70-n71: High range for PCC in band 71								
Test CC Combination setting (CBW) as specified in Tables 5.5A.1-1, 5.5A.2-1, or tables in clauses 5.5A.3.x for the CA Configuration across bandwidth combination sets supported by the UE.										Refer to "N _{RB_PCC} ", "N _{RB_SCC1} " and "N _{RB_SCC2} " columns								
Test SCS as specified in Table 5.3.5-1										Lowest								
Network signalling value										NS_01 Unless given by Table 7.3.2.3-4 for the band with active uplink carrier								
Test Parameters for CA Configurations																		
ID	CA Configuration / channel BW										DL Allocation			UL allocation (NOTE2.0 to NOTE 5)				
	CA configuration										PCC N _{RB}	SCC1 N _{RB}	SCC2 N _{RB}	CC Mod	PCC & SCC RB allocation		CC Mod	PCC & SCC RB allocation
	PCC		W _{gap1}	SCC1		W _{gap2}	SCC2		PC C	SC C								
	Band	Range		Band	Range		Band	Range										
Default Test Settings for a CA_nXD Configuration (Intra-band contiguous)																		
1	nX	Low CC1	N/A	nX	Low CC2	N/A	nX	Low CC3	Highest N _{RB_agg}	Highest N _{RB_agg}	Highest N _{RB_agg}	CP-OFDM QPSK	Full RB	DFT-s-OFDM QPSK	REFSEN S	-		
2	nX	High CC1	N/A	nX	High CC2	N/A	nX	High CC3	Highest N _{RB_agg}	Highest N _{RB_agg}	Highest N _{RB_agg}	CP-OFDM QPSK	Full RB	DFT-s-OFDM QPSK	REFSEN S	-		

Test Parameters for CA Configurations																
ID	CA Configuration / channel BW										DL Allocation			UL allocation (NOTE2.0 to NOTE 5)		

	CA configuration								PCC N _{RB}	SCC1 N _{RB}	SCC2 N _{RB}	CC Mod	PCC & SCC RB allocation		CC Mod	PCC & SCC RB allocation	
	PCC		W _{gap1}	SCC1		W _{gap2}	SCC2						PC C	SC C			
	Band	Range		Band	Range		Band	Range									
Default Test Settings for a CA_nXA-nYA-nZA Configuration (Inter-band)																	
1	nX	default	N/A	nY	default	N/A	nZ	default	Highest (NOTE 12)	Highest	Highest	CP-OFDM QPSK	Full RB	DFT-s-OFDM QPSK	REFSEN S	-	
2	nY	default	N/A	nZ	default	N/A	nX	default	Highest (NOTE 12)	Highest	Highest	CP-OFDM QPSK	Full RB	DFT-s-OFDM QPSK	REFSEN S	-	
3	nZ	default	N/A	nY	default	N/A	nX	default	Highest (NOTE 12)	Highest	Highest	CP-OFDM QPSK	Full RB	DFT-s-OFDM QPSK	REFSEN S	-	
Default Test Settings for a CA_nXC-nYA, CA_nYA-nXC, CA_nYA-nXB and CA_nXB-nYA Configurations (Intra-band contiguous + Inter-band)																	
1	nX	default	N/A	nX	default	N/A	nY	default	Highest N _{RB_agg}	Highest N _{RB_agg}	Highest	CP-OFDM QPSK	Full RB	DFT-s-OFDM QPSK	REFSEN S	-	
2	nY	default	N/A	nX	default	N/A	nX	default	Highest (NOTE 12)	Highest N _{RB_agg}	Highest N _{RB_agg}	CP-OFDM QPSK	Full RB	DFT-s-OFDM QPSK	REFSEN S	-	

Test Parameters for CA Configurations																	
ID	CA Configuration / channel BW											DL Allocation		UL allocation (NOTE2.0 to NOTE 5)			
	CA configuration									PCC N _{RB}	SCC1 N _{RB}	SCC2 N _{RB}	CC Mod	PCC & SCC RB allocation		CC Mod	PCC & SCC RB allocation
	PCC		W _{gap1}	SCC1		W _{gap2}	SCC2		PC C					SC C			
	Band	Range		Band	Range		Band	Range									
Default Test Settings for a CA_nX(2A)-nYA Configuration (Intra-band non-contiguous + Inter-band)																	
1	nX	CC1	Max (NOTE 7)	nX	CC2	N/A	nY	Mid	Highest N _{RB_agg} (NOTE 6)	Highest N _{RB_agg} (NOTE 6)	Highest	CP-OFDM QPSK	Full RB	DFT-s-OFDM QPSK	REFSENS	-	
2	nY	Mid	NA	nX	CC1	Max (NOTE 7)	nX	CC2	Highest (NOTE 12)	Highest N _{RB_agg}	Highest N _{RB_agg}	CP-OFDM QPSK	Full RB	DFT-s-OFDM QPSK	REFSENS	-	
Default Test Settings for a CA_nX(3A) Configuration (Intra-band non-contiguous)																	
1	nX	CC1	Max (NOTE 7)	nX	CC2	Max (NOTE 7)	nX	CC3	Highest N _{RB_agg} (NOTE 6)	Highest N _{RB_agg} (NOTE 6)	Highest N _{RB_agg} (NOTE 6)	CP-OFDM QPSK	Full RB	DFT-s-OFDM QPSK	REFSENS	-	
Default Test Settings for a CA_nX(A-C) and CA_nX(A-B) Configuration (Intra-band contiguous + Intra-band non-contiguous)																	
1	nX	CC1	Max (NOTE 7)	nX	CC2	N/A	nX	CC3	Highest N _{RB_agg} (NOTE 6)	Highest N _{RB_agg} (NOTE 6)	Highest N _{RB_agg} (NOTE 6)	CP-OFDM QPSK	Full RB	DFT-s-OFDM QPSK	REFSENS	-	
<p>Note 1: CA Configuration Test CC Combination test settings are checked separately for each CA Configuration.</p> <p>Note 2.0: REFSENS refers to the single carrier Uplink RB allocation for reference sensitivity according to table 7.3.2.4.1-3.</p> <p>Note 2: Use CA Configuration – specific test points if present in the table, otherwise use test points from matching Group Test Settings, if present in the table. Otherwise use the Default Test Settings test points.</p> <p>Note 3: Inter-band: nX,nY,nZ correspond to the different bands in the CA Configuration. E.g. for CA_n1A-n3A-n8A, nX=n1, nY=n3, nZ=n8.</p> <p>Note 4: Intra-band contiguous + Inter-band: nX, nY correspond to the different bands in the CA Configuration, e.g. for CA_n1C-n3A, nX=n1, nY=n3</p> <p>Note 5: Intra-band non-contiguous + Inter-band: nX and nY correspond to the different bands in the CA Configuration. E.g. for CA_n1A-n1A-n8A, nX=n1, nY =n8.</p> <p>Note 6: If the UE supports multiple CC Combinations in the CA Configuration with the same N_{RB_agg}, only the combination with the highest N_{RB_PCC} is tested</p> <p>Note 7: The W_{gap} is defined to be widest possible on band based on the PCC and SCC configuration for Intra-band non-contiguous</p> <p>Note 8: For band combinations including operating bands without uplink band (as noted in Table 5.2-1), only the CA configurations where PCC band has uplink band shall be tested</p> <p>Note 9: The fallback configuration CA_nXA-nYA for 3CA configurations CA_nXC-nYA, CA_nYA-nXC, CA_nYA-nXB and CA_nXB-nYA does not need to be tested even if the test frequency differs</p> <p>Note 10: In a band where UE supports 4Rx, the test needs to be performed only with 4Rx antennas connected.</p> <p>Note 11: For NR band n28, 30MHz test channel bandwidth is tested with Low range test frequencies.</p> <p>Note 12: Each of Highest UL and Highest DL shall be selected according to clause 5.5A.3.2. DL channel bandwidth shall be selected first.</p>																	

Table 7.3A.2.4.1-2: Void**Table 7.3A.2.4.1-3: Void**

1. Connect the SS to the UE antenna connectors as shown in TS 38.508-1 [5] Annex A, Figure A.3.1.1.3 for TE diagram and section A.3.2 for UE diagram.
2. The parameter settings for the cell are set up according to TS 38.508-1 [5] subclause 4.4.3.
3. Downlink signals for PCC are initially set up according to Annex C.0, C.1, C.2, and C.3.1, and uplink signals according to Annex G.0, G.1, G.2, and G.3.1.
4. The UL and Reference Measurement Channel is set according to Tables 7.3A.2.1.4.1-1.
5. Propagation conditions are set according to Annex B.0.
6. Ensure the UE is in State RRC_CONNECTED with generic procedure parameters Connectivity *NR*, Connected without release *On*, Test Mode *On* and Test Loop Function *On* according to TS 38.508-1 [5] clause 4.5. Message contents are defined in clause 7.3A.2.1.4.3.

7.3A.2.4.2 Test procedure

1. Configure SCCs according to Annex C.0, C.1, C.2 for all downlink physical channels.
2. The SS shall configure SCCs as per TS 38.508-1 [5] clause 5.5.1. Message contents are defined in clause 7.3A.2.1.4.3.
3. SS activates SCCs by sending the activation MAC CE (Refer TS 38.321 [18], clauses 5.9, 6.1.3.10). Wait for at least 2 seconds (Refer TS 38.133[19], clause 9.3).
4. SS transmits PDSCH via PDCCH DCI format 1-1 for C_RNTI to transmit the DL RMC according to Tables 7.3A.1.4.1-1 on both PCC and SCC. The SS sends downlink MAC padding bits on the DL RMC
5. SS sends uplink scheduling information for each UL HARQ process via PDCCH DCI format 0_1 for C_RNTI to schedule the UL RMC according to Table 7.3A.2.4.1-1 on PCC. Since the UE has no payload and no loopback data to send the UE sends uplink MAC padding bits on the UL RMC.
6. Set the Downlink signal level to the appropriate REFSSENS value defined in Tables 7.3.2.5-1 and 7.3.2.5-2 as appropriate. Send continuously uplink power control "up" commands in every uplink scheduling information to the UE to ensure the UE transmits P_{UMAX} level for at least the duration of the throughput measurement. Allow at least 200ms starting from the first TPC command in this step for the UE to reach P_{UMAX} level.
7. Measure the average throughput for each component carrier for a duration sufficient to achieve statistical significance according to Annex H.2A.

7.3A.2.4.3 Message contents

Message contents are according to TS 38.508-1 [5] subclause 4.6 Table 4.6.3-118 with condition TRANSFORM_PRECODER_ENABLED.

7.3A.2.5 Test requirement

For 3DL carrier aggregation, test parameters are specified in table 7.3A.2.4.1-1. For the CA configurations listed in table 7.3A.2.5-1, the throughput of each component carrier shall be $\geq 95\%$ of the maximum throughput of the reference measurement channels as specified in Annexes A.2.2, A.2.3 and A.3.2 (with one sided dynamic OCNG Pattern OP.1 FDD/TDD for the DL-signal as described in Annex A.5.1.1/A.5.2.1) with reference power level specified in table 7.3.2.5-1 for each non-SDL carrier for 2 Rx antenna port, in table 7.3.2.5-2 for each non-SDL carrier for 4 Rx antenna port and in table 7.3A.1.5-2 for SDL carrier with following additional requirements:

The test requirement of configurations for CA operating band including Band n41 also apply for the corresponding CA operating bands with Band n90 replacing Band n41.

For the UE which supports inter-band carrier aggregation, the test requirement for reference sensitivity shall be increased by the amount given by $\Delta R_{IB,c}$ defined in clause 7.3A.0.3.2 for the applicable operating bands. Unless otherwise stated, $\Delta R_{IB,c}$ is set to zero.

For intra-band non-contiguous CA with one uplink carrier and two or more downlink sub-blocks, the test requirement for SCC(s) shall be increased by ΔR_{IBNC} given in Table 7.3A.0.2.2-1. Unless given by Table 7.3.2.3-4, the reference sensitivity requirements shall be verified with the network signalling value NS_01 (Table 6.2.3.1-1) configured.

Table 7.3A.2.5-1: Reference sensitivity requirement for 3DL CA

Carrier aggregation type	DL CA configuration	UL CA configuration
Intra-band non-contiguous 3DL CA	CA_n48(3A)	-
	CA_n66(3A)	-
Inter-band 3DL CA	CA_n1A-n78C	
	CA_n1A-n78(2A)	-
	CA_n1A-n8A-n78A	
	CA_n1A-n28A-n78A	-
	CA_n1A-n78A-n79A	-
	CA_n1A-n3A-n28A	-
	CA_n1A-n3A-n77A	
	CA_n1A-n3A-n78A	-
	CA_n1A-n28A-n77A	
	CA_n1A-n28A-n78A	-
	CA_n1A-n41A-n77A	
	CA_n2A-n5A-n48A	
	CA_n2A-n5A-n77A	
	CA_n2A-n48A-n66A	
	CA_n2A-n48A-n77A	
	CA_n2A-n66A-n77A	
	CA_n2A-n48(2A)	
	CA_n2A-n48B	
	CA_n2A-n77C	
	CA_n3A-n8A-n78A	
	CA_n3A-n28A-n41A	
	CA_n3A-n28A-n77A	
	CA_n3A-n28A-n78A	-
	CA_n3A-n41A-n77A	

	CA_n3A-n77(2A)	
	CA_n5A-n48A-n66A	
	CA_n5A-n48A-n77A	
	CA_n5A-n66A-n77A	
	CA_n5A-n48(2A)	
	CA_n5A-n48B	
	CA_n5A-n77C	
	CA_n5B-n77A	
	CA_n25A-n66A-n77A	-
	CA_n25A-n66A-n78A	-
	CA_n26A-n66-n70A	
	CA_n26A-n66(2A)	
	CA_n28A-n41A-n79A	-
	CA_n28A-n77(2A)	
	CA_n41A-n66A-n71A	
	CA_n48A-n66(2A)	
	CA_n48A-n71(2A)	
	CA_n48A-n77C	
	CA_n48B-n66A	
	CA_n48B-n70A	
	CA_n48B-n71A	
	CA_n48B-n77A	
	CA_n48(2A)-n66A	
	CA_n48(2A)-n70A	
	CA_n48(2A)-n71A	
	CA_n48(2A)-n77A	
	CA_n48A-n66A-n70A	
	CA_n48A-n66A-n71A	
	CA_n48A-n66A-n77A	
	CA_n48A-n70A-n71A	
	CA_n66A-n70A-n71A	-
	CA_n66A-n71A-n77A	-
	CA_n66A-n71A-n78A	-
	CA_n66A-n71(2A)	
	CA_n66(2A)-n70A	-
	CA_n66(2A)-n71A	-
	CA_n66B-n70A	-
	CA_n66B-n71A	-
	CA_n66A-n77C	
	CA_n70A-n71A(2A)	
SDL configuration	CA_n29A-n66A-n70A	-
	CA_n29A-n66B	-
	CA_n29A-n66(2A)	-

7.3A.2_1 Reference sensitivity power level for 3DL CA exceptions

7.3A.2_1.1 Test purpose

To verify the ability of UE that support CA to receive data with a given average throughput for a specified reference measurement channel, under conditions of low signal level, ideal propagation and no added noise when CA exceptions are allowed.

A UE unable to meet the throughput requirement under these conditions will decrease the effective coverage area.

7.3A.2_1.2 Test applicability

This test case applies to all types of NR UE release 15 and forward that support inter-band NR 3DL CA with UL CA support.

7.3A.2_1.3 Minimum requirements

The minimum conformance requirements are defined in clause 7.3A.0.

7.3A.2_1.4 Test description

7.3A.2_1.4.1 Initial conditions

Initial conditions are a set of test configurations the UE needs to be tested in and the steps for the SS to take with the UE to reach the correct measurement state.

The initial test configurations consist of environmental conditions, test frequencies, and channel bandwidths based on NR operating bands specified in Table 5.2-1. All of these configurations shall be tested with applicable test parameters for each channel bandwidth, and are shown in Table 7.3A.2_1.4.1-1. The details of the uplink reference measurement channels (RMCs) are specified in Annexe A2.2. Configurations of PDSCH and PDCCH before measurement are specified in Annex C.2.

Table 7.3A.2_1.4.1-1: Test Configuration Table for inter-band 3DL CA exceptions

Initial conditions															
Test Environment as specified in TS 38.508-1 [5] subclause 4.1			Normal, TL/VL, TL/VH, TH/VL, TH/VH												
Test Frequencies as specified in TS 38.508-1 [5] subclause 4.3.1			For test frequencies refer to "Range" columns.												
Test CC Combination setting (CBW) as specified in subclause Table 5.5A.3.2-1 for the CA Configuration across bandwidth combination sets supported by the UE.			Refer to "NRB_PCC" and "NRB_SCC" columns												
Test SCS as specified in Table 5.3.5-1			Lowest												
Network signalling value			NS_01 Unless given by Table 7.3.2.3-4 for the band with active uplink carrier												
Test Parameters for CA Configurations															
ID	CA Configuration / channel BW						DL Allocation			UL allocation (Note 2)					
	CA configuration						PCC	SCC1	SCC2	CC Mod	PCC & SCC RB allocation		CC Mod	PCC, SCC1 or SCC2 RB allocation	
	PCC		SCC1		SCC2						PC C	SCC 1	SCC 2		
	Band	Range	Band	Range	Band	Range									

Default Test Settings for a DL_n1A-n3A-n77A_UL_n1A-n3A Configuration (Inter-band)														
1	n1	UL 1950/ DL 2140	n3	UL 1750/ DL 1845	n77	3700	5MHz	5MHz	10MHz	CP-OFDM QPSK	Full RB	DFT-s-OFDM QPSK	REFSENS_CA_3	REFSENS_CA_3
Default Test Settings for a DL_n1A-n3A-n77A_UL_n3A-n77A Configuration (Inter-band)														
1	n3	UL 1775/ DL 1870	n77	3915	n1	DL 2140	5MHz	10MHz	5MHz	CP-OFDM QPSK	Full RB	DFT-s-OFDM QPSK	REFSENS_CA_3	REFSENS_CA_3
Default Test Settings for a DL_n1A-n3A-n78A_UL_n1A-n3A Configuration (Inter-band)														
1	n1	UL 1950/ DL 2140	n3	UL 1750/ DL 1845	n78	3700	5MHz	5MHz	10MHz	CP-OFDM QPSK	Full RB	DFT-s-OFDM QPSK	REFSENS_CA_3	REFSENS_CA_3
2	n1	UL 1950/ DL 2140	n3	UL 1770/ DL 1865	n78	3360	5MHz	5MHz	10MHz	CP-OFDM QPSK	Full RB	DFT-s-OFDM QPSK	REFSENS_CA_3	REFSENS_CA_3
Default Test Settings for a DL_n1A-n3A-n78A_UL_n1A-n78A Configuration (Inter-band)														
1	n1	UL 1950/ DL 2140	n78	3780	n3	UL 1770/ DL 1865	5MHz	10MHz	5MHz	CP-OFDM QPSK	Full RB	DFT-s-OFDM QPSK	REFSENS_CA_3	REFSENS_CA_3
Default Test Settings for a DL_n1A-n8A-n78A_UL_n1A-n8A Configuration (Inter-band)														
1	n1	UL 1945/ DL 2135	n8	UL 900/ DL 945	n78	DL 3745	5MHz	5MHz	10MHz	CP-OFDM QPSK	Full RB	DFT-s-OFDM QPSK	REFSENS_CA_3	REFSENS_CA_3
Default Test Settings for a DL_n1A-n8A-n78A_UL_n1A-n78A Configuration (Inter-band)														
1	n1	UL 1940/ DL 2130	n78	3380	n8	DL 940	5MHz	10MHz	5MHz	CP-OFDM QPSK	Full RB	DFT-s-OFDM QPSK	REFSENS_CA_3	REFSENS_CA_3
Default Test Settings for a DL_n1A-n28A-n77A_UL_n28A-n77A Configuration (Inter-band)														
1	n28	UL 740/ DL 795	n77	3630	n1	DL 2150	5MHz	10MHz	5MHz	CP-OFDM QPSK	Full RB	DFT-s-OFDM QPSK	REFSENS_CA_3	REFSENS_CA_3
Default Test Settings for a DL_n1A-n41A-n77A_UL_n1A-n41A Configuration (Inter-band)														
1	n1	UL 1970/ DL 2160	n41	2650	n77	3330	5MHz	10MHz	10MHz	CP-OFDM QPSK	Full RB	DFT-s-OFDM QPSK	REFSENS_CA_3	REFSENS_CA_3
Default Test Settings for a DL_n1A-n41A-n77A_UL_n41A-n77A Configuration (Inter-band)														

1	n41	2640	n77	3710	n1	DL 2140	10MHz	10MHz	5MHz	CP-OFDM QPSK	Full RB	DFT-s-OFDM QPSK	REFSENS_CA_3	REFSENS_CA_3
Default Test Settings for a DL_n1A-n28A-n78A_UL_n1A-n28A Configuration (Inter-band)														
1	n1	UL 1950/ DL 2140	n28	UL 733/ DL 788	n78	3416	5MHz	5MHz	10MHz	CP-OFDM QPSK	Full RB	DFT-s-OFDM QPSK	REFSENS_CA_3	REFSENS_CA_3
Default Test Settings for a DL_n1A-n28A-n78A_UL_n1A-n78A Configuration (Inter-band)														
1	n1	UL 1970/ DL 2160	n78	3352	n28	DL 794	5MHz	10MHz	5MHz	CP-OFDM QPSK	Full RB	DFT-s-OFDM QPSK	REFSENS_CA_3	REFSENS_CA_3
Default Test Settings for a DL_n1A-n28A-n78A_UL_n28A-n78A Configuration (Inter-band)														
1	n28	UL 740/ DL 795	n78	3630	n1	DL 2150	5MHz	10MHz	5MHz	CP-OFDM QPSK	Full RB	DFT-s-OFDM QPSK	REFSENS_CA_3	REFSENS_CA_3
Default Test Settings for a DL_n2A-n5A-n48A_UL_n5A-n48A Configuration (Inter-band)														
1	n5	UL 839/ DL 884	n48	3640	n2	DL 1962	5MHz	10MHz	5MHz	CP-OFDM QPSK	Full RB	DFT-s-OFDM QPSK	REFSENS_CA_3	REFSENS_CA_3
Default Test Settings for a DL_n2A-n5A-n48A_UL_n2A-n5A Configuration (Inter-band)														
1	n2	UL 1905/ DL 1985	n5	UL 844/ DL 1889	n48	DL 3593	5MHz	5Mhz	10Mhz	CP-OFDM QPSK	Full RB	DFT-s-OFDM QPSK	REFSENS_CA_3	REFSENS_CA_3
Default Test Settings for a DL_n2A-n5A-n77A_UL_n2A-n77A Configuration (Inter-band)														
1	n2	UL 1907.5 / DL 1987.5	n77	3305	n5	DL 887.5	5MHz	10MHz	5MHz	CP-OFDM QPSK	Full RB	DFT-s-OFDM QPSK	REFSENS_CA_3	REFSENS_CA_3
Default Test Settings for a DL_n2A-n5A-n77A_UL_n5A-n77A Configuration (Inter-band)														
1	n5	UL 846.5/ DL 891.5	n77	3680	n2	DL 1987	5MHz	10MHz	5MHz	CP-OFDM QPSK	Full RB	DFT-s-OFDM QPSK	REFSENS_CA_3	REFSENS_CA_3
Default Test Settings for a DL_n2A-n5A-n77A_UL_n2A-n5A Configuration (Inter-band)														
1 ⁴	n2	UL 1880/ DL 1960	n5	UL 830/ DL 875	n77	DL 3540	5MHz	5Mhz	10Mhz	CP-OFDM QPSK	Full RB	DFT-s-OFDM QPSK	REFSENS_CA_3	REFSENS_CA_3
Default Test Settings for a DL_n2A-n48A-n66A_UL_n2A-n66A Configuration (Inter-band)														

1	n2	UL 1855/ DL 1935	n66	UL 1770/ DL 2190	n48	DL 3625	5MHz	10Mhz	5Mhz	CP- OFDM QPSK	Full RB	DFT- s- OFDM QPSK	REFSENS_CA_ 3	REFSENS_CA_ 3
Default Test Settings for a DL_n2A-n48A-n66A_UL_n2A-n48A Configuration (Inter-band)														
1	n2	UL 1905/ DL 1985	n48	3560	n66	DL 2155	5MHz	10Mhz	5Mhz	CP- OFDM QPSK	Full RB	DFT- s- OFDM QPSK	REFSENS_CA_ 3	REFSENS_CA_ 3
Default Test Settings for a DL_n2A-n48A-n66A_UL_n48A-n66A Configuration (Inter-band)														
1	n66	UL 1735/ DL 2135	n48	3695	n2	DL 1960	5MHz	10Mhz	5Mhz	CP- OFDM QPSK	Full RB	DFT- s- OFDM QPSK	REFSENS_CA_ 3	REFSENS_CA_ 3
Default Test Settings for a DL_n2A-n66A-n77A_UL_n2A-n66A Configuration (Inter-band)														
1 ⁴	n2	UL 1880/ DL 1960	n66	UL 1740/ DL 2140	n77	DL 3620	5MHz	5Mhz	10Mhz	CP- OFDM QPSK	Full RB	DFT- s- OFDM QPSK	REFSENS_CA_ 3	REFSENS_CA_ 3
2 ⁴	n2	UL 1880/ DL 1960	n66	UL 1740/ DL 2140	n77	DL 3900	5MHz	5Mhz	10Mhz	CP- OFDM QPSK	Full RB	DFT- s- OFDM QPSK	REFSENS_CA_ 3	REFSENS_CA_ 3
Default Test Settings for a DL_n2A-n66A-n77A_UL_n2A-n77A Configuration (Inter-band)														
1	n2	UL 1855/ DL 1935	n77	3970	n66	DL 2115	5MHz	10MHz	5MHz	CP- OFDM QPSK	Full RB	DFT- s- OFDM QPSK	REFSENS_CA_ 3	REFSENS_CA_ 3
2 ⁴	n2	UL 1880/ DL 1960	n77	3500	n66	DL 2140	5MHz	10MHz	5MHz	CP- OFDM QPSK	Full RB	DFT- s- OFDM QPSK	REFSENS_CA_ 3	REFSENS_CA_ 3
3 ⁴	n2	UL 1885/ DL 1965	n77	3915	n66	DL 2175	5MHz	10MHz	5MHz	CP- OFDM QPSK	Full RB	DFT- s- OFDM QPSK	REFSENS_CA_ 3	REFSENS_CA_ 3
Default Test Settings for a DL_n2A-n66A-n77A_UL_n66A-n77A Configuration (Inter-band)														
1	n66	UL 1760/ DL 2160	n77	3720	n2	DL 1960	5MHz	10MHz	5MHz	CP- OFDM QPSK	Full RB	DFT- s- OFDM QPSK	REFSENS_CA_ 3	REFSENS_CA_ 3
2 ⁴	n66	UL 1760/ DL 2160	n77	3350	n2	DL 1960	5MHz	10MHz	5MHz	CP- OFDM QPSK	Full RB	DFT- s- OFDM QPSK	REFSENS_CA_ 3	REFSENS_CA_ 3

3 ⁴	n66	UL 1760/ DL 2160	n77	3620	n2	DL 1960	5Mhz	10MHz	5MHz	CP- OFDM QPSK	Full RB	DFT- s- OFDM QPSK	REFSENS_CA_ 3	REFSENS_CA_ 3
Default Test Settings for a DL_n3A-n8A-n78A_UL_n3A-n8A Configuration (Inter-band)														
1	n3	UL 1730/ DL 1825	n8	UL 910/ DL 955	n78	DL 3550	5MHz	5MHz	10MHz	CP- OFDM QPSK	Full RB	DFT- s- OFDM QPSK	REFSENS_CA_ 3	REFSENS_CA_ 3
2	n3	UL 1730/ DL 1825	n8	UL 910/ DL 955	n78	DL 3370	5MHz	5MHz	10MHz	CP- OFDM QPSK	Full RB	DFT- s- OFDM QPSK	REFSENS_CA_ 3	REFSENS_CA_ 3
Default Test Settings for a DL_n3A-n8A-n78A_UL_n8A-n78A Configuration (Inter-band)														
1	n8	UL 910/ DL 955	n78	3640	n3	DL 1820	5MHz	10MHz	5MHz	CP- OFDM QPSK	Full RB	DFT- s- OFDM QPSK	REFSENS_CA_ 3	REFSENS_CA_ 3
Default Test Settings for a DL_n3A-n28A-n41A_UL_n3A-n28A Configuration (Inter-band)														
1	n3	UL 1715/ DL 1810	n28	UL 743/ DL 798	n41	2518	5MHz	5MHz	5MHz	CP- OFDM QPSK	Full RB	DFT- s- OFDM QPSK	REFSENS_CA_ 3	REFSENS_CA_ 3
2	n3	UL 1715/ DL 1810	n28	UL 743/ DL 798	n41	2687	5MHz	5MHz	5MHz	CP- OFDM QPSK	Full RB	DFT- s- OFDM QPSK	REFSENS_CA_ 3	REFSENS_CA_ 3
Default Test Settings for a DL_n3A-n28A-n41A_UL_n3A-n41A Configuration (Inter-band)														
1	n3	UL 1720/ DL 1815	n41	2510	n28	UL 735/ DL 790	5MHz	5MHz	5MHz	CP- OFDM QPSK	Full RB	DFT- s- OFDM QPSK	REFSENS_CA_ 3	REFSENS_CA_ 3
Default Test Settings for a DL_n3A-n28A-n41A_UL_n28A-n41A Configuration (Inter-band)														
1	n28	UL 710.5/ DL 765.5	n41	2543	n3	UL 1737.5/ DL 1832.5	5MHz	10MHz	5MHz	CP- OFDM QPSK	Full RB	DFT- s- OFDM QPSK	REFSENS_CA_ 3	REFSENS_CA_ 3
Default Test Settings for a DL_n3A-n28A-n77A_UL_n3A-n28A Configuration (Inter-band)														
1	n3	UL 1720/ DL 1815	n28	UL 733/ DL 788	n77	4173	5MHz	5MHz	10MHz	CP- OFDM QPSK	Full RB	DFT- s- OFDM QPSK	REFSENS_CA_ 3	REFSENS_CA_ 3
Default Test Settings for a DL_n3A-n28A-n77A_UL_n28A-n77A Configuration (Inter-band)														

1	n28	UL 735/ DL 790	n77	3320	n3	UL 1755/ DL 1850	5MHz	10MHz	5MHz	CP-OFDM QPSK	Full RB	DFT-s-OFDM QPSK	REFSENS_CA_3	REFSENS_CA_3
Default Test Settings for a DL_n3A-n28A-n77A_UL_n3A-n77A Configuration (Inter-band)														
1	n3	UL 1712.5 / DL 1807.5	n77	4195	n28	UL 715/ DL 770	5MHz	10MHz	5MHz	CP-OFDM QPSK	Full RB	DFT-s-OFDM QPSK	REFSENS_CA_3	REFSENS_CA_3
Default Test Settings for a DL_n3A-n28A-n78A_UL_n3A-n28A Configuration (Inter-band)														
1	n3	UL 1755/ DL 1850	n28	UL 735/ DL 790	n78	3320	5MHz	5MHz	10MHz	CP-OFDM QPSK	Full RB	DFT-s-OFDM QPSK	REFSENS_CA_3	REFSENS_CA_3
2	n3	UL 1750/ DL 1845	n28	UL 743/ DL 798	n78	3764	5MHz	5MHz	10MHz	CP-OFDM QPSK	Full RB	DFT-s-OFDM QPSK	REFSENS_CA_3	REFSENS_CA_3
Default Test Settings for a DL_n3A-n41A-n77A_UL_n3A-n41A Configuration (Inter-band)														
1	n3	UL 1720/ DL 1815	n41	2580	n77	3440	5MHz	5MHz	10MHz	CP-OFDM QPSK	Full RB	DFT-s-OFDM QPSK	REFSENS_CA_3	REFSENS_CA_3
Default Test Settings for a DL_n3A-n41A-n77A_UL_n41A-n77A Configuration (Inter-band)														
1	n41	2620	n77	3400	n3	DL 1840	5MHz	10MHz	5MHz	CP-OFDM QPSK	Full RB	DFT-s-OFDM QPSK	REFSENS_CA_3	REFSENS_CA_3
Default Test Settings for a DL_n3A-n41A-n77A_UL_n3A-n77A Configuration (Inter-band)														
1	n3	UL 1720/ DL 1815	n77	3900	n41	2640	5MHz	10MHz	5MHz	CP-OFDM QPSK	Full RB	DFT-s-OFDM QPSK	REFSENS_CA_3	REFSENS_CA_3
Default Test Settings for a DL_n5A-n48A-n66A_UL_n5A-n66A Configuration (Inter-band)														
1	n5	UL 829/ DL 874	n66	UL 1760/ DL 2160	n48	DL 3622	5MHz	5Mhz	10Mhz	CP-OFDM QPSK	Full RB	DFT-s-OFDM QPSK	REFSENS_CA_3	REFSENS_CA_3
Default Test Settings for a DL_n5A-n66A-n77A_UL_n5A-n66A Configuration (Inter-band)														
1 ⁴	n5	UL 845/ DL 890	n66	UL 1775/ DL 2175	n77	DL 3465	5MHz	5Mhz	10Mhz	CP-OFDM QPSK	Full RB	DFT-s-OFDM QPSK	REFSENS_CA_3	REFSENS_CA_3

2 ⁴	n5	UL 826.5/ DL 871.5	n66	UL 1712.5/ DL 2112.5	n77	DL 4192	5MHz	5Mhz	10MHz	CP- OFDM QPSK	Full RB	DFT- s- OFDM QPSK	REFSENS_CA_ 3	REFSENS_CA_ 3
3 ⁴	n5	UL 835/ DL 880	n66	UL 1735/ DL 2135	n77	DL 3535	5MHz	5Mhz	10MHz	CP- OFDM QPSK	Full RB	DFT- s- OFDM QPSK	REFSENS_CA_ 3	REFSENS_CA_ 3
Default Test Settings for a DL_n5A-n66A-n77A_UL_n5A-n77A Configuration (Inter-band)														
1	n5	UL 826.5/ DL 871.5	n77	3795	n66	DL 2142	5MHz	10MHz	5MHz	CP- OFDM QPSK	Full RB	DFT- s- OFDM QPSK	REFSENS_CA_ 3	REFSENS_CA_ 3
Default Test Settings for a DL_n28A-n41A-n79A_UL_n41A-n79A Configuration (Inter-band)														
1	n41	2600	n28	UL 725/ DL-780	n79	4600	10MHz	5 MHz	40 MHz	CP- OFDM QPSK	Full RB	DFT- s- OFDM QPSK	REFSENS_CA_ 3	REFSENS_CA_ 3
Default Test Settings for a DL_n28A-n41A-n79A_UL_n28A-n41A Configuration (Inter-band)														
1	n28	UL 720/ DL 780	n41	2600	n79	4600	5MHz	10 MHz	40 MHz	CP- OFDM QPSK	Full RB	DFT- s- OFDM QPSK	REFSENS_CA_ 3	REFSENS_CA_ 3
Default Test Settings for a DL_n28A-n41A-n79A_UL_n28A-n79A Configuration (Inter-band)														
1	n28	UL 735/ DL 790	n41	2645	n79	4850	5MHz	10 MHz	40 MHz	CP- OFDM QPSK	Full RB	DFT- s- OFDM QPSK	REFSENS_CA_ 3	REFSENS_CA_ 3
Default Test Settings for a DL_n66A-n71A-n77A_UL_n66A-n71A Configuration (Inter-band)														
1	n66	UL 1720/ DL 2120	n71	UL 668/ DL 622	n77	4108	5MHz	5MHz	10MHz	CP- OFDM QPSK	Full RB	DFT- s- OFDM QPSK	REFSENS_CA_ 3	REFSENS_CA_ 3
Default Test Settings for a DL_n66A-n71A-n77A_UL_n66A-n77A Configuration (Inter-band)														
1	n66	UL 1720/ DL 2120	n77	4080	n71	DL 640	5MHz	10MHz	5MHz	CP- OFDM QPSK	Full RB	DFT- s- OFDM QPSK	REFSENS_CA_ 3	REFSENS_CA_ 3
Default Test Settings for a DL_n66A-n71A-n77A_UL_n71A-n77A Configuration (Inter-band)														
1	n71	UL 690/ DL 644	n77	3530	n66	DL 2150	5MHz	10MHz	5MHz	CP- OFDM QPSK	Full RB	DFT- s- OFDM QPSK	REFSENS_CA_ 3	REFSENS_CA_ 3
Default Test Settings for a DL_n66A-n71A-n78A_UL_n66A-n71A Configuration (Inter-band)														

1	n66	UL 1720/ DL 2120	n71	UL 668/ DL 622	n78	3724	5MHz	5MHz	10MHz	CP- OFDM QPSK	Full RB	DFT- s- OFDM QPSK	REFSENS_CA_ 3	REFSENS_CA_ 3
Default Test Settings for a DL_n66A-n71A-n78A_UL_n71A-n78A Configuration (Inter-band)														
1	n71	UL 693/ DL 647	n78	3546	n66	DL 2160	5MHz	10MHz	5MHz	CP- OFDM QPSK	Full RB	DFT- s- OFDM QPSK	REFSENS_CA_ 3	REFSENS_CA_ 3
<p>Note 1: CA Configuration Test CC Combination test settings are checked separately for each CA Configuration.</p> <p>Note 2: REFSENS refers to the PCC bands and PCC N_{RB}'s single carrier Uplink RB allocation for reference sensitivity according to Table 7.3.2.4.1-3. REFSENS_CA_3 refers to the Uplink RB allocation for reference sensitivity exceptions due to intermodulation interference of 3DL/2UL according to Table 7.3A.0.5-2 for PC3.</p> <p>Note 3: In a band where UE supports 4Rx, the test needs to be performed only with 4Rx antennas connected.</p> <p>Note 4: This step can be skipped for PC2 since no corresponding exceptions are defined for PC2 cases in Table 7.3A.0.5-2a</p>														

1. Connect the SS to the UE antenna connectors as shown in TS 38.508-1 [5] Annex A, Figure A.3.1.1.3 for TE diagram and section A.3.2 for UE diagram.
2. The parameter settings for the cell are set up according to TS 38.508-1 [5] subclause 4.4.3.
3. Downlink signals for PCC are initially set up according to Annex C.0, C.1, C.2, and C.3.1, and uplink signals according to Annex G.0, G.1, G.2, and G.3.1.
4. The UL and Reference Measurement Channel is set according to Tables 7.3A.2_1.4.1-1.
5. Propagation conditions are set according to Annex B.0.
6. Ensure the UE is in State RRC_CONNECTED with generic procedure parameters Connectivity *NR*, Connected without release *On*, Test Mode *On* and Test Loop Function *On* according to TS 38.508-1 [5] clause 4.5. Message contents are defined in clause 7.3A.1_1.4.3.

7.3A.2_1.4.2 Test procedure

1. Configure SCC according to Annex C.0, C.1, C.2 for all downlink physical channels.
2. The SS shall configure SCC as per TS 38.508-1 [5] clause 5.5.1. Message contents are defined in clause 7.3A.1_1.4.3.
3. SS activates SCC by sending the activation MAC CE (Refer TS 38.321 [18], clauses 5.9, 6.1.3.10). Wait for at least 2 seconds (Refer TS 38.133[19], clause 9.3).
4. SS transmits PDSCH via PDCCH DCI format 1_1 for C_RNTI to transmit the DL RMC according to Tables 7.3A.2_1.4.1-1 on PCC and SCCs. The SS sends downlink MAC padding bits on the DL RMC
5. SS sends uplink scheduling information for each UL HARQ process via PDCCH DCI format 0_1 for C_RNTI to schedule the UL RMC according to Table 6.2A.1.1.4.1-1 on both PCC and SCC. Since the UE has no payload and no loopback data to send the UE sends uplink MAC padding bits on the UL RMC.

6. Set the Downlink signal level to the appropriate REFSENS value defined in Table 7.3A.2_1.5-1 for PC3 CA. Send continuously uplink power control "up" commands in every uplink scheduling information to the UE to ensure the UE transmits P_{UMAX} level for at least the duration of the throughput measurement. Allow at least 200ms starting from the first TPC command in this step for the UE to reach P_{UMAX} level.
7. Measure the average throughput for each component carrier for a duration sufficient to achieve statistical significance according to Annex H.2A.

7.3A.2_1.4.3 Message contents

Message contents are according to TS 38.508-1 [5] subclause 4.6 Table 4.6.3-118 with condition TRANSFORM_PRECODER_ENABLED and following exception:

For test points with "REFSENS_CA_3" UL configuration in table 7.3A.2_1.4.1-1, message exception in table 7.3A.1_1.4.3-1 applies.

7.3A.2_1.5 Test requirement

For inter-band carrier aggregation the throughput shall be $\geq 95\%$ of the maximum throughput of the reference measurement channels as specified in Annex A.2.2 and A.2.3 with parameters specified in Table 7.3A.2_1.5-1 for PC3.

Table 7.3A.2_1.5-1: Reference sensitivity requirement for PC3 interband 3DL CA

CA configuration	Test ID	NR band	SCS kHz	Channel Bandwidth							
				5 MHz (dBm)	10 MHz (dBm)	15 MHz (dBm)	20 MHz (dBm)	25 MHz (dBm)	30 MHz (dBm)	40 MHz (dBm)	
DL_n1A-n3A-n77A_UL_n1A-n3A	1	n1	15	-100.0+TT							
				-102.7+TT ⁴							
	1	n3	15	-97.0+TT							
				-99.7+TT ⁴							
	1	n77	15			-					
						95.3+28.4+TT					
					-						
					95.3+28.4+TT ⁴						
DL_n1A-n3A-n77A_UL_n3A-n77A	1	n1	15	-100.0+31.0+TT							
				-100.0+31.0+TT ⁴							
	1	n3	15	-97.0+TT							
				-99.7+TT ⁴							
	1	n77	15			-95.3+TT					
						-97.5+TT ⁴					
DL_n1A-n3A-n78A_UL_n1A-n3A	1	n1	15	-100.0+TT							
				-102.7+TT ⁴							
	1	n3	15	-97.0+TT							
				-99.7+TT ⁴							
	1	n78	15			-					
						95.8+28.4+TT					
						-					
						98.0+28.4+TT ⁴					
	2	n1	15	-100.0+TT							
				-102.7+TT ⁴							
	2	n3	15	-97.0+TT							
				-99.7+TT ⁴							
2	n78	15			-						
					95.8+11.2+TT						
					-						
					98.0+11.2+TT						
DL_n1A-n3A-n78A_UL_n1A-n78A	1	n1	15	-100.0+TT							
				-102.7+TT ⁴							
	1	n3	15	-97.0+27.9+TT							
				-99.7+27.9+TT ⁴							
	1	n78	15			-95.8+TT					
						-98.0+TT					
DL_n1A-n8A-n78A_UL_n1A-n8A	1	n1	15	-100.0+TT							
				-102.7+TT ⁴							
	1	n8	15	-97.0+TT							
				-99.7+TT ⁴							
	1	n78	15			-					
						95.8+14.9+TT					
					-						
					98.0+14.9+TT ⁴						
DL_n1A-n8A-n78A_UL_n1A-n78A	1	n1	15	-100.0+TT							
				-102.7+TT ⁴							
	1	n8	15	-97.0+3.3+TT							
				-99.7+3.3+TT ⁴							
	1	n78	15			-95.8+TT					
						-98.0+TT ⁴					

CA configuration	Test ID	NR band	SCS kHz	Channel Bandwidth						
				5 MHz (dBm)	10 MHz (dBm)	15 MHz (dBm)	20 MHz (dBm)	25 MHz (dBm)	30 MHz (dBm)	40 MHz (dBm)
DL_n1A-n28A-n78A_UL_n1A-n28A	1	n1	15	-100.0+TT						
				-102.7+TT ⁴						
	1	n28	15	-98.5+TT						
				-98.5-2.7+TT ⁴						
	1	n78	15		-95.8+15.7+TT					
					-98.0+15.7+TT ⁴					
DL_n1A-n28A-n78A_UL_n1A-n78A	1	n1	15	-100.0+TT						
				-102.7+TT ⁴						
	1	n28	15	-98.5+4.2+TT						
				-98.5-2.7 ⁵ +4.2+TT ⁴						
	1	n78	15		-95.8+TT					
					-98.0+TT ⁴					
DL_n1A-n28A-n78A_UL_n28A-n78A	1	n1	15	-100.0+15.7+TT						
				-102.7+15.7+TT ⁴						
	1	n28	15	-98.5+TT						
				-98.5-2.7+TT ⁴						
	1	n78	15		-95.8+TT					
					-98.0+TT ⁴					
DL_n1A-n28A-n77A_UL_n28A-n77A	1	n1	15	-100.0+15.7+TT						
				-100.0+15.7+TT ⁴						
	1	n28	15	-98.5+TT						
				-98.5-2.7 ⁵ +TT ⁴						
	1	n77	15		-95.3+TT					
					-97.5+TT ⁴					
DL_n1A-n41A-n77A_UL_n1A-n41A	1	n1	15	-100.0+TT						
				-102.7+TT ⁴						
	1	n41	15		-94.8+TT					
					-97.5+TT ⁴					
	1	n77	15		-95.3+19.6+TT					
					-95.3+19.6+TT ⁴					
DL_n1A-n41A-n77A_UL_n41A-n77A	1	n1	15	-100.0+9.3+TT						
				-100.0+9.3+TT ⁴						
	1	n41	15		-94.8+TT					
					-97.5+TT ⁴					
	1	n77	15		-95.3+TT					
					-97.5+TT ⁴					
DL_n2A-n5A-n48A_UL_n5A-n48A	1	n2	15	-98.0+15.6+TT						
				-100.7+15.6+TT ⁴						
	1	n5	15	-98.0+TT						
	1	n48	15	-99.0+TT						
				-101.2+TT ⁴						
DL_n2A-n5A-n48A_UL_n2A-n5A	1	n2	15	-98.0+TT						
				-100.7+TT ⁴						
	1	n5	15	-98.0+TT						
	1	n48	15	-99.0+16.6+TT						
				-101.2+16.6+TT ⁴						
DL_n2A-n5A-n77A_UL_n2A-n77A	1	n2	15	-98.0+TT						
				-100.7+TT ⁴						
	1	n5	15	-98.0+3.8+TT						
	1	n77	15		-95.3+TT					

CA configuration	Test ID	NR band	SCS kHz	Channel Bandwidth						
				5 MHz (dBm)	10 MHz (dBm)	15 MHz (dBm)	20 MHz (dBm)	25 MHz (dBm)	30 MHz (dBm)	40 MHz (dBm)
DL_n2A-n5A-n77A_UL_n5A-n77A	1	n2	15	-98.0+16.5+TT -100.7+16.5+TT ⁴	-97.5+TT ⁴					
	1	n5	15	-98.0+TT						
	1	n77	15		-95.3+TT -97.5+TT ⁴					
DL_n2A-n5A-n77A_UL_n2A-n5A	1	n2	15	-98.0+TT -100.7+TT ⁴						
	1	n5	15	-98.0+TT						
	1	n77	15		-95.3+16.0+TT -97.5+16.0+TT ⁴					
DL_n2A-n48A-n66A_UL_n2A-n66A	1	n2	15	-98.0+TT -100.7+TT ⁴						
	1	n48	15	-99.0+32+TT -101.2+32+TT ⁴						
	1	n66	15	-99.5+TT -102.2+TT ⁴						
DL_n2A-n48A-n66A_UL_n2A-n48A	1	n2	15	-98.0+TT -100.7+TT ⁴						
	1	n48	15	-99.0+TT -101.2+TT ⁴						
	1	n66	15	-99.5+12.1+TT -102.2+12.1+TT ⁴						
DL_n2A-n48A-n66A_UL_n48A-n66A	1	n2	15	-98.0+28.3+TT -100.7+28.3+TT ⁴						
	1	n48	15	-99.0+TT -101.2+TT ⁴						
	1	n66	15	-99.5+TT -102.2+TT ⁴						
DL_n2A-n66A-n77A_UL_n2A-n66A	1	n2	15	-98.0+TT -100.7+TT ⁴						
	1	n66	15	-99.5+TT -102.2+TT ⁴						
	1	n77	15		-95.3+29.4+TT -97.5+29.4+TT ⁴					
	2	n2	15	-98.0+TT -100.7+TT ⁴						
	2	n66	15	-99.5+TT -102.2+TT ⁴						
	2	n77	15		-95.3+8.9+TT -97.5+8.9+TT ⁴					
DL_n2A-n66A-n77A_UL_n2A-n77A	1	n2	15	-98.0+TT -100.7+TT ⁴						
	1	n66	15	-99.5+29.2+TT -102.2+29.2+TT ⁴						
	1	n77	15		-95.3+TT -97.5+TT ⁴					
	2	n2	15	-98.0+TT -100.7+TT ⁴						
	2	n66	15	-99.5+10.4+TT -102.2+10.4+TT ⁴						
	2	n77	15		-95.3+TT -97.5+TT ⁴					

CA configuration	Test ID	NR band	SCS kHz	Channel Bandwidth						
				5 MHz (dBm)	10 MHz (dBm)	15 MHz (dBm)	20 MHz (dBm)	25 MHz (dBm)	30 MHz (dBm)	40 MHz (dBm)
	3	n2	15	-98.0+TT						
				-100.7+TT ⁴						
	3	n66	15	-99.5+4.0+TT						
				-102.2+4.0+TT ⁴						
	3	n77	15		-95.3+TT					
					-97.5+TT ⁴					
DL_n2A-n66A-n77A_UL_n66A-n77A	1	n2	15	-98.0+32.1+TT						
				-100.7+32.1+TT ⁴						
	1	n66	15	-99.5+TT						
				-102.2+TT ⁴						
	1	n77	15		-95.3+TT					
					-97.5+TT ⁴					
	2	n2	15	-98.0+9.1+TT						
				-100.7+9.1+TT ⁴						
	2	n66	15	-99.5+TT						
				-102.2+TT ⁴						
	2	n77	15		-95.3+TT					
					-97.5+TT ⁴					
DL_n3A-n8A-n78A_UL_n3A-n8A	1	n3	15	-97.0+TT						
				-97.0-2.7+TT ⁴						
	1	n8	15	-97.0+TT						
				-97.0-2.7+TT ⁴						
	1	n78	15		-95.8+16.1+TT					
					-97.0-2.2+16.1+TT ⁴					
	2	n3	15	-97.0+TT						
				-97.0-2.7+TT ⁴						
	2	n8	15	-97.0+TT						
				-97.0-2.7+TT ⁴						
	2	n78	15		-95.8+4.5+TT					
					-97.0-2.2+4.5+TT ⁴					
DL_n3A-n8A-n78A_UL_n8A-n78A	1	n3	15	-97.0+15.7+TT						
				-97.0-2.7+15.7+TT ⁴						
	1	n8	15	-97.0+TT						
				-97.0-2.7+TT ⁴						
	1	n78	15		-95.8+TT					
					-97.0-2.2+TT ⁴					
DL_n3A-n28A-n78A_UL_n3A-n28A	1	n3	15	-97.0+TT						
				-99.7+TT ⁴						
	1	n28	15	-98.5+TT						
				-98.5-2.7+TT ⁴						
	1	n78	15		-95.8+17.3+TT					
					-98.0+17.3+TT ⁴					
	2	n3	15	-97.0+TT						
				-99.7+TT ⁴						
	2	n28	15	-98.5+TT						

CA configuration	Test ID	NR band	SCS kHz	Channel Bandwidth						
				5 MHz (dBm)	10 MHz (dBm)	15 MHz (dBm)	20 MHz (dBm)	25 MHz (dBm)	30 MHz (dBm)	40 MHz (dBm)
	2	n78	15	-98.5-2.7+TT ⁴						
					-95.8+4.5+TT					
DL_n3A-n28A-n41A_UL_n3A-n28A	1	n3	15	-97.0+TT						
				-99.7+TT ⁴						
	1	n28	15	-98.5+TT						
				-98.5-2.7 ⁵ +TT ⁴						
	1	n41	15	-94.8+27.4+TT						
				-97.5+27.4+TT ⁴						
	2	n3	15	-97.0+TT						
				-99.7+TT ⁴						
2	n28	15	-98.5+TT							
			-98.5-2.7 ⁵ +TT ⁴							
2	n41	15	-94.8+15.9+TT							
			-97.5+15.9+TT ⁴							
DL_n3A-n28A-n41A_UL_n3A-n41A	1	n3	15	-97.0+TT						
				-99.7+TT ⁴						
	1	n28	15	-98.5+26.0+TT						
1	n41	15	-94.8+TT							
			-97.5+TT ⁴							
DL_n3A-n28A-n41A_UL_n28A-n41A	1	n3	15	-97.0+26.0+TT						
				-99.7+26.0+TT ⁴						
	1	n28	15	-98.5+TT						
1	n41	15	-98.5-2.7 ⁵ +TT ⁴							
			-94.8+TT							
1	n3	15	-97.0+TT							
			-99.7+TT ⁴							
1	n28	15	-98.5+TT							
			-98.5-2.7 ⁵ +TT ⁴							
1	n77	15		-95.3+15.9+TT						
				-97.5+15.9+TT ⁴						
DL_n3A-n28A-n77A_UL_n28A-n77A	1	n3	15	-97.0+17.0+TT						
				-99.7+17.0+TT ⁴						
	1	n28	15	-98.5+TT						
1	n77	15	-98.5-2.7 ⁵ +TT ⁴							
			-95.3+TT							
1	n3	15	-97.0+TT							
			-99.7+TT ⁴							
1	n28	15	-98.5+15.3+TT							
			-98.5-2.7 ⁵ +15.3+TT ⁴							
1	n77	15		-95.3+TT						
				-97.5+TT ⁴						
DL_n3A-n41A-n77A_UL_n3A-n41A	1	n3	15	-97.0+TT						
				-99.7+TT ⁴						
	1	n41	15	-94.8+TT						
1	n77	15		-95.3+16.8+TT						
				-95.3+16.8+TT ⁴						
1	n3	15	-97.0+16.4+TT							

CA configuration	Test ID	NR band	SCS kHz	Channel Bandwidth						
				5 MHz (dBm)	10 MHz (dBm)	15 MHz (dBm)	20 MHz (dBm)	25 MHz (dBm)	30 MHz (dBm)	40 MHz (dBm)
DL_n3A-n41A-n77A_UL_n41A-n77A	1	n41	15	-97.0+16.4+TT ⁴						
				-94.8+TT						
				-97.5+TT ⁴						
	1	n77	15		-95.3+TT					
					-97.5+TT ⁴					
DL_n3A-n41A-n77A_UL_n3A-n77A	1	n3	15	-97.0+TT						
				-99.7+TT ⁴						
	1	n41	15	-94.8+5.3+TT						
				-94.8+5.3+TT ⁴						
	1	n77	15		-95.3+TT					
					-97.5+TT ⁴					
DL_n5A-n48A-n66A_UL_n5A-n66A	1	n5	15	-98.0+TT						
	1	n48	15	-99.0+3.6+TT						
				-101.2+3.6+TT ⁴						
	1	n66	15	-99.5+TT						
				-102.2+TT ⁴						
DL_n5A-n66A-n77A_UL_n5A-n66A	1	n5	15	-98.0+TT						
	1	n66	15	-99.5+TT						
				-102.2+TT ⁴						
	1	n77	15		-95.3+16.1+TT					
					-97.5+16.1+TT ⁴					
	2	n5	15	-98.0+TT						
	2	n66	15	-99.5+TT						
				-102.2+TT ⁴						
	2	n77	15		-95.3+8.2+TT					
					-97.5+8.2+TT ⁴					
	3	n5	15	-98.0+TT						
3	n66	15	-99.5+TT							
			-102.2+TT ⁴							
3	n77	15		-95.3+3.3+TT						
				-97.5+3.3+TT ⁴						
DL_n5A-n66A-n77A_UL_n5A-n77A	1	n5	15	-98.0+TT						
	1	n66	15	-99.5+13.2+TT						
				-102.2+13.2TT ⁴						
	1	n77	15		-95.3+TT					
					-97.5+TT ⁴					
DL_n28A-n41A-n79A_UL_n41A-n79A	1	n28	15	-98.5+13+TT						
				-98.5-2.7 ⁵ +13+TT						
	1	n41	15		-94.9+TT					
				-94.9-2.7+TT						
	1	n79	15							-89.6+TT
										-89.6-2.2+TT
DL_n28A-n41A-n79A_UL_n28A-n41A	1	n28	15	-98.5+TT						
				-98.5-2.7 ⁵ +TT						
	1	n41	15		-94.9+TT					
					-94.9-2.7+TT					

CA configuration	Test ID	NR band	SCS kHz	Channel Bandwidth						
				5 MHz (dBm)	10 MHz (dBm)	15 MHz (dBm)	20 MHz (dBm)	25 MHz (dBm)	30 MHz (dBm)	40 MHz (dBm)
	1	n79	15							-89.6+10.1+TT
										-89.6-2.2+10.1+TT
DL_n28A-n41A-n79A_UL_n28A-n79A	1	n28	15	-98.5+TT						
				-98.5-2.7 ⁵ +TT						
	1	n41	15		-94.9+10.4+TT					
					-94.9-2.7+10.4+TT					
	1	n79	15							-89.6+TT
										-89.6-2.2+TT
DL_n66A-n71A-n77A_UL_n66A-n71A	1	n66	15	-99.5+TT						
				-99.5-2.7+TT ⁴						
	1	n71	15	-97.2+TT						
				-97.2-2.7+TT ⁴						
	1	n77	15		-95.3+15.9+TT					
					-95.3+15.9+TT ⁴					
DL_n66A-n71A-n77A_UL_n66A-n77A	1	n66	15	-99.5+TT						
				-99.5-2.7+TT ⁴						
	1	n71	15	-97.2+15.3+TT						
				-97.2+15.3+TT ⁴						
	1	n77	15		-95.3+TT					
					-95.3-2.2+TT ⁴					
DL_n66A-n71A-n77A_UL_n71A-n77A	1	n66	15	-99.5+15.5+TT						
				-99.5+15.5+TT ⁴						
	1	n71	15	-97.2+TT						
				-97.2-2.7+TT ⁴						
	1	n77	15		-95.3+TT					
					-95.3-2.2+TT ⁴					
DL_n66A-n71A-n78A_UL_n66A-n71A	1	n66	15	-99.5+TT						
				-99.5-2.7+TT ⁴						
	1	n71	15	-97.2+TT						
				-97.2-2.7+TT ⁴						
	1	n78	15		-95.8+9+TT					
					-95.8+9+TT ⁴					
DL_n66A-n71A-n78A_UL_n71A-n78A	1	n66	15	-99.5+15.5+TT						
				-99.5+15.5+TT ⁴						
	1	n71	15	-97.2+TT						
				-97.2-2.7+TT ⁴						
	1	n78	15		-95.8+TT					
					-95.8-2.2+TT ⁴					

Note 1: The transmitter shall be set to maximum output power level (Table 7.3A.3.5-2)
 Note 2: The reference measurement channel is specified in Annex A2.2. Configurations of PDSCH and PDCCH before measurement are specified in Annex C.2.

CA configuration	Test ID	NR band	SCS kHz	Channel Bandwidth					
				5 MHz (dBm)	10 MHz (dBm)	15 MHz (dBm)	20 MHz (dBm)	25 MHz (dBm)	30 MHz (dBm)
Note 3: TT for each frequency and channel bandwidth is specified in Table 7.3.2.5-3.									
Note 4: Applicable only if operation with 4 antenna ports is supported in the band with carrier aggregation configured.									
Note 5: 4 Rx operation is targeted for FWA form factor.									

Table 7.3A.2_1.5-1a: Reference sensitivity requirement for PC2 interband 3DL CA

CA configuration	Test ID	NR band	SCS kHz	Channel Bandwidth						
				5 MHz (dBm)	10 MHz (dBm)	15 MHz (dBm)	20 MHz (dBm)	25 MHz (dBm)	30 MHz (dBm)	40 MHz (dBm)
DL_n2A-n5A-n77A_UL_n2A-n77A	1	n2	15	-98.0+TT						
				-100.7+TT ⁴						
	1	n5	15	-98.0+13.6+TT						
DL_n2A-n5A-n77A_UL_n5A-n77A	1	n2	15	-98.0+24.8+TT						
				-100.7+24.8+TT ⁴						
	1	n5	15	-98.0+TT						
DL_n2A-n66A-n77A_UL_n2A-n77A	1	n2	15	-98.0+TT						
				-100.7+TT ⁴						
	1	n66	15	-99.5+34.7+TT						
DL_n2A-n66A-n77A_UL_n66A-n77A	1	n2	15	-98.0+37.6+TT						
				-100.7+37.6+TT ⁴						
	1	n66	15	-99.5+TT						
DL_n5A-n66A-n77A_UL_n5A-n77A	1	n5	15	-98.0+TT						
				-99.5+22.2+TT						
	1	n66	15	-99.5+22.2+TT ⁴						
DL_n5A-n66A-n77A_UL_n5A-n77A	1	n5	15	-98.0+TT						
				-99.5+22.2+TT						
	1	n66	15	-99.5+22.2+TT ⁴						
DL_n5A-n66A-n77A_UL_n5A-n77A	1	n5	15	-98.0+TT						
				-99.5+22.2+TT						
	1	n66	15	-99.5+22.2+TT ⁴						
DL_n5A-n66A-n77A_UL_n5A-n77A	1	n5	15	-98.0+TT						
				-99.5+22.2+TT						
	1	n66	15	-99.5+22.2+TT ⁴						
Note 1: The transmitter shall be set to maximum output power level (Table 7.3A.3.5-2)										
Note 2: The reference measurement channel is specified in Annex A2.2. Configurations of PDSCH and PDCCH before measurement are specified in Annex C.2.										
Note 3: TT for each frequency and channel bandwidth is specified in Table 7.3.2.5-3.										
Note 4: Applicable only if operation with 4 antenna ports is supported in the band with carrier aggregation configured.										

7.3A.3 Reference sensitivity power level for 4DL CA

NOTE: Intraband contiguous 4DL CA is FFS

7.3A.3.1 Test purpose

To verify the ability of UE that support CA to receive data with a given average throughput for a specified reference measurement channel, under conditions of low signal level, ideal propagation and no added noise.

A UE unable to meet the throughput requirement under these conditions will decrease the effective coverage area.

7.3A.3.2 Test applicability

This test case applies to all types of NR UE release 15 and forward that support NR 4DL CA.

7.3A.3.3 Minimum requirements

The minimum conformance requirements are defined in clause 7.3A.0.

7.3A.3.4 Test description

7.3A.3.4.1 Initial conditions

Initial conditions are a set of test configurations the UE needs to be tested in and the steps for the SS to take with the UE to reach the correct measurement state.

The initial test configurations consist of environmental conditions, test frequencies, and channel bandwidths based on NR operating bands specified in Table 5.2-1. All of these configurations shall be tested with applicable test parameters for each channel bandwidth, and are shown in Table 7.3A.3.4.1-1. The details of the uplink reference measurement channels (RMCs) are specified in Annex A2.2. Configurations of PDSCH and PDCCH before measurement are specified in Annex C.2.

Table 7.3A.3.4.1-1: Test Configuration Table for 4DL CA

Initial conditions																					
Test Environment as specified in TS 38.508-1 [5] subclause 4.1												Normal, TL/VL, TL/VH, TH/VL, TH/VH									
Test Frequencies as specified in TS 38.508-1 [5] subclause 4.3.1												For test frequencies refer to “Range” columns. For Inter-band CA: CA_nXA-nYA-nZA-nRA: Mid range for PCC and SCC with exceptions CA_nX(2A)-nYA-nZA: For nY and nZ bands, Mid range for PCC and SCC with exceptions. CA_nXC-nYA-nZA and CA_nXB-nYA-nZA : Low range, High Range for nXC and nXB, mid range for nYA for PCC and SCC with exceptions. Exceptions for CA configurations containing the following band combinations: CA_n1-n77: Mid in band n1 and Low in band n77 CA_n2-n77: UL and DL Mid in band n2 and band n77 at 3850MHz CA_n3-n77: TBD in band n3 and TBD in band n77. CA_n3-n78: Mid in band n3 and High in band n78. CA_n8-nX: Low range for PCC in Band n8 CA_n70-n71: High range for PCC in band n71 These exceptions apply only for nY and nZ bands in the case of CA_nX(2A)-nYA-nZA.									
Test CC Combination setting (CBW) as specified in Tables 5.5A.1-1, 5.5A.2-1, or tables in clauses 5.5A.3.x for the CA Configuration across bandwidth combination sets supported by the UE.												Refer to “PCC N _{RB} ” and “SCC N _{RB} ” columns									
Test SCS as specified in Table 5.3.5-1												Lowest									
Network signalling value												NS_01 Unless given by Table 7.3.2.3-4 for the band with active uplink carrier									
Test Parameters for CA Configurations																					
ID	CA Configuration / channel BW												DL Allocation				UL allocation (NOTE2.0)				
	CA configuration												PCC N _{RB}	SCC1 N _{RB}	SCC2 N _{RB}	SCC3 N _{RB}	CC Mod	PCC & SCC RB allocation		CC Mod	PCC & SCC RB allocation
	PCC		Wgap1	SCC1		Wgap2	SCC2		Wgap3	SCC3		PC C						SC C			
	Band	Range		Band	Range		Band	Range		Band	Range										
Default Test Settings for a CA_nXC-nYA-nZA and CA_nXB-nYA-nZA Configurations (Intra-band contiguous + Inter-band)																					
1	nX	default	N/A	nX	default	N/A	nY	default	N/A	nZ	default	Highest NRB _{agg}	Highest NRB _{agg}	Highest	Highest	CP-OFDM QPSK	Full RB	DFT-s-OFDM QPSK	REFSE NS	-	

2	nY	default	N/A	nX	default	N/A	nX	default	N/A	nZ	default	Highest (NOTE 11)	Highest NRB_agg	Highest NRB_agg	Highest	CP-OFDM QPSK	Full RB	DFT-s-OFDM QPSK	REFSE NS	-
3	nZ	default	N/A	nX	default	N/A	nX	default	N/A	nY	default	Highest (NOTE 11)	Highest NRB_agg	Highest NRB_agg	Highest	CP-OFDM QPSK	Full RB	DFT-s-OFDM QPSK	REFSE NS	-

Test Parameters for CA Configurations																				
ID	CA Configuration / channel BW											DL Allocation				UL allocation (NOTE2.0)				
	CA configuration											PCC N _{RB}	SCC1 N _{RB}	SCC2 N _{RB}	SCC3 N _{RB}	CC Mod	PCC & SCC RB allocation		CC Mod	PCC & SCC RB allocation
	PCC		Wgap1	SCC1		Wgap2	SCC2		Wgap3	SCC3							PCC	SCC		
	Band	Range		Band	Range		Band	Range		Band	Range									
Default Test Settings for a CA_nX(2A)-nYA-nZA Configuration (Intra-band non-contiguous + Inter-band)																				
1	nX	CC1	Max (NOTE 7)	nX	CC2	N/A	nY	N/A	N/A	nZ	default	Highest NRB _{agg} (NOTE 6)	Highest NRB _{agg} (NOTE 6)	Highest	Highest	CP-OFDM QPSK	Full RB	DFT-s-OFDM QPSK	REFSE NS	-
2	nY	default	N/A	nX	CC1	Max (NOTE 7)	nX	CC2	N/A	nZ	default	Highest (NOTE 11)	Highest NRB _{agg}	Highest NRB _{agg}	Highest	CP-OFDM QPSK	Full RB	DFT-s-OFDM QPSK	REFSE NS	-
3	nZ	default	N/A	nX	CC1	Max (NOTE 7)	nX	CC2	N/A	Ny	default	Highest (NOTE 11)	Highest NRB _{agg}	Highest NRB _{agg}	Highest	CP-OFDM QPSK	Full RB	DFT-s-OFDM QPSK	REFSE NS	-
Default Test Settings for a CA_nX(2A)-nY(2A) Configuration (Intra-band non-contiguous + Intra-band non-contiguous)																				
1	nX	CC1	Max (NOTE 7)	nX	CC2	N/A	nY	CC1	Max (NOTE 7)	nY	CC2	Highest NRB _{agg} (NOTE 6)	Highest NRB _{agg} (NOTE 6)	Highest NRB _{agg} (NOTE 6)	Highest NRB _{agg} (NOTE 6)	CP-OFDM QPSK	Full RB	DFT-s-OFDM QPSK	REFSE NS	-
2	nY	CC1	Max (NOTE 7)	nY	CC2	N/A	nX	CC1	Max (NOTE 7)	nX	CC2	Highest NRB _{agg} (NOTE 6)	Highest NRB _{agg} (NOTE 6)	Highest NRB _{agg} (NOTE 6)	Highest NRB _{agg} (NOTE 6)	CP-OFDM QPSK	Full RB	DFT-s-OFDM QPSK	REFSE NS	-
Default Test Settings for a CA_nXB-nYC Configuration (Intra-band contiguous + Intra-band contiguous)																				

1	nX	CC1	NA	nX	CC2	N/A	nY	CC1	NA	nY	CC2	Highest NRB_a gg (NOTE 6)	Highest NRB_a gg (NOTE 6)	Highest NRB_a gg (NOTE 6)	Highest NRB_a gg (NOTE 6)	CP-OFDM QPSK	Full RB	DFT-s-OFDM QPSK	REFSE NS	-
2	nY	CC1	NA	nY	CC2	N/A	nX	CC1	NA	nX	CC2	Highest NRB_a gg (NOTE 6)	Highest NRB_a gg (NOTE 6)	Highest NRB_a gg (NOTE 6)	Highest NRB_a gg (NOTE 6)	CP-OFDM QPSK	Full RB	DFT-s-OFDM QPSK	REFSE NS	-
Default Test Settings for CA_nXA-nYA-nZA-nRA Configurations (Inter-band)																				
1	nX	default	N/A	nY	default	N/A	nZ	default	N/A	nR	default	Highest (NOTE 11)	Highest	Highest	Highest	CP-OFDM QPSK	Full RB	DFT-s-OFDM QPSK	REFSE NS	-
2	nY	default	N/A	nX	default	N/A	nZ	default	N/A	nR	default	Highest (NOTE 11)	Highest	Highest	Highest	CP-OFDM QPSK	Full RB	DFT-s-OFDM QPSK	REFSE NS	-
3	nZ	default	N/A	nX	default	N/A	nY	default	N/A	nR	default	Highest (NOTE 11)	Highest	Highest	Highest	CP-OFDM QPSK	Full RB	DFT-s-OFDM QPSK	REFSE NS	-
4	nR	default	N/A	nX	default	N/A	nY	default	N/A	nZ	default	Highest (NOTE 11)	Highest	Highest	Highest	CP-OFDM QPSK	Full RB	DFT-s-OFDM QPSK	REFSE NS	-

- Note 1: CA Configuration Test CC Combination test settings are checked separately for each CA Configuration.
- Note 2.0: REFSENS refers to the single carrier Uplink RB allocation for reference sensitivity according to table 7.3.2.4.1-3.
- Note 2: Use CA Configuration – specific test points if present in the table, otherwise use test points from matching Group Test Settings, if present in the table. Otherwise use the Default Test Settings test points.
- Note 3: **Inter-band:** nX,nY,nZ, nR correspond to the different bands in the CA Configuration. E.g. for CA_n1A-n3A-n28A-n78A, nX=n1, nY=n3, nZ=n28, nR=n78.
- Note 4: **Intra-band contiguous + Inter-band:** nX,nY,nZ correspond to the different bands in the CA Configuration, e.g. for CA_n1C-n3A-n8A, nX=n1, nY=n3, nZ = n8
- Note 5: **Intra-band non-contiguous + Inter-band:** nX, nY and nZ correspond to the different bands in the CA Configuration. E.g. for CA_n1A-n1A-n8A-n28A, nX=n1, nY =8, nZ = 28.
- Note 6: If the UE supports multiple CC Combinations in the CA Configuration with the same NRB_agg, only the combination with the highest NRB_PCC is tested
- Note 7: The Wgap is defined to be widest possible on band based on the PCC and SCC configuration for Intra-band non-contiguous
- Note 8: For band combinations including operating bands without uplink band (as noted in Table 5.2-1), only the CA configurations where PCC band has uplink band shall be tested
- Note 9: The fallback configurations including CA_nXA-nYA for 4CA configurations nXC-nYA-nZA and nXB-nYA-nZA do not need to be tested even if the test frequency differs. 7.3A.1_1 shall be tested for all nXA-nYA combinations including exceptions.
- Note 10: In a band where UE supports 4Rx, the test needs to be performed only with 4Rx antennas connected.
- Note 12: Each of Highest UL and Highest DL shall be selected according to clause 5.5A.3.3. DL channel bandwidth shall be selected first.

1. Connect the SS to the UE antenna connectors as shown in TS 38.508-1 [5] Annex A, Figure A.3.1.1.3 for TE diagram and section A.3.2 for UE diagram.
2. The parameter settings for the cell are set up according to TS 38.508-1 [5] subclause 4.4.3.
3. Downlink signals for PCC are initially set up according to Annex C.0, C.1, C.2, and C.3.1, and uplink signals according to Annex G.0, G.1, G.2, and G.3.1.
4. The UL and Reference Measurement Channel is set according to Table 7.3A.3.4.1-1.
5. Propagation conditions are set according to Annex B.0.
6. Ensure the UE is in State RRC_CONNECTED with generic procedure parameters Connectivity *NR*, Connected without release *On*, Test Mode *On* and Test Loop Function *On* according to TS 38.508-1 [5] clause 4.5. Message contents are defined in clause 7.3A.2.1.4.3.

7.3A.3.4.2 Test procedure

1. Configure SCCs according to Annex C.0, C.1, C.2 for all downlink physical channels.
2. The SS shall configure SCCs as per TS 38.508-1 [5] clause 5.5.1. Message contents are defined in clause 7.3A.3.1.4.3.
3. SS activates SCCs by sending the activation MAC CE (Refer TS 38.321 [18], clauses 5.9, 6.1.3.10). Wait for at least 2 seconds (Refer TS 38.133[19], clause 9.3).
4. SS transmits PDSCH via PDCCH DCI format 1-1 for C_RNTI to transmit the DL RMC according to Table 7.3A.3.4.1-1 on both PCC and SCC. The SS sends downlink MAC padding bits on the DL RMC
5. SS sends uplink scheduling information for each UL HARQ process via PDCCH DCI format 0_1 for C_RNTI to schedule the UL RMC according to Table 7.3A.3.4.1-1 on PCC. Since the UE has no payload and no loopback data to send the UE sends uplink MAC padding bits on the UL RMC.
6. Set the Downlink signal level to the appropriate REFSENS value defined in Tables 7.3.2.5-1 and 7.3.2.5-2 as appropriate. Send continuously uplink power control "up" commands in every uplink scheduling information to the UE to ensure the UE transmits P_{UMAX} level for at least the duration of the throughput measurement. Allow at least 200ms starting from the first TPC command in this step for the UE to reach P_{UMAX} level.
7. Measure the average throughput for each component carrier for a duration sufficient to achieve statistical significance according to Annex H.2A.

7.3A.3.4.3 Message contents

Message contents are according to TS 38.508-1 [5] subclause 4.6 Table 4.6.3-118 with condition TRANSFORM_PRECODER_ENABLED.

7.3A.3.5 Test requirement

For 4DL carrier aggregation, test parameters are specified in table 7.3A.3.4.1-1. For the CA configurations listed in table 7.3A.3.5-1, the throughput of each component carrier shall be $\geq 95\%$ of the maximum throughput of the reference measurement channels as specified in Annexes A.2.2, A.2.3 and A.3.2 (with one sided dynamic OCNG Pattern OP.1 FDD/TDD for the DL-signal as described in Annex A.5.1.1/A.5.2.1) with reference sensitivity power level specified in table 7.3.2.5-1 for each non-SDL carrier for 2 Rx antenna port, in table 7.3.2.5-2 for each non-SDL carrier for 4 Rx antenna port and in table 7.3A.1.5-2 for SDL carrier with following additional requirements:

For the UE which supports inter-band carrier aggregation, the test requirement for reference sensitivity shall be increased by the amount given by $\Delta R_{IB,c}$ defined in clause 7.3A.0.3.2 for the applicable operating bands. Unless otherwise stated, $\Delta R_{IB,c}$ is set to zero.

For intra-band non-contiguous CA with one uplink carrier and two or more downlink sub-blocks, the test requirement for SCC(s) shall be increased by ΔR_{IBNC} given in Table 7.3A.0.2.2-1. Unless given by Table 7.3.2.3-4, the reference sensitivity requirements shall be verified with the network signalling value NS_01 (Table 6.2.3.1-1) configured.

Table 7.3A.3.5-1: Reference sensitivity requirement for 4DL CA

Carrier aggregation type	DL CA configuration	UL CA configuration
Inter-band 4DL CA	CA_n1A-n3A-n28A-n78A	-
	CA_n2A-n5A-n48(2A)	
	CA_n2A-n5A-n48B	
	CA_n2A-n5A-n77C	
	CA_n2A-n48A-n77C	
	CA_n2A-n48(2A)-n66A	
	CA_n2A-n48(2A)-n77A	
	CA_n2A-n48B-n66A	
	CA_n2A-n48B-n77A	
	CA_n2A-n66A-n77C	
	CA_n3A-n28A-n41A-n77A	-
	CA_n5A-n48A-n77C	
	CA_n5A-n48(2A)-n66A	
	CA_n5A-n48(2A)-n77A	
	CA_n5A-n48B-n66A	
	CA_n5A-n48B-n77A	

	CA_n5A-n66A-n77C	
	CA_n5B-n77C	
	CA_n26A-n66(2A)-n70A	-
	CA_n48A-n66A-n71(2A)	-
	CA_n48A-n66A-n77C	
	CA_n48A-n66(2A)-n70A	-
	CA_n48A-n66(2A)-n71A	-
	CA_n48A-n70A-n71(2A)	-
	CA_n48B-n66A-n70A	-
	CA_n48B-n66A-n71A	-
	CA_n48B-n66A-n77A	
	CA_n48B-n70A-n71A	-
	CA_n48(2A)-n66A-n70A	-
	CA_n48(2A)-n66A-n71A	-
	CA_n48(2A)-n66(2A)	-
	CA_n48(2A)-n66A-n77A	
	CA_n48(2A)-n70A-n71A	-
	CA_n48(2A)-n71(2A)	-
	CA_n66A-n70A-n71(2A)	-
	CA_n66B-n70A-n71A	-
	CA_n66(2A)-n70A-n71A	-
	CA_n66(2A)-n71(2A)	-
	CA_n2A-n5A-n48A-n66A	-
	CA_n2A-n5A-n48A-n77A	-
	CA_n2A-n5A-n66A-n77A	-
	CA_n2A-n48A-n66A-n77A	-
	CA_n5A-n48A-n66A-n77A	-
	CA_n66A-n71A-n77(2A)	-
	CA_n66A-n71A-n78(2A)	-
SDL configuration	CA_n29A-n66B-n70A	-
	CA_n29A-n66(2A)-n70	-

7.3A.4 Reference sensitivity power level for 5DL CA

FFS

7.3B Reference sensitivity for NR-DC

For inter-band NR-DC configurations, the reference sensitivity for the corresponding inter-band CA configuration as specified in clause 7.3A applies.

Note: For NR-DC testing, replace CA by NR-DC, PCC by PCell, and SCC by PSCell in clause 7.3A.

7.3C Reference sensitivity for SUL

7.3C.0 Minimum conformance requirements

7.3C.0.1 General

The reference sensitivity power level REFSENS is the minimum mean power applied to each one of the UE antenna ports for all UE categories, at which the throughput shall meet or exceed the requirements for the specified reference measurement channel. For operations with 4 Rx antenna ports, the MSD in the applicable bands shall be increased by the absolute value of $\Delta R_{IB,4R}$ in Table 7.3.2-2 when $MSD > 0$.

7.3C.0.2 Minimum conformance requirements for Reference sensitivity power level

For SUL operation, the reference receive sensitivity (REFSENS) requirement for downlink bands specified in Table 7.3.2.3-1 and 7.3.2.3-2 shall be met for an uplink transmission bandwidth less than or equal to that specified in Table 7.3.2.3-1 or supplementary uplink transmission bandwidth less than or equal to that specified in Table 7.3C.0.2-1 with reference measurement channels as specified in Annexes A.2.2.2, A.2.3.2, A.3.2, and A.3.3 (with one sided dynamic OCNG Pattern OP.1 FDD/TDD for the DL-signal as described in Annex A.5.1.1/A.5.2.1), unless sensitivity

degradation is allowed in this section of this specification. These exceptions also apply to any higher order CA or DC combination containing one of the exception combinations in this section as subset.

For SUL operation with downlink CA, the reference receive sensitivity (REFSENS) requirement for downlink bands specified in clause 7.3A.2 shall be met for an uplink transmission bandwidth less than or equal to that specified in Table 7.3.2-3 or supplementary uplink transmission bandwidth less than or equal to that specified in Table 7.3C.2-1 with reference measurement channels as specified in Annexes A.2.2.2, A.2.3.2, A.3.2, and A.3.3 (with one sided dynamic OCNG Pattern OP.1 FDD/TDD for the DL-signal as described in Annex A.5.1.1/A.5.2.1), unless sensitivity degradation is allowed in this clause of this specification. These exceptions also apply to any higher order CA or DC combination containing one of the exception combinations in this clause as subset.

Table 7.3C.0.2-1: Supplementary uplink configuration for reference sensitivity

NR Band / SCS of SUL band / Channel bandwidth of the DL band / N _{RB}															
DL band	UL band	SCS of UL band (kHz)	5 MHz	10 MHz	15 MHz	20 MHz	25 MHz	30 MHz	40 MHz	50 MHz	60 MHz	70 MHz	80 MHz	90 MHz	100 MHz
n41	n83	15		100	100	100		100	100	100	100		100	100	100
		30		50	50	50		50	50	50	50		50	50	50
n41	n95	15		75	75	75		75	75	75	75		75	75	75
n41	n99	15		50	50	50		50	50	50	50		50	50	50
n48	n99	15		50	50	50		50	50	50	50		50	50	50
n77	n99	15		50	50	50			50	50	50		50	50	50
n78	n80	15		160	160	160	160	160	160	160	160	160	160	160	160
n78	n81	15		50	75	100			100	100	100		100	100	100
n78	n84	15		100	100	100	100	100	100	100	100	100	100	100	100
n79	n83	15							100	100	100		100		100
		30							50	50	50		50		50
n79	n95	15							75	75	75		75		75

For the UE that supports any of the SUL operation given in Table 7.3C.0.2-2, exceptions to the requirements specified in Table 7.3.2.3-1 are allowed when the uplink is active in a lower frequency band and is within a specified frequency range such that transmitter harmonics fall within the downlink transmission bandwidth assigned in a higher band as noted in Table 7.3C.0.2-2. For these exceptions, the UE shall meet the requirements specified in Table 7.3C.0.2-2 and Supplementary Uplink configuration (exceptions due to harmonic issue given in Table 7.3C.0.2-3.

Table 7.3C.0.2-2: Reference sensitivity for SUL operation (exceptions due to harmonic issue)

UL band	DL band	UL BW	SCS of UL band	UL RB Allocation	DL BW	MSD	UL/DL fc condition	UL/DL harmonic order
		(MHz)	(kHz)	L _{CRB}	(MHz)	(dB)		
n80	n78	5	15	25 (RBstart=0)	10	23.9	NOTE 2	UL2/DL1 direct-hit
n80	n78	10	15	50 (RBstart=0)	100	13.8	NOTE 2	UL2/DL1 direct-hit
n80	n78	5	15	25 (RBstart=0)	10	1.1	NOTE 6	UL2/DL1 near-miss
n81	n78	5	15	16 (RBstart=4)	10	10.8	NOTE 4	UL4/DL1 direct-hit
n81	n78	5	15	25 (RBstart=0)	100	1.4	NOTE 4	UL4/DL1 direct-hit
n81	n79	5	15	25 (RBstart=0)	40	6.8	NOTE 5	UL5/DL1 direct-hit
n81	n79	5	15	25 (RBstart=0)	100	4.4	NOTE 5	UL5/DL1 direct-hit
n82	n78	5	15	16 (RBstart=4)	10	10.8	NOTE 4	UL4/DL1 direct-hit
n82	n78	5	15	20 (RBstart=2)	100	1.0	NOTE 4	UL4/DL1 direct-hit
n83	n78	5	15	10 (RBstart=8)	10	10.4	NOTE 5	UL5/DL1 direct-hit

n83	n78	5	15	25 (RBstart=0)	100	0.7	NOTE 5	UL5/DL1 direct-hit
n86	n78	5	15	25 (RBstart=0)	10	23.9	NOTE 2	UL2/DL1 direct-hit
n86	n78	10	15	100 (RBstart=0)	100	13.8	NOTE 2	UL2/DL1 direct-hit
n86	n78	5	15	25 (RBstart=0)	10	1.1	NOTE 6	UL2/DL1 near-miss

NOTE 1: These requirements apply when there is at least one individual RE within the uplink transmission bandwidth of the aggressor (lower) band for which the 2nd / 3rd / 4th / 5th transmitter harmonic is within the downlink transmission bandwidth of a victim (higher) band.

NOTE 2: The requirements should be verified for UL NR ARFCN of the aggressor (lower) band (superscript LB) such that $f_{UL}^{LB} = \lfloor f_{DL}^{HB} / 0.2 \rfloor \cdot 0.1$ in MHz and $F_{UL_low}^{LB} + BW_{Channel}^{LB} / 2 \leq f_{UL}^{LB} \leq F_{UL_high}^{LB} - BW_{Channel}^{LB} / 2$ with carrier frequency in the victim (higher) band in MHz and the channel bandwidth configured in the lower band.

NOTE 3: The requirements should be verified for UL NR ARFCN of the aggressor (lower) band (superscript LB) such that $f_{UL}^{LB} = \lfloor f_{DL}^{HB} / 0.3 \rfloor \cdot 0.1$ in MHz and $F_{UL_low}^{LB} + BW_{Channel}^{LB} / 2 \leq f_{UL}^{LB} \leq F_{UL_high}^{LB} - BW_{Channel}^{LB} / 2$ with the carrier frequency in the victim (higher) band in MHz and the channel bandwidth configured in the low band.

NOTE 4: The requirements should be verified for UL EARFCN of the aggressor (lower) band (superscript LB) such that $f_{UL}^{LB} = \lfloor f_{DL}^{HB} / 0.4 \rfloor \cdot 0.1$ in MHz and $F_{UL_low}^{LB} + BW_{Channel}^{LB} / 2 \leq f_{UL}^{LB} \leq F_{UL_high}^{LB} - BW_{Channel}^{LB} / 2$ with f_{DL}^{HB} carrier frequency in the victim (higher) band in MHz and $BW_{Channel}^{LB}$ the channel bandwidth configured in the lower band.

NOTE 5: The requirements should be verified for UL NR-ARFCN of the aggressor (lower) band (superscript LB) such that $f_{UL}^{LB} = \lfloor f_{DL}^{HB} / 0.5 \rfloor \cdot 0.1$ in MHz and $F_{UL_low}^{LB} + BW_{Channel}^{LB} / 2 \leq f_{UL}^{LB} \leq F_{UL_high}^{LB} - BW_{Channel}^{LB} / 2$ with f_{DL}^{HB} carrier frequency in the victim (higher) band in MHz and $BW_{Channel}^{LB}$ the channel bandwidth configured in the lower band.

NOTE 6: The requirements are only applicable to channel bandwidths no larger than 20 MHz and with a carrier frequency at $\pm (20 + BW_{Channel}^{HB} / 2)$ MHz offset from $2 f_{UL}^{LB}$ in the victim (higher band) with $F_{UL_low}^{LB} + BW_{Channel}^{LB} / 2 \leq f_{UL}^{LB} \leq F_{UL_high}^{LB} - BW_{Channel}^{LB} / 2$, where $BW_{Channel}^{LB}$ and $BW_{Channel}^{HB}$ are the channel bandwidths configured in the aggressor (lower) and victim (higher) bands in MHz, respectively.

Table 7.3C.0.2-3: Void

7.3C.0.3 $\Delta R_{IB,c}$ for SUL

7.3C.0.3.1 General

For a UE supporting a SUL configuration, the $\Delta R_{IB,c}$ applies for both SC and SUL operation.

7.3C.0.3.2 SUL band combination

For the UE which supports SUL band combination, the minimum requirement for reference sensitivity in subclause 7.3C.0 shall be increased by the amount given in $\Delta R_{IB,c}$ defined in subclause 7.3C.0.3 for the applicable operating bands. Unless otherwise stated, $\Delta R_{IB,c}$ is set to zero.

In case the UE supports more than one of band combinations for CA, SUL or DC, and an operating band belongs to more than one band combinations then

- When the operating band frequency range is ≤ 1 GHz, the applicable additional $\Delta R_{IB,c}$ shall be the average value for all band combinations defined in subclause 7.3A, 7.3B, 7.3C in this specification and 7.3A, 7.3B in TS 38.521-3 [14], truncated to one decimal place that apply for that operating band among the supported band combinations. In case there is a harmonic relation between low band UL and high band DL, then the maximum $\Delta R_{IB,c}$ among the different supported band combinations involving such band shall be applied
- When the operating band frequency range is > 1 GHz, the applicable additional $\Delta R_{IB,c}$ shall be the maximum value for all band combinations defined in subclause 7.3A, 7.3B, 7.3C in this specification and 7.3A, 7.3B in TS 38.521-3 [14] for the applicable operating bands.

7.3C.0.3.2.1 $\Delta R_{IB,c}$ for two bands**Table 7.3C.0.3.2.1-1: $\Delta R_{IB,c}$ due to SUL (two bands)**

Band combination for SUL	NR Band	$\Delta R_{IB,c}$ (dB)
SUL_n78-n80	n78	0.5
SUL_n78-n81	n78	0.5
SUL_n78-n82	n78	0.5
SUL_n78-n83	n78	0.5
SUL_n78-n84	n78	0.5
SUL_n78-n86	n78	0.5
SUL_n79-n83	n79	0.5

7.3C.0.3.2.2 $\Delta R_{IB,c}$ for three bands**Table 7.3C.0.3.2.2-1: $\Delta R_{IB,c}$ due to SUL (three bands)**

Band combination for SUL	NR Band	$\Delta R_{IB,c}$ (dB)
CA_n1_n78-n80	n1	0.2
	n78	0.5
CA_n1_n78-n84	n1	0.2
	n78	0.5
CA_n3_n78-n80	n3	0.2
	n78	0.5
CA_n28_n41-n83	n28	0.2
CA_n28_n79-n83	n28	0.2
	n79	0.5

The normative reference for this requirement is TS 38.101-1 [2] clause 7.3C.2 and 7.3C.3.

7.3C.1 General

The reference sensitivity power level REFSSENS is the minimum mean power applied to each one of the UE antenna ports for all UE categories, at which the throughput shall meet or exceed the requirements for the specified reference measurement channel.

For reference sensitivity exception test points where the specified carrier frequency does not correspond to a valid NR-ARFCN, the closest NR-ARFCN as specified in clause 5.4.2 applies.

7.3C.2 Reference sensitivity power level for SUL

Editor's Note: The following aspects are either missing or not yet determined:

- Exceptional test points for configurations except SUL_n78-n80 and SUL_n78-n81 is FFS

7.3C.2.1 Test purpose

The test purpose is to verify the ability of the UE to receive data with a given average throughput for a specified reference measurement channel, under SUL operation and conditions of low signal level, ideal propagation and no added noise.

7.3C.2.2 Test applicability

This test case applies to all types of NR UE release 15 and forward that supports SUL operation on the SUL bands.

7.3C.2.3 Minimum conformance requirement

The minimum conformance requirements are defined in clause 7.3C.0.

- 7.3C.2.4 Test description
- 7.3C.2.4.1 Initial conditions

Initial conditions are a set of test configurations the UE needs to be tested in and the steps for the SS to take with the UE to reach the correct measurement state.

The initial test configurations consist of environmental conditions, test frequencies, and channel bandwidths based on NR operating bands specified in Table 5.2-1. All of these configurations shall be tested with applicable test parameters for each channel bandwidth, and are shown in Table 7.3C.2.4.1-1 and 7.3C.2.4.1-2. The details of the uplink reference measurement channels (RMCs) are specified in Annex A2.2. Configurations of PDSCH and PDCCH before measurement are specified in Annex C.2.

Table 7.3C.2.4.1-1: Test Configuration Table for SUL without exceptions

Initial Conditions					
Test Environment as specified in TS 38.508-1 [5] subclause 4.1			Normal, TL/VL, TL/VH, TH/VL, TH/VH		
Test Frequencies as specified in TS 38.508-1 [5] subclause 4.3.1			Mid range for SUL carrier. Low, Mid, High range for non-SUL carrier With following exceptions: SUL_n78-n80: High in band n78 SUL_n78-n81: High in band n78		
Test Channel Bandwidths as specified in TS 38.508-1 [5] subclause 4.3.1			Lowest, Mid, Highest for Non-SUL carrier For SUL band: n80: 30 MHz n81: 20 MHz n82: 20 MHz n83: 20 MHz n84: 20 MHz n86: 40 MHz n95: 15 MHz		
Test SCS as specified in Table 5.5C-1			15kHz for SUL carrier Lowest for Non-SUL carrier		
Test Parameters					
Test ID	Downlink Configuration		UL Configuration	SUL Configuration	
	Modulation	RB allocation		Modulation	RB allocation (NOTE 2)
1	CP-OFDM QPSK	Full RB (NOTE 1)	N/A	DFT-s-OFDM QPSK	REFSENS (NOTE 2)
NOTE 1: Full RB allocation shall be used per each SCS and channel BW as specified in Table 7.3.2.4.1-2.					
NOTE 2: REFSENS refers to Table 7.3C.2.4.1-1a which defines uplink RB configuration and start RB location for each SCS, channel BW and NR band.					
NOTE 3: In a band where UE supports 4Rx, the test needs to be repeated with only 2Rx antennas connected and the other antennas terminated.					

Table 7.3C.2.4.1-1a: SUL configuration for reference sensitivity, LCRB @ RBstart format (without exception)

NR Band / SCS of SUL band / Channel bandwidth of the DL band / LCRB @RBstart of SUL band														
DL band	SUL band	SCS of SUL band (kHz)	5 MHz	10 MHz	15 MHz	20 MHz	25 MHz	30 MHz	40 MHz	50 MHz	60 MHz	80 MHz	90 MHz	100 MHz
n41	n83	15		100@0	100@0	100@0		100@0	100@0	100@0	100@0	100@0	100@0	100@0
		30		50@0	50@0	50@0		50@0	50@0	50@0	50@0	50@0	50@0	50@0
n41	n95	15		75@0	75@0	75@0		75@0	75@0	75@0	75@0	75@0	75@0	75@0
n41	n99	15		50@0	50@0	50@0		50@0	50@0	50@0	50@0	50@0	50@0	50@0
n48	n99	15		50@0	50@0	50@0		50@0	50@0	50@0	50@0	50@0	50@0	50@0
n77	n99	15		50@0	50@0	50@0			50@0	50@0	50@0	50@0	50@0	50@0
n78	n80	15		160@0	160@0	160@0			160@0	160@0	160@0	160@0	160@0	160@0
n78	n81	15		100@0	100@0	100@0			100@0	100@0	100@0	100@0	100@0	100@0
n78	n84	15		100@0	100@0	100@0			100@0	100@0	100@0	100@0	100@0	100@0
n79	n83	15							100@0	100@0	100@0	100@0		100@0
		30							50@0	50@0	50@0	50@0		50@0
n79	n95	15							75@0	75@0	75@0	75@0		75@0

NOTE 1: In case UE does not support SUL channel bandwidth described in Table 7.3C.2.4.1-1, the number of PRB allocated shall be the maximum transmission bandwidth configuration for the maximum supported channel bandwidth in SUL band under test instead of the values provided in this table.

Table 7.3C.2.4.1-2: Test configurations table for SUL operation exceptions due to UL harmonic issue

Initial Conditions											
Test Environment as specified in TS 38.508-1 [5] subclause 4.1						Normal, TL/VL, TL/VH, TH/VL, TH/VH					
Test Frequencies as specified in TS 38.508-1 [5] subclause 4.3.1						See range column for each CC					
Test Channel Bandwidths as specified in TS 38.508-1 [5] subclause 4.3.1						See CBW column for each CC					
Test SCS as specified in Table 5.5C-1						15kHz for SUL carrier Lowest for Non-SUL carrier					
Test Parameters											
ID	Downlink Configuration					UL Configuration	SUL Configuration				
	Band	Range	CBW	Mod	RB alloc (NOTE 1)		Band	Range	CBW	Mod	RB alloc (LCBR@RBstart)
Test settings for SUL_n78A-n80A											
1	n78	3560	100M Hz	CP-OFDM QPSK	Full RB	N/A	n80	High	10 MHz	DFT-s-OFDM QPSK	50@0
2	n78	3565	10 MHz	CP-OFDM QPSK	Full RB	N/A	n80	High	5 MHz	DFT-s-OFDM QPSK	25@0
3	n78	3540	10 MHz	CP-OFDM QPSK	Full RB	N/A	n80	High	5 MHz	DFT-s-OFDM QPSK	25@0
Test settings for SUL_n78A-n81A											
1	n78	3590	10 MHz	CP-OFDM QPSK	Full RB	N/A	n81	Mid	5 MHz	DFT-s-OFDM QPSK	16@4
2	n78	3590	100 MHz	CP-OFDM QPSK	Full RB	N/A	n81	Mid	5 MHz	DFT-s-OFDM QPSK	25@0
NOTE 1: Full RB allocation shall be used per each SCS and channel BW as specified in Table 7.3.2.4.1-2.											

1. Connect the SS to the UE antenna connectors as shown in TS 38.508-1 [5] Annex A, Figure A.3.1.1.4 for TE diagram and section A.3.2 for UE diagram.
2. The parameter settings for the cell are set up according to TS 38.508-1 [5] subclause 4.4.3.
3. Downlink signals are initially set up according to Annex C0, C.1, C.2, C3.1, and uplink signals according to Annex G.0, G.1, G.2, G.3.0 with consideration of supplementary uplink physical channels.
4. The UL and DL Reference Measurement Channel shall be set according to Table 7.3C.2.4.1-1 or 7.3C.2.4.1-2.
5. The UL Reference Measurement Channel shall be set according to Table 7.3C.2.4.1-1 for REFSSENS without exceptions and Table 7.3C.2.4.1-2 when testing is performed with SUL/DL band combination listed in Table 7.3C.0.2-2 for exceptions due to harmonic issue.

5. Propagation conditions are set according to Annex B.0.
6. Ensure the UE is in State RRC_CONNECTED with generic procedure parameters Connectivity NR, Connected without release On, Test Mode On and Test Loop Function On according to TS 38.508-1 [5] clause 4.5. Message contents are defined in clause 7.3C.2.4.3

7.3C.2.4.2 Test procedure

1. SS transmits PDSCH via PDCCH DCI format 1_1 for C_RNTI to transmit the DL RMC according to Table 7.3C.2.4.1-1. The SS sends downlink MAC padding bits on the DL RMC.
2. SS sends uplink scheduling information for each UL HARQ process via PDCCH DCI format 0_1 for C_RNTI to schedule the UL RMC on SUL band according to Tables 7.3C.2.4.1-1. Since the UE has no payload data to send, the UE transmits uplink MAC padding bits on the UL RMC.
3. Set the Downlink signal level to the appropriate REFSENS value defined in Table 7.3C.2.5-1 for 2Rx and table 7.3C.2.5-2 for 4Rx. Send continuously uplink power control "up" commands in the uplink scheduling information to the UE to ensure the UE transmits P_{UMAX} level for at least the duration of the Throughput measurement.
4. Measure the average throughput for a duration sufficient to achieve statistical significance according to Annex H.2.
5. For configurations listed in table 7.3C.2.4.1-2, repeat step 1-4 with table 7.3C.2.4.1-2 replacing table 7.3C.2.4.1-1 in step1 and step 2, table 7.3C.2.5.1-1 replacing 7.3C.2.5-1 and table 7.3C.2.5-2 in step 3.

7.3C.2.4.3 Message contents

Message contents are according to TS 38.508-1 [5] subclause 4.3.6.1.1.2 ensuring UL/SUL indicator in Table 4.3.6.1.1.2-1 with condition SUL, subclause 4.6 ensuring Tables 4.6.1-28 with condition SUL AND (RF OR RRM), 4.6.3-14 with condition SUL_SUL for SUL carrier, and Table 4.6.3-167 with condition PUSCH_PUCCH_ON_SUL, additionally the following exception shown in Table 7.3C.2.4.3-1 is considered.

Table 7.3C.2.4.3-1: PUSCH-Config

Derivation Path: TS 38.508-1 [5], Table 4.6.3-118 with condition TRANSFORM_PRECODER_ENABLED
--

7.3C.2.5 Test requirement

The throughput measured in step 4 shall be $\geq 95\%$ of the maximum throughput of the reference measurement channels as specified in Annex A3.2 for REFSENS without exception testing with receive power level specified in Tables 7.3C.2.5-1 for 2Rx antenna port and Tables 7.3C.2.5-2 for 4 Rx antenna port, and parameters specified in table 7.3C.2.4.1-1.

Table 7.3C.2.5-0: Test Tolerance (TT) for RX sensitivity level

$f \leq 3.0\text{GHz}$	$3.0\text{GHz} < f \leq 6.0\text{ GHz}$
0.7 dB	1.0 dB

Table 7.3C.2.5-1: Reference sensitivity QPSK $P_{REFSENS}$ for 2Rx

Operating band / SCS / Channel bandwidth / Duplex-mode														
Operating Band	SCS kHz	5 MHz (dBm)	10 MHz (dBm)	15 MHz (dBm)	20 MHz (dBm)	25 MHz (dBm)	30 MHz (dBm)	40 MHz (dBm)	50 MHz (dBm)	60 MHz (dBm)	80 MHz (dBm)	90 MHz (dBm)	100 MHz (dBm)	Duplex Mode
n1	15	-100.0 +TT	-96.8 +TT	-95.0 +TT	-93.8 +TT	-92.7 +TT	-91.9 +TT	-90.6 +TT	-89.6 +TT					FDD
	30		-97.1 +TT	-95.1 +TT	-94.0 +TT	-92.8 +TT	-92.0 +TT	-90.7 +TT	-89.7 +TT					
	60		-97.5 +TT	-95.4 +TT	-94.2 +TT	-93.0 +TT	-92.1 +TT	-90.9 +TT	-89.7 +TT					
n2	15	-98.0 +TT	-94.8 +TT	-93.0 +TT	-91.8 +TT									FDD
	30		-95.1 +TT	-93.1 +TT	-92.0 +TT									
	60		-95.5 +TT	-93.4 +TT	-92.2 +TT									
n3	15	-97.0 +TT	-93.8 +TT	-92.0 +TT	-90.8 +TT	-89.7 +TT	-88.9 +TT	-87.6 +TT						FDD
	30		-94.1 +TT	-92.1 +TT	-91.0 +TT	-89.8 +TT	-89.0 +TT	-87.7 +TT						
	60		-94.5 +TT	-92.4 +TT	-91.2 +TT	-90.0 +TT	-89.1 +TT	-87.9 +TT						
n5	15	-98.0 +TT	-94.8 +TT	-93.0 +TT	-90.8 +TT									FDD
	30		-95.1 +TT	-93.1 +TT	-91.0 +TT									
	60													
n7 ¹	15	-98.0 +TT	-94.8 +TT	-93.0 +TT	-91.8 +TT									FDD
	30		-95.1 +TT	-93.1 +TT	-92.0 +TT									
	60		-95.5 +TT	-93.4 +TT	-92.2 +TT									
n8	15	-97.0 +TT	-93.8 +TT	-92.0 +TT	-90.0 +TT									FDD
	30		-94.1 +TT	-92.1 +TT	-90.2 +TT									
	60													

Operating band / SCS / Channel bandwidth / Duplex-mode

Operating Band	SCS kHz	5 MHz (dBm)	10 MHz (dBm)	15 MHz (dBm)	20 MHz (dBm)	25 MHz (dBm)	30 MHz (dBm)	40 MHz (dBm)	50 MHz (dBm)	60 MHz (dBm)	80 MHz (dBm)	90 MHz (dBm)	100 MHz (dBm)	Duplex Mode
n12	15	-97.0 +TT	-93.8 +TT	-84.0 +TT										FDD
	30		-94.1 +TT	-84.1 +TT										
	60													
n14	15	-97.0 +TT	-93.8 +TT											FDD
	30		-94.1 +TT											
	60													
n20	15	-97.0 +TT	-93.8 +TT	-91.0 +TT	-89.8 +TT									FDD
	30		-94.1 +TT	-91.1 +TT	-90.0 +TT									
	60													
n25	15	-96.5 +TT	-93.3 +TT	-91.5 +TT	-90.3 +TT									FDD
	30		-93.6 +TT	-91.6 +TT	-90.5 +TT									
	60		-94.0 +TT	-91.9 +TT	-90.7 +TT									
n26	15	-97.5 +TT	-94.5 +TT	-92.7 +TT	-87.6 +TT									
	30		-94.8 +TT	-92.7 +TT	-87.7 +TT									
n28	15	-98.5 +TT	-95.5 +TT	-93.5 +TT	-90.8 +TT		-78.5 +TT							FDD
	30		-95.6 +TT	-93.6 +TT	-91.0 +TT		-78.6 +TT							
	60													
n30	15	-99.0 +TT	-95.8 +TT											FDD
	30		-96.1 +TT											
	60													

Operating band / SCS / Channel bandwidth / Duplex-mode														
Operating Band	SCS kHz	5 MHz (dBm)	10 MHz (dBm)	15 MHz (dBm)	20 MHz (dBm)	25 MHz (dBm)	30 MHz (dBm)	40 MHz (dBm)	50 MHz (dBm)	60 MHz (dBm)	80 MHz (dBm)	90 MHz (dBm)	100 MHz (dBm)	Duplex Mode

n34	15	-100.0 +TT	-96.8 +TT	-95.0 +TT										TDD
	30		-97.1 +TT	-95.1 +TT										
	60		-97.5 +TT	-95.4 +TT										
n38	15	-100.0 +TT	-96.8 +TT	-95.0 +TT	-93.8 +TT			-90.6 +TT						TDD
	30		-97.1 +TT	-95.1 +TT	-94.0 +TT			-90.7 +TT						
	60		-97.5 +TT	-95.4 +TT	-94.2 +TT			-90.9 +TT						
n39	15	-100.0 +TT	-96.8 +TT	-95.0 +TT	-93.8 +TT	-92.7 +TT	-91.9 +TT	-90.6 +TT						TDD
	30		-97.1 +TT	-95.1 +TT	-94.0 +TT	-92.8 +TT	-92.0 +TT	-90.7 +TT						
	60		-97.5 +TT	-95.4 +TT	-94.2 +TT	-93.0 +TT	-92.1 +TT	-90.9 +TT						
n40	15	-100.0 +TT	-96.8 +TT	-95.0 +TT	-93.8 +TT	-92.7 +TT	-91.9 +TT	-90.6 +TT	-89.6 +TT					TDD
	30		-97.1 +TT	-95.1 +TT	-94.0 +TT	-92.8 +TT	-92.0 +TT	-90.7 +TT	-89.7 +TT	-88.9 +TT	-87.6 +TT			
	60		-97.5 +TT	-95.4 +TT	-94.2 +TT	-93.0 +TT	-92.1 +TT	-90.9 +TT	-89.8 +TT	-89.1 +TT	-87.6 +TT			
n41 ¹	15		-94.8 +TT	-93.0 +TT	-91.8 +TT		-89.9 +TT	-88.6 +TT	-87.6 +TT					TDD
	30		-95.1 +TT	-93.1 +TT	-92.0 +TT		-90.0 +TT	-88.7 +TT	-87.7 +TT	-86.9 +TT	-85.6 +TT	-85.1 +TT	-84.7 +TT	
	60		-95.5 +TT	-93.4 +TT	-92.2 +TT		-90.1 +TT	-88.9 +TT	-87.8 +TT	-87.1 +TT	-85.6 +TT	-85.1 +TT	-84.7 +TT	
n48 ¹	15	-99.0 +TT	-95.8 +TT	-94.0 +TT	-92.7 +TT			-89.6 +TT	-88.6 ⁵ +TT					TDD
	30		-96.1 +TT	-94.1 +TT	-92.9 +TT			-89.7 +TT	-88.7 ⁵ +TT	-87.9 ⁵ +TT	-86.6 ⁵ +TT	-86.1 ⁵ +TT	-85.6 ⁵ +TT	
	60		-96.5 +TT	-94.4 +TT	-93.1 +TT			-89.9 +TT	-88.8 ⁵ +TT	-88.0 ⁵ +TT	-86.7 ⁵ +TT	-86.2 ⁵ +TT	-85.7 ⁵ +TT	

Operating band / SCS / Channel bandwidth / Duplex-mode														
Operating Band	SCS kHz	5 MHz (dBm)	10 MHz (dBm)	15 MHz (dBm)	20 MHz (dBm)	25 MHz (dBm)	30 MHz (dBm)	40 MHz (dBm)	50 MHz (dBm)	60 MHz (dBm)	80 MHz (dBm)	90 MHz (dBm)	100 MHz (dBm)	Duplex Mode
n50	15	-100.0 +TT	-96.8 +TT	-95.0 +TT	-93.8 +TT		-91.9 +TT	-90.6 +TT	-89.6 +TT					TDD

	30		-97.1 +TT	-95.1 +TT	-94.0 +TT		-92.0 +TT	-90.7 +TT	-89.7 +TT	-88.9 +TT	-87.6 +TT			
	60		-97.5 +TT	-95.4 +TT	-94.2 +TT		-92.1 +TT	-90.9 +TT	-89.8 +TT	-89.1 +TT	-87.6 +TT			
n51	15	-100.0 +TT												TDD
	30													
	60													
n53	15	-100.0 +TT	-96.8 +TT											TDD
	30		-97.1 +TT											
	60		-97.5 +TT											
n65	15	- 99.5+TT	- 96.3+TT	- 94.5+TT	- 93.3+TT									FDD
	30		- 96.6+TT	- 94.6+TT	- 93.5+TT									
	60		- 97.0+TT	- 94.9+TT	- 93.7+TT									
n66	15	-99.5 +TT	-96.3 +TT	-94.5 +TT	-93.3 +TT	-92.2 +TT	-91.4 +TT	-90.1 +TT						FDD
	30		-96.6 +TT	-94.6 +TT	-93.5 +TT	-92.3 +TT	-91.5 +TT	-90.2 +TT						
	60		-97.0 +TT	-94.9 +TT	-93.7 +TT	-92.5 +TT	-91.6 +TT	-90.4 +TT						
n70	15	-100.0 +TT	-96.8 +TT	-95.0 +TT	-93.8 +TT	-92.7 +TT								FDD
	30		-97.1 +TT	-95.1 +TT	-94.0 +TT	-92.8 +TT								
	60		-97.5 +TT	-95.4 +TT	-94.2 +TT	-93.0 +TT								

Operating band / SCS / Channel bandwidth / Duplex-mode														
Operating Band	SCS kHz	5 MHz (dBm)	10 MHz (dBm)	15 MHz (dBm)	20 MHz (dBm)	25 MHz (dBm)	30 MHz (dBm)	40 MHz (dBm)	50 MHz (dBm)	60 MHz (dBm)	80 MHz (dBm)	90 MHz (dBm)	100 MHz (dBm)	Duplex Mode
n71	15	-97.2 +TT	-94.0 +TT	-91.6 +TT	-86.0 +TT									FDD
	30		-94.3 +TT	-91.9 +TT	-87.4 +TT									
	60	-												
n74	15	-99.5 ³ +TT	-96.3 ³ +TT	-94.5 ³ +TT	-93.3 ³ +TT									FDD

	30		-96.6 ³ +TT	-94.6 ³ +TT	-93.5 ³ +TT									
	60		-97.0 ³ +TT	-94.9 ³ +TT	-93.7 ³ +TT									
n77 ^{1,4}	15		-95.3 +TT	-93.5 +TT	-92.2 +TT			-89.1 +TT	-88.1 +TT					TDD
	30		-95.6 +TT	-93.6 +TT	-92.4 +TT			-89.2 +TT	-88.2 +TT	-87.4 +TT	-86.1 +TT	-85.6 +TT	-85.1 +TT	
	60	-	-96.0 +TT	-93.9 +TT	-92.6 +TT			-89.4 +TT	-88.3 +TT	-87.5 +TT	-86.2 +TT	-85.7 +TT	-85.2 +TT	
n78 ¹	15		-95.8 +TT	-94.0 +TT	-92.7 +TT			-89.6 +TT	-88.6 +TT					TDD
	30		-96.1 +TT	-94.1 +TT	-92.9 +TT			-89.7 +TT	-88.7 +TT	-87.9 +TT	-86.6 +TT	-86.1 +TT	-85.6 +TT	
	60		-96.5 +TT	-94.4 +TT	-93.1 +TT			-89.9 +TT	-88.8 +TT	-88.0 +TT	-86.7 +TT	-86.2 +TT	-85.7 +TT	
n79 ¹	15							-89.6 +TT	-88.6 +TT					TDD
	30							-89.7 +TT	-88.7 +TT	-87.9 +TT	-86.6 +TT		-85.6 +TT	
	60							-89.9 +TT	-88.8 +TT	-88.0 +TT	-86.7 +TT		-85.7 +TT	

NOTE 1: Four Rx antenna ports shall be the baseline for this operating band except for two Rx vehicular UE.
 NOTE 2: The transmitter shall be set to P_{UMAX} as defined in subclause 6.2C.1
 NOTE 3: ³ indicates that the requirement is modified by -0.5 dB when the assigned NR channel bandwidth is confined within 1475.9-1510.9 MHz.
 NOTE 4: The requirement is modified by -0.5 dB when the assigned UE channel bandwidth is confined within 3300 - 3800 MHz.
 NOTE 5: For these bandwidths, the minimum requirements are restricted to operation when carrier is configured as a downlink carrier part of CA configuration.
 NOTE 6: TT for each frequency and channel bandwidth is specified in Table 7.3C.2.5-0.

Table 7.3C.2.5-2: Reference sensitivity QPSK P_{REFSENS} for Four Rx antenna ports

Operating band / SCS / Channel bandwidth / Duplex-mode														
Operating Band	SCS kHz	5 MHz (dBm)	10 MHz (dBm)	15 MHz (dBm)	20 MHz (dBm)	25 MHz (dBm)	30 MHz (dBm)	40 MHz (dBm)	50 MHz (dBm)	60 MHz (dBm)	80 MHz (dBm)	90 MHz (dBm)	100 MHz (dBm)	Duplex Mode
n1	15	-102.7 +TT	-99.5 +TT	-97.7 +TT	-96.5 +TT	-95.4 +TT	-94.6 +TT	-93.3 +TT	-92.3 +TT					FDD
	30		-99.8 +TT	-97.8 +TT	-96.7 +TT	-95.5 +TT	-94.7 +TT	-93.4 +TT	-92.4 +TT					
	60		-100.2 +TT	-98.1 +TT	-96.9 +TT	-95.7 +TT	-94.8 +TT	-93.6 +TT	-92.4 +TT					
n2	15	-100.7 +TT	-97.5 +TT	-95.7 +TT	-94.5 +TT									FDD

	30		-97.8 +TT	-95.8 +TT	-94.7 +TT									
	60		-98.2 +TT	-96.1 +TT	-94.9 +TT									
n3	15	-99.7 +TT	-96.5 +TT	-94.7 +TT	-93.5 +TT	-92.4 +TT	-91.6 +TT	-90.3 +TT						FDD
	30		-96.8 +TT	-94.8 +TT	-93.7 +TT	-92.5 +TT	-91.7 +TT	-90.4 +TT						
	60		-97.2 +TT	-95.1 +TT	-93.9 +TT	-92.7 +TT	-91.8 +TT	-90.6 +TT						
n7	15	-100.7 +TT	-97.5 +TT	-95.7 +TT	-94.5 +TT									FDD
	30		-97.8 +TT	-95.8 +TT	-94.7 +TT									
	60		-98.2 +TT	-97.1 +TT	-94.9 +TT									
n30	15	-101.7 +TT	-98.5 +TT											FDD
	30		-98.8 +TT											
	60													
n34	15	-102.7 +TT	-99.5 +TT	-97.7 +TT										TDD
	30		-99.8 +TT	-97.8 +TT										
	60		-100.2 +TT	-98.1 +TT										

Operating band / SCS / Channel bandwidth / Duplex-mode														
Operating Band	SCS kHz	5 MHz (dBm)	10 MHz (dBm)	15 MHz (dBm)	20 MHz (dBm)	25 MHz (dBm)	30 MHz (dBm)	40 MHz (dBm)	50 MHz (dBm)	60 MHz (dBm)	80 MHz (dBm)	90 MHz (dBm)	100 MHz (dBm)	Duplex Mode
n38	15	-102.7 +TT	-99.5 +TT	-97.7 +TT	-96.5 +TT			-93.3 +TT						TDD
	30		-99.8 +TT	-97.8 +TT	-96.7 +TT			-93.4 +TT						
	60		-100.2 +TT	-98.1 +TT	-96.9 +TT			-93.6 +TT						
n39	15	-102.7 +TT	-99.5 +TT	-97.7 +TT	-96.5 +TT	-95.4 +TT	-94.6 +TT	-93.3 +TT						TDD
	30		-99.8 +TT	-97.8 +TT	-96.7 +TT	-95.5 +TT	-94.7 +TT	-93.4 +TT						

	60		-100.2 +TT	-98.1 +TT	-96.9 +TT	-95.7 +TT	-94.8 +TT	-93.6 +TT						
n40	15	-102.7 +TT	-99.5 +TT	-97.7 +TT	-96.5 +TT	-95.4 +TT	-94.6 +TT	-93.3 +TT	-92.3 +TT					TDD
	30		-99.8 +TT	-97.8 +TT	-96.7 +TT	-95.5 +TT	-94.7 +TT	-93.4 +TT	-92.4 +TT	-91.6 +TT	-90.3 +TT			
	60		-100.2 +TT	-98.1 +TT	-96.9 +TT	-95.7 +TT	-94.8 +TT	-93.6 +TT	-92.5 +TT	-91.8 +TT	-90.3 +TT			
n41	15		-97.5 +TT	-95.7 +TT	-94.5 +TT		-92.6 +TT	-91.3 +TT	-90.3 +TT					TDD
	30		-97.8 +TT	-95.8 +TT	-94.7 +TT		-92.7 +TT	-91.4 +TT	-90.4 +TT	-89.6 +TT	-88.3 +TT	-87.8 +TT	-87.4 +TT	
	60		-98.2 +TT	-96.1 +TT	-94.9 +TT		-92.8 +TT	-91.6 +TT	-90.5 +TT	-89.8 +TT	-88.3 +TT	-87.8 +TT	-87.4 +TT	
n48	15	-101.2 +TT	-98.0 +TT	-96.2 +TT	-94.9 +TT			-91.8 +TT	-90.8 ³ +TT					TDD
	30		-98.3 +TT	-96.3 +TT	-95.1 +TT			-91.9 +TT	-90.9 ³ +TT	-90.1 ³ +TT	-88.8 ³ +TT	-88.3 ³ +TT	-87.8 ³ +TT	
	60		-98.7 +TT	-96.6 +TT	-95.3 +TT			-92.1 +TT	-91.0 ³ +TT	-90.2 ³ +TT	-88.9 ³ +TT	-88.4 ³ +TT	-87.9 ³ +TT	
n66	15	-102.2 +TT	-99.0 +TT	-97.2 +TT	-96.0 +TT	-94.9 +TT	-94.1 +TT	-92.8 +TT						FDD
	30		-99.3 +TT	-97.3 +TT	-96.2 +TT	-95.0 +TT	-94.2 +TT	-92.9 +TT						
	60		-99.7 +TT	-97.6 +TT	-96.4 +TT	-95.2 +TT	-94.3 +TT	-93.1 +TT						

Operating band / SCS / Channel bandwidth / Duplex-mode														
Operating Band	SCS kHz	5 MHz (dBm)	10 MHz (dBm)	15 MHz (dBm)	20 MHz (dBm)	25 MHz (dBm)	30 MHz (dBm)	40 MHz (dBm)	50 MHz (dBm)	60 MHz (dBm)	80 MHz (dBm)	90 MHz (dBm)	100 MHz (dBm)	Duplex Mode
n70	15	-102.7 +TT	-99.5 +TT	-97.7 +TT	-96.5 +TT	-95.4 +TT								FDD
	30		-99.8 +TT	-97.8 +TT	-96.7 +TT	-95.5 +TT								
	60		-100.2 +TT	-98.1 +TT	-96.9 +TT	-95.7 +TT								
n77 ⁴	15		-97.5 +TT	-95.7 +TT	-94.4 +TT			-91.3 +TT	-90.3 +TT					TDD
	30		-97.8 +TT	-95.8 +TT	-94.6 +TT			-91.4 +TT	-90.4 +TT	-89.6 +TT	-88.3 +TT	-87.8 +TT	-87.3 +TT	
	60	-	-98.2 +TT	-96.1 +TT	-94.8 +TT			-91.6 +TT	-90.5 +TT	-89.7 +TT	-88.4 +TT	-87.9 +TT	-87.4 +TT	

n78	15		-98.0 +TT	-96.2 +TT	-94.9 +TT			-91.8 +TT	-90.8 +TT					TDD
	30		-98.3 +TT	-96.3 +TT	-95.1 +TT			-91.9 +TT	-90.9 +TT	-90.1 +TT	-88.8 +TT	-88.3 +TT	-87.8 +TT	
	60		-98.7 +TT	-96.6 +TT	-95.3 +TT			-92.1 +TT	-91.0 +TT	-90.2 +TT	-88.9 +TT	-88.4 +TT	-87.9 +TT	
n79	15							-91.8 +TT	-90.8 +TT					TDD
	30							-91.9 +TT	-90.9 +TT	-90.1 +TT	-88.8 +TT		-87.8 +TT	
	60							-92.1 +TT	-91.0 +TT	-90.2 +TT	-88.9 +TT		-87.9 +TT	

NOTE 1: Four Rx antenna ports shall be the baseline for above listed operating band except for two Rx vehicular UE.
NOTE 2: The requirement is modified by -0.5 dB when the assigned UE channel bandwidth is confined within 3300 - 3800 MHz.
NOTE 3: For these bandwidths, the minimum requirements are restricted to operation when carrier is configured as a downlink carrier part of CA configuration.
NOTE 4: TT for each frequency and channel bandwidth is specified in Table 7.3C.2.5-0.
NOTE 5: The requirement is modified by -0.5 dB when the assigned UE channel bandwidth is confined within 3300 - 3800 MHz.

For the UE that supports any of the SUL operation given in Table 7.3C.0.2-2, exceptions to the requirements specified in Table 7.3C.2.5-1 or Table 7.3C.2.5-2 are allowed when the uplink is active in a lower frequency band and is within a specified frequency range such that transmitter harmonics fall within the downlink transmission bandwidth assigned in a higher band as noted in Table 7.3C.0.2-2. For these exceptions, the UE shall meet the requirements specified in clause 7.3C.2.5.1.

7.3C.2.5.1 Reference sensitivity exceptions due to harmonic issue

For SUL operation with DL band listed in Table 7.3C.0.2.3-2 with supplementary uplink transmission bandwidth less than or equal to that specified in Table 7.3C.0.2.3-1, the reference receive sensitivity (REFSENS) requirement for downlink bands specified in Table 7.3C.2.5.1-1 due to harmonic exceptions.

Table 7.3C.2.5.1-1: Reference sensitivity for SUL operation (exceptions due to harmonic issue)

SUL band	DL band	Test ID	CBW for DL band (MHz)	REFSENS test requirement of DL band (dBm)
n80	n78 ¹	1	100	-85.6+23.9+TT
		2	10	-95.8+13.8+TT
		3	10	-95.8+1.1+TT
n81	n78 ¹	1	10	-95.8+10.8+TT
		2	100	-85.6+1.4+TT

NOTE 1: Four Rx antenna ports shall be the baseline for this operating band except for two Rx vehicular UE.
NOTE 2: The transmitter shall be set to P_{UMAX} as defined in subclause 6.2C.1

Table 7.3C.2.5.1-2: Void

For the UE which supports SUL band combination, the test requirement for reference sensitivity in Tables 7.3C.2.5-1, 7.3C.2.5-2 and 7.3C.2.5.1-1, 7.3C.2.3-1 shall be increased by the amount given in $\Delta R_{IB,c}$ defined in subclause 7.3C.0.3.

7.3C.3 Reference sensitivity power level for SUL (3CC)

Editor's Note:

- No test points defined for Reference sensitivity power level testing for SUL with DL CA. This test case is covered by 7.3.2 and 7.3C.2.

7.3C.3.1 Test purpose

The test purpose is to verify the ability of the UE to receive data with a given average throughput for a specified reference measurement channel, under SUL and 2 DL CA operation and conditions of low signal level, ideal propagation and no added noise.

7.3C.3.2 Test applicability

This test case applies to all types of NR UE release 15 and forward that supports SUL operation on the SUL bands with 2DL CA.

7.3C.3.3 Minimum conformance requirement

The minimum conformance requirements are defined in clause 7.3C.0.

7.3C.3.4 Test description

NOTE: No testing needs to be performed since the testing has been covered in test case 7.3.2 and 7.3C.2.

For band combination CA_nX_nY-nZ, test the REFSENS of SUL configuration or NR band as listed in table 7.3C.3.4-1.

Table 7.3C.3.4-1: Test band combinations and configuration

Band configuration	Verifying REFSENS of SUL configurations/ NR band	Subtest case	Table with test parameters to select
CA_n1A_n78A-n80A	SUL_n78A-n80A	7.3C.2	Table 7.3C.2.4.1-1
	n1	7.3.2	Table 7.3.2.4.1-1
CA_n1A_n78A-n84A	SUL_n78A-n84A	7.3C.2	Table 7.3C.2.4.1-1
	n1	7.3.2	Table 7.3.2.4.1-1
CA_n3A_n78A-n80A	SUL_n78A-n80A	7.3C.2	Table 7.3C.2.4.1-1
	n3	7.3.2	Table 7.3.2.4.1-1
CA_n28A_n41A-n83A	SUL_n41A-n83A	7.3C.2	Table 7.3C.2.4.1-1
	n28	7.3.2	Table 7.3.2.4.1-1
CA_n79C-n83A	SUL_n79A-n83A	7.3C.2	Table 7.3C.2.4.1-1
CA_n28A_n79A-n83A	SUL_n79A-n83A	7.3C.2	Table 7.3C.2.4.1-1
	n28	7.3.2	Table 7.3.2.4.1-1

7.3C.3.5 Test requirement

Same test requirement as clause 7.3.2 and 7.3C.2 for each band or band combinations listed in table 7.3C.3.4-1.

7.3D Reference sensitivity for UL MIMO

7.3D.1 General

For UE with two transmitter antenna connectors in closed-loop spatial multiplexing scheme, the minimum requirements specified in subclause 7.3 shall be met with the UL MIMO configurations described in clause 6.2D.1. For UL MIMO, the parameter P_{UMAX} is the total transmitter power over the two transmits power over the two transmit antenna connectors.

The normative reference for this requirement is TS 38.101-1 [2] clauses 7.3D

7.3D.2 Reference sensitivity power level for UL MIMO

7.3D.2.1 Test purpose

The test purpose is to verify the ability of the UE to receive data with a given average throughput for a specified reference measurement channel, under conditions of low signal level, ideal propagation and no added noise.

7.3D.2.2 Test applicability

This test case applies to all types of NR UE release 15 and forward that support UL MIMO on FDD bands.

7.3D.2.3 Minimum conformance requirements

For UE with two transmitter antenna connectors in closed-loop spatial multiplexing scheme, the minimum requirements specified in subclause 7.3 shall be met with the UL MIMO configurations described in clause 6.2D.1. For UL MIMO, the parameter P_{UMAX} is the total transmitter power over the two transmits power over the two transmit antenna connectors

The normative reference for this requirement is TS 38.101-1 [2] clauses 7.3D and 7.3.

7.3D.2.4 Test description

7.3D.2.4.1 Initial conditions

Initial conditions are a set of test configurations the UE needs to be tested in and the steps for the SS to take with the UE to reach the correct measurement state.

The initial test configurations consist of environmental conditions, test frequencies, and channel bandwidths based on NR operating bands specified in Table 5.2-1. All of these configurations shall be tested with applicable test parameters for each channel bandwidth, and are shown in Table 7.3D.2.4.1-1, Table 7.3D.2.4.1-2, and Table 7.3D.2.4.1-3. The details of the uplink and downlink reference measurement channels (RMCs) are specified in Annex A.2 and A.3. Configurations of PDSCH and PDCCH before measurement are specified in Annex C.2.

Table 7.3D.2.4.1-1: Test Configuration Table

Initial Conditions				
Test Environment as specified in TS 38.508-1 [5] subclause 4.1		Normal, TL/VL, TL/VH, TH/VL, TH/VH		
Test Frequencies as specified in TS 38.508-1 [5] subclause 4.3.1		Low range, Mid range, High range		
Test Channel Bandwidths as specified in TS 38.508-1 [5] subclause 4.3.1		Lowest, Mid, Highest		
Test SCS as specified in Table 5.3.5-1		Lowest		
Test Parameters				
Test ID	Downlink Configuration		Uplink Configuration	
	Modulation	RB allocation	Modulation	RB allocation
1	CP-OFDM QPSK	Full RB (NOTE 1)	CP-OFDM QPSK	REFSENS (NOTE 2)
NOTE 1: Full RB allocation shall be used per each SCS and channel BW as specified in Table 7.3.2.4.1-2.				
NOTE 2: REFSENS refers to Table 7.3.2.4.1-3 which defines uplink RB configuration and start RB location for each SCS, channel BW and NR band.				
NOTE 3: In a band where UE supports 4Rx, the test shall be performed only with 4Rx antennas ports connected and 4Rx REFSENS requirement (Table 7.3.2.5-2) is used in the test requirements.				

1. Connect the SS to the UE antenna connectors as shown in TS 38.508-1 [5] Annex A Figure A.3.1.1.2 for TE diagram and section A.3.2 for UE diagram.
2. The parameter settings for the cell are set up according to TS 38.508-1 [5] subclause 4.4.3.
3. Downlink signals are initially set up according to Annex C.0, C.1, C.2, and C.3.1, and uplink signals according to Annex G.0, G.1, G.2, and G.3.1.
4. The UL and DL Reference Measurement Channel is set according to Table 7.3D.2.4.1-1, Table 7.3.2.4.1-2, and Table 7.3.2.4.1-3.

5. Propagation conditions are set according to Annex B.0.
6. Ensure the UE is in State RRC_CONNECTED with generic procedure parameters Connectivity NR, Connected without release On, Test Mode On and Test Loop Function On according to TS 38.508-1 [5] clause 4.5. Message contents are defined in clause 7.3D.2.4.3.

7.3D.2.4.2 Test procedure

Same test procedure as specified in 7.3.2.4.2 with the following exception:

Step 2: SS sends uplink scheduling information for each UL HARQ process via PDCCH DCI format 0_1 for C_RNTI to schedule the UL RMC according to Table 7.3D.2.4.1-1. Since the UE has no payload data to send, the UE transmits uplink MAC padding bits on the UL RMC. The PDCCH DCI format 0_1 is specified with condition 2TX_UL_MIMO in 38.508-1 [5] subclause 4.3.6.1.1.2.

7.3D.2.4.3 Message contents

Message contents are according to TS 38.508-1 [5] subclause 4.6 ensuring Table 4.6.3-182 with condition 2TX_UL_MIMO and exceptions listed in clause 7.3.2.4.3

7.3D.2.5 Test requirement

The throughput shall be $\geq 95\%$ of the maximum throughput of the reference measurement channels as specified in Annex A3.2 with reference receive power level specified in Tables 7.3.2.5-1 and parameters specified Tables 7.3D.2.4.1-1, Tables 7.3.2.4.1-2 and Tables 7.3.2.4.1-3.

7.3D.2_1 Reference sensitivity power level for SUL with UL MIMO

7.3D.2_1.1 Test purpose

Same test purpose as in clause 7.3D.2.1.

7.3D.2_1.2 Test applicability

This test applies to all types of NR UE release 17 and forward that support SUL and UL MIMO operating on the SUL bands.

7.3D.2_1.3 Minimum conformance requirements

For UE with two transmitter antenna connectors in closed-loop spatial multiplexing scheme, the minimum requirements specified in subclause 7.3C shall be met with the UL MIMO configurations described in clause 6.2D.1. For UL MIMO, the parameter P_{UMAX} is the total transmitter power over the two transmits power over the two transmit antenna connectors

The normative reference for this requirement is TS 38.101-1 [2] clauses 7.3D and 7.3C.

7.3D.2_1.4 Test description

7.3D.2_1.4.1 Initial conditions

Initial conditions are a set of test configurations the UE needs to be tested in and the steps for the SS to take with the UE to reach the correct measurement state.

The initial test configurations consist of environmental conditions, test frequencies, and channel bandwidths based on NR operating bands specified in Table 5.2-1. All of these configurations shall be tested with applicable test parameters for each channel bandwidth, and are shown in Table 7.3D.2_1.4.1-1. The details of the uplink and downlink reference measurement channels (RMCs) are specified in Annex A.2 and A.3. Configurations of PDSCH and PDCCH before measurement are specified in Annex C.2.

Table 7.3D.2_1.4.1: Test Configuration Table for SUL without exceptions

Initial Conditions	
Test Environment as specified in TS 38.508-1 [5] subclause 4.1	Normal, TL/VL, TL/VH, TH/VL, TH/VH

Test Frequencies as specified in TS 38.508-1 [5] subclause 4.3.1	Mid range for SUL carrier. Low, Mid, High range for non-SUL carrier With following exceptions: SUL_n78-n80: High in band n78				
Test Channel Bandwidths as specified in TS 38.508-1 [5] subclause 4.3.1	Lowest, Mid, Highest for Non-SUL carrier For SUL band: n80: 30 MHz n84: 20 MHz n95: 15 MHz				
Test SCS as specified in Table 5.5C-1	15kHz for SUL carrier Lowest for Non-SUL carrier				
Test Parameters					
Test ID	Downlink Configuration		UL Configuration	SUL Configuration	
	Modulation	RB allocation		Modulation	RB allocation (NOTE 2)
1	CP-OFDM QPSK	Full RB (NOTE 1)	N/A	CP-OFDM QPSK	REFSENS (NOTE 2)
NOTE 1: Full RB allocation shall be used per each SCS and channel BW as specified in Table 7.3.2.4.1-2.					
NOTE 2: REFSENS refers to Table 7.3C.2.4.1-1a which defines uplink RB configuration and start RB location for each SCS, channel BW and NR band.					
NOTE 3: In a band where UE supports 4Rx, the test needs to be repeated with only 2Rx antennas connected and the other antennas terminated.					

1. Connect the SS to the UE antenna connectors as shown in TS 38.508-1 [5] Annex A, Figure A.3.1.1.5 for TE diagram and section A.3.2 for UE diagram.
2. The parameter settings for the cell are set up according to TS 38.508-1 [5] subclause 4.4.3.
3. Downlink signals are initially set up according to Annex C.0, C.1, C.2, and uplink signals according to Annex G.0, G.1, G.2 and G.3.0 with consideration of supplementary uplink physical channels.
4. The UL Reference Measurement Channel is set according to Table 7.3D.2_1.4.1.
5. Propagation conditions are set according to Annex B.0.
6. Ensure the UE is in state RRC_CONNECTED with generic procedure parameters Connectivity *NR*, Connected without release *On*, Test Mode *On* and Test Loop Function *On* according to TS 38.508-1 [5] clause 4.5. Message contents are defined in clause 7.3D.2_1.4.3.

7.3D.2_1.4.2 Test procedure

1. SS transmits PDSCH via PDCCH DCI format 1_1 for C_RNTI to transmit the DL RMC according to Table 7.3D.2_1.4.1. The SS sends downlink MAC padding bits on the DL RMC.
2. SS sends uplink scheduling information for each UL HARQ process via PDCCH DCI format 0_1 for C_RNTI to schedule the UL RMC according to Table 7.3D.2_1.4.1. Since the UE has no payload data to send, the UE transmits uplink MAC padding bits on the UL RMC. The PDCCH DCI format 0_1 is specified with condition 2TX_UL_MIMO in 38.508-1 [5] subclause 4.3.6.1.1.2.
3. Set the Downlink signal level to the appropriate REFSENS value defined in Table 7.3C.2.5-1 for 2Rx and table 7.3C.2.5-2 for 4Rx. Send continuously uplink power control "up" commands in the uplink scheduling information to the UE to ensure the UE transmits P_{UMAX} level for at least the duration of the Throughput measurement.
4. Measure the average throughput for a duration sufficient to achieve statistical significance according to Annex H.2.

7.3D.2_1.4.3 Message contents

Message contents are according to TS 38.508-1 [5] subclause 4.3.6.1.1.2 ensuring UL/SUL indicator in Table 4.3.6.1.1.2-1 with condition SUL, subclause 4.6 ensuring Table 4.6.1-28 with condition SUL AND (RF OR RRM), Tables 4.6.3-14 with condition SUL_SUL for SUL carrier, Table 4.6.3-167 with condition PUSCH_PUCCH_ON_SUL, and Table 4.6.3-182 with the condition 2TX_UL_MIMO.

7.3D.2_1.5 Test requirement

The throughput shall be $\geq 95\%$ of the maximum throughput of the reference measurement channels as specified in Annex A3.2 with reference receive power level specified in Tables 7.3C.2.5-1 and parameters specified Tables 7.3D.2_1.4.1.

7.3D.2_2 Reference sensitivity power level for SUL with UL MIMO (3CC)

Editor's Note:

- No test points defined for Reference sensitivity power level testing for UL MIMO on SUL with DL CA. This test case is covered by 7.3D.2 and 7.3D.2_1.

7.3D.2_2.1 Test purpose

The test purpose is to verify the ability of the UE to receive data with a given average throughput for a specified reference measurement channel, under SUL and 2 DL CA operation and conditions of low signal level, ideal propagation and no added noise.

7.3D.2_2.2 Test applicability

This test applies to all types of NR UE release 17 and forward that support SUL and UL MIMO operating on the SUL bands..

7.3D.2_2.3 Minimum conformance requirements

For UE with two transmitter antenna connectors in closed-loop spatial multiplexing scheme, the minimum requirements specified in subclause 7.3C shall be met with the UL MIMO configurations described in clause 6.2D.1. For UL MIMO, the parameter P_{UMAX} is the total transmitter power over the two transmits power over the two transmit antenna connectors

The normative reference for this requirement is TS 38.101-1 [2] clauses 7.3D and 7.3C.

7.3D.2_2.4 Test description

NOTE: No testing needs to be performed since the testing has been covered in test case 7.3D.2 and 7.3D.2_1.

For band combination CA_nX_SUL_nY-nZ, test the REFSENS of SUL configuration or NR band as listed in table 7.3C.3.4-1.

Table 7.3D.2_2.4-1: Test band combinations and configuration

Band configuration	Verifying REFSENS of SUL configurations/ NR band	Subtest case	Table with test parameters to select
CA_n1A_SUL_n78A-n80A	SUL_n78A-n80A	7.3D.2_1	Table 7.3D.2_1.4.1
	n1	7.3D.2	Table 7.3D.2.4.1-1
CA_n1A_SUL_n78A-n84A	SUL_n78A-n84A	7.3D.2_1	Table 7.3D.2_1.4.1
	n1	7.3D.2	Table 7.3D.2.4.1-1
CA_n3A_SUL_n78A-n80A	SUL_n78A-n80A	7.3D.2_1	Table 7.3D.2_1.4.1
	n3	7.3D.2	Table 7.3D.2.4.1-1
CA_n28A_SUL_n41A-n83A	SUL_n41A-n83A	7.3D.2_1	Table 7.3D.2_1.4.1
	n28	7.3D.2	Table 7.3D.2.4.1-1
SUL_n79C-n83A	SUL_n79A-n83A	7.3D.2_1	Table 7.3D.2_1.4.1
CA_n28A_SUL_n79A-n83A	SUL_n79A-n83A	7.3D.2_1	Table 7.3D.2_1.4.1
	n28	7.3D.2	Table 7.3D.2.4.1-1

7.3D.2_2.5 Test requirement

Same test requirement as clause 7.3D.2 and 7.3D.2_1 for each band or band combinations listed in table 7.3D.2_2.4-1.

7.3E Reference sensitivity for V2X

7.3E.1 General

The reference sensitivity power level $P_{\text{REFSENS_V2X}}$ is the minimum mean power applied to each one of the UE antenna ports for V2X UE, at which the throughput shall meet or exceed the requirements for the specified reference measurement channel.

7.3E.2 Reference sensitivity for V2X / non-concurrent operation

Editor’s Note: The following aspects are not yet determined:

- TP analysis is FFS

7.3E.2.1 Test purpose

The test purpose is to verify the ability of the UE to receive V2X physical channel data with a given average throughput for a specified reference measurement channel, under conditions of low signal level, ideal propagation and no added noise.

7.3E.2.2 Test applicability

This test case applies to all types of NR UE release 16 and forward that support NR V2X sidelink communication.

7.3E.2.3 Minimum conformance requirements

When UE is configured for NR V2X reception non-concurrent with NR uplink transmissions for NR V2X operating bands specified in Table 5.2E-1, the throughput shall be $\geq 95\%$ of the maximum throughput of the reference measurement channels as specified in Annexes A.7.2 with parameters specified in Table 7.3E.2.3-1.

Table 7.3E.2.3-1: Reference sensitivity of NR V2X Bands (PC5)

NR V2X Band	SCS (kHz)	Channel bandwidth / $P_{\text{REFSENS_V2X}}$ (dBm)				Duplex Mode
		10 MHz	20 MHz	30 MHz	40 MHz	
n38	15	-96.5	-93.2	-91.4	-90.1	HD
	30	-96.1	-93.4	-91.7	-90.2	
	60	-96.9	-93.1	-91.9	-90.4	
n47	15	-92.5	-89.2	-87.4	-86.1	HD
	30	-92.1	-89.4	-87.7	-86.2	
	60	-92.9	-89.1	-87.9	-86.4	

NOTE 1: Reference measurement channel is defined in A.7.2.
 NOTE 2: The signal power is specified per antenna port.
 NOTE 3: Void.

Table 7.3E.2.3-2: Sidelink TX configuration for reference sensitivity of NR V2X Bands (PC5)

NR V2X Band / SCS / Channel bandwidth / Duplex mode						
NR V2X Band	SCS (kHz)	10 MHz	20 MHz	30 MHz	40 MHz	Duplex Mode
n38	15	50	105	160	216	HD
	30	24	50	75	105	
	60	10 ²	24	36	50	
n47	15	50	105	160	216	HD
	30	24	50	75	105	
	60	10 ²	24	36	50	

NOTE 1: The sidelink allocated RB (L_{CRB}) size could be adjusted according to resource pool configuration in [6].
 NOTE 2: For the case, 11 RB is allowed for S-SSB Block.

The normative reference for this requirement is TS 38.101-1 [2] clauses 7.3E.2.

7.3E.2.4 Test description

7.3E.2.4.1 Initial conditions

Initial conditions are a set of test configurations the UE needs to be tested in and the steps for the SS to take with the UE to reach the correct measurement state.

The initial test configurations consist of environmental conditions, test frequencies, and channel bandwidths based on NR operating bands specified in Table 5.2E.1-1 and Table 5.3.5-1. All of these configurations shall be tested with applicable test parameters for each channel bandwidth, and are shown in Table 7.3E.2.4.1-1. The details of the V2X reference measurement channels (RMCs) are specified in Annex A.7.2 and the GNSS configuration in TS 38.508-1 [5] subclause 4.11.

Table 7.3E.2.4.1-1: Test Configuration Table

Initial Conditions	
Test Environment as specified in TS 38.508-1 [5] subclause 4.1	[Normal, TL/VL, TL/VH, TH/VL, TH/VH]
Test Frequencies as specified in TS 38.508-1 [5] subclause 4.3.1	[Mid range]
Test Channel Bandwidths as specified in TS 38.508-1 [5] subclause 4.3.1	[Lowest, Highest]
Test SCS as specified in Table 5.3.5-1	[Lowest]
Test Parameters	
Test ID	V2X Configuration to receive
	Modulation RB allocation
1	[CP-OFDM QPSK] [Full RB (NOTE 1)]
NOTE 1: Full RB allocation shall be used per each SCS and channel BW as specified in Table 7.3E.2.4.1-2.	

Table 7.3E.2.4.1-2: PSSCH Configuration for REFSENS

Channel Bandwidth	SCS(kHz)	L _{CRBmax}	Outer RB allocation / Normal RB allocation
10MHz	15	52	50@0
	30	24	24@0
	60	11	10@0
20MHz	15	106	105@0
	30	51	50@0
	60	24	24@0
30MHz	15	160	160@0
	30	78	75@0
	60	38	36@0
40MHz	15	216	216@0
	30	106	105@0
	60	51	50@0
NOTE 1: Test Channel Bandwidths are checked separately for each NR V2X band, the applicable channel bandwidths are specified in Table 5.3.5-1.			

1. Connect the SS to the UE antenna connectors and connect the GNSS simulator to the UE GNSS RX antenna connector as shown in TS 38.508-1 [5] Annex A, Figure A.3.1.9.1 for TE diagram and section A.3.2.7 for UE diagram.
2. The parameter settings for the NR sidelink transmission over PC5 are pre-configured according to TS 38.508-1 [5] subclause 4.10. Message content exceptions are defined in clause 7.3E.2.4.3.

3. The V2X Reference Measurement Channel is set according to Table 6.2E.1.1.4.1-1.
4. The GNSS simulator is configured for Scenario #1: static in Geographical area #1, as defined in TS 38.508-1 [5] Table 4.11.2-2. Geographical area #1 is also pre-configured in the UE.
5. Propagation conditions are set according to Annex B.0.
6. Ensure the UE is in State Out_of_Coverage with generic procedure parameters Sidelink On, Test Loop Function On with UE test loop mode E closed for *Transmit Mode* according to TS 38.508-1 [5] clause 4.5.
7. Trigger the UE to reset UTC time. (NOTE: The UTC time reset may be performed by MMI or AT command (+CUTCR).)
8. The GNSS simulator is triggered to start step 1 of Scenario #1 to simulate a location in the centre of Geographical area #1. Wait for the UE to acquire the GNSS signal and start to transmit.

7.3E.2.4.2 Test procedure

1. The UE starts to perform the NR V2X sidelink communication according to SL-V2X-Preconfiguration and to schedule the V2X RMC according to Table 7.3G.1.4.1-1.
2. Set the signal level of V2X to the appropriate REFSENS value defined in Table 7.3G.1.3-1.
3. Measure the average throughput for a duration sufficient to achieve statistical significance according to Annex G.2.

7.3E.2.4.3 Message contents

Message contents are according to TS 38.508-1 [5] subclause 4.6 and 5.4.

7.3E.2.5 Test requirement

When UE is configured for NR V2X reception non-concurrent with NR uplink transmissions for NR V2X operating bands specified in Table 5.2E-1, the throughput shall be $\geq 95\%$ of the maximum throughput of the reference measurement channels as specified in Annexes A.7.2 with parameters specified in Table 7.3E.2.5-1.

Table 7.3E.2.5-1: Reference sensitivity of NR V2X Bands (PC5)

NR V2X Band	SCS (kHz)	Channel bandwidth / P _{REFSENS_V2X} (dBm)				Duplex Mode
		10 MHz	20 MHz	30 MHz	40 MHz	
n38	15	-96.5+TT	-93.2+TT	-91.4+TT	-90.1+TT	HD
	30	-96.1+TT	-93.4+TT	-91.7+TT	-90.2+TT	
	60	-96.9+TT	-93.1+TT	-91.9+TT	-90.4+TT	
n47	15	-92.5+TT	-89.2+TT	-87.4+TT	-86.1+TT	HD
	30	-92.1+TT	-89.4+TT	-87.7+TT	-86.2+TT	
	60	-92.9+TT	-89.1+TT	-87.9+TT	-86.4+TT	

NOTE 1: Reference measurement channel is defined in A.7.2.
 NOTE 2: The signal power is specified per antenna port.
 NOTE 3: TT for each frequency and channel bandwidth is specified in Table 7.3.2.5-3.

7.3F Reference sensitivity for shared spectrum channel access

7.3F.1 General

The reference sensitivity power level REFSENS is the minimum mean power applied to each one of the UE antenna ports, at which the throughput shall meet or exceed the requirements for the specified reference measurement channel.

In later clauses of Clause 7 where the value of REFSENS is used as a reference to set the corresponding requirement, the UE shall be verified against those requirements by applying the REFSENS value in Table 7.3G.2-1 with 2 Rx antenna ports tested.

7.3F.2 Reference sensitivity power level

Editor's Note: The following aspects are not yet determined:

- Message content for NS_53 is FFS

- MU and TT for >6GHz (band n96) are working assumption based on analysis of single TE vendor. Values will be revisited once analysis from other TE vendors is available.

7.3F.2.1 Test purpose

The test purpose is to verify the ability of the UE to receive data with a given average throughput for a specified reference measurement channel, under conditions of low signal level, ideal propagation and no added noise.

7.3F.2.2 Test applicability

This test case applies to all types of NR UE release 16 and forward that support NR standalone shared spectrum channel access.

7.3F.2.3 Minimum conformance requirements

The throughput shall be $\geq 95\%$ of the maximum throughput of the reference measurement channels as specified in Annexes A.2.2.2, A.3.2 and A.3.3 (with one sided dynamic OCNG Pattern OP.1 FDD/TDD for the DL-signal as described in Annex A.5.1.1/A.5.2.1) with parameters specified in Table 7.3F.2.3-1, Table 7.3F.2.3-2, and Table 7.3F.2.3-3.

Table 7.3F.2.3-1: Two antenna port reference sensitivity QPSK PREFSENS

Operating band / SCS / Channel bandwidth					
Operating Band	SCS kHz	20 MHz (dBm)	40 MHz (dBm)	60 MHz (dBm)	80 MHz (dBm)
n46	15	-89.7	-86.6		
	30	-89.9	-86.7	-84.8	-83.6
	60	-90.1	-86.9	-85.0	-83.6
n96	15	-89.2	-86.1		
	30	-89.4	-86.2	-84.3	-83.1
	60	-89.6	-86.4	-84.5	-83.1

For UE(s) equipped with 4 Rx antenna ports, reference sensitivity for 2Rx antenna ports in Table 7.3F.2.3-1 shall be modified by the amount given in $\Delta R_{IB,4R}$ in Table 7.3F.2.3-2 for the applicable operating bands.

Table 7.3F.2.3-2: Four antenna port reference sensitivity allowance $\Delta R_{IB,4R}$

Operating band	$\Delta R_{IB,4R}$ (dB)
n46, n96	-2.2

The reference receive sensitivity (REFSENS) requirement specified in Table 7.3F.2.3-1 and Table 7.3F.2.3-2 shall be met with uplink transmission bandwidth less than or equal to that specified in Table 7.3F.2.3-3.

Table 7.3F.2.3-3: Uplink configuration for reference sensitivity

Operating band / SCS / Channel bandwidth					
Operating Band	SCS kHz	20 MHz (dBm)	40 MHz (dBm)	60 MHz (dBm)	80 MHz (dBm)
n46	15	100	216		
	30	50	100	162	216
	60	24	50	75	100
n96	15	100	216		
	30	50	100	162	216
	60	24	50	75	100

Unless given by Table 7.3F.2.3-4, the minimum requirements specified in Tables 7.3F.2.3-1 and 7.3F.2.3-2 shall be verified with the network signalling value NS_01 (Table 6.2F.3.1-1) configured.

Table 7.3F.2.3-4: Network signalling value for reference sensitivity

Operating band	Network Signalling value
n46	NS_01
n96	NS_53

The normative reference for this requirement is TS 38.101-1 [2] clause 7.3F.2.

7.3F.2.4 Test description

7.3F.2.4.1 Initial conditions

Initial conditions are a set of test configurations the UE needs to be tested in and the steps for the SS to take with the UE to reach the correct measurement state.

The initial test configurations consist of environmental conditions, test frequencies, and channel bandwidths based on NR operating bands specified in Table 5.3.5-1. All of these configurations shall be tested with applicable test parameters for each channel bandwidth, and are shown in Table 7.3F.2.4.1-1, Table 7.3F.2.4.1-2, and Table 7.3F.2.4.1-3. The details of the uplink reference measurement channels (RMCs) are specified in Annex A2.2. Configurations of PDSCH and PDCCH before measurement are specified in Annex C.2.

Table 7.3F.2.4.1-1: Test Configuration Table

Initial Conditions				
Test Environment as specified in TS 38.508-1 [5] subclause 4.1		Normal, TL/VL, TL/VH, TH/VL, TH/VH		
Test Frequencies as specified in TS 38.508-1 [5] subclause 4.3.1		Low range, Mid range, High range		
Test Channel Bandwidths as specified in TS 38.508-1 [5] subclause 4.3.1		Lowest, Mid, Highest		
Test SCS as specified in Table 5.3.5-1		Lowest		
Test Parameters				
Test ID	Downlink Configuration		Uplink Configuration	
	Modulation	RB allocation	Modulation	RB allocation
1	CP-OFDM QPSK	Full RB (NOTE 1)	DFT-s-OFDM QPSK	REFSENS (NOTE 2)
NOTE 1: Full RB allocation shall be used per each SCS and channel BW as specified in Table 7.3F.2.4.1-2.				
NOTE 2: REFSENS refers to Table 7.3F.2.4.1-3 which defines uplink RB configuration and start RB location for each SCS, channel BW and NR band.				
NOTE 3: For a band where UE supports 4Rx, the test needs to be repeated with only 2Rx antennas connected and the other antennas terminated.				

Table 7.3F.2.4.1-2: Downlink Configuration of each RB allocation

Channel Bandwidth	SCS(kHz)	LCRBmax	Outer RB allocation / Normal RB allocation
20MHz	15	106	106@0
	30	51	51@0
	60	24	24@0
40MHz	15	216	216@0
	30	106	106@0
	60	51	51@0
60MHz	15	N/A	N/A
	30	162	162@0
	60	79	79@0

80MHz	15	N/A	N/A
	30	217	217@0
	60	107	107@0
NOTE 1: Test Channel Bandwidths are checked separately for each NR band, the applicable channel bandwidths are specified in Table 5.3.5-1.			

Table 7.3F.2.4.1-3: Uplink configuration for reference sensitivity, LCRB @ RBstart format

Operating band / SCS / Channel bandwidth						Duplex Mode
Operating Band	SCS kHz	20 MHz (dBm)	40 MHz (dBm)	60 MHz (dBm)	80 MHz (dBm)	
n46	15	100@0	216@0			TDD
	30	50@0	100@0	162@0	216@0	
	60	24@0	50@0	75@0	100@0	
n96	15	100@0	216@0			TDD
	30	50@0	100@0	162@0	216@0	
	60	24@0	50@0	75@0	100@0	

1. Connect the SS to the UE antenna connectors as shown in TS 38.508-1 [5] Annex A, Figure A.3.1.1.1 for TE diagram and section A.3.2 for UE diagram.
2. The parameter settings for the cell are set up according to TS 38.508-1 [5] subclause 4.4.3.
3. Downlink signals are initially set up according to Annex C.0, C.1, C.2, and C.3.1, and uplink signals according to Annex G.0, G.1, G.2, and G.3.1.
4. The UL and Reference Measurement Channel is set according to Table 7.3F.2.4.1-1, Table 7.3F.2.4.1-2, and Table 7.3F.2.4.1-3.
5. Propagation conditions are set according to Annex B.0.
6. Ensure the UE is in State RRC_CONNECTED with generic procedure parameters Connectivity NR, Connected without release On, Test Mode On and Test Loop Function On according to TS 38.508-1 [5] clause 4.5. Message contents are defined in clause 7.3F.2.4.3.

7.3F.2.4.2 Test procedure

1. SS transmits PDSCH via PDCCH DCI format 1_1 for C_RNTI to transmit the DL RMC according to Table 7.3F.2.4.1-1. The SS sends downlink MAC padding bits on the DL RMC.
2. SS sends uplink scheduling information for each UL HARQ process via PDCCH DCI format 0_1 for C_RNTI to schedule the UL RMC according to Tables 7.3F.2.4.1-1. Since the UE has no payload data to send, the UE transmits uplink MAC padding bits on the UL RMC.
3. Set the Downlink signal level to the appropriate REFSENS value defined in Table 7.3F.2.5-1 if 2Rx antennas connected or Table 7.3F.2.5-2 if 4Rx antennas connected. Send continuously uplink power control "up" commands in the uplink scheduling information to the UE to ensure the UE transmits PUMAX level for at least the duration of the Throughput measurement.
4. Measure the average throughput for a duration sufficient to achieve statistical significance according to Annex H.2.

7.3F.2.4.3 Message contents

Message contents are according to TS 38.508-1 [5] clause 4.6 ensuring Table 4.6.3-118 with condition TRANSFORM_PRECODER_ENABLED for NR band.

Message contents are according to TS 38.508-1[5] subclause 4.6 with the following exceptions for each network signalling value.

7.3F.2.4.3.1 Message contents exceptions (network signalled value "NS_01")

Message contents according to TS 38.508-1 [5] subclause 4.6 can be used without exceptions.

7.3F.2.4.3.2 Message contents exceptions (network signalled value "NS_53")

FFS

7.3F.2.5 Test requirement

The throughput shall be $\geq 95\%$ of the maximum throughput of the reference measurement channels as specified in Annex A3.2 with reference receive power level specified in Tables 7.3F.2.5-1 for 2 Rx antenna port, Tables 7.3F.2.5-2 for 4 Rx antenna port, and parameters specified Tables 7.3F.2.4.1-1, Tables 7.3F.2.4.1-2 and Tables 7.3F.2.4.1-3.

Table 7.3F.2.5-1: Reference sensitivity QPSK $P_{REFSENS}$

Operating band / SCS / Channel bandwidth / Duplex-mode						
Operating Band	SCS kHz	20 MHz (dBm)	40 MHz (dBm)	60 MHz (dBm)	80 MHz (dBm)	Duplex Mode
n46	15	-89.7+TT	-86.6+TT			TDD
	30	-89.9+TT	-86.7+TT	-84.8+TT	-83.6+TT	
	60	-90.1+TT	-86.9+TT	-85.0+TT	-83.6+TT	
n96	15	-89.2+TT	-86.1+TT			TDD
	30	-89.4+TT	-86.2+TT	-84.3+TT	-83.1+TT	
	60	-89.6+TT	-86.4+TT	-84.5+TT	-83.1+TT	
NOTE 1: The transmitter shall be set to P_{UMAX} as defined in subclause 6.2F.4						
NOTE 2: TT for each frequency and channel bandwidth is specified in Table 7.3F.2.5-3.						

Table 7.3F.2.5-2: Reference sensitivity QPSK $P_{REFSENS}$ for Four Rx antenna ports

Operating band / SCS / Channel bandwidth / Duplex-mode						
Operating Band	SCS kHz	20 MHz (dBm)	40 MHz (dBm)	60 MHz (dBm)	80 MHz (dBm)	Duplex Mode
n46	15	-91.9+TT	-88.8+TT			TDD
	30	-92.1+TT	-88.9+TT	-87.0+TT	-85.8+TT	
	60	-92.3+TT	-89.1+TT	-87.2+TT	-85.8+TT	
n96	15	-91.4+TT	-88.3+TT			TDD
	30	-91.6+TT	-88.4+TT	-86.5+TT	-85.3+TT	
	60	-91.8+TT	-88.6+TT	-86.7+TT	-85.3+TT	
NOTE 1: Four Rx antenna ports shall be the baseline for above listed operating band except for two Rx vehicular UE.						
NOTE 2: TT for each frequency and channel bandwidth is specified in Table 7.3F.2.5-3.						

Table 7.3F.2.5-3: Test Tolerance (TT) for RX sensitivity level

$f \leq 3.0\text{GHz}$	$3.0\text{GHz} < f \leq 6.0 \text{ GHz}$	$5.925\text{GHz} < f \leq 7.125\text{GHz}$
0.7 dB	1.0 dB	1.0 dB

For the UE which supports inter-band carrier aggregation, the minimum requirement for reference sensitivity in Table 7.3F.2.5-1 shall be increased by the amount given in $\Delta R_{IB,c}$ defined in subclause 7.3F.3 for the applicable operating bands.

7.3F.3 $\Delta R_{IB,c}$

For a UE supporting CA or DC band combination, the minimum requirement for reference sensitivity in Table 7.3F.2.3-1 shall be increased by the amount given by $\Delta R_{IB,c}$ defined in Table 7.3F.3-1. Unless otherwise stated, $\Delta R_{IB,c}$ is set to zero.

Table 7.3F.3-1: $\Delta R_{IB,c}$ due to CA (two bands)

Inter-band CA combination	Operating Band	$\Delta R_{IB,c}$ (dB)
CA_n46-n48	n46	0
	n48	0.5

In case the UE supports more than one of band combinations for CA or DC, and an operating band belongs to more than one band combinations then the applicable additional $\Delta R_{IB,c}$ shall be the maximum value for all band combinations defined in clause 7.3A and 7.3F.3 in this specification and 7.3A, 7.3B in TS 38.101-3 [4] for the applicable operating bands.

7.3G Reference sensitivity for Tx Diversity

For UE supporting Tx diversity, the minimum requirements specified in Table 7.3.2.3-1b and Table 7.3.2.3-1d shall be met with Tx diversity configuration described in clause 6.2G.1.3. For Tx diversity, the parameter P_{UMAX} is defined in clause 6.2G.4.3 with the sum of the output power from both UE antenna connectors.

7.3I Reference sensitivity for RedCap

7.3I.1 General

The reference sensitivity power level REFSSENS is the minimum mean power applied to each one of the UE antenna ports for all UE categories, at which the throughput shall meet or exceed the requirements for the specified reference measurement channel.

7.3I.2 Reference sensitivity power level for RedCap

7.3I.2.1 Test purpose

The test purpose is to verify the ability of the UE to receive data with a given average throughput for a specified reference measurement channel, under conditions of low signal level, ideal propagation and no added noise.

7.3I.2.2 Test applicability

This test case applies to all types of NR UE release 17 and forward that support NR RedCap.

7.3I.2.3 Minimum conformance requirements

For a RedCap UE equipped with 2 Rx antenna ports, the throughput shall be $\geq 95\%$ of the maximum throughput of the reference measurement channels as specified in Annexes A.2.2.2, A3.2 and A.3.3 (with one sided dynamic OCN Pattern OP.1 FDD/TDD for the DL-signal as described in Annex A.5.1.1/A.5.2.1) with parameters specified in Table 7.3.2.3-1a and Table 7.3.2.3-1b for the applicable operating bands. The reference sensitivity (REFSENS) requirement specified for a RedCap UE equipped with 2 Rx antenna ports shall be met with uplink transmission bandwidth less than or equal to that specified in Table 7.3.2.3-3 and, for FDD bands, with the Tx-Rx separation as defined in clause 5.4.4 for the applicable band and UE channel bandwidth.

For a RedCap UE equipped with 1 Rx antenna ports, reference sensitivity for 2Rx antenna ports in Table 7.3.2.3-1a and in Table 7.3.2.3-1b shall be modified by the amount given in ΔR_{1R} in Table 7.3I.2.3-1 for the applicable operating bands. The reference sensitivity (REFSENS) requirement specified for a RedCap UE equipped with 1 Rx antenna ports shall be met with uplink transmission bandwidth less than or equal to that specified in Table 7.3.2.3-3 and, for FDD bands, with the Tx-Rx separation as defined in clause 5.4.4 for the applicable band and UE channel bandwidth.

Table 7.3I.2.3-1: Single antenna port reference sensitivity allowance ΔR_{1R}

Operating band	Channel bandwidth (MHz)	ΔR_{1R} (dB)
TDD band	5, 10, 15, 20	2.5

FDD band	5	2.5
FDD band	10, 15, 20	3

For a RedCap UE equipped with 2 Rx antenna ports operating in HD-FDD mode, reference sensitivity for 2Rx antenna ports in Table 7.3I.2.3-2 shall be met with uplink transmission bandwidth less than or equal to that specified in Table 7.3I.2.3-4.

Table 7.3I.2.3-2: HD-FDD RedCap UE with 2 Rx antenna port reference sensitivity

Operating Band	Operating band / SCS / Channel bandwidth				
	SCS kHz	5 MHz (dBm)	10 MHz (dBm)	15 MHz (dBm)	20 MHz (dBm)
n1	15	-100.0	-96.8	-95.0	-93.7
	30		-97.2	-95.2	-93.9
	60		-97.5	-95.4	-94.2
n2	15	-98.8	-95.6	-93.8	-92.5
	30		-96.0	-94.0	-92.7
	60		-96.3	-94.2	-93.0
n3	15	-97.8	-94.6	-92.8	-91.5
	30		-95.0	-93.0	-91.7
	60		-95.3	-93.2	-92.0
n5	15	-98.8	-95.6	-93.8	-92.5
	30		-96.0	-94.0	-92.7
n7	15	-98.8	-95.6	-93.8	-92.5
	30		-96.0	-94.0	-92.7
	60		-96.3	-94.2	-93.0
n8	15	-97.8	-94.6	-92.8	-91.5
	30		-95.0	-93.0	-91.7
n12	15	-97.8	-94.6	-92.8	
	30		-95.0	-93.0	
n13	15	-97.8	-94.6		
	30		-95.0		
n14	15	-97.8	-94.6		
	30		-95.0		
n18	15	-100.0	-96.8	-95.0	
	30		-97.2	-95.2	
n20	15	-97.8	-94.6	-92.8	-91.5
	30		-95.0	-93.0	-91.7
n24	15	-100.0	-96.8		
	30		-97.2		
	60		-97.5		
n25	15	-97.3	-94.1	-92.3	-91.0
	30		-94.5	-92.5	-91.2
	60		-94.8	-92.7	-91.5
n26	15	-98.3	-95.1	-93.3	-92.0
	30		-95.5	-93.5	-92.2
n28	15	-99.3	-96.1	-94.3	-93.0
	30		-96.5	-94.5	-93.2
n30	15	-99.5	-96.3		
	30		-96.7		
n65	15	-100.0	-96.8	-95.0	-93.7
	30		-97.2	-95.2	-93.9
	60		-97.5	-95.4	-94.2
n66	15	-100.0	-96.8	-95.0	-93.7
	30		-97.2	-95.2	-93.9
	60		-97.5	-95.4	-94.2
n70	15	-100.0	-96.8	-95.0	-93.7
	30		-97.2	-95.2	-93.9
	60		-97.5	-95.4	-94.2
n71	15	-98.0	-94.8	-93.0	-91.7
	30		-95.2	-93.2	-91.9
n74	15	-100.0	-96.8	-95.0	-93.7
	30		-97.2	-95.2	-93.9
	60		-97.5	-95.4	-94.2
n85	15	-97.8	-94.6	-92.8	

Operating band / SCS / Channel bandwidth					
Operating Band	SCS kHz	5 MHz (dBm)	10 MHz (dBm)	15 MHz (dBm)	20 MHz (dBm)
	30		-95.0	-93.0	
n91	15	-100.0			
n92	15	-100.0	-96.8	-95.0	-93.7
	30		-97.2	-95.2	-93.9
n93	15	-100.0			
n94	15	-100.0	-96.8	-95.0	-93.7
	30		-97.2	-95.2	-93.9

NOTE 1: DL channels overlapping the 612-617MHz range have 0.5dB added to the REFSENS.

For a RedCap UE equipped with 1 Rx antenna ports and operating in HD-FDD mode, reference sensitivity for 1Rx antenna ports in Table 7.3I.2.3-3 shall be met with uplink transmission bandwidth less than or equal to that specified in Table 7.3I.2.3-4.

Table 7.3I.2.3-3: HD-FDD RedCap UE with 1 Rx antenna port reference sensitivity

Operating band / SCS / Channel bandwidth					
Operating Band	SCS kHz	5 MHz (dBm)	10 MHz (dBm)	15 MHz (dBm)	20 MHz (dBm)
n1	15	-97.5	-94.3	-92.5	-91.2
	30		-94.7	-92.7	-91.4
	60		-95.0	-92.9	-91.7
n2	15	-96.3	-93.1	-91.3	-90.0
	30		-93.5	-91.5	-90.2
	60		-93.8	-91.7	-90.5
n3	15	-95.3	-92.1	-90.3	-89.0
	30		-92.5	-90.5	-89.2
	60		-92.8	-90.7	-89.5
n5	15	-96.3	-93.1	-91.3	-90.0
	30		-93.5	-91.5	-90.2
n7	15	-96.3	-93.1	-91.3	-90.0
	30		-93.5	-91.5	-90.2
	60		-93.8	-91.7	-90.5
n8	15	-95.3	-92.1	-90.3	-89.0
	30		-92.5	-90.5	-89.2
n12	15	-95.3	-92.1	-90.3	
	30		-92.5	-90.5	
n13	15	-95.3	-92.1		
	30		-92.5		
n14	15	-95.3	-92.1		
	30		-92.5		
n18	15	-97.5	-94.3	-92.5	
	30		-94.7	-92.7	
n20	15	-95.3	-92.1	-90.3	-89.0
	30		-92.5	-90.5	-89.2
n24	15	-97.5	-94.3		
	30		-94.7		
	60		-95.0		
n25	15	-94.8	-91.6	-89.8	-88.5
	30		-92.0	-90.0	-88.7
	60		-92.3	-90.2	-89.0
n26	15	-95.8	-92.6	-90.8	-89.5
	30		-93.0	-91.0	-89.7
n28	15	-96.8	-93.6	-91.8	-90.5
	30		-94.0	-92.0	-90.7
n30	15	-97.0	-93.8		
	30		-94.2		
n65	15	-97.5	-94.3	-92.5	-91.2
	30		-94.7	-92.7	-91.4
	60		-95.0	-92.9	-91.7
n66	15	-97.5	-94.3	-92.5	-91.2
	30		-94.7	-92.7	-91.4

Operating band / SCS / Channel bandwidth					
Operating Band	SCS kHz	5 MHz (dBm)	10 MHz (dBm)	15 MHz (dBm)	20 MHz (dBm)
	60		-95.0	-92.9	-91.7
n70	15	-97.5	-94.3	-92.5	-91.2
	30		-94.7	-92.7	-91.4
	60		-95.0	-92.9	-91.7
n71	15	-95.5	-92.3	-90.5	-89.2
	30		-92.7	-90.7	-89.4
n74	15	-97.5	-94.3	-92.5	-91.2
	30		-94.7	-92.7	-91.4
	60		-95.0	-92.9	-91.7
n85	15	-95.3	-92.1	-90.3	
	30		-92.5	-90.5	
n91	15	-97.5			
n92	15	-97.5	-94.3	-92.5	-91.2
	30		-94.7	-92.7	-91.4
n93	15	-97.5			
n94	15	-97.5	-94.3	-92.5	-91.2
	30		-94.7	-92.7	-91.4

NOTE 1: DL channels overlapping the 612-617MHz range have 0.5dB added to the REFSENS.

Table 7.3I.2.3-4: Uplink configuration for HD-FDD reference sensitivity

Operating band / SCS / Channel bandwidth					
Operating Band	SCS kHz	5 MHz	10 MHz	15 MHz	20 MHz
n1	15	25	50	75	100
	30		24	36	50
	60		10	18	24
n2	15	25	50	75	100
	30		24	36	50
	60		10	18	24
n3	15	25	50	75	100
	30		24	36	50
	60		10	18	24
n5	15	25	50	75	100
	30		24	36	50
n7	15	25	50	75	100
	30		24	36	50
	60		10	18	24
n8	15	25	50	75	100
	30		24	36	50
n12	15	25	50	75	
	30		24	36	
n13	15	25	50		
	30		24		
n14	15	25	50		
	30		24		
n18	15	25	50	75	
	30		24	36	
n20	15	25	50	75	100
	30		24	36	50
n24	15	25	50		
	30		24		
	60		10		
n25	15	25	50	75	100
	30		24	36	50
	60		10	18	24
n26	15	25	50	75	100
	30		24	36	50
n28	15	25	50	75	100
	30		24	36	50
n30	15	25	50		

Operating band / SCS / Channel bandwidth					
Operating Band	SCS kHz	5 MHz	10 MHz	15 MHz	20 MHz
	30		24		
n65	15	25	50	75	100
	30		24	36	50
	60		10	18	24
n66	15	25	50	75	100
	30		24	36	50
	60		10	18	24
n70	15	25	50	75	NOTE 1
	30		24	36	NOTE 1
	60		10	18	NOTE 1
n71	15	25	50	75	100
	30		24	36	50
n74	15	25	50	75	100
	30		24	36	50
	60		10	18	24
n85	15	25	50	75	
	30		24	36	
n91	15	25			
n92	15	25	50	75	100
	30		24	36	50
n93	15	25			
n94	15	25	50	75	100
	30		24	36	50
NOTE 1: For DL channel bandwidths that do not have symmetric UL channel bandwidth, highest valid UL configuration with lowest TX-RX separation (Table 5.4.4-1) shall be used unless otherwise specified.					

The normative reference for this requirement is TS 38.101-1 [2] clause 7.3I.2.

7.3I.2.4 Test description

7.3I.2.4.1 Initial conditions

For RedCap UE with 1Rx or 2 Rx antenna ports, same initial conditions as in 7.3.2.4.1 with following exception:

- The test channel bandwidth are specified in TS 38.508-1 [5] subclause 4.3.1 for RedCap.

For HD-FDD RedCap UE with 1 Rx or 2 Rx antenna ports, same initial conditions as in 7.3.2.4.1 with following exception:

- The test channel bandwidth are specified in TS 38.508-1 [5] subclause 4.3.1 for RedCap.
- The RB allocation for uplink configuration in Table 7.3.2.4.1-1 refers to Table 7.3I.2.4.1-1 for each SCS, channel BW and NR band.

Table 7.3I.2.4.1-1: Uplink configuration for reference sensitivity of HD-FDD RedCap UE, L_{CRB} @ RBstart format

Operating Band	SCS kHz	5 MHz	10 MHz	15 MHz	20 MHz	Duplex Mode
n1	15	25@0	50@2	75@4	100@6	HD-FDD
	30		24@0	36@2	50@1	
	60		10@1	18@0	24@0	
n2	15	25@0	50@2	75@4	100@6	HD-FDD
	30		24@0	36@2	50@1	
	60		10@1	18@0	24@0	
n3	15	25@0	50@2	75@4	100@6	HD-FDD
	30		24@0	36@2	50@1	

	60		10@1	18@0	24@0	
n5	15	25@0	50@2	75@4	100@6	HD-FDD
	30		24@0	36@2	50@1	
n7	15	25@0	50@2	75@4	100@6	HD-FDD
	30		24@0	36@2	50@1	
	60		10@1	18@0	24@0	
n8	15	25@0	50@2	75@4	100@6	HD-FDD
	30		24@0	36@2	50@1	
n12	15	25@0	50@2	75@4		HD-FDD
	30		24@0	36@2		
n14	15	25@0	50@0			HD-FDD
	30		24@0			
n20	15	25@0	50@0	75@0	100@0	HD-FDD
	30		24@0	36@0	50@0	
n24	15	25@0	50@0			HD-FDD
	30		24@0			
	60		10@0			
n25	15	25@0	50@2	75@4	100@6	HD-FDD
	30		24@0	36@2	50@1	
	60		10@1	18@0	24@0	
n26	15	25@0	50@2	75@4	100@6	HD-FDD
	30		24@0	36@2	50@1	
n28	15	25@0	50@2	75@4	100@6	HD-FDD
	30		24@0	36@2	50@1	
n30	15	25@0	50@2			HD-FDD
	30		24@0			
n65	15	25@0	50@2	75@4	100@6	HD-FDD
	30		24@0	36@2	50@1	
	60		10@1	18@0	24@0	
n66	15	25@0	50@2	75@4	100@6	HD-FDD
	30		24@0	36@2	50@1	
	60		10@1	18@0	24@0	
n70	15	25@0	50@2	75@4	NOTE 1	HD-FDD
	30		24@0	36@2	NOTE 1	
	60		10@1	18@0	NOTE 1	
n71	15	25@0	50@2	75@4	100@6	HD-FDD
	30		24@0	36@2	50@1	
n74	15	25@0	50@2	75@4	100@6	HD-FDD
	30		24@0	36@2	50@1	
	60		10@1	18@0	24@0	
n85	15	25@0	50@2	75@4		HD-FDD
	30		24@0	36@2		
n91	15	25@0				HD-FDD
n92	15	25@0	50@2	75@4	100@6	HD-FDD
	30		24@0	36@2	50@1	
n93	15	25@0				HD-FDD
n94	15	25@0	50@2	75@4	100@6	HD-FDD
	30		24@0	36@2	50@1	
NOTE 1: For DL channel bandwidths that do not have symmetric UL channel bandwidth, highest valid UL configuration with lowest TX-RX separation (Table 5.4.4-1) shall be used unless otherwise specified.						

7.3I.2.4.2 Test procedure

Same test procedure as steps 1~4 of clause 7.3.2.4.2 with the following exceptions of step 3.

- Set the Downlink signal level to the appropriate REFSSENS value defined in Tables 7.3I.2.5-1, 7.3I.2.5-2 and 7.3I.2.5-5 if 2Rx antennas connected or Tables 7.3I.2.5-3, 7.3I.2.5-4 and 7.3I.2.5-6 if 1Rx antennas connected.

7.3I.2.4.3 Message contents

Message contents are according to TS 38.508-1 [5] clause 4.6 ensuring Table 4.6.3-118 with condition TRANSFORM_PRECODER_ENABLED for NR band.

7.3I.2.5 Test requirement

The throughput shall be $\geq 95\%$ of the maximum throughput of the reference measurement channels as specified in Annex A3.2 with reference receive power level specified in Table 7.3I.2.5-1 and Table 7.3I.2.5-2 for RedCap UE with 2 Rx antenna port, Tables 7.3I.2.5-3 and Table 7.3I.2.5-4 for RedCap UE with single antenna port, Table 7.3I.2.5-5 for HD-FDD RedCap UE with 2 Rx antenna port, Table 7.3I.2.5-6 for HD-FDD RedCap UE single antenna port, and parameters specified Table 7.3.2.4.1-1, Table 7.3.2.4.1-2 and Table 7.3I.2.4.1-1.

Table 7.3I.2.5-1: Two antenna port Reference sensitivity QPSK P_{REFSENS} for FDD bands

Operating band / SCS / Channel bandwidth / REFSSENS / Duplex Mode						
Operating Band	SCS kHz	5 MHz	10 MHz	15 MHz	20 MHz	Duplex Mode
n1	15	-100.0 +TT	-96.8 +TT	-95.0 +TT	-93.8 +TT	FDD
	30		-97.1 +TT	-95.1 +TT	-94.0 +TT	
	60		-97.5 +TT	-95.4 +TT	-94.2 +TT	
n2	15	-98.0 +TT	-94.8 +TT	-93.0 +TT	-91.8 +TT	FDD
	30		-95.1 +TT	-93.1 +TT	-92.0 +TT	
	60		-95.5 +TT	-93.4 +TT	-92.2 +TT	
n3	15	-97.0 +TT	-93.8 +TT	-92.0 +TT	-90.8 +TT	FDD
	30		-94.1 +TT	-92.1 +TT	-91.0 +TT	
	60		-94.5 +TT	-92.4 +TT	-91.2 +TT	
n5	15	-98.0 +TT	-94.8 +TT	-93.0 +TT	-86.8 +TT	FDD
	30		-95.1 +TT	-93.1 +TT	-88.6 +TT	
n7	15	-98.0 +TT	-94.8 +TT	-93.0 +TT	-91.8 +TT	FDD
	30		-95.1 +TT	-93.1 +TT	-92.0 +TT	
	60		-95.5 +TT	-93.4 +TT	-92.2 +TT	
n8	15	-97.0 +TT	-93.8 +TT	-91.4 +TT	-85.8 +TT	FDD
	30		-94.1 +TT	-91.7 +TT	-87.2 +TT	
n12	15	-97.0 +TT	-93.8 +TT	-84.0 +TT		FDD
	30		-94.1 +TT	-84.1 +TT		
n14	15	-97.0 +TT	-93.8 +TT			FDD
	30		-94.1 +TT			

n20	15	-97.0 +TT	-93.8 +TT	-91.0 +TT	-89.8 +TT	FDD
	30		-94.1 +TT	-91.1 +TT	-90.0 +TT	
n24	15	-100.0 +TT	-96.8 +TT			FDD
	30		-97.1 +TT			
	60		-97.5 +TT			
n25	15	-96.5 +TT	-93.3 +TT	-91.5 +TT	-90.3 +TT	FDD
	30		-93.6 +TT	-91.6 +TT	-90.5 +TT	
	60		-94.0 +TT	-91.9 +TT	-90.7 +TT	
n26	15	-97.5 +TT	-94.5 +TT	-92.7 +TT	-87.6 +TT	FDD
	30		-94.8 +TT	-92.7 +TT	-87.7 +TT	
n28	15	-98.5 +TT	-95.5 +TT	-93.5 +TT	-90.8 +TT	FDD
	30		-95.6 +TT	-93.6 +TT	-91.0 +TT	
n30	15	-99.0 +TT	-95.8 +TT			FDD
	30		-96.1 +TT			
n65	15	- 99.5+TT	- 96.3+TT	- 94.5+TT	-93.3+TT	FDD
	30		- 96.6+TT	- 94.6+TT	-93.5+TT	
	60		- 97.0+TT	- 94.9+TT	-93.7+TT	
n66	15	-99.5 +TT	-96.3 +TT	-94.5 +TT	-93.3 +TT	FDD
	30		-96.6 +TT	-94.6 +TT	-93.5 +TT	
	60		-97.0 +TT	-94.9 +TT	-93.7 +TT	
n70	15	-100.0 +TT	-96.8 +TT	-95.0 +TT	-93.8 +TT	FDD
	30		-97.1 +TT	-95.1 +TT	-94.0 +TT	
	60		-97.5 +TT	-95.4 +TT	-94.2 +TT	
n71	15	-97.2 +TT	-94.0 +TT	-91.6 +TT	-86.0 +TT	FDD
	30		-94.3 +TT	-91.9 +TT	-87.4 +TT	
n74	15	-99.5 ³ +TT	-96.3 ³ +TT	-94.5 ³ +TT	-89.3 ³ +TT	FDD
	30		-96.6 ³ +TT	-94.6 ³ +TT	-89.5 ³ +TT	
	60		-97.0 ³ +TT	-94.9 ³ +TT	-89.6 ³ +TT	
n85	15	-97.0 +TT	-93.8 +TT	-84.0 +TT		FDD
	30		-94.1 +TT	-84.1 +TT		
<p>NOTE 1: Void</p> <p>NOTE 2: The transmitter shall be set to P_{UMAX} as defined in subclause 6.2.4</p> <p>NOTE 3: The requirement is modified by -0.5 dB when the assigned NR channel bandwidth is confined within 1475.9-1510.9 MHz.</p> <p>NOTE 4: TT for each frequency and channel bandwidth is specified in Table 7.3l.2.5-7.</p>						

Table 7.3I.2.5-2: Two antenna port reference sensitivity QPSK P_{REFSENS} for TDD, SDL and FDD with variable duplex operation bands

Operating band / SCS / Channel bandwidth / REFSSENS / Duplex Mode				
Operating band	SCS kHz	Channel bandwidth (MHz)	REFSENS (dBm) ⁸	Duplex Mode
n34	15	5, 10, 15	$-100 + 10\log_{10}(N_{\text{RB}}/25)+\text{TT}$	TDD
	30	10, 15	$-97.1 + 10\log_{10}(N_{\text{RB}}/24)+\text{TT}$	
	60	10, 15	$-97.5 + 10\log_{10}(N_{\text{RB}}/11)+\text{TT}$	
n38 ¹	15	5, 10, 15, 20	$-100 + 10\log_{10}(N_{\text{RB}}/25)+\text{TT}$	TDD
	30	10, 15, 20,	$-97.1 + 10\log_{10}(N_{\text{RB}}/24)+\text{TT}$	
	60	10, 15, 20	$-97.5 + 10\log_{10}(N_{\text{RB}}/11)+\text{TT}$	
n39	15	5, 10, 15, 20	$-100 + 10\log_{10}(N_{\text{RB}}/25)+\text{TT}$	TDD
	30	10, 15, 20	$-97.1 + 10\log_{10}(N_{\text{RB}}/24)+\text{TT}$	
	60	10, 15, 20,	$-97.5 + 10\log_{10}(N_{\text{RB}}/11)+\text{TT}$	
n40	15	5, 10, 15, 20	$-100 + 10\log_{10}(N_{\text{RB}}/25)+\text{TT}$	TDD
	30	10, 15, 20	$-97.1 + 10\log_{10}(N_{\text{RB}}/24)+\text{TT}$	
	60	10, 15, 20	$-97.5 + 10\log_{10}(N_{\text{RB}}/11)+\text{TT}$	
n41 ¹	15	5, 10, 15, 20	$-94.8 + 10\log_{10}(N_{\text{RB}}/52)+\text{TT}$	TDD
	30	10, 15, 20	$-95.1 + 10\log_{10}(N_{\text{RB}}/24)+\text{TT}$	
	60	10, 15, 20	$-95.5 + 10\log_{10}(N_{\text{RB}}/11)+\text{TT}$	
n48 ¹	15	5, 10, 15, 20,	$-99 + 10\log_{10}(N_{\text{RB}}/25)+\text{TT}$	TDD
	30	10, 15, 20,	$-96.1 + 10\log_{10}(N_{\text{RB}}/24) +\text{TT}$	
	60	10, 15, 20,	$-96.5 + 10\log_{10}(N_{\text{RB}}/11)+\text{TT}$	
n50	15	5, 10, 15, 20	$-100 + 10\log_{10}(N_{\text{RB}}/25)+\text{TT}$	TDD
	30	10, 15, 20	$-97.1 + 10\log_{10}(N_{\text{RB}}/24)+\text{TT}$	
	60	10, 15, 20	$-97.5 + 10\log_{10}(N_{\text{RB}}/11)+\text{TT}$	
n51	15	5	$-100+\text{TT}$	TDD
n53	15	5, 10	$-100 + 10\log_{10}(N_{\text{RB}}/25)+\text{TT}$	TDD
	30	10	$-97.1+\text{TT}$	
	60	10	$-97.5+\text{TT}$	
n77 ^{1,4}	15	10, 15, 20	$-95.3 + 10\log_{10}(N_{\text{RB}}/52)+\text{TT}$	TDD
	30	10, 15, 20	$-95.6 + 10\log_{10}(N_{\text{RB}}/24)+\text{TT}$	
	60	10, 15, 20	$-96.0 + 10\log_{10}(N_{\text{RB}}/11)+\text{TT}$	
n78 ¹	15	10, 15, 20	$-95.8 + 10\log_{10}(N_{\text{RB}}/52) +\text{TT}$	TDD
	30	10, 15, 20	$-96.1 + 10\log_{10}(N_{\text{RB}}/24) +\text{TT}$	
	60	10, 15, 20	$-96.5 + 10\log_{10}(N_{\text{RB}}/11)+\text{TT}$	
n79 ¹	15	10, 20,	$-95.8 + 10\log_{10}(N_{\text{RB}}/52)+\text{TT}$	TDD
	30	10, 20,	$-96.1 + 10\log_{10}(N_{\text{RB}}/24) +\text{TT}$	
	60	10, 20	$-96.5 + 10\log_{10}(N_{\text{RB}}/11) +\text{TT}$	
n91	15	5	$-100+\text{TT}$	FDD
n92	15	5,10,15,20	$-100 + 10\log_{10}(N_{\text{RB}}/25)+\text{TT}$	FDD
	30	10,15,20	$-97.1 + 10\log_{10}(N_{\text{RB}}/24)$	
n93	15	5	$-100+\text{TT}$	FDD
n94	15	5,10,15,20	$-100 + 10\log_{10}(N_{\text{RB}}/25)+\text{TT}$	FDD
	30	10,15,20	$-97.1 + 10\log_{10}(N_{\text{RB}}/24)+\text{TT}$	
n101	15	5, 10	$-100 + 10\log_{10}(N_{\text{RB}}/25)$	TDD
	30	10	$-97.1 + 10\log_{10}(N_{\text{RB}}/24)$	

NOTE 1: Void.

NOTE 2: The transmitter shall be set to P_{UMAX} as defined in clause 6.2.4.

NOTE 3: Void

NOTE 4: The requirement is modified by -0.5 dB when the assigned UE channel bandwidth is confined within 3300 - 3800 MHz.

NOTE 5: Void

NOTE 6: Void

NOTE 7: Void

NOTE 8: The REFSSENS value is rounded to the nearest number down to one decimal point. " N_{RB} " in REFSSENS formula is the maximum transmission bandwidth configuration as defined in Table 5.3.2-1.

NOTE 9: TT for each frequency and channel bandwidth is specified in Table 7.3I.2.5-7.

Table 7.31.2.5-3: Single antenna port Reference sensitivity QPSK PREFSENS for FDD bands

Operating band / SCS / Channel bandwidth / Duplex-mode						
Operating Band	SCS kHz	5 MHz	10 MHz	15 MHz	20 MHz	Duplex Mode
n1	15	-100.0+2.5 +TT	-96.8 +3 +TT	-95.0 +3 +TT	-93.8 +3 +TT	FDD
	30		-97.1 +3 +TT	-95.1 +3 +TT	-94.0 +3 +TT	
	60		-97.5 +TT	-95.4 +TT	-94.2 +TT	
n2	15	-98.0 +2.5+TT	-94.8 +3 +TT	-93.0 +3 +TT	-91.8 +3 +TT	FDD
	30		-95.1 +3 +TT	-93.1 +3 +TT	-92.0 +3 +TT	
	60		-95.5 +3 +TT	-93.4 +3 +TT	-92.2 +3 +TT	
n3	15	-97.0+2.5 +TT	-93.8 +3 +TT	-92.0 +3 +TT	-90.8 +3 +TT	FDD
	30		-94.1 +3 +TT	-92.1 +3 +TT	-91.0 +3 +TT	
	60		-94.5 +3 +TT	-92.4 +3 +TT	-91.2 +3 +TT	
n5	15	-98.0+2.5 +TT	-94.8 +3 +TT	-93.0 +3 +TT	-86.8 +3 +TT	FDD
	30		-95.1 +3 +TT	-93.1 +3 +TT	-88.6 +3 +TT	
n7	15	-98.0+2.5 +TT	-94.8 +3 +TT	-93.0 +3 +TT	-91.8 +3 +TT	FDD
	30		-95.1 +3 +TT	-93.1 +3 +TT	-92.0 +3 +TT	
	60		-95.5 +3 +TT	-93.4 +3 +TT	-92.2 +3 +TT	
n8	15	-97.0+2.5 +TT	-93.8 +3 +TT	-91.4 +3 +TT	-85.8 +3 +TT	FDD
	30		-94.1 +3 +TT	-91.7 +3 +TT	-87.2 +3 +TT	
n12	15	-97.0 +2.5+TT	-93.8 +3 +TT	-84.0 +3 +TT		FDD
	30		-94.1 +3 +TT	-84.1 +3 +TT		
n14	15	-97.0+2.5 +TT	-93.8 +3 +TT			FDD
	30		-94.1 +3 +TT			
n20	15	-97.0 +2.5+TT	-93.8 +3 +TT	-91.0 +3 +TT	-89.8 +3 +TT	FDD
	30		-94.1 +3 +TT	-91.1 +3 +TT	-90.0 +3 +TT	
n24	15	-100.0 +2.5+TT	-96.8 +3 +TT			FDD
	30		-97.1 +3 +TT			
	60		-97.5 +3 +TT			
n25	15	-96.5 +2.5+TT	-93.3 +3 +TT	-91.5 +3 +TT	-90.3 +3 +TT	FDD
	30		-93.6 +3 +TT	-91.6 +3 +TT	-90.5 +3 +TT	
	60		-94.0 +3 +TT	-91.9 +3 +TT	-90.7 +3 +TT	
n26	15	-97.5+2.5 +TT	-94.5 +3 +TT	-92.7 +3 +TT	-87.6 +3 +TT	FDD
	30		-94.8 +3 +TT	-92.7 +3 +TT	-87.7 +3 +TT	
n28	15	-98.5 +2.5+TT	-95.5 +3 +TT	-93.5 +3 +TT	-90.8 +3 +TT	FDD
	30		-95.6 +3 +TT	-93.6 +3 +TT	-91.0 +3 +TT	
n30	15	-99.0 +2.5+TT	-95.8 +3 +TT			FDD
	30		-96.1 +3 +TT			
n65	15	-99.5 +2.5+TT	-96.3 +3+TT	-94.5 +3+TT	-93.3 +3+TT	FDD
	30		-96.6 +3 +TT	-94.6 +3 +TT	-93.5 +3 +TT	
	60		-97.0 +3+TT	-94.9 +3+TT	-93.7 +3+TT	
n66	15	-99.5 +2.5+TT	-96.3 +3+TT	-94.5 +3 +TT	-93.3 +3 +TT	FDD
	30		-96.6 +3 +TT	-94.6 +3 +TT	-93.5 +3+TT	
	60		-97.0 +3 +TT	-94.9 +3 +TT	-93.7 +3 +TT	
n70	15	-100.0 +2.5 +TT	-96.8 +3 +TT	-95.0 +3+TT	-93.8 +3 +TT	FDD
	30		-97.1 +3 +TT	-95.1 +3 +TT	-94.0 +3 +TT	
	60		-97.5 +3 +TT	-95.4 +3 +TT	-94.2 +3 +TT	
n71	15	-97.2+2.5 +TT	-94.0 +3 +TT	-91.6 +3 +TT	-86.0 +3 +TT	FDD
	30		-94.3 +3 +TT	-91.9 +3 +TT	-87.4 +3 +TT	
n74	15	-99.5 ³ +2.5 +TT	-96.3 ³ +3 +TT	-94.5 ³ +3 +TT	-89.3 ³ +3+TT	FDD
	30		-96.6 ³ +3 +TT	-94.6 ³ +3 +TT	-89.5 ³ +3 +TT	
	60		-97.0 ³ +3 +TT	-94.9 ³ +3 +TT	-89.6 ³ +3+TT	

n85	15	-97+2.5 +TT	-93.8 +3 +TT	-84.0 +3 +TT		FDD
	30		-94.1 +3 +TT	-84.1 +3 +TT		
NOTE 1: Void						
NOTE 2: The transmitter shall be set to P _{UMAX} as defined in subclause 6.2.4						
NOTE 3: That the requirement is modified by -0.5 dB when the assigned NR channel bandwidth is confined within 1475.9-1510.9 MHz.						
NOTE 4: TT for each frequency and channel bandwidth is specified in Table 7.3I.2.5-7.						

Table 7.3I.2.5-4: Single antenna port reference sensitivity QPSK PREFSENS for TDD, SDL and FDD with variable duplex operation bands

Operating band / SCS / Channel bandwidth / REFSSENS/Duplex Mode				
Operating band	SCS kHz	Channel bandwidth (MHz)	REFSENS (dBm) ⁸	Duplex Mode
n34	15	5, 10, 15	-100 + 10log ₁₀ (N _{RB} /25) +2.5+TT	TDD
	30	10, 15	-97.1 + 10log ₁₀ (N _{RB} /24) +2.5+TT	
	60	10, 15	-97.5 + 10log ₁₀ (N _{RB} /11) +2.5+TT	
n38 ¹	15	5, 10, 15, 20	-100 + 10log ₁₀ (N _{RB} /25) +2.5+TT	TDD
	30	10, 15, 20	-97.1 + 10log ₁₀ (N _{RB} /24) +2.5+TT	
	60	10, 15, 20	-97.5 + 10log ₁₀ (N _{RB} /11) +2.5+TT	
n39	15	5, 10, 15, 20	-100 + 10log ₁₀ (N _{RB} /25) +2.5+TT	TDD
	30	10, 15, 20	-97.1 + 10log ₁₀ (N _{RB} /24) +2.5+TT	
	60	10, 15, 20	-97.5 + 10log ₁₀ (N _{RB} /11) +2.5+TT	
n40	15	5, 10, 15, 20	-100 + 10log ₁₀ (N _{RB} /25) +2.5+TT	TDD
	30	10, 15, 20	-97.1 + 10log ₁₀ (N _{RB} /24) +2.5+TT	
	60	10, 15, 20	-97.5 + 10log ₁₀ (N _{RB} /11) +2.5+TT	
n41 ¹	15	10, 15, 20	-94.8 + 10log ₁₀ (N _{RB} /52) +2.5+TT	TDD
	30	10, 15, 20	-95.1 + 10log ₁₀ (N _{RB} /24) +2.5+TT	
	60	10, 15, 20	-95.5 + 10log ₁₀ (N _{RB} /11) +2.5+TT	
n48 ¹	15	5, 10, 15, 20	-99 + 10log ₁₀ (N _{RB} /25) +2.5+TT	TDD
	30	10, 15, 20	-96.1 + 10log ₁₀ (N _{RB} /24) +2.5+TT	
	60	10, 15, 20	-96.5 + 10log ₁₀ (N _{RB} /11) +2.5+TT	
n50	15	5, 10, 15, 20	-100 + 10log ₁₀ (N _{RB} /25) +2.5+TT	TDD
	30	10, 15, 20	-97.1 + 10log ₁₀ (N _{RB} /24) +2.5+TT	
	60	10, 15, 20	-97.5 + 10log ₁₀ (N _{RB} /11) +2.5+TT	
n51	15	5	-100 +2.5+TT	TDD
n53	15	5, 10	-100 + 10log ₁₀ (N _{RB} /25) +2.5+TT	TDD
	30	10	-97.1 +2.5+TT	
	60	10	-97.5 +2.5+TT	
n77 ^{1,4}	15	10, 15, 20	-95.3 + 10log ₁₀ (N _{RB} /52) +2.5+TT	TDD
	30	10, 15, 20	-95.6 + 10log ₁₀ (N _{RB} /24) +2.5+TT	
	60	10, 15, 20	-96.0 + 10log ₁₀ (N _{RB} /11) +2.5+TT	
n78 ¹	15	10, 15, 20	-95.8 + 10log ₁₀ (N _{RB} /52) +2.5+TT	TDD
	30	10, 15, 20	-96.1 + 10log ₁₀ (N _{RB} /24) +2.5+TT	
	60	10, 15, 20	-96.5 + 10log ₁₀ (N _{RB} /11) +2.5+TT	
n79 ¹	15	10, 20,	-95.8 + 10log ₁₀ (N _{RB} /52) +2.5+TT	TDD
	30	10, 20,	-96.1 + 10log ₁₀ (N _{RB} /24) +2.5+TT	
	60	10, 20	-96.5 + 10log ₁₀ (N _{RB} /11) +2.5+TT	
n91	15	5	-100+2.5+TT	FDD
n92	15	5,10,15,20	-100 + 10log ₁₀ (N _{RB} /25) +2.5+TT	FDD
	30	10,15,20	-97.1 + 10log ₁₀ (N _{RB} /24) +2.5+TT	
n93	15	5	-100 +2.5+TT	FDD
n94	15	5,10,15,20	-100 + 10log ₁₀ (N _{RB} /25) +2.5+TT	FDD
	30	10,15,20	-97.1 + 10log ₁₀ (N _{RB} /24) +2.5+TT	
n101	15	5, 10	-100 + 10log ₁₀ (N _{RB} /25) +2.5+TT	TDD
	30	10	-97.1 + 10log ₁₀ (N _{RB} /24) +2.5+TT	
NOTE 1: Void.				
NOTE 2: The transmitter shall be set to P _{UMAX} as defined in clause 6.2.4.				
NOTE 3: Void				
NOTE 4: The requirement is modified by -0.5 dB when the assigned UE channel bandwidth is confined within 3300 - 3800 MHz.				
NOTE 5: Void				
NOTE 6: Void				
NOTE 7: Void				

NOTE 8: The REFSSENS value is rounded to the nearest number down to one decimal point. "N_{RB}" in REFSSENS formula is the maximum transmission bandwidth configuration as defined in Table 5.3.2-1.

NOTE 9: TT for each frequency and channel bandwidth is specified in Table 7.31.2.5-7.

Table 7.31.2.5-5: Two antenna port reference sensitivity QPSK PREFSENS for HD-FDD operation

Operating band / SCS / Channel bandwidth/ REFSSENS / Duplex Mode						
Operating Band	SCS kHz	5 MHz (dBm)	10 MHz (dBm)	15 MHz (dBm)	20 MHz (dBm)	Duplex Mode
n1	15	-100.0 +TT	-96.8 +TT	-95.0 +TT	-93.7 +TT	HD-FDD
	30		-97.2 +TT	-95.2 +TT	-93.9 +TT	
	60		-97.5 +TT	-95.4 +TT	-94.2 +TT	
n2	15	-98.8 +TT	-95.6 +TT	-93.8 +TT	-92.5 +TT	HD-FDD
	30		-96.0 +TT	-94.0 +TT	-92.7 +TT	
	60		-96.3 +TT	-94.2 +TT	-93.0 +TT	
n3	15	-97.8 +TT	-94.6 +TT	-92.8 +TT	-91.5 +TT	HD-FDD
	30		-95.0 +TT	-93.0 +TT	-91.7 +TT	
	60		-95.3 +TT	-93.2 +TT	-92.0 +TT	
n5	15	-98.8 +TT	-95.6 +TT	-93.8 +TT	-92.5 +TT	HD-FDD
	30		-96.0 +TT	-94.0 +TT	-92.7 +TT	
n7	15	-98.8 +TT	-95.6 +TT	-93.8 +TT	-92.5 +TT	HD-FDD
	30		-96.0 +TT	-94.0 +TT	-92.7 +TT	
	60		-96.3 +TT	-94.2 +TT	-93.0 +TT	
n8	15	-97.8 +TT	-94.6 +TT	-92.8 +TT	-91.5 +TT	HD-FDD
	30		-95.0 +TT	-93.0 +TT	-91.7 +TT	
n12	15	-97.8 +TT	-94.6 +TT	-92.8 +TT		HD-FDD
	30		-95.0 +TT	-93.0 +TT		
n13	15	-97.8 +TT	-94.6 +TT			HD-FDD
	30		-95.0 +TT			
n14	15	-97.8 +TT	-94.6 +TT			HD-FDD
	30		-95.0 +TT			
n18	15	-100.0 +TT	-96.8 +TT	-95.0 +TT		HD-FDD
	30		-97.2 +TT	-95.2 +TT		
n20	15	-97.8 +TT	-94.6 +TT	-92.8 +TT	-91.5 +TT	HD-FDD
	30		-95.0 +TT	-93.0 +TT	-91.7 +TT	
n24	15	-100.0 +TT	-96.8 +TT			HD-FDD
	30		-97.2 +TT			
	60		-97.5 +TT			
n25	15	-97.3 +TT	-94.1 +TT	-92.3 +TT	-91.0 +TT	HD-FDD
	30		-94.5 +TT	-92.5 +TT	-91.2 +TT	
	60		-94.8 +TT	-92.7 +TT	-91.5 +TT	
n26	15	-98.3 +TT	-95.1 +TT	-93.3 +TT	-92.0 +TT	HD-FDD
	30		-95.5 +TT	-93.5 +TT	-92.2 +TT	
n28	15	-99.3 +TT	-96.1 +TT	-94.3 +TT	-93.0 +TT	HD-FDD
	30		-96.5 +TT	-94.5 +TT	-93.2 +TT	
n30	15	-99.5 +TT	-96.3 +TT			HD-FDD
	30		-96.7 +TT			
n65	15	-100.0 +TT	-96.8 +TT	-95.0 +TT	-93.7 +TT	HD-FDD
	30		-97.2 +TT	-95.2 +TT	-93.9 +TT	
	60		-97.5 +TT	-95.4 +TT	-94.2 +TT	
n66	15	-100.0 +TT	-96.8 +TT	-95.0 +TT	-93.7 +TT	HD-FDD
	30		-97.2 +TT	-95.2 +TT	-93.9 +TT	
	60		-97.5 +TT	-95.4 +TT	-94.2 +TT	
n70	15	-100.0 +TT	-96.8 +TT	-95.0 +TT	-93.7 +TT	HD-FDD
	30		-97.2 +TT	-95.2 +TT	-93.9 +TT	
	60		-97.5 +TT	-95.4 +TT	-94.2 +TT	
n71	15	-98.0 +TT	-94.8	-93.0 +TT	-91.7 +TT	HD-FDD
	30		-95.2 +TT	-93.2 +TT	-91.9 +TT	
n74	15	-100.0 +TT	-96.8 +TT	-95.0 +TT	-93.7 +TT	HD-FDD
	30		-97.2 +TT	-95.2 +TT	-93.9 +TT	
	60		-97.5 +TT	-95.4 +TT	-94.2 +TT	
n85	15	-97.8 +TT	-94.6 +TT	-92.8 +TT		HD-FDD
	30		-95.0 +TT	-93.0 +TT		
n91	15	-100.0 +TT				HD-FDD

Operating band / SCS / Channel bandwidth/ REFSSENS / Duplex Mode						
Operating Band	SCS kHz	5 MHz (dBm)	10 MHz (dBm)	15 MHz (dBm)	20 MHz (dBm)	Duplex Mode
n92	15	-100.0 +TT	-96.8 +TT	-95.0 +TT	-93.7 +TT	HD-FDD
	30		-97.2 +TT	-95.2 +TT	-93.9 +TT	
n93	15	-100.0 +TT				HD-FDD
n94	15	-100.0 +TT	-96.8 +TT	-95.0 +TT	-93.7 +TT	HD-FDD
	30		-97.2 +TT	-95.2 +TT	-93.9 +TT	

NOTE 1: The transmitter shall be set to P_{UMAX} as defined in clause 6.2.4.
 NOTE 2: TT for each frequency and channel bandwidth is specified in Table 7.31.2.5-7.

Table 7.31.2.5-6: Single antenna port Reference sensitivity QPSK PREFSENS for HD-FDD operation

Operating band / SCS / Channel bandwidth/ REFSSENS / Duplex Mode						
Operating Band	SCS kHz	5 MHz (dBm)	10 MHz (dBm)	15 MHz (dBm)	20 MHz (dBm)	Duplex Mode
n1	15	-97.5 +TT	-94.3 +TT	-92.5 +TT	-91.2 +TT	HD-FDD
	30		-94.7 +TT	-92.7 +TT	-91.4 +TT	
	60		-95.0 +TT	-92.9 +TT	-91.7 +TT	
n2	15	-96.3 +TT	-93.1 +TT	-91.3 +TT	-90.0 +TT	HD-FDD
	30		-93.5 +TT	-91.5	-90.2	
	60		-93.8 +TT	-91.7 +TT	-90.5 +TT	
n3	15	-95.3 +TT	-92.1 +TT	-90.3 +TT	-89.0 +TT	HD-FDD
	30		-92.5 +TT	-90.5 +TT	-89.2 +TT	
	60		-92.8 +TT	-90.7 +TT	-89.5 +TT	
n5	15	-96.3 +TT	-93.1 +TT	-91.3 +TT	-90.0 +TT	HD-FDD
	30		-93.5 +TT	-91.5 +TT	-90.2 +TT	
n7	15	-96.3 +TT	-93.1 +TT	-91.3 +TT	-90.0 +TT	HD-FDD
	30		-93.5 +TT	-91.5 +TT	-90.2 +TT	
	60		-93.8 +TT	-91.7 +TT	-90.5 +TT	
n8	15	-95.3 +TT	-92.1 +TT	-90.3 +TT	-89.0 +TT	HD-FDD
	30		-92.5 +TT	-90.5 +TT	-89.2 +TT	
n12	15	-95.3 +TT	-92.1 +TT	-90.3 +TT		HD-FDD
	30		-92.5 +TT	-90.5 +TT		
n13	15	-95.3 +TT	-92.1 +TT			HD-FDD
	30		-92.5 +TT			
n14	15	-95.3 +TT	-92.1 +TT			HD-FDD
	30		-92.5 +TT			
n18	15	-97.5 +TT	-94.3 +TT	-92.5 +TT		HD-FDD
	30		-94.7 +TT	-92.7 +TT		
n20	15	-95.3 +TT	-92.1 +TT	-90.3 +TT	-89.0 +TT	HD-FDD
	30		-92.5 +TT	-90.5 +TT	-89.2 +TT	
n24	15	-97.5 +TT	-94.3 +TT			HD-FDD
	30		-94.7 +TT			
	60		-95.0 +TT			
n25	15	-94.8 +TT	-91.6 +TT	-89.8 +TT	-88.5 +TT	HD-FDD
	30		-92.0 +TT	-90.0 +TT	-88.7 +TT	
	60		-92.3 +TT	-90.2 +TT	-89.0 +TT	
n26	15	-95.8 +TT	-92.6 +TT	-90.8 +TT	-89.5 +TT	HD-FDD
	30		-93.0 +TT	-91.0 +TT	-89.7 +TT	
n28	15	-96.8 +TT	-93.6 +TT	-91.8 +TT	-90.5 +TT	HD-FDD
	30		-94.0 +TT	-92.0 +TT	-90.7 +TT	
n30	15	-97.0 +TT	-93.8 +TT			HD-FDD
	30		-94.2 +TT			
n65	15	-97.5 +TT	-94.3 +TT	-92.5 +TT	-91.2 +TT	HD-FDD
	30		-94.7 +TT	-92.7 +TT	-91.4 +TT	
	60		-95.0 +TT	-92.9 +TT	-91.7 +TT	
n66	15	-97.5 +TT	-94.3 +TT	-92.5 +TT	-91.2 +TT	HD-FDD
	30		-94.7 +TT	-92.7 +TT	-91.4 +TT	
	60		-95.0 +TT	-92.9 +TT	-91.7 +TT	
n70	15	-97.5 +TT	-94.3 +TT	-92.5 +TT	-91.2 +TT	HD-FDD
	30		-94.7 +TT	-92.7 +TT	-91.4 +TT	
	60		-95.0 +TT	-92.9 +TT	-91.7 +TT	
n71	15	-95.5 +TT	-92.3 +TT	-90.5 +TT	-89.2 +TT	HD-FDD
	30		-92.7 +TT	-90.7 +TT	-89.4 +TT	

Operating band / SCS / Channel bandwidth/ REFSENS / Duplex Mode						
Operating Band	SCS kHz	5 MHz (dBm)	10 MHz (dBm)	15 MHz (dBm)	20 MHz (dBm)	Duplex Mode
n74	15	-97.5 +TT	-94.3 +TT	-92.5 +TT	-91.2 +TT	HD-FDD
	30		-94.7 +TT	-92.7 +TT	-91.4 +TT	
	60		-95.0 +TT	-92.9 +TT	-91.7	
n85	15	-95.3 +TT	-92.1+TT	-90.8 +TT		HD-FDD
	30		-92.5 +TT	-90.5 +TT		
n91	15	-97.5 +TT				HD-FDD
n92	15	-97.5 +TT	-94.3 +TT	-92.5 +TT	-91.2 +TT	HD-FDD
	30		-94.7 +TT	-92.7 +TT	-91.4 +TT	
n93	15	-97.5 +TT				HD-FDD
n94	15	-97.5 +TT	-94.3 +TT	-92.5 +TT	-91.2 +TT	HD-FDD
	30		-94.7 +TT	-92.7 +TT	-91.4 +TT	

NOTE 1: The transmitter shall be set to P_{UMAX} as defined in clause 6.2.4.
 NOTE 2: TT for each frequency and channel bandwidth is specified in Table 7.3l.2.5-7.

Table 7.3l.2.5-7: Test Tolerance (TT) for RX sensitivity level for RedCap UE

f ≤ 3.0GHz	3.0GHz < f ≤ 6.0 GHz
0.7 dB	1.0 dB

7.3J Reference sensitivity for ATG

7.3J.1 General

The reference sensitivity power level REFSENS is the minimum mean power applied to each one of the ATG UE antenna ports, at which the throughput shall meet or exceed the requirements for the specified reference measurement channel.

7.4 Maximum input level

7.4.1 Test purpose

Maximum input level tests the UE's ability to receive data with a given average throughput for a specified reference measurement channel, under conditions of high signal level, ideal propagation and no added noise.

A UE unable to meet the throughput requirement under these conditions will decrease the coverage area near to a g-NodeB.

7.4.2 Test applicability

This test applies to all types of NR UE release 15 and forward.

7.4.3 Minimum conformance requirements

Maximum input level is defined as the maximum mean power received at the UE antenna port, at which the specified relative throughput shall meet or exceed the minimum requirements for the specified reference measurement channel. The throughput shall be ≥ 95% of the maximum throughput of the reference measurement channels as specified in Annex A.3.2 and A.3.3 (with one sided dynamic OCNG Pattern OP.1 FDD/TDD as described in Annex A.5.1.1/A.5.2.1) with parameters specified in Table 7.4.3-1.

Table 7.4.3-1: Maximum input level

Rx Parameter	Units	Channel bandwidth (MHz)		
		3, 5, 10, 15, 20	25, 30, 35, 40, 45, 50	60, 70, 80, 90, 100
Power in Transmission Bandwidth Configuration ⁴	dBm	-25 ²	-25 + 10log ₁₀ (BW _{Channel} /20) ^{Note 2}	-20 ²
		-27 ^{3,5}	-27 + 10log ₁₀ (BW _{Channel} /20) ^{Note 3,5}	-22 ^{3,5}

NOTE 1: The transmitter shall be set to 4 dB below P_{C_{MAX}L,f,c} at the minimum uplink configuration specified in Table 7.3.2-3 with P_{C_{MAX}L,f,c} as defined in clause 6.2.4.
 NOTE 2: Reference measurement channel is A.3.2.3 or A.3.3.3 for 64 QAM.

NOTE 3: Reference measurement channel is A.3.2.4 or A.3.3.4 for 256 QAM.
 NOTE 4: $10\log_{10}(x)$ is rounded to the nearest 0.5dB value.
 NOTE 5: Reference measurement channel is A.3.2.x for 1024 QAM.

The normative reference for this requirement is TS 38.101-1 [2] clause 7.4.

7.4.4 Test description

7.4.4.1 Initial conditions

Initial conditions are a set of test configurations the UE needs to be tested in and the steps for the SS to take with the UE to reach the correct measurement state.

The initial test configurations consist of environmental conditions, test frequencies, test channel bandwidths and sub-carrier spacing based on NR operating bands specified in table 5.3.5-1. All of these configurations shall be tested with applicable test parameters for each combination of channel bandwidth and sub-carrier spacing, are shown in table 7.4.4.1-1. The details of the uplink and downlink reference measurement channels (RMC) are specified in Annexes A.2 and A.3. The details of the OCNG patterns used are specified in Annex A.5. Configurations of PDSCH and PDCCH before measurement are specified in Annex C.2.

Table 7.4.4.1-1: Test Configuration Table

Initial Conditions			
Test Environment as specified in TS 38.508-1 [5] subclause 4.1		Normal	
Test Frequencies as specified in TS 38.508-1 [5] subclause 4.3.1		Mid range (NOTE 5)	
Test Channel Bandwidths as specified in TS 38.508-1 [5] subclause 4.3.1		Lowest, Mid, Highest Lowest UL / Lowest DL, Lowest UL / Highest DL (NOTE 4)	
Test SCS as specified in Table 5.3.5-1		Lowest	
Test Parameters for Channel Bandwidths			
Downlink Configuration		Uplink Configuration	
Modulation	RB allocation	Modulation	RB allocation
CP-OFDM 64 QAM	NOTE 1	DFT-s-OFDM QPSK	NOTE 2
CP-OFDM 256 QAM	NOTE 1	DFT-s-OFDM QPSK	NOTE 2
CP-OFDM 1024 QAM	NOTE 1	DFT-s-OFDM QPSK	NOTE 2
NOTE 1: The specific configuration of downlink RB allocation is defined in Table 7.3.2.4.1-2.			
NOTE 2: The specific configuration of uplink RB allocation is defined in Table 7.3.2.4.1-3.			
NOTE 3: In a band where UE supports 4Rx, the test shall be performed only with 4Rx antennas ports connected.			
NOTE 4: Additional test points selected according to asymmetric channel bandwidths specified in clause 5.3.6. DL channel bandwidth shall be selected first.			
NOTE 5: For NR band n28, 30MHz test channel bandwidth is tested with Low range test frequencies.			
NOTE 6: Testing for 1024 QAM is applicable for UE supporting capabilities 1024QAM (pdsch-1024QAM-FR1).			

1. Connect the SS to the UE antenna connectors as shown in TS 38.508-1 [5] Annex A, Figure A.3.1.1.1 for TE diagram and section A.3.2 for UE diagram.
2. The parameter settings for the cell are set up according to TS 38.508-1 [5] subclause 4.4.3.
3. Downlink signals are initially set up according to Annex C.0, C.1, C.2, and C.3.1, and uplink signals according to Annex G.0, G.1, G.2, and G.3.1.
4. The DL and UL Reference Measurement Channels are set according to Table 7.4.4.1-1.
5. Propagation conditions are set according to Annex B.0.
6. Ensure the UE is in State RRC_CONNECTED with generic procedure parameters Connectivity NR, Connected without release On, Test Mode On and Test Loop Function On according to TS 38.508-1 [5] clause 4.5. Message contents are defined in clause 7.4.4.3.

7.4.4.2 Test procedure

1. SS transmits PDSCH via PDCCH DCI format 1_1 for C_RNTI to transmit the DL RMC according to Table 7.4.4.1-1. The SS sends downlink MAC padding bits on the DL RMC.
2. SS sends uplink scheduling information for each UL HARQ process via PDCCH DCI format 0_1 for C_RNTI to schedule the UL RMC according to Tables 7.4.4.1-1. Since the UE has no payload data and no loopback data to send, the UE sends uplink MAC padding bits on the UL RMC.
3. Set the Downlink signal level to the value as defined in Table 7.4.5-1. Send uplink power control commands to the UE using 1dB power step size to ensure that the UE output power measured by the test system is within the Uplink power control window, defined as -MU to -(MU + Uplink power control window size) dB of the target power level in Table 7.4.5-1 for at least the duration of the Throughput measurement, where:
 - MU is the test system uplink power measurement uncertainty and is specified in Table F.1.3-1 for the carrier frequency f and the channel bandwidth BW
 - Uplink power control window size = 1dB (UE power step size) + 0.7dB (UE power step tolerance) + (Test system relative power measurement uncertainty), where, the UE power step tolerance is specified in TS 38.101-1 [2], Table 6.3.4.3-1 and is 0.7dB for 1dB power step size, and the Test system relative power measurement uncertainty is specified for test case 6.3.4.3 in Table F.1.2-1.
 - For UEs supporting Tx diversity, the transmit power is measured as the sum of the output power from both UE antenna connectors.
4. Measure the average throughput for a duration sufficient to achieve statistical significance according to Annex H.2

NOTE: The purpose of the Uplink power control window is to ensure that the actual UE output power is no greater than the target power level, and as close as possible to the target power level. The relationship between the Uplink power control window, the target power level and the corresponding possible actual UE Uplink power window is illustrated in Annex F.4.3.

7.4.4.3 Message contents

Message contents are according to TS 38.508-1 [5] subclause 4.6 ensuring Table 4.6.3-118 with condition TRANSFORM_PRECODER_ENABLED.

The following exception applies to 1024QAM testing:

Table 7.4.4.3-1: PDSCH-Config

Derivation Path: TS 38.508-1 Table 5.4.2.0-26			
Information Element	Value/remark	Comment	Condition
PDSCH-Config ::= SEQUENCE {			
mcs-Table-r17	qam1024		
}			

7.4.5 Test requirement

The throughput measurement derived in test procedure shall be ≥ 95% of the maximum throughput of the reference measurement channels as specified in Annex A.3.2 and A.3.3 with parameters specified in Tables 7.4.5-1.

Table 7.4.5-1: Maximum input level

Rx Parameter	Units	Channel bandwidth (MHz)		
		3, 5, 10, 15, 20	25, 30, 35, 40, 45, 50	60, 70, 80, 90, 100
Power in Transmission Bandwidth Configuration ⁴	dBm	-25 ² -TT	-25 + 10log ₁₀ (BW _{Channel} /20) ^{Note 2} -TT	-20 ² -TT
		-27 ^{3,5} -TT	-27 + 10log ₁₀ (BW _{Channel} /20) ^{Note 3,5} -TT	-22 ^{3,5} -TT
NOTE 1: The transmitter shall be set to 4 dB below P _{CMAX,L,f,c} at the minimum uplink configuration specified in Table 7.3.2-3 with P _{CMAX,L,f,c} as defined in clause 6.2.4.				
NOTE 2: Reference measurement channel is A.3.2.3 or A.3.3.3 for 64 QAM.				

NOTE 3: Reference measurement channel is A.3.2.4 or A.3.3.4 for 256 QAM.
 NOTE 4: $10\log_{10}(x)$ is rounded to the nearest 0.5dB value.
 NOTE 5: Reference measurement channel is A.3.2.5 or A.3.3.5 for 1024 QAM.

Table 7.4.5-2: Void

Table 7.4.5-3: Test Tolerance (Maximum input level)

$f \leq 3.0\text{GHz}$	$3.0\text{GHz} < f \leq 6.0\text{GHz}$
0.7 dB	1.0 dB

7.4A Maximum input level for CA

7.4A.0 Minimum conformance requirements

7.4A.0.1 Maximum input level for Intra-band contiguous CA

For intra-band contiguous carrier aggregation maximum input level is defined as the maximum mean power received at the UE antenna port, over the Transmission bandwidth configuration of each CC.

The throughput shall be $\geq 95\%$ of the maximum throughput of the reference measurement channels as specified in Annexes A.3.2 and A.3.3 (with one sided dynamic OCNG Pattern OP.1 FDD/TDD as described in Annex A.5.1.1/A.5.2.1) with parameters specified in Table 7.4A.0.1-1 for each component carrier.

Table 7.4A.0.1-1: Maximum input level for Intra-band contiguous CA

Rx Parameter	Units	NR CA Bandwidth Class		
		B	C	D
Power in largest transmission bandwidth configuration CC, $P_{\text{largest BW}}$	dBm	-23^2	-23^2	-25^2
		$-25^{3,4}$	$-25^{3,4}$	$-27^{3,4}$
Power in each other CC	dBm	$P_{\text{largest BW}} + 10 \cdot \log\left\{\frac{(N_{\text{RB},c} \cdot \text{SCS}_c)}{(N_{\text{RB},\text{largest BW}} \cdot \text{SCS}_{\text{largest BW}})}\right\}$		
NOTE 1: The transmitter shall be set to 4 dB below $P_{\text{CMAX_L,f,c}}$ at the minimum uplink configuration specified in Table 7.3.2.3-3 with $P_{\text{CMAX_L,f,c}}$ as defined in subclause 6.2.4.3.				
NOTE 2: Reference measurement channel is A.3.2.3 or A.3.3.3 for 64 QAM.				
NOTE 3: Reference measurement channel is A.3.2.4 or A.3.3.4 for 256 QAM.				
NOTE 4: Reference measurement channel is A.3.2.5 or A.3.3.5 for 1024 QAM.				

7.4A.0.2 Maximum input level for Intra-band non-contiguous CA

For intra-band non-contiguous carrier aggregation with one uplink carrier and two or more downlink sub-blocks, each larger than or equal to 5 MHz, the maximum input level requirements are defined with the uplink configuration in accordance with 7.3A.0.2.2-1. For this uplink configuration, the UE shall meet the requirements for each sub-block as specified subclause 7.4.3 and Table 7.4A.0.1-1 for one component carrier and two component carriers per sub-block, respectively. The throughput of each downlink component carrier shall be $\geq 95\%$ of the maximum throughput of the specified reference measurement channel as specified in Annex A.3.2 and A.3.3 (with one sided dynamic OCNG Pattern OP.1 FDD/TDD as described in Annex A.5.1.1 and A.5.2.1). The requirements apply with all downlink carriers active.

The normative reference for this requirement is TS 38.101-1 [2] clause 7.4A.

7.4A.0.3 Maximum input level for Inter-band CA

For inter-band carrier aggregation with one component carrier per operating band and the uplink assigned to one NR band, the maximum input level is defined with the uplink active on the band(s) other than the band whose downlink is being tested. For NR CA configurations including an operating band without uplink band or an operating band with an

unpaired DL part (as noted in Table 5.2-1), the requirements for all downlinks shall be met with the single uplink carrier active in each band capable of UL operation. The UE shall meet the requirements specified in subclause 7.4.3 for each component carrier while all downlink carriers are active.

The throughput shall be $\geq 95\%$ of the maximum throughput of the reference measurement channels as specified in Annexes A.3.2 and A.3.3 (with one sided dynamic OCNG Pattern OP.1 FDD/TDD as described in Annex A.5.1.1/A.5.2.1) for each component carrier.

The normative reference for this requirement is TS 38.101-1 [2] clause 7.4A.

7.4A.1 Maximum input level for CA (2DL CA)

7.4A.1.1 Test purpose

The same test purpose as defined in 7.4.1.

7.4A.1.2 Test applicability

This test case applies to all types of NR UE release 15 and forward that supports 2DL CA.

7.4A.1.3 Minimum conformance requirements

The minimum conformance requirements are defined in clause 7.4A.0.

7.4A.1.4 Test description

7.4A.1.4.1 Initial conditions

Initial conditions are a set of test configurations the UE needs to be tested in and the steps for the SS to take with the UE to reach the correct measurement state. The initial test configurations consist of environmental conditions, test frequencies, test channel bandwidths and sub-carrier spacing based on NR CA configurations specified in clause 5.5A. All of these configurations shall be tested with applicable test parameters for each CA configuration, are shown in table 7.4A.1.4.1-1 or 7.4A.1.4.1-2. The details of the uplink and downlink reference measurement channels (RMC) are specified in Annexes A.2 and A.3. Configurations of PDSCH and PDCCH before measurement are specified in Annex C.2.

Table 7.4A.1.4.1-1: Test configuration table for Intra-band contiguous CA

Default Conditions					
Test Environment as specified in TS 38.508-1 [5] subclause 4.1			Normal		
Test Frequencies as specified in TS 38.508-1 [5] subclause 4.3.1			Mid range		
Test CC Combination setting (N_{RB_agg}) as specified in Table 5.5A.1-1 for the CA Configuration across bandwidth combination sets supported by the UE.			NOTE 1		
Test SCS as specified in Table 5.3.5-1			Lowest		
Test Parameters					
Test ID	Downlink Configuration			Uplink Configuration	
	CC Mod'n	PCC RB allocation	SCC RB allocation	CC Mod'n	PCC RB allocation
1	CP-OFDM 64QAM	NOTE 1	NOTE 1	DFT-s-OFDM QPSK	NOTE 1
2	CP-OFDM 256QAM	NOTE 1	NOTE 1	DFT-s-OFDM QPSK	NOTE 1
3	CP-OFDM 1024QAM	NOTE 1	NOTE 1	DFT-s-OFDM QPSK	NOTE 1
NOTE 1: The specific configuration of uplink and downlink are defined in Table 7.3A.1.4.1-1.					
NOTE 2: In a band where UE supports 4Rx, the test shall be performed only with 4Rx antennas ports connected and 4Rx REFSSENS requirement (Table 7.3.2.5-2) is used in the test requirements.					
NOTE 3: Testing for 1024 QAM is applicable for UE supporting capabilities 1024QAM (pdsch-1024QAM-FR1).					

Table 7.4A.1.4.1-2: Test configuration table for Inter-band CA

Default Conditions	
Test Environment as specified in TS 38.508-1 [5] subclause 4.1	Normal

Test Frequencies as specified in TS 38.508-1 [5] subclause 4.3.1			NOTE 1, NOTE 3		
Test CC Combination setting (N_{RB_agg}) as specified in Table 5.5A.3.1-1 for the CA Configuration across bandwidth combination sets supported by the UE.			NOTE 1, NOTE 4		
Test SCS as specified in Table 5.3.5-1			Lowest		
Test Parameters					
Test ID	Downlink Configuration			Uplink Configuration	
	CC Mod'n	PCC RB allocation	SCC RB allocation	CC Mod'n	PCC RB allocation
1	CP-OFDM 64QAM	NOTE 1	NOTE 1	DFT-s-OFDM QPSK	NOTE 1
2	CP-OFDM 256QAM	NOTE 1	NOTE 1	DFT-s-OFDM QPSK	NOTE 1
3	CP-OFDM 256QAM	NOTE 1	NOTE 1	DFT-s-OFDM QPSK	NOTE 1
NOTE 1: The specific configuration of uplink and downlink are defined in Table 7.3A.1.4.1-2.					
NOTE 2: In a band where UE supports 4Rx, the test shall be performed only with 4Rx antennas ports connected and 4Rx REFSENS requirement (Table 7.3.2.5-2) is used in the test requirements.					
NOTE 3: Test frequency is set to Mid Range for PCC and SCC with exceptions defined in Table 7.3A.1.4.1-2. For NR band n28, 30MHz test channel bandwidth is tested with Low range test frequencies.					
NOTE 4: Test CC Combination setting is set as defined in Table 7.3A.1.4.1-2. If the UE supports multiple CC Combinations in the CA Configuration with the same N_{RB_agg} , only the combination with the highest NRB_PCC is tested.					
NOTE 5: Testing for 1024 QAM is applicable for UE supporting capabilities 1024QAM (pdsch-1024QAM-FR1).					

Table 7.4A.1.4.1-3: Test configuration table for Intra-band non-contiguous CA

Default Conditions					
Test Environment as specified in TS 38.508-1 [5] subclause 4.1			Normal		
Test Frequencies as specified in TS 38.508-1 [5] subclause 4.3.1			NOTE 1		
Test CC Combination setting (N_{RB_agg}) as specified in Table 5.5A.2-1 for the CA Configuration across bandwidth combination sets supported by the UE.			NOTE 1, NOTE 3		
Test SCS as specified in Table 5.3.5-1			Lowest		
Test Parameters					
Test ID	Downlink Configuration			Uplink Configuration	
	CC Mod'n	PCC RB allocation	SCC RB allocation	CC Mod'n	PCC RB allocation
1	CP-OFDM 64QAM	NOTE 1	NOTE 1	DFT-s-OFDM QPSK	NOTE 1
2	CP-OFDM 256QAM	NOTE 1	NOTE 1	DFT-s-OFDM QPSK	NOTE 1
3	CP-OFDM 256QAM	NOTE 1	NOTE 1	DFT-s-OFDM QPSK	NOTE 1
NOTE 1: The specific configuration of uplink and downlink are defined in Table 7.3A.1.4.1-3.					
NOTE 2: In a band where UE supports 4Rx, the test shall be performed only with 4Rx antennas ports connected and 4Rx REFSENS requirement (Table 7.3.2.5-2) is used in the test requirements.					
NOTE 3: If the UE supports multiple CC Combinations in the CA Configuration with the same N_{RB_agg} , only the combination with the highest NRB_PCC is tested.					
NOTE 4: Testing for 1024 QAM is applicable for UE supporting capabilities 1024QAM (pdsch-1024QAM-FR1).					

1. Connect the SS to the UE antenna connectors as shown in TS 38.508-1 [5] Annex A, Figure A.3.1.1.3 for TE diagram and section A.3.2 for UE diagram.
2. The parameter settings for the cell are set up according to TS 38.508-1 [5] subclause 4.4.3.
3. Downlink signals are initially set up according to Annex C.0, C.1, C.2, and C.3.1, and uplink signals according to Annex G.0, G.1, G.2, and G.3.1.
4. The DL and UL Reference Measurement Channels are set according to Table 7.4A.1.4.1-1, Table 7.4A.1.4.1-2 or Table 7.4A.1.4.1-3.
5. Propagation conditions are set according to Annex B.0.

6. Ensure the UE is in State RRC_CONNECTED with generic procedure parameters Connectivity *NR*, Connected without release *On*, Test Mode *On* and Test Loop Function *On* according to TS 38.508-1 [5] clause 4.5. Message contents are defined in clause 7.4A.1.4.3.

7.4A.1.4.2 Test procedure

1. Configure SCC according to Annex C.0, C.1 and C.2 for all downlink physical channels.
2. The SS shall configure SCC as per TS 38.508-1 [5] clause 5.5.1. Message contents are defined in clause 7.4A.1.4.3.
3. SS activates SCC by sending the activation MAC-CE (Refer TS 38.321 [18], clauses 5.9, 6.1.3.10). Wait for at least 2 seconds (Refer TS 38.133[19], clause9.3).
4. SS transmits PDSCH via PDCCH DCI format 1_1 for C_RNTI to transmit the DL RMC according to Table 7.4A.1.4.1-1 for intra-band contiguous CA, 7.4A.1.4.1-2 for inter-band CA or 7.4A.1.4.1-3 for intra-band non-contiguous CA on both PCC and SCC. The SS sends downlink MAC padding bits on the DL RMC.
5. SS sends uplink scheduling information for each UL HARQ process via PDCCH DCI format 0_1 for C_RNTI to schedule the UL RMC according to Tables 7.4A.1.4.1-1 for intra-band contiguous CA, 7.4A.1.4.1-2 for inter-band CA or 7.4A.1.4.1-3 for intra-band non-contiguous CA. Since the UE has no payload data and no loopback data to send, the UE sends uplink MAC padding bits on the UL RMC.
6. Set the Downlink signal level for PCC and SCC to the value as defined in Table 7.4A.1.5-1 for intra-band contiguous CA, Table 7.4A.1.5-2 for inter-band CA or Table 7.4A.1.5-3 for intra-band non-contiguous CA. Send uplink power control commands to the UE using 1dB step size to ensure that the UE output power measured by the test system is within the Uplink power control window, defined as -MU to -(MU + Uplink power control window size) dB of the target power level in Table 7.4A.1.5-1 for intra-band contiguous CA, Table 7.4A.1.5-2 for inter-band CA or 7.4A.1.5-3 for intra-band non-contiguous CA for at least the duration of the Throughput measurement , where:
 - MU is the test system uplink power measurement uncertainty and is specified in Table F.1.3-1 for the carrier frequency *f* and the channel bandwidth *BW*
 - Uplink power control window size = 1dB (UE power step size) + 0.7dB (UE power step tolerance) + (Test system relative power measurement uncertainty), where, the UE power step tolerance is specified in TS 38.101-1 [2], Table 6.3.4.3-1 and is 0.7dB for 1dB power step size, and the Test system relative power measurement uncertainty is specified for test case 6.3.4.3 in Table F.1.2-1.
 - For UEs supporting Tx diversity, the transmit power is measured as the sum of the output power from both UE antenna connectors.
7. For intra-band contiguous and non-contiguous CA: measure the average throughput of each component carrier for a duration sufficient to achieve statistical significance according to Annex H.2A.

For inter-band CA: measure the average throughput of SCC for a duration sufficient to achieve statistical significance according to Annex H.2A.
8. For Inter-band CA only: Repeat steps from 1 to 7 setting the original PCell as SCell and the original SCell as PCell in the corresponding CA configuration, except for operating bands without uplink band.

7.4A.1.4.3 Message contents

Message contents are according to TS 38.508-1 [5] subclause 4.6 Table 4.6.3-118 with condition TRANSFORM_PRECODER_ENABLED.

The following exception applies to 1024QAM testing:

Table 7.4A.1.4.3-1: PDSCH-Config

Derivation Path: TS 38.508-1 Table 5.4.2.0-26			
Information Element	Value/remark	Comment	Condition
PDSCH-Config ::= SEQUENCE {			
mcs-Table-r17	qam1024		
}			

7.4A.1.5 Test requirement

The throughput measurement derived in test procedure shall be $\geq 95\%$ of the maximum throughput of the reference measurement channels as specified in Annex A.3 with parameters specified in Table 7.4A.1.5-1 for intra-band contiguous CA or Table 7.4A.1.5-2 for inter-band CA.

Table 7.4A.1.5-1: Maximum input level for Intra-band contiguous CA

Rx Parameter	Units	NR CA Bandwidth Class		
		B	CD	E
Power in largest transmission bandwidth configuration CC, $P_{\text{largest BW}}$	dBm	-23 ² -TT	-23 ² -TT-25 ² -TT	-26 ² -TT
		-25 ^{3,4} -TT	-25 ^{3,4} -TT-27 ³ -TT	-28 ^{3,4} -TT
Power in each other CC	dBm	$P_{\text{largest BW}} + 10 \cdot \log\left(\frac{N_{\text{RB,c}} \cdot \text{SCS}_c}{(N_{\text{RB,largest BW}} \cdot \text{SCS}_{\text{largest BW}})}\right) - \text{TT}$		

NOTE 1: The transmitter shall be set to 4 dB below $P_{\text{CMAX_L,f,c}}$ at the minimum uplink configuration specified in Table 7.3.2.3-3 with $P_{\text{CMAX_L,f,c}}$ as defined in subclause 6.2.4.3.

NOTE 2: Reference measurement channel is A.3.2.3 or A.3.3.3 for 64 QAM.

NOTE 3: Reference measurement channel is A.3.2.4 or A.3.3.4 for 256 QAM.

NOTE 4: Reference measurement channel is A.3.2.5 or A.3.3.5 for 1024 QAM.

NOTE 5: TT for each frequency is specified in Table 7.4A.1.5-5.

Table 7.4A.1.5-2: Maximum input level for inter-band

Rx Parameter	Units	Channel bandwidth													
		5 MHz	10 MHz	15 MHz	20 MHz	25 MHz	30 MHz	40 MHz	50 MHz	60 MHz	70 MHz	80 MHz	90 MHz	100 MHz	
Power in Transmission Bandwidth Configuration	dBm	-25 ² -TT				-24 ² -TT	-23 ² -TT	-22 ² -TT	-21 ² -TT	-20 ² -TT					
		-27 ^{3,4} -TT				-26 ^{3,4} -TT	-25 ^{3,4} -TT	-24 ^{3,4} -TT	-23 ^{3,4} -TT	-22 ^{3,4} -TT					

NOTE 1: The transmitter shall be set to 4dB below $P_{\text{CMAX_L}}$ at the minimum uplink configuration specified in Table 7.3.2.3-3 with $P_{\text{CMAX_L}}$ as defined in subclause 6.2.4.

NOTE 2: Reference measurement channel is Annex A.3.2.3/A.3.3.3 for 64-QAM.

NOTE 3: Reference measurement channel is Annex A.3.2.4/A.3.3.4 for 256-QAM.

NOTE 4: Reference measurement channel is Annex A.3.2.5/A.3.3.5 for 1024-QAM.

NOTE 5: TT for each frequency is specified in Table 7.4A.1.5-5.

Table 7.4A.1.5-3: Maximum input level for intra-band non-contiguous

Rx Parameter	Units	Channel bandwidth													
		5 MHz	10 MHz	15 MHz	20 MHz	25 MHz	30 MHz	40 MHz	50 MHz	60 MHz	70 MHz	80 MHz	90 MHz	100 MHz	
Power in Transmission Bandwidth Configuration	dBm	-25 ² -TT				-24 ² -TT	-23 ² -TT	-22 ² -TT	-21 ² -TT	-20 ² -TT					
		-27 ³ -TT				-26 ^{3,4} -TT	-25 ^{3,4} -TT	-24 ^{3,4} -TT	-23 ^{3,4} -TT	-22 ^{3,4} -TT					

NOTE 1: The transmitter shall be set to 4dB below $P_{\text{CMAX_L}}$ at the minimum uplink configuration specified in Table 7.3.2.3-3 with $P_{\text{CMAX_L}}$ as defined in subclause 6.2.4.

NOTE 2: Reference measurement channel is Annex A.3.2.3/A.3.3.3 for 64-QAM.

NOTE 3: Reference measurement channel is Annex A.3.2.4/A.3.3.4 for 256-QAM.

NOTE 4: Reference measurement channel is Annex A.3.2.5/A.3.3.5 for 1024-QAM.

NOTE 5: TT for each frequency is specified in Table 7.4A.1.5-5.

Table 7.4A.1.5-4: Void

Table 7.4A.1.5-5: Test Tolerance (Maximum input level)

$f \leq 3.0\text{GHz}$	$3.0\text{GHz} < f \leq 6.0\text{GHz}$
0.7 dB	1.0 dB

7.4A.2 Maximum input level for CA (3DL CA)

7.4A.2.1 Test purpose

The same test purpose as defined in 7.4.1.

7.4A.2.2 Test applicability

This test case applies to all types of NR UE release 15 and forward that supports 3DL CA.

7.4A.2.3 Minimum conformance requirements

The minimum conformance requirements are defined in clause 7.4A.0.

7.4A.2.4 Test description

7.4A.2.4.1 Initial conditions

Initial conditions are a set of test configurations the UE needs to be tested in and the steps for the SS to take with the UE to reach the correct measurement state. The initial test configurations consist of environmental conditions, test frequencies, test channel bandwidths and sub-carrier spacing based on NR CA configurations specified in clause 5.5A. All of these configurations shall be tested with applicable test parameters for each CA configuration, are shown in table 7.4A.2.4.1-1, 7.4A.2.4.1-2 or 7.4A.2.4.1-3. The details of the uplink and downlink reference measurement channels (RMC) are specified in Annexes A.2 and A.3. Configurations of PDSCH and PDCCH before measurement are specified in Annex C.2.

Table 7.4A.2.4.1-1: Test Configuration Table for 3DL CA

Default Conditions						
Test Environment as specified in TS 38.508-1 [5] subclause 4.1		Normal				
Test Frequencies as specified in TS 38.508-1 [5] subclause 4.3.1		Intra-band contiguous: Mid range for PCC and SCCs Inter-band: NOTE 1, NOTE 5 Intra-band contiguous + Inter-band: NOTE 1, NOTE 5 Intra-band non-contiguous + Inter-band, Intra-band non-contiguous, Intra-band contiguous + Intra-band non-contiguous: NOTE 1 with Wgap for intra-band non-contiguous defined in table 7.3A.2.4.1-1 (NOTE 5)				
Test CC Combination setting (N_{RB_agg}) as specified in Tables 5.5A.1-1, 5.5A.2-1, or tables in clauses 5.5A.3.x for the CA Configuration across bandwidth combination sets supported by the UE.		NOTE 1, NOTE 6				
Test SCS as specified in Table 5.3.5-1		Lowest for PCC and SCCs				
Network signalling value		NS_01 by default				
Test Parameters						
Test ID	Downlink Configuration				Uplink Configuration	
	CC Mod'n	PCC RB allocation	SCC ₁ RB allocation	SCC ₂ RB allocation	CC Mod'n	PCC RB allocation
Default Test Settings for a CA_nXD Configuration (Intra-band contiguous)						
1	CP-OFDM 64QAM	NOTE 1	NOTE 1	NOTE 1	DFT-s-OFDM QPSK	NOTE 1
2	CP-OFDM 256QAM	NOTE 1	NOTE 1	NOTE 1	DFT-s-OFDM QPSK	NOTE 1
3	CP-OFDM 1024QAM	NOTE 1	NOTE 1	NOTE 1	DFT-s-OFDM QPSK	NOTE 1
Default Test Settings for a CA_nXA-nYA-nZA Configuration (Inter-band)						
1	CP-OFDM 64QAM	NOTE 1	NOTE 1	NOTE 1	DFT-s-OFDM QPSK	NOTE 1
2	CP-OFDM 256QAM	NOTE 1	NOTE 1	NOTE 1	DFT-s-OFDM QPSK	NOTE 1
3	CP-OFDM 1024QAM	NOTE 1	NOTE 1	NOTE 1	DFT-s-OFDM QPSK	NOTE 1
Default Test Settings for a CA_nXC-nYA, CA_nYA-nXC, CA_nYA-nXB and CA_nXB-nYA Configurations (Intra-band contiguous + Inter-band)						
1	CP-OFDM 64QAM	NOTE 1	NOTE 1	NOTE 1	DFT-s-OFDM QPSK	NOTE 1
2	CP-OFDM 256QAM	NOTE 1	NOTE 1	NOTE 1	DFT-s-OFDM QPSK	NOTE 1
3	CP-OFDM 1024QAM	NOTE 1	NOTE 1	NOTE 1	DFT-s-OFDM QPSK	NOTE 1
Default Test Settings for a CA_nX(2A)-nYA Configuration (Intra-band non-contiguous + Inter-band)						
1	CP-OFDM 64QAM	NOTE 1	NOTE 1	NOTE 1	DFT-s-OFDM QPSK	NOTE 1
2	CP-OFDM 256QAM	NOTE 1	NOTE 1	NOTE 1	DFT-s-OFDM QPSK	NOTE 1

3	CP-OFDM 1024QAM	NOTE 1	NOTE 1	DFT-s-OFDM QPSK	NOTE 1
Default Test Settings for a CA_nX(3A) Configuration (Intra-band non-contiguous)					
1	CP-OFDM 64QAM	NOTE 1	NOTE 1	DFT-s-OFDM QPSK	NOTE 1
2	CP-OFDM 256QAM	NOTE 1	NOTE 1	DFT-s-OFDM QPSK	NOTE 1
3	CP-OFDM 1024QAM	NOTE 1	NOTE 1	DFT-s-OFDM QPSK	NOTE 1
Default Test Settings for a CA_nX(A-C) and CA_nX(A-B) Configuration (Intra-band contiguous + Intra-band non-contiguous)					
1	CP-OFDM 64QAM	NOTE 1	NOTE 1	DFT-s-OFDM QPSK	NOTE 1
2	CP-OFDM 256QAM	NOTE 1	NOTE 1	DFT-s-OFDM QPSK	NOTE 1
3	CP-OFDM 1024QAM	NOTE 1	NOTE 1	DFT-s-OFDM QPSK	NOTE 1
NOTE 1: The specific configuration of uplink and downlink are defined in Table 7.3A.2.4.1-1.					
NOTE 2: CA Configuration Test CC Combination test settings are checked separately for each CA Configuration.					
NOTE 3: Inter-band: X,Y,Z correspond to the different bands in the CA Configuration. E.g. for CA_n1A-n3A-n8A, X=1, Y=3, Z=8; Intra-band contiguous + Inter-band: X,Y correspond to the different bands in the CA Configuration, e.g. for CA_1C-3A, X=1,Y=3; Intra-band non-contiguous + Inter-band: X and Y correspond to the different bands in the CA Configuration. E.g. for CA_n1A-n1A-n8A, X=1, Y =8.					
NOTE 4: In a band where UE supports 4Rx, the test shall be performed only with 4Rx antennas ports connected and 4Rx REFSENS requirement (Table 7.3.2.5-2) is used in the test requirements.					
NOTE 5: Test frequency is set to Mid Range for PCC and SCC with exceptions defined in Table 7.3A.2.4.1-1. For NR band n28, 30MHz test channel bandwidth is tested with Low range test frequencies.					
NOTE 6: Test CC Combination setting is set as defined in Table 7.3A.1.4.1-2. If the UE supports multiple CC Combinations in the CA Configuration with the same N_{RB_agg} , only the combination with the highest N_{RB_PCC} is tested.					
NOTE 7: Testing for 1024 QAM is applicable for UE supporting capabilities 1024QAM (pdsch-1024QAM-FR1).					

Table 7.4A.2.4.1-2: Void**Table 7.4A.2.4.1-3: Void**

1. Connect the SS to the UE antenna connectors as shown in TS 38.508-1 [5] Annex A, Figure A.3.1.1.3 for TE diagram and section A.3.2 for UE diagram.
2. The parameter settings for the cell are set up according to TS 38.508-1 [5] subclause 4.4.3.
3. Downlink signals are initially set up according to Annex C.0, C.1, C.2, and C.3.1, and uplink signals according to Annex G.0, G.1, G.2, and G.3.1.
4. The DL and UL Reference Measurement Channels are set according to Table 7.4A.2.4.1-1.
5. Propagation conditions are set according to Annex B.0.
6. Ensure the UE is in State RRC_CONNECTED with generic procedure parameters Connectivity *NR*, Connected without release *On*, Test Mode *On* and Test Loop Function *On* according to TS 38.508-1 [5] clause 4.5. Message contents are defined in clause 7.4A.2.4.3.

7.4A.2.4.2 Test procedure

1. Configure SCC according to Annex C.0, C.1 and C.2 for all downlink physical channels.
2. The SS shall configure SCC as per TS 38.508-1 [5] clause 5.5.1. Message contents are defined in clause 7.4A.2.4.3.
3. SS activates SCC by sending the activation MAC-CE (Refer TS 38.321 [18], clauses 5.9, 6.1.3.10). Wait for at least 2 seconds (Refer TS 38.133[19], clause 9.3).
4. SS transmits PDSCH via PDCCH DCI format 1_1 for C_RNTI to transmit the DL RMC according to Table 7.4A.2.4.1-1 to Table 7.4A.2.4.1-3 as appropriate for PCC and SCCs. The SS sends downlink MAC padding bits on the DL RMC.
5. SS sends uplink scheduling information for each UL HARQ process via PDCCH DCI format 0_1 for C_RNTI to schedule the UL RMC according to Tables 7.4A.2.4.1-1. Since the UE has no payload data and no loopback data to send, the UE sends uplink MAC padding bits on the UL RMC.
6. Set the Downlink signal level for PCC and SCCs to the value as defined in Table 7.4A.2.5-1 and Table 7.4A.2.5-2 according to the type of CA. Send uplink power control commands to the UE using 1dB step size to ensure that

the PCC output power measured by the test system is within the Uplink power control window, defined as $-MU$ to $-(MU + \text{Uplink power control window size})$ dB of the target power level in Table 7.4A.2.5-1 or Table 7.4A.2.5-2 as appropriate for at least the duration of the Throughput measurement ,where:

- MU is the test system uplink power measurement uncertainty and is specified in Table F.1.3-1 for the carrier frequency f and the channel bandwidth BW
- Uplink power control window size = 1dB (UE power step size) + 0.7dB (UE power step tolerance) + (Test system relative power measurement uncertainty), where, the UE power step tolerance is specified in TS 38.101-1 [2], Table 6.3.4.3-1 and is 0.7dB for 1dB power step size, and the Test system relative power measurement uncertainty is specified for test case 6.3.4.3 in Table F.1.2-1.
- For UEs supporting Tx diversity, the transmit power is measured as the sum of the output power from both UE antenna connectors.

7. Measure the average throughput for the carrier(s) indicated in table 7.4A.2.4.2-1 for duration sufficient to achieve statistical significance according to Annex H.2A.

8. Repeat steps 6 to 7 for all component carriers indicated in Table 7.4A.2.4.2-1.

Table 7.4A.2.4.2-1: Test repetition and measurement configuration

CA configuration	Test ID (NOTE1)	CA configuration ID in REFSENS	Throughput measured on	Table with test parameters to select
Intra-band contiguous	1, 2, 3	1 ⁵	PCC, SCC ₁ , SCC ₂	Table 7.4A.2.5-1
Inter-band	1, 2, 3	1 ² , 2 ² , 3 ²	SCC ₁ , SCC ₂	Table 7.4A.2.5-2
Intra-band contiguous + Inter-band	1, 2, 3	1 ³	SCC ₂	Table 7.4A.2.5-2
		2 ³	SCC ₁ , SCC ₂	Table 7.4A.2.5-1
Intra-band non-contiguous + Inter-band	1, 2, 3	1 ⁴	SCC ₂	Table 7.4A.2.5-2
		2 ⁴	SCC ₁ , SCC ₂	Table 7.4A.2.5-2
Intra-band non-contiguous	1, 2, 3	1 ⁶	PCC, SCC ₁ , SCC ₂	Table 7.4A.2.5-2
Intra-band contiguous + Intra-band non-contiguous	1, 2, 3	1 ⁷	PCC, SCC ₁ , SCC ₂	Table 7.4A.2.5-1 Table 7.4A.2.5-2

NOTE 1: Refers to Test IDs in Table 7.4A.2.4.1-1
 NOTE 2: CA configuration ID as defined in "Default Test Settings for a CA_nXA-nYA-nZA Configuration (Inter-band)" in table 7.3A.2.4.1-11.
 NOTE 3: CA configuration ID as defined in "Default Test Settings for a CA_nXC-YA, CA_nYA-nXC, CA_nYA-nXB and CA_nXB-nYA Configurations (Intra-band contiguous + Inter-band)" in table 7.3A.2.4.1-2.
 NOTE 4: CA configuration ID as defined in "Default Test Settings for a CA_nX(2A)-nYA Configuration (Intra-band non-contiguous + Inter-band)" in table 7.3A.2.4.1-1.
 NOTE 5: CA configuration ID as defined in "Default Test Settings for a CA_nXD Configuration (Intra-band contiguous)" in table 7.3A.2.4.1-1.
 NOTE 6: CA configuration ID as defined in "Default Test Settings for a CA_nX(3A) Configuration (Intra-band non-contiguous)" in table 7.3A.2.4.1-1.
 NOTE 7: CA configuration ID as defined in "Default Test Settings for a CA_nX(A-C) and CA_nX(A-B) Configuration (Intra-band contiguous + Intra-band non-contiguous)" in table 7.3A.2.4.1-1.
 NOTE 8: Testing for 1024 QAM is applicable for UE supporting capabilities 1024QAM (pdsch-1024QAM-FR1).

7.4A.2.4.3 Message contents

Message contents are according to TS 38.508-1 [5] subclause 4.6 Table 4.6.3-118 with condition TRANSFORM_PRECODER_ENABLED.

The following exception applies to 1024QAM testing:

Table 7.4A.2.4.3-1: PDSCH-Config

Derivation Path: TS 38.508-1 Table 5.4.2.0-26			
Information Element	Value/remark	Comment	Condition
PDSCH-Config ::= SEQUENCE {			

mcs-Table-r17	qam1024		
}			

7.4A.2.5 Test requirement

The throughput measurement derived in test procedure shall be $\geq 95\%$ of the maximum throughput of the reference measurement channels as specified in Annex A.3 with parameters specified in Table 7.4A.2.5-1 and Table 7.4A.2.5-2 as applicable.

Table 7.4A.2.5-1: Maximum input level for 3DL CA (Intra-band contiguous)

Rx Parameter	Units	NR CA Bandwidth Class			
		B	C	D	
Power in largest transmission bandwidth configuration CC, $P_{largest\ BW}$	dBm	-23 ² -TT	-23 ² -TT	-25 ² -TT	
		-25 ^{3, 4} -TT	-25 ^{3, 4} -TT	-27 ^{3, 4} -TT	
Power in each other CC	dBm	$P_{largest\ BW} + 10 \cdot \log\{(N_{RB,c} \cdot SCS_c) / (N_{RB, largest\ BW} \cdot SCS_{largest\ BW})\}$			

NOTE 1: The transmitter shall be set to 4 dB below $P_{CMAX_L,f,c}$ at the minimum uplink configuration specified in Table 7.3.2-3 with $P_{CMAX_L,f,c}$ as defined in clause 6.2.4.
 NOTE 2: Reference measurement channel is A.3.2.3 or A.3.3.3 for 64 QAM.
 NOTE 3: Reference measurement channel is A.3.2.4 or A.3.3.4 for 256 QAM.
 NOTE 4: Reference measurement channel is A.3.2.5 or A.3.3.5 for 1024 QAM.
 NOTE 5: TT for each frequency is specified in Table 7.4A.2.5-3 for each CC.

Table 7.4A.2.5-2: Maximum input level for 3DL CA (Intra-band non-contiguous, Inter-band), per CC

Rx Parameter	Units	Channel bandwidth													
		5 MHz	10 MHz	15 MHz	20 MHz	25 MHz	30 MHz	40 MHz	50 MHz	60 MHz	70 MHz	80 MHz	90 MHz	100 MHz	
Power in Transmission Bandwidth Configuration	dBm	-25 ² -TT				-24 ² -TT	-23 ² -TT	-22 ² -TT	-21 ² -TT	-20 ² -TT					
		-27 ³ -TT				-26 ³ -TT	-25 ³ -TT	-24 ³ -TT	-23 ³ -TT	-22 ³ -TT					

NOTE 1: The transmitter shall be set to 4 dB below $P_{CMAX_L,f,c}$ at the minimum uplink configuration specified in Table 7.3.2-3 with $P_{CMAX_L,f,c}$ as defined in clause 6.2.4.
 NOTE 2: Reference measurement channel is A.3.2.3 or A.3.3.3 for 64 QAM.
 NOTE 3: Reference measurement channel is A.3.2.4 or A.3.3.4 for 256 QAM.
 NOTE 4: Reference measurement channel is A.3.2.5 or A.3.3.5 for 1024 QAM.
 NOTE 5: TT for each frequency is specified in Table 7.4A.2.5-3 for each CC.

Table 7.4A.2.5-3: Test Tolerance (Maximum input level), per CC

$f \leq 3.0\text{GHz}$	$3.0\text{GHz} < f \leq 6.0\text{GHz}$
0.7 dB	1.0 dB

7.4A.3 Maximum input level for CA (4DL CA)

7.4A.3.1 Test purpose

The same test purpose as defined in 7.4.1.

7.4A.3.2 Test applicability

This test case applies to all types of NR UE release 15 and forward that supports 4DL CA.

7.4A.3.3 Minimum conformance requirements

The minimum conformance requirements are defined in clause 7.4A.0.

7.4A.3.4 Test description

7.4A.3.4.1 Initial conditions

Initial conditions are a set of test configurations the UE needs to be tested in and the steps for the SS to take with the UE to reach the correct measurement state. The initial test configurations consist of environmental conditions, test frequencies, test channel bandwidths and sub-carrier spacing based on NR CA configurations specified in clause 5.5A. All of these configurations shall be tested with applicable test parameters for each CA configuration, are shown in table 7.4A.3.4.1-1. The details of the uplink and downlink reference measurement channels (RMC) are specified in Annexes A.2 and A.3. Configurations of PDSCH and PDCCH before measurement are specified in Annex C.2.

Table 7.4A.3.4.1-1: Test Configuration Table for 4DL CA

Default Conditions							
Test Environment as specified in TS 38.508-1 [5] subclause 4.1			Normal				
Test Frequencies as specified in TS 38.508-1 [5] subclause 4.3.1			NOTE 1, NOTE 6				
Test CC Combination setting (NRB_agg) as specified in Tables 5.5A.1-1, 5.5A.2-1, or tables in clauses 5.5A.3.x for the CA Configuration across bandwidth combination sets supported by the UE.			NOTE 1, NOTE 5				
Test SCS as specified in Table 5.3.5-1			Lowest for PCC and SCCs				
Network signalling value			NS_01 by default				
Test Parameters							
Test ID	Downlink Configuration					Uplink Configuration	
	CC Mod'n	PCC RB allocation	SCC1 RB allocation	SCC2 RB allocation	SCC3 RB allocation	CC Mod'n	PCC RB allocation
Default Test Settings for a CA_nXE Configuration (Intra-band contiguous)							
1	CP-OFDM 64QAM	NOTE 1	NOTE 1			DFT-s-OFDM QPSK	NOTE 1
2	CP-OFDM 256QAM	NOTE 1	NOTE 1			DFT-s-OFDM QPSK	NOTE 1
3	CP-OFDM 1024QAM	NOTE 1	NOTE 1			DFT-s-OFDM QPSK	NOTE 1
Default Test Settings for a CA_nXA-nYA-nZA-nRA Configuration (Inter-band)							
1	CP-OFDM 64QAM	NOTE 1	NOTE 1			DFT-s-OFDM QPSK	NOTE 1
2	CP-OFDM 256QAM	NOTE 1	NOTE 1			DFT-s-OFDM QPSK	NOTE 1
3	CP-OFDM 1024QAM	NOTE 1	NOTE 1			DFT-s-OFDM QPSK	NOTE 1
Default Test Settings for a CA_nXC-nYA-nZA and CA_nXB-nYA-nZA Configurations (Intra-band contiguous + Inter-band)							
1	CP-OFDM 64QAM	NOTE 1	NOTE 1			DFT-s-OFDM QPSK	NOTE 1
2	CP-OFDM 256QAM	NOTE 1	NOTE 1			DFT-s-OFDM QPSK	NOTE 1
3	CP-OFDM 1024QAM	NOTE 1	NOTE 1			DFT-s-OFDM QPSK	NOTE 1
Default Test Settings for a CA_nX(2A)-nYA-nZA Configuration (Intra-band non-contiguous + Inter-band)							
1	CP-OFDM 64QAM	NOTE 1	NOTE 1			DFT-s-OFDM QPSK	NOTE 1
2	CP-OFDM 256QAM	NOTE 1	NOTE 1			DFT-s-OFDM QPSK	NOTE 1
3	CP-OFDM 1024QAM	NOTE 1	NOTE 1			DFT-s-OFDM QPSK	NOTE 1
Default Test Settings for a CA_nX(2A)-nY(2A) Configuration (Intra-band non-contiguous + Intra-band non-contiguous)							
1	CP-OFDM 64QAM	NOTE 1	NOTE 1			DFT-s-OFDM QPSK	NOTE 1
2	CP-OFDM 256QAM	NOTE 1	NOTE 1			DFT-s-OFDM QPSK	NOTE 1
3	CP-OFDM 1024QAM	NOTE 1	NOTE 1			DFT-s-OFDM QPSK	NOTE 1

NOTE 1: The specific configuration of uplink and downlink are defined in Table 7.3A.3.4.1-1.
NOTE 2: CA Configuration Test CC Combination test settings are checked separately for each CA Configuration.
NOTE 3: Inter-band: nX, nY, nZ, nR correspond to the different bands in the CA Configuration. E.g. for CA_n66A-n70A-n71A-n77A, nX=n66, nY=n70, nZ=n71, nR=n77; Intra-band contiguous + Inter-band: nX, nY correspond to the different bands in the CA Configuration, e.g. for CA_1C-3A, nX=n1, nY=n3; Intra-band non-contiguous + Inter-band: nX and nY correspond to the different bands in the CA Configuration. E.g. for CA_n1A-n1A-n8A, nX=n1, nY =n8.
NOTE 4: In a band where UE supports 4Rx, the test shall be performed only with 4Rx antennas ports connected and 4Rx REFSENS requirement (Table 7.3.2.5-2) is used in the test requirements.
NOTE 5: Test CC Combination setting is set as defined in Table 7.3A.3.4.1-1. If the UE supports multiple CC Combinations in the CA Configuration with the same N _{RB_agg} , only the combination with the highest N _{RB_PCC} is tested.
NOTE 6: Test frequency is set to Mid Range for PCC and SCC with exceptions defined in Table 7.3A.3.4.1-1.
NOTE 7: Testing for 1024 QAM is applicable for UE supporting capabilities 1024QAM (pdsch-1024QAM-FR1).

1. Connect the SS to the UE antenna connectors as shown in TS 38.508-1 [5] Annex A, Figure A.3.1.1.3 for TE diagram and section A.3.2 for UE diagram.
2. The parameter settings for the cell are set up according to TS 38.508-1 [5] subclause 4.4.3.
3. Downlink signals are initially set up according to Annex C.0, C.1, C.2, and C.3.1, and uplink signals according to Annex G.0, G.1, G.2, and G.3.1.
4. The DL and UL Reference Measurement Channels are set according to Table 7.4A.3.4.1-1.
5. Propagation conditions are set according to Annex B.0.
6. Ensure the UE is in State RRC_CONNECTED with generic procedure parameters Connectivity NR, Connected without release On, Test Mode On and Test Loop Function On according to TS 38.508-1 [5] clause 4.5. Message contents are defined in clause 7.4A.3.4.3.

7.4A.3.4.2 Test procedure

1. Configure SCC according to Annex C.0, C.1 and C.2 for all downlink physical channels.
2. The SS shall configure SCC as per TS 38.508-1 [5] clause 5.5.1. Message contents are defined in clause 7.4A.2.4.3.
3. SS activates SCC by sending the activation MAC-CE (Refer TS 38.321 [18], clauses 5.9, 6.1.3.10). Wait for at least 2 seconds (Refer TS 38.133[19], clause 9.3).
4. SS transmits PDSCH via PDCCH DCI format 1_1 for C_RNTI to transmit the DL RMC according to Table 7.4A.3.4.1-1 as appropriate for PCC and SCCs. The SS sends downlink MAC padding bits on the DL RMC.
5. SS sends uplink scheduling information for each UL HARQ process via PDCCH DCI format 0_1 for C_RNTI to schedule the UL RMC according to Tables 7.4A.3.4.1-1. Since the UE has no payload data and no loopback data to send, the UE sends uplink MAC padding bits on the UL RMC.
6. Set the Downlink signal level for PCC and SCCs to the value as defined in Table 7.4A.3.5-1 and Table 7.4A.3.5-2 according to the type of CA. Send uplink power control commands to the UE using 1dB step size to ensure that the PCC output power measured by the test system is within the Uplink power control window, defined as -MU to -(MU + Uplink power control window size) dB of the target power level in Table 7.4A.3.5-1 or Table 7.4A.3.5-2 as appropriate for at least the duration of the Throughput measurement ,where:
 - MU is the test system uplink power measurement uncertainty and is specified in Table F.1.3-1 for the carrier frequency f and the channel bandwidth BW
 - Uplink power control window size = 1dB (UE power step size) + 0.7dB (UE power step tolerance) + (Test system relative power measurement uncertainty), where, the UE power step tolerance is specified in TS 38.101-1 [2], Table 6.3.4.3-1 and is 0.7dB for 1dB power step size, and the Test system relative power measurement uncertainty is specified for test case 6.3.4.3 in Table F.1.2-1.
 - For UEs supporting Tx diversity, the transmit power is measured as the sum of the output power from both UE antenna connectors.

7. Measure the average throughput for the component carrier(s) indicated in table 7.4A.3.4.2-1 for duration sufficient to achieve statistical significance according to Annex H.2A.
8. Repeat steps 6 to 7 for all component carriers indicated in Table 7.4A.3.4.2-1.

Table 7.4A.3.4.2-1: Test repetition and measurement configuration

CA configuration	Test ID (NOTE1)	CA configuration ID in REFSENS	Throughput measured on	Table with test parameters to select
Intra-band contiguous	1, 2, 3	1 ⁵	PCC, SCC1, SCC2, SCC3	Table 7.4A.3.5-1
Inter-band	1, 2, 3	1 ² , 2 ² , 3 ² , 4 ²	SCC1, SCC2, SCC3	Table 7.4A.3.5-2
Intra-band contiguous + Inter-band	1, 2, 3	1 ³	SCC2, SCC3	Table 7.4A.3.5-2
		2 ³	SCC1, SCC2, SCC3	Table 7.4A.3.5-1
		3 ³	SCC1, SCC2, SCC3	Table 7.4A.3.5-1
Intra-band non-contiguous + Inter-band	1, 2, 3	1 ⁴	SCC2, SCC3	Table 7.4A.3.5-2
		2 ⁴	SCC1, SCC2, SCC3	Table 7.4A.3.5-2
		3 ⁴	SCC1, SCC2, SCC3	Table 7.4A.3.5-2
Intra-band non-contiguous + Intra-band non-contiguous	1, 2, 3	1	SCC2, SCC3	Table 7.4A.3.5-2
		2	SCC2, SCC3	Table 7.4A.3.5-2

NOTE 1: Refers to Test IDs in Table 7.4A.3.4.1-1
 NOTE 2: CA configuration ID as defined in table 7.3A.3.4.1-1.
 NOTE 3: CA configuration ID as defined in “Default Test Settings for a CA_nXC-nYA-nZA and CA_nXB-nYA-nZA Configurations (Intra-band contiguous + Inter-band)” in table 7.3A.3.4.1-1.
 NOTE 4: CA configuration ID as defined in “Default Test Settings for a CA_nX(2A)-nYA-nZA Configuration (Intra-band non-contiguous + Inter-band)” in table 7.3A.3.4.1-1.
 NOTE 5: CA configuration ID as defined in “Default Test Settings for a CA_nXE Configuration (Intra-band contiguous)” in table 7.3A.3.4.1-1.
 NOTE 6: CA configuration ID as defined in “Default Test Settings for a CA_nX(2A)-nY(2A) Configuration (Intra-band non-contiguous + Intra-band non-contiguous)” in table 7.3A.3.4.1-1.
 NOTE 7: Testing for 1024 QAM is applicable for UE supporting capabilities 1024QAM (pdsch-1024QAM-FR1).

7.4A.3.4.3 Message contents

Message contents are according to TS 38.508-1 [5] subclause 4.6 Table 4.6.3-118 with condition TRANSFORM_PRECODER_ENABLED.

The following exception applies to 1024QAM testing:

Table 7.4A.3.4.3-1: PDSCH-Config

Derivation Path: TS 38.508-1 Table 5.4.2.0-26			
Information Element	Value/remark	Comment	Condition
PDSCH-Config ::= SEQUENCE {			
mcs-Table-r17	qam1024		
}			

7.4A.3.5 Test requirement

The throughput measurement derived in test procedure shall be ≥ 95% of the maximum throughput of the reference measurement channels as specified in Annex A.3 with parameters specified in Table 7.4A.3.5-1 and Table 7.4A.3.5-2 as applicable.

Table 7.4A.3.5-1: Maximum input level for 4DL CA (Intra-band contiguous)

Rx Parameter	Units	NR CA Bandwidth Class		
		B	C	D
Power in largest transmission bandwidth configuration CC, P _{largest BW}	dBm	-23 ² -TT	-23 ² -TT	-25 ² -TT
		-25 ^{3, 4} -TT	-25 ^{3, 4} -TT	-27 ^{3, 4} -TT
Power in each other CC	dBm	P _{largest BW} + 10*log ₁₀ {(N _{RB,c} *SCS _c)/(N _{RB, largest BW} *SCS _{largest BW})}		

NOTE 1: The transmitter shall be set to 4 dB below $P_{CMAX_L,f,c}$ at the minimum uplink configuration specified in Table 7.3.2-3 with $P_{CMAX_L,f,c}$ as defined in clause 6.2.4.
 NOTE 2: Reference measurement channel is A.3.2.3 or A.3.3.3 for 64 QAM.
 NOTE 3: Reference measurement channel is A.3.2.4 or A.3.3.4 for 256 QAM.
 NOTE 4: Reference measurement channel is A.3.2.5 or A.3.3.5 for 1024 QAM.
 NOTE 5: TT for each frequency is specified in Table 7.4A.3.5-3 for each CC.

Table 7.4A.3.5-2: Maximum input level for 4DL CA (Intra-band non-contiguous, Inter-band), per CC

Rx Parameter	Units	Channel bandwidth													
		5 MHz	10 MHz	15 MHz	20 MHz	25 MHz	30 MHz	40 MHz	50 MHz	60 MHz	70 MHz	80 MHz	90 MHz	100 MHz	
Power in Transmission Bandwidth Configuration	dBm	-25 ² -TT			-24 ² -TT		-23 ² -TT	-22 ² -TT	-21 ² -TT		-20 ² -TT				
		-27 ³ -TT			-26 ^{3,4} -TT		-25 ^{3,4} -TT	-24 ^{3,4} -TT	-23 ^{3,4} -TT		-22 ³ -TT				

NOTE 1: The transmitter shall be set to 4 dB below $P_{CMAX_L,f,c}$ at the minimum uplink configuration specified in Table 7.3.2-3 with $P_{CMAX_L,f,c}$ as defined in clause 6.2.4.
 NOTE 2: Reference measurement channel is A.3.2.3 or A.3.3.3 for 64 QAM.
 NOTE 3: Reference measurement channel is A.3.2.4 or A.3.3.4 for 256 QAM.
 NOTE 4: Reference measurement channel is A.3.2.5 or A.3.3.5 for 1024 QAM.
 NOTE 5: TT for each frequency is specified in Table 7.4A.3.5-3 for each CC.

Table 7.4A.3.5-3: Test Tolerance (Maximum input level), per CC

$f \leq 3.0\text{GHz}$	$3.0\text{GHz} < f \leq 6.0\text{GHz}$
0.7 dB	1.0 dB

7.4A.4 Maximum input level for CA (5DL CA)

Editor’s Note:

- Test Configuration Table and test repetition and measurement configuration are TBD.
- RefSens for 5DL CA is FFS

7.4A.4.1 Test purpose

The same test purpose as defined in 7.4.1.

7.4A.4.2 Test applicability

This test case applies to all types of NR UE release 15 and forward that supports 5DL CA.

7.4A.4.3 Minimum conformance requirements

The minimum conformance requirements are defined in clause 7.4A.0.

7.4A.4.4 Test description

7.4A.4.4.1 Initial conditions

Initial conditions are a set of test configurations the UE needs to be tested in and the steps for the SS to take with the UE to reach the correct measurement state. The initial test configurations consist of environmental conditions, test frequencies, test channel bandwidths and sub-carrier spacing based on NR CA configurations specified in clause 5.5A. All of these configurations shall be tested with applicable test parameters for each CA configuration, are shown in table 7.4A.4.4.1-1. The details of the uplink and downlink reference measurement channels (RMC) are specified in Annexes A.2 and A.3. Configurations of PDSCH and PDCCCH before measurement are specified in Annex C.2.

Table 7.4A.4.4.1-1: Test Configuration Table for 5DL CA[TBD]

[TBD]

1. Connect the SS to the UE antenna connectors as shown in TS 38.508-1 [5] Annex A, Figure A.3.1.1.3 for TE diagram and section A.3.2 for UE diagram.
2. The parameter settings for the cell are set up according to TS 38.508-1 [5] subclause 4.4.3.
3. Downlink signals are initially set up according to Annex C.0, C.1, C.2, and C.3.1, and uplink signals according to Annex G.0, G.1, G.2, and G.3.1.
4. The DL and UL Reference Measurement Channels are set according to Table 7.4A.4.4.1-1.
5. Propagation conditions are set according to Annex B.0.
6. Ensure the UE is in State RRC_CONNECTED with generic procedure parameters Connectivity *NR*, Connected without release *On*, Test Mode *On* and Test Loop Function *On* according to TS 38.508-1 [5] clause 4.5. Message contents are defined in clause 7.4A.4.4.3.

7.4A.4.4.2 Test procedure

1. Configure SCC according to Annex C.0, C.1 and C.2 for all downlink physical channels.
2. The SS shall configure SCC as per TS 38.508-1 [5] clause 5.5.1. Message contents are defined in clause 7.4A.2.4.3.
3. SS activates SCC by sending the activation MAC-CE (Refer TS 38.321 [18], clauses 5.9, 6.1.3.10). Wait for at least 2 seconds (Refer TS 38.133[19], clause 9.3).
4. SS transmits PDSCH via PDCCH DCI format 1_1 for C_RNTI to transmit the DL RMC according to Table 7.4A.4.4.1-1 as appropriate for PCC and SCCs. The SS sends downlink MAC padding bits on the DL RMC.
5. SS sends uplink scheduling information for each UL HARQ process via PDCCH DCI format 0_1 for C_RNTI to schedule the UL RMC according to Table 7.4A.4.4.1-1. Since the UE has no payload data and no loopback data to send, the UE sends uplink MAC padding bits on the UL RMC.
6. Set the Downlink signal level for PCC and SCCs to the value as defined in Table 7.4A.4.5-1 and Table 7.4A.4.5-2 according to the type of CA. Send uplink power control commands to the UE using 1dB step size to ensure that the PCC output power measured by the test system is within the Uplink power control window, defined as $-MU$ to $-(MU + \text{Uplink power control window size})$ dB of the target power level in Table 7.4A.4.5-1 or Table 7.4A.4.5-2 as appropriate for at least the duration of the Throughput measurement ,where:
 - MU is the test system uplink power measurement uncertainty and is specified in Table F.1.3-1 for the carrier frequency f and the channel bandwidth BW
 - Uplink power control window size = 1dB (UE power step size) + 0.7dB (UE power step tolerance) + (Test system relative power measurement uncertainty), where the UE power step tolerance is specified in TS 38.101-1 [2], Table 6.3.4.3-1 and is 0.7dB for 1dB power step size, and the Test system relative power measurement uncertainty is specified for test case 6.3.4.3 in Table F.1.2-1.
 - For UEs supporting Tx diversity, the transmit power is measured as the sum of the output power from both UE antenna connectors.
7. Measure the average throughput for the component carrier(s) indicated in table 7.4A.4.4.2-1 for duration sufficient to achieve statistical significance according to Annex H.2A.
8. Repeat steps 6 to 7 for all component carriers indicated in Table 7.4A.4.4.2-1.

Table 7.4A.4.4.2-1: Test repetition and measurement configuration

[TBD]

7.4A.4.4.3 Message contents

Message contents are according to TS 38.508-1 [5] subclause 4.6 Table 4.6.3-118 with condition TRANSFORM_PRECODER_ENABLED.

The following exception applies to 1024QAM testing:

Table 7.4A.4.4.3-1: PDSCH-Config

Derivation Path: TS 38.508-1 Table 5.4.2.0-26			
Information Element	Value/remark	Comment	Condition
PDSCH-Config ::= SEQUENCE {			
mcs-Table-r17	qam1024		
}			

7.4A.4.5 Test requirement

The throughput measurement derived in test procedure shall be $\geq 95\%$ of the maximum throughput of the reference measurement channels as specified in Annex A.3 with parameters specified in Table 7.4A.4.5-1 and Table 7.4A.4.5-2 as applicable.

Table 7.4A.4.5-1: Maximum input level for 5DL CA (Intra-band contiguous)

Rx Parameter	Units	NR CA Bandwidth Class		
		B	C	D
Power in largest transmission bandwidth configuration CC, $P_{\text{largest BW}}$	dBm	-23 ² -TT	-23 ² -TT	-25 ² -TT
		-25 ^{3, 4} -TT	-25 ^{3, 4} -TT	-27 ^{3, 4} -TT
Power in each other CC	dBm	$P_{\text{largest BW}} + 10 \cdot \log\left\{\frac{(N_{\text{RB},c} \cdot \text{SCS}_c)}{(N_{\text{RB},\text{largest BW}} \cdot \text{SCS}_{\text{largest BW}})}\right\}$		

NOTE 1: The transmitter shall be set to 4 dB below $P_{\text{CMAX_L,f,c}}$ at the minimum uplink configuration specified in Table 7.3.2-3 with $P_{\text{CMAX_L,f,c}}$ as defined in clause 6.2.4.
 NOTE 2: Reference measurement channel is A.3.2.3 or A.3.3.3 for 64 QAM.
 NOTE 3: Reference measurement channel is A.3.2.4 or A.3.3.4 for 256 QAM.
 NOTE 4: Reference measurement channel is A.3.2.5 or A.3.3.5 for 1024 QAM.
 NOTE 5: TT for each frequency is specified in Table 7.4A.4.5-3 for each CC.

Table 7.4A.4.5-2: Maximum input level for 5DL CA (Intra-band non-contiguous, Inter-band), per CC

Rx Parameter	Units	Channel bandwidth											
		5 MHz	10 MHz	15 MHz	20 MHz	25 MHz	30 MHz	40 MHz	50 MHz	60 MHz	70 MHz	80 MHz	90 MHz
Power in Transmission Bandwidth Configuration	dBm	-25 ² -TT			-24 ² -TT	-23 ² -TT	-22 ² -TT	-21 ² -TT	-20 ² -TT				
		-27 ³ -TT			-26 ^{3,4} -TT	-25 ^{3,4} -TT	-24 ^{3,4} -TT	-23 ^{3,4} -TT	-22 ³ -TT				

NOTE 1: The transmitter shall be set to 4 dB below $P_{\text{CMAX_L,f,c}}$ at the minimum uplink configuration specified in Table 7.3.2-3 with $P_{\text{CMAX_L,f,c}}$ as defined in clause 6.2.4.
 NOTE 2: Reference measurement channel is A.3.2.3 or A.3.3.3 for 64 QAM.
 NOTE 3: Reference measurement channel is A.3.2.4 or A.3.3.4 for 256 QAM.
 NOTE 4: Reference measurement channel is A.3.2.5 or A.3.3.5 for 1024 QAM.
 NOTE 5: TT for each frequency is specified in Table 7.4A.4.5-3 for each CC.

Table 7.4A.4.5-3: Test Tolerance (Maximum input level), per CC

$f \leq 3.0\text{GHz}$	$3.0\text{GHz} < f \leq 6.0\text{GHz}$
0.7 dB	1.0 dB

7.4B Maximum input level for NR-DC

For inter-band NR-DC configurations, the maximum input level for the corresponding inter-band CA configuration as specified in clause 7.4A applies.

Note: For NR-DC testing, replace CA by NR-DC, PCC by PCell, and SCC by PSCell in clause 7.4A.

7.4D Maximum input level for UL MIMO

7.4D.1 Test purpose

Maximum input level tests the ability of UE that supports UL MIMO to receive data with a given average throughput for a specified reference measurement channel, under conditions of high signal level, ideal propagation and no added noise.

A UE unable to meet the throughput requirement under these conditions will decrease the coverage area near to an e-NodeB.

7.4D.2 Test applicability

This test case applies to all types of NR UE release 15 and forward that support UL MIMO on FDD bands.

7.4D.3 Minimum conformance requirements

For UE with two transmitter antenna connectors in closed-loop spatial multiplexing, the minimum requirements specified in sub-clause 7.4 shall be met with the UL MIMO configurations described in sub-clause 6.2D.1. For UL MIMO, the parameter $P_{\text{CMAX,L}}$ is defined as the total transmitter power over the two transmit antenna connectors.

The normative reference for this requirement is TS 38.101-1 [2] clauses 7.4D and 7.4.

7.4D.4 Test description

7.4D.4.1 Initial conditions

Initial conditions are a set of test configurations the UE needs to be tested in and the steps for the SS to take with the UE to reach the correct measurement state.

The initial test configurations consist of environmental conditions, test frequencies, and channel bandwidths based on NR operating bands specified in Table 5.2-1. All of these configurations shall be tested with applicable test parameters for each channel bandwidth, and are shown in Table 7.4D.4.1-1. The details of the uplink and downlink reference measurement channels (RMCs) are specified in Annex A.2 and Annex A.3 respectively. Configurations of PDSCH and PDCCH before measurement are specified in Annex C.2.

Table 7.4D.4.1-1: Test Configuration Table

Initial Conditions			
Test Environment as specified in TS 38.508-1 [5] subclause 4.1		Normal	
Test Frequencies as specified in TS 38.508-1 [5] subclause 4.3.1		Mid range	
Test Channel Bandwidths as specified in TS 38.508-1 [5] subclause 4.3.1		Lowest, Mid, Highest	
Test SCS as specified in Table 5.3.5-1		Lowest	
Test Parameters for Channel Bandwidths			
Downlink Configuration		Uplink Configuration	
Modulation	RB allocation	Modulation	RB allocation
CP-OFDM 64 QAM	NOTE 1	CP-OFDM QPSK	NOTE 2
CP-OFDM 256 QAM	NOTE 1	CP-OFDM QPSK	NOTE 2
NOTE 1: The specific configuration of downlink RB allocation is defined in Table 7.3.2.4.1-2.			
NOTE 2: The specific configuration of uplink RB allocation is defined in Table 7.3.2.4.1-3.			
NOTE 3: In a band where UE supports 4Rx, the test shall be performed only with 4Rx antennas ports connected.			

1. Connect the SS to the UE antenna connectors as shown in TS 38.508-1 [5] Annex A Figure A.3.1.1.2 for TE diagram and section A.3.2 for UE diagram.
2. The parameter settings for the cell are set up according to TS 38.508-1 [5] subclause 4.4.3.
3. Downlink signals are initially set up according to Annex C.0, C.1, C.2, and C.3.1, and uplink signals according to Annex G.0, G.1, G.2, and G.3.1.

4. The UL and DL Reference Measurement Channel is set according to Table 7.4D.4.1-1.
5. Propagation conditions are set according to Annex B.0.
6. Ensure the UE is in State RRC_CONNECTED with generic procedure parameters Connectivity *NR*, Connected without release *On*, Test Mode *On* and Test Loop Function *On* according to TS 38.508-1 [5] clause 4.5. Message contents are defined in clause 7.4D.4.3.

7.4D.4.2 Test procedure

1. SS transmits PDSCH via PDCCH DCI format 1_1 for C_RNTI to transmit the DL RMC according to Table 7.4D.4.1-1. The SS sends downlink MAC padding bits on the DL RMC.
2. SS sends uplink scheduling information for each UL HARQ process via PDCCH DCI format 0_1 for C_RNTI to schedule the UL RMC according to Tables 7.4D.4.1-1. Since the UE has no payload data to send, the UE transmits uplink MAC padding bits on the UL RMC. The PDCCH DCI format 0_1 is specified with condition 2TX_UL_MIMO in 38.508-1 [5] subclause 4.3.6.1.1.2
3. Set the Downlink signal level to the value defined in Table 7.4D.5-1. Send uplink power control commands to the UE using 1dB power step size to ensure that the UE output power measured by the test system is within the Uplink power control window, defined as -MU to -(MU + Uplink power control window size) dB of the target power level in Table 7.4D.5-1 for at least the duration of the Throughput measurement, where:
 - MU is the test system uplink power measurement uncertainty and is specified in Table F.1.3-1 for the carrier frequency *f* and the channel bandwidth *BW*
 - Uplink power control window size = 1dB (UE power step size) + 0.7dB (UE power step tolerance) + (Test system relative power measurement uncertainty), where, the UE power step tolerance is specified in TS 38.101-1 [2], Table 6.3.4.3-1 and is 0.7dB for 1dB power step size, and the Test system relative power measurement uncertainty is specified for test case 6.3.4.3 in Table F.1.2-1.
4. Measure the average throughput for a duration sufficient to achieve statistical significance according to Annex H.2

NOTE: The purpose of the Uplink power control window is to ensure that the actual UE output power is no greater than the target power level, and as close as possible to the target power level. The relationship between the Uplink power control window, the target power level and the corresponding possible actual UE Uplink power window is illustrated in Annex F.4.3.

Table 7.4D.4-2-1: Void

7.4D.4.3 Message contents

Message contents are according to TS 38.508-1 [5] subclause 4.6 ensuring Table 4.6.3-182 with condition 2TX_UL_MIMO

7.4D.5 Test requirement

The throughput shall be $\geq 95\%$ of the maximum throughput of the reference measurement channels as specified in Annex A.3.2 and A3.3 with parameters specified in Table 7.4D.5-1.

Table 7.4D.5-1 Maximum input level

Rx Parameter	Units	Channel bandwidth (MHz)		
		5, 10, 15, 20	25, 30, 35, 40, 45, 50	60, 70, 80, 90, 100
Power in Transmission Bandwidth Configuration ⁴	dBm	-25 ² -TT	-25 + 10log ₁₀ (BW _{Channel} /20) ^{Note 2} -TT	-20 ² -TT
		-27 ^{3,5} -TT	-27 + 10log ₁₀ (BW _{Channel} /20) ^{Note 3,5} -TT	-22 ^{3,5} -TT
NOTE 1: The transmitter shall be set to 4 dB below P _{CMAX_L,f,c} at the minimum uplink configuration specified in Table 7.3.2-3 with P _{CMAX_L,f,c} as defined in clause 6.2.4.				
NOTE 2: Reference measurement channel is A.3.2.3 or A.3.3.3 for 64 QAM.				
NOTE 3: Reference measurement channel is A.3.2.4 or A.3.3.4 for 256 QAM.				

NOTE 4: Power in transmission bandwidth configuration value is rounded to the nearest 0.5dB value.
 NOTE 5: Reference measurement channel is A.3.2.x for 1024 QAM.
 NOTE 6: TT for each frequency is specified in Table 7.4D.5-2

Table 7.4D.5-2: Test Tolerance (Maximum input level)

f ≤ 3.0GHz	3.0GHz < f ≤ 6.0GHz
0.7 dB	1.0 dB

7.4D_1 Maximum input level for SUL with UL MIMO

7.4D_1.1 Test purpose

Same test purpose as in clause 7.4D.1.

7.4D_1.2 Test applicability

This test applies to all types of NR UE release 17 and forward that support SUL and UL MIMO operating on the SUL bands.

7.4D_1.3 Minimum conformance requirements

Same minimum conformance requirements as in clause 7.4D.3.

7.4D_1.4 Test description

7.4D_1.4.1 Initial conditions

Initial conditions are a set of test configurations the UE needs to be tested in and the steps for the SS to take with the UE to reach the correct measurement state.

The initial test configurations consist of environmental conditions, test frequencies, and channel bandwidths based on NR operating bands specified in Table 5.2-1. All of these configurations shall be tested with applicable test parameters for each channel bandwidth, and are shown in Table 7.4D_1.4.1-1. The details of the uplink and downlink reference measurement channels (RMCs) are specified in Annex A.2 and Annex A.3 respectively. Configurations of PDSCH and PDCCH before measurement are specified in Annex C.2.

Table 7.4D_1.4.1-1: Test Configuration Table

Initial Conditions			
Test Environment as specified in TS 38.508-1 [5] subclause 4.1		Normal	
Test Frequencies as specified in TS 38.508-1 [5] subclause 4.3.1		Mid range for SUL and NUL With following exceptions: SUL_n78-n80: High in band n78	
Test Channel Bandwidths as specified in TS 38.508-1 [5] subclause 4.3.1		Lowest, Mid, Highest for Non-SUL carrier For SUL band: n80: 30 MHz n84: 20 MHz n95: 15 MHz	
Test SCS as specified in Table 5.3.5-1		15kHz for SUL carrier Lowest for Non-SUL carrier	
Test Parameters for Channel Bandwidths			
Downlink Configuration		Uplink Configuration	
Modulation	RB allocation	Modulation	RB allocation
CP-OFDM 64 QAM	NOTE 1	CP-OFDM QPSK	NOTE 2
CP-OFDM 256 QAM	NOTE 1	CP-OFDM QPSK	NOTE 2
NOTE 1: The specific configuration of downlink RB allocation is defined in Table 7.3.2.4.1-2.			
NOTE 2: The specific configuration of uplink RB allocation is defined in Table 7.3.2.4.1-3.			
NOTE 3: In a band where UE supports 4Rx, the test shall be performed only with 4Rx antennas ports connected.			

1. Connect the SS to the UE antenna connectors as shown in TS 38.508-1 [5] Annex A, Figure A.3.1.1.5 for TE diagram and section A.3.2 for UE diagram.
2. The parameter settings for the cell are set up according to TS 38.508-1 [5] subclause 4.4.3.
3. Downlink signals are initially set up according to Annex C.0, C.1, C.2, and uplink signals according to Annex G.0, G.1, G.2 and G.3.0 with consideration of supplementary uplink physical channels.
4. The UL Reference Measurement Channel is set according to Table 7.4D_1.4.1-1.
5. Propagation conditions are set according to Annex B.0.
6. Ensure the UE is in State RRC_CONNECTED with generic procedure parameters Connectivity *NR*, Connected without release *On*, Test Mode *On* and Test Loop Function *On* according to TS 38.508-1 [5] clause 4.5. Message contents are defined in clause 7.4D_1.4.3.

7.4D_1.4.2 Test procedure

1. SS transmits PDSCH via PDCCH DCI format 1_1 for C_RNTI to transmit the DL RMC according to Table 7.4D_1.4.1-1. The SS sends downlink MAC padding bits on the DL RMC.
2. SS sends uplink scheduling information for each UL HARQ process via PDCCH DCI format 0_1 for C_RNTI to schedule the UL RMC according to Tables 7.4D_1.4.1-1. Since the UE has no payload data to send, the UE transmits uplink MAC padding bits on the UL RMC. The PDCCH DCI format 0_1 is specified with condition 2TX_UL_MIMO in 38.508-1 [5] subclause 4.3.6.1.1.2
3. Set the Downlink signal level to the value defined in Table 7.4D_1.5-1. Send uplink power control commands to the UE using 1dB power step size to ensure that the UE output power measured by the test system is within the Uplink power control window, defined as -MU to -(MU + Uplink power control window size) dB of the target power level in Table 7.4D_1.5-1 for at least the duration of the Throughput measurement, where:
 - MU is the test system uplink power measurement uncertainty and is specified in Table F.1.3-1 for the carrier frequency *f* and the channel bandwidth *BW*
 - Uplink power control window size = 1dB (UE power step size) + 0.7dB (UE power step tolerance) + (Test system relative power measurement uncertainty), where, the UE power step tolerance is specified in TS 38.101-1 [2], Table 6.3.4.3-1 and is 0.7dB for 1dB power step size, and the Test system relative power measurement uncertainty is specified for test case 6.3.4.3 in Table F.1.2-1.
4. Measure the average throughput for a duration sufficient to achieve statistical significance according to Annex H.2

NOTE: The purpose of the Uplink power control window is to ensure that the actual UE output power is no greater than the target power level, and as close as possible to the target power level. The relationship between the Uplink power control window, the target power level and the corresponding possible actual UE Uplink power window is illustrated in Annex F.4.3.

7.4D_1.4.3 Message contents

Message contents are according to TS 38.508-1 [5] subclause 4.3.6.1.1.2 ensuring UL/SUL indicator in Table 4.3.6.1.1.2-1 with condition SUL, subclause 4.6 ensuring Table 4.6.1-28 with condition SUL AND (RF OR RRM), Tables 4.6.3-14 with condition SUL_SUL for SUL carrier, Table 4.6.3-167 with condition PUSCH_PUCCH_ON_SUL, and Table 4.6.3-182 with the condition 2TX_UL_MIMO.

7.4D_1.5 Test requirement

The throughput shall be $\geq 95\%$ of the maximum throughput of the reference measurement channels as specified in Annex A.3.2 and A3.3 with parameters specified in Table 7.4D_1.5-1.

Table 7.4D_1.5-1 Maximum input level

Rx Parameter	Units	Channel bandwidth (MHz)		
		5, 10, 15, 20	25, 30, 40, 45, 50	60, 70, 80, 90, 100
Power in Transmission	dBm	$-25^2 - TT$	$-25 + 10\log_{10}(BW_{\text{Channel}}/20)^{\text{Note 2}} - TT$	$-20^2 - TT$

Bandwidth Configuration ⁴			
		$-27^{3,5} - TT$	$-27 + 10\log_{10}(BW_{Channel} / 20)^{Note\ 3,5} - TT$

NOTE 1: The transmitter shall be set to 4 dB below $P_{CMAX_L,f,c}$ at the minimum uplink configuration specified in Table 7.3C.0.2-1 with $P_{CMAX_L,f,c}$ as defined in clause 6.2.4.
 NOTE 2: Reference measurement channel is A.3.2.3 or A.3.3.3 for 64 QAM.
 NOTE 3: Reference measurement channel is A.3.2.4 or A.3.3.4 for 256 QAM.
 NOTE 4: Power in transmission bandwidth configuration value is rounded to the nearest 0.5dB value.
 NOTE 5: Reference measurement channel is A.3.2.x for 1024 QAM.
 NOTE 6: TT for each frequency is specified in Table 7.4D_1.5-2

Table 7.4D_1.5-2: Test Tolerance (Maximum input level)

$f \leq 3.0GHz$	$3.0GHz < f \leq 6.0GHz$
0.7 dB	1.0 dB

7.4F Maximum input level for shared spectrum channel access

Editor’s note: This clause is incomplete. The following aspects are either missing or not yet determined:

- MU and TT for >6GHz (band n96) are working assumption based on analysis of single TE vendor. Values will be revisited once analysis from other TE vendors is available.

7.4F.1 Test purpose

Maximum input level tests the UE’s ability to receive data with a given average throughput for a specified reference measurement channel, under conditions of high signal level, ideal propagation and no added noise.

A UE unable to meet the throughput requirement under these conditions will decrease the coverage area near to a g-NodeB.

7.4F.2 Test applicability

This test case applies to all types of NR UE release 16 and forward that support NR standalone shared spectrum channel access.

7.4F.3 Minimum conformance requirements

Maximum input level is defined as the maximum mean power received at the UE antenna port, at which the specified relative throughput shall meet or exceed the minimum requirements for the specified reference measurement channel. The throughput shall be $\geq 95\%$ of the maximum throughput of the reference measurement channels as specified in Annex A.3.2 and A.3.3 (with one sided dynamic OCNG Pattern OP.1 FDD/TDD as described in Annex A.5.1.1/A.5.2.1) with parameters specified in Table 7.4F.3-1.

Table 7.4F.3-1: Maximum input level

Rx Parameter	Units	Channel bandwidth (MHz)		
		5, 10, 15, 20	25, 30, 35, 40, 45, 50	60, 70, 80, 90, 100
Power in Transmission Bandwidth Configuration ⁴	dBm	-25^2	$-25 + 10\log_{10}(BW_{Channel} / 20)^{Note\ 2}$	-20^2
		$-27^{3,5}$	$-27 + 10\log_{10}(BW_{Channel} / 20)^{Note\ 3,5}$	$-22^{3,5}$

NOTE 1: The transmitter shall be set to 4 dB below $P_{CMAX_L,f,c}$ at the minimum uplink configuration specified in Table 7.3.2-3 with $P_{CMAX_L,f,c}$ as defined in clause 6.2.4.
 NOTE 2: Reference measurement channel is A.3.2.3 or A.3.3.3 for 64 QAM.
 NOTE 3: Reference measurement channel is A.3.2.4 or A.3.3.4 for 256 QAM.
 NOTE 4: $10\log_{10}(x)$ is rounded to the nearest 0.5dB value.
 NOTE 5: Reference measurement channel is A.3.2.x for 1024 QAM.

The normative reference for this requirement is TS 38.101-1 [2] clause 7.4 and 7.4F.

7.4F.4 Test description

7.4F.4.1 Initial conditions

Initial conditions are a set of test configurations the UE needs to be tested in and the steps for the SS to take with the UE to reach the correct measurement state.

The initial test configurations consist of environmental conditions, test frequencies, test channel bandwidths and sub-carrier spacing based on NR operating bands specified in table 5.3.5-1. All of these configurations shall be tested with applicable test parameters for each combination of channel bandwidth and sub-carrier spacing, are shown in table 7.4F.4.1-1. The details of the uplink and downlink reference measurement channels (RMC) are specified in Annexes A.2 and A.3. The details of the OCN patterns used are specified in Annex A.5. Configurations of PDSCH and PDCCH before measurement are specified in Annex C.2.

Table 7.4F.4.1-1: Test Configuration Table

Initial Conditions			
Test Environment as specified in TS 38.508-1 [5] subclause 4.1		Normal	
Test Frequencies as specified in TS 38.508-1 [5] subclause 4.3.1		Mid range	
Test Channel Bandwidths as specified in TS 38.508-1 [5] subclause 4.3.1		Lowest, Mid, Highest Lowest UL / Lowest DL, Lowest UL / Highest DL (NOTE 4)	
Test SCS as specified in Table 5.3.5-1		Lowest	
Test Parameters for Channel Bandwidths			
Downlink Configuration		Uplink Configuration	
Modulation	RB allocation	Modulation	RB allocation
CP-OFDM 64 QAM	NOTE 1	DFT-s-OFDM QPSK	NOTE 2
CP-OFDM 256 QAM	NOTE 1	DFT-s-OFDM QPSK	NOTE 2
CP-OFDM 1024 QAM	NOTE 1	DFT-s-OFDM QPSK	NOTE 2
NOTE 1: The specific configuration of downlink RB allocation is defined in Table 7.3F.2.4.1-2.			
NOTE 2: The specific configuration of uplink RB allocation is defined in Table 7.3F.2.4.1-3.			
NOTE 3: In a band where UE supports 4Rx, the test shall be performed only with 4Rx antennas ports connected.			
NOTE 4: Additional test points selected according to asymmetric channel bandwidths specified in clause 5.3.6. DL channel bandwidth shall be selected first.			
NOTE 5: Testing for 1024 QAM is applicable for UE supporting capabilities 1024QAM (pdsch-1024QAM-FR1).			

1. Connect the SS to the UE antenna connectors as shown in TS 38.508-1 [5] Annex A, Figure A.3.1.1.1 for TE diagram and section A.3.2 for UE diagram.
2. The parameter settings for the cell are set up according to TS 38.508-1 [5] subclause 4.4.3.
3. Downlink signals are initially set up according to Annex C.0, C.1, C.2, and C.3.1, and uplink signals according to Annex G.0, G.1, G.2, and G.3.1.
4. The DL and UL Reference Measurement Channels are set according to Table 7.4F.4.1-1.
5. Propagation conditions are set according to Annex B.0.
6. Ensure the UE is in State RRC_CONNECTED with generic procedure parameters Connectivity NR, Connected without release On, Test Mode On and Test Loop Function On according to TS 38.508-1 [5] clause 4.5. Message contents are defined in clause 7.4F.4.3.

7.4F.4.2 Test procedure

1. SS transmits PDSCH via PDCCH DCI format 1_1 for C_RNTI to transmit the DL RMC according to Table 7.4F.4.1-1. The SS sends downlink MAC padding bits on the DL RMC.
2. SS sends uplink scheduling information for each UL HARQ process via PDCCH DCI format 0_1 for C_RNTI to schedule the UL RMC according to Tables 7.4F.4.1-1. Since the UE has no payload data and no loopback data to send, the UE sends uplink MAC padding bits on the UL RMC.

3. Set the Downlink signal level to the value as defined in Table 7.4F.5-1. Send uplink power control commands to the UE using 1dB power step size to ensure that the UE output power measured by the test system is within the Uplink power control window, defined as -MU to -(MU + Uplink power control window size) dB of the target power level in Table 7.4F.5-1 for at least the duration of the Throughput measurement, where:
 - MU is the test system uplink power measurement uncertainty and is specified in Table F.1.3-1 for the carrier frequency f and the channel bandwidth BW
 - Uplink power control window size = 1dB (UE power step size) + 0.7dB (UE power step tolerance) + (Test system relative power measurement uncertainty), where, the UE power step tolerance is specified in TS 38.101-1 [2], Table 6.3.4.3-1 and is 0.7dB for 1dB power step size, and the Test system relative power measurement uncertainty is specified for test case 6.3.4.3 in Table F.1.2-1.
 - For UEs supporting Tx diversity, the transmit power is measured as the sum of the output power from both UE antenna connectors.
4. Measure the average throughput for a duration sufficient to achieve statistical significance according to Annex H.2

NOTE: The purpose of the Uplink power control window is to ensure that the actual UE output power is no greater than the target power level, and as close as possible to the target power level. The relationship between the Uplink power control window, the target power level and the corresponding possible actual UE Uplink power window is illustrated in Annex F.4.3.

7.4F.4.3 Message contents

Message contents are according to TS 38.508-1 [5] subclause 4.6 ensuring Table 4.6.3-118 with condition TRANSFORM_PRECODER_ENABLED.

The following exception applies to 1024QAM testing:

Table 7.4F.4.3-1: PDSCH-Config

Derivation Path: TS 38.508-1 Table 5.4.2.0-26			
Information Element	Value/remark	Comment	Condition
PDSCH-Config ::= SEQUENCE {			
mcs-Table-r17	qam1024		
}			

7.4F.5 Test requirement

The throughput measurement derived in test procedure shall be ≥ 95% of the maximum throughput of the reference measurement channels as specified in Annex A.3.2 and A.3.3 with parameters specified in Tables 7.4F.5-1.

Table 7.4F.5-1: Maximum input level

Rx Parameter	Units	Channel bandwidth (MHz)		
		5, 10, 15, 20	25, 30, 35, 40, 45, 50	60, 70, 80, 90, 100
Power in Transmission Bandwidth Configuration ⁴	dBm	-25 ² -TT	-25 + 10log ₁₀ (BW _{Channel} /20) ^{Note 2} -TT	-20 ² -TT
		-27 ^{3,5} -TT	-27 + 10log ₁₀ (BW _{Channel} /20) ^{Note 3,5} -TT	-22 ^{3,5} -TT
NOTE 1: The transmitter shall be set to 4 dB below P _{CMAX_L,f,c} at the minimum uplink configuration specified in Table 7.3.2-3 with P _{CMAX_L,f,c} as defined in clause 6.2.4.				
NOTE 2: Reference measurement channel is A.3.2.3 or A.3.3.3 for 64 QAM.				
NOTE 3: Reference measurement channel is A.3.2.4 or A.3.3.4 for 256 QAM.				
NOTE 4: 10log ₁₀ (x) is rounded to the nearest 0.5dB value.				
NOTE 5: Reference measurement channel is A.3.2.5 or A.3.3.5 for 1024 QAM.				

Table 7.4F.5-2: Test Tolerance (Maximum input level)

f ≤ 3.0GHz	3.0GHz < f ≤ f ≤ 5.925GHz	f > 5.925GHz
0.7 dB	1.0 dB	TBD

7.4J Maximum input level for ATG

Editor's note: This clause is incomplete. The following aspects are either missing or not yet determined:

- MU and TT are FFS

- Message Contents are FFS pending on Rel-18 ASN.1 freeze

7.4J.1 Test purpose

Maximum input level tests the UE's ability to receive data with a given average throughput for a specified reference measurement channel, under conditions of high signal level, ideal propagation and no added noise.

A UE unable to meet the throughput requirement under these conditions will decrease the coverage area near to a g-NodeB.

7.4J.2 Test applicability

This test case applies to all types of NR UE release 18 and forward that support NR standalone ATG.

7.4J.3 Minimum conformance requirements

Maximum input level is defined as the maximum mean power received at the UE antenna port, at which the specified relative throughput shall meet or exceed the minimum requirements for the specified reference measurement channel. The throughput shall be $\geq 95\%$ of the maximum throughput of the reference measurement channels as specified in Annexes A.3.2 and A.3.3 (with one sided dynamic OCNG Pattern OP.1 FDD/TDD as described in Annex A.5.1.1/A.5.2.1) with parameters specified in Table 7.4J.3-1.

Table 7.4J.3-1: Maximum input level for ATG

Rx Parameter	Units	ATG UE Types		Reference measurement channel
		Omni-directional antenna: receiver characteristics specified at the antenna connector(s)	Antenna array: receiver characteristics specified at transceiver array boundary (TAB) connectors	
Power in Transmission Bandwidth Configuration	dBm	-42	-30	A.3.2.3 or A.3.3.3 for 64 QAM
		-44	-32	A.3.2.4 or A.3.3.4 for 256 QAM
The applicable channel bandwidths	MHz	5, 10, 15, 20, 25, 30, 35, 40, 45, 50, 60, 70, 80, 90, 100		
NOTE 1: The transmitter shall be set to 4 dB below $P_{\text{CMAX_L,f,c}}$ at the minimum uplink configuration specified in Table 7.3.2.3-3 with $P_{\text{CMAX_L,f,c}}$ as defined in clause 6.2J.2.				

The normative reference for this requirement is TS 38.101-1 [2] clause 7.4J.

7.4J.4 Test description

7.4J.4.1 Initial conditions

Initial conditions are a set of test configurations the UE needs to be tested in and the steps for the SS to take with the UE to reach the correct measurement state.

The initial test configurations consist of environmental conditions, test frequencies, test channel bandwidths and sub-carrier spacing based on NR operating bands specified in Table 5.3.5-1. All of these configurations shall be tested with applicable test parameters for each combination of channel bandwidth and sub-carrier spacing, are shown in Table 7.4J.4.1-1. The details of the uplink and downlink reference measurement channels (RMC) are specified in Annexes A.2 and A.3. The details of the OCNG patterns used are specified in Annex A.5. Configurations of PDSCH and PDCCH before measurement are specified in Annex C.2.

Table 7.4J.4.1-1: Test Configuration Table

Initial Conditions			
Test Environment as specified in TS 38.508-1 [5] subclause 4.1		Normal	
Test Frequencies as specified in TS 38.508-1 [5] subclause 4.3.1		Mid range	
Test Channel Bandwidths as specified in TS 38.508-1 [5] subclause 4.3.1		Lowest, Mid, Highest	
Test SCS as specified in Table 5.3.5-1		Lowest	
Test Parameters for Channel Bandwidths			
Downlink Configuration		Uplink Configuration	
Modulation	RB allocation	Modulation	RB allocation
CP-OFDM 64 QAM	NOTE 1	DFT-s-OFDM QPSK	NOTE 2
CP-OFDM 256 QAM	NOTE 1	DFT-s-OFDM QPSK	NOTE 2
NOTE 1: The specific configuration of downlink RB allocation is defined in Table 7.3.2.4.1-2. NOTE 2: The specific configuration of uplink RB allocation is defined in Table 7.3.2.4.1-3. NOTE 3: In a band where UE supports 4Rx, the test shall be performed only with 4Rx antennas ports connected.			

1. Connect the SS to the UE antenna connectors as shown in TS 38.508-1 [5] Annex A, Figure A.3.1.1.1 for TE diagram and section A.3.2 for UE diagram.
2. The parameter settings for the cell are set up according to TS 38.508-1 [5] subclause 4.4.3.
3. Downlink signals are initially set up according to Annex C.0, C.1, C.2, and C.3.1, and uplink signals according to Annex G.0, G.1, G.2, and G.3.1.
4. The DL and UL Reference Measurement Channels are set according to Table 7.4J.4.1-1.
5. Propagation conditions are set according to Annex B.0.
6. Ensure the UE is in State RRC_CONNECTED with generic procedure parameters Connectivity *NR*, Connected without release *On*, Test Mode *On* and Test Loop Function *On* according to TS 38.508-1 [5] clause 4.5. Message contents are defined in clause 7.4J.4.3.

7.4J.4.2 Test procedure

1. SS transmits PDSCH via PDCCH DCI format 1_1 for C_RNTI to transmit the DL RMC according to Table 7.4J.4.1-1. The SS sends downlink MAC padding bits on the DL RMC.
2. SS sends uplink scheduling information for each UL HARQ process via PDCCH DCI format 0_1 for C_RNTI to schedule the UL RMC according to Tables 7.4J.4.1-1. Since the UE has no payload data and no loopback data to send, the UE sends uplink MAC padding bits on the UL RMC.
3. Set the Downlink signal level to the value as defined in Table 7.4J.5-1. Send uplink power control commands to the UE using 1dB power step size to ensure that the UE output power measured by the test system is within the Uplink power control window, defined as $-\text{MU}$ to $-(\text{MU} + \text{Uplink power control window size})$ dB of the target power level in Table 7.4J.5-1 for at least the duration of the Throughput measurement, where:
 - MU is the test system uplink power measurement uncertainty and is specified in Table F.1.3-1 for the carrier frequency f and the channel bandwidth BW
 - Uplink power control window size = 1dB (UE power step size) + 0.7dB (UE power step tolerance) + (Test system relative power measurement uncertainty), where the UE power step tolerance is specified in TS 38.101-1 [2], Table 6.3.4.3-1 and is 0.7dB for 1dB power step size, and the Test system relative power measurement uncertainty is specified for test case 6.3.4.3 in Table F.1.2-1.
 - The transmit power is measured as the sum of power of all antenna connectors (for ATG UE with omnidirectional antennas) or of all TAB connectors (for ATG UE with antenna array).
4. Measure the average throughput for a duration sufficient to achieve statistical significance according to Annex H.2

NOTE: The purpose of the Uplink power control window is to ensure that the actual UE output power is no greater than the target power level, and as close as possible to the target power level. The relationship between the Uplink power control window, the target power level and the corresponding possible actual UE Uplink power window is illustrated in Annex F.4.3.

7.4J.4.3 Message contents

FFS

7.4J.5 Test requirement

The throughput measurement derived in test procedure shall be $\geq 95\%$ of the maximum throughput of the reference measurement channels as specified in Annex A.3.2 and A.3.3 with parameters specified in Tables 7.4J.5-1.

Table 7.4J.5-1: Maximum input level for ATG

Rx Parameter	Units	ATG UE Types		Reference measurement channel
		Omni-directional antenna: receiver characteristics specified at the antenna connector(s)	Antenna array: receiver characteristics specified at transceiver array boundary (TAB) connectors	
Power in Transmission Bandwidth Configuration	dBm	-42-TT	-30-TT	A.3.2.3 or A.3.3.3 for 64 QAM
		-44-TT	-32-TT	A.3.2.4 or A.3.3.4 for 256 QAM
The applicable channel bandwidths	MHz	5, 10, 15, 20, 25, 30, 35, 40, 45, 50, 60, 70, 80, 90, 100		
NOTE 1: The transmitter shall be set to 4 dB below $P_{\text{CMAX_L,f,c}}$ at the minimum uplink configuration specified in Table 7.3.2.3-3 with $P_{\text{CMAX_L,f,c}}$ as defined in clause 6.2J.2.				

Table 7.4J.5-2: Test Tolerance (Maximum input level for ATG)

$f \leq 3.0\text{GHz}$	$3.0\text{GHz} < f \leq 6.0\text{GHz}$
FFS	FFS

7.5 Adjacent channel selectivity

7.5.1 Test purpose

Adjacent channel selectivity (ACS) is a measure of a receiver's ability to receive an NR signal at its assigned channel frequency in the presence of an adjacent channel signal at a given frequency offset from the centre frequency of the assigned channel. ACS is the ratio of the receive filter attenuation on the assigned channel frequency to the receive filter attenuation on the adjacent channel(s).

7.5.2 Test applicability

This test applies to all types of NR UE release 15 and forward.

7.5.3 Minimum conformance requirements

The UE shall fulfil the minimum requirements specified in Table 7.5.3-1 for NR bands with $F_{\text{DL_high}} < 2700$ MHz and $F_{\text{UL_high}} < 2700$ MHz and the minimum requirements specified in Table 7.5.3-2. for NR bands with $F_{\text{DL_low}} \geq 3300$ MHz and $F_{\text{UL_low}} \geq 3300$ MHz. These requirements apply for all values of an adjacent channel interferer up to -25 dBm and for any SCS specified for the channel bandwidth of the wanted signal. However, it is not possible to directly measure the ACS; instead the lower and upper range of test parameters are chosen as in Table 7.5.3-3 and Table 7.5.3-4 for verification of the requirements specified in Table 7.5.3-1 and as in Table 7.5.3-5, and Table 7.5.3-6 for verification of the requirements specified in Table 7.5.3-2. For these test parameters, the throughput shall be $\geq 95\%$ of the maximum throughput of the reference measurement channels as specified in Annexes A.2.2, A.2.3, A.3.2 and A.3.3 (with one sided dynamic OCNG Pattern OP.1 FDD/TDD for the DL-signal as described in Annex A.5). For operating bands with an unpaired DL part (as noted in Table 5.2-1), the requirements only apply for carriers assigned in the paired part.

Table 7.5.3-1: ACS for NR bands with $F_{DL_high} < 2700$ MHz and $F_{UL_high} < 2700$ MHz

RX parameter	Units	Channel bandwidth (MHz)		
		3, 5, 10	15	20, 25, 30, 35, 40, 45, 50, 60, 70, 80, 90, 100
ACS	dB	33	30	$27 - 10\log_{10}(BW_{Channel} / 20)$
NOTE1: ACS value is rounded to the next higher 0.5dB value				

Table 7.5.3-2: ACS for NR bands with $F_{DL_low} \geq 3300$ MHz and $F_{UL_low} \geq 3300$ MHz

RX parameter	Units	Channel bandwidth (MHz)
		10, 15, 20, 25, 30, 35, 40, 45, 50, 60, 70, 80, 90, 100
ACS	dB	33

Table 7.5.3-3: Test parameters for NR bands with $F_{DL_high} < 2700$ MHz and $F_{UL_high} < 2700$ MHz, case 1

RX parameter	Units	Channel bandwidth (MHz)			
		3	5, 10	15	20, 25, 30, 35, 40, 45, 50, 60, 70, 80, 90, 100
Power in transmission bandwidth configuration	dBm	REFSENS + 14 dB			
$P_{interferer}^4$	dBm	REFSENS + 45.5 dB	REFSENS + 42.5 dB	REFSENS + 39.5 – $10\log_{10}(BW_{Channel} / 20)$	
$BW_{interferer}$	MHz	3	5		
$F_{interferer}$ (offset)	MHz	3 /- 3	$BW_{Channel} / 2 + 2.5$ / $-(BW_{Channel} / 2 + 2.5)$		
NOTE 1: The transmitter shall be set to 4 dB below $P_{CMAX_L,f,c}$ at the minimum UL configuration specified in Table 7.3.2.3-3 with $P_{CMAX_L,f,c}$ defined in clause 6.2.4.					
NOTE 2: The absolute value of the interferer offset $F_{interferer}$ (offset) shall be further adjusted to $(\lceil F_{interferer} / SCS \rceil + 0.5) SCS$ MHz with SCS the sub-carrier spacing of the wanted signal in MHz. The interferer is an NR signal with 15 kHz SCS.					
NOTE 3: The interferer consists of the NR interferer RMC specified in Annexes A.3.2.2 and A.3.3.2 with one sided dynamic OCNG Pattern OP.1 FDD/TDD for the DL-signal as described in Annex A.5.1.1/A.5.2.1.					
NOTE 4: $10\log_{10}(x)$ is rounded to the next higher 0.5dB value.					

Table 7.5.3-4: Test parameters for NR bands with $F_{DL_high} < 2700$ MHz and $F_{UL_high} < 2700$ MHz, case 2

RX parameter	Units	Channel bandwidth (MHz)			
		3	5, 10	15	20, 25, 30, 35, 40, 45, 50, 60, 70, 80, 90, 100
Power in transmission bandwidth configuration ⁴	dBm	-56.5		-53.5	$-50.5 + 10\log_{10}(BW_{Channel} / 20)$
$P_{interferer}$	dBm	-25			
$BW_{interferer}$	MHz	3	5		
$F_{interferer}$ (offset)	MHz	3 /- 3	$BW_{Channel} / 2 + 2.5$ / $-(BW_{Channel} / 2 + 2.5)$		
NOTE 1: The transmitter shall be set to 24 dB below $P_{CMAX_L,f,c}$ at the minimum UL configuration specified in Table 7.3.2.3-3 with $P_{CMAX_L,f,c}$ defined in clause 6.2.4.					
NOTE 2: The absolute value of the interferer offset $F_{interferer}$ (offset) shall be further adjusted to $(\lceil F_{interferer} / SCS \rceil + 0.5) SCS$ MHz with SCS the sub-carrier spacing of the wanted signal in MHz. The interferer is an NR signal with 15 kHz SCS.					
NOTE 3: The interferer consists of the RMC specified in Annexes A.3.2.2 and A.3.3.2 with one sided dynamic OCNG Pattern OP.1 FDD/TDD for the DL-signal as described in Annex A.5.1.1/A.5.2.1					
NOTE 4: $10\log_{10}(x)$ is rounded to the next higher 0.5dB value.					

Table 7.5.3-5: Test parameters for NR bands with $F_{DL_low} \geq 3300$ MHz and $F_{UL_low} \geq 3300$ MHz, case 1

RX parameter	Units	Channel bandwidth (MHz)
		10, 15, 20, 25, 30, 35, 40, 45, 50, 60, 70, 80, 90, 100
Power in transmission bandwidth configuration	dBm	REFSENS + 14 dB
$P_{interferer}$	dBm	REFSENS + 45.5 dB
$BW_{interferer}$	MHz	$BW_{Channel}$
$F_{interferer}$ (offset)	MHz	$BW_{Channel} / -BW_{Channel}$
NOTE 1: The transmitter shall be set to 4 dB below $P_{CMAX_L,f,c}$ at the minimum UL configuration specified in Table 7.3.2.3-3 with $P_{CMAX_L,f,c}$ defined in clause 6.2.4.		
NOTE 2: The absolute value of the interferer offset $F_{interferer}$ (offset) shall be further adjusted to $(\lceil F_{interferer} / SCS \rceil + 0.5) SCS$ MHz with SCS the sub-carrier spacing of the wanted signal in MHz. The interferer is an NR signal with an SCS equal to that of the wanted signal.		
NOTE 3: The interferer consists of the RMC specified in Annexes A.3.2.2 and A.3.3.2 with one sided dynamic OCNB Pattern OP.1 FDD/TDD for the DL-signal as described in Annex A.5.1.1/A.5.2.1.		

Table 7.5.3-6: Test parameters for NR bands with $F_{DL_low} \geq 3300$ MHz and $F_{UL_low} \geq 3300$ MHz, case 2

RX parameter	Units	Channel bandwidth (MHz)
		10, 15, 20, 25, 30, 35, 40, 45, 50, 60, 70, 80, 90, 100
Power in transmission bandwidth configuration	dBm	-56.5
$P_{interferer}$	dBm	-25
$BW_{interferer}$	MHz	$BW_{Channel}$
$F_{interferer}$ (offset)	MHz	$BW_{Channel} / -BW_{Channel}$
NOTE 1: The transmitter shall be set to 24 dB below $P_{CMAX_L,f,c}$ at the minimum UL configuration specified in Table 7.3.2.3-3 with $P_{CMAX_L,f,c}$ defined in clause 6.2.4.		
NOTE 2: The absolute value of the interferer offset $F_{interferer}$ (offset) shall be further adjusted to $(\lceil F_{interferer} / SCS \rceil + 0.5) SCS$ MHz with SCS the sub-carrier spacing of the wanted signal in MHz. The interferer is an NR signal with an SCS equal to that of the wanted signal.		
NOTE 3: The interferer consists of the RMC specified in Annexes A.3.2.2 and A.3.3.2 with one sided dynamic OCNB Pattern OP.1 FDD/TDD for the DL-signal as described in Annex A.5.1.1/A.5.2.1.		

The normative reference for this requirement is TS 38.101-1 [2] clause 7.5.

7.5.4 Test description

7.5.4.1 Initial conditions

Initial conditions are a set of test configurations the UE needs to be tested in and the steps for the SS to take with the UE to reach the correct measurement state.

The initial test configurations consist of environmental conditions, test frequencies, test channel bandwidths and sub-carrier spacing based on NR operating bands specified in Table 5.3.5-1. All of these configurations shall be tested with applicable test parameters for each combination of channel bandwidth and sub-carrier spacing, are shown in table 7.5.4.1-1. The details of the uplink and downlink reference measurement channels (RMC) are specified in Annexes A.2 and A.3. Configuration of PDSCH and PDCCH before measurement are specified in Annex C.2.

Table 7.5.4.1-1: Test Configuration Table

Default Conditions	
Test Environment as specified in TS 38.508-1 [5] subclause 4.1	Normal
Test Frequencies as specified in TS 38.508-1 [5] subclause 4.3.1	Mid range (NOTE 4)

Test Channel Bandwidths as specified in TS 38.508-1 [5] subclause 4.3.1	Lowest, Mid, Highest Lowest UL / Lowest DL, Lowest UL / Highest DL (NOTE 3)			
Test SCS as specified in Table 5.3.5-1	Lowest			
Test Parameters				
Test ID	Downlink Configuration		Uplink Configuration	
	Mod'n	RB allocation	Mod'n	RB allocation
1	CP-OFDM QPSK	NOTE 1	DFT-s-OFDM QPSK	NOTE 1
NOTE 1: The specific configuration of uplink and downlink are defined in Table 7.3.2.4.1-1.				
NOTE 2: In a band where UE supports 4Rx, the test shall be performed only with 4Rx antennas ports connected and 4Rx REFSSENS requirement (Table 7.3.2.5-2) is used in the test requirements.				
NOTE 3: Additional test points selected according to asymmetric channel bandwidths specified in clause 5.3.6. DL channel bandwidth shall be selected first.				
NOTE 4: For NR band n28, 30MHz test channel bandwidth is tested with Low range test frequencies.				

1. Connect the SS to the UE antenna connectors as shown in TS 38.508-1 [5] Annex A, in Figure A.3.1.4.1 for TE diagram and section A.3.2 for UE diagram.
2. The parameter settings for the cell are set up according to TS 38.508-1 [5] subclause 4.4.3.
3. Downlink signals are initially set up according to Annex C.0, C.1, C.2, C.3.1, and uplink signals according to Annex G.0, G.1, G.2, G.3.1.
4. The DL and UL Reference Measurement channels are set according to Table 7.5.4.1-1.
5. Propagation conditions are set according to Annex B.0.
6. Ensure the UE is in state RRC_CONNECTED with generic procedure parameters Connectivity *NR*, Connected without release *On*, Test Mode *On* and Test Loop Function *On* according to TS 38.508-1 [5] clause 4.5. Message content are defined in clause 7.5.4.3.

7.5.4.2 Test procedure

1. SS transmits PDSCH via PDCCH DCI format 1_1 for C_RNTI to transmit the DL RMC according to Table 7.5.4.1-1. The SS sends downlink MAC padding bits on the DL RMC.
2. SS sends uplink scheduling information for each UL HARQ process via PDCCH DCI format 0_1 for C_RNTI to schedule the UL RMC according to Table 7.5.4.1-1. Since the UL has no payload and no loopback data to send the UE sends uplink MAC padding bits on the UL RMC.
3. Set the Downlink signal level to the value as defined in Table 7.5.5-2 or Table 7.5.5-5 as appropriate (Case 1). Send uplink power control commands to the UE using 1dB power step size to ensure that the UE output power measured by the test system is within the Uplink power control window, defined as $-(\text{MU} + \text{Uplink power control window size})$ dB of the target power level in Table 7.5.5-2 or Table 7.5.5-5 for at least the duration of the Throughput measurement, where:
 - MU is the test system uplink power measurement uncertainty and is specified in Table F.1.3-1 for the carrier frequency f and the channel bandwidth BW
 - Uplink power control window size = 1dB (UE power step size) + 0.7dB (UE power step tolerance) + (Test system relative power measurement uncertainty), where, the UE power step tolerance is specified in TS 38.101-1 [2], Table 6.3.4.3-1 and is 0.7dB for 1dB power step size, and the Test system relative power measurement uncertainty is specified in Table F.1.3-1.
 - For UEs supporting Tx diversity, the transmit power is measured as the sum of the output power from both UE antenna connectors.
4. Set the Interferer signal level to the value as defined in Table 7.5.5-2 or Table 7.5.5-5 as appropriate (Case 1) and frequency below the wanted signal, using a modulated interferer bandwidth as defined in Annex D.
5. Measure the average throughput for a duration sufficient to achieve statistical significance according to Annex H.

6. Repeat steps from 3 to 5, using an interfering signal above the wanted signal in Case 1 at step 4.
7. Set the Downlink signal level to the value as defined in Table 7.5.5-3 or Table 7.5.5-6 as appropriate (Case 2). Send uplink power control commands to the UE using 1dB power step size to ensure that the UE output power measured by the test system is within the Uplink power control window, defined as $-(\text{MU} + \text{Uplink power control window size})$ dB of the target power level in Table 7.5.5-3 or Table 7.5.5-6 for at least the duration of the Throughput measurement, where MU and Uplink power control window size are defined above.
8. Set the Interferer signal level to the value as defined in Table 7.5.5-3 or Table 7.5.5-6 as appropriate (Case 2) and frequency below the wanted signal, using a modulated interferer bandwidth as defined in Annex D.
9. Measure the average throughput for a duration sufficient to achieve statistical significance according to Annex H.
10. Repeat steps from 7 to 9, using an interfering signal above the wanted signal in Case 2 at step 8.
11. Repeat for applicable channel bandwidths and operating band combinations in both Case 1 and Case 2.

NOTE: The purpose of the Uplink power control window is to ensure that the actual UE output power is no greater than the target power level, and as close as possible to the target power level. The relationship between the Uplink power control window, the target power level and the corresponding possible actual UE Uplink power window is illustrated in Annex F.4.3.

7.5.4.3 Message contents

Message contents are according to TS 38.508-1 [5] subclause 4.6 with TRANSFORM_PRECODER_ENABLED condition in Table 4.6.3-118 PUSCH-Config.

7.5.5 Test requirement

For NR bands with $F_{DL_high} < 2700$ MHz and $F_{UL_high} < 2700$ MHz, the throughput measurement derived in test procedure shall be $\geq 95\%$ of the maximum throughput of the reference measurement channels as specified in Annexes A.2.2, A.2.3, A.3.2 and A.3.3 (with one sided dynamic OCNG Pattern OP.1 FDD/TDD for the DL-signal as described in Annex A.5.1.1/A.5.2.1) with parameters specified in Tables 7.5.5-2 and 7.5.5-3.

Table 7.5.5-1: ACS for NR bands with $F_{DL_high} < 2700$ MHz and $F_{UL_high} < 2700$ MHz

RX parameter	Units	Channel bandwidth (MHz)		
		3, 5, 10	15	20, 25, 30, 35, 40, 45, 50, 60, 70, 80, 90, 100
ACS	dB	33	30	$27 - 10\log_{10}(BW_{\text{Channel}}/20)$
NOTE1: ACS value is rounded to the next higher 0.5dB value				

Table 7.5.5-2: Test parameters for NR bands with $F_{DL_high} < 2700$ MHz and $F_{UL_high} < 2700$ MHz, case 1

RX parameter	Units	Channel bandwidth (MHz)			
		3	5, 10	15	20, 25, 30, 35, 40, 45, 50, 60, 70, 80, 90, 100
Power in transmission bandwidth configuration	dBm	REFSENS + 14 dB			
$P_{\text{interferer}}^4$	dBm	REFSENS + 45.5 dB		REFSENS + 42.5 dB	$\text{REFSENS} + 39.5 - 10\log_{10}(BW_{\text{Channel}}/20)$
$BW_{\text{interferer}}$	MHz	3	5		
$F_{\text{interferer}}$ (offset)	MHz	3 /- 3	$BW_{\text{Channel}}/2 + 2.5$ / $-(BW_{\text{Channel}}/2 + 2.5)$		
NOTE 1: The transmitter shall be set to 4 dB below $P_{\text{CMAX_L,f,c}}$ at the minimum UL configuration specified in Table 7.3.2.3-3 with $P_{\text{CMAX_L,f,c}}$ defined in clause 6.2.4.					
NOTE 2: The absolute value of the interferer offset $F_{\text{interferer}}$ (offset) shall be further adjusted to $(\lceil F_{\text{interferer}} / SCS \rceil + 0.5) SCS$ MHz with SCS the sub-carrier spacing of the wanted signal in MHz. The interferer is an NR signal with 15 kHz SCS.					

NOTE 3: The interferer consists of the NR interferer RMC specified in Annexes A.3.2.2 and A.3.3.2 with one sided dynamic OCNG Pattern OP.1 FDD/TDD for the DL-signal as described in Annex A.5.1.1/A.5.2.1.
 NOTE 4: $10\log_{10}(x)$ is rounded to the next higher 0.5dB value.

Table 7.5.5-3: Test parameters for NR bands with $F_{DL_high} < 2700$ MHz and $F_{UL_high} < 2700$ MHz, case 2

RX parameter	Units	Channel bandwidth (MHz)			
		3	5, 10	15	20, 25, 30, 35, 40, 45, 50, 60, 70, 80, 90, 100
Power in transmission bandwidth configuration ⁴	dBm	-56.5		-53.5	$-50.5 + 10\log_{10}(BW_{Channel} / 20)$
$P_{interferer}$	dBm	-25			
$BW_{interferer}$	MHz	3	5		
$F_{interferer}$ (offset)	MHz	3 /- 3	$BW_{Channel} / 2 + 2.5$ / $-(BW_{Channel} / 2 + 2.5)$		

NOTE 1: The transmitter shall be set to 24 dB below $P_{CMAX_L,f,c}$ at the minimum UL configuration specified in Table 7.3.2.3-3 with $P_{CMAX_L,f,c}$ defined in clause 6.2.4.
 NOTE 2: The absolute value of the interferer offset $F_{interferer}$ (offset) shall be further adjusted to $(\lceil |F_{interferer}| / SCS \rceil + 0.5) SCS$ MHz with SCS the sub-carrier spacing of the wanted signal in MHz. The interferer is an NR signal with 15 kHz SCS.
 NOTE 3: The interferer consists of the RMC specified in Annexes A.3.2.2 and A.3.3.2 with one sided dynamic OCNG Pattern OP.1 FDD/TDD for the DL-signal as described in Annex A.5.1.1/A.5.2.1
 NOTE 4: $10\log_{10}(x)$ is rounded to the next higher 0.5dB value.

For NR bands with $F_{DL_high} \geq 3300$ MHz and $F_{UL_high} \geq 3300$ MHz, the throughput measurement derived in test procedure shall be $\geq 95\%$ of the maximum throughput of the reference measurement channels as specified in [Annexes A.2.2, A.2.3 and A.3.2 (with one sided dynamic OCNG Pattern OP.1 FDD/TDD for the DL-signal as described in Annex A.5.1.1/A.5.2.1)] with parameters specified in Tables 7.5.5-5 and 7.5.5-6.

Table 7.5.5-4: ACS for NR bands with $F_{DL_low} \geq 3300$ MHz and $F_{UL_low} \geq 3300$ MHz

RX parameter	Units	Channel bandwidth (MHz)
		10, 15, 20, 25, 30, 35, 40, 45, 50, 60, 70, 80, 90, 100
ACS	dB	33

Table 7.5.5-5: Test parameters for NR bands with $F_{DL_low} \geq 3300$ MHz and $F_{UL_low} \geq 3300$ MHz, case 1

RX parameter	Units	Channel bandwidth (MHz)
		10, 15, 20, 25, 30, <u>35</u> , 40, 45, 50, 60, 70, 80, 90, 100
Power in transmission bandwidth configuration	dBm	REFSENS + 14 dB
$P_{interferer}$	dBm	REFSENS + 45.5 dB
$BW_{interferer}$	MHz	$BW_{Channel}$
$F_{interferer}$ (offset)	MHz	$BW_{Channel}$ / $-BW_{Channel}$

NOTE 1: The transmitter shall be set to 4 dB below $P_{CMAX_L,f,c}$ at the minimum UL configuration specified in Table 7.3.2.3-3 with $P_{CMAX_L,f,c}$ defined in clause 6.2.4.
 NOTE 2: The absolute value of the interferer offset $F_{interferer}$ (offset) shall be further adjusted to $(\lceil |F_{interferer}| / SCS \rceil + 0.5) SCS$ MHz with SCS the sub-carrier spacing of the wanted signal in MHz. The interferer is an NR signal with an SCS equal to that of the wanted signal.
 NOTE 3: The interferer consists of the RMC specified in Annexes A.3.2.2 and A.3.3.2 with one sided dynamic OCNG Pattern OP.1 FDD/TDD for the DL-signal as described in Annex A.5.1.1/A.5.2.1.

Table 7.5.5-6: Test parameters for NR bands with $F_{DL_low} \geq 3300$ MHz and $F_{UL_low} \geq 3300$ MHz, case 2

RX parameter	Units	Channel bandwidth (MHz)	
		10, 15, 20, 25, 30, 35, 40, 45, 50, 60, 70, 80, 90, 100	
Power in transmission bandwidth configuration	dBm	-56.5	
$P_{interferer}$	dBm	-25	
$BW_{interferer}$	MHz	$BW_{Channel}$	
$F_{interferer}$ (offset)	MHz	$BW_{Channel} / -BW_{Channel}$	
NOTE 1: The transmitter shall be set to 24 dB below $P_{CMAX_L,f,c}$ at the minimum UL configuration specified in Table 7.3.2.3-3 with $P_{CMAX_L,f,c}$ defined in clause 6.2.4.			
NOTE 2: The absolute value of the interferer offset $F_{interferer}$ (offset) shall be further adjusted to $(\lceil F_{interferer} / SCS \rceil + 0.5) SCS$ MHz with SCS the sub-carrier spacing of the wanted signal in MHz. The interferer is an NR signal with an SCS equal to that of the wanted signal.			
NOTE 3: The interferer consists of the RMC specified in Annexes A.3.2.2 and A.3.3.2 with one sided dynamic OCNG Pattern OP.1 FDD/TDD for the DL-signal as described in Annex A.5.1.1/A.5.2.1.			

Table 7.5.5-7: Void

7.5A Adjacent channel selectivity for CA

7.5A.0 Minimum conformance requirements

7.5A.0.1 Adjacent channel selectivity for Intra-band contiguous CA

For intra-band contiguous carrier aggregation the downlink SCC(s) shall be configured at nominal channel spacing to the PCC. The UE shall fulfil the minimum requirement specified in Table 7.5A.0.1-1 and 7.5A.0.1-1a for an adjacent channel interferer on either side of the aggregated downlink signal at a specified frequency offset and for an interferer power up to -25 dBm.

The throughput of each carrier shall be $\geq 95\%$ of the maximum throughput of the reference measurement channels as specified in Annexes A.2.2, A.2.3, A.3.2 and A.3.3 (with one sided dynamic OCNG Pattern OP.1 FDD/TDD for the DL-signal as described in Annex A.5.1.1/A.5.2.1) with parameters specified in Tables 7.5A.0.1-2, 7.5A.0.1-2a, 7.5A.0.1-3 and 7.5A.0.1-3a.

Table 7.5A.0.1-1: ACS for intra-band contiguous CA with $F_{DL_low} \geq 3300$ MHz and $F_{UL_low} \geq 3300$ MHz

Rx Parameter	Units	CA Bandwidth Class		
		B	C	D
ACS	dB	26.0	33.0	25.2

Table 7.5A.0.1-1a: ACS for intra-band contiguous CA with $F_{DL_high} < 2700$ MHz and $F_{UL_high} < 2700$ MHz

Rx Parameter	Units	CA Bandwidth Class	
		B	C
ACS	dB	20.0	17.0

Table 7.5A.0.1-2: Test parameters for intra-band contiguous CA with $F_{DL_low} \geq 3300$ MHz and $F_{UL_low} \geq 3300$ MHz, case 1

Rx Parameter	Units	CA Bandwidth Class		
		B	C	D

Pw in Transmission Bandwidth Configuration, per CC	dBm	REFSENS + 14 dB	REFSENS + 14 dB	REFSENS + 14 dB
$P_{\text{Interferer}}$	dBm	Aggregated power + 24.5 dB	Aggregated power + 31.5 dB	Aggregated power + 23.7 dB
$BW_{\text{Interferer}}$	MHz	20	$BW_{\text{channel CA}}$	50
$F_{\text{Interferer}}$ (offset)	MHz	$10 + F_{\text{offset}}$ / $-10 - F_{\text{offset}}$	$BW_{\text{channel CA}}$ / $-BW_{\text{channel CA}}$	$25 + F_{\text{offset}}$ / $-25 - F_{\text{offset}}$

NOTE 1: The transmitter shall be set to 4 dB below $P_{\text{CMAX_L,f,c}}$ at the minimum UL configuration specified in Table 7.3.2-3 with $P_{\text{CMAX_L,f,c}}$ defined in clause 6.2.4.

NOTE 2: The absolute value of the interferer offset $F_{\text{Interferer}}$ (offset) shall be further adjusted to $(\lceil |F_{\text{Interferer}}| / \text{SCS} \rceil + 0.5) \text{SCS}$ MHz with SCS the sub-carrier spacing of the wanted signal in MHz. The interferer is an NR signal with an SCS equal to that of the wanted signal.

NOTE 3: The interferer consists of the RMC specified in Annexes A.3.2.2 and A.3.3.2 with one sided dynamic OCNG Pattern OP.1 FDD/TDD for the DL-signal as described in Annex A.5.1.1/A.5.2.1.

Table 7.5A.0.1-2a: Test parameters for intra-band contiguous CA with $F_{\text{DL_high}} < 2700$ MHz and $F_{\text{UL_high}} < 2700$ MHz, case 1

Rx Parameter	Units	CA Bandwidth Class	
		B	C
Pw in Transmission Bandwidth Configuration, per CC	dBm	REFSENS + 14 dB	REFSENS + 14 dB
$P_{\text{Interferer}}$	dBm	Aggregated power + 18.5dB	Aggregated power + 15.5dB
$BW_{\text{Interferer}}$	MHz	5	5
$F_{\text{Interferer}}$ (offset)	MHz	$2.5 + F_{\text{offset}}$ / $-2.5 - F_{\text{offset}}$	$2.5 + F_{\text{offset}}$ / $-2.5 - F_{\text{offset}}$

NOTE 1: The transmitter shall be set to 4 dB below $P_{\text{CMAX_L,f,c}}$ at the minimum UL configuration specified in Table 7.3.2-3 with $P_{\text{CMAX_L,f,c}}$ defined in clause 6.2.4.

NOTE 2: The absolute value of the interferer offset $F_{\text{Interferer}}$ (offset) shall be further adjusted to $(\lceil |F_{\text{Interferer}}| / \text{SCS} \rceil + 0.5) \text{SCS}$ MHz with SCS the sub-carrier spacing of the wanted signal in MHz. The interferer is an NR signal with an SCS equal to that of the wanted signal.

NOTE 3: The interferer consists of the RMC specified in Annexes A.3.2.2 and A.3.3.2 with one sided dynamic OCNG Pattern OP.1 FDD/TDD for the DL-signal as described in Annex A.5.1.1/A.5.2.1.

Table 7.5A.0.1-3: Test parameters for intra-band contiguous CA with $F_{\text{DL_low}} \geq 3300$ MHz and $F_{\text{UL_low}} \geq 3300$ MHz, case 2

Rx Parameter	Units	CA Bandwidth Class		
		B	C	D
Pw in Transmission Bandwidth Configuration, per CC	dBm	$-49.5 + 10\log(N_{\text{RB,c}}/N_{\text{RB_agg}})$	-56.5	$-48.7 + 10\log(N_{\text{RB,c}}/N_{\text{RB_agg}})$
$P_{\text{Interferer}}$	dBm	-25	-25	-25
$BW_{\text{Interferer}}$	MHz	20	$BW_{\text{channel CA}}$	50
$F_{\text{Interferer}}$ (offset)	MHz	$10 + F_{\text{offset}}$ / $-10 - F_{\text{offset}}$	$BW_{\text{channel CA}}$ / $-BW_{\text{channel CA}}$	$25 + F_{\text{offset}}$ / $-25 - F_{\text{offset}}$

NOTE 1: The transmitter shall be set to 24 dB below $P_{\text{CMAX_L,f,c}}$ at the minimum UL configuration specified in Table 7.3.2-3 with $P_{\text{CMAX_L,f,c}}$ defined in clause 6.2.4.

NOTE 2: The absolute value of the interferer offset $F_{\text{Interferer}}$ (offset) shall be further adjusted to $(\lceil |F_{\text{Interferer}}| / \text{SCS} \rceil + 0.5) \text{SCS}$ MHz with SCS the sub-carrier spacing of the wanted signal in MHz. The interferer is an NR signal with an SCS equal to that of the wanted signal.

NOTE 3: The interferer consists of the RMC specified in Annexes A.3.2.2 and A.3.3.2 with one sided dynamic OCNG Pattern OP.1 FDD/TDD for the DL-signal as described in Annex A.5.1.1/A.5.2.1.

Table 7.5A.0.1-3a: Test parameters for intra-band contiguous CA with $F_{DL_high} < 2700$ MHz and $F_{UL_high} < 2700$ MHz, case 2

Rx Parameter	Units	CA Bandwidth Class	
		B	C
Pw in Transmission Bandwidth Configuration, per CC	dBm	$-43.5 + 10\log(N_{RB,c}/N_{RB_agg})$	$-40.5 + 10\log(N_{RB,c}/N_{RB_agg})$
$P_{Interferer}$	dBm	-25	-25
$BW_{Interferer}$	MHz	5	5
$F_{Interferer}$ (offset)	MHz	$2.5 + F_{offset}$ / $-2.5 - F_{offset}$	$2.5 + F_{offset}$ / $-2.5 - F_{offset}$
NOTE 1: The transmitter shall be set to 24 dB below $P_{C_{MAX_L,f,c}}$ at the minimum UL configuration specified in Table 7.3.2-3 with $P_{C_{MAX_L,f,c}}$ defined in clause 6.2.4.			
NOTE 2: The absolute value of the interferer offset $F_{Interferer}$ (offset) shall be further adjusted to $(\lceil F_{interferer} / SCS \rceil + 0.5) SCS$ MHz with SCS the sub-carrier spacing of the wanted signal in MHz. The interferer is an NR signal with an SCS equal to that of the wanted signal.			
NOTE 3: The interferer consists of the RMC specified in Annexes A.3.2.2 and A.3.3.2 with one sided dynamic OCNG Pattern OP.1 FDD/TDD for the DL-signal as described in Annex A.5.1.1/A.5.2.1.			

7.5A.0.2 Adjacent channel selectivity Intra-band non-contiguous CA

For intra-band non-contiguous carrier aggregation with $F_{DL_high} < 2700$ MHz and $F_{UL_high} < 2700$ MHz with one uplink carrier and two or more downlink sub-blocks, each larger than or equal to 5 MHz, the adjacent channel selectivity requirements are defined with the uplink configuration in accordance with Table 7.3A.0.2.2-1. For this uplink configuration, the UE shall meet the requirements for each sub-block as specified in subclauses 7.5.3 and 7.5A.0.1 for one component carrier and two component carriers per sub-block, respectively. The UE shall fulfil the minimum requirements all values of a single adjacent channel interferer in-gap and out-of-gap up to a -25 dBm interferer power while all downlink carriers are active. For the lower range of test parameters (Case 1), the interferer power $P_{Interferer}$ shall be set to the maximum of the levels given by the carriers of the respective sub-blocks as specified in Table 7.5.3-3 and Table 7.5A.0.1-2a for one component carrier and two component carriers per sub-block, respectively. The wanted signal power levels for the carriers of each sub-block shall then be adjusted relative to $P_{Interferer}$ in accordance with the ACS requirement for each sub-block (Table 7.5.3-1 and Table 7.5A.0.1-1a). For the upper range of test parameters (Case 2) for which the interferer power $P_{Interferer}$ is -25 dBm (Table 7.5.3-4 and Table 7.5A.0.1-3a) the wanted signal power levels for the carriers of each sub-block shall be adjusted relative to $P_{Interferer}$ like for Case 1.

For intra-band non-contiguous carrier aggregation with $F_{DL_low} \geq 3300$ MHz and $F_{UL_low} \geq 3300$ MHz with one uplink carrier and two or more downlink sub-blocks, each larger than or equal to 5 MHz, the adjacent channel selectivity requirements are defined with the uplink configuration in accordance with Table 7.3A.0.2.2-1. For this uplink configuration, the UE shall meet the requirements for each sub-block as specified in subclauses 7.5.3 and 7.5A.0.1 for one component carrier and two component carriers per sub-block, respectively. The UE shall fulfil the minimum requirements all values of a single adjacent channel interferer in-gap and out-of-gap up to a -25 dBm interferer power while all downlink carriers are active. For the lower range of test parameters (Case 1), the interferer power $P_{Interferer}$ shall be set to the maximum of the levels given by the carriers of the respective sub-blocks as specified in Table 7.5.3-3 and Table 7.5A.0.1-2 for one component carrier and two component carriers per sub-block, respectively. The wanted signal power levels for the carriers of each sub-block shall then be adjusted relative to $P_{Interferer}$ in accordance with the ACS requirement for each sub-block (Table 7.5.3-1 and Table 7.5A.0.1-1). For the upper range of test parameters (Case 2) for which the interferer power $P_{Interferer}$ is -25 dBm (Table 7.5.3 and Table 7.5A.0.1-3) the wanted signal power levels for the carriers of each sub-block shall be adjusted relative to $P_{Interferer}$ like for Case 1.

The throughput of each carrier shall be ≥ 95 % of the maximum throughput of the reference measurement channels as specified in Annexes A.2.2, A.2.3, A.3.2, and A.3.3 (with one sided dynamic OCNG Pattern OP.1 FDD/TDD for the DL-signal as described in Annex A.5.1.1/A.5.2.1).

7.5A.0.3 Adjacent channel selectivity Inter-band CA

For inter-band carrier aggregation with one component carrier per operating band and the uplink assigned to one NR band, the adjacent channel requirements are defined with the uplink active on the band(s) other than the band whose downlink is being tested. For NR CA configurations including an operating band without uplink operation or an operating band with an unpaired DL part (as noted in Table 5.2-1), the requirements for all downlinks shall be met with the single uplink carrier active in each band capable of UL operation. The UE shall meet the requirements specified in subclause 7.5.3 for each component carrier while all downlink carriers are active.

The throughput of each carrier shall be $\geq 95\%$ of the maximum throughput of the reference measurement channels as specified in Annexes A.2.2, A.2.3, A.3.2 and A.3.3 (with one sided dynamic OCNG Pattern OP.1 FDD/TDD for the DL-signal as described in Annex A.5.1.1/A.5.2.1).

7.5A.1 Adjacent channel selectivity for CA (2DL CA)

7.5A.1.1 Test Purpose

Adjacent channel selectivity for 2DL CA verifies the receiver's ability to receive a wanted 2DL carrier aggregated at its assigned channel frequency in the presence of an adjacent channel signal at a given frequency offset from the centre frequency of the assigned channel.

7.5A.1.2 Test Applicability

This test case applies to all types of NR UE release 15 and forward that support 2DL CA.

7.5A.1.3 Minimum Conformance Requirements

The minimum conformance requirements are defined in clause 7.5A.0.

7.5A.1.4 Test Description

7.5A.1.4.1 Initial Conditions

Initial conditions are a set of test configurations the UE needs to be tested in and the steps for the SS to take with the UE to reach the correct measurement state.

The initial test configurations consist of environmental conditions, test frequencies, test channel bandwidths and sub-carrier spacing based on NR CA configuration specified in clause 5.5A. All of these configurations shall be tested with applicable test parameters for each CA configuration, are shown in Table 7.5A.1.4.1-1, Table 7.5A.1.4.1-2 or Table 7.5A.1.4.1-3. The details of the uplink and downlink reference measurement channels (RMC) are specified in Annexes A.2 and A.3. Configuration of PDSCH and PDCCH before measurement are specified in Annex C.2.

Table 7.5A.1.4.1-1: Test Configuration Table for intra-band contiguous 2DL CA

Default Conditions					
Test Environment as specified in TS 38.508-1 [5] subclause 4.1			Normal		
Test Frequencies as specified in TS 38.508-1 [5] subclause 4.3.1			Mid range		
Test CC Combination setting (N_{RB_agg}) as specified in Table 5.5A.1-1 for the CA Configuration across bandwidth combination sets supported by the UE.			Lowest N_{RB_agg} , Highest N_{RB_agg} NOTE 3		
Test SCS as specified in Table 5.3.5-1			Lowest		
Test Parameters					
Test ID	Downlink Configuration			Uplink Configuration	
	CC Mod'n	PCC RB allocation	SCC RB allocation	CC Mod'n	PCC RB allocation
1	CP-OFDM QPSK	NOTE 1	NOTE 1	DFT-s-OFDM QPSK	NOTE 1
NOTE 1: The specific configuration of uplink and downlink are defined in Table 7.3A.1.4.1-1.					
NOTE 2: In a band where UE supports 4Rx, the test shall be performed only with 4Rx antennas ports connected and 4Rx REFSSENS requirement (Table 7.3.2.5-2) is used in the test requirements.					
NOTE 3: If the UE supports multiple CC Combinations in the CA Configuration with the same N_{RB_agg} , only the combination with the highest N_{RB_PCC} is tested					

Table 7.5A.1.4.1-2: Test Configuration Table for inter-band 2DL CA

Default Conditions	
Test Environment as specified in TS 38.508-1 [5] subclause 4.1	Normal
Test Frequencies as specified in TS 38.508-1 [5] subclause 4.3.1	NOTE 1, NOTE 3 except for the following cases: CA_n48A-n77A: Low range for PCC

Test CC Combination setting (N_{RB_agg}) as specified in Table 5.5A.3.1-1 for the CA Configuration across bandwidth combination sets supported by the UE.			Highest N_{RB_agg} NOTE 4 NOTE 5		
Test SCS as specified in Table 5.3.5-1			Lowest		
Test Parameters					
Test ID	Downlink Configuration			Uplink Configuration	
	CC Mod'n	PCC RB allocation	SCC RB allocation	CC Mod'n	PCC RB allocation
1	CP-OFDM QPSK	NOTE 1	NOTE 1	DFT-s-OFDM QPSK	NOTE 1
NOTE 1: The specific configuration of uplink and downlink are defined in Table 7.3A.1.4.1-2. NOTE 2: In a band where UE supports 4Rx, the test shall be performed only with 4Rx antennas ports connected and 4Rx REFSENS requirement (Table 7.3.2.5-2) is used in the test requirements. NOTE 3: Test frequency is set to Mid Range for PCC and SCC with exceptions defined in Table 7.3A.1.4.1-2. For NR band n28, 30MHz test channel bandwidth is tested with Low range test frequencies. NOTE 4: If the UE supports multiple CC Combinations in the CA Configuration with the same N_{RB_agg} , only the combination with the highest N_{RB_PCC} is tested. NOTE 5: For nXA PCC, each of Highest UL and Highest DL shall be selected according to clause 5.5A.3.1. DL channel bandwidth shall be selected first.					

Table 7.5A.1.4.1-3: Test Configuration Table for intra-band non-congruous 2DL CA

Default Conditions					
Test Environment as specified in TS 38.508-1 [5] subclause 4.1			Normal		
Test Frequencies as specified in TS 38.508-1 [5] subclause 4.3.1			NOTE 1		
Test CC Combination setting (N_{RB_agg}) as specified in Table 5.5A.2-1 for the CA Configuration across bandwidth combination sets supported by the UE.			NOTE 1, NOTE 3		
Test SCS as specified in Table 5.3.5-1			Lowest		
Test Parameters					
Test ID	Downlink Configuration			Uplink Configuration	
	CC Mod'n	PCC RB allocation	SCC RB allocation	CC Mod'n	PCC RB allocation
1	CP-OFDM QPSK	NOTE 1	NOTE 1	DFT-s-OFDM QPSK	NOTE 1
NOTE 1: The specific configuration of uplink and downlink are defined in Table 7.3A.1.4.1-3. NOTE 2: In a band where UE supports 4Rx, the test shall be performed only with 4Rx antennas ports connected and 4Rx REFSENS requirement (Table 7.3.2.5-2) is used in the test requirements. NOTE 3: If the UE supports multiple CC Combinations in the CA Configuration with the same N_{RB_agg} , only the combination with the highest N_{RB_PCC} is tested.					

1. Connect the SS to the UE antenna connectors as shown in TS 38.508-1 [5] Annex A, in Figure A.3.1.4.7 for TE diagram and section A.3.2 for UE diagram.
2. The parameter settings for the cell are set up according to TS 38.508-1 [5] subclause 4.4.3.
3. Downlink signals are initially set up according to Annex C.0, C.1, C.2, C.3.1, and uplink signals according to Annex G.0, G.1, G.2, G.3.1.
4. The DL and UL Reference Measurement channels are set according to Table 7.5A.1.4.1-1, Table 7.5A.1.4.1-2 or Table 7.5A.1.4.1-3.
5. Propagation conditions are set according to Annex B.0.
6. Ensure the UE is in state RRC_CONNECTED with generic procedure parameters Connectivity NR, Connected without release on according to TS 38.508-1 [5] clause 4.5. Message content are defined in clause 7.5A.1.4.3.

7.5A.1.4.2 Test Procedure

1. Intra-band contiguous CA test:

- 1.1. Configure SCC according to Annex C.0, C.1, C.2 for all downlink physical channels.
- 1.2. The SS shall configure SCC as per TS 38.508-1 [5] clause 5.1.1. Message contents are defined in clause 7.5A.1.4.3.
- 1.3. SS activates SCC by sending the activation MAC CE (Refer TS 38.321 [18], clauses 5.9, 6.1.3.10). Wait for at least 2 seconds (Refer TS 38.133[19], clause 9.3).
- 1.4. SS transmits PDSCH via PDCCH DCI format 1_1 for C_RNTI to transmit the DL RMC according to Table 7.5A.1.4.1-1 on both PCC and SCC. The SS sends downlink MAC padding bits on the DL RMC.
- 1.5. SS sends uplink scheduling information for each UL HARQ process via PDCCH DCI format 0_1 for C_RNTI to schedule the UL RMC according to Table 7.5A.1.4.1-1. Since the UL has no payload and no loopback data to send the UE sends uplink MAC padding bits on the UL RMC.
- 1.6. Set the Downlink signal level for PCC and SCC to the value as defined in Table 7.5A.1.5-2 or 7.5A.1.5-2a as appropriate (Case 1). Send uplink power control commands to the UE using 1dB power step size to ensure that the UE output power measured by the test system is within the Uplink power control window, defined as $-MU$ to $-(MU + \text{Uplink power control window size})$ dB of the target power level in Table 7.5A.1.5-2 or Table 7.5A.1.5-2a for at least the duration of the Throughput measurement, where:
 - MU is the test system uplink power measurement uncertainty and is specified in Table F.1.3-1 for the carrier frequency f and the channel bandwidth BW
 - Uplink power control window size = 1dB (UE power step size) + 0.7dB (UE power step tolerance) + (Test system relative power measurement uncertainty), where, the UE power step tolerance is specified in TS 38.101-1 [2], Table 6.3.4.3-1 and is 0.7dB for 1dB power step size, and the Test system relative power measurement uncertainty is specified for test case 6.3.4.3 in Table F.1.2-1.
 - For UEs supporting Tx diversity, the transmit power is measured as the sum of the output power from both UE antenna connectors.
- 1.7. Set the Interferer signal level to the value as defined in Table 7.5A.1.5-2 or 7.5A.1.5-2a as appropriate (Case 1) and frequency below the wanted signal, using a modulated interferer bandwidth as defined in Annex D.
- 1.8. Measure the average throughput for each component carrier for a duration sufficient to achieve statistical significance according to Annex H.2A.
- 1.9. Repeat steps from 1.6 to 1.8, using an interfering signal above the wanted signal in Case 1 at step 1.7.
- 1.10. Set the Downlink signal level for PCC and SCC to the value as defined in Table 7.5A.1.5-3 or 7.5A.1.5-3a as appropriate (Case 2). Send uplink power control commands to the UE using 1dB power step size to ensure that the UE output power measured by the test system is within the Uplink power control window, defined as $-MU$ to $-(MU + \text{Uplink power control window size})$ dB of the target power level in Table 7.5A.1.5-3 or Table 7.5A.1.5-3a for at least the duration of the Throughput measurement, where MU and Uplink power control window size are defined above.
- 1.11. Set the Interferer signal level to the value as defined in Table 7.5A.1.5-3 or 7.5A.1.5-3a as appropriate (Case 2) and frequency below the wanted signal, using a modulated interferer bandwidth as defined in Annex D.
- 1.12. Measure the average throughput for each component carrier for a duration sufficient to achieve statistical significance according to Annex H.2A.
- 1.13. Repeat steps from 1.10 to 1.12, using an interfering signal above the wanted signal in Case 2 at step 1.11.
- 1.14. Repeat for applicable channel bandwidths and operating band combinations in both Case 1 and Case 2.

2. Inter-band CA test:

- 2.1. Configure SCC according to Annex C.0, C.1, C.2 for all downlink physical channels.
 - 2.2. The SS shall configure SCC as per TS 38.508-1 [5] clause 5.1.1. Message contents are defined in clause 7.5A.1.4.3.
 - 2.3. SS activates SCC by sending the activation MAC CE (Refer TS 38.321 [18], clauses 5.9, 6.1.3.10). Wait for at least 2 seconds (Refer TS 38.133[19], clause 9.3).
 - 2.4. SS transmits PDSCH via PDCCH DCI format 1_1 for C_RNTI to transmit the DL RMC according to Table 7.5A.1.4.1-2 on both PCC and SCC. The SS sends downlink MAC padding bits on the DL RMC.
 - 2.5. SS sends uplink scheduling information for each UL HARQ process via PDCCH DCI format 0_1 for C_RNTI to schedule the UL RMC according to Table 7.5A.1.4.1-2. Since the UL has no payload and no loopback data to send the UE sends uplink MAC padding bits on the UL RMC.
 - 2.6. Set the Downlink signal level for PCC and SCC to the value as defined in Table 7.5A.1.5-5 or 7.5A.1.5-8 as appropriate (Case 1). Send uplink power control commands to the UE using 1dB power step size to ensure that the UE output power measured by the test system is within the Uplink power control window, defined as $-MU$ to $-(MU + \text{Uplink power control window size})$ dB of the target power level in Table 7.5A.1.5-5 or Table 7.5A.1.5-8 for at least the duration of the Throughput measurement, where:
 - MU is the test system uplink power measurement uncertainty and is specified in Table F.1.3-1 for the carrier frequency f and the channel bandwidth BW
 - Uplink power control window size = 1dB (UE power step size) + 0.7dB (UE power step tolerance) + (Test system relative power measurement uncertainty), where, the UE power step tolerance is specified in TS 38.101-1 [2], Table 6.3.4.3-1 and is 0.7dB for 1dB power step size, and the Test system relative power measurement uncertainty is specified for test case 6.3.4.3 in Table F.1.2-1.
 - For UEs supporting Tx diversity, the transmit power is measured as the sum of the output power from both UE antenna connectors.
 - 2.7. Set the Interferer signal level to the value as defined in Table 7.5A.1.5-5 or 7.5A.1.5-8 as appropriate (Case 1) and frequency below the wanted signal, using a modulated interferer bandwidth as defined in Annex D.
 - 2.8. Measure the average throughput of SCC for a duration sufficient to achieve statistical significance according to Annex H.2A.
 - 2.9. Repeat steps from 2.6 to 2.8, using an interfering signal above the wanted signal in Case 1 at step 2.7.
 - 2.10. Set the Downlink signal level for PCC and SCC to the value as defined in Table 7.5A.1.5-6 or 7.5A.1.5-9 as appropriate (Case 2). Send uplink power control commands to the UE using 1dB power step size to ensure that the UE output power measured by the test system is within the Uplink power control window, defined as $-MU$ to $-(MU + \text{Uplink power control window size})$ dB of the target power level in Table 7.5A.1.5-6 or Table 7.5A.1.5-9 for at least the duration of the Throughput measurement, where MU and Uplink power control window size are defined above.
 - 2.11. Set the Interferer signal level to the value as defined in Table 7.5A.1.5-6 or 7.5A.1.5-9 as appropriate (Case 2) and frequency below the wanted signal, using a modulated interferer bandwidth as defined in Annex D.
 - 2.12. Measure the average throughput of SCC for a duration sufficient to achieve statistical significance according to Annex H.2A.
 - 2.13. Repeat steps from 2.10 to 2.12, using an interfering signal above the wanted signal in Case 2 at step 2.11.
 - 2.14. Repeat for applicable channel bandwidths and operating band combinations in both Case 1 and Case 2.
 - 2.15. Repeat steps from 2.1 to 2.14 setting the original PCell as SCell and the original SCell as PCell in the corresponding CA configuration, except for operating bands without uplink band.
3. Intra-band non-contiguous CA test:

- 3.1. Configure SCC according to Annex C.0, C.1, C.2 for all downlink physical channels.
- 3.2. The SS shall configure SCC as per TS 38.508-1 [5] clause 5.1.1. Message contents are defined in clause 7.5A.1.4.3.
- 3.3. SS activates SCC by sending the activation MAC CE (Refer TS 38.321 [18], clauses 5.9, 6.1.3.10). Wait for at least 2 seconds (Refer TS 38.133[19], clause 9.3).
- 3.4. SS transmits PDSCH via PDCCH DCI format 1_1 for C_RNTI to transmit the DL RMC according to Table 7.5A.1.4.1-3 on both PCC and SCC. The SS sends downlink MAC padding bits on the DL RMC.
- 3.5. SS sends uplink scheduling information for each UL HARQ process via PDCCH DCI format 0_1 for C_RNTI to schedule the UL RMC according to Table 7.5A.1.4.1-3. Since the UL has no payload and no loopback data to send the UE sends uplink MAC padding bits on the UL RMC.
- 3.6. Set the Downlink signal level for PCC and SCC to the value as defined in Table 7.5A.1.5-11 or 7.5A.1.5-14 as appropriate (Case 1). Send uplink power control commands to the UE using 1dB power step size to ensure that the UE output power measured by the test system is within the Uplink power control window, defined as $-MU$ to $-(MU + \text{Uplink power control window size})$ dB of the target power level in Table 7.5A.1.5-11 or Table 7.5A.1.5-14 for at least the duration of the Throughput measurement, where:
 - MU is the test system uplink power measurement uncertainty and is specified in Table F.1.3-1 for the carrier frequency f and the channel bandwidth BW
 - Uplink power control window size = 1dB (UE power step size) + 0.7dB (UE power step tolerance) + (Test system relative power measurement uncertainty), where, the UE power step tolerance is specified in TS 38.101-1 [2], Table 6.3.4.3-1 and is 0.7dB for 1dB power step size, and the Test system relative power measurement uncertainty is specified for test case 6.3.4.3 in Table F.1.2-1.
 - For UEs supporting Tx diversity, the transmit power is measured as the sum of the output power from both UE antenna connectors.
- 3.7. Set the Interferer signal level to the value as defined in Table 7.5A.1.5-11 or 7.5A.1.5-14 as appropriate (Case 1) and frequency below the wanted signal, using a modulated interferer bandwidth as defined in Annex D.
- 3.8. Measure the average throughput of SCC for a duration sufficient to achieve statistical significance according to Annex H.2A.
- 3.9. Repeat steps from 3.6 to 3.8, using an interfering signal above the wanted signal in Case 1 at step 3.7.
- 3.10. Set the Downlink signal level for PCC and SCC to the value as defined in Table 7.5A.1.5-12 or 7.5A.1.5-15 as appropriate (Case 2). Send uplink power control commands to the UE using 1dB power step size to ensure that the UE output power measured by the test system is within the Uplink power control window, defined as $-MU$ to $-(MU + \text{Uplink power control window size})$ dB of the target power level in Table 7.5A.1.5-6 or Table 7.5A.1.5-9 for at least the duration of the Throughput measurement, where MU and Uplink power control window size are defined above.
- 3.11. Set the Interferer signal level to the value as defined in Table 7.5A.1.5-12 or 7.5A.1.5-15 as appropriate (Case 2) and frequency below the wanted signal, using a modulated interferer bandwidth as defined in Annex D.
- 3.12. Measure the average throughput of SCC for a duration sufficient to achieve statistical significance according to Annex H.2A.
- 3.13. Repeat steps from 3.10 to 3.12, using an interfering signal above the wanted signal in Case 2 at step 3.11.
- 3.14. Repeat for applicable channel bandwidths and operating band combinations in both Case 1 and Case 2.

NOTE: The purpose of the Uplink power control window is to ensure that the actual UE output power is no greater than the target power level, and as close as possible to the target power level. The relationship between the Uplink power control window, the target power level and the corresponding possible actual UE Uplink power window is illustrated in Annex F.4.3.

Table 7.5A.1.4.2-1: Void**7.5A.1.4.3 Message Contents**

Message contents are according to TS 38.508-1 [5] subclause 4.6 with TRANSFORM_PRECODER_ENABLED condition in Table 4.6.3-118 PUSCH-Config.

7.5A.1.5 Test Requirement

The throughput of each carrier shall be $\geq 95\%$ of the maximum throughput of the reference measurement channels as specified in Annexes A.2.2, A.2.3, A.3.2 and A.3.3 (with one sided dynamic OCNG Pattern for the DL-signal as described in Annex A.5.1.1/A.5.2.1) with parameters specified in Tables 7.5A.1.5-2, 7.5A.1.5-2a, 7.5A.1.5-3 and 7.5A.1.5-3a.

Table 7.5A.1.5-1: ACS for intra-band contiguous 2DL CA with $F_{DL_low} \geq 3300$ MHz and $F_{UL_low} \geq 3300$ MHz

Rx Parameter	Units	CA Bandwidth Class	
		B	C
ACS	dB	26.0	33.0

Table 7.5A.1.5-1a: ACS for intra-band contiguous CA with $F_{DL_high} < 2700$ MHz and $F_{UL_high} < 2700$ MHz

Rx Parameter	Units	CA Bandwidth Class	
		B	C
ACS	dB	20.0	17.0

Table 7.5A.1.5-2: Test parameters for intra-band contiguous 2DL CA with $F_{DL_low} \geq 3300$ MHz and $F_{UL_low} \geq 3300$ MHz, case 1

Rx Parameter	Units	CA Bandwidth Class	
		B	C
Pw in Transmission Bandwidth Configuration, per CC	dBm	REFSENS + 14 dB	REFSENS + 14 dB
$P_{Interferer}$	dBm	Aggregated power + 24.5 dB	Aggregated power + 31.5 dB
$BW_{Interferer}$	MHz	20	$BW_{channel\ CA}$
$F_{Interferer}$ (offset)	MHz	$10 + F_{offset}$ / $-10 - F_{offset}$	$BW_{channel\ CA}$ / $-BW_{channel\ CA}$
NOTE 1: The transmitter shall be set to 4 dB below $P_{CMAX_L,f,c}$ at the minimum UL configuration specified in Table 7.3.2.3-3 with $P_{CMAX_L,f,c}$ defined in clause 6.2.4.3.			
NOTE 2: The absolute value of the interferer offset $F_{interferer}$ (offset) shall be further adjusted to $(\lceil F_{interferer} / SCS \rceil + 0.5) SCS$ MHz with SCS the sub-carrier spacing of the wanted signal in MHz. The interferer is an NR signal with an SCS equal to that of the wanted signal.			
NOTE 3: The interferer consists of the RMC specified in Annexes A.3.2.2 and A.3.3.2 with one sided dynamic OCNG Pattern OP.1 FDD/TDD for the DL-signal as described in Annex A.5.1.1/A.5.2.1.			

Table 7.5A.1.5-2a: Test parameters for intra-band contiguous CA with $F_{DL_high} < 2700$ MHz and $F_{UL_high} < 2700$ MHz, case 1

Rx Parameter	Units	CA Bandwidth Class	
		B	C
Pw in Transmission Bandwidth Configuration, per CC	dBm	REFSENS + 14 dB	REFSENS + 14 dB
$P_{Interferer}$	dBm	Aggregated power + 18.5 dB	Aggregated power + 15.5 dB
$BW_{Interferer}$	MHz	5	5
$F_{Interferer}$ (offset)	MHz	$2.5 + F_{offset}$ / $-2.5 - F_{offset}$	$2.5 + F_{offset}$ / $-2.5 - F_{offset}$

NOTE 1: The transmitter shall be set to 4 dB below $P_{CMAX_L,f,c}$ at the minimum UL configuration specified in Table 7.3.2-3 with $P_{CMAX_L,f,c}$ defined in clause 6.2.4.

NOTE 2: The absolute value of the interferer offset $F_{interferer}$ (offset) shall be further adjusted to $(\lceil |F_{interferer}| / SCS \rceil + 0.5) SCS$ MHz with SCS the sub-carrier spacing of the wanted signal in MHz. The interferer is an NR signal with an SCS equal to that of the wanted signal.

NOTE 3: The interferer consists of the RMC specified in Annexes A.3.2.2 and A.3.3.2 with one sided dynamic OCNG Pattern OP.1 FDD/TDD for the DL-signal as described in Annex A.5.1.1/A.5.2.1.

Table 7.5A.1.5-3: Test parameters for intra-band contiguous 2DL CA with $F_{DL_low} \geq 3300$ MHz and $F_{UL_low} \geq 3300$ MHz, case 2

Rx Parameter	Units	CA Bandwidth Class	
		B	C
Pw in Transmission Bandwidth Configuration, per CC	dBm	$-49.5 + 10\log(N_{RB,c}/N_{RB_agg})$	-56.5
$P_{interferer}$	dBm	-25	-25
$BW_{interferer}$	MHz	20	$BW_{channel\ CA}$
$F_{interferer}$ (offset)	MHz	$10 + F_{offset}$ / $-10 - F_{offset}$	$BW_{channel\ CA}$ / $-BW_{channel\ CA}$

NOTE 1: The transmitter shall be set to 24 dB below $P_{CMAX_L,f,c}$ at the minimum UL configuration specified in Table 7.3.2.3-3 with $P_{CMAX_L,f,c}$ defined in clause 6.2.4.3.

NOTE 2: The absolute value of the interferer offset $F_{interferer}$ (offset) shall be further adjusted to $(\lceil |F_{interferer}| / SCS \rceil + 0.5) SCS$ MHz with SCS the sub-carrier spacing of the wanted signal in MHz. The interferer is an NR signal with an SCS equal to that of the wanted signal.

NOTE 3: The interferer consists of the RMC specified in Annexes A.3.2.2 and A.3.3.2 with one sided dynamic OCNG Pattern OP.1 FDD/TDD for the DL-signal as described in Annex A.5.1.1/A.5.2.1.

Table 7.5A.1.5-3a: Test parameters for intra-band contiguous CA with $F_{DL_high} < 2700$ MHz and $F_{UL_high} < 2700$ MHz, case 2

Rx Parameter	Units	CA Bandwidth Class	
		B	C
Pw in Transmission Bandwidth Configuration, per CC	dBm	$-43.5 + 10\log(N_{RB,c}/N_{RB_agg})$	$-40.5 + 10\log(N_{RB,c}/N_{RB_agg})$
$P_{interferer}$	dBm	-25	-25
$BW_{interferer}$	MHz	5	5
$F_{interferer}$ (offset)	MHz	$2.5 + F_{offset}$ / $-2.5 - F_{offset}$	$2.5 + F_{offset}$ / $-2.5 - F_{offset}$

NOTE 1: The transmitter shall be set to 24 dB below $P_{CMAX_L,f,c}$ at the minimum UL configuration specified in Table 7.3.2-3 with $P_{CMAX_L,f,c}$ defined in clause 6.2.4.

NOTE 2: The absolute value of the interferer offset $F_{interferer}$ (offset) shall be further adjusted to $(\lceil |F_{interferer}| / SCS \rceil + 0.5) SCS$ MHz with SCS the sub-carrier spacing of the wanted signal in MHz. The interferer is an NR signal with an SCS equal to that of the wanted signal.

NOTE 3: The interferer consists of the RMC specified in Annexes A.3.2.2 and A.3.3.2 with one sided dynamic OCNG Pattern OP.1 FDD/TDD for the DL-signal as described in Annex A.5.1.1/A.5.2.1.

For NR SCC of inter-band CA with $F_{DL_high} < 2700$ MHz and $F_{UL_high} < 2700$ MHz, the throughput measurement derived in test procedure shall be $\geq 95\%$ of the maximum throughput of the reference measurement channels as specified in [Annexes A.2.2, A.2.3 and A.3.2 (with one sided dynamic OCNG Pattern OP.1 FDD/TDD for the DL-signal as described in Annex A.5.1.1/A.5.2.1)] with parameters specified in Tables 7.5A.1.5-5 and 7.5A.1.5-6.

Table 7.5A.1.5-4: ACS for NR band with $F_{DL_high} < 2700$ MHz and $F_{UL_high} < 2700$ MHz

RX parameter	Units	Channel bandwidth (MHz)			
		5, 10	15	20, 25, 30, 35, 40, 45, 50, 60, 70, 80, 90, 100	
ACS	dB	33	30	$27 - 10\log_{10}(BW_{Channel}/20)$	

NOTE1: ACS value is rounded to the next higher 0.5dB value.

Table 7.5A.1.5-5: Test parameters for NR inter-band CA with $F_{DL_high} < 2700$ MHz and $F_{UL_high} < 2700$ MHz, case 1

RX parameter	Units	Channel bandwidth (MHz)		
		5, 10	15	20, 25, 30, 35, 40, 45, 50, 60, 70, 80, 90, 100
Pw in Transmission Bandwidth Configuration, per CC	dBm	REFSENS + 14 dB		
$P_{interferer}$	dBm	REFSENS for SCC + 45.5 dB	REFSENS for SCC + 42.5 dB	REFSENS for SCC + 39.5 - $10\log_{10}(BW_{Channel} / 20)$
$BW_{interferer}$	MHz	5		
$F_{interferer}$ (offset from SCC)	MHz	$BW_{Channel} / 2 + 2.5$ / $-(BW_{Channel} / 2 + 2.5)$		
NOTE 1: The transmitter shall be set to 4dB below $P_{CMAX_L,f,c}$ at the minimum UL configuration specified in Table 7.3.2.3-3 with $P_{CMAX_L,f,c}$ defined in clause 6.2.4.				
NOTE 2: The absolute value of the interferer offset $F_{interferer}$ (offset) shall be further adjusted to $(\lceil F_{interferer} / SCS \rceil + 0.5) SCS$ MHz with SCS the sub-carrier spacing of the wanted signal in MHz. The interferer is an NR signal with an SCS equal to that of the wanted signal.				
NOTE 3: The interferer consists of the NR interferer RMC specified in Annexes A.3.2.2 and A.3.3.2 with one sided dynamic OCNG Pattern OP.1 FDD/TDD for the DL-signal as described in Annex A.5.1.1/A.5.2.1.				
NOTE 4: $10\log_{10}(x)$ is rounded to the next higher 0.5dB value.				

Table 7.5A.1.5-6: Test parameters for NR inter-band CA with $F_{DL_high} < 2700$ MHz and $F_{UL_high} < 2700$ MHz, case 2

RX parameter	Units	Channel bandwidth (MHz)		
		5, 10	15	20, 25, 30, 35, 40, 45, 50, 60, 70, 80, 90, 100
Pw in Transmission Bandwidth Configuration, per CC	dBm	-56.5	-53.5	$-50.5 + 10\log_{10}(BW_{Channel} / 20)$
$P_{interferer}$	dBm	-25		
$BW_{interferer}$	MHz	5		
$F_{interferer}$ (offset from SCC)	MHz	$BW_{Channel} / 2 + 2.5$ / $-(BW_{Channel} / 2 + 2.5)$		
NOTE 1: The transmitter shall be set to 24 dB below $P_{CMAX_L,f,c}$ at the minimum UL configuration specified in Table 7.3.2.3-3 with $P_{CMAX_L,f,c}$ defined in clause 6.2.4.				
NOTE 2: The absolute value of the interferer offset $F_{interferer}$ (offset) shall be further adjusted to $(\lceil F_{interferer} / SCS \rceil + 0.5) SCS$ MHz with SCS the sub-carrier spacing of the wanted signal in MHz. The interferer is an NR signal with an SCS equal to that of the wanted signal.				
NOTE 3: The interferer consists of the RMC specified in Annexes A.3.2.2 and A.3.3.2 with one sided dynamic OCNG Pattern OP.1 FDD/TDD for the DL-signal as described in Annex A.5.1.1/A.5.2.1.				
NOTE 4: $10\log_{10}(x)$ is rounded to the next higher 0.5dB value.				

For NR SCC of inter-band CA with $F_{DL_low} \geq 3300$ MHz and $F_{UL_low} \geq 3300$ MHz, the throughput measurement derived in test procedure shall be $\geq 95\%$ of the maximum throughput of the reference measurement channels as specified in [Annexes A.2.2, A.2.3 and A.3.2 (with one sided dynamic OCNG Pattern OP.1 FDD/TDD for the DL-signal as described in Annex A.5.1.1/A.5.2.1)] with parameters specified in Tables 7.5A.1.5-8 and 7.5A.1.5-9.

Table 7.5A.1.5-7: ACS for NR bands with $F_{DL_low} \geq 3300$ MHz and $F_{UL_low} \geq 3300$ MHz

RX parameter	Units	Channel bandwidth (MHz)
		10, 15, 20, 25, 30, 35, 40, 45, 50, 60, 70, 80, 90, 100
ACS	dB	33

Table 7.5A.1.5-8: Test parameters for NR inter-band CA with $F_{DL_low} \geq 3300$ MHz and $F_{UL_low} \geq 3300$ MHz, case 1

RX parameter	Units	Channel bandwidth (MHz)	
		10, 15, 20, 25, 30, 35, 40, 45, 50, 60, 70, 80, 90, 100	
Pw in Transmission Bandwidth Configuration, per CC	dBm	REFSENS + 14 dB	
$P_{interferer}$	dBm	REFSENS for SCC + 45.5 dB	
$BW_{interferer}$	MHz	$BW_{Channel}$	
$F_{interferer}$ (offset from SCC)	MHz	$BW_{Channel}$ / $-BW_{Channel}$	
NOTE 1: The transmitter shall be set to 4dB below $P_{C_{MAX_L,f,c}}$ at the minimum UL configuration specified in Table 7.3.2.3-3 with $P_{C_{MAX_L,f,c}}$ defined in clause 6.2.4. NOTE 2: The absolute value of the interferer offset $F_{interferer}$ (offset) shall be further adjusted to $(\lceil F_{interferer} / SCS \rceil + 0.5) SCS$ MHz with SCS the sub-carrier spacing of the wanted signal in MHz. The interferer is an NR signal with an SCS equal to that of the wanted signal. NOTE 3: The interferer consists of the RMC specified in Annexes A.3.2.2 and A.3.3.2 with one sided dynamic OCNB Pattern OP.1 FDD/TDD for the DL-signal as described in Annex A.5.1.1/A.5.2.1.			

Table 7.5A.1.5-9: Test parameters for NR inter-band CA with $F_{DL_low} \geq 3300$ MHz and $F_{UL_low} \geq 3300$ MHz, case 2

RX parameter	Units	Channel bandwidth (MHz)	
		10, 15, 20, 25, 30, 35, 40, 45, 50, 60, 70, 80, 90, 100	
Pw in Transmission Bandwidth Configuration, per CC	dBm	-56.5	
$P_{interferer}$	dBm	-25	
$BW_{interferer}$	MHz	$BW_{Channel}$	
$F_{interferer}$ (offset from SCC)	MHz	$BW_{Channel}$ / $-BW_{Channel}$	
NOTE 1: The transmitter shall be set to 24 dB below $P_{C_{MAX_L,f,c}}$ at the minimum UL configuration specified in Table 7.3.2.3-3 with $P_{C_{MAX_L,f,c}}$ defined in clause 6.2.4. NOTE 2: The absolute value of the interferer offset $F_{interferer}$ (offset) shall be further adjusted to $(\lceil F_{interferer} / SCS \rceil + 0.5) SCS$ MHz with SCS the sub-carrier spacing of the wanted signal in MHz. The interferer is an NR signal with an SCS equal to that of the wanted signal. NOTE 3: The interferer consists of the RMC specified in Annexes A.3.2.2 and A.3.3.2 with one sided dynamic OCNB Pattern OP.1 FDD/TDD for the DL-signal as described in Annex A.5.1.1/A.5.2.1.			

For NR SCC of intra-band non-contiguous CA with $F_{DL_high} < 2700$ MHz and $F_{UL_high} < 2700$ MHz, the throughput measurement derived in test procedure shall be $\geq 95\%$ of the maximum throughput of the reference measurement channels as specified in Annexes A.2.2, A.2.3 and A.3.2 with parameters specified in Tables 7.5A.1.5-11 and 7.5A.1.5-12.

Table 7.5A.1.5-10: ACS for NR band with $F_{DL_high} < 2700$ MHz and $F_{UL_high} < 2700$ MHz

RX parameter	Units	Channel bandwidth (MHz)		
		5, 10	15	20, 25, 30, 35, 40, 45, 50, 60, 70, 80, 90, 100
ACS	dB	33	30	$27 - 10\log_{10}(BW_{Channel}/20)$
NOTE1: ACS value is rounded to the next higher 0.5dB value.				

Table 7.5A.1.5-11: Test parameters for NR intra-band non-contiguous CA with $F_{DL_high} < 2700$ MHz and $F_{UL_high} < 2700$ MHz, case 1

RX parameter	Units	Channel bandwidth (MHz)
--------------	-------	-------------------------

		5, 10	15	20, 25, 30, 35, 40, 45, 50, 60, 70, 80, 90, 100
Pw in Transmission Bandwidth Configuration, per CC	dBm	REFSENS + 14 dB		
P _{interferer}	dBm	REFSENS for SCC + 45.5 dB	REFSENS for SCC + 42.5 dB	REFSENS for SCC + 39.5 - 10log ₁₀ (BW _{Channel} /20)
BW _{interferer}	MHz	5		
F _{interferer} (offset from SCC)	MHz	BW _{Channel} /2 + 2.5 / -(BW _{Channel} /2 + 2.5)		
NOTE 1: The transmitter shall be set to 4dB below P _{C_{MAX}L,f,c} at the minimum UL configuration specified in Table 7.3.2.3-3 with P _{C_{MAX}L,f,c} defined in clause 6.2.4.				
NOTE 2: The absolute value of the interferer offset F _{interferer} (offset) shall be further adjusted to $(\lceil F_{interferer} / SCS \rceil + 0.5) SCS$ MHz with SCS the sub-carrier spacing of the wanted signal in MHz. The interferer is an NR signal with an SCS equal to that of the wanted signal.				
NOTE 3: The interferer consists of the NR interferer RMC specified in Annexes A.3.2.2 and A.3.3.2 with one sided dynamic OCNB Pattern OP.1 FDD/TDD for the DL-signal as described in Annex A.5.1.1/A.5.2.1.				
NOTE 4: 10log ₁₀ (x) is rounded to the next higher 0.5dB value.				

Table 7.5A.1.5-12: Test parameters for NR intra-band non-contiguous CA with F_{DL_high} < 2700 MHz and F_{UL_high} < 2700 MHz, case 2

RX parameter	Units	Channel bandwidth (MHz)		
		5, 10	15	20, 25, 30, 35, 40, 45, 50, 60, 70, 80, 90, 100
Pw in Transmission Bandwidth Configuration, per CC	dBm	-56.5	-53.5	-50.5 + 10log ₁₀ (BW _{Channel} /20)
P _{interferer}	dBm	-25		
BW _{interferer}	MHz	5		
F _{interferer} (offset from SCC)	MHz	BW _{Channel} /2 + 2.5 / -(BW _{Channel} /2 + 2.5)		
NOTE 1: The transmitter shall be set to 24 dB below P _{C_{MAX}L,f,c} at the minimum UL configuration specified in Table 7.3.2.3-3 with P _{C_{MAX}L,f,c} defined in clause 6.2.4.				
NOTE 2: The absolute value of the interferer offset F _{interferer} (offset) shall be further adjusted to $(\lceil F_{interferer} / SCS \rceil + 0.5) SCS$ MHz with SCS the sub-carrier spacing of the wanted signal in MHz. The interferer is an NR signal with an SCS equal to that of the wanted signal.				
NOTE 3: The interferer consists of the RMC specified in Annexes A.3.2.2 and A.3.3.2 with one sided dynamic OCNB Pattern OP.1 FDD/TDD for the DL-signal as described in Annex A.5.1.1/A.5.2.1.				
NOTE 4: 10log ₁₀ (x) is rounded to the next higher 0.5dB value.				

For NR SCC of intra-band non-contiguous CA with F_{DL_low} ≥ 3300 MHz and F_{UL_low} ≥ 3300 MHz, the throughput measurement derived in test procedure shall be ≥ 95% of the maximum throughput of the reference measurement channels as specified in Annexes A.2.2, A.2.3 and A.3.2 with parameters specified in Tables 7.5A.1.5-14 and 7.5A.1.5-15.

Table 7.5A.1.5-13: ACS for NR bands with F_{DL_low} ≥ 3300 MHz and F_{UL_low} ≥ 3300 MHz

RX parameter	Units	Channel bandwidth (MHz)
		10, 15, 20, 25, 30, 35, 40, 45, 50, 60, 70, 80, 90, 100
ACS	dB	33

Table 7.5A.1.5-14: Test parameters for NR intra-band non-contiguous CA with F_{DL_low} ≥ 3300 MHz and F_{UL_low} ≥ 3300 MHz, case 1

RX parameter	Units	Channel bandwidth (MHz)
		10, 15, 20, 25, 30, 35, 40, 45, 50, 60, 70, 80, 90, 100

P _w in Transmission Bandwidth Configuration, per CC	dBm	REFSENS + 14 dB
P _{interferer}	dBm	REFSENS for SCC + 45.5 dB
BW _{interferer}	MHz	BW _{Channel}
F _{interferer} (offset from SCC)	MHz	BW _{Channel} / -BW _{Channel}
<p>NOTE 1: The transmitter shall be set to 4dB below P_{C_{MAX}_L,f,c} at the minimum UL configuration specified in Table 7.3.2.3-3 with P_{C_{MAX}_L,f,c} defined in clause 6.2.4.</p> <p>NOTE 2: The absolute value of the interferer offset F_{interferer} (offset) shall be further adjusted to $(\lceil F_{interferer} / SCS \rceil + 0.5) SCS$ MHz with SCS the sub-carrier spacing of the wanted signal in MHz. The interferer is an NR signal with an SCS equal to that of the wanted signal.</p> <p>NOTE 3: The interferer consists of the RMC specified in Annexes A.3.2.2 and A.3.3.2 with one sided dynamic OCNG Pattern OP.1 FDD/TDD for the DL-signal as described in Annex A.5.1.1/A.5.2.1.</p>		

Table 7.5A.1.5-15: Test parameters for NR intra-band non-contiguous CA with F_{DL_low} ≥ 3300 MHz and F_{UL_low} ≥ 3300 MHz, case 2

RX parameter	Units	Channel bandwidth (MHz)
		10, 15, 20, 25, 30, 35, 40, 45, 50, 60, 70, 80, 90, 100
P _w in Transmission Bandwidth Configuration, per CC	dBm	-56.5
P _{interferer}	dBm	-25
BW _{interferer}	MHz	BW _{Channel}
F _{interferer} (offset from SCC)	MHz	BW _{Channel} / -BW _{Channel}
<p>NOTE 1: The transmitter shall be set to 24 dB below P_{C_{MAX}_L,f,c} at the minimum UL configuration specified in Table 7.3.2.3-3 with P_{C_{MAX}_L,f,c} defined in clause 6.2.4.</p> <p>NOTE 2: The absolute value of the interferer offset F_{interferer} (offset) shall be further adjusted to $(\lceil F_{interferer} / SCS \rceil + 0.5) SCS$ MHz with SCS the sub-carrier spacing of the wanted signal in MHz. The interferer is an NR signal with an SCS equal to that of the wanted signal.</p> <p>NOTE 3: The interferer consists of the RMC specified in Annexes A.3.2.2 and A.3.3.2 with one sided dynamic OCNG Pattern OP.1 FDD/TDD for the DL-signal as described in Annex A.5.1.1/A.5.2.1.</p>		

7.5A.2 Adjacent channel selectivity for CA (3DL CA)

7.5A.2.1 Test Purpose

Adjacent channel selectivity for 3DL CA verifies the receiver's ability to receive a wanted 3DL carrier aggregated at its assigned channel frequency in the presence of an adjacent channel signal at a given frequency offset from the centre frequency of the assigned channel.

7.5A.2.2 Test Applicability

This test case applies to all types of NR UE release 15 and forward that support 3DL CA.

7.5A.2.3 Minimum Conformance Requirements

The minimum conformance requirements are defined in clause 7.5A.0.

7.5A.2.4 Test Description

7.5A.2.4.1 Initial Conditions

Same as in clause 7.5A.1.4.1 with following exceptions:

- Instead of Table 7.5A.1.4.1-1 → use Table 7.5A.2.4.1-1.

- Instead of Table 7.5A.1.4.1-2 → use Table 7.5A.2.4.1-1.
- Instead of Table 7.5A.1.4.1-3 → use Table 7.5A.2.4.1-1.

Table 7.5A.2.4.1-1: Test Configuration Table for 3DL CA

Default Conditions						
Test Environment as specified in TS 38.508-1 [5] subclause 4.1		Normal				
Test Frequencies as specified in TS 38.508-1 [5] subclause 4.3.1		Intra-band contiguous: Mid range for PCC and SCCs Inter-band CA: NOTE 1, NOTE 5 Inter-band + Intra-band contiguous : NOTE 1, NOTE 5 Inter-band + Intra-band non-contiguous, Intra-band non-contiguous, Intra-band contiguous + Intra-band non-contiguous: NOTE 1 with Wgap for intra-band non-contiguous defined in table 7.3A.2.4.1-1(NOTE 5)				
Test CC Combination setting (N _{RB_agg}) as specified in Tables 5.5A.1-1, 5.5A.2-1, or tables in clauses 5.5A.3.x for the CA Configuration across bandwidth combination sets supported by the UE.		Intra-band contiguous: Lowest N _{RB_agg} , Highest N _{RB_agg} Inter-band: Highest N _{RB_agg} Inter-band + Intra-band contiguous : Highest N _{RB_agg} Inter-band + Intra-band non-contiguous : Highest N _{RB_agg} Intra-band non-contiguous : Highest N _{RB_agg} Intra-band contiguous + Intra-band non-contiguous : Highest N _{RB_agg} NOTE 6 NOTE 7				
Test SCS as specified in Table 5.3.5-1		Lowest for PCC and SCCs				
Network signalling value		NS_01 Unless given by Table 7.3.2.3-4 for the band with active uplink carrier				
Test Parameters						
Downlink Configuration				Uplink Configuration		
Test ID	CC Mod'n	PCC RB allocation	SCC ₁ RB allocation	SCC ₂ RB allocation	CC Mod'n	PCC RB allocation
Default Test Settings for a CA_nXD Configuration (Intra-band contiguous)						
1	CP-OFDM QPSK	NOTE 1	NOTE 1		DFT-s-OFDM QPSK	NOTE 1
Default Test Settings for a CA_nXA-nYA-nZA Configuration (Inter-band)						
1	CP-OFDM QPSK	NOTE 1	NOTE 1		DFT-s-OFDM QPSK	NOTE 1
Default Test Settings for a CA_nXC-nYA, CA_nYA-nXC, CA_nYA-nXB and CA_nXB-nYA Configurations (Intra-band contiguous + Inter-band)						
1	CP-OFDM QPSK	NOTE 1	NOTE 1		DFT-s-OFDM QPSK	NOTE 1
Default Test Settings for a CA_nX(2A)-nYA Configuration (Intra-band non-contiguous + Inter-band)						
1	CP-OFDM QPSK	NOTE 1	NOTE 1		DFT-s-OFDM QPSK	NOTE 1
Default Test Settings for a CA_nX(3A) Configuration (Intra-band non-contiguous)						
1	CP-OFDM QPSK	NOTE 1	NOTE 1		DFT-s-OFDM QPSK	NOTE 1
Default Test Settings for a CA_nX(A-C) and CA_nX(A-B) Configuration (Intra-band contiguous + Intra-band non-contiguous)						
1	CP-OFDM QPSK	NOTE 1	NOTE 1		DFT-s-OFDM QPSK	NOTE 1

NOTE 1:	The specific configuration of uplink and downlink are defined in Table 7.3A.2.4.1-1.
NOTE 2:	CA Configuration Test CC Combination test settings are checked separately for each CA Configuration.
NOTE 3:	Inter-band: X,Y,Z correspond to the different bands in the CA Configuration. E.g. for CA_n1A-n3A-n8A, X=1, Y=3, Z=8; Intra-band contiguous + Inter-band: X,Y correspond to the different bands in the CA Configuration, e.g. for CA_1C-3A, X=1,Y=3; Intra-band non-contiguous + Inter-band: X and Y correspond to the different bands in the CA Configuration. E.g. for CA_n1A-n1A-n8A, X=1, Y =8
NOTE 4:	In a band where UE supports 4Rx, the test shall be performed only with 4Rx antennas ports connected and 4Rx REFSSENS requirement (Table 7.3.2.5-2) is used in the test requirements.
NOTE 5:	Test frequency is set to Mid Range for PCC and SCC with exceptions defined in Table 7.3A.2.4.1-1. For NR band n28, 30MHz test channel bandwidth is tested with Low range test frequencies.
NOTE 6:	If the UE supports multiple CC Combinations in the CA Configuration with the same N_{RB_agg} , only the combination with the highest N_{RB_PCC} is tested.
NOTE 7:	For nXA PCC, each of Highest UL and Highest DL shall be selected according to clause 5.5A.3.2. DL channel bandwidth shall be selected first.

1. Connect the SS to the UE antenna connectors as shown in TS 38.508-1 [5] Annex A, Figure A.3.1.1.3 for TE diagram and section A.3.2 for UE diagram.
2. The parameter settings for the cell are set up according to TS 38.508-1 [5] subclause 4.4.3.
3. Downlink signals are initially set up according to Annex C.0, C.1, C.2, and C.3.1, and uplink signals according to Annex G.0, G.1, G.2, and G.3.1.
4. The DL and UL Reference Measurement Channels are set according to Table 7.5A.2.4.1-1.
5. Propagation conditions are set according to Annex B.0.
6. Ensure the UE is in State RRC_CONNECTED with generic procedure parameters Connectivity NR, Connected without release On, Test Mode On and Test Loop Function On according to TS 38.508-1 [5] clause 4.5. Message contents are defined in clause 7.5A.2.4.3.

Table 7.5A.2.4.1-2: Void

Table 7.5A.2.4.1-3: Void

7.5A.2.4.2 Test Procedure

1. Configure SCCs according to Annex C.0, C.1, C.2 for all downlink physical channels.
2. The SS shall configure SCCs as per TS 38.508-1 [5] clause 5.1.1. Message contents are defined in clause 7.5A.2.4.3.
3. SS activates SCCs by sending the activation MAC CE (Refer TS 38.321 [18], clauses 5.9, 6.1.3.10). Wait for at least 2 seconds (Refer TS 38.133[19], clause 9.3).
4. SS transmits PDSCH via PDCCH DCI format 1_1 for C_RNTI to transmit the DL RMC according to Table 7.5A.2.4.1-1 on both PCC and SCCs. The SS sends downlink MAC padding bits on the DL RMC.
5. SS sends uplink scheduling information for each UL HARQ process via PDCCH DCI format 0_1 for C_RNTI to schedule the UL RMC according to Table 7.5A.2.4.1-1 on PCC. Since the UL has no payload and no loopback data to send the UE sends uplink MAC padding bits on the UL RMC.
6. Set the Downlink signal level according to Table 7.5A.2.4.2-1 as appropriate (Case 1). Send uplink power control commands to the UE using 1dB power step size to ensure that the UE output power measured by the test system is within the Uplink power control window, defined as $-(MU)$ to $-(MU + \text{Uplink power control window size})$ dB of the target power level in Table 7.5A.2.4.2-1 for at least the duration of the Throughput measurement, where:
 - MU is the test system uplink power measurement uncertainty and is specified in Table F.1.3-1 for the carrier frequency f and the channel bandwidth BW
 - Uplink power control window size = 1dB (UE power step size) + 0.7dB (UE power step tolerance) + (Test system relative power measurement uncertainty), where, the UE power step tolerance is specified in TS 38.101-1 [2], Table 6.3.4.3-1 and is 0.7dB for 1dB power step size, and the Test system relative power measurement uncertainty is specified for test case 6.3.4.3 in Table F.1.2-1.

- For UEs supporting Tx diversity, the transmit power is measured as the sum of the output power from both UE antenna connectors.
7. Set the Interferer signal level to the value as defined in Table 7.5A.2.4.2-1 as appropriate (Case 1) and frequency below the wanted signal, using a modulated interferer bandwidth as defined in Annex D.
 8. Measure the average throughput for the carrier(s) indicated in Table 7.5A.2.4.2-1 for a duration sufficient to achieve statistical significance according to Annex H.2A.
 9. Repeat steps from 6 to 8, using an interfering signal above the wanted signal in Case 1 at step 7.
 10. Set the Downlink signal level according to Table 7.5A.2.4.2-1 as appropriate (Case 2). Send uplink power control commands to the UE using 1dB power step size to ensure that the UE output power measured by the test system is within the Uplink power control window, defined as $-(\text{MU} - \text{Uplink power control window size})$ dB of the target power level in Table 7.5A.2.4.2-1 for at least the duration of the Throughput measurement, where MU and Uplink power control window size are defined above.
 11. Set the Interferer signal level to the value as defined in 7.5A.2.4.2-1 as appropriate (Case 2) and frequency below the wanted signal, using a modulated interferer bandwidth as defined in Annex D.
 12. Measure the average throughput for the carrier(s) indicated in Table 7.5A.2.4.2-1 for a duration sufficient to achieve statistical significance according to Annex H.2A.
 13. Repeat steps from 10 to 12, using an interfering signal above the wanted signal in Case 2 at step 11.
 14. Repeat for applicable channel bandwidths and operating band combinations in both Case 1 and Case 2.

NOTE: The purpose of the Uplink power control window is to ensure that the actual UE output power is no greater than the target power level, and as close as possible to the target power level. The relationship between the Uplink power control window, the target power level and the corresponding possible actual UE Uplink power window is illustrated in Annex F.4.3.

Table 7.5A.2.4.2-1: Test repetition and measurement configuration

CA configuration	CA configuration ID in REFSENS	Throughput measured on	Table with test parameters to select
Intra-band contiguous	1 ⁶	PCC, SCC1, SCC2	7.5A.2.5-1 ⁴ 7.5A.2.5-2 ⁴ 7.5A.2.5-3 ⁴
Inter-band	1 ¹	SCC1, SCC2	7.5A.2.5-4
	2 ¹		7.5A.2.5-5
	3 ¹		7.5A.2.5-6 7.5A.2.5-7 7.5A.2.5-8 7.5A.2.5-9
Intra-band contiguous + Inter-band	1 ²	SCC2	7.5A.2.5-4 7.5A.2.5-5 7.5A.2.5-6 7.5A.2.5-7 7.5A.2.5-8 7.5A.2.5-9
	2 ²	SCC1, SCC2	7.5A.2.5-1 ⁵ 7.5A.2.5-1a ⁵ 7.5A.2.5-2 ⁵ 7.5A.2.5-2a ⁵ 7.5A.2.5-3 ⁵ 7.5A.2.5-3a ⁵
Intra-band non-contiguous + Inter-band	1 ³	SCC2	7.5A.2.5-4 7.5A.2.5-5 7.5A.2.5-6 7.5A.2.5-7 7.5A.2.5-8 7.5A.2.5-9
	2 ³	SCC1, SCC2	7.5A.2.5-4 7.5A.2.5-5 7.5A.2.5-6 7.5A.2.5-7

			7.5A.2.5-8 7.5A.2.5-9
Intra-band non-contiguous	1 ⁷	SCC1, SCC2	7.5A.2.5-4 7.5A.2.5-5 7.5A.2.5-6 7.5A.2.5-7 7.5A.2.5-8 7.5A.2.5-9
Intra-band contiguous + Intra-band non-contiguous	1 ⁸	SCC1, SCC2	7.5A.2.5-1 ⁵ 7.5A.2.5-1a ⁵ 7.5A.2.5-2 ⁵ 7.5A.2.5-2a ⁵ 7.5A.2.5-3 ⁵ 7.5A.2.5-3a ⁵ 7.5A.2.5-4 7.5A.2.5-5 7.5A.2.5-6 7.5A.2.5-7 7.5A.2.5-8 7.5A.2.5-9
<p>NOTE 1: CA configuration ID as defined in “Default Test Settings for a CA_nXA-nYA-nZA Configuration (Inter-band)” in table 7.3A.2.4.1-1</p> <p>NOTE 2: CA configuration ID as defined in “Default Test Settings for a CA_nXC-YA, CA_nYA-nXC, CA_nYA-nXB and CA_nXB-nYA Configurations (Intra-band contiguous + Inter-band)” in table 7.3A.2.4.1-1.</p> <p>NOTE 3: CA configuration ID as defined in “Default Test Settings for a CA_nX(2A)-nYA Configuration (Intra-band non-contiguous + Inter-band)” in table 7.3A.2.4.1-1.</p> <p>NOTE 4: Test requirements and parameters refer to CA bandwidth D.</p> <p>NOTE 5: Test requirements and parameters refer to CA bandwidth B or C.</p> <p>NOTE 6: CA configuration ID as defined in “Default Test Settings for a CA_nXD Configuration (Intra-band contiguous)” in table 7.3A.2.4.1-1.</p> <p>NOTE 7: CA configuration ID as defined in “Default Test Settings for a CA_nX(3A) Configuration (Intra-band non-contiguous)” in table 7.3A.2.4.1-1.</p> <p>NOTE 8: CA configuration ID as defined in “Default Test Settings for a CA_nX(A-C) and CA_nX(A-B) Configuration (Intra-band contiguous + Intra-band non-contiguous)” in table 7.3A.2.4.1-1.</p>			

7.5A.2.4.3 Message Contents

Message contents are according to TS 38.508-1 [5] subclause 4.6 with TRANSFORM_PRECODER_ENABLED condition in Table 4.6.3-118 PUSCH-Config.

7.5A.2.5 Test Requirement

The throughput of each carrier shall be $\geq 95\%$ of the maximum throughput of the reference measurement channels as specified in Annexes A.2.2, A.2.3, A.3.2 and A.3.3 (with one sided dynamic OCNG Pattern for the DL-signal as described in Annex A.5.1.1/A.5.2.1) with parameters specified in Tables 7.5A.2.5-2 and 7.5A.2.5-3.

Table 7.5A.2.5-1: ACS for intra-band contiguous CA with $F_{DL_low} \geq 3300$ MHz and $F_{UL_low} \geq 3300$ MHz

Rx Parameter	Units	NR CA bandwidth class		
		B	C	D
ACS	dB	26.0	33.0	25.2

Table 7.5A.2.5-1a: ACS for intra-band contiguous CA with $F_{DL_low} < 2700$ MHz and $F_{UL_low} < 2700$ MHz

Rx Parameter	Units	NR CA bandwidth class	
		B	C
ACS	dB	20.0	17.0

Table 7.5A.2.5-2: Test parameters for intra-band contiguous CA with $F_{DL_low} \geq 3300$ MHz and $F_{UL_low} \geq 3300$ MHz, case 1

Rx Parameter	Units	NR CA bandwidth class
--------------	-------	-----------------------

		B	C	D	
P _w in Transmission Bandwidth Configuration, per CC	dBm	REFSENS + 14 dB	REFSENS + 14 dB	REFSENS + 14 dB	
P _{Interferer}	dBm	Aggregated power + 24.5 dB	Aggregated power + 31.5 dB	Aggregated power + 23.7 dB	
BW _{Interferer}	MHz	20	BW _{channel CA}	50	
F _{Interferer} (offset)	MHz	10 + F _{offset} / -10 - F _{offset}	BW _{channel CA} / -BW _{channel CA}	25 + F _{offset} / -25 - F _{offset}	

OTE 1: The transmitter shall be set to 4 dB below P_{CMAX_L,f,c} at the minimum UL configuration specified in Table 7.3.2-3 with P_{CMAX_L,f,c} defined in clause 6.2.4.

OTE 2: The absolute value of the interferer offset F_{interferer} (offset) shall be further adjusted to $(\lceil |F_{interferer}| / SCS \rceil + 0.5) SCS$ MHz with SCS the sub-carrier spacing of the carrier closest to the interferer in MHz. The interferer is an NR signal with an SCS equal to that of the closest carrier.

OTE 3: The interferer consists of the RMC specified in Annexes A.3.2.2 and A.3.3.2 with one sided dynamic OCNG Pattern OP.1 FDD/TDD for the DL-signal as described in Annex A.5.1.1/A.5.2.1.

Table 7.5A.2.5-2a: Test parameters for intra-band contiguous CA with F_{DL_low} < 2700 MHz and F_{UL_low} < 2700 MHz, case 1

Rx Parameter	Units	NR CA bandwidth class	
		B	C
P _w in Transmission Bandwidth Configuration, per CC	dBm	REFSENS + 14 dB	REFSENS + 14 dB
P _{Interferer}	dBm	Aggregated power + 18.5 dB	Aggregated power + 15.5 dB
BW _{Interferer}	MHz	5	5
F _{Interferer} (offset)	MHz	2.5 + F _{offset} / -2.5 - F _{offset}	2.5 + F _{offset} / -2.5 - F _{offset}

NOTE 1: The transmitter shall be set to 4 dB below P_{CMAX_L,f,c} at the minimum UL configuration specified in Table 7.3.2-3 with P_{CMAX_L,f,c} defined in clause 6.2.4.

NOTE 2: The absolute value of the interferer offset F_{interferer} (offset) shall be further adjusted to $(\lceil |F_{interferer}| / SCS \rceil + 0.5) SCS$ MHz with SCS the sub-carrier spacing of the carrier closest to the interferer in MHz. The interferer is an NR signal with 15 kHz SCS.

NOTE 3: The interferer consists of the RMC specified in Annexes A.3.2.2 and A.3.3.2 with one sided dynamic OCNG Pattern OP.1 FDD/TDD for the DL-signal as described in Annex A.5.1.1/A.5.2.1.

Table 7.5A.2.5-3: Test parameters for intra-band contiguous CA with F_{DL_low} ≥ 3300 MHz and F_{UL_low} ≥ 3300 MHz, case 2

Rx Parameter	Units	NR CA bandwidth class		
		B	C	D
P _w in Transmission Bandwidth Configuration, per CC	dBm	-49.5 + 10log(N _{RB,c} /N _{RB_agg})	-56.5	-48.7 + 10log(N _{RB,c} /N _{RB_agg})
P _{Interferer}	dBm	-25	-25	-25
BW _{Interferer}	MHz	20	BW _{channel CA}	50
F _{Interferer} (offset)	MHz	10 + F _{offset} / -10 - F _{offset}	BW _{channel CA} / -BW _{channel CA}	25 + F _{offset} / -25 - F _{offset}

NOTE 1: The transmitter shall be set to 24 dB below P_{CMAX_L,f,c} at the minimum UL configuration specified in Table 7.3.2-3 with P_{CMAX_L,f,c} defined in clause 6.2.4.

NOTE 2: The absolute value of the interferer offset F_{interferer} (offset) shall be further adjusted to $(\lceil |F_{interferer}| / SCS \rceil + 0.5) SCS$ MHz with SCS the sub-carrier spacing of the carrier closest to the interferer in MHz. The interferer is an NR signal with an SCS equal to that of the closest carrier.

NOTE 3: The interferer consists of the RMC specified in Annexes A.3.2.2 and A.3.3.2 with one sided dynamic OCNG Pattern OP.1 FDD/TDD for the DL-signal as described in Annex A.5.1.1/A.5.2.1.

Table 7.5A.2.5-3a: Test parameters for intra-band contiguous CA with $F_{DL_low} < 2700$ MHz and $F_{UL_low} < 2700$ MHz, case 2

Rx Parameter	Units	NR CA Bandwidth Class	
		B	C
Pw in Transmission Bandwidth Configuration, per CC	dBm	$-43.5 + 10\log(N_{RB,c}/N_{RB_agg})$	$-40.5 + 10\log(N_{RB,c}/N_{RB_agg})$
$P_{interferer}$	dBm	-25	-25
$BW_{interferer}$	MHz	5	5
$F_{interferer}$ (offset)	MHz	$2.5 + F_{offset}$ / $-2.5 - F_{offset}$	$2.5 + F_{offset}$ / $-2.5 - F_{offset}$
NOTE 1: The transmitter shall be set to 24 dB below $P_{C_{MAX_L,f,c}}$ at the minimum UL configuration specified in Table 7.3.2-3 with $P_{C_{MAX_L,f,c}}$ defined in clause 6.2.4.			
NOTE 2: The absolute value of the interferer offset $F_{interferer}$ (offset) shall be further adjusted to $(\lceil F_{interferer} / SCS \rceil + 0.5) SCS$ MHz with SCS the sub-carrier spacing of the carrier closest to the interferer in MHz. The interferer is an NR signal with 15 kHz SCS.			
NOTE 3: The interferer consists of the RMC specified in Annexes A.3.2.2 and A.3.3.2 with one sided dynamic OCNG Pattern OP.1 FDD/TDD for the DL-signal as described in Annex A.5.1.1/A.5.2.1.			

For NR SCC of inter-band and intra-band non-contiguous CA with $F_{DL_high} < 2700$ MHz and $F_{UL_high} < 2700$ MHz, the throughput measurement derived in test procedure shall be $\geq 95\%$ of the maximum throughput of the reference measurement channels as specified in Annexes A.2.2, A.2.3 and A.3.2 (with one sided dynamic OCNG Pattern OP.1 FDD/TDD for the DL-signal as described in Annex A.5.1.1/A.5.2.1) with parameters specified in Tables 7.5A.2.5-5 and 7.5A.2.5-6.

Table 7.5A.2.5-4: ACS for NR bands with $F_{DL_high} < 2700$ MHz and $F_{UL_high} < 2700$ MHz (inter-band, intra-band non-contiguous)

RX parameter	Units	Channel bandwidth (MHz)		
		5, 10	15	20, 25, 30, 35, 40, 45, 50, 60, 70, 80, 90, 100
ACS	dB	33	30	$27 - 10\log_{10}(BW_{Channel}/20)$
NOTE1: ACS value is rounded to the next higher 0.5dB value.				

Table 7.5A.2.5-5: Test parameters for NR bands with $F_{DL_high} < 2700$ MHz and $F_{UL_high} < 2700$ MHz, case 1 (inter-band, intra-band non-contiguous)

RX parameter	Units	Channel bandwidth (MHz)		
		5, 10	15	20, 25, 30, 35, 40, 45, 50, 60, 70, 80, 90, 100
Pw in Transmission Bandwidth Configuration, per CC	dBm	REFSENS + 14 dB		
$P_{interferer}$	dBm	REFSENS for SCC + 45.5 dB	REFSENS for SCC + 42.5 dB	REFSENS for SCC + 39.5 - $10\log_{10}(BW_{Channel}/20)$
$BW_{interferer}$	MHz	5		
$F_{interferer}$ (offset from SCC)	MHz	$BW_{Channel}/2 + 2.5$ / $-(BW_{Channel}/2 + 2.5)$		
NOTE 1: The transmitter shall be set to 4dB below $P_{C_{MAX_L,f,c}}$ at the minimum UL configuration specified in Table 7.3.2.3-3 with $P_{C_{MAX_L,f,c}}$ defined in clause 6.2.4.				
NOTE 2: The absolute value of the interferer offset $F_{interferer}$ (offset) shall be further adjusted to $(\lceil F_{interferer} / SCS \rceil + 0.5) SCS$ MHz with SCS the sub-carrier spacing of the wanted signal in MHz. The interferer is an NR signal with an SCS equal to that of the wanted signal.				
NOTE 3: The interferer consists of the NR interferer RMC specified in Annexes A.3.2.2 and A.3.3.2 with one sided dynamic OCNG Pattern OP.1 FDD/TDD for the DL-signal as described in Annex A.5.1.1/A.5.2.1.				
NOTE 4: $10\log_{10}(x)$ is rounded to the next higher 0.5dB value.				

Table 7.5A.2.5-6: Test parameters for NR bands with $F_{DL_high} < 2700$ MHz and $F_{UL_high} < 2700$ MHz, case 2 (inter-band, intra-band non-contiguous)

RX parameter	Units	Channel bandwidth (MHz)		
		5, 10	15	20, 25, 30, 35, 40, 45, 50, 60, 70, 80, 90, 100
Pw in Transmission Bandwidth Configuration, per CC	dBm	-56.5	-53.5	$-50.5 + 10\log_{10}(BW_{Channel} / 20)$
$P_{interferer}$	dBm	-25		
$BW_{interferer}$	MHz	5		
$F_{interferer}$ (offset from SCC)	MHz	$BW_{Channel} / 2 + 2.5$ / $-(BW_{Channel} / 2 + 2.5)$		
NOTE 1: The transmitter shall be set to 24 dB below $P_{CMAX_L,f,c}$ at the minimum UL configuration specified in Table 7.3.2.3-3 with $P_{CMAX_L,f,c}$ defined in clause 6.2.4.				
NOTE 2: The absolute value of the interferer offset $F_{interferer}$ (offset) shall be further adjusted to $(\lceil F_{interferer} / SCS \rceil + 0.5) SCS$ MHz with SCS the sub-carrier spacing of the wanted signal in MHz. The interferer is an NR signal with an SCS equal to that of the wanted signal.				
NOTE 3: The interferer consists of the RMC specified in Annexes A.3.2.2 and A.3.3.2 with one sided dynamic OCNB Pattern OP.1 FDD/TDD for the DL-signal as described in Annex A.5.1.1/A.5.2.1.				
NOTE 4: $10\log_{10}(x)$ is rounded to the next higher 0.5dB value.				

For NR SCC of inter-band and intra-band non-contiguous CA with $F_{DL_low} \geq 3300$ MHz and $F_{UL_low} \geq 3300$ MHz, the throughput measurement derived in test procedure shall be $\geq 95\%$ of the maximum throughput of the reference measurement channels as specified in Annexes A.2.2, A.2.3 and A.3.2 (with one sided dynamic OCNB Pattern OP.1 FDD/TDD for the DL-signal as described in Annex A.5.1.1/A.5.2.1) with parameters specified in Tables 7.5A.2.5-8 and 7.5A.2.5-9.

Table 7.5A.2.5-7: ACS for NR bands with $F_{DL_low} \geq 3300$ MHz and $F_{UL_low} \geq 3300$ MHz (inter-band, intra-band non-contiguous)

RX parameter	Units	Channel bandwidth (MHz)
		10, 15, 20, 25, 30, 35, 40, 45, 50, 60, 70, 80, 90, 100
ACS	dB	33

Table 7.5A.2.5-8: Test parameters for NR bands with $F_{DL_low} \geq 3300$ MHz and $F_{UL_low} \geq 3300$ MHz, case 1 (inter-band, intra-band non-contiguous)

RX parameter	Units	Channel bandwidth (MHz)
		10, 15, 20, 25, 30, 35, 40, 45, 50, 60, 70, 80, 90, 100
Pw in Transmission Bandwidth Configuration, per CC	dBm	REFSENS + 14 dB
$P_{interferer}$	dBm	REFSENS for SCC + 45.5 dB
$BW_{interferer}$	MHz	$BW_{Channel}$
$F_{interferer}$ (offset from SCC)	MHz	$BW_{Channel}$ / $-BW_{Channel}$
NOTE 1: The transmitter shall be set to 4dB below $P_{CMAX_L,f,c}$ at the minimum UL configuration specified in Table 7.3.2.3-3 with $P_{CMAX_L,f,c}$ defined in clause 6.2.4.		
NOTE 2: The absolute value of the interferer offset $F_{interferer}$ (offset) shall be further adjusted to $(\lceil F_{interferer} / SCS \rceil + 0.5) SCS$ MHz with SCS the sub-carrier spacing of the wanted signal in MHz. The interferer is an NR signal with an SCS equal to that of the wanted signal.		
NOTE 3: The interferer consists of the RMC specified in Annexes A.3.2.2 and A.3.3.2 with one sided dynamic OCNB Pattern OP.1 FDD/TDD for the DL-signal as described in Annex A.5.1.1/A.5.2.1.		

Table 7.5A.2.5-9: Test parameters for NR bands with $F_{DL_low} \geq 3300$ MHz and $F_{UL_low} \geq 3300$ MHz, case 2 (inter-band, intra-band non-contiguous)

RX parameter	Units	Channel bandwidth (MHz)
		10, 15, 20, 25, 30, 35, 40, 45, 50, 60, 70, 80, 90, 100
Pw in Transmission Bandwidth Configuration, per CC	dBm	-56.5
$P_{interferer}$	dBm	-25
$BW_{interferer}$	MHz	$BW_{Channel}$
$F_{interferer}$ (offset from SCC)	MHz	$BW_{Channel}$ / $-BW_{Channel}$
NOTE 1: The transmitter shall be set to 24 dB below $P_{C_{MAX_L,f,c}}$ at the minimum UL configuration specified in Table 7.3.2.3-3 with $P_{C_{MAX_L,f,c}}$ defined in clause 6.2.4.		
NOTE 2: The absolute value of the interferer offset $F_{interferer}$ (offset) shall be further adjusted to $(\lceil F_{interferer} / SCS \rceil + 0.5) SCS$ MHz with SCS the sub-carrier spacing of the wanted signal in MHz. The interferer is an NR signal with an SCS equal to that of the wanted signal.		
NOTE 3: The interferer consists of the RMC specified in Annexes A.3.2.2 and A.3.3.2 with one sided dynamic OCNB Pattern OP.1 FDD/TDD for the DL-signal as described in Annex A.5.1.1/A.5.2.1.		

7.5A.3 Adjacent channel selectivity for CA (4DL CA)

Editor’s note: - part content of Table 7.5A.3.4.2-1 is FFS.

7.5A.3.1 Test Purpose

Adjacent channel selectivity for 4DL CA verifies the receiver's ability to receive a wanted 4DL carrier aggregated at its assigned channel frequency in the presence of an adjacent channel signal at a given frequency offset from the centre frequency of the assigned channel.

7.5A.3.2 Test Applicability

This test case applies to all types of NR UE release 15 and forward that support 4DL CA.

7.5A.3.3 Minimum Conformance Requirements

The minimum conformance requirements are defined in clause 7.5A.0.

7.5A.3.4 Test Description

7.5A.3.4.1 Initial Conditions

Same as in clause 7.5A.1.4.1 with following exceptions:

- Instead of Table 7.5A.1.4.1-1 → use Table 7.5A.3.4.1-1.
- Instead of Table 7.5A.1.4.1-2 → use Table 7.5A.3.4.1-2.
- Instead of Table 7.5A.1.4.1-3 → use Table 7.5A.3.4.1-3.

Table 7.5A.3.4.1-1: Test Configuration Table for 4DL CA

Default Conditions	
Test Environment as specified in TS 38.508-1 [5] subclause 4.1	Normal
Test Frequencies as specified in TS 38.508-1 [5] subclause 4.3.1	Intra-band contiguous: Mid range for PCC and SCCs Inter-band CA: NOTE 1, NOTE 5 Inter-band + Intra-band contiguous : NOTE 1, NOTE 5 Inter-band + Intra-band non-contiguous : NOTE 1 with Wgap for intra-band non-contiguous defined in table 7.3A.3.4.1-1(NOTE 5)

Test CC Combination setting (NRB_agg) as specified in Tables 5.5A.1-1, 5.5A.2-1, or tables in clauses 5.5A.3.x for the CA Configuration across bandwidth combination sets supported by the UE.		Intra-band contiguous: Lowest NRB_agg, Highest NRB_agg Inter-band: Highest NRB_agg Inter-band + Intra-band contiguous : Highest NRB_agg Inter-band + Intra-band non-contiguous : Highest NRB_agg NOTE 6 NOTE 7					
Test SCS as specified in Table 5.3.5-1		Lowest for PCC and SCCs					
Network signalling value		NS_01 Unless given by Table 7.3.2.3-4 for the band with active uplink carrier					
Test Parameters							
Test ID	Downlink Configuration					Uplink Configuration	
	CC Mod'n	PCC RB allocation	SCC ₁ RB allocation	SCC ₂ RB allocation	SCC ₃ RB allocation	CC Mod'n	PCC RB allocation
Default Test Settings for a CA_nXE Configuration (intra-band contiguous)							
1	CP-OFDM QPSK	NOTE 1	NOTE 1	NOTE 1	NOTE 1	DFT-s-OFDM QPSK	NOTE 1
Default Test Settings for a CA_nXA-nYA-nZA-nRA Configuration (Inter-band)							
1	CP-OFDM QPSK	NOTE 1	NOTE 1	NOTE 1	NOTE 1	DFT-s-OFDM QPSK	NOTE 1
Default Test Settings for a CA_nXA-nYB-nZA, CA_nXA-nYA-nZB, CA_nXD-nYA, CA_nXC-nYB, CA_nXC-nYC and CA_nXB-nYB Configurations (Intra-band contiguous + Inter-band)							
1	CP-OFDM QPSK	NOTE 1	NOTE 1	NOTE 1	NOTE 1	DFT-s-OFDM QPSK	NOTE 1
Default Test Settings for a CA_nXA-nYA-nZ(2A), CA_nXA-nY(3A) and CA_nX(2A)-nY(2A) Configuration (Intra-band non-contiguous + Inter-band)							
1	CP-OFDM QPSK	NOTE 1	NOTE 1	NOTE 1	NOTE 1	DFT-s-OFDM QPSK	NOTE 1
Default Test Settings for a CA_nX(4A) Configuration intra-band non-contiguous)							
1	CP-OFDM QPSK	NOTE 1	NOTE 1	NOTE 1	NOTE 1	DFT-s-OFDM QPSK	NOTE 1
<p>NOTE 1: The specific configuration of uplink and downlink are defined in Table 7.3A.3.4.1-1.</p> <p>NOTE 2: CA Configuration Test CC Combination test settings are checked separately for each CA Configuration.</p> <p>NOTE 3: Inter-band: nX, nY, nZ, nR correspond to the different bands in the CA Configuration. E.g. for CA_n1A-n3A-n7A-n28A, nX=n1, nY=n3, nZ=n7,nR=n28; Intra-band contiguous + Inter-band: nX, nY, nZ correspond to the different bands in the CA Configuration, E.g. for CA_n3A-n7B-n28A, nX=n1, nY=n3, nZ=n28; Intra-band non-contiguous + Inter-band: X,Y,Z correspond to the different bands in the CA Configuration. E.g. for CA_n2A-n66A-n77(2A), nX=n2, nY=n66, nZ=n77;</p> <p>NOTE 4: In a band where UE supports 4Rx, the test shall be performed only with 4Rx antennas ports connected and 4Rx REFSENS requirement (Table 7.3.2.5-2) is used in the test requirements.</p> <p>NOTE 5: Test frequency is set to Mid Range for PCC and SCC with exceptions defined in Table 7.3A.3.4.1-1. For NR band n28, 30MHz test channel bandwidth is tested with Low range test frequencies.</p> <p>NOTE 6: If the UE supports multiple CC Combinations in the CA Configuration with the same NRB_agg, only the combination with the highest NRB_PCC is tested.</p> <p>NOTE 7: For nXA PCC, each of Highest UL and Highest DL shall be selected according to clause 5.5A.3.3. DL channel bandwidth shall be selected first.</p>							

Table 7.5A.3.4.1-2: Void

Table 7.5A.3.4.1-3: Void

7.5A.3.4.2 Test Procedure

1. Configure SCCs according to Annex C.0, C.1, C.2 for all downlink physical channels.
2. The SS shall configure SCCs as per TS 38.508-1 [5] clause 5.1.1. Message contents are defined in clause 7.5A.3.4.3.
3. SS activates SCCs by sending the activation MAC CE (Refer TS 38.321 [18], clauses 5.9, 6.1.3.10). Wait for at least 2 seconds (Refer TS 38.133[19], clause 9.3).
4. SS transmits PDSCH via PDCCH DCI format 1_1 for C_RNTI to transmit the DL RMC according to Table 7.5A.3.4.1-1 on both PCC and SCCs. The SS sends downlink MAC padding bits on the DL RMC.
5. SS sends uplink scheduling information for each UL HARQ process via PDCCH DCI format 0_1 for C_RNTI to schedule the UL RMC according to Table 7.5A.3.4.2-1 on PCC. Since the UL has no payload and no loopback data to send the UE sends uplink MAC padding bits on the UL RMC.
6. Set the Downlink signal level according to Table 7.5A.3.4.2-1 as appropriate (Case 1). Send uplink power control commands to the UE using 1dB power step size to ensure that the UE output power measured by the test system is within the Uplink power control window, defined as $-(\text{MU} + \text{Uplink power control window size})$ dB of the target power level in Table 7.5A.3.4.2-1 for at least the duration of the Throughput measurement, where:
 - MU is the test system uplink power measurement uncertainty and is specified in Table F.1.3-1 for the carrier frequency f and the channel bandwidth BW
 - Uplink power control window size = 1dB (UE power step size) + 0.7dB (UE power step tolerance) + (Test system relative power measurement uncertainty), where, the UE power step tolerance is specified in TS 38.101-1 [2], Table 6.3.4.3-1 and is 0.7dB for 1dB power step size, and the Test system relative power measurement uncertainty is specified for test case 6.3.4.3 in Table F.1.2-1.
 - For UEs supporting Tx diversity, the transmit power is measured as the sum of the output power from both UE antenna connectors.
7. Set the Interferer signal level to the value as defined in Table 7.5A.3.4.2-1 as appropriate (Case 1) and frequency below the wanted signal, using a modulated interferer bandwidth as defined in Annex D.
8. Measure the average throughput for each component carrier for a duration sufficient to achieve statistical significance according to Annex H.2A.
9. Repeat steps from 6 to 8, using an interfering signal above the wanted signal in Case 1 at step 7.
10. Set the Downlink signal level according to Table 7.5A.3.4.2-1 as appropriate (Case 2). Send uplink power control commands to the UE using 1dB power step size to ensure that the UE output power measured by the test system is within the Uplink power control window, defined as $-(\text{MU} + \text{Uplink power control window size})$ dB of the target power level in Table 7.5A.3.4.2-1 for at least the duration of the Throughput measurement, where MU and Uplink power control window size are defined above.
11. Set the Interferer signal level to the value as defined in Table 7.5A.3.4.2-1 as appropriate (Case 2) and frequency below the wanted signal, using a modulated interferer bandwidth as defined in Annex D.
12. Measure the average throughput for each component carrier for a duration sufficient to achieve statistical significance according to Annex H.2A.
13. Repeat steps from 10 to 12, using an interfering signal above the wanted signal in Case 2 at step 11.
14. Repeat for applicable channel bandwidths and operating band combinations in both Case 1 and Case 2.

NOTE: The purpose of the Uplink power control window is to ensure that the actual UE output power is no greater than the target power level, and as close as possible to the target power level. The relationship between the Uplink power control window, the target power level and the corresponding possible actual UE Uplink power window is illustrated in Annex F.4.3.

Table 7.5A.3.4.2-1: Test repetition and measurement configuration

CA configuration	CA configuration ID in REFSSENS	Throughput measured on	Table with test parameters to select
Intra-band contiguous	1 ⁴	PCC, SCC1, SCC2, SCC3	TBD
Inter-band	1 ¹	SCC1, SCC2, SCC3	7.5A.3.5-4, 7.5A.3.5-5, 7.5A.3.5-6, 7.5A.3.5-7, 7.5A.3.5-8, 7.5A.3.5-9
	2 ¹		
	3 ¹		
	4 ¹		
Intra-band contiguous + Inter-band	1 ²	TBD	TBD
	2 ²		
	3 ²		
Intra-band non-contiguous + Inter-band	1 ³	TBD	TBD
	2 ³		
	3 ³		
Intra-band non-contiguous	1 ⁵	TBD	TBD
NOTE 1: CA configuration ID as defined in table 7.3A.3.4.1-1. NOTE 2: CA configuration ID as defined in "Default Test Settings for a CA_nXA-nYB-nZA, CA_nXA-nYA-nZB, CA_nXD-nYA, CA_nXC-nYB, CA_nXC-nYC and CA_nXB-nYB Configurations (Intra-band contiguous + Inter-band)" in table 7.3A.3.4.1-1. NOTE 3: CA configuration ID as defined in "Default Test Settings for a CA_nXA-nYA-nZ(2A), CA_nXA-nY(3A) and CA_nX(2A)-nY(2A) Configuration (Intra-band non-contiguous + Inter-band)" in table 7.3A.3.4.1-1. NOTE 4: CA configuration ID as defined in "Default Test Settings for a CA_nXE Configuration (Intra-band contiguous)" in table 7.3A.3.4.1-1. NOTE 5: CA configuration ID as defined in "Default Test Settings for a CA_nX(4A) Configuration intra-band non-contiguous" in table 7.3A.3.4.1-1.			

7.5A.3.4.3 Message Contents

Message contents are according to TS 38.508-1 [5] subclause 4.6 with TRANSFORM_PRECODER_ENABLED condition in Table 4.6.3-118 PUSCH-Config.

7.5A.3.5 Test Requirement

The throughput of each carrier shall be $\geq 95\%$ of the maximum throughput of the reference measurement channels as specified in Annexes A.2.2, A.2.3, A.3.2 and A.3.3 (with one sided dynamic OCNG Pattern for the DL-signal as described in Annex A.5.1.1/A.5.2.1) with parameters specified in Tables 7.5A.3.5-2, 7.5A.3.5-2a, 7.5A.3.5-3, 7.5A.3.5-3a.

Table 7.5A.3.5-1: ACS for intra-band contiguous CA with $F_{DL_low} \geq 3300$ MHz and $F_{UL_low} \geq 3300$ MHz

Rx Parameter	Units	NR CA bandwidth class		
		B	C	D
ACS	dB	26.0	33.0	25.2

Table 7.5A.3.5-1a: ACS for intra-band contiguous CA with $F_{DL_low} < 2700$ MHz and $F_{UL_low} < 2700$ MHz

Rx Parameter	Units	NR CA bandwidth class	
		B	C
ACS	dB	20.0	17.0

Table 7.5A.3.5-2: Test parameters for intra-band contiguous CA with $F_{DL_low} \geq 3300$ MHz and $F_{UL_low} \geq 3300$ MHz, case 1

Rx Parameter	Units	NR CA bandwidth class		
		B	C	D
Δf in Transmission Bandwidth	dBm	REFSENS + 14 dB	REFSENS + 14 dB	REFSENS + 14 dB

Configuration, per CC					
$P_{\text{Interferer}}$	dBm	Aggregated power + 24.5 dB	Aggregated power + 31.5 dB	Aggregated power + 23.7 dB	
$BW_{\text{Interferer}}$	MHz	20	$BW_{\text{channel CA}}$	50	
$F_{\text{Interferer}}$ (offset)	MHz	10 + F_{offset} / -10 - F_{offset}	$BW_{\text{channel CA}}$ / - $BW_{\text{channel CA}}$	25 + F_{offset} / -25 - F_{offset}	

OTE 1: The transmitter shall be set to 4 dB below $P_{\text{CMAX_L,f,c}}$ at the minimum UL configuration specified in Table 7.3.2-3 with $P_{\text{CMAX_L,f,c}}$ defined in clause 6.2.4.

OTE 2: The absolute value of the interferer offset $F_{\text{Interferer}}$ (offset) shall be further adjusted to $(\lceil |F_{\text{Interferer}}| / SCS \rceil + 0.5) SCS$ MHz with SCS the sub-carrier spacing of the carrier closest to the interferer in MHz. The interferer is an NR signal with an SCS equal to that of the closest carrier.

OTE 3: The interferer consists of the RMC specified in Annexes A.3.2.2 and A.3.3.2 with one sided dynamic OCNG Pattern OP.1 FDD/TDD for the DL-signal as described in Annex A.5.1.1/A.5.2.1.

Table 7.5A.3.5-2a: Test parameters for intra-band contiguous CA with $F_{\text{DL_low}} < 2700$ MHz and $F_{\text{UL_low}} < 2700$ MHz, case 1

Rx Parameter	Units	NR CA bandwidth class	
		B	C
Pw in Transmission Bandwidth Configuration, per CC	dBm	REFSENS + 14 dB	REFSENS + 14 dB
$P_{\text{Interferer}}$	dBm	Aggregated power + 18.5 dB	Aggregated power + 15.5 dB
$BW_{\text{Interferer}}$	MHz	5	5
$F_{\text{Interferer}}$ (offset)	MHz	2.5 + F_{offset} / -2.5 - F_{offset}	2.5 + F_{offset} / -2.5 - F_{offset}

NOTE 1: The transmitter shall be set to 4 dB below $P_{\text{CMAX_L,f,c}}$ at the minimum UL configuration specified in Table 7.3.2-3 with $P_{\text{CMAX_L,f,c}}$ defined in clause 6.2.4.

NOTE 2: The absolute value of the interferer offset $F_{\text{Interferer}}$ (offset) shall be further adjusted to $(\lceil |F_{\text{Interferer}}| / SCS \rceil + 0.5) SCS$ MHz with SCS the sub-carrier spacing of the carrier closest to the interferer in MHz. The interferer is an NR signal with 15 kHz SCS.

NOTE 3: The interferer consists of the RMC specified in Annexes A.3.2.2 and A.3.3.2 with one sided dynamic OCNG Pattern OP.1 FDD/TDD for the DL-signal as described in Annex A.5.1.1/A.5.2.1.

Table 7.5A.3.5-3: Test parameters for intra-band contiguous CA with $F_{\text{DL_low}} \geq 3300$ MHz and $F_{\text{UL_low}} \geq 3300$ MHz, case 2

Rx Parameter	Units	NR CA bandwidth class		
		B	C	D
Pw in Transmission Bandwidth Configuration, per CC	dBm	-49.5 + $10\log(N_{\text{RB,c}}/N_{\text{RB_agg}})$	-56.5	-48.7 + $10\log(N_{\text{RB,c}}/N_{\text{RB_agg}})$
$P_{\text{Interferer}}$	dBm	-25	-25	-25
$BW_{\text{Interferer}}$	MHz	20	$BW_{\text{channel CA}}$	50
$F_{\text{Interferer}}$ (offset)	MHz	10 + F_{offset} / -10 - F_{offset}	$BW_{\text{channel CA}}$ / - $BW_{\text{channel CA}}$	25 + F_{offset} / -25 - F_{offset}

NOTE 1: The transmitter shall be set to 24 dB below $P_{\text{CMAX_L,f,c}}$ at the minimum UL configuration specified in Table 7.3.2-3 with $P_{\text{CMAX_L,f,c}}$ defined in clause 6.2.4.

NOTE 2: The absolute value of the interferer offset $F_{\text{Interferer}}$ (offset) shall be further adjusted to $(\lceil |F_{\text{Interferer}}| / SCS \rceil + 0.5) SCS$ MHz with SCS the sub-carrier spacing of the carrier closest to the interferer in MHz. The interferer is an NR signal with an SCS equal to that of the closest carrier.

NOTE 3: The interferer consists of the RMC specified in Annexes A.3.2.2 and A.3.3.2 with one sided dynamic OCNG Pattern OP.1 FDD/TDD for the DL-signal as described in Annex A.5.1.1/A.5.2.1.

Table 7.5A.3.5-3a: Test parameters for intra-band contiguous CA with $F_{\text{DL_low}} < 2700$ MHz and $F_{\text{UL_low}} < 2700$ MHz, case 2

Rx Parameter	Units	NR CA Bandwidth Class	
		B	C

Pw in Transmission Bandwidth Configuration, per CC	dBm	$-43.5 + 10\log(N_{RB,c}/N_{RB_agg})$	$-40.5 + 10\log(N_{RB,c}/N_{RB_agg})$
$P_{Interferer}$	dBm	-25	-25
$BW_{Interferer}$	MHz	5	5
$F_{Interferer}$ (offset)	MHz	$2.5 + F_{offset}$ / $-2.5 - F_{offset}$	$2.5 + F_{offset}$ / $-2.5 - F_{offset}$

NOTE 1: The transmitter shall be set to 24 dB below $P_{CMAX_L,f,c}$ at the minimum UL configuration specified in Table 7.3.2-3 with $P_{CMAX_L,f,c}$ defined in clause 6.2.4.

NOTE 2: The absolute value of the interferer offset $F_{interferer}$ (offset) shall be further adjusted to $(\lceil |F_{interferer}| / SCS \rceil + 0.5) SCS$ MHz with SCS the sub-carrier spacing of the carrier closest to the interferer in MHz. The interferer is an NR signal with 15 kHz SCS.

NOTE 3: The interferer consists of the RMC specified in Annexes A.3.2.2 and A.3.3.2 with one sided dynamic OCNB Pattern OP.1 FDD/TDD for the DL-signal as described in Annex A.5.1.1/A.5.2.1.

For NR PCC and SCCs of inter-band and intra-band non-contiguous CA with $F_{DL_high} < 2700$ MHz and $F_{UL_high} < 2700$ MHz, the throughput measurement derived in test procedure shall be $\geq 95\%$ of the maximum throughput of the reference measurement channels as specified in Annexes A.2.2, A.2.3 and A.3.2 (with one sided dynamic OCNB Pattern OP.1 FDD/TDD for the DL-signal as described in Annex A.5.1.1/A.5.2.1) with parameters specified in Tables 7.5A.3.5-5 and 7.5A.3.5-6.

Table 7.5A.3.5-4: ACS for NR bands with $F_{DL_high} < 2700$ MHz and $F_{UL_high} < 2700$ MHz (inter-band, intra-band non-contiguous)

RX parameter	Units	Channel bandwidth (MHz)		
		5, 10	15	20, 25, 30, 35, 40, 45, 50, 60, 70, 80, 90, 100
ACS	dB	33	30	$27 - 10\log_{10}(BW_{Channel}/20)$

NOTE1: ACS value is rounded to the next higher 0.5dB value.

Table 7.5A.3.5-5: Test parameters for NR bands with $F_{DL_high} < 2700$ MHz and $F_{UL_high} < 2700$ MHz, case 1 (inter-band, intra-band non-contiguous)

RX parameter	Units	Channel bandwidth (MHz)		
		5, 10	15	20, 25, 30, 35, 40, 45, 50, 60, 70, 80, 90, 100
Pw in Transmission Bandwidth Configuration, per CC	dBm	REFSENS + 14 dB		
$P_{interferer}$	dBm	REFSENS for SCC + 45.5 dB	REFSENS for SCC + 42.5 dB	REFSENS for SCC + 39.5 - $10\log_{10}(BW_{Channel}/20)$
$BW_{interferer}$	MHz	5		
$F_{interferer}$ (offset from SCC)	MHz	$BW_{Channel}/2 + 2.5$ / $-(BW_{Channel}/2 + 2.5)$		

NOTE 1: The transmitter shall be set to 4dB below $P_{CMAX_L,f,c}$ at the minimum UL configuration specified in Table 7.3.2-3 with $P_{CMAX_L,f,c}$ defined in clause 6.2.4.

NOTE 2: The absolute value of the interferer offset $F_{interferer}$ (offset) shall be further adjusted to $(\lceil |F_{interferer}| / SCS \rceil + 0.5) SCS$ MHz with SCS the sub-carrier spacing of the wanted signal in MHz. The interferer is an NR signal with an SCS equal to that of the wanted signal.

NOTE 3: The interferer consists of the NR interferer RMC specified in Annexes A.3.2.2 and A.3.3.2 with one sided dynamic OCNB Pattern OP.1 FDD/TDD for the DL-signal as described in Annex A.5.1.1/A.5.2.1.

NOTE 4: $10\log_{10}(x)$ is rounded to the next higher 0.5dB value.

Table 7.5A.3.5-6: Test parameters for NR bands with $F_{DL_high} < 2700$ MHz and $F_{UL_high} < 2700$ MHz, case 2 (inter-band, intra-band non-contiguous)

RX parameter	Units	Channel bandwidth (MHz)		
		5, 10	15	20, 25, 30, 35, 40, 45, 50, 60, 70, 80, 90, 100
Pw in Transmission Bandwidth	dBm	-56.5	-53.5	$-50.5 + 10\log_{10}(BW_{Channel}/20)$

Configuration, per CC				
$P_{interferer}$	dBm	-25		
$BW_{interferer}$	MHz	5		
$F_{interferer}$ (offset from SCC)	MHz	$BW_{Channel} / 2 + 2.5$ $/$ $-(BW_{Channel} / 2 + 2.5)$		
NOTE 1: The transmitter shall be set to 24 dB below $P_{CMAX_L,f,c}$ at the minimum UL configuration specified in Table 7.3.2.3-3 with $P_{CMAX_L,f,c}$ defined in clause 6.2.4.				
NOTE 2: The absolute value of the interferer offset $F_{interferer}$ (offset) shall be further adjusted to $(\lceil F_{interferer} / SCS \rceil + 0.5) SCS$ MHz with SCS the sub-carrier spacing of the wanted signal in MHz. The interferer is an NR signal with an SCS equal to that of the wanted signal.				
NOTE 3: The interferer consists of the RMC specified in Annexes A.3.2.2 and A.3.3.2 with one sided dynamic OCNNG Pattern OP.1 FDD/TDD for the DL-signal as described in Annex A.5.1.1/A.5.2.1.				
NOTE 4: $10\log_{10}(x)$ is rounded to the next higher 0.5dB value.				

For NR PCC and SCCs of inter-band and intra-band non-contiguous CA with $F_{DL_low} \geq 3300$ MHz and $F_{UL_low} \geq 3300$ MHz, the throughput measurement derived in test procedure shall be $\geq 95\%$ of the maximum throughput of the reference measurement channels as specified in Annexes A.2.2, A.2.3 and A.3.2 (with one sided dynamic OCNNG Pattern OP.1 FDD/TDD for the DL-signal as described in Annex A.5.1.1/A.5.2.1) with parameters specified in Tables 7.5A.3.5-8 and 7.5A.3.5-9.

Table 7.5A.3.5-7: ACS for NR bands with $F_{DL_low} \geq 3300$ MHz and $F_{UL_low} \geq 3300$ MHz (inter-band, intra-band non-contiguous)

RX parameter	Units	Channel bandwidth (MHz)
		10, 15, 20, 25, 30, 35, 40, 45, 50, 60, 70, 80, 90, 100
ACS	dB	33

Table 7.5A.3.5-8: Test parameters for NR bands with $F_{DL_low} \geq 3300$ MHz and $F_{UL_low} \geq 3300$ MHz, case 1 (inter-band,intra-band non-contiguous)

RX parameter	Units	Channel bandwidth (MHz)
		10, 15, 20, 25, 30, 35, 40, 45, 50, 60, 70, 80, 90, 100
Pw in Transmission Bandwidth Configuration, per CC	dBm	REFSENS + 14 dB
$P_{interferer}$	dBm	REFSENS for SCC + 45.5 dB
$BW_{interferer}$	MHz	$BW_{Channel}$
$F_{interferer}$ (offset from SCC)	MHz	$BW_{Channel}$ $/$ $-BW_{Channel}$
NOTE 1: The transmitter shall be set to 4dB below $P_{CMAX_L,f,c}$ at the minimum UL configuration specified in Table 7.3.2.3-3 with $P_{CMAX_L,f,c}$ defined in clause 6.2.4.		
NOTE 2: The absolute value of the interferer offset $F_{interferer}$ (offset) shall be further adjusted to $(\lceil F_{interferer} / SCS \rceil + 0.5) SCS$ MHz with SCS the sub-carrier spacing of the wanted signal in MHz. The interferer is an NR signal with an SCS equal to that of the wanted signal.		
NOTE 3: The interferer consists of the RMC specified in Annexes A.3.2.2 and A.3.3.2 with one sided dynamic OCNNG Pattern OP.1 FDD/TDD for the DL-signal as described in Annex A.5.1.1/A.5.2.1.		

Table 7.5A.3.5-9: Test parameters for NR bands with $F_{DL_low} \geq 3300$ MHz and $F_{UL_low} \geq 3300$ MHz, case 2 (inter-band, intra-band non-contiguous)

RX parameter	Units	Channel bandwidth (MHz)
		10, 15, 20, 25, 30, 35, 40, 45, 50, 60, 70, 80, 90, 100
Pw in Transmission Bandwidth Configuration, per CC	dBm	-56.5
$P_{interferer}$	dBm	-25

$BW_{\text{interferer}}$	MHz	BW_{Channel}
F _{interferer} (offset from SCC)	MHz	BW_{Channel} / $-BW_{\text{Channel}}$
NOTE 1: The transmitter shall be set to 24 dB below $P_{\text{CMAX_L,f,c}}$ at the minimum UL configuration specified in Table 7.3.2.3-3 with $P_{\text{CMAX_L,f,c}}$ defined in clause 6.2.4.		
NOTE 2: The absolute value of the interferer offset $F_{\text{interferer}}$ (offset) shall be further adjusted to $(\lceil F_{\text{interferer}} / SCS \rceil + 0.5) SCS$ MHz with SCS the sub-carrier spacing of the wanted signal in MHz. The interferer is an NR signal with an SCS equal to that of the wanted signal.		
NOTE 3: The interferer consists of the RMC specified in Annexes A.3.2.2 and A.3.3.2 with one sided dynamic OCN Pattern OP.1 FDD/TDD for the DL-signal as described in Annex A.5.1.1/A.5.2.1.		

7.5A.4 Adjacent channel selectivity for CA (5DL CA)

Editor's Note:

- Test Configuration Table and test repetition and measurement configuration are TBD.
- RefSens for 5DL CA is FFS

7.5A.4.1 Test Purpose

Adjacent channel selectivity for 5DL CA verifies the receiver's ability to receive a wanted 5DL carrier aggregated at its assigned channel frequency in the presence of an adjacent channel signal at a given frequency offset from the centre frequency of the assigned channel.

7.5A.4.2 Test Applicability

This test case applies to all types of NR UE release 15 and forward that support 5DL CA.

7.5A.4.3 Minimum Conformance Requirements

The minimum conformance requirements are defined in clause 7.5A.0.

7.5A.4.4 Test Description

7.5A.4.4.1 Initial Conditions

Initial conditions are a set of test configurations the UE needs to be tested in and the steps for the SS to take with the UE to reach the correct measurement state.

The initial test configurations consist of environmental conditions, test frequencies, test channel bandwidths and sub-carrier spacing based on NR CA configuration specified in clause 5.5A. All of these configurations shall be tested with applicable test parameters for each CA configuration, are shown in Table 7.5A.4.4.1-1. The details of the uplink and downlink reference measurement channels (RMC) are specified in Annexes A.2 and A.3. Configuration of PDSCH and PDCCH before measurement are specified in Annex C.2.

Table 7.5A.4.4.1-1: Test Configuration Table for 5DL CA

[TBD]

1. Connect the SS to the UE antenna connectors as shown in TS 38.508-1 [5] Annex A, Figure A.3.1.1.3 for TE diagram and section A.3.2 for UE diagram.
2. The parameter settings for the cell are set up according to TS 38.508-1 [5] subclause 4.4.3.
3. Downlink signals are initially set up according to Annex C.0, C.1, C.2, and C.3.1, and uplink signals according to Annex G.0, G.1, G.2, and G.3.1.
4. The DL and UL Reference Measurement Channels are set according to Table 7.5A.2.4.1-1.
5. Propagation conditions are set according to Annex B.0.

6. Ensure the UE is in State RRC_CONNECTED with generic procedure parameters Connectivity NR, Connected without release On, Test Mode On and Test Loop Function On according to TS 38.508-1 [5] clause 4.5. Message contents are defined in clause 7.5A.4.4.3.

7.5A.4.4.2 Test Procedure

1. Configure SCCs according to Annex C.0, C.1, C.2 for all downlink physical channels.
2. The SS shall configure SCCs as per TS 38.508-1 [5] clause 5.1.1. Message contents are defined in clause 7.5A.4.4.3.
3. SS activates SCCs by sending the activation MAC CE (Refer TS 38.321 [18], clauses 5.9, 6.1.3.10). Wait for at least 2 seconds (Refer TS 38.133[19], clause 9.3).
4. SS transmits PDSCH via PDCCH DCI format 1_1 for C_RNTI to transmit the DL RMC according to Table 7.5A.4.4.1-1 on both PCC and SCCs. The SS sends downlink MAC padding bits on the DL RMC.
5. SS sends uplink scheduling information for each UL HARQ process via PDCCH DCI format 0_1 for C_RNTI to schedule the UL RMC according to Table 7.5A.4.4.2-1 on PCC. Since the UL has no payload and no loopback data to send the UE sends uplink MAC padding bits on the UL RMC.
6. Set the Downlink signal level according to Table 7.5A.4.4.2-1 as appropriate (Case 1). Send uplink power control commands to the UE using 1dB power step size to ensure that the UE output power measured by the test system is within the Uplink power control window, defined as $-MU$ to $-(MU + \text{Uplink power control window size})$ dB of the target power level in Table 7.5A.4.4.2-1 for at least the duration of the Throughput measurement, where:
 - MU is the test system uplink power measurement uncertainty and is specified in Table F.1.3-1 for the carrier frequency f and the channel bandwidth BW
 - Uplink power control window size = 1dB (UE power step size) + 0.7dB (UE power step tolerance) + (Test system relative power measurement uncertainty), where the UE power step tolerance is specified in TS 38.101-1 [2], Table 6.3.4.3-1 and is 0.7dB for 1dB power step size, and the Test system relative power measurement uncertainty is specified for test case 6.3.4.3 in Table F.1.2-1.
 - For UEs supporting Tx diversity, the transmit power is measured as the sum of the output power from both UE antenna connectors.
7. Set the Interferer signal level to the value as defined in Table 7.5A.4.4.2-1 as appropriate (Case 1) and frequency below the wanted signal, using a modulated interferer bandwidth as defined in Annex D.
8. Measure the average throughput for each component carrier for a duration sufficient to achieve statistical significance according to Annex H.2A.
9. Repeat steps from 6 to 8, using an interfering signal above the wanted signal in Case 1 at step 7.
10. Set the Downlink signal level according to Table 7.5A.4.4.2-1 as appropriate (Case 2). Send uplink power control commands to the UE using 1dB power step size to ensure that the UE output power measured by the test system is within the Uplink power control window, defined as $-MU$ to $-(MU + \text{Uplink power control window size})$ dB of the target power level in Table 7.5A.4.4.2-1 for at least the duration of the Throughput measurement, where MU and Uplink power control window size are defined above.
11. Set the Interferer signal level to the value as defined in Table 7.5A.4.4.2-1 as appropriate (Case 2) and frequency below the wanted signal, using a modulated interferer bandwidth as defined in Annex D.
12. Measure the average throughput for each component carrier for a duration sufficient to achieve statistical significance according to Annex H.2A.
13. Repeat steps from 10 to 12, using an interfering signal above the wanted signal in Case 2 at step 11.
14. Repeat for applicable channel bandwidths and operating band combinations in both Case 1 and Case 2.

NOTE: The purpose of the Uplink power control window is to ensure that the actual UE output power is no greater than the target power level, and as close as possible to the target power level. The relationship between the Uplink power control window, the target power level and the corresponding possible actual UE Uplink power window is illustrated in Annex F.4.3.

Table 7.5A.4.4.2-1: Test repetition and measurement configuration

[TBD]

7.5A.4.4.3 Message Contents

Message contents are according to TS 38.508-1 [5] subclause 4.6 with TRANSFORM_PRECODER_ENABLED condition in Table 4.6.3-118 PUSCH-Config.

7.5A.4.5 Test Requirement

The throughput of each carrier shall be $\geq 95\%$ of the maximum throughput of the reference measurement channels as specified in Annexes A.2.2, A.2.3, A.3.2 and A.3.3 (with one sided dynamic OCNG Pattern for the DL-signal as described in Annex A.5.1.1/A.5.2.1) with parameters specified in Tables 7.5A.4.5-2, 7.5A.4.5-2a, 7.5A.4.5-3, 7.5A.4.5-3a.

Table 7.5A.4.5-1: ACS for intra-band contiguous CA with $F_{DL_low} \geq 3300$ MHz and $F_{UL_low} \geq 3300$ MHz

Rx Parameter	Units	NR CA bandwidth class		
		B	C	D
ACS	dB	26.0	33.0	25.2

Table 7.5A.4.5-1a: ACS for intra-band contiguous CA with $F_{DL_low} < 2700$ MHz and $F_{UL_low} < 2700$ MHz

Rx Parameter	Units	NR CA bandwidth class	
		B	C
ACS	dB	20.0	17.0

Table 7.5A.4.5-2: Test parameters for intra-band contiguous CA with $F_{DL_low} \geq 3300$ MHz and $F_{UL_low} \geq 3300$ MHz, case 1

Rx Parameter	Units	NR CA bandwidth class		
		B	C	D
Pw in Transmission Bandwidth Configuration, per CC	dBm	REFSENS + 14 dB	REFSENS + 14 dB	REFSENS + 14 dB
$P_{Interferer}$	dBm	Aggregated power + 24.5 dB	Aggregated power + 31.5 dB	Aggregated power + 23.7 dB
$BW_{Interferer}$	MHz	20	$BW_{channel\ CA}$	50
$F_{Interferer}$ (offset)	MHz	10 + Foffset / -10 - Foffset	$BW_{channel\ CA}$ / - $BW_{channel\ CA}$	25 + Foffset / -25 -Foffset

NOTE 1: The transmitter shall be set to 4 dB below $P_{CMAX_L,f,c}$ at the minimum UL configuration specified in Table 7.3.2-3 with $P_{CMAX_L,f,c}$ defined in clause 6.2.4.

NOTE 2: The absolute value of the interferer offset $F_{Interferer}$ (offset) shall be further adjusted to $(\lceil |F_{Interferer}| / SCS \rceil + 0.5) SCS$ MHz with SCS the sub-carrier spacing of the carrier closest to the interferer in MHz. The interferer is an NR signal with an SCS equal to that of the closest carrier.

NOTE 3: The interferer consists of the RMC specified in Annexes A.3.2.2 and A.3.3.2 with one sided dynamic OCNG Pattern OP.1 FDD/TDD for the DL-signal as described in Annex A.5.1.1/A.5.2.1.

Table 7.5A.4.5-2a: Test parameters for intra-band contiguous CA with $F_{DL_low} < 2700$ MHz and $F_{UL_low} < 2700$ MHz, case 1

Rx Parameter	Units	NR CA bandwidth class	
		B	C
Pw in Transmission Bandwidth Configuration, per CC	dBm	REFSENS + 14 dB	REFSENS + 14 dB
$P_{Interferer}$	dBm	Aggregated power + 18.5 dB	Aggregated power + 15.5 dB
$BW_{Interferer}$	MHz	5	5

$F_{\text{Interferer}}$ (offset)	MHz	$2.5 + F_{\text{offset}}$ / $-2.5 - F_{\text{offset}}$	$2.5 + F_{\text{offset}}$ / $-2.5 - F_{\text{offset}}$
NOTE 1: The transmitter shall be set to 4 dB below $P_{\text{CMAX_L,f,c}}$ at the minimum UL configuration specified in Table 7.3.2-3 with $P_{\text{CMAX_L,f,c}}$ defined in clause 6.2.4.			
NOTE 2: The absolute value of the interferer offset $F_{\text{Interferer}}$ (offset) shall be further adjusted to $(\lceil F_{\text{Interferer}} / \text{SCS} \rceil + 0.5) \text{SCS}$ MHz with SCS the sub-carrier spacing of the carrier closest to the interferer in MHz. The interferer is an NR signal with 15 kHz SCS.			
NOTE 3: The interferer consists of the RMC specified in Annexes A.3.2.2 and A.3.3.2 with one sided dynamic OCNG Pattern OP.1 FDD/TDD for the DL-signal as described in Annex A.5.1.1/A.5.2.1.			

Table 7.5A.4.5-3: Test parameters for intra-band contiguous CA with $F_{\text{DL_low}} \geq 3300$ MHz and $F_{\text{UL_low}} \geq 3300$ MHz, case 2

Rx Parameter	Units	NR CA bandwidth class		
		B	C	D
Pw in Transmission Bandwidth Configuration, per CC	dBm	$-49.5 + 10\log(N_{\text{RB,c}}/N_{\text{RB_agg}})$	-56.5	$-48.7 + 10\log(N_{\text{RB,c}}/N_{\text{RB_agg}})$
$P_{\text{Interferer}}$	dBm	-25	-25	-25
$BW_{\text{Interferer}}$	MHz	20	$BW_{\text{channel CA}}$	50
$F_{\text{Interferer}}$ (offset)	MHz	$10 + F_{\text{offset}}$ / $-10 - F_{\text{offset}}$	$BW_{\text{channel CA}}$ / $-BW_{\text{channel CA}}$	$25 + F_{\text{offset}}$ / $-25 - F_{\text{offset}}$
NOTE 1: The transmitter shall be set to 24 dB below $P_{\text{CMAX_L,f,c}}$ at the minimum UL configuration specified in Table 7.3.2-3 with $P_{\text{CMAX_L,f,c}}$ defined in clause 6.2.4.				
NOTE 2: The absolute value of the interferer offset $F_{\text{Interferer}}$ (offset) shall be further adjusted to $(\lceil F_{\text{Interferer}} / \text{SCS} \rceil + 0.5) \text{SCS}$ MHz with SCS the sub-carrier spacing of the carrier closest to the interferer in MHz. The interferer is an NR signal with an SCS equal to that of the closest carrier.				
NOTE 3: The interferer consists of the RMC specified in Annexes A.3.2.2 and A.3.3.2 with one sided dynamic OCNG Pattern OP.1 FDD/TDD for the DL-signal as described in Annex A.5.1.1/A.5.2.1.				

Table 7.5A.4.5-3a: Test parameters for intra-band contiguous CA with $F_{\text{DL_low}} < 2700$ MHz and $F_{\text{UL_low}} < 2700$ MHz, case 2

Rx Parameter	Units	NR CA Bandwidth Class	
		B	C
Pw in Transmission Bandwidth Configuration, per CC	dBm	$-43.5 + 10\log(N_{\text{RB,c}}/N_{\text{RB_agg}})$	$-40.5 + 10\log(N_{\text{RB,c}}/N_{\text{RB_agg}})$
$P_{\text{Interferer}}$	dBm	-25	-25
$BW_{\text{Interferer}}$	MHz	5	5
$F_{\text{Interferer}}$ (offset)	MHz	$2.5 + F_{\text{offset}}$ / $-2.5 - F_{\text{offset}}$	$2.5 + F_{\text{offset}}$ / $-2.5 - F_{\text{offset}}$
NOTE 1: The transmitter shall be set to 24 dB below $P_{\text{CMAX_L,f,c}}$ at the minimum UL configuration specified in Table 7.3.2-3 with $P_{\text{CMAX_L,f,c}}$ defined in clause 6.2.4.			
NOTE 2: The absolute value of the interferer offset $F_{\text{Interferer}}$ (offset) shall be further adjusted to $(\lceil F_{\text{Interferer}} / \text{SCS} \rceil + 0.5) \text{SCS}$ MHz with SCS the sub-carrier spacing of the carrier closest to the interferer in MHz. The interferer is an NR signal with 15 kHz SCS.			
NOTE 3: The interferer consists of the RMC specified in Annexes A.3.2.2 and A.3.3.2 with one sided dynamic OCNG Pattern OP.1 FDD/TDD for the DL-signal as described in Annex A.5.1.1/A.5.2.1.			

For NR PCC and SCCs of inter-band and intra-band non-contiguous CA with $F_{\text{DL_high}} < 2700$ MHz and $F_{\text{UL_high}} < 2700$ MHz, the throughput measurement derived in test procedure shall be $\geq 95\%$ of the maximum throughput of the reference measurement channels as specified in Annexes A.2.2, A.2.3 and A.3.2 (with one sided dynamic OCNG Pattern OP.1 FDD/TDD for the DL-signal as described in Annex A.5.1.1/A.5.2.1) with parameters specified in Tables 7.5A.4.5-5 and 7.5A.4.5-6.

Table 7.5A.4.5-4: ACS for NR bands with $F_{\text{DL_high}} < 2700$ MHz and $F_{\text{UL_high}} < 2700$ MHz (inter-band, intra-band non-contiguous)

RX parameter	Units	Channel bandwidth
--------------	-------	-------------------

		5 MHz	10 MHz	15 MHz	20 MHz	25 MHz
ACS	dB	33	33	30	27	26
RX parameter	Units	Channel bandwidth				
		30 MHz	40 MHz	50 MHz	60 MHz	80 MHz
ACS	dB	25.5	24	23	22.5	21
RX parameter	Units	Channel bandwidth				
		90 MHz	100 MHz			
ACS	dB	20.5	20			

Table 7.5A.4.5-5: Test parameters for NR bands with $F_{DL_high} < 2700$ MHz and $F_{UL_high} < 2700$ MHz, case 1 (inter-band, intra-band non-contiguous)

RX parameter	Units	Channel bandwidth				
		5 MHz	10 MHz	15 MHz	20 MHz	25 MHz
Pw in Transmission Bandwidth Configuration, per CC	dBm	REFSENS + 14 dB				
$P_{interferer}$	dBm	REFSENS for SCC + 45.5 dB	REFSENS for SCC + 45.5 dB	REFSENS for SCC + 42.5 dB	REFSENS for SCC + 39.5 dB	REFSENS for SCC + 38.5 dB
$BW_{interferer}$	MHz	5	5	5	5	5
$F_{interferer}$ (offset from SCC)	MHz	5 / -5	7.5 / -7.5	10 / -10	12.5 / -12.5	15 / -15
RX parameter	Units	Channel bandwidth				
		30 MHz	40 MHz	50 MHz	60 MHz	80 MHz
Pw in Transmission Bandwidth Configuration, per CC	dBm	REFSENS + 14 dB				
$P_{interferer}$	dBm	REFSENS for SCC + 38 dB	REFSENS for SCC + 36.5 dB	REFSENS for SCC + 35.5 dB	REFSENS for SCC + 35 dB	REFSENS for SCC + 33.5 dB
$BW_{interferer}$	MHz	5	5	5	5	5
$F_{interferer}$ (offset from SCC)	MHz	17.5 / -17.5	22.5 / -22.5	27.5 / -27.5	32.5 / -32.5	42.5 / -42.5
RX parameter	Units	Channel bandwidth				
		90 MHz	100 MHz			
Pw in Transmission Bandwidth Configuration, per CC	dBm	REFSENS + 14 dB				
$P_{interferer}$	dBm	REFSENS for SCC + 33 dB	REFSENS for SCC + 32.5 dB			
$BW_{interferer}$	MHz	5	5			
$F_{interferer}$ (offset from SCC)	MHz	47.5 / -47.5	52.5 / -52.5			
NOTE 1: The transmitter shall be set to 4dB below $P_{CMAX_L,f,c}$ at the minimum UL configuration specified in Table 7.3.2.3-3 with $P_{CMAX_L,f,c}$ defined in clause 6.2.4.						
NOTE 2: The absolute value of the interferer offset $F_{interferer}$ (offset) shall be further adjusted to $(\lceil F_{interferer} / SCS \rceil + 0.5) SCS$ MHz with SCS the sub-carrier spacing of the wanted signal in MHz. The interferer is an NR signal with an SCS equal to that of the wanted signal.						
NOTE 3: The interferer consists of the NR interferer RMC specified in Annexes A.3.2.2 and A.3.3.2 with one sided dynamic OCN Pattern OP.1 FDD/TDD for the DL-signal as described in Annex A.5.1.1/A.5.2.1.						

Table 7.5A.4.5-6: Test parameters for NR bands with $F_{DL_high} < 2700$ MHz and $F_{UL_high} < 2700$ MHz, case 2 (inter-band, intra-band non-contiguous)

RX parameter	Units	Channel bandwidth				
		5 MHz	10 MHz	15 MHz	20 MHz	25 MHz
Pw in Transmission Bandwidth Configuration, per CC	dBm	-56.5	-56.5	-53.5	-50.5	-49.5
$P_{interferer}$	dBm	-25				
$BW_{interferer}$	MHz	5	5	5	5	5
$F_{interferer}$ (offset from SCC)	MHz	5 / -5	7.5 / -7.5	10 / -10	12.5 / -12.5	15 / -15
RX parameter	Units	Channel bandwidth				
		30 MHz	40 MHz	50 MHz	60 MHz	80 MHz
Pw in Transmission Bandwidth Configuration, per CC	dBm	-49	-47	-46.5	-46	-44.5
$P_{interferer}$	dBm	-25				
$BW_{interferer}$	MHz	5	5	5	5	5
$F_{interferer}$ (offset from SCC)	MHz	17.5 / -17.5	22.5 / -22.5	27.5 / -27.5	32.5 / -32.5	42.5 / -42.5
RX parameter	Units	Channel bandwidth				
		90 MHz	100 MHz			
Pw in Transmission Bandwidth Configuration, per CC	dBm	-44	-43.5			
$P_{interferer}$	dBm	-25				
$BW_{interferer}$	MHz	5	5			
$F_{interferer}$ (offset from SCC)	MHz	47.5 / -47.5	52.5 / -52.5			
NOTE 1: The transmitter shall be set to 24 dB below $P_{C_{MAX_L,f,c}}$ at the minimum UL configuration specified in Table 7.3.2.3-3 with $P_{C_{MAX_L,f,c}}$ defined in clause 6.2.4.						
NOTE 2: The absolute value of the interferer offset $F_{interferer}$ (offset) shall be further adjusted to $(\lceil F_{interferer} / SCS \rceil + 0.5) SCS$ MHz with SCS the sub-carrier spacing of the wanted signal in MHz. The interferer is an NR signal with an SCS equal to that of the wanted signal.						
NOTE 3: The interferer consists of the RMC specified in Annexes A.3.2.2 and A.3.3.2 with one sided dynamic OCNG Pattern OP.1 FDD/TDD for the DL-signal as described in Annex A.5.1.1/A.5.2.1.						

For NR PCC and SCCs of inter-band and intra-band non-contiguous CA with $F_{DL_low} \geq 3300$ MHz and $F_{UL_low} \geq 3300$ MHz, the throughput measurement derived in test procedure shall be $\geq 95\%$ of the maximum throughput of the reference measurement channels as specified in Annexes A.2.2, A.2.3 and A.3.2 (with one sided dynamic OCNG Pattern OP.1 FDD/TDD for the DL-signal as described in Annex A.5.1.1/A.5.2.1) with parameters specified in Tables 7.5A.4.5-8 and 7.5A.4.5-9.

Table 7.5A.4.5-7: ACS for NR bands with $F_{DL_low} \geq 3300$ MHz and $F_{UL_low} \geq 3300$ MHz (inter-band, intra-band non-contiguous)

RX parameter	Units	Channel bandwidth				
		10 MHz	15 MHz	20 MHz	40 MHz	50 MHz
ACS	dB	33	33	33	33	33
RX parameter	Units	Channel bandwidth				
		60 MHz	80 MHz	90 MHz	100 MHz	
ACS	dB	33	33	33	33	

Table 7.5A.4.5-8: Test parameters for NR bands with $F_{DL_low} \geq 3300$ MHz and $F_{UL_low} \geq 3300$ MHz, case 1 (inter-band, intra-band non-contiguous)

RX parameter	Units	Channel bandwidth				
		10 MHz	15 MHz	20 MHz	40 MHz	50 MHz
Pw in Transmission Bandwidth Configuration, per CC	dBm	REFSENS + 14 dB				
$P_{interferer}$	dBm	REFSENS for SCC + 45.5 dB				
$BW_{interferer}$	MHz	10	15	20	40	50
$F_{interferer}$ (offset from SCC)	MHz	10 / -10	15 / -15	20 / -20	40 / -40	50 / -50
RX parameter	Units	Channel bandwidth				
		60 MHz	80 MHz	90 MHz	100 MHz	
Pw in Transmission Bandwidth Configuration, per CC	dBm	REFSENS + 14 dB				
$P_{interferer}$	dBm	REFSENS for SCC + 45.5 dB	REFSENS for SCC + 45.5 dB	REFSENS for SCC + 45.5 dB	REFSENS for SCC + 45.5 dB	
$BW_{interferer}$	MHz	60	80	90	100	
$F_{interferer}$ (offset from SCC)	MHz	60 / -60	80 / -80	90 / -90	100 / -100	
NOTE 1: The transmitter shall be set to 4dB below $P_{CMAX_L,f,c}$ at the minimum UL configuration specified in Table 7.3.2.3-3 with $P_{CMAX_L,f,c}$ defined in clause 6.2.4.						
NOTE 2: The absolute value of the interferer offset $F_{interferer}$ (offset) shall be further adjusted to $(\lceil F_{interferer} / SCS \rceil + 0.5) SCS$ MHz with SCS the sub-carrier spacing of the wanted signal in MHz. The interferer is an NR signal with an SCS equal to that of the wanted signal.						
NOTE 3: The interferer consists of the RMC specified in Annexes A.3.2.2 and A.3.3.2 with one sided dynamic OCN Pattern OP.1 FDD/TDD for the DL-signal as described in Annex A.5.1.1/A.5.2.1.						

Table 7.5A.4.5-9: Test parameters for NR bands with $F_{DL_low} \geq 3300$ MHz and $F_{UL_low} \geq 3300$ MHz, case 2 (inter-band, intra-band non-contiguous)

RX parameter	Units	Channel bandwidth				
		10 MHz	15 MHz	20 MHz	40 MHz	50 MHz
Pw in Transmission Bandwidth Configuration, per CC	dBm	-56.5				
$P_{interferer}$	dBm	-25				
$BW_{interferer}$	MHz	10	15	20	40	50
$F_{interferer}$ (offset from SCC)	MHz	10 / -10	15 / -15	20 / -20	40 / -40	50 / -50
RX parameter	Units	Channel bandwidth				
		60 MHz	80 MHz	90 MHz	100 MHz	
Pw in Transmission Bandwidth Configuration, per CC	dBm	-56.5				
$P_{interferer}$	dBm	-25	-25	-25	-25	
$BW_{interferer}$	MHz	60	80	90	100	
$F_{interferer}$ (offset from SCC)	MHz	60 / -60	80 / -80	90 / -90	100 / -100	
NOTE 1: The transmitter shall be set to 24 dB below $P_{CMAX_L,f,c}$ at the minimum UL configuration specified in Table 7.3.2.3-3 with $P_{CMAX_L,f,c}$ defined in clause 6.2.4.						

NOTE 2: The absolute value of the interferer offset $F_{\text{interferer}}$ (offset) shall be further adjusted to $(\lceil |F_{\text{interferer}}| / \text{SCS} \rceil + 0.5) \text{SCS}$ MHz with SCS the sub-carrier spacing of the wanted signal in MHz. The interferer is an NR signal with an SCS equal to that of the wanted signal.

NOTE 3: The interferer consists of the RMC specified in Annexes A.3.2.2 and A.3.3.2 with one sided dynamic OCNG Pattern OP.1 FDD/TDD for the DL-signal as described in Annex A.5.1.1/A.5.2.1.

7.5B Adjacent channel selectivity for NR-DC

For inter-band NR-DC configurations, the adjacent channel selectivity for the corresponding inter-band CA configuration as specified in clause 7.5A applies.

Note: For NR-DC testing, replace CA by NR-DC, PCC by PCell, and SCC by PSCell in clause 7.5A.

7.5D Adjacent channel selectivity for UL MIMO

7.5D.1 Test purpose

Adjacent channel selectivity (ACS) is a measure of a receiver's ability to receive an NR signal at its assigned channel frequency in the presence of an adjacent channel signal at a given frequency offset from the centre frequency of the assigned channel. ACS is the ratio of the receive filter attenuation on the assigned channel frequency to the receive filter attenuation on the adjacent channel(s).

7.5D.2 Test applicability

This test case applies to all types of NR UE release 15 and forward that support UL MIMO on FDD bands.

7.5D.3 Minimum conformance requirements

For UE(s) with two transmitter antenna connectors in closed-loop spatial multiplexing scheme, the minimum requirements specified in sub-clause 7.5 shall be met with the UL MIMO configurations described in sub-clause 6.2D.1. For UL MIMO, the parameter P_{CMAX_L} is defined as the total transmitter power over the two transmit antenna connectors.

The normative reference for this requirement is TS 38.101-1 [2] clauses 7.5D and 7.5.

7.5D.4 Test description

7.5D.4.1 Initial conditions

Initial conditions are a set of test configurations the UE needs to be tested in and the steps for the SS to take with the UE to reach the correct measurement state.

The initial test configurations consist of environmental conditions, test frequencies, and channel bandwidths based on NR operating bands specified in Table 5.2-1. All of these configurations shall be tested with applicable test parameters for each channel bandwidth, and are shown in Table 7.5D.4.1-1. The details of the uplink and downlink reference measurement channels (RMCs) are specified in Annex A.2 and Annex A.3 respectively. Configurations of PDSCH and PDCCH before measurement are specified in Annex C.2.

Table 7.5D.4.1-1: Test Configuration Table

Default Conditions				
Test Environment as specified in TS 38.508-1 [5] subclause 4.1		Normal		
Test Frequencies as specified in TS 38.508-1 [5] subclause 4.3.1		Mid range		
Test Channel Bandwidths as specified in TS 38.508-1 [5] subclause 4.3.1		Lowest, Mid and Highest		
Test SCS as specified in Table 5.3.5-1		Lowest		
Test Parameters				
Test ID	Downlink Configuration		Uplink Configuration	
	Mod'n	RB allocation	Mod'n	RB allocation
1	CP-OFDM QPSK	NOTE 1	CP-OFDM QPSK	NOTE 1

NOTE 1: The specific configuration of uplink and downlink are defined in Table 7.3.2.4.1-2 and 7.3.2.4.1-3 for Downlink and Uplink respectively.

NOTE 2: In a band where UE supports 4Rx, the test shall be performed only with 4Rx antennas ports connected and 4Rx REFSSENS requirement (Table 7.3.2.5-2) is used in the test requirements.

1. Connect the SS to the UE antenna connectors as shown in TS 38.508-1 [5] Annex A, in Figure A.3.1.4.4 for TE diagram and section A.3.2.3 for UE diagram.
2. The parameter settings for the cell are set up according to TS 38.508-1 [5] subclause 4.4.3.
3. Downlink signals are initially set up according to Annex C.0, C.1, C.2, C.3.1, and uplink signals according to Annex G.0, G.1, G.2, G.3.1.
4. The DL and UL Reference Measurement channels are set according to Table 7.5D.4.1-1.
5. Propagation conditions are set according to Annex B.0.
6. Ensure the UE is in state RRC_CONNECTED with generic procedure parameters Connectivity NR, Connected without release On and Test Loop Function On according to TS 38.508-1 [5] clause 4.5. Message content are defined in clause 7.5D.4.3.

7.5D.4.2 Test procedure

Same test procedure as specified in 7.5.2.4.2 with the following exception:

- Instead of Table 7.5.4.1-1, use Table 7.5D.4.1-1 in step 1.
- Step 2: SS sends uplink scheduling information for each UL HARQ process via PDCCH DCI format 0_1 for C_RNTI to schedule the UL RMC according to Table 7.5D.4.1-1. Since the UE has no payload data to send, the UE transmits uplink MAC padding bits on the UL RMC. The PDCCH DCI format 0_1 is specified with condition 2TX_UL_MIMO in 38.508-1 [5] subclause 4.3.6.1.1.2.

7.5D.4.3 Message contents

Message contents are according to TS 38.508-1 [5] subclause 4.6 ensuring Table 4.6.3-182 with condition 2TX_UL_MIMO

7.5D.5 Test requirement

Same test requirement as defined in Clause 7.5.5.

7.5D_1 Adjacent channel selectivity for SUL with UL MIMO

7.5D_1.1 Test purpose

Same test purpose as in clause 7.5D.1

7.5D_1.2 Test applicability

This test applies to all types of NR UE release 17 and forward that support SUL and UL MIMO operating on the SUL bands.

7.5D_1.3 Minimum conformance requirements

Same minimum conformance requirements as in clause 7.5D.3

7.5D_1.4 Test description

7.5D_1.4.1 Initial conditions

Initial conditions are a set of test configurations the UE needs to be tested in and the steps for the SS to take with the UE to reach the correct measurement state.

The initial test configurations consist of environmental conditions, test frequencies, and channel bandwidths based on NR operating bands specified in Table 5.2-1. All of these configurations shall be tested with applicable test parameters

for each channel bandwidth, and are shown in Table 7.5D_1.4.1-1. The details of the uplink and downlink reference measurement channels (RMCs) are specified in Annex A.2 and Annex A.3 respectively. Configurations of PDSCH and PDCCH before measurement are specified in Annex C.2.

Table 7.5D_1.4.1-1: Test Configuration Table

Default Conditions				
Test Environment as specified in TS 38.508-1 [5] subclause 4.1		Normal		
Test Frequencies as specified in TS 38.508-1 [5] subclause 4.3.1		Mid range for SUL and NUL With following exceptions: SUL_n78-n80: High in band n78		
Test Channel Bandwidths as specified in TS 38.508-1 [5] subclause 4.3.1		Lowest, Mid, Highest for Non-SUL carrier For SUL band: n80: 30 MHz n84: 20 MHz n95: 15 MHz		
Test SCS as specified in Table 5.3.5-1		15kHz for SUL carrier Lowest for Non-SUL carrier		
Test Parameters				
Test ID	Downlink Configuration		Uplink Configuration	
	Mod'n	RB allocation	Mod'n	RB allocation
1	CP-OFDM QPSK	NOTE 1	CP-OFDM QPSK	NOTE 1
NOTE 1: The specific configuration of uplink and downlink are defined in Table 7.3.2.4.1-2 and 7.3.2.4.1-3 for Downlink and Uplink respectively.				
NOTE 2: In a band where UE supports 4Rx, the test shall be performed only with 4Rx antennas ports connected and 4Rx REFSSENS requirement (Table 7.3.2.5-2) is used in the test requirements.				

1. Connect the SS to the UE antenna connectors as shown in TS 38.508-1 [5] Annex A, Figure A.3.1.1.5 for TE diagram and section A.3.2 for UE diagram.
2. The parameter settings for the cell are set up according to TS 38.508-1 [5] subclause 4.4.3.
3. Downlink signals are initially set up according to Annex C.0, C.1, C.2, and uplink signals according to Annex G.0, G.1, G.2 and G.3.0 with consideration of supplementary uplink physical channels.
4. The UL Reference Measurement Channel is set according to Table 7.5D_1.4.1-1.
5. Propagation conditions are set according to Annex B.0.
6. Ensure the UE is in state RRC_CONNECTED with generic procedure parameters Connectivity NR, Connected without release On and Test Loop Function On according to TS 38.508-1 [5] clause 4.5. Message content are defined in clause 7.5D_1.4.3.

7.5D_1.4.2 Test procedure

Same test procedure as specified in 7.5.2.4.2 with the following exception:

- Instead of Table 7.5.4.1-1, use Table 7.5D_1.4.1-1 in step 1.
- Step 2: SS sends uplink scheduling information for each UL HARQ process via PDCCH DCI format 0_1 for C_RNTI to schedule the UL RMC according to Table 7.5D_1.4.1-1. Since the UE has no payload data to send, the UE transmits uplink MAC padding bits on the UL RMC. The PDCCH DCI format 0_1 is specified with condition 2TX_UL_MIMO in 38.508-1 [5] subclause 4.3.6.1.1.2.

7.5D_1.4.3 Message contents

Message contents are according to TS 38.508-1 [5] subclause 4.3.6.1.1.2 ensuring UL/SUL indicator in Table 4.3.6.1.1.2-1 with condition SUL, subclause 4.6 ensuring Table 4.6.1-28 with condition SUL AND (RF OR RRM), Tables 4.6.3-14 with condition SUL_SUL for SUL carrier, Table 4.6.3-167 with condition PUSCH_PUCCH_ON_SUL, and Table 4.6.3-182 with the condition 2TX_UL_MIMO.

7.5D_1.5 Test requirement

Same test requirement as defined in Clause 7.5.5.

7.5F Adjacent channel selectivity

7.5F.1 Adjacent channel selectivity for shared spectrum channel access

Editor’s note: This clause is incomplete. The following aspects are either missing or not yet determined:

- Test Configuration Table is FFS

- Message content for NS_53 is FFS

- TP analysis is TBD

- MU and TT for >6GHz (band n96) are working assumption based on analysis of single TE vendor. Values will be revisited once analysis from other TE vendors is available

7.5F.1.1 Test purpose

Adjacent channel selectivity (ACS) is a measure of a receiver's ability to receive an NR signal at its assigned channel frequency in the presence of an adjacent channel signal at a given frequency offset from the centre frequency of the assigned channel. ACS is the ratio of the receive filter attenuation on the assigned channel frequency to the receive filter attenuation on the adjacent channel(s).

7.5F.1.2 Test applicability

This test case applies to all types of NR UE release 16 and forward that support NR standalone shared spectrum channel access.

7.5F.1.3 Minimum conformance requirements

Instead of the general ACS requirements specified in clause 7.5, the UE shall fulfil the minimum requirements specified in Table 7.5F.1.3-1. These requirements apply for any SCS specified for the channel bandwidth of the wanted signal. For the test parameters specified in Table 7.5F.1.3-2, the throughput shall be $\geq 95\%$ of the maximum throughput of the reference measurement channels as specified in Annexes A.2.2, A.3.2, and A.3.3 (with one sided dynamic OCNG Pattern OP.1 FDD/TDD for the DL-signal as described in Annex A.5.1.1/A.5.2.1).

Table 7.5F.1.3-1: ACS for shared spectrum channel access bands

RX parameter	Units	Channel bandwidth			
		20 MHz	40 MHz	60 MHz	80 MHz
ACS	dB	24	21	19.2	18

Table 7.5F.1.3-2: Test parameters for shared spectrum channel access bands

RX parameter	Units	Channel bandwidth			
		20 MHz	40 MHz	60 MHz	80 MHz
Power in transmission bandwidth configuration	dBm	REFSENS + 14 dB			
$P_{interferer}$	dBm	REFSENS + 36.5 dB	REFSENS + 33.5 dB	REFSENS + 31.7 dB	REFSENS + 30.5 dB
$BW_{interferer}$	MHz	20			
$F_{interferer}$ (offset)	MHz	20 / -20			
NOTE 1: The transmitter shall be set to 4 dB below $P_{CMAX_L,f,c}$ at the minimum UL configuration specified in Table 7.3.2-3 with $P_{CMAX_L,f,c}$ defined in clause 6.2.4.					
NOTE 2: The absolute value of the interferer offset $F_{interferer}$ (offset) shall be further adjusted to $(\lceil F_{interferer} / SCS \rceil + 0.5) \cdot SCS$ MHz with SCS the sub-carrier spacing of the wanted signal in MHz. The interferer is an NR signal with an SCS equal to that of the wanted signal.					
NOTE 3: The interferer consists of the RMC specified in Annexes A.3.2.2 and A.3.3.2 with one sided dynamic OCNG Pattern OP.1 FDD/TDD for the DL-signal as described in Annex A.5.1.1/A.5.2.1.					

The normative reference for this requirement is TS 38.101-1 [2] clause 7.5F.1.

7.5F.1.4 Test description

7.5F.1.4.1 Initial conditions

Initial conditions are a set of test configurations the UE needs to be tested in and the steps for the SS to take with the UE to reach the correct measurement state.

The initial test configurations consist of environmental conditions, test frequencies, test channel bandwidths and sub-carrier spacing based on NR operating bands specified in Table 5.3.5-1. All of these configurations shall be tested with applicable test parameters for each combination of channel bandwidth and sub-carrier spacing, are shown in table 7.5F1.4.1-1. The details of the uplink and downlink reference measurement channels (RMC) are specified in Annexes A.2 and A.3. Configuration of PDSCH and PDCCH before measurement are specified in Annex C.2.

Table 7.5F.1.4.1-1: Test Configuration Table

FFS

1. Connect the SS to the UE antenna connectors as shown in TS 38.508-1 [5] Annex A, in Figure A.3.1.4.1 for TE diagram and section A.3.2 for UE diagram.
2. The parameter settings for the cell are set up according to TS 38.508-1 [5] subclause 4.4.3.
3. Downlink signals are initially set up according to Annex C.0, C.1, C.2, C.3.1, and uplink signals according to Annex G.0, G.1, G.2, G.3.1.
4. The DL and UL Reference Measurement channels are set according to Table 7.5F.1.4.1-1.
5. Propagation conditions are set according to Annex B.0.
6. Ensure the UE is in state RRC_CONNECTED with generic procedure parameters Connectivity *NR*, Connected without release *On*, Test Mode *On* and Test Loop Function *On* according to TS 38.508-1 [5] clause 4.5. Message content are defined in clause 7.5F.1.4.3.

7.5F.1.4.2 Test procedure

1. SS transmits PDSCH via PDCCH DCI format [1_1] for C_RNTI to transmit the DL RMC according to Table 7.5F.1.4.1-1. The SS sends downlink MAC padding bits on the DL RMC.
2. SS sends uplink scheduling information for each UL HARQ process via PDCCH DCI format [0_1] for C_RNTI to schedule the UL RMC according to Table 7.5F.1.4.1-1. Since the UL has no payload and no loopback data to send the UE sends uplink MAC padding bits on the UL RMC.
3. Set the Downlink signal level to the value as defined in Table 7.5F.1.5-2. Send uplink power control commands to the UE using 1dB power step size to ensure that the UE output power measured by the test system is within the Uplink power control window, defined as $-(MU)$ to $-(MU + \text{Uplink power control window size})$ dB of the target power level in Table 7.5F.1.5-2 for at least the duration of the Throughput measurement, where:
 - MU is the test system uplink power measurement uncertainty and is specified in Table F.1.3-1 for the carrier frequency f and the channel bandwidth BW
 - Uplink power control window size = 1dB (UE power step size) + 0.7dB (UE power step tolerance) + (Test system relative power measurement uncertainty), where, the UE power step tolerance is specified in TS 38.101-1 [2], Table 6.3.4.3-1 and is 0.7dB for 1dB power step size, and the Test system relative power measurement uncertainty is specified in Table F.1.3-1.
4. Set the Interferer signal level to the value as defined in Table 7.5F.1.5-2 and frequency below the wanted signal, using a modulated interferer bandwidth as defined in Annex D.
5. Measure the average throughput for a duration sufficient to achieve statistical significance according to Annex H.

NOTE: The purpose of the Uplink power control window is to ensure that the actual UE output power is no greater than the target power level, and as close as possible to the target power level. The relationship between the Uplink power control window, the target power level and the corresponding possible actual UE Uplink power window is illustrated in Annex F.4.3.

7.5F.1.4.3 Message contents

Message contents are according to TS 38.508-1 [5] subclause 4.6 with TRANSFORM_PRECODER_ENABLED condition in Table 4.6.3-118 PUSCH-Config.

7.5F.1.5 Test requirement

For NR bands under test, the throughput measurement derived in test procedure shall be $\geq 95\%$ of the maximum throughput of the reference measurement channels as specified in Annexes A.2.2, A.2.3, A.3.2 and A.3.3 (with one sided dynamic OCNG Pattern OP.1 FDD/TDD for the DL-signal as described in Annex A.5.1.1/A.5.2.1) with parameters specified in Tables 7.5F.1.5-2.

Table 7.5F.1.5-1: ACS for shared spectrum channel access bands

RX parameter	Units	Channel bandwidth			
		20 MHz	40 MHz	60 MHz	80 MHz
ACS	dB	24	21	19.2	18

Table 7.5F.1.5-2: Test parameters for shared spectrum channel access bands

RX parameter	Units	Channel bandwidth			
		20 MHz	40 MHz	60 MHz	80 MHz
Power in transmission bandwidth configuration	dBm	REFSENS + 14 dB			
$P_{\text{interferer}}$	dBm	REFSENS + 36.5 dB	REFSENS + 33.5 dB	REFSENS + 31.7 dB	REFSENS + 30.5 dB
$BW_{\text{interferer}}$	MHz	20			
$F_{\text{interferer}}$ (offset)	MHz	20 / -20			
NOTE 1: The transmitter shall be set to 4 dB below $P_{\text{CMAX_L,f,c}}$ at the minimum UL configuration specified in Table 7.3.2-3 with $P_{\text{CMAX_L,f,c}}$ defined in clause 6.2.4.					
NOTE 2: The absolute value of the interferer offset $F_{\text{interferer}}$ (offset) shall be further adjusted to $(\lceil F_{\text{interferer}} / SCS \rceil + 0.5) SCS$ MHz with SCS the sub-carrier spacing of the wanted signal in MHz. The interferer is an NR signal with an SCS equal to that of the wanted signal.					
NOTE 3: The interferer consists of the RMC specified in Annexes A.3.2.2 and A.3.3.2 with one sided dynamic OCNG Pattern OP.1 FDD/TDD for the DL-signal as described in Annex A.5.1.1/A.5.2.1.					

7.5J Adjacent channel selectivity for ATG

Editor's note: This clause is incomplete. The following aspects are either missing or not yet determined:

- MU and TT are FFS

- Message Contents are FFS pending on Rel-18 ASN.1 freeze

7.5J.1 Test purpose

Adjacent channel selectivity (ACS) is a measure of a receiver's ability to receive an NR signal at its assigned channel frequency in the presence of an adjacent channel signal at a given frequency offset from the centre frequency of the assigned channel. ACS is the ratio of the receive filter attenuation on the assigned channel frequency to the receive filter attenuation on the adjacent channel(s).

7.5J.2 Test applicability

This test case applies to all types of NR UE release 18 and forward that support NR standalone ATG.

7.5J.3 Minimum conformance requirements

Adjacent channel selectivity (ACS) is a measure of a receiver's ability to receive an NR signal at its assigned channel frequency in the presence of an adjacent channel signal at a given frequency offset from the centre frequency of the

assigned channel. ACS is the ratio of the receive filter attenuation on the assigned channel frequency to the receive filter attenuation on the adjacent channel(s).

The UE shall fulfil the minimum requirements specified in Table 7.5J.3-1 for NR bands with $F_{DL_high} < 2700$ MHz and $F_{UL_high} < 2700$ MHz and the minimum requirements specified in Table 7.5J.3-2 for NR bands with $F_{DL_low} \geq 3300$ MHz and $F_{UL_low} \geq 3300$ MHz. These requirements apply for all values of an adjacent channel interferer up to -42 dBm with omni-directional antenna and -30dBm with antenna array for any SCS specified for the channel bandwidth of the wanted signal. However, it is not possible to directly measure the ACS; instead the lower and upper range of test parameters are chosen as in Table 7.5J.3-3 and Table 7.5J.3-4 for verification of the requirements specified in Table 7.5J.3-1, and as in Table 7.5J.3-5 and Table 7.5J.3-6 for verification of the requirements specified in Table 7.5J.3-2. For these test parameters, the throughput shall be ≥ 95 % of the maximum throughput of the reference measurement channels as specified in Annexes A.2.2, A.3.2, and A.3.3 (with one sided dynamic OCNG Pattern OP.1 FDD/TDD for the DL-signal as described in Annex A.5.1.1/A.5.2.1).

Table 7.5J.3-1: ACS for NR bands with $F_{DL_high} < 2700$ MHz and $F_{UL_high} < 2700$ MHz

RX parameter	Units	Channel bandwidth (MHz)		
		5, 10	15	20, 25, 30, 35, 40, 45, 50, 60, 70, 80, 90, 100
ACS	dB	33	30	$27 - 10\log_{10}(BW_{Channel}/20)$
NOTE1: ACS value is rounded to the next higher 0.5dB value				

Table 7.5J.3-2: ACS for NR bands with $F_{DL_low} \geq 3300$ MHz and $F_{UL_low} \geq 3300$ MHz

RX parameter	Units	Channel bandwidth (MHz)
		10, 15, 20, 25, 30, 35, 40, 45, 50, 60, 70, 80, 90, 100
ACS	dB	33

Table 7.5J.3-3: Test parameters for NR bands with $F_{DL_high} < 2700$ MHz and $F_{UL_high} < 2700$ MHz, case 1

RX parameter	Units	Channel bandwidth (MHz)		
		5, 10	15	20, 25, 30, 35, 40, 45, 50, 60, 70, 80, 90, 100
Power in transmission bandwidth configuration	dBm	REFSENS + 14 dB		
$P_{interferer}^4$	dBm	REFSENS + 45.5 dB	REFSENS + 42.5 dB	REFSENS + 39.5 - $10\log_{10}(BW_{Channel}/20)$
$BW_{interferer}$	MHz	5		
$F_{interferer}$ (offset)	MHz	$BW_{Channel}/2 + 2.5$ / $-(BW_{Channel}/2 + 2.5)$		
NOTE 1: The transmitter shall be set to 4 dB below $P_{CMAX_L,f,c}$ at the minimum UL configuration specified in Table 7.3.2.3-3 with $P_{CMAX_L,f,c}$ defined in clause 6.2J.2.				
NOTE 2: The absolute value of the interferer offset $F_{interferer}$ (offset) shall be further adjusted to $(\lceil F_{interferer} / SCS \rceil + 0.5) SCS$ MHz with SCS the sub-carrier spacing of the wanted signal in MHz. The interferer is an NR signal with 15 kHz SCS.				
NOTE 3: The interferer consists of the NR interferer RMC specified in Annexes A.3.2.2 and A.3.3.2 with one sided dynamic OCNG Pattern OP.1 FDD/TDD for the DL-signal as described in Annex A.5.1.1/A.5.2.1.				
NOTE 4: $10\log_{10}(x)$ is rounded to the next higher 0.5dB value.				

Table 7.5J.3-4: Test parameters for NR bands with $F_{DL_high} < 2700$ MHz and $F_{UL_high} < 2700$ MHz, case 2

RX parameter	Units	Channel bandwidth (MHz)		
		5, 10	15	20, 25, 30, 35, 40, 45, 50, 60, 70, 80, 90, 100
Power in transmission bandwidth configuration ⁴	dBm	-73.5 ⁵ -61.5 ⁶	-70.5 ⁵ -58.5 ⁶	-67.5 + $10\log_{10}(BW_{Channel}/20)$ ⁵ -55.5 + $10\log_{10}(BW_{Channel}/20)$ ⁶
$P_{interferer}$	dBm	-42 ⁵ -30 ⁶		
$BW_{interferer}$	MHz	5		
$F_{interferer}$ (offset)	MHz	$BW_{Channel}/2 + 2.5$ / $-(BW_{Channel}/2 + 2.5)$		

- NOTE 1: The transmitter shall be set to 24 dB below $P_{\text{CMAX_L,f,c}}$ at the minimum UL configuration specified in Table 7.3.2.3-3 with $P_{\text{CMAX_L,f,c}}$ defined in clause 6.2J.2.
- NOTE 2: The absolute value of the interferer offset $F_{\text{interferer}}$ (offset) shall be further adjusted to $(\lceil F_{\text{interferer}} / \text{SCS} \rceil + 0.5) \text{SCS}$ MHz with SCS the sub-carrier spacing of the wanted signal in MHz. The interferer is an NR signal with 15 kHz SCS.
- NOTE 3: The interferer consists of the RMC specified in Annexes A.3.2.2 and A.3.3.2 with one sided dynamic OCNG Pattern OP.1 FDD/TDD for the DL-signal as described in Annex A.5.1.1/A.5.2.1
- NOTE 4: $10\log_{10}(x)$ is rounded to the next higher 0.5dB value.
- NOTE 5: $P_{\text{interferer}}$ shall be set to -42dBm for omni-directional antenna.
- NOTE 6: $P_{\text{interferer}}$ shall be set to -30dBm for antenna array.

Table 7.5J.3-5: Test parameters for NR bands with $F_{\text{DL_low}} \geq 3300$ MHz and $F_{\text{UL_low}} \geq 3300$ MHz, case 1

RX parameter	Units	Channel bandwidth (MHz)
		10, 15, 20, 25, 30, 35, 40, 45, 50, 60, 70, 80, 90, 100
Power in transmission bandwidth configuration	dBm	REFSENS + 14 dB
$P_{\text{interferer}}$	dBm	REFSENS + 45.5 dB
$BW_{\text{interferer}}$	MHz	BW_{Channel}
$F_{\text{interferer}}$ (offset)	MHz	BW_{Channel} / $-BW_{\text{Channel}}$
NOTE 1: The transmitter shall be set to 4 dB below $P_{\text{CMAX_L,f,c}}$ at the minimum UL configuration specified in Table 7.3.2.3-3 with $P_{\text{CMAX_L,f,c}}$ defined in clause 6.2J.2.		
NOTE 2: The absolute value of the interferer offset $F_{\text{interferer}}$ (offset) shall be further adjusted to $(\lceil F_{\text{interferer}} / \text{SCS} \rceil + 0.5) \text{SCS}$ MHz with SCS the sub-carrier spacing of the wanted signal in MHz. The interferer is an NR signal with an SCS equal to that of the wanted signal.		
NOTE 3: The interferer consists of the RMC specified in Annexes A.3.2.2 and A.3.3.2 with one sided dynamic OCNG Pattern OP.1 FDD/TDD for the DL-signal as described in Annex A.5.1.1/A.5.2.1.		

Table 7.5J.3-6: Test parameters for NR bands with $F_{\text{DL_low}} \geq 3300$ MHz and $F_{\text{UL_low}} \geq 3300$ MHz, case 2

RX parameter	Units	Channel bandwidth (MHz)
		10, 15, 20, 25, 30, 35, 40, 45, 50, 60, 70, 80, 90, 100
Power in transmission bandwidth configuration	dBm	-73.5 ⁴ -61.5 ⁵
$P_{\text{interferer}}$	dBm	-42 ⁴ -30 ⁵
$BW_{\text{interferer}}$	MHz	BW_{Channel}
$F_{\text{interferer}}$ (offset)	MHz	BW_{Channel} / $-BW_{\text{Channel}}$
NOTE 1: The transmitter shall be set to 24 dB below $P_{\text{CMAX_L,f,c}}$ at the minimum UL configuration specified in Table 7.3.2.3-3 with $P_{\text{CMAX_L,f,c}}$ defined in clause 6.2J.2.		
NOTE 2: The absolute value of the interferer offset $F_{\text{interferer}}$ (offset) shall be further adjusted to $(\lceil F_{\text{interferer}} / \text{SCS} \rceil + 0.5) \text{SCS}$ MHz with SCS the sub-carrier spacing of the wanted signal in MHz. The interferer is an NR signal with an SCS equal to that of the wanted signal.		
NOTE 3: The interferer consists of the RMC specified in Annexes A.3.2.2 and A.3.3.2 with one sided dynamic OCNG Pattern OP.1 FDD/TDD for the DL-signal as described in Annex A.5.1.1/A.5.2.1.		
NOTE 4: $P_{\text{interferer}}$ shall be set to -42dBm for omni-directional antenna.		
NOTE 5: $P_{\text{interferer}}$ shall be set to -30dBm for antenna array.		

The normative reference for this requirement is TS 38.101-1 [2] clause 7.5J.

7.5J.4 Test description

7.5J.4.1 Initial conditions

Initial conditions are a set of test configurations the UE needs to be tested in and the steps for the SS to take with the UE to reach the correct measurement state.

The initial test configurations consist of environmental conditions, test frequencies, test channel bandwidths and sub-carrier spacing based on NR operating bands specified in Table 5.3.5-1. All of these configurations shall be tested with applicable test parameters for each combination of channel bandwidth and sub-carrier spacing, are shown in table 7.5J.4.1-1. The details of the uplink and downlink reference measurement channels (RMC) are specified in Annexes A.2 and A.3. Configuration of PDSCH and PDCCH before measurement are specified in Annex C.2.

Table 7.5J.4.1-1: Test Configuration Table

Default Conditions				
Test Environment as specified in TS 38.508-1 [5] subclause 4.1			Normal	
Test Frequencies as specified in TS 38.508-1 [5] subclause 4.3.1			Mid range	
Test Channel Bandwidths as specified in TS 38.508-1 [5] subclause 4.3.1			Lowest, Mid, Highest	
Test SCS as specified in Table 5.3.5-1			Lowest	
Test Parameters				
Test ID	Downlink Configuration		Uplink Configuration	
	Mod'n	RB allocation	Mod'n	RB allocation
1	CP-OFDM QPSK	NOTE 1	DFT-s-OFDM QPSK	NOTE 1
NOTE 1: The specific configuration of uplink and downlink are defined in Table 7.3.2.4.1-1.				
NOTE 2: In a band where UE supports 4Rx, the test shall be performed only with 4Rx antennas ports connected and 4Rx REFSENS requirement (Table 7.3.2.5-2) is used in the test requirements.				

1. Connect the SS to the UE antenna connectors as shown in TS 38.508-1 [5] Annex A, in Figure A.3.1.4.1 for TE diagram and section A.3.2 for UE diagram.
2. The parameter settings for the cell are set up according to TS 38.508-1 [5] subclause 4.4.3.
3. Downlink signals are initially set up according to Annex C.0, C.1, C.2, C.3.1, and uplink signals according to Annex G.0, G.1, G.2, G.3.1.
4. The DL and UL Reference Measurement channels are set according to Table 7.5J.4.1-1.
5. Propagation conditions are set according to Annex B.0.
6. Ensure the UE is in state RRC_CONNECTED with generic procedure parameters Connectivity *NR*, Connected without release *On*, Test Mode *On* and Test Loop Function *On* according to TS 38.508-1 [5] clause 4.5. Message content are defined in clause 7.5J.4.3.

7.5J.4.2 Test procedure

1. SS transmits PDSCH via PDCCH DCI format 1_1 for C_RNTI to transmit the DL RMC according to Table 7.5J.4.1-1. The SS sends downlink MAC padding bits on the DL RMC.
2. SS sends uplink scheduling information for each UL HARQ process via PDCCH DCI format 0_1 for C_RNTI to schedule the UL RMC according to Table 7.5J.4.1-1. Since the UL has no payload and no loopback data to send the UE sends uplink MAC padding bits on the UL RMC.
3. Set the Downlink signal level to the value as defined in Table 7.5J.5-2 or Table 7.5J.5-5 as appropriate (Case 1). Send uplink power control commands to the UE using 1dB power step size to ensure that the UE output power measured by the test system is within the Uplink power control window, defined as $-(\text{MU} + \text{Uplink power control window size})$ dB of the target power level in Table 7.5J.5-2 or Table 7.5J.5-5 for at least the duration of the Throughput measurement, where:
 - MU is the test system uplink power measurement uncertainty and is specified in Table F.1.3-1 for the carrier frequency f and the channel bandwidth BW
 - Uplink power control window size = 1dB (UE power step size) + 0.7dB (UE power step tolerance) + (Test system relative power measurement uncertainty), where, the UE power step tolerance is specified in TS 38.101-1 [2], Table 6.3.4.3-1 and is 0.7dB for 1dB power step size, and the Test system relative power measurement uncertainty is specified in Table F.1.3-1.

- The transmit power is measured as the sum of power of all antenna connectors (for ATG UE with omnidirectional antennas) or of all TAB connectors (for ATG UE with antenna array).
4. Set the Interferer signal level to the value as defined in Table 7.5J.5-2 or Table 7.5J.5-5 as appropriate (Case 1) and frequency below the wanted signal, using a modulated interferer bandwidth as defined in Annex D.
 5. Measure the average throughput for a duration sufficient to achieve statistical significance according to Annex H.
 6. Repeat steps from 3 to 5, using an interfering signal above the wanted signal in Case 1 at step 4.
 7. Set the Downlink signal level to the value as defined in Table 7.5J.5-3 or Table 7.5J.5-6 as appropriate (Case 2). Send uplink power control commands to the UE using 1dB power step size to ensure that the UE output power measured by the test system is within the Uplink power control window, defined as $-(\text{MU} + \text{Uplink power control window size})$ dB of the target power level in Table 7.5J.5-3 or Table 7.5J.5-6 for at least the duration of the Throughput measurement, where MU and Uplink power control window size are defined above.
 8. Set the Interferer signal level to the value as defined in Table 7.5J.5-3 or Table 7.5J.5-6 as appropriate (Case 2) and frequency below the wanted signal, using a modulated interferer bandwidth as defined in Annex D.
 9. Measure the average throughput for a duration sufficient to achieve statistical significance according to Annex H.
 10. Repeat steps from 7 to 9, using an interfering signal above the wanted signal in Case 2 at step 8.
 11. Repeat for applicable channel bandwidths and operating band combinations in both Case 1 and Case 2.

NOTE: The purpose of the Uplink power control window is to ensure that the actual UE output power is no greater than the target power level, and as close as possible to the target power level. The relationship between the Uplink power control window, the target power level and the corresponding possible actual UE Uplink power window is illustrated in Annex F.4.3.

7.5J.4.3 Message contents

FFS

7.5J.5 Test requirement

For NR bands with $F_{\text{DL_high}} < 2700$ MHz and $F_{\text{UL_high}} < 2700$ MHz, the throughput measurement derived in test procedure shall be $\geq 95\%$ of the maximum throughput of the reference measurement channels as specified in Annexes A.2.2, A.2.3, A.3.2 and A.3.3 (with one sided dynamic OCNG Pattern OP.1 FDD/TDD for the DL-signal as described in Annex A.5.1.1/A.5.2.1) with parameters specified in Tables 7.5J.5-2 and 7.5J.5-3.

Table 7.5J.5-1: ACS for NR bands with $F_{\text{DL_high}} < 2700$ MHz and $F_{\text{UL_high}} < 2700$ MHz

RX parameter	Units	Channel bandwidth (MHz)		
		5, 10	15	20, 25, 30, 35, 40, 45, 50, 60, 70, 80, 90, 100
ACS	dB	33	30	$27 - 10\log_{10}(\text{BW}_{\text{Channel}}/20)$
NOTE1: ACS value is rounded to the next higher 0.5dB value				

Table 7.5J.5-2: Test parameters for NR bands with $F_{\text{DL_high}} < 2700$ MHz and $F_{\text{UL_high}} < 2700$ MHz, case 1

RX parameter	Units	Channel bandwidth (MHz)		
		5, 10	15	20, 25, 30, 35, 40, 45, 50, 60, 70, 80, 90, 100
Power in transmission bandwidth configuration	dBm	REFSENS + 14 dB		
$P_{\text{interferer}}^4$	dBm	REFSENS + 45.5 dB	REFSENS + 42.5 dB	REFSENS + $39.5 - 10\log_{10}(\text{BW}_{\text{Channel}}/20)$
$\text{BW}_{\text{interferer}}$	MHz	5		
$F_{\text{interferer}}$ (offset)	MHz	$\text{BW}_{\text{Channel}}/2 + 2.5$ / $-(\text{BW}_{\text{Channel}}/2 + 2.5)$		

NOTE 1: The transmitter shall be set to 4 dB below $P_{\text{CMAX_L,f,c}}$ at the minimum UL configuration specified in Table 7.3.2.3-3 with $P_{\text{CMAX_L,f,c}}$ defined in clause 6.2J.2.

NOTE 2: The absolute value of the interferer offset $F_{\text{interferer}}$ (offset) shall be further adjusted to $(\lceil |F_{\text{interferer}}| / \text{SCS} \rceil + 0.5) \text{SCS}$ MHz with SCS the sub-carrier spacing of the wanted signal in MHz. The interferer is an NR signal with 15 kHz SCS.

NOTE 3: The interferer consists of the NR interferer RMC specified in Annexes A.3.2.2 and A.3.3.2 with one sided dynamic OCNG Pattern OP.1 FDD/TDD for the DL-signal as described in Annex A.5.1.1/A.5.2.1.

NOTE 4: $10\log_{10}(x)$ is rounded to the next higher 0.5dB value.

Table 7.5J.5-3: Test parameters for NR bands with $F_{\text{DL_high}} < 2700$ MHz and $F_{\text{UL_high}} < 2700$ MHz, case 2

RX parameter	Units	Channel bandwidth (MHz)		
		5, 10	15	20, 25, 30, 35, 40, 45, 50, 60, 70, 80, 90, 100
Power in transmission bandwidth configuration ⁴	dBm	-73.5 ⁵ -61.5 ⁶	-70.5 ⁵ -58.5 ⁶	-67.5 + $10\log_{10}(\text{BW}_{\text{Channel}}/20)^5$ -55.5 + $10\log_{10}(\text{BW}_{\text{Channel}}/20)^6$
$P_{\text{interferer}}$	dBm	-42 ⁵ -30 ⁶		
$\text{BW}_{\text{interferer}}$	MHz	5		
$F_{\text{interferer}}$ (offset)	MHz	$\text{BW}_{\text{Channel}}/2 + 2.5$ / $-(\text{BW}_{\text{Channel}}/2 + 2.5)$		

NOTE 1: The transmitter shall be set to 24 dB below $P_{\text{CMAX_L,f,c}}$ at the minimum UL configuration specified in Table 7.3.2.3-3 with $P_{\text{CMAX_L,f,c}}$ defined in clause 6.2J.2.

NOTE 2: The absolute value of the interferer offset $F_{\text{interferer}}$ (offset) shall be further adjusted to $(\lceil |F_{\text{interferer}}| / \text{SCS} \rceil + 0.5) \text{SCS}$ MHz with SCS the sub-carrier spacing of the wanted signal in MHz. The interferer is an NR signal with 15 kHz SCS.

NOTE 3: The interferer consists of the RMC specified in Annexes A.3.2.2 and A.3.3.2 with one sided dynamic OCNG Pattern OP.1 FDD/TDD for the DL-signal as described in Annex A.5.1.1/A.5.2.1

NOTE 4: $10\log_{10}(x)$ is rounded to the next higher 0.5dB value.

NOTE 5: $P_{\text{interferer}}$ shall be set to -42dBm for omni-directional antenna.

NOTE 6: $P_{\text{interferer}}$ shall be set to -30dBm for antenna array.

For NR bands with $F_{\text{DL_high}} \geq 3300$ MHz and $F_{\text{UL_high}} \geq 3300$ MHz, the throughput measurement derived in test procedure shall be $\geq 95\%$ of the maximum throughput of the reference measurement channels as specified in [Annexes A.2.2, A.2.3 and A.3.2 (with one sided dynamic OCNG Pattern OP.1 FDD/TDD for the DL-signal as described in Annex A.5.1.1/A.5.2.1)] with parameters specified in Tables 7.5J.5-5 and 7.5J.5-6.

Table 7.5J.5-4: ACS for NR bands with $F_{\text{DL_low}} \geq 3300$ MHz and $F_{\text{UL_low}} \geq 3300$ MHz

RX parameter	Units	Channel bandwidth (MHz)
		10, 15, 20, 25, 30, 35, 40, 45, 50, 60, 70, 80, 90, 100
ACS	dB	33

Table 7.5J.5-5: Test parameters for NR bands with $F_{\text{DL_low}} \geq 3300$ MHz and $F_{\text{UL_low}} \geq 3300$ MHz, case 1

RX parameter	Units	Channel bandwidth (MHz)
		10, 15, 20, 25, 30, 35, 40, 45, 50, 60, 70, 80, 90, 100
Power in transmission bandwidth configuration	dBm	REFSENS + 14 dB
$P_{\text{interferer}}$	dBm	REFSENS + 45.5 dB
$\text{BW}_{\text{interferer}}$	MHz	$\text{BW}_{\text{Channel}}$
$F_{\text{interferer}}$ (offset)	MHz	$\text{BW}_{\text{Channel}}$ / $-\text{BW}_{\text{Channel}}$

NOTE 1: The transmitter shall be set to 4 dB below $P_{\text{CMAX_L,f,c}}$ at the minimum UL configuration specified in Table 7.3.2.3-3 with $P_{\text{CMAX_L,f,c}}$ defined in clause 6.2J.2.

NOTE 2: The absolute value of the interferer offset $F_{\text{interferer}}$ (offset) shall be further adjusted to $(\lceil |F_{\text{interferer}}| / \text{SCS} \rceil + 0.5) \text{SCS}$ MHz with SCS the sub-carrier spacing of the wanted signal in MHz.
The interferer is an NR signal with an SCS equal to that of the wanted signal.

NOTE 3: The interferer consists of the RMC specified in Annexes A.3.2.2 and A.3.3.2 with one sided dynamic OCNB Pattern OP.1 FDD/TDD for the DL-signal as described in Annex A.5.1.1/A.5.2.1.

Table 7.5J.5-6: Test parameters for NR bands with $F_{\text{DL_low}} \geq 3300$ MHz and $F_{\text{UL_low}} \geq 3300$ MHz, case 2

RX parameter	Units	Channel bandwidth (MHz)
		10, 15, 20, 25, 30, 35, 40, 45, 50, 60, 70, 80, 90, 100
Power in transmission bandwidth configuration	dBm	-73.5 ⁴ -61.5 ⁵
$P_{\text{interferer}}$	dBm	-42 ⁴ -30 ⁵
$BW_{\text{interferer}}$	MHz	BW_{Channel}
$F_{\text{interferer}}$ (offset)	MHz	BW_{Channel} / - BW_{Channel}
NOTE 1: The transmitter shall be set to 24 dB below $P_{\text{CMAX_L,f,c}}$ at the minimum UL configuration specified in Table 7.3.2.3-3 with $P_{\text{CMAX_L,f,c}}$ defined in clause 6.2J.2.		
NOTE 2: The absolute value of the interferer offset $F_{\text{interferer}}$ (offset) shall be further adjusted to $(\lceil F_{\text{interferer}} / \text{SCS} \rceil + 0.5) \text{SCS}$ MHz with SCS the sub-carrier spacing of the wanted signal in MHz. The interferer is an NR signal with an SCS equal to that of the wanted signal.		
NOTE 3: The interferer consists of the RMC specified in Annexes A.3.2.2 and A.3.3.2 with one sided dynamic OCNB Pattern OP.1 FDD/TDD for the DL-signal as described in Annex A.5.1.1/A.5.2.1.		
NOTE 4: $P_{\text{interferer}}$ shall be set to -42dBm for omni-directional antenna.		
NOTE 5: $P_{\text{interferer}}$ shall be set to -30dBm for antenna array.		

7.6 Blocking characteristics

The blocking characteristic is a measure of the receiver's ability to receive a wanted signal at its assigned channel frequency in the presence of an unwanted interferer on frequencies other than those of the spurious response or the adjacent channels, without this unwanted input signal causing a degradation of the performance of the receiver beyond a specified limit. The blocking performance shall apply at all frequencies except those at which a spurious response occurs.

7.6.1 General

The blocking characteristic is a measure of the receiver's ability to receive a wanted signal at its assigned channel frequency in the presence of an unwanted interferer on frequencies other than those of the spurious response or the adjacent channels, without this unwanted input signal causing a degradation of the performance of the receiver beyond a specified limit. The blocking performance shall apply at all frequencies except those at which a spurious response occurs.

FFS

7.6.2 In-band blocking

7.6.2.1 Test purpose

In band blocking is defined for an unwanted interfering signal falling into the range from 15 MHz below to 15 MHz above the UE receive band, with $F_{\text{DL_high}} < 2700$ MHz and $F_{\text{UL_high}} < 2700$ MHz, or into an immediately adjacent frequency range up $3 \cdot BW_{\text{Channel}}$ below or above the UE receive band, with $F_{\text{DL_low}} \geq 3300$ MHz and $F_{\text{UL_low}} \geq 3300$ MHz, at which the relative throughput shall meet or exceed the requirement for the specified measurement channel.

7.6.2.2 Test applicability

This test applies to all types of NR UE release 15 and forward.

7.6.2.3 Minimum conformance requirements

For NR bands with $F_{DL_high} < 2700$ MHz and $F_{UL_high} < 2700$ MHz, in-band blocking (IBB) is defined for an unwanted interfering signal falling into the UE receive band or into the first 15 MHz below or above the UE receive band. The throughput of the wanted signal shall be $\geq 95\%$ of the maximum throughput of the reference measurement channels as specified in Annexes A.2.2, A.2.3, A.3.2 and A.3.3 (with one sided dynamic OCNG Pattern OP.1 FDD/TDD for the DL signal as described in Annex A.5) with parameters specified in Table 7.6.2.3-1 and Table 7.6.2.3-2. The relative throughput shall be met for any SCS specified for the channel bandwidth of the wanted signal. For operating bands with an unpaired DL part (as noted in Table 5.2-1), the requirements only apply for carriers assigned in the paired part.

Table 7.6.2.3-1: In-band blocking parameters for NR bands with $F_{DL_high} < 2700$ MHz and $F_{UL_high} < 2700$ MHz

RX parameter	Units	Channel bandwidth (MHz)			
		3	5, 10	15	20, 25, 30, 35, 40, 45, 50, 60, 70, 80, 90, 100
Power in transmission bandwidth configuration ³	dBm	REFSENS + 6 dB		REFSENS + 7 dB	REFSENS + (9 + 10log ₁₀ (BW _{Channel} / 20)) dB
BW _{interferer}	MHz	3	5		
F _{offset, case 1}	MHz	4.5	7.5		
F _{offset, case 2}	MHz	7.5	12.5		
NOTE 1: The transmitter shall be set to 4 dB below P _{CMAX_L,f,c} at the minimum UL configuration specified in Table 7.3.2.3-3 with P _{CMAX_L,f,c} defined in clause 6.2.4.					
NOTE 2: The interferer consists of the RMC specified in Annexes A.3.2.2 and A.3.3.2 with one sided dynamic OCNG Pattern OP.1 FDD/TDD for the DL-signal as described in Annex A.5.1.1/A.5.2.1 and 15 kHz SCS.					
NOTE 3 10log ₁₀ (x) is rounded to the next higher 0.5dB value.					

Table 7.6.2.3-2: In-band blocking for NR bands with $F_{DL_high} < 2700$ MHz and $F_{UL_high} < 2700$ MHz

NR band	Parameter	Unit	Case 1	Case 2	Case 3	Case 4
	P _{interferer}	dBm	-56	-44	-15	-38
	F _{interferer} (offset)	MHz	-BW _{Channel} /2 – F _{offset, case 1} and BW _{Channel} /2 + F _{offset, case 1}	\leq -BW _{Channel} /2 – F _{offset, case 2} and \geq BW _{Channel} /2 + F _{offset, case 2}		-BW _{Channel} /2-11
n1, n2, n3, n5, n7, n8, n12, n13, n14, n18, n20, n24, n25, n26, n28, n29, n34, n38, n39, n40, n41, n48 ³ , n50, n51, n53, n65, n66, n67, n70, n71, n74, n75, n76, n85, n91, n92, n93, n94, n100, n101, n106	F _{interferer}	MHz	NOTE 2	F _{DL_low} – 15 to F _{DL_high} + 15		
n30	F _{interferer}	MHz	NOTE 2	F _{DL_low} – 15 to F _{DL_high} + 15		F _{DL_low} – 11
n71	F _{interferer}	MHz	NOTE 2	F _{DL_low} – 12 to F _{DL_high} + 15	F _{DL_low} – 12	
NOTE 1: The absolute value of the interferer offset F _{interferer} (offset) shall be further adjusted to $(\lceil F_{interferer} / SCS \rceil + 0.5) SCS$ MHz with SCS the sub-carrier spacing of the wanted signal in MHz. The interferer is an NR signal with 15 kHz SCS.						

NOTE 2: For each carrier frequency, the requirement applies for two interferer carrier frequencies: a: $-BW_{\text{Channel}}/2 - F_{\text{offset, case 1}}$; b: $BW_{\text{Channel}}/2 + F_{\text{offset, case 1}}$

NOTE 3: n48 follows the requirement in this frequency range according to the general requirement defined in Clause 7.1.

NOTE 4: For SDL bands, requirements shall be applied only for CA band combination cases.

For NR bands with $F_{\text{DL_low}} \geq 3300$ MHz and $F_{\text{UL_low}} \geq 3300$ MHz, in-band blocking (IBB) is defined for an unwanted interfering signal falling into the UE receive band or into an immediately adjacent frequency range up to $3 * BW_{\text{Channel}}$ below or above the UE receive band where BW_{Channel} is the bandwidth of the wanted signal. The throughput of the wanted signal shall be $\geq 95\%$ of the maximum throughput of the reference measurement channels as specified in Annexes A.2.2, A.2.3, A.3.2 and A.3.3 (with one sided dynamic OCNB Pattern OP.1 FDD/TDD for the DL-signal as described in Annex A.5.1.1/A.5.2.1) with parameters specified in Table 7.6.2.3-3 and Table 7.6.2.3-4. The relative throughput requirement shall be met for any SCS specified for the channel bandwidth of the wanted signal.

Table 7.6.2.3-3: In-band blocking parameters for NR bands with $F_{\text{DL_low}} \geq 3300$ MHz and $F_{\text{UL_low}} \geq 3300$ MHz

RX parameter	Units	Channel bandwidth (MHz)
		10, 15, 20, 25, 30, 35, 40, 45, 50, 60, 70, 80, 90, 100
Power in transmission bandwidth configuration	dBm	REFSENS + 6 dB
$BW_{\text{interferer}}$	MHz	BW_{Channel}
$F_{\text{offset, case 1}}$	MHz	$(3/2) * BW_{\text{Channel}}$
$F_{\text{offset, case 2}}$	MHz	$(5/2) * BW_{\text{Channel}}$
NOTE 1: The transmitter shall be set to 4 dB below $P_{\text{CMAX_L,f,c}}$ at the minimum UL configuration specified in Table 7.3.2.3-3 with $P_{\text{CMAX_L,f,c}}$ defined in clause 6.2.4.		
NOTE 2: The interferer consists of the RMC specified in Annexes A.3.2.2 and A.3.3.2 with one sided dynamic OCNB Pattern OP.1 FDD/TDD for the DL-signal as described in Annex A.5.1.1/A.5.2.1		

Table 7.6.2.3-4: In-band blocking for NR bands with $F_{\text{DL_low}} \geq 3300$ MHz and $F_{\text{UL_low}} \geq 3300$ MHz

NR band	Parameter	Unit	Case 1	Case 2
		$P_{\text{interferer}}$	dBm	-56
n77, n78, n79	$F_{\text{interferer}}$ (offset)	MHz	$-BW_{\text{Channel}}/2 - F_{\text{offset, case 1}}$ and $BW_{\text{Channel}}/2 + F_{\text{offset, case 1}}$	$\leq -BW_{\text{Channel}}/2 - F_{\text{offset, case 2}}$ and $\geq BW_{\text{Channel}}/2 + F_{\text{offset, case 2}}$
	$F_{\text{interferer}}$		NOTE 2	$F_{\text{DL_low}} - 3 * BW_{\text{Channel}}$ to $F_{\text{DL_high}} + 3 * BW_{\text{Channel}}$
NOTE 1: The absolute value of the interferer offset $F_{\text{interferer}}$ (offset) shall be further adjusted to $(\lceil F_{\text{interferer}} / \text{scs} \rceil + 0.5) \text{scs}$ MHz with SCS the sub-carrier spacing of the wanted signal in MHz. The interferer is an NR signal with an SCS equal to that of the wanted signal.				
NOTE 2: For each carrier frequency, the requirement applies for two interferer carrier frequencies: a: $-BW_{\text{Channel}}/2 - F_{\text{offset, case 1}}$; b: $BW_{\text{Channel}}/2 + F_{\text{offset, case 1}}$				
NOTE 3: BW_{Channel} denotes the channel bandwidth of the wanted signal				

The normative reference for this requirement is TS 38.101-1 [2] clause 7.6.2.

7.6.2.4 Test description

7.6.2.4.1 Initial conditions

Initial conditions are a set of test configurations the UE needs to be tested in and the steps for the SS to take with the UE to reach the correct measurement state.

The initial test configurations consist of environmental conditions, test frequencies, test channel bandwidths and sub-carrier spacing based on NR operating bands specified in Table 5.3.5-1. All of these configurations shall be tested with applicable test parameters for each combination of channel bandwidth and sub-carrier spacing, are shown in table 7.6.2.4.1-1. The details of the uplink and downlink reference measurement channels (RMC) are specified in Annexes A.2 and A.3. Configuration of PDSCH and PDCCH before measurement are specified in Annex C.2.

Table 7.6.2.4.1-1: Test Configuration Table

Default Conditions				
Test Environment as specified in TS 38.508-1 [5] subclause 4.1		Normal		
Test Frequencies as specified in TS 38.508-1 [5] subclause 4.3.1		Mid range (NOTE 4)		
Test Channel Bandwidths as specified in TS 38.508-1 [5] subclause 4.3.1		Lowest, Mid, Highest Lowest UL / Lowest DL, Lowest UL / Highest DL (NOTE 3)		
Test SCS as specified in Table 5.3.5-1		Lowest		
Test Parameters				
Test ID	Downlink Configuration		Uplink Configuration	
	Mod'n	RB allocation	Mod'n	RB allocation
1	CP-OFDM QPSK	NOTE 1	DFT-s-OFDM QPSK	NOTE 1
NOTE 1: The specific configuration of uplink and downlink are defined in Table 7.3.2.4.1-1.				
NOTE 2: In a band where UE supports 4Rx, the test shall be performed only with 4Rx antennas ports connected and 4Rx REFSENS requirement (Table 7.3.2.5-2) is used in the test requirements.				
NOTE 3: Additional test points selected according to asymmetric channel bandwidths specified in clause 5.3.6. DL channel bandwidth shall be selected first.				
NOTE 4: For NR band n28, 30MHz test channel bandwidth is tested with Low range test frequencies.				

1. Connect the SS to the UE antenna connectors as shown in TS 38.508-1 [5] Annex A, in Figure A.3.1.4.1 for TE diagram and section A.3.2 for UE diagram.
2. The parameter settings for the cell are set up according to TS 38.508-1 [5] subclause 4.4.3.
3. Downlink signals are initially set up according to Annex C.0, C.1, C.2, C.3.1, and uplink signals according to Annex G.0, G.1, G.2, G.3.1.
4. The DL and UL Reference Measurement channels are set according to Table 7.6.2.4.1-1.
5. Propagation conditions are set according to Annex B.0.
6. Ensure the UE is in state RRC_CONNECTED with generic procedure parameters Connectivity NR, Connected without release On, Test Mode On and Test Loop Function On according to TS 38.508-1 [5] clause 4.5. Message content are defined in clause 7.6.2.4.3.

7.6.2.4.2 Test procedure

1. SS transmits PDSCH via PDCCH DCI format 1_1 for C_RNTI to transmit the DL RMC according to Table 7.6.2.4.1-1. The SS sends downlink MAC padding bits on the DL RMC.
2. SS sends uplink scheduling information for each UL HARQ process via PDCCH DCI format 0_1 for C_RNTI to schedule the UL RMC according to Table 7.6.2.4.1-1. Since the UL has no payload and no loopback data to send the UE sends uplink MAC padding bits on the UL RMC.
3. Set the parameters of the signal generator for an interfering signal below the wanted signal in Case 1 according to Tables 7.6.2.5-1 and 7.6.2.5-2 or Tables 7.6.2.5-3 and 7.6.2.5-4 as appropriate depending on NR band.
4. Set the downlink signal level according to the table 7.6.2.5-1 or 7.6.2.5-3 as appropriate. Send uplink power control commands to the UE using 1dB power step size to ensure that the UE output power measured by the test system is within the Uplink power control window, defined as $-(\text{MU} - \text{Uplink power control window size})$ dB of the target power level in Table 7.6.2.5-1 or Table 7.6.2.5-3 for at least the duration of the Throughput measurement, where:

- MU is the test system uplink power measurement uncertainty and is specified in Table F.1.3-1 for the carrier frequency f and the channel bandwidth BW.
 - Uplink power control window size = 1dB (UE power step size) + 0.7dB (UE power step tolerance) + (Test system relative power measurement uncertainty), where, the UE power step tolerance is specified in TS 38.101-1 [2], Table 6.3.4.3-1 and is 0.7dB for 1dB power step size, and the Test system relative power measurement uncertainty is specified for test case 6.3.4.3 in Table F.1.2-1.
 - For UEs supporting Tx diversity, the transmit power is measured as the sum of the output power from both UE antenna connectors.
5. Measure the average throughput for a duration sufficient to achieve statistical significance according to Annex H.
 6. Repeat steps from 3 to 5, using an interfering signal above the wanted signal in Case 1 at step 3.
 7. Repeat steps from 3 to 6, using interfering signals in Case 2 at step 3 and 6. The ranges of case 2 are covered in steps equal to the interferer bandwidth. Interferer frequencies should be chosen starting with an offset nearest to the centre frequency and sweep outwards towards the band edges. In order to ensure that full range is tested for interferer frequency, run last test steps at frequency equal to $F_{\text{Interferer}}$ range limit defined at the corresponding band edge.
 8. If applicable based on NR band, repeat steps from 3 to 5, using interfering signals in Case 3 at step 3.
 9. If applicable based on NR band, repeat steps from 3 to 5, using interfering signals in Case 4 at step 3.

NOTE: The purpose of the Uplink power control window is to ensure that the actual UE output power is no greater than the target power level, and as close as possible to the target power level. The relationship between the Uplink power control window, the target power level and the corresponding possible actual UE Uplink power window is illustrated in Annex F.4.3.

7.6.2.4.3 Message contents

Message contents are according to TS 38.508-1 [5] subclause 4.6 with TRANSFORM_PRECODER_ENABLED condition in Table 4.6.3-118 PUSCH-Config.

7.6.2.5 Test requirement

For NR bands with $F_{DL_high} < 2700$ MHz and $F_{UL_high} < 2700$ MHz, the throughput measurement derived in test procedure shall be $\geq 95\%$ of the maximum throughput of the reference measurement channels as specified in Annex in Annexes A.2.2, A.2.3 and A.3.2 with parameters specified in Tables 7.6.2.5-1 and 7.6.2.5-2.

Table 7.6.2.5-1: In-band blocking parameters for NR bands with $F_{DL_high} < 2700$ MHz and $F_{UL_high} < 2700$ MHz

RX parameter	Units	Channel bandwidth (MHz)			
		3	5, 10	15	20, 25, 30, 35, 40, 45, 50, 60, 70, 80, 90, 100
Power in transmission bandwidth configuration ³	dBm	REFSENS + 6 dB		REFSENS + 7 dB	REFSENS + (9 + 10log ₁₀ (BW _{Channel} /20)) dB
BW _{interferer}	MHz	3	5		
F _{offset, case 1}	MHz	4.5	7.5		
F _{offset, case 2}	MHz	7.5	12.5		
NOTE 1: The transmitter shall be set to 4 dB below P _{C_{MAX}L,f,c} at the minimum UL configuration specified in Table 7.3.2.3-3 with P _{C_{MAX}L,f,c} defined in clause 6.2.4.					
NOTE 2: The interferer consists of the RMC specified in Annexes A.3.2.2 and A.3.3.2 with one sided dynamic OCNB Pattern OP.1 FDD/TDD for the DL-signal as described in Annex A.5.1.1/A.5.2.1 and 15 kHz SCS.					
NOTE 3: 10log ₁₀ (x) is rounded to the next higher 0.5dB value.					

Table 7.6.2.5-2: In-band blocking for NR bands with $F_{DL_high} < 2700$ MHz and $F_{UL_high} < 2700$ MHz

NR band	Parameter	Unit	Case 1	Case 2	Case 3	Case 4
	P _{interferer}	dBm	-56	-44	-15	-38
	F _{interferer (offset)}	MHz	-BW _{Channel} /2 –	≤ -BW _{Channel} /2 –		-BW _{Channel} /2-11

			$F_{\text{offset, case 1}}$ and $BW_{\text{Channel}}/2 + F_{\text{offset, case 1}}$	$F_{\text{offset, case 2}}$ and $\geq BW_{\text{Channel}}/2 + F_{\text{offset, case 2}}$		
n1, n2, n3, n5, n7, n8, n12, n13, n14, n18, n20, n24, n25, n26, n28, n34, n38, n39, n40, n41, n48 ³ , n50, n51, n53, n65, n66, n67, n70, n71, n74, n75, n76, n85, n91, n92, n93, n94, n100, n101, n106	$F_{\text{interferer}}$	MHz	NOTE 2	$F_{\text{DL_low}} - 15$ to $F_{\text{DL_high}} + 15$		
n30	$F_{\text{interferer}}$	MHz	NOTE 2	$F_{\text{DL_low}} - 15$ to $F_{\text{DL_high}} + 15$		$F_{\text{DL_low}} - 11$
n71	$F_{\text{interferer}}$	MHz	NOTE 2	$F_{\text{DL_low}} - 12$ to $F_{\text{DL_high}} + 15$	$F_{\text{DL_low}} - 12$	
<p>NOTE 1: The absolute value of the interferer offset $F_{\text{interferer}}$ (offset) shall be further adjusted to $(\lceil F_{\text{interferer}} / SCS \rceil + 0.5) SCS$ MHz with SCS the sub-carrier spacing of the wanted signal in MHz. The interferer is an NR signal with 15 kHz SCS.</p> <p>NOTE 2: For each carrier frequency, the requirement applies for two interferer carrier frequencies: a: $-BW_{\text{Channel}}/2 - F_{\text{offset, case 1}}$; b: $BW_{\text{Channel}}/2 + F_{\text{offset, case 1}}$</p> <p>NOTE 3: n48 follows the requirement in this frequency range according to the general requirement defined in Clause 7.1.</p>						

For NR bands with $F_{\text{DL_low}} \geq 3300$ MHz and $F_{\text{UL_low}} \geq 3300$ MHz, the throughput measurement derived in test procedure shall be $\geq 95\%$ of the maximum throughput of the reference measurement channels as specified in Annex A.2 and A.3 with parameters specified in Tables 7.6.2.5-3 and 7.6.2.5-4.

Table 7.6.2.5-3: In-band blocking parameters for NR bands with $F_{\text{DL_low}} \geq 3300$ MHz and $F_{\text{UL_low}} \geq 3300$ MHz

RX parameter	Units	Channel bandwidth (MHz)
		10, 15, 20, 25, 30, 35, 40, 45, 50, 60, 70, 80, 90, 100
Power in transmission bandwidth configuration	dBm	REFSENS + 6 dB
$BW_{\text{interferer}}$	MHz	BW_{Channel}
$F_{\text{offset, case 1}}$	MHz	$(3/2) * BW_{\text{Channel}}$
$F_{\text{offset, case 2}}$	MHz	$(5/2) * BW_{\text{Channel}}$
NOTE 1: The transmitter shall be set to 4 dB below $P_{\text{CMAX_L,f,c}}$ at the minimum UL configuration specified in Table 7.3.2.3-3 with $P_{\text{CMAX_L,f,c}}$ defined in clause 6.2.4.		
NOTE 2: The interferer consists of the RMC specified in Annexes A.3.2.2 and A.3.3.2 with one sided dynamic OCN Pattern OP.1 FDD/TDD for the DL-signal as described in Annex A.5.1.1/A.5.2.1		

Table 7.6.2.5-4: In-band blocking for NR bands with $F_{\text{DL_low}} \geq 3300$ MHz and $F_{\text{UL_low}} \geq 3300$ MHz

NR band	Parameter	Unit	Case 1	Case 2
	$P_{\text{interferer}}$		dBm	-56
n77, n78, n79	$F_{\text{interferer}}$ (offset)	MHz	$-BW_{\text{Channel}}/2 - F_{\text{offset, case 1}}$ and	$\leq -BW_{\text{Channel}}/2 - F_{\text{offset, case 2}}$ and

		$BW_{Channel}/2 + F_{offset, case 1}$	$\geq BW_{Channel}/2 + F_{offset, case 2}$
	$F_{interferer}$	NOTE 2	$F_{DL_low} - 3 * BW_{Channel}$ to $F_{DL_high} + 3 * BW_{Channel}$
<p>NOTE 1: The absolute value of the interferer offset $F_{interferer}$ (offset) shall be further adjusted to $(\lceil F_{interferer} / SCS \rceil + 0.5) SCS$ MHz with SCS the sub-carrier spacing of the wanted signal in MHz. The interferer is an NR signal with an SCS equal to that of the wanted signal.</p> <p>NOTE 2: For each carrier frequency, the requirement applies for two interferer carrier frequencies: a: $-BW_{Channel}/2 - F_{offset, case 1}$; b: $BW_{Channel}/2 + F_{offset, case 1}$</p> <p>NOTE 3: $BW_{Channel}$ denotes the channel bandwidth of the wanted signal</p>			

Table 7.6.2.5-5: Void

7.6.3 Out-of-band blocking

7.6.3.1 Test Purpose

Out-of-band band blocking is defined for an unwanted CW interfering signal falling outside a frequency range 15 MHz below or above the UE receive band, with $F_{DL_high} < 2700$ MHz and $F_{UL_high} < 2700$ MHz, or falling outside a frequency range up to $3 * BW_{Channel}$ below or from $3 * BW_{Channel}$ above the UE receive band, with $F_{DL_low} \geq 3300$ MHz and $F_{UL_low} \geq 3300$ MHz, at which a given average throughput shall meet or exceed the requirement for the specified measurement channels.

7.6.3.2 Test Applicability

This test applies to all types of NR UE release 15 and forward.

7.6.3.3 Minimum Conformance Requirements

For NR bands with $F_{DL_high} < 2700$ MHz and $F_{UL_high} < 2700$ MHz out-of-band band blocking is defined for an unwanted CW interfering signal falling outside a frequency range 15 MHz below or above the UE receive band. The throughput of the wanted signal shall be $\geq 95\%$ of the maximum throughput of the reference measurement channels as specified in Annexes A.2.2, A.2.3, A.3.2 and A.3.3 (with one sided dynamic OCN Pattern OP.1 FDD/TDD for the DL-signal as described in Annex A.5.1.1/A.5.2.1) with parameters specified in Table 7.6.3.3-1 and Table 7.6.3.3-2. The relative throughput requirement shall be met for any SCS specified for the channel bandwidth of the wanted signal. For operating bands with an unpaired DL part (as noted in Table 5.2-1), the requirements only apply for carriers assigned in the paired part.

Table 7.6.3.3-1: Out-of-band blocking parameters for NR bands with $F_{DL_high} < 2700$ MHz and $F_{UL_high} < 2700$ MHz

Channel bandwidth	Power in transmission bandwidth configuration [dBm]
3 MHz	REFSENS + 6.0 dB
5 MHz	REFSENS + 6.0 dB
10 MHz	REFSENS + 6.0 dB
15 MHz	REFSENS + 7.0 dB
20 MHz	REFSENS + 9.0 dB
25 MHz	REFSENS + 10.0 dB
30 MHz	REFSENS + 11.0 dB
35 MHz	REFSENS + 11.5 dB
40 MHz	REFSENS + 12.0 dB
45 MHz	REFSENS + 12.5 dB
50 MHz	REFSENS + 13.0 dB
60 MHz	REFSENS + 14.0 dB
70 MHz	REFSENS + 14.5 dB
80 MHz	REFSENS + 15.0 dB
90 MHz	REFSENS + 15.5 dB
100 MHz	REFSENS + 16.0 dB

NOTE: The transmitter shall be set to 4 dB below $P_{CMAX_L,f,c}$ at the minimum UL configuration specified in Table 7.3.2.3-3 with $P_{CMAX_L,f,c}$ defined in clause 6.2.4.

Table 7.6.3.3-2: Out of-band blocking for NR bands with $F_{DL_high} < 2700$ MHz and $F_{UL_high} < 2700$ MHz

NR band	Parameter	Unit	Range 1	Range 2	Range 3
n1, n2, n3, n5, n7, n8, n12, n13, n14, n20, n24, n25, n26, n29, n30, n28, n34, n38, n39, n40, n41, n48 ⁵ , n50, n51, n53 ⁸ , n65, n66, n70, n71, n74, n75, n76, n85, n91, n92, n93, n94, n100, n101, n106	$P_{interferer}$	dBm	-44	-30	-15
	$F_{interferer}$ (CW)	MHz	$-60 < f - F_{DL_low} < -15$ or $15 < f - F_{DL_high} < 60$	$-85 < f - F_{DL_low} \leq -60$ or $60 \leq f - F_{DL_high} < 85$	$1 \leq f \leq F_{DL_low} - 85$ or $F_{DL_high} + 85 \leq f \leq 12750$
NOTE 1: The power level of the interferer ($P_{interferer}$) for Range 3 shall be modified to -20 dBm for $F_{interferer} > 6000$ MHz. NOTE 2: For band 51 the F_{DL_high} of band 50 is applied as F_{DL_high} for band 51. For band 50, the F_{DL_low} of band 51 is applied as F_{DL_low} for band 50. NOTE 3: For band 76 the F_{DL_high} of band 75 is applied as F_{DL_high} for band 76. For band 75, the F_{DL_low} of band 76 is applied as F_{DL_low} for band 75. NOTE 4: For UEs supporting both bands 38 and 41, the F_{DL_high} and F_{DL_low} of band 41 is applied as F_{DL_high} and F_{DL_low} for band 38. NOTE 5: n48 follows the requirement in this frequency range according to the general requirement defined in Clause 7.1. The power level of the interferer ($P_{interferer}$) for Range 3 shall be modified to -20 dBm for $F_{interferer} > 2700$ MHz and $F_{interferer} < 4800$ MHz. NOTE 6: Void. NOTE 7: For UE supporting both bands 25 and 70, the F_{DL_high} of band 70 is applied as F_{DL_high} for band 25, and the F_{DL_low} of band 25 is applied as F_{DL_low} for band 70. NOTE 8: The power level of the interferer ($P_{interferer}$) for Range 3 shall be modified to -20 dBm for $F_{interferer} > 2580$ MHz and $F_{interferer} < 2775$ MHz. NOTE 9: For SDL bands, requirements shall be applied only for CA band combination cases.					

For interferer frequencies across ranges 1, 2 and 3 in Table 7.6.3.3-2, a maximum of

$$\lfloor \max \{24, 6 \cdot \lceil n \cdot N_{RB} / 6 \rceil \} / \min \{ \lfloor n \cdot N_{RB} / 10 \rfloor, 5 \} \rfloor$$

exceptions are allowed for spurious response frequencies in each assigned frequency channel when measured using a step size of $\min(\lfloor BW_{channel} / 2 \rfloor, 5)$ MHz with N_{RB} the number of resource blocks in the downlink transmission bandwidth configuration, $BW_{channel}$ is the bandwidth of the frequency channel in MHz and $n = 1, 2, 3$ for SCS = 15, 30, 60 kHz, respectively. For these exceptions, the requirements in subclause 7.7 apply.

For NR bands with $F_{DL_low} \geq 3300$ MHz and $F_{UL_low} \geq 3300$ MHz out-of-band band blocking is defined for an unwanted CW interfering signal falling outside a frequency range up to $3 \cdot BW_{channel}$ below or from $3 \cdot BW_{channel}$ above the UE receive band, where $BW_{channel}$ is the channel bandwidth. The throughput of the wanted signal shall be $\geq 95\%$ of the maximum throughput of the reference measurement channels as specified in Annexes A.2.2, A.2.3, A.3.2 and A.3.3 (with one sided dynamic OCN Pattern OP.1 FDD/TDD for the DL-signal as described in Annex A.5.1.1/A.5.2.1) with parameters specified in Table 7.6.3.3-3 and Table 7.6.3.3-4. The relative throughput requirement shall be met for any SCS specified for the channel bandwidth of the wanted signal.

Table 7.6.3.3-3: Out-of-band blocking parameters for NR bands with $F_{DL_low} \geq 3300$ MHz and $F_{UL_low} \geq 3300$ MHz

RX parameter	Units	Channel bandwidth (MHz)		
		10	15	20, 25, 30, 35, 40, 45, 50, 60, 70, 80, 90, 100
Power in transmission bandwidth configuration	dBm	REFSENS + 6 dB	REFSENS + 7 dB	REFSENS + 9 dB
NOTE: The transmitter shall be set to 4 dB below $P_{CMAX_L,f,c}$ at the minimum UL configuration specified in Table 7.3.2.3-3 with $P_{CMAX_L,f,c}$ defined in clause 6.2.4.				

Table 7.6.3.3-4: Out of-band blocking for NR bands with $F_{DL_low} \geq 3300$ MHz and $F_{UL_low} \geq 3300$ MHz

NR band	Parameter	Unit	Range 1	Range 2	Range 3
n77, n78 (NOTE 3)	$P_{interferer}$	dBm	-44	-30	-15
	$F_{interferer}$ (CW)	MHz	$-60 < f - F_{DL_low} \leq -3 \cdot BW_{Channel}$ or $3 \cdot BW_{Channel} \leq f - F_{DL_high} < 60$	$-200 < f - F_{DL_low} \leq -$ $MAX(60, 3 \cdot BW_{Channel})$ or $MAX(60, 3 \cdot BW_{Channel}) \leq f - F_{DL_high} < 200$	$1 \leq f \leq F_{DL_low} - MAX(200, 3 \cdot BW_{Channel})$ or $F_{DL_high} + MAX(200, 3 \cdot BW_{Channel}) \leq f \leq 12750$
n79 (NOTE 4)	$F_{interferer}$ (CW)	MHz	N/A	$-150 < f - F_{DL_low} \leq -$ $MAX(60, 3 \cdot BW_{Channel})$ or $MAX(60, 3 \cdot BW_{Channel}) \leq f - F_{DL_high} < 150$	$1 \leq f \leq F_{DL_low} - MAX(150, 3 \cdot BW_{Channel})$ or $F_{DL_high} + MAX(150, 3 \cdot BW_{Channel}) \leq f \leq 12750$
NOTE 1: The power level of the interferer ($P_{interferer}$) for Range 3 shall be modified to -20 dBm for $F_{interferer} > 6000$ MHz. NOTE 2: $BW_{Channel}$ denotes the channel bandwidth of the wanted signal NOTE 3: The power level of the interferer ($P_{interferer}$) for Range 3 shall be modified to -20 dBm, for $F_{interferer} > 2700$ MHz and $F_{interferer} < 4800$ MHz. For $BW_{Channel} > 15$ MHz, the requirement for Range 1 is not applicable and Range 2 applies from the frequency offset of $3 \cdot BW_{Channel}$ from the band edge. For $BW_{Channel}$ larger than 60 MHz, the requirement for Range 2 is not applicable and Range 3 applies from the frequency offset of $3 \cdot BW_{Channel}$ from the band edge. NOTE 4: The power level of the interferer ($P_{interferer}$) for Range 3 shall be modified to -20 dBm, for $F_{interferer} > 3650$ MHz and $F_{interferer} < 5750$ MHz. For $BW_{Channel} \geq 40$ MHz, the requirement for Range 2 is not applicable and Range 3 applies from the frequency offset of $3 \cdot BW_{Channel}$ from the band edge.					

For interferer frequencies across ranges 1, 2 and 3 in Table 7.6.3.3-4, a maximum of

$$\lfloor \max \{24, 6 \cdot \lceil n \cdot N_{RB} / 6 \rceil \} / \min \{ \lfloor n \cdot N_{RB} / 10 \rfloor, 5 \} \rfloor$$

exceptions are allowed for spurious response frequencies in each assigned frequency channel when measured using a step size of $\min(\lfloor BW_{channel} / 2 \rfloor, 5)$ MHz with N_{RB} the number of resource blocks in the downlink transmission bandwidth configuration, $BW_{Channel}$ the bandwidth of the frequency channel in MHz and $n = 1, 2, 3$ for SCS = 15, 30, 60 kHz, respectively. For these exceptions, the requirements in subclause 7.7 apply.

The normative reference for this requirement is TS 38.101-1 [2] clause 7.6.3.

7.6.3.4 Test Description

7.6.3.4.1 Initial Conditions

Initial conditions are a set of test configurations the UE needs to be tested in and the steps for the SS to take with the UE to reach the correct measurement state.

The initial test configurations consist of environmental conditions, test frequencies, and channel bandwidths based on NR operating bands specified in table 5.3.5-1. All of these configurations shall be tested with applicable test parameters for each combination of channel bandwidth and sub-carrier spacing, and are shown in table 7.6.3.4.1-1. The details of the uplink and downlink reference measurement channels (RMCs) are specified in Annexes A.2 and A.3 respectively. The details of the OCNG patterns used are specified in Annex A.5. Configurations of PDSCH and PDCCH before measurement are specified in Annex C.3.

Table 7.6.3.4.1-1: Test Configuration Table

Default Conditions				
Test Environment as specified in TS 38.508-1 [5] subclause 4.1			Normal	
Test Frequencies as specified in TS 38.508-1 [5] subclause 4.3.1			One frequency chosen arbitrarily from low or high range	
Test Channel Bandwidths as specified in TS 38.508-1 [5] subclause 4.3.1			Lowest, Mid, Highest Lowest UL / Lowest DL, Lowest UL / Highest DL (NOTE 3)	
Test SCS as specified in TS 38.508-1 [5] subclause 4.3.1			Lowest	
Test Parameters				
Test ID	Downlink Configuration		Uplink Configuration	
	Mod'n	RB allocation	Mod'n	RB allocation
1	CP-OFDM QPSK	NOTE 1	DFT-s-OFDM QPSK	NOTE 1
NOTE 1: The specific configuration of uplink and downlink are defined in Table 7.3.2.4.1-1.				
NOTE 2: In a band where UE supports 4Rx, the test shall be performed only with 4Rx antennas ports connected and 4Rx REFSENS requirement (Table 7.3.2.5-2) is used in the test requirements.				
NOTE 3: Additional test points selected according to asymmetric channel bandwidths specified in clause 5.3.6. DL channel bandwidth shall be selected first.				

1. Connect the SS to the UE antenna connectors as shown in TS 38.508 [5] Annex A, in Figure A.3.1.4.2 for TE diagram and section A.3.2 for UE diagram.
2. The parameter settings for the cell are set up according to TS 38.508 [5] subclause 4.4.3.
3. Downlink signals are initially set up according to Annex C.0, C.1, C.2, C.3.1, and uplink signals according to Annex G.0, G.1, G.2, and G.3.1.
4. The UL and DL Reference Measurement channels are set according to Table 7.6.3.4.1-1.
5. Propagation conditions are set according to Annex B.0.
6. Ensure the UE is in State RRC_CONNECTED with generic procedure parameters Connectivity NR, Connected without release On, Test Mode On and Test Loop Function On according to TS 38.508-1 [5] clause 4.5. Message contents are defined in clause 7.6.3.4.3.

7.6.3.4.2 Test Procedure

1. SS transmits PDSCH via PDCCH DCI format 1_1 for C_RNTI to transmit the DL RMC according to Table 7.6.3.4.1-1. The SS sends downlink MAC padding bits on the DL RMC.
2. SS sends uplink scheduling information for each UL HARQ process via PDCCH DCI format 0_1 for C_RNTI to schedule the UL RMC according to Table 7.6.3.4.1-1. Since the UE has no payload data to send, the UE transmits uplink MAC padding bits on the UL RMC.
3. Set the parameters of the CW signal generator for an interfering signal below the wanted signal according to Table 7.6.3.5-2 or 7.6.3.5-4. The frequency step size is $\min\left(\frac{BW_{channel}}{2}, 5\right)$ MHz.
4. Set the downlink signal level according to the table 7.6.3.5-1 or 7.6.3.5-3. Send uplink power control commands to the UE using 1dB power step size to ensure that the UE output power measured by the test system is within the Uplink power control window, defined as -MU to -(MU + Uplink power control window size) dB of the target power level in Table 7.6.3.5-1 or Table 7.6.3.5-3 for at least the duration of the Throughput measurement, where:

- MU is the test system uplink power measurement uncertainty and is specified in Table F.1.3-1 for the carrier frequency f and the channel bandwidth BW
 - Uplink power control window size = 1dB (UE power step size) + 0.7dB (UE power step tolerance) + (Test system relative power measurement uncertainty), where, the UE power step tolerance is specified in TS 38.101-1 [2], Table 6.3.4.3-1 and is 0.7dB for 1dB power step size, and the Test system relative power measurement uncertainty is specified for test case 6.3.4.3 in Table F.1.2-1.
 - For UEs supporting Tx diversity, the transmit power is measured as the sum of the output power from both UE antenna connectors.
5. Measure the average throughput for a duration sufficient to achieve statistical significance according to Annex H.
 6. Record the frequencies for which the throughput doesn't meet the requirements.
 7. Repeat steps from 3 to 6, using an interfering signal above the wanted signal at step 3.

NOTE: The purpose of the Uplink power control window is to ensure that the actual UE output power is no greater than the target power level, and as close as possible to the target power level. The relationship between the Uplink power control window, the target power level and the corresponding possible actual UE Uplink power window is illustrated in Annex F.4.3.

7.6.3.4.3 Message Contents

Message contents are according to TS 38.508-1 [5] subclause 4.6 ensuring Table 4.6.3-118 with condition TRANSFORM_PRECODER_ENABLED.

7.6.3.5 Test Requirement

For NR bands with $F_{DL_high} < 2700$ MHz and $F_{UL_high} < 2700$ MHz, the throughput measurement derived in test procedure shall be $\geq 95\%$ of the maximum throughput of the reference measurement channels as specified in Annex A.3.2 and A.3.3 with parameters specified in Tables 7.6.3.5-1 and 7.6.3.5-2.

For NR bands with $F_{DL_high} < 2700$ MHz and $F_{UL_high} < 2700$ MHz, the number of spurious response frequencies recorded in the final step of test procedure shall not exceed $\lfloor \max \{24, 6 \cdot \lceil n \cdot N_{RB} / 6 \rceil \} / \min \{ \lfloor n \cdot N_{RB} / 10 \rfloor, 5 \} \rfloor$ in each assigned frequency channel when measured using a $\min \left(\lfloor \frac{BW_{channel}}{2} \rfloor, 5 \right)$ MHz step size. For these exceptions the requirements of clause 7.7 Spurious Response are applicable.

Table 7.6.3.5-1: Out-of-band blocking parameters for NR bands with $F_{DL_high} < 2700$ MHz and $F_{UL_high} < 2700$ MHz

Channel bandwidth	Power in transmission bandwidth configuration [dBm]
3 MHz	REFSENS + 6.0 dB
5 MHz	REFSENS + 6.0 dB
10 MHz	REFSENS + 6.0 dB
15 MHz	REFSENS + 7.0 dB
20 MHz	REFSENS + 9.0 dB
25 MHz	REFSENS + 10.0 dB
30 MHz	REFSENS + 11.0 dB
35 MHz	REFSENS + 11.5 dB
40 MHz	REFSENS + 12.0 dB
45 MHz	REFSENS + 12.5 dB
50 MHz	REFSENS + 13.0 dB
60 MHz	REFSENS + 14.0 dB
70 MHz	REFSENS + 14.5 dB
80 MHz	REFSENS + 15.0 dB
90 MHz	REFSENS + 15.5 dB
100 MHz	REFSENS + 16.0 dB
NOTE:	The transmitter shall be set to 4 dB below $P_{CMAX_L,f,c}$ at the minimum UL configuration specified in Table 7.3.2.3-3 with $P_{CMAX_L,f,c}$ defined in clause 6.2.4.

Table 7.6.3.5-2: Out of-band blocking for NR bands with $F_{DL_high} < 2700$ MHz and $F_{UL_high} < 2700$ MHz

NR band	Parameter	Unit	Range 1	Range 2	Range 3
n1, n2, n3, n5, n7, n8, n12, n13, n14, n20, n24, n25, n26, n28, n30, n34, n38, n39, n40, n41, n48 ⁵ , n50, n51, n53 ⁸ , n65, n66, n70, n71, n74, n85, n91, n92, n93, n94, n100, n101, n106	$P_{interferer}$	dBm	-44	-30	-15
	$F_{interferer}$ (CW)	MHz	$-60 < f - F_{DL_low} < -15$ or $15 < f - F_{DL_high} < 60$	$-85 < f - F_{DL_low} \leq -60$ or $60 \leq f - F_{DL_high} < 85$	$1 \leq f \leq F_{DL_low} - 85$ or $F_{DL_high} + 85 \leq f \leq 12750$
<p>NOTE 1: The power level of the interferer ($P_{interferer}$) for Range 3 shall be modified to -20 dBm for $F_{interferer} > 6000$ MHz.</p> <p>NOTE 2: For band 51 the F_{DL_high} of band 50 is applied as F_{DL_high} for band 51. For band 50, the F_{DL_low} of band 51 is applied as F_{DL_low} for band 50.</p> <p>NOTE 3: For band 76 the F_{DL_high} of band 75 is applied as F_{DL_high} for band 76. For band 75, the F_{DL_low} of band 76 is applied as F_{DL_low} for band 75.</p> <p>NOTE 4: For UEs supporting both bands 38 and 41, the F_{DL_high} and F_{DL_low} of band 41 is applied as F_{DL_high} and F_{DL_low} for band 38.</p> <p>NOTE 5: n48 follows the requirement in this frequency range according to the general requirement defined in Clause 7.1. The power level of the interferer ($P_{interferer}$) for Range 3 shall be modified to -20 dBm for $F_{interferer} > 2700$ MHz and $F_{interferer} < 4800$ MHz.</p> <p>NOTE 6: Void.</p> <p>NOTE 7: For UE supporting both bands 25 and 70, the F_{DL_high} of band 70 is applied as F_{DL_high} for band 25, and the F_{DL_low} of band 25 is applied as F_{DL_low} for band 70.</p> <p>NOTE 8: The power level of the interferer ($P_{interferer}$) for Range 3 shall be modified to -20 dBm for $F_{interferer} > 2580$ MHz and $F_{interferer} < 2775$ MHz.</p>					

For NR bands with $F_{DL_low} \geq 3300$ MHz and $F_{UL_low} \geq 3300$ MHz, the throughput measurement derived in test procedure shall be $\geq 95\%$ of the maximum throughput of the reference measurement channels as specified in Annex A.3.2 and A.3.3 with parameters specified in Tables 7.6.3.5-3 and 7.6.3.5-4.

For NR bands with $F_{DL_low} \geq 3300$ MHz and $F_{UL_low} \geq 3300$ MHz, the number of spurious response frequencies recorded in the final step of test procedure shall not exceed $\lfloor \max \{24, 6 \cdot \lceil n \cdot N_{RB} / 6 \rceil \} / \min \{ \lfloor n \cdot N_{RB} / 10 \rfloor, 5 \} \rfloor$ in each assigned frequency channel when measured using a $\min \{ BW_{channel} / 2, 5 \}$ MHz step size. For these exceptions the requirements of clause 7.7 Spurious Response are applicable.

Table 7.6.3.5-3: Out-of-band blocking parameters for NR bands with $F_{DL_low} \geq 3300$ MHz and $F_{UL_low} \geq 3300$ MHz

RX parameter	Units	Channel bandwidth (MHz)		
		10	15	20, 25, 30, 35, 40, 45, 50, 60, 70, 80, 90, 100
Power in transmission bandwidth configuration	dBm	REFSENS + 6 dB	REFSENS + 7 dB	REFSENS + 9 dB
NOTE: The transmitter shall be set to 4 dB below $P_{CMAX_L,f,c}$ at the minimum UL configuration specified in Table 7.3.2.3-3 with $P_{CMAX_L,f,c}$ defined in clause 6.2.4.				

Table 7.6.3.5-4: Out of-band blocking for NR bands with $F_{DL_low} \geq 3300$ MHz and $F_{UL_low} \geq 3300$ MHz

NR band	Parameter	Unit	Range1	Range 2	Range 3
n77, n78	$P_{interferer}$	dBm	-44	-30	-15

(NOTE 3)	$F_{\text{interferer}}$ (CW)	MHz	$-60 < f - F_{\text{DL_low}} \leq -3 \cdot \text{BW}_{\text{Channel}}$ or $3 \cdot \text{BW}_{\text{Channel}} \leq f - F_{\text{DL_high}} < 60$	$-200 < f - F_{\text{DL_low}} \leq \text{MAX}(60, 3 \cdot \text{BW}_{\text{Channel}})$ or $\text{MAX}(60, 3 \cdot \text{BW}_{\text{Channel}}) \leq f - F_{\text{DL_high}} < 200$	$1 \leq f \leq F_{\text{DL_low}} - \text{MAX}(200, 3 \cdot \text{BW}_{\text{Channel}})$ or $F_{\text{DL_high}} + \text{MAX}(200, 3 \cdot \text{BW}_{\text{Channel}}) \leq f \leq 12750$
n79 (NOTE 4)	$F_{\text{interferer}}$ (CW)	MHz	N/A	$-150 < f - F_{\text{DL_low}} \leq \text{MAX}(60, 3 \cdot \text{BW}_{\text{Channel}})$ or $\text{MAX}(60, 3 \cdot \text{BW}_{\text{Channel}}) \leq f - F_{\text{DL_high}} < 150$	$1 \leq f \leq F_{\text{DL_low}} - \text{MAX}(150, 3 \cdot \text{BW}_{\text{Channel}})$ or $F_{\text{DL_high}} + \text{MAX}(150, 3 \cdot \text{BW}_{\text{Channel}}) \leq f \leq 12750$
NOTE 1: The power level of the interferer ($P_{\text{interferer}}$) for Range 3 shall be modified to -20 dBm for $F_{\text{interferer}} > 6000$ MHz. NOTE 2: $\text{BW}_{\text{Channel}}$ denotes the channel bandwidth of the wanted signal NOTE 3: The power level of the interferer ($P_{\text{interferer}}$) for Range 3 shall be modified to -20 dBm, for $F_{\text{interferer}} > 2700$ MHz and $F_{\text{interferer}} < 4800$ MHz. For $\text{BW}_{\text{Channel}} > 15$ MHz, the requirement for Range 1 is not applicable and Range 2 applies from the frequency offset of $3 \cdot \text{BW}_{\text{Channel}}$ from the band edge. For $\text{BW}_{\text{Channel}}$ larger than 60 MHz, the requirement for Range 2 is not applicable and Range 3 applies from the frequency offset of $3 \cdot \text{BW}_{\text{Channel}}$ from the band edge. NOTE 4: The power level of the interferer ($P_{\text{interferer}}$) for Range 3 shall be modified to -20 dBm, for $F_{\text{interferer}} > 3650$ MHz and $F_{\text{interferer}} < 5750$ MHz. For $\text{BW}_{\text{Channel}} \geq 40$ MHz, the requirement for Range 2 is not applicable and Range 3 applies from the frequency offset of $3 \cdot \text{BW}_{\text{Channel}}$ from the band edge.					

Table 7.6.3.5-5: Void

7.6.4 Narrow band blocking

7.6.4.1 Test Purpose

Verifies a receiver's ability to receive a NR signal at its assigned channel frequency in the presence of an unwanted narrow band CW interferer at a frequency, which is less than the nominal channel spacing.

The lack of narrow-band blocking ability will decrease the coverage area when other NR Node B transmitters exist (except in the adjacent channels and spurious response).

7.6.4.2 Test Applicability

This test applies to all types of NR UE release 15 and forward.

7.6.4.3 Minimum Conformance Requirements

The relative throughput shall be $\geq 95\%$ of the maximum throughput of the reference measurement channels as specified in Annexes A.2.2, A.2.3, A.3.2 and A.3.3 (with one sided dynamic OCN Pattern OP.1 FDD/TDD for the DL-signal as described in Annex A.5.1.1/A.5.2.1) with parameters specified in Table 7.6.4.3-1. For operating bands with an unpaired DL part (as noted in Table 5.2-1), the requirements only apply for carriers assigned in the paired part.

Table 7.6.4.3-1: Narrow Band Blocking

NR band	Parameter	Unit	Channel Bandwidth (MHz)					
			3	5	10	15	20	25, 30, 35, 40, 45, 50
n1, n2, n3, n5, n7, n8, n12, n13, n14, n18,	P_w	dBm	PREFSENS + channel-bandwidth specific value below					
		dB	18	16	13	14	16	16
	P_{uw} (CW)	dBm	-55					

n20, n24, n25, n26, n28, n29, n30, n34, n38, n39, n40, n41, n48, n50, n51, n53, n65, n66, n67, n70, n71, n74, n75, n76, n100, n101, n106	F_{uw} (offset SCS= 15 kHz) ⁴	MHz	$\left(\left(\frac{BW_{channel}}{2} + 0.2 \right) \right. \\ \left. + 0.5 \right) SCS$	$\left(\left(\frac{BW_{channel}}{2} + BW_{GB,channel} \right) \right. \\ \left. + 0.5 \right) SCS$	NA
	F_{uw} (offset SCS= 30 kHz) ⁴	MHz	NA	NA	$\left(\left(\frac{BW_{channel}}{2} + BW_{GB,channel} \right) \right. \\ \left. + 0.5 \right) SCS$

NOTE 1: The transmitter shall be set a 4 dB below $P_{C_{MAX_L,f,c}}$ at the minimum UL configuration specified in Table 7.3.2-3 with $P_{C_{MAX_L,f,c}}$ defined in clause 6.2.4

NOTE 2: Reference measurement channel is specified in Annexes A.3.2 and A.3.3 with one sided dynamic OCNG Pattern OP.1 FDD/TDD as described in Annex A.5.1.1/A.5.2.1.

NOTE 3: The $P_{REFSENS}$ power level is specified in Table 7.3.2.3-1a, Table 7.3.2.3-1b and Table 7.3.2.3-2 for two and four antenna ports, respectively.

NOTE 4: F_{uw} shall be rounded to half of SCS.

NOTE 5: For SDL bands, requirements shall be applied only for CA band combination cases.

The normative reference for this requirement is TS 38.101-1 [2] clause 7.6.4.

7.6.4.4 Test Description

7.6.4.4.1 Initial Conditions

Initial conditions are a set of test configurations the UE needs to be tested in and the steps for the SS to take with the UE to reach the correct measurement state.

The initial test configurations consist of environmental conditions, test frequencies, and channel bandwidths based on NR operating bands specified in table 5.3.5-1. All of these configurations shall be tested with applicable test parameters for each combination of channel bandwidth and sub-carrier spacing, and are shown in table 7.6.4.4.1-1. The details of the uplink and downlink reference measurement channels (RMCs) are specified in Annexes A.2 and A.3 respectively. The details of the OCNG patterns used are specified in Annex A.5. Configurations of PDSCH and PDCCH before measurement are specified in Annex C.2.

Table 7.6.4.4.1-1: Test Configuration Table

Default Conditions				
Test Environment as specified in TS 38.508-1 [5] subclause 4.1		Normal		
Test Frequencies as specified in TS 38.508-1 [5] subclause 4.3.1		Mid range (NOTE 4)		
Test Channel Bandwidths as specified in TS 38.508-1 [5] subclause 4.3.1		Lowest, Mid and Highest Lowest UL / Lowest DL, Lowest UL / Highest DL (NOTE 2)		
Test SCS as specified in TS 38.508-1 [5] subclause 4.3.1		According to CH BW SCS in table 7.6.4.3-1		
Test Parameters				
Test ID	Downlink Configuration		Uplink Configuration	
	Mod'n	RB allocation	Mod'n	RB allocation
1	CP-OFDM QPSK	NOTE 1	DFT-s-OFDM QPSK	NOTE 1
NOTE 1: The specific configuration of uplink and downlink are defined in Table 7.3.2.4.1-1.				
NOTE 2: Additional test points selected according to asymmetric channel bandwidths specified in clause 5.3.6. DL channel bandwidth shall be selected first.				
NOTE 3: In a band where UE supports 4Rx, the test shall be performed only with 4Rx antennas ports connected and 4Rx REFSENS requirement (Table 7.3.2.5-2) is used in the test requirements.				
NOTE 4: For NR band n28, 30MHz test channel bandwidth is tested with Low range test frequencies.				

1. Connect the SS to the UE antenna connectors as shown in TS 38.508-1 [5] Annex A, in Figure A.3.1.4.2 for TE diagram and section A.3.2 for UE diagram.
2. The parameter settings for the cell are set up according to TS 38.508-1 [5] subclause 4.4.3.
3. Downlink signals are initially set up according to Annex C.0, C.1, C.2 , and C.3.1, and uplink signals according to Annex G.0, G.1, G.2, and G.3.1.
4. The UL and DL Reference Measurement channels are set according to Table 7.6.4.4.1-1.
5. Propagation conditions are set according to Annex B.0.
6. Ensure the UE is in State RRC_CONNECTED with generic procedure parameters Connectivity NR according to TS 38.508-1 [5] clause 4.5. Message contents are defined in clause 7.6.4.4.3.

7.6.4.4.2 Test Procedure

1. SS transmits PDSCH via PDCCH DCI format 1_1 for C_RNTI to transmit the DL RMC according to Table 7.6.4.4.1-1. The SS sends downlink MAC padding bits on the DL RMC.
2. SS sends uplink scheduling information for each UL HARQ process via PDCCH DCI format 0_1 for C_RNTI to schedule the UL RMC according to Table 7.6.4.4.1-1. Since the UE has no payload and no loopback data to send, the UE transmits uplink MAC padding bits on the UL RMC.
3. Set the parameters of the CW signal generator for an interfering signal below the wanted signal according to Table 7.6.4.5-1.
4. Set the downlink signal level according to the table 7.6.4.5-1. Send uplink power control commands to the UE using 1dB power step size to ensure that the UE output power measured by the test system is within the Uplink power control window, defined as $-(MU)$ to $-(MU + \text{Uplink power control window size})$ dB of the target power level in Table 7.6.4.5-1 for at least the duration of the Throughput measurement, where:
 - MU is the test system uplink power measurement uncertainty and is specified in Table F.1.3-1 for the carrier frequency f and the channel bandwidth BW
 - Uplink power control window size = 1dB (UE power step size) + 0.7dB (UE power step tolerance) + (Test system relative power measurement uncertainty), where, the UE power step tolerance is specified in TS 38.101-1 [2], Table 6.3.4.3-1 and is 0.7dB for 1dB power step size, and the Test system relative power measurement uncertainty is specified for test case 6.3.4.3 in Table F.1.2-1.
 - For UEs supporting Tx diversity, the transmit power is measured as the sum of the output power from both UE antenna connectors.
5. Measure the average throughput for a duration sufficient to achieve statistical significance according to Annex H.2.
6. Repeat steps from 3 to 5, using an interfering signal above the wanted signal at step 3.

NOTE: The purpose of the Uplink power control window is to ensure that the actual UE output power is no greater than the target power level, and as close as possible to the target power level. The relationship between the Uplink power control window, the target power level and the corresponding possible actual UE Uplink power window is illustrated in Annex F.4.3.

7.6.4.4.3 Message Contents

Message contents are according to TS 38.508-1 [5] subclause 4.6 ensuring Table 4.6.3-118 with condition TRANSFORM_PRECODER_ENABLED.

7.6.4.5 Test Requirement

The throughput measurement derived in test procedure shall be $\geq 95\%$ of the maximum throughput of the reference measurement channels as specified in Annex A.3.2 and A.3.3 with parameters specified in Table 7.6.4.5-1.

Table 7.6.4.5-1: Narrow-band blocking

NR band	Parameter	Unit	Channel Bandwidth (MHz)
---------	-----------	------	-------------------------

			3	5	10	15	20	25, 30, 35, 40, 45, 50	60, 70, 80, 90, 100
n1, n2, n3, n5, n7, n8, n12, n13, n14, n18, n20, n24, n25, n26, n28, n29, n30, n34, n38, n39, n40, n41, n48, n50, n51, n53, n65, n66, n67, n70, n71, n74, n75, n76, n85, n100, n101, n106	P _w	dBm	P _{REFSENS} + channel-bandwidth specific value below						
		dB	18	16	13	14	16	16	16
	P _{uw} (CW)	dBm	-55						
	F _{uw} (offset SCS= 15 kHz) ⁴	MHz	$\left(\left(\frac{BW_{channel}}{2} + 0.2 \right) / SCS + 0.5 \right) + 0.5$			$\left(\left(\frac{BW_{channel}}{2} + BW_{GB,channel} \right) / SCS + 0.5 \right) + 0.5$			NA
F _{uw} (offset SCS= 30 kHz) ⁴	MHz	NA						$\left(\left(\frac{BW_{channel}}{2} + BW_{GB,channel} \right) / SCS + 0.5 \right) + 0.5$	
<p>NOTE 1: The transmitter shall be set a 4 dB below P_{C_{MAX}L,f,c} at the minimum UL configuration specified in Table 7.3.2-3 with P_{C_{MAX}L,f,c} defined in clause 6.2.4</p> <p>NOTE 2: Reference measurement channel is specified in Annexes A.3.2 and A.3.3 with one sided dynamic OCNG Pattern OP.1 FDD/TDD as described in Annex A.5.1.1/A.5.2.1.</p> <p>NOTE 3: The P_{REFSENS} power level is specified in Table 7.3.2.3-1a, Table 7.3.2.3-1b and Table 7.3.2.3-2 for two and four antenna ports, respectively.</p> <p>NOTE 4: F_{uw} shall be rounded to half of SCS.</p> <p>NOTE 5: For SDL bands, requirements shall be applied only for CA band combination cases.</p>									

Table 7.6.4.5-2 Void

7.6A Blocking characteristics for CA

7.6A.1 General

7.6A.2 Inband blocking for CA

7.6A.2.0 Minimum requirements

7.6A.2.0.1 In-band blocking for Intra-band contiguous CA

For intra-band contiguous carrier aggregation the downlink SCC(s) shall be configured at nominal channel spacing to the PCC. The UE shall fulfil the minimum requirement specified in Table 7.6A.2.0.1-1 and 7.6A.2.0.1-1a for an adjacent channel interferer on either side of the aggregated downlink signal at a specified frequency offset and for an interferer power up to -25 dBm. The throughput of each carrier shall be ≥ 95% of the maximum throughput of the reference measurement channels as specified in Annexes A.2.2, A.2.3, A.3.2, and A.3.3 (with one sided dynamic OCNG Pattern OP.1 FDD/TDD for the DL-signal as described in Annex A.5.1.1/A.5.2.1).

Table 7.6A.2.0.1-1: In-band blocking parameters for intra-band contiguous CA with F_{DL,low} ≥ 3300 MHz and F_{UL,low} ≥ 3300 MHz

Rx Parameter	Units	NR CA bandwidth class		
		B	C	D
P _w in Transmission Bandwidth Configuration, per CC	dB	REFSENS + CA bandwidth class specific value below		
		10.0	6	13.8
BW _{interferer}	MHz	20	BW _{channel CA}	50
F _{offset, case 1}	MHz	30	BW _{channel CA} + BW _{channel CA} /2	75
F _{offset, case 2}	MHz	50	BW _{interferer} + F _{offset, case 1}	125
NOTE 1: The transmitter shall be set to 4dB below P _{C_{MAX}L,f,c} at the minimum UL configuration specified in Table 7.3.2-3 with P _{C_{MAX}L,f,c} defined in clause 6.2.4.				

NOTE 2: The interferer consists of the Reference measurement channel specified in Annexes A.3.2 and A.3.3 with one sided dynamic OCNG Pattern OP.1 FDD/TDD as described in Annex A.5.1.1/A.5.2.1 and set-up according to Annex C.3.1

Table 7.6A.2.0.1-1a: In-band blocking parameters for intra-band contiguous CA with $F_{DL_low} < 2700$ MHz and $F_{UL_low} < 2700$ MHz

Rx Parameter	Units	NR CA bandwidth class	
		B	C
Pw in Transmission Bandwidth Configuration, per CC	dBm	REFSENS + NR CA bandwidth class specific value below	REFSENS + NR CA bandwidth class specific value below
		16.0	19.0
$BW_{Interferer}$	MHz	5	5
$F_{offset, case 1}$	MHz	7.5	7.5
$F_{offset, case 2}$	MHz	12.5	12.5

NOTE 1: The transmitter shall be set to 4 dB below $P_{CMAX_L,f,c}$ at the minimum UL configuration specified in Table 7.3.2.3-3 with $P_{CMAX_L,f,c}$ defined in clause 6.2.4.

NOTE 2: The interferer consists of the Reference measurement channel specified in Annexes A.3.2 and A.3.3 with one sided dynamic OCNG Pattern OP.1 FDD/TDD as described in Annex A.5.1.1/A.5.2.1 and set-up according to Annex C.3.1

Table 7.6A.2.0.1-2: In-band blocking for intra-band contiguous CA with $F_{DL_low} \geq 3300$ MHz and $F_{UL_low} \geq 3300$ MHz

NR band	Parameter	Unit	Case 1	Case 2
		$P_{interferer}$	dBm	-56
n77, n78, n79	$F_{interferer}$ (offset)	MHz	$-BW_{channel CA/2} - F_{offset, case 1}$ and $BW_{channel CA/2} + F_{offset, case 1}$	$\leq -BW_{channel CA/2} - F_{offset, case 2}$ and $\geq BW_{channel CA/2} + F_{offset, case 2}$
	$F_{interferer}$	MHz	NOTE 2	$F_{DL_low} - 3BW_{channel CA}$ to $F_{DL_high} + 3BW_{channel CA}$

NOTE 1: The absolute value of the interferer offset $F_{interferer}$ (offset) shall be further adjusted to $(\lceil |F_{interferer}| / SCS \rceil + 0.5) SCS$ MHz with SCS the sub-carrier spacing of the carrier closest to the interferer in MHz. The interferer is an NR signal with an SCS equal to that of the closest carrier.

NOTE 2: For each carrier frequency, the requirement applies for two interferer carrier frequencies: a: $-BW_{channel CA/2} - F_{offset, case 1}$; b: $BW_{channel CA/2} + F_{offset, case 1}$

NOTE 3: $BW_{channel CA}$ denotes the aggregated channel bandwidth of the wanted signal

Table 7.6A.2.0.1-2a: In-band blocking for intra-band contiguous CA with $F_{DL_low} < 2700$ MHz and $F_{UL_low} < 2700$ MHz

NR band	Parameter	Unit	Case 1	Case 2	Case 3
		$P_{interferer}$	dBm	-56	-44
n66 n41 n48 ⁴ n40	$F_{interferer}$ (offset)	MHz	$-BW_{channel CA/2} - F_{offset, case 1}$ and $BW_{channel CA/2} + F_{offset, case 1}$	$\leq -BW_{channel CA/2} - F_{offset, case 2}$ and $\geq BW_{channel CA/2} + F_{offset, case 2}$	
	$F_{interferer}$	MHz	NOTE 2	$F_{DL_low} - 15$ to $F_{DL_high} + 15$	
n71	$F_{interferer}$	MHz	NOTE 2	$F_{DL_low} - 12$ to $F_{DL_high} + 15$	$F_{DL_low} - 12$

NOTE 1: The absolute value of the interferer offset $F_{interferer}$ (offset) shall be further adjusted to $(\lceil |F_{interferer}| / SCS \rceil + 0.5) SCS$ MHz with SCS the sub-carrier spacing of the carrier closest to the interferer in MHz. The interferer is an NR signal with 15 kHz SCS.

NOTE 2: For each carrier frequency, the requirement applies for two interferer carrier frequencies: a: $-BW_{channel CA/2} - F_{offset, case 1}$; b: $BW_{channel CA/2} + F_{offset, case 1}$

NOTE 3: $BW_{channel CA}$ denotes the aggregated channel bandwidth of the wanted signal.

NOTE 4: n48 follows the requirement in this frequency range according to the general requirement defined in Clause 7.1A.

7.6A.2.0.2 In-band blocking for Intra-band non-contiguous CA

For intra-band non-contiguous carrier aggregation with one uplink carrier and two or more downlink sub-blocks, each larger than or equal to 5 MHz, the in-band blocking requirements are defined with the uplink configuration in accordance with Table 7.3A.0.3.2.1-1. For this uplink configuration, the UE shall meet the requirements for each sub-block as specified in subclause 7.6.2 and in this subclause for one component carrier and two component carriers per sub-block, respectively. The requirements apply for in-gap and out-of-gap interferers while all downlink carriers are active.

The throughput of each carrier shall be ≥ 95 % of the maximum throughput of the reference measurement channels as specified in Annexes A.2.2, A.2.3, A.3.2, and A.3.3 (with one sided dynamic OCNG Pattern OP.1 FDD/TDD for the DL-signal as described in Annex A.5.1.1/A.5.2.1).

7.6A.2.0.3 In-band blocking for Inter-band CA

For inter-band carrier aggregation with one component carrier per operating band and the uplink assigned to one NR band, the in-band blocking requirements are defined with the uplink active on the band(s) other than the band whose downlink is being tested. The UE shall meet the requirements specified in subclause 7.6.2 for each component carrier while all downlink carriers are active.

For the UE which supports inter-band CA configuration in Table 7.3A.0.3.2.1-1, $P_{\text{interferer}}$ power defined in Table 7.6.2.3-2 and 7.6.2.3-4 is increased by the amount given by $\Delta R_{\text{IB,c}}$ in Table 7.3A.0.3.2.1-1.

For NR CA configurations including an operating band without uplink operation or an operating band with an unpaired DL part (as noted in Table 5.2-1), the requirements for all downlinks shall be met with the single uplink carrier active in each band capable of UL operation. The requirements for the component carrier configured in the operating band without uplink operation are specified in clause 7.6.2.3 while all downlink carriers are active.

Table 7.6A.2.3-1: Void

The throughput of each carrier shall be ≥ 95 % of the maximum throughput of the reference measurement channels as specified in Annexes A.2.2, A.2.3, A.3.2, and A.3.3 (with one sided dynamic OCNG Pattern OP.1 FDD/TDD for the DL-signal as described in Annex A.5.1.1/A.5.2.1).

The normative reference for this requirement is TS 38.101-1 [2] clause 7.6A.2.

7.6A.2.1 In-band blocking for CA (2DL CA)

7.6A.2.1.1 Test purpose

Inband blocking is defined for an unwanted interfering signal falling into the range from 15 MHz below to 15 MHz above the UE receive band, with $F_{\text{DL_high}} < 2700$ MHz and $F_{\text{UL_high}} < 2700$ MHz, or into an immediately adjacent frequency range up $3 * BW_{\text{Channel_CA}}$ below or above the UE receive band, with $F_{\text{DL_high}} \geq 3300$ MHz and $F_{\text{UL_high}} \geq 3300$ MHz, at which the relative throughput shall meet or exceed the requirement for the specified measurement channel.

7.6A.2.1.2 Test applicability

This test applies to all types of NR UE release 15 and forward that support 2DL CA.

7.6A.2.1.3 Minimum conformance requirements

Minimum requirements are defined in clause 7.6A.2.0.

7.6A.2.1.4 Test description

7.6A.2.1.4.1 Initial conditions

Initial conditions are a set of test configurations the UE needs to be tested in and the steps for the SS to take with the UE to reach the correct measurement state.

The initial test configurations consist of environmental conditions, test frequencies, test channel bandwidths and sub-carrier spacing based on NR CA configuration specified in clause 5.5A. All of these configurations shall be tested with applicable test parameters for each CA configuration, are shown in table 7.6A.2.1.4.1-1, 7.6A.2.1.4.1-2 or 7.6A.2.1.4.1-3. The details of the uplink and downlink reference measurement channels (RMC) are specified in Annexes A.2 and A.3. Configuration of PDSCH and PDCCH before measurement are specified in Annex C.2..

Table 7.6A.2.1.4.1-1: Test configuration table for Intra-band contiguous CA

Default Conditions					
Test Environment as specified in TS 38.508-1 [5] subclause 4.1			Normal		
Test Frequencies as specified in TS 38.508-1 [5] subclause 4.3.1			Mid range		
Test CC Combination setting (N_{RB_agg}) as specified in Table 5.5A.1-1 for the CA Configuration across bandwidth combination sets supported by the UE.			Highest N_{RB_agg} , NOTE 1, NOTE 3		
Test SCS as specified in Table 5.3.5-1			Lowest		
Test Parameters					
Test ID	Downlink Configuration			Uplink Configuration	
	CC Mod'n	PCC RB allocation	SCC RB allocation	CC Mod'n	PCC RB allocation
1	CP-OFDM QPSK	NOTE 1	NOTE 1	DFT-s-OFDM QPSK	NOTE 1
NOTE 1: The specific configuration of uplink and downlink are defined in Table 7.3A.1.4.1-1.					
NOTE 2: In a band where UE supports 4Rx, the test shall be performed only with 4Rx antennas ports connected and 4Rx REFSSENS requirement (Table 7.3.2.5-2) is used in the test requirements.					
NOTE 3: If the UE supports multiple CC Combinations in the CA Configuration with the same N_{RB_agg} , only the combination with the highest N_{RB_PCC} is tested					

Table 7.6A.2.1.4.1-2: Test configuration table for Inter-band CA

Default Conditions					
Test Environment as specified in TS 38.508-1 [5] subclause 4.1			Normal		
Test Frequencies as specified in TS 38.508-1 [5] subclause 4.3.1			NOTE 1, NOTE 3 except for the following cases: CA_n48A-n77A: Low range for PCC		
Test CC Combination setting (N_{RB_agg}) as specified in Table 5.5A.3.1-1 for the CA Configuration across bandwidth combination sets supported by the UE.			Highest N_{RB_agg} NOTE 1, NOTE 4, NOTE 5		
Test SCS as specified in Table 5.3.5-1			Lowest		
Test Parameters					
Test ID	Downlink Configuration			Uplink Configuration	
	CC Mod'n	PCC RB allocation	SCC RB allocation	CC Mod'n	PCC RB allocation
1	CP-OFDM QPSK	NOTE 1	NOTE 1	DFT-s-OFDM QPSK	NOTE 1
NOTE 1: The specific configuration of uplink and downlink are defined in Table 7.3A.1.4.1-2.					
NOTE 2: In a band where UE supports 4Rx, the test shall be performed only with 4Rx antennas ports connected and 4Rx REFSSENS requirement (Table 7.3.2.5-2) is used in the test requirements.					
NOTE 3: Test frequency is set to Mid Range for PCC and SCC with exceptions defined in Table 7.3A.1.4.1-2. For NR band n28, 30MHz test channel bandwidth is tested with Low range test frequencies.					
NOTE 4: If the UE supports multiple CC Combinations in the CA Configuration with the same N_{RB_agg} , only the combination with the highest N_{RB_PCC} is tested.					
NOTE 5: For nXA PCC, each of Highest UL and Highest DL shall be selected according to clause 5.5A.3.1. DL channel bandwidth shall be selected first.					

Table 7.6A.2.1.4.1-3: Test configuration table for Intra-band non-contiguous CA

Default Conditions	
Test Environment as specified in TS 38.508-1 [5] subclause 4.1	Normal
Test Frequencies as specified in TS 38.508-1 [5] subclause 4.3.1	NOTE 1
Test CC Combination setting (N_{RB_agg}) as specified in Table 5.5A.2-1 for the CA Configuration across bandwidth combination sets supported by the UE.	Highest N_{RB_agg} NOTE 1, NOTE 3
Test SCS as specified in Table 5.3.5-1	Lowest
Test Parameters	

Test ID	Downlink Configuration			Uplink Configuration	
	CC Mod'n	PCC RB allocation	SCC RB allocation	CC Mod'n	PCC RB allocation
1	CP-OFDM QPSK	NOTE 1	NOTE 1	DFT-s-OFDM QPSK	NOTE 1
NOTE 1: The specific configuration of uplink and downlink are defined in Table 7.3A.1.4.1-3.					
NOTE 2: In a band where UE supports 4Rx, the test shall be performed only with 4Rx antennas ports connected and 4Rx REFSSENS requirement (Table 7.3.2.5-2) is used in the test requirements.					
NOTE 3: If the UE supports multiple CC Combinations in the CA Configuration with the same N_{RB_agg} , only the combination with the highest N_{RB_PCC} is tested.					

1. Connect the SS to the UE antenna connectors as shown in TS 38.508-1 [5] Annex A, in Figure A.3.1.4.7 for TE diagram and section A.3.2 for UE diagram.
2. The parameter settings for the cell are set up according to TS 38.508-1 [5] subclause 4.4.3.
3. Downlink signals are initially set up according to Annex C.0, C.1, C.2, C.3.1, and uplink signals according to Annex G.0, G.1, G.2, G.3.1.
4. The DL and UL Reference Measurement channels are set according to Table 7.6A.2.1.4.1-1, 7.6A.2.1.4.1-2 or 7.6A.2.1.4.1-3.
5. Propagation conditions are set according to Annex B.0.
6. Ensure the UE is in state RRC_CONNECTED with generic procedure parameters Connectivity *NR*, Connected without release *On*, Test Mode *On* and Test Loop Function *On* according to TS 38.508-1 [5] clause 4.5. Message content are defined in clause 7.6A.2.1.4.3.

7.6A.2.1.4.2 Test procedure

1. Configure SCC according to Annex C.0, C.1, C.2 for all downlink physical channels.
2. The SS shall configure SCC as per TS 38.508-1 [5] clause 5.5.1. Message contents are defined in clause 7.6A.2.1.4.3.
3. SS activates SCC by sending the activation MAC CE (Refer TS 38.321 [18], clauses 5.9, 6.1.3.10). Wait for at least 2 seconds (Refer TS 38.133[19], clause 9.3).
4. SS transmits PDSCH via PDCCH DCI format 1_1 for C_RNTI to transmit the DL RMC according to Tables 7.6A.2.1.4.1-1, 7.6A.2.1.4.1-2 or 7.6A.2.1.4.1-3 on both SCC and PCC. The SS sends downlink MAC padding bits on the DL RMC.
5. SS sends uplink scheduling information for each UL HARQ process via PDCCH DCI format 0_1 for C_RNTI to schedule the UL RMC according to Tables 7.6A.2.1.4.1-1, 7.6A.2.1.4.1-2 or 7.6A.2.1.4.1-3 on PCC. Since the UL has no payload and no loopback data to send the UE sends uplink MAC padding bits on the UL RMC.
6. For Intra-band contiguous CA: Set the parameters of the signal generator for an interfering signal below the aggregated component carriers in Case 1 according to Tables 7.6A.2.1.5.1-1 and 7.6A.2.1.5.1-2 or Tables 7.6A.2.1.5.1-1a and 7.6A.2.1.5.1-2a as appropriate depending on NR band.

For Inter-band CA: Set the parameters of the signal generator for an interfering signal below the SCC's wanted signal in Case 1 according to Tables 7.6A.2.1.5.3-1 and 7.6A.2.1.5.3-2 or Tables 7.6A.2.1.5.3-1a and 7.6A.2.1.5.3-2a as appropriate depending on NR band. If interfering signal bandwidth overlaps with PCC bandwidth, skip the test and go to step 9.

For Intra-band non-contiguous CA: Set the parameters of the signal generator for an interfering signal below the PCC's wanted signal in Case 1 according to 7.6A.2.1.5.3-1 and 7.6A.2.1.5.3-2 or Tables 7.6A.2.1.5.3-1a and 7.6A.2.1.5.3-2a as appropriate depending on NR bands as appropriate, excluding frequencies where the interferer centre frequency falls within SCC carrier $\pm(BW/2 + F_{\text{offset,case 1}})$, where BW & offset refer to SCC.

7. Set the downlink signal level on both carriers according to the table 7.6A.2.1.5.1-1, 7.6A.2.1.5.1-1a or 7.6A.2.1.5.3-1, 7.6A.2.1.5.3-1a as appropriate. Send uplink power control commands to the UE using 1dB power step size to ensure that the UE output power measured by the test system is within the Uplink power control window, defined as $-MU$ to $-(MU + \text{Uplink power control window size})$ dB of the target power level in table 7.6A.2.1.5.1-1, 7.6A.2.1.5.1-1a or 7.6A.2.1.5.3-1, 7.6A.2.1.5.3-1a for at least the duration of the Throughput measurement, where:

- MU is the test system uplink power measurement uncertainty and is specified in Table F.1.3-1 for the carrier frequency f and the channel bandwidth BW
 - Uplink power control window size = 1dB (UE power step size) + 0.7dB (UE power step tolerance) + (Test system relative power measurement uncertainty), where, the UE power step tolerance is specified in TS 38.101-1 [2], Table 6.3.4.3-1 and is 0.7dB for 1dB power step size, and the Test system relative power measurement uncertainty is specified for test case 6.3.4.3 in Table F.1.2-1.
 - For UEs supporting Tx diversity, the transmit power is measured as the sum of the output power from both UE antenna connectors.
8. For Intra-band contiguous CA: Measure the average throughput of both carriers for a duration sufficient to achieve statistical significance according to Annex H.2A.
- For Inter-band CA: Measure the average throughput of SCC for a duration sufficient to achieve statistical significance according to Annex H.2A.
- For Intra-band non-contiguous CA: Measure the average throughput of PCC for a duration sufficient to achieve statistical significance according to Annex H.2A.
9. Repeat steps from 6 to 8, using an interfering signal above the wanted signal in Case 1 at step 6.
10. For Intra-band non-contiguous only: Repeat steps from 6 to 9, using an interfering signal below and above the SCC in Case 1 and measuring SCC instead of PCC in step 8, excluding the frequencies where the interferer centre frequency falls within PCC carrier $\pm(BW/2 + F_{\text{offset,case 1}})$, where BW & offset refer to PCC.
11. Repeat steps from 6 to 10, using interfering signals in Case 2 at step 6 and 9. The ranges of case 2 are covered in steps equal to the interferer bandwidth. For inter-band CA: skip the testing at interfering signal frequencies where interfering signal bandwidth overlaps with PCC bandwidth.
12. Repeat steps from 6 to 10, using interfering signals in Case 3 as applicable at step 6 and 9. The ranges of case 3 are covered in steps equal to the interferer bandwidth. For inter-band CA: skip the testing at interfering signal frequencies where interfering signal bandwidth overlaps with PCC bandwidth.
13. For Inter-band CA only: Repeat steps from 1 to 12 setting the original PCell as SCell and the original SCell as PCell in the corresponding CA configuration, except for operating bands without uplink band.

NOTE: The purpose of the Uplink power control window is to ensure that the actual UE output power is no greater than the target power level, and as close as possible to the target power level. The relationship between the Uplink power control window, the target power level and the corresponding possible actual UE Uplink power window is illustrated in Annex F.4.3.

7.6A.2.1.4.3 Message contents

Message contents are according to TS 38.508-1 [5] subclause 4.6 with TRANSFORM_PRECODER_ENABLED condition in Table 4.6.3-118 PUSCH-Config.

7.6A.2.1.5 Test requirement

7.6A.2.1.5.1 Intra-band contiguous 2DL CA

The throughput of each carrier shall be $\geq 95\%$ of the maximum throughput of the reference measurement channels as specified in Annexes A.2.2, A.2.3, A.3.2, and A.3.3 (with one sided dynamic OCNG Pattern OP.1 FDD/TDD for the DL-signal as described in Annex A.5.1.1/A.5.2.1) with parameters defined in 7.6A.2.1.5.1-1a and 7.6A.2.1.5.1-2a. The test requirement of configurations for CA operating band including Band n41 also apply for the corresponding CA operating bands with Band n90 replacing Band n41.

Table 7.6A.2.1.5.1-1: In-band blocking parameters for intra-band contiguous CA with $F_{DL_low} \geq 3300$ MHz and $F_{UL_low} \geq 3300$ MHz

Rx Parameter	Unit	NR CA bandwidth class		
		B	C	
Pw in Transmission Bandwidth Configuration, per CC	dBm	REFSENS + CA bandwidth class specific value below		
		10.0	6	

$BW_{\text{Interferer}}$	MHz	20	$BW_{\text{channel CA}}$	
$F_{\text{offset, case 1}}$	MHz	30	$BW_{\text{channel CA}} +$ $BW_{\text{channel CA}/2}$	
$F_{\text{offset, case 2}}$	MHz	50	$BW_{\text{Interferer}} + F_{\text{offset, case 1}}$	
NOTE 1: The transmitter shall be set to 4dB below $P_{\text{CMAX_L,f,c}}$ at the minimum UL configuration specified in Table 7.3.2-3 with $P_{\text{CMAX_L,f,c}}$ defined in clause 6.2.4.				
NOTE 2: The interferer consists of the Reference measurement channel specified in Annexes A.3.2 and A.3.3 with one sided dynamic OCNG Pattern OP.1 FDD/TDD as described in Annex A.5.1.1/A.5.2.1 and set-up according to Annex C.3.1				

Table 7.6A.2.1.5.1-1a: In-band blocking parameters for intra-band contiguous CA with $F_{\text{DL_low}} < 2700$ MHz and $F_{\text{UL_low}} < 2700$ MHz

Rx Parameter	Units	NR CA bandwidth class	
		B	C
Pw in Transmission Bandwidth Configuration, per CC	dBm	REFSENS + NR CA bandwidth class specific value below	REFSENS + NR CA bandwidth class specific value below
		16.0	19.0
$BW_{\text{Interferer}}$	MHz	5	5
$F_{\text{offset, case 1}}$	MHz	7.5	7.5
$F_{\text{offset, case 2}}$	MHz	12.5	12.5
NOTE 1: The transmitter shall be set to 4 dB below $P_{\text{CMAX_L,f,c}}$ at the minimum UL configuration specified in Table 7.3.2.3-3 with $P_{\text{CMAX_L,f,c}}$ defined in clause 6.2.4.			
NOTE 2: The interferer consists of the Reference measurement channel specified in Annexes A.3.2 and A.3.3 with one sided dynamic OCNG Pattern OP.1 FDD/TDD as described in Annex A.5.1.1/A.5.2.1 and set-up according to Annex C.3.1			

Table 7.6A.2.1.5.1-2: In-band blocking for intra-band contiguous CA with $F_{\text{DL_low}} \geq 3300$ MHz and $F_{\text{UL_low}} \geq 3300$ MHz

NR band	Parameter	Unit	Case 1	Case 2
	$P_{\text{interferer}}$	dBm	-56	-44
n77, n78, n79	$F_{\text{interferer (offset)}}$	MHz	$-BW_{\text{channel CA}/2} - F_{\text{offset, case 1}}$ and $BW_{\text{channel CA}/2} + F_{\text{offset, case 1}}$	$\leq -BW_{\text{channel CA}/2} - F_{\text{offset, case 2}}$ and $\geq BW_{\text{channel CA}/2} + F_{\text{offset, case 2}}$
	$F_{\text{interferer}}$	MHz	NOTE 2	$F_{\text{DL_low}} - 3BW_{\text{channel CA}}$ to $F_{\text{DL_high}} + 3BW_{\text{channel CA}}$
NOTE 1: The absolute value of the interferer offset $F_{\text{interferer (offset)}}$ shall be further adjusted to $(\lceil F_{\text{interferer}} / SCS \rceil + 0.5) SCS$ MHz with SCS the sub-carrier spacing of the carrier closest to the interferer in MHz. The interferer is an NR signal with an SCS equal to that of the closest carrier.				
NOTE 2: For each carrier frequency, the requirement applies for two interferer carrier frequencies: a: $-BW_{\text{channel CA}/2} - F_{\text{offset, case 1}}$; b: $BW_{\text{channel CA}/2} + F_{\text{offset, case 1}}$				
NOTE 3: $BW_{\text{channel CA}}$ denotes the aggregated channel bandwidth of the wanted signal				

Table 7.6A.2.1.5.1-2a: In-band blocking for intra-band contiguous CA with $F_{\text{DL_low}} < 2700$ MHz and $F_{\text{UL_low}} < 2700$ MHz

NR band	Parameter	Unit	Case 1	Case 2	Case 3
	$P_{\text{interferer}}$	dBm	-56	-44	
n66 n41 n48 ⁴	$F_{\text{interferer (offset)}}$	MHz	$-BW_{\text{channel CA}/2} - F_{\text{offset, case 1}}$ and $BW_{\text{channel CA}/2} + F_{\text{offset, case 1}}$	$\leq -BW_{\text{channel CA}/2} - F_{\text{offset, case 2}}$ and $\geq BW_{\text{channel CA}/2} + F_{\text{offset, case 2}}$	
	$F_{\text{interferer}}$	MHz	NOTE 2	$F_{\text{DL_low}} - 15$ to $F_{\text{DL_high}} + 15$	
n71	$F_{\text{interferer}}$	MHz	NOTE 2	$F_{\text{DL_low}} - 12$ to $F_{\text{DL_high}} + 15$	$F_{\text{DL_low}} - 12$

NOTE 1: The absolute value of the interferer offset $F_{\text{interferer}}$ (offset) shall be further adjusted to $(\lceil |F_{\text{interferer}}| / SCS \rceil + 0.5) SCS$ MHz with SCS the sub-carrier spacing of the carrier closest to the interferer in MHz. The interferer is an NR signal with 15 kHz SCS.

NOTE 2: For each carrier frequency, the requirement applies for two interferer carrier frequencies: a: $-BW_{\text{channel CA}}/2 - F_{\text{offset, case 1}}$; b: $BW_{\text{channel CA}}/2 + F_{\text{offset, case 1}}$

NOTE 3: $BW_{\text{channel CA}}$ denotes the aggregated channel bandwidth of the wanted signal

NOTE 4: n48 follows the requirement in this frequency range according to the general requirement defined in Clause 7.1A

7.6A.2.1.5.2 In-band blocking for Intra-band non-contiguous CA

For intra-band non-contiguous carrier aggregation with one uplink carrier and two or more downlink sub-blocks, each larger than or equal to 5 MHz, the in-band blocking requirements are defined with the uplink configuration in accordance with Table 7.3A.2.2-1. For this uplink configuration, the UE shall meet the requirements for each sub-block as specified in subclause 7.6.2. The requirements apply for in-gap and out-of-gap interferers while all downlink carriers are active.

The throughput of each carrier shall be $\geq 95\%$ of the maximum throughput of the reference measurement channels as specified in Annexes A.2.2, A.2.3, A.3.2, and A.3.3 (with one sided dynamic OCNG Pattern OP.1 FDD/TDD for the DL-signal as described in Annex A.5.1.1/A.5.2.1) with parameters defined in 7.6A.2.1.5.3-1 and 7.6A.2.1.5.3-2.

The test requirement of configurations for CA operating band including Band n41 also apply for the corresponding CA operating bands with Band n90 replacing Band n41.

7.6A.2.1.5.3 In-band blocking for Inter-band CA

For inter-band carrier aggregation with one component carrier per operating band and the uplink assigned to one NR band, the in-band blocking requirements are defined with the uplink active on the band(s) other than the band whose downlink is being tested. The UE shall meet the requirements for each component carrier, when operated as SCell, while all downlink carriers are active.

The throughput of each carrier shall be $\geq 95\%$ of the maximum throughput of the reference measurement channels as specified in Annexes A.2.2, A.2.3, A.3.2, and A.3.3 (with one sided dynamic OCNG Pattern OP.1 FDD/TDD for the DL-signal as described in Annex A.5.1.1/A.5.2.1) with parameters defined in 7.6A.2.1.5.3-1 and 7.6A.2.1.5.3-2. The test requirement of configurations for CA operating band including Band n41 also apply for the corresponding CA operating bands with Band n90 replacing Band n41.

Table 7.6A.2.1.5.3-1: In-band blocking parameters for NR bands with FDL_high < 2700 MHz and FUL_high < 2700 MHz

RX parameter	Units	Channel bandwidth				
		5 MHz	10 MHz	15 MHz	20 MHz	25 MHz
Power in transmission bandwidth configuration	dBm	REFSENS + channel specific value below				
	dB	6	6	7	9	10
BW _{interferer}	MHz	5				
F _{offset, case 1}	MHz	7.5				
F _{offset, case 2}	MHz	12.5				
RX parameter	Units	Channel bandwidth				
		30 MHz	35 MHz	40 MHz	45 MHz	50 MHz
Power in transmission bandwidth configuration	dBm	REFSENS + channel specific value below				
	dB	11	11.5	12	12.5	13
BW _{interferer}	MHz	5				
F _{offset, case 1}	MHz	7.5				
F _{offset, case 2}	MHz	12.5				
RX parameter	Units	Channel bandwidth				
		60 MHz	70 MHz	80 MHz	90 MHz	100 MHz
Power in transmission bandwidth configuration	dBm	REFSENS + channel specific value below				
	dB	14	14.5	15	15.5	16
BW _{interferer}	MHz	5				

$F_{\text{offset, case 1}}$	MHz	7.5
$F_{\text{offset, case 2}}$	MHz	12.5
NOTE 1: The transmitter shall be set to 4dB below $P_{\text{CMAX_L,f,c}}$ at the minimum UL configuration specified in Table 7.3.2.3-3 with $P_{\text{CMAX_L,f,c}}$ defined in clause 6.2.4.		
NOTE 2: The interferer consists of the RMC specified in Annexes A.3.2.2 and A.3.3.2 with one sided dynamic OCNG Pattern OP.1 FDD/TDD for the DL-signal as described in Annex A.5.1.1/A.5.2.1 and 15 kHz SCS..		

Table 7.6A.2.1.5.3-1a: In-band blocking parameters for NR bands with $F_{\text{DL_low}} \geq 3300$ MHz and $F_{\text{UL_low}} \geq 3300$ MHz

RX parameter	Units	Channel bandwidth				
		10 MHz	15 MHz	20 MHz	25 MHz	30 MHz
Power in transmission bandwidth configuration	dBm	REFSENS + channel specific value below				
	dB	6				
$BW_{\text{interferer}}$	MHz	10	15	20	25	30
$F_{\text{offset, case 1}}$	MHz	15	22.5	30	37.5	45
$F_{\text{offset, case 2}}$	MHz	25	37.5	50	62.5	75
RX parameter	Units	Channel bandwidth				
		35 MHz	40 MHz	45 MHz	50 MHz	60 MHz
Power in transmission bandwidth configuration	dBm	REFSENS + channel specific value below				
	dB	6				
$BW_{\text{interferer}}$	MHz	35	40	45	50	60
$F_{\text{offset, case 1}}$	MHz	52.5	60	67.5	75	90
$F_{\text{offset, case 2}}$	MHz	87.5	100	112.5	125	150
RX parameter	Units	Channel bandwidth				
		70 MHz	80 MHz	90 MHz	100 MHz	
Power in transmission bandwidth configuration	dBm	REFSENS + channel specific value below				
	dB	6				
$BW_{\text{interferer}}$	MHz	70	80	90	100	
$F_{\text{offset, case 1}}$	MHz	105	120	135	150	
$F_{\text{offset, case 2}}$	MHz	175	200	225	250	
NOTE 1: The transmitter shall be set to 4dB below $P_{\text{CMAX_L,f,c}}$ at the minimum UL configuration specified in Table 7.3.2.3-3 with $P_{\text{CMAX_L,f,c}}$ defined in clause 6.2.4.						
NOTE 2: The interferer consists of the RMC specified in Annexes A.3.2.2 and A.3.3.2 with one sided dynamic OCNG Pattern OP.1 FDD/TDD for the DL-signal as described in Annex A.5.1.1/A.5.2.1.						

Table 7.6A.2.1.5.3-2: In-band blocking for NR bands with $F_{\text{DL_high}} < 2700$ MHz and $F_{\text{UL_high}} < 2700$ MHz

NR band	Parameter	Unit	Case 1	Case 2	Case 3
		$P_{\text{interferer}}$	dBm	-56	-44
n1, n2, n3, n5, n7, n8, n12, n20, n28, n38, n39, n40, n41, n48 ³ , n50, n51, n66, n70, n74, n75, n76	$F_{\text{interferer}}$ (offset)	MHz	- $BW_{\text{Channel_CA}} / 2$ - $F_{\text{offset, case 1}}$ and $BW_{\text{Channel_CA}} / 2 + F_{\text{offset, case 1}}$	$\leq - BW_{\text{Channel_CA}} / 2 - F_{\text{offset, case 2}}$ and $\geq BW_{\text{Channel_CA}} / 2 + F_{\text{offset, case 2}}$	
	$F_{\text{interferer}}$	MHz	NOTE 2	$F_{\text{DL_low}} - 15$ to $F_{\text{DL_high}} + 15$	
n71	$F_{\text{interferer}}$	MHz	NOTE 2	$F_{\text{DL_low}} - 12$ to $F_{\text{DL_high}} + 15$	$F_{\text{DL_low}} - 12$
NOTE 1: The absolute value of the interferer offset $F_{\text{interferer}}$ (offset) shall be further adjusted to $(\lceil F_{\text{interferer}} / SCS \rceil + 0.5) SCS$ MHz with SCS the sub-carrier spacing of the wanted signal in MHz. The interferer is an NR signal with 15 kHz SCS.					
NOTE 2: For each carrier frequency, the requirement applies for two interferer carrier frequencies: a: $- BW_{\text{Channel_CA}} / 2 - F_{\text{offset, case 1}}$; b: $BW_{\text{Channel_CA}} / 2 + F_{\text{offset, case 1}}$					

NOTE 3: n48 follows the requirement in this frequency range according to the general requirement defined in Clause 7.1A.

Table 7.6A.2.1.5.3-2a: In-band blocking for NR bands with $F_{DL_low} \geq 3300$ MHz and $F_{UL_low} \geq 3300$ MHz

NR band	Parameter	Unit	Case 1	Case 2
		$P_{interferer}$	dBm	-56
n77, n78, n79	$F_{interferer}$ (offset)	MHz	- $BW_{Channel_CA}/2 - F_{offset, case 1}$ and $BW_{Channel_CA}/2 + F_{offset, case 1}$	$\leq -BW_{Channel_CA}/2 - F_{offset, case 2}$ and $\geq BW_{Channel_CA}/2 + F_{offset, case 2}$
	$F_{interferer}$		NOTE 2	$F_{DL_low} - 3^* BW_{Channel_CA}$ to $F_{DL_high} + 3^* BW_{Channel_CA}$
<p>NOTE 1: The absolute value of the interferer offset $F_{interferer}$ (offset) shall be further adjusted to $(\lceil F_{interferer} / SCS \rceil + 0.5) SCS$ MHz with SCS the sub-carrier spacing of the wanted signal in MHz. The interferer is an NR signal with an SCS equal to that of the wanted signal.</p> <p>NOTE 2: For each carrier frequency, the requirement applies for two interferer carrier frequencies: a: $-BW_{Channel_CA}/2 - F_{offset, case 1}$; b: $BW_{Channel_CA}/2 + F_{offset, case 1}$</p> <p>NOTE 3: $BW_{Channel_CA}$ denotes the channel bandwidth of the wanted signal</p>				

Table 7.6A.2.1.5.3-2b: In-band blocking parameters for additional NR operating bands for carrier aggregation with $F_{DL_high} < 2700$ MHz and $F_{UL_high} < 2700$ MHz

NR band	Parameter	Unit	Case 1	Case 2
		$P_{interferer}$	dBm	-56
	$F_{interferer}$ (offset)	MHz	- $BW_{Channel_CA}/2 - F_{offset, case 1}$ and $BW_{Channel_CA}/2 + F_{offset, case 1}$	$\leq -BW_{Channel_CA}/2 - F_{offset, case 2}$ and $\geq BW_{Channel_CA}/2 + F_{offset, case 2}$
n29	$F_{interferer}$	MHz	NOTE 2	$F_{DL_low} - 15$ to $F_{DL_high} + 15$
<p>NOTE 1: For certain bands, the unwanted modulated interfering signal may not fall inside the UE receive band, but within the first 15 MHz below or above the UE receive band</p> <p>NOTE 2: For each carrier frequency, the requirement applies for two interferer carrier frequencies: a: $-BW_{Channel_CA}/2 - F_{offset, case 1}$; b: $BW_{Channel_CA}/2 + F_{offset, case 1}$</p> <p>NOTE 3: The absolute value of the interferer offset $F_{interferer}$ (offset) shall be further adjusted to $(\lceil F_{interferer} / SCS \rceil + 0.5) SCS$ MHz with SCS the sub-carrier spacing of the wanted signal in MHz. The interferer is an NR signal with an SCS equal to that of the wanted signal</p> <p>NOTE 4: $BW_{Channel_CA}$ denotes the channel bandwidth of the wanted signal</p>				

For the UE which supports inter-band CA configuration in Table 7.3A.0.3.2-1, $P_{interferer}$ power defined in Table 7.6A.2.1.5.3-2 and 7.6A.2.1.5.3-2a is increased by the amount given by $\Delta R_{IB,c}$ in Table 7.3A.0.3.2-1.

7.6A.2.2 In-band Blocking for CA (3DL CA)

7.6A.2.2.1 Test purpose

Same test purpose as in clause 7.6A.2.1.

7.6A.2.2.2 Test applicability

This test applies to all types of NR UE release 15 and forward that support 3DL CA.

7.6A.2.2.3 Minimum conformance requirements

Minimum requirements are defined in clause 7.6A.2.0.

7.6A.2.2.4 Test description

7.6A.2.2.4.1 Initial conditions

Initial conditions are a set of test configurations the UE needs to be tested in and the steps for the SS to take with the UE to reach the correct measurement state.

The initial test configurations consist of environmental conditions, test frequencies, test channel bandwidths and sub-carrier spacing based on NR CA configuration specified in clause 5.5A. All of these configurations shall be tested with applicable test parameters for each CA configuration, are shown in table 7.6A.2.2.4.1-1, 7.6A.2.2.4.1-2 or 7.6A.2.2.4.1-3. The details of the uplink and downlink reference measurement channels (RMC) are specified in Annexes A.2 and A.3. Configuration of PDSCH and PDCCH before measurement are specified in Annex C.2.

Table 7.6A.2.2.4.1-1: Test Configuration Table for 3DL CA

Default Conditions						
Test Environment as specified in TS 38.508-1 [5] subclause 4.1		Normal				
Test Frequencies as specified in TS 38.508-1 [5] subclause 4.3.1		Intra-band contiguous: Mid range for all CCs Inter-band: NOTE 1, NOTE 5 Intra-band contiguous + Inter-band: NOTE 1, NOTE 5 Intra-band non-contiguous + Inter-band, Intra-band non-contiguous, Intra-band contiguous + Intra-band non-contiguous: NOTE 1 with Wgap for intra-band non-contiguous defined in table 7.3A.2.4.1-1 (NOTE 5)				
Test CC Combination setting (N_{RB_agg}) as specified in Tables 5.5A.1-1, 5.5A.2-1, or tables in clauses 5.5A.3.x for the CA Configuration across bandwidth combination sets supported by the UE.		Highest N_{RB_agg} , NOTE 1, NOTE 6, NOTE 7				
Test SCS as specified in Table 5.3.5-1		Lowest for PCC and SCCs				
Network signalling value		NS_01 Unless given by Table 7.3.2.3-4 for the band with active uplink carrier				
Test Parameters						
Downlink Configuration				Uplink Configuration		
Test ID	CC Mod'n	PCC RB allocation	SCC ₁ RB allocation	SCC ₂ RB allocation	CC Mod'n	PCC RB allocation
Default Test Settings for a CA_nXD Configuration (Intra-band contiguous CA)						
1	CP-OFDM QPSK	NOTE 1	NOTE 1	NOTE 1	DFT-s-OFDM QPSK	NOTE 1
Default Test Settings for a CA_nXA-nYA-nZA Configuration (Inter-band)						
1	CP-OFDM QPSK	NOTE 1	NOTE 1	NOTE 1	DFT-s-OFDM QPSK	NOTE 1
Default Test Settings for a CA_nXC-nYA, CA_nYA-nXC, CA_nYA-nXB and CA_nXB-nYA Configurations (Intra-band contiguous + Inter-band)						
1	CP-OFDM QPSK	NOTE 1	NOTE 1	NOTE 1	DFT-s-OFDM QPSK	NOTE 1
Default Test Settings for a CA_nX(2A)-nYA Configurations (Intra-band non-contiguous + Inter-band)						
1	CP-OFDM QPSK	NOTE 1	NOTE 1	NOTE 1	DFT-s-OFDM QPSK	NOTE 1
Default Test Settings for a CA_nX(3A) Configuration (Intra-band non-contiguous)						

1	CP-OFDM QPSK	NOTE 1	NOTE 1	DFT-s-OFDM QPSK	NOTE 1
Default Test Settings for a CA_nX(A-C) and CA_nX(A-B) Configuration (Intra-band contiguous + Intra-band non-contiguous)					
1	CP-OFDM QPSK	NOTE 1	NOTE 1	DFT-s-OFDM QPSK	NOTE 1
<p>NOTE 1: The specific configuration of uplink and downlink are defined in Table 7.3A.2.4.1-1.</p> <p>NOTE 2: CA Configuration Test CC Combination test settings are checked separately for each CA Configuration.</p> <p>NOTE 3: Inter-band: nX,nY,nZ correspond to the different bands in the CA Configuration. E.g. for CA_n1A-n3A-n8A, nX=n1, nY=n3, nZ=n8; Intra-band contiguous + Inter-band: nX,nY correspond to the different bands in the CA Configuration, e.g. for CA_n1C-n3A, nX=n1, nY=n3; Intra-band non-contiguous + Inter-band: nX and nY correspond to the different bands in the CA Configuration. E.g. for CA_n1(2A)-n8A, nX=n1, nY =n8.</p> <p>NOTE 4: In a band where UE supports 4Rx, the test shall be performed only with 4Rx antennas ports connected and 4Rx REFSENS requirement (Table 7.3.2.5-2) is used in the test requirements.</p> <p>NOTE 5: Test frequency is set to Mid Range for PCC and SCC with exceptions defined in Table 7.3A.2.4.1-1. For NR band n28, 30MHz test channel bandwidth is tested with Low range test frequencies.</p> <p>NOTE 6: If the UE supports multiple CC Combinations in the CA Configuration with the same N_{RB_agg}, only the combination with the highest N_{RB_PCC} is tested.</p> <p>NOTE 7: For nXA PCC, each of Highest UL and Highest DL shall be selected according to clause 5.5A.3.2. DL channel bandwidth shall be selected first.</p>					

Table 7.6A.2.2.4.1-2: Void**Table 7.6A.2.2.4.1-3: Void**

1. Connect the SS to the UE antenna connectors as shown in TS 38.508-1 [5] Annex A, Figure A.3.1.4.7 for TE diagram and section A.3.2 for UE diagram.
2. The parameter settings for the cell are set up according to TS 38.508-1 [5] subclause 4.4.3.
3. Downlink signals for PCC are initially set up according to Annex C.0, C.1, C.2, and C.3.1, and uplink signals according to Annex G.0, G.1, G.2, and G.3.1.
4. The UL and Reference Measurement Channel is set according to Tables 7.6A.2.2.4.1-1.
5. Propagation conditions are set according to Annex B.0.
6. Ensure the UE is in State RRC_CONNECTED with generic procedure parameters Connectivity NR, Connected without release On, Test Mode On and Test Loop Function On according to TS 38.508-1 [5] clause 4.5. Message contents are defined in clause 7.6A.2.2.4.3.

7.6A.2.2.4.2 Test procedure

1. Configure SCC according to Annex C.0, C.1, C.2 for all downlink physical channels.
2. The SS shall configure SCC as per TS 38.508-1 [5] clause 5.5.1. Message contents are defined in clause 7.6A.2.2.4.3.
3. SS activates SCC by sending the activation MAC CE (Refer TS 38.321 [18], clauses 5.9, 6.1.3.10). Wait for at least 2 seconds (Refer TS 38.133[19], clause 9.3).
4. SS transmits PDSCH via PDCCH DCI format [1_1] for C_RNTI to transmit the DL RMC according to Tables 7.6A.2.2.4.1-1, 7.6A.2.2.4.1-2 or 7.6A.2.2.4.1-3 on both SCC and PCC. The SS sends downlink MAC padding bits on the DL RMC.
5. SS sends uplink scheduling information for each UL HARQ process via PDCCH DCI format [0_1] for C_RNTI to schedule the UL RMC according to Tables 7.6A.2.2.4.1-1, 7.6A.2.2.4.1-2 or 7.6A.2.2.4.1-3 on PCC. Since the UL has no payload and no loopback data to send the UE sends uplink MAC padding bits on the UL RMC.
6. Set the parameters of the signal generator for an interfering signal below the aggregated component carriers in Case 1 according to Table 7.6A.2.2.4.2-1, excluding the frequencies where the interferer centre frequency falls within each CC carrier $\pm(BW/2 + F_{offset})$, where BW & offset refer to each CC.

- 7 Set the downlink signal level according to the Table 7.6A.2.2.4.2-1. Send uplink power control commands to the UE using 1dB power step size to ensure that the UE output power measured by the test system is within the Uplink power control window, defined as $-(\text{MU} - \text{Uplink power control window size})$ dB of the target power level in table 7.6A.2.2.4.2-1 for at least the duration of the Throughput measurement, where:
- MU is the test system uplink power measurement uncertainty and is specified in Table F.1.3-1 for the carrier frequency f and the channel bandwidth BW
 - Uplink power control window size = 1dB (UE power step size) + 0.7dB (UE power step tolerance) + (Test system relative power measurement uncertainty), where, the UE power step tolerance is specified in TS 38.101-1 [2], Table 6.3.4.3-1 and is 0.7dB for 1dB power step size, and the Test system relative power measurement uncertainty is specified for test case 6.3.4.3 in Table F.1.2-1.
 - For UEs supporting Tx diversity, the transmit power is measured as the sum of the output power from both UE antenna connectors.
- 8 Measure the average throughput for the carrier(s) indicated in Table 7.6A.2.2.4.2-1 for duration sufficient to achieve statistical significance according to Annex H.2A.
- 9 Repeat steps from 6 to 8, using an interfering signal above the measured carrier(s) according to Table 7.6A.2.2.4.2-1 in Case 1 at step 6, excluding the frequencies where the interferer centre frequency falls within each CC carrier $\pm(\text{BW}/2 + \text{Foffset})$, where BW & offset refer to each CC.
- 10 Repeat steps from 6 to 9, using interfering signals in Case 2 at step 6 and 9. The ranges of case 2 are covered in steps equal to the interferer bandwidth.
11. Repeat steps 1 to 10 for all component carriers listed in Table 7.6A.2.2.4.2-1.

NOTE: The purpose of the Uplink power control window is to ensure that the actual UE output power is no greater than the target power level, and as close as possible to the target power level. The relationship between the Uplink power control window, the target power level and the corresponding possible actual UE Uplink power window is illustrated in Annex F.4.3.

Table 7.6A.2.2.4.2-1: Test repetition and measurement configuration

CA configuration	CA configuration ID in REFSENS	Throughput measured on	Table with test parameters to select
Intra-band contiguous	1 ⁴	PCC, SCC ₁ , SCC ₂	7.6A.2.2.5-3 7.6A.2.2.5-3a 7.6A.2.2.5-4 7.6A.2.2.5-4a
Inter-band	1 ¹	SCC ₁ , SCC ₂	7.6A.2.2.5-1 7.6A.2.2.5-1a
	2 ¹		7.6A.2.2.5-1b
	3 ¹		7.6A.2.2.5-2 7.6A.2.2.5-2a
Intra-band contiguous + Inter-band	1 ²	SCC ₂	7.6A.2.2.5-1 7.6A.2.2.5-1a 7.6A.2.2.5-1b 7.6A.2.2.5-2 7.6A.2.2.5-2a
	2 ²	SCC ₁ , SCC ₂	7.6A.2.2.5-3 7.6A.2.2.5-3a 7.6A.2.2.5-4 7.6A.2.2.5-4a
Intra-band non-contiguous + Inter-band	2 ³	SCC ₂	7.6A.2.2.5-1 7.6A.2.2.5-1a 7.6A.2.2.5-1b 7.6A.2.2.5-2 7.6A.2.2.5-2a
	3 ³	SCC ₁ , SCC ₂	7.6A.2.2.5-1 7.6A.2.2.5-1a 7.6A.2.2.5-2 7.6A.2.2.5-2a
Intra-band non-contiguous	1 ⁵	PCC, SCC ₁ , SCC ₂	7.6A.2.2.5-1 7.6A.2.2.5-1a

			7.6A.2.2.5-1b 7.6A.2.2.5-2 7.6A.2.2.5-2a
Intra-band contiguous + Intra-band non-contiguous	1 ⁶	PCC, SCC1, SCC2	7.6A.2.2.5-1 7.6A.2.2.5-1a 7.6A.2.2.5-1b 7.6A.2.2.5-2 7.6A.2.2.5-2a 7.6A.2.2.5-3 7.6A.2.2.5-3a 7.6A.2.2.5-4 7.6A.2.2.5-4a
<p>NOTE 1: CA configuration ID as defined in "Default Test Settings for a CA_nXA-nYA-nZA Configuration (Inter-band)" in table 7.3A.2.4.1-1.</p> <p>NOTE 2: CA configuration ID as defined in "Default Test Settings for a CA_nXC-nYA, CA_nYA-nXC, CA_nYA-nXB and CA_nXB-nYA Configurations (Intra-band contiguous + Inter-band)" in table 7.3A.2.4.1-1.</p> <p>NOTE 3: CA configuration ID as defined in "Default Test Settings for a CA_nX(2A)-nYA Configuration (Intra-band non-contiguous + Inter-band)" in table 7.3A.2.4.1-1.</p> <p>NOTE 4: CA configuration ID as defined in "Default Test Settings for a CA_nXD Configuration (Intra-band contiguous)" in table 7.3A.2.4.1-1.</p> <p>NOTE 5: CA configuration ID as defined in "Default Test Settings for a CA_nX(3A) Configuration (Intra-band non-contiguous)" in table 7.3A.2.4.1-1.</p> <p>NOTE 6: CA configuration ID as defined in "Default Test Settings for a CA_nX(A-C) and CA_nX(A-B) Configuration (Intra-band contiguous + Intra-band non-contiguous)" in table 7.3A.2.4.1-1.</p>			

7.6A.2.2.4.3 Message Contents

Message contents are according to TS 38.508-1 [5] subclause 4.6 with TRANSFORM_PRECODER_ENABLED condition in Table 4.6.3-118 PUSCH-Config.

7.6A.2.2.5 Test requirement

The throughput measurement of each carrier derived in test procedure shall be $\geq 95\%$ of the maximum throughput of the reference measurement channels as specified in Annex A.2.2, A.2.3, A.3.2, and A.3.3 (with one sided dynamic OCNG Pattern OP.1 FDD/TDD for the DL-signal as described in Annex A.5.1.1/A.5.2.1) with parameters specified in Tables below, according to the type of CA. The test requirement of configurations for CA operating band including Band n41 also apply for the corresponding CA operating bands with Band n90 replacing Band n41.

Table 7.6A.2.2.5-1: In-band blocking parameters for NR bands with $F_{DL_high} < 2700$ MHz and $F_{UL_high} < 2700$ MHz (inter-band, intra-band non-contiguous)

RX parameter	Units	Channel bandwidth				
		5 MHz	10 MHz	15 MHz	20 MHz	25 MHz
Power in transmission bandwidth configuration	dBm	REFSENS + channel bandwidth specific value below				
	dB	6	6	7	9	10
BW _{interferer}	MHz	5				
F _{offset, case 1}	MHz	7.5				
F _{offset, case 2}	MHz	12.5				
RX parameter	Units	Channel bandwidth				
		30 MHz	35 MHz	40 MHz	45 MHz	50 MHz
Power in transmission bandwidth configuration	dBm	REFSENS + channel bandwidth specific value below				
	dB	11	11.5	12	12.5	13
BW _{interferer}	MHz	5				
F _{offset, case 1}	MHz	7.5				
F _{offset, case 2}	MHz	12.5				
RX parameter	Units	Channel bandwidth				
		60 MHz	70 MHz	80 MHz	90 MHz	100 MHz
Power in transmission bandwidth configuration	dBm	REFSENS + channel bandwidth specific value below				
	dB	14	14.5	15	15.5	16

BW _{interferer}	MHz	5
F _{offset, case 1}	MHz	7.5
F _{offset, case 2}	MHz	12.5
NOTE 1: The transmitter shall be set to 4 dB below P _{CMAX_L,f,c} at the minimum UL configuration specified in Table 7.3.2.3-3 with P _{CMAX_L,f,c} defined in clause 6.2.4.		
NOTE 2: The interferer consists of the RMC specified in Annexes A.3.2.2 and A.3.3.2 with one sided dynamic OCN Pattern OP.1 FDD/TDD for the DL-signal as described in Annex A.5.1.1/A.5.2.1 and 15 kHz SCS.		

Table 7.6A.2.2.5-1a: In-band blocking for NR bands with F_{DL_high} < 2700 MHz and F_{UL_high} < 2700 MHz (inter-band, intra-band non-contiguous)

NR band	Parameter	Unit	Case 1	Case 2	Case 3	Case 4
	P _{interferer}	dBm	-56	-44	-15	-38
	F _{interferer (offset)}	MHz	- BW _{Channel_CA/2} - F _{offset, case 1} and BW _{Channel_CA/2} + F _{offset, case 1}	≤ - BW _{Channel_CA/2} - F _{offset, case 2} and ≥ BW _{Channel_CA/2} + F _{offset, case 2}		- BW _{Channel_CA/2} - 11
n1, n2, n3, n5, n7, n8, n12, n14, n18, n20, n25, n26, n28, n34, n38, n39, n40, n41, n48 ³ , n50, n51, n53, n65, n66, n70, n74, n75, n76	F _{interferer}	MHz	NOTE 2	F _{DL_low} - 15 to F _{DL_high} + 15		
n30	F _{interferer}	MHz	NOTE 2	F _{DL_low} - 15 to F _{DL_high} + 15		F _{DL_low} - 11
n71	F _{interferer}	MHz	NOTE 2	F _{DL_low} - 12 to F _{DL_high} + 15	F _{DL_low} - 12	
NOTE 1: The absolute value of the interferer offset F _{interferer(offset)} shall be further adjusted to $(\lceil F_{interferer} / SCS \rceil + 0.5) SCS$ MHz with SCS the sub-carrier spacing of the wanted signal in MHz. The interferer is an NR signal with 15 kHz SCS.						
NOTE 2: For each carrier frequency, the requirement applies for two interferer carrier frequencies: a: -BW _{Channel_CA/2} - F _{offset, case 1} ; b: BW _{Channel_CA/2} + F _{offset, case 1}						
NOTE 3: n48 follows the requirement in this frequency range according to the general requirement defined in Clause 7.1.						

7.6A.2.2.5-1b: In-band blocking for additional NR operating bands for carrier aggregation with F_{DL_high} < 2700 MHz and F_{UL_high} < 2700 MHz (inter-band)

NR band	Parameter	Unit	Case 1	Case 2
	P _{interferer}	dBm	-56	-44
	F _{interferer (offset)}	MHz	- BW _{Channel_CA/2} - F _{offset, case 1} and BW _{Channel_CA/2} + F _{offset, case 1}	≤ - BW _{Channel_CA/2} - F _{offset, case 2} and ≥ BW _{Channel_CA/2} + F _{offset, case 2}
n29	F _{interferer}	MHz	NOTE 2	F _{DL_low} - 15 to F _{DL_high} + 15
NOTE 1: For certain bands, the unwanted modulated interfering signal may not fall inside the UE receive band, but within the first 15 MHz below or above the UE receive band				

NOTE 2: For each carrier frequency, the requirement applies for two interferer carrier frequencies: a: $-BW_{\text{Channel_CA}}/2 - F_{\text{offset, case 1}}$; b: $BW_{\text{Channel_CA}}/2 + F_{\text{offset, case 1}}$

NOTE 3: The absolute value of the interferer offset $F_{\text{interferer}}$ (offset) shall be further adjusted to $(\lceil |F_{\text{interferer}}| / SCS \rceil + 0.5) \cdot SCS$ MHz with SCS the sub-carrier spacing of the wanted signal in MHz. The interferer is an NR signal with an SCS equal to that of the wanted signal

NOTE 4: $BW_{\text{Channel_CA}}$ denotes the channel bandwidth of the wanted signal

Table 7.6A.2.2.5-2: In-band blocking parameters for NR bands with $F_{\text{DL_low}} \geq 3300$ MHz and $F_{\text{UL_low}} \geq 3300$ MHz (inter-band, intra-band non-contiguous)

RX parameter	Units	Channel bandwidth				
		10 MHz	15 MHz	20 MHz	25 MHz	30 MHz
Power in transmission bandwidth configuration	dBm	REFSENS + channel bandwidth specific value below				
	dB	6				
$BW_{\text{interferer}}$	MHz	10	15	20	25	30
$F_{\text{offset, case 1}}$	MHz	15	22.5	30	37.5	45
$F_{\text{offset, case 2}}$	MHz	25	37.5	50	62.5	75
RX parameter	Units	Channel bandwidth				
		35 MHz	40 MHz	45 MHz	50 MHz	60 MHz
Power in transmission bandwidth configuration	dBm	REFSENS + channel bandwidth specific value below				
	dB	6				
$BW_{\text{interferer}}$	MHz	35	40	45	50	60
$F_{\text{offset, case 1}}$	MHz	52.5	60	67.5	75	90
$F_{\text{offset, case 2}}$	MHz	87.5	100	112.5	125	150
RX parameter	Units	Channel bandwidth				
		70MHz	80 MHz	90 MHz	100 MHz	
Power in transmission bandwidth configuration	dBm	REFSENS + channel bandwidth specific value below				
	dB	6				
$BW_{\text{interferer}}$	MHz	70	80	90	100	
$F_{\text{offset, case 1}}$	MHz	105	120	135	150	
$F_{\text{offset, case 2}}$	MHz	175	200	225	250	
NOTE 1: The transmitter shall be set to 4 dB below $P_{\text{CMAX_L,f,c}}$ at the minimum UL configuration specified in Table 7.3.2.3-3 with $P_{\text{CMAX_L,f,c}}$ defined in clause 6.2.4.						
NOTE 2: The interferer consists of the RMC specified in Annexes A.3.2.2 and A.3.3.2 with one sided dynamic OCNG Pattern OP.1 FDD/TDD for the DL-signal as described in Annex A.5.1.1/A.5.2.1						

Table 7.6A.2.2.5-2a: In-band blocking for NR bands with $F_{\text{DL_low}} \geq 3300$ MHz and $F_{\text{UL_low}} \geq 3300$ MHz (inter-band, intra-band non-contiguous)

NR band	Parameter	Unit	Case 1	Case 2
	$P_{\text{interferer}}$	dBm	-56	-44
n77, n78, n79	$F_{\text{interferer}}$ (offset)	MHz	- $BW_{\text{Channel_CA}}/2 - F_{\text{offset, case 1}}$ and $BW_{\text{Channel_CA}}/2 + F_{\text{offset, case 1}}$	$\leq - BW_{\text{Channel_CA}}/2 - F_{\text{offset, case 2}}$ and $\geq BW_{\text{Channel_CA}}/2 + F_{\text{offset, case 2}}$
	$F_{\text{interferer}}$		NOTE 2	$F_{\text{DL_low}} - 3^*$ $BW_{\text{Channel_CA}}$ to $F_{\text{DL_high}} + 3^*$ $BW_{\text{Channel_CA}}$
NOTE 1: The absolute value of the interferer offset $F_{\text{interferer}}$ (offset) shall be further adjusted to $(\lceil F_{\text{interferer}} / SCS \rceil + 0.5) \cdot SCS$ MHz with SCS the				

sub-carrier spacing of the wanted signal in MHz. The interferer is an NR signal with an SCS equal to that of the wanted signal.
 NOTE 2: For each carrier frequency, the requirement applies for two interferer carrier frequencies: a: $-BW_{\text{Channel_CA}}/2 - F_{\text{offset, case 1}}$; b: $BW_{\text{Channel_CA}}/2 + F_{\text{offset, case 1}}$
 NOTE 3: $BW_{\text{Channel_CA}}$ denotes the channel bandwidth of the wanted signal

Table 7.6A.2.2.5-3: In-band blocking parameters with $F_{\text{DL_low}} \geq 3300$ MHz and $F_{\text{UL_low}} \geq 3300$ MHz (intra-band contiguous CA)

Rx Parameter	Units	NR CA bandwidth class		
		B	C	D
Pw in Transmission Bandwidth Configuration, per CC	dB	REFSENS + CA bandwidth class specific value below		
		10.0	6	13.8
BW _{Interferer}	MHz	20	$BW_{\text{Channel_CA}}$	50
F _{offset, case 1}	MHz	30	$BW_{\text{Channel_CA}} + BW_{\text{Channel_CA}}/2$	75
F _{offset, case 2}	MHz	50	$BW_{\text{Interferer}} + F_{\text{offset, case 1}}$	125

NOTE 1: The transmitter shall be set to 4dB below $P_{\text{CMAX_L,f,c}}$ at the minimum UL configuration specified in Table 7.3.2.3-3 with $P_{\text{CMAX_L,f,c}}$ defined in clause 6.2.4.
 NOTE 2: The interferer consists of the Reference measurement channel specified in Annexes A.3.2 and A.3.3 with one sided dynamic OCNB Pattern OP.1 FDD/TDD as described in Annex A.5.1.1/A.5.2.1 and set-up according to Annex C.3.1

Table 7.6A.2.2.5-3a: In-band blocking parameters with $F_{\text{DL_low}} < 2700$ MHz and $F_{\text{UL_low}} < 2700$ MHz (intra-band contiguous CA)

Rx Parameter	Units	NR CA bandwidth class	
		B	C
Pw in Transmission Bandwidth Configuration, per CC	dBm	REFSENS + NR CA bandwidth class specific value below	
		16.0	19.0
BW _{Interferer}	MHz	5	5
F _{offset, case 1}	MHz	7.5	7.5
F _{offset, case 2}	MHz	12.5	12.5

NOTE 1: The transmitter shall be set to 4 dB below $P_{\text{CMAX_L,f,c}}$ at the minimum UL configuration specified in Table 7.3.2.3-3 with $P_{\text{CMAX_L,f,c}}$ defined in clause 6.2.4.
 NOTE 2: The interferer consists of the Reference measurement channel specified in Annexes A.3.2 and A.3.3 with one sided dynamic OCNB Pattern OP.1 FDD/TDD as described in Annex A.5.1.1/A.5.2.1 and set-up according to Annex C.3.1

Table 7.6A.2.2.5-4: In-band blocking with $F_{\text{DL_low}} \geq 3300$ MHz and $F_{\text{UL_low}} \geq 3300$ MHz (intra-band contiguous CA)

NR band	Parameter	Unit	Case 1	Case 2
		$P_{\text{interferer}}$	dBm	-56
n77, n78, n79	$F_{\text{interferer (offset)}}$	MHz	$-BW_{\text{Channel_CA}}/2 - F_{\text{offset, case 1}}$ and $BW_{\text{Channel_CA}}/2 + F_{\text{offset, case 1}}$	$\leq -BW_{\text{Channel_CA}}/2 - F_{\text{offset, case 2}}$ and $\geq BW_{\text{Channel_CA}}/2 + F_{\text{offset, case 2}}$
	$F_{\text{interferer}}$	MHz	NOTE 2	$F_{\text{DL_low}} - 3BW_{\text{channel CA}}$ to $F_{\text{DL_high}} + 3BW_{\text{channel CA}}$

NOTE 1: The absolute value of the interferer offset $F_{\text{interferer (offset)}}$ shall be further adjusted to $(\lceil |F_{\text{interferer}}| / SCS \rceil + 0.5) SCS$ MHz with SCS the sub-carrier spacing of the carrier closest to the interferer in MHz. The interferer is an NR signal with an SCS equal to that of the closest carrier.
 NOTE 2: For each carrier frequency, the requirement applies for two interferer carrier frequencies: a: $-BW_{\text{Channel_CA}}/2 - F_{\text{offset, case 1}}$; b: $BW_{\text{Channel_CA}}/2 + F_{\text{offset, case 1}}$
 NOTE 3: $BW_{\text{Channel_CA}}$ denotes the aggregated channel bandwidth of the wanted signal

Table 7.6A.2.2.5-4a: In-band blocking with $F_{DL_low} < 2700$ MHz and $F_{UL_low} < 2700$ MHz (intra-band contiguous CA)

NR band	Parameter	Unit	Case 1	Case 2	Case 3
	$P_{interferer}$	dBm	-56	-44	
n41, n66, n48 ⁴ , n40	$F_{interferer}$ (offset)	MHz	$-BW_{Channel_CA/2} - F_{offset, case 1}$ and $BW_{Channel_CA/2} + F_{offset, case 1}$	$\leq -BW_{Channel_CA/2} - F_{offset, case 2}$ and $\geq BW_{Channel_CA/2} + F_{offset, case 2}$	
	$F_{interferer}$	MHz	NOTE 2	$F_{DL_low} - 15$ to $F_{DL_high} + 15$	
n71	$F_{interferer}$	MHz	NOTE 2	$F_{DL_low} - 12$ to $F_{DL_high} + 15$	$F_{DL_low} - 12$
<p>NOTE 1: The absolute value of the interferer offset $F_{interferer}$ (offset) shall be further adjusted to $(\lceil F_{interferer} / SCS \rceil + 0.5) SCS$ MHz with SCS the sub-carrier spacing of the carrier closest to the interferer in MHz. The interferer is an NR signal with 15 kHz SCS.</p> <p>NOTE 2: For each carrier frequency, the requirement applies for two interferer carrier frequencies: a: $-BW_{Channel_CA/2} - F_{offset, case 1}$; b: $BW_{Channel_CA/2} + F_{offset, case 1}$</p> <p>NOTE 3: $BW_{Channel_CA}$ denotes the aggregated channel bandwidth of the wanted signal</p> <p>NOTE 4: n48 follows the requirement in this frequency range according to the general requirement defined in Clause 7.1A.</p>					

For the UE which supports inter-band CA configuration in Table 7.3A.3.2.3-1, $P_{interferer}$ power defined in Table 7.6A.2.2.5-1a and Table 7.6A.2.2.5-2a is increased by the amount given by $\Delta R_{IB,c}$ in Table 7.3A.3.2.3-1.

7.6A.2.3 In-band Blocking for CA (4DL CA)

7.6A.2.3.1 Test purpose

Same test purpose as in clause 7.6A.2.1.

7.6A.2.3.2 Test applicability

This test applies to all types of NR UE release 15 and forward that support 4DL CA.

7.6A.2.3.3 Minimum conformance requirements

Minimum requirements are defined in clause 7.6A.2.0.

7.6A.2.3.4 Test description

7.6A.2.3.4.1 Initial conditions

Initial conditions are a set of test configurations the UE needs to be tested in and the steps for the SS to take with the UE to reach the correct measurement state.

The initial test configurations consist of environmental conditions, test frequencies, test channel bandwidths and sub-carrier spacing based on NR CA configuration specified in clause 5.5A. All of these configurations shall be tested with applicable test parameters for each CA configuration, are shown in table 7.6A.2.3.4.1-1. The details of the uplink and downlink reference measurement channels (RMC) are specified in Annexes A.2 and A.3. Configuration of PDSCH and PDCCH before measurement are specified in Annex C.2.

Table 7.6A.2.3.4.1-1: Test Configuration Table for 4DL CA

Default Conditions	
Test Environment as specified in TS 38.508-1 [5] subclause 4.1	Normal
Test Frequencies as specified in TS 38.508-1 [5] subclause 4.3.1	NOTE 1, NOTE 6

Test CC Combination setting (N_{RB_agg}) as specified in Tables 5.5A.1-1, 5.5A.2-1, or tables in clauses 5.5A.3.x for the CA Configuration across bandwidth combination sets supported by the UE.		Highest N_{RB_agg} , NOTE 1, NOTE 5, NOTE 7					
Test SCS as specified in Table 5.3.5-1		Lowest for PCC and SCCs					
Network signalling value		NS_01 Unless given by Table 7.3.2.3-4 for the band with active uplink carrier					
Test Parameters							
Downlink Configuration						Uplink Configuration	
Test ID	CC Mod'n	PCC RB allocation	SCC1 RB allocation	SCC2 RB allocation	SCC3 RB allocation	CC Mod'n	PCC RB allocation
Default Test Settings for a CA_nXE Configuration (Intra-band contiguous CA)							
1	CP-OFDM QPSK	NOTE 1	NOTE 1			DFT-s-OFDM QPSK	NOTE 1
Default Test Settings for a CA_nXA-nYA-nZA-nRA Configuration (Inter-band)							
1	CP-OFDM QPSK	NOTE 1	NOTE 1			DFT-s-OFDM QPSK	NOTE 1
Default Test Settings for a CA_nXC-nYA-ZA and CA_nXB-nYA-ZA Configurations (Intra-band contiguous + Inter-band)							
1	CP-OFDM QPSK	NOTE 1	NOTE 1			DFT-s-OFDM QPSK	NOTE 1
Default Test Settings for a CA_nX(2A)-nYA-ZA Configurations (Intra-band non-contiguous + Inter-band)							
1	CP-OFDM QPSK	NOTE 1	NOTE 1			DFT-s-OFDM QPSK	NOTE 1
Default Test Settings for a CA_nX(2A)-nY(2A) Configurations (Intra-band non-contiguous + Intra-band non-contiguous)							
1	CP-OFDM QPSK	NOTE 1	NOTE 1			DFT-s-OFDM QPSK	NOTE 1
<p>NOTE 1: The specific configuration of uplink and downlink are defined in Table 7.3A.3.4.1-1.</p> <p>NOTE 2: CA Configuration Test CC Combination test settings are checked separately for each CA Configuration.</p> <p>NOTE 3: Inter-band: nX, nY, nZ, nR correspond to the different bands in the CA Configuration. E.g. for CA_n1A-n3A-n28A-n78A, nX=n1, nY=n3, nZ=n28, nR=n78; Intra-band contiguous + Inter-band: nX, nY, nZ correspond to the different bands in the CA Configuration, e.g. for CA_n48B-n66A-n70A, nX=n48, nY=n66, nZ=n70; Intra-band non-contiguous + Inter-band: nX, nY, nZ correspond to the different bands in the CA Configuration. E.g. for CA_n48(2A)-n66A-n70A, nX=n48, nY=n66, nZ=n70.</p> <p>NOTE 4: In a band where UE supports 4Rx, the test shall be performed only with 4Rx antennas ports connected and 4Rx REFSSENS requirement (Table 7.3.2.5-2) is used in the test requirements.</p> <p>NOTE 5: If the UE supports multiple CC Combinations in the CA Configuration with the same N_{RB_agg}, only the combination with the highest N_{RB_PCC} is tested.</p> <p>NOTE 6: Test frequency is set to Mid Range for PCC and SCC with exceptions defined in Table 7.3A.3.4.1-1.</p> <p>NOTE 7: For nXA PCC, each of Highest UL and Highest DL shall be selected according to clause 5.5A.3.3. DL channel bandwidth shall be selected first.</p>							

1. Connect the SS to the UE antenna connectors as shown in TS 38.508-1 [5] Annex A, Figure A.3.1.4.7 for TE diagram and section A.3.2 for UE diagram.
2. The parameter settings for the cell are set up according to TS 38.508-1 [5] subclause 4.4.3.
3. Downlink signals for PCC are initially set up according to Annex C.0, C.1, C.2, and C.3.1, and uplink signals according to Annex G.0, G.1, G.2, and G.3.1.
4. The UL and Reference Measurement Channel is set according to Tables 7.6A.2.3.4.1-1.
5. Propagation conditions are set according to Annex B.0.

6. Ensure the UE is in State RRC_CONNECTED with generic procedure parameters Connectivity *NR*, Connected without release *On*, Test Mode *On* and Test Loop Function *On* according to TS 38.508-1 [5] clause 4.5. Message contents are defined in clause 7.6A.2.2.4.3.

7.6A.2.3.4.2 Test procedure

1. Configure SCC according to Annex C.0, C.1, C.2 for all downlink physical channels.
2. The SS shall configure SCC as per TS 38.508-1 [5] clause 5.5.1. Message contents are defined in clause 7.6A.2.3.4.3.
3. SS activates SCC by sending the activation MAC CE (Refer TS 38.321 [18], clauses 5.9, 6.1.3.10). Wait for at least 2 seconds (Refer TS 38.133[19], clause 9.3).
4. SS transmits PDSCH via PDCCH DCI format [1_1] for C_RNTI to transmit the DL RMC according to Table 7.6A.2.3.4.1-1 on both SCC and PCC. The SS sends downlink MAC padding bits on the DL RMC.
5. SS sends uplink scheduling information for each UL HARQ process via PDCCH DCI format [0_1] for C_RNTI to schedule the UL RMC according to Table 7.6A.2.3.4.1-1 on PCC. Since the UL has no payload and no loopback data to send the UE sends uplink MAC padding bits on the UL RMC.
6. Set the parameters of the signal generator for an interfering signal below the aggregated component carriers in Case 1 according to Table 7.6A.2.3.4.2-1.
7. Set the downlink signal level according to the Table 7.6A.2.3.4.2-1. Send uplink power control commands to the UE using 1dB power step size to ensure that the UE output power measured by the test system is within the Uplink power control window, defined as $-(\text{MU} + \text{Uplink power control window size})$ dB of the target power level in table 7.6A.2.2.4.2-1 for at least the duration of the Throughput measurement, where:
 - MU is the test system uplink power measurement uncertainty and is specified in Table F.1.3-1 for the carrier frequency f and the channel bandwidth BW
 - Uplink power control window size = 1dB (UE power step size) + 0.7dB (UE power step tolerance) + (Test system relative power measurement uncertainty), where, the UE power step tolerance is specified in TS 38.101-1 [2], Table 6.3.4.3-1 and is 0.7dB for 1dB power step size, and the Test system relative power measurement uncertainty is specified for test case 6.3.4.3 in Table F.1.2-1.
 - For UEs supporting Tx diversity, the transmit power is measured as the sum of the output power from both UE antenna connectors.
8. Measure the average throughput for the carrier(s) indicated in Table 7.6A.2.3.4.2-1 for duration sufficient to achieve statistical significance according to Annex H.2A.
9. Repeat steps from 6 to 8, using an interfering signal above the measured carrier(s) according to Table 7.6A.2.3.4.2-1 in Case 1 at step 6.
10. Repeat steps from 6 to 9, using interfering signals in Case 2 at step 6 and 9. The ranges of case 2 are covered in steps equal to the interferer bandwidth.
11. Repeat steps 1 to 10 for all component carriers listed in Table 7.6A.2.3.4.2-1.

NOTE: The purpose of the Uplink power control window is to ensure that the actual UE output power is no greater than the target power level, and as close as possible to the target power level. The relationship between the Uplink power control window, the target power level and the corresponding possible actual UE Uplink power window is illustrated in Annex F.4.3.

Table 7.6A.2.3.4.2-1: Test repetition and measurement configuration

CA configuration	CA configuration ID in REFSENS	Throughput measured on	Table with test parameters to select
Intra-band contiguous	1	PCC, SCC1, SCC2, SCC3	7.6A.2.3.5-3 7.6A.2.3.5-3a 7.6A.2.3.5-4 7.6A.2.3.5-4a
Inter-band	1 ¹	SCC1, SCC2, SCC3	7.6A.2.3.5-1
	2 ¹		7.6A.2.3.5-1a

	3 ¹		7.6A.2.3.5-1b
	4 ¹		7.6A.2.3.5-2 7.6A.2.3.5-2a
Intra-band contiguous + Inter-band	1 ²	SCC2, SCC3	7.6A.2.3.5-1 7.6A.2.3.5-1a 7.6A.2.3.5-1b 7.6A.2.3.5-2 7.6A.2.3.5-2a
	2 ²	SCC1, SCC2, SCC3	7.6A.2.3.5-3 7.6A.2.3.5-3a 7.6A.2.3.5-4 7.6A.2.3.5-4a
	3 ²	SCC1, SCC2, SCC3	7.6A.2.3.5-3 7.6A.2.3.5-3a 7.6A.2.3.5-4 7.6A.2.3.5-4a
Intra-band non-contiguous + Inter-band	1 ³	SCC2, SCC3	7.6A.2.3.5-1 7.6A.2.3.5-1a 7.6A.2.3.5-1b 7.6A.2.3.5-2 7.6A.2.3.5-2a
	2 ³	SCC1, SCC2, SCC3	7.6A.2.3.5-1 7.6A.2.3.5-1a 7.6A.2.3.5-1b 7.6A.2.3.5-2 7.6A.2.3.5-2a
	3 ³	SCC1, SCC2, SCC3	7.6A.2.3.5-1 7.6A.2.3.5-1a 7.6A.2.3.5-2 7.6A.2.3.5-2a
Intra-band non-contiguous + Intra-band non-contiguous	1 ⁴	SCC2, SCC3	7.6A.2.3.5-1 7.6A.2.3.5-1a 7.6A.2.3.5-2 7.6A.2.3.5-2a
	2 ⁴	SCC2, SCC3	7.6A.2.3.5-1 7.6A.2.3.5-1a 7.6A.2.3.5-2 7.6A.2.3.5-2a
NOTE 1: CA configuration ID as defined in table 7.3A.3.4.1-1.			
NOTE 2: CA configuration ID as defined in "Default Test Settings for a CA_nXC-nYA-nZA and CA_nXB-nYA-nZA Configurations (Intra-band contiguous + Inter-band)" in table 7.3A.3.4.1-1.			
NOTE 3: CA configuration ID as defined in "Default Test Settings for a CA_nX(2A)-nYA-nZA Configuration (Intra-band non-contiguous + Inter-band)" in table 7.3A.3.4.1-1.			
NOTE 4: CA configuration ID as defined in "Default Test Settings for a CA_nX(2A)-nY(2A) Configuration (Intra-band non-contiguous + Intra-band non-contiguous)" in table 7.3A.2.4.1-1.			

7.6A.2.3.4.3 Message Contents

Message contents are according to TS 38.508-1 [5] subclause 4.6 with TRANSFORM_PRECODER_ENABLED condition in Table 4.6.3-118 PUSCH-Config.

7.6A.2.3.5 Test requirement

The throughput measurement of each carrier derived in test procedure shall be $\geq 95\%$ of the maximum throughput of the reference measurement channels as specified in Annex A.2.2, A.2.3, A.3.2, and A.3.3 (with one sided dynamic OCNG Pattern OP.1 FDD/TDD for the DL-signal as described in Annex A.5.1.1/A.5.2.1) with parameters specified in Tables below, according to the type of CA.

Table 7.6A.2.3.5-1: In-band blocking parameters for NR bands with $F_{DL_high} < 2700$ MHz and $F_{UL_high} < 2700$ MHz (inter-band, intra-band non-contiguous)

RX parameter	Units	Channel bandwidth				
		5 MHz	10 MHz	15 MHz	20 MHz	25 MHz
	dBm	REFSENS + channel bandwidth specific value below				

Power in transmission bandwidth configuration	dB	6	6	7	9	10
BW _{interferer}	MHz	5				
F _{offset, case 1}	MHz	7.5				
F _{offset, case 2}	MHz	12.5				
RX parameter	Units	Channel bandwidth				
		30 MHz	35 MHz	40 MHz	45 MHz	50 MHz
Power in transmission bandwidth configuration	dBm	REFSENS + channel bandwidth specific value below				
	dB	11	11.5	12	12.5	13
BW _{interferer}	MHz	5				
F _{offset, case 1}	MHz	7.5				
F _{offset, case 2}	MHz	12.5				
RX parameter	Units	Channel bandwidth				
		60 MHz	70 MHz	80 MHz	90 MHz	100 MHz
Power in transmission bandwidth configuration	dBm	REFSENS + channel bandwidth specific value below				
	dB	14	14.5	15	15.5	16
BW _{interferer}	MHz	5				
F _{offset, case 1}	MHz	7.5				
F _{offset, case 2}	MHz	12.5				
NOTE 1: The transmitter shall be set to 4 dB below P _{CMAX,L,f,c} at the minimum UL configuration specified in Table 7.3.2.3-3 with P _{CMAX,L,f,c} defined in clause 6.2.4.						
NOTE 2: The interferer consists of the RMC specified in Annexes A.3.2.2 and A.3.3.2 with one sided dynamic OCNG Pattern OP.1 FDD/TDD for the DL-signal as described in Annex A.5.1.1/A.5.2.1 and 15 kHz SCS.						

Table 7.6A.2.3.5-1a: In-band blocking for NR bands with F_{DL,high} < 2700 MHz and F_{UL,high} < 2700 MHz (inter-band, intra-band non-contiguous)

NR band	Parameter	Unit	Case 1	Case 2	Case 3	Case 4
	P _{interferer}	dBm	-56	-44	-15	-38
	F _{interferer (offset)}	MHz	- BW _{Channel_CA/2} - F _{offset, case 1} and BW _{Channel_CA/2} + F _{offset, case 1}	≤ - BW _{Channel_CA/2} - F _{offset, case 2} and ≥ BW _{Channel_CA/2} + F _{offset, case 2}		- BW _{Channel_CA/2} - 11
n1, n2, n3, n5, n7, n8, n12, n14, n18, n20, n25, n26, n28, n34, n38, n39, n40, n41, n48 ³ , n50, n51, n53, n65, n66, n70, n74, n75, n76	F _{interferer}	MHz	NOTE 2	F _{DL,low} - 15 to F _{DL,high} + 15		
n30	F _{interferer}	MHz	NOTE 2	F _{DL,low} - 15 to F _{DL,high} + 15		F _{DL,low} - 11
n71	F _{interferer}	MHz	NOTE 2	F _{DL,low} - 12 to F _{DL,high} + 15	F _{DL,low} - 12	
NOTE 1: The absolute value of the interferer offset F _{interferer (offset)} shall be further adjusted to $(\lceil F_{interferer} / SCS \rceil + 0.5) SCS$ MHz with SCS the sub-carrier spacing of the wanted signal in MHz. The interferer is an NR signal with 15 kHz SCS.						
NOTE 2: For each carrier frequency, the requirement applies for two interferer carrier frequencies: a: -BW _{Channel_CA/2} - F _{offset, case 1} ; b: BW _{Channel_CA/2} + F _{offset, case 1}						

NOTE 3: n48 follows the requirement in this frequency range according to the general requirement defined in Clause 7.1.

7.6A.2.3.5-1b: In-band blocking for additional NR operating bands for carrier aggregation with $F_{DL_high} < 2700$ MHz and $F_{UL_high} < 2700$ MHz (inter-band)

NR band	Parameter	Unit	Case 1	Case 2
	$P_{interferer}$		dBm	-56
	$F_{interferer}$ (offset)	MHz	- $BW_{Channel_CA}/2 - F_{offset, case 1}$ and $BW_{Channel_CA}/2 + F_{offset, case 1}$	$\leq -BW_{Channel_CA}/2 - F_{offset, case 2}$ and $\geq BW_{Channel_CA}/2 + F_{offset, case 2}$
n29	$F_{interferer}$	MHz	NOTE 2	$F_{DL_low} - 15$ to $F_{DL_high} + 15$
NOTE 1: For certain bands, the unwanted modulated interfering signal may not fall inside the UE receive band, but within the first 15 MHz below or above the UE receive band				
NOTE 2: For each carrier frequency, the requirement applies for two interferer carrier frequencies: a: $-BW_{Channel_CA}/2 - F_{offset, case 1}$; b: $BW_{Channel_CA}/2 + F_{offset, case 1}$				
NOTE 3: The absolute value of the interferer offset $F_{interferer}$ (offset) shall be further adjusted to $(\lceil F_{interferer} / SCS \rceil + 0.5) SCS$ MHz with SCS the sub-carrier spacing of the wanted signal in MHz. The interferer is an NR signal with an SCS equal to that of the wanted signal				
NOTE 4: $BW_{Channel_CA}$ denotes the channel bandwidth of the wanted signal				

Table 7.6A.2.3.5-2: In-band blocking parameters for NR bands with $F_{DL_low} \geq 3300$ MHz and $F_{UL_low} \geq 3300$ MHz (inter-band, intra-band non-contiguous)

RX parameter	Units	Channel bandwidth				
		10 MHz	15 MHz	20 MHz	25 MHz	30 MHz
Power in transmission bandwidth configuration	dBm	REFSENS + channel bandwidth specific value below				
	dB	6				
$BW_{interferer}$	MHz	10	15	20	25	30
$F_{offset, case 1}$	MHz	15	22.5	30	37.5	45
$F_{offset, case 2}$	MHz	25	37.5	50	62.5	75
RX parameter	Units	Channel bandwidth				
		40 MHz	50 MHz	60 MHz	70 MHz	80 MHz
Power in transmission bandwidth configuration	dBm	REFSENS + channel bandwidth specific value below				
	dB	6				
$BW_{interferer}$	MHz	40	50	60	70	80
$F_{offset, case 1}$	MHz	60	75	90	105	120
$F_{offset, case 2}$	MHz	100	125	150	175	200
RX parameter	Units	Channel bandwidth				
		90 MHz	100 MHz			
Power in transmission bandwidth configuration	dBm	REFSENS + channel bandwidth specific value below				
	dB	6				
$BW_{interferer}$	MHz	90	100			
$F_{offset, case 1}$	MHz	135	150			
$F_{offset, case 2}$	MHz	225	250			
NOTE 1: The transmitter shall be set to 4 dB below $P_{CMAX_L,f,c}$ at the minimum UL configuration specified in Table 7.3.2.3-3 with $P_{CMAX_L,f,c}$ defined in clause 6.2.4.						
NOTE 2: The interferer consists of the RMC specified in Annexes A.3.2.2 and A.3.3.2 with one sided dynamic OCNG Pattern OP.1 FDD/TDD for the DL-signal as described in Annex A.5.1.1/A.5.2.1						

Table 7.6A.2.3.5-2a: In-band blocking for NR bands with $F_{DL_low} \geq 3300$ MHz and $F_{UL_low} \geq 3300$ MHz (inter-band, intra-band non-contiguous)

NR band	Parameter	Unit	Case 1	Case 2
		$P_{interferer}$	dBm	-56
n77, n78, n79	$F_{interferer}$ (offset)	MHz	$-BW_{Channel_CA}/2 - F_{offset, case 1}$ and $BW_{Channel_CA}/2 + F_{offset, case 1}$	$\leq -BW_{Channel_CA}/2 - F_{offset, case 2}$ and $\geq BW_{Channel_CA}/2 + F_{offset, case 2}$
	$F_{interferer}$		NOTE 2	$F_{DL_low} - 3^* BW_{Channel_CA}$ to $F_{DL_high} + 3^* BW_{Channel_CA}$
<p>NOTE 1: The absolute value of the interferer offset $F_{interferer}$ (offset) shall be further adjusted to $(\lceil F_{interferer} / SCS \rceil + 0.5) SCS$ MHz with SCS the sub-carrier spacing of the wanted signal in MHz. The interferer is an NR signal with an SCS equal to that of the wanted signal.</p> <p>NOTE 2: For each carrier frequency, the requirement applies for two interferer carrier frequencies: a: $-BW_{Channel_CA}/2 - F_{offset, case 1}$; b: $BW_{Channel_CA}/2 + F_{offset, case 1}$</p> <p>NOTE 3: $BW_{Channel_CA}$ denotes the channel bandwidth of the wanted signal</p>				

Table 7.6A.2.3.5-3: In-band blocking parameters with $F_{DL_low} \geq 3300$ MHz and $F_{UL_low} \geq 3300$ MHz (intra-band contiguous CA)

Rx Parameter	Units	NR CA bandwidth class		
		B	C	D
Pw in Transmission Bandwidth Configuration, per CC	dBm	REFSENS + CA bandwidth class specific value below		
		10.0	6	13.8
$BW_{interferer}$	MHz	20	$BW_{Channel_CA}$	50
$F_{offset, case 1}$	MHz	30	$BW_{Channel_CA} + BW_{Channel_CA}/2$	75
$F_{offset, case 2}$	MHz	50	$BW_{interferer} + F_{offset, case 1}$	125
<p>NOTE 1: The transmitter shall be set to 4dB below $P_{CMAX_L,f,c}$ at the minimum UL configuration specified in Table 7.3.2.3-3 with $P_{CMAX_L,f,c}$ defined in clause 6.2.4.</p> <p>NOTE 2: The interferer consists of the Reference measurement channel specified in Annexes A.3.2 and A.3.3 with one sided dynamic OCNB Pattern OP.1 FDD/TDD as described in Annex A.5.1.1/A.5.2.1 and set-up according to Annex C.3.1</p>				

Table 7.6A.2.3.5-3a: In-band blocking parameters with $F_{DL_low} < 2700$ MHz and $F_{UL_low} < 2700$ MHz (intra-band contiguous CA)

Rx Parameter	Units	NR CA bandwidth class	
		B	C
Pw in Transmission Bandwidth Configuration, per CC	dBm	REFSENS + NR CA bandwidth class specific value below	
		16.0	19.0
$BW_{interferer}$	MHz	5	5
$F_{offset, case 1}$	MHz	7.5	7.5
$F_{offset, case 2}$	MHz	12.5	12.5
<p>NOTE 1: The transmitter shall be set to 4 dB below $P_{CMAX_L,f,c}$ at the minimum UL configuration specified in Table 7.3.2.3-3 with $P_{CMAX_L,f,c}$ defined in clause 6.2.4.</p> <p>NOTE 2: The interferer consists of the Reference measurement channel specified in Annexes A.3.2 and A.3.3 with one sided dynamic OCNB Pattern OP.1 FDD/TDD as described in Annex A.5.1.1/A.5.2.1 and set-up according to Annex C.3.1</p>			

Table 7.6A.2.3.5-4: In-band blocking with $F_{DL_low} \geq 3300$ MHz and $F_{UL_low} \geq 3300$ MHz (intra-band contiguous CA)

NR band	Parameter	Unit	Case 1	Case 2
	$P_{interferer}$	dBm	-56	-44
n77, n78, n79	$F_{interferer}$ (offset)	MHz	$-BW_{channel_CA/2} - F_{offset, case 1}$ and $BW_{channel_CA/2} + F_{offset, case 1}$	$\leq -BW_{Channel_CA/2} - F_{offset, case 2}$ and $\geq BW_{Channel_CA/2} + F_{offset, case 2}$
	$F_{interferer}$	MHz	NOTE 2	$F_{DL_low} - 3 * BW_{Channel_CA}$ to $F_{DL_high} + 3 * BW_{Channel_CA}$
NOTE 1: The absolute value of the interferer offset $F_{interferer}$ (offset) shall be further adjusted to $(\lceil F_{interferer} / SCS \rceil + 0.5) SCS$ MHz with SCS the sub-carrier spacing of the carrier closest to the interferer in MHz. The interferer is an NR signal with an SCS equal to that of the closest carrier.				
NOTE 2: For each carrier frequency, the requirement applies for two interferer carrier frequencies: a: $-BW_{Channel_CA/2} - F_{offset, case 1}$; b: $BW_{Channel_CA/2} + F_{offset, case 1}$				
NOTE 3: $BW_{Channel_CA}$ denotes the aggregated channel bandwidth of the wanted signal				

Table 7.6A.2.3.5-4a: In-band blocking with $F_{DL_low} < 2700$ MHz and $F_{UL_low} < 2700$ MHz (intra-band contiguous CA)

NR band	Parameter	Unit	Case 1	Case 2	Case 3
	$P_{interferer}$	dBm	-56	-44	
n41, n66, n48 ⁴ , n40	$F_{interferer}$ (offset)	MHz	$-BW_{Channel_CA/2} - F_{offset, case 1}$ and $BW_{Channel_CA/2} + F_{offset, case 1}$	$\leq -BW_{Channel_CA/2} - F_{offset, case 2}$ and $\geq BW_{Channel_CA/2} + F_{offset, case 2}$	
	$F_{interferer}$	MHz	NOTE 2	$F_{DL_low} - 15$ to $F_{DL_high} + 15$	
n71	$F_{interferer}$	MHz	NOTE 2	$F_{DL_low} - 12$ to $F_{DL_high} + 15$	$F_{DL_low} - 12$
NOTE 1: The absolute value of the interferer offset $F_{interferer}$ (offset) shall be further adjusted to $(\lceil F_{interferer} / SCS \rceil + 0.5) SCS$ MHz with SCS the sub-carrier spacing of the carrier closest to the interferer in MHz. The interferer is an NR signal with 15 kHz SCS.					
NOTE 2: For each carrier frequency, the requirement applies for two interferer carrier frequencies: a: $-BW_{Channel_CA/2} - F_{offset, case 1}$; b: $BW_{Channel_CA/2} + F_{offset, case 1}$					
NOTE 3: $BW_{Channel_CA}$ denotes the aggregated channel bandwidth of the wanted signal					
NOTE 4: n48 follows the requirement in this frequency range according to the general requirement defined in Clause 7.1A.					

For the UE which supports inter-band CA configuration in Table 7.3A.3.2.3-1, $P_{interferer}$ power defined in Table 7.6A.2.3.5-1a and Table 7.6A.2.3.5-2a is increased by the amount given by $\Delta R_{IB,c}$ in Table 7.3A.3.2.3-1.

7.6A.3 Out-of-band blocking for CA

7.6A.3.0 Minimum conformance requirements

7.6A.3.0.1 Out-of-band blocking for Intra-band contiguous CA

For intra-band contiguous carrier aggregation the downlink SCC(s) shall be configured at nominal channel spacing to the PCC. For FDD, the PCC shall be configured closest to the uplink band. All downlink carriers shall be active throughout the test.

The UE shall fulfil the minimum requirement in presence of an interfering signal specified in Tables 7.6A.3.0.1-1 and Tables 7.6A.3.0.1-2 being on either side of the aggregated signal. The throughput of each carrier shall be $\geq 95\%$ of the maximum throughput of the reference measurement channels as specified in Annexes A.2.2, A.2.3, A.3.2, and A.3.3 (with one sided dynamic OCN Pattern OP.1 FDD/TDD for the DL-signal as described in Annex A.5.1.1/A.5.2.1).

Table 7.6A.3.0.1-1: Out-of-band blocking parameters for intra-band contiguous CA

RX parameter	Units	CA bandwidth class		
		B	C	D

Power in transmission bandwidth configuration	dB	REFSENS + CA bandwidth class specific value below			
	m	9	9	9	
	dB				
NOTE 1: The transmitter shall be set to 4 dB below P _{CMAX_L,f,c} at the minimum UL configuration specified in Table 7.3.2.3-3 with P _{CMAX_L,f,c} defined in clause 6.2.4.					

Table 7.6A.3.0.1-2: Out of-band blocking for intra-band contiguous CA

NR band	Parameter	Unit	Range1	Range 2	Range 3
	P _{interferer}	dBm	-45	-30	-15
n41, n48 ⁵ , n66, n71	F _{interferer} (CW)	MHz	-60 < f – F _{DL_low} < -15 or 15 < f – F _{DL_high} < 60	-85 < f – F _{DL_low} ≤ -60 or 60 ≤ f – F _{DL_high} < 85	1 ≤ f ≤ F _{DL_low} – 85 or F _{DL_high} + 85 ≤ f ≤ 12750
n77, n78 (NOTE 3)	F _{interferer} (CW)	MHz	N/A	N/A	1 ≤ f ≤ F _{DL_low} – MAX(200,3*BW _{Channel_CA}) or F _{DL_high} + MAX(200,3*BW _{Channel_CA}) ≤ f ≤ 12750
n79 (NOTE 4)	F _{interferer} (CW)	MHz	N/A	N/A	1 ≤ f ≤ F _{DL_low} – MAX(150,3*BW _{Channel_CA}) or F _{DL_high} + MAX(150,3*BW _{Channel_CA}) ≤ f ≤ 12750
NOTE 1: The power level of the interferer (P _{interferer}) for Range 3 shall be modified to -20 dBm for F _{interferer} > 6000 MHz.					
NOTE 2: BW _{Channel_CA} denotes the aggregated channel bandwidth of the wanted signal					
NOTE 3: The power level of the interferer (P _{interferer}) for Range 3 shall be modified to -20 dBm, for F _{interferer} > 2700 MHz and F _{interferer} < 4800 MHz. For BW _{Channel_CA} > 15 MHz, the requirement for Range 1 is not applicable and Range 2 applies from the frequency offset of 3*BW _{Channel_CA} from the band edge. For BW _{Channel_CA} larger than 60 MHz, the requirement for Range 2 is not applicable and Range 3 applies from the frequency offset of 3*BW _{Channel_CA} from the band edge.					
NOTE 4: The power level of the interferer (P _{interferer}) for Range 3 shall be modified to -20 dBm, for F _{interferer} > 3650 MHz and F _{interferer} < 5750 MHz. For BW _{Channel_CA} ≥ 40 MHz, the requirement for Range 2 is not applicable and Range 3 applies from the frequency offset of 3*BW _{Channel_CA} from the band edge.					
NOTE 5: The power level of the interferer (P _{interferer}) for Range 3 shall be modified to -20 dBm for F _{interferer} > 2700 MHz and F _{interferer} < 4800 MHz					

For interferer frequencies across ranges 1, 2 and 3 in Table 7.6A.3-2, a maximum of

$$\lfloor \max \{ 24, 6 \cdot \lceil n \cdot N_{RB} / 6 \rceil \} / \min \{ \lfloor n \cdot N_{RB} / 10 \rfloor, 5 \} \rfloor$$

exceptions are allowed for spurious response frequencies in each assigned frequency channel when measured using a

step size of $\min \left(\frac{BW_{channel}}{2}, 5 \right)$ MHz with N_{RB} the number of resource blocks in the downlink transmission bandwidth configuration, $BW_{channel}$ is the bandwidth of the frequency channel in MHz and $n = 1, 2, 3$ for SCS = 15, 30, 60 kHz, respectively. For these exceptions, the requirements in subclause 7.7A.1 apply.

7.6A.3.0.2 Out-of-band blocking for Intra-band non-contiguous CA

For intra-band non-contiguous carrier aggregation with one uplink carrier and two or more downlink sub-blocks, the out-of-band blocking requirements are defined with the uplink configuration in accordance with table 7.3A.0.2.3-1. For this uplink configuration, the UE shall meet the requirements for each sub-block as specified in subclauses 7.6.3 and 7.6A.3.0.1 for one component carrier and two component carriers per sub-block, respectively. The requirements apply with all downlink carriers active.

The throughput of each carrier shall be ≥ 95% of the maximum throughput of the reference measurement channels as specified in Annexes A.2.2, A.2.3, A.3.2, and A.3.3 (with one sided dynamic OCNG Pattern OP.1 FDD/TDD for the DL-signal as described in Annex A.5.1.1/A.5.2.1).

7.6A.3.0.3 Out-of-band blocking for Inter-band CA

For inter-band carrier aggregation with one component carrier per operating band and the uplink assigned to one NR band, the out-of-band blocking requirements are defined with the uplink active on the band(s) other than the band whose downlink is being tested. The UE shall meet the requirements specified in subclause 7.6.3 for each component carrier while all downlink carriers are active.

For inter-band carrier aggregation with component carriers in operating bands < 2.7GHz including n48, and for $F_{DL_Low(j)} - 15 \text{ MHz} \leq f \leq F_{DL_High(j)} + 15 \text{ MHz}$, the appropriate adjacent channel selectivity and in-band blocking requirements in the respective subclauses 7.5 and 7.6.2 shall be applied for carrier j . For inter-band carrier aggregation with component carriers in operating bands > 2.7GHz excluding n48, and for $F_{DL_Low(j)} - 3 * BW_{Channel} \leq f \leq F_{DL_High(j)} + 3 * BW_{Channel}$, the appropriate adjacent channel selectivity and in-band blocking requirements in the respective subclauses 7.5 and 7.6.2 shall be applied for carrier j . $F_{DL_Low(j)}$ and $F_{DL_High(j)}$ denote the respective lower and upper frequency limits of the operating band containing carrier j , $j = 1, \dots, X$, with carriers numbered in increasing order of carrier frequency and X the number of component carriers in the band combination. $BW_{Channel}$ denotes the channel bandwidth of the wanted signal component carrier j . If CW interferer falls in a gap between $F_{DL_High(j)}$ and $F_{DL_Low(j+1)}$ where the corresponding OOB ranges 1 and 2 overlap, then the lower level interferer limit of the overlapping OOB ranges applies.

For inter-band carrier aggregation with uplink assigned to two NR bands, the out-of-band blocking requirements specified in subclause 7.6.3 shall be met with the transmitter power for the uplink set to 7 dB below $P_{CMAX_L,c}$ for each serving cell c .

For the UE which supports inter-band CA configuration in Table 7.3A.0.3.2.1-1, $P_{interferer}$ power defined in Table 7.6.3.3-2 and 7.6.3.3-4 is increased by the amount given by $\Delta R_{IB,c}$ in Table 7.3A.0.3.2.1-1.

For inter-band CA combination listed in Table 7.6A.3.0.3-1, exceptions to the requirement specified in Table 7.6A.3.0.3-2 are allowed when the second order intermodulation product of the lower frequency band UL carrier and the CW interfering signal fully or partially overlaps with the higher frequency band DL carrier.

Table 7.6A.3.0.3-1: CA band combination with exceptions allowed

CA band combination
CA_n8-n78
CA_n28-n78

Table 7.6A.3.0.3-2: Requirement for out-of-band blocking exceptions

Parameter	Unit	Level
$P_{interferer}$ (CW)	dBm	-44 ¹
NOTE 1: The requirement applies when $ f_{interferer} \pm f_{UL}^{LB} - f_{DL}^{HB} \leq (BW_{UL}^{LB} + BW_{DL}^{HB})/2$, where f_{UL}^{LB} and f_{DL}^{HB} are the carrier frequencies for lower frequency band UL and higher frequency band DL, respectively. BW_{UL}^{LB} and BW_{DL}^{HB} are the channel bandwidths configured for lower frequency band UL carrier and higher frequency band DL carrier in MHz, respectively.		

For all interferer frequency ranges specified in subclause 7.6.3 a maximum of

$$\lfloor \max\{24,6 \cdot \lceil n \cdot N_{RB} / 6 \rceil / \min\{\lfloor n \cdot N_{RB} / 10 \rfloor, 5\}\} \rfloor$$

exceptions are allowed for spurious response frequencies in each assigned frequency channel when measured using a step size of $\min(\lfloor BW_{channel} / 2 \rfloor, 5)$ MHz with N_{RB} the number of resource blocks in the downlink transmission bandwidth configuration, $BW_{Channel}$ the bandwidth of the frequency channel in MHz and $n = 1, 2, 3$ for SCS = 15, 30, 60 KHz, respectively. For these exceptions, the requirements in subclause 7.7 apply.

The throughput of each carrier shall be $\geq 95\%$ of the maximum throughput of the reference measurement channels as specified in Annexes A.2.2, A.2.3, A.3.2, and A.3.3 (with one sided dynamic OCNG Pattern OP.1 FDD/TDD for the DL-signal as described in Annex A.5.1.1/A.5.2.1).

The normative reference for this requirement is TS 38.101-1 [2] clause 7.6A.3.

7.6A.3.1 Out-of-band blocking for CA (2DL CA)

7.6A.3.1.1 Test purpose

Out-of-band band blocking for CA is defined for an unwanted CW interfering signal falling more than 15 MHz or $3 \cdot BW_{\text{Channel_CA}}$ below or above the UE receive band, at which a given average throughput shall meet or exceed the requirement for the specified measurement channels.

For the first 15 MHz or $3 \cdot BW_{\text{Channel_CA}}$ below or above the UE receive band the appropriate in-band blocking or adjacent channel selectivity in sub-clause 7.5A and sub-clause 7.6A.2 shall be applied.

The lack of out-of-band blocking ability will decrease the coverage area when other e-NodeB transmitters exist (except in the adjacent channels and spurious response).

7.6A.3.1.2 Test applicability

This test case applies to all types of NR UE release 15 and forward that supports 2DL CA.

7.6A.3.1.3 Minimum conformance requirements

The minimum conformance requirements are defined in clause 7.6A.3.0.

7.6A.3.1.4 Test description

7.6A.3.1.4.1 Initial conditions

Initial conditions are a set of test configurations the UE needs to be tested in and the steps for the SS to take with the UE to reach the correct measurement state.

The initial test configurations consist of environmental conditions, test frequencies, test channel bandwidths and sub-carrier spacing based on NR CA configurations specified in clause 5.5A. All of these configurations shall be tested with applicable test parameters for each CA configuration, are shown in table 7.6A.3.1.4.1-1, 7.6A.3.1.4.1-2 or 7.6A.3.1.4.1-3. The details of the uplink and downlink reference measurement channels (RMC) are specified in Annexes A.2 and A.3 respectively. The details of the OCN patterns used are specified in Annex A.5. Configurations of PDSCH and PDCCH before measurement are specified in Annex C.2.

Table 7.6A.3.1.4.1-1: Test configuration table for Intra-band contiguous CA

Default Conditions					
Test Environment as specified in TS 38.508-1 [5] subclause 4.1			Normal		
Test Frequencies as specified in TS 38.508-1 [5] subclause 4.3.1			Mid range		
Test CC Combination setting ($N_{\text{RB_agg}}$) as specified in Table 5.5A.1-1 for the CA Configuration across bandwidth combination sets supported by the UE.			Highest $N_{\text{RB_agg}}$ NOTE 3		
Test SCS as specified in Table 5.3.5-1			Lowest		
Test Parameters					
Test ID	Downlink Configuration			Uplink Configuration	
	CC Mod'n	PCC RB allocation	SCC RB allocation	CC Mod'n	PCC RB allocation
1	CP-OFDM QPSK	Full RB ¹	Full RB ¹	DFT-s-OFDM QPSK	REFSENS ²
NOTE 1: Full RB allocation shall be used per each SCS and channel BW as specified in Table 7.3.2.4.1-2.					
NOTE 2: REFSENS refers to the single carrier Uplink RB allocation for reference sensitivity according to table 7.3.2.4.1-3.					
NOTE 3: If the UE supports multiple CC Combinations in the CA Configuration with the same $N_{\text{RB_agg}}$, only the combination with the highest $N_{\text{RB_PCC}}$ is tested.					
NOTE 4: In a band where UE supports 4Rx, the test shall be performed only with 4Rx antennas ports connected and 4Rx REFSENS requirement (Table 7.3.2.5-2) is used in the test requirements.					

Table 7.6A.3.1.4.1-2: Test configuration table for Inter-band CA

Default Conditions	
Test Environment as specified in TS 38.508-1 [5] subclause 4.1	Normal

Test Frequencies as specified in TS 38.508-1 [5] subclause 4.3.1	NOTE 4				
Test CC Combination setting (N_{RB_agg}) as specified in Table 5.5A.3.1-1 for the CA Configuration across bandwidth combination sets supported by the UE.	Highest N_{RB_agg} NOTE 5 NOTE 6				
Test SCS as specified in Table 5.3.5-1	Lowest				
Test Parameters					
Test ID	Downlink Configuration			Uplink Configuration	
	CC Mod'n	PCC RB allocation	SCC RB allocation	CC Mod'n	PCC RB allocation
1	CP-OFDM QPSK	Full RB ¹	Full RB ¹	DFT-s-OFDM QPSK	REFSENS ²
NOTE 1: Full RB allocation shall be used per each SCS and channel BW as specified in Table 7.3.2.4.1-2.					
NOTE 2: REFSENS refers to the single carrier Uplink RB allocation for reference sensitivity according to table 7.3.2.4.1-3.					
NOTE 3: In a band where UE supports 4Rx, the test shall be performed only with 4Rx antennas ports connected and 4Rx REFSENS requirement (Table 7.3.2.5-2) is used in the test requirements.					
NOTE 4: Test frequency is set to Mid Range for PCC and SCC with exceptions defined in Table 7.3A.1.4.1-2. For NR band n28, 30MHz test channel bandwidth is tested with Low range test frequencies.					
NOTE 5: If the UE supports multiple CC Combinations in the CA Configuration with the same N_{RB_agg} , only the combination with the highest N_{RB_PCC} is tested.					
NOTE 6: For nXA PCC, each of Highest UL and Highest DL shall be selected according to clause 5.5A.3.1. DL channel bandwidth shall be selected first.					

Table 7.6A.3.1.4.1-3: Test configuration table for Intra-band non-contiguous CA

Default Conditions					
Test Environment as specified in TS 38.508-1 [5] subclause 4.1	Normal				
Test CC Combination setting (N_{RB_agg}) as specified in Table 5.5A.2-1 for the CA Configuration across bandwidth combination sets supported by the UE.	NOTE 1, NOTE 3				
Test Channel Bandwidths as specified in TS 38.508-1 [5] subclause 4.3.1	Highest N_{RB_agg} for PCC and SCC, NOTE 1				
Test SCS as specified in Table 5.3.5-1	Lowest				
Test Parameters					
Test ID	Downlink Configuration			Uplink Configuration	
	CC Mod'n	PCC RB allocation	SCC RB allocation	CC Mod'n	PCC RB allocation
1	CP-OFDM QPSK	NOTE 1	NOTE 1	DFT-s-OFDM QPSK	NOTE 1
NOTE 1: The specific configuration of uplink and downlink are defined in Table 7.3A.1.4.1-3.					
NOTE 2: In a band where UE supports 4Rx, the test shall be performed only with 4Rx antennas ports connected and 4Rx REFSENS requirement (Table 7.3.2.5-2) is used in the test requirements.					
NOTE 3: If the UE supports multiple CC Combinations in the CA Configuration with the same N_{RB_agg} , only the combination with the highest N_{RB_PCC} is tested.					

1. Connect the SS to the UE antenna connectors as shown in TS 38.508-1 [5] Annex A, Figure A.3.1.4.7 for TE diagram and section A.3.2 for UE diagram.
2. The parameter settings for the cell are set up according to TS 38.508-1 [5] subclause 4.4.3.
3. Downlink signals are initially set up according to Annex C.0, C.1, C.2, and C.3.1, and uplink signals according to Annex G.0, G.1, G.2, and G.3.1.
4. The DL and UL Reference Measurement Channels are set according to Table 7.6A.3.1.4.1-1, Table 7.6A.3.1.4.1-2 or Table 7.6A.3.1.4.1-3.
5. Propagation conditions are set according to Annex B.0.
6. Ensure the UE is in State RRC_CONNECTED with generic procedure parameters Connectivity *NR*, Connected without release *On*, Test Mode *On* and Test Loop Function *On* according to TS 38.508-1 [5] clause 4.5. Message contents are defined in clause 7.6A.3.1.4.3.

7.6A.3.1.4.2 Test procedure

1. Configure SCC according to Annex C.0, C.1, C.2 for all downlink physical channels.
2. The SS shall configure SCC as per TS 38.508-1 [5] clause 5.5.1. Message contents are defined in clause 7.6A.3.1.4.3.
3. SS activates SCC by sending the activation MAC CE (Refer TS 38.321 [18], clauses 5.9, 6.1.3.10). Wait for at least 2 seconds (Refer TS 38.133[19], clause 9.3).
4. SS transmits PDSCH via PDCCH DCI format 1_1 for C_RNTI to transmit the DL RMC according to Table 7.6A.3.1.4.1-1, 7.6A.3.1.4.1-2 or 7.6A.3.1.4.1-3 on both PCC and SCC. The SS sends downlink MAC padding bits on the DL RMC.
5. SS sends uplink scheduling information for each UL HARQ process via PDCCH DCI format 0_1 for C_RNTI to schedule the UL RMC according to Table 7.6A.3.1.4.1-1, 7.6A.3.1.4.1-2 or 7.6A.3.1.4.1-3 on PCC. Since the UE has no payload data to send, the UE transmits uplink MAC padding bits on the UL RMC.
6. Set the parameters of the CW signal generator for an interfering signal below the CA Band for intra-band CA, or below the SCC's operating band for inter-band CA according to table 7.6A.3.1.5.1-2, 7.6A.3.1.5.3-2 or 7.6A.3.1.5.3-4. The frequency step size is $\min(\lfloor BW_{channel} / 2 \rfloor, 5)$ MHz.

If CW interferer falls in a gap between $F_{DL_High(j)}$ and $F_{DL_Low(j+1)}$ where the corresponding OOB ranges 1 and 2 overlap, then the lower level interferer limit of the overlapping OOB ranges applies.

For the UE which supports inter-band CA configuration in Table 7.3A.0.3.2.1-1, $P_{interferer}$ power defined in Table 7.6A.3.1.5.3-2 and 7.6A.3.1.5.3-4 is increased by the amount given by $\Delta R_{IB,c}$ in Table 7.3A.0.3.2.1-1.

For inter-band CA combination listed in Table 7.6A.3.1.5.3-5, exceptions to the requirement specified in Table 7.6A.3.1.5.3-6 are allowed when the second order intermodulation product of the lower frequency band UL carrier and the CW interfering signal fully or partially overlaps with the higher frequency band DL carrier.

7. Set the downlink signal level according to the table 7.6A.3.1.5.1-1, 7.6A.3.1.5.3-1 or 7.6A.3.1.5.3-3 for both carriers. Send uplink power control commands to the UE using 1dB power step size to ensure that the UE output power measured by the test system is within the Uplink power control window, defined as $-(MU + \text{Uplink power control window size})$ dB of the target power level in Table 7.6A.3.1.5.1-1, 7.6A.3.1.5.3-1 or 7.6A.3.1.5.3-3 for at least the duration of the Throughput measurement, where:
 - MU is the test system uplink power measurement uncertainty and is specified in Table F.1.3-1 for the carrier frequency f and the channel bandwidth BW
 - Uplink power control window size = 1dB (UE power step size) + 0.7dB (UE power step tolerance) + (Test system relative power measurement uncertainty), where, the UE power step tolerance is specified in TS 38.101-1 [2], Table 6.3.4.3-1 and is 0.7dB for 1dB power step size, and the Test system relative power measurement uncertainty is specified for test case 6.3.4.3 in Table F.1.2-1.
 - For UEs supporting Tx diversity, the transmit power is measured as the sum of the output power from both UE antenna connectors.
8. Measure the average throughput of SCC for a duration sufficient to achieve statistical significance according to Annex H.2A for inter-band CA. Measure the average throughput of both carriers for a duration sufficient to achieve statistical significance according to Annex H.2A for intra-band CA.
9. Record the frequencies for which the throughput doesn't meet the requirements.
10. Repeat steps from 6 to 9, using an interfering signal above the CA Band for intra-band CA, or above the SCC's operating band for inter-band CA at step 6.
11. For Inter-band CA: Switch the SCell into PCell and repeat steps 1 to 10, except for operating bands without uplink band.

NOTE: The purpose of the Uplink power control window is to ensure that the actual UE output power is no greater than the target power level, and as close as possible to the target power level. The relationship between the Uplink power control window, the target power level and the corresponding possible actual UE Uplink power window is illustrated in Annex F.4.3.

7.6A.3.1.4.3 Message contents

Message contents are according to TS 38.508-1 [5] subclause 4.6 Table 4.6.3-118 with condition TRANSFORM_PRECODER_ENABLED.

7.6A.3.1.5 Test requirement

7.6A.3.1.5.1 Out-of-band blocking for Intra-band contiguous CA

Except for the spurious response frequencies recorded in step 9 of test procedure, the throughput measurement derived in the test procedure of each carrier shall be $\geq 95\%$ of the maximum throughput of the reference measurement channels as specified in Annexes A.2.2, A.2.3, A.3.2, and A.3.3 (with one sided dynamic OCNG Pattern OP.1 FDD/TDD for the DL-signal as described in Annex A.5.1.1/A.5.2.1) with parameters specified in Tables 7.6A.3.1.5.1-1 and 7.6A.3.1.5.1-2.

The number of spurious response frequencies recorded in step 9 of test procedure shall not exceed $\lfloor \max\{24, 6 \cdot \lceil n \cdot N_{RB} / 6 \rceil\} / \min\{\lfloor n \cdot N_{RB} / 10 \rfloor, 5\} \rfloor$ in each assigned frequency channel when measured using a $\min(\lfloor BW_{channel} / 2 \rfloor, 5)$ MHz step size. For these exceptions the requirements of clause 7.7A Spurious Response are applicable.

Table 7.6A.3.1.5.1-1: Out-of-band blocking parameters for intra-band contiguous CA

RX parameter	Units	CA bandwidth class	
		B	C
Power in transmission bandwidth configuration	dBm	REFSENS + CA bandwidth class specific value below	
	dB	9	9
NOTE 1: The transmitter shall be set to 4 dB below $P_{CMAX_L,f,c}$ at the minimum UL configuration specified in Table 7.3.2.3-3 with $P_{CMAX_L,f,c}$ defined in clause 6.2.4.			

7.6A.3.1.5.1-2: Out of-band blocking for intra-band contiguous CA

NR band	Parameter	Unit	Range1	Range 2	Range 3
	$P_{interferer}$	dBm	-45	-30	-15
n41, n48 ⁵ , n66, n71	$F_{interferer}$ (CW)	MHz	$-60 < f - F_{DL_low} < -15$ or $15 < f - F_{DL_high} < 60$	$-85 < f - F_{DL_low} \leq -60$ or $60 \leq f - F_{DL_high} < 85$	$1 \leq f \leq F_{DL_low} - 85$ or $F_{DL_high} + 85 \leq f \leq 12750$
n77, n78 (NOTE 3)	$F_{interferer}$ (CW)	MHz	N/A	N/A	$1 \leq f \leq F_{DL_low} - \text{MAX}(200, 3 \cdot BW_{Channel_CA})$ or $F_{DL_high} + \text{MAX}(200, 3 \cdot BW_{Channel_CA}) \leq f \leq 12750$
n79 (NOTE 4)	$F_{interferer}$ (CW)	MHz	N/A	N/A	$1 \leq f \leq F_{DL_low} - \text{MAX}(150, 3 \cdot BW_{Channel_CA})$ or $F_{DL_high} + \text{MAX}(150, 3 \cdot BW_{Channel_CA}) \leq f \leq 12750$

NOTE 1: The power level of the interferer ($P_{interferer}$) for Range 3 shall be modified to -20 dBm for $F_{interferer} > 6000$ MHz.
 NOTE 2: $BW_{Channel_CA}$ denotes the aggregated channel bandwidth of the wanted signal
 NOTE 3: The power level of the interferer ($P_{interferer}$) for Range 3 shall be modified to -20 dBm, for $F_{interferer} > 2700$ MHz and $F_{interferer} < 4800$ MHz. For $BW_{Channel_CA} > 15$ MHz, the requirement for Range 1 is not applicable and Range 2 applies from the frequency offset of $3 \cdot BW_{Channel_CA}$ from the band edge. For $BW_{Channel_CA}$ larger than 60 MHz, the requirement for Range 2 is not applicable and Range 3 applies from the frequency offset of $3 \cdot BW_{Channel_CA}$ from the band edge.
 NOTE 4: The power level of the interferer ($P_{interferer}$) for Range 3 shall be modified to -20 dBm, for $F_{interferer} > 3650$ MHz and $F_{interferer} < 5750$ MHz. For $BW_{Channel_CA} \geq 40$ MHz, the requirement for Range 2 is not applicable and Range 3 applies from the frequency offset of $3 \cdot BW_{Channel_CA}$ from the band edge.
 NOTE 5: The power level of the interferer ($P_{interferer}$) for Range 3 shall be modified to -20 dBm for $F_{interferer} > 2700$ MHz and $F_{interferer} < 4800$ MHz

NOTE 6: The test requirement of configurations for CA operating band including Band n41 also apply for the corresponding CA operating bands with Band n90 replacing Band n41.

7.6A.3.1.5.2 Out-of-band blocking for Intra-band non-contiguous CA

Except for the spurious response frequencies recorded in step 9 of test procedure, the throughput measurement derived in the test procedure of each carrier shall be $\geq 95\%$ of the maximum throughput of the reference measurement channels as specified in Annexes A.2.2, A.2.3, A.3.2, and A.3.3 (with one sided dynamic OCNG Pattern OP.1 FDD/TDD for the DL-signal as described in Annex A.5.1.1/A.5.2.1) with parameters specified in Tables 7.6A.3.1.5.3-1 and 7.6A.3.1.5.3-2 for NR bands with $F_{DL_high} < 2700$ MHz and $F_{UL_high} < 2700$ MHz and Tables 7.6A.3.1.5.3-3 and 7.6A.3.1.5.3-4 for NR bands with $F_{DL_low} \geq 3300$ MHz and $F_{UL_low} \geq 3300$ MHz. The test requirement of configurations for CA operating band including Band n41 also apply for the corresponding CA operating bands with Band n90 replacing Band n41.

The number of spurious response frequencies recorded in step 9 of test procedure shall not exceed $\lfloor \max\{24,6 \cdot \lceil n \cdot N_{RB} / 6 \rceil / \min\{\lceil n \cdot N_{RB} / 10 \rceil, 5\} \rfloor$ in each assigned frequency channel when measured using a $\min(\lfloor BW_{channel} / 2 \rfloor, 5)$ MHz step size. For these exceptions the requirements of clause 7.7A Spurious Response are applicable.

The throughput of each carrier shall be $\geq 95\%$ of the maximum throughput of the reference measurement channels as specified in Annexes A.2.2, A.2.3, A.3.2, and A.3.3 (with one sided dynamic OCNG Pattern OP.1 FDD/TDD for the DL-signal as described in Annex A.5.1.1/A.5.2.1).

7.6A.3.1.5.3 Out-of-band blocking for Inter-band CA

Except for the spurious response frequencies recorded in step 9 of test procedure, the throughput measurement derived in the test procedure of SCC shall be $\geq 95\%$ of the maximum throughput of the reference measurement channels as specified in Annexes A.2.2, A.2.3, A.3.2, and A.3.3 (with one sided dynamic OCNG Pattern OP.1 FDD/TDD for the DL-signal as described in Annex A.5.1.1/A.5.2.1) with parameters specified in Tables 7.6A.3.1.5.3-1 and 7.6A.3.1.5.3-2 for NR bands with $F_{DL_high} < 2700$ MHz and $F_{UL_high} < 2700$ MHz and Tables 7.6A.3.1.5.3-3 and 7.6A.3.1.5.3-4 for NR bands with $F_{DL_low} \geq 3300$ MHz and $F_{UL_low} \geq 3300$ MHz. The test requirement of configurations for CA operating band including Band n41 also apply for the corresponding CA operating bands with Band n90 replacing Band n41.

The number of spurious response frequencies recorded in step 9 of test procedure shall not exceed $\lfloor \max\{24,6 \cdot \lceil n \cdot N_{RB} / 6 \rceil / \min\{\lceil n \cdot N_{RB} / 10 \rceil, 5\} \rfloor$ in each assigned frequency channel when measured using a $\min(\lfloor BW_{channel} / 2 \rfloor, 5)$ MHz step size. For these exceptions the requirements of clause 7.7A Spurious Response are applicable.

Table 7.6A.3.1.5.3-1: Out-of-band blocking parameters for NR bands with $F_{DL_high} < 2700$ MHz and $F_{UL_high} < 2700$ MHz

RX parameter	Units	Channel bandwidth				
		5 MHz	10 MHz	15 MHz	20 MHz	25 MHz
Power in transmission bandwidth configuration	dBm	REFSENS + channel bandwidth specific value below				
	dB	6	6	7	9	10
RX parameter	Units	Channel bandwidth				
		30 MHz	35 MHz	40 MHz	50 MHz	50 MHz
Power in transmission bandwidth configuration	dBm	REFSENS + channel bandwidth specific value below				
	dB	11	11.5	12	12.5	13
RX parameter	Units	Channel bandwidth				
		60 MHz	70 MHz	80 MHz	90 MHz	100 MHz
Power in transmission	dBm	REFSENS + channel bandwidth specific value below				
	dB	14	14.5	15	15.5	16

bandwidth configuration						
NOTE: The transmitter shall be set to 4dB below $P_{CMAX_L,f,c}$ at the minimum UL configuration specified in Table 7.3.2.3-3 with $P_{CMAX_L,f,c}$ defined in clause 6.2.4.						

Table 7.6A.3.1.5.3-2: Out of-band blocking for NR bands with $F_{DL_high} < 2700$ MHz and $F_{UL_high} < 2700$ MHz

NR band	Parameter	Unit	Range 1	Range 2	Range 3
n1, n2, n3, n5, n7, n8, n12, n20, n25, n28, n34, n38, n39, n40, n41, n48 ⁵ , n50, n51, n66, n70, n71, n74, n75, n76	$P_{interferer}$	dBm	-44	-30	-15
	$F_{interferer}$ (CW)	MHz	$-60 < f - F_{DL_low} < -15$ or $15 < f - F_{DL_high} < 60$	$-85 < f - F_{DL_low} \leq -60$ or $60 \leq f - F_{DL_high} < 85$	$1 \leq f \leq F_{DL_low} - 85$ or $F_{DL_high} + 85 \leq f \leq 12750$
NOTE 1: The power level of the interferer ($P_{interferer}$) for Range 3 shall be modified to -20 dBm for $F_{interferer} > 6000$ MHz.					
NOTE 2: For band 51 the F_{DL_high} of band 50 is applied as F_{DL_high} for band 51. For band 50, the F_{DL_low} of band 51 is applied as F_{DL_low} for band 50.					
NOTE 3: For band 76 the F_{DL_high} of band 75 is applied as F_{DL_high} for band 76. For band 75, the F_{DL_low} of band 76 is applied as F_{DL_low} for band 75.					
NOTE 4: For UEs supporting both bands 38 and 41, the F_{DL_high} and F_{DL_low} of band 41 is applied as F_{DL_high} and F_{DL_low} for band 38.					
NOTE 5: n48 follows the requirement in this frequency range according to the general requirement defined in Clause 7.1. The power level of the interferer ($P_{interferer}$) for Range 3 shall be modified to -20 dBm for $F_{interferer} > 2700$ MHz and $F_{interferer} < 4800$ MHz.					
NOTE 6: Void.					
NOTE 7: For UE supporting both bands 25 and 70, the F_{DL_high} of band 70 is applied as F_{DL_high} for band 25, and the F_{DL_low} of band 25 is applied as F_{DL_low} for band 70.					

Table 7.6A.3.1.5.3-3: Out-of-band blocking parameters for NR bands with $F_{DL_low} \geq 3300$ MHz and $F_{UL_low} \geq 3300$ MHz

RX parameter	Units	Channel bandwidth				
		10 MHz	15 MHz	20 MHz	40 MHz	50 MHz
Power in transmission bandwidth configuration	dBm	REFSENS + channel bandwidth specific value below				
	dB	6	7	9	9	9
RX parameter	Units	Channel bandwidth				
		60 MHz	70 MHz	80 MHz	90 MHz	100 MHz
Power in transmission bandwidth configuration	dBm	REFSENS + channel bandwidth specific value below				
	dB	9	9	9	9	9
NOTE: The transmitter shall be set to 4dB below $P_{CMAX_L,f,c}$ at the minimum UL configuration specified in Table 7.3.2.3-3 with $P_{CMAX_L,f,c}$ defined in clause 6.2.4.						

Table 7.6A.3.1.5.3-4: Out of-band blocking for NR bands with $F_{DL_low} \geq 3300$ MHz and $F_{UL_low} \geq 3300$ MHz

NR band	Parameter	Unit	Range1	Range 2	Range 3
n77, n78 (NOTE 3)	$P_{interferer}$	dBm	-44	-30	-15
	$F_{interferer}$ (CW)	MHz	$-60 < f - F_{DL_low} \leq -3 \cdot BW_{Channel}$ or $3 \cdot BW_{Channel} \leq f - F_{DL_high} < 60$	$-200 < f - F_{DL_low} \leq -$ $MAX(60, 3 \cdot BW_{Channel})$ or $MAX(60, 3 \cdot BW_{Channel}) \leq f - F_{DL_high} < 200$	$1 \leq f \leq F_{DL_low} - MAX(200, 3 \cdot BW_{Channel})$ or $F_{DL_high} +$

					$\text{MAX}(200, 3 \cdot \text{BW}_{\text{Channel}})$ $\leq f \leq 12750$
n79 (NOTE 4)	$F_{\text{interferer}}$ (CW)	MHz	N/A	$-150 < f - F_{\text{DL_low}} \leq$ $\text{MAX}(60, 3 \cdot \text{BW}_{\text{Channel}})$ or $\text{MAX}(60, 3 \cdot \text{BW}_{\text{Channel}})$ $\leq f - F_{\text{DL_high}} < 150$	$1 \leq f \leq F_{\text{DL_low}} -$ $\text{MAX}(150, 3 \cdot \text{BW}_{\text{Channel}})$ or $F_{\text{DL_high}}$ $+$ $\text{MAX}(150, 3 \cdot \text{BW}_{\text{Channel}})$ $\leq f \leq 12750$
NOTE 1: The power level of the interferer ($P_{\text{interferer}}$) for Range 3 shall be modified to -20 dBm for $F_{\text{interferer}} > 6000$ MHz. NOTE 2: $\text{BW}_{\text{Channel}}$ denotes the channel bandwidth of the wanted signal NOTE 3: The power level of the interferer ($P_{\text{interferer}}$) for Range 3 shall be modified to -20 dBm, for $F_{\text{interferer}} > 2700$ MHz and $F_{\text{interferer}} < 4800$ MHz. For $\text{BW}_{\text{Channel}} > 15$ MHz, the requirement for Range 1 is not applicable and Range 2 applies from the frequency offset of $3 \cdot \text{BW}_{\text{Channel}}$ from the band edge. For $\text{BW}_{\text{Channel}}$ larger than 60 MHz, the requirement for Range 2 is not applicable and Range 3 applies from the frequency offset of $3 \cdot \text{BW}_{\text{Channel}}$ from the band edge. NOTE 4: The power level of the interferer ($P_{\text{interferer}}$) for Range 3 shall be modified to -20 dBm, for $F_{\text{interferer}} > 3650$ MHz and $F_{\text{interferer}} < 5750$ MHz. For $\text{BW}_{\text{Channel}} \geq 40$ MHz, the requirement for Range 2 is not applicable and Range 3 applies from the frequency offset of $3 \cdot \text{BW}_{\text{Channel}}$ from the band edge.					

If CW interferer falls in a gap between $F_{\text{DL_High}(j)}$ and $F_{\text{DL_Low}(j+1)}$ where the corresponding OOB ranges 1 and 2 overlap, then the lower level interferer limit of the overlapping OOB ranges applies.

For the UE which supports inter-band CA configuration in Table 7.3A.0.3.2.1-1, $P_{\text{interferer}}$ power defined in Table 7.6A.3.1.5.3-2 and 7.6A.3.1.5.3-4 is increased by the amount given by $\Delta R_{\text{IB,c}}$ in Table 7.3A.0.3.2.1-1.

For inter-band CA combination listed in Table 7.6A.3.1.5.3-5, exceptions to the requirement specified in Table 7.6A.3.1.5.3-6 are allowed when the second order intermodulation product of the lower frequency band UL carrier and the CW interfering signal fully or partially overlaps with the higher frequency band DL carrier.

Table 7.6A.3.1.5.3-5: CA band combination with exceptions allowed

CA band combination
CA_n8-n78
CA_n28-n78

Table 7.6A.3.1.5.3-6: Requirement for out-of-band blocking exceptions

Parameter	Unit	Level
$P_{\text{interferer}}$ (CW)	dBm	-44 ¹
NOTE 1: The requirement applies when $ f_{\text{interferer}} \pm f_{\text{UL}}^{\text{LB}} - f_{\text{DL}}^{\text{HB}} \leq (\text{BW}_{\text{UL}}^{\text{LB}} + \text{BW}_{\text{DL}}^{\text{HB}})/2$, where $f_{\text{UL}}^{\text{LB}}$ and $f_{\text{DL}}^{\text{HB}}$ are the carrier frequencies for lower frequency band UL and higher frequency band DL, respectively. $\text{BW}_{\text{UL}}^{\text{LB}}$ and $\text{BW}_{\text{DL}}^{\text{HB}}$ are the channel bandwidths configured for lower frequency band UL carrier and higher frequency band DL carrier in MHz, respectively.		

7.6A.3.2 Out-of-band blocking for CA (3DL CA)

7.6A.3.2.1 Test purpose

Out-of-band band blocking for CA is defined for an unwanted CW interfering signal falling more than 15 MHz or $3 \cdot \text{BW}_{\text{Channel_CA}}$ below or above the UE receive band, at which a given average throughput shall meet or exceed the requirement for the specified measurement channels.

For the first 15 MHz or $3 \cdot \text{BW}_{\text{Channel_CA}}$ below or above the UE receive band the appropriate in-band blocking or adjacent channel selectivity in sub-clause 7.5A and sub-clause 7.6A.2 shall be applied.

The lack of out-of-band blocking ability will decrease the coverage area when other e-NodeB transmitters exist (except in the adjacent channels and spurious response).

7.6A.3.2.2 Test applicability

This test case applies to all types of NR UE release 15 and forward that supports 3DL CA.

7.6A.3.2.3 Minimum conformance requirements

The minimum conformance requirements are defined in clause 7.6A.3.0.

7.6A.3.2.4 Test description

7.6A.3.2.4.1 Initial conditions

Initial conditions are a set of test configurations the UE needs to be tested in and the steps for the SS to take with the UE to reach the correct measurement state.

The initial test configurations consist of environmental conditions, test frequencies, test channel bandwidths and sub-carrier spacing based on NR CA configurations specified in clause 5.5A. All of these configurations shall be tested with applicable test parameters for each CA configuration, are shown in Table 7.6A.3.2.4.1-1 or 7.6A.3.2.4.1-2. The details of the uplink and downlink reference measurement channels (RMC) are specified in Annexes A.2 and A.3 respectively. The details of the OCNG patterns used are specified in Annex A.5. Configurations of PDSCH and PDCCH before measurement are specified in Annex C.2.

Table 7.6A.3.2.4.1-1: Test configuration table for Intra-band contiguous CA

Default Conditions					
Test Environment as specified in TS 38.508-1 [5] subclause 4.1			Normal		
Test Frequencies as specified in TS 38.508-1 [5] subclause 4.3.1			Mid range		
Test CC Combination setting (N _{RB_agg}) as specified in Table 5.5A.1.1-1 for the CA Configuration across bandwidth combination sets supported by the UE.			Highest N _{RB_agg} NOTE 3		
Test SCS as specified in Table 5.3.5-1			Lowest		
Test Parameters					
Downlink Configuration				Uplink Configuration	
Test ID	CC Mod'n	PCC RB allocation	SCCs RB allocation	CC Mod'n	PCC RB allocation
1	CP-OFDM QPSK	Full RB ¹	Full RB ¹	DFT-s-OFDM QPSK	REFSENS ²
NOTE 1: Full RB allocation shall be used per each SCS and channel BW as specified in Table 7.3.2.4.1-2.					
NOTE 2: REFSENS refers to the single carrier Uplink RB allocation for reference sensitivity according to Table 7.3.2.4.1-3.					
NOTE 3: If the UE supports multiple CC Combinations in the CA Configuration with the same N _{RB_agg} , only the combination with the highest N _{RB_PCC} is tested.					
NOTE 4: In a band where UE supports 4Rx, the test shall be performed only with 4Rx antennas ports connected and 4Rx REFSENS requirement (Table 7.3.2.5-2) is used in the test requirements.					

Table 7.6A.3.2.4.1-2: Test configuration table for Inter-band CA

Default Conditions					
Test Environment as specified in TS 38.508-1 [5] subclause 4.1			Normal		
Test Frequencies as specified in TS 38.508-1 [5] subclause 4.3.1			Inter-band : NOTE 5 Intra-band contiguous + Inter-band: NOTE 5 Intra-band non-contiguous + Inter-band: Max WGap for Intra-band non-contiguous NOTE 5		
Test CC Combination setting (N _{RB_agg}) as specified in Tables 5.5A.1-1, 5.5A.2-1, or tables in clauses 5.5A.3.x for the CA Configuration across bandwidth combination sets supported by the UE.			Highest N _{RB_agg} NOTE 3 NOTE 6		
Test SCS as specified in Table 5.3.5-1			Lowest		
Test Parameters					
Downlink Configuration				Uplink Configuration	
Test ID	CC Mod'n	PCC RB allocation	SCCs RB allocation	CC Mod'n	PCC RB allocation

1	CP-OFDM QPSK	Full RB ¹	Full RB ¹	DFT-s-OFDM QPSK	REFSENS ²
NOTE 1: Full RB allocation shall be used per each SCS and channel BW as specified in Table 7.3.2.4.1-2.					
NOTE 2: REFSENS refers to the single carrier Uplink RB allocation for reference sensitivity according to Table 7.3.2.4.1-3.					
NOTE 3: If the UE supports multiple CC Combinations in the CA Configuration with the same NRB_agg, only the combination with the highest NRB_PCC is tested.					
NOTE 4: In a band where UE supports 4Rx, the test shall be performed only with 4Rx antennas ports connected and 4Rx REFSENS requirement (Table 7.3.2.5-2) is used in the test requirements.					
NOTE 5: Test frequency is set to Mid Range for PCC and SCC with exceptions defined in Table 7.3A.2.4.1-1. For NR band n28, 30MHz test channel bandwidth is tested with Low range test frequencies.					
NOTE 6: For nXA PCC, each of Highest UL and Highest DL shall be selected according to clause 5.5A.3.2. DL channel bandwidth shall be selected first.					

1. Connect the SS to the UE antenna connectors as shown in TS 38.508-1 [5] Annex A, Figure A.3.1.4.7 for TE diagram and section A.3.2 for UE diagram.
2. The parameter settings for the cell are set up according to TS 38.508-1 [5] subclause 4.4.3.
3. Downlink signals are initially set up according to Annex C.0, C.1, C.2, and C.3.1, and uplink signals according to Annex G.0, G.1, G.2, and G.3.1.
4. The DL and UL Reference Measurement Channels are set according to Table 7.6A.3.2.4.1-1 or Table 7.6A.3.2.4.1-2.
5. Propagation conditions are set according to Annex B.0.
6. Ensure the UE is in State RRC_CONNECTED with generic procedure parameters Connectivity NR, Connected without release On, Test Mode On and Test Loop Function On according to TS 38.508-1 [5] clause 4.5. Message contents are defined in clause 7.6A.3.2.4.3.

7.6A.3.2.4.2 Test procedure

1. Configure SCCs according to Annex C.0, C.1, C.2 for all downlink physical channels.
2. The SS shall configure SCCs as per TS 38.508-1 [5] clause 5.5.1. Message contents are defined in clause 7.6A.3.2.4.3.
3. SS activates SCCs by sending the activation MAC CE (Refer TS 38.321 [18], clauses 5.9, 6.1.3.10). Wait for at least 2 seconds (Refer TS 38.133[19], clause 9.3).
4. SS transmits PDSCH via PDCCH DCI format 1_1 for C_RNTI to transmit the DL RMC according to Table 7.6A.3.2.4.1-1 or 7.6A.3.2.4.1-2 on both PCC and SCCs. The SS sends downlink MAC padding bits on the DL RMC.
5. SS sends uplink scheduling information for each UL HARQ process via PDCCH DCI format 0_1 for C_RNTI to schedule the UL RMC according to Table 7.6A.3.2.4.1-1 or 7.6A.3.2.4.1-2 on PCC. Since the UE has no payload data to send, the UE transmits uplink MAC padding bits on the UL RMC.
6. For the CCs the throughput is measured on according to Table 7.6A.3.2.4.2-1, set the parameters of the CW signal generator for an interfering signal below the CA Band for intra-band CA, or below each SCC's operating band for inter-band CA (single CC in the measured band) according to Table 7.6A.3.2.5.1-2, 7.6A.3.2.5.2-2 or 7.6A.3.2.5.2-4. The frequency step size is $\min(\lfloor BW_{channel} / 2 \rfloor, 5)$ MHz.

If CW interferer falls in a gap between $F_{DL_High(j)}$ and $F_{DL_Low(j+1)}$ where the corresponding OOB ranges 1 and 2 overlap, then the lower level interferer limit of the overlapping OOB ranges applies.

For the UE which supports inter-band CA configuration in Table 7.3A.0.3.2.1-1, $P_{interferer}$ power defined in Table 7.6A.3.2.5.2-2 and 7.6A.3.2.5.2-4 is increased by the amount given by $\Delta R_{IB,c}$ in Table 7.3A.0.3.2.1-1. Use the highest $\Delta R_{IB,c}$ among CA bands for $P_{interferer}$ calculation.

For inter-band CA combination listed in Table 7.6A.3.2.5.2-5, exceptions to the requirement specified in Table 7.6A.3.2.5.2-6 are allowed when the second order intermodulation product of the lower frequency band UL carrier and the CW interfering signal fully or partially overlaps with the higher frequency band DL carrier.

7. Set the downlink signal level according to Table 7.6A.3.2.5.1-1, 7.6A.3.2.5.2-1 or 7.6A.3.2.5.2-3 for all carriers. Send uplink power control commands to the UE using 1dB power step size to ensure that the UE output power measured by the test system is within the Uplink power control window, defined as $-(\text{MU} + \text{Uplink power control window size})$ dB of the target power level in Table 7.6A.3.2.5.1-1, 7.6A.3.2.5.2-1 or 7.6A.3.2.5.2-3 for at least the duration of the Throughput measurement, where:
 - MU is the test system uplink power measurement uncertainty and is specified in Table F.1.3-1 for the carrier frequency f and the channel bandwidth BW
 - Uplink power control window size = 1dB (UE power step size) + 0.7dB (UE power step tolerance) + (Test system relative power measurement uncertainty), where, the UE power step tolerance is specified in TS 38.101-1 [2], Table 6.3.4.3-1 and is 0.7dB for 1dB power step size, and the Test system relative power measurement uncertainty is specified for test case 6.3.4.3 in Table F.1.2-1.
 - For UEs supporting Tx diversity, the transmit power is measured as the sum of the output power from both UE antenna connectors.
8. Measure the average throughput for the carrier(s) indicated in Table 7.6A.3.2.4.2-1 for duration sufficient to achieve statistical significance according to Annex H.2A.
9. Record the frequencies for which the throughput doesn't meet the requirements and for each frequency, the carriers for which the throughput was not met.
10. Repeat steps 6 to 8 for each recorded frequency-carrier pair, with exception of pairs for which $\Delta R_{\text{IB},c}$ is the same as ΔR_{IB} used in Step 6. In Step 6 use only recorded frequencies for interferer placement and use $\Delta R_{\text{IB},c}$ relevant to recorded carrier for $P_{\text{interferer}}$ calculation. Remove the frequency-carrier pairs that meet the throughput requirements from the record.
11. Repeat steps from 6 to 10, using an interfering signal above the CA Band for intra-band CA, or above each SCC's operating band for inter-band CA at step 6.
12. For Inter-band CA: repeat steps 1 to 11 for the CA configuration IDs in REFSSENS indicated in Table 7.6A.3.2.4.2-1, except for operating bands without uplink band.

NOTE: The purpose of the Uplink power control window is to ensure that the actual UE output power is no greater than the target power level, and as close as possible to the target power level. The relationship between the Uplink power control window, the target power level and the corresponding possible actual UE Uplink power window is illustrated in Annex F.4.3.

Table 7.6A.3.2.4.2-1: Test repetition and measurement configuration

CA configuration	CA configuration ID in REFSSENS	Throughput measured on
Intra-band contiguous	1 ⁴	PCC, SCC ₁ , SCC ₂
Inter-band	1 ¹	SCC ₁ , SCC ₂
	2 ¹	
	3 ¹	
Intra-band contiguous + Inter-band	1 ²	SCC ₂
	2 ²	SCC ₁ , SCC ₂
Intra-band non-contiguous + Inter-band	2 ³	SCC ₂
	3 ³	SCC ₁ , SCC ₂
Intra-band non-contiguous	1 ⁵	PCC, SCC ₁ , SCC ₂
Intra-band contiguous + Intra-band non-contiguous	1 ⁶	PCC, SCC ₁ , SCC ₂

NOTE 1: CA configuration ID as defined in “Default Test Settings for a CA_nXA-nYA-nZA Configuration (Inter-band)” in Table 7.3A.2.4.1-1.

NOTE 2: CA configuration ID as defined in “Default Test Settings for a CA_nXC-nYA, CA_nYA-nXC, CA_nYA-nXB and CA_nXB-nYA Configurations (Intra-band contiguous + Inter-band)” in Table 7.3A.2.4.1-1.

NOTE 3: CA configuration ID as defined in “Default Test Settings for a CA_nX(2A)-nYA Configuration (Intra-band non-contiguous + Inter-band)” in Table 7.3A.2.4.1-1.

NOTE 4: CA configuration ID as defined in “Default Test Settings for a CA_nXD Configuration (Intra-band contiguous)” in Table 7.3A.2.4.1-1.

NOTE 5: CA configuration ID as defined in “Default Test Settings for a CA_nX(3A) Configuration (Intra-band non-contiguous)” in Table 7.3A.2.4.1-1.

NOTE 6: CA configuration ID as defined in “Default Test Settings for a CA_nX(A-C) and CA_nX(A-B) Configuration (Intra-band contiguous + Intra-band non-contiguous)” in Table 7.3A.2.4.1-1.

7.6A.3.2.4.3 Message contents

Message contents are according to TS 38.508-1 [5] subclause 4.6 Table 4.6.3-118 with condition TRANSFORM_PRECODER_ENABLED.

7.6A.3.2.5 Test requirement

7.6A.3.2.5.1 Out-of-band blocking for Intra-band contiguous CA

Except for the spurious response frequencies recorded in step 9 of test procedure, the throughput measurement derived in the test procedure of each carrier shall be ≥ 95% of the maximum throughput of the reference measurement channels as specified in Annexes A.2.2, A.2.3, A.3.2, and A.3.3 (with one sided dynamic OCNG Pattern OP.1 FDD/TDD for the DL-signal as described in Annex A.5.1.1/A.5.2.1) with parameters specified in Tables 7.6A.3.2.5.1-1 and 7.6A.3.2.5.1-2.

The number of spurious response frequencies recorded in step 9 of test procedure shall not exceed $\lfloor \max \{24,6 \cdot \lceil n \cdot N_{RB} / 6 \rceil \} / \min \{ \lceil n \cdot N_{RB} / 10 \rceil, 5 \} \rfloor$ in each assigned frequency channel when measured using a $\min(\lfloor BW_{channel} / 2 \rfloor, 5)$ MHz step size. For these exceptions the requirements of clause 7.7A Spurious Response are applicable.

Table 7.6A.3.2.5.1-1: Out-of-band blocking parameters for intra-band contiguous CA

RX parameter	Units	CA bandwidth class	
		D	
Power in transmission bandwidth configuration	dBm	REFSENS + CA bandwidth class specific value below	
	dB	9	
NOTE 1: The transmitter shall be set to 4 dB below P _{C_{MAX}L,f,c} at the minimum UL configuration specified in Table 7.3.2.3-3 with P _{C_{MAX}L,f,c} defined in clause 6.2.4.			

7.6A.3.2.5.1-2: Out of-band blocking for intra-band contiguous CA

NR band	Parameter	Unit	Range1	Range 2	Range 3
	P _{interferer}	dBm	-45	-30	-15
n41, n48 ⁵ , n66, n71	F _{interferer} (CW)	MHz	-60 < f – F _{DL_low} < -15 or 15 < f – F _{DL_high} < 60	-85 < f – F _{DL_low} ≤ -60 or 60 ≤ f – F _{DL_high} < 85	1 ≤ f ≤ F _{DL_low} – 85 or F _{DL_high} + 85 ≤ f ≤ 12750
n77, n78 (NOTE 3)	F _{interferer} (CW)	MHz	N/A	N/A	1 ≤ f ≤ F _{DL_low} – MAX(200,3*BW _{Channel_CA}) or F _{DL_high} + MAX(200,3*BW _{Channel_CA}) ≤ f ≤ 12750

n79 (NOTE 4)	$F_{\text{interferer}}$ (CW)	MHz	N/A	N/A	$1 \leq f \leq F_{\text{DL_low}} -$ $\text{MAX}(150, 3 \cdot \text{BW}_{\text{Channel_CA}})$ or $F_{\text{DL_high}} + \text{MAX}(150, 3 \cdot \text{BW}_{\text{Channel_CA}})$ $\leq f \leq 12750$
NOTE 1: The power level of the interferer ($P_{\text{Interferer}}$) for Range 3 shall be modified to -20 dBm for $F_{\text{Interferer}} > 6000$ MHz. NOTE 2: $\text{BW}_{\text{Channel_CA}}$ denotes the aggregated channel bandwidth of the wanted signal NOTE 3: The power level of the interferer ($P_{\text{Interferer}}$) for Range 3 shall be modified to -20 dBm, for $F_{\text{Interferer}} > 2700$ MHz and $F_{\text{Interferer}} < 4800$ MHz. For $\text{BW}_{\text{Channel_CA}} > 15$ MHz, the requirement for Range 1 is not applicable and Range 2 applies from the frequency offset of $3 \cdot \text{BW}_{\text{Channel_CA}}$ from the band edge. For $\text{BW}_{\text{Channel_CA}}$ larger than 60 MHz, the requirement for Range 2 is not applicable and Range 3 applies from the frequency offset of $3 \cdot \text{BW}_{\text{Channel_CA}}$ from the band edge. NOTE 4: The power level of the interferer ($P_{\text{Interferer}}$) for Range 3 shall be modified to -20 dBm, for $F_{\text{Interferer}} > 3650$ MHz and $F_{\text{Interferer}} < 5750$ MHz. For $\text{BW}_{\text{Channel_CA}} \geq 40$ MHz, the requirement for Range 2 is not applicable and Range 3 applies from the frequency offset of $3 \cdot \text{BW}_{\text{Channel_CA}}$ from the band edge. NOTE 5: The power level of the interferer ($P_{\text{Interferer}}$) for Range 3 shall be modified to -20 dBm for $F_{\text{Interferer}} > 2700$ MHz and $F_{\text{Interferer}} < 4800$ MHz. NOTE 6: The test requirement of configurations for CA operating band including Band n41 also apply for the corresponding CA operating bands with Band n90 replacing Band n41.					

7.6A.3.2.5.2 Out-of-band blocking for Inter-band CA

Except for the spurious response frequencies recorded in step 9 and step 10 of test procedure, the throughput measurement derived in the test procedure of SCCs shall be $\geq 95\%$ of the maximum throughput of the reference measurement channels as specified in Annexes A.2.2, A.2.3, A.3.2, and A.3.3 (with one sided dynamic OCNG Pattern OP.1 FDD/TDD for the DL-signal as described in Annex A.5.1.1/A.5.2.1) with parameters specified in Tables 7.6A.3.2.5.2-1 and 7.6A.3.2.5.2-2 for NR bands with $F_{\text{DL_high}} < 2700$ MHz and $F_{\text{UL_high}} < 2700$ MHz and Tables 7.6A.3.2.5.2-3 and 7.6A.3.2.5.2-4 for NR bands with $F_{\text{DL_low}} \geq 3300$ MHz and $F_{\text{UL_low}} \geq 3300$ MHz. The test requirement of configurations for CA operating band including Band n41 also apply for the corresponding CA operating bands with Band n90 replacing Band n41.

The number of spurious response frequencies recorded in step 9 and step 10 of test procedure shall not exceed $\lfloor \max\{24, 6 \cdot \lceil n \cdot N_{\text{RB}} / 6 \rceil\} / \min\{\lfloor n \cdot N_{\text{RB}} / 10 \rfloor, 5\} \rfloor$ in each assigned frequency channel when measured using a $\min(\lfloor \text{BW}_{\text{channel}} / 2 \rfloor, 5)$ MHz step size. For these exceptions the requirements of clause 7.7A Spurious Response are applicable.

Table 7.6A.3.2.5.2-1: Out-of-band blocking parameters for NR bands with $F_{\text{DL_high}} < 2700$ MHz and $F_{\text{UL_high}} < 2700$ MHz

RX parameter	Units	Channel bandwidth				
		5 MHz	10 MHz	15 MHz	20 MHz	25 MHz
Power in transmission bandwidth configuration	dBm	REFSENS + channel bandwidth specific value below				
	dB	6	6	7	9	10
RX parameter	Units	Channel bandwidth				
		30 MHz	35 MHz	40 MHz	45 MHz	50 MHz
Power in transmission bandwidth configuration	dBm	REFSENS + channel bandwidth specific value below				
	dB	11	11.5	12	12.5	13
RX parameter	Units	Channel bandwidth				
		60 MHz	70 MHz	80 MHz	90 MHz	100 MHz
Power in transmission bandwidth configuration	dBm	REFSENS + channel bandwidth specific value below				
	dB	14	14.5	15	15.5	16
NOTE: The transmitter shall be set to 4dB below $P_{\text{CMAX_L,f,c}}$ at the minimum UL configuration specified in Table 7.3.2.3-3 with $P_{\text{CMAX_L,f,c}}$ defined in clause 6.2.4.						

Table 7.6A.3.2.5.2-2: Out of-band blocking for NR bands with $F_{DL_high} < 2700$ MHz and $F_{UL_high} < 2700$ MHz

NR band	Parameter	Unit	Range 1	Range 2	Range 3
n1, n2, n3, n5, n7, n8, n12, n20, n25, n28, n34, n38, n39, n40, n41, n48 ⁵ , n50, n51, n66, n70, n71, n74, n75, n76	$P_{interferer}$	dBm	-44	-30	-15
	$F_{interferer}$ (CW)	MHz	$-60 < f - F_{DL_low} < -15$ or $15 < f - F_{DL_high} < 60$	$-85 < f - F_{DL_low} \leq -60$ or $60 \leq f - F_{DL_high} < 85$	$1 \leq f \leq F_{DL_low} - 85$ or $F_{DL_high} + 85 \leq f \leq 12750$
NOTE 1: The power level of the interferer ($P_{interferer}$) for Range 3 shall be modified to -20 dBm for $F_{interferer} > 6000$ MHz.					
NOTE 2: For band 51 the F_{DL_high} of band 50 is applied as F_{DL_high} for band 51. For band 50, the F_{DL_low} of band 51 is applied as F_{DL_low} for band 50.					
NOTE 3: For band 76 the F_{DL_high} of band 75 is applied as F_{DL_high} for band 76. For band 75, the F_{DL_low} of band 76 is applied as F_{DL_low} for band 75.					
NOTE 4: For UEs supporting both bands 38 and 41, the F_{DL_high} and F_{DL_low} of band 41 is applied as F_{DL_high} and F_{DL_low} for band 38.					
NOTE 5: n48 follows the requirement in this frequency range according to the general requirement defined in Clause 7.1. The power level of the interferer ($P_{interferer}$) for Range 3 shall be modified to -20 dBm for $F_{interferer} > 2700$ MHz and $F_{interferer} < 4800$ MHz.					
NOTE 6: Void.					
NOTE 7: For UE supporting both bands 25 and 70, the F_{DL_high} of band 70 is applied as F_{DL_high} for band 25, and the F_{DL_low} of band 25 is applied as F_{DL_low} for band 70.					

Table 7.6A.3.2.5.2-3: Out-of-band blocking parameters for NR bands with $F_{DL_low} \geq 3300$ MHz and $F_{UL_low} \geq 3300$ MHz

RX parameter	Units	Channel bandwidth				
		10 MHz	15 MHz	20 MHz	40 MHz	50 MHz
Power in transmission bandwidth configuration	dBm	REFSENS + channel bandwidth specific value below				
	dB	6	7	9	9	9
RX parameter	Units	Channel bandwidth				
		60 MHz	70 MHz	80 MHz	90 MHz	100 MHz
Power in transmission bandwidth configuration	dBm	REFSENS + channel bandwidth specific value below				
	dB	9	9	9	9	9
NOTE: The transmitter shall be set to 4dB below $P_{CMAX_L,f,c}$ at the minimum UL configuration specified in Table 7.3.2.3-3 with $P_{CMAX_L,f,c}$ defined in clause 6.2.4.						

Table 7.6A.3.2.5.2-4: Out of-band blocking for NR bands with $F_{DL_low} \geq 3300$ MHz and $F_{UL_low} \geq 3300$ MHz

NR band	Parameter	Unit	Range1	Range 2	Range 3
n77, n78 (NOTE 3)	$P_{interferer}$	dBm	-44	-30	-15
	$F_{interferer}$ (CW)	MHz	$-60 < f - F_{DL_low} \leq -3 \cdot BW_{Channel}$ or $3 \cdot BW_{Channel} \leq f - F_{DL_high} < 60$	$-200 < f - F_{DL_low} \leq \text{MAX}(60, 3 \cdot BW_{Channel})$ or $\text{MAX}(60, 3 \cdot BW_{Channel}) \leq f - F_{DL_high} < 200$	$1 \leq f \leq F_{DL_low} - \text{MAX}(200, 3 \cdot BW_{Channel})$ or $F_{DL_high} + \text{MAX}(200, 3 \cdot BW_{Channel}) \leq f \leq 12750$
n79 (NOTE 4)	$F_{interferer}$ (CW)	MHz	N/A	$-150 < f - F_{DL_low} \leq \text{MAX}(60, 3 \cdot BW_{Channel})$ or	$1 \leq f \leq F_{DL_low} - \text{MAX}(150, 3 \cdot BW_{Channel})$ or

				$\text{MAX}(60, 3 \cdot \text{BW}_{\text{Channel}}) \leq f - F_{\text{DL_high}} < 150$	$F_{\text{DL_high}} + \text{MAX}(150, 3 \cdot \text{BW}_{\text{Channel}}) \leq f \leq 12750$
<p>NOTE 1: The power level of the interferer ($P_{\text{Interferer}}$) for Range 3 shall be modified to -20 dBm for $F_{\text{Interferer}} > 6000$ MHz.</p> <p>NOTE 2: $\text{BW}_{\text{Channel}}$ denotes the channel bandwidth of the wanted signal</p> <p>NOTE 3: The power level of the interferer ($P_{\text{Interferer}}$) for Range 3 shall be modified to -20 dBm, for $F_{\text{Interferer}} > 2700$ MHz and $F_{\text{Interferer}} < 4800$ MHz. For $\text{BW}_{\text{Channel}} > 15$ MHz, the requirement for Range 1 is not applicable and Range 2 applies from the frequency offset of $3 \cdot \text{BW}_{\text{Channel}}$ from the band edge. For $\text{BW}_{\text{Channel}}$ larger than 60 MHz, the requirement for Range 2 is not applicable and Range 3 applies from the frequency offset of $3 \cdot \text{BW}_{\text{Channel}}$ from the band edge.</p> <p>NOTE 4: The power level of the interferer ($P_{\text{Interferer}}$) for Range 3 shall be modified to -20 dBm, for $F_{\text{Interferer}} > 3650$ MHz and $F_{\text{Interferer}} < 5750$ MHz. For $\text{BW}_{\text{Channel}} \geq 40$ MHz, the requirement for Range 2 is not applicable and Range 3 applies from the frequency offset of $3 \cdot \text{BW}_{\text{Channel}}$ from the band edge.</p>					

If CW interferer falls in a gap between $F_{\text{DL_High}(j)}$ and $F_{\text{DL_Low}(j+1)}$ where the corresponding OOB ranges 1 and 2 overlap, then the lower level interferer limit of the overlapping OOB ranges applies.

For the UE which supports inter-band CA configuration in Table 7.3A.3.5.1.3-5, $P_{\text{Interferer}}$ power defined in Table 7.6A.3.2.5.2-2 and 7.6A.3.2.5.2-4 is increased by the amount given by $\Delta R_{\text{IB,c}}$ in Table 7.3A.3.5.1.3-1.

For inter-band CA combination listed in Table 7.6A.3.2.5.2-5, exceptions to the requirement specified in Table 7.6A.3.2.5.2-6 are allowed when the second order intermodulation product of the lower frequency band UL carrier and the CW interfering signal fully or partially overlaps with the higher frequency band DL carrier.

Table 7.6A.3.2.5.2-5: CA band combination with exceptions allowed

CA band combination
CA_n8-n78
CA_n28-n78

Table 7.6A.3.2.5.2-6: Requirement for out-of-band blocking exceptions

Parameter	Unit	Level
$P_{\text{Interferer}}$ (CW)	dBm	-44 ¹
<p>NOTE 1: The requirement applies when $f_{\text{interferer}} \pm f_{\text{UL}}^{\text{LB}} - f_{\text{DL}}^{\text{HB}} \leq (\text{BW}_{\text{UL}}^{\text{LB}} + \text{BW}_{\text{DL}}^{\text{HB}})/2$, where $f_{\text{UL}}^{\text{LB}}$ and $f_{\text{DL}}^{\text{HB}}$ are the carrier frequencies for lower frequency band UL and higher frequency band DL, respectively. $\text{BW}_{\text{UL}}^{\text{LB}}$ and $\text{BW}_{\text{DL}}^{\text{HB}}$ are the channel bandwidths configured for lower frequency band UL carrier and higher frequency band DL carrier in MHz, respectively.</p>		

7.6A.3.3 Out-of-band blocking for CA (4DL CA)

7.6A.3.3.1 Test purpose

Out-of-band band blocking for CA is defined for an unwanted CW interfering signal falling more than 15 MHz or $3 \cdot \text{BW}_{\text{Channel_CA}}$ below or above the UE receive band, at which a given average throughput shall meet or exceed the requirement for the specified measurement channels.

For the first 15 MHz or $3 \cdot \text{BW}_{\text{Channel_CA}}$ below or above the UE receive band the appropriate in-band blocking or adjacent channel selectivity in sub-clause 7.5A and sub-clause 7.6A.2 shall be applied.

The lack of out-of-band blocking ability will decrease the coverage area when other e-NodeB transmitters exist (except in the adjacent channels and spurious response).

7.6A.3.3.2 Test applicability

This test case applies to all types of NR UE release 15 and forward that supports 4DL CA.

7.6A.3.3.3 Minimum conformance requirements

The minimum conformance requirements are defined in clause 7.6A.3.0.

7.6A.3.3.4 Test description

7.6A.3.3.4.1 Initial conditions

Initial conditions are a set of test configurations the UE needs to be tested in and the steps for the SS to take with the UE to reach the correct measurement state.

The initial test configurations consist of environmental conditions, test frequencies, test channel bandwidths and sub-carrier spacing based on NR CA configurations specified in clause 5.5A. All of these configurations shall be tested with applicable test parameters for each CA configuration, are shown in Table 7.6A.3.3.4.1-1. The details of the uplink and downlink reference measurement channels (RMC) are specified in Annexes A.2 and A.3 respectively. The details of the OCNG patterns used are specified in Annex A.5. Configurations of PDSCH and PDCCH before measurement are specified in Annex C.2.

Table 7.6A.3.3.4.1-1: Test configuration table for Inter-band CA

Default Conditions					
Test Environment as specified in TS 38.508-1 [5] subclause 4.1			Normal		
Test Frequencies as specified in TS 38.508-1 [5] subclause 4.3.1			Inter-band : NOTE 5 Intra-band contiguous + Inter-band: NOTE 5 Intra-band non-contiguous + Inter-band: MaxWGap for Intra-band non-contiguous (NOTE 5) Intra-band non-contiguous + Intra-band non-contiguous: MaxWGap for Intra-band non-contiguous (NOTE 5)		
Test CC Combination setting (N_{RB_agg}) as specified in Tables 5.5A.1-1, 5.5A.2-1, or tables in clauses 5.5A.3.x for the CA Configuration across bandwidth combination sets supported by the UE.			Highest N_{RB_agg} NOTE 3 NOTE 6		
Test SCS as specified in Table 5.3.5-1			Lowest		
Test Parameters					
Test ID	Downlink Configuration			Uplink Configuration	
	CC Mod'n	PCC RB allocation	SCCs RB allocation	CC Mod'n	PCC RB allocation
1	CP-OFDM QPSK	Full RB ¹	Full RB ¹	DFT-s-OFDM QPSK	REFSENS ²
NOTE 1: Full RB allocation shall be used per each SCS and channel BW as specified in Table 7.3.2.4.1-2.					
NOTE 2: REFSENS refers to the single carrier Uplink RB allocation for reference sensitivity according to Table 7.3.2.4.1-3.					
NOTE 3: If the UE supports multiple CC Combinations in the CA Configuration with the same N_{RB_agg} , only the combination with the highest N_{RB_PCC} is tested.					
NOTE 4: In a band where UE supports 4Rx, the test shall be performed only with 4Rx antennas ports connected and 4Rx REFSENS requirement (Table 7.3.2.5-2) is used in the test requirements.					
NOTE 5: Test frequency is set to Mid Range for PCC and SCC with exceptions defined in Table 7.3A.3.4.1-1. For NR band n28, 30MHz test channel bandwidth is tested with Low range test frequencies.					
NOTE 6: For nXA PCC, each of Highest UL and Highest DL shall be selected according to clause 5.5A.3.3. DL channel bandwidth shall be selected first.					

1. Connect the SS to the UE antenna connectors as shown in TS 38.508-1 [5] Annex A, Figure A.3.1.4.7 for TE diagram and section A.3.2 for UE diagram.
2. The parameter settings for the cell are set up according to TS 38.508-1 [5] subclause 4.4.3.
3. Downlink signals are initially set up according to Annex C.0, C.1, C.2, and C.3.1, and uplink signals according to Annex G.0, G.1, G.2, and G.3.1.
4. The DL and UL Reference Measurement Channels are set according to Table 7.6A.3.3.4.1-1.
5. Propagation conditions are set according to Annex B.0.
6. Ensure the UE is in State RRC_CONNECTED with generic procedure parameters Connectivity *NR*, Connected without release *On*, Test Mode *On* and Test Loop Function *On* according to TS 38.508-1 [5] clause 4.5. Message contents are defined in clause 7.6A.3.3.4.3.

7.6A.3.3.4.2 Test procedure

1. Configure SCCs according to Annex C.0, C.1, C.2 for all downlink physical channels.
2. The SS shall configure SCCs as per TS 38.508-1 [5] clause 5.5.1. Message contents are defined in clause 7.6A.3.3.4.3.
3. SS activates SCCs by sending the activation MAC CE (Refer TS 38.321 [18], clauses 5.9, 6.1.3.10). Wait for at least 2 seconds (Refer TS 38.133[19], clause 9.3).
4. SS transmits PDSCH via PDCCH DCI format 1_1 for C_RNTI to transmit the DL RMC according to Table 7.6A.3.3.4.1-1 on both PCC and SCCs. The SS sends downlink MAC padding bits on the DL RMC.
5. SS sends uplink scheduling information for each UL HARQ process via PDCCH DCI format 0_1 for C_RNTI to schedule the UL RMC according to Table 7.6A.3.3.4.1-1 on PCC. Since the UE has no payload data to send, the UE transmits uplink MAC padding bits on the UL RMC.
6. For the CCs the throughput is measured on according to Table 7.6A.3.3.4.2-1, set the parameters of the CW signal generator for an interfering signal below each SCC's operating band for inter-band CA according to Table 7.6A.3.3.5.1-2 or 7.6A.3.3.5.1-4. The frequency step size is $\min(\lfloor BW_{channel} / 2 \rfloor, 5)$ MHz.

If CW interferer falls in a gap between $F_{DL_High(j)}$ and $F_{DL_Low(j+1)}$ where the corresponding OOB ranges 1 and 2 overlap, then the lower level interferer limit of the overlapping OOB ranges applies.

For the UE which supports inter-band CA configuration in Table 7.3A.0.3.2.1-1, $P_{interferer}$ power defined in Table 7.6A.3.3.5.1-2 and 7.6A.3.3.5.1-4 is increased by the amount given by $\Delta R_{IB,c}$ in Table 7.3A.0.3.2.1-1. Use the highest $\Delta R_{IB,c}$ among CA bands for $P_{interferer}$ calculation.

For inter-band CA combination listed in Table 7.6A.3.3.5.1-5, exceptions to the requirement specified in Table 7.6A.3.3.5.1-6 are allowed when the second order intermodulation product of the lower frequency band UL carrier and the CW interfering signal fully or partially overlaps with the higher frequency band DL carrier.

7. Set the downlink signal level according to the Table 7.6A.3.3.5.1-1, or 7.6A.3.3.5.1-3 for all carriers. Send uplink power control commands to the UE using 1dB power step size to ensure that the UE output power measured by the test system is within the Uplink power control window, defined as $-(MU)$ to $-(MU + \text{Uplink power control window size})$ dB of the target power level in Table 7.6A.3.3.5.1-1, or 7.6A.3.3.5.1-3 for at least the duration of the Throughput measurement, where:
 - MU is the test system uplink power measurement uncertainty and is specified in Table F.1.3-1 for the carrier frequency f and the channel bandwidth BW
 - Uplink power control window size = 1dB (UE power step size) + 0.7dB (UE power step tolerance) + (Test system relative power measurement uncertainty), where, the UE power step tolerance is specified in TS 38.101-1 [2], Table 6.3.4.3-1 and is 0.7dB for 1dB power step size, and the Test system relative power measurement uncertainty is specified for test case 6.3.4.3 in Table F.1.2-1.
 - For UEs supporting Tx diversity, the transmit power is measured as the sum of the output power from both UE antenna connectors.
8. Measure the average throughput for the carrier(s) indicated in Table 7.6A.3.3.4.2-1 for a duration sufficient to achieve statistical significance according to Annex H.2A for inter-band CA.
9. Record the frequencies for which the throughput doesn't meet the requirements and for each frequency, the carriers for which the throughput was not met.
10. Repeat steps 6 to 8 for each recorded frequency-carrier pair, with exception of pairs for which $\Delta R_{IB,c}$ is the same as ΔR_{IB} used in Step 6. In Step 6 use only recorded frequencies for interferer placement and use $\Delta R_{IB,c}$ relevant to recorded carrier for $P_{interferer}$ calculation. Remove the frequency-carrier pairs that meet the throughput requirements from the record.
11. Repeat steps from 6 to 10, using an interfering signal above each SCC's operating band for inter-band CA at step 6.
12. For Inter-band CA: Switch the SCell into PCell and repeat steps 1 to 11 for the CA configuration IDs in REFSENS indicated in Table 7.6A.3.3.4.2-1, except for operating bands without uplink band.

NOTE: The purpose of the Uplink power control window is to ensure that the actual UE output power is no greater than the target power level, and as close as possible to the target power level. The relationship between the Uplink power control window, the target power level and the corresponding possible actual UE Uplink power window is illustrated in Annex F.4.3.

Table 7.6A.3.3.4.2-1: Test repetition and measurement configuration

CA configuration	CA configuration ID in REFSENS	Throughput measured on
Inter-band	1 ¹	SCC1, SCC2, SCC3
	2 ¹	
	3 ¹	
	4 ¹	
Intra-band contiguous + Inter-band	1 ²	SCC2, SCC3
	2 ²	SCC1, SCC2, SCC3
	3 ²	SCC1, SCC2, SCC3
Intra-band non-contiguous + Inter-band	1 ³	SCC2, SCC3
	2 ³	SCC1, SCC2, SCC3
	3 ³	SCC1, SCC2, SCC3
Intra-band non-contiguous + Intra-band non-contiguous	1 ⁴	SCC2, SCC3
	2 ⁴	SCC2, SCC3
NOTE 1: CA configuration ID as defined in Table 7.3A.3.4.1-1.		
NOTE 2: CA configuration ID as defined in “Default Test Settings for a CA_nXC-nYA-nZA and CA_nXB-nYA-nZA Configurations (Intra-band contiguous + Inter-band)” in Table 7.3A.3.4.1-1.		
NOTE 3: CA configuration ID as defined in “Default Test Settings for a CA_nX(2A)-nYA-nZA Configuration (Intra-band non-contiguous + Inter-band)” in Table 7.3A.3.4.1-1.		
NOTE 4: CA configuration ID as defined in “Default Test Settings for a CA_nX(2A)-nY(2A) Configuration (Intra-band non-contiguous + Intra-band non-contiguous)” in Table 7.3A.2.4.1-1.		

7.6A.3.3.4.3 Message contents

Message contents are according to TS 38.508-1 [5] subclause 4.6 Table 4.6.3-118 with condition TRANSFORM_PRECODER_ENABLED.

7.6A.3.3.5 Test requirement

7.6A.3.3.5.1 Out-of-band blocking for Inter-band CA

Except for the spurious response frequencies recorded in step 9 and step 10 of test procedure, the throughput measurement derived in the test procedure of SCCs shall be ≥ 95% of the maximum throughput of the reference measurement channels as specified in Annexes A.2.2, A.2.3, A.3.2, and A.3.3 (with one sided dynamic OCNG Pattern OP.1 FDD/TDD for the DL-signal as described in Annex A.5.1.1/A.5.2.1) with parameters specified in Tables 7.6A.3.3.5.1-1 and 7.6A.3.3.5.1-2 for NR bands with $F_{DL_high} < 2700$ MHz and $F_{UL_high} < 2700$ MHz and Tables 7.6A.3.3.5.1-3 and 7.6A.3.3.5.1-4 for NR bands with $F_{DL_low} \geq 3300$ MHz and $F_{UL_low} \geq 3300$ MHz. The test requirement of configurations for CA operating band including Band n41 also apply for the corresponding CA operating bands with Band n90 replacing Band n41.

The number of spurious response frequencies recorded in step 9 and step 10 of test procedure shall not exceed $\lfloor \max\{24,6 \cdot \lceil n \cdot N_{RB} / 6 \rceil / \min\{\lfloor n \cdot N_{RB} / 10 \rfloor, 5\}\} \rfloor$ in each assigned frequency channel when measured using a $\min(\lfloor BW_{channel} / 2 \rfloor, 5)$ MHz step size. For these exceptions the requirements of clause 7.7A Spurious Response are applicable.

Table 7.6A.3.3.5.1-1: Out-of-band blocking parameters for NR bands with $F_{DL_high} < 2700$ MHz and $F_{UL_high} < 2700$ MHz

RX parameter	Units	Channel bandwidth				
		5 MHz	10 MHz	15 MHz	20 MHz	25 MHz

Power in transmission bandwidth configuration	dBm	REFSENS + channel bandwidth specific value below				
	dB	6	6	7	9	10
RX parameter	Units	Channel bandwidth				
		30 MHz	35 MHz	40 MHz	45 MHz	50 MHz
Power in transmission bandwidth configuration	dBm	REFSENS + channel bandwidth specific value below				
	dB	11	11.5	12	12.5	13
RX parameter	Units	Channel bandwidth				
		60 MHz	70 MHz	80 MHz	90 MHz	100 MHz
Power in transmission bandwidth configuration	dBm	REFSENS + channel bandwidth specific value below				
	dB	14	14.5	15	15.5	16
NOTE: The transmitter shall be set to 4dB below P _{CMAX_L,f,c} at the minimum UL configuration specified in Table 7.3.2.3-3 with P _{CMAX_L,f,c} defined in clause 6.2.4.						

Table 7.6A.3.3.5.1-2: Out of-band blocking for NR bands with F_{DL_high} < 2700 MHz and F_{UL_high} < 2700 MHz

NR band	Parameter	Unit	Range 1	Range 2	Range 3
n1, n2, n3, n5, n7, n8, n12, n20, n25, n28, n34, n38, n39, n40, n41, n50, n51, n66, n70, n71, n74, n75, n76	P _{interferer}	dBm	-44	-30	-15
	F _{interferer} (CW)	MHz	$-60 < f - F_{DL_low} < -15$ or $15 < f - F_{DL_high} < 60$	$-85 < f - F_{DL_low} \leq -60$ or $60 \leq f - F_{DL_high} < 85$	$1 \leq f \leq F_{DL_low} - 85$ or $F_{DL_high} + 85 \leq f \leq 12750$
NOTE 1: The power level of the interferer (P _{interferer}) for Range 3 shall be modified to -20 dBm for F _{interferer} > 6000 MHz.					
NOTE 2: For band 51 the F _{DL_high} of band 50 is applied as F _{DL_high} for band 51. For band 50, the F _{DL_low} of band 51 is applied as F _{DL_low} for band 50.					
NOTE 3: For band 76 the F _{DL_high} of band 75 is applied as F _{DL_high} for band 76. For band 75, the F _{DL_low} of band 76 is applied as F _{DL_low} for band 75.					
NOTE 4: For UEs supporting both bands 38 and 41, the F _{DL_high} and F _{DL_low} of band 41 is applied as F _{DL_high} and F _{DL_low} for band 38.					
NOTE 6: Void.					
NOTE 7: For UE supporting both bands 25 and 70, the F _{DL_high} of band 70 is applied as F _{DL_high} for band 25, and the F _{DL_low} of band 25 is applied as F _{DL_low} for band 70.					

Table 7.6A.3.3.5.1-3: Out-of-band blocking parameters for NR bands with F_{DL_low} ≥ 3300 MHz and F_{UL_low} ≥ 3300 MHz

RX parameter	Units	Channel bandwidth				
		10 MHz	15 MHz	20 MHz	40 MHz	50 MHz
Power in transmission bandwidth configuration	dBm	REFSENS + channel bandwidth specific value below				
	dB	6	7	9	9	9
RX parameter	Units	Channel bandwidth				
		60 MHz	70 MHz	80 MHz	90 MHz	100 MHz
Power in transmission bandwidth configuration	dBm	REFSENS + channel bandwidth specific value below				
	dB	9	9	9	9	9
NOTE: The transmitter shall be set to 4dB below P _{CMAX_L,f,c} at the minimum UL configuration specified in Table 7.3.2.3-3 with P _{CMAX_L,f,c} defined in clause 6.2.4.						

Table 7.6A.3.3.5.1-4: Out of-band blocking for NR bands with $F_{DL_low} \geq 3300$ MHz and $F_{UL_low} \geq 3300$ MHz

NR band	Parameter	Unit	Range1	Range 2	Range 3
n77, n78 (NOTE 3)	$P_{Interferer}$	dBm	-44	-30	-15
	$F_{Interferer}$ (CW)	MHz	$-60 < f - F_{DL_low} \leq -3 \cdot BW_{Channel}$ or $3 \cdot BW_{Channel} \leq f - F_{DL_high} < 60$	$-200 < f - F_{DL_low} \leq -MAX(60, 3 \cdot BW_{Channel})$ or $MAX(60, 3 \cdot BW_{Channel}) \leq f - F_{DL_high} < 200$	$1 \leq f \leq F_{DL_low} - MAX(200, 3 \cdot BW_{Channel})$ or $F_{DL_high} + MAX(200, 3 \cdot BW_{Channel}) \leq f \leq 12750$
n79 (NOTE 4)	$F_{Interferer}$ (CW)	MHz	N/A	$-150 < f - F_{DL_low} \leq -MAX(60, 3 \cdot BW_{Channel})$ or $MAX(60, 3 \cdot BW_{Channel}) \leq f - F_{DL_high} < 150$	$1 \leq f \leq F_{DL_low} - MAX(150, 3 \cdot BW_{Channel})$ or $F_{DL_high} + MAX(150, 3 \cdot BW_{Channel}) \leq f \leq 12750$
NOTE 1: The power level of the interferer ($P_{Interferer}$) for Range 3 shall be modified to -20 dBm for $F_{Interferer} > 6000$ MHz. NOTE 2: $BW_{Channel}$ denotes the channel bandwidth of the wanted signal NOTE 3: The power level of the interferer ($P_{Interferer}$) for Range 3 shall be modified to -20 dBm, for $F_{Interferer} > 2700$ MHz and $F_{Interferer} < 4800$ MHz. For $BW_{Channel} > 15$ MHz, the requirement for Range 1 is not applicable and Range 2 applies from the frequency offset of $3 \cdot BW_{Channel}$ from the band edge. For $BW_{Channel}$ larger than 60 MHz, the requirement for Range 2 is not applicable and Range 3 applies from the frequency offset of $3 \cdot BW_{Channel}$ from the band edge. NOTE 4: The power level of the interferer ($P_{Interferer}$) for Range 3 shall be modified to -20 dBm, for $F_{Interferer} > 3650$ MHz and $F_{Interferer} < 5750$ MHz. For $BW_{Channel} \geq 40$ MHz, the requirement for Range 2 is not applicable and Range 3 applies from the frequency offset of $3 \cdot BW_{Channel}$ from the band edge.					

If CW interferer falls in a gap between $F_{DL_High(j)}$ and $F_{DL_Low(j+1)}$ where the corresponding OOB ranges 1 and 2 overlap, then the lower level interferer limit of the overlapping OOB ranges applies.

For the UE which supports inter-band CA configuration in Table 7.3A.3.5.1.3-5, $P_{interferer}$ power defined in Table 7.6A.3.3.5.1-2 and 7.6A.3.3.5.1-4 is increased by the amount given by $\Delta R_{IB,c}$ in Table 7.3A.3.5.1.3-1.

For inter-band CA combination listed in Table 7.6A.3.3.5.1-5, exceptions to the requirement specified in Table 7.6A.3.3.5.1-6 are allowed when the second order intermodulation product of the lower frequency band UL carrier and the CW interfering signal fully or partially overlaps with the higher frequency band DL carrier.

Table 7.6A.3.3.5.1-5: CA band combination with exceptions allowed

CA band combination
CA_n8-n78
CA_n28-n78

Table 7.6A.3.3.5.1-6: Requirement for out-of-band blocking exceptions

Parameter	Unit	Level
$P_{Interferer}$ (CW)	dBm	-44 ¹
NOTE 1: The requirement applies when $ f_{interferer} \pm f_{UL}^{LB} - f_{DL}^{HB} \leq (BW_{UL}^{LB} + BW_{DL}^{HB})/2$, where f_{UL}^{LB} and f_{DL}^{HB} are the carrier frequencies for lower frequency band UL and higher frequency band DL, respectively. BW_{UL}^{LB} and BW_{DL}^{HB} are the channel bandwidths configured for lower frequency band UL carrier and higher frequency band DL carrier in MHz, respectively.		

7.6A.4 Narrow band blocking for CA

7.6A.4.0 Minimum conformance requirements

7.6A.4.0.1 Narrow band blocking for Intra-band contiguous CA

For intra-band contiguous carrier aggregation, the downlink SCC(s) shall be configured at nominal channel spacing to the PCC. For FDD, the PCC shall be configured closest to the uplink band. All downlink carriers shall be active throughout the test. The uplink output power shall be set as specified in Table 7.6A.4.0.1-1 with the uplink configuration. For UE(s) supporting one uplink, the uplink configuration of the PCC shall be in accordance with Table 7.3.2.3-3. The UE shall fulfil the minimum requirement in presence of an interfering signal specified in Table 7.6A.4.0.1-1 being on either side of the aggregated signal. The throughput of each carrier shall be $\geq 95\%$ of the maximum throughput of the reference measurement channels as specified in Annexes A.2.2, A.2.3, A.3.2 and A.3.3 (with one sided dynamic OCNG Pattern OP.1 FDD/TDD for the DL-signal as described in Annex A.5.1.1/A.5.2.1) with parameters specified in Table 7.6A.4.0.1-1.

Table 7.6A.4.0.1-1: Narrow-band blocking for intra-band contiguous CA

NR band	Parameter	Unit	NR CA bandwidth class	
			B	C
n41, n66, n48, n71	P _w in Transmission Bandwidth Configuration, per CC	dBm	REFSENS + NA CA Bandwidth Class specific value below 16	REFSENS + NA CA Bandwidth Class specific value below 16
	P _{uw} (CW)	dBm	-55	-55
	F _{uw} (offset for $\Delta f = 15$ kHz, 30 kHz)	MHz	- F _{offset} - 0.2 / + F _{offset} + 0.2	- F _{offset} - 0.2 / + F _{offset} + 0.2
	NOTE 1: The transmitter shall be set a 4 dB below P _{C_{MAX}L,f,c} at the minimum UL configuration specified in Table 7.3.2.3-3 with P _{C_{MAX}L,f,c} defined in clause 6.2.4. NOTE 2: Reference measurement channel is specified in Annexes A.3.2 and A.3.2 with one sided dynamic OCNG Pattern OP.1 FDD/TDD as described in Annex A.5.1.1/A.5.2.1. NOTE 3: The PREFSENS power level is specified in Table 7.3.2.3-1 and Table 7.3.2.3-2 for two and four antenna ports, respectively. NOTE 4: The F _{uw} (offset) is the frequency separation of the centre frequency of the carrier closest to the interferer and the centre frequency of the interferer and shall be further adjusted to $\lfloor \frac{F_{interferer}}{0.015+0.5} \rfloor 0.015+0.0075$ MHz to be offset from the sub-carrier raster.			

7.6A.4.0.2 Narrow band blocking for Intra-band non-contiguous CA

For intra-band non-contiguous carrier aggregation with FDL_{low} < 2700 MHz and FUL_{low} < 2700 MHz with one uplink carrier and two or more downlink sub-blocks, the narrow band blocking requirements are defined with the uplink configuration in accordance with Table 7.3A.0.2.2-1. For this uplink configuration, the UE shall meet the requirements for each sub-block as specified in subclauses 7.6.4 and 7.6A.4.0.1 for one component carrier and two component carriers per sub-block, respectively. The requirements apply for in-gap and out-of-gap interferers while all downlink carriers are active.

The throughput of each carrier shall be $\geq 95\%$ of the maximum throughput of the reference measurement channels as specified in Annexes A.2.2, A.2.3, A.3.2, and A.3.3 (with one sided dynamic OCNG Pattern OP.1 FDD/TDD for the DL-signal as described in Annex A.5.1.1/A.5.2.1).

7.6A.4.0.3 Narrow band blocking for Inter-band CA

For inter-band carrier aggregation with one component carrier per operating band and the uplink assigned to one NR band, the narrow band blocking requirements are defined with the uplink active on the band(s) other than the band whose downlink is being tested. The UE shall meet the requirements specified in subclause 7.6.4 for each component carrier while all downlink carriers are active.

For the UE which supports inter-band CA configuration in Table 7.3A.0.3.2.1-1, P_{UW} power defined in Table 7.6.4.3-1 is increased by the amount given by $\Delta R_{IB,c}$ in Table 7.3A.0.3.2.1-1.

The throughput of each carrier shall be $\geq 95\%$ of the maximum throughput of the reference measurement channels as specified in Annexes A.2.2, A.2.3, A.3.2, and A.3.3 (with one sided dynamic OCNG Pattern OP.1 FDD/TDD for the DL-signal as described in Annex A.5.1.1/A.5.2.1).

The normative reference for this requirement is TS 38.101-1 [2] clause 7.6A.4.

7.6A.4.1 Narrow band blocking for CA (2DL CA)

7.6A.4.1.1 Test purpose

Verifies a receiver's ability to receive an NR signal at its assigned CA channel frequencies in the presence of an unwanted narrow band CW interferer at a frequency, which is less than the nominal channel spacing.

The lack of narrow-band blocking ability will decrease the coverage area when other e-NodeB transmitters exist (except in the adjacent channels and spurious response).

7.6A.4.1.2 Test applicability

This test case applies to all types of NR UE release 15 and forward that supports 2DL CA.

7.6A.4.1.3 Minimum conformance requirements

The minimum conformance requirements are defined in clause 7.6A.4.0.

7.6A.4.1.4 Test description

7.6A.4.1.4.1 Initial conditions

Initial conditions are a set of test configurations the UE needs to be tested in and the steps for the SS to take with the UE to reach the correct measurement state.

The initial test configurations consist of environmental conditions, test frequencies, test channel bandwidths and sub-carrier spacing based on NR CA configurations specified in clause 5.5A. All of these configurations shall be tested with applicable test parameters for each CA configuration, are shown in Table 7.6A.4.1.4.1-1, 7.6A.4.1.4.1-2 or 7.6A.4.1.4.1-3. The details of the uplink and downlink reference measurement channels (RMC) are specified in Annexes A.2 and A.3 respectively. The details of the OCNG patterns used are specified in Annex A.5. Configurations of PDSCH and PDCCH before measurement are specified in Annex C.2.

Table 7.6A.4.1.4.1-1: Test configuration table for Intra-band contiguous CA

Default Conditions					
Test Environment as specified in TS 38.508-1 [5] subclause 4.1			Normal		
Test Frequencies as specified in TS 38.508-1 [5] subclause 4.3.1			Mid range		
Test CC Combination setting (N_{RB_agg}) as specified in Table 5.5A.1-1 for the CA Configuration across bandwidth combination sets supported by the UE.			Highest N_{RB_agg} NOTE 3		
Test SCS as specified in Table 5.3.5-1			Lowest		
Test Parameters					
Test ID	Downlink Configuration			Uplink Configuration	
	CC Mod'n	PCC RB allocation	SCC RB allocation	CC Mod'n	PCC RB allocation
1	CP-OFDM QPSK	Full RB ¹	Full RB ¹	DFT-s-OFDM QPSK	REFSENS ²
NOTE 1: Full RB allocation shall be used per each SCS and channel BW as specified in Table 7.3.2.4.1-2.					
NOTE 2: REFSENS refers to the single carrier Uplink RB allocation for reference sensitivity according to Table 7.3.2.4.1-3.					
NOTE 3: If the UE supports multiple CC Combinations in the CA Configuration with the same N_{RB_agg} , only the combination with the highest N_{RB_PCC} is tested.					
NOTE 4: In a band where UE supports 4Rx, the test shall be performed only with 4Rx antennas ports connected and 4Rx REFSENS requirement (Table 7.3.2.5-2) is used in the test requirements.					

Table 7.6A.4.1.4.1-2: Test configuration table for Inter-band CA

Default Conditions	
Test Environment as specified in TS 38.508-1 [5] subclause 4.1	Normal
Test Frequencies as specified in TS 38.508-1 [5] subclause 4.3.1	NOTE 4

Test CC Combination setting (N_{RB_agg}) as specified in Table 5.5A.3.1-1 for the CA Configuration across bandwidth combination sets supported by the UE.	Highest N_{RB_agg} NOTE 5 NOTE 6				
Test SCS as specified in Table 5.3.5-1	According to CH BW SCS in table 7.6.4.3-1				
Test Parameters					
	Downlink Configuration			Uplink Configuration	
Test ID	CC Mod'n	PCC RB allocation	SCC RB allocation	CC Mod'n	PCC RB allocation
1	CP-OFDM QPSK	Full RB ¹	Full RB ¹	DFT-s-OFDM QPSK	REFSENS ²
NOTE 1: Full RB allocation shall be used per each SCS and channel BW as specified in Table 7.3.2.4.1-2. NOTE 2: REFSENS refers to the single carrier Uplink RB allocation for reference sensitivity according to Table 7.3.2.4.1-3. NOTE 3: In a band where UE supports 4Rx, the test shall be performed only with 4Rx antennas ports connected and 4Rx REFSENS requirement (Table 7.3.2.5-2) is used in the test requirements. NOTE 4: Test frequency is set to Mid Range for PCC and SCC with exceptions defined in Table 7.3A.1.4.1-2. For NR band n28, 30MHz test channel bandwidth is tested with Low range test frequencies. NOTE 5: If the UE supports multiple CC Combinations in the CA Configuration with the same N_{RB_agg} , only the combination with the highest N_{RB_PCC} is tested. NOTE 6: For nXA PCC, each of Highest UL and Highest DL shall be selected according to clause 5.5A.3.1. DL channel bandwidth shall be selected first.					

Table 7.6A.4.1.4.1-3: Test configuration table for Intra-band non-contiguous CA

Default Conditions					
Test Environment as specified in TS 38.508-1 [5] subclause 4.1			Normal		
Test Frequencies as specified in TS 38.508-1 [5] subclause 4.3.1			NOTE 1		
Test CC Combination setting (N_{RB_agg}) as specified in Table 5.5A.2-1 for the CA Configuration across bandwidth combination sets supported by the UE.			Highest N_{RB_agg} NOTE 1, NOTE 3		
Test SCS as specified in Table 5.3.5-1			According to CH BW SCS in table 7.6.4.3-1		
Test Parameters					
	Downlink Configuration			Uplink Configuration	
Test ID	CC Mod'n	PCC RB allocation	SCC RB allocation	CC Mod'n	PCC RB allocation
1	CP-OFDM QPSK	NOTE 1	NOTE 1	DFT-s-OFDM QPSK	NOTE 1
NOTE 1: The specific configuration of uplink and downlink are defined in Table 7.3A.1.4.1-3. NOTE 2: In a band where UE supports 4Rx, the test shall be performed only with 4Rx antennas ports connected and 4Rx REFSENS requirement (Table 7.3.2.5-2) is used in the test requirements. NOTE 3: If the UE supports multiple CC Combinations in the CA Configuration with the same N_{RB_agg} , only the combination with the highest N_{RB_PCC} is tested.					

1. Connect the SS to the UE antenna connectors as shown in TS 38.508-1 [5] Annex A, Figure A.3.1.4.7 for TE diagram and section A.3.2 for UE diagram.
2. The parameter settings for the cell are set up according to TS 38.508-1 [5] subclause 4.4.3.
3. Downlink signals are initially set up according to Annex C.0, C.1, C.2, and C.3.1, and uplink signals according to Annex G.0, G.1, G.2, and G.3.1.
4. The DL and UL Reference Measurement Channels are set according to Table 7.6A.4.1.4.1-1, Table 7.6A.4.1.4.1-2 or Table 7.6A.4.1.4.1-3.
5. Propagation conditions are set according to Annex B.0.
6. Ensure the UE is in State RRC_CONNECTED with generic procedure parameters Connectivity NR, Connected without release On, Test Mode On and Test Loop Function On according to TS 38.508-1 [5] clause 4.5. Message contents are defined in clause 7.6A.4.1.4.3.

7.6A.4.1.4.2 Test procedure

1. Configure SCC according to Annex C.0, C.1, C.2 for all downlink physical channels.

2. The SS shall configure SCC as per TS 38.508-1 [5] clause 5.5.1. Message contents are defined in clause 7.6A.4.1.4.3.
3. SS activates SCC by sending the activation MAC CE (Refer TS 38.321 [18], clauses 5.9, 6.1.3.10). Wait for at least 2 seconds (Refer TS 38.133[19], clause 9.3).
4. SS transmits PDSCH via PDCCH DCI format 1_1 for C_RNTI to transmit the DL RMC according to Table 7.6A.4.1.4.1-1, 7.6A.4.1.4.1-2 or 7.6A.4.1.4.1-3 on both PCC and SCC. The SS sends downlink MAC padding bits on the DL RMC.
5. SS sends uplink scheduling information for each UL HARQ process via PDCCH DCI format 0_1 for C_RNTI to schedule the UL RMC according to Table 7.6A.4.1.4.1-1, 7.6A.4.1.4.1-2 or 7.6A.4.1.4.1-3 on PCC. Since the UE has no payload and no loopback data to send, the UE transmits uplink MAC padding bits on the UL RMC.
6. Set the parameters of the CW signal generator for an interfering signal below the CA Band for intra-band CA, or below the SCC's operating band for inter-band CA according to Table 7.6A.4.1.5.1-1 for for intra-band contiguous CA or 7.6.4.5-1 otherwise . For the UE which supports inter-band CA configuration in Table 7.3A.0.3.2.1-1, P_{UW} power defined in Table 7.6.4.5-1 is increased by the amount given by $\Delta R_{IB,c}$ in Table 7.3A.0.3.2.1-1.
7. Set the downlink signal level for both carriers according to 7.6A.4.1.5.1-1 or 7.6.4.5-1. Send uplink power control commands to the UE using 1dB power step size to ensure that the UE output power measured by the test system is within the Uplink power control window, defined as $-(MU)$ to $-(MU + \text{Uplink power control window size})$ dB of the target power level in Table 7.6A.4.1.5.1-1 or 7.6.4.5-1 for at least the duration of the Throughput measurement, where:
 - MU is the test system uplink power measurement uncertainty and is specified in Table F.1.3-1 for the carrier frequency f and the channel bandwidth BW
 - Uplink power control window size = 1dB (UE power step size) + 0.7dB (UE power step tolerance) + (Test system relative power measurement uncertainty), where, the UE power step tolerance is specified in TS 38.101-1 [2], Table 6.3.4.3-1 and is 0.7dB for 1dB power step size, and the Test system relative power measurement uncertainty is specified for test case 6.3.4.3 in Table F.1.2-1.
 - For UEs supporting Tx diversity, the transmit power is measured as the sum of the output power from both UE antenna connectors.
8. Measure the average throughput of SCC for a duration sufficient to achieve statistical significance according to Annex H.2A for inter-band CA. Measure the average throughput of both carriers for a duration sufficient to achieve statistical significance according to Annex H.2A for intra-band CA.
9. Repeat steps from 6 to 8, using an interfering signal above the CA Band for intra-band CA, and between PCC's and SCC's wanted signal for intra-band non-contiguous CA, or above the SCC's operating band for inter-band CA at step 6.
10. For Inter-band CA: Switch the SCell into PCell and repeat steps 1 to 9, except for operating bands without uplink band.

NOTE: The purpose of the Uplink power control window is to ensure that the actual UE output power is no greater than the target power level, and as close as possible to the target power level. The relationship between the Uplink power control window, the target power level and the corresponding possible actual UE Uplink power window is illustrated in Annex F.4.3.

7.6A.4.1.4.3 Message contents

Message contents are according to TS 38.508-1 [5] subclause 4.6 Table 4.6.3-118 with condition TRANSFORM_PRECODER_ENABLED.

7.6A.4.1.5 Test requirement

7.6A.4.1.5.1 Narrow band blocking for Intra-band contiguous CA

The throughput of each carrier shall be ≥ 95 % of the maximum throughput of the reference measurement channels as specified in Annexes A.2.2, A.2.3, A.3.2 and A.3.3 (with one sided dynamic OCNG Pattern OP.1 FDD/TDD for the DL-signal as described in Annex A.5.1.1/A.5.2.1) with parameters specified in Table 7.6A.4.1.5.1-1.

Table 7.6A.4.1.5.1-1: Narrow-band blocking for intra-band contiguous CA

NR band	Parameter	Unit	NR CA bandwidth class	
			B	C
n41, n48, n66, n71	P _w in Transmission Bandwidth Configuration, per CC	dBm	REFSENS + NA CA Bandwidth Class specific value below	REFSENS + NA CA Bandwidth Class specific value below
			16	16
	P _{uw} (CW)	dBm	-55	-55
	F _{uw} (offset for Δf = 15 kHz, 30 kHz)	MHz	- F _{offset} - 0.2 / + F _{offset} + 0.2	- F _{offset} - 0.2 / + F _{offset} + 0.2
NOTE 1: The transmitter shall be set a 4 dB below P _{C_{MAX}L,f,c} at the minimum UL configuration specified in Table 7.3.2.3-3 with P _{C_{MAX}L,f,c} defined in clause 6.2.4.				
NOTE 2: Reference measurement channel is specified in Annexes A.3.2 and A3.2 with one sided dynamic OCNG Pattern OP.1 FDD/TDD as described in Annex A.5.1.1/A.5.2.1.				
NOTE 3: The PREFSENS power level is specified in Table 7.3.2.3-1 and Table 7.3.2.3-2 for two and four antenna ports, respectively.				
NOTE 4: The F _{uw} (offset) is the frequency separation of the centre frequency of the carrier closest to the interferer and the centre frequency of the interferer and shall be further adjusted to $\lfloor \frac{F_{\text{interferer}}}{0.015 + 0.5} \rfloor 0.015 + 0.0075$ MHz to be offset from the sub-carrier raster.				
NOTE 5: The test requirement of configurations for CA operating band including Band n41 also apply for the corresponding CA operating bands with Band n90 replacing Band n41.				

7.6A.4.1.5.2 Narrow band blocking for Intra-band non-contiguous CA

For intra-band non-contiguous carrier aggregation with $F_{DL_low} < 2700$ MHz and $F_{UL_low} < 2700$ MHz with one uplink carrier and two downlink carriers, the narrow band blocking requirements are defined with the uplink configuration in accordance with Table 7.3A.0.2.2-1. The UE shall meet the requirements for each carrier as specified in subclause 7.6.4 for each component carrier respectively. The requirements apply for in-gap and out-of-gap interferers while all downlink carriers are active.

The throughput of each carrier shall be $\geq 95\%$ of the maximum throughput of the reference measurement channels as specified in Annexes A.2.2, A.2.3, A.3.2, and A.3.3 (with one sided dynamic OCNG Pattern OP.1 FDD/TDD for the DL-signal as described in Annex A.5.1.1/A.5.2.1) with parameters specified in Table 7.6.4.5-1. The test requirement of configurations for CA operating band including Band n41 also apply for the corresponding CA operating bands with Band n90 replacing Band n41.

7.6A.4.1.5.3 Narrow band blocking for Inter-band CA

For inter-band carrier aggregation with one component carrier per operating band and the uplink assigned to one NR band, the narrow band blocking requirements are defined with the uplink active on the band(s) other than the band whose downlink is being tested, i.e. the requirements are tested only for the SCell downlink.

The throughput of each carrier, when operated as SCC, shall be $\geq 95\%$ of the maximum throughput of the reference measurement channels as specified in Annexes A.2.2, A.2.3, A.3.2, and A.3.3 (with one sided dynamic OCNG Pattern OP.1 FDD/TDD for the DL-signal as described in Annex A.5.1.1/A.5.2.1) with parameters specified in Table 7.6.4.5-1. The test requirement of configurations for CA operating band including Band n41 also apply for the corresponding CA operating bands with Band n90 replacing Band n41.

For the UE which supports inter-band CA configuration in Table 7.3A.0.3.2.1-1, P_{UW} power defined in Table 7.6.4.5-1 is increased by the amount given by ΔR_{IB,c} in Table 7.3A.0.3.2.1-1.

7.6A.4.2 Narrow band blocking for CA (3DL CA)

7.6A.4.2.1 Test purpose

Verifies a receiver's ability to receive an NR signal at its assigned CA channel frequencies in the presence of an unwanted narrow band CW interferer at a frequency, which is less than the nominal channel spacing.

The lack of narrow-band blocking ability will decrease the coverage area when other e-NodeB transmitters exist (except in the adjacent channels and spurious response).

7.6A.4.2.2 Test applicability

This test case applies to all types of NR UE release 15 and forward that supports 3DL CA.

7.6A.4.2.3 Minimum conformance requirements

The minimum conformance requirements are defined in clause 7.6A.4.0.

7.6A.4.2.4 Test description

7.6A.4.2.4.1 Initial conditions

Initial conditions are a set of test configurations the UE needs to be tested in and the steps for the SS to take with the UE to reach the correct measurement state.

The initial test configurations consist of environmental conditions, test frequencies, test channel bandwidths and sub-carrier spacing based on NR CA configurations specified in clause 5.5A. All of these configurations shall be tested with applicable test parameters for each CA configuration, are shown in Table 7.6A.4.2.4.1-1. The details of the uplink and downlink reference measurement channels (RMC) are specified in Annexes A.2 and A.3 respectively. The details of the OCNG patterns used are specified in Annex A.5. Configurations of PDSCH and PDCCH before measurement are specified in Annex C.2.

Table 7.6A.4.2.4.1-1: Test configuration table for 3DL CA

Default Conditions					
Test Environment as specified in TS 38.508-1 [5] subclause 4.1			Normal		
Test Frequencies as specified in TS 38.508-1 [5] subclause 4.3.1			Inter-band : NOTE 5 Intra-band contiguous + Inter-band: NOTE 5 Intra-band non-contiguous + Inter-band: MaxWGap for Intra-band non-contiguous (NOTE 5)		
Test CC Combination setting (NRB _{agg}) as specified in Tables 5.5A.1-1, 5.5A.2-1, or tables in clauses 5.5A.3.x for the CA Configuration across bandwidth combination sets supported by the UE.			Highest NRB _{agg} NOTE 3 NOTE 6		
Test SCS as specified in Table 5.3.5-1			Lowest		
Test Parameters					
Test ID	Downlink Configuration			Uplink Configuration	
	CC Mod'n	PCC RB allocation	SCCs RB allocation	CC Mod'n	PCC RB allocation
1	CP-OFDM QPSK	NOTE 1	NOTE 1	DFT-s-OFDM QPSK	NOTE 1
NOTE 1: The specific configuration of uplink and downlink are defined in Table 7.3A.2.4.1-1. NOTE 2: Void. NOTE 3: If the UE supports multiple CC Combinations in the CA Configuration with the same NRB _{agg} , only the combination with the highest NRB _{PCC} is tested. NOTE 4: In a band where UE supports 4Rx, the test shall be performed only with 4Rx antennas ports connected and 4Rx REFSSENS requirement (Table 7.3.2.5-2) is used in the test requirements. NOTE 5: Test frequency is set to Mid Range for PCC and SCC with exceptions defined in Table 7.3A.2.4.1-1. For NR band n28, 30MHz test channel bandwidth is tested with Low range test frequencies. NOTE 6: For nXA PCC, each of Highest UL and Highest DL shall be selected according to clause 5.5A.3.2. DL channel bandwidth shall be selected first.					

1. Connect the SS to the UE antenna connectors as shown in TS 38.508-1 [5] Annex A, Figure A.3.1.4.7 for TE diagram and section A.3.2 for UE diagram.
2. The parameter settings for the cell are set up according to TS 38.508-1 [5] subclause 4.4.3.
3. Downlink signals are initially set up according to Annex C.0, C.1, C.2, and C.3.1, and uplink signals according to Annex G.0, G.1, G.2, and G.3.1.
4. The DL and UL Reference Measurement Channels are set according to Table 7.6A.4.2.4.1-1 or Table 7.6A.4.2.4.1-2.
5. Propagation conditions are set according to Annex B.0.

6. Ensure the UE is in State RRC_CONNECTED with generic procedure parameters Connectivity *NR*, Connected without release *On*, Test Mode *On* and Test Loop Function *On* according to TS 38.508-1 [5] clause 4.5. Message contents are defined in clause 7.6A.4.2.4.3.

7.6A.4.2.4.2 Test procedure

1. Configure SCCs according to Annex C.0, C.1, C.2 for all downlink physical channels.
2. The SS shall configure SCCs as per TS 38.508-1 [5] clause 5.5.1. Message contents are defined in clause 7.6A.4.2.4.3.
3. SS activates SCCs by sending the activation MAC CE (Refer TS 38.321 [18], clauses 5.9, 6.1.3.10). Wait for at least 2 seconds (Refer TS 38.133[19], clause 9.3).
4. SS transmits PDSCH via PDCCH DCI format 1_1 for C_RNTI to transmit the DL RMC according to Table 7.6A.4.2.4.1-1 on both PCC and SCCs. The SS sends downlink MAC padding bits on the DL RMC.
5. SS sends uplink scheduling information for each UL HARQ process via PDCCH DCI format 0_1 for C_RNTI to schedule the UL RMC according to Table 7.6A.4.2.4.1-1 on PCC. Since the UE has no payload and no loopback data to send, the UE transmits uplink MAC padding bits on the UL RMC.
6. Set the parameters of the CW signal generator for an interfering signal below each SCC's operating band for inter-band CA according to Table 7.6.4.5-1. For the UE which supports inter-band CA configuration in Table 7.3A.0.3.2.1-1, P_{UW} power defined in Table 7.6.4.5-1 is increased by the amount given by $\Delta R_{IB,c}$ in Table 7.3A.0.3.2.1-1.
7. Set the downlink signal level for all carriers according to Table 7.6.4.5-1. Send uplink power control commands to the UE using 1dB power step size to ensure that the UE output power measured by the test system is within the Uplink power control window, defined as $-(MU)$ to $-(MU + \text{Uplink power control window size})$ dB of the target power level in Table 7.6.4.5-1 for at least the duration of the Throughput measurement, where:
 - MU is the test system uplink power measurement uncertainty and is specified in Table F.1.3-1 for the carrier frequency f and the channel bandwidth BW
 - Uplink power control window size = 1dB (UE power step size) + 0.7dB (UE power step tolerance) + (Test system relative power measurement uncertainty), where, the UE power step tolerance is specified in TS 38.101-1 [2], Table 6.3.4.3-1 and is 0.7dB for 1dB power step size, and the Test system relative power measurement uncertainty is specified for test case 6.3.4.3 in Table F.1.2-1.
 - For UEs supporting Tx diversity, the transmit power is measured as the sum of the output power from both UE antenna connectors.
8. Measure the average throughput of SCCs for a duration sufficient to achieve statistical significance according to Annex H.2A for inter-band CA.
9. Repeat steps from 6 to 8, using an interfering signal above each SCC's operating band for inter-band CA at step 6.
10. For Inter-band CA: Switch the SCell into PCell as per corresponding test IDs defined in Table 7.3A.2.4.1-1 and repeat steps 1 to 9, except for operating bands without uplink band.

NOTE: The purpose of the Uplink power control window is to ensure that the actual UE output power is no greater than the target power level, and as close as possible to the target power level. The relationship between the Uplink power control window, the target power level and the corresponding possible actual UE Uplink power window is illustrated in Annex F.4.3.

7.6A.4.2.4.3 Message contents

Message contents are according to TS 38.508-1 [5] subclause 4.6 Table 4.6.3-118 with condition TRANSFORM_PRECODER_ENABLED.

7.6A.4.2.5 Test requirement

7.6A.4.2.5.1 Narrow band blocking for Inter-band CA

For inter-band carrier aggregation with one component carrier per operating band and the uplink assigned to one NR band, the narrow band blocking requirements are defined with the uplink active on the band(s) other than the band whose downlink is being tested, i.e. the requirements are tested only for the SCell downlink.

The throughput of each carrier, when operated as SCC, shall be $\geq 95\%$ of the maximum throughput of the reference measurement channels as specified in Annexes A.2.2, A.2.3, A.3.2, and A.3.3 (with one sided dynamic OCNG Pattern OP.1 FDD/TDD for the DL-signal as described in Annex A.5.1.1/A.5.2.1) with parameters specified in Table 7.6.4.5-1. The test requirement of configurations for CA operating band including Band n41 also apply for the corresponding CA operating bands with Band n90 replacing Band n41.

Table 7.6A.4.2.5.1-1: Void

For the UE which supports inter-band CA configuration in Table 7.3A.0.3.2.1-1, P_{UW} power defined in Table 7.6.4.5-1 is increased by the amount given by $\Delta R_{\text{IB,c}}$ in Table 7.3A.0.3.2.1-1.

7.6A.4.3 Narrow band blocking for CA (4DL CA)

7.6A.4.3.1 Test purpose

Verifies a receiver's ability to receive an NR signal at its assigned CA channel frequencies in the presence of an unwanted narrow band CW interferer at a frequency, which is less than the nominal channel spacing.

The lack of narrow-band blocking ability will decrease the coverage area when other e-NodeB transmitters exist (except in the adjacent channels and spurious response).

7.6A.4.3.2 Test applicability

This test case applies to all types of NR UE release 15 and forward that supports 4DL CA.

7.6A.4.3.3 Minimum conformance requirements

The minimum conformance requirements are defined in clause 7.6A.4.0.

7.6A.4.3.4 Test description

7.6A.4.3.4.1 Initial conditions

Initial conditions are a set of test configurations the UE needs to be tested in and the steps for the SS to take with the UE to reach the correct measurement state.

The initial test configurations consist of environmental conditions, test frequencies, test channel bandwidths and sub-carrier spacing based on NR CA configurations specified in clause 5.5A. All of these configurations shall be tested with applicable test parameters for each CA configuration, are shown in Table 7.6A.4.3.4.1-1. The details of the uplink and downlink reference measurement channels (RMC) are specified in Annexes A.2 and A.3 respectively. The details of the OCNG patterns used are specified in Annex A.5. Configurations of PDSCH and PDCCH before measurement are specified in Annex C.2.

Table 7.6A.4.3.4.1-1: Test configuration table for 4DL CA

Default Conditions	
Test Environment as specified in TS 38.508-1 [5] subclause 4.1	Normal
Test Frequencies as specified in TS 38.508-1 [5] subclause 4.3.1	Inter-band : NOTE 5 Intra-band contiguous + Inter-band: NOTE 5 Intra-band non-contiguous + Inter-band: MaxWGap for Intra-band non-contiguous (NOTE 5) Intra-band non-contiguous + Intra-band non-contiguous: MaxWGap for Intra-band non-contiguous (NOTE 5)
Test CC Combination setting ($N_{\text{RB_agg}}$) as specified in Tables 5.5A.1-1, 5.5A.2-1, or tables in clauses 5.5A.3.x for the CA Configuration across bandwidth combination sets supported by the UE.	Highest $N_{\text{RB_agg}}$ NOTE 3 NOTE 6

Test SCS as specified in Table 5.3.5-1			Lowest		
Test Parameters					
Test ID	Downlink Configuration			Uplink Configuration	
	CC Mod'n	PCC RB allocation	SCCs RB allocation	CC Mod'n	PCC RB allocation
1	CP-OFDM QPSK	NOTE 1	NOTE 1	DFT-s-OFDM QPSK	NOTE 1
NOTE 1: The specific configuration of uplink and downlink are defined in Table 7.3A.3.4.1-1.					
NOTE 2: Void.					
NOTE 3: If the UE supports multiple CC Combinations in the CA Configuration with the same NRB_agg, only the combination with the highest NRB_PCC is tested.					
NOTE 4: In a band where UE supports 4Rx, the test shall be performed only with 4Rx antennas ports connected and 4Rx REFSENS requirement (Table 7.3.2.5-2) is used in the test requirements.					
NOTE 5: Test frequency is set to Mid Range for PCC and SCC with exceptions defined in Table 7.3A.3.4.1-1. For NR band n28, 30MHz test channel bandwidth is tested with Low range test frequencies.					
NOTE 6: For nXA PCC, each of Highest UL and Highest DL shall be selected according to clause 5.5A.3.3. DL channel bandwidth shall be selected first.					

1. Connect the SS to the UE antenna connectors as shown in TS 38.508-1 [5] Annex A, Figure A.3.1.4.7 for TE diagram and section A.3.2 for UE diagram.
2. The parameter settings for the cell are set up according to TS 38.508-1 [5] subclause 4.4.3.
3. Downlink signals are initially set up according to Annex C.0, C.1, C.2, and C.3.1, and uplink signals according to Annex G.0, G.1, G.2, and G.3.1.
4. The DL and UL Reference Measurement Channels are set according to Table 7.6A.4.3.4.1-1 or Table 7.6A.4.3.4.1-2.
5. Propagation conditions are set according to Annex B.0.
6. Ensure the UE is in State RRC_CONNECTED with generic procedure parameters Connectivity NR, Connected without release On, Test Mode On and Test Loop Function On according to TS 38.508-1 [5] clause 4.5. Message contents are defined in clause 7.6A.4.3.4.3.

7.6A.4.3.4.2 Test procedure

1. Configure SCCs according to Annex C.0, C.1, C.2 for all downlink physical channels.
2. The SS shall configure SCCs as per TS 38.508-1 [5] clause 5.5.1. Message contents are defined in clause 7.6A.4.3.4.3.
3. SS activates SCCs by sending the activation MAC CE (Refer TS 38.321 [18], clauses 5.9, 6.1.3.10). Wait for at least 2 seconds (Refer TS 38.133[19], clause 9.3).
4. SS transmits PDSCH via PDCCH DCI format 1_1 for C_RNTI to transmit the DL RMC according to Table 7.6A.4.3.4.1-1 on both PCC and SCCs. The SS sends downlink MAC padding bits on the DL RMC.
5. SS sends uplink scheduling information for each UL HARQ process via PDCCH DCI format 0_1 for C_RNTI to schedule the UL RMC according to Table 7.6A.4.3.4.1-1 on PCC. Since the UE has no payload and no loopback data to send, the UE transmits uplink MAC padding bits on the UL RMC.
6. Set the parameters of the CW signal generator for an interfering signal below each SCC's operating band for inter-band CA according to Table 7.6.4.5-1. For the UE which supports inter-band CA configuration in Table 7.3A.0.3.2.1-1, P_{UW} power defined in Table 7.6.4.5-1 is increased by the amount given by $\Delta R_{IB,c}$ in Table 7.3A.0.3.2.1-1.
7. Set the downlink signal level for all carriers according to Table 7.6.4.5-1. Send uplink power control commands to the UE using 1dB power step size to ensure that the UE output power measured by the test system is within the Uplink power control window, defined as $-(MU)$ to $-(MU + \text{Uplink power control window size})$ dB of the target power level in Table 7.6.4.5-1 for at least the duration of the Throughput measurement, where:
 - MU is the test system uplink power measurement uncertainty and is specified in Table F.1.3-1 for the carrier frequency f and the channel bandwidth BW

- Uplink power control window size = 1dB (UE power step size) + 0.7dB (UE power step tolerance) + (Test system relative power measurement uncertainty), where, the UE power step tolerance is specified in TS 38.101-1 [2], Table 6.3.4.3-1 and is 0.7dB for 1dB power step size, and the Test system relative power measurement uncertainty is specified for test case 6.3.4.3 in Table F.1.2-1.
 - For UEs supporting Tx diversity, the transmit power is measured as the sum of the output power from both UE antenna connectors.
8. Measure the average throughput of SCCs for a duration sufficient to achieve statistical significance according to Annex H.2A for inter-band CA.
 9. Repeat steps from 6 to 8, using an interfering signal above each SCC's operating band for inter-band CA at step 6.
 10. For Inter-band CA: Switch the SCell into PCell as per corresponding test IDs defined in Table 7.3A.3.4.1-1 and repeat steps 1 to 9, except for operating bands without uplink band.

NOTE: The purpose of the Uplink power control window is to ensure that the actual UE output power is no greater than the target power level, and as close as possible to the target power level. The relationship between the Uplink power control window, the target power level and the corresponding possible actual UE Uplink power window is illustrated in Annex F.4.3.

7.6A.4.3.4.3 Message contents

Message contents are according to TS 38.508-1 [5] subclause 4.6 Table 4.6.3-118 with condition TRANSFORM_PRECODER_ENABLED.

7.6A.4.3.5 Test requirement

7.6A.4.3.5.1 Narrow band blocking for Inter-band CA

For inter-band carrier aggregation with one component carrier per operating band and the uplink assigned to one NR band, the narrow band blocking requirements are defined with the uplink active on the band(s) other than the band whose downlink is being tested, i.e. the requirements are tested only for the SCell downlink.

The throughput of each carrier, when operated as SCC, shall be $\geq 95\%$ of the maximum throughput of the reference measurement channels as specified in Annexes A.2.2, A.2.3, A.3.2, and A.3.3 (with one sided dynamic OCNG Pattern OP.1 FDD/TDD for the DL-signal as described in Annex A.5.1.1/A.5.2.1) with parameters specified in Table 7.6.4.5-1. The test requirement of configurations for CA operating band including Band n41 also apply for the corresponding CA operating bands with Band n90 replacing Band n41.

Table 7.6A.4.3.5.1-1: Void

For the UE which supports inter-band CA configuration in Table 7.3A.0.3.2.1-1, P_{UW} power defined in Table 7.6.4.5-1 is increased by the amount given by $\Delta R_{IB,c}$ in Table 7.3A.0.3.2.1-1.

7.6B Blocking characteristics for NR-DC

For inter-band NR-DC configurations, the blocking characteristics for the corresponding inter-band CA configuration as specified in clause 7.6A applies.

Note: For NR-DC testing, replace CA by NR-DC, PCC by PCell, and SCC by PSCell in clause 7.6A.

7.6C Blocking characteristics for SUL

7.6C.1 General

7.6C.2 In-band blocking for SUL

7.6C.2.1 Test purpose

Same test purpose as in clause 7.6.2.1.

7.6C.2.2 Test applicability

This test applies to all types of NR UE release 15 and forward that support SUL operating on the SUL bands.

7.6C.2.3 Minimum conformance requirements

For SUL operation, the in-band blocking requirement for downlink bands specified in clause 7.6.2.3 shall be met.

The normative reference for this requirement is TS 38.101-1 [2] clauses 7.6C.2.

7.6C.2.4 Test description

Same test description as specified in clause 7.6.2.4 with following exceptions:

Instead of table 5.3.5-1 → use Table 5.5C-1

Instead of table 7.6.2.4.1-1 → use Table 7.6C.2.4-1.

Table 7.6C.2.4-1: Test Configuration Table

Default Conditions					
Test Environment as specified in TS 38.508-1 [5] subclause 4.1			Normal		
Test Frequencies as specified in TS 38.508-1 [5] subclause 4.3.1			Mid range for both SUL carrier and Non-SUL carrier		
Test Channel Bandwidths as specified in TS 38.508-1 [5] subclause 4.3.1			Lowest, Mid, Highest for Non-SUL carrier For SUL band: n80: 30 MHz n81: 20 MHz n82: 20 MHz n83: 20 MHz n84: 20 MHz n86: 40 MHz n95: 15 MHz		
Test SCS as specified in Table 5.3.5-1			15kHz for SUL carrier and lowest SCS for Non-SUL carrier		
Test Parameters					
Test ID	DL Configuration		UL Configuration	SUL Configuration	
	Mod'n	RB allocation		Mod'n	RB allocation
1	CP-OFDM QPSK	Full RB (NOTE 1)	N/A	DFT-s-OFDM QPSK	REFSENS (NOTE 1)
NOTE 1: The specific configuration of SUL and DL are defined in Table 7.3C.2.4.1-1. NOTE 2: Test Channel Bandwidths are checked separately for each SUL band combination, the applicable channel bandwidths are specified in Table 5.5C-1. NOTE 3: DFT-s-OFDM PI/2 BPSK test applies only for UEs which supports half Pi BPSK in FR1. NOTE 4: In a band where UE supports 4Rx, the test shall be performed only with 4Rx antennas ports connected and 4Rx REFSENS requirement (Table 7.3.2.5-2) is used in the test requirements.					

- Connect the SS to the UE antenna connectors as shown in TS 38.508-1 [5] Annex A, Figure A.3.1.4.8 for TE diagram and section A.3.2 for UE diagram.
- The parameter setting for the cell are set up according to the TS 38.508-1 [5] subclause 4.4.3.
- Downlink signals are initially setup according to Annex C.0, C.1, C.2 and uplink signals according to Annex G.0, G.1, G.2, and G.3.0 with consideration of supplementary uplink physical channels.

Message contents in initial conditions are according to TS 38.508-1 [5] subclause 4.3.6.1.1.2 ensuring UL/SUL indicator in Table 4.3.6.1.1.2-1 with condition SUL, subclause 4.6 ensuring Tables 4.6.1-28 with condition SUL AND (RF OR RRM), 4.6.3-14 with condition SUL_SUL for SUL carrier, and Table 4.6.3-167 with condition PUSCH_PUCCH_ON_SUL, additionally the following exception shown in Table 7.6C.2.4-2 is considered.

Table 7.6C.2.4-2: PUSCH-Config

Derivation Path: TS 38.508-1 [5], Table 4.6.3-118 with condition TRANSFORM_PRECODER_ENABLED

Table 7.6C.2.4-3: Void

7.6C.2.5 Test requirement

Same test requirement specified in clause 7.6.2.5 for downlink bands shall be met for in-band blocking testing for SUL.

7.6C.2_1 Inband Blocking for SUL with DL CA

7.6C.2_1.1 Inband Blocking for SUL with 2 DL CA

Editor’s Note: No test points defined for Inband Blocking for SUL with inter-band 2 DL CA testing. The testing is covered by 7.6.2 and 7.6C.2.

7.6C.2_1.1.1 Test purpose

Same test purpose as in clause 7.6A.2.1.

7.6C.2_1.1.2 Test applicability

This test applies to all types of NR UE release 15 and forward that support SUL operating on the SUL bands and intra-band contiguous 2DL CA.

7.6C.2_1.1.3 Minimum conformance requirements

For SUL operation with downlink CA, the in-band blocking requirement for downlink bands specified in clause 7.6A.2.0 shall be met.

The normative reference for this requirement is TS 38.101-1 [2] clauses 7.6C.2.

7.6C.2_1.1.4 Test description

7.6C.2_1.1.4.1 Initial conditions

Initial conditions are a set of test configurations the UE needs to be tested in and the steps for the SS to take with the UE to reach the correct measurement state.

The initial test configurations consist of environmental conditions, test frequencies, test channel bandwidths and sub-carrier spacing based on NR CA configuration specified in clause 5.5A. All of these configurations shall be tested with applicable test parameters for each SUL configuration, are shown in Table 7.6C.2_1.1.4.1-1 for SUL with intra-band contiguous DL CA or Table 7.6C.2_1.1.4.1-2 for SUL with inter-band DL CA. The details of the uplink and downlink reference measurement channels (RMC) are specified in Annexes A.2 and A.3. Configuration of PDSCH and PDCCH before measurement are specified in Annex C.2.

Table 7.6C.2_1.1.4.1-1: Test configuration table for SUL configuration with Intra-band contiguous CA

Default Conditions			
Test Environment as specified in TS 38.508-1 [5] subclause 4.1		Normal	
Test Frequencies as specified in TS 38.508-1 [5] subclause 4.3.1		Mid range for both SUL carrier and Non-SUL carrier	
Test Channel Bandwidths as specified in TS 38.508-1 [5] subclause 4.3.1		Highest N_{RB_agg} for downlink bands For SUL band: n80: 30 MHz n81: 20 MHz n82: 20 MHz n83: 20 MHz n84: 20 MHz n86: 40 MHz n95: 15 MHz	
Test SCS as specified in Table 5.3.5-1		15kHz for SUL carrier and lowest for Non-SUL carrier	
Test Parameters			
	Downlink Configuration	Uplink Configuration	SUL Configuration

Test ID	CC Mod'n	PCC RB allocation	SCC RB allocation	N/A	CC Mod'n	PCC RB allocation
1	CP-OFDM QPSK	NOTE 1	NOTE 1		DFT-s-OFDM QPSK	NOTE 2

NOTE 1: The specific downlink configuration is defined in Table 7.3A.1.4.1-1.
NOTE 2: The specific SUL configuration is defined in Table 7.3C.2.4.1-1a.
NOTE 3: In a band where UE supports 4Rx, the test shall be performed only with 4Rx antennas ports connected and 4Rx REFSSENS requirement (Table 7.3.2.5-2) is used in the test requirements.

For SUL configuration with inter-band DL CA: No testing need to be performed since the testing has been covered in test case 7.6.2 and 7.6C.2. For band combination CA_nX_SUL_nY-nZ, test the inband blocking of SUL configuration or NR band as listed in Table 7.6C.2_1.1.4.1-2.

Table 7.6C.2_1.1.4.1-2: Test band combinations and configuration

Band configuration	Verifying in-band blocking of SUL configurations/ NR band	Subtest case	Table with test parameters to select
CA_n1A_SUL_n78A-n80A	SUL_n78-n80	7.6C.2	Table 7.6C.2.4-1
	n1	7.6.2	Table 7.6.2.4.1-1
CA_n1A_SUL_n78A-n84A	SUL_n78-n84	7.6C.2	Table 7.6C.2.4-1
	n1	7.6.2	Table 7.6.2.4.1-1
CA_n3A_SUL_n78A-n80A	SUL_n78-n80	7.6C.2	Table 7.6C.2.4-1
	n3	7.6.2	Table 7.6.2.4.1-1
CA_n28A_SUL_n41A-n83A	SUL_n41-n83	7.6C.2	Table 7.6C.2.4-1
	n28	7.6.2	Table 7.6.2.4.1-1
CA_n28A_SUL_n79A-n83A	SUL_n79A-n83A	7.6C.2	Table 7.6C.2.4-1
	n28	7.6.2	Table 7.6.2.4.1-1

- Connect the SS to the UE antenna connectors as shown in TS 38.508-1 [5] Annex A, Figure A.3.1.4.10 for TE diagram and section A.3.2 for UE diagram.
- The parameter setting for the cell are set up according to the TS 38.508-1 [5] subclause 4.4.3.
- Downlink signals are initially setup according to Annex C.0, C.1, C.2 and uplink signals according to Annex G.0, G.1, G.2, and G.3.0 with consideration of supplementary uplink physical channels.

Message contents in initial conditions are according to TS 38.508-1 [5] subclause 4.3.6.1.1.2 ensuring UL/SUL indicator in Table 4.3.6.1.1.2-1 with condition SUL, subclause 4.6 ensuring Tables 4.6.1-28 with condition SUL AND (RF OR RRM), 4.6.3-14 with condition SUL_SUL for SUL carrier, and Table 4.6.3-167 with condition PUSCH_PUCCH_ON_SUL, additionally the following exception shown in Table 7.6C.2_1.1.4.1-3 is considered.

Table 7.6C.2_1.1.4.1-3: PUSCH-Config

Derivation Path: TS 38.508-1 [5], Table 4.6.3-118 with condition TRANSFORM_PRECODER_ENABLED

7.6C.2_1.1.4.2 Test procedure

For SUL configuration with intra-band contiguous DL CA:

1. Configure SCC according to Annex C.0, C.1, C.2 for all downlink physical channels.
2. The SS shall configure SCC as per TS 38.508-1 [5] clause 5.5.1. Message contents are defined in clause 7.6C.2_1.1.4.1.
3. SS activates SCC by sending the activation MAC CE (Refer TS 38.321 [18], clauses 5.9, 6.1.3.10). Wait for at least 2 seconds (Refer TS 38.133[19], clause 9.3).
4. SS transmits PDSCH via PDCCH DCI format 1_1 for C_RNTI to transmit the DL RMC according to Table 7.6C.2_1.1.4.1-1 on both SCC and PCC. The SS sends downlink MAC padding bits on the DL RMC.
5. SS sends uplink scheduling information for each UL HARQ process via PDCCH DCI format 0_1 for C_RNTI to schedule the UL RMC according to Table 7.6C.2_1.1.4.1-1 on SUL. Since the UL has no payload and no loopback data to send the UE sends uplink MAC padding bits on the UL RMC.

6. Set the parameters of the signal generator for an interfering signal below the aggregated component carriers in Case 1 according to Tables 7.6A.2.1.5.1-1 and 7.6A.2.1.5.1-2 or Tables 7.6A.2.1.5.1-1a and 7.6A.2.1.5.1-2a as appropriate depending on NR band.
7. Set the downlink signal level on both carriers according to the Table 7.6A.2.1.5.1-1, 7.6A.2.1.5.1-1a or 7.6A.2.1.5.3-1, 7.6A.2.1.5.3-1a as appropriate. Send uplink power control commands to the UE using 1dB power step size to ensure that the UE output power measured by the test system is within the Uplink power control window, defined as $-(\text{MU} - (\text{MU} + \text{Uplink power control window size}))$ dB of the target power level in Table 7.6A.2.1.5.1-1, 7.6A.2.1.5.1-1a or 7.6A.2.1.5.3-1, 7.6A.2.1.5.3-1a for at least the duration of the Throughput measurement, where:
 - MU is the test system uplink power measurement uncertainty and is specified in Table F.1.3-1 for the carrier frequency f and the channel bandwidth BW
 - Uplink power control window size = 1dB (UE power step size) + 0.7dB (UE power step tolerance) + (Test system relative power measurement uncertainty), where, the UE power step tolerance is specified in TS 38.101-1 [2], Table 6.3.4.3-1 and is 0.7dB for 1dB power step size, and the Test system relative power measurement uncertainty is specified for test case 6.3.4.3 in Table F.1.2-1.
8. Measure the average throughput of both carriers for a duration sufficient to achieve statistical significance according to Annex H.2A.
9. Repeat steps from 6 to 8, using an interfering signal above the wanted signal in Case 1 at step 6.
10. Repeat steps from 6 to 9, using interfering signals in Case 2 at step 6 and 9. The ranges of case 2 are covered in steps equal to the interferer bandwidth.
12. Repeat steps from 6 to 10, using interfering signals in Case 3 as applicable at step 6 and 9. The ranges of case 3 are covered in steps equal to the interferer bandwidth.

NOTE: The purpose of the Uplink power control window is to ensure that the actual UE output power is no greater than the target power level, and as close as possible to the target power level. The relationship between the Uplink power control window, the target power level and the corresponding possible actual UE Uplink power window is illustrated in Annex F.4.3.

7.6C.2_1.1.5 Test requirement

Same test requirement specified in 7.6A.2.1.5.1 shall be met for downlink bands for SUL configuration with intra-band contiguous DL CA.

Same test requirement specified in clause 7.6C.2.5 or 7.6.2.5 for each band or band combinations listed in Table 7.6C.2_1.1.4.1-2 shall be met for inband blocking testing for SUL configuration with inter-band DL CA.

7.6C.3 Out-of-band blocking for SUL

7.6C.3.1 Test Purpose

Same test purpose as in clause 7.6.3.1.

7.6C.3.2 Test applicability

This test applies to all types of NR UE release 15 and forward that support SUL operating on the SUL bands.

7.6C.3.3 Minimum conformance requirements

For SUL operation, the out-of-band blocking requirement for downlink bands specified in clause 7.6.3 shall be met. For operation band combination listed in Table 7.6C.3.3-1, exceptions to the requirement specified in Table 7.6C.3.3-2 are allowed when the second order intermodulation product of the SUL carrier and the CW interfering signal fully or partially overlaps with the DL carrier.

Table 7.6C.3.3-1: SUL operating band combination with exceptions allowed

NR Band combination for SUL
SUL_n78-n81
SUL_n78-n82

SUL_n78-n83
SUL_n79-n81
SUL_n79-n83

Table 7.6C.3.3-2: Requirement for out-of-band blocking exceptions

Parameter	Unit	Level
$P_{Interferer}$ (CW)	dBm	-44 ¹
NOTE 1: The requirement applies when $ f_{Interferer} \pm f_{SUL} - f_{DL} \leq (BW_{SUL} + BW_{DL})/2$, where BW_{SUL} and BW_{DL} are the channel bandwidths configured for SUL and DL (victim) bands in MHz, respectively.		

For all interferer frequency ranges specified in clause 7.6.3 a maximum of

$$\lfloor \max \{ 24, 6 \cdot \lceil n \cdot N_{RB} / 6 \rceil \} / \min \{ \lfloor n \cdot N_{RB} / 10 \rfloor, 5 \} \rfloor$$

exceptions are allowed for spurious response frequencies in each assigned frequency channel when measured using a step size of $\min(\lfloor CBW / 2 \rfloor, 5)$ MHz with N_{RB} the number of resource blocks in the downlink transmission bandwidth configuration, CBW the bandwidth of the frequency channel in MHz and $n = 1, 2, 3$ for SCS = 15, 30, 60 kHz, respectively. For these exceptions, the requirements in clause 7.7 apply.

The normative reference for this requirement is TS 38.101-1 [2] clauses 7.6C.3.

7.6C.3.4 Test description

Same test description as specified in clause 7.6.3.4 with following exceptions:

Instead of table 5.3.5-1 → use Table 5.5C-1

Instead of table 7.6.3.4.1-1 → use Table 7.6C.3.4-1.

Table 7.6C.3.4-1: Test Configuration Table

Default Conditions					
Test Environment as specified in TS 38.508-1 [5] subclause 4.1			Normal		
Test Frequencies as specified in TS 38.508-1 [5] subclause 4.3.1			Mid range for SUL carrier One frequency chosen arbitrarily from low or high range for Non-SUL carrier		
Test Channel Bandwidths as specified in TS 38.508-1 [5] subclause 4.3.1			Lowest, Mid, Highest for Non-SUL carrier For SUL band: n80: 30 MHz n81: 20 MHz n82: 20 MHz n83: 20 MHz n84: 20 MHz n86: 40 MHz n95: 15 MHz		
Test SCS as specified in Table 5.3.5-1			15kHz for SUL carrier and lowest for Non-SUL carrier		
Test Parameters					
Test ID	DL Configuration		UL Configuration	SUL Configuration	
	Mod'n	RB allocation		Mod'n	RB allocation
1	CP-OFDM QPSK	Full RB (NOTE 1)	N/A	DFT-s-OFDM QPSK	REFSENS (NOTE 1)
NOTE 1: The specific configuration of SUL and DL are defined in Table 7.3C.2.4.1-1.					
NOTE 2: Test Channel Bandwidths are checked separately for each SUL band combination, the applicable channel bandwidths are specified in Table 5.5C-1.					
NOTE 3: DFT-s-OFDM PI/2 BPSK test applies only for UEs which supports half Pi BPSK in FR1.					
NOTE 4: In a band where UE supports 4Rx, the test shall be performed only with 4Rx antennas ports connected and 4Rx REFSENS requirement (Table 7.3.2.5-2) is used in the test requirements.					

- Connect the SS to the UE antenna connectors as shown in TS 38.508-1 [5] Annex A, Figure A.3.1.4.9 for TE diagram and section A.3.2 for UE diagram.
- The parameter setting for the cell are set up according to the TS 38.508-1 [5] subclause 4.4.3.
- Downlink signals are initially setup according to Annex C.0, C.1, C.2 and uplink signals according to Annex G.0, G.1, G.2, and G.3.0 with consideration of supplementary uplink physical channels.

Message contents in initial conditions are according to TS 38.508-1 [5] subclause 4.3.6.1.1.2 ensuring UL/SUL indicator in Table 4.3.6.1.1.2-1 with condition SUL, subclause 4.6 ensuring Tables 4.6.1-28 with condition SUL AND (RF OR RRM), 4.6.3-14 with condition SUL_SUL for SUL carrier, and Table 4.6.3-167 with condition PUSCH_PUCCH_ON_SUL, additionally the following exception shown in Table 7.6C.3.4-2 is considered.

Table 7.6C.3.4-2: PUSCH-Config

Derivation Path: TS 38.508-1 [5], Table 4.6.3-118 with condition TRANSFORM_PRECODER_ENABLED

Table 7.6C.3.4-3: Void

7.6C.3.5 Test Requirement

For SUL operation, the out-of-band blocking requirement for downlink bands specified in clause 7.6.3.5 shall be met. For operation band combination listed in Table 7.6C.3.5-1, exceptions to the requirement specified in Table 7.6C.3.5-2 are allowed when the second order intermodulation product of the SUL carrier and the CW interfering signal fully or partially overlaps with the DL carrier.

Table 7.6C.3.5-1: SUL operating band combination with exceptions allowed

NR Band combination for SUL
SUL_n78-n81
SUL_n78-n82
SUL_n78-n83
SUL_n79-n81
SUL_n79-n83

Table 7.6C.3.5-2: Requirement for out-of-band blocking exceptions

Parameter	Unit	Level
$P_{\text{Interferer (CW)}}$	dBm	-44 ¹
NOTE 1: The requirement applies when $ f_{\text{Interferer}} \pm f_{\text{SUL}} - f_{\text{DL}} \leq (BW_{\text{SUL}} + BW_{\text{DL}})/2$, where BW_{SUL} and BW_{DL} are the channel bandwidths configured for SUL and DL (victim) bands in MHz, respectively.		

For all interferer frequency ranges, a maximum of

$$\lfloor \max \{ 24, 6 \cdot \lceil n \cdot N_{RB} / 6 \rceil \} / \min \{ \lfloor n \cdot N_{RB} / 10 \rfloor, 5 \} \rfloor$$

exceptions are allowed for the spurious response frequencies recorded in the final step of test procedure in each assigned frequency channel when measured using a step size of $\min(\lfloor CBW / 2 \rfloor, 5)$ MHz with N_{RB} the number of resource blocks in the downlink transmission bandwidth configuration, CBW the bandwidth of the frequency channel in MHz and $n = 1, 2, 3$ for SCS = 15, 30, 60 kHz, respectively. For these exceptions, the requirements in clause 7.7 apply.

7.6C.3_1 Out-of-band blocking for SUL with DL CA

7.6C.3_1.1 Out-of-band Blocking for SUL with 2 DL CA

Editor's Note: No test points defined for Out-of-band Blocking for SUL with inter-band 2 DL CA testing. The testing is covered by 7.6.3 and 7.6C.3

7.6C.3_1.1.1 Test purpose

Same test purpose as in clause 7.6.3.1.

7.6C.3_1.1.2 Test applicability

This test applies to all types of NR UE release 15 and forward that support SUL operating on the SUL bands and intra-band contiguous 2DL CA.

7.6C.3_1.1.3 Minimum conformance requirements

For SUL operation with downlink CA, the out-of-band blocking requirement for downlink bands specified in clause 7.6A.3 shall be met. For operation band combination listed in Table 7.6C.3_1.1.3-1, exceptions to the requirement specified in Table 7.6C.3_1.1.3-2 are allowed when the second order intermodulation product of the SUL carrier and the CW interfering signal fully or partially overlaps with the DL carrier.

Table 7.6C.3_1.1.3-1: SUL operating band combination with exceptions allowed

NR Band combination for SUL
SUL_n78-n81
SUL_n78-n82
SUL_n78-n83
SUL_n79-n81
SUL_n79-n83

Table 7.6C.3_1.1.3-2: Requirement for out-of-band blocking exceptions

Parameter	Unit	Level
$P_{Interferer}$ (CW)	dBm	-44 ¹
NOTE 1: The requirement applies when $ f_{Interferer} \pm f_{SUL} - f_{DL} \leq (BW_{SUL} + BW_{DL})/2$, where BW_{SUL} and BW_{DL} are the channel bandwidths configured for SUL and DL (victim) bands in MHz, respectively.		

For all interferer frequency ranges specified in clause 7.6.3 a maximum of

$$\lfloor \max\{24,6 \cdot \lceil n \cdot N_{RB} / 6 \rceil\} / \min\{\lfloor n \cdot N_{RB} / 10 \rfloor, 5\} \rfloor$$

exceptions are allowed for spurious response frequencies in each assigned frequency channel when measured using a step size of $\min\{\lfloor BW_{channel} / 2 \rfloor, 5\}$ MHz with N_{RB} the number of resource blocks in the downlink transmission bandwidth configuration, $BW_{channel}$ the bandwidth of the frequency channel in MHz and $n = 1, 2, 3$ for SCS = 15, 30, 60 kHz, respectively. For these exceptions, the requirements in clause 7.7 apply.

The normative reference for this requirement is TS 38.101-1 [2] clauses 7.6C.3.

7.6C.3_1.1.4 Test description

7.6C.3_1.1.4.1 Initial conditions

Initial conditions are a set of test configurations the UE needs to be tested in and the steps for the SS to take with the UE to reach the correct measurement state.

The initial test configurations consist of environmental conditions, test frequencies, test channel bandwidths and sub-carrier spacing based on NR CA configurations specified in clause 5.5A. All of these configurations shall be tested with applicable test parameters for each CA configuration, are shown in Table 7.6C.3_1.1.4.1-1 for SUL with intra-band contiguous DL CA or Table 7.6C.3_1.1.4.1-2 for SUL with inter-band DL CA. The details of the uplink and downlink reference measurement channels (RMC) are specified in Annexes A.2 and A.3 respectively. The details of the OCNG patterns used are specified in Annex A.5. Configurations of PDSCH and PDCCH before measurement are specified in Annex C.2.

Table 7.6C.3_1.1.4.1-1: Test configuration table for SUL configuration with Intra-band contiguous CA

Default Conditions

Test Environment as specified in TS 38.508-1 [5] subclause 4.1	Normal					
Test Frequencies as specified in TS 38.508-1 [5] subclause 4.3.1	Mid range for SUL carrier One frequency chosen arbitrarily from low or high range for Non-SUL carrier					
Test Channel Bandwidths as specified in TS 38.508-1 [5] subclause 4.3.1	Highest N_{RB_agg} for downlink bands For SUL band: n80: 30 MHz n81: 20 MHz n82: 20 MHz n83: 20 MHz n84: 20 MHz n86: 40 MHz n95: 15 MHz					
Test SCS as specified in Table 5.3.5-1	15kHz					
Test Parameters						
	Downlink Configuration			Uplink Configuration	SUL Configuration	
Test ID	CC Mod'n	PCC RB allocation	SCC RB allocation	N/A	CC Mod'n	PCC RB allocation
1	CP-OFDM QPSK	NOTE 1	NOTE 1		DFT-s-OFDM QPSK	NOTE 2
NOTE 1: The specific downlink configuration is defined in Table 7.3A.1.4.1-1.						
NOTE 2: The specific SUL configuration is defined in Table 7.3C.2.4.1-1a.						
NOTE 3: In a band where UE supports 4Rx, the test shall be performed only with 4Rx antennas ports connected and 4Rx REFSENS requirement (Table 7.3.2.5-2) is used in the test requirements.						

For SUL configuration with inter-band DL CA: No testing need to be performed since the testing has been covered in test case 7.6.3 and 7.6C.3. For band combination CA_nX_SUL_nY-nZ, test the out-of-band blocking of SUL configuration or NR band as listed in Table 7.6C.3_1.1.4.1-2.

Table 7.6C.3_1.1.4.1-2: Test band combinations and configuration

Band configuration	Verifying out-of-band blocking of SUL configurations/ NR band	Subtest case	Table with test parameters to select
CA_n1A_SUL_n78A-n80A	SUL_n78-n80	7.6C.3	Table 7.6C.3.4-1
	n1	7.6.3	Table 7.6.3.4.1-1
CA_n1A_SUL_n78A-n84A	SUL_n78-n84	7.6C.3	Table 7.6C.3.4-1
	n1	7.6.3	Table 7.6.3.4.1-1
CA_n3A_SUL_n78A-n80A	SUL_n78-n80	7.6C.3	Table 7.6C.3.4-1
	n3	7.6.3	Table 7.6.3.4.1-1
CA_n28A_SUL_n41A-n83A	SUL_n41-n83	7.6C.3	Table 7.6C.3.4-1
	n28	7.6.3	Table 7.6.3.4.1-1
CA_n28A_SUL_n79A-n83A	SUL_n79A-n83A	7.6C.3	Table 7.6C.3.4-1
	n28	7.6.3	Table 7.6.3.4.1-1

- Connect the SS to the UE antenna connectors as shown in TS 38.508-1 [5] Annex A, Figure A.3.1.4.10 for TE diagram and section A.3.2 for UE diagram.
- The parameter setting for the cell are set up according to the TS 38.508-1 [5] subclause 4.4.3.
- Downlink signals are initially setup according to Annex C.0, C.1, C.2 and uplink signals according to Annex G.0, G.1, G.2, and G.3.0 with consideration of supplementary uplink physical channels.

Message contents in initial conditions are according to TS 38.508-1 [5] subclause 4.3.6.1.1.2 ensuring UL/SUL indicator in Table 4.3.6.1.1.2-1 with condition SUL, subclause 4.6 ensuring Tables 4.6.1-28 with condition SUL AND (RF OR RRM), 4.6.3-14 with condition SUL_SUL for SUL carrier, and Table 4.6.3-167 with condition PUSCH_PUCCH_ON_SUL, additionally the following exception shown in Table 7.6C.3_1.1.4.1-3 is considered.

Table 7.6C.3_1.1.4.1-3: PUSCH-Config

Derivation Path: TS 38.508-1 [5], Table 4.6.3-118 with condition TRANSFORM_PRECODER_ENABLED

7.6C.3_1.1.4.2 Test procedure

For SUL configuration with intra-band contiguous DL CA:

1. Configure SCC according to Annex C.0, C.1, C.2 for all downlink physical channels.
2. The SS shall configure SCC as per TS 38.508-1 [5] clause 5.5.1. Message contents are defined in clause 7.6A.3.1.4.3.
3. SS activates SCC by sending the activation MAC CE (Refer TS 38.321 [18], clauses 5.9, 6.1.3.10). Wait for at least 2 seconds (Refer TS 38.133[19], clause 9.3).
4. SS transmits PDSCH via PDCCH DCI format 1_1 for C_RNTI to transmit the DL RMC according to Table 7.6C.3_1.1.4.1-1 on both PCC and SCC. The SS sends downlink MAC padding bits on the DL RMC.
5. SS sends uplink scheduling information for each UL HARQ process via PDCCH DCI format 0_1 for C_RNTI to schedule the UL RMC according to Table 7.6C.3_1.1.4.1-1 on SUL. Since the UE has no payload data to send, the UE transmits uplink MAC padding bits on the UL RMC.
6. Set the parameters of the CW signal generator for an interfering signal below the CA Band for intra-band CA, or below the SCC's operating band for inter-band CA according to Table 7.6A.3.1.5.1-2, 7.6A.3.1.5.3-2 or 7.6A.3.1.5.3-4. The frequency step size is $\min(\lfloor BW_{channel} / 2 \rfloor, 5)$ MHz.

If CW interferer falls in a gap between $F_{DL_High(j)}$ and $F_{DL_Low(j+1)}$ where the corresponding OOB ranges 1 and 2 overlap, then the lower level interferer limit of the overlapping OOB ranges applies.

7. Set the downlink signal level according to the Table 7.6A.3.1.5.1-1, 7.6A.3.1.5.3-1 or 7.6A.3.1.5.3-3 for both carriers. Send uplink power control commands to the UE using 1dB power step size to ensure that the UE output power measured by the test system is within the Uplink power control window, defined as $-MU$ to $-(MU + \text{Uplink power control window size})$ dB of the target power level in Table 7.6A.3.1.5.1-1, 7.6A.3.1.5.3-1 or 7.6A.3.1.5.3-3 for at least the duration of the Throughput measurement, where:
 - MU is the test system uplink power measurement uncertainty and is specified in Table F.1.3-1 for the carrier frequency f and the channel bandwidth BW
 - Uplink power control window size = 1dB (UE power step size) + 0.7dB (UE power step tolerance) + (Test system relative power measurement uncertainty), where, the UE power step tolerance is specified in TS 38.101-1 [2], Table 6.3.4.3-1 and is 0.7dB for 1dB power step size, and the Test system relative power measurement uncertainty is specified for test case 6.3.4.3 in Table F.1.2-1.
8. Measure the average throughput of both carriers for a duration sufficient to achieve statistical significance according to Annex H.2A for intra-band CA.
9. Record the frequencies for which the throughput doesn't meet the requirements.
10. Repeat steps from 6 to 9, using an interfering signal above the CA Band for intra-band CA at step 6.

NOTE: The purpose of the Uplink power control window is to ensure that the actual UE output power is no greater than the target power level, and as close as possible to the target power level. The relationship between the Uplink power control window, the target power level and the corresponding possible actual UE Uplink power window is illustrated in Annex F.4.3.

7.6C.3_1.1.5 Test requirement

Same test requirement specified in 7.6A.3.1.5.1 shall be met for downlink bands for SUL configuration with intra-band contiguous DL CA with following exception:

Table 7.6C.3_1.1.5-1: SUL operating band combination with exceptions allowed

NR Band combination for SUL
SUL_n78-n81

SUL_n78-n82
SUL_n78-n83
SUL_n79-n81
SUL_n79-n83

Table 7.6C.3_1.1.5-2: Requirement for out-of-band blocking exceptions

Parameter	Unit	Level
$P_{\text{Interferer}} \text{ (CW)}$	dBm	-44 ¹
NOTE 1: The requirement applies when $ f_{\text{Interferer}} \pm f_{\text{SUL}} - f_{\text{DL}} \leq (BW_{\text{SUL}} + BW_{\text{DL}})/2$, where BW_{SUL} and BW_{DL} are the channel bandwidths configured for SUL and DL (victim) bands in MHz, respectively.		

Same test requirement specified in clause 7.6C.3.5 or 7.6.3.5 for each band or band combinations listed in Table 7.6C.3_1.1.4-1 shall be met for out-of-band blocking testing for SUL configuration with inter-band 2DL CA.

7.6D Blocking characteristics for UL MIMO

7.6D.1 General

The blocking characteristic for UL MIMO is a measure of the receiver's ability of an UE that support UL MIMO to receive a wanted signal at its assigned channel frequency in the presence of an unwanted interferer on frequencies other than those of the spurious response or the adjacent channels, without this unwanted input signal causing a degradation of the performance of the receiver beyond a specified limit. The blocking performance shall apply at all frequencies except those at which a spurious response occur.

For UE with two transmitter antenna connectors in closed-loop spatial multiplexing scheme, the minimum requirements specified in subclause 7.6 shall be met with the UL MIMO configurations described in sub-clause 6.2D.1. For UL MIMO, the parameter P_{CMAX_L} is defined as the total transmitter power over the two transmit antenna connectors.

7.6D.2 In-band blocking for UL MIMO

7.6D.2.1 Test purpose

In-band blocking for UL MIMO is defined for an unwanted interfering signal falling into the range from 15MHz below to 15MHz above the receive band of an UE that support UL MIMO, with $F_{\text{DL_high}} < 2700$ MHz and $F_{\text{UL_high}} < 2700$ MHz, or into the range from 3CBW below to 3CBW above the receive band of an UE that support UL MIMO, with $F_{\text{DL_high}} < 3300$ MHz and $F_{\text{UL_high}} < 3300$ MHz, at which the relative throughput shall meet or exceed the requirement for the specified measurement channels.

The lack of in-band blocking ability will decrease the coverage area when other g-NodeB transmitters exist (except in the adjacent channels and spurious response).

7.6D.2.2 Test applicability

This test case applies to all types of NR UE release 15 and forward that support UL MIMO on FDD bands.

7.6D.2.3 Minimum conformance requirements

For UE with two transmitter antenna connectors in closed-loop spatial multiplexing scheme, the minimum requirements specified in subclause 7.6 shall be met with the UL MIMO configurations described in sub-clause 6.2D.1. For UL MIMO, the parameter P_{CMAX_L} is defined as the total transmitter power over the two transmit antenna connectors.

The normative reference for this requirement is TS 38.101-1 [2] clause 7.6D.

7.6D.2.4 Test description

7.6D.2.4.1 Initial conditions

Initial conditions are a set of test configurations the UE needs to be tested in and the steps for the SS to take with the UE to reach the correct measurement state.

The initial test configurations consist of environmental conditions, test frequencies, test channel bandwidths and sub-carrier spacing based on NR operating bands specified in table 5.3.5-1. All of these configurations shall be tested with applicable test parameters for each combination of channel bandwidth and sub-carrier spacing, are shown in table 7.6D.2.4.1-1. The details of the uplink and downlink reference measurement channels (RMC) are specified in Annexes A.2 and A.3. The details of the OCN patterns used are specified in Annex A.5. Configurations of PDSCH and PDCCH before measurement are specified in Annex C.2.

Table 7.6D.2.4.1-1: Test Configuration Table

Default Conditions				
Test Environment as specified in TS 38.508-1 [5] subclause 4.1			Normal	
Test Frequencies as specified in TS 38.508-1 [5] subclause 4.3.1			Mid range	
Test Channel Bandwidths as specified in TS 38.508-1 [5] subclause 4.3.1			Lowest, Mid, Highest	
Test SCS as specified in Table 5.3.5-1			Lowest	
Test Parameters				
Test ID	Downlink Configuration		Uplink Configuration	
	Mod'n	RB allocation	Mod'n	RB allocation
1	CP-OFDM QPSK	NOTE 1	CP-OFDM QPSK	NOTE 1
NOTE 1: The specific configuration of uplink and downlink are defined in Table 7.3D.2.4.1-1.				
NOTE 2: In a band where UE supports 4Rx, the test shall be performed only with 4Rx antennas ports connected and 4Rx REFSSENS requirement (Table 7.3.2.5-2) is used in the test requirements.				

1. Connect the SS and interfering source to the UE antenna connectors as shown in TS 38.508-1 [5] Annex A, in Figure A.3.1.4.4 for TE diagram and section A.3.2 for UE diagram.
2. The parameter settings for the cell are set up according to TS 38.508-1 [5] subclause 4.4.3.
3. Downlink signals are initially set up according to Annex C.0, C.1, C.2, C.3.1, and uplink signals according to Annex G.0, G.1, G.2, G.3.1.
4. The DL and UL Reference Measurement channels are set according to Table 7.6D.2.4.1-1.
5. Propagation conditions are set according to Annex B.0.
6. Ensure the UE is in state RRC_CONNECTED with generic procedure parameters Connectivity *NR*, Connected without release *On*, Test Mode *On* and Test Loop Function *On* according to TS 38.508-1 [5] clause 4.5. Message content are defined in clause 7.6D.2.4.3.

7.6D.2.4.2 Test procedure

Same test procedure as specified in 7.6.2.4.2.

7.6D.2.4.3 Message contents

Message contents are according to TS 38.508-1 [5] subclause 4.6 ensuring Table 4.6.3-182 with condition 2TX_UL_MIMO.

7.6D.2.5 Test requirement

Same test requirement as specified in 7.6.2.5.

Table 7.6D.2.5-1: Void

7.6D.2_1 In-band blocking for SUL with UL MIMO

7.6D.2_1.1 Test purpose

Same test purpose as in clause 7.6D.2.1.

7.6D.2_1.2 Test applicability

This test applies to all types of NR UE release 17 and forward that support SUL and UL MIMO operating on the SUL bands.

7.6D.2_1.3 Minimum conformance requirements

Same as in clause 7.6D.2.3.

7.6D.2_1.4 Test description

7.6D.2_1.4.1 Initial conditions

Initial conditions are a set of test configurations the UE needs to be tested in and the steps for the SS to take with the UE to reach the correct measurement state.

The initial test configurations consist of environmental conditions, test frequencies, test channel bandwidths and sub-carrier spacing based on NR operating bands specified in table 5.3.5-1. All of these configurations shall be tested with applicable test parameters for each combination of channel bandwidth and sub-carrier spacing, are shown in table 7.6D.2_1.4.1-1. The details of the uplink and downlink reference measurement channels (RMC) are specified in Annexes A.2 and A.3. The details of the OCNG patterns used are specified in Annex A.5. Configurations of PDSCH and PDCCH before measurement are specified in Annex C.2.

Table 7.6D.2_1.4.1-1: Test Configuration Table

Default Conditions				
Test Environment as specified in TS 38.508-1 [5] subclause 4.1		Normal		
Test Frequencies as specified in TS 38.508-1 [5] subclause 4.3.1		Mid range for SUL and NUL With following exceptions: SUL_n78-n80: High in band n78		
Test Channel Bandwidths as specified in TS 38.508-1 [5] subclause 4.3.1		Lowest, Mid, Highest for Non-SUL carrier For SUL band: n80: 30 MHz n84: 20 MHz n95: 15 MHz		
Test SCS as specified in Table 5.3.5-1		15kHz for SUL carrier Lowest for Non-SUL carrier		
Test Parameters				
Test ID	Downlink Configuration		Uplink Configuration	
	Mod'n	RB allocation	Mod'n	RB allocation
1	CP-OFDM QPSK	NOTE 1	CP-OFDM QPSK	NOTE 1
NOTE 1: The specific configuration of uplink and downlink are defined in Table 7.3.2.4.1-2. NOTE 2: In a band where UE supports 4Rx, the test shall be performed only with 4Rx antennas ports connected and 4Rx REFSENS requirement (Table 7.3.2.5-2) is used in the test requirements.				

1. Connect the SS to the UE antenna connectors as shown in TS 38.508-1 [5] Annex A, Figure A.3.1.1.5 for TE diagram and section A.3.2 for UE diagram.
2. The parameter settings for the cell are set up according to TS 38.508-1 [5] subclause 4.4.3.
3. Downlink signals are initially set up according to Annex C.0, C.1, C.2, and uplink signals according to Annex G.0, G.1, G.2 and G.3.0 with consideration of supplementary uplink physical channels.
4. The UL Reference Measurement Channel is set according to Table 7.6D.2_1.4.1-1.
5. Propagation conditions are set according to Annex B.0.
6. Ensure the UE is in state RRC_CONNECTED with generic procedure parameters Connectivity NR, Connected without release On, Test Mode On and Test Loop Function On according to TS 38.508-1 [5] clause 4.5. Message content are defined in clause 7.6D.2_1.4.3.

7.6D.2_1.4.2 Test procedure

Same test procedure as specified in 7.6.2.4.2.

7.6D.2_1.4.3 Message contents

Message contents are according to TS 38.508-1 [5] subclause 4.3.6.1.1.2 ensuring UL/SUL indicator in Table 4.3.6.1.1.2-1 with condition SUL, subclause 4.6 ensuring Table 4.6.1-28 with condition SUL AND (RF OR RRM), Tables 4.6.3-14 with condition SUL_SUL for SUL carrier, Table 4.6.3-167 with condition PUSCH_PUCCH_ON_SUL, and Table 4.6.3-182 with the condition 2TX_UL_MIMO.

7.6D.2_1.5 Test requirement

Same test requirement as specified in 7.6D.2.5.

7.6D.3 Out-of-band blocking for UL MIMO

7.6D.3.1 Test purpose

Out-of-band blocking for UL MIMO is defined for an unwanted CW interfering signal falling more than 15 MHz below or above the receive band of an UE that support UL MIMO, with $F_{DL_high} < 2700$ MHz and $F_{UL_high} < 2700$ MHz, or falling more than 3CBW below or above the receive band of an UE that support UL MIMO, with $F_{DL_low} \geq 3300$ MHz and $F_{UL_low} \geq 3300$ MHz, at which a given average throughput shall meet or exceed the requirement for the specified measurement channels.

The lack of out-of-band blocking ability will decrease the coverage area when other g-NodeB transmitters exist (except in the adjacent channels and spurious response).

7.6D.3.2 Test applicability

This test case applies to all types of NR UE release 15 and forward that support UL MIMO on FDD bands.

7.6D.3.3 Minimum conformance requirements

For UE with two transmitter antenna connectors in closed-loop spatial multiplexing scheme, the minimum requirements specified in subclause 7.6 shall be met with the UL MIMO configurations described in sub-clause 6.2D.1. For UL MIMO, the parameter $P_{C_{MAX_L}}$ is defined as the total transmitter power over the two transmit antenna connectors.

The normative reference for this requirement is TS 38.101-1 [2] clause 7.6D.

7.6D.3.4 Test description

7.6D.3.4.1 Initial conditions

Initial conditions are a set of test configurations the UE needs to be tested in and the steps for the SS to take with the UE to reach the correct measurement state.

The initial test configurations consist of environmental conditions, test frequencies, test channel bandwidths and sub-carrier spacing based on NR operating bands specified in table 5.3.5-1. All of these configurations shall be tested with applicable test parameters for each combination of channel bandwidth and sub-carrier spacing, are shown in table 7.6D.3.4.1-1. The details of the uplink and downlink reference measurement channels (RMC) are specified in Annexes A.2 and A.3. The details of the OCN patterns used are specified in Annex A.5. Configurations of PDSCH and PDCCH before measurement are specified in Annex C.2.

Table 7.6D.3.4.1-1: Test Configuration Table

Default Conditions				
Test Environment as specified in TS 38.508-1 [5] subclause 4.1		Normal		
Test Frequencies as specified in TS 38.508-1 [5] subclause 4.3.1		One frequency chosen arbitrarily from low or high range		
Test Channel Bandwidths as specified in TS 38.508-1 [5] subclause 4.3.1		Lowest, Mid, Highest		
Test SCS as specified in Table 5.3.5-1		Lowest		
Test Parameters				
Test ID	Downlink Configuration		Uplink Configuration	
	Mod'n	RB allocation	Mod'n	RB allocation
1	CP-OFDM QPSK	NOTE 1	CP-OFDM QPSK	NOTE 1

NOTE 1: The specific configuration of uplink and downlink are defined in Table 7.3D.2.4.1-1.
 NOTE 2: In a band where UE supports 4Rx, the test shall be performed only with 4Rx antennas ports connected and 4Rx REFSENS requirement (Table 7.3.2.5-2) is used in the test requirements.

1. Connect the SS and interfering source to the UE antenna connectors as shown in TS 38.508-1 [5] Annex A, in Figure A.3.1.4.5 for TE diagram and section A.3.2 for UE diagram.
2. The parameter settings for the cell are set up according to TS 38.508-1 [5] subclause 4.4.3.
3. Downlink signals are initially set up according to Annex C.0, C.1, C.2, C.3.1, and uplink signals according to Annex G.0, G.1, G.2, G.3.1.
4. The DL and UL Reference Measurement channels are set according to Table 7.6D.3.4.1-1.
5. Propagation conditions are set according to Annex B.0.
6. Ensure the UE is in state RRC_CONNECTED with generic procedure parameters Connectivity *NR*, Connected without release *On*, Test Mode *On* and Test Loop Function *On* according to TS 38.508-1 [5] clause 4.5. Message content are defined in clause 7.6D.3.4.3.

7.6D.3.4.2 Test procedure

Same test procedure as specified in 7.6.3.4.2.

7.6D.3.4.3 Message contents

Message contents are according to TS 38.508-1 [5] subclause 4.6 ensuring Table 4.6.3-182 with condition 2TX_UL_MIMO.

7.6D.3.5 Test requirement

Same test requirement as specified in 7.6.3.5.

Table 7.6D.3.5-1: Void

7.6D.3_1 Out-of-band blocking for SUL with UL MIMO

7.6D.3_1.1 Test purpose

Same test purpose as in clause 7.6D.3.1.

7.6D.3_1.2 Test applicability

This test applies to all types of NR UE release 17 and forward that support SUL and UL MIMO operating on the SUL bands.

7.6D.3_1.3 Minimum conformance requirements

Same minimum conformance requirements as specified in 7.6D.3.3

7.6D.3_1.4 Test description

7.6D.3_1.4.1 Initial conditions

Initial conditions are a set of test configurations the UE needs to be tested in and the steps for the SS to take with the UE to reach the correct measurement state.

The initial test configurations consist of environmental conditions, test frequencies, test channel bandwidths and sub-carrier spacing based on NR operating bands specified in table 5.3.5-1. All of these configurations shall be tested with applicable test parameters for each combination of channel bandwidth and sub-carrier spacing, are shown in table 7.6D.3_1.4.1-1. The details of the uplink and downlink reference measurement channels (RMC) are specified in Annexes A.2 and A.3. The details of the OCN patterns used are specified in Annex A.5. Configurations of PDSCH and PDCCH before measurement are specified in Annex C.2.

Table 7.6D.3_1.4.1-1: Test Configuration Table

Default Conditions				
Test Environment as specified in TS 38.508-1 [5] subclause 4.1		Normal		
Test Frequencies as specified in TS 38.508-1 [5] subclause 4.3.1		Mid range for SUL carrier One frequency chosen arbitrarily from low or high range for Non-SUL carrier With following exceptions: SUL_n78-n80: High in band n78		
Test Channel Bandwidths as specified in TS 38.508-1 [5] subclause 4.3.1		Lowest, Mid, Highest for Non-SUL carrier For SUL band: n80: 30 MHz n84: 20 MHz n95: 15 MHz		
Test SCS as specified in Table 5.3.5-1		15kHz for SUL carrier Lowest for Non-SUL carrier		
Test Parameters				
Test ID	Downlink Configuration		Uplink Configuration	
	Mod'n	RB allocation	Mod'n	RB allocation
1	CP-OFDM QPSK	NOTE 1	CP-OFDM QPSK	NOTE 1
NOTE 1: The specific configuration of uplink and downlink are defined in Table 7.3.2.4.1-2. NOTE 2: In a band where UE supports 4Rx, the test shall be performed only with 4Rx antennas ports connected and 4Rx REFSENS requirement (Table 7.3.2.5-2) is used in the test requirements.				

1. Connect the SS to the UE antenna connectors as shown in TS 38.508-1 [5] Annex A, Figure A.3.1.1.5 for TE diagram and section A.3.2 for UE diagram.
2. The parameter settings for the cell are set up according to TS 38.508-1 [5] subclause 4.4.3.
3. Downlink signals are initially set up according to Annex C.0, C.1, C.2, and uplink signals according to Annex G.0, G.1, G.2 and G.3.0 with consideration of supplementary uplink physical channels.
4. The UL Reference Measurement Channel is set according to Table 7.6D.3_1.4.1-1.
5. Propagation conditions are set according to Annex B.0.

6. Ensure the UE is in state RRC_CONNECTED with generic procedure parameters Connectivity *NR*, Connected without release *On*, Test Mode *On* and Test Loop Function *On* according to TS 38.508-1 [5] clause 4.5. Message content are defined in clause 7.6D.3_1.4.3.

7.6D.3_1.4.2 Test procedure

Same test procedure as specified in 7.6.3.4.2.

7.6D.3_1.4.3 Message contents

Message contents are according to TS 38.508-1 [5] subclause 4.3.6.1.1.2 ensuring UL/SUL indicator in Table 4.3.6.1.1.2-1 with condition SUL, subclause 4.6 ensuring Table 4.6.1-28 with condition SUL AND (RF OR RRM), Tables 4.6.3-14 with condition SUL_SUL for SUL carrier, Table 4.6.3-167 with condition PUSCH_PUCCH_ON_SUL, and Table 4.6.3-182 with the condition 2TX_UL_MIMO.

7.6D.3_1.5 Test requirement

Same test requirement as specified in 7.6.3.5.

7.6D.4 Narrow band blocking for UL MIMO

7.6D.4.1 Test purpose

Narrow band blocking for UL MIMO is defined for a receiver's ability of an UE that supports UL MIMO to receive a NR signal at its assigned channel frequency in the presence of an unwanted narrow band CW interferer at a frequency, which is less than the nominal channel spacing, at which a given average throughput shall meet or exceed the requirement for the specified measurement channels.

The lack of narrow-band blocking ability will decrease the coverage area when other g-NodeB transmitters exist (except in the adjacent channels and spurious response).

7.6D.4.2 Test applicability

This test case applies to all types of NR UE release 15 and forward that support UL MIMO on FDD bands.

7.6D.4.3 Minimum conformance requirements

For UE with two transmitter antenna connectors in closed-loop spatial multiplexing scheme, the minimum requirements specified in subclause 7.6 shall be met with the UL MIMO configurations described in sub-clause 6.2D.1. For UL MIMO, the parameter P_{CMAX_L} is defined as the total transmitter power over the two transmit antenna connectors.

The normative reference for this requirement is TS 38.101-1 [2] clause 7.6D.

7.6D.4.4 Test description

7.6D.4.4.1 Initial conditions

Initial conditions are a set of test configurations the UE needs to be tested in and the steps for the SS to take with the UE to reach the correct measurement state.

The initial test configurations consist of environmental conditions, test frequencies, test channel bandwidths and sub-carrier spacing based on NR operating bands specified in table 5.3.5-1. All of these configurations shall be tested with applicable test parameters for each combination of channel bandwidth and sub-carrier spacing, are shown in table 7.6D.4.4.1-1. The details of the uplink and downlink reference measurement channels (RMC) are specified in Annexes A.2 and A.3. The details of the OCN patterns used are specified in Annex A.5. Configurations of PDSCH and PDCCH before measurement are specified in Annex C.2.

Table 7.6D.4.4.1-1: Test Configuration Table

Default Conditions				
Test Environment as specified in TS 38.508-1 [5] subclause 4.1			Normal	
Test Frequencies as specified in TS 38.508-1 [5] subclause 4.3.1			Mid range	
Test Channel Bandwidths as specified in TS 38.508-1 [5] subclause 4.3.1			Lowest, Mid, Highest	
Test SCS as specified in Table 5.3.5-1			Lowest	
Test Parameters				
Test ID	Downlink Configuration		Uplink Configuration	
	Mod'n	RB allocation	Mod'n	RB allocation
1	CP-OFDM QPSK	NOTE 1	CP-OFDM QPSK	NOTE 1
NOTE 1: The specific configuration of uplink and downlink are defined in Table 7.3D.2.4.1-1. NOTE 2: In a band where UE supports 4Rx, the test shall be performed only with 4Rx antennas ports connected and 4Rx REFSENS requirement (Table 7.3.2.5-2) is used in the test requirements.				

1. Connect the SS and interfering source to the UE antenna connectors as shown in TS 38.508-1 [5] Annex A, in Figure A.3.1.4.5 for TE diagram and section A.3.2 for UE diagram.
2. The parameter settings for the cell are set up according to TS 38.508-1 [5] subclause 4.4.3.
3. Downlink signals are initially set up according to Annex C.0, C.1, C.2, C.3.1, and uplink signals according to Annex G.0, G.1, G.2, G.3.1.
4. The DL and UL Reference Measurement channels are set according to Table 7.6D.4.4.1-1.
5. Propagation conditions are set according to Annex B.0.
6. Ensure the UE is in state RRC_CONNECTED with generic procedure parameters Connectivity NR, Connected without release On, Test Mode On and Test Loop Function On according to TS 38.508-1 [5] clause 4.5. Message content are defined in clause 7.6D.4.4.3.

7.6D.4.4.2 Test procedure

Same test procedure as specified in 7.6.4.4.2.

7.6D.4.4.3 Message contents

Message contents are according to TS 38.508-1 [5] subclause 4.6 ensuring Table 4.6.3-182 with condition 2TX_UL_MIMO.

7.6D.4.5 Test requirement

Same test requirement as specified in 7.6.4.5.

Table 7.6D.4.5-1: Void

7.6D.4_1 Void

7.6E Blocking characteristics for V2X

7.6E.1 General

The blocking characteristic is a measure of the receiver's ability to receive a wanted signal at its assigned channel frequency in the presence of an unwanted interferer on frequencies other than those of the spurious response or the adjacent channels, without this unwanted input signal causing a degradation of the performance of the receiver beyond a specified limit. The blocking performance shall apply at all frequencies except those at which a spurious response occurs.

7.6E.2 In-band blocking for V2X

7.6E.2.0 Minimum conformance requirements

7.6E.2.0.1 General

When UE is configured for NR V2X reception non-concurrent with NR uplink transmissions for NR V2X operating bands specified in Table 5.2E.1-1, the throughput of the wanted signal shall be $\geq 95\%$ of the maximum throughput of the reference measurement channels as specified in Annex A.7.2 with parameters specified in Table 7.6E.2.0.1-1 and Table 7.6E.2.0.1-2. The relative throughput requirement shall be met for any SCS specified for the channel bandwidth of the wanted signal.

Table 7.6E.2.0.1-1: In-band blocking parameters for NR V2X

RX parameter	Units	Channel bandwidth			
		10 MHz	20 MHz	30 MHz	40 MHz
Power in transmission bandwidth configuration	dBm	P _{PREFSENS_V2X} + channel bandwidth specific value below			
	dB	6	9	11	12
BW _{interferer}	MHz	10			
F _{offset, case 1}	MHz	15			
F _{offset, case 2}	MHz	25			
NOTE 1: The interferer is QPSK modulated PUSCH containing data and reference symbols. Normal cyclic prefix is used.					

Table 7.6E.2.0.1-2: In-band blocking for NR V2X

NR band	Parameter	Unit	Case 1	Case 2
n38, n47	P _{interferer}	dBm	-44	-44
	F _{interferer (offset)}	MHz	-BW/2 – F _{offset, case 1} and BW/2 + F _{offset, case 1}	$\leq -BW/2 - F_{\text{offset, case 2}}$ and $\geq BW/2 + F_{\text{offset, case 2}}$
	F _{interferer}	MHz	NOTE 2	F _{DL,low} – 30 to F _{DL,high} + 30

NOTE 1: For certain bands, the unwanted modulated interfering signal may not fall inside the UE receive band, but within the first 15 MHz below or above the UE receive band.

NOTE 2: For each carrier frequency the requirement is valid for two frequencies:
 a. the carrier frequency $-BW/2 - F_{\text{offset, case 1}}$ and
 b. the carrier frequency $+BW/2 + F_{\text{offset, case 1}}$

NOTE 3: $F_{\text{interferer}}$ range values for unwanted modulated interfering signal are interferer centre frequencies

NOTE 4: The absolute value of the interferer offset $F_{\text{interferer}}$ (offset) shall be further adjusted to $\left(\lceil |F_{\text{interferer}}| / SCS \rceil + 0.5 \right) SCS$ MHz with SCS the sub-carrier spacing of the wanted signal in MHz. The interferer is an NR signal with 15 kHz SCS.

7.6E.2.0.2 In-band blocking for V2X con-current operation

For the inter-band con-current NR V2X operation, the requirements specified in clause 7.6E.2.0.1 shall apply for the NR sidelink reception in the operating bands in Table 5.2E.2-1 and the requirements specified in clause 7.6.2 shall apply for the NR downlink reception in licensed band while all downlink carriers are active.

The normative reference for this requirement is TS 38.101-1 [2] clause 7.6E.2.

7.6E.2.1 In-band blocking for V2X / non-concurrent operation

FFS

7.6E.2.2 In-band blocking for V2X / con-current operation

FFS

7.6E.3 Out-of-band blocking for V2X

7.6E.3.0 Minimum conformance requirements

7.6E.3.0.1 General

For NR V2X bands out-of-band band blocking is defined for an unwanted CW interfering signal falling outside a frequency range 30 MHz below or above the UE receive band. When UE is configured for NR V2X reception non-concurrent with NR uplink transmissions for NR V2X operating bands specified in Table 5.2E.1-1, the throughput of the wanted signal shall be $\geq 95\%$ of the maximum throughput of the reference measurement channels as specified in Annexes A.7.2 with parameters specified in Table 7.6E.3.0.1-1 and Table 7.6E.3.0.1-2. The relative throughput requirement shall be met for any SCS specified for the channel bandwidth of the wanted signal.

Table 7.6E.3.0.1-1: Out-of-band blocking parameters for NR V2X

RX parameter	Units	Channel bandwidth			
		10 MHz	20 MHz	30 MHz	40 MHz
Power in transmission bandwidth configuration	dBm	P _{REFSENS_V2X} + channel bandwidth specific value below			
	dB	6	9	11	12

NOTE: Reference measurement channel is A.7.2.

Table 7.6E.3.0.1-2: Out of-band blocking for NR V2X

NR band	Parameter	Units	Range 1	Range 2	Range 3
n47	P _{interferer}	dBm	-44	-30	-15
	F _{interferer} (CW)	MHz	F _{DL_low} -30 to F _{DL_low} -60 F _{DL_high} +30 to F _{DL_high} + 60	F _{DL_low} -60 to F _{DL_low} -85 F _{DL_high} +60 to F _{DL_high} +85	F _{DL_low} -85 to 1 MHz +12750 MHz
n38	P _{interferer}	dBm	-44	-30	-15
	F _{interferer} (CW)	MHz	F _{DL_low} -30 to F _{DL_low} -60	F _{DL_low} -60 to F _{DL_low} -85	F _{DL_low} -85 to 1 MHz

NOTE 1: The power level of the interferer (P_{interferer}) for Range 3 shall be modified to -20 dBm for F_{interferer} > 4400 MHz.

7.6E.3.0.2 Out-of-band blocking for V2X con-current operation

For the inter-band con-current NR V2X operation, the requirements specified in clause 7.6E.3.0.1 shall apply for the NR sidelink reception in Band n47 and the requirements specified in clause 7.6.3 shall apply for the NR downlink reception in licensed band while all downlink carriers are active.

The normative reference for this requirement is TS 38.101-1 [2] clause 7.6E.3.

7.6E.3.1 Out-of-band blocking for V2X / non-concurrent operation

FFS

7.6E.3.2 Out-of-band blocking for V2X / con-current operation

FFS

7.6F Blocking characteristics for shared spectrum channel access

7.6F.1 General

The blocking characteristic is a measure of the receiver's ability to receive a wanted signal at its assigned channel frequency in the presence of an unwanted interferer on frequencies other than those of the spurious response or the adjacent channels, without this unwanted input signal causing a degradation of the performance of the receiver beyond a specified limit. The blocking performance shall apply at all frequencies except those at which a spurious response occurs.

7.6F.2 In-band blocking

7.6F.2.1 In-band blocking for shared spectrum channel access

Editor's note: This clause is incomplete. The following aspects are either missing or not yet determined:

- MU and TT for >6GHz (band n96) are working assumption based on analysis of single TE vendor. Values will be revisited once analysis from other TE vendors is available.
- Message contents and test procedure specific for NR-U is TBD

7.6F.2.1.1 Test purpose

In-band blocking is defined for an unwanted interfering signal falling into the UE receive band or into the first 60 MHz below or above the UE receive band, at which the relative throughput shall meet or exceed the requirement for the specified measurement channel.

7.6F.2.1.2 Test applicability

This test case applies to all types of NR UE release 16 and forward that support NR standalone shared spectrum channel access.

7.6F.2.1.3 Minimum conformance requirements

In-band blocking (IBB) is defined for an unwanted interfering signal falling into the UE receive band or into the first 60 MHz below or above the UE receive band. The throughput of the wanted signal shall be ≥ 95 % of the maximum throughput of the reference measurement channels as specified in Annexes A.2.2, A.3.2 and A.3.3 (with one sided dynamic OCNG Pattern OP.1 FDD/TDD for the DL-signal as described in Annex A.5.1.1/A.5.2.1) with parameters specified in Table 7.6F.2.1.3-1 and Table 7.6F.2.1.3-2. The relative throughput requirement shall be met for any SCS specified for the channel bandwidth of the wanted signal.

Table 7.6F.2.1.3-1: In-band blocking parameters for shared access bands

RX parameter	Units	Channel bandwidth			
		20 MHz	40 MHz	60 MHz	80 MHz
Power in transmission	dBm	REFSENS + channel bandwidth specific value below			

bandwidth configuration				
	dB	9	12	13.8
$BW_{interferer}$	MHz	20		
$F_{offset, case 1}$	MHz	30		
$F_{offset, case 2}$	MHz	≥ 50		

Table 7.6F.2.1.3-2: In-band blocking for shared access bands

Operating band	Parameter	Unit	Case 1	Case 2
		$P_{interferer}$	dBm	-56
	$F_{interferer}$ (offset)	MHz	$-\text{CBW}/2 - F_{offset, case 1}$ and $\text{CBW}/2 + F_{offset, case 1}$	$\leq -\text{CBW}/2 - F_{offset, case 2}$ and $\geq \text{CBW}/2 + F_{offset, case 2}$
n46, n96	$F_{interferer}$		NOTE 2	$F_{DL_low} - 3 * \text{CBW}$ to $F_{DL_high} + 3 * \text{CBW}$, NOTE 4
<p>NOTE 1: The absolute value of the interferer offset $F_{interferer}$ (offset) shall be further adjusted to $(\lceil F_{interferer} / \text{SCS} \rceil + 0.5) \text{SCS}$ MHz with SCS the sub-carrier spacing of the wanted signal in MHz. The interferer is an NR signal with an SCS equal to that of the wanted signal.</p> <p>NOTE 2: For each carrier frequency, the requirement applies for two interferer carrier frequencies: a: $-\text{CBW}/2 - F_{offset, case 1}$; b: $\text{CBW}/2 + F_{offset, case 1}$</p> <p>NOTE 3: CBW denotes the channel bandwidth of the wanted signal.</p> <p>NOTE 4: Interferer carrier frequencies in the frequency range for Case 2 shall be located at discrete frequencies in integer multiples of 20 MHz offset from $-\text{CBW}/2 - F_{offset, case 2}$ and $\text{CBW}/2 + F_{offset, case 2}$</p>				

The normative reference for this requirement is TS 38.101-1 [2] clause 7.6F.2.1.

7.6F.2.1.4 Test description

7.6F.2.1.4.1 Initial conditions

Initial conditions are a set of test configurations the UE needs to be tested in and the steps for the SS to take with the UE to reach the correct measurement state.

The initial test configurations consist of environmental conditions, test frequencies, test channel bandwidths and sub-carrier spacing based on NR operating bands supporting operation with shared spectrum channel access. All of these configurations shall be tested with applicable test parameters for each combination of channel bandwidth and sub-carrier spacing, are shown in table 7.6F.2.1.4.1-1. The details of the uplink and downlink reference measurement channels (RMC) are specified in Annexes A.2 and A.3. Configuration of PDSCH and PDCCH before measurement are specified in Annex C.2.

Table 7.6F.2.1.4.1-1: Test Configuration Table

Default Conditions				
Test Environment as specified in TS 38.508-1 [5] subclause 4.1		Normal		
Test Frequencies as specified in TS 38.508-1 [5] subclause 4.3.1		Mid range		
Test Channel Bandwidths as specified in TS 38.508-1 [5] subclause 4.3.1		Lowest, Mid, Highest		
Test SCS as specified in Table 5.3.5-1		Lowest		
Test Parameters				
Test ID	Downlink Configuration		Uplink Configuration	
	Mod'n	RB allocation	Mod'n	RB allocation
1	CP-OFDM QPSK	NOTE 1	DFT-s-OFDM QPSK	NOTE 1

NOTE 1: The specific configuration of uplink and downlink are defined in Table 7.3F.2.4.1-2 and Table 7.3F.2.4.1-3.

NOTE 2: In a band where UE supports 4Rx, the test shall be performed only with 4Rx antennas ports connected and 4Rx REFSSENS requirement (Table 7.3F.2.5-2) is used in the test requirements.

1. Connect the SS to the UE antenna connectors as shown in TS 38.508-1 [5] Annex A, in Figure A.3.1.4.1 for TE diagram and section A.3.2 for UE diagram.
2. The parameter settings for the cell are set up according to TS 38.508-1 [5] subclause 4.4.3.
3. Downlink signals are initially set up according to Annex C.0, C.1, C.2, C.3.1, and uplink signals according to Annex G.0, G.1, G.2, G.3.1.
4. The DL and UL Reference Measurement channels are set according to Table 7.6F.2.1.4.1-1.
5. Propagation conditions are set according to Annex B.0.
6. Ensure the UE is in state RRC_CONNECTED with generic procedure parameters Connectivity *NR*, Connected without release *On*, Test Mode *On* and Test Loop Function *On* according to TS 38.508-1 [5] clause 4.5. Message content are defined in clause 7.6F.2.1.4.3.

7.6F.2.1.4.2 Test procedure

1. SS transmits PDSCH via PDCCH DCI format 1_1 for C_RNTI to transmit the DL RMC according to Table 7.6F.2.1.4.1-1. The SS sends downlink MAC padding bits on the DL RMC.
2. SS sends uplink scheduling information for each UL HARQ process via PDCCH DCI format 0_1 for C_RNTI to schedule the UL RMC according to Table 7.6F.2.1.4.1-1. Since the UL has no payload and no loopback data to send the UE sends uplink MAC padding bits on the UL RMC.
3. Set the parameters of the signal generator for an interfering signal below the wanted signal in according to Tables 7.6F.2.1.5-1 and 7.6F.2.1.5-2.
4. Set the downlink signal level according to Tables 7.6F.2.1.5-1. Send uplink power control commands to the UE using 1dB power step size to ensure that the UE output power measured by the test system is within the Uplink power control window, defined as $-(\text{MU})$ to $-(\text{MU} + \text{Uplink power control window size})$ dB of the target power level in Table 7.6F.2.1.5-1 for at least the duration of the Throughput measurement, where:
 - MU is the test system uplink power measurement uncertainty and is specified in Table F.1.3-1 for the carrier frequency f and the channel bandwidth BW.
 - Uplink power control window size = 1dB (UE power step size) + 0.7dB (UE power step tolerance) + (Test system relative power measurement uncertainty), where the UE power step tolerance is specified in TS 38.101-1 [2], Table 6.3.4.3-1 and is 0.7dB for 1dB power step size, and the Test system relative power measurement uncertainty is specified for test case 6.3.4.3 in Table F.1.2-1.
5. Measure the average throughput for a duration sufficient to achieve statistical significance according to Annex H.

NOTE: The purpose of the Uplink power control window is to ensure that the actual UE output power is no greater than the target power level, and as close as possible to the target power level. The relationship between the Uplink power control window, the target power level and the corresponding possible actual UE Uplink power window is illustrated in Annex F.4.3.

7.6F.2.1.4.3 Message contents

Message contents are according to TS 38.508-1 [5] subclause 4.6 with TRANSFORM_PRECODER_ENABLED condition in Table 4.6.3-118 PUSCH-Config.

7.6F.2.1.5 Test requirement

For NR bands supporting shared spectrum channel access, the throughput measurement derived in test procedure shall be $\geq 95\%$ of the maximum throughput of the reference measurement channels as specified in Annex in Annexes A.2.2, A.2.3 and A.3.2 with parameters specified in Tables 7.6F.2.1.5-1 and Tables 7.6F.2.1.5-2.

Table 7.6F.2.1.5-1: In-band blocking parameters for shared access bands

RX parameter	Units	Channel bandwidth			
		20 MHz	40 MHz	60 MHz	80 MHz
Power in transmission bandwidth configuration	dBm	REFSENS + channel bandwidth specific value below			
	dB	9	12	13.8	15
$BW_{interferer}$	MHz	20			
$F_{offset, case 1}$	MHz	30			
$F_{offset, case 2}$	MHz	≥ 50			
NOTE 1: The transmitter shall be set to 4 dB below $P_{CMAX_L,f,c}$ at the minimum UL configuration specified in Table 7.3F.2.3-3 with $P_{CMAX_L,f,c}$ defined in clause [6.2F.4].					
NOTE 2: The interferer consists of the RMC specified in Annexes A.3.2.2 and A.3.3.2 with one sided dynamic OCNG Pattern OP.1 FDD/TDD for the DL-signal as described in Annex A.5.1.1/A.5.2.1					

Table 7.6F.2.1.5-2: In-band blocking for shared access bands

Operating band	Parameter	Unit	Case 1	Case 2
			$P_{interferer}$	dBm
	$F_{interferer}$ (offset)	MHz	$-CBW/2 - F_{offset, case 1}$ and $CBW/2 + F_{offset, case 1}$	$\leq -CBW/2 - F_{offset, case 2}$ and $\geq CBW/2 + F_{offset, case 2}$
n46, n96	$F_{interferer}$		NOTE 2	$F_{DL_low} - 3*CBW$ to $F_{DL_high} + 3*CBW$, NOTE 4
NOTE 1: The absolute value of the interferer offset $F_{interferer}$ (offset) shall be further adjusted to $(\lceil F_{interferer} / SCS \rceil + 0.5)SCS$ MHz with SCS the sub-carrier spacing of the wanted signal in MHz. The interferer is an NR signal with an SCS equal to that of the wanted signal.				
NOTE 2: For each carrier frequency, the requirement applies for two interferer carrier frequencies: a: $-CBW/2 - F_{offset, case 1}$; b: $CBW/2 + F_{offset, case 1}$				
NOTE 3: CBW denotes the channel bandwidth of the wanted signal				
NOTE 4: Interferer carrier frequencies in the frequency range for Case 2 shall be located at discrete frequencies in integer multiples of 20 MHz offset from $-CBW/2 - F_{offset, case 2}$ and $CBW/2 + F_{offset, case 2}$				

7.6F.2.2 In-band blocking for Intra-band contiguous shared spectrum channel access CA

FFS

7.6F.3 Out-of-band blocking

7.6F.3.1 Out-of-band blocking for shared spectrum channel access

7.6F.3.1.1 Test purpose

The test purpose is to verify the ability of the UE to receive data with a given average throughput for a specified reference measurement channel, under conditions of low signal level, and with the present of CW interfering signal falling outside a frequency range 60 MHz or greater below or above the UE receive band.

7.6F.3.1.2 Test applicability

This test case applies to all types of NR UE release 16 and forward that support NR standalone shared spectrum channel access.

7.6F.3.1.3 Minimum conformance requirements

Out-of-band band blocking is defined for an unwanted CW interfering signal falling outside a frequency range 60 MHz or greater below or above the UE receive band. The throughput of the wanted signal shall be $\geq 95\%$ of the maximum throughput of the reference measurement channels as specified in Annexes A.2.2, A.3.2 and A.3.3 (with one sided dynamic OCNG Pattern OP.1 FDD/TDD for the DL-signal as described in Annex A.5.1.1/A.5.2.1) with parameters specified in Table 7.6F.3.1.3-1 and Table 7.6F.3.1.3-2. The relative throughput requirement shall be met for any SCS specified for the channel bandwidth of the wanted signal.

Table 7.6F.3.1.3-1: Out-of-band blocking parameters for shared access bands

RX parameter	Units	Channel bandwidth			
		20 MHz	40 MHz	60 MHz	80 MHz
Power in transmission bandwidth configuration	dBm	REFSENS + channel bandwidth specific value below			
	dB	9			
NOTE 1: The transmitter shall be set to 4 dB below $P_{CMAX_L,f,c}$ at the minimum UL configuration specified in Table 7.3.2-3 with $P_{CMAX_L,f,c}$ defined in clause 6.2.4.					

Table 7.6F.3.1.3-2: Out of-band blocking for shared access bands

Operating band	Parameter	Unit	Range1	Range 2	Range 3
	$P_{interferer}$	dBm	-44	-30	-15
n46, n96	$F_{interferer}$ (CW)	MHz	N/A	$-200 < f - F_{DL_low} \leq -3 \cdot CBW$ or $3 \cdot CBW \leq f - F_{DL_high} < 200$	$1 \leq f \leq F_{DL_low} - \text{MAX}(200, 3 \cdot CBW)$ or $F_{DL_high} + \text{MAX}(200, 3 \cdot CBW) \leq f \leq 12750$
NOTE 1: The power level of the interferer ($P_{interferer}$) for Range 3 shall be modified to -20 dBm for $F_{interferer} > 4200$ MHz.					
NOTE 2: CBW denotes the channel bandwidth of the wanted signal					

For interferer frequencies across ranges 1, 2 and 3 in Table 7.6F.3.1.3-2, a maximum of

$$\lfloor \max \{ 24, 6 \cdot \lceil n \cdot N_{RB} / 6 \rceil \} / \min \{ \lfloor n \cdot N_{RB} / 10 \rfloor, 5 \} \rfloor$$

exceptions are allowed for spurious response frequencies in each assigned frequency channel when measured using a step size of $\min(\lfloor CBW / 2 \rfloor, 5)$ MHz with N_{RB} the number of resource blocks in the downlink transmission bandwidth configuration, CBW the bandwidth of the frequency channel in MHz and $n = 1, 2, 3$ for SCS = 15, 30, 60 kHz, respectively. For these exceptions, the requirements in clause 7.7F apply.

The normative reference for this requirement is TS 38.101-1 [2] clause 7.6F.3.1

7.6F.3.1.4 Test description

7.6F.3.1.4.1 Initial conditions

Initial conditions are a set of test configurations the UE needs to be tested in and the steps for the SS to take with the UE to reach the correct measurement state.

The initial test configurations consist of environmental conditions, test frequencies, and channel bandwidths based on NR operating bands specified in table 5.3.5-1. All of these configurations shall be tested with applicable test parameters for each combination of channel bandwidth and sub-carrier spacing are shown in Table 7.6F.3.1.4.1-1. The details of the uplink and downlink reference measurement channels (RMCs) are specified in Annexes A.2 and A.3 respectively. The details of the OCNG patterns used are specified in Annex A.5. Configurations of PDSCH and PDCCH before measurement are specified in Annex C.3.

Table 7.6F.3.1.4.1-1: Test Configuration Table

Default Conditions

Test Environment as specified in TS 38.508-1 [5] subclause 4.1	Normal			
Test Frequencies as specified in TS 38.508-1 [5] subclause 4.3.1	One frequency chosen arbitrarily from low or high range			
Test Channel Bandwidths as specified in TS 38.508-1 [5] subclause 4.3.1	Lowest, Mid, Highest			
Test SCS as specified in TS 38.508-1 [5] subclause 4.3.1	Lowest			
Test Parameters				
Test ID	Downlink Configuration		Uplink Configuration	
	Mod'n	RB allocation	Mod'n	RB allocation
1	CP-OFDM QPSK	NOTE 1	DFT-s-OFDM QPSK	NOTE 1
NOTE 1: The specific configuration of uplink and downlink are defined in Table Table 7.3F.2.4.1-2 and Table 7.3F.2.4.1-3.				
NOTE 2: In a band where UE supports 4Rx, the test shall be performed only with 4Rx antennas ports connected and 4Rx REFSENS requirement (Table 7.3F.2.5-2) is used in the test requirements.				

1. Connect the SS to the UE antenna connectors as shown in TS 38.508 [5] Annex A, in Figure A.3.1.4.2 for TE diagram and section A.3.2 for UE diagram.
2. The parameter settings for the cell are set up according to TS 38.508 [5] subclause 4.4.3.
3. Downlink signals are initially set up according to Annex C.0, C.1, C.2, C.3.1, and uplink signals according to Annex G.0, G.1, G.2, and G.3.1.
4. The UL and DL Reference Measurement channels are set according to Table 7.6F.3.1.4.1-1.
5. Propagation conditions are set according to Annex B.0.
6. Ensure the UE is in State RRC_CONNECTED with generic procedure parameters Connectivity *NR*, Connected without release *On*, Test Mode *On* and Test Loop Function *On* according to TS 38.508-1 [5] clause 4.5. Message contents are defined in clause 7.6F.3.1.4.2.

7.6F.3.1.4.2 Test Procedure

1. SS transmits PDSCH via PDCCH DCI format 1_1 for C_RNTI to transmit the DL RMC according to Table 7.6F.3.1.4.1-1. The SS sends downlink MAC padding bits on the DL RMC.
2. SS sends uplink scheduling information for each UL HARQ process via PDCCH DCI format 0_1 for C_RNTI to schedule the UL RMC according to Table 7.6F.3.1.4.1-1. Since the UE has no payload data to send, the UE transmits uplink MAC padding bits on the UL RMC.
3. Set the parameters of the CW signal generator for an interfering signal below the wanted signal according to Table 7.6F.3.1.5- 2. The frequency step size is $\min(\lfloor BW_{channel} / 2 \rfloor, 5)$ MHz.
4. Set the downlink signal level according to Table 7.6F.3.1.5-1. Send uplink power control commands to the UE using 1dB power step size to ensure that the UE output power measured by the test system is within the Uplink power control window, defined as $-(\text{MU})$ to $-(\text{MU} + \text{Uplink power control window size})$ dB of the target power level in Table 7.6F.3.1.5-1 for at least the duration of the Throughput measurement, where:
 - MU is the test system uplink power measurement uncertainty and is specified in Table F.1.3-1 for the carrier frequency f and the channel bandwidth BW
 - Uplink power control window size = 1dB (UE power step size) + 0.7dB (UE power step tolerance) + (Test system relative power measurement uncertainty), where, the UE power step tolerance is specified in TS 38.101-1 [2], Table 6.3.4.3-1 and is 0.7dB for 1dB power step size, and the Test system relative power measurement uncertainty is specified for test case 6.3.4.3 in Table F.1.2-1.
5. Measure the average throughput for a duration sufficient to achieve statistical significance according to Annex H.
6. Record the frequencies for which the throughput doesn't meet the requirements.
7. Repeat steps from 3 to 6, using an interfering signal above the wanted signal at step 3.

NOTE: The purpose of the Uplink power control window is to ensure that the actual UE output power is no greater than the target power level, and as close as possible to the target power level. The relationship between the Uplink power control window, the target power level and the corresponding possible actual UE Uplink power window is illustrated in Annex F.4.3.

7.6F.3.1.4.2 Message Contents

Message contents are according to TS 38.508-1 [5] subclause 4.6.

7.6F.3.1.5 Test Requirement

For NR bands with shared spectrum channel access, the throughput measurement derived in test procedure shall be \geq 95% of the maximum throughput of the reference measurement channels as specified in Annex A.3.2 and A.3.3 with parameters specified in Table 7.6F.3.1.5-1 and Table 7.6F.3.1.5-2.

The number of spurious response frequencies recorded in the final step of test procedure shall not exceed $\lfloor \max\{24,6 \cdot \lceil n \cdot N_{RB} / 6 \rceil\} / \min\{\lfloor n \cdot N_{RB} / 10 \rfloor, 5\} \rfloor$ in each assigned frequency channel when measured using a $\min(\lfloor BW_{channel} / 2 \rfloor, 5)$ MHz step size. For these exceptions the requirements of clause 7.7F Spurious Response are applicable.

Table 7.6F.3.1.5-1: Out-of-band blocking parameters for shared access bands

RX parameter	Units	Channel bandwidth			
		20 MHz	40 MHz	60 MHz	80 MHz
Power in transmission bandwidth configuration	dBm	REFSENS + channel bandwidth specific value below			
	dB	9			
NOTE 1: The transmitter shall be set to 4 dB below $P_{CMAX_L,f,c}$ at the minimum UL configuration specified in Table 7.3F.2-3 with $P_{CMAX_L,f,c}$ defined in clause 6.2F.4.					

Table 7.6F.3.1.5-2: Out of-band blocking for shared access bands

Operating band	Parameter	Unit	Range1	Range 2	Range 3
	$P_{interferer}$	dBm	-44	-30	-15
n46, n96	$F_{interferer}$ (CW)	MHz	N/A	$-200 < f - F_{DL_low} \leq -3 \cdot CBW$ or $3 \cdot CBW \leq f - F_{DL_high} < 200$	$1 \leq f \leq F_{DL_low} - \text{MAX}(200, 3 \cdot CBW)$ or $F_{DL_high} + \text{MAX}(200, 3 \cdot CBW) \leq f \leq 12750$
NOTE 1: The power level of the interferer ($P_{interferer}$) for Range 3 shall be modified to -20 dBm for $F_{interferer} > 4200$ MHz.					
NOTE 2: CBW denotes the channel bandwidth of the wanted signal					

7.6J Blocking characteristics for ATG

7.6J.1 General

The blocking characteristic is a measure of the receiver's ability to receive a wanted signal at its assigned channel frequency in the presence of an unwanted interferer on frequencies other than those of the spurious response or the adjacent channels, without this unwanted input signal causing a degradation of the performance of the receiver beyond a specified limit. The blocking performance shall apply at all frequencies except those at which a spurious response occurs.

7.6J.2 In-band blocking for ATG

Editor's note: This clause is incomplete. The following aspects are either missing or not yet determined:

- MU and TT are FFS

- Message Contents are FFS pending on Rel-18 ASN.1 freeze

7.6J.2.1 Test purpose

In band blocking is defined for an unwanted interfering signal falling into the range from 15 MHz below to 15 MHz above the UE receive band, with $F_{DL_high} < 2700$ MHz and $F_{UL_high} < 2700$ MHz, or into an immediately adjacent frequency range up to $3 \cdot BW_{Channel}$ below or above the UE receive band, with $F_{DL_low} \geq 3300$ MHz and $F_{UL_low} \geq 3300$ MHz, at which the relative throughput shall meet or exceed the requirement for the specified measurement channel.

7.6J.2.2 Test applicability

This test case applies to all types of NR UE release 18 and forward that support NR standalone ATG.

7.6J.2.3 Minimum conformance requirements

For NR bands with $F_{DL_high} < 2700$ MHz and $F_{UL_high} < 2700$ MHz, in-band blocking (IBB) is defined for an unwanted interfering signal falling into the UE receive band or into the first 15 MHz below or above the UE receive band. The throughput of the wanted signal shall be $\geq 95\%$ of the maximum throughput of the reference measurement channels as specified in Annexes A.2.2, A.2.3, A.3.2 and A.3.3 (with one sided dynamic OCNG Pattern OP.1 FDD/TDD for the DL signal as described in Annex A.5) with parameters specified in Table 7.6J.2.3-1 and Table 7.6J.2.3-2. The relative throughput shall be met for any SCS specified for the channel bandwidth of the wanted signal.

Table 7.6J.2.3-1: In-band blocking parameters for NR bands with $F_{DL_high} < 2700$ MHz and $F_{UL_high} < 2700$ MHz

RX parameter	Units	Channel bandwidth (MHz)		
		5, 10	15	20, 25, 30, 35, 40, 45, 50, 60, 70, 80, 90, 100
Power in transmission bandwidth configuration ³	dBm	REFSENS + 6 dB	REFSENS + 7 dB	REFSENS + (9 + 10log ₁₀ (BW _{Channel} / 20)) dB
BW _{interferer}	MHz	5		
F _{offset, case 1}	MHz	7.5		
F _{offset, case 2}	MHz	12.5		
NOTE 1: The transmitter shall be set to 4 dB below P _{CMAX_L,f,c} at the minimum UL configuration specified in Table 7.3.2.3-3 with P _{CMAX_L,f,c} defined in clause 6.2J.2.				
NOTE 2: The interferer consists of the RMC specified in Annexes A.3.2.2 and A.3.3.2 with one sided dynamic OCNG Pattern OP.1 FDD/TDD for the DL-signal as described in Annex A.5.1.1/A.5.2.1 and 15 kHz SCS.				
NOTE 3: 10log ₁₀ (x) is rounded to the next higher 0.5dB value.				

Table 7.6J.2.3-2: In-band blocking for NR bands with $F_{DL_high} < 2700$ MHz and $F_{UL_high} < 2700$ MHz

NR band	Parameter	Unit	Case 1	Case 2	Case 3	Case 4
	P _{interferer}	dBm	-56	-44	-15	-38
	F _{interferer (offset)}	MHz	-BW _{Channel} /2 – F _{offset, case 1} and BW _{Channel} /2 + F _{offset, case 1}	≤ -BW _{Channel} /2 – F _{offset, case 2} and ≥ BW _{Channel} /2 + F _{offset, case 2}		-BW _{Channel} /2-11
n1, n3, n34, n39, n41	F _{interferer}	MHz	NOTE 2	F _{DL_low} – 15 to F _{DL_high} + 15		
NOTE 1: The absolute value of the interferer offset F _{interferer (offset)} shall be further adjusted to $(\lceil F_{interferer} / SCS \rceil + 0.5) SCS$ MHz with SCS the sub-carrier spacing of the wanted signal in MHz. The interferer is an NR signal with 15 kHz SCS.						
NOTE 2: For each carrier frequency, the requirement applies for two interferer carrier frequencies: a: -BW _{Channel} /2 – F _{offset, case 1} ; b: BW _{Channel} /2 + F _{offset, case 1}						

For NR bands with $F_{DL_low} \geq 3300$ MHz and $F_{UL_low} \geq 3300$ MHz, in-band blocking (IBB) is defined for an unwanted interfering signal falling into the UE receive band or into an immediately adjacent frequency range up to $3 \cdot BW_{Channel}$ below or above the UE receive band where BW_{Channel} is the bandwidth of the wanted signal. The throughput of the wanted signal shall be $\geq 95\%$ of the maximum throughput of the reference measurement channels as specified in Annexes A.2.2, A.2.3, A.3.2 and A.3.3 (with one sided dynamic OCNG Pattern OP.1 FDD/TDD for the DL-signal as

described in Annex A.5.1.1/A.5.2.1) with parameters specified in Table 7.6J.2.3-3 and Table 7.6J.2.3-4. The relative throughput requirement shall be met for any SCS specified for the channel bandwidth of the wanted signal.

Table 7.6J.2.3-3: In-band blocking parameters for NR bands with $F_{DL_low} \geq 3300$ MHz and $F_{UL_low} \geq 3300$ MHz

RX parameter	Units	Channel bandwidth (MHz)
		10, 15, 20, 25, 30, 35, 40, 45, 50, 60, 70, 80, 90, 100
Power in transmission bandwidth configuration	dBm	REFSENS + 6 dB
$BW_{interferer}$	MHz	$BW_{Channel}$
$F_{offset, case 1}$	MHz	$(3/2) * BW_{Channel}$
$F_{offset, case 2}$	MHz	$(5/2) * BW_{Channel}$
NOTE 1: The transmitter shall be set to 4 dB below $P_{CMAX_L,f,c}$ at the minimum UL configuration specified in Table 7.3.2.3-3 with $P_{CMAX_L,f,c}$ defined in clause 6.2J.2.		
NOTE 2: The interferer consists of the RMC specified in Annexes A.3.2.2 and A.3.3.2 with one sided dynamic OCNNG Pattern OP.1 FDD/TDD for the DL-signal as described in Annex A.5.1.1/A.5.2.1		

Table 7.6J.2.3-4: In-band blocking for NR bands with $F_{DL_low} \geq 3300$ MHz and $F_{UL_low} \geq 3300$ MHz

NR band	Parameter	Unit	Case 1	Case 2
	$P_{interferer}$	dBm	-56	-44
n78, n79	$F_{interferer}$ (offset)	MHz	$-BW_{Channel}/2 - F_{offset, case 1}$ and $BW_{Channel}/2 + F_{offset, case 1}$	$\leq -BW_{Channel}/2 - F_{offset, case 2}$ and $\geq BW_{Channel}/2 + F_{offset, case 2}$
	$F_{interferer}$		NOTE 2	$F_{DL_low} - 3 * BW_{Channel}$ to $F_{DL_high} + 3 * BW_{Channel}$
NOTE 1: The absolute value of the interferer offset $F_{interferer}$ (offset) shall be further adjusted to $(\lceil F_{interferer} / SCS \rceil + 0.5) SCS$ MHz with SCS the sub-carrier spacing of the wanted signal in MHz. The interferer is an NR signal with an SCS equal to that of the wanted signal.				
NOTE 2: For each carrier frequency, the requirement applies for two interferer carrier frequencies: a: $-BW_{Channel}/2 - F_{offset, case 1}$; b: $BW_{Channel}/2 + F_{offset, case 1}$				
NOTE 3: $BW_{Channel}$ denotes the channel bandwidth of the wanted signal				

The normative reference for this requirement is TS 38.101-1 [2] clause 7.6J.2 and 7.6.2.

7.6J.2.4 Test description

7.6J.2.4.1 Initial conditions

Initial conditions are a set of test configurations the UE needs to be tested in and the steps for the SS to take with the UE to reach the correct measurement state.

The initial test configurations consist of environmental conditions, test frequencies, test channel bandwidths and sub-carrier spacing based on NR operating bands specified in Table 5.3.5-1. All of these configurations shall be tested with applicable test parameters for each combination of channel bandwidth and sub-carrier spacing, are shown in Table 7.6J.2.4.1-1. The details of the uplink and downlink reference measurement channels (RMC) are specified in Annexes A.2 and A.3. Configuration of PDSCH and PDCCH before measurement are specified in Annex C.2.

Table 7.6J.2.4.1-1: Test Configuration Table

Default Conditions	
Test Environment as specified in TS 38.508-1 [5] subclause 4.1	Normal
Test Frequencies as specified in TS 38.508-1 [5] subclause 4.3.1	Mid range

Test Channel Bandwidths as specified in TS 38.508-1 [5] subclause 4.3.1		Lowest, Mid, Highest		
Test SCS as specified in Table 5.3.5-1		Lowest		
Test Parameters				
Downlink Configuration			Uplink Configuration	
Test ID	Mod'n	RB allocation	Mod'n	RB allocation
1	CP-OFDM QPSK	NOTE 1	DFT-s-OFDM QPSK	NOTE 1
NOTE 1: The specific configuration of uplink and downlink are defined in Table 7.3.2.4.1-1.				
NOTE 2: In a band where UE supports 4Rx, the test shall be performed only with 4Rx antennas ports connected and 4Rx REFSSENS requirement (Table 7.3.2.5-2) is used in the test requirements.				

1. Connect the SS to the UE antenna connectors as shown in TS 38.508-1 [5] Annex A, in Figure A.3.1.4.1 for TE diagram and section A.3.2 for UE diagram.
2. The parameter settings for the cell are set up according to TS 38.508-1 [5] subclause 4.4.3.
3. Downlink signals are initially set up according to Annex C.0, C.1, C.2, C.3.1, and uplink signals according to Annex G.0, G.1, G.2, G.3.1.
4. The DL and UL Reference Measurement channels are set according to Table 7.6J.2.4.1-1.
5. Propagation conditions are set according to Annex B.0.
6. Ensure the UE is in state RRC_CONNECTED with generic procedure parameters Connectivity *NR*, Connected without release *On*, Test Mode *On* and Test Loop Function *On* according to TS 38.508-1 [5] clause 4.5. Message contents are defined in clause 7.6J.2.4.3.

7.6J.2.4.2 Test procedure

1. SS transmits PDSCH via PDCCH DCI format 1_1 for C_RNTI to transmit the DL RMC according to Table 7.6J.2.4.1-1. The SS sends downlink MAC padding bits on the DL RMC.
2. SS sends uplink scheduling information for each UL HARQ process via PDCCH DCI format 0_1 for C_RNTI to schedule the UL RMC according to Table 7.6J.2.4.1-1. Since the UL has no payload and no loopback data to send the UE sends uplink MAC padding bits on the UL RMC.
3. Set the parameters of the signal generator for an interfering signal below the wanted signal in Case 1 according to Tables 7.6J.2.5-1 and 7.6J.2.5-2 or Tables 7.6J.2.5-3 and 7.6J.2.5-4 as appropriate depending on NR band.
4. Set the downlink signal level according to the table 7.6J.2.5-1 or 7.6J.2.5-3 as appropriate. Send uplink power control commands to the UE using 1dB power step size to ensure that the UE output power measured by the test system is within the Uplink power control window, defined as $-(\text{MU})$ to $-(\text{MU} + \text{Uplink power control window size})$ dB of the target power level in Table 7.6J.2.5-1 or Table 7.6J.2.5-3 for at least the duration of the Throughput measurement, where:
 - MU is the test system uplink power measurement uncertainty and is specified in Table F.1.3-1 for the carrier frequency f and the channel bandwidth BW.
 - Uplink power control window size = 1dB (UE power step size) + 0.7dB (UE power step tolerance) + (Test system relative power measurement uncertainty), where the UE power step tolerance is specified in TS 38.101-1 [2], Table 6.3.4.3-1 and is 0.7dB for 1dB power step size, and the Test system relative power measurement uncertainty is specified for test case 6.3.4.3 in Table F.1.2-1.
 - The transmit power is measured as the sum of power of all antenna connectors (for ATG UE with omnidirectional antennas) or of all TAB connectors (for ATG UE with antenna array).
5. Measure the average throughput for a duration sufficient to achieve statistical significance according to Annex H.
6. Repeat steps from 3 to 5, using an interfering signal above the wanted signal in Case 1 at step 3.
7. Repeat steps from 3 to 6, using interfering signals in Case 2 at step 3 and 6. The ranges of case 2 are covered in steps equal to the interferer bandwidth. Interferer frequencies should be chosen starting with an offset nearest to the centre frequency and sweep outwards towards the band edges. In order to ensure that full range is tested for

interferer frequency, run last test steps at frequency equal to $F_{\text{Interferer}}$ range limit defined at the corresponding band edge.

8. If applicable based on NR band, repeat steps from 3 to 5, using interfering signals in Case 4 at step 3.

NOTE: The purpose of the Uplink power control window is to ensure that the actual UE output power is no greater than the target power level, and as close as possible to the target power level. The relationship between the Uplink power control window, the target power level and the corresponding possible actual UE Uplink power window is illustrated in Annex F.4.3.

7.6J.2.4.3 Message contents

FFS

7.6J.2.5 Test requirement

For NR bands with $F_{\text{DL_high}} < 2700$ MHz and $F_{\text{UL_high}} < 2700$ MHz, the throughput measurement derived in test procedure shall be $\geq 95\%$ of the maximum throughput of the reference measurement channels as specified in Annex in Annexes A.2.2, A.2.3 and A.3.2 with parameters specified in Tables 7.6J.2.5-1 and 7.6J.2.5-2.

Table 7.6J.2.5-1: In-band blocking parameters for NR bands with $F_{\text{DL_high}} < 2700$ MHz and $F_{\text{UL_high}} < 2700$ MHz

RX parameter	Units	Channel bandwidth (MHz)		
		5, 10	15	20, 25, 30, 35, 40, 45, 50, 60, 70, 80, 90, 100
Power in transmission bandwidth configuration ³	dBm	REFSENS + 6 dB	REFSENS + 7 dB	REFSENS + (9 + 10log ₁₀ (BW _{Channel} / 20)) dB
BW _{interferer}	MHz	5		
F _{offset, case 1}	MHz	7.5		
F _{offset, case 2}	MHz	12.5		
NOTE 1: The transmitter shall be set to 4 dB below P _{C_{MAX}L,f,c} at the minimum UL configuration specified in Table 7.3.2.3-3 with P _{C_{MAX}L,f,c} defined in clause 6.2J.2.				
NOTE 2: The interferer consists of the RMC specified in Annexes A.3.2.2 and A.3.3.2 with one sided dynamic OCNG Pattern OP.1 FDD/TDD for the DL-signal as described in Annex A.5.1.1/A.5.2.1 and 15 kHz SCS.				
NOTE 3: 10log ₁₀ (x) is rounded to the next higher 0.5dB value.				

Table 7.6J.2.5-2: In-band blocking for NR bands with $F_{\text{DL_high}} < 2700$ MHz and $F_{\text{UL_high}} < 2700$ MHz

NR band	Parameter	Unit	Case 1	Case 2	Case 3	Case 4
	P _{interferer}	dBm	-56	-44	-15	-38
	F _{interferer (offset)}	MHz	-BW _{Channel} /2 – F _{offset, case 1} and BW _{Channel} /2 + F _{offset, case 1}	$\leq -BW_{\text{Channel}}/2 - F_{\text{offset, case 2}}$ and $\geq BW_{\text{Channel}}/2 + F_{\text{offset, case 2}}$		-BW _{Channel} /2-11
n1, n3, n34, n39, n41	F _{interferer}	MHz	NOTE 2	F _{DL_low} – 15 to F _{DL_high} + 15		
NOTE 1: The absolute value of the interferer offset F _{interferer (offset)} shall be further adjusted to $(\lceil F_{\text{interferer}} / \text{SCS} \rceil + 0.5) \text{SCS}$ MHz with SCS the sub-carrier spacing of the wanted signal in MHz. The interferer is an NR signal with 15 kHz SCS.						
NOTE 2: For each carrier frequency, the requirement applies for two interferer carrier frequencies: a: -BW _{Channel} /2 – F _{offset, case 1} ; b: BW _{Channel} /2 + F _{offset, case 1}						

For NR bands with $F_{\text{DL_low}} \geq 3300$ MHz and $F_{\text{UL_low}} \geq 3300$ MHz, the throughput measurement derived in test procedure shall be $\geq 95\%$ of the maximum throughput of the reference measurement channels as specified in Annex A.2 and A.3 with parameters specified in Tables 7.6J.2.5-3 and 7.6J.2.5-4.

Table 7.6J.2.5-3: In-band blocking parameters for NR bands with $F_{\text{DL_low}} \geq 3300$ MHz and $F_{\text{UL_low}} \geq 3300$ MHz

RX parameter	Units	Channel bandwidth (MHz)
--------------	-------	-------------------------

		10, 15, 20, 25, 30, 35, 40, 45, 50, 60, 70, 80, 90, 100
Power in transmission bandwidth configuration	dBm	REFSENS + 6 dB
$BW_{interferer}$	MHz	$BW_{Channel}$
$F_{offset, case 1}$	MHz	$(3/2) * BW_{Channel}$
$F_{offset, case 2}$	MHz	$(5/2) * BW_{Channel}$
NOTE 1: The transmitter shall be set to 4 dB below $P_{CMAX_L,f,c}$ at the minimum UL configuration specified in Table 7.3.2.3-3 with $P_{CMAX_L,f,c}$ defined in clause 6.2J.2.		
NOTE 2: The interferer consists of the RMC specified in Annexes A.3.2.2 and A.3.3.2 with one sided dynamic OCNG Pattern OP.1 FDD/TDD for the DL-signal as described in Annex A.5.1.1/A.5.2.1		

Table 7.6J.2.5-4: In-band blocking for NR bands with $F_{DL_low} \geq 3300$ MHz and $F_{UL_low} \geq 3300$ MHz

NR band	Parameter	Unit	Case 1	Case 2
		$P_{interferer}$	dBm	-56
n78, n79	$F_{interferer}$ (offset)	MHz	$-BW_{Channel}/2 - F_{offset, case 1}$ and $BW_{Channel}/2 + F_{offset, case 1}$	$\leq -BW_{Channel}/2 - F_{offset, case 2}$ and $\geq BW_{Channel}/2 + F_{offset, case 2}$
	$F_{interferer}$		NOTE 2	$F_{DL_low} - 3 * BW_{Channel}$ to $F_{DL_high} + 3 * BW_{Channel}$
NOTE 1: The absolute value of the interferer offset $F_{interferer}$ (offset) shall be further adjusted to $(\lceil F_{interferer} / SCS \rceil + 0.5) SCS$ MHz with SCS the sub-carrier spacing of the wanted signal in MHz. The interferer is an NR signal with an SCS equal to that of the wanted signal.				
NOTE 2: For each carrier frequency, the requirement applies for two interferer carrier frequencies: a: $-BW_{Channel}/2 - F_{offset, case 1}$; b: $BW_{Channel}/2 + F_{offset, case 1}$				
NOTE 3: $BW_{Channel}$ denotes the channel bandwidth of the wanted signal				

7.6J.3 Out-of-band blocking for ATG

Editor's note: This clause is incomplete. The following aspects are either missing or not yet determined:

- MU and TT are FFS
- Message Contents are FFS pending on Rel-18 ASN.1 freeze

7.6J.3.1 Test Purpose

Out-of-band band blocking is defined for an unwanted CW interfering signal falling outside a frequency range 15 MHz below or above the UE receive band, with $F_{DL_high} < 2700$ MHz and $F_{UL_high} < 2700$ MHz, or falling outside a frequency range up to $3 * BW_{Channel}$ below or from $3 * BW_{Channel}$ above the UE receive band, with $F_{DL_low} \geq 3300$ MHz and $F_{UL_low} \geq 3300$ MHz, at which a given average throughput shall meet or exceed the requirement for the specified measurement channels.

7.6J.3.2 Test Applicability

This test case applies to all types of NR UE release 18 and forward that support NR standalone ATG.

7.6J.3.3 Minimum Conformance Requirements

For NR bands with $F_{DL_high} < 2700$ MHz and $F_{UL_high} < 2700$ MHz out-of-band band blocking is defined for an unwanted CW interfering signal falling outside a frequency range 15 MHz below or above the UE receive band. The throughput of the wanted signal shall be $\geq 95\%$ of the maximum throughput of the reference measurement channels as specified in Annexes A.2.2, A.2.3, A.3.2 and A.3.3 (with one sided dynamic OCNG Pattern OP.1 FDD/TDD for the DL-signal as described in Annex A.5.1.1/A.5.2.1) with parameters specified in Table 7.6J.3.3-1 and Table 7.6J.3.3-2. The relative throughput requirement shall be met for any SCS specified for the channel bandwidth of the wanted signal.

Table 7.6J.3.3-1: Out-of-band blocking parameters for NR bands with $F_{DL_high} < 2700$ MHz and $F_{UL_high} < 2700$ MHz

Channel bandwidth	Power in transmission bandwidth configuration [dBm]
5 MHz	REFSENS + 6.0 dB
10 MHz	REFSENS + 6.0 dB
15 MHz	REFSENS + 7.0 dB
20 MHz	REFSENS + 9.0 dB
25 MHz	REFSENS + 10.0 dB
30 MHz	REFSENS + 11.0 dB
35 MHz	REFSENS + 11.5 dB
40 MHz	REFSENS + 12.0 dB
45 MHz	REFSENS + 12.5 dB
50 MHz	REFSENS + 13.0 dB
60 MHz	REFSENS + 14.0 dB
70 MHz	REFSENS + 14.5 dB
80 MHz	REFSENS + 15.0 dB
90 MHz	REFSENS + 15.5 dB
100 MHz	REFSENS + 16.0 dB
NOTE:	The transmitter shall be set to 4 dB below $P_{C_{MAX_L,f,c}}$ at the minimum UL configuration specified in Table 7.3.2.3-3 with $P_{C_{MAX_L,f,c}}$ defined in clause 6.2J.2.

Table 7.6J.3.3-2: Out-of-band blocking for NR bands with $F_{DL_high} < 2700$ MHz and $F_{UL_high} < 2700$ MHz

NR band	Parameter	Unit	Range 1	Range 2	Range 3
n1, n3 n34, n39, n41	$P_{interferer}$	dBm	-44	-30	-15
	$F_{interferer}$ (CW)	MHz	$-60 < f - F_{DL_low} < -15$ or $15 < f - F_{DL_high} < 60$	$-85 < f - F_{DL_low} \leq -60$ or $60 \leq f - F_{DL_high} < 85$	$1 \leq f \leq F_{DL_low} - 85$ or $F_{DL_high} + 85 \leq f \leq 12750$
NOTE:	The power level of the interferer ($P_{interferer}$) for Range 3 shall be modified to -20 dBm for $F_{interferer} > 6000$ MHz.				

For interferer frequencies across ranges 1, 2 and 3 in Table 7.6J.3.3-2, a maximum of

$$\lfloor \max \{24, 6 \cdot \lceil n \cdot N_{RB} / 6 \rceil \} / \min \{ \lfloor n \cdot N_{RB} / 10 \rfloor, 5 \} \rfloor$$

exceptions are allowed for spurious response frequencies in each assigned frequency channel when measured using a step size of $\min \{ \lfloor BW_{channel} / 2 \rfloor, 5 \}$ MHz with N_{RB} the number of resource blocks in the downlink transmission bandwidth configuration, $BW_{channel}$ is the bandwidth of the frequency channel in MHz and $n = 1, 2, 3$ for SCS = 15, 30, 60 kHz, respectively. For these exceptions, the requirements in subclause 7.7J apply.

For NR bands with $F_{DL_low} \geq 3300$ MHz and $F_{UL_low} \geq 3300$ MHz out-of-band band blocking is defined for an unwanted CW interfering signal falling outside a frequency range up to $3 \cdot BW_{channel}$ below or from $3 \cdot BW_{channel}$ above the UE receive band, where $BW_{channel}$ is the channel bandwidth. The throughput of the wanted signal shall be $\geq 95\%$ of the maximum throughput of the reference measurement channels as specified in Annexes A.2.2, A.2.3, A.3.2 and A.3.3 (with one sided dynamic OCN Pattern OP.1 FDD/TDD for the DL-signal as described in Annex A.5.1.1/A.5.2.1) with parameters specified in Table 7.6J.3.3-3 and Table 7.6J.3.3-4. The relative throughput requirement shall be met for any SCS specified for the channel bandwidth of the wanted signal.

Table 7.6J.3.3-3: Out-of-band blocking parameters for NR bands with $F_{DL_low} \geq 3300$ MHz and $F_{UL_low} \geq 3300$ MHz

RX parameter	Units	Channel bandwidth (MHz)		
		10	15	20, 25, 30, 35, 40, 45, 50, 60, 70, 80, 90, 100
Power in transmission	dBm	REFSENS + 6 dB	REFSENS + 7 dB	REFSENS + 9 dB

bandwidth configuration				
NOTE: The transmitter shall be set to 4 dB below $P_{\text{CMAX_L,f,c}}$ at the minimum UL configuration specified in Table 7.3.2.3-3 with $P_{\text{CMAX_L,f,c}}$ defined in clause 6.2J.2.				

Table 7.6J.3.3-4: Out of-band blocking for NR bands with $F_{\text{DL_low}} \geq 3300$ MHz and $F_{\text{UL_low}} \geq 3300$ MHz

NR band	Parameter	Unit	Range 1	Range 2	Range 3
n78 (NOTE 3)	$P_{\text{interferer}}$	dBm	-44	-30	-15
	$F_{\text{interferer}}$ (CW)	MHz	$-60 < f - F_{\text{DL_low}} \leq -3 \cdot \text{BW}_{\text{Channel}}$ or $3 \cdot \text{BW}_{\text{Channel}} \leq f - F_{\text{DL_high}} < 60$	$-200 < f - F_{\text{DL_low}} \leq \text{MAX}(60, 3 \cdot \text{BW}_{\text{Channel}})$ or $\text{MAX}(60, 3 \cdot \text{BW}_{\text{Channel}}) \leq f - F_{\text{DL_high}} < 200$	$1 \leq f \leq F_{\text{DL_low}} - \text{MAX}(200, 3 \cdot \text{BW}_{\text{Channel}})$ or $F_{\text{DL_high}} + \text{MAX}(200, 3 \cdot \text{BW}_{\text{Channel}}) \leq f \leq 12750$
n79 (NOTE 4)	$F_{\text{interferer}}$ (CW)	MHz	N/A	$-150 < f - F_{\text{DL_low}} \leq \text{MAX}(60, 3 \cdot \text{BW}_{\text{Channel}})$ or $\text{MAX}(60, 3 \cdot \text{BW}_{\text{Channel}}) \leq f - F_{\text{DL_high}} < 150$	$1 \leq f \leq F_{\text{DL_low}} - \text{MAX}(150, 3 \cdot \text{BW}_{\text{Channel}})$ or $F_{\text{DL_high}} + \text{MAX}(150, 3 \cdot \text{BW}_{\text{Channel}}) \leq f \leq 12750$
NOTE 1: The power level of the interferer ($P_{\text{interferer}}$) for Range 3 shall be modified to -20 dBm for $F_{\text{interferer}} > 6000$ MHz. NOTE 2: $\text{BW}_{\text{Channel}}$ denotes the channel bandwidth of the wanted signal NOTE 3: The power level of the interferer ($P_{\text{interferer}}$) for Range 3 shall be modified to -20 dBm, for $F_{\text{interferer}} > 2700$ MHz and $F_{\text{interferer}} < 4800$ MHz. For $\text{BW}_{\text{Channel}} > 15$ MHz, the requirement for Range 1 is not applicable and Range 2 applies from the frequency offset of $3 \cdot \text{BW}_{\text{Channel}}$ from the band edge. For $\text{BW}_{\text{Channel}}$ larger than 60 MHz, the requirement for Range 2 is not applicable and Range 3 applies from the frequency offset of $3 \cdot \text{BW}_{\text{Channel}}$ from the band edge. NOTE 4: The power level of the interferer ($P_{\text{interferer}}$) for Range 3 shall be modified to -20 dBm, for $F_{\text{interferer}} > 3650$ MHz and $F_{\text{interferer}} < 5750$ MHz. For $\text{BW}_{\text{Channel}} \geq 40$ MHz, the requirement for Range 2 is not applicable and Range 3 applies from the frequency offset of $3 \cdot \text{BW}_{\text{Channel}}$ from the band edge.					

For interferer frequencies across ranges 1, 2 and 3 in Table 7.6J.3.3-4, a maximum of

$$\lfloor \max \{ 24, 6 \cdot \lceil n \cdot N_{\text{RB}} / 6 \rceil \} / \min \{ \lfloor n \cdot N_{\text{RB}} / 10 \rfloor, 5 \} \rfloor$$

exceptions are allowed for spurious response frequencies in each assigned frequency channel when measured using a step size of $\min \{ \lfloor \text{BW}_{\text{channel}} / 2 \rfloor, 5 \}$ MHz with N_{RB} the number of resource blocks in the downlink transmission bandwidth configuration, $\text{BW}_{\text{Channel}}$ the bandwidth of the frequency channel in MHz and $n = 1, 2, 3$ for SCS = 15, 30, 60 kHz, respectively. For these exceptions, the requirements in subclause 7.7J apply.

NOTE: In 3GPP, the ATG UE out-of-band blocking specification is defined to ensure the telecommunication link and there may be other sources of interference and regulatory issues that need to be considered when designing ATG UE, i.e. avionic equipment.

The normative reference for this requirement is TS 38.101-1 [2] clause 7.6J.3 and 7.6.3.

7.6J.3.4 Test Description

7.6J.3.4.1 Initial Conditions

Initial conditions are a set of test configurations the UE needs to be tested in and the steps for the SS to take with the UE to reach the correct measurement state.

The initial test configurations consist of environmental conditions, test frequencies, and channel bandwidths based on NR operating bands specified in Table 5.3.5-1. All these configurations shall be tested with applicable test parameters for each combination of channel bandwidth and sub-carrier spacing, and are shown in Table 7.6J.3.4.1-1. The details of the uplink and downlink reference measurement channels (RMCs) are specified in Annexes A.2 and A.3 respectively.

The details of the OCNG patterns used are specified in Annex A.5. Configurations of PDSCH and PDCCH before measurement are specified in Annex C.3.

Table 7.6J.3.4.1-1: Test Configuration Table

Default Conditions				
Test Environment as specified in TS 38.508-1 [5] subclause 4.1		Normal		
Test Frequencies as specified in TS 38.508-1 [5] subclause 4.3.1		One frequency chosen arbitrarily from low or high range		
Test Channel Bandwidths as specified in TS 38.508-1 [5] subclause 4.3.1		Lowest, Mid, Highest		
Test SCS as specified in TS 38.508-1 [5] subclause 4.3.1		Lowest		
Test Parameters				
Test ID	Downlink Configuration		Uplink Configuration	
	Mod'n	RB allocation	Mod'n	RB allocation
1	CP-OFDM QPSK	NOTE 1	DFT-s-OFDM QPSK	NOTE 1
NOTE 1: The specific configuration of uplink and downlink are defined in Table 7.3.2.4.1-1.				
NOTE 2: In a band where UE supports 4Rx, the test shall be performed only with 4Rx antennas ports connected and 4Rx REFSSENS requirement (Table 7.3.2.5-2) is used in the test requirements.				

1. Connect the SS to the UE antenna connectors as shown in TS 38.508 [5] Annex A, in Figure A.3.1.4.2 for TE diagram and section A.3.2 for UE diagram.
2. The parameter settings for the cell are set up according to TS 38.508 [5] subclause 4.4.3.
3. Downlink signals are initially set up according to Annex C.0, C.1, C.2, C.3.1, and uplink signals according to Annex G.0, G.1, G.2, and G.3.1.
4. The UL and DL Reference Measurement channels are set according to Table 7.6J.3.4.1-1.
5. Propagation conditions are set according to Annex B.0.
6. Ensure the UE is in State RRC_CONNECTED with generic procedure parameters Connectivity *NR*, Connected without release *On*, Test Mode *On* and Test Loop Function *On* according to TS 38.508-1 [5] clause 4.5. Message contents are defined in clause 7.6J.3.4.3.

7.6J.3.4.2 Test Procedure

1. SS transmits PDSCH via PDCCH DCI format 1_1 for C_RNTI to transmit the DL RMC according to Table 7.6J.3.4.1-1. The SS sends downlink MAC padding bits on the DL RMC.
2. SS sends uplink scheduling information for each UL HARQ process via PDCCH DCI format 0_1 for C_RNTI to schedule the UL RMC according to Table 7.6J.3.4.1-1. Since the UE has no payload data to send, the UE transmits uplink MAC padding bits on the UL RMC.
3. Set the parameters of the CW signal generator for an interfering signal below the wanted signal according to Table 7.6J.3.5-2 or 7.6J.3.5-4. The frequency step size is $\min\left\{\frac{BW_{channel}}{2}, 5\right\}$ MHz.
4. Set the downlink signal level according to the Table 7.6J.3.5-1 or 7.6J.3.5-3. Send uplink power control commands to the UE using 1dB power step size to ensure that the UE output power measured by the test system is within the Uplink power control window, defined as $-(MU)$ to $-(MU + \text{Uplink power control window size})$ dB of the target power level in Table 7.6J.3.5-1 or Table 7.6J.3.5-3 for at least the duration of the Throughput measurement, where:
 - MU is the test system uplink power measurement uncertainty and is specified in Table F.1.3-1 for the carrier frequency f and the channel bandwidth BW
 - Uplink power control window size = 1dB (UE power step size) + 0.7dB (UE power step tolerance) + (Test system relative power measurement uncertainty), where the UE power step tolerance is specified in TS 38.101-1 [2], Table 6.3.4.3-1 and is 0.7dB for 1dB power step size, and the Test system relative power measurement uncertainty is specified for test case 6.3.4.3 in Table F.1.2-1.

- The transmit power is measured as the sum of power of all antenna connectors (for ATG UE with omnidirectional antennas) or of all TAB connectors (for ATG UE with antenna array).
- 5. Measure the average throughput for a duration sufficient to achieve statistical significance according to Annex H.
- 6. Record the frequencies for which the throughput doesn't meet the requirements.
- 7. Repeat steps from 3 to 6, using an interfering signal above the wanted signal at step 3.

NOTE: The purpose of the Uplink power control window is to ensure that the actual UE output power is no greater than the target power level, and as close as possible to the target power level. The relationship between the Uplink power control window, the target power level and the corresponding possible actual UE Uplink power window is illustrated in Annex F.4.3.

7.6J.3.4.3 Message Contents

FFS

7.6J.3.5 Test Requirement

For NR bands with $F_{DL_high} < 2700$ MHz and $F_{UL_high} < 2700$ MHz, the throughput measurement derived in test procedure shall be $\geq 95\%$ of the maximum throughput of the reference measurement channels as specified in Annex A.3.2 and A.3.3 with parameters specified in Tables 7.6J.3.5-1 and 7.6J.3.5-2.

For NR bands with $F_{DL_high} < 2700$ MHz and $F_{UL_high} < 2700$ MHz, the number of spurious response frequencies recorded in the final step of test procedure shall not exceed $\lfloor \max \{24, 6 \cdot \lceil n \cdot N_{RB} / 6 \rceil \} / \min \{ \lfloor n \cdot N_{RB} / 10 \rfloor, 5 \} \rfloor$ in each assigned frequency channel when measured using a $\min \{ BW_{channel} / 2, 5 \}$ MHz step size. For these exceptions the requirements of clause 7.7J Spurious Response are applicable.

Table 7.6J.3.5-1: Out-of-band blocking parameters for NR bands with $F_{DL_high} < 2700$ MHz and $F_{UL_high} < 2700$ MHz

Channel bandwidth	Power in transmission bandwidth configuration [dBm]
5 MHz	REFSENS + 6.0 dB
10 MHz	REFSENS + 6.0 dB
15 MHz	REFSENS + 7.0 dB
20 MHz	REFSENS + 9.0 dB
25 MHz	REFSENS + 10.0 dB
30 MHz	REFSENS + 11.0 dB
35 MHz	REFSENS + 11.5 dB
40 MHz	REFSENS + 12.0 dB
45 MHz	REFSENS + 12.5 dB
50 MHz	REFSENS + 13.0 dB
60 MHz	REFSENS + 14.0 dB
70 MHz	REFSENS + 14.5 dB
80 MHz	REFSENS + 15.0 dB
90 MHz	REFSENS + 15.5 dB
100 MHz	REFSENS + 16.0 dB
NOTE:	The transmitter shall be set to 4 dB below $P_{CMAX_L,f,c}$ at the minimum UL configuration specified in Table 7.3.2.3-3 with $P_{CMAX_L,f,c}$ defined in clause 6.2J.2.

Table 7.6J.3.5-2: Out of-band blocking for NR bands with $F_{DL_high} < 2700$ MHz and $F_{UL_high} < 2700$ MHz

NR band	Parameter	Unit	Range 1	Range 2	Range 3
n1, n3, n34, n39, n41	$P_{interferer}$	dBm	-44	-30	-15
	$F_{interferer}$ (CW)	MHz	-60 < f - F_{DL_low} < -15 or 15 < f - F_{DL_high} < 60	-85 < f - F_{DL_low} ≤ -60 or 60 ≤ f - F_{DL_high} < 85	1 ≤ f ≤ F_{DL_low} - 85 or F_{DL_high} + 85 ≤ f ≤ 12750

NOTE: The power level of the interferer ($P_{\text{Interferer}}$) for Range 3 shall be modified to -20 dBm for $F_{\text{Interferer}} > 6000$ MHz.

For NR bands with $F_{\text{DL_low}} \geq 3300$ MHz and $F_{\text{UL_low}} \geq 3300$ MHz, the throughput measurement derived in test procedure shall be $\geq 95\%$ of the maximum throughput of the reference measurement channels as specified in Annex A.3.2 and A.3.3 with parameters specified in Tables 7.6J.3.5-3 and 7.6J.3.5-4.

For NR bands with $F_{\text{DL_low}} \geq 3300$ MHz and $F_{\text{UL_low}} \geq 3300$ MHz, the number of spurious response frequencies recorded in the final step of test procedure shall not exceed $\lfloor \max \{24, 6 \cdot \lceil n \cdot N_{\text{RB}} / 6 \rceil \} / \min \{ \lfloor n \cdot N_{\text{RB}} / 10 \rfloor, 5 \} \rfloor$ in each assigned frequency channel when measured using a $\min \left(\frac{BW_{\text{channel}}}{2}, 5 \right)$ MHz step size. For these exceptions the requirements of clause 7.7J Spurious Response are applicable.

Table 7.6J.3.5-3: Out-of-band blocking parameters for NR bands with $F_{\text{DL_low}} \geq 3300$ MHz and $F_{\text{UL_low}} \geq 3300$ MHz

RX parameter	Units	Channel bandwidth (MHz)		
		10	15	20, 25, 30, 35, 40, 45, 50, 60, 70, 80, 90, 100
Power in transmission bandwidth configuration	dBm	REFSENS + 6 dB	REFSENS + 7 dB	REFSENS + 9 dB
NOTE: The transmitter shall be set to 4 dB below $P_{\text{CMAX_L,f,c}}$ at the minimum UL configuration specified in Table 7.3.2.3-3 with $P_{\text{CMAX_L,f,c}}$ defined in clause 6.2J.2				

Table 7.6J.3.5-4: Out of-band blocking for NR bands with $F_{\text{DL_low}} \geq 3300$ MHz and $F_{\text{UL_low}} \geq 3300$ MHz

NR band	Parameter	Unit	Range1	Range 2	Range 3
n78 (NOTE 3)	$P_{\text{Interferer}}$	dBm	-44	-30	-15
	$F_{\text{Interferer}}$ (CW)	MHz	$-60 < f - F_{\text{DL_low}} \leq -3 \cdot BW_{\text{Channel}}$ or $3 \cdot BW_{\text{Channel}} \leq f - F_{\text{DL_high}} < 60$	$-200 < f - F_{\text{DL_low}} \leq -\text{MAX}(60, 3 \cdot BW_{\text{Channel}})$ or $\text{MAX}(60, 3 \cdot BW_{\text{Channel}}) \leq f - F_{\text{DL_high}} < 200$	$1 \leq f \leq F_{\text{DL_low}} - \text{MAX}(200, 3 \cdot BW_{\text{Channel}})$ or $F_{\text{DL_high}} + \text{MAX}(200, 3 \cdot BW_{\text{Channel}}) \leq f \leq 12750$
n79 (NOTE 4)	$F_{\text{Interferer}}$ (CW)	MHz	N/A	$-150 < f - F_{\text{DL_low}} \leq -\text{MAX}(60, 3 \cdot BW_{\text{Channel}})$ or $\text{MAX}(60, 3 \cdot BW_{\text{Channel}}) \leq f - F_{\text{DL_high}} < 150$	$1 \leq f \leq F_{\text{DL_low}} - \text{MAX}(150, 3 \cdot BW_{\text{Channel}})$ or $F_{\text{DL_high}} + \text{MAX}(150, 3 \cdot BW_{\text{Channel}}) \leq f \leq 12750$
NOTE 1: The power level of the interferer ($P_{\text{Interferer}}$) for Range 3 shall be modified to -20 dBm for $F_{\text{Interferer}} > 6000$ MHz.					
NOTE 2: BW_{Channel} denotes the channel bandwidth of the wanted signal					
NOTE 3: The power level of the interferer ($P_{\text{Interferer}}$) for Range 3 shall be modified to -20 dBm, for $F_{\text{Interferer}} > 2700$ MHz and $F_{\text{Interferer}} < 4800$ MHz. For $BW_{\text{Channel}} > 15$ MHz, the requirement for Range 1 is not applicable and Range 2 applies from the frequency offset of $3 \cdot BW_{\text{Channel}}$ from the band edge. For BW_{Channel} larger than 60 MHz, the requirement for Range 2 is not applicable and Range 3 applies from the frequency offset of $3 \cdot BW_{\text{Channel}}$ from the band edge.					
NOTE 4: The power level of the interferer ($P_{\text{Interferer}}$) for Range 3 shall be modified to -20 dBm, for $F_{\text{Interferer}} > 3650$ MHz and $F_{\text{Interferer}} < 5750$ MHz. For $BW_{\text{Channel}} \geq 40$ MHz, the requirement for Range 2 is not applicable and Range 3 applies from the frequency offset of $3 \cdot BW_{\text{Channel}}$ from the band edge.					

7.7 Spurious response

7.7.1 Test Purpose

Spurious response is a measure of the ability of the receiver to receive a wanted signal on its assigned channel frequency without exceeding a given degradation due to the presence of an unwanted CW interfering signal at any other

frequency for which a response is obtained, i.e. for which the out-of-band blocking limit as specified in subclause 7.6.3 is not met.

The lack of the spurious response ability decreases the coverage area when other unwanted interfering signal exists at any other frequency.

7.7.2 Test Applicability

This test applies to all types of NR UE release 15 and forward.

7.7.3 Minimum Conformance Requirements

The throughput shall be $\geq 95\%$ of the maximum throughput of the reference measurement channels as specified in Annexes A.2.2, A.2.3, A.3.2 and A.3.3 (with one sided dynamic OCNG Pattern OP.1 FDD/TDD for the DL-signal as described in Annex A.5.1.1/A.5.2.1) with parameters for the wanted signal as specified in Table 7.7.3-1 for NR bands with $F_{DL_high} < 2700$ MHz and $F_{UL_high} < 2700$ MHz and in Table 7.7.3-1a for NR bands with $F_{DL_high} \geq 3300$ MHz and $F_{UL_high} \geq 3300$ MHz and for the interferer as specified in Table 7.7.3-2. The relative throughput requirement shall be met for any SCS specified for the channel bandwidth of the wanted signal. For operating bands with an unpaired DL part (as noted in Table 5.2-1), the requirements only apply for carriers assigned in the paired part.

Table 7.7.3-1: Spurious response parameters for NR bands with $F_{DL_high} < 2700$ MHz and $F_{UL_high} < 2700$ MHz

RX parameter	Units	Channel bandwidth (MHz)		
		3, 5, 10	15	20, 25, 30, 35, 40, 45, 50, 60, 70, 80, 90, 100
Power in transmission bandwidth configuration ²	dBm	REFSENS + 6 dB	REFSENS + 7 dB	REFSENS + (9 + 10log ₁₀ (BW _{Channel} / 20)) dB
NOTE 1: The transmitter shall be set to 4 dB below P _{C_{MAX}L,f,c} at the minimum UL configuration specified in Table 7.3.2.3-3 with P _{C_{MAX}L,f,c} defined in clause 6.2.4.				
NOTE 2: 10log ₁₀ (x) is rounded to the next higher 0.5dB value.				

Table 7.7.3-1a: Spurious response parameters for NR bands with $F_{DL_low} \geq 3300$ MHz and $F_{UL_low} \geq 3300$ MHz

RX parameter	Units	Channel bandwidth (MHz)		
		10	15	20, 25, 30, 35, 40, 45, 50, 60, 70, 80, 90, 100
Power in transmission bandwidth configuration	dBm	REFSENS + 6 dB	REFSENS + 7 dB	REFSENS + 9 dB
NOTE 1: The transmitter shall be set to 4 dB below P _{C_{MAX}L,f,c} at the minimum UL configuration specified in Table 7.3.2.3-3 with P _{C_{MAX}L,f,c} defined in clause 6.2.4.				

Table 7.7.3-2: Spurious response

Parameter	Unit	Level
P _{Interferer} (CW)	dBm	-44
F _{Interferer}	MHz	Spurious response frequencies

The normative reference for this requirement is TS 38.101-1 [2] clause 7.7.

7.7.4 Test Description

7.7.4.1 Initial Conditions

The initial conditions shall be the same as in clause 7.6.3.4.1 in order to test spurious responses obtained in clause 7.6.3 under the same conditions.

7.7.4.2 Test Procedure

1. SS transmits PDSCH via PDCCH DCI format 1_1 for C_RNTI to transmit the DL RMC according to Table 7.6.3.4.1-1. The SS sends downlink MAC padding bits on the DL RMC.
2. SS sends uplink scheduling information for each UL HARQ process via PDCCH DCI format 0_1 for C_RNTI to schedule the UL RMC according to Table 7.6.3.4.1-1. Since the UE has no payload and no loopback data to send, the UE transmits uplink MAC padding bits on the UL RMC.
3. Set the parameters of the CW signal generator for an interfering signal according to Table 7.7.5-2. The spurious frequencies are taken from records in the final step of test procedures in clause 7.6.3.4.2.
4. Set the downlink signal level according to the table 7.7.5-1 or 7.7.5-1a. Send uplink power control commands to the UE using 1dB power step size to ensure that the UE output power measured by the test system is within the Uplink power control window, defined as -MU to -(MU + Uplink power control window size) dB of the target power level in Table 7.7.5-1 or 7.7.5-1a for at least the duration of the Throughput measurement, where:
 - MU is the test system uplink power measurement uncertainty and is specified in Table F.1.3-1 for the carrier frequency f and the channel bandwidth BW
 - Uplink power control window size = 1dB (UE power step size) + 0.7dB (UE power step tolerance) + (Test system relative power measurement uncertainty), where the UE power step tolerance is specified in TS 38.101-1 [2], Table 6.3.4.3-1 and is 0.7dB for 1dB power step size, and the Test system relative power measurement uncertainty is specified for test case 6.3.4.3 in Table F.1.2-1.
 - For UEs supporting Tx diversity, the transmit power is measured as the sum of the output power from both UE antenna connectors.5. For the spurious frequency, measure the average throughput for a duration sufficient to achieve statistical significance according to Annex H.2.

NOTE: The purpose of the Uplink power control window is to ensure that the actual UE output power is no greater than the target power level, and as close as possible to the target power level. The relationship between the Uplink power control window, the target power level and the corresponding possible actual UE Uplink power window is illustrated in Annex F.4.3.

7.7.4.3 Message Contents

Message contents are according to TS 38.508-1 [5] subclause 4.6 ensuring Table 4.6.3-118 with condition TRANSFORM_PRECODER_ENABLED.

7.7.5 Test Requirement

The throughput measurement derived in test procedure shall be $\geq 95\%$ of the maximum throughput of the reference measurement channels as specified in Annex A.3.2 and A.3.3 with parameters for the wanted signal as specified in Table 7.7.5-1 for NR bands with $F_{DL_high} < 2700$ MHz and $F_{UL_high} < 2700$ MHz and in Table 7.7.5-1a for NR bands with $F_{DL_high} \geq 3300$ MHz and $F_{UL_high} \geq 3300$ MHz and for the interferer as specified in Table 7.7.5-2.

Table 7.7.5-1: Spurious response parameters for NR bands with $F_{DL_high} < 2700$ MHz and $F_{UL_high} < 2700$ MHz

RX parameter	Units	Channel bandwidth (MHz)		
		3, 5, 10	15	20, 25, 30, 35, 40, 45, 50, 60, 70, 80, 90, 100
Power in transmission bandwidth configuration ²	dBm	REFSENS + 6 dB	REFSENS + 7 dB	REFSENS + (9 + 10log ₁₀ (BW _{Channel} /20)) dB
NOTE 1: The transmitter shall be set to 4 dB below P _{CMAX_L,f,c} at the minimum UL configuration specified in Table 7.3.2.3-3 with P _{CMAX_L,f,c} defined in clause 6.2.4.				
NOTE 2: 10log ₁₀ (x) is rounded to the next higher 0.5dB value.				

Table 7.7.5-1a: Spurious response parameters for NR bands with $F_{DL_low} \geq 3300$ MHz and $F_{UL_low} \geq 3300$ MHz

RX parameter	Units	Channel bandwidth (MHz)		
		10	15	20, 25, 30, 35, 40, 45, 50, 60, 70, 80, 90, 100
Power in transmission bandwidth configuration	dBm	REFSENS + 6 dB	REFSENS + 7 dB	REFSENS + 9 dB
NOTE 1: The transmitter shall be set to 4 dB below $P_{C_{MAX_L,f,c}}$ at the minimum UL configuration specified in Table 7.3.2.3-3 with $P_{C_{MAX_L,f,c}}$ defined in clause 6.2.4.				

Table 7.7.5-2: Spurious response

Parameter	Unit	Level
$P_{Interferer}$ (CW)	dBm	-44
$F_{Interferer}$	MHz	Spurious response frequencies

Table 7.7.5-3: Void

7.7A Spurious response for CA

7.7A.0 Minimum conformance requirements

7.7A.0.1 Minimum conformance requirements for intra-band contiguous CA

The normative reference for this requirement is TS 38.101-1 [2] clause 7.7A.1.

Table 7.7A.0.1-1: Spurious response parameters for intra-band contiguous CA

RX parameter	Units	BW Class		
		B	C	D
Power in transmission bandwidth configuration	dBm	REFSENS + channel specific value below		
	dB	9	9	9
NOTE 1: The transmitter shall be set to 4 dB below $P_{C_{MAX_L,f,c}}$ at the minimum UL configuration specified in Table 7.3.2.3-3 with $P_{C_{MAX_L,f,c}}$ defined in clause 6.2.4.				

Table 7.7A.0.1-2: Spurious response for CA

Parameter	Unit	Level
$P_{Interferer}$ (CW)	dBm	-44
$F_{Interferer}$	MHz	Spurious response frequencies

7.7A.0.2 Void

7.7A.0.3 Minimum conformance requirements for inter-band CA

For inter-band carrier aggregation with one component carrier per operating band and the uplink assigned to one NR band, the spurious response are defined with the uplink active on the band(s) other than the band whose downlink is being tested. The UE shall meet the requirements specified in subclause 7.7 for each component carrier while all downlink carriers are active.

For the UE which supports inter-band CA configuration in Table 7.3A.0.3.2.1-1, $P_{interferer}$ power defined in Table 7.7.3-2 is increased by the amount given by $\Delta R_{IB,c}$ defined in Table 7.3A.0.3.2.1-1.

The throughput of each carrier shall be $\geq 95\%$ of the maximum throughput of the reference measurement channels as specified in Annexes A.2.2, A.2.3, A.3.2 and A.3.3 (with one sided dynamic OCNG Pattern OP.1 FDD/TDD for the DL-signal as described in Annex A.5.1.1/A.5.2.1).

The normative reference for this requirement is TS 38.101-1 [2] clause 7.7A.3.

7.7A.0.4 Minimum conformance requirements for intra-band non-contiguous CA

For intra-band non-contiguous carrier aggregation with one uplink carrier and two or more downlink sub-blocks, the spurious response requirements are defined with the uplink configuration in accordance with Table 7.3A.0.2.2-1. For this uplink configuration, the UE shall meet the requirements for each sub-block as specified in clauses 7.7 and 7.7A.1 for one component carrier and two component carriers per sub-block, respectively. The requirements apply with all downlink carriers active.

The throughput of each carrier shall be $\geq 95\%$ of the maximum throughput of the reference measurement channels as specified in Annexes A.2.2, A.2.3, A.3.2, and A.3.3 (with one sided dynamic OCNG Pattern OP.1 FDD/TDD for the DL-signal as described in Annex A.5.1.1/A.5.2.1).

7.7A.1 Spurious response for CA (2DL CA)

7.7A.1.1 Test Purpose

Spurious response for 2DL CA verifies the receiver's ability to receive a wanted 2DL carrier aggregated signal on its assigned channel frequency without exceeding a given degradation due to the presence of an unwanted CW interfering signal at any other frequency at which a response is obtained i.e. for which the out of band blocking limit as specified in sub-clause 7.6A.3 is not met.

The lack of the spurious response ability decreases the coverage area when other unwanted interfering signal exists at any other frequency.

7.7A.1.2 Test Applicability

This test case applies to all types of NR UE release 15 and forward that support 2DL CA.

7.7A.1.3 Minimum Conformance Requirements

The minimum conformance requirements are defined in clause 7.7A.0.

7.7A.1.4 Test Description

7.7A.1.4.1 Initial Conditions

The initial conditions shall be the same as in clause 7.6A.3.1.4.1 in order to test spurious responses obtained in clause 7.6A.3.1 under the same conditions.

7.7A.1.4.2 Test Procedure

1. Configure SCC according to Annex C.0, C.1, C.2 for all downlink physical channels.
2. The SS shall configure SCC as per TS 38.508-1 [5] clause 5.5.1. Message contents are defined in clause 7.7A.1.4.3.
3. SS activates SCC by sending the activation MAC CE (Refer TS 38.321 [18], clauses 5.9, 6.1.3.10). Wait for at least 2 seconds (Refer TS 38.133[19], clause 9.3).
4. SS transmits PDSCH via PDCCH DCI format 1_1 for C_RNTI to transmit the DL RMC according to Test Configuration Table 7.6A.3.1.4.1-1, 7.6A.3.1.4.1-2 or 7.6A.3.1.4.1-3 in Clause 7.6A.3 on both PCC and SCC. The SS sends downlink MAC padding bits on the DL RMC.
5. SS sends uplink scheduling information for each UL HARQ process via PDCCH DCI format 0_1 for C_RNTI to schedule the UL RMC according to Test Configuration Table 7.6A.3.1.4.1-1, 7.6A.3.1.4.1-2 or 7.6A.3.1.4.1-3 in Clause 7.6A.3 on both PCC and SCC. Since the UE has no payload data to send, the UE sends uplink MAC padding bits on the UL RMC.

6. Set the parameters of the CW signal generator for an interfering signal according to Table 7.7A.0.1-2. The spurious frequencies are taken from records in the final step of test procedures in clause 7.6A.3 Out-of-band blocking for CA.
7. Set the downlink signal level according to Table 7.7A.0.1-1 for both carriers. Send uplink power control commands to the UE using 1dB power step size to ensure that the UE output power measured by the test system is within the Uplink power control window, defined as $-\text{MU}$ to $-(\text{MU} + \text{Uplink power control window size})$ dB of the target power level in Table 7.7A.0.1-1 + $(10\log(P_{\text{L}_{\text{CRB}}}/N_{\text{RB_alloc}})$ for PCC, $10\log(S_{\text{L}_{\text{CRB}}}/N_{\text{RB_alloc}})$ for SCC) for at least the duration of the Throughput measurement, where:
 - MU is the test system uplink power measurement uncertainty and is specified in Table F.1.3-1 for the carrier frequency f and the channel bandwidth BW
 - Uplink power control window size = 1dB (UE power step size) + 0.7dB (UE power step tolerance) + (Test system relative power measurement uncertainty), where the UE power step tolerance is specified in TS 38.101-1 [2], Table 6.3.4.3-1 and is 0.7dB for 1dB power step size, and the Test system relative power measurement uncertainty is specified for test case 6.3.4.3 in Table F.1.2-1.
 - For UEs supporting Tx diversity, the transmit power is measured as the sum of the output power from both UE antenna connectors.
8. For each spurious frequency, measure the average throughput for each component carrier for duration sufficient to achieve statistical significance according to Annex H.2A.

NOTE: The purpose of the Uplink power control window is to ensure that the actual UE output power is no greater than the target power level, and as close as possible to the target power level. The relationship between the Uplink power control window, the target power level and the corresponding possible actual UE Uplink power window is illustrated in Annex F.4.3.

Table 7.7A.1.4.2-1: Void

7.7A.1.4.3 Message Contents

Message contents are according to TS 38.508-1 [5] subclause 4.6.

7.7A.1.5 Test Requirement

The throughput measurement of each carrier derived in test procedure shall be $\geq 95\%$ of the maximum throughput of the reference measurement channels as specified in Annex A.2.2, A.2.3, A.3.2 and A.3.3 (with one sided dynamic OCNG Pattern OP.1 FDD/TDD for the DL-signal as described in Annex A.5.1.1/A.5.2.1) with parameters specified in Table 7.7A.0.1-1 and 7.7A.0.1-2. For the UE which supports inter-band 2DL CA configuration in Table 7.3A.0.3.2.1-1, $P_{\text{Interferer}}$ power defined in Table 7.7A.0.1-2 is increased by the amount given by $\Delta R_{\text{IB,c}}$ in Table 7.3A.0.3.2.1-1.

7.7A.2 Spurious response for CA (3DL CA)

7.7A.2.1 Test Purpose

Spurious response for 3DL CA verifies the receiver's ability to receive a wanted 3DL carrier aggregated signal on its assigned channel frequency without exceeding a given degradation due to the presence of an unwanted CW interfering signal at any other frequency at which a response is obtained i.e. for which the out of band blocking limit as specified in sub-clause 7.6A.3 is not met.

The lack of the spurious response ability decreases the coverage area when other unwanted interfering signal exists at any other frequency.

7.7A.2.2 Test Applicability

This test case applies to all types of NR UE release 15 and forward that support 3DL CA.

7.7A.2.3 Minimum Conformance Requirements

The minimum conformance requirements are defined in clause 7.7A.0.

7.7A.2.4 Test Description

7.7A.2.4.1 Initial Conditions

The initial conditions shall be the same as in clause 7.6A.3.2.4.1 in order to test spurious responses obtained in clause 7.6A.3.2 under the same conditions.

7.7A.2.4.2 Test Procedure

Same test procedure as sub-clause 7.7A.1.4.2 with the following exceptions:

Step 1, 2 and 4 of Test Procedure as in clause 7.7A.1.4.2 is replaced by:

1. SS transmits PDSCH via PDCCH DCI format 1_1 for C_RNTI to transmit the DL RMC according to Test Configuration Table 7.6A.3.1.4.1-1, 7.6A.3.1.4.1-2 or 7.6A.3.1.4.1-3 in Clause 7.6A.3 on both PCC and SCCs. The SS sends downlink MAC padding bits on the DL RMC.
2. SS sends uplink scheduling information for each UL HARQ process via PDCCH DCI format 0_1 for C_RNTI to schedule the UL RMC according to Test Configuration Table 7.6A.3.1.4.1-1, 7.6A.3.1.4.1-2 or 7.6A.3.1.4.1-3 in Clause 7.6A.3 on both PCC and SCCs. Since the UE has no payload data to send, the UE sends uplink MAC padding bits on the UL RMC.
4. Set the downlink signal level according to Table 7.7A.0.1-1 for both carriers. Send uplink power control commands to the UE using 1dB power step size to ensure that the UE output power measured by the test system is within the Uplink power control window, defined as $-\text{MU}$ to $-(\text{MU} + \text{Uplink power control window size})$ dB of the target power level in Table 7.7A.0.1-1 + $(10\log(P_{\text{L_CRB}}/N_{\text{RB_alloc}})$ for PCC, $10\log(S_{\text{L_CRB}}/N_{\text{RB_alloc}})$ for SCC) for at least the duration of the Throughput measurement, where:
 - MU is the test system uplink power measurement uncertainty and is specified in Table F.1.3-1 for the carrier frequency f and the channel bandwidth BW
 - Uplink power control window size = 1dB (UE power step size) + 0.7dB (UE power step tolerance) + (Test system relative power measurement uncertainty), where the UE power step tolerance is specified in TS 38.101-1 [2], Table 6.3.4.3-1 and is 0.7dB for 1dB power step size, and the Test system relative power measurement uncertainty is specified for test case 6.3.4.3 in Table F.1.2-1.
 - For UEs supporting Tx diversity, the transmit power is measured as the sum of the output power from both UE antenna connectors.

7.7A.2.4.3 Message Contents

Same message contents as sub-clause 7.7A.1.4.3.

7.7A.2.5 Test Requirement

The throughput measurement of each carrier derived in test procedure shall be $\geq 95\%$ of the maximum throughput of the reference measurement channels as specified in Annex A.2.2, A.2.3, A.3.2 and A.3.3 (with one sided dynamic OCNG Pattern OP.1 FDD/TDD for the DL-signal as described in Annex A.5.1.1/A.5.2.1) with parameters specified in Table 7.7A.0.1-1 and 7.7A.0.1-2. For the UE which supports inter-band 3DL CA configuration in Table 7.3A.0.3.2.3-1, $P_{\text{Interferer}}$ power defined in Table 7.7A.0.1-2 is increased by the amount given by $\Delta R_{\text{IB,c}}$ in Table 7.3A.0.3.2.3-1.

7.7A.3 Spurious response for CA (4DL CA)

7.7A.3.1 Test Purpose

Spurious response for 4DL CA verifies the receiver's ability to receive a wanted 4DL carrier aggregated signal on its assigned channel frequency without exceeding a given degradation due to the presence of an unwanted CW interfering signal at any other frequency at which a response is obtained i.e. for which the out of band blocking limit as specified in sub-clause 7.6A.3 is not met.

The lack of the spurious response ability decreases the coverage area when other unwanted interfering signal exists at any other frequency.

7.7A.3.2 Test Applicability

This test case applies to all types of NR UE release 15 and forward that support 4DL CA.

7.7A.3.3 Minimum Conformance Requirements

The minimum conformance requirements are defined in clause 7.7A.0.

7.7A.3.4 Test Description

7.7A.3.4.1 Initial Conditions

The initial conditions shall be the same as in clause 7.6A.3.3.4.1 in order to test spurious responses obtained in clause 7.6A.3.3 under the same conditions.

7.7A.3.4.2 Test Procedure

Same test procedure as sub-clause 7.7A.2.4.2.

7.7A.3.4.3 Message Contents

Same message contents as sub-clause 7.7A.1.4.3.

7.7A.3.5 Test Requirement

The throughput measurement of each carrier derived in test procedure shall be $\geq 95\%$ of the maximum throughput of the reference measurement channels as specified in Annex A.2.2, A.2.3, A.3.2 and A.3.3 (with one sided dynamic OCNG Pattern OP.1 FDD/TDD for the DL-signal as described in Annex A.5.1.1/A.5.2.1) with parameters specified in Table 7.7A.0.1-1 and 7.7A.0.1-2. For the UE which supports inter-band 4DL CA configuration in Table 7.3.2_1.3-1 and Table 7.3A.0.3.2.4-1, $P_{\text{Interferer}}$ power defined in Table 7.7A.0.1-2 is increased by the amount given by $\Delta R_{\text{IB,c}}$ in Table 7.3.2_1.3-1 and Table 7.3A.0.3.2.4-1.

7.7B Spurious response for NR-DC

For inter-band NR-DC configurations, the spurious response for the corresponding inter-band CA configuration as specified in clause 7.7A applies.

Note: For NR-DC testing, replace CA by NR-DC, PCC by PCell, and SCC by PSCell in clause 7.7A.

7.7C Spurious response for SUL

7.7C.1 Test Purpose

Spurious response is a measure of the ability of the receiver to receive a wanted signal on its assigned channel frequency without exceeding a given degradation due to the presence of an unwanted CW interfering signal at any other frequency for which a response is obtained, i.e. for which the out-of-band blocking limit as specified in subclause 7.6C.3 is not met.

The lack of the spurious response ability decreases the coverage area when other unwanted interfering signal exists at any other frequency.

7.7C.2 Test Applicability

This test applies to all types of NR UE release 15 and forward that support SUL operating on the SUL bands.

7.7C.3 Minimum Conformance Requirements

Same as defined in clause 7.7.3.

7.7C.4 Test Description

7.7C.4.1 Initial Conditions

The initial conditions shall be the same as defined in clause 7.6C.3.4 in order to test spurious responses obtained in clause 7.6C.3 under the same conditions.

7.7C.4.2 Test Procedure

Same as defined in clause 7.7.4.2 with the following exceptions:

- Replace references to Table 7.6.3.4.1-1 by references to Table 7.6C.3.4.1-1.
- Replace reference to clause 7.6.3.4.2 by reference to clause 7.6C.3.4.2.

7.7C.4.3 Message Contents

Same as defined in clause 7.6C.3.4.

7.7C.5 Test Requirement

Same as defined in clause 7.7.5.

7.7D Spurious response for UL MIMO

7.7D.1 Test Purpose

Spurious response verifies the ability of the UE that support UL MIMO to receive a wanted signal on its assigned channel frequency without exceeding a given degradation due to the presence of an unwanted CW interfering signal at any other frequency at which a response is obtained i.e. for which the out of band blocking for UL MIMO limit as specified in sub-clause 7.6D.3 is not met.

The lack of the spurious response ability decreases the coverage area when other unwanted interfering signal exists at any other frequency.

7.7D.2 Test Applicability

This test applies to all types of NR UE release 15 and forward that support UL MIMO on FDD bands.

7.7D.3 Minimum Conformance Requirements

For UE with two transmitter antenna connectors in closed-loop spatial multiplexing scheme, the minimum requirements in Clause 7.7.3 shall be met with the UL MIMO configurations specified in Table 6.2D.1.4.1-1 in Clause 6.2 D.1 UE maximum output power for UL MIMO. For UL MIMO, the parameter P_{CMAX_L} is defined as the total transmitter power over the two transmitter antenna connectors.

The normative reference for this requirement is TS 38.101-1 [2] clause 7.7D.

7.7D.4 Test Description

7.7D.4.1 Initial Conditions

The initial conditions shall be the same as in clause 7.6D.3.4.1 in order to test spurious responses obtained in clause 7.6D.3 under the same conditions.

7.7D.4.2 Test Procedure

1. SS transmits PDSCH via PDCCH DCI format 1_1 for C_{RNTI} to transmit the DL RMC according to Test Configuration Table 7.6D.3.4.1-1 in Clause 7.6D.3. The SS sends downlink MAC padding bits on the DL RMC.
2. SS sends uplink scheduling information for each UL HARQ process via PDCCH DCI format 0_1 for C_{RNTI} to schedule the UL RMC according to Test Configuration Table 7.6D.3.4.1-1 in Clause 7.6D.3. Since the UE has no payload data to send, the UE transmits uplink MAC padding bits on the UL RMC. The PDCCH DCI format 0_1 is specified with condition 2TX_UL_MIMO in 38.508-1 [5] subclause 4.3.6.1.1.2.
3. Set the parameters of the CW signal generator for an interfering signal according to Table 7.7.5-2. The spurious frequencies are taken from records in the final step of test procedures in clause 7.6D.3.4.2.
4. Set the downlink signal level according to the Table 7.7.5-1 or 7.7.5-1a. Send uplink power control commands to the UE (less or equal to 1dB step size should be used), to ensure that the UE output power is within +0, - 3.4 dB of the target level in table 7.7.5-1a in table 7.7.5-1 for carrier frequency $f \leq 3.0\text{GHz}$ or within +0, -4.0 dB of the target level for carrier frequency $3.0\text{GHz} < f \leq 4.2\text{GHz}$, for at least the duration of the throughput measurement.
5. For the spurious frequency, measure the average throughput for a duration sufficient to achieve statistical significance according to Annex H.2.

7.7D.4.3 Message Contents

Message contents are according to TS 38.508-1 [5] clause 4.6 ensuring Table 4.6.3-182 with condition 2TX_UL_MIMO.

7.7D.5 Test Requirement

Same test requirement as specified in 7.7.5.

7.7D_1 Spurious response for SUL with UL MIMO

7.7D_1.1 Test Purpose

Same test purpose as in clause 7.7D.1.

7.7D_1.2 Test Applicability

This test applies to all types of NR UE release 17 and forward that support SUL and UL MIMO operating on the SUL bands.

7.7D_1.3 Minimum Conformance Requirements

Same minimum conformance requirements as in clause 7.7D.3.

7.7D_1.4 Test Description

7.7D_1.4.1 Initial Conditions

The initial conditions shall be the same as in clause 7.6D.3_1.4.1 in order to test spurious responses obtained in clause 7.6D.3 under the same conditions.

7.7D_1.4.2 Test Procedure

1. SS transmits PDSCH via PDCCH DCI format 1_1 for C_RNTI to transmit the DL RMC according to Test Configuration Table 7.6D.3_1.4.1-1 in Clause 7.6D.3_1. The SS sends downlink MAC padding bits on the DL RMC.
2. SS sends uplink scheduling information for each UL HARQ process via PDCCH DCI format 0_1 for C_RNTI to schedule the UL RMC according to Test Configuration Table 7.6D.3_1.4.1-1 in Clause 7.6D.3_1. Since the UE has no payload data to send, the UE transmits uplink MAC padding bits on the UL RMC. The PDCCH DCI format 0_1 is specified with condition 2TX_UL_MIMO in 38.508-1 [5] subclause 4.3.6.1.1.2.
3. Set the parameters of the CW signal generator for an interfering signal according to Table 7.7.5-2. The spurious frequencies are taken from records in the final step of test procedures in clause 7.6D.3_1.4.2.
4. Set the downlink signal level according to the Table 7.7.5-1 or 7.7.5-1a. Send uplink power control commands to the UE (less or equal to 1dB step size should be used), to ensure that the UE output power is within +0, - 3.4 dB of the target level in table 7.7.5-1a in table 7.7.5-1 for carrier frequency $f \leq 3.0\text{GHz}$ or within +0, -4.0 dB of the target level for carrier frequency $3.0\text{GHz} < f \leq 4.2\text{GHz}$, for at least the duration of the throughput measurement.
5. For the spurious frequency, measure the average throughput for a duration sufficient to achieve statistical significance according to Annex H.2.

7.7D_1.4.3 Message Contents

Message contents are according to TS 38.508-1 [5] subclause 4.3.6.1.1.2 ensuring UL/SUL indicator in Table 4.3.6.1.1.2-1 with condition SUL, subclause 4.6 ensuring Table 4.6.1-28 with condition SUL AND (RF OR RRM), Tables 4.6.3-14 with condition SUL_SUL for SUL carrier, Table 4.6.3-167 with condition PUSCH_PUCCH_ON_SUL, and Table 4.6.3-182 with the condition 2TX_UL_MIMO.

7.7D_1.5 Test Requirement

Same test requirement as specified in 7.7.5.

7.7E Spurious response for V2X

7.7E.0 Minimum conformance requirements

7.7E.0.1 General

Spurious response is a measure of the receiver's ability to receive a wanted signal on its assigned channel frequency without exceeding a given degradation due to the presence of an unwanted CW interfering signal at any other frequency for which a response is obtained, i.e. for which the out-of-band blocking limit as specified in clause 7.6E.3.0.1 is not met.

When UE is configured for NR V2X reception non-concurrent with NR uplink transmissions for NR V2X operating bands specified in Table 5.2E.1-1, the throughput shall be $\geq 95\%$ of the maximum throughput of the reference measurement channels as specified in Annexes A.7.2 with parameters for the wanted signal as specified in Table 7.7E.0.1-1 and Table 7.7E.0.1-2 for NR V2X bands. The relative throughput requirement shall be met for any SCS specified for the channel bandwidth of the wanted signal.

Table 7.7E.0.1-1: Spurious response parameters for NR V2X

RX parameter	Units	Channel bandwidth			
		10 MHz	20 MHz	30 MHz	40 MHz
Power in transmission bandwidth configuration	dBm	$P_{\text{REFSENS_V2X}}$ + channel bandwidth specific value below			
	dB	6	9	11	12
NOTE 1: Reference measurement channel is A.7.2					

Table 7.7E.0.1-2: Spurious response for NR V2X

Parameter	Unit	Level
$P_{\text{Interferer (CW)}}$	dBm	-44
$F_{\text{Interferer}}$	MHz	Spurious response frequencies

7.7E.0.2 Spurious response for V2X con-current operation

For the inter-band con-current NR V2X operation, the requirements specified in clause 7.7E.0.1 shall apply for the NR sidelink reception in the operating bands in Table 5.2E.2-1 and the requirements specified in clause 7.7 shall apply for the NR downlink reception in licensed band while all downlink carriers are active.

The normative reference for this requirement is TS 38.101-1 [2] clause 7.7E.

7.7E.1 Spurious response for V2X / non-concurrent operation

7.7E.2 Spurious response for V2X / con-current operation

7.7F Spurious response for shared spectrum channel access

7.7F.1 Spurious response for shared spectrum channel access

7.7F.1.1 Test Purpose

Spurious response verifies the ability of the UE that supports shared spectrum channel access to receive a wanted signal on its assigned channel frequency without exceeding a given degradation due to the presence of an unwanted CW interfering signal at any other frequency at which a response is obtained i.e. for which the out of band blocking for shared spectrum channel access as specified in sub-clause 7.6F.3.1 is not met.

7.7F.1.2 Test Applicability

This test case applies to all types of NR UE release 16 and forward that support NR standalone shared spectrum channel access.

7.7F.1.3 Minimum Conformance Requirements

For spurious responses, the throughput of the wanted signal shall be $\geq 95\%$ of the maximum throughput of the reference measurement channels as specified in Annexes A.2.2, A.3.2 and A.3.3 (with one sided dynamic OCNG Pattern OP.1 FDD/TDD for the DL-signal as described in Annex A.5.1.1/A.5.2.1) with parameters specified in Table 7.7F.1.3-1 and Table 7.7F.1.3-2. The relative throughput requirement shall be met for any SCS at any other frequency at which a response is obtained i.e. for which the limit as specified in clause 7.6F.3.1 is not met.

Table 7.7F.1.3-1: Spurious response parameters for shared access bands

RX parameter	Units	Channel bandwidth			
		20 MHz	40 MHz	60 MHz	80 MHz
Power in transmission bandwidth configuration	dBm	REFSENS + channel bandwidth specific value below			
	dB	9			
NOTE 1: The transmitter shall be set to 4 dB below $P_{\text{CMAX_L,f,c}}$ at the minimum UL configuration specified in Table 7.3F.2.3-3 with $P_{\text{CMAX_L,f,c}}$ defined in clause 6.2.4.					

Table 7.7F.1.3-2: Spurious response for shared spectrum channel access

Parameter	Unit	Level
$P_{\text{Interferer}} \text{ (CW)}$	dBm	-44
$F_{\text{Interferer}}$	MHz	Spurious response frequencies

The normative reference for this requirement is TS 38.101-1 [2] clause 7.7F.1

7.7F.1.4 Test Description

7.7F.1.4.1 Initial Conditions

The initial conditions shall be the same as in clause 7.6F.3.1.4.1 in order to test spurious responses obtained in clause 7.6F.3.1 under the same conditions.

7.7F.1.4.2 Test Procedure

- SS transmits PDSCH via PDCCH DCI format 1_1 for C_{RNTI} to transmit the DL RMC according to Table 7.6F.3.1.4.1-1. The SS sends downlink MAC padding bits on the DL RMC.
- SS sends uplink scheduling information for each UL HARQ process via PDCCH DCI format 0_1 for C_{RNTI} to schedule the UL RMC according to Table 7.6F.3.1.4.1-1. Since the UE has no payload and no loopback data to send, the UE transmits uplink MAC padding bits on the UL RMC.
- Set the parameters of the CW signal generator for an interfering signal according to Table 7.7F.1.5-2. The spurious frequencies are taken from records in the final step of test procedures in clause 7.6F.3.1.4.2.
- Set the downlink signal level according to Table 7.7F.1.5-1. Send uplink power control commands to the UE using 1dB power step size to ensure that the UE output power measured by the test system is within the Uplink power control window, defined as $-\text{MU}$ to $-(\text{MU} + \text{Uplink power control window size})$ dB of the target power level in Table 7.7F.1.5-1 for at least the duration of the Throughput measurement, where:
 - MU is the test system uplink power measurement uncertainty and is specified in Table F.1.3-1 for the carrier frequency f and the channel bandwidth BW
 - Uplink power control window size = 1dB (UE power step size) + 0.7dB (UE power step tolerance) + (Test system relative power measurement uncertainty), where the UE power step tolerance is specified in TS 38.101-1 [2], Table 6.3.4.3-1 and is 0.7dB for 1dB power step size, and the Test system relative power measurement uncertainty is specified for test case 6.3.4.3 in Table F.1.2-1.
- For the spurious frequency, measure the average throughput for a duration sufficient to achieve statistical significance according to Annex H.2.

NOTE: The purpose of the Uplink power control window is to ensure that the actual UE output power is no greater than the target power level, and as close as possible to the target power level. The relationship between the Uplink power control window, the target power level and the corresponding possible actual UE Uplink power window is illustrated in Annex F.4.3.

7.7F.1.4.3 Message Contents

Message contents are according to TS 38.508-1 [5] subclause 4.6.

7.7F.1.5 Test Requirements

The throughput measurement derived in test procedure shall be $\geq 95\%$ of the maximum throughput of the reference measurement channels as specified in Annex A.3.2 and A.3.3 with parameters for the wanted signal as specified in Table 7.7F.1.5-1, and for the interferer as specified in Table 7.7F.1.5-2.

Table 7.7F.1.5-1: Spurious response parameters for shared access bands

RX parameter	Units	Channel bandwidth			
		20 MHz	40 MHz	60 MHz	80 MHz
Power in transmission bandwidth configuration	dBm	REFSENS + channel bandwidth specific value below			
	dB	9			
NOTE 1: The transmitter shall be set to 4 dB below $P_{\text{CMAX_L,f,c}}$ at the minimum UL configuration specified in Table 7.3F.2.3-3 with $P_{\text{CMAX_L,f,c}}$ defined in clause 6.2.4.					

Table 7.7F.1.5-2: Spurious response for shared spectrum channel access

Parameter	Unit	Level
$P_{\text{Interferer}} \text{ (CW)}$	dBm	-44
$F_{\text{Interferer}}$	MHz	Spurious response frequencies

7.7F.2 Intra-band contiguous shared spectrum channel access CA

FFS

7.7J Spurious response for ATG

Editor's Note: This test is incomplete. The following aspects are not yet determined:

- Annex F MU/TT is FFS.
- Message contents are TBC pending on Rel-18 ASN.1 freeze.

7.7J.1 Test Purpose

Spurious response is a measure of the ability of the receiver to receive a wanted signal on its assigned channel frequency without exceeding a given degradation due to the presence of an unwanted CW interfering signal at any other frequency for which a response is obtained, i.e. for which the out-of-band blocking limit as specified in subclause 7.6J.3 is not met.

The lack of the spurious response ability decreases the coverage area when other unwanted interfering signal exists at any other frequency.

7.7J.2 Test Applicability

This test case applies to all types of NR ATG UE release 18 and forward.

7.7J.3 Minimum Conformance Requirements

For ATG UE, the minimum conformance requirements shall be the same as in clause 7.7.3.

The normative reference for this requirement is TS 38.101-1 [2] clause 7.7J.

7.7J.4 Test Description

7.7J.4.1 Initial Conditions

The initial conditions shall be the same as in clause 7.6J.3.4.1 in order to test spurious responses obtained in clause 7.6J.3 under the same conditions.

7.7J.4.2 Test Procedure

1. SS transmits PDSCH via PDCCH DCI format 1_1 for C_RNTI to transmit the DL RMC according to Table 7.6J.3.4.1-1. The SS sends downlink MAC padding bits on the DL RMC.
2. SS sends uplink scheduling information for each UL HARQ process via PDCCH DCI format 0_1 for C_RNTI to schedule the UL RMC according to Table 7.6J.3.4.1-1. Since the UE has no payload and no loopback data to send, the UE transmits uplink MAC padding bits on the UL RMC.
3. Set the parameters of the CW signal generator for an interfering signal according to Table 7.7J.5-2. The spurious frequencies are taken from records in the final step of test procedures in clause 7.6J.3.4.2.
4. Set the downlink signal level according to the table 7.7J.5-1 or 7.7J.5-1a. Send uplink power control commands to the UE using 1dB power step size to ensure that the UE output power measured by the test system is within the Uplink power control window, defined as -MU to -(MU + Uplink power control window size) dB of the target power level in Table 7.7J.5-1 or 7.7J.5-1a for at least the duration of the Throughput measurement, where:
 - MU is the test system uplink power measurement uncertainty and is specified in Table F.1.3-1 for the carrier frequency f and the channel bandwidth BW
 - Uplink power control window size = 1dB (UE power step size) + 0.7dB (UE power step tolerance) + (Test system relative power measurement uncertainty), where the UE power step tolerance is specified in TS 38.101-1 [2], Table 6.3.4.3-1 and is 0.7dB for 1dB power step size, and the Test system relative power measurement uncertainty is specified for test case 6.3.4.3 in Table F.1.2-1.
5. For the spurious frequency, measure the average throughput for a duration sufficient to achieve statistical significance according to Annex H.2.

NOTE: The purpose of the Uplink power control window is to ensure that the actual UE output power is no greater than the target power level, and as close as possible to the target power level. The relationship between the Uplink power control window, the target power level and the corresponding possible actual UE Uplink power window is illustrated in Annex F.4.3.

7.7J.4.3 Message Contents

FFS

7.7J.5 Test Requirement

The throughput measurement derived in test procedure shall be $\geq 95\%$ of the maximum throughput of the reference measurement channels as specified in Annex A.3.2 and A.3.3 with parameters for the wanted signal as specified in Table 7.7J.5-1 for NR bands with $F_{DL_high} < 2700$ MHz and $F_{UL_high} < 2700$ MHz and in Table 7.7J.5-1a for NR bands with $F_{DL_high} \geq 3300$ MHz and $F_{UL_high} \geq 3300$ MHz and for the interferer as specified in Table 7.7J.5-2.

Table 7.7J.5-1: Spurious response parameters for ATG UE for NR bands with $F_{DL_high} < 2700$ MHz and $F_{UL_high} < 2700$ MHz

RX parameter	Units	Channel bandwidth (MHz)		
		5, 10	15	20, 25, 30, 35, 40, 45, 50, 60, 70, 80, 90, 100
Power in transmission bandwidth configuration ²	dBm	REFSENS + 6 dB	REFSENS + 7 dB	REFSENS + (9 + 10log ₁₀ (BW _{Channel} /20)) dB
NOTE 1: The transmitter shall be set to 4 dB below P _{CMAX_L,f,c} at the minimum UL configuration specified in Table 7.3.2.3-3 with P _{CMAX_L,f,c} defined in clause 6.2J.2.				

NOTE 2: $10\log_{10}(x)$ is rounded to the next higher 0.5dB value.

Table 7.7J.5-1a: Spurious response parameters for ATG UE for NR bands with $F_{DL_low} \geq 3300$ MHz and $F_{UL_low} \geq 3300$ MHz

RX parameter	Units	Channel bandwidth (MHz)		
		10	15	20, 25, 30, 35, 40, 45, 50, 60, 70, 80, 90, 100
Power in transmission bandwidth configuration	dBm	REFSENS + 6 dB	REFSENS + 7 dB	REFSENS + 9 dB
NOTE 1: The transmitter shall be set to 4 dB below $P_{CMAX_L,f,c}$ at the minimum UL configuration specified in Table 7.3.2.3-3 with $P_{CMAX_L,f,c}$ defined in clause 6.2J.2.				

Table 7.7J.5-2: Spurious response for ATG UE

Parameter	Unit	Level
$P_{Interferer}$ (CW)	dBm	-44
$F_{Interferer}$	MHz	Spurious response frequencies

7.8 Intermodulation characteristics

7.8.1 General

Intermodulation response rejection is a measure of the capability of the receiver to receive a wanted signal on its assigned channel frequency in the presence of two or more interfering signals which have a specific frequency relationship to the wanted signal.

7.8.2 Wide band Intermodulation

7.8.2.1 Test purpose

Intermodulation response tests the UE's ability to receive data with a given average throughput for a specified reference measurement channel, in the presence of two or more interfering signals which have a specific frequency relationship to the wanted signal, under conditions of ideal propagation and no added noise.

A UE unable to meet the throughput requirement under these conditions will decrease the coverage area when two or more interfering signals exist which have a specific frequency relationship to the wanted signal.

7.8.2.2 Test applicability

This test applies to all types of NR UE release 15 and forward.

7.8.2.3 Minimum conformance requirements

The wide band intermodulation requirement is defined using a CW carrier and modulated NR signal as interferer 1 and interferer 2 respectively.

The throughput shall be $\geq 95\%$ of the maximum throughput of the reference measurement channels as specified in Annexes A.2.2, A.2.3, A.3.2 and A.3.3 (with one sided dynamic OCNG Pattern OP.1 FDD/TDD for the DL-signal as described in Annex A.5.1.1/A.5.2.1) with parameters specified in Table 7.8.2.3-1 for NR bands with $F_{DL_high} < 2700$ MHz and $F_{UL_high} < 2700$ MHz and Table 7.8.2.3-2 for NR bands with $F_{DL_low} \geq 3300$ MHz and $F_{UL_low} \geq 3300$ MHz. The relative throughput requirement shall be met for any SCS specified for the channel bandwidth of the wanted signal. For operating bands with an unpaired DL part (as noted in Table 5.2-1), the requirements only apply for carriers assigned in the paired part.

Table 7.8.2.3-1: Wide band intermodulation parameters for NR bands with $F_{DL_high} < 2700$ MHz and $F_{UL_high} < 2700$ MHz

Rx parameter	Units	Channel bandwidth (MHz)
--------------	-------	-------------------------

		3	5, 10	15	20, 25, 30, 35, 40, 45, 50, 60, 70, 80, 90, 100
P_w in Transmission Bandwidth Configuration, per CC ⁵	dBm	REFSENS + 8 dB	REFSENS + 6 dB	REFSENS + 7 dB	REFSENS + (9 + 10log ₁₀ (BW _{Channel} /20)) dB
$P_{\text{Interferer 1 (CW)}}$	dBm	-46			
$P_{\text{Interferer 2 (Modulated)}}$	dBm	-46			
$BW_{\text{Interferer 2}}$	MHz	3	5		
$F_{\text{Interferer 1 (Offset)}}$	MHz	-BW/2 – 4.5 /+BW/2 + 4.5	-BW _{channel} /2 – 7.5 / +BW _{channel} /2 + 7.5		
$F_{\text{Interferer 2 (Offset)}}$	MHz	2* $F_{\text{Interferer 1}}$			
<p>NOTE 1: The transmitter shall be set to 4 dB below $P_{\text{CMAX_L,f,c}}$ at the minimum UL configuration specified in Table 7.3.2.3-3 with $P_{\text{CMAX_L,f,c}}$ defined in clause 6.2.4.</p> <p>NOTE 2: Reference measurement channel is specified in Annexes A.2.2, A.3.2, and A.3.3 (with one sided dynamic OCNG Pattern OP.1 FDD/TDD for the DL-signal as described in Annex A.5.1.1/A.5.2.1).</p> <p>NOTE 3: The modulated interferer consists of the Reference measurement channel specified in Annexes A.3.2.2 and A.3.3.2 with one sided dynamic OCNG Pattern OP.1 FDD/TDD for the DL-signal as described in Annex A.5.1.1/A.5.2.1 and 15 kHz SCS.</p> <p>NOTE 4: The $F_{\text{interferer 1}}$ (offset) is the frequency separation of the centre frequency of the carrier closest to the interferer and the centre frequency of the CW interferer and $F_{\text{interferer 2}}$ (offset) is the frequency separation of the centre frequency of the carrier closest to the interferer and the centre frequency of the modulated interferer.</p> <p>NOTE 5: 10log₁₀(x) is rounded to the next higher 0.5dB value.</p>					

Table 7.8.2.3-2: Wide band intermodulation parameters for NR bands with $F_{\text{DL_low}} \geq 3300$ MHz and $F_{\text{UL_low}} \geq 3300$ MHz

Rx parameter	Units	Channel bandwidth (MHz)	
		10, 15, 20, 25, 30, 35, 40, 45, 50, 60, 70, 80, 90, 100	
P_w in Transmission Bandwidth Configuration, per CC	dBm	REFSENS + 6dB	
$P_{\text{Interferer 1 (CW)}}$	dBm	-46	
$P_{\text{Interferer 2 (Modulated)}}$	dBm	-46	
$BW_{\text{Interferer 2}}$	MHz	BW_{channel}	
$F_{\text{Interferer 1 (Offset)}}$	MHz	-2 BW_{channel} / +2 BW_{channel}	
$F_{\text{Interferer 2 (Offset)}}$	MHz	2* $F_{\text{Interferer 1}}$	
<p>NOTE 1: The transmitter shall be set to 4dB below $P_{\text{CMAX_L,f,c}}$ at the minimum UL configuration specified in Table 7.3.2.3-3 with $P_{\text{CMAX_L,f,c}}$ defined in clause 6.2.4.</p> <p>NOTE 2: Reference measurement channel is specified in Annexes A.2.2, A.2.3, A.3.2, and A.3.3 (with one sided dynamic OCNG Pattern OP.1 FDD/TDD for the DL-signal as described in Annex A.5.1.1/A.5.2.1).</p> <p>NOTE 3: The modulated interferer consists of the Reference measurement channel specified in Annexes A.3.2.2 and A.3.3.2 with one sided dynamic OCNG Pattern OP.1 FDD/TDD for the DL-signal as described in Annex A.5.1.1/A.5.2.1 and the same SCS as the wanted signal.</p> <p>NOTE 4: The $F_{\text{interferer 1}}$ (offset) is the frequency separation of the centre frequency of the carrier closest to the interferer and the centre frequency of the CW interferer and $F_{\text{interferer 2}}$ (offset) is the frequency separation of the centre frequency of the carrier closest to the interferer and the centre frequency of the modulated interferer.</p>			

The normative reference for this requirement is TS 38.101-1 [2] clause 7.8.2.

7.8.2.4 Test description

7.8.2.4.1 Initial conditions

Initial conditions are a set of test configurations the UE needs to be tested in and the steps for the SS to take with the UE to reach the correct measurement state.

The initial test configurations consist of environmental conditions, test frequencies, test channel bandwidths and sub-carrier spacing based on NR operating bands specified in Table 5.3.5-1. All of these configurations shall be tested with applicable test parameters for each combination of channel bandwidth and sub-carrier spacing, are shown in Table 7.8.2.4.1-1. The details of the uplink and downlink reference measurement channels (RMC) are specified in Annexes A.2 and A.3. Configuration of PDSCH and PDCCH before measurement are specified in Annex C.2.

Table 7.8.2.4.1-1: Test Configuration Table

Default Conditions				
Test Environment as specified in TS 38.508-1 [5] subclause 4.1		Normal		
Test Frequencies as specified in TS 38.508-1 [5] subclause 4.3.1		Mid range (NOTE 4)		
Test Channel Bandwidths as specified in TS 38.508-1 [5] subclause 4.3.1		Lowest, Mid, Highest Lowest UL / Lowest DL, Lowest UL / Highest DL (NOTE 3)		
Test SCS as specified in Table 5.3.5-1		Highest		
Test Parameters				
Test ID	Downlink Configuration		Uplink Configuration	
	Mod'n	RB allocation	Mod'n	RB allocation
1	CP-OFDM QPSK	NOTE 1	DFT-s-OFDM QPSK	NOTE 1
NOTE 1: The specific configuration of uplink and downlink are defined in Table 7.3.2.4.1-1.				
NOTE 2: In a band where UE supports 4Rx, the test shall be performed only with 4Rx antennas ports connected and 4Rx REFSSENS requirement (Table 7.3.2.5-2) is used in the test requirements.				
NOTE 3: Additional test points selected according to asymmetric channel bandwidths specified in clause 5.3.6. DL channel bandwidth shall be selected first.				
NOTE 4: For NR band n28, 30MHz test channel bandwidth is tested with Low range test frequencies.				

1. Connect the SS to the UE antenna connectors as shown in TS 38.508-1 [5] Annex A, in Figure A.3.1.4.3 for TE diagram and section A.3.2 for UE diagram.
2. The parameter settings for the cell are set up according to TS 38.508-1 [5] subclause 4.4.3.
3. Downlink signals are initially set up according to Annex C.0, C.1, C.2, C.3.1, and uplink signals according to Annex G.0, G.1, G.2, G.3.1.
4. The DL and UL Reference Measurement channels are set according to Table 7.8.2.4.1-1.
5. Propagation conditions are set according to Annex B.0.
6. Ensure the UE is in state RRC_CONNECTED with generic procedure parameters Connectivity NR, Connected without release *On*, Test Mode *On* and Test Loop Function *On* according to TS 38.508-1 [5] clause 4.5. Message content are defined in clause 7.8.2.4.3.

7.8.2.4.2 Test procedure

1. SS transmits PDSCH via PDCCH DCI format 1_1 for C_RNTI to transmit the DL RMC according to Table 7.8.2.4.1-1. The SS sends downlink MAC padding bits on the DL RMC.
2. SS sends uplink scheduling information for each UL HARQ process via PDCCH DCI format 0_1 for C_RNTI to schedule the UL RMC according to Table 7.8.2.4.1-1. Since the UE has no payload data to send, the UE transmits uplink MAC padding bits on the UL RMC.
3. Set the Downlink signal level to the value as defined in Table 7.8.2.5-1 or Table 7.8.2.5-2. Send uplink power control commands to the UE using 1dB power step size to ensure that the UE output power measured by the test system is within the Uplink power control window, defined as -MU to -(MU + Uplink power control window

size) dB of the target power level in Table 7.8.2.5-1 or Table 7.8.2.5-2 for at least the duration of the Throughput measurement, where:

- MU is the test system uplink power measurement uncertainty and is specified in Table F.1.3-1 for the carrier frequency f and the channel bandwidth BW
 - Uplink power control window size = 1dB (UE power step size) + 0.7dB (UE power step tolerance) + (Test system relative power measurement uncertainty), where the UE power step tolerance is specified in TS 38.101-1 [2], Table 6.3.4.3-1 and is 0.7dB for 1dB power step size, and the Test system relative power measurement uncertainty is specified for test case 6.3.4.3 in Table F.1.2-1.
 - For UEs supporting Tx diversity, the transmit power is measured as the sum of the output power from both UE antenna connectors.
4. Set the Interfering signal levels to the values as defined in Table 7.8.2.5-1 or Table 7.8.2.5-2 and frequency below the wanted signal.
 5. Measure the average throughput for a duration sufficient to achieve statistical significance according to Annex H.2.
 6. Repeat steps from 3 to 5, using an interfering signal above the wanted signal at step 4.

NOTE: The purpose of the Uplink power control window is to ensure that the actual UE output power is no greater than the target power level, and as close as possible to the target power level. The relationship between the Uplink power control window, the target power level and the corresponding possible actual UE Uplink power window is illustrated in Annex F.4.3.

7.8.2.4.3 Message contents

Message contents are according to TS 38.508-1 [5] subclause 4.6 with DFT-s-OFDM condition in Table 4.6.3-118 PUSCH-Config.

7.8.2.5 Test requirement

The throughput shall be $\geq 95\%$ of the maximum throughput of the reference measurement channels as specified in Annex A.3.2 with parameters specified in Table 7.8.2.5-1 or Table 7.8.2.5-2 for the specified wanted signal mean power in the presence of two interfering signals.

Table 7.8.2.5-1: Wide band intermodulation parameters for NR bands with $F_{DL_high} < 2700$ MHz and $F_{UL_high} < 2700$ MHz

Rx parameter	Units	Channel bandwidth (MHz)			
		3	5, 10	15	20, 25, 30, 35, 40, 45, 50, 60, 70, 80, 90, 100
P_w in Transmission Bandwidth Configuration, per CC ⁵	dBm	REFSENS + 8 dB	REFSENS + 6 dB	REFSENS + 7 dB	REFSENS + (9 + 10log ₁₀ (BW _{Channel} /20)) dB
$P_{Interferer\ 1}$ (CW)	dBm	-46			
$P_{Interferer\ 2}$ (Modulated)	dBm	-46			
BW _{Interferer\ 2}	MHz	3	5		
$F_{Interferer\ 1}$ (Offset)	MHz	-BW/2 – 4.5 /+BW/2 + 4.5	-BW _{channel} /2 – 7.5 / +BW _{channel} /2 + 7.5		
$F_{Interferer\ 2}$ (Offset)	MHz	$2 * F_{Interferer\ 1}$			
NOTE 1: The transmitter shall be set to 4 dB below $P_{CMAX_L,f,c}$ at the minimum UL configuration specified in Table 7.3.2.3-3 with $P_{CMAX_L,f,c}$ defined in clause 6.2.4.					
NOTE 2: Reference measurement channel is specified in Annexes A.2.2, A.3.2, and A.3.3 (with one sided dynamic OCNG Pattern OP.1 FDD/TDD for the DL-signal as described in Annex A.5.1.1/A.5.2.1).					
NOTE 3: The modulated interferer consists of the Reference measurement channel specified in Annexes A.3.2.2 and A.3.3.2 with one sided dynamic OCNG Pattern OP.1 FDD/TDD for the DL-signal as described in Annex A.5.1.1/A.5.2.1 and 15 kHz SCS.					

NOTE 4: The $F_{\text{interferer 1}}$ (offset) is the frequency separation of the centre frequency of the carrier closest to the interferer and the centre frequency of the CW interferer and $F_{\text{interferer 2}}$ (offset) is the frequency separation of the centre frequency of the carrier closest to the interferer and the centre frequency of the modulated interferer.
 NOTE 5: $10\log_{10}(x)$ is rounded to the next higher 0.5dB value.

Table 7.8.2.5-2: Wide band intermodulation parameters for NR bands with $F_{\text{DL_low}} \geq 3300$ MHz and $F_{\text{UL_low}} \geq 3300$ MHz

Rx parameter	Units	Channel bandwidth (MHz)	
		10, 15, 20, 25, 30, 35, 40, 45, 50, 60, 70, 80, 90, 100	
P_w in Transmission Bandwidth Configuration, per CC	dBm	REFSENS + 6dB	
$P_{\text{Interferer 1}}$ (CW)	dBm	-46	
$P_{\text{Interferer 2}}$ (Modulated)	dBm	-46	
$BW_{\text{Interferer 2}}$	MHz	BW_{channel}	
$F_{\text{Interferer 1}}$ (Offset)	MHz	-2 BW_{channel} / +2 BW_{channel}	
$F_{\text{Interferer 2}}$ (Offset)	MHz	2* $F_{\text{Interferer 1}}$	
NOTE 1: The transmitter shall be set to 4dB below $P_{\text{CMAX_L,f,c}}$ at the minimum UL configuration specified in Table 7.3.2.3-3 with $P_{\text{CMAX_L,f,c}}$ defined in clause 6.2.4.			
NOTE 2: Reference measurement channel is specified in Annexes A.2.2, A.2.3, A.3.2, and A.3.3 (with one sided dynamic OCNG Pattern OP.1 FDD/TDD for the DL-signal as described in Annex A.5.1.1/A.5.2.1).			
NOTE 3: The modulated interferer consists of the Reference measurement channel specified in Annexes A.3.2.2 and A.3.3.2 with one sided dynamic OCNG Pattern OP.1 FDD/TDD for the DL-signal as described in Annex A.5.1.1/A.5.2.1 and the same SCS as the wanted signal.			
NOTE 4: The $F_{\text{interferer 1}}$ (offset) is the frequency separation of the centre frequency of the carrier closest to the interferer and the centre frequency of the CW interferer and $F_{\text{interferer 2}}$ (offset) is the frequency separation of the centre frequency of the carrier closest to the interferer and the centre frequency of the modulated interferer.			

Table 7.8.2.5-3: Void

7.8A Intermodulation characteristics for CA

7.8A.1 General

7.8A.2 Wide band Intermodulation for CA

7.8A.2.0 Minimum conformance requirements

7.8A.2.0.1 Wide band Intermodulation for Intra-band contiguous CA

Table 7.8A.2.0.1-1: Wide band intermodulation parameters for intra-band contiguous CA with $F_{\text{DL_low}} \geq 3300$ MHz and $F_{\text{UL_low}} \geq 3300$ MHz

Rx parameter	Units	NR CA bandwidth class		
		BC	C	D
P_w in Transmission Bandwidth Configuration, per CC	dBm	REFSENS + 10	REFSENS + 6	REFSENS + 13.8
$P_{\text{Interferer 1}}$ (CW)	dBm	-46		
$P_{\text{Interferer 2}}$ (Modulated)	dBm	-46		
$BW_{\text{Interferer 2}}$	MHz	$BW_{\text{Channel_CA20}}$	$BW_{\text{Channel_CA}}$	50
$F_{\text{Interferer 1}}$	MHz	- $F_{\text{offset}}-30$	-2 $BW_{\text{Channel_CA}}$	- $F_{\text{offset}}-75$

(Offset)		/	/	/
		F _{offset} +30	+2BW _{Channel_CA}	F _{offset} +75
F _{Interferer 2} (Offset)	MHz	2*F _{Interferer 1}		
NOTE 1: The transmitter shall be set to 4 dB below P _{CMAX_L,f,c} at the minimum UL configuration specified in Table 7.3.2.3-3 with P _{CMAX_L,f,c} defined in clause 6.2.4.				
NOTE 2: Reference measurement channel is specified in Annexes A.2.2, A.2.3, A.3.2, and A.3.3 (with one sided dynamic OCNG Pattern OP.1 FDD/TDD for the DL-signal as described in Annex A.5.1.1/A.5.2.1).				
NOTE 3: The modulated interferer consists of the Reference measurement channel specified in Annexes A.3.2.2 and A.3.3.2 with one sided dynamic OCNG Pattern OP.1 FDD/TDD for the DL-signal as described in Annex A.5.1.1/A.5.2.1 and the same SCS as the closest carrier.				
NOTE 4: The F _{interferer 1} (offset) is the frequency separation of the centre frequency of the carrier closest to the interferer and the centre frequency of the CW interferer and F _{interferer 2} (offset) is the frequency separation of the centre frequency of the carrier closest to the interferer and the centre frequency of the modulated interferer.				

Table 7.8A.2.0.1-2: Wide band intermodulation parameters for intra-band contiguous CA with F_{DL_low} < 2700 MHz and F_{UL_low} < 2700 MHz

Rx parameter	Unit s	NR CA bandwidth class	
		B	C
P _w in Transmission Bandwidth Configuration, per CC	dBm	REFSENS + 16	REFSENS + 19
P _{Interferer 1} (CW)	dBm	-46	-46
P _{Interferer 2} (Modulated)	dBm	-46	-46
BW _{Interferer 2}	MHz	5	5
F _{Interferer 1} (Offset)	MHz	-F _{offset} -7.5 / F _{offset} +7.5	-F _{offset} -7.5 / F _{offset} +7.5
F _{Interferer 2} (Offset)	MHz	2*F _{Interferer 1}	2*F _{Interferer 1}
NOTE 1: The transmitter shall be set to 4 dB below P _{CMAX_L,f,c} at the minimum UL configuration specified in Table 7.3.2.3-3 with P _{CMAX_L,f,c} defined in clause 6.2.4.			
NOTE 2: Reference measurement channel is specified in Annexes A.2.2, A.2.3, A.3.2, and A.3.3 (with one sided dynamic OCNG Pattern OP.1 FDD/TDD for the DL-signal as described in Annex A.5.1.1/A.5.2.1).			
NOTE 3: The modulated interferer consists of the Reference measurement channel specified in Annexes A.3.2.2 and A.3.3.2 with one sided dynamic OCNG Pattern OP.1 FDD/TDD for the DL-signal as described in Annex A.5.1.1/A.5.2.1 and the same SCS as the 15 kHz SCS.			
NOTE 4: The F _{interferer 1} (offset) is the frequency separation of the centre frequency of the carrier closest to the interferer and the centre frequency of the CW interferer and F _{interferer 2} (offset) is the frequency separation of the centre frequency of the carrier closest to the interferer and the centre frequency of the modulated interferer.			

7.8A.2.0.2 Wide band intermodulation for Intra-band non-contiguous CA

For intra-band non-contiguous carrier aggregation with one uplink carrier and two or more downlink sub-blocks, the wide band intermodulation requirements are defined with the uplink configuration in accordance with Table 7.3A.0.2.3-1. For this uplink configuration, the UE shall meet the requirements for each sub-block as specified in subclause 7.8.2 and 7.8A.2.0.1 for one component carrier and two component carriers per sub-block, respectively. The requirements apply for out-of-gap interferers while all downlink carriers are active.

The throughput of each carrier shall be ≥ 95 % of the maximum throughput of the reference measurement channels as specified in Annexes A.2.2, A.2.3, A.3.2, and A.3.3 (with one sided dynamic OCNG Pattern OP.1 FDD/TDD for the DL-signal as described in Annex A.5.1.1/A.5.2.1).

7.8A.2.0.3 Wide band Intermodulation for Inter-band CA

For inter-band carrier aggregation with one component carrier per operating band and the uplink assigned to one NR band, the wide band intermodulation requirements are defined with the uplink active on the band(s) other than the band

whose downlink is being tested. The UE shall meet the requirements specified in subclause 7.8 for each component carrier while all downlink carriers are active.

For the UE which supports inter-band CA configuration in Table 7.3A.0.3.2.1-1, $P_{\text{interferer}}$ power defined in Table 7.8.2.3-1 and 7.8.2.3-2 is increased by the amount given by $\Delta R_{\text{IB,c}}$ in Table 7.3A.0.3.2.1-1.

The throughput of each carrier shall be $\geq 95\%$ of the maximum throughput of the reference measurement channels as specified in Annexes A.2.2, A.2.3, A.3.2, and A.3.3 (with one sided dynamic OCNG Pattern OP.1 FDD/TDD for the DL-signal as described in Annex A.5.1.1/A.5.2.1).

The normative reference for this requirement is TS 38.101-1 [2] clause 7.8A.2.

7.8A.2.1 Wide band Intermodulation for CA (2DL CA)

7.8A.2.1.1 Test purpose

Intermodulation response tests the UE's ability to receive data with a given average throughput for a specified reference measurement channel, in the presence of two or more interfering signals which have a specific frequency relationship to the wanted signal, under conditions of ideal propagation and no added noise.

A UE unable to meet the throughput requirement under these conditions will decrease the coverage area when two or more interfering signals exist which have a specific frequency relationship to the wanted signal.

7.8A.2.1.2 Test applicability

This test case applies to all types of NR UE release 15 and forward that supports 2DL CA.

7.8A.2.1.3 Minimum conformance requirements

The minimum conformance requirements are defined in clause 7.8A.2.0.

7.8A.2.1.4 Test description

7.8A.2.1.4.1 Initial conditions

Initial conditions are a set of test configurations the UE needs to be tested in and the steps for the SS to take with the UE to reach the correct measurement state.

The initial test configurations consist of environmental conditions, test frequencies, test channel bandwidths and sub-carrier spacing based on NR CA configurations specified in clause 5.5A. All of these configurations shall be tested with applicable test parameters for each CA configuration, are shown in Table 7.8A.2.1.4.1-1, 7.8A.2.1.4.1-2 or 7.8A.2.1.4.1-3. The details of the uplink and downlink reference measurement channels (RMC) are specified in Annexes A.2 and A.3 respectively. The details of the OCNG patterns used are specified in Annex A.5. Configurations of PDSCH and PDCCH before measurement are specified in Annex C.2.

Table 7.8A.2.1.4.1-1: Test configuration table for Intra-band contiguous CA

Default Conditions					
Test Environment as specified in TS 38.508-1 [5] subclause 4.1		Normal			
Test Frequencies as specified in TS 38.508-1 [5] subclause 4.3.1		Mid range			
Test CC Combination setting ($N_{\text{RB_agg}}$) as specified in Table 5.5A.1-1 for the CA Configuration across bandwidth combination sets supported by the UE.		Highest $N_{\text{RB_agg}}$ NOTE 3			
Test SCS as specified in Table 5.3.5-1		Highest			
Test Parameters					
Test ID	Downlink Configuration			Uplink Configuration	
	CC Mod'n	PCC RB allocation	SCC RB allocation	CC Mod'n	PCC RB allocation
1	CP-OFDM QPSK	Full RB ¹	Full RB ¹	DFT-s-OFDM QPSK	REFSENS ²

NOTE 1: Full RB allocation shall be used per each SCS and channel BW as specified in Table 7.3.2.4.1-2.
NOTE 2: REFSSENS refers to the single carrier Uplink RB allocation for reference sensitivity according to Table 7.3.2.4.1-3.
NOTE 3: If the UE supports multiple CC Combinations in the CA Configuration with the same N _{RB_agg} , only the combination with the highest N _{RB_PCC} is tested.
NOTE 4: In a band where UE supports 4Rx, the test shall be performed only with 4Rx antennas ports connected and 4Rx REFSSENS requirement (Table 7.3.2.5-2) is used in the test requirements.

Table 7.8A.2.1.4.1-2: Test configuration table for Inter-band CA

Default Conditions					
Test Environment as specified in TS 38.508-1 [5] subclause 4.1			Normal		
Test Frequencies as specified in TS 38.508-1 [5] subclause 4.3.1			NOTE 4 except for the following cases: CA_n48-n77: Low range for PCC in band 77.		
Test CC Combination setting (N _{RB_agg}) as specified in Table 5.5A.3.1-1 for the CA Configuration across bandwidth combination sets supported by the UE.			Highest N _{RB_agg} NOTE 5 NOTE 6		
Test SCS as specified in Table 5.3.5-1			Highest		
Test Parameters					
Test ID	Downlink Configuration			Uplink Configuration	
	CC Mod'n	PCC RB allocation	SCC RB allocation	CC Mod'n	PCC RB allocation
1	CP-OFDM QPSK	Full RB ¹	Full RB ¹	DFT-s-OFDM QPSK	REFSENS ²
NOTE 1: Full RB allocation shall be used per each SCS and channel BW as specified in Table 7.3.2.4.1-2.					
NOTE 2: REFSSENS refers to the single carrier Uplink RB allocation for reference sensitivity according to Table 7.3.2.4.1-3.					
NOTE 3: In a band where UE supports 4Rx, the test shall be performed only with 4Rx antennas ports connected and 4Rx REFSSENS requirement (Table 7.3.2.5-2) is used in the test requirements.					
NOTE 4: Test frequency is set to Mid Range for PCC and SCC with exceptions defined in Table 7.3A.1.4.1-2. For NR band n28, 30MHz test channel bandwidth is tested with Low range test frequencies.					
NOTE 5: If the UE supports multiple CC Combinations in the CA Configuration with the same N _{RB_agg} , only the combination with the highest N _{RB_PCC} is tested.					
NOTE 6: For nXA PCC, each of Highest UL and Highest DL shall be selected according to clause 5.5A.3.1. DL channel bandwidth shall be selected first.					

Table 7.8A.2.1.4.1-3: Test configuration table for Intra-band non-contiguous CA

Default Conditions					
Test Environment as specified in TS 38.508-1 [5] subclause 4.1			Normal		
Test Frequencies as specified in TS 38.508-1 [5] subclause 4.3.1			NOTE 1		
Test CC Combination setting (N _{RB_agg}) as specified in Table 5.5A.2-1 for the CA Configuration across bandwidth combination sets supported by the UE.			Highest N _{RB_agg} , NOTE 1, NOTE 3		
Test SCS as specified in Table 5.3.5-1			Highest		
Test Parameters					
Test ID	Downlink Configuration			Uplink Configuration	
	CC Mod'n	PCC RB allocation	SCC RB allocation	CC Mod'n	PCC RB allocation
1	CP-OFDM QPSK	NOTE 1	NOTE 1	DFT-s-OFDM QPSK	NOTE 1
NOTE 1: The specific configuration of uplink and downlink are defined in Table 7.3A.1.4.1-3.					
NOTE 2: In a band where UE supports 4Rx, the test shall be performed only with 4Rx antennas ports connected and 4Rx REFSSENS requirement (Table 7.3.2.5-2) is used in the test requirements.					
NOTE 3: If the UE supports multiple CC Combinations in the CA Configuration with the same N _{RB_agg} , only the combination with the highest N _{RB_PCC} is tested.					

1. Connect the SS to the UE antenna connectors as shown in TS 38.508-1 [5] Annex A, Figure A.3.1.4.7 for TE diagram and section A.3.2 for UE diagram.

2. The parameter settings for the cell are set up according to TS 38.508-1 [5] subclause 4.4.3.
3. Downlink signals are initially set up according to Annex C.0, C.1, C.2, and C.3.1, and uplink signals according to Annex G.0, G.1, G.2, and G.3.1.
4. The DL and UL Reference Measurement Channels are set according to Table 7.8A.2.1.4.1-1, Table 7.8A.2.1.4.1-2 or Table 7.8A.2.1.4.1-3.
5. Propagation conditions are set according to Annex B.0.
6. Ensure the UE is in State RRC_CONNECTED with generic procedure parameters Connectivity NR, Connected without release *On*, Test Mode *On* and Test Loop Function *On* according to TS 38.508-1 [5] clause 4.5. Message contents are defined in clause 7.8A.2.1.4.3.

7.8A.2.1.4.2 Test procedure

1. Configure SCC according to Annex C.0, C.1, C.2 for all downlink physical channels.
2. The SS shall configure SCC as per TS 38.508-1 [5] clause 5.5.1. Message contents are defined in clause 7.8A.2.1.4.3.
3. SS activates SCC by sending the activation MAC CE (Refer TS 38.321 [18], clauses 5.9, 6.1.3.10). Wait for at least 2 seconds (Refer TS 38.133[19], clause 9.3).
4. SS transmits PDSCH via PDCCH DCI format 1_1 for C_RNTI to transmit the DL RMC according to Table 7.8A.2.1.4.1-1, 7.8A.2.1.4.1-2 or 7.8A.2.1.4.1-3 on both PCC and SCC. The SS sends downlink MAC padding bits on the DL RMC.
5. SS sends uplink scheduling information for each UL HARQ process via PDCCH DCI format 0_1 for C_RNTI to schedule the UL RMC according to Table 7.8A.2.1.4.1-1, 7.8A.2.1.4.1-2 or 7.8A.2.1.4.1-3 on PCC. Since the UE has no payload data to send, the UE transmits uplink MAC padding bits on the UL RMC.
6. Set the Interfering signal levels to the values as defined in Table 7.8A.2.1.5.1-1, 7.8A.2.1.5.1-2, 7.8A.2.1.5.3-1 or 7.8A.2.1.5.3-2 and frequency below the CA Band for intra-band CA, or below the SCC's operating band for inter-band CA according to Table 7.8A.2.1.5.1-1, 7.8A.2.1.5.1-2, 7.8A.2.1.5.3-1 or 7.8A.2.1.5.3-2, using a modulated interferer bandwidth as defined in Annex D of the present document. For the UE which supports inter-band CA configuration in Table 7.3A.0.3.2.1-1, $P_{\text{interferer}}$ power defined in Table 7.8A.2.1.5.3-1 and 7.8A.2.1.5.3-2 is increased by the amount given by $\Delta R_{\text{IB,c}}$ in Table 7.3A.0.3.2.1-1.
7. Set the Downlink signal level for PCC and SCC to the value as defined in Table 7.8A.2.1.5.1-1, 7.8A.2.1.5.1-2, 7.8A.2.1.5.3-1 or 7.8A.2.1.5.3-2. Send uplink power control commands to the UE using 1dB power step size to ensure that the UE output power measured by the test system is within the Uplink power control window, defined as $-(\text{MU} + \text{Uplink power control window size})$ dB of the target power level in Table 7.8A.2.1.5.1-1, 7.8A.2.1.5.1-2, 7.8A.2.1.5.3-1 or 7.8A.2.1.5.3-2 for at least the duration of the Throughput measurement, where:
 - MU is the test system uplink power measurement uncertainty and is specified in Table F.1.3-1 for the carrier frequency f and the channel bandwidth BW
 - Uplink power control window size = 1dB (UE power step size) + 0.7dB (UE power step tolerance) + (Test system relative power measurement uncertainty), where, the UE power step tolerance is specified in TS 38.101-1 [2], Table 6.3.4.3-1 and is 0.7dB for 1dB power step size, and the Test system relative power measurement uncertainty is specified for test case 6.3.4.3 in Table F.1.2-1.
 - For UEs supporting Tx diversity, the transmit power is measured as the sum of the output power from both UE antenna connectors.
8. Measure the average throughput of SCC for a duration sufficient to achieve statistical significance according to Annex H.2A for inter-band CA. Measure the average throughput of both carriers for a duration sufficient to achieve statistical significance according to Annex H.2A for intra-band CA.
9. Repeat steps from 6 to 8, using an interfering signal above the CA Band for intra-band CA, or above the SCC's operating band for inter-band CA at step 6.
10. For Inter-band CA: Switch the SCell into PCell and repeat steps 1 to 9, except for operating bands without uplink band.

NOTE: The purpose of the Uplink power control window is to ensure that the actual UE output power is no greater than the target power level, and as close as possible to the target power level. The relationship between the Uplink power control window, the target power level and the corresponding possible actual UE Uplink power window is illustrated in Annex F.4.3.

7.8A.2.1.4.3 Message contents

Message contents are according to TS 38.508-1 [5] subclause 4.6 Table 4.6.3-118 with condition TRANSFORM_PRECODER_ENABLED.

7.8A.2.1.5 Test requirement

7.8A.2.1.5.1 Wide band intermodulation for Intra-band contiguous CA

The throughput shall be $\geq 95\%$ of the maximum throughput of the reference measurement channels as specified in Annex A.3.2 with parameters specified in Table 7.8A.2.1.5.1-1 or 7.8A.2.1.5.1-2 for the specified wanted signal mean power in the presence of two interfering signals.

Table 7.8A.2.1.5.1-1: Wide band intermodulation parameters for intra-band contiguous CA with $F_{DL_low} \geq 3300$ MHz and $F_{UL_low} \geq 3300$ MHz

Rx parameter	Units	NR CA bandwidth class	
		B	C
P_w in Transmission Bandwidth Configuration, per CC	dBm	REFSENS + 10	REFSENS + 6
$P_{Interferer\ 1}$ (CW)	dBm	-46	
$P_{Interferer\ 2}$ (Modulated)	dBm	-46	
$BW_{Interferer\ 2}$	MHz	20	$BW_{Channel_CA}$
$F_{Interferer\ 1}$ (Offset)	MHz	$-F_{offset}-30$ / $F_{offset}+30$	$-2BW_{Channel_CA}$ / $+2BW_{Channel_CA}$
$F_{Interferer\ 2}$ (Offset)	MHz	$2 * F_{Interferer\ 1}$	
NOTE 1: The transmitter shall be set to 4 dB below $P_{CMAX_L,f,c}$ at the minimum UL configuration specified in Table 7.3.2.3-3 with $P_{CMAX_L,f,c}$ defined in clause 6.2.4.			
NOTE 2: Reference measurement channel is specified in Annexes A.2.2, A.2.3, A.3.2, and A.3.3 (with one sided dynamic OCNG Pattern OP.1 FDD/TDD for the DL-signal as described in Annex A.5.1.1/A.5.2.1).			
NOTE 3: The modulated interferer consists of the Reference measurement channel specified in Annexes A.3.2.2 and A.3.3.2 with one sided dynamic OCNG Pattern OP.1 FDD/TDD for the DL-signal as described in Annex A.5.1.1/A.5.2.1 and the same SCS as the closest carrier.			
NOTE 4: The $F_{Interferer\ 1}$ (offset) is the frequency separation of the centre frequency of the carrier closest to the interferer and the centre frequency of the CW interferer and $F_{Interferer\ 2}$ (offset) is the frequency separation of the centre frequency of the carrier closest to the interferer and the centre frequency of the modulated interferer.			

Table 7.8A.2.1.5.1-2: Wide band intermodulation parameters for intra-band contiguous CA with $F_{DL_low} < 2700$ MHz and $F_{UL_low} < 2700$ MHz

Rx parameter	Units	NR CA bandwidth class	
		B	C
P_w in Transmission Bandwidth Configuration, per CC	dBm	REFSENS + 16	REFSENS + 19
$P_{Interferer\ 1}$ (CW)	dBm	-46	-46
$P_{Interferer\ 2}$ (Modulated)	dBm	-46	-46
$BW_{Interferer\ 2}$	MHz	5	5
$F_{Interferer\ 1}$ (Offset)	MHz	$-F_{offset}-7.5$ / $F_{offset}+7.5$	$-F_{offset}-7.5$ / $F_{offset}+7.5$

$F_{\text{Interferer 2}}$ (Offset)	MHz	$2 \cdot F_{\text{Interferer 1}}$	$2 \cdot F_{\text{Interferer 1}}$
<p>NOTE 1: The transmitter shall be set to 4 dB below $P_{\text{CMAX_L,f,c}}$ at the minimum UL configuration specified in Table 7.3.2.3-3 with $P_{\text{CMAX_L,f,c}}$ defined in clause 6.2.4.</p> <p>NOTE 2: Reference measurement channel is specified in Annexes A.2.2, A.2.3, A.3.2, and A.3.3 (with one sided dynamic OCNG Pattern OP.1 FDD/TDD for the DL-signal as described in Annex A.5.1.1/A.5.2.1).</p> <p>NOTE 3: The modulated interferer consists of the Reference measurement channel specified in Annexes A.3.2.2 and A.3.3.2 with one sided dynamic OCNG Pattern OP.1 FDD/TDD for the DL-signal as described in Annex A.5.1.1/A.5.2.1 and the same SCS as the 15 kHz SCS.</p> <p>NOTE 4: The $F_{\text{Interferer 1}}$ (offset) is the frequency separation of the centre frequency of the carrier closest to the interferer and the centre frequency of the CW interferer and $F_{\text{Interferer 2}}$ (offset) is the frequency separation of the centre frequency of the carrier closest to the interferer and the centre frequency of the modulated interferer.</p>			

7.8A.2.1.5.2 Wide band intermodulation for Intra-band non-contiguous CA

For intra-band non-contiguous carrier aggregation with one uplink carrier and two downlink carriers, the wide band intermodulation requirements are defined with the uplink configuration in accordance with Table 7.3A.0.2.3-1. For this uplink configuration, the UE shall meet the requirements for each carrier as specified in subclause 7.8.2 for each component carrier respectively. The requirements apply for out-of-gap interferers while all downlink carriers are active.

The throughput of each carrier shall be $\geq 95\%$ of the maximum throughput of the reference measurement channels as specified in Annexes A.2.2, A.2.3, A.3.2, and A.3.3 (with one sided dynamic OCNG Pattern OP.1 FDD/TDD for the DL-signal as described in Annex A.5.1.1/A.5.2.1) with parameters defined in Table 7.8A.2.1.5.3-1 or 7.8A.2.1.5.3-2.

7.8A.2.1.5.3 Wide band intermodulation for Inter-band CA

For inter-band carrier aggregation with one component carrier per operating band and the uplink assigned to one NR band, the wide band intermodulation requirements are defined with the uplink active on the band(s) other than the band whose downlink is being tested.

The throughput of each carrier shall be $\geq 95\%$ of the maximum throughput of the reference measurement channels as specified in Annexes A.2.2, A.2.3, A.3.2, and A.3.3 (with one sided dynamic OCNG Pattern OP.1 FDD/TDD for the DL-signal as described in Annex A.5.1.1/A.5.2.1) with parameters defined in Table 7.8A.2.1.5.3-1 or 7.8A.2.1.5.3-2.

Table 7.8A.2.1.5.3-1: Wide band intermodulation parameters for NR bands with $F_{\text{DL_high}} < 2700$ MHz and $F_{\text{UL_high}} < 2700$ MHz

Rx parameter	Units	Channel bandwidth											
		5 MHz	10 MHz	15 MHz	20 MHz	25 MHz	30 MHz	40 MHz	50 MHz	60 MHz	80 MHz	90 MHz	100 MHz
P_w in Transmission Bandwidth Configuration, per CC	dBm	REFSENS + channel bandwidth specific value below											
		6	6	7	9	10	11	12	13	14	15	15	16
$P_{\text{Interferer 1}}$ (CW)	dBm	-46											
$P_{\text{Interferer 2}}$ (Modulated)	dBm	-46											
$BW_{\text{Interferer 2}}$	MHz	5											
$F_{\text{Interferer 1}}$ (Offset)	MHz	$-BW/2 - 7.5$ / $+BW/2 + 7.5$											
$F_{\text{Interferer 2}}$ (Offset)	MHz	$2 \cdot F_{\text{Interferer 1}}$											
<p>NOTE 1: The transmitter shall be set to 4dB below $P_{\text{CMAX_L,f,c}}$ at the minimum UL configuration specified in Table 7.3.2.3-3 with $P_{\text{CMAX_L,f,c}}$ defined in clause 6.2.4.</p> <p>NOTE 2: Reference measurement channel is specified in Annexes A.2.2, A.2.3, A.3.2, and A.3.3 (with one sided dynamic OCNG Pattern OP.1 FDD/TDD for the DL-signal as described in Annex A.5.1.1/A.5.2.1).</p> <p>NOTE 3: The modulated interferer consists of the Reference measurement channel specified in Annexes A.3.2.2 and A.3.3.2 with one sided dynamic OCNG Pattern OP.1 FDD/TDD for the DL-signal as described in Annex A.5.1.1/A.5.2.1 and 15 kHz SCS.</p> <p>NOTE 4: The $F_{\text{Interferer 1}}$ (offset) is the frequency separation of the centre frequency of the carrier closest to the interferer and the centre frequency of the CW interferer and $F_{\text{Interferer 2}}$ (offset) is the frequency separation of the centre frequency of the carrier closest to the interferer and the centre frequency of the modulated interferer.</p>													

For the UE which supports inter-band CA configuration in Table 7.3A.0.3.2.1-1, $P_{\text{interferer}}$ power defined in Table 7.8A.2.1.5.3-1 and 7.8A.2.1.5.3-2 is increased by the amount given by $\Delta R_{\text{IB,c}}$ in Table 7.3A.0.3.2.1-1.

Table 7.8A.2.1.5.3-2: Wide band intermodulation parameters for NR bands with $F_{\text{DL,low}} \geq 3300$ MHz and $F_{\text{UL,low}} \geq 3300$ MHz

Rx parameter	Units	Channel bandwidth							
		10 MHz	20 MHz	40 MHz	50 MHz	60 MHz	80 MHz	90 MHz	100 MHz
$P_{\text{w in}}$ Transmission Bandwidth Configuration, per CC	dBm	REFSENS + 6							
$P_{\text{Interferer 1}}$ (CW)	dBm	-46							
$P_{\text{Interferer 2}}$ (Modulated)	dBm	-46							
$BW_{\text{Interferer 2}}$	MHz	BW							
$F_{\text{Interferer 1}}$ (Offset)	MHz	-2BW / +2BW							
$F_{\text{Interferer 2}}$ (Offset)	MHz	$2 * F_{\text{Interferer 1}}$							
NOTE 1: The transmitter shall be set to 4dB below $P_{\text{CMAX,L,f,c}}$ at the minimum UL configuration specified in Table 7.3.2.3-3 with $P_{\text{CMAX,L,f,c}}$ defined in clause 6.2.4.									
NOTE 2: Reference measurement channel is specified in Annexes A.2.2, A.2.3, A.3.2, and A.3.3 (with one sided dynamic OCNG Pattern OP.1 FDD/TDD for the DL-signal as described in Annex A.5.1.1/A.5.2.1).									
NOTE 3: The modulated interferer consists of the Reference measurement channel specified in Annexes A.3.2.2 and A.3.3.2 with one sided dynamic OCNG Pattern OP.1 FDD/TDD for the DL-signal as described in Annex A.5.1.1/A.5.2.1 and the same SCS as the wanted signal.									
NOTE 4: The $F_{\text{interferer 1}}$ (offset) is the frequency separation of the centre frequency of the carrier closest to the interferer and the centre frequency of the CW interferer and $F_{\text{interferer 2}}$ (offset) is the frequency separation of the centre frequency of the carrier closest to the interferer and the centre frequency of the modulated interferer.									

7.8A.2.2 Wide band Intermodulation for CA (3DL CA)

7.8A.2.2.1 Test purpose

Intermodulation response tests the UE's ability to receive data with a given average throughput for a specified reference measurement channel, in the presence of two or more interfering signals which have a specific frequency relationship to the wanted signal, under conditions of ideal propagation and no added noise.

A UE unable to meet the throughput requirement under these conditions will decrease the coverage area when two or more interfering signals exist which have a specific frequency relationship to the wanted signal.

7.8A.2.2.2 Test applicability

This test case applies to all types of NR UE release 15 and forward that supports 3DL CA.

7.8A.2.2.3 Minimum conformance requirements

The minimum conformance requirements are defined in clause 7.8A.2.0.

7.8A.2.2.4 Test description

7.8A.2.2.4.1 Initial conditions

Initial conditions are a set of test configurations the UE needs to be tested in and the steps for the SS to take with the UE to reach the correct measurement state.

The initial test configurations consist of environmental conditions, test frequencies, test channel bandwidths and sub-carrier spacing based on NR CA configurations specified in clause 5.5A. All of these configurations shall be tested with

applicable test parameters for each CA configuration, are shown in Table 7.8A.2.2.4.1-1. The details of the uplink and downlink reference measurement channels (RMC) are specified in Annexes A.2 and A.3 respectively. The details of the OCNG patterns used are specified in Annex A.5. Configurations of PDSCH and PDCCH before measurement are specified in Annex C.2.

Table 7.8A.2.2.4.1-1: Test configuration table for CA

Default Conditions					
Test Environment as specified in TS 38.508-1 [5] subclause 4.1			Normal		
Test Frequencies as specified in TS 38.508-1 [5] subclause 4.3.1			Intra-band contiguous: Mid range Inter-band: NOTE 3 Intra-band contiguous + Inter-band: NOTE 3 Intra-band non-contiguous + Inter-band: NOTE 3 Intra-band non-contiguous: NOTE 3 Intra-band contiguous + Intra-band non-contiguous: NOTE 3		
Test CC Combination setting (N _{RB_agg}) as specified in Tables 5.5A.1-1, 5.5A.2-1, or tables in clauses 5.5A.3.x for the CA Configuration across bandwidth combination sets supported by the UE.			Highest N _{RB_agg} NOTE 4 NOTE 6		
Test SCS as specified in Table 5.3.5-1			Highest		
Test Parameters					
Downlink Configuration				Uplink Configuration	
Test ID	CC Mod'n	PCC RB allocation	SCCs RB allocation	CC Mod'n	PCC RB allocation
Default Test Settings for a CA_nXD Configuration (Intra-band contiguous)					
1	CP-OFDM QPSK	Full RB ¹	Full RB ¹	DFT-s-OFDM QPSK	REFSENS ²
Default Test Settings for a CA_nXA-nYA-nZA Configuration (Inter-band)					
1	CP-OFDM QPSK	Full RB ¹	Full RB ¹	DFT-s-OFDM QPSK	REFSENS ²
Default Test Settings for a CA_nXC-nYA, CA_nYA-nXC, CA_nYA-nXB and CA_nXB-nYA Configurations (Intra-band contiguous + Inter-band)					
1	CP-OFDM QPSK	Full RB ¹	Full RB ¹	DFT-s-OFDM QPSK	REFSENS ²
Default Test Settings for a CA_nX(2A)-nYA Configuration (Intra-band non-contiguous + Inter-band)					
1	CP-OFDM QPSK	Full RB ¹	Full RB ¹	DFT-s-OFDM QPSK	REFSENS ²
Default Test Settings for a CA_nX(3A) Configuration (Intra-band non-contiguous)					
1	CP-OFDM QPSK	Full RB ¹	Full RB ¹	DFT-s-OFDM QPSK	REFSENS ²
Default Test Settings for a CA_nX(A-C) and CA_nX(A-B) Configuration (Intra-band contiguous + Intra-band non-contiguous)					
1	CP-OFDM QPSK	Full RB ¹	Full RB ¹	DFT-s-OFDM QPSK	REFSENS ²
NOTE 1: Full RB allocation shall be used per each SCS and channel BW as specified in Table 7.3.2.4.1-2.					
NOTE 2: REFSENS refers to the single carrier Uplink RB allocation for reference sensitivity according to Table 7.3.2.4.1-3.					
NOTE 3: The specific test frequencies for PCC and SCCs and Wgap for intra-band non-contiguous are defined in Table 7.3A.2.4.1-1.					
NOTE 4: If the UE supports multiple CC Combinations in the CA Configuration with the same N _{RB_agg} , only the combination with the highest N _{RB_PCC} is tested.					
NOTE 5: In a band where UE supports 4Rx, the test shall be performed only with 4Rx antennas ports connected and 4Rx REFSENS requirement (Table 7.3.2.5-2) is used in the test requirements.					
NOTE 6: For nXA PCC, each of Highest UL and Highest DL shall be selected according to clause 5.5A.3.2. DL channel bandwidth shall be selected first.					

Table 7.8A.2.2.4.1-2: Void

1. Connect the SS to the UE antenna connectors as shown in TS 38.508-1 [5] Annex A, Figure A.3.1.4.7 for TE diagram and section A.3.2 for UE diagram.
2. The parameter settings for the cell are set up according to TS 38.508-1 [5] subclause 4.4.3.
3. Downlink signals are initially set up according to Annex C.0, C.1, C.2, and C.3.1, and uplink signals according to Annex G.0, G.1, G.2, and G.3.1.
4. The DL and UL Reference Measurement Channels are set according to Table 7.8A.2.2.4.1-1.
5. Propagation conditions are set according to Annex B.0.

6. Ensure the UE is in State RRC_CONNECTED with generic procedure parameters Connectivity *NR*, Connected without release *On*, Test Mode *On* and Test Loop Function *On* according to TS 38.508-1 [5] clause 4.5. Message contents are defined in clause 7.8A.2.2.4.3.

7.8A.2.2.4.2 Test procedure

1. Configure SCCs according to Annex C.0, C.1, C.2 for all downlink physical channels.
2. The SS shall configure SCCs as per TS 38.508-1 [5] clause 5.5.1. Message contents are defined in clause 7.8A.2.2.4.3.
3. SS activates SCCs by sending the activation MAC CE (Refer TS 38.321 [18], clauses 5.9, 6.1.3.10). Wait for at least 2 seconds (Refer TS 38.133[19], clause 9.3).
4. SS transmits PDSCH via PDCCH DCI format 1_1 for C_RNTI to transmit the DL RMC according to Table 7.8A.2.2.4.1-1 on both PCC and SCCs. The SS sends downlink MAC padding bits on the DL RMC.
5. SS sends uplink scheduling information for each UL HARQ process via PDCCH DCI format 0_1 for C_RNTI to schedule the UL RMC according to Table 7.8A.2.2.4.1-1 on PCC. Since the UE has no payload data to send, the UE transmits uplink MAC padding bits on the UL RMC.
6. Set the Interfering signal levels to the values as defined in Table 7.8A.2.2.5.1-1, 7.8A.2.2.5.1-2, 7.8A.2.2.5.2-1 or 7.8A.2.2.5.2-2 and frequency below the CA Band for intra-band CA, or below each SCC's operating band for inter-band CA according to Table 7.8A.2.2.5.1-1, 7.8A.2.2.5.1-2, 7.8A.2.2.5.2-1 or 7.8A.2.2.5.2-2, using a modulated interferer bandwidth as defined in Annex D of the present document. For the UE which supports inter-band CA configuration in Table 7.3A.0.3.2.1-1, $P_{\text{interferer}}$ power defined in Table 7.8A.2.2.5.2-1 and 7.8A.2.2.5.2-2 is increased by the amount given by $\Delta R_{\text{IB,c}}$ in Table 7.3A.0.3.2.1-1.
7. Set the Downlink signal level for PCC and SCCs to the value as defined in Table 7.8A.2.2.5.1-1, 7.8A.2.2.5.1-2, 7.8A.2.2.5.2-1 or 7.8A.2.2.5.2-2. Send uplink power control commands to the UE using 1dB power step size to ensure that the UE output power measured by the test system is within the Uplink power control window, defined as $-\text{MU}$ to $-(\text{MU} + \text{Uplink power control window size})$ dB of the target power level in Table 7.8A.2.2.5.1-1, 7.8A.2.2.5.1-2, 7.8A.2.2.5.2-1 or 7.8A.2.2.5.2-2 for at least the duration of the Throughput measurement, where:
 - MU is the test system uplink power measurement uncertainty and is specified in Table F.1.3-1 for the carrier frequency f and the channel bandwidth BW
 - Uplink power control window size = 1dB (UE power step size) + 0.7dB (UE power step tolerance) + (Test system relative power measurement uncertainty), where, the UE power step tolerance is specified in TS 38.101-1 [2], Table 6.3.4.3-1 and is 0.7dB for 1dB power step size, and the Test system relative power measurement uncertainty is specified for test case 6.3.4.3 in Table F.1.2-1.
 - For UEs supporting Tx diversity, the transmit power is measured as the sum of the output power from both UE antenna connectors.
8. Measure the average throughput of SCCs for a duration sufficient to achieve statistical significance according to Annex H.2A for inter-band CA. Measure the average throughput of all carriers for a duration sufficient to achieve statistical significance according to Annex H.2A for intra-band CA.
9. Repeat steps from 6 to 8, using an interfering signal above the CA Band for intra-band CA, or above the each SCC's operating band for inter-band CA at step 6.
10. For Inter-band CA: Switch the SCell into PCell and repeat steps 1 to 9, except for operating bands without uplink band.

NOTE: The purpose of the Uplink power control window is to ensure that the actual UE output power is no greater than the target power level, and as close as possible to the target power level. The relationship between the Uplink power control window, the target power level and the corresponding possible actual UE Uplink power window is illustrated in Annex F.4.3.

7.8A.2.2.4.3 Message contents

Message contents are according to TS 38.508-1 [5] subclause 4.6 Table 4.6.3-118 with condition TRANSFORM_PRECODER_ENABLED.

7.8A.2.2.5 Test requirement

7.8A.2.2.5.1 Wide band intermodulation for Intra-band contiguous CA

The throughput shall be $\geq 95\%$ of the maximum throughput of the reference measurement channels as specified in Annex A.3.2 with parameters specified in Table 7.8A.2.2.5.1-1 or 7.8A.2.2.5.1-2 for the specified wanted signal mean power in the presence of two interfering signals.

Table 7.8A.2.2.5.1-1: Wide band intermodulation parameters for intra-band contiguous CA with $F_{DL_low} \geq 3300$ MHz and $F_{UL_low} \geq 3300$ MHz

Rx parameter	Units	NR CA bandwidth class		
		B	C	D
P_w in Transmission Bandwidth Configuration, per CC	dBm	REFSENS + 10	REFSENS + 6	REFSENS + 13.8
$P_{Interferer\ 1}$ (CW)	dBm	-46		
$P_{Interferer\ 2}$ (Modulated)	dBm	-46		
$BW_{Interferer\ 2}$	MHz	20	$BW_{Channel_CA}$	50
$F_{Interferer\ 1}$ (Offset)	MHz	$-F_{offset}-30$ / $F_{offset}+30$	$-2BW_{Channel_CA}$ / $+2BW_{Channel_CA}$	$-F_{offset}-75$ / $F_{offset}+75$
$F_{Interferer\ 2}$ (Offset)	MHz	$2 * F_{Interferer\ 1}$		
NOTE 1: The transmitter shall be set to 4 dB below $P_{CMAX_L,f,c}$ at the minimum UL configuration specified in Table 7.3.2.3-3 with $P_{CMAX_L,f,c}$ defined in clause 6.2.4.				
NOTE 2: Reference measurement channel is specified in Annexes A.2.2, A.2.3, A.3.2, and A.3.3 (with one sided dynamic OCNG Pattern OP.1 FDD/TDD for the DL-signal as described in Annex A.5.1.1/A.5.2.1).				
NOTE 3: The modulated interferer consists of the Reference measurement channel specified in Annexes A.3.2.2 and A.3.3.2 with one sided dynamic OCNG Pattern OP.1 FDD/TDD for the DL-signal as described in Annex A.5.1.1/A.5.2.1 and the same SCS as the closest carrier.				
NOTE 4: The $F_{Interferer\ 1}$ (offset) is the frequency separation of the centre frequency of the carrier closest to the interferer and the centre frequency of the CW interferer and $F_{Interferer\ 2}$ (offset) is the frequency separation of the centre frequency of the carrier closest to the interferer and the centre frequency of the modulated interferer.				

Table 7.8A.2.2.5.1-2: Wide band intermodulation parameters for intra-band contiguous CA with $F_{DL_low} < 2700$ MHz and $F_{UL_low} < 2700$ MHz

Rx parameter	Units	NR CA bandwidth class	
		B	C
P_w in Transmission Bandwidth Configuration, per CC	dBm	REFSENS + 16	REFSENS + 22
$P_{Interferer\ 1}$ (CW)	dBm	-46	-46
$P_{Interferer\ 2}$ (Modulated)	dBm	-46	-46
$BW_{Interferer\ 2}$	MHz	5	5
$F_{Interferer\ 1}$ (Offset)	MHz	$-F_{offset}-7.5$ / $F_{offset}+7.5$	$-F_{offset}-7.5$ / $F_{offset}+7.5$
$F_{Interferer\ 2}$ (Offset)	MHz	$2 * F_{Interferer\ 1}$	$2 * F_{Interferer\ 1}$
NOTE 1: The transmitter shall be set to 4 dB below $P_{CMAX_L,f,c}$ at the minimum UL configuration specified in Table 7.3.2.3-3 with $P_{CMAX_L,f,c}$ defined in clause 6.2.4.			
NOTE 2: Reference measurement channel is specified in Annexes A.2.2, A.2.3, A.3.2, and A.3.3 (with one sided dynamic OCNG Pattern OP.1 FDD/TDD for the DL-signal as described in Annex A.5.1.1/A.5.2.1).			
NOTE 3: The modulated interferer consists of the Reference measurement channel specified in Annexes A.3.2.2 and A.3.3.2 with one sided dynamic OCNG Pattern OP.1 FDD/TDD for the DL-signal as described in Annex A.5.1.1/A.5.2.1 and the same SCS as the 15 kHz SCS.			

NOTE 4: The $F_{interferer\ 1}$ (offset) is the frequency separation of the centre frequency of the carrier closest to the interferer and the centre frequency of the CW interferer and $F_{interferer\ 2}$ (offset) is the frequency separation of the centre frequency of the carrier closest to the interferer and the centre frequency of the modulated interferer.

7.8A.2.2.5.2 Wide band intermodulation for Inter-band CA

For inter-band carrier aggregation with one component carrier per operating band and the uplink assigned to one NR band, the wide band intermodulation requirements are defined with the uplink active on the band(s) other than the band whose downlink is being tested.

The throughput of each carrier shall be $\geq 95\%$ of the maximum throughput of the reference measurement channels as specified in Annexes A.2.2, A.2.3, A.3.2, and A.3.3 (with one sided dynamic OCNG Pattern OP.1 FDD/TDD for the DL-signal as described in Annex A.5.1.1/A.5.2.1) with parameters defined in Table 7.8A.2.2.5.2-1 or 7.8A.2.2.5.2-2.

Table 7.8A.2.2.5.2-1: Wide band intermodulation parameters for NR bands with $F_{DL_high} < 2700$ MHz and $F_{UL_high} < 2700$ MHz

Rx parameter	Units	Channel bandwidth										
		5 MHz	10 MHz	15 MHz	20 MHz	25 MHz	30 MHz	40 MHz	50 MHz	60 MHz	80 MHz	90 MHz
P_w in Transmission Bandwidth Configuration, per CC	dBm	REFSENS + channel bandwidth specific value below										
		6	6	7	9	10	11	12	13	14	15	15
$P_{interferer\ 1}$ (CW)	dBm	-46										
$P_{interferer\ 2}$ (Modulated)	dBm	-46										
$BW_{interferer\ 2}$	MHz	5										
$F_{interferer\ 1}$ (Offset)	MHz	-BW/2 - 7.5 / +BW/2 + 7.5										
$F_{interferer\ 2}$ (Offset)	MHz	$2 * F_{interferer\ 1}$										
NOTE 1: The transmitter shall be set to 4dB below $P_{C_{MAX_L,f,c}}$ at the minimum UL configuration specified in Table 7.3.2.3-3 with $P_{C_{MAX_L,f,c}}$ defined in clause 6.2.4.												
NOTE 2: Reference measurement channel is specified in Annexes A.2.2, A.2.3, A.3.2, and A.3.3 (with one sided dynamic OCNG Pattern OP.1 FDD/TDD for the DL-signal as described in Annex A.5.1.1/A.5.2.1).												
NOTE 3: The modulated interferer consists of the Reference measurement channel specified in Annexes A.3.2.2 and A.3.3.2 with one sided dynamic OCNG Pattern OP.1 FDD/TDD for the DL-signal as described in Annex A.5.1.1/A.5.2.1 and 15 kHz SCS.												
NOTE 4: The $F_{interferer\ 1}$ (offset) is the frequency separation of the centre frequency of the carrier closest to the interferer and the centre frequency of the CW interferer and $F_{interferer\ 2}$ (offset) is the frequency separation of the centre frequency of the carrier closest to the interferer and the centre frequency of the modulated interferer.												

For the UE which supports inter-band CA configuration in Table 7.3A.0.3.2.1-1, $P_{interferer}$ power defined in Table 7.8A.2.2.5.2-1 and 7.8A.2.2.5.2-2 is increased by the amount given by $\Delta R_{IB,c}$ in Table 7.3A.0.3.2.1-1.

Table 7.8A.2.2.5.2-2: Wide band intermodulation parameters for NR bands with $F_{DL_low} \geq 3300$ MHz and $F_{UL_low} \geq 3300$ MHz

Rx parameter	Units	Channel bandwidth							
		10 MHz	20 MHz	40 MHz	50 MHz	60 MHz	80 MHz	90 MHz	100 MHz
P_w in Transmission Bandwidth Configuration, per CC	dBm	REFSENS + 6							
$P_{interferer\ 1}$ (CW)	dBm	-46							
$P_{interferer\ 2}$ (Modulated)	dBm	-46							

$BW_{\text{Interferer 2}}$	MHz	BW
$F_{\text{Interferer 1}}$ (Offset)	MHz	-2BW / +2BW
$F_{\text{Interferer 2}}$ (Offset)	MHz	$2 \cdot F_{\text{Interferer 1}}$
<p>NOTE 1: The transmitter shall be set to 4dB below $P_{\text{CMAX_L,f,c}}$ at the minimum UL configuration specified in Table 7.3.2.3-3 with $P_{\text{CMAX_L,f,c}}$ defined in clause 6.2.4.</p> <p>NOTE 2: Reference measurement channel is specified in Annexes A.2.2, A.2.3, A.3.2, and A.3.3 (with one sided dynamic OCNG Pattern OP.1 FDD/TDD for the DL-signal as described in Annex A.5.1.1/A.5.2.1).</p> <p>NOTE 3: The modulated interferer consists of the Reference measurement channel specified in Annexes A.3.2.2 and A.3.3.2 with one sided dynamic OCNG Pattern OP.1 FDD/TDD for the DL-signal as described in Annex A.5.1.1/A.5.2.1 and the same SCS as the wanted signal.</p> <p>NOTE 4: The $F_{\text{interferer 1}}$ (offset) is the frequency separation of the centre frequency of the carrier closest to the interferer and the centre frequency of the CW interferer and $F_{\text{interferer 2}}$ (offset) is the frequency separation of the centre frequency of the carrier closest to the interferer and the centre frequency of the modulated interferer.</p>		

7.8A.2.3 Wide band Intermodulation for CA (4DL CA)

7.8A.2.3.1 Test purpose

Intermodulation response tests the UE's ability to receive data with a given average throughput for a specified reference measurement channel, in the presence of two or more interfering signals which have a specific frequency relationship to the wanted signal, under conditions of ideal propagation and no added noise.

A UE unable to meet the throughput requirement under these conditions will decrease the coverage area when two or more interfering signals exist which have a specific frequency relationship to the wanted signal.

7.8A.2.3.2 Test applicability

This test case applies to all types of NR UE release 15 and forward that supports 4DL CA.

7.8A.2.3.3 Minimum conformance requirements

The minimum conformance requirements are defined in clause 7.8A.2.0.

7.8A.2.3.4 Test description

7.8A.2.3.4.1 Initial conditions

Initial conditions are a set of test configurations the UE needs to be tested in and the steps for the SS to take with the UE to reach the correct measurement state.

The initial test configurations consist of environmental conditions, test frequencies, test channel bandwidths and sub-carrier spacing based on NR CA configurations specified in clause 5.5A. All of these configurations shall be tested with applicable test parameters for each CA configuration, are shown in Table 7.8A.2.3.4.1-1. The details of the uplink and downlink reference measurement channels (RMC) are specified in Annexes A.2 and A.3 respectively. The details of the OCNG patterns used are specified in Annex A.5. Configurations of PDSCH and PDCCH before measurement are specified in Annex C.2.

Table 7.8A.2.3.4.1-1: Test configuration table for Inter-band CA

Default Conditions	
Test Environment as specified in TS 38.508-1 [5] subclause 4.1	Normal
Test Frequencies as specified in TS 38.508-1 [5] subclause 4.3.1	Inter-band : Mid range for PCC and SCCs (NOTE 5) Intra-band contiguous + Inter-band: Mid range for PCC and SCCs (NOTE 5) Intra-band non-contiguous + Inter-band: Mid range for PCC and SCCs with maxWGap for Intra-band non-contiguous (NOTE 5)

Test CC Combination setting (NRB_agg) as specified in Tables 5.5A.1-1, 5.5A.2-1, or tables in clauses 5.5A.3.x for the CA Configuration across bandwidth combination sets supported by the UE.	Highest NRB_agg NOTE 3 NOTE 6				
Test SCS as specified in Table 5.3.5-1	Highest				
Test Parameters					
Test ID	Downlink Configuration			Uplink Configuration	
	CC Mod'n	PCC RB allocation	SCCs RB allocation	CC Mod'n	PCC RB allocation
1	CP-OFDM QPSK	Full RB ¹	Full RB ¹	DFT-s-OFDM QPSK	REFSENS ²
<p>NOTE 1: Full RB allocation shall be used per each SCS and channel BW as specified in Table 7.3.2.4.1-2.</p> <p>NOTE 2: REFSENS refers to the single carrier Uplink RB allocation for reference sensitivity according to Table 7.3.2.4.1-3.</p> <p>NOTE 3: If the UE supports multiple CC Combinations in the CA Configuration with the same NRB_agg, only the combination with the highest NRB_PCC is tested.</p> <p>NOTE 4: In a band where UE supports 4Rx, the test shall be performed only with 4Rx antennas ports connected and 4Rx REFSENS requirement (Table 7.3.2.5-2) is used in the test requirements.</p> <p>NOTE 5: Test frequency is set to Mid Range for PCC and SCC with exceptions defined in Table 7.3A.3.4.1-1. For NR band n28, 30MHz test channel bandwidth is tested with Low range test frequencies.</p> <p>NOTE 6: For nXA PCC, each of Highest UL and Highest DL shall be selected according to clause 5.5A.3.3. DL channel bandwidth shall be selected first.</p>					

1. Connect the SS to the UE antenna connectors as shown in TS 38.508-1 [5] Annex A, Figure A.3.1.4.7 for TE diagram and section A.3.2 for UE diagram.
2. The parameter settings for the cell are set up according to TS 38.508-1 [5] subclause 4.4.3.
3. Downlink signals are initially set up according to Annex C.0, C.1, C.2, and C.3.1, and uplink signals according to Annex G.0, G.1, G.2, and G.3.1.
4. The DL and UL Reference Measurement Channels are set according to Table 7.8A.2.3.4.1-1.
5. Propagation conditions are set according to Annex B.0.
6. Ensure the UE is in State RRC_CONNECTED with generic procedure parameters Connectivity *NR*, Connected without release *On*, Test Mode *On* and Test Loop Function *On* according to TS 38.508-1 [5] clause 4.5. Message contents are defined in clause 7.8A.2.3.4.3.

7.8A.2.3.4.2 Test procedure

1. Configure SCCs according to Annex C.0, C.1, C.2 for all downlink physical channels.
2. The SS shall configure SCCs as per TS 38.508-1 [5] clause 5.5.1. Message contents are defined in clause 7.8A.2.3.4.3.
3. SS activates SCCs by sending the activation MAC CE (Refer TS 38.321 [18], clauses 5.9, 6.1.3.10). Wait for at least 2 seconds (Refer TS 38.133[19], clause 9.3).
4. SS transmits PDSCH via PDCCH DCI format 1_1 for C_RNTI to transmit the DL RMC according to Table 7.8A.2.3.4.1-1 on both PCC and SCCs. The SS sends downlink MAC padding bits on the DL RMC.
5. SS sends uplink scheduling information for each UL HARQ process via PDCCH DCI format 0_1 for C_RNTI to schedule the UL RMC according to Table 7.8A.2.3.4.1-1 on PCC. Since the UE has no payload data to send, the UE transmits uplink MAC padding bits on the UL RMC.
6. Set the Interfering signal levels to the values as defined in Table 7.8A.2.3.5.2-1 or Table 7.8A.2.3.5.1-2 and frequency below each SCC's operating band for inter-band CA according to Table 7.8A.2.3.5.2-1 or Table 7.8A.2.3.5.1-2, using a modulated interferer bandwidth as defined in Annex D of the present document. For the UE which supports inter-band CA configuration in Table 7.3A.0.3.2.1-1, $P_{\text{interferer}}$ power defined in Table 7.8A.2.3.5.1-1 and 7.8A.2.3.5.1-2 is increased by the amount given by $\Delta R_{\text{IB,c}}$ in Table 7.3A.0.3.2.1-1.
7. Set the Downlink signal level for PCC and SCCs to the value as defined in Table 7.8A.2.3.5.2-1 or Table 7.8A.2.3.5.1-2. Send uplink power control commands to the UE using 1dB power step size to ensure that the UE output power measured by the test system is within the Uplink power control window, defined as -MU to -(MU

+ Uplink power control window size) dB of the target power level in Table 7.8A.2.3.5.2-1 or Table 7.8A.2.3.5.1-2 for at least the duration of the Throughput measurement, where:

- MU is the test system uplink power measurement uncertainty and is specified in Table F.1.3-1 for the carrier frequency f and the channel bandwidth BW
- Uplink power control window size = 1dB (UE power step size) + 0.7dB (UE power step tolerance) + (Test system relative power measurement uncertainty), where, the UE power step tolerance is specified in TS 38.101-1 [2], Table 6.3.4.3-1 and is 0.7dB for 1dB power step size, and the Test system relative power measurement uncertainty is specified for test case 6.3.4.3 in Table F.1.2-1.
- For UEs supporting Tx diversity, the transmit power is measured as the sum of the output power from both UE antenna connectors.

8. Measure the average throughput of SCCs for a duration sufficient to achieve statistical significance according to Annex H.2A for inter-band CA.

9. Repeat steps from 6 to 8, using an interfering signal above the each SCC’s operating band for inter-band CA at step 6.

10. For Inter-band CA: Switch the SCell into PCell and repeat steps 1 to 9, except for operating bands without uplink band.

NOTE: The purpose of the Uplink power control window is to ensure that the actual UE output power is no greater than the target power level, and as close as possible to the target power level. The relationship between the Uplink power control window, the target power level and the corresponding possible actual UE Uplink power window is illustrated in Annex F.4.3.

7.8A.2.3.4.3 Message contents

Message contents are according to TS 38.508-1 [5] subclause 4.6 Table 4.6.3-118 with condition TRANSFORM_PRECODER_ENABLED.

7.8A.2.3.5 Test requirement

7.8A.2.3.5.1 Wide band intermodulation for Inter-band CA

For inter-band carrier aggregation with one component carrier per operating band and the uplink assigned to one NR band, the wide band intermodulation requirements are defined with the uplink active on the band(s) other than the band whose downlink is being tested.

The throughput of each carrier shall be $\geq 95\%$ of the maximum throughput of the reference measurement channels as specified in Annexes A.2.2, A.2.3, A.3.2, and A.3.3 (with one sided dynamic OCNG Pattern OP.1 FDD/TDD for the DL-signal as described in Annex A.5.1.1/A.5.2.1) with parameters defined in Table 7.8A.2.3.5.1-1 or 7.8A.2.3.5.1-2.

Table 7.8A.2.3.5.1-1: Wide band intermodulation parameters for NR bands with $F_{DL_high} < 2700$ MHz and $F_{UL_high} < 2700$ MHz

Rx parameter	Units	Channel bandwidth											
		5 MHz	10 MHz	15 MHz	20 MHz	25 MHz	30 MHz	40 MHz	50 MHz	60 MHz	80 MHz	90 MHz	100 MHz
P _w in Transmission Bandwidth Configuration, per CC	dBm	REFSENS + channel bandwidth specific value below											
		6	6	7	9	10	11	12	13	14	15	15	16
P _{Interferer 1 (CW)}	dBm	-46											
P _{Interferer 2 (Modulated)}	dBm	-46											
BW _{Interferer 2}	MHz	5											
F _{Interferer 1 (Offset)}	MHz	-BW/2 – 7.5 / +BW/2 + 7.5											
F _{Interferer 2 (Offset)}	MHz	2*F _{Interferer 1}											

NOTE 1:	The transmitter shall be set to 4dB below $P_{\text{CMAX_L,f,c}}$ at the minimum UL configuration specified in Table 7.3.2.3-3 with $P_{\text{CMAX_L,f,c}}$ defined in clause 6.2.4.
NOTE 2:	Reference measurement channel is specified in Annexes A.2.2, A.2.3, A.3.2, and A.3.3 (with one sided dynamic OCNG Pattern OP.1 FDD/TDD for the DL-signal as described in Annex A.5.1.1/A.5.2.1).
NOTE 3:	The modulated interferer consists of the Reference measurement channel specified in Annexes A.3.2.2 and A.3.3.2 with one sided dynamic OCNG Pattern OP.1 FDD/TDD for the DL-signal as described in Annex A.5.1.1/A.5.2.1 and 15 kHz SCS.
NOTE 4:	The $F_{\text{interferer 1}}$ (offset) is the frequency separation of the centre frequency of the carrier closest to the interferer and the centre frequency of the CW interferer and $F_{\text{interferer 2}}$ (offset) is the frequency separation of the centre frequency of the carrier closest to the interferer and the centre frequency of the modulated interferer.

For the UE which supports inter-band CA configuration in Table 7.3A.0.3.2.1-1, $P_{\text{interferer}}$ power defined in Table 7.8A.2.3.5.1-1 and 7.8A.2.3.5.1-2 is increased by the amount given by $\Delta R_{\text{IB,c}}$ in Table 7.3A.0.3.2.1-1.

Table 7.8A.2.3.5.1-2: Wide band intermodulation parameters for NR bands with $F_{\text{DL_low}} \geq 3300$ MHz and $F_{\text{UL_low}} \geq 3300$ MHz

Rx parameter	Unit	Channel bandwidth							
		10 MHz	20 MHz	40 MHz	50 MHz	60 MHz	80 MHz	90 MHz	100 MHz
P_{w} in Transmission Bandwidth Configuration, per CC	dBm	REFSENS + 6							
$P_{\text{Interferer 1}}$ (CW)	dBm	-46							
$P_{\text{Interferer 2}}$ (Modulated)	dBm	-46							
$BW_{\text{Interferer 2}}$	MHz	BW							
$F_{\text{Interferer 1}}$ (Offset)	MHz	-2BW / +2BW							
$F_{\text{Interferer 2}}$ (Offset)	MHz	$2 \cdot F_{\text{Interferer 1}}$							
NOTE 1: The transmitter shall be set to 4dB below $P_{\text{CMAX_L,f,c}}$ at the minimum UL configuration specified in Table 7.3.2.3-3 with $P_{\text{CMAX_L,f,c}}$ defined in clause 6.2.4.									
NOTE 2: Reference measurement channel is specified in Annexes A.2.2, A.2.3, A.3.2, and A.3.3 (with one sided dynamic OCNG Pattern OP.1 FDD/TDD for the DL-signal as described in Annex A.5.1.1/A.5.2.1).									
NOTE 3: The modulated interferer consists of the Reference measurement channel specified in Annexes A.3.2.2 and A.3.3.2 with one sided dynamic OCNG Pattern OP.1 FDD/TDD for the DL-signal as described in Annex A.5.1.1/A.5.2.1 and the same SCS as the wanted signal.									
NOTE 4: The $F_{\text{interferer 1}}$ (offset) is the frequency separation of the centre frequency of the carrier closest to the interferer and the centre frequency of the CW interferer and $F_{\text{interferer 2}}$ (offset) is the frequency separation of the centre frequency of the carrier closest to the interferer and the centre frequency of the modulated interferer.									

7.8B Intermodulation characteristics for NR-DC

For inter-band NR-DC configurations, the intermodulation characteristics for the corresponding inter-band CA configuration as specified in clause 7.8A applies.

Note: For NR-DC testing, replace CA by NR-DC, PCC by PCell, and SCC by PSCell in clause 7.8A.

7.8D Intermodulation characteristics for UL MIMO

7.8D.1 General

Intermodulation response rejection for UL MIMO is a measure of the capability of the receiver of an UE that support UL MIMO to receive a wanted signal on its assigned channel frequency in the presence of two or more interfering signals which have a specific frequency relationship to the wanted signal.

7.8D.2 Wide band Intermodulation for UL MIMO

7.8D.2.1 Test purpose

Wide band Intermodulation for UL MIMO tests the ability of UE that support UL MIMO to receive data with a given average throughput for a specified reference measurement channel, in the presence of two or more interfering signals which have a specific frequency relationship to the wanted signal, under conditions of ideal propagation and no added noise.

An UE unable to meet the throughput requirement under these conditions will decrease the coverage area when two or more interfering signals exist which have a specific frequency relationship to the wanted signal.

7.8D.2.2 Test applicability

This test case applies to all types of NR UE release 15 and forward that support UL MIMO on FDD bands.

7.8D.2.3 Minimum conformance requirements

For UE(s) with two transmitter antenna connectors in closed-loop spatial multiplexing scheme, the minimum requirements in subclause 7.8 shall be met with the UL MIMO configurations described in sub-clause 6.2D.1. For UL MIMO, the parameter P_{CMAX_L} is defined as the total transmitter power over the two transmit antenna connectors.

The normative reference for this requirement is TS 38.101-1 [2] clause 7.8D.

7.8D.2.4 Test description

7.8D.2.4.1 Initial conditions

Initial conditions are a set of test configurations the UE needs to be tested in and the steps for the SS to take with the UE to reach the correct measurement state.

The initial test configurations consist of environmental conditions, test frequencies, test channel bandwidths and sub-carrier spacing based on NR operating bands specified in table 5.3.5-1. All of these configurations shall be tested with applicable test parameters for each combination of channel bandwidth and sub-carrier spacing, are shown in table 7.8D.2.4.1-1. The details of the uplink and downlink reference measurement channels (RMC) are specified in Annexes A.2 and A.3. The details of the OCN patterns used are specified in Annex A.5. Configurations of PDSCH and PDCCH before measurement are specified in Annex C.2.

Table 7.8D.2.4.1-1: Test Configuration Table

Default Conditions				
Test Environment as specified in TS 38.508-1 [5] subclause 4.1			Normal	
Test Frequencies as specified in TS 38.508-1 [5] subclause 4.3.1			Mid range	
Test Channel Bandwidths as specified in TS 38.508-1 [5] subclause 4.3.1			Lowest, Mid, Highest	
Test SCS as specified in Table 5.3.5-1			Highest	
Test Parameters				
Test ID	Downlink Configuration		Uplink Configuration	
	Mod'n	RB allocation	Mod'n	RB allocation
1	CP-OFDM QPSK	NOTE 1	CP-OFDM QPSK	NOTE 1
NOTE 1: The specific configuration of uplink and downlink are defined in Table 7.3D.2.4.1-1.				
NOTE 2: In a band where UE supports 4Rx, the test shall be performed only with 4Rx antennas ports connected and 4Rx REFSSENS requirement (Table 7.3.2.5-2) is used in the test requirements.				

1. Connect the SS and interfering sources to the UE antenna connectors as shown in TS 38.508-1 [5] Annex A, in Figure A.3.1.4.6 for TE diagram and section A.3.2 for UE diagram.
2. The parameter settings for the cell are set up according to TS 38.508-1 [5] subclause 4.4.3.
3. Downlink signals are initially set up according to Annex C.0, C.1, C.2, C.3.1, and uplink signals according to Annex G.0, G.1, G.2, G.3.1.

4. The DL and UL Reference Measurement channels are set according to Table 7.8D.2.4.1-1.
5. Propagation conditions are set according to Annex B.0.
6. Ensure the UE is in state RRC_CONNECTED with generic procedure parameters Connectivity *NR*, Connected without release *On* , Test Mode *On* and Test Loop Function *On* according to TS 38.508-1 [5] clause 4.5. Message content are defined in clause 7.8D.2.4.3.

7.8D.2.4.2 Test procedure

Same test procedure as specified in 7.8.2.4.2.

7.8D.2.4.3 Message contents

Message contents are according to TS 38.508-1 [5] subclause 4.6 ensuring Table 4.6.3-182 with condition 2TX_UL_MIMO.

7.8D.2.5 Test requirement

Same test requirement as specified in 7.8.2.5.

Table 7.8D.2.5-1: Void

7.8D.2_1 Wide band Intermodulation for SUL with UL MIMO

7.8D.2_1.1 Test purpose

Same test purpose as in clause 7.8D.2.1.

7.8D.2_1.2 Test applicability

This test applies to all types of NR UE release 17 and forward that support SUL and UL MIMO operating on the SUL bands.

7.8D.2_1.3 Minimum conformance requirements

Same minimum conformance requirements as in clause 7.8D.2.3.

7.8D.2_1.4 Test description

7.8D.2_1.4.1 Initial conditions

Initial conditions are a set of test configurations the UE needs to be tested in and the steps for the SS to take with the UE to reach the correct measurement state.

The initial test configurations consist of environmental conditions, test frequencies, test channel bandwidths and sub-carrier spacing based on NR operating bands specified in table 5.3.5-1. All of these configurations shall be tested with applicable test parameters for each combination of channel bandwidth and sub-carrier spacing, are shown in table 7.8D.2_1.4.1-1. The details of the uplink and downlink reference measurement channels (RMC) are specified in Annexes A.2 and A.3. The details of the OCN patterns used are specified in Annex A.5. Configurations of PDSCH and PDCCH before measurement are specified in Annex C.2.

Table 7.8D.2_1.4.1-1: Test Configuration Table

Default Conditions	
Test Environment as specified in TS 38.508-1 [5] subclause 4.1	Normal
Test Frequencies as specified in TS 38.508-1 [5] subclause 4.3.1	Mid range for SUL and NUL With following exceptions: SUL_n78-n80: High in band n78
Test Channel Bandwidths as specified in TS 38.508-1 [5] subclause 4.3.1	Lowest, Mid, Highest for Non-SUL carrier For SUL band: n80: 30 MHz n84: 20 MHz n95: 15 MHz

Test SCS as specified in Table 5.3.5-1		15kHz for SUL carrier Lowest for Non-SUL carrier		
Test Parameters				
Test ID	Downlink Configuration		Uplink Configuration	
	Mod'n	RB allocation	Mod'n	RB allocation
1	CP-OFDM QPSK	NOTE 1	CP-OFDM QPSK	NOTE 1
NOTE 1: The specific configuration of uplink and downlink are defined in Table 7.3.2.4.1-2. NOTE 2: In a band where UE supports 4Rx, the test shall be performed only with 4Rx antennas ports connected and 4Rx REFSSENS requirement (Table 7.3.2.5-2) is used in the test requirements.				

1. Connect the SS to the UE antenna connectors as shown in TS 38.508-1 [5] Annex A, Figure A.3.1.1.5 for TE diagram and section A.3.2 for UE diagram.
2. The parameter settings for the cell are set up according to TS 38.508-1 [5] subclause 4.4.3.
3. Downlink signals are initially set up according to Annex C.0, C.1, C.2, and uplink signals according to Annex G.0, G.1, G.2 and G.3.0 with consideration of supplementary uplink physical channels.
4. The UL Reference Measurement Channel is set according to Table 7.3D.2_1.4.1.
5. Propagation conditions are set according to Annex B.0.
6. Ensure the UE is in state RRC_CONNECTED with generic procedure parameters Connectivity *NR*, Connected without release *On*, Test Mode *On* and Test Loop Function *On* according to TS 38.508-1 [5] clause 4.5. Message content are defined in clause 7.8D.2_1.4.1.3.

7.8D.2_1.4.1.2 Test procedure

Same test procedure as specified in 7.8.2.4.2.

7.8D.2_1.4.1.3 Message contents

Message contents are according to TS 38.508-1 [5] subclause 4.3.6.1.1.2 ensuring UL/SUL indicator in Table 4.3.6.1.1.2-1 with condition SUL, subclause 4.6 ensuring Table 4.6.1-28 with condition SUL AND (RF OR RRM), Tables 4.6.3-14 with condition SUL_SUL for SUL carrier, Table 4.6.3-167 with condition PUSCH_PUCCH_ON_SUL, and Table 4.6.3-182 with the condition 2TX_UL_MIMO.

7.8D.2_1.5 Test requirement

Same test requirement as specified in 7.8.2.5.

7.8E Intermodulation characteristics for V2X

7.8E.1 General

Intermodulation response rejection is a measure of the capability of the receiver to receive a wanted signal on its assigned channel frequency in the presence of two or more interfering signals which have a specific frequency relationship to the wanted signal.

7.8E.2 Wide band Intermodulation for V2X

7.8E.2.0 Minimum conformance requirements

7.8E.2.0.1 Wide band Intermodulation

The wide band intermodulation requirement is defined using modulated NR carrier and a CW signal as interferer 1 and interferer 2 respectively. When UE is configured for NR V2X reception non-concurrent with NR uplink transmissions for NR V2X operating bands specified in Table 5.2E.1-1, the throughput shall be ≥ 95 % of the maximum throughput of the reference measurement channels as specified in Annexes A.7.2 with parameters specified in Table 7.8E.2.0.1-1 for NR V2X bands. The relative throughput requirement shall be met for any SCS specified for the channel bandwidth of the wanted signal.

Table 7.8E.2.0.1-1: Wide band intermodulation parameters for NR V2X

NR band	Rx parameter	Units	Channel bandwidth			
			10 MHz	20 MHz	30 MHz	40 MHz
n38, n47	Power in Transmission Bandwidth Configuration	dBm	$P_{\text{REFSENS_V2X}}$ + channel bandwidth specific value below			
			6	9	11	12
	$P_{\text{Interferer 1 (CW)}}$	dBm	-46			
	$P_{\text{Interferer 2 (Modulated)}}$		-46			
	$BW_{\text{Interferer 2}}$	MHz	10MHz			
	$F_{\text{Interferer 1 (Offset)}}$		-BW/2 – 15 / +BW/2 + 15			
$F_{\text{Interferer 2 (Offset)}}$	MHz	$2 * F_{\text{Interferer 1}}$				
NOTE 1: Reference measurement channel is A.7.2						
NOTE 2: The interferer is QPSK modulated PUSCH containing data and reference symbols. Normal cyclic prefix is used.						

7.8E.2.0.2 Intermodulation for V2X con-current operation

For the inter-band con-current NR V2X operation, the requirements specified in clause 7.8E.2.0.1 shall apply for the NR sidelink reception in the operating bands in Table 5.2E.2-1 and the requirements specified in clause 7.8 shall apply for the NR downlink reception in licensed band while all downlink carriers are active.

The normative reference for this requirement is TS 38.101-1 [2] clause 7.8E.

7.8E.2.1 Wide band Intermodulation for V2X / non-concurrent operation

FFS

7.8E.2.2 Wide band Intermodulation for V2X / con-current operation

FFS

7.8F Intermodulation characteristics for shared spectrum channel access

7.8F.1 General

Intermodulation response rejection is a measure of the capability of the receiver to receive a wanted signal on its assigned channel frequency in the presence of two or more interfering signals which have a specific frequency relationship to the wanted signal.

7.8F.2 Wide band Intermodulation for shared spectrum channel access

7.8.2.1 Test purpose

Intermodulation response tests the UE's ability to receive data with a given average throughput for a specified reference measurement channel, in the presence of two or more interfering signals which have a specific frequency relationship to the wanted signal, under conditions of ideal propagation and no added noise.

A UE unable to meet the throughput requirement under these conditions will decrease the coverage area when two or more interfering signals exist which have a specific frequency relationship to the wanted signal.

7.8F.2.2 Test applicability

This test case applies to all types of NR UE release 16 and forward that support NR standalone shared spectrum channel access.

7.8F.2.3 Minimum conformance requirements

The wide band intermodulation requirement is defined using a CW carrier and modulated NR signal as interferer 1 and interferer 2 respectively.

Instead of the general wideband intermodulation requirements specified in clause 7.8.2, the throughput shall be $\geq 95\%$ of the maximum throughput of the reference measurement channels as specified in Annexes A.2.2, A.3.2 and A.3.3 (with one sided dynamic OCNG Pattern OP.1 FDD/TDD for the DL-signal as described in Annex A.5.1.1/A.5.2.1) with parameters specified in Table 7.8F.2.3-1. The relative throughput requirement shall be met for any SCS specified for the channel bandwidth of the wanted signal.

Table 7.8F.2.3-1: Wide band intermodulation parameters for shared spectrum channel access

Rx parameter	Units	Channel bandwidth			
		20 MHz	40 MHz	60 MHz	80 MHz
P _w in Transmission Bandwidth Configuration, per CC	dBm	REFSENS + channel bandwidth specific value below			
		9	12	13.8	15
P _{Interferer 1} (CW)	dBm	-46			
P _{Interferer 2} (Modulated)	dBm	-46			
BW _{Interferer 2}	MHz	20			
F _{Interferer 1} (Offset)	MHz	-BW/2 - 30 / +BW/2 + 30			
F _{Interferer 2} (Offset)	MHz	2 * F _{Interferer 1}			
<p>NOTE 1: The transmitter shall be set to 4dB below P_{C_{MAX}L,f,c} at the minimum UL configuration specified in Table 7.3.2-3 with P_{C_{MAX}L,f,c} defined in clause 6.2.4.</p> <p>NOTE 2: Reference measurement channel is specified in Annexes A.2.2, A.3.2, and A.3.3 (with one sided dynamic OCNG Pattern OP.1 FDD/TDD for the DL-signal as described in Annex A.5.1.1/A.5.2.1).</p> <p>NOTE 3: The modulated interferer consists of the Reference measurement channel specified in Annexes A.3.2.2 and A.3.3.2 with one sided dynamic OCNG Pattern OP.1 FDD/TDD for the DL-signal as described in Annex A.5.1.1/A.5.2.1 and the same SCS as the wanted signal.</p> <p>NOTE 4: The F_{interferer 1} (offset) is the frequency separation of the center frequency of the carrier closest to the interferer and the center frequency of the CW interferer and F_{interferer 2} (offset) is the frequency separation of the center frequency of the carrier closest to the interferer and the center frequency of the modulated interferer.</p>					

7.8F.2.4 Test description

7.8F.2.4.1 Initial conditions

Initial conditions are a set of test configurations the UE needs to be tested in and the steps for the SS to take with the UE to reach the correct measurement state.

The initial test configurations consist of environmental conditions, test frequencies, test channel bandwidths and sub-carrier spacing based on NR operating bands specified in Table 5.3.5-1. All of these configurations shall be tested with applicable test parameters for each combination of channel bandwidth and sub-carrier spacing, are shown in table 7.8F.2.4.1-1. The details of the uplink and downlink reference measurement channels (RMC) are specified in Annexes A.2 and A.3. Configuration of PDSCH and PDCCH before measurement are specified in Annex C.2.

Table 7.8F.2.4.1-1: Test Configuration Table

Default Conditions				
Test Environment as specified in TS 38.508-1 [5] subclause 4.1		Normal		
Test Frequencies as specified in TS 38.508-1 [5] subclause 4.3.1		Mid range		
Test Channel Bandwidths as specified in TS 38.508-1 [5] subclause 4.3.1		Lowest, Mid, Highest		
Test SCS as specified in Table 5.3.5-1		Highest		
Test Parameters				
Test ID	Downlink Configuration		Uplink Configuration	
	Mod'n	RB allocation	Mod'n	RB allocation

1	CP-OFDM QPSK	NOTE 1	DFT-s-OFDM QPSK	NOTE 1
NOTE 1: The specific configuration of uplink and downlink are defined in Table 7.3F.2.4.1-2 and Table 7.3F.2.4.1-3.				
NOTE 2: In a band where UE supports 4Rx, the test shall be performed only with 4Rx antennas ports connected and 4Rx REFSSENS requirement (Table 7.3F.2.5-2) is used in the test requirements.				

1. Connect the SS to the UE antenna connectors as shown in TS 38.508-1 [5] Annex A, in Figure A.3.1.4.3 for TE diagram and section A.3.2 for UE diagram.
2. The parameter settings for the cell are set up according to TS 38.508-1 [5] subclause 4.4.3.
3. Downlink signals are initially set up according to Annex C.0, C.1, C.2, C.3.1, and uplink signals according to Annex G.0, G.1, G.2, G.3.1.
4. The DL and UL Reference Measurement channels are set according to Table 7.8F.2.4.1-1.
5. Propagation conditions are set according to Annex B.0.
6. Ensure the UE is in state RRC_CONNECTED with generic procedure parameters Connectivity NR, Connected without release *On*, Test Mode *On* and Test Loop Function *On* according to TS 38.508-1 [5] clause 4.5. Message content are defined in clause 7.8F.2.4.3.

7.8F.2.4.2 Test procedure

1. SS transmits PDSCH via PDCCH DCI format 1_1 for C_RNTI to transmit the DL RMC according to Table 7.8F.2.4.1-1. The SS sends downlink MAC padding bits on the DL RMC.
2. SS sends uplink scheduling information for each UL HARQ process via PDCCH DCI format 0_1 for C_RNTI to schedule the UL RMC according to Table 7.8F.2.4.1-1. Since the UE has no payload data to send, the UE transmits uplink MAC padding bits on the UL RMC.
3. Set the Downlink signal level to the value as defined in Table 7.8F.2.5-1. Send uplink power control commands to the UE using 1dB power step size to ensure that the UE output power measured by the test system is within the Uplink power control window, defined as $-MU$ to $-(MU + \text{Uplink power control window size})$ dB of the target power level in Table 7.8F.2.5-1 for at least the duration of the Throughput measurement, where:
 - MU is the test system uplink power measurement uncertainty and is specified in Table F.1.3-1 for the carrier frequency f and the channel bandwidth BW
 - Uplink power control window size = 1dB (UE power step size) + 0.7dB (UE power step tolerance) + (Test system relative power measurement uncertainty), where, the UE power step tolerance is specified in TS 38.101-1 [2], Table 6.3.4.3-1 and is 0.7dB for 1dB power step size, and the Test system relative power measurement uncertainty is specified for test case 6.3.4.3 in Table F.1.2-1.
4. Set the Interfering signal levels to the values as defined in Table 7.8F.2.5-1 and frequency below the wanted signal.
5. Measure the average throughput for a duration sufficient to achieve statistical significance according to Annex G.2.
6. Repeat steps from 3 to 5, using an interfering signal above the wanted signal at step 4.

NOTE: The purpose of the Uplink power control window is to ensure that the actual UE output power is no greater than the target power level, and as close as possible to the target power level. The relationship between the Uplink power control window, the target power level and the corresponding possible actual UE Uplink power window is illustrated in Annex F.4.3.

7.8F.2.4.3 Message contents

Message contents are according to TS 38.508-1 [5] subclause 4.6 with DFT-s-OFDM condition in Table 4.6.3-118 PUSCH-Config.

7.8F.2.5 Test requirement

The throughput shall be $\geq 95\%$ of the maximum throughput of the reference measurement channels as specified in Annex A.3.2 with parameters specified in Table 7.8F.2.5-1 for the specified wanted signal mean power in the presence of two interfering signals.

Table 7.8F.2.5-1: Wide band intermodulation parameters for shared spectrum channel access

Rx parameter	Units	Channel bandwidth			
		20 MHz	40 MHz	60 MHz	80 MHz
P _w in Transmission Bandwidth Configuration, per CC	dBm	REFSENS + channel bandwidth specific value below			
		9	12	13.8	15
P _{Interferer 1} (CW)	dBm	-46			
P _{Interferer 2} (Modulated)	dBm	-46			
BW _{Interferer 2}	MHz	20			
F _{Interferer 1} (Offset)	MHz	-BW/2 - 30 / +BW/2 + 30			
F _{Interferer 2} (Offset)	MHz	2*F _{Interferer 1}			
NOTE 1: The transmitter shall be set to 4dB below P _{C_{MAX},L,f,c} at the minimum UL configuration specified in Table 7.3F.2.4.1-3 with P _{C_{MAX},L,f,c} defined in clause 6.2.4.					
NOTE 2: Reference measurement channel is specified in Annexes A.2.2, A.3.2, and A.3.3 (with one sided dynamic OCNG Pattern OP.1 FDD/TDD for the DL-signal as described in Annex A.5.1.1/A.5.2.1).					
NOTE 3: The modulated interferer consists of the Reference measurement channel specified in Annexes A.3.2.2 and A.3.3.2 with one sided dynamic OCNG Pattern OP.1 FDD/TDD for the DL-signal as described in Annex A.5.1.1/A.5.2.1 and the same SCS as the wanted signal.					
NOTE 4: The F _{interferer 1} (offset) is the frequency separation of the center frequency of the carrier closest to the interferer and the center frequency of the CW interferer and F _{interferer 2} (offset) is the frequency separation of the center frequency of the carrier closest to the interferer and the center frequency of the modulated interferer.					

7.8J Intermodulation characteristics for ATG

7.8J.1 General

Intermodulation response rejection is a measure of the capability of the receiver to receive a wanted signal on its assigned channel frequency in the presence of two or more interfering signals which have a specific frequency relationship to the wanted signal.

7.8J.2 Wide band intermodulation for ATG

Editor's Note: This test is incomplete. The following aspects are not yet determined:

- Annex F MU/TT is FFS.
- Message contents are TBC pending on Rel-18 ASN.1 freeze.

7.8J.2.1 Test purpose

Intermodulation response tests the UE's ability to receive data with a given average throughput for a specified reference measurement channel, in the presence of two or more interfering signals which have a specific frequency relationship to the wanted signal, under conditions of ideal propagation and no added noise.

A UE unable to meet the throughput requirement under these conditions will decrease the coverage area when two or more interfering signals exist which have a specific frequency relationship to the wanted signal.

7.8J.2.2 Test applicability

This test case applies to all types of NR ATG UE release 18 and forward.

7.8J.2.3 Minimum conformance requirements

For ATG UE, the minimum conformance requirements shall be the same as in clause 7.8.2.3.

The normative reference for this requirement is TS 38.101-1 [2] clause 7.8J.2.

7.8J.2.4 Test description

7.8J.2.4.1 Initial conditions

Initial conditions are a set of test configurations the UE needs to be tested in and the steps for the SS to take with the UE to reach the correct measurement state.

The initial test configurations consist of environmental conditions, test frequencies, test channel bandwidths and sub-carrier spacing based on NR operating bands specified in Table 5.3.5-1. All of these configurations shall be tested with applicable test parameters for each combination of channel bandwidth and sub-carrier spacing, are shown in Table 7.8J.2.4.1-1. The details of the uplink and downlink reference measurement channels (RMC) are specified in Annexes A.2 and A.3. Configuration of PDSCH and PDCCH before measurement are specified in Annex C.2.

Table 7.8J.2.4.1-1: Test Configuration Table

Default Conditions				
Test Environment as specified in TS 38.508-1 [5] subclause 4.1			Normal	
Test Frequencies as specified in TS 38.508-1 [5] subclause 4.3.1			Mid range	
Test Channel Bandwidths as specified in TS 38.508-1 [5] subclause 4.3.1			Lowest, Mid, Highest Lowest UL / Lowest DL, Lowest UL / Highest DL	
Test SCS as specified in Table 5.3.5-1			Highest	
Test Parameters				
Test ID	Downlink Configuration		Uplink Configuration	
	Mod'n	RB allocation	Mod'n	RB allocation
1	CP-OFDM QPSK	NOTE 1	DFT-s-OFDM QPSK	NOTE 1
NOTE 1: The specific configuration of uplink and downlink are defined in Table 7.3.2.4.1-1. NOTE 2: In a band where UE supports 4Rx, the test shall be performed only with 4Rx antennas ports connected and 4Rx REFSENS requirement (Table 7.3.2.5-2) is used in the test requirements.				

1. Connect the SS to the UE antenna connectors as shown in TS 38.508-1 [5] Annex A, in Figure A.3.1.4.3 for TE diagram and section A.3.2 for UE diagram.
2. The parameter settings for the cell are set up according to TS 38.508-1 [5] subclause 4.4.3.
3. Downlink signals are initially set up according to Annex C.0, C.1, C.2, C.3.1 , and uplink signals according to Annex G.0, G.1, G.2, G.3.1.
4. The DL and UL Reference Measurement channels are set according to Table 7.8J.2.4.1-1.
5. Propagation conditions are set according to Annex B.0.
6. Ensure the UE is in state RRC_CONNECTED with generic procedure parameters Connectivity NR, Connected without release *On*, Test Mode *On* and Test Loop Function *On* according to TS 38.508-1 [5] clause 4.5. Message content are defined in clause 7.8J.2.4.3.

7.8J.2.4.2 Test procedure

1. SS transmits PDSCH via PDCCH DCI format 1_1 for C_RNTI to transmit the DL RMC according to Table 7.8J.2.4.1-1. The SS sends downlink MAC padding bits on the DL RMC.
2. SS sends uplink scheduling information for each UL HARQ process via PDCCH DCI format 0_1 for C_RNTI to schedule the UL RMC according to Table 7.8J.2.4.1-1. Since the UE has no payload data to send, the UE transmits uplink MAC padding bits on the UL RMC.

3. Set the Downlink signal level to the value as defined in Table 7.8J.2.5-1 or Table 7.8J.2.5-2. Send uplink power control commands to the UE using 1dB power step size to ensure that the UE output power measured by the test system is within the Uplink power control window, defined as $-(\text{MU})$ to $-(\text{MU} + \text{Uplink power control window size})$ dB of the target power level in Table 7.8J.2.5-1 or Table 7.8J.2.5-2 for at least the duration of the Throughput measurement, where:
 - MU is the test system uplink power measurement uncertainty and is specified in Table F.1.3-1 for the carrier frequency f and the channel bandwidth BW
 - Uplink power control window size = 1dB (UE power step size) + 0.7dB (UE power step tolerance) + (Test system relative power measurement uncertainty), where the UE power step tolerance is specified in TS 38.101-1 [2], Table 6.3.4.3-1 and is 0.7dB for 1dB power step size, and the Test system relative power measurement uncertainty is specified for test case 6.3.4.3 in Table F.1.2-1.
 - For UEs supporting Tx diversity, the transmit power is measured as the sum of the output power from both UE antenna connectors.
4. Set the Interfering signal levels to the values as defined in Table 7.8J.2.5-1 or Table 7.8J.2.5-2 and frequency below the wanted signal.
5. Measure the average throughput for a duration sufficient to achieve statistical significance according to Annex H.2.
6. Repeat steps from 3 to 5, using an interfering signal above the wanted signal at step 4.

NOTE: The purpose of the Uplink power control window is to ensure that the actual UE output power is no greater than the target power level, and as close as possible to the target power level. The relationship between the Uplink power control window, the target power level and the corresponding possible actual UE Uplink power window is illustrated in Annex F.4.3.

7.8J.2.4.3 Message contents

FFS

7.8J.2.5 Test requirement

The throughput shall be $\geq 95\%$ of the maximum throughput of the reference measurement channels as specified in Annex A.3.2 with parameters specified in Table 7.8J.2.5-1 or Table 7.8J.2.5-2 for the specified wanted signal mean power in the presence of two interfering signals.

Table 7.8J.2.5-1: Wide band intermodulation parameters for ATG UE for NR bands with $F_{\text{DL_high}} < 2700$ MHz and $F_{\text{UL_high}} < 2700$ MHz

Rx parameter	Units	Channel bandwidth (MHz)		
		5, 10	15	20, 25, 30, 35, 40, 45, 50, 60, 70, 80, 90, 100
P_w in Transmission Bandwidth Configuration, per CC ⁵	dBm	REFSENS + 6 dB	REFSENS + 7 dB	REFSENS + $(9 + 10\log_{10}(\text{BW}_{\text{Channel}}/20))$ dB
$P_{\text{Interferer 1 (CW)}}$	dBm	-46		
$P_{\text{Interferer 2 (Modulated)}}$	dBm	-46		
$\text{BW}_{\text{Interferer 2}}$	MHz	5		
$F_{\text{Interferer 1 (Offset)}}$	MHz	$-\text{BW}_{\text{channel}}/2 - 7.5$ / $+\text{BW}_{\text{channel}}/2 + 7.5$		
$F_{\text{Interferer 2 (Offset)}}$	MHz	$2 * F_{\text{Interferer 1}}$		
NOTE 1: The transmitter shall be set to 4 dB below $P_{\text{CMAX_L,f,c}}$ at the minimum UL configuration specified in Table 7.3.2.3-3 with $P_{\text{CMAX_L,f,c}}$ defined in clause 6.2J.2.				
NOTE 2: Reference measurement channel is specified in Annexes A.2.2, A.3.2, and A.3.3 (with one sided dynamic OCNG Pattern OP.1 FDD/TDD for the DL-signal as described in Annex A.5.1.1/A.5.2.1).				
NOTE 3: The modulated interferer consists of the Reference measurement channel specified in Annexes A.3.2.2 and A.3.3.2 with one sided dynamic OCNG Pattern OP.1 FDD/TDD for the DL-signal as described in Annex A.5.1.1/A.5.2.1 and 15 kHz SCS.				

NOTE 4: The $F_{\text{interferer 1}}$ (offset) is the frequency separation of the centre frequency of the carrier closest to the interferer and the centre frequency of the CW interferer and $F_{\text{interferer 2}}$ (offset) is the frequency separation of the centre frequency of the carrier closest to the interferer and the centre frequency of the modulated interferer.

NOTE 5: $10\log_{10}(x)$ is rounded to the next higher 0.5dB value.

Table 7.8J.2.5-2: Wide band intermodulation parameters for ATG UE for NR bands with $F_{\text{DL,low}} \geq 3300$ MHz and $F_{\text{UL,low}} \geq 3300$ MHz

Rx parameter	Units	Channel bandwidth (MHz)
		10, 15, 20, 25, 30, 35, 40, 45, 50, 60, 70, 80, 90, 100
$P_{\text{w in}}$ Transmission Bandwidth Configuration, per CC	dBm	REFSENS + 6dB
$P_{\text{Interferer 1}}$ (CW)	dBm	-46
$P_{\text{Interferer 2}}$ (Modulated)	dBm	-46
$BW_{\text{Interferer 2}}$	MHz	BW_{channel}
$F_{\text{Interferer 1}}$ (Offset)	MHz	$-2BW_{\text{channel}}$ / $+2BW_{\text{channel}}$
$F_{\text{Interferer 2}}$ (Offset)	MHz	$2 * F_{\text{Interferer 1}}$

NOTE 1: The transmitter shall be set to 4dB below $P_{\text{C}_{\text{MAX_L,f,c}}}$ at the minimum UL configuration specified in Table 7.3.2.3-3 with $P_{\text{C}_{\text{MAX_L,f,c}}}$ defined in clause 6.2J.2.

NOTE 2: Reference measurement channel is specified in Annexes A.2.2, A.2.3, A.3.2, and A.3.3 (with one sided dynamic OCNG Pattern OP.1 FDD/TDD for the DL-signal as described in Annex A.5.1.1/A.5.2.1).

NOTE 3: The modulated interferer consists of the Reference measurement channel specified in Annexes A.3.2.2 and A.3.3.2 with one sided dynamic OCNG Pattern OP.1 FDD/TDD for the DL-signal as described in Annex A.5.1.1/A.5.2.1 and the same SCS as the wanted signal.

NOTE 4: The $F_{\text{interferer 1}}$ (offset) is the frequency separation of the centre frequency of the carrier closest to the interferer and the centre frequency of the CW interferer and $F_{\text{interferer 2}}$ (offset) is the frequency separation of the centre frequency of the carrier closest to the interferer and the centre frequency of the modulated interferer.

7.9 Spurious emissions

The spurious emissions power is the power of emissions generated or amplified in a receiver that appear at the UE antenna connector.

7.9.1 Test purpose

Test verifies the UE's spurious emissions meet the requirements described in clause 7.9.3.

Excess spurious emissions increase the interference to other systems.

7.9.2 Test applicability

This test applies to all types of NR UE release 15 and forward.

7.9.3 Minimum conformance requirements

The spurious emissions power is the power of emissions generated or amplified in a receiver that appear at the UE antenna connector.

The power of any narrow band CW spurious emission shall not exceed the maximum level specified in Table 7.9.3-1

Table 7.9.3-1: General receiver spurious emission requirements

Frequency range	Measurement bandwidth	Maximum level	NOTE
$30 \text{ MHz} \leq f < 1 \text{ GHz}$	100 kHz	-57 dBm	
$1 \text{ GHz} \leq f \leq 12.75 \text{ GHz}$	1 MHz	-47 dBm	

12.75 GHz ≤ f ≤ 5 th harmonic of the upper frequency edge of the DL operating band in GHz	1 MHz	-47 dBm	2
12.75 GHz – 26 GHz	1 MHz	-47 dBm	3
NOTE 1: Unused PDCCH resources are padded with resource element groups with power level given by PDCCH as defined in Annex C.3.1.			
NOTE 2: Applies for Band that the upper frequency edge of the DL Band more than 2.69 GHz.			
NOTE 3: Applies for Band that the upper frequency edge of the DL Band more than 5.2 GHz.			

The normative reference for this requirement is TS 38.101-1 [2] clause 7.9.

7.9.4 Test description

7.9.4.1 Initial conditions

Initial conditions are a set of test configurations the UE needs to be tested in and the steps for the SS to take with the UE to reach the correct measurement state.

The initial test configurations consist of environmental conditions, test frequencies, test channel bandwidths and sub-carrier spacing based on NR operating bands specified in Table 5.3.5-1. All of these configurations shall be tested with applicable test parameters for each combination of channel bandwidth and sub-carrier spacing, are shown in table 7.9.4.1-1. The details of the uplink and downlink reference measurement channels (RMC) are specified in Annexes A.2 and A.3. Configuration of PDSCH and PDCCH before measurement are specified in Annex C.2.

Table 7.9.4.1-1: Test Configuration Table

Default Conditions				
Test Environment as specified in TS 38.508-1 [5] subclause 4.1		Normal		
Test Frequencies as specified in TS 38.508-1 [5] subclause 4.3.1		Low range, Mid range, High range (NOTE 4)		
Test Channel Bandwidths as specified in TS 38.508-1 [5] subclause 4.3.1		Highest (NOTE 3)		
Test SCS as specified in Table 5.3.5-1		Highest		
Test Parameters				
Test ID	Downlink Configuration		Uplink Configuration	
	Mod'n	RB allocation	Mod'n	RB allocation
1	N/A	0	N/A	0
NOTE 1: The specific configuration of uplink and downlink are defined in Table 7.3.2.4.1-1.				
NOTE 2: In a band where UE supports 4Rx, the test shall be performed only with 4Rx antennas ports connected and 4Rx REFSSENS requirement (Table 7.3.2.5-2) is used in the test requirements.				
NOTE 3: For n70, highest test channel bandwidth shall be Highest UL / Highest DL according to asymmetric channel bandwidths specified in clause 5.3.6.				
NOTE 4: For NR band n28, 30MHz test channel bandwidth is tested with Low range and High range test frequencies.				

1. Connect the SS to the UE antenna connectors as shown in TS 38.508-1 [5] Annex A, in Figure A.3.1.5.1 for TE diagram and section A.3.2 for UE diagram.
2. The parameter settings for the cell are set up according to TS 38.508-1 [5] subclause 4.4.3.
3. Downlink signals are initially set up according to Annex C.0, C.1, C.2, C.3.1, and uplink signals according to Annex G.0, G.1, G.2, G.3.1.
4. The DL and UL Reference Measurement channels are set according to Table 7.9.4.1-1.
5. Propagation conditions are set according to Annex B.0.
6. Ensure the UE is in state RRC_CONNECTED with generic procedure parameters Connectivity NR, Connected without release *On*, Test Mode *On* and Test Loop Function *On* according to TS 38.508-1 [5] clause 4.5. Message content are defined in clause 7.5.4.3.

7.9.4.2 Test procedure

1. Sweep the spectrum analyzer (or equivalent equipment) over a frequency range and measure the average power of spurious emission. During measurement the spectrum analyser shall be set to 'Detector' = RMS.
2. Repeat step 1 for all NR Rx antennas of the UE.

7.9.4.3 Message contents

Message contents are according to TS 38.508-1 [5] subclause 4.6.

7.9.5 Test requirement

The measured spurious emissions derived in step 1), shall not exceed the maximum level specified in Table 7.9.5-1.

Table 7.9.5-1: General receiver spurious emission requirements

Frequency range	Measurement bandwidth	Maximum level	NOTE
$30 \text{ MHz} \leq f < 1 \text{ GHz}$	100 kHz	-57 dBm	
$1 \text{ GHz} \leq f \leq 12.75 \text{ GHz}$	1 MHz	-47 dBm	
$12.75 \text{ GHz} \leq f \leq 5^{\text{th}}$ harmonic of the upper frequency edge of the DL operating band in GHz	1 MHz	-47 dBm	2
$12.75 \text{ GHz} - 26 \text{ GHz}$	1 MHz	-47 dBm	3
NOTE 1: Unused PDCCH resources are padded with resource element groups with power level given by PDCCH as defined in Annex C.3.1.			
NOTE 2: Applies for Band that the upper frequency edge of the DL Band more than 2.69 GHz.			
NOTE 3: Applies for Band that the upper frequency edge of the DL Band more than 5.2 GHz.			

7.9A Spurious emissions for CA

7.9A.0 Minimum conformance requirements

For inter-band carrier aggregation including an operating band without uplink band, the UE shall meet the Rx spurious emissions requirements specified in subclause 7.9 for each component carrier while all downlink carriers are active.

The normative reference for this requirement is TS 38.101-1 [2] clause 7.9A.3.

7.9A.1 Spurious emissions for CA (2DL CA)

7.9A.1.1 Test Purpose

Test verifies the UE's spurious emissions meet the requirements described in clause 7.9A.1.3.

Excess spurious emissions increase the interference to other systems.

7.9A.1.2 Test Applicability

This test case applies to all types of NR UE release 15 and forward that support inter-band 2DL CA with a DL-only band.

7.9A.1.3 Minimum Conformance Requirements

The minimum conformance requirements are defined in clause 7.9A.0.

7.9A.1.4 Test Description

7.9A.1.4.1 Initial Conditions

Initial conditions are a set of test configurations the UE needs to be tested in and the steps for the SS to take with the UE to reach the correct measurement state.

The initial test configurations consist of environmental conditions, test frequencies, and channel bandwidths based on NR CA bands specified in clause 5.5A. All of these configurations shall be tested with applicable test parameters for each CA Configuration, and are shown in Table 7.9A.1.4.1-1. The details of the uplink reference measurement channels (RMCs) are specified in Annex A.2. Configurations of PDSCH and PDCCH before measurement are specified in Annex C.2.

Table 7.9A.1.4.1-1: Test Configuration Table

Initial Conditions						
Test Environment as specified in TS 38.508-1 [5] subclause 4.1		Normal				
Test Frequencies as specified in TS 38.508-1 [5] subclause 4.3.1		NOTE 3				
Test CC Combination setting (N_{RB_agg}) as specified in Table 5.5A.1-1 for the CA Configuration across bandwidth combination sets supported by the UE.		Highest N_{RB_agg} NOTE 4 NOTE 5				
Test SCS as specified in Table 5.3.5-1		Highest				
Test Parameters for CA Configurations						
Ch Configuration / N_{RB_agg}		Downlink Configuration			Uplink Configuration	
PCC N_{RB}	SCCs N_{RB}	Mod'n	PCC & SCC RB allocation		Mod'n	PCC RB allocation
100	100	N/A	0	0	N/A	0
NOTE 1: The specific configuration of uplink and downlink are defined in Table 7.3.2.4.1-1.						
NOTE 2: In a band where UE supports 4Rx, the test shall be performed only with 4Rx antennas ports connected and 4Rx REFSSENS requirement (Table 7.3.2.5-2) is used in the test requirements.						
NOTE 3: Test frequency is set to Mid Range for PCC and SCC with exceptions defined in Table 7.3A.1.4.1-2. For NR band n28, 30MHz test channel bandwidth is tested with Low range and High range test frequencies.						
NOTE 4: If the UE supports multiple CC Combinations in the CA Configuration with the same N_{RB_agg} , only the combination with the highest NRB_PCC is tested						
NOTE 5: For nXA PCC, each of Highest UL and Highest DL shall be selected according to clause 5.5A.3.1. DL channel bandwidth shall be selected first.						

1. Connect the SS to the UE antenna connectors as shown in TS 38.508-1 [5] Annex A, in Figure A.3.1.5.2 for TE diagram and section A.3.2 for UE diagram.
2. The parameter settings for the cell are set up according to TS 38.508-1 [5] subclause 4.4.3.
3. Downlink signals for PCC are initially set up according to Annex C.0, C.1, C.2.
4. Propagation conditions are set according to Annex B.0.
5. Ensure the UE is in state RRC_CONNECTED with generic procedure parameters Connectivity NR according to TS 38.508-1 [5] clause 4.5. Message contents are defined in clause 7.9A.1.4.3.

7.9A.1.4.2 Test Procedure

1. Configure SCC according to Annex C.0, C.1, C.2 for all downlink physical channels.
2. The SS shall configure SCC as per TS 38.508-1 [5] clause 5.5.1. Message contents are defined in clause 6.5A.2.2.1.4.3.
3. SS activates SCC by sending the activation MAC CE (Refer TS 38.321 [18], clauses 5.9, 6.1.3.10). Wait for at least 2 seconds (Refer TS 38.133 [19], clause 9.3).
4. Sweep the spectrum analyzer (or equivalent equipment) over a frequency range and measure the average power of spurious emission. During measurement SS sends no uplink scheduling information to the UE. During measurement the spectrum analyser shall be set to 'Detector' = RMS.
5. Repeat step 1 for all NR Rx antennas of the UE.

7.9A.1.4.3 Message Contents

Message contents are according to TS 38.508-1 [5] subclause 4.6.

7.9A.1.5 Test Requirement

The measured spurious emissions derived in step 1), shall not exceed the maximum level specified in Table 7.9.5-1.

7.9B Spurious emissions for NR-DC

For inter-band NR-DC configurations, the spurious emissions for the corresponding inter-band CA configuration as specified in clause 7.9A applies.

Note: For NR-DC testing, replace CA by NR-DC, PCC by PCell, and SCC by PSCell in clause 7.9A.

7.9J Spurious emissions for ATG

Editor's Note: This test is incomplete. The following aspects are not yet determined:

- Annex F MU/TT is FFS.

- Message contents are TBC pending on Rel-18 ASN.1 freeze.

7.9J.1 Test purpose

Test verifies the ATG UE's spurious emissions meet the requirements described in clause 7.9J.3.

Excess spurious emissions increase the interference to other systems.

7.9J.2 Test applicability

This test case applies to all types of NR ATG UE release 18 and forward.

7.9J.3 Minimum conformance requirements

For ATG UE, the minimum conformance requirements shall be the same as in clause 7.9.3.

The normative reference for this requirement is TS 38.101-1 [2] clause 7.9J.

7.9J.4 Test description

7.9J.4.1 Initial conditions

Initial conditions are a set of test configurations the UE needs to be tested in and the steps for the SS to take with the UE to reach the correct measurement state.

The initial test configurations consist of environmental conditions, test frequencies, test channel bandwidths and sub-carrier spacing based on NR operating bands specified in Table 5.3.5-1. All of these configurations shall be tested with applicable test parameters for each combination of channel bandwidth and sub-carrier spacing, are shown in table 7.9J.4.1-1. The details of the uplink and downlink reference measurement channels (RMC) are specified in Annexes A.2 and A.3. Configuration of PDSCH and PDCCH before measurement are specified in Annex C.2.

Table 7.9J.4.1-1: Test Configuration Table

Default Conditions				
Test Environment as specified in TS 38.508-1 [5] subclause 4.1			Normal	
Test Frequencies as specified in TS 38.508-1 [5] subclause 4.3.1			Low range, Mid range, High range	
Test Channel Bandwidths as specified in TS 38.508-1 [5] subclause 4.3.1			Highest	
Test SCS as specified in Table 5.3.5-1			Highest	
Test Parameters				
Test ID	Downlink Configuration		Uplink Configuration	
	Mod'n	RB allocation	Mod'n	RB allocation
1	N/A	0	N/A	0

NOTE 1: The specific configuration of uplink and downlink are defined in Table 7.3.2.4.1-1.
 NOTE 2: In a band where UE supports 4Rx, the test shall be performed only with 4Rx antennas ports connected and 4Rx REFSENS requirement (Table 7.3.2.5-2) is used in the test requirements.

1. Connect the SS to the UE antenna connectors as shown in TS 38.508-1 [5] Annex A, in Figure A.3.1.5.1 for TE diagram and section A.3.2 for UE diagram.
2. The parameter settings for the cell are set up according to TS 38.508-1 [5] subclause 4.4.3.
3. Downlink signals are initially set up according to Annex C.0, C.1, C.2 , C.3.1 , and uplink signals according to Annex G.0, G.1, G.2, G.3.1.
4. The DL and UL Reference Measurement channels are set according to Table 7.9J.4.1-1.
5. Propagation conditions are set according to Annex B.0.
6. Ensure the UE is in state RRC_CONNECTED with generic procedure parameters Connectivity NR, Connected without release *On*, Test Mode *On* and Test Loop Function *On* according to TS 38.508-1 [5] clause 4.5. Message content are defined in clause 7.9J.4.3.

7.9J.4.2 Test procedure

1. Sweep the spectrum analyzer (or equivalent equipment) over a frequency range and measure the average power of spurious emission. During measurement the spectrum analyser shall be set to 'Detector' = RMS.
2. Repeat step 1 for all NR Rx antennas of the UE.

7.9J.4.3 Message contents

FFS

7.9J.5 Test requirement

The measured spurious emissions derived in step 1), shall not exceed the maximum level specified in Table 7.9J.5-1.

Table 7.9J.5-1: General receiver spurious emission requirements for ATG UE

Frequency range	Measurement bandwidth	Maximum level	NOTE
$30 \text{ MHz} \leq f < 1 \text{ GHz}$	100 kHz	-57 dBm	
$1 \text{ GHz} \leq f \leq 12.75 \text{ GHz}$	1 MHz	-47 dBm	
$12.75 \text{ GHz} \leq f \leq 5^{\text{th}}$ harmonic of the upper frequency edge of the DL operating band in GHz	1 MHz	-47 dBm	2
NOTE 1: Unused PDCCH resources are padded with resource element groups with power level given by PDCCH as defined in Annex C.3.1.			
NOTE 2: Applies for Band that the upper frequency edge of the DL Band more than 2.69 GHz.			

Annex A (normative): Measurement channels

A.1 General

The throughput values defined in the measurement channels specified in Annex A, are calculated and are valid per datastream (codeword). For multi-stream (more than one codeword) transmissions, the throughput referenced in the minimum requirements is the sum of throughputs of all datastreams (codewords).

The UE category entry in the definition of the reference measurement channel in Annex A is only informative and reveals the UE categories, which can support the corresponding measurement channel. Whether the measurement channel is used for testing a certain UE category or not is specified in the individual minimum requirements.

A.2 UL reference measurement channels

A.2.1 General

The measurement channels in the following subclauses are defined to derive the requirements in clause 6 (Transmitter Characteristics) and clause 7 (Receiver Characteristics). The measurement channels represent example configurations of physical channels for different data rates.

The measurement channels in the following clauses are applicable to both FDD and TDD.

The active uplink slots for TDD configurations are specified in table A.2.1-1. TDD slot patterns defined for reference sensitivity tests will be used for TDD UL RMCs, unless otherwise stated. The active uplink slots for additional TDD configuration specified in Table A.2.1-3, with the TDD pattern defined in Table A.2.1-4, is used for the phase continuity tests for DMRS bundling with 15 kHz SCS. The active uplink slots configuration specified in Table A.2.1-5 and the additional TDD pattern in Table A.2.1-6 are used for shorter transient period capability EVM tests at 15 kHz SCS.

Table A.2.1-1: TDD active uplink slots

SCS	Active Uplink slots
15 kHz	4, 9
30 kHz	8, 9, 18, 19
60 kHz	16, 17, 18, 19, 36, 37, 38, 39

Table A.2.1-2: TDD active uplink slots for PC1.5 UE with maxUplinkDutyCycle-PC1dot5-MPE-FR1-r16≤20%

SCS	Active Uplink slots
15 kHz	4
30 kHz	8, 9
60 kHz	16, 17, 18, 19

Table A.2.1-3: TDD active uplink slots for additional TDD configuration

SCS	Active Uplink slots
15 kHz	8, 9

Table A.2.1-4: TDD pattern for additional TDD configuration

Parameter	Value
	SCS 15 kHz (μ 0)
TDD Slot Configuration pattern (Note 1)	7DS2U
Special Slot Configuration (Note 2)	6D+4G+4U
referenceSubcarrierSpacing	15 kHz

UL-DL configuration	<i>dl-UL-TransmissionPeriodicity</i>	10 ms
	<i>nrofDownlinkSlots</i>	7
	<i>nrofDownlinkSymbols</i>	6
	<i>nrofUplinkSlot</i>	2
	<i>nrofUplinkSymbols</i>	4
NOTE 1: D denotes a slot with all DL symbols; S denotes a slot with a mix of DL, UL and guard symbols; U denotes a slot with all UL symbols. The field is for information.		
NOTE 2: D, G, U denote DL, guard and UL symbols, respectively. The field is for information.		

Table A.2.1-5: TDD active uplink slots for shorter transient period capability

SCS	Active Uplink slots
15 kHz	3,4

Table A.2.1-6: Additional TDD pattern for shorter transient period capability

Parameter		Value
		SCS 15 kHz (μ 0)
TDD Slot Configuration pattern (Note 1)		2DS2U
Special Slot Configuration (Note 2)		10D+2G+2U
referenceSubcarrierSpacing		15 kHz
UL-DL configuration	<i>dl-UL-TransmissionPeriodicity</i>	5 ms
	<i>nrofDownlinkSlots</i>	2
	<i>nrofDownlinkSymbols</i>	10
	<i>nrofUplinkSlot</i>	2
	<i>nrofUplinkSymbols</i>	2
NOTE 1: D denotes a slot with all DL symbols; S denotes a slot with a mix of DL, UL and guard symbols; U denotes a slot with all UL symbols. The field is for information.		
NOTE 2: D, G, U denote DL, guard and UL symbols, respectively. The field is for information.		

A.2.2 Reference measurement channels for FDD

A.2.2.1 DFT-s-OFDM Pi/2-BPSK

Table A.2.2.1-1: Reference Channels for DFT-s-OFDM Pi/2-BPSK

Parameter	Allocated resource blocks (L _{CRB})	DFT-s-OFDM Symbols per slot (Note 1)	Modulation	MCS Index (Note 2)	Payload size	Transport block CRC	LDPC Base Graph	Number of code blocks per slot (Note 3)	Total number of bits per slot	Total modulated symbols per slot
Unit					Bits	Bits			Bits	
	1	11	pi/2 BPSK	0	24	16	2	1	132	132
	5	11	pi/2 BPSK	0	160	16	2	1	660	660
	9	11	pi/2 BPSK	0	288	16	2	1	1188	1188
	10	11	pi/2 BPSK	0	320	16	2	1	1320	1320
	12	11	pi/2 BPSK	0	384	16	2	1	1584	1584
	15	11	pi/2 BPSK	0	480	16	2	1	1980	1980
	18	11	pi/2 BPSK	0	576	16	2	1	2376	2376
	24	11	pi/2 BPSK	0	768	16	2	1	3168	3168
	25	11	pi/2 BPSK	0	808	16	2	1	3300	3300
	30	11	pi/2 BPSK	0	984	16	2	1	3960	3960
	32	11	pi/2 BPSK	0	1032	16	2	1	4224	4224
	36	11	pi/2 BPSK	0	1128	16	2	1	4752	4752
	45	11	pi/2 BPSK	0	1416	16	2	1	5940	5940
	50	11	pi/2 BPSK	0	1544	16	2	1	6600	6600
	60	11	pi/2 BPSK	0	1864	16	2	1	7920	7920
	64	11	pi/2 BPSK	0	2024	16	2	1	8448	8448
	75	11	pi/2 BPSK	0	2408	16	2	1	9900	9900
	80	11	pi/2 BPSK	0	2472	16	2	1	10560	10560
	81	11	pi/2 BPSK	0	2536	16	2	1	10692	10692
	90	11	pi/2 BPSK	0	2792	16	2	1	11880	11880
	100	11	pi/2 BPSK	0	3104	16	2	1	13200	13200
	108	11	pi/2 BPSK	0	3368	16	2	1	14256	14256
	120	11	pi/2 BPSK	0	3752	16	2	1	15840	15840
	128	11	pi/2 BPSK	0	3976	24	2	2	16896	16896
	135	11	pi/2 BPSK	0	4104	24	2	2	17820	17820
	160	11	pi/2 BPSK	0	4872	24	2	2	21120	21120
	162	11	pi/2 BPSK	0	5000	24	2	2	21384	21384
	180	11	pi/2 BPSK	0	5512	24	2	2	23760	23760
	216	11	pi/2 BPSK	0	6664	24	2	2	28512	28512
	243	11	pi/2 BPSK	0	7560	24	2	2	32076	32076
	270	11	pi/2 BPSK	0	8448	24	2	3	35640	35640

Table A.2.2.1-2:

NOTE 1: PUSCH mapping Type-A and single-symbol DM-RS configuration Type-1 with 2 additional DM-RS symbols, such that the DM-RS positions are set to symbols 2, 7, 11. DMRS is [TDM'ed] with PUSCH data. DM-RS symbols are not counted.

Table A.2.2.1-3:

NOTE 2: MCS Index is based on MCS table 6.1.4.1-1 defined in TS 38.214 [10].
NOTE 3: If more than one Code Block is present, an additional CRC sequence of L = 24 Bits is attached to each Code Block (otherwise L = 0 Bit)

NOTE 4: The RMCs apply to all channel bandwidth where $L_{CRB} \leq N_{RB}$.

Void

Void

A.2.2.2 DFT-s-OFDM QPSK

Table A.2.2.2-1: Reference Channels for DFT-s-OFDM QPSK

Parameter	Allocated resource blocks (L_{CRB})	DFT-s-OFDM Symbols per slot (Note 1)	Modulation	MCS Index (Note 2)	Payload size	Transport block CRC	LDPC Base Graph	Number of code blocks per slot (Note 3)	Total number of bits per slot	Total modulated symbols per slot
Unit					Bits	Bits			Bits	
	1	11	QPSK	2	48	16	2	1	264	132
	5	11	QPSK	2	256	16	2	1	1320	660
	9	11	QPSK	2	456	16	2	1	2376	1188
	10	11	QPSK	2	504	16	2	1	2640	1320
	12	11	QPSK	2	608	16	2	1	3168	1584
	15	11	QPSK	2	768	16	2	1	3960	1980
	18	11	QPSK	2	928	16	2	1	4752	2376
	20	11	QPSK	2	1032	16	2	1	5280	2640
	24	11	QPSK	2	1192	16	2	1	6336	3168
	25	11	QPSK	2	1256	16	2	1	6600	3300
	30	11	QPSK	2	1544	16	2	1	7920	3960
	32	11	QPSK	2	1608	16	2	1	8448	4224
	36	11	QPSK	2	1800	16	2	1	9504	4752
	45	11	QPKS	2	2208	16	2	1	11880	5940
	50	11	QPSK	2	2472	16	2	1	13200	6600
	60	11	QPSK	2	3104	16	2	1	15840	7920
	64	11	QPSK	2	3240	16	2	1	16896	8448
	75	11	QPSK	2	3752	16	2	1	19800	9900
	80	11	QPSK	2	3976	24	2	2	21120	10560
	81	11	QPSK	2	4040	24	2	2	21384	10692
	90	11	QPSK	2	4488	24	2	2	23760	11880
	100	11	QPSK	2	5000	24	2	2	26400	13200
	108	11	QPSK	2	5384	24	2	2	28512	14256
	120	11	QPSK	2	5896	24	2	2	31680	15840
	128	11	QPSK	2	6408	24	2	2	33792	16896
	135	11	QPSK	2	6664	24	2	2	35640	17820

Table A.2.2.2-2:

	160	11	QPSK	2	7944	24	2	3	42240	21120
	162	11	QPSK	2	8064	24	2	3	42768	21384
	180	11	QPSK	2	8976	24	2	3	47520	23760
	216	11	QPSK	2	10752	24	2	3	57024	28512
	243	11	QPSK	2	12040	24	2	4	64152	32076
	270	11	QPSK	2	13320	24	2	4	71280	35640

Table A.2.2.2-3:

NOTE 1: PUSCH mapping Type-A and single-symbol DM-RS configuration Type-1 with 2 additional DM-RS symbols, such that the DM-RS positions are set to symbols 2, 7, 11. DMRS is [TDM'ed] with PUSCH data. DM-RS symbols are not counted.
 NOTE 2: MCS Index is based on MCS table 6.1.4.1-1 defined in TS 38.214 [10].
 NOTE 3: If more than one Code Block is present, an additional CRC sequence of L = 24 Bits is attached to each Code Block (otherwise L = 0 Bit)
 NOTE 4: The RMCs apply to all channel bandwidth where $L_{CRB} \leq N_{RB}$.

Void

Void

A.2.2.3

DFT-s-OFDM
16QAM

Table A.2.2.3-1: Reference Channels for DFT-s-OFDM 16QAM

Parameter	Allocated resource blocks (L _{CRB})	DFT-s-OFDM Symbols per slot (Note 1)	Modulation	MCS Index (Note 2)	Payload size	Transport block CRC	LDPC Base Graph	Number of code blocks per slot (Note 3)	Total number of bits per slot	Total modulated symbols per slot
Unit					Bits	Bits			Bits	
	1	11	16QAM	10	176	16	2	1	528	132
	5	11	16QAM	10	888	16	2	1	2640	660
	9	11	16QAM	10	1608	16	2	1	4752	1188
	10	11	16QAM	10	1800	16	2	1	5280	1320
	12	11	16QAM	10	2088	16	2	1	6336	1584
	15	11	16QAM	10	2664	16	2	1	7920	1980
	18	11	16QAM	10	3240	16	2	1	9504	2376
	24	11	16QAM	10	4224	24	1	1	12672	3168
	25	11	16QAM	10	4352	24	1	1	13200	3300
	30	11	16QAM	10	5248	24	1	1	15840	3960
	32	11	16QAM	10	5632	24	1	1	16896	4224
	36	11	16QAM	10	6272	24	1	1	19008	4752
	45	11	16QAM	10	7808	24	1	1	23760	5940
	50	11	16QAM	10	8712	24	1	2	26400	6600
	60	11	16QAM	10	10504	24	1	2	31680	7920
	64	11	16QAM	10	11272	24	1	2	33792	8448
	75	11	16QAM	10	13064	24	1	2	39600	9900
	80	11	16QAM	10	14088	24	1	2	42240	10560
	81	11	16QAM	10	14088	24	1	2	42768	10692
	90	11	16QAM	10	15880	24	1	2	47520	11880
	100	11	16QAM	10	17424	24	1	3	52800	13200
	108	11	16QAM	10	18960	24	1	3	57024	14256
	120	11	16QAM	10	21000	24	1	3	63360	15840

Table A.2.2.3-2:

	128	11	16QAM	10	22536	24	1	3	67584	16896
	135	11	16QAM	10	23568	24	1	3	71280	17820
	160	11	16QAM	10	28168	24	1	4	84480	21120
	162	11	16QAM	10	28168	24	1	4	85536	21384
	180	11	16QAM	10	31752	24	1	4	95040	23760
	216	11	16QAM	10	37896	24	1	5	114048	28512
	243	11	16QAM	10	43032	24	1	6	128304	32076
	270	11	16QAM	10	47112	24	1	6	142560	35640

Table A.2.2.3-3:

NOTE 1: PUSCH mapping Type-A and single-symbol DM-RS configuration Type-1 with 2 additional DM-RS symbols, such that the DM-RS positions are set to symbols 2, 7, 11. DMRS is [TDM'ed] with PUSCH data. DM-RS symbols are not counted.
 NOTE 2: MCS Index is based on MCS table 6.1.4.1-1 defined in TS 38.214 [10].
 NOTE 3: If more than one Code Block is present, an additional CRC sequence of L = 24 Bits is attached to each Code Block (otherwise L = 0 Bit)
 NOTE 4: The RMCs apply to all channel bandwidth where $L_{CRB} \leq N_{RB}$.

A.2.2.4

Table A.2.2.4-1:

Void

Void

DFT-s-OFDM 64QAM

Reference

Channels for DFT-s-OFDM 64QAM

Parameter	Allocated resource blocks (L _{CRB})	DFT-s-OFDM Symbols per slot (Note 1)	Modulation	MCS Index (Note 2)	Payload size	Transport block CRC	LDPC Base Graph	Number of code blocks per slot (Note 3)	Total number of bits per slot	Total modulated symbols per slot
Unit					Bits	Bits			Bits	
	1	11	64QAM	18	408	16	2	1	792	132
	5	11	64QAM	18	2024	16	2	1	3960	660
	9	11	64QAM	18	3624	16	2	1	7128	1188
	10	11	64QAM	18	3968	24	1	1	7920	1320
	12	11	64QAM	18	4736	24	1	1	9504	1584
	15	11	64QAM	18	6016	24	1	1	11880	1980
	18	11	64QAM	18	7168	24	1	1	14256	2376
	24	11	64QAM	18	9480	24	1	2	19008	3168
	25	11	64QAM	18	9992	24	1	2	19800	3300
	30	11	64QAM	18	12040	24	1	2	23760	3960
	32	11	64QAM	18	12808	24	1	2	25344	4224
	36	11	64QAM	18	14344	24	1	2	28512	4752
	45	11	64QAM	18	17928	24	1	3	35640	5940
	50	11	64QAM	18	19968	24	1	3	39600	6600
	60	11	64QAM	18	24072	24	1	3	47520	7920
	64	11	64QAM	18	25608	24	1	4	50688	8448
	75	11	64QAM	18	30216	24	1	4	59400	9900
	80	11	64QAM	18	31752	24	1	4	63360	10560
	81	11	64QAM	18	32264	24	1	4	64152	10692
	90	11	64QAM	18	35856	24	1	5	71280	11880
	108	11	64QAM	18	43032	24	1	6	85536	14256
	100	11	64QAM	18	39936	24	1	5	79200	13200

Table A.2.2.4-2:

	120	11	64QAM	18	48168	24	1	6	95040	15840
	128	11	64QAM	18	51216	24	1	7	101376	16896
	135	11	64QAM	18	54296	24	1	7	106920	17820
	160	11	64QAM	18	63528	24	1	8	126720	21120
	162	11	64QAM	18	64552	24	1	8	128304	21384
	180	11	64QAM	18	71688	24	1	9	142560	23760
	216	11	64QAM	18	86040	24	1	11	171072	28512
	243	11	64QAM	18	96264	24	1	12	192456	32076
	270	11	64QAM	18	108552	24	1	13	213840	35640

Table A.2.2.4-3:

A.2.2.5

Table A.2.2.5-1:
Channels for

NOTE 1: PUSCH mapping Type-A and single-symbol DM-RS configuration Type-1 with 2 additional DM-RS symbols, such that the DM-RS positions are set to symbols 2, 7, 11. DMRS is [TDM'ed] with PUSCH data. DM-RS symbols are not counted.
 NOTE 2: MCS Index is based on MCS table 6.1.4.1-1 defined in TS 38.214 [10].
 NOTE 3: If more than one Code Block is present, an additional CRC sequence of L = 24 Bits is attached to each Code Block (otherwise L = 0 Bit)
 NOTE 4: The RMCs apply to all channel bandwidth where $L_{CRB} \leq N_{RB}$.

Void

Void

DFT-s-OFDM
256QAM

Reference
DFT-s-OFDM

256QAM

Parameter	Allocated resource blocks (L_{CRB})	DFT-s-OFDM Symbols per slot (Note 1)	Modulation	MCS Index (Note 2)	Payload size	Transport block CRC	LDPC Base Graph	Number of code blocks per slot (Note 3)	Total number of bits per slot	Total modulated symbols per slot
Unit					Bits	Bits			Bits	
	1	11	256QAM	20	704	16	2	1	1056	132
	5	11	256QAM	20	3496	16	2	1	5280	660
	9	11	256QAM	20	6272	24	1	1	9504	1188
	10	11	256QAM	20	7040	24	1	1	10560	1320
	12	11	256QAM	20	8456	24	1	2	12672	1584
	15	11	256QAM	20	10504	24	1	2	15840	1980
	18	11	256QAM	20	12552	24	1	2	19008	2376
	24	11	256QAM	20	16896	24	1	3	25344	3168
	25	11	256QAM	20	17424	24	1	3	26400	3300
	30	11	256QAM	20	21000	24	1	3	31680	3960
	32	11	256QAM	20	22536	24	1	3	33792	4224
	36	11	256QAM	20	25104	24	1	3	38016	4752
	45	11	256QAM	20	31752	24	1	4	47520	5940
	50	11	256QAM	20	34816	24	1	5	52800	6600
	60	11	256QAM	20	42016	24	1	5	63360	7920
	64	11	256QAM	20	45096	24	1	6	67584	8448
	75	11	256QAM	20	53288	24	1	7	79200	9900
	80	11	256QAM	20	56368	24	1	7	84480	10560
	81	11	256QAM	20	57376	24	1	7	85536	10692
	90	11	256QAM	20	63528	24	1	8	95040	11880
	108	11	256QAM	20	75792	24	1	9	114048	14256

Table A.2.2.5-2:

Table A.2.2.5-3:

A.2.2.6

Table A.2.2.6-1:
Channels for QPSK

	100	11	256QAM	20	69672	24	1	9	105600	13200
	120	11	256QAM	20	83976	24	1	10	126720	15840
	128	11	256QAM	20	90176	24	1	11	135168	16896
	135	11	256QAM	20	94248	24	1	12	142560	17820
	160	11	256QAM	20	112648	24	1	14	168960	21120
	162	11	256QAM	20	114776	24	1	14	171072	21384
	180	11	256QAM	20	127080	24	1	16	190080	23760
	216	11	256QAM	20	151608	24	1	18	228096	28512
	243	11	256QAM	20	172176	24	1	21	256608	32076
	270	11	256QAM	20	188576	24	1	23	285120	35640

NOTE 1: PUSCH mapping Type-A and single-symbol DM-RS configuration Type-1 with 2 additional DM-RS symbols, such that the DM-RS positions are set to symbols 2, 7, 11. DM-RS is [TDM'ed] with PUSCH data. DM-RS symbols are not counted.
 NOTE 2: MCS Index is based on MCS table 5.1.3.1-2 defined in TS 38.214 [10].
 NOTE 3: If more than one Code Block is present, an additional CRC sequence of L = 24 Bits is attached to each Code Block (otherwise L = 0 Bit)
 NOTE 4: The RMCs apply to all channel bandwidth where $L_{CRB} \leq N_{RB}$.

Parameter	Allocated resource blocks (L_{CRB})	CP-OFDM Symbols per slot (Note 1)	Modulation	MCS Index (Note 2)	Payload size	Transport block CRC	LDPC Base Graph	Number of code blocks per slot (Note 3)	Total number of bits per slot	Total modulated symbols per slot
Unit					Bits	Bits			Bits	
	1	11	QPSK	2	48	16	2	1	264	132
	5	11	QPSK	2	256	16	2	1	1320	660
	6	11	QPSK	2	304	16	2	1	1584	792
	9	11	QPSK	2	456	16	2	1	2376	1188
	10	11	QPSK	2	504	16	2	1	2640	1320
	11	11	QPSK	2	552	16	2	1	2904	1452
	12	11	QPSK	2	608	16	2	1	3168	1584
	13	11	QPSK	2	672	16	2	1	3432	1716
	15	11	QPSK	2	768	16	2	1	3960	1980
	16	11	QPSK	2	808	16	2	1	4224	2112
	18	11	QPSK	2	928	16	2	1	4752	2376
	19	11	QPSK	2	984	16	2	1	5016	2508
	24	11	QPSK	2	1192	16	2	1	6336	3168
	25	11	QPSK	2	1256	16	2	1	6600	3300
	26	11	QPSK	2	1288	16	2	1	6864	3432
	31	11	QPSK	2	1544	16	2	1	8184	4092
	33	11	QPSK	2	1672	16	2	1	8712	4356
	38	11	QPSK	2	1928	16	2	1	10032	5016
	39	11	QPSK	2	2024	16	2	1	10296	5148
	40	11	QPSK	2	2024	16	2	1	10560	5280
	47	11	QPSK	2	2408	16	2	1	12408	6204
	51	11	QPSK	2	2536	16	2	1	13464	6732

Void

Void

CP-OFDM
QPSK

Reference
CP-OFDM

Table Reference	Parameter	Allocated resource blocks	CP-OFDM Symbols per slot (Note 1)	Modulation	MCS Index (Note 2)	Payload size	Transport block CRC	LDPC Base Graph	Number of code blocks per slot (Note 3)	Total number of bits per slot	Total modulated symbols per slot	Access Type
Table A.2.2.6- Channels for QPSK for spectrum		52	11	QPSK	2	2600	16	2	1	13728	6864	1a: Reference CP-OFDM shared access
		53	11	QPSK	2	2664	16	2	1	13992	6996	
		54	11	QPSK	2	2664	16	2	1	14256	7128	
		61	11	QPSK	2	3104	16	2	1	16104	8052	
		65	11	QPSK	2	3240	16	2	1	17160	8580	
		67	11	QPSK	2	3368	16	2	1	17688	8844	
Table A.2.2.6-2:		68	11	QPSK	2	3368	16	2	1	17952	8976	Void
		70	11	QPSK	2	3648	24	2	2	20592	10296	
		80	11	QPSK	2	3976	24	2	2	21120	10560	
		81	11	QPSK	2	4040	24	2	2	21384	10692	
Table A.2.2.6-2:		93	11	QPSK	2	4616	24	2	2	24552	12276	Void
	Unit	95	11	QPSK	2	4744	24	2	2	25080	12540	
Table A.2.2.6-3:		106	11	QPSK	2	5256	24	2	2	27024	13512	Void
		107	11	QPSK	2	5256	24	2	2	27024	13512	
A.2.2.7		108	11	QPSK	2	5256	24	2	2	27024	13512	CP-OFDM 16QAM
		109	11	QPSK	2	5256	24	2	2	27024	13512	
		110	11	QPSK	2	5256	24	2	2	27024	13512	
		111	11	QPSK	2	5256	24	2	2	27024	13512	
		112	11	QPSK	2	5256	24	2	2	27024	13512	
		113	11	QPSK	2	5256	24	2	2	27024	13512	
		114	11	QPSK	2	5256	24	2	2	27024	13512	
Table A.2.2.7-1: Channels for 16QAM		115	11	QPSK	2	5256	24	2	2	27024	13512	Reference CP-OFDM
	NOTE 1:	PUSCH mapping Type-A and single-symbol DM-RS configuration Type-1 with 2 additional DM-RS symbols, such that the DM-RS positions are set to symbols 2, 7, 11. DM-RS is [DM'ed] with PUSCH data. DM-RS symbols are not counted.										
	NOTE 2:	MCS Index is based on MCS table 3.1.3.1-1 defined in TS 38.214 [10].										
	NOTE 3:	If more than one Code Block is present, an additional CRC sequence of L = 24 Bits is attached to each Code Block (otherwise L = 0 Bit).										
	NOTE 4:	The RMCs apply to all channel bandwidth where allocated resource blocks ≤ N _{RB} .										
		116	11	QPSK	2	5752	24	2	3	49896	24948	
		117	11	QPSK	2	5752	24	2	3	49896	24948	
		118	11	QPSK	2	5752	24	2	3	49896	24948	
		119	11	QPSK	2	5752	24	2	3	49896	24948	
		120	11	QPSK	2	5752	24	2	3	49896	24948	
	121	11	QPSK	2	5752	24	2	3	49896	24948		
	122	11	QPSK	2	5752	24	2	3	49896	24948		
	123	11	QPSK	2	5752	24	2	3	49896	24948		
	124	11	QPSK	2	5752	24	2	3	49896	24948		
	125	11	QPSK	2	5752	24	2	3	49896	24948		
	126	11	QPSK	2	5752	24	2	3	49896	24948		
	127	11	QPSK	2	5752	24	2	3	49896	24948		
	128	11	QPSK	2	5752	24	2	3	49896	24948		
	129	11	QPSK	2	5752	24	2	3	49896	24948		
	130	11	QPSK	2	5752	24	2	3	49896	24948		
	131	11	QPSK	2	5752	24	2	3	49896	24948		
	132	11	QPSK	2	5752	24	2	3	49896	24948		
	133	11	QPSK	2	5752	24	2	3	49896	24948		
	134	11	QPSK	2	5752	24	2	3	49896	24948		
	135	11	QPSK	2	5752	24	2	3	49896	24948		
	136	11	QPSK	2	5752	24	2	3	49896	24948		
	137	11	QPSK	2	5752	24	2	3	49896	24948		
	138	11	QPSK	2	5752	24	2	3	49896	24948		
	139	11	QPSK	2	5752	24	2	3	49896	24948		
	140	11	QPSK	2	5752	24	2	3	49896	24948		
	141	11	QPSK	2	5752	24	2	3	49896	24948		
	142	11	QPSK	2	5752	24	2	3	49896	24948		
	143	11	QPSK	2	5752	24	2	3	49896	24948		
	144	11	QPSK	2	5752	24	2	3	49896	24948		
	145	11	QPSK	2	5752	24	2	3	49896	24948		
	146	11	QPSK	2	5752	24	2	3	49896	24948		
	147	11	QPSK	2	5752	24	2	3	49896	24948		
	148	11	QPSK	2	5752	24	2	3	49896	24948		
	149	11	QPSK	2	5752	24	2	3	49896	24948		
	150	11	QPSK	2	5752	24	2	3	49896	24948		
	151	11	QPSK	2	5752	24	2	3	49896	24948		
	152	11	QPSK	2	5752	24	2	3	49896	24948		
	153	11	QPSK	2	5752	24	2	3	49896	24948		
	154	11	QPSK	2	5752	24	2	3	49896	24948		
	155	11	QPSK	2	5752	24	2	3	49896	24948		
	156	11	QPSK	2	5752	24	2	3	49896	24948		
	157	11	QPSK	2	5752	24	2	3	49896	24948		
	158	11	QPSK	2	5752	24	2	3	49896	24948		
	159	11	QPSK	2	5752	24	2	3	49896	24948		
	160	11	QPSK	2	5752	24	2	3	49896	24948		
	161	11	QPSK	2	5752	24	2	3	49896	24948		
	162	11	QPSK	2	5752	24	2	3	49896	24948		
	163	11	QPSK	2	5752	24	2	3	49896	24948		
	164	11	QPSK	2	5752	24	2	3	49896	24948		
	165	11	QPSK	2	5752	24	2	3	49896	24948		
	166	11	QPSK	2	5752	24	2	3	49896	24948		
	167	11	QPSK	2	5752	24	2	3	49896	24948		
	168	11	QPSK	2	5752	24	2	3	49896	24948		
	169	11	QPSK	2	5752	24	2	3	49896	24948		
	170	11	QPSK	2	5752	24	2	3	49896	24948		
	171	11	QPSK	2	5752	24	2	3	49896	24948		
	172	11	QPSK	2	5752	24	2	3	49896	24948		
	173	11	QPSK	2	5752	24	2	3	49896	24948		
	174	11	QPSK	2	5752	24	2	3	49896	24948		
	175	11	QPSK	2	5752	24	2	3	49896	24948		
	176	11	QPSK	2	5752	24	2	3	49896	24948		
	177	11	QPSK	2	5752	24	2	3	49896	24948		
	178	11	QPSK	2	5752	24	2	3	49896	24948		
	179	11	QPSK	2	5752	24	2	3	49896	24948		
	180	11	QPSK	2	5752	24	2	3	49896	24948		
	181	11	QPSK	2	5752	24	2	3	49896	24948		
	182	11	QPSK	2	5752	24	2	3	49896	24948		
	183	11	QPSK	2	5752	24	2	3	49896	24948		
	184	11	QPSK	2	5752	24	2	3	49896	24948		
	185	11	QPSK	2	5752	24	2	3	49896	24948		
	186	11	QPSK	2	5752	24	2	3	49896	24948		
	187	11	QPSK	2	5752	24	2	3	49896	24948		
	188	11	QPSK	2	5752	24	2	3	49896	24948		
	189	11	QPSK	2	5752	24	2	3	49896	24948		
	190	11	QPSK	2	5752	24	2	3	49896	24948		
	191	11	QPSK	2	5752	24	2	3	49896	24948		
	192	11	QPSK	2	5752	24	2	3	49896	24948		
	193	11	QPSK	2	5752	24	2	3	49896	24948		
	194	11	QPSK	2	5752	24	2	3	49896	24948		
	195	11	QPSK	2	5752	24	2	3	49896	24948		
	196	11	QPSK	2	5752	24	2	3	49896	24948		
	197	11	QPSK	2	5752	24	2	3	49896	24948		
	198	11	QPSK	2	5752	24	2	3	49896	24948		
	199	11	QPSK	2	5752	24	2	3	49896	24948		
	200	11	QPSK	2	5752	24	2	3	49896	24948		
	201	11	QPSK	2	5752	24	2	3	49896	24948		
	202	11	QPSK	2	5752	24	2	3	49896	24948		
	203	11	QPSK	2	5752	24	2	3	49896	24948		
	204	11	QPSK	2	5752	24	2	3	49896	24948		
	205	11	QPSK	2	5752	24	2	3	49896	24948		
	206	11	QPSK	2	5752	24	2	3	49896	24948		
	207	11	QPSK	2	5752	24	2	3	49896	24948		
	208	11	QPSK	2	5752	24	2	3	49896	24948		
	209	11	QPSK	2	5752	24	2	3	49896	24948		
	210	11	QPSK	2	5752	24	2	3	49896	24948		

	24	11	16QAM	10	4224	24	1	1	12672	3168
	25	11	16QAM	10	4352	24	1	1	13200	3300
	26	11	16QAM	10	4480	24	1	1	13728	3432
	31	11	16QAM	10	5376	24	1	1	16368	4092
	33	11	16QAM	10	5760	24	1	1	17424	4356
	38	11	16QAM	10	6656	24	1	1	20064	5016
	39	11	16QAM	10	6784	24	1	1	20592	5148
	40	11	16QAM	10	7040	24	1	1	21120	5280
	47	11	16QAM	10	8192	24	1	1	24816	6204
	51	11	16QAM	10	8968	24	1	2	26928	6732
	52	11	16QAM	10	9224	24	1	2	27456	6864
	53	11	16QAM	10	9224	24	1	2	27984	6996
	54	11	16QAM	10	9480	24	1	2	28512	7128
	61	11	16QAM	10	10760	24	1	2	32208	8052
	65	11	16QAM	10	11272	24	1	2	34320	8580
	67	11	16QAM	10	11784	24	1	2	35376	8844
	68	11	16QAM	10	11784	24	1	2	35904	8976
	78	11	16QAM	10	13576	24	1	2	41184	10296
	79	11	16QAM	10	13832	24	1	2	41712	10428
	80	11	16QAM	10	14088	24	1	2	42240	10560
	81	11	16QAM	10	14088	24	1	2	42768	10692
	93	11	16QAM	10	16392	24	1	2	49404	12276
	95	11	16QMA	10	16392	24	1	2	50160	12540
	106	11	16QAM	10	18432	24	1	3	55968	13992
	107	11	16QAM	10	18960	24	1	3	56496	14124
	108	11	16QAM	10	18960	24	1	3	57024	14256
	109	11	16QAM	10	18960	24	1	3	57552	14388
	121	11	16QAM	10	21000	24	1	3	63888	15972
	123	11	16QAM	10	21504	24	1	3	64944	16236
	133	11	16QAM	10	23040	24	1	3	70224	17556
	135	11	16QAM	10	23568	24	1	3	71280	17820
	137	11	16QAM	10	24072	24	1	3	72336	18084
	160	11	16QAM	10	28168	24	1	4	84480	21120
	162	11	16QAM	10	28168	24	1	4	85536	21384
	189	11	16QAM	10	32776	24	1	4	99792	24948
	216	11	16QAM	10	37896	24	1	5	114048	28512
	217	11	16QAM	10	37896	24	1	5	114576	28644
	245	11	16QAM	10	43032	24	1	6	129360	32340
	270	11	16QAM	10	47112	24	1	6	142560	35640
	273	11	16QAM	10	48168	24	1	6	144144	36036

NOTE 1: PUSCH mapping Type-A and single-symbol DM-RS configuration Type-1 with 2 additional DM-RS symbols, such that the DM-RS positions are set to symbols 2, 7, 11. DMRS is [TDM'ed] with PUSCH data. DM-RS symbols are not counted.

NOTE 2: MCS Index is based on MCS table 5.1.3.1-1 defined in TS 38.214 [10].

NOTE 3: If more than one Code Block is present, an additional CRC sequence of L = 24 Bits is attached to each Code Block (otherwise L = 0 Bit)
 NOTE 4: The RMCs apply to all channel bandwidth where $L_{CRB} \leq N_{RB}$.

Table A.2.2.7- Channels for

1a: Reference CP-OFDM

16QAM for shared spectrum access

Table A.2.2.7-2:

Table A.2.2.7-3:

A.2.2.8

Table A.2.2.8-1: Channels for 64QAM

Parameter	Allocated resource blocks	CP-OFDM Symbols per slot (Note 1)	Modulation	MCS Index (Note 2)	Payload size	Transport block CRC	LDPC Base Graph	Number of code blocks per slot (Note 3)	Total number of bits per slot	Total modulated symbols per slot
Unit					Bits	Bits			Bits	
	11	11	16QAM	10	1928	16	2	1	5808	1452
	22	11	16QAM	10	3840	16	2	1	11616	2904
	33	11	16QAM	10	5760	24	1	1	17424	4356
	44	11	16QAM	10	7680	24	1	1	23232	5808
	51	11	16QAM	10	8968	24	1	2	26928	6732
	106	11	16QAM	10	18432	24	1	3	55968	13992
	162	11	16QAM	10	28168	24	1	4	85536	21384
	216	11	16QAM	10	37896	24	1	5	114048	28512
NOTE 1: PUSCH mapping Type-A and single-symbol DM-RS configuration Type-1 with 2 additional DM-RS symbols, such that the DM-RS positions are set to symbols 2, 7, 11. DM-RS is (TDM'ed) with PUSCH data. DM-RS symbols are not counted.										
NOTE 2: MCS index is based on MCS table 3.1.3.1-1 defined in TS 38.214 [10].										
NOTE 3: If more than one Code Block is present, an additional CRC sequence of L = 24 Bits is attached to each Code Block (otherwise L = 0 Bit)										
NOTE 4: The RMCs apply to all channel bandwidth where allocated resource blocks $\leq N_{RB}$										
Unit					Bits	Bits			Bits	
	1	11	64QAM	19	408	16	2	1	792	132
	5	11	64QAM	19	2024	16	2	1	3960	660
	9	11	64QAM	19	3624	16	2	1	7128	1188
	10	11	64QAM	19	3968	24	1	1	7920	1320
	11	11	64QAM	19	4352	24	1	1	8712	1452
	12	11	64QAM	19	4736	24	1	1	9504	1584
	13	11	64QAM	19	5120	24	1	1	10296	1716
	15	11	64QAM	19	6016	24	1	1	11880	1980
	18	11	64QAM	19	7168	24	1	1	14256	2376
	19	11	64QAM	19	7552	24	1		15048	2508
	24	11	64QAM	19	9480	24	1	2	19008	3168
	25	11	64QAM	19	9992	24	1	2	19800	3300
	26	11	64QAM	19	10504	24	1	2	20592	3432
	31	11	64QAM	19	12296	24	1	2	24552	4092
	33	11	64QAM	19	13064	24	1	2	26136	4356
	38	11	64QAM	19	15112	24	1	2	30096	5016

Void

Void

CP-OFDM
64QAM

Reference CP-OFDM

Table A.2.2.9- Channels for 256QAM for spectrum

	38	11	256QAM	20	26632	24	1	4	40128	5016
	39	11	256QAM	20	27656	24	1	4	41184	5148
	47	11	256QAM	20	32776	24	1	4	49632	6204
	51	11	256QAM	20	35856	24	1	5	53856	6732
	52	11	256QAM	20	36896	24	1	5	54912	6864
	53	11	256QAM	20	36896	24	1	5	55968	6996
	61	11	256QAM	20	43032	24	1	6	64416	8052
	65	11	256QAM	20	46104	24	1	6	68640	8580
	67	11	256QAM	20	47112	24	1	6	70752	8874
	78	11	256QAM	20	55304	24	1	7	82368	10296
	79	11	256QAM	20	55304	24	1	7	83424	10428
	80	11	256QAM	20	56368	24	1	7	84480	10560
Unit	81	11	256QAM	20	56368	24	1	7	85536	10692
	93	11	256QAM	20	65576	24	1	8	98898	12476
	95	11	256QAM	20	65584	24	1	8	100320	12610
	106	11	256QAM	20	73046	24	1	9	114806	14382
	107	11	256QAM	20	73092	24	1	9	116282	14514
	108	11	256QAM	20	73096	24	1	9	117758	14646
	109	11	256QAM	20	73796	24	1	9	119234	14778
	123	11	256QAM	20	80776	24	1	11	127076	15984
	128	11	256QAM	20	85408	24	1	12	138898	17436
	133	11	256QAM	20	89488	24	1	12	149748	18882
	135	11	256QAM	20	91248	24	1	12	152560	19180
	137	11	256QAM	20	93064	24	1	12	14672	18084
	160	11	256QAM	20	10964	24	1	14	168960	21120
	162	11	256QAM	20	10776	24	1	14	17002	21384
	189	11	256QAM	20	131176	24	1	16	199584	24948
	217	11	256QAM	20	151608	24	1	18	228096	28512
	245	11	256QAM	20	172176	24	1	21	258720	32340
	270	11	256QAM	20	188576	24	1	23	285120	35640
	273	11	256QAM	20	192624	24	1	23	288288	36036

1a: Reference CP-OFDM shared access

Table A.2.2.9-2:

Void

Table A.2.2.9-3:

Void

NOTE 1: PUSCH mapping Type-A and single-symbol DM-RS configuration Type-1 with 2 additional DM-RS symbols, such that the DM-RS positions are set to symbols 2, 7, 11. DM-RS is [TDM'ed] with PUSCH data. DM-RS symbols are not counted.

NOTE 2: MCS Index is based on MCS table 5.1.3.1-2 defined in TS 38.214 [10].

NOTE 3: If more than one Code Block is present, an additional CRC sequence of L = 24 Bits is attached to each Code Block (otherwise L = 0 Bit)

NOTE 4: The RMCs apply to all channel bandwidth where $L_{CRB} \leq N_{RB}$.

A.2.3 Reference measurement channels for TDD

The TDD UL RMCs are defined in clause A.2.2 with the active UL slots specified in table A.2.1-1 and TDD slot patterns as defined for reference sensitivity tests.

A.2.3.1 DFT-s-OFDM Pi/2-BPSK

Void

A.2.3.2 DFT-s-OFDM QPSK

Void

A.2.3.3 DFT-s-OFDM 16QAM

Void

A.2.3.4 DFT-s-OFDM 64QAM

Void

A.2.3.5 DFT-s-OFDM 256QAM

Void

A.2.3.6 CP-OFDM QPSK

Void

A.2.3.7 CP-OFDM 16QAM

Void

A.2.3.8 CP-OFDM 64QAM

Void

A.2.3.9 CP-OFDM 256QAM

Void

A.3 DL reference measurement channels

A.3.1 General

Unless otherwise stated, Tables A.3.2.2-1, A.3.2.2-2, A.3.2.2-3, A.3.3.2-1, A.3.3.2-2 and A.3.3.2-3 are applicable for measurements of the Receiver Characteristics (clause 7) with the exception of subclauses 7.4 (Maximum input level).

Unless otherwise stated, Tables A.3.2.3-1, A.3.2.3-2, A.3.2.3-3, A.3.3.3-1, A.3.3.3-2 and A.3.3.3-3 are applicable for subclauses 7.4 (Maximum input level) and for UE not supporting PDSCH 256QAM,

Unless otherwise stated, Tables A.3.2.4-1, A.3.2.4-2, A.3.2.4-3, A.3.3.4-1, A.3.3.4-2 and A.3.3.4-3 are applicable for subclauses 7.4 (Maximum input level) and for UE supporting PDSCH 256QAM,

Unless otherwise stated, Tables A.3.2.2-1, A.3.2.2-2, A.3.2.2-3, A.3.3.2-1, A.3.3.2-2 and A.3.3.2-3 also apply for the modulated interferer used in Clauses 7.5, 7.6 and 7.8 with test specific bandwidths.

In case of carrier aggregation scenarios, the k_1 values and number of HARQ processes of the Reference Measurement Channels specified in Annex A.3 shall be adapted as specified in table A.3.1-2 and A.3.1-3.

Table A.3.1-1: Common reference channel parameters

Parameter		Unit	Value
CORESET frequency domain allocation			Full BW
CORESET time domain allocation			2 OFDM symbols at the begin of each slot
PDSCH mapping type			Type A
PDSCH start symbol index (S)			2
Number of consecutive PDSCH symbols (L)			12
PDSCH PRB bundling		PRBs	2
Dynamic PRB bundling			false
Overhead value for TBS determination			0
First DMRS position for Type A PDSCH mapping			2
DMRS type			Type 1
Number of additional DMRS			2
FDM between DMRS and PDSCH			Disable
CSI-RS for tracking	First subcarrier index in the PRB used for CSI-RS (k ₀)		0 for CSI-RS resource 1,2,3,4
	OFDM symbols in the PRB used for CSI-RS		l ₀ = 6 for CSI-RS resource 1 and 3 l ₀ = 10 for CSI-RS resource 2 and 4
	Number of CSI-RS ports		1 for CSI-RS resource 1,2,3,4
	CDM Type		'No CDM' for CSI-RS resource 1,2,3,4
	Density (ρ)		3 for CSI-RS resource 1,2,3,4
	CSI-RS periodicity	Slots	15 kHz SCS: 20 for CSI-RS resource 1,2,3,4 30 kHz SCS: 40 for CSI-RS resource 1,2,3,4 60 kHz SCS: 80 for CSI-RS resource 1,2,3,4
	CSI-RS offset	Slots	15 kHz SCS: 0 for CSI-RS resource 1 and 2 1 for CSI-RS resource 3 and 4 30 kHz SCS: 1 for CSI-RS resource 1 and 2 2 for CSI-RS resource 3 and 4 60 kHz SCS: 2 for CSI-RS resource 1 and 2 3 for CSI-RS resource 3 and 4
	Frequency Occupation		Start PRB 0 Number of PRB = BWP size
QCL info			TCI state #0
PTRS configuration			PTRS is not configured

Table A.3.1-2: Carrier aggregation test parameters for K1 values

The number of slots between PDSCH and corresponding HARQ-ACK information		CCs with the same duplex mode and SCS with Pcell	CCs with different duplex mode and/or SCS with Pcell
FDD 15 kHz + FDD 15 kHz CA	FDD PCell	{2}	N/A
FDD 15 kHz + FDD 30 kHz CA	15kHz PCell	{2}	{3}
	30kHz PCell	{2}	{2}
FDD 15 kHz + TDD 15 kHz CA	FDD PCell	{2}	{2}
	TDD PCell	{4,3,2}	{4,3,2,6,5}
FDD 15 kHz + TDD 30 kHz CA	FDD PCell	{2}	{3}
	TDD PCell	{8,7,6,5,4,3,2}	{8,6,4,2,10}
TDD 15 kHz + TDD 15 kHz CA	TDD PCell	{4,3,2}	N/A
TDD 15 kHz +	15kHz PCell	{4,3,2}	{4,4,3,3,2,7,6}

TDD 30 kHz CA	30kHz PCell	{8,7,6,5,4,3,2}	{7,5,4}
FDD 30 kHz + FDD 30 kHz CA	FDD PCell	{2}	N/A
FDD 30 kHz + TDD 15 kHz CA	FDD PCell	{2}	{2}
	TDD PCell	{4,3,2}	{4,4,3,3,7,7,6,6,5,5}
FDD 30 kHz + TDD 30 kHz CA	FDD PCell	{2}	{2}
	TDD PCell	{8,7,6,5,4,3,2}	{8,7,6,5,4,3,2,2,10,-} (NOTE 1)
TDD 30 kHz + TDD 30 kHz CA	TDD PCell	{8,7,6,5,4,3,2}	N/A

NOTE 1: No PDSCH shall be scheduled in slots 9 and 19 to avoid HARQ conflicts and maximize Throughput. Hence no K1 value is applicable for them.

Table A.3.1-3: Carrier Aggregation test parameters for number of HARQ processes

HARQ process number		CCs with the same duplex mode and SCS with Pcell	CCs with different duplex mode and/or SCS with Pcell
FDD 15 kHz + FDD 15 kHz CA	FDD PCell	4	N/A
FDD 15 kHz + FDD 30 kHz CA	15kHz PCell	8	8
	30kHz PCell	8	8
FDD 15 kHz + TDD 15 kHz CA	FDD PCell	4	8
	TDD PCell	8	8
FDD 15 kHz + TDD 30 kHz CA	FDD PCell	4	8
	TDD PCell	10	8
TDD 15 kHz + TDD 15 kHz CA	TDD PCell	8	N/A
TDD 15 kHz + TDD 30 kHz CA	15kHz PCell	8	12
	30kHz PCell	8	8
FDD 30 kHz + FDD 30 kHz CA	FDD PCell	8	N/A
FDD 30 kHz + TDD 15 kHz CA	FDD PCell	8	8
	TDD PCell	8	16
FDD 30 kHz + TDD 30 kHz CA	FDD PCell	8	8
	TDD PCell	8	16
TDD 30 kHz + TDD 30 kHz CA	TDD PCell	8	N/A

A.3.2 DL reference measurement channels for FDD

A.3.2.1 General

Table A.3.2.1-1: Additional reference channels parameters for FDD

Parameter	Unit	Value
Number of HARQ Processes		4
K1 value		2 for all slots

A.3.2.2 FRC for receiver requirements for QPSK

Table A.3.2.2-1: Fixed reference channel for receiver requirements (SCS 15 kHz, FDD, QPSK 1/3)

Parameter	Unit	Value								
		3	5	10	15	20	25	30	40	50
Channel bandwidth	MHz	3	5	10	15	20	25	30	40	50
Subcarrier spacing	kHz	15	15	15	15	15	15	15	15	15
Subcarrier spacing configuration μ		0	0	0	0	0	0	0	0	0
Allocated resource blocks		15	25	52	79	106	133	160	216	270
Subcarriers per resource block		12	12	12	12	12	12	12	12	12
Allocated slots per Frame		8	8	8	8	8	8	8	8	8
MCS Index		4	4	4	4	4	4	4	4	4
MCS Table for TBS determination		64QAM								
Modulation		QPSK	QPSK	QPSK	QPSK	QPSK	QPSK	QPSK	QPSK	QPSK
Target Coding Rate		1/3	1/3	1/3	1/3	1/3	1/3	1/3	1/3	1/3
Maximum number of HARQ transmissions		1	1	1	1	1	1	1	1	1
Information Bit Payload per Slot										
For Slots 0,1	Bits	N/A	N/A	N/A	N/A	N/A	N/A	N/A	N/A	N/A
For Slots 2,3,4,5,6,7,8,9	Bits	984	1672	3368	5120	6912	8712	10504	14088	17424
Transport block CRC	Bits	16	16	16	24	24	24	24	24	24
LDPC base graph		2	2	2	1	1	1	1	1	1
Number of Code Blocks per Slot										
For Slots 0,1	CBs	N/A	N/A	N/A	N/A	N/A	N/A	N/A	N/A	N/A
For Slots 2,3,4,5,6,7,8,9	CBs	1	1	1	1	1	2	2	2	3
Binary Channel Bits per Slot										
For Slots 0,1	Bits	N/A	N/A	N/A	N/A	N/A	N/A	N/A	N/A	N/A
For Slots 2,3,4,5,6,7,8,9	Bits	3240	5400	11232	17064	22896	28728	34560	46656	58320
Max. Throughput averaged over 1 frame	Mbps	0.787	1.338	2.694	4.096	5.530	6.970	8.403	11.27 0	13.93 92
Note 1:	Additional parameters are specified in Table A.3.1-1 and Table A.3.2.1-1.									
Note 2:	If more than one Code Block is present, an additional CRC sequence of L = 24 Bits is attached to each Code Block (otherwise L = 0 Bit).									
Note 3:	SS/PBCH block is transmitted in slot #0 of each frame.									
Note 4:	Slot i is slot index per frame.									

Table A.3.2.2-2: Fixed reference channel for receiver requirements (SCS 30 kHz, FDD, QPSK 1/3)

Parameter	Unit	Value											
		5	10	15	20	25	30	40	50	60	80	90	100
Channel bandwidth	MHz	5	10	15	20	25	30	40	50	60	80	90	100
Subcarrier spacing configuration μ		1	1	1	1	1	1	1	1	1	1	1	1
Allocated resource blocks		11	24	38	51	65	78	106	133	162	217	245	273
Subcarriers per resource block		12	12	12	12	12	12	12	12	12	12	12	12
Allocated slots per Frame		17	17	17	17	17	17	17	17	17	17	17	17
MCS Index		4	4	4	4	4	4	4	4	4	4	4	4
MCS Table for TBS determination		64QAM											
Modulation		QPSK	QPSK	QPSK	QPSK	QPSK	QPSK	QPSK	QPSK	QPSK	QPSK	QPSK	QPSK
Target Coding Rate		1/3	1/3	1/3	1/3	1/3	1/3	1/3	1/3	1/3	1/3	1/3	1/3
Maximum number of HARQ transmissions		1	1	1	1	1	1	1	1	1	1	1	1
Information Bit Payload per Slot													
For Slots 0,1,2	Bits	N/A	N/A	N/A	N/A	N/A	N/A	N/A	N/A	N/A	N/A	N/A	N/A
For Slots 3,...,19	Bits	736	1608	2472	3368	4224	4992	6912	8712	10504	14088	15880	17928
Transport block CRC	Bits	16	16	16	16	24	24	24	24	24	24	24	24
LDPC base graph		2	2	2	2	1	1	1	1	1	1	1	1
Number of Code Blocks per Slot													
For Slots 0,1,2	CBs	N/A	N/A	N/A	N/A	N/A	N/A	N/A	N/A	N/A	N/A	N/A	N/A
For Slots 3,...,19	CBs	1	1	1	1	1	1	1	2	2	2	2	3
Binary Channel Bits per Slot													
For Slots 0,1,2	Bits	N/A	N/A	N/A	N/A	N/A	N/A	N/A	N/A	N/A	N/A	N/A	N/A
For Slots 3,...,19	Bits	2376	5184	8208	11016	14040	16848	22896	28728	34992	46872	52920	58968
Max. Throughput averaged over 1 frame	Mbps	1.251	2.734	4.202	5.726	7.181	8.486	11.750	14.810	17.857	23.950	26.996	30.478

Note 1: Additional parameters are specified in Table A.3.1-1 and Table A.3.2.1-1.
 Note 2: If more than one Code Block is present, an additional CRC sequence of L = 24 Bits is attached to each Code Block (otherwise L = 0 Bit).
 Note 3: SS/PBCH block is transmitted in slot #0 of each frame.
 Note 4: Slot i is slot index per frame.

Table A.3.2.2-3: Fixed reference channel for receiver requirements (SCS 60 kHz, FDD, QPSK 1/3)

Parameter	Unit	Value											
		10	15	20	25	30	40	50	60	80	90	100	
Channel bandwidth	MHz	10	15	20	25	30	40	50	60	80	90	100	
Subcarrier spacing configuration μ		2	2	2	2	2	2	2	2	2	2	2	
Allocated resource blocks		11	18	24	31	38	51	65	79	107	121	135	
Subcarriers per resource block		12	12	12	12	12	12	12	12	12	12	12	
Allocated slots per Frame		36	36	36	36	36	36	36	36	36	36	36	
MCS Index		4	4	4	4	4	4	4	4	4	4	4	
MCS Table for TBS Determination		64QAM											

Modulation		QPSK	QPSK	QPSK	QPSK	QPSK	QPSK	QPSK	QPSK	QPSK	QPSK	QPSK
Target Coding Rate		1/3	1/3	1/3	1/3	1/3	1/3	1/3	1/3	1/3	1/3	1/3
Maximum number of HARQ transmissions		1	1	1	1	1	1	1	1	1	1	1
Information Bit Payload per Slot												
For Slots 0,1,2,3	Bits	N/A	N/A	N/A	N/A	N/A	N/A	N/A	N/A	N/A	N/A	N/A
For Slots 4,...,39	Bits	736	1192	1608	2024	2472	3368	4224	5120	6912	7808	8712
Transport block CRC	Bits	16	16	16	16	16	16	24	24	24	24	24
LDPC base graph		2	2	2	2	2	2	1	1	1	1	1
Number of Code Blocks per Slot												
For Slots 0,1,2,3	CBs	N/A	N/A	N/A	N/A	N/A	N/A	N/A	N/A	N/A	N/A	N/A
For Slots 4,...,39	CBs	1	1	1	1	1	1	1	1	1	1	2
Binary Channel Bits per Slot												
For Slots 0,1,2,3	Bits	N/A	N/A	N/A	N/A	N/A	N/A	N/A	N/A	N/A	N/A	N/A
For Slots 4,...,39	Bits	2376	3888	5184	6696	8208	11016	14040	17064	23112	26136	29160
Max. Throughput averaged over 1 frame	Mbps	2.650	4.291	5.789	7.286	8.899	12.125	15.206	18.432	24.883	28.109	31.363
NOTE 1: Additional parameters are specified in Table A.3.1-1 and Table A.3.2.1-1.												
NOTE 2: If more than one Code Block is present, an additional CRC sequence of L = 24 Bits is attached to each Code Block (otherwise L = 0 Bit).												
NOTE 3: SS/PBCH block is transmitted in slot #0 of each frame.												
NOTE 4: Slot i is slot index per frame.												

A.3.2.3 FRC for maximum input level for 64QAM

Table A.3.2.3-1: Fixed reference channel for maximum input level receiver requirements (SCS 15 kHz, FDD, 64QAM)

Parameter	Unit	Value									
		3	5	10	15	20	25	30	40	50	
Channel bandwidth	MHz	3	5	10	15	20	25	30	40	50	
Subcarrier spacing	kHz	15	15	15	15	15	15	15	15	15	
Subcarrier spacing configuration μ		0	0	0	0	0	0	0	0	0	
Allocated resource blocks		15	25	52	79	106	133	160	216	270	
Subcarriers per resource block		12	12	12	12	12	12	12	12	12	
Allocated slots per Frame		8	8	8	8	8	8	8	8	8	
MCS Index		24	24	24	24	24	24	24	24	24	
MCS Table for TBS determination		64QAM									
Modulation		64 QAM	64 QAM	64 QAM	64 QAM	64 QAM	64 QAM	64 QAM	64 QAM	64 QAM	
Target Coding Rate		3/4	3/4	3/4	3/4	3/4	3/4	3/4	3/4	3/4	
Maximum number of HARQ transmissions		1	1	1	1	1	1	1	1	1	
Information Bit Payload per Slot											
For Slots 0,1	Bits	N/A	N/A	N/A	N/A	N/A	N/A	N/A	N/A	N/A	
For Slots 2,3,4,5,6,7,8,9	Bits	7296	12296	25608	38936	52224	64552	77896	106576	131176	
Transport block CRC	Bits	24	24	24	24	24	24	24	24	24	

LDPC base graph		1	1	1	1	1	1	1	1	1	1
Number of Code Blocks per Slot											
For Slots 0,1	CBs	N/A	N/A	N/A	N/A	N/A	N/A	N/A	N/A	N/A	N/A
For Slots 2,3,4,5,6,7,8,9	CBs	1	2	4	5	7	8	10	13	16	
Binary Channel Bits per Slot											
For Slots 0,1	Bits	N/A	N/A	N/A	N/A	N/A	N/A	N/A	N/A	N/A	N/A
For Slots 2,3,4,5,6,7,8,9	Bits	9720	16200	33696	51192	68688	86184	103680	139968	174960	
Max. Throughput averaged over 1 frame	Mbps	5.837	9.837	20.486	31.149	41.779	51.642	62.317	85.261	104.941	
NOTE 1: Additional parameters are specified in Table A.3.1-1 and Table A.3.2.1-1.											
NOTE 2: If more than one Code Block is present, an additional CRC sequence of L = 24 Bits is attached to each Code Block (otherwise L = 0 Bit).											
NOTE 3: SS/PBCH block is transmitted in slot 0 of each frame											
NOTE 4: Slot i is slot index per frame											

Table A.3.2.3-2: Fixed reference channel for maximum input level receiver requirements (SCS 30 kHz, FDD, 64QAM)

Parameter	Unit	Value										
		5	10	15	20	25	30	40	50	60	80	100
Channel bandwidth	MHz	5	10	15	20	25	30	40	50	60	80	100
Subcarrier spacing configuration μ		1	1	1	1	1	1	1	1	1	1	1
Allocated resource blocks		11	24	38	51	65	78	106	133	162	217	273
Subcarriers per resource block		12	12	12	12	12	12	12	12	12	12	12
Allocated slots per Frame		17	17	17	17	17	17	17	17	17	17	17
MCS Index		24	24	24	24	24	24	24	24	24	24	24
MCS Table for TBS determination		64QAM										
Modulation		64 QAM	64 QAM	64 QAM	64 QAM	64 QAM	64 QAM	64 QAM	64 QAM	64 QAM	64 QAM	64 QAM
Target Coding Rate		3/4	3/4	3/4	3/4	3/4	3/4	3/4	3/4	3/4	3/4	3/4
Maximum number of HARQ transmissions		1	1	1	1	1	1	1	1	1	1	1
Information Bit Payload per Slot												
For Slots 0,1,2	Bits	N/A	N/A	N/A	N/A	N/A	N/A	N/A	N/A	N/A	N/A	N/A
For Slots 3,...,19	Bits	5376	11784	18432	25104	31752	37896	52224	64552	79896	106576	135296
Transport block CRC	Bits	24	24	24	24	24	24	24	24	24	24	24
LDPC base graph		1	1	1	1	1	1	1	1	1	1	1
Number of Code Blocks per Slot												
For Slots 0,1,2	CBs	N/A	N/A	N/A	N/A	N/A	N/A	N/A	N/A	N/A	N/A	N/A
For Slots 3,...,19	CBs	1	2	3	3	4	5	7	8	10	13	17
Binary Channel Bits per Slot												
For Slots 0,1,2	Bits	N/A	N/A	N/A	N/A	N/A	N/A	N/A	N/A	N/A	N/A	N/A
For Slots 3,...,19	Bits	7128	15552	24624	33048	42120	50544	68688	86184	104976	140616	176904
Max. Throughput averaged over 1 frame	Mbps	9.139	20.033	31.334	42.677	53.978	64.423	88.781	109.738	135.823	181.179	230.003

Note 1: Additional parameters are specified in Table A.3.1-1 and Table A.3.2.1-1
 Note 2: If more than one Code Block is present, an additional CRC sequence of L = 24 Bits is attached to each Code Block (otherwise L = 0 Bit)
 Note 3: SS/PBCH block is transmitted in slot 0 of each frame.
 Note 4: Slot i is slot index per frame.

Table A.3.2.3-3: Fixed Reference Channel for Maximum input level receiver requirements (SCS 60 kHz, FDD, 64QAM)

Parameter	Unit	Value									
		10	15	20	25	30	40	50	60	80	100
Channel bandwidth	MHz	10	15	20	25	30	40	50	60	80	100
Subcarrier spacing configuration μ		2	2	2	2	2	2	2	2	2	2
Allocated resource blocks		11	18	24	31	38	51	65	79	107	135
Subcarriers per resource block		12	12	12	12	12	12	12	12	12	12
Allocated slots per Frame		36	36	36	36	36	36	36	36	36	36
MCS Index		24	24	24	24	24	24	24	24	24	24
MCS Table for TBS determination		64QAM									
Modulation		64 QAM	64 QAM	64 QAM	64 QAM	64 QAM	64 QAM	64 QAM	64 QAM	64 QAM	64 QAM
Target Coding Rate		3/4	3/4	3/4	3/4	3/4	3/4	3/4	3/4	3/4	3/4
Maximum number of HARQ transmissions		1	1	1	1	1	1	1	1	1	1
Information Bit Payload per Slot											
For Slots 0,1,2,3	Bits	N/A	N/A	N/A	N/A	N/A	N/A	N/A	N/A	N/A	N/A
For Slots 4,...,39	Bits	5376	8712	11784	15112	18432	25104	31752	38936	52224	65576
Transport block CRC	Bits	24	24	24	24	24	24	24	24	24	24
LDPC base graph		1	1	1	1	1	1	1	1	1	1
Number of Code Blocks per Slot											
For Slots 0,1,2,3	CBs	N/A	N/A	N/A	N/A	N/A	N/A	N/A	N/A	N/A	N/A
For Slots 4,...,39	CBs	1	2	2	2	3	3	4	5	7	8
Binary Channel Bits per Slot											
For Slots 0,12,3	Bits	N/A	N/A	N/A	N/A	N/A	N/A	N/A	N/A	N/A	N/A
For Slots 4,...,39	Bits	7128	11664	15552	20088	24624	33048	42120	51192	69336	87480
Max. Throughput averaged over 1 frame	Mbps	19.354	31.363	42.422	54.403	66.355	90.374	114.307	140.170	188.006	236.074
Note 1:	Additional parameters are specified in Table A.3.1-1 and Table A.3.2.1-1.										
Note 2:	If more than one Code Block is present, an additional CRC sequence of L = 24 Bits is attached to each Code Block (otherwise L = 0 Bit)										
Note 3:	SS/PBCH block is transmitted in slot #0 of each frame.										
Note 4:	Slot i is slot index per frame.										

A.3.2.4 FRC for maximum input level for 256 QAM

Table A.3.2.4-1: Fixed reference channel for maximum input level receiver requirements (SCS 15 kHz, FDD, 256QAM)

Parameter	Unit	Value
-----------	------	-------

Channel bandwidth	MHz	3	5	10	15	20	25	30	40	50
Subcarrier spacing	kHz	15	15	15	15	15	15	15	15	15
Subcarrier spacing configuration μ		0	0	0	0	0	0	0	0	0
Allocated resource blocks		15	25	52	79	106	133	160	216	270
Subcarriers per resource block		12	12	12	12	12	12	12	12	12
Allocated slots per Frame		8	8	8	8	8	8	8	8	8
MCS Index		23	23	23	23	23	23	23	23	23
MCS Table for TBS determination		256QAM								
Modulation		256 QAM	256 QAM	256 QAM	256 QAM	256 QAM	256 QAM	256 QAM	256 QAM	256 QAM
Target Coding Rate		4/5	4/5	4/5	4/5	4/5	4/5	4/5	4/5	4/5
Maximum number of HARQ transmissions		1	1	1	1	1	1	1	1	1
Information Bit Payload per Slot										
For Slots 0,1	Bits	N/A	N/A	N/A	N/A	N/A	N/A	N/A	N/A	N/A
For Slots 2,3,4,5,6,7,8,9	Bits	9992	16896	34816	53288	71688	90176	10855 2	14340 0	18037 6
Transport block CRC	Bits	24	24	24	24	24	24	24	24	24
LDPC base graph		1	1	1	1	1	1	1	1	1
Number of Code Blocks per Slot										
For Slots 0,1	CBs	N/A	N/A	N/A	N/A	N/A	N/A	N/A	N/A	N/A
For Slots 2,3,4,5,6,7,8,9	CBs	2	3	5	7	9	12	14	18	22
Binary Channel Bits per Slot										
For Slots 0,1	Bits	N/A	N/A	N/A	N/A	N/A	N/A	N/A	N/A	N/A
For Slots 2,3,4,5,6,7,8,9	Bits	12960	21600	44928	68256	91584	11491 2	13824 0	18662 4	23328 0
Max. Throughput averaged over 1 frame	Mbps	7.994	13.51 7	27.85 3	42.63 0	57.35 0	72.14 1	86.84 2	114.7 20	144.3 10
Note 1:	Additional parameters are specified in Table A.3.1-1 and Table A.3.2.1-1.									
Note 2:	If more than one Code Block is present, an additional CRC sequence of L = 24 Bits is attached to each Code Block (otherwise L = 0 Bit)									
Note 3:	SS/PBCH block is transmitted in slot 0 of each frame.									
Note 4:	Slot i is slot index per frame.									

Table A.3.2.4-2: Fixed reference channel for maximum input level receiver requirements (SCS 30 kHz, FDD, 256QAM)

Parameter	Unit	Value										
Channel bandwidth	MHz	5	10	15	20	25	30	40	50	60	80	100
Subcarrier spacing configuration μ		1	1	1	1	1	1	1	1	1	1	1
Allocated resource blocks		11	24	38	51	65	78	106	133	162	217	273
Subcarriers per resource block		12	12	12	12	12	12	12	12	12	12	12
Allocated slots per Frame		17	17	17	17	17	17	17	17	17	17	17

MCS Index		23	23	23	23	23	23	23	23	23	23	23
MCS Table for TBS determination		256QAM										
Modulation		256 QAM	256 QAM	256 QAM	256 QAM	256 QAM	256 QAM	256 QAM	256 QAM	256 QAM	256 QAM	256 QAM
Target Coding Rate		4/5	4/5	4/5	4/5	4/5	4/5	4/5	4/5	4/5	4/5	4/5
Maximum number of HARQ transmissions		1	1	1	1	1	1	1	1	1	1	1
Information Bit Payload per Slot												
For Slots 0,1,2	Bits	N/A	N/A	N/A	N/A	N/A	N/A	N/A	N/A	N/A	N/A	N/A
For Slots 3,...,19	Bits	7424	16136	25608	33816	44040	52224	71688	90176	108552	147576	184424
Transport block CRC	Bits	24	24	24	24	24	24	24	24	24	24	24
LDPC base graph		1	1	1	1	1	1	1	1	1	1	1
Number of Code Blocks per Slot												
For Slots 0,1,2	CBs	N/A	N/A	N/A	N/A	N/A	N/A	N/A	N/A	N/A	N/A	N/A
For Slots 3,...,19	CBs	1	3	4	5	6	7	9	12	14	19	23
Binary Channel Bits per Slot												
For Slots 0,1,2	Bits	N/A	N/A	N/A	N/A	N/A	N/A	N/A	N/A	N/A	N/A	N/A
For Slots 3,...,19	Bits	9504	20736	32832	44064	56160	67392	91584	114912	139968	187488	235872
Max. Throughput averaged over 1 frame	Mbps	12.621	27.431	43.534	57.487	74.868	88.781	121.87 0	153.29 9	184.53 8	250.87 9	313.52 1
Note 1: Additional parameters are specified in Table A.3.1-1 and Table A.3.2.1-1.												
Note 2: If more than one Code Block is present, an additional CRC sequence of L = 24 Bits is attached to each Code Block (otherwise L = 0 Bit)												
Note 3: SS/PBCH block is transmitted in slot 0 of each frame.												
Note 4: Slot i is slot index per frame.												

Table A.3.2.4-3: Fixed reference channel for maximum input level receiver requirements (SCS 60 kHz, FDD, 256QAM)

Parameter	Unit	Value										
Channel bandwidth	MHz	10	15	20	25	30	40	50	60	80	100	
Subcarrier spacing configuration μ		2	2	2	2	2	2	2	2	2	2	
Allocated resource blocks		11	18	24	31	38	51	65	79	107	135	
Subcarriers per resource block		12	12	12	12	12	12	12	12	12	12	
Allocated slots per Frame		36	36	36	36	36	36	36	36	36	36	
MCS Index		23	23	23	23	23	23	23	23	23	23	
MCS Table for TBS determination		256QAM										
Modulation		256 QAM	256 QAM	256 QAM	256 QAM	256 QAM	256 QAM	256 QAM	256 QAM	256 QAM	256 QAM	
Target Coding Rate		4/5	4/5	4/5	4/5	4/5	4/5	4/5	4/5	4/5	4/5	
Maximum number of HARQ transmissions		1	1	1	1	1	1	1	1	1	1	
Information Bit Payload per Slot												
For Slots 0,1,2,3	Bits	N/A	N/A	N/A	N/A	N/A	N/A	N/A	N/A	N/A	N/A	
For Slots 4,...,39	Bits	7424	12040	16136	21000	25608	33816	44040	53288	71688	90176	
Transport block CRC	Bits	24	24	24	24	24	24	24	24	24	24	
LDPC base graph		1	1	1	1	1	1	1	1	1	1	

Number of Code Blocks per Slot											
For Slots 0,1,2,3	CBs	N/A	N/A	N/A	N/A	N/A	N/A	N/A	N/A	N/A	N/A
For Slots 4,...,39	CBs	1	2	3	3	4	5	6	7	9	12
Binary Channel Bits per Slot											
For Slots 0,1,2,3	Bits	N/A	N/A	N/A	N/A	N/A	N/A	N/A	N/A	N/A	N/A
For Slots 4,...,39	Bits	9504	15552	20736	26784	32832	44064	56160	68256	92448	116640
Max. Throughput averaged over 1 frame	Mbps	26.726	43.344	58.090	75.600	92.189	121.73 8	158.54 4	191.83 7	258.07 7	324.63 4
Note 1:	Additional parameters are specified in Table A.3.1-1 and Table A.3.2.1-1.										
Note 2:	If more than one Code Block is present, an additional CRC sequence of L = 24 Bits is attached to each Code Block (otherwise L = 0 Bit)										
Note 3:	SS/PBCH block is transmitted in slot #0 of each frame.										
Note 4:	Slot i is slot index per frame.										

A.3.2.5 FRC for maximum input level for 1024 QAM

Table A.3.2.5-1 Fixed reference channel for maximum input level receiver requirements (SCS 15 kHz, FDD, 1024QAM)

Parameter	Unit	Value								
		3	5	10	15	20	25	30	40	50
Channel bandwidth	MHz									
Subcarrier spacing	kHz	15	15	15	15	15	15	15	15	15
Subcarrier spacing configuration μ		0	0	0	0	0	0	0	0	0
Allocated resource blocks		15	25	52	79	106	133	160	216	270
Subcarriers per resource block		12	12	12	12	12	12	12	12	12
Allocated slots per Frame		8	8	8	8	8	8	8	8	8
MCS Index		23	23	23	23	23	23	23	23	23
MCS Table for TBS determination		1024QAM								
Modulation		1024 QAM	1024 QAM	1024 QAM	1024 QAM	1024 QAM	1024 QAM	1024 QAM	1024 QAM	1024 QAM
Target Coding Rate		0.78	0.78	0.78	0.78	0.78	0.78	0.78	0.78	0.78
Maximum number of HARQ transmissions		1	1	1	1	1	1	1	1	1
Information Bit Payload per Slot										
For Slots 0,1	Bits	N/A	N/A	N/A	N/A	N/A	N/A	N/A	N/A	N/A
For Slots 2,3,4,5,6,7,8,9	Bits	12808	21000	44040	67584	90176	112648	135296	184424	229576
Transport block CRC	Bits	24	24	24	24	24	24	24	24	24
LDPC base graph		1	1	1	1	1	1	1	1	1
Number of Code Blocks per Slot										
For Slot 0,1	CBs	N/A	N/A	N/A	N/A	N/A	N/A	N/A	N/A	N/A
For Slots 2,3,4,5,6,7,8,9	CBs	2	3	6	9	11	14	17	22	28
Binary Channel Bits per Slot										
For Slots 0,1	Bits	N/A	N/A	N/A	N/A	N/A	N/A	N/A	N/A	N/A
For Slots 2,3,4,5,6,7,8,9	Bits	16200	27000	56160	85320	114480	143640	172800	233280	291600
Max. Throughput averaged over 1 frame	Mbps	10.246	16.800	35.232	54.067	72.141	90.118	108.237	147.539	183.661

NOTE 1: Additional parameters are specified in Table A.3.1-1 and Table A.3.2.1-1.
NOTE 2: If more than one Code Block is present, an additional CRC sequence of $L = 24$ Bits is attached to each Code Block (otherwise $L = 0$ Bit).
NOTE 3: SS/PBCH block is transmitted in slot 0 of each frame
NOTE 4: Slot i is slot index per frame

Table A.3.2.5-2 Fixed reference channel for maximum input level receiver requirements (SCS 30 kHz, FDD, 1024QAM)

Parameter	Unit	Value										
		5	10	15	20	25	30	40	50	60	80	100
Channel bandwidth	MHz											
Subcarrier spacing configuration μ		1	1	1	1	1	1	1	1	1	1	1
Allocated resource blocks		11	24	38	51	65	78	106	133	162	217	273
Subcarriers per resource block		12	12	12	12	12	12	12	12	12	12	12
Allocated slots per Frame		17	17	17	17	17	17	17	17	17	17	17
MCS Index		23	23	23	23	23	23	23	23	23	23	23
MCS Table for TBS determination		1024QAM										
Modulation		1024 QAM	1024 QAM	1024 QAM	1024 QAM	1024 QAM	1024 QAM	1024 QAM	1024 QAM	1024 QAM	1024 QAM	1024 QAM
Target Coding Rate		0.78	0.78	0.78	0.78	0.78	0.78	0.78	0.78	0.78	0.78	0.78
Maximum number of HARQ transmissions		1	1	1	1	1	1	1	1	1	1	1
Information Bit Payload per Slot												
For Slots 0,1,2	Bits	N/A	N/A	N/A	N/A	N/A	N/A	N/A	N/A	N/A	N/A	N/A
For Slots 3,...,19	Bits	9224	20496	32264	43032	55304	65576	90176	112648	139376	184424	233608
Transport block CRC	Bits	24	24	24	24	24	24	24	24	24	24	24
LDPC base graph		1	1	1	1	1	1	1	1	1	1	1
Number of Code Blocks per Slot												
For Slots 0,1,2	CBs	N/A	N/A	N/A	N/A	N/A	N/A	N/A	N/A	N/A	N/A	N/A
For Slots 3,...,19	CBs	2	3	4	6	7	8	11	14	17	22	28
Binary Channel Bits per Slot												
For Slots 0,1,2	Bits	N/A	N/A	N/A	N/A	N/A	N/A	N/A	N/A	N/A	N/A	N/A
For Slots 3,...,19	Bits	11880	25920	41040	55080	70200	84240	114480	143640	174960	234360	294840
Max. Throughput averaged over 1 frame	Mbps	15.681	34.843	54.849	73.154	94.017	111.479	153.299	191.502	236.939	313.521	397.134
NOTE 1: Additional parameters are specified in Table A.3.1-1 and Table A.3.2.1-1.												
NOTE 2: If more than one Code Block is present, an additional CRC sequence of L = 24 Bits is attached to each Code Block (otherwise L = 0 Bit).												
NOTE 3: SS/PBCH block is transmitted in slot 0 of each frame												
NOTE 4: Slot i is slot index per frame												

Table A.3.2.5-3 Fixed reference channel for maximum input level receiver requirements (SCS 60 kHz, FDD, 1024QAM)

Parameter	Unit	Value										
		10	15	20	25	30	40	50	60	80	100	
Channel bandwidth	MHz											
Subcarrier spacing configuration μ		2	2	2	2	2	2	2	2	2	2	2
Allocated resource blocks		11	18	24	31	38	51	65	79	107	135	
Subcarriers per resource block		12	12	12	12	12	12	12	12	12	12	12
Allocated slots per Frame		36	36	36	36	36	36	36	36	36	36	36
MCS Index		23	23	23	23	23	23	23	23	23	23	23
MCS Table for TBS determination		1024QAM										

Modulation		1024 QAM	1024 QAM	1024 QAM	1024 QAM	1024 QAM	1024 QAM	1024 QAM	1024 QAM	1024 QAM	1024 QAM
Target Coding Rate		0.78	0.78	0.78	0.78	0.78	0.78	0.78	0.78	0.78	0.78
Maximum number of HARQ transmissions		1	1	1	1	1	1	1	1	1	1
Information Bit Payload per Slot											
For Slots 0,1,2,3	Bits	N/A	N/A	N/A	N/A	N/A	N/A	N/A	N/A	N/A	N/A
For Slots 4,...,39	Bits	9224	15368	20496	26120	32264	43032	55304	67584	90176	114776
Transport block CRC	Bits	24	24	24	24	24	24	24	24	24	24
LDPC base graph		1	1	1	1	1	1	1	1	1	1
Number of Code Blocks per Slot											
For Slots 0,1,2,3	CBs	N/A	N/A	N/A	N/A	N/A	N/A	N/A	N/A	N/A	N/A
For Slots 4,...,39	CBs	2	2	3	4	4	6	7	9	11	14
Binary Channel Bits per Slot											
For Slot 0,1,2,3	Bits	N/A	N/A	N/A	N/A	N/A	N/A	N/A	N/A	N/A	N/A
For Slots 4,...,39	Bits	11880	19440	25920	33480	41040	55080	70200	85320	115560	145800
Max. Throughput averaged over 1 frame	Mbps	33.206	55.325	73.786	94.032	116.15 0	154.91 5	199.09 4	243.30 2	324.63 4	413.19 4
NOTE 1: Additional parameters are specified in Table A.3.1-1 and Table A.3.2.1-1.											
NOTE 2: If more than one Code Block is present, an additional CRC sequence of L = 24 Bits is attached to each Code Block (otherwise L = 0 Bit).											
NOTE 3: SS/PBCH block is transmitted in slot #0 of each frame											
NOTE 4: Slot i is slot index per frame											

A.3.3 DL reference measurement channels for TDD

A.3.3.1 General

Table A.3.3.1-1: Additional reference channels parameters for TDD

Parameter		Value		
		SCS 15 kHz ($\mu=0$)	SCS 30 kHz ($\mu=1$)	SCS 60 kHz ($\mu=2$)
TDD Slot Configuration pattern (Note 1)		DDDSU	7DS2U	14DS ₁ S ₂ 4U
Special Slot Configuration (Note 2)		10D+2G+2U	6D+4G+4U	S ₁ =12D+2G, S ₂ =6G+8U
referenceSubcarrierSpacing		15 kHz	30 kHz	60 kHz
UL-DL configuration	dl-UL-TransmissionPeriodicity	5 ms	5 ms	5 ms
	nrofDownlinkSlots	3	7	14
	nrofDownlinkSymbols	10	6	12
	nrofUplinkSlot	1	2	4
	nrofUplinkSymbols	2	4	8
Number of HARQ Processes		8	8	16

The number of slots between PDSCH and corresponding HARQ-ACK information (Note 3)	$K1 = 4$ if $\text{mod}(i,5) = 0$ $K1 = 3$ if $\text{mod}(i,5) = 1$ $K1 = 2$ if $\text{mod}(i,5) = 2$ where i is slot index per frame; $i = \{0, \dots, 9\}$	$K1 = 8$ if $\text{mod}(i,10) = 0$ $K1 = 7$ if $\text{mod}(i,10) = 1$ $K1 = 6$ if $\text{mod}(i,10) = 2$ $K1 = 5$ if $\text{mod}(i,10) = 3$ $K1 = 4$ if $\text{mod}(i,10) = 4$ $K1 = 3$ if $\text{mod}(i,10) = 5$ $K1 = 2$ if $\text{mod}(i,10) = 6$ where i is slot index per frame; $i = \{0, \dots, 19\}$	$K1 = 13$ if $\text{mod}(i,20) = 2$ $K1 = 12$ if $\text{mod}(i,20) = 3$ $K1 = 11$ if $\text{mod}(i,20) = 4$ $K1 = 10$ if $\text{mod}(i,20) = 5$ $K1 = 9$ if $\text{mod}(i,20) = 6$ $K1 = 8$ if $\text{mod}(i,20) = 7$ $K1 = 7$ if $\text{mod}(i,20) = 8$ $K1 = 6$ if $\text{mod}(i,20) = 9$ $K1 = 6$ if $\text{mod}(i,20) = 10$ $K1 = 6$ if $\text{mod}(i,20) = 11$ $K1 = 6$ if $\text{mod}(i,20) = 12$ $K1 = 6$ if $\text{mod}(i,20) = 13$ where i is slot index per frame; $i = \{0, \dots, 39\}$
NOTE 1: D denotes a slot with all DL symbols; S denotes a slot with a mix of DL, UL and guard symbols; U denotes a slot with all UL symbols. The field is for information. NOTE 2: D, G, U denote DL, guard and UL symbols, respectively. The field is for information. NOTE 3: i is the slot index per frame. NOTE 4: A -2ms or +3ms time offset to the NR configuration pattern relative to the E-UTRA UL-DL configuration must be applied in the TDD intra-band EN-DC.			

A.3.3.2 FRC for receiver requirements for QPSK

Table A.3.3.2-1: Fixed reference channel for receiver requirements (SCS 15 kHz, TDD, QPSK 1/3)

Parameter	Unit	Value							
		5	10	15	20	25	30	40	50
Channel bandwidth	MHz	5	10	15	20	25	30	40	50
Subcarrier spacing	kHz	15	15	15	15	15	15	15	15
Subcarrier spacing configuration μ		0	0	0	0	0	0	0	0
Allocated resource blocks		25	52	79	106	133	160	216	270
Subcarriers per resource block		12	12	12	12	12	12	12	12
Allocated slots per Frame		4	4	4	4	4	4	4	4
MCS Index		4	4	4	4	4	4	4	4
MCS Table for TBS determination		64QAM							
Modulation		QPSK	QPSK	QPSK	QPSK	QPSK	QPSK	QPSK	QPSK
Target Coding Rate		1/3	1/3	1/3	1/3	1/3	1/3	1/3	1/3
Maximum number of HARQ transmissions		1	1	1	1	1	1	1	1
Information Bit Payload per Slot									
For Slots 0,1,3,4,8,9	Bits	N/A	N/A	N/A	N/A	N/A	N/A	N/A	N/A
For Slots 2,5,6,7	Bits	1672	3368	5120	6912	8712	10504	14088	17424
Transport block CRC	Bits	16	16	24	24	24	24	24	24

LDPC base graph		2	2	1	1	1	1	1	1
Number of Code Blocks per Slot									
For Slots 0,1,3,4,8,9	CBs	N/A	N/A	N/A	N/A	N/A	N/A	N/A	N/A
For Slots 2,5,6,7	CBs	1	1	1	1	2	2	2	3
Binary Channel Bits per Slot									
For Slots 0,1,3,4,8,9	Bits	N/A	N/A	N/A	N/A	N/A	N/A	N/A	N/A
For Slots 2,5,6,7	Bits	5400	11232	17064	22896	28728	34560	46656	58320
Max. Throughput averaged over 1 frame	Mbps	0.669	1.347	2.048	2.765	3.485	4.202	5.635	6.970
<p>Note 1: Additional parameters are specified in Table A.3.1-1 and Table A.3.3.1-1.</p> <p>Note 2: If more than one Code Block is present, an additional CRC sequence of L = 24 Bits is attached to each Code Block (otherwise L = 0 Bit)</p> <p>Note 3: SS/PBCH block is transmitted in slot 0 of each frame.</p> <p>Note 4: Slot i is slot index per frame.</p>									

Table A.3.3.2-2: Fixed reference channel for receiver requirements (SCS 30 kHz, TDD, QPSK 1/3)

Parameter	Unit	Value										
		5	10	15	20	25	30	40	50	60	80	100
Channel bandwidth	MHz	5	10	15	20	25	30	40	50	60	80	100
Subcarrier spacing configuration μ		1	1	1	1	1	1	1	1	1	1	1
Allocated resource blocks		11	24	38	51	65	78	106	133	162	217	273
Subcarriers per resource block		12	12	12	12	12	12	12	12	12	12	12
Allocated slots per Frame		11	11	11	11	11	11	11	11	11	11	11
MCS Index		4	4	4	4	4	4	4	4	4	4	4
MCS Table for TBS determination		64QAM										
Modulation		QPSK	QPSK	QPSK	QPSK	QPSK	QPSK	QPSK	QPSK	QPSK	QPSK	QPSK
Target Coding Rate		1/3	1/3	1/3	1/3	1/3	1/3	1/3	1/3	1/3	1/3	1/3
Maximum number of HARQ transmissions		1	1	1	1	1	1	1	1	1	1	1
Information Bit Payload per Slot												
For Slots 0,1,2 and Slot i, if mod(i, 10) = {7,8,9} for i from {0,...,19}	Bits	N/A	N/A	N/A	N/A	N/A	N/A	N/A	N/A	N/A	N/A	N/A
For Slot i, if mod(i, 10) = {0,1,2,3,4,5,6} for i from {3,...,19}	Bits	736	1608	2472	3368	4224	4992	6912	8712	10504	14088	17928
Transport block CRC	Bits	16	16	16	16	24	24	24	24	24	24	24
LDPC base graph		2	2	2	2	1	1	1	1	1	1	1
Number of Code Blocks per Slot												
For Slots 0,1,2 and Slot i, if mod(i, 10) = {7,8,9} for i from {0,...,19}	CBs	N/A	N/A	N/A	N/A	N/A	N/A	N/A	N/A	N/A	N/A	N/A
For Slot i, if mod(i, 10) = {0,1,2,3,4,5,6} for i from {3,...,19}	CBs	1	1	1	1	1	1	1	2	2	2	3
Binary Channel Bits per Slot												
For Slots 0,1,2 and Slot i, if mod(i, 10) = {7,8,9} for i from {0,...,19}	Bits	N/A	N/A	N/A	N/A	N/A	N/A	N/A	N/A	N/A	N/A	N/A

For Slot i, if $\text{mod}(i, 10) = \{0,1,2,3,4,5,6\}$ for i from $\{3, \dots, 19\}$	Bits	2376	5184	8208	11016	14040	16848	22896	28728	34992	46872	58968
Max. Throughput averaged over 1 frame	Mbps	0.810	2.1.769	2.719	3.705	4.646	5.491	7.603	9.583	11.554	15.497	19.721
<p>Note 1: Additional parameters are specified in Table A.3.1-1 and Table A.3.3.1-1.</p> <p>Note 2: If more than one Code Block is present, an additional CRC sequence of L = 24 Bits is attached to each Code Block (otherwise L = 0 Bit)</p> <p>Note 3: SS/PBCH block is transmitted in slot #0 of each frame.</p> <p>Note 4: Slot i is slot index per frame.</p>												

Table A.3.3.2-3: Fixed reference channel for receiver requirements (SCS 60 kHz, TDD, QPSK 1/3)

Parameter	Unit	Value									
		10	15	20	25	30	40	50	60	80	100
Channel bandwidth	MHz	10	15	20	25	30	40	50	60	80	100
Subcarrier spacing configuration μ		2	2	2	2	2	2	2	2	2	2
Allocated resource blocks		11	18	24	31	38	51	65	79	107	135
Subcarriers per resource block		12	12	12	12	12	12	12	12	12	12
Allocated slots per Frame		24	24	24	24	24	24	24	24	24	24
MCS Index		4	4	4	4	4	4	4	4	4	4
MCS Table for TBS determination		64QAM									
Modulation		QPSK	QPSK	QPSK	QPSK	QPSK	QPSK	QPSK	QPSK	QPSK	QPSK
Target Coding Rate		1/3	1/3	1/3	1/3	1/3	1/3	1/3	1/3	1/3	1/3
Maximum number of HARQ transmissions		1	1	1	1	1	1	1	1	1	1
Information Bit Payload per Slot											
For Slots 0,1,2,3 and Slot i, if $\text{mod}(i, 20) = \{14, 15, 16, 17, 18, 19\}$ for i from $\{0, \dots, 39\}$	Bits	N/A	N/A	N/A	N/A	N/A	N/A	N/A	N/A	N/A	N/A
For Slot i, if $\text{mod}(i, 20) = \{0, \dots, 13\}$ for i from $\{4, \dots, 39\}$	Bits	736	1192	1608	2024	2472	3368	4224	5120	6912	8712
Transport block CRC	Bits	16	16	16	16	16	16	24	24	24	24
LDPC base graph		2	2	2	2	2	2	1	1	1	1
Number of Code Blocks per Slot											
For Slots 0,1,2,3 and Slot i, if $\text{mod}(i, 20) = \{14, 15, 16, 17, 18, 19\}$ for i from $\{0, \dots, 39\}$	CBs	N/A	N/A	N/A	N/A	N/A	N/A	N/A	N/A	N/A	N/A
For Slot i, if $\text{mod}(i, 20) = \{0, \dots, 13\}$ for i from $\{4, \dots, 39\}$	CBs	1	1	1	1	1	1	1	1	1	2
Binary Channel Bits per Slot											
For Slots 0,1,2,3 and Slot i, if $\text{mod}(i, 20) = \{14, 15, 16, 17, 18, 19\}$ for i from $\{0, \dots, 39\}$	Bits	N/A	N/A	N/A	N/A	N/A	N/A	N/A	N/A	N/A	N/A
For Slot i, if $\text{mod}(i, 20) = \{0, \dots, 13\}$ for i from $\{4, \dots, 39\}$	Bits	2376	3888	5184	6696	8208	11016	14040	17064	23112	29160
Max. Throughput averaged over 1 frame	Mbps	1.766	3.2.861	3.859	4.858	5.933	8.083	10.138	12.288	16.589	20.909
<p>Note 1: Additional parameters are specified in Table A.3.1-1 and Table A.3.3.1-1.</p> <p>Note 2: If more than one Code Block is present, an additional CRC sequence of L = 24 Bits is attached to each Code Block (otherwise L = 0 Bit)</p> <p>Note 3: SS/PBCH block is transmitted in slot #0 of each frame.</p> <p>Note 4: Slot i is slot index per frame.</p>											

A.3.3.3 FRC for maximum input level for 64QAM

Table A.3.3.3-1: Fixed reference channel for maximum input level receiver requirements (SCS 15 kHz, TDD, 64QAM)

Parameter	Unit	Value							
Channel bandwidth	MHz	5	10	15	20	25	30	40	50
Subcarrier spacing	kHz	15	15	15	15	15	15	15	15
Subcarrier spacing configuration μ		0	0	0	0	0	0	0	0
Allocated resource blocks		25	52	79	106	133	160	216	270
Subcarriers per resource block		12	12	12	12	12	12	12	12
Allocated slots per Frame		4	4	4	4	4	4	4	4
MCS Index		24	24	24	24	24	24	24	24
MCS Table for TBS determination		64QAM							
Modulation		64 QAM	64 QAM	64 QAM	64 QAM	64 QAM	64 QAM	64 QAM	64 QAM
Target Coding Rate		3/4	3/4	3/4	3/4	3/4	3/4	3/4	3/4
Maximum number of HARQ transmissions		1	1	1	1	1	1	1	1
Information Bit Payload per Slot									
For Slots 0,1,3,4,8,9	Bits	N/A	N/A	N/A	N/A	N/A	N/A	N/A	N/A
For Slots 2,5,6,7	Bits	12296	25608	38936	52224	64552	77896	106576	131176
Transport block CRC	Bits	24	24	24	24	24	24	24	24
LDPC base graph		1	1	1	1	1	1	1	1
Number of Code Blocks per Slot									
For Slots 0,1,3,4,8,9	CBs	N/A	N/A	N/A	N/A	N/A	N/A	N/A	N/A
For Slots 2,5,6,7	CBs	2	4	5	7	8	10	13	16
Binary Channel Bits per Slot									
For Slots 0,1,3,4,8,9	Bits	N/A	N/A	N/A	N/A	N/A	N/A	N/A	N/A
For Slots 2,5,6,7	Bits	16200	33696	51192	68688	86184	103680	139968	174960
Max. Throughput averaged over 1 frame	Mbps	4.918	10.243	15.574	20.890	20.890	31.158	42.630	52.470
Note 1:	Additional parameters are specified in Table A.3.1-1 and Table A.3.3.1-1.								
Note 2:	If more than one Code Block is present, an additional CRC sequence of L = 24 Bits is attached to each Code Block (otherwise L = 0 Bit)								
Note 3:	SS/PBCH block is transmitted in slot 0 of each frame.								
Note 4:	Slot i is slot index per frame.								

Table A.3.3.3-2: Fixed reference channel for maximum input level receiver requirements (SCS 30 kHz, TDD, 64QAM)

Parameter	Unit	Value										
		5	10	15	20	25	30	40	50	60	80	100
Channel bandwidth	MHz	5	10	15	20	25	30	40	50	60	80	100
Subcarrier spacing configuration μ		1	1	1	1	1	1	1	1	1	1	1
Allocated resource blocks		11	24	38	51	65	78	106	133	162	217	273
Subcarriers per resource block		12	12	12	12	12	12	12	12	12	12	12
Allocated slots per Frame		11	11	11	11	11	11	11	11	11	11	11
MCS Index		24	24	24	24	24	24	24	24	24	24	24
MCS Table for TBS determination		64QAM										
Modulation		64 QAM	64 QAM	64 QAM	64 QAM	64 QAM	64 QAM	64 QAM	64 QAM	64 QAM	64 QAM	64 QAM
Target Coding Rate		3/4	3/4	3/4	3/4	3/4	3/4	3/4	3/4	3/4	3/4	3/4
Maximum number of HARQ transmissions		1	1	1	1	1	1	1	1	1	1	1
Information Bit Payload per Slot												
For Slots 0,1,2 and Slot i, if mod(i, 10) = {7,8,9} for i from {0,...,19}	Bits	N/A	N/A	N/A	N/A	N/A	N/A	N/A	N/A	N/A	N/A	N/A
For Slot i, if mod(i, 10) = {0,1,2,3,4,5,6} for i from {3,...,19}	Bits	5376	11784	18432	25104	31752	37896	52224	64552	79896	106576	135296
Transport block CRC	Bits	24	24	24	24	24	24	24	24	24	24	24
LDPC base graph		1	1	1	1	1	1	1	1	1	1	1
Number of Code Blocks per Slot												
For Slots 0,1,2 and Slot i, if mod(i, 10) = {7,8,9} for i from {0,...,19}	CBs	N/A	N/A	N/A	N/A	N/A	N/A	N/A	N/A	N/A	N/A	N/A
For Slot i, if mod(i, 10) = {0,1,2,3,4,5,6} for i from {3,...,19}	CBs	1	2	3	3	4	5	7	8	10	13	17
Binary Channel Bits per Slot												
For Slots 0,1,2 and Slot i, if mod(i, 10) = {7,8,9} for i from {0,...,19}	Bits	N/A	N/A	N/A	N/A	N/A	N/A	N/A	N/A	N/A	N/A	N/A
For Slot i, if mod(i, 10) = {0,1,2,3,4,5,6} for i from {3,...,19}	Bits	7128	15552	24624	33048	42120	50544	68688	86184	104976	140616	176904
Max. Throughput averaged over 1 frame	Mbps	5.914	12.962	20.275	27.614	34.927	41.686	57.446	71.007	87.886	117.23 4	148.82 6
Note 1:	Additional parameters are specified in Table A.3.1-1 and Table A.3.3.1-1.											
Note 2:	If more than one Code Block is present, an additional CRC sequence of L = 24 Bits is attached to each Code Block (otherwise L = 0 Bit)											
Note 3:	SS/PBCH block is transmitted in slot #0 of each frame.											
Note 4:	Slot i is slot index per frame.											

Table A.3.3.3-3: Fixed reference channel for maximum input level receiver requirements (SCS 60 kHz, TDD, 64QAM)

Parameter	Unit	Value									
		10	15	20	25	30	40	50	60	80	100
Channel bandwidth	MHz	10	15	20	25	30	40	50	60	80	100
Subcarrier spacing configuration μ		2	2	2	2	2	2	2	2	2	2

Allocated resource blocks		11	18	24	31	38	51	65	79	107	135
Subcarriers per resource block		12	12	12	12	12	12	12	12	12	12
Allocated slots per Frame		24	24	24	24	24	24	24	24	24	24
MCS Index		24	24	24	24	24	24	24	24	24	24
MCS Table for TBS determination		64QAM									
Modulation		64 QAM	64 QAM	64 QAM	64 QAM	64 QAM	64 QAM	64 QAM	64 QAM	64 QAM	64 QAM
Target Coding Rate		3/4	3/4	3/4	3/4	3/4	3/4	3/4	3/4	3/4	3/4
Maximum number of HARQ transmissions		1	1	1	1	1	1	1	1	1	1
Information Bit Payload per Slot											
For Slots 0,1,2,3 and Slot i, if $\text{mod}(i, 20) = \{14, 15, 16, 17, 18, 19\}$ for i from $\{0, \dots, 39\}$	Bits	N/A	N/A	N/A	N/A	N/A	N/A	N/A	N/A	N/A	N/A
For Slot i, if $\text{mod}(i, 5) = \{0, \dots, 13\}$ for i from $\{4, \dots, 39\}$	Bits	5376	8712	11784	15112	18432	25104	31752	38936	52224	65576
Transport block CRC	Bits	24	24	24	24	24	24	24	24	24	24
LDPC base graph		1	1	1	1	1	1	1	1	1	1
Number of Code Blocks per Slot											
For Slots 0,1,2,3 and Slot i, if $\text{mod}(i, 20) = \{14, 15, 16, 17, 18, 19\}$ for i from $\{0, \dots, 39\}$	CBs	N/A	N/A	N/A	N/A	N/A	N/A	N/A	N/A	N/A	N/A
For Slot i, if $\text{mod}(i, 5) = \{0, \dots, 13\}$ for i from $\{4, \dots, 39\}$	CBs	1	2	2	2	3	3	4	5	7	8
Binary Channel Bits per Slot											
For Slots 0,1,2,3 and Slot i, if $\text{mod}(i, 20) = \{14, 15, 16, 17, 18, 19\}$ for i from $\{0, \dots, 39\}$	Bits	N/A	N/A	N/A	N/A	N/A	N/A	N/A	N/A	N/A	N/A
For Slot i, if $\text{mod}(i, 20) = \{0, \dots, 13\}$ for i from $\{4, \dots, 39\}$	Bits	7128	11664	15552	20088	24624	33048	42120	51192	69336	87480
Max. Throughput averaged over 1 frame	Mbps	12.902	20.909	28.282	36.269	44.237	60.250	76.205	93.446	125.33 8	157.38 2
Note 1:	Additional parameters are specified in Table A.3.1-1 and Table A.3.3.1-1.										
Note 2:	If more than one Code Block is present, an additional CRC sequence of L = 24 Bits is attached to each Code Block (otherwise L = 0 Bit)										
Note 3:	SS/PBCH block is transmitted in slot #0 of each frame.										
Note 4:	Slot i is slot index per frame.										

A.3.3.4 FRC for maximum input level for 256 QAM

Table A.3.3.4-1: Fixed reference channel for maximum input level receiver requirements (SCS 15 kHz, TDD, 256QAM)

Parameter	Unit	Value								
Channel bandwidth	MHz	5	10	15	20	25	30	40	50	
Subcarrier spacing	kHz	15	15	15	15	15	15	15	15	15
Subcarrier spacing configuration μ		0	0	0	0	0	0	0	0	0
Allocated resource blocks		25	52	79	106	133	160	216	270	
Subcarriers per resource block		12	12	12	12	12	12	12	12	12

Allocated slots per Frame		4	4	4	4	4	4	4	4
MCS Index		23	23	23	23	23	23	23	23
MCS Table for TBS determination		256QAM							
Modulation		256 QAM	256 QAM	256 QAM	256 QAM	256 QAM	256 QAM	256 QAM	256 QAM
Target Coding Rate		4/5	4/5	4/5	4/5	4/5	4/5	4/5	4/5
Maximum number of HARQ transmissions		1	1	1	1	1	1	1	1
Information Bit Payload per Slot									
For Slots 0,1,3,4,8,9	Bits	N/A	N/A	N/A	N/A	N/A	N/A	N/A	N/A
For Slots 2,5,6,7	Bits	16896	34816	53288	71688	90176	108552	143400	180376
Transport block CRC	Bits	24	24	24	24	24	24	24	24
LDPC base graph		1	1	1	1	1	1	1	1
Number of Code Blocks per Slot									
For Slots 0,1,3,4,8,9	CBs	N/A	N/A	N/A	N/A	N/A	N/A	N/A	N/A
For Slots 2,5,6,7	CBs	3	5	7	9	12	14	18	23
Binary Channel Bits per Slot									
For Slots 0,1,3,4,8,9	Bits	N/A	N/A	N/A	N/A	N/A	N/A	N/A	N/A
For Slots 2,5,6,7	Bits	21600	44928	68256	91584	114912	138240	186624	233280
Max. Throughput averaged over 1 frame	Mbps	6.758	13.926	21.315	28.675	36.070	43.421	57.360	72.150
Note 1:	Additional parameters are specified in Table A.3.1-1 and Table A.3.3.1-1.								
Note 2:	If more than one Code Block is present, an additional CRC sequence of L = 24 Bits is attached to each Code Block (otherwise L = 0 Bit)								
Note 3:	SS/PBCH block is transmitted in slot 0 of each frame.								
Note 4:	Slot i is slot index per frame.								

Table A.3.3.4-2: Fixed Reference channel for maximum input level receiver requirements (SCS 30 kHz, TDD, 256QAM)

Parameter	Unit	Value										
		5	10	15	20	25	30	40	50	60	80	100
Channel bandwidth	MHz	5	10	15	20	25	30	40	50	60	80	100
Subcarrier spacing configuration μ		1	1	1	1	1	1	1	1	1	1	1
Allocated resource blocks		11	24	38	51	65	78	106	133	162	217	273
Subcarriers per resource block		12	12	12	12	12	12	12	12	12	12	12
Allocated slots per Frame		11	11	11	11	11	11	11	11	11	11	11
MCS Index		23	23	23	23	23	23	23	23	23	23	23
MCS Table for TBS determination		256QAM										
Modulation		256 QAM	256 QAM	256 QAM	256 QAM	256 QAM	256 QAM	256 QAM	256 QAM	256 QAM	256 QAM	256 QAM
Target Coding Rate		4/5	4/5	4/5	4/5	4/5	4/5	4/5	4/5	4/5	4/5	4/5
Maximum number of HARQ transmissions		1	1	1	1	1	1	1	1	1	1	1

Information Bit Payload per Slot												
For Slots 0,1,2 and Slot i, if mod(i, 10) = {7,8,9} for i from {0,...,19}	Bits	N/A	N/A	N/A	N/A	N/A	N/A	N/A	N/A	N/A	N/A	N/A
For Slot i, if mod(i, 10) = {0,1,2,3,4,5,6} for i from {3,...,19}	Bits	7424	16136	25608	33816	44040	52224	71688	90176	108552	147576	184424
Transport block CRC	Bits	24	24	24	24	24	24	24	24	24	24	24
LDPC base graph		1	1	1	1	1	1	1	1	1	1	1
Number of Code Blocks per Slot												
For Slots 0,1,2 and Slot i, if mod(i, 10) = {7,8,9} for i from {0,...,19}	CBs	N/A	N/A	N/A	N/A	N/A	N/A	N/A	N/A	N/A	N/A	N/A
For Slot i, if mod(i, 10) = {0,1,2,3,4,5,6} for i from {3,...,19}	CBs	1	1	1	1	1	1	1	2	2	2	3
Binary Channel Bits per Slot												
For Slots 0,1,2 and Slot i, if mod(i, 10) = {7,8,9} for i from {0,...,19}	Bits	N/A	N/A	N/A	N/A	N/A	N/A	N/A	N/A	N/A	N/A	N/A
For Slot i, if mod(i, 10) = {0,1,2,3,4,5,6} for i from {3,...,19}	Bits	9504	20736	32832	44064	56160	67392	91584	114912	139968	187488	235872
Max. Throughput averaged over 1 frame	Mbps	8.166	17.750	28.169	37.198	48.444	57.446	78.857	99.194	119.40 7	162.33 4	202.86 6
Note 1: Additional parameters are specified in Table A.3.1-1 and Table A.3.3.1-1.												
Note 2: If more than one Code Block is present, an additional CRC sequence of L = 24 Bits is attached to each Code Block (otherwise L = 0 Bit)												
Note 3: SS/PBCH block is transmitted in slot #0 of each frame.												
Note 4: Slot i is slot index per frame.												

Table A.3.3.4-3: Fixed reference channel for maximum input level receiver requirements (SCS 60 kHz, TDD, 256QAM)

Parameter	Unit	Value									
		10	15	20	25	30	40	50	60	80	100
Channel bandwidth	MHz	10	15	20	25	30	40	50	60	80	100
Subcarrier spacing configuration μ		2	2	2	2	2	2	2	2	2	2
Allocated resource blocks		11	18	24	31	38	51	65	79	107	135
Subcarriers per resource block		12	12	12	12	12	12	12	12	12	12
Allocated slots per Frame		24	24	24	24	24	24	24	24	24	24
MCS Index		23	23	23	23	23	23	23	23	23	23
MCS Table for TBS determination		256QAM									
Modulation		256 QAM	256 QAM	256 QAM	256 QAM	256 QAM	256 QAM	256 QAM	256 QAM	256 QAM	256 QAM
Target Coding Rate		4/5	4/5	4/5	4/5	4/5	4/5	4/5	4/5	4/5	4/5
Maximum number of HARQ transmissions		1	1	1	1	1	1	1	1	1	1
Information Bit Payload per Slot											
For Slots 0,1,2,3 and Slot i, if mod(i, 20) = {14, 15, 16, 17, 18, 19} for i from {0,...,39}	Bits	N/A	N/A	N/A	N/A	N/A	N/A	N/A	N/A	N/A	N/A
For Slot i, if mod(i, 20) = {0,...,13} for i from {4,...,39}	Bits	7424	12040	16136	21000	25608	33816	44040	53288	71688	90176

Transport block CRC	Bits	24	24	24	24	24	24	24	24	24	24
LDPC base graph		1	1	1	1	1	1	1	1	1	1
Number of Code Blocks per Slot											
For Slots 0,1,2,3 and Slot i, if mod(i, 20) = {14, 15, 16, 17, 18, 19} for i from {0,...,39}	CBs	N/A	N/A	N/A	N/A	N/A	N/A	N/A	N/A	N/A	N/A
For Slot i, if mod(i, 5) = {0, ...,13} for i from {4,...,39}	CBs	1	2	3	3	4	5	6	7	9	12
Binary Channel Bits per Slot											
For Slots 0,1,2,3 and Slot i, if mod(i, 20) = {14, 15, 16, 17, 18, 19} for i from {0,...,39}	Bits	N/A	N/A	N/A	N/A	N/A	N/A	N/A	N/A	N/A	N/A
For Slot i, if mod(i, 20) = {0, ...,13} for i from {4,...,39}	Bits	9504	15552	20736	26784	32832	44064	56160	68256	92448	116640
Max. Throughput averaged over 1 frame	Mbps	17.818	28.896	38.726	50.400	61.459	81.158	105.69 6	127.89 1	172.05 1	216.42 2
Note 1: Additional parameters are specified in Table A.3.1-1 and Table A.3.3.1-1.											
Note 2: If more than one Code Block is present, an additional CRC sequence of L = 24 Bits is attached to each Code Block (otherwise L = 0 Bit)											
Note 3: SS/PBCH block is transmitted in slot #0 of each frame.											
Note 4: Slot i is slot index per frame.											

A.3.3.5 FRC for maximum input level for 1024 QAM

Table A.3.3.5-1 Fixed reference channel for maximum input level receiver requirements (SCS 15 kHz, TDD, 1024QAM)

Parameter	Unit	Value							
		5	10	15	20	25	30	40	50
Channel bandwidth	MHz	5	10	15	20	25	30	40	50
Subcarrier spacing	kHz	15	15	15	15	15	15	15	15
Subcarrier spacing configuration μ		0	0	0	0	0	0	0	0
Allocated resource blocks		25	52	79	106	133	160	216	270
Subcarriers per resource block		12	12	12	12	12	12	12	12
Allocated slots per Frame		4	4	4	4	4	4	4	4
MCS Index		23	23	23	23	23	23	23	23
MCS table for TBS determination		1024QAM							
Modulation		1024 QAM	1024 QAM	1024 QAM	1024 QAM	1024 QAM	1024 QAM	1024 QAM	1024 QAM
Target Coding Rate		0.78	0.78	0.78	0.78	0.78	0.78	0.78	0.78
Maximum number of HARQ transmissions		1	1	1	1	1	1	1	1
Information Bit Payload per Slot									
For Slots 0,1,3,4,8,9	Bits	N/A	N/A	N/A	N/A	N/A	N/A	N/A	N/A
For Slots 2,5,6,7	Bits	21000	44040	67584	90176	11264 8	13529 6	18442 4	22957 6
Transport block CRC	Bits	24	24	24	24	24	24	24	24
LDPC base graph		1	1	1	1	1	1	1	1

Number of Code Blocks per Slot									
For Slots 0,1,3,4,8,9	CBs	N/A	N/A	N/A	N/A	N/A	N/A	N/A	N/A
For Slots 2,5,6,7	CBs	3	6	9	11	14	17	22	28
Binary Channel Bits per Slot									
For Slots 0,1,3,4,8,9	Bits	N/A	N/A	N/A	N/A	N/A	N/A	N/A	N/A
For Slots 2,5,6,7	Bits	27000	56160	85320	114480	143640	172800	233280	291600
Max. Throughput averaged over 1 frame	Mbps	8.400	17.616	27.034	36.070	45.059	54.118	73.770	91.830
NOTE 1: Additional parameters are specified in Table A.3.1-1 and Table A.3.3.1-1.									
NOTE 2: If more than one Code Block is present, an additional CRC sequence of L = 24 Bits is attached to each Code Block (otherwise L = 0 Bit).									
NOTE 3: SS/PBCH block is transmitted in slot 0 of each frame									
NOTE 4: Slot i is slot index per frame									

Table A.3.3.5-2 Fixed Reference channel for maximum input level receiver requirements (SCS 30 kHz, TDD, 1024QAM)

Parameter	Unit	Value											
		5	10	15	20	25	30	40	50	60	70	80	100
Channel bandwidth	MHz												
Subcarrier spacing configuration μ		1	1	1	1	1	1	1	1	1	1	1	1
Allocated resource blocks		11	24	38	51	65	78	106	133	162	189	217	273
Subcarriers per resource block		12	12	12	12	12	12	12	12	12	12	12	12
Allocated slots per Frame		11	11	11	11	11	11	11	11	11	13	11	11
MCS Index		23	23	23	23	23	23	23	23	23	23	23	23
MCS Table for TBS determination		1024QAM											
Modulation		1024 QAM	1024 QAM	1024 QAM	1024 QAM	1024 QAM	1024 QAM	1024 QAM	1024 QAM	1024 QAM	1024 QAM	1024 QAM	1024 QAM
Target Coding Rate		0.78	0.78	0.78	0.78	0.78	0.78	0.78	0.78	0.78	0.78	0.78	0.78
Maximum number of HARQ transmissions		1	1	1	1	1	1	1	1	1	1	1	1
Information Bit Payload per Slot													
For Slots 0,1,2 and Slot i, if $\text{mod}(i, 10) = \{7,8,9\}$ for i from $\{0, \dots, 19\}$	Bits	N/A	N/A	N/A	N/A	N/A	N/A	N/A	N/A	N/A	N/A	N/A	N/A
For Slot i, if $\text{mod}(i, 10) = \{0,1,2,3,4,5,6\}$ for i from $\{3, \dots, 19\}$	Bits	9224	20496	32264	43032	55304	65576	90176	112648	139376	159800	184424	233608
Transport block CRC	Bits	24	24	24	24	24	24	24	24	24	24	24	24
LDPC base graph		1	1	1	1	1	1	1	1	1	1	1	1
Number of Code Blocks per Slot													
For Slots 0,1,2 and Slot i, if $\text{mod}(i, 10) = \{7,8,9\}$ for i from $\{0, \dots, 19\}$	CBs	N/A	N/A	N/A	N/A	N/A	N/A	N/A	N/A	N/A	N/A	N/A	N/A
For Slot i, if $\text{mod}(i, 10) = \{0,1,2,3,4,5,6\}$ for i from $\{3, \dots, 19\}$	CBs	2	3	4	6	7	8	11	14	17	19	22	28
Binary Channel Bits per Slot													
For Slots 0,1,2 and Slot i, if $\text{mod}(i, 10) = \{7,8,9\}$ for i from $\{0, \dots, 19\}$	Bits	N/A	N/A	N/A	N/A	N/A	N/A	N/A	N/A	N/A	N/A	N/A	N/A
For Slot i, if $\text{mod}(i, 10) = \{0,1,2,3,4,5,6\}$ for i from $\{3, \dots, 19\}$	Bits	11880	25920	41040	55080	70200	84240	114480	143640	174960	204120	234360	294840
Max. Throughput averaged over 1 frame	Mbps	10.146	22.546	35.490	47.335	60.834	72.134	99.194	123.91 3	153.31 4	175.86 8	202.86 6	256.96 9
NOTE 1: Additional parameters are specified in Table A.3.1-1 and Table A.3.3.1-1.													
NOTE 2: If more than one Code Block is present, an additional CRC sequence of L = 24 Bits is attached to each Code Block (otherwise L = 0 Bit).													
NOTE 3: SS/PBCH block is transmitted in slot #0 of each frame													
NOTE 4: Slot i is slot index per frame													

Table A.3.3.5-3 Fixed reference channel for maximum input level receiver requirements (SCS 60 kHz, TDD, 1024QAM)

Parameter	Unit	Value											
		10	15	20	25	30	40	50	60	70	80	100	
Channel bandwidth	MHz												
Subcarrier spacing configuration μ		2	2	2	2	2	2	2	2	2	2	2	2
Allocated resource blocks		11	18	24	31	38	51	65	79	93	107	135	

Subcarriers per resource block		12	12	12	12	12	12	12	12	12	12	12
Allocated slots per Frame		24	24	24	24	24	24	24	24	26	24	24
MCS Index		23	23	23	23	23	23	23	23	23	23	23
MCS Table for TBS determination		1024QAM										
Modulation		1024 QAM	1024 QAM	1024 QAM	1024 QAM	1024 QAM	1024 QAM	1024 QAM	1024 QAM	1024 QAM	1024 QAM	1024 QAM
Target Coding Rate		0.78	0.78	0.78	0.78	0.78	0.78	0.78	0.78	0.78	0.78	0.78
Maximum number of HARQ transmissions		1	1	1	1	1	1	1	1	1	1	1
Information Bit Payload per Slot												
For Slots 0,1,2,3 and Slot i, if mod(i, 20) = {14,15,16,17,18,19} for i from {0,...,39}	Bits	N/A	N/A	N/A	N/A	N/A	N/A	N/A	N/A	N/A	N/A	N/A
For Slot i, if mod(i, 20) = {0,..., 13} for i from {4,...,39}	Bits	9224	15368	20496	26120	32264	43032	55304	67584	79896	90176	114776
Transport block CRC	Bits	24	24	24	24	24	24	24	24	24	24	24
LDPC base graph		1	1	1	1	1	1	1	1	1	1	1
Number of Code Blocks per Slot												
For Slots 0,1,2,3 and Slot i, if mod(i, 20) = {14,15,16,17,18,19} for i from {0,...,39}	CBs	N/A	N/A	N/A	N/A	N/A	N/A	N/A	N/A	N/A	N/A	N/A
For Slot i, if mod(i, 20) = {0,..., 13} for i from {4,...,39}	CBs	2	2	3	4	4	6	7	9	10	11	14
Binary Channel Bits per Slot												
For Slots 0,1,2,3 and Slot i, if mod(i, 20) = {14,15,16,17,18,19} for i from {0,...,39}	Bits	N/A	N/A	N/A	N/A	N/A	N/A	N/A	N/A	N/A	N/A	N/A
For Slot i, if mod(i, 20) = {0,..., 13} for i from {4,...,39}	Bits	11880	19440	25920	33480	41040	55080	70200	85320	100440	115560	145800
Max. Throughput averaged over 1 frame	Mbps	22.138	36.883	49.190	62.688	77.434	103.27 7	132.73 0	162.20 2	191.75 0	216.42 2	275.46 2
NOTE 1: Additional parameters are specified in Table A.3.1-1 and Table A.3.3.1-1.												
NOTE 2: If more than one Code Block is present, an additional CRC sequence of L = 24 Bits is attached to each Code Block (otherwise L = 0 Bit).												
NOTE 3: SS/PBCH block is transmitted in slot #0 of each frame												
NOTE 4: Slot i is slot index per frame												

A.4 CSI reference measurement channels

TBD

A.5 OFDMA Channel Noise Generator (OCNG)

A.5.1 OCNG Patterns for FDD

A.5.1.1 OCNG FDD pattern 1: Generic OCNG FDD Pattern for all unused REs

Table A.5.1.1-1: OP.1 FDD: Generic OCNG FDD Pattern for all unused REs

OCNG Distribution	Control Region (Core Set)	Data Region
OCNG Parameters		
Resources allocated	All unused REs (Note 1)	All unused REs (Note 2)
Structure	PDCCH	PDSCH
Content	Uncorrelated pseudo random QPSK modulated data	Uncorrelated pseudo random QPSK modulated data
Transmission scheme for multiple antennas ports transmission	Single Tx port transmission	Spatial multiplexing using any precoding matrix with dimensions same as the precoding matrix for PDSCH
Subcarrier Spacing	Same as for RMC PDCCH in the active BWP	Same as for RMC PDSCH in the active BWP
Power Level	Same as for RMC PDCCH	Same as for RMC PDSCH
Note 1:	All unused REs in the active CORESETS appointed by the search spaces in use.	
Note 2:	Unused available REs refer to REs in PRBs not allocated for any physical channels, CORESETS, synchronization signals or reference signals in channel bandwidth.	

A.5.2 OCNG Patterns for TDD

A.5.2.1 OCNG TDD pattern 1: Generic OCNG TDD Pattern for all unused REs

Table A.5.2.1-1: OP.1 TDD: Generic OCNG TDD Pattern for all unused REs

OCNG Distribution	Control Region (Core Set)	Data Region
OCNG Parameters		
Resources allocated	All unused REs (Note 1)	All unused REs (Note 2)
Structure	PDCCH	PDSCH
Content	Uncorrelated pseudo random QPSK modulated data	Uncorrelated pseudo random QPSK modulated data
Transmission scheme for multiple antennas ports transmission	Single Tx port transmission	Spatial multiplexing using any precoding matrix with dimensions same as the precoding matrix for PDSCH
Subcarrier Spacing	Same as for RMC PDCCH in the active BWP	Same as for RMC PDSCH in the active BWP
Power Level	Same as for RMC PDCCH	Same as for RMC PDSCH
Note 1:	All unused REs in the active CORESETS appointed by the search spaces in use.	
Note 2:	Unused available REs refer to REs in PRBs not allocated for any physical channels, CORESETS, synchronization signals or reference signals in channel bandwidth.	

A.6

A.7 V2X reference measurement channels

A.7.1 General

The algorithm for determining the payload size A is as follows; given a desired coding rate R and radio block allocation NRB

1. Calculate the RE number of 2nd stage SCI Q_SCI2^A that can be transmitted in a given sub-frame, where in order to make sure that the code-rate of 2-A is approximate to SCI 1-A, a beta offset is selected based on MCS, and vacant resource elements γ value is determined based on NRB and DMRS frequency density.
2. Transport Block Size is determined according to clause 8.1.3.2 of TS 38.214 [12] based on Table A.7.1-1.
3. Calculate Binary Channel Bits per Slot for PSSCH as below.

Binary Channel Bits per Slot = $(NRB * \text{Subcarriers per resource block} * \text{CP-OFDM symbols per slot} - \text{DMRS resource REs} - \text{PSCCH resource Res} - Q_SCI2^A) * Q_m$

Where Q_m is the modulation order corresponding to MCS.

In Table A.7.1-1 Common reference channel parameters are listed the Sidelink reference measurement channels specified in annexes A.7.2 to A.7.4.

Table A.7.1-1: Common reference channel parameters

Parameter	Value	remark
Number of HARQ Processes	1	
Channel state	AWGN	
Subcarriers per resource block	12	
sl-PSSCH-DMRS-TimePatternList	2	symbol4 and symbol 10 in each slot FDMed with PSSCH within DMRS symbol Frequency density is $\frac{1}{2}$
CP-OFDM symbols per slot (Note1)	12 for all slots	Excluding the first OFDM symbol in one SL slot used for AGC
PSCCH resource	10 PRBs, 3 symbols in time domain	
Slot number in 10ms	$10 * 2^\mu$	$\mu = 0,1,2$ for 15kHz, 30kHz, 60kHz
PT-RS	disable	
CSI-RS	disable	
x-overhead	0	
PSFCH period	0	
2 nd stage SCI payload size	59	35bits SCI-2A + 24bits CRC
Redundancy Version	RV0	For channel coding
Alpha value for SCI-2	1	

A.7.2 FRC for V2X receiver requirements for QPSK

For V2X transmission over PC5, Table A.7.2-1, Table A.7.2-2 and Table A.7.2-3 are applicable for measurements on the Receiver Characteristics with the exception of Maximum input level.

Table A.7.2-1: Fixed reference channel for V2X receiver requirements (SCS 15 kHz, QPSK)

Parameter	Unit	Value			
		10	20	30	40
Channel bandwidth	MHz	10	20	30	40
Subcarrier spacing	kHz	15	15	15	15
Subchannel size		10	15	10	12
Allocated resource blocks		50	105	160	216
MCS Index		4	4	4	4
MCS Table for TBS determination		64QAM			
Modulation		QPSK	QPSK	QPSK	QPSK
Transport Block Size		3624	7936	12296	16896
Transport block CRC	Bits	16	24	24	24
LDPC base graph		2	1	1	1

Number of Code Blocks per Slot		1	1	2	3
Beta offset for 2nd stage SCI		2.25	2.25	2.25	2.25
γ value when 2nd stage SCI rate match		1	1	1	1
Binary Channel Bits per Slot		12036	26556	41076	55860
Max. Throughput averaged over 100ms	Mbps	0.3624	0.7936	1.2296	1.6896
NOTE 1: If more than one Code Block is present, an additional CRC sequence of L = 24 Bits is attached to each Code Block (otherwise L = 0 Bit).					
NOTE 2: γ is the number of vacant resource elements in the resource block to which the last coded symbol of the 2 nd -stage SCI belongs.					

Table A.7.2-2: Fixed reference channel for V2X receiver requirements (SCS 30 kHz, QPSK)

Parameter	Unit	Value			
Channel bandwidth	MHz	10	20	30	40
Subcarrier spacing	kHz	30	30	30	30
Subchannel size		12	10	15	15
Allocated resource blocks		24	50	75	105
MCS Index		4	4	4	4
MCS Table for TBS determination		64QAM			
Modulation		QPSK	QPSK	QPSK	QPSK
Transport Block Size		1608	3624	5632	7936
Transport block CRC	Bits	16	16	24	24
LDPC base graph		2	2	1	1
Number of Code Blocks per Slot		1	1	1	1
Beta offset for 2nd stage SCI		2.25	2.25	2.25	2.25
γ value when 2nd stage SCI rate match		7	1	1	1
Binary Channel Bits per Slot		5160	12036	18636	26556
Max. Throughput averaged over 100ms	Mbps	0.3216	0.7248	1.1264	1.5872
NOTE 1: If more than one Code Block is present, an additional CRC sequence of L = 24 Bits is attached to each Code Block (otherwise L = 0 Bit).					
NOTE 2: γ is the number of vacant resource elements in the resource block to which the last coded symbol of the 2 nd -stage SCI belongs.					

Table A.7.2-3: Fixed reference channel for V2X receiver requirements (SCS 60 kHz, QPSK)

Parameter	Unit	Value			
Channel bandwidth	MHz	10	20	30	40
Subcarrier spacing	kHz	60	60	60	60
Subchannel size		10	12	12	10
Allocated resource blocks		10	24	36	50
MCS Index		4	4	4	4
MCS Table for TBS determination		64QAM			
Modulation		QPSK	QPSK	QPSK	QPSK
Transport Block Size		456	1608	2536	3624
Transport block CRC	Bits	16	16	16	16
LDPC base graph		2	2	2	2
Number of Code Blocks per Slot		1	1	1	1
Beta offset for 2nd stage SCI		2.25	2.25	2.25	2.25
γ value when 2nd stage SCI rate match		7	7	7	1
Binary Channel Bits per Slot		1464	5160	8328	12036
Max. Throughput averaged over 100ms	Mbps	0.1824	0.6432	1.0144	1.4496
NOTE 1: If more than one Code Block is present, an additional CRC sequence of L = 24 Bits is attached to each Code Block (otherwise L = 0 Bit).					
NOTE 2: γ is the number of vacant resource elements in the resource block to which the last coded symbol of the 2 nd -stage SCI belongs.					

A.7.3 FRC for maximum input level for 64QAM

For V2X transmission over PC5, Table A.7.3-1, Table A.7.3-2 and Table A.7.3-3 are applicable for Maximum input level when the maximum modulation order is 64QAM.

Table A.7.3-1: Fixed reference channel for V2X receiver requirements (SCS 15 kHz, 64QAM)

Parameter	Unit	Value			
		10	20	30	40
Channel bandwidth	MHz	10	20	30	40
Subcarrier spacing	kHz	15	15	15	15
Subchannel size		10	15	10	12
Allocated resource blocks		50	105	160	216
MCS Index		24	24	24	24
MCS Table for TBS determination		64QAM			
Modulation		64QAM	64QAM	64QAM	64QAM
Transport Block Size		27144	60456	92200	127080
Transport block CRC	Bits	24	24	24	24
LDPC base graph		1	1	1	1
Number of Code Blocks per Slot		4	8	11	16
Beta offset for 2nd stage SCI		6.25	6.25	6.25	6.25
γ value when 2nd stage SCI rate match		1	1	1	1
Binary Channel Bits per Slot		35964	79524	123084	167436
Max. Throughput averaged over 100ms	Mbps	2.7144	6.0456	9.22	12.708
NOTE 1: If more than one Code Block is present, an additional CRC sequence of L = 24 Bits is attached to each Code Block (otherwise L = 0 Bit).					
NOTE 2: γ is the number of vacant resource elements in the resource block to which the last coded symbol of the 2 nd -stage SCI belongs.					

Table A.7.3-2: Fixed reference channel for V2X receiver requirements (SCS 30 kHz, 64QAM)

Parameter	Unit	Value			
		10	20	30	40
Channel bandwidth	MHz	10	20	30	40
Subcarrier spacing	kHz	30	30	30	30
Subchannel size		12	10	15	15
Allocated resource blocks		24	50	75	105
MCS Index		24	24	24	24
MCS Table for TBS determination		64QAM			
Modulation		64QAM	64QAM	64QAM	64QAM
Transport Block Size		11528	27144	42016	60456
Transport block CRC	Bits	24	24	24	24
LDPC base graph		1	1	1	1
Number of Code Blocks per Slot		2	4	5	8
Beta offset for 2nd stage SCI		6.25	6.25	6.25	6.25
γ value when 2nd stage SCI rate match		7	1	1	1
Binary Channel Bits per Slot		15336	35964	55764	79524
Max. Throughput averaged over 100ms	Mbps	2.3056	5.4288	8.4032	12.091
NOTE 1: If more than one Code Block is present, an additional CRC sequence of L = 24 Bits is attached to each Code Block (otherwise L = 0 Bit).					
NOTE 2: γ is the number of vacant resource elements in the resource block to which the last coded symbol of the 2 nd -stage SCI belongs.					

Table A.7.3-3: Fixed reference channel for V2X receiver requirements (SCS 60 kHz, 64QAM)

Parameter	Unit	Value			
		10	20	30	40
Channel bandwidth	MHz	10	20	30	40
Subcarrier spacing	kHz	60	60	60	60
Subchannel size		10	12	12	10
Allocated resource blocks		10	24	36	50
MCS Index		24	24	24	24
MCS Table for TBS determination		64QAM			
Modulation		64QAM	64QAM	64QAM	64QAM
Transport Block Size		3240	11528	18960	27144
Transport block CRC	Bits	16	24	24	24
LDPC base graph		2	1	1	1
Number of Code Blocks per Slot		1	2	3	4
Beta offset for 2nd stage SCI		6.25	6.25	6.25	6.25
γ value when 2nd stage SCI rate match		7	7	7	1
Binary Channel Bits per Slot		4248	15336	24840	35964
Max. Throughput averaged over 100ms	Mbps	1.296	4.6112	7.584	10.858

NOTE 1: If more than one Code Block is present, an additional CRC sequence of L = 24 Bits is attached to each Code Block (otherwise L = 0 Bit).

NOTE 2: γ is the number of vacant resource elements in the resource block to which the last coded symbol of the 2nd-stage SCI belongs.

A.7.4 FRC for maximum input level for 256QAM

For V2X transmission over PC5, Table A.7.4-1, Table A.7.4-2 and Table A.7.4-3 are applicable for Maximum input level when the 256QAM is supported.

Table A.7.4-1: Fixed reference channel for V2X receiver requirements (SCS 15 kHz, 256QAM)

Parameter	Unit	Value			
		10	20	30	40
Channel bandwidth	MHz	10	20	30	40
Subcarrier spacing	kHz	15	15	15	15
Subchannel size		10	15	10	12
Allocated resource blocks		50	105	160	216
MCS Index		23	23	23	23
MCS Table for TBS determination		256QAM			
Modulation		256QAM	256QAM	256QAM	256QAM
Transport Block Size		36896	81976	127080	172176
Transport block CRC	Bits	24	24	24	24
LDPC base graph		1	1	1	1
Number of Code Blocks per Slot		5	10	16	21
Beta offset for 2nd stage SCI		6.25	6.25	6.25	6.25
γ value when 2nd stage SCI rate match		3	3	3	3
Binary Channel Bits per Slot		48000	106080	164160	223296
Max. Throughput averaged over 100ms	Mbps	3.6896	8.1976	12.708	17.218
NOTE 1: If more than one Code Block is present, an additional CRC sequence of L = 24 Bits is attached to each Code Block (otherwise L = 0 Bit).					
NOTE 2: γ is the number of vacant resource elements in the resource block to which the last coded symbol of the 2 nd -stage SCI belongs.					

Table A.7.4-2: Fixed reference channel for V2X receiver requirements (SCS 30 kHz, 256QAM)

Parameter	Unit	Value			
		10	20	30	40
Channel bandwidth	MHz	10	20	30	40
Subcarrier spacing	kHz	30	30	30	30
Subchannel size		12	10	15	15
Allocated resource blocks		24	50	75	105
MCS Index		23	23	23	23
MCS Table for TBS determination		256QAM			
Modulation		256QAM	256QAM	256QAM	256QAM
Transport Block Size		15880	36896	58384	81976
Transport block CRC	Bits	24	24	24	24
LDPC base graph		1	1	1	1
Number of Code Blocks per Slot		2	5	7	10
Beta offset for 2nd stage SCI		6.25	6.25	6.25	6.25
γ value when 2nd stage SCI rate match		3	3	3	3
Binary Channel Bits per Slot		20544	48000	74400	106080
Max. Throughput averaged over 100ms	Mbps	3.176	7.3792	11.677	16.395
NOTE 1: If more than one Code Block is present, an additional CRC sequence of L = 24 Bits is attached to each Code Block (otherwise L = 0 Bit).					
NOTE 2: γ is the number of vacant resource elements in the resource block to which the last coded symbol of the 2 nd -stage SCI belongs.					

Table A.7.4-3: Fixed reference channel for V2X receiver requirements (SCS 60kHz, 256QAM)

Parameter	Unit	Value			
		10	20	30	40
Channel bandwidth	MHz	10	20	30	40
Subcarrier spacing	kHz	60	60	60	60
Subchannel size		10	12	12	10
Allocated resource blocks		10	24	36	50

MCS Index		23	23	23	23
MCS Table for TBS determination		256QAM			
Modulation		256QAM	256QAM	256QAM	256QAM
Transport Block Size		4480	15880	25608	36896
Transport block CRC	Bits	24	24	24	24
LDPC base graph		1	1	1	1
Number of Code Blocks per Slot		1	2	4	5
Beta offset for 2nd stage SCI		6.25	6.25	6.25	6.25
γ value when 2nd stage SCI rate match		3	3	3	3
Binary Channel Bits per Slot		5760	20544	33216	48000
Max. Throughput averaged over 100ms	Mbps	1.792	6.352	10.243	14.758
NOTE 1: If more than one Code Block is present, an additional CRC sequence of L = 24 Bits is attached to each Code Block (otherwise L = 0 Bit).					
NOTE 2: γ is the number of vacant resource elements in the resource block to which the last coded symbol of the 2 nd -stage SCI belongs.					

A.7.5 FRC for transmitter requirements

For V2X transmission over PC5, FRC specified in clause A.7.5-1, A.7.5-2, A.7.5-3 and A.7.5-4 are applicable for measurements on the Transmitter Characteristics.

Table A.7.5-1: Fixed reference channel for V2X transmitter requirements (QPSK)

Parameter	Unit	Value											
		10	12	15	24	25	36	50	75	80	105	160	216
Allocated resource blocks		10	12	15	24	25	36	50	75	80	105	160	216
MCS Index		4											
MCS Table for TBS determination		64QAM											
Modulation		QPSK											
Transport Block Size		456	608	848	1608	1672	2536	3624	5632	6016	7936	12296	16896
Transport block CRC	Bits	16	16	16	16	16	16	16	24	24	24	24	24
LDPC base graph		2	2	2	2	2	2	2	1	1	1	1	1
Number of Code Blocks per Slot		1	1	1	1	1	1	1	1	1	1	2	3
Beta offset for 2nd stage SCI		2.25											
γ value when 2nd stage SCI rate match		7	7	1	7	1	7	1	1	1	1	1	1
Binary Channel Bits per Slot		1464	1992	2796	5160	5436	8328	12036	18636	19956	26556	41076	55860
NOTE 1: If more than one Code Block is present, an additional CRC sequence of L = 24 Bits is attached to each Code Block (otherwise L = 0 Bit).													
NOTE 2: γ is the number of vacant resource elements in the resource block to which the last coded symbol of the 2 nd -stage SCI belongs.													

Table A.7.5-2: Fixed reference channel for V2X transmitter requirements (16QAM)

Parameter	Unit	Value											
		10	12	15	24	25	36	50	75	80	105	160	216
Allocated resource blocks		10	12	15	24	25	36	50	75	80	105	160	216
MCS Index		13											

MCS Table for TBS determination		64QAM											
Modulation		16QAM											
Transport Block Size		1480	1928	2664	4992	5248	7936	11528	17928	18960	25608	38936	53288
Transport block CRC	Bits	16	16	16	24	24	24	24	24	24	24	24	24
LDPC base graph		2	2	2	1	1	1	1	1	1	1	1	1
Number of Code Blocks per Slot		1	1	1	1	1	1	2	3	3	4	5	7
Beta offset for 2nd stage SCI		3.5											
γ value when 2nd stage SCI rate match		0	0	6	0	6	0	0	0	0	0	0	0
Binary Channel Bits per Slot		2976	4032	5592	10368	10872	16704	24096	37296	39936	53136	82176	111744
NOTE 1: If more than one Code Block is present, an additional CRC sequence of L = 24 Bits is attached to each Code Block (otherwise L = 0 Bit).													
NOTE 2: γ is the number of vacant resource elements in the resource block to which the last coded symbol of the 2nd-stage SCI belongs.													

Table A.7.5-3: Fixed reference channel for V2X transmitter requirements (64QAM)

Parameter	Unit	Value											
Allocated resource blocks		10	12	15	24	25	36	50	75	80	105	160	216
MCS Index		24											
MCS Table for TBS determination		64QAM											
Modulation		64QAM											
Transport Block Size		3240	4352	6144	11528	12296	18960	27144	42016	45096	60456	92200	127080
Transport block CRC	Bits	16	24	24	24	24	24	24	24	24	24	24	24
LDPC base graph		2	1	1	1	1	1	1	1	1	1	1	1
Number of Code Blocks per Slot		1	1	1	2	2	3	4	5	6	8	11	16
Beta offset for 2nd stage SCI		6.25											
γ value when 2nd stage SCI rate match		7	7	1	7	1	7	1	1	1	1	1	1
Binary Channel Bits per Slot		4248	5832	8244	15336	16164	24840	35964	55764	59724	79524	123084	167436
NOTE 1: If more than one Code Block is present, an additional CRC sequence of L = 24 Bits is attached to each Code Block (otherwise L = 0 Bit).													
NOTE 2: γ is the number of vacant resource elements in the resource block to which the last coded symbol of the 2nd-stage SCI belongs.													

Table A.7.5-4: Fixed reference channel for V2X transmitter requirements (256QAM)

Parameter	Unit	Value											
Allocated resource blocks		10	12	15	24	25	36	50	75	80	105	160	216
MCS Index		23											
MCS Table for TBS determination		256QAM											
Modulation		256QAM											
Transport Block Size		4480	6144	8712	15880	16896	25608	36896	58384	62504	81976	127080	172176
Transport block CRC	Bits	24	24	24	24	24	24	24	24	24	24	24	24
LDPC base graph		1	1	1	1	1	1	1	1	1	1	1	1
Number of Code Blocks per Slot		1	1	2	2	3	4	5	7	8	10	16	21
Beta offset for 2nd stage SCI		6.25											
γ value when 2nd stage SCI rate match		3	3	9	3	9	3	3	3	3	3	3	3
Binary Channel Bits per Slot		5760	7872	10992	20544	21552	33216	48000	74400	79680	106080	164160	223296
NOTE 1: If more than one Code Block is present, an additional CRC sequence of L = 24 Bits is attached to each Code Block (otherwise L = 0 Bit).													
NOTE 2: γ is the number of vacant resource elements in the resource block to which the last coded symbol of the 2nd-stage SCI belongs.													

Annex B (normative): Propagation Conditions

The propagation conditions and channel models for various environments are specified. For each environment a propagation model is used to evaluate the propagation pathloss due to the distance. Channel models are formed by combining delay profiles with a Doppler spectrum, with the addition of correlation properties in the case of a multi-antenna scenario.

B.0 No interference

The downlink connection between the System Simulator and the UE is without Additive White Gaussian Noise, and has no fading or multipath effects.

Annex C (normative): Downlink physical channels

This annex specifies the downlink physical channels that are needed for setting a connection and channels that are needed during a connection.

C.0 Downlink signal levels

The downlink power settings in Table C.0-1 is used unless otherwise specified in a test case.

If the UE has more than one Rx antenna, the downlink signal is applied to each one. All UE Rx antennas shall be connected.

If the UE has one Rx antenna, the downlink signal is applied to it.

Table C.0-1: Default Downlink power levels for NR

SCS (kHz)	Unit	Channel bandwidth													
		5 MHz	10 MHz	15 MHz	20 MHz	25 MHz	30 MHz	40 MHz	50 MHz	60 MHz	70 MHz	80 MHz	90 MHz	100 MHz	
15	Number of RBs	25	52	79	106	133	160	216	270	N/A	N/A	N/A	N/A	N/A	
	Channel BW power	dBm	-60	-57	-55	-54	-53	-52	-51	-50	N/A	N/A	N/A	N/A	N/A
30	Number of RBs	11	24	38	51	65	78	106	133	162	189	217	245	273	
	Channel BW power	dBm	-61	-57	-55	-54	-53	-52	-51	-50	-49	-48	-48	-47	-47
60	Number of RBs	N/A	11	18	24	31	38	51	65	79	93	107	121	135	
	Channel BW power	dBm	N/A	-58	-56	-54	-53	-52	-51	-50	-49	-48	-48	-47	-47
	RS EPRE	dBm/15kHz	-85	-85	-85	-85	-85	-85	-85	-85	-85	-85	-85	-85	-85
Note 1:		The channel bandwidth powers are informative, based on -85dBm/15kHz SS/PBCH SSS EPRE, then scaled according to the number of RBs and rounded to the nearest integer dBm value. Full RE allocation with no boost or deboost is assumed.													
Note 2:		The power level is specified at each UE Rx antenna.													
Note 3:		DL level is applied for any of the Subcarrier Spacing configuration () with the same power spectrum density of -85dBm/15kHz.													

The default signal level uncertainty is +/-3dB at each test port, for any level specified. If the uncertainty value is critical for the test purpose, a tighter uncertainty is specified for the related test case in Annex F

C.1 General

The following clauses, describes the downlink Physical Channels that are transmitted during a connection i.e., when measurements are done.

C.2 Setup

Table C.2-1 describes the downlink Physical Channels that are required for connection set up.

Table C.2-1: Downlink Physical Channels required for connection set-up

Physical Channel
PBCH
SSS

PSS
PDCCH
PDSCH
PBCH DMRS
PDCCH DMRS
PDSCH DMRS
CSI-RS

As common PDSCH and PDCCH configuration parameters the parameters in Table A.3.1-1, A.3.2.1-1, C.2-2, C.2-3, and C.2-4 shall be used to bring up the connection setup for FR1 NR cell.

Table C.2-2: PDSCH and PDCCH configuration

Parameter	Unit	Value
Number of HARQ processes		8 (TDD) 4 (FDD)
Aggregation level	CCE	4

Table C.2-3: TDD UL-DL pattern for SCS 15 KHz

Parameter	Unit	UL-DL pattern	
TDD Slot Configuration pattern (Note 1)		DDDSU	
Special Slot Configuration (Note 2)		10D+2G+2U	
UL-DL configuration (tdd-UL-DL-ConfigurationCommon)	referenceSubcarrierSpacing	kHz	15
	dl-UL-TransmissionPeriodicity	ms	5
	nrofDownlinkSlots		3
	nrofDownlinkSymbols		10
	nrofUplinkSlot		1
K1 value (PDSCH-to-HARQ-timing-indicator)	nrofUplinkSymbols		2
			[4] if mod(i,5) = 0 [3] if mod(i,5) = 1 [2] if mod(i,5) = 2 [6] if mod(i,5) = 3
Note 1: D denotes a slot with all DL symbols; S denotes a slot with a mix of DL, UL and guard symbols; U denotes a slot with all UL symbols. The field is for information.			
Note 2: D, G, U denote DL, guard and UL symbols, respectively. The field is for information.			
Note 3: i is the slot index per frame; i = {0,...,9}			

Table C.2-4: TDD UL-DL pattern for SCS 30 KHz

Parameter	Unit	UL-DL Pattern	
TDD Slot Configuration pattern (Note 1)		7DS2U	
Special Slot Configuration (Note 2)		6D+4G+4U	
UL-DL configuration (tdd-UL-DL-ConfigurationCommon)	referenceSubcarrierSpacing	30	kHz
	dl-UL-TransmissionPeriodicity	5	
	nrofDownlinkSlots	7	
	nrofDownlinkSymbols	6	
	nrofUplinkSlot	2	
	nrofUplinkSymbols	4	
UL-DL configuration2 (tdd-UL-DL-ConfigurationCommon2)	referenceSubcarrierSpacing	N/A	
	dl-UL-TransmissionPeriodicity	N/A	
	nrofDownlinkSlots	N/A	
	nrofDownlinkSymbols	N/A	
	nrofUplinkSlot	N/A	
K1 value (PDSCH-to-HARQ-timing-indicator)	nrofUplinkSymbols	N/A	
			8 if mod(i,10) = 0 7 if mod(i,10) = 1 6 if mod(i,10) = 2 5 if mod(i,10) = 3

		5 if $\text{mod}(i,10) = 4$ 4 if $\text{mod}(i,10) = 5$ 3 if $\text{mod}(i,10) = 6$ 2 if $\text{mod}(i,10) = 7$
Note 1: D denotes a slot with all DL symbols; S denotes a slot with a mix of DL, UL and guard symbols; U denotes a slot with all UL symbols. The field is for information.		
Note 2: D, G, U denote DL, guard and UL symbols, respectively. The field is for information.		
Note 3: i is the slot index per frame; $i = \{0, \dots, 19\}$		

C.3 Connection

C.3.0 Measurement of Transmitter Characteristics

Unless otherwise stated, Table C.3.0-1 is applicable for measurements on the Transmitter Characteristics (clause 6).

Table C.3.0-1: Downlink Physical Channels transmitted during a connection (FDD and TDD)

Parameter	Unit	Value
SSS transmit power	W	Test specific
EPRE ratio of PSS to SSS	dB	0
EPRE ratio of PBCH to SSS	dB	0
EPRE ratio of PBCH to PBCH DMRS	dB	0
EPRE ratio of PDCCH to SSS	dB	0
EPRE ratio of PDCCH to PDCCH DMRS	dB	0
EPRE ratio of PDSCH to SSS	dB	0
EPRE ratio of PDSCH to PDSCH DMRS (Note 1)	dB	-3
EPRE ratio of CSI-RS to SSS	dB	0
EPRE ratio of PTRS to PDSCH	dB	Test specific
EPRE ratio of OCNG DMRS to SSS	dB	0
EPRE ratio of OCNG to OCNG DMRS (Note 1)	dB	0
Note 1: No boosting is applied to any of the channels except PDSCH DMRS. For PDSCH DMRS, 3 dB power boosting is applied assuming DMRS Type 1 configuration when DMRS and PDSCH are TDM'ed and only half of the DMRS REs are occupied.		
Note 2: Number of DMRS CDM groups without data for PDSCH DMRS configuration for OCNG is set to 1.		

C.3.1 Measurement of Receiver Characteristics

Unless otherwise stated, Table C.3.1-1 is applicable for measurements on the Receiver Characteristics (clause 7). For Adjacent channel selectivity testing, Table C.3.1-2 is applied.

Table C.3.1-1: Downlink Physical Channels transmitted during a connection (FDD and TDD)

Parameter	Unit	Value
SSS transmit power	W	Test specific
EPRE ratio of PSS to SSS	dB	0
EPRE ratio of PBCH to SSS	dB	0
EPRE ratio of PBCH to PBCH DMRS	dB	0
EPRE ratio of PDCCH to SSS	dB	0
EPRE ratio of PDCCH to PDCCH DMRS	dB	0
EPRE ratio of PDSCH to SSS	dB	0
EPRE ratio of PDSCH to PDSCH DMRS (Note 1)	dB	-3
EPRE ratio of CSI-RS to SSS	dB	0
EPRE ratio of PTRS to PDSCH	dB	Test specific
EPRE ratio of OCNG DMRS to SSS	dB	0
EPRE ratio of OCNG to OCNG DMRS (Note 1)	dB	0
Note 1: No boosting is applied to any of the channels except PDSCH DMRS. For PDSCH DMRS, 3 dB power boosting is applied assuming DMRS Type 1 configuration when DMRS and PDSCH are TDM'ed and only half of the DMRS REs are occupied.		
Note 2: Number of DMRS CDM groups without data for PDSCH DMRS configuration for OCNG is set to 1.		

Table C.3.1-2: PDCCH Aggregation Level for ACS testing

Parameter	Unit	Value	Comment
Aggregation level	CCE	1	CBW=10MHz when SCS=60kHz
		2	CBW=15MHz when SCS=60kHz
		4	CBW=5MHz when SCS=15kHz CBW=10,15MHz when SCS=30kHz CBW=20,25,30MHz when SCS=60kHz
		8	CBW=10,15MHz when SCS=15kHz CBW=20,25,30MHz when SCS=30kHz CBW=40,50,60,70MHz when SCS=60kHz
		16	CBW>15 MHz when SCS=15kHz CBW>30 MHz when SCS=30kHz CBW>70 MHz when SCS=60kHz

Annex D (normative): Characteristics of the Interfering Signal

D.1 General

Some RF performance requirements for the NR UE receiver are defined with interfering signals present in addition to the wanted signal.

For NR bands with $F_{DL_high} < 2700$ MHz and $F_{UL_high} < 2700$ MHz, a modulated 5MHz full bandwidth NR down link signal, and in some cases an additional CW signal, are used as interfering signal.

For NR bands with $F_{DL_low} \geq 3300$ MHz and $F_{UL_low} \geq 3300$ MHz, a modulated NR downlink signal which equals to channel bandwidth of the wanted signal for Single Carrier case and Inter-band CA case is used as interfering. For intra-band contiguous CA Bandwidth Class C case, a modulated NR downlink signal which equals to the aggregated channel bandwidth of the wanted signal is used. For intra-band contiguous CA Bandwidth Class D and E case, a modulated 50MHz NR downlink signal is used. And in some cases, an additional CW signal is used.

D.2 Interference signals

Table D.2-1 and Table D.2-4 describes the modulated interferer for different channel bandwidth options for NR band lower than 2700MHz.

Table D.2-1: Description of modulated NR interferer for NR bands with $F_{DL_high} < 2700$ MHz and $F_{UL_high} < 2700$ MHz

	Channel bandwidth						
	5 MHz	10MHz	15 MHz	20 MHz	25 MHz	30 MHz	40 MHz
RB	NOTE1						
BW _{Interferer}	5 MHz						
	Channel bandwidth						
	50 MHz	60 MHz	70 MHz	80 MHz	90 MHz	100 MHz	
RB	NOTE1						
BW _{Interferer}	5 MHz						
NOTE 1: The RB configured for interfering signal is the same as maximum RB number defined in Table 5.3.2-1 for each sub-carrier spacing.							

Table D.2-2 and Table D.2-3 describe the modulated interferer for different channel bandwidth options for NR band higher than 3300MHz.

Table D.2-2: Description of modulated NR interferer for NR bands with $F_{DL_low} \geq 3300$ MHz and $F_{UL_low} \geq 3300$ MHz

	Channel bandwidth										
	10 MHz	15 MHz	20 MHz	30 MHz	40 MHz	50 MHz	60 MHz	70 MHz	80 MHz	90 MHz	100 MHz
RB	NOTE1										
BW _{Interferer}	10 MHz	15 MHz	20 MHz	30 MHz	40 MHz	50 MHz	60 MHz	70 MHz	80 MHz	90 MHz	100 MHz
NOTE 1: The RB configured for interfering signal is the same as maximum RB number defined in Table 5.3.2-1 for each sub-carrier spacing.											

Table D.2-3: Description of modulated NR interferer for NR bands with $F_{DL_low} \geq 3300$ MHz and $F_{UL_low} \geq 3300$ MHz for Intra-band contiguous CA

	Aggregated Channel bandwidth of Bandwidth Class C								Bandwidth Class D/E
	110 MHz	120 MHz	130 MHz	140 MHz	150 MHz	160 MHz	180 MHz	200 MHz	
RB(SCS=30 kHz)	Note 1								133

RB(SCS=60 kHz)	Note 1								65
BW _{interferer}	110 MHz	120 MHz	130 MHz	140 MHz	150 MHz	160 MHz	180 MHz	200 MHz	50MHz
NOTE 1: The interfering signal shall be configured in the same way as the aggregated bandwidth of the wanted signal. The RB configurations for each component carrier are defined in Table 5.3.2-1 for each sub-carrier spacing.									

Table D.2-4: Description of modulated NR interferer for NR bands with $F_{DL_low} < 2700$ MHz and $F_{UL_low} < 2700$ MHz for Intra-band contiguous CA

	Bandwidth Class B	Bandwidth Class C
RB	NOTE 1	NOTE 1
BW _{interferer}	5 MHz	5 MHz
NOTE 1: The RB configured for interfering signal is the same as maximum RB number defined in Table 5.3.2-1 for each sub-carrier spacing.		

Annex E (normative): Global In-Channel TX-Test

NOTE: Clauses E.2.2 to E.5.9.3 are descriptions, which assume no power ramping adjacent to the measurement period.

E.1 General

The global in-channel TX test enables the measurement of all relevant parameters that describe the in-channel quality of the output signal of the TX under test in a single measurement process.

The parameters describing the in-channel quality of a transmitter, however, are not necessarily independent. The algorithm chosen for description inside this annex places particular emphasis on the exclusion of all interdependencies among the parameters.

E.2 Signals and results

E.2.1 Basic principle

The process is based on the comparison of the actual **output signal of the TX under test**, received by an ideal receiver, with a **reference signal**, that is generated by the measuring equipment and represents an ideal error free received signal. All signals are represented as equivalent (generally complex) baseband signals.

The description below uses numbers as examples. These numbers are taken from FDD with normal CP length and 100 MHz bandwidth with 30 kHz SCS. The application of the text below, however, is not restricted to this frame structure and bandwidth.

E.2.2 Output signal of the TX under test

The output signal of the TX under test is acquired by the measuring equipment and stored for further processing. It is sampled at a sampling rate of 122.88 Mbps. In the time domain it comprises at least n uplink slots, where for basic EVM measurement,

$$n = \begin{cases} 10, & \text{for 15 kHz SCS} \\ 20, & \text{for 30 kHz SCS} \\ 40, & \text{for 60 kHz SCS} \end{cases};$$

For Error Vector Magnitude including symbols with transient periods

$$n = \begin{cases} 108 & \text{for 15 kHz SCS} \\ 216 & \text{for 30 kHz SCS} \end{cases}$$

The measurement period is derived by concatenating the correct number of individual uplink slots until the correct measurement period is reached. The output signal is named $z(v)$. Each slot is modelled as a signal with the following parameters: demodulated data content, carrier frequency, amplitude and phase for each subcarrier, timing, carrier leakage.

Since the uplink subframes are not continuous, n slots should be extracted from more than 1 continuous radio frame.

E.2.3 Reference signal

Two types of reference signal are defined:

The reference signal $i_1(v)$ is constructed by the measuring equipment according to the relevant TX specifications, using the following parameters: demodulated data content, nominal carrier frequency, nominal amplitude and phase for each subcarrier, nominal timing, no carrier leakage. It is represented as a sequence of samples at a sampling rate of 122.88 Msps in the time domain.

The reference signal $i_2(v)$ is constructed by the measuring equipment according to the relevant TX specifications, using the following parameters: restricted data content: nominal reference symbols, (all modulation symbols for user data symbols are set to 0V), nominal carrier frequency, nominal amplitude and phase for each applicable subcarrier, nominal timing, no carrier leakage. It is represented as a sequence of samples at a sampling rate of 122.88 Msps in the time domain.

NOTE: The PUCCH is off during the time under test.

E.2.4 Measurement results

The measurement results, achieved by the global in channel TX test are the following:

- Carrier Frequency error
- EVM (Error Vector Magnitude)
- Carrier leakage
- Unwanted emissions, falling into non allocated resource blocks.
- EVM equalizer spectrum flatness

E.2.5 Measurement points

The unwanted emission falling into non-allocated RB(s) is calculated directly after the FFT as described below. In contrast to this, the EVM for the allocated RB(s) is calculated after the IDFT for DFT-s-OFDM or after the Tx-Rx chain equalizer for CP-OFDM. The samples after the TX-RX chain equalizer are used to calculate EVM equalizer spectrum flatness. Carrier frequency error and carrier leakage is calculated in the block “RF correction”.

In case the parameter 3300 or 3301 is reported from UE via *txDirectCurrentLocation* IE (as defined in TS 38.331 [6]), carrier leakage measurement in the RF correction block shall be omitted. All statements from Annex E.3 onwards shall be read assuming that no carrier leakage has been measured.

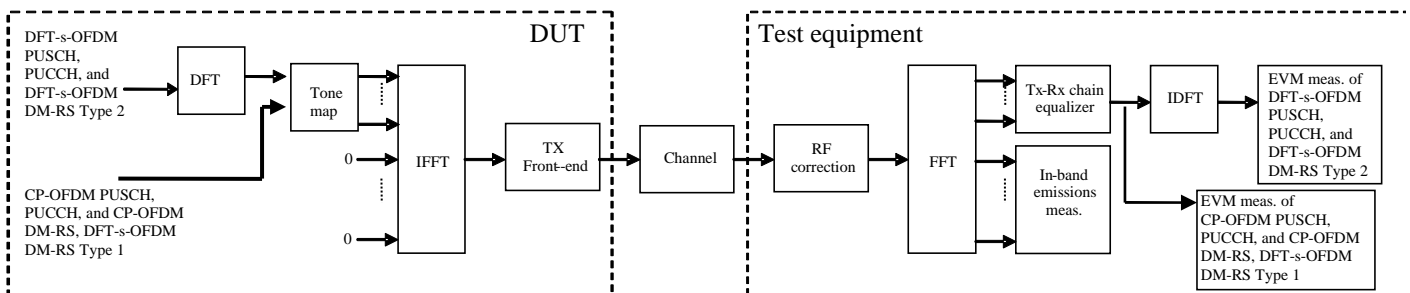


Figure E.2.5-1: EVM measurement points

E.3 Signal processing

E.3.1 Pre FFT minimization process

Before applying the pre-FFT minimization process, $z(v)$ and $i(v)$ are portioned into n pieces, comprising one slot each, where n is as defined in Annex E.2.2.

Each slot is processed separately. Sample timing, Carrier frequency and carrier leakage in $z(v)$ are jointly varied in order to minimise the difference between $z(v)$ and $i(v)$. Best fit (minimum difference) is achieved when the RMS difference value between $z(v)$ and $i(v)$ is an absolute minimum.

The carrier frequency variation and the IQ variation are the measurement results: Carrier Frequency Error and Carrier leakage.

From the acquired samples 10 carrier frequencies can be derived by averaging frequency errors for every 1, 2 or 4 slots for 15, 30 and 60 kHz SCS.

From the acquired samples n carrier frequencies and n carrier leakages can be derived.

NOTE 1: The minimisation process, to derive carrier leakage and RF error can be supported by Post FFT operations. However the minimisation process defined in the pre FFT domain comprises all acquired samples (i.e. it does not exclude the samples in between the FFT widths and it does not exclude the bandwidth outside the transmission bandwidth configuration)

NOTE 2: The algorithm would allow deriving Carrier Frequency error and Sample Frequency error of the TX under test separately. However there are no requirements for Sample Frequency error. Hence the algorithm models the RF and the sample frequency commonly (not independently). It returns one error and does not distinguish between both.

After this process the samples $z(v)$ are called $z^0(v)$.

E.3.2 Timing of the FFT window

The FFT window length is 4096 samples per OFDM symbol. 14 FFTs (57344 samples) cover less than the acquired number of samples (61440 samples). The position in time for FFT must be determined.

In an ideal signal, the FFT may start at any instant within the cyclic prefix without causing an error. The TX filter, however, reduces the window. The EVM requirements shall be met within a window $W < CP$. There are three different instants for FFT:

Centre of the reduced window, called $\Delta\tilde{c}$, $\Delta\tilde{c} - W/2$ and $\Delta\tilde{c} + W/2$.

The timing of the measured signal is determined in the pre FFT domain as follows, using $z^0(v)$ and $i_2(v)$:

1. The measured signal is delay spread by the TX filter. Hence the distinct borders between the OFDM symbols and between Data and CP are also spread and the timing is not obvious.
2. In the Reference Signal $i_2(v)$ the timing is known.
3. Correlation between (1.) and (2.) will result in a correlation peak. The meaning of the correlation peak is approx. the “impulse response” of the TX filter. The meaning of “impulse response” assumes that the autocorrelation of the reference signal $i_2(v)$ is a Dirac peak and that the correlation between the reference signal $i_2(v)$ and the data in the measured signal is 0. The correlation peak, (the highest, or in case of more than one, the earliest) indicates the timing in the measured signal.

From the acquired samples, n timings can be derived, where n is as defined in Annex E.2.2.

For all calculations, except EVM, the number of samples in $z^0(v)$ is reduced to 14 blocks of samples, comprising 4096 samples (FFT width) and starting with $\Delta\tilde{c}$ in each OFDM symbol including the demodulation reference signal.

For the EVM calculation the output signal under test is reduced to 28 blocks of samples, comprising 4096 samples (FFT width) and starting with $\Delta\tilde{c} - W/2$ and $\Delta\tilde{c} + W/2$ in each OFDM symbol including the demodulation reference signal.

The number of samples, used for FFT is reduced compared to $z^0(v)$. This subset of samples is called $z'(v)$.

The timing of the centre $\Delta\tilde{c}$ with respect to the different CP length in a slot is as follows: (FDD, normal CP length)

$\Delta\tilde{c}$ is on $T_f=144$ ($=CP/2$) within the CP of length 288 FFT samples (in OFDM symbols except 0 and 14 ($=7 \cdot 2^\mu$), where symbol 0 is the first symbol of each subframe) for 100 MHz channel bandwidth and SCS = 30 kHz.

$\Delta\tilde{c}$ is on $T_f=208$ ($=352-144$) within the CP of length 352 FFT samples (in OFDM symbol 0 and 14 ($=7 \cdot 2^\mu$), where symbol 0 is the first symbol of each subframe) for 100 MHz channel bandwidth and SCS = 30 kHz.

E.3.3 Post FFT equalisation

Perform 14 FFTs on $z'(v)$, one for each OFDM symbol in a slot using the timing $\Delta\tilde{c}$, including the demodulation reference symbol. The result is an array of samples, 14 in the time axis t times 4096 in the frequency axis f . The samples represent the data symbols (in OFDM-symbol 0,1,3,4,5,6,8,9,10,12,13 in each slot) and demodulation reference symbols (OFDM symbol 2, 7, 11 in each slot) in the allocated RBs and inband emissions in the non-allocated RBs within the transmission BW.

Only the allocated resource blocks in the frequency domain are used for equalisation.

The nominal demodulation reference symbols and nominal data symbols are used to equalize the measured data symbols. (Location for equalization see Figure E.2.5-1)

NOTE: The nomenclature inside this note is local and not valid outside.

The nominal data symbols are created by a demodulation process. The location to gain the demodulated data symbols is “EVM” in Figure E.2.5-1. For CP-OFDM, the process described in Annex E.5 can be applied. A demodulation process as follows is recommended for DFT-s-OFDM:

1. Equalize the measured data symbols using the reference symbols for equalisation. Result: Equalized data symbols
2. Only for DFT-s-OFDM, iDFT transform the equalized data symbols: Result: Equalized data symbols
3. Decide for the nearest constellation point: Result: Nominal data symbols
4. Only for DFT-s-OFDM, DFT transform the nominal data symbols: Result: Nominal data symbols

At this stage we have an array of Measured data-Symbols and reference-Symbols ($MS(f,t)$)

versus an array of Nominal data-Symbols and reference Symbols ($NS(f,t)$)

(complex, the arrays comprise 11 data symbols and 3 demodulation reference symbol in the time axis and the number of allocated subcarriers in the frequency axis.)

$MS(f,t)$ and $NS(f,t)$ are processed with a least square (LS) estimator, to derive one equalizer coefficient per time slot and per allocated subcarrier. $EC(f)$ is defined as

$$EC(f) = \frac{\sum_{t=0}^{13} NS(f,t) * NS(f,t)}{\sum_{t=0}^{13} NS(f,t) * MS(f,t)}$$

With $*$ denoting complex conjugation.

$EC(f)$ are used to equalize the DFT-coded data symbols. The measured DFT-coded data and the references symbols are equalized by:

$$Z'(f,t) = MS(f,t) \cdot EC(f)$$

With \cdot denoting multiplication.

$Z'(f,t)$, restricted to the data symbol (excluding $t=2,7,11$) is used to calculate EVM, as described in E.4.1.

EC(f) is used in E.4.4.1 to calculate EVM equalizer spectral flatness.

NOTE: The post FFT minimisation process is done over 14 symbols (11 DFT-coded data symbols and 3 reference symbols).

The samples of the non-allocated resource blocks within the transmission bandwidth configuration in the post FFT domain are called $Y(f,t)$ (f covering the non-allocated subcarriers within the transmission bandwidth configuration, t covering the OFDM symbols during 1 slot).

E.4 Derivation of the results

E.4.1 EVM

For EVM create two sets of $Z'(f,t)$, according to the timing " $\Delta\tilde{c} -W/2$ and $\Delta\tilde{c} +W/2$ " using the equalizer coefficients from E.3.3.

Perform the iDFTs on $Z'(f,t)$ in the case of DFT-s-OFDM waveform. The IDFT-decoding preserves the meaning of t but transforms the variable f (representing the allocated sub carriers) into another variable g , covering the same count and representing the demodulated symbols. The samples in the post IDFT domain are called $iZ'(g, t)$. The equivalent ideal samples are called $iI(g,t)$. Those samples of $Z'(f,t)$, carrying the reference symbols (=symbol 2,7,11) are not iDFT processed.

The EVM is the difference between the ideal waveform and the measured and equalized waveform for the allocated RB(s)

$$EVM = \sqrt{\frac{\sum_{t \in T} \sum_{g \in G} |iZ'(g, t) - iI(g, t)|^2}{|G| \cdot |T| \cdot P_0}},$$

where

t covers the count of demodulated symbols with the considered modulation scheme being active within the measurement period, (i.e. symbol 0,1,3,4,5,6,8,9,10,12,13 in each slot, $\rightarrow |T|=11$)

g covers the count of demodulated symbols with the considered modulation scheme being active within the allocated bandwidth. ($|G|=12 * L_{CRBs}$ (with L_{CRBs} : number of allocated resource blocks)).

$iZ'(g, t)$ are the samples of the signal evaluated for the EVM.

$iI(g, t)$ is the ideal signal reconstructed by the measurement equipment, and

P_0 is the average power of the ideal signal. For normalized modulation symbols P_0 is equal to 1.

From the acquired samples $2n$ EVM values can be derived, n values for the timing $\Delta\tilde{c} -W/2$ and n values for the timing $\Delta\tilde{c} +W/2$ where n is as defined in Annex E.2.2.

E.4.2 Averaged EVM

EVM is averaged over all basic EVM measurements.

The averaging comprises n UL slots

$$\overline{EVM} = \sqrt{\frac{1}{n} \sum_{i=1}^n EVM_i^2}$$

where n is as defined in Annex E.2.2 for PUCCH, PUSCH.

The averaging is done separately for timing; $\Delta\tilde{c} - W/2$ and $\Delta\tilde{c} + W/2$ leading to \overline{EVM}_l and \overline{EVM}_h

$EVM_{final} = \max(\overline{EVM}_l, \overline{EVM}_h)$ is compared against the test requirements.

E.4.3 In-band emissions measurement

The in-band emissions are a measure of the interference falling into the non-allocated resources blocks.

Explanatory Note:

The inband emission measurement is only meaningful with allocated RB(s) next to non-allocated RB. The allocated RB(s) are necessary but not under test. The non-allocated RBs are under test. The RB allocation for this test is as follows: The allocated RB(s) are at one end of the channel BW, leaving the other end unallocated. The number of allocated RB(s) is smaller than half of the number of RBs, available in the channel BW. This means that the vicinity of the carrier in the centre is unallocated.

There are 3 types of inband emissions:

1. General
2. IQ image
3. Carrier leakage

Carrier leakage are inband emissions next to the carrier.

IQ image are inband emissions symmetrically (with respect to the carrier) on the other side of the allocated RBs.

General are applied to all unallocated RBs.

For each evaluated RB, the minimum requirement is calculated as the higher of $P_{RB} - 30$ dB and the power sum of all limit values (General, IQ Image or Carrier leakage) that apply.

In specific the following combinations:

- Power (General)
- Power (General + Carrier leakage)
- Power (General + IQ Image)

1 and 2 is expressed in terms of power in one non allocated RB under test, normalized to the average power of an allocated RB (unit dB).

3 is expressed in terms of power in one non allocated RB, normalized to the power of all allocated RBs. (unit dBc).

This is the reason for two formulas *Emissions relative*.

Create one set of $Y(t,f)$ per slot according to the timing “ $\Delta\tilde{c}$ ”

For the non-allocated RBs below the in-band emissions are calculated as follows

$$Emissions_{absolute}(\Delta_{RB}) = \begin{cases} \frac{1}{|T_s|} \sum_{t \in T_s} \sum_{\substack{c_l + (12 \cdot \Delta_{RB} + 1) \cdot \Delta f \\ \max(f_{min}, (c_l + 12 \cdot \Delta_{RB} \cdot \Delta f))}} |Y(t, f)|^2, \Delta_{RB} < 0 \\ \frac{1}{|T_s|} \sum_{t \in T_s} \sum_{\substack{\min(f_{max}, (c_h + 12 \cdot \Delta_{RB} \cdot \Delta f)) \\ c_h + (12 \cdot \Delta_{RB} - 1) \cdot \Delta f}} |Y(t, f)|^2, \Delta_{RB} > 0 \end{cases},$$

where

the upper formula represents the in band emissions below the allocated frequency block and the lower one the in band emissions above the allocated frequency block.

T_s is a set of $|T_s|$ DFT-s-OFDM symbols with the considered modulation scheme being active within the measurement period,

Δ_{RB} is the starting frequency offset between the allocated RB and the measured non-allocated RB (e.g. $\Delta_{RB} = 1$ for the first upper or $\Delta_{RB} = -1$ for the first lower adjacent RB),

f_{\min} and f_{\max} are the lower and upper edge of the UL transmission BW configuration,

c_l and c_h are the lower and upper edge of the allocated BW,

Δf is the SCS, and

$Y(t, f)$ is the frequency domain signal evaluated for in-band emissions as defined in the clause E.3.3

The allocated RB power per RB and the total allocated RB power are given by:

$$P_{RB} = \frac{1}{|T_s| \cdot L_{CRBs}} \sum_{t \in T_s} \sum_{c_1}^{c_1 + (12 \cdot L_{CRBs} - 1) \cdot \Delta f} |MS(t, f)|^2 [\text{dBm}/(12\Delta f)]$$

$$P_{All-RBs} = \frac{1}{|T_s|} \sum_{t \in T_s} \sum_{c_1}^{c_1 + (12 \cdot L_{CRBs} - 1) \cdot \Delta f} |MS(t, f)|^2 [\text{dBm}]$$

The relative in-band emissions, applicable for General and IQ image, are given by:

$$Emissions_{relative}(\Delta_{RB}) = 10 \cdot \log_{10} \left(\frac{Emissions_{absolute}(\Delta_{RB})}{\frac{1}{|T_s| \cdot L_{CRBs}} \sum_{t \in T_s} \sum_{c_1}^{c_1 + (12 \cdot L_{CRBs} - 1) \cdot \Delta f} |MS(t, f)|^2} \right) [\text{dB}] =$$

$$= Emissions_{absolute}(\Delta_{RB}) [\text{dBm}/12\Delta f] - P_{RB} [\text{dBm}/12\Delta f]$$

where

L_{CRBs} is the number of allocated resource blocks,

and

$MS(t, f)$ is the frequency domain samples for the allocated bandwidth, as defined in the clause E.3.3.

The relative in-band emissions, applicable for carrier leakage, is given by:

$$Emissions_{relative} = 10 \cdot \log_{10} \left(\frac{Emissions_{absolute}(DCRB)}{\frac{1}{|T_s|} \sum_{t \in T_s} \sum_{c_1}^{c_1 + (12 \cdot L_{CRBs} - 1) \cdot \Delta f} |MS(t, f)|^2} \right) [\text{dBc}]$$

$$= Emissions_{absolute}(DCRB) [\text{dBm}/12\Delta f] - P_{All-RBs} [\text{dBm}]$$

where DCRB is one RB or one pair of RBs, depending whether the DC carrier is inside an RB or in-between two RBs.

Although an exclusion period may be applicable in the time domain, when evaluating EVM, the inband emissions measurement interval is defined over one complete slot in the time domain.

From the acquired samples n functions for general in band emissions and IQ image inband emissions can be derived, where n is as defined in Annex E.2.2. n values or n pairs of carrier leakage inband emissions can be derived. They are compared against different limits after the final averaging:

The in-band emissions are averaged over the n samples (equivalent to 10 UL subframes):

$$\overline{Emissions}_{absolute}(\Delta_{RB}) = \frac{1}{n} \sum_{i=1}^n Emissions_{absolute,i}(\Delta_{RB})$$

$$\overline{Emissions}_{relative}(\Delta_{RB}) = 10 * \log_{10} \left(\frac{1}{n} \sum_{i=1}^n 10^{Emissions_{relative,i}(\Delta_{RB})/10} \right) [dB]$$

$$\overline{Emissions}_{relative} = 10 * \log_{10} \left(\frac{1}{n} \sum_{i=1}^n 10^{Emissions_{relative,i}/10} \right) [dBc]$$

E.4.4 EVM equalizer

E.4.4.1 EVM equalizer spectrum flatness

For EVM equalizer spectrum flatness use EC(f) as defined in E.3.3. Note, EC(f) represents equalizer coefficient $f \in F$, f is the allocated subcarriers within the transmission bandwidth ($|F|=12 * L_{CRBs}$)

From the acquired samples n functions EC(f) can be derived, where n is as defined in Annex E.2.2.

EC(f) is broken down to 2 functions:

$$EC_1(f), f \in Range 1$$

$$EC_2(f), f \in Range 2$$

Where Range 1 and Range 2 are as defined for Clause 6.4.2.4 in Table 6.4.2.4.5-1 for normal condition and Table 6.4.2.4.5-2 for extreme condition and for Clause 6.4.2.5 as in Table 6.4.2.5.5-1.

The following peak to peak ripple is calculated:

$$RP_1 = 20 * \log (\max (| EC_1(f) |) / \min(| EC_1(f) |)) , \text{which denote the maximum ripple in Range 1}$$

$$RP_2 = 20 * \log (\max (| EC_2(f) |) / \min(| EC_2(f) |)) , \text{which denote the maximum ripple in Range 2}$$

$$RP_{12} = 20 * \log (\max (| EC_1(f) |) / \min(| EC_2(f) |)) , \text{which denote the maximum ripple between the upper side of Range 1 and lower side of Range 2}$$

$$RP_{21} = 20 * \log (\max (| EC_2(f) |) / \min(| EC_1(f) |)) , \text{which denote the maximum ripple between the upper side of Range 2 and lower side of Range 1}$$

E.4.4.2 EVM equalizer spectral shaping filter

The calculation of the impulse response of the spectral shaping filter is based on $EC(f)$ as defined in E.3.3. Note that $EC(f)$ represents complex valued equalizer coefficient with $f \in F$, where f is the allocated subcarriers within the transmission bandwidth ($|F|=12 \cdot L_{CRBs}$).

$EC'(f)$ is the corrected version of $EC(f)$ by shifting by T_f . T_f is as defined in Clause E.3.2.

The impulse responses are the IDFT transformed equalizer coefficients:

$$a(\tau) = IDFT \left\{ \frac{1}{EC'(f)} \right\}, \text{ where } f \text{ is the frequency of the } M \text{ allocated subcarriers.}$$

The impulse response is normalized to its first value.

$$\tilde{a}(\tau) = \frac{a(\tau)}{a(0)}$$

This is equivalent to defining the 0dB as $20 \log_{10} |\tilde{a}_t(0)|$.

From the acquired samples, n functions $\tilde{a}(\tau)$ can be derived, where n is as defined in Annex E.2.2.

Note, that this method provides reasonable results only in the case of full allocations.

E.4.5 Frequency error and Carrier leakage

See E.3.1.

E.4.6 EVM of Demodulation reference symbols (EVM_{DMRS})

For the purpose of EVM_{DMRS}, the steps E.2.2 to E.4.2 are repeated 6 times, constituting 6 EVM_{DMRS} sub-periods. The only purpose of the repetition is to cover the longer gross measurement period of EVM_{DMRS} ($6 \cdot n$ time slots) and to derive the FFT window timing per sub-period.

The bigger of the EVM results in one n TS period corresponding to the timing! $\Delta\tilde{c} - W/2$ or $\Delta\tilde{c} + W/2$ is compared against the limit, where n is as defined in Annex E.2.2. (Clause E.4.2) This timing is re-used for EVM_{DMRS} in the equivalent EVM_{DMRS} sub-period.

For EVM the demodulation reference symbols are excluded, while the data symbols are used. For EVM_{DMRS} the data symbols are excluded, while the demodulation references symbols are used. This is illustrated in figure E.4.6-1

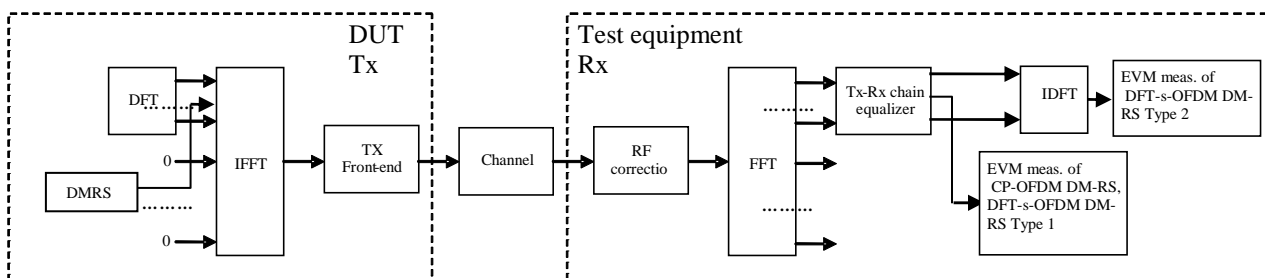


Figure E.4.6-1: EVM_{DMRS} measurement points

Re-use the following formula from E.3.3:

$$Z'(f,t) = MS(f,t) \cdot EC(f)$$

To calculate EVM_{DMRS} , the data symbol ($t=0,1,3,4,5,6,8,9,10,12,13$) in $Z'(f,t)$ are excluded and only the reference symbols ($t=2,7,11$) are used.

The EVM_{DMRS} is the difference between the ideal waveform and the measured and equalized waveform for the allocated RB(s)

$$EVM_{DMRS} = \sqrt{\frac{\sum_{t \in T} \sum_{f \in F} |Z'(f,t) - I(f,t)|^2}{|T| \cdot P_0 \cdot |F|}}$$

where

t covers the count of demodulation reference symbols (i.e. symbols 2,7,11 in each slot, so count=3)

f covers the count of demodulation reference symbols within the allocated bandwidth. ($|F|=12 * L_{CRBS}$ (with L_{CRBS} : number of allocated resource blocks)).

$Z'(f,t)$ are the samples of the signal evaluated for the EVM_{DMRS}

$I(f,t)$ is the ideal signal reconstructed by the measurement equipment, and

P_0 is the average power of the ideal signal. For normalized modulation symbols P_0 is equal to 1.

n such results are generated per measurement sub-period, where n is as defined in Annex E.2.2.

E.4.6.1 1st average for EVM_{DMRS}

EVM_{DMRS} is averaged over all basic EVM_{DMRS} measurements in one sub-period

The averaging comprises n UL slots

$$1stEVM_{DMRS} = \sqrt{\frac{1}{n} \sum_{i=1}^n (EVM_{DMRS,i})^2}$$

where n is as defined in Annex E.2.2.

The timing is taken from the EVM for the data. 6 of those results are achieved from the samples. In general the timing is not the same for each result.

E.4.6.2 Final average for EVM_{DMRS}

$$finalEVM_{DMRS} = \sqrt{\frac{1}{6} \sum_{i=1}^6 (1stEVM_{DMRS,i})^2}$$

E.4.7 Modified signal under test

Implicit in the definition of EVM is an assumption that the receiver is able to compensate a number of transmitter impairments.

The DFT-s-OFDM modulated signals or PRACH signal under test is modified and, in the case of DFT-s-OFDM modulated signals, decoded according to:

$$Z'(t, f) = IDFT \left\{ \frac{FFT \left\{ z(v - \Delta\tilde{t}) \cdot e^{-j2\pi\Delta\tilde{f}v} \right\} e^{j2\pi f \Delta\tilde{t}}}{\tilde{a}(t, f) \cdot e^{j\tilde{\varphi}(t, f)}} \right\}$$

where

$z(v)$ is the time domain samples of the signal under test.

The CP-OFDM modulated signals or PUSCH demodulation reference signal or PUCCH data signal under test is equalised and, in the case of CP-OFDM modulated signals decoded according to:

$$Z'(t, f) = \frac{FFT \left\{ z(v - \Delta\tilde{t}) \cdot e^{-j2\pi\Delta\tilde{f}v} \right\} e^{j2\pi f \Delta\tilde{t}}}{\tilde{a}(t, f) \cdot e^{j\tilde{\varphi}(t, f)}}$$

where

$z(v)$ is the time domain samples of the signal under test.

To minimize the error, the signal under test should be modified with respect to a set of parameters following the procedure explained below.

Notation:

$\Delta\tilde{t}$ is the sample timing difference between the FFT processing window in relation to nominal timing of the ideal signal.

$\Delta\tilde{f}$ is the RF frequency offset.

$\tilde{\varphi}(t, f)$ is the phase response of the TX chain.

$\tilde{a}(t, f)$ is the amplitude response of the TX chain.

In the following $\Delta\tilde{c}$ represents the middle sample of the EVM window of length W (defined in the next clauses) or the last sample of the first window half if W is even.

The EVM analyser shall

- detect the start of each slot and estimate $\Delta\tilde{t}$ and $\Delta\tilde{f}$,
- determine $\Delta\tilde{c}$ so that the EVM window of length W is centred
 - on the time interval determined by the measured cyclic prefix minus 16κ samples of the considered OFDM symbol for symbol 1 for subcarrier spacing configuration μ in a subframe, with $l = 0$ or $l = 7 \cdot 2^\mu$ for normal CP, i.e. the first 16κ samples of the CP should not be taken into account for this step. In the determination of the number of excluded samples, a sampling rate of $1/T_c$ is assumed. If a different sampling rate is used, the number of excluded samples is scaled linearly.
 - on the measured cyclic prefix of the considered OFDM symbol for all other symbols for normal CP and for symbol 0 to 11 for extended CP.
 - on the measured preamble cyclic prefix for the PRACH

To determine the other parameters a sample timing offset equal to $\Delta\tilde{c}$ is corrected from the signal under test. The EVM analyser shall then

- correct the RF frequency offset $\Delta\tilde{f}$ for each time slot, and

- apply an FFT of appropriate size. The chosen FFT size shall ensure that in the case of an ideal signal under test, there is no measured inter-subcarrier interference.

The carrier leakage shall be removed from the evaluated signal before calculating the EVM and the in-band emissions; however, the removed relative carrier leakage power also has to satisfy the applicable requirement.

At this stage the allocated RBs shall be separated from the non-allocated RBs. In the case of PUCCH and PUSCH EVM, the signal on the non-allocated RB(s), $Y(t, f)$, is used to evaluate the in-band emissions.

Moreover, the following procedure applies only to the signal on the allocated RB(s).

- In the case of PUCCH and PUSCH, the UL EVM analyzer shall estimate the TX chain equalizer coefficients $\tilde{a}(t, f)$ and $\tilde{\varphi}(t, f)$ used by the ZF equalizer for all subcarriers by time averaging at each signal subcarrier of the amplitude and phase of the reference and data symbols. The time-averaging length is 1 slot. This process creates an average amplitude and phase for each signal subcarrier used by the ZF equalizer. The knowledge of data modulation symbols may be required in this step because the determination of symbols by demodulation is not reliable before signal equalization.
- In the case of PRACH, the UL EVM analyzer shall estimate the TX chain coefficients $\tilde{a}(t)$ and $\tilde{\varphi}(t)$ used for phase and amplitude correction and are selected so as to minimize the resulting EVM. The TX chain coefficients are not dependent on frequency, i.e. $\tilde{a}(t, f) = \tilde{a}(t)$ and $\tilde{\varphi}(t, f) = \tilde{\varphi}(t)$. The TX chain coefficient are chosen independently for each preamble transmission and for each $\Delta\tilde{f}$.

At this stage estimates of $\Delta\tilde{f}$, $\tilde{a}(t, f)$, $\tilde{\varphi}(t, f)$ and $\Delta\tilde{c}$ are available. $\Delta\tilde{f}$ is one of the extremities of the window W , i.e. $\Delta\tilde{f}$ can be $\Delta\tilde{c} + \alpha - \left\lfloor \frac{W}{2} \right\rfloor$ or $\Delta\tilde{c} + \left\lceil \frac{W}{2} \right\rceil$, where $\alpha = 0$ if W is odd and $\alpha = 1$ if W is even. The EVM analyser shall then

- calculate EVM_I with $\Delta\tilde{f}$ set to $\Delta\tilde{c} + \alpha - \left\lfloor \frac{W}{2} \right\rfloor$,
- calculate EVM_h with $\Delta\tilde{f}$ set to $\Delta\tilde{c} + \left\lceil \frac{W}{2} \right\rceil$.

For the EVM calculation on the symbols with a transient period when the UE signals a transient period capability (tp) of 2, 4 or 7usec, $\Delta\tilde{f}$ is given below.

- calculate $EVM_{I,tp}$ with $\Delta\tilde{f}$ set to $\left\lfloor \frac{tp+tp_{start}}{T_c} \right\rfloor + 1$, where $1/T_c$ is the sampling rate
- calculate $EVM_{h,tp}$ with $\Delta\tilde{f}$ set to $\left\lceil \frac{CP+tp_{start}}{T_c} \right\rceil - 1$, where $1/T_c$ is the sampling rate and the CP is the cyclic prefix of the symbol on which EVM is calculated (e.g. long CP for the first symbol of the slot) in seconds

A pictorial representation of the EVM measurement windows is given in Figure F.4-1.

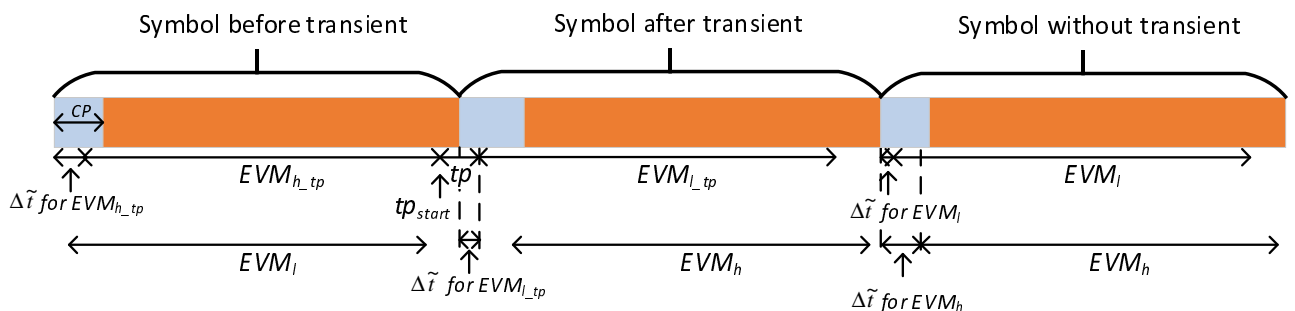


Figure E.4.7-1: EVM measurement window

E.4.8 EVM measurement for dual Tx

For UE with dual transmission antennas, if UE indicates IE [txDiversity-r16], EVM is measured at each antenna connector to get EVM_1 and EVM_2 , and the total EVM is calculated by values of EVM_1 and EVM_2 with weighting factor of linear power at each antenna connector.

$$EVM = \frac{P_1 * EVM_1 + P_2 * EVM_2}{P_1 + P_2}$$

where P_1 and P_2 denote the linear power measured at each antenna connector respectively.

E.4.9 Phase offset measurement for DMRS bundling

E.4.9.1 Measurement point

The measurement point for phase offset measurement is defined in Figure F.9.1-1.

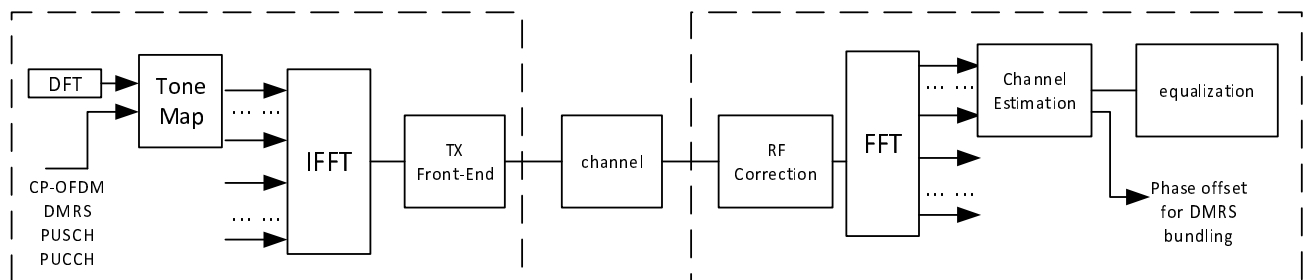


Figure E.4.9.1-1: Measurement point for phase offset for DMRS bundling

E.4.9.2 Symbols used

Phase offset is determined based on DMRS REs (3 DMRS symbols per slot) with the option to use data symbols.

E.4.9.3 Modified test signal

Same as described in Annex E.4.7.

E.4.9.4 Phase offset measurement

The phase offset measurement is based on the phase response of the Tx chain $\tilde{\varphi}(t, f)$ as derived based on Annex F.4.

The subcarrier at the carrier leakage frequency of the transmitted signal shall be excluded from the measured subcarriers.

The phase difference $\Delta\tilde{\varphi}(f)$ for each measured subcarrier between a reference timeslot t_{ref} and the measurement timeslot t_m is then calculated as defined below.

$$\Delta\tilde{\varphi}(f) = \tilde{\varphi}(t_m, f) - \tilde{\varphi}(t_{ref}, f)$$

The phase offset between the reference and measurement timeslots are then calculated as the maximum over the results for all measured subcarriers as shown below:

$$PhaseOffset = \max_f (|\Delta\tilde{\varphi}(f)|)$$

E.5 EVM and inband emissions for PUCCH

For the purpose of worst case testing, the PUCCH shall be located on the edges of the Transmission Bandwidth Configuration.

The EVM for PUCCH (EVM_{PUCCH}) is averaged over n slots, where n is as defined in Annex E.2.2.

At least n TSs shall be transmitted by the UE without power change. SRS multiplexing shall be avoided during this period. The following transition periods are applicable: One OFDM symbol on each side of the slot border (instant of band edge alternation).

The description below is generic in the sense that all 5 PUCCH formats are covered. Although the number of OFDM symbols in one slot can be different from 14 (depending on the format, configuration and cyclic prefix length), the text below uses 14 without excluding the others.

E.5.1 Basic principle

The basic principle is the same as described in E.2.1

E.5.2 Output signal of the TX under test

The output signal of the TX under test is processed same as described in E.2.2

E.5.3 Reference signal

The reference signal is defined same as in E.2.3. Same as in E.2.3, $i_1(v)$ is the ideal reference for EVM_{PUCCH} and $i_2(v)$ is used to estimate the FFT window timing.

Note PUSCH is off during the PUCCH measurement period.

E.5.4 Measurement results

The measurement results are:

- EVM_{PUCCH}
- Inband emissions with the sub-results: General in-band emission, IQ image (according to: 38.101. Annex F.4, Clause starting with: "At this stage the")

E.5.5 Measurement points

The measurement points are illustrated in Figure E.2.5-1.

E.5.6 Pre FFT minimization process

The pre FFT minimisation process is the same as describes in clause E.3.1.

NOTE: although an exclusion period for EVM_{PUCCH} is applicable in E.5.9.1, the pre FFT minimisation process is done over the complete slot.

RF error, and carrier leakage are necessary for best fit of the measured signal towards the ideal signal in the pre FFT domain. However they are not used to compare them against the limits.

E.5.7 Timing of the FFT window

Timing of the FFT window is estimated with the same method as described in E.3.2.

E.5.8 Post FFT equalisation

The post FFT equalisation is described separately without reference to E.3.3:

Perform 14 FFTs on $z'(v)$, one for each OFDM symbol in a slot using the timing $\Delta\tilde{c}$, including the demodulation reference symbol. The result is an array of samples, 14 in the time axis t times 4096 in the frequency axis f . The samples represent the OFDM symbols (data and reference symbols) in the allocated RBs and inband emissions in the non-allocated RBs within the transmission BW.

Only the allocated resource blocks in the frequency domain are used for equalisation.

The nominal reference symbols and **nominal** OFDM data symbols are used to equalize the measured data symbols.

Note: (The nomenclature inside this note is local and not valid outside)

The nominal OFDM data symbols are created by a demodulation process. A demodulation process as follows is recommended:

1. Equalize the measured OFDM data symbols using the reference symbols for equalisation. Result: Equalized OFDM data symbols
2. Decide for the nearest constellation point, however not independent for each subcarrier in the RB. 12 constellation points are decided dependent, using the applicable CAZAC sequence. Result: Nominal OFDM data symbols

At this stage we have an array of Measured data-Symbols and reference-Symbols ($MS(f,t)$)

versus an array of Nominal data-Symbols and reference Symbols ($NS(f,t)$)

The arrays comprise in sum 14 data and reference symbols, depending on the PUCCH format, in the time axis and the number of allocated sub-carriers in the frequency axis.

$MS(f,t)$ and $NS(f,t)$ are processed with a least square (LS) estimator, to derive one equalizer coefficient per time slot and per allocated subcarrier. $EC(f)$

$$EC(f) = \frac{\sum_{t=0}^{13} NS(f,t) * NS(f,t)}{\sum_{t=0}^{13} MS(f,t) * NS(f,t)}$$

With * denoting complex conjugation.

$EC(f)$ are used to equalize the OFDM data together with the demodulation reference symbols by:

$$Z'(f,t) = MS(f,t) \cdot EC(f)$$

With \cdot denoting multiplication.

$Z'(f,t)$ is used to calculate EVM_{PUCCH} , as described in E.5.9 1

NOTE: although an exclusion period for EVM_{PUCCH} is applicable in E.5.9.1, the post FFT minimisation process is done over 14 OFDM symbols.

The samples of the non-allocated resource blocks within the transmission bandwidth configuration in the post FFT domain are called $Y(f,t)$ (f covering the non-allocated subcarriers within the transmission bandwidth configuration, t covering the OFDM symbols during 1 slot).

E.5.9 Derivation of the results

E.5.9.1 EVM_{PUCCH}

For EVM_{PUCCH} create two sets of $Z'(f,t)$, according to the timing " $\Delta\tilde{t} - W/2$ " and " $\Delta\tilde{t} + W/2$ " using the equalizer coefficients from E.5.8

The EVM_{PUCCH} is the difference between the ideal waveform and the measured and equalized waveform for the allocated RB(s)

$$EVM_{PUCCH} = \sqrt{\frac{\sum_{t \in T} \sum_{f \in F} |Z'(f,t) - I(f,t)|^2}{|T| \cdot P_0 \cdot |F|}},$$

where

the OFDM symbols next to transition borders (instant of PUCCH frequency hopping) are excluded:

T covers less than the count of demodulated symbols in the slot ($|T|=12$)

F covers the count of subcarriers within the allocated bandwidth. ($|F|=12$)

$Z'(f, t)$ are the samples of the signal evaluated for the EVM_{PUCCH}

$I(f, t)$ is the ideal signal reconstructed by the measurement equipment, and

P_0 is the average power of the ideal signal. For normalized modulation symbols P_0 is equal to 1.

From the acquired samples $2n$ EVM_{PUCCH} value can be derived, n values for the timing $\Delta\tilde{c} - W/2$ and n values for the timing $\Delta\tilde{c} + W/2$, where n is as defined in Annex E.2.2.

E.5.9.2 Averaged EVM_{PUCCH}

EVM_{PUCCH} is averaged over all basic EVM_{PUCCH} measurements

The averaging comprises n UL slots

$$\overline{EVM}_{PUCCH} = \sqrt{\frac{1}{n} \sum_{i=1}^n (EVM_{PUCCH,i})^2}$$

where n is as defined in Annex E.2.2.

The averaging is done separately for timing $\Delta\tilde{c} - W/2$ and $\Delta\tilde{c} + W/2$ leading to $\overline{EVM}_{PUCCH,low}$ and $\overline{EVM}_{PUCCH,high}$

$EVM_{PUCCH,final} = \max(\overline{EVM}_{PUCCH,low}, \overline{EVM}_{PUCCH,high})$ is compared against the test requirements.

E.5.9.3 In-band emissions measurement

The in-band emissions are a measure of the interference falling into the non-allocated resources blocks

Create one set of $Y(t, f)$ per slot according to the timing “ $\Delta\tilde{c}$ ”

For the non-allocated RBs the in-band emissions are calculated as follows

$$Emissions_{absolute}(\Delta_{RB}) = \begin{cases} \frac{1}{|T_s|} \sum_{t \in T_s} \sum_{c_l + (12 \cdot \Delta_{RB} + 11) \cdot \Delta f}^{\max(f_{min}, (c_l + 12 \cdot \Delta_{RB} \cdot \Delta f))} |Y(t, f)|^2, \Delta_{RB} < 0 \\ \frac{1}{|T_s|} \sum_{t \in T_s} \sum_{c_h + (12 \cdot \Delta_{RB} - 11) \cdot \Delta f}^{\min(f_{max}, (c_h + 12 \cdot \Delta_{RB} \cdot \Delta f))} |Y(t, f)|^2, \Delta_{RB} > 0 \end{cases}$$

where

the upper formula represents the inband emissions below the allocated frequency block and the lower one the inband emissions above the allocated frequency block.

T_s is a set of $|T_s|$ OFDM symbols in the measurement period,

Δ_{RB} is the starting frequency offset between the allocated RB and the measured non-allocated RB (e.g. $\Delta_{RB} = 1$ for the first upper or $\Delta_{RB} = -1$ for the first lower adjacent RB),

f_{\min} and f_{\max} are the lower and upper edge of the UL UE channel bandwidth

C_l and C_h are the lower and upper edge of the allocated BW,

Δf is the SCS, and

$Y(t, f)$ is the frequency domain signal evaluated for in-band emissions as defined in the clause E.5.8.

The relative in-band emissions are, given by

$$Emissions_{relative}(\Delta_{RB}) = 10 * \log_{10} \frac{Emissions_{absolute}(\Delta_{RB})}{\frac{1}{|T_s|} \cdot L_{CRBs} \sum_{t \in T_s} \sum_{c_1}^{c_1 + (12 \cdot L_{CRBs} - 1) * \Delta f} |MS(t, f)|^2} [dB]$$

where

L_{CRBs} is the number of allocated RBs,

and $MS(t, f)$ is the frequency domain samples for the allocated bandwidth, as defined in the subsection E.5.8

Although an exclusion period for EVM is applicable in E.5.9.1, the inband emissions measurement interval is defined over one complete slot in the time domain.

From the acquired samples n functions for inband emissions can be derived, where n is as defined in Annex E.2.2.

The in-band emissions are averaged over the n samples (equivalent to 10 UL subframes) with the same PUCCH position to prevent averaging of allocated and non-allocated RBs due to PUCCH frequency hopping:

$$\overline{Emissions_{absolute}}(\Delta_{RB}) = \frac{1}{n} \sum_{i=1}^n Emissions_{absolute,i}(\Delta_{RB})$$

$$\overline{Emissions_{relative}}(\Delta_{RB}) = 10 * \log_{10} \left(\frac{1}{n} \sum_{i=1}^n 10^{Emissions_{relative,i}(\Delta_{RB})/10} \right) [dB]$$

Since the PUCCH allocation is always on the upper or lower band-edge, the opposite of the allocated one represents the IQ image, and the remaining inner RBs represent the general inband emissions. They are compared against different limits.

E.5.9.4 EVM measurement for dual Tx

For UE with dual transmission antennas, if UE indicates IE [txDiversity-r16], EVM is measured at each antenna connector to get EVM_1 and EVM_2 , and the total EVM is calculated by values of EVM_1 and EVM_2 with weighting factor of linear power at each antenna connector.

$$EVM = \frac{P_1 * EVM_1 + P_2 * EVM_2}{P_1 + P_2}$$

where P_1 and P_2 denote the linear power measured at each antenna connector respectively.

E.6 EVM for PRACH

The description below is generic in the sense that all PRACH formats are covered. The numbers, used in the text below are taken from PRACH format#0 without excluding the other formats. The sampling rate for PRACH is assumed as , 30.72 Msps in the time domain.

E.6.1 Basic principle

The basic principle is the same as described in E.2.1

E.6.2 Output signal of the TX under test

The output signal of the TX under test is processed same as described in E.2.2

The measurement period is different since 2 PRACH preambles are recorded for long preamble formats as defined in Table 6.3.3.1-1 in [8] and 10 preambles are recorded for short preamble formats as defined in Table 6.3.3.1-2 in [8].

E.6.3 Reference signal

The test description in 6.4.2.1.4.1 is based on non-contention based access:

- PRACH configuration index (responsible for Preamble format, System frame number and subframe number)
- Preamble ID
- Preamble power

signalled to the UE, defines the reference signal unambiguously, such that no demodulation process is necessary to gain the reference signal.

The reference signal $i(v)$ is constructed by the measuring equipment according to the relevant TX specifications, using the following parameters: the applicable Zadoff Chu sequence, nominal carrier frequency, nominal amplitude and phase for each subcarrier, nominal timing, no carrier leakage. It is represented as a sequence of samples at a sampling rate of 122.88 Msps in the time domain.

E.6.4 Measurement results

The measurement result is:

- EVM_{PRACH}

E.6.5 Measurement points

The measurement points are illustrated in the figure below:

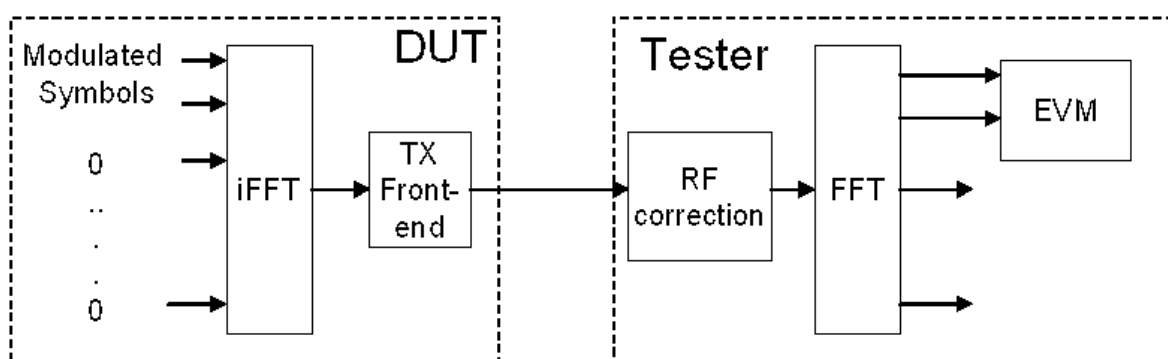


Figure E.6.5-1: Measurement points

E.6.6 Pre FFT minimization process

The pre-FFT minimization process is applied to each PRACH preamble separately. The time period for the pre-FFT minimisation process includes the complete CP and Zadoff-Chu sequence (in other words, the power transition period is per definition outside of this time period) Sample timing, Carrier frequency and carrier leakage in $z(v)$ are jointly varied

in order to minimise the difference between $z(v)$ and $i(v)$. Best fit (minimum difference) is achieved when the RMS difference value between $z(v)$ and $i(v)$ is an absolute minimum.

After this process the samples $z(v)$ are called $z^0(v)$.

RF error, and carrier leakage are necessary for best fit of the measured signal towards the ideal signal in the pre FFT domain. However they are not used to compare them against the limits.

E.6.7 Timing of the FFT window

The FFT window length is 24576 samples for preamble format 0, however in the measurement period at least 27744 samples are taken. The position in time for FFT must be determined.

In an ideal signal, the FFT may start at any instant within the cyclic prefix without causing an error. The TX filter, however, reduces the window. The EVM requirements shall be met within a window $W < CP$.

The reference instant for the FFT start is the centre of the reduced window, called $\Delta\tilde{c}$,

EVM is measured at the following two instants: $\Delta\tilde{c} - W/2$ and $\Delta\tilde{c} + W/2$.

The timing of the measured signal $z^0(v)$ with respect to the ideal signal $i(v)$ is determined in the pre FFT domain as follows:

Correlation between $z^0(v)$ and $i(v)$ will result in a correlation peak. The meaning of the correlation peak is approx. the “impulse response” of the TX filter. The correlation peak, (the highest, or in case of more than one, the earliest) indicates the timing in the measured signal with respect to the ideal signal.

W is different for different preamble formats and shown in Table E.6.7-1 for $L_{RA} = 839$ and $\Delta f^{RA} \in \{1.25, 5\}$ kHz in Table E.6.7-2 for $L_{RA} = 139$ and $\Delta f^{RA} = 15 \cdot 2^\mu$ kHz where $\mu \in \{0, 1, 2\}$.

Table E.6.7-1: EVM window length for PRACH formats for $L_{RA} = 839$

Preamble format	Cyclic prefix length N_{cp}	Nominal FFT size ¹	EVM window length W in FFT samples	Ratio of W to CP*
0	3168	24576	2307	72.8%
1	21024	24576	20163	95.9%
2	4688	24576	3827	81.6%
3	3168	6144	2952	93.2%
Note 1: The use of other FFT sizes is possible as long as appropriate scaling of the window length is applied				
Note 2: These percentages are informative				

Table E.6.7-2: EVM window length for PRACH formats for $L_{RA} = 139$

Preamble format	Cyclic prefix length N_{cp}	Nominal FFT size ¹	EVM window length W in FFT samples	Ratio of W to CP*
A1	$288 \cdot 2^{-\mu}$	$2048 \cdot 2^{-\mu}$	$144 \cdot 2^{-\mu}$	50.0%
A2	$576 \cdot 2^{-\mu}$	$2048 \cdot 2^{-\mu}$	$432 \cdot 2^{-\mu}$	75.0%
A3	$864 \cdot 2^{-\mu}$	$2048 \cdot 2^{-\mu}$	$720 \cdot 2^{-\mu}$	83.3%
B1	$216 \cdot 2^{-\mu}$	$2048 \cdot 2^{-\mu}$	$72 \cdot 2^{-\mu}$	33.3%
B2	$360 \cdot 2^{-\mu}$	$2048 \cdot 2^{-\mu}$	$216 \cdot 2^{-\mu}$	60.0%
B3	$504 \cdot 2^{-\mu}$	$2048 \cdot 2^{-\mu}$	$360 \cdot 2^{-\mu}$	71.4%
B4	$936 \cdot 2^{-\mu}$	$2048 \cdot 2^{-\mu}$	$792 \cdot 2^{-\mu}$	84.6%
C0	$1240 \cdot 2^{-\mu}$	$2048 \cdot 2^{-\mu}$	$1096 \cdot 2^{-\mu}$	88.4%
C2	$2048 \cdot 2^{-\mu}$	$2048 \cdot 2^{-\mu}$	$1904 \cdot 2^{-\mu}$	93.0%
Note 1: The use of other FFT sizes is possible as long as appropriate scaling of the window length is applied				
Note 2: These percentages are informative				

The number of samples, used for FFT is reduced compared to $z^0(v)$. This subset of samples is called $z'(v)$.

EVM is based on Nominal FFT size samples per PRACH preamble and demodulated symbol.

E.6.8 Post FFT equalisation

Equalisation is not applicable for the PRACH.

E.6.9 Derivation of the results

E.6.9.1 EVM_{PRACH}

Perform FFT on $z'(v)$ and $i(v)$ using the FFT timing $\Delta\tilde{c} - W/2$ and $\Delta\tilde{c} + W/2$.

For format 2 and 3 the first and the repeated preamble sequence are FFT-converted separately. using the standard FFT length of 2048.

The EVM_{PRACH} is the difference between the ideal waveform and the measured and equalized waveform for the allocated RB(s).

$$EVM_{PRACH} = \sqrt{\frac{\sum_{t \in T} \sum_{f \in F} |Z'(f, t) - I(f, t)|^2}{|T| \cdot P_0 \cdot |F|}}$$

where

t covers the count of demodulated symbols in the slot.

f covers the count of demodulated symbols within the allocated bandwidth.

$Z'(f, t)$ are the samples of the signal evaluated for the EVM_{PRACH}

$I(f, t)$ is the ideal signal reconstructed by the measurement equipment, and

P_0 is the average power of the ideal signal. For normalized modulation symbols P_0 is equal to 1.

From the acquired samples $2m$ EVM_{PRACH} values can be derived, m values for the timing $\Delta\tilde{c} - W/2$ and m values for the timing $\Delta\tilde{c} + W/2$, where m is the number of recorded preambles as defined in Annex E.6.2.

E.6.9.2 Averaged EVM_{PRACH}

The PRACH EVM, EVM_{PRACH} , is averaged over m preamble sequence measurements.

$$\overline{EVM}_{PRACH} = \sqrt{\frac{1}{m} \sum_{i=1}^m (EVM_{PRACH,i})^2}$$

where m is the number of recorded preambles as defined in Annex E.6.2. The averaging is done separately for timing

$\Delta\tilde{c} - W/2$ and $\Delta\tilde{c} + W/2$ leading to $\overline{EVM}_{PRACH,low}$ and $\overline{EVM}_{PRACH,high}$

$EVM_{PRACH,final} = \max(\overline{EVM}_{PRACH,low}, \overline{EVM}_{PRACH,high})$ is compared against the test requirements.

E.6.9.3 EVM measurement for dual Tx

For UE with dual transmission antennas, if UE indicates IE [txDiversity-r16], EVM is measured at each antenna connector to get EVM_1 and EVM_2 , and the total EVM is calculated by values of EVM_1 and EVM_2 with weighting factor of linear power at each antenna connector.

$$EVM = \frac{P_1 * EVM_1 + P_2 * EVM_2}{P_1 + P_2}$$

where P_1 and P_2 denote the linear power measured at each antenna connector respectively.

E.7 reserved

Editor's note: reserved for Phase offset measurement for DMRS bundling

E.8 EVM for UL MIMO

E.8.1 General

EVM for UL MIMO is measured per layer. A zero-forcing (ZF) MIMO receiver architecture is used so that dual layer transmissions by the UE can be demodulated by the test equipment receiver.

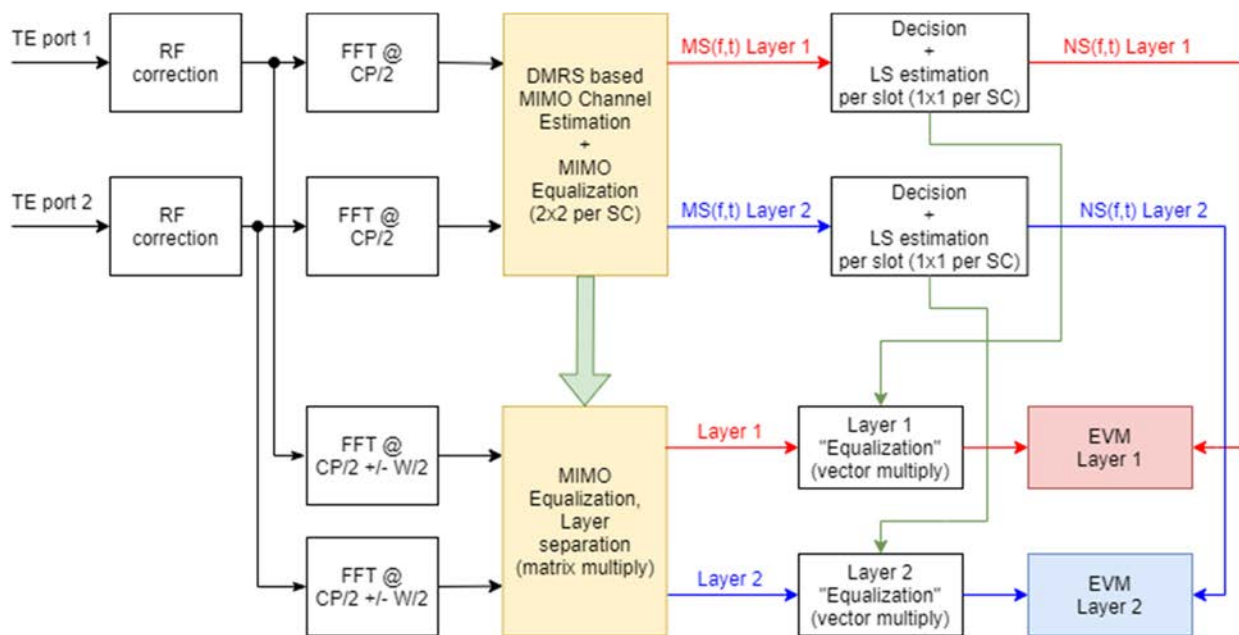


Figure E.8.1-1: EVM calculation block diagram for 2-Layer UL MIMO

The TE receives signals from 2 different ports which are connected to two antenna connectors in the test system.

For UL MIMO measurements a MIMO equalization step as described in section E.8.2 is performed to separate the layers.

Each layer is then processed as described in section E.8.3 to receive the measurement results for each individual layer.

E.8.2 MIMO Equalization

The MIMO equalization is based only on reference signals (DMRS) without using any data symbols. For the equalization process all available DMRS symbols shall be used.

The effective 2×2 channel matrix is estimated using reference signals of different subcarriers, e.g. in case of DMRS antenna ports 0 and 2. In case that same subcarriers are used, e.g. DMRS antenna ports 0 and 1, a channel decomposition is necessary taking advantage of the orthogonal codes w_f and w_t and assuming identical channel coefficients for adjacent subcarriers of same CDM group.

Effective channel including the precoding matrix P is:

$$\tilde{H} = HP = \begin{bmatrix} \tilde{h}_{0,0} & \tilde{h}_{0,1} \\ \tilde{h}_{1,0} & \tilde{h}_{1,1} \end{bmatrix}$$

with

$$\tilde{h}_{n,v} = \frac{y_n r_v^*}{|r_v|^2}$$

where y denotes the received symbol on port index n and r the reference signal for layer index v .

Since reference signals of a specific layer are transmitted only on subcarriers of one CDM group channel, interpolation is needed in order to obtain channel coefficients for all subcarriers. Channel interpolation is done using the channel coefficients of active CDM group in all other CDM groups.

The channel coefficients used to calculate the equalizer coefficients are obtained after channel smoothing in frequency domain by computing the moving average of interpolated channel coefficients. The moving average window size is 7. For subcarriers at or near the edge of allocation the window size is reduced accordingly.

The ZF equalizer coefficients are calculated as the inverse of the effective channel matrix, in general:

$$G_{ZF} = \tilde{H}^{-1}$$

E.8.3 Layer processing

After performing the MIMO equalization as described in section E.8.2 each layer is processed using the existing procedure as defined in Annex E.

Since the channel estimation is calculated only on the DMRS symbols, an averaging including all 14 symbols of one slot, i.e. data and reference signals, is needed in order to minimize EVM. The averaging is achieved by the least square (LS) equalization method described for single layer in Annex E.3.

$MS(f,t)$ and $NS(f,t)$ are processed with a LS estimator, to derive one equalizer coefficient per time slot and per allocated subcarrier. $EC(f)$ is defined for each layer as:

$$EC_v(f) = \frac{\sum_{t=0}^{13} NS_v(f,t)^* NS_v(f,t)}{\sum_{t=0}^{13} MS_v(f,t)^* NS_v(f,t)}$$

With $*$ denoting complex conjugation. $EC(f)$ are used to equalize layer data symbols.

EVM equalizer spectral flatness is derived from equalizer coefficients for each layer as follows:

$$c_v = |EC_v(f)| \sqrt{|g_{v,0}|^2 + |g_{v,1}|^2}$$

Annex F (normative): Measurement uncertainties and Test Tolerances

F.1 Acceptable uncertainty of Test System (normative)

F.1.0 General

The maximum acceptable uncertainty of the Test System is specified below for each test, where appropriate. The Test System shall enable the stimulus signals in the test case to be adjusted to within the specified range, and the equipment under test to be measured with an uncertainty not exceeding the specified values. All ranges and uncertainties are absolute values, and are valid for a confidence level of 95 %, unless otherwise stated.

A confidence level of 95 % is the measurement uncertainty tolerance interval for a specific measurement that contains 95 % of the performance of a population of test equipment.

For RF tests it should be noted that the uncertainties in clause F.1 apply to the Test System operating into a nominal 50 ohm load and do not include system effects due to mismatch between the DUT and the Test System.

The downlink signal uncertainties apply at each receiver antenna connector.

F.1.1 Measurement of test environments

The measurement accuracy of the UE test environments defined in TS 38.508-1 [5] subclause 4.1, Test environments shall be

- Pressure ± 5 kPa.
- Temperature ± 2 degrees.
- Relative Humidity ± 5 %.
- DC Voltage $\pm 1,0$ %.
- AC Voltage $\pm 1,5$ %.
- Vibration 10 %.
- Vibration frequency 0,1 Hz.

The above values shall apply unless the test environment is otherwise controlled and the specification for the control of the test environment specifies the uncertainty for the parameter.

F.1.2 Measurement of transmitter

- MU and TT for >6GHz (band n96) are working assumption based on analysis of single TE vendor. Values will be revisited once analysis from other TE vendors is available.
- MU and TT for spurious emission for intra-band UL contiguous CA with UL-MIMO test cases are working assumption. Values will be revisited once more analysis is available.

Table F.1.2-1: Maximum Test System Uncertainty for transmitter tests

Subclause	Maximum Test System Uncertainty	Derivation of Test System Uncertainty
-----------	---------------------------------	---------------------------------------

6.2.1 UE maximum output power	<p>$f \leq 3.0\text{GHz}$ $\pm 0.7\text{ dB}$, $\text{BW} \leq 40\text{MHz}$ $\pm 1.4\text{ dB}$, $40\text{MHz} < \text{BW} \leq 100\text{MHz}$</p> <p>$3.0\text{GHz} < f \leq 4.2\text{GHz}$ $\pm 1.0\text{ dB}$, $\text{BW} \leq 40\text{MHz}$ $\pm 1.6\text{ dB}$, $40\text{MHz} < \text{BW} \leq 100\text{MHz}$</p> <p>$4.2\text{GHz} < f \leq 6.0\text{GHz}$ $\pm 1.3\text{ dB}$, $\text{BW} \leq 20\text{MHz}$ $\pm 1.5\text{ dB}$, $20\text{MHz} < \text{BW} \leq 40\text{MHz}$ $\pm 1.6\text{ dB}$, $40\text{MHz} < \text{BW} \leq 100\text{MHz}$</p>	
6.2.2 Maximum Power Reduction (MPR)	<p>$f \leq 3.0\text{GHz}$ $\pm 0.7\text{ dB}$, $\text{BW} \leq 40\text{MHz}$ $\pm 1.4\text{ dB}$, $40\text{MHz} < \text{BW} \leq 100\text{MHz}$</p> <p>$3.0\text{GHz} < f \leq 4.2\text{GHz}$ $\pm 1.0\text{ dB}$, $\text{BW} \leq 40\text{MHz}$ $\pm 1.6\text{ dB}$, $40\text{MHz} < \text{BW} \leq 100\text{MHz}$</p> <p>$4.2\text{GHz} < f \leq 6.0\text{GHz}$ $\pm 1.3\text{ dB}$, $\text{BW} \leq 20\text{MHz}$ $\pm 1.5\text{ dB}$, $20\text{MHz} < \text{BW} \leq 40\text{MHz}$ $\pm 1.6\text{ dB}$, $40\text{MHz} < \text{BW} \leq 100\text{MHz}$</p>	
6.2.3 UE additional maximum output power reduction	<p>$f \leq 3.0\text{GHz}$ $\pm 0.7\text{ dB}$, $\text{BW} \leq 40\text{MHz}$ $\pm 1.4\text{ dB}$, $40\text{MHz} < \text{BW} \leq 100\text{MHz}$</p> <p>$3.0\text{GHz} < f \leq 4.2\text{GHz}$ $\pm 1.0\text{ dB}$, $\text{BW} \leq 40\text{MHz}$ $\pm 1.6\text{ dB}$, $40\text{MHz} < \text{BW} \leq 100\text{MHz}$</p> <p>$4.2\text{GHz} < f \leq 6.0\text{GHz}$ $\pm 1.3\text{ dB}$, $\text{BW} \leq 20\text{MHz}$ $\pm 1.5\text{ dB}$, $20\text{MHz} < \text{BW} \leq 40\text{MHz}$ $\pm 1.6\text{ dB}$, $40\text{MHz} < \text{BW} \leq 100\text{MHz}$</p>	
6.2.4 Configured transmitted power	<p>$f \leq 3.0\text{GHz}$ $\pm 0.7\text{ dB}$, $\text{BW} \leq 40\text{MHz}$ $\pm 1.4\text{ dB}$, $40\text{MHz} < \text{BW} \leq 100\text{MHz}$</p> <p>$3.0\text{GHz} < f \leq 4.2\text{GHz}$ $\pm 1.0\text{ dB}$, $\text{BW} \leq 40\text{MHz}$ $\pm 1.6\text{ dB}$, $40\text{MHz} < \text{BW} \leq 100\text{MHz}$</p> <p>$4.2\text{GHz} < f \leq 6.0\text{GHz}$ $\pm 1.3\text{ dB}$, $\text{BW} \leq 20\text{MHz}$ $\pm 1.5\text{ dB}$, $20\text{MHz} < \text{BW} \leq 40\text{MHz}$ $\pm 1.6\text{ dB}$, $40\text{MHz} < \text{BW} \leq 100\text{MHz}$</p>	
6.2A.1.1 UE maximum output power for CA (2UL CA)	For Inter-band CA MAX (MU_{CC1} , MU_{CC2})	MU_{CCX} is MU of each UL CC specified in single UL case 6.2.1.
6.2A.2.1 UE maximum output power reduction for CA (2UL CA)	For Inter-band CA MAX (MU_{CC1} , MU_{CC2}) For intra-band contiguous CA Aggregated BW $\leq 100\text{M}$: same as 6.2.2 for sum of powers of all CCs Aggregated BW $> 100\text{M}$: TBD	MU_{CCX} is MU of each UL CC specified in single UL case 6.2.2.
6.2A.3.1 UE additional maximum output power reduction CA (2UL CA)	For Inter-band CA MAX (MU_{CC1} , MU_{CC2}) For intra-band contiguous CA Aggregated BW $\leq 100\text{M}$: same as 6.2.2 for sum of powers of all CCs Aggregated BW $> 100\text{M}$: TBD	MU_{CCX} is MU of each UL CC specified in single UL case 6.2.3.

6.2A.4.1 Configured transmitted power for CA (2UL CA)	For Inter-band CA MAX (MU_{CC1} , MU_{CC2}) For intra-band contiguous CA Aggregated BW \leq 100M: same as 6.2.2 for sum of powers of all CCs Aggregated BW $>$ 100M: TBD For intra-band non-contiguous CA: TBD	MU_{CCx} is MU of each UL CC specified in single UL case 6.2.4.
6.2C.1 Configured transmitted power for SUL	Same as 6.2.4	
6.2C.3 UE maximum output power for SUL	Same as 6.2.1	
6.2C.4 UE maximum output power reduction for SUL	Same as 6.2.2	
6.2C.5 UE additional maximum output power reduction for SUL	Same as 6.2.3	
6.2D.1 UE maximum output power for UL MIMO	Same as 6.2.1 for the sum of power at each of UE antenna connector	MU is for the sum of power at each of UE antenna connector, and is the same as the MU of single antenna port in 6.2.1 with SNR assumption reduced by 3dB compared to the single antenna case.
6.2D.1_1 UE maximum output power for SUL with UL MIMO	Same as 6.2D.1	Same as 6.2D.1
6.2D.2 UE maximum output power reduction for UL MIMO	Same as 6.2.2 for the sum of power at each of UE antenna connector	MU is for the sum of power at each of UE antenna connector, and is the same as the MU of single antenna port in 6.2.2 with SNR assumption reduced by 3dB compared to the single antenna case.
6.2D.2_1 UE maximum output power reduction for SUL with UL MIMO	Same as 6.2.2 for the sum of power at each of UE antenna connector	MU is for the sum of power at each of UE antenna connector, and is the same as the MU of single antenna port in 6.2.2 with SNR assumption reduced by 3dB compared to the single antenna case.
6.2D.3 UE additional maximum output power reduction for UL MIMO	Same as 6.2.3 for the sum of power at each of UE antenna connector	MU is for the sum of power at each of UE antenna connector, and is the same as the MU of single antenna port in 6.2.3 with SNR assumption reduced by 3dB compared to the single antenna case.
6.2D.3_1 UE additional maximum output power reduction for SUL with UL MIMO	Same as 6.2.3 for the sum of power at each of UE antenna connector	MU is for the sum of power at each of UE antenna connector, and is the same as the MU of single antenna port in 6.2.3 with SNR assumption reduced by 3dB compared to the single antenna case.
6.2D.4 Configured transmitted power for UL MIMO	Same as 6.2.4 for the sum of power at each of UE antenna connector	MU is for the sum of power at each of UE antenna connector, and is the same as the MU of single antenna port in 6.2.4 with SNR assumption reduced by 3dB compared to the single antenna case.
6.2D.4_1 Configured transmitted power for SUL with UL MIMO	Same as 6.2D.4	Same as 6.2D.4
6.2E.1.2 UE maximum output power for V2X / concurrent operation	For Inter-band concurrent operation MAX (MU_{CC1} , MU_{CC2})	MU_{CCx} is MU of each UL CC specified in single UL case 6.2.1.

6.2E.2.1 UE maximum output power reduction for V2X / non-concurrent operation	Same as 6.2.2	
6.2E.2.1D UE maximum output power reduction for V2X / non-concurrent operation / SL-MIMO	Same as 6.2.2 for the sum of power at each of UE antenna connector	
6.2E.2.2 UE maximum output power reduction for V2X / concurrent operation	For Inter-band concurrent operation MAX (MU_{CC1} , MU_{CC2})	MU_{CCX} is MU of each UL CC specified in single UL case 6.2.2.
6.2E.3.1 UE additional maximum output power reduction for V2X / non-concurrent operation	Same as 6.2.3	
6.2E.3.1D UE additional maximum output power reduction for V2X / non-concurrent operation / SL-MIMO	Same as 6.2.3 for the sum of power at each of UE antenna connector	
6.2E.3.2 UE maximum output power reduction for V2X / concurrent operation	For Inter-band concurrent operation MAX (MU_{CC1} , MU_{CC2})	MU_{CCX} is MU of each UL CC specified in single UL case 6.2.3.
6.2E.4.1 Configured transmitted power for V2X / non-concurrent operation	Same as 6.2.4	
6.2E.4.1D Configured transmitted power for V2X / non-concurrent operation / SL-MIMO	Same as 6.2.4 for the sum of power at each of UE antenna connector	
6.2E.4.2 Configured transmitted power for V2X / concurrent operation	For Inter-band concurrent operation MAX (MU_{CC1} , MU_{CC2})	MU_{CCX} is MU of each UL CC specified in single UL case 6.2.4.
6.2F.1 UE maximum output power for shared spectrum channel access	4.2GHz < f ≤ 7.125GHz ±1.3 dB, BW ≤ 20MHz ±1.5 dB, 20MHz < BW ≤ 40MHz ±1.6 dB, 40MHz < BW ≤ 100MHz	
6.2F.2 UE maximum output power reduction for shared spectrum access	Same as 6.2F.1	
6.2F.3 UE additional maximum output power reduction for shared spectrum access	Same as 6.2F.1	
6.2F.4 Configured transmitted power for shared spectrum access	FFS	
6.2G.1 UE maximum output power for Tx Diversity	Same as 6.2.1 for the sum of power at each of UE antenna connector	MU is for the sum of power at each of UE antenna connector, and is the same as the MU of single antenna connector in 6.2.1 with SNR assumption reduced by 3dB compared to the single antenna case.
6.2G.2 UE maximum output power reduction for Tx Diversity	Same as 6.2.2 for the sum of power at each of UE antenna connector	MU is for the sum of power at each of UE antenna connector, and is the same as the MU of single antenna connector in 6.2.2 with SNR assumption reduced by 3dB compared to the single antenna case.

6.2G.3 UE additional maximum output power reduction for Tx Diversity	Same as 6.2.3 for the sum of power at each of UE antenna connector	MU is for the sum of power at each of UE antenna connector, and is the same as the MU of single antenna connector in 6.2.3 with SNR assumption reduced by 3dB compared to the single antenna case.
6.2G.4 Configured transmitted power for Tx Diversity	Same as 6.2.4 for the sum of power at each of UE antenna connector	MU is for the sum of power at each of UE antenna connector, and is the same as the MU of single antenna connector in 6.2.4 with SNR assumption reduced by 3dB compared to the single antenna case.
6.2H.1.1 UE maximum output power for intra-band UL contiguous CA with UL MIMO	Aggregated BW \leq 100M: same as 6.2.1 for sum of powers of all CCs and both antennas Aggregated BW $>$ 100M: TBD	
6.2H.1.2 UE maximum output power reduction for intra-band UL contiguous CA with UL MIMO	Aggregated BW \leq 100M: same as 6.2.2 for sum of powers of all CCs and both antennas Aggregated BW $>$ 100M: TBD	
6.2H.1.3 UE additional maximum output power reduction for intra-band UL contiguous CA with UL MIMO	Aggregated BW \leq 100M: same as 6.2.3 for sum of powers of all CCs and both antennas Aggregated BW $>$ 100M: TBD	
6.2H.1.4 Configured transmitted power for intra-band UL contiguous CA with UL MIMO	Aggregated BW \leq 100M: same as 6.2.4 for sum of powers of all CCs and both antennas Aggregated BW $>$ 100M: TBD	
6.2H.3.1 UE maximum output power for inter-band UL CA with UL MIMO	MAX (MU_{CC1} , MU_{CC2})	MU_{CCx} is MU of each UL CC For the component carrier configured with UL MIMO: Same as 6.2.1 for the sum of power at each of UE antenna connector For the other component carrier: Same as 6.2.1
6.2I.1 UE maximum output power for RedCap	Same as 6.2.1 for BW \leq 20MHz	
6.2J.1 UE maximum output power for ATG	FFS	FFS
6.2J.2 Configured transmitted power for ATG	FFS	FFS
6.2L.3.1 UE maximum output power for inter-band UL CA with Tx Diversity	MAX (MU_{CC1} , MU_{CC2})	MU_{CCx} is MU of each UL CC For the component carrier configured with Tx Diversity: Same as 6.2.1 for the sum of power at each of UE antenna connector For the other component carrier: Same as 6.2.1
6.3.1 Minimum output power	f \leq 3.0GHz ± 1.0 dB, BW \leq 40MHz ± 1.4 dB, 40MHz $<$ BW \leq 100MHz 3.0GHz $<$ f \leq 4.2GHz ± 1.3 dB, BW \leq 40MHz ± 1.6 dB, 40MHz $<$ BW \leq 100MHz 4.2GHz $<$ f \leq 6.0GHz ± 1.5 dB, BW \leq 40MHz ± 1.8 dB, 40MHz $<$ BW \leq 100MHz	

6.3.2 Transmit OFF power	<p>$f \leq 3.0\text{GHz}$ $\pm 1.5\text{ dB}$, $\text{BW} \leq 40\text{MHz}$ $\pm 1.7\text{ dB}$, $40\text{MHz} < \text{BW} \leq 100\text{MHz}$</p> <p>$3.0\text{GHz} < f \leq 4.2\text{GHz}$ $\pm 1.8\text{ dB}$, $\text{BW} \leq 40\text{MHz}$ $\pm 1.9\text{ dB}$, $40\text{MHz} < \text{BW} \leq 80\text{MHz}$ $\pm 2.2\text{ dB}$, $80\text{MHz} < \text{BW} \leq 100\text{MHz}$</p> <p>$4.2\text{GHz} < f \leq 6.0\text{GHz}$ $\pm 2.0\text{ dB}$, $\text{BW} \leq 20\text{MHz}$ $\pm 2.1\text{ dB}$, $20\text{MHz} < \text{BW} \leq 80\text{MHz}$ $\pm 2.2\text{ dB}$, $80\text{MHz} < \text{BW} \leq 100\text{MHz}$</p>	
6.3.3.2 General ON/OFF time mask	<p>$f \leq 3.0\text{GHz}$ $\pm 1.5\text{ dB}$, $\text{BW} \leq 40\text{MHz}$ $\pm 1.7\text{ dB}$, $40\text{MHz} < \text{BW} \leq 100\text{MHz}$</p> <p>$3.0\text{GHz} < f \leq 4.2\text{GHz}$ $\pm 1.8\text{ dB}$, $\text{BW} \leq 40\text{MHz}$ $\pm 1.9\text{ dB}$, $40\text{MHz} < \text{BW} \leq 80\text{MHz}$ $\pm 2.2\text{ dB}$, $80\text{MHz} < \text{BW} \leq 100\text{MHz}$</p> <p>$4.2\text{GHz} < f \leq 6.0\text{GHz}$ $\pm 2.0\text{ dB}$, $\text{BW} \leq 20\text{MHz}$ $\pm 2.1\text{ dB}$, $20\text{MHz} < \text{BW} \leq 80\text{MHz}$ $\pm 2.2\text{ dB}$, $80\text{MHz} < \text{BW} \leq 100\text{MHz}$</p>	
6.3.3.4 PRACH time mask	<p>$f \leq 3.0\text{GHz}$ $\pm 1.5\text{ dB}$, $\text{BW} \leq 40\text{MHz}$ $\pm 1.7\text{ dB}$, $40\text{MHz} < \text{BW} \leq 100\text{MHz}$</p> <p>$3.0\text{GHz} < f \leq 4.2\text{GHz}$ $\pm 1.8\text{ dB}$, $\text{BW} \leq 40\text{MHz}$ $\pm 1.9\text{ dB}$, $40\text{MHz} < \text{BW} \leq 80\text{MHz}$ $\pm 2.2\text{ dB}$, $80\text{MHz} < \text{BW} \leq 100\text{MHz}$</p> <p>$4.2\text{GHz} < f \leq 6.0\text{GHz}$ $\pm 2.0\text{ dB}$, $\text{BW} \leq 20\text{MHz}$ $\pm 2.1\text{ dB}$, $20\text{MHz} < \text{BW} \leq 80\text{MHz}$ $\pm 2.2\text{ dB}$, $80\text{MHz} < \text{BW} \leq 100\text{MHz}$</p>	
6.3.3.6 SRS time mask	<p>$f \leq 3.0\text{GHz}$ $\pm 1.5\text{ dB}$, $\text{BW} \leq 40\text{MHz}$ $\pm 1.7\text{ dB}$, $40\text{MHz} < \text{BW} \leq 100\text{MHz}$</p> <p>$3.0\text{GHz} < f \leq 4.2\text{GHz}$ $\pm 1.8\text{ dB}$, $\text{BW} \leq 40\text{MHz}$ $\pm 1.9\text{ dB}$, $40\text{MHz} < \text{BW} \leq 80\text{MHz}$ $\pm 2.2\text{ dB}$, $80\text{MHz} < \text{BW} \leq 100\text{MHz}$</p> <p>$4.2\text{GHz} < f \leq 6.0\text{GHz}$ $\pm 2.0\text{ dB}$, $\text{BW} \leq 20\text{MHz}$ $\pm 2.1\text{ dB}$, $20\text{MHz} < \text{BW} \leq 80\text{MHz}$ $\pm 2.2\text{ dB}$, $80\text{MHz} < \text{BW} \leq 100\text{MHz}$</p>	
6.3.4.2 Absolute power tolerance	<p>$f \leq 3.0\text{GHz}$ $\pm 1.0\text{ dB}$, $\text{BW} \leq 40\text{MHz}$ $\pm 1.6\text{ dB}$, $40\text{MHz} < \text{BW} \leq 100\text{MHz}$</p> <p>$3.0\text{GHz} < f \leq 4.2\text{GHz}$ $\pm 1.4\text{ dB}$, $\text{BW} \leq 40\text{MHz}$ $\pm 1.9\text{ dB}$, $40\text{MHz} < \text{BW} \leq 100\text{MHz}$</p> <p>$4.2\text{GHz} < f \leq 6.0\text{GHz}$ $\pm 2.0\text{ dB}$, $\text{BW} \leq 20\text{MHz}$ $\pm 2.1\text{ dB}$, $20\text{MHz} < \text{BW} \leq 40\text{MHz}$ $\pm 2.2\text{ dB}$, $80\text{MHz} < \text{BW} \leq 100\text{MHz}$</p>	Test System uncertainty = $\text{SQRT}(\text{UL Meas Uncer}^2 + \text{DL Meas Uncer}^2)$

6.3.4.3 Relative power tolerance	± 0.7 dB, $BW \leq 40$ MHz ± 1.0 dB, $40 \text{ MHz} < BW \leq 100$ MHz Absolute Uplink power measurement for step 2.1 same as 6.2.1. Absolute Uplink power measurement for step 1.1 same as 6.3.1.	
6.3.4.4 Aggregate power tolerance	± 0.7 dB, $BW \leq 40$ MHz ± 1.0 dB, $40 \text{ MHz} < f \leq 100$ MHz	
6.3A.1.1 Minimum output power for CA (2UL CA)	Same as 6.3.1 for each CC For intra-band contiguous UL CA: Aggregated BW ≤ 100 M: Same as 6.3.1 Aggregated BW > 100 M: TBD For intra-band non-contiguous CA: TBD	
6.3A.3.1 Transmit ON/OFF time mask for CA (2UL CA)	Same as 6.3.3.2 for each CC	
6.3A.3.2 Time mask for switching between two uplink carriers	Same as 6.3.3.2 for each CC	
6.3A.3.3 Time mask for switching between two uplink carriers with two transmit antenna connectors	Same as 6.3.3.2 for each CC	
6.3A.3.4 Time mask for switching between one uplink band with one transmit antenna connector and one uplink band with two transmit antenna connectors (3UL CA)	Same as inter-band uncertainty in 6.2A.2.1 for PCell and for sum of power at each of UE antenna connector on SCells.	
6.3A.3.5 Time mask for switching between two uplink bands with two transmit antenna connectors (3UL CA)	Same as inter-band uncertainty in 6.2A.2.1 and for sum of power at each of UE antenna connector on PCell and SCells.	
6.3A.3.6 Time mask for switching across three uplink bands	FFS	
6.3A.3.7 Time mask for switching across four uplink bands	FFS	
6.3A.4.1.1 Absolute power tolerance for CA (2UL CA)	Same as 6.3.4.2 for each CC	
6.3A.4.2.1 Power Control Relative power tolerance for CA (2UL CA)	Same as 6.3.4.3 for each CC	
6.3A.4.3.1 Aggregate power tolerance for CA (2UL CA)	Same as 6.3.4.4 for each CC	
6.3C.3.3 General transmit ON/OFF time mask for switching between two uplink carriers with two transmit antenna connectors	ON power: Same as 6.3.3.2 for sum of power at each of UE antenna connector on NUL and SUL.	
6.3C.3.4 General transmit ON/OFF time mask for switching between one uplink band with one transmit antenna connector and one uplink band with two transmit antenna connectors	ON power: Same as 6.3.3.2 for SUL carrier and for sum of power at each of UE antenna connector on NUL carriers	
6.3C.3.5 General transmit ON/OFF time mask for switching between two uplink bands with two transmit antenna connectors	ON power: Same as 6.3.3.2 for sum of power at each of UE antenna connector on NUL carriers and SUL carrier.	

6.3C.3.6 Time mask for switching across three uplink bands	FFS	
6.3D.1 Minimum output power for UL MIMO	Same as 6.3.1 for the sum of power at each of UE antenna connector	MU is for the sum of power at each of UE antenna connector, and is the same as the MU of single antenna port in 6.3.1 with SNR assumption reduced by 3dB compared to the single antenna case.
6.3D.1_1 Minimum output power for SUL with UL MIMO	Same as 6.3D.1	Same as 6.3D.1
6.3D.2 Transmit OFF power for UL MIMO	Same as 6.3.2 for each antenna	
6.3D.2_1 Transmit OFF power for SUL with UL MIMO	Same as 6.3D.2	
6.3D.3 Transmit ON/OFF time mask for UL MIMO	ON power: Same as 6.2D.1 OFF power: Same as 6.3D.2	
6.3D.3_1 Transmit ON/OFF time mask for SUL with UL MIMO	Same as 6.3D.3	
6.3D.4.1 Absolute Power tolerance	Same as 6.3.4.2 for the sum of power at each of UE antenna connector	MU is for the sum of power at each of UE antenna connector, and is the same as the MU of single antenna port in 6.3.4.2 with SNR assumption reduced by 3dB compared to the single antenna case.
6.3D.4.1_1 Absolute power tolerance for SUL with UL MIMO	Same as 6.3D.4.1	Same as 6.3D.4.1
6.3D.4.2 Relative Power tolerance	± 0.9 dB, $BW \leq 40$ MHz ± 1.4 dB, $40\text{MHz} < f \leq 100$ MHz Absolute Uplink power measurement for step 2.1 same as 6.2.1. Absolute Uplink power measurement for step 1.1 same as 6.3.1.	MU is for the sum of power at each of UE antenna connector
6.3D.4.2_1 Relative power tolerance for SUL with UL MIMO	Same as 6.3D.4.2	Same as 6.3D.4.2
6.3D.4.3 Aggregate Power tolerance	Same as 6.3.4.4 for the sum of power at each of UE antenna connector	MU is for the sum of power at each of UE antenna connector, and is the same as the MU of single antenna port in 6.3.4.4 with SNR assumption reduced by 3dB compared to the single antenna case.
6.3D.4.3_1 Aggregate power tolerance for SUL with UL MIMO	Same as 6.3D.4.3	Same as 6.3D.4.3
6.3E.1.1 Minimum output power for V2X / non-concurrent operation	Same as 6.3.1	
6.3E.1.1D Minimum output power for V2X / non-concurrent operation / SL-MIMO	Same as 6.3.1 for the sum of power at each of UE antenna connector	
6.3E.2.1 Transmit OFF power for V2X / non-concurrent operation	Same as 6.3.2	
6.3E.2.1D Transmit OFF power for V2X / non-concurrent operation / SL-MIMO	Same as 6.3.2 for the sum of power at each of UE antenna connector	

6.3E.3.1 Transmit ON/OFF time mask for V2X / non-concurrent operation	Same as 6.3.3.2	
6.3E.3.1D Transmit ON/OFF time mask for V2X / non-concurrent operation / SL-MIMO	Same as 6.3.3.2 for the sum of power at each of UE antenna connector	
6.3F.1 Minimum output power for shared spectrum channel access	4.2GHz < f ≤ 7.125GHz ±1.5 dB, BW ≤ 40MHz ±1.8 dB, 40MHz < BW ≤ 100MHz	
6.3F.2 Transmit OFF power for shared spectrum channel access	4.2GHz < f ≤ 7.125GHz ±2.0 dB, BW ≤ 20MHz ±2.1 dB, 20MHz < BW ≤ 80MHz ±2.2 dB, 80MHz < BW ≤ 100MHz	
6.3F.3.2 General ON/OFF time mask for shared spectrum channel access	4.2GHz < f ≤ 5.925GHz ±2.0 dB, BW ≤ 20MHz ±2.1 dB, 20MHz < BW ≤ 80MHz ±2.2 dB, 80MHz < BW ≤ 100MHz 5.925GHz < f ≤ 7.125GHz TBD	
6.3F.4.2 Absolute power tolerance for shared spectrum access	4.2GHz < f ≤ 7.125GHz ±2.0 dB, BW ≤ 20MHz ±2.1 dB, 20MHz < BW ≤ 40MHz ±2.2 dB, 80MHz < BW ≤ 100MHz	Test System uncertainty = SQRT (UL Meas Uncer ² + DL Meas Uncer ²)
6.3F.4.3 Relative power tolerance for shared spectrum channel access	Same as 6.3.4.3 for f ≤ 5.925GHz TBD for f > 5.925GHz	
6.3F.4.4 Aggregate power tolerance for shared spectrum channel access	Same as 6.3.4.4 for f ≤ 5.925GHz TBD for f > 5.925GHz	
6.3G.1 Minimum output power for Tx Diversity	Same as 6.3.1 for the sum of power at each of UE antenna connector	MU is for the sum of power at each of UE antenna connector, and is the same as the MU of single antenna port in 6.3.1 with SNR assumption reduced by 3dB compared to the single antenna case.
6.3G.2 Transmit OFF power for Tx Diversity	Same as 6.3.2 for each antenna	
6.3G.3.1 General ON/OFF time mask for Tx Diversity	ON power: Same as 6.2G.1 OFF power: Same as 6.3G.2	
6.3G.3.2 PRACH time mask for Tx Diversity	Same as 6.3.3.4 for each antenna	
6.3G.3.3 SRS time mask for Tx Diversity	Same as 6.3.3.6 for each antenna	
6.3G.4.1 Absolute power tolerance for Tx Diversity	Same as 6.3.4.2 for the sum of power at each of UE antenna connector	MU is for the sum of power at each of UE antenna connector, and is the same as the MU of single antenna port in 6.3.4.2 with SNR assumption reduced by 3dB compared to the single antenna case.
6.3G.4.2 Relative power tolerance for Tx Diversity	Same as 6.3.4.3 for the sum of power at each of UE antenna connector	MU is for the sum of power at each of UE antenna connector, and is the same as the MU of single antenna port in 6.3.4.3 with SNR assumption reduced by 3dB compared to the single antenna case.

6.3G.4.3 Aggregate power tolerance for Tx Diversity	Same as 6.3.4.4 for the sum of power at each of UE antenna connector	MU is for the sum of power at each of UE antenna connector, and is the same as the MU of single antenna port in 6.3.4.4 with SNR assumption reduced by 3dB compared to the single antenna case.
6.3H.1.1 Minimum output power for intra-band UL contiguous CA with UL MIMO	For each CC, same as 6.3.1 for the sum of power at each of UE antenna connector	
6.3H.1.2 Transmit OFF power for intra-band UL contiguous CA with UL MIMO	For each CC, same as 6.3.2 for each antenna	
6.3H.1.3 Transmit ON/OFF time mask for intra-band UL contiguous CA with UL MIMO	ON power: Same as 6.2H.1.2 OFF power: Same as 6.3H.1.2	
6.3J.1 Minimum output power for ATG	FFS	
6.3J.2 Transmit OFF power for ATG	FFS	
6.4.1 Frequency Error	± 15 Hz, $f \leq 3.0$ GHz ± 36 Hz, $f > 3.0$ GHz DL Signal level: ± 0.7 dB, $f \leq 3.0$ GHz ± 1.0 dB, 3.0 GHz $< f \leq 4.2$ GHz ± 1.5 dB, 4.2 GHz $< f \leq 6.0$ GHz	
6.4.2.1 Error Vector Magnitude	For up to 256QAM: $f \leq 6.0$ GHz, BW ≤ 100 MHz 15 dBm $< P_{UL}$ PUSCH, PUCCH, PRACH: ± 1.5 % -25 dBm $< P_{UL} \leq 15$ dBm PUSCH, PUCCH, PRACH: ± 2.5 % -40dBm $\leq P_{UL} \leq -25$ dBm PUSCH, PUCCH, PRACH: ± 3.0 % Absolute Uplink power measurement same as 6.3.1. Relative Uplink power measurement same as 6.3.4.3.	
6.4.2.1a Error Vector Magnitude including symbols with transient period	± 2.28 % Absolute Uplink power measurement same as 6.3.1. Relative Uplink power measurement same as 6.3.4.3.	
6.4.2.2 Carrier Leakage	$f \leq 3.0$ GHz ± 0.8 dB, BW ≤ 40 MHz ± 1.5 dB, 40 MHz $< BW \leq 100$ MHz 3.0GHz $< f \leq 4.2$ GHz ± 0.8 dB, BW ≤ 40 MHz ± 1.6 dB, 40 MHz $< BW \leq 100$ MHz 4.2GHz $< f \leq 6.0$ GHz ± 1.0 dB, BW ≤ 40 MHz ± 1.6 dB, 40 MHz $< BW \leq 100$ MHz Absolute Uplink power measurement for step 2 and step 4 same as 6.2.1. Absolute Uplink power measurement for step 6 and step 8 same as 6.3.1. Relative Uplink power measurement same as 6.3.4.3.	

6.4.2.3 In-band emissions	<p>$f \leq 3.0\text{GHz}$ $\pm 0.8\text{ dB}$, $\text{BW} \leq 40\text{MHz}$ $\pm 1.5\text{ dB}$, $40\text{MHz} < \text{BW} \leq 100\text{MHz}$</p> <p>$3.0\text{GHz} < f \leq 4.2\text{GHz}$ $\pm 0.8\text{ dB}$, $\text{BW} \leq 40\text{MHz}$ $\pm 1.6\text{ dB}$, $40\text{MHz} < \text{BW} \leq 100\text{MHz}$</p> <p>$4.2\text{GHz} < f \leq 6.0\text{GHz}$ $\pm 1.0\text{ dB}$, $\text{BW} \leq 40\text{MHz}$ $\pm 1.6\text{ dB}$, $40\text{MHz} < \text{BW} \leq 100\text{MHz}$</p> <p>Absolute Uplink power measurement for steps 1.2, 1.4, 2.2, and 2.4 same as 6.2.1. Absolute Uplink power measurement for steps 1.6, 1.8, 2.6, and 2.8 same as 6.3.1. Relative Uplink power measurement same as 6.3.4.3.</p>	
6.4.2.4 EVM equalizer spectrum flatness	$\pm 1.4\text{ dB}$, $\text{BW} \leq 40\text{MHz}$ $\pm 1.6\text{ dB}$, $40\text{MHz} < \text{BW} \leq 100\text{MHz}$	
6.4.2.5 EVM equalizer spectrum flatness for Pi/2 BPSK	Same as 6.4.2.4	
6.4A.1.1 Frequency error for CA (2UL CA)	For inter-band CA: same as 6.4.1 for each CC For intra-band contiguous UL CA: Aggregated BW $\leq 100\text{M}$: Same as 6.4.1 for each CC Aggregated BW $> 100\text{M}$: TBD For intra-band non-contiguous CA: TBD	
6.4A.2.1.1 Error Vector Magnitude for CA (2UL CA)	For inter-band CA: same as 6.4.2.1 for each CC For intra-band contiguous UL CA: Aggregated BW $\leq 100\text{M}$: Same as 6.4.2.1 for each CC Aggregated BW $> 100\text{M}$: TBD For intra-band non-contiguous CA: TBD Absolute Uplink power measurement same as 6.3A.1.1. Relative Uplink power measurement same as 6.3.4.3.	
6.4A.2.2.1 Carrier leakage for CA (2UL CA)	For inter-band CA: same as 6.4.2.2 for each CC For intra-band contiguous UL CA: Aggregated BW $\leq 100\text{M}$: Same as 6.4.2.2 for each CC Aggregated BW $> 100\text{M}$: TBD For intra-band non-contiguous CA: TBD Uplink power measurement for step 5 and step 7 same as 6.2A.1.1. Absolute Uplink power measurement for step 9 and step 11 same as 6.3A.1.1. Relative Uplink power measurement same as 6.3.4.3.	
6.4A.2.3.1 In-band emission for CA (2UL CA)	For inter-band CA: same as 6.4.2.3 for each CC For intra-band contiguous UL CA: Aggregated BW $\leq 100\text{M}$: Same as 6.4.2.3 for each CC Aggregated BW $> 100\text{M}$: TBD For intra-band non-contiguous CA: TBD Absolute Uplink power measurement for step 5 and step 7 same as 6.2A.1.1. Absolute Uplink power measurement for step 9 and step 11 same as 6.3A.1.1. Relative Uplink power measurement same as 6.3.4.3.	
6.4C.1 Frequency error for SUL	Same as 6.4.1	
6.4C.2.1 Error Vector Magnitude for SUL	Same as 6.4.2.1	
6.4C.2.2 Carrier leakage for SUL	Same as 6.4.2.2	
6.4C.2.3 In-band emissions for SUL	Same as 6.4.2.3	
6.4C.2.4 EVM equalizer spectrum flatness for SUL	Same as 6.4.2.4	
6.4D.1 Frequency error for UL MIMO	Same as 6.4.1 for each antenna	

6.4D.1_1 Frequency error for SUL with UL MIMO	Same as 6.4D.1	
6.4D.2.1 Error Vector Magnitude for UL MIMO	Same as 6.4.2.1 for each antenna Absolute Uplink power measurement same as 6.3D.1. Relative Uplink power measurement same as 6.3.4.3.	
6.4D.2.1_1 Error Vector Magnitude for SUL with UL MIMO	Same as 6.4D.2.1	
6.4D.2.2 Carrier leakage for UL MIMO	Same as 6.4.2.2 for each antenna Absolute Uplink power measurement for step 2 and step 4 same as 6.2D.1. Absolute Uplink power measurement for step 6 and step 8 same as 6.3D.1. Relative Uplink power measurement same as 6.3.4.3.	
6.4D.2.2_1 Carrier leakage for SUL with UL MIMO	Same as 6.4D.2.2	
6.4D.2.3 In-band emissions for UL MIMO	Same as 6.4.2.3 for each antenna Absolute Uplink power measurement for steps 1.2 and 1.4 same as 6.2D.1. Absolute Uplink power measurement for steps 1.6 and 1.8 same as 6.3D.1. Relative Uplink power measurement same as 6.3.4.3.	
6.4D.2.3_1 In-band emissions for SUL with UL MIMO	Same as 6.4D.2.3	
6.4D.2.4 EVM equalizer spectrum flatness for UL MIMO	Same as 6.4.2.4 for each antenna	
6.4D.2.4_1 EVM equalizer spectrum flatness for SUL with UL MIMO	Same as 6.4.2.4 for each antenna	
6.4D.3 Time alignment error for UL MIMO	±25ns	
6.4D.3_1 Time alignment error for SUL with UL MIMO	±25ns	
6.4D.4 Requirements for Coherent UL MIMO	FFS	
6.4F.1 Frequency Error for shared spectrum access	±36 Hz, $f > 3.0\text{GHz}$ DL Signal level: ±1.5 dB, $4.2\text{GHz} < f \leq 7.125\text{GHz}$	
6.4F.2.1 Error Vector Magnitude for shared spectrum access	Same as 6.4.2.1 for $f \leq 5.925\text{GHz}$ TBD for $f > 5.925\text{GHz}$	
6.4F.2.2 Carrier Leakage	$f \leq 3.0\text{GHz}$ ±0.8 dB, $\text{BW} \leq 40\text{MHz}$ ±1.5 dB, $40\text{MHz} < \text{BW} \leq 100\text{MHz}$ $3.0\text{GHz} < f \leq 4.2\text{GHz}$ ±0.8 dB, $\text{BW} \leq 40\text{MHz}$ ±1.6 dB, $40\text{MHz} < \text{BW} \leq 100\text{MHz}$ $4.2\text{GHz} < f \leq 7.125\text{GHz}$ ±1.0 dB, $\text{BW} \leq 40\text{MHz}$ ±1.6 dB, $40\text{MHz} < \text{BW} \leq 100\text{MHz}$ Absolute Uplink power measurement for step 2 and step 4 same as 6.2.1. Absolute Uplink power measurement for step 6 and step 8 same as 6.3.1. Relative Uplink power measurement same as 6.3.4.3.	

6.4F.2.3 In-band emissions	<p>$f \leq 3.0\text{GHz}$ $\pm 0.8\text{ dB}$, $\text{BW} \leq 40\text{MHz}$ $\pm 1.5\text{ dB}$, $40\text{MHz} < \text{BW} \leq 100\text{MHz}$</p> <p>$3.0\text{GHz} < f \leq 4.2\text{GHz}$ $\pm 0.8\text{ dB}$, $\text{BW} \leq 40\text{MHz}$ $\pm 1.6\text{ dB}$, $40\text{MHz} < \text{BW} \leq 100\text{MHz}$</p> <p>$4.2\text{GHz} < f \leq 7.125\text{GHz}$ $\pm 1.0\text{ dB}$, $\text{BW} \leq 40\text{MHz}$ $\pm 1.6\text{ dB}$, $40\text{MHz} < \text{BW} \leq 100\text{MHz}$</p> <p>Absolute Uplink power measurement for steps 1.2, 1.4, 2.2, and 2.4 same as 6.2.1. Absolute Uplink power measurement for steps 1.6, 1.8, 2.6, and 2.8 same as 6.3.1. Relative Uplink power measurement same as 6.3.4.3.</p>	
6.4F.2.4 EVM equalizer spectrum flatness	$\pm 1.4\text{ dB}$, $\text{BW} \leq 40\text{MHz}$ $\pm 1.6\text{ dB}$, $40\text{MHz} < \text{BW} \leq 100\text{MHz}$	
6.4G.1 Frequency Error for Tx Diversity	Same as 6.4.1 for each antenna	
6.4G.2.1 Error Vector Magnitude for Tx Diversity	<p>Total EVM: $P_1 > P_{\text{min}}$ and $P_2 > P_{\text{min}}$: Same as 6.4.2.1 using $\min(P_1, P_2)$ for P_{UL} Otherwise: Same as 6.4.2.1 using $\max(P_1, P_2)$ for P_{UL}</p> <p>Uplink power measurement per antenna port when computing total EVM at power close to maximum output power: -Same as 6.2.1.</p> <p>Uplink power measurement per antenna port when computing total EVM at power close to minimum output power: -Same as 6.3.1.</p> <p>Relative Uplink power measurement: -Same as 6.3.4.3</p>	
6.4G.2.2 Carrier Leakage for Tx Diversity	<p>Same as 6.4.2.2 for each antenna</p> <p>Absolute Uplink power measurement for step 2 and step 4 same as 6.2G.1. Absolute Uplink power measurement for step 6 and step 8 same as 6.3G.1. Relative Uplink power measurement same as 6.3G.4.3.</p>	
6.4G.2.3 In-band emissions for Tx Diversity	<p>Same as 6.4.2.3 for each antenna</p> <p>Absolute Uplink power measurement for steps 1.2 and 1.4 same as 6.2G.1. Absolute Uplink power measurement for steps 1.6 and 1.8 same as 6.3G.1. Relative Uplink power measurement same as 6.3G.4.3.</p>	
6.4G.2.4 EVM equalizer spectrum flatness for Tx Diversity	$\pm 1.4\text{ dB}$, $\text{BW} \leq 40\text{MHz}$ $\pm 1.6\text{ dB}$, $40\text{MHz} < \text{BW} \leq 100\text{MHz}$	
6.4H.1.1 Frequency error for intra-band UL contiguous CA with UL MIMO	<p>Aggregated BW $\leq 100\text{M}$: Same as 6.4.1 for each antenna on each CC Aggregated BW $> 100\text{M}$: TBD</p>	
6.4H.1.2.1 Error Vector Magnitude for intra-band UL contiguous CA with UL MIMO	<p>Aggregated BW $\leq 100\text{M}$: Same as 6.4D.2.1 for each layer on each CC Aggregated BW $> 100\text{M}$: TBD</p>	

6.4H.1.2.2 Carrier leakage for intra-band UL contiguous CA with UL MIMO	Aggregated BW \leq 100M: Same as 6.4.2.2 for each antenna on each CC Aggregated BW $>$ 100M: TBD Uplink power measurement for step 5 and step 7 same as 6.2A.1.1. Absolute Uplink power measurement for step 9 and step 11 same as 6.3A.1.1. Relative Uplink power measurement same as 6.3.4.3.	
6.4H.1.2.3 In-band emissions for intra-band UL contiguous CA with UL MIMO	Aggregated BW \leq 100M: Same as 6.4.2.3 for each antenna on each CC Aggregated BW $>$ 100M: TBD Absolute Uplink power measurement for step 5 and step 7 same as 6.2A.1.1. Absolute Uplink power measurement for step 9 and step 11 same as 6.3A.1.1. Relative Uplink power measurement same as 6.3.4.3.	
6.4H.1.3 Time alignment error for intra-band UL contiguous CA with UL MIMO	Same as 6.4D.3 for each CC	
6.4H.1.4 Coherent UL MIMO for intra-band UL contiguous CA with UL MIMO	FFS	
6.5.1 Occupied bandwidth	1.5% of channel bandwidth	
6.5.2.2 Spectrum Emission Mask	± 1.5 dB, $f \leq 3.0$ GHz ± 1.8 dB, 3.0 GHz $< f \leq 4.2$ GHz ± 2.0 dB, 4.2 GHz $< f \leq 6.0$ GHz	
6.5.2.3 Additional spectrum emission mask	± 1.5 dB, $f \leq 3.0$ GHz ± 1.8 dB, 3.0 GHz $< f \leq 4.2$ GHz ± 2.0 dB, 4.2 GHz $< f \leq 6.0$ GHz	
6.5.2.4.1 NR ACLR	± 0.8 dB, $f \leq 4.0$ GHz ± 1.0 dB, 4.0 GHz $< f \leq 6.0$ GHz	
6.5.2.4.2 UTRA ACLR	± 0.8 dB, $f \leq 4.0$ GHz ± 1.0 dB, 4.0 GHz $< f \leq 6.0$ GHz	
6.5.3.1 General spurious emissions	for results $>$ -60 dBm: ± 2.0 dB, 9 kHz $< f \leq 3$ GHz ± 2.5 dB, 3 GHz $< f \leq 4$ GHz ± 4.0 dB, 4 GHz $< f \leq 19$ GHz ± 6.0 dB, 19 GHz $< f \leq 26$ GHz	
6.5.3.2 Spurious emission for UE co-existence	for results $>$ -60 dBm: ± 2.0 dB, 9 kHz $< f \leq 3$ GHz ± 2.5 dB, 3 GHz $< f \leq 4$ GHz ± 4.0 dB, 4 GHz $< f \leq 19$ GHz ± 6.0 dB, 19 GHz $< f \leq 26$ GHz	
6.5.3.3 Additional spurious emissions	for results $>$ -60 dBm: ± 2.0 dB, 9 kHz $< f \leq 3$ GHz ± 2.5 dB, 3 GHz $< f \leq 4$ GHz ± 4.0 dB, 4 GHz $< f \leq 19$ GHz ± 6.0 dB, 19 GHz $< f \leq 26$ GHz	

6.5.4 Transmit intermodulation	<p>$f \leq 3.0\text{GHz}$ $\pm 2.7\text{ dB}$, $\text{BW} \leq 40\text{MHz}$ $\pm 3.1\text{ dB}$, $40\text{MHz} < \text{BW} \leq 100\text{MHz}$</p> <p>$3.0\text{GHz} < f \leq 4.2\text{GHz}$ $\pm 3.7\text{ dB}$, $\text{BW} \leq 40\text{MHz}$ $\pm 4.0\text{ dB}$, $40\text{MHz} < \text{BW} \leq 100\text{MHz}$</p> <p>$4.2\text{GHz} < f \leq 6.0\text{GHz}$ $\pm 5.1\text{ dB}$, $\text{BW} \leq 40\text{MHz}$ $\pm 5.3\text{ dB}$, $40\text{MHz} < \text{BW} \leq 100\text{MHz}$</p>	<p>Overall system uncertainty comprises four quantities:</p> <ol style="list-style-type: none"> 1. Wanted signal setting error 2. CW Interferer level error 3. Wanted signal meas. error 4. Intermodulation product measurement error <p>The relative level of the wanted signal and the CW interferer has 2 x effect on the intermodulation product.</p> <p>Items 1, 2, 3 and 4 are assumed to be uncorrelated so can be root sum squared to provide the combined effect.</p> <p>Test System uncertainty = $\text{SQRT} [(2 \times \text{SQRT} (\text{Wanted_setting_error}^2 + \text{CW_level_error}^2))^2 + \text{Wanted_level_meas_error}^2 + \text{Intermodulation_product_measurement_error}^2]$</p>
6.5A.1.1 Occupied bandwidth for CA (2UL CA)	<p>For inter-band CA: same as 6.5.1 for each CC</p> <p>For intra-band CA: Aggregated BW $\leq 100\text{M}$: same as 6.5.1 for aggregated channel bandwidth Aggregated BW $> 100\text{M}$: TBD</p>	
6.5A.2.2.1 Spectrum emission mask for CA (2UL CA)	<p>For inter-band CA: same as 6.5.2.2 for each CC</p> <p>For intra-band contiguous CA Aggregated BW $\leq 100\text{M}$: same as 6.5.2.2 Aggregated BW $> 100\text{M}$: TBD</p>	
6.5A.2.3.1 Additional Spectrum emission mask for CA (2UL CA)	<p>For intra-band contiguous CA Aggregated BW $\leq 100\text{M}$: same as 6.5.2.3 Aggregated BW $> 100\text{M}$: TBD</p>	
6.5A.2.4.1.1 NR ACLR for CA (2UL CA)	<p>For inter-band CA: same as 6.5.2.4.1 for each CC</p> <p>For intra-band contiguous CA Aggregated BW $\leq 100\text{M}$: same as 6.5.2.4.1 Aggregated BW $> 100\text{M}$: TBD</p>	
6.5A.2.4.2.1 URTA ACLR for CA (2UL CA)	<p>For inter-band CA: same as 6.5.2.4.2 for each CC</p>	
6.5A.3.1.1 General spurious emissions for CA (2UL CA)	<p>For inter-band CA: same as 6.5.3.1 for each CC</p> <p>For intra-band contiguous CA Aggregated BW $\leq 100\text{M}$: same as 6.5.3.1 Aggregated BW $> 100\text{M}$: TBD</p>	
6.5A.3.2.1 Spurious emission for UE co-existence for CA (2UL CA)	<p>For inter-band CA: same as 6.5.3.2 for each CC</p> <p>For intra-band contiguous CA Aggregated BW $\leq 100\text{M}$: same as 6.5.3.2 Aggregated BW $> 100\text{M}$: TBD</p>	
6.5A.3.3.1 Additional Spurious emission for CA (2UL CA)	<p>For intra-band contiguous CA Aggregated BW $\leq 100\text{M}$: same as 6.5.3.2 Aggregated BW $> 100\text{M}$: TBD</p>	
6.5A.4.1 Transmit intermodulation for CA (2UL CA)	<p>For inter-band CA: same as 6.5.4, for each CC</p> <p>For intra-band contiguous UL CA: Aggregated BW $\leq 100\text{M}$: same as 6.5.4, for each CC Aggregated BW $> 100\text{M}$: TBD For intra-band non-contiguous CA: TBD</p>	
6.5C.1 Occupied bandwidth for SUL	Same as 6.5.1	
6.5C.2.2 Spectrum Emission Mask for SUL	Same as 6.5.2.2	
6.5C.2.3 Additional spectrum emission mask for SUL	Same as 6.5.2.3	
6.5C.2.4.1 NR ACLR for SUL	Same 6.5.2.4.1	
6.5C.2.4.2 UTRA ACLR for SUL	Same as 6.5.2.4.2	
6.5C.3.1 General spurious emissions for SUL	Same as 6.5.3.1	

6.5C.3.2 Spurious emission for UE co-existence for SUL	Same as 6.5.3.2	
6.5C.3.3 Additional spurious emissions for SUL	Same as 6.5.3.3	
6.5C.4 Transmit intermodulation for SUL	Same as 6.5.4	
6.5D.1 Occupied bandwidth for UL MIMO	Same as 6.5.1 for the sum of power at each of UE antenna connector	MU is for the sum of power at each of UE antenna connector, and is the same as the MU of single antenna port in 6.5.1 with SNR assumption reduced by 3dB compared to the single antenna case.
6.5D.1_2 Occupied bandwidth for SUL with UL MIMO	Same as 6.5D.1	
6.5D.2.2 Spectrum emission mask for UL MIMO	Same as 6.5.2.2 for the sum of power at each of UE antenna connector	MU is for the sum of power at each of UE antenna connector, and is the same as the MU of single antenna port in 6.5.2.2 with SNR assumption reduced by 3dB compared to the single antenna case.
6.5D.2.2_1 Spectrum emission mask for SUL with UL MIMO	Same as 6.5D.2.2	
6.5D.2.3 Additional spectrum emission mask for UL MIMO	Same as 6.5.2.3 for the sum of power at each of UE antenna connector	MU is for the sum of power at each of UE antenna connector, and is the same as the MU of single antenna port in 6.5.2.2 with SNR assumption reduced by 3dB compared to the single antenna case.
6.5D.2.4.1 NR ACLR for UL MIMO	Same as 6.5.2.4.1 for the sum of power at each of UE antenna connector	MU is for the sum of power at each of UE antenna connector, and is the same as the MU of single antenna port in 6.5.2.4.1 with SNR assumption reduced by 3dB compared to the single antenna case.
6.5D.2.4.1_1 NR ACLR for SUL with UL MIMO	Same as 6.5.2.4.1 for the sum of power at each of UE antenna connector	MU is for the sum of power at each of UE antenna connector, and is the same as the MU of single antenna port in 6.5.2.4.1 with SNR assumption reduced by 3dB compared to the single antenna case.
6.5D.2.4.2 UTRA ACLR for UL MIMO	Same as 6.5.2.4.2 for the sum of power at each of UE antenna connector	MU is for the sum of power at each of UE antenna connector, and is the same as the MU of single antenna port in 6.5.2.4.2 with SNR assumption reduced by 3dB compared to the single antenna case.
6.5D.2.4.2_1 UTRA ACLR for SUL with UL MIMO	Same as 6.5.2.4.2 for the sum of power at each of UE antenna connector	MU is for the sum of power at each of UE antenna connector, and is the same as the MU of single antenna port in 6.5.2.4.2 with SNR assumption reduced by 3dB compared to the single antenna case.
6.5D.3.1 General spurious emissions for UL MIMO	Same as 6.5.3.1 for each antenna	
6.5D.3.2 Spurious emissions for UE co-existence for UL MIMO	Same as 6.5.3.2 for each antenna	
6.5D.3.3 Additional spurious emissions for UL MIMO	Same as 6.5.3.3 for each antenna	

6.5D.3_1.1 General spurious emissions for UL MIMO (Rel-16 onward)	Same as 6.5.3.1 for the sum of power at each of UE antenna connector	MU is for the sum of power at each of UE antenna connector, and is the same as the MU of single antenna port in 6.5.3.1 with SNR assumption reduced by 3dB compared to the single antenna case.
6.5D.3_1.2 Spurious emissions for UE co-existence for UL MIMO (Rel-16 onward)	Same as 6.5.3.2 for the sum of power at each of UE antenna connector	MU is for the sum of power at each of UE antenna connector, and is the same as the MU of single antenna port in 6.5.3.2 with SNR assumption reduced by 3dB compared to the single antenna case.
6.5D.3_1.3 Additional spurious emissions for UL MIMO (Rel-16 onward)	Same as 6.5.3.3 for the sum of power at each of UE antenna connector	MU is for the sum of power at each of UE antenna connector, and is the same as the MU of single antenna port in 6.5.3.3 with SNR assumption reduced by 3dB compared to the single antenna case.
6.5D.3_2.1 General spurious emissions for SUL with UL MIMO	Same as 6.5.3.1 for the sum of power at each of UE antenna connector	MU is for the sum of power at each of UE antenna connector, and is the same as the MU of single antenna port in 6.5.3.1 with SNR assumption reduced by 3dB compared to the single antenna case.
6.5D.3_2.2 Spurious emissions for UE co-existence for SUL with UL MIMO	Same as 6.5.3.2 for the sum of power at each of UE antenna connector	MU is for the sum of power at each of UE antenna connector, and is the same as the MU of single antenna port in 6.5.3.2 with SNR assumption reduced by 3dB compared to the single antenna case.
6.5D.3_2.3 Additional spurious emissions for SUL with UL MIMO	Same as 6.5.3.3 for the sum of power at each of UE antenna connector	MU is for the sum of power at each of UE antenna connector, and is the same as the MU of single antenna port in 6.5.3.3 with SNR assumption reduced by 3dB compared to the single antenna case.
6.5D.4 Transmit intermodulation for UL MIMO	Same as 6.5.4 for each antenna	
6.5D.4_1 Transmit intermodulation for SUL with UL MIMO	Same as 6.5.4 for each antenna	
6.5F.1 Occupied bandwidth for shared spectrum channel access	Same as 6.5.1 for $f \leq 5.925\text{GHz}$ TBD for $f > 5.925\text{GHz}$	
6.5F.2.2 Spectrum emission mask for operation with shared spectrum channel access	$\pm 1.5\text{ dB}$, $f \leq 3.0\text{GHz}$ $\pm 1.8\text{ dB}$, $3.0\text{GHz} < f \leq 4.2\text{GHz}$ $\pm 2.0\text{ dB}$, $4.2\text{GHz} < f \leq 7.125\text{GHz}$	
6.5F.2.4.1 NR ACLR	$\pm 0.8\text{ dB}$, $f \leq 4.0\text{GHz}$ $\pm 1.0\text{ dB}$, $4.0\text{GHz} < f \leq 7.125\text{GHz}$	
6.5F.2.4.2 Shared spectrum channel access ACLR with additional requirement for NS_29	$\pm 0.8\text{ dB}$, $f \leq 4.0\text{GHz}$ $\pm 1.0\text{ dB}$, $4.0\text{GHz} < f \leq 7.125\text{GHz}$	
6.5F.3.1 General spurious emissions	Same as in 6.5.3.1	
6.5F.4 Transmit intermodulation for shared spectrum channel access	Same as 6.5.4 for each antenna with exception: $4.2\text{GHz} < f \leq 7.125\text{GHz}$ $\pm 5.1\text{ dB}$, $\text{BW} \leq 40\text{MHz}$ $\pm 5.3\text{ dB}$, $40\text{MHz} < \text{BW} \leq 100\text{MHz}$	

6.5G.1 Occupied bandwidth for Tx Diversity	Same as 6.5.1 for the sum of power at each of UE antenna connector	MU is for the sum of power at each of UE antenna connector, and is the same as the MU of single antenna connector in 6.5.1 with SNR assumption reduced by 3dB compared to the single antenna case.
6.5G.2.1 Spectrum emission mask for Tx Diversity	Same as 6.5.2.2 for the sum of power at each of UE antenna connector	MU is for the sum of power at each of UE antenna connector, and is the same as the MU of single antenna connector in 6.5.2.2 with SNR assumption reduced by 3dB compared to the single antenna case.
6.5G.2.2 Additional spectrum emission mask for Tx Diversity	Same as 6.5.2.3 for the sum of power at each of UE antenna connector	MU is for the sum of power at each of UE antenna connector, and is the same as the MU of single antenna connector in 6.5.2.3 with SNR assumption reduced by 3dB compared to the single antenna case.
6.5G.2.3.1 NR ACLR for Tx Diversity	Same as 6.5.2.4.1 for the sum of power at each of UE antenna connector	MU is for the sum of power at each of UE antenna connector, and is the same as the MU of single antenna connector in 6.5.2.4.2 with SNR assumption reduced by 3dB compared to the single antenna case.
6.5G.2.3.2 UTRA ACLR for Tx Diversity	Same as 6.5.2.4.2 for the sum of power at each of UE antenna connector	MU is for the sum of power at each of UE antenna connector, and is the same as the MU of single antenna connector in 6.5.2.4.2 with SNR assumption reduced by 3dB compared to the single antenna case.
6.5G.3.1 General spurious emissions for Tx Diversity	Same as 6.5.3.1 for the sum of power at each of UE antenna connector	MU is for the sum of power at each of UE antenna connector, and is the same as the MU of single antenna connector in 6.5.3.1 with SNR assumption reduced by 3dB compared to the single antenna case.
6.5G.3.2 Spurious emissions for UE co-existence for Tx Diversity	Same as 6.5.3.2 for the sum of power at each of UE antenna connector	MU is for the sum of power at each of UE antenna connector, and is the same as the MU of single antenna connector in 6.5.3.2 with SNR assumption reduced by 3dB compared to the single antenna case.
6.5G.3.3 Additional spurious emissions for Tx Diversity	Same as 6.5.3.3 for the sum of power at each of UE antenna connector	MU is for the sum of power at each of UE antenna connector, and is the same as the MU of single antenna connector in 6.5.3.3 with SNR assumption reduced by 3dB compared to the single antenna case.
6.5G.4 Transmit intermodulation for Tx Diversity	Same as 6.5.4 for each antenna	
6.5H.1.1 Occupied bandwidth for intra-band UL contiguous CA for UL MIMO	Aggregated BW \leq 100M: same as 6.5.1 for the sum of power at each UE antenna connector on aggregated channel bandwidth Aggregated BW $>$ 100M: TBD	
6.5H.1.2.1 Spectrum emission mask for intra-band UL contiguous CA for UL MIMO	Aggregated BW \leq 100M: same as 6.5.2.2 for sum of powers of all CCs and both antennas Aggregated BW $>$ 100M: TBD	

6.5H.1.2.2 Additional spectrum emission mask for intra-band UL contiguous CA for UL MIMO	For intra-band contiguous CA Aggregated BW \leq 100M: same as 6.5.2.3 for sum of power at each UE antenna connector Aggregated BW $>$ 100M: TBD	
6.5H.1.2.3 NR ACLR for intra-band UL contiguous CA for UL MIMO	Aggregated BW \leq 100M: same as 6.5.2.4.1 for sum of powers of all CCs and both antennas Aggregated BW $>$ 100M: TBD	
6.5H.1.3.1 General spurious emissions for intra-band UL contiguous CA for UL MIMO	Aggregated BW \leq 100M: same as 6.5.3.1 for sum of powers of all CCs and both antennas Aggregated BW $>$ 100M: TBD	
6.5H.1.3.2 Spurious emissions for UE co-existence for intra-band UL contiguous CA for UL MIMO	Aggregated BW \leq 100M: same as 6.5.3.2 for sum of powers of all CCs and both antennas Aggregated BW $>$ 100M: TBD	
6.5H.1.3.3 Additional spurious emissions for intra-band UL contiguous CA for UL MIMO	Aggregated BW \leq 100M: same as 6.5.3.3 for sum of powers of all CCs and both antennas Aggregated BW $>$ 100M: TBD	
6.5H.1.4 Transmit intermodulation for intra-band UL contiguous CA for UL MIMO	Aggregated BW \leq 100M: same as 6.5.4, for each antenna on each CC Aggregated BW $>$ 100M: TBD	
6.5J.1 Occupied bandwidth for ATG	FFS	FFS
6.5J.3.1 General spurious emissions for ATG	FFS	

F.1.3 Measurement of receiver

- MU and TT for $>$ 6GHz (band n96) are working assumption based on analysis of single TE vendor. Values will be revisited once analysis from other TE vendors is available.

Table F.1.3-1: Maximum Test System Uncertainty for receiver tests

Subclause	Maximum Test System Uncertainty	Derivation of Test System Uncertainty
7.3.2 Reference sensitivity power level	± 0.7 dB, $f \leq 3.0$ GHz ± 1.0 dB, 3.0 GHz $<$ $f \leq 4.2$ GHz ± 1.5 dB, 4.2 GHz $<$ $f \leq 6$ GHz	
7.3A Reference sensitivity for CA (Same MU apply to all subsections including 7.3A.1, 7.3A.1_1, 7.3A.2, 7.3A.3, 7.3A.4, etc.)	Same as 7.3.2 for each component carrier	
7.3C.2 Reference sensitivity power level	Same as 7.3.2	
7.3D Reference sensitivity for MIMO	Same as 7.3.2	
7.3D.2_1 Reference sensitivity power level for SUL with UL MIMO	Same as 7.3D	
7.3F.2 Reference sensitivity power level	± 0.7 dB, $f \leq 3.0$ GHz ± 1.0 dB, 3.0 GHz $<$ $f \leq 4.2$ GHz ± 1.5 dB, 4.2 GHz $<$ $f \leq 7.125$ GHz	
7.3I.2 Reference sensitivity power level for RedCap	Same as 7.3.2	
7.4 Maximum input level	Downlink power ± 0.7 dB, $f \leq 3.0$ GHz ± 1.0 dB, 3.0 GHz $<$ $f \leq 4.2$ GHz ± 1.5 dB, 4.2 GHz $<$ $f \leq 6$ GHz Uplink power measurement same as 6.2.1	

7.4A Maximum input level for CA (Same MU apply to all subsections including 7.4A.1, 7.4A.2, 7.4A.3, 7.4A.4, etc.)	Same as 7.4 for each component carrier	
7.4D Maximum input level for UL MIMO	Downlink power same as 7.4 Uplink power measurement same as 6.2D.1	The overall UL power is the linear sum of the output powers over all Tx antenna connectors
7.4D_1 Maximum input level for SUL with UL MIMO	Downlink power same as 7.4D Uplink power measurement same as 6.2D.1_1	Same as 7.4D
7.4F Maximum input level for shared spectrum channel access	Downlink power same as 7.4 for $f \leq 5.925\text{GHz}$ Downlink power TBD for $f > 5.925\text{GHz}$ Uplink power measurement same as 6.2F.1	
7.4J Maximum input level for ATG	FFS	FFS
7.5 Adjacent channel selectivity	ACS value $\pm 1.6\text{ dB}$, $f \leq 3.0\text{GHz}$ $\pm 2.3\text{ dB}$, $3.0\text{GHz} < f \leq 4.2\text{GHz}$ $\pm 3.0\text{ dB}$, $4.2\text{GHz} < f \leq 6.0\text{GHz}$ Uplink power measurement same as 6.2.1	Overall ACS uncertainty comprises three quantities: 1. Wanted signal level error 2. Interferer signal level error 3. Additional impact of interferer ACLR Items 1 and 2 are assumed to be uncorrelated so can be root sum squared to provide the ratio error of the two signals. The interferer ACLR effect is systematic, and is added arithmetically. Test System uncertainty = $[\text{SQRT}(\text{wanted_level_error}^2 + \text{interferer_level_error}^2)] + \text{ACLR effect}$.
7.5A Adjacent channel selectivity for CA (Same MU apply to all subsections including 7.5A.1, 7.5A.2, 7.5A.3, 7.5A.4, etc.)	Same as 7.5 for each component carrier	Same as 7.5 The wanted signal level uncertainty applies for each CC. Overall ACS uncertainty calculation includes the uncertainty for wanted level error only once, as the uncertainty of other CCs is not expected to have any significant effect.
7.5D Adjacent channel selectivity for UL MIMO	ACS value same as 7.5 Uplink power measurement same as 6.2D.1	The overall UL power is the linear sum of the output powers over all Tx antenna connectors
7.5D_1 Adjacent channel selectivity for SUL with UL MIMO	ACS value same as 7.5D Uplink power measurement same as 6.2D.1_1	Same as 7.5D
7.5F.1 Adjacent channel selectivity for shared spectrum channel access	ACS value $\pm 3.0\text{ dB}$, $4.2\text{GHz} < f \leq 7.125\text{GHz}$ Uplink power measurement same as 6.2F.1	Same as 7.5
7.5J Adjacent channel selectivity for ATG	FFS	FFS

7.6.2 Inband Blocking	<p>Blocking</p> <p>± 1.6 dB, $f \leq 3.0$GHz</p> <p>± 2.3 dB, 3.0GHz $< f \leq 4.2$GHz</p> <p>± 3.0 dB, 4.2GHz $< f \leq 6.0$GHz</p> <p>Uplink power measurement same as 6.2.1</p>	<p>Overall blocking uncertainty can have these contributions:</p> <ol style="list-style-type: none"> 1. Wanted signal level error 2. Interferer signal level error 3. Interferer ACLR 4. Interferer broadband noise <p>Items 1 and 2 are assumed to be uncorrelated so can be root sum squared to provide the ratio error of the two signals. The Interferer ACLR or Broadband noise effect is systematic, and is added arithmetically.</p> <p>Test System uncertainty = [SQRT (wanted_level_error² + interferer_level_error²)] + ACLR effect + Broadband noise effect.</p> <p>In-band blocking, using modulated interferer:</p> <p>Broadband noise not applicable</p>
7.6.3 Out-of-band blocking	<p>Wanted signal, $f \leq 3.0$GHz</p> <p>± 2.0 dB, Blocking, 1MHz $< f_{\text{interferer}} \leq 3$GHz</p> <p>$\pm 3.9$ dB, Blocking, 3GHz $< f_{\text{interferer}} \leq 12.75$GHz</p> <p>Wanted signal, 3.0GHz $< f \leq 4.2$GHz</p> <p>± 2.2 dB, Blocking, 1MHz $< f_{\text{interferer}} \leq 3$GHz</p> <p>$\pm 4.0$ dB, Blocking, 3GHz $< f_{\text{interferer}} \leq 12.75$GHz</p> <p>Wanted signal, 4.2GHz $< f \leq 6$GHz</p> <p>± 2.6 dB, Blocking, 1MHz $< f_{\text{interferer}} \leq 3$GHz</p> <p>$\pm 4.2$ dB, Blocking, 3GHz $< f_{\text{interferer}} \leq 12.75$GHz</p> <p>Uplink power measurement same as 6.2.1</p>	<p>Out of band blocking, using CW interferer:</p> <p>Interferer ACLR not applicable</p> <p>Impact of interferer Broadband noise 0.8dB</p> <p>Figures are combined to give Test System uncertainty, using formula given for 7.6.2</p>
7.6.4 Narrow band blocking	<p>Blocking</p> <p>± 2.0dB, $f \leq 3.0$GHz</p> <p>± 2.4dB, 3.0GHz $< f \leq 4.2$GHz</p> <p>± 3.1 dB, 4.2GHz $< f \leq 6.0$GHz</p> <p>Uplink power measurement same as 6.2.1</p>	<p>Narrow band blocking, using CW interferer:</p> <p>Interferer ACLR not applicable</p> <p>Impact of interferer Broadband noise 0.8dB</p> <p>Figures are combined to give Test System uncertainty, using formula given for 7.6.2</p>
7.6A.2 Inband Blocking for CA (Same MU apply to all subsections including 7.6A.2.1, 7.6A.2.2, 7.6A.2.3, 7.6A.2.4, etc.)	Same as 7.6.2 for each component carrier	<p>Same as 7.6.2</p> <p>The wanted signal level uncertainty applies for each CC.</p> <p>Overall blocking uncertainty calculation includes the uncertainty for wanted level error only once, as the uncertainty of other CCs is not expected to have any significant effect.</p>
7.6A.3 Out-of-band Blocking for CA (Same MU apply to all subsections including 7.6A.3.1, 7.6A.3.2, 7.6A.3.3, 7.6A.3.4, etc.)	Same as 7.6.3 for each component carrier	<p>Same as 7.6.3</p> <p>The wanted signal level uncertainty applies for each CC.</p> <p>Overall blocking uncertainty calculation includes the uncertainty for wanted level error only once, as the uncertainty of other CCs is not expected to have any significant effect.</p>

7.6A.4 Narrow band Blocking for CA (Same MU apply to all subsections including 7.6A.4.1, 7.6A.4.2, 7.6A.4.3, 7.6A.4.4, etc.)	Same as 7.6.4 for each component carrier	Same as 7.6.4 The wanted signal level uncertainty applies for each CC. Overall blocking uncertainty calculation includes the uncertainty for wanted level error only once, as the uncertainty of other CCs is not expected to have any significant effect.
7.6C.2 Inband Blocking for SUL	Same as 7.6.2	Same as 7.6.2
7.6C.2_1.1 Inband Blocking for SUL with 2 DL CA	Same as 7.6A.2	Same as 7.6A.2
7.6D.2 Inband blocking for UL MIMO	Blocking same as 7.6.2 Uplink power measurement same as 6.2D.1	The overall UL power is the linear sum of the output powers over all Tx antenna connectors
7.6D.2_1 In-band blocking for SUL with UL MIMO	Blocking same as 7.6.2 Uplink power measurement same as 6.2D.1_1	
7.6D.3 Out-of-band blocking for UL MIMO	Wanted signal same as 7.6.3 Uplink power measurement same as 6.2D.1	The overall UL power is the linear sum of the output powers over all Tx antenna connectors
7.6D.3_1 Out-of-band blocking for SUL with UL MIMO	Wanted signal same as 7.6D.3 Uplink power measurement same as 6.2D.1_1	Same as 7.6D.3
7.6D.4 Narrow-band blocking for UL MIMO	Blocking same as 7.6.4 Uplink power measurement same as 6.2D.1	The overall UL power is the linear sum of the output powers over all Tx antenna connectors
7.6F.2.1 In-band blocking for shared spectrum channel access	Blocking ± 3.0 dB, $4.2\text{GHz} < f \leq 7.125\text{GHz}$ Uplink power measurement same as 6.2F.1	Same as 7.6.2
7.6J.2 In-band blocking for ATG	FFS	FFS
7.6J.3 Out-of-band blocking for ATG	FFS	FFS
7.7 Spurious response	Same as 7.6.3	Same as 7.6.3
7.7A Spurious response for CA (Same MU apply to all subsections including 7.7A.1, 7.7A.2, 7.7A.3, etc.)	Same as 7.6A.3	Same as 7.6A.3
7.7D Spurious response for UL MIMO	Same as 7.7 Uplink power measurement same as 6.2D.1	The overall UL power is the linear sum of the output powers over all Tx antenna connectors
7.7D_1 Spurious response for SUL with UL MIMO	Same as 7.7D Uplink power measurement same as 6.2D.1_1	Same as 7.7D
7.7F.1 Spurious response for shared spectrum channel access	Same as 7.6.3	Same as 7.6.3
7.7J Spurious response for ATG	FFS	FFS

7.8.2 Wide band Intermodulation	<p>Intermodulation $\pm 2.3\text{dB}$, $f \leq 3.0\text{GHz}$ $\pm 3.1\text{dB}$, $3.0\text{GHz} < f \leq 4.2\text{GHz}$ $\pm 4.3\text{dB}$, $4.2\text{GHz} < f \leq 6.0\text{GHz}$</p> <p>Uplink power measurement same as 6.2.1</p>	<p>Overall intermodulation uncertainty comprises three quantities: 1. Wanted signal level error 2. CW Interferer level error 3. Modulated Interferer level error</p> <p>Effect of interferer ACLR has not been included as modulated interferer has larger frequency offset The effect of the closer CW signal has twice the effect. Items 1, 2 and 3 are assumed to be uncorrelated so can be root sum squared to provide the combined effect of the three signals. Test System uncertainty = $\text{SQRT} [(2 \times \text{CW_level_error})^2 + (\text{mod interferer_level_error})^2 + (\text{wanted signal_level_error})^2]$</p>
7.8A.2 Wide band Intermodulation for CA (Same MU apply to all subsections including 7.8A.2.1, 7.8A.2.2, 7.8A.2.3, etc.)	Same as 7.8.2 for each component carrier	Same as 7.8.2 The wanted signal level uncertainty applies for each CC. Overall intermodulation uncertainty calculation includes the uncertainty for wanted level error only once, as the uncertainty of other CCs is not expected to have any significant effect.
7.8D.2 Intermodulation characteristics for UL MIMO	<p>Intermodulation same as 7.8.2</p> <p>Uplink power measurement same as 6.2D.1</p>	The overall UL power is the linear sum of the output powers over all Tx antenna connectors
7.8D.2_1 Wide band Intermodulation for SUL with UL MIMO	<p>Intermodulation same as 7.8D.2</p> <p>Uplink power measurement same as 6.2D.1_1</p>	Same as 7.8D.2
7.8F.2 Wide band Intermodulation for shared spectrum channel access	<p>Intermodulation $\pm 2.3\text{dB}$, $f \leq 3.0\text{GHz}$ $\pm 3.1\text{dB}$, $3.0\text{GHz} < f \leq 4.2\text{GHz}$ $\pm 4.3\text{dB}$, $4.2\text{GHz} < f \leq 7.125\text{GHz}$</p> <p>Uplink power measurement same as 6.2F.1</p>	
7.8J.2 Wide band intermodulation for ATG	FFS	FFS
7.9 Spurious emissions	<p>for results $> -60\text{ dBm}$: $\pm 2.0\text{ dB}$, $9\text{kHz} < f \leq 3\text{GHz}$ $\pm 2.5\text{ dB}$, $3\text{GHz} < f \leq 4\text{GHz}$ $\pm 4.0\text{ dB}$, $4\text{GHz} < f \leq 19\text{GHz}$ $\pm 6.0\text{ dB}$, $19\text{GHz} < f \leq 26\text{GHz}$</p>	
7.9A.1 Spurious emissions for CA (2DL CA)	Same as 7.9	
7.9J Spurious emissions	FFS	

F.2 Interpretation of measurement results (normative)

The measurement results returned by the Test System are compared – without any modification – against the Test Requirements. The Test Requirement is defined as a threshold considered in a test to assess compliance of the device; it might be either equal (“Shared Risk” principle) or relaxed (“Never fail a good DUT” principle) compared to the corresponding core specification value by an amount defined in Annex F.3 as Test Tolerance.

The “Shared Risk” and the “Never fail a good DUT” principles are defined in Rec. ITU-R M.1545.

The actual measurement uncertainty of the Test System for the measurement of each parameter shall be included in the test report.

The recorded value for the Test System uncertainty shall be, for each measurement, equal to or lower than the appropriate figure in clause F.1 of the present document.

If the Test System for a test is known to have a measurement uncertainty greater than that specified in clause F.1, it is still permitted to use this apparatus provided that an adjustment is made value as follows:

Any additional uncertainty in the Test System over and above that specified in clause F.1 shall be used to tighten the Test Requirement, making the test harder to pass. For some tests, for example receiver tests, this may require modification of stimulus signals. This procedure will ensure that a Test System not compliant with clause F.1 does not increase the chance of passing a device under test where that device would otherwise have failed the test if a Test System compliant with clause F.1 had been used.

F.3 Test Tolerance and Derivation of Test Requirements (informative)

The Test Requirements in the present document have been calculated by relaxing the Minimum Requirements of the core specification using the Test Tolerances defined in this clause. When the Test Tolerance is zero, the Test Requirement will be the same as the Minimum Requirement. When the Test Tolerance is non-zero, the Test Requirements will differ from the Minimum Requirements, and the formula used for the relaxation is given in this clause.

The Test Tolerances are derived from Test System uncertainties, regulatory requirements and criticality to system performance. As a result, the Test Tolerances may sometimes be set to zero.

The test tolerances should not be modified for any reason e.g. to take account of commonly known test system errors (such as mismatch, cable loss, etc.).

The downlink Test Tolerances apply at each receiver antenna connector.

F.3.1 Measurement of test environments

The UE test environments are set to the values defined in TS 38.508-1 subclause 4.1, without any relaxation. The applied Test Tolerance is therefore zero.

F.3.2 Measurement of transmitter

- MU and TT for >6GHz (band n96) are working assumption based on analysis of single TE vendor. Values will be revisited once analysis from other TE vendors is available.

Table F.3.2-1: Derivation of Test Requirements (Transmitter tests)

Sub clause	Test Tolerance (TT)	Formula for test requirement
6.2.1 UE maximum output power	$f \leq 3.0\text{GHz}$ 0.7 dB, $BW \leq 40\text{MHz}$ 1.0 dB, $40\text{MHz} < BW \leq 100\text{MHz}$ $3.0\text{GHz} < f \leq 6.0\text{GHz}$ 1.0 dB, $BW \leq 100\text{MHz}$	Upper limit + TT, Lower limit - TT
6.2.2 Maximum Power Reduction (MPR)	$f \leq 3.0\text{GHz}$ 0.7 dB, $BW \leq 40\text{MHz}$ 1.0 dB, $40\text{MHz} < BW \leq 100\text{MHz}$ $3.0\text{GHz} < f \leq 6.0\text{GHz}$ 1.0 dB, $BW \leq 100\text{MHz}$	Upper limit + TT, Lower limit - TT
6.2.3 UE additional maximum output power reduction	$f \leq 3.0\text{GHz}$ 0.7 dB, $BW \leq 40\text{MHz}$ 1.0 dB, $40\text{MHz} < BW \leq 100\text{MHz}$ $3.0\text{GHz} < f \leq 6.0\text{GHz}$ 1.0 dB, $BW \leq 100\text{MHz}$	Upper limit + TT, Lower limit - TT

6.2.4 Configured transmitted power	$f \leq 3.0\text{GHz}$ 0.7 dB, $\text{BW} \leq 40\text{MHz}$ 1.0 dB, $40\text{MHz} < \text{BW} \leq 100\text{MHz}$ $3.0\text{GHz} < f \leq 6.0\text{GHz}$ 1.0 dB, $\text{BW} \leq 100\text{MHz}$	Upper limit + TT, Lower limit - TT
6.2A.1.1 UE maximum output power for CA (2UL CA)	For Inter-band CA MAX (TT_{CC1} , TT_{CC2})	TT_{CCX} is TT of each UL CC specified in single UL case 6.2.1.
6.2A.2.1 UE maximum output power reduction for CA (2UL CA)	For Inter-band CA MAX (TT_{CC1} , TT_{CC2}) For intra-band contiguous CA Aggregated BW $\leq 100\text{M}$: same as 6.2.2 for sum of powers of all CCs Aggregated BW $> 100\text{M}$: TBD	TT_{CCX} is TT of each UL CC specified in single UL case 6.2.2.
6.2A.3.1 UE additional maximum output power reduction CA (2UL CA)	For Inter-band CA MAX (TT_{CC1} , TT_{CC2}) For intra-band contiguous CA Aggregated BW $\leq 100\text{M}$: same as 6.2.2 for sum of powers of all CCs Aggregated BW $> 100\text{M}$: TBD	TT_{CCX} is TT of each UL CC specified in single UL case 6.2.3.
6.2A.4.1 Configured transmitted power for CA (2UL CA)	For Inter-band CA MAX (TT_{CC1} , TT_{CC2}) For intra-band contiguous CA Aggregated BW $\leq 100\text{M}$: same as 6.2.4 for sum of powers of all CCs Aggregated BW $> 100\text{M}$: TBD For intra-band non-contiguous CA: TBD	TT_{CCX} is TT of each UL CC specified in single UL case 6.2.4.
6.2C.1 Configured transmitted power for SUL	Same as 6.2.4	Same as 6.2.4
6.2C.3 UE maximum output power for SUL	Same as 6.2.1	Same as 6.2.1
6.2C.4 UE maximum output power reduction for SUL	Same as 6.2.2	Same as 6.2.2
6.2C.5 UE additional maximum output power reduction for SUL	Same as 6.2.3	Same as 6.2.3
6.2D.1 UE maximum output power for UL MIMO	Same as 6.2.1 for the sum of power at each of UE antenna connector	Same as 6.2.1 Uplink power measurement applies to overall UL power, which is the linear sum of the output powers over all Tx antenna connectors
6.2D.1_1 UE maximum output power for SUL with UL MIMO	Same as 6.2D.1	Same as 6.2D.1
6.2D.2 UE maximum output power reduction for UL MIMO	Same as 6.2.2 for the sum of power at each of UE antenna connector	Same as 6.2.2 Uplink power measurement applies to overall UL power, which is the linear sum of the output powers over all Tx antenna connectors
6.2D.2_1 UE maximum output power reduction for SUL with UL MIMO	Same as 6.2.2 for the sum of power at each of UE antenna connector	Same as 6.2.2
6.2D.3 UE additional maximum output power reduction for UL MIMO	Same as 6.2.3 for the sum of power at each of UE antenna connector	Same as 6.2.3 Uplink power measurement applies to overall UL power, which is the linear sum of the output powers over all Tx antenna connectors
6.2D.3_1 UE additional maximum output power reduction for SUL with UL MIMO	Same as 6.2.3 for the sum of power at each of UE antenna connector	Same as 6.2.3
6.2D.4 Configured transmitted power for UL MIMO	Same as 6.2.4 for the sum of power at each of UE antenna connector	Same as 6.2.4

		Uplink power measurement applies to overall UL power, which is the linear sum of the output powers over all Tx antenna connectors
6.2D.4_1 Configured transmitted power for SUL with UL MIMO	Same as 6.2D.4	Same as 6.2D.4
6.2E.1.2 UE maximum output power for V2X / concurrent operation	For Inter-band concurrent operation MAX (TT _{CC1} , TT _{CC2})	TT _{CCX} is TT of each UL CC specified in single UL case 6.2.1.
6.2E.2.1 UE maximum output power reduction for V2X / non-concurrent operation	Same as 6.2.2	
6.2E.2.1D UE maximum output power reduction for V2X / non-concurrent operation / SL-MIMO	Same as 6.2.2 for the sum of power at each of UE antenna connector	
6.2E.2.2 UE maximum output power reduction for V2X / concurrent operation	For Inter-band concurrent operation MAX (TT _{CC1} , TT _{CC2})	TT _{CCX} is TT of each UL CC specified in single UL case 6.2.2.
6.2E.3.1 UE additional maximum output power reduction for V2X / non-concurrent operation	Same as 6.2.3	
6.2E.3.1D UE additional maximum output power reduction for V2X / non-concurrent operation / SL-MIMO	Same as 6.2.3 for the sum of power at each of UE antenna connector	
6.2E.3.2 UE maximum output power reduction for V2X / concurrent operation	For Inter-band concurrent operation MAX (TT _{CC1} , TT _{CC2})	TT _{CCX} is TT of each UL CC specified in single UL case 6.2.3.
6.2E.4.1 Configured transmitted power for V2X / non-concurrent operation	Same as 6.2.4	
6.2E.4.1D Configured transmitted power for V2X / non-concurrent operation / SL-MIMO	Same as 6.2.4 for the sum of power at each of UE antenna connector	
6.2E.4.2 Configured transmitted power for V2X / concurrent operation	For Inter-band concurrent operation MAX (TT _{CC1} , TT _{CC2})	TT _{CCX} is TT of each UL CC specified in single UL case 6.2.3.
6.2F.1 UE maximum output power for shared spectrum channel access	3.0GHz < f ≤ 7.125GHz 1.0 dB, BW ≤ 100MHz	Upper limit + TT, Lower limit - TT
6.2F.2 UE maximum output power reduction for shared spectrum access	Same as 6.2F.1	Same as 6.2F.
6.2F.3 UE additional maximum output power reduction for shared spectrum access	Same as 6.2F.1	Same as 6.2F.
6.2F.4 Configured transmitted power for shared spectrum access	FFS	FFS
6.2G.1 UE maximum output power for Tx Diversity	Same as 6.2.1 for the sum of power at each of UE antenna connector	Same as 6.2.1 Uplink power measurement applies to overall UL power, which is the linear sum of the output powers over both Tx antenna connectors
6.2G.2 UE maximum output power reduction for Tx Diversity	Same as 6.2.2 for the sum of power at each of UE antenna connector	Same as 6.2.2 Uplink power measurement applies to overall UL power, which is the linear

		sum of the output powers over both Tx antenna connectors
6.2G.3 UE additional maximum output power reduction for Tx Diversity	Same as 6.2.3 for the sum of power at each of UE antenna connector	Same as 6.2.3 Uplink power measurement applies to overall UL power, which is the linear sum of the output powers over both Tx antenna connectors
6.2G.4 Configured transmitted power for Tx Diversity	Same as 6.2.4 for the sum of power at each of UE antenna connector	Same as 6.2.4 Uplink power measurement applies to overall UL power, which is the linear sum of the output powers over both Tx antenna connectors
6.2H.1.1 UE maximum output power for intra-band UL contiguous CA with UL MIMO	Aggregated BW \leq 100M: same as 6.2.1 for sum of powers of all CCs and both antennas Aggregated BW > 100M: TBD	Same as 6.2.1 Uplink power measurement applies to overall UL power, which is the linear sum of the output powers over all Tx antenna connectors
6.2H.1.2 UE maximum output power reduction for intra-band UL contiguous CA with UL MIMO	Aggregated BW \leq 100M: same as 6.2.2 for sum of powers of all CCs and both antennas Aggregated BW > 100M: TBD	Same as 6.2.2 Uplink power measurement applies to overall UL power, which is the linear sum of the output powers over all Tx antenna connectors
6.2H.1.3 UE additional maximum output power reduction for intra-band UL contiguous CA with UL MIMO	Aggregated BW \leq 100M: same as 6.2.3 for sum of powers of all CCs and both antennas Aggregated BW > 100M: TBD	Same as 6.2.3 Uplink power measurement applies to overall UL power, which is the linear sum of the output powers over all Tx antenna connectors
6.2H.1.4 Configured transmitted power for intra-band UL contiguous CA with UL MIMO	Aggregated BW \leq 100M: same as 6.2.4 for sum of powers of all CCs and both antennas Aggregated BW > 100M: TBD	Same as 6.2.4 Uplink power measurement applies to overall UL power, which is the linear sum of the output powers over all Tx antenna connectors
6.2H.3.1 UE maximum output power for inter-band UL CA with UL MIMO	MAX (TT _{cc1} , TT _{cc2})	TT _{ccx} is TT of each UL CC For the component carrier configured with UL MIMO: Same as 6.2.1 for the sum of power at each of UE antenna connector For the other component carrier: Same as 6.2.1
6.2I.1 UE maximum output power for RedCap	Same as 6.2.1 for BW \leq 20MHz	Same as 6.2.1
6.2J.1 UE maximum output power for ATG	FFS	FFS
6.2J.2 Configured transmitted power for ATG	FFS	FFS
6.2L.3.1 UE maximum output power for inter-band UL CA with Tx Diversity	MAX (TT _{cc1} , TT _{cc2})	TT _{ccx} is TT of each UL CC For the component carrier configured with Tx Diversity: Same as 6.2.1 for the sum of power at each of UE antenna connector For the other component carrier: Same as 6.2.1
6.3.1 Minimum output power	f \leq 3.0GHz 1.0 dB, BW \leq 40MHz 1.3 dB, 40MHz < BW \leq 100MHz 3.0GHz < f \leq 6.0GHz 1.3 dB, BW \leq 100MHz	Minimum requirement + TT

6.3.2 Transmit OFF power	$f \leq 3.0\text{GHz}$ 1.5 dB, $\text{BW} \leq 40\text{MHz}$ 1.7 dB, $40\text{MHz} < \text{BW} \leq 100\text{MHz}$ $3.0\text{GHz} < f \leq 6.0\text{GHz}$ 1.8 dB, $\text{BW} \leq 100\text{MHz}$	Minimum requirement + TT
6.3.3.2 General ON/OFF time mask	$f \leq 3.0\text{GHz}$ 1.5 dB, $\text{BW} \leq 40\text{MHz}$ 1.7 dB, $40\text{MHz} < \text{BW} \leq 100\text{MHz}$ $3.0\text{GHz} < f \leq 6.0\text{GHz}$ 1.8 dB, $\text{BW} \leq 100\text{MHz}$	OFF Power: Minimum requirement + TT ON Power: –Same as 6.2.1
6.3.3.4 PRACH time mask	$f \leq 3.0\text{GHz}$ 1.5 dB, $\text{BW} \leq 40\text{MHz}$ 1.7 dB, $40\text{MHz} < \text{BW} \leq 100\text{MHz}$ $3.0\text{GHz} < f \leq 6.0\text{GHz}$ 1.8 dB, $\text{BW} \leq 100\text{MHz}$	OFF Power: Minimum requirement + TT ON Power: Upper limit + TT, Lower limit - TT
6.3.3.6 SRS time mask	$f \leq 3.0\text{GHz}$ 1.5 dB, $\text{BW} \leq 40\text{MHz}$ 1.7 dB, $40\text{MHz} < \text{BW} \leq 100\text{MHz}$ $3.0\text{GHz} < f \leq 6.0\text{GHz}$ 1.8 dB, $\text{BW} \leq 100\text{MHz}$	OFF Power: Minimum requirement + TT ON Power: Upper limit + TT, Lower limit - TT
6.3.4.2 Absolute power tolerance	UL Power $\geq 0\text{dBm}$ $f \leq 3.0\text{GHz}$ 1.0 dB, $\text{BW} \leq 40\text{MHz}$ 1.4 dB, $40\text{MHz} < \text{BW} \leq 100\text{MHz}$ $3.0\text{GHz} < f \leq 6.0\text{GHz}$ 1.4 dB, $\text{BW} \leq 100\text{MHz}$	Upper limit + TT, Lower limit – TT
6.3.4.3 Relative power tolerance	0.7 dB, $\text{BW} \leq 100\text{MHz}$	Upper limit + TT, Lower limit – TT
6.3.4.4 Aggregate power tolerance	0.7 dB, $\text{BW} \leq 100\text{MHz}$	Upper limit + TT, Lower limit – TT
6.3A.1.1 Minimum output power for CA (2UL CA)	Same as 6.3.1	Minimum requirement + TT
6.3A.3.1 Transmit ON/OFF time mask for CA (2UL CA)	Same as 6.3.3.2 For intra-band contiguous UL CA: Aggregated $\text{BW} \leq 100\text{M}$: Same as 6.3.3.2 Aggregated $\text{BW} > 100\text{M}$: TBD For intra-band non-contiguous CA: TBD	Minimum requirement + TT
6.3A.3.2 Time mask for switching between two uplink carriers	ON power: same as 6.2A.2.1 for inter-band CA	Same as 6.2A.2.1 for inter-band CA
6.3A.3.3 Time mask for switching between two uplink carriers with two transmit antenna connectors	ON power: same as 6.2A.2.1 for inter-band CA	Same as 6.2A.2.1 for inter-band CA
6.3A.3.4 Time mask for switching between one uplink band with one transmit antenna connector and one uplink band with two transmit antenna connectors (3UL CA)	ON power: Same as inter-band tolerance in 6.2A.2.1 for PCell and for sum of power at each of UE antenna connector on SCells.	Same as 6.2A.2.1 for inter-band CA
6.3A.3.5 Time mask for switching between two uplink bands with two transmit antenna connectors (3UL CA)	ON power: Same as inter-band tolerance in 6.2A.2.1 for sum of power at each of UE antenna connector on PCell and SCells.	Same as 6.2A.2.1 for inter-band CA
6.3A.3.6 Time mask for switching across three uplink bands	FFS	FFS

6.3A.3.7 Time mask for switching across four uplink bands	FFS	FFS
6.3A.4.1.1 Absolute power tolerance for CA (2UL CA)	Same as 6.3.4.2 for each CC	Upper limit + TT, Lower limit – TT
6.3A.4.2.1 Power Control Relative power tolerance for CA (2UL CA)	Same as 6.3.4.3 for each CC	Upper limit + TT, Lower limit – TT
6.3A.4.3.1 Aggregate power tolerance for CA (2UL CA)	Same as 6.3.4.4 for each CC	Upper limit + TT, Lower limit – TT
6.3C.1 Minimum output power for SUL	Same as 6.3.1	Same as 6.3.1
6.3C.2 Transmit OFF power for SUL	Same as 6.3.2	Same as 6.3.2
6.3C.3.1 Transmit ON/OFF time mask for SUL	Same as 6.3.3.2	Same as 6.3.3.2
6.3C.3.2 General transmit ON/OFF time mask for switching between two uplink carriers	ON power: Same as 6.3.3.2	ON power: Same as 6.3.3.2
6.3C.3.3 General transmit ON/OFF time mask for switching between two uplink carriers with two transmit antenna connectors	ON power: Same as 6.3.3.2 for sum of power at each of UE antenna connector on NUL and SUL.	ON power: Same as 6.3.3.2
6.3C.3.4 General transmit ON/OFF time mask for switching between one uplink band with one transmit antenna connector and one uplink band with two transmit antenna connectors	ON power: Same as 6.3.3.2 for SUL carrier and for sum of power at each of UE antenna connector on NUL carriers	ON power: Same as 6.3.3.2
6.3C.3.5 General transmit ON/OFF time mask for switching between two uplink bands with two transmit antenna connectors	ON power: Same as 6.3.3.2 for sum of power at each of UE antenna connector on NUL carriers and SUL carrier.	ON power: Same as 6.3.3.2
6.3C.3.6 Time mask for switching across three uplink bands	FFS	FFS
6.3C.4.1 Absolute power tolerance for SUL	Same as 6.3.4.2	Same as 6.3.4.2
6.3C.4.2 Power Control Relative power tolerance for SUL	Same as 6.3.4.3	Same as 6.3.4.3
6.3C.4.3 Aggregate power tolerance for SUL	Same as 6.3.4.4	Same as 6.3.4.4
6.3D.1 Minimum output power for UL MIMO	Same as 6.3.1 for the sum of power at each of UE antenna connector	Same as 6.3.1 Uplink power measurement applies to overall UL power, which is the linear sum of the output powers over all Tx antenna connectors
6.3D.1_1 Minimum output power for SUL with UL MIMO	Same as 6.3D.1	Same as 6.3D.1
6.3D.2 Transmit OFF power for UL MIMO	Same as 6.3.2 for each antenna	Same as 6.3.2 Uplink power measurement applies to each Tx antenna connector
6.3D.2_1 Transmit OFF power for SUL with UL MIMO	Same as 6.3D.2	Same as 6.3D.2
6.3D.3 Transmit ON/OFF time mask for UL MIMO	ON power: Same as 6.2D.1	ON power: Same as 6.2D.1

	OFF power: Same as 6.3D.2	OFF power: Same as 6.3D.2
6.3D.3_1 Transmit ON/OFF time mask for SUL with UL MIMO	Same as 6.3D.3	Same as 6.3D.3
6.3D.4.1 Absolute Power tolerance	Same as 6.3.4.2 for the sum of power at each of UE antenna connector	Same as 6.3.4.2 Uplink power measurement applies to overall UL power, which is the linear sum of the output powers over all Tx antenna connectors
6.3D.4.1_1 Absolute power tolerance for SUL with UL MIMO	Same as 6.3D.4.1	Same as 6.3D.4.1
6.3D.4.2 Relative Power tolerance	Same as 6.3.4.3 for the sum of power at each of UE antenna connector	Same as 6.3.4.3 Uplink power measurement applies to overall UL power, which is the linear sum of the output powers over all Tx antenna connectors
6.3D.4.2_1 Relative power tolerance for SUL with UL MIMO	Same as 6.3D.4.2	Same as 6.3D.4.2
6.3D.4.3 Aggregate Power tolerance	Same as 6.3.4.4 for the sum of power at each of UE antenna connector	Same as 6.3.4.4 Uplink power measurement applies to overall UL power, which is the linear sum of the output powers over all Tx antenna connectors
6.3D.4.3_1 Aggregate power tolerance for SUL with UL MIMO	Same as 6.3D.4.3	Same as 6.3D.4.3
6.3E.1.1 Minimum output power for V2X / non-concurrent operation	Same as 6.3.1	
6.3E.1.1D Minimum output power for V2X / non-concurrent operation / SL-MIMO	Same as 6.3.1 for the sum of power at each of UE antenna connector	
6.3E.2.1 Transmit OFF power for V2X / non-concurrent operation	Same as 6.3.2	
6.3E.2.1D Transmit OFF power for V2X / non-concurrent operation / SL-MIMO	Same as 6.3.2 for the sum of power at each of UE antenna connector	
6.3E.3.1 Transmit ON/OFF time mask for V2X / non-concurrent operation	Same as 6.3.3.2	
6.3E.3.1D Transmit ON/OFF time mask for V2X / non-concurrent operation / SL-MIMO	Same as 6.3.3.2 for the sum of power at each of UE antenna connector	
6.3F.1 Minimum output power	3.0GHz < f ≤ 7.125GHz 1.3 dB, BW ≤ 100MHz	Minimum requirement + TT
6.3F.2 Transmit OFF power	3.0GHz < f ≤ 7.125GHz 1.8 dB, BW ≤ 100MHz	Minimum requirement + TT
6.3F.3.2 General ON/OFF time mask	3.0GHz < f ≤ 7.125GHz 1.8 dB, BW ≤ 100MHz	OFF Power: Minimum requirement + TT ON Power: Upper limit + TT, Lower limit - TT

6.3F.4.2 Absolute power tolerance for shared spectrum access	UL Power \geq 0dBm 4.2GHz < f \leq 7.125GHz 1.4 dB, BW \leq 100MHz	Upper limit + TT, Lower limit – TT
6.3F.4.3 Relative power tolerance for shared spectrum channel access	Same as 6.3.4.3 for f \leq 5.925GHz TBD for f > 5.925GHz	Same as 6.3.4.3 for f \leq 5.925GHz TBD for f > 5.925GHz
6.3F.4.4 Aggregate power tolerance for shared spectrum channel access	Same as 6.3.4.4 for f \leq 5.925GHz TBD for f > 5.925GHz	Same as 6.3.4.4 for f \leq 5.925GHz TBD for f > 5.925GHz
6.3G.1 Minimum output power for Tx Diversity	Same as 6.3.1 for the sum of power at each of UE antenna connector	Same as 6.3.1 Uplink power measurement applies to overall UL power, which is the linear sum of the output powers over all Tx antenna connectors
6.3G.2 Transmit OFF power for Tx Diversity	Same as 6.3.2 for each antenna	Same as 6.3.2 Uplink power measurement applies to each Tx antenna connector
6.3G.3.1 General ON/OFF time mask for Tx Diversity	ON power: Same as 6.2G.1 OFF power: Same as 6.3G.2	ON power: Same as 6.2G.1 OFF power: Same as 6.3G.2
6.3G.3.2 PRACH time mask for Tx Diversity	Same as 6.3.3.4 for each antenna	Same as 6.3.3.4 Uplink power measurement applies to each Tx antenna connector
6.3G.3.3 SRS time mask for Tx Diversity	Same as 6.3.3.6 for each antenna	Same as 6.3.3.6 Uplink power measurement applies to each Tx antenna connector
6.3G.4.1 Absolute power tolerance for Tx Diversity	Same as 6.3.4.2 for the sum of power at each of UE antenna connector	Same as 6.3.4.2 Uplink power measurement applies to overall UL power, which is the linear sum of the output powers over all Tx antenna connectors
6.3G.4.2 Relative power tolerance for Tx Diversity	Same as 6.3.4.3 for the sum of power at each of UE antenna connector	Same as 6.3.4.3 Uplink power measurement applies to overall UL power, which is the linear sum of the output powers over all Tx antenna connectors
6.3G.4.3 Aggregate power tolerance for Tx Diversity	Same as 6.3.4.4 for the sum of power at each of UE antenna connector	Same as 6.3.4.4 Uplink power measurement applies to overall UL power, which is the linear sum of the output powers over all Tx antenna connectors
6.3H.1.1 Minimum output power for intra-band UL contiguous CA with UL MIMO	For each CC, same as 6.3.1 for the sum of power at each of UE antenna connector	Same as 6.3.1 Uplink power measurement applies to overall UL power, which is the linear sum of the output powers over all Tx antenna connectors
6.3H.1.2 Transmit OFF power for intra-band UL contiguous CA with UL MIMO	For each CC, same as 6.3.2 for each antenna	Same as 6.3.2 Uplink power measurement applies to each Tx antenna connector
6.3H.1.3 Transmit ON/OFF time mask for intra-band UL contiguous CA with UL MIMO	ON power: Same as 6.2H.1.2 OFF power: Same as 6.3H.1.2	ON power: Same as 6.2H.1.2 OFF power: Same as 6.3H.1.2
6.3J.1 Minimum output power for ATG	FFS	FFS
6.3J.2 Transmit OFF power for ATG	FFS	FFS

6.4.1 Frequency Error	15 Hz	Modulated carrier frequency: Upper limit + TT, Lower limit – TT DL power: REFSENS + TT
6.4.2.1 Error Vector Magnitude	For up to 64QAM 0% For 256QAM $f \leq 6.0\text{GHz}$, $\text{BW} \leq 100\text{MHz}$ 0.3%, $15\text{dBm} < P_{\text{UL}}$ 0.8%, $-25\text{dBm} < P_{\text{UL}} \leq 15\text{dBm}$, 1.1%, $-40\text{dBm} \leq P_{\text{UL}} \leq -25\text{dBm}$	Minimum requirement + TT $\text{EVM_meas_Increase} = \sqrt{(\text{Minimum requirement})^2 + (\text{MTSU})^2}$ - Minimum requirement; it is the increase of measured EVM due to test equipment uncertainty. $\text{EVM_meas_Increase_Relative} = \text{EVM_meas_Increase} / \text{Minimum requirement} [\%]$ If ($\text{EVM_meas_Increase_Relative} < 7.5\%$) TT = 0% Else if ($7.5\% \leq \text{EVM_meas_Increase_Relative} \leq 50\%$) TT = EVM_meas_Increase Else Skip the test as not testable.
6.4.2.1a Error Vector Magnitude including symbols with transient period	0%	Same as 6.4.2.1
6.4.2.2 Carrier Leakage	0.8 dB, $\text{BW} \leq 100\text{MHz}$	Minimum requirement + TT
6.4.2.3 In-band emissions	0.8 dB, $\text{BW} \leq 100\text{MHz}$	Minimum requirement + TT
6.4.2.4 EVM equalizer spectrum flatness	1.4 dB, $\text{BW} \leq 100\text{MHz}$	Minimum requirement + TT
6.4.2.5 EVM equalizer spectrum flatness for Pi/2 BPSK	Same as 6.4.2.4	Minimum requirement + TT
6.4A.1.1 Frequency error for CA (2UL CA)	For inter-band CA: same as 6.4.1 for each CC For intra-band contiguous UL CA: Aggregated BW $\leq 100\text{M}$: Same as 6.4.1 for each CC Aggregated BW $> 100\text{M}$: TBD For intra-band non-contiguous CA: TBD	Modulated carrier frequency: Upper limit + TT, Lower limit – TT
6.4A.2.1.1 Error Vector Magnitude for CA (2UL CA)	For up to 64QAM 0% For 256QAM For inter-band CA: same as 6.4.2.1 for each CC For intra-band contiguous UL CA: Aggregated BW $\leq 100\text{M}$: Same as 6.4.2.1 for each CC Aggregated BW $> 100\text{M}$: TBD For intra-band non-contiguous CA: TBD	Minimum requirement + TT
6.4A.2.2.1 Carrier leakage for CA (2UL CA)	For inter-band CA: same as 6.4.2.2 for each CC For intra-band contiguous UL CA: Aggregated BW $\leq 100\text{M}$: Same as 6.4.2.2 for each CC Aggregated BW $> 100\text{M}$: TBD For intra-band non-contiguous CA: TBD	Minimum requirement + TT
6.4A.2.3.1 In-band emissions for CA (2UL CA)	For inter-band CA: same as 6.4.2.3 for each CC For intra-band contiguous UL CA: Aggregated BW $\leq 100\text{M}$: Same as 6.4.2.3 for each CC Aggregated BW $> 100\text{M}$: TBD For intra-band non-contiguous CA: TBD	Minimum requirement + TT
6.4C.1 Frequency error for SUL	Same as 6.4.1	Minimum requirement + TT

6.4C.2.1 Error Vector Magnitude for SUL	Same as 6.4.2.1	Minimum requirement + TT
6.4C.2.2 Carrier leakage for SUL	Same as 6.4.2.2	Minimum requirement + TT
6.4C.2.3 In-band emissions for SUL	Same as 6.4.2.3	Minimum requirement + TT
6.4C.2.4 EVM equalizer spectrum flatness for SUL	Same as 6.4.2.4	Minimum requirement + TT
6.4D.1 Frequency error for UL MIMO	Same as 6.4.1 for each antenna	Same as 6.4.1
6.4D.1_1 Frequency error for SUL with UL MIMO	Same as 6.4D.1	Same as 6.4D.1
6.4D.2.1 Error Vector Magnitude for UL MIMO	Same as 6.4.2.1 for each antenna	Same as 6.4.2.1
6.4D.2.1_1 Error Vector Magnitude for SUL with UL MIMO	Same as 6.4D.2.1	Same as 6.4D.2.1
6.4D.2.2 Carrier leakage for UL MIMO	Same as 6.4.2.2 for each antenna	Same as 6.4.2.2
6.4D.2.2_1 Carrier leakage for SUL with UL MIMO	Same as 6.4.2.2 for each antenna	Same as 6.4.2.2
6.4D.2.3 In-band emissions for UL MIMO	Same as 6.4.2.3 for each antenna	Same as 6.4.2.3
6.4D.2.3_1 In-band emissions for SUL with UL MIMO	Same as 6.4.2.3 for each antenna	Same as 6.4.2.3
6.4D.2.4 EVM equalizer spectrum flatness for UL MIMO	Same as 6.4.2.4 for each antenna	Same as 6.4.2.4
6.4D.2.4_1 EVM equalizer spectrum flatness for SUL with UL MIMO	Same as 6.4.2.4 for each antenna	Same as 6.4.2.4
6.4D.3 Time alignment error for UL MIMO	25ns	Minimum Requirement + TT
6.4D.3_1 Time alignment error for SUL with UL MIMO	25ns	Minimum Requirement + TT
6.4D.4 Requirements for Coherent UL MIMO	FFS	FFS
6.4F.1 Frequency Error	15 Hz	Modulated carrier frequency: Upper limit + TT, Lower limit – TT DL power: REFSENS + TT
6.4F.2.1 Error Vector Magnitude for shared spectrum access	Same as 6.4.2.1 for $f \leq 5.925\text{GHz}$ TBD for $f > 5.925\text{GHz}$	Minimum requirement + TT
6.4F.2.2 Carrier Leakage	Same as 6.4.2.2	Same as 6.4.2.2
6.4F.2.3 In-band emissions	Same as 6.4.2.3	Same as 6.4.2.3
6.4F.2.4 EVM equalizer spectrum flatness	Same as 6.4.2.4	Same as 6.4.2.4
6.4G.1 Frequency Error for Tx Diversity	Same as 6.4.1 for each antenna	Same as 6.4.1
6.4G.2.1 Error Vector Magnitude for Tx Diversity	Same as 6.4.2.1	Same as 6.4.2.1
6.4G.2.2 Carrier Leakage for Tx Diversity	Same as 6.4.2.2 for each antenna	Same as 6.4.2.2
6.4G.2.3 In-band emissions for Tx Diversity	Same as 6.4.2.3 for each antenna	Same as 6.4.2.3
6.4G.2.4 EVM equalizer spectrum flatness for Tx Diversity	Same as 6.4.2.4 for each antenna	Same as 6.4.2.4
6.4H.1.1 Frequency error for intra-band UL contiguous CA with UL MIMO	Aggregated BW $\leq 100\text{M}$: Same as 6.4.1 for each antenna on each CC Aggregated BW $> 100\text{M}$: TBD	Modulated carrier frequency: Upper limit + TT, Lower limit – TT
6.4H.1.2.1 Error Vector Magnitude for intra-band UL	Aggregated BW $\leq 100\text{M}$: For up to 64QAM: 0%	Minimum requirement + TT

contiguous CA with UL MIMO	For 256QAM: Same as 6.4D.2.1 for each layer on each CC Aggregated BW > 100M: TBD	
6.4H.1.2.2 Carrier leakage for intra-band UL contiguous CA with UL MIMO	Aggregated BW \leq 100M: Same as 6.4.2.2 for each antenna on each CC Aggregated BW > 100M: TBD	Minimum requirement + TT
6.4H.1.2.3 In-band emissions for intra-band UL contiguous CA with UL MIMO	Aggregated BW \leq 100M: Same as 6.4.2.3 for each antenna on each CC Aggregated BW > 100M: TBD	Minimum requirement + TT
6.4H.1.3 Time alignment error for intra-band UL contiguous CA with UL MIMO	25ns for each CC	Minimum Requirement + TT
6.4H.1.4 Coherent UL MIMO for intra-band UL contiguous CA with UL MIMO	FFS	FFS
6.5.1 Occupied bandwidth	0 kHz	Minimum requirement + TT
6.5.2.2 Spectrum Emission Mask	1.5 dB, $f \leq 3.0\text{GHz}$ 1.8 dB, $3.0\text{GHz} < f \leq 6.0\text{GHz}$	Minimum requirement + TT
6.5.2.3 Additional spectrum emission mask	1.5 dB, $f \leq 3.0\text{GHz}$ 1.8 dB, $3.0\text{GHz} < f \leq 6.0\text{GHz}$	Minimum requirement + TT
6.5.2.4.1 NR ACLR	Absolute requirement 0 dB Relative requirement 0.8 dB	Absolute requirement ACLR Minimum Requirement + TT Relative requirement ACLR Minimum Requirement - TT
6.5.2.4.2 UTRA ACLR	Same as 6.5.2.4.1	Same as 6.5.2.4.1
6.5.3.1 General spurious emissions	0 dB	Minimum requirement + TT
6.5.3.2 Spurious emission for UE co-existence	0 dB	Minimum requirement + TT
6.5.3.3 Additional spurious emissions	0 dB	Minimum requirement + TT
6.5.4 Transmit intermodulation	0 dB	CW interferer Minimum Requirement - TT
6.5A.1.1 Occupied bandwidth for CA (2UL CA)	For inter-band CA: same as 6.5.1 for each CC For intra-band CA: Aggregated BW \leq 100M: same as 6.5.1 for aggregated channel bandwidth Aggregated BW > 100M: TBD	
6.5A.2.2.1 Spectrum emission mask for CA (2UL CA)	For inter-band CA: same as 6.5.2.2 for each CC For intra-band contiguous CA Aggregated BW \leq 100M: same as 6.5.2.2 Aggregated BW > 100M: TBD	Minimum requirement + TT
6.5A.2.3.1 Additional Spectrum emission mask for CA (2UL CA)	For intra-band contiguous CA Aggregated BW \leq 100M: same as 6.5.2.3 Aggregated BW > 100M: TBD	
6.5A.2.4.1.1 NR ACLR for CA (2UL CA)	For inter-band CA: same as 6.5.2.4.1 for each CC For intra-band contiguous CA Aggregated BW \leq 100M: same as 6.5.2.4.1 Aggregated BW > 100M: TBD	Same as 6.5.2.4.1
6.5A.2.4.2.1 UTRA ACLR for CA (2UL CA)	For inter-band CA: same as 6.5.2.4.2 for each CC	Same as 6.5.2.4.2
6.5A.3.1.1 General spurious emissions for CA (2UL CA)	0 dB	Minimum requirement + TT
6.5A.3.2.1 Spurious emissions for UE co-existence for CA (2UL CA)	0 dB	Minimum requirement + TT
6.5A.3.3.1 Additional Spurious emission for CA (2UL CA)	0dB	

6.5A.4.1 Transmit intermodulation for CA (2UL CA)	0 dB For intra-band contiguous UL CA: Aggregated BW \leq 100M: 0 dB Aggregated BW $>$ 100M: TBD For intra-band non-contiguous CA: TBD	CW interferer Minimum Requirement - TT
6.5C.1 Occupied bandwidth for SUL	Same as 6.5.1	Same as 6.5.1
6.5C.2.2 Spectrum Emission Mask for SUL	Same as 6.5.2.2	Same as 6.5.2.2
6.5C.2.3 Additional spectrum emission mask for SUL	Same as 6.5.2.3	Same as 6.5.2.3
6.5C.2.4.1 NR ACLR for SUL	Same as 6.5.2.4.1	Same as 6.5.2.4.1
6.5C.2.4.2 UTRA ACLR for SUL	Same as 6.5.2.4.2	Same as 6.5.2.4.2
6.5C.3.1 General spurious emissions for SUL	Same as 6.5.3.1	Same as 6.5.3.1
6.5C.3.2 Spurious emission for UE co-existence for SUL	Same as 6.5.3.2	Same as 6.5.3.2
6.5C.3.3 Additional spurious emissions for SUL	Same as 6.5.3.3	Same as 6.5.3.3
6.5C.4 Transmit intermodulation for SUL	Same as 6.5.4	Same as 6.5.4
6.5D.1 Occupied bandwidth for UL MIMO	Same as 6.5.1 for the sum of power at each of UE antenna connector	Same as 6.5.1 Uplink power measurement applies to overall UL power, which is the linear sum of the output powers over all Tx antenna connectors
6.5D.1_2 Occupied bandwidth for SUL with UL MIMO	Same as 6.5D.1	Same as 6.5D.1
6.5D.2.2 Spectrum emission mask for UL MIMO	Same as 6.5.2.2 for the sum of power at each of UE antenna connector	Same as 6.5.2.2 Uplink power measurement applies to overall UL power, which is the linear sum of the output powers over all Tx antenna connectors
6.5D.2.2_1 Spectrum emission mask for SUL with UL MIMO	Same as 6.5D.2.2	Same as 6.5D.2.2
6.5D.2.3 Additional spectrum emission mask for UL MIMO	Same as 6.5.2.3 for the sum of power at each of UE antenna connector	Same as 6.5.2.3 Uplink power measurement applies to overall UL power, which is the linear sum of the output powers over all Tx antenna connectors
6.5D.2.4.1 NR ACLR for UL MIMO	Same as 6.5.2.4.1 for the sum of power at each of UE antenna connector	Same as 6.5.2.4.1 Uplink power measurement applies to overall UL power, which is the linear sum of the output powers over all Tx antenna connectors
6.5D.2.4.1_1 NR ACLR for SUL with UL MIMO	Same as 6.5.2.4.1 for the sum of power at each of UE antenna connector	Same as 6.5.2.4.1
6.5D.2.4.2 UTRA ACLR for UL MIMO	Same as 6.5.2.4.2 for the sum of power at each of UE antenna connector	Same as 6.5.2.4.2 Uplink power measurement applies to overall UL power, which is the linear sum of the output powers over all Tx antenna connectors
6.5D.2.4.2_1 UTRA ACLR for SUL with UL MIMO	Same as 6.5.2.4.2 for the sum of power at each of UE antenna connector	Same as 6.5.2.4.2
6.5D.3.1 General spurious emissions for UL MIMO	Same as 6.5.3.1 for each antenna	Same as 6.5.3.1

6.5D.3.2 Spurious emissions for UE co-existence for UL MIMO	Same as 6.5.3.2 for each antenna	Same as 6.5.3.2
6.5D.3.3 Additional spurious emissions for UL MIMO	Same as 6.5.3.3 for each antenna	Same as 6.5.3.3
6.5D.3_1.1 General spurious emissions for UL MIMO (Rel-16 onward)	Same as 6.5.3.1 for the sum of power at each of UE antenna connector	Same as 6.5.3.1 Uplink power measurement applies to overall UL power, which is the linear sum of the output powers over all Tx antenna connectors
6.5D.3_1.2 Spurious emissions for UE co-existence for UL MIMO (Rel-16 onward)	Same as 6.5.3.2 for the sum of power at each of UE antenna connector	Same as 6.5.3.2 Uplink power measurement applies to overall UL power, which is the linear sum of the output powers over all Tx antenna connectors
6.5D.3_1.3 Additional spurious emissions for UL MIMO (Rel-16 onward)	Same as 6.5.3.3 for the sum of power at each of UE antenna connector	Same as 6.5.3.3 Uplink power measurement applies to overall UL power, which is the linear sum of the output powers over all Tx antenna connectors
6.5D.3_2.1 General spurious emissions for SUL with UL MIMO	Same as 6.5.3.1 for the sum of power at each of UE antenna connector	Same as 6.5.3.1 Uplink power measurement applies to overall UL power, which is the linear sum of the output powers over all Tx antenna connectors
6.5D.3_2.2 Spurious emissions for UE co-existence for SUL with UL MIMO	Same as 6.5.3.2 for the sum of power at each of UE antenna connector	Same as 6.5.3.2 Uplink power measurement applies to overall UL power, which is the linear sum of the output powers over all Tx antenna connectors
6.5D.3_2.3 Additional spurious emissions for SUL with UL MIMO	Same as 6.5.3.3 for the sum of power at each of UE antenna connector	Same as 6.5.3.3 Uplink power measurement applies to overall UL power, which is the linear sum of the output powers over all Tx antenna connectors
6.5D.4 Transmit intermodulation for UL MIMO	Same as 6.5.4 for each antenna	Same as 6.5.4
6.5D.4_1 Transmit intermodulation for SUL with UL MIMO	Same as 6.5.4 for each antenna	Same as 6.5.4
6.5F.1 Occupied bandwidth for shared spectrum channel access	Same as 6.5.1 for $f \leq 5.925\text{GHz}$ TBD for $f > 5.925\text{GHz}$	Same as 6.5.1 for $f \leq 5.925\text{GHz}$ TBD for $f > 5.925\text{GHz}$
6.5F.2.2 Spectrum emission mask for operation with shared spectrum channel access	1.5 dB, $f \leq 3.0\text{GHz}$ 1.8 dB, $3.0\text{GHz} < f \leq 7.125\text{GHz}$	Minimum requirement + TT
6.5F.2.4.1 NR ACLR	Absolute requirement 0 dB Relative requirement 0.8 dB	Absolute requirement ACLR Minimum Requirement + TT Relative requirement ACLR Minimum Requirement - TT
6.5F.2.4.2 Shared spectrum channel access ACLR with additional requirement for NS_29	Same as 6.5F.2.4.1	Same as 6.5F.2.4.1
6.5F.3.1 General spurious emissions	0 dB	Minimum requirement + TT
6.5F.4 Transmit intermodulation for shared spectrum channel access	0 dB	CW interferer Minimum Requirement - TT

6.5G.1 Occupied bandwidth for Tx Diversity	Same as 6.5.1 for the sum of power at each of UE antenna connector	Same as 6.5.1 Uplink power measurement applies to overall UL power, which is the linear sum of the output powers over both Tx antenna connectors
6.5G.2.1 Spectrum emission mask for Tx Diversity	Same as 6.5.2.2 for the sum of power at each of UE antenna connector	Same as 6.5.2.2 Uplink power measurement applies to overall UL power, which is the linear sum of the output powers over both Tx antenna connectors
6.5G.2.2 Additional spectrum emission mask for Tx Diversity	Same as 6.5.2.3 for the sum of power at each of UE antenna connector	Same as 6.5.2.3 Uplink power measurement applies to overall UL power, which is the linear sum of the output powers over both Tx antenna connectors
6.5G.2.3.1 NR ACLR for Tx Diversity	Same as 6.5.2.4.1 for the sum of power at each of UE antenna connector	Same as 6.5.2.4.1 Uplink power measurement applies to overall UL power, which is the linear sum of the output powers over both Tx antenna connectors
6.5G.2.3.2 UTRA ACLR for Tx Diversity	Same as 6.5.2.4.2 for the sum of power at each of UE antenna connector	Same as 6.5.2.4.2 Uplink power measurement applies to overall UL power, which is the linear sum of the output powers over both Tx antenna connectors
6.5G.3.1 General spurious emissions for Tx Diversity	Same as 6.5.3.1 for the sum of power at each of UE antenna connector	Same as 6.5.3.1 Uplink power measurement applies to overall UL power, which is the linear sum of the output powers over both Tx antenna connectors
6.5G.3.2 Spurious emissions for UE co-existence for Tx Diversity	Same as 6.5.3.2 for the sum of power at each of UE antenna connector	Same as 6.5.3.2 Uplink power measurement applies to overall UL power, which is the linear sum of the output powers over both Tx antenna connectors
6.5G.3.3 Additional spurious emissions for Tx Diversity	Same as 6.5.3.3 for the sum of power at each of UE antenna connector	Same as 6.5.3.3 Uplink power measurement applies to overall UL power, which is the linear sum of the output powers over both Tx antenna connectors
6.5G.4 Transmit intermodulation for Tx Diversity	Same as 6.5.4 for each antenna	Same as 6.5.4
6.5H.1.1 Occupied bandwidth for intra-band UL contiguous CA for UL MIMO	Aggregated BW \leq 100M: same as 6.5.1 for the sum of power at each UE antenna connector for aggregated channel bandwidth Aggregated BW $>$ 100M: TBD	Minimum requirement + TT
6.5H.1.2.1 Spectrum emission mask for intra-band UL contiguous CA for UL MIMO	Aggregated BW \leq 100M: same as 6.5.2.2 for sum of powers of all CCs and both antennas Aggregated BW $>$ 100M: TBD	Same as 6.5.2.2 Uplink power measurement applies to overall UL power, which is the linear sum of the output powers over both Tx antenna connectors
6.5H.1.2.2 Additional spectrum emission mask for intra-band UL contiguous CA for UL MIMO	For intra-band contiguous CA Aggregated BW \leq 100M: same as 6.5.2.3 for sum of power at each UE antenna connector Aggregated BW $>$ 100M: TBD	Same as 6.5.3.3 Uplink power measurement applies to overall UL power, which is the linear sum of the output powers over all Tx antenna connectors

6.5H.1.2.3 NR ACLR for intra-band UL contiguous CA for UL MIMO	Aggregated BW \leq 100M: same as 6.5.2.4.1 for sum of powers of all CCs and both antennas Aggregated BW > 100M: TBD	Same as 6.5.2.4.1 Uplink power measurement applies to overall UL power, which is the linear sum of the output powers over both Tx antenna connectors
6.5H.1.3.1 General spurious emissions for intra-band UL contiguous CA for UL MIMO	Aggregated BW \leq 100M: same as 6.5.3.1 for sum of powers of all CCs and both antennas Aggregated BW > 100M: TBD	Same as 6.5.3.1 Uplink power measurement applies to overall UL power, which is the linear sum of the output powers over both Tx antenna connectors
6.5H.1.3.2 Spurious emissions for UE co-existence for intra-band UL contiguous CA for UL MIMO	Aggregated BW \leq 100M: same as 6.5.3.2 for sum of powers of all CCs and both antennas Aggregated BW > 100M: TBD	Same as 6.5.3.2 Uplink power measurement applies to overall UL power, which is the linear sum of the output powers over both Tx antenna connectors
6.5H.1.3.3 Additional spurious emissions for intra-band UL contiguous CA for UL MIMO	Aggregated BW \leq 100M: same as 6.5.3.3 for sum of powers of all CCs and both antennas Aggregated BW > 100M: TBD	Same as 6.5.3.3 Uplink power measurement applies to overall UL power, which is the linear sum of the output powers over both Tx antenna connectors
6.5H.1.4 Transmit intermodulation for intra-band UL contiguous CA for UL MIMO	Aggregated BW \leq 100M: same as 6.5.4, for each antenna on each CC Aggregated BW > 100M: TBD	Same as 6.5.4
6.5J.1 Occupied bandwidth for ATG	FFS	FFS
6.5J.3.1 General spurious emissions for ATG	FFS	FFS

F.3.3 Measurement of receiver

- MU and TT for >6GHz (band n96) are working assumption based on analysis of single TE vendor. Values will be revisited once analysis from other TE vendors is available.

Table F.3.3-1: Derivation of Test Requirements (Receiver tests)

Sub clause	Test Tolerance (TT)	Formula for test requirement
7.3.2 Reference sensitivity power level	0.7 dB, $f \leq 3.0\text{GHz}$ 1.0 dB, $3.0\text{GHz} < f \leq 6.0\text{GHz}$	Reference sensitivity power level + TT T-put limit unchanged
7.3A Reference sensitivity for CA (Same TT apply to all subsections including 7.3A.1, 7.3A.1_1, 7.3A.2, 7.3A.3, 7.3A.4, etc.)	Same as 7.3.2 for each component carrier	Same as 7.3.2 for each component carrier
7.3C.2 Reference sensitivity power level	Same as 7.3.2	Same as 7.3.2
7.3D Reference sensitivity for MIMO	Same as 7.3.2	Same as 7.3.2
7.3D.2_1 Reference sensitivity power level for SUL with UL MIMO	Same as 7.3D	Same as 7.3D
7.3F Reference sensitivity for shared spectrum channel access	1.0 dB, $3.0\text{GHz} < f \leq 7.125\text{GHz}$	Same as 7.3.2
7.3I.2 Reference sensitivity power level for RedCap	Same as 7.3.2	Same as 7.3.2
7.4 Maximum input level	0.7 dB, $f \leq 3.0\text{GHz}$ 1.0 dB, $3.0\text{GHz} < f \leq 6.0\text{GHz}$	Maximum input level - TT

7.4A Maximum input level for CA (Same TT apply to all subsections including 7.4A.1, 7.4A.2, 7.4A.3, 7.4A.4, etc.)	Same as 7.4 for each component carrier	Same as 7.4 for each component carrier
7.4D Maximum input level for UL MIMO	Same as 7.4	Same as 7.4 Uplink power measurement window applies to overall UL power, which is the linear sum of the output powers over all Tx antenna connectors
7.4D_1 Maximum input level for SUL with UL MIMO	Same as 7.4D	Same as 7.4D
7.4F Maximum input level for shared spectrum channel access	Same as 7.4 for $f \leq 5.925\text{GHz}$ TBD for $f > 5.925\text{GHz}$	Same as 7.4 for $f \leq 5.925\text{GHz}$ TBD for $f > 5.925\text{GHz}$
7.4J Maximum input level for ATG	FFS	FFS
7.5 Adjacent channel selectivity	0 dB	Wanted signal power + TT Interferer signal power unchanged T-put limit unchanged
7.5A Adjacent channel selectivity for CA (Same TT apply to all subsections including 7.5A.1, 7.5A.2, 7.5A.3, 7.5A.4, etc.)	Same as 7.5 for each component carrier	Same as 7.5 for each component carrier
7.5D Adjacent channel selectivity for UL MIMO	Same as 7.5	Same as 7.5 Uplink power measurement window applies to overall UL power, which is the linear sum of the output powers over all Tx antenna connectors
7.5D_1 Adjacent channel selectivity for SUL with UL MIMO	Same as 7.5D	Same as 7.5D
7.5F.1 Adjacent channel selectivity for shared spectrum channel access	Same as 7.5	Same as 7.5
7.5J Adjacent channel selectivity for ATG	FFS	FFS
7.6.2 Inband Blocking	0 dB	Wanted signal power + TT Interferer signal power unchanged T-put limit unchanged
7.6.3 Out-of-band blocking	0 dB	Wanted signal power + TT Interferer signal power unchanged T-put limit unchanged
7.6.4 Narrow band blocking	0 dB	Wanted signal power + TT Interferer signal power unchanged T-put limit unchanged
7.6A.2 Inband Blocking for CA (Same TT apply to all subsections including 7.6A.2.1, 7.6A.2.2, 7.6A.2.3, 7.6A.2.4, etc.)	Same as 7.6.2 for each component carrier	Same as 7.6.2 for each component carrier
7.6A.3 Out-of-band Blocking for CA (Same TT apply to all subsections including 7.6A.3.1, 7.6A.3.2, 7.6A.3.3, 7.6A.3.4, etc.)	Same as 7.6.3 for each component carrier	Same as 7.6.3 for each component carrier

7.6A.4 Narrow band Blocking for CA (Same TT apply to all subsections including 7.6A.4.1, 7.6A.4.2, 7.6A.4.3, 7.6A.4.4, etc.)	Same as 7.6.4 for each component carrier	Same as 7.6.4 for each component carrier
7.6C.2 Inband Blocking for SUL	Same as 7.6.2	Same as 7.6.2
7.6C.2_1.1 Inband Blocking for SUL with 2 DL CA	Same as 7.6A.2	Same as 7.6A.2
7.6C.3 Out-of-band blocking for SUL	Same as 7.6.3	Same as 7.6.3
7.6D.2 Inband blocking for UL MIMO	Same as 7.6.2	Same as 7.6.2 Uplink power measurement window applies to overall UL power, which is the linear sum of the output powers over all Tx antenna connectors
7.6D.2_1 In-band blocking for SUL with UL MIMO	Same as 7.6D.2	Same as 7.6D.2
7.6D.3 Out-of-band blocking for UL MIMO	Same as 7.6.3	Same as 7.6.3 Uplink power measurement window applies to overall UL power, which is the linear sum of the output powers over all Tx antenna connectors
7.6D.3_1 Out-of-band blocking for SUL with UL MIMO	Same as 7.6D.3	Same as 7.6D.3
7.6D.4 Narrow-band blocking for UL MIMO	Same as 7.6.4	Same as 7.6.4 Uplink power measurement window applies to overall UL power, which is the linear sum of the output powers over all Tx antenna connectors
7.6F.2.1 In-band blocking for shared spectrum channel access	Same as 7.6.2	Same as 7.6.2
7.6F.3.1 Out-of-band blocking for shared spectrum channel access	Same as 7.6.3	Same as 7.6.3
7.6J.2 In-band blocking for ATG	FFS	FFS
7.6J.3 Out-of-band blocking for ATG	FFS	FFS
7.7 Spurious response	0 dB	Wanted signal power + TT Interferer signal power unchanged T-put limit unchanged
7.7A Spurious response for CA (Same TT apply to all subsections including 7.7A.1, 7.7A.2, 7.7A.3, etc.)	Same as 7.7 for each component carrier	Same as 7.7 for each component carrier
7.7D Spurious response for UL MIMO	Same as 7.7	Same as 7.7 Uplink power measurement window applies to overall UL power, which is the linear sum of the output powers over all Tx antenna connectors
7.7D_1 Spurious response for SUL with UL MIMO	Same as 7.7D	Same as 7.7D
7.7F.1 Spurious response for shared spectrum channel access	Same as 7.7	Same as 7.7
7.7J Spurious response for ATG	FFS	FFS

7.8.2 Wide band Intermodulation	0 dB	Wanted signal power +TT CW Interferer signal power unchanged Modulated Interferer signal power unchanged T-put limit unchanged
7.8A.2 Wide band Intermodulation for CA (Same TT apply to all subsections including 7.8A.2.1, 7.8A.2.2, 7.8A.2.3, etc.)	Same as 7.8.2 for each component carrier	Same as 7.8.2 for each component carrier
7.8D.2 Intermodulation characteristics for UL MIMO	Same as 7.8.2	Same as 7.8.2 Uplink power measurement window applies to overall UL power, which is the linear sum of the output powers over all Tx antenna connectors
7.8D.2_1 Wide band Intermodulation for SUL with UL MIMO	Same as 7.8D.2	Same as 7.8D.2
7.8F Intermodulation characteristics for shared spectrum channel access	Same as 7.8.2	Same as 7.8.2
7.8J.2 Wide band intermodulation for ATG	FFS	FFS
7.9 Spurious emissions	0 dB	Minimum requirement + TT
7.9A.1 Spurious emissions for CA (2DL CA)	Same as 7.9	Same as 7.9
7.9J Spurious emissions	FFS	FFS

F.4 Uplink power window

F.4.1 Introduction

A number of Tx and Rx Test cases set the UE uplink power to be within a defined window to ensure the test is carried out in the intended conditions. This clause gives the method for calculating the uplink power window used in Tx test cases and Rx Test cases.

F.4.2 Setting the power window above a requirement

F.4.2.1 NR FR1

The method used to derive the uplink power window is defined in TS 38.521-3 [14] clause F.4.2.1.

F.4.3 Setting the power window below a requirement

F.4.3.1 NR FR1

The method used to derive the uplink power window is defined in TS 38.521-3 [14] clause F.4.3.1.

F.4.4 Setting the power window centred on a target value

F.4.4.1 NR FR1

The method used to derive the uplink power window is defined in TS 38.521-3 [14] clause F.4.4.1.

Annex G (normative): Uplink Physical Channels

G.0 Uplink Signal Levels

Uplink signal power is a UE figure, which is configured by the Test System by means of:

RRC messages (IE-s), such as:

- PUSCH-PowerControl
- PUCCH-PowerControl
- RACH-ConfigGeneric
- SRS-Config

and L1/2 Power control commands (TPC).

The uplink power settings are specified in the test case.

Otherwise, the uplink power settings result from the default RRC messages described in TS 38.508 [5], and appropriate TPC-s, which are sent to the UE to transmit with an UL power level necessary for maintaining the call during the test.

G.1 General

This annex specifies the uplink physical channels that are needed for setting a connection and channels that are needed during a connection. Table G.1-1 describes the mapping of uplink physical channels and signals to physical resources

Table G.1-1: Mapping of uplink physical channels and signals to physical resources

Physical channel	Time Domain Location	Frequency Domain Location	Note
PRACH	Allowed by the parameter prach-ConfigurationIndex provided by higher layers	Allowed by the parameter msg1-FrequencyStart provided by higher layers	Mapping rule is specified in TS 38.211 [8] Section 6.3.3
DMRS	For DMRS on PUCCH format 1: Every other symbols i.e., 0, 2, 4... For DMRS on PUCCH format 2: All the PUCCH symbols For DMRS on PUCCH format 3,4: PUCCH length dependent For One symbol DMRS on PUSCH: Symbol 2,7 and 11 of each slot	DMRS on CP-OFDM PUSCH: Specified by the parameters <i>dmrs-Type</i> provided by higher layers. DMRS on DFT-OFDM PUSCH: Allowed for DMRS configuration type1 DMRS on PUCCH: PUCCH bandwidth dependent.	Mapping rule of DMRS for PUCCH is specified in TS 38.211 [8] Section 6.4.1.3 Mapping rule of DMRS for PUSCH is specified in TS 38.211 [8] Sections 6.4.1.1, 6.4.1.2
PUCCH	For PUCCH Format 0: 1 ~ 2 symbols each slot, specified by the parameters of <i>nrofSymbols</i> and <i>startingSymbolIndex</i> in PUCCH-format0 provided by the higher layer. For PUCCH Format 1: 4 ~ 14 symbols each slot, specified by the parameters of <i>nrofSymbols</i> and those of <i>startingSymbolIndex</i> of PUCCH-format1 provided by the higher layer.	For PUCCH Format 0, 1 1 RB, the position specified by the parameters of <i>startingPRB</i> and <i>intraSlotFrequencyHopping</i> in the corresponding PUCCH-Resource provided by the higher layer. For PUCCH Format 2, 3: 1~16 RBs, specified by the parameter of <i>nrofPRBs</i> in PUCCH-format2 and PUCCH-	Mapping rule is specified in TS 38.211 [8] Section 6.3.2 and 38.213 [9] Section 9.2

	<p>For PUCCH Format 2, 1 ~ 2 symbols each slot, specified by the parameters of <code>nrofSymbols</code> and <code>startingSymbolIndex</code> in PUCCH-format2 provided by the higher layer.</p> <p>For PUCCH Format 3: 4 ~ 14 symbols each slot, allowed by the parameters of <code>nrofSymbols</code> and <code>startingSymbolIndex</code> in PUCCH-format3, provided by the higher layer.</p> <p>For PUCCH Format 4: 4 ~ 14 symbols each slot, specified by the parameters of <code>nrofSymbols</code> and <code>startingSymbolIndex</code> in PUCCH-format4, provided by higher layer.</p>	<p>format3 respectively; additionally the position specified by the parameters of <code>startingPRB</code> and <code>intraSlotFrequencyHopping</code> in the corresponding PUCCH-Resource provided by the higher layer.</p> <p>For PUCCH Format 4 1 RB, the position specified by the parameters of <code>startingPRB</code> and <code>intraSlotFrequencyHopping</code> in the corresponding PUCCH-Resource provided by the higher layer</p>	
PUSCH	All remaining uplink symbols of each slot not allocated to DMRS	RBs allocated according to Reference Measurement channel in Annex A.2	Mapping rule is specified in TS 38.211 [8] Section 6.3 and 38.214 [12] Section 6.1
SRS	1, 2, or 4 symbols among the last 6 symbols in each SRS transmission slot specified by the parameters of <code>resourceMapping</code> , and <code>resourceType</code> in SRS-Config provided by the higher layer.	RBs specified by the ue-specific parameters of <code>freqDomainPosition</code> , <code>freqDomainShift</code> and <code>freqHopping</code> in SRS-Config provided by the higher layer.	Mapping rule is specified in TS 38.211 [8] Section 6.4.1.4.3

G.2 Set-up

Table G.2-1 describes the uplink physical channels that are required for connection set up.

Table G.2-1: Uplink Physical Channels required for connection set-up

Physical Channel
PRACH
PUCCH
PUSCH
PUCCH DMRS
PUSCH DMRS
SRS

In case of supplementary test, Table G.2-2 describes the supplementary uplink physical channels that are required for connection set-up, and unless stated otherwise, there is no other uplink physical channels configured on the NON-SUL carrier except PRACH.

Table G.2-2: Supplementary Uplink Physical Channels required for connection set-up

Physical Channel
PRACH
DMRS
PUCCH
PUSCH

G.3 Connection

The following clauses describes the uplink physical channels that are transmitted during a connection i.e., when measurements are done.

G.3.0 Measurement of Transmitter Characteristics

As specified in the test case. Otherwise:

- PUSCH + DMRS for PUSCH (and DMRS) measurements.
- PUCCH + DMRS for PUCCH (and DMRS) measurements.
- PRACH for PRACH measurements.

SRS for SRS measurements.

G.3.1 Measurement of Receiver Characteristics

As specified in the test case. Otherwise:

- PUSCH + DMRS for measurements with uplink interference configured.
- PUCCH + DMRS for measurements without uplink interference configured.

G.3.2 Measurement of Performance Requirements

As specified in the test case. Otherwise:

PUCCH + DMRS for measurements without CSI feedback, or with CSI feedback in PUCCH mode.

PUSCH + DMRS for measurements with CSI feedback in PUSCH mode.

Annex H (normative): Statistical Testing

H.1 General

This annex specifies mapping throughput to error ratio, pass fail limits and pass fail decision rules that are needed for measuring average throughput for a duration sufficient to achieve statistical significance for testing receiver characteristics.

H.2 Statistical testing of receiver characteristics

H.2.1 General

The test of receiver characteristics is twofold.

1. A signal or a combination of signals is offered to the RX port(s) of the receiver.
2. The ability of the receiver to demodulate /decode this signal is verified by measuring the throughput.

In (2) is the statistical aspect of the test and is treated here.

The minimum requirement for all receiver tests is >95% of the maximum throughput.

All receiver tests are performed in static propagation conditions. No fading conditions are applied.

H.2.2 Mapping throughput to error ratio

- a) The measured information bit throughput R is defined as the sum (in kilobits) of the information bit payloads successfully received during the test interval, divided by the duration of the test interval (in seconds).
- b) In measurement practice the UE indicates successfully received information bit payload by signalling an ACK to the SS.
If payload is received, but damaged and cannot be decoded, the UE signals a NACK.
- c) Only the ACK and NACK signals, not the data bits received, are accessible to the SS.
The number of bits is known in the SS from knowledge of what payload was sent.
- d) For the reference measurement channel, applied for testing, the number of bits is different in different slots, however in a radio frame it is fixed during one test.
- e) The time in the measurement interval is composed of successfully received slots (ACK), unsuccessfully received slots (NACK) and no reception at all (DTX-slots).
- f) DTX-slots may occur regularly according the applicable reference measurement channel (regDTX).
In real live networks this is the time when other UEs are served. In TDD these are the UL and special slots.
regDTX vary from test to test but are fixed within the test.
- g) Additional DTX-slots occur statistically when the UE is not responding ACK or NACK where it should.
(statDTX)
This may happen when the UE was not expecting data or decided that the data were not intended for it.

The pass / fail decision is done by observing the:

- number of NACKs
- number of ACKs and
- number of statDTXs (regDTX is implicitly known to the SS)

The ratio $(NACK + statDTX)/(NACK + statDTX + ACK)$ is the Error Ratio (ER). Taking into account the time consumed by the ACK, NACK, and DTX-TTIs (regular and statistical), ER can be mapped unambiguously to throughput for any single reference measurement channel test.

H.2.3 Design of the test

The test is defined by the following design principles (see clause H.2.6, Theory....):

1. The early decision concept is applied.
2. A second limit is introduced: Bad DUT factor $M > 1$
3. To decide the test pass:

Supplier risk is applied based on the Bad DUT quality

To decide the test fail

Customer Risk is applied based on the specified DUT quality

The test is defined by the following parameters:

1. Limit ER = 0.05 (Throughput limit = 95%)
2. Bad DUT factor $M = 1.5$ (selectivity)
3. Confidence level CL = 95% (for specified DUT and Bad DUT-quality)

H.2.4 Numerical definition of the pass fail limits

Table H.2.4-1: pass fail limits

ne	ns _p	ns _r	ne	ns _p	ns _r	ne	ns _p	ns _r	ne	ns _p	ns _r
0	67	NA	37	715	477	74	1290	1093	111	1847	1739
1	67	NA	38	731	493	75	1306	1110	112	1862	1756
2	95	NA	39	747	509	76	1321	1128	113	1877	1774
3	119	NA	40	763	525	77	1336	1145	114	1891	1792
4	141	NA	41	779	541	78	1351	1162	115	1906	1809
5	162	NA	42	795	557	79	1366	1179	116	1921	1827
6	183	NA	43	810	573	80	1382	1197	117	1936	1845
7	203	NA	44	826	590	81	1397	1214	118	1951	1863
8	222	NA	45	842	606	82	1412	1231	119	1966	1880
9	241	67	46	858	622	83	1427	1248	120	1981	1898
10	259	80	47	873	639	84	1442	1266	121	1995	1916
11	278	92	48	889	655	85	1457	1283	122	2010	1934
12	296	105	49	905	672	86	1472	1300	123	2025	1951
13	314	118	50	920	688	87	1487	1318	124	2040	1969
14	332	131	51	936	705	88	1503	1335	125	2055	1987
15	349	145	52	952	721	89	1518	1353	126	2069	2005
16	367	159	53	967	738	90	1533	1370	127	2084	2023
17	384	173	54	983	755	91	1548	1387	128	2099	2041
18	401	187	55	998	771	92	1563	1405	129	2114	2058
19	419	201	56	1014	788	93	1578	1422	130	2128	2076
20	436	216	57	1029	805	94	1593	1440	131	2143	2094
21	453	230	58	1045	822	95	1608	1457	132	2158	2112
22	469	245	59	1060	838	96	1623	1475	133	2173	2130
23	486	260	60	1076	855	97	1638	1492	134	2187	2148
24	503	275	61	1091	872	98	1653	1510	135	2202	2166

25	520	290	62	1107	889	99	1668	1527	136	2217	2183
26	536	305	63	1122	906	100	1683	1545	137	2232	2201
27	553	320	64	1137	923	101	1698	1562	138	2246	2219
28	569	335	65	1153	940	102	1713	1580	139	2261	2237
29	585	351	66	1168	957	103	1728	1598	140	2276	2255
30	602	366	67	1184	974	104	1742	1615	141	2291	2273
31	618	382	68	1199	991	105	1757	1633	142	2305	2291
32	634	398	69	1214	1008	106	1772	1650	143	2320	2309
33	651	413	70	1229	1025	107	1787	1668	144	2335	2327
34	667	429	71	1245	1042	108	1802	1686	145	2349	2345
35	683	445	72	1260	1059	109	1817	1703	146	2364	2363
36	699	461	73	1275	1076	110	1832	1721	*) note 2 in H.2.5		

NOTE 1: The first column is the number of errors (n_e = number of NACK + statDTX)

NOTE 2: The second column is the number of samples for the pass limit (n_{s_p} , n_s =Number of Samples= number of NACK + statDTX + ACK)

NOTE 3: The third column is the number of samples for the fail limit (n_{s_f})

NOTE 4: The UE could be decided as early pass/fail when at least 67 samples are received. The n_{s_f} is set to NA for n_e less than 9.

H.2.5 Pass fail decision rules

The pass fail decision rules apply for a single measurement. A test case is passed only when all the measurements in the test case are passed.

Having observed 0 errors, pass the test at 67+ samples, otherwise continue

Having observed 1 error, pass the test at 95+ otherwise continue

Having observed 2 errors, pass the test at 119+ samples, otherwise continue

Etc. etc.

Having observed 14645 errors, pass the test at 23642349+ samples, fail the test at 2345- samples, otherwise continue

Having observed 152 errors, pass the test at + samples, fail the test at 2363- samples.

Where $x+$ means: x or more, $x-$ means x or less

NOTE 1: an ideal DUT passes after 67 samples. The maximum test time is 2364 samples.

NOTE 2: It is allowed to deviate from the early decision concept by postponing the decision (pass/fail or continue). Postponing the decision to or beyond the end of Table H.2.4-1 requires a pass fail decision against the test limit: pass the DUT for $ER < 0.0618$, otherwise fail.

H.2.6 Theory to derive the pass fail limits (Informative)

Editor's note: This clause of the Annex H is for information only and it describes the background theory and information for statistical testing.

H.2.6.1 Numerical definition of the pass-fail limits

A statistical test is characterized by test time, selectivity and confidence level. The outcome of the statistical test is a decision. This decision may be correct, i.e., DUTs whose throughput is less than 95% maximum throughput being declared to fail, and DUTs whose throughput is higher or equal to 95% being declared to pass, or in-correct with opposite decision. The Confidence Level (CL) describes the probability that the decision is a correct one. The complement is the wrong decision probability (risk) $D = 1 - CL$.

As described in H.2.2, the measurement of throughput could be mapped to ER (Error Ratio). When testing ER, transport blocks or "samples" are observed and the number of correctly and erroneously received blocks are recorded. For a "standard" test, a pre-defined number of samples are observed, and a pass/fail decision is made based on the number of observed errors being above/below a threshold. This threshold is based on the targeted throughput or BLER and the design target CL. There is always some risk of a statistical variation leading to an incorrect pass/fail decision. The greater the number of samples that are recorded, the lower is the risk of such an error. The number of samples that are observed in a standard test is dimensioned to achieve an acceptable low risk of error (i.e., an acceptable high confidence level) for DUTs that just meet the specified limit.

The standard test works well where the target ER level is relatively high and confidence level relatively low (both are chosen to be on a comparable order of magnitude). However, for relatively low ER testing the length of time required for observing sufficient samples to achieve a 95% confidence level is excessive. In many cases, the DUTs will in fact have a much lower true ER level than the target ER level, (in which case, the number of samples needed to achieve high confidence that the true ER level is lower than the limit is much smaller). On the other hand, a bad DUT which is expected to fail the requirement might have a much higher true ER level (in which case, errors occur more frequently and it can be demonstrated that the DUT is above the target ER limit with fewer samples).

To avoid long test time, an alternative test method called early pass/fail is adopted. With the early pass/fail, each time a block error is encountered, a decision is made on whether the DUT can be passed/failed with 95% CL or the test needs to continue until another error is encountered. In the case of very good DUTs, the test can also be passed, when the number of samples permissible for one error event is reached and no error event is recorded. Pass/Fail is decided based on the total number of observed samples and errors, and a statistical calculation based on an inverse binomial cumulative distribution. The calculation involves one parameter, one variable and the result:

- Parameter: d (per step decision probability).
- Variable: ne (number of observed errors).
- Result: ns (number of expected samples for pass/fail, depending on which one is calculated).

The per step decision probability risk, d , expresses the probability of making an incorrect pass/fail decision in the current step (i.e., for the current decision coordinate). d is determined by simulation such that the overall risk of making a wrong decision over all steps of each test of a large number of tests on a large number of DUTs that exactly meet the target ER limit is $D=5\%$ (and hence the CL 95%).

It should be noted that d is determined separately considering early pass and early fail testing.

For a marginal DUT (i.e., a DUT almost exactly meeting the target ER level), the unmodified early pass/early fail approach is unable to distinguish whether the DUT has just passed or just failed the BLER ($\epsilon \rightarrow 0$), and can thus terminate with an "undecided" result. To avoid this undecided result and provide selectivity, a so-called "bad device factor" (M) is introduced into the early pass calculation. This factor biases the decision towards avoiding failing good DUT.

H.2.6.2 Simulation to derive the pass-fail limits for testing 95% throughput

As per the description in H.2.2, the 95% throughput measurement is mapped to $ER=0.05$, where ER is $(NACK + statDTX)/(NACK + statDTX + ACK)$.

The binomial distribution and its inverse are used to design the pass and fail limits. Note that this method is not unique and that other methods exist.

$$fail(ne, d_f) := \frac{ne}{ns_f} = \frac{ne}{(ne + qnbinom(d_f, ne, ER))}$$

$$pass(ne, cl_p, M) := \frac{ne}{ns_p} = \frac{ne}{(ne + qnbinom(cl_p, ne, ER \cdot M))}$$

Where

- $fail(..)$ is the error ratio for the fail limit.

- $\text{pass}(\cdot)$ is the error ratio for the pass limit.
- ER is the specified error ratio 5%.
- n_e is the number of bad results. This is the variable in both equations.
- M is the Bad DUT factor $M=1.5$.
- d_f is the wrong decision probability of a single (n_e , n_s) co-ordinate for the fail limit. It is found by simulation to be $d_f = 0.006$.
- cl_p is the confidence level of a single (n_e , n_s) co-ordinate for the pass limit. It is found by simulation to be $cl_p = 0.9945$.
- $\text{qnbinom}(\cdot)$: The inverse cumulative function of the negative binomial distribution.

The simulation works as follows:

- A large population of limit DUTs with true $ER = 0.05$ is decided against the pass and fail limits.
- cl_p and d_f are tuned such that CL (95 %) of the population passes and D (5 %) of the population fails.
- A population of Bad DUTs with true $ER = M*0.05$ is decided against the same pass and fail limits.
- cl_p and d_f are tuned such that CL (95 %) of the population fails and D (5 %) of the population passes.
- The number of DUTs decrease during the simulation, as the decided DUTs leave the population. That number decreases with an approximately exponential characteristics. After 146 bad results all DUTs of the population are decided.

NOTE: The exponential decrease of the population is an optimal design goal for the decision co-ordinates (n_e , n_s), which can be achieved with other formulas or methods as well.

H.2A Statistical testing of receiver characteristics with CA

H.2A.1 General

H.2A.1 applies.

H.2A.2 Mapping throughput to error ratio

H.2A.2 applies for each component carrier.

H.2A.3 Design of the test

The test is defined by the following design principles (see clause H.2.6, Theory....):

1. The standard concept is applied. (not the early decision concept).
2. A second limit is introduced, defining the Bad DUT.
3. To decide the test pass:
 - Supplier risk is applied based on the Bad DUT quality.
 - To decide the test fail.
 - Customer Risk is applied based on the specified DUT quality.

The test is defined by the following parameters:

- 1) Limit Error Ratio = 0.05 (95% throughput is tested).
- 2) Bad DUT factor $M=1.5$ (selectivity).

3) Confidence level $CL = 95\%$ (for specified DUT and Bad DUT-quality).

H.2A.4 Pass fail decision rules

Apply 1003 samples to the DUT per CC.

Decide pass per CC in case of ≤ 62 errors, otherwise fail.

NOTE 1: The pass fail decision is done individually for each CC. The pass fail decision for one measurement is as follows: pass if all CCs or SCC only according to the test cases pass, otherwise fail. A test case is passed only when all the measurements in the test case are passed.

NOTE 2: It is allowed to apply more samples to the DUT, common for all CCs, (e.g. up to an integer number of frames). Use the ratio (62/1003) for the pass fail decision.

NOTE 3: $62/1003 = 0.0618$, the same test limit is used at the end of Table H.2.4-1.

Annex I (normative): ModifiedMPR-Behaviour

I.1 Indication of modified MPR behaviour

This annex contains the definitions of the bits in the field *modifiedMPR-Behavior* indicated per supported NR band in the IE *RF-Parameters* [6] by a UE supporting an MPR or A-MPR modified in a given version of this specification. A modified MPR or A-MPR behaviour can apply to a supported NR band in stand-alone operation (including CA and NN-DC operation) or in non-standalone operation with the said NR band as part of an EN-DC or NE-DC band combination.

NOTE 1: In the present release, the *modifiedMPR-Behavior* is indicated [6] by an 8-bit bitmap per supported NR band.

Table I.1-1: Definitions of the bits in the field *modifiedMPR-Behavior*

NR Band	Index of field (bit number)	Definition (description of the supported functionality if indicator set to one)	Notes
n30	0 (leftmost bit)	Requirements for network signalling value NS_21 as defined in Clause 6.5.2.3.y of 38.101-1 v17.6.0 and A-MPR as defined in Clause 6.2.3.14 of 38.101-1 v17.6.0.	This bit shall be set to 1 by a UE supporting the Rel-17 version of the specification. If the bit is not set, then requirements for NS_21 as defined in Clause 6.5.2.3.3 of 38.101-1 v16.11.0 and A-MPR as defined in Clause 6.2.3.14 of 38.101-1 v16.11.0 apply.
n34	0 (leftmost bit)	PC 1.5 MPR as defined in Table 6.2D.2.3-3	This bit may be set to 1 by a UE of any release supporting power class 1.5. This bit is intended to be set by larger form factor FWA devices. If the bit is not set for a Rel-17 and later UE, PC 1.5 MPR as defined in Table 6.2D.2.3-2 applies. If the bit is not set for a Rel-16 and earlier UE, MPR in Table 6.2.2-4 of 38.101-1 v16.5.0 applies.
n39	0 (leftmost bit)	PC 1.5 MPR as defined in Table 6.2D.2.3-3	This bit may be set to 1 by a UE of any release supporting power class 1.5. This bit is intended to be set by larger form factor FWA devices. If the bit is not set for a Rel-17 and later UE, PC 1.5 MPR as defined in Table 6.2D.2.3-2 applies. If the bit is not set for a Rel-16 and earlier UE, MPR in Table 6.2.2-4 of 38.101-1 v16.5.0 applies.
n40	0 (leftmost bit)	PC 1.5 MPR as defined in Table 6.2D.2.3-3	This bit may be set to 1 by a UE of any release supporting power class 1.5. This bit is intended to be set by larger form factor FWA devices. If the bit is not set for a Rel-17 and later UE, PC 1.5 MPR as defined in Table 6.2D.2.3-2 applies. If the bit is not set for a Rel-16 and earlier UE,

			MPR in Table 6.2.2-4 of 38.101-1 v16.5.0 applies.
n41	0 (leftmost bit)	EN-DC contiguous intraband MPR as defined in clause 6.2B.2.1 of 38.101-3 v15.5.0	- This bit shall be set to 1 by a UE supporting DC_(n)41AA UE EN-DC
	1	EN-DC non-contiguous intraband MPR as defined in clause 6.2B.2.2 of 38.101-3 v15.5.0	- This bit shall be set to 1 by a UE supporting DC_41A_n41A EN-DC
	2	EN-DC contiguous and non-contiguous intraband MPR and A-MPR as defined in 38.101-3 v16.4.0. If this bit is not set the UE uses Rel-15 MPR or A-MPR for EN-DC contiguous and non-contiguous intraband MPR and A-MPR	-This bit may be set to 1 by a UE supporting DC_(n)41AA or DC_41A_n41A EN-DC
	3	PC 1.5 MPR as defined in Table 6.2D.2.3-3	This bit may be set to 1 by a UE of any release supporting power class 1.5. This bit is intended to be set by larger form factor FWA devices. If the bit is not set for a Rel-17 and later UE, PC 1.5 MPR as defined in Table 6.2D.2.3-2 applies. If the bit is not set for a Rel-16 and earlier UE, MPR in Table 6.2.2-4 of 38.101-1 v16.5.0 applies.
n71	0 (leftmost bit)	EN-DC contiguous intraband MPR as defined in clause 6.2B.2.1 of 38.101-3 v15.5.0	- This bit shall be set to 1 by a UE supporting DC_(n)71AA UE EN-DC
n77	0 (leftmost bit)	PC 1.5 MPR as defined in Table 6.2D.2.3-3	This bit may be set to 1 by a UE of any release supporting power class 1.5. This bit is intended to be set by larger form factor FWA devices. If the bit is not set for a Rel-17 and later UE, PC 1.5 MPR as defined in Table 6.2D.2-2.3-2 applies. If the bit is not set for a Rel-16 and earlier UE, MPR in Table 6.2.2-4 of 38.101-1 v16.5.0 applies.
n78	0 (leftmost bit)	PC 1.5 MPR as defined in Table 6.2D.2.3-3	This bit may be set to 1 by a UE of any release supporting power class 1.5. This bit is intended to be set by larger form factor FWA devices. If the bit is not set for a Rel-17 and later UE, PC 1.5 MPR as defined in Table 6.2D.2.3-2. If the bit is not set for a Rel-16 and earlier UE, MPR in Table 6.2.2-4 of 38.101-1 v16.5.0 applies.
n79	0 (leftmost bit)	PC 1.5 MPR as defined in Table 6.2D.2.3-3	This bit may be set to 1 by a UE of any release supporting power class 1.5. This bit is intended to be set by larger form factor FWA devices. If the bit is not set for a Rel-17 and later UE, PC 1.5 MPR as defined in Table 6.2D.2.3-2 applies. If the bit is not set for a Rel-16 and earlier UE,

			MPR in Table 6.2.2-4 of 38.101-1 v16.5.0 applies.
--	--	--	---

Annex J (normative):

Difference of relative phase and power errors

J.0 General

This annex gives further information needed for understanding and implementing 6.4D.4. The following terms should be understood as follows:

- Relative phase error: refers to the phase difference between signals at different antenna connectors, which should be ideally 0. It should be understood as for a slot i.e. (slot) relative phase. It is calculated based on DMRS symbols of that slot or on SRS symbols.
- Difference of relative phase error: refers to the difference between the relative phase error determined per slot and the relative phase error determined based on the SRS transmitted.

J.1 Measurement Point

Figure J.1-1 shows the measurement point for the difference of relative phase and power errors.

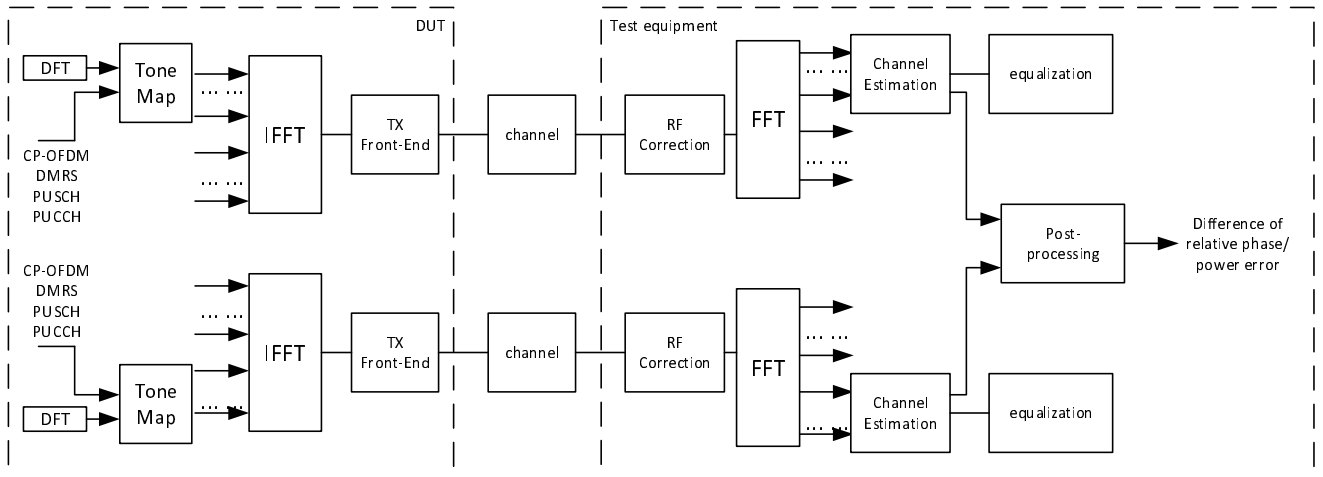


Figure J.1-1 - Measurement point for difference of relative phase/power error for UL coherent MIMO

J.2 Relative Phase Error Measurement

Here are listed the different aspects that may lead to different interpretations.

J.2.1 Symbols and subcarriers used

Phase error is determined based on DMRS REs (DMRS mapping type A with 3 DMRS symbols per slot, the REs corresponding to the odd subcarriers and DMRS symbols are non-allocated for data or DMRS.) and SRS REs (with 4 SRS symbols in the SRS slot, same SRS resource mapping is used for non-codebook-based and codebook-based precoding).

For the DMRS and SRS to occupy identical SCs and maximize their frequency density, DMRS configuration type 1 and SRS comb2 configuration are used.

UL RMC described in Annex A.2 is used.

J.2.2 CFO (carrier frequency offset) correction

The TE performs a CFO correction on a slot-by-slot basis using a common frequency correction at the two uplink antenna connectors.

J.2.3 Steps of the measurement method

Below are detailed the steps necessary to obtain the maximum difference of relative phase error during the 20ms time window.

1. Determination for each subcarrier and at each antenna, the SRS relative phase error based on the last SRS transmitted on Ant1 and Ant2, that relative phase error serves as a reference for the calculation of the difference of relative phase error for each slot inside the 20 ms time window.
 - The output is the “SRS relative phase error” vector for the last SRS transmitted: $[1 \times \textit{number_of_subcarriers}]$.
2. Calculation for the last SRS transmitted, for each RB of the SRS relative phase errors based on the arithmetic mean of the subcarrier SRS relative phase errors determined in previous step.
 - The output is the “SRS relative phase error” vector for the last SRS transmitted: $[1 \times \textit{number_of_RBs}]$.
3. CFO correction on slot-by-slot basis using a common frequency correction for both antenna outputs.
4. Determination for each subcarrier and at each antenna, the phase over the slot being analyzed. The phase is extracted from the channel estimate derived from the 3 DMRS symbols of the slot using the LSE technique.
 - The output is one vector of dimension $[1 \times \textit{number_of_subcarriers}]$ for each antenna.
5. Calculation for a slot for each subcarrier of the relative phase error (difference between the vectors determined in the previous step).
 - The output is subcarrier relative phase errors of a slot: $[1 \times \textit{number_of_subcarriers}]$.
6. Calculation for a slot, for each RB of the relative phase errors based on the arithmetic mean of the subcarrier relative phase errors determined in previous step.
 - The output is a “slot relative phase error” vector for a slot: $[1 \times \textit{number_of_RBs}]$.
7. Calculation for a slot of the difference of relative phase errors based on the “SRS relative phase error” (reference) determined in step 2 and the “slot relative phase error” determined in previous step.
 - The output is a “difference of relative phase error” vector for a slot: $[1 \times \textit{number_of_RBs}]$.
8. Calculation for a slot of the arithmetic mean value of the “difference of relative phase error” vector determined in previous step; this value corresponds to an RB.
 - The output is a “difference of relative phase error” value for a slot: $[1 \times 1]$.

9. Perform for each slot of the 20ms time window, steps 3 to 8.

- The output is a “difference of relative phase error” vector: $[1 \times \textit{number_of_slots}]$.

10. Calculation of the maximum value of the “difference of relative phase error”.

- The output is the “difference of relative phase error” that should be verified as complying with the 40° maximum allowable difference of relative phase error requirement: $[1 \times 1]$.

Annex K (informative): Change history

Change history							
Date	Meeting	TDoc	CR	R ev	C at	Subject/Comment	New versio n
2017-08	RAN5#76	R5-175705	-	-	-	Draft skeleton	0.0.1
2018-01	RAN5#1- 5G-NR Adhoc	R5-180068 R5-180069 R5-180070 R5-180071 R5-180072 R5-180073 R5-180075 R5-180076 R5-180077 R5-180078 R5-180079	-	-	-	Implementation of pCRs to TS 38.521-1 V0.1.0	0.1.0
2018-01	RAN5#78	R5-181506 R5-181507 R5-181670 R5-181671 R5-181672 R5-181676 R5-181677 R5-181678 R5-181679 R5-181685 R5-181686 R5-181698 R5-181699 R5-181700	-	-	-	Implementation of pCRs to TS 38.521-1 V0.2.0	0.2.0
2018-03	RAN5#2- 5G-NR Adhoc	R5-181759	-	-	-	Update TS 38.521-1 to align with new structure of TS 38.101-1 based on endorsed CR R4-1802403	0.3.0
2018-04	RAN5#2- 5G-NR Adhoc	R5-81976	-	-	-	3GU mismatch	0.3.1
2018-04	RAN5#2- 5G-NR Adhoc	R5-181771 R5-181833 R5-181842 R5-182000 R5-182002 R5-182003 R5-182004 R5-182005 R5-182020 R5-182021 R5-182026	-	-	-	Implementation of pCRs to TS 38.521-1 V0.4.0 Add clause 4.4 Test point analysis	0.4.0
2018-07	RAN5#79	R5-182768 R5-182973 R5-183702 R5-183703 R5-183704 R5-183705 R5-183906 R5-183936 R5-183280 R5-183923 R5-183953 R5-183954 R5-183955 R5-183956 R5-183957 R5-183958 R5-183959	-	-	-	Implementation of pCRs to TS 38.521-1 V0.5.0	0.5.0

		R5-183960					
2018-07	RAN#79	R5-183960 R5-183279	-	-	-	Corrected Table numbering issues in subclause 6.5.2.4.1.4.2 Test procedure to capture R5-183960 changes into draft TS 38.521-1 v0.5.1	0.5.1
2018-07	RAN#79	R5-182363	-	-	-	withdrawn	1.0.0
2018-08	RAN#80	R5-185321 R5-184298 R5-185305 R5-185322 R5-185323 R5-185495 R5-185444 R5-185565 R5-185445 R5-185524 R5-184572 R5-185390 R5-184574 R5-185521 R5-185408 R5-184822 R5-185446 R5-185324 R5-185447 R5-185411 R5-185413 R5-185496 R5-185414 R5-185415 R5-185325 R5-185500 R5-185501 R5-185312 R5-185326 R5-185315 R5-185317 R5-185327 R5-185320	-	-	-	Implementation of pCRs to TS 38.521-1 V1.0.1	1.0.1
2018-09	RAN#81	-	-	-	-	raised to v15.0.0 with editorial changes only	15.0.0
2018-12	RAN#82	R5-186604	0072	-	F	5G_FR1 Text update for 7.3 Reference sensitivity	15.1.0
2018-12	RAN#82	R5-186605	0073	-	F	5R_FR1 Text Update for 6.5.3.1_General spurious emissions	15.1.0
2018-12	RAN#82	R5-186606	0074	-	F	5R FR1 Text Update for 6.5.3.2 Spurious emission for UE co-existence	15.1.0
2018-12	RAN#82	R5-186670	0078	-	F	Updating test case 6.2.3 UE additional maximum output power reduction	15.1.0
2018-12	RAN#82	R5-186671	0079	-	F	Updating test case 6.5.2.3 Additional spectrum emission mask	15.1.0
2018-12	RAN#82	R5-186680	0080	-	F	Update of test case 6.5.2.4.2, UTRA ACLR in 38.521-1	15.1.0
2018-12	RAN#82	R5-186736	0084	-	F	Update of FR1 Transmit OFF power	15.1.0
2018-12	RAN#82	R5-186774	0088	-	F	Addition of 6.3D.1 Minimum output power for UL-MIMO	15.1.0
2018-12	RAN#82	R5-186776	0089	-	F	Addition of 6.3D.2 Transmit OFF power for UL-MIMO	15.1.0
2018-12	RAN#82	R5-186781	0090	-	F	Addition of 6.3D.3 Transmit ON/OFF time mask for UL-MIMO	15.1.0
2018-12	RAN#82	R5-186901	0091	-	F	Update SEM requirements to TS 38.101-1 v15.3.0	15.1.0
2018-12	RAN#82	R5-186902	0092	-	F	Update ACS and inband blocking test cases in TS 38.521-1	15.1.0
2018-12	RAN#82	R5-187034	0107	-	F	Adding edge allocation into common uplink configuration in 6.1	15.1.0
2018-12	RAN#82	R5-187038	0109	-	F	Update test points for multiple FR1 test cases	15.1.0
2018-12	RAN#82	R5-187149	0111	-	F	Updated to Annexes for FR1 tests	15.1.0
2018-12	RAN#82	R5-187150	0112	-	F	General clauses updated for TS38.521-1	15.1.0
2018-12	RAN#82	R5-187376	0120	-	F	Update of 6.2.1 MOP	15.1.0
2018-12	RAN#82	R5-187378	0122	-	F	Update of 6.3.1 Minimum Output Power	15.1.0
2018-12	RAN#82	R5-187379	0123	-	F	Update of 6.3.3.2 General ON/OFF time mask	15.1.0
2018-12	RAN#82	R5-187380	0124	-	F	Addition of 6.2D.1 MOP for MIMO	15.1.0
2018-12	RAN#82	R5-187381	0125	-	F	Addition of 6.2D.2 MPR for MIMO	15.1.0

2018-12	RAN#82	R5-187382	0126	-	F	Addition of 6.2D.4 Configured Output Power for MIMO	15.1.0
2018-12	RAN#82	R5-187383	0127	-	F	Addition of 6.4D.1 Frequency error for MIMO	15.1.0
2018-12	RAN#82	R5-187384	0128	-	F	Addition of 6.4D.2.1 EVM for MIMO	15.1.0
2018-12	RAN#82	R5-187385	0129	-	F	Addition of 6.4D.2.2 Carrier Leakage for MIMO	15.1.0
2018-12	RAN#82	R5-187386	0130	-	F	Addition of 6.4D.2.3 In-band emissions for MIMO	15.1.0
2018-12	RAN#82	R5-187387	0131	-	F	Addition of 6.4D.2.4 EVM equalizer spectrum flatness for MIMO	15.1.0
2018-12	RAN#82	R5-187395	0132	-	F	Update of test case 6.2.3 UE A-MPR, general	15.1.0
2018-12	RAN#82	R5-187397	0133	-	F	Update of test case 6.2.3 UE A-MPR, NS_04	15.1.0
2018-12	RAN#82	R5-187399	0134	-	F	Update of test case test case 6.5.2.3 Additional spectrum emission mask, NS_04	15.1.0
2018-12	RAN#82	R5-187421	0136	-	F	Introduction of TC 6.5D.1 Occupied bandwidth for UL MIMO	15.1.0
2018-12	RAN#82	R5-187422	0137	-	F	Introduction of TC 6.5D.2.2 Spectrum Emission Mask for UL MIMO	15.1.0
2018-12	RAN#82	R5-187423	0138	-	F	Introduction of TC 6.5D.2.3 Additional Spectrum Emission Mask for UL MIMO	15.1.0
2018-12	RAN#82	R5-187424	0139	-	F	Introduction of TC 6.5D.2.4.1 NR ACLR for UL MIMO	15.1.0
2018-12	RAN#82	R5-187425	0140	-	F	Introduction of TC 6.5D.2.4.2 UTRA ACLR for UL MIMO	15.1.0
2018-12	RAN#82	R5-187429	0144	-	F	Introduction of TC 6.5D.4 Transmit intermodulation for UL MIMO	15.1.0
2018-12	RAN#82	R5-187431	0146	-	F	Introduction of TC 7.4D Maximum input level for UL-MIMO	15.1.0
2018-12	RAN#82	R5-187432	0147	-	F	Updating of 6.2C.1 Configured transmitted power for SUL	15.1.0
2018-12	RAN#82	R5-187433	0148	-	F	Introduction of TC 6.5C.1 Occupied bandwidth for SUL	15.1.0
2018-12	RAN#82	R5-187434	0149	-	F	Introduction of TC 6.5C.2.2 Spectrum Emission Mask for SUL	15.1.0
2018-12	RAN#82	R5-187435	0150	-	F	Introduction of TC 6.5C.2.3 Additional Spectrum Emission Mask for SUL	15.1.0
2018-12	RAN#82	R5-187436	0151	-	F	Introduction of TC 6.5C.2.4.1 NR ACLR for SUL	15.1.0
2018-12	RAN#82	R5-187437	0152	-	F	Introduction of TC 6.5C.2.4.2 UTRA ACLR for SUL	15.1.0
2018-12	RAN#82	R5-187438	0153	-	F	Introduction of TC 6.5C.3.2 General spurious emissions for SUL	15.1.0
2018-12	RAN#82	R5-187439	0154	-	F	Introduction of TC 6.5C.3.3 Spurious Emission for UE co-existence for SUL	15.1.0
2018-12	RAN#82	R5-187440	0155	-	F	Introduction of TC 6.5C.3.4 Additional Spurious Emission for SUL	15.1.0
2018-12	RAN#82	R5-187455	0158	-	F	Updating test case 6.3.4.2 Absolute Power Tolerance	15.1.0
2018-12	RAN#82	R5-187456	0159	-	F	Updating test case 6.3.4.4 Aggregate Power Tolerance	15.1.0
2018-12	RAN#82	R5-187560	0162	-	F	Update to Table 5.3.5-1 in TS 38.521-1	15.1.0
2018-12	RAN#82	R5-187585	0164	-	F	Update of transmit signal quality test cases in 38.521-1	15.1.0
2018-12	RAN#82	R5-187615	0167	-	F	Introduction of TC 6.5D.3.1 General spurious emissions for UL MIMO	15.1.0
2018-12	RAN#82	R5-187616	0168	-	F	Introduction of TC 6.5D.3.2 Spurious Emission for UE co-existence for UL MIMO	15.1.0
2018-12	RAN#82	R5-187617	0169	-	F	Introduction of TC 6.5D.3.3 Additional Spurious Emission for UL MIMO	15.1.0
2018-12	RAN#82	R5-187618	0170	-	F	Updating of Uplink channel for SUL in Annex G	15.1.0
2018-12	RAN#82	R5-187804	0069	1	F	Editorial Cleaning up for description of test requirement in clause 6	15.1.0
2018-12	RAN#82	R5-187805	0063	1	F	Introduction of TC 7.7D Spurious response for UL-MIMO	15.1.0
2018-12	RAN#82	R5-187807	0113	1	F	Introduction of receiver spurious emission tests for FR1 SA	15.1.0
2018-12	RAN#82	R5-187810	0114	1	F	Introduction of wideband intermodulation tests for FR1 SA	15.1.0
2018-12	RAN#82	R5-187811	0145	1	F	Introduction of TC 7.3D Reference sensitivity for UL-MIMO	15.1.0
2018-12	RAN#82	R5-187812	0085	1	F	Update of operating bands and channel arrangement to TS 38.521-1	15.1.0
2018-12	RAN#82	R5-187888	0121	1	F	Update of 6.2.4 Configured Output Power	15.1.0
2018-12	RAN#82	R5-187890	0156	1	F	Introduction of TC 6.5C.4 Transmit intermodulation for SUL	15.1.0
2018-12	RAN#82	R5-187892	0108	1	F	Removing the Editor's notes of SA messages and procedures for all FR1 test cases	15.1.0
2018-12	RAN#82	R5-187893	0083	1	F	Update of FR1 6.2.2 MPR	15.1.0
2018-12	RAN#82	R5-187894	0086	1	F	Addition of Time alignment error for UL-MIMO to TS38.521-1	15.1.0
2018-12	RAN#82	R5-187895	0115	1	F	Introduction of New FR1 test case 6.3.3.6 SRS time mask	15.1.0
2018-12	RAN#82	R5-187896	0116	1	F	5G_FR1 Text update for 6.5.3.3 Additional Spurious emission	15.1.0

2018-12	RAN#82	R5-187897	0161	1	F	Update of test case 6.3.4.3, Power Control Relative power tolerance in 38.521-1	15.1.0
2018-12	RAN#82	R5-187898	0165	1	F	Addition of EVM equalizer spectral flatness test case 6.4.2.5 to TS 38.521-1	15.1.0
2018-12	RAN#82	R5-187899	0099	1	F	Introduction of test case for Frequency error for CA	15.1.0
2018-12	RAN#82	R5-187900	0100	1	F	Introduction of test cases for Transmit modulation quality for CA	15.1.0
2018-12	RAN#82	R5-187901	0101	1	F	Introduction of test case for Spectrum emission mask for Inter-band CA	15.1.0
2018-12	RAN#82	R5-187902	0102	1	F	Introduction of test case for NR ACLR for Inter-band CA	15.1.0
2018-12	RAN#82	R5-187903	0103	1	F	Introduction of test case for UTRA ACLR for Inter-band CA	15.1.0
2018-12	RAN#82	R5-187904	0104	1	F	Introduction of test case for General spurious emissions for Inter-band CA	15.1.0
2018-12	RAN#82	R5-187905	0105	1	F	Introduction of test case for Spurious emission for UE co-existence for CA	15.1.0
2018-12	RAN#82	R5-187906	0106	1	F	Introduction of test case for Transmit intermodulation for Inter-band CA	15.1.0
2018-12	RAN#82	R5-187911	0118	1	F	Addition of notes to clarify test point selection into general section of TS 38.521-1	15.1.0
2018-12	RAN#82	R5-187914	0163	1	F	Update of Global In-channel Tx Test Annex in 38.521-1	15.1.0
2018-12	RAN#82	R5-187915	0082	1	F	Introduction of FR1 7.4 Maximum input level	15.1.0
2018-12	RAN#82	R5-188032	0075	1	F	Addition of 6.3D.4.1 Absolute Power tolerance for UL-MIMO	15.1.0
2018-12	RAN#82	R5-188033	0076	1	F	Addition of 6.3D.4.2 Relative Power Tolerance for UL-MIMO	15.1.0
2018-12	RAN#82	R5-188034	0077	1	F	Addition of 6.3D.4.3 Aggregate Power tolerance for UL-MIMO	15.1.0
2018-12	RAN#82	R5-188035	0110	1	F	Update to FR1 test case 6.3.3.4 PRACH time mask	15.1.0
2018-12	RAN#82	R5-188206	0117	1	F	Introduction of New FR1 test case 6.3.3.7 PUSCH-PUCCH and PUSCH-SRS time masks	15.1.0
2018-12	RAN#82	R5-188207	0071	1	F	5G_FR1 Text update for 7.3A Reference sensitivity for CA	15.1.0
2018-12	RAN#82	R5-188208	0067	2	F	Updates of MU in TS 38.521-1 Annex F during RAN5#81	15.1.0
2018-12	RAN#82	R5-188209	0068	2	F	Updates of TT in TS 38.521-1 Annex F during RAN5#81	15.1.0
2018-12	RAN#82	R5-188210	0097	1	F	TDD configuration for UE Tx test in FR1	15.1.0
2018-12	RAN#82	R5-188211	0119	1	F	Core alignment CR to capture TS 38.101-1 updates during RAN4#89	15.1.0
2019-03	RAN#83	R5-191034	0228	-	F	Update Clause 2 of TS 38.521-1	15.2.0
2019-03	RAN#83	R5-191035	0229	-	F	Update Clause 3.2 of TS 38.521-1	15.2.0
2019-03	RAN#83	R5-191039	0232	-	F	Correction to TC 6.4A.2.1.1 Error Vector Magnitude for CA (2UL CA)	15.2.0
2019-03	RAN#83	R5-191088	0244	-	F	Editorial cleaning up of test configuration tables in TS 38.521-1	15.2.0
2019-03	RAN#83	R5-191089	0245	-	F	Editorial correction of core alignment in TS 38.521-1	15.2.0
2019-03	RAN#83	R5-191090	0246	-	F	Updates of TT in TS38.521-1 Annex F during RAN5#NR4	15.2.0
2019-03	RAN#83	R5-191156	0247	-	F	General clauses updated for TS38.521-1	15.2.0
2019-03	RAN#83	R5-191244	0249	-	F	Editorial change in 6.5.2.1 general section	15.2.0
2019-03	RAN#83	R5-191245	0250	-	F	Update ACS and Inband Blocking test cases in TS38.521-1	15.2.0
2019-03	RAN#83	R5-191258	0251	-	F	Update to FR1 test case 6.5.4 Transmit intermodulation	15.2.0
2019-03	RAN#83	R5-191262	0252	-	F	Update of TC 7.6.3_Out-of-band blocking	15.2.0
2019-03	RAN#83	R5-191264	0253	-	F	Introduction of TC 7.6.4 Narrow-band blocking	15.2.0
2019-03	RAN#83	R5-191265	0254	-	F	Introduction of TC 7.7 Spurious response	15.2.0
2019-03	RAN#83	R5-191338	0256	-	F	Update of test case 6.3.4.3, Power Control Relative power tolerance in 38.521-1	15.2.0
2019-03	RAN#83	R5-191465	0257	-	F	Correction of FR1 6.2.2 Maximum Power Reduction (MPR)	15.2.0
2019-03	RAN#83	R5-191506	0262	-	F	Shared Risk clarification in TS 38.521-1	15.2.0
2019-03	RAN#83	R5-191526	0263	-	F	Update to FR1 test case 6.3.3.6 SRS time mask	15.2.0
2019-03	RAN#83	R5-191675	0267	-	F	Addition of MU and TT for NR FR1 UL-MIMO test cases	15.2.0
2019-03	RAN#83	R5-191815	0272	-	F	OBW test procedure update for 38.521-1	15.2.0
2019-03	RAN#83	R5-191846	0277	-	F	FR1 Text update for 6.5.3.1 General spurious emission	15.2.0
2019-03	RAN#83	R5-191848	0278	-	F	Correction of errors in Table 6.1-1 of 38.521-1	15.2.0
2019-03	RAN#83	R5-191849	0279	-	F	FR1 Text update for 7.3C Reference sensitivity power level for SUL	15.2.0
2019-03	RAN#83	R5-191852	0280	-	F	FR1 Text update for 6.5.3.2 Spurious emission for UE co-existence	15.2.0
2019-03	RAN#83	R5-191854	0281	-	F	FR1 Text update for 7.3.2 Reference sensitivity power level	15.2.0
2019-03	RAN#83	R5-192088	0317	-	F	Test mode and test loop function activation in SA Tx RF test cases in TS 38.521-1	15.2.0

2019-03	RAN#83	R5-192089	0318	-	F	Test mode and test loop function activation in SA Rx RF test cases in TS 38.521-1	15.2.0
2019-03	RAN#83	R5-192121	0320	-	F	Update of Global In-channel Tx Test Annex for FR1	15.2.0
2019-03	RAN#83	R5-192402	0266	1	F	Update of FR1 6.2.4 Configured transmitted power	15.2.0
2019-03	RAN#83	R5-192407	0294	1	F	Update of time alignment error for UL MIMO FR1 6.4D.3	15.2.0
2019-03	RAN#83	R5-192408	0295	1	F	Introduction of TC 6.4D.4	15.2.0
2019-03	RAN#83	R5-192409	0309	1	F	Update of FR1 6.2.1 MOP	15.2.0
2019-03	RAN#83	R5-192411	0310	1	F	Update of FR1 6.3.1 Minimum Output Power	15.2.0
2019-03	RAN#83	R5-192412	0311	1	F	Addition of FR1 6.3A.1 minimum output power for CA	15.2.0
2019-03	RAN#83	R5-192413	0321	1	F	Update of transmit signal quality test cases for FR1	15.2.0
2019-03	RAN#83	R5-192414	0231	1	F	Introduction of TC 7.7A.0 Minimum conformance requirements	15.2.0
2019-03	RAN#83	R5-192416	0240	1	F	Update to Wideband Intermodulation for SA FR1	15.2.0
2019-03	RAN#83	R5-192417	0241	1	F	Updates to 7.9 spurious emission for SA in FR1	15.2.0
2019-03	RAN#83	R5-192418	0259	1	F	Introduction of FR1 7.6D.3 Out-of-band blocking for UL-MIMO	15.2.0
2019-03	RAN#83	R5-192419	0260	1	F	Introduction of FR1 7.6D.4 Narrow band blocking for UL-MIMO	15.2.0
2019-03	RAN#83	R5-192420	0261	1	F	Introduction of FR1 7.8D.2 Wide band Intermodulation for UL-MIMO	15.2.0
2019-03	RAN#83	R5-192421	0276	1	F	Correction of FR1 7.4 Maximum input level	15.2.0
2019-03	RAN#83	R5-192510	0322	1	F	Asymmetric CH BWs test configuration for Reference Sensitivity	15.2.0
2019-03	RAN#83	R5-192544	0230	1	F	Correction to TC 6.4A.2.2 Carrier leakage for CA	15.2.0
2019-03	RAN#83	R5-192545	0248	1	F	Update of test case 6.5.2.4.2, UTRA ACLR in 38.521-1	15.2.0
2019-03	RAN#83	R5-192547	0273	1	F	Update of FR1 6.2D.1 MOP for MIMO	15.2.0
2019-03	RAN#83	R5-192548	0275	1	F	Update of 6.2D.4 Configured Output Power for MIMO	15.2.0
2019-03	RAN#83	R5-192549	0284	1	F	Update of FR1 test case 6.3D.1 Minimum output power for UL-MIMO	15.2.0
2019-03	RAN#83	R5-192550	0296	1	F	Update of TC 6.5D.1	15.2.0
2019-03	RAN#83	R5-192551	0297	1	F	Update of TC 6.5D.2.2	15.2.0
2019-03	RAN#83	R5-192553	0298	1	F	Introduction of TC 6.5D.2.3	15.2.0
2019-03	RAN#83	R5-192554	0299	1	F	Update of TC 6.5D.2.4.1	15.2.0
2019-03	RAN#83	R5-192555	0300	1	F	Update of TC 6.5D.2.4.2	15.2.0
2019-03	RAN#83	R5-192556	0301	1	F	Update of 6.5D.3.1	15.2.0
2019-03	RAN#83	R5-192557	0302	1	F	Update of 6.5D.3.2	15.2.0
2019-03	RAN#83	R5-192558	0303	1	F	Update of 6.5D.3.3	15.2.0
2019-03	RAN#83	R5-192559	0304	1	F	Update of 6.5D.4	15.2.0
2019-03	RAN#83	R5-192561	0313	1	F	Addition of FR1 6.3A.3 Transmit ON/OFF time mask for CA	15.2.0
2019-03	RAN#83	R5-192562	0325	1	F	Update of FR1 6.2D.2 MPR for MIMO	15.2.0
2019-03	RAN#83	R5-192563	0233	1	F	Introduction of TC 7.7A.1 Spurious response for 2DL CA	15.2.0
2019-03	RAN#83	R5-192564	0234	1	F	Introduction of TC 7.7A.2 Spurious response for 3DL CA	15.2.0
2019-03	RAN#83	R5-192565	0235	1	F	Introduction of TC 7.7A.3 Spurious response for 4DL CA	15.2.0
2019-03	RAN#83	R5-192566	0258	1	F	Introduction of FR1 7.6D.2 Inband blocking for UL-MIMO	15.2.0
2019-03	RAN#83	R5-192567	0285	1	F	Update on TC 6.4A.1.1 Frequency error for CA	15.2.0
2019-03	RAN#83	R5-192570	0286	1	F	Update on TCs in section 6.4A.2 Transmit modulation quality for CA	15.2.0
2019-03	RAN#83	R5-192576	0287	1	F	Update on TC 6.5A.2.2.1 Spectrum emission mask for CA	15.2.0
2019-03	RAN#83	R5-192577	0288	1	F	Update on TC 6.5A.2.4.1.1 NR ACLR for CA	15.2.0
2019-03	RAN#83	R5-192578	0289	1	F	Update on TC 6.5A.2.4.2.1 UTRA ACLR for CA	15.2.0
2019-03	RAN#83	R5-192579	0290	1	F	Update on TC 6.5A.3.1.1 General spurious emissions for CA	15.2.0
2019-03	RAN#83	R5-192580	0291	1	F	Update on TC 6.5A.3.2.1 Spurious emissions for UE co-existence for CA	15.2.0
2019-03	RAN#83	R5-192581	0292	1	F	Update on TC 6.5A.4.1 TX IM for CA	15.2.0
2019-03	RAN#83	R5-192583	0268	1	F	Addition of 7.5A.0 Minimum conformance requirements	15.2.0
2019-03	RAN#83	R5-192584	0269	1	F	Addition of 7.5A.1 Adjacent channel selectivity for 2DL CA	15.2.0
2019-03	RAN#83	R5-192585	0270	1	F	Addition of 7.5A.2 Adjacent channel selectivity for 3DL CA	15.2.0
2019-03	RAN#83	R5-192586	0271	1	F	Addition of 7.5A.3 Adjacent channel selectivity for 4DL CA	15.2.0
2019-03	RAN#83	R5-192587	0282	1	F	FR1 Text update for 7.3A.2 Reference sensitivity power level for CA	15.2.0
2019-03	RAN#83	R5-192588	0283	1	F	FR1 Text update for 7.3.2_1 Reference sensitivity level with 4 Rx antenna ports	15.2.0
2019-03	RAN#83	R5-192589	0305	1	F	Update of 7.3D.2	15.2.0
2019-03	RAN#83	R5-192590	0306	1	F	Update of TC 7.4D	15.2.0

2019-03	RAN#83	R5-192591	0307	1	F	Introduction of TC 7.5D	15.2.0
2019-03	RAN#83	R5-192592	0324	1	F	Update of TC 7.7D Spurious response for UL-MIMO	15.2.0
2019-03	RAN#83	R5-192593	0243	1	F	Updates of TT in TS38.521-1 Annex F during RAN5#82	15.2.0
2019-03	RAN#83	R5-192594	0265	1	F	Correction of HARQ-ACK transmission timing for DL RMC for FR1 TDD SCS=60kHz	15.2.0
2019-03	RAN#83	R5-192597	0319	1	F	Updating test case 7.3.2 Reference sensitivity power level Table 7.3.2.4.1-3	15.2.0
2019-03	RAN#83	R5-192598	0323	1	F	Update OBW, SEM and ACLR in TS 38.521-1	15.2.0
2019-03	RAN#83	R5-192682	0236	1	F	Introduction of TC 7.9A.0 Minimum conformance requirements	15.2.0
2019-03	RAN#83	R5-192683	0237	1	F	Introduction of TC 7.9A.1 Spurious emission for 2DL CA	15.2.0
2019-03	RAN#83	R5-192685	0312	2	F	Addition of FR1 6.3A.2 Transmit OFF power for CA	15.2.0
2019-03	RAN#83	R5-192693	0293	1	F	Introduction of Annex on Characteristics of the Interfering Signal FR1	15.2.0
2019-03	RAN#83	R5-192837	0326	1	F	Update of operating bands and channel arrangement to TS 38.521-1	15.2.0
2019-03	RAN#83	-	-	-	-	Editorial correction of references to TS 38.508-1 clause 4.6 tables	15.2.0
2019-06	RAN#84	R5-193535	0389	-	F	Update of test case 6.5.2.4.2, UTRA ACLR in 38.521-1	15.3.0
2019-06	RAN#84	R5-193536	0390	-	F	Update of test case 6.3.4.3, Power Control Relative power tolerance	15.3.0
2019-06	RAN#84	R5-193567	0394	-	F	Correction of 38.521-1 7.6D.2	15.3.0
2019-06	RAN#84	R5-193569	0395	-	F	Correction of 38.521-1 7.6D.3	15.3.0
2019-06	RAN#84	R5-193571	0396	-	F	Correction of 38.521-1 7.6D.4	15.3.0
2019-06	RAN#84	R5-193573	0397	-	F	Correction of 38.521-1 7.8D.2	15.3.0
2019-06	RAN#84	R5-193574	0398	-	F	Correction of 38.521-1 6.2.2	15.3.0
2019-06	RAN#84	R5-193585	0400	-	F	Update of TC 7.7A.0 Spurious response for CA	15.3.0
2019-06	RAN#84	R5-193586	0401	-	F	Correction of section number for UE diagram in Initial conditions of 38.521-1 Clause 6	15.3.0
2019-06	RAN#84	R5-193589	0404	-	F	Correction of section number for UE diagram in Initial conditions of 38.521-1 Clause 7	15.3.0
2019-06	RAN#84	R5-193593	0405	-	F	Unify Outer_1RB and Edge_1RB in Test Configuration Table of 38.521-1	15.3.0
2019-06	RAN#84	R5-193753	0413	-	F	Update of 6.3D Output power dynamics for UL-MIMO	15.3.0
2019-06	RAN#84	R5-193915	0417	-	F	Update of NR FR1 6.2.3 A-MPR NS_04	15.3.0
2019-06	RAN#84	R5-193917	0418	-	F	Update of SA FR1 RF 6.5D.2.3	15.3.0
2019-06	RAN#84	R5-193918	0419	-	F	Update of SA FR1 RF 6.5D.2.4.2	15.3.0
2019-06	RAN#84	R5-193920	0420	-	F	Update of SA FR1 RF 6.5D.3.3	15.3.0
2019-06	RAN#84	R5-193930	0421	-	F	Addition of NR FR1 6.2D.3 A-MPR for UL-MIMO	15.3.0
2019-06	RAN#84	R5-193955	0423	-	F	Update of clause 5 to TS 38.521-1	15.3.0
2019-06	RAN#84	R5-194125	0425	-	F	Update Out of band emission test cases in TS 38.521-1	15.3.0
2019-06	RAN#84	R5-194126	0426	-	F	Update ACS and Inbandblocking interferer definition in TS 38.521-1	15.3.0
2019-06	RAN#84	R5-194161	0428	-	F	Update of test case 6.2.3 UE A-MPR, NS_35	15.3.0
2019-06	RAN#84	R5-194162	0429	-	F	Update of test case 6.5.2.3; Additional spectrum emission mask	15.3.0
2019-06	RAN#84	R5-194226	0435	-	F	Correction to In-band emission test case	15.3.0
2019-06	RAN#84	R5-194228	0437	-	F	Correction to PRACH configurations	15.3.0
2019-06	RAN#84	R5-194256	0439	-	F	Correction to FR1 Reference Sensitivity	15.3.0
2019-06	RAN#84	R5-194268	0440	-	F	Update of 7.5A.0 Minimum conformance requirements	15.3.0
2019-06	RAN#84	R5-194304	0442	-	F	Correction to time domain allocation of DMRS	15.3.0
2019-06	RAN#84	R5-194305	0443	-	F	Updating 7.8.2 Wide band Intermodulation	15.3.0
2019-06	RAN#84	R5-194307	0445	-	F	Correction to ON/OFF time mask test	15.3.0
2019-06	RAN#84	R5-194308	0446	-	F	Correction to carrier leakage and in-band emission tests	15.3.0
2019-06	RAN#84	R5-194312	0447	-	F	FR1 Update for 7.3A Reference sensitivity for CA	15.3.0
2019-06	RAN#84	R5-194313	0448	-	F	FR1 Update for 7.3.2 Reference sensitivity power level	15.3.0
2019-06	RAN#84	R5-194314	0449	-	F	FR1 Update for 7.3.3 Ref sensitivity ?RIB,c	15.3.0
2019-06	RAN#84	R5-194315	0450	-	F	FR1 Update for 7.3C Reference sensitivity for SUL	15.3.0
2019-06	RAN#84	R5-194316	0451	-	F	FR1 Update for 6.5.3.2 Spurious emission for UE co-existence	15.3.0
2019-06	RAN#84	R5-194377	0454	-	F	FR1 Update for 6.5.3.3 Additional spurious emissions	15.3.0
2019-06	RAN#84	R5-194383	0455	-	F	Update of 7.5A.2 Adjacent channel selectivity for 3DL CA	15.3.0
2019-06	RAN#84	R5-194905	0414	1	F	Update of 6.3D.4.1 Absolute Power tolerance for UL-MIMO	15.3.0
2019-06	RAN#84	R5-194906	0415	1	F	Update of 6.3D.4.2 Relative Power Tolerance for UL-MIMO	15.3.0

2019-06	RAN#84	R5-194908	0465	1	F	Update of TC 6.3A.3 Transmit ON/OFF time mask for CA	15.3.0
2019-06	RAN#84	R5-194910	0463	1	F	Update of TC 6.3A.1 Minimum output power for CA FR1	15.3.0
2019-06	RAN#84	R5-194911	0434	1	F	Update of 6.2.3 for UE additional maximum output power reduction	15.3.0
2019-06	RAN#84	R5-194912	0430	1	F	Update of test case 6.2.3 UE A-MPR FR1, general part and minimum requirements	15.3.0
2019-06	RAN#84	R5-194915	0438	1	F	Correction to SRS time mask test	15.3.0
2019-06	RAN#84	R5-194916	0444	1	F	Correction to transmit signal quality test cases	15.3.0
2019-06	RAN#84	R5-194917	0461	1	F	Introduction of 6.2A.4.0.2 TIB for CA into Rel-15	15.3.0
2019-06	RAN#84	R5-194918	0468	1	F	Update of transmit signal quality test cases for FR1	15.3.0
2019-06	RAN#84	R5-194919	0407	1	F	Update of TC 7.9A.1 Spurious emissions for 2DL CA	15.3.0
2019-06	RAN#84	R5-194920	0456	1	F	Update of 7.5A.3 Adjacent channel selectivity for 4DL CA	15.3.0
2019-06	RAN#84	R5-194921	0469	1	F	Correction to FR1 Reference Sensitivity test configurations with n70	15.3.0
2019-06	RAN#84	R5-194922	0431	1	F	Update of clause 3 to TS 38.521-1	15.3.0
2019-06	RAN#84	R5-194923	0432	1	F	Update of clause 4 to TS 38.521-1	15.3.0
2019-06	RAN#84	R5-194924	0433	1	F	Update of clause 5 for operating bands and channel arrangement	15.3.0
2019-06	RAN#84	R5-194925	0452	1	F	General clause updated for FR1 spec	15.3.0
2019-06	RAN#84	R5-194926	0467	1	F	Update of Global In-channel Tx Test Annex for FR1	15.3.0
2019-06	RAN#84	R5-194957	0392	1	F	Updates of MU and TT in TS 38.521-1 Annex F during RAN5#NR5	15.3.0
2019-06	RAN#84	R5-194973	0402	1	F	Update of TC 7.9A.0 Spurious emissions for CA	15.3.0
2019-06	RAN#84	R5-194974	0403	1	F	Update of TC 7.7D Spurious response for UL-MIMO	15.3.0
2019-06	RAN#84	R5-195090	0470	1	F	Update of FR1 ON_ON time mask test cases	15.3.0
2019-06	RAN#84	R5-195092	0441	1	F	Update of 7.5A.1 Adjacent channel selectivity for 2DL CA	15.3.0
2019-06	RAN#84	R5-195140	0416	1	F	Update of 6.3D.4.3 Aggregate Power tolerance for UL-MIMO	15.3.0
2019-06	RAN#84	R5-195142	0422	1	F	Addition of TT values for NR FR1 UL-MIMO test cases	15.3.0
2019-06	RAN#84	R5-195143	0457	1	F	Introduction of Occupied bandwidth for Inter-band CA in NR SA FR1	15.3.0
2019-06	RAN#84	R5-195144	0458	1	F	Update of 6.4D.3 Time alignment error for UL-MIMO FR1	15.3.0
2019-06	RAN#84	R5-195145	0464	1	F	Update of TC 6.3A.2 Transmit OFF power for CA FR1	15.3.0
2019-06	RAN#84	R5-195198	0436	1	F	Correction to power control test cases	15.3.0
2019-06	RAN#84	R5-195403	0459	1	F	Addition of 6.2A.1.3 FR1 MOP for inter-band CA	15.3.0
2019-06	RAN#84	R5-195430	0393	1	F	Updates of MU and TT in TS 38.521-1	15.3.0
2019-06	RAN#84	R5-195431	0424	1	F	Core alignment with TS 38.101-1	15.3.0
2019-06	RAN#84	R5-193550	0391	-	F	Introduction of CA_n41A-n79A into Rel-16	16.0.0
2019-06	RAN#84	R5-195053	0462	1	F	Introduction of 6.2A.4.0.2 TIB for CA into Rel-16	16.0.0
2019-06	RAN#84	R5-195056	0399	1	F	Introduction of CA_n41 into Rel-16 TS 38.521-1	16.0.0
2019-06	RAN#84	R5-195405	0460	1	F	Introduction of 6.2A.1.3 FR1 MOP for inter-band CA into Rel-16	16.0.0
2019-09	RAN#85	R5-195732	0472	-	F	Update Clause 6.2A.4.0.2 TIB for CA	16.1.0
2019-09	RAN#85	R5-195804	0474	-	F	Update of UE A_MPR test case in 6.2.3	16.1.0
2019-09	RAN#85	R5-196191	0477	-	F	Update of Minimum conformance requirements and addition of test points in TC 6.2.2	16.1.0
2019-09	RAN#85	R5-196231	0483	-	F	Correction to 6.5.2.3 Additional spectrum emission mask	16.1.0
2019-09	RAN#85	R5-196233	0485	-	F	Correction to 6.3.4.3 Power Control Relative power tolerance	16.1.0
2019-09	RAN#85	R5-196234	0486	-	F	Correction to PUCCH format in EVM and In-band emissions test	16.1.0
2019-09	RAN#85	R5-196291	0488	-	F	Add Annex F.4 Uplink Power window explanation for SA test cases	16.1.0
2019-09	RAN#85	R5-196396	0489	-	F	Update of Minimum output power for CA FR1	16.1.0
2019-09	RAN#85	R5-196402	0492	-	F	Update of NR test case 6.2A.1-UE maximum output power for CA	16.1.0
2019-09	RAN#85	R5-196413	0498	-	F	Update of FR1 6.4D.1 Frequency error for UL MIMO	16.1.0
2019-09	RAN#85	R5-196421	0502	-	F	Update of FR1 6.4D.2.4 EVM equalizer spectrum flatness for UL MIMO	16.1.0
2019-09	RAN#85	R5-196425	0504	-	F	Update of DL RB allocation in Annex C	16.1.0
2019-09	RAN#85	R5-196481	0514	-	F	Remove references to 4Rx Reference Sensitivity test case 7.3.2_1 from Annex F	16.1.0
2019-09	RAN#85	R5-196499	0517	-	F	Updated to Annex A for RF FR1 tests	16.1.0
2019-09	RAN#85	R5-196500	0518	-	F	General clause updated for FR1 spec	16.1.0
2019-09	RAN#85	R5-196653	0521	-	F	Update TT for 6.3D.4.1	16.1.0

2019-09	RAN#85	R5-196696	0523	-	F	Update of Minimum conformance requirements and Test requirement in TC 7.4	16.1.0
2019-09	RAN#85	R5-196699	0524	-	F	Update of Minimum conformance requirements in TC 6.3.2	16.1.0
2019-09	RAN#85	R5-196711	0525	-	F	Addition of TT for 6.3D.4.2	16.1.0
2019-09	RAN#85	R5-196726	0526	-	F	Addition of TT for 6.3D.4.3	16.1.0
2019-09	RAN#85	R5-197307	0476	1	F	Update UL-MIMO to UL MIMO to align with RAN4 terminology in FR1	16.1.0
2019-09	RAN#85	R5-197308	0506	1	F	Update for 6.5.3.1 General spurious emissions	16.1.0
2019-09	RAN#85	R5-197309	0508	1	F	Update for 6.5.3.3 Additional spurious emissions	16.1.0
2019-09	RAN#85	R5-197312	0473	1	F	Update of Additional spectrum emission mask test case 6.5.2.3	16.1.0
2019-09	RAN#85	R5-197313	0480	1	F	Add TT to 6.3D.1 Minimum output power for UL-MIMO	16.1.0
2019-09	RAN#85	R5-197314	0484	1	F	Correction to PRACH configurations	16.1.0
2019-09	RAN#85	R5-197316	0494	1	F	Addition of NR test case 6.2A.3-UE additional maximum output power reduction for CA	16.1.0
2019-09	RAN#85	R5-197318	0495	1	F	Addition of NR test case 6.2A.4-Configured output power for CA	16.1.0
2019-09	RAN#85	R5-197319	0499	1	F	Update of FR1 6.4D.2.1 EVM for UL MIMO	16.1.0
2019-09	RAN#85	R5-197321	0500	1	F	Update of FR1 6.4D.2.2 Carrier leakage for UL MIMO	16.1.0
2019-09	RAN#85	R5-197324	0501	1	F	Update of FR1 6.4D.2.3 Inband emission for UL MIMO	16.1.0
2019-09	RAN#85	R5-197327	0511	1	F	Update for 7.3C.0 Minimum conformance requirements for SUL	16.1.0
2019-09	RAN#85	R5-197328	0512	1	F	Update for 7.3A.0 Minimum conformance requirements for CA	16.1.0
2019-09	RAN#85	R5-197329	0522	1	F	Update of Minimum conformance requirements and Test requirement in TCs 7.6.3 7.6.4 and 7.7	16.1.0
2019-09	RAN#85	R5-197330	0527	1	F	Update of 7.5A.0	16.1.0
2019-09	RAN#85	R5-197492	0503	1	F	Update of UL power configuration for ON/OFF and Absolute power tolerance	16.1.0
2019-09	RAN#85	R5-197514	0478	1	F	Correction of uplink power setting for SA FR1 transmitter test cases	16.1.0
2019-09	RAN#85	R5-197515	0479	1	F	Correction of uplink power setting for SA FR1 receiver test cases	16.1.0
2019-09	RAN#85	R5-197519	0493	1	F	Addition of NR test case 6.2A.2-UE maximum output power reduction for CA	16.1.0
2019-09	RAN#85	R5-197520	0497	1	F	Update of FR1 6.2D.1 MOP for UL MIMO	16.1.0
2019-09	RAN#85	R5-197521	0507	1	F	Update for 6.5.3.2 Spurious emission for UE co-existence	16.1.0
2019-09	RAN#85	R5-197522	0515	1	F	Update to Occupied bandwidth for CA in NR SA FR1	16.1.0
2019-09	RAN#85	R5-197523	0496	1	F	Addition of FR1 7.4A Maximum input level for CA	16.1.0
2019-09	RAN#85	R5-197608	0510	1	F	Update for 7.3C.2 Reference sensitivity power level for SUL	16.1.0
2019-09	RAN#85	R5-197609	0513	1	F	Update for 7.3.2 Reference sensitivity power level	16.1.0
2019-09	RAN#85	R5-197610	0471	1	F	Updates of MU and TT in TS 38.521-1	16.1.0
2019-09	RAN#85	R5-197634	0475	2	F	Update of operating bands and channel arrangement to TS38.521-1 g00	16.1.0
2019-09	RAN#85	R5-197635	0491	2	F	Update of Transmit ON/OFF time mask for CA FR1	16.1.0
2019-09	RAN#85	R5-197639	0482	2	F	Correction to power control TC 6.3.4.2 and 6.3.4.4	16.1.0
2019-09	RAN#85	R5-197640	0509	2	F	Update for 7.3A Reference sensitivity for CA	16.1.0
2019-09	RAN#85	R5-197641	0528	2	F	Addition of the connection setup in TS 38.521-1	16.1.0
2019-10	RAN#85	-	-	-	-	Deletion of R5-197560 which was added by mistake but was withdrawn and belonged to another spec	16.1.1
2019-12	RAN#86	R5-197917	0705	-	F	Addition of FR1 SUL test case 6.2C.5	16.2.0
2019-12	RAN#86	R5-197923	0711	-	F	Editorial update of test case 6.4D.2.1	16.2.0
2019-12	RAN#86	R5-198044	0714	-	F	Update of Clause 7.9A.1 Spurious emission for 2DL CA	16.2.0
2019-12	RAN#86	R5-198103	0715	-	F	Correction of Clause 7.9 Spurious emissions	16.2.0
2019-12	RAN#86	R5-198134	0716	-	F	Updating incorrect note in test procedure	16.2.0
2019-12	RAN#86	R5-198237	0723	-	F	Alignment with core specification for test case 6.3.4.3	16.2.0
2019-12	RAN#86	R5-198397	0739	-	F	Correction to Test Configuration for In-band emissions	16.2.0
2019-12	RAN#86	R5-198398	0740	-	F	Editorial correction to test configuration table in MPR test	16.2.0
2019-12	RAN#86	R5-198399	0741	-	F	Correction to the test procedure for frequency error	16.2.0
2019-12	RAN#86	R5-198401	0743	-	F	Correction to Common Uplink Configuration	16.2.0
2019-12	RAN#86	R5-198479	0747	-	F	Correction of UL RMCs	16.2.0
2019-12	RAN#86	R5-198526	0753	-	F	Update of test case 6.2.3 UE_A_MPR_NS_43	16.2.0
2019-12	RAN#86	R5-198546	0760	-	F	Message Contents Update for TC 6.2.4 and 6.2D.4 of TS 38.521-1	16.2.0

2019-12	RAN#86	R5-198547	0761	-	F	Addition of NR FR1 intraband non-contiguous 2CA tests to 7.4A.1 and 7.5A.1 and updating 7.5A.1 to 38.521-1 to enable testing of CA combinations involving bands n66, n70 and n71	16.2.0
2019-12	RAN#86	R5-198635	0764	-	F	Updated to Annex A for RF FR1 tests	16.2.0
2019-12	RAN#86	R5-198747	0774	-	F	Update for 7.3.3	16.2.0
2019-12	RAN#86	R5-198755	0777	-	F	Introduction of n65 to 38.521-1 Chapter 7	16.2.0
2019-12	RAN#86	R5-199085	0701	1	F	Updates of MU and TT in TS 38.521-1	16.2.0
2019-12	RAN#86	R5-199308	0724	1	F	Correction of 6.3D.3 Transmit ONOFF time mask for UL-MIMO	16.2.0
2019-12	RAN#86	R5-199309	0725	1	F	Correction of 6.3D.4.1	16.2.0
2019-12	RAN#86	R5-199310	0727	1	F	Correction of 6.3D.4.2 Relative power tolerance for UL-MIMO	16.2.0
2019-12	RAN#86	R5-199311	0731	1	F	Corrections to 6.3A.1.1 Minimum output power for CA 2UL CA FR1	16.2.0
2019-12	RAN#86	R5-199313	0702	1	F	Update of FR1 SUL test case 6.2C.1	16.2.0
2019-12	RAN#86	R5-199314	0703	1	F	Addition of FR1 SUL test case 6.2C.3	16.2.0
2019-12	RAN#86	R5-199315	0704	1	F	Addition of FR1 SUL test case 6.2C.4	16.2.0
2019-12	RAN#86	R5-199316	0706	1	F	Addition of FR1 SUL test case 6.4C.1	16.2.0
2019-12	RAN#86	R5-199317	0707	1	F	Addition of FR1 SUL test case 6.4C.2.1	16.2.0
2019-12	RAN#86	R5-199318	0708	1	F	Addition of FR1 SUL test case 6.4C.2.2	16.2.0
2019-12	RAN#86	R5-199319	0709	1	F	Addition of FR1 SUL test case 6.4C.2.3	16.2.0
2019-12	RAN#86	R5-199320	0710	1	F	Addition of FR1 SUL test case 6.4C.2.4	16.2.0
2019-12	RAN#86	R5-199321	0712	1	F	Update test points in transmit quality to replace -40dBm by minimum output power	16.2.0
2019-12	RAN#86	R5-199322	0746	1	F	Correction to UL Power Control Window in FR1	16.2.0
2019-12	RAN#86	R5-199323	0749	1	F	Corrections on A-MPR requirements in 38.521-1	16.2.0
2019-12	RAN#86	R5-199324	0750	1	F	Update of UE A_MPR Minimum Conformance requirements in 6.2.3	16.2.0
2019-12	RAN#86	R5-199325	0751	1	F	Update of test case 6.2.3 for UE A_MPR, NS_03 and NS_03U	16.2.0
2019-12	RAN#86	R5-199329	0752	1	F	Update of test case 6.2.3 UE A_MPR, NS_05 and NS_05U	16.2.0
2019-12	RAN#86	R5-199330	0754	1	F	Update of test case 6.2.3 UE A_MPR NS_43U	16.2.0
2019-12	RAN#86	R5-199331	0755	1	F	Adding of test requirements for UE A_MPR NS_100	16.2.0
2019-12	RAN#86	R5-199332	0756	1	F	Adding of test requirements for UE A_MPR NS_18	16.2.0
2019-12	RAN#86	R5-199333	0758	1	F	Update of Additional spectrum emission mask test case in 6.5.2.3	16.2.0
2019-12	RAN#86	R5-199334	0775	1	F	Update for 6.5.3.3 Additional spurious emissions	16.2.0
2019-12	RAN#86	R5-199335	0718	1	F	Correction of test applicability and minimum conformance requirements for SA FR1 7.6.4	16.2.0
2019-12	RAN#86	R5-199336	0719	1	F	Correction of minimum conformance requirements for SA FR1 7.6.3 7.7 and 7.9	16.2.0
2019-12	RAN#86	R5-199337	0717	1	F	Correction and addition of uplink power measurement MUs for SA FR1 TCs	16.2.0
2019-12	RAN#86	R5-199338	0728	1	F	Update of Operating bands and Channel arrangement to TS 38.521-1 R15	16.2.0
2019-12	RAN#86	R5-199339	0766	1	F	Update of Annex C.3.1	16.2.0
2019-12	RAN#86	R5-199412	0765	1	F	Update of clause 5 for R16 CA configurations in 38.521-1	16.2.0
2019-12	RAN#86	R5-199433	0736	1	F	Addition of reference sensitivity test for NR CA combination n29-n66	16.2.0
2019-12	RAN#86	R5-199434	0729	1	F	Update of Operating bands and Channel arrangement to TS 38.521-1 R16	16.2.0
2019-12	RAN#86	R5-199435	0767	1	F	Introduction of n29 and n65 to 38.521-1 Chapter 5 and 6.2.1	16.2.0
2019-12	RAN#86	R5-199484	0720	1	F	Correction of test procedure of SA FR1 6.5.3.1	16.2.0
2019-12	RAN#86	R5-199485	0768	1	F	Update to ACLR test case	16.2.0
2019-12	RAN#86	R5-199486	0776	1	F	Update for 6.5.3.2 Spurious emission for UE co-existence	16.2.0
2019-12	RAN#86	R5-199490	0748	1	F	update of 7.5A.2	16.2.0
2019-12	RAN#86	R5-199491	0773	1	F	Update for 7.3C.0 Minimum conformance requirements for SUL	16.2.0
2019-12	RAN#86	R5-199493	0770	1	F	Add section 4.5 Applicability and test coverage rules	16.2.0
2019-12	RAN#86	R5-199502	0721	1	F	Correction of test description for SA FR1 6.5.2.4.2	16.2.0
2019-12	RAN#86	R5-199503	0730	1	F	Addition of almost contiguous allocation test points and update of minimum conformance requirements for SA FR1 6.2.2	16.2.0

2019-12	RAN#86	R5-199556	0735	1	F	Introduction of 3CA reference sensitivity case 7.3A.2 for NR and addition of reference sensitivity test for many combinations involving bands n66, n70 and n71 to 38.521-1	16.2.0
2019-12	RAN#86	R5-199557	0762	1	F	Introduction of CA blocking case 7.6A to 38.521-1	16.2.0
2019-12	RAN#86	R5-199563	0732	1	F	Addition of 7.6A.3.1 Out-of-band blocking for CA (2DL CA) for SA FR1	16.2.0
2019-12	RAN#86	R5-199564	0733	1	F	Addition of 7.6A.4.1 Narrow band blocking for CA (2DL CA) for SA FR1	16.2.0
2019-12	RAN#86	R5-199565	0734	1	F	Addition of 7.8A.2.1 Wide band Intermodulation for CA (2DL CA) for SA FR1	16.2.0
2020-03	RAN#87	R5-200393	0789		F	Adding MU and TT for FR1 Rx CA test cases	16.3.0
2020-03	RAN#87	R5-200397	0791		F	Updating power configuration for PRACH time mask	16.3.0
2020-03	RAN#87	R5-200438	0792		F	Clarification of measurement interval of frequency error in FR1	16.3.0
2020-03	RAN#87	R5-200440	0794		F	Correction to 6.3.4.3 Power Control Relative power tolerance	16.3.0
2020-03	RAN#87	R5-200441	0795		F	Correction to SEM and ACLR test cases	16.3.0
2020-03	RAN#87	R5-200443	0797		F	Correction to UL power window description for 6.3.4.4	16.3.0
2020-03	RAN#87	R5-200461	0798		F	Update of 7.6A.3.1 Out-of-band blocking for 2DL CA	16.3.0
2020-03	RAN#87	R5-200462	0799		F	Update of 7.6A.4.1 Narrow band blocking for 2DL CA	16.3.0
2020-03	RAN#87	R5-200463	0800		F	Update of 7.8A.2.1 Wide band Intermodulation for 2DL CA	16.3.0
2020-03	RAN#87	R5-200570	0804		F	Update of NR test case 6.5.3.2-Spurious emission for UE co-existence	16.3.0
2020-03	RAN#87	R5-200640	0808		F	Update of Minimum requirements of 6.2.2 UE maximum output power reduction	16.3.0
2020-03	RAN#87	R5-200658	0810		F	Update of 6.1 common part of Tx in TS38.521-1	16.3.0
2020-03	RAN#87	R5-200659	0811		F	Core spec alignment for test case 6.3.4.3 Relative power tolerance	16.3.0
2020-03	RAN#87	R5-200664	0812		F	Correction of UL configuration for almost contiguous allocation in 6.2.2	16.3.0
2020-03	RAN#87	R5-200666	0813		F	Update measurement bandwidth references in 6.5.4	16.3.0
2020-03	RAN#87	R5-200693	0814		F	Update for 6.5.3.2 Spurious emission for UE co-existence	16.3.0
2020-03	RAN#87	R5-200700	0817		F	Removal of square brackets for DCI format for test cases in 7.6 and 7.7 of SA FR1	16.3.0
2020-03	RAN#87	R5-200721	0818		F	Addition of new Rel-16 70MHz CBW for 6.3.2 and 7.4 of SA FR1	16.3.0
2020-03	RAN#87	R5-200725	0819		F	Correction of A-SE for NS_04	16.3.0
2020-03	RAN#87	R5-200755	0823		F	Removing text from a Void clause	16.3.0
2020-03	RAN#87	R5-200757	0825		F	Correction of A_MPR test for NS_05 and NS_05U	16.3.0
2020-03	RAN#87	R5-200759	0826		F	Update of test case 6.2.3 UE A_MPR, NS_37	16.3.0
2020-03	RAN#87	R5-200761	0827		F	Update of test case 6.2.3 UE A_MPR, NS_38	16.3.0
2020-03	RAN#87	R5-200763	0828		F	Update of test case 6.2.3 UE A_MPR, NS_39	16.3.0
2020-03	RAN#87	R5-200765	0829		F	Corrections of NS_43 in 38.521-1 section 6	16.3.0
2020-03	RAN#87	R5-200767	0830		F	Corrections of NS_43U in 38.521-1 section 6	16.3.0
2020-03	RAN#87	R5-200892	0815	1	F	Update for 6.5.3.3 Additional spurious emissions	16.3.0
2020-03	RAN#87	R5-200893	0809	1	F	Core spec alignment for 7.6.3 and 7.8	16.3.0
2020-03	RAN#87	R5-200895	0787	1	F	Introduction of n95 SUL band test cases	16.3.0
2020-03	RAN#87	R5-200906	0824	1	F	Aligning A-MPR clause with TS 38.101-1 Rel-15	16.3.0
2020-03	RAN#87	R5-200907	0781	1	F	Update of TC 7.7A.1	16.3.0
2020-03	RAN#87	R5-200908	0782	1	F	Update of Clause 4 in TS 38.521-1	16.3.0
2020-03	RAN#87	R5-200909	0783	1	F	Update of clause 5 to TS 38.521-1 in R15	16.3.0
2020-03	RAN#87	R5-200922	0822	1	F	Introduction of Rel-16 spurious emissions co-existence requirements for bands n48, n65 and n95	16.3.0
2020-03	RAN#87	R5-200924	0788	1	F	Adding statistical testing condition in Annex H for CA testing	16.3.0
2020-03	RAN#87	R5-200962	0786	1	F	Corrections to TC 6.3A.3 transmit On OFF time mask for CA FR1	16.3.0
2020-03	RAN#87	R5-200971	0780	1	F	Correction of reference numbers in TS 38.521-1	16.3.0
2020-03	RAN#87	R5-200972	0793	1	F	Correction to 6.2.3 A-MPR test case	16.3.0
2020-03	RAN#87	R5-200974	0802	1	F	Update of test requirements for NR test case 6.5D.2.2 and 6.5D.2.4	16.3.0
2020-03	RAN#87	R5-200975	0803	1	F	Update of NR SUL test cases	16.3.0
2020-03	RAN#87	R5-200976	0820	1	F	Update of NR test case 6.2.4-ConfigTP	16.3.0
2020-03	RAN#87	R5-200977	0805	1	F	Update of NR test case 7.4A Maximum input level for CA	16.3.0
2020-03	RAN#87	R5-200978	0806	1	F	Update of NR test case 7.6A.2 Inband Blocking for CA	16.3.0
2020-03	RAN#87	R5-200979	0821	1	F	Cleaning up of Rx 2DL CA test cases in FR1	16.3.0

2020-03	RAN#87	R5-201054	0785	1	F	Update of R16 new bands and CBWs to TS 38.521-1 clause 5	16.3.0
2020-03	RAN#87	R5-201069	0832	1	F	Adding n65 A-MPR and Emission Requirements	16.3.0
2020-03	RAN#87	R5-201247	0790	2	F	Cleaning up of power class 2 test cases in FR1	16.3.0
2020-03	RAN#87	R5-201238	0831	1	F	Corrections of NS_18 in 38.521-1 section 6	16.3.0
2020-06	RAN#88	R5-201597	0835	-	F	Correction of 4RX Reference requirement for n77 high range in 7.3.2	16.4.0
2020-06	RAN#88	R5-201598	0836	-	F	Correction of lower limit for test ID 55 in test 6.2.3	16.4.0
2020-06	RAN#88	R5-201734	0841	-	F	Addition of NR test case 6.3C.1 Minimum output power for SUL	16.4.0
2020-06	RAN#88	R5-201735	0842	-	F	Addition of NR test case 6.3C.2 Transmit OFF power for SUL	16.4.0
2020-06	RAN#88	R5-201736	0843	-	F	Addition of NR test case 6.3C.3 Transmit ON/OFF time mask for SUL	16.4.0
2020-06	RAN#88	R5-201739	0846	-	F	Addition of NR test case 6.3C.4.3 Aggregate power tolerance for SUL	16.4.0
2020-06	RAN#88	R5-201741	0848	-	F	Update of NR test case 6.5C.3.3-Additional spurious emissions for SUL	16.4.0
2020-06	RAN#88	R5-201742	0849	-	F	Update test description of NR test case 7.6.3-Out-of-band blocking	16.4.0
2020-06	RAN#88	R5-201744	0851	-	F	Addition of NR test case 7.6C.3 Out-of-band blocking for SUL	16.4.0
2020-06	RAN#88	R5-201745	0852	-	F	Update of Annex F.3.2 and F.3.3	16.4.0
2020-06	RAN#88	R5-201749	0854	-	F	Update of NR test case 7.4A.1 Maximum input level for 2DL CA	16.4.0
2020-06	RAN#88	R5-201750	0855	-	F	Addition of NR test case 7.4A.2 Maximum input level for 3DL CA	16.4.0
2020-06	RAN#88	R5-201752	0857	-	F	Addition of NR test case 7.6A.2.2 IBB for 3DL CA	16.4.0
2020-06	RAN#88	R5-201764	0861	-	F	Adding NS_27 A_MPR and Emission Requirements for band n48	16.4.0
2020-06	RAN#88	R5-201772	0865	-	F	Adding NS_47 A_MPR and Emission Requirements for band n41	16.4.0
2020-06	RAN#88	R5-201801	0866	-	F	Update of clause 5 to TS 38.521-1 in R15	16.4.0
2020-06	RAN#88	R5-201833	0867	-	F	Update of Refsense requirements for n79	16.4.0
2020-06	RAN#88	R5-201834	0868	-	F	Correction of FR1 PUCCH EVM definition	16.4.0
2020-06	RAN#88	R5-201845	0871	-	F	Editorial correction of 6.2.1 test requirements	16.4.0
2020-06	RAN#88	R5-201847	0873	-	F	Updating 6.3.4.3 alternating sub-test	16.4.0
2020-06	RAN#88	R5-201861	0875	-	F	Addition of asymmetric BW combination set 1 of n66	16.4.0
2020-06	RAN#88	R5-201934	0877	-	F	Update of Operating bands and Channel arrangement to TS 38.521-1 for R16 CADC configurations	16.4.0
2020-06	RAN#88	R5-202034	0883	-	F	Addition of new test case 7.6A.3.2 Out-of-band blocking for CA 3DL CA R16	16.4.0
2020-06	RAN#88	R5-202035	0884	-	F	Addition of new test case 7.6A.3.3 Out-of-band blocking for CA 4DL CA R16	16.4.0
2020-06	RAN#88	R5-202036	0885	-	F	Addition of new test case 7.6A.4.2 Narrow band blocking for CA 3DL CA R16	16.4.0
2020-06	RAN#88	R5-202037	0886	-	F	Addition of new test case 7.6A.4.3 Narrow band blocking for CA 4DL CA R16	16.4.0
2020-06	RAN#88	R5-202039	0888	-	F	Addition of new test case 7.8A.2.3 Wide band Intermodulation for CA 4DL CA R16	16.4.0
2020-06	RAN#88	R5-202041	0890	-	F	Correction of test procedure and some typos in 7.6A.4.1 Narrow band blocking for CA 2DL CA R16	16.4.0
2020-06	RAN#88	R5-202042	0891	-	F	Correction of test procedure and test requirement in 7.8A.2.1 R16	16.4.0
2020-06	RAN#88	R5-202109	0893	-	F	Correction to n70 asymmetric test points in Rx tests	16.4.0
2020-06	RAN#88	R5-202217	0899	-	F	Corrections on transmitter power for CA in 38.521-1	16.4.0
2020-06	RAN#88	R5-202422	0906	-	F	Update F.1.2 with Relative Uplink power measurement uncertainty as 6.3.4.3	16.4.0
2020-06	RAN#88	R5-202430	0909	-	F	Add Reference sensitivity requirement for n48	16.4.0
2020-06	RAN#88	R5-202484	0913	-	F	Update of Reference sensitivity power level for R16 new CBW of n1	16.4.0
2020-06	RAN#88	R5-202503	0914	-	F	CR on EVM Window Centre Timing Definition in FR1	16.4.0
2020-06	RAN#88	R5-202710	0840	1	F	Update of NR test case 6.2A.3 AMPR for CA	16.4.0
2020-06	RAN#88	R5-202711	0844	1	F	Addition of NR test case 6.3C.4.1-Absolute power tolerance for SUL	16.4.0

2020-06	RAN#88	R5-202712	0845	1	F	Addition of NR test case 6.3C.4.2 Power Control Relative power tolerance for SUL	16.4.0
2020-06	RAN#88	R5-202713	0847	1	F	Update of NR test case 6.5.2.4 ACLR	16.4.0
2020-06	RAN#88	R5-202714	0864	1	F	Update of test case 6.2.3 UE A_MPR, NS_42	16.4.0
2020-06	RAN#88	R5-202715	0905	1	F	Update Uplink power control window size for SA TX TCs	16.4.0
2020-06	RAN#88	R5-202716	0910	1	F	Update for 6.5.3.1 General spurious emissions	16.4.0
2020-06	RAN#88	R5-202717	0850	1	F	Addition of NR test case 7.6C.2-Inband Blocking for SUL	16.4.0
2020-06	RAN#88	R5-202718	0902	1	F	Update of UL configuration in REFSSENS	16.4.0
2020-06	RAN#88	R5-202719	0903	1	F	Diversity Characteristics requirements alignment	16.4.0
2020-06	RAN#88	R5-202765	0880	1	F	Updates to test case 6.5.2.2, Spectrum Emission Mask	16.4.0
2020-06	RAN#88	R5-202781	0859	1	F	Adding several new 2CA and 3CA combinations to 7.3A and corrections to 7.3A.1	16.4.0
2020-06	RAN#88	R5-202783	0881	1	F	Adding REFSSENS requirements for 30 MHz channel bandwidth in band n41	16.4.0
2020-06	RAN#88	R5-202791	0869	1	F	Update of general clause 7.1	16.4.0
2020-06	RAN#88	R5-202807	0904	1	F	Receiver characteristics testing update to 38.521-1	16.4.0
2020-06	RAN#88	R5-202821	0862	1	F	Update of test case 6.2.3 UE A_MPR, NS_40	16.4.0
2020-06	RAN#88	R5-202822	0863	1	F	Update of test case 6.2.3 UE A_MPR, NS_41	16.4.0
2020-06	RAN#88	R5-202823	0908	1	F	Update for 6.5.3.3 Additional spurious emissions	16.4.0
2020-06	RAN#88	R5-202860	0912	1	F	Update of Spurious emission for UE co-existence for CA_n1-n78	16.4.0
2020-06	RAN#88	R5-202886	0860	1	F	Aligning A-MPR clause with TS 38.101-1 Rel-15	16.4.0
2020-06	RAN#88	R5-202887	0894	1	F	NS_05 corrections related to n65	16.4.0
2020-06	RAN#88	R5-202888	0896	1	F	Corrections on network signalling value abbreviation in 38.521-1	16.4.0
2020-06	RAN#88	R5-202889	0897	1	F	Corrections on NS signalling label for band n39 in 38.521-1	16.4.0
2020-06	RAN#88	R5-202890	0900	1	F	Correction on txDirectCurrentLocation in FR1 SA tests	16.4.0
2020-06	RAN#88	R5-202891	0911	1	F	Updated MOP UL MIMO test case to include steps for per port testing	16.4.0
2020-06	RAN#88	R5-202892	0834	1	F	Correction and clarifications of default DL physical channels power in annex C	16.4.0
2020-06	RAN#88	R5-202927	0876	1	F	Update of Operating bands and Channel arrangement to TS 38.521-1 for R16 new bands and CBWs	16.4.0
2020-06	RAN#88	R5-202928	0856	1	F	Update for NR test case 7.6A.2.1 Inband Blocking for 2DL CA	16.4.0
2020-06	RAN#88	R5-202929	0887	1	F	Addition of new test case 7.8A.2.2 Wide band Intermodulation for CA 3DL CA R16	16.4.0
2020-06	RAN#88	R5-202930	0889	1	F	Correction of CW interference setting for OOB Inter-band 2DL CA in TC 7.6A.3.1 R16	16.4.0
2020-06	RAN#88	R5-202931	0892	1	F	Alignment of minimum conformance requirements in 7.6A.3.0 and 7.8A.2.0 with core spec R16	16.4.0
2020-06	RAN#88	R5-202940	0879	1	F	Updates to test case 6.5.2.4.1, NR ACLR	16.4.0
2020-06	RAN#88	R5-202941	0870	1	F	Skipping 2Rx testing on bands where UE support 4Rx for SA test cases	16.4.0
2020-06	RAN#88	R5-202942	0901	1	F	Re-organization of CA refsens test cases	16.4.0
2020-06	RAN#88	R5-202957	0853	1	F	Update of NR test case 6.2.2 UE maximum output power reduction	16.4.0
2020-09	RAN#89	R5-203260	0917	-	F	Adding NS_47 to Additional spurious emissions test case	16.5.0
2020-09	RAN#89	R5-203261	0918	-	F	Adding UL MIMO additional spurious emissions test for NS_47	16.5.0
2020-09	RAN#89	R5-203290	0926	-	F	Clarification of Interferer frequency selection in FR1 IBB test case 7.6.2	16.5.0
2020-09	RAN#89	R5-203291	0927	-	F	Correction of K1 to achieve PUCCH Format 3 in FDD in EVM and in-band emission	16.5.0
2020-09	RAN#89	R5-203572	0932	-	F	Corrected test config for NS_24 in additional spurious emission test 6.5.3.3	16.5.0
2020-09	RAN#89	R5-203678	0935	-	F	Adding MU and TTs for Inter-band UL CA test cases	16.5.0
2020-09	RAN#89	R5-203679	0936	-	F	Updating message content in SUL test cases	16.5.0
2020-09	RAN#89	R5-203682	0937	-	F	Updating test case 6.5A.2.4.1-NR ACLR for CA	16.5.0
2020-09	RAN#89	R5-203687	0939	-	F	Updating channel configurations for Intra-band UL contiguous CA	16.5.0
2020-09	RAN#89	R5-203688	0940	-	F	Updating intra-band CA UL and DL configurations	16.5.0
2020-09	RAN#89	R5-203689	0941	-	F	Adding MU and TTs for Intra-band UL CA test cases	16.5.0
2020-09	RAN#89	R5-203690	0942	-	F	Introduce general requirement for UL CA test cases	16.5.0
2020-09	RAN#89	R5-203691	0943	-	F	Updating NR test case 6.2A.1- MOP for CA	16.5.0

2020-09	RAN#89	R5-203696	0946	-	F	Addition of general clause 7.1A	16.5.0
2020-09	RAN#89	R5-203697	0947	-	F	Updating REFSSENS minimum requirements for Intra-band non-contiguous CA	16.5.0
2020-09	RAN#89	R5-203698	0948	-	F	Update of 7.4A.2-Maximum input level for 3DL CA	16.5.0
2020-09	RAN#89	R5-203700	0950	-	F	Update of test case 7.6A.2-Inband blocking for CA	16.5.0
2020-09	RAN#89	R5-203701	0951	-	F	Update of test case 7.6A.2.2 Inband blocking for 3DL CA	16.5.0
2020-09	RAN#89	R5-203735	0956	-	F	Add intra-band contiguous CA to 6.3A.2	16.5.0
2020-09	RAN#89	R5-203748	0958	-	F	Change of RB allocation start for test case 6.3.4.3	16.5.0
2020-09	RAN#89	R5-203777	0960	-	F	Update of NR test case 6.2.1 UE MOP for n30	16.5.0
2020-09	RAN#89	R5-203778	0961	-	F	Update of NR test case 6.2.2 UE MPR for n30	16.5.0
2020-09	RAN#89	R5-203780	0962	-	F	Update of NR test case 6.2D.1 UE MOP for UL MIMO for n30	16.5.0
2020-09	RAN#89	R5-203783	0964	-	F	Update of NR test case 6.5.3.2 Spurious Emissions for UE Co-Ex for n30	16.5.0
2020-09	RAN#89	R5-203786	0965	-	F	Update of NR test case 7.3 UE Ref Sens for n30	16.5.0
2020-09	RAN#89	R5-203788	0967	-	F	Update of NR test case 7.6.3 UE OBB for n30	16.5.0
2020-09	RAN#89	R5-203789	0968	-	F	Update of NR test case 7.6.4 UE NBB for n30	16.5.0
2020-09	RAN#89	R5-203879	0972	-	F	Correction of diversity characteristics requirement in section 7.2	16.5.0
2020-09	RAN#89	R5-203880	0973	-	F	Correction of UE mean power requirements Table numbers in SEM and ACLR test cases for SA FR1	16.5.0
2020-09	RAN#89	R5-203881	0974	-	F	Adding NOTEs to the test requirement tables in 6.2D.2	16.5.0
2020-09	RAN#89	R5-203885	0978	-	F	Correction of test requirement for 6.2.1	16.5.0
2020-09	RAN#89	R5-203967	0983	-	F	Editorial correction of 6.2.4	16.5.0
2020-09	RAN#89	R5-204010	0986	-	F	Correction to target power level Pmin for SA UL MIMO TCs	16.5.0
2020-09	RAN#89	R5-204035	0987	-	F	Updating NR test case 7.6A.3 for n48	16.5.0
2020-09	RAN#89	R5-204040	0989	-	F	Update of NR test case 7.7A Spurious response for CA	16.5.0
2020-09	RAN#89	R5-204054	0990	-	F	Correction to test Configuration of flatness for Pi/2 BPSK	16.5.0
2020-09	RAN#89	R5-204103	0991	-	F	Correction of QPSK UL RMC	16.5.0
2020-09	RAN#89	R5-204195	0996	-	F	Update 6.5.3.2 Spurious emission for UE co-existence	16.5.0
2020-09	RAN#89	R5-204202	0997	-	F	Update for 7.3A.0 Minimum conformance requirements for CA	16.5.0
2020-09	RAN#89	R5-204263	1001	-	F	Update of CSI-RS definition for DL RMCs in TS 38.521-1	16.5.0
2020-09	RAN#89	R5-204711	0933	1	F	Updating 6.2A.3-AMPR for CA for NS_43 and NS_01,NS_43U and NS_01	16.5.0
2020-09	RAN#89	R5-204760	0934	1	F	Cleaning up of Tx inter-band CA test cases	16.5.0
2020-09	RAN#89	R5-204761	1000	1	F	Editorial correction to FR1 co-existence requirements	16.5.0
2020-09	RAN#89	R5-204762	0923	1	F	Update of clause5 into TS 38.521-1 R15	16.5.0
2020-09	RAN#89	R5-204807	0993	1	F	Update of UE co-existence for CA_n1-n78	16.5.0
2020-09	RAN#89	R5-204808	0925	1	F	Update of R16 CADC combos in TS 38.521-1	16.5.0
2020-09	RAN#89	R5-204823	0916	1	F	Correction of test frequencies for NS_47	16.5.0
2020-09	RAN#89	R5-204824	0919	1	F	Adding band n48 to maximum output power and maximum output power reduction tests	16.5.0
2020-09	RAN#89	R5-204825	0984	1	F	Addition of 25MHz for NR band n1	16.5.0
2020-09	RAN#89	R5-204826	0985	1	F	Addition of AMPR NS_48 for NR band n1	16.5.0
2020-09	RAN#89	R5-204827	0992	1	F	Addition of n1 R16 new CBW into 38.521-1 Refsense test	16.5.0
2020-09	RAN#89	R5-204828	0924	1	F	Update of R16 new bands and CBWs in 38.521-1	16.5.0
2020-09	RAN#89	R5-204832	0952	1	F	Introduce of new TC 6.3A.4.1	16.5.0
2020-09	RAN#89	R5-204833	0953	1	F	Introduce of new TC 6.3A.4.2	16.5.0
2020-09	RAN#89	R5-204834	0954	1	F	Introduce of new TC 6.3A.4.3	16.5.0
2020-09	RAN#89	R5-204835	0955	1	F	Add intra-band contiguous CA to 6.3A.1	16.5.0
2020-09	RAN#89	R5-204836	0957	1	F	Add intra-band contiguous CA to 6.3A.3	16.5.0
2020-09	RAN#89	R5-204837	0949	1	F	Adding band n48 for Blocking characteristics testing	16.5.0
2020-09	RAN#89	R5-204839	0995	1	F	Updated to FR1 general clauses for NRSL eV2X	16.5.0
2020-09	RAN#89	R5-204854	0959	1	F	Correct UE output power configuration to some UL MIMO cases	16.5.0
2020-09	RAN#89	R5-204855	0969	1	F	Removal of editor's note about missing of Rel-15 In-gap OOB blocking requirement in RAN4 spec	16.5.0
2020-09	RAN#89	R5-204897	0929	1	F	Update to 7.5A.2 ACS for 3DL CA	16.5.0
2020-09	RAN#89	R5-204898	0988	1	F	Update of NR test case 7.5A Adjacent Channel selectivity for CA	16.5.0
2020-09	RAN#89	R5-204905	0975	1	F	Correction of 6.2D.1 and Test applicability of 6.5.2.4.2	16.5.0
2020-09	RAN#89	R5-204906	0976	1	F	Correction of test requirement for 6.2.4	16.5.0
2020-09	RAN#89	R5-204907	0977	1	F	Addition of test procedure and test requirement for PC2 fallback to PC3 for network signalling value NS_04	16.5.0

2020-09	RAN#89	R5-204908	0979	1	F	Adding additional tolerance to test requirement of 6.2.1, 6.2.2, 6.2.3 and 6.2.4	16.5.0
2020-09	RAN#89	R5-204909	0980	1	F	Update of 6.2.3 for minimum conformance requirements for A-MPR	16.5.0
2020-09	RAN#89	R5-204910	0970	1	F	Alignment of requirements in 7.6.3 and 7.6A.3 with the core spec	16.5.0
2020-09	RAN#89	R5-204911	0971	1	F	Removal of SDL bands from single carrier Rx TCs 7.6.2, 7.6.3 and 7.6.4	16.5.0
2020-09	RAN#89	R5-204912	0981	1	F	Update of SA Rx test cases for 4Rx UEs	16.5.0
2020-09	RAN#89	R5-204913	0998	1	F	Update Uplink power control window size for SA RX TCs	16.5.0
2020-09	RAN#89	R5-204960	0928	1	F	Addition of test cases for n28 with CBW of 30MHz	16.5.0
2020-09	RAN#89	R5-204961	0922	1	F	n26 Rx requirements in 38.521-1	16.5.0
2020-09	RAN#89	R5-204962	0966	1	F	Update of NR test case 7.6.2 UE IBB for n30	16.5.0
2020-09	RAN#89	R5-204974	0945	1	F	Updating of NR test case 6.2A.4-Configured output power for CA	16.5.0
2020-09	RAN#89	R5-204980	0930	2	F	Corrections and additions to 7.3A	16.5.0
2020-09	RAN#89	R5-204981	0931	2	F	Completing 3CA Rx cases 7.5A.2 and 7.7A.2	16.5.0
2020-09	RAN#89	R5-204984	0944	1	F	Update of NR test case 6.2A.2-MPR for CA	16.5.0
2020-09	RAN#89	RP-201670	1002	-	F	Adding FR1 PDCCH Aggregation Level in Annex C.3	16.5.0
2020-12	RAN#90	R5-205252	1005	-	F	Adding NR Band n53 to UE maximum output power and MPR test cases	16.6.0
2020-12	RAN#90	R5-205254	1007	-	F	Adding NR Band n53 into Spurious emission for UE co-existence	16.6.0
2020-12	RAN#90	R5-205299	1011	-	F	Update of clause 5 in TS 38.521-1 R15	16.6.0
2020-12	RAN#90	R5-205490	1014	-	F	Update of Reference sensitivity power level for R16 new CBW of n3	16.6.0
2020-12	RAN#90	R5-205493	1015	-	F	Correction of diversity characteristics requirement in section 7.2	16.6.0
2020-12	RAN#90	R5-205494	1016	-	F	Correction of minimum conformance requirements and test requirement for narrow band blocking for Intra-band contiguous CA	16.6.0
2020-12	RAN#90	R5-205495	1017	-	F	Correction of Allocated slots per Frame for DL reference measurement channels	16.6.0
2020-12	RAN#90	R5-205535	1018	-	F	Correcting RB start for test case 6.3C.4.2	16.6.0
2020-12	RAN#90	R5-205537	1019	-	F	Update of NR test case 6.2.1 UE MOP for n14	16.6.0
2020-12	RAN#90	R5-205550	1023	-	F	Update of NR test case 7.3 UE Ref Sens for n14	16.6.0
2020-12	RAN#90	R5-205551	1024	-	F	Update of NR test case 7.6.2 UE IBB for n14	16.6.0
2020-12	RAN#90	R5-205552	1025	-	F	Update of NR test case 7.6.3 UE OBB for n14	16.6.0
2020-12	RAN#90	R5-205553	1026	-	F	Update of NR test case 7.6.4 UE NBB for n14	16.6.0
2020-12	RAN#90	R5-205557	1028	-	F	Updating abbreviation list	16.6.0
2020-12	RAN#90	R5-205569	1031	-	F	Adding 30 MHz channel bandwidth to test requirements for UL MIMO Spurious	16.6.0
2020-12	RAN#90	R5-205574	1032	-	F	Co-existence Table corrections related to n65	16.6.0
2020-12	RAN#90	R5-205700	1043	-	F	Addition of V2X reference measurement channels	16.6.0
2020-12	RAN#90	R5-205731	1045	-	F	Introduce General requirement for CA configurations	16.6.0
2020-12	RAN#90	R5-205732	1046	-	F	Adding RB allocation for channel BW 70MHz	16.6.0
2020-12	RAN#90	R5-205733	1047	-	F	Updating test configuration tables for intra-band UL CA test cases	16.6.0
2020-12	RAN#90	R5-205734	1048	-	F	Updating NR test case MOP for MIMO for several NR bands	16.6.0
2020-12	RAN#90	R5-205735	1049	-	F	Updating NR test case MPR for MIMO for several NR bands	16.6.0
2020-12	RAN#90	R5-205736	1050	-	F	Updating minimum requirement for OBW for inter-band CA	16.6.0
2020-12	RAN#90	R5-205737	1051	-	F	Update OBW testing for intra-band UL CA	16.6.0
2020-12	RAN#90	R5-205743	1055	-	F	Updating NR test case 7.4A.2-Maximum input level for 3 DL CA	16.6.0
2020-12	RAN#90	R5-205745	1056	-	F	Updating NR test case 7.5A.2- Adjacent channel selectivity for 3DL CA	16.6.0
2020-12	RAN#90	R5-205746	1057	-	F	Updating NR test case 7.6A.2.2- In-band Blocking for 3DL CA	16.6.0
2020-12	RAN#90	R5-205748	1058	-	F	Updating Narrow band blocking for CA for band n48	16.6.0
2020-12	RAN#90	R5-205790	1061	-	F	Removing the highest SCS from test configuration for Tx spurious emissions for UL MIMO	16.6.0
2020-12	RAN#90	R5-205791	1062	-	F	Update of MPR for PC3 half Pi BPSK DMRS in 6.2.2	16.6.0
2020-12	RAN#90	R5-205796	1066	-	F	Update of MOP for UL MIMO with ULFP Tx in 6.2D.1	16.6.0

2020-12	RAN#90	R5-205799	1068	-	F	Addition of new test case 6.5D.3_1.2 UE co-existence spurious emissions for Rel-16 UL MIMO	16.6.0
2020-12	RAN#90	R5-205800	1069	-	F	Addition of new test case 6.5D.3_1.3 additional spurious emissions for Rel-16 UL MIMO	16.6.0
2020-12	RAN#90	R5-205852	1070	-	F	Correction of RAR timing for PRACH TC 6.3.3.4 and EVM TC 6.4.2.1	16.6.0
2020-12	RAN#90	R5-205872	1073	-	F	Editorial correction to minimum requirements of REFSSENS for CA	16.6.0
2020-12	RAN#90	R5-205879	1075	-	F	Update of Rx test cases to add 40MHz for NR band n38	16.6.0
2020-12	RAN#90	R5-205882	1076	-	F	Update of A-MPR for NS_18	16.6.0
2020-12	RAN#90	R5-206022	1082	-	F	Update of 6.3.1 for UE minimum output power test	16.6.0
2020-12	RAN#90	R5-206088	1088	-	F	Correction to ASEM for NS_27	16.6.0
2020-12	RAN#90	R5-206160	1102	-	F	Correction of Test Message Table 6.3.3.4.4.3-2 in section 6.3.3.4	16.6.0
2020-12	RAN#90	R5-206638	1071	1	F	Handling of delta Tib for UE supporting multiple band combinations	16.6.0
2020-12	RAN#90	R5-206639	1077	1	F	Update of A-MPR for NS_46	16.6.0
2020-12	RAN#90	R5-206640	1090	1	F	Update for 6.5.3.2 Spurious emission for UE co-existence	16.6.0
2020-12	RAN#90	R5-206641	1092	1	F	Correction for 6.3.3.6 SRS time mask	16.6.0
2020-12	RAN#90	R5-206642	1098	1	F	Correction to spurious co-existence requirements for n28 and n83	16.6.0
2020-12	RAN#90	R5-206643	1044	1	F	CR to update DMRS position in UL RMC for FR1	16.6.0
2020-12	RAN#90	R5-206718	1037	1	F	Addition of UL CA combinations to maximum output power for Inter-band CA	16.6.0
2020-12	RAN#90	R5-206719	1035	1	F	Update of 7.5A.3 Adjacent channel selectivity for 4DL CA	16.6.0
2020-12	RAN#90	R5-206740	1006	1	F	Adding NR Band n53 to UE additional maximum output power reduction test cases	16.6.0
2020-12	RAN#90	R5-206741	1008	1	F	Adding NS_45 to Additional spurious emissions test case for NR Band n53	16.6.0
2020-12	RAN#90	R5-206742	1020	1	F	Update of NR test case 6.2.2 UE MPR for n14	16.6.0
2020-12	RAN#90	R5-206743	1021	1	F	Update of NR test case 6.2.3 UE A-MPR for n14	16.6.0
2020-12	RAN#90	R5-206744	1022	1	F	Update of NR test case 6.5.3.2 Spurious Emissions for UE Co-Ex for n14	16.6.0
2020-12	RAN#90	R5-206745	1029	1	F	Adding A-MPR test for band n30 with NS_21	16.6.0
2020-12	RAN#90	R5-206746	1030	1	F	Adding additional Spectrum emission test for band n30 with NS_21	16.6.0
2020-12	RAN#90	R5-206747	1041	1	F	Update of NR test case 6.5.2.3 Additional Spectrum Emission Mask for n30	16.6.0
2020-12	RAN#90	R5-206748	1074	1	F	Update of Tx test cases to add 40MHz for NR band n38	16.6.0
2020-12	RAN#90	R5-206749	1080	1	F	Correction of 6.3.2 for UE transmit OFF power test	16.6.0
2020-12	RAN#90	R5-206750	1096	1	F	Adding n26 Tx requirements	16.6.0
2020-12	RAN#90	R5-206751	1009	1	F	Adding NR Band n53 Receiver requirements	16.6.0
2020-12	RAN#90	R5-206761	1010	1	F	Update of Test case 6.3A.4.1	16.6.0
2020-12	RAN#90	R5-206762	1034	1	F	Update of Test case 6.3A.4.3	16.6.0
2020-12	RAN#90	R5-206763	1059	1	F	Updating NR test case 7.8A.2.2-Wide band Intermodulation for 3DL CA	16.6.0
2020-12	RAN#90	R5-206764	1078	1	F	Addition of 6.2E.1.1 V2X MOP for non-concurrent	16.6.0
2020-12	RAN#90	R5-206765	1079	1	F	Addition of 7.3E.2 V2X REFSSENS for non-concurrent	16.6.0
2020-12	RAN#90	R5-206766	1063	1	F	Update of SEM for PC3 half Pi BPSK DMRS in 6.5.2.2	16.6.0
2020-12	RAN#90	R5-206767	1064	1	F	Update of NR ACLR for PC3 half Pi BPSK DMRS in 6.5.2.4.1	16.6.0
2020-12	RAN#90	R5-206768	1067	1	F	Addition of new test case 6.5D.3_1.1 general spurious emissions for Rel-16 UL MIMO	16.6.0
2020-12	RAN#90	R5-206863	1060	1	F	Update of signalling configuration for almost contiguous allocation across clause 6	16.6.0
2020-12	RAN#90	R5-206864	1053	1	F	Updating NR test case REFSSENS for 2DL CA	16.6.0
2020-12	RAN#90	R5-206879	1036	1	F	Addition of 2UL CA exception to reference sensitivity test case	16.6.0
2020-12	RAN#90	R5-206880	1039	1	F	Update of Refsense test case for CA_n1A-n78A into 38.521-1	16.6.0
2020-12	RAN#90	R5-206881	1040	1	F	Update of Refsense test case for CA_n1A-n77A into 38.521-1	16.6.0
2020-12	RAN#90	R5-206882	1042	1	F	Update of R16 CADC configurations into 38.521-1 clause 5	16.6.0
2020-12	RAN#90	R5-206888	1089	1	F	Update for 6.5D.3.3 Additional spurious emissions for UL MIMO	16.6.0

2020-12	RAN#90	R5-206889	1094	1	F	Update for 6.5.3.3 Additional spurious emission	16.6.0
2020-12	RAN#90	R5-206890	1012	1	F	Update of R16 new band and CBWs into TS 38.521-1 clause 5	16.6.0
2020-12	RAN#90	R5-206891	1033	1	F	Update of Test case 6.3A.4.2	16.6.0
2020-12	RAN#90	R5-206892	1054	1	F	Updating NR test case REFSSENS for 3DL CA	16.6.0
2020-12	RAN#90	R5-206894	1027	1	F	Addition of test case 6.5D.1_1, Occupied bandwidth for UL MIMO (Rel-16 onward)	16.6.0
2020-12	RAN#90	R5-206901	1093	1	F	Update for 6.5A.3.2 Spurious emission for UE co-existence	16.6.0
2020-12	RAN#90	R5-206912	1091	1	F	Update for 6.5A.3.1 General spurious emissions for CA	16.6.0
2021-03	RAN#91	R5-210169	1106	-	F	Addition of TC 7.3A.0.3.2.4 RIB,c for four bands	16.7.0
2021-03	RAN#91	R5-210170	1107	-	F	Update of TC 7.7A.3	16.7.0
2021-03	RAN#91	R5-210290	1108	-	F	Clarification of uplink power measurement uncertainty in test case 6.3.4.3	16.7.0
2021-03	RAN#91	R5-210291	1109	-	F	Message exceptions definition in test case 6.2.2	16.7.0
2021-03	RAN#91	R5-210384	1114	-	F	Add TT to power control for UL CA	16.7.0
2021-03	RAN#91	R5-210385	1115	-	F	Update MU/TT on power control for UL CA	16.7.0
2021-03	RAN#91	R5-210419	1116	-	F	Addition of new test case 6.4E.2.2.1 Error Vector Magnitude for V2X for non-concurrent operation	16.7.0
2021-03	RAN#91	R5-210423	1118	-	F	Addition of 6.5E.2.2.1D	16.7.0
2021-03	RAN#91	R5-210424	1119	-	F	Addition of 6.5E.2.3.1	16.7.0
2021-03	RAN#91	R5-210425	1120	-	F	Addition of 6.5E.2.3.1D	16.7.0
2021-03	RAN#91	R5-210426	1121	-	F	Addition of 6.5E.2.4.1	16.7.0
2021-03	RAN#91	R5-210427	1122	-	F	Addition of 6.5E.2.4.1D	16.7.0
2021-03	RAN#91	R5-210428	1123	-	F	Addition of 6.5E.3.2.1	16.7.0
2021-03	RAN#91	R5-210429	1124	-	F	Addition of 6.5E.3.2.1D	16.7.0
2021-03	RAN#91	R5-210485	1125	-	F	Correction of test purpose for 6.3.2 and 6.3D.2	16.7.0
2021-03	RAN#91	R5-210487	1127	-	F	Editorial correction for error in Table 7.6.4.4.1-1	16.7.0
2021-03	RAN#91	R5-210539	1129	-	F	Introduction 4CA Reference Sensitivity test 7.3A.3	16.7.0
2021-03	RAN#91	R5-210540	1130	-	F	Introduction 4CA Maximum Input Level test 7.4A.3	16.7.0
2021-03	RAN#91	R5-210541	1131	-	F	Introduction 4CA In-Band Blocking test 7.6A.2.3	16.7.0
2021-03	RAN#91	R5-210723	1133	-	F	Omitting of FR1 Rx cases with UL-MIMO on TDD bands	16.7.0
2021-03	RAN#91	R5-210782	1136	-	F	Update of A-MPR minimum requirements for Rel-16 DMRS	16.7.0
2021-03	RAN#91	R5-210787	1139	-	F	Adding additional TP for half Pi BPSK DMRS to SEM test case for SUL	16.7.0
2021-03	RAN#91	R5-210788	1140	-	F	Adding additional TP for half Pi BPSK DMRS to NR ACLR test case for SUL	16.7.0
2021-03	RAN#91	R5-210793	1142	-	F	Update of the test configuration for carrier leakage for SUL	16.7.0
2021-03	RAN#91	R5-210899	1146	-	F	Removal of the highest SCS from test configuration for Tx spurious emissions for CA	16.7.0
2021-03	RAN#91	R5-210902	1147	-	F	Updating test case 7.3A.1_1 for 4Rx test requirements	16.7.0
2021-03	RAN#91	R5-210903	1148	-	F	Editorial correction to clause 7.3.1	16.7.0
2021-03	RAN#91	R5-210906	1150	-	F	Updating A-SEM for MIMO testing for NS_04	16.7.0
2021-03	RAN#91	R5-210908	1152	-	F	Updating test applicability of test case 6.5D.2.4.2-UTRA ACLR for UL MIMO	16.7.0
2021-03	RAN#91	R5-210911	1154	-	F	Correction to test configuration table Test IDs for test case 6.5D.3.3	16.7.0
2021-03	RAN#91	R5-210912	1155	-	F	Correction to test case 6.2.3 AMPR for NS_24	16.7.0
2021-03	RAN#91	R5-210918	1160	-	F	Updating MOP and MPR for MIMO testing for several NR bands	16.7.0
2021-03	RAN#91	R5-210919	1161	-	F	Updating 6.5A.3.1.0 for intra-band CA	16.7.0
2021-03	RAN#91	R5-210920	1162	-	F	Updating test requirement of CA test cases for CA configurations including n90	16.7.0
2021-03	RAN#91	R5-210922	1164	-	F	Updating test case 7.6A.4 for band n48	16.7.0
2021-03	RAN#91	R5-210991	1174	-	F	Update for 7.3.2 Reference sensitivity power level	16.7.0
2021-03	RAN#91	R5-210995	1175	-	F	Update for 6.5.3.2 Spurious emission for UE co-existence_R15	16.7.0
2021-03	RAN#91	R5-210996	1176	-	F	Addition of test case 6.5D.2_1.4.2, UTRA ACLR for UL MIMO (Rel-16 onward)	16.7.0
2021-03	RAN#91	R5-211008	1178	-	F	Update of CA_n1A-n78C into 3DL CA Refsense TC 7.3A.2	16.7.0
2021-03	RAN#91	R5-211026	1180	-	F	Update of CA_n1A-n78C into 3DL CA maximum input level TC 7.4A.2	16.7.0
2021-03	RAN#91	R5-211037	1181	-	F	Addition of minimum requirement for intra-band UL CA in the test case 6.4A.2	16.7.0
2021-03	RAN#91	R5-211040	1182	-	F	Addition of 70M into 38.521-1 TC6.3A.1	16.7.0
2021-03	RAN#91	R5-211041	1183	-	F	Addition of 70M into 38.521-1 TC6.3D	16.7.0

2021-03	RAN#91	R5-211048	1185	-	F	Correction to test tolerance for FR1 blocking tests	16.7.0
2021-03	RAN#91	R5-211092	1186	-	F	Test ID separation to powerBoostPiBPSK 1 and 0 in Table 6.5.2.2.4.1-1	16.7.0
2021-03	RAN#91	R5-211109	1187	-	F	Corrections to subclauses in 38.521-1 with appropriate subclause level and heading styles	16.7.0
2021-03	RAN#91	R5-211113	1188	-	F	Corrections to reference figures for transmission bandwidth in FR1	16.7.0
2021-03	RAN#91	R5-211133	1189	-	F	Addition of ULFPtX in MPR test case	16.7.0
2021-03	RAN#91	R5-211176	1191	-	F	Reference to measurement BW corrected in 6.5D.4 TX intermodulation test case	16.7.0
2021-03	RAN#91	R5-211274	1195	-	F	Updating 6.5A.3.2 for CA_n1A-n79A	16.7.0
2021-03	RAN#91	R5-211613	1184	1	F	Spurious emissions for UE co-existence update to core specs	16.7.0
2021-03	RAN#91	R5-211657	1192	1	F	PC1 and PC3 Updates for Band n14	16.7.0
2021-03	RAN#91	R5-211676	1110	1	F	Clarifications for ON/OFF time mask for UL MIMO test case	16.7.0
2021-03	RAN#91	R5-211677	1126	1	F	Correction of test frequencies for NR band n28 30MHz test channel bandwidth of CA SUL and UL MIMO test cases in section 6	16.7.0
2021-03	RAN#91	R5-211678	1151	1	F	Updating AMPR for MIMO test case for NS_35	16.7.0
2021-03	RAN#91	R5-211679	1153	1	F	Correction to RB allocation start for test case 6.3D.4.2	16.7.0
2021-03	RAN#91	R5-211680	1128	1	F	Correction of test frequencies for NR band n28 30MHz test channel bandwidth of CA SUL and UL MIMO test cases in section 7	16.7.0
2021-03	RAN#91	R5-211681	1149	1	F	Updating test case 7.3C.2-Reference sensitivity power level for SUL	16.7.0
2021-03	RAN#91	R5-211682	1143	1	F	Update of clause 5 to R15 TS 38.521-1	16.7.0
2021-03	RAN#91	R5-211764	1113	1	F	Update of 7.5A.3 Adjacent channel selectivity for 4DL CA	16.7.0
2021-03	RAN#91	R5-211765	1144	1	F	Update of R16 CADC configurations into TS38.521-1 clause 5	16.7.0
2021-03	RAN#91	R5-211786	1134	1	F	Correction of test points for NS_48	16.7.0
2021-03	RAN#91	R5-211787	1135	1	F	Addition of A-MPR test for NS_49	16.7.0
2021-03	RAN#91	R5-211788	1177	1	F	Update for 6.5.3.2 Spurious emission for UE co-existence_R16	16.7.0
2021-03	RAN#91	R5-211804	1172	1	F	Updating Editors Note in 6.2A.2 and 6.2A.4 for intra-band UL CA	16.7.0
2021-03	RAN#91	R5-211805	1159	1	F	Updating general requirements for intra-band non-contiguous CA	16.7.0
2021-03	RAN#91	R5-211806	1117	1	F	Addition of 6.5E.2.2.1	16.7.0
2021-03	RAN#91	R5-211807	1137	1	F	Adding test point for Rel-16 DMRS in EVM equalizer spectrum flatness test case	16.7.0
2021-03	RAN#91	R5-211808	1141	1	F	Addition of new test case 6.4C.2.5 EVM equalizer spectrum flatness for half Pi BPSK DMRS for SUL	16.7.0
2021-03	RAN#91	R5-211911	1165	1	F	Adding NR test case-Time mask for Uplink carriers switching	16.7.0
2021-03	RAN#91	R5-211912	1166	1	F	Adding MU and TT for Uplink carriers switching testing	16.7.0
2021-03	RAN#91	R5-211915	1138	1	F	Adding additional TP for half Pi BPSK DMRS to MPR test case for SUL	16.7.0
2021-03	RAN#91	R5-210804	1145	-	F	Update of R17 CADC configurations into TS38.521-1 clause 5	17.0.0
2021-03	RAN#91	R5-210932	1169	-	F	Updating Additional spurious emissions testing for SUL band n83 and n84	17.0.0
2021-03	RAN#91	R5-210933	1170	-	F	Updating clause 6.2C.2 for Rel-17 SUL combinations	17.0.0
2021-03	RAN#91	R5-210934	1171	-	F	Updating REFSSENS for SUL for new R17 configurations	17.0.0
2021-03	RAN#91	R5-211174	1190	-	F	Addition of R17 new CBWs into 38.521-1 clause 5	17.0.0
2021-03	RAN#91	R5-211837	1167	1	F	Updating MPR testing for SUL band n83	17.0.0
2021-03	RAN#91	R5-211838	1168	1	F	Updating AMPR testing for SUL band n83 and n84	17.0.0
2021-06	RAN#92	R5-212029	1198	-	F	Updating clause 6.2C.2 for Rel-17 SUL combinations	17.1.0
2021-06	RAN#92	R5-212168	1201	-	F	Removal of technical content in 38.521-1 v16.7.0 and substitution with pointer to the next Release	17.1.0
2021-06	RAN#92	R5-212340	1216	-	F	Typos in references of clause 6.5.3.2	17.1.0
2021-06	RAN#92	R5-212619	1218	-	F	Correction to A-MPR test ID for NS_24 in TC6.2.3	17.1.0
2021-06	RAN#92	R5-212668	1220	-	F	Correction of A-MPR test requirements for NS_04 band n41	17.1.0
2021-06	RAN#92	R5-212671	1222	-	F	Addition of A-MPR test requirements for NS_03 band n70	17.1.0
2021-06	RAN#92	R5-212682	1227	-	F	Update of 70M CBW into TC 6.3D.3	17.1.0
2021-06	RAN#92	R5-212704	1228	-	F	Update of 70M CBW into TC 6.3.3.2	17.1.0

2021-06	RAN#92	R5-212739	1229	-	F	Update of V2X in Section 5	17.1.0
2021-06	RAN#92	R5-212740	1230	-	F	Update to FR1 test case title in clause 6	17.1.0
2021-06	RAN#92	R5-212741	1231	-	F	Update to FR1 test case title in clause 7	17.1.0
2021-06	RAN#92	R5-212839	1235	-	F	Update of clause 3 for symbols and abbreviations	17.1.0
2021-06	RAN#92	R5-212856	1240	-	F	Correction of the test step number in the test requirement section	17.1.0
2021-06	RAN#92	R5-212914	1241	-	F	Editorial correction of 6.2.1	17.1.0
2021-06	RAN#92	R5-212926	1243	-	F	Addition of 6.1E General section	17.1.0
2021-06	RAN#92	R5-212927	1244	-	F	Addition of 6.2E.2.1 V2X MPR non-concurrent	17.1.0
2021-06	RAN#92	R5-212928	1245	-	F	Addition of 6.3E.1.1 V2X minimum output power non-concurrent	17.1.0
2021-06	RAN#92	R5-212969	1246	-	F	Updating AMPR for SUL test case for n84	17.1.0
2021-06	RAN#92	R5-212970	1247	-	F	Updating UTRA ACLR for SUL testing for n84	17.1.0
2021-06	RAN#92	R5-212971	1248	-	F	Updating test case 7.6C.2 Inband Blocking for SUL	17.1.0
2021-06	RAN#92	R5-212972	1249	-	F	Updating test case 7.6C.3 Out-of-band blocking for SUL	17.1.0
2021-06	RAN#92	R5-212974	1251	-	F	Updating H.2.2 for NR SA FR1 testing	17.1.0
2021-06	RAN#92	R5-212979	1252	-	F	Correction to RB allocations for test case 6.2.3 A-MPR for NS_46	17.1.0
2021-06	RAN#92	R5-212980	1253	-	F	Updating test case general spurious emission for CA_n28A-n41A	17.1.0
2021-06	RAN#92	R5-212981	1254	-	F	Updating Spurious emission for UE co-existence for CA_n28A-n41A	17.1.0
2021-06	RAN#92	R5-212983	1255	-	F	Updating Transmitter power for CA requirements for CA_n28A-n41A	17.1.0
2021-06	RAN#92	R5-212988	1257	-	F	Updating 6.2D.3 A-MPR for UL MIMO for band n1	17.1.0
2021-06	RAN#92	R5-212989	1258	-	F	Updating UTRA ACLR for MIMO testing for NR band n1	17.1.0
2021-06	RAN#92	R5-212992	1260	-	F	Updating 6.2C.2 for new R17 SUL configurations	17.1.0
2021-06	RAN#92	R5-212993	1261	-	F	Updating test case 6.2A.1 MOP for CA for R17 configuration CA_n28A-n79A	17.1.0
2021-06	RAN#92	R5-212994	1262	-	F	Correction to wrong RB allocations in NR test case 6.5C.3.3	17.1.0
2021-06	RAN#92	R5-212998	1265	-	F	Updating test case 7.3C.2 REFSSENS for SUL for new R17 SUL configurations	17.1.0
2021-06	RAN#92	R5-212999	1266	-	F	Updating REFSSENS for SUL 3CC testing for new R17 SUL configurations	17.1.0
2021-06	RAN#92	R5-213000	1267	-	F	Updating 7.6C.3 Out-of-band blocking for SUL_n79A-n83A	17.1.0
2021-06	RAN#92	R5-213015	1270	-	F	Updating test description to enable DFT-s-OFDM modulation across clause 6	17.1.0
2021-06	RAN#92	R5-213016	1271	-	F	Updating message contents to enable DFT-s-OFDM modulation in 7.3 refsens	17.1.0
2021-06	RAN#92	R5-213058	1275	-	F	Update of test configuration for UTRA ACLR for Rel-16 UL MIMO	17.1.0
2021-06	RAN#92	R5-213100	1278	-	F	Updating 6.5D.3_1.3 Additional spurious emissions for UL MIMO Rel-16 onward for NR band n1	17.1.0
2021-06	RAN#92	R5-213101	1279	-	F	Correction to Reference sensitivity test requirements in DL CA	17.1.0
2021-06	RAN#92	R5-213102	1280	-	F	Corrections to band n70 reference sensitivity testing	17.1.0
2021-06	RAN#92	R5-213160	1285	-	F	Correction to Message Contents Condition for NR ACLR	17.1.0
2021-06	RAN#92	R5-213882	1202	1	F	Change Editors note in 6.2D.2	17.1.0
2021-06	RAN#92	R5-213883	1208	1	F	Update p-Max of PCC to 6.2A.1.1	17.1.0
2021-06	RAN#92	R5-213884	1209	1	F	Update p-Max of PCC to 6.2A.2.1	17.1.0
2021-06	RAN#92	R5-213885	1210	1	F	Update p-Max of PCC to 6.5A.1.1	17.1.0
2021-06	RAN#92	R5-213886	1211	1	F	Update p-Max of PCC to out of band emission for CA	17.1.0
2021-06	RAN#92	R5-213887	1212	1	F	Update p-Max of PCC to spurious emission for CA	17.1.0
2021-06	RAN#92	R5-213888	1213	1	F	Correct message content to 6.2A.4.1	17.1.0
2021-06	RAN#92	R5-213889	1214	1	F	Cleanup for TS 38.521-1 spurious emission for UE co-existence table (non CA)	17.1.0
2021-06	RAN#92	R5-213890	1215	1	F	Cleanup for TS 38.521-1 spurious emission for UE co-existence table (CA Bands)	17.1.0
2021-06	RAN#92	R5-213891	1221	1	F	Correction of A-MPR and A-SEM test requirements for NS_06 band n12	17.1.0
2021-06	RAN#92	R5-213892	1242	1	F	Addition of A-MPR NS_10 test	17.1.0
2021-06	RAN#92	R5-213893	1250	1	F	Updating NR SA test frequency selection for NR band n28	17.1.0
2021-06	RAN#92	R5-213894	1224	1	F	Update of R15 38.521-1 clause 5	17.1.0
2021-06	RAN#92	R5-213970	1256	1	F	Updating test case REFSSENS for CA for CA_n28A-n41A	17.1.0
2021-06	RAN#92	R5-213971	1272	1	F	Corrections to NR Rx CA cases	17.1.0

2021-06	RAN#92	R5-213972	1284	1	F	Update of CA_n1A-n78C into 3DL CA TCs in 38.521-1	17.1.0
2021-06	RAN#92	R5-213978	1232	1	F	Correction of 6.5.1 for test of channel occupied bandwidth	17.1.0
2021-06	RAN#92	R5-213979	1233	1	F	Correction of 6.5.2.2 for test of spectrum emission mask	17.1.0
2021-06	RAN#92	R5-213980	1234	1	F	Correction of 6.5.2.4 for test of adjacent channel leakage ratio	17.1.0
2021-06	RAN#92	R5-213981	1282	1	F	Update of 70M CBW into TC 6.3.3.4 PRACH time mask	17.1.0
2021-06	RAN#92	R5-213982	1283	1	F	Update of 70M CBW into 38.521-1 TC 6.3A.4.1	17.1.0
2021-06	RAN#92	R5-213983	1223	1	F	Update of R16 new CBW configurations into TS38.521-1 clause 5	17.1.0
2021-06	RAN#92	R5-213995	1239	1	F	Update of minimum conformance requirements for Occupied bandwidth for CA in TC 6.5A.1	17.1.0
2021-06	RAN#92	R5-213998	1203	1	F	Update of 6.5E.2.2.1	17.1.0
2021-06	RAN#92	R5-213999	1204	1	F	Update of 6.5E.2.3.1	17.1.0
2021-06	RAN#92	R5-214000	1205	1	F	Update of 6.5E.2.4.1	17.1.0
2021-06	RAN#92	R5-214001	1206	1	F	Update of 6.5E.3.2.1	17.1.0
2021-06	RAN#92	R5-214002	1207	1	F	Addition of 6.5E.3.3.1	17.1.0
2021-06	RAN#92	R5-214003	1236	1	F	Addition of new test case 6.4E.2.2.1D Error Vector Magnitude for V2X for non-concurrent operation SL-MIMO	17.1.0
2021-06	RAN#92	R5-214004	1237	1	F	Addition of new test case 6.4E.2.4.1 In band emissions for V2X for non-concurrent operation	17.1.0
2021-06	RAN#92	R5-214005	1238	1	F	Addition of new test case 6.4E.2.4.1D In band emissions for V2X for non-concurrent operation SL-MIMO	17.1.0
2021-06	RAN#92	R5-214007	1274	1	F	Test case 6.2D.4 updated for ULFP Tx	17.1.0
2021-06	RAN#92	R5-214021	1199	1	F	Updating clause 7.3C for Rel-17 SUL combinations	17.1.0
2021-06	RAN#92	R5-214022	1263	1	F	Updating REFSSENS for CA test case for CA_n28A-n79A	17.1.0
2021-06	RAN#92	R5-214023	1268	1	F	Adding new test case 7.6C.2_1 Inband Blocking for SUL and DL CA	17.1.0
2021-06	RAN#92	R5-214024	1269	1	F	Adding new test case 7.6C.3_1 Out-of-band blocking for SUL and DL CA	17.1.0
2021-06	RAN#92	R5-214025	1226	1	F	Update of R17 CADC configurations into TS38.521-1 clause 5	17.1.0
2021-06	RAN#92	R5-214110	1225	1	F	Update of R16 new CADC configurations into TS38.521-1 clause 5	17.1.0
2021-09	RAN#93	R5-214221	1288	-	F	Updating clause 6.2C.2 for Rel-17 SUL combinations in TS 38.521-1	17.2.0
2021-09	RAN#93	R5-214224	1289	-	F	Update clause 7 for R17 CA and SUL RX characteristics in TS 38.521-1	17.2.0
2021-09	RAN#93	R5-214476	1294	-	F	Addition of Configured Tx Power Minimum Conformance Requirements for n41 Power Class 1.5	17.2.0
2021-09	RAN#93	R5-214477	1295	-	F	Addition of MOP for UL MIMO Minimum Conformance Requirements for n41 Power Class 1.5	17.2.0
2021-09	RAN#93	R5-214479	1297	-	F	Update of NR ACLR Test Requirement for n41 Power Class 1.5	17.2.0
2021-09	RAN#93	R5-214598	1305	-	F	Addition of reference section for TDD DL reference measurement channels in 7.1	17.2.0
2021-09	RAN#93	R5-214599	1306	-	F	Correction of test SCS in the test configuration table	17.2.0
2021-09	RAN#93	R5-214600	1307	-	F	Correction of Test Frequencies in the test configuration table	17.2.0
2021-09	RAN#93	R5-214601	1308	-	F	Correction of Test Frequencies for NR band n28 and 30MHz test channel bandwidth in the test configuration table	17.2.0
2021-09	RAN#93	R5-214603	1310	-	F	Unify the Terminology of normal condition in the test configuration tables	17.2.0
2021-09	RAN#93	R5-214604	1311	-	F	Correction of subclause titles with appropriate styles	17.2.0
2021-09	RAN#93	R5-215043	1313	-	F	Correcting test frequencies in test case 6.2D.4	17.2.0
2021-09	RAN#93	R5-215073	1316	-	F	Addition of 6.2E.1.1D MOP for non-concurrent with SL-MIMO	17.2.0
2021-09	RAN#93	R5-215074	1317	-	F	Addition of 6.2E.2.1D MPR for non-concurrent with SL-MIMO	17.2.0
2021-09	RAN#93	R5-215075	1318	-	F	Addition of 6.3E.1.1D Minimum output power for non-concurrent with SL-MIMO	17.2.0
2021-09	RAN#93	R5-215080	1319	-	F	Addition of NR ACLR for intra-band CA	17.2.0
2021-09	RAN#93	R5-215165	1321	-	F	Correction of test frequencies for A-MPR NS_47	17.2.0
2021-09	RAN#93	R5-215185	1323	-	F	Update of 6.2D.2 MPR for UL MIMO with supporting ULFP Tx	17.2.0

2021-09	RAN#93	R5-215214	1331	-	F	Corrections on power tolerance for intra-band contiguous CA	17.2.0
2021-09	RAN#93	R5-215282	1334	-	F	Introduction of CA_n71(2A) to Rx cases	17.2.0
2021-09	RAN#93	R5-215284	1335	-	F	Updating message contents for SUL test cases	17.2.0
2021-09	RAN#93	R5-215285	1336	-	F	Removal of SUL band in NR single-carrier test cases	17.2.0
2021-09	RAN#93	R5-215286	1337	-	F	Editorial correction to test case 6.2A.1 and 6.2A.2	17.2.0
2021-09	RAN#93	R5-215287	1338	-	F	Correction to test procedure of test case 6.5.2.3 Additional SEM	17.2.0
2021-09	RAN#93	R5-215297	1339	-	F	Updating the test requirement of NR test case MPR for MIMO	17.2.0
2021-09	RAN#93	R5-215298	1340	-	F	Updating NR test case 6.2A.1 MOP for intra-band non-contiguous UL CA	17.2.0
2021-09	RAN#93	R5-215305	1344	-	F	Updating test case 6.5A.1.1 occupied bandwidth for intra-band CA	17.2.0
2021-09	RAN#93	R5-215307	1345	-	F	Updating test case 6.3A.2 Transmit OFF power for intra-band non-contiguous UL CA	17.2.0
2021-09	RAN#93	R5-215311	1346	-	F	Updating MOP testing for SUL band n97	17.2.0
2021-09	RAN#93	R5-215312	1347	-	F	Updating MPR testing for SUL band n97	17.2.0
2021-09	RAN#93	R5-215332	1350	-	F	Update of requirement for spurious emission test case in 6.5A.3.2.1	17.2.0
2021-09	RAN#93	R5-215334	1352	-	F	Correction of A-MPR test configuration for NS_27 in 6.2.3	17.2.0
2021-09	RAN#93	R5-215335	1353	-	F	Correction of A-SPR test configuration for NS_17 in 6.5.3.3	17.2.0
2021-09	RAN#93	R5-215373	1354	-	F	Update Test applicability to FR1 TC 6.3C.2	17.2.0
2021-09	RAN#93	R5-215406	1359	-	F	Update of CBW 70MHz into TC 6.3.4.2 absolute power tolerance	17.2.0
2021-09	RAN#93	R5-215438	1360	-	F	Update of CBW 70MHz into TC 6.3.4.3 relative power tolerance	17.2.0
2021-09	RAN#93	R5-215439	1361	-	F	Update of CBW 70MHz into TC 6.3A.3.1	17.2.0
2021-09	RAN#93	R5-215463	1366	-	F	Correct the abbreviations for network signalling value in 38.521-1	17.2.0
2021-09	RAN#93	R5-215472	1368	-	F	Correction of test configuration in test case 6.5.2.2.2	17.2.0
2021-09	RAN#93	R5-215513	1372	-	F	Update of CBW 70MHz into TC 6.3A.3.1_1	17.2.0
2021-09	RAN#93	R5-215562	1374	-	F	Introduction of Reference sensitivity for NR-U	17.2.0
2021-09	RAN#93	R5-215564	1376	-	F	Introduction of Spectrum emission mask for NR-U	17.2.0
2021-09	RAN#93	R5-215573	1378	-	F	Update for 6.5.4 Transmit intermodulation	17.2.0
2021-09	RAN#93	R5-215845	1315	1	F	Correction of UTRA ACLR for inter-band CA	17.2.0
2021-09	RAN#93	R5-215846	1320	1	F	Adding A-MPR NS_06 test case for band 14 power class 1	17.2.0
2021-09	RAN#93	R5-215847	1312	1	F	Update of FR1 UL RMCs	17.2.0
2021-09	RAN#93	R5-215929	1356	1	F	Update of R16 new CBW configurations into TS38.521-1 clause 5	17.2.0
2021-09	RAN#93	R5-215962	1325	1	B	Introduction of MOP, MPR and configured Tx power test cases for n24 and n99	17.2.0
2021-09	RAN#93	R5-215963	1327	1	B	Introduction of n24 and n99 to spurious emissions and addition spurious emission test cases	17.2.0
2021-09	RAN#93	R5-215964	1348	1	F	Updating Spurious emissions for UE co-existence test cases for R17 requirements	17.2.0
2021-09	RAN#93	R5-215965	1328	1	B	Introduction of n24 to receiver sensitivity test cases	17.2.0
2021-09	RAN#93	R5-215966	1329	1	B	Introduction of n24 - blocking test cases	17.2.0
2021-09	RAN#93	R5-215967	1358	1	F	Update of R17 new band and CBWs into TS38.521-1 clause 5	17.2.0
2021-09	RAN#93	R5-215983	1292	1	F	Introduction of NR-U MOP test case	17.2.0
2021-09	RAN#93	R5-215984	1293	1	F	Introduction of NR-U in general clauses	17.2.0
2021-09	RAN#93	R5-215985	1375	1	F	Introduction of general spurious emission for NR-U	17.2.0
2021-09	RAN#93	R5-215986	1298	1	F	Update of Tx test cases for PC2 CA_n3A-n41A with UL CA_n3A-n41A	17.2.0
2021-09	RAN#93	R5-215987	1299	1	F	Update of Tx test cases for PC2 CA_n28A-n79A with UL CA_n28A-n79A	17.2.0
2021-09	RAN#93	R5-215988	1300	1	F	Update of Tx test cases for PC2 CA_n28A-n41A with UL CA_n28A-n41A	17.2.0
2021-09	RAN#93	R5-215989	1301	1	F	Update of Tx test cases for PC2 CA_n40A-n41A with UL CA_n40A-n41A	17.2.0
2021-09	RAN#93	R5-215990	1302	1	F	Update of Tx test cases for PC2 CA_n3A-n41A with UL PC2 n41A	17.2.0
2021-09	RAN#93	R5-215991	1303	1	F	Update of Tx test cases for PC2 CA_n28A-n79A with UL PC2 n79A	17.2.0

2021-09	RAN#93	R5-215992	1304	1	F	Update of Tx test cases for PC2 CA_n28A-n41A with UL PC2 n41A	17.2.0
2021-09	RAN#93	R5-215999	1296	1	F	Addition of MOP for UL MIMO Test Requirements for n41 Power Class 1.5	17.2.0
2021-09	RAN#93	R5-216000	1369	1	F	Adding Power Class 1.5 for LTE Band 41and NR Band n41 MOP	17.2.0
2021-09	RAN#93	R5-216001	1370	1	F	Adding Power Class 1.5 for LTE Band 41and NR Band n41 MPR	17.2.0
2021-09	RAN#93	R5-216002	1371	1	F	Adding Power Class 1.5 for LTE Band 41and NR Band n41 A-MPR	17.2.0
2021-09	RAN#93	R5-216029	1290	1	F	Update of NR FR1 General ON-OFF time mask test case	17.2.0
2021-09	RAN#93	R5-216030	1291	1	F	Update of NR FR1 SRS time mask test case	17.2.0
2021-09	RAN#93	R5-216031	1330	1	F	Cleanup for spurious emission for UE co-existence table	17.2.0
2021-09	RAN#93	R5-216032	1332	1	F	Update intra-band CA to 6.2A.2.1	17.2.0
2021-09	RAN#93	R5-216033	1373	1	F	Update to the coherent UL-MIMO test case	17.2.0
2021-09	RAN#93	R5-216034	1377	1	F	Correction to test applicability for different NS value	17.2.0
2021-09	RAN#93	R5-216035	1351	1	F	Correction to test configuration in 7.3A.1	17.2.0
2021-09	RAN#93	R5-216065	1341	1	F	Updating test case 6.3A.4.1 Absolute power tolerance for intra-band non-contiguous UL CA	17.2.0
2021-09	RAN#93	R5-216066	1342	1	F	Updating test case 6.3A.4.2 Relative power tolerance for intra-band non-contiguous UL CA	17.2.0
2021-09	RAN#93	R5-216067	1343	1	F	Updating test case 6.3A.4.3 Aggregate power tolerance for intra-band non-contiguous UL CA	17.2.0
2021-09	RAN#93	R5-216080	1357	1	F	Update of R17 CADC configurations into TS38.521-1 clause 5	17.2.0
2021-09	RAN#93	R5-216084	1333	1	F	Update p-Max of PCC of intra-band CA to 6.5A.1.1	17.2.0
2021-09	RAN#93	R5-216085	1364	1	F	Correction of 6.2.3 for UE additional maximum output power reduction	17.2.0
2021-09	RAN#93	R5-216086	1365	1	F	Correction of 6.2.1 for UE capability IE for maximum output power	17.2.0
2021-09	RAN#93	R5-216107	1363	1	F	Update of 6.2A.1 for UE maximum output power for CA	17.2.0
2021-09	RAN#93	R5-216110	1362	1	F	Update of 6.3.3.6 for SRS time mask test for BW 70MHz	17.2.0
2021-09	RAN#93	R5-216114	1326	1	B	Introduction of A-MPR test cases for n24 and n99	17.2.0
2021-09	RAN#93	R5-216141	1322	1	F	Correction to IE and UE capability for low PAPR DMRS across Tx cases	17.2.0
2021-12	RAN#94	R5-216512	1391	-	F	Updates on FR1 On-Off time mask for UL MIMO test 6.3D.3 upon RAN4 clarifications	17.3.0
2021-12	RAN#94	R5-216514	1392	-	F	Editorial corrections for NS_47 in A-MPR FR1 test 6.2.3	17.3.0
2021-12	RAN#94	R5-216515	1393	-	F	Corrections for NS_27 in A-MPR FR1 test 6.2.3	17.3.0
2021-12	RAN#94	R5-216533	1399	-	F	Addition of asymmetric channel bandwidths for n24	17.3.0
2021-12	RAN#94	R5-217111	1410	-	F	Clarifications for inter-band testing in 7.4.A.1 2DL CA MIL test	17.3.0
2021-12	RAN#94	R5-217112	1411	-	F	Clarifications for inter-band testing in 7.5.A.1 2DL CA ACS test	17.3.0
2021-12	RAN#94	R5-217199	1412	-	F	Update for 6.3.3.1 Transmit ON/OFF time mask general	17.3.0
2021-12	RAN#94	R5-217200	1413	-	F	Update for 6.3.3.6 SRS time mask	17.3.0
2021-12	RAN#94	R5-217202	1415	-	F	Addition of Annex E.4.7 Modified signal under test	17.3.0
2021-12	RAN#94	R5-217215	1416	-	F	Correction to IE and UE capability for low PAPR DMRS	17.3.0
2021-12	RAN#94	R5-217216	1417	-	F	Removal of low PAPR test points from 6.2.3 A-MPR	17.3.0
2021-12	RAN#94	R5-217234	1418	-	F	Introduction of ACLR for NR-U	17.3.0
2021-12	RAN#94	R5-217235	1419	-	F	Introduction of 7.3F.3 for NR-U	17.3.0
2021-12	RAN#94	R5-217261	1421	-	F	Addition of CA_n26A-66A, CA_n26A-70A, CA_n48A-66A, CA_n48A-70A and CA_n48A-n71A to the UL CA Maximum output power and Tx Spurious emissions	17.3.0
2021-12	RAN#94	R5-217262	1422	-	F	Addition of Reference Sensitivity test for CA combinations CA_n26A-66A, CA_n26A-70A, CA_n48A-66A and CA_n48A-70A	17.3.0
2021-12	RAN#94	R5-217263	1423	-	F	Addition of intra-band non-contiguous + intra-band non-contiguous to 4CA Reference sensitivity, Maximum input level and blocking cases	17.3.0
2021-12	RAN#94	R5-217427	1431	-	F	Correction to test configuration of NS_49 in 6.2.3	17.3.0
2021-12	RAN#94	R5-217476	1437	-	F	Cleaning up General sections of NR SA test cases	17.3.0
2021-12	RAN#94	R5-217479	1440	-	F	Correction to PDCCH DCI format for test case 6.4A.2.3.1	17.3.0
2021-12	RAN#94	R5-217482	1443	-	F	Update to test case Transmit ON/OFF time mask for SUL	17.3.0
2021-12	RAN#94	R5-217485	1446	-	F	Updating title of clause 6.4D	17.3.0

2021-12	RAN#94	R5-217487	1448	-	F	Adding intra-band contiguous CA non-contiguous RB allocations in 6.1A	17.3.0
2021-12	RAN#94	R5-217492	1453	-	F	Updating 6.3A.4.3 Aggregate power tolerance for intra-band CA	17.3.0
2021-12	RAN#94	R5-217552	1455	-	F	Addition of n3 CBW 50MHz into TC 7.3.2 Reference sensitivity power level	17.3.0
2021-12	RAN#94	R5-217553	1456	-	F	Editorial cleanup of message exceptions in PRACH time mask	17.3.0
2021-12	RAN#94	R5-217608	1463	-	F	Update to 5G V2X RMCs	17.3.0
2021-12	RAN#94	R5-217609	1464	-	F	Correction to 5G V2X RF tests	17.3.0
2021-12	RAN#94	R5-217631	1466	-	F	Update of R16 new band and CBWs into TS38.521-1 clause 5	17.3.0
2021-12	RAN#94	R5-217660	1469	-	F	Update of R17 new band and CBWs into TS38.521-1 clause 5	17.3.0
2021-12	RAN#94	R5-217665	1471	-	F	Update of CBW 70MHz into TC 6.3D.4.2	17.3.0
2021-12	RAN#94	R5-217686	1477	-	F	Update of R16 CADC configurations into TS38.521-1 clause 5	17.3.0
2021-12	RAN#94	R5-217746	1478	-	F	Update 7.5A.3 Adjacent channel selectivity for 4DL CA within RF1	17.3.0
2021-12	RAN#94	R5-218223	1379	1	F	Update of 6.3.3.4 PRACH time mask	17.3.0
2021-12	RAN#94	R5-218224	1408	1	F	Corrections for CA MPR table reference	17.3.0
2021-12	RAN#94	R5-218225	1420	1	F	6.5.3 Spurious emissions-Editorial correction	17.3.0
2021-12	RAN#94	R5-218226	1433	1	F	Correction to the number of HARQ process for PUCCH format 3 with FDD condition	17.3.0
2021-12	RAN#94	R5-218227	1438	1	F	Updating SRS time mask test case	17.3.0
2021-12	RAN#94	R5-218228	1439	1	F	Correction to PDCCH DCI format for test case 6.4.2.3	17.3.0
2021-12	RAN#94	R5-218229	1441	1	F	Correction to NR test case 6.4A.1.1 - Frequency error for CA	17.3.0
2021-12	RAN#94	R5-218230	1442	1	F	Update to NR FR1 ON-OFF time mask for CA (2UL CA)	17.3.0
2021-12	RAN#94	R5-218232	1475	1	F	Update of NR FR1 TC 6.3A.3 Transmit ON/OFF time mask for CA	17.3.0
2021-12	RAN#94	R5-218233	1432	1	F	Correction to the periodicity of CSI-RS for tracking	17.3.0
2021-12	RAN#94	R5-218280	1470	1	F	Update of CBW 70MHz into TC 6.3D.4.1	17.3.0
2021-12	RAN#94	R5-218281	1473	1	F	Update of CBW 70MHz into 6.5A of 38.521-1	17.3.0
2021-12	RAN#94	R5-218282	1474	1	F	Update of CBW 70MHz into 6.5C of 38.521-1	17.3.0
2021-12	RAN#94	R5-218292	1450	1	F	Updating 6.2A.4 Configured output power for intra-band UL CA	17.3.0
2021-12	RAN#94	R5-218300	1401	1	F	Update to test case 6.4E.2.4.1 In-band emissions for V2X / non-concurrent operation	17.3.0
2021-12	RAN#94	R5-218301	1402	1	F	Update to test case 6.4E.2.4.1D In-band emissions for V2X / non-concurrent operation / SL-MIMO	17.3.0
2021-12	RAN#94	R5-218302	1403	1	F	Addition of new test case 6.4E.2.4.2 In-band emissions for V2X / con-current operation	17.3.0
2021-12	RAN#94	R5-218303	1404	1	F	Addition of new test case 6.4E.2.5.1 EVM equalizer spectrum flatness for V2X / non-concurrent operation	17.3.0
2021-12	RAN#94	R5-218304	1405	1	F	Addition of new test case 6.4E.2.5.1D EVM equalizer spectrum flatness for V2X / non-concurrent operation / SL-MIMO	17.3.0
2021-12	RAN#94	R5-218305	1406	1	F	Addition of new test case 6.4E.2.5.2 EVM equalizer spectrum flatness for V2X / con-current operation	17.3.0
2021-12	RAN#94	R5-218362	1397	1	F	Updates to A-MPR test case for n24 and n99	17.3.0
2021-12	RAN#94	R5-218363	1398	1	F	Updates to additional spurious emission test case for n24 and n99	17.3.0
2021-12	RAN#94	R5-218365	1467	1	F	Update of R17 CADC configurations into TS38.521-1 clause 5	17.3.0
2021-12	RAN#94	R5-218373	1425	1	F	Update of MOP test cases for PC2 CA_n3A-n78A with UL CA_n3A-n78A	17.3.0
2021-12	RAN#94	R5-218379	1380	1	F	Update of PC1.5 n41 MOP test requirement	17.3.0
2021-12	RAN#94	R5-218380	1381	1	F	Adding Power Class 1.5 for NR Band n79 MOP	17.3.0
2021-12	RAN#94	R5-218381	1382	1	F	Introduction of PC1.5 n79 MOP for UL MIMO	17.3.0
2021-12	RAN#94	R5-218382	1383	1	F	Introduction of PC1.5 n79 MPR	17.3.0
2021-12	RAN#94	R5-218383	1384	1	F	Introduction of PC2 n34 MOP	17.3.0
2021-12	RAN#94	R5-218384	1385	1	F	Introduction of PC2 n34 MOP for UL MIMO	17.3.0
2021-12	RAN#94	R5-218385	1386	1	F	Introduction of PC2 n34 MPR	17.3.0
2021-12	RAN#94	R5-218386	1387	1	F	Introduction of PC2 n39 MOP	17.3.0

2021-12	RAN#94	R5-218387	1388	1	F	Introduction of PC2 n39 MOP for UL MIMO	17.3.0
2021-12	RAN#94	R5-218388	1389	1	F	Introduction of PC2 n39 MPR	17.3.0
2021-12	RAN#94	R5-218389	1390	1	F	Introduction of PC2 n39 A-MPR for NS_50	17.3.0
2021-12	RAN#94	R5-218411	1468	1	F	Introduction of NR-U A-MPR test case	17.3.0
2021-12	RAN#94	R5-218416	1409	1	F	Clarifications on additional UE co-ex requirements for 2 Band UL CA	17.3.0
2021-12	RAN#94	R5-218417	1429	1	F	Update of 6.2.2 for UE maximum output power reduction	17.3.0
2021-12	RAN#94	R5-218418	1430	1	F	Update of 6.2.3.3.28 for alignment of NS_56 with RAN4 specification	17.3.0
2021-12	RAN#94	R5-218419	1444	1	F	Update to test case Transmit ON/OFF time mask for UL MIMO	17.3.0
2021-12	RAN#94	R5-218420	1445	1	F	Updating test applicability to FR1 test cases	17.3.0
2021-12	RAN#94	R5-218421	1465	1	F	Update of A-MPR NS_04 for band n41	17.3.0
2021-12	RAN#94	R5-218422	1476	1	F	38.521-1_Corrections of test cases having impact on ETSI EN 301 908 25	17.3.0
2021-12	RAN#94	R5-218423	1435	1	F	Updating 7.3A.2 Reference sensitivity for CA_n1A-n78A-n79A	17.3.0
2021-12	RAN#94	R5-218456	1434	1	F	Addition of UE co-existence requirements for band n40 to TS 38.521-1	17.3.0
2021-12	RAN#94	R5-218457	1449	1	F	Updating 6.2A.2 MPR for CA test case for intra-band UL CA	17.3.0
2021-12	RAN#94	R5-218458	1451	1	F	Updating 6.3A.4.1 Absolute power tolerance for intra-band CA	17.3.0
2021-12	RAN#94	R5-218459	1454	1	F	Updating 6.5A.1.1 Occupied bandwidth for CA	17.3.0
2021-12	RAN#94	R5-218471	1462	1	F	Addition of CA_n1A-n3A into TC 7.3A Reference sensitivity for CA	17.3.0
2021-12	RAN#94	R5-218476	1424	1	F	Update of MOP test cases for PC2 CA_n1A-n78A with UL CA_n1A-n78A	17.3.0
2021-12	RAN#94	R5-218477	1394	1	F	PC1.5 MPR n77 n78	17.3.0
2021-12	RAN#94	R5-218478	1395	1	F	PC1.5 MOP n77 n78	17.3.0
2021-12	RAN#94	R5-218481	1414	1	F	Introduction of new test case 6.4.2.1a	17.3.0
2022-03	RAN#95	R5-220071	1481	-	F	Addition of Test description and Test requirement for 6.3A.2.1 Transmit OFF power for 2UL CA	17.4.0
2022-03	RAN#95	R5-220072	1482	-	F	Correction of Table number in step 4 of 6.3A.4.2.1.4.1	17.4.0
2022-03	RAN#95	R5-220073	1483	-	F	Correction of Test SCS in Table 6.2D.2.4.1-1	17.4.0
2022-03	RAN#95	R5-220074	1484	-	F	Addition of missing clause titles for 6.5B, 6.5D.2_1.4 and 6.5D.2_1.4.1	17.4.0
2022-03	RAN#95	R5-220075	1485	-	F	Correction of clause title styles	17.4.0
2022-03	RAN#95	R5-220076	1486	-	F	Correction of Test SCS in Table 7.3C.2.4.1-1	17.4.0
2022-03	RAN#95	R5-220077	1487	-	F	Correction of style in Table 7.4D.4.1-1	17.4.0
2022-03	RAN#95	R5-220078	1488	-	F	Correction of Test frequency in Table 7.6C.3_1.1.4.1-1	17.4.0
2022-03	RAN#95	R5-220080	1489	-	F	Adding additional tolerance to test requirement of Transmitter power test cases	17.4.0
2022-03	RAN#95	R5-220081	1490	-	F	Removal of Editor note about PC1 requirements in Rel-15 and Rel-16	17.4.0
2022-03	RAN#95	R5-220082	1491	-	F	Correction of table numbers in 7.6C.2_1.1 and 7.6C.3_1.1	17.4.0
2022-03	RAN#95	R5-220084	1493	-	F	Introduction of new V2X test cases in 7.6E	17.4.0
2022-03	RAN#95	R5-220086	1495	-	F	Introduction of new V2X test cases in 7.8E	17.4.0
2022-03	RAN#95	R5-220138	1497	-	F	Update test requirements of PC2 n34 MOP for UL MIMO	17.4.0
2022-03	RAN#95	R5-220139	1498	-	F	Update test requirements of PC2 n39 MOP for UL MIMO	17.4.0
2022-03	RAN#95	R5-220249	1510	-	F	Corrected REFSENS reference in SUL Frequency error test	17.4.0
2022-03	RAN#95	R5-220250	1511	-	F	Correction of test requirements in spurious test 7.7D	17.4.0
2022-03	RAN#95	R5-220251	1512	-	F	DL RMC correction for TDD SCS 60kHz	17.4.0
2022-03	RAN#95	R5-220252	1513	-	F	Editorial correction to minimum requirements in test 6.2D.2	17.4.0
2022-03	RAN#95	R5-220253	1514	-	F	General corrections in FR1 6.3A.3.1 ONOFF time mask CA	17.4.0
2022-03	RAN#95	R5-220254	1515	-	F	Frequency correction for NS_27 in A-MPR test	17.4.0
2022-03	RAN#95	R5-220255	1516	-	F	n71 IBNC - UL allocation correction for testing REFSENS without exceptions	17.4.0
2022-03	RAN#95	R5-220273	1518	-	F	Clarifications on 5G NR connectivity options for RF FR1	17.4.0
2022-03	RAN#95	R5-220280	1520	-	F	Update CA configurations for CA_n41A-n79A BCS1	17.4.0
2022-03	RAN#95	R5-220349	1522	-	F	Adding NR bands for UL MIMO in FR1	17.4.0
2022-03	RAN#95	R5-220362	1527	-	F	Introduction of CA_n7A-n78A reference sensitivity test requirements	17.4.0
2022-03	RAN#95	R5-220537	1531	-	F	Correction on test procedure and initial condition for power tolerance test cases	17.4.0

2022-03	RAN#95	R5-220639	1532	-	F	Editorial, correction of clause numbering in test case 6.5D.2.4.1	17.4.0
2022-03	RAN#95	R5-220752	1536	-	F	Updating on additional UE co-ex requirements for 2 Band UL CA	17.4.0
2022-03	RAN#95	R5-220753	1537	-	F	Updating on n74 co-existence for TS 38.521-1	17.4.0
2022-03	RAN#95	R5-220870	1547	-	F	Updating MOP and Configured Tx Power TCs for CA_n24A-n41A	17.4.0
2022-03	RAN#95	R5-220871	1548	-	F	Updating MOP and Configured Tx Power TCs for CA_n24A-n48A	17.4.0
2022-03	RAN#95	R5-220872	1549	-	F	Updating MOP and Configured Tx Power TCs for CA_n24A-n77A	17.4.0
2022-03	RAN#95	R5-220873	1550	-	F	Updating reference sensitivity test requirement for CA combination of n24 and n41	17.4.0
2022-03	RAN#95	R5-220874	1551	-	F	Updating Delta_RIB_c and reference sensitivity test requirement for CA combination of n24 and n48	17.4.0
2022-03	RAN#95	R5-220893	1558	-	F	Correction to test procedure of SRS time mask	17.4.0
2022-03	RAN#95	R5-220899	1560	-	F	Correction to test requirement of NS_27 in 6.2.3	17.4.0
2022-03	RAN#95	R5-220900	1561	-	F	Correction to test requirement of NS_47 in 6.2.3	17.4.0
2022-03	RAN#95	R5-220905	1563	-	F	Correction to test CBW for Non-SUL carrier in 6.4C.2.2	17.4.0
2022-03	RAN#95	R5-220906	1564	-	F	Correction to test requirement of 6.5C.3.2	17.4.0
2022-03	RAN#95	R5-220914	1566	-	F	Correction to RMC for PUCCH format 1 test cases	17.4.0
2022-03	RAN#95	R5-220915	1567	-	F	Correction to connection diagram and test configuration for Tx SUL test cases	17.4.0
2022-03	RAN#95	R5-220919	1568	-	F	Correction to transmission slot in SRS time mask test case	17.4.0
2022-03	RAN#95	R5-221046	1570	-	F	Addition of 6.5.2.3 on new CBW to A-SEM for NS_04	17.4.0
2022-03	RAN#95	R5-221051	1571	-	F	Correction of 6.2A.1 for UE maximum output power for CA	17.4.0
2022-03	RAN#95	R5-221052	1572	-	F	Correction of 6.2A.2 on UE MPR for CA	17.4.0
2022-03	RAN#95	R5-221106	1573	-	F	Correcting test applicabilities for MIMO test cases	17.4.0
2022-03	RAN#95	R5-221107	1574	-	F	Correcting to NR test case 6.2A.1 MOP for CA	17.4.0
2022-03	RAN#95	R5-221109	1576	-	F	Updating test case 6.2.3 AMPR for NS_03 and NS_03U	17.4.0
2022-03	RAN#95	R5-221113	1577	-	F	Updating General Spurious testing for CA_n41A-n79A	17.4.0
2022-03	RAN#95	R5-221114	1578	-	F	Updating A-MPR for CA testing for CA_n41A-n79A	17.4.0
2022-03	RAN#95	R5-221116	1579	-	F	Updating minimum requirements for test case 6.2.3 AMPR	17.4.0
2022-03	RAN#95	R5-221117	1580	-	F	Updating test case Additional spurious emissions for NS_46	17.4.0
2022-03	RAN#95	R5-221119	1582	-	F	Updating UTRA ACLR for UL MIMO Rel-16 onward for NS_100	17.4.0
2022-03	RAN#95	R5-221120	1583	-	F	Updating Additional spurious emissions for UL MIMO Rel-16 onward for several bands	17.4.0
2022-03	RAN#95	R5-221121	1584	-	F	Updating 6.1A for intra-band contiguous CA Outer1 RB allocation	17.4.0
2022-03	RAN#95	R5-221122	1585	-	F	Updating test case 6.2A.2 MPR for intra-band non-contiguous CA	17.4.0
2022-03	RAN#95	R5-221128	1588	-	F	Updating FR1 Spectrum emission mask for intra-band CA test case	17.4.0
2022-03	RAN#95	R5-221130	1589	-	F	Updating Relative power control tolerance testing for intra-band CA	17.4.0
2022-03	RAN#95	R5-221198	1591	-	F	Addition of CBW 70MHz into TC 6.5D	17.4.0
2022-03	RAN#95	R5-221200	1592	-	F	Addition of CBW 70MHz into Rx TCs	17.4.0
2022-03	RAN#95	R5-221209	1593	-	F	Updating MPR minimum requirement for NR band n97	17.4.0
2022-03	RAN#95	R5-221244	1596	-	F	Addition of CA_n1A-n3A into TC 6.2A	17.4.0
2022-03	RAN#95	R5-221266	1604	-	F	Correction of in-band emissions test cases	17.4.0
2022-03	RAN#95	R5-221267	1605	-	F	Correction of SRS time mask test case	17.4.0
2022-03	RAN#95	R5-221322	1606	-	F	Update for 6.5C.3.3 Additional spurious emissions for SUL	17.4.0
2022-03	RAN#95	R5-221339	1610	-	F	A-MPR updates for n77	17.4.0
2022-03	RAN#95	R5-221361	1613	-	F	Editorial update within channel raster section	17.4.0
2022-03	RAN#95	R5-221675	1480	1	F	Correction of test applicability of A-MPR	17.4.0
2022-03	RAN#95	R5-221676	1528	1	F	Alignment of test points of ACLR with MPR	17.4.0
2022-03	RAN#95	R5-221677	1539	1	F	Corrections of Tx TCs having impact on ETSI EN 301 908-25	17.4.0
2022-03	RAN#95	R5-221678	1557	1	F	Correction to note of general spurious emissions	17.4.0
2022-03	RAN#95	R5-221679	1559	1	F	Correction to test requirement of 6.2.4	17.4.0
2022-03	RAN#95	R5-221680	1562	1	F	Correction to measurement timing for inter-band CA with FDD and TDD	17.4.0
2022-03	RAN#95	R5-221681	1565	1	F	Editorial correction to SUL test cases	17.4.0
2022-03	RAN#95	R5-221682	1607	1	F	Editorial correction to clause 6.5.3.2 and 6.5.3.3	17.4.0

2022-03	RAN#95	R5-221683	1541	1	F	Update to statistical testing	17.4.0
2022-03	RAN#95	R5-221684	1603	1	F	Correction to FR1 UL RMCs	17.4.0
2022-03	RAN#95	R5-221758	1509	1	F	Update Spurious emissions for UE co-existence for CA_n3A-n41A	17.4.0
2022-03	RAN#95	R5-221759	1517	1	F	Update Spurious emissions for UE co-existence for CA_n41A-n79A	17.4.0
2022-03	RAN#95	R5-221760	1508	1	F	Update Reference sensitivity test case for CA_n3A-n41A	17.4.0
2022-03	RAN#95	R5-221761	1526	1	F	Introduction of CA_n5A-n78A reference sensitivity test requirements	17.4.0
2022-03	RAN#95	R5-221762	1538	1	F	Introduction of CA_n5A-n7A and CA_n7A_n78A maximum output power test requirements	17.4.0
2022-03	RAN#95	R5-221763	1611	1	F	MSD test configurations modification for US inter-band CA combinations with n77	17.4.0
2022-03	RAN#95	R5-221764	1507	1	F	Update operating bands and CA configurations for CA_n3A-n41A	17.4.0
2022-03	RAN#95	R5-221765	1553	1	F	General updates of clause 5 for R16 CADC configurations	17.4.0
2022-03	RAN#95	R5-221788	1597	1	F	New channel bandwidth for n25. UL-MIMO.	17.4.0
2022-03	RAN#95	R5-221789	1602	1	F	Addition of CBHWs 25 MHz, 30 MHz, 40 MHz for n25	17.4.0
2022-03	RAN#95	R5-221790	1598	1	F	New channel bandwidth for n25. refsens and UL-MIMO	17.4.0
2022-03	RAN#95	R5-221791	1540	1	F	General updates of clause 5 for R16 new CBW configurations	17.4.0
2022-03	RAN#95	R5-221794	1581	1	F	Updating test case AMPR for MIMO	17.4.0
2022-03	RAN#95	R5-221795	1586	1	F	Updating Absolute power tolerance for intra-band non-contiguous CA	17.4.0
2022-03	RAN#95	R5-221796	1587	1	F	Updating FR1 ACLR for intra-band CA test case	17.4.0
2022-03	RAN#95	R5-221817	1492	1	F	Introduction of new V2X test cases in 6.3E.2	17.4.0
2022-03	RAN#95	R5-221818	1542	1	F	Update to NR V2X test cases with non-concurrent operation	17.4.0
2022-03	RAN#95	R5-221819	1543	1	F	Addition of 6.2E.2.2 MPR for concurrent operation	17.4.0
2022-03	RAN#95	R5-221820	1494	1	F	Introduction of new V2X test cases in 7.7E	17.4.0
2022-03	RAN#95	R5-221870	1601	1	F	Update of R17 new CBW 45M into refsense TC	17.4.0
2022-03	RAN#95	R5-221877	1519	1	F	Update of R17 NR inter-band CA Tx requirements within FR1	17.4.0
2022-03	RAN#95	R5-221878	1521	1	F	Update of R17 NR inter-band CA Rx requirements within FR1	17.4.0
2022-03	RAN#95	R5-221879	1552	1	F	Updating Delta_RIB_c and reference sensitivity test requirement for CA combination of n24 and n77	17.4.0
2022-03	RAN#95	R5-221880	1569	1	F	Addition of several CA combinations to Reference Sensitivity test case	17.4.0
2022-03	RAN#95	R5-221881	1554	1	F	General updates of clause 5 for R17 CADC configurations	17.4.0
2022-03	RAN#95	R5-221882	1590	1	F	Updating clause 5.2C for R17 SUL configurations	17.4.0
2022-03	RAN#95	R5-221894	1599	1	F	Introduction of NR-U OFF power test case	17.4.0
2022-03	RAN#95	R5-221895	1600	1	F	Introduction of NR-U General ON/OFF time mask test case	17.4.0
2022-03	RAN#95	R5-221896	1529	1	F	Update of MOP test cases for PC2 CA_n1A-n78A with UL CA_n1A-n78A	17.4.0
2022-03	RAN#95	R5-221897	1530	1	F	Update of MOP test cases for PC2 CA_n3A-n78A with UL CA_n3A-n78A	17.4.0
2022-03	RAN#95	R5-221898	1534	1	F	Update superscripts of power class for inter-band CA	17.4.0
2022-03	RAN#95	R5-221899	1535	1	F	Update MOP for 2 bands DL and 1 band UL CA	17.4.0
2022-03	RAN#95	R5-221900	1594	1	F	Update MOP for Intra-band contiguous CA	17.4.0
2022-03	RAN#95	R5-221901	1595	1	F	Update MOP for Intra-band non-contiguous CA	17.4.0
2022-03	RAN#95	R5-221902	1505	1	F	Update UL CA configurations for PC2 and PC1.5 CA_n41C	17.4.0
2022-03	RAN#95	R5-221903	1506	1	F	Update configuration for PC2 CA_n3A-n41A	17.4.0
2022-03	RAN#95	R5-221904	1502	1	F	Update NR ACLR test case for PC1.5	17.4.0
2022-03	RAN#95	R5-221905	1496	1	F	Update TC Frequency Error for DSS	17.4.0
2022-03	RAN#95	R5-221906	1499	1	F	Update TC Frequency Error for UL MIMO for DSS	17.4.0
2022-03	RAN#95	R5-221907	1500	1	F	Update TC Frequency Error for CA for DSS	17.4.0
2022-03	RAN#95	R5-221912	1609	1	F	Update for 6.4.2.1a EVM including symbols with transient period	17.4.0
2022-03	RAN#95	R5-221930	1575	1	F	Updating message contents for REFSENS for 2DL CA exceptions testing	17.4.0
2022-06	RAN#96	R5-222174	1616	-	F	Correction to n46 ARFCN	17.5.0
2022-06	RAN#96	R5-222200	1617	-	F	Removing the empty space in the table number of Table 7.3.2.3-1a and correct the style of table title of Table 7.3.2.3-1b	17.5.0

2022-06	RAN#96	R5-222201	1618	-	F	Correction of test metric of out of band emission for UL MIMO	17.5.0
2022-06	RAN#96	R5-222202	1619	-	F	Correction of Test Environment in Table 6.5A.2.2.1.4.1-2	17.5.0
2022-06	RAN#96	R5-222203	1620	-	F	Correction of test applicability of 6.4.2.5	17.5.0
2022-06	RAN#96	R5-222204	1621	-	F	Moving test requirement of 6.3E.1.1D to the correct section and correction of style of some table notes	17.5.0
2022-06	RAN#96	R5-222205	1622	-	F	Correction of clause style in 6.2E.2.2	17.5.0
2022-06	RAN#96	R5-222206	1623	-	F	Removing FFS for the test configuration table in 6.2E.1.1.4.1	17.5.0
2022-06	RAN#96	R5-222241	1629	-	F	Update Spurious emissions for UE co-existence for CA_n41C	17.5.0
2022-06	RAN#96	R5-222310	1631	-	F	Introduction of Transmitter power for NR-DC	17.5.0
2022-06	RAN#96	R5-222311	1632	-	F	Introduction of UE maximum output power reduction for NR-DC	17.5.0
2022-06	RAN#96	R5-222312	1633	-	F	Introduction of UE additional maximum output power reduction for NR-DC	17.5.0
2022-06	RAN#96	R5-222313	1634	-	F	Introduction of Configured output power for inter-band NR-DC in FR1	17.5.0
2022-06	RAN#96	R5-222327	1648	-	F	Editorial correction for references to Table 5.5A.3-1	17.5.0
2022-06	RAN#96	R5-222331	1649	-	F	FR1 - 6.5A.3.2 - Spurious for co-existence - correction for CA_n41-n79	17.5.0
2022-06	RAN#96	R5-222334	1652	-	F	Reference correction in test case 6.5C.4	17.5.0
2022-06	RAN#96	R5-222335	1653	-	F	Correction of min value for A-MPR - FR1 - NS_44 - Test ID 17	17.5.0
2022-06	RAN#96	R5-222336	1654	-	F	Replace n79C by n77C in test case 6.2A.2.1	17.5.0
2022-06	RAN#96	R5-222337	1655	-	F	Editorial correction in Test IDs in FR1 test case 7.5A.2	17.5.0
2022-06	RAN#96	R5-222338	1656	-	F	Corrections for n50 and n79 in FR1 test case 7.3.2	17.5.0
2022-06	RAN#96	R5-222339	1657	-	F	Editorial corrections for FR1 in annex F.1.2	17.5.0
2022-06	RAN#96	R5-222351	1659	-	F	Update of reference sense test case 7.3.2 for n48 and CWBs 30 and 70 MHz	17.5.0
2022-06	RAN#96	R5-222352	1660	-	F	Update of reference sense test case 7.3.2 for n2 and CWBs 25 30 and 40 MHz	17.5.0
2022-06	RAN#96	R5-222353	1661	-	F	Update of reference sense test case 7.3.2 for n5 and CWB 25 MHz	17.5.0
2022-06	RAN#96	R5-222354	1662	-	F	Introducing CBW 70 MHz for Default Downlink Power levels in Annex C	17.5.0
2022-06	RAN#96	R5-222355	1663	-	F	Introducing CBW 30 MHz for Characteristics of the Interfering Signalling in Annex D	17.5.0
2022-06	RAN#96	R5-222356	1664	-	F	Introducing CBW 70 MHz for Characteristics of the Interfering Signalling in Annex D	17.5.0
2022-06	RAN#96	R5-222448	1667	-	F	Editorial correction of REFSSENS test case 7.3.2	17.5.0
2022-06	RAN#96	R5-222450	1669	-	F	Correction of REFSSENS test case for n66 and CBW 25 and 30 MHz	17.5.0
2022-06	RAN#96	R5-222481	1671	-	F	Correction to EVM measurement point for DFTs-OFDM DM-RS Type 2	17.5.0
2022-06	RAN#96	R5-222540	1674	-	F	Correction of REFSSENS test case for n66 and CBW 40 MHz	17.5.0
2022-06	RAN#96	R5-222571	1676	-	F	Addition of reference sensitivity test for several CA combinations	17.5.0
2022-06	RAN#96	R5-222655	1678	-	F	Addition of UE co-existence requirements for band n18 to TS 38.521-1	17.5.0
2022-06	RAN#96	R5-222664	1682	-	F	General updates of clause 5 for R17 new CBW configurations	17.5.0
2022-06	RAN#96	R5-222683	1693	-	F	Update of R17 CADC configurations into refsense TC	17.5.0
2022-06	RAN#96	R5-222738	1696	-	F	Update 7.3F.2 Ref sensitivity power level	17.5.0
2022-06	RAN#96	R5-222739	1697	-	F	Introduction of 7.6F.2 IBB for NR_U	17.5.0
2022-06	RAN#96	R5-222745	1700	-	F	Update 6.5.3.2 Spurious emissions for UE co-existence	17.5.0
2022-06	RAN#96	R5-222746	1701	-	F	Introduction of ACS for NR_U	17.5.0
2022-06	RAN#96	R5-222808	1703	-	F	Correction of A-MPR regions for NS_46	17.5.0
2022-06	RAN#96	R5-222857	1706	-	F	Updates of clause 5 for R15 bands and CBW configurations	17.5.0
2022-06	RAN#96	R5-222873	1707	-	F	Aligning test case Occupied bandwidth for UL MIMO with the latest work plan version	17.5.0
2022-06	RAN#96	R5-222930	1719	-	F	Update of the definition of uplink RB allocation for power class 1.5 UE	17.5.0

2022-06	RAN#96	R5-222939	1720	-	F	Aligning test case 6.5D.2.4.1 NR ACLR for UL MIMO with the latest work plan version	17.5.0
2022-06	RAN#96	R5-222955	1722	-	F	Aligning test case 6.5D.2.4.2 UTRA ACLR for UL MIMO with the latest work plan version	17.5.0
2022-06	RAN#96	R5-222975	1723	-	F	Addition of CA_n1A-n8A into MOP TC	17.5.0
2022-06	RAN#96	R5-222993	1724	-	F	Corrections of DCI format for Tx TCs having impact on ETSI EN 301 908-25	17.5.0
2022-06	RAN#96	R5-222997	1725	-	F	Removal of brackets for DCI for Rx test cases	17.5.0
2022-06	RAN#96	R5-223018	1727	-	F	Update of Annex F for UL MIMO test cases	17.5.0
2022-06	RAN#96	R5-223022	1728	-	F	Addition of CA_n1A-n8A into Refsens TC	17.5.0
2022-06	RAN#96	R5-223124	1731	-	F	Updating minimum requirement for 7.6A.3 OOB for CA testing	17.5.0
2022-06	RAN#96	R5-223130	1734	-	F	Updating almost contiguous RB allocation for 45MHz CBW	17.5.0
2022-06	RAN#96	R5-223133	1736	-	F	Updating Additional spurious emissions for NS_48 for 45MHz CBW	17.5.0
2022-06	RAN#96	R5-223134	1737	-	F	Updating test case 6.3.1 Minimum output power for CBW 45MHz	17.5.0
2022-06	RAN#96	R5-223135	1738	-	F	Updating transmit ON_OFF time mask test case for 45MHz CBW	17.5.0
2022-06	RAN#96	R5-223136	1739	-	F	Updating test case 7.4 Maximum input level for new Rel-17 CBWs	17.5.0
2022-06	RAN#96	R5-223137	1740	-	F	Updating 6.3D.1 Minimum output power for UL MIMO for 45MHz CBW	17.5.0
2022-06	RAN#96	R5-223138	1741	-	F	Updating transmit ON_OFF time mask for MIMO test case for 45MHz CBW	17.5.0
2022-06	RAN#96	R5-223159	1746	-	F	Update TC 6.5.3.3 Additional spurious emissions for PC2 n39	17.5.0
2022-06	RAN#96	R5-223198	1748	-	F	Addition of redcap requirement into sub-clause 7.1 and 7.2	17.5.0
2022-06	RAN#96	R5-223655	1753	1	F	Introduction of test specifications for additional Rel-16 CA combos to Clause 6	17.5.0
2022-06	RAN#96	R5-223656	1650	1	F	Test procedure correction in FR1 CA test case 7.6A.4.3	17.5.0
2022-06	RAN#96	R5-223657	1721	1	F	General updates of clause 5 for R16 CADC configurations	17.5.0
2022-06	RAN#96	R5-223693	1750	1	F	Update test configuration table for NS_27 of A-MPR	17.5.0
2022-06	RAN#96	R5-223694	1694	1	F	Update of CBW 70MHz into refsens TC	17.5.0
2022-06	RAN#96	R5-223695	1692	1	F	General updates of clause 5 for R16 new CBW configurations	17.5.0
2022-06	RAN#96	R5-223697	1666	1	F	Corrections in message exceptions and test points for FR1 test case 6.3A.4.1.1	17.5.0
2022-06	RAN#96	R5-223698	1702	1	F	Update 6.5.3.2 Spur-emiss R16_17 for UE co-exist	17.5.0
2022-06	RAN#96	R5-223699	1732	1	F	Correction to NS_27 in test case AMPR for MIMO	17.5.0
2022-06	RAN#96	R5-223700	1651	1	F	Test procedure correction in FR1 CA test case 7.6A.4.2	17.5.0
2022-06	RAN#96	R5-223705	1726	1	F	Addition of spectrum emission mask testing for UL MIMO with ULFPTx	17.5.0
2022-06	RAN#96	R5-223729	1733	1	F	Updating RB allocation for CBW 45MHz	17.5.0
2022-06	RAN#96	R5-223730	1735	1	F	Updating AMPR test case for NS_48 for CBW 45MHz	17.5.0
2022-06	RAN#96	R5-223731	1658	1	F	Update of reference sense test case 7.3.2 for n41 and CWB 70 MHz	17.5.0
2022-06	RAN#96	R5-223734	1679	1	F	Updating General Spurious Emissions TC for CA_n24-n41	17.5.0
2022-06	RAN#96	R5-223735	1680	1	F	Updating General Spurious Emissions TCs for CA_n24-n48	17.5.0
2022-06	RAN#96	R5-223736	1681	1	F	Updating General Spurious Emissions TCs for CA_n24-n77	17.5.0
2022-06	RAN#96	R5-223737	1683	1	F	Updating Spurious emission for UE co-existence TC for CA_n24-n41	17.5.0
2022-06	RAN#96	R5-223738	1684	1	F	Updating Spurious emission for UE co-existence TC for CA_n24-n48	17.5.0
2022-06	RAN#96	R5-223739	1685	1	F	Updating Spurious emission for UE co-existence TC for CA_n24-n77	17.5.0
2022-06	RAN#96	R5-223740	1686	1	F	Updating AMPR TC for Rel-17 CA_n24-n41	17.5.0
2022-06	RAN#96	R5-223741	1687	1	F	Updating AMPR TC for Rel-17 CA_n24-n48	17.5.0
2022-06	RAN#96	R5-223742	1689	1	F	Updating AMPR TC for Rel-17 CA_n24-n77	17.5.0
2022-06	RAN#96	R5-223743	1690	1	F	General updates of clause 5 for R17 CADC configurations	17.5.0
2022-06	RAN#96	R5-223754	1695	1	F	Add MU and TT for 7.5F.1 and 7.6F.2	17.5.0
2022-06	RAN#96	R5-223756	1635	1	F	Introduction of Output power dynamics and Minimum output power for NR-DC in FR1	17.5.0
2022-06	RAN#96	R5-223757	1636	1	F	Introduction of Transmit OFF power for NR-DC in FR1	17.5.0

2022-06	RAN#96	R5-223758	1637	1	F	Introduction of Transmit ON/OFF time mask for NR-DC in FR1	17.5.0
2022-06	RAN#96	R5-223759	1638	1	F	Introduction of Transmit signal quality and Frequency error for NR-DC in FR1	17.5.0
2022-06	RAN#96	R5-223760	1639	1	F	Introduction of Error Vector Magnitude for NR-DC in FR1	17.5.0
2022-06	RAN#96	R5-223761	1640	1	F	Introduction of Carrier leakage for NR-DC in FR1	17.5.0
2022-06	RAN#96	R5-223762	1641	1	F	Introduction of In-band emissions for NR-DC in FR1	17.5.0
2022-06	RAN#96	R5-223763	1642	1	F	Introduction of Output RF spectrum emissions and Occupied bandwidth for NR-DC in FR1	17.5.0
2022-06	RAN#96	R5-223764	1643	1	F	Introduction of Out of band emission Spectrum emission mask for NR-DC in FR1	17.5.0
2022-06	RAN#96	R5-223765	1644	1	F	Introduction of Adjacent channel leakage ratio for NR-DC in FR1	17.5.0
2022-06	RAN#96	R5-223766	1645	1	F	Introduction of Spurious emission for NR-DC in FR1	17.5.0
2022-06	RAN#96	R5-223767	1646	1	F	Introduction of Transmit intermodulation for NR-DC in FR1	17.5.0
2022-06	RAN#96	R5-223768	1647	1	F	Introduction of NR-DC references to transmitter test requirements	17.5.0
2022-06	RAN#96	R5-223769	1630	1	F	Introduction of configuration DC_n48A-n70A for NR-DC in FR1	17.5.0
2022-06	RAN#96	R5-223770	1665	1	F	UL MIMO MOP requirements for PC1.5 in n77 and n78	17.5.0
2022-06	RAN#96	R5-223773	1625	1	F	Removal of PC1.5 from TC 6.2.1 MOP	17.5.0
2022-06	RAN#96	R5-223774	1626	1	F	Removal of PC1.5 from TC 6.2.2 MPR	17.5.0
2022-06	RAN#96	R5-223775	1627	1	F	Removal of PC1.5 from TC 6.2.3 A-MPR	17.5.0
2022-06	RAN#96	R5-223776	1628	1	F	Removal of PC1.5 from TC 6.5.2.4.1 ACLR	17.5.0
2022-06	RAN#96	R5-223777	1713	1	F	Addition of new test case 6.2G.1 maximum output power for Tx Diversity	17.5.0
2022-06	RAN#96	R5-223778	1714	1	F	Addition of new test case 6.2G.2 maximum output power reduction for Tx Diversity	17.5.0
2022-06	RAN#96	R5-223779	1715	1	F	Addition of new test case 6.2G.3 additional maximum output power reduction for Tx Diversity	17.5.0
2022-06	RAN#96	R5-223780	1716	1	F	Addition of new test case 6.5G.2.3 Adjacent channel leakage ratio for Tx Diversity	17.5.0
2022-06	RAN#96	R5-223781	1729	1	F	Introduce SRS IL for UE with NR TxD	17.5.0
2022-06	RAN#96	R5-223782	1718	1	F	Addition of Annex F for Tx Diversity test cases	17.5.0
2022-06	RAN#96	R5-223785	1709	1	F	Addition of Redcap MOP 6.2I.1	17.5.0
2022-06	RAN#96	R5-223786	1710	1	F	Addition of Redcap MPR 6.2I.2	17.5.0
2022-06	RAN#96	R5-223787	1711	1	F	Addition of Redcap AMPR 6.2I.3	17.5.0
2022-06	RAN#96	R5-223788	1712	1	F	Addition of Redcap configured output power 6.2I.4	17.5.0
2022-06	RAN#96	R5-223789	1704	1	F	Addition of Reference sensitivity TC for RedCap	17.5.0
2022-06	RAN#96	R5-223790	1705	1	F	Addition of redcap general requirement into clause 3-5	17.5.0
2022-06	RAN#96	R5-223804	1624	1	F	Moving additional tolerance in 6.2A.3.1.5 and 6.2D.3.5 to end of the section	17.5.0
2022-06	RAN#96	R5-223805	1670	1	F	Correction to time mask test cases	17.5.0
2022-06	RAN#96	R5-223806	1672	1	F	Correction to RB allocation and test requirement in 6.2.3	17.5.0
2022-06	RAN#96	R5-223807	1673	1	F	Correction to DCI format in 6.4.2.1	17.5.0
2022-06	RAN#96	R5-223809	1708	1	F	Update to MPR test requirements to remove ambiguity of T _{LC}	17.5.0
2022-06	RAN#96	R5-223810	1743	1	F	Correction to Test Channel Bandwidths for FR1 CA	17.5.0
2022-06	RAN#96	R5-223811	1744	1	F	Editorial correction to test requirement of Aggregate power tolerance for UL MIMO	17.5.0
2022-06	RAN#96	R5-223812	1752	1	F	Update 6.2.3 for additional maximum power reduction	17.5.0
2022-06	RAN#96	R5-223813	1675	1	F	Clarification of BCS in test configuration of CA test cases	17.5.0
2022-06	RAN#96	R5-223872	1698	1	F	Update 6.4.2.1a EVM including symbols with transient period	17.5.0
2022-06	RAN#96	R5-223873	1755	1	F	Update for 6.3.3.1 General clause of Tx ON-OFF time mask	17.5.0
2022-06	RAN#96	R5-223875	1699	2	F	Update AMPR for NS_04	17.5.0
2022-09	RAN#97	R5-224167	1757	-	F	Addition of NR-DC into symbols clause 3.2	17.6.0
2022-09	RAN#97	R5-224169	1758	-	F	Introduction of General spurious emissions requirements for CA_n48A-n70A	17.6.0
2022-09	RAN#97	R5-224170	1759	-	F	Introduction of Spurious emissions band UE co-existence Test configurations for CA_n48A-n70A	17.6.0
2022-09	RAN#97	R5-224171	1760	-	F	Introduction of Reference sensitivity for inter-band NR-DC in FR1	17.6.0
2022-09	RAN#97	R5-224172	1761	-	F	Introduction of Maximum input level for inter-band NR-DC in FR1	17.6.0

2022-09	RAN#97	R5-224173	1762	-	F	Introduction of Adjacent channel selectivity for inter-band NR-DC in FR1	17.6.0
2022-09	RAN#97	R5-224174	1763	-	F	Introduction of Blocking characteristics for inter-band NR-DC in FR1	17.6.0
2022-09	RAN#97	R5-224175	1764	-	F	Introduction of Spurious response for inter-band NR-DC in FR1	17.6.0
2022-09	RAN#97	R5-224176	1765	-	F	Introduction of Intermodulation characteristics for inter-band NR-DC in FR1	17.6.0
2022-09	RAN#97	R5-224177	1766	-	F	Introduction of Spurious emissions for inter-band NR-DC in FR1	17.6.0
2022-09	RAN#97	R5-224205	1767	-	F	Addition of 30 MHz ChBW to NS_27 for testing of A-MPR	17.6.0
2022-09	RAN#97	R5-224206	1768	-	F	Addition of 30 MHz ChBW for testing of NS_27 additional spectrum emission mask and spurious emissions	17.6.0
2022-09	RAN#97	R5-224222	1771	-	F	Update of A-SE for n39	17.6.0
2022-09	RAN#97	R5-224231	1772	-	F	Update Reference sensitivity exceptions for CA_n3A-n41A	17.6.0
2022-09	RAN#97	R5-224241	1776	-	F	Correction of additional tolerance to test requirement in 6.2F.1.5 and 6.2F.3.5	17.6.0
2022-09	RAN#97	R5-224242	1777	-	F	Adding additional tolerance to test requirement of Tx D Transmitter power test cases	17.6.0
2022-09	RAN#97	R5-224243	1778	-	F	Correction of additional test points for asymmetric channel bandwidths in Rx test cases	17.6.0
2022-09	RAN#97	R5-224244	1779	-	F	Correction of Table 7.3F.2.4.1-1	17.6.0
2022-09	RAN#97	R5-224245	1780	-	F	Removing of n91, n92, n93 and n94 from 7.3I.2	17.6.0
2022-09	RAN#97	R5-224246	1781	-	F	Removing of n91, n92, n93 and n94 from 7.6.2	17.6.0
2022-09	RAN#97	R5-224274	1786	-	F	Update of MOP test case for UL CA_n1A-n78A	17.6.0
2022-09	RAN#97	R5-224289	1792	-	F	Updates of clause 5 for R15 bands and CBW configurations	17.6.0
2022-09	RAN#97	R5-224291	1793	-	F	7.3A.1_1 - Test requirements corrections	17.6.0
2022-09	RAN#97	R5-224292	1794	-	F	NS_15 minimum requirements missing in test case 6.5.3.3	17.6.0
2022-09	RAN#97	R5-224293	1795	-	F	Requirement correction for ON power in test 6.3D.3	17.6.0
2022-09	RAN#97	R5-224300	1802	-	F	7.3.2 - Test requirements corrections	17.6.0
2022-09	RAN#97	R5-224301	1803	-	F	General clean up in 38.521-1 annex F	17.6.0
2022-09	RAN#97	R5-224617	1808	-	F	Addition of test requirement for CA_n77C in 7.3A.1	17.6.0
2022-09	RAN#97	R5-224628	1811	-	F	Correction to interference values in Rx test cases	17.6.0
2022-09	RAN#97	R5-224765	1812	-	F	Update to 6.2D.3 to add AMPR NS_04 for UL FPTx	17.6.0
2022-09	RAN#97	R5-224767	1814	-	F	Update to 6.5D.2.3 to add A-SEM NS_04 for UL FPTx	17.6.0
2022-09	RAN#97	R5-224779	1815	-	F	Addition of 6.3G.1 Minimum output power for Tx Diversity	17.6.0
2022-09	RAN#97	R5-224780	1816	-	F	Addition of 6.3G.2 Transmit OFF power for Tx Diversity	17.6.0
2022-09	RAN#97	R5-224781	1817	-	F	Addition of 6.3G.3.1 General ON/OFF time mask for Tx Diversity	17.6.0
2022-09	RAN#97	R5-224782	1818	-	F	Addition of 6.3G.3.2 PRACH time mask for Tx Diversity	17.6.0
2022-09	RAN#97	R5-224783	1819	-	F	Addition of 6.3G.3.3 SRS time mask for Tx Diversity	17.6.0
2022-09	RAN#97	R5-224784	1820	-	F	Addition of 6.3G.4.2 Relative power tolerance for Tx Diversity	17.6.0
2022-09	RAN#97	R5-224785	1821	-	F	Addition of 6.3G.4.3 Aggregate power tolerance for Tx Diversity	17.6.0
2022-09	RAN#97	R5-224790	1826	-	F	Update of Annex F to add 6.3G and 6.4G new test cases	17.6.0
2022-09	RAN#97	R5-224811	1827	-	F	Addition of 6.3F.1 Minimum output power for NR-U	17.6.0
2022-09	RAN#97	R5-224812	1828	-	F	Addition of 6.4F.1 Frequency error for NR-U	17.6.0
2022-09	RAN#97	R5-224830	1832	-	F	Update configuration table of 6.5D.2.3 to refer to AMPR	17.6.0
2022-09	RAN#97	R5-224831	1833	-	F	Update to SEM for CA	17.6.0
2022-09	RAN#97	R5-224832	1834	-	F	Update to SEM for SUL	17.6.0
2022-09	RAN#97	R5-224834	1835	-	F	Update to MOP for CA to add CA_41C PC2	17.6.0
2022-09	RAN#97	R5-224835	1836	-	F	Update to MPR for CA to add CA_41C PC2	17.6.0
2022-09	RAN#97	R5-224837	1837	-	F	Update to configured output power for CA to add CA_41C PC2	17.6.0
2022-09	RAN#97	R5-224838	1838	-	F	Update to SEM for CA to add CA_41C PC2	17.6.0
2022-09	RAN#97	R5-224843	1840	-	F	Update to MOP to add PC2 Tx D requirements for band n1 and n3	17.6.0
2022-09	RAN#97	R5-224857	1843	-	F	Addition of n3 CBW 35MHz, 45MHz into refsens	17.6.0
2022-09	RAN#97	R5-224874	1847	-	F	Updating A-MPR Test Case for CA_n24-n41	17.6.0
2022-09	RAN#97	R5-224875	1848	-	F	Updating A-MPR Test Case for CA_n24-n48	17.6.0
2022-09	RAN#97	R5-224876	1849	-	F	Updating A-MPR Test Case for CA_n24-n77	17.6.0
2022-09	RAN#97	R5-224885	1850	-	F	Correction of 6.5.3.3 for NS_14	17.6.0
2022-09	RAN#97	R5-224899	1852	-	F	Update IBB for NR-U	17.6.0
2022-09	RAN#97	R5-224900	1853	-	F	Adding OOB blocking for NR-U	17.6.0

2022-09	RAN#97	R5-224902	1854	-	F	Introduction of Spurious response for NR_U	17.6.0
2022-09	RAN#97	R5-224904	1855	-	F	Addition of Wide band Intermodulation for NR_U	17.6.0
2022-09	RAN#97	R5-224905	1856	-	F	Update TT for NR_U test cases	17.6.0
2022-09	RAN#97	R5-224935	1859	-	F	Corrections on requirements of A-MPR for NS_05 and NS_05U	17.6.0
2022-09	RAN#97	R5-224941	1860	-	F	Update of reference sensitivity power level for 3DL CA	17.6.0
2022-09	RAN#97	R5-224982	1863	-	F	Update of MOP TC to add PC2 requirements for band n1 and n3	17.6.0
2022-09	RAN#97	R5-225003	1865	-	F	Editorial correction to UTRA ACLR test cases	17.6.0
2022-09	RAN#97	R5-225011	1866	-	F	Add new test case 6.5G.3.1	17.6.0
2022-09	RAN#97	R5-225033	1869	-	F	Update to test coverage rules in FR1 SA RF tests	17.6.0
2022-09	RAN#97	R5-225058	1873	-	F	Addition of 4Rx for FDD band n8 into TC 7.3.2	17.6.0
2022-09	RAN#97	R5-225063	1874	-	F	Update MOP PC2 testing for CA_n41A-n79A	17.6.0
2022-09	RAN#97	R5-225064	1875	-	F	Updating test configurations for SUL test cases	17.6.0
2022-09	RAN#97	R5-225068	1877	-	F	Correction to AMPR test requirement for NS_04	17.6.0
2022-09	RAN#97	R5-225069	1878	-	F	Updating structure of clause 6.3C.3 Transmit ON/OFF time mask for SUL	17.6.0
2022-09	RAN#97	R5-225070	1879	-	F	Updating TT in Annex F for R15 time mask test cases	17.6.0
2022-09	RAN#97	R5-225071	1880	-	F	Updating test case 6.3.3.2 General ON/OFF time mask	17.6.0
2022-09	RAN#97	R5-225072	1881	-	F	Updating AMPR for NS_47 PC2 almost contiguous RB allocation testing	17.6.0
2022-09	RAN#97	R5-225078	1884	-	F	Updating MU and TT in Annex F for several time mask test cases	17.6.0
2022-09	RAN#97	R5-225079	1885	-	F	Updating Occupied bandwidth for 45MHz CBW	17.6.0
2022-09	RAN#97	R5-225080	1886	-	F	Updating Occupied bandwidth for UL MIMO for 45MHz CBW	17.6.0
2022-09	RAN#97	R5-225081	1887	-	F	Updating SRS time mask test case for 45MHz CBW	17.6.0
2022-09	RAN#97	R5-225082	1888	-	F	Updating Spectrum Emission Mask for 45MHz CBW	17.6.0
2022-09	RAN#97	R5-225083	1889	-	F	Updating Absolute power tolerance for 45MHz CBW	17.6.0
2022-09	RAN#97	R5-225084	1890	-	F	Updating Absolute power tolerance for UL MIMO for 45MHz CBW	17.6.0
2022-09	RAN#97	R5-225085	1891	-	F	Updating Relative power tolerance for 45MHz CBW	17.6.0
2022-09	RAN#97	R5-225086	1892	-	F	Updating Relative power tolerance for UL MIMO for 45MHz CBW	17.6.0
2022-09	RAN#97	R5-225089	1895	-	F	Adding new test case MOP for SUL with UL MIMO	17.6.0
2022-09	RAN#97	R5-225091	1896	-	F	Adding MU and TT for new SUL and UL MIMO test case	17.6.0
2022-09	RAN#97	R5-225113	1897	-	F	Correction for CA_n41A-n79A	17.6.0
2022-09	RAN#97	R5-225114	1898	-	F	Editorial correction of common uplink configuration	17.6.0
2022-09	RAN#97	R5-225168	1900	-	F	Updating ACLR for 45MHz CBW	17.6.0
2022-09	RAN#97	R5-225169	1901	-	F	Updating Maximum input level for UL MIMO for 45MHz CBW	17.6.0
2022-09	RAN#97	R5-225683	1858	1	F	Update of Refsens TC for RedCap UE in 7.3I	17.6.0
2022-09	RAN#97	R5-225687	1769	1	F	Update test procedure of MOP for TxD	17.6.0
2022-09	RAN#97	R5-225689	1770	1	F	Update test procedure of MOP	17.6.0
2022-09	RAN#97	R5-225702	1805	1	F	Updating Spurious emission for UE co-existence TC for CA_n2-n77, CA_n5-n77, CA_n66-n77	17.6.0
2022-09	RAN#97	R5-225703	1806	1	F	Update Rx Requirements for additional Rel-16 CA combos	17.6.0
2022-09	RAN#97	R5-225704	1902	1	F	General updates of clause 5 for R16 CADC configurations	17.6.0
2022-09	RAN#97	R5-225718	1756	1	F	Correction to UL Configuration for Band n14 REFSSENS	17.6.0
2022-09	RAN#97	R5-225720	1851	1	F	Update 6.5.3 Spur-emiss R16_17	17.6.0
2022-09	RAN#97	R5-225721	1882	1	F	Adding ON/OFF time mask for Tx Uplink switching testing for SUL	17.6.0
2022-09	RAN#97	R5-225722	1883	1	F	Updating test case 6.3A.3.1_1 Time mask for switching between two uplink carriers	17.6.0
2022-09	RAN#97	R5-225723	1810	1	F	Correction to CA configuration in 7.4A.2	17.6.0
2022-09	RAN#97	R5-225728	1844	1	F	Addition of n8 CBW 35MHz into refsens	17.6.0
2022-09	RAN#97	R5-225729	1791	1	F	General updates of clause 5 for R17 new CBW configurations	17.6.0
2022-09	RAN#97	R5-225733	1845	1	F	Addition of TX spurious emissions test points for seven UL CA combinations	17.6.0
2022-09	RAN#97	R5-225734	1846	1	F	Addition many 4CA NR combinations to reference sensitivity test	17.6.0
2022-09	RAN#97	R5-225735	1868	1	F	General updates of clause 5 for R17 CADC configurations	17.6.0
2022-09	RAN#97	R5-225750	1829	1	F	Add PC2 test configuration and requirement table for n1 A-MPR	17.6.0

2022-09	RAN#97	R5-225751	1785	1	F	Introduction of REFSSENS test requirements for PC2 UL CA_n1A-n78A	17.6.0
2022-09	RAN#97	R5-225753	1788	1	F	TxD MPR test requirements for PC 1.5 FWA UEs	17.6.0
2022-09	RAN#97	R5-225754	1790	1	F	UL MIMO MPR Tests for PC1.5 UEs	17.6.0
2022-09	RAN#97	R5-225756	1789	1	F	TxD A-MPR test requirements for NS_04	17.6.0
2022-09	RAN#97	R5-225757	1822	1	F	Addition of 6.4G.1 Frequency error for Tx Diversity	17.6.0
2022-09	RAN#97	R5-225758	1823	1	F	Addition of 6.4G.2.2 Carrier leakage for Tx Diversity	17.6.0
2022-09	RAN#97	R5-225759	1824	1	F	Addition of 6.4G.2.3 In-band emissions for Tx Diversity	17.6.0
2022-09	RAN#97	R5-225760	1825	1	F	Addition of 6.4G.2.4 EVM equalizer spectrum flatness for Tx Diversity	17.6.0
2022-09	RAN#97	R5-225761	1862	1	F	Add new test case 6.5G.1	17.6.0
2022-09	RAN#97	R5-225762	1867	1	F	Add new test case 6.5G.4	17.6.0
2022-09	RAN#97	R5-225763	1871	1	F	Updates to receiver requirements for TxD scenarios	17.6.0
2022-09	RAN#97	R5-225768	1864	1	F	Update of PC2 UE requirements for band n1 and n3 into TC 7.3.2	17.6.0
2022-09	RAN#97	R5-225784	1775	1	F	Correction of additional tolerance to test requirement of R15 Transmitter power test cases	17.6.0
2022-09	RAN#97	R5-225785	1782	1	F	Editorial correction to TC 6.5.3.3	17.6.0
2022-09	RAN#97	R5-225786	1787	1	F	Corrections to A-MPR test requirements for NS_04	17.6.0
2022-09	RAN#97	R5-225787	1796	1	F	Test procedure and requirement correction in OBW test 6.5D.1	17.6.0
2022-09	RAN#97	R5-225788	1831	1	F	Update to 6.2D.3 to align NS_04 test configuration with 6.2.3	17.6.0
2022-09	RAN#97	R5-225789	1876	1	F	Updating Additional emission test cases for NS_xxU	17.6.0
2022-09	RAN#97	R5-225790	1899	1	F	Correction of UL MIMO A-MPR test case	17.6.0
2022-09	RAN#97	R5-225791	1773	1	F	Addition of Operating bands in Table 5.2-1	17.6.0
2022-09	RAN#97	R5-225869	1809	1	F	Correction to EVM measurement point for DFTs-OFDM DM-RS Type 2	17.6.0
2022-10	RAN#97	R5-225687	1769	1	F	re-implementation of R5-225687 which was only partly according to latest spec	17.6.1
2022-12	RAN#98	R5-225950	1904		F	Editorial and reference corrections to MPR for NR-DC	17.7.0
2022-12	RAN#98	R5-225955	1905		F	Adding UE maximum output power for new NR bands n91, n92, n93 and n94	17.7.0
2022-12	RAN#98	R5-225957	1907		F	Adding UE additional maximum output power reduction for new NR bands n91, n92, n93 and n94	17.7.0
2022-12	RAN#98	R5-225958	1908		F	Adding spurious emissions for UE co-existence for new NR bands n91, n92, n93 and n94	17.7.0
2022-12	RAN#98	R5-225959	1909		F	Adding Reference sensitivity power level for new NR bands n91, n92, n93 and n94	17.7.0
2022-12	RAN#98	R5-225960	1910		F	Adding in-band blocking for new NR bands n91, n92, n93 and n94	17.7.0
2022-12	RAN#98	R5-225961	1911		F	Adding Out-of-band blocking for new NR bands n91, n92, n93 and n94	17.7.0
2022-12	RAN#98	R5-226013	1913		F	Corrections and additions of Rel-15 band combinations in NR CA spurious emission UE co-existence test case 6.5A.3.2.1	17.7.0
2022-12	RAN#98	R5-226014	1914		F	Corrections and additions of Rel-16 band combinations in NR CA spurious emission UE co-existence test case 6.5A.3.2.1	17.7.0
2022-12	RAN#98	R5-226015	1915		F	Corrections and additions of Rel-17 band combinations in NR CA spurious emission UE co-existence test case 6.5A.3.2.1	17.7.0
2022-12	RAN#98	R5-226087	1919		F	FR1 Narrow band blocking - corrections for inter-band and intra-band non-contiguous	17.7.0
2022-12	RAN#98	R5-226334	1943		F	Update A-MPR test requirement for NS_47 for CA_n41A-n79A	17.7.0
2022-12	RAN#98	R5-226358	1945		F	Removal of R15 FR1 pending CA configs from cl 6	17.7.0
2022-12	RAN#98	R5-226362	1949		F	Removal of R16 FR1 pending CA configs from cl 7	17.7.0
2022-12	RAN#98	R5-226363	1950		F	Removal of R17 FR1 pending CA configs from cl 5	17.7.0
2022-12	RAN#98	R5-226520	1958		F	Corrections and additions of Rel-15 band combinations in NR CA general spurious emission test case 6.5A.3.1	17.7.0
2022-12	RAN#98	R5-226595	1965		F	Update for 7.3I Ref sensitivity for RedCap	17.7.0
2022-12	RAN#98	R5-226722	1971		F	General updates of clause 5 for R17 new CBW configurations	17.7.0
2022-12	RAN#98	R5-226729	1975		F	General updates of clause 5 for R17 CADC configurations	17.7.0

2022-12	RAN#98	R5-226753	1979		F	Editorial correction to UTRA ACLR test cases	17.7.0
2022-12	RAN#98	R5-226755	1980		F	Updated to test applicability of UL MIMO test 6.2D.3	17.7.0
2022-12	RAN#98	R5-226762	1981		F	Correction to title in Annex F for TC7.8D.2	17.7.0
2022-12	RAN#98	R5-226763	1982		F	Correction to title of TC7.8F.2	17.7.0
2022-12	RAN#98	R5-226765	1983		F	Editorial correction to clause 4.3 description	17.7.0
2022-12	RAN#98	R5-226849	1993		F	Adding new FR1 test case Configured Transmitted Power for SUL with UL MIMO	17.7.0
2022-12	RAN#98	R5-226850	1994		F	Adding new FR1 test case Minimum output power for SUL with UL MIMO	17.7.0
2022-12	RAN#98	R5-226851	1995		F	Adding new FR1 test case Transmit OFF power for SUL with UL MIMO	17.7.0
2022-12	RAN#98	R5-226853	1997		F	Adding new FR1 test case REFSSENS for SUL with UL MIMO	17.7.0
2022-12	RAN#98	R5-226854	1998		F	Adding new FR1 test case REFSSENS for SUL with UL MIMO and DL CA	17.7.0
2022-12	RAN#98	R5-226855	1999		F	Adding new FR1 test case Maximum input level for SUL with UL MIMO	17.7.0
2022-12	RAN#98	R5-226856	2000		F	Adding new FR1 test case Adjacent channel selectivity for SUL with UL MIMO	17.7.0
2022-12	RAN#98	R5-226857	2001		F	Adding new FR1 test case In-band blocking for SUL with UL MIMO	17.7.0
2022-12	RAN#98	R5-226858	2002		F	Adding new FR1 test case Out-of-band blocking for SUL with UL MIMO	17.7.0
2022-12	RAN#98	R5-226859	2003		F	Adding new FR1 test case Narrow band blocking for SUL with UL MIMO	17.7.0
2022-12	RAN#98	R5-226860	2004		F	Adding new FR1 test case Spurious response for SUL with UL MIMO	17.7.0
2022-12	RAN#98	R5-226861	2005		F	Adding new FR1 test case Wide band Intermodulation for SUL with UL MIMO	17.7.0
2022-12	RAN#98	R5-226866	2007		F	Updating Spectrum emission mask for UL MIMO for 45MHz CBW	17.7.0
2022-12	RAN#98	R5-226914	2024		F	Updating Annex E for TxD test cases	17.7.0
2022-12	RAN#98	R5-226915	2025		F	Updating Annex F for TxD test cases	17.7.0
2022-12	RAN#98	R5-226920	2026		F	Correction to spurious emission co-existence	17.7.0
2022-12	RAN#98	R5-226937	2027		F	Updating MU and TT for new test cases for SUL with UL MIMO	17.7.0
2022-12	RAN#98	R5-227064	2028		F	Suffix definition for Tx Diversity clauses	17.7.0
2022-12	RAN#98	R5-227079	2032		F	Correction to DFT-s RB allocation for CBW 45 MHz	17.7.0
2022-12	RAN#98	R5-227080	2033		F	Correction to test configuration and test requirements tables in 6.2.3	17.7.0
2022-12	RAN#98	R5-227081	2034		F	Addition of intra-band CA configurations to 3CA Rx test cases	17.7.0
2022-12	RAN#98	R5-227082	2035		F	Correction to test procedure of 7.6A.2.2	17.7.0
2022-12	RAN#98	R5-227083	2036		F	Correction to applicability of 7.3A.2	17.7.0
2022-12	RAN#98	R5-227102	2038		F	Updates to common uplink configuration	17.7.0
2022-12	RAN#98	R5-227103	2039		F	Editorial updates to common uplink configuration	17.7.0
2022-12	RAN#98	R5-227116	2041		F	Update of MOP TC for RedCap	17.7.0
2022-12	RAN#98	R5-227221	2042		F	Corrections and additions of Rel-17 band combinations in NR CA general spurious emission test case 6.5A.3.1	17.7.0
2022-12	RAN#98	R5-227237	2044		F	Update CBW 35MHz for n3, n8 into TC 6.3.1, 6.3.2 and 6.3.3.6	17.7.0
2022-12	RAN#98	R5-227246	2045		F	Update CBW 35MHz into clause 6.5.1	17.7.0
2022-12	RAN#98	R5-227301	2051		F	Introduction of CA_n48A-n77A and CA_n71A-n77A Rx requirements	17.7.0
2022-12	RAN#98	R5-227320	2052		F	Addition of new annex I for ModifiedMPR-Behavior	17.7.0
2022-12	RAN#98	R5-227321	2053		F	Updates to annex I ModifiedMPR-Behavior for band n30	17.7.0
2022-12	RAN#98	R5-227323	2055		F	Updates to annex I ModifiedMPR-Behavior for bands n77 and n78	17.7.0
2022-12	RAN#98	R5-227324	2056		F	Updates to annex I ModifiedMPR-Behavior for band n79	17.7.0
2022-12	RAN#98	R5-227728	1941	1	F	Style correction in 7.8A.2	17.7.0
2022-12	RAN#98	R5-227729	1936	1	F	Style correction for 6.3C.3.2	17.7.0
2022-12	RAN#98	R5-227730	1931	1	F	Style correction in 6.2B.4.0	17.7.0
2022-12	RAN#98	R5-227731	1933	1	F	Style correction in 6.2D.2.5	17.7.0
2022-12	RAN#98	R5-227732	1951	1	F	Removal of R17 FR1 pending CA configs from cl 7	17.7.0
2022-12	RAN#98	R5-227733	1921	1	F	Correct Table 6.2.3.4.1-4a A-MPR test configuration table	17.7.0

2022-12	RAN#98	R5-227734	1922	1	F	Correction of A-MPR setting in Table 6.2.3.5-6a	17.7.0
2022-12	RAN#98	R5-227735	1923	1	F	Correct Table 6.2.3.3.4-5 A-MPR specification table number	17.7.0
2022-12	RAN#98	R5-227736	1920	1	F	Update Table 6.2A.2.1.4.1-1 band definition	17.7.0
2022-12	RAN#98	R5-227737	1924	1	F	Update Table 6.5A.2.2.1.4.1-1 definition of powerBoostPi2BPSK setting	17.7.0
2022-12	RAN#98	R5-227738	1926	1	F	Correct n41 MSD test frequency of 7.3A	17.7.0
2022-12	RAN#98	R5-227739	1927	1	F	Update 7.3C.1 frequency description	17.7.0
2022-12	RAN#98	R5-227740	2054	1	F	Updates to annex I ModifiedMPR-Behavior for band n41 power class 1.5	17.7.0
2022-12	RAN#98	R5-227741	1959	1	F	Addition of 6.4F.2.1 EVM for NR-U	17.7.0
2022-12	RAN#98	R5-227742	1957	1	F	Correction on REFSENS test requirements for CA PC2	17.7.0
2022-12	RAN#98	R5-227743	1952	1	F	Update a few NRCA combos in deltaTIB,c table	17.7.0
2022-12	RAN#98	R5-227744	1963	1	F	Update General spurious emissions for CA_n2A-n5A	17.7.0
2022-12	RAN#98	R5-227745	1964	1	F	General spurious emissions for CA_n2A-n48A	17.7.0
2022-12	RAN#98	R5-227746	1962	1	F	Update Ref sense for CA_n2A-n5A	17.7.0
2022-12	RAN#98	R5-227747	2037	1	F	Update to Transmit ON OFF time mask for UL MIMO	17.7.0
2022-12	RAN#98	R5-227748	2040	1	F	Addition of test point in ref sensitivity for CA_n41A-n66A/-	17.7.0
2022-12	RAN#98	R5-227749	1978	1	F	General updates of clause 5 for R16 CADC configurations	17.7.0
2022-12	RAN#98	R5-227750	1934	1	F	Removal of FFS for Table 6.2E.1.1.4.1-1 and Table 6.2E.1.1D.4.1-1	17.7.0
2022-12	RAN#98	R5-227751	1940	1	F	Correction of clause number in 7.7F.1.4.1	17.7.0
2022-12	RAN#98	R5-227753	1929	1	F	Correction of test applicability and test requirement of 6.2.3	17.7.0
2022-12	RAN#98	R5-227754	1930	1	F	Addition of message contents exceptions for network signalling value NS_03 of n86	17.7.0
2022-12	RAN#98	R5-227755	1932	1	F	Correction of 6.2C.5 for n86	17.7.0
2022-12	RAN#98	R5-227756	1935	1	F	Correction of initial condition description in 6.3.4.2.4.1	17.7.0
2022-12	RAN#98	R5-227757	1939	1	F	Addition of NS_3U in 6.5C.2.3 for n86	17.7.0
2022-12	RAN#98	R5-227758	2006	1	F	Updating REFSENS testing for n79 new CBW	17.7.0
2022-12	RAN#98	R5-227759	1992	1	F	Adding new FR1 test case MOP for SUL with UL MIMO	17.7.0
2022-12	RAN#98	R5-227760	2046	1	F	Corrections on MOP band edge relaxation for intra-band contiguous and non-contiguous CA band combinations	17.7.0
2022-12	RAN#98	R5-227761	2049	1	F	Introduction of CA_n71A-n77A Transmitter power requirements	17.7.0
2022-12	RAN#98	R5-227870	1976	1	F	General updates of clause 5 for R16 new CBW configurations	17.7.0
2022-12	RAN#98	R5-227896	1953	1	F	Update Rx Requirements for CA_n66A-n77A	17.7.0
2022-12	RAN#98	R5-227898	1954	1	F	Update a few frequency selections in test configuration tables	17.7.0
2022-12	RAN#98	R5-227899	1955	1	F	Update reference sensitivity requirement table	17.7.0
2022-12	RAN#98	R5-227900	1916	1	F	almost contiguous allocation correction in MPR and A-MPR test cases	17.7.0
2022-12	RAN#98	R5-227901	1917	1	F	almost contiguous allocation correction in SEM test case	17.7.0
2022-12	RAN#98	R5-227902	1918	1	F	almost contiguous allocation correction in TxD MPR test case	17.7.0
2022-12	RAN#98	R5-227903	1966	1	F	Test configuration table correction for NS_04 in 6.5D.2.3	17.7.0
2022-12	RAN#98	R5-227905	2008	1	F	Updating AMPR for NS_49 for 45MHz CBW	17.7.0
2022-12	RAN#98	R5-227906	2009	1	F	Updating Additional Spurious emission testing for NS_49 for 45MHz	17.7.0
2022-12	RAN#98	R5-227913	2011	1	F	Updating 6.2.2, 6.2D.2 and 6.2G.2 to coordinate the MPR test	17.7.0
2022-12	RAN#98	R5-227917	1984	1	F	Corrections and additions of Rel-16 band combinations in NR CA general spurious emission test case 6.5A.3.1	17.7.0
2022-12	RAN#98	R5-227918	2050	1	F	Introduction of CA_n71A-n77A Spurious emissions requirements	17.7.0
2022-12	RAN#98	R5-227919	1947	1	F	Removal of R16 FR1 pending CA configs from cl 5	17.7.0
2022-12	RAN#98	R5-227920	1906	1	F	Adding UE maximum output power reduction for new NR bands n91, n92, n93 and n94	17.7.0
2022-12	RAN#98	R5-227921	1960	1	F	Addition of 6.5F.1 Occupied bandwidth for NR-U	17.7.0
2022-12	RAN#98	R5-227922	1970	1	F	Adding 6.5F.4 Transmit intermod for NR-U	17.7.0
2022-12	RAN#98	R5-227923	1973	1	F	Introduction of 6.4F.2.2 Carrier leakage for NR-U	17.7.0
2022-12	RAN#98	R5-227924	1977	1	F	Update 6.5F.3.1 General spurious emissions for NR-U	17.7.0
2022-12	RAN#98	R5-227925	1968	1	F	Update 7.5F.1 ACS for NR-U	17.7.0
2022-12	RAN#98	R5-227926	1969	1	F	Update 7.3F.2 Ref sensitivity for NR-U	17.7.0
2022-12	RAN#98	R5-227927	1972	1	F	Update 7.6F.2.1 IBB for NR-U	17.7.0
2022-12	RAN#98	R5-227928	1974	1	F	Update MU and TT for NR_U test cases	17.7.0

2022-12	RAN#98	R5-227930	1991	1	F	Update MOP PC2 testing for CA_n41A-n79A	17.7.0
2022-12	RAN#98	R5-227931	1996	1	F	Adding new FR1 test case Transmit ON/OFF time mask for SUL with UL MIMO	17.7.0
2022-12	RAN#98	R5-227934	2031	1	F	Limit transmit modulation quality for Tx Diversity to power per any antenna connector higher than a threshold	17.7.0
2022-12	RAN#98	R5-227935	2043	1	F	Update of 7.3.2 Reference sensitivity power level for redcap	17.7.0
2022-12	RAN#98	R5-227936	2057	1	F	Additional requirements and A-MPR for NS_21 and n30	17.7.0
2022-12	RAN#98	R5-227938	1938	1	F	Addition of test configuration, test procedure and test requirement for NS_41 and NS_42 in 6.5.3.3	17.7.0
2022-12	RAN#98	R5-227939	1946	1	F	Removal of R15 FR1 pending CA configs from cl 7	17.7.0
2022-12	RAN#98	R5-227940	1944	1	F	Removal of R15 FR1 pending CA configs from cl 5	17.7.0
2022-12	RAN#98	R5-227942	1948	1	F	Removal of R16 FR1 pending CA configs from cl 6	17.7.0
2022-12	RAN#98	R5-228045	1956	1	F	Correction on configured transmitted power requirements for CA PC2	17.7.0
2022-12	RAN#98	R5-228053	1985	1	F	Add new test case 6.5G.3.2	17.7.0
2022-12	RAN#98	R5-228054	1986	1	F	Add new test case 6.5G.3.3	17.7.0
2022-12	RAN#98	R5-228055	1987	1	F	Configured transmitted power for Tx Diversity	17.7.0
2022-12	RAN#98	R5-228056	2010	1	F	Updating 6.2.1, 6.2D.1 and 6.2G.1 to coordinate the MOP test	17.7.0
2022-12	RAN#98	R5-228057	2012	1	F	Updating 6.2.4 and 6.2D.4 to coordinate the Configured transmitted power test	17.7.0
2022-12	RAN#98	R5-228058	2013	1	F	Updating 6.3, 6.3D and 6.3G to coordinate the output power dynamic test	17.7.0
2022-12	RAN#98	R5-228059	2014	1	F	Addition of 6.3G.4.1 absolute power tolerance for TxD	17.7.0
2022-12	RAN#98	R5-228060	2015	1	F	Updating 6.4, 6.4D and 6.4G to coordinate the transmit signal quality test	17.7.0
2022-12	RAN#98	R5-228061	2016	1	F	Addition of 6.4G.2.1 EVM for TxD	17.7.0
2022-12	RAN#98	R5-228062	2017	1	F	Updating 6.5, 6.5D and 6.5G to coordinate the output spectrum emission test	17.7.0
2022-12	RAN#98	R5-228063	2018	1	F	Addition of 6.5G.2.1 SEM for TxD	17.7.0
2022-12	RAN#98	R5-228064	2019	1	F	Addition of 6.5G.2.2 A-SEM for TxD	17.7.0
2022-12	RAN#98	R5-228065	2020	1	F	Addition of 6.5G.2.3.2 UTRA ACLR for TxD	17.7.0
2022-12	RAN#98	R5-228066	2023	1	F	Updating section 7 for TxD	17.7.0
2023-03	RAN#99	R5-230068	2059	-	F	Adding UE maximum output power for new NR bands n100, n101	17.8.0
2023-03	RAN#99	R5-230069	2060	-	F	Adding UE maximum output power reduction for new NR bands n100, n101	17.8.0
2023-03	RAN#99	R5-230070	2061	-	F	Adding UE additional maximum output power reduction for new NR bands n100, n101	17.8.0
2023-03	RAN#99	R5-230072	2063	-	F	Adding Reference sensitivity power level for new NR bands n100, n101	17.8.0
2023-03	RAN#99	R5-230073	2064	-	F	Adding in-band blocking for new NR bands n100, n101	17.8.0
2023-03	RAN#99	R5-230074	2065	-	F	Adding Out-of-band blocking for new NR bands n100, n101	17.8.0
2023-03	RAN#99	R5-230075	2066	-	F	Adding Narrowband blocking for new NR bands n100, n101	17.8.0
2023-03	RAN#99	R5-230091	2069	-	F	Update of the conformance requirements for the configured transmitted power for Inter-band CA	17.8.0
2023-03	RAN#99	R5-230218	2070	-	F	Clarification on editors note of EVM including symbols with transient period	17.8.0
2023-03	RAN#99	R5-230283	2077	-	F	Update minimum requirements of reference sensitivity exceptions due to intermodulation interference for 3DL/2UL cases of CA_n2A-n5A-n77A, CA_n2A-n66A-n77A, and CA_n5A-n66A-n77A	17.8.0
2023-03	RAN#99	R5-230284	2078	-	F	Update delta TIB,c for CA_n2A-n5A-n77A, CA_n2A-n66A-n77A, and CA_n5A-n66A-n77A	17.8.0
2023-03	RAN#99	R5-230285	2079	-	F	Update delta RIB,c for CA_n2A-n5A-n77A, CA_n2A-n66A-n77A, and CA_n5A-n66A-n77A	17.8.0
2023-03	RAN#99	R5-230286	2080	-	F	Update Chapter 5 for inter-band NR CA configurations of three bands CA_n2A-n5A-n77A, CA_n2A-n66A-n77A, and CA_n5A-n66A-n77A	17.8.0
2023-03	RAN#99	R5-230303	2081	-	F	FR1 - ACLR requirements for PC3 missing in 6.5G.2.3.1	17.8.0
2023-03	RAN#99	R5-230304	2082	-	F	FR1 - Out-of-band blocking 3DL and 4DL CA - carrier selection correction	17.8.0
2023-03	RAN#99	R5-230311	2089	-	F	FR1 ACS and IBB 2DL CA - Corrections for n48-n77 case	17.8.0
2023-03	RAN#99	R5-230312	2090	-	F	FR1 - SRS time mask - P-max to be limited to 23dBm	17.8.0

2023-03	RAN#99	R5-230551	2092	-	F	Style correction in 6.2.2.2 and removal of PC 1.5 from 6.2.2.3	17.8.0
2023-03	RAN#99	R5-230552	2093	-	F	Correction of test applicability of 6.2.3	17.8.0
2023-03	RAN#99	R5-230553	2094	-	F	Editorial correction of style for clause heading of 6.3A.3.1	17.8.0
2023-03	RAN#99	R5-230554	2095	-	F	Editorial correction of style for table heading of Table 6.3D.3.4.3-1	17.8.0
2023-03	RAN#99	R5-230555	2096	-	F	Editorial correction for test applicability in 6.5.2.3.2	17.8.0
2023-03	RAN#99	R5-230556	2097	-	F	Correction of test applicability and test description of 6.5.3.3	17.8.0
2023-03	RAN#99	R5-230557	2098	-	F	Editorial correction for table titles in 6.5C	17.8.0
2023-03	RAN#99	R5-230558	2099	-	F	Editorial correction for subclause number in 6.5E.3.2.1D	17.8.0
2023-03	RAN#99	R5-230561	2102	-	F	Editorial correction for content style in test applicability section of some TxD test cases	17.8.0
2023-03	RAN#99	R5-230562	2103	-	F	Addition of subclause F.1.0	17.8.0
2023-03	RAN#99	R5-230678	2110	-	F	Correction in 6.2D.4 to cover power boost Pi/2 BPSK	17.8.0
2023-03	RAN#99	R5-230806	2111	-	F	Introduction of CA_n3A-n78A PC2 REFSENS test requirements	17.8.0
2023-03	RAN#99	R5-230808	2112	-	F	General updates of clause 5 for R16 CADC configurations	17.8.0
2023-03	RAN#99	R5-230888	2126	-	F	Correcting the definition of RedCap UE	17.8.0
2023-03	RAN#99	R5-230915	2127	-	F	Adding 6.4F.2.2 Carrier leakage for NR-U	17.8.0
2023-03	RAN#99	R5-230916	2128	-	F	Adding 6.4F.2.3 In-band emissions for NR-U	17.8.0
2023-03	RAN#99	R5-230917	2129	-	F	Update_MU_TT for NR-U	17.8.0
2023-03	RAN#99	R5-230918	2130	-	F	Introduction of 6.4F.2.4_for NR-U	17.8.0
2023-03	RAN#99	R5-230919	2131	-	F	Adding 6.5F.4 Transmit intermod for NR-U	17.8.0
2023-03	RAN#99	R5-230967	2133	-	F	Clarification on relationship between CBW applicability and order of CC	17.8.0
2023-03	RAN#99	R5-230968	2134	-	F	Clarification of notes in test configuration tables of Rx test cases for CA	17.8.0
2023-03	RAN#99	R5-230972	2138	-	F	Addition of CBW 35 MHz, 45 MHz, 70 MHz to IBB and OBB for CA	17.8.0
2023-03	RAN#99	R5-230974	2140	-	F	Correction to test procedure of SEM for intra-band non-contiguous CA	17.8.0
2023-03	RAN#99	R5-230975	2141	-	F	Addition of new annex for difference of relative phase and power errors for UL coherent MIMO	17.8.0
2023-03	RAN#99	R5-230995	2142	-	F	Update of PUCCH aggregate power TC	17.8.0
2023-03	RAN#99	R5-230998	2144	-	F	Update of new NR Bands into TC 7.3I.2 Reference sensitivity power level for redcap	17.8.0
2023-03	RAN#99	R5-231073	2145	-	F	Updating test case Occupied bandwidth for SUL	17.8.0
2023-03	RAN#99	R5-231075	2147	-	F	Correction to RB allocations for intra-band contiguous CA	17.8.0
2023-03	RAN#99	R5-231076	2148	-	F	Updating test requirement of test case Absolute power tolerance for SUL	17.8.0
2023-03	RAN#99	R5-231077	2149	-	F	Updating test case Relative power tolerance for SUL	17.8.0
2023-03	RAN#99	R5-231078	2150	-	F	Correction to test case Relative power tolerance for UL MIMO	17.8.0
2023-03	RAN#99	R5-231080	2151	-	F	Updating clause 4.3 to align with core specification	17.8.0
2023-03	RAN#99	R5-231081	2152	-	F	Updating MOP for MIMO testing for band n24	17.8.0
2023-03	RAN#99	R5-231082	2153	-	F	Updating MPR for MIMO test case for band n24	17.8.0
2023-03	RAN#99	R5-231083	2154	-	F	Adding new FR1 test case Absolute power tolerance for SUL with UL MIMO	17.8.0
2023-03	RAN#99	R5-231085	2156	-	F	Adding new FR1 test case Aggregate power tolerance for SUL with UL MIMO	17.8.0
2023-03	RAN#99	R5-231086	2157	-	F	Adding new FR1 test case Occupied bandwidth for SUL with UL MIMO	17.8.0
2023-03	RAN#99	R5-231087	2158	-	F	Adding new FR1 test case Frequency error for SUL with UL MIMO	17.8.0
2023-03	RAN#99	R5-231089	2160	-	F	Adding new FR1 test case Spectrum emission mask for SUL with UL MIMO	17.8.0
2023-03	RAN#99	R5-231090	2161	-	F	Updating MU and TT for new test cases for SUL with UL MIMO	17.8.0
2023-03	RAN#99	R5-231092	2162	-	F	Editorial correction to In-band blocking for Intra-band contiguous CA	17.8.0
2023-03	RAN#99	R5-231097	2166	-	F	Adding new FR1 test case EVM equalizer spectrum flatness for SUL with UL MIMO	17.8.0
2023-03	RAN#99	R5-231098	2167	-	F	Adding new FR1 test case Time alignment error for SUL with UL MIMO	17.8.0

2023-03	RAN#99	R5-231099	2168	-	F	Adding new FR1 test case Transmit intermodulation for SUL with UL MIMO	17.8.0
2023-03	RAN#99	R5-231175	2169	-	F	Update of MOP TC for CA_n3A-n8A	17.8.0
2023-03	RAN#99	R5-231179	2170	-	F	Updated to TC6.5.1 for n14 with 10MHz CBW	17.8.0
2023-03	RAN#99	R5-231191	2171	-	F	Update of delta TIB,c for new R16 CA configurations	17.8.0
2023-03	RAN#99	R5-231291	2180	-	F	Corrections on scaling factors for MPR and NS_04 SEM requirements	17.8.0
2023-03	RAN#99	R5-231295	2181	-	F	Corrections on the requirements for UE MPR for intra-band contiguous CA in FR1	17.8.0
2023-03	RAN#99	R5-231299	2182	-	F	Editorial update of MPR test cases	17.8.0
2023-03	RAN#99	R5-231300	2183	-	F	Update of NR ACLR test case	17.8.0
2023-03	RAN#99	R5-231302	2184	-	F	Editorial correction of in-band emissions for SUL	17.8.0
2023-03	RAN#99	R5-231379	2187	-	F	Correction for wrong reference in NS_50	17.8.0
2023-03	RAN#99	R5-231380	2188	-	F	Correction on band combinations for UE co-existence	17.8.0
2023-03	RAN#99	R5-231618	2101	1	F	Editorial correction for content style in 6.2.1.2, 6.5.2.4.1.2, 6.5.3.1.2, 6.5.3.2.2 and 6.5.4.2	17.8.0
2023-03	RAN#99	R5-231619	2179	1	F	Corrections on the test for UE maximum output power	17.8.0
2023-03	RAN#99	R5-231626	2172	1	F	Update of Spurious emissions for UE co-existence for CA_n1A-n8A	17.8.0
2023-03	RAN#99	R5-231627	2173	1	F	Update of general spurious emissions for CA_n1A-n8A	17.8.0
2023-03	RAN#99	R5-231628	2073	1	F	Introduction of CA_n41A-n66A, RIB,c and sensitivity exception.	17.8.0
2023-03	RAN#99	R5-231629	2074	1	F	Introduction of CA_n41A-n66A new test point.	17.8.0
2023-03	RAN#99	R5-231630	2075	1	F	Introduction of CA_n41A-n66A, exception test point due to CBI	17.8.0
2023-03	RAN#99	R5-231631	2174	1	F	Introduction of CA_n41A-n71A configuration, RIB,c and sensitivity exception.	17.8.0
2023-03	RAN#99	R5-231637	2071	1	F	Correction to RB allocation configuration for intra-band contiguous CA in Table 6.1A-1b	17.8.0
2023-03	RAN#99	R5-231638	2137	1	F	Addition of CBW 35 MHz and 45 MHz to NS_03 in Additional SEM	17.8.0
2023-03	RAN#99	R5-231639	2123	1	F	Updating Annex F for intra-band contiguous CA test cases	17.8.0
2023-03	RAN#99	R5-231640	2125	1	F	Removing redundant test cases	17.8.0
2023-03	RAN#99	R5-231641	2117	1	F	Adding PC2 intra-band contiguous testing to 6.2A.3.1	17.8.0
2023-03	RAN#99	R5-231642	2118	1	F	Adding PC2 intra-band contiguous testing to 6.5A.2.3	17.8.0
2023-03	RAN#99	R5-231643	2119	1	F	Adding PC2 intra-band contiguous testing to 6.5A.3.3	17.8.0
2023-03	RAN#99	R5-231644	2120	1	F	Adding PC2 intra-band contiguous testing to 6.5A.2.4.1	17.8.0
2023-03	RAN#99	R5-231645	2121	1	F	Adding PC2 intra-band contiguous testing to 6.5A.3.1.1	17.8.0
2023-03	RAN#99	R5-231646	2122	1	F	Adding PC2 intra-band contiguous testing to 6.5A.3.2.1	17.8.0
2023-03	RAN#99	R5-231647	2115	1	F	Adding 45MHz PC2 test configuration to 6.2.3 NS_49	17.8.0
2023-03	RAN#99	R5-231648	2113	1	F	Update to minimum requirement of 6.2.3 NS_27	17.8.0
2023-03	RAN#99	R5-231649	2114	1	F	Update to configuration table of 6.2.3 NS_18	17.8.0
2023-03	RAN#99	R5-231650	2155	1	F	Adding new FR1 test case Relative power tolerance for SUL with UL MIMO	17.8.0
2023-03	RAN#99	R5-231651	2159	1	F	Adding new FR1 test case Error Vector Magnitude for SUL with UL MIMO	17.8.0
2023-03	RAN#99	R5-231652	2163	1	F	Correction to Additional spurious emissions for UL MIMO	17.8.0
2023-03	RAN#99	R5-231653	2165	1	F	Correction to RB allocation for test case A-MPR_for NS_48	17.8.0
2023-03	RAN#99	R5-231654	2084	1	F	FR1 PC2 NS_49 A-MPR - RB allocations inconsistent vs applicable A-MPR	17.8.0
2023-03	RAN#99	R5-231655	2072	1	F	Corrections of test requirement tables for spurious emission for UE co-existence for NR CA	17.8.0
2023-03	RAN#99	R5-231656	2076	1	F	Update test configuration and test requirement for three band interband reference sensitivity for CA_n2A-n5A-n77A, CA_n2A-n66A-n77A, and CA_n5A-n66A-n77A	17.8.0
2023-03	RAN#99	R5-231657	2067	1	F	Adding UE maximum output power reduction for new NR bands n91, n92, n93, n94	17.8.0
2023-03	RAN#99	R5-231659	2177	1	F	Corrections on additional reference channels parameters for TDD	17.8.0
2023-03	RAN#99	R5-231700	2085	1	F	FR1 Refsens - RB allocation alignment to core specs	17.8.0
2023-03	RAN#99	R5-231701	2106	1	F	Update CBW 35MHz into sub-clauses 6.3.1, 6.3.2, 6.3.3.2, 6.3.4	17.8.0
2023-03	RAN#99	R5-231702	2107	1	F	Update CBW 35MHz into sub-clause 6.3D.1	17.8.0
2023-03	RAN#99	R5-231703	2108	1	F	Update CBW 35MHz into sub-clauses 6.5.2.2, 6.5.2.4.1, 6.5D.1, 6.5D.2	17.8.0

2023-03	RAN#99	R5-231704	2109	1	F	Update CBW 35MHz into sub-clause 7.4D	17.8.0
2023-03	RAN#99	R5-231705	2104	1	F	General updates of clause 5 for R17 new CBW configurations	17.8.0
2023-03	RAN#99	R5-231796	2164	1	F	Correction to Uplink configuration RB allocation for n78 in REFSSENS testing	17.8.0
2023-03	RAN#99	R5-231807	2100	1	F	Correction of test case title of 7.6D.2_1 and 7.8D.2_1	17.8.0
2023-03	RAN#99	R5-231857	2062	1	F	Adding spurious emissions for UE co-existence for new NR bands n100, n101	17.8.0
2023-03	RAN#99	R5-231858	2124	1	F	Update to applicability of legacy test cases	17.8.0
2023-03	RAN#99	R5-231861	2105	1	F	Update CBW 35MHz into sub-clause 6.2.2	17.8.0
2023-03	RAN#99	R5-231863	2132	1	F	Update of inter-band CA reference sensitivity to handle simultaneous Rx/Tx capability	17.8.0
2023-03	RAN#99	R5-231885	2176	1	F	Updates to A-MPR and A-SEM for NS_21	17.8.0
2023-03	RAN#99	R5-231889	2175	2	F	Introduction of CA_n41A-n71A new test point.	17.8.0
2023-03	RAN#99	R5-231952	2136	1	F	Correction to SDL band for blocking test cases	17.8.0
2023-03	RAN#99	R5-231953	2143	1	F	Addition of configuration for carrier aggregation RMCs	17.8.0
2023-03	RAN#99	R5-231964	2178	1	F	Corrections on channel bandwidth for V2X	17.8.0
2023-06	RAN#100	R5-232109	2190	-	F	Introduction of Output power requirements for CA_n28A-n78A	17.9.0
2023-06	RAN#100	R5-232111	2192	-	F	Introduction of General spurious emissions test requirements for CA_n28A-n78A	17.9.0
2023-06	RAN#100	R5-232113	2194	-	F	Introduction of Spurious emissions for UE co-existence test requirements for CA_n28A-n78A	17.9.0
2023-06	RAN#100	R5-232119	2196	-	F	Add Reference sensitivity power level test requirements for CA_n28A-n78A	17.9.0
2023-06	RAN#100	R5-232241	2197	-	F	Update general spurious emissions for CA_n2A-n77A, CA_n5A-n77A, and CA_n66A-n77A	17.9.0
2023-06	RAN#100	R5-232243	2199	-	F	Update inter-band NR CA PC3 reference sensitivity test configuration and test requirement tables	17.9.0
2023-06	RAN#100	R5-232276	2203	-	F	Addition of reference sensitivity for n28A-n77A	17.9.0
2023-06	RAN#100	R5-232278	2205	-	F	Addition of reference sensitivity for n3A-n77A	17.9.0
2023-06	RAN#100	R5-232341	2207	-	F	Corrections for certain FR1 combos in section 7.3A.1_1	17.9.0
2023-06	RAN#100	R5-232348	2211	-	F	p-Max conditions corrections in 6.5A.3.1.1	17.9.0
2023-06	RAN#100	R5-232353	2212	-	F	Test configuration table update for NS 46 in A-MPR test	17.9.0
2023-06	RAN#100	R5-232355	2214	-	F	K1 and number of HARQ processes for CA exceptions updates	17.9.0
2023-06	RAN#100	R5-232410	2221	-	F	General updates of clause 5 for R17 new CBW configurations	17.9.0
2023-06	RAN#100	R5-232411	2222	-	F	Addition of 7.3A.1 for CA_n1A-n8A and CA_n3A-n8A	17.9.0
2023-06	RAN#100	R5-232413	2224	-	F	Addition of general spurious emissions for CA_n1A-n3A	17.9.0
2023-06	RAN#100	R5-232414	2225	-	F	Addition of Spurious emissions for UE co-existence for CA_n1A-n3A	17.9.0
2023-06	RAN#100	R5-232444	2226	-	F	Adding UE maximum output power for new NR band n13	17.9.0
2023-06	RAN#100	R5-232445	2227	-	F	Adding UE maximum output power reduction for new NR band n13	17.9.0
2023-06	RAN#100	R5-232579	2229	-	F	Addition of test case 6.5F.2.4.2, Shared spectrum channel access ACLR with additional requirement for NS_29	17.9.0
2023-06	RAN#100	R5-232611	2230	-	F	General SE for CA_n5A-n48A	17.9.0
2023-06	RAN#100	R5-232612	2231	-	F	TX SE_Co_exist for CA_n5A-n48A	17.9.0
2023-06	RAN#100	R5-232613	2232	-	F	Update 7.3A.1 for CA_n5A-n48A	17.9.0
2023-06	RAN#100	R5-232614	2233	-	F	Update 6.2A.1.1 for CA_n5A-n48A	17.9.0
2023-06	RAN#100	R5-232616	2234	-	F	Update 6.2A.4.0.2.3 for CA_n5A-n48A	17.9.0
2023-06	RAN#100	R5-232625	2235	-	F	Update 6.2A.4.0.2.3 for CA_n2A-n5A and CA_n2A-n48A	17.9.0
2023-06	RAN#100	R5-232636	2236	-	F	Update 7.1 for NR-U	17.9.0
2023-06	RAN#100	R5-232637	2237	-	F	Update 5.2 note 14 for NR-U	17.9.0
2023-06	RAN#100	R5-232695	2238	-	F	Update 6.5F.3.1 General SE for NR-U	17.9.0
2023-06	RAN#100	R5-232697	2239	-	F	Update 6.5F.2.4.1 ACLR for NR-U	17.9.0
2023-06	RAN#100	R5-232726	2242	-	F	Addition of abbreviation and clause 4 general description for Tx diversity	17.9.0
2023-06	RAN#100	R5-232732	2243	-	F	Addition of new test case 6.2D.2_1 UE MPR for SUL with UL MIMO	17.9.0
2023-06	RAN#100	R5-232733	2244	-	F	Addition of new test case 6.2D.3_1 UE A-MPR for SUL with UL MIMO	17.9.0
2023-06	RAN#100	R5-232734	2245	-	F	Addition of new test case 6.4D.2.2_1 Carrier leakage for SUL with UL MIMO	17.9.0

2023-06	RAN#100	R5-232735	2246	-	F	Addition of new test case 6.4D.2.3_1 In-band emissions for SUL with UL MIMO	17.9.0
2023-06	RAN#100	R5-232736	2247	-	F	Addition of new test case 6.5D.2.4.1_1 NR ACLR for SUL with UL MIMO	17.9.0
2023-06	RAN#100	R5-232737	2248	-	F	Addition of new test case 6.5D.2.4.2_1 UTRA ACLR for SUL with UL MIMO	17.9.0
2023-06	RAN#100	R5-232738	2249	-	F	Addition of new test case 6.5D.3_2.1 General spurious emissions	17.9.0
2023-06	RAN#100	R5-232739	2250	-	F	Addition of new test case 6.5D.3_2.2 Spurious emissions for UE co-existence	17.9.0
2023-06	RAN#100	R5-232740	2251	-	F	Addition of new test case 6.5D.3_2.3 Additional spurious emissions	17.9.0
2023-06	RAN#100	R5-232741	2252	-	F	Addition of Annex F for new test cases for SUL with UL MIMO	17.9.0
2023-06	RAN#100	R5-232747	2254	-	F	Update of PC2 UE maximum output power for inter-band CA configurations	17.9.0
2023-06	RAN#100	R5-232750	2256	-	F	Addition of UL MIMO SEM and NR ACLR test cases for Power Class 1.5	17.9.0
2023-06	RAN#100	R5-232751	2257	-	F	Editorial correction of reference table numbers for SUL test cases	17.9.0
2023-06	RAN#100	R5-232791	2259	-	F	Update of delta TIB,c for CA_n39A-n41A	17.9.0
2023-06	RAN#100	R5-232792	2260	-	F	Update of delta RIB,c for CA_n39A-n41A	17.9.0
2023-06	RAN#100	R5-232796	2262	-	F	Update of delta TIB,c for CA_n28A-n41A-n79A	17.9.0
2023-06	RAN#100	R5-232797	2263	-	F	Update of delta RIB,c for CA_n28A-n41A-n79A	17.9.0
2023-06	RAN#100	R5-232804	2265	-	F	Update for PC2 n39 A-SE	17.9.0
2023-06	RAN#100	R5-232874	2268	-	F	Correction of delta RIB,c, Core spec alignment	17.9.0
2023-06	RAN#100	R5-232879	2269	-	F	Addition of Delta RIB,c for CA_n41A-n66A-n71A	17.9.0
2023-06	RAN#100	R5-232880	2270	-	F	Addition of CA_n41A-n66A-n71A in Table 7.3A.2.5-1	17.9.0
2023-06	RAN#100	R5-232897	2271	-	F	Update of applicability of simultaneous RxTx capability for CA_n28-n79	17.9.0
2023-06	RAN#100	R5-232978	2273	-	F	Adding additional spectrum emission mask requirement for new NR band n13	17.9.0
2023-06	RAN#100	R5-232979	2274	-	F	Adding spurious emissions for UE co-existence for new NR band n13	17.9.0
2023-06	RAN#100	R5-232980	2275	-	F	Adding additional spurious emissions for new NR band n13	17.9.0
2023-06	RAN#100	R5-232993	2276	-	F	Correction to inter-band test frequencies exceptions in Rx CA test cases	17.9.0
2023-06	RAN#100	R5-232996	2279	-	F	Update of Annex D.2 for interference signals lower than 2700 MHz	17.9.0
2023-06	RAN#100	R5-233023	2281	-	F	Removing redundant parameter setting from time mask testing	17.9.0
2023-06	RAN#100	R5-233036	2283	-	F	Correction of P-max in AMPR for CA	17.9.0
2023-06	RAN#100	R5-233037	2284	-	F	Adding PC2 intra-band contiguous testing to 6.5A.3.2.1	17.9.0
2023-06	RAN#100	R5-233083	2286	-	F	Updating test case UTRA ACLR for UL MIMO	17.9.0
2023-06	RAN#100	R5-233084	2287	-	F	Updating test case AMPR for UL MIMO	17.9.0
2023-06	RAN#100	R5-233085	2288	-	F	Updating test requirement of test case AMPR for UL MIMO	17.9.0
2023-06	RAN#100	R5-233090	2292	-	F	Correction to NS_04 test configuration for Additional spurious emissions for UL MIMO	17.9.0
2023-06	RAN#100	R5-233092	2293	-	F	Correction to test frequency description for intra-band UL non-contiguous CA	17.9.0
2023-06	RAN#100	R5-233100	2295	-	F	Updating test case AMPR for UL MIMO	17.9.0
2023-06	RAN#100	R5-233101	2296	-	F	Updating PUCCH configuration in Aggregate power tolerance for SUL with UL MIMO	17.9.0
2023-06	RAN#100	R5-233102	2297	-	F	Updating MOP for PC2 configuration CA_n78C	17.9.0
2023-06	RAN#100	R5-233103	2298	-	F	Updating MPR for PC2 configuration CA_n78C	17.9.0
2023-06	RAN#100	R5-233186	2302	-	F	Correction to clauses using void table 5.5A.3-x	17.9.0
2023-06	RAN#100	R5-233193	2303	-	F	Editorial correction to TC6.2.3 configuration table for NS_06	17.9.0
2023-06	RAN#100	R5-233207	2304	-	F	Corrections on blocking characteristics requirements for V2X	17.9.0
2023-06	RAN#100	R5-233210	2305	-	F	Corrections on intermodulation characteristics requirements for V2X	17.9.0
2023-06	RAN#100	R5-233211	2306	-	F	Corrections on NR V2X reference sensitivity test requirements	17.9.0
2023-06	RAN#100	R5-233212	2307	-	F	Corrections on NR V2X spurious response requirements	17.9.0
2023-06	RAN#100	R5-233218	2309	-	F	Corrections on the minimum guardband calculation for FR1	17.9.0

2023-06	RAN#100	R5-233236	2310	-	F	Clarification of UL Tx Switching in SA RF test case	17.9.0
2023-06	RAN#100	R5-233510	2191	1	F	Introduction of additional maximum output power reduction for CA_n28A-n78A	17.9.0
2023-06	RAN#100	R5-233511	2193	1	F	Introduction of Spurious emissions for UE co-existence requirements for CA_n28A-n78A	17.9.0
2023-06	RAN#100	R5-233515	2294	1	F	Updating Transmit ON/OFF time mask for CA for intra-band non-contiguous CA	17.9.0
2023-06	RAN#100	R5-233517	2195	1	F	Adding Reference sensitivity exceptions due to UL harmonic interference for CA_n28A-n78A	17.9.0
2023-06	RAN#100	R5-233524	2272	1	F	Adding UE additional maximum output power reduction for new NR band n13	17.9.0
2023-06	RAN#100	R5-233525	2291	1	F	Correction to REFSENS exceptions testing for CA_n7A-n78A	17.9.0
2023-06	RAN#100	R5-233532	2299	1	F	Correction for CA_n66A-n71A	17.9.0
2023-06	RAN#100	R5-233533	2206	1	F	Update for CA_n2A-n48A and CA_n2A-n77A combos in section 7.3A.0	17.9.0
2023-06	RAN#100	R5-233534	2267	1	F	Editorial changes in Table 7.3A.1.5-1	17.9.0
2023-06	RAN#100	R5-233536	2308	1	F	Corrections on supported channel bandwidths for SUL configurations	17.9.0
2023-06	RAN#100	R5-233537	2311	1	F	Addition of new FR1 phase continuity test	17.9.0
2023-06	RAN#100	R5-233538	2200	1	F	Update inter-band NR CA PC2 MOP configurations for 2UL CA_n2A-n77A, CA_n5A-n77A, and CA_n66A-n77A	17.9.0
2023-06	RAN#100	R5-233539	2261	1	F	Addition of R17 new CA PC2 configs for Ref sens exceptions TC 7.3A.0	17.9.0
2023-06	RAN#100	R5-233540	2301	1	F	Correction of ON/OFF time mask for Tx Diversity	17.9.0
2023-06	RAN#100	R5-233541	2213	1	F	NS_27 - corrections for 30MHz RBStart for condition A1	17.9.0
2023-06	RAN#100	R5-233542	2280	1	F	Addition of BW condition to 6.5D.2.3 A-SEM for UL MIMO	17.9.0
2023-06	RAN#100	R5-233543	2282	1	F	Clarification of spurious emission testing configuration - Part 1	17.9.0
2023-06	RAN#100	R5-233547	2285	1	F	Updating FR1 test case Additional spectrum emission mask for UL MIMO	17.9.0
2023-06	RAN#100	R5-233548	2289	1	F	Updating PUCCH aggregated power tolerance test case for SUL and for MIMO	17.9.0
2023-06	RAN#100	R5-233549	2290	1	F	Updating MU values for NR FR1 Relative power tolerance for UL MIMO	17.9.0
2023-06	RAN#100	R5-233555	2312	-	F	General updates of clause 5 for R16 CA configurations	17.9.0
2023-06	RAN#100	R5-233556	2313	-	F	General updates of clause 5 for R17 CA configurations	17.9.0
2023-06	RAN#100	R5-233705	2198	1	F	Update minimum requirement table for reference sensitivity exceptions and uplink/downlink configurations due to harmonic mixing from a PC3 aggressor	17.9.0
2023-06	RAN#100	R5-233706	2228	1	F	Correction UL RB configuration for CA_n1-n3-n78	17.9.0
2023-06	RAN#100	R5-233711	2201	1	F	Update inter-band NR CA PC2 reference sensitivity minimum requirements for a few 2DL band configurations	17.9.0
2023-06	RAN#100	R5-233712	2202	1	F	Update PC2 information for 2DL test configuration exception table and test requirement table for a few NR CA 2DL 2UL combos	17.9.0
2023-06	RAN#100	R5-233720	2240	1	F	Update of 6.4G.2.4 EVM equalizer spectrum flatness for Tx Diversity	17.9.0
2023-06	RAN#100	R5-233721	2264	1	F	Update for PC2 PC3 n39 A-MPR	17.9.0
2023-06	RAN#100	R5-233722	2277	1	F	Correction to transmission power in 7.6.3 Out-of-band blocking	17.9.0
2023-09	RAN#101	R5-233946	2314	-	F	Introduction of Output power requirements for CA_n20A-n78A	17.10.0
2023-09	RAN#101	R5-233962	2318	-	F	Introduction of Out-of-band blocking requirements for new NR band n13	17.10.0
2023-09	RAN#101	R5-233965	2319	-	F	Editorial correction to UE additional maximum output power reduction for new NR band n13	17.10.0
2023-09	RAN#101	R5-234044	2320	-	F	Adding FRC configurations for 1024QAM	17.10.0
2023-09	RAN#101	R5-234119	2326	-	F	Correction of table number in NOTE 4 of Table 6.2I.1.5-1	17.10.0
2023-09	RAN#101	R5-234163	2336	-	F	CA n48A-n66A PCC SCC swap in 7.3A.1_1 needed for 2 UL exception case	17.10.0
2023-09	RAN#101	R5-234164	2337	-	F	CA n48A-n77A PCC frequency correction for n77 in 7.8A.2.1	17.10.0
2023-09	RAN#101	R5-234165	2338	-	F	FR1 ACS and IBB 2DL CA - Corrections for n48-n77 case	17.10.0
2023-09	RAN#101	R5-234168	2341	-	F	n5 asymmetric band declaration missing in section 5.3.6	17.10.0
2023-09	RAN#101	R5-234169	2342	-	F	Pending MU and TT update for FR1 RedCap	17.10.0

2023-09	RAN#101	R5-234177	2349	-	F	Missing MU definition for 7.6C.2 in annex F.1.3	17.10.0
2023-09	RAN#101	R5-234179	2350	-	F	Missing REFSENS requirements for certain n7 BWs	17.10.0
2023-09	RAN#101	R5-234180	2351	-	F	Pending BW addition in 6.5D.2.3	17.10.0
2023-09	RAN#101	R5-234197	2353	-	F	Update Clause 6 common requirements for additional 3DL inter-band NR CA configurations	17.10.0
2023-09	RAN#101	R5-234199	2355	-	F	Update test configurations and test requirements for interband reference sensitivity of additional three band configurations	17.10.0
2023-09	RAN#101	R5-234201	2356	-	F	Update common clause requirements for high power support for some inter-band NR CA configurations	17.10.0
2023-09	RAN#101	R5-234203	2357	-	F	Update inter-band NR CA PC2 reference sensitivity minimum requirements and test cases for a few 3DL band configurations	17.10.0
2023-09	RAN#101	R5-234296	2359	-	F	Addition of delta TIBc and UE maximum output power for new NRCA comb within FR1	17.10.0
2023-09	RAN#101	R5-234533	2364	-	F	Addition of spur emission requirements of CA_n5A-n66A.	17.10.0
2023-09	RAN#101	R5-234591	2370	-	F	Update Transmit intermod for NR-U	17.10.0
2023-09	RAN#101	R5-234637	2374	-	F	Remove duplicated AMPR test configurations for NS_24	17.10.0
2023-09	RAN#101	R5-234639	2375	-	F	Editorial correction for 7.8A.2.1 wideband intermodulation for 2DL CA in FR1	17.10.0
2023-09	RAN#101	R5-234641	2376	-	F	update for 6.5F.1 Occupied bandwidth for NR-U	17.10.0
2023-09	RAN#101	R5-234707	2377	-	F	Update of IE p-Max value for MPR and SEM for inter-band CA Power Class 3	17.10.0
2023-09	RAN#101	R5-234708	2378	-	F	Addition of MPR test requirements for inter-band CA Power Class 2	17.10.0
2023-09	RAN#101	R5-234709	2379	-	F	Addition of A-MPR test requirements for inter-band CA Power Class 2	17.10.0
2023-09	RAN#101	R5-234710	2380	-	F	Update of IE p-Max value for SEM for inter-band CA Power Class 2	17.10.0
2023-09	RAN#101	R5-234712	2381	-	F	Addition of MPR requirements for UEs supporting higher power limit	17.10.0
2023-09	RAN#101	R5-234713	2382	-	F	Addition of A-MPR requirements for UEs supporting higher power limit	17.10.0
2023-09	RAN#101	R5-234746	2387	-	F	Addition of PC2 n40 MOP	17.10.0
2023-09	RAN#101	R5-234773	2392	-	F	Clear-up CR for misalignment Ref Sense table	17.10.0
2023-09	RAN#101	R5-234787	2394	-	F	Update of 6.2G.2 MPR for Power Class 1.5 for TxD	17.10.0
2023-09	RAN#101	R5-234829	2398	-	F	Correction of 5.2A.1 intra-band CA operating bands	17.10.0
2023-09	RAN#101	R5-234836	2402	-	F	Update to 6.3A.3.1_1 of 1Tx-2Tx UL switching for inter-band CA	17.10.0
2023-09	RAN#101	R5-234843	2407	-	F	Addition of AMPR for CA_n28-n79	17.10.0
2023-09	RAN#101	R5-234844	2408	-	F	Adding DeltaTIB for CA_n28-n79	17.10.0
2023-09	RAN#101	R5-234845	2409	-	F	Addition of spurious emission co-existence for CA_n28-n79	17.10.0
2023-09	RAN#101	R5-234847	2410	-	F	Addition of AMPR for PC2 CA_n28A-n79A	17.10.0
2023-09	RAN#101	R5-234848	2411	-	F	Update to 6.3A.3.3 of 2Tx-2Tx UL switching for inter-band CA	17.10.0
2023-09	RAN#101	R5-234863	2412	-	F	Addition of additional test frequencies for AMPR NS_50	17.10.0
2023-09	RAN#101	R5-234907	2415	-	F	Correction to title of Reference sensitivity for RedCap	17.10.0
2023-09	RAN#101	R5-234908	2416	-	F	Correction to A-MPR for NS_44	17.10.0
2023-09	RAN#101	R5-234909	2417	-	F	Correction to message contents of 6.5A.2.2.1	17.10.0
2023-09	RAN#101	R5-234910	2418	-	F	Correction to REFSENS formula for n41, n77, n78	17.10.0
2023-09	RAN#101	R5-234911	2419	-	F	Correction to A-MPR for UL MIMO	17.10.0
2023-09	RAN#101	R5-235012	2421	-	F	Addition of TC 6.5A.3.1.1 general spurious emissions for CA_n3A-n8A	17.10.0
2023-09	RAN#101	R5-235038	2425	-	F	Editorial: Removing editor's Note in test case 6.5D.2.2_1	17.10.0
2023-09	RAN#101	R5-235048	2428	-	F	Editorial: Removing editor's note in test case 6.3C.3.2	17.10.0
2023-09	RAN#101	R5-235049	2429	-	F	Updating REFSENS for CA test case for CA_n39A-n41A	17.10.0
2023-09	RAN#101	R5-235142	2443	-	F	Correction of A-MPR test case	17.10.0
2023-09	RAN#101	R5-235149	2445	-	F	Correction of ACS for CA test case	17.10.0
2023-09	RAN#101	R5-235151	2446	-	F	Editorial correction of PRACH time mask test case	17.10.0
2023-09	RAN#101	R5-235163	2448	-	F	Rel-15 Alignment of channel bandwidth between 38.521-1 and 38.101-1	17.10.0
2023-09	RAN#101	R5-235236	2458	-	F	Introducing modification for NS_43 A-MPR region	17.10.0
2023-09	RAN#101	R5-235237	2459	-	F	Adding missing channel bandwidth for NS_01	17.10.0
2023-09	RAN#101	R5-235619	2315	1	F	Introduction of spurious emissions test requirements for CA_n20A-n78A	17.10.0

2023-09	RAN#101	R5-235624	2362	1	F	Addition of several NR CA combos to reference sensitivity cases	17.10.0
2023-09	RAN#101	R5-235625	2430	1	F	Updating REFSENS for CA testing for CA_n28A-n41A-n79A	17.10.0
2023-09	RAN#101	R5-235627	2431	1	F	Updating PC2 REFSENS testing for CA configurations	17.10.0
2023-09	RAN#101	R5-235628	2404	1	F	Addition of intra-band non-contiguous CA to spurious emission for CA	17.10.0
2023-09	RAN#101	R5-235630	2372	1	F	Update ACLR for NR-U	17.10.0
2023-09	RAN#101	R5-235631	2396	1	F	Addition of 6.2F.2 UE maximum output power reduction for shared spectrum access	17.10.0
2023-09	RAN#101	R5-235634	2414	1	F	Update for FR1 EVM including symbols with transient period	17.10.0
2023-09	RAN#101	R5-235636	2366	1	F	Addition of delta TIB for CA_n5-n66.	17.10.0
2023-09	RAN#101	R5-235637	2406	1	F	Addition of minimum requirement of AMPR for CA_n77(2A)	17.10.0
2023-09	RAN#101	R5-235638	2335	1	F	Addition of CA_n3A-n8A into TC 7.3A Reference sensitivity for CA	17.10.0
2023-09	RAN#101	R5-235639	2323	1	F	Adding REFSENS exception requirements for CA_n3A-n78A PC2	17.10.0
2023-09	RAN#101	R5-235640	2403	1	F	Update to 6.2A.1.1 MOP for CA	17.10.0
2023-09	RAN#101	R5-235641	2405	1	F	Correction of minimum requirement of 7.3A.0.2.2	17.10.0
2023-09	RAN#101	R5-235642	2393	1	F	Update of 6.2G.1 MOP test requirements for TxD	17.10.0
2023-09	RAN#101	R5-235643	2451	1	F	Add max UE power for ULCA with NR-U	17.10.0
2023-09	RAN#101	R5-235644	2399	1	F	Editorial correction of AMPR for CA test requirements	17.10.0
2023-09	RAN#101	R5-235645	2348	1	F	Core specs alignment in FR1 test case 7.6.4	17.10.0
2023-09	RAN#101	R5-235646	2400	1	F	Correction to test requirements of EVM for CA	17.10.0
2023-09	RAN#101	R5-235647	2449	1	F	Rel-16 Alignment of channel bandwidth between 38.521-1 and 38.101-1	17.10.0
2023-09	RAN#101	R5-235648	2360	1	F	Addition of spurious emissions for CA_n3A-n77A	17.10.0
2023-09	RAN#101	R5-235650	2361	1	F	Addition of spurious emissions for CA_n28A-n77A	17.10.0
2023-09	RAN#101	R5-235651	2432	1	F	Removal of the delta RIB values for configuration CA_n66-n70-n71	17.10.0
2023-09	RAN#101	R5-235652	2434	1	F	Corrections on notation for SUL CA configuration for transmitter power	17.10.0
2023-09	RAN#101	R5-235653	2437	1	F	Alignments on the terms for NR DC configured maximum UE output power	17.10.0
2023-09	RAN#101	R5-235654	2435	1	F	Corrections on notation for SUL CA configuration for reference sensitivity	17.10.0
2023-09	RAN#101	R5-235655	2438	1	F	Corrections on the delta TIB values for NR DC configurations	17.10.0
2023-09	RAN#101	R5-235656	2439	1	F	Corrections on the maximum output power tolerance	17.10.0
2023-09	RAN#101	R5-235657	2440	1	F	Corrections on channel bandwidth for wide band intermodulation test	17.10.0
2023-09	RAN#101	R5-235658	2442	1	F	FRC corrections for maximum input level receiver requirements	17.10.0
2023-09	RAN#101	R5-235659	2333	1	F	General updates of TS 38.521-1 clause 5 for R16 CA configurations	17.10.0
2023-09	RAN#101	R5-235660	2352	1	F	Update delta TIB,c for CA_n2A-n66A	17.10.0
2023-09	RAN#101	R5-235661	2354	1	F	Update Clause 7 common requirements for additional 3DL inter-band NR CA configurations	17.10.0
2023-09	RAN#101	R5-235662	2339	1	F	n66 4Rx requirements missing for certain combos in 7.3A.1_1	17.10.0
2023-09	RAN#101	R5-235663	2334	1	F	General updates of TS 38.521-1 clause 5 for R17 CA configurations	17.10.0
2023-09	RAN#101	R5-235664	2317	1	F	Introduction of Reference sensitivity requirements for new NR band n13	17.10.0
2023-09	RAN#101	R5-235813	2365	2	F	Addition of spur emission co-existence requirements of CA_n5A-n66A.	17.10.0
2023-09	RAN#101	R5-235821	2427	1	F	Updating RB allocations in table 6.1A-1b	17.10.0
2023-09	RAN#101	R5-235828	2363	1	F	Update of UL MIMO Maximum Output Power TC	17.10.0
2023-09	RAN#101	R5-235829	2426	1	F	Updating REFSENS for 2DL CA exceptions test case for PC3 UE	17.10.0
2023-09	RAN#101	R5-235830	2450	1	F	Rel-17 Alignment of channel bandwidth between 38.521-1 and 38.101-1	17.10.0
2023-09	RAN#101	R5-235847	2316	1	F	Adding Reference sensitivity power level test requirements for CA_n20A-n78A	17.10.0

2023-09	RAN#101	R5-235849	2422	1	F	Addition of TC 6.5A.3.2 Spurious emissions UE co-existence for CA_n3A-n8A	17.10.0
2023-09	RAN#101	R5-235850	2343	1	F	TT and editor note update in NR-U Tx test cases for FR1 bands above 6GHz	17.10.0
2023-09	RAN#101	R5-235851	2344	1	F	TT and editor note update in NR-U Rx test cases for FR1 bands above 6GHz	17.10.0
2023-09	RAN#101	R5-235852	2345	1	F	MU and TT definition for FR1 bands above 6GHz - Annex F update	17.10.0
2023-09	RAN#101	R5-235853	2371	1	F	Update SEM for NR-U	17.10.0
2023-09	RAN#101	R5-235859	2453	1	F	Corrections on the higher power limit requirements for CA band combinations	17.10.0
2023-09	RAN#101	R5-235863	2369	1	F	Update 6.2.2 for 38.521-1	17.10.0
2023-09	RAN#101	R5-235864	2401	1	F	Clarification of unwanted emission testing configuration - Part 1	17.10.0
2023-09	RAN#101	R5-235867	2329	1	F	Correction of requirements of Spurious emissions for UE co-existence for NR	17.10.0
2023-09	RAN#101	R5-235935	2454	1	F	Updates to FR1 phase continuity test	17.10.0
2023-09	RAN#101	R5-235938	2321	1	F	Update 7.4 max input level for 1024QAM	17.10.0
2023-09	RAN#101	R5-235939	2322	1	F	Update 7.4A max input level for 1024QAM	17.10.0
2023-09	RAN#101	R5-235957	2433	1	F	Removal of the delta RIB values for configuration CA_n26-n66-n70	17.10.0
2023-09	RAN#101	R5-234742	2383	-	F	Addition of PC1.5 n34 and n40 MOP	18.0.0
2023-09	RAN#101	R5-234743	2384	-	F	Addition of PC1.5 n34 and n40 MPR	18.0.0
2023-09	RAN#101	R5-234744	2385	-	F	Update of PC1.5 n34 Configured tx power requirements	18.0.0
2023-09	RAN#101	R5-234747	2388	-	F	Addition of n28 UL MIMO Operating band	18.0.0
2023-09	RAN#101	R5-234748	2389	-	F	Addition of n28 UL MIMO MOP	18.0.0
2023-09	RAN#101	R5-234749	2390	-	F	Addition of n28 UL MIMO MPR	18.0.0
2023-09	RAN#101	R5-234828	2397	-	F	Update of Operating bands for UL MIMO band n8 and n80	18.0.0
2023-09	RAN#101	R5-235016	2423	-	F	Addition of n1 n3 and n8 into TC 6.2D.1 MOP for UL MIMO	18.0.0
2023-09	RAN#101	R5-235154	2447	-	F	Addition of PC2 configuration n80 and n84 into TC 6.2D.1_1	18.0.0
2023-09	RAN#101	R5-235180	2452	-	F	Addition of n8 into TC 6.2D.2 MPR for UL MIMO	18.0.0
2023-09	RAN#101	R5-235617	2373	2	F	Updates to spurious emissions UE coexistence test cases as part of introduction of LTE Band 54	18.0.0
2023-09	RAN#101	R5-235861	2358	1	F	Introduction of PC1 transmitter requirements for railway bands n100 and n101	18.0.0
2023-12	RAN#102	R5-236083	2464	-	F	Add general spurious emissions for UE co-existence requirements for CA_n25A-n66A, CA_n25A-n77A, CA_n25A-n78A, CA_n66A-n78A	18.1.0
2023-12	RAN#102	R5-236084	2465	-	F	Add Spurious emissions for UE co-existence test requirements for CA_n25A-n66A, CA_n25A-n77A, CA_n25A-n78A, CA_n66A-n78A, CA_n78(2A)	18.1.0
2023-12	RAN#102	R5-236141	2470	-	F	Error correction for 7.8 Intermodulation characteristics	18.1.0
2023-12	RAN#102	R5-236142	2471	-	F	Correction of message contents for some receiver test cases	18.1.0
2023-12	RAN#102	R5-236279	2473	-	F	Correction of RB allocation for ChBW 40 MHz and SCS 30 kHz in Table 6.2.3.4.1-16a	18.1.0
2023-12	RAN#102	R5-236286	2474	-	F	Adding PC2 allowed indication for completed inter-band and intra-band CA combinations	18.1.0
2023-12	RAN#102	R5-236326	2475	-	F	UL frequency correction for n66 in CA_n48A-n66A combo in test 7.3A.1_1	18.1.0
2023-12	RAN#102	R5-236329	2476	-	F	IBNC CA - n2 and n71 - undefined frequencies for custom Wgap	18.1.0
2023-12	RAN#102	R5-236334	2477	-	F	Incorrect table reference in FR1 test case 7.6A.4.1	18.1.0
2023-12	RAN#102	R5-236335	2478	-	F	Editorial correction in FR1 test case 6.2.4	18.1.0
2023-12	RAN#102	R5-236336	2479	-	F	DL frequency correction for n78 in CA_n3A-n78A combo in test 7.3A.1_1	18.1.0
2023-12	RAN#102	R5-236337	2480	-	F	Update applicability for NS_47 in FR1 test case 6.5.3.3	18.1.0
2023-12	RAN#102	R5-236338	2481	-	F	Test procedure update in test case 6.5A.4.1 to skip IMPs overlapping with UL signal	18.1.0
2023-12	RAN#102	R5-236344	2482	-	F	Editorial correction for referred tables for NS_04 in FR1 test 6.5G.2.2	18.1.0
2023-12	RAN#102	R5-236354	2485	-	F	Addition of spurious emissions test for several NR CA combos	18.1.0

2023-12	RAN#102	R5-236379	2489	-	F	Test configuration table modification due to core specification alignments and CR implementation mismatch	18.1.0
2023-12	RAN#102	R5-236445	2493	-	F	Corrections to Spurious emissions for UE co-existence requirements	18.1.0
2023-12	RAN#102	R5-236494	2494	-	F	Aligning test configuration for SEM, ACLR and MPR test cases with TP analysis	18.1.0
2023-12	RAN#102	R5-236497	2496	-	F	Addition of test case 6.3F.4.2, Absolute power tolerance for shared spectrum access	18.1.0
2023-12	RAN#102	R5-236498	2497	-	F	Addition of test case 6.2F.4, Configured transmitted power for shared spectrum access	18.1.0
2023-12	RAN#102	R5-236510	2499	-	F	Correction of test requirement for absolute power tolerance test case	18.1.0
2023-12	RAN#102	R5-236517	2500	-	F	Correction of prach-ConfigurationIndex for time mask and EVM	18.1.0
2023-12	RAN#102	R5-236519	2501	-	F	Editorial correction in test case 7.4A.3	18.1.0
2023-12	RAN#102	R5-236529	2503	-	F	Correction to relative power tolerance test cases	18.1.0
2023-12	RAN#102	R5-236650	2505	-	F	Update for PC3 n39 A-MPR	18.1.0
2023-12	RAN#102	R5-236668	2506	-	F	Update of MOP for PC3 n28 UL MIMO	18.1.0
2023-12	RAN#102	R5-236677	2508	-	F	Addition of PC1.5 n34 and n40 Modified MPR behaviour	18.1.0
2023-12	RAN#102	R5-236803	2509	-	F	Correction to message exception for TDD UL DL pattern in 6.2.1	18.1.0
2023-12	RAN#102	R5-236804	2510	-	F	Editorial correction to 6.5A.2.2.1	18.1.0
2023-12	RAN#102	R5-236806	2512	-	F	Correction to UL assignment for different SCS in 6.3A.3.1	18.1.0
2023-12	RAN#102	R5-236807	2513	-	F	Editorial correction to 7.3A.1_1	18.1.0
2023-12	RAN#102	R5-236808	2514	-	F	Correction to test requirements of A-MPR for NS_44	18.1.0
2023-12	RAN#102	R5-236809	2515	-	F	Correction to RB allocation of A-MPR for NS_07	18.1.0
2023-12	RAN#102	R5-236810	2516	-	F	Correction to RB allocation of A-MPR for NS_27	18.1.0
2023-12	RAN#102	R5-236902	2521	-	F	Addition of new test case 6.2H.1.1 MOP for intra-band UL contiguous CA with UL MIMO	18.1.0
2023-12	RAN#102	R5-236908	2527	-	F	Addition of new test case 6.5H.1.2.1 SEM for CA with UL MIMO	18.1.0
2023-12	RAN#102	R5-236910	2529	-	F	Addition of Annex F measurement uncertainties for CA with UL MIMO test cases	18.1.0
2023-12	RAN#102	R5-236914	2530	-	F	Correction to test configuration for 6.3D.1 minimum output power for UL MIMO	18.1.0
2023-12	RAN#102	R5-236915	2531	-	F	Correction to test procedure for 6.5D.2.4 NR ACLR for UL MIMO	18.1.0
2023-12	RAN#102	R5-236926	2532	-	F	Corrections to 6.3A.1 on minimum output power for CA	18.1.0
2023-12	RAN#102	R5-236927	2533	-	F	Corrections to 6.3A.2 on Transmit OFF power for CA	18.1.0
2023-12	RAN#102	R5-236928	2534	-	F	Corrections to 6.3A.3 on Transmit ON OFF time mask for CA	18.1.0
2023-12	RAN#102	R5-236929	2535	-	F	Corrections to 7.6A.2.1.5 on In-band blocking test for 2DL CA	18.1.0
2023-12	RAN#102	R5-236930	2536	-	F	Corrections to 7.6A.2.2.5 on In-band blocking test for 3DL CA	18.1.0
2023-12	RAN#102	R5-236932	2537	-	F	Corrections to 5.5B on inter-band NR DC configuration table	18.1.0
2023-12	RAN#102	R5-236935	2539	-	F	Corrections to 7.3I on reference sensitivity power level test for RedCap	18.1.0
2023-12	RAN#102	R5-236936	2540	-	F	Editorial corrections to 7.2 on diversity characteristics for RedCap	18.1.0
2023-12	RAN#102	R5-236941	2541	-	F	Corrections to 7.6.2 and 7.6A.2 on symbols for In-band blocking	18.1.0
2023-12	RAN#102	R5-236942	2542	-	F	Editorial corrections to 7.3A.5 on symbols for CA reference sensitivity	18.1.0
2023-12	RAN#102	R5-236949	2543	-	F	Update delta TIB for NR CA configuration CA_n1A-n3A-n78A	18.1.0
2023-12	RAN#102	R5-236950	2544	-	F	Update test configuration and test requirement for 3DL CA reference sensitivity exceptions for CA_n1A-n3A-n78A	18.1.0
2023-12	RAN#102	R5-236951	2545	-	F	Update delta RIB for NR CA configuration CA_n1A-n3A-n78A	18.1.0
2023-12	RAN#102	R5-236952	2546	-	F	Update minimum requirements of REFSSENS exceptions due to intermodulation interference for 3D2U CA configuration of CA_n1A-n3A-n78A	18.1.0
2023-12	RAN#102	R5-237039	2551	-	F	Removing n85 in Narrow band blocking test case	18.1.0

2023-12	RAN#102	R5-237040	2552	-	F	Removing test case Narrow band blocking for SUL with UL MIMO	18.1.0
2023-12	RAN#102	R5-237042	2553	-	F	Core specification alignment for almost contiguous RB allocation	18.1.0
2023-12	RAN#102	R5-237043	2554	-	F	Cleaning up mentioned standardization groups name in specification	18.1.0
2023-12	RAN#102	R5-237044	2555	-	F	Correcting wrong RB allocations for NS_05 and NS_05U	18.1.0
2023-12	RAN#102	R5-237045	2556	-	F	Correcting wrong RB allocations for NS_46	18.1.0
2023-12	RAN#102	R5-237046	2557	-	F	Correcting wrong RB allocations for NS_48	18.1.0
2023-12	RAN#102	R5-237047	2558	-	F	Correcting wrong RB allocations for NS_49	18.1.0
2023-12	RAN#102	R5-237057	2564	-	F	Updating additional spurious emissions for MIMO for n39	18.1.0
2023-12	RAN#102	R5-237064	2568	-	F	Updating In-band emissions for intra-band UL CA	18.1.0
2023-12	RAN#102	R5-237072	2571	-	F	Removing unnecessary testing details for not testable V2X cases	18.1.0
2023-12	RAN#102	R5-237091	2572	-	F	Addition of PC2 configuration n80 and n84 into TC 6.2D.2_1	18.1.0
2023-12	RAN#102	R5-237147	2574	-	F	Editorial correction to 6.2D.2.5	18.1.0
2023-12	RAN#102	R5-237238	2576	-	F	Updates to Annex for FR1 RF Phase continuity test	18.1.0
2023-12	RAN#102	R5-237248	2579	-	F	Correction of TDD configuration in SRS time mask test case	18.1.0
2023-12	RAN#102	R5-237251	2581	-	F	Correction of almost contiguous allocation in A-MPR test	18.1.0
2023-12	RAN#102	R5-237262	2583	-	F	Correction of maximum input power test cases	18.1.0
2023-12	RAN#102	R5-237263	2584	-	F	Update for DC location in carrier leakage test cases	18.1.0
2023-12	RAN#102	R5-237473	2518	1	F	Correction to average count for EVM including transient period	18.1.0
2023-12	RAN#102	R5-237614	2461	1	F	Adding Reference sensitivity test requirements for CA_n1A-n3A-n28A-n78A	18.1.0
2023-12	RAN#102	R5-237616	2468	1	F	Addition of delta RIBc and reference sensitivity for new R16 NR CA comb within FR1	18.1.0
2023-12	RAN#102	R5-237618	2462	1	F	Adding Reference sensitivity test requirements for CA_n25A-n66A-n77(2A) and CA_n25A-n66A-n78(2A)	18.1.0
2023-12	RAN#102	R5-237620	2469	1	F	Addition of delta RIBc and reference sensitivity for new R17 NR CA comb within FR1	18.1.0
2023-12	RAN#102	R5-237621	2487	1	F	Update requirements for additional NR CA configurations	18.1.0
2023-12	RAN#102	R5-237624	2522	1	F	Addition of new test case 6.2H.1.2 MPR for CA with UL MIMO	18.1.0
2023-12	RAN#102	R5-237625	2523	1	F	Addition of new test case 6.2H.1.4 configured transmitted power for CA with UL MIMO	18.1.0
2023-12	RAN#102	R5-237626	2524	1	F	Addition of new test case 6.3H.1.1 minimum output power for CA with UL MIMO	18.1.0
2023-12	RAN#102	R5-237627	2525	1	F	Addition of new test case 6.3H.1.2 Transmit OFF power for CA with UL MIMO	18.1.0
2023-12	RAN#102	R5-237628	2526	1	F	Addition of new test case 6.3H.1.3 Transmit ON/OFF time mask for CA with UL MIMO	18.1.0
2023-12	RAN#102	R5-237629	2528	1	F	Addition of new test case 6.5H.1.2.3 NR ACLR for CA with UL MIMO	18.1.0
2023-12	RAN#102	R5-237631	2562	1	F	Updating Frequency error for CA test case for intra-band UL CA	18.1.0
2023-12	RAN#102	R5-237632	2565	1	F	Updating Transmit intermodulation testing for intra-band UL CA	18.1.0
2023-12	RAN#102	R5-237634	2502	1	F	Update of 6.2F.3 UE additional maximum output power reduction for shared spectrum access	18.1.0
2023-12	RAN#102	R5-237637	2550	1	F	Addition of PC2 configuration n1 and n3 into MPR UL MIMO TC 6.2D.2	18.1.0
2023-12	RAN#102	R5-237638	2547	1	F	Update 6.2A.4.0.2.3 delta TIB for NR CA configuration CA_n1A-n8A-n78A	18.1.0
2023-12	RAN#102	R5-237639	2548	1	F	Update 7.3A.0.3.2.3 delta RIB for NR CA configuration CA_n1A-n8A-n78A	18.1.0
2023-12	RAN#102	R5-237640	2549	1	F	Update 7.3A.0.5 reference sensitivity exceptions due to intermodulation interference for 3DL/2UL NR CA configuration of CA_n1A-n8A-n78A	18.1.0
2023-12	RAN#102	R5-237641	2520	1	F	Addition the missing 6.5A.3.1.1.5 general spurious emissions test requirements for CA_n1A-n78A	18.1.0
2023-12	RAN#102	R5-237642	2490	1	F	General updates of TS 38.521-1 clause 5 for R16 CA configurations	18.1.0

2023-12	RAN#102	R5-237643	2463	1	F	Add UE maximum power requirements for CA_n25A-n66A, CA_n25A-n77A, CA_n25A-n78A, CA_n66A-n78A, CA_n78(2A)	18.1.0
2023-12	RAN#102	R5-237644	2467	1	F	Addition of delta TIBc for new R17 NR CA comb within FR1	18.1.0
2023-12	RAN#102	R5-237645	2484	1	F	Addition of max power requirements for several NR CA combos	18.1.0
2023-12	RAN#102	R5-237647	2486	1	F	Update minimum requirements for additional four bands NR CA configurations	18.1.0
2023-12	RAN#102	R5-237648	2488	1	F	Remove Editors Notes which are no longer needed and core specification alignment	18.1.0
2023-12	RAN#102	R5-237649	2491	1	F	General updates of TS 38.521-1 clause 5 for R17 CA configurations	18.1.0
2023-12	RAN#102	R5-237650	2560	1	F	Updating AMPR for MIMO for band n39	18.1.0
2023-12	RAN#102	R5-237651	2483	1	F	TxDiversity - in-band emissions test procedure correction	18.1.0
2023-12	RAN#102	R5-237652	2511	1	F	Correction to message contents for P-max in ACLR and Transmit intermodulation for CA	18.1.0
2023-12	RAN#102	R5-237653	2573	1	F	Clarification of number of measured UL connectors for Tx requirements	18.1.0
2023-12	RAN#102	R5-237654	2517	1	F	Correction to DL RB allocation for ChBW 45 MHz	18.1.0
2023-12	RAN#102	R5-237655	2580	1	F	Correction of single carrier Refsens test case	18.1.0
2023-12	RAN#102	R5-237828	2466	1	F	Addition of spurious emissions, delta TIBc and UE maximum output power for new R16 NR CA comb within FR1	18.1.0
2023-12	RAN#102	R5-237849	2495	1	F	Addition of general clause 6.1F	18.1.0
2023-12	RAN#102	R5-237861	2492	1	F	Corrections to spurious emissions co-existence for 2 UL Inter-band CA	18.1.0
2023-12	RAN#102	R5-237902	2559	1	F	Updating Configured output power for intra-band non-contiguous CA	18.1.0
2023-12	RAN#102	R5-237903	2561	1	F	Updating minimum output power for UL non-contiguous CA	18.1.0
2023-12	RAN#102	R5-237904	2563	1	F	Updating Spurious emission testing for intra-band non-contiguous CA	18.1.0
2023-12	RAN#102	R5-237905	2566	1	F	Updating EVM testing for intra-band UL CA	18.1.0
2023-12	RAN#102	R5-237906	2567	1	F	Updating carrier leakage testing for intra-band UL CA	18.1.0
2023-12	RAN#102	R5-237907	2569	1	F	Updating annexF MU and TT for intra-band UL CA testing	18.1.0
2023-12	RAN#102	R5-237910	2498	1	F	MU ad TT values for newly introduced NR-U test cases	18.1.0
2023-12	RAN#102	R5-237911	2570	1	F	Updating AMPR for CA test case for CA_n28A-n41A	18.1.0
2023-12	RAN#102	R5-237912	2575	1	F	Updates to FR1 RF phase continuity test	18.1.0
2023-12	RAN#102	R5-237940	2582	1	F	Tx signal quality for UL MIMO per layer	18.1.0
2023-12	RAN#102	R5-237949	2519	1	F	Correction to minimum conformance requirements of A-MPR for NS_07	18.1.0
2024-03	RAN#103	R5-240049	2585	-	F	Introduction of common parts for ATG UE RF test cases	18.2.0
2024-03	RAN#103	R5-240053	2589	-	F	Introduction of General description of Occupied bandwidth for ATG UE	18.2.0
2024-03	RAN#103	R5-240055	2591	-	F	Introduction of General description of Out of band emission for ATG UE	18.2.0
2024-03	RAN#103	R5-240056	2592	-	F	Introduction of General description of Spurious emissions for ATG UE	18.2.0
2024-03	RAN#103	R5-240058	2594	-	F	Introduction of General description of Rx TCs for ATG UE	18.2.0
2024-03	RAN#103	R5-240059	2595	-	F	Introduction of Diversity characteristics description for ATG UE	18.2.0
2024-03	RAN#103	R5-240060	2596	-	F	Introduction of General description of Reference sensitivity for ATG UE	18.2.0
2024-03	RAN#103	R5-240061	2597	-	F	Introduction of General description of Blocking characteristics for ATG UE	18.2.0
2024-03	RAN#103	R5-240063	2599	-	F	Introduction of General description of Intermodulation characteristics for ATG UE	18.2.0
2024-03	RAN#103	R5-240080	2602	-	F	Addition of PC1.5 n39 MOP	18.2.0
2024-03	RAN#103	R5-240081	2603	-	F	Addition of PC2 n40 MOP	18.2.0
2024-03	RAN#103	R5-240082	2604	-	F	Addition of PC1.5 n39 MPR	18.2.0
2024-03	RAN#103	R5-240083	2605	-	F	Addition of PC1.5 n39 Configured tx power requirements	18.2.0
2024-03	RAN#103	R5-240084	2606	-	F	Addition of PC1.5 n39 Modified MPR behavior	18.2.0
2024-03	RAN#103	R5-240228	2609	-	F	General updates of TS 38.521-1 clause 5 for R16 CA configurations	18.2.0
2024-03	RAN#103	R5-240232	2612	-	F	Update 3DL CA reference sensitivity exceptions TC for CA_n1A-n8A-n78A	18.2.0

2024-03	RAN#103	R5-240273	2620	-	F	Addition of asymmetric UL and DL channel bandwidth combinations of band n8 in 5.3.6	18.2.0
2024-03	RAN#103	R5-240279	2621	-	F	Addition of PC2 for n8 into TC 6.2.1 MOP	18.2.0
2024-03	RAN#103	R5-240281	2623	-	F	Addition of PC2 for n8 into TC 7.3.2 Reference Sensitivity	18.2.0
2024-03	RAN#103	R5-240307	2624	-	F	Updating test case AMPR for inter-band CA	18.2.0
2024-03	RAN#103	R5-240310	2625	-	F	Updating test frequency range for SUL band n83	18.2.0
2024-03	RAN#103	R5-240315	2628	-	F	Editorial correction to test requirement of MPR for CA test case	18.2.0
2024-03	RAN#103	R5-240319	2630	-	F	Updating AMPR testing for SUL band n81	18.2.0
2024-03	RAN#103	R5-240320	2631	-	F	Updating UTRA ACLR testing for SUL band n81	18.2.0
2024-03	RAN#103	R5-240333	2636	-	F	Updating PC2 test requirements in MPR test case for band n1 and n3	18.2.0
2024-03	RAN#103	R5-240336	2638	-	F	Addition of new test case 6.3G.4.1 Absolute power tolerance for Tx Diversity	18.2.0
2024-03	RAN#103	R5-240375	2640	-	F	Addition of new test case 6.2H.3.2 MPR for inter-band CA with UL MIMO	18.2.0
2024-03	RAN#103	R5-240443	2641	-	F	Corrections to spurious emissions for CA_n3A-n28A	18.2.0
2024-03	RAN#103	R5-240454	2642	-	F	Editorial correction to UE Power Class for n100 and n101	18.2.0
2024-03	RAN#103	R5-240465	2646	-	F	Add UE maximum power requirements for CA_n71A-n78A	18.2.0
2024-03	RAN#103	R5-240466	2647	-	F	Add general spurious emissions for UE co-existence requirements for CA_n71A-n77A and CA_n71A-n78A	18.2.0
2024-03	RAN#103	R5-240469	2648	-	F	Addition of reference sensitivity channel bandwidths for n25 and n71	18.2.0
2024-03	RAN#103	R5-240470	2649	-	F	Addition of 35 MHz CBW for transmitter requirements	18.2.0
2024-03	RAN#103	R5-240619	2650	-	F	FR1 CA - Test requirement correction for n2-n48 combo in test 7.3A.1_1	18.2.0
2024-03	RAN#103	R5-240620	2651	-	F	Corrections for combo n48A-n66A in test case 7.3A.1_1	18.2.0
2024-03	RAN#103	R5-240621	2652	-	F	TT Formula vs MU to be added for FR1 EVM test as in FR2	18.2.0
2024-03	RAN#103	R5-240623	2654	-	F	MBW table reference corrected for inter-band case in test case 6.5A.4.1	18.2.0
2024-03	RAN#103	R5-240772	2657	-	F	Addition of new test case 7.4A.4 Maximum input level for CA (5DL CA)	18.2.0
2024-03	RAN#103	R5-240773	2658	-	F	Addition of new test case 7.5A.4 Adjacent channel selectivity for (5DL CA)	18.2.0
2024-03	RAN#103	R5-240777	2659	-	F	Adding Reference sensitivity test requirements for CA_n1A-n28A-n78A and CA_n3A-n28A-n78A	18.2.0
2024-03	RAN#103	R5-240817	2663	-	F	Addition of test case 6.3F.4.3 relative power tolerance for shared spectrum channel access	18.2.0
2024-03	RAN#103	R5-240819	2664	-	F	Addition of MU and TT for NR-U test cases	18.2.0
2024-03	RAN#103	R5-240821	2665	-	F	Updates of test case 6.2F.4 Configured transmitted power for shared spectrum access	18.2.0
2024-03	RAN#103	R5-240826	2666	-	F	Editorial, correcting Test case title for 7.3I.2 in Annex A	18.2.0
2024-03	RAN#103	R5-240828	2667	-	F	Addition of RMC tables for shared spectrum access in Annex A	18.2.0
2024-03	RAN#103	R5-240835	2668	-	F	Update of 6.3C.1 for minimum output power for SUL bands	18.2.0
2024-03	RAN#103	R5-240836	2669	-	F	Update of 6.3C.2 for transmit OFF power for SUL bands	18.2.0
2024-03	RAN#103	R5-240888	2671	-	F	Update reference sensitivity requirement table for additional band configurations	18.2.0
2024-03	RAN#103	R5-240894	2673	-	F	Addition of PC2 max power requirements for bands CA_n77(2A) and CA_n14A-n77A	18.2.0
2024-03	RAN#103	R5-241002	2679	-	F	Update to ASEM test cases for V2X	18.2.0
2024-03	RAN#103	R5-241003	2680	-	F	Update to ASE test case for V2X	18.2.0
2024-03	RAN#103	R5-241007	2681	-	F	Adding the support of NS_47 for PC 1.5	18.2.0
2024-03	RAN#103	R5-241010	2683	-	F	Addition of 6.3H.1.4 power control for CA with UL MIMO	18.2.0
2024-03	RAN#103	R5-241023	2696	-	F	Update to minimum requirement of 6.4D.4 for UL switching	18.2.0
2024-03	RAN#103	R5-241099	2706	-	F	Correction to UL configuration for intra-band contiguous CA	18.2.0
2024-03	RAN#103	R5-241101	2708	-	F	Correction to Rel-16 A-MPR	18.2.0
2024-03	RAN#103	R5-241103	2710	-	F	Correction to applicability of powerBoosting for PC3 UE	18.2.0
2024-03	RAN#103	R5-241104	2711	-	F	Addition of CBW 35 MHz and 45 MHz to OBW for inter-band CA	18.2.0
2024-03	RAN#103	R5-241105	2712	-	F	Addition of CBW 35 MHz, 45 MHz, 70 MHz to ACS for CA	18.2.0
2024-03	RAN#103	R5-241154	2716	-	F	Editorial correction in FR1 test case 6.4G.2.1	18.2.0
2024-03	RAN#103	R5-241156	2718	-	F	Editorial correction in FR1 test case 6.2A.2.1	18.2.0
2024-03	RAN#103	R5-241208	2722	-	F	Correction to test case 6.4E.2.4.1D In-band emissions for V2X / non-concurrent operation / SL-MIMO	18.2.0

2024-03	RAN#103	R5-241210	2723	-	F	Correction to test case 6.4E.2.4.2 In-band emissions for V2X / con-current operation	18.2.0
2024-03	RAN#103	R5-241260	2725	-	F	Update of Operating bands for UL MIMO band n5	18.2.0
2024-03	RAN#103	R5-241263	2727	-	F	Addition of n5 into TC 6.2D.2 MPR for UL MIMO	18.2.0
2024-03	RAN#103	R5-241354	2730	-	F	Correction in A-MPR test case	18.2.0
2024-03	RAN#103	R5-241369	2732	-	F	Update of Refsens TC for RedCap UE	18.2.0
2024-03	RAN#103	R5-241683	2586	2	F	Introduction of General description for ATG UE Tx TCs	18.2.0
2024-03	RAN#103	R5-241727	2608	1	F	Update test configuration table for NS_13	18.2.0
2024-03	RAN#103	R5-241728	2632	1	F	Addition of delta TIBc and UE maximum output power for new R16 NR CA combos within FR1	18.2.0
2024-03	RAN#103	R5-241729	2660	1	F	Add UE maximum power requirements for CA_n1A-n28A and CA_n3A-n28A	18.2.0
2024-03	RAN#103	R5-241730	2661	1	F	Add spurious emissions for UE co-existence requirements for CA_n1A_n28A	18.2.0
2024-03	RAN#103	R5-241731	2634	1	F	Addition of delta RIBc and reference sensitivity for new R16 NR CA combos within FR1	18.2.0
2024-03	RAN#103	R5-241732	2703	1	F	Correction to Reference sensitivity for Rel-16 CA	18.2.0
2024-03	RAN#103	R5-241733	2678	1	F	Adding AMPR test cases for V2X	18.2.0
2024-03	RAN#103	R5-241734	2633	1	F	Addition of spurious emissions, delta TIBc and UE maximum output power for new R17 NR CA combos within FR1	18.2.0
2024-03	RAN#103	R5-241735	2635	1	F	Addition of delta RIBc and reference sensitivity for new R17 NR CA combos within FR1	18.2.0
2024-03	RAN#103	R5-241736	2645	1	F	Adding Reference sensitivity test requirements for CA_n66A-n71A-n77(2A) and CA_n66A-n71A-n78(2A)	18.2.0
2024-03	RAN#103	R5-241737	2704	1	F	Correction to Reference sensitivity for CA_n28A-n41A-n79A	18.2.0
2024-03	RAN#103	R5-241738	2705	1	F	Clarification of asymmetric BW in Rx test cases for CA	18.2.0
2024-03	RAN#103	R5-241739	2662	1	F	Updates to NR-U Tx test cases	18.2.0
2024-03	RAN#103	R5-241740	2719	1	F	Addition of test case 6.5F.3.3 Additional spurious emissions for shared spectrum channel access	18.2.0
2024-03	RAN#103	R5-241741	2720	1	F	Updates of test case 6.2F.3 UE additional maximum output power reduction for shared spectrum access	18.2.0
2024-03	RAN#103	R5-241742	2724	1	F	Updates of test case 6.5F.2.4.2, Shared spectrum channel access ACLR with additional requirement for NS_29	18.2.0
2024-03	RAN#103	R5-241745	2726	1	F	Addition of n5 into TC 6.2D.1 MOP for UL MIMO	18.2.0
2024-03	RAN#103	R5-241746	2674	1	F	Addition of band CA_n14A-n77A PC2 reference sensitivity test	18.2.0
2024-03	RAN#103	R5-241747	2672	1	F	Addition of CA_n14A-n77A PC2 and CA_n77(2A) PC2 to Ch 5	18.2.0
2024-03	RAN#103	R5-241751	2587	1	F	Introduction of MOP TC for ATG UE	18.2.0
2024-03	RAN#103	R5-241752	2588	1	F	Introduction of Configured transmitted power TC for ATG UE	18.2.0
2024-03	RAN#103	R5-241753	2590	1	F	Introduction of Occupied bandwidth TC for ATG UE	18.2.0
2024-03	RAN#103	R5-241754	2593	1	F	Introduction of General Spurious emissions TC for ATG UE	18.2.0
2024-03	RAN#103	R5-241755	2614	1	F	Addition of new test case 6.3J.2 Transmit OFF power for ATG	18.2.0
2024-03	RAN#103	R5-241756	2615	1	F	Addition of new test case 6.3J.1 Minimum output power for ATG	18.2.0
2024-03	RAN#103	R5-241757	2598	1	F	Introduction of Spurious response TC for ATG UE	18.2.0
2024-03	RAN#103	R5-241758	2600	1	F	Introduction of Wide band intermodulation TC for ATG UE	18.2.0
2024-03	RAN#103	R5-241759	2601	1	F	Introduction of Spurious emissions TC for ATG UE	18.2.0
2024-03	RAN#103	R5-241760	2616	1	F	Addition of new test case 7.4J Maximum input level for ATG	18.2.0
2024-03	RAN#103	R5-241761	2617	1	F	Addition of new test case 7.5J Adjacent channel selectivity for ATG	18.2.0
2024-03	RAN#103	R5-241762	2618	1	F	Addition of new test case 7.6J.2 In-band blocking for ATG	18.2.0
2024-03	RAN#103	R5-241763	2619	1	F	Addition of new test case 7.6J.3 Out-of-band blocking for ATG	18.2.0
2024-03	RAN#103	R5-241764	2637	1	F	Addition of Measurement Uncertainties and Test Tolerances for ATG UE	18.2.0
2024-03	RAN#103	R5-241766	2656	1	F	p-Max and p-NR-FR1 adjustment when higherPowerLimit-r17 applies	18.2.0
2024-03	RAN#103	R5-241767	2675	1	F	Clarification of trace mode in emission testing_FR1	18.2.0
2024-03	RAN#103	R5-241768	2677	1	F	Update to AMPR, ASEM and ASE for intra-band CA for CA_NS_04	18.2.0
2024-03	RAN#103	R5-241769	2717	1	F	Editorial correction in FR1 test case 6.5A.2.4.1.1	18.2.0

2024-03	RAN#103	R5-241772	2643	1	F	Correction to Reference sensitivity power level test configuration for CA_n28A-n78A	18.2.0
2024-03	RAN#103	R5-241773	2713	1	F	Addition of CBW 35 MHz, 45 MHz, 70 MHz to Narrow band blocking for inter-band CA	18.2.0
2024-03	RAN#103	R5-241774	2721	1	F	Correction of 7.6A.2 for inband blocking for CA	18.2.0
2024-03	RAN#103	R5-241775	2611	1	F	General updates of clause 5 for R17 new CBW configurations	18.2.0
2024-03	RAN#103	R5-241776	2655	1	F	Added 30kHz SCS for SSB in n53 to be aligned with core specs	18.2.0
2024-03	RAN#103	R5-241779	2735	1	F	Corrections for 6.3G.3.3	18.2.0
2024-03	RAN#103	R5-241868	2610	1	F	General updates of TS 38.521-1 clause 5 for R17 CA configurations	18.2.0
2024-03	RAN#103	R5-241870	2626	2	F	Updating FR1 PC2 REFSENS exceptions testing	18.2.0
2024-03	RAN#103	R5-241871	2627	2	F	Correcting errors in REFSENS for CA test case for PC3 CA configurations	18.2.0
2024-03	RAN#103	R5-241872	2629	2	F	Updating REFSENS testing for SUL configuration	18.2.0
2024-03	RAN#103	R5-241879	2639	1	F	Removal of square brackets for Tx Diversity capability	18.2.0
2024-03	RAN#103	R5-241880	2731	1	F	General updates of Spurious emissions for UE co-existence for Inter-band CA	18.2.0
2024-03	RAN#103	R5-241907	2728	1	F	Update of 4DL CA test cases	18.2.0
2024-03	RAN#103	R5-241922	2707	1	F	Correction to Rel-15 A-MPR	18.2.0
2024-03	RAN#103	R5-241941	2613	1	F	Addition of DL interruption allowed indication for CA_n1-n3-n78	18.2.0
2024-03	RAN#103	R5-241945	2714	1	F	Correction to note for inter-band CA including n48	18.2.0
2024-03	RAN#103	R5-241947	2733	1	F	Updates to FR1 RF phase continuity test	18.2.0
2024-03	RAN#103	R5-241948	2734	1	F	Updates and corrections to Annex in FR1 RF spec	18.2.0
2024-03	RAN#103	R5-241969	2709	1	F	Correction to test configuration in 6.2D.2	18.2.0
2024-03	RAN#103	R5-241970	2682	1	F	Addition of 6.2H.1.3 AMPR for CA with UL-MIMO	18.2.0
2024-03	RAN#103	R5-241971	2684	1	F	Addition of 6.4H.1.1 frequency error for CA with UL-MIMO	18.2.0
2024-03	RAN#103	R5-241972	2685	1	F	Addition of 6.4H.1.2.1 EVM for CA with UL-MIMO	18.2.0
2024-03	RAN#103	R5-241973	2686	1	F	Addition of 6.4H.1.2.2 Carrier leakage for CA with UL-MIMO	18.2.0
2024-03	RAN#103	R5-241974	2687	1	F	Addition of 6.4H.1.2.3 In-band emission for CA with UL-MIMO	18.2.0
2024-03	RAN#103	R5-241975	2688	1	F	Addition of 6.4H.1.3 time alignment error for CA with UL-MIMO	18.2.0
2024-03	RAN#103	R5-241976	2689	1	F	Addition of 6.4H.1.4 Coherent requirement for CA with UL-MIMO	18.2.0
2024-03	RAN#103	R5-241977	2690	1	F	Addition of 6.5H.1.1 Occupied bandwidth for CA with UL-MIMO	18.2.0
2024-03	RAN#103	R5-241978	2691	1	F	Addition of 6.5H.1.2.2 ASEM for CA with UL-MIMO	18.2.0
2024-03	RAN#103	R5-241979	2692	1	F	Addition of 6.5H.1.3.1 General spurious emission for CA with UL-MIMO	18.2.0
2024-03	RAN#103	R5-241980	2693	1	F	Addition of 6.5H.1.3.2 Spurious emission UE co-existence for CA with UL-MIMO	18.2.0
2024-03	RAN#103	R5-241981	2694	1	F	Addition of 6.5H.1.3.3 Additional spurious emission for CA with UL-MIMO	18.2.0
2024-03	RAN#103	R5-241982	2695	1	F	Addition of 6.5H.1.4 Transmit intermodulation for CA with UL-MIMO	18.2.0
2024-03	RAN#103	R5-241983	2697	1	F	Addition of 6.3A.3.4 1Tx-2Tx UL switching between two bands	18.2.0
2024-03	RAN#103	R5-241984	2698	1	F	Addition of 6.3A.3.5 2Tx-2Tx UL switching between two bands	18.2.0
2024-03	RAN#103	R5-241985	2699	1	F	Addition of 6.3C.3.3 2Tx-2Tx UL switching between two uplink carriers in SUL configuration	18.2.0
2024-03	RAN#103	R5-241986	2700	1	F	Addition of 6.3C.3.4 1Tx-2Tx UL switching between two bands in SUL configuration	18.2.0
2024-03	RAN#103	R5-241987	2701	1	F	Addition of 6.3C.3.5 2Tx-2Tx UL switching between two bands in SUL configuration	18.2.0
2024-03	RAN#103	R5-242015	2715	1	F	Correction to Reference sensitivity for CA_n26A-n70A	18.2.0
2024-06	RAN#104	R5-242247	2736	-	F	Addition of delta TIBc for CA_n28A-n40A	18.3.0
2024-06	RAN#104	R5-242250	2739	-	F	Addition of delta RIBc and reference sensitivity for CA_n3A-n28A-n41A-n77A	18.3.0
2024-06	RAN#104	R5-242287	2742	-	F	Addition of n66 UL MIMO MOP	18.3.0
2024-06	RAN#104	R5-242288	2743	-	F	Addition of n66 UL MIMO MPR	18.3.0
2024-06	RAN#104	R5-242365	2745	-	F	Adding transmitter requirements for band n85	18.3.0

2024-06	RAN#104	R5-242391	2753	-	F	Update to spurious emissions UE coexistence as part of introduction of LTE Band 106	18.3.0
2024-06	RAN#104	R5-242463	2757	-	F	Update for additional NRCA band configurations	18.3.0
2024-06	RAN#104	R5-242466	2758	-	F	Addition of n41 PC1 MOP TC	18.3.0
2024-06	RAN#104	R5-242467	2759	-	F	Addition of n41 PC1 MPR TC	18.3.0
2024-06	RAN#104	R5-242468	2760	-	F	Update n41 PC1 UTRA ACLR TC	18.3.0
2024-06	RAN#104	R5-242516	2765	-	F	Corrected MU and TT definition for FR1 UL MIMO test case 6.5D.2.3	18.3.0
2024-06	RAN#104	R5-242519	2767	-	F	Absolute power control - test requirements correction	18.3.0
2024-06	RAN#104	R5-242521	2769	-	F	Clarification for Rx test requirements for PC1.5	18.3.0
2024-06	RAN#104	R5-242538	2773	-	F	Addition of CA_n48C reference sensitivity requirement	18.3.0
2024-06	RAN#104	R5-242571	2774	-	F	General updates of clause 5 for R17 new CBW configurations	18.3.0
2024-06	RAN#104	R5-242572	2775	-	F	General updates of TS 38.521-1 clause 5 for R16 CA configurations	18.3.0
2024-06	RAN#104	R5-242918	2783	-	F	Correction to initial condition for SUL Tx switching TC 6.3C.3.2.4.1	18.3.0
2024-06	RAN#104	R5-242921	2784	-	F	Update of configured transmitted power requirements for 3Tx NR CA	18.3.0
2024-06	RAN#104	R5-242922	2785	-	F	Addition of new test case 6.2H.3.1 MOP for inter-band CA with MIMO	18.3.0
2024-06	RAN#104	R5-242923	2786	-	F	Addition of new test cases 6.2H.3.x for inter-band CA with MIMO	18.3.0
2024-06	RAN#104	R5-242924	2787	-	F	Addition of new test case 6.2L.3.1 MOP for inter-band CA with TxD	18.3.0
2024-06	RAN#104	R5-242926	2789	-	F	Addition of MU and TT analysis for 3Tx NR CA test cases	18.3.0
2024-06	RAN#104	R5-242944	2791	-	F	Update to FR1 CA Configurations for n78A-n79A with 1UL	18.3.0
2024-06	RAN#104	R5-242945	2792	-	F	Core spec alignment Missing DMRS configuration restriction for intra ULCA	18.3.0
2024-06	RAN#104	R5-242952	2794	-	F	Addition of REFSENS for PC2 CA n78A-n79A with 1UL	18.3.0
2024-06	RAN#104	R5-243009	2795	-	F	Correction to note for inter-band CA including n48	18.3.0
2024-06	RAN#104	R5-243010	2796	-	F	Correction to test configuration and test requirements for NS_49 A-MPR	18.3.0
2024-06	RAN#104	R5-243011	2797	-	F	Correction to test configuration and test requirements for NS_21 A-MPR	18.3.0
2024-06	RAN#104	R5-243012	2798	-	F	Correction to notes for NS_21 A-SEM	18.3.0
2024-06	RAN#104	R5-243027	2802	-	F	Addition of delta TIB into 6.2A.4.0.2.3 for CA_n3A-n8A-n78A	18.3.0
2024-06	RAN#104	R5-243029	2804	-	F	Addition of 3DL CA minimum requirements of reference sensitivity exceptions into 7.3A.0.5 for CA_n3A-n8A-n78A	18.3.0
2024-06	RAN#104	R5-243037	2807	-	F	Update to ATG RF Tx TCs	18.3.0
2024-06	RAN#104	R5-243038	2808	-	F	Update to ATG RF Rx TCs	18.3.0
2024-06	RAN#104	R5-243045	2809	-	F	Update to REFSENSE TC for CA_n79C	18.3.0
2024-06	RAN#104	R5-243046	2810	-	F	Update delta TIBc of CA_n39A-n41A for simultaneous RxTx capability	18.3.0
2024-06	RAN#104	R5-243047	2811	-	F	Update delta RIBc of CA_n39A-n41A for simultaneous RxTx capability	18.3.0
2024-06	RAN#104	R5-243049	2813	-	F	Update REFSENSE exceptions due to CBI for CA_n39A-n41A	18.3.0
2024-06	RAN#104	R5-243065	2815	-	F	Addition of PC1.5 n39 A-MPR	18.3.0
2024-06	RAN#104	R5-243123	2816	-	F	Addition of PC2 for n8 UL MIMO into 6.2D.1 MOP TC	18.3.0
2024-06	RAN#104	R5-243126	2817	-	F	Adding clarification of trace mode in emission test cases	18.3.0
2024-06	RAN#104	R5-243127	2818	-	F	Correction to general RB allocation in 6.1A	18.3.0
2024-06	RAN#104	R5-243128	2819	-	F	Cleaning up test applicability for ULFPTx in test cases	18.3.0
2024-06	RAN#104	R5-243130	2820	-	F	Editorial correction of Annex F for R17 FR1 test cases	18.3.0
2024-06	RAN#104	R5-243134	2821	-	F	Addition of NR V2X MOP for inter-band concurrent operation	18.3.0
2024-06	RAN#104	R5-243136	2822	-	F	Update of NR V2X MPR test cases	18.3.0
2024-06	RAN#104	R5-243138	2824	-	F	Addition of NR V2X NR configured transmit power test cases	18.3.0
2024-06	RAN#104	R5-243140	2825	-	F	Update to NR V2X minimum output power test cases	18.3.0
2024-06	RAN#104	R5-243141	2826	-	F	Update to NR V2X transmit off power test cases	18.3.0
2024-06	RAN#104	R5-243142	2827	-	F	Addition of NR V2X ON/OFF time mask test cases	18.3.0
2024-06	RAN#104	R5-243145	2828	-	F	Addition of NR V2X MOP minimum requirement for sidelink enhancement	18.3.0

2024-06	RAN#104	R5-243146	2829	-	F	Update to NR V2X MPR test cases to add PC2 and intra-band concurrent operation	18.3.0
2024-06	RAN#104	R5-243148	2830	-	F	Update to NR V2X AMPR test cases to add PC2 and intra-band concurrent operation	18.3.0
2024-06	RAN#104	R5-243201	2831	-	F	Updating AMPR requirements for PC3 UE supporting power boosting	18.3.0
2024-06	RAN#104	R5-243202	2832	-	F	Updating AMPR testing for CA_n41A-n79A	18.3.0
2024-06	RAN#104	R5-243205	2833	-	F	Updating AMPR testing for NS_43 for band n8	18.3.0
2024-06	RAN#104	R5-243208	2835	-	F	Updating general clause for Uplink switching across up to four bands	18.3.0
2024-06	RAN#104	R5-243256	2842	-	F	Correction of spurious emission minimum conformance requirements for UE co-ex to align with RAN4 specs	18.3.0
2024-06	RAN#104	R5-243279	2848	-	F	Updates to Reference sensitivity for SUL	18.3.0
2024-06	RAN#104	R5-243285	2849	-	F	Corrections on 6.2F.3 for UE A-MPR requirements for shared spectrum access	18.3.0
2024-06	RAN#104	R5-243296	2851	-	F	Corrections on 6.2.3 for UE additional maximum output power reduction requirements	18.3.0
2024-06	RAN#104	R5-243297	2852	-	F	Corrections on 6.5.2.2 for UE spectrum emission mask	18.3.0
2024-06	RAN#104	R5-243298	2853	-	F	Corrections on 6.5.3.3 for UE additional spurious emissions	18.3.0
2024-06	RAN#104	R5-243299	2854	-	F	Corrections on clause 6 for removal of power class capable UE denotation	18.3.0
2024-06	RAN#104	R5-243300	2855	-	F	Cleanups on 7.3.2 for reference sensitivity power level test	18.3.0
2024-06	RAN#104	R5-243319	2857	-	F	Update of Refsens TC for RedCap UE	18.3.0
2024-06	RAN#104	R5-243442	2859	-	F	Update for PC1.5 n39 A-SE	18.3.0
2024-06	RAN#104	R5-243617	2805	1	F	Addition of 3DL CA reference sensitivity TC into 7.3A.2 for CA_n3A-n8A-n78A	18.3.0
2024-06	RAN#104	R5-243620	2838	1	F	Adding new SUL test case Time mask for switching across three uplink bands	18.3.0
2024-06	RAN#104	R5-243623	2771	1	F	Apply interlaced RB allocation in test configuration table in test case 6.4F.2.2	18.3.0
2024-06	RAN#104	R5-243625	2740	1	F	Update of Rx test cases to add 50MHz for NR band n7	18.3.0
2024-06	RAN#104	R5-243626	2781	1	F	Addition of test case 6.3H.3.1 Minimum output power for inter-band UL CA with UL MIMO	18.3.0
2024-06	RAN#104	R5-243627	2782	1	F	Addition of test case 6.5H.3.1 Occupied bandwidth for inter-band UL CA with UL MIMO	18.3.0
2024-06	RAN#104	R5-243628	2788	1	F	Addition of new test cases 6.2L.3.x for inter-band CA with TxD	18.3.0
2024-06	RAN#104	R5-243629	2823	1	F	Update of NR V2X AMPR test cases	18.3.0
2024-06	RAN#104	R5-243630	2841	1	F	Update to Annex F for V2X test cases	18.3.0
2024-06	RAN#104	R5-243631	2834	1	F	Updating PC2 AMPR testing for NS_100 for band n8	18.3.0
2024-06	RAN#104	R5-243632	2803	1	F	Addition of delta RIB into 7.3A.0.3.2.3 for CA_n3A-n8A-n78A	18.3.0
2024-06	RAN#104	R5-243633	2843	1	F	Correction of spurious emission minimum conformance requirements for UE co-ex for intra-band contiguous CA	18.3.0
2024-06	RAN#104	R5-243634	2847	1	F	Correction of spurious emission test requirements for UE co-ex for CA (2UL CA) Rel-17	18.3.0
2024-06	RAN#104	R5-243635	2750	1	F	Correction to reference sensitivity test requirements for CA_n25A-n77A, CA_n25A-n78A and CA_n66A-n78A	18.3.0
2024-06	RAN#104	R5-243636	2776	1	F	General updates of TS 38.521-1 clause 5 for R17 CA configurations	18.3.0
2024-06	RAN#104	R5-243637	2755	1	F	Addition of 3 MHz channel bandwidth for transmitter requirements	18.3.0
2024-06	RAN#104	R5-243638	2756	1	F	Addition of 3 MHz channel bandwidth for receiver requirements	18.3.0
2024-06	RAN#104	R5-243639	2754	1	F	Introduction of dedicated spectrum less than 5MHz for FR1 to clause 5 and annex A	18.3.0
2024-06	RAN#104	R5-243640	2748	1	F	Adding transmitter requirements for band n106	18.3.0
2024-06	RAN#104	R5-243641	2749	1	F	Adding receiver requirements for band n106	18.3.0
2024-06	RAN#104	R5-243642	2752	1	F	Adding reference sensitivity requirements for UEs that support optional symmetric UL/DL in band n71	18.3.0
2024-06	RAN#104	R5-243643	2747	1	F	Introduction of new band n106 into clause 5	18.3.0
2024-06	RAN#104	R5-243644	2839	1	F	Adding new SUL test case Time mask for switching across four uplink bands	18.3.0
2024-06	RAN#104	R5-243645	2840	1	F	Updating MU and TT for Time mask for switching across up to four bands testing	18.3.0

2024-06	RAN#104	R5-243646	2763	1	F	Updates to editors note in NR-U Tx test cases	18.3.0
2024-06	RAN#104	R5-243647	2777	1	F	Correction to Table 6.F-1	18.3.0
2024-06	RAN#104	R5-243649	2844	1	F	Correction of spurious emission minimum conformance requirements for UE co-ex for inter-band 2UL	18.3.0
2024-06	RAN#104	R5-243650	2860	1	F	Updates to FR1 RF phase continuity test	18.3.0
2024-06	RAN#104	R5-243651	2746	1	F	Adding receiver requirements for band n85	18.3.0
2024-06	RAN#104	R5-243655	2778	1	F	Addition of CA_n2A-n30A, CA_n5A-n30A, CA_n30A-n66A and CA_n30A-n77A Tx test cases	18.3.0
2024-06	RAN#104	R5-243656	2779	1	F	Addition of reference sensitivity tests for CA_n2A-n30A, CA_n5A-n30A, CA_n30A-n66A and CA_n30A-n77A	18.3.0
2024-06	RAN#104	R5-243658	2836	1	F	Adding new test case Time mask for switching across three uplink bands	18.3.0
2024-06	RAN#104	R5-243659	2837	1	F	Adding new test case Time mask for switching across four uplink bands	18.3.0
2024-06	RAN#104	R5-243816	2845	1	F	Correction of spurious emission minimum conformance requirements for UE co-ex for inter-band 2UL Rel16	18.3.0
2024-06	RAN#104	R5-243817	2846	1	F	Correction of spurious emission test requirements for UE co-ex for CA (2UL CA) Rel-16	18.3.0
2024-06	RAN#104	R5-243818	2850	1	F	Corrections on 6.2 and 6.2A for almost contiguous A-MPR requirements for HPUE	18.3.0
2024-06	RAN#104	R5-243819	2856	1	F	Updates on 3.1 and 4.3 for Definitions and Specification suffix information	18.3.0
2024-06	RAN#104	R5-243821	2738	1	F	Addition of reference sensitivity for CA_n28A-n40A	18.3.0
2024-06	RAN#104	R5-243822	2737	1	F	Addition of delta TIBc for CA_n3A-n28A-n41A-n77A	18.3.0
2024-06	RAN#104	R5-243824	2793	1	F	Addition of REFSENS for PC3 CA n78A-n79A with 1UL	18.3.0
2024-06	RAN#104	R5-243834	2800	1	F	Correction to LCRB of CA_n5-n48-n66 in 7.3A.0.5	18.3.0
2024-06	RAN#104	R5-243837	2812	1	F	Update REFSENSE exceptions due to UL harmonic interference for CA_n39A-n41A	18.3.0
2024-06	RAN#104	R5-243838	2814	1	F	Update REFSENSE TC 7.3A.1_1 for CA_n39A-n41A	18.3.0
2024-06	RAN#104	R5-243839	2799	1	F	Update for EVM including symbols with transient period	18.3.0
2024-06	RAN#104	R5-243877	2751	1	F	Introduction of PC1 transmitter requirements for bands n7, n41 and n78	18.3.0
2024-06	RAN#104	R5-243878	2790	1	F	Addition of general information for 3Tx NR CA	18.3.0
2024-06	RAN#104	R5-243879	2858	1	F	Addition of suffix information for Carrier Aggregation (CA) with UL MIMO	18.3.0
2024-06	RAN#104	R5-243884	2764	1	F	Addition of MU and TT for new NR-U test cases	18.3.0
2024-06	RAN#104	R5-243885	2762	1	F	Addition of test case 6.3F.4.4, Aggregate power tolerance for shared spectrum channel access	18.3.0
2024-06	RAN#104	R5-243886	2761	1	F	Addition of test case 7.4F, Maximum input level for shared spectrum channel access	18.3.0
2024-06	RAN#104	R5-243897	2766	1	F	Introduction of new SUL test case 7.7C	18.3.0
2024-06	RAN#104	R5-243898	2770	1	F	MU and TT definition for TxD EVM test case 6.4G.2.1	18.3.0
2024-06	RAN#104	R5-243912	2801	1	F	Correction to notes for support of SCS and CBW in CA configurations	18.3.0
2024-06	RAN#104	R5-244009	2806	2	F	Update to ATG Definitions and Symbols	18.3.0

History

Document history		
V18.2.0	June 2024	Publication
V18.3.0	August 2024	Publication