

# ETSI TS 143 020 V13.6.0 (2017-08)



**Digital cellular telecommunications system (Phase 2+) (GSM);  
Security related network functions  
(3GPP TS 43.020 version 13.6.0 Release 13)**



---

Reference

RTS/TSGS-0343020vd60

---

Keywords

GSM,SECURITY

**ETSI**

650 Route des Lucioles  
F-06921 Sophia Antipolis Cedex - FRANCE

Tel.: +33 4 92 94 42 00 Fax: +33 4 93 65 47 16

Siret N° 348 623 562 00017 - NAF 742 C  
Association à but non lucratif enregistrée à la  
Sous-Préfecture de Grasse (06) N° 7803/88

---

**Important notice**

The present document can be downloaded from:

<http://www.etsi.org/standards-search>

The present document may be made available in electronic versions and/or in print. The content of any electronic and/or print versions of the present document shall not be modified without the prior written authorization of ETSI. In case of any existing or perceived difference in contents between such versions and/or in print, the only prevailing document is the print of the Portable Document Format (PDF) version kept on a specific network drive within ETSI Secretariat.

Users of the present document should be aware that the document may be subject to revision or change of status.

Information on the current status of this and other ETSI documents is available at

<https://portal.etsi.org/TB/ETSIDeliverableStatus.aspx>

If you find errors in the present document, please send your comment to one of the following services:

<https://portal.etsi.org/People/CommiteeSupportStaff.aspx>

---

**Copyright Notification**

No part may be reproduced or utilized in any form or by any means, electronic or mechanical, including photocopying and microfilm except as authorized by written permission of ETSI.

The content of the PDF version shall not be modified without the written authorization of ETSI.

The copyright and the foregoing restriction extend to reproduction in all media.

© ETSI 2017.

All rights reserved.

DECT™, PLUGTESTS™, UMTS™ and the ETSI logo are trademarks of ETSI registered for the benefit of its Members.

3GPP™ and LTE™ are trademarks of ETSI registered for the benefit of its Members and of the 3GPP Organizational Partners.

oneM2M logo is protected for the benefit of its Members.

GSM® and the GSM logo are trademarks registered and owned by the GSM Association.

---

## Intellectual Property Rights

IPRs essential or potentially essential to the present document may have been declared to ETSI. The information pertaining to these essential IPRs, if any, is publicly available for **ETSI members and non-members**, and can be found in ETSI SR 000 314: "*Intellectual Property Rights (IPRs); Essential, or potentially Essential, IPRs notified to ETSI in respect of ETSI standards*", which is available from the ETSI Secretariat. Latest updates are available on the ETSI Web server (<https://ipr.etsi.org>).

Pursuant to the ETSI IPR Policy, no investigation, including IPR searches, has been carried out by ETSI. No guarantee can be given as to the existence of other IPRs not referenced in ETSI SR 000 314 (or the updates on the ETSI Web server) which are, or may be, or may become, essential to the present document.

---

## Foreword

This Technical Specification (TS) has been produced by ETSI 3rd Generation Partnership Project (3GPP).

The present document may refer to technical specifications or reports using their 3GPP identities, UMTS identities or GSM identities. These should be interpreted as being references to the corresponding ETSI deliverables.

The cross reference between GSM, UMTS, 3GPP and ETSI identities can be found under <http://webapp.etsi.org/key/queryform.asp>.

---

## Modal verbs terminology

In the present document "**shall**", "**shall not**", "**should**", "**should not**", "**may**", "**need not**", "**will**", "**will not**", "**can**" and "**cannot**" are to be interpreted as described in clause 3.2 of the [ETSI Drafting Rules](#) (Verbal forms for the expression of provisions).

"**must**" and "**must not**" are **NOT** allowed in ETSI deliverables except when used in direct citation.

# Contents

Intellectual Property Rights .....	2
Foreword.....	2
Modal verbs terminology.....	2
Foreword.....	8
0 Scope .....	9
0.1 References .....	9
0.2 Abbreviations .....	10
1 General .....	10
2 Subscriber identity confidentiality .....	11
2.1 Generality .....	11
2.2 Identifying method .....	11
2.3 Procedures .....	12
2.3.1 Location updating in the same MSC area .....	12
2.3.2 Location updating in a new MSCs area, within the same VLR area.....	12
2.3.3 Location updating in a new VLR; old VLR reachable .....	13
2.3.4 Location Updating in a new VLR; old VLR not reachable.....	14
2.3.5 Reallocation of a new TMSI .....	15
2.3.6 Local TMSI unknown .....	16
2.3.7 Location updating in a new VLR in case of a loss of information.....	17
2.3.8 Unsuccessful TMSI allocation.....	17
2.3.9 Combined location area updating with the routing area updating.....	18
3 Subscriber identity authentication .....	19
3.1 Generality .....	19
3.2 The authentication procedure .....	19
3.3 Subscriber Authentication Key management .....	20
3.3.1 General authentication procedure .....	20
3.3.2 Authentication at location updating in a new VLR, using TMSI.....	21
3.3.3 Authentication at location updating in a new VLR, using IMSI.....	22
3.3.4 Authentication at location updating in a new VLR, using TMSI, TMSI unknown in "old" VLR .....	23
3.3.5 Authentication at location updating in a new VLR, using TMSI, old VLR not reachable .....	24
3.3.6 Authentication with IMSI if authentication with TMSI fails .....	24
3.3.7 Re-use of security related information in failure situations .....	24
4 Confidentiality of signalling information elements, connectionless data and user information elements on physical connections .....	25
4.1 Generality .....	25
4.2 The ciphering method.....	25
4.3 Key setting.....	26
4.4 Ciphering key sequence number .....	27
4.5 Starting of the ciphering and deciphering processes .....	27
4.6 Synchronization.....	27
4.7 Handover .....	27
4.8 Negotiation of A5 algorithm .....	28
4.9 Support of A5 Algorithms in MS .....	28
4.10 Support of A5 Algorithms in the BSS .....	28
5 Synthetic summary .....	29
<b>Annex A (informative): Security issues related to signalling schemes and key management .....</b>	<b>30</b>
A.1 Introduction .....	30
A.2 Short description of the schemes.....	30
A.3 List of abbreviations.....	31

<b>Annex B (informative):</b>	<b>Security information to be stored in the entities of the GSM system.....</b>	<b>45</b>
B.1	Introduction .....	45
B.2	Entities and security information .....	45
B.2.1	Home Location Register (HLR) .....	45
B.2.2	Visitor Location Register (VLR).....	45
B.2.3	Mobile services Switching Centre (MSC)/Base Station System (BSS) .....	45
B.2.4	Mobile Station (MS).....	46
B.2.5	Authentication Centre (AuC) .....	46
<b>Annex C (normative):</b>	<b>External specifications of security related algorithms.....</b>	<b>47</b>
C.0	Scope .....	47
C.1	Specifications for Algorithm A5 .....	47
C.1.1	Purpose .....	47
C.1.2	Implementation indications .....	47
C.1.3	External specifications of Algorithm A5 .....	49
C.1.3.1	A5 algorithms with 64-bit keys.....	49
C.1.3.2	A5 algorithms with 128-bit keys.....	49
C.1.4	Internal specification of Algorithm A5 .....	49
C.1.5	Definition of NPBB for different modulations.....	49
C.2	Algorithm A3 .....	49
C.2.1	Purpose .....	49
C.2.2	Implementation and operational requirements .....	50
C.3	Algorithm A8 .....	50
C.3.1	Purpose .....	50
C.3.2	Implementation and operational requirements .....	50
<b>Annex D (normative):</b>	<b>Security related network functions for General Packet Radio Service ....</b>	<b>51</b>
D.1	General .....	51
D.2	Subscriber identity confidentiality .....	51
D.2.1	Generality .....	51
D.2.2	Identifying method .....	52
D.2.3	Procedures .....	52
D.2.3.1	Routing area updating in the same SGSN area .....	52
D.2.3.2	Routing area updating in a new SGSN; old SGSN reachable.....	53
D.2.3.3	Routing area updating in a new SGSN; old SGSN not reachable.....	54
D.2.3.4	Reallocation of a TLLI .....	54
D.2.3.5	Local TLLI unknown.....	55
D.2.3.6	Routing area updating in a new SGSN in case of a loss of information .....	56
D.2.3.7	Unsuccessful TLLI allocation.....	56
D.3	Subscriber identity authentication .....	57
D.3.1	Generality .....	57
D.3.2	The authentication procedure .....	57
D.3.3	Subscriber Authentication Key management .....	57
D.3.3.1	General authentication procedure .....	57
D.3.3.2	Authentication at routing area updating in a new SGSN, using TLLI .....	58
D.3.3.3	Authentication at routing area updating in a new SGSN, using IMSI .....	59
D.3.3.4	Authentication at routing area updating in a new SGSN, using TLLI, TLLI unknown in 'old' SGSN .....	60
D.3.3.5	Authentication at routing area updating in a new SGSN, using TLLI, old SGSN not reachable.....	61
D.3.3.6	Authentication with IMSI if authentication with TLLI fails.....	61
D.3.3.7	Re-use of security related information in failure situations .....	61
D.4	Confidentiality of user information and signalling between MS and SGSN .....	62
D.4.1	Generality .....	62
D.4.2	The ciphering method.....	62
D.4.3	Key setting.....	62
D.4.4	Ciphering key sequence number .....	63
D.4.5	Starting of the ciphering and deciphering processes .....	63

D.4.6	Synchronisation .....	64
D.4.7	Inter SGSN routing area update .....	64
D.4.8	Negotiation of GPRS-A5 algorithm .....	64
D.4.9	Support of GPRS-A5 Algorithms in MS .....	65
D.5	Synthetic summary .....	66
D.6	Security of the GPRS backbone .....	66
<b>Annex E (normative): GSM Cordless Telephony System (CTS), (Phase 1); Security related network functions; Stage 2.....67</b>		
E.1	Introduction .....	67
E.1.1	Scope .....	67
E.1.2	References .....	67
E.1.3	Definitions and Abbreviations.....	67
E.1.3.1	Definitions .....	67
E.1.3.2	Abbreviations.....	68
E.2	General .....	69
E.3	CTS local security system .....	70
E.3.1	Mobile Subscriber identity confidentiality .....	70
E.3.1.1	Identifying method.....	70
E.3.1.2	Procedures.....	70
E.3.1.2.1	CTSMSI assignment .....	70
E.3.1.2.2	CTSMSI update.....	71
E.3.1.2.3	CTS local identification .....	71
E.3.2	Identity authentication .....	71
E.3.2.1	The mutual authentication procedure.....	71
E.3.2.1.1	Authentication failure.....	72
E.3.2.2	Authentication Key management.....	72
E.3.3	Confidentiality of user information and signalling between CTS-MS and CTS-FP .....	73
E.3.3.1	The ciphering method .....	73
E.3.3.2	Key setting .....	73
E.3.3.3	Starting of the ciphering and deciphering processes.....	74
E.3.3.4	Synchronisation .....	75
E.3.4	Structured procedures with CTS local security relevance .....	75
E.3.4.1	Local Part of the Enrolment of a CTS-MS onto a CTS-FP.....	75
E.3.4.1.1	Local part of the enrolment procedure .....	75
E.3.4.2	General Access procedure .....	78
E.3.4.2.1	Attachment .....	78
E.3.4.2.2	CTS local security data update.....	79
E.3.4.3	De-enrolment of a CTS-MS .....	79
E.3.4.3.1	De-enrolment initiated by the CTS-FP.....	79
E.3.4.3.2	De-enrolment initiated by a CTS-MS .....	79
E.4	CTS supervising security system .....	80
E.4.1	Supervision data and supervision data protection .....	80
E.4.1.1	Structure of supervision data .....	80
E.4.1.2	Supervision data protection .....	80
E.4.1.3	Key management .....	81
E.4.2	CTS subscriber identity .....	81
E.4.3	Identity authentication with the CTS operator and the PLMN.....	81
E.4.3.1	Authentication of the CTS-FP .....	81
E.4.3.2	Authentication of the CTS-MS .....	82
E.4.4	Secure operation control.....	83
E.4.4.1	GSM layer 3 signalling .....	83
E.4.4.2	CTS application signalling via the Fixed Network.....	83
E.4.4.3	CTS operation control procedures .....	84
E.4.4.3.1	Initialisation of a CTS-FP .....	84
E.4.4.3.2	De-initialisation of a CTS-FP.....	84
E.4.4.3.3	Enrolment.....	85
E.4.4.3.3.1	Enrolment conducted via the CTS fixed network interface.....	85

E.4.4.3.4	Supervising security in the CTS-FP/CTS-SN access procedure .....	86
E.4.4.3.4.1	Update of operation data.....	86
E.4.5	Equipment checking .....	87
E.4.6	FP-SIM card checking.....	87
E.5	Other CTS security features .....	88
E.5.1	Secure storage of sensitive data and software in the CTS-MS .....	88
E.5.1.1	Inside CTS-ME.....	88
E.5.2	Secure storage of sensitive data and software in CTS-FP .....	88
E.5.3	CTS-FP reprogramming protection.....	88
E.6	FP Integrity.....	88
E.6.1	Threats.....	89
E.6.1.1	Changing of FP software .....	89
E.6.1.2	Changing of IFPEI.....	90
E.6.1.3	Changing of IFPSI and operator and subscription related keys ( $K_{iFP}$ , $K_{OP}$ ) .....	90
E.6.1.4	Changing of timers and timer limits .....	90
E.6.1.5	Changing of radio usage parameters.....	90
E.6.2	Protection and storage mechanisms.....	90
E.6.2.1	Static or semi static values.....	90
E.6.2.2	Timers.....	90
E.6.2.3	Physical protection.....	90
E.7	Type approval issues .....	91
E.8	Security information to be stored in the entities of the CTS .....	91
E.8.1	Entities and security information.....	91
E.8.1.1	CTS-HLR.....	91
E.8.1.2	CTS-SN .....	91
E.8.1.3	CTS-AuC.....	92
E.8.1.4	CTS Fixed Part Equipment (CTS-FPE).....	92
E.8.1.5	Fixed Part SIM card (FP-SIM) .....	92
E.8.1.6	CTS Mobile Equipment (CTS-ME).....	93
E.8.1.7	Mobile Station SIM card (MS-SIM).....	93
E.9	External specification of security related algorithms .....	93
E.9.1	Algorithm B1.....	94
E.9.1.1	Purpose .....	94
E.9.1.2	Implementation and operational requirements.....	94
E.9.2	Algorithm B2.....	94
E.9.2.1	Purpose .....	94
E.9.2.2	Implementation and operational requirements.....	94
E.9.3	Algorithms B3 and B4.....	95
E.9.3.1	Purpose .....	95
E.9.3.2	Implementation and operational requirements.....	95
E.9.4	Algorithms B5 and B6.....	95
E.9.4.1	Purpose .....	95
E.9.4.2	Implementation and operational requirements.....	95
E.10	Coding of the FPAC and CTS-PIN .....	96
E.11	(informative annex): Guidelines for generation of random numbers.....	96
<b>Annex F (normative):</b>	<b>Ciphering of Voice Group Call Service (VGCS) and Voice Broadcast Service (VBS).....</b>	<b>98</b>
F.1	Introduction .....	98
F.1.1	Scope .....	98
F.1.2	References .....	98
F.1.3	Definitions and Abbreviations.....	99
F.1.3.1	Definitions .....	99
F.1.3.2	Abbreviations.....	99
F.2	Security Requirements .....	99

F.3	Storage of the Master Group Keys and overview of flows .....	100
F.3.1	Distribution of ciphering data during establishment of a voice/broadcast group call.....	100
F.3.2	Signalling information required for the voice group call uplink access in the anchor MSC (normal case, subsequent talker on dedicated channel) .....	103
F.3.3	Signalling information required to transfer the originator or subsequent talker from a dedicated channel to a group call channel.....	105
F.4	Key derivation .....	105
F.4.1	Key derivation within the USIM / GCR.....	106
F.4.2	Key derivation within the ME/BSS.....	107
F.4.3	Encryption algorithm selection.....	108
F.4.4	Algorithm requirements .....	108
F.4.4.1	A8_V .....	108
F.4.4.2	KMF.....	108
F.5	Encryption of voice group calls.....	109
F.6	Specification of the Key Modification Function (KMF).....	109
<b>Annex G (informative): Generation of VSTK RAND .....</b>		<b>110</b>
<b>Annex H (normative): Access security related functions for enhanced General Packet Radio Service (GPRS) in relation to Cellular Internet of Things (CIoT).....</b>		<b>111</b>
H.1	Introduction .....	111
H.1.1	General .....	111
H.1.2	Considerations on bidding down attacks .....	111
H.2	Authentication and key agreement .....	111
H.3	Ciphering and integrity mode negotiation.....	111
H.4	Protection of GMM messages .....	117
H.5	Algorithms for ciphering and integrity protection.....	117
H.5.0	General .....	117
H.5.1	Null ciphering algorithm .....	118
H.5.2	Ciphering algorithm .....	118
H.5.2.1	Inputs and outputs.....	118
H.5.2.1.1	General .....	118
H.5.2.1.2	CONSTANT-F.....	119
H.5.2.2	GEA5 .....	119
H.5.3	Integrity algorithm.....	119
H.5.3.1	Inputs and outputs.....	119
H.5.3.1.1	General .....	119
H.5.3.1.2	INPUT-I.....	119
H.5.3.1.3	CONSTANT-F.....	120
H.5.3.2	GIA4 .....	120
H.5.3.3	GIA5 .....	120
H.6	Derivation of Kc128 and Ki128 .....	120
H.7	Integrity protection of user plane .....	121
H.8	Definition of MAC-GMM in GMM Authentication and Ciphering Request and GMM Authentication and Ciphering Response messages .....	121
H.8.1	Inputs and outputs .....	121
H.9	Protected negotiation of IOV values .....	122
H.9.1	Protected IOV container .....	122
H.9.2	LLC XID procedure with protected IOV container.....	123
<b>Annex I (informative): Change history .....</b>		<b>124</b>
History .....		125



---

# Foreword

This Technical Specification has been produced by the 3<sup>rd</sup> Generation Partnership Project (3GPP).

The contents of the present document are subject to continuing work within the TSG and may change following formal TSG approval. Should the TSG modify the contents of the present document, it will be re-released by the TSG with an identifying change of release date and an increase in version number as follows:

Version x.y.z

where:

- x the first digit:
  - 1 presented to TSG for information;
  - 2 presented to TSG for approval;
  - 3 or greater indicates TSG approved document under change control.
- y the second digit is incremented for all changes of substance, i.e. technical enhancements, corrections, updates, etc.
- z the third digit is incremented when editorial only changes have been incorporated in the document.

---

# 0 Scope

This Technical Specification specifies the network functions needed to provide the security related service and functions specified in 3GPP TS 42.009.

This specification does not address the cryptological algorithms that are needed to provide different security related features. This topic is addressed in annex C. Wherever a cryptological algorithm or mechanism is needed, this is signalled with a reference to annex C. The references refers only to functionalities, and some algorithms may be identical or use common hardware.

## 0.1 References

The following documents contain provisions which, through reference in this text, constitute provisions of the present document.

- References are either specific (identified by date of publication, edition number, version number, etc.) or non-specific.
- For a specific reference, subsequent revisions do not apply.
- For a non-specific reference, the latest version applies. In the case of a reference to a 3GPP document (including a GSM document), a non-specific reference implicitly refers to the latest version of that document *in the same Release as the present document*.

- [1] 3GPP TS 21.905: "Vocabulary for 3GPP Specifications".
- [2] 3GPP TS 41.061: " GPRS ciphering algorithm requirements".
- [3] Void
- [4] 3GPP TS 42.009: " Security aspects".
- [5] 3GPP TS 42.017: " Subscriber Identity Modules (SIM) Functional characteristics".
- [6] 3GPP TS 42.056: " GSM Cordless Telephone System (CTS) Phase 1; Service Description; Stage 1".
- [7] 3GPP TS 22.060: "General Packet Radio Service (GPRS); Service description; Stage 1".
- [8] 3GPP TS 23.003: "Numbering, addressing and identification".
- [9] GSM 03.56: "Digital cellular telecommunications system (Phase 2+); GSM Cordless Telephone System (CTS), Phase 1; CTS Architecture Description; Stage 2".
- [10] 3GPP TS 23.060: " Service description; Stage 2".
- [11] 3GPP TS 24.008: "Mobile radio interface layer 3 specification".
- [12] Void
- [13] 3GPP TS 45.001: "Physical layer on the radio path; General description".
- [14] 3GPP TS 45.002: "Multiplexing and multiple access on the radio path".
- [15] 3GPP TS 45.003: "Channel coding".
- [16] 3GPP TS 29.002: " Mobile Application Part (MAP) specification".
- [17] 3GPP TS 51.011: " Specification of the Subscriber Identity Module- Mobile Equipment (SIM-ME) interface".
- [18] 3GPP TS 33.102: "Technical Specification Group Services and System Aspects; 3G Security; Security architecture ".

- [19] 3GPP TS 24.301: "Technical Specification Group Core Network and Terminals; Non-Access-Stratum (NAS) protocol for Evolved Packet System (EPS)".
- [20] 3GPP TS 44.064: "Technical Specification Group Core Network and Terminals; Mobile Station - Serving GPRS Support Node (MS-SGSN); Logical Link Control (LLC) layer specification".
- [21] 3GPP TS 55.226: " Technical Specification Group Services and System Aspects; 3G Security; Specification of the A5/4 encryption algorithms for GSM and ECSD, and the GEA4 encryption algorithm for GPRS".
- [22] 3GPP TS 33.220: " Generic Authentication Architecture (GAA); Generic Bootstrapping Architecture (GBA)".
- [23] Void.
- [24] 3GPP TS 55.251: "Specification of the GEA5 encryption and GIA5 integrity algorithms for GPRS; GEA5 and GIA5 algorithm specification".
- [25] 3GPP TS 55.241: "Specification of the GIA4 integrity algorithm for GPRS; GIA4 specification".

## 0.2 Abbreviations

Abbreviations used in this specification are listed in 3GPP TS 21.905.

Specific abbreviations used in annex A are listed in clause A.3.

Specific CTS related abbreviations used in annex E are listed in clause E.1.3.

Specific VCGS and VBS related abbreviations used in annex F are listed in clause F.1.3.

Throughout this specification, the abbreviation  $K_{C128}$  is used to indicate a 128-bit ciphering key as derived by UMTS AKA [18]. The abbreviation  $K_{C128}$  is only used where it matters that the ciphering key is 128 bits long; the abbreviation  $K_c$  is used in all other places.

---

# 1 General

The different security related services and functions that are listed in 3GPP TS 42.009 are grouped as follows:

- Subscriber identity confidentiality;
- Subscriber identity authentication;
- Signalling information element and connectionless user data confidentiality and data confidentiality for physical connections (ciphering).

It shall be possible to introduce new authentication and ciphering algorithms during the systems lifetime. The fixed network may support more than one authentication and ciphering algorithm.

The security procedures include mechanisms to enable recovery in event of signalling failures. These recovery procedures are designed to minimize the risk of a breach in the security of the system.

General on figures in this specification:

- In the figures below, signalling exchanges are referred to by functional names. The exact messages and message types are specified in 3GPP TS 24.008 and 3GPP TS 29.002.
- No assumptions are made for function splitting between MSC (Mobile Switching Centre), VLR (Visitor Location Register) and BSS (Base Station System). Signalling is described directly between MS and the local network (i.e. BSS, MSC and VLR denoted in the figures by BSS/MSC/VLR). The splitting in annex A is given only for illustrative purposes.

- Addressing fields are not given; all information relates to the signalling layer. The TMSI allows addressing schemes without IMSI, but the actual implementation is specified in the GSM 04-series.
- The term HPLMN in the figures below is used as a general term which should be understood as HLR (Home Location Register) or AuC (Authentication Centre).
- What is put in a box is not part of the described procedure but it is relevant to the understanding of the figure.

---

## 2 Subscriber identity confidentiality

### 2.1 Generality

The purpose of this function is to avoid the possibility for an intruder to identify which subscriber is using a given resource on the radio path (e.g. TCH (Traffic Channel) or signalling resources) by listening to the signalling exchanges on the radio path. This allows both a high level of confidentiality for user data and signalling and protection against the tracing of a user's location.

The provision of this function implies that the IMSI (International Mobile Subscriber Identity), or any information allowing a listener to derive the IMSI easily, should not normally be transmitted in clear text in any signalling message on the radio path.

Consequently, to obtain the required level of protection, it is necessary that:

- a protected identifying method is normally used instead of the IMSI on the radio path; and
- the IMSI is not normally used as addressing means on the radio path (see 3GPP TS 42.009);
- when the signalling procedures permit it, signalling information elements that convey information about the mobile subscriber identity must be ciphered for transmission on the radio path.

The identifying method is specified in the following subclause. The ciphering of communication over the radio path is specified in clause 4.

### 2.2 Identifying method

The means used to identify a mobile subscriber on the radio path consists of a TMSI (Temporary Mobile Subscriber Identity). This TMSI is a local number, having a meaning only in a given location area; the TMSI must be accompanied by the LAI (Location Area Identification) to avoid ambiguities. The maximum length and guidance for defining the format of a TMSI are specified in 3GPP TS 23.003.

The network (e.g. a VLR) manages suitable data bases to keep the relation between TMSIs and IMSIs. When a TMSI is received with an LAI that does not correspond to the current VLR, the IMSI of the MS must be requested from the VLR in charge of the indicated location area if its address is known; otherwise the IMSI is requested from the MS.

A new TMSI must be allocated at least in each location updating procedure. The allocation of a new TMSI corresponds implicitly for the MS to the de-allocation of the previous one. In the fixed part of the network, the cancellation of the record for an MS in a VLR implies the de-allocation of the corresponding TMSI.

To cope with some malfunctioning, e.g. arising from a software failure, the fixed part of the network can require the identification of the MS in clear. This procedure is a breach in the provision of the service, and should be used only when necessary.

When a new TMSI is allocated to an MS, it is transmitted to the MS in a ciphered mode. This ciphered mode is the same as defined in clause 4.

The MS must store its current TMSI in a non volatile memory, together with the LAI, so that these data are not lost when the MS is switched off.

## 2.3 Procedures

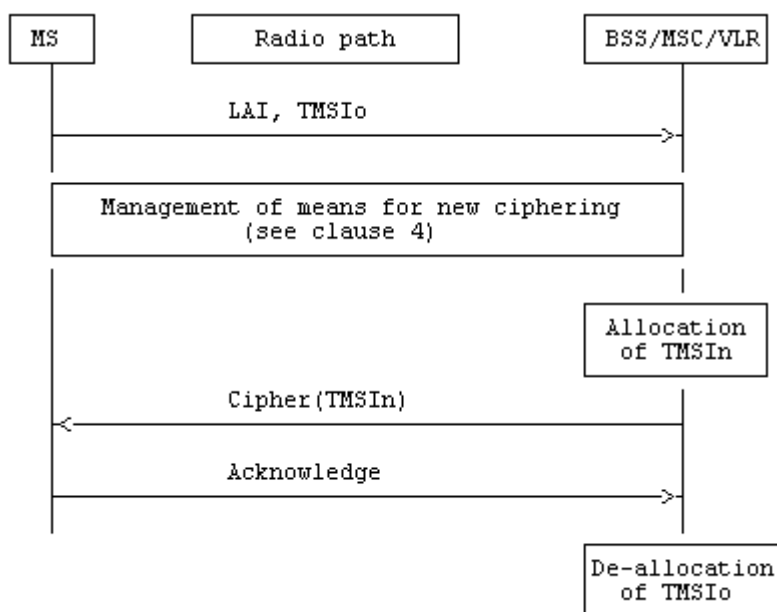
This subclause presents the procedures, or elements of procedures, pertaining to the management of TMSIs.

### 2.3.1 Location updating in the same MSC area

This procedure is part of the location updating procedure which takes place when the original location area and the new location area depend on the same MSC. The part of this procedure relative to TMSI management is reduced to a TMSI re-allocation (from TMSIo with "o" for "old" to TMSIn with "n" for "new").

The MS sends TMSIo as an identifying field at the beginning of the location updating procedure.

The procedure is schematized in figure 2.1.



**Figure 2.1: Location updating in the same MSC area**

Signalling Functionalities:

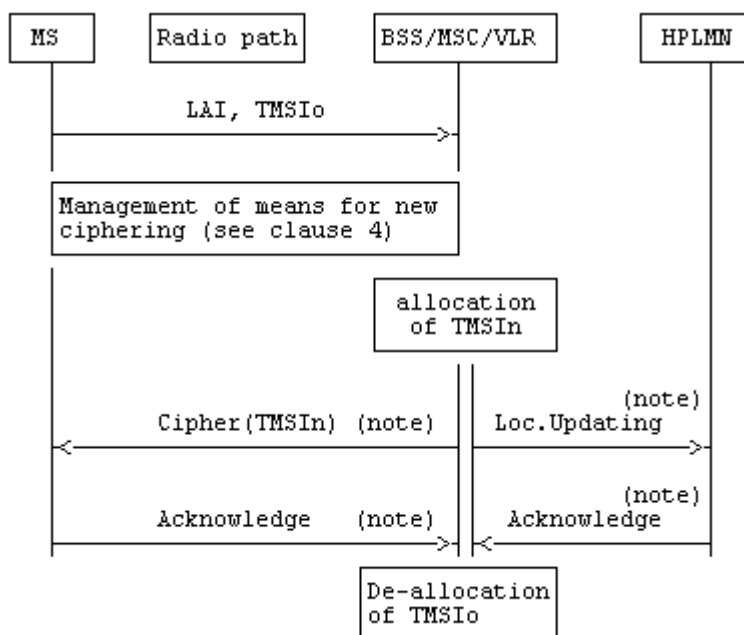
Management of means for new ciphering:

The MS and BSS/MSC/VLR agree on means for ciphering signalling information elements, in particular to transmit TMSIn.

### 2.3.2 Location updating in a new MSCs area, within the same VLR area

This procedure is part of the location updating procedure which takes place when the original location area and the new location area depend on different MSCs, but on the same VLR.

The procedure is schematized on figure 2.2.



NOTE: From a security point of view, the order of the procedures is irrelevant.

**Figure 2.2: Location updating in a new MSCs area, within the same VLR area**

Signalling functionalities:

Loc.Updating:

stands for Location Updating

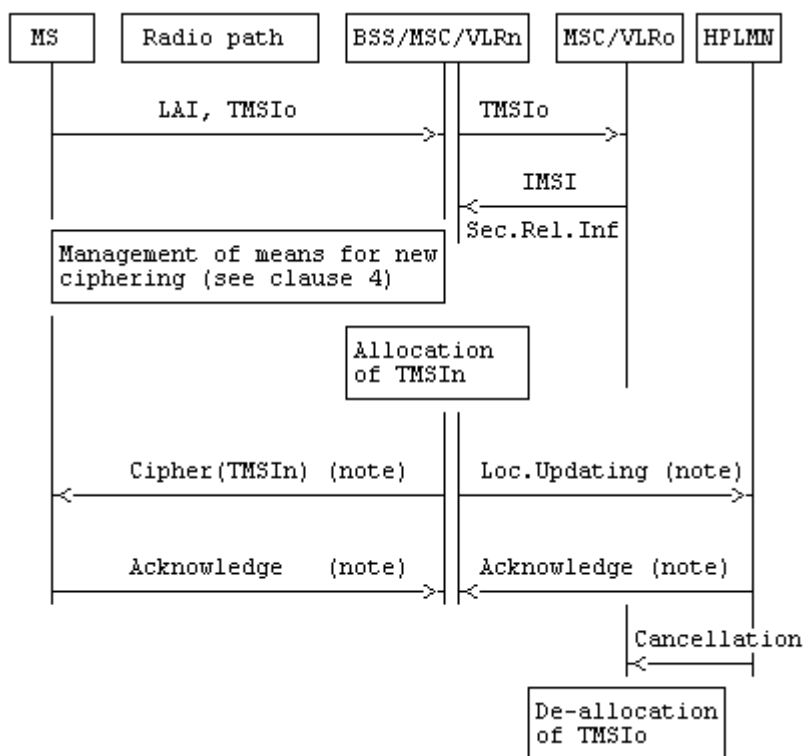
The BSS/MSC/VLR indicates that the location of the MS must be updated.

### 2.3.3 Location updating in a new VLR; old VLR reachable

This procedure is part of the normal location updating procedure, using TMSI and LAI, when the original location area and the new location area depend on different VLRs.

The MS is still registered in VLR<sub>o</sub> ("o" for old or original) and requests registration in VLR<sub>n</sub> ("n" for new). LAI and TMSIo are sent by MS as identifying fields during the location updating procedure.

The procedure is schematized in figure 2.3.



NOTE: From a security point of view, the order of the procedures is irrelevant.

**Figure 2.3: Location updating in a new VLR; old VLR reachable**

Signalling functionalities:

Sec.Rel.Info.:

Stands for Security Related information

The MSC/VLRn needs some information for authentication and ciphering; this information is obtained from MSC/VLRo.

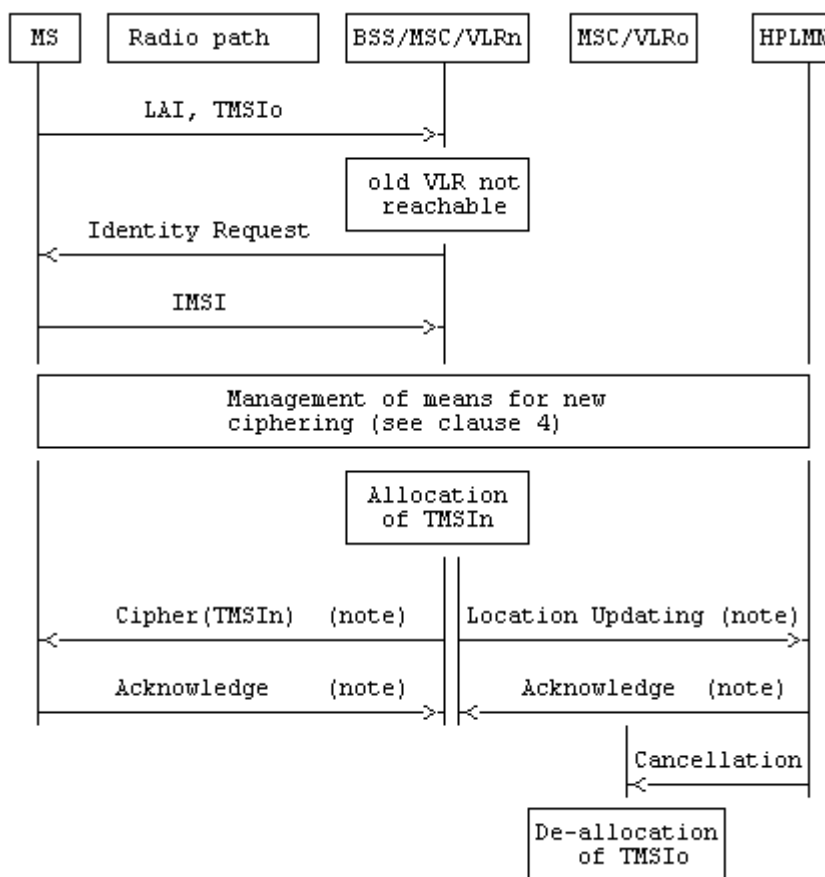
Cancellation:

The HLR indicates to VLRo that the MS is now under control of another VLR. The "old" TMSI is free for allocation.

### 2.3.4 Location Updating in a new VLR; old VLR not reachable

This variant of the procedure in subclause 2.3.3 arises when the VLR receiving the LAI and TMSIo cannot identify the VLRo. In that case the relation between TMSIo and IMSI is lost, and the identification of the MS in clear is necessary.

The procedure is schematized in figure 2.4



NOTE: From a security point of view, the order of the procedures is irrelevant.

Figure 2.4: Location Updating in a new VLR; old VLR not reachable

### 2.3.5 Reallocation of a new TMSI

This function can be initiated by the network whenever a radio connection exists. The procedure can be included in other procedures, e.g. through the means of optional parameters. The execution of this function is left to the network operator.

When a new TMSI is allocated to an MS the network must prevent the old TMSI from being allocated again until the MS has acknowledged the allocation of the new TMSI.

If an IMSI record is deleted in the VLR by O&M action, the network must prevent any TMSI associated with the deleted IMSI record from being allocated again until a new TMSI is successfully allocated to that IMSI.

If an IMSI record is deleted in the HLR by O&M action, it is not possible to prevent any TMSI associated with the IMSI record from being allocated again. However, if the MS whose IMSI record was deleted should attempt to access the network using the TMSI after the TMSI has been allocated to a different IMSI, then authentication or ciphering of the MS whose IMSI was deleted will almost certainly fail, which will cause the TMSI to be deleted from the MS.

The case where allocation of a new TMSI is unsuccessful is described in subclause 2.3.8.

This procedure is schematized in figure 2.5.



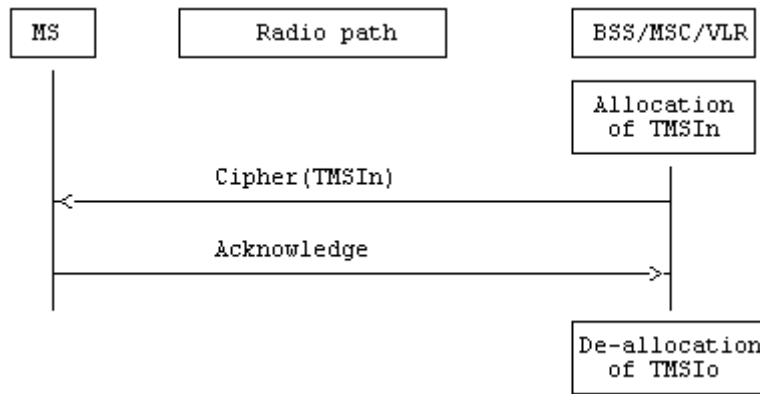
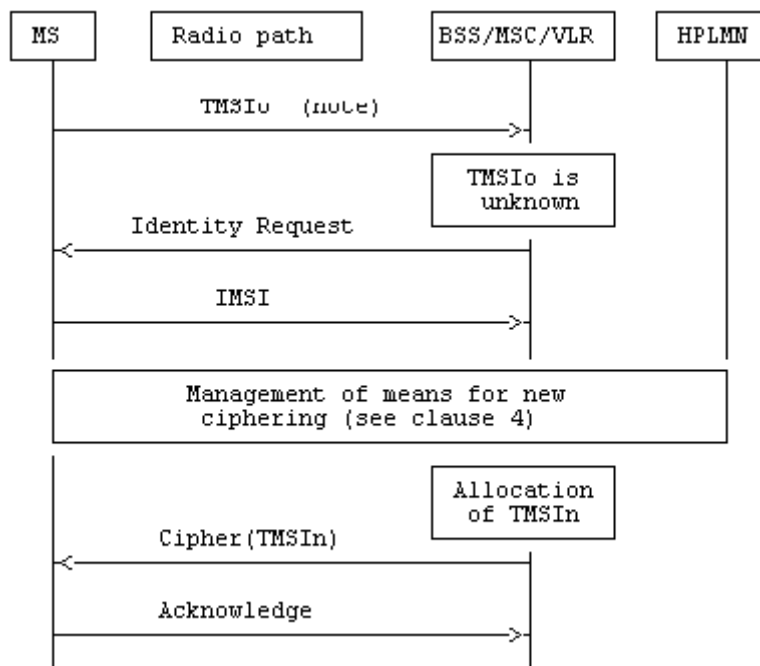


Figure 2.5: Reallocation of a new TMSI

### 2.3.6 Local TMSI unknown

This procedure is a variant of the procedure described in subclauses 2.3.1 and 2.3.2, and happens when a data loss has occurred in a VLR and when a MS uses an unknown TMSI, e.g. for a communication request or for a location updating request in a location area managed by the same VLR.

This procedure is schematized in figure 2.6.



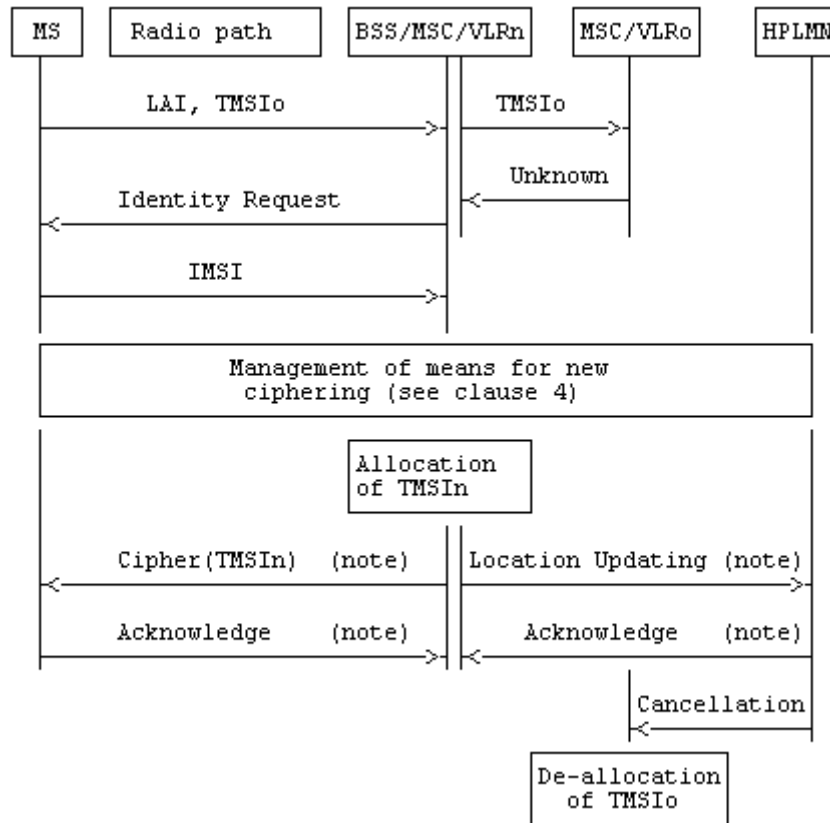
NOTE: Any message in which TMSIo is used as an identifying means in a location area managed by the same VLR.

Figure 2.6: Location updating in the same MSC area; local TMSI unknown

### 2.3.7 Location updating in a new VLR in case of a loss of information

This variant of the procedure described in 2.3.3 arises when the VLR in charge of the MS has suffered a loss of data. In that case the relation between TMSIo and IMSI is lost, and the identification of the MS in clear is necessary.

The procedure is schematized in figure 2.7.



NOTE: From a security point of view, the order of the procedures is irrelevant.

**Figure 2.7: Location updating in a new VLR in case of a loss of information**

### 2.3.8 Unsuccessful TMSI allocation

If the MS does not acknowledge the allocation of a new TMSI, the network shall maintain the association between the old TMSI and the IMSI and between the new TMSI and the IMSI.

For an MS-originated transaction, the network shall allow the MS to identify itself by either the old TMSI or the new TMSI. This will allow the network to determine the TMSI stored in the MS; the association between the other TMSI and the IMSI shall then be deleted, to allow the unused TMSI to be allocated to another MS.

For a network-originated transaction, the network shall identify the MS by its IMSI. When radio contact has been established, the network shall instruct the MS to delete any stored TMSI. When the MS has acknowledged this instruction, the network shall delete the association between the IMSI of the MS and any TMSI; this will allow the released TMSIs to be allocated to another MS.

In either of the cases above, the network may initiate the normal TMSI reallocation procedure.

Repeated failure of TMSI reallocation (passing a limit set by the operator) may be reported for O&M action.

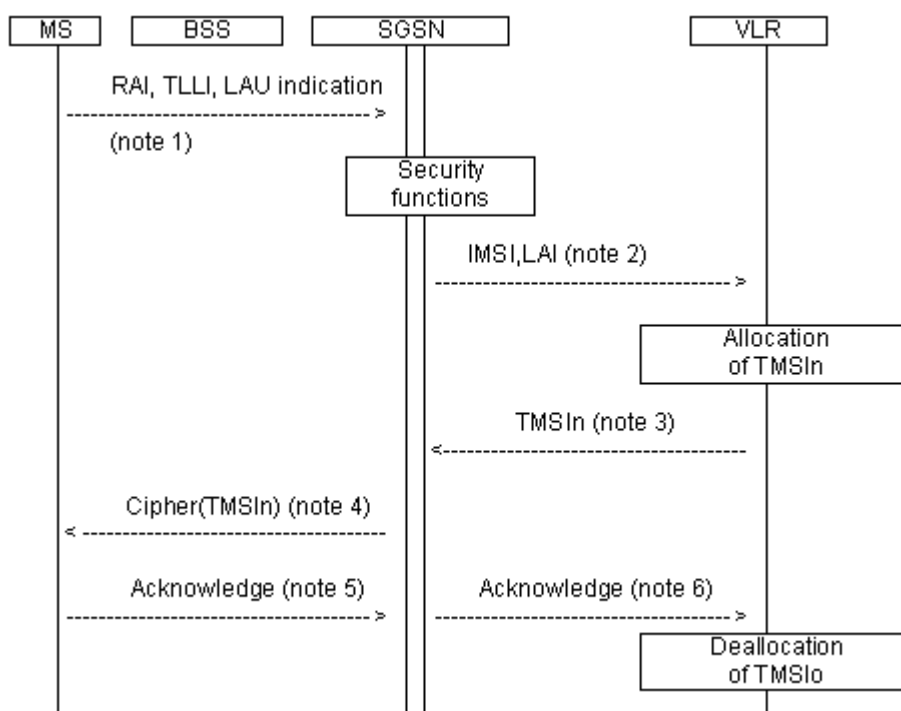
## 2.3.9 Combined location area updating with the routing area updating

**This subclause is only applicable if GPRS is supported.**

This procedure is part of the location updating of a General Packet Radio Service (GPRS) class A or B mobile when the Gs-interface (SGSN MSC/VLR signalling interface) is implemented. This procedure is not relevant if the Gs-interface is not implemented.

The location area updating procedure and the routing area updating procedure are combined to one MS Serving GPRS Support Node (SGSN) procedure. The MS includes a Location Area Update (LAU) indication in the Routing Area Update Request message. The SGSN performs the location updating towards the VLR on behalf of the MS.

The procedure described in figure 2.8 shows only the interaction between the SGSN and the VLR. The full procedure including the update to other network element (e.g. HLR, old MSC/VLR) is described in 3GPP TS 23.060.



NOTE 1: The Routing Area Update Request message including the old Routing Area Identifier (RAI), the Temporary Logical Link Identifier (TLLI), and an indication that a combined Location Area Update (LAU) is performed.

NOTE 2: Location Updating message.

NOTE 3: Location Updating Accept message including the new TMSI.

NOTE 4: Routing Area Update Accept message including the new TMSI and the new TLLI (if any).

NOTE 5: Routing Area Update Complete message including the TLLI and TMSI.

NOTE 6: TMSI Reallocation Complete message including the TMSI.

**Figure 2.8: Combined routing area and location updating in the same VLR**

When the VLR does not change the TMSI, the old TMSI will stay in use and there is no need to send any TMSI to the MS.

In case of combined routing area update and inter-VLR location area updating procedure, the old TMSI will be cancelled and the HLR is updated as described in 3GPP TS 23.060.

If the Location Updating message indicates a reject (if for example the MS try to enter a forbidden location area), then this should be indicated to the MS and the MS shall not access non-GPRS service until a successful Location Update is performed.

For the combined location and routing area update and the combined GPRS Attach and IMSI Attach for GPRS class A and B mobiles, the authentication is performed by the SGSN. The authentication procedure for GPRS is described in annex D. The MSC/VLR relies on the SGSN authentication. This authentication procedure generates no ciphering key for circuit switched ciphering.

The ciphering key for circuit switched operation is allocated through an authentication by MSC/VLR when the circuit switched service is requested. Also, the MSC/VLR may use the old ciphering key if existing.

## 3 Subscriber identity authentication

### 3.1 Generality

The definition and operational requirements of subscriber identity authentication are given in 3GPP TS 42.009.

The authentication procedure will also be used to set the ciphering key (see clause 4). Therefore, it is performed after the subscriber identity (TMSI/IMSI) is known by the network and before the channel is encrypted.

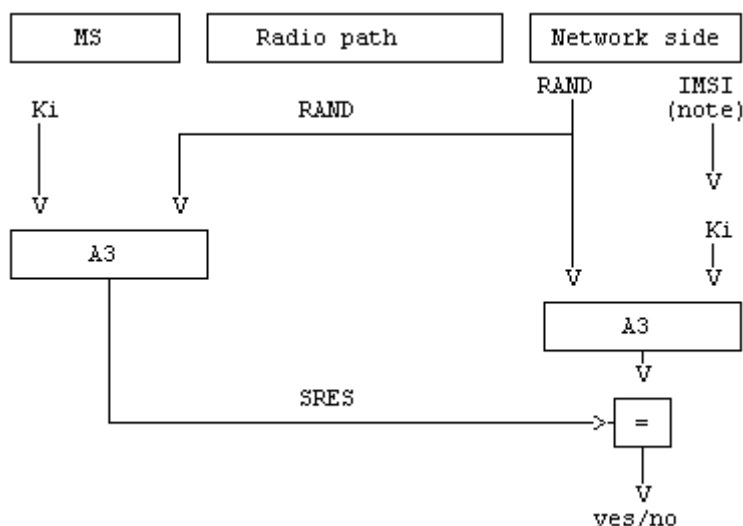
Two network functions are necessary: the authentication procedure itself, and the key management inside the fixed subsystem.

### 3.2 The authentication procedure

The authentication procedure consists of the following exchange between the fixed subsystem and the MS.

- The fixed subsystem transmits a non-predictable number RAND to the MS.
- The MS computes the signature of RAND, say SRES, using algorithm A3 and some secret information: the Individual Subscriber Authentication Key, denoted below by Ki.
- The MS transmits the signature SRES to the fixed subsystem.
- The fixed subsystem tests SRES for validity.

The general procedure is schematized in figure 3.1.



NOTE: IMSI is used to retrieve Ki in the network.

**Figure 3.1: The authentication procedure**

Authentication algorithm A3 is specified in annex C.

## 3.3 Subscriber Authentication Key management

The Subscriber Authentication Key  $K_i$  is allocated, together with the IMSI, at subscription time.

$K_i$  is stored on the network side in the Home Public Land Mobile Network (HPLMN), in an Authentication Centre (AuC). A PLMN may contain one or more AuC. An AuC can be physically integrated with other functions, e.g. in a Home Location Register (HLR).

### 3.3.1 General authentication procedure

When needed for each MS, the BSS/MSC/VLR requests security related information from the HLR/AuC corresponding to the MS. This includes an array of pairs of corresponding RAND and SRES. These pairs are obtained by applying Algorithm A3 to each RAND and the key  $K_i$  as shown in figure 3.1. The pairs are stored in the VLR as part of the security related information.

The procedure used for updating the vectors RAND/SRES is schematized in figure 3.2.

NOTE: The Authentication Vector Response contains also  $K_c(1..n)$  which is not shown in this and the following figures. For discussion of  $K_c$  see clause 4.

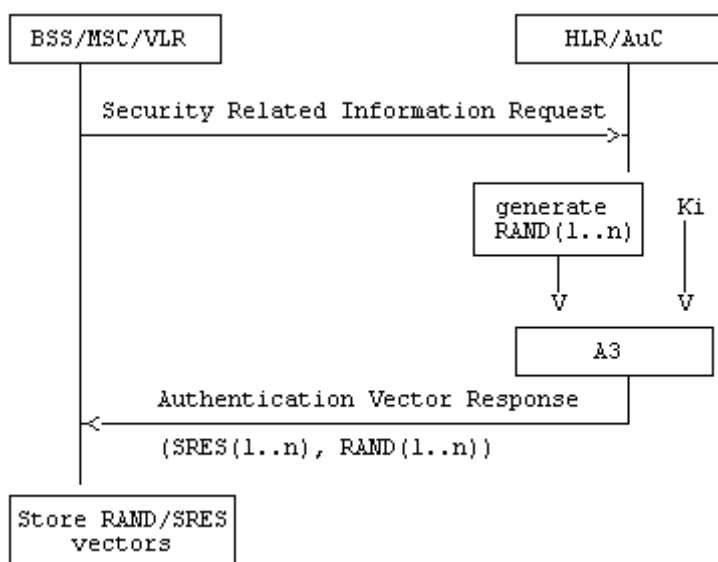


Figure 3.2: Procedure for updating the vectors RAND/SRES

When an MSC/VLR performs an authentication, including the case of a location updating within the same VLR area, it chooses a RAND value in the array corresponding to the MS. It then tests the answer from the MS by comparing it with the corresponding SRES, as schematized in figure 3.3.

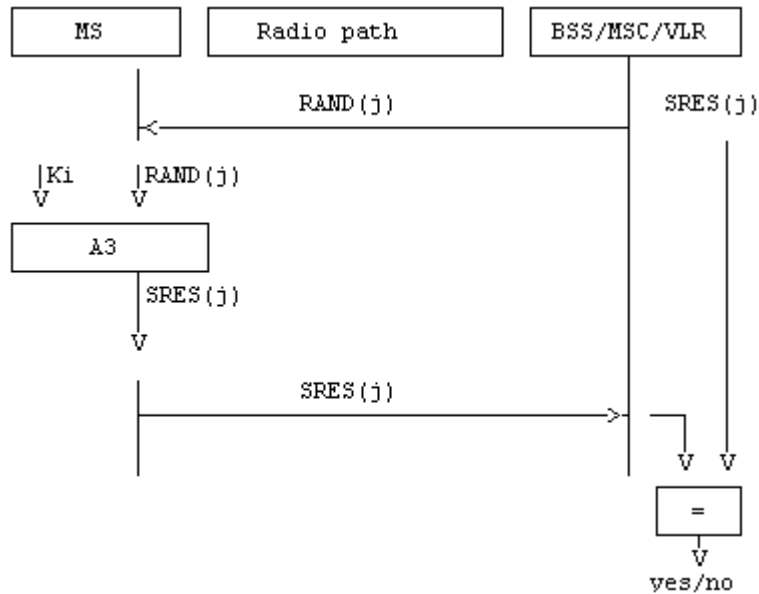


Figure 3.3: General authentication procedure

### 3.3.2 Authentication at location updating in a new VLR, using TMSI

During location updating in a new VLR (VLRn), the procedure to get pairs for subsequent authentication may differ from that described in the previous subclause. In the case when identification is done using TMSI, pairs for authentication as part of security related information are given by the old VLR (VLRo). The old VLR shall send to the new VLR only those pairs which have not been used.

The procedure is schematized in figure 3.4.

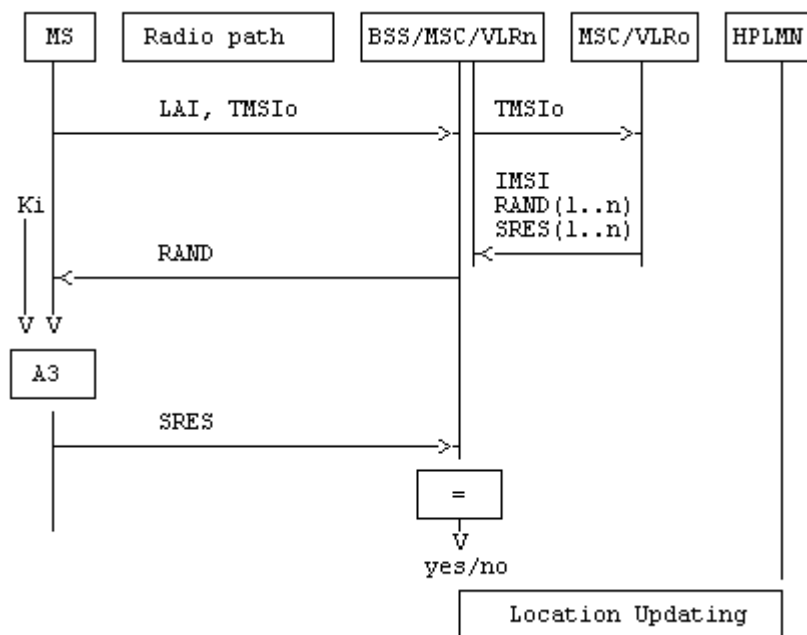


Figure 3.4: Authentication at location updating in a new VLR, using TMSI

### 3.3.3 Authentication at location updating in a new VLR, using IMSI

When the IMSI is used for identification, or more generally when the old VLR is not reachable, the procedure described in subclause 3.3.2 cannot be used. Instead, pairs of RAND/SRES contained in the security related information are requested directly from the HPLMN.

The procedure is schematized in figure 3.5.

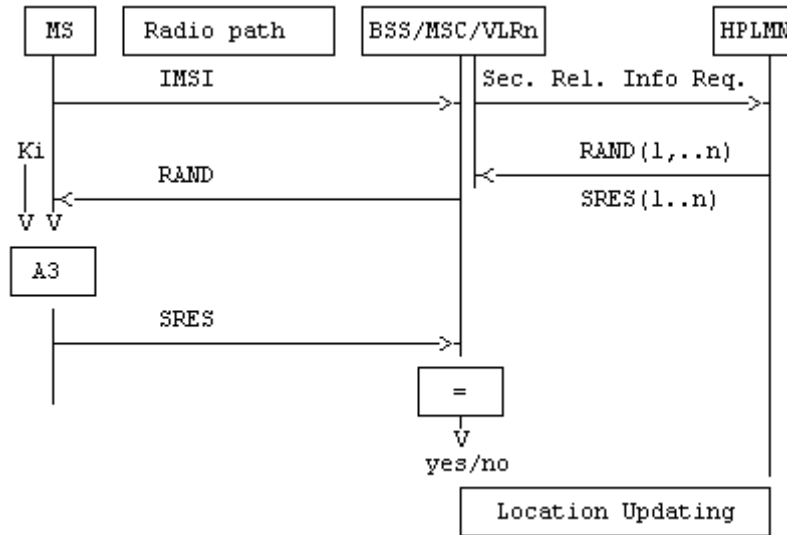


Figure 3.5: Authentication at location updating in a new VLR, using IMSI

### 3.3.4 Authentication at location updating in a new VLR, using TMSI, TMSI unknown in "old" VLR

This case is an abnormal one, when a data loss has occurred in the "old" VLR.

The procedure is schematized in figure 3.6.

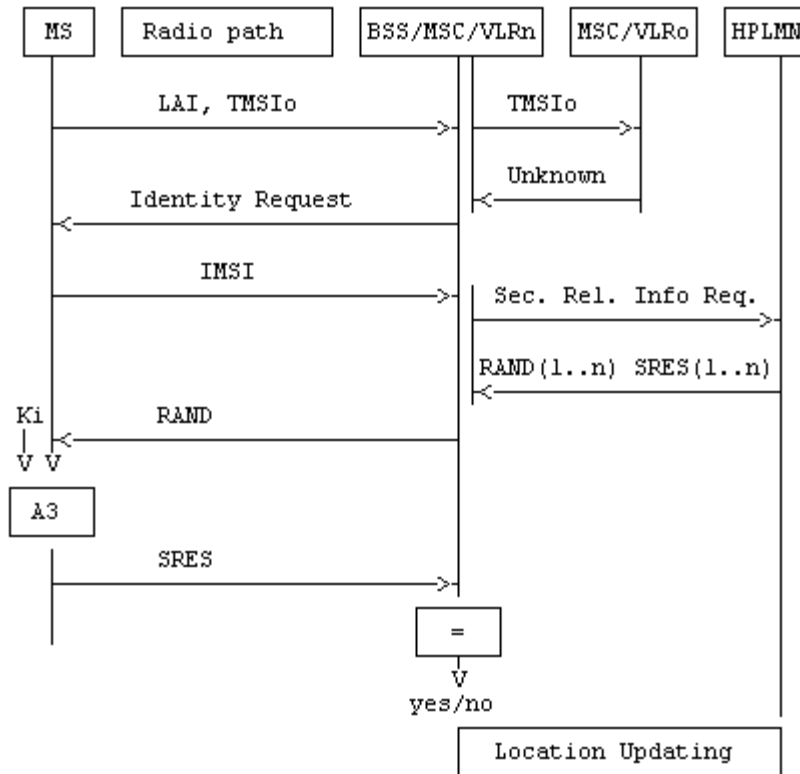


Figure 3.6: Authentication at location updating in a new VLR, using TMSI, TMSI unknown in "old" VLR



### 3.3.5 Authentication at location updating in a new VLR, using TMSI, old VLR not reachable

The case occurs when an old VLR cannot be reached by the new VLR.

The procedure is schematized in figure 3.7

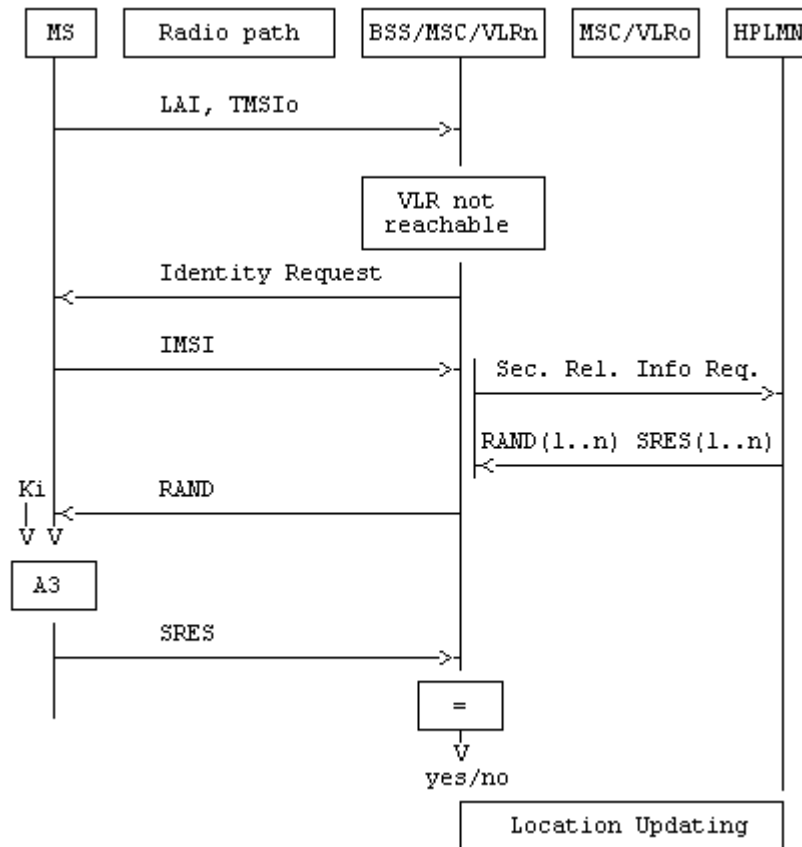


Figure 3.7: Authentication at location updating in a new VLR, using TMSI, old VLR not reachable

### 3.3.6 Authentication with IMSI if authentication with TMSI fails

If authentication of an MS which identifies itself with a TMSI is unsuccessful, the network requests the IMSI from the MS, and repeats the authentication using the IMSI. Optionally, if authentication using the TMSI fails the network may reject the access request or location registration request which triggered the authentication.

### 3.3.7 Re-use of security related information in failure situations

Security related information consisting of sets of RAND, SRES and Kc is stored in the VLR and in the HLR.

When a VLR has used a set of security related information to authenticate an MS, it shall delete the set of security related information or mark it as used. When a VLR needs to use security related information, it shall use a set which is not marked as used in preference to a set which is marked as used; if there are no sets which are not marked as used then the VLR shall request fresh security related information from the HLR. If a set of fresh security related information cannot be obtained in this case because of a system failure, the VLR may re-use a set which is marked as used.

“System failure” in this context means that the VLR was unable to establish contact with the HLR, or the HLR returned a positive acknowledgement containing no sets of security related information, or the HLR returned an error indicating that there was a system failure or that the request was badly formatted.

If the HLR responds to a request for security related information with an indication that the subscriber is unknown or barred in the HLR, the VLR shall not re-use security information which has been marked as used.

It is an operator option to define how many times a set of security related information may be re-used in the VLR; when a set of security related information has been re-used as many times as is permitted by the operator, it shall be deleted.

If a VLR successfully requests security related information from the HLR, it shall discard any security related information which is marked as used in the VLR.

If a VLR receives from another VLR a request for security related information, it shall send only the sets which are not marked as used.

If an HLR receives a request for security related information, it shall send any sets which are not marked as used; those sets shall then be deleted or marked as used. If there are no sets which are not marked as used, the HLR may as an operator option send sets which are marked as used. It is an operator option to define how many times a set of security related information may be re-sent by the HLR; when a set of security related information has been sent as many times as is permitted by the operator, it shall be deleted.

---

## 4 Confidentiality of signalling information elements, connectionless data and user information elements on physical connections

### 4.1 Generality

In 3GPP TS 42.009, some signalling information elements are considered sensitive and must be protected.

To ensure identity confidentiality (see clause 2), the Temporary Subscriber Identity must be transferred in a protected mode at allocation time and at other times when the signalling procedures permit it.

The confidentiality of connection less user data requires at least the protection of the message part pertaining to OSI layers 4 and above.

The user information confidentiality of user information on physical connections concerns the information transmitted on a traffic channel on the MS-BSS interface (e.g. for speech). It is not an end-to-end confidentiality service.

These needs for a protected mode of transmission are fulfilled with the same mechanism where the confidentiality function is a OSI layer 1 function. The scheme described below assumes that the main part of the signalling information elements is transmitted on DCCH (Dedicated Control Channel), and that the CCCH (Common Control Channel) is only used for the allocation of a DCCH.

Four points have to be specified:

- the ciphering method;
- the key setting;
- the starting of the enciphering and deciphering processes;
- the synchronization.

### 4.2 The ciphering method

The layer 1 data flow (transmitted on DCCH or TCH) is ciphered by a bit per bit or stream cipher, i.e. the data flow on the radio path is obtained by the bit per bit binary addition of the user data flow and a ciphering bit stream, generated by

algorithm A5 using a key determined as specified in subclause 4.3. The key is denoted below by  $K_c$  if it is the 64-bit key and  $K_{c128}$  if it is the 128-bit key derived as specified in TS 33.102 [18], and is called "Ciphering Key".

For multislot configurations (e.g. HSCSD) different ciphering bit streams are used on the different timeslots. On timeslot "n" a ciphering bit stream, generated by algorithm A5, using a key  $K_{cn}$  is used.  $K_{cn}$  is derived from the 64-bit  $K_c$  as follows:

Let BN denote a binary encoding onto 64 bits of the timeslot number "n" (range 0-7). Bit "i" of  $K_{cn}$ ,  $K_{cn}(i)$ , is then calculated as  $K_c(i) \text{ xor } (BN \ll 32(i))$  ("xor" indicates: "bit per bit binary addition" and " $\ll 32$ " indicates: "32 bit circular shift"), the number convention being such that the lsb of  $K_c$  is xored with the lsb of the shifted BN.

Deciphering is performed by exactly the same method.

For the 128-bit  $K_{c128}$  derived according to TS 33.102 [18], the corresponding keys  $K_{c128n}$  is used, and  $K_{c128n}$  is derived from the 128-bit  $K_{c128}$  as follows:

Let BN denote a binary encoding onto 128 bits of the timeslot number "n" (range 0-7). Bit "i" of  $K_{c128n}$ ,  $K_{c128n}(i)$ , is then calculated as  $K_{c128}(i) \text{ xor } (BN \ll 32(i))$  ("xor" indicates: "bit per bit binary addition" and " $\ll 32$ " indicates: "32 bit circular shift"), the number convention being such that the lsb of  $K_{c128}$  is xored with the lsb of the shifted BN.

Algorithm A5 is specified in annex C.

## 4.3 Key setting

Mutual key setting is the procedure that allows the mobile station and the network to agree on the key  $K_c$  to use in the ciphering and deciphering algorithms A5.

A key setting is triggered by the authentication procedure. Key setting may be initiated by the network as often as the network operator wishes.

Key setting must occur on a DCCH not yet encrypted and as soon as the identity of the mobile subscriber (i.e. TMSI or IMSI) is known by the network.

The transmission of  $K_c$  to the MS is indirect and uses the authentication RAND value;  $K_c$  is derived from RAND by using algorithm A8 and the Subscriber Authentication key  $K_i$ , as defined in annex C.

As a consequence, the procedures for the management of  $K_c$  are the authentication procedures described in subclause 3.3.

The values  $K_c$  are computed together with the SRES values. The security related information (see subclause 3.3.1) consists of RAND, SRES and  $K_c$ .

The key  $K_c$  is stored by the mobile station until it is updated at the next authentication.

Key setting is schematized in figure 4.1.

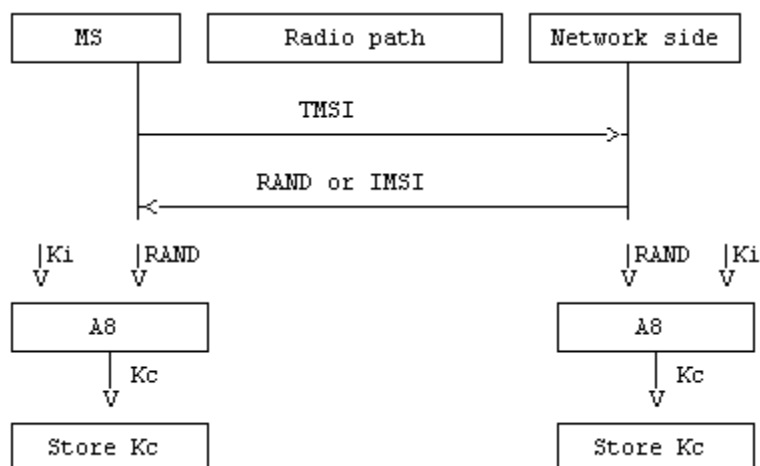


Figure 4.1: Key setting

## 4.4 Ciphering key sequence number

The ciphering key sequence number is a number which is associated with the ciphering key  $K_c$  and they are stored together in the mobile station and in the network.

However since it is not directly involved in any security mechanism, it is not addressed in this specification but in 3GPP TS 24.008 instead.

## 4.5 Starting of the ciphering and deciphering processes

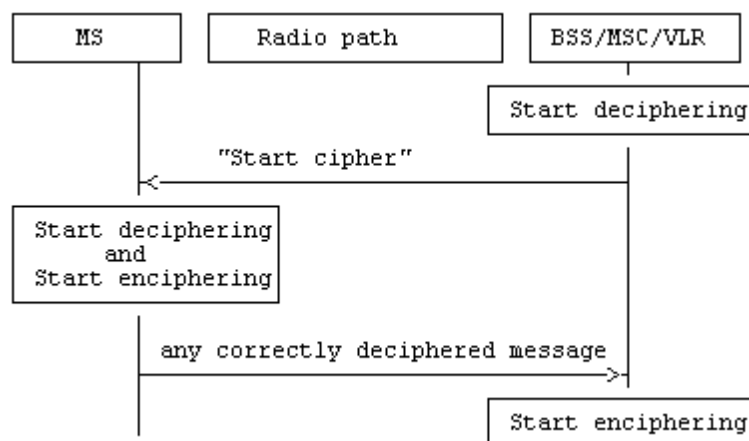
The MS and the BSS must co-ordinate the instants at which the enciphering and deciphering processes start on DCCH and TCH.

On DCCH, this procedure takes place under the control of the network some time after the completion of the authentication procedure (if any), or after the key  $K_c$  has been made available at the BSS.

No information elements for which protection is needed must be sent before the ciphering and deciphering processes are operating.

The transition from clear text mode to ciphered mode proceeds as follows: deciphering starts in the BSS, which sends in clear text to the MS a specific message, here called "Start cipher". Both the enciphering and deciphering start on the MS side after the message "Start cipher" has been correctly received by the MS. Finally, enciphering on the BSS side starts as soon as a frame or a message from the MS has been correctly deciphered at the BSS.

The starting of enciphering and deciphering processes is schematized in figure 4.2.



**Figure 4.2: Starting of the enciphering and deciphering processes**

When a TCH is allocated for user data transmission, the key used is the one set during the preceding DCCH session (Call Set-up). The enciphering and deciphering processes start immediately.

## 4.6 Synchronization

The enciphering stream at one end and the deciphering stream at the other end must be synchronized, for the enciphering bit stream and the deciphering bit streams to coincide. The underlying Synchronization scheme is described in annex C.

## 4.7 Handover

When a handover occurs, the necessary information (e.g. key  $K_c$ , initialization data) is transmitted within the system infrastructure to enable the communication to proceed from the old BSS to the new one, and the Synchronization procedure is resumed. The key  $K_c$  remains unchanged at handover.

Handover involving both a 64-bit  $K_c$  and a 128-bit  $K_{c128}$  is slightly more complex.

- In case of a handover between two BTSes connected to the same BSC, the BSC signals both the selected algorithm and the ciphering key to the target BTS. If the BSC signals the use of a ciphering algorithm requiring a 128-bit ciphering key to the target BTS, the BSC sends  $K_{C128}$  to the target BTS. If only a 64-bit Kc is in the BSS, no ciphering algorithm (e.g., A5/4) requiring a 128-bit ciphering key shall be signalled from BSC to the target BTS.
- In case of a handover between two BSSes connected to the same MSC/VLR, the MSC/VLR signals the allowed ciphering algorithms to the target BSC. If one of the allowed ciphering algorithms requires a 64-bit ciphering key, the MSC/VLR shall send the 64-bit Kc to the target BSS. Additionally, if one of the allowed ciphering algorithms requires a 128-bit ciphering key, the MSC/VLR shall also send the 128-bit  $K_{C128}$  to the target BSS. If an MSC/VLR supporting  $K_{C128}$  could only obtain a 64-bit Kc for the MS, the MSC/VLR shall not include any ciphering algorithm (e.g., A5/4) requiring a 128-bit ciphering key in the allowed ciphering algorithms list. If the target BSC signals the use of a ciphering algorithm requiring a 128-bit ciphering key to the target BTS, the BSC sends  $K_{C128}$  to the target BTS.
- In case of a handover between two BSSes connected to different MSC/VLRs, the initial MSC/VLR shall send the allowed ciphering algorithms to the target MSC/VLR. If one of the allowed ciphering algorithms requires a 64-bit ciphering key, the initial MSC/VLR shall also send a 64-bit ciphering key to target MSC/VLR. . If one of the allowed ciphering algorithms requires a 128-bit ciphering key, the initial MSC/VLR shall also calculate the 128-bit ciphering key  $K_{C128}$  from the CK/IK as described in Annex B.5 of TS 33.102 [18], and shall send it to the target MSC. If the initial MSC/VLR can only obtain a 64-bit ciphering key for the MS, the anchor MSC/VLR shall not include any ciphering algorithm requiring a 128-bit ciphering key in the allowed algorithms list. The target MSC shall send the 64-bit Kc and/or the 128-bit  $K_{C128}$ , as received from the initial MSC/VLR, to the target BSS. If the target BSC signals the use of a ciphering algorithm requiring a 128-bit ciphering key to the BTS, the BSC sends  $K_{C128}$  to the target BTS.

## 4.8 Negotiation of A5 algorithm

Not more than seven versions of the A5 algorithm will be defined.

When an MS wishes to establish a connection with the network, the MS shall indicate to the network which of the seven versions of the A5 algorithm it supports. The network shall not provide service to an MS which indicates that it does not support the ciphering algorithm A5/1.

The network shall compare its ciphering capabilities and preferences, and any special requirements of the subscription of the MS, with those indicated by the MS and act according to the following rules:

- 1) If the MS and the network have no versions of the A5 algorithm in common and the network is not prepared to use an unciphered connection, then the connection shall be released.
- 2) If the MS and the network have at least one version of the A5 algorithm in common, then the network shall select one of the mutually acceptable versions of the A5 algorithm for use on that connection.
- 3) If the MS and the network have no versions of the A5 algorithm in common and the network is willing to use an unciphered connection, then an unciphered connection shall be used.

Since the use of 128-bit ciphering algorithms (e.g., A5/4) requires that the MS is in UMTS security context, if the MSC/VLR could only obtain a 64-bit Kc for the MS, the MSC/VLR shall not include A5/4 in the permitted GSM ciphering algorithms list when the algorithms are signalled to the BSS.

## 4.9 Support of A5 Algorithms in MS

It is mandatory for A5/1, A5/3, A5/4 and non encrypted mode to be implemented in mobile stations. It is prohibited to implement A5/2 in mobile stations. Only A5 algorithms that are included in 3GPP specifications shall be implemented in mobile stations.

## 4.10 Support of A5 Algorithms in the BSS

It is mandatory for A5/3 and A5/4 to be implemented in the BSS.

# 5 Synthetic summary

Figure 5.1 shows in a synopsis a normal location updating procedure with all elements pertaining to security functions, i.e. to TMSI management, authentication and Kc management.

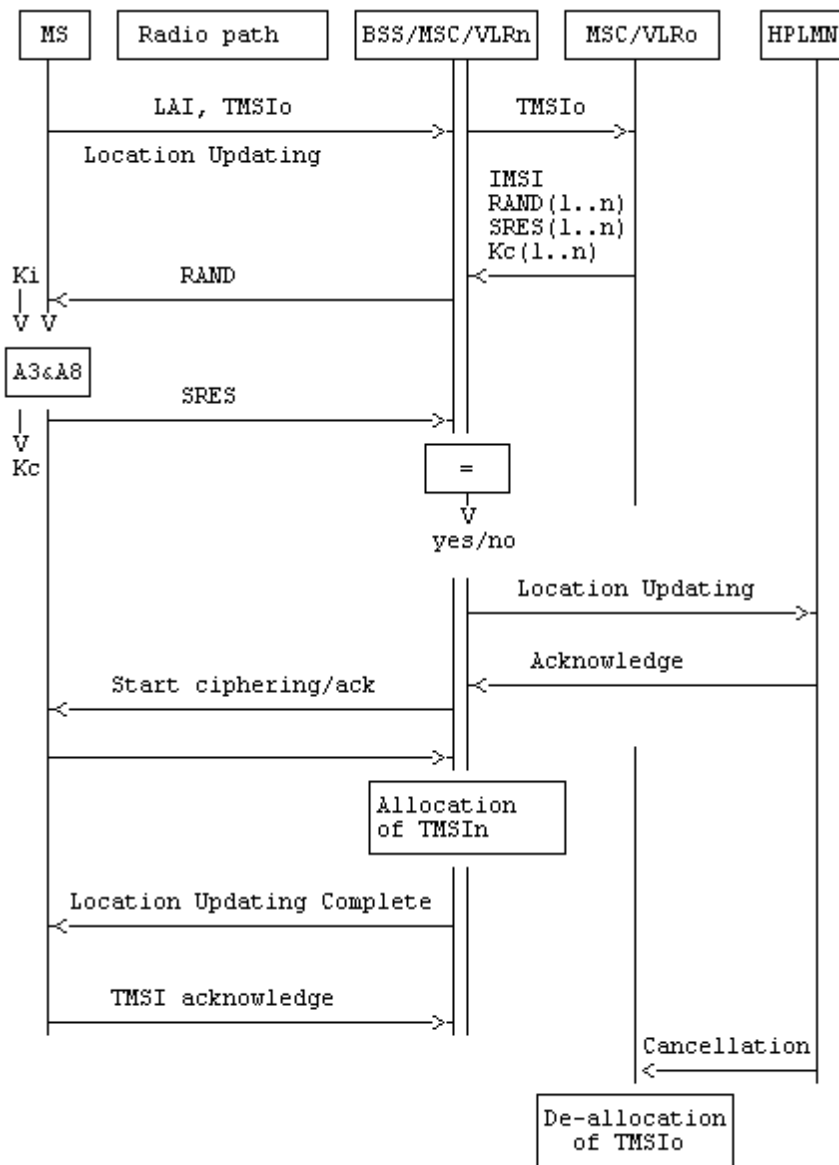


Figure 5.1: Normal location updating procedure

---

# Annex A (informative): Security issues related to signalling schemes and key management

## A.1 Introduction

The diagrams in this annex indicate the security items related to signalling functions and to some of the key management functions. The purpose of the diagrams is to give a general overview of signalling, both on the radio path and in the fixed network. The diagrams indicate how and where keys are generated, distributed, stored and used. The security functions are split between VLR and BSS/MSC.

---

## A.2 Short description of the schemes

### Scheme 1: Location registration

- no TMSI available.

The situation occurs where an MS requests registration and for some reason e.g. TMSI is lost or this is the first registration, there is no TMSI available. In this case the IMSI is used for identification. The IMSI is sent in clear text via the radio path as part of the location updating.

### Scheme 2: Location updating

- MS registered in VLR;
- TMSI is still available.

The mobile station stays within the area controlled by the VLR. The mobile station is already registered in this VLR. All information belonging to the mobile station is stored in the VLR, so no connection with the HLR is necessary. Identification is done by the CKSN, LAI and TMSI. For authentication a new set of RAND, SRES and Kc is already available in the VLR.

### Scheme 3: Location updating

- MS not yet registered in VLR;
- TMSI is still available.

The MS has roamed to an area controlled by another VLR. The LAI is used to address the "old" VLR. The TMSI is used for identification. The "old" VLR informs the "new" VLR about this MS. The security related information is sent by the "old" VLR to the "new" VLR.

### Scheme 4: Location updating

- MS not yet registered in VLR and no old LAI.

The VLR cannot identify the VLR where the MS was last registered. Identification is therefore done by using the IMSI. The VLR cannot request authentication information from the previous VLR (LAI not available), so the HLR has to send the authentication information to the VLR.

### Scheme 5: Call set-up

- mobile originated;
- early assignment.

The users of the registered MS wants to set-up a call. Identification is done by using the TMSI. All signalling information elements in all messages on the radio path are encrypted with ciphering key Kc. The PLMN is setting up calls with "early assignment".

## Scheme 6: Call set-up

- mobile originated;
- off air call set-up.

As in scheme 5 the user of the registered MS wants to set-up a call. Identification is done by using the TMSI. All signalling information elements in all messages on the radio path are encrypted with ciphering key Kc after the cipher mode command message. The PLMN is setting up calls with "off air call set-up"

## Scheme 7: Call set-up

- mobile terminated;
- early assignment.

A paging request is sent to the registered MS, addressed by the TMSI. All signalling information elements in all messages on the radio path are encrypted with ciphering key Kc after the cipher mode command message. The PLMN is setting up calls with "early assignment".

---

## A.3 List of abbreviations

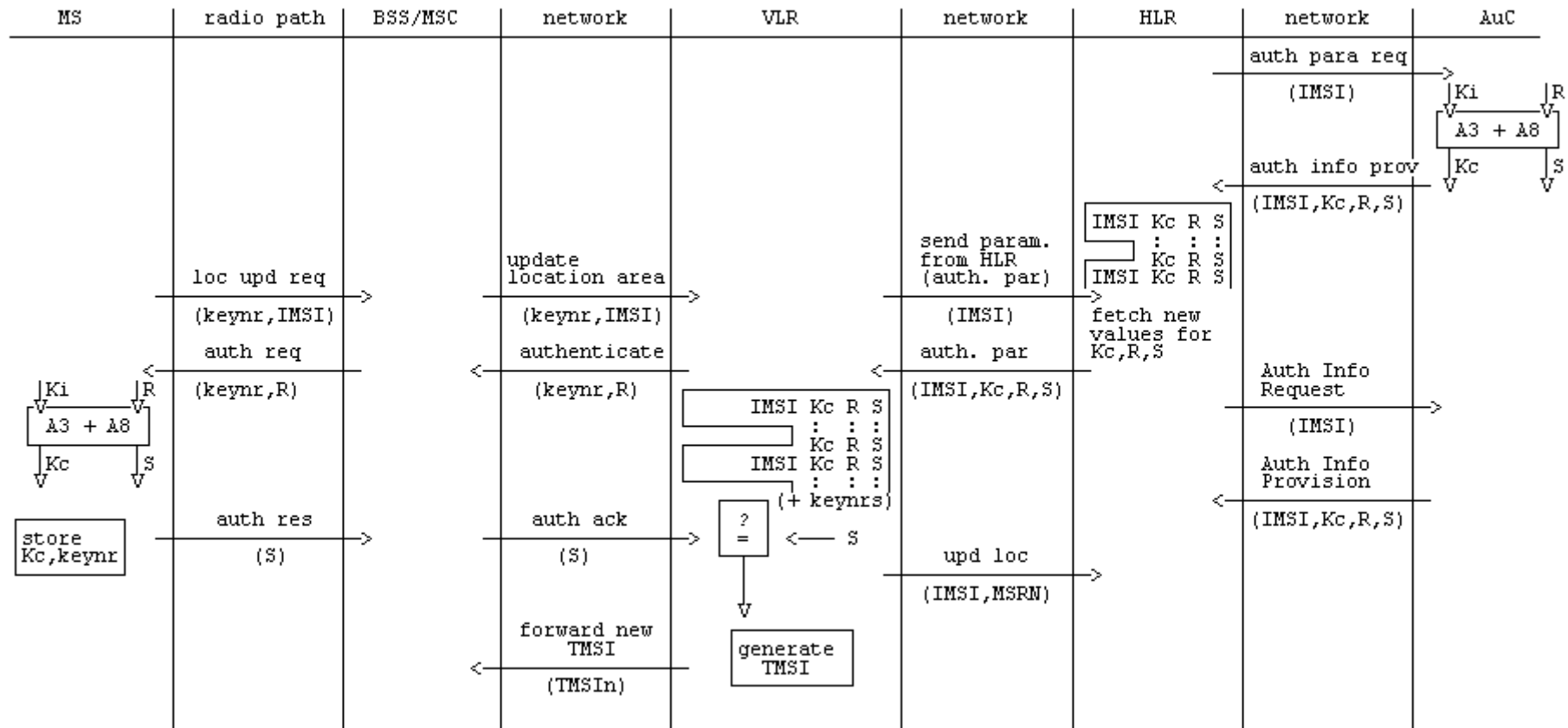
In addition to the abbreviations listed in 3GPP TS 21.905, the following abbreviations are used in the schemes:

A3	authentication algorithm
A5	signalling data and user data encryption algorithm
A8	ciphering key generating algorithm
BSS	Base Station System
HLR	Home Location Register
IMSI	International Mobile Subscriber Identity
Kc	ciphering key (in the schemes below the notation Kc shall be read as Kc or Kc <sub>128</sub> , depending on which ciphering algorithm is applied)
Kc[M]	message encrypted with ciphering key Kc
Kc[TMSI]	TMSI encrypted with ciphering key Kc
Ki	individual subscriber authentication key
LAI	Location Area Identity
MS	Mobile Station
MSC	Mobile services Switching Centre
R	Random number (RAND)
S	Signed response (SRES)
TMSI o/n	Temporary Mobile Subscriber Identity old/new
VLR o/n	Visitor Location Register old/new

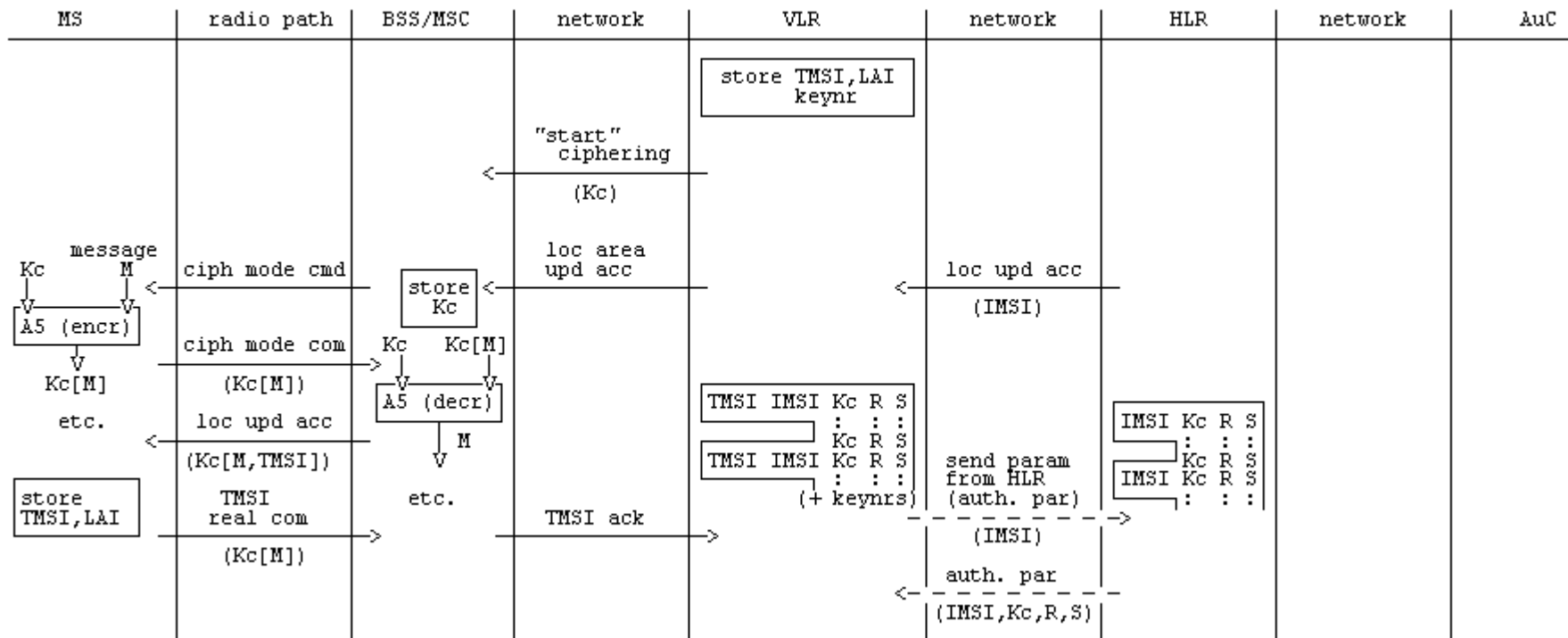


**Scheme 1 Location registration**

- no TMSI available

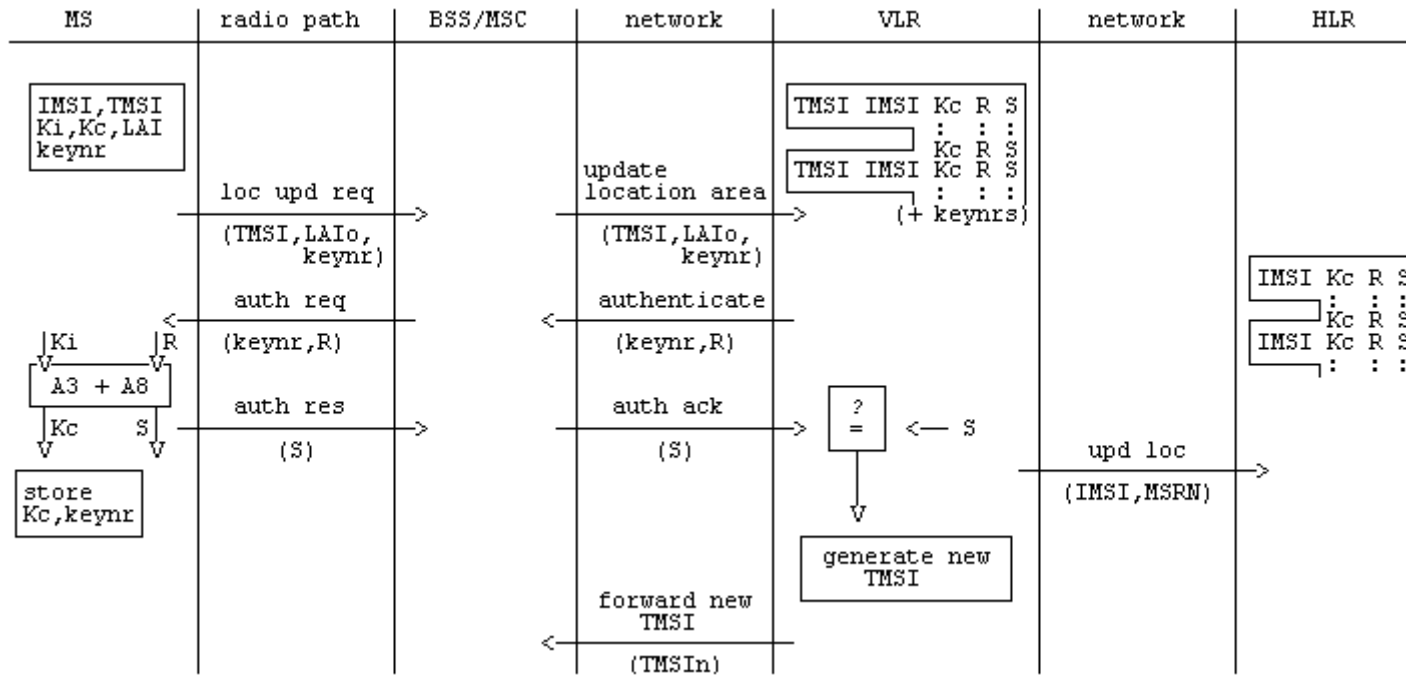


Scheme 1 (concluded)

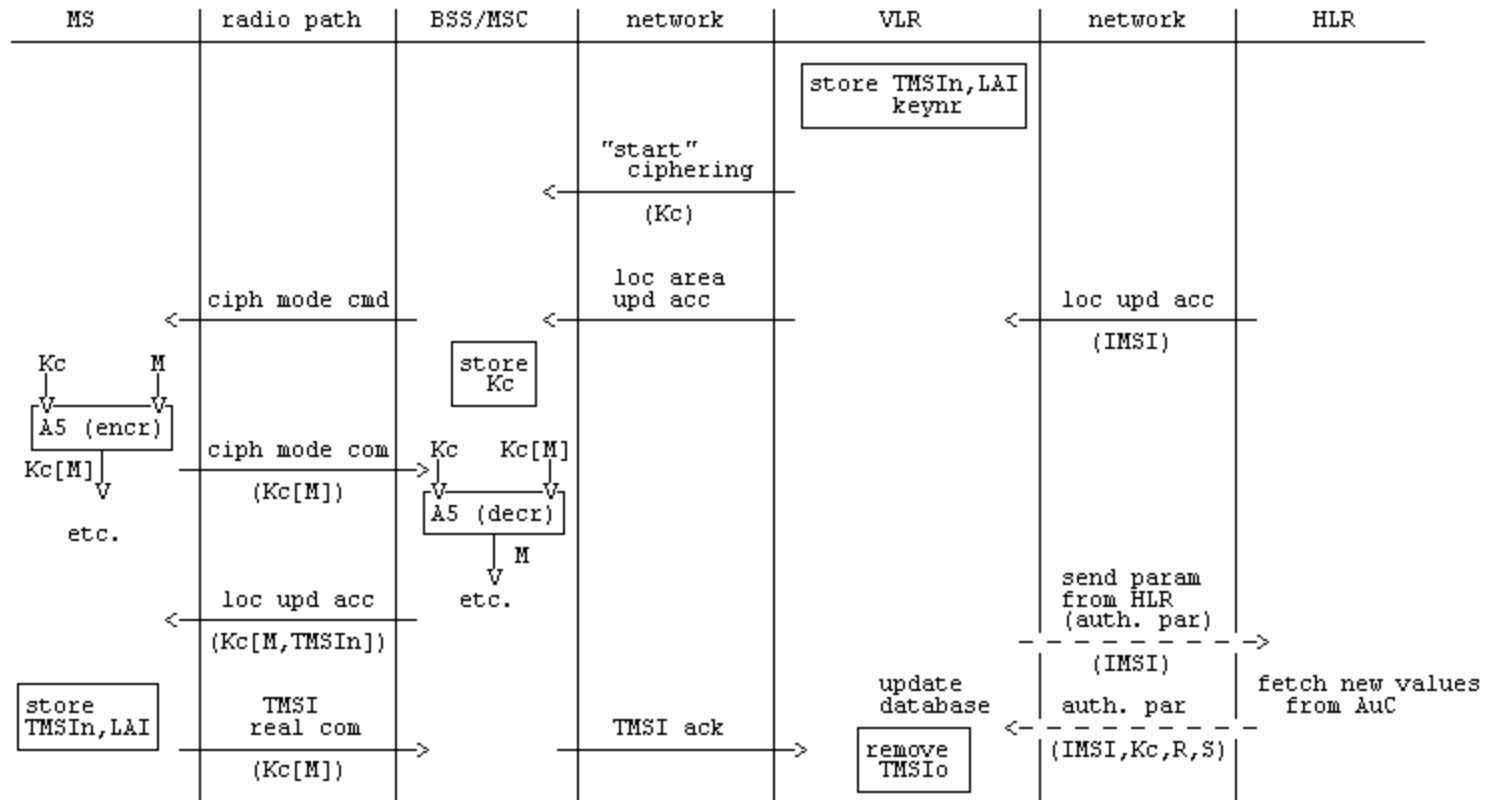


**Scheme 2 Location updating**

- MS registered in VLR
- TMSI is still available

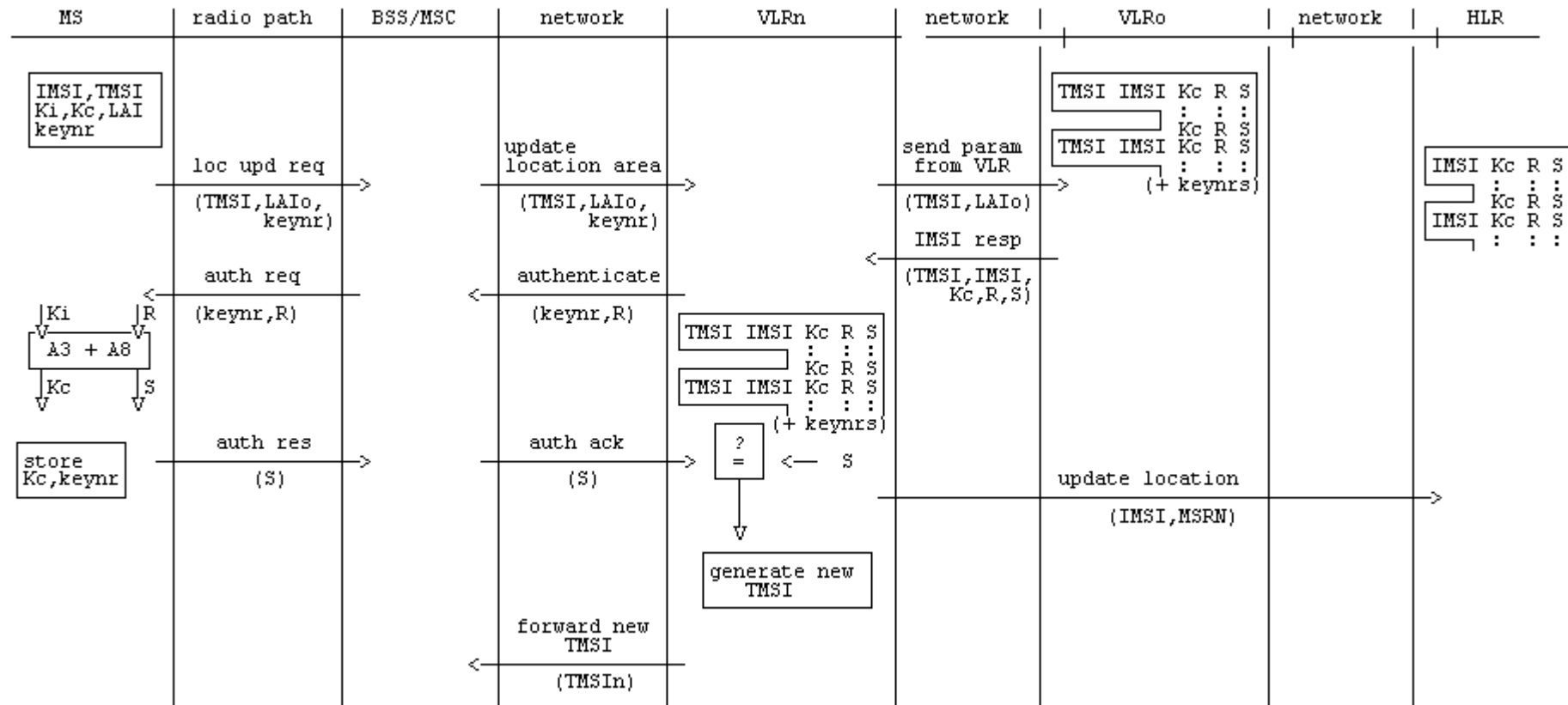


Scheme 2 (concluded)

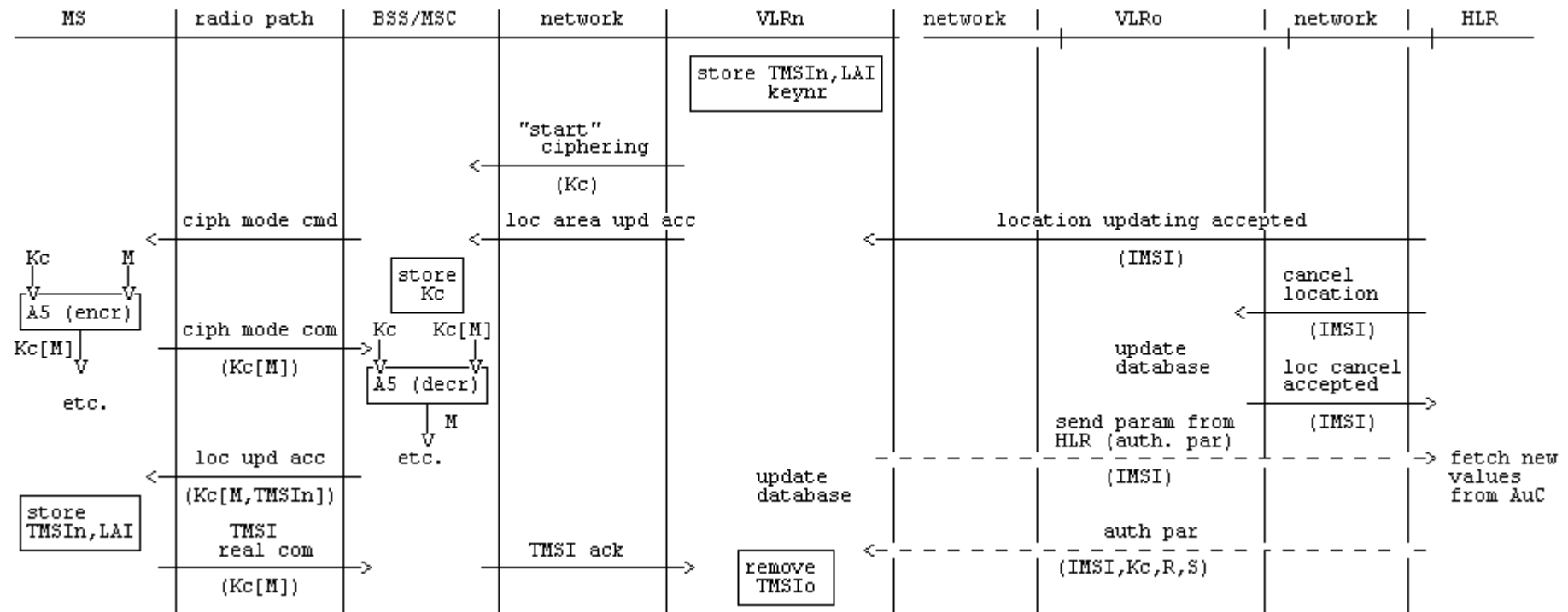


**Scheme 3 Location updating**

- MS not yet registered in VLR
- TMSI is still available

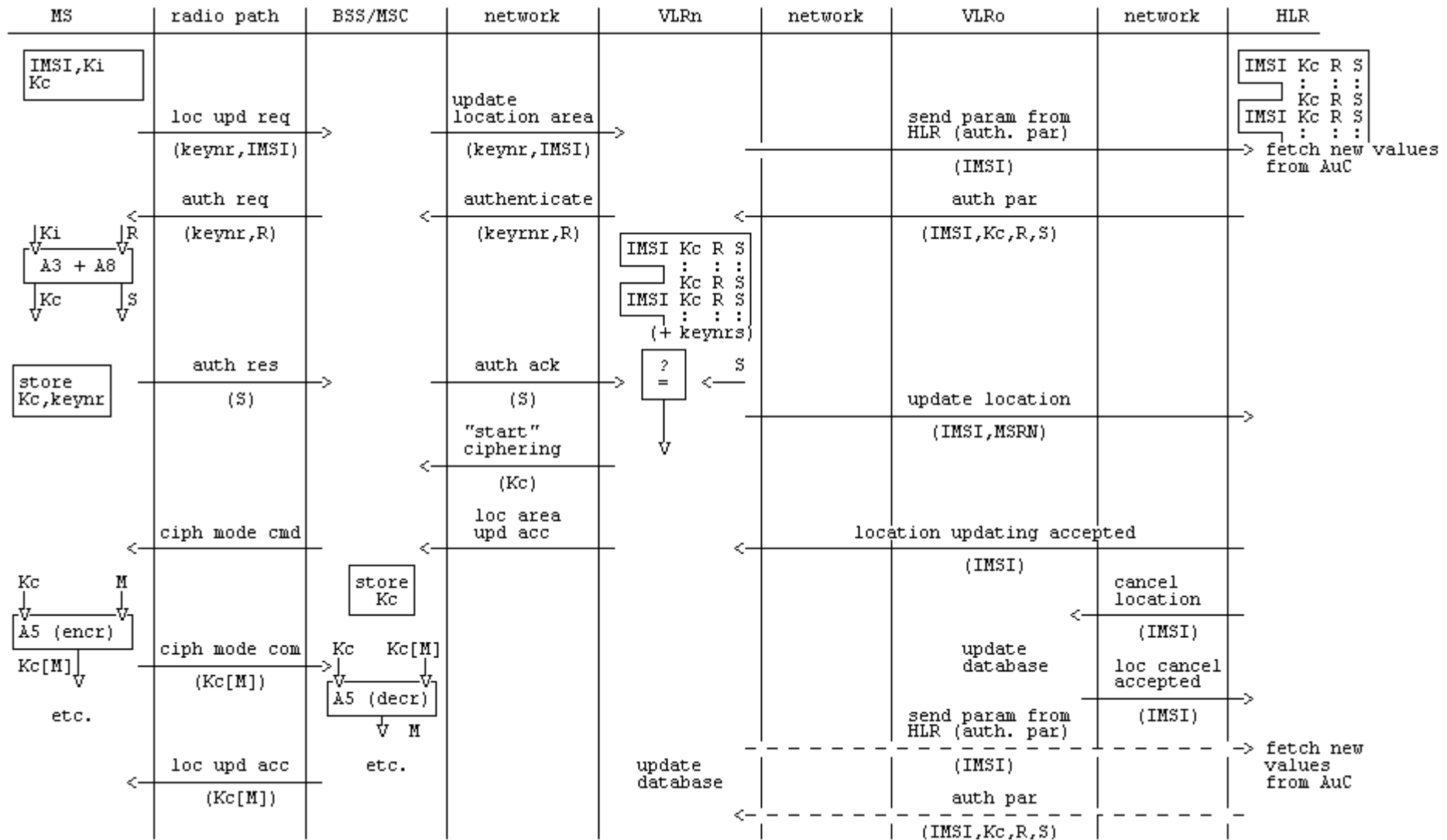


Scheme 3 (concluded)



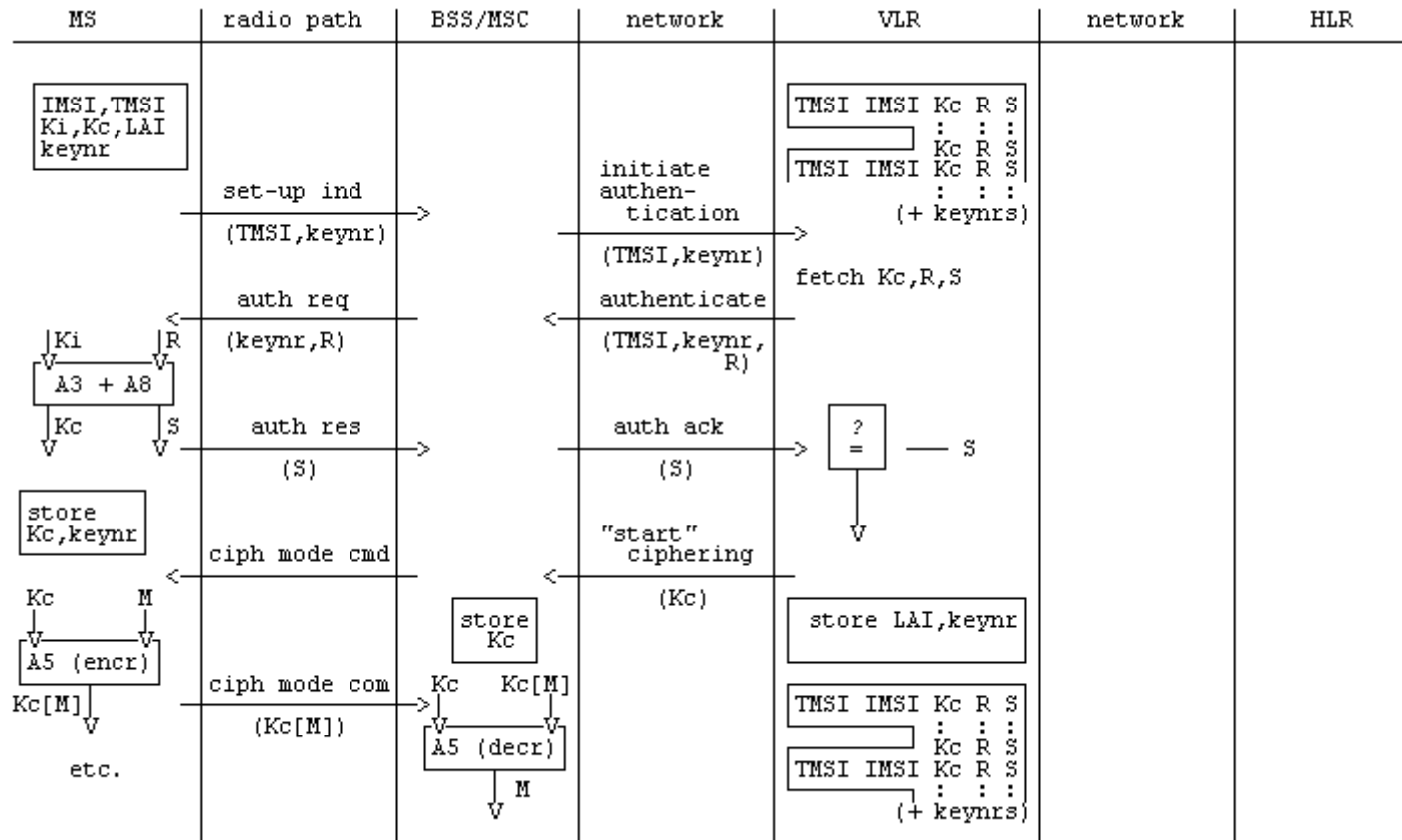
Scheme 4 Location updating

- MS not yet registered in VLR; no old LAI



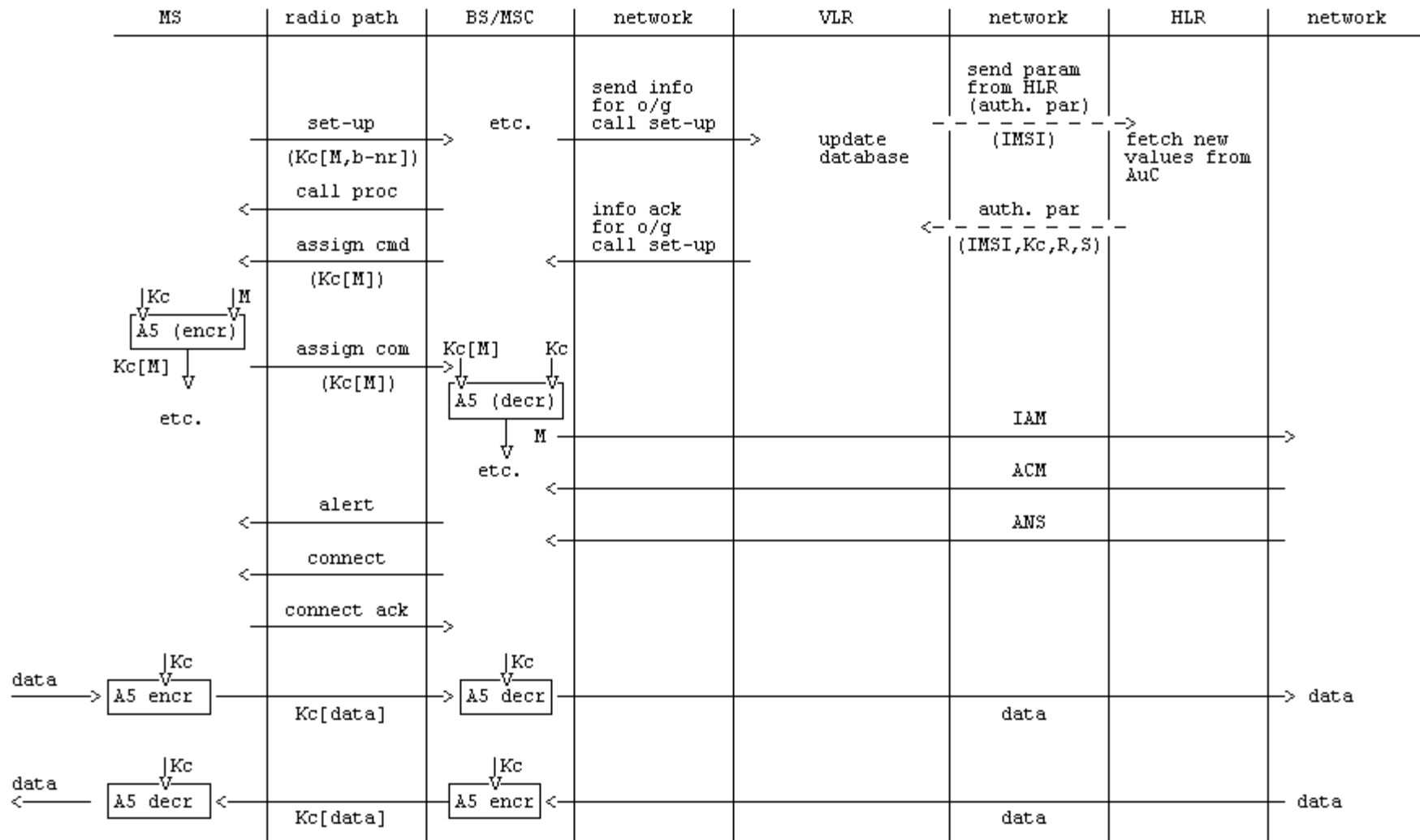
Scheme 5 Call set-up

- Mobile originated
- early assignment



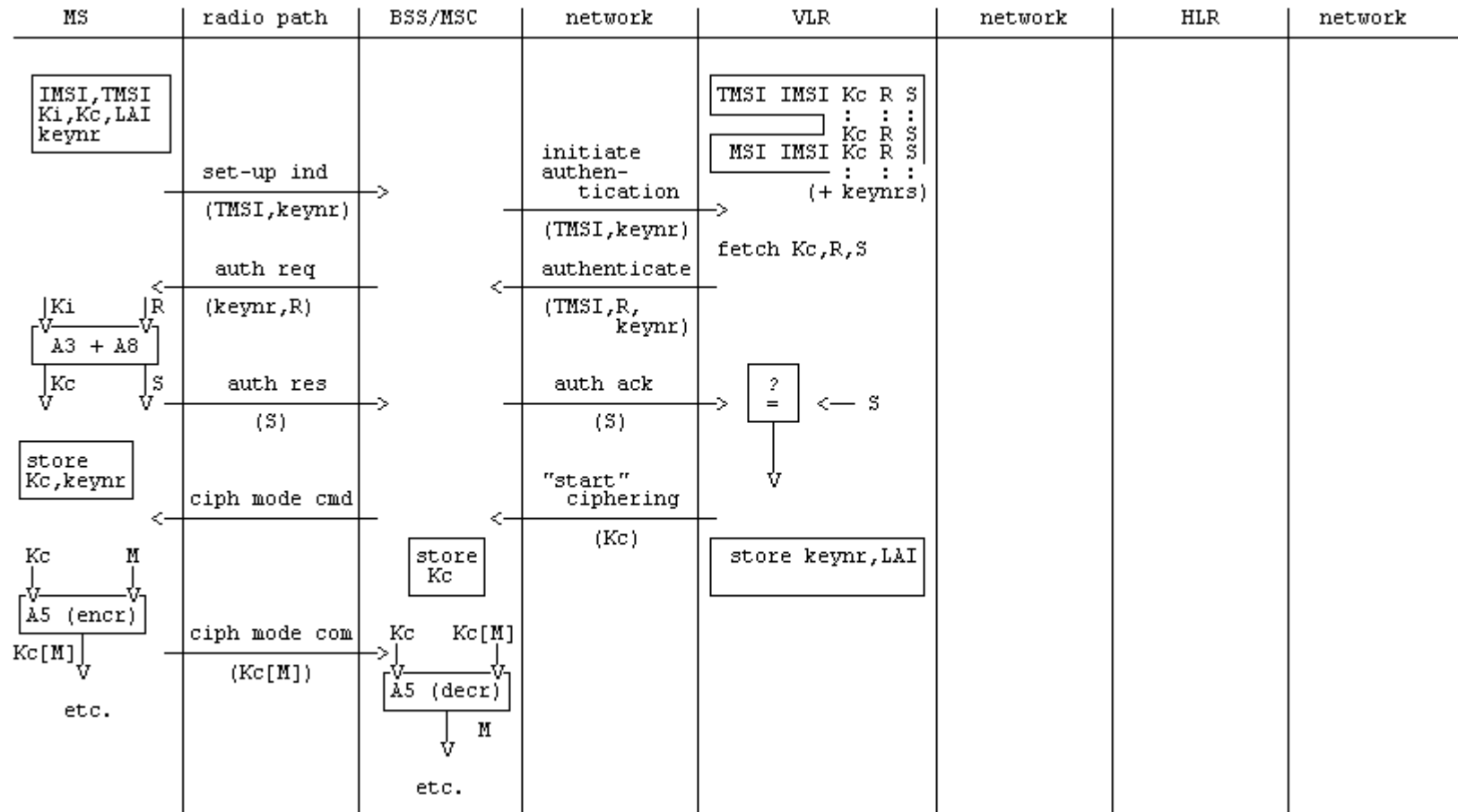


Scheme 5 (concluded)

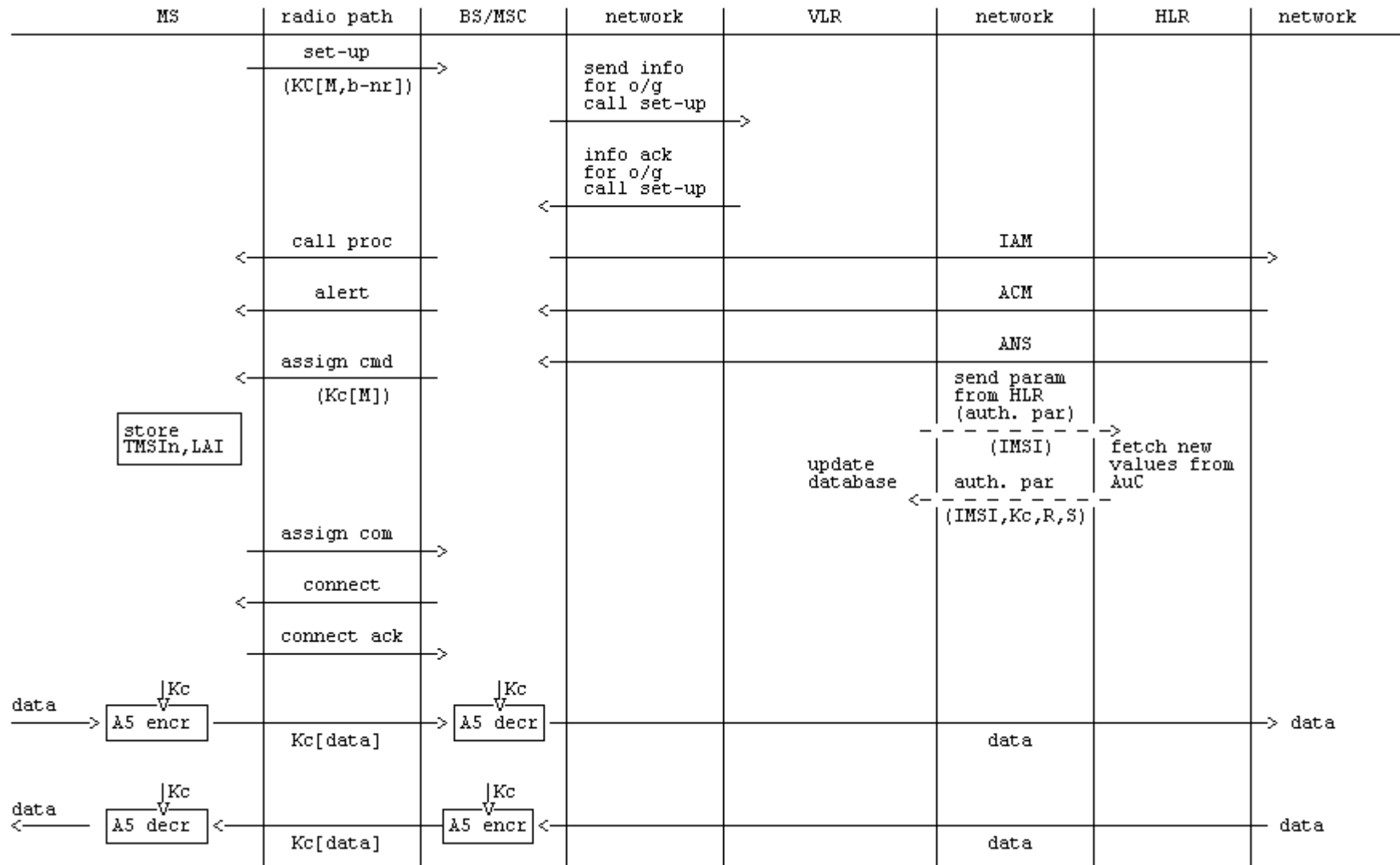


**Scheme 6 Call set-up**

- Mobile originated
- Off air call set-up

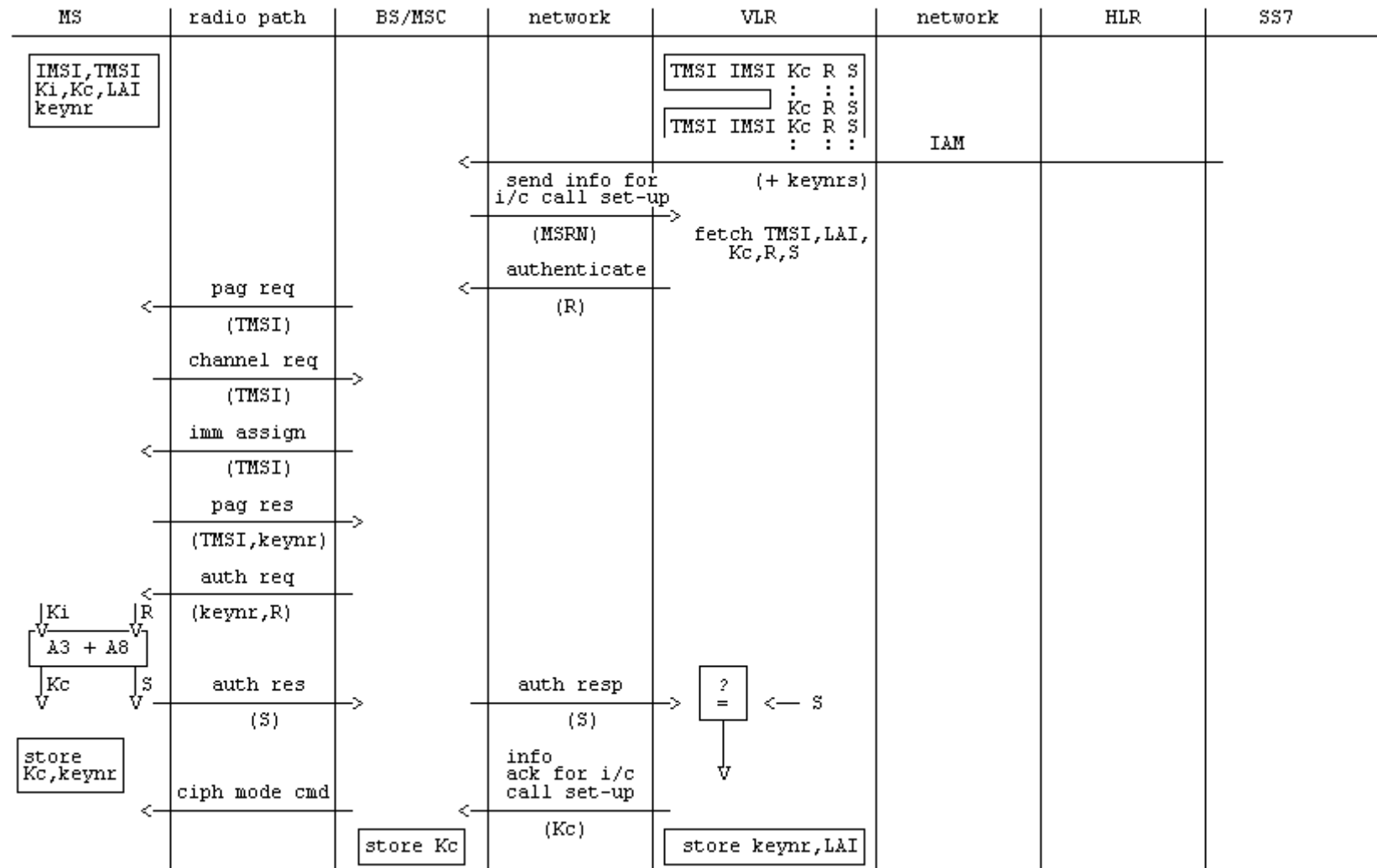


Scheme 6 (concluded)

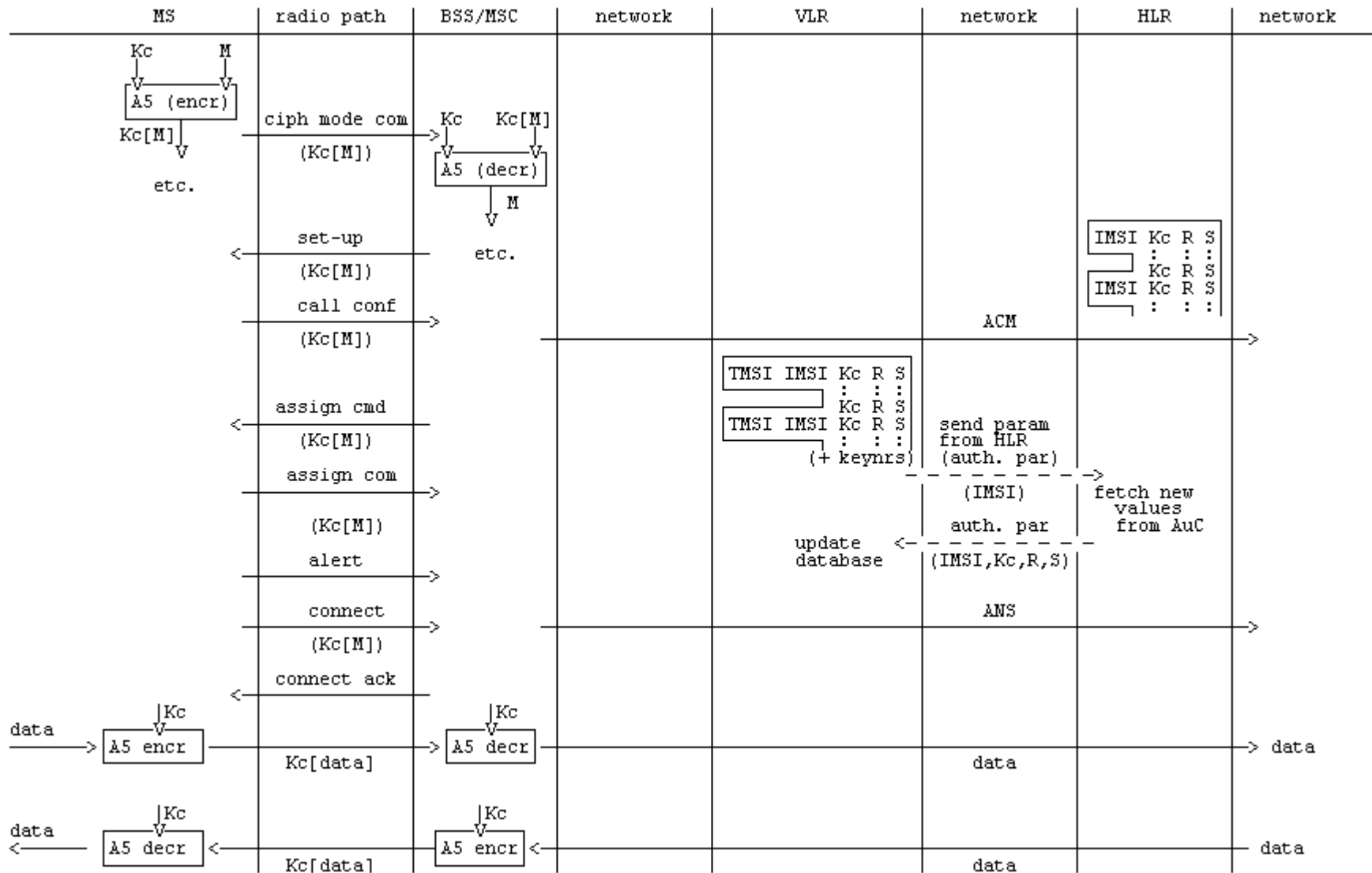


Scheme 7 Call set-up

- Mobile terminated
- Early assignment



Scheme 7 (concluded)



---

## Annex B (informative): Security information to be stored in the entities of the GSM system

### B.1 Introduction

This annex gives an overview of the security related information and the places where this information is stored in the GSM network.

The entities of the GSM network where security information is stored are:

- home location register;
- visitor location register;
- mobile services switching centre;
- base station system;
- mobile station;
- authentication centre.

---

### B.2 Entities and security information

#### B.2.1 Home Location Register (HLR)

If required, sets of Kc, RAND and SRES coupled to each IMSI are stored in the HLR.

#### B.2.2 Visitor Location Register (VLR)

Sets of Kc, RAND and SRES coupled to each IMSI are stored in the VLR. In addition the CKSN, LAI and TMSI are stored together with the presumed valid Kc.

After a new TMSI is generated, both the old and the new TMSI are stored. When the old TMSI is no longer valid, it is removed from the database.

#### B.2.3 Mobile services Switching Centre (MSC)/Base Station System (BSS)

Encryption algorithm A5 is stored in the MSC/BSS.

Call related information stored in the MSC includes the ciphering key Kc and CKSN associated with the identity of the mobile engaged in this call.

After a new TMSI is generated, both the old and the new TMSI are stored. When the old TMSI is no longer valid, it is removed from the database.

## B.2.4 Mobile Station (MS)

The mobile station stores permanently:

- authentication algorithm A3;
- encryption algorithm A5;
- ciphering key generating algorithm A8;
- individual subscriber authentication key  $K_i$ ;
- ciphering key  $K_c$ ;
- ciphering key sequence number;
- TMSI.

The mobile station generates and stores:

- ciphering key  $K_c$ .
- ciphering key  $K_{c128}$  (if a 128-bit ciphering algorithm is used).

The mobile station receives and stores:

- ciphering key sequence number;
- TMSI;
- LAI.

## B.2.5 Authentication Centre (AuC)

In the authentication centre are implemented:

- authentication algorithm(s) A3;
- ciphering key generating algorithm(s) A8.

The secret individual authentication keys  $K_i$  of each subscriber are stored in an authentication centre.

---

# Annex C (normative): External specifications of security related algorithms

## C.0 Scope

This annex specifies the cryptological algorithms which are needed to provide the various security features and mechanisms defined in, respectively, 3GPP TS 42.009 and 3GPP TS 43.020.

The following three algorithms are considered in 3GPP TS 43.020:

- Algorithm A3: Authentication algorithm;
- Algorithm A5: Ciphering/deciphering algorithm;
- Algorithm A8: Ciphering key generator.

Algorithm A5 must be common to all GSM PLMNs and all mobile stations (in particular, to allow roaming). The external specifications of Algorithm A5 are defined in subclause C.1.3. The internal specifications of Algorithm A5 are managed under the responsibility of GSM/MoU; they will be made available in response to an appropriate request.

Algorithms A3 and A8 are at each PLMN operator discretion. Only the formats of their inputs and outputs must be specified. It is also desirable that the processing times of these algorithms remain below a maximum value. Proposals for Algorithm A3 and A8 are managed by GSM/MoU and available, for those PLMN operators who wish to use them, in response to an appropriate request.

---

## C.1 Specifications for Algorithm A5

### C.1.1 Purpose

Algorithm A5 realizes the protection of both user data and signalling information elements at the physical layer on the dedicated channels (TCH or DCCH).

Synchronization of both the enciphering and deciphering (especially at hand-over) must be guaranteed.

### C.1.2 Implementation indications

Algorithm A5 is implemented into both the MS and the BSS. On the BSS side description below assumes that one algorithm A5 is implemented for each physical channel (TCH or DCCH).

The ciphering takes place before modulation and after interleaving (see 3GPP TS 45.001); the deciphering takes place after demodulation symmetrically. Both enciphering and deciphering need Algorithm A5 and start at different times (see clause 4).

As an indication, recall that, due to the TDMA techniques used in the system, the useful data (also called the plain text in the sequel) are organized into blocks of NPBB (Number of Payload Bits per Burst, see C.1.5) bits. In the GMSK case NPBB is equal to 114. Then, each block is incorporated into a normal burst (see 3GPP TS 45.002) and transmitted during a time slot. According to 3GPP TS 45.003, in the GMSK case, the useful information bits into a block are numbered e0 to e56 and e59 to e115 (the flag bits e57 and e58 are ignored). Successive slots for a given physical channel are separated at least by a frame duration, approximately 4.615 ms (see 3GPP TS 45.001).

In the case of 8-PSK modulation (for instance, ECSD), the useful data are organized into longer blocks than 114 bits. According to 3GPP TS 45.003 the useful information in a block is included in 116 symbols which are numbered E(0) to E(115). Each symbol contains 3 bits, hence a block contains 348 useful information bits (NPBB = 348 in the 8-PSK case). See C.1.5 for changes in the details.

For ciphering, Algorithm A5 produces, each 4.615 ms, a sequence of NPBB encipher/decipher bits (here called BLOCK) which is combined by a bit-wise modulo 2 addition with the NPBB-bit plain text block. The first



encipher/decipher bit produced by A5 is added to e0, the second to e1 and so on. As an indication, the resulting NPBB-bit block is then applied to the burst builder (see 3GPP TS 45.001). For those A5 algorithms that do not produce bit after bit output, the msb of the BLOCK, as specified in the relevant A5 algorithm specification, has to be regarded as the first produced, subsequently the next but one most significant bit has to be considered as the next produced bit until all BLOCK bits have been added as described above.

NOTE: As an example for A5/3: BLOCK1[0] is to be added with e0, BLOCK1[1] is to be added to e1, ..., BLOCK1[9] is to be added with e9 etc.

For each slot, deciphering is performed on the MS side with the first block (BLOCK1) of NPBB bits produced by A5, and enciphering is performed with the second block (BLOCK2). As a consequence, on the network side BLOCK1 is used for enciphering and BLOCK2 for deciphering. Therefore Algorithm A5 must produce two blocks of NPBB bits (i.e. BLOCK1 and BLOCK2) each 4.615 ms.

Synchronization is guaranteed by driving Algorithm A5 by an explicit time variable, COUNT, derived from the TDMA frame number. Therefore each NPBB-bit block produced by A5 depends only on the TDMA frame numbering and the ciphering key Kc (or Kc<sub>128</sub> for A5 algorithms requiring a 128-bit key).

COUNT is expressed in 22 bits as the concatenation of the binary representation of T1, T3 and T2. It is an input parameter of Algorithm A5. The coding of COUNT is shown in figure C.1.

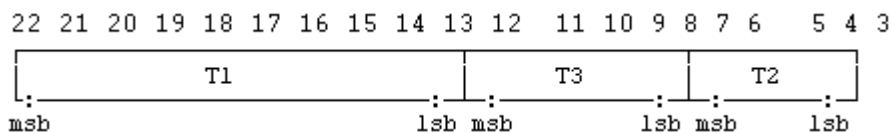


Figure C.1: The coding of COUNT

Binary representation of COUNT. Bit 22 is the most significant bit (msb) and bit 1 the least significant bit (lsb) of COUNT. T1, T3 and T2 are represented in binary. (For definition of T1, T3 and T2, see 3GPP TS 45.002).

Figure C.2 summarizes the implementation indications listed above for the GSM case where NPBB is equal to 114, with only one enciphering/deciphering procedure represented (the second one for deciphering/enciphering is symmetrical).

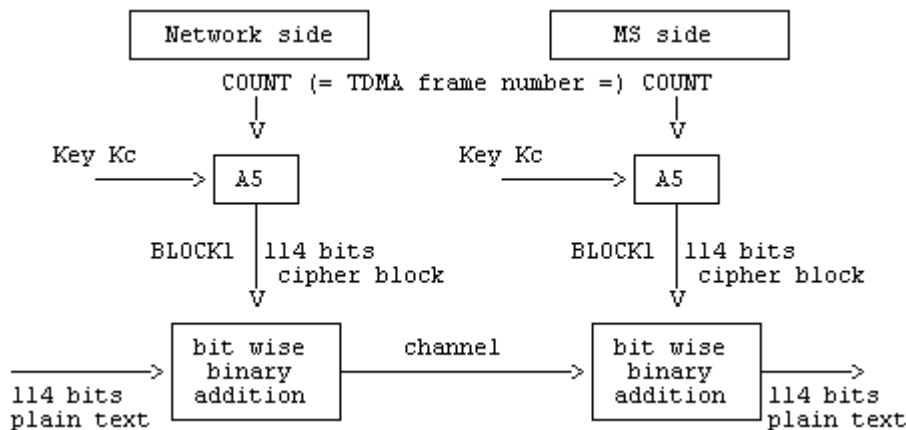


Figure C.2: Deciphering on the MS side

## C.1.3 External specifications of Algorithm A5

### C.1.3.1 A5 algorithms with 64-bit keys

The two input parameters (COUNT and  $K_c$ ) and the output parameters (BLOCK1 and BLOCK2) of Algorithm A5 shall use the following formats:

- length of  $K_c$ : 64 bits;
- length of COUNT: 22 bits;
- length of BLOCK1: NPBB bits;
- length of BLOCK2: NPBB bits.

Algorithm A5 shall produce BLOCK1 and BLOCK2 in less than a TDMA frame duration, i.e. 4.615 ms.

NOTE: If the actual length of the ciphering key is less than 64 bits, then it is assumed that the actual ciphering key corresponds to the most significant bits of  $K_c$ , and that the remaining and less significant bits are set to zero. It must be clear that for signalling and testing purposes the ciphering key  $K_c$  is considered to be 64 unstructured bits.

### C.1.3.2 A5 algorithms with 128-bit keys

The two input parameters (COUNT and  $K_{c128}$ ) and the output parameters (BLOCK1 and BLOCK2) of Algorithm A5 shall use the following formats:

- length of  $K_{c128}$ : 128 bits;
- length of COUNT: 22 bits;
- length of BLOCK1: NPBB bits;
- length of BLOCK2: NPBB bits.

Algorithm A5 shall produce BLOCK1 and BLOCK2 in less than a TDMA frame duration, i.e. 4.615 ms.

## C.1.4 Internal specification of Algorithm A5

The internal specification of Algorithm A5 is managed under the responsibility of GSMA; it will be made available to in response to an appropriate request.

## C.1.5 Definition of NPBB for different modulations

NPBB (Number of Payload Bits per Burst) varies with the modulation used:

- GMSK: NPBB = 114 (applicable to TCH, SDCCH, SACCH, FACCH)
- 8-PSK: NPBB = 348 (applicable to O-TCH, O-FACCH, E-TCH, E-FACCH).

---

## C.2 Algorithm A3

Algorithm A3 is considered as a matter for GSM PLMN operators. Therefore, only external specifications are given. However a proposal for a possible Algorithm A3 is managed by GSM/MoU and available upon appropriate request.

### C.2.1 Purpose

As defined in 3GPP TS 43.020, the purpose of Algorithm A3 is to allow authentication of a mobile subscriber's identity.

To this end, Algorithm A3 must compute an expected response SRES from a random challenge RAND sent by the network. For this computation, Algorithm A3 makes use of the secret authentication key Ki.

## C.2.2 Implementation and operational requirements

On the MS side, Algorithm A3 is contained in a Subscriber Identity Module, as specified in 3GPP TS 42.017.

On the network side, it is implemented in the HLR or the AuC. The two input parameters (RAND and Ki) and the output parameter (SRES) of Algorithm A3 shall use the following formats:

- length of Ki: 128 bits;
- length of RAND: 128 bits;
- length of SRES: 32 bits.

The run-time of Algorithm A3 shall be less than 500 ms.

---

## C.3 Algorithm A8

Algorithm A8 is considered as a matter for GSM PLMN operators as is Algorithm A3.

A proposal for a possible Algorithm A8 is managed by GSM/MoU and available upon appropriate request.

### C.3.1 Purpose

As defined in 3GPP TS 43.020, Algorithm A8 must compute the ciphering key Kc from the random challenge RAND sent during the authentication procedure, using the authentication key Ki.

### C.3.2 Implementation and operational requirements

On the MS side, Algorithm A8 is contained in the SIM, as specified in 3GPP TS 42.017.

On the network side, Algorithm A8 is co-located with Algorithm A3.

The two input parameters (RAND and Ki) and the output parameter (Kc) of Algorithm A8 shall follow the following formats:

- length of Ki: 128 bits;
- length of RAND: 128 bits;
- length of Kc: 64 bits.

Since the maximum length of the actual ciphering key is fixed by GSM/MoU, Algorithm A8 shall produce this actual ciphering key and extend it (if necessary) into a 64 bit word where the non-significant bits are forced to zero. It is assumed that any non-significant bits are the least significant bits and that, the actual ciphering key is contained in the most significant bits. For signalling and testing purposes the ciphering key Kc has to be considered to be 64 unstructured bits.

---

# Annex D (normative): Security related network functions for General Packet Radio Service

**This annex is only applicable if GPRS is supported.**

---

## D.1 General

This annex gives an overview of the different security related services and functions for General Packet Radio Service (GPRS) which is described in 3GPP TS 22.060 and 3GPP TS 23.060. They are grouped as follows:

- Subscriber identity confidentiality;
- Subscriber identity authentication;
- Confidentiality of user information and signalling between MS and SGSN;
- Security of the GPRS backbone.

It shall be possible to introduce new authentication and ciphering algorithms during the systems lifetime. The fixed part of the network may support more than one authentication and ciphering algorithm.

The security procedures include mechanisms to enable recovery in the event of signalling failures. These recovery procedures are designed to minimise the risk of a breach in the security of the system.

In this annex, the terms GPRS-Kc and GPRS-CKSN are introduced to provide a clear distinction from the ciphering parameters (Kc and CKSN) used for circuit switched. The GPRS-Kc is the ciphering key used for GPRS, and GPRS-CKSN is the corresponding Ciphering Key Sequence Number used for GPRS. GPRS-Kc<sub>128</sub> is introduced in correspondence with Kc<sub>128</sub>. The use of these parameters is described in clause D.4.

---

## D.2 Subscriber identity confidentiality

### D.2.1 Generality

The purpose of this function is to avoid the possibility for an intruder to identify which subscriber is using a given resource on the radio path by listening to the signalling exchanges or the user traffic on the radio path. This allows both a high level of confidentiality for user data and signalling and protection against the tracing of users location.

The provision of this function implies that the IMSI (International Mobile Subscriber Identity), or any information allowing a listener to derive the IMSI easily, should not normally be transmitted in clear text in any signalling message on the radio path.

Consequently, to obtain the required level of protection, it is necessary that:

- a protected identifying method is normally used instead of the IMSI on the radio path;
- the IMSI is not normally used as addressing means on the radio path (see 3GPP TS 42.009);
- when the signalling procedures permit it, signalling information elements that convey information about the mobile subscriber identity must be ciphered for transmission on the radio path.

The identifying method is specified in the following subclause. The ciphering of communication over the radio path is specified in clause D.4.

Furthermore, Anonymous Access allows a user to access the network without a subscriber identity (see 3GPP TS 23.060). Therefore, Anonymous Access always guarantees by its nature subscriber identity confidentiality. The following parts of the clause D.2 are not applicable for Anonymous Access.

## D.2.2 Identifying method

The means used to identify a mobile subscriber on the radio path consists of a Temporary Logical Link Identity (TLLI). This TLLI is a local number, having a meaning only in a given RA (Routing Area); the TLLI must be accompanied by the Routing Area Identity (RAI) to avoid ambiguities. The maximum length and guidance for defining the format of a TLLI are specified in 3GPP TS 23.003.

The SGSN manages suitable data bases to keep the relation between TLLIs and IMSIs. When a TLLI is received with an RAI that does not correspond to the current SGSN, the IMSI of the MS must be requested from the SGSN in charge of the indicated routing area if its address is known; otherwise the IMSI is requested from the MS.

A new TLLI may be allocated in each routing area updating procedure. The allocation of a new TLLI corresponds implicitly for the MS to the de-allocation of the previous one. In the fixed part of the network, the cancellation of the record for an MS in a SGSN implies the de-allocation of the corresponding TLLI.

To cope with some malfunctioning, e.g. arising from a software failure, the fixed part of the network can require the identification of the MS in clear. This procedure is a breach in the provision of the service, and should be used only when necessary.

When a new TLLI is allocated to an MS, it is transmitted to the MS in a ciphered mode. This ciphered mode is the same as defined in clause D.4.

The MS must store its current TLLI in a non volatile memory, together with the RAI, so that these data are not lost when the MS is switched off.

## D.2.3 Procedures

This subclause presents the procedures, or elements of procedures, pertaining to the management of TLLIs.

These security procedures may also be applied between two PLMNs of different operators for seamless service when the PLMN is changed.

### D.2.3.1 Routing area updating in the same SGSN area

This procedure is part of the routing area updating procedure which takes place when the original routing area and the new routing area depend on the same SGSN. The part of this procedure relative to TLLI management is reduced to a TLLI re-allocation (from TLLIo with "o" for "old" to TLLIn with "n" for "new").

The MS sends TLLIo as an identifying field at the beginning of the routing area updating procedure.

The procedure is schematised in figure D.2.1.

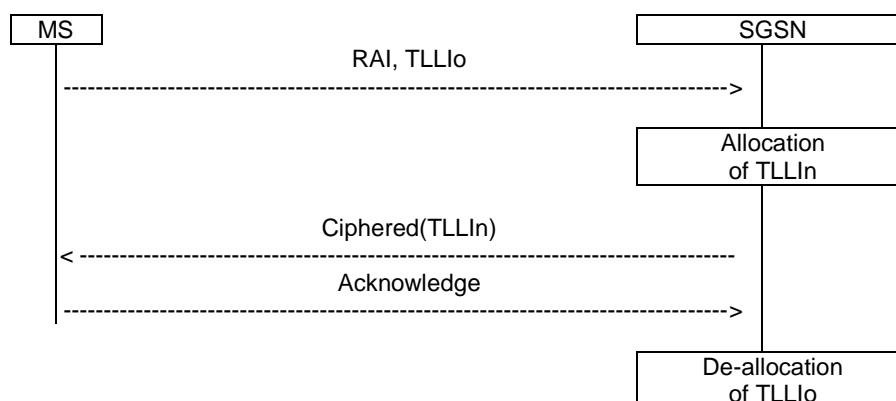


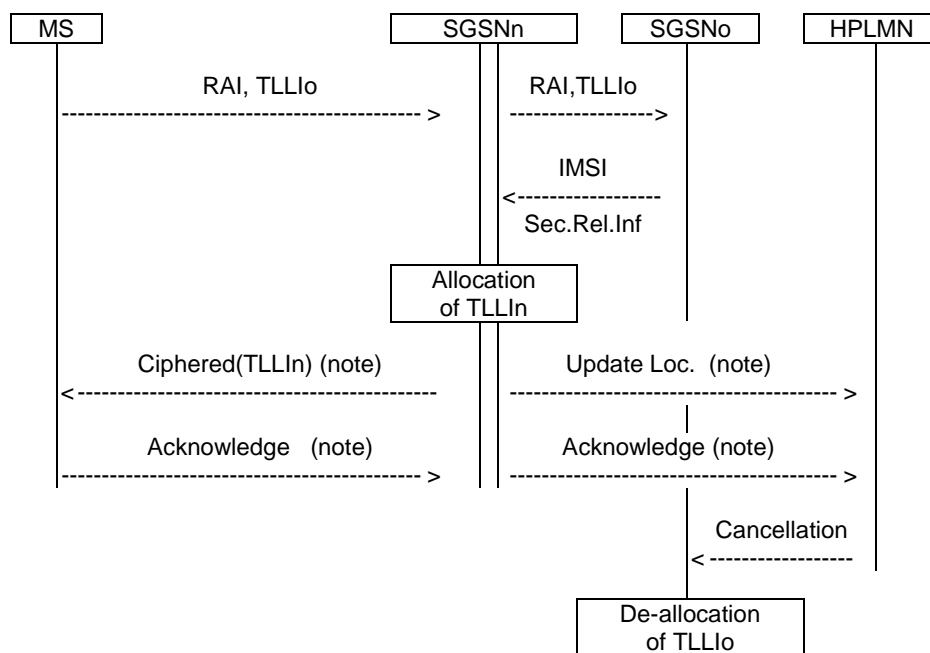
Figure D.2.1: Routing area updating in the same SGSN area

### D.2.3.2 Routing area updating in a new SGSN; old SGSN reachable

This procedure is part of the routing area updating procedure, using TLLI and RAI, when the original routing area and the new routing area depend on different SGSNs.

The MS is still registered in SGSNo ("o" for old or original) and requests registration in SGSNn ("n" for new). RAI and TLLIo are sent by the MS as identifying fields during the routing area updating procedure. The Routing Area Update Request is not ciphered to allow the new SGSN to read RAI and TLLIo.

The procedure is schematised in figure D.2.2.



NOTE: From a security point of view, the order of the procedures is irrelevant.

**Figure D.2.2: Routing area updating in a new SGSN; old SGSN reachable**

Signalling functionalities:

Update Loc. stands for Update Location

The new SGSN informs the HLR that it is now handling the MS.

Sec.Rel.Info.:

Stands for Security Related information

The SGSNn needs some information for authentication and ciphering; this information is obtained from SGSNo.

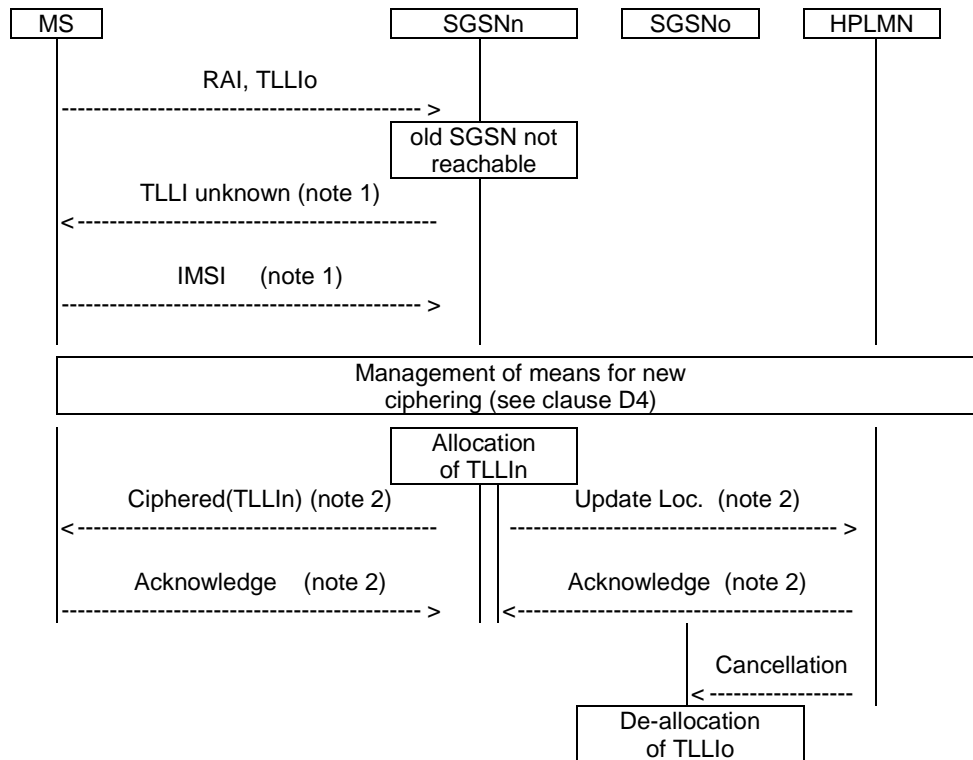
Cancellation:

The HLR indicates to SGSNo that the MS is now under control of another SGSN. The "old" TLLI is free for allocation.

### D.2.3.3 Routing area updating in a new SGSN; old SGSN not reachable

This variant of the procedure in subclause D.2.3.2 arises when the SGSN receiving the RAI and TLLIo cannot identify the SGSNo. In that case the relation between TLLIo and IMSI is lost, and the identification of the MS in clear is necessary.

The procedure is schematised in figure D.2.3.



NOTE 1: From a security point of view, the exact signalling messages (described in 3GPP TS 23.060) used to indicate that the TLLI is unknown, or to send the IMSI are irrelevant.

NOTE 2: From a security point of view, the order of the procedures is irrelevant.

**Figure D.2.3: Routing area updating in a new SGSN; old SGSN not reachable**

### D.2.3.4 Reallocation of a TLLI

This function may be initiated by the network at any time for a GPRS attached MS. The procedure can be included in other procedures, e.g. through the means of optional parameters. The execution of this function is left to the network operator.

When a new TLLI is allocated to an MS the network must prevent the old TLLI from being allocated again until the MS has acknowledged the allocation of the new TLLI.

If an MM context of an MS is deleted in the SGSN by O&M action, the network must prevent any TLLI associated with the deleted MM context from being allocated again until a new TLLI is successfully allocated to that IMSI.

If an IMSI record is deleted in the HLR by O&M action, it is not possible to prevent any TLLI associated with the IMSI record from being allocated again. However, if the MS whose IMSI record was deleted should attempt to access the network using the TLLI after the TLLI has been allocated to a different IMSI, then authentication or ciphering of the MS whose IMSI was deleted will fail, which will cause the TLLI to be deleted from the MS.

The case where allocation of a new TLLI is unsuccessful is described in subclause D.2.3.7.

This procedure is schematised in figure D.2.4.

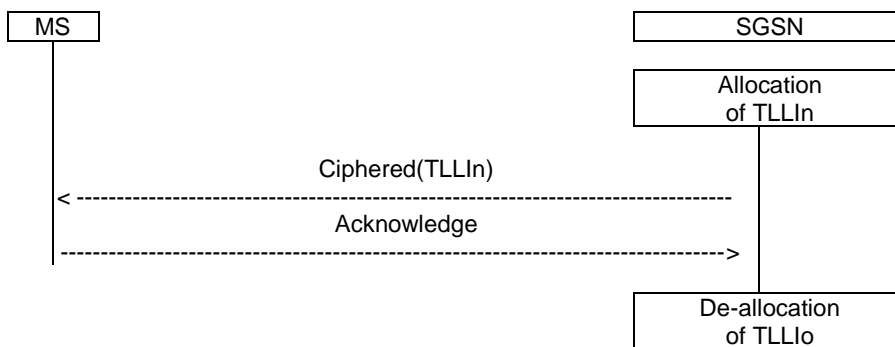
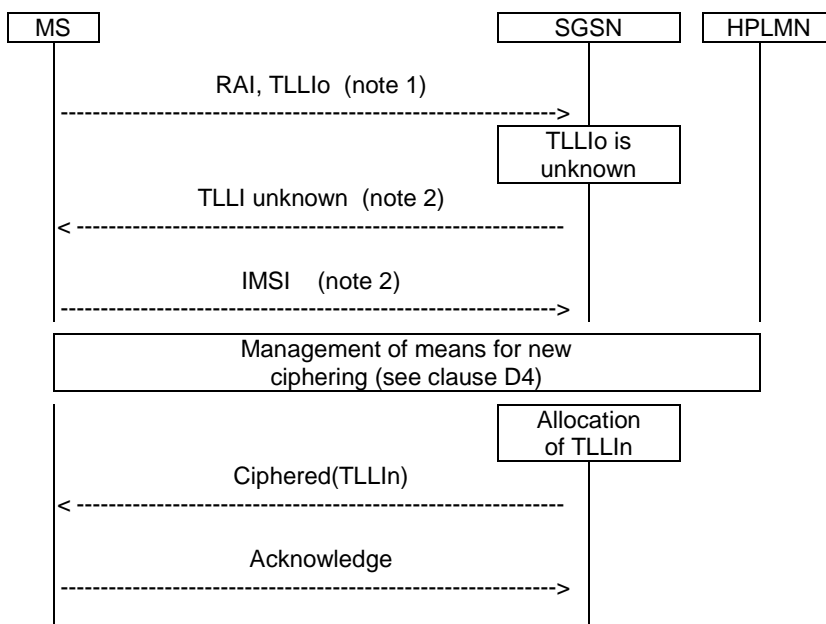


Figure D.2.4: Reallocation of a new TLLI

### D.2.3.5 Local TLLI unknown

This procedure is a variant of the procedure described in subclauses D.2.3.1 and happens when a data loss has occurred in a SGSN and when a MS uses an unknown TLLI, e.g. for a communication request or for a routing area updating request in a routing area managed by the same SGSN. The SGSN indicates to the MS that the TLLI is unknown and the identification of the MS in clear is necessary.

This procedure is schematised in figure D.2.5.



NOTE 1: Any message in which TLLIo is used as an identifying means in a routing area managed by the same SGSN.

NOTE 2: From a security point of view, the exact signalling messages (described in 3GPP TS 23.060) used to indicate that the TLLI is unknown, or to send the IMSI are irrelevant.

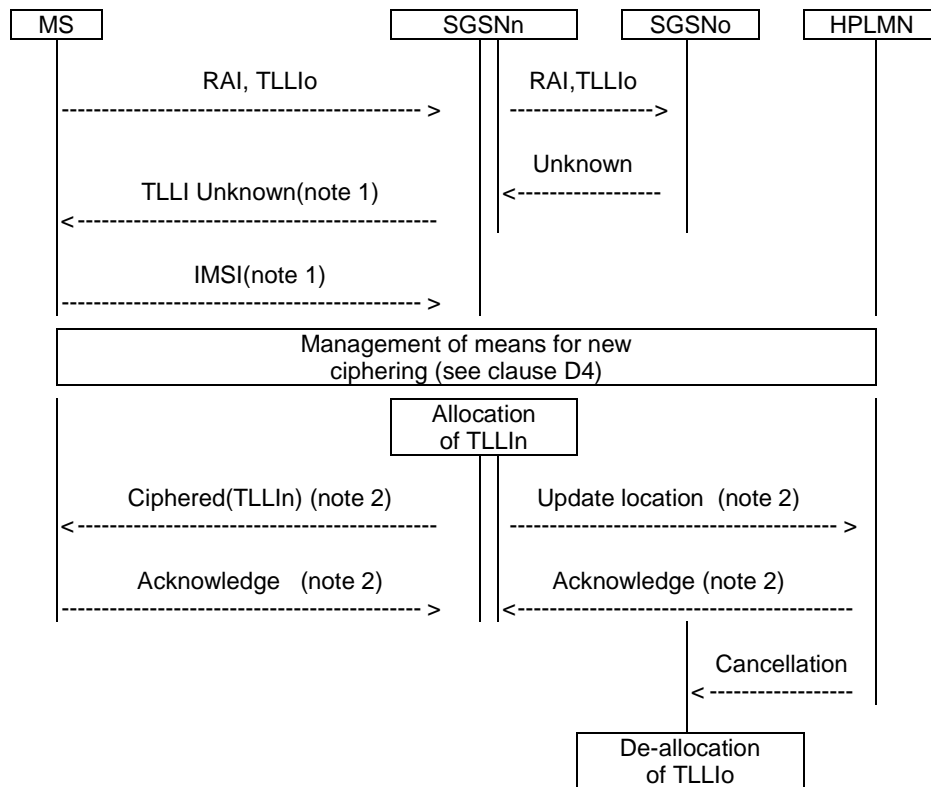
Figure D.2.5: Routing area updating in the same SGSN area; local TLLI unknown



### D.2.3.6 Routing area updating in a new SGSN in case of a loss of information

This variant of the procedure described in D.2.3.2 arises when the SGSN in charge of the MS has suffered a loss of data. In that case the relation between TLLIo and IMSI is lost, and the identification of the MS in clear is necessary.

The procedure is schematised in figure D.2.6.



NOTE 1: From a security point of view, the exact signalling messages (described in 3GPP TS 23.060) used to indicate that the TLLI is unknown, or to send the IMSI are irrelevant.

NOTE 2: From a security point of view, the order of the procedures is irrelevant.

**Figure D.2.6: Routing area updating in a new SGSN in case of a loss of information**

### D.2.3.7 Unsuccessful TLLI allocation

If the MS does not acknowledge the allocation of a new TLLI, the network shall maintain the association between the old TLLI and the IMSI and between the new TLLI and the IMSI.

For an MS-originated transaction, the network shall allow the MS to identify itself by either the old TLLI or the new TLLI. This will allow the network to determine the TLLI stored in the MS; the association between the other TLLI and the IMSI shall then be deleted.

For a network-originated transaction, the network shall identify the MS by its IMSI. When radio contact has been established, the network shall instruct the MS to delete any stored TLLI. When the MS has acknowledged this instruction, the network shall delete the association between the IMSI of the MS and any TLLI.

In either of the cases above, the network may initiate the normal TLLI reallocation procedure.

Repeated failure of TLLI reallocation (passing a limit set by the operator) may be reported for O&M action.

## D.3 Subscriber identity authentication

### D.3.1 Generality

The definition and operational requirements of subscriber identity authentication are given in 3GPP TS 42.009.

The authentication procedure may be performed at any time by the network.

The authentication procedure will also be used to set the ciphering key (see clause D.4). Therefore, it is performed after the subscriber identity (TLLI/IMSI) is known by the network for the management of new ciphering.

Two network functions are necessary: the authentication procedure itself, and the key management.

### D.3.2 The authentication procedure

The authentication procedure is described in subclause 3.2.

### D.3.3 Subscriber Authentication Key management

The management of Subscriber Authentication Key ( $K_i$ ) is described in subclause 3.3.

#### D.3.3.1 General authentication procedure

When needed, the SGSN requests security related information for a MS from the HLR/AuC corresponding to the IMSI of the MS. This includes an array of pairs of corresponding RAND and SRES. These pairs are obtained by applying Algorithm A3 to each RAND and the key  $K_i$  as shown in figure 3.1. The pairs are stored in the SGSN as part of the security related information.

The procedure used for updating the vectors RAND/SRES is schematised in figure D.3.2.

NOTE: The Authentication Vector Response contains also GPRS-Kc(1..n) which is not shown in this and the following figures. For discussion of GPRS-Kc see clause D.4.

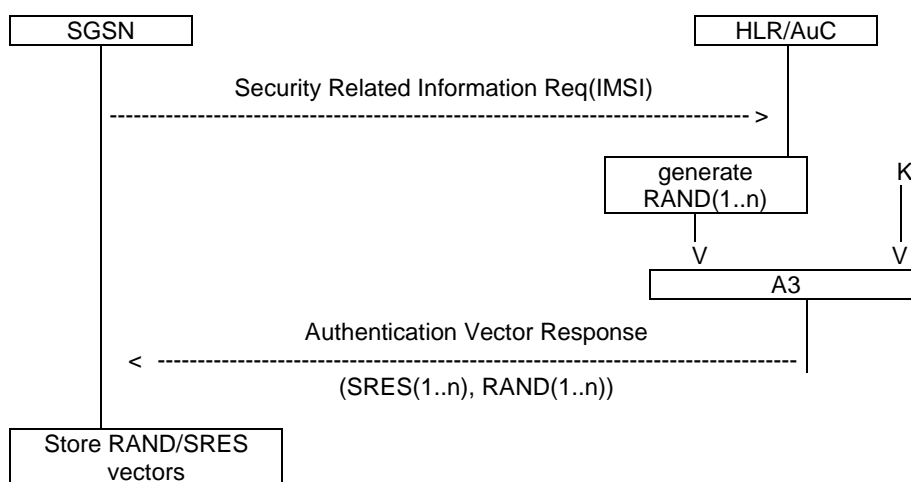


Figure D.3.2: Procedure for updating the vectors RAND/SRES

When an SGSN performs an authentication, including the case of a routing area updating within the same SGSN area, it chooses a RAND value in the array corresponding to the MS. It then tests the answer from the MS by comparing it with the corresponding SRES, as schematised in figure D.3.3.

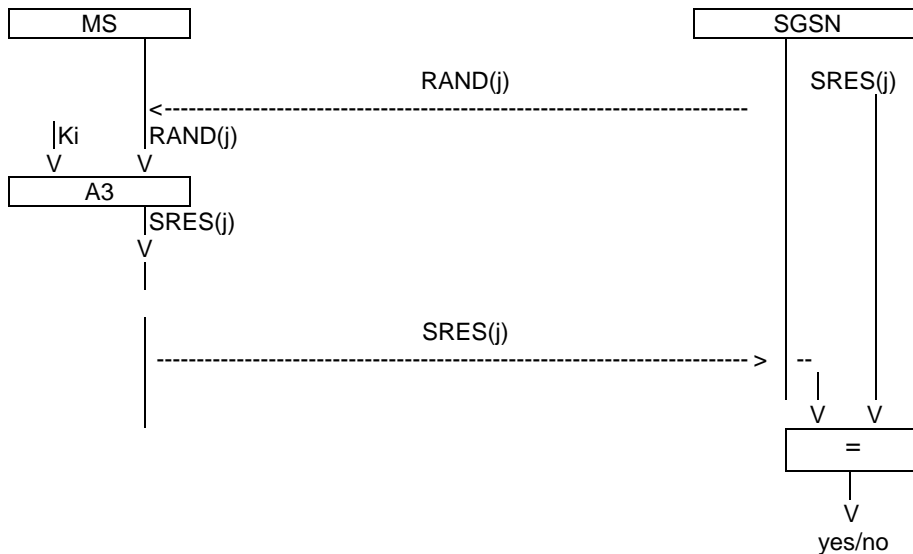


Figure D.3.3: General authentication procedure

### D.3.3.2 Authentication at routing area updating in a new SGSN, using TLLI

During routing area updating in a new SGSN (SGSNn), the procedure to get pairs for subsequent authentication may differ from that described in the previous subclause. In the case when identification is done using TLLI, pairs for authentication as part of security related information are given by the old SGSN (SGSNo). The old SGSN shall send to the new SGSN only those pairs which have not been used. SGSNn may also request the triplets directly from HLR.

The procedure is schematised in figure D.3.4.

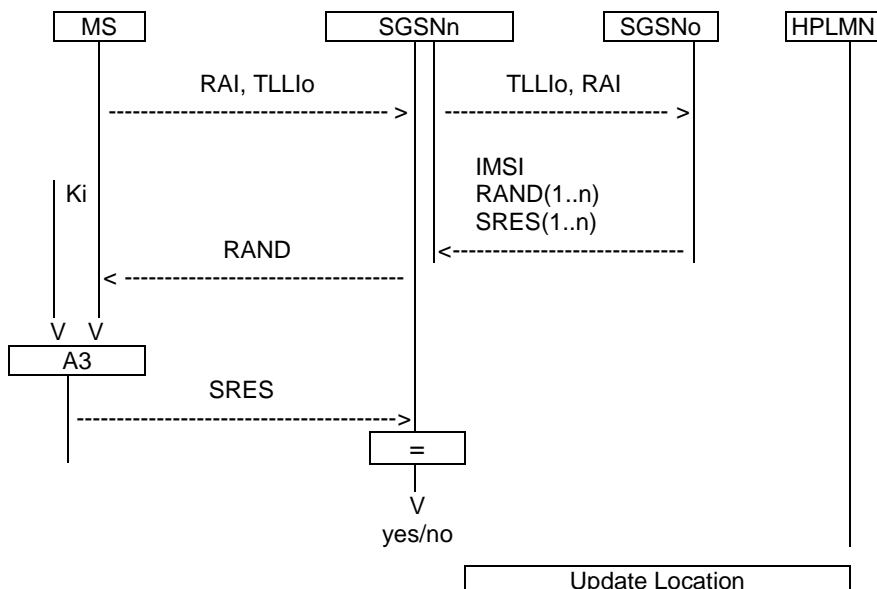


Figure D.3.4: Authentication at routing area updating in a new SGSN, using TLLI

### D.3.3.3 Authentication at routing area updating in a new SGSN, using IMSI

When the IMSI is used for identification, or more generally when the old SGSN is not reachable, the procedure described in subclause D.3.3.2 cannot be used. Instead, pairs of RAND/SRES contained in the security related information are requested directly from the HPLMN.

The procedure is schematised in figure D.3.5.

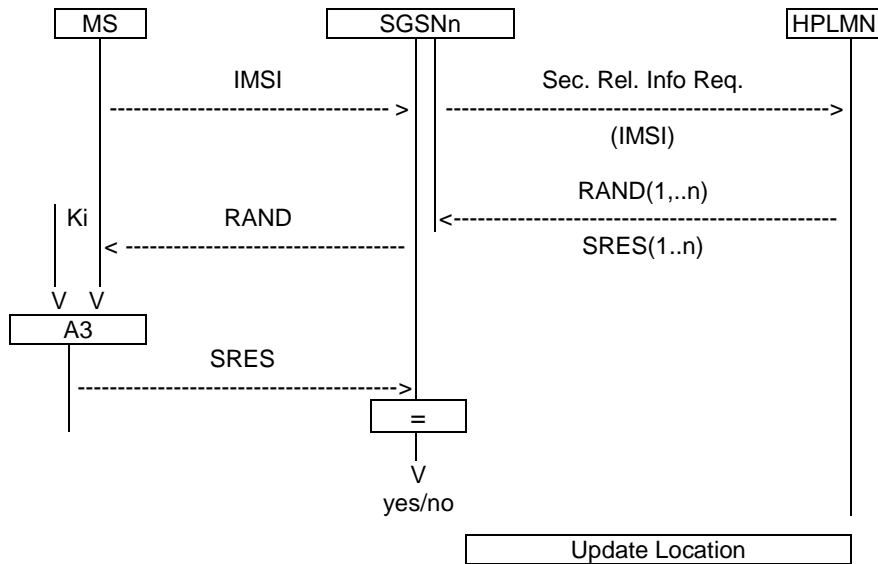


Figure D.3.5: Authentication at routing area updating in a new SGSN, using IMSI

### D.3.3.4 Authentication at routing area updating in a new SGSN, using TLLI, TLLI unknown in 'old' SGSN

This case is an abnormal one, when a data loss has occurred in the 'old' SGSN.

The procedure is schematised in figure D.3.6.

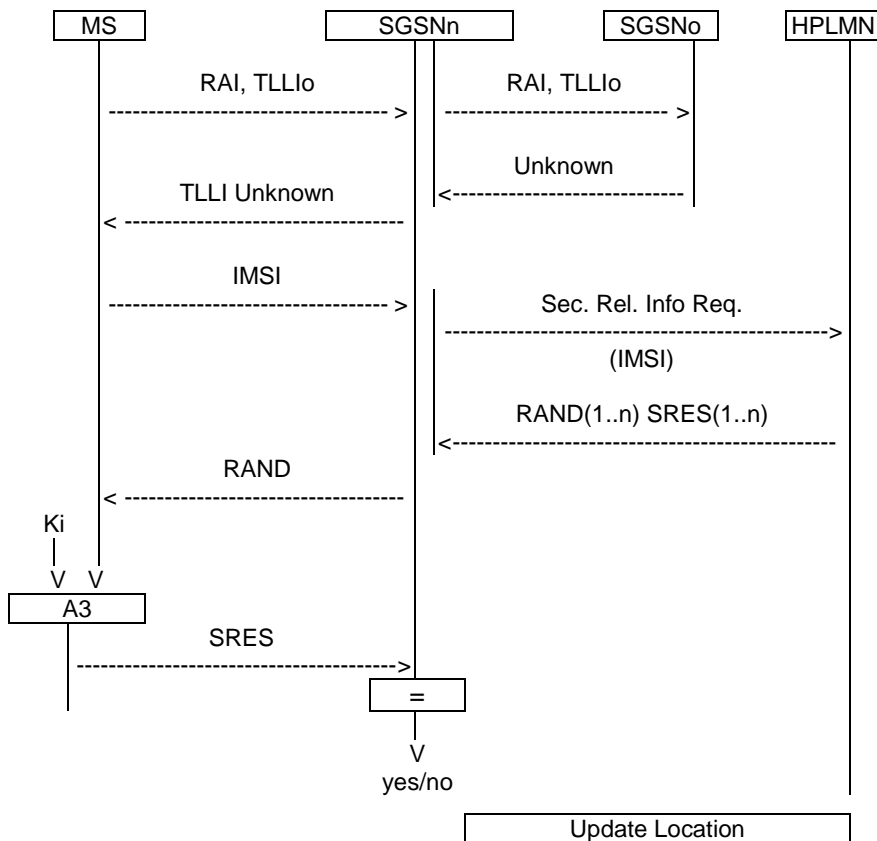
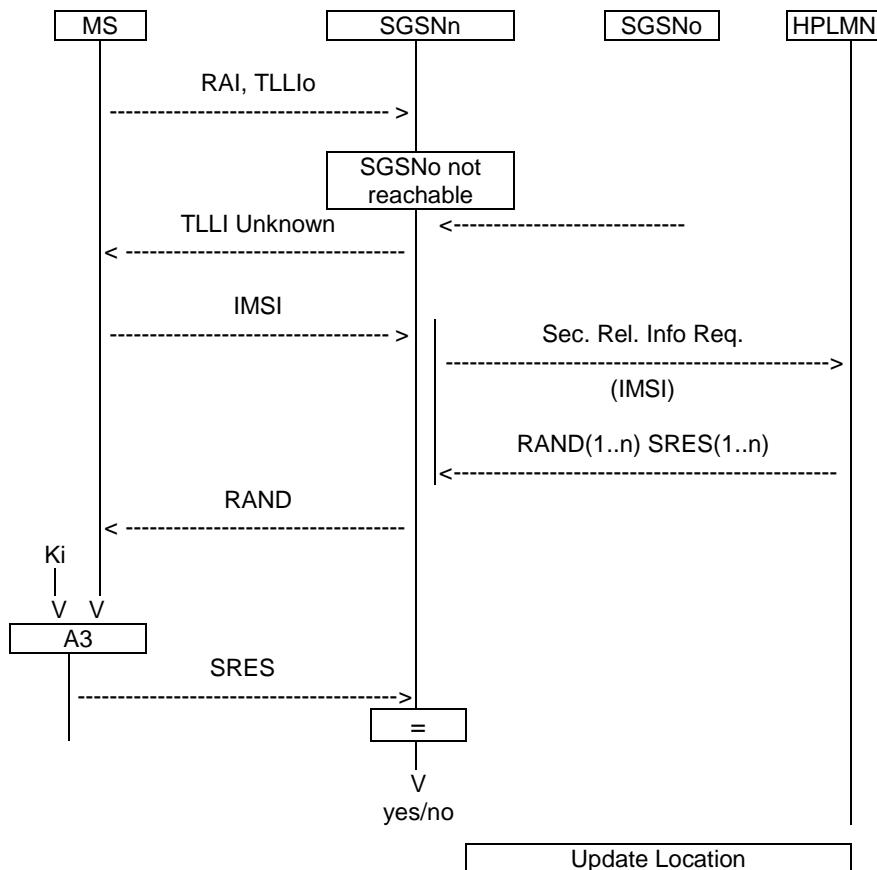


Figure D.3.6: Authentication at routing area updating in a new SGSN, using TLLI, TLLI unknown in 'old' SGSN

### D.3.3.5 Authentication at routing area updating in a new SGSN, using TLLI, old SGSN not reachable

The case occurs when an old SGSN cannot be reached by the new SGSN.

The procedure is schematised in figure D.3.7



**Figure D.3.7: Authentication at routing area updating in a new SGSN, using TLLI, old SGSN not reachable**

### D.3.3.6 Authentication with IMSI if authentication with TLLI fails

If authentication of an MS which identifies itself with a TLLI is unsuccessful, the network requests the IMSI from the MS, and repeats the authentication using the IMSI. Optionally, if authentication using the TLLI fails the network may reject the access request or location registration request which triggered the authentication.

### D.3.3.7 Re-use of security related information in failure situations

Security related information consisting of sets of RAND, SRES and a ciphering key (GPRS-Kc) is stored in the SGSN and in the HLR.

When a SGSN has used a set of security related information to authenticate an MS, it shall delete the set of security related information or mark it as used. When a SGSN needs to use security related information, it shall use a set which is not marked as used in preference to a set which is marked as used; if there are no sets which are not marked as used then the SGSN shall request fresh security related information from the HLR. If a set of fresh security related information cannot be obtained in this case because of a system failure, the SGSN may re-use a set which is marked as used.

“System failure” in this context means that the SGSN was unable to establish contact with the HLR, or the HLR returned a positive acknowledgement containing no sets of security related information, or the HLR returned an error indicating that there was a system failure or that the request was badly formatted.

If the HLR responds to a request for security related information with an indication that the subscriber is unknown or barred in the HLR, the SGSN shall not re-use security information which has been marked as used.

It is an operator option to define how many times a set of security related information may be re-used in the SGSN; when a set of security related information has been re-used as many times as is permitted by the operator, it shall be deleted.

If a SGSN successfully requests security related information from the HLR, it shall discard any security related information which is marked as used in the SGSN.

If a SGSN receives from another SGSN a request for security related information, it shall send only the sets which are not marked as used.

If an HLR receives a request for security related information, it shall send any sets which are not marked as used; those sets shall then be deleted or marked as used. If there are no sets which are not marked as used, the HLR may as an operator option send sets which are marked as used. It is an operator option to define how many times a set of security related information may be re-sent by the HLR; when a set of security related information has been sent as many times as is permitted by the operator, it shall be deleted.

---

## D.4 Confidentiality of user information and signalling between MS and SGSN

### D.4.1 Generality

In 3GPP TS 42.009, some signalling information elements are considered sensitive and must be protected.

To ensure identity confidentiality (see clause 2), the new TLLI must be transferred in a protected mode at allocation time.

The confidentiality of user information concerns the information transmitted on the logical connection between MS and SGSN.

These needs for a protected mode of transmission are fulfilled by a ciphering function in the LLC layer. It is not an end-to-end confidentiality service.

Four points have to be specified:

- the ciphering method;
- the key setting;
- the starting of the enciphering and deciphering processes;
- the synchronisation.

### D.4.2 The ciphering method

The LLC layer information flow is ciphered by the algorithm GPRS-A5 as described in 3GPP TS 41.061. However, GPRS ciphering algorithms requiring 128-bit GPRS-Kc<sub>128</sub> shall be given that instead of the 64-bit GPRS-Kc as ciphering key.

NOTE: Specification TS 41.061 is not maintained after Release 4 and, therefore, it does not include the possibility of 128-bit Kc.

### D.4.3 Key setting

Mutual key setting is the procedure that allows the mobile station and the network to agree on the key GPRS-Kc to use in the ciphering and deciphering algorithms GPRS-A5. This procedure corresponds to the procedure described in subclause 4.3 besides the different confidential subscriber identity. The GPRS-Kc is handled by the SGSN

independently from the MSC. If a MS is using both circuit switched and packet switched, two different ciphering keys will be used independently, one (Kc or Kc<sub>128</sub>) in the MSC and one (GPRS-Kc or GPRS-Kc<sub>128</sub>) in the SGSN.

A key setting is triggered by the authentication procedure. Key setting may be initiated by the network as often as the network operator wishes. If an authentication procedure is performed during a data transfer, the new ciphering parameters shall be taken in use immediately at the end of the authentication procedure in both SGSN and MS.

Key setting may not be encrypted and shall be performed as soon as the identity of the mobile subscriber (i.e. TLLI or IMSI) is known by the network.

The transmission of GPRS-Kc to the MS is indirect and uses the authentication RAND value; GPRS-Kc is derived from RAND by using algorithm A8 and the Subscriber Authentication key Ki, in the same way as defined in annex C for Kc.

As a consequence, the procedures for the management of GPRS-Kc are the authentication procedures described in subclause D.3.3.

The values GPRS-Kc are computed together with the SRES values. The security related information (see subclause D.3.3.1) consists of RAND, SRES and GPRS-Kc.

The key GPRS-Kc is stored by the mobile station until it is updated at the next authentication.

Key setting is schematised in figure D.4.1.

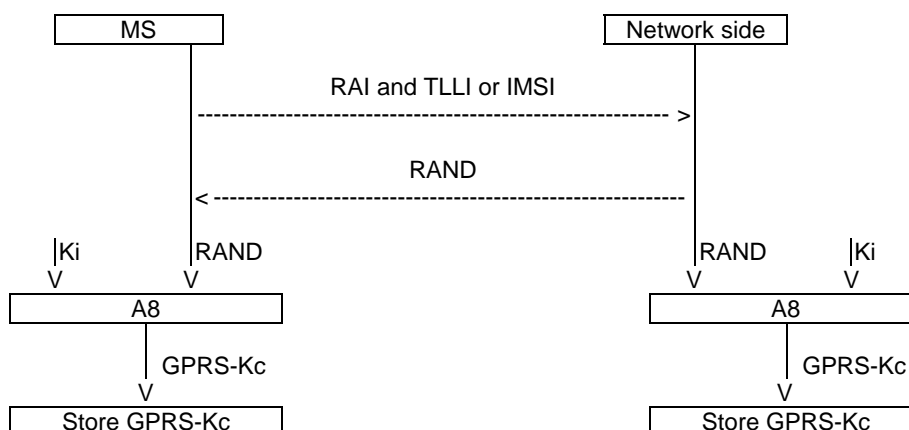


Figure D.4.1: Key setting

## D.4.4 Ciphering key sequence number

The GPRS-CKSN (Ciphering Key Sequence Number) is a number which is associated with each ciphering key GPRS-Kc. The GPRS-CKSN and GPRS-Kc are stored together in the mobile station and in the network. It permits the consistency check of the keys stored in the MS and in the network. Two independent pairs, Kc and CKSN (for circuit switched), and GPRS-Kc and GPRS-CKSN (for packet switched) may be stored in the MS simultaneously.

However since it is not directly involved in any security mechanism, it is not addressed in this specification but in 3GPP TS 24.008 instead.

## D.4.5 Starting of the ciphering and deciphering processes

The MS and the SGSN must co-ordinate the instants at which the ciphering and deciphering processes start. The authentication procedure governs the start of ciphering. The SGSN indicates if ciphering shall be used or not in the Authentication and Ciphering Request message. If ciphering is used, the MS starts ciphering after sending the Authentication and Ciphering Response message. The SGSN starts ciphering when a valid Authentication and Ciphering Response message is received from the MS.

Upon GPRS Attach, if ciphering is to be used, an Authentication and Ciphering Request message shall be sent to the MS to start ciphering.



If the GPRS-CKSN stored in the network does not match the GPRS-CKSN received from the MS in the Attach Request message, then the network should authenticate the MS.

As an option, the network may decide to continue ciphering without authentication after receiving a Routing Area Update Request message with a valid GPRS-CKSN. Both the MS and the network shall use the latest ciphering parameters. The MS starts ciphering after receiving a valid ciphered Routing Area Update Accept message from the network. The SGSN starts ciphering when sending the ciphered Routing Area Update Accept message to the MS.

Upon delivery of the Authentication and Ciphering Response message or the Routing Area Update Accept message, the GPRS Mobility and Management entity in both SGSN and MS shall be aware if ciphering has started or not. LLC provides the capability to send both ciphered and unciphered PDUs. The synchronisation of ciphering at LLC frames level is done by a bit in the LLC header indicating if the frame is ciphered or not. Only a few identified signalling messages (e.g., Routing Area Update Request message) described in 3GPP TS 24.008 may be sent unciphered, any other frames sent unciphered shall be deleted. Once the encryption has been started, neither the MS nor the network shall go to an unciphered session.

## D.4.6 Synchronisation

The enciphering stream at one end and the deciphering stream at the other end must be synchronised, for the enciphering bit stream and the deciphering bit streams to coincide. Synchronisation is guaranteed by driving Algorithm GPRS-A5 by an explicit variable INPUT per established LLC and direction.

These initial INPUT values shall not be identical for the different LLC link. The initial INPUT value shall be determined by the network. It may be identical for uplink and downlink value because the direction is given to the ciphering algorithm as described in 3GPP TS 41.061 and illustrated on the figure D.4.2. In a given direction, the INPUT value shall be unique for each frame.

The calculation of the INPUT value is described in GSM. The use of the INPUT value is described in 3GPP TS 41.061 and illustrated on the figure D.4.2.

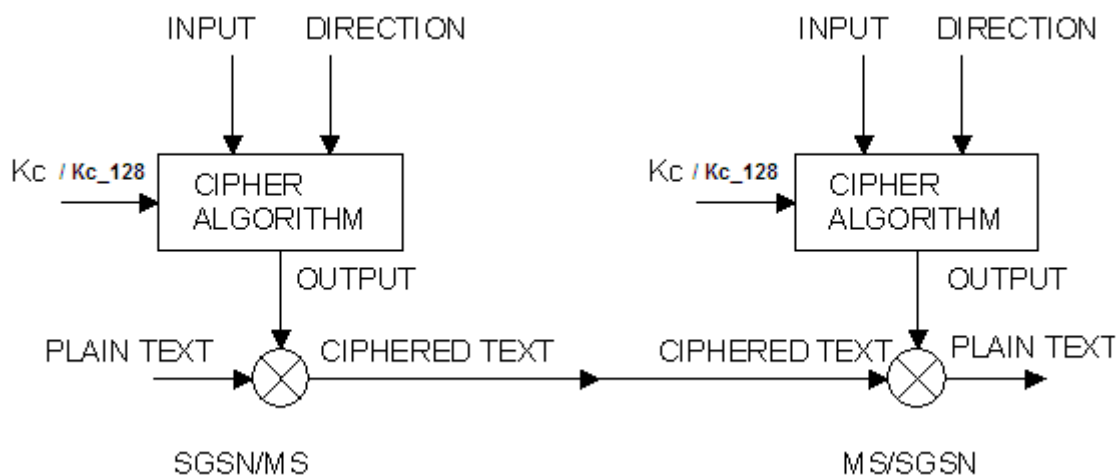


Figure D.4.2: Use of the INPUT parameter

## D.4.7 Inter SGSN routing area update

When an Inter SGSN routing area update occurs, the necessary information (e.g. key Kc, INPUT parameters) is transmitted within the system infrastructure to enable the communication to proceed from the old SGSN to the new one, and the Synchronisation procedure is resumed. The key Kc may remain unchanged at Inter SGSN routing area update. Since  $K_{C128}$  is not transferred between SGSNs at inter SGSN routing area update, but re-calculated by the target SGSN from the received CK/IK, it remains the same.

## D.4.8 Negotiation of GPRS-A5 algorithm

Not more than seven versions of the GPRS-A5 algorithm will be defined.

When an MS wishes to establish a connection with the network, the MS shall indicate to the network which version(s) of the GPRS-A5 algorithm it supports. The negotiation of GPRS-A5 algorithm happens during the authentication procedure.

The network may renegotiate the version of the GPRS-A5 algorithm in use at inter SGSN routing area update by performing an authentication procedure.

The network shall compare its ciphering capabilities and preferences, and any special requirements of the subscription of the MS, with those indicated by the MS and may take one of the following decisions:

- 1) If the MS and the network have no versions of the GPRS A5 algorithm in common and the network is not prepared to use an unciphered connection, then the connection is released.
- 2) If the MS and the network have at least one version of the GPRS A5 algorithm in common, then the network shall select one of the mutually acceptable versions of the GPRS A5 algorithms for use on that connection.
- 3) If the MS and the network have no versions of the GPRS A5 algorithm in common and the network is willing to use an unciphered version, then an unciphered connection shall be used.

Since the use of 128-bit ciphering algorithms (e.g., GEA4) requires that the MS is in UMTS security context, the SGSN shall not select GEA4 if the SGSN does not share a UMTS security context with the MS.

## D.4.9 Support of GPRS-A5 Algorithms in MS

It is mandatory for GEA2, GEA3 and non encrypted mode (i.e. GEA0) to be implemented in mobile stations. GEA4 may be implemented in the mobile stations. In particular, it is prohibited to implement GEA1 in mobile stations.

No other GPRS encryption algorithms shall be supported in mobile stations.

## D.5 Synthetic summary

Figure D.5.1 shows in a synopsis a routing area updating procedure with all elements pertaining to security functions, i.e. to TLLI management, authentication and GPRS-Kc management.

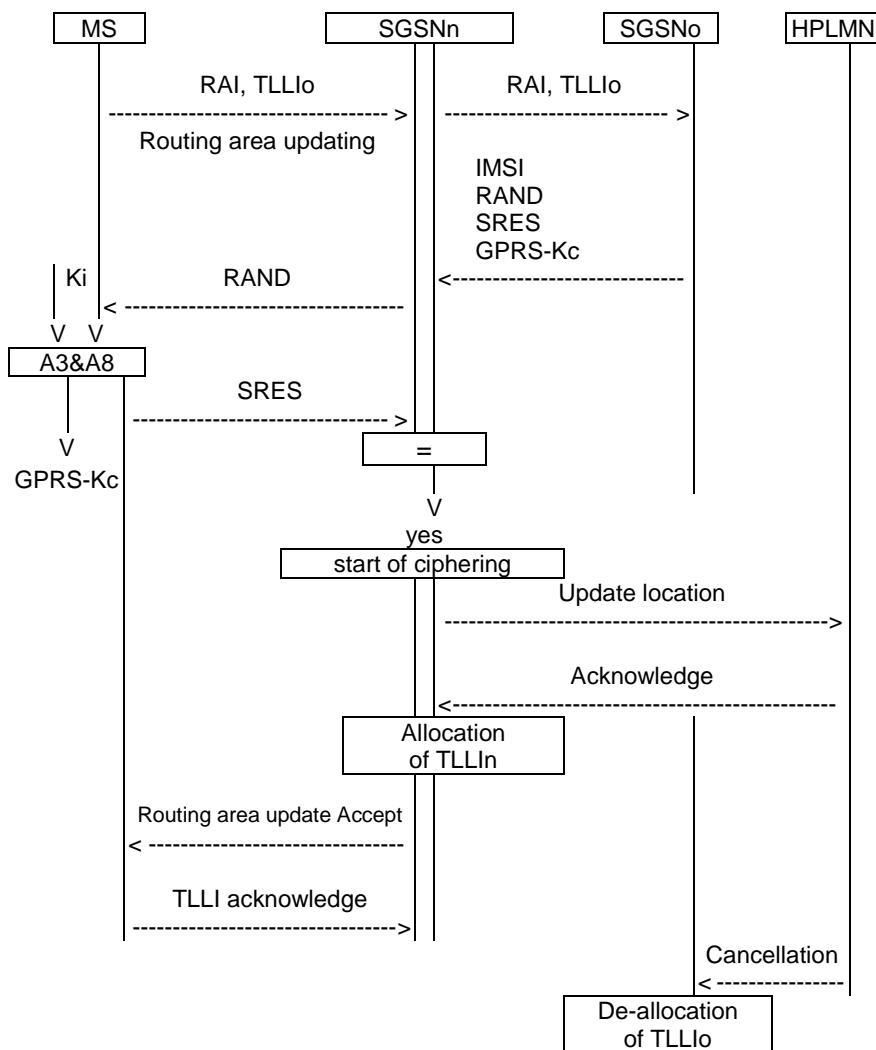


Figure D.5.1: Routing area updating procedure

## D.6 Security of the GPRS backbone

The operator is responsible for the security of its own Intra-PLMN backbone which includes all network elements and physical connections. The operator shall prevent unauthorised access to its Intra-PLMN backbone. A secure Intra-PLMN backbone guarantees that no intruder can eavesdrop or modify user information and signalling in the Intra-PLMN backbone.

The GPRS architecture utilises GPRS tunnelling and private IP addressing within the backbone to restrict unauthorised access to the backbone. User traffic addressed to a network element shall be discarded. Firewall functionality may provide these means at the access points (Gi reference point and Gp interface) of the Intra-PLMN backbone.

The Inter-PLMN links shall be negotiated between operators as part of the roaming agreement. They shall ensure that the Inter-PLMN links are secure providing integrity and confidentiality. For example, secure links can be achieved by point to point links, private Inter-PLMN backbones or encrypted tunnels over the public Internet.

Operators shall be able to determine the origin of packets coming from the inter-PLMN backbone. One example is to use a Frame Relay PVC between two operators.

---

# Annex E (normative): GSM Cordless Telephony System (CTS), (Phase 1); Security related network functions; Stage 2

This annex is defining the security related service and functions for the GSM Cordless Telephone System (CTS).

**This annex is only applicable if CTS is supported.**

---

## E.1 Introduction

### E.1.1 Scope

This annex specifies the functions needed to provide the security related services and functions specified in 3GPP TS 42.056.

### E.1.2 References

- [1] 3GPP TS 21.905: "Vocabulary for 3GPP Specifications".
- [2] 3GPP TS 42.056: "GSM Cordless Telephone System (CTS) Phase 1; Service Description; Stage 1".
- [3] 3GPP TS 42.009: " Security Aspects".
- [4] GSM 03.56: "Digital cellular telecommunications system (Phase 2+); GSM Cordless Telephone System (CTS), Phase 1; CTS Architecture Description; Stage 2".
- [5] 3GPP TS 51.011: " Specification of the Subscriber Identity Module- Mobile Equipment (SIM-ME) interface".
- [6] CCITT Recommendation T.50: "International Alphabet No. 5". (ISO 646: 1983, Information processing - ISO 7-bits coded characters set for information interchange).
- [7] 3GPP TS 43.020: " Security related network functions";
- [8] 3GPP TS 44.057: " CTS supervising system layer 3 specification ".

### E.1.3 Definitions and Abbreviations

#### E.1.3.1 Definitions

The following list gives definitions which are used in this annex. For additional definitions related to CTS refer to the CTS stage 1 specification 3GPP TS 42.056.

**Attachment:** Attachment is the procedure where a CTS-MS accesses a CTS-FP either for local or over the fixed network communication or signalling. This procedure applies to CTS-MSs that have already been enrolled onto the CTS-FP.

**CTS license exempt band:** A frequency band that may be allocated by national regulator to CTS usage outside of a GSM license allocated to a GSM operator.

**CTS licensed band:** A frequency band that can be reserved by the operator for GSM-CTS usage or can be shared with the cellular system.

**CTS Local security system:** The term CTS local security system is used to describe all security aspects of a CTS-MS/CTS-FP pair.

**CTS Operator:** This term is used in this annex for any operator performing supervising security tasks in the CTS e.g. control of the CTS subscription or control of the CTS frequency usage. It is not considered here if this is one and the same PLMN operator for all supervising security tasks. However the security functions introduced here shall not restrict the system to be controlled by one specific PLMN operator.

**CTS Supervising security system:** The term CTS supervising security system is used to describe all security aspects of operation control of the local CTS from the GSM PLMN.

**CTS-FP:** The CTS Fixed Part consisting of the CTS-FPE and the FP-SIM.

**CTS-MS:** The CTS Mobile Station consisting of the CTS-ME and the MS-SIM.

**Enrolment:** The enrolment of a CTS-MS onto a CTS-FP is the procedure where a CTS-MS/CTS-FP pair is established locally and under the control of the CTS operator if license exempt band is used. A CTS-MS can only enrol onto a CTS-FP that has already been initialised.

**FP-SIM:** The SIM\_FP is a GSM Phase 2+ SIM with additional data stored to allow CTS operation. This card is inserted in the CTS-FPE. The FP-SIM is only used in case of licensed band.

**IFPSI:** The IFPSI is a CTS specific subscriber identity stored in the FP-SIM card.

**Initialisation:** The initialisation of a CTS-FP is the procedure where the CTS-FP receives the necessary data to provide CTS service.

**Local CTS:** This term is used to describe all aspects of a CTS-MS/CTS-FP pair as seen from outside (from the GSM PLMN)

**MS-SIM:** The SIM\_MS is a normal GSM Phase 2+ SIM according to 3GPP TS 51.011 with additional data stored to allow CTS operation. This card is inserted in the CTS-ME.

**Operation data:** This term is used as a place holder for any kind of data which is used to control CTS. The definition of this data, if it is not directly related to the CTS security aspects, is defined in other parts of the CTS specifications.

### E.1.3.2 Abbreviations

The following list describes the abbreviations and acronyms used in this annex. The GSM abbreviations defined in 3GPP TS 21.905 and in the CTS stage 1 specification 3GPP TS 42.056 are not included below.

B1	CTS ciphering key generation algorithm
B2	CTS authentication key generation algorithm
B3	CTS authentication algorithm (calculating the signed response of the CTS-FP challenge CH1)
B4	CTS authentication algorithm (calculating the signed response of the CTS-MS challenge CH2)
B5	CTS message authentication algorithm (for the authentication of the CTS-FP by the CTS-SN)
B6	CTS message authentication algorithm (for the authentication of the signature issued by the CTS-SN)
CH1	CTS random Challenge value of the CTS-FP
CH2	CTS random Challenge value of the CTS-MS
CTS HLR	CTS Home Location Register Functional Entity
CTS-FP	CTS-Fixed Part
CTS-FPE	CTS-Fixed Part Equipment
CTS-ME	CTS-Mobile Equipment
CTSMSI	CTS Mobile Subscriber Identity related to the x-th CTS-MS enrolled on a CTS-FP
CTS-PIN	CTS-Personal Identification Number
CTS-SN	
FPAC	Fixed part authorisation code (derived from the CTS-PIN)
FP-SIM	Fixed Part CTS-Subscriber Identity Module
IFPEI	International Fixed Part Equipment Identity
IFPSI	International Fixed Part Subscription Identity
Ka	CTS authentication key related to the x-th CTS-MS enrolled on a CTS-FP
Kc	CTS ciphering key related to the CTS-MS enrolled on a CTS-FP
K <sub>IFP</sub>	CTS subscription authentication key (used for authentication of the CTS-FP by the CTS operator)
K <sub>OP</sub>	Secret key used to validate tokens signed by the operator
MS-SIM	Mobile CTS-Subscriber Identity Module
R <sub>IFP</sub>	CTS Random Initial value sent from the CTS-MS to the CTS-FP

R <sub>IMS</sub>	CTS Random Initial value sent from the CTS-FP to the CTS-MS
SRES1	CTS Signed RESponse of the CTS-FP's CH1 and the Ka of the CTS-MS
SRES2	CTS Signed RESponse of the CTS-MS's CH2 and the Ka of the CTS-FP
T <sub>val</sub>	
XSRES1	CTS Signed RESponse of the CTS-FP's CH1 and the Ka of the CTS-FP (to be compared with SRES1)
XSRES2	CTS Signed RESponse of the CTS-MS's CH2 and the Ka of the CTS-MS (to be compared with SRES2)

---

## E.2 General

In 3GPP TS 42.056 the CTS service is introduced and security service requirements are listed. Based on this, the CTS security system can be seen as a set of two subsystems, the CTS local security system and the CTS supervising security system.

The local security system deals with aspects of CTS-MS/CTS-FP pairs. It is related to security aspects of the CTS user. The different CTS local security services, functions and procedures that are listed in 3GPP TS 42.056 are grouped as follows:

- MS subscriber identity confidentiality;
- identity authentication (including the MS subscriber identity - and the FP subscriber identity authentication);
- confidentiality of user and signalling information between CTS-MS and CTS-FP.

These functions are part of the following procedures:

- local part of the CTS enrolment/de-enrolment procedures;
- access procedure of a CTS-MS/CTS-FP pair.

When licensed band is used, the supervising security system deals with aspects of network security. It is related to security aspects of the CTS operator. The different CTS supervising security services, functions and procedures that are listed in 3GPP TS 42.056 are grouped as follow:

- identity authentication with the CTS operator (including the FP subscriber authentication and if required the MS subscriber authentication with the GSM operator);
- secure operation control;
- subscription Control;
- equipment checking (IMEI, IFPEI).

These functions are part of the following procedures:

- CTS system initialisation/de-initialisation procedures;
- CTS supervising security part of the CTS enrolment procedure;
- CTS-FP/CTS-SN Access procedure;

General comments on the figures in this annex:

- in the figures below, signalling exchanges are referred by functional names;
- signalling refers to exchange of information. This shall not imply any implementation of information elements and messages at this stage of the CTS specification.
- addressing fields are not given; all information relates to the signalling layer.

---

## E.3 CTS local security system

The subclauses below are described under normal operation. Abnormal operation is described in document [4].

The CTS local security applies for licensed band or license exempt band.

In the following sub-clauses the functions and procedures related to the CTS local security are defined. The following system elements and interfaces according to GSM 03.56 are involved:

- The CTS-FP (consisting of the CTS-FPE and the FP-SIM);
- The CTS-MS (consisting of the CTS-ME and the MS-SIM);
- The CTS radio interface between the CTS-MS and the CTS-FP.

### E.3.1 Mobile Subscriber identity confidentiality

The purpose of this function is to avoid the possibility of an intruder identifying which subscriber is present on the CTS radio interface by listening to signalling exchanges or the user traffic. This allows both a high level of confidentiality for user data and signalling against the tracing of users.

The provision of this function implies that the mobile subscriber identity (IMSI), or any information allowing a listener to derive the identity easily, should not normally be transmitted in clear text in any signalling message on the CTS radio interface. Consequently, to obtain the required level of protection, it is necessary that:

- the subscriber identity (IMSI) is not normally used as an addressing method on the CTS radio interface (see 3GPP TS 42.009);
- when the signalling procedures and operating conditions (see GSM 03.56) permit it; signalling information elements that convey information about the mobile subscriber identity shall be ciphered for transmission on the CTS radio interface.

#### E.3.1.1 Identifying method

The means used to identify a mobile subscriber on the CTS radio interface consists of a CTSMMSI (CTS Mobile Subscriber Identity). This CTSMMSI is a local number, having a meaning only for a given CTS-MS/CTS-FP pair.

The CTSMMSI is assigned by the CTS-FP to the CTS-MS by signalling procedures at enrolment and is valid until updated by the CTS-FP. During normal operation, this CTSMMSI identifies a CTS-MS uniquely among all CTS-MSs enrolled onto one CTS-FP.

See also GSM 03.56.

The CTS-MS shall store the CTSMMSI in the MS-SIM, together with the IFPEI.

The CTS-FP shall store the CTSMMSI in the CTS-FPE, together with the IMEI and the IMSI. The IMEI is stored in order to allow tracking of mobile equipment as required in 3GPP TS 42.056.

The storage requirements are given in clause E.9.

#### E.3.1.2 Procedures

This subclause presents the procedures, or elements of procedures, pertaining to the management of the CTSMMSI with respect to the local security.

##### E.3.1.2.1 CTSMMSI assignment

This procedure is part of the enrolment procedure of a CTS-MS onto a CTS-FP (see subclause E.3.4.1).

The CTS-FP generates randomly a CTSMMSI not equal to any of the existing CTSMMSIs stored in the CTS-FP. The resulting CTSMMSI is sent encrypted to the CTS-MS.

### E.3.1.2.2 CTSMSI update

This procedure is part of general access procedure of a CTS-MS/CTS-FP pair.

The CTSMSI shall be updated by the CTS-FP as part of each MS/FP signalling exchange in order to preserve identity confidentiality. The CTS-FP generates randomly a CTSMSI not equal to any of the existing CTSMSIs stored in the CTS-FP. The resulting CTSMSI is the new CTSMSI for the CTS-MS/CTS-FP pair and is sent encrypted to the accessing CTS-MS. The CTS-MS stores the new CTSMSI on the MS-SIM. After successful storage, it acknowledges the update of the CTSMSI to the CTS-FP. Upon reception of the acknowledgement from the CTS-MS, the CTS-FP stores the new CTSMSI and deletes the old CTSMSI.

See also GSM 03.56.

### E.3.1.2.3 CTS local identification

This procedure is part of general access procedures of a CTS-MS/CTS-FP pair.

The CTS-MS transmits the CTSMSI to the CTS-FP in the initial message in order to give its identity.

If the CTS-MS announces a CTSMSI which is unknown at the CTS-FP, then the CTS-FP requires the IMSI; if the IMSI is unknown, the CTS-FP shall deny access to that CTS-MS. The CTS-FP may consider that the CTS-MS is not enrolled into it.

The reason that the CTSMSI is unknown is generally not a matter of security and not considered here.

See also GSM 03.56.

## E.3.2 Identity authentication

According to the definitions given in 3GPP TS 42.056, a local mutual authentication is required, containing both, the authentication of the mobile subscriber identity at the CTS-FP and the authentication of the CTS-FP identity at the CTS-MS.

It can be noted that the IMSI is not tied to the equipment identity (IMEI) as the security related data derived from the enrolment procedure are stored on the MS-SIM; therefore a subscriber can remove his MS-SIM card and insert it in another CTS-ME without locally re-enrolling onto the CTS-FP.

The authentication procedure will also be used to set the ciphering key (see subclause E.3.3).

### E.3.2.1 The mutual authentication procedure

A pre-condition of the procedure described below is, that both involved parties, the CTS-MS and the CTS-FP share the knowledge of the authentication key  $K_a$ .

The authentication procedure consists of the following exchange between the CTS-FP and the CTS-MS:

- The CTS-FP transmits an unpredictable number CH1 to the CTS-MS;
- The CTS-MS transmits an unpredictable number CH2 to the CTS-FP;
- The CTS-MS computes the response SRES1 from CH1 and the individual authentication key  $K_a$  using the algorithm B3;
- The CTS-FP computes the expected response XSRES1 from CH1 and the individual authentication key  $K_a$  using the algorithm B3;
- The CTS-MS transmits SRES1 to the CTS-FP;
- The CTS-FP tests SRES1 for validity, i.e. it compares SRES1 and XSRES1;
- The CTS-FP computes the response SRES2 from CH2 and the individual authentication key  $K_a$  using the algorithm B4;



- The CTS-MS computes the expected response XSRES2 from CH2 and the individual authentication key Ka using the algorithm B4;
- The CTS-FP transmits SRES2 to the CTS-MS;
- The CTS-MS tests SRES2 for validity, i.e. it compares SRES2 and XSRES2.

Note that the order of transmission of information as mentioned above and as shown in the figure shall not imply any implementation. Protocols to exchange the information shall be implemented with respect to efficiency of calculation time and effective messaging.

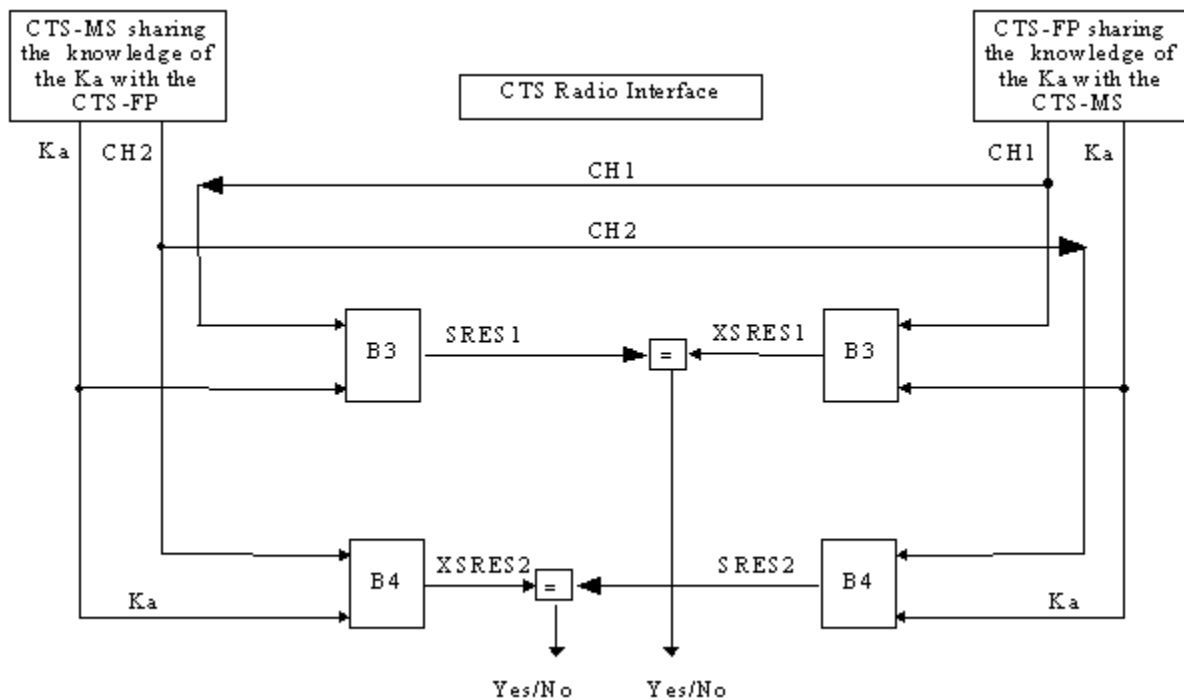


Figure E1: General mutual authentication procedure

### E.3.2.1.1 Authentication failure

An authentication failure (from security point of view) occurs, if:

- The CTS-MS and the CTS-FP have different Ka;
- The algorithm B3 or B4 are not implemented as specified (i.e. non type approved equipment).

In this case the side which has detected the failure shall indicate "authentication failure" to the other side and cancel the connection with the other side.

### E.3.2.2 Authentication Key management.

The Ka associated with a CTS-MS/CTS-FP pair is generated randomly during enrolment procedure as described in subclause E.3.4.1. As defined in 3GPP TS 42.056, keys of the CTS shall be controlled by the PLMN operator. In order to fulfil this requirement, all relevant information to reproduce Ka is transmitted to the PLMN operator as described in subclause E.3.4.1 and in subclause E.4.

## E.3.3 Confidentiality of user information and signalling between CTS-MS and CTS-FP

In 3GPP TS 42.056 some signalling information is considered sensitive and must be protected.

The needs for a protected mode of transmission are fulfilled with an OSI layer 1 confidentiality function. The scheme described below assumes that the signalling information is transmitted on a dedicated channel.

Four points have to be specified:

- the ciphering method;
- the key setting;
- the starting of the enciphering and deciphering algorithms;
- the synchronisation.

### E.3.3.1 The ciphering method

The OSI layer 1 data flow (transmitted on a dedicated channel) is ciphered on a bit by bit basis or stream cipher; i.e.; the data flow on the CTS radio interface is obtained by the bit per bit binary addition of the user data flow and the ciphering bit stream generated by the algorithm A5/2 using a key determined as specified in subclause E.10.1. The key is denoted below by  $K_c$  and is called the CTS Ciphering Key. The  $K_c$  is specific to one CTS-MS/CTS-FP pair.

Deciphering is performed by exactly the same method.

Algorithm A5/2 is one of the A5 algorithms specified in 3GPP TS 43.020, Annex C. Only A5/2 algorithm is supported on the CTS-FP to enable local ciphering. The CTS-MS supports at least the A5/2 algorithm.

### E.3.3.2 Key setting

Mutual key setting is the procedure that allows the CTS-MS and the CTS-FP to agree on the key  $K_c$  to use in the ciphering and deciphering algorithm A5/2.

A key setting is triggered by the mutual authentication procedure.

Key setting must occur on a channel not yet encrypted and as soon as the CTSMSE is known by the CTS-FP.

$K_c$  is generated using CH1, the algorithm B1 and the CTS Authentication key  $K_a$ , as defined in subclause E.10.1.  $K_c$  is stored in the CTS-ME and the CTS-FPE as described in subclause E.8.

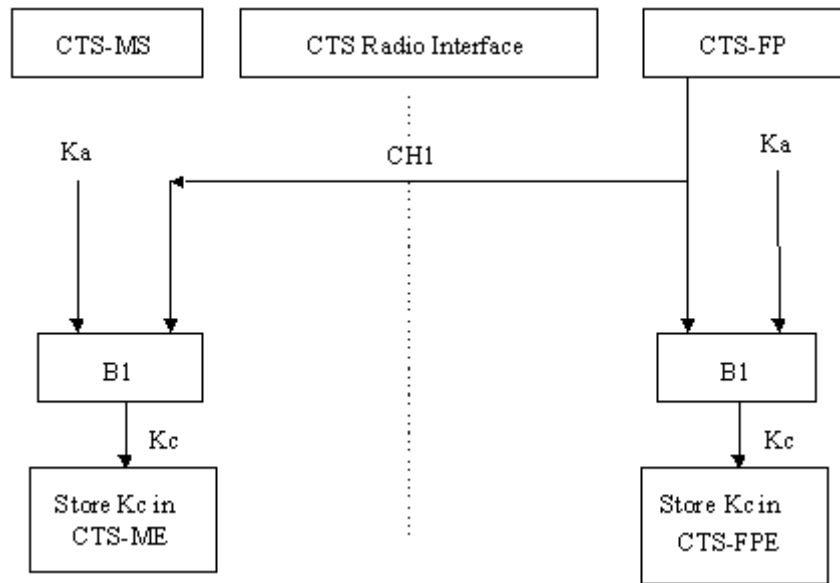


Figure E2: Cipher Key setting

### E.3.3.3 Starting of the ciphering and deciphering processes

The CTS-MS and the CTS-FP must co-ordinate the instants at which the enciphering and deciphering processes start. This procedure takes place under control of the CTS-FP some time after the completion of the authentication procedure. No information elements for which protection is needed must be sent before the ciphering and deciphering processes are operating.

The transition from clear text mode to ciphered mode proceeds as follows:

The CTS-FP starts deciphering and sends in clear text to the CTS-MS a specific message, here called "Start cipher". After the message "Start cipher" has been correctly received by the CTS-MS, the CTS-MS will commence both the enciphering and deciphering. Finally, enciphering in the CTS-FP starts as soon as a frame or a message from the CTS-MS has been correctly deciphered at the CTS-FP.

The starting of enciphering and deciphering processes is shown in figure E3.

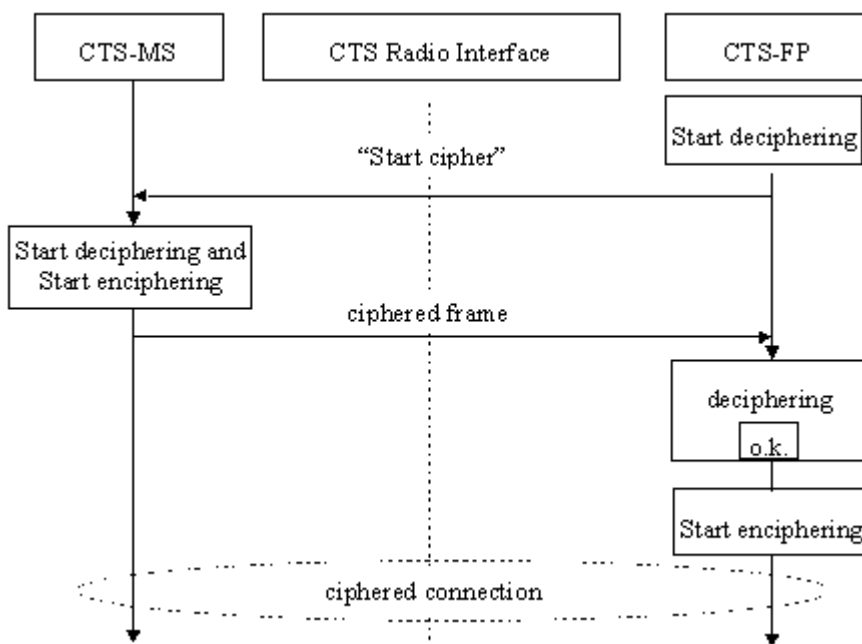


Figure E3: Starting of the enciphering and deciphering processes

### E.3.3.4 Synchronisation

The ciphering stream at one end and the deciphering stream at the other end must be synchronised, for the enciphering bit stream and the deciphering bit stream to coincide. The underlying synchronisation scheme is described in 3GPP TS 43.020, Annex C.

## E.3.4 Structured procedures with CTS local security relevance

The following structured procedures are mainly related to the local security or at least involve CTS local security functions and procedures.

### E.3.4.1 Local Part of the Enrolment of a CTS-MS onto a CTS-FP

According to 3GPP TS 42.056 and GSM 03.56 the CTS-MS/CTS-FP enrolment is the procedure, which generates an association between a certain CTS-MS and a certain CTS-FP, i.e. a CTS-MS/CTS-FP pair is established. The following CTS local security aspects are covered by the enrolment:

- The enrolment includes a means of authorisation to use the CTS-FP, i.e. the CTS-PIN is necessary in the enrolment procedure. It is mandatory that the CTS-PIN is activated.
- The authentication key  $K_a$  is generated and distributed to the CTS-MS and the CTS-FP.
- The CTSMSI is initially allocated and submitted from the CTS-FP to the CTS-MS
- The IFPEI is transmitted from the CTS-FP to the CTS-MS.

#### E.3.4.1.1 Local part of the enrolment procedure

The procedure described assumes that the CTS-MS or the CTS-FP have the knowledge of the radio parameters to be used on the CTS radio interface to enable initial connection (see 3GPP TS 42.056 and GSM 03.56).

As specified in 3GPP TS 42.056 and GSM 03.56, only a CTS-MS subscribed to an operator which has roaming agreement with the CTS-FP's operator shall be allowed to enrol to that CTS-FP.

The following procedure is followed:

- An enrolment state is triggered by MMI at the CTS-MS and at the CTS-FP;
- The user enters the CTS-PIN at the CTS-MS;
- The CTS-MS derives the FPAC from the CTS-PIN. The FPAC also resides in the CTS-FP, thus the knowledge of the CTS-PIN gives authorisation to perform enrolment;
- An initial connection is established on the CTS radio interface;
- The CTS-MS and the CTS-FP exchange random initial values ( $R_{IMS}$  and  $R_{IFP}$ );
- The CTS-MS and the CTS-FP both calculate an authentication key  $K_a = B2(FPAC, R_{IMS}, R_{IFP})$ ;
- The CTS-MS and CTS-FP perform a mutual authentication according to subclause 3.2.1 using  $K_a$ . Since  $K_a$  is derived from the CTS-PIN, this mutual authentication proves the authorisation of the user;
- The CTS-MS and CTS-FP determine a ciphering key  $K_c = B1(K_a, R_{IMS})$  and switch to ciphering mode according to the procedure described in subclause E.3.3;
- The CTS-MS transmits (encrypted) to the CTS-FP the IMSI, and the IMEI;
- In order to avoid double enrolment, the CTS-FP checks if the IMSI is already enrolled;
- The CTS-FP checks the GSM operator's identity of the CTS-MS and determines whether the CTS-MS subscriber is allowed to enrol on that CTS-FP;
- In case of licensed band the Supervising part of the enrolment is performed if required (see subclause E.4.4.3.4.);

- The CTS-FP determines the CTSM SI;
- The CTS-FP transmits (encrypted) the Ka, the IFPEI and the CTSM SI;
- The CTS-MS stores the Ka, the CTSM SI and the IFPEI on the MS-SIM;
- The CTS-FP stores the Ka, the IMSI, the IMEI, CTSM SI in a non volatile memory of the CTS-FPE;
- The enrolment procedure is completed (possible non security related procedures).

If a failure occurs during this local security procedure, intermediate values related to this procedure shall be deleted and the enrolment shall be aborted.

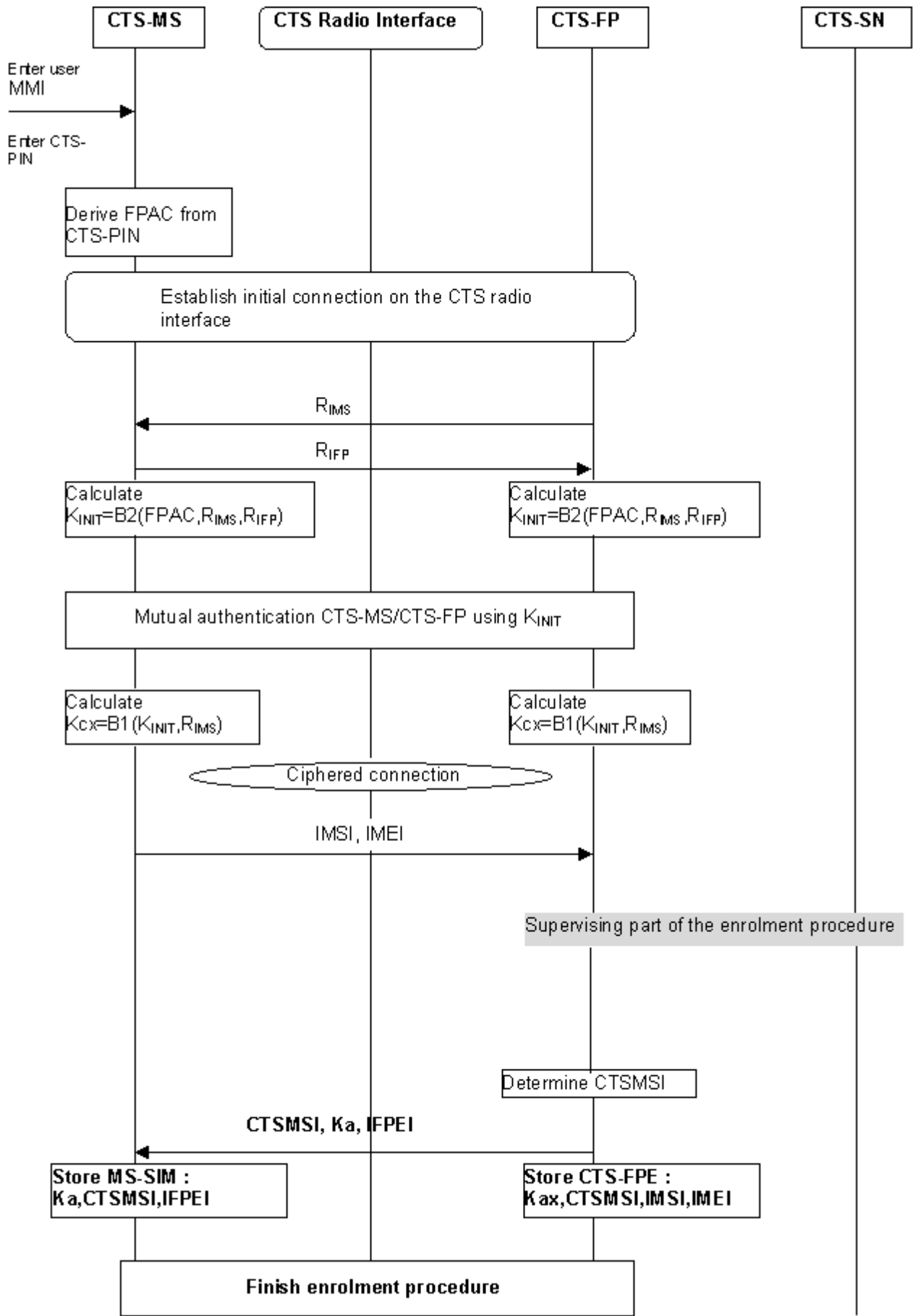
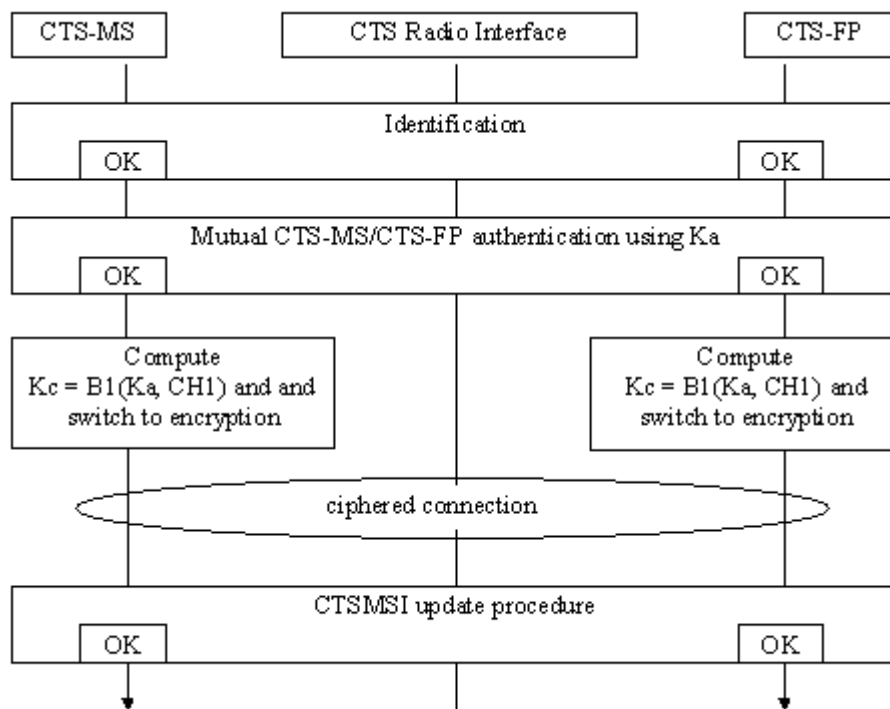


Figure E4: Local part of the enrolment procedure

### E.3.4.2 General Access procedure

Once the CTS-MS is enrolled onto a CTS-FP, the CTS-MS may access the CTS-FP for user communication on the fixed network or for local CTS related procedures or as part of the local security for CTS supervising procedures. The access procedures shall generally involve the following sub-procedures:

- Identification as described in subclause E.3.1.2;
- Mutual authentication using the  $K_a$  defined during the enrolment in order to authenticate the identities on the CTS radio interface as described in subclause E.3.2.1;
- Generation of a new  $K_c$  and starting to cipher the link on the CTS radio interface as described in subclause E.3.3;
- Update of the CTSMSI because it has been used in clear text for identification, as described in subclause E.3.1.2.2;



**Figure E5: The general access procedure**

Authentication and start of ciphered connection shall usually be performed before any sensitive signalling data or user data is transmitted on the CTS radio interface. In the following sub-subclauses, some specific access procedures are described with respect the CTS local security.

#### E.3.4.2.1 Attachment

The attachment procedure is used to attach a CTS-MS to a CTS-FP. A pre-condition is, that the CTS-MS is enrolled with the CTS-FP.

The attachment procedure shall be performed whenever the CTS-MS is switched on within the range of a CTS-FP or when it comes into the range of the CTS-FP.

The attachment procedure shall include all sub-procedures of the general access procedure as described above.

Additionally the IMEI of the CTS-MS may be transmitted to the CTS-FP at attachment, in order to support the tracking or IMEI as described in subclause E.4.5.

### E.3.4.2.2 CTS local security data update

The CTS local security data update procedure is performed in order to determine a new temporary identity CTSM SI and a new cipher key Kc. This procedure may be a part of a non security related procedure or it is used for the main purpose of local security data update.

A regular CTSM SI update procedure shall be defined in order to insure user confidentiality.

The CTS local security data update contains all sub-procedures of the general access procedure. It is initiated by the CTS-FP.

### E.3.4.3 De-enrolment of a CTS-MS

According to 3GPP TS 42.056 the de-enrolment of a CTS-MS is the procedure which cancels the association between a certain CTS-MS and a certain CTS-FP.

A de-enrolment procedure of a CTS-MS from a CTS-FP can be either initiated by the CTS-FP (network or FP command) or by a user specific action to de-enrol one or several CTS-MS from a CTS-FP.

#### E.3.4.3.1 De-enrolment initiated by the CTS-FP

The following procedure is followed:

- The CTS-FP sends a de-enrolment command to the CTS-MS;
- The CTS-MS and the CTS-FP perform mutual authentication according to subclause E.3.2.1 using Ka;
- The CTS-MS deletes data related to CTS-FP i.e. Ka, CTSM SI, IFPEI, and confirms de-enrolment;
- The CTS-FP deletes data related to that CTS-MS i.e. Ka, CTSM SI, IMSI, IMEI;
- The de-enrolment is completed (possible non security related procedures).

#### E.3.4.3.2 De-enrolment initiated by a CTS-MS

The de-enrolment procedure when initiated by a CTS-MS is an MMI procedure that requires the knowledge of the CTS-PIN. The following procedure applies:

When remote MMI is used:

- the user enters a specific de-enrolment menu or command at the CTS-MS;
- attachment is performed on the MS/FP interface;
- the user enters the CTS-PIN at the CTS-MS;
- The CTS-FP checks the CTS-PIN and sends a list of all enrolled CTS-MSs to the CTS-MS;
- The list is displayed at the CTS-MS and the user selects one (or several) CTS-MS(s) for de-enrolment;
- The list of CTS-MS(s) which are selected for de-enrolment, is sent to the CTS-FP;
- Data related to the de-enrolled CTS-MSs, i.e. the Ka, the IMSI, the CTSM SI, the IMEI are deleted in the CTS-FP;
- The de-enrolment is completed (possible non security related procedures).



## E.4 CTS supervising security system

This subclause is applicable in case of licensed band only.

In the following sub-clauses the functions and procedures related to the CTS supervising security are defined. The following system elements and interfaces according to GSM 03.56 are involved:

- The CTS-FP (consisting of the CTS-FPE and the FP-SIM);
- The CTS-MS (consisting of the CTS-ME and the MS-SIM);
- The CTSHLR/AuC;
- The CTS-SN;
- The HLR/AuC;
- The CTS radio interface between the CTS-MS and the CTS-FP;
- The CTS fixed network interface;
- The GSM radio interface.

### E.4.1 Supervision data and supervision data protection

This sub-clause describes the mechanisms to be used by the CTS operator to set and modify the supervision data to be used in a CTS-MS/CTS-FP environment.

#### E.4.1.1 Structure of supervision data

Supervision data are sent as structured information elements which may consist of:

- 1 Short commands, e.g., information data requests, identification, de-initialisation of the CTS-FP, de-enrolment of a CTS-MS, ...;
- 2 Download of data and parameters, e.g., radio parameters, timer settings, CTS-SN directory number;

#### E.4.1.2 Supervision data protection

The supervision data are protected by a signature.

The signature of data is performed following a valid CTS-FP authentication by the CTS-SN as described in chapter E.4.3.1.

The signature is performed using the B6 algorithm and a secret key  $Kop$  shared between the CTS-SN and the CTS-FP. The secret key  $Kop$  is generated during the CTS-FP authentication at the CTS-AuC using the authentication key  $Ki_{FP}$ , a random vector and the A8' algorithm:  $Kop = A8'(Ki_{FP}, RAND1)$ .

Data signature is performed using a random vector  $RAND2$  generated by the CTS-FP, the data sequence that has been signed,  $Kop$  and the B6 algorithm. The concatenation of Data and  $RAND2$  is referred to as Data2.

Some data are associated with a validity period indication (relative time). Before the validity timer expires, the CTS-FP must contact the CTS-SN in order to update those data.

It should be noted that supervision data carry data related to CTS subscription and therefore to the CTS-FP.

Therefore, the operator will issue supervision data following a successful CTS-FP authentication by the CTS-HLR.

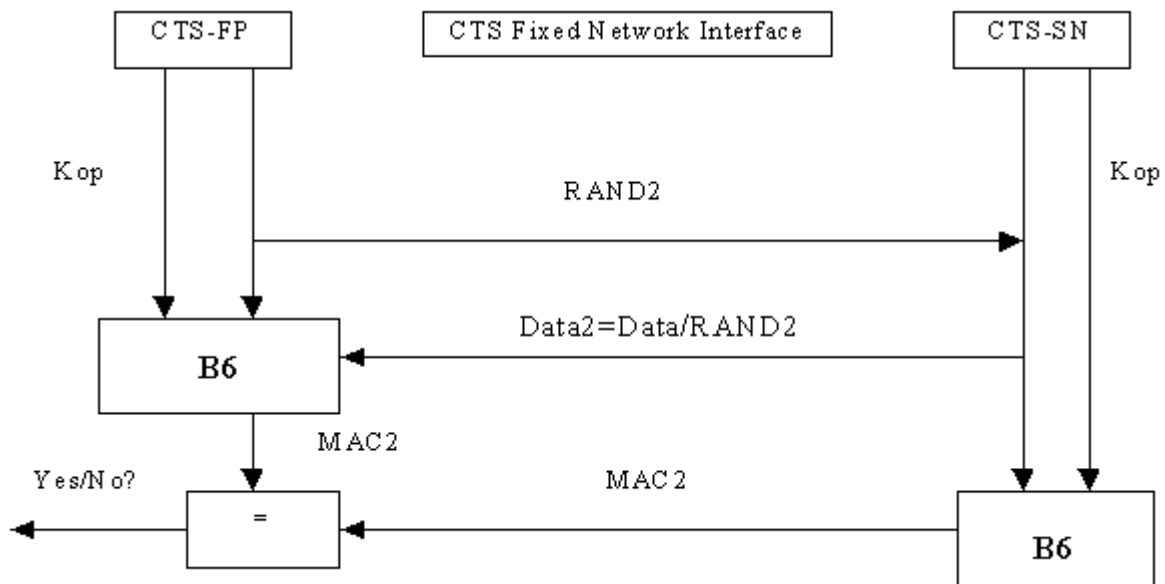


Figure E6: Generation of the signature of the supervision data

### E.4.1.3 Key management

The SIM card manufacturer delivers an FP-SIM card that includes a mechanism to authenticate the signature of the supervision data issued by the CTS-SN. This mechanism consists of the B6 algorithm that enables authentication of this signature using a secret key  $K_{OP}$ .

This key is not accessible on the FP-SIM card.

## E.4.2 CTS subscriber identity

A CTS specific identity is assigned to a subscriber of the CTS service. This identity (IFPSI) enables unique identification of a CTS subscriber at communication with the CTS-SN.

It can be noted that the subscription to the CTS service does not assume subscription of every CTS-MS that want to operate CTS on a given CTS-FP. There is one CTS subscription per CTS-FP, and therefore one identity to check no matter how many CTS-MS are enrolled to that CTS-FP.

Nevertheless, the CTS operator may also require the authentication of the CTS-MS.

And therefore the MS-SIM identity (IMSI) will identify a CTS-MS subscriber at communication with the CTS-SN.

For more details see also GSM 03.56.

## E.4.3 Identity authentication with the CTS operator and the PLMN

According to the definitions given in 3GPP TS 42.056, the procedure of authentication of the FP-SIM is required for the CTS initialisation, CTS-MS enrolment onto a CTS-FP, and network access procedure (e.g. operation data update).

Similarly, the procedure of authentication of the MS-SIM is required for the CTS-MS enrolment onto a CTS-FP.

Additionally identity authentication may also be part of other CTS specific procedures.

### E.4.3.1 Authentication of the CTS-FP

The authentication of the CTS-FP via the fixed network procedure consists of the following exchange between the CTS-FP and the CTS-HLR through the CTS-SN:

- The CTS-FP sends the IFPSI to the CTS-HLR through the fixed line and through the CTS-SN;

- The CTS-AuC computes the authentication result (SRES) using the  $K_{iFP}$  key associated to the IFPSI and a random challenge (RAND);
- The CTS-SN receives from the CTS-HLR the authentication vector (SRES (1,..., n), RAND (1,...,n)) according to the general authentication procedure described in 3GPP TS 43.020;
- The CTS-SN transmits a RAND1 and a random value Data1 to the CTS-FP via the fixed network;
- The CTS-FP and the CTS-HLR generate a key  $K_{op}$  derived from the  $K_{iFP}$  and using A8' algorithm;
- The CTS-FP performs an authentication using  $K_{op}$  and B5 computes the signature of Data1, say MAC1;
- The CTS-FP transmits the signature MAC1 to the CTS-SN;
- The CTS-SN tests MAC1 for validity.

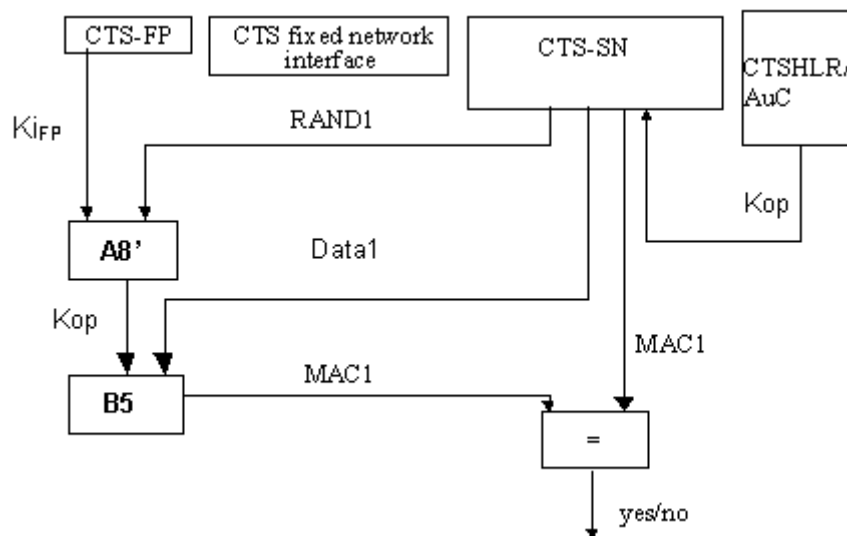


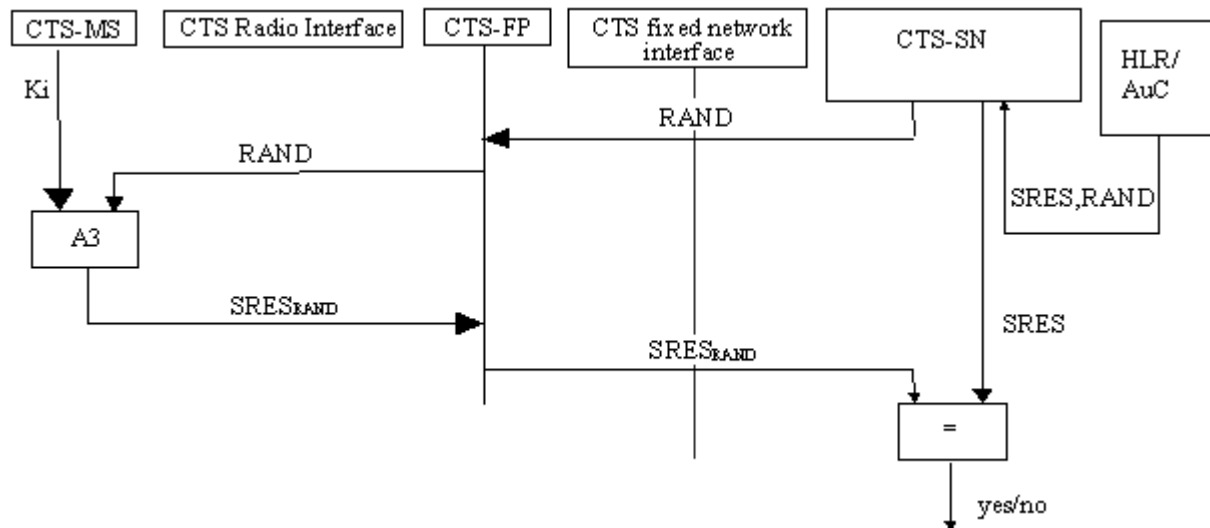
Figure E7: Authentication of the CTS-FP

### E.4.3.2 Authentication of the CTS-MS

This procedure requires that the CTS-SN has an interface to the HLR in order to receive the challenge/response pairs for authentication of the CTS-MS.

It is a normal GSM authentication procedure as described in GSM03.20[7], the CTS-FP acting as a relay:

- The CTS-MS sends the IMSI to the HLR through the CTS-FP and through the CTS-SN;
- The AuC generates the authentication result (SRES) using the  $K_i$  key associated with the IMSI and a random challenge (RAND);
- The CTS-SN receives the authentication vector (SRES (1,..., n), RAND (1,...,n)) according to the general authentication procedure described in 3GPP TS 43.020;
- The CTS-SN transmits a RAND,  $1 \leq x \leq n$ , to the CTS-MS via the CTS-FP.;
- The CTS-MS performs an authentication using  $K_i$  and A3 according to the authentication procedure described in 3GPP TS 43.020 and computes the signature of  $RAND_x$ :  $SRES_{RAND_x}$ ;
- The CTS-MS transmits via the CTS-FP the signature  $SRES_{RAND_x}$  to the CTS-SN;
- The CTS-SN tests  $SRES_{RAND_x}$  for validity.



**Figure E8: Authentication of the CTS-MS via the CTS fixed network interface**

## E.4.4 Secure operation control

According to GSM 03.56, signalling for operation control of the local CTS may take place on different signalling planes:

- on the CTS fixed network interface using a CTS-SN application signalling;
- on the GSM Radio Interface using the GSM layer 3 signalling.

The means of operation control of the local CTS for these two signalling planes is described in the subsequent subclauses.

### E.4.4.1 GSM layer 3 signalling

GSM layer 3 signalling can be used to provide CTS data.

It is not initiated on request of the local CTS but included in a normal GSM layer 3 signalling procedure.

These data are downloaded to the CTS-MS through the GSM Radio Interface and transferred to the CTS-FP during an access procedure according to subclause E.3.4.2. Whenever the CTS-FP gets new CTS operation data it contacts the CTS-SN through the Fixed Network and performs Operation Data Update procedure according to subclause E.4.4.3.4.1.

### E.4.4.2 CTS application signalling via the Fixed Network

CTS may use a specific application protocol on the fixed network interface for operation control purposes.

Communication via the fixed network interface may include authentication of the subscriber identity as described in subclause E.3.2.

Due to the fact, that a false CTS-SN can easily be set up, protection of operation data as described in subclause E.4.1.2, is required.

Operation control via the CTS fixed network interface is generally initiated by the local CTS, i.e. the CTS-FP, triggered by time or event control.

An initiation from the CTS-SN to the CTS-FP, is generally not applicable due to missing means of addressing a specific terminal, i.e. the CTS-FP in the fixed network (PSTN case).

However, this shall not exclude that the CTS-SN initiate operation control, if certain network configurations allow this feature.

### E.4.4.3 CTS operation control procedures

#### E.4.4.3.1 Initialisation of a CTS-FP

According to 3GPP TS 42.056 and GSM 03.56 the CTS-FP initialisation is the procedure where the CTS-FP is downloaded with the necessary data in order to provide CTS service.

The following procedure applies:

- An initialisation state is triggered by MMI at the CTS-FP;
- The CTS-FP retrieves the CTS-SN directory number from the FP-SIM;
- The CTS-FP contacts the CTS-SN through the fixed line;
- Authentication of the CTS-FP is performed as described in subclause E.4.3.2.1;
- The CTS-SN sends operation data to the CTS-FP; these data are protected as described in subclause E.4.1.2;
- The CTS-FP authenticates the signature of the operation data sent from the CTS-SN;
- The CTS-FP is considered as being initialised.

#### E.4.4.3.2 De-initialisation of a CTS-FP

The CTS-FP is considered as being de-initialised if it does not have the necessary data to provide CTS service.

This may happen either because:

- 1 a timer associated to the CTS data has expired and therefore the CTS-FP cannot offer CTS service;
- 2 a network control mechanism requires CTS-FP de-initialisation;
- 3 the CTS-FP has been disconnected from the PSTN connection and from the main power for a period of time;
- 4 the FP-SIM has been removed and a new SIM card inserted in the CTS-FPE.

As the CTS-SN has in general no means to address the CTS-FP, the de-initialisation command is sent when the CTS-FP accesses the CTS-SN.

##### Case 1

The principle of the time/event controlled mechanism is, that some operation data has a limited validity period. The duration of this period, i.e. a timer, is controlled by the CTS operator.

The operation data is related to one CTS-subscriber that is to the FP-SIM. An authentication of the CTS-FP by the CTS-SN and a token authentication by the CTS-FP is performed in the operation data update procedure as described in subclause E.4.4.3.4.1.

Therefore, the update of the operation data does not require a CTS-MS being enrolled to the CTS-FP. Before the expiry of the validity period timer a data update procedure is triggered as described in subclause E.4.4.3.4.1.

If the validity period expires without an update of the operation data, the CTS-FP is de-initialised and the operation data are deleted from the CTS-FP.

##### Case 2

In case 2, the de-initialisation procedure is the following:

- The CTS-FP contacts the CTS-SN;
- The CTS-SN performs authentication of the CTS-FP as described in chapter E.4.3.2.1;
- The CTS-SN sends a de-initialisation command using the data protection mechanism described in chapter E.4.2.1;

- The CTS-FP authenticates the signature and deletes the operation data;
- De-initialisation is performed.

The CTS-FP de-initialisation does not imply CTS-MS de-enrolment; the data related to CTS-MS/CTS-FP pair are not deleted from the CTS-FP but CTS service cannot be granted.

#### Case 3

As some operation data might be related to the location of the CTS-FP, if the CTS-FP is disconnected from the PSTN connection for a certain time (see [4]), the CTS-FP is considered as being de-initialised and the operation data are deleted from the CTS-FP.

#### Case 4

The operation data are related to the FP-SIM. If a new FP-SIM is inserted in the CTS-FPE the previously stored data should be deleted. The CTS-FP is therefore de-initialised.

### E.4.4.3.3 Enrolment

From the CTS supervising security point of view the following requirements have to be fulfilled:

- According to the definitions given in the CTS stage 1 service description, enrolment shall include authentication of the CTS-subscriber (FP-SIM).
- In addition, if required by the CTS operator an authentication of the CTS-MS subscriber can be performed. (3GPP TS 42.009).
- The local CTS shall receive operation data
- The CTS shall operate in accordance with the settings of this operation data.

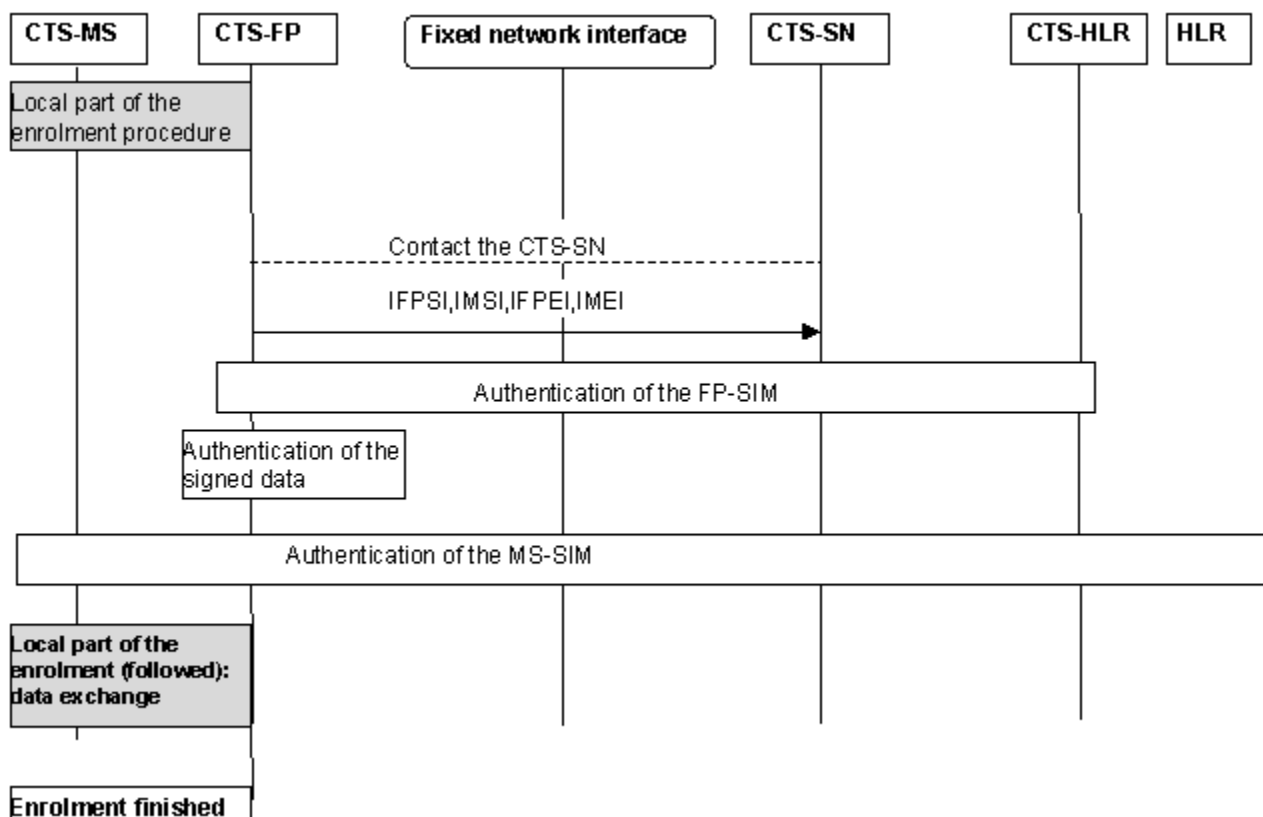
Two supervising security methods are defined for enrolment. They are described in the subsequent subclauses.

#### E.4.4.3.3.1 Enrolment conducted via the CTS fixed network interface

If indicated by the CTS subscription information at the CTS-FP the supervising part of the enrolment is conducted via the CTS fixed network interface.

In this case, after the local part of the enrolment procedure is performed as described in subclause E.3.4.1.1 (we have reached the stage where the CTS-MS transmits through the CTS interface the IMSI, the CTS-FP checks that the IMSI is not enrolled yet), the following procedure applies:

- The CTS-FP calls the CTS-SN through the fixed line;
- The IFPSI and the IMSI are transmitted from the CTS-FP to the CTS-SN; Equipment identities (IMEI, IFPEI) can be transmitted for verification;
- The CTS-HLR performs authentication of the CTS-FP using the authentication key  $K_{iFP,A8'}$  and B5 authentication algorithm as described in subclause E.4.3.2.1;
- After successful authentication of the CTS-FP, the CTS-SN may require the authentication of the CTS-MS. The generation of triplets is achieved in the HLR using the Ki authentication key and the A3 algorithm as described in subclause E.4.3.2.2;
- The CTS-FP checks the validity of the signature as described in subclause E.4.1.2;
- The CTS-FP and the CTS-MS exchange data (as described in the local security part of the enrolment procedure (E.3.4.1.1));
- The CTS-FP indicates successful enrolment to the CTS-MS;
- The enrolment is finished.



**Figure E9: CTS supervising security: enrolment of a CTS-MS onto a CTS-FP via the CTS fixed network interface**

#### E.4.4.3.4 Supervising security in the CTS-FP/CTS-SN access procedure

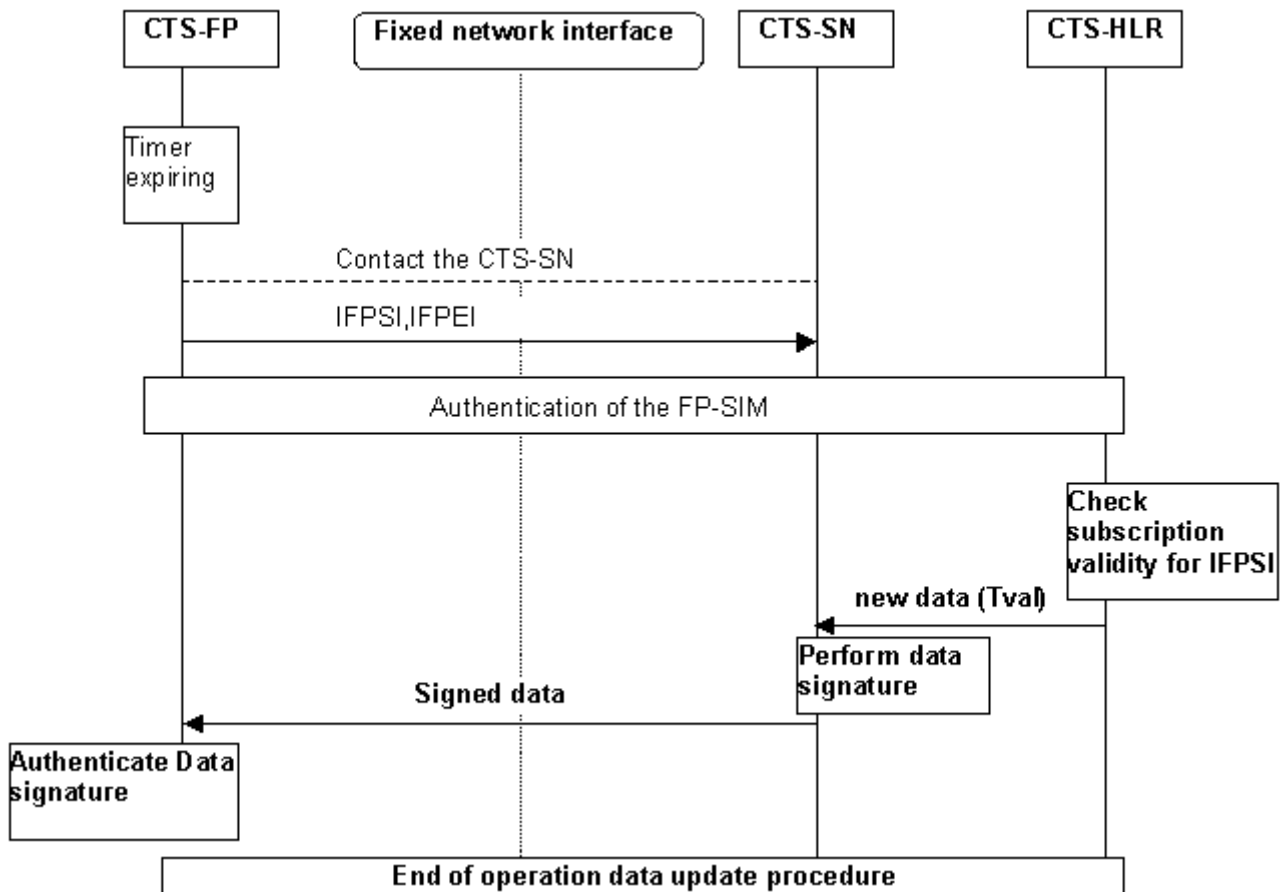
##### E.4.4.3.4.1 Update of operation data

The update of operation data is required due to the fact, that the validity of some operation data is limited by an operator controlled timer.

The operation data can be updated without a CTS-MS being attached to the CTS-FP, as FP-SIM authentication is performed through the fixed network interface. This allows transparency of the operation control to the user and avoids unnecessary de-initialisation if the user has not performed attachment for a long period of time.

Update of operation is performed via the fixed network interface and the following steps apply:

- Before the validity period expires, the CTS-FP contacts the CTS-SN and requires data update;
- The CTS-HLR authenticates the FP-SIM through the fixed network interface;
- the CTS-HLR checks the subscription validity and sends a new set of operation data to the CTS-FP;
- The CTS-FP authenticates the data signature and starts a new timer;
- The update procedure is finished.



**Figure E10: Update of operation data via the CTS fixed network interface**

As this timer is an essential part of the CTS operation control, it shall be securely situated within the CTS-FP, i.e. it shall not be possible to reset the time except by valid operations described in this subclause. The security requirements on the timer values and the timer itself are described in subclause E.6.

## E.4.5 Equipment checking

Equipment checking can be seen as part of the initialisation, of the enrolment or of the operation data update procedures:

Checking the IFPEI can be part of the initialisation and operation data update procedures.

Checking the IFPEI and the IMEI can be part of the enrolment procedure.

## E.4.6 FP-SIM card checking

The FP-SIM presence should be verified and no CTS operation should be allowed if the FP-SIM is not at least present. Furthermore, specific CTS operations should meet the following requirements:

- The CTS-FP initialisation procedure should not be possible if the CTS-FP does not include a valid FP-SIM card, i.e. that contain minimum information to contact the CTS-SN or to operate CTS service.
- The enrolment procedure of a CTS-MS on a CTS-FP should not be initiated if the MS-SIM operator's identity is in the list of forbidden operators of the FP-SIM.
- CTS operation should not be allowed if there is not a valid FP-SIM card in the CTS-FPE.

The MS-SIM verification follows the normal GSM requirements. The GSM subscription is checked whenever the CTS-MS accesses the PLMN (authentication performed using the IMSI, Ki and A3 in the MS-SIM card).



The MS-SIM card is not tied to the CTS-ME as all the relevant data for local security are stored in the MS-SIM card. If after successful enrolment on a given CTS-FP, the CTS-ME have been changed, no re-enrolment should be needed. The CTS-FP will store the new IMEI sent in the access procedure in association with the local security data.

If the FP-SIM card has been extracted from the CTS-FPE, the latter should check the identity of the new SIM card. If a new FP-SIM card has been inserted in the CTS-FPE, CTS-FP should be re-initialised.

---

## E.5 Other CTS security features

In 3GPP TS 42.056 the requirements of a series of additional security services and functions for the CTS are defined. They should provide, amongst others, protection against misuse of equipment

This subclause describes the CTS security features that concern:

- secure storage of sensitive data in CTS-MS;
- secure storage of sensitive data in CTS-FP;
- CTS-FP de-initialisation;
- CTS-FP reprogramming protection.

### E.5.1 Secure storage of sensitive data and software in the CTS-MS

#### E.5.1.1 Inside CTS-ME

The storage of the IMEI should be according the requirements described in 3GPP TS 42.009. Secure storage of sensitive data inside non-volatile memory of the CTS-ME should follow the directives in 3GPP TS 42.056.

### E.5.2 Secure storage of sensitive data and software in CTS-FP

The IFPEI is stored in the CTS-FPE according to the same requirements for storage of the IMEI as described in 3GPP TS 42.009. Other sensitive data shall be stored securely.

The timer for operation control should be stored in a secure way.

### E.5.3 CTS-FP reprogramming protection

Reprogramming shall only be possible by the manufacturer of the CTS-FP and authorised services. The specification of the method is up to the manufacturer.

---

## E.6 FP Integrity

In case of licensed mode, the CTS-FP while servicing its user(s) should perform as instructed by the CTS-SN. In both licensed and license exempt modes, a potential entry point for various kinds of CTS misuse would be to alter a type-approved CTS-FP. It is therefore of paramount importance that the local CTS security and in particular the CTS-FP itself provide reliable countermeasures against CTS-FP misuses through manipulation of its hardware and/or software. The purpose of this subclause is

- a) to identify explicitly the threats
- b) to explore ways how to provide protection
- c) to consider the verification of protection mechanisms

## E.6.1 Threats

Threats have been identified and the importance of the corresponding need for a countermeasure was classified. The following ranking was used:

1. Essential; Protection is essential for secure operation of CTS in general;
2. Important; Protection is important but failure has limited impact;
3. Desirable; Protection is desirable but failure has only local impact.

Table E1 shows the sensitive information that the FP contains and the importance of the countermeasure(s) against possible manipulation.

It is understood that when an item is mentioned in Table 1 that changing its value in an unauthorised way is a threat.

**Table E1: Sensitivity of FP maintained information**

Item	Type of data	Rank
CTS-FP software (note 1)	constant	1
IFPEI	constant	2
IFPSI (licensed mode)	constant	2
CTS-PIN	constant	2
Secret operator Key ( $K_{OP}$ ) (licensed mode)	variable	1
Supervising authentication key ( $K_{iFP}$ ) associated with IFPSI (licensed mode)	constant	1+
PLMN permitted	variable in licensed mode and constant in license exempt mode	1
Timers (counters), Limits (note 2)	variable	1
Radio parameters (GFL, etc.) + operation parameters	variable in licensed mode and constant in license exempt mode	1
Local keys ( $K_a$ ) and security parameters	variable	2
Service parameters (addressing, operator ids)	variable	2
CTS algorithms (A3/A8, MAC)	constant	(1,2)
NOTE 1: If the FP software is reprogrammable there should be a mechanism that authenticates the identity of the reprogramming agent (FS algorithm can be a protection against unauthorised reprogramming).		
NOTE 2: Clock should continue to run or new information should be obtained from the network when FP power is lost or fixed line connection removed.		

In case of license exempt mode, it is of prime importance that radio parameters and the list of the mobiles allowed to enroll to that CTS-FP (PLMN permitted) is stored in a secure way and cannot be modified.

### E.6.1.1 Changing of FP software

CTS-FPEs will store their software in non-volatile memory that can be (re)programmed at the factory or at authorised service centres. Current technology provides so-called flash memories for this purpose. Reprogrammability is advantageous from production and service point of view but, at the same time, it can be misused to reprogram the FP to operate not according to the standards. Reprogramming may be executed via the manufacturer provided interface(s) or via direct access to the storage. Thus the FP reprogramming protection should protect against:

- a) unauthorised reprogramming access via offered interface (test, fixed line, SIM interface, radio interface);
- b) Reprogramming via direct access to system software storage;
- c) Reprogramming via physical exchange (replacing storage modules).

NOTE: The actual protection mechanisms do not have to be standardised but the level of protection should be defined. There should be no (trapdoor) mechanism to bypass the protection mechanisms.

### E.6.1.2 Changing of IFPEI

Each, CTS-FPE contains an identity (IFPEI). The IFPEI can be used (associated to the IFPSI) for local security and network security procedures. The Fixed Part Equipment is uniquely defined by the IFPEI. The IFPEI is stored in a secure way in accordance with the requirements for storage of the IMEI as described in 3GPP TS 42.009.

### E.6.1.3 Changing of IFPSI and operator and subscription related keys ( $K_{IFP}$ , $K_{OP}$ )

These values are stored in the FP-SIM; the IFPSI can only be read and not updated while the operator and the subscription related keys are used in the FP-SIM and cannot be accessed.

### E.6.1.4 Changing of timers and timer limits

The CTS-FP operation is partially under control of timers. When timer values are stored in E2PROM memory there should be a protection against malicious reprogramming. The use of external timer hardware should only be allowed when accompanied with comprehensive protection countermeasures.

### E.6.1.5 Changing of radio usage parameters

This annex defines mechanisms to protect the parameters that will set the radio usage characteristics during transport to the local CTS system. In addition these parameters should be protected when stored inside the CTS-FPE.

## E.6.2 Protection and storage mechanisms

In this subclause some basic approaches for realising CTS-FP integrity mechanisms are described. The mechanisms are divided into three groups. One group targets the protection of data that is stored

In a static or semi-static way in re-programmable non-volatile memory. The second group targets timer values that change frequently. A third group targets physical protection aspects.

### E.6.2.1 Static or semi static values

Data that is stored permanently or changes seldomly are either stored on the FP-SIM ( $K_{OP}$ ,  $K_{IFP}$ , IFPSI), or might be stored in write-once memory cells ( $K_a$ ), the place of storage could be defined. Thus some form of physical security is necessary. Furthermore, specific standards in term of technology (e.g. NIST FIPS1-40-1) can be used.

### E.6.2.2 Timers

If timer stored values can be accessed (e.g. when they are stored in physically accessible E2PROM) they can be protected in the same spirit as static data but the mechanism should be tailored for frequent update of the values to be protected. Alternatively, these values could be stored in the main processor chip.

### E.6.2.3 Physical protection

Physical protection should prevent that it being easy to reprogram (flash) memory with CTS-FP system software through direct physical access to the memory chip or the physical exchange critical hardware components. It should also protect electrical sensing mechanisms against obvious attacks, e.g., by resetting components.

---

## E.7 Type approval issues

The test houses cannot perform a security evaluation of a CTS-FP to verify if the CTS-FP meets the requirements on security. However, each CTS-FP comes with a set of cryptographic mechanisms that may effect ordinary type approval procedures. There should be no bypass mechanisms to critical security mechanisms for such type approval procedures.

---

## E.8 Security information to be stored in the entities of the CTS

This clause gives an overview of the security related information and the places where this information is stored in the CTS.

The entities of the CTS where security information is stored are:

- CTS home location register (CTS-HLR);
- CTS service node (CTS-SN);
- CTS authentication centre (CTS-AuC);
- CTS fixed part equipment (CTS-FPE);
- FP-SIM card;
- CTS mobile equipment (CTS-ME);
- MS-SIM card.

### E.8.1 Entities and security information

#### E.8.1.1 CTS-HLR

The CTS-HLR stores permanently:

- The IFPSI;
- The authentication key  $K_{IFP}$ .

The CTS-HLR receives and stores (possibly after processing):

- The mobile equipment identity IMEI;
- The IFPEI.

#### E.8.1.2 CTS-SN

The CTS-SN receives and stores possibly after processing:

- $K_{OP}$  associated to a given IFPSI;
- Subscription timers;
- RAND value associated to an authentication and key generation procedure;
- SRES the result of the authentication procedure;
- The B5, B6 algorithms.

### E.8.1.3 CTS-AuC

In the CTS authentication centre are implemented:

- The authentication algorithm A3;
- The key generation algorithm A8.

### E.8.1.4 CTS Fixed Part Equipment (CTS-FPE)

The CTS-FPE stores permanently:

- The encryption algorithm A5/2.

The CTS-FPE generates and stores:

- The CTS authentication key  $K_a$ ;
- The CTSMSI;
- The ciphering key  $K_c$ .

The CTS-FPE receives and stores (possibly after processing):

- The mobile equipment identity IMEI;
- The IMSI.

The CTS-FPE stores for each CTS-MS/CTS-FP pair a record of data which is needed for access on the CTS Radio Interface. The records are stored as a linear fixed file (see 3GPP TS 51.011) and contain:

- The authentication key  $K_a$ ;
- The CTSMSI;
- The IMSI;
- Other, non security relevant information, which are related to a CTS-MS/CTS-FP pair.

The structure of the linear fixed file is shown in figure E11:

Index (Record Number)	Linear fixed file with one record for each CTS-MS/CTS-FP pair (Read/Write)
1	$K_a[1]$ , CTSMSI[1], IMSI[1], other data [1]
2	$K_a[2]$ , CTSMSI[2], IMSI[2], other data [2]
.	.
.	.
N	$K_a[n]$ , CTSMSI[n], IMSI[n], other data [n]

**Figure E11: Storage of CTS-MS/CTS-FP pair related data on the CTS-FPE**

The number of records is defined at subscription time and thus determines the number of CTS-FP, a CTS-MS can be enrolled to.

### E.8.1.5 Fixed Part SIM card (FP-SIM)

The FP-SIM includes specific information for CTS purpose.

- The IFPSI;
- The  $K_{iFP}$ ;
- The  $K_{OP}$ ;
- The list of PLMNs whose subscriber can roam onto the CTS-FP.

## E.8.1.6 CTS Mobile Equipment (CTS-ME)

## E.8.1.7 Mobile Station SIM card (MS-SIM)

The MS-SIM is a normal GSM SIM card as defined in 3GPP TS 51.011 that includes any information for CTS purpose.

The MS-SIM stores for each CTS-MS/CTS-FP pair a record of data which is needed for access on the CTS Radio Interface. The records are stored as a linear fixed file (see 3GPP TS 51.011) and contain:

- the authentication key Ka;
- the CTSMMSI;
- the IFPEI;
- other, non security relevant information, which related to a CTS-MS/CTS-FP pair.

**The structure of the linear fixed file is shown in the figure E12**

Index (Record Number)	Linear fixed file with one record for each CTS-MS/CTS-FP pair (Read/Write)
1	Ka[1], CTSMMSI[1], IFPEI[1], IFPSI[1], other data [1]
2	Ka[2], CTSMMSI[2], IFPEI[2], IFPSI[2], other data [2]
.	.
.	.
N	Ka[n], CTSMMSI[n], IFPEI[n], IFPSI[n], other data [n]

**Figure E12: Storage of CTS-MS/CTS-FP pair related data on the CTS-ME**

The number of records is defined by the mobile manufacturer and thus determines the number of CTS-FP, a CTS-MS can enroll onto.

---

## E.9 External specification of security related algorithms

This annex specifies the cryptological algorithms and algorithms which are needed to provide the various security features and mechanisms defined in the CTS service description.

The following algorithms are considered;

- Algorithm A5/2: Ciphering/deciphering algorithm;
- Algorithm B1: Ciphering key generation algorithm
- Algorithm B2: Authentication key generation algorithm
- Algorithm B3: Authentication algorithm
- Algorithm B4: Authentication algorithm
- Algorithm B5: Message authentication algorithm used for CTS-FP authentication
- Algorithm B6: Message authentication algorithm used for signature authentication

The A5/2 is specified in 3GPP TS 43.020 Annex C.

The external specification of the algorithms B1, B2, B3, B4, B5, B6 is defined below. The internal specification is managed by SAGE.

## E.9.1 Algorithm B1

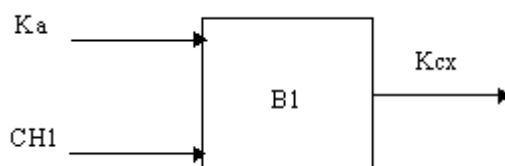
### E.9.1.1 Purpose

The B1 algorithm is used to generate the ciphering key  $K_c$  from the two random challenges  $CH1$  and the authentication key  $K_a$  which is derived from  $K_a$ .

Location: CTS-ME, CTS-FPE

### E.9.1.2 Implementation and operational requirements

The two input parameters  $K_a$ ,  $CH1$  and the output parameter  $K_c$  of the algorithm shall use the following formats:



**Figure E13: The ciphering key generator B1**

- Input 1: Bit string of length  $|K_a| = 128$  bits;
- Input 2: Bit string of length  $|CH1| = 128$  bits;
- Output: Bit string of length  $|K_c| = 64$  bits.

The calculation time of B1 shall not exceed 200 ms.

## E.9.2 Algorithm B2

### E.9.2.1 Purpose

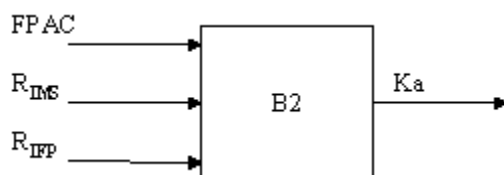
The algorithm B2 is used to generate:

- The authentication key  $K_a$ ;
- The initial authentication key. This authentication key generation and usage is part of the initialisation method using the CTS Radio Interface.

Location: CTS-ME, CTS-FPE

### E.9.2.2 Implementation and operational requirements

The three input parameters  $FPAC$ ,  $R_{IMS}$ ,  $R_{IFP}$ , and the output parameter  $K_a$  of the algorithm shall use the following formats:



**Figure E14: The key generation algorithm B2**

- Input 1: Bit string of length  $|FPAC|$  respective bit string of length  $|FPAC| = 128$  bit;
- Input 2: Bit string of length  $|R_{IMS}|$  respective bit string of length  $|R_{IMS}| = 64$  bit;
- Input 3: Bit string of length  $|R_{IFP}|$  respective bit string of length  $|R_{IFP}| = 64$  bit;
  
- Output: Bit string of length  $|Ka| = 128$  bit.

The calculation time of the B2 algorithm shall not exceed 250 ms.

## E.9.3 Algorithms B3 and B4

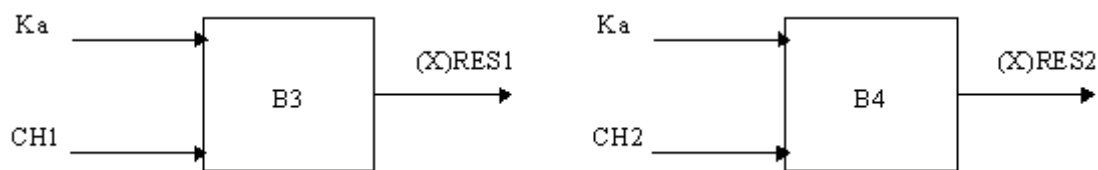
### E.9.3.1 Purpose

The B3 and B4 algorithms are used to perform the mutual authentication via a challenge-response scheme.

Location: CTS-ME, CTS-FPE.

### E.9.3.2 Implementation and operational requirements

The two input parameters  $Ka$  and  $CH1$  respective  $CH2$  and the output parameter  $(X)RES1$  respective  $(X)RES2$  of the algorithm shall use the following formats:



**Figure E15: The response generation by B3 and B4**

- Input 1: Bit string of length  $|Ka| = 128$  bit;
- Input 2: Bit string of length  $|CH1|$  respective bit string of length  $|CH2| = 128$  bit;
  
- Output: Bit string of length  $|(X)RESP1|$  respective bit string of length  $|(X)RESP2| = 128$  bit.

The calculation time of B3 respective B4 shall not exceed 200ms for one operation.

## E.9.4 Algorithms B5 and B6

### E.9.4.1 Purpose

The B5 algorithm is used to perform CTS-FP authentication by the CTS-SN.

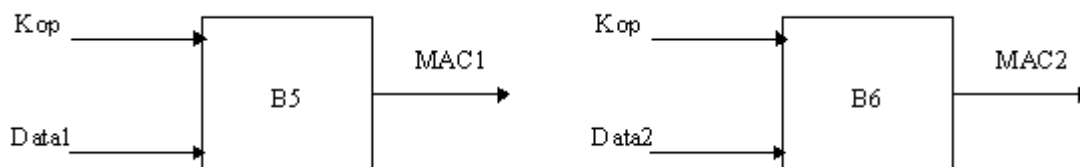
The B6 algorithm is used by the CTS-FP to authenticate the signature issued by the CTS-SN.

Location: CTS-FPE, CTS-SN.

### E.9.4.2 Implementation and operational requirements

The two input parameters  $Kop$  and  $Data1$  respective  $Data2$  and the output parameter  $MAC1$  respective  $MAC2$  of the algorithm shall use the following formats:





**Figure E16: The response generation by B5 and B6**

- Input 1: Bit string of length  $|K_{op}| = 128$  bit;
- Input 2: Bit string of length  $|Data1|$  respective bit string of length  $|Data2| = n$  octets;
- Output: Bit string of length  $|MAC1|$  respective bit string of length  $|MAC2| = 64$  bit.

## E.10 Coding of the FPAC and CTS-PIN

The CTS-PIN is a local product key. It is initialised at manufacturer customisation.

At CTS-FP reset, the PIN code value returns to initial manufacturer value.. The CTS-PIN can be modified by the user; a pre-condition is to enter the old CTS-PIN. When remote MMI is used, attachment is performed on the MS/FP interface.

The CTS-PIN cannot be de-activated.

The number of tries is infinite and no blocking mechanism is applied.

The FPAC is coded in 128 bits.

The CTS-PIN is entered by the user of the CTS on the CTS-MS respective on the CTS-FP. The CTS-PIN is presented as a BCD number of decimal digits (0 - 9), each digit coded in four bits.

The number of digits of the CTS-PIN is 8.

The CTS-PIN is copied to the FPAC in order to perform the procedures for checking the CTS-PIN entered by the user. As the number of digits of the CTS-PIN is less than 32, the CTS-ME respective the CTS-FP shall pad the unused digits with « F » (hexadecimal presentation of 16) before it is copied to the FPAC.

## E.11 (informative annex): Guidelines for generation of random numbers

Both the CTS-MS and the CTS-FP must on occasions generate « random » numbers as inputs to security algorithms. Specifically:

- the 128-bit input CH1 to the algorithms B1 and B3 is generated by the CTS-FP;
- the 128-bit input CH2 to the algorithms B4 is generated by the CTS-MS;
- the 64-bit input R<sub>IFP</sub> to the algorithm B2 is generated by the CTS-FP;
- the 64-bit input R<sub>IMS</sub> to the algorithm B2 is generated by the CTS-MS;

This section indicates the requirements on the « randomness » of these values. There are essentially two requirements: non-repetition (for CH1 to CH2, which are the generated many times) and unpredictability.

**Non-repetition of CH1 and CH2:** The probability that a new value CH1 (or CH2) is the same as any one particular previously generated value of CH1 (or CH2) should not be significantly greater than  $2^{-128}$ . It is assumed that the number of values of CH1 (or CH2) generated by any CTS-FP will be much less than  $2^{-128}$ .

**Unpredictability of CH1 and CH2:** It is not necessary for every new CH1 (or CH2) to be « completely random », i.e. to be exactly likely to assume any possible value, independent of all previously generated values. However, the generation must not be easily predictable. Given all previously generated values of the CH1 (or CH2), the probability that a newly generated CH1 (or CH2) will assume any specific value should not be greater than  $2^{-32}$ .

**Unpredictability of R<sub>IFP</sub> and R<sub>IMS</sub>:** The probability that R<sub>IFP</sub> (or R<sub>IMS</sub>) will assume any specific value should be not greater than  $2^{-32}$ .

---

## Annex F (normative): Ciphering of Voice Group Call Service (VGCS) and Voice Broadcast Service (VBS)

This Annex defines the security related service and functions for VGCS and VBS in order to provide confidentiality protection to the group calls.

All data variables in this Annex are presented with the most significant substring on the left hand side and the least significant substring on the right hand side. A substring may be a bit, byte or other arbitrary length bitstring. Where a variable is broken down into a number of substrings, the leftmost (most significant) substring is numbered 0, the next most significant is numbered 1, and so on through to the least significant.

---

### F.1 Introduction

#### F.1.1 Scope

In this Annex the ciphering of the voice group call service (VGCS) TS 42.068 [F1] and voice broadcast service (VBS) TS 42.069 [F4] is described. The following functions are required:

- Key derivation;
- Encryption of voice group/broadcast calls;
- The secure storage of the master group keys.

VGCS and VBS provide no authentication functions, i.e. authentication is performed implicitly via encryption/decryption since only a legitimate subscriber shall be able to encrypt and decrypt the VGCS/VBS speech call when the group call requires confidentiality protection. To include a subscriber into a voice group the required group data (including the 2 master group keys) shall be stored on the USIM, e.g. during the personalisation process or via OTA (over-the-air). To exclude a subscriber from a voice group the group data shall be deleted from the USIM. In case of a stolen or lost USIM, all USIMs of the remaining members of the voice groups that the USIM is a member of, need to be changed (e.g. via OTA or manual provisioning).

A pre-Rel-6 VGCS/VBS capable mobile shall be able to participate in an un-ciphered group call, if it is part of that group.

NOTE: The only security relevant difference between VBS and VGCS is that in the case of VBS there exists no uplink channel.

#### F.1.2 References

- [F1] 3GPP TS 42.068: "3rd Generation Partnership Project; Technical Specification Group Services and system Aspects; Voice Group Call Service (VGCS) - Stage 1".
- [F2] 3GPP TS 43.068: "3rd Generation Partnership Project; Technical Specification Group Services and system Aspects; Voice Group Call Service (VGCS) - Stage 2".
- [F3] 3GPP TS 31.102: "3rd Generation Partnership Project; Technical Specification Group Terminals; Characteristics of the USIM application".
- [F4] 3GPP TS 42.069: "3rd Generation Partnership Project; Technical Specification Group Services and system Aspects; Voice Broadcast Service (VBS) - Stage 1".
- [F5] 3GPP TS 43.069: "3rd Generation Partnership Project; Technical Specification Group Services and system Aspects; Voice Broadcast Service (VBS) - Stage 2".

- [F6] 3GPP TS 23.003: "3rd Generation Partnership Project; Technical Specification Group Core Network; Numbering, addressing and identification".
- [F7] FIPS PUB 180-1 Secure Hash Standard.

## F.1.3 Definitions and Abbreviations

### F.1.3.1 Definitions

**A5\_Id:** Identifier of the encryption algorithm which shall be used.

**CELL\_GLOBAL\_COUNT:** A counter valid for all voice group calls within a cell.

**Group\_Id:** Unique identifier of a voice call group.

**KMF:** Key Modification Function. KMF derives from the short term key VSTK, the CGI and the CELL\_GLOBAL\_COUNT the cipher key V\_Kc which is valid for that specific cell.

**VSTK:** Short Term Key provided by the USIM and the GCR. VSTK is derived from VSTK\_RAND and V\_Ki (128 bit).

**VK\_Id:** Identifier of the Master Group Key (1 bit) of a group. There are up to 2 V\_Ki per group.

**VSTK\_RAND:** The 36-bit value that is used for derivation of a short term key VSTK.

**V\_Ki (Group\_Id, VK\_Id, Service\_type):** Voice Group or Broadcast Group Key (128 bit) number VK\_Id of group with Group\_Id. This is also called Master Group Key or Group Key in this Annex. There exist different Master Group keys per service type i.e. VGCS and VBS.

**V\_Kc:** Voice Group or Broadcast Ciphering Key (128 bit). V\_Kc is derived from VSTK.

### F.1.3.2 Abbreviations

The following list describes the abbreviations and acronyms used in this Annex.

CGI	Cell Global Identifier
GCR	Group Call Register
VBS	Voice Broadcast Service
VGCS	Voice Group Call Service

---

## F.2 Security Requirements

The ciphering concept for VGCS, VBS fulfils following security requirements:

**REQ-1:** Prevent the same Voice group or Broadcast group ciphering key being used within different cells.

This requirement protects an observer of getting more information on the plaintext if different data is enciphered with the same key and COUNT (TDMA-numbers derived) in different cells.

**REQ-2:** The master group key shall never leave the USIM and the GCR.

Even though VGCS/VBS users should be trusted, this approach protects the 'root'-key (i.e. Master Group key) in the most secure way such that it need not be updated very frequently.

**REQ-3:** Prevent the reuse of COUNT with the same voice group or broadcast group ciphering key within the same cell.

The COUNT value is determined by the TDMA frame number. An overflow happens after each 3 hour and 8 minutes period. The lifetime of the used cipher key shall not be longer than the overflow period.

**NOTE:** This enhancement goes beyond the provided level of security of GSM-calls over a point to point channel (i.e. is not a VGCS/VBS-problem only) as long standing calls over a dedicated channel have the same characteristic of reusing the COUNT.

**REQ-4:** Prevent the same key stream block being used in uplink and downlink direction.

This requirement is fulfilled by Point to Point voice calls already (see clause C.1.2). By reusing the same mechanisms for uplink/downlink key stream derivation (i.e. reusing A5) the VBS/VGCS ciphering also fulfils this requirement.

---

## F.3 Storage of the Master Group Keys and overview of flows

The master group keys (in short called group keys in this Annex) are securely stored at two locations:

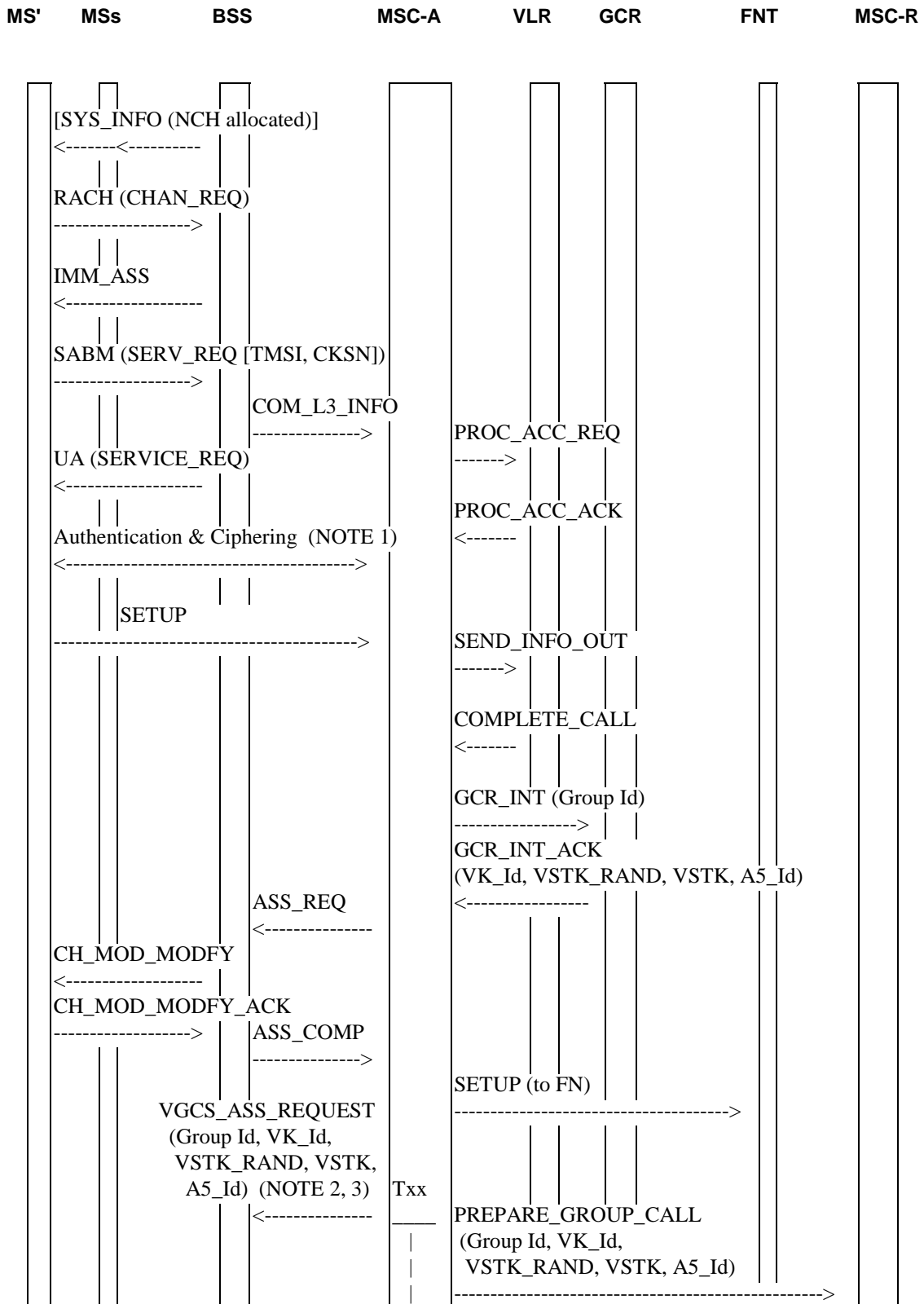
- GCR: Beside other information, the GCR stores for each Group\_Id a list of group keys. Each group key is uniquely identified by the Group\_Id, the group key number VK\_Id and the service type;
- USIM: The USIM contains a list of 2 group keys for each Group\_Id. Deletion or changing of group keys are allowed only via OTA or via USIM-personalisation.

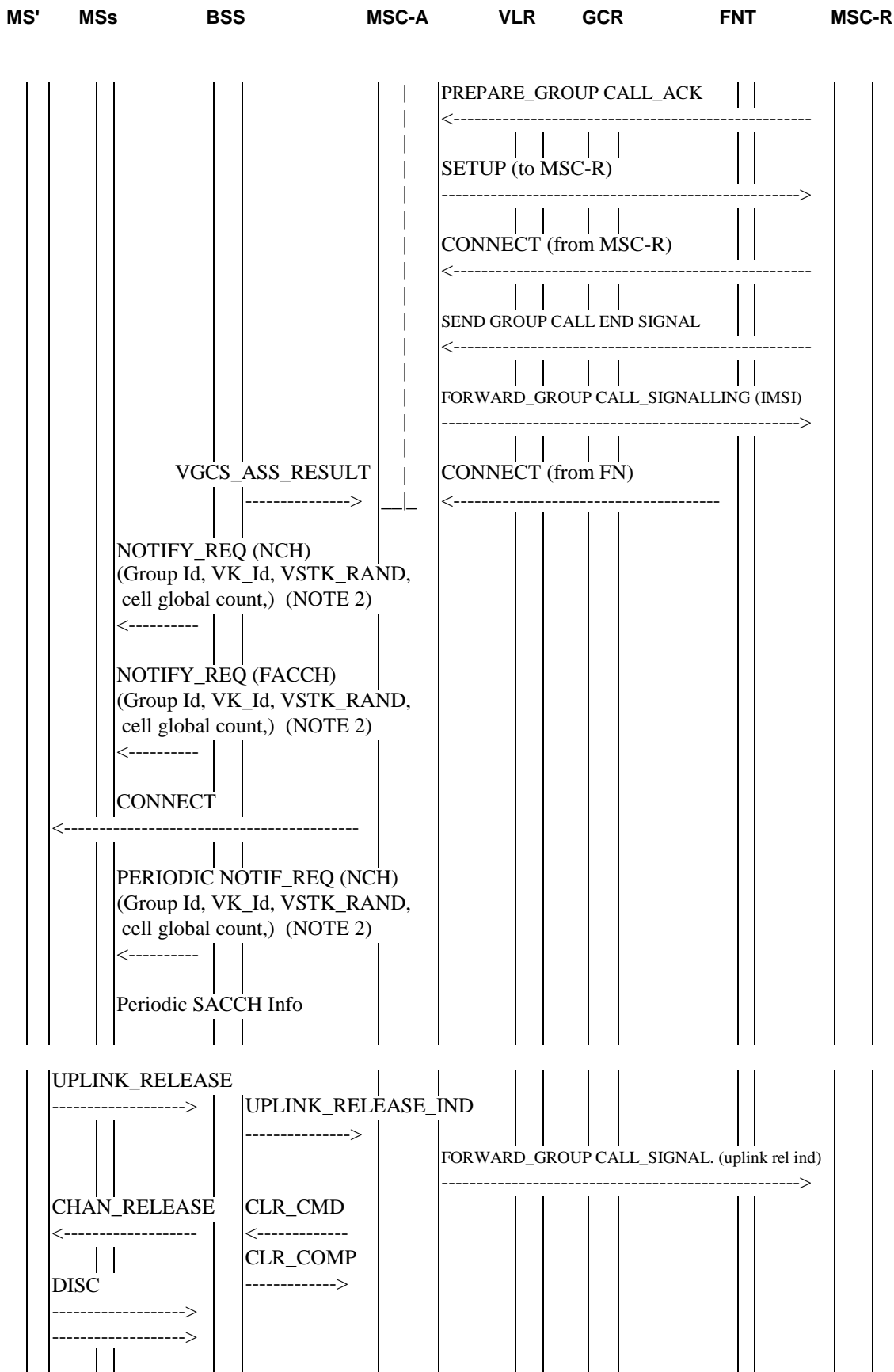
The Short Term Key VSTK shall be deleted by the network entities after tearing down the call and by the ME on power down or UICC removal. On each new VGCS/VBS call set up, a new short term key VSTK shall be generated.

### F.3.1 Distribution of ciphering data during establishment of a voice/broadcast group call

This signalling flow indicates the distribution of the VGCS parameters during the establishment of a ciphered voice group call. Figure F.3.1-1 shows the distribution of the VSTK\_RAND, VSTK, VK\_Id, A5\_id and Cell\_Global\_Count between MSC, BSC and MS. The main points are:

- The Notification/NCH and Notification/FACCH are used to transfer the VSTK\_RAND, VK\_Id and Cell\_Global\_Count between the BSS and the MS.
- The PREPARE\_GROUP\_CALL is used to transfer the VSTK, VSTK\_RAND, VK\_Id and A5\_Id between MSC-A and MSC-B.
- The VGCS/VBS Assignment Request transfers the VSTK, VSTK\_RAND, VK\_Id and A5\_Id between the MSC and the BSC.





- NOTE 1: If authentication and ciphering are performed, then the dedicated channel of the originator of the voice group call is ciphered with the cipher key  $K_c$  generated during the authentication procedure. If ciphering is started without authentication, the cipher key indicated with CKSN in the Service Request message is used.
- NOTE 2: The Group Id and the Group cipher key number (VK\_Id) are included in the Descriptive group call reference.
- NOTE 3: The permitted ciphering algorithm (A5\_Id) is included in the Encryption information.
- NOTE 4: MS' = calling subscriber mobile station;  
MSs = destination subscriber mobile stations;  
FNT = fixed network user terminal;  
MSC-A = anchor MSC;  
MSC-R = relay MSC.

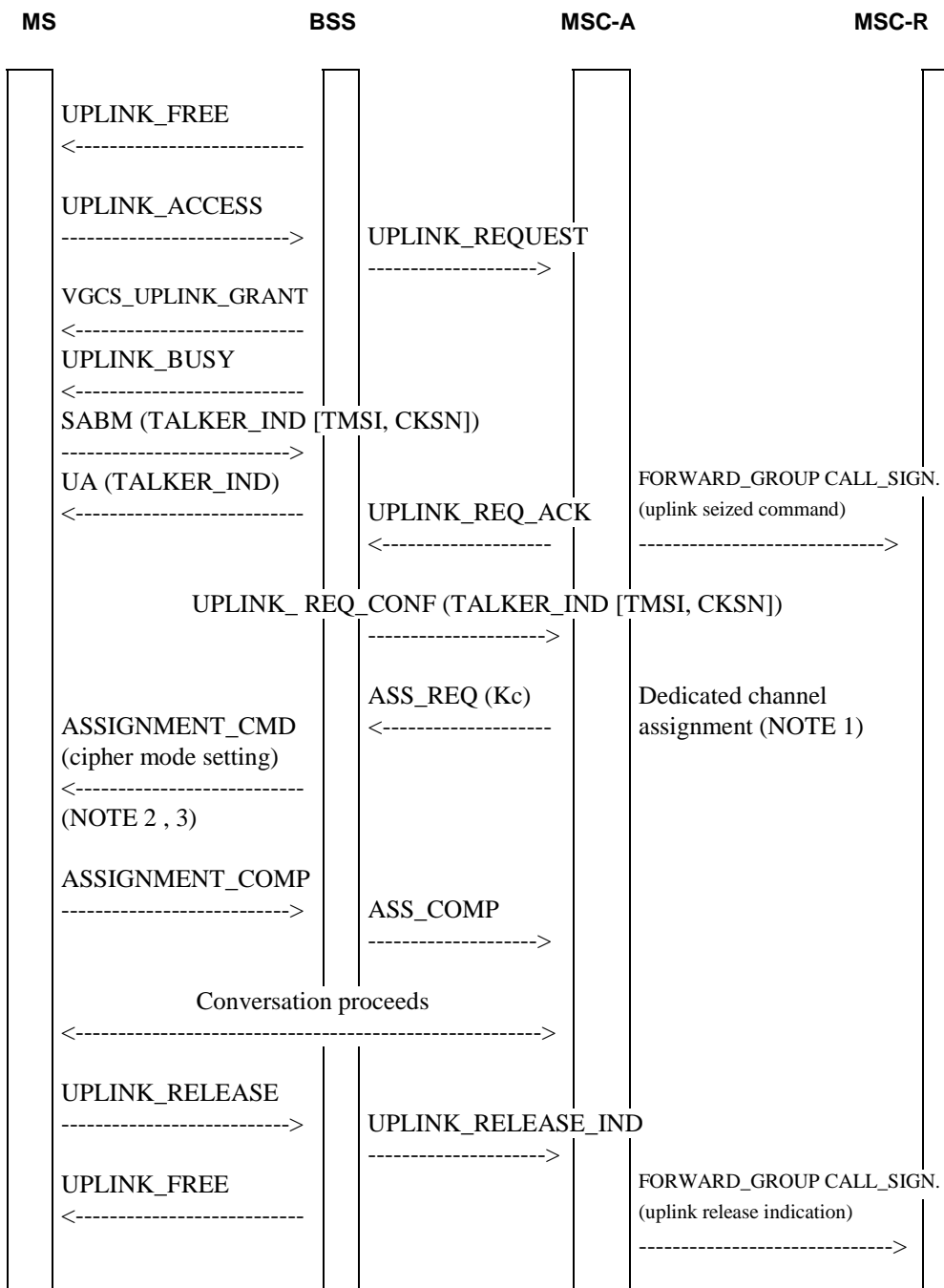
**Figure F.3.1-1: Distribution of ciphering data during establishment of a voice group call**

## F.3.2 Signalling information required for the voice group call uplink access in the anchor MSC (normal case, subsequent talker on dedicated channel)

Figure F.3.2-1 shows how the MS and the BSC determine the Cipher Key Sequence Number (CKSN) and Ciphering algorithm to use when the VGCS talker is switched to a dedicated channel. The main points are:

- The MS reads the CKSN and the individual cipher key  $K_c$  from the USIM and passes the value to the BSC via the TALKER INDICATION Message
- The CKSN is passed from the BSC to the MSC via the UPLINK REQUEST CONFIRMATION message (within Layer 3 information).
- The MS and BSC are informed of the ciphering algorithm identity in the ASSIGNMENT COMMAND message.





NOTE 1: In this case the MSC decided to transfer the subsequent talker to a dedicated channel. The MSC includes the individual cipher key Kc indicated in the Talker Indication message with CKSN.

NOTE 2: Upon reception of the ASSIGNMENT CMD message which transfers the MS from the group call channel to a dedicated channel, the MS starts transmission and reception on the dedicated channel in ciphered mode, using the ciphering algorithm indicated in the cipher mode setting and using the individual cipher key Kc.

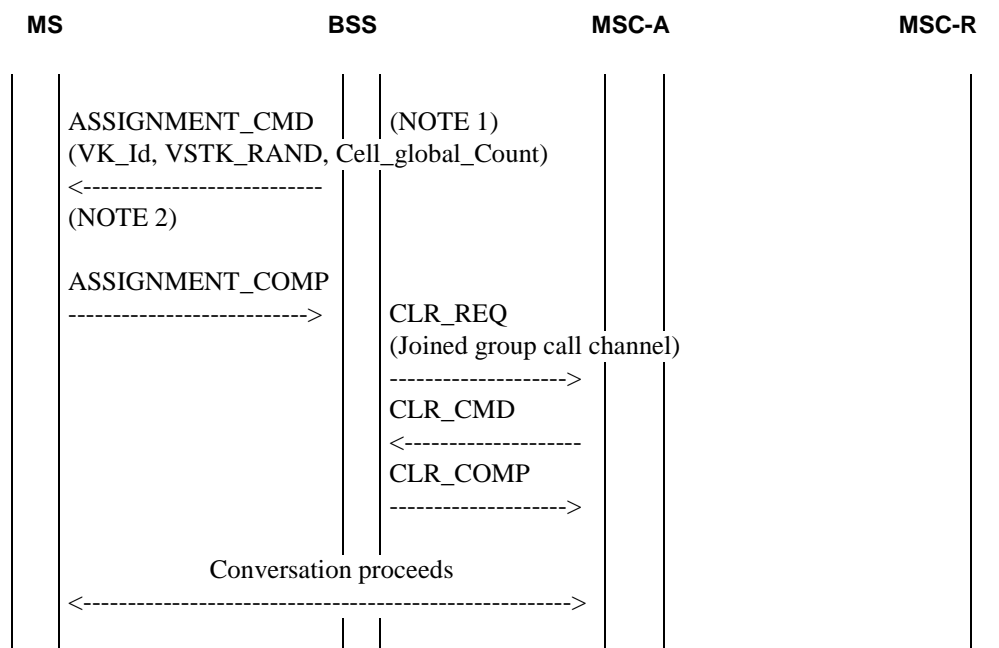
NOTE 3: The network configuration has to take care that ciphering is applied to a dedicated channel belonging to a ciphered VGCS Channel.

**Figure F.3.2-1: Signalling information required for the voice group call uplink access in the anchor MSC (normal case, subsequent talker on dedicated channel)**

### F.3.3 Signalling information required to transfer the originator or subsequent talker from a dedicated channel to a group call channel

Figure F.3.3-1 shows the MS being transferred from a dedicated channel to the group channel via the ASSIGNMENT COMMAND message. The main points are:

- The group channel is ciphered with VGCS ciphering
- The VK\_Id, VSTK\_RAND and Cell\_Global\_Count are supplied in the ASSIGNMENT COMMAND message in order for the MS to calculate the voice group ciphering keys.



NOTE 1: In this case the BSC decided to transfer the originator or subsequent talker to a group call channel.

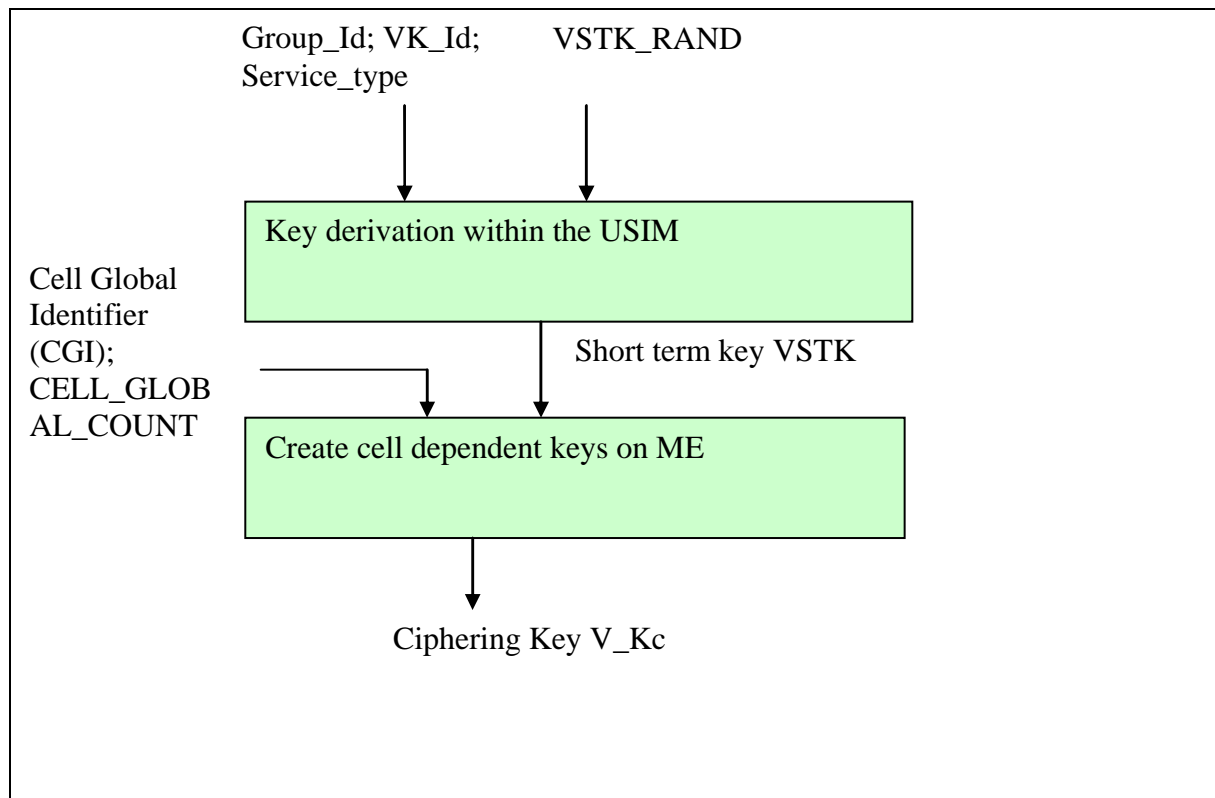
NOTE 2: Upon reception of the ASSIGNMENT CMD message, if the Group cipher key number is different from 'no ciphering', the MS derives the cipher key V\_Kc and starts transmission and reception on the group call channel in ciphered mode, using V\_Kc.

**Figure F.3.3-1: Signalling information required to transfer the originator or subsequent talker from a dedicated channel to a group call channel**

## F.4 Key derivation

The key derivation of the encryption is performed in two steps:

1. derivation of a short term key VSTK on the GCR-side and USIM; VSTK\_RAND generation on the GCR-side and sending it to the ME via the BSS for use on the USIM;
2. derivation of the actual encryption key V\_Kc in the BSS and ME.



**Figure F.1: Key derivation**

## F.4.1 Key derivation within the USIM / GCR

This function is performed on:

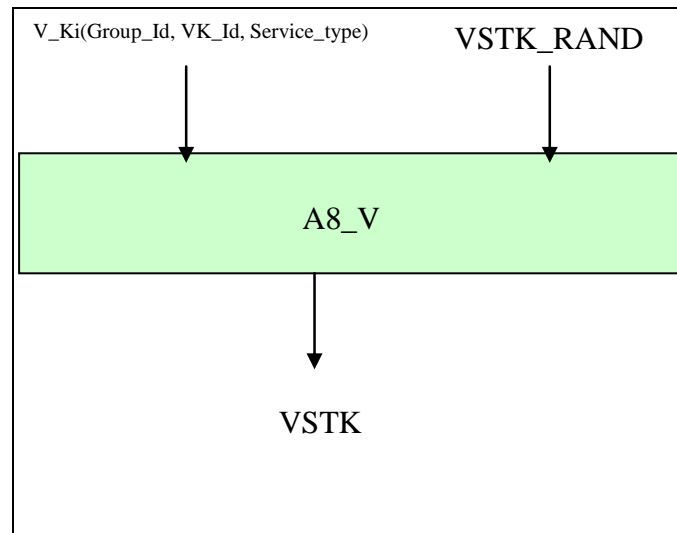
- the set-up of a voice group or broadcast call by the GCR;
- entry to a voice group or broadcast call by the USIM.

On the set-up of a voice group/broadcast call the GCR generates the VSTK\_RAND (See Annex G). Also an appropriate group key V\_Ki (identified by VK\_Id, Group\_Id and Service\_type) is selected by the GCR. Using the function A8\_V a short term key VSTK is derived using as input parameters:

- V\_Ki (Group\_Id , VK\_Id, Service\_type);
- VSTK\_RAND.

Output of A8\_V is:

- VSTK



**Figure F.2**

The GCR sends the parameters Group\_Id, VK\_Id, VSTK\_RAND, VSTK, A5\_Id via the anchor-MSC and the relay-MSC's to the BSS. The BSS signals the Group\_Id, VSTK\_RAND and VK\_Id to the ME.

On the ME-side, each ME sends the Group\_Id of the voice group or broadcast call, the identifier of the key VK\_Id, the Service\_type and the VSTK\_RAND to the USIM. The USIM performs the calculation of the short term key VSTK using the function A8\_V and returns it (together with the encryption algorithm identifier A5\_Id).

## F.4.2 Key derivation within the ME/BSS

This function is performed by the ME on:

- entry to a voice group/broadcast call;
- cell reselection;
- changing of the value of CELL\_GLOBAL\_COUNT;
- Handover.

On the network side the function is performed by the BSS on

- set-up of a voice group/broadcast call in a cell;
- changing of the value of CELL\_GLOBAL\_COUNT.

For each cell the BSS and ME calculate an encryption key V\_Kc using the key modification function KMF. Input parameter of the KMF are:

- VSTK: the short term key for this voice call group and this call;
- CGI: the cell global identifier which identifies a cell world-wide uniquely;
- CELL\_GLOBAL\_COUNT: this parameter shall be incremented by the BSS when the TDMA-frame-number wraps around.

**NOTE:** The MS and network SHALL be aligned regarding the value of the CELL\_GLOBAL\_COUNT. In case of transmissions on the FACCH, this requires that the network transmits a part of the whole of the TDMA frame number together with the CELL\_GLOBAL\_COUNT.

The output of the key modification function is the actually cipher key V\_Kc.

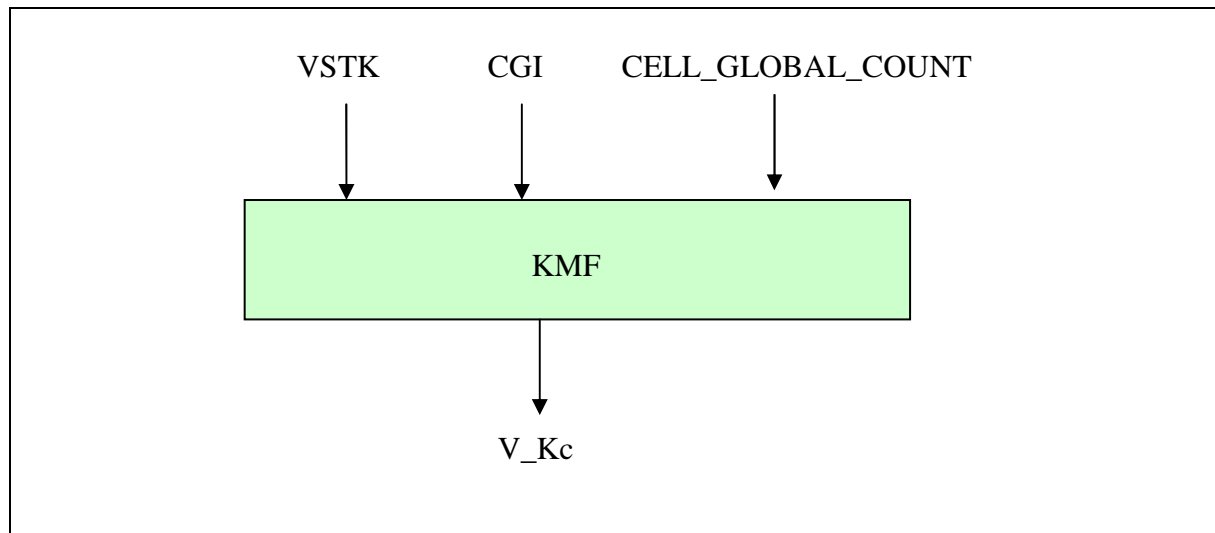


Figure F.3

To provide the required information to the ME the parameters CELL\_GLOBAL\_COUNT and CGI are included in various messages from the BSS to the ME (i.e. CELL\_GLOBAL\_COUNT on the NCH, FACCH and PCH, and the CGI on the BCCH and the FACCH).

### F.4.3 Encryption algorithm selection

The encryption algorithm identifier A5\_Id is stored in the GCR and the USIM. For each group key V\_Ki(Group\_Id, VK\_Id\_, Service\_type) there is a unique A5\_Id.

A5\_Id is transmitted from the GCR to the BSS. The ME fetches the A5\_Id together with the VSTK from the USIM.

NOTE 1: It is possible that different algorithm identifiers are bound to different V\_Ki of the same group.

NOTE 2: The algorithm identifier A5\_Id stored in the GCR and on the USIM shall match with the encryption capabilities of the ME's used by the group and the BSS where the voice group calls are allowed to take place.

### F.4.4 Algorithm requirements

#### F.4.4.1 A8\_V

The key derivation function A8\_V has the following input and output parameter:

Input Parameter:

VSTK\_RAND: 36 bit value (see annex G);

V\_Ki (Group\_Id, VK\_Id, Service\_type): 128 bit secret key;

Output:

VSTK: 128 bit short term key

A8\_V is an operator specific algorithm. The calculation time for A8\_V shall not exceed 500 ms.

A8\_V is implemented in the GCR and on the USIM.

#### F.4.4.2 KMF

The key derivation function KMF has the following input and output parameter:

Input Parameter:

VSTK: 128 bit short term key;  
 CGI: the cell global identifier: 56 bit (TS 23.003 [F6]);  
 CELL\_GLOBAL\_COUNT: 2 bit.

Output:

V\_Kc 128 bit encryption key.

The KMF is implemented in the BSS and in the ME.

The specification of KMF can be found in clause F.6

## F.5 Encryption of voice group calls

For the encryption of a voice group call the same encryption algorithms are used as for a normal GSM speech call. Which algorithm out of the algorithm suite A5/x is used is determined by the identifier A5\_Id, which is stored on the USIM (together with the group key V\_Ki(Group\_Id, VK\_Id, Service\_type)). The algorithm A5/X is used in the same way as in the GSM (see clause C.1) using the key V\_Kc as encryption/decryption key Kc as input to A5/x.

If the key length KL of the encryption algorithm A5/X is shorter than the length of V\_Kc (128 bit) then only bits [0] to [KL-1] of V\_Kc are used.

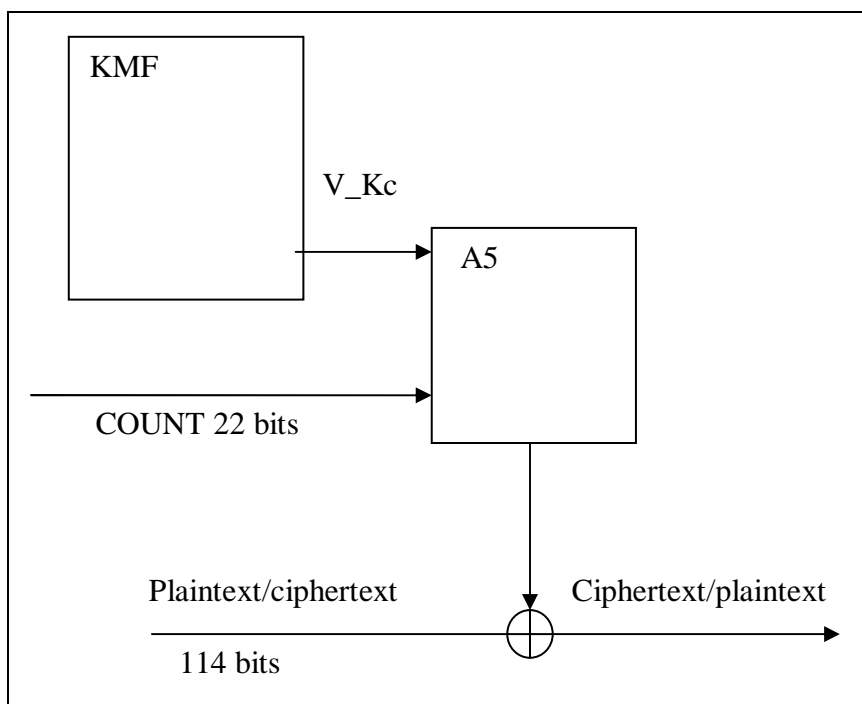


Figure F.4

## F.6 Specification of the Key Modification Function (KMF)

SHA-1 (FIPS PUB 180-1 [F7]) is used for generating V\_Kc:

$$V\_Kc = \text{SHA-1}(\text{VSTK} \parallel \text{CGI} \parallel \text{CELL\_GLOBAL\_COUNT} \parallel \text{VSTK})$$

From the 160 bit output of SHA-1, the bits numbered as [0] to [127] are taken as 128 bit V\_Kc.

## Annex G (informative): Generation of VSTK RAND

All data variables in this Annex are presented with the most significant substring on the left hand side and the least significant substring on the right hand side. A substring may be a bit, byte or other arbitrary length bitstring. Where a variable is broken down into a number of substrings, the leftmost (most significant) substring is numbered 0, the next most significant is numbered 1, and so on through to the least significant.

Since the length of VSTK RAND (36 bits) is small, care should be taken that a VSTK RAND isn't generated twice (so-called collision) during the lifetime of V<sub>Ki</sub>. On the other hand, the predictability of VSTK RAND shall be avoided. The following scheme could be used in order to generate 4096 VSTK RAND for each V<sub>Ki</sub> with a probability < 10<sup>-6</sup> that a collision occurs.

NOTE: A collision probability of <10<sup>-4</sup> could still give a sufficient security margin and may allow, depending on the VSTK RAND structure that is chosen, that more VSTK can be generated from one V<sub>Ki</sub>.

The GCR maintains a COUNTER (12 bits) for each voice group. After each generation of a VSTK RAND for a specific voice group, COUNTER for that voice group is incremented by one.

The left most 12 bits (COUNTER) of VSTK RAND are set to COUNTER. The remaining 24 bits (RANDOM) are generated randomly, i.e. unpredictably for each new VSTK RAND.

Therefore VSTK RAND = COUNTER | RANDOM.

NOTE: For security reasons, any adopted scheme shall contain at least 24 true random bits.

If COUNTER wraps around, a new V<sub>Ki</sub> is required for that group.

Table G.1 gives the maximum number of voice group calls that are possible with a full random generated VSTK RAND:

**Table G.1: Maximum number of voice group calls that are possible with a with a full random generated VSTK RAND**

Length of VSTK RAND	Max collision prob for fixed V <sub>Ki</sub>	Number of calls
36	10 <sup>-6</sup>	371
36	10 <sup>-4</sup>	TBD371

Table G.2 gives the maximum number of voice group calls that are possible with a VSTK RAND, as structured in this annex.

**Table G.2: Maximum number of voice group calls that are possible with a VSTK RAND**

Total challenge length	Length of counter	Length of random part	Max collision prob for fixed V <sub>Ki</sub>	Max collision prob for one fixed counter	Number of calls for one fixed counter	Total number of calls for fixed V <sub>Ki</sub>
36	12	24	10 <sup>-6</sup>	2.44 × 10 <sup>-10</sup>	1	4096
36	12	24	10 <sup>-4</sup>	2.44 × 10 <sup>-8</sup>	1	4096

Explanation of the columns of table G.2:

Max collision probability for fixed V<sub>Ki</sub>: what we have determined, for security reasons, should be the maximum probability that the same value of VSTK RAND (and hence the same value of VSTK) is used twice before the value of V<sub>Ki</sub> is changed. 10<sup>-6</sup> is a strong security setting; 10<sup>-4</sup> is not quite so strong, but probably adequate.

Max collision probability for one fixed counter: suppose that VSTK RAND is made up of N<sub>c</sub> counter bits and N<sub>r</sub> random bits. We assume that the counter part will take all possible 2<sup>N<sub>c</sub></sup> values before V<sub>Ki</sub> is updated. Having selected our required "Max collision prob for fixed V<sub>Ki</sub>", this is the corresponding maximum permitted probability that the same value of the N<sub>r</sub> random bits (and hence the same value of VSTK) is used twice for a fixed value of the N<sub>c</sub> counter bits.

---

# Annex H (normative): Access security related functions for enhanced General Packet Radio Service (GPRS) in relation to Cellular Internet of Things (CIoT)

## H.1 Introduction

### H.1.1 General

The provisions in the present Annex apply to procedures between an MS and an SGSN whenever the MS capability contains at least one non-NULI integrity algorithm.

In particular, the provisions in the present Annex apply to MSs supporting EC-GSM-IoT according to TS 43.064 [20].

Integrity protection has been specified in the present Annex for both the acknowledged (i.e. I-frames) and unacknowledged (i.e. UI-frames) mode of operations. In stage 3 specification, integrity protection of acknowledged mode is not supported in this release.

### H.1.2 Considerations on bidding down attacks

An MS conforming to the provisions in the present Annex shall reject connections to legacy SGSNs that do not provide the enhanced security features described in the present Annex.

NOTE: The reason for this requirement is that an MS cannot know whether it receives a reply without signalling integrity protection from a genuine legacy SGSN or from a false SGSN that intercepted the request from the MS. Consequently, the MS would be susceptible to bidding down attacks during the Attach procedure that could nullify the security gains offered by the provisions in the present Annex.

---

## H.2 Authentication and key agreement

The security feature related to the entity authentication is as defined by TS 33.102 [18] subclause 5.1.2.

UMTS AKA is the authentication and key agreement procedure that shall be used over enhanced GPRS in relation to Cellular IoT (as specified in TS 33.102 [18]). 2G AKA and 2G SIM shall not be used by the ME or by the network. If the ME receives a 2G AKA RAND, it shall ignore it.

An ME that has EC-GSM-IoT radio capability shall support the UICC(USIM)-ME interface as specified in TS 31.102 [18].

When using USIM AKA, the USIM shall compute CK and IK which are sent to the ME. If the USIM computes a Kc (i.e. GPRS Kc) from CK and IK using conversion function c3 as described in TS 33.102 [18], and sends it to the ME, then the ME shall ignore such GPRS Kc and not store the GPRS Kc on USIM or in ME.

The CK/IK produced by UMTS AKA shall be used by the ME and the eSGSN as the basis of the keying material for CIoT control plane (CP) and user plane (UP) ciphering key (Kc128) as well as CP integrity protection key (Ki128).

NOTE 1: Key derivation of Kc128 and Ki128 is specified in subclause H.6.

---

## H.3 Ciphering and integrity mode negotiation

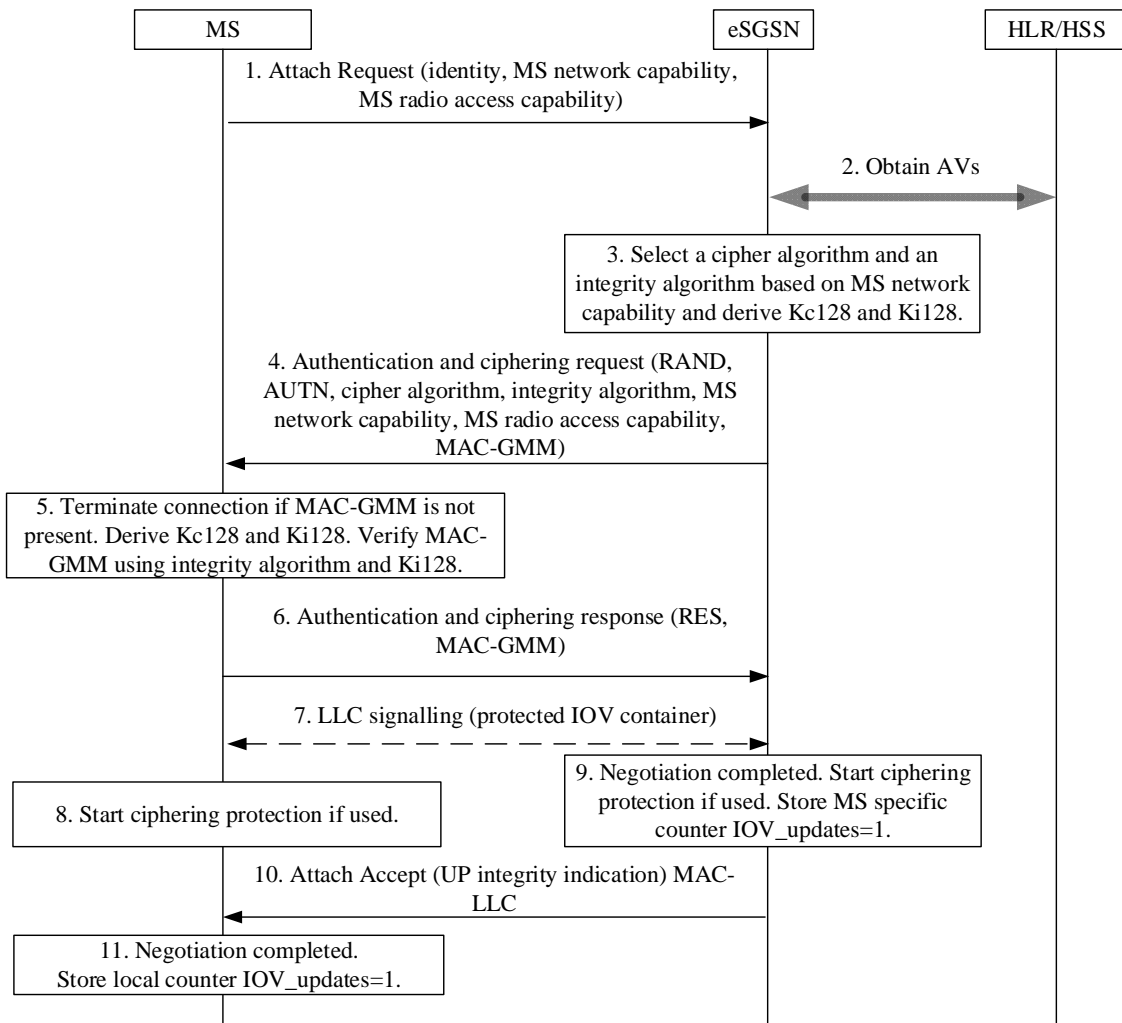
This clause specifies how ciphering and integrity mode is negotiated. Depending on the message, the integrity protection may be implemented at GMM or LLC layer. The layer at which the Message Authentication Code (MAC) is carried is indicated by abbreviations "MAC-GMM" and "MAC-LLC" accordingly.



NOTE 1: Security for PS HO has not been studied in the scope of Annex H.

NOTE 2: The procedures for Attach and Routing Area Update are identical. The general principle is that if Routing Area Update procedure needs to be authenticated, then the MAC is carried at GMM layer. If there is no authentication and a valid security association is used, then the MAC is carried at LLC layer.

The message sequence flow below (figure H.3-1) describes the information transfer at initial connection establishment, authentication and start of integrity protection and ciphering (if used). In this sequence, the MS does not have a valid security association for this network.



**Figure H.3-1: Attach with authentication**

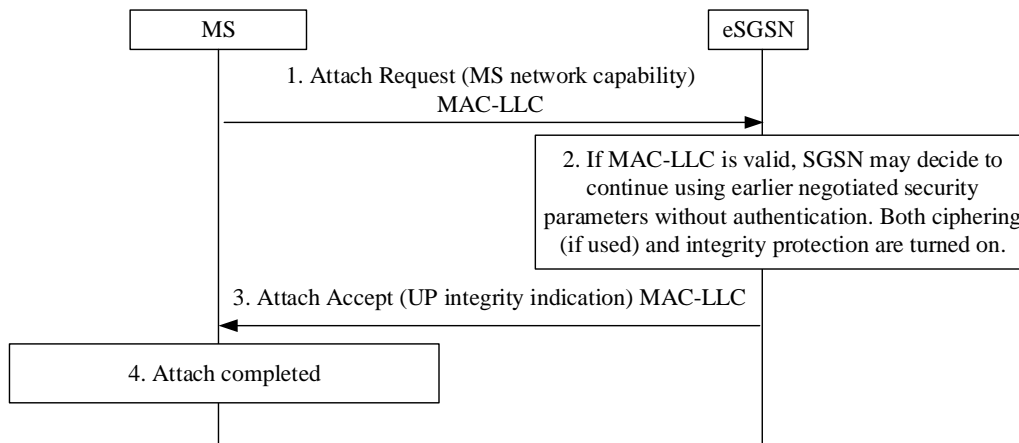
- 1) MS sends an Attach request to the eSGSN. The cipher algorithms and integrity algorithms supported by the MS shall be included in the MS network capability parameters. The MS network capability shall contain one set of encryption algorithms and one set of integrity algorithms. The MS network capability optionally contains an indication that the MS supports user plane integrity. Furthermore, the message includes MS radio access capability.
- 2) eSGSN obtains AVs (quintets) from HLR/HSS based on IMSI.
- 3) eSGSN checks for the presence of a non-NULL integrity algorithm in the MS network capability parameters. If present the eSGSN continues according to the provisions in the present Annex, otherwise the eSGSN continues according to the provisions in Annex D of the present specification. Then the eSGSN selects one cipher algorithm

and one integrity algorithm from the MS network capability and then derives the cipher key (Kc128) and the integrity key (Ki128).

- 4) eSGSN sends Authentication and Ciphering request including the chosen cipher algorithm and integrity algorithm and MS network capability to MS. The message shall include also the MS radio access capability that was sent unprotected in step 1). The Authentication and Ciphering request is integrity protected by the message authentication code MAC-GMM.
- 5) If the MAC-GMM is not present, the MS shall terminate the connection. MS runs UMTS AKA with the USIM and derives the Kc128 and the Ki128 from the CK/IK. The MS verifies the message authentication code MAC-GMM, and if the check of the MAC-GMM is successful then MS checks that the echoed MS network capability and the echoed MS radio access capability are the same as the ones it sent. If the verification of MAC-GMM fails the MS terminates the procedure.
- 6) The MS stores locally a counter IOV\_updates. The first value after successful authentication is IOV\_updates=0. MS sends Authentication and Ciphering response to the eSGSN. MS calculates the MAC-GMM using the integrity key Ki128 and the network selected integrity algorithm and sends it in Authentication and Ciphering response along with RES.
- 7) The eSGSN receives the Authentication and Ciphering Response message and verifies the MAC-GMM, and checks the RES. After successful authentication, the eSGSN shall maintain a counter of IOV updates in a local, MS specific variable called IOV\_updates. The value after successful authentication is IOV\_updates=0. eSGSN increments the IOV\_updates by 1 before it is used in the IOV-MAC calculation, so the first used value will be IOV\_updates=1. eSGSN initiates a LLC XID signalling procedure for updating the i-IOV-UI (and IOV-UI if ciphering is in use). These messages are clear text messages but they carry a protected IOV container from eSGSN to MS. Further details on the protected IOV container are described in clause H.9. The IOV values shall not be sent unprotected.
- 8) If ciphering is used, the MS activates it by assigning the ciphering key Kc128 and the network selected ciphering algorithm, and uses it for the subsequent messages.
- 9) If ciphering is used, eSGSN activates it by assigning the ciphering key Kc128 and the network selected ciphering algorithm, and uses it for the subsequent messages. If the MS indicated support for user plane integrity then eSGSN decides whether to provide user plane integrity. For this decision, the eSGSN may use information from the subscriber profile.
- 10) The Attach Accept message is sent integrity protected with MAC-LLC. If the eSGSN decided to provide user plane integrity the SGSN includes an indicator that user plane integrity is provided.
- 11) The MS verifies the MAC-LLC, and the ciphering and integrity mode negotiation is completed.

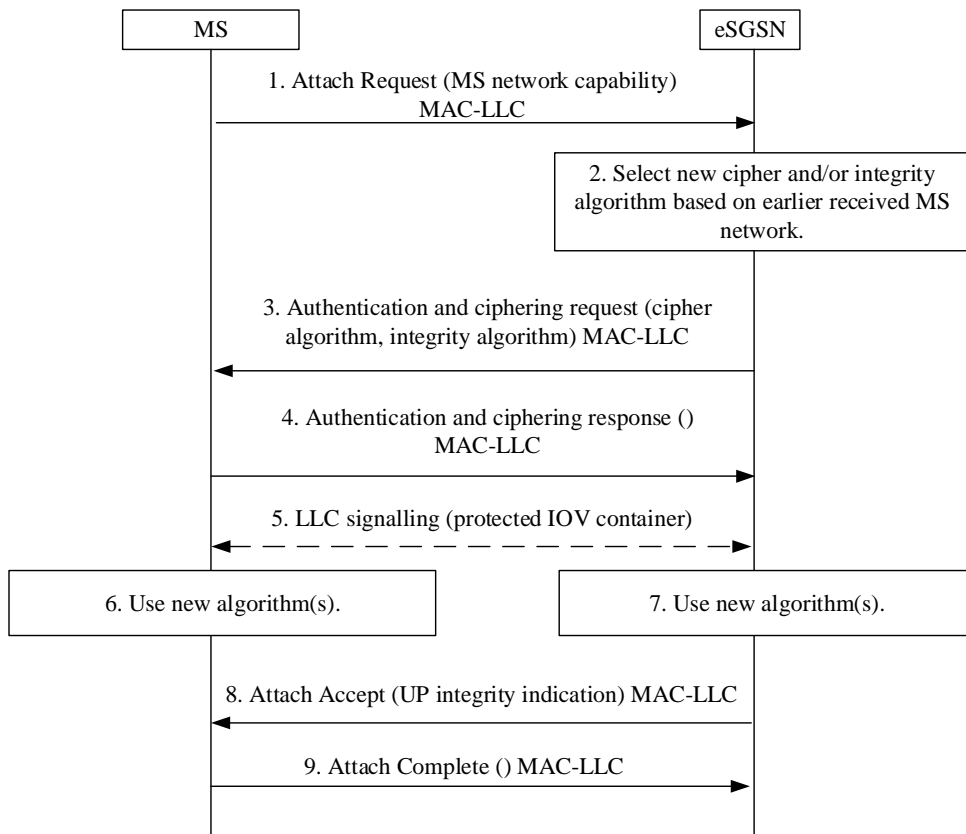
NOTE 3: The SGSN makes the final decision on the security services provided. The MS may have a local security policy mandating the use of user plane integrity. If the SGSN decides to not enable user plane integrity the MS may decide to reject the connection. This is similar to a situation where a local security policy on the MS mandates the use of ciphering, but the SGSN does not enable ciphering.

Optionally, if the MS already has a security association with the network (see figure H.3-2), the network may decide to continue using earlier negotiated security parameters for ciphering and integrity protection without re-authentication after receiving an unciphered Attach Request message (1) with a valid MAC-LLC. Both the MS and the network shall use the latest security parameters for ciphering and integrity protection. The SGSN starts ciphering (if used) when sending the ciphered Attach Accept message (2) to the MS. The Attach Accept message may optionally include an indication if UP integrity protection is used. The MS starts ciphering (if used) uplink signalling messages and data after receiving an Attach Accept message (3) from the network with a valid MAC-LLC.



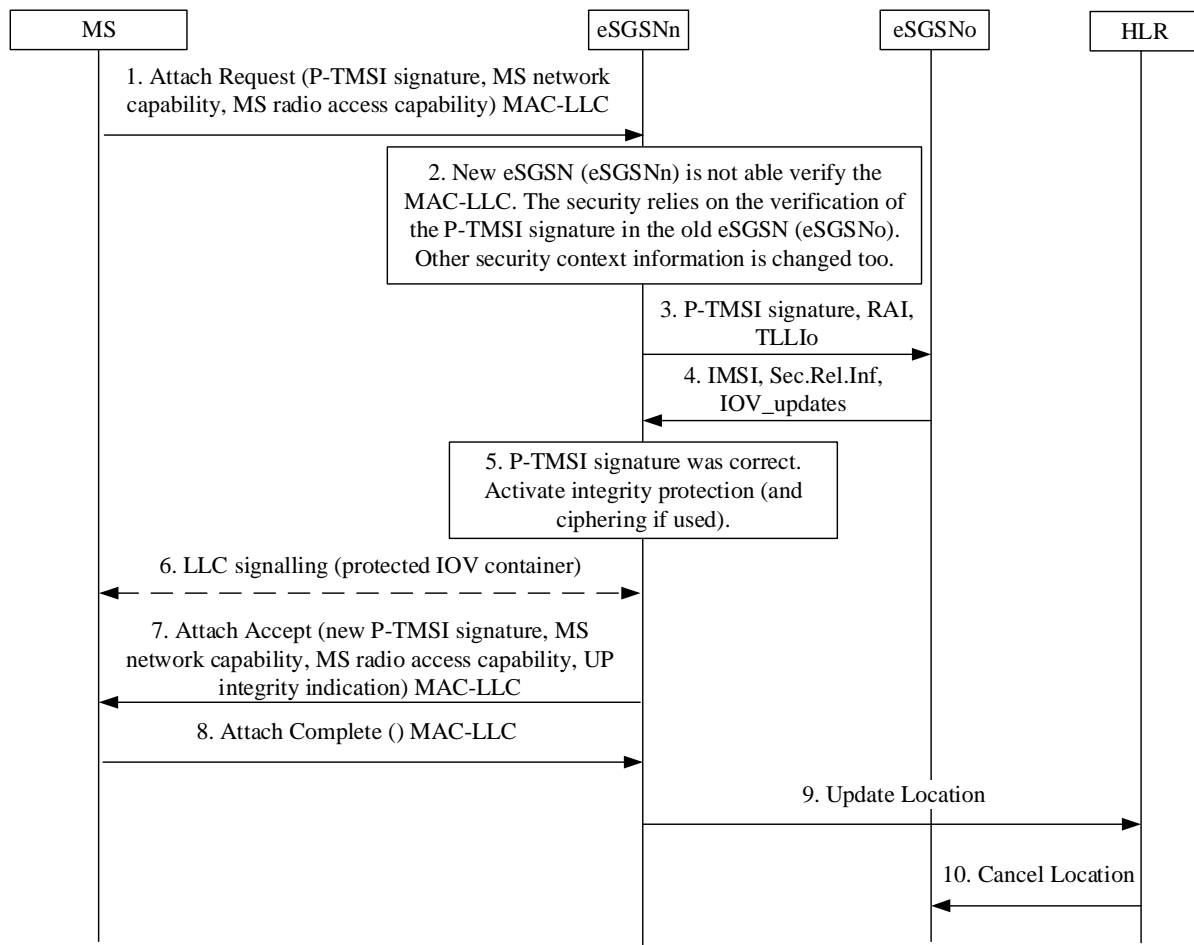
**Figure H.3-2: Attach without authentication**

Optionally, if the MS already has a security association with the network (see figure H.3-3), the network may decide to continue using earlier negotiated ciphering and integrity keys but with new algorithms and IOV-UI/i-IOV-UI values without re-authentication. The Authentication and Ciphering request and response (3, 4) are protected with the old algorithms. Protected new IOV-UI, and i-IOV-UI values are sent to the MS in the underlying LLC signalling in a protected IOV container (5), the protected IOV container is described in clause H.9. The IOV values shall not be sent unprotected. The new algorithms are taken into use (6, 7). Attach Accept (8) and Attach Complete (9) are used to test the new security parameters. Attach Accept can optionally be used to refresh the UP integrity protection indication value.



**Figure H.3-3: Attach with change of algorithm but without authentication**

Optionally, if the MS already has a security association with the network (see figure H.3-4), the network may decide to continue using earlier negotiated security parameters for ciphering and integrity protection without authentication after receiving an unciphered Attach Request message (1) if the P-TMSI signature can be verified in the old eSGSN.



**Figure H.3-4: Attach at inter-SGSN change without authentication**

- 1) MS sends an Attach Request to the eSGSNn. The message is protected using MAC-LLC. In this procedure, the message includes the P-TMSI signature, MS network capability, and MS radio access capability parameters. The MS network capability optionally contains an indication that the MS supports user plane integrity.
- 2) eSGSNn is not able to verify the MAC-LLC in the LLC layer because it has no integrity key. The LLC layer silently discards the MAC-LLC and forwards the Attach Request to the GMM layer. The GMM layer processes the Attach Request. eSGSNn requests the security context information from the eSGSNo. In this scenario, the security relies on eSGSNo verifying the P-TMSI signature. If there is no P-TMSI signature added by the MS to the Attach Request, eSGSNn must not proceed to step3) but must re-authenticate the MS (see Figure H.3-1).
- 3) eSGSNn sends the P-TMSI signature and other relevant information to eSGSNo.
- 4) eSGSNo verifies the P-TMSI signature and, if the verification is successful, the GMM layer requests the LLC layer the current value of the IOV\_updates counter.
- 5) The eSGSNo returns the IMSI, the IOV\_updates counter and the other security related information to the eSGSNn. The security related information shall include indication that the MS support user plane integrity if it was sent by the MS to the eSGSNo. eSGSNo shall tell the eSGSNn if the subscriber profile indicated that UP integrity was required. eSGSNo shall keep the security related information other than P-TMSI signature. The P-TMSI signature is removed.

If the eSGSNn does not support the current integrity algorithm used between the eSGSNo and the MS, then a new authentication needs to be initiated. This is not further described in this signalling flow.

The eSGSNn decides whether to provide user plane integrity based on the indication from eSGSNo regarding MS support for user plane integrity and subscriber profile information.

- 6) The GMM layer in the eSGSNn initiates a LLC XID signalling procedure for updating the i-IOV-UI for integrity protection and the IOV-UI for ciphering (if ciphering is in use) . The LLC layer needs the following security information received from the eSGSNo in order to protect the re-negotiation of IOV values: the integrity algorithm, the integrity key Ki128, and the IOV\_updates counter. The LLC layer initiates the LLC XID signalling procedure to construct and deliver the protected IOV container to the MS (see clause H.9). The IOV values shall not be sent unprotected.
- 7) After the IOV values have been delivered to the MS securely, the GMM layer in the eSGSNn activates integrity protection and ciphering, if used, in the LLC layer by assigning the integrity key, the integrity algorithm, the ciphering key and the ciphering algorithm. eSGSNn sends the Attach Accept message that is protected with MAC-LLC. This message includes the new P-TMSI signature, and echoed MS network capability, and echoed MS radio access capability parameters. If the eSGSN decided to provide user plane integrity the SGSN includes an indicator that user plane integrity is provided.
- 8) The MS verifies the message authentication code MAC-LLC, and if the check of the MAC-LLC is successful then MS checks that the echoed MS network capability and MS radio access capability parameters are the same as the ones it sent. If the verification of MAC-LLC fails the MS terminates the procedure. The MS sends the Attach Complete message that is protected with MAC-LLC.
- 9) eSGSNn verifies the MAC-LLC, and if successful, updates the new location of the MS to HLR.
- 10) HLS cancels the location from eSGSNo. At this phase, the eSGSNo can remove the security related information related to the MS. If the MS location is not cancelled by HLR, the security related information shall not be removed.

---

## H.4 Protection of GMM messages

Integrity protection and encryption of GMM messages for CIoT enhanced GPRS is described in TS 24.008 [11] clause 4.7.1.2a, and shall follow the same principle as with protection (integrity protection and encryption) of corresponding LTE EMM messages as described in TS 24.301 [19].

The GMM messages for CIoT enhanced GPRS which are not corresponding to any existing LTE EMM messages in TS 24.301 [19], shall be integrity protected and encrypted in the following way:

The GMM AUTHENTICATION AND CIPHERING REQUEST message and the GMM AUTHENTICATION AND CIPHERING RESPONSE message shall be integrity protected with the new security context and shall not be encrypted.

The GMM AUTHENTICATION AND CIPHERING FAILURE message and the GMM AUTHENTICATION AND CIPHERING REJECT message shall be integrity protected if the sending eSGSN or the sending CIoT UE has a valid security context. For the receiving eSGSN or receiving CIoT UE, the processing of the received GMM message when the check of the MAC fails or when the receiving part has no valid security context should follow exactly the description as specified for the UE in clause 4.4.4.2 and as specified for the MME in clause 4.4.4.3 in LTE in TS 24.301 [19]. The GMM AUTHENTICATION AND CIPHERING FAILURE message shall not be encrypted. The GMM AUTHENTICATION AND CIPHERING REJECT message shall be encrypted if sending eSGSN has a valid security context and encryption has been activated.

---

## H.5 Algorithms for ciphering and integrity protection

### H.5.0 General

The following algorithms are specified:

- GEA0 for null-encryption.
- GEA4/GIA4 for ciphering and integrity protection based on Kasumi 128.
- GEA5/GIA5 for ciphering and integrity protection based on SNOW 3G.

The MS shall support integrity algorithms GIA4 and GIA5. The MS shall support ciphering algorithms GEA0, GEA4 and GEA5. No other GPRS encryption algorithms shall be supported in the MS for the enhanced security features described in the present Annex.

The eSGSN shall support an integrity algorithm GIA4 or GIA5. The eSGSN shall support a ciphering algorithm GEA0, GEA4 or GEA5. If encryption is supported by eSGSN, only GEA4 or GEA5 shall be used with GIA4 or GIA5.

## H.5.1 Null ciphering algorithm

If GEA0 is selected, the ciphering function implemented in the LLC layer shall be disabled according to TS 44.064 [20].

NOTE : GEA0 provide no security.

## H.5.2 Ciphering algorithm

### H.5.2.1 Inputs and outputs

#### H.5.2.1.1 General

The input parameters to the ciphering algorithm GEA4 are as specified in TS 55.226 [21] and described in TS 43.061 [2].

The input parameters to the GEA5 are the 128-bit ciphering key Kc128, the 32-bit INPUT, the 1-bit DIRECTION and the 32-bit CONSTANT-F. The INPUT and the DIRECTION parameters are as described in 41.061 [2].

NOTE: The input parameters used in GEA4 and GEA5 are not identical. GEA5 uses CONSTANT-F which is missing from GEA4.

Figure H.5.2.1-1 illustrates the use of the ciphering algorithm GEA5 to encrypt plaintext by applying a keystream using a bit per bit binary addition of the plaintext and the keystream. The plaintext may be recovered by generating the same keystream using the same input parameters and applying a bit per bit binary addition with the ciphertext.

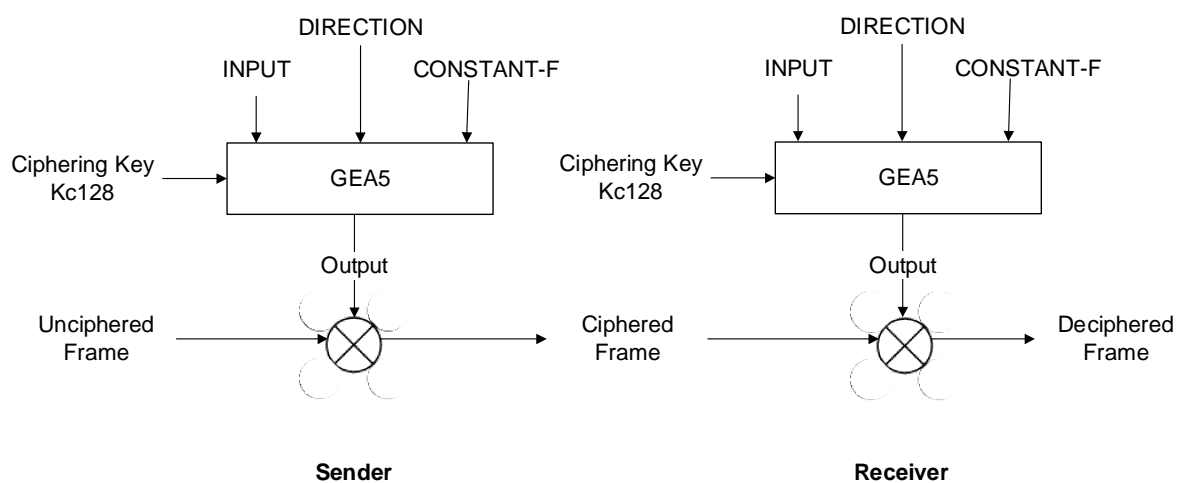


Figure H.5.2.1-1: Ciphering of data with GEA5.

Based on the input parameters the algorithm generates the output keystream block KEYSTREAM which is used to encrypt the input plaintext block PLAINTEXT to produce the output ciphertext block CIPHERTEXT.

### H.5.2.1.2 CONSTANT-F

If the CONSTANT-F parameter is used as an input to the ciphering algorithm, the 8-bit input value FRAMETYPE is specified as follows:

- LLC UI-frame: FRAMETYPE = 0;
- LLC I-frame: FRAMETYPE = 1; (reserved for future usage)

NOTE: Acknowledged operation are not supported at stage 3 specifications.

### H.5.2.2 GEA5

GEA5 is based on SNOW 3G, and is specified in TS 55.251 [24].

## H.5.3 Integrity algorithm

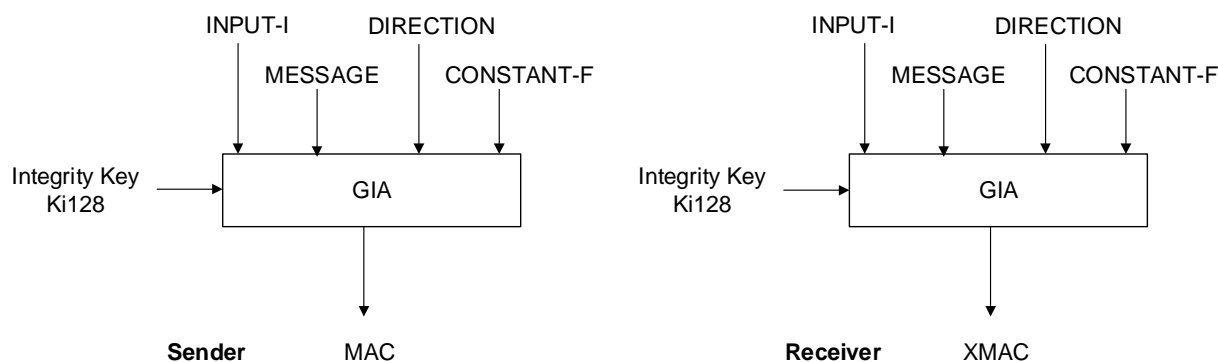
### H.5.3.1 Inputs and outputs

#### H.5.3.1.1 General

The input parameters to the integrity algorithm are the 128-bit integrity key  $K_{i128}$ , the 32-bit INPUT-I, the message (MESSAGE), the 1-bit DIRECTION and the 32-bit CONSTANT-F.

DIRECTION bit is 0 for uplink and 1 for downlink.

Figure H.5.3.1-1 illustrates the integrity algorithm GIA to authenticate the integrity of messages.



**Figure H.5.3.1-1: Derivation of MAC/XMAC.**

Based on these input parameters the sender computes a 32-bit message authentication code (MAC) using the integrity algorithm GIA. The message authentication code is then appended to the message when sent. The receiver computes the expected message authentication code (XMAC) on the message received in the same way as the sender computed its message authentication code on the message sent and verifies the data integrity of the message by comparing it to the received message authentication code, i.e. MAX.

#### H.5.3.1.2 INPUT-I

If the integrity algorithm is used at LLC layer, the following rules apply for the INPUT-I generation:

The INPUT-I parameter is generated according to the following algorithm if the LLC frame is a UI frame:



$$\text{INPUT -I} = ((i\text{-IOV-UI} \otimes \text{SX}) + \text{LFN} + \text{OC}) \text{ modulo } 2^{32}$$

The INPUT -I parameter is generated according to the following algorithm if the LLC frame is an I frame:

$$\text{INPUT -I} = (i\text{-IOV-I} + \text{LFN} + \text{OC}) \text{ modulo } 2^{32}$$

where:

- i-IOV-UI is a 32 bit random value generated by SGSN.
- i-IOV-I is a 32 bit random value generated by SGSN.

NOTE: INPUT-I rules for I-frames are specified for potential future usage. Acknowledged operation are not supported at stage 3 specifications.

All other values of INPUT -I (i.e. SX, LFN, OC) are as specified for INPUT (ciphering), see TS 44.064 Annex A [20].

If the integrity algorithm is used at GMM layer, the following rules apply for the INPUT-I generation:

- All INPUT-I bits shall be set to 0 if the integrity algorithm is to calculate the GMM-MAC.

### H.5.3.1.3 CONSTANT-F

The 8-bit input value FRAMETYPE needed for the CONSTANT-F calculation is specified as follows:

- At LLC layer with UI-frames:  $\text{FRAMETYPE} = 0b0xxxxxx0$ ;  
Where xxxxxx represents the six lowest bits of the IOV\_updates counter.
- At LLC layer reserved for future with I-frames:  $\text{FRAMETYPE} = 0b0xxxxxx 1$ ;  
- Where xxxxxx represents the six lowest bits of the IOV\_updates counter.
- At LLC layer for MAC-IOV:  $\text{FRAMETYPE} = 0b11111110$  (254) ;
- At GMM layer for MAC-GMM:  $\text{FRAMETYPE} = 0b11111111$  (255);

NOTE: The FRAMETYPE values for UI-frames, and I-frames are not constants but re-calculated every time new IOV values are updated. This guarantees 64 IOV value updates without collision, and lowers the probability of collision significantly even when the six lowest bits of the IOV\_updates counter rolls over.

### H.5.3.2 GIA4

GIA4 is based on Kasumi 128, and is specified in TS 55.241 [25].

### H.5.3.3 GIA5

GIA5 is based on SNOW 3G, and is specified in TS 55.251 [24].

---

## H.6 Derivation of Kc128 and Ki128

MS and eSGSN derive the control plane and user plane ciphering key (Kc128) and the control plane and user plane integrity protection key (Ki128) from CK and IK. Ki128 shall only be derived by the MS and the network when using enhanced GPRS in relation to CIoT as specified in the present Annex.

The key Kc128 is specified in TS 33.102 Annex B [18].

The key Ki128 shall be used as an input only to the GIA integrity protection algorithms which require 128-bit key.

The derivation of the key Ki128 shall use the Key Derivation Function (KDF) specified in TS 33.220 [22].

The Key to be used in key derivation shall be the concatenation of CK and IK. The KDF returns a 256-bit output, where the 128 least significant bits are identified with Ki128.

- FC = 0x38

No input parameters (Pi, Li) are used by this function.

---

## H.7 Integrity protection of user plane

Integrity protection of user plane is an optional-to-use feature.

The SGSN may use the subscriber data received from HLR/HSS when it decides whether to activate integrity protection of user plane for a certain subscriber. The subscriber data may include a flag for indicating whether to activate the integrity protection of user plane.

---

## H.8 Definition of MAC-GMM in GMM Authentication and Ciphering Request and GMM Authentication and Ciphering Response messages

### H.8.1 Inputs and outputs

The following description in this clause is only applicable to when the GMM Authentication and Ciphering procedure is used for authentication. This clause is not applicable to the use case when the GMM Authentication and Ciphering procedure is used for switchin algorithm or setting the GSM ciphering mode only (and not used for authentication). The SGSN and UE shall not calculate and include a MAC-GMM in the GMM protocol for the GMM Authentication and Ciphering Request and GMM Authentication and Ciphering Response messages when no authentication takes place in the Authentication and Ciphering procedure.

NOTE: The MAC-GMM is not present when the ciphering or integrity protection algorithms are changed.

The SGSN shall include a MAC-GMM in the GMM Authentication and Ciphering Request message and the UE shall include a MAC-GMM in the GMM Authentication and Ciphering Response message; to be used for integrity protection and replay protection of the GMM messages. The MAC-GMM is a 32-bit message authentication code that protects the integrity of the GMM message. The SGSN and the UE calculate the MAC-GMM at the GMM protocol layer using the Ki128 integrity key. The GMM message shall be integrity protected with the same selected integrity algorithm to be used in LLC layer (see H.5.3).

In order to calculate the MAC-GMM for the GMM Authentication and Ciphering Request message, the SGSN shall use the following inputs:

- Integrity key Ki128 shall be set to Ki128 integrity key used in LLC layer;
- all Input-I bits shall be set to 0;
- MESSAGE shall be set to the GMM Authentication and Ciphering Request message, with all bits of the value part of the Message authentication code information element set to zero;
- DIRECTION bit shall be set to 1;
- FRAMETYPE=255;

The MAC-GMM shall be the 32 least significant bits of the output of the used integrity algorithm.

The GMM layer in the UE checks and verifies the MAC-GMM received in GMM Authentication and Ciphering Request message in the same way as the SGSN as described above by using the integrity key Ki128.

If the UE receives a GMM Authentication and Ciphering Request message without a MAC-GMM parameter then the UE shall silently discard the message.

If the verification of the MAC-GMM received in the GMM Authentication and Ciphering Request message is not successful in the UE, then the UE shall silently discard the message.

In order to calculate the MAC-GMM for GMM Authentication and Ciphering Response message, the UE shall use the following inputs:

- Integrity key Ki128 shall be set to Ki128 integrity key used in LLC layer;
- all Input-I bits shall be set to 0;
- MESSAGE shall be set to the GMM Authentication and Ciphering Response message, with all bits of the value part of the Message authentication code information element replaced with zero;
- DIRECTION bit shall be set to 0;
- FRAMETYPE=255;

The MAC-GMM shall be the 32 least significant bits of the output of the used integrity algorithm.

The GMM layer in the SGSN checks and verifies the MAC-GMM received in GMM Authentication and Ciphering Response message in the same way as the UE as described above by using the integrity key Ki128.

If the SGSN receives a GMM Authentication and Ciphering Response message without a MAC-GMM parameter then the SGSN shall silently discard the message.

If the check and verification of the received MAC-GMM in the GMM Authentication and Ciphering Response message is not successful in the SGSN, then the SGSN shall ignore the message.

---

## H.9 Protected negotiation of IOV values

### H.9.1 Protected IOV container

The protected IOV container is composed by the follow three components:

- The new IOV values (as specified in TS 44.064 [20], see e.g. clause 8.9.2).
- The value of IOV\_updates counter that was used in the calculation of MAC-IOV.
- The MAC-IOV value calculated over the new IOV values and the value of IOV\_updates counter.

After a successful authentication, both the MS and the eSGSN shall store a local counter "IOV\_updates" showing the number of IOV\_updates since the previous authentication. The initial value of the counter is 0, and it is incremented by 1 every time the eSGSN updates the IOV values, regardless whether it updates IOV-UI only, i-IOV-UI only, or both IOV-UI and i-IOV-UI. In the first protected IOV container, the IOV\_updates counter shall be 1. The IOV\_updates counter in the MS side represents the number of successful IOV\_updates, and may have smaller value than the IOV\_updates counter maintained in the eSGSN.

The MAC-IOV is calculated with the following inputs:

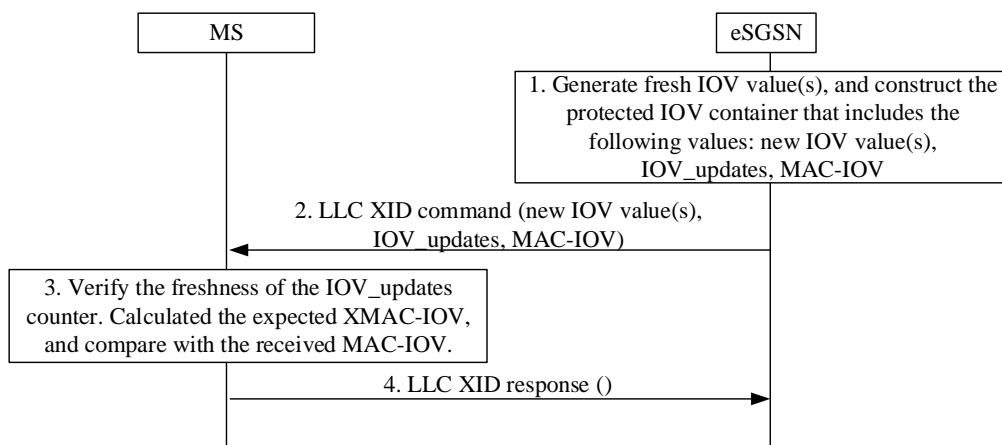
- The integrity protection algorithm shall be the same GIA algorithm that is already used at the MS for integrity protection at LLC layer; if there is no integrity algorithm in place at the MS at LLC layer, then the integrity algorithm shall be the same GIA algorithm that was just negotiated at GMM layer;
- The integrity key shall be the same integrity key Ki128 that is already used for integrity protection at LLC layer;
- All Input-I bits shall be set to the value of the IOV\_updates counter;
- MESSAGE shall be set to the value part(s) of the new IOV value(s) (see TS 44.064 [20], clause 6.4.1.6); if more than one IOV value is included in the protected IOV container, the value parts shall be concatenated in the same order of sequence as included in the LLC XID command message;

- DIRECTION bit shall be set to 1;
- The FRAMETYPE (needed for the CONSTANT-F calculation) is set to 254;

The MAC-IOV shall be the 32 least significant bits of the output of the used integrity algorithm.

## H.9.2 LLC XID procedure with protected IOV container

The following description in this clause is only applicable to the LLC XID procedure in LLC layer protocol when constructing and verifying the protected IOV container. The eSGSN shall always send the IOV values in the protected IOV container to the MS. Protection is provided only towards the MS in the LLC XID command, and the LLC XID response from the MS towards the eSGSN includes no protection. The procedure is demonstrated in figure H.9.2-1.



**Figure H.9.2-1: LLC XID procedure with protected IOV container**

The eSGSN shall construct and include the protected IOV container in the LLC XID command message to the MS. The protected IOV container is to be used for integrity protection and replay protection of the new IOV values. The MAC-IOV is a message authentication code that protects the integrity of the IOV values carried in the LLC XID command message. The IOV\_updates provides replay protection to the IOV values. The IOV values may include IOV-UI only, i-IOV-UI only, or both IOV-UI and i-IOV-UI.

The LLC layer in the MS checks and verifies the MAC-IOV received in LLC XID command message. The MS shall confirm that the IOV\_updates value received in the LLC XID command is greater than the local IOV\_updates counter maintained in the MS. If the IOV\_updates value in the received message is acceptable, and the verification of the MAC-IOV is successful then the MS replaces its local value of the IOV\_updates counter with the new one that was received in the LLC XID command message, and replies with a LLC XID response message sent without replay and integrity protection.

If the MS receives a LLC XID command message updating the IOV parameters without a MAC-IOV parameter, or the received IOV\_updates value is smaller or equal to the local IOV\_updates counter maintained in the MS, then the MS shall silently discard the message.

If the verification of the MAC-IOV received in the LLC XID message is not successful in the MS, then the MS shall silently discard the message.

The LLC XID response to the LLC XID command carrying the protected IOV container includes no protection.

## Annex I (informative): Change history

Change history								
Date	TSG #	TSG Doc.	CR	Rev	Subject/Comment	Cat	Old	New
Nov 2000	-	-	-	-	Transferred to 3GPP as 3GPP TS 43.020 version 4.0.0 (Release 4)	-	9.0.0	4.0.0
July 2002	SA#16	-	-	-		-	4.0.0	5.0.0
Sept 2004	SP-25	SP-040615	0001	-	Introducing VGCS/VBS ciphering (Creation of Rel-6 version)	B	5.0.0	6.0.0
Sept 2004	-	-	-	-	General editorial changes and Annex G created from clause F.7 (MCC)	-	5.0.0	6.0.0
Dec 2004	SP-26	SP-040862	0002	2	Clarifications to VGCS/VBS ciphering mechanism	F	6.0.0	6.1.0
Dec 2004	SP-26	SP-040862	0002	2	Clarifying the support of algorithms within mobile stations	C	6.0.0	6.1.0
2005-09	SP-29	SP-050567	0004	-	Correction of USIM based ciphering on dedicated channels	F	6.1.0	6.2.0
2005-09	SP-29	SP-050566	0005	-	Correction on service specific group keys	F	6.1.0	6.2.0
2005-09	SP-29	SP-050550	0006	-	Clarify ciphering for A5 algorithms that do not produce bit after bit output.	F	6.1.0	6.2.0
2006-03	SP-31	SP-060050	0009	-	Correction of a reference	F	6.2.0	6.3.0
2006-06	SP-32	SP-060377	0012	-	Correction and clarification of requirements relating to A5 algorithm support	F	6.3.0	6.4.0
2007-06	SP-36	-	-	-	Update to Rel-7 version (MCC)	-	6.4.0	7.0.0
2007-09	SP-37	SP-070592	0016	1	Miscellaneous corrections to the specification of the A5 algorithm in the 8-PSK case	F	7.0.0	7.1.0
2007-12	SP-38	SP-070784	0022	-	Allowing new A5 algorithms to be introduced in future releases	A	7.2.0	7.3.0
2008-07	--	--	--	-	Correction of history	-	7.3.0	7.3.1
2008-12	SP-42	--	--	--	Upgrade to Release 8	-	7.3.1	8.0.0
2009-09	SP-45	SP-090635	0025	1	Introduction of A5/4 and GEA4	B	8.0.0	9.0.0
2009-09	SP-46	SP-090821	0026	1	algorithm selection for GSM subscriber in 128-bit encryption	F	9.0.0	9.1.0
2011-03	-	-	-	-	Update to Rel-10 version (MCC)	--	9.1.0	10.0.0
2011-06	SP-52	SP-110268	0028	-	A5/3 and A5/4 support in GSM	B	10.0.0	11.0.0
2013-03	SP-59	SP-130037	0029	-	Warning regarding GEA1 support in mobile stations	F	11.0.0	11.1.0
2013-03	SP-59	SP-130037	0030	-	Prohibiting GEA1 in mobile stations	C	11.1.0	12.0.0
2014-06	SP-64	SP-140311	0031	2	Kc128 derivation at intra GERAN mobility	A	12.0.0	12.1.0
2016-01	-	-	-	-	Update to Rel-13 version (MCC)		12.1.0	13.0.0
2016-03	SP-71	SP-160054	0036	1	Access security related functions for enhanced General Packet Radio Service in relation to Cellular Internet of Things	B	13.0.0	13.1.0

Change history							
Date	Meeting	TDoc	CR	Rev	Cat	Subject/Comment	New version
2016-06	SA#72	SP-160388	0037	-	F	Change the name of the feature to EC-GSM-IoT	13.2.0
2016-06	SA#72	SP-160388	0038	1	F	Clarification on optional inclusion of user plane integrity indication in MS network capability	13.2.0
2016-06	SA#72	SP-160388	0040	1	F	Adding procedural details for ciphering and integrity mode negotiation	13.2.0
2016-06	SA#72	SP-160388	0041	1	F	Adding details for new cellular algorithms GIA4, GEA5 and GIA5	13.2.0
2016-06	SA#72	SP-160388	0042	-	F	The definition of MAC-GMM in GMM Authentication and Ciphering Request and GMM Authentication and Ciphering Response	13.2.0
2016-06	SA#72	SP-160388	0044	-	F	Allocation of FC value to derivation of Ki128 and other changes	13.2.0
2016-06	SA#73	SP-160581	0048	1	F	Corrections to EASE	13.3.0
2016-06	SA#73	SP-160581	0049	1	F	Secure delivery of IOV-values to the MS in enhanced GPRS	13.3.0
2016-12	SA#74	SP-160783	0052	1	F	Clarification related to the LLC acknowledge mode	13.4.0
2017-03	SA#75	SP-170105	0054	-	F	Correction of protected IOV container	13.5.0
2017-06	SA#76	SP-170432	0057	1	F	Adding references to GIA4, GEA5/GIA5 and stage 3 GMM specifications, and removing corresponding editor's notes.	13.6.0

# History

<b>Document history</b>		
V13.0.0	January 2016	Publication
V13.1.0	April 2016	Publication
V13.2.0	August 2016	Publication
V13.3.0	November 2016	Publication
V13.4.0	January 2017	Publication
V13.5.0	April 2017	Publication
V13.6.0	August 2017	Publication