

ETSI TS 145 008 V7.15.0 (2009-06)

Technical Specification

**Digital cellular telecommunications system (Phase 2+);
Radio subsystem link control
(3GPP TS 45.008 version 7.15.0 Release 7)**



ReferenceRTS/TSGG-0145008v7f0

KeywordsGSM

ETSI

650 Route des Lucioles
F-06921 Sophia Antipolis Cedex - FRANCE

Tel.: +33 4 92 94 42 00 Fax: +33 4 93 65 47 16

Siret N° 348 623 562 00017 - NAF 742 C
Association à but non lucratif enregistrée à la
Sous-Préfecture de Grasse (06) N° 7803/88

Important notice

Individual copies of the present document can be downloaded from:

<http://www.etsi.org>

The present document may be made available in more than one electronic version or in print. In any case of existing or perceived difference in contents between such versions, the reference version is the Portable Document Format (PDF). In case of dispute, the reference shall be the printing on ETSI printers of the PDF version kept on a specific network drive within ETSI Secretariat.

Users of the present document should be aware that the document may be subject to revision or change of status. Information on the current status of this and other ETSI documents is available at

<http://portal.etsi.org/tb/status/status.asp>

If you find errors in the present document, please send your comment to one of the following services:

http://portal.etsi.org/chaicor/ETSI_support.asp

Copyright Notification

No part may be reproduced except as authorized by written permission.
The copyright and the foregoing restriction extend to reproduction in all media.

© European Telecommunications Standards Institute 2009.
All rights reserved.

DECTTM, **PLUGTESTS**TM, **UMTS**TM, **TIPHON**TM, the TIPHON logo and the ETSI logo are Trade Marks of ETSI registered for the benefit of its Members.

3GPPTM is a Trade Mark of ETSI registered for the benefit of its Members and of the 3GPP Organizational Partners.

LTETM is a Trade Mark of ETSI currently being registered

for the benefit of its Members and of the 3GPP Organizational Partners.

GSM[®] and the GSM logo are Trade Marks registered and owned by the GSM Association.

Intellectual Property Rights

IPRs essential or potentially essential to the present document may have been declared to ETSI. The information pertaining to these essential IPRs, if any, is publicly available for **ETSI members and non-members**, and can be found in ETSI SR 000 314: *"Intellectual Property Rights (IPRs); Essential, or potentially Essential, IPRs notified to ETSI in respect of ETSI standards"*, which is available from the ETSI Secretariat. Latest updates are available on the ETSI Web server (<http://webapp.etsi.org/IPR/home.asp>).

Pursuant to the ETSI IPR Policy, no investigation, including IPR searches, has been carried out by ETSI. No guarantee can be given as to the existence of other IPRs not referenced in ETSI SR 000 314 (or the updates on the ETSI Web server) which are, or may be, or may become, essential to the present document.

Foreword

This Technical Specification (TS) has been produced by ETSI 3rd Generation Partnership Project (3GPP).

The present document may refer to technical specifications or reports using their 3GPP identities, UMTS identities or GSM identities. These should be interpreted as being references to the corresponding ETSI deliverables.

The cross reference between GSM, UMTS, 3GPP and ETSI identities can be found under <http://webapp.etsi.org/key/queryform.asp>.

Contents

| | |
|--|----|
| Intellectual Property Rights | 2 |
| Foreword..... | 2 |
| Foreword..... | 7 |
| 1 Scope | 8 |
| 1.1 References | 8 |
| 1.2 Abbreviations | 9 |
| 2 General | 9 |
| 3 Handover | 11 |
| 3.1 Overall process | 11 |
| 3.2 MS measurement procedure | 11 |
| 3.3 BSS measurement procedure..... | 11 |
| 3.4 Strategy | 11 |
| 4 RF power control..... | 12 |
| 4.1 Overall process | 12 |
| 4.2 MS implementation | 12 |
| 4.3 MS power control range | 13 |
| 4.4 BSS implementation..... | 14 |
| 4.5 BSS power control range..... | 14 |
| 4.6 Strategy | 14 |
| 4.7 Timing | 14 |
| 4.7.1 Normal Power Control..... | 14 |
| 4.7.2 Fast Power Control | 15 |
| 4.7.3 Enhanced Power Control | 15 |
| 4.8 Dedicated channels used for a voice group call or voice broadcast..... | 15 |
| 5 Radio link failure..... | 16 |
| 5.1 Criterion | 16 |
| 5.2 MS procedure | 16 |
| 5.3 BSS procedure..... | 17 |
| 6 Idle mode tasks..... | 17 |
| 6.1 Introduction | 17 |
| 6.2 Measurements for normal cell selection..... | 18 |
| 6.3 Measurements for stored list cell selection..... | 18 |
| 6.4 Criteria for cell selection and reselection | 19 |
| 6.5 Downlink signalling failure..... | 20 |
| 6.6 Measurements for Cell Reselection..... | 20 |
| 6.6.1 Monitoring of received signal level and BCCH data..... | 20 |
| 6.6.2 Path loss criteria and timings for cell re-selection | 21 |
| 6.6.3 Cell reselection algorithm for SoLSA..... | 22 |
| 6.6.4 Measurements on cells of other radio access technologies | 23 |
| 6.6.5 Algorithm for cell re-selection from GSM to UTRAN..... | 24 |
| 6.7 Release of TCH, SDCCH and DBPSCH..... | 26 |
| 6.7.1 Normal case | 26 |
| 6.7.2 Call re-establishment | 26 |
| 6.8 Abnormal cases and emergency calls | 27 |
| 7 Network pre-requisites | 27 |
| 7.1 BCCH carriers | 27 |
| 7.2 Identification of surrounding BSS for handover measurements..... | 29 |
| 7.3 Handover measurements on other radio access technologies | 30 |
| 8 Radio link measurements | 32 |
| 8.1 Signal level..... | 32 |
| 8.1.1 General..... | 32 |

| | | |
|------------|--|----|
| 8.1.2 | Physical parameter | 32 |
| 8.1.3 | Statistical parameters | 33 |
| 8.1.4 | Range of parameter | 34 |
| 8.1.5 | Measurement quantity for other radio access technologies | 34 |
| 8.1.5.1 | UTRAN FDD | 34 |
| 8.1.5.2 | UTRAN TDD | 34 |
| 8.1.5.3 | cdma2000 | 35 |
| 8.2 | Signal quality | 35 |
| 8.2.1 | General | 35 |
| 8.2.2 | Physical parameter | 35 |
| 8.2.3 | Statistical parameters | 35 |
| 8.2.3.1 | RXQUAL | 35 |
| 8.2.3.2 | MEAN_BEP and CV_BEP | 36 |
| 8.2.4 | Range of parameter RXQUAL | 37 |
| 8.2.5 | Range of parameters MEAN_BEP and CV_BEP | 38 |
| 8.3 | Aspects of discontinuous transmission (DTX) | 41 |
| 8.4 | Measurement reporting | 42 |
| 8.4.1 | Measurement reporting for the MS | 42 |
| 8.4.1a | Measurement reporting for the MS in FPC mode | 43 |
| 8.4.1b | Measurement reporting for the MS in EPC mode | 43 |
| 8.4.2 | Measurement reporting for the MS on a SDCCH | 44 |
| 8.4.3 | Additional cell reporting requirements for multi band MS | 44 |
| 8.4.4 | Common aspects for the MS on a TCH, a SDCCH or a DBPSCH | 45 |
| 8.4.5 | Measurement reporting for the BSS | 45 |
| 8.4.6 | Extended measurement reporting | 46 |
| 8.4.7 | Additional cell reporting requirements for multi-RAT MS | 46 |
| 8.4.8 | Enhanced Measurement Reporting | 47 |
| 8.4.8.1 | Reporting Priority | 47 |
| 8.4.8.2 | Measurement Reporting | 48 |
| 8.4.8.3 | NBR_RCVD_BLOCKS for FLO | 49 |
| 8.5 | Absolute MS-BTS distance | 49 |
| 8.5.1 | General | 49 |
| 8.5.2 | Physical parameter | 49 |
| 9 | Control parameters | 50 |
| 10 | GPRS mode tasks | 54 |
| 10.1 | Cell Re-selection | 54 |
| 10.1.1 | Monitoring the received signal level and PBCCH data | 55 |
| 10.1.1.1 | Packet idle mode or MAC-Idle state | 55 |
| 10.1.1.2 | Packet transfer mode or MAC-Shared state | 56 |
| 10.1.1.2a | Broadcast/multicast receive mode | 57 |
| 10.1.1.3 | Monitoring cells of other radio access technologies | 57 |
| 10.1.2 | Cell Re-selection Criteria | 59 |
| 10.1.3 | Cell Re-selection Algorithm | 60 |
| 10.1.3.1 | Abnormal cell reselection | 61 |
| 10.1.3.2 | Algorithm for cell re-selection from GSM to UTRAN | 61 |
| 10.1.4 | Network controlled Cell re-selection | 62 |
| 10.1.4.1 | Measurement reporting | 64 |
| 10.1.4.2 | Cell re-selection command | 66 |
| 10.1.4.3 | Exceptional cases | 66 |
| 10.2 | RF Power Control | 66 |
| 10.2.1 | MS output power | 67 |
| 10.2.2 | BTS output power | 68 |
| 10.2.3 | Measurements at MS side | 69 |
| 10.2.3.1 | Deriving the C value | 69 |
| 10.2.3.1.1 | Packet idle mode or MAC-Idle state | 69 |
| 10.2.3.1.2 | Packet transfer mode or MAC-Shared state | 70 |
| 10.2.3.2 | Derivation of Channel Quality Report | 71 |
| 10.2.3.2.1 | Packet transfer mode or MAC-Shared state | 71 |
| 10.2.3.2.2 | Void | 75 |
| 10.2.3.2.3 | Measurement reporting | 75 |

| | | |
|----------|---|----|
| 10.2.3.3 | Range of parameters MEAN_BEP and CV_BEP for EGPRS2 | 76 |
| 10.2.4 | Measurements at BSS side..... | 80 |
| 10.3 | Measurement requirements | 80 |
| 10.4 | Control parameters | 80 |
| 11 | CTS mode tasks..... | 85 |
| 11.1 | CTS idle mode tasks..... | 85 |
| 11.1.1 | CTS cell selection | 86 |
| 11.1.1.1 | Synchronization and measurements for CTS cell selection | 86 |
| 11.1.1.2 | Initial sychronization of CTS-MS | 86 |
| 11.1.2 | Criterion for CTS cell selection | 86 |
| 11.1.3 | Monitoring of CTSBCH and CTSPCH..... | 87 |
| 11.1.3.1 | Monitoring of received signal level | 87 |
| 11.1.3.2 | Downlink beacon failure | 87 |
| 11.1.3.3 | Downlink paging failure | 87 |
| 11.1.4 | Procedures with reporting to the CTS-FP | 87 |
| 11.1.4.1 | AFA monitoring | 87 |
| 11.1.4.2 | BCCH detection | 88 |
| 11.1.4.3 | Observed Frequency Offset (OFO) measurement..... | 88 |
| 11.2 | Intra-cell handover | 88 |
| 11.2.1 | Overall process | 88 |
| 11.2.2 | CTS-MS measurement procedure..... | 88 |
| 11.2.3 | CTS-FP measurement procedure | 88 |
| 11.2.4 | Strategy | 89 |
| 11.3 | RF power control..... | 89 |
| 11.3.1 | Overall process | 89 |
| 11.3.2 | CTS-MS implementation..... | 89 |
| 11.3.3 | CTS-MS power control range..... | 89 |
| 11.3.4 | CTS-FP implementation | 89 |
| 11.3.5 | CTS-FP power control range | 90 |
| 11.3.6 | Strategy | 90 |
| 11.3.7 | Timing | 90 |
| 11.4 | Radio link failure..... | 90 |
| 11.4.1 | Criterion..... | 90 |
| 11.4.2 | CTS-MS procedure | 90 |
| 11.4.3 | CTS-FP procedure | 91 |
| 11.5 | Radio link measurements | 91 |
| 11.5.1 | Signal strength | 91 |
| 11.5.1.1 | General | 91 |
| 11.5.1.2 | Physical parameter | 91 |
| 11.5.1.3 | Statistical parameters | 91 |
| 11.5.1.4 | Range of parameter | 91 |
| 11.5.2 | Signal quality | 92 |
| 11.5.2.1 | General | 92 |
| 11.5.2.2 | Physical parameter | 92 |
| 11.5.2.3 | Statistical parameters | 92 |
| 11.5.2.4 | Range of parameter | 92 |
| 11.5.3 | Aspects of discontinuous transmission (DTX) | 92 |
| 11.5.4 | Measurement reporting for the CTS-MS on a TCH..... | 92 |
| 11.6 | Control of CTS-FP service range | 93 |
| 11.7 | Control parameters | 93 |
| 12 | COMPACT Mode Tasks | 95 |
| 12.1 | Introduction | 95 |
| 12.2 | Network Pre-requisites | 95 |
| 12.2.1 | CPBCCCH carriers..... | 95 |
| 12.3 | COMPACT Idle Mode Tasks..... | 95 |
| 12.3.1 | Introduction..... | 95 |
| 12.3.2 | Measurements for COMPACT Cell Selection..... | 95 |
| 12.3.3 | Measurements for COMPACT Stored List Cell Selection | 96 |
| 12.3.4 | Criteria for COMPACT Cell Selection..... | 96 |
| 12.3.5 | Downlink Signalling Failure..... | 96 |

| | | |
|---|---|------------|
| 12.4 | COMPACT Cell Reselection | 96 |
| 12.4.1 | Monitoring the received signal level and CPBCCCH data..... | 97 |
| 12.4.1.1 | Packet idle mode or MAC-Idle state | 97 |
| 12.4.1.2 | Packet transfer mode or MAC-Shared state | 97 |
| 12.4.2 | COMPACT cell reselection criteria..... | 98 |
| 12.4.3 | COMPACT cell reselection algorithm..... | 98 |
| 12.4.4 | Network controlled Cell reselection | 98 |
| 12.4.5 | COMPACT cell reselection measurement opportunities | 98 |
| Annex A (informative): Definition of a basic GSM or DCS 1 800 handover and RF power control algorithm | | 99 |
| A.1 | Scope | 99 |
| A.2 | Functional requirement..... | 99 |
| A.3 | BSS pre-processing and threshold comparisons..... | 100 |
| A.3.1 | Measurement averaging process..... | 100 |
| A.3.2 | Threshold comparison process | 101 |
| A.3.2.1 | RF power control process | 101 |
| A.3.2.2 | Handover Process | 102 |
| A.4 | BSS decision algorithm..... | 103 |
| A.4.1 | Internal intracell handover according to radio criteria: (Interference problems)..... | 103 |
| A.4.2 | Internal handover according to other criteria..... | 104 |
| A.4.3 | General considerations | 104 |
| A.5 | Channel allocation..... | 104 |
| A.6 | Handover decision algorithm in the MSC..... | 105 |
| Annex B (informative): Power Control Procedures | | 107 |
| B.1 | Open loop control..... | 107 |
| B.2 | Closed loop control | 108 |
| B.3 | Quality based control..... | 108 |
| B.4 | BTS power control | 109 |
| B.5 | Example..... | 109 |
| B.6 | Interworking between normal and fast power control for ECSD..... | 110 |
| B.7 | Interworking between normal and enhanced power control (EPC) | 111 |
| Annex C (informative): Example Interference Measurement Algorithm | | 113 |
| Annex D (informative): Example Selection of Modulation and Coding Schemes based on Link Quality Reports..... | | 114 |
| Annex E (informative): Change history | | 115 |
| History | | 122 |

Foreword

This Technical Specification has been produced by the 3rd Generation Partnership Project (3GPP).

The contents of the present document are subject to continuing work within the TSG and may change following formal TSG approval. Should the TSG modify the contents of the present document, it will be re-released by the TSG with an identifying change of release date and an increase in version number as follows:

Version x.y.z

where:

- x the first digit:
 - 1 presented to TSG for information;
 - 2 presented to TSG for approval;
 - 3 or greater indicates TSG approved document under change control.
- y the second digit is incremented for all changes of substance, i.e. technical enhancements, corrections, updates, etc.
- z the third digit is incremented when editorial only changes have been incorporated in the document.

1 Scope

The present document specifies the Radio sub-system link control implemented in the Mobile Station (MS), Base Station System (BSS) and Mobile Switching Centre (MSC) of the digital cellular telecommunications systems GSM.

Unless otherwise specified, references to GSM also include operation in any band.

1.1 References

The following documents contain provisions which, through reference in this text, constitute provisions of the present document.

- References are either specific (identified by date of publication, edition number, version number, etc.) or non-specific.
- For a specific reference, subsequent revisions do not apply.
- For a non-specific reference, the latest version applies. In the case of a reference to a 3GPP document (including a GSM document), a non-specific reference implicitly refers to the latest version of that document *in the same Release as the present document*.

- [1] 3GPP TR 21.905: 'Vocabulary for 3GPP Specifications'.
- [2] 3GPP TS 23.003: 'Numbering, addressing and identification'.
- [3] 3GPP TS 23.009: 'Handover procedures'.
- [4] 3GPP TS 23.122: 'NAS Functions related to Mobile Station (MS) in idle mode'.
- [5] 3GPP TS 25.101: 'UE Radio transmission and reception (FDD)'.
- [6] 3GPP TS 25.123: 'Requirements for support of Radio Resource Management (TDD)'.
- [7] 3GPP TS 25.133: 'Requirements for support of Radio Resource Management (FDD)'.
- [8] 3GPP TS 25.304: 'UE Procedures in Idle Mode and Procedures for Cell Reselection in Connected Mode'.
- [9] 3GPP TS 25.331: 'Radio Resource Control (RRC); Protocol Specification'.
- [10] 3GPP TS 26.093: 'AMR Speech Codec; Source Controlled Rate operation'.
- [11] 3GPP TS 43.022: 'Functions related to Mobile Station (MS) in idle mode and group receive mode'.
- [12] 3GPP TS 43.064: 'Overall description of the GPRS Radio Interface; Stage 2'.
- [13] 3GPP TS 43.246: 'Multimedia Broadcast Multicast Service (MBMS) in the GERAN; Stage 2'.
- [14] 3GPP TS 43.068: 'Voice Group Call Service (VGCS); Stage 2'.
- [15] 3GPP TS 44.004: 'Layer 1; General requirements'.
- [16] 3GPP TS 44.006: 'Mobile Station - Base Station System (MS - BSS) interface; Data Link (DL) layer specification'.
- [17] 3GPP TS 44.018: 'Mobile radio interface layer 3 specification; Radio Resource Control Protocol'.
- [18] 3GPP TS 44.056: 'GSM Cordless Telephony System (CTS), Phase 1; CTS radio interface layer 3 specification'.
- [19] 3GPP TS 44.060: 'General Packet Radio Service (GPRS); Mobile Station (MS) - Base Station System (BSS) interface; Radio Link Control (RLC) / Medium Access Control (MAC) protocol'.

- [20] 3GPP TS 44.118: 'Mobile radio interface layer 3 specification, Radio Resource Control (RRC) Protocol, Iu Mode'.
- [21] 3GPP TS 44.160: 'Mobile Station (MS) - Base Station System (BSS) interface; Radio Link Control/Medium Access Control (RLC/MAC) protocol; Iu mode'.
- [22] 3GPP TS 45.002: 'Multiplexing and multiple access on the radio path'.
- [23] 3GPP TS 45.003: 'Channel coding'
- [24] 3GPP TS 45.005: 'Radio transmission and reception'.
- [25] 3GPP TS 45.010: 'Radio subsystem synchronization'.
- [26] 3GPP TS 45.056: 'CTS-FP radio subsystem'.
- [27] 3GPP TR 45.902: 'Flexible Layer One'.
- [28] 3GPP TS 46.011: 'Full rate speech; Substitution and muting of lost frames for full rate speech channels'.
- [29] 3GPP TS 46.012: 'Full rate speech; Comfort noise aspect for full rate speech traffic channels'.
- [30] 3GPP TS 46.031: 'Full rate speech; Discontinuous Transmission (DTX) for full rate speech traffic channels'.
- [31] 3GPP TS 48.008: 'Mobile-services Switching Centre - Base Station System (MSC - BSS) interface, Layer 3 specification'.
- [32] 3GPP TS 48.058: 'Base Station Controller - Base Transceiver Station (BSC - BTS) interface; Layer 3 specification'.
- [33] 3GPP TS 51.010: 'Mobile Station (MS) conformity specification'.
- [34] 3GPP TS 51.011: 'Specification of the Subscriber Identity Module - Mobile Equipment (SIM - ME) interface'.
- [35] TIA/EIA/IS-2000-5-A: 'Upper Layer (Layer 3) Signaling Standard for cdma2000 Spread Spectrum Systems'.
- [36] TIA/EIA/IS-833: 'Multi-Carrier Specification for Spread Spectrum Systems on GSM MAP (MC-MAP) (Lower Layers Air Interface)'.

1.2 Abbreviations

Abbreviations used in the present document are listed in 3GPP TR 21.905.

2 General

The radio sub-system link control aspects that are addressed are as follows:

- Handover;
- RF Power control in *A/Gb mode*, including fast power control for E-TCH and enhanced power control for TCH and O-TCH;
- RF Power control in *Iu mode*, including fast power control for E-TCH and enhanced power control for DBPSCH (in MAC-Dedicated and MAC-DTM states);
- Radio link Failure;
- Cell selection and re-selection in Idle mode, in Group Receive mode, in GPRS mode and in broadcast/multicast receive mode (see 3GPP TS 43.022);

- CTS mode tasks.

NOTE: A distinction is made between *A/Gb mode* and *Iu mode* only when necessary. Procedures and mechanisms described in this TS apply to both modes of operation unless otherwise stated. In *Iu mode*, unless otherwise stated, DBPSCH covers TCH, PDTCH and FLO.

Handover is required to maintain a call in progress as a MS engaged in a point-to-point call or with access to the uplink of a channel used for a voice group call passes from one cell coverage area to another and may also be employed to meet network management requirements, e.g. relief of congestion.

Handover may occur during a call from one TCH or multiple TCHs (in the case of multislot configuration) to another TCH or multiple TCHs. It may also occur from DCCH to DCCH or from DCCH to one or multiple TCH(s), e.g. during the initial signalling period at call set-up. Additionally in *Iu mode*, handover may occur in MAC-Dedicated and MAC-DTM states:

- on PDTCH or multiple PDTCHs (in the case of multislot configuration) on DBPSCH(s) to another PDTCH or multiple PDTCHs on DBPSCH(s);
- for FLO, from one DBPSCH or multiple DBPSCHs (in the case of multislot configuration) to another DBPSCH or multiple DBPSCHs.

The handover may be either from channel(s) on one cell to other channel(s) on a surrounding cell, or between channels on the same cell which are carried on the same frequency band. Examples are given of handover strategies, however, these will be determined in detail by the network operator.

For a multiband MS, the handover described is also allowed between any channels on different cells which are carried on different frequency bands, e.g. between a GSM 900/TCH and a DCS 1 800/TCH. Handover between two co-located cells, carried on different frequency bands, is considered as inter-cell handover irrespective of the handover procedures used.

For a multi-RAT MS, i.e. an MS supporting multiple radio access technologies, handover is allowed between GSM and other radio access technologies.

NOTE: At handover, the MS will normally not be able to verify the PLMN of the target cell and will thus assume that the same system information apply after the handover unless the network provides new system information.

Adaptive control of the RF transmit power from an MS and optionally from the BSS is implemented in order to optimize the uplink and downlink performance and minimize the effects of co-channel interference in the system.

The criteria for determining radio link failure are specified in order to ensure that calls which fail either from loss of radio coverage or unacceptable interference are satisfactorily handled by the network. Radio link failure may result in either re-establishment or release of the call in progress. For channels used for a voice group call, a radio uplink failure results in the freeing up of the uplink.

Procedures for cell selection and re-selection whilst in Idle mode (i.e. not actively processing a call), are specified in order to ensure that a mobile is camped on a cell with which it can reliably communicate on both the radio uplink and downlink. The operations of an MS in Idle Mode are specified in 3GPP TS 43.022.

Cell re-selection is also performed by the MS when attached to GPRS, except when the MS simultaneously has a circuit switched connection. Optional procedures are also specified for network controlled cell re-selection for GPRS. Cell re-selection for GPRS is defined in subclause 10.1.

For a multi-RAT MS, cell selection and re-selection is allowed between GSM and other radio access technologies.

An MS listening to a voice group call or a voice broadcast use cell re-selection procedures to change cell. This may be supported by a list of cells carrying the voice group or voice broadcast call downlink, provided to the MS by the network. The operations of an MS in Group Receive Mode are specified in 3GPP TS 43.022.

Information signalled between the MS and BSS is summarized in tables 1, 2 and 3. A full specification of the Layer 1 header is given in 3GPP TS 44.004, of the Layer 3 fields in 3GPP TS 44.018 and 3GPP TS 44.118, and of the Layer 2 fields in 3GPP TS 44.060 and 3GPP TS 44.160.

For CTS, information signalled between the CTS-MS and CTS-FP is summarized in tables 4, 5 and 6. A full specification of the CTS Layer 3 fields is given in 3GPP TS 44.056.

For COMPACT, specific procedures are defined in clause 12.

During the reception of an MBMS session, the mobile station is in broadcast/multicast receive mode. In this state, the MS performs autonomous cell re-selection.

3 Handover

3.1 Overall process

The overall handover process is implemented in the MS, BSS and MSC. Measurement of radio subsystem downlink performance and signal levels received from surrounding cells, is made in the MS. These measurements are signalled to the BSS for assessment. The BSS measures the uplink performance for the MS being served and also assesses the signal level of interference on its idle traffic channels. Initial assessment of the measurements in conjunction with defined thresholds and handover strategy may be performed in the BSS. Assessment requiring measurement results from other BTS or other information resident in the MSC, may be performed in the MSC.

3GPP TS 23.009 describes the handover procedures to be used in PLMNs.

3.2 MS measurement procedure

A procedure shall be implemented in the MS by which it monitors the downlink RX signal level and quality from its serving cell and the downlink RX signal level and BSIC of surrounding BTS. The method of identification of surrounding BTS is described in subclause 7.2. The requirements for the MS measurements are given in subclause 8.1.

3.3 BSS measurement procedure

A procedure shall be implemented in the BSS by which it monitors the uplink RX signal level and quality from each MS being served by the cell. In the case of a multislot configuration the evaluation shall be performed on a timeslot per timeslot basis. A procedure shall be implemented by which the BSS monitors the levels of interference on its idle traffic channels.

3.4 Strategy

The handover strategy employed by the network for radio link control determines the handover decision that will be made based on the measurement results reported by the MS/BSS and various parameters set for each cell. Network directed handover may also occur for reasons other than radio link control, e.g. to control traffic distribution between cells. The exact handover strategies will be determined by the network operator, a detailed example of a basic overall algorithm appears in annex A. Possible types of handover are as follows:

Inter-cell handover:

Intercell handover from the serving cell to a surrounding cell will normally occur either when the handover measurements show low RXLEV and/or RXQUAL on the current serving cell and a better RXLEV available from a surrounding cell, or when a surrounding cell allows communication with a lower TX power level. This typically indicates that an MS is on the border of the cell area.

Intercell handover may also occur from the DCCH on the serving cell to a TCH or multislot configuration on another cell during call establishment. This may be used as a means of providing successful call establishment when no suitable TCH resource is available on the current serving cell.

Inter-cell handover between cells using different frequency bands is allowed for a multi band MS.

Inter-cell handover between cells using different radio access technologies is allowed for a multi-RAT MS.

Intra-cell handover:

Intra-cell handover from one channel/timeslot configuration in the serving cell to another channel/timeslot configuration in the same cell will normally be performed if the handover measurements show a low RXQUAL,

but a high RXLEV on the serving cell. This indicates a degradation of quality caused by interference even though the MS is situated within the serving cell. The intra-cell handover should provide a channel with a lower level of interference. Intra-cell handover can occur either to a timeslot on a new carrier or to a different timeslot on the same carrier. Similarly, intra-cell handover may occur between different multislot configurations in the same cell. These multislot configurations may comprise different number of timeslots and may partly overlap.

Intra-cell handover from one of the bands of operation to another one is allowed for a multiband MS.

3GPP TS 48.008 defines the causes for handover that may be signalled from BSS to MSC.

4 RF power control

4.1 Overall process

RF power control is employed to minimize the transmit power required by MS or BSS whilst maintaining the quality of the radio links. By minimizing the transmit power levels, interference to co-channel users is reduced.

4.2 MS implementation

RF power control shall be implemented in the MS.

In *A/Gb mode*, the power control level to be employed by the MS on each uplink channel, except PDCH, is indicated by means of the power control information sent either in the layer 1 header of each SACCH message block (see 3GPP TS 44.004) on the corresponding downlink channel, or in a dedicated signalling block (see 3GPP TS 44.018). Power control for PDCH is defined in subclause 10.2.

Similarly in *Iu mode* in MAC-Dedicated state and MAC-DTM state, the power control level to be employed by the MS on each uplink channel, is indicated by means of the power control information sent either in the layer 1 header of each SACCH message block (see 3GPP TS 44.004) on the corresponding downlink channel, or in a dedicated signalling block (see 3GPP TS 44.118). Power control for MAC-Shared state is defined in subclause 10.2.

The MS shall employ the most recently commanded power control level appropriate to each channel for all transmitted bursts on either a TCH (including handover access burst), FACCH, SACCH, PDTCH or SDCCH. For FLO in *Iu mode* the MS shall employ the most recently commanded power control level appropriate to each DBPSCH for all transmitted bursts (including radio packets, handover access burst and SACCH).

The MS shall confirm the power control level that it is currently employing in the SACCH L1 header on each uplink channel. The indicated value shall be the power control level actually used by the mobile for the last burst of the previous SACCH period.

When on an E-TCH, the MS shall, if so indicated by the BSS in the SACCH L1 header (see 3GPP TS 44.004) or Assignment command (see 3GPP TS 44.018 and 3GPP TS 44.118)), use FPC (fast power control). The MS shall employ the most recently commanded fast power control level on each uplink E-TCH channel. The power control level to be employed by the MS is indicated by means of the power control information sent via E-IACCH once every FPC reporting period (see subclause 4.7). If FPC is in use, the MS shall report, in the SACCH L1 header, the power control level used at the end of the normal power control reporting period.

When on an E-TCH using 8 PSK for the uplink, the MS shall use the E-IACCH in the uplink for fast measurement reporting.

In *A/Gb mode*, when assigned a TCH or O-TCH, the MS shall configure the channel in enhanced power control (EPC) mode if so commanded by BSS in the channel assignment (see 3GPP TS 44.018). On such a channel, EPC may be used for uplink power control and/or downlink power control.

Similarly in *Iu mode*, when assigned a DBPSCH, the MS shall configure the channel in enhanced power control (EPC) mode if so commanded by BSS in the channel assignment (see 3GPP TS 44.118). On such a channel, EPC may be used for uplink power control and/or downlink power control.

The enhanced power control (EPC) is part of the GERAN Feature Package 2 (see 3GPP TS 24.008).

When on a channel in EPC mode,

- the MS shall use the EPCCH in the uplink for EPC measurement reporting (see subclause 8.4.1b).
- the MS shall, depending on what is signalled in the L1 header of the downlink SACCH (see 3GPP TS 44.004) and during channel assignment (see 3GPP TS 44.018), obey either the EPC Uplink Power Control Command (sent on the EPCCH in the downlink) or the Ordered MS Power Level (sent in the L1 header of the downlink SACCH).
 - If the signalling indicates that EPC shall be used in the uplink, the MS shall employ the most recently commanded EPC power control level, as indicated by the EPC Uplink Power Control Command sent on the corresponding EPCCH in the downlink. The EPC Uplink Power Control Command is sent once every EPC reporting period (see subclause 8.4.1b). The MS shall ignore the Ordered MS Power Level sent in the SACCH L1 header in the downlink.
 - If the signalling indicates that normal power control shall be used in the uplink, the MS shall ignore the EPC Uplink Power Control Command and use normal power control.
- the MS shall confirm, in the SACCH L1 header on the uplink, the RF power control level used at the last burst of the previous SACCH period, as specified for normal power control.

NOTE: The term "normal power control" is used in this specification only for clarification and is otherwise only referred to as "power control".

In case of a multislot configuration, each bi-directional channel shall be power controlled individually by the corresponding SACCH, E-IACCH or EPCCH, whichever is applicable. Power control information on downlink unidirectional channels shall be neglected.

When accessing a cell on the RACH (random access) and before receiving the first power command during a communication on a DCCH or TCH (after an IMMEDIATE ASSIGNMENT), on DCS 1800 and PCS 1900 frequency bands the MS shall use the power level defined by the MS_TXPWR_MAX_CCH parameter broadcast on the BCCH of the cell. On all other bands the MS shall limit the power level to LB_MS_TXPWR_MAX_CCH + Band_offset, if LB_MS_TXPWR_MAX_CCH parameter is broadcast, otherwise the power level is limited according to the MS_TXPWR_MAX_CCH parameter. Band_offset equals 0 dB for GSM 850 and GSM 900, -2 dB for GSM 700 and -6 dB for GSM 400. As an exception, on the DCS 1800 band the class 3 DCS 1 800 capable MS shall use the power level defined by MS_TXPWR_MAX_CCH plus the value POWER_OFFSET also broadcast on the BCCH of the cell.

If a power control level defined in 3GPP TS 45.005 is received but the level is not supported by the MS, the MS shall use the supported output power which is closest to the output power indicated by the received power control level.

4.3 MS power control range

The range over which a MS shall be capable of varying its RF output power shall be from its maximum output down to its minimum, in steps of nominally 2 dB.

3GPP TS 45.005 gives a detailed definition of the RF power level step size and tolerances.

In *A/Gb mode*, the fast power control scheme for E-TCH and the enhanced power control scheme for TCH and O-TCH are based on differential control to adjust the employed RF power level. Similarly in *Iu mode*, the fast power control scheme for E-TCH and the enhanced power control scheme for DBPSCH are also based on differential control to adjust the employed RF power level. The possible DL power control commands are listed in the following table.

| Codeword | Power control command |
|----------|---|
| 0 | Not used |
| 1 | Increase output power by four power control levels |
| 2 | Increase output power by three power control levels |
| 3 | Increase output power by two power control levels |
| 4 | Increase output power by one power control level |
| 5 | No output power level change |
| 6 | Decrease output power by one power control level |
| 7 | Decrease output power by two power control levels |

If a power control command is received but the requested output power is not supported by the MS, the MS shall use the supported output power which is closest to the requested output power.

4.4 BSS implementation

In *A/Gb mode*, RF power control, including fast power control for E-TCH and enhanced power control for TCH and O-TCH, may optionally be implemented in the BSS.

Similarly in *Iu mode*, RF power control, including fast power control for E-TCH and enhanced power control for DBPSCH, may optionally be implemented in the BSS.

4.5 BSS power control range

The range over which the BSS shall be capable of reducing its RF output power from its maximum level shall be nominally 30 dB, in 15 steps of nominally 2 dB.

3GPP TS 45.005 gives a detailed definition of the RF power level step size and tolerances.

4.6 Strategy

The RF power control strategy employed by the network determines the ordered power level that is signalled to the MS, and the power level that is employed by the BSS.

The power level to be employed in each case will be based on the measurement results reported by the MS/BTS and various parameters set for each cell. The exact strategies will be determined by the network operator. A detailed example of a basic algorithm appears in annex A.

4.7 Timing

4.7.1 Normal Power Control

Upon receipt of a command from an SACCH to change its power level on the corresponding uplink channel, the MS shall change to the new level at a rate of one nominal 2 dB power control step every 60 ms (13 TDMA frames), i.e. a range change of 15 steps should take about 900 ms. The change shall commence at the first TDMA frame belonging to the next reporting period (as specified in subclause 8.4). The MS shall change the power one nominal 2 dB step at a time, at a rate of one step every 60 ms following the initial change, irrespective of whether actual transmission takes place or not.

In case of channel change, except for multislot configuration change, the commanded power control level shall be applied on each new channel immediately. The multislot configuration change message does not command the MS to use new power control levels. For those time slots not used by the MS before the multislot configuration change procedure, the MS shall use the power control level used on the main channel before the multislot configuration change.

4.7.2 Fast Power Control

Switching between the normal power control mechanism and FPC shall be done if FPC is enabled or disabled via signalling in the SACCH L1 header. The respective power control mechanism to be used shall then be active as from the first TDMA frame belonging to the next reporting period (see subclause 8.4). The initial power control level to be used by the MS immediately after switching shall, in both cases, be the level last commanded by the normal power control mechanism.

The basic timing cycle for the fast power control mechanism is the FPC reporting period of length 4 TDMA frames, which is mapped into the 26-multiframe according to the following figure.

| | | | | | | | | | | | | | | | | | | | | | | | | | | |
|------------|---|---|---|---|---|---|---|---|---|---|----|----|----|----|----|----|----|----|----|----|----|----|----|----|----|----|
| FN: | 0 | 1 | 2 | 3 | 4 | 5 | 6 | 7 | 8 | 9 | 10 | 11 | 12 | 13 | 14 | 15 | 16 | 17 | 18 | 19 | 20 | 21 | 22 | 23 | 24 | 25 |
| RP: | 0 | 0 | 0 | 0 | 1 | 1 | 1 | 1 | 2 | 2 | 2 | 2 | S | 3 | 3 | 3 | 3 | 4 | 4 | 4 | 4 | 5 | 5 | 5 | 5 | I |

FN = TDMA Frame no modulo 26

RP = FPC reporting period number

DL measurements made during RP(n) shall be reported to the network during the next occurrence of RP((n+2) mod 6). Power control commands received from the network during RP(n) are effectuated on the corresponding UL channel during the next occurrence of RP((n+1) mod 6).

4.7.3 Enhanced Power Control

When in enhanced power control (EPC) mode, the MS shall for uplink power control obey either the EPC Uplink Power Control Commands or the Ordered MS Power Level. This is controlled by signalling via the SACCH L1 header in the downlink (see 3GPP TS 44.004) and during channel assignment (see 3GPP TS 44.018 and 3GPP TS 44.118). The type of power control commands to be obeyed by the MS during one SACCH period is determined by what is signalled in the L1 header during the previous SACCH period and, before any SACCH block has been correctly decoded, by what is signalled during channel assignment.

NOTE: This signalling via the SACCH L1 header and during channel assignment only controls the uplink power control mechanism. In *A/Gb mode*, EPC measurement procedures shall always be followed by the MS when on a TCH or O-TCH in EPC mode. Similarly in *Iu mode*, EPC measurement procedures shall always be followed by the MS when on a DBPSCH in EPC mode.

When the MS is ordered to obey the Ordered MS Power Level, the timing according to subclause 4.7.1 applies.

When the MS is ordered to obey the EPC Uplink Power Control Command, it shall, upon receipt of an EPC Uplink Power Control Command on an EPCCH in the downlink, change to the new power level on the corresponding uplink channel at the first TDMA frame belonging to the next EPC reporting period (as specified in subclause 8.4.1b).

4.8 Dedicated channels used for a voice group call or voice broadcast

The network shall not allocate the uplink of the channel used for a voice group call to more than one MS. If marked busy, no other MS shall transmit on the channel. This marking is indicated by the network, as defined in 3GPP TS 43.068 and 3GPP TS 44.018. Any MS allocated the uplink of a channel used for a voice group call shall only transmit if the uplink is marked busy, and shall stop using the uplink if it happens to become marked free. An MS not allocated the uplink may perform a random access procedure on the uplink to gain access to talk, only if the uplink is marked as free.

On a channel used during a voice group call, the uplink power control shall only apply to the MS currently allocated that uplink, and the MS power control level ordered by the network shall be ignored by all other MSs listening to the downlink.

When performing a random access on a cell to gain access to the uplink of a channel used for a voice group call, until receiving the first dedicated power command from the network, the MS shall use the last received power level

command as defined by the MS_TXPWR_MAX_CCH parameter broadcast on the BCCH of the cell, or if MS_TXPWR_MAX_CCH corresponds to a power control level not supported by the MS as defined by its power class in 3GPP TS 45.005, the MS shall act as though the closest supported power control level had been broadcast.

RF downlink power control will normally not be applied on channels used for a voice group call or voice broadcast.

5 Radio link failure

5.1 Criterion

The criterion for determining Radio Link Failure in the MS shall be based on the success rate of decoding messages on the downlink SACCH. In *A/Gb mode*, for a circuit switched multislot configuration, only the main SACCH shall be used for determining Radio Link Failure. Similarly in *Iu mode*, for a multislot configuration in MAC-Dedicated State or MAC-DTM State, only the main SACCH shall be used for determining Radio Link Failure.

For packet transfer mode in *A/Gb mode*, Radio Link Failure is determined by the RLC/MAC protocol (see 3GPP TS 44.060).

For *Iu mode* in MAC-Shared State, Radio Link Failure is determined by the RLC/MAC protocol (see 3GPP TS 44.160).

5.2 MS procedure

The aim of determining radio link failure in the MS is to ensure that calls with unacceptable voice/data quality, which cannot be improved either by RF power control or handover, are either re-established or released in a defined manner. In general the parameters that control the forced release should be set such that the forced release will not normally occur until the call has degraded to a quality below that at which the majority of subscribers would have manually released. This ensures that, for example, a call on the edge of a radio coverage area, although of bad quality, can usually be completed if the subscriber wishes.

The radio link failure criterion is based on the radio link counter *S*. If the MS is unable to decode a SACCH message ($BFI = 1$), *S* is decreased by 1. In the case of a successful reception of a SACCH message ($BFI = 0$) *S* is increased by 2. In any case *S* shall not exceed the value of RADIO_LINK_TIMEOUT. If *S* reaches 0 a radio link failure shall be declared. The action to be taken is specified in 3GPP TS 44.018 and 3GPP TS 44.118 (*Iu mode*). The RADIO_LINK_TIMEOUT parameter is transmitted by each BSS in the BCCH data (see table 1).

The MS shall continue transmitting as normal on the uplink until *S* reaches 0.

The algorithm shall start after the assignment of a dedicated channel and *S* shall be initialized to RADIO_LINK_TIMEOUT.

The detailed operation shall be as follows:

- the radio link time-out algorithm shall be stopped at the reception of a channel change command;
- (re-)initialization and start of the algorithm shall be done whenever the MS switches to a new dedicated channel (this includes the old channel in assignment and handover failure cases), at the latest in *A/Gb mode* when the main signalling link (see 3GPP TS 44.018) has been established or in *Iu mode* immediately after the MS is ready to receive (see 3GPP TS 44.118, 3GPP TS 45.010);
- the RADIO_LINK_TIMEOUT value used at (re-)initialization shall be that used on the previous channel (in the Immediate Assignment case the value received on the BCCH), or the value received on SACCH if the MS has received a RADIO_LINK_TIMEOUT value on the new channel before the initialization;
- if the first RADIO_LINK_TIMEOUT value on the SACCH is received on the new channel after the initialization, the counter shall be re-initialized with the new value.

An MS listening to a voice group call or a voice broadcast, upon a downlink radio link failure shall return to idle mode and perform cell re-selection.

5.3 BSS procedure

The criteria for determining radio link failure in the BSS should be based upon either the error rate on the uplink SACCH(s) or on RXLEV/RXQUAL measurements of the MS. The exact criteria to be employed shall be determined by the network operator.

For channels used for a voice group call, the radio link failure procedures in the BSS shall be reset upon the re-allocation of the uplink to another MS. Upon a uplink radio failure, the network shall mark it as free, see subclause 4.8.

Whenever the uplink is not used, and for channels used for voice broadcast, the BSS radio link failure procedures shall not apply on that channel.

6 Idle mode tasks

6.1 Introduction

Whilst in idle mode, an MS shall implement the cell selection and re-selection procedures described in 3GPP TS 43.022. These procedures make use of measurements and sub-procedures described in this subclause.

The procedures ensure that the MS is camped on a cell from which it can reliably decode downlink data and with which it has a high probability of communications on the uplink. Once the MS is camped on a cell, access to the network is allowed.

At cell selection, before accessing the network, the MS shall decode all information about dynamic mapping of ARFCN numbers, if used by the network. As an exception, a single access attempt (including repetitions allowed for channel request) is allowed using stored information that has been received from the same PLMN within last 24 hours. Alternatively a single access attempt is allowed using stored information, received from the same PLMN, without decoding all SI 15 instances if the Dynamic ARFCN Mapping change mark (See 3GPP TS 44.018) in the stored information is equal to that decoded from any of SI 15 instances. The MS shall always use the most recent information about Dynamic ARFCN Mapping.

This clause makes use of terms defined in 3GPP TS 43.022.

The MS shall not use the discontinuous reception (DRX) mode of operation (i.e. powering itself down when it is not expecting paging messages from the network) while performing the cell selection algorithm defined in 3GPP TS 43.022. However use of powering down is permitted at all other times in idle mode.

For the purpose of cell selection and reselection, the MS shall be capable of detecting and synchronizing to a BCCH carrier and read the BCCH data at reference sensitivity level and reference interference levels as specified in 3GPP TS 45.005. An MS in idle mode shall always fulfil the performance requirement specified in 3GPP TS 45.005 at levels down to reference sensitivity level or reference interference level. The allowed error rates (see 3GPP TS 45.005) might impact the cell selection and reselection procedure, e.g. trigger cell reselection. Moreover, one consequence of the allowed error rates is that in the case of no frequency hopping and a TU3 (TU6 for GSM 400, TU3.6 for GSM 700, TU1.5 for DCS 1 800 and PCS 1 900) propagation profile it can not be expected that an MS will respond to paging unless the received signal level is 2 dB higher than the specified reference level.

For the purposes of cell selection and reselection, the MS is required to maintain an average of received signal levels for all monitored frequencies. These quantities termed the "received level averages" (RLA_C), shall be unweighted averages of the received signal levels measured in dBm. The accuracy of the received signal level measurements for idle mode tasks shall be the same as for radio link measurements (see subclause 8.1.2).

The times given in subclauses 6.2, 6.3 and 6.6 refer to internal processes in the MS required to ensure that the MS camps as quickly as possible to the most appropriate cell.

For the cell selection, the MS shall be able to select the correct (fourth strongest) cell and be able to respond to paging on that cell within 30 seconds of switch on, when the three strongest cells are not suitable. This assumes a valid SIM with PIN disabled and ideal radio conditions. This requirement is not applicable for multi-RAT mobile stations.

The tolerance on all the timing requirements in clause 6 is $\pm 10\%$, except for PENALTY_TIME where it is ± 2 s.

6.2 Measurements for normal cell selection

The measurements of this clause shall be performed by an MS which has no prior knowledge of which RF channels are BCCH carriers.

The MS shall search all RF channels within its bands of operation, take readings of received RF signal level on each RF channel, and calculate the RLA_C for each. The averaging is based on at least five measurement samples per RF carrier spread over 3 to 5 s, the measurement samples from the different RF carriers being spread evenly during this period.

A multi band MS shall search all channels within its bands of operation as specified above. The number of channels searched will be the sum of channels on each band of operation.

BCCH carriers can be identified by, for example, searching for frequency correction bursts. On finding a BCCH carrier, the MS shall attempt to synchronize to it and read the BCCH data.

The maximum time allowed for synchronization to a BCCH carrier is 0.5 s, and the maximum time allowed to read the BCCH data, when being synchronized to a BCCH carrier, is 1.9 s or equal to the scheduling period for the BCCH data, whichever is greater (see 3GPP TS 45.002). The MS is allowed to camp on a cell and access the cell after decoding all relevant BCCH data.

6.3 Measurements for stored list cell selection

The MS may include optional storage of BCCH carrier information when switched off as detailed in 3GPP TS 43.022. For example, the MS may store the BCCH carriers in use by the PLMN selected when it was last active in the network. The BCCH list may include BCCH carriers from more than one band in a multi band operation PLMN. A MS may also store BCCH carriers for more than one PLMN which it has selected previously (e.g. at national borders or when more than one PLMN serves a country), in which case the BCCH carrier lists must be kept quite separate.

The stored BCCH carrier information used by the MS may be derived by a variety of different methods. The MS may use the BA_RANGE information element, which, if transmitted in the channel release message (see 3GPP TS 44.018), indicates ranges of carriers which include the BCCH carriers in use over a wide area or even the whole PLMN. It should be noted that the BA(BCCH) list might only contain carriers in use in the vicinity of the cell on which it was broadcast, and therefore might not be appropriate if the MS is switched off and moved to a new location.

The BA_RANGE information element contains the Number of Ranges parameter (defined as NR) as well as NR sets of parameters RANGE_i_LOWER and RANGE_i_HIGHER. The MS should interpret these to mean that all the BCCH carriers of the network have ARFCNs in the following ranges:

| | | |
|---------|---|--|
| Range1 | = | ARFCN(RANGE1_LOWER) to ARFCN(RANGE1_HIGHER); |
| Range2 | = | ARFCN(RANGE2_LOWER) to ARFCN(RANGE2_HIGHER); |
| RangeNR | = | ARFCN(RANGENR_LOWER) to ARFCN(RANGENR_HIGHER). |

If RANGE_i_LOWER is greater than RANGE_i_HIGHER, the range shall be considered cyclic and encompasses carriers with ARFCN from range RANGE_i_LOWER to 1 023 and from 0 to RANGE_i_HIGHER. If RANGE_i_LOWER equals RANGE_i_HIGHER then the range shall only consist of the carrier whose ARFCN is RANGE_i_LOWER.

If an MS includes a stored BCCH carrier list of the selected PLMN it shall perform the same measurements as in subclause 6.2 except that only the BCCH carriers in the list need to be measured.

NOTE: If the selected PLMN is equal to one of the equivalent PLMNs, then stored list cell selection applies to all equivalent PLMNs.

If stored list cell selection is not successful, then as defined in 3GPP TS 43.022, normal cell selection shall take place. Since information concerning a number of channels is already known to the MS, it may assign high priority to measurements on the strongest carriers from which it has not previously made attempts to obtain BCCH information, and omit repeated measurements on the known ones.

6.4 Criteria for cell selection and reselection

The path loss criterion parameter C1 used for cell selection and reselection is defined by:

$$C1 = (A - \text{Max}(B,0))$$

where

$$\begin{aligned} A &= \text{RLA_C} - \text{RXLEV_ACCESS_MIN} \\ B &= \text{MS_TXPWR_MAX_CCH} - P \end{aligned}$$

except for the class 3 DCS 1 800 MS where:

$$\begin{aligned} B &= \text{MS_TXPWR_MAX_CCH} + \text{POWER OFFSET} - P \\ \text{RXLEV_ACCESS_MIN} &= \text{Minimum received signal level at the MS required for access to the system.} \\ \text{MS_TXPWR_MAX_CCH} &= \text{Maximum TX power level an MS may use when accessing the system until otherwise commanded.} \\ \text{POWER OFFSET} &= \text{The power offset to be used in conjunction with the MS TXPWR MAX CCH parameter by the class 3 DCS 1 800 MS.} \\ P &= \text{Maximum RF output power of the MS.} \end{aligned}$$

All values are expressed in dBm.

The path loss criterion (3GPP TS 43.022) is satisfied if $C1 > 0$.

The reselection criterion C2 is used for cell reselection only and is defined by:

$$\begin{aligned} C2 &= C1 + \text{CELL_RESELECT_OFFSET} - \text{TEMPORARY_OFFSET} * H(\text{PENALTY_TIME} - T) \text{ for} \\ &\quad \text{PENALTY_TIME} < 11111 \\ C2 &= C1 - \text{CELL_RESELECT_OFFSET} \text{ for } \text{PENALTY_TIME} = 11111 \end{aligned}$$

where

For non-serving cells:

$$\begin{aligned} H(x) &= 0 \text{ for } x < 0 \\ &= 1 \text{ for } x \geq 0 \end{aligned}$$

For serving cells:

$$H(x) = 0$$

T is a timer implemented for each cell in the list of strongest carriers (see subclause 6.6.1). T shall be started from zero at the time the cell is placed by the MS on the list of strongest carriers, except when the previous serving cell is placed on the list of strongest carriers at cell reselection. In this, case, T shall be set to the value of PENALTY_TIME (i.e. expired).

CELL_RESELECT_OFFSET applies an offset to the C2 reselection criterion for that cell.

NOTE: CELL_RESELECT_OFFSET may be used to give different priorities to different bands when multiband operation is used.

TEMPORARY_OFFSET applies a negative offset to C2 for the duration of PENALTY_TIME after the timer T has started for that cell.

PENALTY_TIME is the duration for which TEMPORARY_OFFSET applies. The all ones bit pattern on the PENALTY_TIME parameter is reserved to change the sign of CELL_RESELECT_OFFSET and the value of TEMPORARY_OFFSET is ignored as indicated by the equation defining C2.

CELL_RESELECT_OFFSET, TEMPORARY_OFFSET, PENALTY_TIME and CELL_BAR_QUALIFY (see table 1a) are optionally broadcast on the BCCH of the cell. If not broadcast, the default values are CELL_BAR_QUALIFY = 0, and C2 = C1. The use of C2 is described in 3GPP TS 43.022.

These parameters are used to ensure that the MS is camped on the cell with which it has the highest probability of successful communication on uplink and downlink.

The signal strength threshold criterion parameter C4 is used to determine whether prioritised LSA cell reselection shall apply and is defined by:

$$C4 = A - \text{PRIO_THR}$$

where

A is defined as above and PRIO_THR is the signal threshold for applying LSA reselection. PRIO_THR is broadcast on the BCCH. If the idle mode support is disabled for the LSA (see 3GPP TS 51.011) or if the cell does not belong to any LSA to which the MS is subscribed or if no PRIO_THR parameter is broadcast, PRIO_THR shall be set to ∞ .

6.5 Downlink signalling failure

The downlink signalling failure criterion is based on the downlink signalling failure counter DSC. When the MS camps on a cell, DSC shall be initialized to a value equal to the nearest integer to $90/N$ where N is the BS_PA_MFRMS parameter for that cell (see 3GPP TS 45.002). Thereafter, whenever the MS attempts to decode a message in its paging subchannel; if a message is successfully decoded (BFI = 0) DSC is increased by 1, however never beyond the initial value, otherwise DSC is decreased by 4. When $DSC \leq 0$, a downlink signalling failure shall be declared.

An MS in packet idle mode or MAC-Idle state shall follow the same procedure. The counter DSC shall be initialized each time the MS enters packet idle mode or MAC-Idle state, respectively. In case DRX period split is supported, DSC shall be initialized to a value equal to the nearest integer to $\max(10, 90 * N_{\text{DRX}})$, where N_{DRX} is the average number of monitored blocks per multiframe in DRX mode according to its paging group (see 3GPP TS 45.002). In non-DRX mode, the MS shall only increment/decrement DSC for one block per DRX period according to its paging group. The exact position of these blocks is not essential, only the average rate.

NOTE: The network sends the paging subchannel for a given MS every BS_PA_MFRMS multiframe or, in case DRX period split is supported, every $1/N_{\text{DRX}}$ multiframe. The requirement for network transmission on the paging subchannel is specified in 3GPP TS 44.018 or 3GPP TS 44.060, 3GPP TS 44.118 or 3GPP TS 44.160. The MS is required to attempt to decode a message every time its paging subchannel is sent.

A downlink signalling failure shall result in cell reselection.

6.6 Measurements for Cell Reselection

Upon completion of cell selection and when starting the cell reselection tasks, the MS shall synchronize to and read the BCCH information for the 6 strongest non-serving carriers (in the BA) as quickly as possible within the times specified in subclause 6.6.1. For multi band MSs the strongest non-serving carriers may belong to different frequency bands. If system information message type 2 ter or 2 quater is used in the serving cell, and the MS has decoded all relevant serving cell BCCH data, except system information message 2 ter and/or 2 quater, then the MS shall start cell reselection measurements based on the know part of the BA, until system information message 2 ter and/or 2 quater is decoded and the full BA can be used.

MSs supporting SoLSA with SoLSA subscription shall perform cell re-selection according to subclause 6.6.3. Other MSs shall perform cell re-selection according to subclause 6.6.2.

MSs supporting other radio access technologies shall also perform measurements and cell-reselection according to subclauses 6.6.4 and 6.6.5.

6.6.1 Monitoring of received signal level and BCCH data

Whilst in idle mode an MS shall continue to monitor all BCCH carriers as indicated by the BCCH allocation (BA - See table 1). A running average of received signal level (RLA_C) in the preceding 5 to:

$$\text{Max} \{ 5, ((5 * N + 6) \text{DIV } 7) * \text{BS_PA_MFRMS} / 4 \}$$

seconds shall be maintained for each carrier in the BCCH allocation. N is the number of non-serving cell BCCH carriers in BA and the parameter BS_PA_MFRMS is defined in 3GPP TS 45.002.

The same number of measurement samples shall be taken for all non-serving cell BCCH carriers of the BA list, and the samples allocated to each carrier shall as far as possible be uniformly distributed over each evaluation period. At least

5 received signal level measurement samples are required per RLA_C value. New sets of RLA_C values shall be calculated as often as possible.

For the serving cell, received signal level measurement samples shall be taken at least for each paging block of the MS. The RLA_C shall be a running average determined using samples collected over a period of 5 s to Max {5s, five consecutive paging blocks of that MS}. The samples shall as far as possible be uniformly distributed over each evaluation period. At least 5 received signal level measurement samples are required per RLA_C value. New RLA_C values shall be calculated as often as possible.

The list of the 6 strongest non-serving carriers shall be updated at least as often as the duration of the running average defined for measurements on the BCCH allocation and may be updated more frequently.

In order to minimize power consumption, MS that employ DRX (i.e. power down when paging blocks are not due) should monitor the received signal levels of non-serving cell BCCH carriers during the frames of the paging block that they are required to listen to. The MS shall include the BCCH carrier of the current serving cell (i.e. the cell the MS is camped on) in this measurement routine. Received signal level measurement samples can thus be taken on several non-serving cell BCCH carriers and on the serving carrier during each paging block.

The MS shall attempt to decode the full BCCH data of the serving cell at least every 30 seconds or at least as often as possible in the case that system information scheduling period exceeds 30 seconds. As an exception, after the first attempt at cell selection, SI15, if used, shall be decoded at least once every 30 minutes.

If SI13 is broadcast, the MS supporting change mark in SI13 (See 3GPP TS 44.018) is only required to confirm system information on the BCCH of the serving cell if indicated by change mark in SI13.

The MS shall attempt to decode the BCCH data block that contains the parameters affecting cell reselection for each of the 6 strongest non-serving cell BCCH carriers at least every 5 minutes, if the parameters affecting cell reselection have not been provided by the network in the serving cell.

When the MS recognizes that a new BCCH carrier has become one of the 6 strongest, the BCCH data shall be decoded for the new carrier within 30 seconds, if the information is not already available.

If the network indicates that it supports the SI2n message in the serving cell, the MS in packet transfer mode or broadcast/multicast receive mode shall not interrupt data transfer by attempting to autonomously decode the BCCH data block that contains the parameters affecting cell reselection, from non-serving cells. However, if relevant reselection parameters are not received from the serving cell within 30 seconds after reselecting a new cell, the MS shall revert to autonomous decoding of parameters from non-serving cells.

The MS shall attempt to check the BSIC for each of the 6 strongest non-serving cell BCCH carriers at least every 30 seconds, to confirm that it is monitoring the same cell. If a change of BSIC is detected then the carrier shall be treated as a new carrier and the BCCH data re-determined.

In addition, an MS supporting SoLSA with SoLSA subscription shall attempt to decode BSIC and the BCCH data blocks that contain the parameters affecting SoLSA cell reselection for the 6 strongest carriers, which are included both in the BCCH allocation and in the BA_PREF as received in the latest CHANNEL RELEASE message (see 3GPP TS 44.018). At least one carrier shall be searched every 5 minutes, one after another. In the case the MS has been able to decode the BCCH data blocks, the rules described in subclause 6.6.3 shall be followed.

When requested by the user, the MS shall determine which PLMNs are available (Manual Mode) or available and allowable (Automatic Mode) (see 3GPP TS 43.022) within 10 seconds (for GSM 450), 10 seconds (for GSM 480), 15 seconds (for GSM 700), 15 seconds (for GSM 850 and GSM 900) or 20 seconds (for DCS 1 800 and PCS 1 900). A multi band MS shall perform the same procedures in all bands of operation within the sum of time constraints in the respective band of operation.

In both cases, this monitoring shall be done so as to minimize interruptions to the monitoring of the PCH.

The maximum time allowed for synchronization to a BCCH carrier is 0,5 s, and the maximum time allowed to read the BCCH data, when being synchronized to a BCCH carrier, is 1,9 s or equal to the scheduling period for the BCCH data, whichever is greater (see 3GPP TS 45.002).

6.6.2 Path loss criteria and timings for cell re-selection

The MS is required to perform the following measurements (see 3GPP TS 43.022) to ensure that the path loss criterion to the serving cell is acceptable.

At least every 5 s the MS shall calculate the value of C1 and C2 for the serving cell and re-calculate C1 and C2 values for non serving cells (if necessary). The MS shall then check whether:

- i) The path loss criterion (C1) for current serving cell falls below zero for a period of 5 seconds. This indicates that the path loss to the cell has become too high.
- ii) The calculated value of C2 for a non-serving suitable cell exceeds the value of C2 for the serving cell for a period of 5 seconds, except;
 - a) in the case of the new cell being in a different location area or, for a GPRS attached MS, in a different routing area or always for a GPRS attached MS in GMM Ready state (*A/Gb mode*) or RRC-Cell_Shared state (*Iu mode*) in which case the C2 value for the new cell shall exceed the C2 value of the serving cell by at least CELL_RESELECT_HYSTERESIS dB as defined by the BCCH data from the current serving cell, for a period of 5 seconds; or
 - b) in case of a cell reselection occurring within the previous 15 seconds in which case the C2 value for the new cell shall exceed the C2 value of the serving cell by at least 5 dB for a period of 5 seconds.

This indicates that it is a better cell.

Cell reselection for any other reason (see 3GPP TS 43.022) shall take place immediately, but the cell that the MS was camped on shall not be returned to within 5 seconds if another suitable cell can be found. If valid RLA_C values are not available, the MS shall wait until these values are available and then perform the cell reselection if it is still required. The MS may accelerate the measurement procedure within the requirements in subclause 6.6.1 to minimize the cell reselection delay.

If no suitable cell is found within 10 seconds, the cell selection algorithm of 3GPP TS 43.022 shall be performed. Since information concerning a number of channels is already known to the MS, it may assign high priority to measurements on the strongest carriers from which it has not previously made attempts to obtain BCCH information, and omit repeated measurements on the known ones.

6.6.3 Cell reselection algorithm for SoLSA

At least for every new sample or every second, whichever is the greatest, the MS calculate the value of C1, C2 and C4 for the serving cell and the non-serving cells. The MS shall make a cell reselection if:

- i) The path loss criterion parameter (C1) for the serving cell falls below zero for a period of 5 seconds.
- ii) A non-serving suitable cell (see 3GPP TS 43.022) is evaluated to be better than the serving cell for a period of 5 seconds. The best cell is
 - the cell with the highest value of $C2 + \text{LSA_OFFSET}$ among those cells that have highest LSA priority among those that fulfil the criteria $C4 \geq 0$, or
 - the cell with the highest value of C2 among all cells, if no cell fulfil the criterion $C4 \geq 0$.

LSA_OFFSET is broadcast on BCCH. If no LSA_OFFSET parameter is broadcast, LSA_OFFSET shall be set to 0.

LSA priority is defined by the list of LSAs for the subscriber stored on the SIM (see 3GPP TS 51.011). LSAs are identified by LSA ID(s), Cell Identity and/or Location Area Identity broadcast on BCCH. Cells not belonging to this list are given LSA priority lower than 0.

When evaluating the best cell, the following hysteresis values shall be subtracted from the C2 value for the neighbour cells:

- if the new cell is in the same location area: 0;
- if the new cell is in a different location area: CELL_RESELECT_HYSTERESIS, which is broadcast on BCCH of the serving cell.
- in case of a cell reselection occurred within the previous 15 seconds: 5 dB.

Cell reselection for any other reason (see 3GPP TS 43.022) shall take place immediately, but the cell that the MS was camped on shall not be returned to within 5 seconds if another suitable cell can be found. If valid receive level averages

are not available, the MS shall wait until these values are available and then perform the cell reselection if it is still required. The MS may accelerate the measurement procedure within the requirements in subclause 6.6.1 to minimise the cell reselection delay.

If no suitable cell is found within 10 seconds, the cell selection algorithm of 3GPP TS 43.022 shall be performed. Since information concerning a number of channels is already known to the MS, it may assign high priority to measurements on the strongest carriers from which it has not previously made attempts to obtain BCCH information, and omit repeated measurements on the known ones.

6.6.4 Measurements on cells of other radio access technologies

For a multi-RAT MS, cells or frequencies with other radio access technologies may be included in 3G Cell Reselection list (see 3GPP TS 44.018). The network controls the measurements for reselection of these cells by the parameter *Qsearch_I* broadcast on BCCH. *Qsearch_I* defines a threshold and also indicates whether these measurements shall be performed when *RLA_C* (see subclause 6.6.1) of the serving cell is below or above the threshold. These measurements may be performed less frequently than measurements of GSM cells as described in subclause 6.6.1, in order to conserve MS power.

The MS shall be able to identify and select a new best UTRAN cell on a frequency, which is part of the 3G Cell Reselection list, within 30 seconds after it has been activated under the condition that there is only one UTRAN frequency in the list and under good radio conditions. For test purposes the following radio conditions can be used: Serving GSM cell at *RXLEV*= -70 dBm, with 6 GSM neighbours at *RXLEV*= -75 dBm. Then either an UTRAN FDD neighbour cell or an UTRAN TDD neighbour cell is switched on. The radio conditions for the UTRAN FDD cell are as follows (see 3GPP TS 25.101 for definitions):

| Parameter | Unit | UTRAN FDD Cell |
|------------------------|--------------|-------------------|
| <i>CPICH_Ec/Ior</i> | dB | -10 |
| <i>P-CCPCH_Ec/Ior</i> | dB | -12 |
| <i>SCH_Ec/Ior</i> | dB | -12 |
| <i>PICH_Ec/Ior</i> | dB | -15 |
| <i>DPCH_Ec/Ior</i> | dB | -∞ |
| <i>OCNS_Ec/Ior</i> | dB | -0.94 |
| \hat{I}_{or}/I_{oc} | dB | 10 |
| <i>I_{oc}</i> | dBm/3.84 MHz | -70 |
| <i>CPICH_Ec/Io</i> | dB | -10.4 |
| <i>CPICH_RSCP</i> | dBm | -70 |
| <i>FDD_Qoffset</i> | integer | 5 (-12dB) |
| <i>FDD_Qmin</i> | integer | 7 (-12dB) |
| <i>FDD_Qmin_Offset</i> | integer | 0 (0 dB) |
| <i>FDD_RSCPmin</i> | integer | 6 (-102 dBm) |
| <i>Qsearch_I</i> | integer | 7 (search always) |
| Propagation Condition | AWGN | |

The radio conditions for the UTRAN TDD cell (either 3.84 Mcps TDD option or 1.28 Mcps TDD option) are as follows (see 3GPP TS 25.123 for definitions and for the values of the remaining configuration parameters):

| Parameter | Unit | UTRAN TDD Cell (3.84 Mcps option) | |
|------------------------|---------|--------------------------------------|-------|
| <i>Timeslot Number</i> | | 0 | 8 |
| <i>P-CCPCH_Ec/Ior</i> | dB | -3 | |
| <i>SCH_Ec/Ior</i> | dB | -9 | -9 |
| <i>SCH_t_offset</i> | integer | 0 | 0 |
| <i>PICH_Ec/Ior</i> | dB | | -3 |
| <i>OCNS_Ec/Ior</i> | dB | -3.12 | -3.12 |
| <i>PCCPCH RSCP</i> | dBm | -70 | -70 |
| <i>TDD_Qoffset</i> | integer | 5 (-90dBm) | |
| <i>Qsearch_I</i> | integer | 7 (search always) | |
| Propagation Condition | AWGN | | |

NOTE: On timeslot 8 the P-CCPCH is not transmitted; on that timeslot, the P-CCPCH RSCP defines the power level of the beacon channel.

| Parameter | Unit | UTRAN TDD Cell (1.28 Mcps option) | |
|------------------------|---------|--------------------------------------|-------|
| <i>Timeslot Number</i> | | 0 | DwPTS |
| <i>P-CCPCH_Ec/Ior</i> | dB | -3 | |
| <i>DwPCH_Ec/Ior</i> | dB | | 0 |
| <i>OCNS_Ec/Ior</i> | dB | -3 | |
| <i>P-CCPCH RSCP</i> | dBm | -70 | |
| <i>TDD_Qoffset</i> | integer | 5 (-90dBm) | |
| <i>Qsearch_I</i> | integer | 7 (search always) | |
| Propagation Condition | AWGN | | |

The allowed time is increased by 30 seconds for each additional UTRAN frequency in the 3G Cell Reselection list. However, multiple UTRAN cells on the same frequency in the list does not increase the allowed time.

A multi-RAT MS shall be able to monitor 64 UTRAN cells, divided into (depending on the MS capability):

- FDD cells on up to 3 FDD frequencies, with a maximum of 32 cells per frequency; and/or
- TDD cells on up to 3 TDD frequencies with a maximum of 32 cells per frequency.

The MS shall attempt to read and store UTRAN predefined configurations using the rules defined in 3GPP TS 25.331 with the following exceptions:

- The MS shall build a list of at most 16 predefined configurations, read from the BCCH of the identified UTRAN cells of equivalent PLMNs.
- After PLMN selection (see 3GPP TS 23.122), the MS shall delete any old list of predefined configurations and as soon as possible attempt to read the predefined configurations from one identified UTRAN cell of the selected PLMN or of an equivalent PLMN.
- The MS shall attempt to update the list of predefined configurations every 60 minutes.

In case of a conflict with GSM tasks, the GSM tasks take precedence.

NOTE: Instead of reading new predefined configurations from a PLMN, the MS may use previously received predefined configurations for that PLMN according to the rules in 3GPP TS 25.331.

The MS shall report the list of predefined configurations in the UTRAN CLASSMARK CHANGE message (see 3GPP TS 44.018).

6.6.5 Algorithm for cell re-selection from GSM to UTRAN

If the 3G Cell Reselection list includes UTRAN frequencies, the MS shall, at least every 5 s update the value RLA_C for the serving cell and each of the at least 6 strongest non serving GSM cells.

The MS shall then reselect a suitable (see TS 25.304) UTRAN cell if:

- for a TDD cell the measured RSCP value is equal to or greater than TDD_Qoffset for a period of 5 s and
- for an FDD cell the following criteria are all met for a period of 5 s:
 1. its measured RSCP value exceeds the value of RLA_C for the serving cell and all of the suitable (see 3GPP TS 43.022) non-serving GSM cells by the value FDD_Qoffset,
 2. its measured Ec/No value is equal or greater than the value FDD_Qmin - FDD_Qmin_Offset, and
 3. its measured RSCP value is equal to or greater than FDD_RSCP_threshold.

In case of a cell reselection occurring within the previous 15 seconds, FDD_Qoffset or TDD_Qoffset is increased by 5 dB.

- Ec/No and RSCP are the measured quantities, see subclause 8.1.5.
- FDD_RSCP_threshold equals FDD_RSCPmin – min((P_MAX – 21 dBm), 3 dB) if FDD_RSCPmin is broadcast on the serving cell, else Qrxlevmin + Pcompensation + 10 dB, if these parameters are available, otherwise the default value of FDD_RSCPmin.
- Qrxlevmin is the minimum required RX level in the UTRAN FDD cell (dBm), see 3GPP TS 25.304.
- Pcompensation is max(UE_TXPWR_MAX_RACH – P_MAX, 0) (dB), see 3GPP TS 25.304.
- UE_TXPWR_MAX_RACH is the maximum TX power level an MS may use when accessing the UTRAN FDD cell on RACH (dBm), see 3GPP TS 25.304.
- P_MAX is the maximum RF output power of the MS (dBm) in UTRAN FDD mode, see 3GPP TS 25.304.
- FDD_Qmin, FDD_Qoffset and optionally FDD_RSCPmin and FDD_Qmin_Offset are broadcast on BCCH of the serving cell.
- TDD_Qoffset is broadcast on BCCH of the serving cell.

Note 1: The parameters required to determine if the UTRAN cell is suitable are broadcast on BCCH of the UTRAN cell. An MS may start reselection towards the UTRAN cell before decoding the BCCH of the UTRAN cell, leading to a short interruption of service if the UTRAN cell is not suitable.

Note 2: If FDD_RSCPmin is broadcast, optimum GSM to UTRAN reselection performance is achieved if UTRAN cells at UTRAN coverage border areas are planned for +24 dBm UE power.

Note 3: The parameter TDD_Qoffset is an absolute threshold for reselection towards a target UTRAN TDD cell.

The MS shall store the UTRAN cell RSCP suitability criterion parameters above, whenever decoded from a UTRAN FDD cell of an equivalent PLMN while attempting to camp on the UTRAN FDD cell. The most recently decoded parameters from one UTRAN FDD cell of an equivalent PLMN are valid reselection criteria towards all UTRAN FDD cells. This list of parameters shall be cleared after PLMN selection (see 3GPP TS 23.122).

Cell reselection to UTRAN shall not occur within 5 seconds after the MS has reselected a GSM cell from an UTRAN cell if a suitable GSM cell can be found.

In case of a reselection attempt towards a barred UTRAN cell, the MS shall abandon further reselection attempts towards this UTRAN cell as defined by the T_{barred} value on the barred UTRAN cell (see 3GPP TS 25.331).

In case the highest ranked UTRAN cell is not suitable (see 3GPP TS 25.304) due to being part of the "list of forbidden LAs for roaming" or belonging to a PLMN which is not indicated as being equivalent to the registered PLMN, the MS may abandon further reselection attempts towards this UTRAN cell and all other cells on the same frequency, for a period of up to 20 min. If the MS has to perform cell selection, this limitation shall be removed.

If more than one UTRAN cell fulfils the above criteria, the MS shall select the cell with the greatest RSCP value.

6.7 Release of TCH, SDCCH and DBPSCH

6.7.1 Normal case

In *A/Gb mode*, when the MS releases all TCHs or SDCCH and returns to idle mode, packet idle mode or MAC-Idle state, it shall, as quickly as possible, camp on the cell whose channel has just been released. Similarly in *Iu mode*, when the MS releases all DBPSCHs and returns to MAC-Idle state, it shall, as quickly as possible, camp on the cell whose channel has just been released. However, in both modes (*A/Gb mode* or *Iu mode*), if the CHANNEL RELEASE message contains a 'cell selection indicator after release of all TCH and SDCCH' (see TS 44.018), the MS shall as quickly as possible camp on an indicated GSM or UTRAN cell that has been identified by the CHANNEL RELEASE message. If UTRAN frequency only is indicated the MS shall as quickly as possible camp on a suitable cell of this frequency.

In case the 'cell selection indicator after release of all TCHs and SDCCH' is not present, then if the full (P)BCCH data for that cell was not decoded in the preceding 30s, the MS shall attempt to decode the full (P)BCCH data. Until the MS has decoded the (P)BCCH data required for determining the paging group, it shall also monitor all paging blocks on timeslot 0 of the BCCH carrier or, for GPRS if PCCCH exists and for *Iu mode*, on the PDCH indicated on BCCH for possible paging messages that might address it. If the MS receives a page before having decoded the full (P)BCCH data for the cell, the MS shall store the page and respond once the relevant (P)BCCH data has been decoded, provided that the cell is not barred and the MS's access class is allowed. Reception of full BCCH(BA) information is not required before responding to the page.

If the CHANNEL RELEASE does not contain a 'cell selection indicator after release of all TCH and SDCCH', and the MS has the knowledge that the cell whose channel is being released is not suitable (see 3GPP TS 43.022), the MS is allowed to camp on any suitable cell.

If the CHANNEL RELEASE contains a 'cell selection indicator after release of all TCH and SDCCH' and

- the MS cannot find a suitable cell from the indicated ones within 10 s, or
- none of the indicated cells are suitable,

the MS is allowed to camp on any suitable cell.

NOTE: The received signal level measurements on surrounding cells made during the last 5 seconds on the TCH or SDCCH in *A/Gb mode*, or on the DBPSCH in *Iu mode*, may be averaged and used, where possible, to speed up the process. However, it should be noted that the received signal level monitoring while on the TCH or SDCCH in *A/Gb mode*, or on the DBPSCH in *Iu mode*, is on carriers in BA (SACCH), while the carriers to be monitored for cell reselection are in BA (BCCH) or BA (GPRS).

After decoding the relevant (P)BCCH data the MS shall perform cell reselection as specified in 3GPP TS 43.022.

6.7.2 Call re-establishment

In the event of a radio link failure, call re-establishment may be attempted on a GSM cell (according to the procedure in 3GPP TS 44.018). The MS shall perform the following algorithm to determine which cell to use for the call re-establishment attempt.

- i) The received signal level measurement samples taken on the carriers indicated in the BA (SACCH) received on the serving cell and on the serving cell BCCH carrier in the last 5 seconds shall be averaged, and the carrier with the highest average received signal level with a permitted NCC as indicated on the SACCH of the serving cell (see subclause 7.2) shall be taken.
- ii) On this carrier the MS shall attempt to decode the BCCH data block containing the parameters affecting cell selection.
- iii) If the cell is suitable (see 3GPP TS 43.022) and call re-establishment is allowed, call re-establishment shall be attempted on this cell.
- iv) If the MS is unable to decode the BCCH data block or if the conditions in iii) are not met, the carrier with the next highest average received signal level with a permitted NCC shall be taken, and the MS shall repeat steps ii) and iii) above.

- v) If the cells with the 6 strongest average received signal level values with a permitted NCC have been tried but cannot be used, the call re-establishment attempt shall be abandoned, and the algorithm of subclause 6.7.1 shall be performed.

The MS is under no circumstances allowed to access a cell to attempt call re-establishment later than 20 seconds after the detection within the MS of the radio link failure causing the call re-establishment attempt. In the case where the 20 seconds elapses without a successful call re-establishment the call re-establishment attempt shall be abandoned, and the algorithm of subclause 6.7.1 shall be performed.

Call re-establishment shall not be applied for voice group calls.

6.8 Abnormal cases and emergency calls

When in the limited service state (see 3GPP TS 43.022) the aim is to gain normal service rapidly and the following tasks shall be performed, depending on the conditions, as given in the table below:

- The MS shall monitor the received signal level of all RF channels within its bands of operation, and search for a BCCH carrier which has $C1 > 0$ and which is not barred. When such a carrier is found, the MS shall camp on that cell, irrespective of the PLMN identity.
- The MS shall search the strongest RF channels to determine which PLMNs are available (Manual Mode) or available and allowable (Automatic Mode). This information shall be processed according to the PLMN selection algorithm defined in 3GPP TS 43.022.
- The MS shall perform cell reselection at least among the cells of the PLMN of the cell on which the MS has camped, according to the algorithm of 3GPP TS 43.022, except that a zero value of CELL_RESELECT_HYSTERESIS shall be used.

| Condition | | | Tasks to be performed as a minimum: | | |
|-------------|---|---------------------|-------------------------------------|-----|-----|
| SIM Present | Other | MS camped on a cell | a) | b) | c) |
| X | X | No | Yes | No | No |
| No | X | Yes | No | No | Yes |
| Yes | "IMSI Unknown", "illegal MS" | Yes | No | No | Yes |
| Yes | No suitable cell of selected PLMN or "PLMN not allowed" | Yes | No | Yes | Yes |

NOTE: X = "Don't care state".

In this mode, only emergency calls may be made (and these may only be made if task c) was being performed). Powering down of the MS is permitted.

7 Network pre-requisites

7.1 BCCH carriers

The BCCH carrier shall be continuously transmitted on all timeslots.

It shall be transmitted without variation of RF level in case all timeslots on BCCH carrier are GMSK modulated and else in case of different modulated timeslots with minimum variation of RF level as specified below.

The RF power level may be ramped down between timeslots for instance to facilitate switching between RF transmitters.

A BTS that is switching transmission between two or more antennas, shall use the same antenna for transmission on a CCCH slot and the slot immediately preceding the CCCH slot (i.e. antenna switching shall be avoided immediately before a CCCH slot in order to avoid unpredictable path loss changes at this point).

For timeslots on the BCCH carrier which are transmitted with modulations other than GMSK, the output power (as defined in 3GPP TS 45.005) may be lower than the output power used for GMSK modulated timeslots. In this case, the maximum allowed difference in output power actually transmitted by the BTS is listed for each respective modulation of EGPRS and EGPRS2 in the table below. Furthermore, between a slot used for BCCH/CCCH and the slot preceding it, the difference in output power actually transmitted by the BTS shall not exceed [3 dB].

NOTE: The allowed output power decrease does not refer to a difference between nominal power levels, but to the difference in output power actually transmitted.

| | Modulation | Output Power Decrease | |
|--|------------|--------------------------|------|
| | EGPRS | 8PSK | 4 dB |
| | EGPRS2-A | 16QAM | 6 dB |
| | EGPRS2-A | 32QAM | 6 dB |
| | EGPRS2-B | QPSK | 4 dB |
| | EGPRS2-B | 16QAM | 6 dB |
| | EGPRS2-B | 32QAM | 6 dB |

The MS requirements on signal strength measurements are defined for the case when only GMSK modulation is used on the BCCH carrier. There are no defined signal strength measurement requirements for the MS if other modulations are used on the BCCH carrier.

On the PCH the network shall send valid layer 3 messages according to 3GPP TS 44.018. Unused signalling blocks on the CCCH/BCCH shall contain L2 fill frames. Other unused timeslots shall transmit dummy bursts.

The number of neighbour cell BCCH carriers in the BCCH allocation shall not exceed 32.

NOTE 1: This BCCH organization enables MS to measure the received signal level from surrounding cells by tuning and listening to their BCCH carriers. Providing that an MS tunes to the list of BCCH carriers indicated by the network it will, providing the list is sufficiently complete, have listened to all possible surrounding cells, i.e. the surrounding cell list for handover purposes is effectively defined by the MS. Refer to 3GPP TS 43.022 for definitions of the BCCH carrier lists. This can be achieved without inter-base station synchronization.

NOTE 2: If the operator decides to allow for the usage of modulation types other than GMSK on the BCCH carrier in certain cells, the cell selection, cell reselection and handover procedures involving these cells will be somewhat sub-optimal. This is due to the fact that the signal level measured by the MS at some instances in time will be affected by the possibly lower output power level of the 8-PSK modulation type used in EGPRS, and by the output power level of QPSK, 8-PSK, 16-QAM and 32-QAM modulation types used in EGPRS2, respectively, and by the power fluctuation resulting from these modulation types other than GMSK. The extent of the performance degradation is dependent upon the measurement schedule in each particular MS as well as upon the used output power decrease and the current load of the modulation types other than GMSK on the BCCH carrier. By limiting the maximum number of time slots, carrying modulation types other than GMSK, being simultaneously allowed on the BCCH carrier, and/or carefully selecting the values of involved network parameters, the impact on the above mentioned procedures may be minimised. Additionally, in areas with very low cell overlap, some coverage loss effects may have to be taken into account by the operator when selecting network parameters.

NOTE 3: In the case that QPSK, 8-PSK, 16-QAM or 32-QAM modulation s (see Note 2) are allowed on the BCCH carrier and frequency hopping including the BCCH carrier is used, the reception quality in connected mode for some fast moving MS (meaning MS experiencing Doppler frequencies of 100 Hz or more) may be degraded. This may be seen as a backwards compatibility problem for some existing MS, most likely occurring if the used APD is larger than 2 dB.

7.2 Identification of surrounding BSS for handover measurements

It is essential for the MS to identify which surrounding BSS is being measured in order to ensure reliable handover. Because of frequency re-use with small cluster sizes, the BCCH carrier frequency may not be sufficient to uniquely identify a surrounding cell, i.e. the cell in which the MS is situated may have more than one surrounding cell using the same BCCH frequency. Thus it is necessary for the MS to synchronize to and demodulate surrounding BCCH carriers and identify the base station identification code (BSIC). The MS shall be able to perform this task at levels down to the reference sensitivity level or reference interference levels as specified in 3GPP TS 45.005.

The MS shall use at least 4 spare frames per SACCH block period for the purpose of decoding the BSICs (e.g. in the case of TCH/F, the four idle frames per SACCH block period). These frames are termed "search" frames.

A 6 bit Base Station Identity Code (BSIC), as defined in 3GPP TS 23.003, shall be transmitted on each BCCH carrier. The PLMN part of the BSIC can be regarded as a "PLMN colour code".

The MS shall attempt to demodulate the SCH on the BCCH carrier of as many surrounding cells as possible, and decode the BSIC as often as possible, and as a minimum at least once every 10 seconds. A multi-RAT MS is allowed to extend this period to 13 seconds, if the neighbour cell list contains cells from other RATs and if indicated by the parameter 3G_SEARCH_Prio. The MS shall give priority for synchronisation attempts in signal strength order and considering the parameter MULTIBAND_REPORTING. A list containing information about the timing of the surrounding cells at the accuracy required for accessing a cell (see 3GPP TS 45.010) including the absolute times derived from the parameters T1, T2, T3 shall be kept by the MS. This information may be used to schedule the decoding of BSIC and shall be used in connection with handover in order to keep the switching time at a minimum. The network may provide Real Time Difference (RTD, see 3GPP TS 45.010) to assist the MS in neighbour cell synchronisation attempts. This assistance data is included in the MEASUREMENT INFORMATION message (See 3GPP TS 44.018). RTD is provided modulo one multiframe (51 TDMA frames). The resolution is either one TDMA frame, in which case the MS can assume that the cells are frame synchronised, or 1/64 TDMA frame. The MS may use other assistance data too, if received elsewhere, e.g. for position services received information. The actual number of carriers the MS is capable of synchronising to, depends on the Observed Time Difference (OTD, see 3GPP TS 45.010) for each neighbour cell and the availability of the assistance information.

If, after averaging measurement results over 2 SACCH block periods, the MS detects one or more BCCH carriers, among the 6 strongest, whose BSICs are not currently being assessed, then the MS shall as a matter of priority attempt to decode their BSICs.

In the case of a multi band MS, the MS shall attempt to decode the BSIC, if any BCCH carrier with unknown BSIC is detected among the number of strongest BCCH carriers in each band as indicated by the parameter MULTIBAND_REPORTING.

Thus an MS shall, for a period of up to 5 seconds, devote all search frames to attempting to decode these BSICs. If this fails then the MS shall return to confirming existing BSICs. Having re-confirmed existing BSICs, if there are still BCCH carriers, among the six strongest, with unknown BSICs, then the decoding of these shall again be given priority for a further period of up to 5 seconds.

The MS shall report a new strongest GSM cell in the measurement report at the latest 5 s after a new strongest cell (which is part of the BA(SACCH)) has been activated under the following network conditions: Initial serving cell at RXLEV= -70 dBm, with 6 neighbours at RXLEV= -75 dBm. Then the new BCCH carrier is switched on at RXLEV= -60 dBm.

NOTE: Because of test equipment limitations it is acceptable to activate the new carrier to replace one of the 6 neighbours.

If either no BSIC can be demodulated on a surrounding cell BCCH carrier, or the BSIC is not allowed, then the received signal level measurements on that channel shall be discarded. The allowed BSIC is either the BSIC broadcast for that carrier in the neighbour cell list or, if no BSIC is included or if indicated by the parameter INVALID_BSIC_REPORTING, a BSIC with permitted NCC part. The permitted NCCs are defined by the NCC_PERMITTED parameter transmitted in the BCCH data. This is an 8 bit map that relates to the NCC part of BSIC (e.g. NCC_PERMITTED = 01101001, defines that only carriers having a BSIC with the NCC part = 000, 011, 101, 110 shall be reported).

If a change of BSIC is detected on a carrier, then any existing received signal level measurement shall be discarded and a new averaging period commenced. This occurs when the MS moves away from one surrounding cell and closer to another co-channel cell.

If the BSIC cannot be decoded at the next available opportunities re-attempts shall be made to decode this BSIC. If the BSIC is not decoded for more than three successive attempts it will be considered lost and any existing received signal level measurement shall be discarded.

If an MS receives a handover command towards a GSM cell to which it is not synchronised to, then the MS shall search for synchronisation information up to 300 ms. In case of failure, the MS shall refer to the handover failure procedure (see 3GPP TS 44.018).

If a multi-RAT MS receives a handover command towards a not known cell (see 3GPP TS 25.133 and 3GPP TS 25.123), then the multi-RAT MS shall search for synchronisation information up to 800 ms. In case of failure, the multi-RAT MS shall refer to the handover failure procedure (see 3GPP TS 44.018).

Details of the synchronization mechanisms appear in 3GPP TS 45.010. The procedure for monitoring surrounding BTS with respect to HO measurement shall begin at least at the time of assignment of a dedicated channel.

When a BCCH carrier is found to be no longer among the reported, timing and BSIC information shall be retained for at least 10 seconds. (This is in case a handover is commanded to this cell just after the MS stops reporting RXLEV and RXQUAL on this cell).

7.3 Handover measurements on other radio access technologies

For a multi-RAT MS, the network controls the identification and measurements of cells belonging to other radio access technologies by the parameter `Qsearch_C` sent on SACCH or, if `Qsearch_C` is not received, by `Qsearch_C_Initial` sent on BCCH. `Qsearch_C` defines a threshold and also indicates whether these tasks shall be performed when RXLEV (see subclause 8.1.3) of the serving BCCH carrier is below or above the threshold. The MS may use the search frames, which are not required for BSIC decoding, for these measurements. If indicated by the parameter `3G_SEARCH_PRIO`, the MS may use up to 25 search frames per 13 seconds without considering the need for BSIC decoding in these frames.

If the serving cell is not included in the BA(SACCH) list, the dedicated channel is not on the BCCH carrier, and `Qsearch_C` is not equal to 15, the MS shall disregard the `Qsearch_C` parameter value and always search for cells belonging to other radio access technologies. If `Qsearch_C` is equal to 15, the MS shall never search for cells on other RAT.

The MS shall report a new best UTRAN cell, which is part of the neighbour cell list, at the latest 5 seconds after it has been activated under the condition that there is only one UTRAN frequency in the neighbour cell list and that no new GSM cells are activated at the same time and under good radio conditions. For test purposes the following radio conditions can be used: Serving GSM cell at RXLEV= -70 dBm, with 6 GSM neighbours at RXLEV= -75 dBm. Then either an UTRAN FDD neighbour cell or an UTRAN TDD neighbour cell is switched on. The radio conditions for the UTRAN FDD cell are as follows (see 3GPP TS 25.101 for definitions):

| Parameter | Unit | UTRAN FDD Cell |
|------------------------|--------------|-------------------|
| <i>CPICH_Ec/Ior</i> | dB | -10 |
| <i>P-CCPCH_Ec/Ior</i> | dB | -12 |
| <i>SCH_Ec/Ior</i> | dB | -12 |
| <i>PICH_Ec/Ior</i> | dB | -15 |
| <i>DPCH_Ec/Ior</i> | dB | -∞ |
| <i>OCNS_Ec/Ior</i> | dB | -0.94 |
| \hat{I}_{or}/I_{oc} | dB | 10 |
| <i>I_{oc}</i> | dBm/3.84 MHz | -70 |
| <i>CPICH_Ec/Io</i> | dB | -10.4 |
| <i>CPICH_RSCP</i> | dBm | -70 |
| FDD_MULTIRAT_REPORTING | integer | 1 |
| Qsearch_C | integer | 7 (search always) |
| 3G_SEARCH_PRIO | integer | 1 |
| Propagation Condition | AWGN | |

The radio conditions for the UTRAN TDD cell (either 3.84 Mcps TDD option or 1.28 Mcps TDD option) are as follows (see 3GPP TS 25.123 for definitions and for the values of the remaining configuration parameters):

| Parameter | Unit | UTRAN TDD Cell (3.84 Mcps option) | |
|-------------------------------|---------|--------------------------------------|-------|
| <i>Timeslot Number</i> | | 0 | 8 |
| <i>P-CCPCH_Ec/Ior</i> | dB | -3 | |
| <i>SCH_Ec/Ior</i> | dB | -9 | -9 |
| <i>SCH_t_{offset}</i> | integer | 0 | 0 |
| <i>PICH_Ec/Ior</i> | dB | | -3 |
| <i>OCNS_Ec/Ior</i> | dB | -3.12 | -3.12 |
| <i>P-CCPCH_RSCP</i> | dBm | -70 | -70 |
| TDD_MULTIRAT_REPORTING | integer | 1 | |
| Qsearch_C | integer | 7 (search always) | |
| 3G_SEARCH_PRIO | integer | 1 | |
| Propagation Condition | AWGN | | |

NOTE: On timeslot 8 the P-CCPCH is not transmitted; on that timeslot, the P-CCPCH RSCP defines the power level of the beacon channel.

| Parameter | Unit | UTRAN TDD Cell (1.28 Mcps option) | |
|------------------------|---------|--------------------------------------|-------|
| <i>Timeslot Number</i> | | 0 | DwPTS |
| <i>P-CCPCH_Ec/Ior</i> | dB | -3 | |
| <i>DwPCH_Ec/Ior</i> | dB | | 0 |
| <i>OCNS_Ec/Ior</i> | dB | -3 | |
| <i>P-CCPCH_RSCP</i> | dBm | -70 | |
| TDD_MULTIRAT_REPORTING | integer | 1 | |
| Qsearch_C | integer | 7 (search always) | |
| 3G_SEARCH_PRIO | integer | 1 | |
| Propagation Condition | AWGN | | |

The allowed reporting time is increased by 5 seconds for each additional UTRAN frequency in the neighbour cell list and by the time required for BSIC decoding of new activated GSM cells. However, multiple UTRAN cells on the same frequency in the neighbour cell list does not increase the allowed reporting time.

When on TCH, identification of a TDD cell is guaranteed only in case of single slot operation and, for the 3.84 Mcps option, if the TDD cell uses synchronisation option 2 (see 3GPP TS 25.221). In all other cases, the MS may not be able to fulfil the requirement above. If after 5 seconds the MS has not been able to identify a TDD cell, the MS is allowed to stop searching for it in the current GSM cell.

When on SDCCH, the MS may use all TDMA frames, which are not part of the assigned channel or required for GSM signal strength measurements, for the above task. In this case the allowed reporting time is 1.7 seconds, with the same assumptions as above.

A multi-RAT MS shall be able to monitor 64 cells from other radio access technologies, divided into (depending on the MS capability):

- FDD cells on up to 3 FDD frequencies, with a maximum of 32 cells per frequency
- TDD cells on up to 3 TDD frequencies, with a maximum of 32 cells per frequency; and/or
- CDMA2000 cells.

8 Radio link measurements

Radio link measurements are used in the handover and RF power control processes.

In particular, radio-subsystem directed handover is defined as a change of channel(s) during a call either because of degradation of the quality of one or more of the current serving channel(s), or because of the availability of other channel(s) which can allow communication at a lower TX power level, or to prevent a MS grossly exceeding the planned cell boundaries.

Additional measurements, so called Extended measurements, can e.g. be used for frequency planning purposes.

The measurements are made over each SACCH multiframe, which is 104 TDMA frames (480 ms) for a TCH and DBPSCH, and 102 TDMA frames (470,8 ms) for an SDCCH. Additionally, when in FPC mode, quality measurements shall also be made over each FPC reporting period. Additionally, when in EPC mode, quality measurements shall also be made over each EPC reporting period.

For a multi-RAT MS, measurements on other radio access technologies may be performed during search frames that are not required for BSIC decoding. If indicated by the parameter 3G_SEARCH_Prio, the MS may use up to 25 search frames per 13 seconds without considering the need for BSIC decoding in these frames.

8.1 Signal level

8.1.1 General

The received signal level may be employed as a criterion in the RF power control and handover processes. For cells of other radio access technology, RXLEV is replaced by the relevant measurement quantity for that radio access technology (see subclause 8.1.5).

8.1.2 Physical parameter

The R.M.S received signal level at the receiver input shall be measured by the MS and the BSS over the full range of -110 dBm to -48 dBm with an absolute accuracy of ± 4 dB from -110 dBm to -70 dBm under normal conditions and ± 6 dB over the full range under both normal and extreme conditions. The R.M.S received signal level at the receiver input shall be measured by the MS above -48 dBm up to -38 dBm with an absolute accuracy of ± 9 dB under both normal and extreme conditions.

If the received signal level falls below the reference sensitivity level for the type of MS or BSS, then the measured level shall be within the range allowing for the absolute accuracy specified above. In case the upper limit of this range is below the reference sensitivity level for the type of MS or BSS, then the upper limit shall be considered as equal to the reference sensitivity level.

The relative accuracy shall be as follows:

If signals of level x_1 and x_2 dBm are received (where $x_1 \leq x_2$) and levels y_1 and y_2 dBm respectively are measured, if $x_2 - x_1 < 20$ dB and x_1 is not below the reference sensitivity level, then y_1 and y_2 shall be such that:

$(x_2 - x_1) - a \leq y_2 - y_1 \leq (x_2 - x_1 + b)$ if the measurements are on the same or on different RF channel within the same frequency band;

and

$(x_2 - x_1) - c \leq y_2 - y_1 \leq (x_2 - x_1 + d)$ if the measurements are on different frequency bands:

a , b , c and d are in dB and depend on the value of x_1 as follows:

| | <u>a</u> | <u>b</u> | <u>c</u> | <u>d</u> |
|--------------------------------|----------|----------|----------|----------|
| $x_1 \geq s+14, x_2 < -48$ dBm | 2 | 2 | 4 | 4 |
| $s+14 > x_1 \geq s+1$ | 3 | 2 | 5 | 4 |
| $s+1 > x_1$ | 4 | 2 | 6 | 4 |

For single band MS or BTS and measurements between ARFN in the same band for a multiband MS or BTS;

s = reference sensitivity level as specified in 3GPP TS 45.005.

For measurements between ARFCN in different bands;

s = the reference sensitivity level as specified in 3GPP TS 45.005 for the band including x_1 .

At extreme temperature conditions an extra 2 dB shall be added to c and d in above table.

The selectivity of the received signal level measurement shall be as follows:

- for adjacent (200 kHz) channel ≥ 16 dB;
- for adjacent (400 kHz) channel ≥ 48 dB;
- for adjacent (600 kHz) channel ≥ 56 dB.

The selectivity shall be met using random, continuous, GSM-modulated signals with the wanted signal at the level 20 dB above the reference sensitivity level.

8.1.3 Statistical parameters

For each channel, the measured parameters (RXLEV) shall be the average of the received signal level measurement samples in dBm taken on that channel within the reporting period of length one SACCH multiframe defined in 8.4. In averaging, measurements made during previous reporting periods shall always be discarded.

When assigned a TCH or SDCCH in *A/Gb mode*, or a DBPSCH in *Iu mode*, the MS shall make a received signal level measurement:

- in every TDMA frame on at least one of the BCCH carriers indicated in the BCCH allocation (BA), one after another. Optionally, measurements during up to 8 frames per SACCH multiframe may be omitted;

As an exception, a multi-RAT MS may omit GSM measurements during up to 9 TDMA frames per SACCH multiframe and use these periods for measurements on other radio access technologies.

Furthermore, an MS on SDCCH is allowed schedule the measurements freely within the SACCH multiframe as long as the total number of measurement samples is maintained and the samples on each carrier are evenly spaced.

NOTE: These eight frames are the search frames and the frames immediately preceding the search frames, in order to allow the MS to search for BCCH synchronization (or inter-RAT measurements) over a full TDMA frame.

- for each assigned bi-directional channel, on all bursts of the associated physical channel (see 3GPP TS 45.002), including those of the SACCH. If frequency hopping is being used on the associated physical channel and if, in the BCCH Cell Options, the Power Control Indicator PWRC is set, measurements on the bursts on the BCCH frequency shall not be used in the RXLEV averaging process.

Unless otherwise specified by the operator, for any TCH or SDCCH assigned to an MS in *A/Gb mode*, or for any DBPSCH assigned to an MS in *Iu mode*, the BSS shall make a received signal level measurement on all time slots of the associated physical channel including those of the SACCH, but excluding the idle timeslots.

8.1.4 Range of parameter

The measured signal level shall be mapped to an RXLEV value between 0 and 63, as follows:

| | | | | |
|-------|----|---|------------------|----------------------|
| RXLEV | 0 | = | less than | -110 dBm + SCALE. |
| RXLEV | 1 | = | -110 dBm + SCALE | to -109 dBm + SCALE. |
| RXLEV | 2 | = | -109 dBm + SCALE | to -108 dBm + SCALE. |
| | : | | | |
| | : | | | |
| RXLEV | 62 | = | -49 dBm + SCALE | to -48 dBm + SCALE. |
| RXLEV | 63 | = | greater than | -48 dBm + SCALE. |

where SCALE is an offset that is used in the ENHANCED MEASUREMENT REPORT and PACKET ENHANCED MEASUREMENT REPORT messages, otherwise it is set to 0.

The MS shall use the SCALE value as indicated by the parameter SCALE_ORD in the MEASUREMENT INFORMATION, PACKET CELL CHANGE ORDER and PACKET MEASUREMENT ORDER messages (see 3GPP TS 44.018 and 3GPP TS 44.060). If automatic scaling mode is indicated by SCALE_ORD, the MS shall choose the lowest SCALE value that is sufficient for reporting the strongest signal level within each ENHANCED MEASUREMENT REPORT or PACKET ENHANCED MEASUREMENT REPORT message.

The MS shall indicate the used SCALE value in each individual ENHANCED MEASUREMENT REPORT or PACKET ENHANCED MEASUREMENT REPORT message (see 3GPP TS 44.018 and 3GPP TS 44.060).

8.1.5 Measurement quantity for other radio access technologies

8.1.5.1 UTRAN FDD

For UTRAN FDD cells, the measurement quantities to be used are CPICH Ec/No and CPICH RSCP and RSSI. The measurement requirements are defined in 3GPP TS 25.133.

RSCP shall be used for the cell re-selection ranking criteria. Ec/No and RSCP shall be used for a minimum quality requirement. Either RSCP or Ec/No shall be used for measurement reporting as indicated by the parameter FDD_REP_QUANT, sent on BCCH, SACCH, PBCCH and PACCH. In addition, if a frequency without scrambling code is included in the neighbour cell list, RSSI shall be reported for that frequency.

The measured value shall replace RXLEV in the measurement reports. The mapping is defined in 3GPP TS 25.133. For RSCP, the range from '-116 dBm ≤ CPICH RSCP < -115 dBm' (reported as 0) to '-53 dBm ≤ CPICH RSCP < -52 dBm' (reported as 63) is used. RSCP values below -116 dBm shall be reported as 0 and values -52 dBm and above shall be reported as 63. For RSSI, the range from '-100 dBm ≤ UTRA carrier RSSI < -99 dBm' (reported as 1) to '-38 dBm ≤ UTRA carrier RSSI < -37 dBm' (reported as 63) is used. RSSI values below -100 dBm shall be reported as 0 and values -37 dBm and above shall be reported as 63. For Ec/No, the range from '-24 dB ≤ CPICH Ec/Io < -23.5 dB' (reported as 1) to '-0.5 dB ≤ CPICH Ec/Io < 0 dB' (reported as 48) is used. Ec/No values below -24 dB shall be reported as 0 and values 0 dB and above shall be reported as 49.

8.1.5.2 UTRAN TDD

For UTRAN TDD cells, the measurement quantity to be used is P-CCPCH RSCP. The measurement requirements are defined in 3GPP TS 25.123.

NOTE: The RSCP may alternatively be measured on any beacon channel (see 3GPP TS 25.221).

The measured value shall replace RXLEV in the measurement reports. The mapping is defined in 3GPP TS 25.123. For RSCP, the range from $116 \text{ dBm} \leq \text{P-CCPCH RSCP} < -115 \text{ dBm}$ (reported as 0) to $-53 \text{ dBm} \leq \text{P-CCPCH RSCP} < -52 \text{ dBm}$ (reported as 63) is used. Values below -116 dBm shall be reported as 0 and values -52 dBm and above shall be reported as 63.

8.1.5.3 cdma2000

For cdma2000 cells, the measurement quantity to be used is PILOT_STRENGTH of the pilot. The measurement requirements are defined in TIA/EIA/IS-2000-5-A.

The measured value shall replace RXLEV in the measurement reports.

8.2 Signal quality

8.2.1 General

The received signal quality shall be employed as a criterion in the RF power control and handover processes.

8.2.2 Physical parameter

The received signal quality shall be measured by the MS and BSS in a manner that can be related to an equivalent average BER before channel decoding (i.e. chip error ratio), assessed over the reporting period of 1 SACCH block.

For FPC, the received signal quality for each E-TCH shall be measured by the MS and BSS in a manner that can be related to the average BER before channel decoding, assessed over one FPC reporting period.

In *A/Gb mode*, for each TCH or O-TCH in EPC mode, the received signal quality shall be measured by the MS in a manner that can be related to the average BER before channel decoding, assessed over all received bursts, except bursts carrying a portion of a SACCH frame, during one EPC reporting period (as specified in subclause 8.4.1b). The MS shall include all bursts, irrespective of if downlink DTX was applied or not, when reporting EPC quality. The BSS implementation of uplink EPC quality measurements is left implementation dependent.

Similarly in *Iu mode*, for each DBPSCH in EPC mode, the received signal quality shall be measured by the MS in a manner that can be related to the average BER before channel decoding, assessed over all received bursts, except bursts carrying a portion of a SACCH frame, during one EPC reporting period (as specified in subclause 8.4.1b). The MS shall include all bursts, irrespective of if downlink DTX was applied or not, when reporting EPC quality. The BSS implementation of uplink EPC quality measurements is left implementation dependent.

For example, the measurement may be made as part of the channel equalization process, decoding process, pseudo-error rate measurement etc.

NOTE 1: Bursts carrying SACCH are excluded from the measurements in EPC mode, since the interleaving depth of the SACCH frame is longer than the EPC reporting period and the inclusion of SACCH therefore would preclude the use of pseudo-error rate measurements.

NOTE 2: Since all downlink bursts are measured by the MS, EPC quality reports that are affected by downlink DTX may not be correct.

For MEAN_BEP and CV_BEP reporting purposes, the received signal quality for each channel shall be measured on a burst-by-burst basis by the MS and BSS in a manner that can be related to the BEP (Bit Error Probability) for each burst before channel decoding using, for example, soft output from the receiver.

8.2.3 Statistical parameters

8.2.3.1 RXQUAL

For each channel, the measured parameters (RXQUAL) shall be the received signal quality, averaged on that channel over the reporting period of length one SACCH multiframe defined in subclause 8.4. In averaging, measurements made during previous reporting periods shall always be discarded.

Contrary to RXLEV measurements, in calculating RXQUAL values, measurements on bursts on the BCCH carrier shall always be included in the averaging process.

For E-TCH the average BER shall for every FPC reporting period be mapped to the RXQUAL scale according to chapter 8.2.4, producing the parameter RXQUAL_FAST which is reported to the network via E-IACCH.

In *A/Gb mode*, for each TCH or O-TCH in EPC mode, the average BER shall for every EPC reporting period be mapped to the RXQUAL scale according to chapter 8.2.4, producing the parameter RXQUAL_EPC. RXQUAL_EPC is reported to the network in an EPC Downlink Quality Report via EPCCH, as specified in subclause 8.4.1b.

Similarly in *Iu mode*, for each DBPSCH in EPC mode, the average BER shall for every EPC reporting period be mapped to the RXQUAL scale according to chapter 8.2.4, producing the parameter RXQUAL_EPC. RXQUAL_EPC is reported to the network in an EPC Downlink Quality Report via EPCCH, as specified in subclause 8.4.1b.

8.2.3.2 MEAN_BEP and CV_BEP

In *A/Gb mode*, for TCH, E-TCH, O-TCH, FACCH and O-FACCH, and in *Iu mode*, for TCH, E-TCH, O-TCH, FACCH, O-FACCH, PDTCH on DBPSCH, the MS shall calculate the mean bit error probability and the coefficient of variation of the bit error probability as defined below for the last 4 consecutive slots of each fully received and correctly decoded block (see subclause 8.4.8.2) and for all SDCCH and SACCH blocks. The coefficient of variation of the bit error probability is not calculated for SACCH/T blocks.

Note: The coefficient of variation of the bit error probability is of less interest in the SACCH/T case as the four SACCH bursts are non-consecutive.

For FLO in *Iu mode*, the MS shall calculate the mean bit error probability and the coefficient of variation of the bit error probability as defined below for the last 4 consecutive slots of each fully received and correctly decoded radio packet on DBPSCH. When a radio packet is received with a TFC for which at least one transport channel that uses a CRC is active, the radio packet is considered as correctly decoded if at least one CRC is correct. When a radio packet is received with a TFC where no transport channel uses a CRC, the radio packet is always considered as correctly decoded.

- Mean Bit Error Probability (BEP) of the block:

$$MEAN_BEP_{block} = \frac{1}{4} \sum_{i=1}^4 BEP_{burst\ i}$$

- Coefficient of variation of the Bit Error Probability of the block:

$$CV_BEP_{block} = \frac{\sqrt{\frac{1}{3} \sum_{k=1}^4 \left(BEP_{burst\ k} - \frac{1}{4} \sum_{i=1}^4 BEP_{burst\ i} \right)^2}}{\frac{1}{4} \sum_{i=1}^4 BEP_{burst\ i}}$$

Note: The receiver needs to detect if a block (or radio packet in case of FLO) has been fully received (i.e. estimate whether it was fully transmitted) when DTX is used because a block (or radio packet in case of FLO) may be correctly decoded even if the last 4 slots were actually not transmitted, especially in the case of 19 interleaving.

The calculated values shall be averaged (on a linear scale) over the reporting period as follows:

$$MEAN_BEP = \text{average of } MEAN_BEP_{block}$$

$$CV_BEP = \text{average of } CV_BEP_{block}$$

In averaging, measurements made during previous reporting periods shall always be discarded.

For EGPRS, the MS shall calculate the following values for each radio block (4 bursts) addressed to it:

- Mean Bit Error Probability (BEP) of a radio block:

$$MEAN_BEP_{block} = \frac{1}{4} \sum_{i=1}^4 BEP_{burst\ i}$$

- Coefficient of variation of the Bit Error Probability of a radio block:

$$CV_BEP_{block} = \frac{\sqrt{\frac{1}{3} \sum_{k=1}^4 \left(BEP_{burst\ k} - \frac{1}{4} \sum_{i=1}^4 BEP_{burst\ i} \right)^2}}{\frac{1}{4} \sum_{i=1}^4 BEP_{burst\ i}}$$

Filtering and reporting are described in subclause 10.2.3.2.

8.2.4 Range of parameter RXQUAL

When the quality is assessed over the full-set and sub-set of frames defined in subclause 8.4, eight levels of RXQUAL are defined and shall be mapped to the equivalent BER before channel decoding as follows:

| | | | |
|----------|--------|----------------|-------------------------|
| RXQUAL_0 | | BER < 0,2 % | Assumed value = 0,14 % |
| RXQUAL_1 | 0,2 % | < BER < 0,4 % | Assumed value = 0,28 % |
| RXQUAL_2 | 0,4 % | < BER < 0,8 % | Assumed value = 0,57 % |
| RXQUAL_3 | 0,8 % | < BER < 1,6 % | Assumed value = 1,13 % |
| RXQUAL_4 | 1,6 % | < BER < 3,2 % | Assumed value = 2,26 % |
| RXQUAL_5 | 3,2 % | < BER < 6,4 % | Assumed value = 4,53 % |
| RXQUAL_6 | 6,4 % | < BER < 12,8 % | Assumed value = 9,05 % |
| RXQUAL_7 | 12,8 % | < BER | Assumed value = 18,10 % |

The assumed values may be employed in any averaging process applied to RXQUAL.

The same mapping table applies also for RXQUAL_FAST and RXQUAL_EPC.

The BER values used to define a quality band are the estimated error probabilities before channel decoding, averaged over the full set or sub set of TDMA frames as defined in subclause 8.4. The accuracy to which an MS shall be capable of estimating the error probabilities under static channel conditions is given in the following table. Note the exceptions of subclause 8.4 on some data traffic channels and PDTCH.

| Quality Band | Range of actual BER | Probability that the correct RXQUAL band is reported by MS shall exceed | | | | | |
|--------------|---------------------|---|-------------------|----------|---------------|--------------------------|-------------------------|
| | | Full rate Channel | Half rate Channel | DTX Mode | ECSD FPC mode | EPC on full rate channel | EPC on halfrate channel |
| RXQUAL_0 | Less than 0,1 % | 90 % | 90 % | 65 % | 70 % | 85 % | 85 % |
| RXQUAL_1 | 0,26 % to 0,30 % | 75 % | 60 % | 35 % | 60 % | 85 % | 80 % |
| RXQUAL_2 | 0,51 % to 0,64 % | 85 % | 70 % | 45 % | 60 % | 85 % | 75 % |
| RXQUAL_3 | 1,0 % to 1,3 % | 90 % | 85 % | 45 % | 60 % | 85 % | 75 % |
| RXQUAL_4 | 1,9 % to 2,7 % | 90 % | 85 % | 60 % | 60 % | 85 % | 80 % |
| RXQUAL_5 | 3,8 % to 5,4 % | 95 % | 95 % | 70 % | 90 % | 85 % | 80 % |
| RXQUAL_6 | 7,6 % to 11,0 % | 95 % | 95 % | 80 % | 90 % | 80 % | 80 % |
| RXQUAL_7 | Greater than 15,0 % | 95 % | 95 % | 85 % | 90 % | 70 % | 70 % |

NOTE 1: For the full rate channel RXQUAL_FULL is based on 104 TDMA frames.
NOTE 2: For the half rate channel RXQUAL_FULL is based on 52 TDMA frames.
NOTE 3: For the DTX mode RXQUAL_SUB is based on 12 TDMA frames.
NOTE 4: For the ECSD FPC mode RXQUAL_FAST is based on 4 TDMA frames.
NOTE 5: For EPC on a full rate channel, RXQUAL_EPC is based on 26 TDMA frames.
NOTE 6: For EPC on a half rate channel, RXQUAL_EPC is based on 13 TDMA frames.
NOTE 7: For EPC on a full rate or half rate channel in DTX mode, no accuracy requirements are defined.

The accuracy to which an MS shall be capable of estimating the error probabilities under TU50 channel conditions is given in the following table. Note the exception of subclause 8.4 on data channels using interleaving depth 19, on half rate speech channel, and on PDTCH.

| Range of actual BER | Expected RXQUAL_FULL | Probability that expected RXQUAL_FULL is reported shall exceed |
|---------------------|----------------------|--|
| Less than 0,1 % | RXQUAL_0/1 | 85 % |
| 0,26 % to 0,30 % | RXQUAL_1/0/2 | 85 % |
| 0,51 % to 0,64 % | RXQUAL_2/1/3 | 85 % |
| 1,0 % to 1,3 % | RXQUAL_3/2/4 | 75 % |
| 1,9 % to 2,7 % | RXQUAL_4/3/5 | 75 % |
| 3,8 % to 5,4 % | RXQUAL_5/4/6 | 90 % |
| 7,6 % to 11,0 % | RXQUAL_6/5/7 | 90 % |
| Greater than 15,0 % | RXQUAL_7/6 | 90 % |

It should be noted that in the testing, the System Simulator (SS) or (BSSTE) Base Station System Test Equipment will have to measure the average error rate over a large number of TDMA frames.

8.2.5 Range of parameters MEAN_BEP and CV_BEP

The mapping of the MEAN_BEP to the equivalent BEP and the accuracies to which an MS shall be capable of estimating the quality parameters under static channel conditions are given in the following tables for GMSK and 8-PSK respectively. The accuracy requirements below apply for sensitivity limited operation for signal levels above the reference sensitivity level for the type of MS, assuming no changes in transmitted downlink power. In *A/Gb mode*, the requirements apply for full rate TCH, E-TCH and O-TCH (no DTX). Similarly in *Iu mode*, the requirements apply to DBPSCH/F (no DTX). The estimated values are averaged (cf. subclause 8.2.3.2) over the reporting period of length 104 TDMA frames (480 ms). Furthermore, in both *A/Gb mode* and *Iu mode*, different requirements are given for EGPRS, in which case filtering according to subclause 10.2.3.2.1 with forgetting factor of 0.03 is assumed.

MEAN_BEP mapping and accuracy for GMSK

| MEAN_BEP | Range of log10(actual BEP) | Expected MEAN_BEP interval | Probability that the expected MEAN_BEP is reported shall not be lower than: | |
|-------------|----------------------------|-------------------------------|---|-------|
| | | | see NOTE *) | EGPRS |
| MEAN_BEP_0 | > -0.60 | MEAN_BEP_0/1 | 80 % | 80 % |
| MEAN_BEP_1 | -0.70 -- -0.60 | MEAN_BEP_1/0/2 | 80 % | 80 % |
| MEAN_BEP_2 | -0.80 -- -0.70 | MEAN_BEP_2/1/3 | 70 % | 75 % |
| MEAN_BEP_3 | -0.90 -- -0.80 | MEAN_BEP_3/2/4 | 70 % | 75 % |
| MEAN_BEP_4 | -1.00 -- -0.90 | MEAN_BEP_4/3/5 | 70 % | 75 % |
| MEAN_BEP_5 | -1.10 -- -1.00 | MEAN_BEP_5/4/6 | 70 % | 75 % |
| MEAN_BEP_6 | -1.20 -- -1.10 | MEAN_BEP_6/5/7 | 70 % | 75 % |
| MEAN_BEP_7 | -1.30 -- -1.20 | MEAN_BEP_7/6/8 | 70 % | 75 % |
| MEAN_BEP_8 | -1.40 -- -1.30 | MEAN_BEP_8/7/9 | 70 % | 75 % |
| MEAN_BEP_9 | -1.50 -- -1.40 | MEAN_BEP_9/8/10 | 70 % | 75 % |
| MEAN_BEP_10 | -1.60 -- -1.50 | MEAN_BEP_10/9/11 | 65 % | 70 % |
| MEAN_BEP_11 | -1.70 -- -1.60 | MEAN_BEP_11/10/12 | 65 % | 70 % |
| MEAN_BEP_12 | -1.80 -- -1.70 | MEAN_BEP_12/11/13 | 65 % | 70 % |
| MEAN_BEP_13 | -1.90 -- -1.80 | MEAN_BEP_13/12/14 | 65 % | 70 % |
| MEAN_BEP_14 | -2.00 -- -1.90 | MEAN_BEP_14/13/15 | 65 % | 70 % |
| MEAN_BEP_15 | -2.10 -- -2.00 | MEAN_BEP_15/13/14/16/17 | 70 % | 80 % |
| MEAN_BEP_16 | -2.20 -- -2.10 | MEAN_BEP_16/14/15/17/18 | 70 % | 80 % |
| MEAN_BEP_17 | -2.30 -- -2.20 | MEAN_BEP_17/15/16/18/19 | 70 % | 80 % |
| MEAN_BEP_18 | -2.40 -- -2.30 | MEAN_BEP_18/16/17/19/20 | 70 % | 80 % |
| MEAN_BEP_19 | -2.50 -- -2.40 | MEAN_BEP_19/17/18/20/21 | 70 % | 80 % |
| MEAN_BEP_20 | -2.60 -- -2.50 | MEAN_BEP_20/18/19/21/22 | 70 % | 80 % |
| MEAN_BEP_21 | -2.70 -- -2.60 | MEAN_BEP_21/19/20/22/23 | 70 % | 80 % |
| MEAN_BEP_22 | -2.80 -- -2.70 | MEAN_BEP_22/20/21/23/24 | 70 % | 80 % |
| MEAN_BEP_23 | -2.90 -- -2.80 | MEAN_BEP_23/21/22/24/25 | 70 % | 80 % |
| MEAN_BEP_24 | -3.00 -- -2.90 | MEAN_BEP_24/22/23/25/26 | 70 % | 80 % |
| MEAN_BEP_25 | -3.10 -- -3.00 | MEAN_BEP_25/22/23/24/26/27/28 | 65 % | 75 % |
| MEAN_BEP_26 | -3.20 -- -3.10 | MEAN_BEP_26/23/24/25/27/28/29 | 65 % | 75 % |
| MEAN_BEP_27 | -3.30 -- -3.20 | MEAN_BEP_27/24/25/26/28/29/30 | 65 % | 75 % |
| MEAN_BEP_28 | -3.40 -- -3.30 | MEAN_BEP_28/25/26/27/29/30/31 | 65 % | 75 % |
| MEAN_BEP_29 | -3.50 -- -3.40 | MEAN_BEP_29/26/27/28/30/31 | 80 % | 90 % |
| MEAN_BEP_30 | -3.60 -- -3.50 | MEAN_BEP_30/27/28/29/31 | 80 % | 90 % |
| MEAN_BEP_31 | < -3.60 | MEAN_BEP_31/28/29/30 | 80 % | 90 % |

NOTE *) The values in this column apply in *A/Gb mode* for full rate TCH, E-TCH and O-TCH (no DTX), and in *lu mode* for DBPSCH/F (no DTX).

MEAN_BEP mapping and accuracy for 8PSK

| MEAN_BEP | Range of log ₁₀ (actual BEP) | Expected MEAN_BEP interval | Probability that the expected MEAN_BEP is reported shall not be lower than: | |
|-------------|---|----------------------------|---|-------|
| | | | see NOTE *) | EGPRS |
| MEAN_BEP_0 | > -0.60 | MEAN_BEP_0/1/2 | 80 % | 85 % |
| MEAN_BEP_1 | -0.64 -- -0.60 | MEAN_BEP_1/0/2/3 | 80 % | 85 % |
| MEAN_BEP_2 | -0.68 -- -0.64 | MEAN_BEP_2/0/1/3/4 | 80 % | 85 % |
| MEAN_BEP_3 | -0.72 -- -0.68 | MEAN_BEP_3/1/2/4/5 | 80 % | 85 % |
| MEAN_BEP_4 | -0.76 -- -0.72 | MEAN_BEP_4/2/3/5/6 | 80 % | 85 % |
| MEAN_BEP_5 | -0.80 -- -0.76 | MEAN_BEP_5/3/4/6/7 | 80 % | 85 % |
| MEAN_BEP_6 | -0.84 -- -0.80 | MEAN_BEP_6/4/5/7/8 | 80 % | 85 % |
| MEAN_BEP_7 | -0.88 -- -0.84 | MEAN_BEP_7/5/6/8/9 | 80 % | 85 % |
| MEAN_BEP_8 | -0.92 -- -0.88 | MEAN_BEP_8/6/7/9/10 | 70 % | 80 % |
| MEAN_BEP_9 | -0.96 -- -0.92 | MEAN_BEP_9/7/8/10/11 | 70 % | 80 % |
| MEAN_BEP_10 | -1.00 -- -0.96 | MEAN_BEP_10/8/9/11/12 | 70 % | 80 % |
| MEAN_BEP_11 | -1.04 -- -1.00 | MEAN_BEP_11/9/10/12/13 | 70 % | 80 % |
| MEAN_BEP_12 | -1.08 -- -1.04 | MEAN_BEP_12/10/11/13/14 | 70 % | 80 % |
| MEAN_BEP_13 | -1.12 -- -1.08 | MEAN_BEP_13/11/12/14/15 | 70 % | 80 % |
| MEAN_BEP_14 | -1.16 -- -1.12 | MEAN_BEP_14/12/13/15/16 | 80 % | 85 % |
| MEAN_BEP_15 | -1.20 -- -1.16 | MEAN_BEP_15/13/14/16 | 80 % | 85 % |
| MEAN_BEP_16 | -1.36 -- -1.20 | MEAN_BEP_16/14/15/17 | 80 % | 85 % |
| MEAN_BEP_17 | -1.52 -- -1.36 | MEAN_BEP_17/16/18 | 90 % | 95 % |
| MEAN_BEP_18 | -1.68 -- -1.52 | MEAN_BEP_18/17/19 | 90 % | 95 % |
| MEAN_BEP_19 | -1.84 -- -1.68 | MEAN_BEP_19/18/20 | 90 % | 95 % |
| MEAN_BEP_20 | -2.00 -- -1.84 | MEAN_BEP_20/19/21 | 90 % | 95 % |
| MEAN_BEP_21 | -2.16 -- -2.00 | MEAN_BEP_21/20/22 | 80 % | 85 % |
| MEAN_BEP_22 | -2.32 -- -2.16 | MEAN_BEP_22/21/23 | 80 % | 85 % |
| MEAN_BEP_23 | -2.48 -- -2.32 | MEAN_BEP_23/22/24 | 80 % | 85 % |
| MEAN_BEP_24 | -2.64 -- -2.48 | MEAN_BEP_24/23/25 | 80 % | 85 % |
| MEAN_BEP_25 | -2.80 -- -2.64 | MEAN_BEP_25/23/24/26/27 | 80 % | 85 % |
| MEAN_BEP_26 | -2.96 -- -2.80 | MEAN_BEP_26/24/25/27/28 | 80 % | 85 % |
| MEAN_BEP_27 | -3.12 -- -2.96 | MEAN_BEP_27/25/26/28/29 | 70 % | 80 % |
| MEAN_BEP_28 | -3.28 -- -3.12 | MEAN_BEP_28/26/27/29/30 | 70 % | 80 % |
| MEAN_BEP_29 | -3.44 -- -3.28 | MEAN_BEP_29/27/28/30/31 | 70 % | 80 % |
| MEAN_BEP_30 | -3.60 -- -3.44 | MEAN_BEP_30/28/29/31 | 80 % | 90 % |
| MEAN_BEP_31 | < -3.60 | MEAN_BEP_31/29/30 | 80 % | 90 % |

NOTE *) The values in this column apply in *A/Gb mode* for full rate TCH, E-TCH and O-TCH (no DTX), and in *lu mode* for DBPSCH/F (no DTX).

For a coding on 4 bits, the 4 most significant bits are used.

NOTE1: MEAN_BEP is calculated and filtered in a linear scale but mapped to a logarithmic scale for reporting.

NOTE2: The accuracy requirements above take into account possible fluctuations of the bit error rate due to adaptiveness of receivers.

NOTE3: Testing requires measurement of the actual bit error rate and assessment of MEAN_BEP reports based on the same period of time.

The mapping table for the coefficient of variation of the channel quality is defined as follows for both 8-PSK and GMSK:

| | | | |
|----------|------|------------|------|
| CV_BEP 0 | 2.00 | > CV_BEP > | 1.75 |
| CV_BEP 1 | 1.75 | > CV_BEP > | 1.50 |
| CV_BEP 2 | 1.50 | > CV_BEP > | 1.25 |
| CV_BEP 3 | 1.25 | > CV_BEP > | 1.00 |
| CV_BEP 4 | 1.00 | > CV_BEP > | 0.75 |
| CV_BEP 5 | 0.75 | > CV_BEP > | 0.50 |
| CV_BEP 6 | 0.50 | > CV_BEP > | 0.25 |
| CV_BEP 7 | 0.25 | > CV_BEP > | 0.00 |

The accuracy requirements for CV_BEP need not be specified since they are directly linked to those for MEAN_BEP. Nevertheless, the CV_BEP measured at the MS shall be the one used by this MS.

8.3 Aspects of discontinuous transmission (DTX)

When DTX is employed on a TCH, not all TDMA frames may be transmitted. However, the following subset shall always be transmitted, except for TCH/AFS, TCH/WFS, O-TCH/WFS, TCH/AHS, O-TCH/AHS and O-TCH/WHS, and hence can be employed to assess quality and signal level during DTX.

| Type of channel | TDMA frame subset always to be transmitted TDMA frame number (FN) modulo 104 |
|----------------------------------|---|
| TCH/F | 52, 53, 54, 55, 56, 57, 58, 59 |
| TCH/HS,subchannel 0 | 0, 2, 4, 6, 52, 54, 56, 58 |
| TCH/HS,subchannel 1 | 14, 16, 18, 20, 66, 68, 70, 72 |
| TCH/H,data,subchannel 0,uplink | 52, 54, 56, 58, 60, 62, 65, 67, 69, 71 |
| TCH/H,data,subchannel 0,downlink | 56, 58, 60, 62, 65, 67, 69, 71, 73, 75 |
| TCH/H,data,subchannel 1,uplink | 70, 72, 74, 76, 79, 81, 83, 85, 87, 89 |
| TCH/H,data,subchannel 1,downlink | 66, 68, 70, 72, 74, 76, 79, 81, 83, 85 |

This subset of TDMA frames is always used for transmission during DTX. For speech TCH, when no signalling or speech is to be transmitted these TDMA frames are occupied by the SID (Silence Descriptor) frame, see 3GPP TS 46.012 and 3GPP TS 46.031 for detailed specification of the SID frame and its transmission requirements. For data TCH when no information is required to be transmitted, the L2 fill frame (see 3GPP TS 44.006 subclause 5.4.2.3) shall be transmitted as a FACCH in the TDMA frame subset always to be transmitted. For PDTCH on DBPSCH in *Iu mode*, when no information is required to be transmitted a dummy block (see 3GPP TS 44.160) shall be sent as a PACCH in the TDMA frame subset always to be transmitted.

On the SDCCH and on the half rate traffic channel TCH/H in signalling only mode DTX is not allowed. In these cases and on the TCH/F in signalling only mode when DTX is not used, the same L2 fill frame shall be transmitted in case there is nothing else to transmit.

On TCH/AFS, TCH/WFS, O-TCH/WFS, TCH/AHS, O-TCH/AHS and O-TCH/WHS, there is no fixed subset of TDMA frames that will always be transmitted during DTX. A detection algorithm is required in the receiver which informs about whether a SID_UPDATE (see 3GPP TS 45.003 and 3GPP TS 26.093) frame was transmitted (and thus can be used for quality and signal level estimation) or not.

If no FPC commands are received during a reporting period, the SACCH power command shall be used.

In *Iu mode*, when DTX is employed on a DBPSCH with PDTCH or FLO, not all TDMA frames may be transmitted. However a minimum number of blocks shall always be transmitted during DTX. When nothing but SACCH blocks are transmitted (hereafter referred to as silent period), the following rules ensure that L2 dummy blocks (see 3GPP TS 44.160) are at least transmitted, according to the configuration of the DBPSCH (see 3GPP TS 44.118):

- when 4 bursts rectangular interleaving is used on DBPSCH/F (PDTCH/F or FLO), a L2 dummy block shall be sent after every silent period of 44 TDMA frames, excluding SACCH and idle frames (i.e. 220ms).
- when 8 bursts diagonal interleaving is used on DBPSCH/F (FLO), a L2 dummy block shall be sent after every silent period of 40 TDMA frames, excluding SACCH and idle frames (i.e. 200ms).
- when 4 bursts rectangular interleaving is used on DBPSCH/H (PDTCH/H or FLO), or when 4 bursts diagonal interleaving is used on DBPSCH/H (FLO), a L2 dummy block shall be sent after every silent period of 20 TDMA frames, excluding SACCH and idle frames (i.e. 200ms).

8.4 Measurement reporting

8.4.1 Measurement reporting for the MS

In *A/Gb mode*, for a TCH and in *Iu mode*, for a DBPSCH, the reporting period of length 104 TDMA frames (480 ms) is defined in terms of TDMA frame numbers (FN) as follows:

| Timeslot number (TN) | | | TDMA frame number (FN) modulo 104 | |
|----------------------|--------------------|--------------------|-----------------------------------|---------------------|
| Full Rate | Half rate, subch.0 | Half rate, subch.1 | Reporting period | SACCH Message block |
| 0 | 0 and 1 | | 0 to 103 | 12, 38, 64, 90 |
| 1 | | 0 and 1 | 13 to 12 | 25, 51, 77, 103 |
| 2 | 2 and 3 | | 26 to 25 | 38, 64, 90, 12 |
| 3 | | 2 and 3 | 39 to 38 | 51, 77, 103, 25 |
| 4 | 4 and 5 | | 52 to 51 | 64, 90, 12, 38 |
| 5 | | 4 and 5 | 65 to 64 | 77, 103, 25, 51 |
| 6 | 6 and 7 | | 78 to 77 | 90, 12, 38, 64 |
| 7 | | 6 and 7 | 91 to 90 | 103, 25, 51, 77 |

For a multislot configuration, the reporting period and SACCH Message block for each timeslot is defined as for TCH/F or PDTCH/F or DBPSCH/F for TN = 0.

In *A/Gb mode*, when on a TCH, or in *Iu mode*, when on a DBPSCH, the MS shall assess during the reporting period and transmit to the BSS in the next SACCH message block the following:

- RXLEV for the BCCH carrier of the 6 cells with the highest RXLEV among those with known and allowed NCC part of BSIC. For a multi band MS the number of cells, for each frequency band supported, which shall be included is specified in subclause 8.4.3. For a cell of other radio access technology, see subclauses 8.1.5 and 8.4.7.

NOTE 1: Since there are 104 TDMA frames in each SACCH multiframe (and measurement in 4 frames is optional), the number of samples on each BCCH carrier will depend on the number of carriers defined in the BCCH Allocation (BA) and may be different. The following table gives examples of this.

| Number of BCCH carriers in BCCH Allocation | Number of samples per carrier in SACCH multiframe |
|--|---|
| 32 | 3-4 |
| 16 | 6-7 |
| 10 | 10-11 |
| 8 | 12-13 |
| ⋮ | ⋮ |
| ⋮ | ⋮ |

These figures are increased if the MS is able to make measurements on more than one BCCH carrier during each TDMA frame.

- **RXLEV_FULL** and **RXQUAL_FULL**:
In *A/Gb mode*, RXLEV and RXQUAL for the full set of TCH and SACCH TDMA frames. The full set of TDMA frames is either 100 (i.e. 104 - 4 idle) frames for a full rate TCH or 52 frames for a half-rate TCH. Similarly in *Iu mode* on DBPSCH, RXLEV and RXQUAL for the full set of TDMA frames. The full set of TDMA frames is either 100 frames for a full rate DBPSCH or 52 frames for a half-rate DBPSCH.
- **RXLEV_SUB** and **RXQUAL_SUB**:
RXLEV and RXQUAL for the subset of 4 SACCH frames and the SID TDMA frames/ SID_UPDATE frames/L2 fill frames/dummy blocks defined in 8.3.
In case of data traffic channels TCH/F9.6, TCH/F4.8, TCH/H4.8 and TCH/H2.4, the RXQUAL_SUB report shall include measurements on the TDMA frames given in the table of subclause 8.3 only if L2 fill frames have been received as FACCH frames at the corresponding frame positions. If no FACCH frames have been received

at the corresponding frame positions, the RXQUAL_SUB report shall include measurements on the 4 SACCH frames only. The performance requirements of subclause 8.2.4 do not apply in this case for RXQUAL_SUB. In *Iu mode*, when DTX is employed on a DBPSCH with PDTCH or FLO, RXQUAL_SUB report shall include either measurements on positions given in subclause 8.3 only if L2 dummy blocks have been received at the corresponding positions, or measurements on positions where radio blocks (PDTCH) or radio packets (FLO) were correctly received (see subclause 8.4.8.2 or 8.2.3.2 respectively). If no L2 dummy blocks have been received at the corresponding frame positions, or if no radio blocks or radio packets have been correctly received, the RXQUAL_SUB report shall include measurements on the 4 SACCH frames only. The performance requirements of subclause 8.2.4 do not apply in this case for RXQUAL_SUB.

In case of half rate speech channel TCH/HS, if an SID frame or a speech frame as defined in subclause 8.3 is replaced by an FACCH frame, the RXQUAL measurement on these frames shall be excluded from the RXQUAL SUB report. The performance requirements of subclause 8.2.4 do not apply in this case for RXQUAL SUB.

In case of half rate traffic channel TCH/H in signalling only mode, -SUB values are set equal to the -FULL values in the SACCH message, since DTX is not allowed in this case.

In the case of TCH/AFS, TCH/WFS, O-TCH/WFS, TCH/AHS, O-TCH/AHS or O-TCH/WHS, the RXLEV_SUB and RXQUAL_SUB shall take into account all detected SID_UPDATE frames in addition to the 4 SACCH frames. The performance requirements of subclause 8.2.4 for RXQUAL_SUB apply only for active DTX periods.

NOTE 2: If measurement on the BCCH carrier is not used, the number of TDMA frames used in the RXLEV averaging process may be lower than the number of TDMA frames in the set see subclause 8.1.3.

In case of a multislot configuration, the MS shall report the following according to the definition above:

- on the main SACCH: the RXLEV values from the adjacent cells, RXLEV_FULL and RXLEV_SUB from the main channel and the worst RXQUAL_FULL values and RXQUAL_SUB values from the main channel and the unidirectional channels;
- on each other bi-directional SACCH: the RXLEV values from the adjacent cells, RXLEV_FULL, RXLEV_SUB, RXQUAL_FULL and RXQUAL_SUB from the corresponding channel.

8.4.1a Measurement reporting for the MS in FPC mode

For an E-TCH, the FPC reporting period of length 4 TDMA frames (20 ms) is defined according to chapter 4.7,

When on an E-TCH using 8PSK for the uplink, the MS shall, in addition to what is specified in chapter 8.4.1, assess during the FPC reporting period and transmit to the BSS in the next scheduled FPC inband message (see chapter 4.7) the following:

- RXQUAL_FAST:
RXQUAL for the set of 4 TDMA frames.

8.4.1b Measurement reporting for the MS in EPC mode

In *A/Gb mode*, for a TCH or O-TCH in enhanced power control (EPC) mode, and in *Iu mode*, for a DBPSCH in EPC mode, the EPC reporting period of length 26 TDMA frames (120 ms) is defined in terms of TDMA frame numbers (FN) as follows:

| Timeslot number (TN) | | | TDMA frame number (FN) modulo 26 | |
|----------------------|--------------------|--------------------|----------------------------------|---------------------|
| Full rate | Half rate, subch.0 | Half rate, subch.1 | Reporting period | EPCCH Message block |
| 0,2,4,6 | 0...7 | | 0 to 25 | 12 |
| 1,3,5,7 | | 0...7 | 13 to 12 | 25 |

For a multislot configuration, the EPC reporting period and EPCCH Message block for each timeslot is defined as for a full rate channel for TN = 0.

In *A/Gb mode*, for a TCH or O-TCH in EPC mode, and in *Iu mode*, for a DBPSCH in EPC mode, the MS shall, in addition to what is specified in subclause 8.4.1, transmit an EPC Downlink Quality Report to the BSS in each scheduled

EPCCH on the uplink, containing the assessed RXQUAL_EPC (as specified in subclause 8.2.3.1). During one EPC reporting period, The RXQUAL_EPC corresponding to the previous EPC reporting period shall be reported.

In case of a multislot configuration, the MS shall report the following according to the definition above:

- on the main SACCH: the worst RXQUAL_EPC value from the main channel and the unidirectional channels;
- on each other bi-directional SACCH: the RXQUAL_EPC from the corresponding channel.

8.4.2 Measurement reporting for the MS on a SDCCH

For a SDCCH, the reporting period of length 102 TDMA frames (470.8 ms) is defined in terms of TDMA frame numbers (FN) as follows:

| | TDMA frame number (FN) modulo 102 |
|---------|--------------------------------------|
| SDCCH/8 | 12 to 11 |
| SDCCH/4 | 37 to 36 |

NOTE 1: Some SDCCH data or TCH speech, data or SID message blocks are spread over two reporting periods. In these cases, the RXLEV and/or RXQUAL information from the SDCCH or TCH message blocks may either be sent as part of the measurement report of the second period, or shared between the reports of the two periods.

When on a SDCCH, the MS shall assess during the reporting period and transmit to the BSS in the next SACCH message block the following:

- RXLEV for the BCCH carrier of the 6 cells with the highest RXLEV among those with known and allowed NCC part of BSIC. For a multi band MS the number of cells, for each frequency band supported, which shall be included is specified in subclause 8.4.3. For a cell of other radio access technology, see subclauses 8.1.5 and 8.4.7.

NOTE 2: With only 102 TDMA frames in each SACCH multiframe, the number of samples used to calculate RXLEV per BCCH carrier may be slightly different from the case of TCH described above.

- RXLEV and RXQUAL for the full set of 12 (8 SDCCH and 4 SACCH) frames within the reporting period. As DTX is not allowed on the SDCCH, -SUB values are set equal to the -FULL values in the SACCH message.

NOTE 3: If measurement on the BCCH carrier is not used, the number of TDMA frames used in the RXLEV averaging process may be lower than the number of TDMA frames in the full set see subclause 8.1.3.

8.4.3 Additional cell reporting requirements for multi band MS

For a multi band MS the number of cells, for each frequency band supported, which shall be included in the measurement report is indicated by the parameter MULTIBAND_REPORTING, broadcast on BCCH and PBCCH. An MS attached to GPRS shall use the parameter broadcast on PBCCH if it exists. In all other cases, the MS shall use the parameter broadcast on BCCH. The parameter may also be sent to the MS on SACCH.

The meaning of different values of the parameter is specified as follows:

| Value | Meaning |
|-------|---|
| 00 | Normal reporting of the six strongest cells, with known and allowed NCC part of BSIC, irrespective of the band used. |
| 01 | The MS shall report the strongest cell, with known and allowed NCC part of BSIC, in each of the frequency bands in the BA list, excluding the frequency band of the serving cell. The remaining positions in the measurement report shall be used for reporting of cells in the band of the serving cell. If there are still remaining positions, these shall be used to report the next strongest identified cells in the other bands irrespective of the band used. |

- 10 The MS shall report the two strongest cells, with known and allowed NCC part of BSIC, in each of the frequency bands in the BA list, excluding the frequency band of the serving cell. The remaining positions in the measurement report shall be used for reporting of cells in the band of the serving cell. If there are still remaining positions, these shall be used to report the next strongest identified cells in the other bands irrespective of the band used.
- 11 The MS shall report the three strongest cells, with known and allowed NCC part of BSIC, in each of the frequency bands in the BA list, excluding the frequency band of the serving cell. The remaining positions in the measurement report shall be used for reporting of cells in the band of the serving cell. If there are still remaining positions, these shall be used to report the next strongest identified cells in the other bands irrespective of the band used.

8.4.4 Common aspects for the MS on a TCH, a SDCCH or a DBPSCH

In *A/Gb mode*, whether the MS is on a TCH or a SDCCH, and in *Iu mode* when the MS is on a DBPSCH, if an SACCH message block is used for a different Layer 3 message, the measurement report that would otherwise be sent in that block is discarded and a new measurement report provided for the next SACCH message.

The MS shall also transmit a bit (DTX_USED) in the next SACCH message block, which indicates whether or not it has employed DTX during the reporting period. This bit shall be set even if just one burst in a TDMA frame in the reporting period was not transmitted due to DTX.

NOTE: A speech or user data frame subject to DTX may cross the "border" between two reporting periods, in which case both of the associated SACCH message blocks will have the DTX_USED flag set.

The measurements in the MS shall be based on the current BA list and the current NCC_PERMITTED (see table 1), available at the beginning of the reporting period. At the transition from idle mode to a TCH or a SDCCH the current BA list is the BA(BCCH), later the latest received complete BA(SACCH). A complete BA(SACCH) for a MS shall be that contained in SI 5 and additionally SI 5bis if the EXT-IND bit in the Neighbour Cell Description information element in both the SI 5 and SI 5bis messages indicates that each information element only carries part of the BA. If a SI 5ter message is subsequently received and not ignored (see 3GPP TS 44.018) the BA(SACCH) shall be modified accordingly.

At the transition from idle mode to a TCH or a SDCCH in *A/Gb mode*, and to a DBPSCH in *Iu mode*, the current NCC is the NCC_PERMITTED received on the BCCH, later the latest NCC_PERMITTED received on the SACCH. The measurement process on carriers contained in both lists is, therefore, continuous.

If the current BA list does not refer to the serving cell, e.g. after a handover, this shall be indicated and no measurement values for cells in the BA list shall be reported.

If the MS returns to the previous cell after a failure of the handover procedure the description above applies. As a consequence, a BA list (and/or NCC_PERMITTED) received on the SACCH in the cell to which the handover failed shall be regarded as the current ones, which may lead to interruptions in the measurement reporting as the BA list does not refer to the serving cell. As an option, the MS may in this case remember the last received BA list and NCC_PERMITTED in the old cell and regard those as the current ones when returning.

What is said in this subclause about the BA list also applies to the GSM neighbour cell list when using enhanced measurement reporting and to the 3G neighbour cell list for a multi-RAT MS. The rules for building of and changing between neighbour cell lists are defined in 3GPP TS 44.018.

8.4.5 Measurement reporting for the BSS

In *A/Gb mode*, unless otherwise specified by the operator, the BSS shall make the same RXLEV (full and sub) and RXQUAL (full and sub) assessments as described for the MS for all TCH's and SDCCH's assigned to an MS, using the associated reporting periods. Similarly in *Iu mode*, unless otherwise specified by the operator, the BSS shall make the same RXLEV (full and sub) and RXQUAL (full and sub) assessments as described for the MS for all DBPSCH's assigned to an MS, using the associated reporting periods. These values, together with the reported values from the MS, shall be transmitted to the BSC as described in the 3GPP TS 48.058.

8.4.6 Extended measurement reporting

When on a TCH or SDCCH in *A/Gb mode*, or when on a DBPSCH in *Iu mode*, the mobile station may receive an Extended Measurement Order (EMO) message. The mobile station shall then, during one reporting period, perform received signal level measurements according to the frequency list contained in the EMO message. BSIC decoding is not required for these frequencies. The mobile station shall then transmit the measurement results in one single Extended Measurement Report message, containing the following:

- RXLEV (as defined in subclause 8.1.4) for the carriers specified by the last received EMO message. If the EMO contains more than 21 carriers, only the 21 first carriers in the sorted EXTENDED MEASUREMENT FREQUENCY LIST (in the EMO) are measured and reported.
- DTX USED, as defined in subclause 8.4.4.

NOTE: the position of the signal strength measurement samples performed by the mobile station, and the duration of these samples are not known in a TDMA frame. Consequently, in case the signal level on the carrier the MS has to monitor is not constant, the MS will report as the RXLEV value, the signal strength measurements performed during its sampling period. This value can be different from the mean value of the signal level on the whole frame.

If reporting is not possible due to requirements to send other Layer 3 messages, the measurements shall either be discarded and new measurements scheduled at the next possible opportunity or saved and transmitted at the next possible opportunity. If extended measurements can not be reported within 10 seconds after the triggering EMO was received, they shall be discarded (and not reported).

If the EMO message contains frequencies outside the MS" frequency band, the MS shall set the corresponding RXLEV value(s) to zero.

After a successful channel change, no Extended Measurement Report shall be sent if the EMO was received before that channel change.

After having performed Extended Measurements during one reporting period, the mobile station shall resume the measurements according to the current BA list. This applies for each rescheduling of the Extended measurements.

8.4.7 Additional cell reporting requirements for multi-RAT MS

A multi-RAT MS shall report the number of best valid cells, in each supported other radio access technology/mode in the neighbour cell list, according to the value of the parameters XXX_MULTIRAT_REPORTING (XXX indicates radio access technology/mode). For UTRAN FDD, only cells with a non-reported value (from CPICH Ec/No and CPICH RSCP) equal or higher than FDD_REPORTING_THRESHOLD_2, shall be reported. The remaining positions in the measurement report shall be used for reporting of GSM cells as defined in subclause 8.4.3. If there are still remaining positions, these shall be used to report the next best valid cells in other radio access technologies. The best cell is the cell with the highest reported value (see subclause 8.1.5).

If the neighbour cell list contains a UTRAN frequency for which RSSI shall be reported, that report shall be included whenever a cell on that frequency is reported (RSSI shall be reported once per frequency occurrence in the neighbouring cell list). RSSI measurements for frequencies contained in the neighbour cell list shall be reported with high priority and shall be reported before measurements on valid 3G cell, in case of not available positions.

Note: The parameter XXX_MULTIRAT_REPORTING indicates a number of cells to be reported in a measurement report message and does not include the number of places taken by RSSI reporting in the measurement report message.

If no measurements have been performed on a cell since last report, the cell shall not be included in the report.

For UTRAN FDD, valid cells are identified cells where the primary CPICH has been received when using the scrambling code provided for that frequency in the neighbour cell list.

For UTRAN TDD, valid cells are identified cells with correct cell parameter and sync case provided for that frequency in the neighbour cell list.

For cdma2000, valid cells are identified cells with correct Pilot PN sequence offset index (PILOT_PN, as defined in TIA/EIA/IS-2000-A) provided for that frequency in the neighbour cell list.

The XXX_MULTIRAT_REPORTING parameters are broadcast on BCCH and PBCCH. An MS attached to GPRS shall use the parameters broadcast on PBCCH if it exists. In all other cases, the MS shall use the parameters broadcast on BCCH. The parameters may also be sent to the MS on SACCH.

8.4.8 Enhanced Measurement Reporting

The network may request the MS to report serving cell and neighbour cell measurements with Enhanced Measurement Report message by the parameter REPORT_TYPE, provided that BSIC for all GSM neighbour cells has been sent to the MS (See 3GPP TS 44.018). This reporting is referred as Enhanced Measurement Reporting.

If Enhanced Measurement Reporting is used, the BCCH carriers and corresponding valid BSICs of the GSM neighbour cells are sent to the MS within System Information messages and MEASUREMENT INFORMATION message (See 3GPP TS 44.018). The MEASUREMENT INFORMATION message also includes the parameters SERVING_BAND_REPORTING, MULTIBAND_REPORTING, XXX_MULTIRAT_REPORTING (XXX indicates other radio access technology/mode), XXX_REPORTING_THRESHOLD (XXX indicates GSM band or other radio access technology/mode), XXX_REPORTING_OFFSET (XXX indicates GSM band or other radio access technology/mode), REP_PRIORITY, REPORTING_RATE, INVALID_BSIC_REPORTING and optionally FDD_REPORTING_THRESHOLD_2.

Only GSM cells with the valid BSIC shall be reported unless otherwise stated.

8.4.8.1 Reporting Priority

The MS shall include the neighbour cell measurement results using the following priority order:

- 1) the number of strongest GSM cells with known and valid BSIC and with a reported value equal or greater than XXX_REPORTING_THRESHOLD, in the frequency band of the serving cell, according to the value of the parameter SERVING_BAND_REPORTING;
- 2) the number of strongest GSM cells with known and valid BSIC and with a reported value equal or greater than XXX_REPORTING_THRESHOLD, in each of the frequency bands in the BA list, excluding the frequency band of the serving cell, according to the value of the parameter MULTIBAND_REPORTING;
- 3) the number of best valid cells and with a reported value equal or greater than XXX_REPORTING_THRESHOLD, in each supported other radio access technology/mode in the 3G neighbour cell list, according to the value of the parameters XXX_MULTIRAT_REPORTING. When the radio access technology/mode is UTRAN FDD, then additionally the non-reported value (from CPICH Ec/No and CPICH RSCP) shall be equal or greater than FDD_REPORTING_THRESHOLD_2. A valid cell is defined in subclause 8.4.7.
- 4) The remaining GSM cells with known and valid BSIC or, if indicated by the parameter INVALID_BSIC_REPORTING, with known and allowed NCC part of the BSIC in any frequency band and valid cells of other radio access technologies. Except for cells with high reporting priority as indicated with by the parameter REP_PRIORITY, these cells may be reported less frequently, if indicated by the parameter REPORTING_RATE, but at least once in four consecutive measurement reports. For those cells that are not reported in every measurement report, the MS shall average the measurements of the current and the previous reporting period (i.e. over two reporting periods).

For UTRAN FDD cells within this priority level, the reporting priority shall always be based on RSCP even if Ec/No is reported and the non-reported value shall be equal or greater than FDD_REPORTING_THRESHOLD_2.

If the neighbour cell list contains a UTRAN frequency for which RSSI shall be reported, that report shall be included whenever a cell on that frequency is reported, as described in 8.4.7.

For each of the priority levels above, the following shall apply:

- if the number of valid cells is less than indicated the unused positions in the report shall be left for the lower prioritised cells;
- if there is not enough space in the report for all valid cells, the cells shall be reported that has the highest sum of the reported value (RXLEV or as defined in subclause 8.1.5) and the parameter XXX_REPORTING_OFFSET for respective radio access technology/mode. Note that this parameter shall not affect the actual reported value.

If a cell can not be reported due to lack of space in the report, then no cell with a lower value shall be reported, even if one of these cells with a lower value would fit in the report.

8.4.8.2 Measurement Reporting

The reporting period shall be as specified in 8.4.1 for the MS on a TCH in *A/Gb mode* and for the MS on a DBPSCH in *Iu mode*, and as specified in 8.4.2 for the MS on a SDCCH.

When on a TCH in *A/Gb mode*, or on a DBPSCH in *Iu mode*, the MS shall assess during the reporting period and transmit to the BSS in the next SACCH message block the following:

- RXLEV for neighbour cells in the order defined in 8.4.8.1. For a cell of other radio access technology, see subclause 8.1.5.
 - RXQUAL_FULL:
In *A/Gb mode*, RXQUAL for the full set of TCH and SACCH TDMA frames. The full set of TDMA frames is either 100 (i.e. 104 - 4 idle) frames for a full rate TCH or 52 frames for a half-rate TCH. In *Iu mode*, RXQUAL for the full set of TDMA frames on DBPSCH. The full set of TDMA frames is either 100 (i.e. 104 - 4 idle) frames for a full rate DBPSCH or 52 frames for a half-rate DBPSCH.
 - RXLEV_VAL:
The average over the reporting period of RXLEV measured on the 4 last time slots of each fully received and correctly decoded data block (as defined for MEAN_BEP and CV_BEP in 8.2.3.2) and on all SACCH frames. For speech traffic channels, blocks that have not been erased, shall be considered as correctly decoded. For non-transparent data, blocks are considered as correctly decoded according the CRC received. For transparent data, all blocks are considered as correctly decoded. FACCH blocks are considered as correctly decoded according to the CRC.
 - MEAN_BEP and CV_BEP:
The average over the reporting period of the Mean and Coefficient of Variation of the Bit Error Probability measures from blocks as defined for RXLEV_VAL above, excluding CV_BEP_{block} measurements from SACCH/T blocks (see subclause 8.2.3).
 - NBR_RCVD_BLOCKS:
The number of correctly decoded blocks, as defined for RXLEV_VAL, (excluding all SID frames, RATSCCH, SACCH, PACCH and FACCH blocks) that were completed during the measurement report period. As an exception, FACCH or PACCH blocks shall be included in the case of signalling only mode. For FLO in *Iu mode*, the procedure for reporting the number of correctly decoded transport blocks is defined in subclause 8.4.8.3.
- NOTE: In some cases more than one data frame needs to be received in order to identify a block as correctly decoded, e.g. for 14.4 data where one RLP frame consists of two consecutive blocks. In some cases a single block carries multiple RLP frames in which case it is sufficient that one of those RLP frames is correctly received.
- BSIC_SEEN:
Indicates if a GSM cell with invalid BSIC and allowed NCC part of the BSIC is one of the six strongest cells.

In case of a multislot configuration the MS shall report the following according to the definition above:

- on the main SACCH: the RXLEV values from the adjacent cells, BSIC_SEEN, RXLEV_VAL and NBR_RCVD_BLOCKS from the main channel, the worst RXQUAL_FULL value and the worst MEAN_BEP value from the main channel and the unidirectional channels and the CV_BEP value from the same channel as the reported MEAN_BEP;
- on each other bi-directional SACCH: the RXLEV values from the adjacent cells, BSIC_SEEN, RXLEV_VAL, NBR_RCVD_BLOCKS, RXQUAL_FULL, MEAN_BEP and CV_BEP from the corresponding channel.

When on a SDCCH, the MS shall assess during the reporting period and transmit to the BSS in the next SACCH message block the following:

- RXLEV for neighbour cells as defined in 8.4.8.1. For a cell of other radio access technology, see subclause 8.1.5.

- RXLEV_VAL, NBR_RCVD_BLOCKS, RXQUAL_FULL, MEAN_BEP and CV_BEP for the full set of 12 (8 SDCCH and 4 SACCH) TDMA frames within the reporting period. As DTX is not allowed on the SDCCH, measurements on all 12 TDMA frames shall be included.
- BSIC_SEEN:
Indicates if a GSM cell with invalid BSIC and allowed NCC part of the BSIC is one of the six strongest cells.

The common aspects for the MS on a TCH or a SDCCH as defined in 8.4.4 shall apply.

8.4.8.3 NBR_RCVD_BLOCKS for FLO

For reporting the number of correctly decoded transport blocks during a reporting period, the MS shall calculate the maximum number of transport blocks that can be correctly decoded during that reporting period ($NbTB_{max}$).

$NbTB_{max}$ is $24 \times$ the maximum number of active transport channels (for which a CRC is used) in a TFC of the TFCS (excluding the signalling TFC, see 3GPP TS 44.118) of the DBPSCH. If the TFCS (excluding the signalling TFC) does not contain a TFC for which at least one transport channel that uses a CRC is active, $NbTB_{max}$ becomes $24 \times$ the maximum number of active transport channel in a TFC of the TFCS (excluding the signalling TFC).

If during a reporting period, the TFCS is reconfigured by higher layers, $NbTB_{max}$ shall be the highest one among the TFCSs used during the reporting period.

When counting the correctly decoded transport blocks, the MS shall apply the two following principles:

- when a radio packet is received with the signalling TFC (the first one, the one for which the TFCI=0, see 3GPP TS 44.118), the transport block(s) it carries is(are) not counted; and
- transport blocks are considered as correctly decoded according the CRC received. If there is no CRC, the transport block is not counted unless the TFCS (excluding the signalling TFC) does not contain a TFC for which at least one transport channel that uses a CRC is active, in which case all received transport blocks are considered as correctly decoded.

NBR_RCVD_BLOCKS is obtained by truncating the least significant bit(s) of the binary representation of the number of correctly decoded transport blocks according to the table below:

Table 8.4.8.2: Truncation

| NbTBmax | Truncation |
|---------|------------|
| 0 -31 | none |
| 32 -63 | 1 LSB |
| > 63 | 2 LSB |

8.5 Absolute MS-BTS distance

8.5.1 General

The Absolute MS-BTS distance may be employed by the network as a criterion in the handover processes.

8.5.2 Physical parameter

The information being used by the BSS to perform "adaptive frame alignment" (3GPP TS 45.010) in the MS is a representation of the absolute distance of the MS to the serving BTS.

This absolute distance may be used by the BSS to prevent MS from grossly exceeding the planned cell boundaries.

The allowable distance is administered on a cell by cell basis by the network operator.

9 Control parameters

A non-exhaustive list of parameters employed to control the radio links are shown in tables 1 and 2.

Table 1: Radio sub-system link control parameters

| Parameter name | Description | Range | Bits | Channel |
|--------------------------|--|-------|------|-----------------------|
| BSIC | Base Station Identification Code | 0-63 | 6 | SCH D/L |
| BA | BCCH Allocation | - | - | BCCH D/L |
| BA_IND | Sequence number of BA | 0/1 | 1 | BCCH D/L SACCH D/L |
| 3G_BA_IND | Sequence number of 3G neighbour cell list | 0/1 | 1 | BCCH D/L SACCH D/L |
| MS_TXPWR_MAX_CCH | The maximum TX power level an MS is allowed to use when accessing the system until otherwise commanded. | 0/31 | 5 | BCCH D/L |
| LB_MS_TXPWR_MAX_CCH | The maximum TX power level an MS is allowed to use on all other than DCS 1800 and PCS 1900 frequency bands when accessing the system until otherwise commanded. 0 = 43 dBm, 1 = 41 dBm, 2 = 39 dBm, ..., 18 = 7 dBm, 19 = 5 dBm, 20 = 5 dBm, ..., 31 = 5 dBm. | 0-31 | 5 | BCCH D/L |
| POWER OFFSET | The power offset will be used in conjunction with the MS_TXPWR_MAX_CCH parameter by the class 3 DCS 1 800 MS: 0 = 0 dB 1 = 2 dB 2 = 4 dB 3 = 6 dB | 0-3 | 2 | BCCH D/L |
| RXLEV_ACCESS_MIN | Minimum received signal level at the MS required for access to the system. | 0-63 | 6 | BCCH D/L |
| RADIO_LINK_TIMEOUT | The maximum value of the radio link counter 4-64 SACCH blocks, 15 steps of 4 SACCH blocks | - | 4 | BCCH D/L SACCH D/L |
| CELL_RESELECT_HYSTERESIS | RXLEV hysteresis for required cell re-selection. 0-14 dB, 2 dB steps, i.e. 0 = 0 dB, 1 = 2 dB, etc. | 0-7 | 3 | BCCH D/L |
| NCC_PERMITTED | Bit map of NCCs for which the MS is permitted to report measurement results. Bit map relates to NCC part of BSIC. | - | 8 | BCCH D/L SACCH D/L |
| CELL_BAR_ACCESS | See table 1a. | 0/1 | 1 | BCCH D/L |
| CELL_BAR_QUALIFY | See table 1a. | 0/1 | 1 | BCCH D/L |
| CELL_BAR_QUALIFY_3 | See tables 1b and 1c. | 0-3 | 2 | BCCH D/L |
| CELL_RESELECT_OFFSET | Applies an offset to the C2 reselection criterion. 0 - 126 dB, 2 dB steps, i.e. 0 = 0 dB, 1 = 2 dB, etc. | 0-63 | 6 | BCCH D/L |
| TEMPORARY_OFFSET | Applies a negative offset to C2 for the duration of PENALTY_TIME. 0 - 60 dB, 10 dB steps i.e. 0 = 0 dB, 1 = 10 dB, etc. and 7 = infinity | 0-7 | 3 | BCCH D/L |
| PENALTY_TIME | Gives the duration for which the temporary offset is applied. 20 to 620 s, 20 s steps, i.e. 0 = 20 s, 1 = 40 s, etc. 31 is reserved to indicate that CELL_RESELECT_OFFSET is subtracted from C2 and TEMPORARY_OFFSET is ignored. | 0-31 | 5 | BCCH D/L |
| LSA_OFFSET | Applies an offset to be used for LSA cell re-selection between cells with the same LSA priorities. 0 = 0 dB, 1 = 4 dB, 2 = 8 dB, 3 = 16 dB, 4 = 24 dB, 5 = 32 dB, 6 = 48 dB, 7 = 64 dB | 0-7 | 3 | BCCH D/L |
| PRIO_THR | The PRIO signal strength threshold is related to RXLEV_ACCESS_MIN. 0 = 0 dB, 1 = 6 dB, 2 = 12 dB, 3 = 18 dB 4 = 24 dB, 5 = 30 dB, 6 = 36 dB, 7 = ∞ dB | 0-7 | 3 | BCCH D/L |

| |
|------------------|
| <i>continued</i> |
|------------------|

| Parameter name | Description | Range | Bits | Channel |
|-------------------|--|-------|------|----------|
| LSA ID | The LSA identities for the cell | | | BCCH D/L |
| Qsearch_I | Search for 3G cells if signal level is below (0-7) or above (8-15) threshold 0 = - 98 dBm, 1 = - 94 dBm, ... , 6 = - 74 dBm, 7 = ∞ (always) 8 = - 78 dBm, 9 = - 74 dBm, ... , 14 = - 54 dBm, 15 = ∞ (never). Default value = ∞ (never). | 0-15 | 4 | BCCH D/L |
| Qsearch_C_Initial | Indicates the Qsearch value to be used in connected mode before Qsearch_C is received, 0 = use Qsearch_I, 1 = ∞ (always). Default value = use Qsearch_I. | 0/1 | 1 | BCCH D/L |
| FDD_Qoffset | Applies an offset to RLA_C for UTRAN FDD cell re-selection 0 = - ∞ (always select a cell if acceptable), 1 = -28 dB, 2 = -24 dB, ... , 15 = 28 dB. Default value = 0 dB. | 0-15 | 4 | BCCH D/L |
| TDD_Qoffset | An absolute threshold of RSCP for UTRAN TDD cell re-selection, 0 = -105dBm, 1 = -102dBm, 2=-99dBm, 3 = -96dBm, 4 = -93dBm, 5 = -90dBm, 6 = -87dBm, 7 = -84dBm, 8 = -81dBm, 9 = -78dBm, 10 = -75dBm, 11 = -72dBm, 12 = -69dBm, 13 = -66dBm, 14 = -63dBm, 15 = -60dBm. Default value = -90dBm. | 0-15 | 4 | BCCH D/L |
| FDD_Qmin | A minimum threshold for Ec/No for UTRAN FDD cell re-selection, 0= -20dB, 1= -6dB, 2= -18dB, 3= -8dB, 4= -16dB, 5= -10dB, 6= -14dB, 7= -12dB. Default value= -12dB. | 0-7 | 3 | BCCH D/L |
| FDD_Qmin_Offset | Applies an offset to FDD_Qmin value, 0 = 0 dB, 1 = 2 dB, 2 = 4 dB, 3 = 6 dB, 4 = 8 dB, 5 = 10 dB, 6 = 12 dB, 7 = 14 dB. Default value = 0 dB. | 0-7 | 3 | BCCH D/L |
| FDD_RSCPmin | A minimum threshold of RSCP for UTRAN FDD cell re-selection, 0 = -114 dBm, 1 = -112 dBm, 2 = -110 dBm, 3 = -108 dBm, 4 = -106 dBm, 5 = -104 dBm, 6 = -102 dBm, 7 = -100 dBm, 8 = -98 dBm, 9 = -96 dBm, 10 = -94 dBm, 11 = -92 dBm, 12 = -90 dBm, 13 = -88 dBm, 14 = -86 dBm, 15 = -84 dBm. Default value = -102 dBm. | 0-15 | 4 | BCCH D/L |

Table 1a: Parameters affecting cell priority for cell selection for A/Gb mode only capable mobile station.

| CBQ3 | CBQ | CBA | Cell selection priority | Status for cell reselection |
|------|-----|-----|-------------------------|---------------------------------|
| XX | 0 | 0 | Normal (A/Gb mode) | Normal (A/Gb mode) |
| XX | 0 | 1 | Barred (A/Gb mode) | Barred (A/Gb mode) |
| XX | 1 | 0 | Low (A/Gb mode) | Normal (A/Gb mode) (see note 2) |
| XX | 1 | 1 | Low (A/Gb mode) | Normal (A/Gb mode) (see note 2) |

Table 1b: Parameters affecting cell priority for cell selection for a mobile station supporting both A/Gb and Iu modes.

| CBQ3 | CBQ | CBA | Cell selection priority | Status for cell reselection |
|------|-----|-----|--|--|
| 00 | 0 | 0 | Normal (<i>A/Gb mode</i>) (see note 4) | Normal (<i>A/Gb mode</i>) (see note 4) |
| 00 | 0 | 1 | Barred (<i>A/Gb and Iu modes</i>) (see note 4) | Barred (<i>A/Gb and Iu modes</i>) (see note 4) |
| 00 | 1 | 0 | Low (<i>A/Gb mode</i>) (see note 4) | Normal (<i>A/Gb mode</i>) (see notes 2 and 4) |
| 00 | 1 | 1 | Low (<i>A/Gb mode</i>) (see note 4) | Normal (<i>A/Gb mode</i>) (see notes 2 and 4) |
| 01 | X | X | Barred (<i>A/Gb and Iu modes</i>) (see note 5) | Barred (<i>A/Gb and Iu modes</i>) (see note 5) |
| 10 | X | X | Normal (<i>Iu mode</i>) (see note 6) | Normal (<i>Iu mode</i>) (see note 6) |
| 11 | X | X | Normal (<i>Iu mode</i>) (see note 6) | Normal (<i>Iu mode</i>) (see note 6) |

Table 1c: Parameters affecting cell priority for cell selection for Iu mode only capable mobile station.

| CBQ3 | CBQ | CBA | Cell selection priority | Status for cell reselection |
|------|-----|-----|--|--|
| 00 | X | X | Barred (<i>Iu mode</i>) (see note 4) | Barred (<i>Iu mode</i>) (see note 4) |
| 01 | X | X | Barred (<i>Iu mode</i>) (see note 5) | Barred (<i>Iu mode</i>) (see note 5) |
| 10 | X | X | Normal (<i>Iu mode</i>) (see note 6) | Normal (<i>Iu mode</i>) (see note 6) |
| 11 | X | X | Normal (<i>Iu mode</i>) (see note 6) | Normal (<i>Iu mode</i>) (see note 6) |

For an *Iu mode* capable MS, if all the following conditions are met, then the "Cell selection priority" and the "Status for cell reselection" shall be set to normal (*Iu mode*):

- the cell belongs to the MS HPLMN if no EHPLMN list is available or is empty, or the cell belongs to any PLMN defined in the EHPLMN list;
- the MS is in cell test operation mode;
- the CELL_BAR_QUALIFY_3 is set to "01";
- the Access Control class 15 is barred;

Otherwise, if the MS is *A/Gb mode* capable, if all the following conditions are met, then the "Cell selection priority" and the "Status for cell reselection" shall be set to normal (*A/Gb mode*):

- the cell belongs to the MS HPLMN if no EHPLMN list is available or is empty, or the cell belongs to any PLMN defined in the EHPLMN list;
- the MS is in cell test operation mode;
- the CELL_BAR_ACCESS is set to "1";
- the CELL_BAR_QUALIFY is set to "0";
- the Access Control class 15 is barred.

NOTE 1: A low priority cell is only selected if there are no suitable cells of normal priority (see 3GPP TS 43.022).

NOTE 2: Two identical semantics are used for cross phase compatibility reasons. This allows an operator to declare a cell always as a low priority one for a phase 2 MS, but keeps the opportunity for an operator to decide whether a phase 1 MS is permitted to camp on such a cell or not.

NOTE 3: void

NOTE 4: *Iu mode* not supported.

NOTE 5: The cell is barred against the MSs supporting *Iu mode*.

NOTE 6: *Iu mode* supported and the *Iu mode* capable MS shall access *Iu mode*.

NOTE 7: In case an optional parameter is not included in a point-to-point signalling message, the default value of that parameter shall replace any previously broadcast value, where applicable.

Table 2: Handover and power control parameters - slow ACCH

| Parameter name | Description | Range | Bits | Message |
|--|---|-------|------|-----------------------------|
| MS_TXPWR_REQUEST (ordered MS power level) | The power level to be used by an MS | 0-31 | 5 | L1 header downlink |
| MS_TXPWR_CONF. (actual MS power level) | Indication of the power level in use by the MS. | 0-31 | 5 | L1 header uplink |
| POWER_LEVEL | The power level to be used by an MS on the indicated channel | 0-31 | 5 | HO/assignment command |
| RXLEV_FULL_SERVING_CELL | The RXLEV in the current serving cell accessed over all TDMA frames | 0-63 | 6 | Measurement results |
| RXLEV_SUB_SERVING_CELL | The RXLEV in the current serving cell accessed over a subset of TDMA frames | 0-63 | 6 | Measurement results |
| RXQUAL_FULL_SERVING_CELL | The RXQUAL in the current serving cell, assessed over all TDMA frames. | 0-7 | 3 | Measurement results |
| RXQUAL_SUB_SERVING_CELL | The RXQUAL in the current serving a cell, assessed over subset of TDMA frames. | 0-7 | 3 | Measurement results |
| DTX_USED | Indicates whether or not the MS used DTX during the previous measurement period. | - | 1 | Measurement results |
| BA_USED | Value of BA_IND for BCCH allocation used | 0/1 | 1 | Measurement results |
| 3G_BA_USED | Value of 3G_BA_IND for the 3G neighbour cell list | 0/1 | 1 | Measurement results |
| RXLEV_NCELL_(1-6) | The RXLEV assessed on BCCH carrier as indicated in the BCCH Allocation | 0-63 | 6 | Measurement results |
| BCCH_FREQ_NCELL_(1-6) | The BCCH carrier RF channel number in NCELL. | 0-31 | 5 | Measurement results |
| BSIC_NCELL_(1-6) | Base station identification code for NCELL. | 0-63 | 6 | Measurement results |
| MULTIBAND_REPORTING | Indication of the number of cells to be reported for each band in multiband operation. | 0-3 | 2 | BCCH D/L SACCH D/L |
| SCALE | Indication of the offset, which applies for the reported RXLEV values. 0 = 0 dB, 1 = +10 dB | 0-1 | 1 | Enhanced Measurement Report |
| SCALE_ORD | Indication of the offset, which shall be used for the reported RXLEV values. 0 = +0 dB, 1 = + 10 dB, 2 = automatic Default value = 0 dB. | 0-2 | 2 | SACCH D/L |
| Qsearch_C | Search for 3G cells if signal level below threshold (0-7): - 98, - 94, ... , - 74 dBm, ∞ (always) or above threshold (8-15): - 78, - 74, ... , - 54 dBm, ∞ (never) | 0-15 | 4 | SACCH D/L |
| REPORT_TYPE | Indicates which report type the MS shall use, 0 = enhanced, 1 = normal Default value = normal | 0/1 | 1 | BCCH D/L SACCH D/L |
| XXX_MULTIRAT_REPORTING | The number of cells from the access technology/mode XXX (one or more) that shall be included in the list of strongest cells or in the measurement report. | 0-3 | 2 | BCCH D/L SACCH D/L |
| SERVING_BAND_REPORTING | The number of cells from the GSM serving frequency band that shall be included in the list of strongest cells or in the measurement report. Default value = 3 | 0-3 | 2 | BCCH D/L SACCH D/L |

continued

| Parameter name | Description | Range | Bits | Message |
|--|--|----------------------|---------------|-----------------------|
| REP_PRIORITY | Indicates the reporting priority per cell, 0 = normal, 1 = high Default value = normal | 0/1 | 1 | SACCH D/L |
| REPORTING_RATE | Indicates the allowed reporting rate, 0 = normal, 1 = reduced. Default value = normal. | 0/1 | 1 | SACCH D/L |
| INVALID_BSIC_REPORTING | Indicates if GSM cells with invalid BSIC and allowed NCC part may be reported, 0 = no, 1 = yes. Default value = no. | 0/1 | 1 | SACCH D/L |
| XXX_REPORTING_THRESHOLD | Apply priority reporting if the reported value is above threshold for GSM frequency band or access technology/mode XXX (one or more), 0, 6, ... , 36, ∞ (never). Default value = always. | 0-7 | 3 | SACCH D/L |
| FDD_REPORTING_THRESHOLD_2 | Reporting threshold for the CPICH parameter (Ec/No or RSCP) that is not reported according to FDD_REP_QUANT. Default value = 0 (disabled) | 0-63 | 6 | BCCH D/L SACCH D/L |
| XXX_REPORTING_OFFSET | Apply an offset to the reported value when prioritising the cells for reporting for GSM frequency band or access technology/mode XXX (one or more), 0, 6, ... , 42 dB. Default value = 0 dB. | 0-7 | 3 | SACCH D/L |
| FDD_REP_QUANT | Indicates the reporting quantity for UTRAN FDD cells, 0 = RSCP, 1 = Ec/No | 0/1 | 1 | BCCH D/L SACCH D/L |
| 3G_SEARCH_PRIO | Indicates if 3G cells may be searched when BSIC decoding is required, 0 = no, 1 = yes Default value = yes | 0/1 | 1 | SACCH D/L |
| RTD | The real time difference to other GSM cells, modulo 51 TDMA frames, step: 1 or 1/64 TDMA frame | 0-50 or 0-3263 | 6 or 12 | SACCH D/L |
| NOTE 1: RXLEV and RXQUAL fields are coded as described in clause 8. | | | | |
| NOTE 2: BCCH_FREQ_NCELL_(1-6) is coded in accordance with 3GPP TS 44.018 as the position in the list of BA carriers. | | | | |
| NOTE 3: For the details of the Measurement Result message see 3GPP TS 44.018. | | | | |

10 GPRS mode tasks

10.1 Cell Re-selection

In *A/Gb mode*, in GMM Standby and GMM Ready states, cell re-selection is performed by the MS, except when the MS has an ongoing circuit switched connection (e.g. while in dual transfer mode), in which case the cell is determined by the network according to the handover procedures (see subclause 3). When the circuit switched connection is released, the MS shall resume cell re-selection (see subclause 6.7.1).

In *Iu mode*, in RRC-Idle and RRC-Connected modes, cell re-selection is performed by the MS, except while in RRC-Cell_Dedicated state, in which case the cell is determined by the network according to the handover procedures (see subclause 3). When the MS leaves the RRC-Cell_Dedicated state, the MS shall resume cell re-selection (see subclause 6.7.1).

The cell re-selection procedures defined in subclauses 10.1.1 to 10.1.3 apply in *A/Gb mode* to the MSs attached to GPRS if a PBCCH exists in the serving cell. In *Iu mode* these procedures apply always.

In *A/Gb mode*, if PBCCH does not exist, the criteria and algorithms defined in subclauses 10.1.2 and 10.1.3 shall also apply if one or more cells are provided to the MS in a Packet Cell Change Order or Packet Measurement Order message (3GPP TS 44.060). In this case, the MS shall convert the idle mode cell re-selection parameters, received for the other cells according to clause 6, to GPRS cell re-selection parameters according to table 3a and use the same procedures, except that the MS may measure received signal strength in packet idle mode according to either subclause 6.6.1 or subclause 10.1.1.

Otherwise the MS shall perform cell re-selection according to the idle mode procedures defined in clause 6, except that the MS is only required to monitor full system information on BCCH of the serving cell if indicated by change mark on BCCH or PACCH. If PBCCH exists, the MS is not required to monitor system information on BCCH of the serving cell or any system information of the non-serving cells and only required to monitor system information on PBCCH of the serving cell if indicated by change mark on PBCCH, PCCCH or PACCH.

For both cases (with or without PBCCH), the details of system information monitoring are specified in 3GPP TS 44.060 and 3GPP TS 44.160.

In packet transfer mode, broadcast/multicast receive mode or MAC-Shared state, the MS shall always measure received signal strength according to subclause 10.1.1.

The cells to be monitored for cell re-selection are defined in the BA(GPRS) list, which is broadcast on PBCCH. If PBCCH does not exist, BA(GPRS) is equal to BA(BCCH).

In addition, the network may control the cell selection as defined in subclause 10.1.4.

For a multi-RAT MS, cell re-selection to other radio access technologies shall also be possible. If PBCCH exists, the procedures in subclause 10.1.1.3 and 10.1.3.2 shall apply. In *A/Gb mode*, if PBCCH does not exist, the criteria and algorithms defined in subclauses 10.1.1.3 and 10.1.3.2 shall also apply if GPRS cell re-selection parameters for one or more cells are provided to the MS in a Packet Cell Change Order or Packet Measurement Order message; otherwise the idle mode procedures in subclause 6 shall apply.

10.1.1 Monitoring the received signal level and PBCCH data

The MS shall measure the received RF signal level on the BCCH carriers of the serving cell and the surrounding cells as indicated in the BA(GPRS) list and optionally the NC_FREQUENCY_LIST, and calculate the received level average (RLA_P) for each carrier.

In addition the MS shall verify the BSIC of the BCCH carriers. Only cells with allowed BSIC shall be considered for re-selection. The allowed BSIC is either a valid BSIC or, for cells in BA(BCCH) where no BSIC is broadcast, a BSIC with allowed NCC part (see subclause 7.2). A valid BSIC is a BSIC broadcast for that carrier in the BA(GPRS) list.

In addition to what is described in subclauses 10.1.1.1 and 10.1.1.2, an MS supporting SoLSA with SoLSA subscription shall attempt to decode BSIC for the 6 strongest carriers, with LSA IDs to which the MS subscribes. At least one carrier shall be searched every 5 minutes, one after another. In the case the MS has been able to decode the BSIC, the rules described in 10.1.3 shall be followed. The LSA IDs of the carriers are broadcast on PBCCH of the serving cell.

10.1.1.1 Packet idle mode or MAC-Idle state

Whilst in packet idle mode or MAC-Idle state an MS shall continuously monitor all BCCH carriers as indicated by the BA(GPRS) list and the BCCH carrier of the serving cell. At least one received signal level measurement sample on each BCCH carrier shall be taken for each paging block monitored by the MS according to its current DRX mode and its paging group. As the minimum MS shall take one measurement for each BCCH carrier for every 4 second. As the maximum, the MS is however not required to take more than 1 sample per second for each BCCH carrier.

RLA_P shall be a running average determined using samples collected over a period of 5 s to $\text{Max}\{5s, \text{five consecutive paging blocks of that MS}\}$, and shall be maintained for each BCCH carrier. The same number of measurement samples shall be taken for all BCCH carriers, and the samples allocated to each carrier shall as far as possible be uniformly distributed over the evaluation period. At least 5 received signal level measurement samples are required for a valid RLA_P value.

The list of the 6 strongest non-serving carriers shall be updated at a rate of at least once per running average period.

The MS shall attempt to check the BSIC for each of the 6 strongest non-serving cell BCCH carriers at least every 14 consecutive paging blocks of that MS or 10 seconds, whichever is greater. If a change of BSIC is detected then the carrier shall be treated as a new carrier.

In the case of a multiband MS, the MS shall attempt to decode the BSIC, if any BCCH carrier with unknown BSIC is detected among the number of strongest BCCH carriers in each band as indicated by the parameter MULTIBAND_REPORTING (see subclause 8.4.3), broadcast on PBCCH, or if PBCCH does not exist, on BCCH.

When requested by the user, the MS shall determine which PLMNs are available as described in subclause 6.6.1. However, for MSs without DRX or with short DRX period (see 3GPP TS 45.002), considerable interruptions to the monitoring of PPCH or PCH can not be avoided.

When PBCCH is not present in the serving cell and the network controlled cell reselection mode (see subclause 10.1.4) is not set to NC2, the MS shall follow the procedures specified in section 6.6.1 for the acquisition and periodic verification of the parameters affecting cell reselection for the non-serving cells.

10.1.1.2 Packet transfer mode or MAC-Shared state

Whilst in packet transfer mode or MAC-Shared state an MS shall continuously monitor all BCCH carriers as indicated by the BA(GPRS) list and the BCCH carrier of the serving cell. In every TDMA frame, a received signal level measurement sample shall be taken on at least one of the BCCH carriers, one after the other. Optionally, measurements during up to 8 TDMA frames per PDCH multiframe may be omitted if required for BSIC decoding or multi-RAT measurements.

RLA_P shall be a running average determined using samples collected over a period of 5 s, and shall be maintained for each BCCH carrier. The same number of measurement samples shall be taken for all BCCH carriers except, if the parameter PC_MEAS_CHAN indicates that the power control measurements shall be made on BCCH (see subclause 10.2.3.1.2), for the serving cell where at least 6 measurement samples shall be taken per 52-multiframe. The samples allocated to each carrier shall as far as possible be uniformly distributed over the evaluation period. At least 5 received signal level measurement samples are required for a valid RLA_P value.

In some allowed multislot configurations (see 3GPP TS 45.002) the MS is not able to perform normal received signal level measurements within the TDMA frame. In this case, the MS shall perform the measurements whenever possible according to its measurement capability (see 3GPP TS 45.002). For downlink packet transfer using any medium access mode (see 3GPP TS 44.060), the MS shall perform the measurements during the block period where the polling response is sent (T_{ra} shall apply).

NOTE 1: The network is responsible for providing the necessary opportunities to ensure that the MS will perform the required number of measurements.

The MS shall attempt to check the BSIC for as many non-serving cell BCCH carriers as possible and as often as possible, and at least every 10 seconds. A multi-RAT MS is allowed to extend this period to 13 seconds, if the neighbour cell list contains cells from other RATs and if indicated by the parameter 3G_SEARCH_PRIOR. The MS shall use the two Idle frames of the PDCH multiframe for this purpose. These frames are termed 'search' frames. A list containing BSIC and timing information for these strongest carriers at the accuracy required for accessing a cell (see 3GPP TS 45.010) including the absolute times derived from the parameters T1, T2, T3 shall be kept by the MS. This information may be used to schedule the decoding of BSIC and shall be used when re-selecting a new cell in order to keep the switching time at a minimum. When a BCCH carrier is found to be no longer among the reported, BSIC and timing information shall be retained for 10 seconds. (This is in case a cell re-selection command to this cell is received just after the MS has stopped reporting that cell, see subclause 10.1.4.2).

In some allowed multislot configurations (see 3GPP TS 45.002) the MS is not able to perform BSIC decoding or multi-RAT measurements. In this case, except when the MS performs FCCH search or when the SCH burst falls into the available search window, the MS may:

- (a) either skip the last transmission burst in the frame immediately preceding the idle frame;
- (b) or skip the first reception burst in the frame immediately following the idle frame;
- (c) or delay the transmission of an (E)GPRS RLC/MAC block for data transfer occurring in the radio block period whose last timeslot allocated for such block immediately precedes the idle frame to next available uplink radio block period and in this case the MS may not perform transmission on that timeslot in the block period;

in order to comply to the requirement to verify and decode BSIC information, or in order to perform multi-RAT measurements.

If, after averaging measurement results over 4 PDCH multiframes (1 sec), the MS detects one or more BCCH carriers, among the 6 strongest, whose BSICs are not currently being assessed, then the MS shall as a matter of priority attempt to decode their BSICs.

In the case of a multiband MS, the MS shall attempt to decode the BSIC, if any BCCH carrier with unknown BSIC is detected among the number of strongest BCCH carriers in each band as indicated by the parameter MULTIBAND_REPORTING (see subclause 8.4.3), broadcast on PBCCH, or if PBCCH does not exist, on BCCH.

Thus an MS shall, for a period of up to 5 seconds, devote all search frames to attempting to decode these BSICs. If this fails then the MS shall return to confirming existing BSICs. Having re-confirmed existing BSICs, if there are still BCCH carriers, among the six strongest, with unknown BSICs, then the decoding of these shall again be given priority for a further period of up to 5 seconds.

The MS shall be able to send the first packet random access (PRACH) at the latest 5+x seconds after a new strongest cell (which is part of the BA(GPRS)) has been activated under the following network conditions: Initial serving cell at RXLEV= -70 dBm, with 6 neighbours at RXLEV= -75 dBm. Then the new BCCH carrier is switched on at RXLEV= -60 dBm. x is the longest time it may take to receive the necessary system information on PBCCH in the new cell.

Note: Because of test equipment limitations it is acceptable to activate the new carrier to replace one of the 6 neighbours.

If either no BSIC can be decoded on a surrounding cell BCCH carrier, or the BSIC is not allowed, then the received signal level measurements on that channel shall be discarded and the MS shall continue to monitor that channel.

If a change of BSIC is detected on a carrier, then any existing received signal level measurement shall be discarded and the carrier shall be treated as a new carrier.

If the BSIC cannot be decoded at the next available opportunities re-attempts shall be made to decode this BSIC. If the BSIC is not decoded for more than three successive attempts it will be considered lost and any existing received signal level measurement shall be discarded and the MS shall continue to monitor that carrier.

When PBCCH is not present in the serving cell and the network controlled cell reselection mode (see subclause 10.1.4) is not set to NC2, the MS shall follow the procedures specified in section 6.6.1 for the acquisition and periodic verification of the parameters affecting cell reselection for the non-serving cells.

10.1.1.2a Broadcast/multicast receive mode

Whilst in broadcast/multicast receive mode, an MS shall continuously monitor all BCCH carriers as indicated by the BA(GPRS) list and the BCCH carrier of the serving cell. In every TDMA frame, a received signal level measurement sample shall be taken on at least one of the BCCH carriers, one after the other. Optionally, measurements during up to 8 TDMA frames per PDCH multiframe may be omitted if required for BSIC decoding or multi-RAT measurements. Measurements may also be omitted in the TDMA frames where the MS is required to monitor a system information block or a paging block. For this task, minimum performance requirements as for packet idle mode shall apply (see subclause 10.1.1.1).

NOTE: It is expected that in all multislot configurations allowed for MBMS (see 3GPP TS 45.002) the MS is able to perform normal received signal level measurements within the TDMA frame. Hence, no interruption of the reception is required for this purpose.

The MS shall additionally attempt to check the BSIC for non-serving cell BCCH carriers and, in case of a multi-RAT MS, perform measurements on neighbour cells from other RATs using the search frames. For these tasks, performance requirements as for packet transfer mode shall apply (see subclause 10.1.1.2 and subclause 10.1.1.3).

When the PBCCH is not present in the serving cell, the MS shall not attempt to decode the BCCH data block that contains the parameters affecting cell reselection as described in section 6.6.1 for non-serving cells that have been provided by the System Information message received from the serving cell. Instead, this information shall be provided by the network on PACCH or on BCCH (see 3GPP TS 44.060 and 3GPP TS 44.018).

10.1.1.3 Monitoring cells of other radio access technologies

For a multi-RAT MS, cells or frequencies with other radio access technologies may also be included in the GPRS 3G Cell Reselection list to be monitored (see 3GPP TS 44.060). This list may be modified by Packet Measurement Order or

Packet Cell Change Order messages (see 3GPP TS 44.060). The network controls the measurements for reselection of those cells by the parameter *Qsearch_P* optionally broadcast on PBCCH or on BCCH if PBCCH does not exist. *Qsearch_P* defines a threshold and also indicates whether these measurements shall be performed when *RLA_P* of the serving cell is below or above the threshold.

For this monitoring, the MS may use search frames that are not required for BSIC decoding or interference measurements in packet transfer mode or MAC-Shared state. If indicated by the parameter *3G_SEARCH_PRIO*, the MS may use up to 25 search frames per 13 seconds without considering the need for BSIC decoding or packet transfer mode / MAC-Shared state interference measurements in these frames.

Both valid cells as defined in subclause 8.4.7, and any identified cell on a frequency for which not full identification is included in the GPRS 3G Cell Reselection list, shall be considered for re-selection.

In packet transfer mode or MAC-Shared state, the MS shall be able to send the first access at the latest 10+x seconds after a new best UTRAN cell, which is part of the GPRS 3G Cell Reselection list, has been activated under the condition that there is only one UTRAN frequency in the list and that no new GSM cells are activated at the same time and under good radio conditions. x is the longest time it may take to receive the necessary system information in the new cell. For test purposes the following radio conditions can be used: Serving GSM cell at *RXLEV*= -70 dBm, with 6 GSM neighbours at *RXLEV*= -75 dBm. Then either an UTRAN FDD neighbour cell or an UTRAN TDD neighbour cell is switched on. The radio conditions for the UTRAN FDD cell are as follows (see 3GPP TS 25.101 for definitions):

| Parameter | Unit | UTRAN FDD Cell |
|-------------------------|--------------|-------------------|
| <i>CPICH_Ec/Ior</i> | dB | -10 |
| <i>P-CCPCH_Ec/Ior</i> | dB | -12 |
| <i>SCH_Ec/Ior</i> | dB | -12 |
| <i>PICH_Ec/Ior</i> | dB | -15 |
| <i>DPCH_Ec/Ior</i> | dB | -∞ |
| <i>OCNS_Ec/Ior</i> | dB | -0.94 |
| \hat{I}_{or}/I_{oc} | dB | 10 |
| <i>I_{oc}</i> | dBm/3.84 MHz | -70 |
| <i>CPICH_Ec/Io</i> | dB | -10.4 |
| <i>CPICH_RSCP</i> | dBm | -70 |
| <i>FDD_GPRS_Qoffset</i> | integer | 5 (-12dB) |
| <i>FDD_Qmin</i> | integer | 7 (-12dB) |
| <i>FDD_Qmin_Offset</i> | integer | 0 (0 dB) |
| <i>FDD_RSCPmin</i> | integer | 6 (-102 dBm) |
| <i>Qsearch_P</i> | integer | 7 (search always) |
| <i>3G_SEARCH_PRIO</i> | integer | 1 |
| Propagation Condition | AWGN | |

The radio conditions for the UTRAN TDD cell (either 3.84 Mcps TDD option or 1.28 Mcps TDD option) are as follows (see 3GPP TS 25.123 for definitions and for the values of the remaining configuration parameters):

| Parameter | Unit | UTRAN TDD Cell (3.84 Mcps option) | |
|------------------------|---------|--------------------------------------|-------|
| <i>Timeslot Number</i> | | 0 | 8 |
| <i>P-CCPCH_Ec/Ior</i> | dB | -3 | |
| <i>SCH_Ec/Ior</i> | dB | -9 | -9 |
| <i>SCH_toffset</i> | integer | 0 | 0 |
| <i>PICH_Ec/Ior</i> | dB | | -3 |
| <i>OCNS_Ec/Ior</i> | dB | -3.12 | -3.12 |
| <i>P-CCPCH_RSCP</i> | dBm | -70 | -70 |
| <i>TDD_Qoffset</i> | integer | 5 (-90dBm) | |
| <i>Qsearch_P</i> | integer | 7 (search always) | |
| <i>3G_SEARCH_PRIO</i> | integer | 1 | |
| Propagation Condition | AWGN | | |

NOTE: On timeslot 8 the P-CCPCH is not transmitted; on that timeslot, the P-CCPCH RSCP defines the power level of the beacon channel.

| Parameter | Unit | UTRAN TDD Cell (1.28 Mcps option) | |
|------------------------|---------|--------------------------------------|-------|
| <i>Timeslot Number</i> | | 0 | DwPTS |
| <i>P-CCPCH_Ec/Ior</i> | dB | -3 | |
| <i>DwPCH_Ec/Ior</i> | dB | | 0 |
| <i>OCNS_Ec/Ior</i> | dB | -3 | |
| <i>P-CCPCH RSCP</i> | dBm | -70 | |
| <i>TDD_Qoffset</i> | integer | 5 (-90dBm) | |
| <i>Qsearch_P</i> | integer | 7 (search always) | |
| <i>3G_SEARCH_PRIO</i> | integer | 1 | |
| Propagation Condition | AWGN | | |

The allowed access time is increased by 5 seconds for each additional UTRAN frequency in the GPRS 3G Cell Reselection list and by the time required for BSIC decoding of new activated GSM cells. However, multiple UTRAN cells on the same frequency in the list does not increase the allowed access time.

In packet transfer mode or MAC-Shared state, for some allowed multislot configurations (see 3GPP TS 45.002), identification of a TDD cell may not be guaranteed. In such cases, the MS may not be able to fulfil the requirement above. If after 5 seconds the MS has not been able to identify a TDD cell, the MS is allowed to stop searching for it in the current GSM cell.

In packet idle mode or MAC-Idle state, the MS shall be able to identify and select a new best UTRAN cell on a frequency, which is part of the GPRS 3G Cell Reselection list, within 30 seconds after it has been activated under the condition that there is only one UTRAN frequency in the list and under good radio conditions. For test purposes the same radio conditions as for packet transfer can be used. The allowed time is increased by 30 seconds for each additional UTRAN frequency in the GPRS 3G Cell Reselection list. However, multiple UTRAN cells on the same frequency in the list does not increase the allowed time.

A multi-RAT MS shall be able to monitor 64 UTRAN cells, divided into (depending on the MS capability):

- FDD cells on up to 3 FDD frequencies, with a maximum of 32 cells per frequency; and/or
- TDD cells on up to 3 TDD frequencies, with a maximum of 32 cells per frequency.

In packet idle mode or MAC-Idle state, the MS shall attempt to read and store UTRAN predefined configurations as specified for idle mode in subclause 6.6.4.

10.1.2 Cell Re-selection Criteria

The following cell re-selection criteria are used for GPRS and *Iu mode*, whereby (s) denotes the serving cell, and (n_i) denotes the neighbour cells. Different parameter values may apply for each neighbour cell. One set of parameters is broadcast in each cell.

- 1) The path loss criterion parameter C1 is used as a minimum signal level criterion for cell re-selection for GPRS and *Iu mode* in the same way as for GSM Idle mode. C1 is the same as defined in subclause 6.4, except that

$$A = RLA_P - GPRS_RXLEV_ACCESS_MIN$$

$$B = GPRS_MS_TXPWR_MAX_CCH - P$$

The parameters GPRS_RXLEV_ACCESS_MIN and GPRS_MS_TXPWR_MAX_CCH for the serving cell and neighbour cells are broadcast on PBCCH of the serving cell (POWER OFFSET is not used).

While these two parameters have not been received (because the PSI3 information element has not been decoded) default parameters shall be used to calculate C1.

While GPRS_RXLEV_ACCESS_MIN is not available, the MS shall use the RXLEV_ACCESS_MIN parameter.

While GPRS_MS_TXPWR_MAX_CCH is not available, the MS shall use the MS_TXPWR_MAX_CCH parameter.

All values are expressed in dBm.

- 2) The signal level threshold criterion parameter C31 for hierarchical cell structures (HCS) is used to determine whether prioritised hierarchical GPRS and LSA cell re-selection shall apply and is defined by:

$$\begin{aligned} C31(s) &= RLA_P(s) - HCS_THR(s) && \text{(serving cell)} \\ C31(n) &= RLA_P(n) - HCS_THR(n) - TO(n) * L(n) && \text{(neighbour cell)} \end{aligned}$$

where HCS_THR is the signal threshold for applying HCS GPRS and LSA re-selection. HCS_THR is broadcast on PBCCH of the serving cell. If HCS_THR(s) is not broadcast on PBCCH of the serving cell, HCS_THR(s) and HCS_THR(n) shall be assumed as infinity.

- 3) The cell ranking criterion parameter (C32) is used to select cells among those with the same priority and is defined by:

$$\begin{aligned} C32(s) &= C1(s) && \text{(serving cell)} \\ C32(n) &= C1(n) + GPRS_RESELECT_OFFSET(n) - TO(n) * (1-L(n)) && \text{(neighbour cell)} \end{aligned}$$

where

GPRS_RESELECT_OFFSET applies an offset and hysteresis value to each cell

$$TO(n) = GPRS_TEMPORARY_OFFSET(n) * H(GPRS_PENALTY_TIME(n) - T(n)).$$

$$L(n) = \begin{cases} 0 & \text{if } PRIORITY_CLASS(n) = PRIORITY_CLASS(s) \\ 1 & \text{if } PRIORITY_CLASS(n) \neq PRIORITY_CLASS(s) \end{cases}$$

In case PRIORITY_CLASS is undefined, L(n) = 0.

$$H(x) = \begin{cases} 0 & \text{for } x < 0 \\ 1 & \text{for } x \geq 0 \end{cases}$$

GPRS_TEMPORARY_OFFSET applies a negative offset to C31/C32 for the duration of GPRS_PENALTY_TIME after the timer T has started for that cell. T is defined in subclause 6.4.

GPRS_RESELECT_OFFSET, PRIORITY_CLASS, GPRS_TEMPORARY_OFFSET and GPRS_PENALTY_TIME are optionally broadcast on PBCCH of the serving cell. If GPRS_RESELECT_OFFSET, GPRS_TEMPORARY_OFFSET and GPRS_PENALTY_TIME are not broadcast on PBCCH of the serving cell, the MS shall use the default values defined in 3GPP TS 44.060.

10.1.3 Cell Re-selection Algorithm

At least for every new sample or every second, whichever is the greatest, the MS shall update RLA_P and calculate the value of C1, C31 and C32 for the serving cell and the non-serving cells. The MS shall make a cell re-selection if:

- i) The path loss criterion parameter (C1) for the serving cell falls below zero.
- ii) A non-serving suitable cell (see 3GPP TS 43.022) is evaluated to be better than the serving cell. The best cell is the cell with the highest value of C32 among
 - those cells that have the highest PRIORITY_CLASS among those cells that have highest LSA priority among those that fulfil the criterion $C31 \geq 0$, or
 - all cells, if no cells fulfil the criterion $C31 \geq 0$.

If the parameter C32_QUAL is set, positive GPRS_RESELECT_OFFSET values shall only be applied to the neighbour cell with the highest RLA_P value of those cells for which C32 is compared above.

LSA priority is defined by the list of LSAs for the subscriber stored on the SIM (see 3GPP TS 51.011). LSAs are identified by LSA ID(s) broadcast on PBCCH of the serving cell. Cells not belonging to this list are given LSA priority lower than 0. The LSA priority shall be considered only by an MS supporting SoLSA.

PRIORITY_CLASS and C32_QUAL are broadcast on PBCCH of the serving cell.

When evaluating the best cell, the following hysteresis values shall be subtracted from the C32 value for the neighbour cells:

- in GMM Standby state (*A/Gb mode*) or RRC-Idle mode or RRC-GRA_PCH state (*Iu mode*), if the new cell is in the same routing area: 0.
- in GMM Ready state (*A/Gb mode*) or RRC-Cell_Shared state (*Iu mode*), if the new cell is in the same routing area:
GPRS_CELL_RESELECT_HYSTERESIS. If the parameter C31_HYST is set, GPRS_CELL_RESELECT_HYSTERESIS shall also be subtracted from the C31 value for the neighbour cells.
- in GMM Standby or GMM Ready state (*A/Gb mode*) or RRC-Idle or RRC_Connected mode (*Iu mode*), if the new cell is in a different routing area:
RA_RESELECT_HYSTERESIS.
- in case of a cell re-selection occurred within the previous 15 seconds: 5 dB.

GPRS_CELL_RESELECT_HYSTERESIS, C31_HYST and RA_RESELECT_HYSTERESIS are broadcast on PBCCH of the serving cell.

Cell re-selection for any other reason (see 3GPP TS 43.022) shall take place immediately, but the cell that the MS was camped on shall not be returned to within 5 seconds if another suitable cell can be found. If valid RLA_P values are not available, the MS shall wait until these values are available and then perform the cell re-selection if it is still required. The MS may accelerate the measurement procedure within the requirements in subclause 10.1.1 to minimise the cell re-selection delay.

If no suitable cell is found within 10 seconds, the cell selection algorithm of 3GPP TS 43.022 shall be performed. Since information concerning a number of channels is already known to the MS, it may assign high priority to measurements on the strongest carriers from which it has not previously made attempts to obtain BCCH information, and omit repeated measurements on the known ones.

While in broadcast/multicast receive mode, the MS shall apply the rules defined above for the GMM Ready state.

10.1.3.1 Abnormal cell reselection

In the event of an abnormal release with cell reselection (see 3GPP TS 44.060) and 3GPP TS 44.160) the MS shall determine which cell to be used for this cell reselection attempt according to the following rules.

Within the allowed time, the MS shall attempt abnormal cell reselection on a suitable cell using one of the following two criteria:

- a) The MS shall try cells based on BA(GPRS), in the order of C2, starting from the cell with the highest C2 value according to section 6.6.2 item ii sub-item a, excluding the timing requirement of 5 seconds.
- b) The MS shall try cells based on BA(GPRS), in the order of C32, starting from the cell with the highest C32 value according to section 10.1.3 item ii.

The criteria, a) or b), to be used shall be determined by which cell reselection algorithm is currently in use according to section 10.1.

The MS is under no circumstances allowed to access a cell to attempt abnormal cell reselection later than 20 seconds after the detection within the MS of the abnormal release causing the abnormal cell reselection attempt. In the case where the 20 seconds elapses without a successful abnormal cell reselection the attempt shall be abandoned, and normal cell reselection shall be performed.

In case the MS is operating in NC2 mode, abnormal cell reselection shall override the NC2 mode and the MS shall perform the algorithm as described in this section.

10.1.3.2 Algorithm for cell re-selection from GSM to UTRAN

If the GPRS 3G Cell Reselection list includes UTRAN frequencies, the MS shall, at least every 5 second update the value RLA_P for the serving cell and each of the at least 6 strongest non serving GSM cells.

The MS shall then reselect a suitable (see TS 25.304) UTRAN cell if:

- for a TDD cell the measured RSCP value is equal to or greater than TDD_GPRS_Qoffset for a period of 5 s and

- for an FDD cell the following criteria are all met for a period of 5 s:
 1. its measured RSCP value exceeds the value of RLA_P for the serving cell and all of the suitable (see 3GPP TS 43.022) non-serving GSM cells by the value FDD_GPRS_Qoffset,
 2. its measured Ec/No value is equal or greater than the value FDD_Qmin - FDD_Qmin_Offset, and
 3. its measured RSCP value is equal to or greater than FDD_RSCP_threshold.

In case of a cell reselection occurring within the previous 15 seconds, FDD_GPRS_Qoffset or TDD_GPRS_Qoffset is increased by 5 dB.

Where

- Ec/No and RSCP are the measured quantities, see subclause 8.1.5.
- FDD_RSCP_threshold equals FDD_RSCPmin - min((P_MAX - 21 dBm), 3 dB) if FDD_RSCPmin is broadcast on the serving cell, else Qrxlevmin + Pcompensation + 10 dB, if these parameters are available, otherwise the default value of FDD_RSCPmin.
- Qrxlevmin is the minimum required RX level in the UTRAN FDD cell (dBm), see 3GPP TS 25.304.
- Pcompensation is max(UE_TXPWR_MAX_RACH - P_MAX, 0) (dB), see 3GPP TS 25.304.
- UE_TXPWR_MAX_RACH is the maximum TX power level an MS may use when accessing the UTRAN FDD cell on RACH (dBm), see 3GPP TS 25.304.
- P_MAX is the maximum RF output power of the MS (dBm) in UTRAN FDD mode, see 3GPP TS 25.304.
- FDD_Qmin, FDD_GPRS_Qoffset and optionally FDD_RSCPmin and FDD_Qmin_Offset are broadcast on PBCCH of the serving cell.
- TDD_GPRS_Qoffset is broadcast on PBCCH of the serving cell.

Note 1: The parameters required to determine if the UTRAN cell is suitable are broadcast on BCCH of the UTRAN cell. An MS may start reselection towards the UTRAN cell before decoding the BCCH of the UTRAN cell, leading to a short interruption of service if the UTRAN cell is not suitable.

Note 2: If FDD_RSCPmin is broadcast, optimum GSM to UTRAN reselection performance is achieved if UTRAN cells at UTRAN coverage border areas are planned for +24 dBm UE power.

Note 3: The parameter TDD_Qoffset is an absolute threshold for reselection towards a target UTRAN TDD cell.

The MS shall store the UTRAN cell RSCP suitability criterion parameters above, whenever decoded from a UTRAN FDD cell of an equivalent PLMN while attempting to camp on the UTRAN FDD cell. The most recently decoded parameters from one UTRAN FDD cell of an equivalent PLMN are valid reselection criteria towards all UTRAN FDD cells. This list of parameters shall be cleared after PLMN selection (see 3GPP TS 23.122).

Cell reselection to UTRAN shall not occur within 5 seconds after the MS has reselected a GSM cell from an UTRAN cell if a suitable GSM cell can be found.

In case of a reselection attempt towards a barred UTRAN cell, the MS shall abandon further reselection attempts towards this UTRAN cell as defined by the T_{barred} value on the barred UTRAN cell (see 3GPP TS 25.331).

In case the highest ranked UTRAN cell is not suitable (see 3GPP TS 25.304) due to being part of the "list of forbidden LAs for roaming" or belonging to a PLMN which is not indicated as being equivalent to the registered PLMN, the MS may abandon further reselection attempts towards this UTRAN cell and all other cells on the same frequency, for a period of up to 20 min. If the MS has to perform cell selection, this limitation shall be removed.

If more than one UTRAN cell fulfils the above criteria, the MS shall select the cell with the greatest RSCP value.

10.1.4 Network controlled Cell re-selection

The network may request measurement reports from the MS and control its cell re-selection. This is indicated by the parameter NETWORK_CONTROL_ORDER. The meaning of the different parameter values is specified as follows:

| | |
|-------|---|
| NC0 | Normal MS control The MS shall perform autonomous cell re-selection. |
| NC1 | MS control with measurement reports The MS shall send measurement reports to the network as defined in subclause 10.1.4.1. The MS shall perform autonomous cell re-selection. |
| NC2 | Network control The MS shall send measurement reports to the network as defined in subclause 10.1.4.1. The MS shall only perform autonomous cell re-selection when the reselection is triggered by a downlink signalling failure as defined in subclause 6.5 or a random access failure as defined in 3GPP TS 44.018 and 3GPP TS 44.060 or if the cell is barred or the C1 criterion falls below zero. The MS shall only determine whether the cell is barred once camped on the cell. |
| RESET | The MS shall return to the broadcast parameters. Only sent on PCCCH or PACCH. |

The parameter values NC1 and NC2 only apply in GMM Ready state (*A/Gb mode*) or RRC-Cell_Shared state (*Iu mode*). In GMM Standby state (*A/Gb mode*) or RRC-Idle mode or RRC-GRA_PCH state (*Iu mode*), the MS shall always use normal MS control independent of the ordered NC mode.

While in broadcast/multicast receive mode, the MS shall operate in Network Control mode NC0 even if it had been ordered otherwise by the network. If in GMM Ready state, the mobile station shall move to NC0 upon entering broadcast/multicast receive mode. When returning to packet idle mode, the mobile station shall revert to the control mode ordered by the network before entering broadcast/multicast receive mode if the mobile station is still in GMM Ready state. If leaving broadcast/multicast receive mode to enter packet transfer mode, the MS shall apply the network control mode commanded by the network in the system information.

A set of measurement reporting parameters (NETWORK_CONTROL_ORDER, NC_REPORTING_PERIOD(s) and optionally REPORT_TYPE, MULTIBAND_REPORTING, SERVING_BAND_REPORTING, XXX_MULTIRAT_REPORTING, XXX_REPORTING_OFFSET, XXX_REPORTING_THRESHOLD (XXX indicates frequency band or radio access technologies), FDD_REPORTING_THRESHOLD_2, REP_PRIORITY, REPORTING_RATE, INVALID_BSIC_REPORTING, SCALE_ORD, FDD_REP_QUANT, Qsearch_P and 3G_SEARCH_PRIO) is broadcast on PBCCH or on BCCH if PBCCH does not exist. This set of parameters may also be sent individually to an MS on PCCCH or PACCH in :

- a PACKET MEASUREMENT ORDER message, in which case it overrides the NC parameters broadcast in the serving cell. These individual parameters are only valid in the serving cell.
- a PACKET CELL CHANGE ORDER message, in which case it overrides the NC parameters broadcast in the target cell. These individual parameters are only valid in the target cell.

The individual parameters are valid until the RESET command is sent to the MS or there is a downlink signalling failure or a random access failure or if the cell is barred or the C1 criterion falls below zero or the MS goes to the GMM Standby state (*A/Gb mode*) or RRC-Idle mode or RRC-GRA_PCH state (*Iu mode*) or MS enters dedicated mode (*A/Gb mode*) or RRC-Cell_Dedicated state (*Iu mode*). Before the MS has acquired NC parameters when entering a new cell, the MS shall assume mode NC0 unless NC0, NC1 or NC2 mode was explicitly commanded by a PACKET CELL CHANGE ORDER message in the previous cell.

A parameter NC_FREQUENCY_LIST may also be sent individually to an MS on PCCCH or PACCH. This list adds/deletes frequencies to the BA(GPRS) both for cell re-selection and for measurement reports. The NC_FREQUENCY_LIST and the REP_PRIORITY are valid until an empty NC_FREQUENCY_LIST is sent to the MS, there is a downlink signalling failure or the MS selects a new cell or the BA(GPRS) that is modified by the NC_FREQUENCY_LIST changes or MS enters dedicated mode (*A/Gb mode*) or RRC-Cell_Dedicated state (*Iu mode*).

The same considerations regarding validity apply to lists that include cells with other radio access technologies.

A list given by Packet Cell Change Order applies in the new cell. This list may also include cells with other radio access technologies.

All signalling for support of network controlled cell re-selection and measurement reports are defined in 3GPP TS 44.060.

10.1.4.1 Measurement reporting

When ordered to send measurement reports, the MS shall continuously monitor all carriers in BA(GPRS) or as indicated by the parameter NC_FREQUENCY_LIST and the BCCH carrier of the serving cell. The measurement requirements are defined in subclause 10.1.1 for the actual packet mode.

For each carrier, the measured received signal level (RXLEV) shall be the average of the received signal level measurement samples in dBm taken on that carrier within the reporting period. The reporting period is defined as follows:

- in packet idle mode or MAC-Idle state, the reporting period is NC_REPORTING_PERIOD_I rounded off to the nearest smaller integer multiple of DRX period if NC_REPORTING_PERIOD_I is greater than DRX period, else, the reporting period is DRX period;
- in packet transfer mode or MAC-Shared state, the reporting period is indicated in NC_REPORTING_PERIOD_T.

In averaging, measurements made during previous reporting periods shall always be discarded. The start of the first reporting period may be random.

After each reporting period, the MS shall send a measurement report to BSS (see 3GPP TS 44.060). The MS shall then discard any previous measurement report, which it has not been able to send. Provided that the MS has received BSIC for all GSM neighbour cells, the parameter REPORT_TYPE indicates if the MS shall use Packet Measurement Report (normal reporting) or Packet Enhanced Measurement Report (enhanced reporting) (see 3GPP TS 44.060). The measurement report shall contain:

- RXLEV for the serving cell;
- received signal level for the non-serving cells:
 - For normal measurement reporting, carriers shall be reported if they are among the 6 strongest carriers and BSIC is successfully decoded and allowed (see subclause 10.1.1), i.e. either equal to the BSIC of the list or with allowed NCC part of BSIC. In the latter case, which applies for BA(BCCH) where no BSIC is given, the decoded BSIC shall be included in the report. If the mobile station has acquired the GSM Neighbour Cell list (see 3GPP TS 44.060), only cells present in that list shall be included in the report. In the case of a multiband MS, the MS shall report the number of strongest BCCH carriers in each band as indicated by the parameter MULTIBAND_REPORTING (see subclause 8.4.3), broadcast on PBCCH, or if PBCCH does not exist, on BCCH. For multi-RAT MS, the MS shall report the number of best valid cells in each other radio access technology/mode as indicated by the parameters XXX_MULTIRAT_REPORTING, see subclause 8.4.7. In this case, the received signal level is replaced by the relevant measurement quantity (see subclause 8.1.5). Valid cells are defined in subclause 8.4.7;
 - For Enhanced Measurement Reporting, cells shall be reported if they are among the at least 6 strongest carriers, and BSIC is successfully decoded and valid (see subclause 10.1.1) or, if indicated by the parameter INVALID_BSIC_REPORTING, with known and allowed NCC part. The neighbour cells shall be reported according to the priority defined in subclause 8.4.8.1. For other radio access technology/mode, RXLEV is replaced by the relevant measurement quantity (see subclause 8.1.5);
- BSIC_SEEN (only for Enhanced Measurement Reporting).
Indicates if a GSM cell with invalid BSIC and allowed NCC part of the BSIC is one of the six strongest cells.

In the case of Packet Transfer mode or MAC-Shared state with the NC_REPORTING_PERIOD_T = 0.48 s the MS shall report a new strongest GSM cell in the measurement report at the latest 5 s after a new strongest cell (which is part of the BA(GPRS)) has been activated under the following network conditions: Initial serving cell at RXLEV= -70 dBm, with 6 neighbours at RXLEV= -75 dBm. Then the new BCCH carrier is switched on at RXLEV= -60 dBm.

Note: Because of test equipment limitations it is acceptable to activate the new carrier to replace one of the 6 neighbours.

A UTRAN capable MS shall report a new best UTRAN cell, which is part of the neighbour cell list, at the latest 5 seconds after it has been activated under the condition that there is only one UTRAN frequency in the neighbour cell list and that no new GSM cells are activated at the same time and under good radio conditions. For test purposes the following radio conditions can be used:

Serving GSM cell at RXLEV= -70 dBm, with 6 GSM neighbours at RXLEV= -75 dBm. Then either an UTRAN FDD neighbour cell or an UTRAN TDD neighbour cell is switched on. The radio conditions for the UTRAN FDD cells are as follows (see 3GPP TS 25.101 for definitions):

| Parameter | Unit | UTRAN FDD Cell |
|------------------------|--------------|-------------------|
| <i>CPICH_Ec/Ior</i> | dB | -10 |
| <i>P-CCPCH_Ec/Ior</i> | dB | -12 |
| <i>SCH_Ec/Ior</i> | dB | -12 |
| <i>PICH_Ec/Ior</i> | dB | -15 |
| <i>DPCH_Ec/Ior</i> | dB | $-\infty$ |
| <i>OCNS_Ec/Ior</i> | dB | -0.94 |
| \hat{I}_{or}/I_{oc} | dB | 10 |
| <i>I_{oc}</i> | dBm/3.84 MHz | -70 |
| <i>CPICH_Ec/Io</i> | dB | -10.4 |
| <i>CPICH_RSCP</i> | dBm | -70 |
| FDD_MULTIRAT_REPORTING | integer | 1 |
| Qsearch_P | integer | 7 (search always) |
| 3G_SEARCH_PRIO | integer | 1 |
| Propagation Condition | AWGN | |

The radio conditions for the UTRAN TDD cell (either 3.84 Mcps TDD option or 1.28 Mcps TDD option) are as follows (see 3GPP TS 25.123 for definitions and for the values of the remaining configuration parameters):

| Parameter | Unit | UTRAN TDD Cell (3.84 Mcps option) | |
|------------------------------|---------|--------------------------------------|-------|
| | | 0 | 8 |
| <i>P-CCPCH_Ec/Ior</i> | dB | -3 | |
| <i>SCH_Ec/Ior</i> | dB | -9 | -9 |
| <i>SCH_{toffset}</i> | integer | 0 | 0 |
| <i>PICH_Ec/Ior</i> | dB | | -3 |
| <i>OCNS_Ec/Ior</i> | dB | -3.12 | -3.12 |
| <i>P-CCPCH_RSCP</i> | dBm | -70 | -70 |
| TDD_MULTIRAT_REPORTING | integer | 1 | |
| Qsearch_P | integer | 7 (search always) | |
| 3G_SEARCH_PRIO | integer | 1 | |
| Propagation Condition | AWGN | | |

NOTE: On timeslot 8 the P-CCPCH is not transmitted; on that timeslot, the P-CCPCH RSCP defines the power level of the beacon channel.

| Parameter | Unit | UTRAN TDD Cell (1.28 Mcps option) | |
|----------------------------|---------|--------------------------------------|-------|
| | | | |
| <i>Timeslot Number</i> | | 0 | DwPTS |
| <i>P-CCPCH_Ec/Ior</i> | dB | -3 | |
| <i>DwPCH_Ec/Ior</i> | dB | | 0 |
| <i>OCNS_Ec/Ior</i> | dB | -3 | |
| <i>P-CCPCH RSCP</i> | dBm | -70 | |
| TDD_MULTIRAT_ REPORTING | integer | 1 | |
| Qsearch_P | integer | 7 (search always) | |
| 3G_SEARCH_PRIO | integer | 1 | |
| Propagation Condition | AWGN | | |

The allowed reporting time is increased by 5 seconds for each additional UTRAN frequency in the neighbour cell list and by the time required for BSIC decoding of new activated GSM cells. However, multiple UTRAN cells on the same frequency in the neighbour cell list does not increase the allowed reporting time.

In case a cell is abandoned for cell reselection attempts due to being part of the 'list of forbidden LAs for roaming' or belonging to a PLMN which is not indicated as being equivalent to the registered PLMN, as defined in subclause 10.1.3.2, the MS may abandon monitoring and reporting this UTRAN cell and all other cells on the same frequency for the same period of time that reselection attempts are abandoned.

In packet transfer mode or MAC-Shared state, for some allowed multislot configurations (see 3GPP TS 45.002), identification of a TDD cell may not be guaranteed. In such cases, the MS may not be able to fulfil the requirement above. If after 5 seconds the MS has not been able to identify a TDD cell, the MS is allowed to stop searching for it in the current GSM cell.

10.1.4.2 Cell re-selection command

A cell re-selection command may be sent from the network to an MS. When the MS receives the command, it shall re-select the cell according to the included cell description and change the network control mode according to the command (see 3GPP TS 44.060). The command may include re-selection of another radio access technology/mode.

If an MS receives a cell re-selection command towards a GSM cell to which it is not synchronised, the MS shall indicate a packet cell change failure (see 3GPP TS 44.060).

If a UTRAN capable MS receives a cell re-selection command towards a not known UTRAN cell (see 3GPP TS 25.133 and 3GPP TS 25.123), then the MS shall search for synchronisation information up to 800 ms. In case of failure, the MS shall return to the old cell and indicate a packet cell change failure (see 3GPP TS 44.060).

10.1.4.3 Exceptional cases

An MS in network control mode NC1 or NC2 may enter an exceptional case if a circuit switched connection is established, which takes precedence over GPRS cell re-selection. This includes an MS operating in DTM.

In such a case the MS is not required to send measurement reports according to subclause 10.1.4.1, and shall not obey any cell re-selection command.

Whenever the exceptional case ends, the MS shall resume the GPRS mode tasks as specified in sub-clause 10.

10.2 RF Power Control

Sub-clauses 10.2.1 and 10.2.2 do not apply for the PDCH/H in Exclusive MAC mode while in DTM. In this case:

- The MS shall apply the output power ordered by the network on the SACCH to all channels (both for the TCH/H and the PDCH/H).
- The network shall use the same output power on the dedicated connection and on all the blocks on the PDCH/H addressed to the MS. Blocks not addressed to the MS may be transmitted at a lower power level. As an exception, the bursts transmitted on the BCCH carrier shall be transmitted at the BCCH level.

NOTE: Power control is not applicable to point-to-multipoint services if transmission is without ARQ (see 3GPP TS 44.060).

10.2.1 MS output power

The RF output power, P_{CH} , to be employed by the MS on each individual uplink PDCH shall be:

$$P_{CH} = \min(\Gamma_0 - \Gamma_{CH} - \alpha * (C + 48), P_{MAX}), \quad (1)$$

where

Γ_{CH} is an MS and channel specific power control parameter, sent to the MS in an RLC control message (see 3GPP TS 44.060). For those uplink PDCHs, for which Γ_{CH} has not been defined, value 0 shall be used.

Γ_0 = 39 dBm for GSM 400, GSM 700, GSM 850 and GSM900
= 36 dBm for DCS1 800 and PCS 1900

α is a system parameter, broadcast on PBCCH or optionally sent to MS in an RLC control message (see 3GPP TS 44.018 and 3GPP TS 44.060).

C is the normalised received signal level at the MS as defined in 10.2.3.1.

P_{MAX} is the maximum allowed output power in the cell.

For DCS 1800 and PCS 1900, P_{MAX} =
GPRS_MS_TXPWR_MAX_CCH if present,
MS_TXPWR_MAX_CCH otherwise:

For all other bands, P_{MAX} =
LB_MS_TXPWR_MAX_CCH + Band_offset, if LB_MS_TXPWR_MAX_CCH
is present, otherwise GPRS_MS_TXPWR_MAX_CCH if present, otherwise
MS_TXPWR_MAX_CCH;

where Band_offset equals:
0 dB for GSM 850 and GSM 900,
-2 dB for GSM 700,
-6 dB for GSM 400.

All power values are expressed in dBm.

When the MS receives new Γ_{CH} or α values, the MS shall use the new value to update P_{CH} according to equation (1) 2 radio blocks after the end of the frame containing the last timeslot of the message block containing the new value, which ensures 2 blocks time for processing even in case of timeslot reconfiguration.

The MS may round the calculated output power to the nearest nominal output power value (see 3GPP TS 45.005) although a higher resolution is preferred. The output power actually transmitted by the MS shall fulfil the absolute accuracy as specified in 45.005. In addition, the transmitted power shall be a monotonic function of the calculated output power and any change of 2 dB in the calculated value shall correspond to a change of 2 ± 1.5 dB in the transmitted value.

The MS shall use the same output power on all four bursts within one radio block.

When accessing a cell on the PRACH or RACH (random access) or on the PACCH when sending the PS Handover Access message, the MS shall use the output power defined by P_{MAX} .

MS_TXPWR_MAX_CCH is broadcast on the BCCH of the cell. A class 3 DCS1 800 MS shall add to it the value POWER OFFSET broadcast on the BCCH.

GPRS_MS_TXPWR_MAX_CCH is broadcast on PBCCH or CPBCCH of the serving cell and in case of DTM, sent on SACCH and optionally on main DCCH.

LB_MS_TXPWR_MAX_CCH is optionally broadcast on BCCH of the serving cell, and on PBCCH, PCCCH and PACCH if PBCCH is present.

If the MS accesses a cell on the PRACH before receiving GPRS_MS_TXPWR_MAX_CCH on PBCCH and if LB_MS_TXPWR_MAX_CCH is not broadcast, the MS shall determine P_{MAX} using MS_TXPWR_MAX_CCH as default.

If a calculated output power is not supported by the MS, the MS shall use the supported output power which is closest to the calculated output power.

In case of DTM, if a valid C value does not exist, the MS may transmit on each uplink PDCH with the output power signalled in the L1 header of the main SACCH, until a valid C value exists.

The value of Γ_{CH} shall be the same for both PDCHs constituting an uplink PDCH-pair in RTTI configuration (see 3GPP TS 44.060).

The MS may calculate the C value in dedicated mode.

10.2.2 BTS output power

Downlink power control can only be used when the serving BCCH or CPBCCH and the used PDCH frequencies are in the same frequency band.

On the PDCHs that contain PBCCH or PCCCH, the BTS shall use constant output power, which may be lower than the output power used on BCCH. The power reduction (P_b) used on PCCCH, relative to the output power used on BCCH, is broadcast on PBCCH. For COMPACT, on the blocks that contain CPBCCH, CPCCCH, CFCCH, or CSCH, the BTS shall use constant output power.

On PTCCH/D, the BTS shall use the same output power as for PBCCH, or BCCH if PBCCH does not exist. As an exception to this, the output power for some of the PTCCH/D blocks may be lower in some cases (e.g. with adaptive antennas), but with no requirements for the MS to decode them. The network is however responsible to provide each MS with required TA information.

On other PDCH radio blocks, downlink power control may be used. The BTS shall use the same output power on all four bursts within one radio block except for bursts transmitted on the BCCH carrier. Thus, a procedure may be implemented in the network to control the output power of the downlink transmission based on the Channel Quality Reports.

On PDCHs that do not contain PBCCH or PCCCH and do not use downlink power control (as indicated in the assignment message), the BTS shall use a constant output power with the exception that it is not required to transmit on every block. If the output power used on the transmitted blocks is not equal to (BCCH level – P_b) then the MS is not required to fulfil 3GPP TS 45.005 requirements for the first 25 blocks addressed to this MS.

In case of downlink power control, parameter P₀ is used: P₀ is defined as a power reduction relative to BCCH or CPBCCH and is included in the assignment message. The value of P₀ is not allowed to change during Packet Transfer Mode or MAC-Shared state except in the case a reassignment or a new assignment is established not including any of the previously assigned PDCH(s). A MS shall only have one P₀ value at a time.

On each PDTCH/D block, the PR field of the MAC header, if present and if downlink power control is used, shall indicate the output power level used to send this block (see 3GPP TS 44.060). There shall be two PR management cases, PR mode A and PR mode B, as indicated by the PR_MODE parameter in the assignment (see 3GPP TS 44.060):

- in PR mode A, the PR value shall be calculated relative to the P₀ value of the MS to which the RLC block is addressed;
- in PR mode B, the network shall use the same P₀ value for all the MS with a TBF established on the same PDCH. Consequently, the PR value shall be calculated relative to this P₀ value.

The network shall not be allowed to change between PR modes during a TBF. The network shall only allocate to an MS one PR_MODE at a time.

NOTE: Correct MS behaviour can not be assumed if PR mode B is used with adaptive antennas.

The MS is required to meet the 45.005 specification under the following conditions:

For synchronisation purpose, the network shall ensure that each MS with an active TBF in uplink or downlink receives at least one block transmitted with a coding scheme and a modulation that can be decoded by that MS every 360 millisecond interval (78 TDMA frames). If downlink power control is used:

- in PR mode A, this block shall be addressed (RLC information) to this MS and shall contain a usable PR field (i.e. not set to Not usable as specified in 3GPP TS 44.060);
- in PR mode B, this block shall contain a usable PR field (i.e. not set to Not usable as specified in 3GPP TS 44.060) and does not necessarily have to be addressed to any particular MS. The PR field remains optional in a downlink RLC/MAC control block (see 3GPP TS 44.060).

If downlink power control is used, the BTS shall limit its output power on blocks addressed to a particular MS (USF or RLC blocks) to levels between (BCCH level – P0dB) and (BCCH level – P0dB – 10dB). For other blocks the output power shall not exceed (BCCH level – P0dB). For COMPACT, the BCCH level shall be replaced by the CPBCCH level in these formulas. The output power must be sufficient for the MS for which the RLC block is intended as well as the MS(s) for which the USF is intended (see 3GPP TS 44.060).

As an exception to the rules above, the bursts transmitted on the BCCH carrier shall be transmitted at the BCCH level.

In DTM multislot configurations, if the BTS output power for the CS timeslot is not within the range from the maximum downlink power allowed for the MS on the PS timeslot(s) to a power level 10 dB lower, the MS is not required to fulfil the requirements in 3GPP TS 45.005 on the CS timeslot and/or the PS timeslot(s).

10.2.3 Measurements at MS side

A procedure shall be implemented in the MS to monitor periodically the downlink Rx signal level and quality from its serving cell.

10.2.3.1 Deriving the C value

10.2.3.1.1 Packet idle mode or MAC-Idle state

In packet idle mode or MAC-Idle state, the MS shall periodically measure the received signal level of the PCCCH or, if PCCCH is not existing, the CCCH or, for COMPACT, the CPCCCH or CPBCCH, CFCCH, and CSCH. The MS shall measure the received signal level of each paging block monitored by the MS according to its current DRX mode and its paging group.

The normalised C value for each radio block is calculated:

$$C_{\text{block},n} = SS_{\text{block},n} + P_b \quad (2)$$

where

$SS_{\text{block},n}$ is the mean of the received signal level of the four normal bursts that compose the block.

P_b is the BTS output power reduction (relative to the output power used on BCCH) used on the channel on which the measurements are performed. For PCCCH, P_b is broadcast on PBCCH. If frequency hopping is being used on the associated physical channel, P_b shall be reduced by 25% for each burst in the block which is received on the BCCH frequency. For BCCH and for COMPACT, $P_b = 0$ (not broadcast).

Finally, the $C_{\text{block},n}$ values are filtered with a running average filter:

$$C_n = (1-a) * C_{n-1} + a * C_{\text{block},n},$$

where a is the forgetting factor:

$$a = 1/\text{MIN}(n, \text{MAX}(5, T_{\text{AVG}_W} * N_{\text{DRX}})).$$

N_{DRX} = the average number of monitored blocks per multiframe (see 3GPP TS 45.002).

T_{AVG_W} is broadcast on PBCCH or, if PBCCH does not exist, on BCCH, or on CPBCCH or optionally sent to mobile station in an RLC/MAC control message (see 3GPP TS 44.060).

n is the iteration index. The filter shall be restarted with $n=1$ for the first sample every time a new cell is selected. If the MS leaves dedicated mode and then enters packet idle mode or MAC-Idle state, the filter shall be restarted with $n=1$ for the first sample in case there is no valid C value during dedicated mode. Otherwise, when entering packet idle mode or MAC-Idle state, the filter shall continue from the n and C_n values obtained during previous mode. The filter shall also continue from its previous state if N_{DRX} is changed.

The current C_n value shall be used in formula (1) in subclause 10.2.1 to calculate the output power when the MS transfers its first radio block.

10.2.3.1.2 Packet transfer mode or MAC-Shared state

In packet transfer mode or MAC-Shared state, the MS shall use the same received signal level measurements as made for cell reselection on the BCCH carrier of the serving cell (see 10.1.1.2) or, for COMPACT, on the CPBCCH carrier of the serving cell (see 12.4.1.2). The measurements shall be filtered with a running average filter:

$$C_n = (1-b) * C_{n-1} + b * SS_n,$$

where

SS_n is the received signal level of the measurement samples.

b is the forgetting factor:

$b = 1$ for $n=1$;

$b = 1/(6 * T_{AVG,T})$.

n is the iteration index. The filter shall be restarted with $n=1$ for the first sample at every cell change. When entering packet transfer mode from packet idle mode or MAC-Shared state from MAC-Idle state, the filter shall continue from the n and C_n values obtained during packet idle mode or MAC-Idle state. In case the MS and the network support enhanced DTM CS release procedure, when entering packet transfer mode from DTM, the filter shall continue from the n and C_n values obtained during DTM. When entering DTM from dedicated mode, the filter shall be restarted with $n=1$ for the first sample in case there is no valid C value during dedicated mode. In case the MS and the network support enhanced DTM CS establishment procedure, when entering DTM from packet transfer mode, the filter shall continue from the n and C_n values obtained during packet transfer mode.

If indicated by the parameter PC_MEAS_CHAN, the MS shall instead measure the received signal level of each radio block on one of the PDCH s in BTTI configuration or on one of the PDCH-pairs in RTTI configuration monitored by the MS for PACCH. If downlink power control is used, PC_MEAS_CHAN shall indicate measurements on the BCCH or CPBCCH, or the MS is not required to fulfil 45.005 requirements. The MS may discard new PC_MEAS_CHAN values received during packet transfer mode or MAC-Shared state. For each downlink radio block $C_{block,n}$ shall be derived according to formula (2) specified in 10.2.3.1.1 (if PBCCH does not exist, and for COMPACT, $P_b = 0$). Finally, the $C_{block,n}$ values are filtered with a running average filter:

$$C_n = (1-c) * C_{n-1} + c * C_{block,n},$$

where c is the forgetting factor:

$c = 1$ for $n=1$;

$c = 1/(12 * T_{AVG,T})$.

n is the iteration index. The filter shall be restarted with $n=1$ for the first sample at every cell change. When entering packet transfer mode from packet idle mode or MAC-Shared state from MAC-Idle state, the filter shall continue from the n and C_n values obtained during packet idle mode or MAC-Idle state. In case the MS and the network support enhanced DTM CS release procedure, when entering packet transfer mode from DTM, the filter shall continue from the n and C_n values obtained during DTM. When entering DTM from dedicated mode, the filter shall be restarted with $n=1$ for the first sample in case there is no valid C value during dedicated mode. In case the MS and the network support enhanced DTM CS establishment procedure, when entering DTM from packet transfer mode, the filter shall continue from the n and C_n values obtained during packet transfer mode.

NOTE 1: This method is suitable in the case where BCCH or CPBCCCH is in another frequency band than the used PDCHs.

The current C_n value shall be used to update formula (1) in subclause 10.2.1 each time a new C_n value is obtained or whenever the MS applies new Γ_{CH} or α values.

For each correctly received block on one of the PDCHs monitored by the MS, the MS shall calculate the variance of the received signal level as:

$$BL_VAR_n = 1/(j-1) * \text{SUM}(SS_k - SS_{\text{block},n})^2, k = 1, \dots, 4$$

where SS_k is the received signal level of burst k within the block.

$SS_{\text{block},n}$ is the mean of the received signal level of the j normal bursts that compose the radio block.

j is the number of bursts in the radio block = 4.

If frequency hopping is used and 1 burst of the block is received on the BCCH carrier, that burst shall be discarded from the calculation ($j = 3$). If 2 bursts are received on the BCCH carrier, the whole block shall be discarded. If 3 bursts are received on the BCCH carrier, the other burst shall be discarded ($j = 3$).

If more than one PDCH are monitored the MS shall for each block period try to find one correctly received block for the BL_VAR calculation. The block may be taken from any of the monitored PDCHs.

The reported value, $SIGN_VAR$, shall be the average of BL_VAR within the reporting period. The first reporting period starts with and includes the first assignment message for an uplink or downlink transfer. The reporting period ends, and the subsequent reporting period starts, no earlier than two blocks before the transmission of a quality report and no later than one block before the transmission of a quality report. In averaging, measurements made during previous reporting periods shall always be discarded.

$SIGN_VAR$ shall be included in the channel quality report (see subclause 10.2.3.2.3). If the channel quality report is included in a PACKET RESOURCE REQUEST message, which is retransmitted due to lack of response (see 3GPP TS 44.060, 3GPP TS 44.160), the same or the most recent $SIGN_VAR$ value shall be sent and no new reporting period shall be started. This will ensure that a valid $SIGN_VAR$ value exists. The most recent $SIGN_VAR$ value corresponds to the most recent average of BL_VAR computed since the beginning of the last reporting period.

$T_{AVG,T}$ and PC_MEAS_CHAN are broadcast on PBCCH or, if PBCCH does not exist, on BCCH or on CPBCCCH or optionally sent to mobile station in an RLC/MAC control message (see 3GPP TS 44.060).

10.2.3.2 Derivation of Channel Quality Report

The channel quality is measured as the interference signal level during idle frames of the multiframe, when the serving cell is not transmitting. No measurements shall be taken on the BCCH carrier of the serving cell since the BTS transmits with constant output power on this carrier. For COMPACT, the channel quality is measured as the interference signal level during a PDTCH or PACCH block (see Annex C). No measurements shall be taken on the CPBCCCH, CPCCCH, PTCCH, CFCCH, or CSCH since the BTS of the neighbouring co-channel cells either does not transmit or transmits with constant output power.

10.2.3.2.1 Packet transfer mode or MAC-Shared state

In case of a downlink dual carrier assignment, the measurements specified in this subclause shall be made separately on both radio frequency channels.

In packet transfer mode or MAC-Shared state, the MS shall measure the interference signal level on the same radio frequency channel as the assigned PDCHs. The MS shall make these measurements during the search frames and PTCCH frames, which are not required for BSIC decoding or the timing advance procedure. For COMPACT, the MS shall estimate the interference level during PDTCH/PACCH bursts (see Annex C).

Additionally, a multi-RAT MS is allowed to ignore interference signal level measurements in search frames according subclause 10.1.1.3.

The MS shall perform interference signal measurements on as many of the channels (timeslots) as possible and as a minimum:

For multislot class type 1 MS (see 3GPP TS 45.002), on the PDCH timeslot numbers TSmin to TSmax, where

TSmin = the lowest numbered timeslot assigned (on the respective radio frequency channel in case of a downlink dual carrier assignment) for uplink or downlink transfer including downlink PACCH associated with an uplink transfer.

TSmax = MIN(TSmin + Rx - 1, 7).

Rx = the maximum number of receive timeslots that the MS can use per TDMA frame according to its multislot class, or Equivalent multislot class in case of a downlink dual carrier assignment (see 3GPP TS 45.002).

In case of DTM, the type 1 MS shall perform interference measurements also on the TCH timeslot. Interference measurements need not be supported on PDCH timeslot numbers above the TCH timeslot plus one.

For multislot class type 2 MS (see 3GPP TS 45.002), on the maximum number of receive timeslots (Rx) that the MS can use per TDMA frame according to its multislot class, or Equivalent multislot class in case of a downlink dual carrier assignment (see 3GPP TS 45.002), in the following priority order, except that no measurements are required on any timeslot number below those with priority 1:

- 1) the PDCH timeslot numbers assigned for downlink transfer including the downlink PACCH associated with an uplink transfer;
- 2) the PDCH timeslot numbers assigned for uplink transfer;
- 3) other timeslots that would be possible to add for downlink transfer to the current assignment according to the MSs multislot class. If more than one combination of timeslots is possible according to this rule, it is implementation dependent which combination to choose.

Interference measurement timeslots have lower priority than real receiver or transmit timeslot and are not compulsory in case of conflict.

For each channel, every measurement $SS_{CH,n}$ shall consist of the minimum of the two signal level samples from one search frame and one PTCCCH frame. These two measurements should be spaced as closely as possible, but there is no requirement that they shall be contiguous. Thus the SACCH frames are avoided (except for a physical channel with two TCH/Hs) and only the interference is measured. As an exception in case of DTM, every measurement $SS_{CH,n}$ on the TCH timeslot shall consist of a signal level sample from one search frame only (since SACCH transmission on this slot cannot occur at the search frame). For COMPACT, for each channel, at least two interference measurement samples, $SS_{CH,n}$, shall be taken every multiframe.

The measured interference shall be averaged in a running average filter:

$$\gamma_{CH,n} = (1-d) * \gamma_{CH,n-1} + d * SS_{CH,n}, \gamma_{CH,0} = 0$$

where d is the forgetting factor:

$$d = 1/\text{MIN}(n, N_{\text{AVG}_I}).$$

n is the iteration index.

The filter shall be restarted with n=1 for the first sample when the MS enters packet transfer mode or MAC-Shared state or every time a new cell is selected. Channel reassignment during packet transfer mode or MAC-Shared state shall be considered as start of a new packet transfer mode or MAC-Shared state preceded by a zero length packet idle mode or MAC-Idle state.

For each channel, the MS shall perform at least N_{AVG_I} (rounded to the nearest integer) measurements of $SS_{CH,n}$ before valid γ_{CH} values can be determined

During GPRS downlink TBF transfer, the MS shall measure the received signal quality as defined in subclause 8.2. The reported value, RXQUAL, shall be the average within the reporting period. Only successfully decoded blocks intended for that MS shall be included in the average. Alternatively, if CS4 only is used during the reporting period, the MS is allowed to report RXQUAL = 7. If CS-4 is used with other CS within a reporting period, the MS shall not take into account CS-4 blocks in the calculation of RXQUAL: the MS shall compute the average taking into account other CS only. If no block has been correctly decoded during the reporting period, the MS shall report RXQUAL = 7, whatever the used CS. The first reporting period starts with and includes the first assignment message for the downlink transfer.

The reporting period ends, and the subsequent reporting starts, no earlier than two blocks before the transmission of a quality report and no later than one block before the transmission of a quality report. In averaging, measurements made during previous reporting periods shall always be discarded.

During EGPRS downlink TBF transfer, the MS shall measure the received signal quality as defined in subclause 8.2.

In BTTI configuration, the quality parameters shall be, for the radio blocks intended for this MS only (i.e. at least radio blocks where the TFI identifying this MS can be decoded from the RLC/MAC header and radio blocks where the TFI identifying this MS can be decoded from the RLC/MAC control block header: see 3GPP TS 44.060), individually averaged per channel (timeslot) and per modulation type as follows:

$$R_n = (1 - e) \cdot R_{n-1} + e \cdot x_n, \quad R_{-1} = 0$$

$$\text{MEAN_BEP_TN}_n = (1 - e \cdot \frac{x_n}{R_n}) \cdot \text{MEAN_BEP_TN}_{n-1} + e \cdot \frac{x_n}{R_n} \cdot \text{MEAN_BEP}_{\text{block},n}$$

$$\text{CV_BEP_TN}_n = (1 - e \cdot \frac{x_n}{R_n}) \cdot \text{CV_BEP_TN}_{n-1} + e \cdot \frac{x_n}{R_n} \cdot \text{CV_BEP}_{\text{block},n}$$

Where: n is the iteration index, incremented per each downlink radio block.

R_n denotes the reliability of the filtered quality parameters for the respective modulation type.

e is the forgetting factor defined below.

x_n denotes the existence of quality parameters for the n^{th} block for the respective modulation type, i.e. if the radio block is intended for this MS. x_n values 1 and 0 denote the existence and absence of quality parameters, respectively.

In RTTI configuration, the quality parameters shall be, for the radio blocks intended for this MS only (i.e. at least radio blocks where the TFI identifying this MS can be decoded from the RLC/MAC header and radio blocks where the TFI identifying this MS can be decoded from the RLC/MAC control block header: see 3GPP TS 44.060), individually averaged per channel (timeslot pair where TN is the lower numbered timeslot of the timeslot pair) and per modulation type as follows:

$$R_n = (1 - e) \cdot R_{n-1} + e \cdot \frac{x_{n,a} + x_{n,b}}{2}, \quad R_{-1} = 0$$

$$\text{MEAN_BEP_TN}_n = (1 - e \cdot \frac{x_{n,a} + x_{n,b}}{2R_n}) \cdot \text{MEAN_BEP_TN}_{n-1} + e \cdot \frac{x_{n,a} \text{MEAN_BEP}_{\text{block},n,a} + x_{n,b} \text{MEAN_BEP}_{\text{block},n,b}}{2R_n}$$

$$\text{CV_BEP_TN}_n = (1 - e \cdot \frac{x_{n,a} + x_{n,b}}{2R_n}) \cdot \text{CV_BEP_TN}_{n-1} + e \cdot \frac{x_{n,a} \text{CV_BEP}_{\text{block},n,a} + x_{n,b} \text{CV_BEP}_{\text{block},n,b}}{2R_n}$$

Where: n is the iteration index, incremented per 20ms filtering.

R_n denotes the reliability of the filtered quality parameters for the respective modulation type for the n^{th} 20ms filtering.

e is the forgetting factor defined below.

$x_{n,a}$ denotes the existence of quality parameters for the first 10ms RTTI radio block in the n^{th} 20ms filtering for the respective modulation type, i.e. if the radio block is intended for this MS. $x_{n,a}$ values 1 and 0 denote the existence and absence of quality parameters, respectively.

$x_{n,b}$ denotes the existence of quality parameters for the second 10ms RTTI radio block in the n^{th} 20ms filtering for the respective modulation type, i.e. if the radio block is intended for this MS. $x_{n,b}$ values 1 and 0 denote the existence and absence of quality parameters, respectively.

MEAN_BEP_TN_n is the mean bit error probability of the timeslot-pair value of the n^{th} 20ms filtering.
 CV_BEP_TN_n is the coefficient variation of the bit error probability of the timeslot-pair value of the n^{th}

20ms filtering.

$MEAN_BEP_{block,n,a}$ is the mean bit error probability of the first 10ms RTTI radio block in the n^{th} 20ms filtering. $CV_BEP_{block,n,a}$ is the coefficient variation of the bit error probability of the first 10ms RTTI radio block of the n^{th} 20ms filtering.

$MEAN_BEP_{block,n,b}$ is the mean bit error probability of the second 10ms RTTI radio block in the n^{th} 20ms filtering. $CV_BEP_{block,n,b}$ is the coefficient variation of the bit error probability of the second 10ms RTTI radio block of the n^{th} 20ms filtering.

In case BEP_PERIOD2 is received and with a field value different than 15, e shall be defined as e_2 according to BEP_PERIOD2 as shown in the table below. This allows for individual filtering per MS.

In case BEP_PERIOD2 is received and with the field value 15 (norm), e shall be defined as e_1 according to BEP_PERIOD as shown in the table below. This allows for normal filtering (non-individual). This BEP_PERIOD2 shall be used by the considered MS in the serving cell, until a new BEP_PERIOD2 is received by this MS in the same cell, or the MS leaves the cell or the MS enters packet idle mode or MAC-Idle state.

| Field value | 15 | 14 | 13 | 12 | 11 | 10 | 9 | 8 | 7 | 6 | 5 | 4 | 3 | 2 | 1 | 0 |
|-------------|----------|------|------|------|-------|------|-----|------|-----|------|-----|-----|-----|------|-----|---|
| BEP_PERIOD | Reserved | | | | | 25 | 20 | 15 | 12 | 10 | 7 | 5 | 4 | 3 | 2 | 1 |
| e_1 | - | | | | | 0.08 | 0.1 | 0.15 | 0.2 | 0.25 | 0.3 | 0.4 | 0.5 | 0.65 | 0.8 | 1 |
| BEP_PERIOD2 | Norm | 90 | 70 | 55 | 40 | 25 | 20 | 15 | 12 | 10 | 7 | 5 | 4 | 3 | 2 | 1 |
| e_2 | e_1 | 0.03 | 0.04 | 0.05 | 0.065 | 0.08 | 0.1 | 0.15 | 0.2 | 0.25 | 0.3 | 0.4 | 0.5 | 0.65 | 0.8 | 1 |

BEP_PERIOD2 is sent to individual MS on PACCH D/L. See 3GPP TS 44.060.
BEP_PERIOD is broadcast on PBCCH or, if PBCCH does not exist, on BCCH.

An MS shall calculate the overall MEAN_BEP, and CV_BEP per modulation type as average over all assigned channels (timeslots) irrespective whether blocks were received on a channel (timeslot or timeslot pair where TN is the lower numbered timeslot of the timeslot pair) since it last sent a measurement report to the network as follows:

$$MEAN_BEP_n = \frac{\sum_j R_n^{(j)} \cdot MEAN_BEP_TN_n^{(j)}}{\sum_j R_n^{(j)}}$$

$$CV_BEP_n = \frac{\sum_j R_n^{(j)} \cdot CV_BEP_TN_n^{(j)}}{\sum_j R_n^{(j)}}$$

where n = the iteration index at reporting time

j = the channel number.

When entering packet transfer mode or MAC-Shared state and/or when selecting a new cell, the filters shall reset the values of n to 0. When a new channel (timeslot or timeslot pair) is assigned for a downlink TBF, the filters shall reset the values of $MEAN_BEP_TN_{n-1}$, $CV_BEP_TN_{n-1}$ and R_{n-1} to 0 for this channel (timeslot or timeslot pair where TN is the lower numbered timeslot of the timeslot pair). If frequency hopping is used, channels that only differ in MAIO shall not be considered new in this context.

The reporting period ends no earlier than two blocks for a GPRS TBF mode and three blocks for an EGPRS TBF mode before the transmission of a quality report and no later than one block before the transmission of a quality report.

N_{AVG_I} is broadcast on PBCCH or, if PBCCH does not exist, on BCCH or CPBCCH or optionally sent to mobile station in an RLC/MAC control message (see 3GPP TS 44.060).

10.2.3.2.2 Void

10.2.3.2.3 Measurement reporting

The MS shall transfer γ_{CH} values and the RXQUAL, C and SIGN_VAR values (see subclause 10.2.3.1.2) to the network in the Channel Quality Report on PACCH. An MS using EGPRS or EGPRS2 shall instead of RXQUAL and SIGN_VAR send MEAN_BEP and CV_BEP.

In case of EGPRS the MS shall report the overall MEAN_BEP and CV_BEP for the modulations, GMSK and/or 8-PSK (i.e. GMSK_MEAN_BEP, GMSK_CV_BEP; and/or 8PSK_MEAN_BEP, 8PSK_CV_BEP respectively) for which it has received blocks on at least one allocated channel (timeslot or timeslot pair) since it last sent a measurement report to the network.

Additionally, in case of EGPRS, the MS shall report MEAN_BEP_TN_x on a per timeslot basis in BTTI configuration, or on a per timeslot pair basis in RTTI configuration where TN_x is the lower numbered timeslot of the timeslot pair according to what the network has ordered (see 3GPP TS 44.060). An MS shall only include MEAN_BEP_TN_x values for the modulation scheme with which it has received the larger number of blocks on its currently assigned channels (timeslots or timeslot pairs) since it last sent a measurement report to the network.

In case of EGPRS2 downlink the MS shall report the MEAN_BEP and CV_BEP for all timeslots in the TBF for the specified modulation schemes (i.e. GMSK and/or 8-PSK and/or 16-QAM at NSR and/or 32-QAM at NSR in case of EGPRS2-A downlink; GMSK and/or 8-PSK and/or QPSK and/or 16-QAM at NSR and/or 32-QAM at NSR and/or 16-QAM at HSR and/or 32-QAM at HSR in case of EGPRS2-B) as described in the EGPRS BEP Link Quality Measurements Type 2 IE (see subclause 12.5a.2 in 3GPP TS 44.060) for which it has received blocks on at least one allocated channel (timeslot or timeslot pair) since it last sent a measurement report to the network.

In the case of EGPRS2-A downlink, the MS shall report the MEAN_BEP and CV_BEP for the two modulation schemes with the highest number of received blocks. If the modulation schemes have equal number of received blocks, the selection of which of these modulation schemes to report is implementation dependent.

In the case of EGPRS2-B downlink, the MS shall report the MEAN_BEP and CV_BEP for the modulation schemes with the highest non-zero values of N_BLOCKS_WEIGHTED (for up to a maximum of two modulation schemes), where N_BLOCKS_WEIGHTED is defined as:

- $2 \times N_BLOCKS$, if the modulation scheme is 'preferred';
- otherwise, $\min(N_BLOCKS, BEP_PERIOD2, [RP/2])$, if BEP_PERIOD2 has been received by the mobile station or $\min(N_BLOCKS, BEP_PERIOD, [RP/2])$ if BEP_PERIOD2 has not been received by the mobile station;

where

- N_BLOCKS is the number of blocks using the modulation scheme that were received with a TFI value associated with a TBF corresponding to the mobile station since the previous report, not including RLC/MAC control blocks,
- RP is the number of basic radio block periods that have elapsed since the previous report (i.e. the previous instance of the EGPRS BEP Link Quality Measurements Type 2 IE) was transmitted,
- EGPRS2-B modulation schemes which are 'preferred' are: GMSK, QPSK, 16-QAM HSR and 32-QAM HSR.

In case any modulation schemes have equal value of N_BLOCKS_WEIGHTED, the modulation scheme with higher N_BLOCKS shall be reported in preference. If these modulation schemes have also equal values of N_BLOCKS, the selection of which of these modulation schemes to report is implementation dependent.

If fewer than two modulation schemes have non-zero values of N_BLOCKS_WEIGHTED and if GMSK was received with a TFI value associated with a TBF corresponding to the mobile station since the previous report, but only in (one or more) RLC/MAC control blocks, the MS shall also report the link quality for GMSK.

Additionally, in case of EGPRS2, if commanded by the network according to the LINK_QUALITY_MEASUREMENT_MODE field, the MS shall report both MEAN_BEP_TN_x and REPORTED_MODULATION on a per timeslot (in BTTI configuration) or timeslot pair (in RTTI configuration where TN_x is the lower number timeslot of the timeslot pair) basis as specified in the EGPRS Timeslot Link Quality Measurements Type 2 IE. More specifically, for each of its currently assigned timeslots or timeslot pairs, an MS shall report the modulation scheme (indicated using the REPORTED_MODULATION field) with which it has received the greatest number of blocks since the last report and shall report the MEAN_BEP_TN_x of that modulation scheme (see

subclause 12.5a.3 in 3GPP TS 44.060). In case there are more than one modulation scheme having the same number and the largest number of blocks on a currently assigned timeslot, the MS shall report the MEAN_BEP_TN_x for the highest order modulation scheme among those modulation schemes on that timeslot.

The report contains the available γ_{CH} values for the radio frequency channel on which the message is sent as well as the RXQUAL, C and SIGN_VAR values (see subclause 10.2.3.1.2) or in case of EGPRS and EGPRS2 the MEAN_BEP, C and CV_BEP values, except for a downlink dual carrier assignment.

In case of a downlink dual carrier assignment, the γ_{CH} , C, MEAN_BEP (overall and per timeslot or timeslot pair measurements) and CV_BEP values may be reported for each of the radio frequency channels as specified in 3GPP TS 44.060.

The conditions for including the different values, which are not always mandatory, are specified in 3GPP TS 44.060. The mapping of γ_{ch} to the reported I_LEVEL value is defined in subclause 10.3.

10.2.3.3 Range of parameters MEAN_BEP and CV_BEP for EGPRS2

The mapping of the MEAN_BEP to the equivalent BEP and the accuracies to which an MS shall be capable of estimating the quality parameters under static channel conditions are given in the following tables for EGPRS2-A DL (16-QAM and 32-QAM) and for EGPRS2-B DL (QPSK, 16-QAM and 32-QAM) respectively. The accuracy requirements below apply for sensitivity limited operation for signal levels above the reference sensitivity level for the type of MS, assuming no changes in transmitted downlink power. The requirements apply for PDTCH/F in *A/Gb mode*, and the estimated values are averaged applying filtering according to subclause 10.2.3.2.1 with forgetting factor of 0.03.

MEAN_BEP mapping and accuracy for QPSK (EGPRS2-B)

| MEAN_BEP | Range of log ₁₀ (actual BEP) | Expected MEAN_BEP interval | Probability that the expected MEAN_BEP is reported shall not be lower than see NOTE *): |
|-------------|---|-------------------------------|---|
| MEAN_BEP_0 | [> -0.60] | MEAN_BEP_0/1 | tbd |
| MEAN_BEP_1 | [-0.70 -- -0.60] | MEAN_BEP_1/0/2 | tbd |
| MEAN_BEP_2 | [-0.80 -- -0.70] | MEAN_BEP_2/1/3 | tbd |
| MEAN_BEP_3 | [-0.90 -- -0.80] | MEAN_BEP_3/2/4 | tbd |
| MEAN_BEP_4 | [-1.00 -- -0.90] | MEAN_BEP_4/3/5 | tbd |
| MEAN_BEP_5 | [-1.10 -- -1.00] | MEAN_BEP_5/4/6 | tbd |
| MEAN_BEP_6 | [-1.20 -- -1.10] | MEAN_BEP_6/5/7 | tbd |
| MEAN_BEP_7 | [-1.30 -- -1.20] | MEAN_BEP_7/6/8 | tbd |
| MEAN_BEP_8 | [-1.40 -- -1.30] | MEAN_BEP_8/7/9 | tbd |
| MEAN_BEP_9 | [-1.50 -- -1.40] | MEAN_BEP_9/8/10 | tbd |
| MEAN_BEP_10 | [-1.60 -- -1.50] | MEAN_BEP_10/9/11 | tbd |
| MEAN_BEP_11 | [-1.70 -- -1.60] | MEAN_BEP_11/10/12 | tbd |
| MEAN_BEP_12 | [-1.80 -- -1.70] | MEAN_BEP_12/11/13 | tbd |
| MEAN_BEP_13 | [-1.90 -- -1.80] | MEAN_BEP_13/12/14 | tbd |
| MEAN_BEP_14 | [-2.00 -- -1.90] | MEAN_BEP_14/13/15 | tbd |
| MEAN_BEP_15 | [-2.10 -- -2.00] | MEAN_BEP_15/13/14/16/17 | tbd |
| MEAN_BEP_16 | [-2.20 -- -2.10] | MEAN_BEP_16/14/15/17/18 | tbd |
| MEAN_BEP_17 | [-2.30 -- -2.20] | MEAN_BEP_17/15/16/18/19 | tbd |
| MEAN_BEP_18 | [-2.40 -- -2.30] | MEAN_BEP_18/16/17/19/20 | tbd |
| MEAN_BEP_19 | [-2.50 -- -2.40] | MEAN_BEP_19/17/18/20/21 | tbd |
| MEAN_BEP_20 | [-2.60 -- -2.50] | MEAN_BEP_20/18/19/21/22 | tbd |
| MEAN_BEP_21 | [-2.70 -- -2.60] | MEAN_BEP_21/19/20/22/23 | tbd |
| MEAN_BEP_22 | [-2.80 -- -2.70] | MEAN_BEP_22/20/21/23/24 | tbd |
| MEAN_BEP_23 | [-2.90 -- -2.80] | MEAN_BEP_23/21/22/24/25 | tbd |
| MEAN_BEP_24 | [-3.00 -- -2.90] | MEAN_BEP_24/22/23/25/26 | tbd |
| MEAN_BEP_25 | [-3.10 -- -3.00] | MEAN_BEP_25/22/23/24/26/27/28 | tbd |
| MEAN_BEP_26 | [-3.20 -- -3.10] | MEAN_BEP_26/23/24/25/27/28/29 | tbd |
| MEAN_BEP_27 | [-3.30 -- -3.20] | MEAN_BEP_27/24/25/26/28/29/30 | tbd |
| MEAN_BEP_28 | [-3.40 -- -3.30] | MEAN_BEP_28/25/26/27/29/30/31 | tbd |
| MEAN_BEP_29 | [-3.50 -- -3.40] | MEAN_BEP_29/26/27/28/30/31 | tbd |
| MEAN_BEP_30 | [-3.60 -- -3.50] | MEAN_BEP_30/27/28/29/31 | tbd |
| MEAN_BEP_31 | [< -3.60] | MEAN_BEP_31/28/29/30 | tbd |

NOTE *) The values in this column apply for PDTCH/F in A/Gb mode.

MEAN_BEP mapping and accuracy for 16-QAM (EGPRS2-A and EGPRS2-B)

| MEAN_BEP | Range of log ₁₀ (actual BEP) | Expected MEAN_BEP interval | Probability that the expected MEAN_BEP is reported shall not be lower than see NOTE *): |
|-------------|---|----------------------------|---|
| MEAN_BEP_0 | [> -0.60] | MEAN_BEP_0/1/2 | tbd |
| MEAN_BEP_1 | [-0.64 -- -0.60] | MEAN_BEP_1/0/2/3 | tbd |
| MEAN_BEP_2 | [-0.68 -- -0.64] | MEAN_BEP_2/0/1/3/4 | tbd |
| MEAN_BEP_3 | [-0.72 -- -0.68] | MEAN_BEP_3/1/2/4/5 | tbd |
| MEAN_BEP_4 | [-0.76 -- -0.72] | MEAN_BEP_4/2/3/5/6 | tbd |
| MEAN_BEP_5 | [-0.80 -- -0.76] | MEAN_BEP_5/3/4/6/7 | tbd |
| MEAN_BEP_6 | [-0.84 -- -0.80] | MEAN_BEP_6/4/5/7/8 | tbd |
| MEAN_BEP_7 | [-0.88 -- -0.84] | MEAN_BEP_7/5/6/8/9 | tbd |
| MEAN_BEP_8 | [-0.92 -- -0.88] | MEAN_BEP_8/6/7/9/10 | tbd |
| MEAN_BEP_9 | [-0.96 -- -0.92] | MEAN_BEP_9/7/8/10/11 | tbd |
| MEAN_BEP_10 | [-1.00 -- -0.96] | MEAN_BEP_10/8/9/11/12 | tbd |
| MEAN_BEP_11 | [-1.04 -- -1.00] | MEAN_BEP_11/9/10/12/13 | tbd |
| MEAN_BEP_12 | [-1.08 -- -1.04] | MEAN_BEP_12/10/11/13/14 | tbd |
| MEAN_BEP_13 | [-1.12 -- -1.08] | MEAN_BEP_13/11/12/14/15 | tbd |
| MEAN_BEP_14 | [-1.16 -- -1.12] | MEAN_BEP_14/12/13/15/16 | tbd |
| MEAN_BEP_15 | [-1.20 -- -1.16] | MEAN_BEP_15/13/14/16 | tbd |
| MEAN_BEP_16 | [-1.36 -- -1.20] | MEAN_BEP_16/14/15/17 | tbd |
| MEAN_BEP_17 | [-1.52 -- -1.36] | MEAN_BEP_17/16/18 | tbd |
| MEAN_BEP_18 | [-1.68 -- -1.52] | MEAN_BEP_18/17/19 | tbd |
| MEAN_BEP_19 | [-1.84 -- -1.68] | MEAN_BEP_19/18/20 | tbd |
| MEAN_BEP_20 | [-2.00 -- -1.84] | MEAN_BEP_20/19/21 | tbd |
| MEAN_BEP_21 | [-2.16 -- -2.00] | MEAN_BEP_21/20/22 | tbd |
| MEAN_BEP_22 | [-2.32 -- -2.16] | MEAN_BEP_22/21/23 | tbd |
| MEAN_BEP_23 | [-2.48 -- -2.32] | MEAN_BEP_23/22/24 | tbd |
| MEAN_BEP_24 | [-2.64 -- -2.48] | MEAN_BEP_24/23/25 | tbd |
| MEAN_BEP_25 | [-2.80 -- -2.64] | MEAN_BEP_25/23/24/26/27 | tbd |
| MEAN_BEP_26 | [-2.96 -- -2.80] | MEAN_BEP_26/24/25/27/28 | tbd |
| MEAN_BEP_27 | [-3.12 -- -2.96] | MEAN_BEP_27/25/26/28/29 | tbd |
| MEAN_BEP_28 | [-3.28 -- -3.12] | MEAN_BEP_28/26/27/29/30 | tbd |
| MEAN_BEP_29 | [-3.44 -- -3.28] | MEAN_BEP_29/27/28/30/31 | tbd |
| MEAN_BEP_30 | [-3.60 -- -3.44] | MEAN_BEP_30/28/29/31 | tbd |
| MEAN_BEP_31 | [< -3.60] | MEAN_BEP_31/29/30 | tbd |

NOTE *) The values in this column apply for PDTCH/F in A/Gb mode.

MEAN_BEP mapping and accuracy for 32-QAM (EGPRS2-A and EGPRS2-B)

| MEAN_BEP | Range of log ₁₀ (actual BEP) | Expected MEAN_BEP interval | Probability that the expected MEAN_BEP is reported shall not be lower than see NOTE *): |
|---|---|----------------------------|---|
| MEAN_BEP_0 | [> -0.60] | MEAN_BEP_0/1/2 | tbd |
| MEAN_BEP_1 | [-0.64 -- -0.60] | MEAN_BEP_1/0/2/3 | tbd |
| MEAN_BEP_2 | [-0.68 -- -0.64] | MEAN_BEP_2/0/1/3/4 | tbd |
| MEAN_BEP_3 | [-0.72 -- -0.68] | MEAN_BEP_3/1/2/4/5 | tbd |
| MEAN_BEP_4 | [-0.76 -- -0.72] | MEAN_BEP_4/2/3/5/6 | tbd |
| MEAN_BEP_5 | [-0.80 -- -0.76] | MEAN_BEP_5/3/4/6/7 | tbd |
| MEAN_BEP_6 | [-0.84 -- -0.80] | MEAN_BEP_6/4/5/7/8 | tbd |
| MEAN_BEP_7 | [-0.88 -- -0.84] | MEAN_BEP_7/5/6/8/9 | tbd |
| MEAN_BEP_8 | [-0.92 -- -0.88] | MEAN_BEP_8/6/7/9/10 | tbd |
| MEAN_BEP_9 | [-0.96 -- -0.92] | MEAN_BEP_9/7/8/10/11 | tbd |
| MEAN_BEP_10 | [-1.00 -- -0.96] | MEAN_BEP_10/8/9/11/12 | tbd |
| MEAN_BEP_11 | [-1.04 -- -1.00] | MEAN_BEP_11/9/10/12/13 | tbd |
| MEAN_BEP_12 | [-1.08 -- -1.04] | MEAN_BEP_12/10/11/13/14 | tbd |
| MEAN_BEP_13 | [-1.12 -- -1.08] | MEAN_BEP_13/11/12/14/15 | tbd |
| MEAN_BEP_14 | [-1.16 -- -1.12] | MEAN_BEP_14/12/13/15/16 | tbd |
| MEAN_BEP_15 | [-1.20 -- -1.16] | MEAN_BEP_15/13/14/16 | tbd |
| MEAN_BEP_16 | [-1.36 -- -1.20] | MEAN_BEP_16/14/15/17 | tbd |
| MEAN_BEP_17 | [-1.52 -- -1.36] | MEAN_BEP_17/16/18 | tbd |
| MEAN_BEP_18 | [-1.68 -- -1.52] | MEAN_BEP_18/17/19 | tbd |
| MEAN_BEP_19 | [-1.84 -- -1.68] | MEAN_BEP_19/18/20 | tbd |
| MEAN_BEP_20 | [-2.00 -- -1.84] | MEAN_BEP_20/19/21 | tbd |
| MEAN_BEP_21 | [-2.16 -- -2.00] | MEAN_BEP_21/20/22 | tbd |
| MEAN_BEP_22 | [-2.32 -- -2.16] | MEAN_BEP_22/21/23 | tbd |
| MEAN_BEP_23 | [-2.48 -- -2.32] | MEAN_BEP_23/22/24 | tbd |
| MEAN_BEP_24 | [-2.64 -- -2.48] | MEAN_BEP_24/23/25 | tbd |
| MEAN_BEP_25 | [-2.80 -- -2.64] | MEAN_BEP_25/23/24/26/27 | tbd |
| MEAN_BEP_26 | [-2.96 -- -2.80] | MEAN_BEP_26/24/25/27/28 | tbd |
| MEAN_BEP_27 | [-3.12 -- -2.96] | MEAN_BEP_27/25/26/28/29 | tbd |
| MEAN_BEP_28 | [-3.28 -- -3.12] | MEAN_BEP_28/26/27/29/30 | tbd |
| MEAN_BEP_29 | [-3.44 -- -3.28] | MEAN_BEP_29/27/28/30/31 | tbd |
| MEAN_BEP_30 | [-3.60 -- -3.44] | MEAN_BEP_30/28/29/31 | tbd |
| MEAN_BEP_31 | [< -3.60] | MEAN_BEP_31/29/30 | tbd |
| NOTE *) The values in this column apply for PDTCH/F in <i>A/Gb mode</i> . | | | |

For a coding on 4 bits, i.e. for timeslot based EGPRS2 link quality reports, the 4 most significant bits are used.

NOTE1: MEAN_BEP is calculated and filtered according to the procedure described in section 10.2.3.2.1.

NOTE2: The accuracy requirements above take into account possible fluctuations of the bit error rate due to adaptiveness of receivers.

NOTE3: Testing requires measurement of the actual bit error rate and assessment of MEAN_BEP reports based on the same period of time.

The mapping table for the coefficient of variation of the channel quality is defined as follows for QPSK, 16-QAM and 32-QAM:

| | | | |
|----------|------|------------|------|
| CV_BEP 0 | 2.00 | > CV_BEP > | 1.75 |
| CV_BEP 1 | 1.75 | > CV_BEP > | 1.50 |
| CV_BEP 2 | 1.50 | > CV_BEP > | 1.25 |
| CV_BEP 3 | 1.25 | > CV_BEP > | 1.00 |
| CV_BEP 4 | 1.00 | > CV_BEP > | 0.75 |
| CV_BEP 5 | 0.75 | > CV_BEP > | 0.50 |
| CV_BEP 6 | 0.50 | > CV_BEP > | 0.25 |
| CV_BEP 7 | 0.25 | > CV_BEP > | 0.00 |

The accuracy requirements for CV_BEP need not be specified since they are directly linked to those for MEAN_BEP. Nevertheless, the CV_BEP measured at the MS shall be the one used by this MS.

10.2.4 Measurements at BSS side

A procedure shall be implemented in the BSS to monitor the uplink Rx signal level and quality on each uplink PDCH, active as well as inactive.

The BSS shall also measure the Rx signal level and the quality of a specific MS packet transfer.

10.3 Measurement requirements

The accuracy of the received signal level and interference measurements shall be as defined in subclause 8.1.2. For COMPACT, the accuracy of the interference estimate, which is based upon received signal level during a PDTCH/PACCH block (see Annex C), is ± 2 dB in addition to the accuracy of the received signal level defined in subclause 8.1.2 without downlink power control activated on the serving cell. The measured signal strength values shall be mapped to the reported C values as defined for RXLEV in subclause 8.1.4. If included in a PACKET DOWNLINK ACK/NACK or a PACKET RESOURCE REQUEST message, the measured interference level, γ_{CH} , shall be mapped to a reported I_LEVEL value between 0 and 15, relative to reported C value as follows:

- I_LEVEL 0 = interference level is greater than C
- I_LEVEL 1 = interference level is less than or equal to C and greater than C - 2 dB
- I_LEVEL 2 = interference level is less than or equal to C - 2 dB and greater than C - 4 dB
- :
- :
- I_LEVEL 14 = interference level is less than or equal to C - 26 dB and greater than C - 28 dB
- I_LEVEL 15 = interference level is less than or equal to C - 28 dB

10.4 Control parameters

A non-exhaustive list of parameters employed to control the radio links for GPRS are shown in table 3.

Table 3: Radio sub-system link control parameters for GPRS
((s) and (n) denote serving cell and non-serving cell respectively)

| Parameter name | Description | Range | Bits | Channel |
|-----------------------------------|---|-------|------|---|
| BA(GPRS) | BCCH Allocation for GPRS re-selection Note: If PBCCH does not exist, BA(GPRS) = BA(BCCH) | - | - | PBCCH D/L |
| BSIC(s+n) | Base station Identification Code for carriers in BA(GPRS) and the serving BCCH carrier | 0-63 | 6 | PBCCH D/L (**) |
| MS_TXPWR_MAX_CCH | See table 1. | 0-31 | 5 | BCCH D/L |
| POWER_OFFSET(s) | See table 1. | 0-3 | 2 | BCCH D/L |
| RXLEV_ACCESS_MIN | See table 1. | 0-63 | 6 | BCCH D/L |
| GPRS_MS_TXPWR_MAX_CCH(s+n) | The maximum TX power level an MS may use when accessing the system | 0-31 | 5 | PBCCH D/L |
| LB_MS_TXPWR_MAX_CCH(s) | The maximum allowed TX power level for GPRS access on the serving cell, on all other than DCS 1800 and PCS 1900 frequency bands. 0 = 43 dBm, 1 = 41 dBm, 2 = 39 dBm,...,18 = 7 dBm, 19 = 5 dBm, 20 = 5 dBm,...,31 = 5dBm. | 0-31 | 5 | BCCH D/L PBCCH D/L PCCCH D/L PACCH D/L |
| GPRS_RXLEV_ACCESS_MIN(s+n) | Minimum received signal level at the MS required for access to the system. | 0-63 | 6 | PBCCH D/L |
| GPRS_RESELECT_OFFSET (n) | Applies an offset and hysteresis to the C32 re- selection criterion. -52, -48,..., -12, -10,..., 12, 16, ...,48 dB | 0-31 | 5 | PBCCH D/L |
| PRIORITY_CLASS (s+n) | The HCS priority for the cells | 0-7 | 3 | PBCCH D/L |
| LSA ID (s+n) | The LSA identities for the cells | | | PBCCH D/L |
| HCS_THR(s+n) | HCS signal level threshold -110, -108,..., -50, infinity dB | 0-31 | 5 | PBCCH D/L |
| GPRS_TEMPORARY_OFFSET(n) | Applies a negative offset to C32 for the duration of PENALTY_TIME. 0, 10,..., 60 dB, infinity | 0-7 | 3 | PBCCH D/L |
| GPRS_PENALTY_TIME(n) | Gives the duration for which the temporary offset is applied. 10, 20,..., 320 seconds | 0-31 | 5 | PBCCH D/L |
| GPRS_CELL_RESELECT_ HYSTERESIS | Additional hysteresis applied in GMM Ready state or RRC-Cell_Shared state for cells in the same RA. 0, 2,..., 14 dB | 0-7 | 3 | PBCCH D/L |
| RA_RESELECT_HYSTERESIS | Additional hysteresis applied for cells in different RAs. 0, 2,..., 14 dB | 0-7 | 3 | PBCCH D/L |
| CELL_RESELECT_HYSTERESIS | Additional hysteresis applied for cells in different RAs if PCCCH does not exist. See table 1. | 0-7 | 3 | BCCH D/L |
| C32_QUAL | Flag indicating an exception rule for GPRS_RESELECT_OFFSET | 1/0 | 1 | PBCCH D/L |
| C31_HYST | Flag indicating if hysteresis shall be applied to C31. | 1/0 | 1 | PBCCH D/L |
| MULTIBAND_REPORTING | The number of carriers from each frequency band that shall be included in the list of 6 strongest cells or in the measurement report. | 0-3 | 2 | PBCCH D/L BCCH D/L |
| α | Power control parameter 0,0.1,...,1 | 0-10 | 4 | PBCCH D/L PACCH D/L (**) |
| Pb | Power reduction used by BTS on PBCCH blocks, relatively to the output power used on BCCH 0, -2,..., -30 dB | 0-15 | 4 | PBCCH D/L PACCH D/L |
| PC_MEAS_CHAN | Flag that indicates whether the downlink measurements for power control shall be made on BCCH or PDCH. | 0/1 | 1 | PBCCH D/L PACCH D/L (**) |
| T _{AVG_W} | Signal level filter period for power control in packet idle mode or MAC-Idle state $2^{(k/2)}/6$ multiframe, k = 0,1,..., 25 | 0-25 | 5 | PBCCH D/L PACCH D/L (**) |
| T _{AVG_T} | Signal level filter period for power control in packet transfer mode or MAC-Shared state $2^{(k/2)}/6$ multiframe, k = 0,1,..., 25 | 0-25 | 5 | PBCCH D/L PACCH D/L (**) |
| N _{AVG_I} | Interference signal level filter constant for power control $2^{(k/2)}$, k = 0,1,..., 15 | 0-15 | 4 | PBCCH D/L PACCH D/L (**) |

(continued)

Table 3 (concluded): Radio sub-system link control parameters for GPRS

| Parameter name | Description | Range | Bits | Channel |
|-----------------------|--|--------------|-------------|---|
| BEP_PERIOD | Filter constant for EGPRS Channel quality measurements. See subclause 10.2.3.2.1 | 0-15 | 4 | PBCCH D/L (**) |
| BEP_PERIOD2 | Filter constant for EGPRS Channel quality measurements. See subclause 10.2.3.2.1 | 0-15 | 4 | PACCH D/L |
| NETWORK_CONTROL_ORDER | Controls cell re-selection and measurement reporting | 0-3 | 2 | PBCCH D/L PCCCH D/L PACCH D/L (**) |
| NC_FREQUENCY_LIST | Frequency list for cell re-selection measurement reporting | - | - | PCCCH D/L PACCH D/L |

| | | | | |
|--|--|------|---|---|
| NC_REPORTING_PERIOD_I NC_REPORTING_PERIOD_T | Time period for measurement reporting 0.48, 0.96, 1.92, ..., 61.44 seconds | 0-7 | 3 | PBCCH D/L PCCCH D/L PACCH D/L (**) |
| NCC_PERMITTED | Bit map of NCC part of BSIC for which the MS shall report enhanced measurements. | - | 8 | PBCCH D/L PCCCH D/L PACCH D/L |
| SCALE | Indication of the offset, which applies for the reported RXLEV values. 0 = 0 dB, 1 = +10 dB | 0-1 | 1 | PACCH U/L |
| SCALE_ORD | Indication of the offset, which shall be used for the reported RXLEV values. 0 = +0 dB, 1 = + 10 dB, 2 = automatic Default value = 0 dB. | 0-2 | 2 | PBCCH D/L PCCCH D/L PACCH D/L (**) |
| CELL_BAR_ACCESS_2 | See table 3b | 0/1 | 1 | PBCCH D/L |
| Qsearch_P | Search for 3G cells if signal level below threshold (0-7): - 98, - 94, ... , - 74 dBm, ∞ (always) or above threshold (8-15): - 78, - 74, ... , - 54 dBm, ∞ (never). Default value = ∞ (never). | 0-15 | 4 | PBCCH D/L PCCCH D/L PACCH D/L (**) (See note 1) |
| FDD_GPRS_Qoffset | Applies an offset to RLA_P for UTRAN FDD cell re-selection, 0 = - ∞ (always select a cell if acceptable), 1 = -28 dB, 2 = -24 dB, ... , 15 = 28 dB. Default value = 0 dBm. | 0-15 | 4 | PBCCH D/L |
| TDD_GPRS_Qoffset | An absolute threshold of RSCP for UTRAN TDD cell re-selection, 0 = -105dBm, 1 = -102dBm, 2=-99dBm, 3 = -96dBm, 4 = -93dBm, 5 = -90dBm, 6 = -87dBm, 7 = -84dBm, 8 = -81 dBm, 9 = -78dBm, 10 = -75dBm, 11 = -72dBm, 12 = -69dBm, 13 = -66dBm, 14 = -63dBm, 15 = -60dBm. Default value = -90dBm. | 0-15 | 4 | PBCCH D/L |
| FDD_Qmin | A minimum threshold for Ec/No for UTRAN FDD cell re-selection, 0= -20dB, 1= -6dB, 2= -18dB, 3= -8dB, 4= -16dB, 5= -10dB, 6= -14dB, 7= -12dB. Default value= -12dB. | 0-7 | 3 | PBCCH D/L |
| FDD_Qmin_Offset | Applies an offset to FDD_Qmin value, 0 = 0 dB, 1 = 2 dB, 2 = 4 dB, 3 = 6 dB, 4 = 8 dB, 5 = 10 dB, 6 = 12 dB, 7 = 14 dB. Default value = 0 dB. | 0-7 | 3 | PBCCH D/L PCCCH D/L PACCH D/L (**) |
| FDD_RSCPmin | A minimum threshold of RSCP for UTRAN FDD cell re-selection, 0 = -114 dBm, 1 = -112 dBm, 2 = -110 dBm, 3 = -108 dBm, 4 = -106 dBm, 5 = -104 dBm, 6 = -102 dBm, 7 = -100 dBm, 8 = -98 dBm, 9 = -96 dBm, 10 = -94 dBm, 11 = -92 dBm, 12 = -90 dBm, 13 = -88 dBm, 14 = -86 dBm, 15 = -84 dBm. Default value = -102 dBm. | 0-15 | 4 | PBCCH D/L PCCCH D/L PACCH D/L (**) |
| XXX_MULTIRAT_REPORTING | The number of cells from the access technology/mode XXX (one or more) that shall be included in the measurement report. | 0-3 | 2 | PBCCH D/L PCCCH D/L PACCH D/L (**) |
| SERVING_BAND_REPORTING | The number of cells from the GSM serving frequency band that shall be included in the measurement report. Default value = 3 | 0-3 | 2 | PBCCH D/L PCCCH D/L PACCH D/L (**) |
| REPORT_TYPE | Indicates which report type the MS shall use, 0 = enhanced, 1 = normal. Default value = normal. | 0/1 | 1 | PBCCH D/L PCCCH D/L PACCH D/L |

| | | | | |
|---------------------------|--|----------------------|---------------|---|
| | | | | (**) |
| REP_PRIORITY | Indicates the reporting priority per cell, 0 = normal, 1 = high Default value = normal | 0/1 | 1 | PBCCH D/L PCCCH D/L PACCH D/L (**) |
| REPORTING_RATE | Indicates the allowed reporting rate, 0 = normal, 1 = reduced | 0/1 | 1 | PBCCH D/L PCCCH D/L PACCH D/L (**) |
| INVALID_BSIC_REPORTING | Indicates if GSM cells with invalid BSIC and allowed NCC part may be reported, 0 = no, 1 = yes | 0/1 | 1 | PBCCH D/L PCCCH D/L PACCH D/L (**) |
| XXX_REPORTING_THRESHOLD | Apply priority reporting if the reported value is above threshold for GSM frequency band or access technology/mode XXX (one or more), 0, 6, ... , -36, ∞ (never). Default value = always. | 0-7 | 3 | PBCCH D/L PCCCH D/L PACCH D/L (**) |
| FDD_REPORTING_THRESHOLD_2 | Reporting threshold for the CPICH parameter (Ec/No or RSCP) that is not reported according to FDD_REP_QUANT. Default value = 0 (disabled) | 0-63 | 6 | PBCCH D/L PCCCH D/L PACCH D/L (**) |
| XXX_REPORTING_OFFSET | Apply an offset to the reported value when prioritising the cells for reporting for GSM frequency band or access technology/mode XXX (one or more), 0, 6, ... , 42 dB. Default value = 0 dB. | 0-7 | 3 | PBCCH D/L PCCCH D/L PACCH D/L (**) |
| FDD_REP_QUANT | Indicates the reporting quantity for UTRAN FDD cells, 0 = RSCP, 1 = Ec/No | 0/1 | 1 | PBCCH D/L PCCCH D/L PACCH D/L (**) |
| 3G_SEARCH_PRIO | Indicates if 3G cells may be searched when BSIC decoding is required, 0 = no, 1 = yes Default value = yes | 0/1 | 1 | PBCCH D/L PCCCH D/L PACCH D/L (**) |
| RTD | The real time difference to other GSM cells, modulo 51 TDMA frames, step: 1 or 1/64 TDMA frame | 0-50 or 0-3263 | 6 or 12 | PBCCH D/L (**) |
| 3G_BA_IND | Sequence number of 3G neighbour cell list | 0/1 | 1 | PBCCH/DL |

NOTE: (**) These parameters occur also on BCCH if PBCCH does not exist.

NOTE 1: If PBCCH does not exist, the MS shall perform cell re-selection according to the idle mode procedures defined in clause 6 (i.e. use parameter Qsearch_I). In case parameter Qsearch_P is broadcast on BCCH it shall be used according to clause 10 only if GPRS cell re-selection parameters for one or more cells are provided to the MS in a Packet Cell Change Order or Packet Measurement Order message.

NOTE 2: In case an optional parameter is not included in a point-to-point signalling message, the default value of that parameter shall replace any previously broadcast value, where applicable.

Table 3a: Conversion from idle mode to GPRS cell re-selection parameters

| GPRS Parameter name | Conversion from idle mode parameters |
|-------------------------------|---|
| GPRS_RXLEV_ACCESS_MIN | RXLEV_ACCESS_MIN |
| GPRS_MS_TXPWR_MAX_CCH | MS_TXPWR_MAX_CCH |
| C31 | 0 |
| GPRS_RESELECT_OFFSET(n) | CELL_RESELECT_OFFSET(n) - CELL_RESELECT_OFFSET(s) |
| GPRS_TEMPORARY_OFFSET | TEMPORARY_OFFSET |
| GPRS_PENALTY_TIME | PENALTY_TIME |
| PRIORITY_CLASS | 0 |
| C31_HYST | 0 |
| C32_QUAL | 0 |
| GPRS_CELL_RESELECT_HYSTERESIS | CELL_RESELECT_HYSTERESIS |
| RA_RESELECT_HYSTERESIS | CELL_RESELECT_HYSTERESIS |
| XXX_GPRS_Qoffset | XXX_Qoffset |
| CELL_BAR_ACCESS_2 | CELL_BAR_ACCESS |
| EXC_ACC | cell exclusive access support capability |

NOTE: If PENALTY_TIME = 11111 for a cell, the sign of CELL_RESELECT_OFFSET shall be changed and TEMPORARY_OFFSET set to 0 for that cell.

Table 3b: Parameters affecting cell priority for cell selection and re-selection

| CELL_BAR_ACCESS_2 | Cell selection priority | Status for cell reselection |
|-------------------|-------------------------|-----------------------------|
| 0 | Normal | Normal |
| 1 | Barred | Barred |

NOTE 1: A low priority cell is only selected if there are no suitable cells of normal priority (see 3GPP TS 43.022).

The conversion of the PENALTY_TIME into the GPRS_PENALTY_TIME shall be done by use of the timer values (e.g. PENALTY_TIME = 40s -> GPRS_PENALTY_TIME 2 = 40s). Similarly dB values shall be used for GPRS_RESELECT_OFFSET(n) conversion.

11 CTS mode tasks

11.1 CTS idle mode tasks

Whilst attempting to attach to a CTS-FP, a CTS-MS shall implement the CTS cell selection procedure described in 3GPP TS 43.022. This procedure makes use of measurements and sub-procedures described in this clause. The procedure ensures that the CTS-MS is CTS attached to a CTS cell from which it can reliably decode downlink data and where access to CTS service is allowed.

Whilst in CTS idle mode, the CTS-MS shall implement procedures reporting to the CTS-FP (AFA monitoring, BCCH detection and OFO measurement), described in 3GPP TS 43.022. These procedure makes use of measurements and sub-procedures described in this clause, and are used for the frequency control of the system, described in 3GPP TS 45.056 and 3GPP TS 45.010.

This clause makes use of terms defined in 3GPP TS 43.022.

For the purpose of CTS cell selection, the CTS-MS shall be capable of detecting and synchronizing to a CTSBCH carrier and read the CTSBCH-SB data at reference sensitivity level and reference interference levels as specified in 3GPP TS 45.005. A CTS-MS in CTS idle mode shall always fulfil the performance requirement specified in 3GPP TS 45.005 at levels down to reference sensitivity level or reference interference level.

For the purpose of CTS cell selection, the CTS-MS shall compute an average of received signal levels for the CTSBCH carrier. This quantity called "received level average" shall be unweighted average of the received signal level measured in dBm. The accuracy of the signal level measurements for CTS cell selection and the other idle mode tasks shall be the same as for radio link measurements.

The tolerance on all the timing requirements in this subclause is $\pm 10\%$.

11.1.1 CTS cell selection

11.1.1.1 Synchronization and measurements for CTS cell selection

The CTS-MS shall store the CTSBCH ARFCN for each CTS-FP the CTS-MS is enrolled with.

In the modes where CTS cell selection is required (see 3GPP TS 43.022), for each CTS-FP the CTS-MS is enrolled with, the CTS-MS shall periodically attempt to synchronize to the stored CTSBCH carrier. When attempting to synchronize to the CTSBCH carrier, the CTS-MS shall attempt to detect the frequency correction burst of the CTSBCH-FB and when detected, to decode the synchronization burst of the CTSBCH-SB and read the CTSBCH-SB information. The CTS-MS shall calculate the received level average of the CTSBCH carrier, the averaging being based on at least five measurement samples taken on the CTSBCH bursts.

The maximum time allowed to synchronize to a CTSBCH carrier and read the CTSBCH-SB information shall be 5 seconds.

11.1.1.2 Initial synchronization of CTS-MS

In order to perform upper layer procedures, e.g. the enrolment of a CTS-MS (see 3GPP TS 44.056), a special procedure shall be implemented in the CTS-FP, by which the initial synchronisation of a CTS-MS with the CTS-FP is eased. This procedure of initial synchronisation of CTS-MS shall be triggered by the CTS upper layers.

The procedure consists in transmitting the CTSBCH in every TDMA frame with the following pattern :

```

if FN mod 52 = 25 then the CTSBCH-FB is transmitted
else
    if FN mod 2 = 0 then the CTSBCH-FB is transmitted
    if FN mod 2 = 1 then the CTSBCH-SB is transmitted

```

The first burst sent with this pattern shall be the next programmed CTSBCH-FB on the TDMA frame : FN mod 52 = 25. The above transmission pattern shall be repeated for a period of 120 52-multiframe. No CTSBCH shifting shall be allowed during the pattern: the CTSBCH timeslot number shall be the TNC, see 3GPP TS 45.002.

The CTS-MS shall attempt to synchronize to the CTSBCH transmitted with the above pattern. Once synchronized, the CTS-MS shall perform the non-hopping access procedure, e.g. for enrolment purpose (see 3GPP TS 44.056). Upon reception of the access request message by the CTS-FP, the pattern transmission shall be stopped.

11.1.2 Criterion for CTS cell selection

The path loss criterion parameter C1_CTS used for CTS cell selection is defined by:

$$C1_CTS = \text{Received Level Average} - CTS_RXLEV_ACCESS_MIN$$

where: CTS_RXLEV_ACCESS_MIN = Minimum received level at the CTS-MS required for access to the system ; this parameter shall be given by the CTS-FP to CTS-MS during the enrolment procedure (see 3GPP TS 44.056) and shall be stored in the CTS-MS for each CTS-FP it is enrolled with. The parameter can be updated on request of the CTS-FP.

All values are expressed in dBm.

The path loss criterion (3GPP TS 43.022) is satisfied if $C1_CTS > 0$.

11.1.3 Monitoring of CTSBCH and CTSPCH

11.1.3.1 Monitoring of received signal level

Whilst in CTS idle mode, the CTS-MS shall measure the received signal level of the CTSBCH and shall calculate the received level average of the CTSBCH carrier, the averaging being a running average on at least five collected measurement samples and a maximum time of 11 seconds ($5 \times 9 \times 52$ frames). The criterion $C2_CTS$ defined below shall be calculated every time the CTS-MS decodes the CTSBCH in its CTS paging group :

$$C2_CTS = C1_CTS + CTS_CELL_RESELECT_OFFSET$$

If the criterion $C2_CTS$ falls below zero for a period of 15 seconds, the CTS-MS shall considered itself as de-attached with the CTS-FP and shall perform the CTS cell selection specified in subclause 11.1.1.

11.1.3.2 Downlink beacon failure

The downlink beacon failure criterion is based on the downlink beacon failure counter DBC. Whilst in CTS idle mode on a CTS cell, DBC shall be initialized to a value equal to the nearest integer to $90/N$ where N is the number of paging groups defined for the CTS-FP (see 3GPP TS 45.002 subclause 6.5.7). Thereafter, whenever the CTS-MS attempts to decode CTSBCH-SB information bits (see 3GPP TS 45.002): if the information bits are successfully decoded DBC is increased by 1, however never beyond the initial value, otherwise DBC is decreased by 4. When $DBC \leq 0$, a downlink beacon failure shall be declared.

If a downlink beacon failure occurs, the CTS-MS shall consider itself as de-attached with the CTS-FP and shall perform the CTS cell selection specified in subclause 11.1.1.

11.1.3.3 Downlink paging failure

The downlink paging failure criterion is based on the downlink paging failure counter DPC. Whilst in CTS idle mode on a CTS cell, DPC shall be initialized to a value equal to $CTSPCH_DECOD$ (this parameter shall be given by the CTS-FP to the CTS-MS during the attachment procedure, see 3GPP TS 44.056). Thereafter, each time the CTS-MS is required to decode a paging message on the CTSPCH (see 3GPP TS 45.002 subclause 6.5.1 ix)): if the paging message is not successfully decoded ($BFI = 1$) DPC is decreased by 1, otherwise DPC is re-initialized to $CTSPCH_DECOD$. When $DPC \leq 0$, a downlink paging failure shall be declared.

If a downlink paging failure occurs, the CTS-MS shall consider itself as de-attached with the CTS-FP and shall perform the CTS cell selection specified in subclause 11.1.1.

11.1.4 Procedures with reporting to the CTS-FP

Whilst in CTS idle mode, the CTS-FP may order to the CTS-MS to complete the procedures defined hereafter. The order for each procedure is sent to the CTS-MS during a dedicated connection (see 3GPP TS 44.056).

For each of the procedures, a maximum time of processing is allowed. When multiple procedures are ordered in a single dedicated connection, the results shall be ready to be reported to the CTS-FP when the time corresponding to the sum of the maximum time of each procedure has expired.

11.1.4.1 AFA monitoring

The reporting of the AFA monitoring procedure is used by the AFA algorithm for the frequency management of the CTS (see 3GPP TS 45.056).

The parameters sent by the CTS-FP to the CTS-MS in the AFA monitoring order message shall be a list of n carriers : AFA monitoring frequency list, $AMFL(1, \dots, n)$, together with the number of AFA monitoring cycles $NAMC$ to perform.

For each carrier of the $AMFL$, the CTS-MS shall perform $NAMC$ basic measurements, where a basic measurement shall be the average received signal level on the 8 timeslots of the TDMA frame. The delay between two consecutive basic measurements shall be at least 5 seconds. The received interference level of the carrier shall be the maximum of the $NAMC$ basic measurements.

The maximum processing time for this procedure shall be $(NAMC \times 10)$ seconds.

When ordered by the CTS-FP, the CTS-MS shall report in the next AFA monitoring report message a table of received interference level of the carrier of the AMFL, INTERF_LEV (1,...,n), together with the minimum of the numbers of performed AFA monitoring cycles, NAMC_REAL ; the procedure shall be stopped.

11.1.4.2 BCCH detection

The reporting of the BCCH detection procedure may be used by the CTS-FP by the AFA algorithm and for the OFO request.

The parameters sent by the CTS-FP to the CTS-MS in the BCCH detection message shall be a list of m carriers : BCCH detection frequency list, BDFL(1,...,m).

For each carrier of the list, the CTS-MS shall attempt to synchronize to it and decode the SCH. The BCCH detection shall be failed (BCCH not detected) if the CTS-MS fails to decode the SCH.

The procedure shall be completed in maximum (m x 10) seconds

When ordered by the CTS-FP, the CTS-MS shall report in the next BCCH detection report message a table of BCCH detection status of the carriers of the list, BCCH_DETECT (1, ..., m) ; the procedure shall be stopped.

11.1.4.3 Observed Frequency Offset (OFO) measurement

The reported OFO measurements shall be used by the CTS-FP to correct its frequency source (see 3GPP TS 45.010).

The parameters sent by the CTS-FP to the CTS-MS in the OFO measurement message shall be a list of k BCCH carriers : OFO measurement BCCH list, OMBL(1,...,k).

For each BCCH carrier of the list, the CTS-MS shall attempt to assess the frequency offset between the BCCH carrier and the CTS-FP. The measurement status shall be 'failed' if an offset measurement accuracy better than 0.2 ppm cannot be ensured.

The procedure shall be completed in maximum (k x 15) seconds

When ordered by the CTS-FP, the CTS-MS shall report in the next OFO measurement report message the table of OFO measurements and measurement status of the BCCH carriers of the list : OFO_MEAS(1,...,k), OFO_STATUS(1, ...,k) ; the procedure shall be stopped.

11.2 Intra-cell handover

11.2.1 Overall process

The overall intra-cell handover process is implemented in the CTS-MS and CTS-FP. Measurement of radio subsystem downlink performance is made in the CTS-MS. These measurements are signalled to the CTS-FP for assessment. The CTS-FP measures the uplink performance for the CTS-MS being served. Initial assessment of the measurements in conjunction with defined thresholds and intra-cell handover strategy shall be performed in the CTS-FP.

11.2.2 CTS-MS measurement procedure

A procedure shall be implemented in the CTS-MS by which it monitors the downlink RX signal level and quality from its serving CTS cell. The requirements for the CTS-MS measurements are given in subclause 11.5.

11.2.3 CTS-FP measurement procedure

A procedure shall be implemented in the CTS-FP by which it monitors the uplink RX signal level and quality from each CTS-MS being served by the CTS cell.

11.2.4 Strategy

The intra-cell handover strategy employed by the CTS-FP for radio link control determines the handover decision that will be made based on the CTS measurement results reported by the CTS-MS and made by the CTS-FP, and on various parameters set for each CTS-FP.

Due to the Total Frequency Hopping applied to the traffic channels in CTS, intra-cell handover can only occur to a different timeslot of the CTS cell.

Intra-cell handover from one timeslot in the CTS cell to another timeslot in the same CTS cell will normally be performed if the CTS measurement results show a low RXQUAL, but a high RXLEV on the serving CTS cell. This indicates a degradation of quality caused by interference even though the CTS-MS is situated within the coverage area of the serving CTS cell. The intra-cell handover should provide a timeslot with a lower level of interference.

11.3 RF power control

11.3.1 Overall process

RF power control is employed to minimize the transmit power required by CTS-MS or CTS-FP whilst maintaining the quality of the radio links. By minimizing the transmit power levels, interference to co-channel users is reduced.

11.3.2 CTS-MS implementation

RF power control shall be implemented in the CTS-MS.

The power control level to be employed by the CTS-MS on the uplink channel is indicated by means of the power control information sent either in the layer 1 header of each SACCH message block (see 3GPP TS 44.004) on the corresponding downlink channel, or in a dedicated signalling block (see 3GPP TS 44.056).

The CTS-MS shall employ the most recently commanded power control level (parameter CTS_MS_TXPWR_REQUEST) for all transmitted bursts on either a TCH, FACCH or SACCH.

The CTS-MS shall confirm the power control level that it is currently employing in the SACCH L1 header on the uplink (parameter CTS_MS_TXPWR_CONF). The indicated value shall be the power control level actually used by the CTS-MS for the last burst of the previous SACCH period.

When accessing a cell on the ARCH (CTS access request) and before receiving the first power command during a communication on a TCH (after a CTS immediate assignment message), the CTS-MS shall use the power control level defined by the CTS_MS_MAX_TXPWR parameters ; this parameters shall be given by the CTS-FP to the CTS-MS during the enrolment procedure, and can be updated on request of the CTS-FP.

If a power control level defined in 3GPP TS 45.005 is received but the level is not supported by the CTS-MS, the CTS-MS shall use the supported output power which is closest to the output power indicated by the received power control level.

11.3.3 CTS-MS power control range

The range over which a CTS-MS shall be capable of varying its RF output power shall be from its maximum authorized output power CTS_MS_MAX_TXPWR, down its lowest nominal output power (as defined in 3GPP TS 45.005), in steps of nominally 2 dB.

3GPP TS 45.005 gives a detailed definition of the RF power level step size and tolerances for a CTS-MS.

11.3.4 CTS-FP implementation

RF power control shall be implemented in the CTS-FP.

11.3.5 CTS-FP power control range

The range over which a CTS-FP shall be capable of varying its RF output power shall be from its maximum authorized output power CTS_FP_MAX_TXPWR down its lowest nominal output power (as defined in 3GPP TS 45.056), in steps of nominally 2 dB.

3GPP TS 45.056 gives a detailed definition of the RF power level step size and tolerances for a CTS-FP.

11.3.6 Strategy

The RF power control strategy employed by the CTS-FP determines the ordered power control level that is signalled to the CTS-MS, and the power control level that is employed by the CTS-FP.

The power control level to be employed in each case shall be based on the CTS measurement results reported by the CTS-MS and made by the CTS-FP, and on various parameters set for each CTS-FP.

If the CTS-MS reports in each CTS measurement results a RXQUAL_0 and a RXLEV greater or equal to 31, for a period of 30 seconds, the CTS-FP RF output power shall be at the end of this period the lowest nominal output power specified in 3GPP TS 45.056.

Under static interference free conditions, if the CTS-MS signal level received by the CTS-FP is greater or equal to -85 dBm for a period of 30 seconds, the CTS-FP shall command the CTS-MS to reduce its RF output power, so that the CTS-MS RF output power is at the end of this period the lowest nominal output power specified in 3GPP TS 45.005.

11.3.7 Timing

Upon receipt of a command from an SACCH to change its power level, the CTS-MS shall change to the new level at a rate of one nominal 2 dB power control step every 60 ms (13 TDMA frames), i.e. a range change of 15 steps should take about 900 ms. The change shall begin at the first TDMA frame belonging to the next reporting period (as specified in subclause 11.5.4). The CTS-MS shall change the power one nominal 2 dB step at a time, at a rate of one step every 60 ms following the initial change, irrespective of whether actual transmission takes place or not.

In case of intra-cell handover, the commanded power control level shall be applied on the new timeslot immediately.

11.4 Radio link failure

11.4.1 Criterion

The criterion for determining Radio Link Failure in the CTS-MS shall be based on the success rate of decoding messages on the downlink SACCH.

11.4.2 CTS-MS procedure

The aim of determining radio link failure in the CTS-MS is to ensure that calls with unacceptable voice/data quality, which cannot be improved either by RF power control or intra-cell handover, are either re-established or released in a defined manner.

The radio link failure criterion is based on the radio link counter S_CTS. If the CTS-MS is unable to decode a SACCH message (BFI = 1), S_CTS is decreased by 1. In the case of a successful reception of a SACCH message (BFI = 0) S_CTS is increased by 2. In any case S_CTS shall not exceed the value of CTS_RADIO_LINK_TIMEOUT. If S_CTS reaches 0 a CTS radio link failure shall be declared. The action to be taken is specified in 3GPP TS 44.056. The CTS_RADIO_LINK_TIMEOUT parameter is transmitted by the CTS-FP to the CTS-MS during the attachment procedure (see 3GPP TS 44.056). For the attachment or enrolment procedure, the CTS_RADIO_LINK_TIMEOUT shall be set to 64.

The CTS-MS shall continue transmitting as normal on the uplink until S_CTS reaches 0.

The algorithm shall start after the assignment of a dedicated channel and S_CTS shall be initialized to CTS_RADIO_LINK_TIMEOUT.

The detailed operation shall be as follows:

- the radio link time-out algorithm shall be stopped at the reception of a CTS intra-cell handover command;
- (re-)initialization and start of the algorithm shall be done whenever the CTS-MS switches to a new timeslot, at the latest when the main signalling link (see 3GPP TS 44.056) has been established;
- the CTS_RADIO_LINK_TIMEOUT value used at (re-)initialization shall be that used on the previous timeslot (in the CTS immediate assignment case the value stored by the CTS-MS during the attachment procedure), or the value received on SACCH if the CTS-MS has received a CTS_RADIO_LINK_TIMEOUT value on the new channel before the initialization;
- if the first CTS_RADIO_LINK_TIMEOUT value on the SACCH is received on the new channel after the initialization, the counter shall be re-initialized with the new value.

11.4.3 CTS-FP procedure

The criteria for determining radio link failure in the CTS-FP should be based upon either the error rate on the uplink SACCH or on RXLEV/RXQUAL measurements reported by the CTS-MS.

11.5 Radio link measurements

Radio link measurements are used in the intra-cell handover and RF power control processes.

The measurements are made over each SACCH multiframe, which is 104 TDMA frames (480 ms) for a TCH.

11.5.1 Signal strength

11.5.1.1 General

The received signal level may be employed as a criterion in the RF power control and intra-cell handover processes.

11.5.1.2 Physical parameter

As specified in subclause 8.1.2, measured by the CTS-MS and CTS-FP.

11.5.1.3 Statistical parameters

For each channel, the measured parameters (RXLEV) shall be the average of the received signal level measurement samples in dBm taken on that channel within the reporting period of length one SACCH multiframe defined in 11.5.4. In averaging, measurements made during previous reporting periods shall always be discarded.

When assigned a TCH, the CTS-MS shall make a received signal level measurement on all bursts of the associated physical channel (see 3GPP TS 45.002), including those of the SACCH.

For any TCH assigned to a CTS-MS, the CTS-FP shall make a received signal level measurement on all bursts of the associated physical channel including those of the SACCH.

11.5.1.4 Range of parameter

As specified subclause in subclause 8.1.4.

11.5.2 Signal quality

11.5.2.1 General

The received signal quality shall be employed as a criterion in the RF power control and intra-cell handover processes.

11.5.2.2 Physical parameter

As specified in subclause 8.2.2, measured by the CTS-MS and CTS-FP.

11.5.2.3 Statistical parameters

For each channel, the measured parameters (RXQUAL) shall be the received signal quality, averaged on that channel over the reporting period of length one SACCH multiframe defined in subclause 11.5.4. In averaging, measurements made during previous reporting periods shall always be discarded.

11.5.2.4 Range of parameter

As specified in subclause 8.2.4.

11.5.3 Aspects of discontinuous transmission (DTX)

The use of DTX is mandatory for the CTS-MS and the CTS-FP on a TCH. Not all TDMA frames may be transmitted, however, the subset specified in subclause 8.3 shall always be transmitted, and hence can be employed to assess quality and signal level during DTX.

11.5.4 Measurement reporting for the CTS-MS on a TCH

For a TCH, the reporting period of length 104 TDMA frames (480 ms) is defined in terms of TDMA frame numbers (FN) as follows:

| Timeslot number (TN) | TDMA frame number (FN) modulo 104 | |
|----------------------|-----------------------------------|---------------------|
| TCH/F | Reporting period | SACCH Message block |
| 0 and 1 | 0 to 103 | 12, 38, 64, 90 |
| 2 and 3 | 26 to 25 | 38, 64, 90, 12 |
| 4 and 5 | 52 to 51 | 64, 90, 12, 38 |
| 6 and 7 | 78 to 77 | 90, 12, 38, 64 |

When on a TCH, the CTS-MS shall assess during the reporting period and transmit to the CTS-FP in the next SACCH message block the following:

- CTS_RXLEV_FULL_SERVING_CELL and CTS_RXQUAL_FULL_SERVING_CELL :
RXLEV_FULL and RXQUAL_FULL for the full set of TCH and SACCH TDMA frames. The full set of TDMA frames is 100 (i.e. 104 - 4 idle) frames for a full rate TCH;
- CTS_RXLEV_SUB_SERVING_CELL and CTS_RXQUAL_SUB_SERVING_CELL:
RXLEV_SUB and RXQUAL_SUB for the subset of 4 SACCH frames and the SID TDMA frames/L2 fill frames defined in 8.3. If no FACCH frames have been received at the corresponding frame positions, the RXQUAL_SUB report shall include measurements on the 4 SACCH frames only. The performance requirements of subclause 8.2.4 do not apply in this case for RXQUAL_SUB.

If the next SACCH message block is used for a different Layer 3 message, the averaged data which would otherwise be sent in that block is discarded and a new average started for the current block. i.e., any SACCH message will report the average data for the previous reporting period only.

The CTS-MS shall also transmit a bit (CTS_DTX_USED) in the next SACCH message block, which indicates whether or not it has employed DTX during the reporting period. This bit shall be set even if just one burst in a TDMA frame in the reporting period was not transmitted due to DTX.

NOTE: A speech frame subject to DTX may cross the "border" between two reporting periods, in which case both of the associated SACCH message blocks will have the CTS_DTX_USED flag set.

11.6 Control of CTS-FP service range

In order to restrict the CTS-FP service range, the CTS-FP shall monitor the delay of the signal sent by from the CTS-MS. For each CTS-MS the CTS-FP has allocated a TCH, a range measurement of the CTS-MS shall be computed by the CTS-FP every five reporting period by averaging over five reporting periods the assessed delay (as specified in 3GPP TS 45.010) for each received TCH burst of the subset always to be transmitted, specified in subclause 8.3, and for each received SACCH burst.

The TCH shall be released by the CTS-FP if two consecutive range measurements are greater than 1 bit period.

11.7 Control parameters

The parameters employed to control the radio link are shown in table 4, 5 and 6.

Table 4: Radio subsystem link control general parameters

| Parameter name | Description | Range | Bits |
|--------------------------|---|-------|------|
| CTS_FP_MAX_TXPWR | The maximum authorized output power control level the CTS-FP shall use (downlink) | 0-31 | 5 |
| CTS_MS_MAX_TXPWR | The maximum authorized output power control level a CTS-MS shall use with this CTS cell (uplink) | 0-31 | 5 |
| CTS_RXLEV_ACCESS_MIN | Minimum received level at the CTS-MS required for access to the system : coded as a RXLEV value (see subclause 8.1.4) | 0-63 | 6 |
| CTS_CELL_RESELECT_OFFSET | Applies an offset to the C2_CTS criterion : 0-63 dB in 63 steps of 1 dB | 0-63 | 6 |
| CTS_RADIO_LINK_TIMEOUT | The maximum value of the radio link clounter : 4-64 SACCH blocks, in 15 steps of 4 SACCH blocks | 0-15 | 4 |
| CTSPCH_DECOD | Number of non-decoded paging messages before declaring a downlink paging failure | 1-255 | 8 |

Table 5: AFA monitoring, BCCH detection and OFO measurement control parameters - dedicated connection

| Parameter name | Description | Range | Bits | Message |
|-------------------|--|--------|------|------------------------|
| AMFL (1-n) | AFA monitoring frequency list : contains n carriers represented by their ARFCN | 0-1023 | 10 | AFA monitoring order |
| NAMC | Number of AFA monitoring cycles | 0-1023 | 10 | AFA monitoring order |
| INTER_LEV (1-n) | Received interference level per carrier of the AMFL : coded as a RXLEV value (see subclause 8.1.4) | 0-63 | 6 | AFA monitoring report |
| NAMC_REAL | Minimum of the numbers of performed AFA monitoring cycles | 0-1023 | 10 | AFA monitoring report |
| BDFL (1-m) | BCCH detection frequency list : contains m carriers represented by their ARFCN | 0-1023 | 10 | BCCH detection order |
| BCCH_DETECT (1-m) | BCCH detection status : 00 : detected 01 : not detected 11 : not attempted | - | 2 | BCCH detection report |
| OMBL (1-k) | OFO measurement BCCH list : contains k BCCH carriers represented by their ARFCN | 0-1023 | 10 | OFO measurement order |
| OFO_MEAS (1-k) | OFO measurements list : 0.05 - 6.4 ppm in 127 steps of 0.05 ppm | 0-127 | 7 | OFO measurement report |
| OFO_STATUS (1-k) | OFO measurement status : 00 : measurement OK 01 : measurement failed 11 : measurement not attempted | - | 2 | OFO measurement report |

Table 6: Intra-cell handover and power control parameters - SACCH

| Parameter name | Description | Range | Bits | Message |
|---|--|-------|------|---------------------------|
| CTS_MS_TXPWR_REQUEST (ordered MS power level) | The power level to be used by a CTS-MS | 0-31 | 5 | L1 header downlink |
| CTS_MS_TXPWR_CONF. (actual CTS-MS power level) | Indication of the power level in use by the CTS-MS. | 0-31 | 5 | L1 header uplink |
| CTS_POWER_LEVEL | The power level to be used by a CTS-MS on the indicated channel | 0-31 | 5 | CTS HO/assignment command |
| CTS_RXLEV_FULL_SERVING_CELL | The RXLEV in the current serving CTS cell accessed over all TDMA frames | 0-63 | 6 | CTS Measurement results |
| CTS_RXLEV_SUB_SERVING_CELL | The RXLEV in the current serving CTS cell accessed over a subset of TDMA frames | 0-63 | 6 | CTS Measurement results |
| CTS_RXQUAL_FULL_SERVING_CELL | The RXQUAL in the current serving CTS cell, assessed over all TDMA frames. | 0-7 | 3 | CTS Measurement results |
| CTS_RXQUAL_SUB_SERVING_CELL | The RXQUAL in the current serving CTS cell, assessed over subset of TDMA frames. | 0-7 | 3 | CTS Measurement results |
| CTS_DTX_USED | Indicates whether or not the CTS-MS used DTX during the previous measurement period. | - | 1 | CTS Measurement results |

NOTE 1: RXLEV and RXQUAL fields are coded as described in subclause 11.6.

NOTE 2: For the details of the CTS Measurement Result message see 3GPP TS 44.056.

12 COMPACT Mode Tasks

12.1 Introduction

COMPACT is a radio interface mode for inter cell synchronized systems. The mapping of control channels for up to four cells is done on the same carrier and control channel separation is achieved by transmitting control in different cells on different timeslots. The mapping of the control channels is specified in 3GPP TS 45.002.

The COMPACT Mode Tasks defined in this clause applies for COMPACT capable MSs in cells employing a CPBCCCH carrier as defined in 3GPP TS 45.002. The COMPACT Mode Tasks also applies for MSs in any cell, where at least one CPBCCCH is defined in a BA list.

Note: A mobile stations designed prior to release 99 will not find CPBCCCH carriers when it is looking for a BCCH carrier due to the different structure of synchronization and frequency bursts.

12.2 Network Pre-requisites

12.2.1 CPBCCCH carriers

The CPBCCCH carrier shall be transmitted with constant RF output power on at least 4 radio blocks per multiframe on the serving time group (see 3GPP TS 45.002).

12.3 COMPACT Idle Mode Tasks

12.3.1 Introduction

Whilst in idle mode, a COMPACT capable MS shall implement cell selection and cell reselection procedures as described in 3GPP TS 43.022. These procedures make use of measurements and sub-procedures described in this clause.

The procedures ensure that the MS is camped on a cell from which it can reliably decode downlink data and with which it has a high probability of communications on the uplink. Once the MS is camped on a cell, access to the network is allowed.

The MS shall not use the discontinuous reception (DRX) mode of operation (i.e., powering itself down when it is not expecting paging messages from the network) while performing cell selection algorithms defined in 3GPP TS 43.022. However, use of powering down is permitted at all other times in idle mode.

12.3.2 Measurements for COMPACT Cell Selection

An MS shall in the COMPACT Cell selection procedure search for CPBCCCH carriers. The MS shall search all RF channels in the system within its band of operation, take readings of received RF signal level of each RF channel, and calculate the RLA_P for each. Each reading of received RF signal level shall be performed in such a way that it corresponds to the RF level at occurrences when the potential CPBCCCH carrier is transmitting CPPCH, CSCH, CFCCH or CPBCCCH blocks. Since the CPBCCCH carrier is discontinuous, a single random measurement will not suffice. A single reading may instead consist of taking the maximum value out of multiple measurements. The succeeding averaging is based on at least five such measurement readings per RF carrier, where the readings are at least 1 s apart. This procedure is referred to as a CPBCCCH scan.

NOTE: It is allowed to only take readings of RF signal level of CPBCCCH carriers if identified.

CPBCCCH carriers may be identified, for example, by searching for frequency correction bursts and then synchronizing to and reading the synchronization bursts at the prescribed offset from the PFCCH bursts (see 3GPP TS 45.002). On finding a CPBCCCH carrier, the MS shall attempt to read the CPBCCCH data, taking into account that the actual timeslot allocation of the CPBCCCH will change from multiframe to multiframe.

The maximum time allowed for synchronization to a CPBCCCH carrier is 2.5 seconds. The maximum time allowed to read each system information message, when being synchronized to the CPBCCCH, is the time it takes to complete a broadcast cycle of that message.

12.3.3 Measurements for COMPACT Stored List Cell Selection

The MS may include storage of CPBCCCH carrier information when switched off as detailed in 3GPP TS 43.022. The CPBCCCH list may include CPBCCCH carriers from more than one band in a multi band operation PLMN. A MS may also store CPBCCCH carriers for more than one PLMN which it has selected previously (e.g. at national borders or when more than one PLMN serves a country), in which case the CPBCCCH carrier lists must be kept quite separate. The stored BCCH carrier information used by the MS may be derived by a variety of different methods. As a minimum, the MS shall store the last used HPLMN CPBCCCH carriers. A memory shall host at least the 24 last CPBCCCH carriers from the HPLMN that the MS has camped on.

For a stored CPBCCCH carrier list of the selected PLMN an MS shall perform the same measurements as in subclause 12.3.2 except that only the CPBCCCH carriers in the list need to be measured.

NOTE: If the selected PLMN is equal to one of the equivalent PLMNs, then stored list cell selection applies to all equivalent PLMNs.

If stored list cell selection is not successful, then as defined in 3GPP TS 43.022, normal cell selection shall take place. Since information concerning a number of channels is already known to the MS, it may assign high priority to measurements on the strongest carriers from which it has not previously made attempts to obtain CPBCCCH information, and omit repeated measurements on the known ones.

12.3.4 Criteria for COMPACT Cell Selection

The path loss criterion parameter C1 used for cell selection and reselection when in a COMPACT cell is defined by:

$$C1 = (A - \text{Max}(B,0))$$

where

A = $RLA_P - GPRS_RXLEV_ACCESS_MIN$

B = $GPRS_MS_TXPWR_MAX_CCH - P$

$GPRS_RXLEV_ACCESS_MIN$ = Minimum received signal level at the MS required for access to the system.

$GPRS_MS_TXPWR_MAX_CCH$ = Maximum TX power level an MS may use when accessing the system until otherwise commanded.

P = Maximum RF output power of the MS.

All values are expressed in dBm.

The path loss criterion (3GPP TS 43.022) is satisfied if $C1 > 0$.

12.3.5 Downlink Signalling Failure

As defined for GPRS in subclause 6.5.

12.4 COMPACT Cell Reselection

In GPRS Standby and Ready states (*A/Gb mode*) or RRC-Idle or RRC-Connected mode (*Iu mode*), cell reselection is performed by the MS. The cell reselection procedures defined in this subclause apply when an MS is attached in a cell with a CPBCCCH carrier or monitors a cell with a CPBCCCH (or both). Otherwise, the MS shall perform cell re-selection according to subclause 10.1, or if PBCCH does not exist according to subclause 6.6.

The cells to be monitored for cell re-selection, referred to as neighbour cells, are defined in the BA(GPRS) list, which is broadcast on PBCCH or CPBCCCH. If PBCCH or CPBCCCH does not exist, BA(GPRS) is equal to BA(BCCH).

12.4.1 Monitoring the received signal level and CPBCCCH data

The MS shall measure the received RF signal level on the CPBCCCH or BCCH carriers of the serving cell and the surrounding cells as indicated in the BA(GPRS) list and optionally the NC_FREQUENCY_LIST, and calculate the received level average (RLA_P) for each carrier.

In addition the MS shall verify the BSIC of the neighbour cells. Only cells with allowed BSIC shall be considered for re-selection. The allowed BSIC is either a valid BSIC or, for cells in BA(BCCH) where no BSIC is broadcast, a BSIC with allowed NCC part, (see subclause 7.2). A valid BSIC is a BSIC broadcast for that carrier in the BA(GPRS) list.

12.4.1.1 Packet idle mode or MAC-Idle state

Whilst in packet idle mode or MAC-Idle state an MS shall continuously monitor all BCCH and CPBCCCH carriers as indicated by the BA(GPRS) list in the system information of the serving cell. Note that both BCCH and CPBCCCH carriers may be defined in the BA(GPRS) list. At least one received signal level measurement sample on each neighbour cell shall be taken for each paging block monitored by the MS according to its current DRX mode and its paging group. As the minimum MS shall take one measurement for each BCCH or CPBCCCH carrier for every 4 second. As the maximum, the MS is however not required to take more than 1 samples per second for each neighbour cell. For CPBCCCH carriers, only the TDMA frames where common control or broadcast blocks are transmitted are used for monitoring signal levels, see subclause 12.3.2.

RLA_P shall be a running average determined using samples collected over a period of 5 s to $\text{Max}\{5\text{s}, \text{five consecutive paging blocks of that MS}\}$, and shall be maintained for each BCCH or CPBCCCH carrier. The same number of measurement samples shall be taken for all neighbour cells, and the samples allocated to each carrier shall as far as possible be uniformly distributed over the evaluation period. At least 5 received signal level measurement samples are required for a valid RLA_P value.

The list of the 6 strongest non-serving cells shall be updated at a rate of at least once per running average period.

The MS shall attempt to check the BSIC for each of the 6 strongest non-serving cells at least every 14 consecutive paging blocks of that MS or 10 seconds, whichever is greater. If a change of BSIC is detected then the cell shall be treated as a new cell.

When requested by the user, the MS shall determine which PLMNs are available as described in subclause 6.6.1. However, for MSs without DRX or with short DRX period (see 3GPP TS 45.002), considerable interruptions to the monitoring of PPCH can not be avoided.

12.4.1.2 Packet transfer mode or MAC-Shared state

Whilst in packet transfer mode or MAC-Shared state a MS shall continuously monitor all BCCH or CPBCCCH carriers as indicated by the BA(GPRS) list and the broadcast carrier of the serving cell. In every TDMA frame possible, a received signal level measurement sample shall be taken on at least one of the BCCH carriers or CPBCCCH time groups, one after another, as evenly distributed as possible among the neighbours. As an exception for CPBCCCH carriers on multislot allocations the MS shall take at least 4 received signal level measurement samples for CPBCCCH carriers from two different time groups (2 samples/time group) in every 52 multiframe, as evenly distributed as possible among the neighbours. For CPBCCCH carriers, only the TDMA frames where common control or broadcast blocks are transmitted are used for monitoring signal levels, see subclause 12.3.2.

RLA_P shall be a running average determined using samples collected over a period of 5 s, and shall be maintained for each BCCH and CPBCCCH carrier. The samples taken on each carrier shall as far as possible be uniformly distributed over the evaluation period. At least 5 received signal level measurement samples are required for a valid RLA_P value.

The MS shall attempt to check the BSIC for as many non-serving cells as possible and as often as possible, and at least every 10 seconds. The MS shall use TDMA frame 51 of the PDCH multiframe for checking BSICs of CPBCCCH carriers and TDMA frame 25 or 51 for checking BSIC of BCCH carriers. These frames are termed search frames. A list containing BSIC and timing information for these strongest carriers at the accuracy required for accessing a cell (see 3GPP TS 45.010) including the absolute times derived from the parameters T1, T2 T3 or R1, R2, TG shall be kept by the MS. This information may be used to schedule the decoding of BSIC and shall be used when re-selecting a new cell in order to keep the switching time at a minimum. When a BCCH or CPBCCCH carrier is found to be no longer among the reported, BSIC and timing information shall be retained for 10 seconds. (This is in case a cell re-selection command to this cell is received just after the MS has stopped reporting that cell, see subclause 10.1.4.2).

If, after averaging measurement results over 4 PDCH multiframes (1 sec), the MS detects one or more BCCH or CPBCCCH carrier, among the 6 strongest, whose BSICs are not currently being assessed, then the MS shall as a matter of priority decode their BSICs.

The MS shall be able to send the first packet random access (PRACH) at the latest 5+x seconds after a new strongest cell (which is part of the BA(GPRS)) has been activated under the following network conditions: Initial serving cell at RXLEV= -70 dBm, with 6 neighbours at RXLEV= -75 dBm. Then the new CPBCCCH or BCCH carrier is switched on at RXLEV= -60 dBm. x is the longest time it may take to receive the necessary system information on CPBCCCH or BCCH in the new cell.

NOTE: Because of test equipment limitations it is acceptable to activate the new carrier to replace one of the 6 neighbours.

In the case of a multiband MS, the MS shall attempt to decode the BSIC, if any BCCH or CPBCCCH carrier with unknown BSIC is detected among the number of strongest CPBCCCH carriers in each band as indicated by the Multiband Reporting parameter (see subclause 8.4.3).

Thus an MS shall, for a period of up to 5 seconds, devote all search frames to attempting to decode these BSICs. If this fails then the MS shall return to confirming existing BSICs. Having re-confirmed existing BSICs, if there are still BCCH or CPBCCCH carriers, among the six strongest, with unknown BSICs, then the decoding of these shall again be given priority for a further period of up to 5 seconds.

If either no BSIC can be decoded on a surrounding cells, or the BSIC is not allowed, then the received signal level measurements on that channel shall be discarded and the MS shall continue to monitor that channel.

If a change of BSIC is detected on a carrier, then any existing received signal level measurement shall be discarded and the carrier shall be treated as a new carrier.

If the BSIC cannot be decoded at the next available opportunities re-attempts shall be made to decode this BSIC. If the BSIC is not decoded for more than three successive attempts it will be considered lost and any existing received signal level measurement shall be discarded and the MS shall continue to monitor that carrier.

12.4.2 COMPACT cell reselection criteria

The COMPACT GPRS mode cell reselection criteria follows the GPRS cell reselection criteria described in subclause 10.1.2.

12.4.3 COMPACT cell reselection algorithm

The cell reselection algorithm for COMPACT follows the procedures described for GPRS in subclause 10.1.3.

12.4.4 Network controlled Cell reselection

The network controlled cell reselection for COMPACT follows the procedures described for GPRS in subclause 10.1.4.

12.4.5 COMPACT cell reselection measurement opportunities

COMPACT utilizes a timeslot mapping of control channel in a rotating fashion as described in 45.002. With this timeslot rotation, a mobile can make COMPACT neighbour cell measurements of all four time-groups. The timeslot that an MS can use for measurements is dependent on the timeslot number used for traffic. During one 52-multiframe, the MS is able to measure one time-group on up to 4 frequencies once per control block. During 1 s time period (4 multiframe), the MS is able to measure all 4 time-groups .

The CPBCCCH carrier shall be transmitted with constant RF output power as defined in subclause 12.2.1, during a minimum number of control blocks. The actual number of control blocks transmitted with constant RF output power in a neighbour cell is indicated in the neighbour cell parameter GUAR_CONST_PWR_BLKs, broadcast in with the neighbour cell description for an EGPRS neighbour cell.

Annex A (informative): Definition of a basic GSM or DCS 1 800 handover and RF power control algorithm

A.1 Scope

This annex specifies a basic overall handover algorithm and RF power control process that may be implemented in the GSM or DCS 1 800 system.

The specification includes a set of algorithms that are sufficient to allow the successful implementation of an initial GSM or DCS 1 800 system, and from which more complex algorithms may be developed.

The basic solution is not mandatory for network operators.

A.2 Functional requirement

The present algorithm is based on the following assumptions:

- single cell BSS;
- the necessity to make a handover according to radio criteria is recognized in the BSS. It can lead to either an (internal) intracell handover or an intercell handover;
- evaluation of a preferred list of target cells is performed in the BSS;
- cell allocation is done in the MSC;
- intracell handover for radio criteria (interference problems) may be performed directly by the BSS;
- the necessity to make a handover because of traffic reason (network directed handover) is recognized by the MSC and it is performed by sending a "handover candidate enquiry message" to BSS;
- the RF power control algorithm shall be implemented in order to optimize the RF power output from the MS (and BSS if power control is implemented) ensuring at the same time that the signal level received at the BSS (MS) is sufficient to keep adequate speech/data quality;
- all parameters controlling the handover and power control processes shall be administered on a cell by cell basis by means of O&M. The overall handover and power control process is split into the following stages:
 - i) BSS pre-processing and threshold comparisons;
 - ii) BSS decision algorithm;
 - iii) MSC cell allocation algorithm.

A BSS decision algorithm is specified such that the BSS can fulfil the mandatory requirement of being able to produce a preferred list of target cells for handover.

It should be noted that since measurement results can also be sent to the MSC in the "handover required" message, the handover decision algorithm may be implemented in either the MSC or the BSS.

A.3 BSS pre-processing and threshold comparisons

For the purpose of handover and RF power control processing, the BSS shall store the parameters and thresholds shown in table A.1. These shall be administered on a cell by cell basis and downloaded to the BSS by O&M procedures.

The parameters and thresholds related to the downlink power control process are stored and used only if BSS RF power control is implemented.

The following measurements shall be continuously processed in the BSS:

- i) Measurements reported by MS on SACCH:
 - Down link RXLEV;
 - Down link RXQUAL;
 - Down link surrounding cell RXLEV (RXLEV_NCELL (n) on BCCH as indicated in the BCCH Allocation).
- ii) Measurements performed in BTS:
 - Uplink RXLEV;
 - Uplink RXQUAL;
 - MS-BTS distance;
 - Interference level in unassigned time slots.

Every SACCH multiframe (480 ms) a new processed value for each of the measurements shall be calculated.

A.3.1 Measurement averaging process

The BSS shall be capable of pre-processing the measurements by any of the following processes:

- Unweighted average;
- Weighted average, with the weightings determined by O&M;
- Modified median calculation, with exceptionally high and low values (outliers) removed before the median calculation.

The timing of the processing shall be controlled by parameters, set by O&M, as follows:

- a) RXLEV_XX (XX = DL or UL):

For every connection and for both links at least the last 32 samples shall be stored (a sample is the value evaluated by the MS and BSS during a period of 480 ms). Every 480 ms, with these samples, the BSS shall evaluate the averaged value of the received power as defined by the parameters Hreqave and Hreqt, applicable to RXLEV.

- b) RXLEV_DL on BCCH carriers (RXLEV_NCELL (n)):

For every connection and for each of up to 16 defined cells the BSS shall store the values related to the last 32 samples. The BSS shall average these samples as defined by the parameters Hreqave, Hreqt, applicable to RXLEV.

- c) RXQUAL_XX (XX = DL or UL):

For every connection and for both links at least 32 samples shall be stored (a sample is the value calculated by the MS and BSS during period of 480 ms). Every 480 ms, with these samples, the BSS shall evaluate the received signal quality as defined by the parameters Hreqave and Hreqt, applicable to RXQUAL.

d) MS-BTS distance:

For every connection the BSS shall average the adaptive frame alignment value as defined by the parameters Hreqave and Hreqt, to derive an estimate of the MS-BTS distance.

e) Interference level in unassigned time slots:

The BSS shall average the interference level in unassigned timeslots as defined by the Intave parameter. The averaged results shall be mapped into five interference categories (see 3GPP TS 48.008) whose limit O-X5 are adjusted by O&M.

f) Power Budget:

This assessment process may be employed by the network as a criterion in the handover process, by setting a flag in the BSS by O&M command. If the process is employed, every 480 ms, for every connection and for each of allowable 32 adjacent cells, the BSS shall evaluate the following expression:

$$PBGT(n) = (\text{Min}(MS_TXPWR_MAX,P) - RXLEV_DL - PWR_C_D) - (\text{Min}(MS_TXPWR_MAX(n),P) - RXLEV_NCELL(n))$$

Where the values of RXLEV_NCELL(n) and RXLEV_DL are obtained with the averaging processes defined above. PWR_C_D is the difference between the maximum downlink RF power permitted in the cell and the actual downlink power due to the BSS power control. MS_TXPWR_MAX is the maximum RF TX power an MS is permitted to use on a traffic channel in the serving cell. MS_TXPWR_MAX (n) is the maximum RF TX power an MS is permitted to use on a traffic channel in adjacent cell n. P is the maximum TX power capability of the MS.

g) Hreqave and Hreqt:

The values of Hreqt and Hreqave are defined by O&M for each cell for the averaging of reported measurements. The values of Hreqave and Hreqt can be different for each of the parameters being averaged.

Hreqave:

defines the period over which an average is produced, in terms of the number of SACCH blocks containing measurement results, i.e. the number of measurements contributing to each averaged measurement.

Hreqt:

is the number of averaged results that are maintained.

The BSS shall support values of Hreqave and Hreqt such that

$$0 < Hreqav < 32$$

$$\text{and } 0 < Hreqt < 32$$

$$\text{where } Hreqave * Hreqt < 32$$

A.3.2 Threshold comparison process

A.3.2.1 RF power control process

Every SACCH multiframe, the BSS shall compare each of the processed measurements with the relevant thresholds. The threshold comparison processes and the actions to be taken are as follows:

a) Comparison of RXLEV_XX with L_RXLEV_XX_P (XX = DL or UL)

The algorithm shall be applied to the averaged RXLEV values (defined in subclause A.3.1:a). The comparison process shall be defined by the parameters P1 and N1 as follows:

- Increase XX_TXPWR if at least P1 averages out of N1 averages are lower than L_RXLEV_XX_P. (e.g. P1 = 10 and N1 = 12)

b) Comparison of RXLEV_XX with U_RXLEV_XX_P (XX = DL or UL)

The algorithm shall be applied to the averaged RXLEV values (defined in subclause A.3.1:a). The comparison process shall be defined by the parameters P2 and N2 as follows:

- Decrease XX_TXPWR if at least P2 averages out of N2 averages are greater than U_RXLEV_XX_P. (e.g. P2 = 19 and N2 = 20)

c) Comparison of RXQUAL_XX with L_RXQUAL_XX_P (XX = DL or UL)

The algorithm shall be applied to the averaged RXQUAL values (defined in subclause A.3.1:c) The comparison process shall be defined by the parameters P3 and N3 as follows:

- Increase XX_TXPWR if at least P3 averaged values out of N3 averaged values are greater (worse quality) than L_RXQUAL_XX_P. (e.g. P3 = 5 and N3 = 7)

d) Comparison of RXQUAL_XX with U_RXQUAL_XX_P (XX = DL or UL) The algorithm shall be applied to the averaged RXQUAL values (defined in subclause A.3.1:c) The comparison process shall be defined by the parameters P4 and N4 as follows:

- Decrease XX_TXPWR if at least P4 averaged values out of N4 averaged values are lower (better quality) than U_RXQUAL_XX_P. (e.g. P4 = 15, N4 = 18)

A.3.2.2 Handover Process

Every SACCH multiframe, the BSS shall compare each of the processed measurements with the relevant thresholds. The threshold comparison processes and the actions to be taken are as follows:

a) Comparison of RXLEV_XX with L_RXLEV_XX_H (XX = DL or UL)

The algorithm shall be applied to the averaged RXLEV values (defined in subclause A.3.1:a). The comparison process shall be defined by the parameters P5 and N5 as follows:

- If at least P5 averaged values out of N5 averaged values are lower than L_RXLEV_XX_H a handover, cause XX_RXLEV, might be required. (e.g. P5 = 10 and N5 = 12).

b) Comparison of RXQUAL_XX with L_RXQUAL_XX_H (XX = DL or UL)

The algorithm shall be applied to the averaged RXQUAL values (defined in subclause A.3.1:c) The comparison process shall be defined by the parameters P6 and N6 as follows:

- If at least P6 averaged values out of N6 averaged values are greater (worse quality) than L_RXQUAL_XX_H a handover, cause XX_RXQUAL, might be required. (e.g. P6 = 5 and N6 = 7).

c) Comparison of RXLEV_XX with RXLEV_XX_IH (XX= DL or UL)

The algorithm shall be applied to the averaged RXLEV values (defined in subclause A.3.1:a). The comparison process shall be defined by the parameters P7 and N7 as follows:

- If at least P7 averaged values out of N7 averaged values are greater than RXLEV_XX_IH an internal handover might be required if RXQUAL_XX is also greater (worse quality) than L_RXQUAL_XX_H (e.g. P7 = 10 and N7 = 12).

d) Comparison of MS-BTS distance with the MAX_MS_RANGE

This comparison process may be employed by the network as a criterion in the handover process by setting a flag in the BSS by O&M. If the process is employed, the algorithm shall be applied to the averaged values defined in subclause A.3.1:d. The comparison process shall be defined by the parameters P8 and N8 as follows:

- If at least P8 averaged values out of N8 values are greater than MS_RANGE_MAX a handover, cause DISTANCE, might be required. (e.g. P8 = 8 and N8 = 10).

e) Comparison of PBGT(n) with the HO_MARGIN(n)

If the process is employed, the action to be taken is as follows:

- If $PBGT(n) > O$ and $PBGT(n) > HO_MARGIN(n)$ a handover, cause PBGT(n), might be required.

This comparison enables handover to be performed to ensure that the MS is always linked to the cell with the minimum path loss, even though the quality and signal level thresholds may not have been exceeded.

A.4 BSS decision algorithm

Recognizing the necessity to request a handover the BSS shall send a "handover required message" to the MSC containing the preferred list of target cells.

The "handover required message" shall be also generated in answer to a "handover candidate enquiry message" sent by the MSC.

The BSS decision algorithm shall be based on the following strategy:

$$RXLEV_NCELL(n) > RXLEV_MIN(n) + \text{Max}(O, P_a) \quad (\text{A.1})$$

where: $P_a = (MS_TXPWR_MAX(n) - P)$

$$(\text{Min}(MS_TXPWR_MAX, P) - RXLEV_DL - PWR_C_D) - (\text{Min}(MS_TXPWR_MAX(n), P) -$$

$$RXLEV_NCELL(n) - HO_MARGIN(n) > 0 \quad (\text{A.2})$$

All these expressions shall be evaluated using the averaged values defined by the parameters Hreqt and Hreqave.

The BSS shall evaluate the equation (A.2) for each of the adjacent cells that satisfies the expression (A.1) and shall compile the list of the preferred adjacent cells ordinated depending on the value of equation (A.2) (i.e. in the first position is the cell for which the value is the maximum, in the second position is the cell with the second best value and so on).

If there are any adjacent cells for which the values of RXLEV_MIN(n), HO_MARGIN(n) and MS_TXPWR_MAX(n) are not known, i.e. the MS has reported values from an undefined adjacent cell, then the default parameters shall be used to evaluate equations 1 and 2, i.e. RXLEV_MIN_DEF, HO_MARGIN_DEF, MS_TXPWR_MAX_DEF. This enables handover to occur in situations where a call is set up in unexpected coverage area of a cell, without defined adjacent cells.

If there are several cells that satisfy the equation (A.2) with the same results, the first cell in the list will be that one with the best "positive trend". The trend shall be evaluated by the BSS using the last Hreqt averaged values of RXLEV_NCELL(n).

If the handover is considered imperative, that is one of the following events is verified as the cause:

- a) the power level (UL and/or DL) is below the thresholds despite power control (the MS or/and the BSS have reached the maximum allowed power);
- b) the quality of the link (UL and/or DL) is below the threshold while at the same time the RXLEV approximates the threshold;
- c) the distance between MS and BTS exceeds the MAX_MS_RANGE.

The list of the preferred cells shall be compiled including any candidates for which the result of the equation (A.2) is lower than 0. Also in this case the list shall be compiled in a decreasing order of priority.

A.4.1 Internal intracell handover according to radio criteria: (Interference problems)

The two conditions $RXQUAL_XX > L_RXQUAL_XX_H$ (bad quality) and $RXLEV_XX > RXLEV_XX_IH$, if verified at the same time, indicate a high probability of the presence of co-channel interference.

This situation can be solved by changing the channel within the cell with an intracell handover.

If internal intracell handover is supported by the BSS it shall be performed as described in 3GPP TS 48.008.

If the BSS does not support internal intracell handover, then the handover shall be initiated by sending a "handover required message" to the MSC in which the serving cell is indicated as first priority.

A.4.2 Internal handover according to other criteria

Apart from radio criteria there are other criteria that may require internal handover:

- O&M criteria;
- Resource management criteria.

In these cases, internal handover shall be triggered by the OMC or by the resource management of the BSS.

A.4.3 General considerations

Since the RF power control process and the handover process are closely linked, particular care shall be taken in order to avoid undesired interactions between them.

In particular, the following interactions should be avoided, where possible:

- a "power increase command" or a "handover for RXLEV or for RXQUAL" subsequent to a "power reduction command" (e.g. by checking that the averaged power level reduced by the Pow_Red_Step_Size plus the tolerances is greater than the L_RXLEV_XX_P or L_RXLEV_XX_H);
- a "power reduction command" subsequent to a "power increase command".

After an action of power control the set of samples related to the previous power level, in the corresponding link, shall not be used in the processing.

If, during the decision process, the condition for the "handover required message" is satisfied at the same time by different reasons. The "cause field" in the "handover required message" sent to the MSC, shall contain the reasons taking account of the following order of priority:

- RXQUAL;
- RXLEV;
- DISTANCE;
- PBGT.

A.5 Channel allocation

As described in 3GPP TS 48.008 the available channels shall be divided into five interference categories whose limits O-X5 are adjusted by O&M command.

For handover, the channel allocated should be from the category with the lowest interference level, since determination of the expected value of C/I is not possible by the new BSS.

A.6 Handover decision algorithm in the MSC

The MSC shall select the cell to which an MS is to be handed over by the following criteria:

- Handover for radio criteria shall be handled taking into account the following order of priority:
 - RXQUAL;
 - RXLEV;
 - DISTANCE;
 - PBGT.

e.g. if there are more handover bids to a cell than there are free traffic channels, then the bids with cause "RXQUAL" shall take highest priority.

- In order to avoid overload in the network, for every cell and with reference to each of 16 adjacent cells, it shall be possible to define (by O&M) for each adjacent cell one of at least 8 priority levels. These shall be considered together with the list of candidates and the interference levels in the choice of the new cell. For example, if there are two cells which meet the criteria for handover, then the cell with the highest priority shall be used. This enables umbrella cells, for instance, to be given a lower priority, and only handle calls when no other cell is available.
- Channel congestion on the best cell shall cause the choice of the second best cell, if available, and so on. If no cell is found and call queuing is employed in the MSC, then the MSC shall queue the request on the best cell for a period equal to H_INTERVAL (H_INTERVAL < T_Hand_RQD shall be set by O&M). This handover shall have priority over the queue handling new calls.

Table A.1: Parameters and thresholds stored for handover purposes

| | |
|-----------------------|--|
| L_RXLEV_UL_P | RXLEV threshold on the uplink for power increase. Typical range - 103 to - 73 dBm. |
| U_RXLEV_UL_P | RXLEV threshold on the uplink for power reduction. |
| L_RXQUAL_UL_P | RXQUAL threshold on the uplink for power increase. |
| U_RXQUAL_UL_P | RXQUAL threshold on the uplink for power reduction. |
| L_RXLEV_DL_P | RXLEV threshold on the downlink for power increase. Typical range - 103 to - 73 dBm. |
| U_RXLEV_DL_P | RXLEV threshold on the downlink for power reduction. |
| L_RXQUAL_DL_P | RXQUAL threshold on the downlink for power increase. |
| U_RXQUAL_DL_P | RXQUAL threshold on the downlink for power reduction. |
| L_RXLEV_UL_H | RXLEV threshold on the uplink for handover process to commence. Typical range - 103 to - 73 dBm. |
| L_RXQUAL_UL_H | RXQUAL threshold on the uplink for handover process to commence. |
| L_RXLEV_DL_H | RXLEV threshold on the downlink for handover process to commence. Typical range - 103 to - 73 dBm. |
| L_RXQUAL_DL_H | RXQUAL threshold on the downlink for handover process to commence. |
| MS_RANGE_MAX | Threshold for the maximum permitted distance between MS and current BTS. Range (2, 35 Km); step size 1.0 Km. |
| RXLEV_UL_IH | RXLEV threshold on uplink for intracell (interference) handover. Typical range - 85 to - 40 dBm. |
| RXLEV_DL_IH | RXLEV threshold on downlink for intracell (interference) handover; typical range - 85 to - 40 dBm. |
| RXLEV_MIN(n) | Minimum RXLEV required for an MS to be allowed to handover to cell "n". |
| RXLEV_MIN_DEF | Default value of RXLEV_MIN, used to evaluate handover to undefined adjacent cells. |
| HO_MARGIN(n) | A parameter used in order to prevent repetitive handover between adjacent cells. It may be also used as a threshold in the power budget process. Range (0, 24 dB); step size 1 dB. |
| HO_MARGIN_DEF | Default value of HO_MARGIN, used to evaluate handover to undefined adjacent cells. |
| N_CELL list | List of allowable adjacent cells for handover. Range (0, 32). |
| MS_TXPWR_MAX | Maximum TX power a MS may use in the serving cell. Range (5, 39 dBm) for GSM and (0,36 dBm) for DCS 1 800; step size 2 dB. |
| MS_TXPWR_MAX(n) | Maximum TX power a MS may use in the adjacent cell "n". Range (5, 39 dBm) for GSM and (0,36 dBm) for DCS 1 800; step size 2 dB. |
| MS_TXPWR_MAX_DEF | Default value of MS_TXPWR_MAX, used to evaluate handover to undefined adjacent cells. |
| BS_TXPWR_MAX | Maximum TX power used by the BTS. |
| O.X5 | Boundary limits of five interference bands for the unassigned time slots. Typical range -115 to -85 dBm. (See 3GPP TS 48.008). |
| Hreqave | RXLEV, RXQUAL and MS_BTS Distance averaging periods defined in terms of number of SACCH multiframes. Range (1, 31); step size 1. |
| Hreqt | The number of averaged results that can be sent in a "handover required message" from BSS to MSC. Range (1, 31); step size 1. |
| Intave | Interference averaging period defined in terms of the number of SACCH multiframes. Range (1, 31); step size 1. |
| N1..N8,P1..P8 | The number of samples used in the threshold comparison processes. Range (1, 31); step size 1. |
| P_Con_INTERVAL | Minimum interval between changes in the RF power level. Range (0, 30 s) step size 0.96 s. |
| T_Hand_RQD | Minimum interval between handover required messages related to the same connection. Range (0, 30 s); step size 0.96 s. |
| Pow_Incr_Step_Size | Range 2, 4 or 6 dB. |
| Pow_Red_Step_Size | Range 2 or 4 dB. |
| Number of Ranges (NR) | Number of ranges in BA_RANGE indicating the number of ranges of ARFCNs containing BCCH carriers for use as stored BCCH information. |
| RANGEi_LOWER | Lowest ARFCN in the ith range of carriers containing BCCH carriers for use as stored BCCH information. |
| RANGEi_HIGHER | Highest ARFCN in the ith range of carriers containing BCCH carriers for use as stored BCCH information. |

All thresholds shall be able to take any value within the range of the parameter to which they apply. Typical operating ranges are given for some thresholds.

Annex B (informative): Power Control Procedures

Power control is important for spectrum efficiency as well as for power consumption in a cellular system. For good spectrum efficiency quality based power control is required. Power control for a packet oriented connection is more complicated than for a circuit switched connection, since there is no continuous two-way connection.

The power control formula for the MS is specified in subclause 10.2.1 (formula 1):

$$P = \Gamma_0 - \Gamma_{CH} - \alpha (C + 48) \quad (\text{all power calculations in dB})$$

This is a flexible tool that can be used for different power control algorithms. (Note that the constants Γ_0 and 48 are included only for optimising the coding of Γ_{CH}). For the BTS, there is no need to specify any algorithm, but a similar formula can be used. The following are examples of possible algorithms for uplink power control:

- Open loop control.
With this method the output power is based on the received signal level assuming the same path loss in uplink and downlink. This is useful in the beginning of a packet transmission.
- Closed loop control.
With this method the output power is commanded by the network based on received signal level measurements made in the BTS in a similar way as for a circuit switched connection.
- Quality based control.
This method can be used in combination with any of the two methods above.

B.1 Open loop control

A pure open loop is achieved by setting $\alpha = 1$ and keeping Γ_{CH} constant. The output power will then be:

$$P = \Gamma_0 - \Gamma_{CH} - C - 48$$

The value Γ_{CH} can be calculated as follows to give a target value for the received signal, SS_b , at the BTS.

The received signal level at the MS:

$$SS_m = P_{BTS} - P_b - L$$

where P_{BTS} = BTS maximum output power
 P_b = BTS power reduction due to power control
 L = path loss

The C value (normalised received signal level):

$$C = SS_m + P_b = P_{BTS} - L$$

The MS output power: $P = \Gamma_0 - \Gamma_{CH} - C - 48 = \Gamma_0 - \Gamma_{CH} - P_{BTS} + L - 48$

The received signal level at the BTS:

$$SS_b = P - L = \Gamma_0 - \Gamma_{CH} - P_{BTS} - 48$$

The constant value of Γ_{CH} :

$$\Gamma_{CH} = \Gamma_0 - P_{BTS} - SS_b - 48$$

B.2 Closed loop control

A pure closed loop is achieved by setting $\alpha = 0$. The output power will then be:

$$P = \Gamma_0 - \Gamma_{CH}$$

In this case, Γ_{CH} is the actual power level (relative to Γ_0) commanded by network. It can be based on the received signal level measured at the BTS. Power control commands can be sent when required in order to achieve the target received signal level.

B.3 Quality based control.

In order to achieve the best performance the power control should be quality based. The algorithm must also consider the path loss for stability. The algorithm is not specified, it is the responsibility of the manufacturer and/or the operator.

An example of a quality based power control algorithm is:

$$P_{n+1} = P_{max} - \alpha ((C/I_n - C/I_{min}) - (P_n - P_{max})) = P_{ref} - \alpha (C/I_n - P_n)$$

where P is the output power from the MS.
 C/I is the received carrier to interference value at the BTS.
 P_{max} , C/I_{min} and P_{ref} are reference values.
 α is a weighting factor.
 n is the iteration index.

In the closed loop case, this formula determines Γ_{CH} :

$$\Gamma_{CH} = \Gamma_0 - P_{n+1} .$$

For the open loop case, we rewrite the formula. The carrier to interference can be written:

$$C/I = C_{BTS} - I_{BTS} = P - L - I_{BTS}$$

where C_{BTS} is the received signal level at the BTS.
 I_{BTS} is the received interference level at the BTS.

thus
$$P_{n+1} = P_{ref} - \alpha (P_n - L_n - I_{BTS,n} - P_n) = P_{ref} + \alpha (L_n + I_{BTS,n})$$

As shown above, the path loss is:

$$L = P_{BTS} - C$$

The formula can therefore be written as (dropping the iteration index):

$$P = P_{ref} + \alpha (P_{BTS} - C + I_{BTS}) = \Gamma_0 - \Gamma_{CH} - \alpha (C - 48)$$

Thus, for the open loop case:

$$\Gamma_{CH} = \Gamma_0 - P_{ref} - \alpha (P_{BTS} + I_{BTS} - 48)$$

The interference level I_{BTS} is measured in the BTS. The parameter Γ_{CH} is estimated based on these measurements, considering the appropriate weighting factor α , and the known parameters P_{ref} and P_{BTS} . The Γ_{CH} values are transferred to the MS in the Power Control Parameters (see 3GPP TS 44.060).

B.4 BTS power control

The same algorithm as above can be used for downlink power control. The formula for quality based control in the MS

$$P_{n+1} = P_{ref} + \alpha (L_n + I_{BTS,n})$$

can be written for the BTS as:

$$Pd_{n+1} = P_{ref} + \alpha (L_n + \gamma_{CH,n})$$

where Pd is the BTS output power (equal to $P_{BTS} - P_b$).
 γ_{CH} is the received interference level at the MS.

Substituting the path loss and dropping the iteration index gives:

$$P_d = P_{ref} + \alpha (P_{BTS} - C + \gamma_{CH})$$

The received signal C and interference γ_{CH} is measured in the MS and transferred to the BTS, which can calculate the output power.

B.5 Example

Figure B.1 illustrates an example of the uplink power control function.

In packet idle mode or MAC-Idle state, the MS measures the C value on each monitored PPCH block. Meanwhile, the BSS measures the interference of the candidate PDCHs in order to have Γ_{CH} values ready for the first transfer period. This is transferred to the MS in the Packet Uplink Assignment.

In packet transfer mode or MAC-Shared state, the MS measures the C value on the BCCH carrier and updates its output power. The BSS updates the MS specific Γ_{CH} values and transfer them to the MS when needed, i.e. when the interference level has changed.

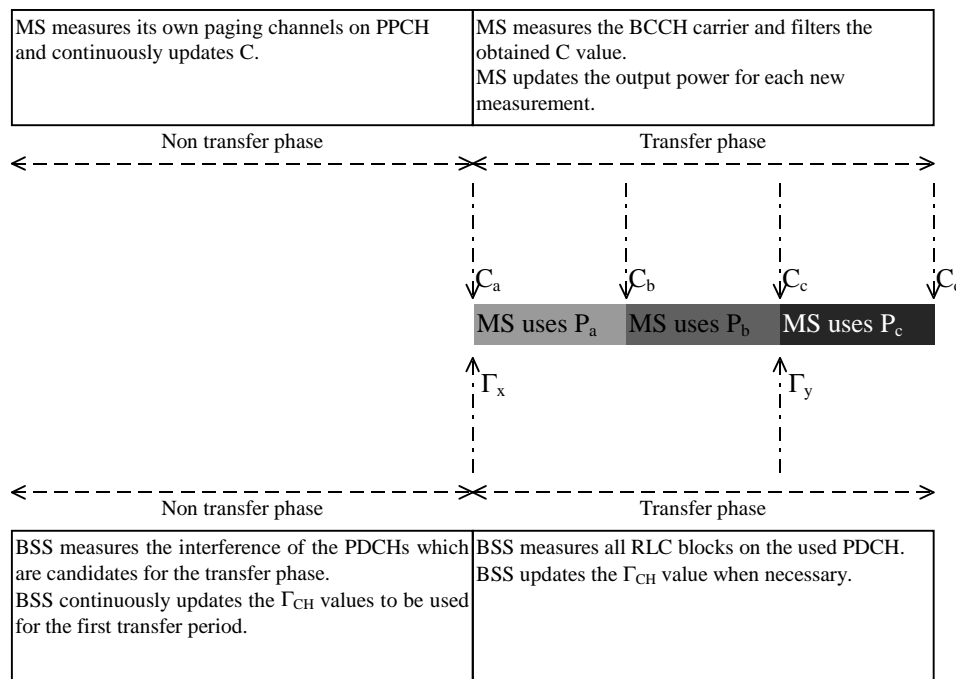


Figure B.1: Traffic example of uplink power control

Figure B.2 illustrates an example of the downlink power control function.

In packet idle mode or MAC-Idle state, the MS measures the C value on each monitored PPCH block.

In packet transfer mode or MAC-Shared state, the MS measures the C value on the BCCH carrier and the γ_{CH} values on all channels on the same carrier as the assigned PDCH. These values are transferred to the BTS in the Packet Downlink Ack/Nack messages. The BSS then updates the output power.

The BTS may use the maximum power for the first transfer period and set the polling for Ack/Nack as soon as possible to get the values measured in packet idle mode or MAC-Idle state.

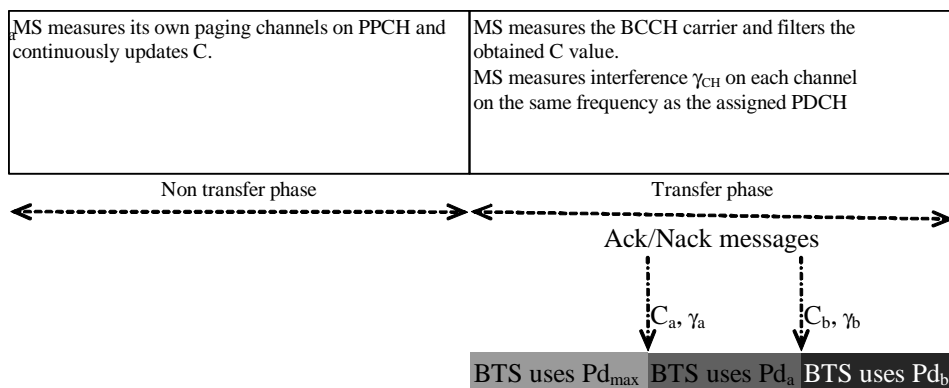


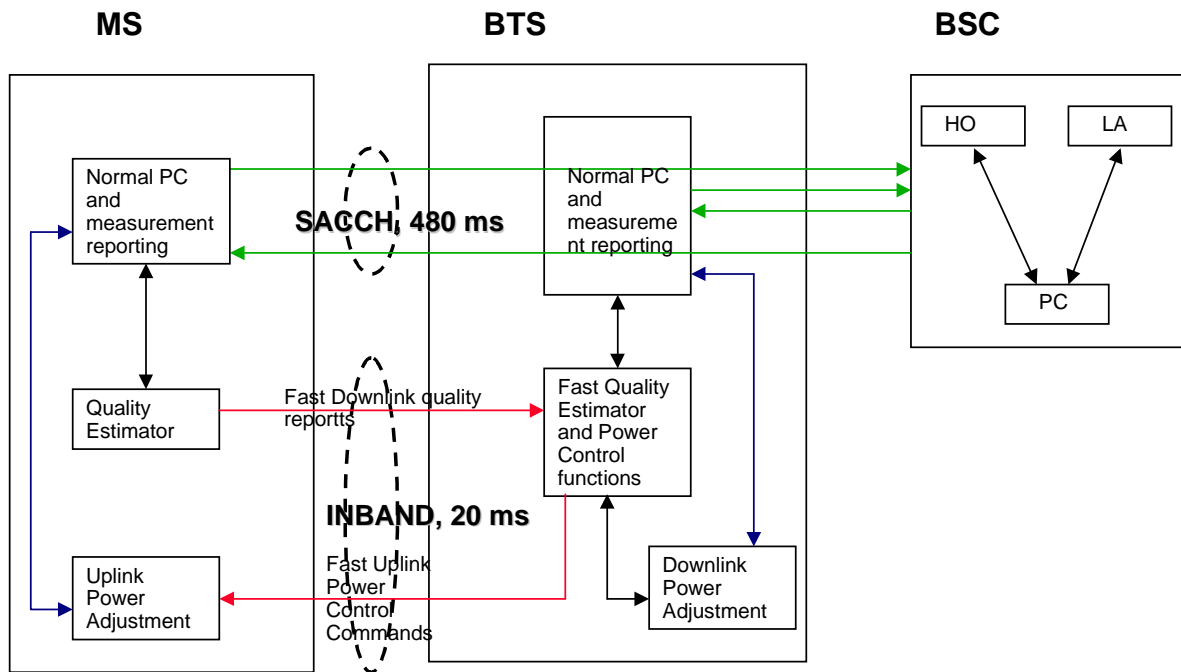
Figure B.2: Traffic example of downlink power control

B.6 Interworking between normal and fast power control for ECSD

Interworking between normal and fast power control in the ECSD mode is done so that the normal power control may be running even if fast power control is activated. This means that both the BSS and the MS shall, at all times when in dedicated ECSD mode, estimate the radio link quality plus send power level commands and link quality reports respectively based on the cycle of the reporting period of length 104 TDMA frames (as specified in subclause 8.4). When FPC is activated though, the power level commands sent via SACCH are ignored by the MS.

Through this, a switch back to normal power control can be done very easily since the MS always knows what power level to use immediately after a switch. Switching between normal and fast power control always takes place at the beginning of a reporting period.

The figure below illustrates the simultaneous operation of the two power control mechanisms and their respective functional blocks.



The BSC has the control over which power control loop is in use. This is signalled with one control bit on the Abis interface to the BTS, which in turn informs the MS, when the fast power control loop shall be used. When FPC is not activated, there is no requirement for either the BTS nor the MS to perform quality estimations or sending commands/reports via E-IACCH.

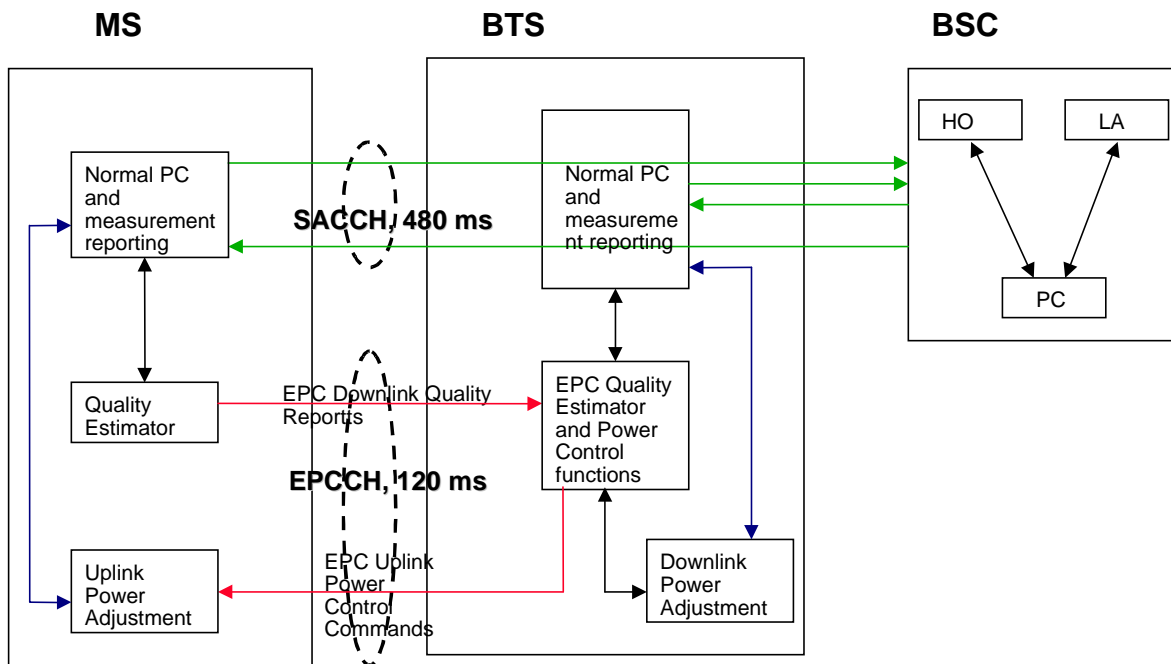
The specific power control algorithm to be used for fast power control is, as is the case for normal power control, implementation dependent and is thus not standardised.

B.7 Interworking between normal and enhanced power control (EPC)

Interworking between normal and enhanced power control (EPC) is done so that the normal power control may be running even if enhanced power control is activated. This means that both the BSS and the MS shall, at all times when in EPC mode, estimate the radio link quality plus send power level commands and link quality reports respectively based on the cycle of the reporting period of length 104 TDMA frames (as specified in subclause 8.4). When EPC in the uplink is activated though, the power level commands sent via SACCH are ignored by the MS.

Switching between normal and enhanced power control always takes place at the beginning of a (normal) reporting period.

The figure below illustrates the simultaneous operation of the two power control mechanisms and their respective functional blocks.



The BSC has the control over which power control loop is in use. For the uplink power control, this is signalled with one control bit on the Abis interface to the BTS, which in turn informs the MS, when the enhanced power control shall be used.

The specific power control algorithm to be used for enhanced power control is, as is the case for normal power control, implementation dependent and is thus not standardised.

Annex C (informative): Example Interference Measurement Algorithm

The following is an example algorithm for interference estimation at the MS during the Training Sequence of a normal burst (GMSK or 8PSK). The same technique may also be employed by the BTS.

The symbol spaced sampled complex envelope of the received signal $r(t)$, $\{r_n\}$, can be expressed as follows:

$$r_n = \sum_{i=-L1}^{L2} c_i u_{n-i} + z_n$$

Where $\{c_i\}$ represents the tap weights of the equivalent channel, $\{u_i\}$ represents the complex symbols of the Training Sequence, z_n represents the interference and noise contribution, and $L1$ and $L2$ are channel dispersion parameters.

STEP 1:

The channel is estimated using the first N symbols of the Training Sequence (where $N < 26$) as follows:

$$\bar{W} = \mathbf{R}^{-1} \bar{P}$$

where \bar{W} represents the estimated equivalent channel response.

$\mathbf{R} = E[\bar{u}_n \bar{u}_n^H]$ is the $K \times K$ correlation matrix of the complex symbols of Training Sequence $\{u_n\}$.

$\bar{P} = E[\bar{u}_n r_n^*]$ denotes the $K \times 1$ cross-correlation vector between the complex symbols of Training Sequence and the received signal sample $\{r_n\}$.

and $\bar{u}_n = [u_n, u_{n-1}, \dots, u_{n-K+1}]^T$.

K will be decided based on the expected maximum equivalent channel dispersion. Note that the equivalent channel corresponds to the combined channel response of the physical channel and transmit and receive filter responses. K represents the number of symbols over which the equivalent channel dispersion is spanning. $K = L1+L2+1$.

STEP 2:

The interference and noise contribution (IN) is calculated for the last $M = 26-N$ symbols of the Training Sequence as follows:

$$IN = \frac{1}{M} \sum_{k=1}^M |r_k - \bar{W}^* \bar{u}_k|^2$$

Note that the accuracy of the interference estimate will improve as M increases, on other hand the channel estimate may suffer because of a reduced N . Optionally, the symbols in the immediate vicinity on either side of the Training Sequence may also be used in estimating interference.

STEP 3:

The above procedure may be performed in both the directions scanning Training Sequence from left to right and right to left. By scanning in both the directions, IN can be obtained for the first M symbols, $IN1$, and for last M symbols, $IN2$. The interference measurement sample $SS_{CH,n}$ is calculated as follows.

$$SS_{CH,n} = (IN1+IN2)/2$$

Annex D (informative): Example Selection of Modulation and Coding Schemes based on Link Quality Reports

The table below gives examples of Modulation and Coding Scheme (MCS) selection based on the reported link quality estimates 8PSK_MEAN_BEP and 8PSK_CV_BEP. The selection is designed to maximise the link throughput. Further optimisation e.g. for the IR mode is possible. In the same manner the MCS-1 to MCS-4 can be chosen based on GMSK_MEAN_BEP and GMSK_CV_BEP and the Modulation and Coding Schemes defined for EGPRS2 can be selected based on the defined modulation specific measurements for MEAN_BEP and CV_BEP.

Table 3: 8PSK MCS selection based on BEP reports

| | | 8PSK_CV_BEP | | | | | | | |
|---|----|-------------|-------|-------|-------|-------|-------|-------|-------|
| | | 1 | 2 | 3 | 4 | 5 | 6 | 7 | 8 |
| 8 P S K M E A N B E P | 1 | MCS-5 | MCS-5 | MCS-5 | MCS-5 | MCS-5 | MCS-5 | MCS-5 | MCS-5 |
| | 2 | MCS-5 | MCS-5 | MCS-5 | MCS-5 | MCS-5 | MCS-5 | MCS-5 | MCS-5 |
| | 3 | MCS-5 | MCS-5 | MCS-5 | MCS-5 | MCS-5 | MCS-5 | MCS-5 | MCS-5 |
| | 4 | MCS-5 | MCS-5 | MCS-5 | MCS-5 | MCS-5 | MCS-5 | MCS-5 | MCS-5 |
| | 5 | MCS-5 | MCS-5 | MCS-5 | MCS-5 | MCS-5 | MCS-5 | MCS-5 | MCS-5 |
| | 6 | MCS-5 | MCS-5 | MCS-5 | MCS-5 | MCS-5 | MCS-5 | MCS-5 | MCS-6 |
| | 7 | MCS-5 | MCS-5 | MCS-5 | MCS-5 | MCS-5 | MCS-5 | MCS-5 | MCS-6 |
| | 8 | MCS-5 | MCS-5 | MCS-5 | MCS-5 | MCS-5 | MCS-6 | MCS-6 | MCS-6 |
| | 9 | MCS-5 | MCS-5 | MCS-5 | MCS-5 | MCS-6 | MCS-6 | MCS-6 | MCS-6 |
| | 10 | MCS-5 | MCS-5 | MCS-5 | MCS-6 | MCS-6 | MCS-6 | MCS-6 | MCS-6 |
| | 11 | MCS-5 | MCS-5 | MCS-6 | MCS-6 | MCS-6 | MCS-6 | MCS-6 | MCS-7 |
| | 12 | MCS-6 | MCS-6 | MCS-6 | MCS-6 | MCS-6 | MCS-6 | MCS-6 | MCS-7 |
| | 13 | MCS-6 | MCS-6 | MCS-6 | MCS-6 | MCS-6 | MCS-7 | MCS-7 | MCS-7 |
| | 14 | MCS-6 | MCS-6 | MCS-6 | MCS-6 | MCS-7 | MCS-7 | MCS-7 | MCS-7 |
| | 15 | MCS-6 | MCS-6 | MCS-7 | MCS-7 | MCS-7 | MCS-7 | MCS-7 | MCS-7 |
| | 16 | MCS-7 | MCS-7 | MCS-7 | MCS-7 | MCS-7 | MCS-7 | MCS-7 | MCS-7 |
| | 17 | MCS-7 | MCS-7 | MCS-7 | MCS-7 | MCS-7 | MCS-7 | MCS-7 | MCS-7 |
| | 18 | MCS-7 | MCS-7 | MCS-7 | MCS-7 | MCS-7 | MCS-7 | MCS-7 | MCS-7 |
| | 19 | MCS-7 | MCS-7 | MCS-7 | MCS-7 | MCS-7 | MCS-7 | MCS-7 | MCS-7 |
| | 20 | MCS-7 | MCS-7 | MCS-7 | MCS-7 | MCS-7 | MCS-7 | MCS-7 | MCS-7 |
| | 21 | MCS-7 | MCS-7 | MCS-7 | MCS-7 | MCS-7 | MCS-7 | MCS-7 | MCS-7 |
| | 22 | MCS-7 | MCS-7 | MCS-8 | MCS-8 | MCS-8 | MCS-8 | MCS-8 | MCS-8 |
| | 23 | MCS-8 | MCS-8 | MCS-8 | MCS-8 | MCS-8 | MCS-8 | MCS-8 | MCS-8 |
| | 24 | MCS-8 | MCS-8 | MCS-8 | MCS-8 | MCS-8 | MCS-8 | MCS-8 | MCS-8 |
| | 25 | MCS-8 | MCS-8 | MCS-8 | MCS-8 | MCS-8 | MCS-8 | MCS-8 | MCS-8 |
| | 26 | MCS-8 | MCS-8 | MCS-8 | MCS-8 | MCS-8 | MCS-8 | MCS-8 | MCS-8 |
| | 27 | MCS-8 | MCS-8 | MCS-8 | MCS-8 | MCS-8 | MCS-8 | MCS-8 | MCS-8 |
| | 28 | MCS-8 | MCS-8 | MCS-8 | MCS-8 | MCS-8 | MCS-8 | MCS-8 | MCS-8 |
| | 29 | MCS-9 | MCS-9 | MCS-9 | MCS-9 | MCS-9 | MCS-9 | MCS-9 | MCS-9 |
| | 30 | MCS-9 | MCS-9 | MCS-9 | MCS-9 | MCS-9 | MCS-9 | MCS-9 | MCS-9 |
| | 31 | MCS-9 | MCS-9 | MCS-9 | MCS-9 | MCS-9 | MCS-9 | MCS-9 | MCS-9 |
| | 32 | MCS-9 | MCS-9 | MCS-9 | MCS-9 | MCS-9 | MCS-9 | MCS-9 | MCS-9 |

Annex E (informative): Change history

| SPEC | SMG# | CR | Rev | PHS | VERS | NEW_V | SUBJECT |
|-------|------|------|-----|-----|-------|-------|--|
| 05.08 | s24 | A043 | | R97 | 5.5.0 | 6.0.0 | Channel Quality Report in GPRS |
| 05.08 | s25 | A046 | | R97 | 6.0.0 | 6.1.0 | Improvements to GPRS power control |
| 05.08 | s25 | A047 | | R97 | 6.0.0 | 6.1.0 | Cell re-selection in GPRS |
| 05.08 | s25 | A050 | | R97 | 6.0.0 | 6.1.0 | Cell re-selection in GPRS |
| 05.08 | s25 | A051 | | R97 | 6.0.0 | 6.1.0 | GPRS Cell Re-selection |
| 05.08 | s25 | A053 | | R97 | 6.0.0 | 6.1.0 | Interference measurements for GPRS |
| 05.08 | s25 | A054 | | R97 | 6.0.0 | 6.1.0 | Renaming of GPRS RR states |
| 05.08 | s25 | A055 | | R97 | 6.0.0 | 6.1.0 | Transmission on downlink PDCH |
| 05.08 | s25 | A056 | | R97 | 6.0.0 | 6.1.0 | RF power level control during configuration change procedure |
| 05.08 | | | | | 6.1.0 | 6.1.1 | Correction of version number |
| 05.08 | s26 | A057 | | R97 | 6.1.0 | 6.2.0 | Corrections and clarifications to GPRS |
| 05.08 | s26 | A058 | | R97 | 6.1.0 | 6.2.0 | Cell re-selection in GPRS |
| 05.08 | s26 | A059 | | R97 | 6.1.0 | 6.2.0 | Mapping of PACCH |
| 05.08 | s26 | A060 | | R97 | 6.1.0 | 6.2.0 | Coding of parameter GCH |
| 05.08 | s26 | A061 | | R97 | 6.1.0 | 6.2.0 | RXQUAL measurement |
| 05.08 | s26 | A063 | | R97 | 6.1.0 | 6.2.0 | Clarification of non-DRX mode |
| 05.08 | s26 | A064 | | R97 | 6.1.0 | 6.2.0 | Release of dedicated channels |
| 05.08 | s26 | A065 | | R97 | 6.1.0 | 6.2.0 | Renaming of broadcast parameters |
| 05.08 | s26 | A066 | | R97 | 6.1.0 | 6.2.0 | Measurement reporting and network controlled cell selection |
| 05.08 | s27 | A044 | | R97 | 6.2.0 | 6.3.0 | MS delay time in reporting a new strongest neighbouring cell |
| 05.08 | s27 | A068 | | R97 | 6.2.0 | 6.3.0 | Clarification of Power Control |
| 05.08 | s27 | A069 | | R97 | 6.2.0 | 6.3.0 | Measurement reporting |
| 05.08 | s27 | A072 | | R97 | 6.2.0 | 6.3.0 | GPRS idle mode measurements |
| 05.08 | s27 | A074 | | R97 | 6.2.0 | 6.3.0 | Clarification of Complete BA (SACCH) |
| 05.08 | s27 | A075 | | R97 | 6.2.0 | 6.3.0 | Tolerances for power control |
| 05.08 | s27 | A076 | | R97 | 6.2.0 | 6.3.0 | GPRS downlink power control |
| 05.08 | s28 | A080 | | R97 | 6.3.0 | 6.4.0 | MS delay time in reporting a new strongest neighbouring cell in GPRS |
| 05.08 | s28 | A081 | | R97 | 6.3.0 | 6.4.0 | Cell re-selection |
| 05.08 | s28 | A082 | | R97 | 6.3.0 | 6.4.0 | Interference measurements on Network command |
| 05.08 | s28 | A086 | | R97 | 6.3.0 | 6.4.0 | Clarification of received signal level |
| 05.08 | s28 | A087 | | R97 | 6.3.0 | 6.4.0 | Interference measurements with frequency hopping |
| 05.08 | s28 | A088 | | R97 | 6.3.0 | 6.4.0 | Clarification of interference measurements |
| 05.08 | s28 | A089 | | R97 | 6.3.0 | 6.4.0 | Call reestablishment procedure for abnormal release with cell reselection in ready state |
| 05.08 | s28 | A093 | | R97 | 6.3.0 | 6.4.0 | Application time of Gamma and Alpha parameters for the computation on MS output power |
| 05.08 | s28 | A094 | | R97 | 6.3.0 | 6.4.0 | Clarification on MAFA measurement requirements |
| 05.08 | s28 | A096 | | R97 | 6.3.0 | 6.4.0 | Cell reselection delay time in packet transfer mode |
| 05.08 | s28 | A097 | | R97 | 6.3.0 | 6.4.0 | Clarification to a requirement to perform the interference measurements |
| 05.08 | s28 | A098 | | R97 | 6.3.0 | 6.4.0 | Neighbour measurements |
| 05.08 | s28 | A099 | | R97 | 6.3.0 | 6.4.0 | End of measurement period for the quality measurements |
| 05.08 | s28 | A102 | | R97 | 6.3.0 | 6.4.0 | Correction to I_LEVEL reporting |
| 05.08 | s28 | A079 | | R98 | 6.4.0 | 7.0.0 | Harmonization between GSM and PCS 1 900 standard |
| 05.08 | s28 | A084 | | R98 | 6.4.0 | 7.0.0 | Introduction of CTS in 05.08 |
| 05.08 | s28 | A100 | | R98 | 6.4.0 | 7.0.0 | AMR DTX aspects in signal quality measurements |
| 05.08 | s29 | A070 | | R98 | 7.0.0 | 7.1.0 | Addition of SoLSA functionality |
| 05.08 | s29 | A104 | | R98 | 7.0.0 | 7.1.0 | Clarification of CTS-MS initial synchronisation |
| 05.08 | s29 | A105 | | R98 | 7.0.0 | 7.1.0 | Performance of CTS power control algorithm |
| 05.08 | s29 | A106 | | R98 | 7.0.0 | 7.1.0 | Introduction of quality criteria in CTS idle mode |
| 05.08 | s29 | A107 | | R98 | 7.0.0 | 7.1.0 | Clarification of C2_CTS computation |
| 05.08 | s29 | A108 | | R98 | 7.0.0 | 7.1.0 | Clarification of range delay measurements |
| 05.08 | s29 | A116 | | R98 | 7.0.0 | 7.1.0 | Time to be ready to access a new cell |
| 05.08 | s29 | A123 | | R98 | 7.0.0 | 7.1.0 | Clarification of time of application of new alpha and gamma |

| SPEC | SMG# | CR | Rev | PHS | VERS | NEW_V | SUBJECT |
|-------|------|------|-----|-----|-------|-------|---|
| | | | | | | | value in case of time slot reconfiguration |
| 05.08 | s29 | A127 | | R98 | 7.0.0 | 7.1.0 | Relation between NC_REPORTING_PERIOD and DRX period |
| 05.08 | s29 | A131 | | R98 | 7.0.0 | 7.1.0 | Interference measurement on packet idle mode |
| 05.08 | s29 | A132 | | R98 | 7.0.0 | 7.1.0 | Clarification to the interference measurements requirements in packet idle mode |
| 05.08 | s29 | A133 | | R98 | 7.0.0 | 7.1.0 | Cell selection parameters in Packet Measurement Order |
| 05.08 | s29 | A134 | | R98 | 7.0.0 | 7.1.0 | Calculation of SIGN_VAR |
| 05.08 | s29 | A135 | | R98 | 7.0.0 | 7.1.0 | Updating of PBCCH information |
| 05.08 | s29 | A137 | | R98 | 7.0.0 | 7.1.0 | Downlink Power Control for GPRS |
| 05.08 | s29 | A141 | | R98 | 7.0.0 | 7.1.0 | Periodic search for SoLSA cell in idle mode |
| 05.08 | s29 | A145 | | R98 | 7.0.0 | 7.1.0 | PC_MEAS_CHAN in case of downlink power control |
| 05.08 | s29 | A146 | | R98 | 7.0.0 | 7.1.0 | RXQUAL in CS4 |
| 05.08 | s29 | A150 | | R98 | 7.0.0 | 7.1.0 | Corrections to cell selection for GPRS |
| 05.08 | s29 | A151 | | R98 | 7.0.0 | 7.1.0 | Clarifications to network controlled cell re-selection |
| 05.08 | s29 | A153 | | R98 | 7.0.0 | 7.1.0 | Clarification to network controlled cell re-selection |
| 05.08 | s29 | A085 | | R99 | 7.1.0 | 8.0.0 | EDGE on the BCCH carrier |
| 05.08 | s29 | A144 | | R99 | 7.1.0 | 8.0.0 | GSM 400 bands introduced in 05.08 |
| 05.08 | s30 | A158 | | R99 | 8.0.0 | 8.1.0 | Clarification of idle mode support for SoLSA |
| 05.08 | s30 | A162 | | R99 | 8.0.0 | 8.1.0 | Cell re-selection when PBCCH does not exist |
| 05.08 | s30 | A165 | | R99 | 8.0.0 | 8.1.0 | Correction of C filtering |
| 05.08 | s30 | A168 | | R99 | 8.0.0 | 8.1.0 | Clarification of extended measurements |
| 05.08 | s30 | A170 | | R99 | 8.0.0 | 8.1.0 | Multiband cell selection and reporting |
| 05.08 | s30 | A173 | | R99 | 8.0.0 | 8.1.0 | Cell selection parameters in NC_FREQUENCY_LIST |
| 05.08 | s30 | A176 | | R99 | 8.0.0 | 8.1.0 | Power control measurements |
| 05.08 | s30 | A179 | | R99 | 8.0.0 | 8.1.0 | Clarification of RXQUAL for CS4 |
| 05.08 | s30 | A185 | | R99 | 8.0.0 | 8.1.0 | Clarification to interference measurements in packet mode changes |
| 05.08 | s30 | A188 | | R99 | 8.0.0 | 8.1.0 | Correction of fixed allocation mode reference that should be "half duplex mode" |
| 05.08 | s30 | A193 | | R99 | 8.0.0 | 8.1.0 | Downlink Power Control for GPRS |
| 05.08 | s30b | A147 | | R99 | 8.1.0 | 8.2.0 | Fast Power Control for ECSD |
| 05.08 | s30b | A180 | | R99 | 8.1.0 | 8.2.0 | COMPACT Cell Selection and Reselection |
| 05.08 | s30b | A181 | | R99 | 8.1.0 | 8.2.0 | Link Quality Control measurements for EGPRS |
| 05.08 | s30b | A199 | | R99 | 8.1.0 | 8.2.0 | Interference measurements - Alignment 05.08 to 04.60 |
| 05.08 | s30b | A202 | | R99 | 8.1.0 | 8.2.0 | Clarification of channel quality reporting period |
| 05.08 | s30b | A206 | | R99 | 8.1.0 | 8.2.0 | Downlink Power Control |
| 05.08 | s30b | A222 | | R99 | 8.1.0 | 8.2.0 | Clarification of timeslots on which to make interference measurements |
| 05.08 | s30b | A228 | | R99 | 8.1.0 | 8.2.0 | Interference measurements in packet idle mode |
| 05.08 | MCC | | | R99 | 8.2.0 | 8.2.1 | Figures B1 and also B2 have been updated according to the agreed CR A057. The changes have been missed due to the lack of revision marks. |
| 05.08 | s31 | A203 | | R99 | 8.2.1 | 8.3.0 | COMPACT interference measurements |
| 05.08 | s31 | A207 | | R99 | 8.2.1 | 8.3.0 | Enhanced Measurement Reporting |
| 05.08 | s31 | A231 | | R99 | 8.2.1 | 8.3.0 | Clarification of Extended Measurement requirements |
| 05.08 | s31 | A232 | | R99 | 8.2.1 | 8.3.0 | Correction of measurement filtering for power control |
| 05.08 | s31 | A233 | | R99 | 8.2.1 | 8.3.0 | Enhanced Measurement Reporting for (E)GPRS |
| 05.08 | s31 | A234 | | R99 | 8.2.1 | 8.3.0 | COMPACT RF power control |
| 05.08 | s31 | A240 | | R99 | 8.2.1 | 8.3.0 | EGPRS Link Quality Control measurements |
| 05.08 | s31 | A243 | | R99 | 8.2.1 | 8.3.0 | Missing GSM 850 requirements for Classic BCCH |
| 05.08 | s31 | A244 | | R99 | 8.2.1 | 8.3.0 | Introduction of Example of EGPRS Link Adaptation Algorithm |
| 05.08 | s31b | A242 | | R99 | 8.3.1 | 8.4.0 | Inter System Handover and Cell re-selection |
| 05.08 | s31b | A248 | | R99 | 8.3.1 | 8.4.0 | Removal of parameter CELL_RESELECT_PARAM_IND |
| 05.08 | s31b | A270 | | R99 | 8.3.1 | 8.4.0 | Procedures for inter-system handover (cdma2000) |
| 05.08 | s31b | A252 | | R99 | 8.3.1 | 8.4.0 | Correction to mapping of interference levels |
| 05.08 | s31b | A253 | | R99 | 8.3.1 | 8.4.0 | Clarification on Abnormal Cell Reselection |
| 05.08 | s31b | A269 | | R99 | 8.3.1 | 8.4.0 | System Information refreshing in idle mode |
| 05.08 | s31b | A271 | | R99 | 8.3.1 | 8.4.0 | MS behaviour under network controlled cell reselection |
| 05.08 | s31b | A272 | | R99 | 8.3.1 | 8.4.0 | Cell selection parameter acquisition in Packet Transfer mode |
| 05.08 | s31b | A273 | | R99 | 8.3.1 | 8.4.0 | BTS Output Power |
| 05.08 | s31b | A274 | | R99 | 8.3.1 | 8.4.0 | Default value for GPRS_MS_TXPWR_MAX_CCH at cell re-selection |

| SPEC | SMG# | CR | Rev | PHS | VERS | NEW_V | SUBJECT |
|-------|------|------|-----|-------|-------|-------|--|
| 05.08 | s31b | A249 | | R99 | 8.3.1 | 8.4.0 | Clarification of Cell Bar Quality 2 parameter |
| 05.08 | s31b | A266 | | R99 | 8.3.1 | 8.4.0 | Fast inband signalling: E-IACCH |
| 05.08 | s31b | A268 | | R99 | 8.3.1 | 8.4.0 | EGPRS Link Quality measurements |
| 05.08 | s32 | A275 | | R99 | 8.4.0 | 8.5.0 | COMPACT interference measurements |
| 05.08 | s32 | A276 | | R99 | 8.4.0 | 8.5.0 | Class A Dual Transfer Mode (DTM) |
| 05.08 | s32 | A278 | | R99 | 8.4.0 | 8.5.0 | Corrections to Inter system Handover and Cell re-selection |
| 05.08 | s32 | A279 | | R99 | 8.4.0 | 8.5.0 | Definition of the SCALE parameter for RXLEV reporting |
| 05.08 | s32 | A280 | | R99 | 8.4.0 | 8.5.0 | Clarification GPRS downlink transmission requirements |
| 05.08 | s32 | A281 | | R99 | 8.4.0 | 8.5.0 | Correction of inconsistency in the handling of BEP_PERIOD2 |
| 05.08 | s32 | A282 | | R99 | 8.4.0 | 8.5.0 | Cell_Bar_Access_2 missing in 05.08 |
| 05.08 | s32 | A283 | | R99 | 8.4.0 | 8.5.0 | Clarifications on EGPRS measurements |
| | | | | | | | September 2000 - TSG-GERAN#1 |
| 05.08 | G01 | A287 | 1 | R99 | 8.5.0 | 8.6.0 | Extended measurement report (MAFA) |
| 05.08 | G01 | A288 | 1 | R99 | 8.5.0 | 8.6.0 | Clarifications on EGPRS Quality parameters |
| 05.08 | G01 | A289 | 1 | R99 | 8.5.0 | 8.6.0 | Editorial corrections |
| 05.08 | G01 | A290 | 1 | R99 | 8.5.0 | 8.6.0 | Clarifications of interference measurements for COMPACT |
| 05.08 | G01 | A291 | 1 | R99 | 8.5.0 | 8.6.0 | Corrections to Inter System Handover and Cell re-selection |
| 05.08 | G01 | A296 | 1 | R99 | 8.5.0 | 8.6.0 | BTS RF power control |
| 05.08 | G01 | A297 | | R99 | 8.5.0 | 8.6.0 | Correction to measurement reporting for DTM |
| 05.08 | G01 | A298 | 1 | R99 | 8.5.0 | 8.6.0 | Corrections to BSIC decoding |
| | | | | | | | Release 4 |
| 05.08 | G01 | A293 | | R00 | 8.6.0 | 4.0.0 | GSM 700 bands introduced in GSM 05.08 |
| | | | | | 4.0.0 | 4.0.1 | Oct 2000: References corrected. |
| | | | | | | | November 2000 - TSG-GERAN#2 |
| 05.08 | G02 | 001 | 1 | Rel-4 | 4.0.1 | 4.1.0 | EGPRS Channel Quality Report reporting period |
| 05.08 | G02 | 002 | | Rel-4 | 4.0.1 | 4.1.0 | GPRS neighbour cell measurement exceptions |
| 05.08 | G02 | 003 | 2 | Rel-4 | 4.0.1 | 4.1.0 | Corrections to Handover and Cell re-selection |
| 05.08 | G02 | 004 | 1 | Rel-4 | 4.0.1 | 4.1.0 | GPRS cell reselection with Packet Measurement Order |
| 05.08 | G02 | 005 | 1 | Rel-4 | 4.0.1 | 4.1.0 | Corrections to Enhanced Measurement Reporting |
| 05.08 | G02 | 006 | 1 | Rel-4 | 4.0.1 | 4.1.0 | Maximum number of neighbour cell carriers to be monitored by the MS |
| 05.08 | G02 | 007 | 1 | Rel-4 | 4.0.1 | 4.1.0 | Discontinuous transmission |
| 05.08 | G02 | 008 | | Rel-4 | 4.0.1 | 4.1.0 | Measurement requirements for COMPACT MS in the case of multislot allocations |
| | | | | | 4.1.0 | 4.1.1 | Front page layout correction |
| | | | | | | | January 2001 - TSG-GERAN#3 |
| 05.08 | G03 | 009 | | Rel-4 | 4.1.1 | 4.2.0 | Handling of missing gamma values |
| 05.08 | G03 | 010 | | Rel-4 | 4.1.1 | 4.2.0 | Removal of Anonymous Access |
| 05.08 | G03 | 011 | | Rel-4 | 4.1.1 | 4.2.0 | Measurements during polling response transmission |
| 05.08 | G03 | 012 | | Rel-4 | 4.1.1 | 4.2.0 | Fine tuning of GPRS cell reselection |
| 05.08 | G03 | 013 | | Rel-4 | 4.1.1 | 4.2.0 | Multi-RAT measurements |
| 05.08 | G03 | 015 | 1 | Rel-4 | 4.1.1 | 4.2.0 | 3G Cell re-selection with only frequency information |
| 05.08 | G03 | 016 | 1 | Rel-4 | 4.1.1 | 4.2.0 | Addition of GSM Blind Handover requirement |
| 05.08 | G03 | 014 | | Rel-5 | 4.2.0 | 5.0.0 | Introduction of Wideband AMR for GMSK modulated speech channel |

| Change history | | | | | | | |
|----------------|------------|-----------|-----|-----|--|-------|-------|
| Date | TSG GERAN# | TSG Doc. | CR | Rev | Subject/Comment | Old | New |
| 2001-01 | 03 | GP-010243 | 014 | | Introduction of Wideband AMR for GMSK modulated speech channel | 4.2.0 | 5.0.0 |
| 2001-04 | 04 | GP-010799 | 018 | 1 | Blind Cell re-selection synchronisation failure | 5.0.0 | 5.1.0 |
| 2001-04 | 04 | GP-010579 | 020 | | Editorial correction to measurement reporting | 5.0.0 | 5.1.0 |
| 2001-04 | 04 | GP-010581 | 022 | | Clarification of LSA identification | 5.0.0 | 5.1.0 |
| 2001-04 | 04 | GP-010874 | 024 | 1 | Dynamic ARFCN mapping | 5.0.0 | 5.1.0 |
| 2001-04 | 04 | GP-010656 | 026 | | Clarifications on System Information Type 2 quater decoding | 5.0.0 | 5.1.0 |
| 2001-04 | 04 | GP-010659 | 028 | | Correction on NBR_RCVD_BLOCKS counting | 5.0.0 | 5.1.0 |
| 2001-04 | 04 | GP-010916 | 034 | | Introduction of UTRAN blind search from the PSI3 quater | 5.0.0 | 5.1.0 |
| 2001-06 | 05 | GP-011417 | 036 | 2 | Clarifications due to equivalent PLMN | 5.1.0 | 5.2.0 |
| 2001-06 | 05 | GP-011045 | 038 | | Missing default values for measurement parameters | 5.1.0 | 5.2.0 |
| 2001-06 | 05 | GP-011048 | 040 | | Invalid BSIC: Terminology alignment | 5.1.0 | 5.2.0 |
| 2001-08 | 06 | GP-011526 | 044 | | RXQUAL_SUB and RXLEV_SUB with AMR-NB | 5.2.0 | 5.3.0 |
| 2001-08 | 06 | GP-011863 | 052 | 1 | Correction to Predefined Configurations | 5.2.0 | 5.3.0 |
| 2001-08 | 06 | GP-011866 | 056 | 1 | 3G reselection: suitable cell and amount to monitor | 5.2.0 | 5.3.0 |
| 2001-08 | 06 | GP-011676 | 059 | | Introduction of enhanced power control | 5.2.0 | 5.3.0 |
| 2001-11 | 07 | GP-012223 | 061 | | Clarification on Packet Enhanced Measurement Reporting | 5.3.0 | 5.4.0 |
| 2001-11 | 07 | GP-012353 | 062 | | Introduction of adaptive half rate speech channels with 8-PSK modulation | 5.3.0 | 5.4.0 |
| 2001-11 | 07 | GP-012356 | 063 | | Introduction of accuracy requirements for RXQUAL_EPC | 5.3.0 | 5.4.0 |
| 2001-11 | 07 | GP-012775 | 065 | 1 | Correction of references to relevant 3GPP specifications | 5.3.0 | 5.4.0 |
| 2001-11 | 07 | GP-012397 | 069 | | Number of cells/frequencies to be monitored by a dual mode terminal | 5.3.0 | 5.4.0 |
| 2001-11 | 07 | GP-012761 | 071 | 1 | Correction of parameters related to enhanced and 3G measurements | 5.3.0 | 5.4.0 |
| 2001-11 | 07 | GP-012412 | 073 | | NDRX definition | 5.3.0 | 5.4.0 |
| 2001-11 | 07 | GP-012487 | 075 | | Corrections and improvements for abnormal cell reselection | 5.3.0 | 5.4.0 |
| 2001-11 | 07 | GP-012490 | 077 | | Clarification on UTRAN FDD RSSI reporting | 5.3.0 | 5.4.0 |
| 2001-11 | 07 | GP-012499 | 083 | | Alignment of predefined configuration handling according to RAN 2 views | 5.3.0 | 5.4.0 |
| 2002-02 | 08 | GP-020507 | 086 | 2 | 3G-GSM clarification on RSSI, FDD valid cell and MULTIRAT_REPORTING | 5.4.0 | 5.5.0 |
| 2002-02 | 08 | GP-020358 | 089 | | Clarification on the usage of Qsearch_P when broadcast on the BCCH | 5.4.0 | 5.5.0 |
| 2002-04 | 09 | GP-021231 | 088 | 2 | Conversion of cell re-selection parameters | 5.5.0 | 5.6.0 |
| 2002-04 | 09 | GP-020651 | 092 | | NBR_RCVD_BLOCKS for 14.4 non-transparent data | 5.5.0 | 5.6.0 |
| 2002-04 | 09 | GP-020653 | 094 | | MEAN_BEP measurements on SACCH | 5.5.0 | 5.6.0 |
| 2002-04 | 09 | GP-020647 | 095 | | Removal of Fixed Allocation | 5.5.0 | 5.6.0 |
| 2002-04 | 09 | GP-020986 | 108 | | Corrrection of the initial value of C when entering in packet transfer mode | 5.5.0 | 5.6.0 |
| 2002-04 | 09 | GP-021121 | 110 | 1 | Corrrection of the SIGN_VAR value to be sent in repeated PACKET RESOURCE REQUEST message | 5.5.0 | 5.6.0 |
| 2002-04 | 09 | GP-021006 | 112 | | Clarification to priorities between GPRS interference measurements and InterRAT measurements | 5.5.0 | 5.6.0 |
| 2002-04 | 09 | GP-021151 | 113 | 1 | Iu mode indication on BCCH in Rel-5 | 5.5.0 | 5.6.0 |
| 2002-04 | 09 | GP-021153 | 114 | | Removal of basic physical subchannel references for EPC | 5.5.0 | 5.6.0 |
| 2002-06 | 10 | GP-021839 | 115 | 1 | Editorial clean up of references | 5.6.0 | 5.7.0 |
| 2002-06 | 10 | GP-021415 | 116 | | RXQUAL_SUB performance requirement for AMR during speech periods | 5.6.0 | 5.7.0 |
| 2002-06 | 10 | GP-021418 | 118 | | Correction on the applicability of reporting priority | 5.6.0 | 5.7.0 |
| 2002-06 | 10 | GP-021955 | 119 | 1 | Clarification for EMR on SDCCH | 5.6.0 | 5.7.0 |
| 2002-06 | 10 | GP-021422 | 121 | | EMR in case of signalling only mode | 5.6.0 | 5.7.0 |

| | | | | | | | |
|---------|----|-----------|-----|---|--|-------|-------|
| 2002-06 | 10 | GP-021425 | 123 | | Correction to cell reselection time requirement (GSM to UTRAN FDD) | 5.6.0 | 5.7.0 |
| 2002-06 | 10 | GP-021431 | 125 | | Correction on call re-establishment for multimode terminals | 5.6.0 | 5.7.0 |
| 2002-06 | 10 | GP-022066 | 127 | 1 | Removal of CBQ2 | 5.6.0 | 5.7.0 |
| 2002-06 | 10 | GP-021630 | 128 | | Removal of obsolete reference to DRX parameters | 5.6.0 | 5.7.0 |
| 2002-06 | 10 | GP-021928 | 130 | 1 | Correction: validity period of NC_FREQUENCY_LIST | 5.6.0 | 5.7.0 |
| 2002-06 | 10 | GP-022021 | 135 | | Inclusion of AMR-WB on O-TCH | 5.6.0 | 5.7.0 |
| 2002-08 | 11 | GP-022645 | 131 | 2 | Power control for lu mode | 5.7.0 | 5.8.0 |
| 2002-08 | 11 | GP-022644 | 136 | 1 | 8-PSK on the BCCH carrier | 5.7.0 | 5.8.0 |
| 2002-08 | 11 | GP-022741 | 137 | 2 | Introduction of lu mode terminology | 5.7.0 | 5.8.0 |
| 2002-08 | 11 | GP-022502 | 138 | | Clarification to MS output power | 5.7.0 | 5.8.0 |
| 2002-11 | 12 | GP-023423 | 139 | 1 | Applicability of broadcast parameters versus default point-to-point messages | 5.8.0 | 6.0.0 |
| 2002-11 | 12 | GP-023403 | 142 | 2 | Clarification to cell selection parameter acquisition from neighbour cells while in packet idle mode in a cell without PCCCH | 5.8.0 | 6.0.0 |
| 2002-11 | 12 | GP-023312 | 143 | 1 | Clarification to cells reselection list to use for an MS autonomous cell reselection | 5.8.0 | 6.0.0 |
| 2002-11 | 12 | GP-023313 | 144 | 1 | Clarification to GPRS cell reselection use in Packet Measurement Order message | 5.8.0 | 6.0.0 |
| 2002-11 | 12 | GP-023406 | 145 | 2 | RX_QUAL value clarification | 5.8.0 | 6.0.0 |
| 2003-02 | 13 | GP-030149 | 146 | | Clarification for EGPRS reporting | 6.0.0 | 6.1.0 |
| 2003-02 | 13 | GP-030418 | 150 | | Indication of EPC capability | 6.0.0 | 6.1.0 |
| 2003-04 | 14 | GP-030863 | 148 | 1 | BEP estimation accuracy for EMR | 6.1.0 | 6.2.0 |
| 2003-04 | 14 | GP-030979 | 156 | 1 | Use of unbiased variance in the computation of CV_BEP | 6.1.0 | 6.2.0 |
| 2003-04 | 14 | GP-030989 | 158 | 1 | Inconsistency of CBQ3 | 6.1.0 | 6.2.0 |
| 2003-04 | 14 | GP-030869 | 163 | | Power control modes references removal | 6.1.0 | 6.2.0 |
| 2003-06 | 15 | GP-031722 | 168 | 2 | Missing Test Measurement Parameters for UTRAN TDD Cell Access | 6.2.0 | 6.3.0 |
| 2003-06 | 15 | GP-031643 | 169 | 1 | Correction on Cell re-selection parameter acquisition for additional neighbour cells | 6.2.0 | 6.3.0 |
| 2003-08 | 16 | GP-032228 | 172 | 2 | Modification of accuracy requirements for MEAN_BEP for EGPRS | 6.3.0 | 6.4.0 |
| 2003-08 | 16 | GP-031783 | 175 | 1 | Correction on DTM power control | 6.3.0 | 6.4.0 |
| 2003-08 | 16 | GP-031924 | 178 | | Update on radio sub-system link control parameters | 6.3.0 | 6.4.0 |
| 2003-08 | 16 | GP-031925 | 179 | | MS power control for packet channels in case of DTM and no valid C value | 6.3.0 | 6.4.0 |
| 2003-08 | 16 | GP-032184 | 180 | 1 | Clarification to Extended Dynamic Allocation for high multislot classes | 6.3.0 | 6.4.0 |
| 2003-08 | 16 | GP-031987 | 183 | | Correction for identification of TDD cells | 6.3.0 | 6.4.0 |
| 2003-08 | 16 | GP-032013 | 186 | | Correction to the possibility to test lu mode capability | 6.3.0 | 6.4.0 |
| 2003-08 | 16 | GP-032224 | 194 | 1 | Correction of insufficient range of the FDD_Qmin parameter | 6.3.0 | 6.4.0 |
| 2003-08 | 16 | GP-032230 | 195 | | Correction to Radio link failure criterion at the physical layer | 6.3.0 | 6.4.0 |
| 2003-11 | 17 | GP-032466 | 196 | | Flexible Layer One | 6.4.0 | 6.5.0 |
| 2003-11 | 17 | GP-032766 | 201 | 1 | Correction of applicability of NC measurement reporting parameters in context with dedicated mode connections | 6.4.0 | 6.5.0 |
| 2004-02 | 18 | GP-040542 | 198 | 4 | Addition of "cell selection indication" for cell selection at release of TCH or SDCCH | 6.5.0 | 6.6.0 |
| 2004-02 | 18 | GP-040485 | 203 | 1 | DTX Corrections | 6.5.0 | 6.6.0 |
| 2004-02 | 18 | GP-040233 | 204 | | FLO Corrections | 6.5.0 | 6.6.0 |
| 2004-04 | 19 | GP-041197 | 207 | 2 | Applicability of individual NC parameters | 6.6.0 | 6.7.0 |
| 2004-04 | 19 | GP-040699 | 208 | | Clarification on BSIC_SEEN reporting | 6.6.0 | 6.7.0 |
| 2004-04 | 19 | GP-040813 | 213 | | Removal of Unsynchronized (blind) Cell Change Order towards a GSM cell | 6.6.0 | 6.7.0 |
| 2004-04 | 19 | GP-040814 | 214 | | Removal of GPRS Extended Measurement reporting | 6.6.0 | 6.7.0 |
| 2004-04 | 19 | GP-040816 | 215 | | Removal of GPRS Idle Interference Measurements | 6.6.0 | 6.7.0 |
| 2004-06 | 20 | GP-041260 | 216 | | Applicability of cell barring and C1 criterion in NC2 | 6.7.0 | 6.8.0 |

| | | | | | | | |
|---------|----|-----------|------|---|--|--------|--------|
| | | | | | mode | | |
| 2004-06 | 20 | GP-041667 | 220 | 1 | Default values for GPRS_RXLEV_ACCESS_MIN and GPRS_MS_TXPWR_MAX_CCH reselection parameters | 6.7.0 | 6.8.0 |
| 2004-06 | 20 | GP-041540 | 223 | | Clarification of the RXLEV parameter to be compared to Qsearch_C for measurements on other RAT | 6.7.0 | 6.8.0 |
| 2004-06 | 20 | GP-041664 | 224 | 1 | Clarifications and corrections on the Usage of Parameters for Measurements and Reporting | 6.7.0 | 6.8.0 |
| 2004-06 | 20 | GP-041569 | 226 | | Removal of redundant text | 6.7.0 | 6.8.0 |
| 2004-06 | 20 | GP-041695 | 229 | | Correction of DTM Output Power Control | 6.7.0 | 6.8.0 |
| 2004-08 | 21 | GP-042191 | 232 | 1 | CPICH RSCP based criterion for GERAN to UTRAN FDD cell reselection | 6.8.0 | 6.9.0 |
| 2004-08 | 21 | GP-042232 | 235 | 1 | Clarifications of BEP Measurements | 6.8.0 | 6.9.0 |
| 2004-11 | 22 | GP-042454 | 225 | 5 | Downlink power control for DTM | 6.9.0 | 6.10.0 |
| 2004-11 | 22 | GP-042864 | 236 | 5 | Usage of C1 and cell barring in NC2 | 6.9.0 | 6.10.0 |
| 2004-11 | 22 | GP-042329 | 241 | | Correction to FDD_RSCPmin parameter usage and change of default value | 6.9.0 | 6.10.0 |
| 2004-11 | 22 | GP-042789 | 242 | 1 | Introduction of MBMS | 6.9.0 | 6.10.0 |
| 2004-11 | 22 | GP-042781 | 243 | 1 | MBMS cell reselection | 6.9.0 | 6.10.0 |
| 2004-11 | 22 | GP-042542 | 245 | | Improvements to 2G 3G intersystem operability | 6.9.0 | 6.10.0 |
| 2004-11 | 22 | GP-042863 | 249 | 2 | Enhancements to the UTRAN FDD neighbor cell reporting | 6.9.0 | 6.10.0 |
| 2004-11 | 22 | GP-042861 | 250 | 2 | Enhanced control of maximum output power in a common BCCH cell | 6.9.0 | 6.10.0 |
| 2005-01 | 23 | GP-050587 | 254 | 1 | Correction for maximum TX power for CS access on common BCCH cells | 6.10.0 | 6.11.0 |
| 2005-01 | 23 | GP-050483 | 255 | 1 | Provision of cell reselection parameters for neighbouring cells in the serving cell | 6.10.0 | 6.11.0 |
| 2005-01 | 23 | GP-050278 | 258 | | Clarifications to PR mode B | 6.10.0 | 6.11.0 |
| 2005-01 | 23 | GP-050297 | 261 | | Correction of reference specification for mapping of 3G measurements | 6.10.0 | 6.11.0 |
| 2005-04 | 24 | GP-050869 | 263 | | 2G-3G cell reselection without PBCCH | 6.11.0 | 6.12.0 |
| 2005-06 | 25 | GP-051469 | 266 | | UE power class correction factor for FDD_RSCPmin and alignment of 2G to 3G cell reselection criteria between Pre-R5 and R5 mobile stations | 6.12.0 | 6.13.0 |
| 2005-09 | 26 | GP-052314 | 0269 | 1 | Clarification of RXQUAL_EPC measurements | 6.13.0 | 6.14.0 |
| 2005-09 | 26 | GP-052158 | 0275 | | Calculation and reporting of EGPRS quality parameters | 6.14.0 | 7.0.0 |
| 2005-09 | 26 | GP-052159 | 0276 | | Accuracy requirements of MS MEAN_BEP estimate | 6.14.0 | 7.0.0 |
| 2005-09 | 26 | GP-052231 | 0277 | | Correction to MEAN_BEP and CV_BEP calculations when new timeslot configuration is allocated during a downlink EGPRS TBF | 6.14.0 | 7.0.0 |
| 2005-11 | 27 | GP-052817 | 0278 | 1 | Clarification to usage of uplink power control parameters provided on PACCH | 7.0.0 | 7.1.0 |
| 2005-11 | 27 | GP-052460 | 0280 | | Correction to the list of logical channels where LB_MS_TXPWR_MAX_CCH is sent | 7.0.0 | 7.1.0 |
| 2005-11 | 27 | GP-052750 | 0286 | 1 | RSCP suitability criterion parameters handling | 7.0.0 | 7.1.0 |
| 2005-11 | 27 | GP-052917 | 0290 | 3 | Accuracy requirements of MS MEAN_BEP estimation: removal of brackets | 7.0.0 | 7.1.0 |
| 2006-01 | 28 | GP-060015 | 0298 | | Incorrect formula references | 7.1.0 | 7.2.0 |
| 2006-01 | 28 | GP-060134 | 0299 | | Removal of fixed allocation related text | 7.1.0 | 7.2.0 |
| 2006-01 | 28 | GP-060136 | 0301 | | Clarification for GPRS_RESELECT_OFFSET conversion from CELL_RESELECT_OFFSET | 7.1.0 | 7.2.0 |
| 2006-01 | 28 | GP-060392 | 0302 | 1 | Alignment of Barred Cell with EHPLMN | 7.1.0 | 7.2.0 |
| 2006-04 | 29 | GP-060651 | 0300 | 2 | DTM interference measurements | 7.2.0 | 7.3.0 |
| 2006-04 | 29 | GP-060840 | 0307 | 2 | Performance enhancement for cell reselection with partial roaming restrictions on the target RAT (UTRAN) | 7.2.0 | 7.3.0 |
| 2006-04 | 29 | GP-060650 | 0310 | | Correction for the UTRAN RSCP mapping | 7.2.0 | 7.3.0 |
| 2006-04 | 29 | GP-060937 | 0311 | 1 | Introduction of restrictions for BTS operation in the case of TX antenna hopping | 7.2.0 | 7.3.0 |
| 2006-04 | 29 | GP-060837 | 0312 | | Cleanup subsequent to removal of GPRS Idle Interference Measurements | 7.2.0 | 7.3.0 |
| 2006-04 | 29 | GP-060993 | 0313 | 1 | Reporting cells not present in the GSM Neighbour Cell list | 7.2.0 | 7.3.0 |

| | | | | | | | |
|---------|----|-----------|------|---|---|--------|--------|
| 2006-06 | 30 | GP-061469 | 0316 | 2 | C value calculation in case there is a transition of the mode | 7.3.0 | 7.4.0 |
| 2006-06 | 30 | GP-061340 | 0317 | 1 | Default values of SERVING_BAND_REPORTING and REP_PRIORITY in table 3 | 7.3.0 | 7.4.0 |
| 2006-06 | 30 | GP-061335 | 0318 | 1 | Clarification of the NC mode when receiving Packet Cell Change Order message | 7.3.0 | 7.4.0 |
| 2006-06 | 30 | GP-061112 | 0319 | | Correction of terminology: "allocation" vs. "assignment" | 7.3.0 | 7.4.0 |
| 2006-09 | 31 | GP-061851 | 0322 | 1 | The default values of optional parameters used in the calculation of cell ranking criterion parameter | 7.4.0 | 7.5.0 |
| 2006-09 | 31 | GP-061924 | 0323 | 4 | Enhancement to Extended Dynamic Allocation for high multislot classes | 7.4.0 | 7.5.0 |
| 2006-09 | 31 | GP-061857 | 0325 | | C value calculation in case of PS handover | 7.4.0 | 7.5.0 |
| 2006-10 | | | | | Restored "carriage return" mistakenly removed in GP-061924 CR 0323 rev 4 (clause 10.1.1.2) | 7.5.0 | 7.5.1 |
| 2006-11 | 32 | GP-062072 | 0326 | | The default value of HCS_THR | 7.5.1 | 7.6.0 |
| 2006-11 | 32 | GP-062456 | 0327 | 3 | The report on MEAN_BEP and CV_BEP in packet transfer mode | 7.5.1 | 7.6.0 |
| 2007-02 | 33 | GP-070365 | 0329 | 2 | Radio blocks for channel quality reporting | 7.6.0 | 7.7.0 |
| 2007-02 | 33 | GP-070166 | 0332 | | Monitoring and reporting of UTRAN cells that are abandoned for cell reselection | 7.6.0 | 7.7.0 |
| 2007-02 | 33 | GP-070514 | 0336 | 1 | Clarification of the lists used in multi-RAT network controlled cell re-selection | 7.6.0 | 7.7.0 |
| 2007-02 | 33 | GP-070518 | 0337 | 2 | Introduction of downlink dual carrier | 7.6.0 | 7.7.0 |
| 2007-05 | 34 | GP-070791 | 0340 | | Clarifications and editorial corrections | 7.7.0 | 7.8.0 |
| 2007-08 | 35 | GP-071487 | 0341 | 1 | Clarification on the broadcast channel for measurement parameters | 7.8.0 | 7.9.0 |
| 2007-08 | 35 | GP-071488 | 0342 | 1 | Clarification of the applicability rules for the lists used in multi-RAT network controlled cell re-selection | 7.8.0 | 7.9.0 |
| 2007-11 | 36 | GP-071968 | 0344 | 1 | Corrections for Reduced TTI | 7.9.0 | 7.10.0 |
| 2007-11 | 36 | GP-071766 | 0345 | | Introduction of EGPRS2-A and EGPRS2-B | 7.9.0 | 7.10.0 |
| 2007-11 | 36 | GP-071841 | 0346 | | Initialization of the counter DSC | 7.9.0 | 7.10.0 |
| 2008-02 | 37 | GP-080294 | 0350 | 1 | Power level definition for PS Handover Access | 7.10.0 | 7.11.0 |
| 2008-02 | 37 | GP-080140 | 0351 | | Channel quality measurements at resource reallocation | 7.10.0 | 7.11.0 |
| 2008-08 | 39 | GP-081420 | 0361 | | Channel quality measurement and reporting | 7.11.0 | 7.12.0 |
| 2008-11 | 40 | GP-081908 | 0357 | 2 | Priority of the higher order modulation scheme for EGPRS2 channel quality reporting | 7.12.0 | 7.13.0 |
| 2008-11 | 40 | GP-081906 | 0369 | 2 | Output power decrease on the BCCH carrier, EGPRS2 | 7.12.0 | 7.13.0 |
| 2009-02 | 41 | GP-090422 | 0367 | 3 | EGPRS2 Link quality reporting | 7.13.0 | 7.14.0 |
| 2009-02 | 41 | GP-090480 | 0376 | 1 | Modification to cell reselection from GSM to UTRAN TDD | 7.13.0 | 7.14.0 |
| 2009-05 | 42 | GP-090973 | 0391 | 1 | EGPRS2 link quality reporting – removal of reporting of all modulations | 7.14.0 | 7.15.0 |

History

| Document history | | |
|-------------------------|---------------|-------------|
| V7.8.0 | May 2007 | Publication |
| V7.9.0 | October 2007 | Publication |
| V7.10.0 | January 2008 | Publication |
| V7.11.0 | April 2008 | Publication |
| V7.12.0 | October 2008 | Publication |
| V7.13.0 | February 2009 | Publication |
| V7.14.0 | April 2009 | Publication |
| V7.15.0 | June 2009 | Publication |