

Draft **EN 300 267-3** V1.2.4 (1998-11)

European Standard (Telecommunications series)

**Integrated Services Digital Network (ISDN);
Telephony 7 kHz, videotelephony, audiographic conference
and videoconference teleservices;
Digital Subscriber Signalling System No. one (DSS1) protocol;
Part 3: Test Suite Structure and Test Purposes (TSS&TP)
specification for the user**



Reference

REN/SPS-05112-3 (2h0r0iqr.PDF)

Keywords

ISDN, DSS1, teleservice, 7 kHz, video,
telephony, testing, TSS&TP, user

ETSI

Postal address

F-06921 Sophia Antipolis Cedex - FRANCE

Office address

650 Route des Lucioles - Sophia Antipolis
Valbonne - FRANCE
Tel.: +33 4 92 94 42 00 Fax: +33 4 93 65 47 16
Siret N° 348 623 562 00017 - NAF 742 C
Association à but non lucratif enregistrée à la
Sous-Préfecture de Grasse (06) N° 7803/88

Internet

secretariat@etsi.fr
Individual copies of this ETSI deliverable
can be downloaded from
<http://www.etsi.org>

Copyright Notification

No part may be reproduced except as authorized by written permission.
The copyright and the foregoing restriction extend to reproduction in all media.

© European Telecommunications Standards Institute 1998.
All rights reserved.

Contents

Intellectual Property Rights.....	7
Foreword	7
Introduction	8
1 Scope.....	9
2 References.....	9
3 Definitions and abbreviations	10
3.1 Definitions	10
3.2 Abbreviations.....	12
4 Test Suite Structure (TSS)	13
4.1 First test group level	13
4.2 Second test group level.....	13
4.3 Third test group level.....	13
4.4 Fourth test group level	13
4.5 Fifth test group level	14
4.6 Sixth test group level	14
5 Test purposes	16
5.1 Test purpose format	16
5.2 Generic requirements	17
5.2.1 Calling user interface.....	17
5.2.1.1 Valid behaviour	17
5.2.1.1.1 Connection management	17
5.2.1.1.1.1 User requirements at the coincident S and T reference point or for interworking with private ISDNs.....	17
5.2.2 Called user interface.....	18
5.2.2.1 Valid behaviour	18
5.2.2.1.1 Fallback not allowed	18
5.2.2.1.1.1 User requirements at the coincident S and T reference point	18
5.2.2.1.1.2 User requirements for interworking with private ISDNs	18
5.2.2.2 Inopportune behaviour.....	18
5.2.2.2.1 Connection management.....	18
5.2.2.2.1.1 User requirements at the coincident S and T reference point or for interworking with private ISDNs.....	18
5.3 Telephony 7 kHz teleservice.....	19
5.3.1 Calling user interface.....	19
5.3.1.1 Valid behaviour	19
5.3.1.1.1 Fallback allowed	19
5.3.1.1.1.1 User requirements at the coincident S and T reference point or for interworking with private ISDNs.....	19
5.3.1.1.1.2 User requirements at the coincident S and T reference point	21
5.3.1.1.2 Fallback not allowed	22
5.3.1.1.2.1 User requirements at the coincident S and T reference point or for interworking with private ISDNs.....	22
5.3.1.1.2.2 User requirements at the coincident S and T reference point	22
5.3.1.1.3 Connection management	23
5.3.1.1.3.1 User requirements at the coincident S and T reference point	23
5.3.2 Called user interface.....	23
5.3.2.1 Valid behaviour	23
5.3.2.1.1 Fallback allowed	23
5.3.2.1.1.1 User requirements at the coincident S and T reference point or for interworking with private ISDNs.....	23
5.3.2.1.1.2 User requirements at the coincident S and T reference point	24

5.3.2.1.1.3	User requirements for interworking with private ISDNs	25
5.3.2.1.2	Fallback not allowed	25
5.3.2.1.2.1	User requirements at the coincident S and T reference point or for interworking with private ISDNs	25
5.3.2.1.2.2	User requirements at the coincident S and T reference point	25
5.4	Videotelephony teleservice	26
5.4.1	Calling user interface.....	26
5.4.1.1	Valid behaviour	26
5.4.1.1.1	Fallback allowed.....	26
5.4.1.1.1.1	User requirements at the coincident S and T reference point or for interworking with private ISDNs.....	26
5.4.1.1.1.2	User requirements at the coincident S and T reference point	29
5.4.1.1.2	Fallback not allowed	30
5.4.1.1.2.1	User requirements at the coincident S and T reference point or for interworking with private ISDNs.....	30
5.4.1.1.2.2	User requirements at the coincident S and T reference point	31
5.4.1.1.3	Connection management.....	31
5.4.1.1.3.1	User requirements at the coincident S and T reference point	31
5.4.1.1.3.2	User requirements for interworking with private ISDNs.....	33
5.4.2	Called user interface.....	33
5.4.2.1	Valid behaviour	33
5.4.2.1.1	Fallback allowed	33
5.4.2.1.1.1	User requirements at the coincident S and T reference point or for interworking with private ISDNs.....	33
5.4.2.1.1.2	User requirements at the coincident S and T reference point	34
5.4.2.1.1.3	User requirements for interworking with private ISDNs.....	35
5.4.2.1.2	Fallback not allowed	36
5.4.2.1.2.1	User requirements at the coincident S and T reference point or for interworking with private ISDNs.....	36
5.4.2.1.2.2	User requirements at the coincident S and T reference point	36
5.4.2.1.3	Connection management.....	36
5.4.2.1.3.1	User requirements at the coincident S and T reference point	36
5.5	Audiographic conference teleservice	37
5.5.1	Calling user interface.....	37
5.5.1.1	Valid behaviour	37
5.5.1.1.1	Fallback allowed.....	37
5.5.1.1.1.1	User requirements at the coincident S and T reference point or for interworking with private ISDNs.....	37
5.5.1.1.1.2	User requirements at the coincident S and T reference point	39
5.5.1.1.2	Fallback not allowed	40
5.5.1.1.2.1	User requirements at the coincident S and T reference point or for interworking with private ISDNs.....	40
5.5.1.1.2.2	User requirements at the coincident S and T reference point	41
5.5.1.1.3	Connection management.....	41
5.5.1.1.3.1	User requirements at the coincident S and T reference point	41
5.5.1.1.3.2	User requirements for interworking with private ISDNs.....	42
5.5.2	Called user interface.....	43
5.5.2.1	Valid behaviour	43
5.5.2.1.1	Fallback allowed	43
5.5.2.1.1.1	User requirements at the coincident S and T reference point or for interworking with private ISDNs.....	43
5.5.2.1.1.2	User requirements at the coincident S and T reference point	43
5.5.2.1.1.3	User requirements for interworking with private ISDNs.....	45
5.5.2.1.2	Fallback not allowed	46
5.5.2.1.2.1	User requirements at the coincident S and T reference point or for interworking with private ISDNs.....	46
5.5.2.1.2.2	User requirements at the coincident S and T reference point	46
5.5.2.1.3	Connection management.....	46
5.5.2.1.3.1	User requirements at the coincident S and T reference point	46
5.6	Videoconference teleservice	47

5.6.1	Calling user interface.....	47
5.6.1.1	Valid behaviour	47
5.6.1.1.1	Fallback allowed	47
5.6.1.1.1.1	User requirements at the coincident S and T reference point or for interworking with private ISDNs.....	47
5.6.1.1.1.2	User requirements at the coincident S and T reference point	49
5.6.1.1.2	Fallback not allowed	50
5.6.1.1.2.1	User requirements at the coincident S and T reference point or for interworking with private ISDNs.....	50
5.6.1.1.2.2	User requirements at the coincident S and T reference point	51
5.6.1.1.3	Connection management	52
5.6.1.1.3.1	User requirements at the coincident S and T reference point	52
5.6.1.1.3.2	User requirements for interworking with private ISDNs.....	53
5.6.2	Called user interface.....	53
5.6.2.1	Valid behaviour	53
5.6.2.1.1	Fallback allowed	53
5.6.2.1.1.1	User requirements at the coincident S and T reference point or for interworking with private ISDNs.....	53
5.6.2.1.1.2	User requirements at the coincident S and T reference point	54
5.6.2.1.1.3	User requirements for interworking with private ISDNs.....	55
5.6.2.1.2	Fallback not allowed	56
5.6.2.1.2.1	User requirements at the coincident S and T reference point or for interworking with private ISDNs.....	56
5.6.2.1.2.2	User requirements at the coincident S and T reference point	56
5.6.2.1.3	Connection management	56
5.6.2.1.3.1	User requirements at the coincident S and T reference point	56
6	Combined test purposes	57
6.1	Combined test purpose format	57
6.2	Telephony 7 kHz teleservice.....	58
6.2.1	Calling user interface.....	58
6.2.1.1	Valid behaviour	58
6.2.1.1.1	Fallback allowed	58
6.2.1.1.2	Fallback not allowed	59
6.2.1.1.3	Connection management	60
6.2.2	Called user interface.....	60
6.2.2.1	Valid behaviour	60
6.2.2.1.1	Fallback allowed	60
6.2.2.1.2	Fallback not allowed	61
6.3	Videotelephony teleservice	61
6.3.1	Calling user interface.....	61
6.3.1.1	Valid behaviour	61
6.3.1.1.1	Fallback allowed	61
6.3.1.1.2	Fallback not allowed	63
6.3.1.1.3	Connection management	64
6.3.2	Called user interface.....	65
6.3.2.1	Valid behaviour	65
6.3.2.1.1	Fallback allowed	65
6.3.2.1.2	Fallback not allowed	66
6.3.2.1.3	Connection management	66
6.4	Audiographic conference teleservice	67
6.4.1	Calling user interface.....	67
6.4.1.1	Valid behaviour	67
6.4.1.1.1	Fallback allowed	67
6.4.1.1.2	Fallback not allowed	68
6.4.1.1.3	Connection management	69
6.4.2	Called user interface.....	69
6.4.2.1	Valid behaviour	69
6.4.2.1.1	Fallback allowed	69
6.4.2.1.2	Fallback not allowed	71
6.4.2.1.3	Connection management	71

6.5	Videoconference teleservice	72
6.5.1	Calling user interface.....	72
6.5.1.1	Valid behaviour	72
6.5.1.1.1	Fallback allowed	72
6.5.1.1.2	Fallback not allowed	74
6.5.1.1.3	Connection management	74
6.5.2	Called user interface.....	75
6.5.2.1	Valid behaviour	75
6.5.2.1.1	Fallback allowed.....	75
6.5.2.1.2	Fallback not allowed	77
6.5.2.1.3	Connection management	77
7	Compliance	77
Annex A (informative):	Cross reference: Generic, telephony 7 kHz, videotelephony, audiographic conference and videoconference teleservices test purposes.....	78
A.1	Generic test purposes to telephony 7 kHz, videotelephony, audiographic conference and videoconference teleservices test purposes.....	78
A.2	Telephony 7 kHz to videotelephony, audiographic conference and videoconference teleservices test purposes.....	79
	Bibliography	81
	History	82

Intellectual Property Rights

IPRs essential or potentially essential to the present document may have been declared to ETSI. The information pertaining to these essential IPRs, if any, is publicly available for **ETSI members and non-members**, and can be found in SR 000 314: "*Intellectual Property Rights (IPRs); Essential, or potentially Essential, IPRs notified to ETSI in respect of ETSI standards*", which is available **free of charge** from the ETSI Secretariat. Latest updates are available on the ETSI Web server (<http://www.etsi.org/ipr>).

Pursuant to the ETSI IPR Policy, no investigation, including IPR searches, has been carried out by ETSI. No guarantee can be given as to the existence of other IPRs not referenced in SR 000 314 (or the updates on the ETSI Web server) which are, or may be, or may become, essential to the present document.

Foreword

This European Standard (Telecommunications series) has been produced by ETSI Technical Committee Signalling Protocols and Switching (SPS), and is now submitted for the Public Enquiry phase of the ETSI standards Two-step Approval Procedure.

The present document is part 3 of a multi-part standard covering the Digital Subscriber Signalling System No. one (DSS1) protocol specification for the Integrated Services Digital Network (ISDN) telephony 7 kHz, videotelephony, audiographic conference and videoconference teleservices, as described below:

- Part 1: "Protocol specification";
- Part 2: "Protocol Implementation Conformance Statement (PICS) proforma specification";
- Part 3: "Test Suite Structure and Test Purposes (TSS&TP) specification for the user";**
- Part 4: "Abstract Test Suite (ATS) and partial Protocol Implementation eXtra Information for Testing (PIXIT) proforma specification for the user";
- Part 5: "TSS&TP specification for the network";
- Part 6: "ATS and partial PIXIT proforma specification for the network".

Proposed national transposition dates	
Date of latest announcement of this EN (doa):	3 months after ETSI publication
Date of latest publication of new National Standard or endorsement of this EN (dop/e):	6 months after doa
Date of withdrawal of any conflicting National Standard (dow):	6 months after doa

Introduction

The present document is divided into seven clauses. Clauses 1 to 3 form the scope, references and abbreviations. Clause 4 contains the test suite structure. Clause 5 contains the complete list of test purposes. Clause 6 contains the list of combined test purposes, i.e. test purposes which can be tested together in one test case. Clause 7 contains the requirements for a generic or abstract test suite to comply with the present document.

It is been assumed that the Implementation Under Test (IUT) already complies with the conformance requirements associated with the ISDN basic call as defined in EN 300 403-1 [2]. This is specified as a requirement in EN 300 267-2 [6], clause 5. EN 300 267-1 [5], subclause 5.1, states that the additional generic requirements of clause 5 are defined to be compatible with the existing requirements of EN 300 403-1 [2].

The following approach is adopted with regard to specifying test purposes:

- resultant states of the IUT are not checked following receipt of messages which comply with EN 300 403-1 [2]. Resultant states of the IUT are checked following receipt of messages which do not comply with EN 300 403-1 [2], e.g. a CONNECT message which contains a Bearer capability information element.

In cases where EN 300 267-1 [5] specifies that requirements in EN 300 403-1 [2] shall apply, it is assumed that, because the IUT already complies with EN 300 403-1 [2], it also complies with these requirements. However, when specifying the abstract test cases, including test case selection, the requirements in EN 300 403-1 [2] need to be taken into account.

1 Scope

This third part of EN 300 267 is applicable to the stage three of the telephony 7 kHz, videotelephony, audiographic conference and videoconference teleservices for the pan-European Integrated Services Digital Network (ISDN) as provided by European public telecommunications operators at the T reference point or coincident S and T reference point (as specified in ITU-T Recommendation I.411 [11] by means of the Digital Subscriber Signalling System No. one (DSS1) protocol. EN 300 267-1 [5] provides the protocol specification and EN 300 267-2 [6] the Protocol Implementation Conformance Statement (PICS) proforma specification. Stage three identifies the protocol procedures and switching functions needed to support a telecommunications service (see CCITT Recommendation I.130 [10]).

The present document provides the Test Suite Structure and Test Purposes (TSS&TP) for the user side. It covers the protocol requirements as defined in EN 300 267-1 [5] and provides test purposes for the additional generic requirements for basic telecommunication services not defined in EN 300 403-1 [2] (EN 300 267-1 [5], clause 5), for the telephony 7 kHz teleservice (EN 300 267-1 [5], clause 6), for the videotelephony teleservice (EN 300 267-1 [5], clause 7), for the audiographic conference teleservice (EN 300 267-1 [5], clause 8) and for the videoconference teleservice (EN 300 267-1 [5], clause 9).

Two types of implementations are covered:

- an implementation which supports user requirements at the coincident S and T reference point;
- an implementation which supports user requirements for interworking with private ISDNs at the T reference point.

2 References

The following documents contain provisions which, through reference in this text, constitute provisions of the present document.

- References are either specific (identified by date of publication, edition number, version number, etc.) or non-specific.
- For a specific reference, subsequent revisions do not apply.
- For a non-specific reference, the latest version applies.
- A non-specific reference to an ETS shall also be taken to refer to later versions published as an EN with the same number.

- [1] I-ETS 300 245-2: "Integrated Services Digital Network (ISDN); Technical characteristics of telephony terminals; Part 2: PCM A-law handset telephony".
- [2] EN 300 403-1 (V1.2): "Integrated Services Digital Network (ISDN); Digital Subscriber Signalling System No. one (DSS1) protocol; Signalling network layer for circuit-mode basic call control; Part 1: Protocol specification [ITU-T Recommendation Q.931 (1993), modified]".
- [3] ETS 300 144: "Integrated Services Digital Network (ISDN); Audiovisual services; Frame structure for a 64 kbit/s to 1 920 kbit/s channel and associated syntax for inband signalling".
- [4] ETS 300 145: "Integrated Services Digital Network (ISDN); Audiovisual services; Videotelephone systems and terminal equipment operating on one or two 64 kbit/s channels".
- [5] EN 300 267-1 (V1.2): "Integrated Services Digital Network (ISDN); Telephony 7 kHz, videotelephony, audiographic conference and videoconference teleservices; Digital Subscriber Signalling System No. one (DSS1) protocol; Part 1: Protocol specification".
- [6] EN 300 267-2 (V1.2): "Integrated Services Digital Network (ISDN); Telephony 7 kHz, videotelephony, audiographic conference and videoconference teleservices; Digital Subscriber Signalling System No. one (DSS1) protocol; Part 2: Protocol Implementation Conformance Statement (PICS) proforma specification".

- [7] I-ETS 300 245-5: "Integrated Services Digital Network (ISDN); Technical characteristics of telephony terminals; Part 5: Wideband (7 kHz) handset telephony".
- [8] EN 300 403-3 (V1.2): "Integrated Services Digital Network (ISDN); Digital Subscriber Signalling System No. one (DSS1) protocol; Signalling network layer for circuit-mode basic call control; Part 3: Protocol Implementation Conformance Statement (PICS) proforma specification".
- [9] CCITT Recommendation G.711 (1988): "Pulse code modulation (PCM) of voice frequencies".
- [10] CCITT Recommendation I.130 (1988): "Method for the characterization of telecommunication services supported by an ISDN and network capabilities of an ISDN".
- [11] ITU-T Recommendation I.411 (1993): "ISDN user-network interfaces - Reference configurations".
- [12] ISO/IEC 9646-2: "Information technology - Open systems interconnection - Conformance testing methodology and framework - Part 2: Abstract Test Suite specification".
- [13] ISO/IEC 9646-3: "Information technology - Open systems interconnection - Conformance testing methodology and framework - Part 3: The Tree and Tabular Combined Notation (TTCN)".
- [14] I-ETS 300 281: "Integrated Services Digital Network (ISDN); Telephony 7 kHz teleservice; Terminal requirements necessary for end-to-end compatibility".

3 Definitions and abbreviations

3.1 Definitions

For the purposes of the present document, the definitions in EN 300 267-1 [5] apply in addition to the following definitions:

BC=speech: a Bearer capability information element with its information transfer capability field set to "speech" and its user information layer one protocol field set to "G.711 A-law".

BC=UDI/TA: a Bearer capability information element with its information transfer capability field set to "UDI/TA" and its user information layer one protocol field set to "Recommendations H.221 and H.242".

BC=UDI: a Bearer capability information element with its information transfer capability field set to "UDI" and its user information layer one protocol field set to "Recommendations H.221 and H.242".

bit-rate allocation signal: bit position within the frame structure to transmit commands, control and indication signals, capabilities.

HLC=telephony: a High layer compatibility information element with its high layer characteristics identification field set to "telephony".

HLC=videotelephony_ic: a High layer compatibility information element with its high layer characteristics identification field set to "110 0000 - videotelephony (Recommendations F.720 and F.721)" and its extended audiovisual characteristics identification field set to "000 0001 - capability set of initial channel of Recommendation H.221".

HLC=videotelephony_nex: a High layer compatibility information element with its high layer characteristics identification field set to "110 0000 - videotelephony (Recommendations F.720 and F.721)" but not containing an extended audiovisual characteristics identification field.

HLC=videotelephony_sc: a High layer compatibility information element with its high layer characteristics identification field set to "110 0000 - videotelephony (Recommendations F.720 and F.721)" and its extended audiovisual characteristics identification field set to "000 0010 - capability set of subsequent channel of Recommendation H.221".

HLC=audiographic_ic: a High layer compatibility information element with its high layer characteristics identification field set to "110 0010 – audiographic conferencing (Recommendations F.710 and F.711)" and its extended audiovisual characteristics identification field set to "000 0001 - capability set of initial channel of Recommendation H.221".

HLC=audiographic_nex: a High layer compatibility information element with its high layer characteristics identification field set to "110 0010 - audiographic conferencing (Recommendations F.710 and F.711)" but not containing an extended audiovisual characteristics identification field.

HLC=audiographic_sc: a High layer compatibility information element with its high layer characteristics identification field set to "110 0010 - audiographic conferencing (Recommendations F.710 and F.711)" and its extended audiovisual characteristics identification field set to "000 0010 - capability set of subsequent channel of Recommendation H.221".

HLC=videoconf_ic: a High layer compatibility information element with its high layer characteristics identification field set to "110 0001 – videoconferencing (Recommendations F.710 and F.711)" and its extended audiovisual characteristics identification field set to "000 0001 - capability set of initial channel of Recommendation H.221".

HLC=videoconf_nex: a High layer compatibility information element with its high layer characteristics identification field set to "110 0001 - videoconferencing (Recommendations F.710 and F.711)" but not containing an extended audiovisual characteristics identification field.

HLC=videoconf_sc: a High layer compatibility information element with its high layer characteristics identification field set to "110 0001 - videoconferencing Recommendations F.710 and F.711)" and its extended audiovisual characteristics identification field set to "000 0010 - capability set of subsequent channel of Recommendation H.221".

Implementation Under Test (IUT): the component of the system under test (user terminal or private ISDN) providing the protocol specified in EN 300 267-1 [5] at the S/T or T reference point.

in-band signalling: signalling via the bit-rate allocation signal of the frame structure, as defined in ETS 300 144 [3].

mode 0F: transmission mode in which the initial channel contains framing, and 7-bit G.711 audio signal is being transmitted.

mode 0U: transmission mode in which the initial channel does not contain framing, and 8-bit G.711 audio signal is being transmitted.

PI=#1: a Progress indicator information element, with its progress description field set to #1 "Call is not end-to-end ISDN".

PI=#2: a Progress indicator information element, with its progress description field set to #2 "Destination address is non-ISDN".

PI=#4: a Progress indicator information element, with its progress description field set to #4 "Call has returned to the ISDN".

PI=#5: a Progress indicator information element, with its progress description field set to #5 "interworking has occurred and has resulted in a telecommunications service change".

PI=#8: a Progress indicator information element, with its progress description field set to #8 "In-band information or appropriate pattern now available".

telephony 7 kHz fallback allowed SETUP message: a SETUP message containing two BCs, with the first BC=speech and the second BC=UDI/TA, a HLC=telephony, and not containing a LLC.

telephony 7 kHz fallback not allowed SETUP message: a SETUP message containing a single BC=UDI/TA and a single HLC=telephony, and not containing a LLC.

videotelephony fallback allowed SETUP message: a SETUP message containing two BCs, with the first BC=speech and the second BC=UDI/TA, and two HLCs, with the first HLC=telephony and the second HLC=videotelephony_ic, and not containing a LLC.

videotelephony fallback not allowed SETUP message: a SETUP message containing a single BC=UDI/TA and a single HLC=videotelephony_ic, and not containing a LLC.

videotelephony SETUP message for CR2: a SETUP message containing a single BC=UDI and a single HLC=videotelephony_sc. The SETUP message is used to establish the second connection in a videotelephony call requiring two connections.

audiographic conference fallback allowed SETUP message: a SETUP message containing two BCs, with the first BC=speech and the second BC=UDI/TA, and two HLCs, with the first HLC=telephony and the second HLC=audiographic_ic, and not containing a LLC.

audiographic conference fallback not allowed SETUP message: a SETUP message containing a single BC=UDI/TA and a single HLC=audiographic_ic, and not containing a LLC.

audiographic conference SETUP message for CR2: a SETUP message containing a single BC=UDI and a single HLC=audiographic_sc. The SETUP message is used to establish the second connection in an audiographic conference call requiring two connections.

videoconference fallback allowed SETUP message: a SETUP message containing two BCs, with the first BC=speech and the second BC=UDI/TA, and two HLCs, with the first HLC=telephony and the second HLC=videoconf_ic, and not containing a LLC.

videoconference fallback not allowed SETUP message: a SETUP message containing a single BC=UDI/TA and a single HLC= videoconf_ic, and not containing a LLC.

videoconference SETUP message for CR2: a SETUP message containing a single BC=UDI and a single HLC=videoconf_sc. The SETUP message is used to establish the second connection in a videoconference call requiring two connections.

3.2 Abbreviations

For the purposes of the present document, the following abbreviations apply:

ATS	Abstract Test Suite
BC	Bearer Capability information element
CR1	Call Reference for the first call
CR2	Call Reference for the second call
HLC	High Layer Compatibility information element
IUT	Implementation Under Test
LLC	Low Layer Compatibility information element
PI	Progress Indicator information element
TP	Test Purpose
TSS	Test Suite Structure
UDI	Unrestricted Digital Information
UDI/TA	Unrestricted Digital Information with Tones/Announcements

For TSS specific abbreviations, see clause 4.

4 Test Suite Structure (TSS)

The test suite is structured as a tree. Six test group levels are defined. The TSS is depicted in figure 1.

4.1 First test group level

The first test group level contains the name of the test suite:

UT7VAC User side telephony 7 kHz, videotelephony teleservices, audiographic conference, videoconference and generic protocol.

4.2 Second test group level

The second test group level indicates whether the test purpose covers a requirement applicable to the generic protocol, the telephony 7 kHz protocol, the videotelephony protocol, the audiographic conference protocol or the videoconference protocol:

GEN	Generic requirements. The test purpose covers a requirement applicable for the generic part of EN 300 267-1 [5] (clause 5);
TL7	Telephony 7 kHz teleservice. The test purpose covers a requirement applicable for the telephony 7 kHz part of EN 300 267-1 [5] (clause 6);
VTL	Videotelephony teleservice. The test purpose covers a requirement applicable for the videotelephony part of EN 300 267-1 [5] (clause 7).
AGC	Audiographic conference teleservice. The test purpose covers a requirement applicable for the audiographic conference part of EN 300 267-1 [5] (clause 8).
VCF	Videoconference teleservice. The test purpose covers a requirement applicable for the audiographic conference part of EN 300 267-1 [5] (clause 9).

The group for generic requirements does not appear in the TSS of the combined test purposes. None of the generic test purposes can be considered as testable.

4.3 Third test group level

The third test group level indicates whether the IUT is the calling or the called terminal:

ORIG	Calling User Interface;
DEST	Called User Interface.

4.4 Fourth test group level

The fourth test group level indicates whether the test purpose covers a requirement applicable to valid behaviour, to invalid behaviour or to inopportune behaviour:

BV	Valid behaviour test purpose;
BO	inOpportune Behaviour test purpose.

4.5 Fifth test group level

The fifth test group level indicates which kind of functionality is tested and, more precisely, whether the test purposes cover requirements applicable to fallback allowed, fallback not allowed or connection management. Three groups are defined:

- FBA FallBack Allowed: this group covers all tests where a fallback allowed SETUP message is sent to the IUT;
- FBN FallBack Not allowed: this group covers all tests where a fallback not allowed SETUP message is sent to the IUT;
- CMN Connection MaNagement: this group includes all other cases which do not test the response to or the sending of a fallback allowed or a fallback not allowed SETUP message. As a consequence, the clearing of a call and the establishment of a second connection for videotelephony is tested here.

4.6 Sixth test group level

The sixth test group level indicates the type of implementation to which the test purpose applies:

- ST An implementation which supports user requirements at the coincident S and T reference point;
- PT An implementation which supports user requirements for interworking with private ISDNs at the T reference point;
- ST_T An implementation which supports user requirements at the coincident S and T reference point or user requirements for interworking with private ISDNs at the T reference point.

This level group does not appear when only ST_T is included as a subgroup.

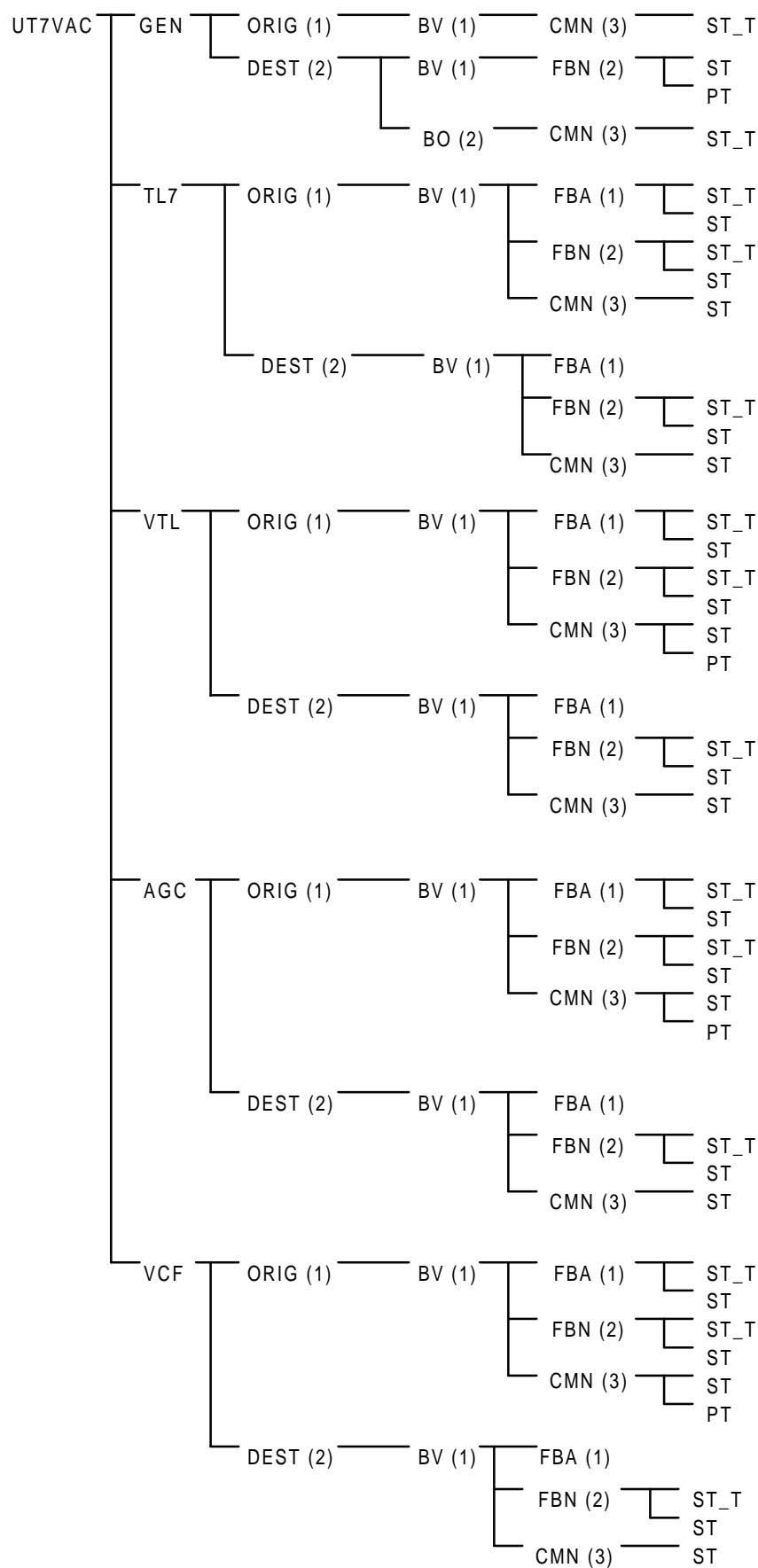


Figure 1: Test suite structure

5 Test purposes

5.1 Test purpose format

The structure of a test purpose identifier is defined in table 1.

Table 1: TP identifier naming convention

<requirement><nnn>_<nn>		
<requirement>	GTP	generic protocol requirement
	TTP	telephony 7 kHz requirement
	VTP	videotelephony requirement
	ATP	audiographic conference requirement
	CTP	videoconference requirement
<nnn>	1 st digit	1 Originating Interface; 2 Destination Interface
	2 nd digit	1 Valid; 2 Inopportune
	3 rd digit	1 Fallback Allowed; 2 Fallback Not Allowed; 3 Connection Management
<nn>	2 digits	sequential test case number

The test purposes are formatted as tables to increase readability. The table format is shown in table 2. Text in **bold** shows the text which is always present, normal text provides an explanation for each field.

Table 2: Structure of a single TP

Test purpose identifier	Reference to EN 300 267-1 [5]:	Other relevant reference:
TSS reference	The full test suite structure reference.	
Selection criteria	The criteria necessary in order to select the test. Unless otherwise specified, references are to EN 300 267-2 [6].	
Test purpose	Description of the test purpose.	
Cross reference	GTP/TTP/VTP/ATP/CTP cross reference data.	
Comments	Any relevant comments.	

The "Other relevant reference" field, where applicable, contains a reference to a specification document containing the whole, or part, of the requirement to be tested by the test purpose.

The "Selection criteria" field consists of a Boolean expression incorporating items from EN 300 267-2 [6] (in which case items are not prefixed by a reference number) and from EN 300 403-3 [8].

Some of the telephony 7 kHz, videotelephony, audiographic conference or videoconference test purposes are directly related, but not identical, to generic ones. Where such a relationship exists, the reference to the related generic test purpose is specified in the "Cross reference" field of the telephony 7 kHz, videotelephony, audiographic conference or videoconference test purpose. Generic test purposes test generic protocol requirements which define procedures that are additional to basic call requirements and also requirements which correspond to no particular IUT, but when parameterized with real values for bearer capability etc. give a test for a specific service.

5.2 Generic requirements

5.2.1 Calling user interface

5.2.1.1 Valid behaviour

5.2.1.1.1 Connection management

5.2.1.1.1.1 User requirements at the coincident S and T reference point or for interworking with private ISDNs

GTP113_01	Reference to EN 300 267-1 [5]: 5.5.1.1	Other relevant reference:
TSS reference	UT7VAC/GEN/ORIG/BV/CMN/ST_T	
Selection criteria	(R 3.1 AND MC 1.6) OR R 3.2	
Test purpose	Verify that the IUT, in the Null call state U0, when initiating a call which requires a second or subsequent connection, sends a SETUP message containing BC with a specification of an appropriate in-band signalling protocol.	
Cross reference		
Comments		

GTP113_02	Reference to EN 300 267-1 [5]: 5.5.1.1	Other relevant reference:
TSS reference	UT7VAC/GEN/ORIG/BV/CMN/ST_T	
Selection criteria	(R 3.1 AND MC 1.6) OR R 3.2	
Test purpose	Verify that the IUT, in the Active call state U10 for CR1 and in the Null call state U0 for CR2, sends a SETUP message for CR2, containing BC with the same in-band signalling protocol specification as specified for the first connection CR1.	
Cross reference		
Comments		

GTP113_04	Reference to EN 300 267-1 [5]: 5.5.2	Other relevant reference:
TSS reference	UT7VAC/GEN/ORIG/BV/CMN/ST	
Selection criteria	R 3.1	
Test purpose	Verify that the IUT, in the Active call state U3, having sent a SETUP message, containing BC=UDI/TA, on receipt of tones and announcements from the network, presents the tones and announcements to the user in the B-channel.	
Cross reference		
Comments	Tones and announcements received from the network are as specified in CCITT Recommendation G.711 [9]. Tones and announcements sent to the user are as specified in I-ETS 300 245-2 [1], clause 6.	

GTP113_05	Reference to EN 300 267-1 [5]: 5.5.2	Other relevant reference:
TSS reference	UT7VAC/GEN/ORIG/BV/CMN/ST	
Selection criteria	R 3.1	
Test purpose	Verify that the IUT, in the Active call state U10, having sent a SETUP message, containing BC=UDI/TA, on receipt of a DISCONNECT message containing PI=#8 and a tone or announcement from the network, presents the tones and announcements to the user in the B-channel.	
Cross reference		
Comments	Tones and announcements received from the network are as specified in CCITT Recommendation G.711 [9]. Tones and announcements sent to the user are as specified in I-ETS 300 245-2 [1], clause 6.	

5.2.2 Called user interface

5.2.2.1 Valid behaviour

5.2.2.1.1 Fallback not allowed

5.2.2.1.1.1 User requirements at the coincident S and T reference point

GTP212_01	Reference to EN 300 267-1 [5]: 5.5.2	Other relevant reference: EN 300 403-1 [2] 5.2.6
TSS reference	UT7VAC/GEN/DEST/BV/FBN/ST	
Selection criteria	R 3.1	
Test purpose	Verify that the IUT, in the Null call state U0, on receipt of a SETUP message, containing BC=UDI/TA and PI=#1, connects to the B-channel.	
Cross reference		
Comments	Connection to the B-channel is in accordance with EN 300 403-1 [2] 5.2.8.	

5.2.2.1.1.2 User requirements for interworking with private ISDNs

GTP212_02	Reference to EN 300 267-1 [5]: 5.6.2, 5.5.2	Other relevant reference: EN 300 403-1 [2] 5.2.6
TSS reference	UT7VAC/GEN/DEST/BV/FBN/PT	
Selection criteria	R 3.2	
Test purpose	Verify that the IUT, in the Null call state U0, on receipt of a SETUP message, containing BC=UDI/TA, is capable of sending a CALL PROCEEDING, ALERTING, CONNECT or PROGRESS message containing PI=#1 or PI=#2 or PI=#4.	
Cross reference		
Comments	Sending of SETUP: interworking occurred within the IUT.	

5.2.2.2 Inopportune behaviour

5.2.2.2.1 Connection management

5.2.2.2.1.1 User requirements at the coincident S and T reference point or for interworking with private ISDNs

GTP223_01	Reference to EN 300 267-1 [5]: 5.6.6, 5.5.6.2	Other relevant reference: EN 300 403-1 [2] 5.3
TSS reference	UT7VAC/GEN/DEST/BO/CMN/ST_T	
Selection criteria	MC 1.6	
Test purpose	Verify that the IUT, in the Call received call state U7 for CR1 and in the Null call state U0 for CR2, on receipt of a videotelephony SETUP message for CR2, specifying a second videotelephony connection, rejects the SETUP message by sending a DISCONNECT or RELEASE COMPLETE message containing cause #21 "call rejected".	
Cross reference		
Comments	Rejection, by the destination IUT, of the establishment of a second connection when the first connection has not been established is in accordance with EN 300 403-1 [2], subclause 5.3.	

5.3 Telephony 7 kHz teleservice

5.3.1 Calling user interface

5.3.1.1 Valid behaviour

5.3.1.1.1 Fallback allowed

5.3.1.1.1.1 User requirements at the coincident S and T reference point or for interworking with private ISDNs

TTP111_01	Reference to EN 300 267-1 [5]: 6.6, 6.5.1 a)	Other relevant reference:
TSS reference	UT7VAC/TL7/ORIG/BV/FBA/ST_T	
Selection criteria	R 1.1 AND MCu 21.1	
Test purpose	Verify that the IUT, in the Null call state U0, when initiating a call and it allows fallback, sends a SETUP message containing two BCs, with the first BC=speech and the second BC=UDI/TA, HLC=telephony, and not containing LLC and enters the Call Initiated call state U1.	
Cross reference		
Comments		

TTP111_02	Reference to EN 300 267-1 [5]: 6.6, 6.5.1 c), 6.5.1 e)	Other relevant reference:
TSS reference	UT7VAC/TL7/ORIG/BV/FBA/ST_T	
Selection criteria	R 1.1 AND MCu 21.1	
Test purpose	Verify that the IUT, in the Outgoing Call Proceeding call state U3, having sent a telephony 7 kHz fallback allowed SETUP message, on receipt of a CONNECT message, containing BC=UDI/TA, enters the Active call state U10.	
Cross reference		
Comments	Receipt of CONNECT (BC=UDI/TA): fallback allowed but did not occur. The IUT may send a connect acknowledge.	

TTP111_03	Reference to EN 300 267-1 [5]: 6.6, 6.5.1 c), 6.5.1 e)	Other relevant reference:
TSS reference	UT7VAC/TL7/ORIG/BV/FBA/ST_T	
Selection criteria	R 1.1 AND MCu 21.1	
Test purpose	Verify that the IUT, in the Call Delivered call state U4, having sent a telephony 7 kHz fallback allowed SETUP message, on receipt of a CONNECT message, containing BC=UDI/TA, enters the Active call state U10.	
Cross reference		
Comments	Receipt of CONNECT (BC=UDI/TA): fallback allowed but did not occur. The IUT may send a connect acknowledge.	

TTP111_04	Reference to EN 300 267-1 [5]: 6.6, 6.5.1 c), 6.5.1 f)	Other relevant reference:
TSS reference	UT7VAC/TL7/ORIG/BV/FBA/ST_T	
Selection criteria	R 1.1 AND MCu 21.1	
Test purpose	Verify that the IUT, in the Outgoing Call Proceeding call state U3, having sent a telephony 7 kHz fallback allowed SETUP message, on receipt of a CONNECT message, containing BC=speech, enters the Active call state U10.	
Cross reference		
Comments	Receipt of CONNECT (BC=speech): fallback allowed and occurred, to the telephony 3,1 kHz teleservice, at the destination user.	

TTP111_05	Reference to EN 300 267-1 [5]: 6.6, 6.5.1 c), 6.5.1 f)	Other relevant reference:
TSS reference	UT7VAC/TL7/ORIG/BV/FBA/ST_T	
Selection criteria	R 1.1 AND MCu 21.1	
Test purpose	Verify that the IUT, in the Call Delivered call state U4, having sent a telephony 7 kHz fallback allowed SETUP message, on receipt of a CONNECT message, containing BC=speech, enters the Active call state U10.	
Cross reference		
Comments	Receipt of CONNECT (BC=speech): fallback allowed and occurred, to the telephony 3,1 kHz teleservice, at the destination user.	

TTP111_06	Reference to EN 300 267-1 [5]: 6.6, 6.5.1 d), 6.5.1 f)	Other relevant reference:
TSS reference	UT7VAC/TL7/ORIG/BV/FBA/ST_T	
Selection criteria	R 1.1 AND MCu 21.1	
Test purpose	Verify that the IUT, in the Call Initiated call state U1, having sent a telephony 7 kHz fallback allowed SETUP message, on receipt of a CALL PROCEEDING message, containing PI=#5 and BC=speech, then on receipt of a CONNECT message, not containing BC, enters the Active call state U10.	
Cross reference		
Comments	Receipt of CONNECT (no BC): fallback allowed and occurred, to the telephony 3,1 kHz teleservice, in the network.	

TTP111_07	Reference to EN 300 267-1 [5]: 6.6, 6.5.1 d), 6.5.1 f)	Other relevant reference:
TSS reference	UT7VAC/TL7/ORIG/BV/FBA/ST_T	
Selection criteria	R 1.1 AND MCu 21.1	
Test purpose	Verify that the IUT, in the Outgoing Call Proceeding call state U3, having sent a telephony 7 kHz fallback allowed SETUP message, and having received a PROGRESS message, containing PI=#5 and BC=speech, on receipt of a CONNECT message, not containing BC, enters the Active call state U10.	
Cross reference		
Comments	Receipt of CONNECT (no BC): fallback allowed and occurred, to the telephony 3,1 kHz teleservice, in the network.	

TTP111_08	Reference to EN 300 267-1 [5]: 6.6, 6.5.1 d), 6.5.1 f)	Other relevant reference:
TSS reference	UT7VAC/TL7/ORIG/BV/FBA/ST_T	
Selection criteria	R 1.1 AND MCu 21.1	
Test purpose	Verify that the IUT, in the Call Delivered call state U4, having sent a telephony 7 kHz fallback allowed SETUP message, and having received an ALERTING message, containing PI=#5 and BC=speech, on receipt of a CONNECT message, not containing BC, enters the Active call state U10.	
Cross reference		
Comments	Receipt of CONNECT (no BC): fallback allowed and occurred, to the telephony 3,1 kHz teleservice, in the network.	

TTP111_9	Reference to EN 300 267-1 [5]: 6.6, 6.5.1 d), 6.5.1 f)	Other relevant reference:
TSS reference	UT7VAC/TL7/ORIG/BV/TL7/FBA/ST_T	
Selection criteria	R 1.1 AND MCu 21.1	
Test purpose	Verify that the IUT, in the Call Initiated call state U1, having sent a telephony 7 kHz fallback allowed SETUP message, on receipt of a CALL PROCEEDING message, containing PI=#5, but not containing BC, then on receipt of a CONNECT message, not containing BC, enters the Active call state U10.	
Cross reference		
Comments	Receipt of CONNECT (no BC): fallback allowed and occurred, to the telephony 3,1 kHz teleservice, in the network.	

TTP111_10	Reference to EN 300 267-1 [5]: 6.6, 6.5.1 d), 6.5.1. f)	Other relevant reference:
TSS reference	UT7VAC/TL7/ORIG/BV/FBA/ST_T	
Selection criteria	R 1.1 AND MCu 21.1	
Test purpose	Verify that the IUT, in the Outgoing Call Proceeding call state U3, having sent a telephony 7 kHz fallback allowed SETUP message, and having received a PROGRESS message, containing PI=#5, but not containing BC, on receipt of a CONNECT message, not containing BC, enters the Active call state U10.	
Cross reference		
Comments	Receipt of CONNECT (no BC): fallback allowed and occurred, to the telephony 3,1 kHz teleservice, in the network.	

TTP111_11	Reference to EN 300 267-1 [5]: 6.6, 6.5.1 d), 6.5.1. f)	Other relevant reference:
TSS reference	UT7VAC/TL7/ORIG/BV/FBA/ST_T	
Selection criteria	R 1.1 AND MCu 21.1	
Test purpose	Verify that the IUT, in the Call Delivered call state U4, having sent a telephony 7 kHz fallback allowed SETUP message, and having received an ALERTING message, containing PI=#5, but not containing BC, on receipt of a CONNECT message, not containing BC, enters the Active call state U10.	
Cross reference		
Comments	Receipt of CONNECT (no BC): fallback allowed and occurred, to the telephony 3,1 kHz teleservice, in the network.	

TTP111_12	Reference to EN 300 267-1 [5]: 6.6, 6.5.1 c), 6.5.1. f)	Other relevant reference:
TSS reference	UT7VAC/TL7/ORIG/BV/FBA/ST_T	
Selection criteria	R 1.1 AND MCu 21.1	
Test purpose	Verify that the IUT, in the Call Initiated call state U1, having sent a telephony 7 kHz fallback allowed SETUP message, on receipt of a CONNECT message, not containing BC, enters the Active call state U10.	
Cross reference		
Comments	Receipt of CONNECT (no BC): fallback allowed and occurred, to the telephony 3,1 kHz teleservice, at the destination user.	

5.3.1.1.1.2

User requirements at the coincident S and T reference point

TTP111_13	Reference to EN 300 267-1 [5]: 6.5.1 c), 6.5.1 e)	Other relevant reference:
TSS reference	UT7VAC/TL7/ORIG/BV/FBA/ST	
Selection criteria	R 3.1 AND R 1.1 AND MCu 21.1	
Test purpose	Verify that the IUT, in the Outgoing Call Proceeding call state U3, having sent a telephony 7 kHz fallback allowed SETUP message, on receipt of a CONNECT message, containing BC=UDI/TA, sends multiframe structures and starts initialization procedure in the B-channel.	
Cross reference		
Comments	Receipt of CONNECT (BC=UDI/TA): fallback allowed but did not occur.	

TTP111_14	Reference to EN 300 267-1 [5]: 6.5.1 c), 6.5.1 e)	Other relevant reference:
TSS reference	UT7VAC/TL7/ORIG/BV/FBA/ST	
Selection criteria	R 3.1 AND R 1.1 AND MCu 21.1	
Test purpose	Verify that the IUT, in the Call Delivered call state U4, having sent a telephony 7 kHz fallback allowed SETUP message, on receipt of a CONNECT message, containing BC=UDI/TA, sends multiframe structures and starts initialization procedure in the B-channel.	
Cross reference		
Comments	Receipt of CONNECT (BC=UDI/TA): fallback allowed but did not occur.	

5.3.1.1.2 Fallback not allowed

5.3.1.1.2.1 User requirements at the coincident S and T reference point or for interworking with private ISDNs

TTP112_01	Reference to EN 300 267-1 [5]: 6.6, 6.5.1 1)	Other relevant reference:
TSS reference	UT7VAC/TL7/ORIG/BV/FBN/ST_T	
Selection criteria	R 1.1	
Test purpose	Verify that the IUT, in the Null call state U0, to set up a telephony 7 kHz teleservice call for which fallback to 3,1 kHz is not allowed, sends a SETUP message containing a single BC=UDI/TA and HLC=telephony and enters the Call Initiated call state U1.	
Cross reference		
Comments		

TTP112_02	Reference to EN 300 267-1 [5]: 6.5.1 3)	Other relevant reference:
TSS reference	UT7VAC/TL7/ORIG/BV/FBN/ST_T	
Selection criteria	R 1.1	
Test purpose	Verify that the IUT, in the Outgoing Call Proceeding call state U3, having sent a SETUP message containing a single BC=UDI/TA and HLC=telephony, on receipt of a CONNECT message, not containing BC, enters the Active call state U10.	
Cross reference		
Comments	Receipt of CONNECT (no BC), fallback not allowed.	

TTP112_03	Reference to EN 300 267-1 [5]: 6.5.1 3)	Other relevant reference:
TSS reference	UT7VAC/TL7/ORIG/BV/FBN/ST_T	
Selection criteria	R 1.1	
Test purpose	Verify that the IUT, in the Call Delivered call state U4, having sent a SETUP message containing a single BC=UDI/TA and HLC=telephony, on receipt of a CONNECT message not containing BC, enters the Active call state U10	
Cross reference		
Comments	Receipt of CONNECT (no BC), fallback not allowed.	

5.3.1.1.2.2 User requirements at the coincident S and T reference point

TTP112_04	Reference to EN 300 267-1 [5]: 6.5.1 3)	Other relevant reference:
TSS reference	UT7VAC/TL7/ORIG/BV/FBN/ST	
Selection criteria	R 3.1 AND R 1.1	
Test purpose	Verify that the IUT, in the Outgoing Call Proceeding call state U3, having sent a SETUP message containing a single BC=UDI/TA and HLC=telephony, on receipt of a CONNECT message, not containing BC, sends multiframe structures and starts initialization procedure in the B-channel.	
Cross reference		
Comments	Receipt of CONNECT (no BC), fallback not allowed.	

TTP112_05	Reference to EN 300 267-1 [5]: 6.5.1 3)	Other relevant reference:
TSS reference	UT7VAC/TL7/ORIG/BV/FBN/ST	
Selection criteria	R 3.1 AND R 1.1	
Test purpose	Verify that the IUT, in the Call Delivered call state U4, having sent a SETUP message containing a single BC=UDI/TA and HLC=telephony, on receipt of a CONNECT message, not containing BC, sends multiframe structures and starts initialization procedure in the B-channel.	
Cross reference		
Comments	Receipt of CONNECT (no BC), fallback not allowed.	

5.3.1.1.3 Connection management

5.3.1.1.3.1 User requirements at the coincident S and T reference point

TTP113_01	Reference to EN 300 267-1 [5]: 6.5.6	Other relevant reference: EN 300 403-1 [2] 5.6.1
TSS reference	UT7VAC/TL7/ORIG/BV/CMN/ST	
Selection criteria	EN 300 403-3 [8] R 3.1 AND R 1.1 AND MCu 6	
Test purpose	Verify that the IUT, in the Active call state U10, on request for call rearrangement by the user in a basic access configuration, before sending a SUSPEND message, switches to mode 0U (unframed), A-law in the B-channel.	
Cross reference		
Comments	Switching to mode 0U (unframed), A-law in the B-channel is specified in I-ETS 300 245-5 [7], I-ETS 300 281 [14], clause 7	

TTP113_02	Reference to EN 300 267-1 [5]: 6.5.6	Other relevant reference: EN 300 403-1 [2] 5.6.4
TSS reference	UT7VAC/TL7/ORIG/BV/CMN/ST	
Selection criteria	EN 300 403-3 [8] R 3.1 AND R 1.1 AND MCu 6	
Test purpose	Verify that the IUT, in the Resume request call state U17, on receipt of a RESUME ACKNOWLEDGE message, sends multiframe structures and starts initialization procedure in the B-channel.	
Cross reference		
Comments		

5.3.2 Called user interface

5.3.2.1 Valid behaviour

5.3.2.1.1 Fallback allowed

5.3.2.1.1.1 User requirements at the coincident S and T reference point or for interworking with private ISDNs

TTP211_01	Reference to EN 300 267-1 [5]: 6.6 b), 6.5.2.1 b)	Other relevant reference:
TSS reference	UT7VAC/TL7/DEST/BV/FBA/ST_T	
Selection criteria	R 1.1 AND MCu 21.2	
Test purpose	Verify that the IUT, in the Null call state U0, receiving a telephony 7 kHz teleservice call for which fallback to 3,1 kHz is allowed, accepts a SETUP message containing two BCs, with the first BC=speech and the second BC=UDI/TA, HLC=telephony, and not containing LLC and continues with normal basic call handling.	
Cross reference		
Comments		

TTP211_02	Reference to EN 300 267-1 [5]: 6.6 b), 6.6 c), 6.5.2 b), 6.5.2 c)	Other relevant reference:
TSS reference	UT7VAC/TL7/DEST/BV/FBA/ST_T	
Selection criteria	R 1.1 AND MCu 21.2	
Test purpose	Verify that the IUT, in the Call Present call state U6, having received a telephony 7 kHz fallback allowed SETUP message, when fallback does not occur, sends a CONNECT message containing BC=UDI/TA and enters the Connect Request call state U8.	
Cross reference	Related GTP: GTP211_01.	
Comments	Sending of CONNECT (BC=UDI/TA): fallback allowed but did not occur.	

TTP211_03	Reference to EN 300 267-1 [5]: 6.5.2 d)	Other relevant reference:
TSS reference	UT7VAC/TL7/DEST/BV/FBA/ST_T	
Selection criteria	R 1.1 AND MCu 21.2	
Test purpose	Verify that the IUT, in the Connect Request call state U8, having received a telephony 7 kHz fallback allowed SETUP message and having sent a CONNECT message, containing BC=UDI/TA, on receipt of a CONNECT ACKNOWLEDGE message, enters the Active call state U10.	
Cross reference		
Comments	Sending of CONNECT (BC=UDI/TA): fallback allowed but did not occur.	

TTP211_04	Reference to EN 300 267-1 [5]: 6.6 b), 6.6 c), 6.5.2 c), 6.5.2 b)	Other relevant reference:
TSS reference	UT7VAC/TL7/DEST/BV/FBA/ST_T	
Selection criteria	R 1.1 AND MCu 21.2	
Test purpose	Verify that the IUT, in the Call Present call state U6, having received a telephony 7 kHz fallback allowed SETUP message, when fallback is allowed and occurs to 3,1 kHz, is capable of sending a CONNECT message containing BC=speech or does not contain BC and enters the Connect Request call state U8.	
Cross reference		
Comments	Sending of CONNECT (BC=speech): fallback allowed and occurred, to telephony 3,1 kHz (not within the private ISDN for T reference point).	

5.3.2.1.1.2

User requirements at the coincident S and T reference point

TTP211_05	Reference to EN 300 267-1 [5]: 6.5.2 d)	Other relevant reference:
TSS reference	UT7VAC/TL7/DEST/BV/FBA/ST	
Selection criteria	R 3.1 AND R 1.1 AND MCu 21.2	
Test purpose	Verify that the IUT, in the Connect Request call state U8, having received a telephony 7 kHz fallback allowed SETUP message and having sent a CONNECT message, containing BC=UDI/TA, on receipt of a CONNECT ACKNOWLEDGE message, sends multiframe structures and starts initialization procedure in the B-channel.	
Cross reference		
Comments		

5.3.2.1.1.3 User requirements for interworking with private ISDNs

TTP211_06	Reference to EN 300 267-1 [5]: 6.6 d)	Other relevant reference:
TSS reference	UT7VAC/TL7/DEST/BV/FBA/PT	
Selection criteria	R 3.2 AND R 1.1 AND MCu 21.2	
Test purpose	Verify that the IUT, in the Null call state U0, on receipt of a telephony 7 kHz fallback allowed SETUP message, when fallback is allowed and occurs to 3,1 kHz, is capable of sending a CALL PROCEEDING, PROGRESS or ALERTING message containing PI=#5 and BC=speech or does not contain BC and enters the relevant basic call state.	
Cross reference		
Comments	Sending of CALL PROCEEDING, PROGRESS or ALERTING: Fallback allowed and occurred, to telephony 3,1 kHz, within the private ISDN. PIXIT: How to configure the IUT to fallback within the private ISDN?	

5.3.2.1.2 Fallback not allowed

5.3.2.1.2.1 User requirements at the coincident S and T reference point or for interworking with private ISDNs

TTP212_01	Reference to EN 300 267-1 [5]: 6.6, 6.5.2.1 1)	Other relevant reference:
TSS reference	UT7VAC/TL7/DEST/BV/FBN/ST_T	
Selection criteria	R 1.1	
Test purpose	Verify that the IUT, in the Null call state U0, receiving a telephony 7 kHz teleservice call for which fallback to 3,1 kHz is not allowed, accepts a SETUP message containing a single BC=UDI/TA and HLC=telephony and continues with normal basic call handling.	
Cross reference		
Comments		

5.3.2.1.2.2 User requirements at the coincident S and T reference point

TTP212_02	Reference to EN 300 267-1 [5]: 6.5.2 2)	Other relevant reference:
TSS reference	UT7VAC/TL7/DEST/BV/FBN/ST	
Selection criteria	R 3.1 AND R 1.1	
Test purpose	Verify that the IUT, in the Connect Request call state U8, having received a telephony 7 kHz fallback not allowed SETUP message, and having sent a CONNECT message, on receipt of a CONNECT ACKNOWLEDGE message, sends multiframe structures and starts initialization procedure in the B-channel.	
Cross reference		
Comments		

5.4 Videotelephony teleservice

5.4.1 Calling user interface

5.4.1.1 Valid behaviour

5.4.1.1.1 Fallback allowed

5.4.1.1.1.1 User requirements at the coincident S and T reference point or for interworking with private ISDNs

VTP111_01	Reference to EN 300 267-1 [5]: 7.6, 7.5.1 a)	Other relevant reference:
TSS reference	UT7VAC/VTL/ORIG/BV/FBA/ST_T	
Selection criteria	R 1.2 AND MCu 21.1 AND MCu 22.1	
Test purpose	Verify that the IUT, in the Null call state U0, when initiating a call and it allows fallback, sends a SETUP message containing two BCs, with the first BC=speech and the second BC=UDI/TA, and two HLCs, with the first HLC=telephony and the second HLC=videotelephony_ic, and not containing LLC and enters the Call Initiated call state U1.	
Cross reference		
Comments		

VTP111_02	Reference to EN 300 267-1 [5]: 7.6, 7.5.1 c), 7.5.1 e)	Other relevant reference:
TSS reference	UT7VAC/VTL/ORIG/BV/FBA/ST_T	
Selection criteria	R 1.2 AND MCu 21.1 AND MCu 22.1	
Test purpose	Verify that the IUT, in the Outgoing Call Proceeding call state U3, having sent a videotelephony fallback allowed SETUP message, on receipt of a CONNECT message, containing BC=UDI/TA and HLC=videotelephony_ic, enters the Active call state U10.	
Cross reference		
Comments	Receipt of CONNECT (BC=UDI/TA, HLC=videotelephony_ic): fallback allowed but did not occur at the destination user.	

VTP111_03	Reference to EN 300 267-1 [5]: 7.6, 7.5.1 c), 7.5.1 e)	Other relevant reference:
TSS reference	UT7VAC/VTL/ORIG/BV/FBA/ST_T	
Selection criteria	R 1.2 AND MCu 21.1 AND MCu 22.1	
Test purpose	Verify that the IUT, in the Call Delivered call state U4, having sent a videotelephony fallback allowed SETUP message, on receipt of a CONNECT message, containing BC=UDI/TA and HLC=videotelephony_ic, enters the Active call state U10.	
Cross reference		
Comments	Receipt of CONNECT (BC=UDI/TA, HLC=videotelephony_ic): fallback allowed but did not occur at the destination user.	

VTP111_04	Reference to EN 300 267-1 [5]: 7.6, 7.5.1 c), 7.5.1 f)	Other relevant reference:
TSS reference	UT7VAC/VTL/ORIG/BV/FBA/ST_T	
Selection criteria	R 1.2 AND MCu 21.1 AND MCu 22.1	
Test purpose	Verify that the IUT, in the Outgoing Call Proceeding call state U3, having sent a videotelephony fallback allowed SETUP message, on receipt of a CONNECT message, containing a single BC=speech and a single HLC=telephony, enters the Active call state U10.	
Cross reference		
Comments	Receipt of CONNECT (BC=speech, HLC=telephony): fallback allowed and occurred, to the telephony 3,1 kHz teleservice, at the destination user.	

VTP111_05	Reference to EN 300 267-1 [5]: 7.6, 7.5.1 c), 7.5.1 f)	Other relevant reference:
TSS reference	UT7VAC/VTL/ORIG/BV/FBA/ST_T	
Selection criteria	R 1.2 AND MCu 21.1 AND MCu 22.1	
Test purpose	Verify that the IUT, in the Call Delivered call state U4, having sent a videotelephony fallback allowed SETUP message, on receipt of a CONNECT message, containing a single BC=speech and a single HLC=telephony, enters the Active call state U10.	
Cross reference		
Comments	Receipt of CONNECT (BC=speech, HLC=telephony): fallback allowed and occurred, to the telephony 3,1 kHz teleservice, at the destination user.	

VTP111_06	Reference to EN 300 267-1 [5]: 7.6, 7.5.1 c), 7.5.1 g)	Other relevant reference:
TSS reference	UT7VAC/VTL/ORIG/BV/FBA/ST_T	
Selection criteria	R 1.2 AND MCu 21.1 AND Mcu 22.1	
Test purpose	Verify that the IUT, in the Outgoing Call Proceeding call state U3, having sent a videotelephony fallback allowed SETUP message, on receipt of a CONNECT message, containing BC=UDI/TA and HLC=telephony, enters the Active call state U10.	
Cross reference		
Comments	Receipt of CONNECT (BC=UDI/TA, HLC=telephony): fallback allowed and occurred, to the telephony 7 kHz teleservice, at the destination user.	

VTP111_07	Reference to EN 300 267-1 [5]: 7.6, 7.5.1 c), 7.5.1 g)	Other relevant reference:
TSS reference	UT7VAC/VTL/ORIG/BV/FBA/ST_T	
Selection criteria	R 1.2 AND MCu 21.1 AND MCu 22.1	
Test purpose	Verify that the IUT, in the Call Delivered call state U4, having sent a videotelephony fallback allowed SETUP message, on receipt of a CONNECT message, containing BC=UDI/TA and HLC=telephony, enters the Active call state U10.	
Cross reference		
Comments	Receipt of CONNECT (BC=UDI/TA, HLC=telephony): fallback allowed and occurred, to the telephony 7 kHz teleservice, at the destination user.	

VTP111_08	Reference to EN 300 267-1 [5]: 7.6, 7.5.1 d), 7.5.1 f)	Other relevant reference:
TSS reference	UT7VAC/VTL/ORIG/BV/FBA/ST_T	
Selection criteria	R 1.2 AND MCu 21.1 AND MCu 22.1	
Test purpose	Verify that the IUT, in the Call Initiated call state U1, having sent a videotelephony fallback allowed SETUP message, on receipt of a CALL PROCEEDING message, containing PI=#5, BC=speech, and HLC=telephony, then on receipt of a CONNECT message containing neither BC nor HLC, enters the Active call state U10.	
Cross reference		
Comments	Receipt of CONNECT (no BC, no HLC): fallback allowed and occurred, to the telephony 3,1 kHz teleservice, in the network.	

VTP111_09	Reference to EN 300 267-1 [5]: 7.6, 7.5.1 d), 7.5.1 f)	Other relevant reference:
TSS reference	UT7VAC/VTL/ORIG/BV/FBA/ST_T	
Selection criteria	R 1.2 AND MCu 21.1 AND MCu 22.1	
Test purpose	Verify that the IUT, in the Outgoing Call Proceeding call state U3, having sent a videotelephony fallback allowed SETUP message, and having received a PROGRESS message, containing PI=#5, BC=speech, and HLC=telephony, on receipt of a CONNECT message containing neither BC nor HLC, enters the Active call state U10.	
Cross reference		
Comments	Receipt of CONNECT (no BC, no HLC): fallback allowed and occurred, to the telephony 3,1 kHz teleservice, in the network.	

VTP111_10	Reference to EN 300 267-1 [5]: 7.6, 7.5.1 d), 7.5.1 f)	Other relevant reference:
TSS reference	UT7VAC/VTL/ORIG/BV/FBA/ST_T	
Selection criteria	R 1.2 AND MCu 21.1 AND MCu 22.1	
Test purpose	Verify that the IUT, in the Call Delivered call state U4, having sent a videotelephony fallback allowed SETUP message, and having received an ALERTING message, containing PI=#5, BC=speech, and no HLC, on receipt of a CONNECT message containing neither BC nor HLC, enters the Active call state U10.	
Cross reference		
Comments	Receipt of CONNECT (no BC, no HLC): fallback allowed and occurred, to the telephony 3,1 kHz teleservice, in the network.	

VTP111_11	Reference to EN 300 267-1 [5]: 7.6, 7.5.1 c), 7.5.1 f)	Other relevant reference:
TSS reference	UT7VAC/VTL/ORIG/BV/FBA/ST_T	
Selection criteria	R 1.2 AND MCu 21.1 AND MCu 22.1	
Test purpose	Verify that the IUT, in the Outgoing Call Proceeding call state U3, having sent a videotelephony fallback allowed SETUP message, on receipt of a CONNECT message, containing a single BC=speech but not containing HLC, enters the Active call state U10.	
Cross reference		
Comments	Receipt of CONNECT (BC=speech): fallback allowed and occurred, to the telephony 3,1 kHz teleservice, at the destination user.	

VTP111_12	Reference to EN 300 267-1 [5]: 7.6, 7.5.1 c), 7.5.1 f)	Other relevant reference:
TSS reference	UT7VAC/VTL/ORIG/BV/FBA/ST_T	
Selection criteria	R 1.2 AND MCu 21.1 AND MCu 22.1	
Test purpose	Verify that the IUT, in the Call Delivered call state U4, having sent a videotelephony fallback allowed SETUP message, on receipt of a CONNECT message, containing a single BC=speech but not containing HLC, enters the Active call state U10.	
Cross reference		
Comments	Receipt of CONNECT (BC=speech): fallback allowed and occurred, to the telephony 3,1 kHz teleservice, at the destination user.	

VTP111_13	Reference to EN 300 267-1 [5]: 7.6, 7.5.1 c), 7.5.1 f)	Other relevant reference:
TSS reference	UT7VAC/VTL/ORIG/BV/FBA/ST_T	
Selection criteria	R 1.2 AND MCu 21.1 AND MCu 22.1	
Test purpose	Verify that the IUT, in the Call Delivered call state U4, having sent a videotelephony fallback allowed SETUP message, on receipt of a CONNECT message, containing no BC and no HLC, enters the Active call state U10.	
Cross reference		
Comments	Receipt of CONNECT (no BC, no HLC): fallback allowed and occurred, to the telephony 3,1 kHz teleservice, at the destination user.	

VTP111_14	Reference to EN 300 267-1 [5]: 7.6, 7.5.1 d), 7.5.1 f)	Other relevant reference:
TSS reference	UT7VAC/VTL/ORIG/BV/FBA/ST_T	
Selection criteria	R 1.2 AND MCu 21.1 AND MCu 22.1	
Test purpose	Verify that the IUT, in the Call Initiated call state U1, having sent a videotelephony fallback allowed SETUP message, on receipt of a CALL PROCEEDING message, containing PI=#5 and BC=speech, but not containing HLC, then on receipt of a CONNECT message containing neither BC nor HLC, enters the Active call state U10.	
Cross reference		
Comments	Receipt of CONNECT (no BC, no HLC): fallback allowed and occurred, to the telephony 3,1 kHz teleservice, in the network.	

VTP111_15	Reference to EN 300 267-1 [5]: 7.6, 7.5.1 d), 7.5.1. f)	Other relevant reference:
TSS reference	UT7VAC/VTL/ORIG/BV/FBA/ST_T	
Selection criteria	R 1.2 AND MCu 21.1 AND MCu 22.1	
Test purpose	Verify that the IUT, in the Call Delivered call state U4, having sent a videotelephony fallback allowed SETUP message, and having received an ALERTING message, containing PI=#5, but not containing BC or HLC, on receipt of a CONNECT message containing neither BC nor HLC, enters the Active call state U10.	
Cross reference		
Comments	Receipt of CONNECT (no BC, no HLC): fallback allowed and occurred, to the telephony 3,1 kHz teleservice, in the network.	

5.4.1.1.1.2

User requirements at the coincident S and T reference point

VTP111_16	Reference to EN 300 267-1 [5]: 7.5.1 c), 7.5.1 e)	Other relevant reference:
TSS reference	UT7VAC/VTL/ORIG/BV/FBA/ST	
Selection criteria	R 3.1 AND R 1.2 AND MCu 21.1 AND MCu 22.1	
Test purpose	Verify that the IUT, in the Outgoing Call Proceeding call state U3, having sent a videotelephony fallback allowed SETUP message, on receipt of a CONNECT message, containing BC=UDI/TA and HLC=videotelephony_ic, sends multiframe structures and starts initialization procedure in the B-channel.	
Cross reference		
Comments	Receipt of CONNECT (BC=UDI/TA, HLC=videotelephony_ic): fallback allowed but did not occur at the destination user.	

VTP111_17	Reference to EN 300 267-1 [5]: 7.5.1 c), 7.5.1 e)	Other relevant reference:
TSS reference	UT7VAC/VTL/ORIG/BV/ FBA/ST	
Selection criteria	R 3.1 AND R 1.2 AND MCu 21.1 AND MCu 22.1	
Test purpose	Verify that the IUT, in the Call Delivered call state U4, having sent a videotelephony fallback allowed SETUP message, on receipt of a CONNECT message, containing BC=UDI/TA and HLC=videotelephony_ic, sends multiframe structures and starts initialization procedure in the B-channel.	
Cross reference		
Comments	Receipt of CONNECT (BC=UDI/TA, HLC=videotelephony_ic): fallback allowed but did not occur at the destination user.	

VTP111_18	Reference to EN 300 267-1 [5]: 7.5.1 c), 7.5.1 g), 6.5.1 e)	Other relevant reference:
TSS reference	UT7VAC/VTL/ORIG/BV/FBA/ST	
Selection criteria	R 3.1 AND R 1.2 AND MCu 21.1 AND MCu 22.1	
Test purpose	Verify that the IUT, in the Outgoing Call Proceeding call state U3, having sent a videotelephony fallback allowed SETUP message, on receipt of a CONNECT message, containing BC=UDI/TA and HLC=telephony, sends multiframe structures and starts initialization procedure in the B-channel.	
Cross reference		
Comments	Receipt of CONNECT (BC=UDI/TA, HLC=telephony): fallback allowed and occurred, to the telephony 7 kHz teleservice, at the destination user.	

VTP111_19	Reference to EN 300 267-1 [5]: 7.5.1 c), 7.5.1 g), 6.5.1 e)	Other relevant reference:
TSS reference	UT7VAC/VTL/ORIG/BV/FBA/ST	
Selection criteria	R 3.1 AND R 1.2 AND MCu 21.1 AND MCu 22.1	
Test purpose	Verify that the IUT, in the Call Delivered call state U4, having sent a videotelephony fallback allowed SETUP message, on receipt of a CONNECT message, containing BC=UDI/TA and HLC=telephony, sends multiframe structures and starts initialization procedure in the B-channel.	
Cross reference		
Comments	Receipt of CONNECT (BC=UDI/TA, HLC=telephony): fallback allowed and occurred, to the telephony 7 kHz teleservice, at the destination user.	

5.4.1.1.2 Fallback not allowed

5.4.1.1.2.1 User requirements at the coincident S and T reference point or for interworking with private ISDNs

VTP112_01	Reference to EN 300 267-1 [5]: 7.6, 7.5.1 1)	Other relevant reference:
TSS reference	UT7VAC/VTL/ORIG/BV/FBN/ST_T	
Selection criteria	R 1.2	
Test purpose	Verify that the IUT, in the Null call state U0, to set up a videotelephony call for which fallback to 7 kHz is not allowed, sends a SETUP message containing a single BC=UDI/TA and a single HLC=videotelephony_ic and enters the Call Initiated call state U1.	
Cross reference		
Comments		

VTP112_02	Reference to EN 300 267-1 [5]: 7.5.1 3)	Other relevant reference:
TSS reference	UT7VAC/VTL/ORIG/BV/FBN/ST_T	
Selection criteria	R 1.2	
Test purpose	Verify that the IUT, in the Outgoing Call Proceeding call state U3, having sent a videotelephony fallback not allowed SETUP message, on receipt of a CONNECT message not containing BC or HLC, enters the Active call state U10.	
Cross reference		
Comments	Receipt of CONNECT (no BC or HLC), fallback not allowed.	

VTP112_03	Reference to EN 300 267-1 [5]: 7.5.1 3)	Other relevant reference:
TSS reference	UT7VAC/VTL/ORIG/BV/FBN/ST_T	
Selection criteria	R 1.2	
Test purpose	Verify that the IUT, in the Call Delivered call state U4, having sent a videotelephony fallback not allowed SETUP message, on receipt of a CONNECT message not containing BC or HLC, enters the Active call state U10.	
Cross reference		
Comments	Receipt of CONNECT (no BC or HLC), fallback not allowed.	

5.4.1.1.2.2 User requirements at the coincident S and T reference point

VTP112_04	Reference to EN 300 267-1 [5]: 7.5.1 3)	Other relevant reference:
TSS reference	UT7VAC/VTL/ORIG/BV/FBN/ST	
Selection criteria	R 3.1 AND R 1.2	
Test purpose	Verify that the IUT, in the Outgoing Call Proceeding call state U3, having sent a videotelephony fallback not allowed SETUP message, on receipt of a CONNECT message, not containing BC or HLC, sends multiframe structures and starts initialization procedure in the B-channel.	
Cross reference		
Comments	Receipt of CONNECT (no BC or HLC), fallback not allowed.	

VTP112_05	Reference to EN 300 267-1 [5]: 7.5.1 3)	Other relevant reference:
TSS reference	UT7VAC/VTL/ORIG/BV/FBN/ST	
Selection criteria	R 3.1 AND R 1.2	
Test purpose	Verify that the IUT, in the Call Delivered call state U4, having sent a videotelephony fallback not allowed SETUP message, on receipt of a CONNECT message, not containing BC, sends multiframe structures and starts initialization procedure in the B-channel.	
Cross reference		
Comments	Receipt of CONNECT (no BC or HLC), fallback not allowed.	

5.4.1.1.3 Connection management

5.4.1.1.3.1 User requirements at the coincident S and T reference point

VTP113_01	Reference to EN 300 267-1 [5]: 7.5.1, 5.5.1.1 b)	Other relevant reference:
TSS reference	UT7VAC/VTL/ORIG/BV/CMN/ST	
Selection criteria	R 3.1 AND R 1.2 AND MC 1.6	
Test purpose	Verify that the IUT, in the Active call state U10 for CR1 and in the Null call state U0 for CR2, when during the capability exchange in mode initialization in the first B-channel it has received and sent 2B and video capabilities, sends a videotelephony SETUP message for CR2 and enters the Call Initiated call state U1.	
Cross reference	Related GTP: GTP113_02.	
Comments	Sending of videotelephony SETUP for CR2.	

VTP113_02	Reference to EN 300 267-1 [5]: 7.5.1	Other relevant reference:
TSS reference	UT7VAC/VTL/ORIG/BV/CMN/ST	
Selection criteria	R 3.1 AND R 1.2 AND MC 1.6	
Test purpose	Verify that the IUT, in the Active call state U10 for CR1 and in the Outgoing Call Proceeding call state U3 for CR2, having sent a videotelephony SETUP message for CR2, on receipt of a CONNECT message for CR2, sends multiframe structures and gains multiframe alignment and synchronization on both B-channels.	
Cross reference		
Comments	Receipt of CONNECT (no BC, no HLC): connection II established.	

VTP113_03	Reference to EN 300 267-1 [5]: 7.5.6	Other relevant reference: <i>EN 300 403-1 [2] 5.6.1</i>
TSS reference	UT7VAC/VTL/ORIG/BV/CMN/ST	
Selection criteria	EN 300 403-3 [8] R 3.1 AND R 1.2 AND MCu 6	
Test purpose	Verify that the IUT, in the Active call state U10, on request for call rearrangement by the user in a basic access configuration, before sending a SUSPEND message, switches to mode 0U (unframed), A-law in the B-channel.	
Cross reference		
Comments	Switching to mode 0U (unframed), A-law in the B-channel follows procedure P described in ETS 300 145 [4], subclause 6.3.1.	

VTP113_04	Reference to EN 300 267-1 [5]: 7.5.6	Other relevant reference: <i>EN 300 403-1 [2] 5.6.4</i>
TSS reference	UT7VAC/VTL/ORIG/BV/CMN/ST	
Selection criteria	EN 300 403-3 [8] R 3.1 AND R 1.2 AND MCu 6	
Test purpose	Verify that the IUT, in the Resume request call state U17, on receipt of a RESUME ACKNOWLEDGE message, sends multiframe structures and starts initialization procedure in the B-channel.	
Cross reference		
Comments		

VTP113_05	Reference to EN 300 267-1 [5]: 7.5.6	Other relevant reference: <i>EN 300 403-1 [2] 5.6.1</i>
TSS reference	UT7VAC/VTL/ORIG/BV/CMN/ST	
Selection criteria	EN 300 403-3 [8] R 3.1 AND R 1.2 AND MC 1.6 AND MCu 6	
Test purpose	Verify that the IUT in the Active call state U10 for CR1 and CR2, on request for call rearrangement by the user in a basic access configuration, before sending a SUSPEND message for CR1 and CR2, switches to mode 0U (unframed), A-law in the B-channel.	
Cross reference		
Comments	Switching to mode 0U (unframed), A-law in the B-channel follows procedure P described in ETS 300 145 [4], subclause 6.3.1.	

VTP113_06	Reference to EN 300 267-1 [5]: 7.5.6	Other relevant reference: <i>EN 300 403-1 [2] 5.6.1</i>
TSS reference	UT7VAC/VTL/ORIG/BV/CMN/ST	
Selection criteria	EN 300 403-3 [8] R 3.1 AND R 1.2 AND MC 1.6 AND MCu 6	
Test purpose	Verify that the IUT, in the Active call state U10 for CR1 and CR2, on request for call rearrangement by the user in a basic access configuration, sends a SUSPEND message for CR1 and CR2, each containing a Call identity information element with its call identity field set to a different value and enters the Suspend Request call state U15.	
Cross reference		
Comments		

VTP113_07	Reference to EN 300 267-1 [5]: 7.5.6	Other relevant reference: <i>EN 300 403-1 [2] 5.6.4</i>
TSS reference	UT7VAC/VTL/ORIG/BV/CMN/ST	
Selection criteria	EN 300 403-3 [8] R 3.1 AND R 1.2 AND MC 1.6 AND MCu 6	
Test purpose	Verify that, in the case of two established connections for CR1 and CR2, the IUT, in the Resume request call state U17 for CR1 and CR2, on receipt of each RESUME ACKNOWLEDGE message, sends multiframe structures and starts initialization procedure in the B-channel.	
Cross reference		
Comments		

5.4.1.1.3.2 User requirements for interworking with private ISDNs

VTP113_08	Reference to EN 300 267-1 [5]: 7.6, 7.5.1, 5.6.1, 5.5.1.1 c)	Other relevant reference:
TSS reference	UT7V/VTL/ORIG/BV/CMN/PT	
Selection criteria	R 3.2 AND R 1.2 AND MC 1.6	
Test purpose	Verify that the IUT, in the Active call state U10 for CR1, is capable of sending a videotelephony SETUP message for CR2 and enters the Call Initiated call state U1.	
Cross reference	Related GTP: GTP113_02	
Comments	Sending of videotelephony connection 2 SETUP.	

5.4.2 Called user interface

5.4.2.1 Valid behaviour

5.4.2.1.1 Fallback allowed

5.4.2.1.1.1 User requirements at the coincident S and T reference point or for interworking with private ISDNs

VTP211_01	Reference to EN 300 267-1 [5]: 7.5.2 a)	Other relevant reference: <i>EN 300 403-1 [2] 5.2</i>
TSS reference	UT7VAC/VTL/DEST/BV/FBA/ST_T	
Selection criteria	R 1.2 AND MCu 21.2 AND MCu 22.2	
Test purpose	Verify that the IUT, in the Null call state U0, receiving a videotelephony call for which fallback is allowed, accepts a SETUP containing two BCs, with the first BC=speech and the second BC=UDI/TA, and two HLCs, with the first HLC=telephony and the second HLC=videotelephony_ic, and not containing LLC and continues with normal basic call handling.	
Cross reference		
Comments		

VTP211_02	Reference to EN 300 267-1 [5]: 7.5.2 d)	Other relevant reference: <i>EN 300 403-1 [2] 5.2</i>
TSS reference	UT7VAC/VTL/DEST/BV/FBA/ST_T	
Selection criteria	R 1.2 AND MCu 21.2 AND MCu 22.2	
Test purpose	Verify that the IUT, in the Connect Request call state U8, having received a videotelephony fallback allowed SETUP message, and having sent a CONNECT message, containing BC=UDI/TA and HLC=videotelephony_ic, on receipt of a CONNECT ACKNOWLEDGE message, enters the Active call state U10.	
Cross reference		
Comments	Fallback allowed but did not occur	

VTP211_03	Reference to EN 300 267-1 [5]: 7.5.2 d)	Other relevant reference: <i>EN 300 403-1 [2] 5.2</i>
TSS reference	UT7VAC/VTL/DEST/BV/FBA/ST_T	
Selection criteria	R 1.2 AND MCu 21.2 AND MCu 22.2	
Test purpose	Verify that the IUT, in the Connect Request call state U8, having received a videotelephony fallback allowed SETUP message, and having sent a CONNECT message, containing BC=UDI/TA and HLC=videotelephony_nex, on receipt of a CONNECT ACKNOWLEDGE message, enters the Active call state U10.	
Cross reference		
Comments	Fallback allowed but did not occur	

5.4.2.1.1.2 User requirements at the coincident S and T reference point

VTP211_04	Reference to EN 300 267-1 [5]: 7.5.2 b), 7.5.2 c)	Other relevant reference: <i>EN 300 403-1 [2] 5.2</i>
TSS reference	UT7VAC/VTL/DEST/BV/FBA/ST	
Selection criteria	R 3.1 AND R 1.2 AND MCu 21.2 AND MCu 22.2	
Test purpose	Verify that the IUT, in the Call Present call state U6, having received a videotelephony fallback allowed SETUP message, sends a CONNECT message containing BC=UDI/TA and HLC=videotelephony_ic and enters the Connect Request call state U8.	
Cross reference		
Comments	Sending of CONNECT: fallback allowed but did not occur.	

VTP211_05	Reference to EN 300 267-1 [5]: 7.5.2 d)	Other relevant reference: <i>EN 300 403-1 [2] 5.2</i>
TSS reference	UT7VAC/VTL/DEST/BV/FBA/ST	
Selection criteria	R 3.1 AND R 1.2 AND MCu 21.2 AND MCu 22.2	
Test purpose	Verify that the IUT, in the Connect Request call state U8, having received a videotelephony fallback allowed SETUP message, and having sent a CONNECT message, containing BC=UDI/TA and HLC=videotelephony_ic, on receipt of a CONNECT ACKNOWLEDGE message, sends multiframe structures and starts initialization procedure in the B-channel.	
Cross reference		
Comments		

VTP211_06	Reference to EN 300 267-1 [5]: 7.5.2 d)	Other relevant reference: <i>EN 300 403-1 [2] 5.2</i>
TSS reference	UT7VAC/VTL/DEST/BV/FBA/ST	
Selection criteria	R 3.1 AND R 1.2 AND MCu 21.2 AND MCu 22.2	
Test purpose	Verify that the IUT, in the Connect Request call state U8, having received a videotelephony fallback allowed SETUP message, and having sent a CONNECT message, containing BC=UDI/TA and HLC=videotelephony_nex, on receipt of a CONNECT ACKNOWLEDGE message, sends multiframe structures and starts initialization procedure in the B-channel.	
Cross reference		
Comments		

VTP211_07	Reference to EN 300 267-1 [5]: 7.5.2 c)	Other relevant reference:
TSS reference	UT7VAC/VTL/DEST/BV/FBA/ST	
Selection criteria	R 3.1 AND R 1.2 AND MCu 21.2 AND MCu 22.2	
Test purpose	Verify that the IUT, in the Call Present call state U6, having received a videotelephony fallback allowed SETUP message and fallback has occurred to telephony 3,1 kHz, is capable of sending a CONNECT message containing BC=speech and HLC=telephony OR no BC and any valid HLC value OR BC=speech and no HLC and enters the Connect Request call state U8.	
Cross reference		
Comments	Sending of CONNECT (BC=speech, HLC=telephony): fallback allowed and occurred, to telephony 3,1 kHz.	

VTP211_08	Reference to EN 300 267-1 [5]: 7.5.2 c)	Other relevant reference:
TSS reference	UT7VAC/VTL/DEST/BV/FBA/ST	
Selection criteria	R 3.1 AND R 1.2 AND MCu 21.2 AND MCu 22.2	
Test purpose	Verify that the IUT, in the Call Present call state U6, having received a videotelephony fallback allowed SETUP message and fallback has occurred to telephony 7 kHz, is capable of sending a CONNECT message containing BC=UDI/TA and HLC=telephony OR BC=UDI/TA and no HLC and enters the Connect Request call state U8.	
Cross reference		
Comments	Sending of CONNECT (BC=UDI/TA, HLC=telephony): fallback allowed and occurred, to telephony 7 kHz	

5.4.2.1.1.3 User requirements for interworking with private ISDNs

VTP211_09	Reference to EN 300 267-1 [5]: 7.6 b), 7.6 c)	Other relevant reference:
TSS reference	UT7VAC/VTL/DEST/BV/FBA/PT	
Selection criteria	R 3.2 AND R 1.2 AND MCu 21.2 AND MCu 22.2	
Test purpose	Verify that the IUT, in the Call Present call state U6, having received a videotelephony fallback allowed SETUP message, is capable of sending a CONNECT message containing BC=UDI/TA and HLC=videotelephony_nex or HLC=videotelephony_ic and enters the Connect Request call state U8.	
Cross reference		
Comments	Sending of CONNECT (BC=UDI/TA, HLC=videotelephony_nex or HLC=videotelephony_ic): fallback allowed but did not occur.	

VTP211_10	Reference to EN 300 267-1 [5]: 7.6 b), 7.6 c)	Other relevant reference:
TSS reference	UT7VAC/VTL/DEST/BV/FBA/PT	
Selection criteria	R 3.2 AND R 1.2 AND MCu 21.2 AND MCu 22.2	
Test purpose	Verify that the IUT, in the Call Present call state U6, having received a videotelephony fallback allowed SETUP message, is capable of sending a CONNECT message containing BC=UDI/TA and HLC=telephony and enters the Connect Request call state U8.	
Cross reference		
Comments	Sending of CONNECT (BC=UDI/TA, HLC=telephony): fallback allowed and occurred, to telephony 7 kHz (not within the private ISDN). PIXIT: How to configure the IUT to fallback outside the private ISDN?	

VTP211_11	Reference to EN 300 267-1 [5]: 7.6 b), 7.6 c)	Other relevant reference:
TSS reference	UT7VAC/VTL/DEST/BV/FBA/PT	
Selection criteria	R 3.2 AND R 1.2 AND MCu 21.2 AND MCu 22.2	
Test purpose	Verify that the IUT, in the Call Present call state U6, having received a videotelephony fallback allowed SETUP message, is capable of sending a CONNECT message containing BC=speech and HLC=telephony OR no BC and no HLC OR BC=speech and no HLC and enters the Connect Request call state U8.	
Cross reference		
Comments	Sending of CONNECT: fallback allowed and occurred, to telephony 3,1 kHz (not within the private ISDN). PIXIT: How to configure the IUT to fallback outside the private ISDN?	

VTP211_12	Reference to EN 300 267-1 [5]: 7.6 d)	Other relevant reference:
TSS reference	UT7VAC/VTL/DEST/BV/FBA/PT	
Selection criteria	R 3.2 AND R 1.2 AND MCu 21.2 AND MCu 22.2	
Test purpose	Verify that the IUT, in the Null call state U0, on receipt of a videotelephony fallback allowed SETUP message, is capable of sending a CALL PROCEEDING, PROGRESS or ALERTING message containing PI=#5, and BC=speech, and HLC=telephony or no HLC OR no BC and no HLC information elements and enters the relevant basic call state.	
Cross reference		
Comments	Sending of CALL PROCEEDING, PROGRESS or ALERTING: Fallback allowed and occurred, to telephony 3,1 kHz, within the private ISDN. PIXIT: How to configure the IUT to fallback to telephony 3,1 kHz within the private ISDN?	

5.4.2.1.2 Fallback not allowed

5.4.2.1.2.1 User requirements at the coincident S and T reference point or for interworking with private ISDNs

VTP212_01	Reference to EN 300 267-1 [5]: 7.5.2.1)	Other relevant reference: <i>EN 300 403-1 [2] 5.2</i>
TSS reference	UT7VAC/VTL/DEST/BV/FBN/ST_T	
Selection criteria	R 1.2	
Test purpose	Verify that the IUT, in the Null call state U0, receiving a videotelephony call for which fallback is not allowed, accepts a SETUP message containing a single BC=UDI/TA and a single HLC=videotelephony_ic and responds with a CALL PROCEEDING, ALERTING or CONNECT message and enters the relevant basic call state.	
Cross reference		
Comments		

5.4.2.1.2.2 User requirements at the coincident S and T reference point

VTP212_02	Reference to EN 300 267-1 [5]: 7.5.2.2)	Other relevant reference: <i>EN 300 403-1 [2] 5.2</i>
TSS reference	UT7VAC/VTL/DEST/BV/FBN/ST	
Selection criteria	R 3.1 AND R 1.2	
Test purpose	Verify that the IUT, in the Connect Request call state U8, having received a videotelephony fallback not allowed SETUP message, and having sent a CONNECT message, on receipt of a CONNECT ACKNOWLEDGE message, sends multiframe structures and starts initialization procedure in the B-channel.	
Cross reference		
Comments		

5.4.2.1.3 Connection management

5.4.2.1.3.1 User requirements at the coincident S and T reference point

VTP213_01	Reference to EN 300 267-1 [5]: 7.5.2.2	Other relevant reference:
TSS reference	UT7VAC/VTL/DEST/BV/CMN/ST	
Selection criteria	R 3.1 AND R 1.2 AND MC 1.6	
Test purpose	Verify that the IUT in the Active call state U10 for CR1 and in the Null call state U0 for CR2, on receipt of a videotelephony SETUP message for CR2, automatically accepts the call, i.e. does not send an ALERTING message but sends a CONNECT message and enters the Connect Request call state U8.	
Cross reference		
Comments	Establishment of second connection at destination interface: IUT automatically accepts the call.	

VTP213_02	Reference to EN 300 267-1 [5]: 7.5.2.2	Other relevant reference:
TSS reference	UT7VAC/VTL/DEST/BV/CMN/ST	
Selection criteria	R 3.1 AND R 1.2 AND MC 1.6	
Test purpose	Verify that the IUT, in the Active call state U10 for CR1 and in the Connect Request call state U8 for CR2, having received a videotelephony SETUP message for CR2 and having sent a CONNECT message, on receipt of a CONNECT ACKNOWLEDGE message, sends multiframe structures and gains multiframe alignment and synchronization on both B-channels.	
Cross reference		
Comments	Establishment of second connection at destination interface.	

5.5 Audiographic conference teleservice

5.5.1 Calling user interface

5.5.1.1 Valid behaviour

5.5.1.1.1 Fallback allowed

5.5.1.1.1.1 User requirements at the coincident S and T reference point or for interworking with private ISDNs

ATP111_01	Reference to EN 300 267-1 [5]: 8.6, 8.5.1 a)	Other relevant reference:
TSS reference	UT7VAC/AGC/ORIG/BV/AGC/FBA/ST_T	
Selection criteria	R 1.3 AND MCu 21.1 AND MCu 22.1	
Test purpose	Verify that the IUT, in the Null call state U0, when initiating a call and it allows fallback, sends a SETUP message containing two BCs, with the first BC=speech and the second BC=UDI/TA, and two HLCs, with the first HLC=telephony and the second HLC=audiographic_ic, and not containing LLC and enters the Call Initiated call state U1.	
Cross reference		
Comments		

ATP111_02	Reference to EN 300 267-1 [5]: 8.6, 8.5.1 c), 8.5.1 e)	Other relevant reference:
TSS reference	UT7VAC/AGC/ORIG/BV/AGC/FBA/ST_T	
Selection criteria	R 1.3 AND MCu 21.1 AND MCu 22.1	
Test purpose	Verify that the IUT, in the Outgoing Call Proceeding call state U3, having sent an audiographic conference fallback allowed SETUP message, on receipt of a CONNECT message, containing BC=UDI/TA and HLC=audiographic_ic, enters the Active call state U10.	
Cross reference		
Comments	Receipt of CONNECT (BC=UDI/TA, HLC=audiographic_ic): fallback allowed but did not occur at the destination user.	

ATP111_03	Reference to EN 300 267-1 [5]: 8.6, 8.5.1 c), 8.5.1 e)	Other relevant reference:
TSS reference	UT7VAC/AGC/ORIG/BV/AGC/FBA/ST_T	
Selection criteria	R 1.3 AND MCu 21.1 AND MCu 22.1	
Test purpose	Verify that the IUT, in the Call Delivered call state U4, having sent an audiographic conference fallback allowed SETUP message, on receipt of a CONNECT message, containing BC=UDI/TA and HLC=audiographic_ic, enters the Active call state U10.	
Cross reference		
Comments	Receipt of CONNECT (BC=UDI/TA, HLC=audiographic_ic): fallback allowed but did not occur at the destination user.	

ATP111_04	Reference to EN 300 267-1 [5]: 8.6, 8.5.1 c), 8.5.1 f)	Other relevant reference:
TSS reference	UT7VAC/AGC/ORIG/BV/AGC/FBA/ST_T	
Selection criteria	R 1.3 AND MCu 21.1 AND MCu 22.1	
Test purpose	Verify that the IUT, in the Outgoing Call Proceeding call state U3, having sent an audiographic conference fallback allowed SETUP message, on receipt of a CONNECT message, containing a single BC=speech and a single HLC=telephony, enters the Active call state U10.	
Cross reference		
Comments	Receipt of CONNECT (BC=speech, HLC=telephony): fallback allowed and occurred, to the telephony 3,1 kHz teleservice, at the destination user.	

ATP111_05	Reference to EN 300 267-1 [5]: 8.6, 8.5.1 c), 8.5.1 f)	Other relevant reference:
TSS reference	UT7VAC/AGC/ORIG/BV/AGC/FBA/ST_T	
Selection criteria	R 1.3 AND MCu 21.1 AND MCu 22.1	
Test purpose	Verify that the IUT, in the Call Delivered call state U4, having sent an audiographic conference fallback allowed SETUP message, on receipt of a CONNECT message, containing a single BC=speech and a single HLC=telephony, enters the Active call state U10.	
Cross reference		
Comments	Receipt of CONNECT (BC=speech, HLC=telephony): fallback allowed and occurred, to the telephony 3,1 kHz teleservice, at the destination user.	

ATP111_06	Reference to EN 300 267-1 [5]: 8.6, 8.5.1 c), 8.5.1 g)	Other relevant reference:
TSS reference	UT7VAC/AGC/ORIG/BV/AGC/FBA/ST_T	
Selection criteria	R 1.3 AND MCu 21.1 AND MCu 22.1	
Test purpose	Verify that the IUT, in the Outgoing Call Proceeding call state U3, having sent an audiographic conference fallback allowed SETUP message, on receipt of a CONNECT message, containing BC=UDI/TA and HLC=telephony, enters the Active call state U10.	
Cross reference		
Comments	Receipt of CONNECT (BC=UDI/TA, HLC=telephony): fallback allowed and occurred, to the telephony 7 kHz teleservice, at the destination user.	

ATP111_07	Reference to EN 300 267-1 [5]: 8.6, 8.5.1 c), 8.5.1 g), 6.5.1 e)	Other relevant reference:
TSS reference	UT7VAC/AGC/ORIG/BV/AGC/FBA/ST_T	
Selection criteria	R 1.3 AND MCu 21.1 AND MCu 22.1	
Test purpose	Verify that the IUT, in the Call Delivered call state U4, having sent an audiographic conference fallback allowed SETUP message, on receipt of a CONNECT message, containing BC=UDI/TA and HLC=telephony, enters the Active call state U10.	
Cross reference		
Comments	Receipt of CONNECT (BC=UDI/TA, HLC=telephony): fallback allowed and occurred, to the telephony 7 kHz teleservice, at the destination user.	

ATP111_08	Reference to EN 300 267-1 [5]: 8.6, 8.5.1 d), 8.5.1 f)	Other relevant reference:
TSS reference	UT7VAC/AGC/ORIG/BV/AGC/FBA/ST_T	
Selection criteria	R 1.3 AND MCu 21.1 AND MCu 22.1	
Test purpose	Verify that the IUT, in the Call Initiated call state U1, having sent an audiographic conference fallback allowed SETUP message, on receipt of a CALL PROCEEDING message, containing PI=#5, BC=speech, and HLC=telephony, then on receipt of a CONNECT message containing neither BC nor HLC, enters the Active call state U10.	
Cross reference		
Comments	Receipt of CONNECT (no BC, no HLC): fallback allowed and occurred, to the telephony 3,1 kHz teleservice, in the network.	

ATP111_09	Reference to EN 300 267-1 [5]: 8.6, 8.5.1 d), 8.5.1 f)	Other relevant reference:
TSS reference	UT7VAC/AGC/ORIG/BV/AGC/FBA/ST_T	
Selection criteria	R 1.3 AND MCu 21.1 AND MCu 22.1	
Test purpose	Verify that the IUT, in the Outgoing Call Proceeding call state U3, having sent an audiographic conference fallback allowed SETUP message, and having received a PROGRESS message, containing PI=#5, BC=speech, and HLC=telephony, on receipt of a CONNECT message containing neither BC nor HLC, enters the Active call state U10.	
Cross reference		
Comments	Receipt of CONNECT (no BC, no HLC): fallback allowed and occurred, to the telephony 3,1 kHz teleservice, in the network.	

ATP111_10	Reference to EN 300 267-1 [5]: 8.6, 8.5.1 d), 8.5.1 f)	Other relevant reference:
TSS reference	UT7VAC/AGC/ORIG/BV/AGC/FBA/ST_T	
Selection criteria	R 1.3 AND MCu 21.1 AND MCu 22.1	
Test purpose	Verify that the IUT, in the Call Delivered call state U4, having sent an audiographic conference fallback allowed SETUP message, and having received an ALERTING message, containing PI=#5, BC=speech, and no HLC, on receipt of a CONNECT message containing neither BC nor HLC, enters the Active call state U10.	
Cross reference		
Comments	Receipt of CONNECT (no BC, no HLC): fallback allowed and occurred, to the telephony 3,1 kHz teleservice, in the network.	

ATP111_11	Reference to EN 300 267-1 [5]: 8.6, 8.5.1 c), 8.5.1 f)	Other relevant reference:
TSS reference	UT7VAC/AGC/ORIG/BV/AGC/FBA/ST_T	
Selection criteria	R 1.3 AND MCu 21.1 AND MCu 22.1	
Test purpose	Verify that the IUT, in the Call Delivered call state U4, having sent an audiographic conference fallback allowed SETUP message, on receipt of a CONNECT message, not containing a BC or HLC, enters the Active call state U10.	
Cross reference		
Comments	Receipt of CONNECT (no BC or HLC): fallback allowed and occurred, to the telephony 3,1 kHz teleservice, at the destination user.	

ATP111_12	Reference to EN 300 267-1 [5]: 8.6, 8.5.1 d), 8.5.1. f)	Other relevant reference:
TSS reference	UT7VAC/AGC/ORIG/BV/AGC/FBA/ST_T	
Selection criteria	R 1.3 AND MCu 21.1 AND MCu 22.1	
Test purpose	Verify that the IUT, in the Call Initiated call state U1, having sent an audiographic conference fallback allowed SETUP message, on receipt of a CALL PROCEEDING message, containing PI=#5 and BC=speech, but not containing HLC, then on receipt of a CONNECT message containing neither BC nor HLC, enters the Active call state U10.	
Cross reference		
Comments	Receipt of CONNECT (no BC, no HLC): fallback allowed and occurred, to the telephony 3,1 kHz teleservice, in the network.	

ATP111_13	Reference to EN 300 267-1 [5]: 8.6, 8.5.1 d), 8.5.1. f)	Other relevant reference:
TSS reference	UT7VAC/AGC/ORIG/BV/AGC/FBA/ST_T	
Selection criteria	R 1.3 AND MCu 21.1 AND MCu 22.1	
Test purpose	Verify that the IUT, in the Call Delivered call state U4, having sent an audiographic conference fallback allowed SETUP message, and having received an ALERTING message, containing PI=#5, but not containing BC or HLC, on receipt of a CONNECT message containing neither BC nor HLC, enters the Active call state U10.	
Cross reference		
Comments	Receipt of CONNECT (no BC, no HLC): fallback allowed and occurred, to the telephony 3,1 kHz teleservice, in the network.	

5.5.1.1.1.2

User requirements at the coincident S and T reference point

ATP111_14	Reference to EN 300 267-1 [5]: 8.5.1 c), 8.5.1 e)	Other relevant reference:
TSS reference	UT7VAC/AGC/ORIG/BV/AGC/FBA/ST	
Selection criteria	R 3.1 AND R 1.3 AND MCu 21.1 AND MCu 22.1	
Test purpose	Verify that the IUT, in the Outgoing Call Proceeding call state U3, having sent an audiographic conference fallback allowed SETUP message, on receipt of a CONNECT message, containing BC=UDI/TA and HLC=audiographic_ic, sends multiframe structures and starts initialization procedure in the B-channel.	
Cross reference		
Comments	Receipt of CONNECT (BC=UDI/TA, HLC=audiographic_ic): fallback allowed but did not occur at the destination user.	

ATP111_15	Reference to EN 300 267-1 [5]: 8.5.1 c), 8.5.1 e)	Other relevant reference:
TSS reference	UT7VAC/AGC/ORIG/BV/AGC/FBA/ST	
Selection criteria	R 3.1 AND R 1.3 AND MCu 21.1 AND MCu 22.1	
Test purpose	Verify that the IUT, in the Call Delivered call state U4, having sent an audiographic conference fallback allowed SETUP message, on receipt of a CONNECT message, containing BC=UDI/TA and HLC=audiographic_ic, sends multiframe structures and starts initialization procedure in the B-channel.	
Cross reference		
Comments	Receipt of CONNECT (BC=UDI/TA, HLC=audiographic_ic): fallback allowed but did not occur at the destination user.	

ATP111_16	Reference to EN 300 267-1 [5]: 8.5.1 c), 8.5.1 g), 6.5.1 e)	Other relevant reference:
TSS reference	UT7VAC/AGC/ORIG/BV/AGC/FBA/ST	
Selection criteria	R 3.1 AND R 1.3 AND MCu 21.1 AND MCu 22.1	
Test purpose	Verify that the IUT, in the Outgoing Call Proceeding call state U3, having sent an audiographic conference fallback allowed SETUP message, on receipt of a CONNECT message, containing BC=UDI/TA and HLC=telephony, sends multiframe structures and starts initialization procedure in the B-channel.	
Cross reference		
Comments	Receipt of CONNECT (BC=UDI/TA, HLC=telephony): fallback allowed and occurred, to the telephony 7 kHz teleservice, at the destination user.	

ATP111_17	Reference to EN 300 267-1 [5]: 8.5.1 c), 8.5.1 g), 6.5.1 e)	Other relevant reference:
TSS reference	UT7VAC/AGC/ORIG/BV/AGC/FBA/ST	
Selection criteria	R 3.1 AND R 1.3 AND MCu 21.1 AND MCu 22.1	
Test purpose	Verify that the IUT, in the Call Delivered call state U4, having sent an audiographic conference fallback allowed SETUP message, on receipt of a CONNECT message, containing BC=UDI/TA and HLC=telephony, sends multiframe structures and starts initialization procedure in the B-channel.	
Cross reference		
Comments	Receipt of CONNECT (BC=UDI/TA, HLC=telephony): fallback allowed and occurred, to the telephony 7 kHz teleservice, at the destination user.	

5.5.1.1.2 Fallback not allowed

5.5.1.1.2.1 User requirements at the coincident S and T reference point or for interworking with private ISDNs

ATP112_01	Reference to EN 300 267-1 [5]: 8.6, 8.5.1.1 1)	Other relevant reference:
TSS reference	UT7VAC/AGC/ORIG/BV/AGC/FBN/ST_T	
Selection criteria	R 1.3	
Test purpose	Verify that the IUT, in the Null call state U0, to set up an audiographic conference call for which fallback to 7 kHz is not allowed, sends a SETUP message containing a single BC=UDI/TA and a single HLC=audiographic_ic and enters the Call Initiated call state U1.	
Cross reference		
Comments		

ATP112_02	Reference to EN 300 267-1 [5]: 8.5.1.1 3)	Other relevant reference:
TSS reference	UT7VAC/AGC/ORIG/BV/AGC/FBN/ST_T	
Selection criteria	R 1.3	
Test purpose	Verify that the IUT, in the Outgoing Call Proceeding call state U3, having sent an audiographic fallback not allowed SETUP message, on receipt of a CONNECT message not containing BC or HLC, enters the Active call state U10.	
Cross reference		
Comments	Receipt of CONNECT (no BC), fallback not allowed.	

ATP112_03	Reference to EN 300 267-1 [5]: 8.5.1.1 3)	Other relevant reference:
TSS reference	UT7VAC/AGC/ORIG/BV/AGC/FBN/ST_T	
Selection criteria	R 1.3	
Test purpose	Verify that the IUT, in the Call Delivered call state U4, having sent an audiographic fallback not allowed SETUP message, on receipt of a CONNECT message not containing BC or HLC, enters the Active call state U10.	
Cross reference		
Comments	Receipt of CONNECT (no BC), fallback not allowed.	

5.5.1.1.2.2 User requirements at the coincident S and T reference point

ATP112_04	Reference to EN 300 267-1 [5]: 8.5.1.1 3)	Other relevant reference:
TSS reference	UT7VAC/AGC/ORIG/BV/AGC/FBN/ST	
Selection criteria	R 3.1 AND R 1.3	
Test purpose	Verify that the IUT, in the Outgoing Call Proceeding call state U3, having sent an audiographic fallback not allowed SETUP message, on receipt of a CONNECT message, not containing BC or HLC, sends multiframe structures and starts initialization procedure in the B-channel.	
Cross reference		
Comments	Receipt of CONNECT (no BC), fallback not allowed.	

ATP112_05	Reference to EN 300 267-1 [5]: 8.5.1.1 3)	Other relevant reference:
TSS reference	UT7VAC/AGC/ORIG/BV/AGC/FBN/ST	
Selection criteria	R 3.1 AND R 1.3	
Test purpose	Verify that the IUT, in the Call Delivered call state U4, having sent an audiographic fallback not allowed SETUP message, on receipt of a CONNECT message, not containing BC or HLC, sends multiframe structures and starts initialization procedure in the B-channel.	
Cross reference		
Comments	Receipt of CONNECT (no BC), fallback not allowed.	

5.5.1.1.3 Connection management

5.5.1.1.3.1 User requirements at the coincident S and T reference point

ATP113_01	Reference to EN 300 267-1 [5]: 8.5.1.2, 5.5.1.1 b)	Other relevant reference: ETS 300 143
TSS reference	UT7VAC/AGC/ORIG/BV/AGC/CMN/ST	
Selection criteria	R 3.1 AND R 1.3 AND MC 1.6	
Test purpose	Verify that the IUT, in the Active call state U10 for CR1 and in the Null call state U0 for CR2, when during the capability exchange in mode initialization in the first B-channel it has received and sent 2B and video capabilities, sends an audiographic conference SETUP message for CR2 and enters the Call Initiated call state U1.	
Cross reference	Related GTP: GTP113_02.	
Comments	Sending of audiographic conference SETUP for CR2.	

ATP113_02	Reference to EN 300 267-1 [5]: 8.5.1.2	Other relevant reference: ETS 300 144 [3]
TSS reference	UT7VAC/AGC/ORIG/BV/AGC/CMN/ST	
Selection criteria	R 3.1 AND R 1.3 AND MC 1.6	
Test purpose	Verify that the IUT, in the Active call state U10 for CR1 and in the Outgoing Call Proceeding call state U3 for CR2, having sent an audiographic conference SETUP message for CR2, on receipt of a CONNECT message for CR2, sends multiframe structures and gains multiframe alignment and synchronization on both B-channels.	
Cross reference		
Comments	Receipt of CONNECT (no BC, no HLC): connection II established.	

ATP113_03	Reference to EN 300 267-1 [5]: 8.5.6	Other relevant reference: EN 300 403-1 [2] 5.6.1
TSS reference	UT7VAC/AGC/ORIG/BV/AGC/CMN/ST	
Selection criteria	EN 300 403-3 [8] R 3.1 AND R 1.3 AND MCu 6	
Test purpose	Verify that the IUT, in the Active call state U10, on request for call rearrangement by the user in a basic access configuration, before sending a SUSPEND message, switches to mode 0U (unframed), using procedure P in the B-channel.	
Cross reference		
Comments	Switching to mode 0U (unframed), A-law in the B-channel follows procedure P described in ETS 300 145 [4], subclause 6.3.1.	

ATP113_04	Reference to EN 300 267-1 [5]: 8.5.6	Other relevant reference: EN 300 403-1 [2] 5.6.1
TSS reference	UT7VAC/AGC/ORIG/BV/AGC/CMN/ST	
Selection criteria	EN 300 403-3 [8] R 3.1 AND R 1.3 AND MC 1.6 AND MCu 6	
Test purpose	Verify that the IUT in the Active call state U10 for CR1 and CR2, on request for call rearrangement by the user in a basic access configuration, before sending a SUSPEND message for CR1 and CR2, switches to mode 0U (unframed), using procedure P in the B-channel.	
Cross reference		
Comments	Switching to mode 0U (unframed), A-law in the B-channel follows procedure P described in ETS 300 145 [4], subclause 6.3.1.	

ATP113_05	Reference to EN 300 267-1 [5]: 8.5.6	Other relevant reference: EN 300 403-1 [2] 5.6.1
TSS reference	UT7VAC/AGC/ORIG/BV/AGC/CMN/ST	
Selection criteria	EN 300 403-3 [8] R 3.1 AND R 1.3 AND MC 1.6 AND MCu 6	
Test purpose	Verify that the IUT, in the Active call state U10 for CR1 and CR2, on request for call rearrangement by the user in a basic access configuration, sends a SUSPEND message for CR1 and CR2, each containing a Call identity information element with its call identity field set to a different value and enters the Suspend Request call state U15.	
Cross reference		
Comments		

5.5.1.1.3.2

User requirements for interworking with private ISDNs

ATP113_06	Reference to EN 300 267-1 [5]: 8.6, 8.5.1, 5.6.6, 5.5.6.1 c)	Other relevant reference:
TSS reference	UT7VAC/AGC/ORIG/BV/AGC/CMN/PT	
Selection criteria	R 3.2 AND R 1.3 AND MC 1.6	
Test purpose	Verify that the IUT, in the Active call state U10 for CR1, is capable of sending an audiographic conference SETUP message for CR2 and enters the Call Initiated call state U1.	
Cross reference	Related GTP: GTP113_02	
Comments	Sending of audiographic conference connection 2 SETUP.	

5.5.2 Called user interface

5.5.2.1 Valid behaviour

5.5.2.1.1 Fallback allowed

5.5.2.1.1.1 User requirements at the coincident S and T reference point or for interworking with private ISDNs

ATP211_01	Reference to EN 300 267-1 [5]: 8.5.2 a)	Other relevant reference: EN 300 403-1 [2] 5.2
TSS reference	UT7VAC/AGC/DEST/BV/AGC/FBA/ST_T	
Selection criteria	R 1.3 AND MCu 21.2 AND MCu 22.2	
Test purpose	Verify that the IUT, in the Null call state U0, receiving an audiographic conference call for which fallback is allowed, accepts a SETUP containing two BCs, with the first BC=speech and the second BC=UDI/TA, and two HLCs, with the first HLC=telephony and the second HLC=audiographic_ic, and not containing LLC and continues with normal basic call handling.	
Cross reference		
Comments		

ATP211_02	Reference to EN 300 267-1 [5]: 8.5.2 d)	Other relevant reference: EN 300 403-1 [2] 5.2
TSS reference	UT7VAC/AGC/DEST/BV/AGC/FBA/ST_T	
Selection criteria	R 1.3 AND MCu 21.2 AND MCu 22.2	
Test purpose	Verify that the IUT, in the Connect Request call state U8, having received an audiographic conference fallback allowed SETUP message, and having sent a CONNECT message, containing BC=UDI/TA and HLC=audiographic_ic, on receipt of a CONNECT ACKNOWLEDGE message, enters the Active call state U10.	
Cross reference		
Comments	Fallback allowed but did not occur	

ATP211_03	Reference to EN 300 267-1 [5]: 8.5.2 d)	Other relevant reference: EN 300 403-1 [2] 5.2
TSS reference	UT7VAC/AGC/DEST/BV/AGC/FBA/ST_T	
Selection criteria	R 1.3 AND MCu 21.2 AND MCu 22.2	
Test purpose	Verify that the IUT, in the Connect Request call state U8, having received an audiographic conference fallback allowed SETUP message, and having sent a CONNECT message, containing BC=UDI/TA and HLC=audiographic_nex, on receipt of a CONNECT ACKNOWLEDGE message, enters the Active call state U10.	
Cross reference		
Comments	Fallback allowed but did not occur	

5.5.2.1.1.2 User requirements at the coincident S and T reference point

ATP211_04	Reference to EN 300 267-1 [5]: 8.5.2 b), 8.5.2 c)	Other relevant reference: EN 300 403-1 [2] 5.2
TSS reference	UT7VAC/AGC/DEST/BV/AGC/FBA/ST	
Selection criteria	R 3.1 AND R 1.3 AND MCu 21.2 AND MCu 22.2	
Test purpose	Verify that the IUT, in the Call Present call state U6, having received an audiographic conference fallback allowed SETUP message, sends a CONNECT message containing BC=UDI/TA and HLC=audiographic_ic and enters the Connect Request call state U8.	
Cross reference		
Comments	Sending of CONNECT: fallback allowed but did not occur.	

ATP211_05	Reference to EN 300 267-1 [5]: 8.5.2 d)	Other relevant reference: EN 300 403-1 [2] 5.2
TSS reference	UT7VAC/AGC/DEST/BV/AGC/FBA/ST	
Selection criteria	R 3.1 AND R 1.3 AND MCu 21.2 AND MCu 22.2	
Test purpose	Verify that the IUT, in the Connect Request call state U8, having received an audiographic conference fallback allowed SETUP message, and having sent a CONNECT message, containing BC=UDI/TA and HLC=audiographic_ic, on receipt of a CONNECT ACKNOWLEDGE message, sends multiframe structures and starts initialization procedure in the B-channel.	
Cross reference		
Comments		

ATP211_06	Reference to EN 300 267-1 [5]: 8.5.2 d)	Other relevant reference: EN 300 403-1 [2] 5.2
TSS reference	UT7VAC/AGC/DEST/BV/AGC/FBA/ST	
Selection criteria	R 3.1 AND R 1.3 AND MCu 21.2 AND MCu 22.2	
Test purpose	Verify that the IUT, in the Connect Request call state U8, having received an audiographic conference fallback allowed SETUP message, and having sent a CONNECT message, containing BC=UDI/TA and HLC=audiographic_nex, on receipt of a CONNECT ACKNOWLEDGE message, sends multiframe structures and starts initialization procedure in the B-channel.	
Cross reference		
Comments		

ATP211_07	Reference to EN 300 267-1 [5]: 8.5.2 c)	Other relevant reference:
TSS reference	UT7VAC/AGC/DEST/BV/AGC/FBA/ST	
Selection criteria	R 3.1 AND R 1.3 AND MCu 21.2 AND MCu 22.2	
Test purpose	Verify that the IUT, in the Call Present call state U6, having received an audiographic conference fallback allowed SETUP message and fallback has occurred to telephony 3,1 kHz, is capable of sending a CONNECT message containing BC=speech and HLC=telephony OR no BC and any valid HLC value OR BC=speech and no HLC and enters the Connect Request call state U8.	
Cross reference		
Comments	Sending of CONNECT (BC=speech, HLC=telephony): fallback allowed and occurred, to telephony 3,1 kHz.	

ATP211_08	Reference to EN 300 267-1 [5]: 8.5.2 c)	Other relevant reference:
TSS reference	UT7VAC/AGC/DEST/BV/AGC/FBA/ST	
Selection criteria	R 3.1 AND R 1.3 AND MCu 21.2 AND MCu 22.2	
Test purpose	Verify that the IUT, in the Call Present call state U6, having received an audiographic conference fallback allowed SETUP message and fallback has occurred to telephony 7 kHz, is capable of sending a CONNECT message containing BC=UDI/TA and HLC=telephony OR BC=UDI/TA and no HLC and enters the Connect Request call state U8.	
Cross reference		
Comments	Sending of CONNECT (BC=UDI/TA, HLC=telephony): fallback allowed and occurred, to telephony 7 kHz	

5.5.2.1.1.3

User requirements for interworking with private ISDNs

ATP211_09	Reference to EN 300 267-1 [5]: 7.6 b), 7.6 c)	Other relevant reference:
TSS reference	UT7VAC/AGC/DEST/BV/AGC/FBA/PT	
Selection criteria	R 3.2 AND R 1.3 AND MCu 21.2 AND MCu 22.2	
Test purpose	Verify that the IUT, in the Call Present call state U6, having received an audiographic conference fallback allowed SETUP message, is capable of sending a CONNECT message containing BC=UDI/TA and HLC=audiographic_nex or HLC=audiographic_ic and enters the Connect Request call state U8.	
Cross reference		
Comments	Sending of CONNECT (BC=UDI/TA, HLC=audiographic_nex or HLC=audiographic_ic): fallback allowed but did not occur.	

ATP211_10	Reference to EN 300 267-1 [5]: 7.6 b), 7.6 c)	Other relevant reference:
TSS reference	UT7VAC/AGC/DEST/BV/AGC/FBA/PT	
Selection criteria	R 3.2 AND R 1.3 AND MCu 21.2 AND MCu 22.2	
Test purpose	Verify that the IUT, in the Call Present call state U6, having received an audiographic conference fallback allowed SETUP message, is capable of sending a CONNECT message containing BC=UDI/TA and HLC=telephony and enters the Connect Request call state U8.	
Cross reference		
Comments	Sending of CONNECT (BC=UDI/TA, HLC=telephony): fallback allowed and occurred, to telephony 7 kHz (not within the private ISDN). PIXIT: How to configure the IUT to fallback outside the private ISDN?	

ATP211_11	Reference to EN 300 267-1 [5]: 7.6 b), 7.6 c)	Other relevant reference:
TSS reference	UT7VAC/AGC/DEST/BV/AGC/FBA/PT	
Selection criteria	R 3.2 AND R 1.3 AND MCu 21.2 AND MCu 22.2	
Test purpose	Verify that the IUT, in the Call Present call state U6, having received an audiographic conference fallback allowed SETUP message, is capable of sending a CONNECT message containing BC=speech and HLC=telephony OR no BC and no HLC OR BC=speech and no HLC and enters the Connect Request call state U8.	
Cross reference		
Comments	Sending of CONNECT: fallback allowed and occurred, to telephony 3,1 kHz (not within the private ISDN). PIXIT: How to configure the IUT to fallback outside the private ISDN?	

ATP211_12	Reference to EN 300 267-1 [5]: 7.6 d)	Other relevant reference:
TSS reference	UT7VAC/AGC/DEST/BV/AGC/FBA/PT	
Selection criteria	R 3.2 AND R 1.3 AND MCu 21.2 AND MCu 22.2	
Test purpose	Verify that the IUT, in the Null call state U0, on receipt of an audiographic conference fallback allowed SETUP message, is capable of sending a CALL PROCEEDING, PROGRESS or ALERTING message containing PI=#5, and BC=speech, and HLC=telephony or no HLC OR no BC and no HLC information elements and enters the relevant basic call state.	
Cross reference		
Comments	Sending of CALL PROCEEDING, PROGRESS or ALERTING: Fallback allowed and occurred, to telephony 3,1 kHz, within the private ISDN. PIXIT: How to configure the IUT to fallback to telephony 3,1 kHz within the private ISDN?	

5.5.2.1.2 Fallback not allowed

5.5.2.1.2.1 User requirements at the coincident S and T reference point or for interworking with private ISDNs

ATP212_01	Reference to EN 300 267-1 [5]: 8.5.2.1)	Other relevant reference: EN 300 403-1 [2] 5.2
TSS reference	UT7VAC/AGC/DEST/BV/AGC/FBN/ST_T	
Selection criteria	R 1.3	
Test purpose	Verify that the IUT, in the Null call state U0, receiving an audiographic conference call for which fallback is not allowed, accepts a SETUP message containing a single BC=UDI/TA and a single HLC=audiographic_ic and responds with a CALL PROCEEDING, ALERTING or CONNECT message and enters the relevant basic call state.	
Cross reference		
Comments		

5.5.2.1.2.2 User requirements at the coincident S and T reference point

ATP212_02	Reference to EN 300 267-1 [5]: 8.5.2.2)	Other relevant reference: EN 300 403-1 [2] 5.2
TSS reference	UT7VAC/AGC/DEST/BV/AGC/FBN/ST	
Selection criteria	R 3.1 AND R 1.3	
Test purpose	Verify that the IUT, in the Connect Request call state U8, having received an audiographic fallback not allowed SETUP message, and having sent a CONNECT message, on receipt of a CONNECT ACKNOWLEDGE message, sends multiframe structures and starts initialization procedure in the B-channel.	
Cross reference		
Comments		

5.5.2.1.3 Connection management

5.5.2.1.3.1 User requirements at the coincident S and T reference point

ATP213_01	Reference to EN 300 267-1 [5]: 8.5.2.2	Other relevant reference:
TSS reference	UT7VAC/AGC/DEST/BV/AGC/CMN/ST	
Selection criteria	R 3.1 AND R 1.3 AND MC 1.6	
Test purpose	Verify that the IUT in the Active call state U10 for CR1 and in the Null call state U0 for CR2, on receipt of an audiographic conference SETUP message for CR2, automatically accepts the call, i.e. does not send an ALERTING message but sends a CONNECT message and enters the Connect Request call state U8.	
Cross reference		
Comments	Establishment of second connection at destination interface: IUT automatically accepts the call.	

ATP213_02	Reference to EN 300 267-1 [5]: 8.5.2 (last paragraph)	Other relevant reference: ETS 300 144 [3]
TSS reference	UT7VAC/AGC/DEST/BV/AGC/CMN/ST	
Selection criteria	R 3.1 AND R 1.3 AND MC 1.6	
Test purpose	Verify that the IUT, in the Active call state U10 for CR1 and in the Connect Request call state U8 for CR2, having received an audiographic conference SETUP message for CR2 and having sent a CONNECT message, on receipt of a CONNECT ACKNOWLEDGE message, sends multiframe structures and gains multiframe alignment and synchronization on both B-channels.	
Cross reference		
Comments	Establishment of second connection at destination interface.	

5.6 Videoconference teleservice

5.6.1 Calling user interface

5.6.1.1 Valid behaviour

5.6.1.1.1 Fallback allowed

5.6.1.1.1.1 User requirements at the coincident S and T reference point or for interworking with private ISDNs

CTP111_01	Reference to EN 300 267-1 [5]: 9.6, 9.5.1.1 a)	Other relevant reference: EN 300 403-1 [2] 5.11.3.1, 5.11.1.1, 5.12.3.1, 5.12.1.1
TSS reference	UT7VAC/VCF/ORIG/BV/FBA/ST_T	
Selection criteria	R 1.4 AND MCu 21.1 AND MCu 22.1	
Test purpose	Verify that the IUT, in the Null call state U0, when initiating a call and it allows fallback, sends a SETUP message containing two BCs, with the first BC=speech and the second BC=UDI/TA, and two HLCs, with the first HLC=telephony and the second HLC=videoconf_ic, and not containing LLC and enters the Call Initiated call state U1.	
Cross reference		
Comments		

CTP111_02	Reference to EN 300 267-1 [5]: 9.6, 9.5.1.1 c), 9.5.1.1 e)	Other relevant reference:
TSS reference	UT7VAC/VCF/ORIG/BV/FBA/ST_T	
Selection criteria	R 1.4 AND MCu 21.1 AND MCu 22.1	
Test purpose	Verify that the IUT, in the Outgoing Call Proceeding call state U3, having sent a videoconference fallback allowed SETUP message, on receipt of a CONNECT message, containing BC=UDI/TA and HLC=videoconf_ic, enters the Active call state U10.	
Cross reference		
Comments	Receipt of CONNECT (BC=UDI/TA, HLC=videoconf_ic): fallback allowed but did not occur at the destination user.	

CTP111_03	Reference to EN 300 267-1 [5]: 9.6, 9.5.1.1 c), 7.5.1.1 e)	Other relevant reference:
TSS reference	UT7VAC/VCF/ORIG/BV/FBA/ST_T	
Selection criteria	R 1.4 AND MCu 21.1 AND MCu 22.1	
Test purpose	Verify that the IUT, in the Call Delivered call state U4, having sent a videoconference fallback allowed SETUP message, on receipt of a CONNECT message, containing BC=UDI/TA and HLC=videoconf_ic, enters the Active call state U10.	
Cross reference		
Comments	Receipt of CONNECT (BC=UDI/TA, HLC=videoconf_ic): fallback allowed but did not occur at the destination user.	

CTP111_04	Reference to EN 300 267-1 [5]: 9.6, 9.5.1.1 c), 9.5.1.1 f)	Other relevant reference:
TSS reference	UT7VAC/VCF/ORIG/BV/FBA/ST_T	
Selection criteria	R 1.4 AND MCu 21.1 AND MCu 22.1	
Test purpose	Verify that the IUT, in the Outgoing Call Proceeding call state U3, having sent a videoconference fallback allowed SETUP message, on receipt of a CONNECT message, containing a single BC=speech and a single HLC=telephony, enters the Active call state U10.	
Cross reference		
Comments	Receipt of CONNECT (BC=speech, HLC=telephony): fallback allowed and occurred, to the telephony 3,1 kHz teleservice, at the destination user.	

CTP111_05	Reference to EN 300 267-1 [5]: 9.6, 9.5.1.1 c), 9.5.1.1 f)	Other relevant reference:
TSS reference	UT7VAC/VCF/ORIG/BV/FBA/ST_T	
Selection criteria	R 1.4 AND MCu 21.1 AND MCu 22.1	
Test purpose	Verify that the IUT, in the Call Delivered call state U4, having sent a videoconference fallback allowed SETUP message, on receipt of a CONNECT message, containing a single BC=speech and a single HLC=telephony, enters the Active call state U10.	
Cross reference		
Comments	Receipt of CONNECT (BC=speech, HLC=telephony): fallback allowed and occurred, to the telephony 3,1 kHz teleservice, at the destination user.	

CTP111_06	Reference to EN 300 267-1 [5]: 9.6, 9.5.1.1 c), 9.5.1.1 g), 6.5.1 e)	Other relevant reference:
TSS reference	UT7VAC/VCF/ORIG/BV/FBA/ST_T	
Selection criteria	R 1.4 AND MCu 21.1 AND MCu 22.1	
Test purpose	Verify that the IUT, in the Outgoing Call Proceeding call state U3, having sent a videoconference fallback allowed SETUP message, on receipt of a CONNECT message, containing BC=UDI/TA and HLC=telephony, enters the Active call state U10.	
Cross reference		
Comments	Receipt of CONNECT (BC=UDI/TA, HLC=telephony): fallback allowed and occurred, to the telephony 7 kHz teleservice, at the destination user.	

CTP111_07	Reference to EN 300 267-1 [5]: 9.6, 9.5.1.1 c), 9.5.1.1 g), 6.5.1 e)	Other relevant reference:
TSS reference	UT7VAC/VCF/ORIG/BV/FBA/ST_T	
Selection criteria	R 1.4 AND MCu 21.1 AND MC 22.1	
Test purpose	Verify that the IUT, in the Call Delivered call state U4, having sent a videoconference fallback allowed SETUP message, on receipt of a CONNECT message, containing BC=UDI/TA and HLC=telephony, enters the Active call state U10.	
Cross reference		
Comments	Receipt of CONNECT (BC=UDI/TA, HLC=telephony): fallback allowed and occurred, to the telephony 7 kHz teleservice, at the destination user.	

CTP111_08	Reference to EN 300 267-1 [5]: 9.6, 9.5.1.1 d), 9.5.1.1 f)	Other relevant reference:
TSS reference	UT7VAC/VCF/ORIG/BV/FBA/ST_T	
Selection criteria	R 1.4 AND MCu 21.1 AND MCu 22.1	
Test purpose	Verify that the IUT, in the Call Initiated call state U1, having sent a videoconference fallback allowed SETUP message, on receipt of a CALL PROCEEDING message, containing PI=#5, BC=speech, and HLC=telephony, then on receipt of a CONNECT message containing neither BC nor HLC, enters the Active call state U10.	
Cross reference		
Comments	Receipt of CONNECT (no BC, no HLC): fallback allowed and occurred, to the telephony 3,1 kHz teleservice, in the network.	

CTP111_09	Reference to EN 300 267-1 [5]: 9.6, 9.5.1.1 d), 9.5.1.1 f)	Other relevant reference:
TSS reference	UT7VAC/VCF/ORIG/BV/FBA/ST_T	
Selection criteria	R 1.4 AND MCu 21.1 AND MCu 22.1	
Test purpose	Verify that the IUT, in the Outgoing Call Proceeding call state U3, having sent a videoconference fallback allowed SETUP message, and having received a PROGRESS message, containing PI=#5, BC=speech, and HLC=telephony, on receipt of a CONNECT message containing neither BC nor HLC, enters the Active call state U10.	
Cross reference		
Comments	Receipt of CONNECT (no BC, no HLC): fallback allowed and occurred, to the telephony 3,1 kHz teleservice, in the network.	

CTP111_10	Reference to EN 300 267-1 [5]: 9.6, 9.5.1.1 d), 9.5.1.1 f)	Other relevant reference:
TSS reference	UT7VAC/VCF/ORIG/BV/FBA/ST_T	
Selection criteria	R 1.4 AND MCu 21.1 AND MCu 22.1	
Test purpose	Verify that the IUT, in the Call Delivered call state U4, having sent a videoconference fallback allowed SETUP message, and having received an ALERTING message, containing PI=#5, BC=speech, and no HLC, on receipt of a CONNECT message containing neither BC nor HLC, enters the Active call state U10.	
Cross reference		
Comments	Receipt of CONNECT (no BC, no HLC): fallback allowed and occurred, to the telephony 3,1 kHz teleservice, in the network.	

CTP111_11	Reference to EN 300 267-1 [5]: 9.6, 9.5.1.1 c), 9.5.1.1 f)	Other relevant reference:
TSS reference	UT7VAC/VCF/ORIG/BV/FBA/ST_T	
Selection criteria	R 1.4 AND MCu 21.1 AND MCu 22.1	
Test purpose	Verify that the IUT, in the Call Delivered call state U4, having sent a videoconference fallback allowed SETUP message, on receipt of a CONNECT message, not containing a BC or HLC, enters the Active call state U10.	
Cross reference		
Comments	Receipt of CONNECT (no BC or HLC): fallback allowed and occurred, to the telephony 3,1 kHz teleservice, at the destination user.	

CTP111_12	Reference to EN 300 267-1 [5]: 9.6, 9.5.1.1 d), 9.5.1.1 f)	Other relevant reference:
TSS reference	UT7VAC/VCF/ORIG/BV/FBA/ST_T	
Selection criteria	R 1.4 AND MCu 21.1 AND MCu 22.1	
Test purpose	Verify that the IUT, in the Call Initiated call state U1, having sent a videoconference fallback allowed SETUP message, on receipt of a CALL PROCEEDING message, containing PI=#5 and BC=speech, but not containing HLC, then on receipt of a CONNECT message containing neither BC nor HLC, enters the Active call state U10.	
Cross reference		
Comments	Receipt of CONNECT (no BC, no HLC): fallback allowed and occurred, to the telephony 3,1 kHz teleservice, in the network.	

CTP111_13	Reference to EN 300 267-1 [5]: 9.6, 9.5.1.1 d), 9.5.1.1 f)	Other relevant reference:
TSS reference	UT7VAC/VCF/ORIG/BV/FBA/ST_T	
Selection criteria	R 1.4 AND MCu 21.1 AND MCu 22.1	
Test purpose	Verify that the IUT, in the Call Delivered call state U4, having sent a videoconference fallback allowed SETUP message, and having received an ALERTING message, containing PI=#5, but not containing BC or HLC, on receipt of a CONNECT message containing neither BC nor HLC, enters the Active call state U10.	
Cross reference		
Comments	Receipt of CONNECT (no BC, no HLC): fallback allowed and occurred, to the telephony 3,1 kHz teleservice, in the network.	

5.6.1.1.1.2

User requirements at the coincident S and T reference point

CTP111_14	Reference to EN 300 267-1 [5]: 9.5.1.1 c), 9.5.1.1 e)	Other relevant reference:
TSS reference	UT7VAC/VCF/ORIG/BV/FBA/ST	
Selection criteria	R 3.1 AND R 1.4 AND MCu 21.1 AND MCu 22.1	
Test purpose	Verify that the IUT, in the Outgoing Call Proceeding call state U3, having sent a videoconference fallback allowed SETUP message, on receipt of a CONNECT message, containing BC=UDI/TA and HLC=videoconf_ic, sends multiframe structures and starts initialization procedure in the B-channel.	
Cross reference		
Comments	Receipt of CONNECT (BC=UDI/TA, HLC=videoconf_ic): fallback allowed but did not occur at the destination user.	

CTP111_15	Reference to EN 300 267-1 [5]: 9.5.1.1 c), 9.5.1.1 e)	Other relevant reference:
TSS reference	UT7VAC/VCF/ORIG/BV/FBA/ST	
Selection criteria	R 3.1 AND R 1.4 AND MCu 21.1 AND MCu 22.1	
Test purpose	Verify that the IUT, in the Call Delivered call state U4, having sent a videoconference fallback allowed SETUP message, on receipt of a CONNECT message, containing BC=UDI/TA and HLC=videoconf_ic, sends multiframe structures and starts initialization procedure in the B-channel.	
Cross reference		
Comments	Receipt of CONNECT (BC=UDI/TA, HLC=videoconf_ic): fallback allowed but did not occur at the destination user.	

CTP111_16	Reference to EN 300 267-1 [5]: 9.5.1.1 c), 9.5.1.1 g), 6.5.1 e)	Other relevant reference:
TSS reference	UT7VAC/VCF/ORIG/BV/FBA/ST	
Selection criteria	R 3.1 AND R 1.4 AND MCu 21.1 AND MCu 22.1	
Test purpose	Verify that the IUT, in the Outgoing Call Proceeding call state U3, having sent a videoconference fallback allowed SETUP message, on receipt of a CONNECT message, containing BC=UDI/TA and HLC=telephony, sends multiframe structures and starts initialization procedure in the B-channel.	
Cross reference		
Comments	Receipt of CONNECT (BC=UDI/TA, HLC=telephony): fallback allowed and occurred, to the telephony 7 kHz teleservice, at the destination user.	

CTP111_17	Reference to EN 300 267-1 [5]: 9.5.1.1 c), 9.5.1.1 g), 6.5.1 e)	Other relevant reference:
TSS reference	UT7VAC/VCF/ORIG/BV/FBA/ST	
Selection criteria	R 3.1 AND R 1.4 AND MCu 21.1 AND MCu 22.1	
Test purpose	Verify that the IUT, in the Call Delivered call state U4, having sent a videoconference fallback allowed SETUP message, on receipt of a CONNECT message, containing BC=UDI/TA and HLC=telephony, sends multiframe structures and starts initialization procedure in the B-channel.	
Cross reference		
Comments	Receipt of CONNECT (BC=UDI/TA, HLC=telephony): fallback allowed and occurred, to the telephony 7 kHz teleservice, at the destination user.	

5.6.1.1.2 Fallback not allowed

5.6.1.1.2.1 User requirements at the coincident S and T reference point or for interworking with private ISDNs

CTP112_01	Reference to EN 300 267-1 [5]: 9.6, 9.5.1.1 1)	Other relevant reference:
TSS reference	UT7VAC/VCF/ORIG/BV/FBN/ST_T	
Selection criteria	R 1.4	
Test purpose	Verify that the IUT, in the Null call state U0, to set up a videoconference call for which fallback to 7 kHz is not allowed, sends a SETUP message containing a single BC=UDI/TA and a single HLC=videoconf_ic and enters the Call Initiated call state U1.	
Cross reference		
Comments		

CTP112_02	Reference to EN 300 267-1 [5]: 9.5.1.1 3)	Other relevant reference:
TSS reference	UT7VAC/VCF/ORIG/BV/FBN/ST_T	
Selection criteria	R 1.4	
Test purpose	Verify that the IUT, in the Outgoing Call Proceeding call state U3, having sent a videoconference fallback not allowed SETUP message, on receipt of a CONNECT message not containing BC, enters the Active call state U10.	
Cross reference		
Comments	Receipt of CONNECT (no BC), fallback not allowed.	

CTP112_03	Reference to EN 300 267-1 [5]: 9.5.1.1 3)	Other relevant reference:
TSS reference	UT7VAC/VCF/ORIG/BV/FBN/ST_T	
Selection criteria	R 1.4	
Test purpose	Verify that the IUT, in the Call Delivered call state U4, having sent a videoconference fallback not allowed SETUP message, on receipt of a CONNECT message not containing BC, enters the Active call state U10.	
Cross reference		
Comments	Receipt of CONNECT (no BC), fallback not allowed.	

5.6.1.1.2.2 User requirements at the coincident S and T reference point

CTP112_04	Reference to EN 300 267-1 [5]: 9.5.1.1 3)	Other relevant reference:
TSS reference	UT7VAC/VCF/ORIG/BV/FBN/ST	
Selection criteria	R 3.1 AND R 1.4	
Test purpose	Verify that the IUT, in the Outgoing Call Proceeding call state U3, having sent a videoconference fallback not allowed SETUP message, on receipt of a CONNECT message, not containing BC, sends multiframe structures and starts initialization procedure in the B-channel.	
Cross reference		
Comments	Receipt of CONNECT (no BC), fallback not allowed.	

CTP112_05	Reference to EN 300 267-1 [5]: 9.5.1.1 3)	Other relevant reference:
TSS reference	UT7VAC/VCF/ORIG/BV/FBN/ST	
Selection criteria	R 3.1 AND R 1.4	
Test purpose	Verify that the IUT, in the Call Delivered call state U4, having sent a videoconference fallback not allowed SETUP message, on receipt of a CONNECT message, not containing BC, sends multiframe structures and starts initialization procedure in the B-channel.	
Cross reference		
Comments	Receipt of CONNECT (no BC), fallback not allowed.	

5.6.1.1.3 Connection management

5.6.1.1.3.1 User requirements at the coincident S and T reference point

CTP113_01	Reference to EN 300 267-1 [5]: 9.5.1.2, 5.5.1.1 b)	Other relevant reference:
TSS reference	UT7VAC/VCF/ORIG/BV/CMN/ST	
Selection criteria	R 3.1 AND R 1.4 AND MC 1.6	
Test purpose	Verify that the IUT, in the Active call state U10 for CR1 and in the Null call state U0 for CR2, when during the capability exchange in mode initialization in the first B-channel it has received and sent 2B and video capabilities, sends a videoconference SETUP message for CR2 and enters the Call Initiated call state U1.	
Cross reference	Related GTP: GTP113_02.	
Comments	Sending of videoconference SETUP for CR2.	

CTP113_02	Reference to EN 300 267-1 [5]: 9.5.1.2	Other relevant reference:
TSS reference	UT7VAC/VCF/ORIG/BV/CMN/ST	
Selection criteria	R 3.1 AND R 1.4 AND MC 1.6	
Test purpose	Verify that the IUT, in the Active call state U10 for CR1 and in the Outgoing Call Proceeding call state U3 for CR2, having sent a videoconference SETUP message for CR2, on receipt of a CONNECT message for CR2, sends multiframe structures and gains multiframe alignment and synchronization on both B-channels.	
Cross reference		
Comments	Receipt of CONNECT (no BC, no HLC): connection II established.	

CTP113_03	Reference to EN 300 267-1 [5]: 9.5.6	Other relevant reference: EN 300 403-1 [2] 5.6.1
TSS reference	UT7VAC/VCF/ORIG/BV/CMN/ST	
Selection criteria	EN 300 403-3 [8] R 3.1 AND R 1.4 AND MCu 6	
Test purpose	Verify that the IUT, in the Active call state U10, on request for call rearrangement by the user in a basic access configuration, before sending a SUSPEND message, switches to mode 0U (unframed), A-law in the B-channel.	
Cross reference		
Comments	Switching to mode 0U (unframed), A-law in the B-channel follows procedure P described in ETS 300 145 [4], subclause 7.5.1	

CTP113_04	Reference to EN 300 267-1 [5]: 9.5.6	Other relevant reference: EN 300 403-1 [2] 5.6.1
TSS reference	UT7VAC/VCF/ORIG/BV/CMN/ST	
Selection criteria	EN 300 403-3 [8] R 3.1 AND R 1.4 AND MC 1.6 AND MCu 6	
Test purpose	Verify that the IUT in the Active call state U10 for CR1 and CR2, on request for call rearrangement by the user in a basic access configuration, before sending a SUSPEND message for CR1 and CR2, switches to mode 0U (unframed), A-law in the B-channel.	
Cross reference		
Comments	Switching to mode 0U (unframed), A-law in the B-channel follows procedure P described in ETS 300 145 [4], subclause 7.5.1.	

CTP113_05	Reference to EN 300 267-1 [5]: 9.5.6	Other relevant reference: EN 300 403-1 [2] 5.6.1
TSS reference	UT7VAC/VCF/ORIG/BV/CMN/ST	
Selection criteria	EN 300 403-3 [8] R 3.1 AND R 1.4 AND MC 1.6 AND MCu 6	
Test purpose	Verify that the IUT, in the Active call state U10 for CR1 and CR2, on request for call rearrangement by the user in a basic access configuration, sends a SUSPEND message for CR1 and CR2, each containing a Call identity information element with its call identity field set to a different value and enters the Suspend Request call state U15.	
Cross reference		
Comments		

5.6.1.1.3.2 User requirements for interworking with private ISDNs

CTP113_06	Reference to EN 300 267-1 [5]: 9.6.2, 5.6.1, 5.5.1.1 c)	Other relevant reference:
TSS reference	UT7VAC/VCF/ORIG/BV/CMN/PT	
Selection criteria	R 3.2 AND R 1.4 AND MC 1.6	
Test purpose	Verify that the IUT, in the Active call state U10 for CR1, is capable of sending a videoconference SETUP message for CR2 and enters the Call Initiated call state U1.	
Cross reference	Related GTP: GTP113_02	
Comments	Sending of videoconference connection 2 SETUP.	

5.6.2 Called user interface

5.6.2.1 Valid behaviour

5.6.2.1.1 Fallback allowed

5.6.2.1.1.1 User requirements at the coincident S and T reference point or for interworking with private ISDNs

CTP211_01	Reference to EN 300 267-1 [5]: 9.5.2.1 a), 9.6.1.a)	Other relevant reference: EN 300 403-1 [2] 5.2
TSS reference	UT7VAC/VCF/DEST/BV/FBA/ST_T	
Selection criteria	R 1.4 AND MCu 21.2 AND MCu 22.2	
Test purpose	Verify that the IUT, in the Null call state U0, receiving a videoconference call for which fallback is allowed, accepts a SETUP containing two BCs, with the first BC=speech and the second BC=UDI/TA, and two HLCs, with the first HLC=telephony and the second HLC=videoconf_ic, and not containing LLC and continues with normal basic call handling.	
Cross reference		
Comments		

CTP211_02	Reference to EN 300 267-1 [5]: 9.5.2.1 d), 9.6.1 d)	Other relevant reference: EN 300 403-1 [2] 5.2
TSS reference	UT7VAC/VCF/DEST/BV/FBA/ST_T	
Selection criteria	R 1.4 AND MCu 21.2 AND MCu 22.2	
Test purpose	Verify that the IUT, in the Connect Request call state U8, having received a videoconference fallback allowed SETUP message, and having sent a CONNECT message, containing BC=UDI/TA and HLC=videoconf_ic, on receipt of a CONNECT ACKNOWLEDGE message, enters the Active call state U10.	
Cross reference		
Comments	Fallback allowed but did not occur	

CTP211_03	Reference to EN 300 267-1 [5]: 9.5.2.1 d), 9.6.1 d)	Other relevant reference: EN 300 403-1 [2] 5.2
TSS reference	UT7VAC/VCF/DEST/BV/FBA/ST_T	
Selection criteria	R 1.4 AND MCu 21.2 AND MCu 22.2	
Test purpose	Verify that the IUT, in the Connect Request call state U8, having received a videoconference fallback allowed SETUP message, and having sent a CONNECT message, containing BC=UDI/TA and HLC=videoconf_nex, on receipt of a CONNECT ACKNOWLEDGE message, enters the Active call state U10.	
Cross reference		
Comments	Fallback allowed but did not occur	

5.6.2.1.1.2

User requirements at the coincident S and T reference point

CTP211_04	Reference to EN 300 267-1 [5]: 9.5.2.1 b), 9.5.2.1 c)	Other relevant reference: EN 300 403-1 [2] 5.2, 5.11.2.1, 5.12.2.1
TSS reference	UT7VAC/VCF/DEST/BV/FBA/ST	
Selection criteria	R 3.1 AND R 1.4 AND MCU 21.2 AND MCU 22.2	
Test purpose	Verify that the IUT, in the Call Present call state U6, having received a videoconference fallback allowed SETUP message, sends a CONNECT message containing BC=UDI/TA and HLC=videoconf_ic and enters the Connect Request call state U8.	
Cross reference		
Comments	Sending of CONNECT: fallback allowed but did not occur.	

CTP211_05	Reference to EN 300 267-1 [5]: 9.5.2.1 d)	Other relevant reference: EN 300 403-1 [2] 5.2
TSS reference	UT7VAC/VCF/DEST/BV/FBA/ST	
Selection criteria	R 3.1 AND R 1.4 AND MCU 21.2 AND MCU 22.2	
Test purpose	Verify that the IUT, in the Connect Request call state U8, having received a videoconference fallback allowed SETUP message, and having sent a CONNECT message, containing BC=UDI/TA and HLC=videoconf_ic, on receipt of a CONNECT ACKNOWLEDGE message, sends multiframe structures and starts initialization procedure in the B-channel.	
Cross reference		
Comments		

CTP211_06	Reference to EN 300 267-1 [5]: 9.5.2.1 d)	Other relevant reference: EN 300 403-1 [2] 5.2
TSS reference	UT7VAC/VCF/DEST/BV/FBA/ST	
Selection criteria	R 3.1 AND R 1.4 AND MCU 21.2 AND MCU 22.2	
Test purpose	Verify that the IUT, in the Connect Request call state U8, having received a videoconference fallback allowed SETUP message, and having sent a CONNECT message, containing BC=UDI/TA and HLC=videoconf_nex, on receipt of a CONNECT ACKNOWLEDGE message, sends multiframe structures and starts initialization procedure in the B-channel.	
Cross reference		
Comments		

CTP211_07	Reference to EN 300 267-1 [5]: 9.5.2.1 c)	Other relevant reference:
TSS reference	UT7VAC/VCF/DEST/BV/FBA/ST	
Selection criteria	R 3.1 AND R 1.4 AND MCU 21.2 AND MCU 22.2	
Test purpose	Verify that the IUT, in the Call Present call state U6, having received a videoconference fallback allowed SETUP message and fallback has occurred to telephony 3,1 kHz, is capable of sending a CONNECT message containing BC=speech and HLC=telephony OR no BC and any valid HLC value OR BC=speech and no HLC and enters the Connect Request call state U8.	
Cross reference		
Comments	Sending of CONNECT (BC=speech, HLC=telephony): fallback allowed and occurred, to telephony 3,1 kHz.	

CTP211_08	Reference to EN 300 267-1 [5]: 9.5.2.1 c)	Other relevant reference:
TSS reference	UT7VAC/VCF/DEST/BV/FBA/ST	
Selection criteria	R 3.1 AND R 1.4 AND MCU 21.2 AND MCU 22.2	
Test purpose	Verify that the IUT, in the Call Present call state U6, having received a videoconference fallback allowed SETUP message and fallback has occurred to telephony 7 kHz, is capable of sending a CONNECT message containing BC=UDI/TA and HLC=telephony OR BC=UDI/TA and no HLC and enters the Connect Request call state U8.	
Cross reference		
Comments	Sending of CONNECT (BC=UDI/TA, HLC=telephony): fallback allowed and occurred, to telephony 7 kHz	

5.6.2.1.1.3

User requirements for interworking with private ISDNs

CTP211_09	Reference to EN 300 267-1 [5]: 9.6.1 b), 9.6.1 c)	Other relevant reference: EN 300 403-1 [2] 5.11.3.2.1, 5.12.3.2.1
TSS reference	UT7VAC/VCF/DEST/BV/FBA/PT	
Selection criteria	R 3.2 AND R 1.4 AND MCU 21.2 AND MCU 22.2	
Test purpose	Verify that the IUT, in the Call Present call state U6, having received a videoconference fallback allowed SETUP message, is capable of sending a CONNECT message containing BC=UDI/TA and HLC=videoconf_nex or HLC=videoconf_ic and enters the Connect Request call state U8.	
Cross reference		
Comments	Sending of CONNECT (BC=UDI/TA, HLC=videoconf_nex or HLC=videoconf_ic): fallback allowed but did not occur.	

CTP211_10	Reference to EN 300 267-1 [5]: 9.6.1 b), 9.6.1 c)	Other relevant reference: EN 300 403-1 [2] 5.11.3.2.1, 5.12.3.2.1, 5.12.2.1
TSS reference	UT7VAC/VCF/DEST/BV/FBA/PT	
Selection criteria	R 3.2 AND R 1.4 AND MCU 21.2 AND MCU 22.2	
Test purpose	Verify that the IUT, in the Call Present call state U6, having received a videoconference fallback allowed SETUP message, is capable of sending a CONNECT message containing BC=UDI/TA and HLC=telephony and enters the Connect Request call state U8.	
Cross reference		
Comments	Sending of CONNECT (BC=UDI/TA, HLC=telephony): fallback allowed and occurred, to telephony 7 kHz (not within the private ISDN). PIXIT: How to configure the IUT to fallback outside the private ISDN?	

CTP211_11	Reference to EN 300 267-1 [5]: 9.6.1 b), 9.6.1 c)	Other relevant reference: EN 300 403-1 [2] 5.11.3.2.1, 5.12.3.2.1, 5.12.2.1, 5.11.2.1
TSS reference	UT7VAC/VCF/DEST/BV/FBA/PT	
Selection criteria	R 3.2 AND R 1.4 AND MCU 21.2 AND MCU 22.2	
Test purpose	Verify that the IUT, in the Call Present call state U6, having received a videoconference fallback allowed SETUP message, is capable of sending a CONNECT message containing BC=speech and HLC=telephony OR no BC and no HLC OR BC=speech and no HLC and enters the Connect Request call state U8.	
Cross reference		
Comments	Sending of CONNECT: fallback allowed and occurred, to telephony 3,1 kHz (not within the private ISDN). PIXIT: How to configure the IUT to fallback outside the private ISDN?	

CTP211_12	Reference to EN 300 267-1 [5]: 9.6.1 d)	Other relevant reference: EN 300 403-1 [2] 5.11.3.2.1, 5.12.3.2.1
TSS reference	UT7VAC/VCF/DEST/BV/FBA/PT	
Selection criteria	R 3.2 AND R 1.4 AND MCU 21.2 AND MCU 22.2	
Test purpose	Verify that the IUT, in the Null call state U0, on receipt of a videoconference fallback allowed SETUP message, is capable of sending a CALL PROCEEDING, PROGRESS or ALERTING message containing PI=#5, and BC=speech, and HLC=telephony or no HLC OR no BC and no HLC information elements and enters the relevant basic call state.	
Cross reference		
Comments	Sending of CALL PROCEEDING, PROGRESS or ALERTING: Fallback allowed and occurred, to telephony 3,1 kHz, within the private ISDN. PIXIT: How to configure the IUT to fallback to telephony 3,1 kHz within the private ISDN?	

5.6.2.1.2 Fallback not allowed

5.6.2.1.2.1 User requirements at the coincident S and T reference point or for interworking with private ISDNs

CTP212_01	Reference to EN 300 267-1 [5]: 9.5.2.1 1), 9.6.1	Other relevant reference: EN 300 403-1 [2] 5.2
TSS reference	UT7VAC/VCF/DEST/BV/FBN/ST_T	
Selection criteria	R 1.4	
Test purpose	Verify that the IUT, in the Null call state U0, receiving a videoconference call for which fallback is not allowed, accepts a SETUP message containing a single BC=UDI/TA and a single HLC=videoconf_ic and responds with a CALL PROCEEDING, ALERTING or CONNECT message and enters the relevant basic call state.	
Cross reference		
Comments		

5.6.2.1.2.2 User requirements at the coincident S and T reference point

CTP212_02	Reference to EN 300 267-1 [5]: 9.5.2.1 2)	Other relevant reference: EN 300 403-1 [2] 5.2
TSS reference	UT7VAC/VCF/DEST/BV/FBN/ST	
Selection criteria	R 3.1 AND R 1.4	
Test purpose	Verify that the IUT, in the Connect Request call state U8, having received a videoconference fallback not allowed SETUP message, and having sent a CONNECT message, on receipt of a CONNECT ACKNOWLEDGE message, sends multiframe structures and starts initialization procedure in the B-channel.	
Cross reference		
Comments		

5.6.2.1.3 Connection management

5.6.2.1.3.1 User requirements at the coincident S and T reference point

CTP213_01	Reference to EN 300 267-1 [5]: 9.5.2.2 (1 st and 2 nd paragraph.)	Other relevant reference:
TSS reference	UT7VAC/VCF/DEST/BV/CMN/ST	
Selection criteria	R 3.1 AND R 1.4 AND MC 1.6	
Test purpose	Verify that the IUT in the Active call state U10 for CR1 and in the Null call state U0 for CR2, on receipt of a videoconference SETUP message for CR2, automatically accepts the call, i.e. does not send an ALERTING message but sends a CONNECT message and enters the Connect Request call state U8.	
Cross reference		
Comments	Establishment of second connection at destination interface: IUT automatically accepts the call.	

CTP213_02	Reference to EN 300 267-1 [5]: 9.5.2.2 (last paragraph)	Other relevant reference:
TSS reference	UT7VAC/VCF/DEST/BV/CMN/ST	
Selection criteria	R 3.1 AND R 1.4 AND MC 1.6	
Test purpose	Verify that the IUT, in the Active call state U10 for CR1 and in the Connect Request call state U8 for CR2, having received a videoconference SETUP message for CR2 and having sent a CONNECT message, on receipt of a CONNECT ACKNOWLEDGE message, sends multiframe structures and gains multiframe alignment and synchronization on both B-channels.	
Cross reference		
Comments	Establishment of second connection at destination interface.	

6 Combined test purposes

Combined test purposes are used to enable the number of abstract test cases to be reduced by bringing together test purposes which are similar in their objective and which use the same preambles and PDUs. Even though some test purposes in the combined test purposes clause consist of only one test purpose, these still have a combined test purpose name associated with them to allow a one-to-one mapping between the test purposes and the corresponding test cases in the abstract test suite. Therefore, this clause contains the complete set of test purposes excluding the Generic ones.

6.1 Combined test purpose format

The structure of a combined test purpose identifier is defined in table 3. The digits correspond to the digits of the first TP included in the combined test purpose.

Table 3: Combined TP identifier naming convention scheme

CT<digit><digit><digit>_<digit><digit>	combined TP covering a telephony 7 kHz requirement;
CV<digit><digit><digit>_<digit><digit>	combined TP covering a videotelephony requirement.
CA<digit><digit><digit>_<digit><digit>	combined TP covering an audiographic conference requirement.
CC<digit><digit><digit>_<digit><digit>	combined TP covering an videoconference requirement.

The combined test purposes are formatted as tables to increase readability. The table format is shown in table 4. Text in **bold** shows the text which is always present, normal text provides an explanation for each field.

Table 4: Structure of a single combined TP

Combined Test purpose identifier	All included test purpose identifiers.	
Selection criteria	The criteria necessary in order to select the combined test.	
TSS reference	The full Test Suite Structure reference of the test purpose.	
First Test purpose identifier	Reference to EN 300 267-1 [5]:	Other relevant reference:
TSS reference	The full Test Suite Structure reference of the test purpose.	
Selection criteria	The criteria necessary in order to select this part of the test.	
Test purpose	Description of the test purpose.	
Second Test purpose identifier	Reference to EN 300 267-1 [5]:	Other relevant reference:
TSS reference	The full Test Suite Structure reference of the test purpose.	
Selection criteria	The criteria necessary in order to select this part of the test.	
Test purpose	Description of the test purpose.	
Third Test purpose identifier	Reference to EN 300 267-1 [5]:	Other relevant reference:
TSS reference	The full test suite structure reference of the test purpose.	
Selection criteria	The criteria necessary in order to select this part of the test.	
Test purpose	Description of the test purpose.	
⋮	⋮	
Comments	Any relevant comments.	

6.2 Telephony 7 kHz teleservice

6.2.1 Calling user interface

6.2.1.1 Valid behaviour

6.2.1.1.1 Fallback allowed

CT111_01	TTP111_01
----------	-----------

CT111_02	TTP111_02, TTP111_13	
Selection criteria	R 1.1 AND MCu 21.1	
Combined TSS reference	UT7VAC/TL7/ORIG/BV/FBA	
TTP111_02	Reference to EN 300 267-1 [5]: 6.6, 6.5.1 c), 6.5.1 e)	Other relevant reference:
TSS reference	UT7VAC/TL7/ORIG/BV/FBA/ST_T	
Test purpose	Verify that the IUT, in the Outgoing Call Proceeding call state U3, having sent a telephony 7 kHz fallback allowed SETUP message, on receipt of a CONNECT message, containing BC=UDI/TA, enters the Active call state U10.	
TTP111_13	Reference to EN 300 267-1 [5]: 6.5.1 c), 6.5.1 e)	Other relevant reference:
TSS reference	UT7VAC/TL7/ORIG/BV/FBA/ST	
Selection criteria	R 3.1	
Test purpose	Verify that the IUT, in the Outgoing Call Proceeding call state U3, having sent a telephony 7 kHz fallback allowed SETUP message, on receipt of a CONNECT message, containing BC=UDI/TA, sends multiframe structures and starts initialization procedure in the B-channel.	
Comments	Receipt of CONNECT (BC=UDI/TA): fallback allowed but did not occur. The IUT may send a connect acknowledge.	

CT111_03	TTP111_03, TTP111_14	
Selection criteria	R 1.1 AND MCu 21.1	
Combined TSS reference	UT7VAC/TL7/ORIG/BV/FBA	
TTP111_03	Reference to EN 300 267-1 [5]: 6.6, 6.5.1 c), 6.5.1 e)	Other relevant reference:
TSS reference	UT7VAC/TL7/ORIG/BV/FBA/ST_T	
Test purpose	Verify that the IUT, in the Call Delivered call state U4, having sent a telephony 7 kHz fallback allowed SETUP message, on receipt of a CONNECT message, containing BC=UDI/TA, enters the Active call state U10.	
TTP111_14	Reference to EN 300 267-1 [5]: 6.5.1 c), 6.5.1 e)	Other relevant reference:
TSS reference	UT7VAC/TL7/ORIG/BV/FBA/ST	
Selection criteria	R 3.1	
Test purpose	Verify that the IUT, in the Call Delivered call state U4, having sent a telephony 7 kHz fallback allowed SETUP message, on receipt of a CONNECT message, containing BC=UDI/TA, sends multiframe structures and starts initialization procedure in the B-channel.	
Comments	Receipt of CONNECT (BC=UDI/TA): fallback allowed but did not occur. The IUT may send a connect acknowledge.	

CT111_04	TTP111_04
CT111_05	TTP111_05
CT111_06	TTP111_06
CT111_07	TTP111_07
CT111_08	TTP111_08
CT111_09	TTP111_09
CT111_10	TTP111_10
CT111_11	TTP111_11
CT111_12	TTP111_12

6.2.1.1.2 Fallback not allowed

CT112_01	TTP112_01
----------	-----------

CT112_02	TTP112_02, TTP112_04	
Selection criteria	R 1.1	
Combined TSS reference	UT7VAC/TL7/ORIG/BV/FBN	
TTP112_02	Reference to EN 300 267-1 [5]: 6.5.1 3)	Other relevant reference:
TSS reference	UT7VAC/TL7/ORIG/BV/FBN/ST_T	
Test purpose	Verify that the IUT, in the Outgoing Call Proceeding call state U3, having sent a SETUP message containing a single BC=UDI/TA and HLC=telephony, on receipt of a CONNECT message, not containing BC, enters the Active call state U10.	
TTP112_04	Reference to EN 300 267-1 [5]: 6.5.1 3)	Other relevant reference:
TSS reference	UT7VAC/TL7/ORIG/BV/FBN/ST	
Selection criteria	R 3.1	
Test purpose	Verify that the IUT, in the Outgoing Call Proceeding call state U3, having sent a SETUP message containing a single BC=UDI/TA and HLC=telephony, on receipt of a CONNECT message, not containing BC, sends multiframe structures and starts initialization procedure in the B-channel.	
Comments	Receipt of CONNECT (no BC), fallback not allowed.	

CT112_03	TTP112_03, TTP112_05	
Selection criteria	R 1.1	
Combined TSS reference	UT7VAC/ TL7/ORIG/BV/FBN	
TTP112_03	Reference to EN 300 267-1 [5]: 6.5.1 3)	Other relevant reference:
TSS reference	UT7VAC/ TL7/ORIG/BV/FBN/ST_T	
Test purpose	Verify that the IUT, in the Call Delivered call state U4, having sent a SETUP message containing a single BC=UDI/TA and HLC=telephony, on receipt of a CONNECT message not containing BC, enters the Active call state U10	
TTP112_05	Reference to EN 300 267-1 [5]: 6.5.1 3)	Other relevant reference:
TSS reference	UT7VAC/ TL7/ORIG/BV/FBN/ST	
Selection criteria	R 3.1	
Test purpose	Verify that the IUT, in the Call Delivered call state U4, having sent a SETUP message containing a single BC=UDI/TA and HLC=telephony, on receipt of a CONNECT message, not containing BC, sends multiframe structures and starts initialization procedure in the B-channel.	
Comments	Receipt of CONNECT (no BC), fallback not allowed.	

6.2.1.1.3 Connection management

CT113_01	TTP113_01
CT113_02	TTP113_02

6.2.2 Called user interface

6.2.2.1 Valid behaviour

6.2.2.1.1 Fallback allowed

CT211_01	TTP211_01, TTP211_02	
Selection criteria	R 1.1 AND MCu 21.2	
Combined TSS reference	UT7VAC/ TL7/DEST/BV/FBA	
TTP211_01	Reference to EN 300 267-1 [5]: 6.6 b), 6.5.2.1 b)	Other relevant reference:
TSS reference	UT7VAC/ TL7/DEST/BV/FBA/ST_T	
Test purpose	Verify that the IUT, in the Null call state U0, receiving a telephony 7 kHz teleservice call for which fallback to 3,1 kHz is allowed, accepts a SETUP message containing two BCs, with the first BC=speech and the second BC=UDI/TA, HLC=telephony, and not containing LLC and continues with normal basic call handling.	
TTP211_02	Reference to EN 300 267-1 [5]: 6.6 b), 6.6 c), 6.5.2 b), 6.5.2 c)	Other relevant reference:
TSS reference	UT7VAC/ TL7/DEST/BV/FBA/ST_T	
Test purpose	Verify that the IUT, in the Call Present call state U6, having received a telephony 7 kHz fallback allowed SETUP message, when fallback does not occur, sends a CONNECT message containing BC=UDI/TA and enters the Connect Request call state U8.	
Comments	Sending of CONNECT (BC=UDI/TA): fallback allowed but did not occur.	

CT211_03	TTP211_03, TTP211_05	
Selection criteria	R 1.1 AND MCu 21.2	
Combined TSS reference	UT7VAC/ TL7/DEST/BV/FBA	
TTP211_03	Reference to EN 300 267-1 [5]: 6.5.2 d)	Other relevant reference:
TSS reference	UT7VAC/ TL7/DEST/BV/FBA/ST_T	
Test purpose	Verify that the IUT, in the Connect Request call state U8, having received a telephony 7 kHz fallback allowed SETUP message and having sent a CONNECT message, containing BC=UDI/TA, on receipt of a CONNECT ACKNOWLEDGE message, enters the Active call state U10.	
TTP211_05	Reference to EN 300 267-1 [5]: 6.5.2 d)	Other relevant reference:
TSS reference	UT7VAC/ TL7/DEST/BV/FBA/ST	
Selection criteria	R 3.1	
Test purpose	Verify that the IUT, in the Connect Request call state U8, having received a telephony 7 kHz fallback allowed SETUP message and having sent a CONNECT message, containing BC=UDI/TA, on receipt of a CONNECT ACKNOWLEDGE message, sends multiframe structures and starts initialization procedure in the B-channel.	
Comments	Sending of CONNECT (BC=UDI/TA): fallback allowed but did not occur.	

CT211_04	TTP211_04
CT211_06	TTP211_06

6.2.2.1.2 Fallback not allowed

CT212_01	TTP212_02, TTP212_01	
Selection criteria	R 1.1	
Combined TSS reference	UT7VAC/ TL7/DEST/BV/FBN	
TTP212_01	Reference to EN 300 267-1 [5]: 6.6 b), 6.5.2.1 1)	Other relevant reference:
TSS reference	UT7VAC/ TL7/DEST/BV/FBN/ST_T	
Test purpose	Verify that the IUT, in the Null call state U0, receiving a telephony 7 kHz teleservice call for which fallback to 3,1 kHz is not allowed, accepts a SETUP message containing a single BC=UDI/TA and HLC=telephony and continues with normal basic call handling.	
TTP212_02	Reference to EN 300 267-1 [5]: 6.5.2 2)	Other relevant reference:
TSS reference	UT7VAC/ TL7/DEST/BV/FBN/ST	
Selection criteria	R 3.1	
Test purpose	Verify that the IUT, in the Connect Request call state U8, having received a telephony 7 kHz fallback not allowed SETUP message, and having sent a CONNECT message, on receipt of a CONNECT ACKNOWLEDGE message, sends multiframe structures and starts initialization procedure in the B-channel.	
Comments		

6.3 Videotelephony teleservice

6.3.1 Calling user interface

6.3.1.1 Valid behaviour

6.3.1.1.1 Fallback allowed

CV111_01	VTP111_01	
CV111_02	VTP111_02, VTP111_16	
Selection criteria	R 1.2 AND MCu 21.1 AND MCu 22.1	
Combined TSS reference	UT7VAC/VTL/ORIG/BV/FBA	
VTP111_02	Reference to EN 300 267-1 [5]: 7.6, 7.5.1 c), 7.5.1 e)	Other relevant reference:
TSS reference	UT7VAC/VTL/ORIG/BV/FBA/ST_T	
Test purpose	Verify that the IUT, in the Outgoing Call Proceeding call state U3, having sent a videotelephony fallback allowed SETUP message, on receipt of a CONNECT message, containing BC=UDI/TA and HLC=videotelephony_ic, enters the Active call state U10.	
VTP111_16	Reference to EN 300 267-1 [5]: 7.5.1 c), 7.5.1 e)	Other relevant reference:
TSS reference	UT7VAC/VTL/ORIG/BV/FBA/ST	
Selection criteria	R 3.1	
Test purpose	Verify that the IUT, in the Outgoing Call Proceeding call state U3, having sent a videotelephony fallback allowed SETUP message, on receipt of a CONNECT message, containing BC=UDI/TA and HLC=videotelephony_ic, sends multiframe structures and starts initialization procedure in the B-channel.	
Comments	Receipt of CONNECT (BC=UDI/TA, HLC=videotelephony_ic): fallback allowed but did not occur at the destination user.	

CV111_03	VTP111_03, VTP111_17	
Selection criteria	R 1.2 AND MCu 21.1 AND MCu 22.1	
Combined TSS reference	UT7VAC/VTL/ORIG/BV/FBA	
VTP111_03	Reference to EN 300 267-1 [5]: 7.6, 7.5.1 c), 7.5.1 e)	Other relevant reference:
TSS reference	UT7VAC/VTL/ORIG/BV/FBA/ST_T	
Test purpose	Verify that the IUT, in the Call Delivered call state U4, having sent a videotelephony fallback allowed SETUP message, on receipt of a CONNECT message, containing BC=UDI/TA and HLC=videotelephony_ic, enters the Active call state U10.	
VTP111_17	Reference to EN 300 267-1 [5]: 7.5.1 c), 7.5.1 e)	Other relevant reference:
TSS reference	UT7VAC/VTL/ORIG/BV/FBA/ST	
Selection criteria	R 3.1	
Test purpose	Verify that the IUT, in the Call Delivered call state U4, having sent a videotelephony fallback allowed SETUP message, on receipt of a CONNECT message, containing BC=UDI/TA and HLC=videotelephony_ic, sends multiframe structures and starts initialization procedure in the B-channel.	
Comments	Receipt of CONNECT (BC=UDI/TA, HLC=videotelephony_ic): fallback allowed but did not occur at the destination user.	

CV111_04	VTP111_04
CV111_05	VTP111_05

CV111_06	VTP111_06, VTP111_18	
Selection criteria	R 1.2 AND MCu 21.1 AND MCu 22.1	
Combined TSS reference	UT7VAC/VTL/ORIG/BV/FBA	
VTP111_06	Reference to EN 300 267-1 [5]: 7.6, 7.5.1 c), 7.5.1 g)	Other relevant reference:
TSS reference	UT7VAC/VTL/ORIG/BV/FBA/ST_T	
Test purpose	Verify that the IUT, in the Outgoing Call Proceeding call state U3, having sent a videotelephony fallback allowed SETUP message, on receipt of a CONNECT message, containing BC=UDI/TA and HLC=telephony, enters the Active call state U10.	
VTP111_18	Reference to EN 300 267-1 [5]: 7.5.1 c), 7.5.1 g)	Other relevant reference:
TSS reference	UT7VAC/VTL/ORIG/BV/FBA/ST	
Selection criteria	R 3.1	
Test purpose	Verify that the IUT, in the Outgoing Call Proceeding call state U3, having sent a videotelephony fallback allowed SETUP message, on receipt of a CONNECT message, containing BC=UDI/TA and HLC=telephony, sends multiframe structures and starts initialization procedure in the B-channel.	
Comments	Receipt of CONNECT (BC=UDI/TA, HLC=telephony): fallback allowed and occurred, to the telephony 7 kHz teleservice, at the destination user. If the IUT does not support the telephony 7 kHz teleservice, fallback to the telephony 3,1 kHz teleservice will occur in-band.	

CV111_07	VTP111_07, VTP111_19	
Selection criteria	R 1.2 AND MCu 21.1 AND MCu 22.1	
Combined TSS reference	UT7VAC/VTL/ORIG/BV/FBA	
VTP111_07	Reference to EN 300 267-1 [5]: 7.6, 7.5.1 c), 7.5.1 g)	Other relevant reference:
TSS reference	UT7VAC/VTL/ORIG/BV/FBA/ST_T	
Test purpose	Verify that the IUT, in the Call Delivered call state U4, having sent a videotelephony fallback allowed SETUP message, on receipt of a CONNECT message, containing BC=UDI/TA and HLC=telephony, enters the Active call state U10.	
VTP111_19	Reference to EN 300 267-1 [5]: 7.5.1 c), 7.5.1 g)	Other relevant reference:
TSS reference	UT7VAC/VTL/ORIG/BV/FBA/ST	
Selection criteria	R 3.1	
Test purpose	Verify that the IUT, in the Call Delivered call state U4, having sent a videotelephony fallback allowed SETUP message, on receipt of a CONNECT message, containing BC=UDI/TA and HLC=telephony, sends multiframe structures and starts initialization procedure in the B-channel.	
Comments	Receipt of CONNECT (BC=UDI/TA, HLC=telephony): fallback allowed and occurred, to the telephony 7 kHz teleservice, at the destination user. If the IUT does not support the telephony 7 kHz teleservice, fallback to the telephony 3,1 kHz teleservice will occur in-band.	

CV111_08	VTP111_08
CV111_09	VTP111_09
CV111_10	VTP111_10
CV111_11	VTP111_23
CV111_12	VTP111_24
CV111_13	VTP111_25
CV111_14	VTP111_26
CV111_15	VTP111_27

6.3.1.1.2 Fallback not allowed

CV112_01	VTP112_01	
CV112_02	VTP112_02, VTP112_04	
Selection criteria	R 1.2	
Combined TSS reference	UT7VAC/VTL/ORIG/BV/FBN	
VTP112_02	Reference to EN 300 267-1 [5]: 7.5.1 3)	Other relevant reference:
TSS reference	UT7VAC/VTL/ORIG/BV/FBN/ST_T	
Test purpose	Verify that the IUT, in the Outgoing Call Proceeding call state U3, having sent a videotelephony fallback not allowed SETUP message, on receipt of a CONNECT message not containing BC, enters the Active call state U10.	
VTP112_04	Reference to EN 300 267-1 [5]: 7.5.1 3)	Other relevant reference:
TSS reference	UT7VAC/VTL/ORIG/BV/FBN/ST	
Selection criteria	R 3.1	
Test purpose	Verify that the IUT, in the Outgoing Call Proceeding call state U3, having sent a videotelephony fallback not allowed SETUP message, on receipt of a CONNECT message, not containing BC, sends multiframe structures and starts initialization procedure in the B-channel.	
Comments	Receipt of CONNECT (no BC), fallback not allowed.	

CV112_03	VTP112_03, VTP112_05	
Selection criteria	R 1.2	
Combined TSS reference	UT7VAC/VTL/ORIG/BV/FBN	
VTP112_03	Reference to EN 300 267-1 [5]: 7.5.1 3)	Other relevant reference:
TSS reference	UT7VAC/VTL/ORIG/BV/FBN/ST_T	
Test purpose	Verify that the IUT, in the Call Delivered call state U4, having sent a videotelephony fallback not allowed SETUP message, on receipt of a CONNECT message, not containing BC, enters the Active call state U10.	
VTP112_05	Reference to EN 300 267-1 [5]: 7.5.1 3)	Other relevant reference:
TSS reference	UT7VAC/VTL/ORIG/BV/FBN/ST	
Selection criteria	R 3.1	
Test purpose	Verify that the IUT, in the Call Delivered call state U4, having sent a videotelephony fallback not allowed SETUP message, on receipt of a CONNECT message, not containing BC, sends multiframe structures and starts initialization procedure in the B-channel.	
Comments	Receipt of CONNECT (no BC), fallback not allowed.	

6.3.1.1.3 Connection management

CV113_01	VTP113_01
CV113_02	VTP113_02
CV113_03	VTP113_03
CV113_04	VTP113_04

CV113_05	VTP113_05, VTP113_06	
Selection criteria	EN 300 403-3 [8] R 3.1 AND R 1.2 AND MC 1.6 AND MCu 6	
Combined TSS reference	UT7VAC/VTL/ORIG/BV/CMN	
VTP113_05	Reference to EN 300 267-1 [5]: 7.5.6	Other relevant reference: <i>EN 300 403-1 [2] 5.6.1</i>
TSS reference	UT7VAC/VTL/ORIG/BV/CMN/ST	
Test purpose	Verify that the IUT, in the Active call state U10 for CR1 and CR2, on request for call rearrangement by the user in a basic access configuration, before sending a SUSPEND message for CR1 and CR2, switches to mode 0U (unframed), A-law in the B-channel.	
VTP113_06	Reference to EN 300 267-1 [5]: 7.5.6	Other relevant reference: <i>EN 300 403-1 [2] 5.6.1</i>
TSS reference	UT7VAC/VTL/ORIG/BV/CMN/ST	
Test purpose	Verify that the IUT, in the Active call state U10 for CR1 and CR2, on request for call rearrangement by the user in a basic access configuration, sends a SUSPEND message for CR1 and CR2, each containing a Call identity information element with its call identity field set to a different value and enters the Suspend Request call state U15.	
Comments	Switching to mode 0U (unframed), A-law in the B-channel follows procedure P described in ETS 300 145 [4], subclause 6.3.1.	

CV113_07	VTP113_07
CV113_08	VTP113_08

6.3.2 Called user interface

6.3.2.1 Valid behaviour

6.3.2.1.1 Fallback allowed

CV211_01	VTP211_01, VTP211_04, VTP211_09	
Selection criteria	R 1.2 AND MCu 21.2 AND MCu 22.2	
Combined TSS reference	UT7VAC/VTL/DEST/BV/FBA	
VTP211_01	Reference to EN 300 267-1 [5]: 7.5.2 a)	Other relevant reference: EN 300 403-1 [2] 5.2
TSS reference	UT7VAC/VTL/DEST/BV/FBA/ST_T	
Test purpose	Verify that the IUT, in the Null call state U0, receiving a videotelephony call for which fallback is allowed, accepts a SETUP containing two BCs, with the first BC=speech and the second BC=UDI/TA, and two HLCs, with the first HLC=telephony and the second HLC=videotelephony_ic, and not containing LLC and continues with normal basic call handling.	
VTP211_04	Reference to EN 300 267-1 [5]: 7.5.2 b), 7.5.2 c)	Other relevant reference: EN 300 403-1 [2] 5.2
TSS reference	UT7VAC/VTL/DEST/BV/FBA/ST	
Selection criteria	R 3.1	
Test purpose	Verify that the IUT, in the Call Present call state U6, having received a videotelephony fallback allowed SETUP message, sends a CONNECT message containing BC=UDI/TA and HLC=videotelephony_ic and enters the Connect Request call state U8.	
VTP211_09	Reference to EN 300 267-1 [5]: 7.6 b), 7.6 c)	Other relevant reference:
TSS reference	UT7VAC/VTL/DEST/BV/FBA/PT	
Selection criteria	R 3.2	
Test purpose	Verify that the IUT, in the Call Present call state U6, having received a videotelephony fallback allowed SETUP message, is capable of sending a CONNECT message containing BC=UDI/TA and HLC=videotelephony_nex or HLC=videotelephony_ic and enters the Connect Request call state U8.	
Comments	Fallback allowed but did not occur	

CV211_02	VTP211_02, VTP211_05	
Selection criteria	R 1.2 AND MCu 21.2 AND MCu 22.2	
Combined TSS reference	UT7VAC/VTL/DEST/BV/FBA	
VTP211_02	Reference to EN 300 267-1 [5]: 7.5.2 d)	Other relevant reference: EN 300 403-1 [2] 5.2
TSS reference	UT7VAC/VTL/DEST/BV/FBA/ST_T	
Test purpose	Verify that the IUT, in the Connect Request call state U8, having received a videotelephony fallback allowed SETUP message, and having sent a CONNECT message, containing BC=UDI/TA and HLC=videotelephony_ic or videotelephony_nex, on receipt of a CONNECT ACKNOWLEDGE message, enters the Active call state U10.	
VTP211_05	Reference to EN 300 267-1 [5]: 7.5.2 d)	Other relevant reference: EN 300 403-1 [2] 5.2
TSS reference	UT7VAC/VTL/DEST/BV/FBA/ST	
Selection criteria	R 3.1	
Test purpose	Verify that the IUT, in the Connect Request call state U8, having received a videotelephony fallback allowed SETUP message, and having sent a CONNECT message, containing BC=UDI/TA and HLC=videotelephony_ic, on receipt of a CONNECT ACKNOWLEDGE message, sends multiframe structures and starts initialization procedure in the B-channel.	
Comments	Sending of CONNECT: fallback allowed but did not occur.	

CV211_07	VTP211_05
CV211_08	VTP211_06
CV211_10	VTP211_08
CV211_11	VTP211_09
CV211_12	VTP211_10

CV211_03	VTP211_03, VTP211_06	
Selection criteria	R 1.2 AND MCu 21.2 AND MCu 22.2	
Combined TSS reference	UT7VAC/VTL/UT7V/DEST/BV/VTL/FBA	
VTP211_03	Reference to EN 300 267-1 [5]: 7.5.2 d)	Other relevant reference: EN 300 403-1 [2] 5.2
TSS reference	UT7VAC/VTL/DEST/BV/FBA/ST_T	
Test purpose	Verify that the IUT, in the Connect Request call state U8, having received a videotelephony fallback allowed SETUP message, and having sent a CONNECT message, containing BC=UDI/TA and HLC=videotelephony_nex, on receipt of a CONNECT ACKNOWLEDGE message, enters the Active call state U10.	
Cross reference		
Comments	Fallback allowed but did not occur	
VTP211_06	Reference to EN 300 267-1 [5]: 7.5.2 d)	Other relevant reference: EN 300 403-1 [2] 5.2
TSS reference	UT7VAC/VTL/DEST/BV/FBA/ST	
Selection criteria	R 3.1	
Test purpose	Verify that the IUT, in the Connect Request call state U8, having received a videotelephony fallback allowed SETUP message, and having sent a CONNECT message, containing BC=UDI/TA and HLC=videotelephony_nex, on receipt of a CONNECT ACKNOWLEDGE message, sends multiframe structures and starts initialization procedure in the B-channel.	
Cross reference		
Comments		

6.3.2.1.2 Fallback not allowed

CV212_01	VTP212_01, VTP212_02	
Selection criteria	R 1.2	
Combined TSS reference	UT7VAC/VTL/DEST/BV/FBN	
VTP212_01	Reference to EN 300 267-1 [5]: 7.5.2 1)	Other relevant reference: EN 300 403-1 [2] 5.2
TSS reference	UT7VAC/VTL/DEST/BV/FBN/ST_T	
Test purpose	Verify that the IUT, in the Null call state U0, receiving a videotelephony call for which fallback is not allowed, accepts a SETUP message containing a single BC=UDI/TA and a single HLC=videotelephony_ic and responds with a CALL PROCEEDING, ALERTING or CONNECT message and enters the relevant basic call state.	
VTP212_02	Reference to EN 300 267-1 [5]: 7.5.2 2)	Other relevant reference: EN 300 403-1 [2] 5.2
TSS reference	UT7VAC/VTL/DEST/BV/FBN/ST	
Selection criteria	R 3.1	
Test purpose	Verify that the IUT, in the Connect Request call state U8, having received a videotelephony fallback not allowed SETUP message, and having sent a CONNECT message, on receipt of a CONNECT ACKNOWLEDGE message, sends multiframe structures and starts initialization procedure in the B-channel.	
Comments		

6.3.2.1.3 Connection management

CV213_01	VTP213_01
CV213_02	VTP213_02

6.4 Audiographic conference teleservice

6.4.1 Calling user interface

6.4.1.1 Valid behaviour

6.4.1.1.1 Fallback allowed

CA111_01	ATP111_01
CA111_04	ATP111_04
CA111_05	ATP111_05
CA111_08	ATP111_08
CA111_09	ATP111_09
CA111_10	ATP111_10
CA111_11	ATP111_23
CA111_12	ATP111_24
CA111_13	ATP111_25

CA111_02	ATP111_02, ATP111_14	
Selection criteria	R 1.3 AND MCu 21.1 AND MCu 22.1	
Combined TSS reference	UT7VAC/AGC/ORIG/BV/AGC/FBA/ST_T	
ATP111_02	Reference to EN 300 267-1 [5]: 8.6, 8.5.1 c), 8.5.1 e)	Other relevant reference:
TSS reference	UT7VAC/AGC/ ORIG/BV/CMN/PT	
Test purpose	Verify that the IUT, in the Outgoing Call Proceeding call state U3, having sent an audiographic conference fallback allowed SETUP message, on receipt of a CONNECT message, containing BC=UDI/TA and HLC=audiographic_ic, enters the Active call state U10.	
ATP111_14	Reference to EN 300 267-1 [5]: 8.5.1 c), 8.5.1 e)	Other relevant reference:
TSS reference	UT7VAC/AGC/ORIG/BV/AGC/FBA/ST	
Selection criteria	R 3.1	
Test purpose	Verify that the IUT, in the Outgoing Call Proceeding call state U3, having sent an audiographic conference fallback allowed SETUP message, on receipt of a CONNECT message, containing BC=UDI/TA and HLC=audiographic_ic, sends multiframe structures and starts initialization procedure in the B-channel.	
Comments	Receipt of CONNECT (BC=UDI/TA, HLC=audiographic_ic): fallback allowed but did not occur at the destination user.	

CA111_03	ATP111_03, ATP111_15	
ATP111_03	Reference to EN 300 267-1 [5]: 8.6, 8.5.1 c), 8.5.1 e)	Other relevant reference:
Selection criteria	R 1.3 AND MCu 21.1 AND MCu 22.1	
TSS reference	UT7VAC/AGC/ORIG/BV/AGC/FBA/ST_T	
Test purpose	Verify that the IUT, in the Call Delivered call state U4, having sent an audiographic conference fallback allowed SETUP message, on receipt of a CONNECT message, containing BC=UDI/TA and HLC=audiographic_ic, enters the Active call state U10.	
ATP111_15	Reference to EN 300 267-1 [5]: 8.5.1 c), 8.5.1 e)	Other relevant reference:
TSS reference	UT7VAC/AGC/ORIG/BV/AGC/FBA/ST	
Selection criteria	R 3.1	
Test purpose	Verify that the IUT, in the Call Delivered call state U4, having sent an audiographic conference fallback allowed SETUP message, on receipt of a CONNECT message, containing BC=UDI/TA and HLC=audiographic_ic, sends multiframe structures and starts initialization procedure in the B-channel.	
Comments	Receipt of CONNECT (BC=UDI/TA, HLC=audiographic_ic): fallback allowed but did not occur at the destination user.	

CA111_06	ATP111_06, ATP111_16	
ATP111_06	Reference to EN 300 267-1 [5]: 8.6, 8.5.1 c), 8.5.1 g)	Other relevant reference:
Selection criteria	R 1.3 AND MCu 21.1 AND MCu 22.1	
TSS reference	UT7VAC/AGC/ORIG/BV/AGC/FBA/ST_T	
Test purpose	Verify that the IUT, in the Outgoing Call Proceeding call state U3, having sent an audiographic conference fallback allowed SETUP message, on receipt of a CONNECT message, containing BC=UDI/TA and HLC=telephony, enters the Active call state U10.	
ATP111_16	Reference to EN 300 267-1 [5]: 8.5.1 c), 8.5.1 e)	Other relevant reference:
TSS reference	UT7VAC/AGC/ORIG/BV/AGC/FBA/ST	
Selection criteria	R 3.1	
Test purpose	Verify that the IUT, in the Outgoing Call Proceeding call state U3, having sent an audiographic conference fallback allowed SETUP message, on receipt of a CONNECT message, containing BC=UDI/TA and HLC=telephony, sends multiframe structures and starts initialization procedure in the B-channel.	
Comments	Receipt of CONNECT (BC=UDI/TA, HLC=telephony): fallback allowed and occurred, to the telephony 7 kHz teleservice, at the destination user.	

CA111_07	ATP111_07, ATP111_17	
ATP111_07	Reference to EN 300 267-1 [5]: 8.6, 8.5.1 c), 8.5.1 g), 6.5.1 e)	Other relevant reference:
Selection criteria	R 1.3 AND MCu 21.1 AND MCu 22.1	
TSS reference	UT7VAC/AGC/ORIG/BV/AGC/FBA/ST_T	
Test purpose	Verify that the IUT, in the Call Delivered call state U4, having sent an audiographic conference fallback allowed SETUP message, on receipt of a CONNECT message, containing BC=UDI/TA and HLC=telephony, enters the Active call state U10.	
ATP111_17	Reference to EN 300 267-1 [5]: 8.5.1 c), 8.5.1 g), 6.5.1 e)	Other relevant reference:
TSS reference	UT7VAC/AGC/ORIG/BV/AGC/FBA/ST	
Selection criteria	R 3.1	
Test purpose	Verify that the IUT, in the Call Delivered call state U4, having sent an audiographic conference fallback allowed SETUP message, on receipt of a CONNECT message, containing BC=UDI/TA and HLC=telephony, sends multiframe structures and starts initialization procedure in the B-channel.	
Comments	Receipt of CONNECT (BC=UDI/TA, HLC=telephony): fallback allowed and occurred, to the telephony 7 kHz teleservice, at the destination user.	

6.4.1.1.2 Fallback not allowed

CA112_01	ATP112_01	
CA112_02	ATP112_02, ATP112_04	
ATP112_02	Reference to EN 300 267-1 [5]: 8.5.1.1 3)	Other relevant reference:
Selection criteria	R 1.3	
TSS reference	UT7VAC/AGC/ORIG/BV/AGC/FBN/ST_T	
Test purpose	Verify that the IUT, in the Outgoing Call Proceeding call state U3, having sent an audiographic fallback not allowed SETUP message, on receipt of a CONNECT message not containing BC or HLC, enters the Active call state U10.	
ATP112_04	Reference to EN 300 267-1 [5]: 8.5.1.1 3)	Other relevant reference:
TSS reference	UT7VAC/AGC/ORIG/BV/AGC/FBN/ST	
Selection criteria	R 3.1	
Test purpose	Verify that the IUT, in the Outgoing Call Proceeding call state U3, having sent an audiographic fallback not allowed SETUP message, on receipt of a CONNECT message, not containing BC or HLC, sends multiframe structures and starts initialization procedure in the B-channel.	
Comments	Receipt of CONNECT (no BC), fallback not allowed.	

CA112_03	ATP112_03, ATP112_05	
ATP112_03	Reference to EN 300 267-1 [5]: 8.5.1.1.3)	Other relevant reference:
Selection criteria	R 1.3	
TSS reference	UT7VAC/AGC/ORIG/BV/AGC/FBN/ST_T	
Test purpose	Verify that the IUT, in the Call Delivered call state U4, having sent an audiographic fallback not allowed SETUP message, on receipt of a CONNECT message not containing BC or HLC, enters the Active call state U10.	
ATP112_05	Reference to EN 300 267-1 [5]: 8.5.1.1.3)	Other relevant reference:
TSS reference	UT7VAC/AGC/ORIG/BV/AGC/FBN/ST	
Selection criteria	R 3.1	
Test purpose	Verify that the IUT, in the Call Delivered call state U4, having sent an audiographic fallback not allowed SETUP message, on receipt of a CONNECT message, not containing BC or HLC, sends multiframe structures and starts initialization procedure in the B-channel.	
Comments	Receipt of CONNECT (no BC), fallback not allowed.	

6.4.1.1.3 Connection management

CA113_01	ATP113_01
CA113_02	ATP113_02
CA113_03	ATP113_03
CA113_06	ATP113_06

CA113_04	ATP113_04, ATP113_05	
ATP113_04	Reference to EN 300 267-1 [5]: 8.5.6	Other relevant reference:
Selection criteria	EN 300 403-3 [8] R 3.1 AND R 1.3 AND MC 1.6 AND MCu 6	
TSS reference	UT7VAC/AGC/ORIG/BV/AGC/CMN/ST	
Test purpose	Verify that the IUT in the Active call state U10 for CR1 and CR2, on request for call rearrangement by the user in a basic access configuration, before sending a SUSPEND message for CR1 and CR2, switches to mode 0U (unframed), using procedure P in the B-channel.	
ATP113_05	Reference to EN 300 267-1 [5]: 8.5.6	Other relevant reference:
TSS reference	UT7VAC/AGC/ORIG/BV/AGC/CMN/ST	
Test purpose	Verify that the IUT, in the Active call state U10 for CR1 and CR2, on request for call rearrangement by the user in a basic access configuration, sends a SUSPEND message for CR1 and CR2, each containing a Call identity information element with its call identity field set to a different value and enters the Suspend Request call state U15.	
Comments	Switching to mode 0U (unframed), A-law in the B-channel follows procedure P described in ETS 300 145 [4], subclause 6.3.1.	

6.4.2 Called user interface

6.4.2.1 Valid behaviour

6.4.2.1.1 Fallback allowed

CA211_07	ATP211_07
CA211_08	ATP211_08
CA211_10	ATP211_10
CA211_11	ATP211_11
CA211_12	ATP211_12

CA211_01	ATP211_01, ATP211_04, ATP211_09	
ATP211_01	Reference to EN 300 267-1 [5]: 8.5.2 a)	Other relevant reference:
Selection criteria	R 1.3 AND MCu 21.2 AND MCu 22.2	
TSS reference	UT7VAC/AGC/DEST/BV/AGC/FBA/ST_T	
Test purpose	Verify that the IUT, in the Null call state U0, receiving an audiographic conference call for which fallback is allowed, accepts a SETUP containing two BCs, with the first BC=speech and the second BC=UDI/TA, and two HLCs, with the first HLC=telephony and the second HLC=audiographic_ic, and not containing LLC and continues with normal basic call handling.	
ATP211_04	Reference to EN 300 267-1 [5]: 8.5.2 b), 8.5.2 c)	Other relevant reference:
Selection criteria	R 3.1	
TSS reference	UT7VAC/AGC/DEST/BV/AGC/FBA/ST	
Test purpose	Verify that the IUT, in the Call Present call state U6, having received an audiographic conference fallback allowed SETUP message, sends a CONNECT message containing BC=UDI/TA and HLC=audiographic_ic and enters the Connect Request call state U8.	
ATP211_09	Reference to EN 300 267-1 [5]: 7.6 b), 7.6 c)	Other relevant reference:
TSS reference	UT7VAC/AGC/DEST/BV/AGC/FBA/PT	
Selection criteria	R 3.2	
Test purpose	Verify that the IUT, in the Call Present call state U6, having received an audiographic conference fallback allowed SETUP message, is capable of sending a CONNECT message containing BC=UDI/TA and HLC=audiographic_nex or HLC=audiographic_ic and enters the Connect Request call state U8.	
Comments	Sending of CONNECT: fallback allowed but did not occur.	

CA211_02	ATP211_02, ATP211_05	
ATP211_02	Reference to EN 300 267-1 [5]: 8.5.2 d)	Other relevant reference:
Selection criteria	R 1.3 AND MCu 21.2 AND MCu 22.2	
TSS reference	UT7VAC/AGC/DEST/BV/AGC/FBA/ST_T	
Test purpose	Verify that the IUT, in the Connect Request call state U8, having received an audiographic conference fallback allowed SETUP message, and having sent a CONNECT message, containing BC=UDI/TA and HLC=audiographic_ic or audiographic_nex, on receipt of a CONNECT ACKNOWLEDGE message, enters the Active call state U10.	
ATP211_05	Reference to EN 300 267-1 [5]: 8.5.2 d)	Other relevant reference:
Selection criteria	R 3.1	
TSS reference	UT7VAC/AGC/DEST/BV/AGC/FBA/ST	
Test purpose	Verify that the IUT, in the Connect Request call state U8, having received an audiographic conference fallback allowed SETUP message, and having sent a CONNECT message, containing BC=UDI/TA and HLC=audiographic_ic, on receipt of a CONNECT ACKNOWLEDGE message, sends multiframe structures and starts initialization procedure in the B-channel.	
Comments	Sending of CONNECT: fallback allowed but did not occur.	

CA211_03	ATP211_03, ATP211_06	
ATP211_03	Reference to EN 300 267-1 [5]: 8.5.2 d)	Other relevant reference:
Selection criteria	R 1.3 AND MCu 21.2 AND MCu 22.2	
TSS reference	UT7VAC/AGC/DEST/BV/AGC/FBA/ST_T	
Test purpose	Verify that the IUT, in the Connect Request call state U8, having received an audiographic conference fallback allowed SETUP message, and having sent a CONNECT message, containing BC=UDI/TA and HLC=audiographic_nex, on receipt of a CONNECT ACKNOWLEDGE message, enters the Active call state U10.	
ATP211_06	Reference to EN 300 267-1 [5]: 8.5.2 d)	Other relevant reference:
Selection criteria	R 3.1	
TSS reference	UT7VAC/AGC/DEST/BV/AGC/FBA/ST	
Test purpose	Verify that the IUT, in the Connect Request call state U8, having received an audiographic conference fallback allowed SETUP message, and having sent a CONNECT message, containing BC=UDI/TA and HLC=audiographic_nex, on receipt of a CONNECT ACKNOWLEDGE message, sends multiframe structures and starts initialization procedure in the B-channel.	
Comments	Sending of CONNECT: fallback allowed but did not occur.	

6.4.2.1.2 Fallback not allowed

CA212_01	ATP212_01, ATP212_02	
ATP212_01	Reference to EN 300 267-1 [5]: 8.5.2 1)	Other relevant reference:
Selection criteria	R 1.3	
TSS reference	UT7VAC/AGC/DEST/BV/AGC/FBN/ST_T	
Test purpose	Verify that the IUT, in the Null call state U0, receiving an audiographic conference call for which fallback is not allowed, accepts a SETUP message containing a single BC=UDI/TA and a single HLC=audiographic_ic and responds with a CALL PROCEEDING, ALERTING or CONNECT message and enters the relevant basic call state.	
ATP212_02	Reference to EN 300 267-1 [5]: 8.5.2 2)	Other relevant reference:
Selection criteria	R 3.1	
TSS reference	UT7VAC/AGC/DEST/BV/AGC/FBN/ST	
Test purpose	Verify that the IUT, in the Connect Request call state U8, having received an audiographic fallback not allowed SETUP message, and having sent a CONNECT message, on receipt of a CONNECT ACKNOWLEDGE message, sends multiframe structures and starts initialization procedure in the B-channel	
Comments		

6.4.2.1.3 Connection management

CA213_01	ATP213_01
CA213_02	ATP213_02

6.5 Videoconference teleservice

6.5.1 Calling user interface

6.5.1.1 Valid behaviour

6.5.1.1.1 Fallback allowed

CC111_01	CTP111_01
CC111_04	CTP111_04
CC111_05	CTP111_05
CC111_08	CTP111_08
CC111_09	CTP111_09
CC111_10	CTP111_10
CC111_11	CTP111_11
CC111_12	CTP111_12
CC111_13	CTP111_13

CC111_02	CTP111_02, CTP111_14	
Selection criteria	R 1.4 AND MCu 21.1 AND MCu 22.1	
Combined TSS reference	UT7VAC/VCF/ORIG/BV/FBA	
CTP111_02	Reference to EN 300 267-1 [5]: 9.6, 9.5.1.1 c), 9.5.1.1 e)	Other relevant reference:
TSS reference	UT7VAC/VCF/ORIG/BV/FBA/ST_T	
Test purpose	Verify that the IUT, in the Outgoing Call Proceeding call state U3, having sent a videoconference fallback allowed SETUP message, on receipt of a CONNECT message, containing BC=UDI/TA and HLC=videoconf_ic, enters the Active call state U10.	
CTP111_14	Reference to EN 300 267-1 [5]: 9.5.1.1 c), 9.5.1.1 e)	Other relevant reference:
TSS reference	UT7VAC/VCF/ORIG/BV/FBA/ST	
Selection criteria	R 3.1	
Test purpose	Verify that the IUT, in the Outgoing Call Proceeding call state U3, having sent a videoconference fallback allowed SETUP message, on receipt of a CONNECT message, containing BC=UDI/TA and HLC=videoconf_ic, sends multiframe structures and starts initialization procedure in the B-channel.	
Comments	Receipt of CONNECT (BC=UDI/TA, HLC=videoconf_ic): fallback allowed but did not occur at the destination user.	

CC111_03	CTP111_03, CTP111_15	
Selection criteria	R 1.4 AND MCu 21.1 AND MCu 22.1	
Combined TSS reference	UT7VAC/VCF/ORIG/BV/FBA	
CTP111_03	Reference to EN 300 267-1 [5]: 9.6, 9.5.1.1 c), 9.5.1.1 e)	Other relevant reference:
TSS reference	UT7VAC/VCF/ORIG/BV/FBA/ST_T	
Test purpose	Verify that the IUT, in the Call Delivered call state U4, having sent a videoconference fallback allowed SETUP message, on receipt of a CONNECT message, containing BC=UDI/TA and HLC=videoconf_ic, enters the Active call state U10.	
CTP111_15	Reference to EN 300 267-1 [5]: 9.5.1.1 c), 9.5.1.1 e)	Other relevant reference:
TSS reference	UT7VAC/VCF/ORIG/BV/FBA/ST	
Selection criteria	R 3.1	
Test purpose	Verify that the IUT, in the Call Delivered call state U4, having sent a videoconference fallback allowed SETUP message, on receipt of a CONNECT message, containing BC=UDI/TA and HLC=videoconf_ic, sends multiframe structures and starts initialization procedure in the B-channel.	
Comments	Receipt of CONNECT (BC=UDI/TA, HLC=videoconf_ic): fallback allowed but did not occur at the destination user.	

CC111_06	CTP111_06, CTP111_16	
Selection criteria	R 1.4 AND MCu 21.1 AND MCu 22.1	
Combined TSS reference	UT7VAC/VCF/ORIG/BV/FBA	
CTP111_06	Reference to EN 300 267-1 [5]: 9.6, 9.5.1.1 c), 9.5.1.1 g), 6.5.1.1 e)	Other relevant reference:
TSS reference	UT7VAC/VCF/ORIG/BV/FBA/ST_T	
Test purpose	Verify that the IUT, in the Outgoing Call Proceeding call state U3, having sent a videoconference fallback allowed SETUP message, on receipt of a CONNECT message, containing BC=UDI/TA and HLC=telephony, enters the Active call state U10.	
CTP111_16	Reference to EN 300 267-1 [5]: 9.5.1.1 c), 9.5.1.1 g), 6.5.1.1 e)	Other relevant reference:
TSS reference	UT7VAC/VCF/ORIG/BV/FBA/ST	
Selection criteria	R 3.1	
Test purpose	Verify that the IUT, in the Outgoing Call Proceeding call state U3, having sent a videoconference fallback allowed SETUP message, on receipt of a CONNECT message, containing BC=UDI/TA and HLC=telephony, sends multiframe structures and starts initialization procedure in the B-channel.	
Comments	Receipt of CONNECT (BC=UDI/TA, HLC=telephony): fallback allowed and occurred, to the telephony 7 kHz teleservice, at the destination user. If the IUT does not support the telephony 7 kHz teleservice, fallback to the telephony 3,1 kHz teleservice will occur in-band.	

CC111_07	CTP111_07, CTP111_17	
Selection criteria	R 1.4 AND MCu 21.1 AND MCu 22.1	
Combined TSS reference	UT7VAC/VCF/ORIG/BV/FBA	
CTP111_07	Reference to EN 300 267-1 [5]: 9.6, 9.5.1.1 c), 9.5.1.1 g), 6.5.1.1 e)	Other relevant reference:
TSS reference	UT7VAC/VCF/ORIG/BV/FBA/ST_T	
Test purpose	Verify that the IUT, in the Call Delivered call state U4, having sent a videoconference fallback allowed SETUP message, on receipt of a CONNECT message, containing BC=UDI/TA and HLC=telephony, enters the Active call state U10.	
CTP111_17	Reference to EN 300 267-1 [5]: 9.5.1.1 c), 9.5.1.1 g), 6.5.1.1 e)	Other relevant reference:
TSS reference	UT7VAC/VCF/ORIG/BV/FBA/ST	
Selection criteria	R 3.1	
Test purpose	Verify that the IUT, in the Call Delivered call state U4, having sent a videoconference fallback allowed SETUP message, on receipt of a CONNECT message, containing BC=UDI/TA and HLC=telephony, sends multiframe structures and starts initialization procedure in the B-channel.	
Comments	Receipt of CONNECT (BC=UDI/TA, HLC=telephony): fallback allowed and occurred, to the telephony 7 kHz teleservice, at the destination user. If the IUT does not support the telephony 7 kHz teleservice, fallback to the telephony 3,1 kHz teleservice will occur in-band.	

6.5.1.1.2 Fallback not allowed

CC112_01	CTP112_01	
CC112_02	CTP112_02, CTP112_04	
Selection criteria	R 1.4	
Combined TSS reference	UT7VAC/VCF/ORIG/BV/FBN	
CTP112_02	Reference to EN 300 267-1 [5]: 9.5.1.1 3)	Other relevant reference:
TSS reference	UT7VAC/VCF/ORIG/BV/FBN/ST_T	
Test purpose	Verify that the IUT, in the Outgoing Call Proceeding call state U3, having sent a videoconference fallback not allowed SETUP message, on receipt of a CONNECT message not containing BC, enters the Active call state U10.	
CTP112_04	Reference to EN 300 267-1 [5]: 9.5.1.1 3)	Other relevant reference:
TSS reference	UT7VAC/VCF/ORIG/BV/FBN/ST	
Selection criteria	R 3.1	
Test purpose	Verify that the IUT, in the Outgoing Call Proceeding call state U3, having sent a videoconference fallback not allowed SETUP message, on receipt of a CONNECT message, not containing BC, sends multiframe structures and starts initialization procedure in the B-channel.	
Comments	Receipt of CONNECT (no BC), fallback not allowed.	

CC112_03	CTP112_03, CTP112_05	
Selection criteria	R 1.4	
Combined TSS reference	UT7VAC/VCF/ORIG/BV/FBN	
CTP112_03	Reference to EN 300 267-1 [5]: 9.5.1.1 3)	Other relevant reference:
TSS reference	UT7VAC/VCF/ORIG/BV/FBN/ST_T	
Test purpose	Verify that the IUT, in the Call Delivered call state U4, having sent a videoconference fallback not allowed SETUP message, on receipt of a CONNECT message, not containing BC, enters the Active call state U10.	
CTP112_05	Reference to EN 300 267-1 [5]: 9.5.1.1 3)	Other relevant reference:
TSS reference	UT7VAC/VCF/ORIG/BV/FBN/ST	
Selection criteria	R 3.1	
Test purpose	Verify that the IUT, in the Call Delivered call state U4, having sent a videoconference fallback not allowed SETUP message, on receipt of a CONNECT message, not containing BC, sends multiframe structures and starts initialization procedure in the B-channel.	
Comments	Receipt of CONNECT (no BC), fallback not allowed.	

6.5.1.1.3 Connection management

CC113_01	CTP113_01
CC113_02	CTP113_02
CC113_03	CTP113_03
CC113_06	CTP113_06

CC113_04	CTP113_04, CTP113_05	
Selection criteria	R 3.1 AND R 1.4 AND MC 1.6 AND MCu 6	
Combined TSS reference	UT7VAC/VCF/ORIG/BV/CMN	
CTP113_04	Reference to EN 300 267-1 [5]: 9.5.6	Other relevant reference: EN 300 403-1 [2] 5.6.1
TSS reference	UT7VAC/VCF/ORIG/BV/CMN/ST	
Test purpose	Verify that the IUT, in the Active call state U10 for CR1 and CR2, on request for call rearrangement by the user in a basic access configuration, before sending a SUSPEND message for CR1 and CR2, switches to mode 0U (unframed), A-law in the B-channel.	
CTP113_05	Reference to EN 300 267-1 [5]: 9.5.6	Other relevant reference: EN 300 403-1 [2] 5.6.1
TSS reference	UT7VAC/VCF/ORIG/BV/CMN/ST	
Test purpose	Verify that the IUT, in the Active call state U10 for CR1 and CR2, on request for call rearrangement by the user in a basic access configuration, sends a SUSPEND message for CR1 and CR2, each containing a Call identity information element with its call identity field set to a different value and enters the Suspend Request call state U15.	
Comments	Switching to mode 0U (unframed), A-law in the B-channel follows procedure P described in ETS 300 145 [4], subclause 6.3.1.	

6.5.2 Called user interface

6.5.2.1 Valid behaviour

6.5.2.1.1 Fallback allowed

CC211_07	CTP211_07
CC211_08	CTP211_08
CC211_10	CTP211_10
CC211_11	CTP211_11
CC211_12	CTP211_12

CC211_01	CTP211_01, CTP211_04, CTP211_09	
Selection criteria	R 1.4 AND MCu 21.2 AND MCu 22.2	
Combined TSS reference	UT7VAC/VCF/DEST/BV/FBA	
CTP211_01	Reference to EN 300 267-1 [5]: 9.5.2.1 a)	Other relevant reference: EN 300 403-1 [2] 5.2
TSS reference	UT7VAC/VCF/DEST/BV/FBA/ST_T	
Test purpose	Verify that the IUT, in the Null call state U0, receiving a videoconference call for which fallback is allowed, accepts a SETUP containing two BCs, with the first BC=speech and the second BC=UDI/TA, and two HLCs, with the first HLC=telephony and the second HLC=videoconf_ic, and not containing LLC and continues with normal basic call handling.	
CTP211_04	Reference to EN 300 267-1 [5]: 9.5.2.1 b), 9.5.2.1 c), 5.5.2.1, 5.5.4.1	Other relevant reference: EN 300 403-1 [2] 5.2, 5.11.2.1, 5.12.2.1
TSS reference	UT7VAC/VCF/DEST/BV/FBA/ST	
Selection criteria	R 3.1	
Test purpose	Verify that the IUT, in the Call Present call state U6, having received a videoconference fallback allowed SETUP message, sends a CONNECT message containing BC=UDI/TA and HLC=videoconf_ic and enters the Connect Request call state U8.	
CTP211_09	Reference to EN 300 267-1 [5]: 9.6.1 b), 9.6.1 c)	Other relevant reference: EN 300 403-1 [2] 5.11.3.2.1, 5.12.3.2.1
TSS reference	UT7VAC/VCF/DEST/BV/FBA/PT	
Selection criteria	R 3.2	
Test purpose	Verify that the IUT, in the Call Present call state U6, having received a videoconference fallback allowed SETUP message, is capable of sending a CONNECT message containing BC=UDI/TA and HLC=videoconf_nex or HLC=videoconf_ic and enters the Connect Request call state U8.	
Comments	Fallback allowed but did not occur	

CC211_02	CTP211_02, CTP211_05	
Selection criteria	R 1.4 AND MCu 21.2 AND MCu 22.2	
Combined TSS reference	UT7VAC/VCF/DEST/BV/FBA	
CTP211_02	Reference to EN 300 267-1 [5]: 9.5.2.1 d)	Other relevant reference: EN 300 403-1 [2] 5.2
TSS reference	UT7VAC/VCF/DEST/BV/FBA/ST_T	
Test purpose	Verify that the IUT, in the Connect Request call state U8, having received a videoconference fallback allowed SETUP message, and having sent a CONNECT message, containing BC=UDI/TA and HLC=videoconf_ic or videoconf_nex, on receipt of a CONNECT ACKNOWLEDGE message, enters the Active call state U10.	
CTP211_05	Reference to EN 300 267-1 [5]: 9.5.2.1 d)	Other relevant reference: EN 300 403-1 [2] 5.2
TSS reference	UT7VAC/VCF/DEST/BV/FBA/ST	
Selection criteria	R 3.1	
Test purpose	Verify that the IUT, in the Connect Request call state U8, having received a videoconference fallback allowed SETUP message, and having sent a CONNECT message, containing BC=UDI/TA and HLC=videoconf_ic, on receipt of a CONNECT ACKNOWLEDGE message, sends multiframe structures and starts initialization procedure in the B-channel.	
Comments	Sending of CONNECT: fallback allowed but did not occur.	

CC211_03	CTP211_03, CTP211_06	
Selection criteria	R 1.4 AND MCu 21.2 AND MCu 22.2	
Combined TSS reference	UT7VAC/VCF/DEST/BV/FBA	
CTP211_03	Reference to EN 300 267-1 [5]: 9.5.2.1 d)	Other relevant reference: EN 300 403-1 [2] 5.2
TSS reference	UT7VAC/VCF/DEST/BV/FBA/ST_T	
Test purpose	Verify that the IUT, in the Connect Request call state U8, having received a videoconference fallback allowed SETUP message, and having sent a CONNECT message, containing BC=UDI/TA and HLC=videoconf_nex, on receipt of a CONNECT ACKNOWLEDGE message, enters the Active call state U10.	
CTP211_06	Reference to EN 300 267-1 [5]: 9.5.2.1 d)	Other relevant reference: EN 300 403-1 [2] 5.2
TSS reference	UT7VAC/VCF/DEST/BV/FBA/ST	
Selection criteria	R 3.1	
Test purpose	Verify that the IUT, in the Connect Request call state U8, having received a videoconference fallback allowed SETUP message, and having sent a CONNECT message, containing BC=UDI/TA and HLC=videoconf_nex, on receipt of a CONNECT ACKNOWLEDGE message, sends multiframe structures and starts initialization procedure in the B-channel.	
Comments	Sending of CONNECT: fallback allowed but did not occur.	

6.5.2.1.2 Fallback not allowed

CC212_01	CTP212_01, CTP212_02	
Selection criteria	R 1.4	
Combined TSS reference	UT7VAC/VCF/DEST/BV/FBN	
CTP212_01	Reference to EN 300 267-1 [5]: 9.5.2.1 1)	Other relevant reference: EN 300 403-1 [2] 5.2
TSS reference	UT7VAC/VCF/DEST/BV/FBN/ST_T	
Test purpose	Verify that the IUT, in the Null call state U0, receiving a videoconference call for which fallback is not allowed, accepts a SETUP message containing a single BC=UDI/TA and a single HLC=videoconf_ic and responds with a CALL PROCEEDING, ALERTING or CONNECT message and enters the relevant basic call state.	
CTP212_02	Reference to EN 300 267-1 [5]: 9.5.2.1 2)	Other relevant reference: EN 300 403-1 [2] 5.2
TSS reference	UT7VAC/VCF/DEST/BV/FBN/ST	
Selection criteria	R 3.1	
Test purpose	Verify that the IUT, in the Connect Request call state U8, having received a videoconference fallback not allowed SETUP message, and having sent a CONNECT message, on receipt of a CONNECT ACKNOWLEDGE message, sends multiframe structures and starts initialization procedure in the B-channel.	
Comments		

6.5.2.1.3 Connection management

CC213_01	CTP213_01
CC213_02	CTP213_02

7 Compliance

A generic or abstract test suite complying with this TSS&TP specification shall:

- consist of a set of test cases corresponding to the set or to a subset of the TPs specified in clauses 5 and 6;
- use a TSS which is an appropriate subset of the whole of the TSS specified in clause 4;
- use the same naming conventions for the test groups and test cases;
- maintain the relationship, specified in clauses 5 and 6, between the TPs and the entries in the PICS proforma, specified in EN 300 267-2 [6], to be used for test case selection;
- comply with ISO/IEC 9646-2 [12] and ISO/IEC 9646-3 [13].

Annex A (informative):

Cross reference: Generic, telephony 7 kHz, videotelephony, audiographic conference and videoconference teleservices test purposes

A.1 Generic test purposes to telephony 7 kHz, videotelephony, audiographic conference and videoconference teleservices test purposes

Table A.1 lists all the generic test purposes. Each row shows the telephony 7 kHz, videotelephony, audiographic conference and videoconference teleservices test purpose(s) to which the indicated generic test purpose is related.

Table A.1

Generic TP	Telephony 7 kHz TP	Videotelephony TP	Audiographic conference TP	Videoconference TP
GTP113_01				
GTP113_02		VTP113_01	ATP113_01, ATP113_06	CTP113_01, CTP113_06
GTP212_01				
GTP212_02				
GTP233_01				

NOTE: The initial states specified for these test purposes are different to those in the related generic ones.

A.2 Telephony 7 kHz to videotelephony, audiographic conference and videoconference teleservices test purposes

Table A.2 lists all the telephony 7 kHz, videotelephony, audiographic conference and videoconference teleservices test purposes. Equivalent test purposes are listed on the same row: in some cases a telephony 7 kHz test purpose is equivalent to more than one videotelephony test purpose. The telephony 7 kHz group is a subset of the videotelephony group, with each telephony 7 kHz test purpose being a modified version of the equivalent videotelephony one(s) (e.g. compare TTP111_02 with VTP111_02).

Table A.2

Telephony 7 kHz	Videotelephony	Audiographic conference	Videoconference
TTP111_01	VTP111_01	ATP111_01	CTP111_01
TTP111_02	VTP111_02	ATP111_02	CTP111_02
TTP111_03	VTP111_03	ATP111_03	CTP111_03
TTP111_04	VTP111_04	ATP111_04	CTP111_04
TTP111_05	VTP111_05	ATP111_05	CTP111_05
	VTP111_06	ATP111_06	CTP111_06
	VTP111_07	ATP111_07	CTP111_07
TTP111_06	VTP111_08	ATP111_08	CTP111_08
TTP111_07	VTP111_09	ATP111_09	CTP111_09
TTP111_08	VTP111_10	ATP111_10	CTP111_10
TTP111_09	VTP111_11	ATP111_11	CTP111_11
TTP111_10	VTP111_12	ATP111_12	CTP111_12
	VTP111_15	ATP111_15	CTP111_15
	VTP111_16	ATP111_16	CTP111_16
	VTP111_23		
	VTP111_24		
	VTP111_25	ATP111_23	CTP111_23
TTP111_19	VTP111_26	ATP111_24	CTP111_24
TTP111_20			
TTP111_21	VTP111_27	ATP111_25	CTP111_25
TTP111_22			
TTP112_01	VTP112_01	ATP112_01	CTP112_01
TTP112_02	VTP112_02	ATP112_02	CTP112_02
TTP112_03	VTP112_03	ATP112_03	CTP112_03
TTP112_05	VTP112_05	ATP112_05	CTP112_05
TTP112_06	VTP112_06	ATP112_06	CTP112_06
	VTP113_01	ATP113_01	CTP113_01
	VTP113_02	ATP113_02	CTP113_02
TTP113_01	VTP113_03	ATP113_03	CTP113_03
TTP113_02	VTP113_04		

Telephony 7 kHz	Videotelephony	Audiographic conference	Videoconference
	VTP113_05	ATP113_04	CTP113_04
	VTP113_06	ATP113_05	CTP113_05
	VTP113_07		
		ATP113_06	CTP113_06
TTP211_01	VTP211_01	ATP211_01	CTP211_01
TTP211_02	VTP211_03, VTP211_07	ATP211_03, ATP211_07	CTP211_03, CTP211_07
TTP211_03	VTP211_02, VTP211_12	ATP211_02, ATP211_12	CTP211_02, CTP211_12
TTP211_05	VTP211_04, VTP211_13	ATP211_04, ATP211_13	CTP211_04, CTP211_13
TTP211_04	VTP211_09, VTP211_05	ATP211_09, ATP211_05	CTP211_09, CTP211_05
	VTP211_06	ATP211_06	CTP211_06
	VTP211_08	ATP211_08	CTP211_08
TTP211_06	VTP211_10	ATP211_10	CTP211_10
TTP212_01	VTP212_01	ATP212_01	CTP212_01
TTP212_02	VTP212_02	ATP212_02	CTP212_02
	VTP213_01	ATP213_01	CTP213_01
	VTP213_02	ATP213_02	CTP213_02

Bibliography

The following material, though not specifically referenced in the body of the present document (or not publicly available), gives supporting information.

ITU-T Recommendation H.221: "Frame structure for a 64 to 1920 kbit/s channel in audiovisual teleservices".

ITU-T Recommendation H.242: "System for establishing communication between audiovisual terminals using digital channels up to 2 Mbit/s".

ITU-T Recommendation F.720: "Videotelephony services – General".

ITU-T Recommendation F.721: "Videotelephony teleservice for ISDN".

History

Document history		
Edition 1	May 1997	Publication as ETS 300 267-3
V1.2.4	November 1998	Public Enquiry PE 9913: 1998-11-27 to 1999-03-26