



**Network Technologies (NTECH);  
Network Attachment;  
e2 interface based on the DIAMETER protocol**

---

Reference

RES/NTECH-0023

---

Keywords

interface, network, system

**ETSI**

650 Route des Lucioles  
F-06921 Sophia Antipolis Cedex - FRANCE

Tel.: +33 4 92 94 42 00 Fax: +33 4 93 65 47 16

Siret N° 348 623 562 00017 - NAF 742 C  
Association à but non lucratif enregistrée à la  
Sous-Préfecture de Grasse (06) N° 7803/88

---

**Important notice**

The present document can be downloaded from:

<http://www.etsi.org>

The present document may be made available in electronic versions and/or in print. The content of any electronic and/or print versions of the present document shall not be modified without the prior written authorization of ETSI. In case of any existing or perceived difference in contents between such versions and/or in print, the only prevailing document is the print of the Portable Document Format (PDF) version kept on a specific network drive within ETSI Secretariat.

Users of the present document should be aware that the document may be subject to revision or change of status. Information on the current status of this and other ETSI documents is available at

<http://portal.etsi.org/tb/status/status.asp>

If you find errors in the present document, please send your comment to one of the following services:

[http://portal.etsi.org/chaicor/ETSI\\_support.asp](http://portal.etsi.org/chaicor/ETSI_support.asp)

---

**Copyright Notification**

No part may be reproduced or utilized in any form or by any means, electronic or mechanical, including photocopying and microfilm except as authorized by written permission of ETSI.

The content of the PDF version shall not be modified without the written authorization of ETSI.

The copyright and the foregoing restriction extend to reproduction in all media.

© European Telecommunications Standards Institute 2014.

All rights reserved.

**DECT™**, **PLUGTESTS™**, **UMTS™** and the ETSI logo are Trade Marks of ETSI registered for the benefit of its Members. **3GPP™** and **LTE™** are Trade Marks of ETSI registered for the benefit of its Members and of the 3GPP Organizational Partners.

**GSM®** and the GSM logo are Trade Marks registered and owned by the GSM Association.

# Contents

Intellectual Property Rights .....	5
Foreword.....	5
1 Scope .....	6
2 References .....	6
2.1 Normative references .....	6
2.2 Informative references.....	7
3 Definitions and abbreviations.....	7
3.1 Definitions.....	7
3.2 Abbreviations .....	7
4 Overview .....	8
5 Procedure descriptions .....	9
5.1 General .....	9
5.2 Procedures on the CLF - AF interface.....	10
5.2.1 Information query .....	10
5.2.1.1 Overview.....	10
5.2.1.2 Procedure at the AF side .....	11
5.2.1.3 Procedure at the CLF side .....	11
5.2.2 Event Registration/Deregistration.....	12
5.2.2.1 Overview .....	12
5.2.2.2 Procedure at the AF side .....	13
5.2.2.3 Procedure at the CLF side .....	13
5.2.3 Notification Events .....	14
5.2.3.1 Overview.....	14
5.2.3.2 Procedure at the CLF side .....	14
5.2.3.3 Procedure at the AF side .....	15
6 Use of the Diameter base protocol .....	15
6.1 Securing Diameter messages.....	15
6.2 Accounting functionality.....	15
6.3 Use of sessions .....	16
6.4 Transport protocol .....	16
6.5 Routing considerations .....	16
6.6 Advertising application support .....	16
7 DIAMETER application.....	17
7.1 Commands.....	17
7.1.1 User-Data-Request command .....	17
7.1.2 User-Data-Answer command.....	18
7.1.3 Subscribe-Notifications-Request (SNR) Command .....	18
7.1.4 Subscribe-Notifications-Answer (SNA) Command.....	19
7.1.5 Push-Notification-Request (PNR) Command .....	19
7.1.6 Push-Notifications-Answer (PNA) Command.....	19
7.2 Result-Code AVP values.....	20
7.2.1 Success.....	20
7.2.2 Permanent failures .....	20
7.2.3 Transient failures .....	20
7.3 AVPs .....	20
7.3.1 Location-Information AVP .....	22
7.3.1A Civic-Location AVP .....	22
7.3.1B Geospatial-Location AVP.....	22
7.3.2 Policy-Control-Contact-Point AVP .....	22
7.3.3 Terminal-Type AVP .....	22
7.3.4 Requested-Information AVP .....	22
7.3.5 Line-Identifier AVP.....	23

7.3.6	Event-Type AVP .....	23
7.4	Use of namespaces .....	24
7.4.1	AVP codes .....	24
7.4.2	Experimental-Result-Code AVP values.....	24
7.4.3	Command Code values .....	24
7.4.4	Application-ID value .....	24
<b>Annex A (informative):</b>	<b>Application to NGN Architectures .....</b>	<b>25</b>
A.1	Overview .....	25
A.2	Mapping of e2 operations and terminology to Diameter.....	26
<b>Annex B (informative):</b>	<b>Change history .....</b>	<b>27</b>
History	.....	28

---

## Intellectual Property Rights

IPRs essential or potentially essential to the present document may have been declared to ETSI. The information pertaining to these essential IPRs, if any, is publicly available for **ETSI members and non-members**, and can be found in ETSI SR 000 314: *"Intellectual Property Rights (IPRs); Essential, or potentially Essential, IPRs notified to ETSI in respect of ETSI standards"*, which is available from the ETSI Secretariat. Latest updates are available on the ETSI Web server (<http://ipr.etsi.org>).

Pursuant to the ETSI IPR Policy, no investigation, including IPR searches, has been carried out by ETSI. No guarantee can be given as to the existence of other IPRs not referenced in ETSI SR 000 314 (or the updates on the ETSI Web server) which are, or may be, or may become, essential to the present document.

---

## Foreword

This final draft ETSI Standard (ES) has been produced by ETSI Technical Committee Network Technologies (NTECH), and is now submitted for the ETSI standards Membership Approval Procedure.

---

# 1 Scope

The present document specifies a Diameter application for use between a Connectivity session Location and repository Function (CLF) and an Application Function (AF).

---

## 2 References

References are either specific (identified by date of publication and/or edition number or version number) or non-specific. For specific references, only the cited version applies. For non-specific references, the latest version of the reference document (including any amendments) applies.

Referenced documents which are not found to be publicly available in the expected location might be found at <http://docbox.etsi.org/Reference>.

NOTE: While any hyperlinks included in this clause were valid at the time of publication, ETSI cannot guarantee their long term validity.

### 2.1 Normative references

The following referenced documents are necessary for the application of the present document.

- [1] Void.
- [2] Void.
- [3] Void.
- [4] Void.
- [5] ETSI ES 283 034: "Telecommunications and Internet converged Services and Protocols for Advanced Networking (TISPAN); Network Attachment Sub-System (NASS); e4 interface based on the DIAMETER protocol".
- [6] ETSI TS 129 229: "Digital cellular telecommunications system (Phase 2+); Universal Mobile Telecommunications System (UMTS); LTE; Cx and Dx interfaces based on the Diameter protocol; Protocol details (3GPP TS 29.229)".
- [7] ETSI TS 129 329: "Digital cellular telecommunications system (Phase 2+); Universal Mobile Telecommunications System (UMTS); LTE; Sh interface based on the Diameter protocol; Protocol details (3GPP TS 29.329)".
- [8] ETSI TS 129 209: "Universal Mobile Telecommunications System (UMTS); Policy control over Gq interface (3GPP TS 29.209)".
- [9] IETF RFC 2960: "Stream Control Transmission Protocol".
- [10] IETF RFC 3588: "Diameter Base Protocol".
- [11] IETF RFC 3309: "Stream Control Transmission Protocol (SCTP) Checksum Change".
- [12] IETF RFC 3554: "On the use of Stream Control Transmission Protocol (SCTP) with IPSec".
- [13] ETSI TS 182 008: "Telecommunications and Internet converged Services and Protocols for Advanced Networking (TISPAN); Presence Service; Architecture and functional description (Endorsement of 3GPP TS 23.141 and OMA-AD-Presence-SIMPLE-V1-0)".
- [14] Void.
- [15] IETF RFC 4776: "Dynamic Host Configuration Protocol (DHCPv4 and DHCPv6) Option for Civic Addresses Configuration Information".

- [16] IETF RFC 3825: "Dynamic Host Configuration Protocol Option for Coordinate-based Location Configuration Information".
- [17] IETF RFC 4234: "Augmented BNF for Syntax Specifications: ABNF".
- [18] Recommendation ITU-T M.1400: "Designations for interconnections among operators' networks".
- [19] ISO 3166--1: "Codes for the representation of names of countries and their subdivisions - Part 1: Country codes".

## 2.2 Informative references

The following referenced documents are not necessary for the application of the present document but they assist the user with regard to a particular subject area.

- [i.1] ETSI ES 282 001: "Telecommunications and Internet converged Services and Protocols for Advanced Networking (TISPAN); NGN Functional Architecture Release 2".
- [i.2] ETSI ES 282 004: "Telecommunications and Internet converged Services and Protocols for Advanced Networking (TISPAN); NGN Functional Architecture; Network Attachment Sub-System (NASS)".
- [i.3] ETSI ES 282 003: "Telecommunications and Internet converged Services and Protocols for Advanced Networking (TISPAN); Resource and Admission Control Sub-System (RACS): Functional Architecture".
- [i.4] ETSI ES 282 007: "Telecommunications and Internet converged Services and Protocols for Advanced Networking (TISPAN); IP Multimedia Subsystem (IMS); Functional architecture".

---

## 3 Definitions and abbreviations

### 3.1 Definitions

For the purposes of the present document, the following terms and definitions apply:

**access network:** collection of network entities and interfaces that provide the underlying IP transport connectivity between end user devices and other networks

**access record:** set of information stored in the CLF in relation to an IP address

**Application Function (AF):** element of the network architecture offering - or providing access to - applications that require information about the characteristics of the IP-connectivity session used to access such applications

**Attribute-Value Pair (AVP):** Information Element in a Diameter message

NOTE: See RFC 3588 [10].

**IP connectivity user:** entity requesting IP connectivity from an access network

### 3.2 Abbreviations

For the purposes of the present document, the following abbreviations apply:

ABNF	Augmented Backus-Naur Form
AF	Application Function
ASCII	American Standard Code for Information Interchange
ASF	Application Server Function
AVP	Attribute-Value Pair
CLF	Connectivity session Location and repository Function
CSCF	Call Session Control Function

DHCP	Dynamic Host Configuration Protocol
FQDN	Fully Qualified Domain Name
IANA	Internet Assigned Numbers Authority
IBCF	Interconnection Border Control Function
ICC	ITU Carrier Code
IETF	Internet Engineering Task Force
IMS	IP Multimedia Subsystem
IP	Internet Protocol
LAC	Location-Area-Code
LCI	Location Configuration Information
NASS	Network Attachment Sub-System
NGN	Next Generation Network
NOC	Network-Operator-Code
P-CSCF	Proxy Call Session Control Function
PDBF	Profile Data Base Function
PNA	Presence Network Agent
PNR	Push-Notification-Request
RACF	Resource and Admission Control Function
RACS	Resource and Admission Control Subsystem
RFC	Request For Comments
SCTP	Stream Control Transport Protocol
SNA	Subscribe-Notifications-Answer
SNR	Subscribe-Notifications-Request
UAAF	User Authentication and Authorization Function
UDA	User-Data-Answer
UDR	User-Data-Request
UE	User Equipment

---

## 4 Overview

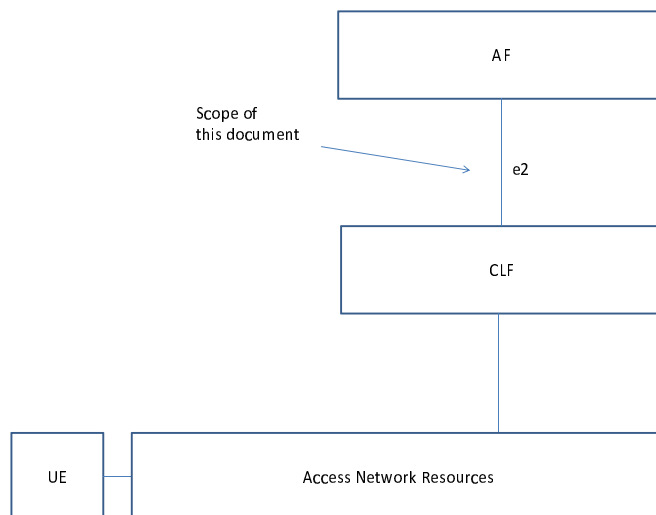
The present document specifies a Diameter application for use between a Connectivity session Location and repository Function (CLF) and an Application Function (AF). The interface between the CLF and the AF is known as the e2 interface (figure 1).

A Connectivity session Location and repository Function (CLF) is a data base in an access network that maintains a mapping between IP addresses allocated to IP connectivity users and the corresponding network location. A CLF may also store additional information related to IP connectivity sessions. How a CLF obtains this information is outside the scope of the present document.

In the context of the present document, an Application Function (AF) represents any network element offering - or providing access to - applications that require information about the characteristics of the IP-connectivity session used to access such applications.

In an NGN architecture (ES 282 001 [i.1]), a CLF is a functional entity of the Network Attachment Sub-System (NASS) defined in ES 282 004 [i.2]. Annex A provides further information on the use of a CLF in NGN architectures.





**Figure 1: e2 interface**

## 5 Procedure descriptions

### 5.1 General

The following clauses describe the procedures for supporting interactions between an AF and a CLF.

In the tables that describe this mapping, each Information Element is marked as (M) Mandatory, (C) Conditional or (O) Optional.

- A mandatory Information Element (marked as (M) in the table) shall always be present in the command. If this Information Element is absent, an application error occurs at the receiver and an answer message shall be sent back to the originator of the request with the Result-Code set to `DIAMETER_MISSING_AVP`. This message shall also include a Failed-AVP AVP containing the missing Information Element i.e. the corresponding Diameter AVP defined by the AVP Code and the other fields set as expected for this Information Element.
- A conditional Information Element (marked as (C) in tables 1 and 2) shall be present in the command if certain conditions are fulfilled:
  - If the receiver detects that those conditions are fulfilled and the Information Element is absent, an application error occurs and an answer message shall be sent back to the originator of the request with the Result-Code set to `DIAMETER_MISSING_AVP`. This message shall also include a Failed-AVP AVP containing the missing Information Element i.e. the corresponding Diameter AVP defined by the AVP Code and the other fields set as expected for this Information Element. If multiple Information Elements are missing, all corresponding AVP codes shall be included in the Failed-AVP AVP.
  - If those conditions are not fulfilled, the Information Element shall be absent. If however this Information Element appears in the message, it shall not cause an application error and it may be ignored by the receiver if this is not explicitly defined as an error case. Otherwise, an application error occurs at the receiver and an answer message with the Result-Code set to `DIAMETER_AVP_NOT_ALLOWED` shall be sent back to the originator of the request. A Failed-AVP AVP containing a copy of the corresponding Diameter AVP shall be included in this message.
- An optional Information Element (marked as (O) in tables 1 and 2) may be present or absent in the command, at the discretion of the application at the sending entity. Absence or presence of this Information Element shall not cause an application error and may be ignored by the receiver.

## 5.2 Procedures on the CLF - AF interface

### 5.2.1 Information query

#### 5.2.1.1 Overview

This procedure is used by an AF to retrieve from the CLF location information and other data related to an access session.

This procedure is mapped to the commands User-Data-Request/Answer in the Diameter application specified in TS 129 329 [7].

Tables 1 and 2 detail the involved information elements and their mapping to Diameter AVPs.

**Table 1: Information query request**

Information element name	Mapping to diameter AVP	Cat.	Description
Globally unique IP Address	Globally-Unique-Address	C	This information element contains: - The IP address of the UE for which profile information is being pushed. - The addressing domain in which the IP address is significant.
IP connectivity user ID	User-Name	C	The identity of the IP connectivity user that is attached to the network.
AF Identity	AF-Application-Identifier	M	Identifies the AF originating the request.
Requested-Items	Requested-Information	O	The list of items requested by the AF.
NOTE: Either the Globally-Unique-IP-Address or the IP connectivity user ID shall be included.			

**Table 2: Information query response**

Information element name	Mapping to diameter AVP	Cat.	Description
Result	Result-Code / Experimental-Result	M	Result of the request.  Result-Code AVP shall be used for errors defined in the Diameter Base Protocol.  Experimental-Result AVP shall be used for other errors. This is a grouped AVP which contains the 3GPP Vendor ID in the Vendor-Id AVP, and the error code in the Experimental-Result-Code AVP.
IP connectivity user ID	User-Name	O	The identity of the IP connectivity user that is attached to the network.
Location Information	Location-Information	O	Location information (or a pointer to such information) in a form that is suitable for the requesting application.
Policy Control contact point	Policy-Control-Contact-Point	O	The FQDN or IP address of a policy control entity where resource request shall be sent.
Access Network Type	Access-Network-Type	O	The type of access network over which IP connectivity is provided to the user equipment.
Terminal Type	Terminal-Type	O	The type of user equipment to which the IP address was allocated.
Logical Access ID	Logical-Access-Id	O	The identity of the logical access where the user equipment is connected.
Physical Access ID	Physical-Access-Id	O	The identity of the physical access where the user equipment is connected.

### 5.2.1.2 Procedure at the AF side

The AF shall populate the Information Query as follows:

- 1) Insert either a Globally-Unique-Address or a User-Name AVP. The Globally-Unique-Address AVP shall contain a Frame-IP-Address or Frame-IPv6-Prefix AVP value, and an Address-Realm AVP. The Address-Realm AVP shall be included and set either using configuration data (in which case all terminal equipment served by the AF belong to the same addressing domain) or from the physical or logical interface over which was received the resource request that triggered the pull procedure.
- 2) The AF-Application-Identifier AVP shall be present.
- 3) The Requested-Information AVP shall be present if specific information is requested and shall be absent if all available information is requested.

### 5.2.1.3 Procedure at the CLF side

Upon reception of the Information Query, the CLF shall, in the following order:

- 1) If the Globally-Unique-Address AVP is present, use this information as a key to retrieve the requested session information.
- 2) If the Globally-Unique-Address AVP is absent but the User-Name AVP is present, use the latter information as a key to retrieve the requested session information.
- 3) If both the Globally-Unique-Address AVP and the User-Name AVP are absent, return an Information Query response with Result-Code set to DIAMETER\_MISSING\_AVP.
- 4) If more than one record include the same IP connectivity user ID matching the value of the User-Name AVP and no Globally-Unique-Address AVP is included, return an Information Query response with Result-Code set to DIAMETER\_UNABLE\_TO\_COMPLY.
- 5) If no session record is stored for the Globally-Unique-Address AVP or the User-Name AVP, return an Information Query with the Experimental-Result-Code AVP shall be set to DIAMETER\_ERROR\_USER\_UNKNOWN.

If a unique IP connectivity user record can be retrieved, the CLF shall:

- 1) Check which session data can be returned to the AF, based on the contents of the Requested-Information AVP, local policy rules and per-IP connectivity user privacy information previously received from the UAAF/PDBF and stored in the CLF.

NOTE 1: If the Requested-Information AVP is not received, the list of requested information is inferred from the AF identity.

- 2) Check whether the session data to be retrieved is currently being updated by another entity. If there is an update of the data in progress, the CLF may delay the response message until the update has been completed and shall include in the response message the updated data requested. The CLF shall ensure that the data returned is not corrupted by this conflict.

Under temporary overload conditions, the CLF shall stop processing the request and return an Information Query response with the Result-Code set to DIAMETER\_TOO\_BUSY. The AF may retry retrieving the required information at a later stage.

If the CLF cannot fulfil the received request for reasons not stated in the above steps, e.g. due to database error, it shall stop processing the request and set the Result-Code to DIAMETER\_UNABLE\_TO\_COMPLY or an Experimental-Result-Code AVP set to DIAMETER\_USER\_DATA\_NOT\_AVAILABLE.

Otherwise, the requested operation shall take place and the CLF shall return the Result-Code AVP set to DIAMETER\_SUCCESS and the session data in the Information Query response.

NOTE 2: Due to the application of operator's policies and IP connectivity user privacy rules, the session data returned in the message may be a subset of the explicitly or implicitly requested session data.

## 5.2.2 Event Registration/Deregistration

### 5.2.2.1 Overview

This procedure is used by an AF to subscribe with the CLF to a particular event.

This procedure is mapped to the commands Subscribe-Notifications-Request/Answer defined in the Diameter application specified in TS 129 329 [7].

Tables 2a and 2b detail the involved information elements and their mapping to Diameter AVPs.

**Table 2a: Event Registration/Deregistration Request**

Information element name	Mapping to Diameter AVP	Cat.	Description
	Subs-Req-Type	M	Indicates whether the AF is willing to subscribe or unsubscribe to the notification of the event.
IP connectivity user ID	User-Name	C	The identity of the IP connectivity user on behalf of which the event is to be reported.
Globally unique IP Address	Globally Unique Address	C	This information element contains the IP address of the IP connectivity user on behalf of which the event is to be reported, together with the addressing domain in which the IP address is significant.
Subscription Expiration	Expiry-Time	O	Moment of expiration of the subscription to the event.
Event	Event-Type	M	The type of event to be monitored.
AF Identity	AF-Application-Identifier	M	Identifies the AF originating the request.

**Table 2b: Event Registration/Deregistration Response**

Information element name	Mapping to Diameter AVP	Cat.	Description
Result	Result-Code / Experimental-Result	M	Result of the request.  Result-Code AVP shall be used for errors defined in the Diameter Base Protocol.  Experimental-Result AVP shall be used for other errors. This is a grouped AVP which contains the 3GPP Vendor ID in the Vendor-Id AVP, and the error code in the Experimental-Result-Code AVP.
	Expiry-Time	O	Acknowledges the absolute time at which the subscription expires.

The CLF monitors events related to access sessions. Monitoring of a particular event on a particular session is activated when at least one Application Function has subscribed to be notified of the occurrence of the event.

Subscription to an event may be done implicitly (i.e. through management operations) or explicitly using the Event Registration/Deregistration request. Subscription to an event ceases when one of the following conditions is met:

- Expiry of the subscription duration.
- Removal of the session record from the CLF.
- Receipt of an explicit request to unsubscribe.

### 5.2.2.2 Procedure at the AF side

The AF shall populate the Event Registration/Deregistration Request as follows:

Insert a Subs-Req-Type AVP indicating whether it is willing to subscribe or unsubscribe to the notification of events.

- 1) Insert either a Globally-Unique-Address or a User-Name AVP. The Globally-Unique-Address AVP shall contain a Frame-IP-Address or Frame-IPv6-Prefix AVP value, and an Address-Realm AVP. The Address-Realm AVP shall be included and set either using configuration data (in which case all IP connectivity users served by the AF is assumed to belong to the same addressing domain) or from the physical or logical interface over which was received a related service request.
- 2) The AF-Application-Identifier AVP shall be present.
- 3) At least one occurrence of the Event-Type AVP shall be present.
- 4) The Expiry-Time AVP may be present.

### 5.2.2.3 Procedure at the CLF side

Upon reception of an Event Registration/Deregistration Request, the CLF shall, in the following order:

- 1) Based on the contents of the AF-Application-Identifier AVP, check whether the AF is allowed to request monitoring of events. If not, return an Event Registration Response with Result-Code set to `DIAMETER_ERROR_OPERATION_NOT_ALLOWED`.
- 2) If the Globally-Unique-Address AVP is present, use this information as a key to identify the session for which event monitoring is being requested.
- 3) If the Globally-Unique-Address AVP is absent but the User-Name AVP is present, use the latter information as a key to the session(s) for which event monitoring is being requested.
- 4) If both the Globally-Unique-Address AVP and the User-Name AVP are absent, return an Event Registration/Deregistration Response with the Result-Code AVP set to `DIAMETER_MISSING_AVP`.
- 5) If no stored session record matches the Globally-Unique-Address AVP or the User-Name AVP and the requested Event differs from `USER-LOGON`, return an Event Registration Response with the Experimental-Result-Code AVP set to `DIAMETER_ERROR_USER_UNKNOWN`.

If the Subs-Req-Type AVP indicates that this is a request to subscribe to the notification of events, the CLF shall check whether the requested event can be reported to the AF, based on local policy rules and per-IP connectivity user privacy information received from the UAAF. If the AF is not allowed to request monitoring of the event, return an Event Registration/Deregistration Response with Result-Code set to `DIAMETER_ERROR_OPERATION_NOT_ALLOWED`. If the AF is allowed to request monitoring of the event, the CLF shall:

- 1) For all session records matching the request, associate the AF-Application-Identifier with the list of entities that need to be notified when the event identified by the request occurs. The association lasts until the moment indicated by the value of the Expiry-Time AVP as returned to the AF. If no Expiry-Time AVP is supplied, the CLF should treat it as a request for an unlimited subscription.
- 2) Include in the Event Registration Response an Expiry Time AVP with the absolute time at which the subscription expires in the case of a successful subscription. This time may be earlier than the requested expiry time. If the CLF includes this AVP, then no notification shall be sent to the AF after the expiration time. If the CLF does not include this AVP, that indicates an unlimited subscription.
- 3) Set the Result-Code to `DIAMETER_SUCCESS` and return an Event Registration/Deregistration Response.

If the Subs-Req-Type AVP indicates that this is a request to unsubscribe to the notification of events, the CLF shall remove the association of the AF-Identifier with the same list. The Result-Code shall be set to `DIAMETER_SUCCESS` if the operation is successful or if the AF-Identifier was not present in the list. If the Event-Type AVP is absent, the CLF assumes that the AF is willing to unsubscribe to all events associated with the User-Name or Globally-Unique-Address AVP.

If a subsequent request is received by the CLF where the Expiry Time AVP is present but different from what the CLF has previously stored, the CLF should replace the stored expiration time with what was received in the request.

If the CLF cannot fulfil the received request for reasons not stated in the above steps, e.g. due to database error, it shall stop processing the request and set the Result-Code to DIAMETER\_UNABLE\_TO\_COMPLY.

## 5.2.3 Notification Events

### 5.2.3.1 Overview

This procedure is used by a CLF to notify the AF of the occurrence of a particular event.

This procedure is mapped to the commands Push-Notifications-Request/Answer in the Diameter application specified in TS 129 329 [7].

Tables 2c and 2d detail the involved information elements and their mapping to Diameter AVPs.

**Table 2c: Notification Event Request**

Information element name	Mapping to Diameter AVP	Cat.	Description
IP connectivity user ID	User-Name	C	The identity of the IP connectivity user on behalf of which the event is to be reported.
Globally unique IP Address	Globally Unique Address	C	This information element contains: - The IP address of the IP connectivity user on behalf of which the event is to be reported. - The addressing domain in which the IP address is significant.
AF Identity	AF-Application-Identifier	M	Identifies the AF having registered to the request.
Event	Event-Type	M	The type of event to be monitored.
	[AVP]	O	AVPs carrying CLF information associated to the reported event.

**Table 2d: Notification Event Response**

Information element name	Mapping to Diameter AVP	Cat.	Description
Result	Result-Code / Experimental-Result	M	Result of the request. Result-Code AVP shall be used for errors defined in the Diameter Base Protocol.  Experimental-Result AVP shall be used for other errors. This is a grouped AVP which contains the 3GPP Vendor ID in the Vendor-Id AVP, and the error code in the Experimental-Result-Code AVP.

### 5.2.3.2 Procedure at the CLF side

When a monitored event is detected on a particular access session, the CLF issues a Notification Event Request to each of the application functions having registered to this event.

The Notification Event Request is populated as follows:

- 1) A least a Globally-Unique-Address or a User-Name AVP shall be included. The Globally-Unique-Address AVP shall contain a Frame-IP-Address or Frame-IPv6-Prefix AVP value, and an Address-Realm AVP. The Address-Realm AVP shall be included and set either using configuration data (in which case all terminal equipment served by the AF belong to the same addressing domain) or from the physical or logical interface over which was received a related service request.
- 2) The AF-Application-Identifier AVP shall be present.
- 3) One or more occurrence of the Event-Type AVP indicating the type of events being notified.

Based on local policy rules and per-IP connectivity user privacy information previously received from the UAAF, the CLF may also include additional information in the Event Registration/Deregistration Request. Table 2e provides an indication of the AVPs that may be returned for each event.

**Table 2e: Request-Information to AVP mapping**

Event	AVP
USER-LOGON	IP-Connectivity-Status
LOCATION-INFORMATION-CHANGED	Location-Information
POLICY-CONTROL-CONTACT-POINT-CHANGED	Policy-Control-Contact-Point
ACCESS-NETWORK-TYPE -CHANGED	Access-Network-Type
TERMINAL-TYPE -CHANGED	Terminal-Type
LOGICAL-ACCESS-ID-CHANGED	Logical-Access-Id
PHYSICAL-ACCESS-ID-CHANGED	Physical Access-Id
INITIAL-GATE-SETTING-CHANGED	Initial-Gate-Setting
QOS-PROFILE-CHANGED.	QoS-Profile
IP-ADDRESS-CHANGED	Globally-Unique-Address
USER-LOGOFF	IP-Connectivity-Status

### 5.2.3.3 Procedure at the AF side

Upon reception of a Notification Event Request, the AF shall:

- 1) If neither the globally unique identifier contained in the Globally-Unique-Address AVP nor the IP connectivity user ID contained in the User-Name AVP are known, return a Notification Event Response with a Result-Code AVP value set to DIAMETER\_ERROR\_USER\_UNKNOWN.
- 2) If the event type contained in the Event-Type AVP is not known, return a Notification Event Response with a Result-Code AVP value set to DIAMETER\_INVALID\_AVP\_VALUE.
- 3) If the event type contained in the Event-Type AVP is known but was not expected, return a Notification Event Response with a Result-Code AVP value set to DIAMETER\_ERROR\_NO\_SUBSCRIPTION\_TO\_DATA.

If the AF cannot process the event for reasons not stated in the above steps return a Notification Event Response with a Result-Code AVP value set to DIAMETER\_UNABLE\_TO\_COMPLY or an Experimental-Result-Code AVP set to DIAMETER\_SYSTEM\_UNAVAILABLE. In the later case, the CLF is expected to retry after a provisioned time period. After a provisioned number of unsuccessful retries, the CLF is expected to delete the AF-Identity from the list of application functions registered to the event.

Otherwise, the event shall be processed and the AF shall return the Result-Code AVP set to DIAMETER\_SUCCESS in the Notification Event Response.

---

## 6 Use of the Diameter base protocol

With the clarifications listed in the following clauses the Diameter Base Protocol defined by RFC 3588 [10] shall apply.

### 6.1 Securing Diameter messages

For secure transport of Diameter messages, IPSec may be used. Guidelines on the use of SCTP with IPSec can be found in RFC 3554 [12].

### 6.2 Accounting functionality

Accounting functionality (Accounting Session State Machine, related command codes and AVPs) is not used on the e2 interface.

## 6.3 Use of sessions

Diameter sessions are implicitly terminated. An implicitly terminated session is one for which the server does not maintain state information. The client does not need to send any re-authorization or session termination requests to the server.

The Diameter base protocol includes the Auth-Session-State AVP as the mechanism for the implementation of implicitly terminated sessions.

The client (server) shall include in its requests (responses) the Auth-Session-State AVP set to the value NO\_STATE\_MAINTAINED (1), as described in RFC 3588 [10]. As a consequence, the server does not maintain any state information about this session and the client does not need to send any session termination request. Neither the Authorization-Lifetime AVP nor the Session-Timeout AVP shall be present in requests or responses.

## 6.4 Transport protocol

Diameter messages over the e2 interface shall make use of SCTP RFC 2960 [9] and shall utilize the new SCTP checksum method specified in RFC 3309 [11].

## 6.5 Routing considerations

This clause specifies the use of the Diameter routing AVPs Destination-Realm and Destination-Host.

If an AF knows the address/name of the CLF for a certain IP connectivity user/session, both the Destination-Realm and Destination-Host AVPs shall be present in the request. Otherwise, only the Destination-Realm AVP shall be present and the command shall be routed to a DIAMETER agent, based on the Diameter routing table in the client. The DIAMETER agent shall act as a DIAMETER relay or proxy as described in RFC 3588 [10].

Requests initiated by the CLF towards an AF shall include both Destination-Host and Destination-Realm AVPs. The CLF obtains the Destination-Host AVP to use in requests towards an AF from configuration data or information received from the UAAF/PDBF or from the Origin-Host AVP learned from the AF in the Event Registration Request (if any). Consequently, the Destination-Host AVP is declared as mandatory in the ABNF for all requests initiated by the CLF.

Destination-Realm AVP is declared as mandatory in the ABNF for all requests.

## 6.6 Advertising application support

The CLF and AF shall advertise support of the e2 specific application by including the value 16777231 of the application identifier in the Auth-Application-Id AVP within the Vendor-Specific-Application-Id grouped AVP of the Capabilities-Exchange-Request and Capabilities-Exchange-Answer commands.

The vendor identifier value of ETSI (13019) shall be included in the Supported-Vendor-Id AVP of the Capabilities-Exchange-Request and Capabilities-Exchange-Answer commands, and in the Vendor-Id AVP within the Vendor-Specific-Application-Id grouped AVP of the Capabilities-Exchange-Request and Capabilities-Exchange-Answer commands. Additionally, support of 3GPP AVPs shall be advertised by adding the vendor identifier value of 3GPP (10415) to the Supported-Vendor-Id AVP of the Capabilities-Exchange-Request and Capabilities-Exchange-Answer commands.

**NOTE:** The Vendor-Id AVP included in Capabilities-Exchange-Request and Capabilities-Exchange-Answer commands that is not included in the Vendor-Specific-Application-Id AVPs as described above indicates the manufacturer of the Diameter node as per RFC 3588 [10].



## 7 DIAMETER application

The Diameter Base Protocol as specified in RFC 3588 [10] is used to support information transfer on the e2 interface.

RFC 3588 [10] shall apply except as modified by the defined support of the methods and the defined support of the commands and AVPs, result and event codes specified in clause 5. Unless otherwise specified, the procedures (including error handling and unrecognized information handling) are unmodified.

### 7.1 Commands

Only the following commands defined in ES 283 034 [5] are used. Other commands shall be ignored by the AF and CLF.

**Table 3: Command-Code values**

Command-Name	Abbreviation	Code
User-Data-Request	UDR	306
User-Data-Answer	UDA	306
Subscribe-Notifications-Request	SNR	308
Subscribe-Notifications-Answer	SNA	308
Push-Notification-Request	PNR	309
Push-Notification-Answer	PNA	309

AVPs defined in ES 283 034 [5] and not used in the present document are not represented in the below clauses. If received, these AVPs shall be ignored by the CLF and the AF.

New AVPs defined in the present document are represented in bold.

#### 7.1.1 User-Data-Request command

The User-Data-Request (UDR) command, indicated by the Command-Code field set to 306 and the "R" bit set in the Command Flags field, is sent by a Diameter client to a Diameter server in order to request user data. This command is defined in TS 129 329 [7] and used with additional AVPs defined in the present document.

**NOTE:** In the context of the present document the user whose data is requested using the UDR command is the IP connectivity user.

Message Format:

```
< User-Data -Request > ::= < Diameter Header: 306, REQ, PXY, 16777231 >
< Session-Id >
{ Vendor-Specific-Application-Id }
{ Auth-Session-State }
{ Origin-Host }
{ Origin-Realm }
[ Destination-Host ]
{ Destination-Realm }
[Globally-Unique-Address]
[User-Name]
[AF-Application-Identifier]
[Requested-Information]
*[ AVP ]
*[ Proxy-Info ]
*[ Route-Record ]
```

## 7.1.2 User-Data-Answer command

The User-Data-Answer (UDA) command, indicated by the Command-Code field set to 306 and the "R" bit cleared in the Command Flags field, is sent by a server in response to the User-Data-Request command. This command is defined in TS 129 329 [7] and used with additional AVPs defined in the present document. The Experimental-Result AVP may contain one of the values defined in clause 6.2 or in TS 129 229 [6].

Message Format:

```
< User-Data-Answer > ::= < Diameter Header: 306, PXY, 16777231 >
< Session-Id >
{ Vendor-Specific-Application-Id }
[ Result-Code ]
[ Experimental-Result ]
{ Auth-Session-State }
{ Origin-Host }
{ Origin-Realm }
[User-Name]
[Logical-Access-Id]
[Physical-Access-Id]
[Access-Network-Type]
[Location-Information]
[Policy-Control-Contact-Point]
[Terminal-Type]
*[ AVP ]
*[ Failed-AVP ]
*[ Proxy-Info ]
*[ Route-Record ]
```

## 7.1.3 Subscribe-Notifications-Request (SNR) Command

The Subscribe-Notifications-Request (SNR) command, indicated by the Command-Code field set to 308 and the "R" bit set in the Command Flags field, is sent by a Diameter client to a Diameter server in order to request notifications of events. This command is defined in TS 129 329 [7] and used with additional AVPs defined in the present document.

Message Format:

```
< Subscribe-Notifications-Request > ::= < Diameter Header: 308, REQ, PXY, 16777231 >
< Session-Id >
{ Vendor-Specific-Application-Id }
{ Auth-Session-State }
{ Origin-Host }
{ Origin-Realm }
[ Destination-Host ]
{ Destination-Realm }
{ Subs-Req-Type }
[ Expiry-Time ]
[Globally-Unique-Address]
[User-Name]
[AF-Application-Identifier]
*[Event-Type]
*[ AVP ]
*[ Proxy-Info ]
*[ Route-Record ]
```

### 7.1.4 Subscribe-Notifications-Answer (SNA) Command

The Subscribe-Notifications-Answer (SNA) command, indicated by the Command-Code field set to 308 and the "R" bit cleared in the Command Flags field, is sent by a server in response to the Subscribe-Notifications-Request command. The Result-Code or Experimental-Result AVP may contain one of the values defined in clause 6.2 or in TS 129 229 [6].

Message Format:

```
< Subscribe-Notifications-Answer > ::= < Diameter Header: 308, PXY, 16777231 >
< Session-Id >
{ Vendor-Specific-Application-Id }
{ Auth-Session-State }
[ Result-Code ]
[ Experimental-Result ]
{ Origin-Host }
{ Origin-Realm }
[ Expiry-Time ]
*[ AVP ]
*[ Failed-AVP ]
*[ Proxy-Info ]
*[ Route-Record ]
```

### 7.1.5 Push-Notification-Request (PNR) Command

The Push-Notification-Request (PNR) command, indicated by the Command-Code field set to 309 and the "R" bit set in the Command Flags field, is sent by a Diameter server to a Diameter client in order to notify changes in the user data in the server. This command is defined in TS 129 329 [7] and used with additional AVPs defined in the present document.

NOTE: In the context of the present document the user whose data are pushed using the PNR command is the IP connectivity user.

Message Format:

```
< Push-Notification-Request > ::= < Diameter Header: 309, REQ, PXY, 16777231 >
< Session-Id >
{ Vendor-Specific-Application-Id }
{ Auth-Session-State }
{ Origin-Host }
{ Origin-Realm }
{ Destination-Host }
{ Destination-Realm }
*[Event-Type]
[Globally-Unique-Address]
[User-Name]
[Access-Network-Type]
[Location-Information]
[Policy-Control-Contact-Point]
[Terminal-Type]
[Logical-Access-Id]
[Physical-Access-Id]
[Access-Network-Type]
[Initial-Gate-Setting]
*[QoS-Profile]
[IP-Connectivity-Status]
*[ AVP ]
*[ Proxy-Info ]
*[ Route-Record ]
```

### 7.1.6 Push-Notifications-Answer (PNA) Command

The Push-Notifications-Answer (PNA) command, indicated by the Command-Code field set to 309 and the "R" bit cleared in the Command Flags field, is sent by a client in response to the Push-Notification-Request command. The Experimental-Result AVP may contain one of the values defined in clause 6.2 or in TS 129 229 [6].

Message Format:

```
< Push-Notification-Answer > ::=
    < Diameter Header: 309, PXY, 16777231 >
    < Session-Id >
    { Vendor-Specific-Application-Id }
    [ Result-Code ]
    [ Experimental-Result ]
    { Auth-Session-State }
    { Origin-Host }
    { Origin-Realm }
    *[ AVP ]
    *[ Failed-AVP ]
    *[ Proxy-Info ]
    *[ Route-Record ]
```

## 7.2 Result-Code AVP values

This clause defines new result code values that shall be supported by all Diameter implementations that conform to the present document. When one of the result codes defined here is included in a response, it shall be inside an Experimental-Result AVP and Result-Code AVP shall be absent.

### 7.2.1 Success

Result codes that fall within the Success category are used to inform a peer that a request has been successfully completed.

No Result Code within this category has been defined so far.

### 7.2.2 Permanent failures

Errors that fall within the Permanent Failures category are used to inform the peer that the request failed, and should not be attempted again.

No errors within this category have been defined so far. However the following error defined in TS 129 229 [6] is used in the present document:

- DIAMETER\_ERROR\_USER\_UNKNOWN (5001).

The following error defined in TS 129 329 [7] is used in the present document:

- DIAMETER\_ERROR\_NO\_SUBSCRIPTION\_TO\_DATA (5107).

### 7.2.3 Transient failures

Errors that fall within the transient failures category are those used to inform a peer that the request could not be satisfied at the time that it was received. The request may be able to be satisfied in the future.

No errors within this category have been defined so far. However the following error defined in TS 129 329 [7] is used in the present document:

- DIAMETER\_USER\_DATA\_NOT\_AVAILABLE (4100).

## 7.3 AVPs

This clause summarizes the AVP used in the present document, beyond those defined in the Diameter Base Protocol.

Table 4 describes the Diameter AVPs defined in the present document, their AVP Code values, types, possible flag values and whether the AVP may or not be encrypted. The Vendor-Id header of all AVPs defined in the present document shall be set to ETSI (13019).

NOTE: In tables 4, 5, 6, and 7a, "must" has the same meaning as "shall".

**Table 4: Diameter AVPs defined in the present document**

Attribute name	AVP Code	Clause defined	Value type	AVP flag rules				May encrypt
				Must	May	Should not	Must not	
Location-Information	350	7.3.1	Grouped	V	M			Yes
Policy-Control-Contact-Point	351	7.3.2	DiameterIdentity	V	M			Yes
Terminal-Type	352	7.3.3	OctetString	V	M			Yes
Requested-Information	353	7.3.4	Enumerated	V			M	Yes
Event-Type	354	7.3.6	Enumerated	V	M			Yes
Line-Identifier	500	7.3.5	OctetString	V			M	Yes
Civic-Location	355	7.3.1.A	OctetString	V			M	Yes
Geospatial-Location	356	7.3.1.B	OctetString	V			M	Yes

NOTE: The AVP header bit denoted as "M", indicates whether support of the AVP is required. The AVP header bit denoted as "V", indicates whether the optional Vendor-ID field is present in the AVP header. For further details, see TS 129 229 [6].

Table 5 describes the Diameter AVPs defined for the Gq interface protocol (TS 129 209 [8]) and used in the present document, their AVP Code values, types, possible flag values and whether the AVP may or not be encrypted. Flags values are described in the context of the present document rather than in the context of the application where they are defined. AVPs defined in TS 129 209 [8] but no listed in the following table should not be sent by Diameter conforming to the present document and shall be ignored by receiving entities. The Vendor-Id header for these AVPs shall be set to 3GPP (10415).

**Table 5: Diameter AVPs imported from the Gq specification**

Attribute name	AVP Code	Clause defined	Value type	AVP flag rules				May encrypt
				Must	May	Should not	Must not	
AF-Application-Identifier	504	See TS 129 209 [8]	OctetString	M,V				Yes

Table 6 describes the Diameter AVPs defined for the e4 specification ES 283 034 [5] and used in the present document, their AVP Code values, types, possible flag values and whether the AVP may or not be encrypted. Flags values are described in the context of the present document rather than in the context of the application where they are defined. AVPs defined in ES 283 034 [5] but not listed in the following table should not be sent by Diameter conforming to the present document and shall be ignored by receiving entities. The Vendor-Id header of all these AVPs shall be set to ETSI (13019).

**Table 6: Diameter AVPs imported from e4 specifications**

Attribute name	AVP Code	Clause defined	Value type	AVP flag rules				May encrypt
				Must	May	Should not	Must not	
Globally-Unique-Address	300	See ES 283 034 [5]	Grouped	M,V				Yes
Logical-Access-Id	302	See ES 283 034 [5]	OctetString	V	M			Yes
Access-Network-Type	306	See ES 283 034 [5]	Grouped	V	M			Yes
Initial-Gate-Setting	303	See ES 283 034 [5]	Grouped	V	M			Yes
QoS-Profile	304	See ES 283 034 [5]	Grouped	V	M			Yes
IP-Connectivity-Status	305	See ES 283 034 [5]	Enumerated	V	M			Yes
Physical-Access-ID	313	See ES 283 034 [5]	UTF8String	V	M			Yes

Table 7a describes the Diameter AVPs defined for the Sh interface specification TS 129 329 [7] and used in the present document, their AVP Code values, types, possible flag values and whether the AVP may or not be encrypted. Flags values are described in the context of the present document rather than in the context of the application where they are defined. AVPs defined in TS 129 329 [7] but not listed in the following table should not be sent by Diameter conforming to the present document and shall be ignored by receiving entities. The Vendor-Id header of all these AVPs shall be set to ETSI (13019).

Table 7a: Diameter AVPs imported from Sh specifications

Attribute Name	AVP Code	Clause defined	Value Type	AVP Flag rules				May Encrypt
				Must	May	Should not	Must not	
Expiry-Time	709	See TS 129 329 [7]	Time	V			M	Yes
Subs-Req-Type	705	See TS 129 329 [7]	Enumerated	M,V				Yes

### 7.3.1 Location-Information AVP

The Location-Information AVP (AVP code 350 13019) is of type Grouped.

AVP Format:

```
Location-Information ::= < AVP Header: 350 13019 >
    [Line-Identifier]
    [Civic-Location]
    [Geospatial-Location]
    *[AVP]
```

#### 7.3.1A Civic-Location AVP

The Civic-Location AVP (AVP code 355 13019) provides location information in a form based on the encoding format defined in section 3.1 of RFC 4776 [15] excluding the first 3 octets (i.e. the code for this DHCP option, the length of the DHCP option, and the "what" element).

#### 7.3.1B Geospatial-Location AVP

The Geospatial-Location AVP (AVP code 356 13019) provides location information using the Location Configuration Information (LCI) format defined in RFC 3825 [16], starting with the third octet (i.e. the code for the DHCP option and the length field is not included).

### 7.3.2 Policy-Control-Contact-Point AVP

The RACS-Contact-Point AVP (AVP code 351 13019) is of type DiameterIdentity and identifies a policy control element to which resource reservation requests shall be sent.

### 7.3.3 Terminal-Type AVP

The Terminal-Type AVP (AVP code 352 13019) is of type OctetString and contains a value of the User Class DHCP Option (77).

### 7.3.4 Requested-Information AVP

The Requested-Information AVP (AVP code 353 13019) is of type Enumerated. The following values are defined:

- IP-CONNECTIVITY-USER-ID (0).
- LOCATION-INFORMATION (1).
- POLICY-CONTROL-CONTACT-POINT (2).
- ACCESS-NETWORK-TYPE (3).
- TERMINAL-TYPE (4).
- LOGICAL-ACCESS-ID (5).
- PHYSICAL-ACCESS-ID (6).

The following values are reserved for future use. They are out of scope of this Release. Should a CLF receive a UDR (as defined in clause 7.1.1) containing any of these reserved values within the Requested-Information AVP, it should handle it the same way as if any other non-specified value had been received.

- ACCESS-NETWORK-TYPE (7).
- INITIAL-GATE-SETTING (8).
- QOS-PROFILE (9).
- IP-CONNECTIVITY-STATUS (10).

### 7.3.5 Line-Identifier AVP

The Line-Identifier AVP (AVP code 500 13019) is of type OctetString and identifies the line to which the user equipment is connected.

The contents of the OctetString value shall be a text string that conform to the following ABNF specification using the notation defined in RFC 4234 [17]:

value = network-operator-code SEMI location-area-code [SEMI line-code]

network-operator-code = "noc" EQUAL 3ALPHA 1\*6ALPHANUM

location-area-code = "lac" EQUAL 4HEXDIG

line-code = "line-code" EQUAL 4\*HEXDIG

EQUAL = "="

SEMI = ";"

ALPHANUM = ALPHA / DIGIT

The Network-Operator-Code (NOC) consists of a country code followed by the International Telecommunication Union (ITU) Carrier Code (ICC) identifying a unique network operator within a country (see Recommendation ITU-T M.1400 [18]). The value of the "noc" parameter shall be set to an three uppercase ASCII characters containing a three-letter alphabetic country code as defined in ISO 3166-1 [19], followed by an ICC value of one to six uppercase alphanumeric ASCII characters containing the carrier code.

The Location-Area-Code (LAC) uniquely identifies a geographical location area within a network. The value of the "lac" parameter shall be a 2 octets binary value and its hexadecimal representation shall be encoded as a text string.

The Line-Code (line-code) uniquely identifies a logical (or physical) access within a network or within a location area (depending on the network operator implementation). The value of the "line-code" parameter shall be at least a 2 octets binary value and its hexadecimal representation shall be encoded as a text string.

### 7.3.6 Event-Type AVP

The Event-Type AVP (AVP code 354 13019) is of type Enumerated. The following values are defined:

- USER-LOGON (0).
- LOCATION-INFORMATION-CHANGED (1).
- POLICY-CONTROL-CONTACT-POINT-CHANGED (2).
- ACCESS-NETWORK-TYPE -CHANGED (3).
- TERMINAL-TYPE-CHANGED (4).
- LOGICAL-ACCESS-ID-CHANGED (5).
- PHYSICAL-ACCESS-ID-CHANGED (6).

- IP-ADDRESS-CHANGED (7).
- INITIAL-GATE-SETTING-CHANGED (8).
- QOS-PROFILE-CHANGED (9).
- USER-LOGOFF (10).

The USER-LOGON event is reported when the CLF successfully creates a session record.

The USER-LOGOFF event is reported when the CLF suppresses a session record.

All other events are reported when the related part of the session record is modified.

## 7.4 Use of namespaces

This clause contains the namespaces that have either been created in the present document, or the values assigned to existing namespaces managed by IANA.

### 7.4.1 AVP codes

The present document assigns the AVP values in the 350 to 399 range from the AVP Code namespace managed by ETSI for its Diameter vendor-specific applications. See clause 7.3 for the list of AVP values assigned in the present document.

### 7.4.2 Experimental-Result-Code AVP values

The present document does not assign any Experimental-Result-Code AVP value.

### 7.4.3 Command Code values

The present document does not assign command code values but uses existing command defined by TS 129 329 [7] and modified by ES 283 034 [5].

### 7.4.4 Application-ID value

The present document uses value 16777231, allocated by IANA for the e4 interface in ES 283 034 [5], as application identifier.



# Annex A (informative): Application to NGN Architectures

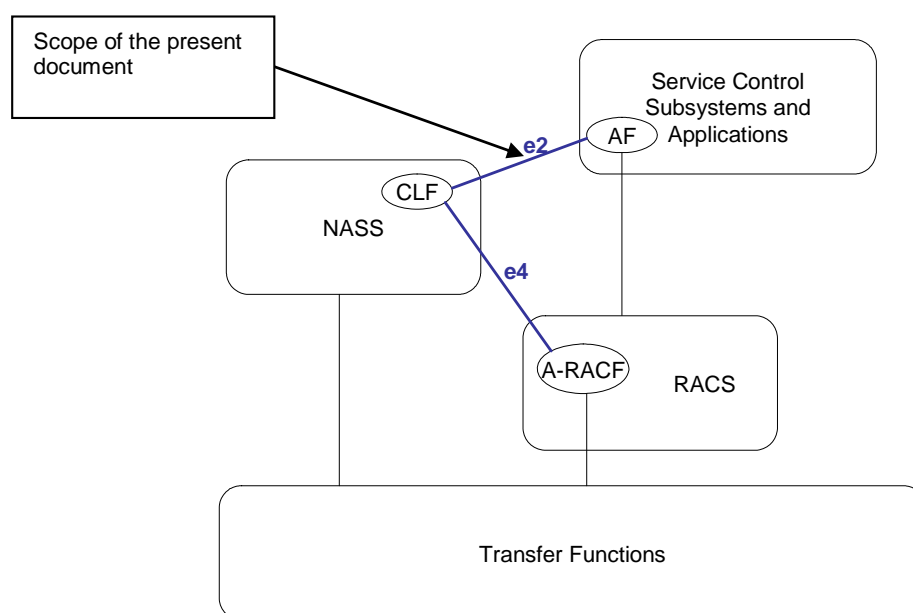
## A.1 Overview

In an NGN architecture (ES 282 001 [i.1]), a CLF is a functional entity of the Network Attachment Sub-System (NASS) defined in ES 282 004 [i.2]. The information it stores is made accessible to other subsystems and applications through the following two interfaces (see figure A.1):

- The e2 interface enables Application Functions (AF) to retrieve IP-connectivity related session data.
- The e4 interface enables the IP-connectivity related session data to be exchanged between the NASS and the Resource and Admission Control Subsystem (RACS) defined in ES 282 003 [i.3].

The present document specifies the protocol for the e2 interface.

Examples of Application Functions in NGN architectures are the P-CSCF and the IBCF in the IMS (ES 282 007 [i.4]), certain categories of Application Server Functions (ASF) (ES 282 001 [i.1]) or a Presence Network Agent (PNA) as defined in TS 182 008 [13]. In the later case, the Pn reference point of the presence architecture is mapped to the e2 interface.



**Figure A.1: NASS external interfaces**

## A.2 Mapping of e2 operations and terminology to Diameter

A DIAMETER Agent plays the role of the "CLF Proxy" described in clause 7.1 of ES 282 004 [i.2].

Table A.1 defines the mapping between information flows defined in ES 282 004 [i.2] and Diameter commands.

**Table A.1: e2 message to Diameter command mapping**

e2 Information flow	Source	Destination	Command-Name	Abbreviation
Information Query Request	AF	CLF	User-Data-Request	UDR
Information Query Response	CLF	AF	User-Data-Answer	UDA
Event Registration Request	AF	CLF	Subscribe-Notifications-Request	SNR
Event Registration Response	CLF	AF	Subscribe-Notifications-Answer	SNA
Notification Event Request	CLF	AF	Push-Notification-Request	PNR
Notification Event Response	AF	CLF	Push-Notification-Answer	PNA

## Annex B (informative): Change history

Change history							
Date	WG Doc.	CR	Rev	CAT	Title / Comment	Current Version	New Version
03-09-07	13b164r1	001		B	Event Management Capabilities	1.2.1	2.0.0
03-09-07	14bTD051r1	002		F	Alignment with Stage 2	2.0.1	2.0.3
13-09-07	14tTD302r1	003		F	Destination-Host AVP in Routing Considerations	2.0.3	2.1.1
13-09-07	14tTD303r1	004		F	Expiry-Time AVP	2.0.3	2.1.1
13-09-07	14tTD304r1	005		F	Proxy in Routing Considerations	2.0.3	2.1.1
13-09-07	14tTD392r1	006		D	Terminology Alignment for Notification Events with NASS R2	2.0.3	2.1.1
02-11-07	15bTD120r3	007		F	Correction to transient failure error response	2.1.1	2.2.0
02-11-07	15bTD260r1	008		D	WI03116 Clarification on CLF Proxy in Routing Considerations	2.1.1	2.2.0
02-11-07	15bTD262r2	009		D	WI03116 IP connectivity user	2.1.1	2.2.0
30-11-07	WG3TD054r1	010		F	Location Information formats	2.2.0	2.3.0
30-11-07	WG3TD056r1	011		D	Moving the definition of the Location Identifier AVP from TS 183 003 to ES 283 035	2.2.0	2.3.0
07-03-08	16bTD104r1	012		F	Structure of location data	2.3.0	2.5.0
07-03-08	16bTD106r1	013		F	Miscellaneous Improvements	2.3.0	2.5.0
07-03-08	16bTD113	014		F	Line identifier	2.3.0	2.5.0
19-03-13	NTECH(13)02_005	015		F	Fixing Line Identifier Coding and upgrading Diameter version	2.5.1	2.5.2
27-03-14	NTECH(14)0406_015	016		F	Reverting to Diameter V1	2.6.1	2.6.2
27-03-14	NTECH(14)0406_015	017		F	NASS User Id	2.6.1	2.6.2

---

## History

<b>Document history</b>		
V1.1.1	July 2006	Publication
V1.2.1	June 2007	Publication
V2.5.1	August 2008	Publication
V2.6.1	January 2014	Publication
V2.6.2	May 2014	Membership Approval Procedure    MV 20140721:    2014-05-22 to 2014-07-21