

ETSI TS 103 221-2 V1.10.1 (2026-03)



TECHNICAL SPECIFICATION

Lawful Interception (LI); Internal Network Interfaces; Part 2: X2/X3



Reference

RTS/LI-00310-2

Keywords

interface, lawful interception

ETSI

650 Route des Lucioles
F-06921 Sophia Antipolis Cedex - FRANCE

Tel.: +33 4 92 94 42 00 Fax: +33 4 93 65 47 16

Siret N° 348 623 562 00017 - APE 7112B
Association à but non lucratif enregistrée à la
Sous-Préfecture de Grasse (06) N° w061004871

Important notice

The present document can be downloaded from the
[ETSI Search & Browse Standards](#) application.

The present document may be made available in electronic versions and/or in print. The content of any electronic and/or print versions of the present document shall not be modified without the prior written authorization of ETSI. In case of any existing or perceived difference in contents between such versions and/or in print, the prevailing version of an ETSI deliverable is the one made publicly available in PDF format on [ETSI deliver](#) repository.

Users should be aware that the present document may be revised or have its status changed,
this information is available in the [Milestones listing](#).

If you find errors in the present document, please send your comments to
the relevant service listed under [Committee Support Staff](#).

If you find a security vulnerability in the present document, please report it through our
[Coordinated Vulnerability Disclosure \(CVD\)](#) program.

Notice of disclaimer & limitation of liability

The information provided in the present deliverable is directed solely to professionals who have the appropriate degree of experience to understand and interpret its content in accordance with generally accepted engineering or other professional standard and applicable regulations.

No recommendation as to products and services or vendors is made or should be implied.

No representation or warranty is made that this deliverable is technically accurate or sufficient or conforms to any law and/or governmental rule and/or regulation and further, no representation or warranty is made of merchantability or fitness for any particular purpose or against infringement of intellectual property rights.

In no event shall ETSI be held liable for loss of profits or any other incidental or consequential damages.

Any software contained in this deliverable is provided "AS IS" with no warranties, express or implied, including but not limited to, the warranties of merchantability, fitness for a particular purpose and non-infringement of intellectual property rights and ETSI shall not be held liable in any event for any damages whatsoever (including, without limitation, damages for loss of profits, business interruption, loss of information, or any other pecuniary loss) arising out of or related to the use of or inability to use the software.

Copyright Notification

No part may be reproduced or utilized in any form or by any means, electronic or mechanical, including photocopying and microfilm except as authorized by written permission of ETSI.

The content of the PDF version shall not be modified without the written authorization of ETSI.

The copyright and the foregoing restriction extend to reproduction in all media.

© ETSI 2026.
All rights reserved.

Contents

Intellectual Property Rights	6
Foreword.....	6
Modal verbs terminology.....	6
1 Scope	7
2 References	7
2.1 Normative references	7
2.2 Informative references.....	8
3 Definition of terms, symbols and abbreviations.....	8
3.1 Terms.....	8
3.2 Symbols.....	8
3.3 Abbreviations	9
4 Introduction and reference model.....	9
4.1 Reference model.....	9
4.2 Assumptions	10
4.2.1 Architecture	10
4.2.2 Implementation/realization	10
4.2.3 Deployment infrastructure	11
4.2.4 Regulatory assumptions	11
4.3 Relationship to other standards	11
5 Message contents and parameters	12
5.1 Overview	12
5.2 PDU Header Fields.....	12
5.2.1 Version.....	12
5.2.2 PDU Type	13
5.2.3 Header Length	13
5.2.4 Payload Length	13
5.2.5 Payload Format	13
5.2.6 Payload Direction	13
5.2.7 XID	14
5.2.8 Correlation ID.....	14
5.3 Conditional Attribute Fields	14
5.3.1 General structure.....	14
5.3.2 ETSI TS 102 232-1 Defined Attribute.....	15
5.3.3 3GPP TS 33.128 Defined Attribute	15
5.3.4 3GPP TS 33.108 Defined Attribute	15
5.3.5 Proprietary Attribute	15
5.3.6 Domain ID (DID)	16
5.3.7 Network Function ID (NFID)	16
5.3.8 Interception Point ID (IPID)	16
5.3.9 Sequence Number.....	16
5.3.10 Timestamp	16
5.3.11 Source IPv4 Address.....	16
5.3.12 Destination IPv4 Address	16
5.3.13 Source IPv6 Address.....	17
5.3.14 Destination IPv6 Address	17
5.3.15 Source Port.....	17
5.3.16 Destination Port	17
5.3.17 IP Protocol	17
5.3.18 Matched Target Identifier	17
5.3.19 Other Target Identifier	17
5.3.20 MIME Content Type.....	17
5.3.21 MIME Content Transfer Encoding	18
5.3.22 Additional XID Related Information (AXRI).....	18
5.3.23 SDP Session Description	18

5.4	Payload	18
5.4.1	Overview	18
5.4.2	ETSI TS 102 232-1 Defined Payload	19
5.4.3	3GPP TS 33.128 Defined Payload.....	19
5.4.4	3GPP TS 33.108 Defined Payload.....	19
5.4.5	Proprietary Payload.....	19
5.4.6	IPv4 Packet	20
5.4.7	IPv6 Packet	20
5.4.8	Ethernet Frame.....	20
5.4.9	RTP Packet	20
5.4.10	SIP Message.....	20
5.4.11	DHCP Message.....	20
5.4.12	RADIUS Packet.....	20
5.4.13	GTP-U Message.....	20
5.4.14	MSRP Message.....	20
5.4.15	3GPP TS 33.108 EpsIRIContent.....	20
5.4.16	MIME Message	21
5.4.17	3GPP Unstructured PDU	21
5.4.18	ETSI TS 102 232-1 PS-PDU.Payload.....	21
6	Transport	21
6.1	Summary	21
6.2	TLS Transport Profile	21
6.2.1	General.....	21
6.2.2	Profile	21
6.2.3	Authentication.....	21
6.2.4	Keepalive mechanism for reliability	22
Annex A (normative): Requirements		23
A.1	X2 Protocol & Architecture requirements.....	23
A.1.1	Basic Functionality.....	23
A.1.2	Flexible.....	23
A.1.3	Extensible	23
A.1.4	Lightweight	23
A.1.5	Delay	23
A.1.6	Permanent and Dynamic Connections.....	23
A.1.7	Reliability	23
A.1.8	Error detection.....	23
A.1.9	Redundancy	23
A.1.10	Correlation.....	24
A.1.11	Mediation into HI2/HI3	24
A.2	X2 Security requirements.....	24
A.2.1	Authentication and Authorization	24
A.2.2	Accounting and Audit	24
A.2.3	Integrity Protection.....	24
A.2.4	Confidentiality Protection	24
A.2.5	Replay Protection	24
A.2.6	Standalone interface	24
A.2.7	Minimum Security Level.....	24
A.2.8	Underlying Infrastructure Trust.....	24
A.2.9	Firewall and NAT Transversal	25
A.2.10	Certificate and Key Management.....	25
A.3	X3 Protocol & Architecture requirements.....	25
A.3.1	Basic Functionality.....	25
A.3.2	Flexible.....	25
A.3.3	Extensible	25
A.3.4	Lightweight	25
A.3.5	Delay	25
A.3.6	Permanent and Dynamic Connections.....	25
A.3.7	Reliability	25

A.3.8	Error detection.....	25
A.3.9	Redundancy.....	26
A.3.10	Correlation.....	26
A.3.11	Mediation into HI2/HI3.....	26
A.4	X3 Security requirements.....	26
A.4.1	Authentication & Authorization.....	26
A.4.2	Accounting/Audit.....	26
A.4.3	Integrity Protection.....	26
A.4.4	Confidentiality Protection.....	26
A.4.5	Replay Protection.....	26
A.4.6	Standalone interface.....	26
A.4.7	Minimum Security Level.....	27
A.4.8	Underlying Infrastructure Trust.....	27
A.4.9	Firewall and NAT Transversal.....	27
A.4.10	Certificate and Key Management.....	27
	Annex B (informative): Illustrative deployment scenarios.....	28
B.1	Introduction.....	28
B.2	Simple deployment scenario.....	28
B.3	Individual X3 POIs with shared X2 POI.....	28
B.4	Separated interfaces.....	29
	Annex C (normative): Configuration Information.....	30
C.1	Introduction.....	30
C.2	X2ConfigurationDetails.....	30
C.3	X3ConfigurationDetails.....	30
C.4	KeepAliveDetails.....	30
	Annex D (informative): Change history.....	31
	History.....	33

Intellectual Property Rights

Essential patents

IPRs essential or potentially essential to normative deliverables may have been declared to ETSI. The declarations pertaining to these essential IPRs, if any, are publicly available for **ETSI members and non-members**, and can be found in ETSI SR 000 314: "*Intellectual Property Rights (IPRs); Essential, or potentially Essential, IPRs notified to ETSI in respect of ETSI standards*", which is available from the ETSI Secretariat. Latest updates are available on the [ETSI IPR online database](#).

Pursuant to the ETSI Directives including the ETSI IPR Policy, no investigation regarding the essentiality of IPRs, including IPR searches, has been carried out by ETSI. No guarantee can be given as to the existence of other IPRs not referenced in ETSI SR 000 314 (or the updates on the ETSI Web server) which are, or may be, or may become, essential to the present document.

Trademarks

The present document may include trademarks and/or tradenames which are asserted and/or registered by their owners. ETSI claims no ownership of these except for any which are indicated as being the property of ETSI, and conveys no right to use or reproduce any trademark and/or tradename. Mention of those trademarks in the present document does not constitute an endorsement by ETSI of products, services or organizations associated with those trademarks.

DECT™, **PLUGTESTS™**, **UMTS™** and the ETSI logo are trademarks of ETSI registered for the benefit of its Members. **3GPP™**, **LTE™** and **5G™** logo are trademarks of ETSI registered for the benefit of its Members and of the 3GPP Organizational Partners. **oneM2M™** logo is a trademark of ETSI registered for the benefit of its Members and of the oneM2M Partners. **GSM®** and the GSM logo are trademarks registered and owned by the GSM Association.

Foreword

This Technical Specification (TS) has been produced by ETSI Technical Committee Lawful Interception (LI).

The present document is part 2 of a multi-part deliverable. Full details of the entire series can be found in part 1 [1].

Modal verbs terminology

In the present document "**shall**", "**shall not**", "**should**", "**should not**", "**may**", "**need not**", "**will**", "**will not**", "**can**" and "**cannot**" are to be interpreted as described in clause 3.2 of the [ETSI Drafting Rules](#) (Verbal forms for the expression of provisions).

"**must**" and "**must not**" are **NOT** allowed in ETSI deliverables except when used in direct citation.

1 Scope

The present document defines an electronic interface for the transmission of intercepted information as part of Lawful Interception. This interface is used from points of interception to LI mediation functions.

Typical reference models for LI define an interface between Law Enforcement Agencies (LEAs) and Communication Service Providers (CSPs), called the handover interface. They also define an internal network interface within the CSP domain between administration/mediation functions for lawful interception and network internal functions, which facilitates the interception of communication. This internal network interface typically consists of several sub-interfaces; initial configuration of the network internal elements of lawful interception (X0), administration (X1), transmission of intercept related information (X2) and transmission of content of communication (X3). The present document specifies a protocol for delivering X2 and X3.

2 References

2.1 Normative references

References are either specific (identified by date of publication and/or edition number or version number) or non-specific. For specific references, only the cited version applies. For non-specific references, the latest version of the referenced document (including any amendments) applies.

Referenced documents which are not found to be publicly available in the expected location might be found in the [ETSI docbox](#).

NOTE: While any hyperlinks included in this clause were valid at the time of publication, ETSI cannot guarantee their long-term validity.

The following referenced documents are necessary for the application of the present document.

- [1] [ETSI TS 103 221-1](#): "Lawful Interception (LI); Internal Network Interfaces; Part 1: X1".
- [2] [ETSI TS 102 232-1](#): "Lawful Interception (LI); Handover Interface and Service-Specific Details (SSD) for IP delivery; Part 1: Handover specification for IP delivery".
- [3] [IEEE Std 1003.1™-2017](#): "IEEE Approved Draft Standard for Information Technology -- Portable Operating System Interface (POSIX™)".
- [4] [IETF RFC 791](#): "Internet Protocol", (September 1981).
- [5] [IETF RFC 8200](#): "Internet Protocol, Version 6 (IPv6) Specification", (July 2017).
- [6] [IEEE 802.3™](#): "IEEE Standard for Ethernet".
- [7] [IETF RFC 3550](#): "RTP: A Transport Protocol for Real-Time Applications", (July 2003).
- [8] [IETF RFC 3261](#): "SIP: Session Initiation Protocol", (June 2002).
- [9] [IETF RFC 2131](#): "Dynamic Host Configuration Protocol", (March 1997).
- [10] [IETF RFC 2865](#): "Remote Authentication Dial In User Service (RADIUS)", (June 2000).
- [11] [ETSI TS 129 281](#): "Universal Mobile Telecommunications System (UMTS); LTE; 5G; General Packet Radio System (GPRS) Tunnelling Protocol User Plane (GTPv1-U) (3GPP TS 29.281)".
- [12] [IETF RFC 5246](#): "The Transport Layer Security (TLS) Protocol Version 1.2", (August 2008).

NOTE: Obsoleted by IETF RFC 8446.

- [13] [IETF RFC 7525](#): "Recommendations for Secure Use of Transport Layer Security (TLS) and Datagram Transport Layer Security (DTLS)", (May 2015).

- [14] [IETF RFC 6125](#): "Representation and Verification of Domain-Based Application Service Identity within Internet Public Key Infrastructure Using X.509 (PKIX) Certificates in the Context of Transport Layer Security (TLS)", (March 2011).
- [15] [ETSI TS 133 108](#): "Universal Mobile Telecommunications System (UMTS); LTE; Digital cellular telecommunications system (Phase 2+) (GSM); 3G security; Handover interface for Lawful Interception (LI) (3GPP TS 33.108)".
- [16] [IETF RFC 1123](#): "Requirements for Internet Hosts - Application and Support", (October 1989).
- [17] [IETF RFC 4975](#): "The Message Session Relay Protocol (MSRP)", (September 2007).
- [18] Void.
- [19] [IETF RFC 8446](#): "The Transport Layer Security (TLS) Protocol Version 1.3", (August 2018).
- [20] [ETSI TS 133 128](#): "LTE; 5G; Digital cellular telecommunications system (Phase 2+) (GSM); Universal Mobile Telecommunications System (UMTS); Security; Protocol and procedures for Lawful Interception (LI); Stage 3 (3GPP TS 33.128)".
- [21] [IETF RFC 2045](#): "Multipurpose Internet Mail Extensions (MIME) Part One: Format of Internet Message Bodies", (November 1996).
- [22] IANA: "[Assigned Internet Protocol Numbers](#)".
- [23] [ETSI TS 123 501](#): "5G; System architecture for the 5G System (5GS) (3GPP TS 23.501)".
- [24] [ETSI TS 123 401](#): "LTE; General Packet Radio Service (GPRS) enhancements for Evolved Universal Terrestrial Radio Access Network (E-UTRAN) access (3GPP TS 23.401)".
- [25] [IETF RFC 4566](#): "SDP: Session Description Protocol", (July 2006).
- [26] [ETSI TS 104 000](#): "Lawful Interception (LI); Internal Network Interface X0".

2.2 Informative references

References are either specific (identified by date of publication and/or edition number or version number) or non-specific. For specific references, only the cited version applies. For non-specific references, the latest version of the referenced document (including any amendments) applies.

NOTE: While any hyperlinks included in this clause were valid at the time of publication, ETSI cannot guarantee their long-term validity.

The following referenced documents may be useful in implementing an ETSI deliverable or add to the reader's understanding, but are not required for conformance to the present document.

- [i.1] [OWASP TLS Cheat Sheet](#).
- [i.2] ETSI TS 102 232-5: "Lawful Interception (LI); Handover Interface and Service-Specific Details (SSD) for IP delivery; Part 5: Service-specific details for IP Multimedia Services".

3 Definition of terms, symbols and abbreviations

3.1 Terms

For the purposes of the present document, the terms given in ETSI TS 103 221-1 [1] apply.

3.2 Symbols

Void.

3.3 Abbreviations

For the purposes of the present document, the abbreviations given in ETSI TS 103 221-1 [1] and the following apply:

3GPP	3 rd Generation Partnership Project
AXRI	Additional XID Related Information
CSP	Communications Service Provider
DHCP	Dynamic Host Configuration Protocol
DID	Domain IDentifier
GTP	GPRS Tunnelling Protocol
GTP-U	GPRS Tunnelling Protocol - User
GW	GateWay
IP	Internet Protocol
IPID	Interception Point IDentifier
LI	Lawful Interception
MDF	Mediation and Delivery Function
NAT	Network Address Translation
NF	Network Function
NFID	Network Function IDentifier
OWASP	Open Web Application Security Protocol
PDU	Protocol Data Unit
POI	Point Of Interception
RADIUS	Remote Access Dial In User Service
RTP	Realtime Transport Protocol
SDO	Standards Development Organization
SIP	Session Initiation Protocol
TC	Technical Committee
TCP	Transmission Control Protocol
TLS	Transport Layer Security
TLV	Tag - Length - Value
UDP	User Datagram Protocol
UTC	Coordinated Universal Time
UUID	Unique Universal IDentifier
xCC	X3 Content of Communications
xIRI	X2 Intercept Related Information
XID	X1 IDentifier

4 Introduction and reference model

4.1 Reference model

The X2/X3 interface is based on communication between:

- The Point Of Interception (POI), which performs interception.
- The Mediation and Delivery Function (MDF), which performs the necessary translation, correlation and mediation for onward handover over material to LEAs via the HI2 and HI3 interfaces.

The X2/X3 reference model is shown in figure 4.1-1.

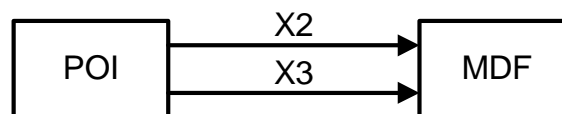


Figure 4.1-1: Reference Model

The POI produces internal interception product as part of its normal operation. This internal interception product may consist of copies of network traffic that contain material related to Intercept Related Information (xIRI) or Content of Communication (xCC). Material related to xIRI is transported via an X2 interface, while material related to xCC is transported via an X3 interface.

Any given POI may have one or both interfaces, as specified by the relevant LI architecture. Implementation and deployment scenarios may be more complex. An illustrative list of deployment scenarios is considered in annex B.

4.2 Assumptions

4.2.1 Architecture

The present document makes minimal assumptions about the LI architecture in which the X2/X3 interfaces are deployed. The X2/X3 interface is intended to be sufficiently flexible to be used as part of LI architectures defined elsewhere and assumes that the POI and MDF are deployed following an LI architecture defined separately (e.g. by another SDO, industry body or local regulation).

As such, the present document makes no assumptions about the specific functional requirements on the POI with respect to e.g. buffering, de-duplication, filtering. It is expected that these requirements will be supplied by a combination of the relevant LI architecture and local regulation.

4.2.2 Implementation/realization

The present document assumes that implementations of an LI architecture which utilize X1, X2 and X3 can be described by the high-level model as shown in figure 4.2.2-1.

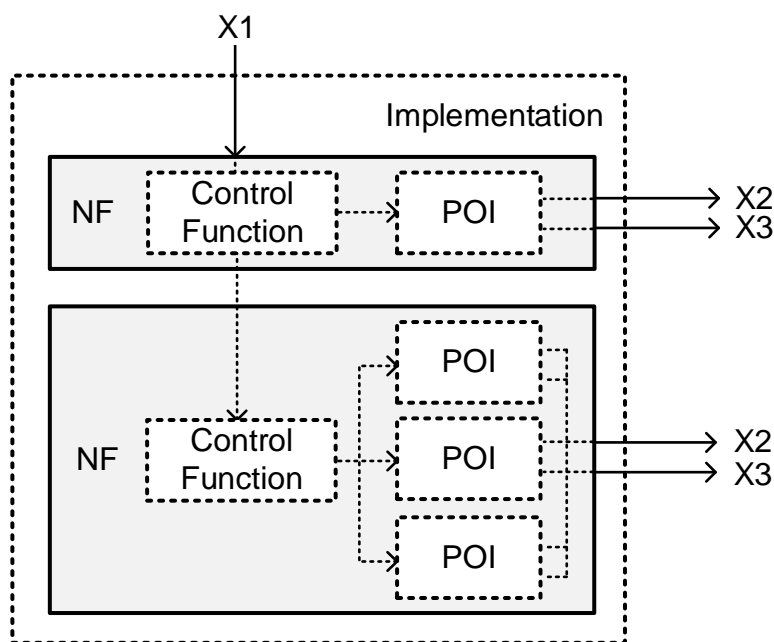


Figure 4.2.2-1: Assumed Implementation Model

The model consists of the following entities:

- An Implementation: this is a concrete realization of one or more NFs as deployed by an implementer.
- A Network Function (NF): a function as defined by the relevant network and/or LI architecture (e.g. a P-GW in 3GPP LTE).
- Control Function: the sub-function of the NF which accepts LI tasking messages. This may be supplied over a standardized interface (e.g. X1 as defined by ETSI TS 103 221-1 [1]). However, it is assumed that tasking may also be passed between NFs using other unspecified interfaces.

- Point of Interception (POI): the sub-function of the NF which performs interception and emits data. An NF may contain multiple POIs; in this case it is assumed that the NF implementation will be responsible for multiplexing the output of these POIs into a single X2 or X3 output stream.

The present document does not consider the means by which tasking information is communicated from an NF's internal control function to the POI sub-functions but provides the NF implementation a means by which to identify on which NF and POI each piece of data originated.

The present document assumes that the NF may be required to deliver high volumes of traffic (e.g. a broadband connection), and may be implemented on a platform with tight resources and/or performance constraints (e.g. a packet gateway), and as such X2/X3 is required to minimize, as far as is practical, the amount of processing and additional bandwidth consumed (see clause A.1.4).

4.2.3 Deployment infrastructure

The present document assumes that the transport infrastructure between POI/NF and MDF is untrusted (see clause A.2.8) but assumes that the platform on which the POI, NF and MDF are realized is appropriately secured. It does not make any specific assumptions about whether either the platform or transport infrastructure are virtualized.

The present document does not assume that clocks on different POIs are synchronized. It assumes that while X3 event timestamps may be required by local regulations and can be added to aid describing chronologies of events (e.g. in court), timestamps will not in general permit re-ordering or re-synchronization of packets which have been intercepted at different NFs.

The present document assumes that X2/X3 is required to provide sufficient information, together with X1, to detect loss of material over X2/X3 (see clause 4.2.4 and clause A.1.8). Detection of loss of material is supported by the Sequence Number field as defined in clause 5.3.9. A mechanism to detect and prevent link failures is supported by the Keepalive/Keepalive Acknowledgement PDUs as defined in clause 6.2.4. Any other POI behaviour to support error recovery is out of scope.

An illustrative list of deployment scenarios that have been considered as part of the design of the X2/X3 interface is given in annex B.

4.2.4 Regulatory assumptions

The present document assumes that material delivered over X2/X3 may be used as evidence in court. As such, it assumes that the X2/X3 interface is capable of indicating when data has been lost over the X2/X3 interface (see clause A.1.8), but recovery of this data (e.g. by buffering and retransmission) are out of scope (as described in clause 4.2.1).

The present document assumes that material over X2/X3 is required to be delivered without undue delay (see clause A.1.5), but that any such latency requirements are not necessarily as stringent as those associated with the underlying communications session (e.g. there is no need for a latency which facilitates a two-way conversation or vehicle avoidance measures).

4.3 Relationship to other standards

The present document forms part of an overall set of standards together with ETSI TS 103 221-1 [1] (X1) and ETSI TS 104 000 [26] (X0).

Some models of LI (e.g. 3GPP TS 33.108 [15], 3GPP TS 33.128 [20]) define interfaces for the purposes described in clause 4.1 (e.g. X2, X3 defined by 3GPP TS 33.108 [15] or LI_X2, LI_X3 defined by 3GPP TS 33.128 [20]). The present document is designed to fulfil the requirements for those interfaces.

5 Message contents and parameters

5.1 Overview

The POI sends data to the MDF as a binary stream of X2/X3 Protocol Data Units (PDUs). Each PDU is formatted as described in the following clauses.

Each X2/X3 PDU consists of three main sections:

- A set of mandatory PDU header fields containing identifiers, routing and correlation information - see clause 5.2.
- A set of additional conditional attributes conveying additional metadata about the intercepted material - see clause 5.3.
- A copy of the intercepted payload material - see clause 5.4.

The Keepalive mechanism is described in clause 6.2.4. Each Keepalive and Keepalive Acknowledgement PDU consists of:

- A set of mandatory header fields, where the Version, PDU Type and Header Length fields are populated as specified and all other mandatory fields are set to zero - see clause 5.2.
- A Sequence Number - see clause 5.3.9.

NOTE: Populating all other mandatory fields to zero means the Keepalive and Keepalive Acknowledgement PDU does not contain a Payload as defined in clause 5.4.

The binary structure of the PDU is described in table 5.1-1.

Table 5.1-1: X2/X3 PDU Structure

Field Name	Length (octets)	Defined in clause
Version	2	5.2.1
PDU Type	2	5.2.2
Header Length	4	5.2.3
Payload Length	4	5.2.4
Payload Format	2	5.2.5
Payload Direction	2	5.2.6
XID	16	5.2.7
Correlation ID	8	5.2.8
Conditional Attribute Fields	Variable	5.3
Payload	Variable	5.4

Each PDU is sent across an instance of either the X2 or X3 interface. The choice of which interface to use for any given PDU shall be given by the relevant LI architecture.

Definitions and encodings for the fields are given in clauses 5.2, 5.3 and 5.4. Unless otherwise specified by the present document or another referenced specification, header values shall be given as unsigned integers in network byte order (i.e. big endian).

5.2 PDU Header Fields

5.2.1 Version

The POI shall populate the Version field with the version of the specification used to create the PDU, given as a 16-bit unsigned integer.

The Version field consists of a *major* and *minor* version number.

For PDUs created according to the present document, the Version field is set to the value 6, comprised of the *major* number 0 and *minor* number 6 (see below).

The *major* version number is given by the upper (most significant) 8 bits of the Version field. This number shall be incremented whenever the protocol is extended in a backwards-incompatible manner, including:

- Changes to the X2/X3 PDU Structure (see clause 5.1, table 5.1-1).
- Changes to the: General Conditional Attribute Structure (see clause 5.3.1, table 5.3.1-1), Proprietary Conditional Attribute Structure (see clause 5.3.5, table 5.3.5-1), or Proprietary Payload Structure (see clause 5.4.5, table 5.4.5-1).
- Incompatible changes to the interpretation of, or deletion of: a PDU Type (see clause 5.2.2, table 5.2.2-1), Payload Direction (see clause 5.2.6, table 5.2.6-1), Conditional Attribute (see clause 5.3.1, table 5.3.1-2), or Payload Format (see clause 5.4.1, table 5.4.1-1).

The *minor* version number is given by the lower (least significant) 8 bits of the Version field. This number shall be incremented whenever the protocol is extended in a backwards-compatible manner, including:

- Addition of a new: PDU Type (see clause 5.2.2, table 5.2.2-1), Payload Direction (see clause 5.2.6, table 5.2.6-1), Conditional Attribute (see clause 5.3.1, table 5.3.1-2), or Payload Format (see clause 5.4.1, table 5.4.1-1).

The *minor* version number shall be set to 0 whenever the *major* version number is incremented.

5.2.2 PDU Type

The POI shall populate the PDU Type field to indicate the type of PDU. The PDU Type field shall take one of the values described in table 5.2.2-1.

Table 5.2.2-1: PDU Types

Value	Meaning
1	X2 PDU
2	X3 PDU
3	Keepalive
4	Keepalive Acknowledgement

5.2.3 Header Length

The POI shall populate the Header Length field with the length of the header in octets, including the mandatory and any conditional fields that have been populated.

For PDUs created against the present document, this value has a minimum value of 40 octets.

5.2.4 Payload Length

The POI shall populate the Payload Length field with the length of the Payload field in octets.

Keepalive and Keepalive Acknowledgement PDU shall set the field to zero.

5.2.5 Payload Format

The POI shall indicate the format and encoding of the Payload field by setting the Payload Format field to the appropriate value. A list of valid values, and their definitions, is given in clause 5.4.

5.2.6 Payload Direction

The POI shall populate the Payload Direction field with an indication of the direction of the intercepted data or event contained in the PDU. The Payload Direction field shall take one of the values described in table 5.2.6-1.

Table 5.2.6-1: Payload Direction

Direction Value	Meaning
0	Reserved for Keepalive mechanism as defined in clauses 5.1 and 6.2.4
1	The direction of the intercepted data or event is not known to the POI
2	The intercepted data or event was sent to (i.e. received by) the target
3	The intercepted data or event was sent from the target
4	The intercepted data or event is a result of intercepted data or events in more than one direction
5	The concept of direction is not applicable to this intercepted data or event

5.2.7 XID

The POI shall populate the XID field with the XID associated with the intercepted product, as assigned by the relevant X1 interface (see ETSI TS 103 221-1 [1]). When the X1 task has been provisioned with an optional ProductID (see ETSI TS 103 221-1 [1] clause 6.2.1.2, table 6.2.1.2-1), the XID shall be populated with the X1 ProductID instead.

An XID is a UUID (see ETSI TS 103 221-1 [1], clause 5.1.2). The XID shall be given as a 128-bit unsigned integer.

Keepalive and Keepalive Acknowledgement PDU shall set the field to zero.

5.2.8 Correlation ID

Where the POI correlates X2/X3 PDUs, the POI shall ensure that PDUs associated with the same communication session are given the same Correlation ID value. The value shall uniquely identify the communication within a given context. The scheme for generating Correlation IDs is defined by the relevant LI architecture. The POI may have to adopt a convention for generating Correlation IDs which enables correlation of the same communication session across multiple POIs but such decisions are out of scope of the present document.

If the POI does not correlate the X2/X3 PDU with any other X2/X3 PDUs the POI shall set the field to zero.

Keepalive and Keepalive Acknowledgement PDU shall set the field to zero.

5.3 Conditional Attribute Fields

5.3.1 General structure

The POI may provide a number of conditional attributes at the end of the header, as directed by the relevant LI architecture. Each of these conditional attributes has the Type-Length-Value (TLV) structure described in table 5.3.1-1.

Table 5.3.1-1: General Conditional Attribute Structure

Field Name	Description	Format
Attribute Type	Indicates the type of conditional attribute - see table 5.3.1-2.	16-bit unsigned integer
Attribute Length	Length of the following Attribute Contents in octets.	16-bit unsigned integer
Attribute Contents	As defined by the relevant Attribute Type field.	Variable

A conditional attribute with a given Attribute Type may occur more than once. Unless a conditional attribute is specified as supporting multiple occurrences, the MDF shall use the first occurrence of a conditional attribute with a given Attribute Type, and subsequent occurrences of the same Attribute Type shall be ignored.

The present document specifies the conditional attribute types for use in the X2/X3 Content PDU in table 5.3.1-2.

Table 5.3.1-2: Conditional Attribute Types

Attribute Type	Name	Defined in clause	Multiple occurrences
1	ETSI TS 102 232-1 [2] Defined Attribute	5.3.2	Yes
2	3GPP TS 33.128 [20] Defined Attribute	5.3.3	Yes
3	3GPP TS 33.108 [15] Defined Attribute	5.3.4	Yes
4	Proprietary Attribute	5.3.5	Yes
5	Domain ID (DID)	5.3.6	
6	Network Function ID (NFID)	5.3.7	
7	Interception Point ID (IPID)	5.3.8	
8	Sequence Number	5.3.9	
9	Timestamp	5.3.10	
10	Source IPv4 Address	5.3.11	
11	Destination IPv4 Address	5.3.12	
12	Source IPv6 Address	5.3.13	
13	Destination IPv6 Address	5.3.14	
14	Source Port	5.3.15	
15	Destination Port	5.3.16	
16	IP Protocol	5.3.17	
17	Matched Target Identifier	5.3.18	Yes
18	Other Target Identifier	5.3.19	Yes
19	MIME Content Type	5.3.20	
20	MIME Content Transfer Encoding	5.3.21	
21	Additional XID Related Information (AXRI)	5.3.22	Yes
22	SDP Session Description	5.3.23	
NOTE: This list is designed to be easily extended. If implementers or other Standards Development Organizations (SDOs) find a need for additional conditional attributes, they are encouraged to contact ETSI.			

5.3.2 ETSI TS 102 232-1 Defined Attribute

If used, this conditional attribute shall contain an attribute defined by ETSI TS 102 232-1 [2].

Multiple occurrences of this conditional attribute are permitted.

5.3.3 3GPP TS 33.128 Defined Attribute

If used, this conditional attribute shall contain an attribute defined by 3GPP TS 33.128 [20].

Multiple occurrences of this conditional attribute are permitted.

5.3.4 3GPP TS 33.108 Defined Attribute

If used, this conditional attribute shall contain an attribute defined by 3GPP TS 33.108 [15].

Multiple occurrences of this conditional attribute are permitted.

5.3.5 Proprietary Attribute

If used, this conditional attribute shall contain an attribute encoded as described in table 5.3.5-1.

Table 5.3.5-1: Proprietary Conditional Attribute Structure

Field Name	Description	Format
Attribute Owner Length	Indicates the length of the Attribute Owner field.	8-bit unsigned integer
Attribute Owner	FQDN indicating the organization responsible for defining the encoding of the attribute. FQDN given in ASCII format according to IETF RFC 1123 [16]. Shall not be empty.	ASCII string
Attribute Value	Contents, encoding defined by the Attribute Owner field.	Variable

This conditional attribute is provided to allow temporary support for implementation where use of a standardized solution supported by the present document is not possible.

Multiple occurrences of this conditional attribute are permitted, including with the same Attribute Owner.

5.3.6 Domain ID (DID)

If used, this conditional attribute shall contain a value that identifies the CSP, network or resource group in which the NF or POI exists. The format and content of this conditional attribute is left to the relevant LI architecture to define.

5.3.7 Network Function ID (NFID)

If used, this conditional attribute shall contain a value that identifies the NF associated with the POI to the MDF. The format and content of this conditional attribute is left to the relevant LI architecture to define. Depending on the architecture and deployment scenarios, it may be used as a way to identify the type of NF.

5.3.8 Interception Point ID (IPID)

If used, this conditional attribute shall contain a value that identifies the POI within the NF. The format and content of this conditional attribute is left to the relevant LI architecture and implementation to define.

5.3.9 Sequence Number

If used, this conditional attribute shall contain the sequence number of the X2/X3 PDU. If used, the Sequence Number shall start at zero and increment by one for each X2/X3 PDU with the same XID, DID, NFID, IPID and Correlation ID context. A separate sequence shall be maintained for X2 and X3 PDUs within the same context.

The Sequence Number shall be encoded as a four-octet unsigned integer in network byte order.

Once the maximum sequence number is reached, the POI shall restart the sequence number from zero. Use of this conditional attribute shall be determined by the relevant LI architecture.

5.3.10 Timestamp

If used, this conditional attribute shall contain the time that the content for the PDU was intercepted.

The time shall be given in POSIX.1-2017 [3] timespec format (i.e. the number of elapsed seconds since the start of the Unix epoch in UTC). The value shall be given as two successive 32-bit unsigned integers, with the first giving the integral part in seconds and the second giving the fractional part in nanoseconds.

NOTE: The timespec format as defined in POSIX.1-2017 [3] identifies the issue that timestamps after the year 2038 cannot be encoded. There is no standardized solution available for this yet. A future version of the present document intends to resolve this when available.

5.3.11 Source IPv4 Address

If used, this conditional attribute shall contain the source IPv4 address related to the Payload field given as four octets in network byte order (i.e. most significant octet first). This conditional attribute is primarily intended for use when using payload formats that strip off the IP-layer encapsulation (e.g. SIP Message). However, implementers should use the IPv4 Packet payload format instead of using this conditional attribute where possible.

5.3.12 Destination IPv4 Address

If used, this conditional attribute shall contain the destination IPv4 address related to the Payload field given as four octets in network byte order (i.e. most significant octet first). This conditional attribute is primarily intended for use when using payload formats that strip off the IP-layer encapsulation (e.g. SIP Message). However, implementers should use the IPv4 Packet payload format instead of using this conditional attribute where possible.

5.3.13 Source IPv6 Address

If used, this conditional attribute shall contain the source IPv6 address related to the Payload field given as sixteen octets in network byte order (i.e. most significant octet first). This conditional attribute is primarily intended for use when using payload formats that strip off the IP-layer encapsulation (e.g. SIP Message). However, implementers should use the IPv6 Packet payload format instead of using this conditional attribute where possible.

5.3.14 Destination IPv6 Address

If used, this conditional attribute shall contain the destination IPv6 address related to the Payload field given as sixteen octets in network byte order (i.e. most significant octet first). This conditional attribute is primarily intended for use when using payload formats that strip off the IP-layer encapsulation (e.g. SIP Message). However, implementers should use the IPv6 Packet payload format instead of using this conditional attribute where possible.

5.3.15 Source Port

If used, this conditional attribute shall contain the source TCP/UDP port related to the Payload field given as a 16-bit unsigned integer in network byte order.

5.3.16 Destination Port

If used, this conditional attribute shall contain the destination TCP/UDP port related to the Payload field given as a 16-bit unsigned integer in network byte order.

5.3.17 IP Protocol

If used, this conditional attribute shall contain the IP protocol related to the Payload field given as an 8-bit unsigned integer, as assigned by IANA [22].

5.3.18 Matched Target Identifier

If used, this conditional attribute shall contain a target identifier that the POI matched against the payload and lead to the interception of this Payload field. This conditional attribute shall be given as a TargetIdentifier as defined in ETSI TS 103 221-1 [1], clause 6.2.1.2, table 6.2.1.2-2, as the contents of the TargetIdentifier tag without the enclosing TargetIdentifier tag itself, encoded in UTF-8.

NOTE: As an example of the above encoding, an IMSI would be encoded as the UTF-8 string "<imsi>204081234567890</imsi>".

Multiple occurrences of this conditional attribute are permitted.

5.3.19 Other Target Identifier

If used, this conditional attribute shall contain another target identifier that is known to the POI. This conditional attribute shall be given using the same format as the Matched Target Identifier conditional attribute (see clause 5.3.18).

Multiple occurrences of this conditional attribute are permitted.

5.3.20 MIME Content Type

This conditional attribute is intended for use with the MIME Message payload format (see clause 5.4.16). If used, this conditional attribute shall contain the MIME Content-Type of the data in the Payload field according to IETF RFC 2045 [21], clause 5.

5.3.21 MIME Content Transfer Encoding

This conditional attribute is intended for use with the MIME Message payload format (see clause 5.4.14). If used, this conditional attribute shall contain the MIME Content-Transfer-Encoding of the data in the Payload field according to IETF RFC 2045 [21], clause 6.

5.3.22 Additional XID Related Information (AXRI)

The Additional XID Related Information (AXRI) conditional attribute is intended for use when the POI sends a PDU with a Payload field which is the result of data intercepted due to more than one X1 XID or X1 ProductID (if present) as result of several X1 task activations and to be sent to the same destination.

This conditional attribute may be used only if explicitly permitted by the relevant LI architecture. In addition, it may only be used if the values of all header fields and conditional attributes other than the XID (possibly derived from X1 ProductID - see clause 5.2.7), Correlation ID, Sequence Number, and AXRI would be the same as that for a separate PDU created with the XID, Correlation ID, and Sequence Number given in this conditional attribute.

This conditional attribute contains a concatenation of: 16 octets (128-bit unsigned integer) of XID encoded as per clause 5.2.7; 8 octets of Correlation ID encoded as per clause 5.2.8; and optionally a Sequence Number encoded as per clause 5.3.9.

Multiple occurrences of this conditional attribute are permitted.

5.3.23 SDP Session Description

If used, this conditional attribute shall contain an SDP Session Description as described in IETF RFC 4566 [25] section 5, encoded as UTF-8.

The SDP Session Description shall describe the RTP media stream contained within the Payload field of this PDU, and any subsequent PDU with the same XID and CorrelationID until another SDP Session Description conditional attribute is included.

This conditional attribute shall only be used in conjunction with Payload Format types 5 and 6 (IPv4 Packet and IPv6 Packet), or with RTP or MSRP Payload Format types (8 or 13) where the Destination Port (15) and either Destination IPv4 Address (11) or Destination IPv6 Address (13) conditional attributes are provided.

5.4 Payload

5.4.1 Overview

The POI shall populate the Payload field with intercepted data, given in the format specified by the Payload Format field (see clause 5.2.5). Table 5.4.1-1 defines the set of permissible Payload Formats and whether each is permitted for use in X2 or X3 PDUs.

Table 5.4.1-1: Payload Formats

Value	Payload Format	Permitted in X2	Permitted in X3	Defined in clause
0	Reserved for Keepalive mechanism	N/A	N/A	5.1
1	ETSI TS 102 232-1 [2] Defined Payload	Yes	Yes	5.4.2
2	3GPP TS 33.128 [20] Defined Payload	Yes	Yes	5.4.3
3	3GPP TS 33.108 [15] Defined Payload	Yes	Yes	5.4.4
4	Proprietary Payload	Yes	Yes	5.4.5
5	IPv4 Packet	Yes	Yes	5.4.6
6	IPv6 Packet	Yes	Yes	5.4.7
7	Ethernet Frame	No	Yes	5.4.8
8	RTP Packet	No	Yes	5.4.9
9	SIP Message	Yes	No	5.4.10
10	DHCP Message	Yes	No	5.4.11
11	RADIUS Packet	Yes	No	5.4.12
12	GTP-U Message	No	Yes	5.4.13
13	MSRP Message	No	Yes	5.4.14
14	3GPP TS 33.108 [15] EpsIRIContent	Yes	No	5.4.15
15	MIME Message	Yes	Yes	5.4.16
16	3GPP Unstructured PDU	No	Yes	5.4.17
17	ETSI TS 102 232-1 [2] PS-PDU.Payload	Yes	Yes	5.4.18
NOTE:	This list is designed to be easily extended. If implementers or other Standards Development Organizations (SDOs) find a need for additional Payload Format values, they are encouraged to contact ETSI.			

Where a choice is possible, and unless otherwise specified by the relevant LI architecture or national regulation, implementers should choose the payload format that provides the most encapsulation. As an example, IPv4 Packet should be chosen in preference to RTP packet if the IPv4 data is available.

5.4.2 ETSI TS 102 232-1 Defined Payload

If this payload format is specified, the Payload field shall contain data specified and encoded by ETSI TS 102 232-1 [2].

5.4.3 3GPP TS 33.128 Defined Payload

If this payload format is specified, the Payload field shall contain data specified and encoded according to 3GPP TS 33.128 [20].

5.4.4 3GPP TS 33.108 Defined Payload

If this payload format is specified, the Payload field shall contain data specified and encoded according to 3GPP TS 33.108 [15].

5.4.5 Proprietary Payload

If this payload format is specified, the Payload field shall contain data encoded as described in table 5.4.5-1.

Table 5.4.5-1: Proprietary Payload Structure

Field Name	Description	Format
Payload Owner Length	Indicates the length of the Payload Owner field.	8-bit unsigned integer
Payload Owner	FQDN indicating the organization responsible for defining the encoding of the payload. FQDN given in ASCII format according to IETF RFC 1123 [16]. Shall not be empty.	ASCII string
Payload Value	Contents encoding defined by the Payload Owner field.	Variable

This payload format is provided to allow temporary support for implementation where use of a standardized solution supported by the present document is not possible.

5.4.6 IPv4 Packet

If this payload format is specified, the Payload field shall contain an IPv4 packet encoded as per IETF RFC 791 [4].

5.4.7 IPv6 Packet

If this payload format is specified, the Payload field shall contain an IPv6 packet encoded as per IETF RFC 8200 [5].

5.4.8 Ethernet Frame

If this payload format is specified, the Payload field shall contain an ethernet frame encoded as per IEEE 802.3 [6].

5.4.9 RTP Packet

If this payload format is specified, the Payload field shall contain an RTP packet encoded as per "RTP packet" definition in clause 3 of IETF RFC 3550 [7], without any IP/UDP encapsulation.

Use of this payload format is discouraged for new implementations - handing over RTP with IP encapsulation using the IPv4 Packet or IPv6 Packet payload formats is preferred.

5.4.10 SIP Message

If this payload format is specified, the Payload field shall contain a SIP message encoded as per clause 7 in IETF RFC 3261 [8], without any IP/UDP encapsulation.

NOTE: For implementations intending to support compliance with ETSI TS 102 232-5 [i.2], appropriate use of the Source IPv4 Address, Source IPv6 Address, Destination IPv4 Address, and DestinationIPv6 Address conditional attributes is recommended.

5.4.11 DHCP Message

If this payload format is specified, the Payload field shall contain a DHCP message encoded as per clause 5, figure 1 in IETF RFC 2131 [9], without any IP/UDP encapsulation.

5.4.12 RADIUS Packet

If this payload format is specified, the Payload field shall contain a RADIUS packet encoded as per IETF RFC 2865 [10], without any IP/UDP encapsulation.

5.4.13 GTP-U Message

If this payload format is specified, the Payload field shall contain a GTP Message encoded as per clause 7 in 3GPP TS 29.281 [11], without any IP/UDP encapsulation.

5.4.14 MSRP Message

If this payload format is specified, the Payload field shall contain an MSRP Message encoded as per IETF RFC 4975 [17], clause 5.1, without any IP/UDP/SIP encapsulation.

5.4.15 3GPP TS 33.108 EpsIRIContent

If this payload format is specified, the Payload field shall contain a BER-encoded EpsHI2Operations.EpsIRIContent structure as defined in 3GPP TS 33.108 [15], clauses 10.5 and B.9.

Depending on the details of the implementation, compliance with 3GPP TS 33.128 [20], clauses 6.3.2.2 and 6.3.3.2 may also be required.

5.4.16 MIME Message

If this payload format is specified, the Payload field shall contain a message encoded as per IETF RFC 2045 [21], clause 2.3. Unless otherwise specified by the relevant LI architecture, it is recommended that the MIME Content Type attribute (see clause 5.3.20) and, if appropriate, the MIME Content Transfer Encoding attribute (see clause 5.3.21) are used in conjunction with this payload format.

5.4.17 3GPP Unstructured PDU

If this payload format is specified, the Payload field shall contain the octets of a PDU from either:

- a PDU session of type "unstructured" as defined in 3GPP TS 23.501 [23], clauses 5.6.1 and 5.6.10.3; or
- a PDN type of "non-IP" as defined in 3GPP TS 23.401 [24], clause 4.3.17.8.

5.4.18 ETSI TS 102 232-1 PS-PDU.Payload

If this payload format is specified, the Payload field shall contain a Payload structure as defined in the LI-PS-PDU ASN.1 module specified and encoded by ETSI TS 102 232-1 [2].

6 Transport

6.1 Summary

This clause provides transport profiles that may be used to transport encoded X2/X3 PDUs. The present document specifies a default profile, but further profiles may be defined in future or by the relevant LI architecture or SDO. Implementations shall support at least the default profile.

6.2 TLS Transport Profile

6.2.1 General

If using this profile to send X2/X3 PDUs to the MDF, the POI opens a TLS over TCP connection. TLS is used to perform mutual authentication and identification between the POI and MDF, and to provide confidentiality and integrity protection for X2/X3 PDUs.

NOTE: Multiple TLS connections may be used subject to local agreement. Schemes for distributing PDUs across multiple TLS connections are out of scope of the present document, and are for further study.

6.2.2 Profile

POIs and MDFs shall support TLS, using at least version 1.2 as defined in IETF RFC 5246 [12], supporting the recommendations given in IETF RFC 7525 [13]. Implementations are encouraged to support best practice e.g. the guidance given in OWASP TLS Cheat Sheet [i.1], section 2.6.

New implementations should support TLS 1.3 as defined in IETF RFC 8446 [19].

6.2.3 Authentication

Implementations shall perform mutual authentication using client and server X.509 certificates following IETF RFC 6125 [14].

6.2.4 Keepalive mechanism for reliability

The Keepalive and Keepalive Acknowledgement PDU type shall be supported by POIs and MDFs. This profile enables the use of this mechanism. It is intended as a means for the POI application to verify that the MDF application is still operational, and to disconnect the connection if the MDF is not.

The POI shall send out a Keepalive PDU as defined in clause 5.1 at least every TIME_P1 (by default TIME_P1 shall be 60 seconds).

The MDF shall respond to each Keepalive PDU by sending a Keepalive Acknowledgement PDU as defined in clause 5.1. The Sequence Number in the Keepalive Acknowledgement PDU shall be equal to the Sequence Number in the Keepalive PDU.

If the POI has not seen a Keepalive Acknowledgement PDU within TIME_P2 (by default TIME_P2 shall be 180 seconds) then the POI shall disconnect the connection and shall attempt to reconnect to the MDF and report an error through the X1 interface as defined in ETSI TS 103 221-1 [1].

The Keepalive mechanism may be used on both X2 and X3 interfaces.

Annex A (normative): Requirements

A.1 X2 Protocol & Architecture requirements

A.1.1 Basic Functionality

The interface shall be used for delivery of IRI from the network element, which created the copy of the original content of communication, to the mediation function.

A.1.2 Flexible

The X2 architecture and message exchange technique shall be flexible to allow implementation in both existing and future national and international operator network architectures.

A.1.3 Extensible

The basic message exchange protocol shall allow limited extensibility to support parameters not currently supported by the base protocol.

A.1.4 Lightweight

The protocol shall use a protocol containing minimal options or extensions which are not specifically required by X2.

A.1.5 Delay

The X2 architecture and message exchange technique shall by design not introduce undue delay compared with existing proprietary X2 implementations.

A.1.6 Permanent and Dynamic Connections

The X2 architecture and message exchange technique shall support both permanent connection and dynamic link/connection scenarios.

A.1.7 Reliability

The X2 architecture and message exchange technique shall provide reliable data transfer.

A.1.8 Error detection

The X2 architecture and message protocol shall support error detection (i.e. in case of data loss).

A.1.9 Redundancy

The X2 architecture and message protocol shall support both 1 to 1 and 1 to 2 end point configurations (i.e. for redundancy).

A.1.10 Correlation

The X2 protocol shall provide information necessary to allow correlation at the MDF for information provided over HI2 and HI3.

A.1.11 Mediation into HI2/HI3

The X2 protocol shall provide information necessary to allow correlation at the MDF to comply with the requirements of both the HI2 and HI3 interfaces, where applicable.

A.2 X2 Security requirements

A.2.1 Authentication and Authorization

The X2 architecture and message exchange technique shall provide authentication and authorization of end points.

A.2.2 Accounting and Audit

The X2 architecture and message exchange technique shall provide Accounting and Auditing.

A.2.3 Integrity Protection

The X2 message exchange technique shall provide integrity protection for all messages exchanged between nodes in the X2 architecture. Use of Integrity protection shall be mandatory.

A.2.4 Confidentiality Protection

The X2 message exchange technique shall provide confidentiality protection for all messages exchanged between nodes in the X2 architecture.

A.2.5 Replay Protection

The X2 message exchange technique shall provide replay protection for all messages exchanged between nodes in the X2 architecture.

A.2.6 Standalone interface

The X2 architecture and message exchange technique shall be designed as a standalone physically dedicated LI interface. The design and selection of the protocol shall where possible ensure that vulnerabilities in non-LI interfaces on the same node shall not impact LI interfaces and security.

A.2.7 Minimum Security Level

The X2 architecture and message exchange techniques shall provide a minimum level of security (including cypher suites and key length), which shall be supported by all nodes. At least two algorithms shall be specified. The protocol and algorithms shall be resistant to bid down attack.

A.2.8 Underlying Infrastructure Trust

The X2 architecture and message exchange techniques shall assume by default that the underlying network communication links and infrastructure are untrusted.

A.2.9 Firewall and NAT Transversal

The X2 message exchange technique shall be compatible with existing operator firewall and NAT transversal architectures. The message exchange technique shall not require unrestricted opening of common ports (e.g. port 80 or port 21). The message exchange technique shall not prohibit the development of future X2 aware firewall filtering to provide rejection of malicious X2 message at operator security gateways.

A.2.10 Certificate and Key Management

The X2 architecture relies on (where applicable) Certificate and Key Management mechanisms (including Certificate and Key revocation) from X1.

A.3 X3 Protocol & Architecture requirements

A.3.1 Basic Functionality

The interface shall be used for delivery of CC from the network element, which created the copy of the original content of communication, to the mediation function.

A.3.2 Flexible

The X3 architecture and message exchange technique shall be flexible to allow implementation in both existing and future national and international operator network architectures.

A.3.3 Extensible

The basic message exchange protocol shall allow limited extensibility to support parameter not currently supported by the base protocol.

A.3.4 Lightweight

The protocol shall use a protocol containing minimal options or extensions which are not specifically required by X3.

A.3.5 Delay

The X3 architecture and message exchange technique shall not introduce undue delay.

A.3.6 Permanent and Dynamic Connections

The X3 architecture and message exchange technique shall support both permanent connection and dynamic link/connection scenarios.

A.3.7 Reliability

The X3 architecture and message exchange technique shall provide reliable data transfer.

A.3.8 Error detection

The X3 architecture and message protocol shall support error detection (i.e. in case of data loss) specifically only across the interface in question.

A.3.9 Redundancy

The X3 architecture and message protocol shall support both 1 to 1 and 1 to 2 end point configurations (i.e. for redundancy).

A.3.10 Correlation

The X3 protocol shall provide information necessary to allow correlation at the MDF for information provided over HI2 and HI3.

A.3.11 Mediation into HI2/HI3

The X3 protocol shall provide information necessary to allow correlation at the MDF to comply with the requirements of both the HI2 and HI3 interfaces, where applicable - at a minimum the packet-switched parts of the relevant HI2/3 handover standards.

A.4 X3 Security requirements

A.4.1 Authentication & Authorization

The X3 architecture and message exchange technique shall provide authentication and authorization of end points.

A.4.2 Accounting/Audit

The X3 architecture and message exchange technique shall provide Accounting & Auditing.

A.4.3 Integrity Protection

The X3 message exchange technique shall provide integrity protection for all messages exchanged between nodes in the X3 architecture. Use of Integrity protection shall be mandatory.

A.4.4 Confidentiality Protection

The X3 message exchange technique shall provide confidentiality protection for all messages exchanged between nodes in the X3 architecture.

A.4.5 Replay Protection

The X3 message exchange technique shall provide replay protection for all messages exchanged between nodes in the X3 architecture.

A.4.6 Standalone interface

The X3 architecture and message exchange technique shall be designed as a standalone physically dedicated LI interface. The design and selection of the protocol shall where possible ensure that vulnerabilities in non-LI interfaces on the same node shall not impact LI interfaces and security.

A.4.7 Minimum Security Level

The X3 architecture and message exchange techniques shall provide a minimum level of security (including cypher suites and key length), which shall be supported by all nodes. At least two algorithms shall be specified. The protocol and algorithms shall be resistant to bid down attack.

A.4.8 Underlying Infrastructure Trust

The X3 architecture and message exchange techniques shall assume by default that the underlying network communication links and infrastructure are untrusted.

A.4.9 Firewall and NAT Transversal

The X3 message exchange technique shall be compatible with existing operator firewall and NAT transversal architectures. The message exchange technique shall not require unrestricted opening of common ports (e.g. port 80 or 21). The message exchange technique shall not prohibit the development of future X3 aware firewall filtering to provide rejection of malicious X3 message at operator security gateways.

A.4.10 Certificate and Key Management

The X3 architecture relies on (where applicable) Certificate and Key Management mechanisms (including Certificate and Key revocation) from X1.

Annex B (informative): Illustrative deployment scenarios

B.1 Introduction

This annex provides a list of illustrative X2/X3 deployment scenarios for consideration during the drafting of the present document.

B.2 Simple deployment scenario

This scenario shows a simple deployment where separate POIs provide X2 and X3. Two POIs connect to a single MDF with an X2 interface from one POI and an X3 interface from another POI.

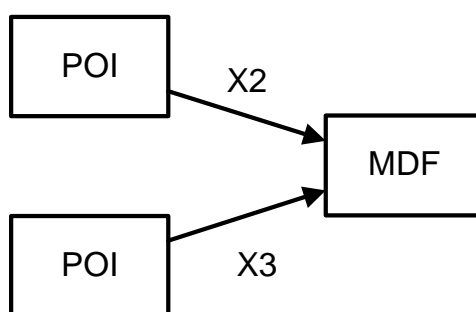


Figure B.2-1: Simple deployment scenario

B.3 Individual X3 POIs with shared X2 POI

This scenario shows a deployment scenario where a single physical POI provides X2 to multiple MDFs, while each MDF receives X3 from a different POI.

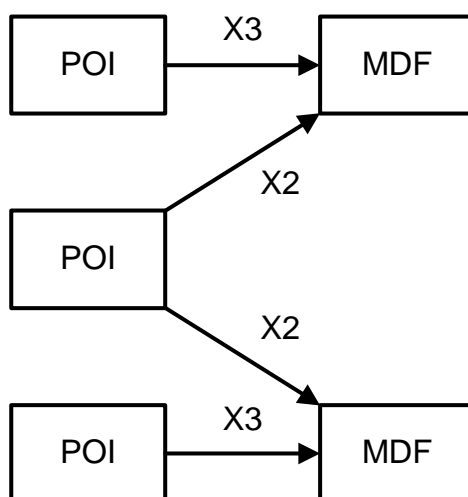


Figure B.3-1: Individual X3 POIs with shared X2 POIs

B.4 Separated interfaces

This scenario shows a deployment scenario where the X2 and X3 interfaces are delivered to different MDFs.

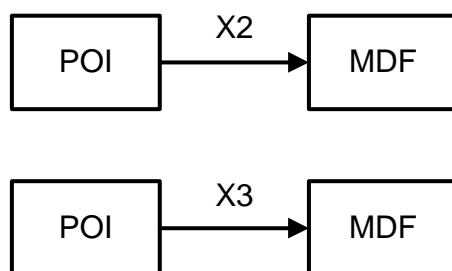


Figure B.4-1: Separated interfaces

Annex C (normative): Configuration Information

C.1 Introduction

This annex is only applicable when the X0 interface (see ETSI TS 104 000 [26]) is used to configure the X2 and X3 interfaces.

The ADMF may provide X2 and X3 configuration to the NE as part of X0 operations (see clause 6.2.5.2 in ETSI TS 104 000 [26]) using the X2ConfigurationDetails and X3ConfigurationDetails structures given in clauses C.2, C.3 and C.4.

A schema for the X2ConfigurationDetails and X3ConfigurationDetails structures is given as part of the XSD schema contained in archive ts_10322102v011001p0.zip which accompanies the present document.

C.2 X2ConfigurationDetails

Table C.2-1: X2ConfigurationDetails

Field	Description	Format	M/C/O
keepaliveDetails	Specifies the timers' parameters to manage the Keepalive.	KeepAliveDetails (see table C.4-1)	M

C.3 X3ConfigurationDetails

Table C.3-1: X3ConfigurationDetails

Field	Description	Format	M/C/O
keepaliveDetails	Specifies the timers' parameters to manage the Keepalive.	KeepAliveDetails (see table C.4-1)	M

C.4 KeepAliveDetails

Table C.4-1: KeepAliveDetails

Field	Description	Format	M/C/O
keepaliveEnabled	Indicates whether Keepalives are enabled or disabled.	Boolean	M
keepaliveTimeP1	Value for the Keepalive frequency in seconds for TIME_P1 (see clause 6.2.4). May be present only if keepaliveEnabled is set to "True".	KeepaliveTimeP1 Min value=1	C
keepaliveTimeP2	Value for the Keepalive TIME_P2 response time in seconds (see clause 6.2.4). May be present only if keepaliveEnabled is set to "True".	KeepaliveTimeP2 Min value= 1	C

Annex D (informative): Change history

Status of Technical Specification ETSI TS 103 221-2 Internal Network Interfaces; Part 2: X2/X3		
TC LI approval date	Version	Remarks
February 2019	1.1.1	First publication of the TS after approval by ETSI TC LI#50 (5-7 February 2019, Dubai) Version field is set to the value 1
October 2019	1.2.1	Included Change Requests: CR001 (cat D) Clarification on Encoding CR002r1 (cat C) Making the requirements annex informative CR003r2 (cat B) Update for TLS 1.3 CR004r1 (cat D) Alignment to 3GPP terminology These CRs were approved by TC LI#52 (15-17 October 2019, Turin)
July 2020	1.3.1	Included Change Request: CR005r2 (cat B) Addition of MIME and EpsIRIContent Payload Formats This CR was approved by TC LI#54-e (17-25 June 2020) Version field is set to the value 2
February 2021	1.4.1	Included Change Requests: CR006r2 (cat F) Editorial corrections CR007r1 (cat C) Sequence Number length clarification CR008r1 (cat C) Updating the Version field CR009r1 (cat C) Conditional Attribute clarifications CR011r2 (cat C) Avoiding multiple copies of xCC over LI_X3 CR012r1 (cat F) Clarifying Keepalive These CRs were approved by TC LI#56e (15-19 February 2021) Version field is set to the value 3
June 2021	1.5.1	Included Change Requests: CR013r1 (cat B) 3GPP Unstructured PDU related to 3GPP NIDD (Non-IP Data Delivery) CR014r1 (cat D) Consistency Improvements These CRs were approved by TC LI#57e (21-25 June 2021) Version field is set to the value 4
October 2021	1.5.2	Editorial update (verb needed in a sentence)
February 2022	1.6.1	Included Change Request: CR015r2 (cat B) Adding SDP Conditional Attribute This CR was approved by TC LI#59-e (14-18 February 2022) Version field is set to the value 5
October 2024	1.7.1	Included Change Request: CR018r2 (cat B) Defining X2/3 Configuration parameters This CR was approved by TC LI#67 (22-24 October 2024, Vancouver)
February 2025	1.8.1	Included Change Request: CR019r2 (cat C) Update to include any TS 102 232-X payload This CR was approved by TC LI#68 (25-27 February 2025, Dublin)
June 2025	1.9.1	Included Change Request: CR020r1 (cat C) Clarify ProductID and XID relationship This CR was approved by TC LI#69 (3-5 June 2025, Trondheim)

Status of Technical Specification ETSI TS 103 221-2 Internal Network Interfaces; Part 2: X2/X3		
TC LI approval date	Version	Remarks
January 2026	1.10.1	Included Change Request: CR021r1 (cat F) Version increment and history This CR was approved by TC LI#71 (21-23 January 2026, Sophia-Antipolis) Version field is set to the value 6

History

Version	Date	Status
V1.1.1	March 2019	Publication
V1.2.1	December 2019	Publication
V1.3.1	August 2020	Publication
V1.4.1	April 2021	Publication
V1.5.1	July 2021	Publication
V1.5.2	October 2021	Publication
V1.6.1	March 2022	Publication
V1.7.1	December 2024	Publication
V1.8.1	May 2025	Publication
V1.9.1	August 2025	Publication
V1.10.1	March 2026	Publication