

# ETSI TS 124 483 V17.8.0 (2024-09)



**LTE;**  
**Mission Critical Services (MCS) Management Object (MO)**  
**(3GPP TS 24.483 version 17.8.0 Release 17)**



---

**Reference**

RTS/TSGC-0124483vh80

---

**Keywords**

LTE

**ETSI**

---

650 Route des Lucioles  
F-06921 Sophia Antipolis Cedex - FRANCE

Tel.: +33 4 92 94 42 00 Fax: +33 4 93 65 47 16

Siret N° 348 623 562 00017 - APE 7112B  
Association à but non lucratif enregistrée à la  
Sous-Préfecture de Grasse (06) N° w061004871

---

**Important notice**

The present document can be downloaded from:

<https://www.etsi.org/standards-search>

The present document may be made available in electronic versions and/or in print. The content of any electronic and/or print versions of the present document shall not be modified without the prior written authorization of ETSI. In case of any existing or perceived difference in contents between such versions and/or in print, the prevailing version of an ETSI deliverable is the one made publicly available in PDF format at [www.etsi.org/deliver](http://www.etsi.org/deliver).

Users of the present document should be aware that the document may be subject to revision or change of status.

Information on the current status of this and other ETSI documents is available at

<https://portal.etsi.org/TB/ETSIDeliverableStatus.aspx>

If you find errors in the present document, please send your comment to one of the following services:

<https://portal.etsi.org/People/CommitteeSupportStaff.aspx>

If you find a security vulnerability in the present document, please report it through our  
Coordinated Vulnerability Disclosure Program:

<https://www.etsi.org/standards/coordinated-vulnerability-disclosure>

---

**Notice of disclaimer & limitation of liability**

The information provided in the present deliverable is directed solely to professionals who have the appropriate degree of experience to understand and interpret its content in accordance with generally accepted engineering or other professional standard and applicable regulations.

No recommendation as to products and services or vendors is made or should be implied.

No representation or warranty is made that this deliverable is technically accurate or sufficient or conforms to any law and/or governmental rule and/or regulation and further, no representation or warranty is made of merchantability or fitness for any particular purpose or against infringement of intellectual property rights.

In no event shall ETSI be held liable for loss of profits or any other incidental or consequential damages.

Any software contained in this deliverable is provided "AS IS" with no warranties, express or implied, including but not limited to, the warranties of merchantability, fitness for a particular purpose and non-infringement of intellectual property rights and ETSI shall not be held liable in any event for any damages whatsoever (including, without limitation, damages for loss of profits, business interruption, loss of information, or any other pecuniary loss) arising out of or related to the use of or inability to use the software.

---

**Copyright Notification**

No part may be reproduced or utilized in any form or by any means, electronic or mechanical, including photocopying and microfilm except as authorized by written permission of ETSI.

The content of the PDF version shall not be modified without the written authorization of ETSI.

The copyright and the foregoing restriction extend to reproduction in all media.

© ETSI 2024.  
All rights reserved.

---

# Intellectual Property Rights

## Essential patents

IPRs essential or potentially essential to normative deliverables may have been declared to ETSI. The declarations pertaining to these essential IPRs, if any, are publicly available for **ETSI members and non-members**, and can be found in ETSI SR 000 314: "*Intellectual Property Rights (IPRs); Essential, or potentially Essential, IPRs notified to ETSI in respect of ETSI standards*", which is available from the ETSI Secretariat. Latest updates are available on the ETSI Web server (<https://ipr.etsi.org/>).

Pursuant to the ETSI Directives including the ETSI IPR Policy, no investigation regarding the essentiality of IPRs, including IPR searches, has been carried out by ETSI. No guarantee can be given as to the existence of other IPRs not referenced in ETSI SR 000 314 (or the updates on the ETSI Web server) which are, or may be, or may become, essential to the present document.

## Trademarks

The present document may include trademarks and/or tradenames which are asserted and/or registered by their owners. ETSI claims no ownership of these except for any which are indicated as being the property of ETSI, and conveys no right to use or reproduce any trademark and/or tradename. Mention of those trademarks in the present document does not constitute an endorsement by ETSI of products, services or organizations associated with those trademarks.

**DECT™**, **PLUGTESTS™**, **UMTS™** and the ETSI logo are trademarks of ETSI registered for the benefit of its Members. **3GPP™** and **LTE™** are trademarks of ETSI registered for the benefit of its Members and of the 3GPP Organizational Partners. **oneM2M™** logo is a trademark of ETSI registered for the benefit of its Members and of the oneM2M Partners. **GSM®** and the GSM logo are trademarks registered and owned by the GSM Association.

---

# Legal Notice

This Technical Specification (TS) has been produced by ETSI 3rd Generation Partnership Project (3GPP).

The present document may refer to technical specifications or reports using their 3GPP identities. These shall be interpreted as being references to the corresponding ETSI deliverables.

The cross reference between 3GPP and ETSI identities can be found under <https://webapp.etsi.org/key/queryform.asp>.

---

# Modal verbs terminology

In the present document "**shall**", "**shall not**", "**should**", "**should not**", "**may**", "**need not**", "**will**", "**will not**", "**can**" and "**cannot**" are to be interpreted as described in clause 3.2 of the [ETSI Drafting Rules](#) (Verbal forms for the expression of provisions).

"**must**" and "**must not**" are **NOT** allowed in ETSI deliverables except when used in direct citation.

# Contents

Intellectual Property Rights .....	2
Legal Notice .....	2
Modal verbs terminology.....	2
Foreword.....	42
1 Scope .....	43
2 References .....	44
3 Definitions and abbreviations.....	45
3.1 Definitions .....	45
3.2 Abbreviations .....	45
3.3 Symbols.....	45
3.4 Management Object design and representation guidelines.....	46
4 MCPTT UE configuration MO .....	46
4.1 General .....	46
4.2 MCPTT UE configuration MO parameters .....	47
4.2.1 General.....	47
4.2.2 Node: <x> .....	47
4.2.3 /<x>/Name .....	47
4.2.4 /<x>/Ext/ .....	48
4.2.5 /<x>/Common.....	48
4.2.6 /<x>/Common/PrivateCall.....	48
4.2.7 /<x>/Common/PrivateCall/MaxCallIN10.....	48
4.2.8 /<x>/Common/MCPTTGroupCall.....	49
4.2.9 /<x>/Common/MCPTTGroupCall/MaxCallIN4.....	49
4.2.10 /<x>/Common/MCPTTGroupCall/MaxTransmissionN5.....	49
4.2.11 /<x>/Common/MCPTTGroupCall/PrioritizedMCPTTGroup.....	49
4.2.12 /<x>/Common/MCPTTGroupCall/PrioritizedMCPTTGroup/<x>.....	49
4.2.13 /<x>/Common/MCPTTGroupCall/PrioritizedMCPTTGroup/<x>/ MCPTTGroupID .....	50
4.2.14 /<x>/Common/MCPTTGroupCall/PrioritizedMCPTTGroup/<x>/ MCPTTGroupPriorityHierarchy .....	50
4.2.15 /<x>/OnNetwork.....	50
4.2.16 /<x>/OnNetwork/RelayService .....	50
4.2.17 /<x>/OnNetwork/IPv6Preferred .....	51
4.2.18 /<x>/OnNetwork/RelayedMCPTTGroup .....	51
4.2.19 /<x>/OnNetwork/RelayedMCPTTGroup/<x>.....	51
4.2.20 /<x>/OnNetwork/RelayedMCPTTGroup/<x>/MCPTTGroupID .....	51
4.2.21 /<x>/OnNetwork/RelayedMCPTTGroup/<x>/RelayServiceCode .....	52
5 MCPTT user profile MO.....	52
5.1 General .....	52
5.2 MCPTT user profile MO parameters.....	56
5.2.1 General.....	56
5.2.2 Node: <x> .....	56
5.2.3 /<x>/Name .....	56
5.2.4 /<x>/Ext/ .....	56
5.2.5 /<x>/<x>.....	56
5.2.6 /<x>/<x>/Common .....	57
5.2.7 /<x>/<x>/Common/MCPTTUserID .....	57
5.2.7A /<x>/<x>/Common/MCPTTUserProfileIndex .....	57
5.2.7B /<x>/<x>/Common/MCPTTUserProfileName .....	57
5.2.7C /<x>/<x>/Common/PreSelectedIndication .....	58
5.2.8 /<x>/<x>/Common/UserAliases .....	58
5.2.8A /<x>/<x>/Common/UserAliases/<x> .....	58
5.2.8B /<x>/<x>/Common/UserAliases/<x>/UserAlias .....	58
5.2.9 /<x>/<x>/Common/AuthorisedAlias .....	59
5.2.10 /<x>/<x>/Common/ParticipantType.....	59

5.2.11	/<x>/<x>/Common/Organization .....	59
5.2.12	/<x>/<x>/Common/PrivateCall .....	59
5.2.13	/<x>/<x>/Common/PrivateCall/Authorised .....	60
5.2.14	/<x>/<x>/Common/PrivateCall/AuthorisedAny.....	60
5.2.15	/<x>/<x>/Common/PrivateCall/UserList .....	60
5.2.16	/<x>/<x>/Common/PrivateCall/UserList/<x> .....	60
5.2.16A	/<x>/<x>/Common/PrivateCall/UserList/<x>/Entry .....	60
5.2.17	/<x>/<x>/Common/PrivateCall/UserList/<x>/Entry/MCPTTID .....	61
5.2.18	/<x>/<x>/Common/PrivateCall/UserList/<x>/Entry/DiscoveryGroupID .....	61
5.2.19	/<x>/<x>/Common/PrivateCall/UserList/<x>/Entry/UserInfoID.....	61
5.2.19A	/<x>/<x>/Common/PrivateCall/UserList/<x>/Entry/DisplayName .....	61
5.2.19B	/<x>/<x>/Common/PrivateCall/UserList/<x>/Entry/PrivateCallKMSURI.....	62
5.2.20	/<x>/<x>/Common/PrivateCall/ManualCommence .....	62
5.2.21	/<x>/<x>/Common/PrivateCall/AutoCommence .....	62
5.2.22	/<x>/<x>/Common/PrivateCall/AutoAnswer .....	62
5.2.23	/<x>/<x>/Common/PrivateCall/FailRestrict.....	63
5.2.24	/<x>/<x>/Common/PrivateCall/AllowedMediaProtection .....	63
5.2.25	/<x>/<x>/Common/PrivateCall/AllowedFloorControlProtection .....	63
5.2.26	/<x>/<x>/Common/PrivateCall/EmergencyCall .....	64
5.2.27	/<x>/<x>/Common/PrivateCall/EmergencyCall/Authorised.....	64
5.2.28	/<x>/<x>/Common/PrivateCall/EmergencyCall/CancelPriority .....	64
5.2.29	/<x>/<x>/Common/PrivateCall/EmergencyCall/MCPTTPrivateRecipient.....	64
5.2.29A	/<x>/<x>/Common/PrivateCall/EmergencyCall/MCPTTPrivateRecipient/Entry.....	65
5.2.29B	/<x>/<x>/Common/PrivateCall/EmergencyCall/MCPTTPrivateRecipient/Entry/ID .....	65
5.2.29C	/<x>/<x>/Common/PrivateCall/EmergencyCall/MCPTTPrivateRecipient/Entry/DiscoveryGroupID .....	65
5.2.29D	/<x>/<x>/Common/PrivateCall/EmergencyCall/MCPTTPrivateRecipient/Entry/UserInfoID .....	65
5.2.29E	/<x>/<x>/Common/PrivateCall/EmergencyCall/MCPTTPrivateRecipient/Entry/DisplayName .....	66
5.2.29F	/<x>/<x>/Common/PrivateCall/EmergencyCall/MCPTTPrivateRecipient/Entry/Usage.....	66
5.2.30	/<x>/<x>/Common/MCPTTGroupCall .....	66
5.2.31	/<x>/<x>/Common/MCPTTGroupCall/MaxSimultaneousCallsN6 .....	67
5.2.32	/<x>/<x>/Common/MCPTTGroupCall/EmergencyCall .....	67
5.2.33	/<x>/<x>/Common/MCPTTGroupCall/EmergencyCall/Enabled .....	67
5.2.34	/<x>/<x>/Common/MCPTTGroupCall/EmergencyCall/MCPTTGroupInitiation .....	67
5.2.34A	/<x>/<x>/Common/MCPTTGroupCall/EmergencyCall/MCPTTGroupInitiation/Entry .....	67
5.2.34B	/<x>/<x>/Common/MCPTTGroupCall/EmergencyCall/MCPTTGroupInitiation/Entry/GroupID .....	68
5.2.34C	/<x>/<x>/Common/MCPTTGroupCall/EmergencyCall/ MCPTTGroupInitiation/Entry/DisplayName .....	68
5.2.34D	/<x>/<x>/Common/MCPTTGroupCall/EmergencyCall/MCPTTGroupInitiation/Entry/Usage .....	68
5.2.35	/<x>/<x>/Common/MCPTTGroupCall/EmergencyCall/CancelMCPTTGroup.....	69
5.2.36	/<x>/<x>/Common/MCPTTGroupCall/ImminentPerilCall .....	69
5.2.37	/<x>/<x>/Common/MCPTTGroupCall/ImminentPerilCall/Authorised.....	69
5.2.38	/<x>/<x>/Common/MCPTTGroupCall/ImminentPerilCall/Cancel .....	69
5.2.39	/<x>/<x>/Common/MCPTTGroupCall/ImminentPerilCall/MCPTTGroupInitiation .....	70
5.2.39A	/<x>/<x>/Common/MCPTTGroupCall/ImminentPerilCall/MCPTTGroupInitiation/Entry .....	70
5.2.39B	/<x>/<x>/Common/MCPTTGroupCall/ImminentPerilCall/MCPTTGroupInitiation/Entry/GroupID .....	70
5.2.39C	/<x>/<x>/Common/MCPTTGroupCall/ImminentPerilCall/MCPTTGroupInitiation/DisplayName .....	70
5.2.39D	/<x>/<x>/Common/MCPTTGroupCall/ImminentPerilCall/MCPTTGroupInitiation/Entry/Usage .....	71
5.2.40	/<x>/<x>/Common/MCPTTGroupCall/EmergencyAlert.....	71
5.2.41	/<x>/<x>/Common/MCPTTGroupCall/EmergencyAlert/Authorised .....	71
5.2.42	/<x>/<x>/Common/MCPTTGroupCall/EmergencyAlert/Cancel.....	71
5.2.43	Void .....	72
5.2.43A	/<x>/<x>/Common/MCPTTGroupCall/EmergencyAlert/Entry .....	72
5.2.43B	/<x>/<x>/Common/MCPTTGroupCall/EmergencyAlert/Entry/ID.....	72
5.2.43C	Void .....	72
5.2.43D	/<x>/<x>/Common/MCPTTGroupCall/EmergencyAlert/Entry/DisplayName .....	72
5.2.43E	/<x>/<x>/Common/MCPTTGroupCall/EmergencyAlert/Entry/Usage .....	72
5.2.43F	/<x>/<x>/Common/MCPTTGroupCall/Priority.....	73
5.2.44	Void .....	73
5.2.45	/<x>/<x>/Common/MCPTTGroupBroadcast.....	73
5.2.46	/<x>/<x>/Common/MCPTTGroupBroadcast/Authorised .....	73
5.2.47	/<x>/<x>/Common/UserBroadcast.....	74
5.2.48	/<x>/<x>/Common/UserBroadcast/Authorised.....	74

5.2.48A	/<x>/<x>/OnNetwork .....	74
5.2.48B1	/<x>/<x>/OnNetwork/MCPTTGroupList.....	74
5.2.48B2	/<x>/<x>/OnNetwork/MCPTTGroupList/<x> .....	74
5.2.48B3	/<x>/<x>/OnNetwork/MCPTTGroupList/<x>/Entry .....	75
5.2.48B4	/<x>/<x>/OnNetwork/MCPTTGroupList/<x>/Entry/ MCPTTGroupID .....	75
5.2.48B4A	/<x>/<x>/OnNetwork/MCPTTGroupList/<x>/Entry/ RulesForAffiliation.....	75
5.2.48B4A0	/<x>/<x>/OnNetwork/MCPTTGroupList/<x>/Entry/ RulesForAffiliation/<x> .....	75
5.2.48B4A1	/<x>/<x>/OnNetwork/MCPTTGroupList/<x>/Entry/ RulesForAffiliation/<x>/ListOfLocationCriteria.....	76
5.2.48B4A2	/<x>/<x>/OnNetwork/MCPTTGroupList/<x>/Entry/ RulesForAffiliation/<x>/ListOfLocationCriteria/<x> .....	76
5.2.48B4A3	/<x>/<x>/OnNetwork/MCPTTGroupList/<x>/Entry/ RulesForAffiliation/<x>/ListOfLocationCriteria/<x>/Entry .....	76
5.2.48B4A4	/<x>/<x>/OnNetwork/MCPTTGroupList/<x>/Entry/ RulesForAffiliation/<x>/ListOfLocationCriteria/<x>/Entry/ EnterSpecificArea.....	76
5.2.48B4A5	/<x>/<x>/OnNetwork/MCPTTGroupList/<x>/Entry/ RulesForAffiliation/<x>/ListOfLocationCriteria/<x>/Entry/ EnterSpecificArea/PolygonArea.....	77
5.2.48B4A6	/<x>/<x>/OnNetwork/MCPTTGroupList/<x>/Entry/ RulesForAffiliation/<x>/ListOfLocationCriteria/<x>/Entry/ EnterSpecificArea/PolygonArea/<x> .....	77
5.2.48B4A7	/<x>/<x>/OnNetwork/MCPTTGroupList/<x>/Entry/ RulesForAffiliation/<x>/ListOfLocationCriteria/<x>/Entry/ EnterSpecificArea/PolygonArea/<x>/PointCoordinateType .....	77
5.2.48B4A8	/<x>/<x>/OnNetwork/MCPTTGroupList/<x>/Entry/ RulesForAffiliation/<x>/ListOfLocationCriteria/<x>/Entry/ EnterSpecificArea/PolygonArea/<x>/PointCoordinateType/ Longitude.....	78
5.2.48B4A9	/<x>/<x>/OnNetwork/MCPTTGroupList/<x>/Entry/ RulesForAffiliation/<x>/ListOfLocationCriteria/<x>/Entry/ EnterSpecificArea/PolygonArea/<x>/PointCoordinateType/ Latitude.....	78
5.2.48B4A10	/<x>/<x>/OnNetwork/MCPTTGroupList/<x>/Entry/ RulesForAffiliation/<x>/ListOfLocationCriteria/<x>/Entry/ EnterSpecificArea/EllipsoidArcArea.....	78
5.2.48B4A11	/<x>/<x>/OnNetwork/MCPTTGroupList/<x>/Entry/ RulesForAffiliation/<x>/ListOfLocationCriteria/<x>/Entry/ EnterSpecificArea/EllipsoidArcArea/Center .....	79
5.2.48B4A12	/<x>/<x>/OnNetwork/MCPTTGroupList/<x>/Entry/ RulesForAffiliation/<x>/ListOfLocationCriteria/<x>/Entry/ EnterSpecificArea/EllipsoidArcArea/Center/ PointCoordinateType.....	79
5.2.48B4A13	/<x>/<x>/OnNetwork/MCPTTGroupList/<x>/Entry/ RulesForAffiliation/<x>/ListOfLocationCriteria/<x>/Entry/ EnterSpecificArea/EllipsoidArcArea/Center/ PointCoordinateType/Longitude .....	79
5.2.48B4A14	/<x>/<x>/OnNetwork/MCPTTGroupList/<x>/Entry/ RulesForAffiliation/<x>/ListOfLocationCriteria/<x>/Entry/ EnterSpecificArea/EllipsoidArcArea/Center/ PointCoordinateType/Latitude .....	80
5.2.48B4A15	/<x>/<x>/OnNetwork/MCPTTGroupList/<x>/Entry/ RulesForAffiliation/<x>/ListOfLocationCriteria/<x>/Entry/ EnterSpecificArea/EllipsoidArcArea/Radius.....	80
5.2.48B4A16	/<x>/<x>/OnNetwork/MCPTTGroupList/<x>/Entry/ RulesForAffiliation/<x>/ListOfLocationCriteria/<x>/Entry/ EnterSpecificArea/EllipsoidArcArea/OffsetAngle .....	80
5.2.48B4A17	/<x>/<x>/OnNetwork/MCPTTGroupList/<x>/Entry/ RulesForAffiliation/<x>/ListOfLocationCriteria/<x>/Entry/ EnterSpecificArea/EllipsoidArcArea/IncludedAngle .....	81
5.2.48B4A18	/<x>/<x>/OnNetwork/MCPTTGroupList/<x>/Entry/ RulesForAffiliation/<x>/ListOfLocationCriteria/<x>/Entry/ EnterSpecificArea/Speed.....	81
5.2.48B4A19	/<x>/<x>/OnNetwork/MCPTTGroupList/<x>/Entry/ RulesForAffiliation/<x>/ListOfLocationCriteria/<x>/Entry/ EnterSpecificArea/Speed/MinimumSpeed .....	81
5.2.48B4A20	/<x>/<x>/OnNetwork/MCPTTGroupList/<x>/Entry/ RulesForAffiliation/<x>/ListOfLocationCriteria/<x>/Entry/ EnterSpecificArea/Speed/MaximumSpeed.....	82
5.2.48B4A21	/<x>/<x>/OnNetwork/MCPTTGroupList/<x>/Entry/ RulesForAffiliation/<x>/ListOfLocationCriteria/<x>/Entry/ EnterSpecificArea/Heading .....	82

5.2.48B4A22	/<x>/<x>/OnNetwork/MCPTTGroupList/<x>/Entry/ RulesForAffiliation/<x>/ListOfLocationCriteria/<x>/Entry/ EnterSpecificArea/Heading/MinimumHeading .....	82
5.2.48B4A23	/<x>/<x>/OnNetwork/MCPTTGroupList/<x>/Entry/ RulesForAffiliation/<x>/ListOfLocationCriteria/<x>/Entry/ EnterSpecificArea/Heading/MaximumHeading .....	83
5.2.48B4A24	/<x>/<x>/OnNetwork/MCPTTGroupList/<x>/Entry/ RulesForAffiliation/<x>/ListOfLocationCriteria/<x>/Entry/ ExitSpecificArea.....	83
5.2.48B4A25	/<x>/<x>/OnNetwork/MCPTTGroupList/<x>/Entry/ RulesForAffiliation/<x>/ListOfLocationCriteria/<x>/Entry/ ExitSpecificArea/PolygonArea.....	83
5.2.48B4A26	/<x>/<x>/OnNetwork/MCPTTGroupList/<x>/Entry/ RulesForAffiliation/<x>/ListOfLocationCriteria/<x>/Entry/ ExitSpecificArea/PolygonArea/<x> .....	84
5.2.48B4A27	/<x>/<x>/OnNetwork/MCPTTGroupList/<x>/Entry/ RulesForAffiliation/<x>/ListOfLocationCriteria/<x>/Entry/ ExitSpecificArea/PolygonArea/<x>/PointCoordinateType .....	84
5.2.48B4A28	/<x>/<x>/OnNetwork/MCPTTGroupList/<x>/Entry/ RulesForAffiliation/<x>/ListOfLocationCriteria/<x>/Entry/ ExitSpecificArea/PolygonArea/<x>/PointCoordinateType/ Longitude .....	84
5.2.48B4A29	/<x>/<x>/OnNetwork/MCPTTGroupList/<x>/Entry/ RulesForAffiliation/<x>/ListOfLocationCriteria/<x>/Entry/ ExitSpecificArea/PolygonArea/<x>/PointCoordinateType/ Latitude.....	85
5.2.48B4A30	/<x>/<x>/OnNetwork/MCPTTGroupList/<x>/Entry/ RulesForAffiliation/<x>/ListOfLocationCriteria/<x>/Entry/ ExitSpecificArea/EllipsoidArcArea.....	85
5.2.48B4A31	/<x>/<x>/OnNetwork/MCPTTGroupList/<x>/Entry/ RulesForAffiliation/<x>/ListOfLocationCriteria/<x>/Entry/ ExitSpecificArea/EllipsoidArcArea/Center .....	85
5.2.48B4A32	/<x>/<x>/OnNetwork/MCPTTGroupList/<x>/Entry/ RulesForAffiliation/<x>/ListOfLocationCriteria/<x>/Entry/ ExitSpecificArea/EllipsoidArcArea/Center/PointCoordinateType.....	85
5.2.48B4A33	/<x>/<x>/OnNetwork/MCPTTGroupList/<x>/Entry/ RulesForAffiliation/<x>/ListOfLocationCriteria/<x>/Entry/ ExitSpecificArea/EllipsoidArcArea/Center/ PointCoordinateType/Longitude .....	86
5.2.48B4A34	/<x>/<x>/OnNetwork/MCPTTGroupList/<x>/Entry/ RulesForAffiliation/<x>/ListOfLocationCriteria/<x>/Entry/ ExitSpecificArea/EllipsoidArcArea/Center/ PointCoordinateType/Latitude .....	86
5.2.48B4A35	/<x>/<x>/OnNetwork/MCPTTGroupList/<x>/Entry/ RulesForAffiliation/<x>/ListOfLocationCriteria/<x>/Entry/ ExitSpecificArea/EllipsoidArcArea/Radius.....	86
5.2.48B4A36	/<x>/<x>/OnNetwork/MCPTTGroupList/<x>/Entry/ RulesForAffiliation/<x>/ListOfLocationCriteria/<x>/Entry/ ExitSpecificArea/EllipsoidArcArea/OffsetAngle .....	87
5.2.48B4A37	/<x>/<x>/OnNetwork/MCPTTGroupList/<x>/Entry/ RulesForAffiliation/<x>/ListOfLocationCriteria/<x>/Entry/ ExitSpecificArea/EllipsoidArcArea/IncludedAngle .....	87
5.2.48B4A38	/<x>/<x>/OnNetwork/MCPTTGroupList/<x>/Entry/ RulesForAffiliation/<x>/ListOfLocationCriteria/<x>/Entry/ ExitSpecificArea/Speed.....	87
5.2.48B4A39	/<x>/<x>/OnNetwork/MCPTTGroupList/<x>/Entry/ RulesForAffiliation/<x>/ListOfLocationCriteria/<x>/Entry/ ExitSpecificArea/Speed/MinimumSpeed .....	87
5.2.48B4A40	/<x>/<x>/OnNetwork/MCPTTGroupList/<x>/Entry/ RulesForAffiliation/<x>/ListOfLocationCriteria/<x>/Entry/ ExitSpecificArea/Speed/MaximumSpeed.....	88
5.2.48B4A41	/<x>/<x>/OnNetwork/MCPTTGroupList/<x>/Entry/ RulesForAffiliation/<x>/ListOfLocationCriteria/<x>/Entry/ ExitSpecificArea/Heading .....	88
5.2.48B4A42	/<x>/<x>/OnNetwork/MCPTTGroupList/<x>/Entry/ RulesForAffiliation/<x>/ListOfLocationCriteria/<x>/Entry/ ExitSpecificArea/Heading/MinimumHeading .....	88
5.2.48B4A43	/<x>/<x>/OnNetwork/MCPTTGroupList/<x>/Entry/ RulesForAffiliation/<x>/ListOfLocationCriteria/<x>/Entry/ ExitSpecificArea/Heading/MaximumHeading .....	89
5.2.48B4A44	/<x>/<x>/OnNetwork/MCPTTGroupList/<x>/Entry/ RulesForAffiliation/<x>/ListOfActiveFunctionalAliases.....	89

5.2.48B4A45	/<x>/<x>/OnNetwork/MCPTTGroupList/<x>/Entry/ RulesForAffiliation/<x>/ListOfActiveFunctionalAliases/<x>	89
5.2.48B4A46	/<x>/<x>/OnNetwork/MCPTTGroupList/<x>/Entry/ RulesForAffiliation/<x>/ListOfActiveFunctionalAliases/<x>/Entry	89
5.2.48B4A47	/<x>/<x>/OnNetwork/MCPTTGroupList/<x>/Entry/ RulesForAffiliation/<x>/ListOfActiveFunctionalAliases/<x>/Entry/FunctionalAlias	90
5.2.48B4B	/<x>/<x>/OnNetwork/MCPTTGroupList/<x>/Entry/ RulesForDeaffiliation	90
5.2.48B4B0	/<x>/<x>/OnNetwork/MCPTTGroupList/<x>/Entry/ RulesForDeaffiliation/<x>	90
5.2.48B4B1	/<x>/<x>/OnNetwork/MCPTTGroupList/<x>/Entry/ RulesForDeaffiliation/<x>/ListOfLocationCriteria	90
5.2.48B4B2	/<x>/<x>/OnNetwork/MCPTTGroupList/<x>/Entry/ RulesForDeaffiliation/<x>/ListOfLocationCriteria/<x>	91
5.2.48B4B3	/<x>/<x>/OnNetwork/MCPTTGroupList/<x>/Entry/ RulesForDeaffiliation/<x>/ListOfLocationCriteria/<x>/Entry	91
5.2.48B4B4	/<x>/<x>/OnNetwork/MCPTTGroupList/<x>/Entry/ RulesForDeaffiliation/<x>/ListOfLocationCriteria/<x>/Entry/ EnterSpecificArea	91
5.2.48B4B5	/<x>/<x>/OnNetwork/MCPTTGroupList/<x>/Entry/ RulesForDeaffiliation/<x>/ListOfLocationCriteria/<x>/Entry/ EnterSpecificArea/PolygonArea	91
5.2.48B4B6	/<x>/<x>/OnNetwork/MCPTTGroupList/<x>/Entry/ RulesForDeaffiliation/<x>/ListOfLocationCriteria/<x>/Entry/ EnterSpecificArea/PolygonArea/<x>	92
5.2.48B4B7	/<x>/<x>/OnNetwork/MCPTTGroupList/<x>/Entry/ RulesForDeaffiliation/<x>/ListOfLocationCriteria/<x>/Entry/ EnterSpecificArea/PolygonArea/<x>/PointCoordinateType	92
5.2.48B4B8	/<x>/<x>/OnNetwork/MCPTTGroupList/<x>/Entry/ RulesForDeaffiliation/<x>/ListOfLocationCriteria/<x>/Entry/ EnterSpecificArea/PolygonArea/<x>/PointCoordinateType/ Longitude	92
5.2.48B4B9	/<x>/<x>/OnNetwork/MCPTTGroupList/<x>/Entry/ RulesForDeaffiliation/<x>/ListOfLocationCriteria/<x>/Entry/ EnterSpecificArea/PolygonArea/<x>/PointCoordinateType/ Latitude	93
5.2.48B4B10	/<x>/<x>/OnNetwork/MCPTTGroupList/<x>/Entry/ RulesForDeaffiliation/<x>/ListOfLocationCriteria/<x>/Entry/ EnterSpecificArea/EllipsoidArcArea	93
5.2.48B4B11	/<x>/<x>/OnNetwork/MCPTTGroupList/<x>/Entry/ RulesForDeaffiliation/<x>/ListOfLocationCriteria/<x>/Entry/ EnterSpecificArea/EllipsoidArcArea/Center	93
5.2.48B4B12	/<x>/<x>/OnNetwork/MCPTTGroupList/<x>/Entry/ RulesForDeaffiliation/<x>/ListOfLocationCriteria/<x>/Entry/ EnterSpecificArea/EllipsoidArcArea/Center/PointCoordinateType	94
5.2.48B4B13	/<x>/<x>/OnNetwork/MCPTTGroupList/<x>/Entry/ RulesForDeaffiliation/<x>/ListOfLocationCriteria/<x>/Entry/ EnterSpecificArea/EllipsoidArcArea/Center/ PointCoordinateType/Longitude	94
5.2.48B4B14	/<x>/<x>/OnNetwork/MCPTTGroupList/<x>/Entry/ RulesForDeaffiliation/<x>/ListOfLocationCriteria/<x>/Entry/ EnterSpecificArea/EllipsoidArcArea/Center/ PointCoordinateType/Latitude	94
5.2.48B4B15	/<x>/<x>/OnNetwork/MCPTTGroupList/<x>/Entry/ RulesForDeaffiliation/<x>/ListOfLocationCriteria/<x>/Entry/ EnterSpecificArea/EllipsoidArcArea/Radius	95
5.2.48B4B16	/<x>/<x>/OnNetwork/MCPTTGroupList/<x>/Entry/ RulesForDeaffiliation/<x>/ListOfLocationCriteria/<x>/Entry/ EnterSpecificArea/EllipsoidArcArea/OffsetAngle	95
5.2.48B4B17	/<x>/<x>/OnNetwork/MCPTTGroupList/<x>/Entry/ RulesForDeaffiliation/<x>/ListOfLocationCriteria/<x>/Entry/ EnterSpecificArea/EllipsoidArcArea/IncludedAngle	95
5.2.48B4B18	/<x>/<x>/OnNetwork/MCPTTGroupList/<x>/Entry/ RulesForDeaffiliation/<x>/ListOfLocationCriteria/<x>/Entry/ EnterSpecificArea/Speed	95
5.2.48B4B19	/<x>/<x>/OnNetwork/MCPTTGroupList/<x>/Entry/ RulesForDeaffiliation/<x>/ListOfLocationCriteria/<x>/Entry/ EnterSpecificArea/Speed/MinimumSpeed	96
5.2.48B4B20	/<x>/<x>/OnNetwork/MCPTTGroupList/<x>/Entry/ RulesForDeaffiliation/<x>/ListOfLocationCriteria/<x>/Entry/ EnterSpecificArea/Speed/MaximumSpeed	96
5.2.48B4B21	/<x>/<x>/OnNetwork/MCPTTGroupList/<x>/Entry/ RulesForDeaffiliation/<x>/ListOfLocationCriteria/<x>/Entry/ EnterSpecificArea/Heading	96



5.2.48B4B22	/<x>/<x>/OnNetwork/MCPTTGroupList/<x>/Entry/ RulesForDeaffiliation/<x>/ListOfLocationCriteria/<x>/Entry/ EnterSpecificArea/Heading/MinimumHeading .....	97
5.2.48B4B23	/<x>/<x>/OnNetwork/MCPTTGroupList/<x>/Entry/ RulesForDeaffiliation/<x>/ListOfLocationCriteria/<x>/Entry/ EnterSpecificArea/Heading/MaximumHeading .....	97
5.2.48B4B24	/<x>/<x>/OnNetwork/MCPTTGroupList/<x>/Entry/ RulesForDeaffiliation/<x>/ListOfLocationCriteria/<x>/Entry/ ExitSpecificArea .....	97
5.2.48B4B25	/<x>/<x>/OnNetwork/MCPTTGroupList/<x>/Entry/ RulesForDeaffiliation/<x>/ListOfLocationCriteria/<x>/Entry/ ExitSpecificArea/PolygonArea .....	98
5.2.48B4B26	/<x>/<x>/OnNetwork/MCPTTGroupList/<x>/Entry/ RulesForDeaffiliation/<x>/ListOfLocationCriteria/<x>/Entry/ ExitSpecificArea/PolygonArea/<x> .....	98
5.2.48B4B27	/<x>/<x>/OnNetwork/MCPTTGroupList/<x>/Entry/ RulesForDeaffiliation/<x>/ListOfLocationCriteria/<x>/Entry/ ExitSpecificArea/PolygonArea/<x>/PointCoordinateType .....	98
5.2.48B4B28	/<x>/<x>/OnNetwork/MCPTTGroupList/<x>/Entry/ RulesForDeaffiliation/<x>/ListOfLocationCriteria/<x>/Entry/ ExitSpecificArea/PolygonArea/<x>/PointCoordinateType/ Longitude .....	99
5.2.48B4B29	/<x>/<x>/OnNetwork/MCPTTGroupList/<x>/Entry/ RulesForDeaffiliation/<x>/ListOfLocationCriteria/<x>/Entry/ ExitSpecificArea/PolygonArea/<x>/PointCoordinateType/ Latitude .....	99
5.2.48B4B30	/<x>/<x>/OnNetwork/MCPTTGroupList/<x>/Entry/ RulesForDeaffiliation/<x>/ListOfLocationCriteria/<x>/Entry/ ExitSpecificArea/EllipsoidArcArea .....	99
5.2.48B4B31	/<x>/<x>/OnNetwork/MCPTTGroupList/<x>/Entry/ RulesForDeaffiliation/<x>/ListOfLocationCriteria/<x>/Entry/ ExitSpecificArea/EllipsoidArcArea/Center .....	100
5.2.48B4B32	/<x>/<x>/OnNetwork/MCPTTGroupList/<x>/Entry/ RulesForDeaffiliation/<x>/ListOfLocationCriteria/<x>/Entry/ ExitSpecificArea/EllipsoidArcArea/Center/PointCoordinateType .....	100
5.2.48B4B33	/<x>/<x>/OnNetwork/MCPTTGroupList/<x>/Entry/ RulesForDeaffiliation/<x>/ListOfLocationCriteria/<x>/Entry/ ExitSpecificArea/EllipsoidArcArea/Center/PointCoordinateType/ Longitude .....	100
5.2.48B4B34	/<x>/<x>/OnNetwork/MCPTTGroupList/<x>/Entry/ RulesForDeaffiliation/<x>/ListOfLocationCriteria/<x>/Entry/ ExitSpecificArea/EllipsoidArcArea/Center/PointCoordinateType/ Latitude .....	101
5.2.48B4B35	/<x>/<x>/OnNetwork/MCPTTGroupList/<x>/Entry/ RulesForDeaffiliation/<x>/ListOfLocationCriteria/<x>/Entry/ ExitSpecificArea/EllipsoidArcArea/Radius .....	101
5.2.48B4B36	/<x>/<x>/OnNetwork/MCPTTGroupList/<x>/Entry/ RulesForDeaffiliation/<x>/ListOfLocationCriteria/<x>/Entry/ ExitSpecificArea/EllipsoidArcArea/OffsetAngle .....	101
5.2.48B4B37	/<x>/<x>/OnNetwork/MCPTTGroupList/<x>/Entry/ RulesForDeaffiliation/<x>/ListOfLocationCriteria/<x>/Entry/ ExitSpecificArea/EllipsoidArcArea/IncludedAngle .....	102
5.2.48B4B38	/<x>/<x>/OnNetwork/MCPTTGroupList/<x>/Entry/ RulesForDeaffiliation/<x>/ListOfLocationCriteria/<x>/Entry/ ExitSpecificArea/Speed .....	102
5.2.48B4B39	/<x>/<x>/OnNetwork/MCPTTGroupList/<x>/Entry/ RulesForDeaffiliation/<x>/ListOfLocationCriteria/<x>/Entry/ ExitSpecificArea/Speed/MinimumSpeed .....	102
5.2.48B4B40	/<x>/<x>/OnNetwork/MCPTTGroupList/<x>/Entry/ RulesForDeaffiliation/<x>/ListOfLocationCriteria/<x>/Entry/ ExitSpecificArea/Speed/MaximumSpeed .....	103
5.2.48B4B41	/<x>/<x>/OnNetwork/MCPTTGroupList/<x>/Entry/ RulesForDeaffiliation/<x>/ListOfLocationCriteria/<x>/Entry/ ExitSpecificArea/Heading .....	103
5.2.48B4B42	/<x>/<x>/OnNetwork/MCPTTGroupList/<x>/Entry/ RulesForDeaffiliation/<x>/ListOfLocationCriteria/<x>/Entry/ ExitSpecificArea/Heading/MinimumHeading .....	103
5.2.48B4B43	/<x>/<x>/OnNetwork/MCPTTGroupList/<x>/Entry/ RulesForDeaffiliation/<x>/ListOfLocationCriteria/<x>/Entry/ ExitSpecificArea/Heading/MaximumHeading .....	104
5.2.48B4B44	/<x>/<x>/OnNetwork/MCPTTGroupList/<x>/Entry/ RulesForDeaffiliation/<x>/ListOfActiveFunctionalAliases .....	104

5.2.48B4B45	/<x>/<x>/OnNetwork/MCPTTGroupList/<x>/Entry/ RulesForDeaffiliation/<x>/ListOfActiveFunctionalAliases/<x>	104
5.2.48B4B46	/<x>/<x>/OnNetwork/MCPTTGroupList/<x>/Entry/ RulesForDeaffiliation/<x>/ListOfActiveFunctionalAliases/<x>/Entry	104
5.2.48B4B47	/<x>/<x>/OnNetwork/MCPTTGroupList/<x>/Entry/ RulesForDeaffiliation/<x>/ListOfActiveFunctionalAliases/<x>/Entry/FunctionalAlias	105
5.2.48B5	/<x>/<x>/OnNetwork/MCPTTGroupList/<x>/Entry/DisplayName	105
5.2.48B6	/<x>/<x>/OnNetwork/MCPTTGroupList/<x>/Entry/ ManualDeaffiliationNotAllowedIfAffiliationRulesAreMet	105
5.2.48B7	/<x>/<x>/OnNetwork/MCPTTGroupList/<x>/Entry/RelativePresentationPriority	105
5.2.48B8	/<x>/<x>/OnNetwork/MCPTTGroupList/<x>/Entry/GMSServID	106
5.2.48B9	/<x>/<x>/OnNetwork/MCPTTGroupList/<x>/Entry/IDMSTokenEndPoint	106
5.2.48B10	/<x>/<x>/OnNetwork/MCPTTGroupList/<x>/Entry/GroupKMSURI	106
5.2.48C1	/<x>/<x>/OnNetwork/ImplicitAffiliations	106
5.2.48C2	/<x>/<x>/OnNetwork/ImplicitAffiliations/<x>	106
5.2.48C3	/<x>/<x>/OnNetwork/ImplicitAffiliations/<x>/Entry	107
5.2.48C4	/<x>/<x>/OnNetwork/ImplicitAffiliations/<x>/Entry/MCPTTGroupID	107
5.2.48C5	/<x>/<x>/OnNetwork/ImplicitAffiliations/<x>/Entry/DisplayName	107
5.2.48D	/<x>/<x>/OnNetwork/AllowedRegroup	107
5.2.48E	/<x>/<x>/OnNetwork/AllowedPresenceStatus	108
5.2.48F	/<x>/<x>/OnNetwork/AllowedPresence	108
5.2.48G	/<x>/<x>/OnNetwork/EnabledParticipation	108
5.2.48H	/<x>/<x>/OnNetwork/AllowedTransmission	108
5.2.48I	/<x>/<x>/OnNetwork/AllowedManualSwitch	109
5.2.48J	/<x>/<x>/OnNetwork/PrivateCall	109
5.2.48K	/<x>/<x>/OnNetwork/PrivateCall/EmergencyAlert	109
5.2.48L	/<x>/<x>/OnNetwork/PrivateCall/EmergencyAlert/Entry	109
5.2.48M	/<x>/<x>/OnNetwork/PrivateCall/EmergencyAlert/Entry/ID	110
5.2.48N	/<x>/<x>/OnNetwork/PrivateCall/EmergencyAlert/Entry/DisplayName	110
5.2.48O	/<x>/<x>/OnNetwork/PrivateCall/EmergencyAlert/Entry/Usage	110
5.2.48P	/<x>/<x>/OnNetwork/PrivateCall/AllowedCallBackRequest	110
5.2.48Q	/<x>/<x>/OnNetwork/PrivateCall/AllowedCallBackCancelRequest	111
5.2.48R	/<x>/<x>/OnNetwork/PrivateCall/AllowedRemoteInitiatedAmbientListening	111
5.2.48S	/<x>/<x>/OnNetwork/PrivateCall/AllowedLocallyInitiatedAmbientListening	111
5.2.48T	/<x>/<x>/OnNetwork/PrivateCall/AllowedRequestFirstToAnswerCall	111
5.2.48T1	/<x>/<x>/OnNetwork/PrivateCall/AllowedCallTransfer	112
5.2.48T2	/<x>/<x>/OnNetwork/PrivateCall/AllowedCallTransferAny	112
5.2.48T3	/<x>/<x>/OnNetwork/PrivateCall/AllowedCallForwardManualInput	112
5.2.48U1	/<x>/<x>/OnNetwork/RemoteGroupSelection	113
5.2.48U2	/<x>/<x>/OnNetwork/RemoteGroupSelection/<x>	113
5.2.48U3	/<x>/<x>/OnNetwork/RemoteGroupSelection/<x>/Entry	113
5.2.48U4	/<x>/<x>/OnNetwork/RemoteGroupSelection/<x>/Entry/MCPTTID	113
5.2.48U5	/<x>/<x>/OnNetwork/RemoteGroupSelection/<x>/Entry/DisplayName	113
5.2.48V1	Void	114
5.2.48V2	Void	114
5.2.48V3	Void	114
5.2.48V4	Void	114
5.2.48V5	Void	114
5.2.48V6	Void	114
5.2.48V7	Void	114
5.2.48V8	Void	114
5.2.48V9	Void	114
5.2.48V10	Void	114
5.2.48V11	Void	114
5.2.48V12	Void	114
5.2.48V13	Void	114
5.2.48V14	Void	114
5.2.48V15	Void	114
5.2.48V16	Void	114
5.2.48V17	Void	114
5.2.48W1	/<x>/<x>/OnNetwork/AllowedRequestRemoteInitPrivateCall	114
5.2.48W2	/<x>/<x>/OnNetwork/AllowedRequestRemoteInitGroupCall	115

5.2.48W3	/<x>/<x>/OnNetwork/FunctionalAliasList.....	115
5.2.48W4	/<x>/<x>/OnNetwork/FunctionalAliasList/<x> .....	115
5.2.48W5	/<x>/<x>/OnNetwork/FunctionalAliasList/<x>/Entry .....	115
5.2.48W6	/<x>/<x>/OnNetwork/FunctionalAliasList/<x>/Entry/ FunctionalAlias.....	116
5.2.48W6A	/<x>/<x>/OnNetwork/FunctionalAliasList/<x>/Entry/ LocationCriteriaForActivation .....	116
5.2.48W6A0	<x>/<x>/OnNetwork/FunctionalAliasList/<x>/Entry/ LocationCriteriaForActivation/<x> .....	116
5.2.48W6A1	<x>/<x>/OnNetwork/FunctionalAliasList/<x>/Entry/ LocationCriteriaForActivation/<x>/EnterSpecificArea.....	116
5.2.48W6A2	<x>/<x>/OnNetwork/FunctionalAliasList/<x>/Entry/ LocationCriteriaForActivation/<x>/EnterSpecificArea/ PolygonArea.....	117
5.2.48W6A3	<x>/<x>/OnNetwork/FunctionalAliasList/<x>/Entry/ LocationCriteriaForActivation/<x>/EnterSpecificArea/ PolygonArea/<x> .....	117
5.2.48W6A3A	<x>/<x>/OnNetwork/FunctionalAliasList/<x>/Entry/ LocationCriteriaForActivation/<x>/EnterSpecificArea/ PolygonArea/<x>/PointCoordinateType.....	117
5.2.48W6A4	<x>/<x>/OnNetwork/FunctionalAliasList/<x>/Entry/ LocationCriteriaForActivation/<x>/EnterSpecificArea/ PolygonArea/<x>/PointCoordinateType/Longitude .....	118
5.2.48W6A5	<x>/<x>/OnNetwork/FunctionalAliasList/<x>/Entry/ LocationCriteriaForActivation/<x>/EnterSpecificArea/ PolygonArea/<x>/PointCoordinateType/Latitude .....	118
5.2.48W6A6	<x>/<x>/OnNetwork/FunctionalAliasList/<x>/Entry/ LocationCriteriaForActivation/<x>/EnterSpecificArea/ EllipsoidArcArea.....	118
5.2.48W6A7	<x>/<x>/OnNetwork/FunctionalAliasList/<x>/Entry/ LocationCriteriaForActivation/<x>/EnterSpecificArea/ EllipsoidArcArea/Center .....	119
5.2.48W6A7A	<x>/<x>/OnNetwork/FunctionalAliasList/<x>/Entry/ LocationCriteriaForActivation/<x>/EnterSpecificArea/ EllipsoidArcArea/Center/PointCoordinateType .....	119
5.2.48W6A8	<x>/<x>/OnNetwork/FunctionalAliasList/<x>/Entry/ LocationCriteriaForActivation/<x>/EnterSpecificArea/ EllipsoidArcArea/Center/PointCoordinateType/Longitude.....	119
5.2.48W6A9	<x>/<x>/OnNetwork/FunctionalAliasList/<x>/Entry/ LocationCriteriaForActivation/<x>/EnterSpecificArea/ EllipsoidArcArea/Center/PointCoordinateType/Latitude .....	120
5.2.48W6A10	<x>/<x>/OnNetwork/FunctionalAliasList/<x>/Entry/ LocationCriteriaForActivation/<x>/ EnterSpecificArea/EllipsoidArcArea/Radius.....	120
5.2.48W6A11	<x>/<x>/OnNetwork/FunctionalAliasList/<x>/Entry/ LocationCriteriaForActivation/<x>/ EnterSpecificArea/EllipsoidArcArea/OffsetAngle .....	120
5.2.48W6A12	<x>/<x>/OnNetwork/FunctionalAliasList/<x>/ Entry/LocationCriteriaForActivation/<x>/ EnterSpecificArea/EllipsoidArcArea/IncludedAngle .....	121
5.2.48W6A12A	<x>/<x>/OnNetwork/FunctionalAliasList/<x>/Entry/ LocationCriteriaForActivation/<x>/EnterSpecificArea/Speed .....	121
5.2.48W6A12B	<x>/<x>/OnNetwork/FunctionalAliasList/<x>/Entry/ LocationCriteriaForActivation/<x>/EnterSpecificArea/Speed/ MinimumSpeed .....	121
5.2.48W6A12C	<x>/<x>/OnNetwork/FunctionalAliasList/<x>/Entry/ LocationCriteriaForActivation/<x>/EnterSpecificArea/Speed/ MaximumSpeed.....	122
5.2.48W6A12D	<x>/<x>/OnNetwork/FunctionalAliasList/<x>/Entry/ LocationCriteriaForActivation/<x>/EnterSpecificArea/Heading .....	122
5.2.48W6A12E	<x>/<x>/OnNetwork/FunctionalAliasList/<x>/Entry/ LocationCriteriaForActivation/<x>/EnterSpecificArea/Heading/ MinimumHeading.....	122
5.2.48W6A12F	<x>/<x>/OnNetwork/FunctionalAliasList/<x>/Entry/ LocationCriteriaForActivation/<x>/EnterSpecificArea/Heading/ MaximumHeading .....	123
5.2.48W6A13	<x>/<x>/OnNetwork/FunctionalAliasList/<x>/Entry/ LocationCriteriaForActivation/<x>/ ExitSpecificArea.....	123
5.2.48W6A14	<x>/<x>/OnNetwork/FunctionalAliasList/<x>/Entry/ LocationCriteriaForActivation/<x>/ ExitSpecificArea/PolygonArea.....	123
5.2.48W6A15	<x>/<x>/OnNetwork/FunctionalAliasList/<x>/Entry/ LocationCriteriaForActivation/<x>/ ExitSpecificArea/PolygonArea/<x> .....	124
5.2.48W6A15A	<x>/<x>/OnNetwork/FunctionalAliasList/<x>/Entry/ LocationCriteriaForActivation/<x>/ExitSpecificArea/ PolygonArea/<x>/PointCoordinateType.....	124
5.2.48W6A16	<x>/<x>/OnNetwork/FunctionalAliasList/<x>/Entry/ LocationCriteriaForActivation/<x>/ ExitSpecificArea/PolygonArea/<x>/PointCoordinateType/Longitude .....	124

5.2.48W6A17/<x>/<x>/OnNetwork/FunctionalAliasList/<x>/Entry/ LocationCriteriaForActivation/<x>/ ExitSpecificArea/PolygonArea/<x>/PointCoordinateType/Latitude.....	125
5.2.48W6A18/<x>/<x>/OnNetwork/FunctionalAliasList/<x>/Entry/ LocationCriteriaForActivation/<x>/ ExitSpecificArea/EllipsoidArcArea.....	125
5.2.48W6A19/<x>/<x>/OnNetwork/FunctionalAliasList/<x>/Entry/ LocationCriteriaForActivation/<x>/ ExitSpecificArea/EllipsoidArcArea/Center .....	125
5.2.48W6A19A /<x>/<x>/OnNetwork/FunctionalAliasList/<x>/Entry/ LocationCriteriaForActivation/<x>/ExitSpecificArea/ EllipsoidArcArea/Center/PointCoordinateType .....	125
5.2.48W6A20/<x>/<x>/OnNetwork/FunctionalAliasList/<x>/Entry/ LocationCriteriaForActivation/<x>/ ExitSpecificArea/EllipsoidArcArea/Center/PointCoordinateType/ Longitude .....	126
5.2.48W6A21/<x>/<x>/OnNetwork/FunctionalAliasList/<x>/Entry/ LocationCriteriaForActivation/<x>/ ExitSpecificArea/EllipsoidArcArea/Center/PointCoordinateType/ Latitude .....	126
5.2.48W6A22/<x>/<x>/OnNetwork/FunctionalAliasList/<x>/Entry/ LocationCriteriaForActivation/<x>/ ExitSpecificArea/EllipsoidArcArea/Radius.....	126
5.2.48W6A23/<x>/<x>/OnNetwork/FunctionalAliasList/<x>/Entry/ LocationCriteriaForActivation/<x>/ ExitSpecificArea/EllipsoidArcArea/OffsetAngle .....	127
5.2.48W6A24/<x>/<x>/OnNetwork/FunctionalAliasList/<x>/Entry/ LocationCriteriaForActivation/<x>/ ExitSpecificArea/EllipsoidArcArea/IncludedAngle .....	127
5.2.48W6A24A /<x>/<x>/OnNetwork/FunctionalAliasList/<x>/Entry/ LocationCriteriaForActivation/<x>/ExitSpecificArea/Speed.....	127
5.2.48W6A24B /<x>/<x>/OnNetwork/FunctionalAliasList/<x>/Entry/ LocationCriteriaForActivation/<x>/ExitSpecificArea/Speed/ MinimumSpeed .....	128
5.2.48W6A24C /<x>/<x>/OnNetwork/FunctionalAliasList/<x>/Entry/ LocationCriteriaForActivation/<x>/ExitSpecificArea/Speed/ MaximumSpeed.....	128
5.2.48W6A24D /<x>/<x>/OnNetwork/FunctionalAliasList/<x>/Entry/ LocationCriteriaForActivation/<x>/ExitSpecificArea/Heading .....	128
5.2.48W6A24E /<x>/<x>/OnNetwork/FunctionalAliasList/<x>/Entry/ LocationCriteriaForActivation/<x>/ExitSpecificArea/Heading/ MinimumHeading.....	129
5.2.48W6A24F /<x>/<x>/OnNetwork/FunctionalAliasList/<x>/Entry/ LocationCriteriaForActivation/<x>/ExitSpecificArea/Heading/ MaximumHeading .....	129
5.2.48W6B /<x>/<x>/OnNetwork/FunctionalAliasList/<x>/Entry/ LocationCriteriaForDeactivation.....	129
5.2.48W6B0 /<x>/<x>/OnNetwork/FunctionalAliasList/<x>/Entry/ LocationCriteriaForDeactivation/<x> .....	129
5.2.48W6B1 /<x>/<x>/OnNetwork/FunctionalAliasList/<x>/Entry/ LocationCriteriaForDeactivation/<x>/EnterSpecificArea .....	130
5.2.48W6B2 /<x>/<x>/OnNetwork/FunctionalAliasList/<x>/Entry/ LocationCriteriaForDeactivation/<x>/EnterSpecificArea/ PolygonArea .....	130
5.2.48W6B3 /<x>/<x>/OnNetwork/FunctionalAliasList/<x>/Entry/ LocationCriteriaForDeactivation/<x>/EnterSpecificArea/ PolygonArea/<x>.....	130
5.2.48W6B3A /<x>/<x>/OnNetwork/FunctionalAliasList/<x>/Entry/ LocationCriteriaForDeactivation/<x>/EnterSpecificArea/ PolygonArea/<x>/PointCoordinateType .....	131
5.2.48W6B4 /<x>/<x>/OnNetwork/FunctionalAliasList/<x>/Entry/ LocationCriteriaForDeactivation/<x>/EnterSpecificArea/ PolygonArea/<x>/PointCoordinateType/Longitude .....	131
5.2.48W6B5 /<x>/<x>/OnNetwork/FunctionalAliasList/<x>/Entry/ LocationCriteriaForDeactivation/<x>/EnterSpecificArea/ PolygonArea/<x>/PointCoordinateType/Latitude .....	131
5.2.48W6B6 /<x>/<x>/OnNetwork/FunctionalAliasList/<x>/Entry/ LocationCriteriaForDeactivation/<x>/EnterSpecificArea/ EllipsoidArcArea .....	132
5.2.48W6B7 /<x>/<x>/OnNetwork/FunctionalAliasList/<x>/Entry/ LocationCriteriaForDeactivation/<x>/EnterSpecificArea/ EllipsoidArcArea/Center .....	132
5.2.48W6B7A /<x>/<x>/OnNetwork/FunctionalAliasList/<x>/Entry/ LocationCriteriaForDeactivation/<x>/EnterSpecificArea/ EllipsoidArcArea/Center/PointCoordinateType .....	132
5.2.48W6B8 /<x>/<x>/OnNetwork/FunctionalAliasList/<x>/Entry/ LocationCriteriaForDeactivation/<x>/EnterSpecificArea/ EllipsoidArcArea/Center/PointCoordinateType/Longitude.....	133
5.2.48W6B9 /<x>/<x>/OnNetwork/FunctionalAliasList/<x>/Entry/ LocationCriteriaForDeactivation/<x>/EnterSpecificArea/ EllipsoidArcArea/Center/PointCoordinateType/Latitude.....	133
5.2.48W6B10/<x>/<x>/OnNetwork/FunctionalAliasList/<x>/Entry/ LocationCriteriaForDeactivation/<x>/EnterSpecificArea/ EllipsoidArcArea/Radius.....	133

5.2.48W6B11/<x>/<x>/OnNetwork/FunctionalAliasList/<x>/Entry/ LocationCriteriaForDeactivation/<x>/EnterSpecificArea/ EllipsoidArcArea/OffsetAngle .....	134
5.2.48W6B12/<x>/<x>/OnNetwork/FunctionalAliasList/<x>/Entry/ LocationCriteriaForDeactivation/<x>/EnterSpecificArea/ EllipsoidArcArea/IncludedAngle .....	134
5.2.48W6B12A /<x>/<x>/OnNetwork/FunctionalAliasList/<x>/Entry/ LocationCriteriaForDeactivation/<x>/EnterSpecificArea/Speed .....	134
5.2.48W6B12B /<x>/<x>/OnNetwork/FunctionalAliasList/<x>/Entry/ LocationCriteriaForDeactivation/<x>/EnterSpecificArea/Speed/ MinimumSpeed.....	135
5.2.48W6B12C /<x>/<x>/OnNetwork/FunctionalAliasList/<x>/Entry/ LocationCriteriaForDeactivation/<x>/EnterSpecificArea/Speed/ MaximumSpeed .....	135
5.2.48W6B12D /<x>/<x>/OnNetwork/FunctionalAliasList/<x>/Entry/ LocationCriteriaForDeactivation/<x>/EnterSpecificArea/Heading.....	135
5.2.48W6B12E /<x>/<x>/OnNetwork/FunctionalAliasList/<x>/Entry/ LocationCriteriaForDeactivation/<x>/EnterSpecificArea/Heading/ MinimumHeading .....	136
5.2.48W6B12F /<x>/<x>/OnNetwork/FunctionalAliasList/<x>/Entry/ LocationCriteriaForDeactivation/<x>/EnterSpecificArea/Heading/ MaximumHeading.....	136
5.2.48W6B13/<x>/<x>/OnNetwork/FunctionalAliasList/<x>/Entry/ LocationCriteriaForDeactivation/<x>/ExitSpecificArea .....	136
5.2.48W6B14/<x>/<x>/OnNetwork/FunctionalAliasList/<x>/Entry/ LocationCriteriaForDeactivation/<x>/ExitSpecificArea/ PolygonArea .....	137
5.2.48W6B15/<x>/<x>/OnNetwork/FunctionalAliasList/<x>/Entry/ LocationCriteriaForDeactivation/<x>/ExitSpecificArea/ PolygonArea/<x>.....	137
5.2.48W6B15A /<x>/<x>/OnNetwork/FunctionalAliasList/<x>/Entry/ LocationCriteriaForDeactivation/<x>/ExitSpecificArea/ PolygonArea/<x>/PointCoordinateType .....	137
5.2.48W6B16/<x>/<x>/OnNetwork/FunctionalAliasList/<x>/Entry/ LocationCriteriaForDeactivation/<x>/ExitSpecificArea/ PolygonArea/<x>/PointCoordinateType/Longitude .....	138
5.2.48W6B17/<x>/<x>/OnNetwork/FunctionalAliasList/<x>/Entry/ LocationCriteriaForDeactivation/<x>/ExitSpecificArea/ PolygonArea/<x>/PointCoordinateType/Latitude .....	138
5.2.48W6B18/<x>/<x>/OnNetwork/FunctionalAliasList/<x>/Entry/ LocationCriteriaForDeactivation/<x>/ExitSpecificArea/ EllipsoidArcArea .....	138
5.2.48W6B19/<x>/<x>/OnNetwork/FunctionalAliasList/<x>/Entry/ LocationCriteriaForDeactivation/<x>/ExitSpecificArea/ EllipsoidArcArea/Center .....	139
5.2.48W6B19A /<x>/<x>/OnNetwork/FunctionalAliasList/<x>/Entry/ LocationCriteriaForDeactivation/<x>/ExitSpecificArea/ EllipsoidArcArea/Center/PointCoordinateType .....	139
5.2.48W6B20/<x>/<x>/OnNetwork/FunctionalAliasList/<x>/Entry/ LocationCriteriaForDeactivation/<x>/ExitSpecificArea/ EllipsoidArcArea/Center/PointCoordinateType/Longitude .....	139
5.2.48W6B21/<x>/<x>/OnNetwork/FunctionalAliasList/<x>/Entry/ LocationCriteriaForDeactivation/<x>/ExitSpecificArea/ EllipsoidArcArea/Center/PointCoordinateType/Latitude .....	140
5.2.48W6B22/<x>/<x>/OnNetwork/FunctionalAliasList/<x>/Entry/ LocationCriteriaForDeactivation/<x>/ExitSpecificArea/ EllipsoidArcArea/Radius .....	140
5.2.48W6B23/<x>/<x>/OnNetwork/FunctionalAliasList/<x>/Entry/ LocationCriteriaForDeactivation/<x>/ExitSpecificArea/ EllipsoidArcArea/OffsetAngle .....	140
5.2.48W6B24/<x>/<x>/OnNetwork/FunctionalAliasList/<x>/Entry/ LocationCriteriaForDeactivation/<x>/ExitSpecificArea/ EllipsoidArcArea/IncludedAngle .....	141
5.2.48W6B24A /<x>/<x>/OnNetwork/FunctionalAliasList/<x>/Entry/ LocationCriteriaForDeactivation/<x>/ExitSpecificArea/Speed .....	141
5.2.48W6B24B /<x>/<x>/OnNetwork/FunctionalAliasList/<x>/Entry/ LocationCriteriaForDeactivation/<x>/ExitSpecificArea/Speed/ MinimumSpeed.....	141
5.2.48W6B24C /<x>/<x>/OnNetwork/FunctionalAliasList/<x>/Entry/ LocationCriteriaForDeactivation/<x>/ExitSpecificArea/Speed/ MaximumSpeed .....	142
5.2.48W6B24D /<x>/<x>/OnNetwork/FunctionalAliasList/<x>/Entry/ LocationCriteriaForDeactivation/<x>/ExitSpecificArea/Heading.....	142
5.2.48W6B24E /<x>/<x>/OnNetwork/FunctionalAliasList/<x>/Entry/ LocationCriteriaForDeactivation/<x>/ExitSpecificArea/Heading/ MinimumHeading .....	142
5.2.48W6B24F /<x>/<x>/OnNetwork/FunctionalAliasList/<x>/Entry/ LocationCriteriaForDeactivation/<x>/ExitSpecificArea/Heading/ MaximumHeading.....	143

5.2.48W6C	/<x>/<x>/OnNetwork/FunctionalAliasList/<x>/Entry/ ManualDeactivationNotAllowedIfLocationCriteriaMet .....	143
5.2.48W7	/<x>/<x>/OnNetwork/FunctionalAliasList/<x>/Entry/ DisplayName .....	143
5.2.48W7A	/<x>/<x>/OnNetwork/FunctionalAliasList/<x>/Entry/ MaxSimultaneousEmergencyGroupCalls.....	143
5.2.48W7B	/<x>/<x>/OnNetwork/FunctionalAliasList/<x>/Entry/ FAsAllowedToCall.....	144
5.2.48W7C	/<x>/<x>/OnNetwork/FunctionalAliasList/<x>/Entry/ FAsAllowedToCall/<x> .....	144
5.2.48W7D	/<x>/<x>/OnNetwork/FunctionalAliasList/<x>/Entry/ FAsAllowedToCall/<x>/Entry .....	144
5.2.48W7E	/<x>/<x>/OnNetwork/FunctionalAliasList/<x>/Entry/ FAsAllowedToCall/<x>/Entry/FunctionalAlias .....	144
5.2.48W8	/<x>/<x>/OnNetwork/AllowedQueryFunctionalAliasOtherUser.....	145
5.2.48W9	/<x>/<x>/OnNetwork/AllowedTakeoverFunctionalAliasOtherUser.....	145
5.2.48W10	/<x>/<x>/OnNetwork/AllowedLocationInfoWhenTalking.....	145
5.2.48W11	/<x>/<x>/OnNetwork/AllowedFunctionalAliasGroupBinding .....	145
5.2.48X	/<x>/<x>/OnNetwork/AuthorisedIncomingAny .....	146
5.2.48Y1	/<x>/<x>/OnNetwork/UserList .....	146
5.2.48Y2	/<x>/<x>/OnNetwork/UserList/<x> .....	146
5.2.48Y3	/<x>/<x>/OnNetwork/UserList/<x>/Entry .....	146
5.2.48Y4	/<x>/<x>/OnNetwork/UserList/<x>/Entry/MCPTTID .....	147
5.2.48Y5	/<x>/<x>/OnNetwork/UserList/<x>/Entry/PrivateCallKMSURI.....	147
5.2.48Z	/<x>/<x>/OnNetwork/AuthorisedReceiveNonAcknowledged.....	147
5.2.49	/<x>/<x>/OffNetwork.....	147
5.2.50	/<x>/<x>/OffNetwork/Authorised.....	148
5.2.51	/<x>/<x>/OffNetwork/MCPTTGroupInfo .....	148
5.2.52	/<x>/<x>/OffNetwork/MCPTTGroupInfo/<x> .....	148
5.2.52A	/<x>/<x>/OffNetwork/MCPTTGroupInfo/<x>/Entry .....	148
5.2.53	/<x>/<x>/OffNetwork/MCPTTGroupInfo/<x>/Entry/MCPTTGroupID .....	148
5.2.53A	/<x>/<x>/OffNetwork/MCPTTGroupInfo/<x>/Entry/DisplayName .....	149
5.2.53B	/<x>/<x>/OffNetwork/MCPTTGroupInfo/<x>/Entry/ RelativePresentationPriority.....	149
5.2.53C	/<x>/<x>/OffNetwork/MCPTTGroupInfo/<x>/Entry/ GMSServID.....	149
5.2.53D	/<x>/<x>/OffNetwork/MCPTTGroupInfo/<x>/Entry/ IDMSTokenEndPoint .....	149
5.2.53E	/<x>/<x>/OffNetwork/MCPTTGroupInfo/<x>/Entry/GroupKMSURI .....	150
5.2.54	/<x>/<x>/OffNetwork/AllowedListen.....	150
5.2.55	/<x>/<x>/OffNetwork/AllowedTransmission .....	150
5.2.56	/<x>/<x>/OffNetwork/EmergencyCallChange.....	150
5.2.57	/<x>/<x>/OffNetwork/ImminentPerilCallChange.....	151
5.2.58	/<x>/<x>/OffNetwork/UserInfoID .....	151
5.2.58A1	Void .....	152
5.2.58A2	Void .....	152
5.2.58A3	Void .....	152
5.2.58A4	Void .....	152
5.2.58A5	Void .....	152
5.2.58A6	Void .....	152
5.2.58A7	Void .....	152
5.2.58A8	Void .....	152
5.2.58A9	Void .....	152
5.2.58A10	Void .....	152
5.2.58A11	Void .....	152
5.2.58A12	Void .....	152
5.2.58A13	Void .....	152
5.2.58A14	Void .....	152
5.2.58A15	Void .....	152
5.2.58A16	Void .....	152
5.2.58A17	Void .....	152
5.2.59	/<x>/Status.....	152
6	MCS group configuration MO .....	153
6.1	General .....	153
6.2	MCS group configuration MO parameters .....	156
6.2.1	General.....	156
6.2.2	Node: <x> .....	156
6.2.3	/<x>/Name .....	156
6.2.4	/<x>/Ext .....	157

6.2.5	/<x>/<x> .....	157
6.2.6	/<x>/<x>/Common .....	157
6.2.7	/<x>/<x>/Common/MCPTTGroupID .....	157
6.2.8	/<x>/<x>/Common/MCPTTGroupAlias .....	158
6.2.9	/<x>/<x>/Common/MCPTTGroupMemberList .....	158
6.2.10	/<x>/<x>/Common/MCPTTGroupMemberList/<x> .....	158
6.2.11	/<x>/<x>/Common/MCPTTGroupMemberList/<x>/MCPTTID .....	158
6.2.12	/<x>/<x>/Common/MCPTTGroupMemberList/<x>/UserPriority .....	159
6.2.13	/<x>/<x>/Common/MCPTTGroupMemberList/<x>/ParticipantType .....	159
6.2.14	Void .....	159
6.2.15	/<x>/<x>/Common/MCPTTGroupOwner .....	159
6.2.16	/<x>/<x>/Common/PreferredVoiceCodec .....	159
6.2.17	/<x>/<x>/Common/MCPTTGroupLevel .....	160
6.2.18	/<x>/<x>/Common/UserLevel .....	160
6.2.19	/<x>/<x>/Common/AllowedEmergencyCall .....	160
6.2.20	/<x>/<x>/Common/AllowedImminentPerilCall .....	161
6.2.21	/<x>/<x>/Common/AllowedEmergencyAlert .....	161
6.2.22	/<x>/<x>/Common/MediaProtectionRequired .....	161
6.2.22A	/<x>/<x>/Common/PreconfiguredGroupUseOnly .....	161
6.2.23	/<x>/<x>/Common/FloorControlProtectionRequired .....	162
6.2.23A	/<x>/<x>/Common/MediaProtectionSecurityMaterial .....	162
6.2.23B	/<x>/<x>/Common/MCData .....	162
6.2.23C	/<x>/<x>/Common/MCData/MediaProtectionRequired .....	163
6.2.23D	/<x>/<x>/Common/MCData/TxControlProtectionRequired .....	163
6.2.23E	/<x>/<x>/Common/MCData/MediaProtectionSecurityMaterial .....	163
6.2.23F	/<x>/<x>/Common/MCData/AllowedSDS .....	163
6.2.23G	/<x>/<x>/Common/MCData/AllowedFD .....	164
6.2.23H	/<x>/<x>/Common/MCData/AllowedConvMgmt .....	164
6.2.23I	/<x>/<x>/Common/MCData/AllowedTxControl .....	164
6.2.23J	/<x>/<x>/Common/MCData/AllowedRxControl .....	164
6.2.23K	/<x>/<x>/Common/MCData/AllowedEnhSvc .....	165
6.2.23L	/<x>/<x>/Common/MCData/EnhSvcOpValues .....	165
6.2.23M	/<x>/<x>/Common/MCData/EnhSvcOpValues/<x> .....	165
6.2.23N	/<x>/<x>/Common/MCData/EnhSvcOpValues/<x>/ EnhSvcOpValue .....	165
6.2.23NA	/<x>/<x>/Common/MCData/EnhSvcOpValues/<x>/ EnhSvcOpID .....	166
6.2.23O	/<x>/<x>/Common/MCData/AllowedTransmitDataInGroup .....	166
6.2.23P	/<x>/<x>/Common/MCData/MaxDataSingleRequest .....	166
6.2.23Q	/<x>/<x>/Common/MCData/MaxTimeSingleRequest .....	166
6.2.23R	/<x>/<x>/Common/MCVideo .....	167
6.2.23S	/<x>/<x>/Common/MCVideo/MediaProtectionRequired .....	167
6.2.23T	/<x>/<x>/Common/MCVideo/TxControlProtectionRequired .....	167
6.2.23U	/<x>/<x>/Common/MCVideo/MediaProtectionSecurityMaterial .....	167
6.2.23V	/<x>/<x>/Common/MCVideo/AllowedAudioCodecs .....	168
6.2.23W	/<x>/<x>/Common/MCVideo/AllowedAudioCodecs/<x> .....	168
6.2.23X	/<x>/<x>/Common/MCVideo/AllowedAudioCodecs/<x>/ AudioCodec .....	168
6.2.23Y	/<x>/<x>/Common/MCVideo/AllowedVideoCodecs .....	168
6.2.23Z	/<x>/<x>/Common/MCVideo/AllowedVideoCodecs/<x> .....	168
6.2.23AA	/<x>/<x>/Common/MCVideo/AllowedVideoCodecs/<x>/ VideoCodec .....	169
6.2.23AB	/<x>/<x>/Common/MCVideo/AllowedVideoResolutions .....	169
6.2.23AC	/<x>/<x>/Common/MCVideo/AllowedVideoResolutions/<x> .....	169
6.2.23AD	/<x>/<x>/Common/MCVideo/AllowedVideoResolutions/<x>/ VideoResolution .....	169
6.2.23AE	/<x>/<x>/Common/MCVideo/AllowedVideoFrameRates .....	170
6.2.23AF	/<x>/<x>/Common/MCVideo/AllowedVideoFrameRates/<x> .....	170
6.2.23AG	/<x>/<x>/Common/MCVideo/AllowedVideoFrameRates/<x>/ FrameRate .....	170
6.2.23AH	/<x>/<x>/Common/MCVideo/AllowedUrgentRealTimeMode .....	170
6.2.23AI	/<x>/<x>/Common/MCVideo/AllowedNonUrgentRealTimeMode .....	170
6.2.23AJ	/<x>/<x>/Common/MCVideo/AllowedNonRealTimeMode .....	171
6.2.23AK	/<x>/<x>/Common/MCVideo/ActiveNonRealTimeMode .....	171
6.2.23AL	/<x>/<x>/Common/MCVideo/MaxTransmitMembers .....	171
6.2.24	/<x>/<x>/OffNetwork .....	172
6.2.25	/<x>/<x>/OffNetwork/MCPTTGroupParameter .....	172
6.2.26	/<x>/<x>/OffNetwork/MCPTTGroupParameter/<x> .....	172

6.2.27	/<x>/<x>/OffNetwork/MCPTTGroupParameter/<x>/ ProSeLayer2GroupID .....	172
6.2.28	/<x>/<x>/OffNetwork/MCPTTGroupParameter/<x>/ IPMulticastAddress .....	172
6.2.29	/<x>/<x>/OffNetwork/MCPTTGroupParameter/<x>/ RelayServiceCode .....	173
6.2.30	/<x>/<x>/OffNetwork/MCPTTGroupParameter/<x>/IPVersions .....	173
6.2.31	/<x>/<x>/OffNetwork/EmergencyCallCancel .....	173
6.2.32	/<x>/<x>/OffNetwork/ImminentPerilCallCancel .....	174
6.2.33	/<x>/<x>/OffNetwork/HangTime .....	174
6.2.34	/<x>/<x>/OffNetwork/MaxDuration .....	174
6.2.34A	/<x>/<x>/OffNetwork/QueueUsage .....	174
6.2.35	/<x>/<x>/OffNetwork/DefaultPPPP .....	175
6.2.36	/<x>/<x>/OffNetwork/DefaultPPPP/MCPTTGroupCallSignalling .....	175
6.2.37	/<x>/<x>/OffNetwork/DefaultPPPP/MCPTTGroupCallMedia .....	175
6.2.38	/<x>/<x>/OffNetwork/DefaultPPPP/ MCPTTEmergencyGroupCallSignalling .....	176
6.2.39	/<x>/<x>/OffNetwork/DefaultPPPP/ MCPTTEmergencyGroupCallMedia .....	176
6.2.40	/<x>/<x>/OffNetwork/DefaultPPPP/ MCPTTImminentPerilGroupCallSignalling .....	176
6.2.41	/<x>/<x>/OffNetwork/DefaultPPPP/ MCPTTImminentPerilGroupCallMedia .....	177
6.2.42	/<x>/<x>/OffNetwork/MCData .....	177
6.2.43	/<x>/<x>/OffNetwork/MCData/DefaultPPPP .....	177
6.2.44	/<x>/<x>/OffNetwork/MCData/DefaultPPPP/ MCDataGroupCallSignalling .....	177
6.2.45	/<x>/<x>/OffNetwork/MCData/DefaultPPPP/ MCDataGroupCallMedia .....	178
6.2.46	/<x>/<x>/OffNetwork/MCVideo .....	178
6.2.47	/<x>/<x>/OffNetwork/MCVideo/ArbitrationApproach .....	178
6.2.48	/<x>/<x>/OffNetwork/MCVideo/MaxTransmissions .....	178
6.2.49	/<x>/<x>/OffNetwork/MCVideo/DefaultPPPP .....	179
6.2.50	/<x>/<x>/OffNetwork/MCVideo/DefaultPPPP/ MCVideoGroupCallSignalling .....	179
6.2.51	/<x>/<x>/OffNetwork/MCVideo/DefaultPPPP/ MCVideoGroupCallMedia .....	179
6.2.52	/<x>/<x>/OffNetwork/MCVideo/DefaultPPPP/ MCVideoEmergencyGroupCallSignalling .....	180
6.2.53	/<x>/<x>/OffNetwork/MCVideo/DefaultPPPP/ MCVideoEmergencyGroupCallMedia .....	180
6.2.54	/<x>/<x>/OffNetwork/MCVideo/DefaultPPPP/ MCVideoImminentPerilGroupCallSignalling .....	180
6.2.55	/<x>/<x>/OffNetwork/MCVideo/DefaultPPPP/ MCVideoImminentPerilGroupCallMedia .....	181
6.2.56	/<x>/<x>/OffNetwork/MCVideo/MaxDuration .....	181
6.2.57	/<x>/<x>/OffNetwork/MCVideo/EmergencyCallCancel .....	181
6.2.58	/<x>/<x>/OffNetwork/MCVideo/ImminentPerilCallCancel .....	181
7	MCPTT service configuration MO .....	182
7.1	General .....	182
7.2	MCPTT service configuration MO parameters .....	183
7.2.1	General .....	183
7.2.2	Node: <x> .....	183
7.2.3	/<x>/Name .....	184
7.2.4	/<x>/Ext/ .....	184
7.2.5	/<x>/Common .....	184
7.2.6	/<x>/Common/BroadcastMCPTTGroupCall .....	184
7.2.7	/<x>/Common/BroadcastMCPTTGroupCall/ NumLevelGroupHierarchy .....	185
7.2.8	/<x>/Common/BroadcastMCPTTGroupCall/ NumLevelUserHierarchy .....	185
7.2.9	/<x>/Common/MinLengthAliasID .....	185
7.2.10	/<x>/OffNetwork .....	185
7.2.11	/<x>/OffNetwork/PrivateCall .....	186
7.2.12	/<x>/OffNetwork/PrivateCall/MaxDuration .....	186
7.2.13	/<x>/OffNetwork/PrivateCall/HangTime .....	186
7.2.14	/<x>/OffNetwork/PrivateCall/CancelTimeout .....	186
7.2.15	/<x>/OffNetwork/EmergencyCall .....	187
7.2.16	/<x>/OffNetwork/EmergencyCall/MCPTTGroupTimeout .....	187
7.2.17	/<x>/OffNetwork/NumLevelHierarchy .....	187
7.2.18	/<x>/OffNetwork/TransmitTimeout .....	187
7.2.19	/<x>/OffNetwork/TransmissionWarning .....	188
7.2.20	/<x>/OffNetwork/HangTimeWarning .....	188
7.2.21	/<x>/OffNetwork/DefaultPPPP .....	188
7.2.22	/<x>/OffNetwork/DefaultPPPP/MCPTTPrivateCallSignalling .....	188
7.2.23	/<x>/OffNetwork/DefaultPPPP/MCPTTPrivateCallMedia .....	189
7.2.24	/<x>/OffNetwork/DefaultPPPP/ MCPTTEmergencyPrivateCallSignalling .....	189
7.2.25	/<x>/OffNetwork/DefaultPPPP/MCPTTEmergencyPrivateCallMedia .....	189



7.2.26	/<x>/OffNetwork/LogMetadata .....	189
8	MCS UE initial configuration MO .....	190
8.1	General .....	190
8.2	MCS UE initial configuration MO parameters.....	195
8.2.1	General.....	195
8.2.2	Node: <x> .....	195
8.2.3	/<x>/Name .....	195
8.2.4	/<x>/Ext/ .....	195
8.2.5	/<x>/DefaultUserProfile .....	196
8.2.6	/<x>/DefaultUserProfile/UserID .....	196
8.2.7	/<x>/DefaultUserProfile/UserProfileIndex.....	196
8.2.8	/<x>/OnNetwork.....	196
8.2.9	/<x>/OnNetwork/GMSURI .....	197
8.2.9A	/<x>/OnNetwork/GroupCreationXUI.....	197
8.2.9B	/<x>/OnNetwork/GMSXCAPRootURI .....	197
8.2.9C	/<x>/OnNetwork/CMSXCAPRootURI .....	197
8.2.10	/<x>/OnNetwork/Timers .....	198
8.2.11	/<x>/OnNetwork/Timers/T100.....	198
8.2.12	/<x>/OnNetwork/Timers/T101 .....	198
8.2.13	/<x>/OnNetwork/Timers/T103.....	198
8.2.14	/<x>/OnNetwork/Timers/T104.....	199
8.2.15	/<x>/OnNetwork/Timers/T132.....	199
8.2.16	/<x>/OnNetwork/HPLMN.....	199
8.2.17	/<x>/OnNetwork/HPLMN/PLMN.....	199
8.2.18	/<x>/OnNetwork/HPLMN/Service.....	200
8.2.19	/<x>/OnNetwork/HPLMN/Service/MCPTTToConRef.....	200
8.2.20	/<x>/OnNetwork/HPLMN/Service/MCPTTToConRef/<x> .....	200
8.2.21	/<x>/OnNetwork/HPLMN/Service/MCPTTToConRef/<x>/ConRef.....	200
8.2.22	/<x>/OnNetwork/HPLMN/Service/MCCCommonCoreToConRef .....	200
8.2.23	/<x>/OnNetwork/HPLMN/Service/MCCCommonCoreToConRef/<x>.....	201
8.2.24	/<x>/OnNetwork/HPLMN/Service/MCCCommonCoreToConRef/ <x>/ConRef .....	201
8.2.25	/<x>/OnNetwork/HPLMN/Service/MCIDMToConRef .....	201
8.2.26	/<x>/OnNetwork/HPLMN/Service/MCIDMToConRef/<x> .....	201
8.2.27	/<x>/OnNetwork/HPLMN/Service/MCIDMToConRef/<x>/ConRef .....	202
8.2.27A1	/<x>/OnNetwork/HPLMN/Service/MCPTTRefSNSSAI .....	202
8.2.27A2	/<x>/OnNetwork/HPLMN/Service/MCPTTRefSNSSAI/<x> .....	202
8.2.27A3	/<x>/OnNetwork/HPLMN/Service/MCPTTRefSNSSAI/<x>/ RefSNSSAI .....	202
8.2.27A4	/<x>/OnNetwork/HPLMN/Service/MCCCommonCoreRefSNSSAI .....	202
8.2.27A5	/<x>/OnNetwork/HPLMN/Service/MCCCommonCoreRefSNSSAI/ <x> .....	203
8.2.27A6	/<x>/OnNetwork/HPLMN/Service/MCCCommonCoreRefSNSSAI/ <x>/RefSNSSAI.....	203
8.2.27A7	/<x>/OnNetwork/HPLMN/Service/MCIdMRefSNSSAI.....	203
8.2.27A8	/<x>/OnNetwork/HPLMN/Service/MCIdMRefSNSSAI/<x> .....	203
8.2.27A9	/<x>/OnNetwork/HPLMN/Service/MCIdMRefSNSSAI/<x>/ RefSNSSAI.....	204
8.2.27A10	/<x>/OnNetwork/HPLMN/Service/MCDataRefSNSSAI .....	204
8.2.27A11	/<x>/OnNetwork/HPLMN/Service/MCDataRefSNSSAI/<x> .....	204
8.2.27A12	/<x>/OnNetwork/HPLMN/Service/MCDataRefSNSSAI/<x>/ RefSNSSAI.....	204
8.2.27A13	/<x>/OnNetwork/HPLMN/Service/MCVideoRefSNSSAI.....	205
8.2.27A14	/<x>/OnNetwork/HPLMN/Service/MCVideoRefSNSSAI/<x> .....	205
8.2.27A15	/<x>/OnNetwork/HPLMN/Service/MCVideoRefSNSSAI/<x>/ RefSNSSAI.....	205
8.2.28	/<x>/OnNetwork/HPLMN/VPLMN .....	205
8.2.28A	/<x>/OnNetwork/HPLMN/VPLMN/<x> .....	205
8.2.29	/<x>/OnNetwork/HPLMN/VPLMN/<x>/PLMN .....	206
8.2.30	/<x>/OnNetwork/HPLMN/VPLMN/<x>/Service .....	206
8.2.31	/<x>/OnNetwork/HPLMN/VPLMN/<x>/Service/MCPTTToConRef .....	206
8.2.32	/<x>/OnNetwork/HPLMN/VPLMN/<x>/Service/MCPTTToConRef/<x>.....	206
8.2.33	/<x>/OnNetwork/HPLMN/VPLMN/<x>/Service/ MCPTTToConRef/<x>/ConRef .....	207
8.2.34	/<x>/OnNetwork/HPLMN/VPLMN/<x>/Service/ MCCCommonCoreToConRef.....	207
8.2.35	/<x>/OnNetwork/HPLMN/VPLMN/<x>/Service/ MCCCommonCoreToConRef/<x> .....	207
8.2.36	/<x>/OnNetwork/HPLMN/VPLMN/<x>/Service/ MCCCommonCoreToConRef/<x>/ConRef.....	207
8.2.37	/<x>/OnNetwork/HPLMN/VPLMN/<x>/Service/MCIDMToConRef .....	208
8.2.38	/<x>/OnNetwork/HPLMN/VPLMN/<x>/Service/MCIDMToConRef/<x> .....	208

8.2.39	/<x>/OnNetwork/HPLMN/VPLMN/<x>/Service/ MCIDMToConRef/<x>/ConRef .....	208
8.2.39A1	/<x>/OnNetwork/HPLMN/VPLMN/<x>/Service/ MCPTTRefSNSSAI .....	208
8.2.39A2	/<x>/OnNetwork/HPLMN/VPLMN/<x>/Service/ MCPTTRefSNSSAI/<x> .....	209
8.2.39A3	/<x>/OnNetwork/HPLMN/VPLMN/<x>/Service/ MCPTTRefSNSSAI/<x>/RefSNSSAI .....	209
8.2.39A4	/<x>/OnNetwork/HPLMN/VPLMN/<x>/Service/ MCCCommonCoreRefSNSSAI .....	209
8.2.39A5	/<x>/OnNetwork/HPLMN/VPLMN/<x>/Service/ MCCCommonCoreRefSNSSAI/<x> .....	209
8.2.39A6	/<x>/OnNetwork/HPLMN/VPLMN/<x>/Service/ MCCCommonCoreRefSNSSAI/<x>/RefSNSSAI .....	210
8.2.39A7	/<x>/OnNetwork/HPLMN/VPLMN/<x>/Service/ MCIdMRefSNSSAI .....	210
8.2.39A8	/<x>/OnNetwork/HPLMN/VPLMN/<x>/Service/ MCIdMRefSNSSAI/<x> .....	210
8.2.39A9	/<x>/OnNetwork/HPLMN/VPLMN/<x>/Service/ MCIdMRefSNSSAI/<x>/RefSNSSAI .....	210
8.2.39A10	/<x>/OnNetwork/HPLMN/VPLMN/<x>/Service/ MCDataRefSNSSAI .....	211
8.2.39A11	/<x>/OnNetwork/HPLMN/VPLMN/<x>/Service/ MCDataRefSNSSAI/<x> .....	211
8.2.39A12	/<x>/OnNetwork/HPLMN/VPLMN/<x>/Service/ MCDataRefSNSSAI/<x>/RefSNSSAI .....	211
8.2.39A13	/<x>/OnNetwork/HPLMN/VPLMN/<x>/Service/ MCVideoRefSNSSAI .....	211
8.2.39A14	/<x>/OnNetwork/HPLMN/VPLMN/<x>/Service/ MCVideoRefSNSSAI/<x> .....	212
8.2.39A15	/<x>/OnNetwork/HPLMN/VPLMN/<x>/Service/ MCVideoRefSNSSAI/<x>/RefSNSSAI .....	212
8.2.40	/<x>/OnNetwork/AppServerInfo .....	212
8.2.41	/<x>/OnNetwork/AppServerInfo/IDMSAuthEndpoint .....	212
8.2.41A	/<x>/OnNetwork/AppServerInfo/IDMSTokenEndpoint .....	213
8.2.41B	/<x>/OnNetwork/AppServerInfo/HTTPProxy .....	213
8.2.42	/<x>/OnNetwork/AppServerInfo/GMS .....	213
8.2.43	/<x>/OnNetwork/AppServerInfo/CMS .....	213
8.2.44	/<x>/OnNetwork/AppServerInfo/KMS .....	213
8.2.44A	/<x>/OnNetwork/AppServerInfo/TLSTunnelAuthMethod .....	214
8.2.44B	/<x>/OnNetwork/AppServerInfo/TLSTunnelAuthMethod/Mutual .....	214
8.2.44C	/<x>/OnNetwork/AppServerInfo/TLSTunnelAuthMethod/X509 .....	214
8.2.44D	/<x>/OnNetwork/AppServerInfo/TLSTunnelAuthMethod/Key .....	214
8.2.44E	/<x>/OnNetwork/IntegrityProtection .....	215
8.2.44F	/<x>/OnNetwork/ConfidentialityProtection .....	215
8.2.44G1	/<x>/OnNetwork/MCPTTServiceDetails .....	215
8.2.44G2	/<x>/OnNetwork/MCPTTServiceDetails/IPv6Required .....	215
8.2.44G3	/<x>/OnNetwork/MCPTTServiceDetails/ServerURI .....	216
8.2.44G3A	/<x>/OnNetwork/MCPTTServiceDetails/PDUSessionType .....	216
8.2.44G3A1	Void .....	216
8.2.44G3A2	Void .....	216
8.2.44G3A3	Void .....	216
8.2.44G3A4	Void .....	216
8.2.44G3A5	Void .....	216
8.2.44G3A6	Void .....	216
8.2.44G3A7	Void .....	216
8.2.44G3A8	Void .....	216
8.2.44G4	/<x>/OnNetwork/MCVideoServiceDetails .....	216
8.2.44G5	/<x>/OnNetwork/MCVideoServiceDetails/IPv6Required .....	217
8.2.44G6	/<x>/OnNetwork/MCVideoServiceDetails/ServerURI .....	217
8.2.44G6A	/<x>/OnNetwork/MCVideoServiceDetails/PDUSessionType .....	217
8.2.44G6A1	Void .....	218
8.2.44G6A2	Void .....	218
8.2.44G6A3	Void .....	218
8.2.44G6A4	Void .....	218
8.2.44G6A5	Void .....	218
8.2.44G6A6	Void .....	218
8.2.44G6A7	Void .....	218
8.2.44G6A8	Void .....	218
8.2.44G7	/<x>/OnNetwork/MCDataServiceDetails .....	218
8.2.44G8	/<x>/OnNetwork/MCDataServiceDetails/IPv6Required .....	218
8.2.44G9	/<x>/OnNetwork/MCDataServiceDetails/ServerURI .....	218
8.2.44G9A	/<x>/OnNetwork/MCDataServiceDetails/PDUSessionType .....	219
8.2.44G9A1	Void .....	220
8.2.44G9A2	Void .....	220
8.2.44G9A3	Void .....	220
8.2.44G9A4	Void .....	220
8.2.44G9A5	Void .....	220

8.2.44G9A6	Void .....	220
8.2.44G9A7	Void .....	220
8.2.44G9A8	Void .....	220
8.2.44G10	Void .....	220
8.2.44G11	Void .....	220
8.2.44G12	Void .....	220
8.2.44G13	Void .....	220
8.2.44G14	Void .....	220
8.2.44G15	Void .....	220
8.2.44G16	Void .....	220
8.2.44G17	Void .....	220
8.2.44G18	Void .....	220
8.2.44G19	Void .....	220
8.2.44G20	Void .....	220
8.2.44G21	Void .....	220
8.2.44G22	Void .....	220
8.2.44G23	Void .....	220
8.2.44G24	Void .....	220
8.2.44G25	Void .....	221
8.2.44G26	/<x>/OnNetwork/MCCCommonCoreServiceDetails .....	221
8.2.44G27	/<x>/OnNetwork/MCCCommonCoreServiceDetails/IPv6Required .....	221
8.2.44G28	/<x>/OnNetwork/MCCCommonCoreServiceDetails/ServerURI .....	221
8.2.44G29	/<x>/OnNetwork/MCCCommonCoreServiceDetails/PDUSessionType .....	221
8.2.44G30	/<x>/OnNetwork/MCIdMServiceDetails .....	222
8.2.44G31	/<x>/OnNetwork/MCIdMServiceDetails/IPv6Required .....	222
8.2.44G32	/<x>/OnNetwork/MCIdMServiceDetails/ServerURI .....	222
8.2.44G33	/<x>/OnNetwork/MCIdMServiceDetails/PDUSessionType .....	222
8.2.44H	/<x>/OnNetwork/DNInfo .....	222
8.2.44H1	/<x>/OnNetwork/DNInfo/<x> .....	223
8.2.44H2	/<x>/OnNetwork/DNInfo/<x>/DNN .....	223
8.2.44H3	/<x>/OnNetwork/DNInfo/<x>/DNAAAServer .....	223
8.2.44H4	/<x>/OnNetwork/DNInfo/<x>/PapParameters .....	223
8.2.44H5	/<x>/OnNetwork/DNInfo/<x>/PapParameters/UserName .....	224
8.2.44H6	/<x>/OnNetwork/DNInfo/<x>/PapParameters/PassWord .....	224
8.2.44H7	/<x>/OnNetwork/DNInfo/<x>/ChapParameters .....	224
8.2.44H8	/<x>/OnNetwork/DNInfo/<x>/ChapParameters/UserName .....	224
8.2.44H9	/<x>/OnNetwork/DNInfo/<x>/ChapParameters/PassWord .....	224
8.2.44H10	/<x>/OnNetwork/DNInfo/<x>/Credentials .....	225
8.2.44H11	/<x>/OnNetwork/DNInfo/<x>/Credentials/ID .....	225
8.2.44H12	/<x>/OnNetwork/SNSSAIInfo .....	225
8.2.44H13	/<x>/OnNetwork/SNSSAIInfo/<x> .....	225
8.2.44H14	/<x>/OnNetwork/SNSSAIInfo/<x>/NSSAAServer .....	225
8.2.44H15	/<x>/OnNetwork/SNSSAIInfo/<x>/SNSSAI .....	226
8.2.44H16	/<x>/OnNetwork/SNSSAIInfo/<x>/SNSSAI/Credentials .....	226
8.2.44H17	/<x>/OnNetwork/SNSSAIInfo/<x>/SNSSAI/Credentials/ID .....	226
8.2.45	/<x>/OffNetwork .....	226
8.2.46	/<x>/OffNetwork/Timers .....	226
8.2.47	/<x>/OffNetwork/Timers/TFG1 .....	227
8.2.48	/<x>/OffNetwork/Timers/TFG2 .....	227
8.2.49	/<x>/OffNetwork/Timers/TFG3 .....	227
8.2.50	/<x>/OffNetwork/Timers/TFG4 .....	227
8.2.51	/<x>/OffNetwork/Timers/TFG5 .....	228
8.2.52	/<x>/OffNetwork/Timers/TFG11 .....	228
8.2.53	/<x>/OffNetwork/Timers/TFG12 .....	228
8.2.54	/<x>/OffNetwork/Timers/TFG13 .....	229
8.2.54A	/<x>/OffNetwork/Timers/TFG14 .....	229
8.2.55	/<x>/OffNetwork/Timers/TFP1 .....	229
8.2.56	/<x>/OffNetwork/Timers/TFP2 .....	229
8.2.57	/<x>/OffNetwork/Timers/TFP3 .....	230
8.2.58	/<x>/OffNetwork/Timers/TFP4 .....	230
8.2.59	/<x>/OffNetwork/Timers/TFP5 .....	230
8.2.60	/<x>/OffNetwork/Timers/TFP6 .....	230

8.2.61	/<x>/OffNetwork/Timers/TFP7 .....	231
8.2.61A	/<x>/OffNetwork/Timers/TFP9 .....	231
8.2.62	/<x>/OffNetwork/Timers/TFB1 .....	231
8.2.63	/<x>/OffNetwork/Timers/TFB2 .....	232
8.2.64	/<x>/OffNetwork/Timers/TFB3 .....	232
8.2.65	/<x>/OffNetwork/Timers/T201 .....	232
8.2.66	/<x>/OffNetwork/Timers/T203 .....	232
8.2.67	/<x>/OffNetwork/Timers/T204 .....	233
8.2.68	/<x>/OffNetwork/Timers/T205 .....	233
8.2.69	Void .....	233
8.2.70	/<x>/OffNetwork/Timers/T233 .....	233
8.2.71	/<x>/OffNetwork/Timers/TFE1 .....	233
8.2.72	/<x>/OffNetwork/Timers/TFE2 .....	234
8.2.73	/<x>/OffNetwork/Counters .....	234
8.2.74	/<x>/OffNetwork/Counters/CFP1 .....	234
8.2.75	/<x>/OffNetwork/Counters/CFP3 .....	234
8.2.76	/<x>/OffNetwork/Counters/CFP4 .....	235
8.2.77	/<x>/OffNetwork/Counters/CFP6 .....	235
8.2.78	/<x>/OffNetwork/Counters/CFG11 .....	235
8.2.79	/<x>/OffNetwork/Counters/CFG12 .....	235
8.2.80	/<x>/OffNetwork/Counters/C201 .....	236
8.2.81	/<x>/OffNetwork/Counters/C204 .....	236
8.2.82	/<x>/OffNetwork/Counters/C205 .....	236
9	MCDData UE configuration MO .....	236
9.1	General .....	236
9.2	MCDData UE configuration MO parameters .....	238
9.2.1	General .....	238
9.2.2	Node: <x> .....	238
9.2.3	/<x>/Name .....	238
9.2.4	/<x>/Ext/ .....	238
9.2.5	/<x>/Common .....	238
9.2.6	/<x>/Common/MCDDataGroupTxns .....	239
9.2.7	/<x>/Common/MCDDataGroupTxns/MaxSDSNc4 .....	239
9.2.8	/<x>/Common/MCDDataGroupTxns/SDSPresentationPriority .....	239
9.2.9	/<x>/Common/MCDDataGroupTxns/SDSPresentationPriority/<x> .....	239
9.2.10	/<x>/Common/MCDDataGroupTxns/SDSPresentationPriority/<x>/MCDDataGroupID .....	240
9.2.11	/<x>/Common/MCDDataGroupTxns/SDSPresentationPriority/<x>/MCDDataGroupPriorityHierarchy .....	240
9.2.12	/<x>/Common/MCDDataGroupTxns/MaxFDNc4 .....	240
9.2.13	/<x>/Common/MCDDataGroupTxns/FDPresentationPriority .....	240
9.2.14	/<x>/Common/MCDDataGroupTxns/FDPresentationPriority/<x> .....	241
9.2.15	/<x>/Common/MCDDataGroupTxns/FDPresentationPriority/<x>/MCDDataGroupID .....	241
9.2.16	/<x>/Common/MCDDataGroupTxns/FDPresentationPriority/<x>/MCDDataGroupPriorityHierarchy .....	241
9.2.17	/<x>/Common/MCDDataGroupTxns/ConversationPresentationPriority .....	241
9.2.18	/<x>/Common/MCDDataGroupTxns/ ConversationPresentationPriority/<x> .....	242
9.2.19	/<x>/Common/MCDDataGroupTxns/ ConversationPresentationPriority/<x>/MCDDataGroupID .....	242
9.2.20	/<x>/Common/MCDDataGroupTxns/ ConversationPresentationPriority/<x>/ MCDDataGroupPriorityHierarchy .....	242
9.2.21	/<x>/Common/MCDDataGroupTxns/MaxTCNc4 .....	242
9.2.22	/<x>/Common/MCDDataGroupTxns/MaxTCNc5 .....	243
9.2.23	/<x>/Common/MCDDataGroupTxns/DataPresentationPriority .....	243
9.2.24	/<x>/Common/MCDDataGroupTxns/DataPresentationPriority/<x> .....	243
9.2.25	/<x>/Common/MCDDataGroupTxns/DataPresentationPriority/<x>/MCDDataGroupID .....	243
9.2.26	/<x>/Common/MCDDataGroupTxns/DataPresentationPriority/<x>/MCDDataGroupPriorityHierarchy .....	244
9.2.27	/<x>/Common/MCDDataGroupTxns/MaxRCNc4 .....	244
9.2.28	/<x>/Common/MCDDataGroupTxns/MaxRCNc5 .....	244
9.2.28A	/<x>/Common/MCDDataSDSCharSet .....	244
9.2.29	/<x>/OnNetwork .....	245
9.2.30	/<x>/OnNetwork/RelayService .....	245
9.2.31	/<x>/OnNetwork/IPv6Preferred .....	245
9.2.32	/<x>/OnNetwork/RelayedMCDDataGroup .....	245
9.2.33	/<x>/OnNetwork/RelayedMCDDataGroup/<x> .....	246

9.2.34	/<x>/OnNetwork/RelayedMCDataGroup/<x>/MCDataGroupID .....	246
9.2.35	/<x>/OnNetwork/RelayedMCDataGroup/<x>/RelayServiceCode .....	246
10	MCData user profile MO .....	246
10.1	General .....	246
10.2	MCData user profile MO parameters .....	249
10.2.1	General .....	249
10.2.2	Node: <x> .....	249
10.2.3	/<x>/Name .....	249
10.2.4	/<x>/Ext/ .....	250
10.2.5	/<x>/<x> .....	250
10.2.6	/<x>/<x>/Common .....	250
10.2.7	/<x>/<x>/Common/MCDataUserID .....	250
10.2.8	/<x>/<x>/Common/MCDataUserProfileIndex .....	251
10.2.9	/<x>/<x>/Common/MCDataUserProfileName .....	251
10.2.9A	/<x>/<x>/Common/MCDataUserIDKMSURI .....	251
10.2.10	/<x>/<x>/Common/PreSelectedIndication .....	251
10.2.11	/<x>/<x>/Common/UserAliases .....	252
10.2.12	/<x>/<x>/Common/UserAliases/<x> .....	252
10.2.13	/<x>/<x>/Common/UserAliases/<x>/UserAlias .....	252
10.2.14	/<x>/<x>/Common/AuthorisedAlias .....	252
10.2.15	/<x>/<x>/Common/ParticipantType .....	253
10.2.16	/<x>/<x>/Common/Organization .....	253
10.2.16A	/<x>/<x>/Common/OnetoOne .....	253
10.2.16B	/<x>/<x>/Common/OnetoOne/UserList .....	253
10.2.16C	/<x>/<x>/Common/OnetoOne/UserList/<x> .....	253
10.2.16D	/<x>/<x>/Common/OnetoOne/UserList/<x>/Entry .....	254
10.2.16E	/<x>/<x>/Common/OnetoOne/UserList/<x>/Entry/MCDataID .....	254
10.2.16F	/<x>/<x>/Common/OnetoOne/UserList/<x>/Entry/DiscoveryGroupID .....	254
10.2.16G	/<x>/<x>/Common/OnetoOne/UserList/<x>/Entry/UserInfoID .....	254
10.2.16H	/<x>/<x>/Common/OnetoOne/UserList/<x>/Entry/MCDataIDKMSURI .....	255
10.2.16I	/<x>/<x>/Common/OnetoOne/UserList/<x>/Entry/DisplayName .....	255
10.2.16J	/<x>/<x>/Common/OnetoOne/UserList/<x>/Entry/IPInformation .....	255
10.2.16K	/<x>/<x>/Common/OnetoOne/UserList/<x>/Entry/IPInformation/<x> .....	255
10.2.16L	/<x>/<x>/Common/OnetoOne/UserList/<x>/Entry/IPInformation/<x>/Entry .....	256
10.2.16M	/<x>/<x>/Common/OnetoOne/UserList/<x>/Entry/IPInformation/<x>/Entry/IPv4Information .....	256
10.2.16N	/<x>/<x>/Common/OnetoOne/UserList/<x>/Entry/IPInformation/<x>/Entry/IPv6Information .....	256
10.2.16O	/<x>/<x>/Common/OnetoOne/UserList/<x>/Entry/IPInformation/<x>/Entry/FQDN .....	256
10.2.17	/<x>/<x>/Common/FileDistribution .....	257
10.2.18	/<x>/<x>/Common/FileDistribution/CancelList .....	257
10.2.19	/<x>/<x>/Common/FileDistribution/CancelList/<x> .....	257
10.2.20	/<x>/<x>/Common/FileDistribution/CancelList/<x>/Entry .....	257
10.2.21	/<x>/<x>/Common/FileDistribution/CancelList/<x>/Entry/MCDataID .....	257
10.2.21A	/<x>/<x>/Common/FileDistribution/CancelList/<x>/Entry/MCDataIDKMSURI .....	258
10.2.22	/<x>/<x>/Common/FileDistribution/CancelList/<x>/Entry/DisplayName .....	258
10.2.23	/<x>/<x>/Common/TxRxControl .....	258
10.2.24	/<x>/<x>/Common/TxRxControl/AuthorisedTransmit .....	258
10.2.25	/<x>/<x>/Common/TxRxControl/MaxData1To1 .....	259
10.2.26	/<x>/<x>/Common/TxRxControl/MaxTime1To1 .....	259
10.2.27	/<x>/<x>/Common/TxRxControl/ReleaseList .....	259
10.2.28	/<x>/<x>/Common/TxRxControl/ReleaseList/<x> .....	259
10.2.29	/<x>/<x>/Common/TxRxControl/ReleaseList/<x>/Entry .....	260
10.2.30	/<x>/<x>/Common/TxRxControl/ReleaseList/<x>/Entry/MCDataID .....	260
10.2.31	/<x>/<x>/Common/TxRxControl/ReleaseList/<x>/Entry/DisplayName .....	260
10.2.32	/<x>/<x>/Common/MCDataGroupBroadcast .....	260
10.2.33	/<x>/<x>/Common/MCDataGroupBroadcast/Authorised .....	260
10.2.34	/<x>/<x>/Common/UserBroadcast .....	261
10.2.35	/<x>/<x>/Common/UserBroadcast/Authorised .....	261
10.2.36	/<x>/<x>/Common/GroupEmergencyAlert .....	261
10.2.37	/<x>/<x>/Common/GroupEmergencyAlert/Entry .....	261
10.2.38	/<x>/<x>/Common/GroupEmergencyAlert/Entry/ID .....	262
10.2.39	/<x>/<x>/Common/GroupEmergencyAlert/Entry/DisplayName .....	262

10.2.40	/<x>/<x>/Common/GroupEmergencyAlert/Entry/Usage.....	262
10.2.41	/<x>/<x>/Common/AllowedActivateAlert.....	262
10.2.42	/<x>/<x>/Common/AllowedCancelAlert.....	263
10.2.42A	/<x>/<x>/Common/AllowedEmergencyPrivateCall.....	263
10.2.42B	/<x>/<x>/Common/AllowedCancelEmergencyPrivateCall.....	263
10.2.43	/<x>/<x>/OnNetwork.....	263
10.2.44	/<x>/<x>/OnNetwork/MCDataGroupList.....	264
10.2.45	/<x>/<x>/OnNetwork/MCDataGroupList/<x>.....	264
10.2.46	/<x>/<x>/OnNetwork/MCDataGroupList/<x>/Entry.....	264
10.2.47	/<x>/<x>/OnNetwork/MCDataGroupList/<x>/Entry/MCDataGroupID.....	264
10.2.48	/<x>/<x>/OnNetwork/MCDataGroupList/<x>/Entry/DisplayName.....	265
10.2.49	Void.....	265
10.2.50	Void.....	265
10.2.51	/<x>/<x>/OnNetwork/MCDataGroupList/<x>/Entry/GMSServID.....	265
10.2.52	Void.....	265
10.2.53	Void.....	265
10.2.54	/<x>/<x>/OnNetwork/MCDataGroupList/<x>/Entry/ IdMSTokenEndPoint.....	265
10.2.54A	/<x>/<x>/OnNetwork/MCDataGroupList/<x>/Entry/ GroupKMSURI.....	265
10.2.55	/<x>/<x>/OnNetwork/MCDataGroupList/<x>/Entry/ RelativePresentationPriority.....	266
10.2.55A	/<x>/<x>/OnNetwork/MCDataGroupList/<x>/Entry/ RulesForAffiliation.....	266
10.2.55A0	/<x>/<x>/OnNetwork/MCDataGroupList/<x>/Entry/ RulesForAffiliation/<x>.....	266
10.2.55A1	/<x>/<x>/OnNetwork/MCDataGroupList/<x>/Entry/ RulesForAffiliation/<x>/ListOfLocationCriteria/.....	266
10.2.55A2	/<x>/<x>/OnNetwork/MCDataGroupList/<x>/Entry/ RulesForAffiliation/<x>/ListOfLocationCriteria/<x>.....	267
10.2.55A3	/<x>/<x>/OnNetwork/MCDataGroupList/<x>/Entry/ RulesForAffiliation/<x>/ListOfLocationCriteria/<x>/Entry.....	267
10.2.55A4	/<x>/<x>/OnNetwork/MCDataGroupList/<x>/Entry/ RulesForAffiliation/<x>/ListOfLocationCriteria/<x>/Entry/ EnterSpecificArea.....	267
10.2.55A5	/<x>/<x>/OnNetwork/MCDataGroupList/<x>/Entry/ RulesForAffiliation/<x>/ListOfLocationCriteria/<x>/Entry/ EnterSpecificArea/PolygonArea.....	268
10.2.55A6	/<x>/<x>/OnNetwork/MCDataGroupList/<x>/Entry/ RulesForAffiliation/<x>/ListOfLocationCriteria/<x>/Entry/ EnterSpecificArea/PolygonArea/<x>.....	268
10.2.55A7	/<x>/<x>/OnNetwork/MCDataGroupList/<x>/Entry/ RulesForAffiliation/<x>/ListOfLocationCriteria/<x>/Entry/ EnterSpecificArea/PolygonArea/<x>/PointCoordinateType.....	268
10.2.55A8	/<x>/<x>/OnNetwork/MCDataGroupList/<x>/Entry/ RulesForAffiliation/<x>/ListOfLocationCriteria/<x>/Entry/ EnterSpecificArea/PolygonArea/<x>/PointCoordinateType/ Longitude.....	269
10.2.55A9	/<x>/<x>/OnNetwork/MCDataGroupList/<x>/Entry/ RulesForAffiliation/<x>/ListOfLocationCriteria/<x>/Entry/ EnterSpecificArea/PolygonArea/<x>/PointCoordinateType/ Latitude.....	269
10.2.55A10	/<x>/<x>/OnNetwork/MCDataGroupList/<x>/Entry/ RulesForAffiliation/<x>/ListOfLocationCriteria/<x>/Entry/ EnterSpecificArea/EllipsoidArcArea.....	269
10.2.55A11	/<x>/<x>/OnNetwork/MCDataGroupList/<x>/Entry/ RulesForAffiliation/<x>/ListOfLocationCriteria/<x>/Entry/ EnterSpecificArea/EllipsoidArcArea/Center.....	270
10.2.55A12	/<x>/<x>/OnNetwork/MCDataGroupList/<x>/Entry/ RulesForAffiliation/<x>/ListOfLocationCriteria/<x>/Entry/ EnterSpecificArea/EllipsoidArcArea/Center/PointCoordinateType.....	270
10.2.55A13	/<x>/<x>/OnNetwork/MCDataGroupList/<x>/Entry/ RulesForAffiliation/<x>/ListOfLocationCriteria/<x>/Entry/ EnterSpecificArea/EllipsoidArcArea/Center/PointCoordinateType/ Longitude.....	270
10.2.55A14	/<x>/<x>/OnNetwork/MCDataGroupList/<x>/Entry/ RulesForAffiliation/<x>/ListOfLocationCriteria/<x>/Entry/ EnterSpecificArea/EllipsoidArcArea/Center/PointCoordinateType/ Latitude.....	271
10.2.55A15	/<x>/<x>/OnNetwork/MCDataGroupList/<x>/Entry/ RulesForAffiliation/<x>/ListOfLocationCriteria/<x>/Entry/ EnterSpecificArea/EllipsoidArcArea/Radius.....	271
10.2.55A16	/<x>/<x>/OnNetwork/MCDataGroupList/<x>/Entry/ RulesForAffiliation/<x>/ListOfLocationCriteria/<x>/Entry/ EnterSpecificArea/EllipsoidArcArea/OffsetAngle.....	271

10.2.55A17	/<x>/<x>/OnNetwork/MCDataGroupList/<x>/Entry/ RulesForAffiliation/<x>/ListOfLocationCriteria/<x>/Entry/ EnterSpecificArea/EllipsoidArcArea/IncludedAngle .....	272
10.2.55A18	/<x>/<x>/OnNetwork/MCDataGroupList/<x>/Entry/ RulesForAffiliation/<x>/ListOfLocationCriteria/<x>/Entry/ EnterSpecificArea/Speed .....	272
10.2.55A19	/<x>/<x>/OnNetwork/MCDataGroupList/<x>/Entry/ RulesForAffiliation/<x>/ListOfLocationCriteria/<x>/Entry/ EnterSpecificArea/Speed/MinimumSpeed .....	272
10.2.55A20	/<x>/<x>/OnNetwork/MCDataGroupList/<x>/Entry/ RulesForAffiliation/<x>/ListOfLocationCriteria/<x>/Entry/ EnterSpecificArea/Speed/MaximumSpeed.....	273
10.2.55A21	/<x>/<x>/OnNetwork/MCDataGroupList/<x>/Entry/ RulesForAffiliation/<x>/ListOfLocationCriteria/<x>/Entry/ EnterSpecificArea/Heading .....	273
10.2.55A22	/<x>/<x>/OnNetwork/MCDataGroupList/<x>/Entry/ RulesForAffiliation/<x>/ListOfLocationCriteria/<x>/Entry/ EnterSpecificArea/Heading/MinimumHeading .....	273
10.2.55A23	/<x>/<x>/OnNetwork/MCDataGroupList/<x>/Entry/ RulesForAffiliation/<x>/ListOfLocationCriteria/<x>/Entry/ EnterSpecificArea/Heading/MaximumHeading .....	274
10.2.55A24	/<x>/<x>/OnNetwork/MCDataGroupList/<x>/Entry/ RulesForAffiliation/<x>/ListOfLocationCriteria/<x>/Entry/ ExitSpecificArea.....	274
10.2.55A25	/<x>/<x>/OnNetwork/MCDataGroupList/<x>/Entry/ RulesForAffiliation/<x>/ListOfLocationCriteria/<x>/Entry/ ExitSpecificArea/PolygonArea.....	274
10.2.55A26	/<x>/<x>/OnNetwork/MCDataGroupList/<x>/Entry/ RulesForAffiliation/<x>/ListOfLocationCriteria/<x>/Entry/ ExitSpecificArea/PolygonArea/<x> .....	275
10.2.55A27	/<x>/<x>/OnNetwork/MCDataGroupList/<x>/Entry/ RulesForAffiliation/<x>/ListOfLocationCriteria/<x>/Entry/ ExitSpecificArea/PolygonArea/<x>/PointCoordinateType .....	275
10.2.55A28	/<x>/<x>/OnNetwork/MCDataGroupList/<x>/Entry/ RulesForAffiliation/<x>/ListOfLocationCriteria/<x>/Entry/ ExitSpecificArea/PolygonArea/<x>/PointCoordinateType/ Longitude .....	275
10.2.55A29	/<x>/<x>/OnNetwork/MCDataGroupList/<x>/Entry/ RulesForAffiliation/<x>/ListOfLocationCriteria/<x>/Entry/ ExitSpecificArea/PolygonArea/<x>/PointCoordinateType/ Latitude.....	276
10.2.55A30	/<x>/<x>/OnNetwork/MCDataGroupList/<x>/Entry/ RulesForAffiliation/<x>/ListOfLocationCriteria/<x>/Entry/ ExitSpecificArea/EllipsoidArcArea.....	276
10.2.55A31	/<x>/<x>/OnNetwork/MCDataGroupList/<x>/Entry/ RulesForAffiliation/<x>/ListOfLocationCriteria/<x>/Entry/ ExitSpecificArea/EllipsoidArcArea/Center .....	276
10.2.55A32	/<x>/<x>/OnNetwork/MCDataGroupList/<x>/Entry/ RulesForAffiliation/<x>/ListOfLocationCriteria/<x>/Entry/ ExitSpecificArea/EllipsoidArcArea/Center/PointCoordinateType.....	276
10.2.55A33	/<x>/<x>/OnNetwork/MCDataGroupList/<x>/Entry/ RulesForAffiliation/<x>/ListOfLocationCriteria/<x>/Entry/ ExitSpecificArea/EllipsoidArcArea/Center/PointCoordinateType/ Longitude .....	277
10.2.55A34	/<x>/<x>/OnNetwork/MCDataGroupList/<x>/Entry/ RulesForAffiliation/<x>/ListOfLocationCriteria/<x>/Entry/ ExitSpecificArea/EllipsoidArcArea/Center/PointCoordinateType/ Latitude .....	277
10.2.55A35	/<x>/<x>/OnNetwork/MCDataGroupList/<x>/Entry/ RulesForAffiliation/<x>/ListOfLocationCriteria/<x>/Entry/ ExitSpecificArea/EllipsoidArcArea/Radius.....	277
10.2.55A36	/<x>/<x>/OnNetwork/MCDataGroupList/<x>/Entry/ RulesForAffiliation/<x>/ListOfLocationCriteria/<x>/Entry/ ExitSpecificArea/EllipsoidArcArea/OffsetAngle .....	278
10.2.55A37	/<x>/<x>/OnNetwork/MCDataGroupList/<x>/Entry/ RulesForAffiliation/<x>/ListOfLocationCriteria/<x>/Entry/ ExitSpecificArea/EllipsoidArcArea/IncludedAngle .....	278
10.2.55A38	/<x>/<x>/OnNetwork/MCDataGroupList/<x>/Entry/ RulesForAffiliation/<x>/ListOfLocationCriteria/<x>/Entry/ ExitSpecificArea/Speed .....	278
10.2.55A39	/<x>/<x>/OnNetwork/MCDataGroupList/<x>/Entry/ RulesForAffiliation/<x>/ListOfLocationCriteria/<x>/Entry/ ExitSpecificArea/Speed/MinimumSpeed .....	278

10.2.55A40 /<x>/<x>/OnNetwork/MCDataGroupList/<x>/Entry/  
RulesForAffiliation/<x>/ListOfLocationCriteria/<x>/Entry/  
ExitSpecificArea/Speed/MaximumSpeed .....279

10.2.55A41 /<x>/<x>/OnNetwork/MCDataGroupList/<x>/Entry/  
RulesForAffiliation/<x>/ListOfLocationCriteria/<x>/Entry/ ExitSpecificArea/Heading .....279

10.2.55A42 /<x>/<x>/OnNetwork/MCDataGroupList/<x>/Entry/  
RulesForAffiliation/<x>/ListOfLocationCriteria/<x>/Entry/  
ExitSpecificArea/Heading/MinimumHeading .....279

10.2.55A43 /<x>/<x>/OnNetwork/MCDataGroupList/<x>/Entry/  
RulesForAffiliation/<x>/ListOfLocationCriteria/<x>/Entry/  
ExitSpecificArea/Heading/MaximumHeading .....280

10.2.55A44 /<x>/<x>/OnNetwork/MCDataGroupList/<x>/Entry/  
RulesForAffiliation/<x>/ListOfActiveFunctionalAliases .....280

10.2.55A45 /<x>/<x>/OnNetwork/MCDataGroupList/<x>/Entry/  
RulesForAffiliation/<x>/ListOfActiveFunctionalAliases/<x> .....280

10.2.55A46 /<x>/<x>/OnNetwork/MCDataGroupList/<x>/Entry/  
RulesForAffiliation/<x>/ListOfActiveFunctionalAliases/<x>/Entry .....280

10.2.55A47 /<x>/<x>/OnNetwork/MCDataGroupList/<x>/Entry/  
RulesForAffiliation/<x>/ListOfActiveFunctionalAliases/<x>/ Entry/FunctionalAlias .....281

10.2.55B /<x>/<x>/OnNetwork/MCDataGroupList/<x>/Entry/ RulesForDeaffiliation .....281

10.2.55B0 /<x>/<x>/OnNetwork/MCDataGroupList/<x>/Entry/ RulesForDeaffiliation/<x> .....281

10.2.55B1 /<x>/<x>/OnNetwork/MCDataGroupList/<x>/Entry/  
RulesForDeaffiliation/<x>/ListOfLocationCriteria/ .....281

10.2.55B2 /<x>/<x>/OnNetwork/MCDataGroupList/<x>/Entry/  
RulesForDeaffiliation/<x>/ListOfLocationCriteria/<x> .....282

10.2.55B3 /<x>/<x>/OnNetwork/MCDataGroupList/<x>/Entry/  
RulesForDeaffiliation/<x>/ListOfLocationCriteria/<x>/Entry .....282

10.2.55B4 /<x>/<x>/OnNetwork/MCDataGroupList/<x>/Entry/  
RulesForDeaffiliation/<x>/ListOfLocationCriteria/<x>/Entry/ EnterSpecificArea .....282

10.2.55B5 /<x>/<x>/OnNetwork/MCDataGroupList/<x>/Entry/  
RulesForDeaffiliation/<x>/ListOfLocationCriteria/<x>/Entry/ EnterSpecificArea/PolygonArea .....282

10.2.55B6 /<x>/<x>/OnNetwork/MCDataGroupList/<x>/Entry/  
RulesForDeaffiliation/<x>/ListOfLocationCriteria/<x>/Entry/ EnterSpecificArea/PolygonArea/<x>....283

10.2.55B7 /<x>/<x>/OnNetwork/MCDataGroupList/<x>/Entry/  
RulesForDeaffiliation/<x>/ListOfLocationCriteria/<x>/Entry/  
EnterSpecificArea/PolygonArea/<x>/PointCoordinateType .....283

10.2.55B8 /<x>/<x>/OnNetwork/MCDataGroupList/<x>/Entry/  
RulesForDeaffiliation/<x>/ListOfLocationCriteria/<x>/Entry/  
EnterSpecificArea/PolygonArea/<x>/PointCoordinateType/ Longitude.....283

10.2.55B9 /<x>/<x>/OnNetwork/MCDataGroupList/<x>/Entry/  
RulesForDeaffiliation/<x>/ListOfLocationCriteria/<x>/Entry/  
EnterSpecificArea/PolygonArea/<x>/PointCoordinateType/ Latitude.....284

10.2.55B10 /<x>/<x>/OnNetwork/MCDataGroupList/<x>/Entry/  
RulesForDeaffiliation/<x>/ListOfLocationCriteria/<x>/Entry/ EnterSpecificArea/EllipsoidArcArea ....284

10.2.55B11 /<x>/<x>/OnNetwork/MCDataGroupList/<x>/Entry/  
RulesForDeaffiliation/<x>/ListOfLocationCriteria/<x>/Entry/  
EnterSpecificArea/EllipsoidArcArea/Center .....284

10.2.55B12 /<x>/<x>/OnNetwork/MCDataGroupList/<x>/Entry/  
RulesForDeaffiliation/<x>/ListOfLocationCriteria/<x>/Entry/  
EnterSpecificArea/EllipsoidArcArea/Center/PointCoordinateType .....285

10.2.55B13 /<x>/<x>/OnNetwork/MCDataGroupList/<x>/Entry/  
RulesForDeaffiliation/<x>/ListOfLocationCriteria/<x>/Entry/  
EnterSpecificArea/EllipsoidArcArea/Center/PointCoordinateType/ Longitude .....285

10.2.55B14 /<x>/<x>/OnNetwork/MCDataGroupList/<x>/Entry/  
RulesForDeaffiliation/<x>/ListOfLocationCriteria/<x>/Entry/  
EnterSpecificArea/EllipsoidArcArea/Center/PointCoordinateType/ Latitude .....285

10.2.55B15 /<x>/<x>/OnNetwork/MCDataGroupList/<x>/Entry/  
RulesForDeaffiliation/<x>/ListOfLocationCriteria/<x>/Entry/  
EnterSpecificArea/EllipsoidArcArea/Radius .....286

10.2.55B16 /<x>/<x>/OnNetwork/MCDataGroupList/<x>/Entry/  
RulesForDeaffiliation/<x>/ListOfLocationCriteria/<x>/Entry/  
EnterSpecificArea/EllipsoidArcArea/OffsetAngle .....286



10.2.55B17	/<x>/<x>/OnNetwork/MCDataGroupList/<x>/Entry/ RulesForDeaffiliation/<x>/ListOfLocationCriteria/<x>/Entry/ EnterSpecificArea/EllipsoidArcArea/IncludedAngle .....	286
10.2.55B18	/<x>/<x>/OnNetwork/MCDataGroupList/<x>/Entry/ RulesForDeaffiliation/<x>/ListOfLocationCriteria/<x>/Entry/ EnterSpecificArea/Speed .....	286
10.2.55B19	/<x>/<x>/OnNetwork/MCDataGroupList/<x>/Entry/ RulesForDeaffiliation/<x>/ListOfLocationCriteria/<x>/Entry/ EnterSpecificArea/Speed/MinimumSpeed .....	287
10.2.55B20	/<x>/<x>/OnNetwork/MCDataGroupList/<x>/Entry/ RulesForDeaffiliation/<x>/ListOfLocationCriteria/<x>/Entry/ EnterSpecificArea/Speed/MaximumSpeed.....	287
10.2.55B21	/<x>/<x>/OnNetwork/MCDataGroupList/<x>/Entry/ RulesForDeaffiliation/<x>/ListOfLocationCriteria/<x>/Entry/ EnterSpecificArea/Heading.....	287
10.2.55B22	/<x>/<x>/OnNetwork/MCDataGroupList/<x>/Entry/ RulesForDeaffiliation/<x>/ListOfLocationCriteria/<x>/Entry/ EnterSpecificArea/Heading/MinimumHeading .....	288
10.2.55B23	/<x>/<x>/OnNetwork/MCDataGroupList/<x>/Entry/ RulesForDeaffiliation/<x>/ListOfLocationCriteria/<x>/Entry/ EnterSpecificArea/Heading/MaximumHeading .....	288
10.2.55B24	/<x>/<x>/OnNetwork/MCDataGroupList/<x>/Entry/ RulesForDeaffiliation/<x>/ListOfLocationCriteria/<x>/Entry/ ExitSpecificArea .....	288
10.2.55B25	/<x>/<x>/OnNetwork/MCDataGroupList/<x>/Entry/ RulesForDeaffiliation/<x>/ListOfLocationCriteria/<x>/Entry/ ExitSpecificArea/PolygonArea .....	289
10.2.55B26	/<x>/<x>/OnNetwork/MCDataGroupList/<x>/Entry/ RulesForDeaffiliation/<x>/ListOfLocationCriteria/<x>/Entry/ ExitSpecificArea/PolygonArea/<x>.....	289
10.2.55B27	/<x>/<x>/OnNetwork/MCDataGroupList/<x>/Entry/ RulesForDeaffiliation/<x>/ListOfLocationCriteria/<x>/Entry/ ExitSpecificArea/PolygonArea/<x>/PointCoordinateType .....	289
10.2.55B28	/<x>/<x>/OnNetwork/MCDataGroupList/<x>/Entry/ RulesForDeaffiliation/<x>/ListOfLocationCriteria/<x>/Entry/ ExitSpecificArea/PolygonArea/<x>/PointCoordinateType/ Longitude .....	290
10.2.55B29	/<x>/<x>/OnNetwork/MCDataGroupList/<x>/Entry/ RulesForDeaffiliation/<x>/ListOfLocationCriteria/<x>/Entry/ ExitSpecificArea/PolygonArea/<x>/PointCoordinateType/ Latitude.....	290
10.2.55B30	/<x>/<x>/OnNetwork/MCDataGroupList/<x>/Entry/ RulesForDeaffiliation/<x>/ListOfLocationCriteria/<x>/Entry/ ExitSpecificArea/EllipsoidArcArea .....	290
10.2.55B31	/<x>/<x>/OnNetwork/MCDataGroupList/<x>/Entry/ RulesForDeaffiliation/<x>/ListOfLocationCriteria/<x>/Entry/ ExitSpecificArea/EllipsoidArcArea/Center .....	291
10.2.55B32	/<x>/<x>/OnNetwork/MCDataGroupList/<x>/Entry/ RulesForDeaffiliation/<x>/ListOfLocationCriteria/<x>/Entry/ ExitSpecificArea/EllipsoidArcArea/Center/PointCoordinateType.....	291
10.2.55B33	/<x>/<x>/OnNetwork/MCDataGroupList/<x>/Entry/ RulesForDeaffiliation/<x>/ListOfLocationCriteria/<x>/Entry/ ExitSpecificArea/EllipsoidArcArea/Center/PointCoordinateType/ Longitude .....	291
10.2.55B34	/<x>/<x>/OnNetwork/MCDataGroupList/<x>/Entry/ RulesForDeaffiliation/<x>/ListOfLocationCriteria/<x>/Entry /ExitSpecificArea/EllipsoidArcArea/Center/PointCoordinateType/ Latitude .....	292
10.2.55B35	/<x>/<x>/OnNetwork/MCDataGroupList/<x>/Entry/ RulesForDeaffiliation/<x>/ListOfLocationCriteria/<x>/Entry/ ExitSpecificArea/EllipsoidArcArea/Radius.....	292
10.2.55B36	/<x>/<x>/OnNetwork/MCDataGroupList/<x>/Entry/ RulesForDeaffiliation/<x>/ListOfLocationCriteria/<x>/Entry/ ExitSpecificArea/EllipsoidArcArea/OffsetAngle .....	292
10.2.55B37	/<x>/<x>/OnNetwork/MCDataGroupList/<x>/Entry/ RulesForDeaffiliation/<x>/ListOfLocationCriteria/<x>/Entry/ ExitSpecificArea/EllipsoidArcArea/IncludedAngle .....	293
10.2.55B38	/<x>/<x>/OnNetwork/MCDataGroupList/<x>/Entry/ RulesForDeaffiliation/<x>/ListOfLocationCriteria/<x>/Entry/ ExitSpecificArea/Speed .....	293
10.2.55B39	/<x>/<x>/OnNetwork/MCDataGroupList/<x>/Entry/ RulesForDeaffiliation/<x>/ListOfLocationCriteria/<x>/Entry/ ExitSpecificArea/Speed/MinimumSpeed .....	293

10.2.55B40	/<x>/<x>/OnNetwork/MCDataGroupList/<x>/Entry/ RulesForDeaffiliation/<x>/ListOfLocationCriteria/<x>/Entry/ ExitSpecificArea/Speed/MaximumSpeed.....	294
10.2.55B41	/<x>/<x>/OnNetwork/MCDataGroupList/<x>/Entry/ RulesForDeaffiliation/<x>/ListOfLocationCriteria/<x>/Entry/ ExitSpecificArea/Heading.....	294
10.2.55B42	/<x>/<x>/OnNetwork/MCDataGroupList/<x>/Entry/ RulesForDeaffiliation/<x>/ListOfLocationCriteria/<x>/Entry/ ExitSpecificArea/Heading/MinimumHeading.....	294
10.2.55B43	/<x>/<x>/OnNetwork/MCDataGroupList/<x>/Entry/ RulesForDeaffiliation/<x>/ListOfLocationCriteria/<x>/Entry/ ExitSpecificArea/Heading/MaximumHeading.....	295
10.2.55B44	/<x>/<x>/OnNetwork/MCDataGroupList/<x>/Entry/ RulesForDeaffiliation/<x>/ListOfActiveFunctionalAliases.....	295
10.2.55B45	/<x>/<x>/OnNetwork/MCDataGroupList/<x>/Entry/ RulesForDeaffiliation/<x>/ListOfActiveFunctionalAliases/<x>.....	295
10.2.55B46	/<x>/<x>/OnNetwork/MCDataGroupList/<x>/Entry/ RulesForDeaffiliation/<x>/ListOfActiveFunctionalAliases/<x>/Entry.....	295
10.2.55B47	/<x>/<x>/OnNetwork/MCDataGroupList/<x>/Entry/ RulesForDeaffiliation/<x>/ListOfActiveFunctionalAliases/<x>/Entry/ FunctionalAlias.....	296
10.2.55B48	/<x>/<x>/OnNetwork/MCDataGroupList/<x>/Entry/ ManualDeaffiliationNotAllowedIfAffiliationRulesAreMet.....	296
10.2.55C	/<x>/<x>/OnNetwork/MCDataGroupList/<x>/Entry/ AllowStoreGroupCommInMsgstore.....	296
10.2.56	/<x>/<x>/OnNetwork/ImplicitAffiliations.....	296
10.2.57	/<x>/<x>/OnNetwork/ImplicitAffiliations/<x>.....	297
10.2.58	/<x>/<x>/OnNetwork/ImplicitAffiliations/<x>/Entry.....	297
10.2.59	/<x>/<x>/OnNetwork/ImplicitAffiliations/<x>/Entry/MCDataGroupID.....	297
10.2.60	/<x>/<x>/OnNetwork/ImplicitAffiliations/<x>/Entry/DisplayName.....	297
10.2.61	/<x>/<x>/OnNetwork/PresenceStatus.....	297
10.2.62	/<x>/<x>/OnNetwork/PresenceStatus/<x>.....	298
10.2.63	/<x>/<x>/OnNetwork/PresenceStatus/<x>/Entry.....	298
10.2.64	/<x>/<x>/OnNetwork/PresenceStatus/<x>/Entry/MCDataID.....	298
10.2.65	/<x>/<x>/OnNetwork/PresenceStatus/<x>/Entry/DisplayName.....	298
10.2.66	/<x>/<x>/OnNetwork/RemoteGroupChange.....	299
10.2.67	/<x>/<x>/>/OnNetwork/RemoteGroupChange/<x>.....	299
10.2.68	/<x>/<x>/OnNetwork/RemoteGroupChange/<x>/Entry.....	299
10.2.69	/<x>/<x>/OnNetwork/RemoteGroupChange/<x>/Entry/MCDataID.....	299
10.2.70	/<x>/<x>/OnNetwork/RemoteGroupChange/<x>/Entry/DisplayName.....	299
10.2.71	/<x>/<x>/OnNetwork/MaxAffiliationsN2.....	300
10.2.72	/<x>/<x>/OnNetwork/ConversationManagement.....	300
10.2.73	/<x>/<x>/OnNetwork/ConversationManagement/GroupHangTime.....	300
10.2.74	/<x>/<x>/OnNetwork/ConversationManagement/ GroupHangTime/<x>.....	300
10.2.75	/<x>/<x>/OnNetwork/ConversationManagement/ GroupHangTime/<x>/Entry.....	300
10.2.76	/<x>/<x>/OnNetwork/ConversationManagement/ GroupHangTime/<x>/Entry/MCDataGroupID.....	301
10.2.77	/<x>/<x>/OnNetwork/ConversationManagement/ GroupHangTime/<x>/Entry/DisplayName.....	301
10.2.78	/<x>/<x>/OnNetwork/ConversationManagement/ GroupHangTime/<x>/Entry/HangTime.....	301
10.2.79	/<x>/<x>/OnNetwork/ConversationManagement/ DeliveredDisposition.....	302
10.2.80	/<x>/<x>/OnNetwork/ConversationManagement/ DeliveredDisposition/<x>.....	302
10.2.81	/<x>/<x>/OnNetwork/ConversationManagement/ DeliveredDisposition/<x>/Entry.....	302
10.2.82	/<x>/<x>/OnNetwork/ConversationManagement/ DeliveredDisposition/<x>/Entry/MCDataID.....	302
10.2.83	/<x>/<x>/OnNetwork/ConversationManagement/ DeliveredDisposition/<x>/Entry/DisplayName.....	303
10.2.84	/<x>/<x>/OnNetwork/ConversationManagement/ReadDisposition.....	303
10.2.85	/<x>/<x>/OnNetwork/ConversationManagement/ReadDisposition/ <x>.....	303
10.2.86	/<x>/<x>/OnNetwork/ConversationManagement/ReadDisposition/ <x>/Entry.....	303
10.2.87	/<x>/<x>/OnNetwork/ConversationManagement/ReadDisposition/ <x>/Entry/MCDataID.....	304
10.2.88	/<x>/<x>/OnNetwork/ConversationManagement/ReadDisposition/ <x>/Entry/DisplayName.....	304
10.2.89	/<x>/<x>/OnNetwork/OneToOneEmergencyAlert.....	304
10.2.90	/<x>/<x>/OnNetwork/OneToOneEmergencyAlert/Entry.....	304
10.2.91	/<x>/<x>/OnNetwork/OneToOneEmergencyAlert/Entry/ID.....	304
10.2.92	/<x>/<x>/OnNetwork/OneToOneEmergencyAlert/Entry/ DisplayName.....	305
10.2.93	/<x>/<x>/OnNetwork/OneToOneEmergencyAlert/Entry/Usage.....	305
10.2.94	/<x>/<x>/OnNetwork/AllowedRegroup.....	305
10.2.95	/<x>/<x>/OnNetwork/AllowedPresenceStatus.....	305

10.2.96	/<x>/<x>/OnNetwork/AllowedPresence .....	306
10.2.97	/<x>/<x>/OnNetwork/AllowedManualSwitch .....	306
10.2.97A	/<x>/<x>/OnNetwork/MCDataContentServerURI .....	306
10.2.97B	/<x>/<x>/OnNetwork/FunctionalAliasList.....	307
10.2.97B1	/<x>/<x>/OnNetwork/FunctionalAliasList/<x> .....	307
10.2.97B2	/<x>/<x>/OnNetwork/FunctionalAliasList/<x>/Entry .....	307
10.2.97B3	/<x>/<x>/OnNetwork/FunctionalAliasList/<x>/Entry/ FunctionalAlias.....	307
10.2.97B3A	/<x>/<x>/OnNetwork/FunctionalAliasList/<x>/ Entry/DisplayName .....	307
10.2.97B3B	/<x>/<x>/OnNetwork/FunctionalAliasList/<x>/Entry/ LocationCriteriaForActivation .....	308
10.2.97B3B0	/<x>/<x>/OnNetwork/FunctionalAliasList/<x>/Entry/ LocationCriteriaForActivation/<x> .....	308
10.2.97B3B1	/<x>/<x>/OnNetwork/FunctionalAliasList/<x>/Entry/ LocationCriteriaForActivation/<x>/EnterSpecificArea.....	308
10.2.97B3B2	/<x>/<x>/OnNetwork/FunctionalAliasList/<x>/Entry/ LocationCriteriaForActivation/<x>/EnterSpecificArea/ PolygonArea.....	308
10.2.97B3B3	/<x>/<x>/OnNetwork/FunctionalAliasList/<x>/Entry/ LocationCriteriaForActivation/<x>/EnterSpecificArea/ PolygonArea/<x> .....	309
10.2.97B3B4	/<x>/<x>/OnNetwork/FunctionalAliasList/<x>/Entry/ LocationCriteriaForActivation/<x>/EnterSpecificArea/ PolygonArea/<x>/PointCoordinateType .....	309
10.2.97B3B5	/<x>/<x>/OnNetwork/FunctionalAliasList/<x>/Entry/ LocationCriteriaForActivation/<x>/EnterSpecificArea/ PolygonArea/<x>/PointCoordinateType/Longitude .....	309
10.2.97B3B6	/<x>/<x>/OnNetwork/FunctionalAliasList/<x>/Entry/ LocationCriteriaForActivation/<x>/EnterSpecificArea/ PolygonArea/<x>/PointCoordinateType/Latitude .....	310
10.2.97B3B7	/<x>/<x>/OnNetwork/FunctionalAliasList/<x>/Entry/ LocationCriteriaForActivation/<x>/EnterSpecificArea/ EllipsoidArcArea.....	310
10.2.97B3B8	/<x>/<x>/OnNetwork/FunctionalAliasList/<x>/Entry/ LocationCriteriaForActivation/<x>/EnterSpecificArea/ EllipsoidArcArea/Center .....	310
10.2.97B3B9	/<x>/<x>/OnNetwork/FunctionalAliasList/<x>/Entry/ LocationCriteriaForActivation/<x>/EnterSpecificArea/ EllipsoidArcArea/Center/PointCoordinateType .....	310
10.2.97B3B10	/<x>/<x>/OnNetwork/FunctionalAliasList/<x>/Entry/ LocationCriteriaForActivation/<x>/EnterSpecificArea/ EllipsoidArcArea/Center/PointCoordinateType/Longitude.....	311
10.2.97B3B11	/<x>/<x>/OnNetwork/FunctionalAliasList/<x>/Entry/ LocationCriteriaForActivation/<x>/EnterSpecificArea/ EllipsoidArcArea/Center/PointCoordinateType/Latitude .....	311
10.2.97B3B12	/<x>/<x>/OnNetwork/FunctionalAliasList/<x>/Entry/ LocationCriteriaForActivation/<x>/EnterSpecificArea/ EllipsoidArcArea/Radius.....	311
10.2.97B3B13	/<x>/<x>/OnNetwork/FunctionalAliasList/<x>/Entry/ LocationCriteriaForActivation/<x>/EnterSpecificArea/ EllipsoidArcArea/OffsetAngle .....	312
10.2.97B3B14	/<x>/<x>/OnNetwork/FunctionalAliasList/<x>/Entry/ LocationCriteriaForActivation/<x>/EnterSpecificArea/ EllipsoidArcArea/IncludedAngle .....	312
10.2.97B3B15	/<x>/<x>/OnNetwork/FunctionalAliasList/<x>/Entry/ LocationCriteriaForActivation/<x>/EnterSpecificArea/Speed .....	312
10.2.97B3B16	/<x>/<x>/OnNetwork/FunctionalAliasList/<x>/Entry/ LocationCriteriaForActivation/<x>/EnterSpecificArea/Speed/ MinimumSpeed .....	313
10.2.97B3B17	/<x>/<x>/OnNetwork/FunctionalAliasList/<x>/Entry/ LocationCriteriaForActivation/<x>/EnterSpecificArea/Speed/ MaximumSpeed.....	313
10.2.97B3B18	/<x>/<x>/OnNetwork/FunctionalAliasList/<x>/Entry/ LocationCriteriaForActivation/<x>/EnterSpecificArea/Heading .....	313
10.2.97B3B19	/<x>/<x>/OnNetwork/FunctionalAliasList/<x>/Entry/ LocationCriteriaForActivation/<x>/EnterSpecificArea/Heading/ MinimumHeading.....	314
10.2.97B3B20	/<x>/<x>/OnNetwork/FunctionalAliasList/<x>/Entry/ LocationCriteriaForActivation/<x>/EnterSpecificArea/Heading/ MaximumHeading .....	314
10.2.97B3B21	/<x>/<x>/OnNetwork/FunctionalAliasList/<x>/Entry/ LocationCriteriaForActivation/<x>/ExitSpecificArea.....	314
10.2.97B3B22	/<x>/<x>/OnNetwork/FunctionalAliasList/<x>/ Entry/LocationCriteriaForActivation/<x>/ExitSpecificArea/ PolygonArea.....	315
10.2.97B3B23	/<x>/<x>/OnNetwork/FunctionalAliasList/<x>/Entry/ LocationCriteriaForActivation/<x>/ExitSpecificArea/ PolygonArea/<x> .....	315

10.2.97B3B24	/<x>/<x>/OnNetwork/FunctionalAliasList/<x>/Entry/ LocationCriteriaForActivation/<x>/ExitSpecificArea/ PolygonArea/<x>/PointCoordinateType	..... 315
10.2.97B3B25	/<x>/<x>/OnNetwork/FunctionalAliasList/<x>/Entry/ LocationCriteriaForActivation/<x>/ExitSpecificArea/ PolygonArea/<x>/PointCoordinateType/Longitude	..... 315
10.2.97B3B26	/<x>/<x>/OnNetwork/FunctionalAliasList/<x>/Entry/ LocationCriteriaForActivation/<x>/ExitSpecificArea/ PolygonArea/<x>/PointCoordinateType/Latitude	..... 316
10.2.97B3B27	/<x>/<x>/OnNetwork/FunctionalAliasList/<x>/Entry/ LocationCriteriaForActivation/<x>/ExitSpecificArea/ EllipsoidArcArea	..... 316
10.2.97B3B28	/<x>/<x>/OnNetwork/FunctionalAliasList/<x>/Entry/ LocationCriteriaForActivation/<x>/ExitSpecificArea/ EllipsoidArcArea/Center	..... 316
10.2.97B3B29	/<x>/<x>/OnNetwork/FunctionalAliasList/<x>/Entry/ LocationCriteriaForActivation/<x>/ExitSpecificArea/ EllipsoidArcArea/Center/PointCoordinateType	..... 317
10.2.97B3B30	/<x>/<x>/OnNetwork/FunctionalAliasList/<x>/Entry/ LocationCriteriaForActivation/<x>/ExitSpecificArea/ EllipsoidArcArea/Center/PointCoordinateType/Longitude	..... 317
10.2.97B3B31	/<x>/<x>/OnNetwork/FunctionalAliasList/<x>/Entry/ LocationCriteriaForActivation/<x>/ExitSpecificArea/ EllipsoidArcArea/Center/PointCoordinateType/Latitude	..... 317
10.2.97B3B32	/<x>/<x>/OnNetwork/FunctionalAliasList/<x>/Entry/ LocationCriteriaForActivation/<x>/ExitSpecificArea/ EllipsoidArcArea/Radius	..... 318
10.2.97B3B33	/<x>/<x>/OnNetwork/FunctionalAliasList/<x>/Entry/ LocationCriteriaForActivation/<x>/ExitSpecificArea/ EllipsoidArcArea/OffsetAngle	..... 318
10.2.97B3B34	/<x>/<x>/OnNetwork/FunctionalAliasList/<x>/Entry/ LocationCriteriaForActivation/<x>/ExitSpecificArea/ EllipsoidArcArea/IncludedAngle	..... 318
10.2.97B3B35	/<x>/<x>/OnNetwork/FunctionalAliasList/<x>/Entry/ LocationCriteriaForActivation/<x>/ExitSpecificArea/ Speed	..... 319
10.2.97B3B36	/<x>/<x>/OnNetwork/FunctionalAliasList/<x>/Entry/ LocationCriteriaForActivation/<x>/ExitSpecificArea/ Speed/ MinimumSpeed	..... 319
10.2.97B3B37	/<x>/<x>/OnNetwork/FunctionalAliasList/<x>/Entry/ LocationCriteriaForActivation/<x>/ExitSpecificArea/ Speed/ MaximumSpeed	..... 319
10.2.97B3B38	/<x>/<x>/OnNetwork/FunctionalAliasList/<x>/Entry/ LocationCriteriaForActivation/<x>/ExitSpecificArea/ Heading	..... 319
10.2.97B3B39	/<x>/<x>/OnNetwork/FunctionalAliasList/<x>/Entry/ LocationCriteriaForActivation/<x>/ExitSpecificArea/ Heading/ MinimumHeading	..... 320
10.2.97B3B40	/<x>/<x>/OnNetwork/FunctionalAliasList/<x>/Entry/ LocationCriteriaForActivation/<x>/ExitSpecificArea/ Heading/ MaximumHeading	..... 320
10.2.97B3C	/<x>/<x>/OnNetwork/FunctionalAliasList/<x>/Entry/ LocationCriteriaForDeactivation	..... 320
10.2.97B3C0	/<x>/<x>/OnNetwork/FunctionalAliasList/<x>/Entry/ LocationCriteriaForDeactivation/<x>	..... 321
10.2.97B3C1	/<x>/<x>/OnNetwork/FunctionalAliasList/<x>/Entry/ LocationCriteriaForDeactivation/<x>/EnterSpecificArea	..... 321
10.2.97B3C2	/<x>/<x>/OnNetwork/FunctionalAliasList/<x>/Entry/ LocationCriteriaForDeactivation/<x>/EnterSpecificArea/ PolygonArea	..... 321
10.2.97B3C3	/<x>/<x>/OnNetwork/FunctionalAliasList/<x>/Entry/ LocationCriteriaForDeactivation/<x>/EnterSpecificArea/ PolygonArea/<x>	..... 321
10.2.97B3C4	/<x>/<x>/OnNetwork/FunctionalAliasList/<x>/Entry/ LocationCriteriaForDeactivation/<x>/EnterSpecificArea/ PolygonArea/<x>/PointCoordinateType	..... 322
10.2.97B3C5	/<x>/<x>/OnNetwork/FunctionalAliasList/<x>/Entry/ LocationCriteriaForDeactivation/<x>/EnterSpecificArea/ PolygonArea/<x>/PointCoordinateType/Longitude	..... 322
10.2.97B3C6	/<x>/<x>/OnNetwork/FunctionalAliasList/<x>/Entry/ LocationCriteriaForDeactivation/<x>/EnterSpecificArea/ PolygonArea/<x>/PointCoordinateType/Latitude	..... 322
10.2.97B3C7	/<x>/<x>/OnNetwork/FunctionalAliasList/<x>/Entry/ LocationCriteriaForDeactivation/<x>/EnterSpecificArea/ EllipsoidArcArea	..... 323
10.2.97B3C8	/<x>/<x>/OnNetwork/FunctionalAliasList/<x>/Entry/ LocationCriteriaForDeactivation/<x>/EnterSpecificArea/ EllipsoidArcArea/Center	..... 323
10.2.97B3C9	/<x>/<x>/OnNetwork/FunctionalAliasList/<x>/Entry/ LocationCriteriaForDeactivation/<x>/EnterSpecificArea/ EllipsoidArcArea/Center/PointCoordinateType	..... 323

10.2.97B3C10	<x>/<x>/OnNetwork/FunctionalAliasList/<x>/Entry/ LocationCriteriaForDeactivation/<x>/EnterSpecificArea/ EllipsoidArcArea/Center/PointCoordinateType/Longitude .....	324
10.2.97B3C11	<x>/<x>/OnNetwork/FunctionalAliasList/<x>/Entry/ LocationCriteriaForDeactivation/<x>/EnterSpecificArea/ EllipsoidArcArea/Center/PointCoordinateType/Latitude .....	324
10.2.97B3C12	<x>/<x>/OnNetwork/FunctionalAliasList/<x>/Entry/ LocationCriteriaForDeactivation/<x>/EnterSpecificArea/ EllipsoidArcArea/Radius .....	324
10.2.97B3C13	<x>/<x>/OnNetwork/FunctionalAliasList/<x>/Entry/ LocationCriteriaForDeactivation/<x>/EnterSpecificArea/ EllipsoidArcArea/OffsetAngle .....	325
10.2.97B3C14	<x>/<x>/OnNetwork/FunctionalAliasList/<x>/Entry/ LocationCriteriaForDeactivation/<x>/EnterSpecificArea/ EllipsoidArcArea/IncludedAngle.....	325
10.2.97B3C15	<x>/<x>/OnNetwork/FunctionalAliasList/<x>/Entry/ LocationCriteriaForDeactivation/<x>/EnterSpecificArea/Speed .....	325
10.2.97B3C16	<x>/<x>/OnNetwork/FunctionalAliasList/<x>/Entry/ LocationCriteriaForDeactivation/<x>/EnterSpecificArea/Speed/ MinimumSpeed.....	326
10.2.97B3C17	<x>/<x>/OnNetwork/FunctionalAliasList/<x>/Entry/ LocationCriteriaForDeactivation/<x>/EnterSpecificArea/Speed/ MaximumSpeed .....	326
10.2.97B3C18	<x>/<x>/OnNetwork/FunctionalAliasList/<x>/Entry/ LocationCriteriaForDeactivation/<x>/EnterSpecificArea/Heading.....	326
10.2.97B3C19	<x>/<x>/OnNetwork/FunctionalAliasList/<x>/Entry/ LocationCriteriaForDeactivation/<x>/EnterSpecificArea/Heading/ MinimumHeading .....	327
10.2.97B3C20	<x>/<x>/OnNetwork/FunctionalAliasList/<x>/Entry/ LocationCriteriaForDeactivation/<x>/EnterSpecificArea/Heading/ MaximumHeading.....	327
10.2.97B3C21	<x>/<x>/OnNetwork/FunctionalAliasList/<x>/Entry/ LocationCriteriaForDeactivation/<x>/ExitSpecificArea .....	327
10.2.97B3C22	<x>/<x>/OnNetwork/FunctionalAliasList/<x>/Entry/ LocationCriteriaForDeactivation/<x>/ExitSpecificArea/ PolygonArea .....	328
10.2.97B3C23	<x>/<x>/OnNetwork/FunctionalAliasList/<x>/Entry/ LocationCriteriaForDeactivation/<x>/ExitSpecificArea/ PolygonArea/<x>.....	328
10.2.97B3C24	<x>/<x>/OnNetwork/FunctionalAliasList/<x>/Entry/ LocationCriteriaForDeactivation/<x>/ExitSpecificArea/ PolygonArea/<x>/PointCoordinateType .....	328
10.2.97B3C25	<x>/<x>/OnNetwork/FunctionalAliasList/<x>/Entry/ LocationCriteriaForDeactivation/<x>/ExitSpecificArea/ PolygonArea/<x>/PointCoordinateType/Longitude .....	329
10.2.97B3C26	<x>/<x>/OnNetwork/FunctionalAliasList/<x>/Entry/ LocationCriteriaForDeactivation/<x>/ExitSpecificArea/ PolygonArea/<x>/PointCoordinateType/Latitude .....	329
10.2.97B3C27	<x>/<x>/OnNetwork/FunctionalAliasList/<x>/Entry/ LocationCriteriaForDeactivation/<x>/ExitSpecificArea/ EllipsoidArcArea .....	329
10.2.97B3C28	<x>/<x>/OnNetwork/FunctionalAliasList/<x>/Entry/ LocationCriteriaForDeactivation/<x>/ExitSpecificArea/ EllipsoidArcArea/Center .....	330
10.2.97B3C29	<x>/<x>/OnNetwork/FunctionalAliasList/<x>/Entry/ LocationCriteriaForDeactivation/<x>/ExitSpecificArea/ EllipsoidArcArea/Center/PointCoordinateType .....	330
10.2.97B3C30	<x>/<x>/OnNetwork/FunctionalAliasList/<x>/Entry/ LocationCriteriaForDeactivation/<x>/ExitSpecificArea/ EllipsoidArcArea/Center/PointCoordinateType/Longitude .....	330
10.2.97B3C31	<x>/<x>/OnNetwork/FunctionalAliasList/<x>/Entry/ LocationCriteriaForDeactivation/<x>/ExitSpecificArea/ EllipsoidArcArea/Center/PointCoordinateType/Latitude .....	331
10.2.97B3C32	<x>/<x>/OnNetwork/FunctionalAliasList/<x>/Entry/ LocationCriteriaForDeactivation/<x>/ExitSpecificArea/ EllipsoidArcArea/Radius .....	331
10.2.97B3C33	<x>/<x>/OnNetwork/FunctionalAliasList/<x>/Entry/ LocationCriteriaForDeactivation/<x>/ExitSpecificArea/ EllipsoidArcArea/OffsetAngle .....	331
10.2.97B3C34	<x>/<x>/OnNetwork/FunctionalAliasList/<x>/Entry/ LocationCriteriaForDeactivation/<x>/ExitSpecificArea/ EllipsoidArcArea/IncludedAngle .....	332
10.2.97B3C35	<x>/<x>/OnNetwork/FunctionalAliasList/<x>/Entry/ LocationCriteriaForDeactivation/<x>/ExitSpecificArea/Speed .....	332
10.2.97B3C36	<x>/<x>/OnNetwork/FunctionalAliasList/<x>/Entry/ LocationCriteriaForDeactivation/<x>/ExitSpecificArea/Speed/ MinimumSpeed.....	332

10.2.97B3C37	<x>/<x>/OnNetwork/FunctionalAliasList/<x>/Entry/ LocationCriteriaForDeactivation/<x>/ExitSpecificArea/Speed/ MaximumSpeed .....	333
10.2.97B3C38	<x>/<x>/OnNetwork/FunctionalAliasList/<x>/Entry/ LocationCriteriaForDeactivation/<x>/ExitSpecificArea/Heading .....	333
10.2.97B3C39	<x>/<x>/OnNetwork/FunctionalAliasList/<x>/Entry/ LocationCriteriaForDeactivation/<x>/ExitSpecificArea/Heading/ MinimumHeading .....	333
10.2.97B3C40	<x>/<x>/OnNetwork/FunctionalAliasList/<x>/Entry/ LocationCriteriaForDeactivation/<x>/ExitSpecificArea/Heading/ MaximumHeading .....	334
10.2.97B3D	<x>/<x>/OnNetwork/FunctionalAliasList/<x>/Entry/ ManualDeactivationNotAllowedIfLocationCriteriaMet .....	334
10.2.97B4	<x>/<x>/OnNetwork/FunctionalAliasList/<x>/Entry/ MaxSimultaneousEmergencyGroupCalls .....	334
10.2.97C	<x>/<x>/OnNetwork/AllowedQueryFunctionalAliasOtherUser .....	334
10.2.97D	<x>/<x>/OnNetwork/AllowedTakeoverFunctionalAliasOtherUser .....	335
10.2.97E	<x>/<x>/OnNetwork/MessageStoreHostname .....	335
10.2.97F	<x>/<x>/OnNetwork/AuthorisedIncomingAny .....	335
10.2.97G	<x>/<x>/OnNetwork/IncomingUserList .....	335
10.2.97G1	<x>/<x>/OnNetwork/IncomingUserList/<x> .....	336
10.2.97G2	<x>/<x>/OnNetwork/IncomingUserList/<x>/Entry .....	336
10.2.97G3	<x>/<x>/OnNetwork/IncomingUserList/<x>/Entry/MCDataID .....	336
10.2.97G4	<x>/<x>/OnNetwork/IncomingUserList/<x>/Entry/ MCDataDKMSURI .....	336
10.2.97H	<x>/<x>/OnNetwork/AllowedFunctionalAliasGroupBinding .....	337
10.2.97I	<x>/<x>/OnNetwork/AllowStoreCommsInMsgstore .....	337
10.2.97J	<x>/<x>/OnNetwork/AllowStorePrivateCommsInMsgstore .....	337
10.2.98	<x>/<x>/OffNetwork .....	338
10.2.99	<x>/<x>/OffNetwork/Authorised .....	338
10.2.100	<x>/<x>/OffNetwork/MCDataGroupList .....	338
10.2.101	<x>/<x>/OffNetwork/MCDataGroupList/<x> .....	338
10.2.102	<x>/<x>/OffNetwork/MCDataGroupList/<x>/Entry .....	338
10.2.103	<x>/<x>/OffNetwork/MCDataGroupList/<x>/Entry/MCDataGroupID .....	339
10.2.104	<x>/<x>/OffNetwork/MCDataGroupList/<x>/Entry/DisplayName .....	339
10.2.105	Void .....	339
10.2.106	Void .....	339
10.2.107	<x>/<x>/OffNetwork/MCDataGroupList/<x>/Entry/GMSServID .....	339
10.2.108	Void .....	339
10.2.109	Void .....	339
10.2.110	<x>/<x>/OffNetwork/MCDataGroupList/<x>/Entry/ IdMSTokenEndPoint .....	339
10.2.110A	<x>/<x>/OffNetwork/MCDataGroupList/<x>/Entry/ GroupKMSURI .....	340
10.2.111	<x>/<x>/OffNetwork/MCDataGroupList/<x>/Entry/ RelativePresentationPriority .....	340
10.2.112	<x>/<x>/OffNetwork/UserInfoID .....	340
10.2.113	Void .....	341
10.2.114	Void .....	341
10.2.115	Void .....	341
10.2.116	Void .....	341
10.2.117	Void .....	341
10.2.118	Void .....	341
10.2.119	Void .....	341
10.2.120	Void .....	341
10.2.121	<x>/Status .....	341
11	MCData service configuration MO .....	341
11.1	General .....	341
11.2	MCData service configuration MO parameters .....	342
11.2.1	General .....	342
11.2.2	Node: <x> .....	342
11.2.3	<x>/Name .....	342
11.2.4	<x>/Ext/ .....	342
11.2.5	<x>/Common .....	343
11.2.6	<x>/Common/TxRxControl .....	343
11.2.7	<x>/Common/TxRxControl/TimeTempDataWaiting .....	343
11.2.8	<x>/Common/TxRxControl/TimePeriodicAnnouncement .....	343
11.2.9	<x>/OffNetwork .....	344
11.2.10	<x>/OffNetwork/DefaultPPPP .....	344

11.2.11	/<x>/OffNetwork/DefaultPPPP/MCDataOneToOneCallSignalling .....	344
11.2.12	/<x>/OffNetwork/DefaultPPPP/MCDataOneToOneCallMedia .....	344
11.2.13	/<x>/OnNetwork.....	345
11.2.14	/<x>/OnNetwork/NotificationServers.....	345
11.2.15	/<x>/OnNetwork/NotificationServers/<x>.....	345
11.2.16	/<x>/OnNetwork/NotificationServers/<x>/NotificationServer .....	345
12	MCVideo UE configuration MO.....	346
12.1	General .....	346
12.2	MCVideo UE configuration MO parameters .....	346
12.2.1	General.....	346
12.2.2	Node: <x> .....	346
12.2.3	/<x>/Name .....	347
12.2.4	/<x>/Ext/ .....	347
12.2.5	/<x>/Common.....	347
12.2.5A	/<x>/Common/PrivateCall.....	347
12.2.5B	/<x>/Common/PrivateCall/MaxCallNc10 .....	348
12.2.6	/<x>/Common/MCVideoGroupCall .....	348
12.2.7	/<x>/Common/MCVideoGroupCall/MaxCallNc4 .....	348
12.2.8	/<x>/Common/MCVideoGroupCall/MaxTransmissionNc5.....	348
12.2.9	/<x>/Common/MCVideoGroupCall/PrioritizedMCVideoGroup .....	349
12.2.10	/<x>/Common/MCVideoGroupCall/PrioritizedMCVideoGroup/<x>.....	349
12.2.11	/<x>/Common/MCVideoGroupCall/PrioritizedMCVideoGroup/<x>/ MCVideoGroupID .....	349
12.2.12	/<x>/Common/MCVideoGroupCall/PrioritizedMCVideoGroup/<x>/ MCVideoGroupPriorityHierarchy .....	349
12.2.13	/<x>/OnNetwork.....	350
12.2.14	/<x>/OnNetwork/RelayService .....	350
12.2.15	/<x>/OnNetwork/IPv6Preferred .....	350
12.2.16	/<x>/OnNetwork/RelayedMCVideoGroup.....	350
12.2.17	/<x>/OnNetwork/RelayedMCVideoGroup/<x>.....	351
12.2.18	/<x>/OnNetwork/RelayedMCVideoGroup/<x>/MCVideoGroupID.....	351
12.2.19	/<x>/OnNetwork/RelayedMCVideoGroup/<x>/RelayServiceCode .....	351
13	MCVideo user profile MO .....	351
13.1	General .....	351
13.2	MCVideo user profile MO parameters.....	354
13.2.1	General.....	354
13.2.2	Node: <x> .....	354
13.2.3	/<x>/Name .....	354
13.2.4	/<x>/Ext/ .....	355
13.2.5	/<x>/<x>.....	355
13.2.6	/<x>/<x>/Common .....	355
13.2.7	/<x>/<x>/Common/MCVideoUserID .....	355
13.2.8	/<x>/<x>/Common/MCVideoUserProfileIndex.....	356
13.2.9	/<x>/<x>/Common/MCVideoUserProfileName .....	356
13.2.10	/<x>/<x>/Common/PreSelectedIndication .....	356
13.2.11	/<x>/<x>/Common/UserAliases.....	356
13.2.12	/<x>/<x>/Common/UserAliases/<x> .....	357
13.2.13	/<x>/<x>/Common/UserAliases/<x>/UserAlias .....	357
13.2.14	Void .....	357
13.2.15	/<x>/<x>/Common/ParticipantType.....	357
13.2.16	/<x>/<x>/Common/Organization .....	357
13.2.17	/<x>/<x>/Common/MCVideoGroupBroadcast .....	357
13.2.18	/<x>/<x>/Common/MCVideoGroupBroadcast/Authorised .....	358
13.2.19	/<x>/<x>/Common/UserBroadcast.....	358
13.2.20	/<x>/<x>/Common/UserBroadcast/Authorised.....	358
13.2.21	Void .....	359
13.2.22	Void .....	359
13.2.23	Void .....	359
13.2.24	Void .....	359
13.2.25	Void .....	359
13.2.26	Void .....	359

13.2.27	Void .....	359
13.2.28	Void .....	359
13.2.29	<x><x>/Common/AllowedActivateAlert.....	359
13.2.30	<x><x>/Common/AllowedCancelAlert .....	359
13.2.31	Void .....	360
13.2.32	Void .....	360
13.2.33	Void .....	360
13.2.34	Void .....	360
13.2.35	Void .....	360
13.2.36	Void .....	360
13.2.37	Void .....	360
13.2.38	Void .....	360
13.2.38A	<x><x>/Common/MCVideoGroupCall .....	360
13.2.38A1	<x><x>/Common/MCVideoGroupCall/EmergencyAlert .....	360
13.2.38A2	<x><x>/Common/MCVideoGroupCall/EmergencyAlert/ Authorised .....	360
13.2.38A3	<x><x>/Common/MCVideoGroupCall/EmergencyAlert/Cancel .....	361
13.2.38A4	<x><x>/Common/MCVideoGroupCall/EmergencyAlert/Entry .....	361
13.2.38A5	<x><x>/Common/MCVideoGroupCall/EmergencyAlert/Entry/ID.....	361
13.2.38A6	<x><x>/Common/MCVideoGroupCall/EmergencyAlert/ Entry/DisplayName .....	361
13.2.38A7	<x><x>/Common/MCVideoGroupCall/EmergencyAlert/ Entry/Usage .....	361
13.2.38B	<x><x>/Common/MCVideoGroupCall/EmergencyCall.....	362
13.2.38C	<x><x>/Common/MCVideoGroupCall/EmergencyCall/Enabled.....	362
13.2.38D	<x><x>/Common/MCVideoGroupCall/EmergencyCall/ CancelMCVideoGroup .....	362
13.2.38D1	<x><x>/Common/MCVideoGroupCall/EmergencyCall/ MCVideoGroupInitiation .....	363
13.2.38D2	<x><x>/Common/MCVideoGroupCall/EmergencyCall/ MCVideoGroupInitiation/Entry .....	363
13.2.38D3	<x><x>/Common/MCVideoGroupCall/EmergencyCall/ MCVideoGroupInitiation/Entry/GroupID....	363
13.2.38D4	<x><x>/Common/MCVideoGroupCall/EmergencyCall/ MCVideoGroupInitiation/Entry/DisplayName.....	363
13.2.38D5	<x><x>/Common/MCVideoGroupCall/EmergencyCall/ MCVideoGroupInitiation/Entry/Usage .....	364
13.2.38E	<x><x>/Common/MCVideoGroupCall/ImminentPerilCall.....	364
13.2.38F	<x><x>/Common/MCVideoGroupCall/ImminentPerilCall/ Authorised .....	364
13.2.38G	<x><x>/Common/MCVideoGroupCall/ImminentPerilCall/Cancel.....	365
13.2.38G1	<x><x>/Common/MCVideoGroupCall/ImminentPerilCall/ MCVideoGroupInitiation .....	365
13.2.38G2	<x><x>/Common/MCVideoGroupCall/ImminentPerilCall/ MCVideoGroupInitiation/Entry .....	365
13.2.38G3	<x><x>/Common/MCVideoGroupCall/ImminentPerilCall/ MCVideoGroupInitiation/Entry/GroupID .....	365
13.2.38G4	<x><x>/Common/MCVideoGroupCall/ImminentPerilCall/ MCVideoGroupInitiation/DisplayName.....	366
13.2.38G5	<x><x>/Common/MCVideoGroupCall/ImminentPerilCall/ MCVideoGroupInitiation/Entry/Usage ...	366
13.2.38G6	<x><x>/Common/MCVideoGroupCall/Priority .....	366
13.2.38G7	<x><x>/Common/MCVideoGroupCall/MaxSimultaneousCallsN6 .....	367
13.2.38H	<x><x>/Common/PrivateCall .....	367
13.2.38H1	Void .....	367
13.2.38H2	Void .....	367
13.2.38H3	Void .....	367
13.2.38H4	Void .....	367
13.2.38H5	Void .....	367
13.2.38H6	Void .....	367
13.2.38I	<x><x>/Common/PrivateCall/Authorised .....	367
13.2.38I1	<x><x>/Common/PrivateCall/AuthorisedAny.....	367
13.2.38I2	<x><x>/Common/PrivateCall/UserList .....	368
13.2.38I3	<x><x>/Common/PrivateCall/UserList/<x> .....	368
13.2.38I4	<x><x>/Common/PrivateCall/UserList/<x>/Entry .....	368
13.2.38I5	<x><x>/Common/PrivateCall/UserList/<x>/Entry/MCVideoID.....	368
13.2.38I6	<x><x>/Common/PrivateCall/UserList/<x>/Entry/ DiscoveryGroupID .....	369
13.2.38I7	<x><x>/Common/PrivateCall/UserList/<x>/Entry/UserInfoID.....	369
13.2.38I8	<x><x>/Common/PrivateCall/UserList/<x>/Entry/DisplayName .....	369
13.2.38I9	<x><x>/Common/PrivateCall/UserList/<x>/Entry/ PrivateCallKMSURI.....	369
13.2.38J	<x><x>/Common/PrivateCall/ManualCommence.....	369
13.2.38K	<x><x>/Common/PrivateCall/AutoCommence .....	370
13.2.38L	<x><x>/Common/PrivateCall/FailRestrict.....	370
13.2.38M	Void .....	370



13.2.38N	/<x>/<x>/Common/PrivateCall/AllowedMediaProtection .....	370
13.2.38O	/<x>/<x>/Common/PrivateCall/EmergencyCall .....	371
13.2.38P	/<x>/<x>/Common/PrivateCall/EmergencyCall/Authorised .....	371
13.2.38Q	/<x>/<x>/Common/PrivateCall/EmergencyCall/CancelPriority .....	371
13.2.38R	/<x>/<x>/Common/PrivateCall/EmergencyCall/ MCVideoPrivateRecipient .....	371
13.2.38S	/<x>/<x>/Common/PrivateCall/EmergencyCall/ MCVideoPrivateRecipient/Entry .....	372
13.2.38T	/<x>/<x>/Common/PrivateCall/EmergencyCall/ MCVideoPrivateRecipient/Entry/ID .....	372
13.2.38U	/<x>/<x>/Common/PrivateCall/EmergencyCall/ MCVideoPrivateRecipient/Entry/DiscoveryGroupID .....	372
13.2.38V	/<x>/<x>/Common/PrivateCall/EmergencyCall/ MCVideoPrivateRecipient/Entry/UserInfoID .....	372
13.2.38W	/<x>/<x>/Common/PrivateCall/EmergencyCall/ MCVideoPrivateRecipient/Entry/DisplayName .....	373
13.2.38X	/<x>/<x>/Common/PrivateCall/EmergencyCall/ MCVideoPrivateRecipient/Entry/Usage .....	373
13.2.38Y	/<x>/<x>/Common/PrivateCall/AutoAnswer .....	373
13.2.39	/<x>/<x>/OnNetwork .....	374
13.2.40	/<x>/<x>/OnNetwork/MCVideoGroupList .....	374
13.2.41	/<x>/<x>/OnNetwork/MCVideoGroupList/<x> .....	374
13.2.42	/<x>/<x>/OnNetwork/MCVideoGroupList/<x>/Entry .....	374
13.2.43	/<x>/<x>/OnNetwork/MCVideoGroupList/<x>/Entry/ MCVideoGroupID .....	374
13.2.43A	/<x>/<x>/OnNetwork/MCVideoGroupList/<x>/Entry/ RulesForAffiliation .....	375
13.2.43A0	/<x>/<x>/OnNetwork/MCVideoGroupList/<x>/Entry/ RulesForAffiliation/<x> .....	375
13.2.43A1	/<x>/<x>/OnNetwork/MCVideoGroupList/<x>/Entry/ RulesForAffiliation/<x>/ListOfLocationCriteria .....	375
13.2.43A2	/<x>/<x>/OnNetwork/MCVideoGroupList/<x>/Entry/ RulesForAffiliation/<x>/ListOfLocationCriteria/<x> .....	375
13.2.43A3	/<x>/<x>/OnNetwork/MCVideoGroupList/<x>/Entry/ RulesForAffiliation/<x>/ListOfLocationCriteria/<x>/Entry .....	376
13.2.43A4	/<x>/<x>/OnNetwork/MCVideoGroupList/<x>/Entry/ RulesForAffiliation/<x>/ListOfLocationCriteria/<x>/Entry/ EnterSpecificArea .....	376
13.2.43A5	/<x>/<x>/OnNetwork/MCVideoGroupList/<x>/Entry/ RulesForAffiliation/<x>/ListOfLocationCriteria/<x>/Entry/ EnterSpecificArea/PolygonArea .....	376
13.2.43A6	/<x>/<x>/OnNetwork/MCVideoGroupList/<x>/Entry/ RulesForAffiliation/<x>/ListOfLocationCriteria/<x>/Entry/ EnterSpecificArea/PolygonArea/<x> .....	376
13.2.43A7	/<x>/<x>/OnNetwork/MCVideoGroupList/<x>/Entry/ RulesForAffiliation/<x>/ListOfLocationCriteria/<x>/Entry/ EnterSpecificArea/PolygonArea/<x>/PointCoordinateType .....	377
13.2.43A8	/<x>/<x>/OnNetwork/MCVideoGroupList/<x>/Entry/ RulesForAffiliation/<x>/ListOfLocationCriteria/<x>/Entry/ EnterSpecificArea/PolygonArea/<x>/PointCoordinateType/ Longitude .....	377
13.2.43A9	/<x>/<x>/OnNetwork/MCVideoGroupList/<x>/Entry/ RulesForAffiliation/<x>/ListOfLocationCriteria/<x>/Entry/ EnterSpecificArea/PolygonArea/<x>/PointCoordinateType/ Latitude .....	377
13.2.43A10	/<x>/<x>/OnNetwork/MCVideoGroupList/<x>/Entry/ RulesForAffiliation/<x>/ListOfLocationCriteria/<x>/Entry/ EnterSpecificArea/EllipsoidArcArea .....	378
13.2.43A11	/<x>/<x>/OnNetwork/MCVideoGroupList/<x>/Entry/ RulesForAffiliation/<x>/ListOfLocationCriteria/<x>/Entry/ EnterSpecificArea/EllipsoidArcArea/Center .....	378
13.2.43A12	/<x>/<x>/OnNetwork/MCVideoGroupList/<x>/Entry/ RulesForAffiliation/<x>/ListOfLocationCriteria/<x>/Entry/ EnterSpecificArea/EllipsoidArcArea/Center/PointCoordinateType .....	378
13.2.43A13	/<x>/<x>/OnNetwork/MCVideoGroupList/<x>/Entry/ RulesForAffiliation/<x>/ListOfLocationCriteria/<x>/Entry/ EnterSpecificArea/EllipsoidArcArea/Center/PointCoordinateType/ Longitude .....	379
13.2.43A14	/<x>/<x>/OnNetwork/MCVideoGroupList/<x>/Entry/ RulesForAffiliation/<x>/ListOfLocationCriteria/<x>/Entry/ EnterSpecificArea/EllipsoidArcArea/Center/PointCoordinateType/ Latitude .....	379
13.2.43A15	/<x>/<x>/OnNetwork/MCVideoGroupList/<x>/Entry/ RulesForAffiliation/<x>/ListOfLocationCriteria/<x>/Entry/ EnterSpecificArea/EllipsoidArcArea/Radius .....	379
13.2.43A16	/<x>/<x>/OnNetwork/MCVideoGroupList/<x>/Entry/ RulesForAffiliation/<x>/ListOfLocationCriteria/<x>/Entry/ EnterSpecificArea/EllipsoidArcArea/OffsetAngle .....	380

13.2.43A17	/<x>/<x>/OnNetwork/MCVideoGroupList/<x>/Entry/ RulesForAffiliation/<x>/ListOfLocationCriteria/<x>/Entry/ EnterSpecificArea/EllipsoidArcArea/IncludedAngle .....	380
13.2.43A18	/<x>/<x>/OnNetwork/MCVideoGroupList/<x>/Entry/ RulesForAffiliation/<x>/ListOfLocationCriteria/<x>/Entry/ EnterSpecificArea/Speed .....	380
13.2.43A19	/<x>/<x>/OnNetwork/MCVideoGroupList/<x>/Entry/ RulesForAffiliation/<x>/ListOfLocationCriteria/<x>/Entry/ EnterSpecificArea/Speed/MinimumSpeed .....	380
13.2.43A20	/<x>/<x>/OnNetwork/MCVideoGroupList/<x>/Entry/ RulesForAffiliation/<x>/ListOfLocationCriteria/<x>/Entry/ EnterSpecificArea/Speed/MaximumSpeed .....	381
13.2.43A21	/<x>/<x>/OnNetwork/MCVideoGroupList/<x>/Entry/ RulesForAffiliation/<x>/ListOfLocationCriteria/<x>/Entry/ EnterSpecificArea/Heading .....	381
13.2.43A22	/<x>/<x>/OnNetwork/MCVideoGroupList/<x>/Entry/ RulesForAffiliation/<x>/ListOfLocationCriteria/<x>/Entry/ EnterSpecificArea/Heading/MinimumHeading .....	381
13.2.43A23	/<x>/<x>/OnNetwork/MCVideoGroupList/<x>/Entry/ RulesForAffiliation/<x>/ListOfLocationCriteria/<x>/Entry/ EnterSpecificArea/Heading/MaximumHeading .....	382
13.2.43A24	/<x>/<x>/OnNetwork/MCVideoGroupList/<x>/Entry/ RulesForAffiliation/<x>/ListOfLocationCriteria/<x>/Entry/ ExitSpecificArea .....	382
13.2.43A25	/<x>/<x>/OnNetwork/MCVideoGroupList/<x>/Entry/ RulesForAffiliation/<x>/ListOfLocationCriteria/<x>/Entry/ ExitSpecificArea/PolygonArea .....	382
13.2.43A26	/<x>/<x>/OnNetwork/MCVideoGroupList/<x>/Entry/ RulesForAffiliation/<x>/ListOfLocationCriteria/<x>/Entry/ ExitSpecificArea/PolygonArea/<x> .....	383
13.2.43A27	/<x>/<x>/OnNetwork/MCVideoGroupList/<x>/Entry/ RulesForAffiliation/<x>/ListOfLocationCriteria/<x>/Entry/ ExitSpecificArea/PolygonArea/<x>/PointCoordinateType .....	383
13.2.43A28	/<x>/<x>/OnNetwork/MCVideoGroupList/<x>/Entry/ RulesForAffiliation/<x>/ListOfLocationCriteria/<x>/Entry/ ExitSpecificArea/PolygonArea/<x>/PointCoordinateType/ Longitude .....	383
13.2.43A29	/<x>/<x>/OnNetwork/MCVideoGroupList/<x>/Entry/ RulesForAffiliation/<x>/ListOfLocationCriteria/<x>/Entry/ ExitSpecificArea/PolygonArea/<x>/PointCoordinateType/ Latitude .....	384
13.2.43A30	/<x>/<x>/OnNetwork/MCVideoGroupList/<x>/Entry/ RulesForAffiliation/<x>/ListOfLocationCriteria/<x>/Entry/ ExitSpecificArea/EllipsoidArcArea .....	384
13.2.43A31	/<x>/<x>/OnNetwork/MCVideoGroupList/<x>/Entry/ RulesForAffiliation/<x>/ListOfLocationCriteria/<x>/Entry/ ExitSpecificArea/EllipsoidArcArea/Center .....	384
13.2.43A32	/<x>/<x>/OnNetwork/MCVideoGroupList/<x>/Entry/ RulesForAffiliation/<x>/ListOfLocationCriteria/<x>/Entry/ ExitSpecificArea/EllipsoidArcArea/Center/PointCoordinateType .....	384
13.2.43A33	/<x>/<x>/OnNetwork/MCVideoGroupList/<x>/Entry/ RulesForAffiliation/<x>/ListOfLocationCriteria/<x>/Entry/ ExitSpecificArea/EllipsoidArcArea/Center/PointCoordinateType/ Longitude .....	385
13.2.43A34	/<x>/<x>/OnNetwork/MCVideoGroupList/<x>/Entry/ RulesForAffiliation/<x>/ListOfLocationCriteria/<x>/Entry/ ExitSpecificArea/EllipsoidArcArea/Center/PointCoordinateType/ Latitude .....	385
13.2.43A35	/<x>/<x>/OnNetwork/MCVideoGroupList/<x>/Entry/ RulesForAffiliation/<x>/ListOfLocationCriteria/<x>/Entry/ ExitSpecificArea/EllipsoidArcArea/Radius .....	385
13.2.43A36	/<x>/<x>/OnNetwork/MCVideoGroupList/<x>/Entry/ RulesForAffiliation/<x>/ListOfLocationCriteria/<x>/Entry/ ExitSpecificArea/EllipsoidArcArea/OffsetAngle .....	386
13.2.43A37	/<x>/<x>/OnNetwork/MCVideoGroupList/<x>/Entry/ RulesForAffiliation/<x>/ListOfLocationCriteria/<x>/Entry/ ExitSpecificArea/EllipsoidArcArea/IncludedAngle .....	386
13.2.43A38	/<x>/<x>/OnNetwork/MCVideoGroupList/<x>/Entry/ RulesForAffiliation/<x>/ListOfLocationCriteria/<x>/Entry/ ExitSpecificArea/Speed .....	386
13.2.43A39	/<x>/<x>/OnNetwork/MCVideoGroupList/<x>/Entry/ RulesForAffiliation/<x>/ListOfLocationCriteria/<x>/Entry/ ExitSpecificArea/Speed/MinimumSpeed .....	386

13.2.43A40	/<x>/<x>/OnNetwork/MCVideoGroupList/<x>/Entry/ RulesForAffiliation/<x>/ListOfLocationCriteria/<x>/Entry/ ExitSpecificArea/Speed/MaximumSpeed .....	387
13.2.43A41	/<x>/<x>/OnNetwork/MCVideoGroupList/<x>/Entry/ RulesForAffiliation/<x>/ListOfLocationCriteria/<x>/Entry/ ExitSpecificArea/Heading .....	387
13.2.43A42	/<x>/<x>/OnNetwork/MCVideoGroupList/<x>/Entry/ RulesForAffiliation/<x>/ListOfLocationCriteria/<x>/Entry/ ExitSpecificArea/Heading/MinimumHeading .....	387
13.2.43A43	/<x>/<x>/OnNetwork/MCVideoGroupList/<x>/Entry/ RulesForAffiliation/<x>/ListOfLocationCriteria/<x>/Entry/ ExitSpecificArea/Heading/MaximumHeading .....	388
13.2.43A44	/<x>/<x>/OnNetwork/MCVideoGroupList/<x>/Entry/ RulesForAffiliation/<x>/ListOfActiveFunctionalAliases .....	388
13.2.43A45	/<x>/<x>/OnNetwork/MCVideoGroupList/<x>/Entry/ RulesForAffiliation/<x>/ListOfActiveFunctionalAliases/<x> .....	388
13.2.43A46	/<x>/<x>/OnNetwork/MCVideoGroupList/<x>/Entry/ RulesForAffiliation/<x>/ListOfActiveFunctionalAliases/<x>/Entry .....	388
13.2.43A47	/<x>/<x>/OnNetwork/MCVideoGroupList/<x>/Entry/ RulesForAffiliation/<x>/ListOfActiveFunctionalAliases/<x>/Entry/ FunctionalAlias .....	389
13.2.43B	/<x>/<x>/OnNetwork/MCVideoGroupList/<x>/Entry/ RulesForDeaffiliation .....	389
13.2.43B0	/<x>/<x>/OnNetwork/MCVideoGroupList/<x>/Entry/ RulesForDeaffiliation/<x> .....	389
13.2.43B1	/<x>/<x>/OnNetwork/MCVideoGroupList/<x>/Entry/ RulesForDeaffiliation/<x>/ListOfLocationCriteria .....	389
13.2.43B2	/<x>/<x>/OnNetwork/MCVideoGroupList/<x>/Entry/ RulesForDeaffiliation/<x>/ListOfLocationCriteria/<x> .....	390
13.2.43B3	/<x>/<x>/OnNetwork/MCVideoGroupList/<x>/Entry/ RulesForDeaffiliation/<x>/ListOfLocationCriteria/<x>/Entry .....	390
13.2.43B4	/<x>/<x>/OnNetwork/MCVideoGroupList/<x>/Entry/ RulesForDeaffiliation/<x>/ListOfLocationCriteria/<x>/Entry/ EnterSpecificArea .....	390
13.2.43B5	/<x>/<x>/OnNetwork/MCVideoGroupList/<x>/Entry/ RulesForDeaffiliation/<x>/ListOfLocationCriteria/<x>/Entry/ EnterSpecificArea/PolygonArea .....	390
13.2.43B6	/<x>/<x>/OnNetwork/MCVideoGroupList/<x>/Entry/ RulesForDeaffiliation/<x>/ListOfLocationCriteria/<x>/Entry/ EnterSpecificArea/PolygonArea/<x>.....	391
13.2.43B7	/<x>/<x>/OnNetwork/MCVideoGroupList/<x>/Entry/ RulesForDeaffiliation/<x>/ListOfLocationCriteria/<x>/Entry/ EnterSpecificArea/PolygonArea/<x>/PointCoordinateType .....	391
13.2.43B8	/<x>/<x>/OnNetwork/MCVideoGroupList/<x>/Entry/ RulesForDeaffiliation/<x>/ListOfLocationCriteria/<x>/Entry/ EnterSpecificArea/PolygonArea/<x>/PointCoordinateType/ Longitude.....	391
13.2.43B9	/<x>/<x>/OnNetwork/MCVideoGroupList/<x>/Entry/ RulesForDeaffiliation/<x>/ListOfLocationCriteria/<x>/Entry/ EnterSpecificArea/PolygonArea/<x>/PointCoordinateType/ Latitude.....	392
13.2.43B10	/<x>/<x>/OnNetwork/MCVideoGroupList/<x>/Entry/ RulesForDeaffiliation/<x>/ListOfLocationCriteria/<x>/Entry/ EnterSpecificArea/EllipsoidArcArea .....	392
13.2.43B11	/<x>/<x>/OnNetwork/MCVideoGroupList/<x>/Entry/ RulesForDeaffiliation/<x>/ListOfLocationCriteria/<x>/Entry/ EnterSpecificArea/EllipsoidArcArea/Center .....	392
13.2.43B12	/<x>/<x>/OnNetwork/MCVideoGroupList/<x>/Entry/ RulesForDeaffiliation/<x>/ListOfLocationCriteria/<x>/Entry/ EnterSpecificArea/EllipsoidArcArea/Center/PointCoordinateType .....	393
13.2.43B13	/<x>/<x>/OnNetwork/MCVideoGroupList/<x>/Entry/ RulesForDeaffiliation/<x>/ListOfLocationCriteria/<x>/Entry/ EnterSpecificArea/EllipsoidArcArea/Center/PointCoordinateType/ Longitude .....	393
13.2.43B14	/<x>/<x>/OnNetwork/MCVideoGroupList/<x>/Entry/ RulesForDeaffiliation/<x>/ListOfLocationCriteria/<x>/Entry/ EnterSpecificArea/EllipsoidArcArea/Center/PointCoordinateType/ Latitude .....	393
13.2.43B15	/<x>/<x>/OnNetwork/MCVideoGroupList/<x>/Entry/ RulesForDeaffiliation/<x>/ListOfLocationCriteria/<x>/Entry/ EnterSpecificArea/EllipsoidArcArea/Radius .....	394
13.2.43B16	/<x>/<x>/OnNetwork/MCVideoGroupList/<x>/Entry/ RulesForDeaffiliation/<x>/ListOfLocationCriteria/<x>/Entry/ EnterSpecificArea/EllipsoidArcArea/OffsetAngle .....	394

13.2.43B17	/<x>/<x>/OnNetwork/MCVideoGroupList/<x>/Entry/ RulesForDeaffiliation/<x>/ListOfLocationCriteria/<x>/Entry/ EnterSpecificArea/EllipsoidArcArea/IncludedAngle .....	394
13.2.43B18	/<x>/<x>/OnNetwork/MCVideoGroupList/<x>/Entry/ RulesForDeaffiliation/<x>/ListOfLocationCriteria/<x>/Entry/ EnterSpecificArea/Speed .....	394
13.2.43B19	/<x>/<x>/OnNetwork/MCVideoGroupList/<x>/Entry/ RulesForDeaffiliation/<x>/ListOfLocationCriteria/<x>/Entry/ EnterSpecificArea/Speed/MinimumSpeed .....	395
13.2.43B20	/<x>/<x>/OnNetwork/MCVideoGroupList/<x>/Entry/ RulesForDeaffiliation/<x>/ListOfLocationCriteria/<x>/Entry/ EnterSpecificArea/Speed/MaximumSpeed .....	395
13.2.43B21	/<x>/<x>/OnNetwork/MCVideoGroupList/<x>/Entry/ RulesForDeaffiliation/<x>/ListOfLocationCriteria/<x>/Entry/ EnterSpecificArea/Heading .....	395
13.2.43B22	/<x>/<x>/OnNetwork/MCVideoGroupList/<x>/Entry/ RulesForDeaffiliation/<x>/ListOfLocationCriteria/<x>/Entry/ EnterSpecificArea/Heading/MinimumHeading .....	396
13.2.43B23	/<x>/<x>/OnNetwork/MCVideoGroupList/<x>/Entry/ RulesForDeaffiliation/<x>/ListOfLocationCriteria/<x>/Entry/ EnterSpecificArea/Heading/MaximumHeading .....	396
13.2.43B24	/<x>/<x>/OnNetwork/MCVideoGroupList/<x>/Entry/ RulesForDeaffiliation/<x>/ListOfLocationCriteria/<x>/Entry/ ExitSpecificArea .....	396
13.2.43B25	/<x>/<x>/OnNetwork/MCVideoGroupList/<x>/Entry/ RulesForDeaffiliation/<x>/ListOfLocationCriteria/<x>/Entry/ ExitSpecificArea/PolygonArea .....	397
13.2.43B26	/<x>/<x>/OnNetwork/MCVideoGroupList/<x>/Entry/ RulesForDeaffiliation/<x>/ListOfLocationCriteria/<x>/Entry/ ExitSpecificArea/PolygonArea/<x> .....	397
13.2.43B27	/<x>/<x>/OnNetwork/MCVideoGroupList/<x>/Entry/ RulesForDeaffiliation/<x>/ListOfLocationCriteria/<x>/Entry/ ExitSpecificArea/PolygonArea/<x>/PointCoordinateType .....	397
13.2.43B28	/<x>/<x>/OnNetwork/MCVideoGroupList/<x>/Entry/ RulesForDeaffiliation/<x>/ListOfLocationCriteria/<x>/Entry/ ExitSpecificArea/PolygonArea/<x>/PointCoordinateType/ Longitude .....	398
13.2.43B29	/<x>/<x>/OnNetwork/MCVideoGroupList/<x>/Entry/ RulesForDeaffiliation/<x>/ListOfLocationCriteria/<x>/Entry/ ExitSpecificArea/PolygonArea/<x>/PointCoordinateType/ Latitude .....	398
13.2.43B30	/<x>/<x>/OnNetwork/MCVideoGroupList/<x>/Entry/ RulesForDeaffiliation/<x>/ListOfLocationCriteria/<x>/Entry/ ExitSpecificArea/EllipsoidArcArea .....	398
13.2.43B31	/<x>/<x>/OnNetwork/MCVideoGroupList/<x>/Entry/ RulesForDeaffiliation/<x>/ListOfLocationCriteria/<x>/Entry/ ExitSpecificArea/EllipsoidArcArea/Center .....	399
13.2.43B32	/<x>/<x>/OnNetwork/MCVideoGroupList/<x>/Entry/ RulesForDeaffiliation/<x>/ListOfLocationCriteria/<x>/Entry/ ExitSpecificArea/EllipsoidArcArea/Center/PointCoordinateType .....	399
13.2.43B33	/<x>/<x>/OnNetwork/MCVideoGroupList/<x>/Entry/ RulesForDeaffiliation/<x>/ListOfLocationCriteria/<x>/Entry/ ExitSpecificArea/EllipsoidArcArea/Center/PointCoordinateType/ Longitude .....	399
13.2.43B34	/<x>/<x>/OnNetwork/MCVideoGroupList/<x>/Entry/ RulesForDeaffiliation/<x>/ListOfLocationCriteria/<x>/Entry/ ExitSpecificArea/EllipsoidArcArea/Center/PointCoordinateType/ Latitude .....	400
13.2.43B35	/<x>/<x>/OnNetwork/MCVideoGroupList/<x>/Entry/ RulesForDeaffiliation/<x>/ListOfLocationCriteria/<x>/Entry/ ExitSpecificArea/EllipsoidArcArea/Radius .....	400
13.2.43B36	/<x>/<x>/OnNetwork/MCVideoGroupList/<x>/Entry/ RulesForDeaffiliation/<x>/ListOfLocationCriteria/<x>/Entry/ ExitSpecificArea/EllipsoidArcArea/OffsetAngle .....	400
13.2.43B37	/<x>/<x>/OnNetwork/MCVideoGroupList/<x>/Entry/ RulesForDeaffiliation/<x>/ListOfLocationCriteria/<x>/Entry/ ExitSpecificArea/EllipsoidArcArea/IncludedAngle .....	401
13.2.43B38	/<x>/<x>/OnNetwork/MCVideoGroupList/<x>/Entry/ RulesForDeaffiliation/<x>/ListOfLocationCriteria/<x>/Entry/ ExitSpecificArea/Speed .....	401
13.2.43B39	/<x>/<x>/OnNetwork/MCVideoGroupList/<x>/Entry/ RulesForDeaffiliation/<x>/ListOfLocationCriteria/<x>/Entry/ ExitSpecificArea/Speed/MinimumSpeed .....	401

13.2.43B40 /<x>/<x>/OnNetwork/MCVideoGroupList/<x>/Entry/  
RulesForDeaffiliation/<x>/ListOfLocationCriteria/<x>/Entry/  
ExitSpecificArea/Speed/MaximumSpeed .....402

13.2.43B41 /<x>/<x>/OnNetwork/MCVideoGroupList/<x>/Entry/  
RulesForDeaffiliation/<x>/ListOfLocationCriteria/<x>/Entry/ ExitSpecificArea/Heading .....402

13.2.43B42 /<x>/<x>/OnNetwork/MCVideoGroupList/<x>/Entry/  
RulesForDeaffiliation/<x>/ListOfLocationCriteria/<x>/Entry/  
ExitSpecificArea/Heading/MinimumHeading .....402

13.2.43B43 /<x>/<x>/OnNetwork/MCVideoGroupList/<x>/Entry/  
RulesForDeaffiliation/<x>/ListOfLocationCriteria/<x>/Entry/  
ExitSpecificArea/Heading/MaximumHeading .....403

13.2.43B44 /<x>/<x>/OnNetwork/MCVideoGroupList/<x>/Entry/  
RulesForDeaffiliation/<x>/ListOfActiveFunctionalAliases .....403

13.2.43B45 /<x>/<x>/OnNetwork/MCVideoGroupList/<x>/Entry/  
RulesForDeaffiliation/<x>/ListOfActiveFunctionalAliases/<x> .....403

13.2.43B46 /<x>/<x>/OnNetwork/MCVideoGroupList/<x>/Entry/  
RulesForDeaffiliation/<x>/ListOfActiveFunctionalAliases/<x>/Entry .....403

13.2.43B47 /<x>/<x>/OnNetwork/MCVideoGroupList/<x>/Entry/  
RulesForDeaffiliation/<x>/ListOfActiveFunctionalAliases/<x>/Entry/ FunctionalAlias .....404

13.2.43C /<x>/<x>/OnNetwork/MCVideoGroupList/<x>/Entry/  
ManualDeaffiliationNotAllowedIfAffiliationRulesAreMet .....404

13.2.44 /<x>/<x>/OnNetwork/MCVideoGroupList/<x>/Entry/DisplayName .....404

13.2.45 Void .....404

13.2.46 Void .....404

13.2.47 /<x>/<x>/OnNetwork/MCVideoGroupList/<x>/Entry/GMSServID .....404

13.2.48 Void .....405

13.2.49 Void .....405

13.2.50 /<x>/<x>/OnNetwork/MCVideoGroupList/<x>/Entry/ IdMSTokenEndPoint .....405

13.2.50A Void .....405

13.2.50B Void .....405

13.2.50C Void .....405

13.2.50D /<x>/<x>/OnNetwork/MCVideoGroupList/<x>/Entry/ GroupKMSURI .....405

13.2.51 /<x>/<x>/OnNetwork/MCVideoGroupList/<x>/Entry/ RelativePresentationPriority .....405

13.2.52 /<x>/<x>/OnNetwork/ImplicitAffiliations .....406

13.2.53 /<x>/<x>/OnNetwork/ImplicitAffiliations/<x> .....406

13.2.54 /<x>/<x>/OnNetwork/ImplicitAffiliations/<x>/Entry .....406

13.2.55 /<x>/<x>/OnNetwork/ImplicitAffiliations/<x>/Entry/MCVideoGroupID .....406

13.2.56 /<x>/<x>/OnNetwork/ImplicitAffiliations/<x>/Entry/DisplayName .....406

13.2.57 /<x>/<x>/OnNetwork/PresenceStatus .....407

13.2.58 /<x>/<x>/OnNetwork/PresenceStatus/<x> .....407

13.2.59 /<x>/<x>/OnNetwork/PresenceStatus/<x>/Entry .....407

13.2.60 /<x>/<x>/OnNetwork/PresenceStatus/<x>/Entry/MCVideoGroupID .....407

13.2.61 /<x>/<x>/OnNetwork/PresenceStatus/<x>/Entry/DisplayName .....407

13.2.62 Void .....408

13.2.63 Void .....408

13.2.64 Void .....408

13.2.65 Void .....408

13.2.66 Void .....408

13.2.67 /<x>/<x>/OnNetwork/MaxAffiliationsN2 .....408

13.2.68 /<x>/<x>/OnNetwork/AllowedRegroup .....408

13.2.69 /<x>/<x>/OnNetwork/AllowedPresenceStatus .....408

13.2.70 /<x>/<x>/OnNetwork/AllowedPresence .....409

13.2.71 /<x>/<x>/OnNetwork/AllowedManualSwitch .....409

13.2.72 Void .....409

13.2.73 /<x>/<x>/OnNetwork/MaxSimultaneousVideoStreams .....409

13.2.74 /<x>/<x>/OnNetwork/MaxSimultaneousVideoStreams/MaxStreams .....409

13.2.75 Void .....410

13.2.76 Void .....410

13.2.77 Void .....410

13.2.78 Void .....410

13.2.79 Void .....410

13.2.80 Void .....410

13.2.81	Void .....	410
13.2.82	Void .....	410
13.2.83	Void .....	410
13.2.84	Void .....	410
13.2.85	Void .....	410
13.2.86	Void .....	410
13.2.87	Void .....	410
13.2.87A	/<x>/<x>/OnNetwork/EnabledParticipation.....	410
13.2.87A1	/<x>/<x>/OnNetwork/AllowedRemoteInitiatedAmbientViewing .....	410
13.2.87A2	/<x>/<x>/OnNetwork/AllowedLocallyInitiatedAmbientViewing .....	411
13.2.87A3	/<x>/<x>/OnNetwork/FunctionalAliasList.....	411
13.2.87A4	/<x>/<x>/OnNetwork/FunctionalAliasList/<x>.....	411
13.2.87A5	/<x>/<x>/OnNetwork/FunctionalAliasList/<x>/Entry .....	411
13.2.87A6	/<x>/<x>/OnNetwork/FunctionalAliasList/<x>/Entry/ FunctionalAlias.....	412
13.2.87A6A	/<x>/<x>/OnNetwork/FunctionalAliasList/<x>/Entry/ LocationCriteriaForActivation .....	412
13.2.87A6A0	/<x>/<x>/OnNetwork/FunctionalAliasList/<x>/Entry/ LocationCriteriaForActivation/<x>.....	412
13.2.87A6A1	/<x>/<x>/OnNetwork/FunctionalAliasList/<x>/Entry/ LocationCriteriaForActivation/<x>/EnterSpecificArea.....	412
13.2.87A6A2	/<x>/<x>/OnNetwork/FunctionalAliasList/<x>/Entry/ LocationCriteriaForActivation/<x>/EnterSpecificArea/PolygonArea.....	413
13.2.87A6A3	/<x>/<x>/OnNetwork/FunctionalAliasList/<x>/Entry/ LocationCriteriaForActivation/<x>/EnterSpecificArea/ PolygonArea/<x> .....	413
13.2.87A6A3A	/<x>/<x>/OnNetwork/FunctionalAliasList/<x>/Entry/ LocationCriteriaForActivation/<x>/EnterSpecificArea/ PolygonArea/<x>/PointCoordinateType .....	413
13.2.87A6A4	/<x>/<x>/OnNetwork/FunctionalAliasList/<x>/Entry/ LocationCriteriaForActivation/<x>/EnterSpecificArea/ PolygonArea/<x>/PointCoordinateType/Longitude .....	413
13.2.87A6A5	/<x>/<x>/OnNetwork/FunctionalAliasList/<x>/Entry/ LocationCriteriaForActivation/<x>/EnterSpecificArea/ PolygonArea/<x>/PointCoordinateType/Latitude .....	414
13.2.87A6A6	/<x>/<x>/OnNetwork/FunctionalAliasList/<x>/Entry/ LocationCriteriaForActivation/<x>/EnterSpecificArea/ EllipsoidArcArea.....	414
13.2.87A6A7	/<x>/<x>/OnNetwork/FunctionalAliasList/<x>/Entry/ LocationCriteriaForActivation/<x>/EnterSpecificArea/ EllipsoidArcArea/Center .....	414
13.2.87A6A7A	/<x>/<x>/OnNetwork/FunctionalAliasList/<x>/Entry/ LocationCriteriaForActivation/<x>/EnterSpecificArea/ EllipsoidArcArea/Center/PointCoordinateType .....	415
13.2.87A6A8	/<x>/<x>/OnNetwork/FunctionalAliasList/<x>/Entry/ LocationCriteriaForActivation/<x>/EnterSpecificArea/ EllipsoidArcArea/Center/PointCoordinateType/Longitude .....	415
13.2.87A6A9	/<x>/<x>/OnNetwork/FunctionalAliasList/<x>/Entry/ LocationCriteriaForActivation/<x>/EnterSpecificArea/ EllipsoidArcArea/Center/PointCoordinateType/Latitude .....	415
13.2.87A6A10	/<x>/<x>/OnNetwork/FunctionalAliasList/<x>/Entry/ LocationCriteriaForActivation/<x>/EnterSpecificArea/ EllipsoidArcArea/Radius.....	416
13.2.87A6A11	/<x>/<x>/OnNetwork/FunctionalAliasList/<x>/Entry/ LocationCriteriaForActivation/<x>/EnterSpecificArea/ EllipsoidArcArea/OffsetAngle .....	416
13.2.87A6A12	/<x>/<x>/OnNetwork/FunctionalAliasList/<x>/Entry/ LocationCriteriaForActivation/<x>/EnterSpecificArea/ EllipsoidArcArea/IncludedAngle .....	416
13.2.87A6A12A	/<x>/<x>/OnNetwork/FunctionalAliasList/<x>/Entry/ LocationCriteriaForActivation/<x>/EnterSpecificArea/Speed .....	417
13.2.87A6A12B	/<x>/<x>/OnNetwork/FunctionalAliasList/<x>/Entry/ LocationCriteriaForActivation/<x>/EnterSpecificArea/Speed/ MinimumSpeed.....	417
13.2.87A6A12C	/<x>/<x>/OnNetwork/FunctionalAliasList/<x>/Entry/ LocationCriteriaForActivation/<x>/EnterSpecificArea/Speed/ MaximumSpeed.....	417
13.2.87A6A12D	/<x>/<x>/OnNetwork/FunctionalAliasList/<x>/Entry/ LocationCriteriaForActivation/<x>/EnterSpecificArea/Heading .....	417
13.2.87A6A12E	/<x>/<x>/OnNetwork/FunctionalAliasList/<x>/Entry/ LocationCriteriaForActivation/<x>/EnterSpecificArea/Heading/ MinimumHeading .....	418
13.2.87A6A12F	/<x>/<x>/OnNetwork/FunctionalAliasList/<x>/Entry/ LocationCriteriaForActivation/<x>/EnterSpecificArea/Heading/ MaximumHeading .....	418

13.2.87A6A13	/<x>/<x>/OnNetwork/FunctionalAliasList/<x>/Entry/ LocationCriteriaForActivation/<x>/ExitSpecificArea .....	418
13.2.87A6A14	/<x>/<x>/OnNetwork/FunctionalAliasList/<x>/Entry/ LocationCriteriaForActivation/<x>/ExitSpecificArea/PolygonArea .....	419
13.2.87A6A15	/<x>/<x>/OnNetwork/FunctionalAliasList/<x>/ Entry/LocationCriteriaForActivation/<x>/ExitSpecificArea/ PolygonArea/<x> .....	419
13.2.87A6A15A	/<x>/<x>/OnNetwork/FunctionalAliasList/<x>/Entry/ LocationCriteriaForActivation/<x>/ExitSpecificArea/ PolygonArea/ <x>/PointCoordinateType .....	419
13.2.87A6A16	/<x>/<x>/OnNetwork/FunctionalAliasList/<x>/Entry/ LocationCriteriaForActivation/<x>/ExitSpecificArea/ PolygonArea/ <x>/PointCoordinateType/Longitude .....	419
13.2.87A6A17	/<x>/<x>/OnNetwork/FunctionalAliasList/<x>/Entry/ LocationCriteriaForActivation/<x>/ExitSpecificArea/ PolygonArea/ <x>/PointCoordinateType/Latitude .....	420
13.2.87A6A18	/<x>/<x>/OnNetwork/FunctionalAliasList/<x>/Entry/ LocationCriteriaForActivation/<x>/ExitSpecificArea/ EllipsoidArcArea .....	420
13.2.87A6A19	/<x>/<x>/OnNetwork/FunctionalAliasList/<x>/Entry/ LocationCriteriaForActivation/<x>/ExitSpecificArea/ EllipsoidArcArea/Center .....	420
13.2.87A6A19A	/<x>/<x>/OnNetwork/FunctionalAliasList/<x>/Entry/ LocationCriteriaForActivation/<x>/ExitSpecificArea/ EllipsoidArcArea/Center/PointCoordinateType .....	421
13.2.87A6A20	/<x>/<x>/OnNetwork/FunctionalAliasList/<x>/Entry/ LocationCriteriaForActivation/<x>/ExitSpecificArea/ EllipsoidArcArea/Center/PointCoordinateType/ Longitude .....	421
13.2.87A6A21	/<x>/<x>/OnNetwork/FunctionalAliasList/<x>/Entry/ LocationCriteriaForActivation/<x>/ExitSpecificArea/ EllipsoidArcArea/Center/PointCoordinateType/ Latitude .....	421
13.2.87A6A22	/<x>/<x>/OnNetwork/FunctionalAliasList/<x>/Entry/ LocationCriteriaForActivation/<x>/ExitSpecificArea/ EllipsoidArcArea/Radius .....	422
13.2.87A6A23	/<x>/<x>/OnNetwork/FunctionalAliasList/<x>/Entry/ LocationCriteriaForActivation/<x>/ExitSpecificArea/ EllipsoidArcArea/OffsetAngle .....	422
13.2.87A6A24	/<x>/<x>/OnNetwork/FunctionalAliasList/<x>/Entry/ LocationCriteriaForActivation/<x>/ExitSpecificArea/ EllipsoidArcArea/IncludedAngle .....	422
13.2.87A6A24A	/<x>/<x>/OnNetwork/FunctionalAliasList/<x>/Entry/ LocationCriteriaForActivation/<x>/ExitSpecificArea/ Speed .....	423
13.2.87A6A24B	/<x>/<x>/OnNetwork/FunctionalAliasList/<x>/Entry/ LocationCriteriaForActivation/<x>/ExitSpecificArea/ Speed/ MinimumSpeed .....	423
13.2.87A6A24C	/<x>/<x>/OnNetwork/FunctionalAliasList/<x>/Entry/ LocationCriteriaForActivation/<x>/ExitSpecificArea/ Speed/ MaximumSpeed .....	423
13.2.87A6A24D	/<x>/<x>/OnNetwork/FunctionalAliasList/<x>/Entry/ LocationCriteriaForActivation/<x>/ExitSpecificArea/ Heading .....	423
13.2.87A6A24E	/<x>/<x>/OnNetwork/FunctionalAliasList/<x>/Entry/ LocationCriteriaForActivation/<x>/ExitSpecificArea/ Heading/ MinimumHeading .....	424
13.2.87A6A24F	/<x>/<x>/OnNetwork/FunctionalAliasList/<x>/Entry/ LocationCriteriaForActivation/<x>/ExitSpecificArea/ Heading/ MaximumHeading .....	424
13.2.87A6B	/<x>/<x>/OnNetwork/FunctionalAliasList/<x>/Entry/ LocationCriteriaForDeactivation .....	424
13.2.87A6B0	/<x>/<x>/OnNetwork/FunctionalAliasList/<x>/Entry/ LocationCriteriaForDeactivation/<x> .....	425
13.2.87A6B1	/<x>/<x>/OnNetwork/FunctionalAliasList/<x>/Entry/ LocationCriteriaForDeactivation/<x>/EnterSpecificArea .....	425
13.2.87A6B2	/<x>/<x>/OnNetwork/FunctionalAliasList/<x>/Entry/ LocationCriteriaForDeactivation/<x>/EnterSpecificArea/ PolygonArea .....	425
13.2.87A6B3	/<x>/<x>/OnNetwork/FunctionalAliasList/<x>/Entry/ LocationCriteriaForDeactivation/<x>/EnterSpecificArea/ PolygonArea/<x> .....	425
13.2.87A6B3A	/<x>/<x>/OnNetwork/FunctionalAliasList/<x>/Entry/ LocationCriteriaForDeactivation/<x>/EnterSpecificArea/ PolygonArea/<x>/PointCoordinateType ...	426
13.2.87A6B4	/<x>/<x>/OnNetwork/FunctionalAliasList/<x>/Entry/ LocationCriteriaForDeactivation/<x>/EnterSpecificArea/ PolygonArea/<x>/PointCoordinateType/ Longitude .....	426
13.2.87A6B5	/<x>/<x>/OnNetwork/FunctionalAliasList/<x>/Entry/ LocationCriteriaForDeactivation/<x>/EnterSpecificArea/ PolygonArea/<x>/PointCoordinateType/ Latitude .....	426

13.2.87A6B6	/<x>/<x>/OnNetwork/FunctionalAliasList/<x>/Entry/ LocationCriteriaForDeactivation/<x>/EnterSpecificArea/ EllipsoidArcArea .....	427
13.2.87A6B7	/<x>/<x>/OnNetwork/FunctionalAliasList/<x>/Entry/ LocationCriteriaForDeactivation/<x>/EnterSpecificArea/ EllipsoidArcArea/Center.....	427
13.2.87A6B7A	/<x>/<x>/OnNetwork/FunctionalAliasList/<x>/Entry/ LocationCriteriaForDeactivation/<x>/EnterSpecificArea/ EllipsoidArcArea/Center/PointCoordinateType .....	427
13.2.87A6B8	/<x>/<x>/OnNetwork/FunctionalAliasList/<x>/Entry/ LocationCriteriaForDeactivation/<x>/EnterSpecificArea/ EllipsoidArcArea/Center/PointCoordinateType/Longitude .....	428
13.2.87A6B9	/<x>/<x>/OnNetwork/FunctionalAliasList/<x>/Entry/ LocationCriteriaForDeactivation/<x>/EnterSpecificArea/ EllipsoidArcArea/Center/PointCoordinateType/Latitude .....	428
13.2.87A6B10	/<x>/<x>/OnNetwork/FunctionalAliasList/<x>/Entry/ LocationCriteriaForDeactivation/<x>/EnterSpecificArea/ EllipsoidArcArea/Radius .....	428
13.2.87A6B11	/<x>/<x>/OnNetwork/FunctionalAliasList/<x>/Entry/ LocationCriteriaForDeactivation/<x>/EnterSpecificArea/ EllipsoidArcArea/OffsetAngle .....	429
13.2.87A6B12	/<x>/<x>/OnNetwork/FunctionalAliasList/<x>/Entry/ LocationCriteriaForDeactivation/<x>/EnterSpecificArea/ EllipsoidArcArea/IncludedAngle.....	429
13.2.87A6B12A	/<x>/<x>/OnNetwork/FunctionalAliasList/<x>/Entry/ LocationCriteriaForDeactivation/<x>/EnterSpecificArea/Speed.....	429
13.2.87A6B12B	/<x>/<x>/OnNetwork/FunctionalAliasList/<x>/Entry/ LocationCriteriaForDeactivation/<x>/EnterSpecificArea/Speed/ MinimumSpeed .....	430
13.2.87A6B12C	/<x>/<x>/OnNetwork/FunctionalAliasList/<x>/Entry/ LocationCriteriaForDeactivation/<x>/EnterSpecificArea/Speed/ MaximumSpeed .....	430
13.2.87A6B12D	/<x>/<x>/OnNetwork/FunctionalAliasList/<x>/Entry/ LocationCriteriaForDeactivation/<x>/EnterSpecificArea/Heading .....	430
13.2.87A6B12E	/<x>/<x>/OnNetwork/FunctionalAliasList/<x>/Entry/ LocationCriteriaForDeactivation/<x>/EnterSpecificArea/Heading/ MinimumHeading.....	431
13.2.87A6B12F	/<x>/<x>/OnNetwork/FunctionalAliasList/<x>/Entry/ LocationCriteriaForDeactivation/<x>/EnterSpecificArea/Heading/ MaximumHeading .....	431
13.2.87A6B13	/<x>/<x>/OnNetwork/FunctionalAliasList/<x>/Entry/ LocationCriteriaForDeactivation/<x>/ExitSpecificArea .....	431
13.2.87A6B14	/<x>/<x>/OnNetwork/FunctionalAliasList/<x>/Entry/ LocationCriteriaForDeactivation/<x>/ExitSpecificArea/ PolygonArea .....	431
13.2.87A6B15	/<x>/<x>/OnNetwork/FunctionalAliasList/<x>/Entry/ LocationCriteriaForDeactivation/<x>/ExitSpecificArea/ PolygonArea/<x> .....	432
13.2.87A6B15A	/<x>/<x>/OnNetwork/FunctionalAliasList/<x>/Entry/ LocationCriteriaForDeactivation/<x>/ExitSpecificArea/ PolygonArea/<x>/PointCoordinateType...	432
13.2.87A6B16	/<x>/<x>/OnNetwork/FunctionalAliasList/<x>/Entry/ LocationCriteriaForDeactivation/<x>/ExitSpecificArea/ PolygonArea/<x>/PointCoordinateType/Longitude .....	432
13.2.87A6B17	/<x>/<x>/OnNetwork/FunctionalAliasList/<x>/Entry/ LocationCriteriaForDeactivation/<x>/ExitSpecificArea/ PolygonArea/<x>/PointCoordinateType/Latitude .....	433
13.2.87A6B18	/<x>/<x>/OnNetwork/FunctionalAliasList/<x>/Entry/ LocationCriteriaForDeactivation/<x>/ExitSpecificArea/ EllipsoidArcArea .....	433
13.2.87A6B19	/<x>/<x>/OnNetwork/FunctionalAliasList/<x>/Entry/ LocationCriteriaForDeactivation/<x>/ExitSpecificArea/ EllipsoidArcArea/Center.....	433
13.2.87A6B19A	/<x>/<x>/OnNetwork/FunctionalAliasList/<x>/Entry/ LocationCriteriaForDeactivation/<x>/ExitSpecificArea/ EllipsoidArcArea/Center/PointCoordinateType.....	434
13.2.87A6B20	/<x>/<x>/OnNetwork/FunctionalAliasList/<x>/Entry/ LocationCriteriaForDeactivation/<x>/ExitSpecificArea/ EllipsoidArcArea/Center/PointCoordinateType/Longitude .....	434
13.2.87A6B21	/<x>/<x>/OnNetwork/FunctionalAliasList/<x>/Entry/ LocationCriteriaForDeactivation/<x>/ExitSpecificArea/ EllipsoidArcArea/Center/PointCoordinateType/Latitude .....	434
13.2.87A6B22	/<x>/<x>/OnNetwork/FunctionalAliasList/<x>/Entry/ LocationCriteriaForDeactivation/<x>/ExitSpecificArea/ EllipsoidArcArea/Radius .....	435
13.2.87A6B23	/<x>/<x>/OnNetwork/FunctionalAliasList/<x>/Entry/ LocationCriteriaForDeactivation/<x>/ExitSpecificArea/ EllipsoidArcArea/OffsetAngle .....	435



13.2.87A6B24	/<x>/<x>/OnNetwork/FunctionalAliasList/<x>/Entry/ LocationCriteriaForDeactivation/<x>/ExitSpecificArea/ EllipsoidArcArea/IncludedAngle.....	435
13.2.87A6B24A	/<x>/<x>/OnNetwork/FunctionalAliasList/<x>/Entry/ LocationCriteriaForDeactivation/<x>/ExitSpecificArea/Speed.....	436
13.2.87A6B24B	/<x>/<x>/OnNetwork/FunctionalAliasList/<x>/Entry/ LocationCriteriaForDeactivation/<x>/ExitSpecificArea/Speed/ MinimumSpeed .....	436
13.2.87A6B24C	/<x>/<x>/OnNetwork/FunctionalAliasList/<x>/Entry/ LocationCriteriaForDeactivation/<x>/ExitSpecificArea/Speed/ MaximumSpeed .....	436
13.2.87A6B24D	/<x>/<x>/OnNetwork/FunctionalAliasList/<x>/Entry/ LocationCriteriaForDeactivation/<x>/ExitSpecificArea/Heading .....	436
13.2.87A6B24E	/<x>/<x>/OnNetwork/FunctionalAliasList/<x>/Entry/ LocationCriteriaForDeactivation/<x>/ExitSpecificArea/Heading/ MinimumHeading.....	437
13.2.87A6B24F	/<x>/<x>/OnNetwork/FunctionalAliasList/<x>/Entry/ LocationCriteriaForDeactivation/<x>/ExitSpecificArea/Heading/ MaximumHeading.....	437
13.2.87A6C	/<x>/<x>/OnNetwork/FunctionalAliasList/<x>/Entry/ ManualDeactivationNotAllowedIfLocationCriteriaMet .....	437
13.2.87A7	/<x>/<x>/OnNetwork/FunctionalAliasList/<x>/Entry/DisplayName .....	438
13.2.87A7A	/<x>/<x>/OnNetwork/FunctionalAliasList/<x>/Entry/ MaxSimultaneousEmergencyGroupCalls .....	438
13.2.87A7B	/<x>/<x>/OnNetwork/FunctionalAliasList/<x>/Entry/ FAsAllowedToCall.....	438
13.2.87A7C	/<x>/<x>/OnNetwork/FunctionalAliasList/<x>/Entry/ FAsAllowedToCall/<x>.....	438
13.2.87A7D	/<x>/<x>/OnNetwork/FunctionalAliasList/<x>/Entry/ FAsAllowedToCall/<x>/Entry.....	439
13.2.87A7E	/<x>/<x>/OnNetwork/FunctionalAliasList/<x>/Entry/ FAsAllowedToCall/<x>/Entry/FunctionalAlias .....	439
13.2.87A8	/<x>/<x>/OnNetwork/AllowedQueryFunctionalAliasOtherUser .....	439
13.2.87A9	/<x>/<x>/OnNetwork/AllowedTakeoverFunctionalAliasOtherUser.....	439
13.2.87A10	/<x>/<x>/OnNetwork/AllowedFunctionalAliasGroupBinding .....	440
13.2.87B	/<x>/<x>/OnNetwork/AuthorisedIncomingAny .....	440
13.2.87C	/<x>/<x>/OnNetwork/IncomingUserList .....	440
13.2.87C1	/<x>/<x>/OnNetwork/IncomingUserList/<x>.....	440
13.2.87C2	/<x>/<x>/OnNetwork/IncomingUserList/<x>/Entry .....	441
13.2.87C3	/<x>/<x>/OnNetwork/IncomingUserList/<x>/Entry/MCVideoID.....	441
13.2.87C4	/<x>/<x>/OnNetwork/IncomingUserList/<x>/Entry/ MCVideoIDKMSURI .....	441
13.2.87D	/<x>/<x>/OnNetwork/PrivateCall .....	441
13.2.87E	/<x>/<x>/OnNetwork/PrivateCall/EmergencyAlert.....	442
13.2.87F	/<x>/<x>/OnNetwork/PrivateCall/EmergencyAlert/Entry .....	442
13.2.87G	/<x>/<x>/OnNetwork/PrivateCall/EmergencyAlert/Entry/ID.....	442
13.2.87H	/<x>/<x>/OnNetwork/PrivateCall/EmergencyAlert/Entry/ DisplayName .....	442
13.2.87I	/<x>/<x>/OnNetwork/PrivateCall/EmergencyAlert/Entry/Usage .....	442
13.2.87J	/<x>/<x>/OnNetwork/RemoteGroupSelection.....	443
13.2.87K	/<x>/<x>/OnNetwork/RemoteGroupSelection/<x> .....	443
13.2.87L	/<x>/<x>/OnNetwork/RemoteGroupSelection/<x>/Entry .....	443
13.2.87M	/<x>/<x>/OnNetwork/RemoteGroupSelection/<x>/Entry/ MCVideoID .....	443
13.2.87N	/<x>/<x>/OnNetwork/RemoteGroupSelection/<x>/Entry/ DisplayName .....	444
13.2.88	/<x>/<x>/OffNetwork.....	444
13.2.89	/<x>/<x>/OffNetwork/Authorised.....	444
13.2.90	/<x>/<x>/OffNetwork/MCVideoGroupList .....	444
13.2.91	/<x>/<x>/OffNetwork/MCVideoGroupList/<x>.....	445
13.2.92	/<x>/<x>/OffNetwork/MCVideoGroupList/<x>/Entry.....	445
13.2.93	/<x>/<x>/OffNetwork/MCVideoGroupList/<x>/Entry/ MCVideoGroupID .....	445
13.2.94	/<x>/<x>/OffNetwork/MCVideoGroupList/<x>/Entry/DisplayName.....	445
13.2.95	Void .....	446
13.2.96	Void .....	446
13.2.97	/<x>/<x>/OffNetwork/MCVideoGroupList/<x>/Entry/GMSServID.....	446
13.2.98	Void .....	446
13.2.99	Void .....	446
13.2.100	/<x>/<x>/OffNetwork/MCVideoGroupList/<x>/Entry/ IdMSTokenEndPoint.....	446
13.2.100A	Void .....	446
13.2.100B	Void .....	446
13.2.100C	/<x>/<x>/OffNetwork/MCVideoGroupList/<x>/Entry/ GroupKMSURI .....	446
13.2.101	/<x>/<x>/OffNetwork/MCVideoGroupList/<x>/Entry/ RelativePresentationPriority.....	447
13.2.102	/<x>/<x>/OffNetwork/UserInfoID .....	447
13.2.102A	/<x>/<x>/OffNetwork/EmergencyCallChange.....	447

13.2.102B	/<x>/<x>/OffNetwork/ImminentPerilCallChange	447
13.2.103	/<x>/Status	448
14	MCVideo service configuration MO	448
14.1	General	448
14.2	MCVideo service configuration MO parameters	449
14.2.1	General	449
14.2.2	Node: <x>	449
14.2.3	/<x>/Name	449
14.2.4	/<x>/Ext/	450
14.2.5	/<x>/Common	450
14.2.6	/<x>/Common/BroadcastMCVideoGroupCall	450
14.2.7	/<x>/Common/BroadcastMCVideoGroupCall/ NumLevelGroupHierarchy	450
14.2.8	/<x>/Common/BroadcastMCVideoGroupCall/ NumLevelUserHierarchy	451
14.2.9	/<x>/Common/MinLengthAliasID	451
14.2.10	/<x>/OffNetwork	451
14.2.11	/<x>/OffNetwork/DefaultPPPP	451
14.2.12	/<x>/OffNetwork/DefaultPPPP/MCVideoPrivateCallSignalling	452
14.2.13	/<x>/OffNetwork/DefaultPPPP/MCVideoPrivateCallMedia	452
14.2.14	/<x>/OffNetwork/DefaultPPPP/ MCVideoEmergencyPrivateCallSignalling	452
14.2.15	/<x>/OffNetwork/DefaultPPPP/ MCVideoEmergencyPrivateCallMedia	452
14.2.16	/<x>/OffNetwork/PrivateCall	453
14.2.17	/<x>/OffNetwork/PrivateCall/MaxDuration	453
14.2.18	/<x>/OffNetwork/NumLevelHierarchy	453
<b>Annex A (informative):</b>	<b>MCPTT UE configuration MO DDF</b>	<b>454</b>
<b>Annex B (informative):</b>	<b>MCPTT user profile MO DDF</b>	<b>455</b>
<b>Annex C (informative):</b>	<b>MCS group configuration MO DDF</b>	<b>456</b>
<b>Annex D (informative):</b>	<b>MCPTT service configuration MO DDF</b>	<b>457</b>
<b>Annex E (informative):</b>	<b>MCS UE initial configuration MO DDF</b>	<b>458</b>
<b>Annex F (informative):</b>	<b>MCVideo UE configuration MO DDF</b>	<b>459</b>
<b>Annex G (informative):</b>	<b>MCVideo user profile configuration MO DDF</b>	<b>460</b>
<b>Annex H (informative):</b>	<b>MCVideo service configuration MO DDF</b>	<b>461</b>
<b>Annex I (informative):</b>	<b>MCDData UE configuration MO DDF</b>	<b>462</b>
<b>Annex J (informative):</b>	<b>MCDData user profile configuration MO DDF</b>	<b>463</b>
<b>Annex K (informative):</b>	<b>MCDData service configuration MO DDF</b>	<b>464</b>
<b>Annex L (normative):</b>	<b>MO specific concepts for the support of mission critical services over 5GS</b>	<b>465</b>
L.1	General	465
L.2	Aspects not applicable to 5GS	465
L.3	5GS specific aspects not applicable to EPS	465
L.4	Mapping of EPS-specific terms to 5GS	465
<b>Annex M (informative):</b>	<b>Change history</b>	<b>466</b>
History		469

---

# Foreword

This Technical Specification has been produced by the 3<sup>rd</sup> Generation Partnership Project (3GPP).

The contents of the present document are subject to continuing work within the TSG and may change following formal TSG approval. Should the TSG modify the contents of the present document, it will be re-released by the TSG with an identifying change of release date and an increase in version number as follows:

Version x.y.z

where:

- x the first digit:
  - 1 presented to TSG for information;
  - 2 presented to TSG for approval;
  - 3 or greater indicates TSG approved document under change control.
- y the second digit is incremented for all changes of substance, i.e. technical enhancements, corrections, updates, etc.
- z the third digit is incremented when editorial only changes have been incorporated in the document.

---

# 1 Scope

The present document defines a number of Mission Critical Services (MCSs) Management Objects (MO) that are configured for the UE for the operation of MCSs. The management objects are compatible with OMA Device Management protocol specifications, version 1.2 and upwards, and is defined using the OMA DM Device Description Framework as described in the Enabler Release Definition OMA OMA-ERELD\_DM-V1\_2 [2].

MCSs are services that require preferential handling compared to normal telecommunication services, e.g. in support of police or fire brigade.

MCSs can be used for public safety applications and also for general commercial applications (e.g., utility companies and railways).

The present document is applicable to an UE supporting on-line, off-line or both on-line and off-line configuration of the configuration management client.

The present document is applicable to an UE supporting off-line configuration of the group management client.

The parameters defined by the management objects in the present document are configured in the UE using on-line configuration over the CSC-4 reference point and using off-line configuration over the CSC-11 and CSC-12 reference points. Other specifications define how these parameters are used in the operation of MCSs, and whether they are applicable to on-network operation or off-network operation, or both:

- 3GPP TS 24.379 [7];
- 3GPP TS 24.380 [8];
- 3GPP TS 24.481 [9];
- 3GPP TS 24.482 [11];
- 3GPP TS 24.484 [12];
- 3GPP TS 24.282 [16];
- 3GPP TS 24.582 [17];
- 3GPP TS 24.281 [18]; and
- 3GPP TS 24.581 [19].

The common network operation means both on-network operation and off-network operation in the present document.

The following management objects are defined in the present document:

- MCPTT UE configuration MO;
- MCPTT user profile MO;
- MCS group configuration MO;
- MCPTT service configuration MO;
- MCS UE initial configuration MO;
- MCDData UE configuration MO;
- MCDData user profile MO;
- MCDData service configuration MO;
- MCVideo UE configuration MO;
- MCVideo user profile MO; and
- MCVideo service configuration MO.

The MOs listed above define repositories of data in the ME.

---

## 2 References

The following documents contain provisions which, through reference in this text, constitute provisions of the present document.

- References are either specific (identified by date of publication, edition number, version number, etc.) or non-specific.
- For a specific reference, subsequent revisions do not apply.
- For a non-specific reference, the latest version applies. In the case of a reference to a 3GPP document (including a GSM document), a non-specific reference implicitly refers to the latest version of that document *in the same Release as the present document*.

- [1] 3GPP TR 21.905: "Vocabulary for 3GPP Specifications".
- [2] OMA OMA-ERELD-DM-V1\_2-20070209-A: "Enabler Release Definition for OMA Device Management, Version 1.2".
- [3] OMA OMA-TS-DM\_Protocol-V1\_2: "OMA Device Management Protocol".
- [4] OMA OMA-TS-XDM\_Group-V1\_1-20120403-A: "Group XDM Specification".
- [5] 3GPP TS 23.003: "Numbering, addressing and identification".
- [6] 3GPP TS 23.303: "Proximity-based Services (ProSe); Stage 2".
- [7] 3GPP TS 24.379: "Mission Critical Push To Talk (MCPTT) call control Protocol specification".
- [8] 3GPP TS 24.380: "Mission Critical Push To Talk (MCPTT) media plane control Protocol specification".
- [9] 3GPP TS 24.481: "Mission Critical Services (MCS) group management Protocol specification".
- [10] 3GPP TS 31.102: "Characteristics of the USIM Application".
- [11] 3GPP TS 24.482: "Mission Critical Services (MCS) identity management Protocol specification".
- [12] 3GPP TS 24.484: "Mission Critical Services (MCS) configuration management Protocol specification".
- [13] IETF RFC 4566 (July 2006): "Session Description Protocol".
- [14] Void.
- [15] 3GPP TS 23.179: "Functional architecture and information flows to support mission critical communication services; Stage 2".
- [16] 3GPP TS 24.282: "Mission Critical Data (MCData) signalling control Protocol specification".
- [17] 3GPP TS 24.582: "Mission Critical Data (MCData) media plane control Protocol specification".
- [18] 3GPP TS 24.281: "Mission Critical Video (MCVideo) signalling control Protocol specification".
- [19] 3GPP TS 24.581: "Mission Critical Video (MCVideo) media plane control Protocol specification".
- [20] 3GPP TS 33.180: "Security of the mission critical service".
- [21] 3GPP TS 23.032: "Universal Geographical Area Description (GAD)".
- [22] OMA OMA-TS-DM\_StdObj-V1\_2-20070209-A: "OMA Device Management Standardized Objects", [http://www.openmobilealliance.org/release/DM/V1\\_2-20070209-A/OMA-TS-DM\\_StdObj-V1\\_2-20070209-A.pdf](http://www.openmobilealliance.org/release/DM/V1_2-20070209-A/OMA-TS-DM_StdObj-V1_2-20070209-A.pdf).

- [23] 3GPP TS 23.501: "System Architecture for the 5G System; Stage 2".
- [24] IETF RFC 3748 (June 2004): "Extensible Authentication Protocol (EAP)".
- [25] Void.
- [26] Void.
- [27] IANA: Character Sets, <https://www.iana.org/assignments/character-sets/character-sets.xhtml>.

---

## 3 Definitions and abbreviations

### 3.1 Definitions

For the purpose of the present document, the following terms and definitions given in 3GPP TS 23.179 [15] apply:

#### **Pre-selected MCPTT user profile**

### 3.2 Abbreviations

For the purposes of the present document, the abbreviations given in 3GPP TR 21.905 [1] and the following apply. An abbreviation defined in the present document takes precedence over the definition of the same abbreviation, if any, in 3GPP TR 21.905 [1].

5GS	5G System
ACL	Access Control List
APN	Access Point Name
CMS	Configuration Management Server
DDF	Device Description Framework
DM	Device Management
DNN	Data Network Name
EPS	Evolved Packet System
GMS	Group Management Server
MCS	Mission Critical Service
MCSs	Mission Critical Services
MCPTT	Mission Critical Push To Talk
ME	Mobile Equipment
MO	Management Object
OMA	Open Mobile Alliance
ProSe	Proximity-based Services
RFC	Request For Comments
S-NSSAI	Single Network Slice Selection Assistance Information
URI	Uniform Resource Identifier
URN	Uniform Resource Name
XCAP	XML Configuration Access Protocol
XML	eXtensible Markup Language
XUI	XCAP Unique Identifier

### 3.3 Symbols

For the purposes of the present document, the following symbols apply to all the figures:

?	zero or one occurrences
*	zero or more occurrences
+	one or more occurrences

If none of these characters is used the default occurrence is exactly once.

## 3.4 Management Object design and representation guidelines

All the Management Objects (MOs) defined in the present document are compatible with OMA OMA-TS-DM\_Protocol-V1\_2 [3].

All figures are informative and the design principles of OMA OMA-TS-DM\_StdObj-V1\_2 [22] are applied with the following differences:

- interior nodes are represented as rectangles with solid border;
- leaf nodes are represented without any border;
- un-named nodes are represented by less than and a greater than characters containing a lower-case or an uppercase character, e.g. <x>, <X>;
- a stadium with solid border is used for informative text i.e. to point to a figure describing the contents of an MO; and
- named nodes that share the same contents can refer to the same figure to represent their MO contents.

A representative example is shown in figure 3.4.1.

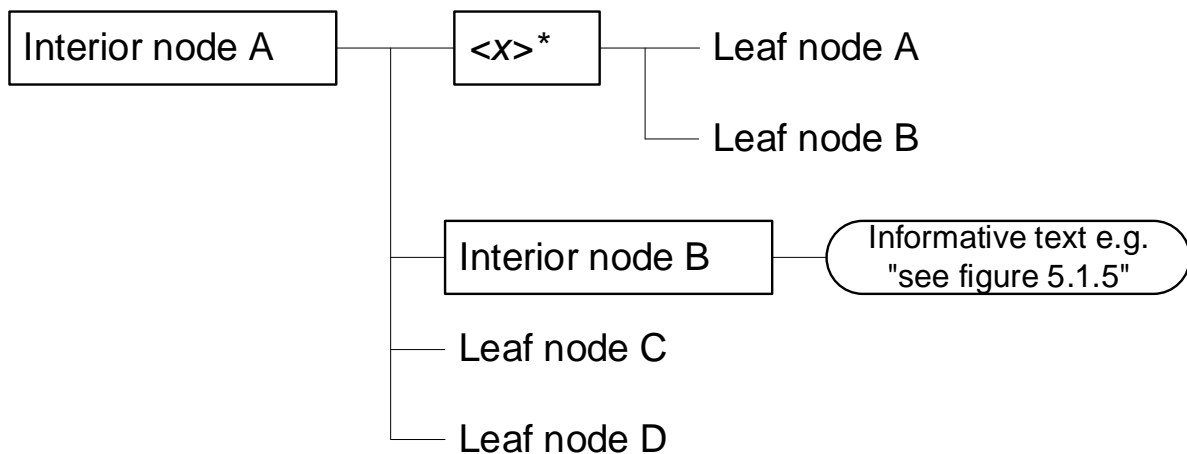


Figure 3.4.1: The MO graphical notation

## 4 MCPTT UE configuration MO

### 4.1 General

The MCPTT UE configuration Management Object (MO) is used to configure MCPTT Client behaviour for the on-network or off-network MCPTT Service. The MCPTT UE configuration parameters may be stored in the ME, or in the USIM as specified in 3GPP TS 31.102 [10], or in both the ME and the USIM. If both the ME and the USIM contain the same parameters, the values stored in the USIM shall take precedence.

The Management Object Identifier is: urn:oma:mo:ext-3gpp-MCPTT-UE-configuration:1.0.

Protocol compatibility: This MO is compatible with OMA OMA DM 1.2 [3].

The OMA DM ACL property mechanism (see OMA OMA-ERELED-DM-V1\_2 [2]) may be used to grant or deny access rights to OMA DM servers in order to modify nodes and leaf objects of the MCPTT UE configuration MO.

The following nodes and leaf objects are possible under the MCPTT UE configuration node as described in figure 4.1.1.

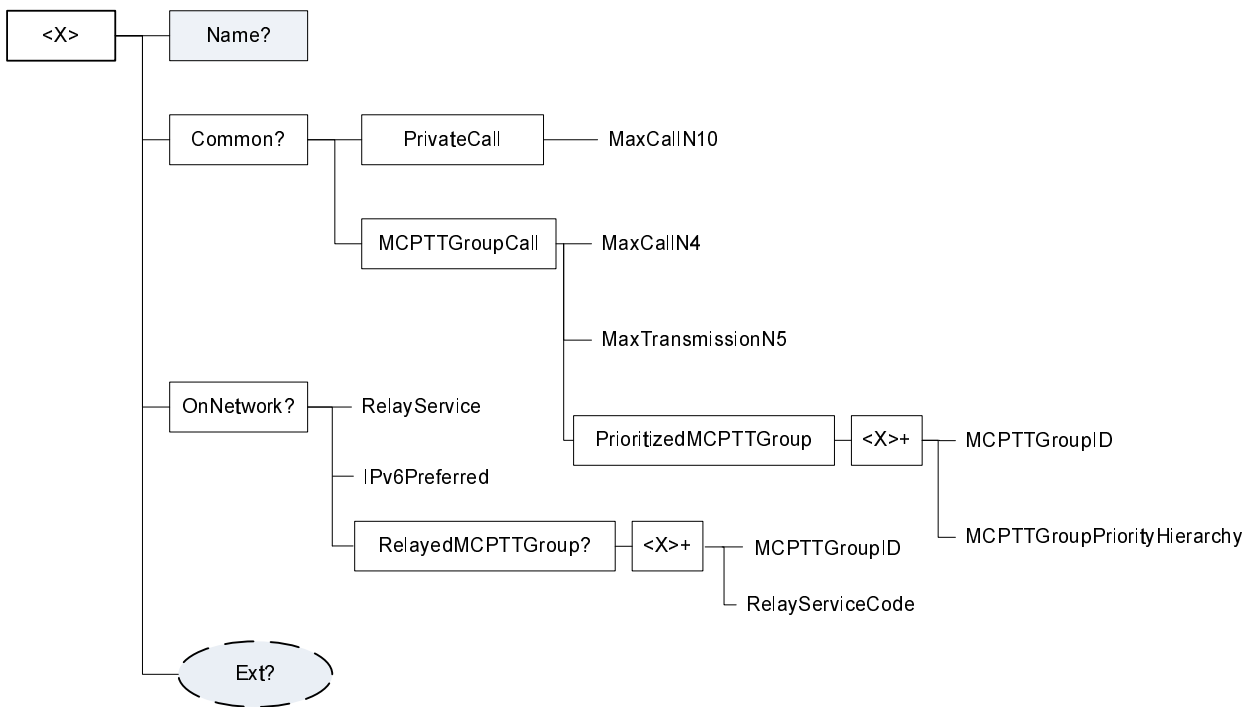


Figure 4.1.1: The MCPTT UE configuration MO

## 4.2 MCPTT UE configuration MO parameters

### 4.2.1 General

This clause describes the parameters for the MCPTT UE configuration Management Object (MO).

### 4.2.2 Node: <x>

Table 4.2.2.1: Node: <x>

<x>

Status	Occurrence	Format	Min. Access Types
Required	OneOrMore	node	Get

This interior node acts as a placeholder for the MCPTT UE configuration Management Object (MO).

For the MCPTT UE configuration MO, the namespace specific string is: "urn:oma:mo:oma-dm-mcptt-ue-configuration:1.0"

- Values: N/A

### 4.2.3 /<x>/Name

Table 4.2.3.1: /<x>/Name

Name

Status	Occurrence	Format	Min. Access Types
Required	ZeroOrOne	chr	Get

The Name leaf is a name for the MCPTT UE configuration settings.



- Values: <User displayable name>

#### 4.2.4 /<x>/Ext/

**Table 4.2.4.1: /<x>/Ext/**

Ext

Status	Occurrence	Format	Min. Access Types
Optional	ZeroOrOne	node	Get, Replace

The Ext is an interior node for where the vendor specific information about the MCPTT UE configuration MO is being placed.

Usually the vendor extension is identified by vendor specific name under the ext node and contains the vendor meaning application vendor, device vendor etc. The tree structure under the vendor identified is not defined and can therefore include one or more un-standardized sub-trees.

- Values: N/A

#### 4.2.5 /<x>/Common

**Table 4.2.5.1: /<x>/Common**

Common

Status	Occurrence	Format	Min. Access Types
Required	ZeroOrOne	node	Get, Replace

This interior node represents a container for the common network operation which means both on-network operation and off-network operation.

#### 4.2.6 /<x>/Common/PrivateCall

**Table 4.2.6.1: /<x>/Common/PrivateCall**

Common/PrivateCall

Status	Occurrence	Format	Min. Access Types
Required	One	node	Get, Replace

This interior node is a placeholder for the private call configuration.

#### 4.2.7 /<x>/Common/PrivateCall/MaxCallN10

**Table 4.2.7.1: /<x>/Common/PrivateCall/MaxCallN10**

Common/PrivateCall/MaxCallN10

Status	Occurrence	Format	Min. Access Types
Required	One	int	Get, Replace

This leaf node indicates the maximum number of private calls.

- Values: 0-255

## 4.2.8 `<x>/Common/MCPTTGroupCall`

**Table 4.2.8.1: `<x>/Common/MCPTTGroupCall`**

Common/MCPTTGroupCall

Status	Occurrence	Format	Min. Access Types
Required	One	node	Get, Replace

This interior node is a placeholder for the MCPTT group call configuration.

## 4.2.9 `<x>/Common/MCPTTGroupCall/MaxCallN4`

**Table 4.2.9.1: `<x>/Common/MCPTTGroupCall/MaxCallN4`**

Common/MCPTTGroupCall/MaxCallN4

Status	Occurrence	Format	Min. Access Types
Required	One	int	Get, Replace

This leaf node indicates the maximum number of simultaneous group calls.

- Values: 0-255

## 4.2.10 `<x>/Common/MCPTTGroupCall/MaxTransmissionN5`

**Table 4.2.10.1: `<x>/Common/MCPTTGroupCall/MaxTransmissionN5`**

Common/MCPTTGroupCall/MaxTransmissionN5

Status	Occurrence	Format	Min. Access Types
Required	One	int	Get, Replace

This leaf node indicates the maximum number of transmissions in a group.

- Values: 0-255

## 4.2.11 `<x>/Common/MCPTTGroupCall/PrioritizedMCPTTGroup`

**Table 4.2.11.1: `<x>/Common/MCPTTGroupCall/PrioritizedMCPTTGroup`**

Common/MCPTTGroupCall/PrioritizedMCPTTGroup

Status	Occurrence	Format	Min. Access Types
Required	One	node	Get, Replace

This interior node is a placeholder for the prioritized MCPTT group call configuration.

## 4.2.12 `<x>/Common/MCPTTGroupCall/PrioritizedMCPTTGroup/<x>`

**Table 4.2.12.1: `<x>/Common/MCPTTGroupCall/PrioritizedMCPTTGroup/<x>`**

Common/MCPTTGroupCall/PrioritizedMCPTTGroup `<x>`

Status	Occurrence	Format	Min. Access Types
Required	OneOrMore	node	Get, Replace

This interior node is a placeholder for one or more prioritized MCPTT group call configuration.

#### 4.2.13 /<x>/Common/MCPTTGroupCall/PrioritizedMCPTTGroup/<x>/MCPTTGroupID

**Table 4.2.13.1: /<x>/Common/MCPTTGroupCall/PrioritizedMCPTTGroup/<x>/MCPTTGroupID**

Common/MCPTTGroupCall/PrioritizedMCPTTGroup/<x>/MCPTTGroupID

Status	Occurrence	Format	Min. Access Types
Required	One	chr	Get, Replace

This leaf node indicates the associated MCPTT group ID.

The value is a "uri" attribute specified in OMA OMA-TS-XDM\_Group-V1\_1 [4].

#### 4.2.14 /<x>/Common/MCPTTGroupCall/PrioritizedMCPTTGroup/<x>/MCPTTGroupPriorityHierarchy

**Table 4.2.14.1: /<x>/Common/MCPTTGroupCall/PrioritizedMCPTTGroup/<x>/MCPTTGroupPriorityHierarchy**

Common/MCPTTGroupCall/PrioritizedMCPTTGroup/<x>/MCPTTGroupPriorityHierarchy

Status	Occurrence	Format	Min. Access Types
Required	One	int	Get, Replace

This leaf node indicates the requested presentation priority of group call.

- Values: 0-7

The group with the lowest MCPTTGroupPriorityHierarchy value shall be considered as the group having the lowest priority among the groups.

#### 4.2.15 /<x>/OnNetwork

**Table 4.2.15.1: /<x>/OnNetwork**

OnNetwork

Status	Occurrence	Format	Min. Access Types
Required	ZeroOrOne	node	Get, Replace

This interior node represents a container for on-network operation.

#### 4.2.16 /<x>/OnNetwork/RelayService

**Table 4.2.16.1: /<x>/OnNetwork/RelayService**

OnNetwork/RelayService

Status	Occurrence	Format	Min. Access Types
Required	One	bool	Get, Replace

This leaf node indicates the authorisation to use a relay service.

When set to "true" the MCPTT group is allowed to use a relay service.

When set to "false" the MCPTT group is not allowed to use a relay service.

#### 4.2.17 /<x>/OnNetwork/IPv6Preferred

**Table 4.2.17.1: /<x>/OnNetwork/IPv6Preferred**

OnNetwork/IPv6Preferred

Status	Occurrence	Format	Min. Access Types
Required	One	bool	Get, Replace

This leaf node indicates whether IPv6 is preferred over IPv4 for on-network operation when the MCPTT UE has both IPv4 and IPv6 host configuration.

If the MCPTT UE has both IPv4 and IPv6 host configuration and:

- if IPv6Preferred is set to "true" then the UE uses IPv6 for all on-network signalling and media; otherwise
- if IPv6Preferred is set to "false" then the UE uses IPv4 for all on-network signalling and media.

#### 4.2.18 /<x>/OnNetwork/RelayedMCPTTGroup

**Table 4.2.18.1: /<x>/OnNetwork/RelayedMCPTTGroup**

OnNetwork/RelayedMCPTTGroup

Status	Occurrence	Format	Min. Access Types
Optional	ZeroOrOne	node	Get, Replace

This interior node is a placeholder for the allowed relayed MCPTT groups.

#### 4.2.19 /<x>/OnNetwork/RelayedMCPTTGroup/<x>

**Table 4.2.19.1: /<x>/OnNetwork/RelayedMCPTTGroup/<x>**

OnNetwork/RelayedMCPTTGroup/<x>

Status	Occurrence	Format	Min. Access Types
Required	OneOrMore	node	Get, Replace

This interior node is a placeholder for one or more allowed relayed MCPTT groups.

#### 4.2.20 /<x>/OnNetwork/RelayedMCPTTGroup/<x>/MCPTTGroupID

**Table 4.2.20.1: /<x>/OnNetwork/RelayedMCPTTGroup/<x>/MCPTTGroupID**

OnNetwork/RelayedMCPTTGroup/<x>/MCPTTGroupID

Status	Occurrence	Format	Min. Access Types
Required	One	chr	Get, Replace

This leaf node indicates the associated MCPTT group ID.

The value is a "uri" attribute specified in OMA OMA-TS-XDM\_Group-V1\_1 [4].

## 4.2.21 /<x>/OnNetwork/RelayedMCPTTGroup/<x>/RelayServiceCode

**Table 4.2.21.1: /<x>/OnNetwork/RelayedMCPTTGroup/<x>/RelayServiceCode**

OnNetwork/RelayedMCPTTGroup/<x>/RelayServiceCode

Status	Occurrence	Format	Min. Access Types
Required	One	chr	Get, Replace

This leaf node indicates the connectivity service that the ProSe UE-to-network relay provides to public safety applications as specified in 3GPP TS 23.303 [6].

# 5 MCPTT user profile MO

## 5.1 General

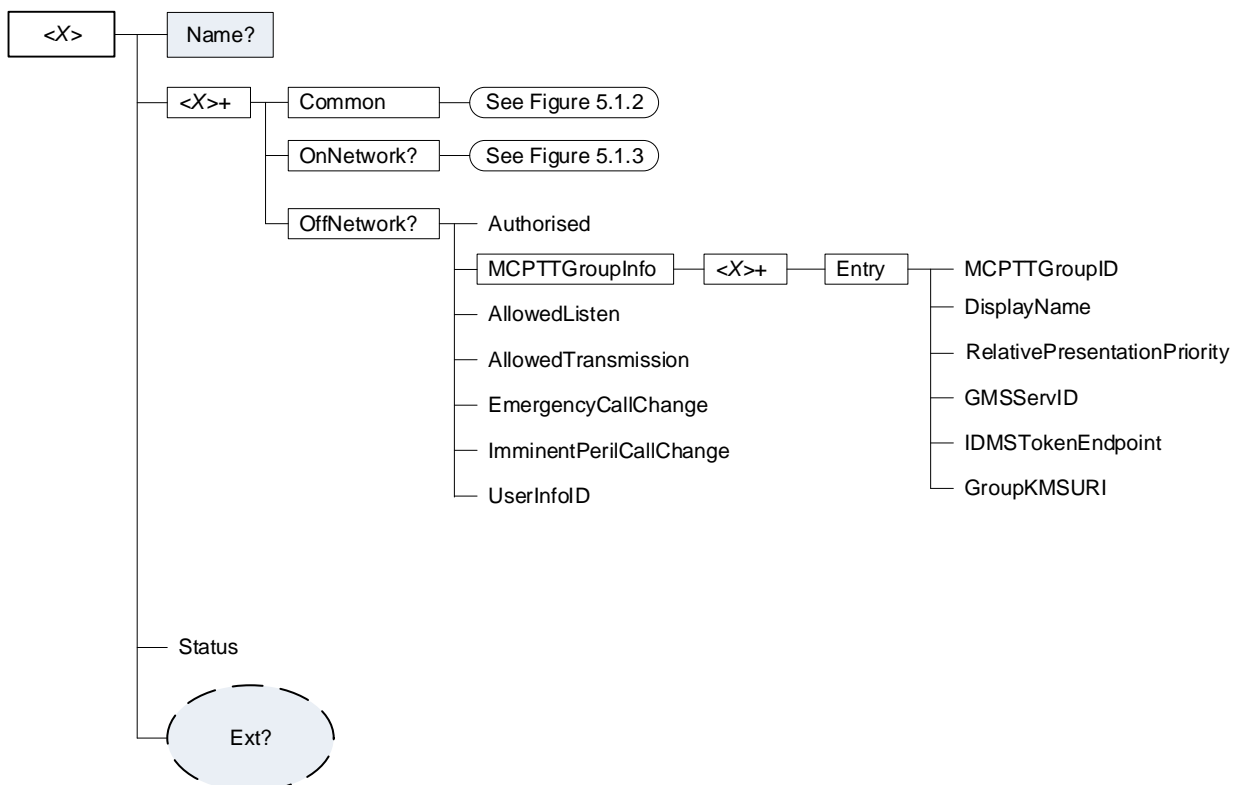
The MCPTT user profile configuration Management Object (MO) is used to configure the MCPTT Client behaviour for the on-network or off-network MCPTT Service. The MCPTT user profile configuration parameters may be stored in the ME, or in the USIM as specified in 3GPP TS 31.102 [10], or in both the ME and the USIM. If both the ME and the USIM contain the same parameters, the values stored in the USIM shall take precedence.

The Management Object Identifier is: urn:oma:mo:ext-3gpp-MCPTT-user-profile:1.0.

Protocol compatibility: This MO is compatible with OMA OMA DM 1.2 [3].

The OMA DM ACL property mechanism (see OMA OMA-ERELD-DM-V1\_2 [2]) may be used to grant or deny access rights to OMA DM servers in order to modify nodes and leaf objects of the MCPTT user profile MO.

The following nodes and leaf objects are possible under the MCPTT user profile node as described in figure 5.1.1, figure 5.1.2, figure 5.1.3, figure 5.1.4, figure 5.1.5, figure 5.1.6, figure 5.1.7, and figure 5.1.8.



**Figure 5.1.1: The MCPTT user profile MO (1 of 3)**

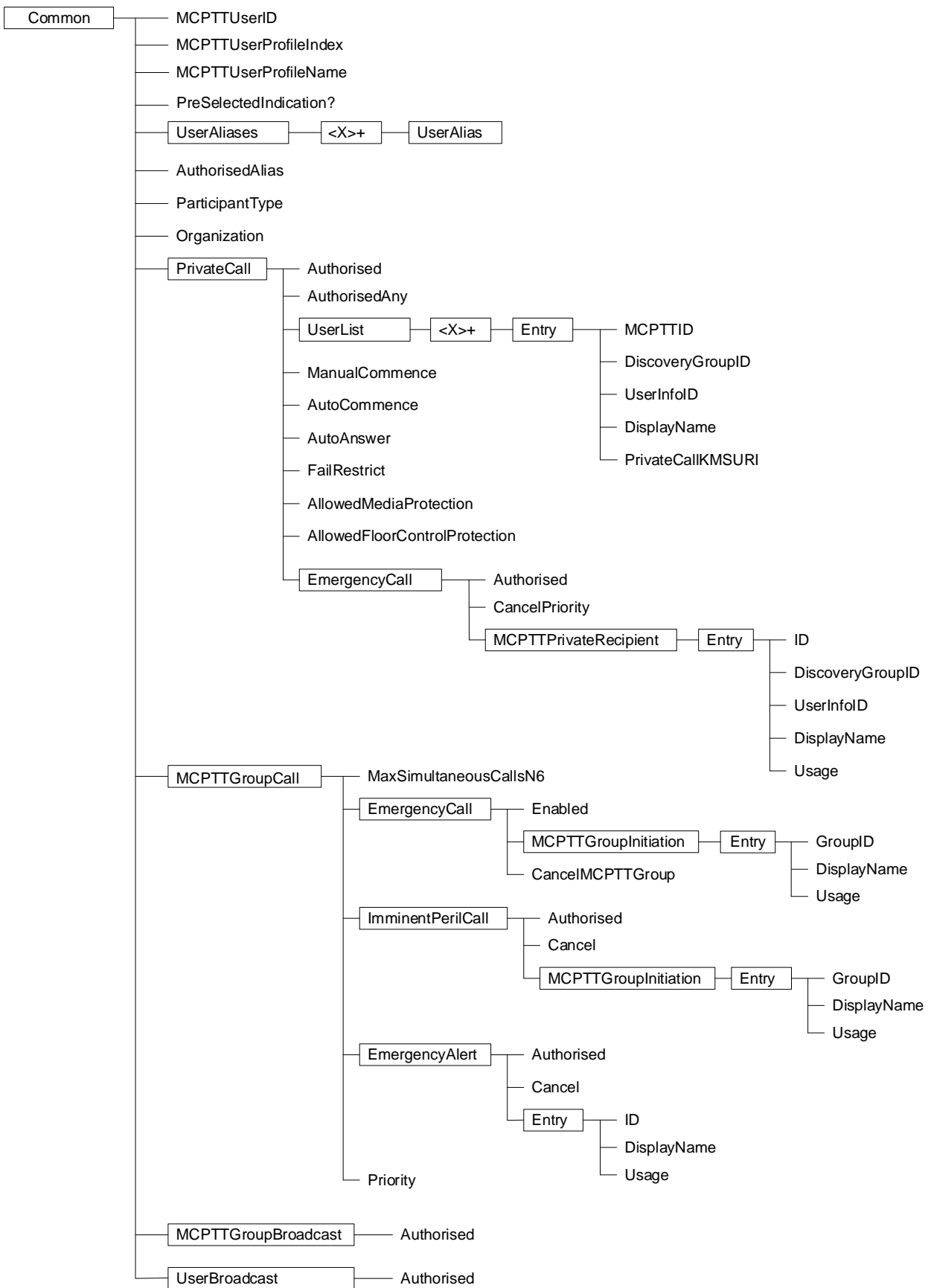
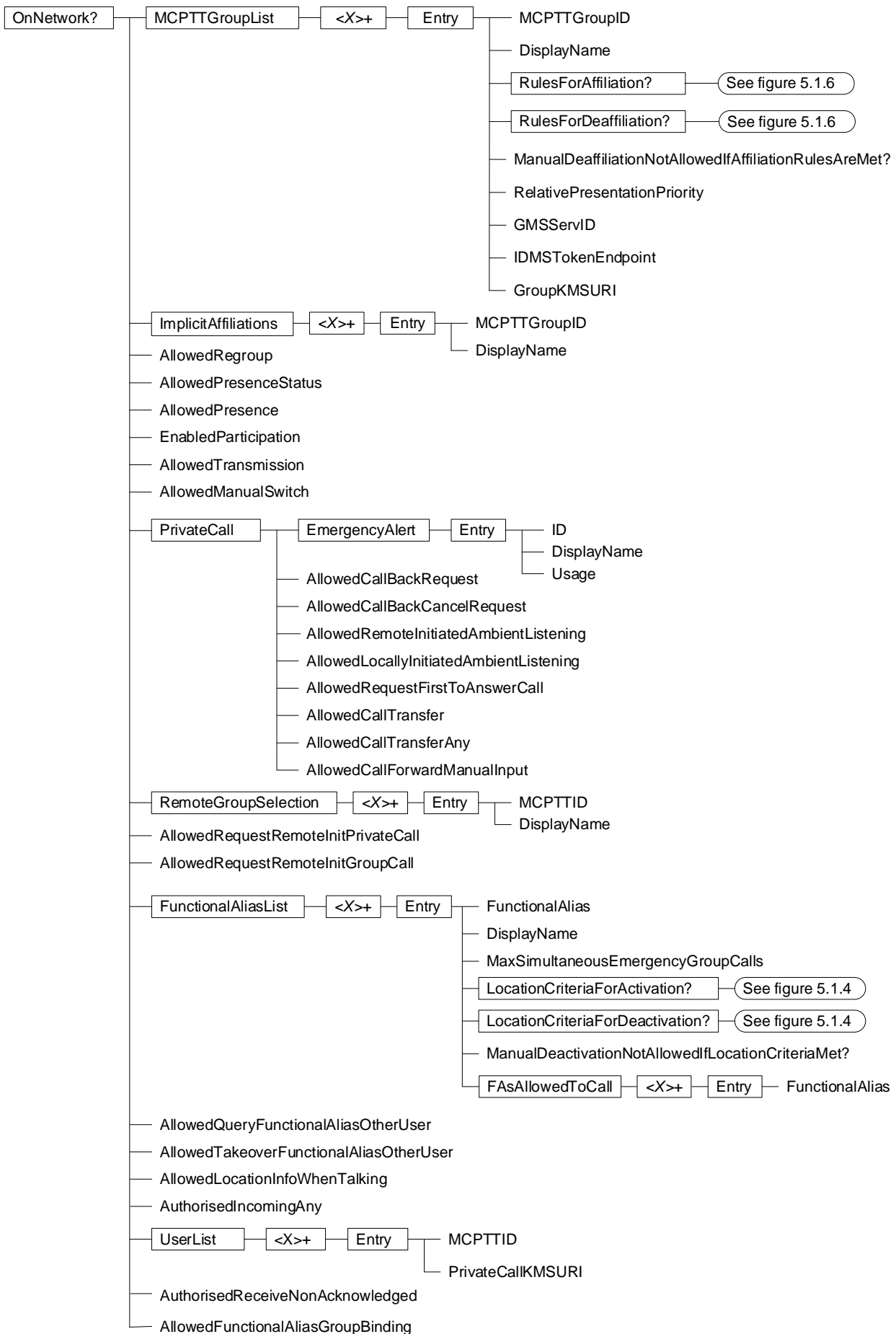
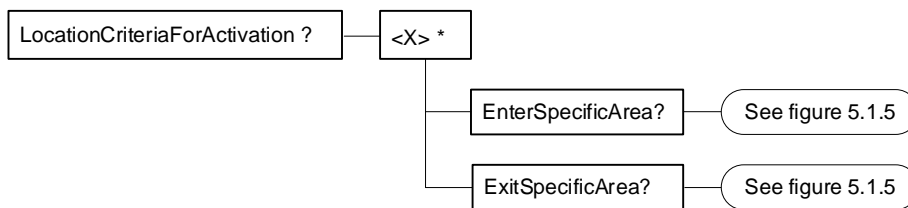


Figure 5.1.2: The MCPTT user profile MO (2 of 3)

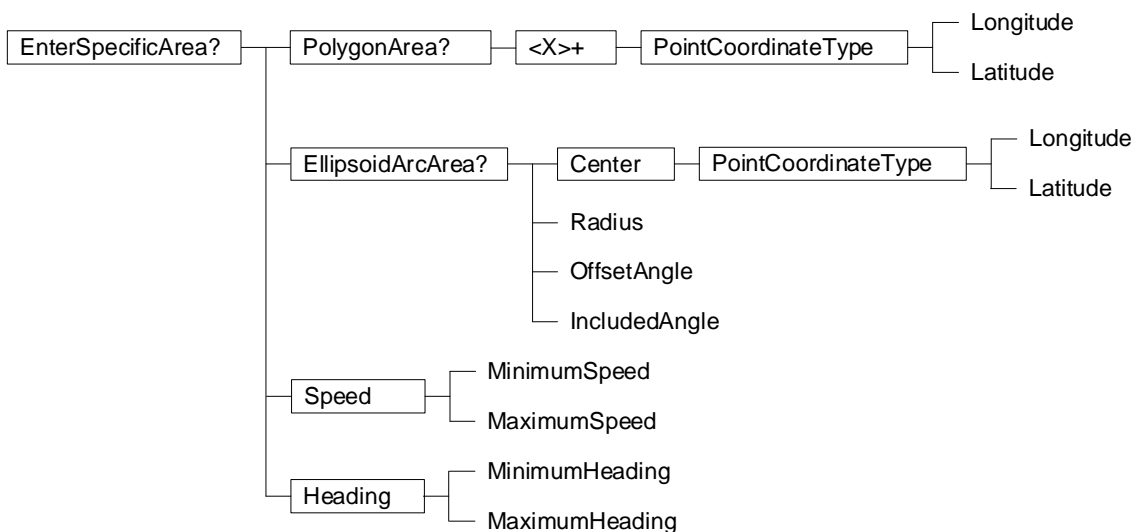


**Figure 5.1.3: The MCPTT user profile MO (3 of 3)**



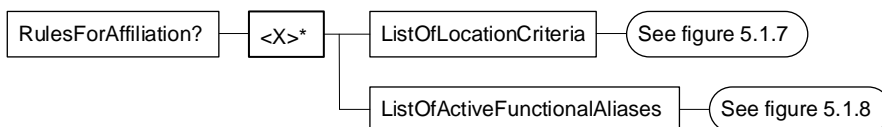
NOTE 1: The LocationCriteriaForDeactivation MO contents are identical.  
 NOTE 2: This figure is referenced by figures 5.1.3, 10.1.2 and 13.1.2.

**Figure 5.1.4: LocationCriteriaForActivation MO contents**



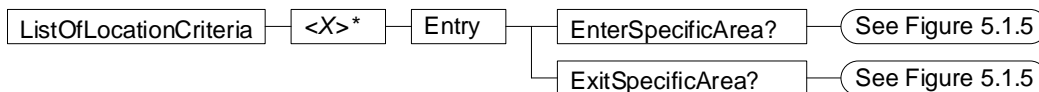
NOTE: The ExitSpecificArea MO contents are identical.

**Figure 5.1.5: EnterSpecificArea MO contents**

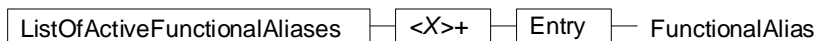


NOTE 1: The RulesForDeaffiliation MO contents are identical.  
 NOTE 2: This figure is referenced by figures 5.1.3, 10.1.2 and 13.1.2.

**Figure 5.1.6: RulesForAffiliation MO contents**



**Figure 5.1.7: ListOfLocationCriteria MO contents**



**Figure 5.1.8: ListOfActiveFunctionalAliases MO contents**



## 5.2 MCPTT user profile MO parameters

### 5.2.1 General

This clause describes the parameters for the MCPTT user profile Management Object (MO).

### 5.2.2 Node: <x>

**Table 5.2.2.1: Node: <x>**

<x>

Status	Occurrence	Format	Min. Access Types
Required	OneOrMore	node	Get

This interior node acts as a placeholder for the MCPTT user profile Management Object (MO).

For the MCPTT user profile MO, the namespace specific string is: "urn:oma:mo:oma-dm-mcptt-user-profile:1.0"

- Values: N/A

### 5.2.3 /<x>/Name

**Table 5.2.3.1: /<x>/Name**

Name

Status	Occurrence	Format	Min. Access Types
Required	ZeroOrOne	chr	Get

The Name leaf is a name for the MCPTT user profile settings.

- Values: <User displayable name>

### 5.2.4 /<x>/Ext/

**Table 5.2.4.1: /<x>/Ext/**

Ext

Status	Occurrence	Format	Min. Access Types
Optional	ZeroOrOne	node	Get, Replace

The Ext is an interior node for where the vendor specific information about the MCPTT user profile MO is being placed.

Usually the vendor extension is identified by vendor specific name under the ext node and contains the vendor meaning application vendor, device vendor etc. The tree structure under the vendor identified is not defined and can therefore include one or more un-standardized sub-trees.

- Values: N/A

### 5.2.5 /<x>/<x>

**Table 5.2.5.1: /<x>/<x>**

<x>

Status	Occurrence	Format	Min. Access Types
Required	OneOrMore	node	Get, Replace

This interior node represents a container for on-network operation and off-network operation.

## 5.2.6 /<x>/<x>/Common

**Table 5.2.6.1: /<x>/<x>/Common**

<x>/Common

Status	Occurrence	Format	Min. Access Types
Required	One	node	Get, Replace

This interior node represents a container for the common network operation which means both on-network operation and off-network operation.

## 5.2.7 /<x>/<x>/Common/MCPTTUserID

**Table 5.2.7.1: /<x>/<x>/Common/MCPTTUserID**

<x>/Common/MCPTTUserID

Status	Occurrence	Format	Min. Access Types
Required	One	chr	Get, Replace

This leaf node indicates an MCPTT user identity (MCPTT ID) which is a globally unique identifier within the MCPTT service that represents the MCPTT user.

## 5.2.7A /<x>/<x>/Common/MCPTTUserProfileIndex

**Table 5.2.7A.1: /<x>/<x>/Common/MCPTTUserProfileIndex**

<x>/Common/MCPTTUserProfileIndex

Status	Occurrence	Format	Min. Access Types
Required	One	int	Get, Replace

This leaf node indicates an index for the particular MCPTT user profile.

- Values: 0-255

## 5.2.7B /<x>/<x>/Common/MCPTTUserProfileName

**Table 5.2.7B.1: /<x>/<x>/Common/MCPTTUserProfileName**

<x>/Common/MCPTTUserProfileName

Status	Occurrence	Format	Min. Access Types
Optional	One	chr	Get, Replace

This leaf node indicates a profile name for the particular MCPTT user profile.

## 5.2.7C /<x>/<x>/Common/PreSelectedIndication

**Table 5.2.7C.1: /<x>/<x>/Common/PreSelectedIndication**

<x>/Common/PreSelectedIndication

Status	Occurrence	Format	Min. Access Types
Optional	ZeroOrOne	null	Get, Replace

This leaf node indicates that this MCPTT user profile MO is designated to be the pre-selected MCPTT user profile as defined by 3GPP TS 23.179 [15]

- Values: null

When this leaf node is present, this MCPTT user profile MO is designated as the pre-selected MCPTT user profile.

When this leaf node is absent, this MCPTT user profile MO is not designated as the pre-selected MCPTT user profile.

If more than one MCPTT user profile MO is specified for the MCPTT user, then only one MCPTT user profile MO for the MCPTT user shall contain the <x>/Common/PreSelectedIndication leaf node.

If there is only one MCPTT user profile MO specified for the MCPTT user, then it is optional to include the <x>/Common/PreSelectedIndication leaf node.

## 5.2.8 /<x>/<x>/Common/UserAliases

**Table 5.2.8.1: /<x>/<x>/Common/UserAliases**

<x>/Common/UserAliases

Status	Occurrence	Format	Min. Access Types
Required	One	node	Get, Replace

This interior node is a placeholder for a list of aliases of an MCPTT user.

### 5.2.8A /<x>/<x>/Common/UserAliases/<x>

**Table 5.2.8A.1: /<x>/<x>/Common/UserAliases/<x>**

<x>/Common/UserAliases/<x>

Status	Occurrence	Format	Min. Access Types
Required	OneOrMore	node	Get, Replace

This interior node is a placeholder for one or more aliases of an MCPTT user.

### 5.2.8B /<x>/<x>/Common/UserAliases/<x>/UserAlias

**Table 5.2.8B.1: /<x>/<x>/Common/UserAliases/<x>/UserAlias**

<x>/Common/UserAliases/<x>/UserAlias

Status	Occurrence	Format	Min. Access Types
Required	One	chr	Get, Replace

This leaf node indicates an alphanumeric alias of the MCPTT user.

## 5.2.9 `<x>/<x>/Common/AuthorisedAlias`

**Table 5.2.9.1: `<x>/<x>/Common/AuthorisedAlias`**

`<x>/Common/AuthorisedAlias`

Status	Occurrence	Format	Min. Access Types
Optional	One	bool	Get, Replace

This leaf node indicates authorisation to create and delete aliases of other MCPTT users and their associated MCPTT user profiles.

When set to "true" the MCPTT user is authorised to create and delete aliases of other MCPTT users and their associated MCPTT user profiles.

When set to "false" the MCPTT user is not authorised to create and delete aliases of other MCPTT user and their associated MCPTT user profiles. This is the default if this leaf node is not present.

## 5.2.10 `<x>/<x>/Common/ParticipantType`

**Table 5.2.10.1: `<x>/<x>/Common/ParticipantType`**

`<x>/Common/ParticipantType`

Status	Occurrence	Format	Min. Access Types
Required	One	chr	Get, Replace

This leaf node indicates the participant type of the MCPTT user.

The ParticipantType means the functional category of the participant (e.g., first responder, second responder, dispatch, dispatch supervisor), typically defined by the MCPTT administrators.

## 5.2.11 `<x>/<x>/Common/Organization`

**Table 5.2.11.1: `<x>/<x>/Common/Organization`**

`<x>/Common/Organization`

Status	Occurrence	Format	Min. Access Types
Required	One	chr	Get, Replace

This leaf node indicates the organization an MCPTT user belongs to.

## 5.2.12 `<x>/<x>/Common/PrivateCall`

**Table 5.2.12.1: `<x>/<x>/Common/PrivateCall`**

`<x>/Common/PrivateCall`

Status	Occurrence	Format	Min. Access Types
Required	One	node	Get, Replace

This interior node is a placeholder for the MCPTT private call configuration.

### 5.2.13 /<x>/<x>/Common/PrivateCall/Authorised

**Table 5.2.13.1: /<x>/<x>/Common/PrivateCall/Authorised**

<x>/Common/PrivateCall/Authorised

Status	Occurrence	Format	Min. Access Types
Required	One	bool	Get, Replace

This leaf node indicates the authorisation to make a MCPTT private call.

When set to "true" the MCPTT user is allowed to make a MCPTT private call.

When set to "false" the MCPTT user is not allowed to make a MCPTT private call.

### 5.2.14 /<x>/<x>/Common/PrivateCall/AuthorisedAny

**Table 5.2.14.1: /<x>/<x>/Common/PrivateCall/AuthorisedAny**

<x>/Common/PrivateCall/AuthorisedAny

Status	Occurrence	Format	Min. Access Types
Required	One	bool	Get, Replace

This leaf node indicates the authorisation to make a MCPTT private call to any MCPTT user.

When set to "true" any MCPTT user is authorised to make an MCPTT private call to any MCPTT user.

When set to "false" any MCPTT user is not authorised to make an MCPTT private call to any MCPTT user.

### 5.2.15 /<x>/<x>/Common/PrivateCall/UserList

**Table 5.2.15.1: /<x>/<x>/PrivateCall/UserList**

<x>/Common/PrivateCall/UserList

Status	Occurrence	Format	Min. Access Types
Required	One	node	Get, Replace

This interior node is a placeholder for a list of MCPTT user(s) who can be called in a MCPTT private call.

### 5.2.16 /<x>/<x>/Common/PrivateCall/UserList/<x>

**Table 5.2.16.1: /<x>/<x>/Common/PrivateCall/UserList/<x>**

<x>/Common/PrivateCall/UserList/<x>

Status	Occurrence	Format	Min. Access Types
Optional	OneOrMore	node	Get, Replace

This interior node is a placeholder for one or more list of MCPTT users who can be called in a MCPTT private call.

### 5.2.16A /<x>/<x>/Common/PrivateCall/UserList/<x>/Entry

**Table 5.2.16A.1: /<x>/<x>/Common/PrivateCall/UserList/<x>/Entry**

<x>/Common/PrivateCall/UserList/<x>/Entry

Status	Occurrence	Format	Min. Access Types
Required	One	node	Get, Replace

This interior node is a placeholder for one or more MCPTT users who can be called in a private call.

## 5.2.17 /<x>/<x>/Common/PrivateCall/UserList/<x>/Entry/MCPTTID

**Table 5.2.17.1: /<x>/<x>/Common/PrivateCall/UserList/<x>/Entry/MCPTTID**

<x>/Common/PrivateCall/UserList/<x>/Entry/MCPTTID

Status	Occurrence	Format	Min. Access Types
Optional	One	chr	Get, Replace

This leaf node indicates an MCPTT user identity (MCPTT ID) which is a globally unique identifier within the MCPTT service that represents the MCPTT user.

The value is a "uri" attribute specified in OMA OMA-TS-XDM\_Group-V1\_1 [4].

## 5.2.18 /<x>/<x>/Common/PrivateCall/UserList/<x>/Entry/DiscoveryGroupID

**Table 5.2.18.1: /<x>/<x>/Common/PrivateCall/UserList/<x>/Entry/DiscoveryGroupID**

<x>/Common/PrivateCall/UserList/<x>/Entry/DiscoveryGroupID

Status	Occurrence	Format	Min. Access Types
Optional	One	int	Get, Replace

This leaf node indicates a discovery group ID as specified in 3GPP TS 23.303 [6].

The value is used as the discovery group ID in the ProSe discovery procedures as specified in 3GPP TS 23.303 [6].

## 5.2.19 /<x>/<x>/Common/PrivateCall/UserList/<x>/Entry/UserInfoID

**Table 5.2.19.1: /<x>/<x>/Common/PrivateCall/UserList/<x>/Entry/UserInfoID**

<x>/Common/PrivateCall/UserList/<x>/Entry/UserInfoID

Status	Occurrence	Format	Min. Access Types
Optional	One	int	Get, Replace

This leaf node indicates a ProSe user info ID as specified in 3GPP TS 23.303 [6].

## 5.2.19A /<x>/<x>/Common/PrivateCall/UserList/<x>/Entry/DisplayName

**Table 5.2.19A.1: /<x>/<x>/Common/PrivateCall/UserList/<x>/Entry/DisplayName**

<x>/Common/PrivateCall/UserList/<x>/Entry/DisplayName

Status	Occurrence	Format	Min. Access Types
Optional	One	chr	Get, Replace

This leaf node contains a human readable name.

## 5.2.19B /<x>/<x>/Common/PrivateCall/UserList/<x>/Entry/PrivateCallKMSURI

**Table 5.2.19B.1: /<x>/<x>/Common/PrivateCall/UserList/<x>/Entry/PrivateCallKMSURI**

<x>/Common/PrivateCall/UserList/<x>/Entry/PrivateCallKMSURI

Status	Occurrence	Format	Min. Access Types
Optional	One	chr	Get, Replace

This leaf node indicates the identity (URI) of the KMS associated with the MCPTTID. If the value is empty, the KMS leaf node present in the MCS UE initial configuration MO is used.

## 5.2.20 /<x>/<x>/Common/PrivateCall/ManualCommence

**Table 5.2.20.1: /<x>/<x>/Common/PrivateCall/ManualCommence**

<x>/Common/PrivateCall/ManualCommence

Status	Occurrence	Format	Min. Access Types
Required	One	bool	Get, Replace

This leaf node indicates the authorisation to make a MCPTT private call with manual commencement.

When set to "true" the MCPTT user is authorised to make a MCPTT private call in manual commencement mode.

When set to "false" the MCPTT user is not authorised to make a MCPTT private call in manual commencement mode.

## 5.2.21 /<x>/<x>/Common/PrivateCall/AutoCommence

**Table 5.2.21.1: /<x>/<x>/Common/PrivateCall/AutoCommence**

<x>/Common/PrivateCall/AutoCommence

Status	Occurrence	Format	Min. Access Types
Required	One	bool	Get, Replace

This leaf node indicates the authorisation to make a MCPTT private call with automatic commencement.

When set to "true" the MCPTT user is authorised to make a MCPTT private call in automatic commencement mode.

When set to "false" the MCPTT user is not authorised to make a MCPTT private call in automatic commencement mode.

## 5.2.22 /<x>/<x>/Common/PrivateCall/AutoAnswer

**Table 5.2.22.1: /<x>/<x>/Common/PrivateCall/AutoAnswer**

<x>/Common/PrivateCall/AutoAnswer

Status	Occurrence	Format	Min. Access Types
Required	One	bool	Get, Replace

This leaf node indicates the authorisation of MCPTT user to force automatic answer for a MCPTT private call.

When set to "true" the MCPTT user is authorised to force automatic answer for a MCPTT private call.

When set to "false" the MCPTT user is not authorised to force automatic answer for a MCPTT private call.

## 5.2.23 /<x>/<x>/Common/PrivateCall/FailRestrict

**Table 5.2.23.1: /<x>/<x>/Common/PrivateCall/FailRestrict**

<x>/Common/PrivateCall/FailRestrict

Status	Occurrence	Format	Min. Access Types
Required	One	bool	Get, Replace

This leaf node indicates the authorisation to restrict the provision of a notification of call failure reason for a MCPTT private call.

When set to "true" the MCPTT user is authorised to restrict notification of call failure reason for MCPTT private call.

When set to "false" the MCPTT user is not authorised to restrict notification of call failure reason for MCPTT private call.

## 5.2.24 /<x>/<x>/Common/PrivateCall/AllowedMediaProtection

**Table 5.2.24.1: /<x>/<x>/Common/PrivateCall/AllowedMediaProtection**

<x>/Common/PrivateCall/AllowedMediaProtection

Status	Occurrence	Format	Min. Access Types
Required	One	bool	Get, Replace

This leaf node indicates authorisation to protect confidentiality and integrity of media for MCPTT private calls.

When set to "true" the MCPTT user is authorised to protect confidentiality and integrity of media for MCPTT private calls.

When set to "false" the MCPTT user is not authorised to protect confidentiality and integrity of media for MCPTT private calls.

The default value is set to "true".

## 5.2.25 /<x>/<x>/Common/PrivateCall/AllowedFloorControlProtection

**Table 5.2.25.1: /<x>/<x>/Common/PrivateCall/AllowedFloorControlProtection**

<x>/Common/PrivateCall/AllowedFloorControlProtection

Status	Occurrence	Format	Min. Access Types
Required	One	bool	Get, Replace

This leaf node indicates authorisation to protect confidentiality and integrity of floor control signalling for MCPTT private calls.

When set to "true" the MCPTT user is authorised to protect confidentiality and integrity of floor control signalling for MCPTT private calls.

When set to "false" the MCPTT user is not authorised to protect confidentiality and integrity of floor control signalling for MCPTT private calls.

The default value is set to "true".



## 5.2.26 /<x>/<x>/Common/PrivateCall/EmergencyCall

**Table 5.2.26.1: /<x>/<x>/Common/PrivateCall/EmergencyCall**

<x>/Common/PrivateCall/EmergencyCall

Status	Occurrence	Format	Min. Access Types
Required	One	node	Get, Replace

This interior node is a placeholder for the MCPTT emergency call policy.

## 5.2.27 /<x>/<x>/Common/PrivateCall/EmergencyCall/Authorised

**Table 5.2.27.1: /<x>/<x>/Common/PrivateCall/EmergencyCall/Authorised**

<x>/Common/PrivateCall/EmergencyCall/Authorised

Status	Occurrence	Format	Min. Access Types
Required	One	bool	Get, Replace

This leaf node indicates the authorisation to make an MCPTT emergency private call.

When set to "true" the MCPTT user is authorised to make an MCPTT emergency private call.

When set to "false" the MCPTT user is not authorised to make an MCPTT emergency private call.

## 5.2.28 /<x>/<x>/Common/PrivateCall/EmergencyCall/CancelPriority

**Table 5.2.28.1: /<x>/<x>/Common/PrivateCall/EmergencyCall/CancelPriority**

<x>/Common/PrivateCall/EmergencyCall/CancelPriority

Status	Occurrence	Format	Min. Access Types
Required	One	bool	Get, Replace

This leaf node indicates the authorisation to cancel emergency priority in an MCPTT emergency private call by an authorised MCPTT user.

When set to "true" the MCPTT user is authorised to cancel an emergency priority in an MCPTT private call.

When set to "false" the MCPTT user is not authorised to cancel an emergency priority in an MPCTT private call.

## 5.2.29 /<x>/<x>/Common/PrivateCall/EmergencyCall/ MCPTTPrivateRecipient

**Table 5.2.29.1: /<x>/<x>/Common/PrivateCall/EmergencyCall/MCPTTPrivateRecipient**

<x>/Common/PrivateCall/EmergencyCall/MCPTTPrivateRecipient

Status	Occurrence	Format	Min. Access Types
Optional	One	node	Get, Replace

This interior node is a placeholder for the MCPTT private recipient for an MCPTT emergency private call.

## 5.2.29A /<x>/<x>/Common/PrivateCall/EmergencyCall/MCPTTPrivateRecipient/Entry

**Table 5.2.29A.1: /<x>/<x>/Common/PrivateCall EmergencyCall/MCPTTPrivateRecipient/Entry**

<x>/Common/PrivateCall/EmergencyCall/MCPTTPrivateRecipient/Entry

Status	Occurrence	Format	Min. Access Types
Required	One	node	Get, Replace

This interior node is a placeholder for the details of the MCPTT private recipient for an MCPTT emergency private call.

## 5.2.29B /<x>/<x>/Common/PrivateCall/EmergencyCall/MCPTTPrivateRecipient/Entry/ID

**Table 5.2.29B.1: /<x>/<x>/Common/PrivateCall/EmergencyCall/MCPTTPrivateRecipient/Entry/ID**

<x>/Common/PrivateCall/EmergencyCall/MCPTTPrivateRecipient/Entry/ID

Status	Occurrence	Format	Min. Access Types
Optional	One	chr	Get, Replace

This leaf node indicates the MCPTT private recipient used upon certain criteria on initiation of an MCPTT emergency private call.

## 5.2.29C /<x>/<x>/Common/PrivateCall/EmergencyCall/MCPTTPrivateRecipient/Entry/DiscoveryGroupID

**Table 5.2.29C.1: /<x>/<x>/Common/PrivateCall/EmergencyCall/MCPTTPrivateRecipient/Entry/DiscoveryGroupID**

<x>/Common/PrivateCall/EmergencyCall/MCPTTPrivateRecipient/Entry/DiscoveryGroupID

Status	Occurrence	Format	Min. Access Types
Optional	One	int	Get, Replace

This leaf node indicates the discovery group ID as specified in 3GPP TS 23.303 [6].

## 5.2.29D /<x>/<x>/Common/PrivateCall/EmergencyCall/MCPTTPrivateRecipient/Entry/UserInfoID

**Table 5.2.29D.1: /<x>/<x>/Common/PrivateCall/EmergencyCall/MCPTTPrivateRecipient/Entry/UserInfoID**

<x>/Common/PrivateCall/EmergencyCall/MCPTTPrivateRecipient/Entry/UserInfoID

Status	Occurrence	Format	Min. Access Types
Optional	One	int	Get, Replace

This leaf node indicates a ProSe user info ID as specified in 3GPP TS 23.303 [6].

The "UserInfoID" element identifies the MCPTT private recipient when making an off-network private call.

### 5.2.29E /<x>/<x>/Common/PrivateCall/EmergencyCall/MCPTTPrivateRecipient/Entry/DisplayName

**Table 5.2.29E.1: /<x>/<x>/Common/PrivateCall/EmergencyCall/MCPTTPrivateRecipient/Entry/DisplayName**

<x>/Common/PrivateCall/EmergencyCall/MCPTTPrivateRecipient/Entry/DisplayName

Status	Occurrence	Format	Min. Access Types
Optional	One	chr	Get, Replace

This leaf node contains a human readable name that corresponds to the MCPTT private recipient ID.

### 5.2.29F /<x>/<x>/Common/PrivateCall/EmergencyCall/MCPTTPrivateRecipient/Entry/Usage

**Table 5.2.29F.1: /<x>/<x>/Common/PrivateCall/EmergencyCall/MCPTTPrivateRecipient/Entry/Usage**

<x>/Common/PrivateCall/EmergencyCall/MCPTTPrivateRecipient/Entry/Usage

Status	Occurrence	Format	Min. Access Types
Required	One	chr	Get, Replace

This leaf node indicates the criteria to determine when initiation of an MCPTT emergency private call uses the MCPTT private recipient ID.

The valid values are 'LocallyDetermined' and 'UsePreConfigured'.

When set to 'LocallyDetermined' then if the MCPTT user selects an MCPTT ID then use that MCPTT ID for the MCPTT emergency private call, if the MCPTT user does not select a MCPTT ID then use the MCPTT ID identified by the MCPTT private recipient ID in clause 5.2.29B for an on-network MCPTT emergency private call.

When set to 'UsePreConfigured' then use the MCPTT ID identified by the MCPTT private recipient ID in clause 5.2.29B for an on-network MCPTT emergency private call.

When set to 'LocallyDetermined' then if the MCPTT user selects an MCPTT user then use the UserInfoID that corresponds to that MCPTT user for the MCPTT emergency private call, if the MCPTT user does not select a MCPTT user then use the User Info ID identified by the UserInfoID in clause 5.2.29D for an off-network MCPTT emergency private call.

When set to 'UsePreConfigured' then use the User Info ID identified by the UserInfoID in clause 5.2.29D for an off-network MCPTT emergency private call.

### 5.2.30 /<x>/<x>/Common/MCPTTGroupCall

**Table 5.2.30.1: /<x>/<x>/Common/MCPTTGroupCall**

<x>/Common/MCPTTGroupCall

Status	Occurrence	Format	Min. Access Types
Required	One	node	Get, Replace

This interior node is a placeholder for the MCPTT group call configuration.

### 5.2.31 /<x>/<x>/Common/MCPTTGroupCall/MaxSimultaneousCallsN6

**Table 5.2.31.1: /<x>/<x>/Common/MCPTTGroupCall/MaxSimultaneousCallsN6**

<x>/Common/MCPTTGroupCall/MaxSimultaneousCallsN6

Status	Occurrence	Format	Min. Access Types
Required	One	int	Get, Replace

This leaf node indicates the maximum number of simultaneously received MCPTT group calls (N6).

### 5.2.32 /<x>/<x>/Common/MCPTTGroupCall/EmergencyCall

**Table 5.2.32.1: /<x>/<x>/Common/MCPTTGroupCall/EmergencyCall**

<x>/Common/MCPTTGroupCall/EmergencyCall

Status	Occurrence	Format	Min. Access Types
Required	One	node	Get, Replace

This interior node is a placeholder for the MCPTT emergency call policy.

### 5.2.33 /<x>/<x>/Common/MCPTTGroupCall/EmergencyCall/Enabled

**Table 5.2.33.1: /<x>/<x>/Common/MCPTTGroupCall/EmergencyCall/Enabled**

<x>/Common/MCPTTGroupCall/EmergencyCall/Enabled

Status	Occurrence	Format	Min. Access Types
Optional	One	bool	Get, Replace

This leaf node indicates the authorisation to make an MCPTT emergency group call functionality enabled for MCPTT user.

When set to "true" the MCPTT user is authorised to make an MCPTT emergency group call functionality enabled.

When set to "false" the MCPTT user is not authorised to make an MCPTT emergency group call functionality enabled.

### 5.2.34 /<x>/<x>/Common/MCPTTGroupCall/EmergencyCall/ MCPTTGroupInitiation

**Table 5.2.34.1: /<x>/<x>/Common/MCPTTGroupCall/EmergencyCall/MCPTTGroupInitiation**

<x>/Common/MCPTTGroupCall/EmergencyCall/MCPTTGroupInitiation

Status	Occurrence	Format	Min. Access Types
Required	One	node	Get, Replace

This interior node is a placeholder for the group used on initiation of an MCPTT emergency group call.

### 5.2.34A /<x>/<x>/Common/MCPTTGroupCall/EmergencyCall/ MCPTTGroupInitiation/Entry

**Table 5.2.34A.1: /<x>/<x>/Common/MCPTTGroupCall/EmergencyCall/MCPTTGroupInitiation/Entry**

<x>/Common/MCPTTGroupCall/EmergencyCall/MCPTTGroupInitiation/Entry

Status	Occurrence	Format	Min. Access Types
Required	One	node	Get, Replace

This interior node is a placeholder for the details of the group used on initiation of an MCPTT emergency group call.

## 5.2.34B /<x>/<x>/Common/MCPTTGroupCall/EmergencyCall/MCPTTGroupInitiation/Entry/GroupID

**Table 5.2.34BA.1: /<x>/<x>/Common/MCPTTGroupCall/EmergencyCall/MCPTTGroupInitiation/Entry/GroupID**

<x>/Common/MCPTTGroupCall/EmergencyCall/MCPTTGroupInitiation/Entry/GroupID

Status	Occurrence	Format	Min. Access Types
Optional	One	chr	Get, Replace

This leaf node indicates the group used upon certain criteria on initiation of an MCPTT emergency group call.

## 5.2.34C /<x>/<x>/Common/MCPTTGroupCall/EmergencyCall/MCPTTGroupInitiation/Entry/DisplayName

**Table 5.2.34C.1: /<x>/<x>/Common/MCPTTGroupCall/EmergencyCall/MCPTTGroupInitiation/Entry/DisplayName**

<x>/Common/MCPTTGroupCall/EmergencyCall/MCPTTGroupInitiation/Entry/DisplayName

Status	Occurrence	Format	Min. Access Types
Optional	One	chr	Get, Replace

This leaf node contains a human readable name that corresponds to the Group ID.

## 5.2.34D /<x>/<x>/Common/MCPTTGroupCall/EmergencyCall/MCPTTGroupInitiation/Entry/Usage

**Table 5.2.34D.1: /<x>/<x>/Common/MCPTTGroupCall/EmergencyCall/MCPTTGroupInitiation/Entry/Usage**

<x>/Common/MCPTTGroupCall/EmergencyCall/MCPTTGroupInitiation/Entry/Usage

Status	Occurrence	Format	Min. Access Types
Required	One	chr	Get, Replace

This leaf node indicates the criteria to determine when initiation of an MCPTT emergency group call uses the GroupID.

The valid values are 'UseCurrentlySelectedGroup' and 'DedicatedGroup'.

When set to 'UseCurrentlySelectedGroup' then if the MCPTT user has currently selected an MCPTT group then use that MCPTT group for an on-network MCPTT emergency group call, if the MCPTT user does not have a currently selected MCPTT group then use the MCPTT group identified by the GroupID in clause 5.2.34B for an MCPTT emergency group call.

When set to 'DedicatedGroup' then use the MCPTT group identified by the GroupID in clause 5.2.34B for an MCPTT emergency group call.

### 5.2.35 /<x>/<x>/Common/MCPTTGroupCall/EmergencyCall/CancelMCPTTGroup

**Table 5.2.35.1: /<x>/<x>/Common/MCPTTGroupCall/EmergencyCall/CancelMCPTTGroup**

<x>/Common/MCPTTGroupCall/EmergencyCall/CancelMCPTTGroup

Status	Occurrence	Format	Min. Access Types
Required	One	bool	Get, Replace

This leaf node indicates the authorisation to cancel an in progress MCPTT emergency group call associated with a group.

When set to "true" the MCPTT user is authorised to cancel a MCPTT emergency group call.

When set to "false" the MCPTT user is not authorised to cancel a MCTT emergency group call.

### 5.2.36 /<x>/<x>/Common/MCPTTGroupCall/ImminentPerilCall

**Table 5.2.36.1: /<x>/<x>/Common/MCPTTGroupCall/ImminentPerilCall**

<x>/Common/MCPTTGroupCall/ImminentPerilCall

Status	Occurrence	Format	Min. Access Types
Required	One	node	Get, Replace

This interior node is a placeholder for the MCPTT imminent peril call policy.

### 5.2.37 /<x>/<x>/Common/MCPTTGroupCall/ImminentPerilCall/Authorised

**Table 5.2.37.1: /<x>/<x>/Common/MCPTTGroupCall/ImminentPerilCall/Authorised**

<x>/Common/MCPTTGroupCall/ImminentPerilCall/Authorised

Status	Occurrence	Format	Min. Access Types
Required	One	bool	Get, Replace

This leaf node indicates the authorisation to make an Imminent Peril group call.

When set to "true" the MCPTT user is authorised to create an MCPTT imminent peril group call.

When set to "false" the MCPTT user is not authorised to create an MCPTT imminent peril group call.

### 5.2.38 /<x>/<x>/Common/MCPTTGroupCall/ImminentPerilCall/Cancel

**Table 5.2.38.1: /<x>/<x>/Common/MCPTTGroupCall/ImminentPerilCall/Cancel**

<x>/Common/MCPTTGroupCall/ImminentPerilCall/Cancel

Status	Occurrence	Format	Min. Access Types
Required	One	bool	Get, Replace

This leaf node indicates the authorisation for in-progress MCPTT imminent peril cancelation.

When set to "true" the MCPTT user is authorised to cancel an MCPTT imminent peril call.

When set to "false" the MCPTT user is not authorised to cancel an MCPTT imminent peril call.

### 5.2.39 /<x>/<x>/Common/MCPTTGroupCall/ImminentPerilCall/MCPTTGroupInitiation

**Table 5.2.39.1: /<x>/<x>/Common/MCPTTGroupCall/ImminentPerilCall/MCPTTGroupInitiation**

<x>/Common/MCPTTGroupCall/ImminentPerilCall/MCPTTGroupInitiation

Status	Occurrence	Format	Min. Access Types
Optional	One	node	Get, Replace

This interior node is a placeholder for the group used on initiation of an MCPTT imminent peril group call.

### 5.2.39A /<x>/<x>/Common/MCPTTGroupCall/ImminentPerilCall/MCPTTGroupInitiation/Entry

**Table 5.2.39A.1: /<x>/<x>/Common/MCPTTGroupCall/ImminentPerilCall/MCPTTGroupInitiation/Entry**

<x>/Common/MCPTTGroupCall/ImminentPerilCall/MCPTTGroupInitiation/Entry

Status	Occurrence	Format	Min. Access Types
Required	One	node	Get, Replace

This interior node is a placeholder for the details of the group used on initiation of an imminent peril call.

### 5.2.39B /<x>/<x>/Common/MCPTTGroupCall/ImminentPerilCall/MCPTTGroupInitiation/Entry/GroupID

**Table 5.2.39B.1: /<x>/<x>/Common/MCPTTGroupCall/ImminentPerilCall/MCPTTGroupInitiation/Entry/GroupID**

<x>/Common/MCPTTGroupCall/ImminentPerilCall/MCPTTGroupInitiation/Entry/GroupID

Status	Occurrence	Format	Min. Access Types
Required	One	chr	Get, Replace

This leaf node indicates the group used upon certain criteria on initiation of an MCPTT imminent peril group call.

### 5.2.39C /<x>/<x>/Common/MCPTTGroupCall/ImminentPerilCall/MCPTTGroupInitiation/DisplayName

**Table 5.2.39C.1: /<x>/<x>/Common/MCPTTGroupCall/ImminentPerilCall/MCPTTGroupInitiation/Entry/DisplayName**

<x>/Common/MCPTTGroupCall/ImminentPerilCall/MCPTTGroupInitiation/Entry/DisplayName

Status	Occurrence	Format	Min. Access Types
Optional	One	chr	Get, Replace

This leaf node contains a human readable name that corresponds to the Group ID.

## 5.2.39D /<x>/<x>/Common/MCPTTGroupCall/ImminentPerilCall/MCPTTGroupInitiation/Entry/Usage

**Table 5.2.39D.1: /<x>/<x>/Common/MCPTTGroupCall/ImminentPerilCall/MCPTTGroupInitiation/Entry/Usage**

<x>/Common/MCPTTGroupCall/ImminentPerilCall/MCPTTGroupInitiation/Entry/Usage

Status	Occurrence	Format	Min. Access Types
Required	One	chr	Get, Replace

This leaf node indicates the criteria to determine when initiation of an MCPTT imminent peril group call uses the GroupID.

The valid values are 'UseCurrentlySelectedGroup' and 'DedicatedGroup'.

When set to 'UseCurrentlySelectedGroup' then if the MCPTT user has currently selected an MCPTT group then use that MCPTT group for an on-network MCPTT imminent peril group call, if the MCPTT user does not have a currently selected MCPTT group then use the MCPTT group identified by the GroupID in clause 5.2.39B for an MCPTT imminent peril group call.

When set to 'DedicatedGroup' then use the MCPTT group identified by the GroupID in clause 5.2.39B for an MCPTT imminent peril group call.

## 5.2.40 /<x>/<x>/Common/MCPTTGroupCall/EmergencyAlert

**Table 5.2.40.1: /<x>/<x>/Common/MCPTTGroupCall/EmergencyAlert**

<x>/Common/MCPTTGroupCall/EmergencyAlert

Status	Occurrence	Format	Min. Access Types
Required	One	node	Get, Replace

This interior node is a placeholder for the MCPTT emergency alert policy.

## 5.2.41 /<x>/<x>/Common/MCPTTGroupCall/EmergencyAlert/Authorised

**Table 5.2.41.1: /<x>/<x>/Common/MCPTTGroupCall/EmergencyAlert/Authorised**

<x>/Common/MCPTTGroupCall/EmergencyAlert/Authorised

Status	Occurrence	Format	Min. Access Types
Required	One	bool	Get, Replace

This leaf node indicates the authorisation to activate an MCPTT emergency alert.

When set to "true" the MCPTT user is authorised to make an MCPTT emergency alert.

When set to "false" the MCPTT user is not authorised to make an MCPTT emergency alert.

## 5.2.42 /<x>/<x>/Common/MCPTTGroupCall/EmergencyAlert/Cancel

**Table 5.2.42.1: /<x>/<x>/Common/MCPTTGroupCall/EmergencyAlert/Cancel**

<x>/Common/MCPTTGroupCall/EmergencyAlert/Cancel

Status	Occurrence	Format	Min. Access Types
Required	One	bool	Get, Replace



This leaf node indicates the authorisation to cancel an MCPTT emergency alert.

When set to "true" the MCPTT user is authorised to cancel an MCPTT emergency alert.

When set to "false" the MCPTT user is not authorised to cancel an MCPTT emergency alert.

## 5.2.43 Void

### 5.2.43A /<x>/<x>/Common/MCPTTGroupCall/EmergencyAlert/Entry

**Table 5.2.43A.1: /<x>/<x>/Common/MCPTTGroupCall/EmergencyAlert/Entry**

<x>/Common/MCPTTGroupCall/EmergencyAlert/Entry

Status	Occurrence	Format	Min. Access Types
Required	One	node	Get, Replace

This interior node is a placeholder for the details of the MCPTT group of an MCPTT emergency alert.

### 5.2.43B /<x>/<x>/Common/MCPTTGroupCall/EmergencyAlert/Entry/ID

**Table 5.2.43B.1: /<x>/<x>/Common/MCPTTGroupCall/EmergencyAlert/Entry/ID**

<x>/Common/MCPTTGroupCall/EmergencyAlert/Entry/ID

Status	Occurrence	Format	Min. Access Types
Required	One	chr	Get, Replace

This leaf node indicates the MCPTT group used upon certain criteria on initiation of an MCPTT emergency alert.

## 5.2.43C Void

### 5.2.43D /<x>/<x>/Common/MCPTTGroupCall/EmergencyAlert/Entry/DisplayName

**Table 5.2.43D.1: /<x>/<x>/Common/MCPTTGroupCall/EmergencyAlert/Entry/DisplayName**

<x>/Common/MCPTTGroupCall/EmergencyAlert/Entry/DisplayName

Status	Occurrence	Format	Min. Access Types
Optional	One	chr	Get, Replace

This leaf node contains a human readable name that corresponds to the ID.

### 5.2.43E /<x>/<x>/Common/MCPTTGroupCall/EmergencyAlert/Entry/Usage

**Table 5.2.43E.1: /<x>/<x>/Common/MCPTTGroupCall/EmergencyAlert/Entry/Usage**

<x>/Common/MCPTTGroupCall/EmergencyAlert/Entry/Usage

Status	Occurrence	Format	Min. Access Types
Required	One	chr	Get, Replace

This leaf node indicates the criteria to determine when initiation of an MCPTT emergency alert uses the ID.

The valid values are 'LocallyDetermined', 'UseCurrentlySelectedGroup', 'UsePreConfigured' and 'DedicatedGroup'.

When set to 'LocallyDetermined' then if the MCPTT user selects an MCPTT ID then use that MCPTT ID for an on-network MCPTT emergency alert, if the MCPTT user does not select a MCPTT ID then use the MCPTT ID identified by the ID in clause 5.2.43B for an on-network MCPTT emergency alert.

When set to 'UseCurrentlySelectedGroup' then if the MCPTT user has currently selected an MCPTT group then use that MCPTT group for an on-network MCPTT emergency alert, if the MCPTT user does not have a currently selected MCPTT group then use the MCPTT group identified by the ID in clause 5.2.43B for an MCPTT emergency alert.

When set to 'UsePreConfigured' then use the ID identified by the ID in clause 5.2.43B for an on-network MCPTT emergency alert.

When set to 'DedicatedGroup' then use the MCPTT group identified by the ID in clause 5.2.43B for an MCPTT emergency alert.

## 5.2.43F /<x>/<x>/Common/MCPTTGroupCall/Priority

**Table 5.2.43F.1: /<x>/<x>/Common/MCPTTGroupCall/Priority**

<x>/Common/MCPTTGroupCall/Priority

Status	Occurrence	Format	Min. Access Types
Required	One	int	Get, Replace

This leaf node indicates the priority of the MCPTT group calls.

- Values: 0-255

The MCPTT group call with the lowest Priority value shall be considered as the MCPTT group call having the lowest level among the MCPTT group calls.

## 5.2.44 Void

## 5.2.45 /<x>/<x>/Common/MCPTTGroupBroadcast

**Table 5.2.45.1: /<x>/<x>/Common/MCPTTGroupBroadcast**

<x>/Common/MCPTTGroupBroadcast

Status	Occurrence	Format	Min. Access Types
Required	One	node	Get, Replace

This interior node is a placeholder for the group-broadcast group policy.

## 5.2.46 /<x>/<x>/Common/MCPTTGroupBroadcast/Authorised

**Table 5.2.46.1: /<x>/<x>/Common/MCPTTGroupBroadcast/Authorised**

<x>/Common/MCPTTGroupBroadcast/Authorised

Status	Occurrence	Format	Min. Access Types
Required	One	bool	Get, Replace

This leaf node indicates the authorisation to create a group-broadcast group.

When set to "true" the MCPTT user is authorised to create a group-broadcast group.

When set to "false" the MCPTT user is not authorised to create a group-broadcast group.

## 5.2.47 /<x>/<x>/Common/UserBroadcast

**Table 5.2.47.1: /<x>/<x>/Common/UserBroadcast**

<x>/Common/UserBroadcast

Status	Occurrence	Format	Min. Access Types
Required	One	node	Get, Replace

This interior node is a placeholder for the user-broadcast group policy.

## 5.2.48 /<x>/<x>/Common/UserBroadcast/Authorised

**Table 5.2.48.1: /<x>/<x>/Common/UserBroadcast/Authorised**

<x>/Common/UserBroadcast/Authorised

Status	Occurrence	Format	Min. Access Types
Required	One	bool	Get, Replace

This leaf node indicates the authorisation to create a user-broadcast group.

When set to "true" the MCPTT user is authorised to create a user-broadcast group.

When set to "false" the MCPTT user is not authorised to create a user-broadcast group.

## 5.2.48A /<x>/<x>/OnNetwork

**Table 5.2.48A.1: /<x>/<x>/OnNetwork**

<x>/OnNetwork

Status	Occurrence	Format	Min. Access Types
Required	ZeroOrOne	node	Get, Replace

This interior node represents a container for on-network operation.

## 5.2.48B1/<x>/<x>/OnNetwork/MCPTTGroupList

**Table 5.2.48B1.1: /<x>/<x>/OnNetwork/MCPTTGroupList**

<x>/OnNetwork/MCPTTGroupList

Status	Occurrence	Format	Min. Access Types
Required	One	node	Get, Replace

This interior node is a placeholder for the list of on-network MCPTT groups that the MCPTT user is allowed to affiliate to.

## 5.2.48B2/<x>/<x>/OnNetwork/MCPTTGroupList/<x>

**Table 5.2.48B2.1: /<x>/<x>/OnNetwork/MCPTTGroupList/<x>**

<x>/OnNetwork/MCPTTGroupList/<x>

Status	Occurrence	Format	Min. Access Types

Required	OneOrMore	node	Get, Replace
----------	-----------	------	--------------

This interior node is a placeholder for one or more list of on-network MCPTT groups that the MCPTT user is allowed to affiliate to.

## 5.2.48B3/<x>/<x>/OnNetwork/MCPTTGroupList/<x>/Entry

**Table 5.2.48B3.1: /<x>/<x>/OnNetwork/MCPTTGroupList/<x>/Entry**

<x>/OnNetwork/MCPTTGroupList/<x>/Entry

Status	Occurrence	Format	Min. Access Types
Optional	One	node	Get, Replace

This interior node is a placeholder for the details of the on-network MCPTT groups that the MCPTT user is allowed to affiliate to.

## 5.2.48B4/<x>/<x>/OnNetwork/MCPTTGroupList/<x>/Entry/ MCPTTGroupID

**Table 5.2.48B4.1: /<x>/<x>/OnNetwork/MCPTTGroupList/<x>/Entry/MCPTTGroupID**

<x>/OnNetwork/MCPTTGroupList/<x>/Entry/MCPTTGroupID

Status	Occurrence	Format	Min. Access Types
Required	One	chr	Get, Replace

This leaf node indicates the MCPTT group ID for the on-network MCPTT group that the MCPTT user is allowed to affiliate to.

The value is a "uri" attribute specified in OMA OMA-TS-XDM\_Group-V1\_1 [4].

## 5.2.48B4A /<x>/<x>/OnNetwork/MCPTTGroupList/<x>/Entry/ RulesForAffiliation

**Table 5.2.48B4A.1: /<x>/<x>/OnNetwork/MCPTTGroupList/<x>/Entry/RulesForAffiliation**

<x>/OnNetwork/MCPTTGroupList/<x>/Entry/RulesForAffiliation

Status	Occurrence	Format	Min. Access Types
Optional	ZeroOrOne	node	Get, Replace

This interior node is a placeholder for the rules that control automatic affiliation.

## 5.2.48B4A0 /<x>/<x>/OnNetwork/MCPTTGroupList/<x>/Entry/ RulesForAffiliation/<x>

**Table 5.2.48B4A0.1: /<x>/<x>/OnNetwork/MCPTTGroupList/<x>/Entry/RulesForAffiliation/<x>**

<x>/OnNetwork/MCPTTGroupList/<x>/Entry/RulesForAffiliation/<x>

Status	Occurrence	Format	Min. Access Types
Optional	ZeroOrMore	node	Get, Replace

This interior node is a placeholder for the zero or more rules that control automatic affiliation.

## 5.2.48B4A1 /<x>/<x>/OnNetwork/MCPTTGroupList/<x>/Entry/ RulesForAffiliation/<x>/ListOfLocationCriteria

**Table 5.2.48B4A1.1: /<x>/<x>/OnNetwork/MCPTTGroupList/<x>/Entry/RulesForAffiliation/<x>/  
ListOfLocationCriteria**

<x>/OnNetwork/MCPTTGroupList/<x>/Entry/RulesForAffiliation/<x>/ListOfLocationCriteria

Status	Occurrence	Format	Min. Access Types
Optional	One	node	Get, Replace

This interior node is a placeholder for the location portion of the rules that control automatic affiliation.

## 5.2.48B4A2 /<x>/<x>/OnNetwork/MCPTTGroupList/<x>/Entry/ RulesForAffiliation/<x>/ListOfLocationCriteria/<x>

**Table 5.2.48B84A2.1: /<x>/<x>/OnNetwork/MCPTTGroupList/<x>/Entry/RulesForAffiliation/<x>/  
ListOfLocationCriteria/<x>**

<x>/OnNetwork/MCPTTGroupList/<x>/Entry/RulesForAffiliation/<x>/ListOfLocationCriteria/<x>

Status	Occurrence	Format	Min. Access Types
Optional	ZeroOrMore	node	Get, Replace

This interior node is a placeholder for the location portion of the rules that control automatic affiliation.

## 5.2.48B4A3 /<x>/<x>/OnNetwork/MCPTTGroupList/<x>/Entry/ RulesForAffiliation/<x>/ListOfLocationCriteria/<x>/Entry

**Table 5.2.48B4A3.1: /<x>/<x>/OnNetwork/MCPTTGroupList/<x>/Entry/RulesForAffiliation/<x>/  
ListOfLocationCriteria/<x>/Entry**

<x>/OnNetwork/MCPTTGroupList/<x>/Entry/RulesForAffiliation/<x>/ListOfLocationCriteria/<x>/Entry

Status	Occurrence	Format	Min. Access Types
Optional	One	node	Get, Replace

This interior node is a placeholder for the location portion of the rules that control automatic affiliation.

## 5.2.48B4A4 /<x>/<x>/OnNetwork/MCPTTGroupList/<x>/Entry/ RulesForAffiliation/<x>/ListOfLocationCriteria/<x>/Entry/ EnterSpecificArea

**Table 5.2.48B4A4.1: /<x>/<x>/OnNetwork/MCPTTGroupList/<x>/Entry/RulesForAffiliation/<x>/  
ListOfLocationCriteria/<x>/Entry/EnterSpecificArea**

<x>/OnNetwork/MCPTTGroupList/<x>/Entry/RulesForAffiliation/<x>/ListOfLocationCriteria/<x>/Entry/EnterSpe  
cificArea

Status	Occurrence	Format	Min. Access Types
Optional	ZeroOrOne	node	Get, Replace

This interior node contains a geographical area which when entered by the MC service UE triggers evaluation of the rules.

## 5.2.48B4A5 /<x>/<x>/OnNetwork/MCPTTGroupList/<x>/Entry/ RulesForAffiliation/<x>/ListOfLocationCriteria/<x>/Entry/ EnterSpecificArea/PolygonArea

**Table 5.2.48B4A5.1: /<x>/<x>/OnNetwork/MCPTTGroupList/<x>/Entry/RulesForAffiliation/<x>/  
ListOfLocationCriteria/<x>/Entry/EnterSpecificArea/PolygonArea**

<x>/OnNetwork/MCPTTGroupList/<x>/Entry/RulesForAffiliation/<x>/ListOfLocationCriteria/<x>/Entry/EnterSpe  
cificArea/PolygonArea

Status	Occurrence	Format	Min. Access Types
Optional	ZeroOrOne	node	Get, Replace

This interior node contains a geographical area described by a polygon.

## 5.2.48B4A6 /<x>/<x>/OnNetwork/MCPTTGroupList/<x>/Entry/ RulesForAffiliation/<x>/ListOfLocationCriteria/<x>/Entry/ EnterSpecificArea/PolygonArea/<x>

**Table 5.2.48B4A6.1: /<x>/<x>/OnNetwork/MCPTTGroupList/<x>/Entry/RulesForAffiliation/<x>/  
ListOfLocationCriteria/<x>/Entry/EnterSpecificArea/PolygonArea/<x>**

<x>/OnNetwork/MCPTTGroupList/<x>/Entry/RulesForAffiliation/<x>/ListOfLocationCriteria/<x>/Entry/EnterSpe  
cificArea/PolygonArea/<x>

Status	Occurrence	Format	Min. Access Types
Required	OneOrN	node	Get, Replace

This interior node contains the coordinates of the corners which define a polygon. The occurrence of this  
leaf node is "3 to 15" as per 3GPP TS 23.032 [21].

## 5.2.48B4A7 /<x>/<x>/OnNetwork/MCPTTGroupList/<x>/Entry/ RulesForAffiliation/<x>/ListOfLocationCriteria/<x>/Entry/ EnterSpecificArea/PolygonArea/<x>/PointCoordinateType

**Table 5.2.48B4A7.1: /<x>/<x>/OnNetwork/MCPTTGroupList/<x>/Entry/RulesForAffiliation/<x>/  
ListOfLocationCriteria/<x>/Entry/EnterSpecificArea/PolygonArea/<x>/PointCoordinateType**

<x>/OnNetwork/MCPTTGroupList/<x>/Entry/RulesForAffiliation/<x>/ListOfLocationCriteria/<x>/Entry/EnterSpe  
cificArea/PolygonArea/<x>/PointCoordinateType

Status	Occurrence	Format	Min. Access Types
Required	One	node	Get, Replace

This interior node contains the type of the coordinates.

5.2.48B4A8 /<x>/<x>/OnNetwork/MCPTTGroupList/<x>/Entry/  
RulesForAffiliation/<x>/ListOfLocationCriteria/<x>/Entry/  
EnterSpecificArea/PolygonArea/<x>/PointCoordinateType/  
Longitude

**Table 5.2.48B4A8.1: /<x>/<x>/OnNetwork/MCPTTGroupList/<x>/Entry/RulesForAffiliation/<x>/ListOfLocationCriteria/<x>/Entry/EnterSpecificArea/PolygonArea/<x>/PointCoordinateType/Longitude**

<x>/OnNetwork/MCPTTGroupList/<x>/Entry/RulesForAffiliation/<x>/ListOfLocationCriteria/<x>/Entry/EnterSpecificArea/PolygonArea/<x>/PointCoordinateType/Longitude

Status	Occurrence	Format	Min. Access Types
Required	One	int	Get, Replace

This leaf node contains the longitudinal coordinate of a corner.

5.2.48B4A9 /<x>/<x>/OnNetwork/MCPTTGroupList/<x>/Entry/  
RulesForAffiliation/<x>/ListOfLocationCriteria/<x>/Entry/  
EnterSpecificArea/PolygonArea/<x>/PointCoordinateType/  
Latitude

**Table 5.2.48B4A9.1: /<x>/<x>/OnNetwork/MCPTTGroupList/<x>/Entry/RulesForAffiliation/<x>/ListOfLocationCriteria/<x>/Entry/EnterSpecificArea/PolygonArea/<x>/PointCoordinateType/Latitude**

<x>/OnNetwork/MCPTTGroupList/<x>/Entry/RulesForAffiliation/<x>/ListOfLocationCriteria/<x>/Entry/EnterSpecificArea/PolygonArea/<x>/PointCoordinateType/Latitude

Status	Occurrence	Format	Min. Access
Required	One	int	Get, Replace

This leaf node contains the latitudinal coordinate of a corner.

5.2.48B4A10 /<x>/<x>/OnNetwork/MCPTTGroupList/<x>/Entry/  
RulesForAffiliation/<x>/ListOfLocationCriteria/<x>/Entry/  
EnterSpecificArea/EllipsoidArcArea

**Table 5.2.48B4A10.1: /<x>/<x>/OnNetwork/MCPTTGroupList/<x>/Entry/RulesForAffiliation/<x>/ListOfLocationCriteria/<x>/Entry/EnterSpecificArea/EllipsoidArcArea**

<x>/OnNetwork/MCPTTGroupList/<x>/Entry/RulesForAffiliation/<x>/ListOfLocationCriteria/<x>/Entry/EnterSpecificArea/EllipsoidArcArea

Status	Occurrence	Format	Min. Access Types
Optional	ZeroOrOne	node	Get, Replace

This interior node contains a geographical area described by an ellipsoid arc.

5.2.48B4A11 /<x>/<x>/OnNetwork/MCPTTGroupList/<x>/Entry/  
RulesForAffiliation/<x>/ListOfLocationCriteria/<x>/Entry/  
EnterSpecificArea/EllipsoidArcArea/Center

**Table 5.2.48B4A11.1: /<x>/<x>/OnNetwork/MCPTTGroupList/<x>/Entry/RulesForAffiliation/<x>/  
ListOfLocationCriteria/<x>/Entry/EnterSpecificArea/EllipsoidArcArea/Center**

<x>/OnNetwork/MCPTTGroupList/<x>/Entry/RulesForAffiliation/<x>/ListOfLocationCriteria/<x>/Entry/EnterSpe  
cificArea/EllipsoidArcArea/Center

Status	Occurrence	Format	Min. Access Types
Required	One	node	Get, Replace

This interior node contains the coordinates of the center point of the ellipsoid arc.

5.2.48B4A12 /<x>/<x>/OnNetwork/MCPTTGroupList/<x>/Entry/  
RulesForAffiliation/<x>/ListOfLocationCriteria/<x>/Entry/  
EnterSpecificArea/EllipsoidArcArea/Center/  
PointCoordinateType

**Table 5.2.48B4A12.1: /<x>/<x>/OnNetwork/MCPTTGroupList/<x>/Entry/RulesForAffiliation/<x>/  
ListOfLocationCriteria/<x>/Entry/EnterSpecificArea/EllipsoidArcArea/Center/PointCoordinateType**

<x>/OnNetwork/MCPTTGroupList/<x>/Entry/RulesForAffiliation/<x>/ListOfLocationCriteria/<x>/Entry/EnterSpe  
cificArea/EllipsoidArcArea/Center/PointCoordinateType

Status	Occurrence	Format	Min. Access Types
Required	One	node	Get, Replace

This interior node contains the coordinates of the center point of the ellipsoid arc.

5.2.48B4A13 /<x>/<x>/OnNetwork/MCPTTGroupList/<x>/Entry/  
RulesForAffiliation/<x>/ListOfLocationCriteria/<x>/Entry/  
EnterSpecificArea/EllipsoidArcArea/Center/  
PointCoordinateType/Longitude

**Table 5.2.48B4A13.1: /<x>/<x>/OnNetwork/MCPTTGroupList/<x>/Entry/RulesForAffiliation/<x>/  
ListOfLocationCriteria/<x>/Entry/EnterSpecificArea/EllipsoidArcArea/Center/PointCoordinateType/  
Longitude**

<x>/OnNetwork/MCPTTGroupList/<x>/Entry/RulesForAffiliation/<x>/ListOfLocationCriteria/<x>/Entry/EnterSpe  
cificArea/EllipsoidArcArea/Center/PointCoordinateType/Longitude

Status	Occurrence	Format	Min. Access Types
Required	One	int	Get, Replace

This leaf node contains the longitudinal coordinate of the center.



5.2.48B4A14 /<x>/<x>/OnNetwork/MCPTTGroupList/<x>/Entry/  
RulesForAffiliation/<x>/ListOfLocationCriteria/<x>/Entry/  
EnterSpecificArea/EllipsoidArcArea/Center/  
PointCoordinateType/Latitude

**Table 5.2.48B4A14.1: /<x>/<x>/OnNetwork/MCPTTGroupList/<x>/Entry/RulesForAffiliation/<x>/  
ListOfLocationCriteria/<x>/Entry/EnterSpecificArea/EllipsoidArcArea/Center/PointCoordinateType/  
Latitude**

<x>/OnNetwork/MCPTTGroupList/<x>/Entry/RulesForAffiliation/<x>/ListOfLocationCriteria/<x>/Entry/EnterSpe  
cificArea/EllipsoidArcArea/Center/PointCoordinateType/Latitude

Status	Occurrence	Format	Min. Access Types
Required	One	int	Get, Replace

This leaf node contains the latitudinal coordinate of a center.

5.2.48B4A15 /<x>/<x>/OnNetwork/MCPTTGroupList/<x>/Entry/  
RulesForAffiliation/<x>/ListOfLocationCriteria/<x>/Entry/  
EnterSpecificArea/EllipsoidArcArea/Radius

**Table 5.2.48B4A15.1: /<x>/<x>/OnNetwork/MCPTTGroupList/<x>/Entry/RulesForAffiliation/<x>/  
ListOfLocationCriteria/<x>/Entry/EnterSpecificArea/EllipsoidArcArea/Radius**

<x>/OnNetwork/MCPTTGroupList/<x>/Entry/RulesForAffiliation/<x>/ListOfLocationCriteria/<x>/Entry/EnterSpe  
cificArea/EllipsoidArcArea/Center/Radius

Status	Occurrence	Format	Min. Access Types
Required	One	int	Get, Replace

This leaf node contains the radius of the ellipsoid arc.

5.2.48B4A16 /<x>/<x>/OnNetwork/MCPTTGroupList/<x>/Entry/  
RulesForAffiliation/<x>/ListOfLocationCriteria/<x>/Entry/  
EnterSpecificArea/EllipsoidArcArea/OffsetAngle

**Table 5.2.48B4A16.1: /<x>/<x>/OnNetwork/MCPTTGroupList/<x>/Entry/RulesForAffiliation/<x>/  
ListOfLocationCriteria/<x>/Entry/EnterSpecificArea/EllipsoidArcArea/OffsetAngle**

<x>/OnNetwork/MCPTTGroupList/<x>/Entry/RulesForAffiliation/<x>/ListOfLocationCriteria/<x>/Entry/EnterSpe  
cificArea/EllipsoidArcArea/OffsetAngle

Status	Occurrence	Format	Min. Access Types
Required	One	int	Get, Replace

This leaf node contains the offset angle of the ellipsoid arc.

### 5.2.48B4A17 /<x>/<x>/OnNetwork/MCPTTGroupList/<x>/Entry/ RulesForAffiliation/<x>/ListOfLocationCriteria/<x>/Entry/ EnterSpecificArea/EllipsoidArcArea/IncludedAngle

**Table 5.2.48B4A17.1: /<x>/<x>/OnNetwork/MCPTTGroupList/<x>/Entry/RulesForAffiliation/<x>/  
ListOfLocationCriteria/<x>/Entry/EnterSpecificArea/EllipsoidArcArea/IncludedAngle**

<x>/OnNetwork/MCPTTGroupList/<x>/Entry/RulesForAffiliation/<x>/ListOfLocationCriteria/<x>/Entry/EnterSpe  
cificArea/EllipsoidArcArea/IncludedAngle

Status	Occurrence	Format	Min. Access Types
Required	One	int	Get, Replace

This leaf node contains the included angle of the ellipsoid arc.

### 5.2.48B4A18 /<x>/<x>/OnNetwork/MCPTTGroupList/<x>/Entry/ RulesForAffiliation/<x>/ListOfLocationCriteria/<x>/Entry/ EnterSpecificArea/Speed

**Table 5.2.48B4A18.1: /<x>/<x>/OnNetwork/MCPTTGroupList/<x>/Entry/RulesForAffiliation/<x>/<x>/  
ListOfLocationCriteria/<x>/Entry/EnterSpecificArea/Speed**

<x>/OnNetwork/MCPTTGroupList/<x>/Entry/RulesForAffiliation/<x>/ListOfLocationCriteria/<x>/Entry/EnterSpe  
cificArea/Speed

Status	Occurrence	Format	Min. Access Types
Optional	One	node	Get, Replace

This interior node contains the speed.

### 5.2.48B4A19 /<x>/<x>/OnNetwork/MCPTTGroupList/<x>/Entry/ RulesForAffiliation/<x>/ListOfLocationCriteria/<x>/Entry/ EnterSpecificArea/Speed/MinimumSpeed

**Table 5.2.48B4A19.1: /<x>/<x>/OnNetwork/MCPTTGroupList/<x>/Entry/RulesForAffiliation/<x>/  
ListOfLocationCriteria/<x>/Entry/EnterSpecificArea/Speed/MinimumSpeed**

<x>/OnNetwork/MCPTTGroupList/<x>/Entry/RulesForAffiliation/<x>/ListOfLocationCriteria/<x>/Entry/EnterSpe  
cificArea/Speed/MinimumSpeed

Status	Occurrence	Format	Min. Access Types
Required	One	int	Get, Replace

This leaf node contains the minimum speed.

- Values: non-negative integer in units of kilometers/hour.

5.2.48B4A20 /<x>/<x>/OnNetwork/MCPTTGroupList/<x>/Entry/  
RulesForAffiliation/<x>/ListOfLocationCriteria/<x>/Entry/  
EnterSpecificArea/Speed/MaximumSpeed

**Table 5.2.48B4A20.1: /<x>/<x>/OnNetwork/MCPTTGroupList/<x>/Entry/RulesForAffiliation/<x>/  
ListOfLocationCriteria/<x>/Entry/EnterSpecificArea/Speed/MaximumSpeed**

<x>/OnNetwork/MCPTTGroupList/<x>/Entry/RulesForAffiliation/<x>/ListOfLocationCriteria/<x>/Entry/EnterSpe  
cificArea/Speed/MaximumSpeed

Status	Occurrence	Format	Min. Access Types
Required	One	int	Get, Replace

This leaf node contains the maximum speed.

- Values: non-negative integer in units of kilometers/hour.

5.2.48B4A21 /<x>/<x>/OnNetwork/MCPTTGroupList/<x>/Entry/  
RulesForAffiliation/<x>ListOfLocationCriteria/<x>/Entry/  
EnterSpecificArea/Heading

**Table 5.2.48B4A21.1: /<x>/<x>/OnNetwork/MCPTTGroupList/<x>/Entry/RulesForAffiliation/<x>/  
ListOfLocationCriteria/<x>/Entry/EnterSpecificArea/Heading**

<x>/OnNetwork/MCPTTGroupList/<x>/Entry/RulesForAffiliation/<x>/ListOfLocationCriteria/<x>/Entry/EnterSpe  
cificArea/Heading

Status	Occurrence	Format	Min. Access Types
Optional	One	node	Get, Replace

This interior node contains the heading.

5.2.48B4A22 /<x>/<x>/OnNetwork/MCPTTGroupList/<x>/Entry/  
RulesForAffiliation/<x>/ListOfLocationCriteria/<x>/Entry/  
EnterSpecificArea/Heading/MinimumHeading

**Table 5.2.48B4A22.1: /<x>/<x>/OnNetwork/MCPTTGroupList/<x>/Entry/RulesForAffiliation/<x>/  
ListOfLocationCriteria/<x>/Entry/EnterSpecificArea/Heading/MinimumHeading**

<x>/OnNetwork/MCPTTGroupList/<x>/Entry/RulesForAffiliation/<x>/ListOfLocationCriteria/<x>/Entry/EnterSpe  
cificArea/Heading/MinimumHeading

Status	Occurrence	Format	Min. Access Types
Required	One	int	Get, Replace

This leaf node contains the minimum heading.

- Values: 0-359

## 5.2.48B4A23 /<x>/<x>/OnNetwork/MCPTTGroupList/<x>/Entry/ RulesForAffiliation/<x>/ListOfLocationCriteria/<x>/Entry/ EnterSpecificArea/Heading/MaximumHeading

**Table 5.2.48B4A23.1: /<x>/<x>/OnNetwork/MCPTTGroupList/<x>/Entry/RulesForAffiliation/<x>/  
ListOfLocationCriteria/<x>/Entry/EnterSpecificArea/Heading/MaximumHeading**

<x>/OnNetwork/MCPTTGroupList/<x>/Entry/RulesForAffiliation/<x>/ListOfLocationCriteria/<x>/Entry/EnterSpe  
cificArea/Heading/MaximumHeading

Status	Occurrence	Format	Min. Access Types
Required	One	int	Get, Replace

This leaf node contains the maximum heading.

- Values: 0-359

## 5.2.48B4A24 /<x>/<x>/OnNetwork/MCPTTGroupList/<x>/Entry/ RulesForAffiliation/<x>/ListOfLocationCriteria/<x>/Entry/ ExitSpecificArea

**Table 5.2.48B4A24.1: /<x>/<x>/OnNetwork/MCPTTGroupList/<x>/Entry/RulesForAffiliation/<x>/  
ListOfLocationCriteria/<x>/Entry/ExitSpecificArea**

<x>/OnNetwork/MCPTTGroupList/<x>/Entry/RulesForAffiliation/<x>/ListOfLocationCriteria/<x>/Entry/ExitSpeci  
ficArea

Status	Occurrence	Format	Min. Access Types
Optional	ZeroOrOne	node	Get, Replace

This interior node contains a geographical area which when entered by the MC service UE triggers  
evaluation of the rules.

## 5.2.48B4A25 /<x>/<x>/OnNetwork/MCPTTGroupList/<x>/Entry/ RulesForAffiliation/<x>/ListOfLocationCriteria/<x>/Entry/ ExitSpecificArea/PolygonArea

**Table 5.2.48B4A25.1: /<x>/<x>/OnNetwork/MCPTTGroupList/<x>/Entry/RulesForAffiliation/<x>/  
ListOfLocationCriteria/<x>/Entry/ExitSpecificArea/PolygonArea**

<x>/OnNetwork/MCPTTGroupList/<x>/Entry/RulesForAffiliation/<x>/ListOfLocationCriteria/<x>/Entry/ExitSpeci  
ficArea/PolygonArea

Status	Occurrence	Format	Min. Access Types
Optional	ZeroOrOne	node	Get, Replace

This interior node contains a geographical area described by a polygon.

5.2.48B4A26 /<x>/<x>/OnNetwork/MCPTTGroupList/<x>/Entry/  
RulesForAffiliation/<x>/ListOfLocationCriteria/<x>/Entry/  
ExitSpecificArea/PolygonArea/<x>

**Table 5.2.48B4A26.1: /<x>/<x>/OnNetwork/MCPTTGroupList/<x>/Entry/RulesForAffiliation/<x>/  
ListOfLocationCriteria/<x>/Entry/ExitSpecificArea/PolygonArea/<x>**

<x>/OnNetwork/MCPTTGroupList/<x>/Entry/RulesForAffiliation/<x>/ListOfLocationCriteria/<x>/Entry/ExitSpecificArea/PolygonArea/<x>

Status	Occurrence	Format	Min. Access Types
Required	OneOrN	node	Get, Replace

This interior node contains the coordinates of the corners which define a polygon. The occurrence of this leaf node is "3 to 15" as per 3GPP TS 23.032 [21].

5.2.48B4A27 /<x>/<x>/OnNetwork/MCPTTGroupList/<x>/Entry/  
RulesForAffiliation/<x>/ListOfLocationCriteria/<x>/Entry/  
ExitSpecificArea/PolygonArea/<x>/PointCoordinateType

**Table 5.2.48B4A27.1: /<x>/<x>/OnNetwork/MCPTTGroupList/<x>/Entry/RulesForAffiliation/<x>/  
ListOfLocationCriteria/<x>/Entry/ExitSpecificArea/PolygonArea/<x>/PointCoordinateType**

<x>/OnNetwork/MCPTTGroupList/<x>/Entry/RulesForAffiliation/<x>/ListOfLocationCriteria/<x>/Entry/ExitSpecificArea/PolygonArea/<x>/PointCoordinateType

Status	Occurrence	Format	Min. Access Types
Required	One	node	Get, Replace

This interior node contains the type of the coordinates.

5.2.48B4A28 /<x>/<x>/OnNetwork/MCPTTGroupList/<x>/Entry/  
RulesForAffiliation/<x>/ListOfLocationCriteria/<x>/Entry/  
ExitSpecificArea/PolygonArea/<x>/PointCoordinateType/  
Longitude

**Table 5.2.48B4A28.1: /<x>/<x>/OnNetwork/MCPTTGroupList/<x>/Entry/RulesForAffiliation/<x>/  
ListOfLocationCriteria/<x>/Entry/ExitSpecificArea/PolygonArea/<x>/PointCoordinateType/  
Longitude**

<x>/OnNetwork/MCPTTGroupList/<x>/Entry/RulesForAffiliation/<x>/ListOfLocationCriteria/<x>/Entry/ExitSpecificArea/PolygonArea/<x>/PointCoordinateType/Longitude

Status	Occurrence	Format	Min. Access Types
Required	One	int	Get, Replace

This leaf node contains the longitudinal coordinate of a corner.

5.2.48B4A29 /<x>/<x>/OnNetwork/MCPTTGroupList/<x>/Entry/  
RulesForAffiliation/<x>/ListOfLocationCriteria/<x>/Entry/  
ExitSpecificArea/PolygonArea/<x>/PointCoordinateType/  
Latitude

**Table 5.2.48B4A29.1: /<x>/<x>/OnNetwork/MCPTTGroupList/<x>/Entry/RulesForAffiliation/<x>/ListOfLocationCriteria/<x>/Entry/ExitSpecificArea/PolygonArea/<x>/PointCoordinateType/Latitude**

<x>/OnNetwork/MCPTTGroupList/<x>/Entry/RulesForAffiliation/<x>/ListOfLocationCriteria/<x>/Entry/ExitSpecificArea/PolygonArea/<x>/PointCoordinateType/Latitude

Status	Occurrence	Format	Min. Access
Required	One	int	Get, Replace

This leaf node contains the latitudinal coordinate of a corner.

5.2.48B4A30 /<x>/<x>/OnNetwork/MCPTTGroupList/<x>/Entry/  
RulesForAffiliation/<x>/ListOfLocationCriteria/<x>/Entry/  
ExitSpecificArea/EllipsoidArcArea

**Table 5.2.48B4A30.1: /<x>/<x>/OnNetwork/MCPTTGroupList/<x>/Entry/RulesForAffiliation/<x>/ListOfLocationCriteria/<x>/Entry/ExitSpecificArea/EllipsoidArcArea**

<x>/OnNetwork/MCPTTGroupList/<x>/Entry/RulesForAffiliation/<x>/ListOfLocationCriteria/<x>/Entry/ExitSpecificArea/EllipsoidArcArea

Status	Occurrence	Format	Min. Access Types
Optional	ZeroOrOne	node	Get, Replace

This interior node contains a geographical area described by an ellipsoid arc.

5.2.48B4A31 /<x>/<x>/OnNetwork/MCPTTGroupList/<x>/Entry/  
RulesForAffiliation/<x>/ListOfLocationCriteria/<x>/Entry/  
ExitSpecificArea/EllipsoidArcArea/Center

**Table 5.2.48B4A31.1: /<x>/<x>/OnNetwork/MCPTTGroupList/<x>/Entry/RulesForAffiliation/<x>/ListOfLocationCriteria/<x>/Entry/ExitSpecificArea/EllipsoidArcArea/Center**

<x>/OnNetwork/MCPTTGroupList/<x>/Entry/RulesForAffiliation/<x>/ListOfLocationCriteria/<x>/Entry/ExitSpecificArea/EllipsoidArcArea/Center

Status	Occurrence	Format	Min. Access Types
Required	One	node	Get, Replace

This interior node contains the coordinates of the center point of the ellipsoid arc.

5.2.48B4A32 /<x>/<x>/OnNetwork/MCPTTGroupList/<x>/Entry/  
RulesForAffiliation/<x>/ListOfLocationCriteria/<x>/Entry/  
ExitSpecificArea/EllipsoidArcArea/Center/PointCoordinateType

**Table 5.2.48B4A32.1: /<x>/<x>/OnNetwork/MCPTTGroupList/<x>/Entry/RulesForAffiliation/<x>/ListOfLocationCriteria/<x>/Entry/ExitSpecificArea/EllipsoidArcArea/Center/PointCoordinateType**

<x>/OnNetwork/MCPTTGroupList/<x>/Entry/RulesForAffiliation/<x>/ListOfLocationCriteria/<x>/Entry/ExitSpecificArea/EllipsoidArcArea/Center/PointCoordinateType

Status	Occurrence	Format	Min. Access Types
Required	One	node	Get, Replace

This interior node contains the coordinates of the center point of the ellipsoid arc.

### 5.2.48B4A33 /<x>/<x>/OnNetwork/MCPTTGroupList/<x>/Entry/ RulesForAffiliation/<x>/ListOfLocationCriteria/<x>/Entry/ ExitSpecificArea/EllipsoidArcArea/Center/ PointCoordinateType/Longitude

**Table 5.2.48B4A33.1: /<x>/<x>/OnNetwork/MCPTTGroupList/<x>/Entry/RulesForAffiliation/<x>/  
ListOfLocationCriteria/<x>/Entry/ExitSpecificArea/EllipsoidArcArea/Center/PointCoordinateType/  
Longitude**

<x>/OnNetwork/MCPTTGroupList/<x>/Entry/RulesForAffiliation/<x>/ListOfLocationCriteria/<x>/Entry/ExitSpecificArea/EllipsoidArcArea/Center/PointCoordinateType/Longitude

Status	Occurrence	Format	Min. Access Types
Required	One	int	Get, Replace

This leaf node contains the longitudinal coordinate of the center.

### 5.2.48B4A34 /<x>/<x>/OnNetwork/MCPTTGroupList/<x>/Entry/ RulesForAffiliation/<x>/ListOfLocationCriteria/<x>/Entry/ ExitSpecificArea/EllipsoidArcArea/Center/ PointCoordinateType/Latitude

**Table 5.2.48B4A34.1: /<x>/<x>/OnNetwork/MCPTTGroupList/<x>/Entry/RulesForAffiliation/<x>/  
ListOfLocationCriteria/<x>/Entry/ExitSpecificArea/EllipsoidArcArea/Center/PointCoordinateType/  
Latitude**

<x>/OnNetwork/MCPTTGroupList/<x>/Entry/RulesForAffiliation/<x>/ListOfLocationCriteria/<x>/Entry/ExitSpecificArea/EllipsoidArcArea/Center/PointCoordinateType/Latitude

Status	Occurrence	Format	Min. Access Types
Required	One	int	Get, Replace

This leaf node contains the latitudinal coordinate of a center.

### 5.2.48B4A35 /<x>/<x>/OnNetwork/MCPTTGroupList/<x>/Entry/ RulesForAffiliation/<x>/ListOfLocationCriteria/<x>/Entry/ ExitSpecificArea/EllipsoidArcArea/Radius

**Table 5.2.48B4A35.1: /<x>/<x>/OnNetwork/MCPTTGroupList/<x>/Entry/RulesForAffiliation/<x>/  
ListOfLocationCriteria/<x>/Entry/ExitSpecificArea/EllipsoidArcArea/Radius**

<x>/OnNetwork/MCPTTGroupList/<x>/Entry/RulesForAffiliation/<x>/ListOfLocationCriteria/<x>/Entry/ExitSpecificArea/EllipsoidArcArea/Center/Radius

Status	Occurrence	Format	Min. Access Types
Required	One	int	Get, Replace

This leaf node contains the radius of the ellipsoid arc.

5.2.48B4A36 /<x>/<x>/OnNetwork/MCPTTGroupList/<x>/Entry/  
RulesForAffiliation/<x>/ListOfLocationCriteria/<x>/Entry/  
ExitSpecificArea/EllipsoidArcArea/OffsetAngle

**Table 5.2.48B4A36.1: /<x>/<x>/OnNetwork/MCPTTGroupList/<x>/Entry/RulesForAffiliation/<x>/  
ListOfLocationCriteria/<x>/Entry/ExitSpecificArea/EllipsoidArcArea/OffsetAngle**

<x>/OnNetwork/MCPTTGroupList/<x>/Entry/RulesForAffiliation/<x>/ListOfLocationCriteria/<x>/Entry/ExitSpecificArea/EllipsoidArcArea/OffsetAngle

Status	Occurrence	Format	Min. Access Types
Required	One	int	Get, Replace

This leaf node contains the offset angle of the ellipsoid arc.

5.2.48B4A37 /<x>/<x>/OnNetwork/MCPTTGroupList/<x>/Entry/  
RulesForAffiliation/<x>/ListOfLocationCriteria/<x>/Entry/  
ExitSpecificArea/EllipsoidArcArea/IncludedAngle

**Table 5.2.48B4A37.1: /<x>/<x>/OnNetwork/MCPTTGroupList/<x>/Entry/RulesForAffiliation/<x>/  
ListOfLocationCriteria/<x>/Entry/ExitSpecificArea/EllipsoidArcArea/IncludedAngle**

<x>/OnNetwork/MCPTTGroupList/<x>/Entry/RulesForAffiliation/<x>/ListOfLocationCriteria/<x>/Entry/ExitSpecificArea/EllipsoidArcArea/IncludedAngle

Status	Occurrence	Format	Min. Access Types
Required	One	int	Get, Replace

This leaf node contains the included angle of the ellipsoid arc.

5.2.48B4A38 /<x>/<x>/OnNetwork/MCPTTGroupList/<x>/Entry/  
RulesForAffiliation/<x>/ListOfLocationCriteria/<x>/Entry/  
ExitSpecificArea/Speed

**Table 5.2.48B4A38.1: /<x>/<x>/OnNetwork/MCPTTGroupList/<x>/Entry/RulesForAffiliation/<x>/  
ListOfLocationCriteria/<x>/Entry/ExitSpecificArea/Speed**

<x>/OnNetwork/MCPTTGroupList/<x>/Entry/RulesForAffiliation/<x>/ListOfLocationCriteria/<x>/Entry/ExitSpecificArea/Speed

Status	Occurrence	Format	Min. Access Types
Optional	One	node	Get, Replace

This interior node contains the speed.

5.2.48B4A39 /<x>/<x>/OnNetwork/MCPTTGroupList/<x>/Entry/  
RulesForAffiliation/<x>/ListOfLocationCriteria/<x>/Entry/  
ExitSpecificArea/Speed/MinimumSpeed

**Table 5.2.48B4A39.1: /<x>/<x>/OnNetwork/MCPTTGroupList/<x>/Entry/RulesForAffiliation/<x>/  
ListOfLocationCriteria/<x>/Entry/ExitSpecificArea/Speed/MinimumSpeed**

<x>/OnNetwork/MCPTTGroupList/<x>/Entry/RulesForAffiliation/<x>/ListOfLocationCriteria/<x>/Entry/ExitSpecificArea/Speed/MinimumSpeed

Status	Occurrence	Format	Min. Access Types



Required	One	int	Get, Replace
----------	-----	-----	--------------

This leaf node contains the minimum speed.

- Values: non-negative integer in units of kilometers/hour.

### 5.2.48B4A40 /<x>/<x>/OnNetwork/MCPTTGroupList/<x>/Entry/RulesForAffiliation/<x>/ListOfLocationCriteria/<x>/Entry/ExitSpecificArea/Speed/MaximumSpeed

**Table 5.2.48B4A40.1: /<x>/<x>/OnNetwork/MCPTTGroupList/<x>/Entry/RulesForAffiliation/<x>/ListOfLocationCriteria/<x>/Entry/ExitSpecificArea/Speed/MaximumSpeed**

<x>/OnNetwork/MCPTTGroupList/<x>/Entry/RulesForAffiliation/<x>/ListOfLocationCriteria/<x>/Entry/ExitSpecificArea/Speed/MaximumSpeed

Status	Occurrence	Format	Min. Access Types
Required	One	int	Get, Replace

This leaf node contains the maximum speed.

- Values: non-negative integer in units of kilometers/hour.

### 5.2.48B4A41 /<x>/<x>/OnNetwork/MCPTTGroupList/<x>/Entry/RulesForAffiliation/<x>/ListOfLocationCriteria/<x>/Entry/ExitSpecificArea/Heading

**Table 5.2.48B4A41.1: /<x>/<x>/OnNetwork/MCPTTGroupList/<x>/Entry/RulesForAffiliation/<x>/ListOfLocationCriteria/<x>/Entry/ExitSpecificArea/Heading**

<x>/OnNetwork/MCPTTGroupList/<x>/Entry/RulesForAffiliation/<x>/ListOfLocationCriteria/<x>/Entry/ExitSpecificArea/Heading

Status	Occurrence	Format	Min. Access Types
Optional	One	node	Get, Replace

This interior node contains the heading.

### 5.2.48B4A42 /<x>/<x>/OnNetwork/MCPTTGroupList/<x>/Entry/RulesForAffiliation/<x>/ListOfLocationCriteria/<x>/Entry/ExitSpecificArea/Heading/MinimumHeading

**Table 5.2.48B4A42.1: /<x>/<x>/OnNetwork/MCPTTGroupList/<x>/Entry/RulesForAffiliation/<x>/ListOfLocationCriteria/<x>/Entry/ExitSpecificArea/Heading/MinimumHeading**

<x>/OnNetwork/MCPTTGroupList/<x>/Entry/RulesForAffiliation/<x>/ListOfLocationCriteria/<x>/Entry/ExitSpecificArea/Heading/MinimumHeading

Status	Occurrence	Format	Min. Access Types
Required	One	int	Get, Replace

This leaf node contains the minimum heading.

- Values: 0-359

5.2.48B4A43 /<x>/<x>/OnNetwork/MCPTTGroupList/<x>/Entry/  
RulesForAffiliation/<x>/ListOfLocationCriteria/<x>/Entry/  
ExitSpecificArea/Heading/MaximumHeading

**Table 5.2.48B4A43.1: /<x>/<x>/OnNetwork/MCPTTGroupList/<x>/Entry/RulesForAffiliation/<x>/  
ListOfLocationCriteria/<x>/Entry/ExitSpecificArea/Heading/MaximumHeading**

<x>/OnNetwork/MCPTTGroupList/<x>/Entry/RulesForAffiliation/<x>/ListOfLocationCriteria/<x>/Entry/ExitSpecificArea/Heading/MaximumHeading

Status	Occurrence	Format	Min. Access Types
Required	One	int	Get, Replace

This leaf node contains the maximum heading.

- Values: 0-359

5.2.48B4A44 /<x>/<x>/OnNetwork/MCPTTGroupList/<x>/Entry/  
RulesForAffiliation/<x>/ListOfActiveFunctionalAliases

**Table 5.2.48B4A44.1: /<x>/<x>/OnNetwork/MCPTTGroupList/<x>/Entry/RulesForAffiliation/<x>/  
ListOfActiveFunctionalAliases**

<x>/OnNetwork/MCPTTGroupList/<x>/Entry/RulesForAffiliation/<x>/ListOfActiveFunctionalAliases

Status	Occurrence	Format	Min. Access Types
Optional	One	node	Get, Replace

This interior node is a placeholder for the functional alias part of rules that control automatic affiliation.

5.2.48B4A45 /<x>/<x>/OnNetwork/MCPTTGroupList/<x>/Entry/  
RulesForAffiliation/<x>/ListOfActiveFunctionalAliases/<x>

**Table 5.2.48B4A45.1: /<x>/<x>/OnNetwork/MCPTTGroupList/<x>/Entry/RulesForAffiliation/<x>/  
ListOfActiveFunctionalAliases/<x>**

<x>/OnNetwork/MCPTTGroupList/<x>/Entry/RulesForAffiliation/<x>/ListOfActiveFunctionalAliases/<x>

Status	Occurrence	Format	Min. Access Types
Optional	OneOrMore	node	Get, Replace

This interior node is a placeholder for the functional alias part of rules that control automatic affiliation.

5.2.48B4A46 /<x>/<x>/OnNetwork/MCPTTGroupList/<x>/Entry/  
RulesForAffiliation/<x>/ListOfActiveFunctionalAliases/<x>/Entry

**Table 5.2.48B4A46.1: /<x>/<x>/OnNetwork/MCPTTGroupList/<x>/Entry/RulesForAffiliation/<x>/  
ListOfActiveFunctionalAliases/<x>/Entry**

<x>/OnNetwork/MCPTTGroupList/<x>/Entry/RulesForAffiliation/<x>/ListOfActiveFunctionalAliases/<x>/Entry

Status	Occurrence	Format	Min. Access Types
Optional	One	node	Get, Replace

This interior node is a placeholder for the functional alias part of rules that control automatic affiliation.

## 5.2.48B4A47 /<x>/<x>/OnNetwork/MCPTTGroupList/<x>/Entry/ RulesForAffiliation/<x>/ListOfActiveFunctionalAliases/<x>/ Entry/FunctionalAlias

**Table 5.2.48B4A47.1: /<x>/<x>/OnNetwork/MCPTTGroupList/<x>/Entry/RulesForAffiliation/<x>/  
ListOfActiveFunctionalAliases/<x>/Entry/FunctionalAlias**

<x>/OnNetwork/MCPTTGroupList/<x>/Entry/RulesForAffiliation/<x>/ListOfActiveFunctionalAliases/<x>/Entry/  
FunctionalAlias

Status	Occurrence	Format	Min. Access Types
Required	One	chr	Get, Replace

This leaf node contains a functional alias.

## 5.2.48B4B /<x>/<x>/OnNetwork/MCPTTGroupList/<x>/Entry/ RulesForDeaffiliation

**Table 5.2.48B4B.1: /<x>/<x>/OnNetwork/MCPTTGroupList/<x>/Entry/RulesForDeaffiliation**

<x>/OnNetwork/MCPTTGroupList/<x>/Entry/RulesForDeaffiliation

Status	Occurrence	Format	Min. Access Types
Optional	ZeroOrOne	node	Get, Replace

This interior node is a placeholder for the rules that control automatic deaffiliation.

## 5.2.48B4B0 /<x>/<x>/OnNetwork/MCPTTGroupList/<x>/Entry/ RulesForDeaffiliation/<x>

**Table 5.2.48B4B0.1: /<x>/<x>/OnNetwork/MCPTTGroupList/<x>/Entry/RulesForDeaffiliation/<x>**

<x>/OnNetwork/MCPTTGroupList/<x>/Entry/RulesForDeaffiliation/<x>

Status	Occurrence	Format	Min. Access Types
Optional	ZeroOrMore	node	Get, Replace

This interior node is a placeholder for the zero or more rules that control automatic deaffiliation.

## 5.2.48B4B1 /<x>/<x>/OnNetwork/MCPTTGroupList/<x>/Entry/ RulesForDeaffiliation/<x>/ListOfLocationCriteria

**Table 5.2.48B4B1.1: /<x>/<x>/OnNetwork/MCPTTGroupList/<x>/Entry/RulesForDeaffiliation/<x>/  
ListOfLocationCriteria**

<x>/OnNetwork/MCPTTGroupList/<x>/Entry/RulesForDeaffiliation/<x>/ListOfLocationCriteria

Status	Occurrence	Format	Min. Access Types
Optional	One	node	Get, Replace

This interior node is a placeholder for the location portion of the rules that control automatic deaffiliation.

## 5.2.48B4B2 /<x>/<x>/OnNetwork/MCPTTGroupList/<x>/Entry/ RulesForDeaffiliation/<x>/ListOfLocationCriteria/<x>

**Table 5.2.48B4B2.1: /<x>/<x>/OnNetwork/MCPTTGroupList/<x>/Entry/RulesForDeaffiliation/<x>/  
ListOfLocationCriteria/<x>**

<x>/OnNetwork/MCPTTGroupList/<x>/Entry/RulesForDeaffiliation/<x>/ListOfLocationCriteria/<x>

Status	Occurrence	Format	Min. Access Types
Optional	ZeroOrMore	node	Get, Replace

This interior node is a placeholder for the location portion of the rules that control automatic deaffiliation.

## 5.2.48B4B3 /<x>/<x>/OnNetwork/MCPTTGroupList/<x>/Entry/ RulesForDeaffiliation/<x>/ListOfLocationCriteria/<x>/Entry

**Table 5.2.48B4B3.1: /<x>/<x>/OnNetwork/MCPTTGroupList/<x>/Entry/RulesForDeaffiliation/<x>/  
ListOfLocationCriteria/<x>/Entry**

<x>/OnNetwork/MCPTTGroupList/<x>/Entry/RulesForDeaffiliation/<x>/ListOfLocationCriteria/<x>/Entry

Status	Occurrence	Format	Min. Access Types
Optional	One	node	Get, Replace

This interior node is a placeholder for the location portion of the rules that control automatic deaffiliation.

## 5.2.48B4B4 /<x>/<x>/OnNetwork/MCPTTGroupList/<x>/Entry/ RulesForDeaffiliation/<x>/ListOfLocationCriteria/<x>/Entry/ EnterSpecificArea

**Table 5.2.48B4B4.1: /<x>/<x>/OnNetwork/MCPTTGroupList/<x>/Entry/RulesForDeaffiliation/<x>/  
ListOfLocationCriteria/<x>/Entry/EnterSpecificArea**

<x>/OnNetwork/MCPTTGroupList/<x>/Entry/RulesForDeaffiliation/<x>/ListOfLocationCriteria/<x>/Entry/EnterS  
pecificArea

Status	Occurrence	Format	Min. Access Types
Optional	ZeroOrOne	node	Get, Replace

This interior node contains a geographical area which, when entered by the MC service UE triggers evaluation of the rules.

## 5.2.48B4B5 /<x>/<x>/OnNetwork/MCPTTGroupList/<x>/Entry/ RulesForDeaffiliation/<x>/ListOfLocationCriteria/<x>/Entry/ EnterSpecificArea/PolygonArea

**Table 5.2.48B4B5.1: /<x>/<x>/OnNetwork/MCPTTGroupList/<x>/Entry/RulesForDeaffiliation/<x>/  
ListOfLocationCriteria/<x>/Entry/EnterSpecificArea/PolygonArea**

<x>/OnNetwork/MCPTTGroupList/<x>/Entry/RulesForDeaffiliation/<x>/ListOfLocationCriteria/<x>/Entry/EnterS  
pecificArea/PolygonArea

Status	Occurrence	Format	Min. Access Types
Optional	ZeroOrOne	node	Get, Replace

This interior node contains a geographical area described by a polygon.

5.2.48B4B6 /<x>/<x>/OnNetwork/MCPTTGroupList/<x>/Entry/  
RulesForDeaffiliation/<x>/ListOfLocationCriteria/<x>/Entry/  
EnterSpecificArea/PolygonArea/<x>

**Table 5.2.48B4B6.1: /<x>/<x>/OnNetwork/MCPTTGroupList/<x>/Entry/RulesForDeaffiliation/<x>/  
ListOfLocationCriteria/<x>/Entry/EnterSpecificArea/PolygonArea/<x>**

<x>/OnNetwork/MCPTTGroupList/<x>/Entry/RulesForDeaffiliation/<x>/ListOfLocationCriteria/<x>/Entry/EnterS  
pecificArea/PolygonArea/<x>

Status	Occurrence	Format	Min. Access Types
Required	OneOrN	node	Get, Replace

This interior node contains the coordinates of the corners which define a polygon. The occurrence of this leaf node is "3 to 15" as per 3GPP TS 23.032 [21].

5.2.48B4B7 /<x>/<x>/OnNetwork/MCPTTGroupList/<x>/Entry/  
RulesForDeaffiliation/<x>/ListOfLocationCriteria/<x>/Entry/  
EnterSpecificArea/PolygonArea/<x>/PointCoordinateType

**Table 5.2.48B4B7.1: /<x>/<x>/OnNetwork/MCPTTGroupList/<x>/Entry/RulesFordeaffiliation/<x>/  
ListOfLocationCriteria/<x>/Entry/EnterSpecificArea/PolygonArea/<x>/PointCoordinateType**

<x>/OnNetwork/MCPTTGroupList/<x>/Entry/RulesForDeaffiliation/<x>/ListOfLocationCriteria/<x>/Entry/EnterS  
pecificArea/PolygonArea/<x>/PointCoordinateType

Status	Occurrence	Format	Min. Access Types
Required	One	node	Get, Replace

This interior node contains the type of the coordinates.

5.2.48B4B8 /<x>/<x>/OnNetwork/MCPTTGroupList/<x>/Entry/  
RulesForDeaffiliation/<x>/ListOfLocationCriteria/<x>/Entry/  
EnterSpecificArea/PolygonArea/<x>/PointCoordinateType/  
Longitude

**Table 5.2.48B4B8.1: /<x>/<x>/OnNetwork/MCPTTGroupList/<x>/Entry/RulesForDeaffiliation/<x>/  
ListOfLocationCriteria/<x>/Entry/EnterSpecificArea/PolygonArea/<x>/PointCoordinateType/  
Longitude**

<x>/OnNetwork/MCPTTGroupList/<x>/Entry/RulesForDeaffiliation/<x>/ListOfLocationCriteria/<x>/Entry/EnterS  
pecificArea/PolygonArea/<x>/PointCoordinateType/Longitude

Status	Occurrence	Format	Min. Access Types
Required	One	int	Get, Replace

This leaf node contains the longitudinal coordinate of a corner.

5.2.48B4B9 /<x>/<x>/OnNetwork/MCPTTGroupList/<x>/Entry/  
RulesForDeaffiliation/<x>/ListOfLocationCriteria/<x>/Entry/  
EnterSpecificArea/PolygonArea/<x>/PointCoordinateType/  
Latitude

**Table 5.2.48B4B9.1: /<x>/<x>/OnNetwork/MCPTTGroupList/<x>/Entry/RulesForDeaffiliation/<x>/ListOfLocationCriteria/<x>/Entry/EnterSpecificArea/PolygonArea/<x>/PointCoordinateType/Latitude**

<x>/OnNetwork/MCPTTGroupList/<x>/Entry/RulesForDeaffiliation/<x>/ListOfLocationCriteria/<x>/Entry/EnterSpecificArea/PolygonArea/<x>/PointCoordinateType/Latitude

Status	Occurrence	Format	Min. Access
Required	One	int	Get, Replace

This leaf node contains the latitudinal coordinate of a corner.

5.2.48B4B10 /<x>/<x>/OnNetwork/MCPTTGroupList/<x>/Entry/  
RulesForDeaffiliation/<x>/ListOfLocationCriteria/<x>/Entry/  
EnterSpecificArea/EllipsoidArcArea

**Table 5.2.48B4B10.1: /<x>/<x>/OnNetwork/MCPTTGroupList/<x>/Entry/RulesForDeaffiliation/<x>/ListOfLocationCriteria/<x>/Entry/EnterSpecificArea/EllipsoidArcArea**

<x>/OnNetwork/MCPTTGroupList/<x>/Entry/RulesForDeaffiliation/<x>/ListOfLocationCriteria/<x>/Entry/EnterSpecificArea/EllipsoidArcArea

Status	Occurrence	Format	Min. Access Types
Optional	ZeroOrOne	node	Get, Replace

This interior node contains a geographical area described by an ellipsoid arc.

5.2.48B4B11 /<x>/<x>/OnNetwork/MCPTTGroupList/<x>/Entry/  
RulesForDeaffiliation/<x>/ListOfLocationCriteria/<x>/Entry/  
EnterSpecificArea/EllipsoidArcArea/Center

**Table 5.2.48B4B11.1: /<x>/<x>/OnNetwork/MCPTTGroupList/<x>/Entry/RulesForDeaffiliation/<x>/ListOfLocationCriteria/<x>/Entry/EnterSpecificArea/EllipsoidArcArea/Center**

<x>/OnNetwork/MCPTTGroupList/<x>/Entry/RulesForDeaffiliation/<x>/ListOfLocationCriteria/<x>/Entry/EnterSpecificArea/EllipsoidArcArea/Center

Status	Occurrence	Format	Min. Access Types
Required	One	node	Get, Replace

This interior node contains the coordinates of the center point of the ellipsoid arc.

5.2.48B4B12 /<x>/<x>/OnNetwork/MCPTTGroupList/<x>/Entry/  
RulesForDeaffiliation/<x>/ListOfLocationCriteria/<x>/Entry/  
EnterSpecificArea/EllipsoidArcArea/Center/PointCoordinateType

**Table 5.2.48B4B12.1: /<x>/<x>/OnNetwork/MCPTTGroupList/<x>/Entry/RulesForDeaffiliation/<x>/ListOfLocationCriteria/<x>/Entry/EnterSpecificArea/EllipsoidArcArea/Center/PointCoordinateType**

<x>/OnNetwork/MCPTTGroupList/<x>/Entry/RulesForDeaffiliation/<x>/ListOfLocationCriteria/<x>/Entry/EnterSpecificArea/EllipsoidArcArea/Center/PointCoordinateType

Status	Occurrence	Format	Min. Access Types
Required	One	node	Get, Replace

This interior node contains the coordinates of the center point of the ellipsoid arc.

5.2.48B4B13 /<x>/<x>/OnNetwork/MCPTTGroupList/<x>/Entry/  
RulesForDeaffiliation/<x>/ListOfLocationCriteria/<x>/Entry/  
EnterSpecificArea/EllipsoidArcArea/Center/  
PointCoordinateType/Longitude

**Table 5.2.48B4B13.1: /<x>/<x>/OnNetwork/MCPTTGroupList/<x>/Entry/RulesForDeaffiliation/<x>/ListOfLocationCriteria/<x>/Entry/EnterSpecificArea/EllipsoidArcArea/Center/PointCoordinateType/Longitude**

<x>/OnNetwork/MCPTTGroupList/<x>/Entry/RulesForDeaffiliation/<x>/ListOfLocationCriteria/<x>/Entry/EnterSpecificArea/EllipsoidArcArea/Center/PointCoordinateType/Longitude

Status	Occurrence	Format	Min. Access Types
Required	One	int	Get, Replace

This leaf node contains the longitudinal coordinate of the center.

5.2.48B4B14 /<x>/<x>/OnNetwork/MCPTTGroupList/<x>/Entry/  
RulesForDeaffiliation/<x>/ListOfLocationCriteria/<x>/Entry/  
EnterSpecificArea/EllipsoidArcArea/Center/  
PointCoordinateType/Latitude

**Table 5.2.48B4B14.1: /<x>/<x>/OnNetwork/MCPTTGroupList/<x>/Entry/RulesForDeaffiliation/<x>/ListOfLocationCriteria/<x>/Entry/EnterSpecificArea/EllipsoidArcArea/Center/PointCoordinateType/Latitude**

<x>/OnNetwork/MCPTTGroupList/<x>/Entry/RulesForDeaffiliation/<x>/ListOfLocationCriteria/<x>/Entry/EnterSpecificArea/EllipsoidArcArea/Center/PointCoordinateType/Latitude

Status	Occurrence	Format	Min. Access Types
Required	One	int	Get, Replace

This leaf node contains the latitudinal coordinate of a center.

5.2.48B4B15 /<x>/<x>/OnNetwork/MCPTTGroupList/<x>/Entry/  
RulesForDeaffiliation/<x>/ListOfLocationCriteria/<x>/Entry/  
EnterSpecificArea/EllipsoidArcArea/Radius

**Table 5.2.48B4B15.1: /<x>/<x>/OnNetwork/MCPTTGroupList/<x>/Entry/RulesForDeaffiliation/<x>/  
ListOfLocationCriteria/<x>/Entry/EnterSpecificArea/EllipsoidArcArea/Radius**

<x>/OnNetwork/MCPTTGroupList/<x>/Entry/RulesForDeaffiliation/<x>/ListOfLocationCriteria/<x>/Entry/EnterS  
pecificArea/EllipsoidArcArea/Center/Radius

Status	Occurrence	Format	Min. Access Types
Required	One	int	Get, Replace

This leaf node contains the radius of the ellipsoid arc.

5.2.48B4B16 /<x>/<x>/OnNetwork/MCPTTGroupList/<x>/Entry/  
RulesForDeaffiliation/<x>/ListOfLocationCriteria/<x>/Entry/  
EnterSpecificArea/EllipsoidArcArea/OffsetAngle

**Table 5.2.48B4B16.1: /<x>/<x>/OnNetwork/MCPTTGroupList/<x>/Entry/RulesForDeaffiliation/<x>/  
ListOfLocationCriteria/<x>/Entry/EnterSpecificArea/EllipsoidArcArea/OffsetAngle**

<x>/OnNetwork/MCPTTGroupList/<x>/Entry/RulesForDeaffiliation/<x>/ListOfLocationCriteria/<x>/Entry/EnterS  
pecificArea/EllipsoidArcArea/OffsetAngle

Status	Occurrence	Format	Min. Access Types
Required	One	int	Get, Replace

This leaf node contains the offset angle of the ellipsoid arc.

5.2.48B4B17 /<x>/<x>/OnNetwork/MCPTTGroupList/<x>/Entry/  
RulesForDeaffiliation/<x>/ListOfLocationCriteria/<x>/Entry/  
EnterSpecificArea/EllipsoidArcArea/IncludedAngle

**Table 5.2.48B4B17.1: /<x>/<x>/OnNetwork/MCPTTGroupList/<x>/Entry/RulesForDeaffiliation/<x>/  
ListOfLocationCriteria/<x>/Entry/EnterSpecificArea/EllipsoidArcArea/IncludedAngle**

<x>/OnNetwork/MCPTTGroupList/<x>/Entry/RulesForDeaffiliation/<x>/ListOfLocationCriteria/<x>/Entry/EnterS  
pecificArea/EllipsoidArcArea/IncludedAngle

Status	Occurrence	Format	Min. Access Types
Required	One	int	Get, Replace

This leaf node contains the included angle of the ellipsoid arc.

5.2.48B4B18 /<x>/<x>/OnNetwork/MCPTTGroupList/<x>/Entry/  
RulesForDeaffiliation/<x>/ListOfLocationCriteria/<x>/Entry/  
EnterSpecificArea/Speed

**Table 5.2.48B4B18.1: /<x>/<x>/OnNetwork/MCPTTGroupList/<x>/Entry/RulesForDeaffiliation/<x>/  
ListOfLocationCriteria/<x>/Entry/EnterSpecificArea/Speed**

<x>/OnNetwork/MCPTTGroupList/<x>/Entry/RulesForDeaffiliation/<x>/ListOfLocationCriteria/<x>/Entry/EnterS  
pecificArea/Speed

Status	Occurrence	Format	Min. Access Types



Optional	One	node	Get, Replace
----------	-----	------	--------------

This interior node contains the speed.

### 5.2.48B4B19 /<x>/<x>/OnNetwork/MCPTTGroupList/<x>/Entry/RulesForDeaffiliation/<x>/ListOfLocationCriteria/<x>/Entry/EnterSpecificArea/Speed/MinimumSpeed

**Table 5.2.48B4B19.1: /<x>/<x>/OnNetwork/MCPTTGroupList/<x>/Entry/RulesForDeaffiliation/<x>/ListOfLocationCriteria/<x>/Entry/EnterSpecificArea/Speed/MinimumSpeed**

<x>/OnNetwork/MCPTTGroupList/<x>/Entry/RulesForDeaffiliation/<x>/ListOfLocationCriteria/<x>/Entry/EnterSpecificArea/Speed/MinimumSpeed

Status	Occurrence	Format	Min. Access Types
Required	One	int	Get, Replace

This leaf node contains the minimum speed.

- Values: non-negative integer in units of kilometers/hour.

### 5.2.48B4B20 /<x>/<x>/OnNetwork/MCPTTGroupList/<x>/Entry/RulesForDeaffiliation/<x>/ListOfLocationCriteria/<x>/Entry/EnterSpecificArea/Speed/MaximumSpeed

**Table 5.2.48B4B20.1: /<x>/<x>/OnNetwork/MCPTTGroupList/<x>/Entry/RulesForDeaffiliation/<x>/ListOfLocationCriteria/<x>/Entry/EnterSpecificArea/Speed/MaximumSpeed**

<x>/OnNetwork/MCPTTGroupList/<x>/Entry/RulesForDeaffiliation/<x>/ListOfLocationCriteria/<x>/Entry/EnterSpecificArea/Speed/MaximumSpeed

Status	Occurrence	Format	Min. Access Types
Required	One	int	Get, Replace

This leaf node contains the maximum speed.

- Values: non-negative integer in units of kilometers/hour.

### 5.2.48B4B21 /<x>/<x>/OnNetwork/MCPTTGroupList/<x>/Entry/RulesForDeaffiliation/<x>/ListOfLocationCriteria/<x>/Entry/EnterSpecificArea/Heading

**Table 5.2.48B4B21.1: /<x>/<x>/OnNetwork/MCPTTGroupList/<x>/Entry/RulesForDeaffiliation/<x>/ListOfLocationCriteria/<x>/Entry/EnterSpecificArea/Heading**

<x>/OnNetwork/MCPTTGroupList/<x>/Entry/RulesForDeaffiliation/<x>/ListOfLocationCriteria/<x>/Entry/EnterSpecificArea/Heading

Status	Occurrence	Format	Min. Access Types
Optional	One	node	Get, Replace

This interior node contains the heading.

5.2.48B4B22 /<x>/<x>/OnNetwork/MCPTTGroupList/<x>/Entry/  
RulesForDeaffiliation/<x>/ListOfLocationCriteria/<x>/Entry/  
EnterSpecificArea/Heading/MinimumHeading

**Table 5.2.48B4B22.1: /<x>/<x>/OnNetwork/MCPTTGroupList/<x>/Entry/RulesForDeaffiliation/<x>/ListOfLocationCriteria/<x>/Entry/EnterSpecificArea/Heading/MinimumHeading**

<x>/OnNetwork/MCPTTGroupList/<x>/Entry/RulesForDeaffiliation/<x>/ListOfLocationCriteria/<x>/Entry/EnterSpecificArea/Heading/MinimumHeading

Status	Occurrence	Format	Min. Access Types
Required	One	int	Get, Replace

This leaf node contains the minimum heading.

- Values: 0-359

5.2.48B4B23 /<x>/<x>/OnNetwork/MCPTTGroupList/<x>/Entry/  
RulesForDeaffiliation/<x>/ListOfLocationCriteria/<x>/Entry/  
EnterSpecificArea/Heading/MaximumHeading

**Table 5.2.48B4B23.1: /<x>/<x>/OnNetwork/MCPTTGroupList/<x>/Entry/RulesForDeaffiliation/<x>/ListOfLocationCriteria/<x>/Entry/EnterSpecificArea/Heading/MaximumHeading**

<x>/OnNetwork/MCPTTGroupList/<x>/Entry/RulesForDeaffiliation/<x>/ListOfLocationCriteria/<x>/Entry/EnterSpecificArea/Heading/MaximumHeading

Status	Occurrence	Format	Min. Access Types
Required	One	int	Get, Replace

This leaf node contains the maximum heading.

- Values: 0-359

5.2.48B4B24 /<x>/<x>/OnNetwork/MCPTTGroupList/<x>/Entry/  
RulesForDeaffiliation/<x>/ListOfLocationCriteria/<x>/Entry/  
ExitSpecificArea

**Table 5.2.48B4B24.1: /<x>/<x>/OnNetwork/MCPTTGroupList/<x>/Entry/RulesForDeaffiliation/<x>/ListOfLocationCriteria/<x>/Entry/ExitSpecificArea**

<x>/OnNetwork/MCPTTGroupList/<x>/Entry/RulesForDeaffiliation/<x>/ListOfLocationCriteria/<x>/Entry/ExitSpecificArea

Status	Occurrence	Format	Min. Access Types
Optional	ZeroOrOne	node	Get, Replace

This interior node contains a geographical area which when entered by the MC service UE triggers evaluation of the rules.

5.2.48B4B25 /<x>/<x>/OnNetwork/MCPTTGroupList/<x>/Entry/  
RulesForDeaffiliation/<x>/ListOfLocationCriteria/<x>/Entry/  
ExitSpecificArea/PolygonArea

**Table 5.2.48B4B25.1: /<x>/<x>/OnNetwork/MCPTTGroupList/<x>/Entry/RulesForDeaffiliation/<x>/  
ListOfLocationCriteria/<x>/Entry/ExitSpecificArea/PolygonArea**

<x>/OnNetwork/MCPTTGroupList/<x>/Entry/RulesForDeaffiliation/<x>/ListOfLocationCriteria/<x>/Entry/ExitSpe  
cificArea/PolygonArea

Status	Occurrence	Format	Min. Access Types
Optional	ZeroOrOne	node	Get, Replace

This interior node contains a geographical area described by a polygon.

5.2.48B4B26 /<x>/<x>/OnNetwork/MCPTTGroupList/<x>/Entry/  
RulesForDeaffiliation/<x>/ListOfLocationCriteria/<x>/Entry/  
ExitSpecificArea/PolygonArea/<x>

**Table 5.2.48B4B26.1: /<x>/<x>/OnNetwork/MCPTTGroupList/<x>/Entry/RulesForDeaffiliation/<x>/  
ListOfLocationCriteria/<x>/Entry/ExitSpecificArea/PolygonArea/<x>**

<x>/OnNetwork/MCPTTGroupList/<x>/Entry/RulesForDeaffiliation/<x>/ListOfLocationCriteria/<x>/Entry/ExitSpe  
cificArea/PolygonArea/<x>

Status	Occurrence	Format	Min. Access Types
Required	OneOrN	node	Get, Replace

This interior node contains the coordinates of the corners which define a polygon. The occurrence of this  
leaf node is "3 to 15" as per 3GPP TS 23.032 [21].

5.2.48B4B27 /<x>/<x>/OnNetwork/MCPTTGroupList/<x>/Entry/  
RulesForDeaffiliation/<x>/ListOfLocationCriteria/<x>/Entry/  
ExitSpecificArea/PolygonArea/<x>/PointCoordinateType

**Table 5.2.48B4B27.1: /<x>/<x>/OnNetwork/MCPTTGroupList/<x>/Entry/RulesForDeaffiliation/<x>/  
ListOfLocationCriteria/<x>/Entry/ExitSpecificArea/PolygonArea/<x>/PointCoordinateType**

<x>/OnNetwork/MCPTTGroupList/<x>/Entry/RulesForDeaffiliation/<x>/ListOfLocationCriteria/<x>/Entry/ExitSpe  
cificArea/PolygonArea/<x>/PointCoordinateType

Status	Occurrence	Format	Min. Access Types
Required	One	node	Get, Replace

This interior node contains the type of the coordinates.

5.2.48B4B28 /<x>/<x>/OnNetwork/MCPTTGroupList/<x>/Entry/  
RulesForDeaffiliation/<x>/ListOfLocationCriteria/<x>/Entry/  
ExitSpecificArea/PolygonArea/<x>/PointCoordinateType/  
Longitude

**Table 5.2.48B4B28.1: /<x>/<x>/OnNetwork/MCPTTGroupList/<x>/Entry/RulesForDeaffiliation/<x>/  
ListOfLocationCriteria/<x>/Entry/ExitSpecificArea/PolygonArea/<x>/PointCoordinateType/  
Longitude**

<x>/OnNetwork/MCPTTGroupList/<x>/Entry/RulesForDeaffiliation/<x>/ListOfLocationCriteria/<x>/Entry/ExitSpe  
cificArea/PolygonArea/<x>/PointCoordinateType/Longitude

Status	Occurrence	Format	Min. Access Types
Required	One	int	Get, Replace

This leaf node contains the longitudinal coordinate of a corner.

5.2.48B4B29 /<x>/<x>/OnNetwork/MCPTTGroupList/<x>/Entry/  
RulesForDeaffiliation/<x>/ListOfLocationCriteria/<x>/Entry/  
ExitSpecificArea/PolygonArea/<x>/PointCoordinateType/  
Latitude

**Table 5.2.48B4B29.1: /<x>/<x>/OnNetwork/MCPTTGroupList/<x>/Entry/RulesForDeaffiliation/<x>/  
ListOfLocationCriteria/<x>/Entry/ExitSpecificArea/PolygonArea/<x>/PointCoordinateType/Latitude**

<x>/OnNetwork/MCPTTGroupList/<x>/Entry/RulesForDeaffiliation/<x>/ListOfLocationCriteria/<x>/Entry/ExitSpe  
cificArea/PolygonArea/<x>/PointCoordinateType/Latitude

Status	Occurrence	Format	Min. Access
Required	One	int	Get, Replace

This leaf node contains the latitudinal coordinate of a corner.

5.2.48B4B30 /<x>/<x>/OnNetwork/MCPTTGroupList/<x>/Entry/  
RulesForDeaffiliation/<x>/ListOfLocationCriteria/<x>/Entry/  
ExitSpecificArea/EllipsoidArcArea

**Table 5.2.48B4B30.1: /<x>/<x>/OnNetwork/MCPTTGroupList/<x>/Entry/RulesForDeaffiliation/<x>/  
ListOfLocationCriteria/<x>/Entry/ExitSpecificArea/EllipsoidArcArea**

<x>/OnNetwork/MCPTTGroupList/<x>/Entry/RulesForDeaffiliation/<x>/ListOfLocationCriteria/<x>/Entry/ExitSpe  
cificArea/EllipsoidArcArea

Status	Occurrence	Format	Min. Access Types
Optional	ZeroOrOne	node	Get, Replace

This interior node contains a geographical area described by an ellipsoid arc.

5.2.48B4B31 /<x>/<x>/OnNetwork/MCPTTGroupList/<x>/Entry/  
RulesForDeaffiliation/<x>/ListOfLocationCriteria/<x>/Entry/  
ExitSpecificArea/EllipsoidArcArea/Center

**Table 5.2.48B431.1: /<x>/<x>/OnNetwork/MCPTTGroupList/<x>/Entry/RulesForDeaffiliation/<x>/ListOfLocationCriteria/<x>/Entry/ExitSpecificArea/EllipsoidArcArea/Center**

<x>/OnNetwork/MCPTTGroupList/<x>/Entry/RulesForDeaffiliation/<x>/ListOfLocationCriteria/<x>/Entry/ExitSpecificArea/EllipsoidArcArea/Center

Status	Occurrence	Format	Min. Access Types
Required	One	node	Get, Replace

This interior node contains the coordinates of the center point of the ellipsoid arc.

5.2.48B4B32 /<x>/<x>/OnNetwork/MCPTTGroupList/<x>/Entry/  
RulesForDeaffiliation/<x>/ListOfLocationCriteria/<x>/Entry/  
ExitSpecificArea/EllipsoidArcArea/Center/PointCoordinateType

**Table 5.2.48B432.1: /<x>/<x>/OnNetwork/MCPTTGroupList/<x>/Entry/RulesForDeaffiliation/<x>/ListOfLocationCriteria/<x>/Entry/ExitSpecificArea/EllipsoidArcArea/Center/PointCoordinateType**

<x>/OnNetwork/MCPTTGroupList/<x>/Entry/RulesForDeaffiliation/<x>/ListOfLocationCriteria/<x>/Entry/ExitSpecificArea/EllipsoidArcArea/Center/PointCoordinateType

Status	Occurrence	Format	Min. Access Types
Required	One	node	Get, Replace

This interior node contains the coordinates of the center point of the ellipsoid arc.

5.2.48B4B33 /<x>/<x>/OnNetwork/MCPTTGroupList/<x>/Entry/  
RulesForDeaffiliation/<x>/ListOfLocationCriteria/<x>/Entry/  
ExitSpecificArea/EllipsoidArcArea/Center/PointCoordinateType/  
Longitude

**Table 5.2.48B433.1: /<x>/<x>/OnNetwork/MCPTTGroupList/<x>/Entry/RulesForDeaffiliation/<x>/ListOfLocationCriteria/<x>/Entry/ExitSpecificArea/EllipsoidArcArea/Center/PointCoordinateType/Longitude**

<x>/OnNetwork/MCPTTGroupList/<x>/Entry/RulesForDeaffiliation/<x>/ListOfLocationCriteria/<x>/Entry/ExitSpecificArea/EllipsoidArcArea/Center/PointCoordinateType/Longitude

Status	Occurrence	Format	Min. Access Types
Required	One	int	Get, Replace

This leaf node contains the longitudinal coordinate of the center.

## 5.2.48B4B34 /<x>/<x>/OnNetwork/MCPTTGroupList/<x>/Entry/ RulesForDeaffiliation/<x>/ListOfLocationCriteria/<x>/Entry/ ExitSpecificArea/EllipsoidArcArea/Center/PointCoordinateType/ Latitude

**Table 5.2.48B4B34.1: /<x>/<x>/OnNetwork/MCPTTGroupList/<x>/Entry/RulesForDeaffiliation/<x>/  
ListOfLocationCriteria/<x>/Entry/ExitSpecificArea/EllipsoidArcArea/Center/PointCoordinateType/  
Latitude**

<x>/OnNetwork/MCPTTGroupList/<x>/Entry/RulesForDeaffiliation/<x>/ListOfLocationCriteria/<x>/Entry/ExitSpe  
cificArea/EllipsoidArcArea/Center/PointCoordinateType/Latitude

Status	Occurrence	Format	Min. Access Types
Required	One	int	Get, Replace

This leaf node contains the latitudinal coordinate of a center.

## 5.2.48B4B35 /<x>/<x>/OnNetwork/MCPTTGroupList/<x>/Entry/ RulesForDeaffiliation/<x>/ListOfLocationCriteria/<x>/Entry/ ExitSpecificArea/EllipsoidArcArea/Radius

**Table 5.2.48B4B35.1: /<x>/<x>/OnNetwork/MCPTTGroupList/<x>/Entry/RulesForDeaffiliation/<x>/  
ListOfLocationCriteria/<x>/Entry/ExitSpecificArea/EllipsoidArcArea/Radius**

<x>/OnNetwork/MCPTTGroupList/<x>/Entry/RulesForDeaffiliation/<x>/ListOfLocationCriteria/<x>/Entry/ExitSpe  
cificArea/EllipsoidArcArea/Center/Radius

Status	Occurrence	Format	Min. Access Types
Required	One	int	Get, Replace

This leaf node contains the radius of the ellipsoid arc.

## 5.2.48B4B36 /<x>/<x>/OnNetwork/MCPTTGroupList/<x>/Entry/ RulesForDeaffiliation/<x>/ListOfLocationCriteria/<x>/Entry/ ExitSpecificArea/EllipsoidArcArea/OffsetAngle

**Table 5.2.48B4B36.1: /<x>/<x>/OnNetwork/MCPTTGroupList/<x>/Entry/RulesForDeaffiliation/<x>/  
ListOfLocationCriteria/<x>/Entry/ExitSpecificArea/EllipsoidArcArea/OffsetAngle**

<x>/OnNetwork/MCPTTGroupList/<x>/Entry/RulesForDeaffiliation/<x>/ListOfLocationCriteria/<x>/Entry/ExitSpe  
cificArea/EllipsoidArcArea/OffsetAngle

Status	Occurrence	Format	Min. Access Types
Required	One	int	Get, Replace

This leaf node contains the offset angle of the ellipsoid arc.

## 5.2.48B4B37 /<x>/<x>/OnNetwork/MCPTTGroupList/<x>/Entry/ RulesForDeaffiliation/<x>/ListOfLocationCriteria/<x>/Entry/ ExitSpecificArea/EllipsoidArcArea/IncludedAngle

**Table 5.2.48B4B37.1: /<x>/<x>/OnNetwork/MCPTTGroupList/<x>/Entry/RulesForDeaffiliation/<x>/  
ListOfLocationCriteria/<x>/Entry/ExitSpecificArea/EllipsoidArcArea/IncludedAngle**

<x>/OnNetwork/MCPTTGroupList/<x>/Entry/RulesForDeaffiliation/<x>/ListOfLocationCriteria/<x>/Entry/ExitSpe  
cificArea/EllipsoidArcArea/IncludedAngle

Status	Occurrence	Format	Min. Access Types
Required	One	int	Get, Replace

This leaf node contains the included angle of the ellipsoid arc.

## 5.2.48B4B38 /<x>/<x>/OnNetwork/MCPTTGroupList/<x>/Entry/ RulesForDeaffiliation/<x>/ListOfLocationCriteria/<x>/Entry/ ExitSpecificArea/Speed

**Table 5.2.48B4B38.1: /<x>/<x>/OnNetwork/MCPTTGroupList/<x>/Entry/RulesForDeaffiliation/<x>/  
ListOfLocationCriteria/<x>/Entry/ExitSpecificArea/Speed**

<x>/OnNetwork/MCPTTGroupList/<x>/Entry/RulesForDeaffiliation/<x>/ListOfLocationCriteria/<x>/Entry/ExitSpe  
cificArea/Speed

Status	Occurrence	Format	Min. Access Types
Optional	One	node	Get, Replace

This interior node contains the speed.

## 5.2.48B4B39 /<x>/<x>/OnNetwork/MCPTTGroupList/<x>/Entry/ RulesForDeaffiliation/<x>/ListOfLocationCriteria/<x>/Entry/ ExitSpecificArea/Speed/MinimumSpeed

**Table 5.2.48B4B39.1: /<x>/<x>/OnNetwork/MCPTTGroupList/<x>/Entry/RulesForDeaffiliation/<x>/  
ListOfLocationCriteria/<x>/Entry/ExitSpecificArea/Speed/MinimumSpeed**

<x>/OnNetwork/MCPTTGroupList/<x>/Entry/RulesForDeaffiliation/<x>/ListOfLocationCriteria/<x>/Entry/ExitSpe  
cificArea/Speed/MinimumSpeed

Status	Occurrence	Format	Min. Access Types
Required	One	int	Get, Replace

This leaf node contains the minimum speed.

- Values: non-negative integer in units of kilometers/hour.

5.2.48B4B40 /<x>/<x>/OnNetwork/MCPTTGroupList/<x>/Entry/  
RulesForDeaffiliation/<x>/ListOfLocationCriteria/<x>/Entry/  
ExitSpecificArea/Speed/MaximumSpeed

**Table 5.2.48B4B40.1: /<x>/<x>/OnNetwork/MCPTTGroupList/<x>/Entry/RulesForDeaffiliation/<x>/  
ListOfLocationCriteria/<x>/Entry/ExitSpecificArea/Speed/MaximumSpeed**

<x>/OnNetwork/MCPTTGroupList/<x>/Entry/RulesForDeaffiliation/<x>/ListOfLocationCriteria/<x>/Entry/ExitSpe  
cificArea/Speed/MaximumSpeed

Status	Occurrence	Format	Min. Access Types
Required	One	int	Get, Replace

This leaf node contains the maximum speed.

- Values: non-negative integer in units of kilometers/hour.

5.2.48B4B41 /<x>/<x>/OnNetwork/MCPTTGroupList/<x>/Entry/  
RulesForDeaffiliation/<x>/ListOfLocationCriteria/<x>/Entry/  
ExitSpecificArea/Heading

**Table 5.2.48B4B41.1: /<x>/<x>/OnNetwork/MCPTTGroupList/<x>/Entry/RulesForDeaffiliation/<x>/  
ListOfLocationCriteria/<x>/Entry/ExitSpecificArea/Heading**

<x>/OnNetwork/MCPTTGroupList/<x>/Entry/RulesForDeaffiliation/<x>/ListOfLocationCriteria/<x>/Entry/ExitSpe  
cificArea/Heading

Status	Occurrence	Format	Min. Access Types
Optional	One	node	Get, Replace

This interior node contains the heading.

5.2.48B4B42 /<x>/<x>/OnNetwork/MCPTTGroupList/<x>/Entry/  
RulesForDeaffiliation/<x>/ListOfLocationCriteria/<x>/Entry/  
ExitSpecificArea/Heading/MinimumHeading

**Table 5.2.48B4B42.1: /<x>/<x>/OnNetwork/MCPTTGroupList/<x>/Entry/RulesForDeaffiliation/<x>/  
ListOfLocationCriteria/<x>/Entry/ExitSpecificArea/Heading/MinimumHeading**

<x>/OnNetwork/MCPTTGroupList/<x>/Entry/RulesForDeaffiliation/<x>/ListOfLocationCriteria/<x>/Entry/ExitSpe  
cificArea/Heading/MinimumHeading

Status	Occurrence	Format	Min. Access Types
Required	One	int	Get, Replace

This leaf node contains the minimum heading.

- Values: 0-359



5.2.48B4B43 /<x>/<x>/OnNetwork/MCPTTGroupList/<x>/Entry/  
RulesForDeaffiliation/<x>/ListOfLocationCriteria/<x>/Entry/  
ExitSpecificArea/Heading/MaximumHeading

**Table 5.2.48B4B43.1: /<x>/<x>/OnNetwork/MCPTTGroupList/<x>/Entry/RulesForDeaffiliation/<x>/  
ListOfLocationCriteria/<x>/Entry/ExitSpecificArea/Heading/MaximumHeading**

<x>/OnNetwork/MCPTTGroupList/<x>/Entry/RulesForDeaffiliation/<x>/ListOfLocationCriteria/<x>/Entry/ExitSpe  
cificArea/Heading/MaximumHeading

Status	Occurrence	Format	Min. Access Types
Required	One	int	Get, Replace

This leaf node contains the maximum heading.

- Values: 0-359

5.2.48B4B44 /<x>/<x>/OnNetwork/MCPTTGroupList/<x>/Entry/  
RulesForDeaffiliation/<x>/ListOfActiveFunctionalAliases

**Table 5.2.48B4B44.1: /<x>/<x>/OnNetwork/MCPTTGroupList/<x>/Entry/RulesForDeaffiliation/<x>/  
ListOfActiveFunctionalAliases**

<x>/OnNetwork/MCPTTGroupList/<x>/Entry/RulesForDeaffiliation/<x>/ListOfActiveFunctionalAliases

Status	Occurrence	Format	Min. Access Types
Optional	One	node	Get, Replace

This interior node is a placeholder for the functional alias part of rules that control automatic deaffiliation.

5.2.48B4B45 /<x>/<x>/OnNetwork/MCPTTGroupList/<x>/Entry/  
RulesForDeaffiliation/<x>/ListOfActiveFunctionalAliases/<x>

**Table 5.2.48B4B45.1: /<x>/<x>/OnNetwork/MCPTTGroupList/<x>/Entry/RulesForDeaffiliation/<x>/  
ListOfActiveFunctionalAliases/<x>**

<x>/OnNetwork/MCPTTGroupList/<x>/Entry/RulesForDeaffiliation/<x>/ListOfActiveFunctionalAliases/<x>

Status	Occurrence	Format	Min. Access Types
Optional	OneOrMore	node	Get, Replace

This interior node is a placeholder for the functional alias part of rules that control automatic deaffiliation.

5.2.48B4B46 /<x>/<x>/OnNetwork/MCPTTGroupList/<x>/Entry/  
RulesForDeaffiliation/<x>/ListOfActiveFunctionalAliases/<x>/Entry

**Table 5.2.48B4B46.1: /<x>/<x>/OnNetwork/MCPTTGroupList/<x>/Entry/RulesForDeaffiliation/<x>/  
ListOfActiveFunctionalAliases/<x>/Entry**

<x>/OnNetwork/MCPTTGroupList/<x>/Entry/RulesForDeaffiliation/<x>/ListOfActiveFunctionalAliases/<x>/Entry

Status	Occurrence	Format	Min. Access Types
Optional	One	node	Get, Replace

This interior node is a placeholder for the functional alias part of rules that control automatic deaffiliation.

## 5.2.48B4B47 /<x>/<x>/OnNetwork/MCPTTGroupList/<x>/Entry/ RulesForDeaffiliation/<x>/ListOfActiveFunctionalAliases/<x>/ Entry/FunctionalAlias

**Table 5.2.48B4B47.1: /<x>/<x>/OnNetwork/MCPTTGroupList/<x>/Entry/RulesForDeaffiliation/<x>/  
ListOfActiveFunctionalAliases/<x>/Entry/FunctionalAlias**

<x>/OnNetwork/MCPTTGroupList/<x>/Entry/RulesForDeaffiliation/<x>/ListOfActiveFunctionalAliases/<x>/Entry/  
FunctionalAlias

Status	Occurrence	Format	Min. Access Types
Required	One	chr	Get, Replace

This leaf node contains a functional alias.

## 5.2.48B5/<x>/<x>/OnNetwork/MCPTTGroupList/<x>/Entry/DisplayName

**Table 5.2.48B5.1: /<x>/<x>/OnNetwork/MCPTTGroupList/<x>/Entry/DisplayName**

<x>/OnNetwork/MCPTTGroupList/<x>/Entry/DisplayName

Status	Occurrence	Format	Min. Access Types
Optional	One	chr	Get, Replace

This leaf node contains a human readable name that corresponds to the MCPTT Group ID.

## 5.2.48B6/<x>/<x>/OnNetwork/MCPTTGroupList/<x>/Entry/ ManualDeaffiliationNotAllowedIfAffiliationRulesAreMet

**Table 5.2.48B6.1: /<x>/<x>/OnNetwork/MCPTTGroupList/<x>/Entry/  
ManualDeaffiliationNotAllowedIfAffiliationRulesAreMet**

<x>/OnNetwork/MCPTTGroupList/<x>/Entry/ManualDeaffiliationNotAllowedIfAffiliationRulesAreMet

Status	Occurrence	Format	Min. Access Types
Optional	ZeroOrOne	bool	Get, Replace

This leaf node indicates whether the MCPTT user is authorised to deaffiliate if the affiliation criteria are met.

## 5.2.48B7/<x>/<x>/OnNetwork/MCPTTGroupList/<x>/Entry/ RelativePresentationPriority

**Table 5.2.48B7.1: /<x>/<x>/OnNetwork/MCPTTGroupList/<x>/Entry/  
RelativePresentationPriority**

<x>/OnNetwork/MCPTTGroupList/<x>/Entry/RelativePresentationPriority

Status	Occurrence	Format	Min. Access Types
Optional	One	int	Get, Replace

This leaf node indicates the presentation priority of the on-network group, identified by the MCPTTGroupID, relative to other on-network groups and on-network users.

- Values: 0-255

The lowest RelativePresentationPriority value shall be considered as the MCPTT group transaction having the lowest priority for presentation among other group MCPTT and one-to-one user transactions.

## 5.2.48B8/ &lt;x&gt;/ &lt;x&gt;/OnNetwork/MCPTTGroupList/ &lt;x&gt;/Entry/GMSServID

**Table 5.2.48B8.1: / <x>/ <x>/OnNetwork/MCPTTGroupList/ <x>/Entry/GMSServID**

&lt;x&gt;/OnNetwork/MCPTTGroupList/ &lt;x&gt;/Entry/GMSServID

Status	Occurrence	Format	Min. Access Types
Required	One	chr	Get, Replace

This leaf node indicates the identity (URI) of the GMS owning the group identified by the MCPTTGroupID.

## 5.2.48B9/ &lt;x&gt;/ &lt;x&gt;/OnNetwork/MCPTTGroupList/ &lt;x&gt;/Entry/IDMSTokenEndPoint

**Table 5.2.48B9.1: / <x>/ <x>/OnNetwork/MCPTTGroupList/ <x>/Entry/IDMSTokenEndPoint**

&lt;x&gt;/OnNetwork/MCPTTGroupList/ &lt;x&gt;/Entry/IDMSTokenEndPoint

Status	Occurrence	Format	Min. Access Types
Required	One	chr	Get, Replace

This leaf node indicates the identity (URI) of the IDMS token endpoint for the group identified by the MCPTTGroupID. If the value is empty, the IDMS identities (IDMSAuthEndPoint and IDMSTokenEndPoint) present in the MCS UE initial configuration MO are used.

## 5.2.48B10 / &lt;x&gt;/ &lt;x&gt;/OnNetwork/MCPTTGroupList/ &lt;x&gt;/Entry/GroupKMSURI

**Table 5.2.48B10.1: / <x>/ <x>/OnNetwork/MCPTTGroupList/ <x>/Entry/GroupKMSURI**

&lt;x&gt;/OnNetwork/MCPTTGroupList/ &lt;x&gt;/Entry/GroupKMSURI

Status	Occurrence	Format	Min. Access Types
Required	One	chr	Get, Replace

This leaf node indicates the identity (URI) of the KMS identity (URI) for the group identified by the MCPTTGroupID. If the value is empty, the KMS identity (URI) (kms) present in the MCS UE initial configuration MO is used.

## 5.2.48C1 / &lt;x&gt;/ &lt;x&gt;/OnNetwork/ImplicitAffiliations

**Table 5.2.48C1.1: / <x>/ <x>/OnNetwork/ImplicitAffiliations**

&lt;x&gt;/OnNetwork/ImplicitAffiliations

Status	Occurrence	Format	Min. Access Types
Required	One	node	Get, Replace

This interior node is a placeholder for the implicit affiliation configuration.

## 5.2.48C2 / &lt;x&gt;/ &lt;x&gt;/OnNetwork/ImplicitAffiliations/ &lt;x&gt;

**Table 5.2.48C2.1: / <x>/ <x>/OnNetwork/ImplicitAffiliations/ <x>**

&lt;x&gt;/OnNetwork/ImplicitAffiliations/ &lt;x&gt;

Status	Occurrence	Format	Min. Access Types

Required	OneOrMore	node	Get, Replace
----------	-----------	------	--------------

This interior node is a placeholder for one or more implicit affiliation configuration.

### 5.2.48C3 /<x>/<x>/OnNetwork/ImplicitAffiliations/<x>/Entry

**Table 5.2.48C3.1: /<x>/<x>/OnNetwork/ImplicitAffiliations/<x>/Entry**

<x>/OnNetwork/ImplicitAffiliations/<x>/Entry

Status	Occurrence	Format	Min. Access Types
Optional	One	node	Get, Replace

This interior node is a placeholder for the details of the on-network MCPTT groups that the MCPTT user is implicitly affiliated to.

### 5.2.48C4 /<x>/<x>/OnNetwork/ImplicitAffiliations/<x>/Entry/MCPTTGroupID

**Table 5.2.48C4.1: /<x>/<x>/OnNetwork/ImplicitAffiliations/<x>/Entry/MCPTTGroupID**

<x>/OnNetwork/ImplicitAffiliations/<x>/Entry/MCPTTGroupID

Status	Occurrence	Format	Min. Access Types
Required	One	chr	Get, Replace

This leaf node indicates a MCPTT group ID to which the MCPTT user is implicitly affiliated to.

The value is a "uri" attribute specified in OMA OMA-TS-XDM\_Group-V1\_1 [4].

### 5.2.48C5 /<x>/<x>/OnNetwork/ImplicitAffiliations/<x>/Entry/DisplayName

**Table 5.2.48C5.1: /<x>/<x>/OnNetwork/ImplicitAffiliations/<x>/Entry/DisplayName**

<x>/OnNetwork/ImplicitAffiliations/<x>/Entry/DisplayName

Status	Occurrence	Format	Min. Access Types
Optional	One	chr	Get, Replace

This leaf node contains a human readable name that corresponds to the MCPTT Group ID.

### 5.2.48D /<x>/<x>/OnNetwork/AllowedRegroup

**Table 5.2.48D.1: /<x>/<x>/OnNetwork/AllowedRegroup**

<x>/OnNetwork/AllowedRegroup

Status	Occurrence	Format	Min. Access Types
Required	One	bool	Get, Replace

This leaf node indicates whether the MCPTT user is authorised to perform dynamic regrouping operations.

When set to "true" the MCPTT user is authorised to perform dynamic regrouping operations.

When set to "false" the MCPTT user is not authorised to perform dynamic regrouping operations.

## 5.2.48E /<x>/<x>/OnNetwork/AllowedPresenceStatus

**Table 5.2.48E.1: /<x>/<x>/OnNetwork/AllowedPresenceStatus**

<x>/OnNetwork/AllowedPresenceStatus

Status	Occurrence	Format	Min. Access Types
Optional	One	bool	Get, Replace

This leaf node indicates the presence status on the network of this MCPTT user is available.

When set to "true" the presence status on the network of this MCPTT user is available.

When set to "false" the presence status on the network of this MCPTT user is not available. This is the default if this leaf node is not present.

## 5.2.48F /<x>/<x>/OnNetwork/AllowedPresence

**Table 5.2.48F.1: /<x>/<x>/OnNetwork/AllowedPresence**

<x>/OnNetwork/AllowedPresence

Status	Occurrence	Format	Min. Access Types
Optional	One	bool	Get, Replace

This leaf node indicates whether the MCPTT user is authorised to obtain whether a particular MCPTT User is present on the network.

When set to "true" the MCPTT user is authorised to obtain whether a particular MCPTT User is present on the network.

When set to "false" the MCPTT user is not authorised to obtain whether a particular MCPTT User is present on the network.

## 5.2.48G /<x>/<x>/OnNetwork/EnabledParticipation

**Table 5.2.48G.1: /<x>/<x>/OnNetwork/EnabledParticipation**

<x>/OnNetwork/EnabledParticipation

Status	Occurrence	Format	Min. Access Types
Required	One	bool	Get, Replace

This leaf node indicates whether the MCPTT user is allowed to participate in MCPTT private calls that they are invited to.

When set to "true" the MCPTT user is allowed to participate in MCPTT private calls that they are invited to.

When set to "false" the MCPTT user is not allowed to participate in MCPTT private calls that they are invited to.

## 5.2.48H /<x>/<x>/OnNetwork/AllowedTransmission

**Table 5.2.48H.1: /<x>/<x>/OnNetwork/AllowedTransmission**

<x>/OnNetwork/AllowedTransmission

Status	Occurrence	Format	Min. Access Types
Required	One	bool	Get, Replace

This leaf node indicates whether the MCPTT user is authorised to override transmission in a MCPTT private call.

When set to "true" the MCPTT user is authorised to override transmission in a MCPTT private call.

When set to "false" the MCPTT user is not authorised to override transmission in a MCPTT private call.

## 5.2.48I /<x>/<x>/OnNetwork/AllowedManualSwitch

**Table 5.2.48I.1: /<x>/<x>/OnNetwork/AllowedManualSwitch**

<x>/OnNetwork/AllowedManualSwitch

Status	Occurrence	Format	Min. Access Types
Required	One	bool	Get, Replace

This leaf node indicates whether the MCPTT user is authorised to manually switch to off-network operation while in on-network operation.

When set to "true" the MCPTT user is authorised to manually switch to off-network operation while in on-network operation.

When set to "false" the MCPTT user is not authorised to manually switch to off-network operation while in on-network operation.

## 5.2.48J /<x>/<x>/OnNetwork/PrivateCall

**Table 5.2.48J.1: /<x>/<x>/OnNetwork/PrivateCall**

<x>/OnNetwork/PrivateCall

Status	Occurrence	Format	Min. Access Types
Required	One	node	Get, Replace

This interior node is a placeholder for the MCPTT private call configuration.

## 5.2.48K /<x>/<x>/OnNetwork/PrivateCall/EmergencyAlert

**Table 5.2.48K.1: /<x>/<x>/OnNetwork/PrivateCall/EmergencyAlert**

<x>/OnNetwork/PrivateCall/EmergencyAlert

Status	Occurrence	Format	Min. Access Types
Required	One	node	Get, Replace

This interior node is a placeholder for the MCPTT private emergency alert policy.

## 5.2.48L /<x>/<x>/OnNetwork/PrivateCall/EmergencyAlert/Entry

**Table 5.2.48L.1: /<x>/<x>/OnNetwork/PrivateCall/EmergencyAlert/Entry**

<x>/OnNetwork/PrivateCall/EmergencyAlert/Entry

Status	Occurrence	Format	Min. Access Types
Required	One	node	Get, Replace

This interior node is a placeholder for the details of an MCPTT private emergency alert for on-network.

## 5.2.48M /<x>/<x>/OnNetwork/PrivateCall/EmergencyAlert/Entry/ID

**Table 5.2.48M.1: /<x>/<x>/OnNetwork/PrivateCall/EmergencyAlert/Entry/ID**

<x>/OnNetwork/PrivateCall/EmergencyAlert/Entry/ID

Status	Occurrence	Format	Min. Access Types
Required	One	chr	Get, Replace

This leaf node indicates the MCPTT user ID used upon certain criteria on initiation of an MCPTT private emergency alert for on-network.

## 5.2.48N /<x>/<x>/OnNetwork/PrivateCall/EmergencyAlert/Entry/DisplayName

**Table 5.2.48N.1: /<x>/<x>/OnNetwork/PrivateCall/EmergencyAlert/Entry/DisplayName**

<x>/OnNetwork/PrivateCall/EmergencyAlert/Entry/DisplayName

Status	Occurrence	Format	Min. Access Types
Optional	One	chr	Get, Replace

This leaf node contains a human readable name that corresponds to the ID.

## 5.2.48O /<x>/<x>/OnNetwork/PrivateCall/EmergencyAlert/Entry/Usage

**Table 5.2.48O.1: /<x>/<x>/OnNetwork/PrivateCall/EmergencyAlert/Entry/Usage**

<x>/OnNetwork/PrivateCall/EmergencyAlert/Entry/Usage

Status	Occurrence	Format	Min. Access Types
Required	One	chr	Get, Replace

This leaf node indicates the criteria to determine when initiation of an MCPTT private emergency alert uses the ID.

The valid values are 'LocallyDetermined' and 'UsePreConfigured'.

When set to 'LocallyDetermined' then if the MCPTT user selects an MCPTT ID then use that MCPTT ID for an on-network MCPTT private emergency alert, if the MCPTT user does not select a MCPTT ID then use the MCPTT ID identified by the ID in clause 5.2.48M for an on-network MCPTT private emergency alert.

When set to 'UsePreConfigured' then use the ID identified by the ID in clause 5.2.48M for an on-network MCPTT private emergency alert.

## 5.2.48P /<x>/<x>/OnNetwork/PrivateCall/AllowedCallBackRequest

**Table 5.2.48P.1: /<x>/<x>/OnNetwork/PrivateCall/AllowedCallBackRequest**

<x>/OnNetwork/PrivateCall/AllowedCallBackRequest

Status	Occurrence	Format	Min. Access Types
Optional	One	bool	Get, Replace

This leaf node indicates whether the MCPTT user is allowed to request a private call call-back.

When set to "true" the MCPTT user is allowed to request a private call call-back.

When set to "false" the MCPTT user is not allowed to request a private call call-back.

## 5.2.48Q /<x>/<x>/OnNetwork/PrivateCall/AllowedCallBackCancelRequest

**Table 5.2.48Q.1: /<x>/<x>/OnNetwork/PrivateCall/AllowedCallBackCancelRequest**

<x>/OnNetwork/PrivateCall/AllowedCallBackCancelRequest

Status	Occurrence	Format	Min. Access Types
Optional	One	bool	Get, Replace

This leaf node indicates whether the MCPTT user is allowed to cancel an outstanding private call call-back request.

When set to "true" the MCPTT user is allowed to cancel an outstanding private call call-back request.

When set to "false" the MCPTT user is not allowed to cancel an outstanding private call call-back request.

## 5.2.48R /<x>/<x>/OnNetwork/PrivateCall/AllowedRemoteInitiatedAmbientListening

**Table 5.2.48R.1: /<x>/<x>/OnNetwork/PrivateCall/AllowedRemoteInitiatedAmbientListening**

<x>/OnNetwork/PrivateCall/AllowedRemoteInitiatedAmbientListening

Status	Occurrence	Format	Min. Access Types
Optional	One	bool	Get, Replace

This leaf node indicates whether the MCPTT user is allowed to request a remote initiated ambient listening call.

When set to "true" the MCPTT user is allowed to request a remote initiated ambient listening call.

When set to "false" the MCPTT user is not allowed to request a remote initiated ambient listening call.

## 5.2.48S /<x>/<x>/OnNetwork/PrivateCall/AllowedLocallyInitiatedAmbientListening

**Table 5.2.48S.1: /<x>/<x>/OnNetwork/PrivateCall/AllowedLocallyInitiatedAmbientListening**

<x>/OnNetwork/PrivateCall/AllowedLocallyInitiatedAmbientListening

Status	Occurrence	Format	Min. Access Types
Optional	One	bool	Get, Replace

This leaf node indicates whether the MCPTT user is allowed to request a locally initiated ambient listening call.

When set to "true" the MCPTT user is allowed to request a locally initiated ambient listening call.

When set to "false" the MCPTT user is not allowed to request a locally initiated ambient listening call.

## 5.2.48T /<x>/<x>/OnNetwork/PrivateCall/AllowedRequestFirstToAnswerCall

**Table 5.2.48T.1: /<x>/<x>/OnNetwork/PrivateCall/AllowedRequestFirstToAnswerCall**

<x>/OnNetwork/PrivateCall/AllowedRequestFirstToAnswerCall

Status	Occurrence	Format	Min. Access Types



Optional	One	bool	Get, Replace
----------	-----	------	--------------

This leaf node indicates whether the MCPTT user is allowed to request a first to answer call.

When set to "true" the MCPTT user is allowed to request a first to answer call.

When set to "false" the MCPTT user is not allowed to request a first to answer call.

## 5.2.48T1 /<x>/<x>/OnNetwork/PrivateCall/AllowedCallTransfer

**Table 5.2.48T1.1: /<x>/<x>/OnNetwork/PrivateCall/AllowedCallTransfer**

<x>/OnNetwork/PrivateCall/AllowedCallTransfer

Status	Occurrence	Format	Min. Access Types
Optional	One	bool	Get, Replace

This leaf node indicates whether the MCPTT user is allowed to request a call transfer.

When set to "true" the MCPTT user is allowed to request a call transfer.

When set to "false" the MCPTT user is not allowed to request a call transfer.

## 5.2.48T2 /<x>/<x>/OnNetwork/PrivateCall/AllowedCallTransferAny

**Table 5.2.48T2.1: /<x>/<x>/OnNetwork/PrivateCall/AllowedCallTransferAny**

<x>/OnNetwork/PrivateCall/AllowedCallTransferAny

Status	Occurrence	Format	Min. Access Types
Optional	One	bool	Get, Replace

This leaf node indicates whether the MCPTT user is allowed to request a call transfer to any target user.

When set to "true" the MCPTT user is allowed to request a call transfer to any target user.

When set to "false" the MCPTT user is not allowed to request a call transfer to any user, permission of call transfer is checked based on on entries in the <AllowedTargetMCPTTIDList>/<AllowedTargetFunctionalAliasIDList> as defined in 3GPP TS 24.484 [12] using the procedures defined in 3GPP TS 24.379 [7].

## 5.2.48T3 /<x>/<x>/OnNetwork/PrivateCall/AllowedCallForwardManualInput

**Table 5.2.48T3.1: /<x>/<x>/OnNetwork/PrivateCall/AllowedCallForwardManualInput**

<x>/OnNetwork/PrivateCall/AllowedCallForwardManualInput

Status	Occurrence	Format	Min. Access Types
Optional	One	bool	Get, Replace

This leaf node indicates whether the MCPTT user is allowed to request a call forwarding based on manual user input.

When set to "true" the MCPTT user is allowed to request a call forwarding based on manual user input. The target of the forwarding is not restricted (e.g. can be any MCPTT user).

When set to "false" the MCPTT user is not allowed to request a call forwarding based on manual user input.

## 5.2.48U1 /<x>/<x>/OnNetwork/RemoteGroupSelection

**Table 5.2.48U1.1: /<x>/<x>/OnNetwork/RemoteGroupSelection**

<x>/OnNetwork/RemoteGroupSelection

Status	Occurrence	Format	Min. Access Types
Required	One	node	Get, Replace

This interior node is a placeholder for the remote group selection configuration.

## 5.2.48U2 /<x>/<x>/OnNetwork/RemoteGroupSelection/<x>

**Table 5.2.48U2.1: /<x>/<x>/OnNetwork/RemoteGroupSelection/<x>**

<x>/OnNetwork/RemoteGroupSelection/<x>

Status	Occurrence	Format	Min. Access Types
Required	OneOrMore	node	Get, Replace

This interior node is a placeholder for one or more remote group selection configuration elements.

## 5.2.48U3 /<x>/<x>/OnNetwork/RemoteGroupSelection/<x>/Entry

**Table 5.2.48U3.1: /<x>/<x>/OnNetwork/RemoteGroupSelection/<x>/Entry**

<x>/OnNetwork/RemoteGroupSelection/<x>/Entry

Status	Occurrence	Format	Min. Access Types
Optional	One	node	Get, Replace

This interior node is a placeholder for the details of the on-network MCPTT users whose selected MCPTT group is allowed to be remotely changed by the MCPTT user.

## 5.2.48U4 /<x>/<x>/OnNetwork/RemoteGroupSelection/<x>/Entry/MCPTTID

**Table 5.2.48U4.1: /<x>/<x>/OnNetwork/RemoteGroupSelection/<x>/Entry/MCPTTID**

<x>/OnNetwork/RemoteGroupSelection/<x>/Entry/MCPTTID

Status	Occurrence	Format	Min. Access Types
Required	One	chr	Get, Replace

This leaf node indicates a MCPTT ID of an MCPTT user whose selected MCPTT group is allowed to be remotely changed by the MCPTT user.

The value is a "uri" attribute specified in OMA OMA-TS-XDM\_Group-V1\_1 [4].

## 5.2.48U5 /<x>/<x>/OnNetwork/RemoteGroupSelection/<x>/Entry/DisplayName

**Table 5.2.48U5.1: /<x>/<x>/OnNetwork/RemoteGroupSelection/<x>/Entry/DisplayName**

<x>/OnNetwork/RemoteGroupSelection/<x>/Entry/DisplayName

Status	Occurrence	Format	Min. Access Types
Optional	One	chr	Get, Replace

This leaf node contains a human readable name that corresponds to the MCPTT ID of the MCPTT user.

5.2.48V1Void

5.2.48V2Void

5.2.48V3Void

5.2.48V4Void

5.2.48V5Void

5.2.48V6Void

5.2.48V7Void

5.2.48V8Void

5.2.48V9Void

5.2.48V10 Void

5.2.48V11 Void

5.2.48V12 Void

5.2.48V13 Void

5.2.48V14 Void

5.2.48V15 Void

5.2.48V16 Void

5.2.48V17 Void

5.2.48W1 /<x>/<x>/OnNetwork/AllowedRequestRemoteInitPrivateCall

**Table 5.2.48W1.1: /<x>/<x>/OnNetwork/AllowedRequestRemoteInitPrivateCall**

<x>/OnNetwork/AllowedRequestRemoteInitPrivateCall

Status	Occurrence	Format	Min. Access Types
Required	One	bool	Get, Replace

This leaf node indicates whether the MCPTT user is authorised to request a remotely initiated private call.

When set to "true" the MCPTT user is authorised to request remotely initiated private calls.

When set to "false" the MCPTT user is not authorised to request remotely initiated private calls.

## 5.2.48W2 `<x>/<x>/OnNetwork/AllowedRequestRemoteInitGroupCall`

**Table 5.2.48W2.1: `<x>/<x>/OnNetwork/AllowedRequestRemoteInitGroupCall`**

`<x>/OnNetwork/AllowedRequestRemoteInitGroupCall`

Status	Occurrence	Format	Min. Access Types
Required	One	bool	Get, Replace

This leaf node indicates whether the MCPTT user is authorised to request a remotely initiated group call.

When set to "true" the MCPTT user is authorised to request remotely initiated group calls.

When set to "false" the MCPTT user is not authorised to request remotely initiated group calls.

## 5.2.48W3 `<x>/<x>/OnNetwork/FunctionalAliasList`

**Table 5.2.48W3.1: `<x>/<x>/OnNetwork/FunctionalAliasList`**

`<x>/OnNetwork/FunctionalAliasList`

Status	Occurrence	Format	Min. Access Types
Required	One	node	Get, Replace

This interior node is a placeholder for the functional alias configuration.

## 5.2.48W4 `<x>/<x>/OnNetwork/FunctionalAliasList/<x>`

**Table 5.2.48W4.1: `<x>/<x>/OnNetwork/FunctionalAliasList/<x>`**

`<x>/OnNetwork/FunctionalAliasList/<x>`

Status	Occurrence	Format	Min. Access Types
Required	OneOrMore	node	Get, Replace

This interior node is a placeholder for one or more functional alias configuration elements.

## 5.2.48W5 `<x>/<x>/OnNetwork/FunctionalAliasList/<x>/Entry`

**Table 5.2.48W5.1: `<x>/<x>/OnNetwork/FunctionalAliasList/<x>/Entry`**

`<x>/OnNetwork/FunctionalAliasList/<x>/Entry`

Status	Occurrence	Format	Min. Access Types
Optional	One	node	Get, Replace

This interior node is a placeholder for the details of the functional alias.

## 5.2.48W6 /<x>/<x>/OnNetwork/FunctionalAliasList/<x>/Entry/ FunctionalAlias

**Table 5.2.48W6.1: /<x>/<x>/OnNetwork/FunctionalAliasList/<x>/Entry/FunctionalAlias**

<x>/OnNetwork/FunctionalAliasList/<x>/Entry/FunctionalAlias

Status	Occurrence	Format	Min. Access Types
Required	One	chr	Get, Replace

This leaf node indicates a functional alias that can be activated by the MCPTT user.

The value is a "uri" attribute specified in OMA OMA-TS-XDM\_Group-V1\_1 [4].

## 5.2.48W6A/<x>/<x>/OnNetwork/FunctionalAliasList/<x>/Entry/ LocationCriteriaForActivation

**Table 5.2.48W6A.1: /<x>/<x>/OnNetwork/FunctionalAliasList/<x>/Entry/LocationCriteriaForActivation**

<x>/OnNetwork/FunctionalAliasList/<x>/Entry/LocationCriteriaForActivation

Status	Occurrence	Format	Min. Access Types
Optional	ZeroOrOne	node	Get, Replace

This interior node contains the location criteria for activation of a functional alias.

## 5.2.48W6A0 /<x>/<x>/OnNetwork/FunctionalAliasList/<x>/Entry/ LocationCriteriaForActivation/<x>

**Table 5.2.48W6A0.1:**

**/<x>/<x>/OnNetwork/FunctionalAliasList/<x>/Entry/LocationCriteriaForActivation/<x>**

<x>/OnNetwork/FunctionalAliasList/<x>/Entry/LocationCriteriaForActivation/<x>

Status	Occurrence	Format	Min. Access Types
Optional	ZeroOrMore	node	Get, Replace

This interior node contains the zero or more location criteria for activation of a functional alias.

## 5.2.48W6A1 /<x>/<x>/OnNetwork/FunctionalAliasList/<x>/Entry/ LocationCriteriaForActivation/<x>/EnterSpecificArea

**Table 5.2.48W6A1.1:**

**/<x>/<x>/OnNetwork/FunctionalAliasList/<x>/Entry/LocationCriteriaForActivation/<x>/  
EnterSpecificArea**

<x>/OnNetwork/FunctionalAliasList/<x>/Entry/LocationCriteriaForActivation/<x>/EnterSpecificArea

Status	Occurrence	Format	Min. Access Types
Optional	ZeroOrOne	node	Get, Replace

This interior node contains a geographical area which when entered by the MC service UE triggers the functional alias activation.

## 5.2.48W6A2 /<x>/<x>/OnNetwork/FunctionalAliasList/<x>/Entry/ LocationCriteriaForActivation/<x>/EnterSpecificArea/ PolygonArea

**Table 5.2.48W6A2.1:**

**/<x>/<x>/OnNetwork/FunctionalAliasList/<x>/Entry/LocationCriteriaForActivation/<x>/  
EnterSpecificArea/PolygonArea**

<x>/OnNetwork/FunctionalAliasList/<x>/Entry/LocationCriteriaForActivation/<x>/EnterSpecificArea/PolygonArea

Status	Occurrence	Format	Min. Access Types
Optional	ZeroOrOne	node	Get, Replace

This interior node contains a geographical area described by a polygon.

## 5.2.48W6A3 /<x>/<x>/OnNetwork/FunctionalAliasList/<x>/Entry/ LocationCriteriaForActivation/<x>/EnterSpecificArea/ PolygonArea/<x>

**Table 5.2.48W6A3.1:**

**/<x>/<x>/OnNetwork/FunctionalAliasList/<x>/Entry/LocationCriteriaForActivation/<x>/  
EnterSpecificArea/PolygonArea/<x>**

<x>/OnNetwork/FunctionalAliasList/<x>/Entry/LocationCriteriaForActivation/<x>/EnterSpecificArea/PolygonArea  
<x>

Status	Occurrence	Format	Min. Access Types
Required	OneOrN	node	Get, Replace

This interior node contains the coordinates of the corners which define a polygon. The occurrence of this leaf node is "3 to 15" as per 3GPP TS 23.032 [21].

## 5.2.48W6A3A /<x>/<x>/OnNetwork/FunctionalAliasList/<x>/Entry/ LocationCriteriaForActivation/<x>/EnterSpecificArea/ PolygonArea/<x>/PointCoordinateType

**Table 5.2.48W6A3A.1: /<x>/<x>/OnNetwork/FunctionalAliasList/<x>/Entry/  
LocationCriteriaForActivation/<x>/EnterSpecificArea/PolygonArea/<x>/PointCoordinateType**

<x>/OnNetwork/FunctionalAliasList/<x>/Entry/LocationCriteriaForActivation/<x>/EnterSpecificArea/PolygonArea  
<x>/PointCoordinateType

Status	Occurrence	Format	Min. Access Types
Required	One	node	Get, Replace

This interior node contains the coordinates of the center point of the ellipsoid arc.

5.2.48W6A4 /<x>/<x>/OnNetwork/FunctionalAliasList/<x>/Entry/  
LocationCriteriaForActivation/<x>/EnterSpecificArea/  
PolygonArea/<x>/PointCoordinateType/Longitude

**Table 5.2.48W6A4.1:**

**/<x>/<x>/OnNetwork/FunctionalAliasList/<x>/Entry/LocationCriteriaForActivation/<x>/  
EnterSpecificArea/PolygonArea/<x>/PointCoordinateType/Longitude**

<x>/OnNetwork/FunctionalAliasList/<x>/Entry/LocationCriteriaForActivation/<x>/EnterSpecificArea/PolygonArea  
/<x>/PointCoordinateType/Longitude

Status	Occurrence	Format	Min. Access Types
Required	One	int	Get, Replace

This leaf node contains the longitudinal coordinate of a corner.

- Values: 0-16777215

5.2.48W6A5 /<x>/<x>/OnNetwork/FunctionalAliasList/<x>/Entry/  
LocationCriteriaForActivation/<x>/EnterSpecificArea/  
PolygonArea/<x>/PointCoordinateType/Latitude

**Table 5.2.48W6A5.1:**

**/<x>/<x>/OnNetwork/FunctionalAliasList/<x>/Entry/LocationCriteriaForActivation/<x>/  
EnterSpecificArea/PolygonArea/<x>/PointCoordinateType/Latitude**

<x>/OnNetwork/FunctionalAliasList/<x>/Entry/LocationCriteriaForActivation/<x>/EnterSpecificArea/PolygonArea  
/<x>/PointCoordinateType/Latitude

Status	Occurrence	Format	Min. Access Types
Required	One	int	Get, Replace

This leaf node contains the latitudinal coordinate of a corner.

- Values: 0-16777215

5.2.48W6A6 /<x>/<x>/OnNetwork/FunctionalAliasList/<x>/Entry/  
LocationCriteriaForActivation/<x>/EnterSpecificArea/  
EllipsoidArcArea

**Table 5.2.48W6A6.1:**

**/<x>/<x>/OnNetwork/FunctionalAliasList/<x>/Entry/LocationCriteriaForActivation/<x>/  
EnterSpecificArea/EllipsoidArcArea**

<x>/OnNetwork/FunctionalAliasList/<x>/Entry/LocationCriteriaForActivation/<x>/EnterSpecificArea/EllipsoidArc

Status	Occurrence	Format	Min. Access Types
Optional	ZeroOrOne	node	Get, Replace

This interior node contains a geographical area described by an ellipsoid arc.

5.2.48W6A7 /<x>/<x>/OnNetwork/FunctionalAliasList/<x>/Entry/  
LocationCriteriaForActivation/<x>/EnterSpecificArea/  
EllipsoidArcArea/Center

**Table 5.2.48W6A7.1:**  
**/<x>/<x>/OnNetwork/FunctionalAliasList/<x>/Entry/LocationCriteriaForActivation/<x>/**  
**EnterSpecificArea/EllipsoidArcArea/Center**

<x>/OnNetwork/FunctionalAliasList/<x>/Entry/LocationCriteriaForActivation/<x>/EnterSpecificArea/EllipsoidArc  
Area/Center

Status	Occurrence	Format	Min. Access Types
Required	One	node	Get, Replace

This interior node contains the coordinates of the center point of the ellipsoid arc.

5.2.48W6A7A /<x>/<x>/OnNetwork/FunctionalAliasList/<x>/Entry/  
LocationCriteriaForActivation/<x>/EnterSpecificArea/  
EllipsoidArcArea/Center/PointCoordinateType

**Table 5.2.48W6A7A.1: /<x>/<x>/OnNetwork/FunctionalAliasList/<x>/Entry/  
LocationCriteriaForActivation/<x>/EnterSpecificArea/EllipsoidArcArea/Center/PointCoordinateType**

<x>/OnNetwork/FunctionalAliasList/<x>/Entry/LocationCriteriaForActivation/<x>/EnterSpecificArea/EllipsoidArc  
Area/Center/PointCoordinateType

Status	Occurrence	Format	Min. Access Types
Required	One	node	Get, Replace

This interior node contains the coordinates of the center point of the ellipsoid arc.

5.2.48W6A8 /<x>/<x>/OnNetwork/FunctionalAliasList/<x>/Entry/  
LocationCriteriaForActivation/<x>/EnterSpecificArea/  
EllipsoidArcArea/Center/PointCoordinateType/Longitude

**Table 5.2.48W6A8.1: /<x>/<x>/OnNetwork/FunctionalAliasList/<x>/Entry/  
LocationCriteriaForActivation/<x>/EnterSpecificArea/EllipsoidArcArea/Center/PointCoordinateType/  
Longitude**

<x>/OnNetwork/FunctionalAliasList/<x>/Entry/LocationCriteriaForActivation/<x>/EnterSpecificArea/EllipsoidArc  
Area/Center/PointCoordinateType/Longitude

Status	Occurrence	Format	Min. Access Types
Required	One	int	Get, Replace

This leaf node contains the longitudinal coordinate of the center.

- Values: 0-16777215



## 5.2.48W6A9 /<x>/<x>/OnNetwork/FunctionalAliasList/<x>/Entry/ LocationCriteriaForActivation/<x>/EnterSpecificArea/ EllipsoidArcArea/Center/PointCoordinateType/Latitude

**Table 5.2.48W6A9.1: /<x>/<x>/OnNetwork/FunctionalAliasList/<x>/Entry/  
LocationCriteriaForActivation/<x>/EnterSpecificArea/EllipsoidArcArea/Center/PointCoordinateType/  
Latitude**

<x>/OnNetwork/FunctionalAliasList/<x>/Entry/LocationCriteriaForActivation/<x>/EnterSpecificArea/EllipsoidArc  
Area/Center/PointCoordinateType/Latitude

Status	Occurrence	Format	Min. Access Types
Required	One	int	Get, Replace

This leaf node contains the latitudinal coordinate of the center.

- Values: 0-16777215

## 5.2.48W6A10/<x>/<x>/OnNetwork/FunctionalAliasList/<x>/Entry/ LocationCriteriaForActivation/<x>/ EnterSpecificArea/EllipsoidArcArea/Radius

**Table 5.2.48W6A10.1: /<x>/<x>/OnNetwork/FunctionalAliasList/<x>/Entry/  
LocationCriteriaForActivation/<x>/EnterSpecificArea/EllipsoidArcArea/Radius**

<x>/OnNetwork/FunctionalAliasList/<x>/Entry/LocationCriteriaForActivation/<x>/EnterSpecificArea/EllipsoidArc  
Area/Radius

Status	Occurrence	Format	Min. Access Types
Required	One	int	Get, Replace

This leaf node contains the radius of the ellipsoid arc.

- Values: non-negative integer

## 5.2.48W6A11/<x>/<x>/OnNetwork/FunctionalAliasList/<x>/Entry/ LocationCriteriaForActivation/<x>/ EnterSpecificArea/EllipsoidArcArea/OffsetAngle

**Table 5.2.48W6A11.1: /<x>/<x>/OnNetwork/FunctionalAliasList/<x>/Entry/  
LocationCriteriaForActivation/<x>/EnterSpecificArea/EllipsoidArcArea/OffsetAngle**

<x>/OnNetwork/FunctionalAliasList/<x>/Entry/LocationCriteriaForActivation/<x>/EnterSpecificArea/EllipsoidArc  
Area/OffsetAngle

Status	Occurrence	Format	Min. Access Types
Required	One	int	Get, Replace

This leaf node contains the offset angle of the ellipsoid arc.

- Values: 0-255

## 5.2.48W6A12/<x>/<x>/OnNetwork/FunctionalAliasList/<x>/Entry/LocationCriteriaForActivation/<x>/EnterSpecificArea/EllipsoidArcArea/IncludedAngle

**Table 5.2.48W6A12.1: /<x>/<x>/OnNetwork/FunctionalAliasList/<x>/Entry/LocationCriteriaForActivation/<x>/EnterSpecificArea/EllipsoidArcArea/IncludedAngle**

<x>/OnNetwork/FunctionalAliasList/<x>/Entry/LocationCriteriaForActivation/<x>/EnterSpecificArea/EllipsoidArcArea/IncludedAngle

Status	Occurrence	Format	Min. Access Types
Required	One	int	Get, Replace

This leaf node contains the included angle of the ellipsoid arc.

- Values: 0-255

## 5.2.48W6A12A /<x>/<x>/OnNetwork/FunctionalAliasList/<x>/Entry/LocationCriteriaForActivation/<x>/EnterSpecificArea/Speed

**Table 5.2.48W6A12A.1: /<x>/<x>/OnNetwork/FunctionalAliasList/<x>/Entry/LocationCriteriaForActivation/<x>/EnterSpecificArea/Speed**

<x>/OnNetwork/FunctionalAliasList/<x>/Entry/LocationCriteriaForActivation/<x>/EnterSpecificArea/Speed

Status	Occurrence	Format	Min. Access Types
Optional	One	node	Get, Replace

This interior node contains the speed.

## 5.2.48W6A12B /<x>/<x>/OnNetwork/FunctionalAliasList/<x>/Entry/LocationCriteriaForActivation/<x>/EnterSpecificArea/Speed/MinimumSpeed

**Table 5.2.48W6A12B.1: /<x>/<x>/OnNetwork/FunctionalAliasList/<x>/Entry/LocationCriteriaForActivation/<x>/EnterSpecificArea/Speed/MinimumSpeed**

<x>/OnNetwork/FunctionalAliasList/<x>/Entry/LocationCriteriaForActivation/<x>/EnterSpecificArea/Speed/MinimumSpeed

Status	Occurrence	Format	Min. Access Types
Required	One	int	Get, Replace

This leaf node contains the minimum speed.

- Values: non-negative integer in units of kilometers/hour.

5.2.48W6A12C /<x>/<x>/OnNetwork/FunctionalAliasList/<x>/Entry/LocationCriteriaForActivation/<x>/EnterSpecificArea/Speed/MaximumSpeed

**Table 5.2.48W6A12C.1: /<x>/<x>/OnNetwork/FunctionalAliasList/<x>/Entry/LocationCriteriaForActivation/<x>/EnterSpecificArea/Speed/MaximumSpeed**

<x>/OnNetwork/FunctionalAliasList/<x>/Entry/LocationCriteriaForActivation/<x>/EnterSpecificArea/Speed/MaximumSpeed

Status	Occurrence	Format	Min. Access Types
Required	One	int	Get, Replace

This leaf node contains the maximum speed.

- Values: non-negative integer in units of kilometers/hour.

5.2.48W6A12D /<x>/<x>/OnNetwork/FunctionalAliasList/<x>/Entry/LocationCriteriaForActivation/<x>/EnterSpecificArea/Heading

**Table 5.2.48W6A12D.1: /<x>/<x>/OnNetwork/FunctionalAliasList/<x>/Entry/LocationCriteriaForActivation/<x>/EnterSpecificArea/Heading**

<x>/OnNetwork/FunctionalAliasList/<x>/Entry/LocationCriteriaForActivation/<x>/EnterSpecificArea/Heading

Status	Occurrence	Format	Min. Access Types
Optional	One	node	Get, Replace

This interior node contains the heading.

5.2.48W6A12E /<x>/<x>/OnNetwork/FunctionalAliasList/<x>/Entry/LocationCriteriaForActivation/<x>/EnterSpecificArea/Heading/MinimumHeading

**Table 5.2.48W6A12E.1: /<x>/<x>/OnNetwork/FunctionalAliasList/<x>/Entry/LocationCriteriaForActivation/<x>/EnterSpecificArea/Heading/MinimumHeading**

<x>/OnNetwork/FunctionalAliasList/<x>/Entry/LocationCriteriaForActivation/<x>/EnterSpecificArea/Heading/MinimumHeading

Status	Occurrence	Format	Min. Access Types
Required	One	int	Get, Replace

This leaf node contains the minimum heading.

- Values: 0-359

## 5.2.48W6A12F /<x>/<x>/OnNetwork/FunctionalAliasList/<x>/Entry/ LocationCriteriaForActivation/<x>/EnterSpecificArea/Heading/ MaximumHeading

**Table 5.2.48W6A12F.1: /<x>/<x>/OnNetwork/FunctionalAliasList/<x>/Entry/  
LocationCriteriaForActivation/<x>/EnterSpecificArea/Heading/MaximumHeading**

<x>/OnNetwork/FunctionalAliasList/<x>/Entry/LocationCriteriaForActivation/<x>/EnterSpecificArea/Heading/MaximumHeading

Status	Occurrence	Format	Min. Access Types
Required	One	int	Get, Replace

This leaf node contains the maximum heading.

- Values: 0-359

## 5.2.48W6A13/<x>/<x>/OnNetwork/FunctionalAliasList/<x>/Entry/ LocationCriteriaForActivation/<x>/ ExitSpecificArea

**Table 5.2.48W6A13.1: /<x>/<x>/OnNetwork/FunctionalAliasList/<x>/Entry/  
LocationCriteriaForActivation/<x>/ExitSpecificArea**

<x>/OnNetwork/FunctionalAliasList/<x>/Entry/LocationCriteriaForActivation/<x>/ExitSpecificArea

Status	Occurrence	Format	Min. Access Types
Optional	ZeroOrOne	node	Get, Replace

This interior node contains a geographical area which when exited by the MC service UE triggers the functional alias activation.

## 5.2.48W6A14/<x>/<x>/OnNetwork/FunctionalAliasList/<x>/Entry/ LocationCriteriaForActivation/<x>/ ExitSpecificArea/PolygonArea

**Table 5.2.48W6A14.1: /<x>/<x>/OnNetwork/FunctionalAliasList/<x>/Entry/  
LocationCriteriaForActivation/<x>/ExitSpecificArea/PolygonArea**

<x>/OnNetwork/FunctionalAliasList/<x>/Entry/LocationCriteriaForActivation/<x>/ExitSpecificArea/PolygonArea

Status	Occurrence	Format	Min. Access Types
Optional	ZeroOrOne	node	Get, Replace

This interior node contains a geographical area described by a polygon.

5.2.48W6A15/<x>/<x>/OnNetwork/FunctionalAliasList/<x>/Entry/  
 LocationCriteriaForActivation/<x>/  
 ExitSpecificArea/PolygonArea/<x>

**Table 5.2.48W6A15.1: /<x>/<x>/OnNetwork/FunctionalAliasList/<x>/Entry/  
 LocationCriteriaForActivation/<x>/ExitSpecificArea/PolygonArea/<x>**

<x>/OnNetwork/FunctionalAliasList/<x>/Entry/LocationCriteriaForActivation/<x>/ExitSpecificArea/PolygonArea/  
 <x>

Status	Occurrence	Format	Min. Access Types
Required	OneOrN	node	Get, Replace

This interior node contains the coordinates of the corners which define a polygon. The occurrence of this leaf node is "3 to 15" as per 3GPP TS 23.032 [21].

5.2.48W6A15A /<x>/<x>/OnNetwork/FunctionalAliasList/<x>/Entry/  
 LocationCriteriaForActivation/<x>/ExitSpecificArea/  
 PolygonArea/<x>/PointCoordinateType

**Table 5.2.48W6A15A.1: /<x>/<x>/OnNetwork/FunctionalAliasList/<x>/Entry/  
 LocationCriteriaForActivation/<x>/ExitSpecificArea/PolygonArea/<x>/PointCoordinateType**

<x>/OnNetwork/FunctionalAliasList/<x>/Entry/LocationCriteriaForActivation/<x>/ExitSpecificArea/PolygonArea/  
 <x>/PointCoordinateType

Status	Occurrence	Format	Min. Access Types
Required	One	node	Get, Replace

This interior node contains the type of the coordinates.

5.2.48W6A16/<x>/<x>/OnNetwork/FunctionalAliasList/<x>/Entry/  
 LocationCriteriaForActivation/<x>/  
 ExitSpecificArea/PolygonArea/<x>/PointCoordinateType/Longitude

**Table 5.2.48W6A16.1: /<x>/<x>/OnNetwork/FunctionalAliasList/<x>/Entry/  
 LocationCriteriaForActivation/<x>/ExitSpecificArea/PolygonArea/<x>/  
 PointCoordinateType/Longitude**

<x>/OnNetwork/FunctionalAliasList/<x>/Entry/LocationCriteriaForActivation/<x>/ExitSpecificArea/PolygonArea/  
 <x>/PointCoordinateType/Longitude

Status	Occurrence	Format	Min. Access Types
Required	One	int	Get, Replace

This leaf node contains the longitudinal coordinate of a corner.

- Values: 0-16777215

5.2.48W6A17/<x>/<x>/OnNetwork/FunctionalAliasList/<x>/Entry/  
LocationCriteriaForActivation/<x>/  
ExitSpecificArea/PolygonArea/<x>/PointCoordinateType/Latitude

**Table 5.2.48W6A17.1: /<x>/<x>/OnNetwork/FunctionalAliasList/<x>/Entry/  
LocationCriteriaForActivation/<x>/ExitSpecificArea/PolygonArea/<x>/PointCoordinateType/Latitude**

<x>/OnNetwork/FunctionalAliasList/<x>/Entry/LocationCriteriaForActivation/<x>/ExitSpecificArea/PolygonArea/  
<x>/PointCoordinateType/Latitude

Status	Occurrence	Format	Min. Access Types
Required	One	int	Get, Replace

This leaf node contains the latitudinal coordinate of a corner.

- Values: 0-16777215

5.2.48W6A18/<x>/<x>/OnNetwork/FunctionalAliasList/<x>/Entry/  
LocationCriteriaForActivation/<x>/  
ExitSpecificArea/EllipsoidArcArea

**Table 5.2.48W6A18.1: /<x>/<x>/OnNetwork/FunctionalAliasList/<x>/Entry/  
LocationCriteriaForActivation/<x>/ExitSpecificArea/EllipsoidArcArea**

<x>/OnNetwork/FunctionalAliasList/<x>/Entry/LocationCriteriaForActivation/<x>/ExitSpecificArea/EllipsoidArcA

Status	Occurrence	Format	Min. Access Types
Optional	ZeroOrOne	node	Get, Replace

This interior node contains a geographical area described by an ellipsoid arc.

5.2.48W6A19/<x>/<x>/OnNetwork/FunctionalAliasList/<x>/Entry/  
LocationCriteriaForActivation/<x>/  
ExitSpecificArea/EllipsoidArcArea/Center

**Table 5.2.48W6A19.1: /<x>/<x>/OnNetwork/FunctionalAliasList/<x>/Entry/  
LocationCriteriaForActivation/<x>/ExitSpecificArea/EllipsoidArcArea/Center**

<x>/OnNetwork/FunctionalAliasList/<x>/Entry/LocationCriteriaForActivation/<x>/ExitSpecificArea/EllipsoidArcA  
rea/Center

Status	Occurrence	Format	Min. Access Types
Required	One	node	Get, Replace

This interior node contains the coordinates of the center point of the ellipsoid arc.

5.2.48W6A19A /<x>/<x>/OnNetwork/FunctionalAliasList/<x>/Entry/  
LocationCriteriaForActivation/<x>/ExitSpecificArea/  
EllipsoidArcArea/Center/PointCoordinateType

**Table 5.2.48W6A19A.1: /<x>/<x>/OnNetwork/FunctionalAliasList/<x>/Entry/  
LocationCriteriaForActivation/<x>/ExitSpecificArea/EllipsoidArcArea/Center/PointCoordinateType**

<x>/OnNetwork/FunctionalAliasList/<x>/Entry/LocationCriteriaForActivation/<x>/ExitSpecificArea/EllipsoidArcA  
rea/Center/PointCoordinateType

Status	Occurrence	Format	Min. Access Types
Required	One	node	Get, Replace

This interior node contains the coordinates of the center point of the ellipsoid arc.

5.2.48W6A20/<x>/<x>/OnNetwork/FunctionalAliasList/<x>/Entry/  
 LocationCriteriaForActivation/<x>/  
 ExitSpecificArea/EllipsoidArcArea/Center/PointCoordinateType/  
 Longitude

**Table 5.2.48W6A20.1: /<x>/<x>/OnNetwork/FunctionalAliasList/<x>/Entry/  
 LocationCriteriaForActivation/<x>/ExitSpecificArea/EllipsoidArcArea/Center/PointCoordinateType/  
 Longitude**

<x>/OnNetwork/FunctionalAliasList/<x>/Entry/LocationCriteriaForActivation/<x>/ExitSpecificArea/EllipsoidArcArea/Center/PointCoordinateType/Longitude

Status	Occurrence	Format	Min. Access Types
Required	One	int	Get, Replace

This leaf node contains the longitudinal coordinate of the center.

- Values: 0-16777215

5.2.48W6A21/<x>/<x>/OnNetwork/FunctionalAliasList/<x>/Entry/  
 LocationCriteriaForActivation/<x>/  
 ExitSpecificArea/EllipsoidArcArea/Center/PointCoordinateType/  
 Latitude

**Table 5.2.48W6A21.1: /<x>/<x>/OnNetwork/FunctionalAliasList/<x>/Entry/  
 LocationCriteriaForActivation/<x>/ExitSpecificArea/EllipsoidArcArea/Center/PointCoordinateType/  
 Latitude**

<x>/OnNetwork/FunctionalAliasList/<x>/Entry/LocationCriteriaForActivation/<x>/ExitSpecificArea/EllipsoidArcArea/Center/PointCoordinateType/Latitude

Status	Occurrence	Format	Min. Access Types
Required	One	int	Get, Replace

This leaf node contains the latitudinal coordinate of the center.

- Values: 0-16777215

5.2.48W6A22/<x>/<x>/OnNetwork/FunctionalAliasList/<x>/Entry/  
 LocationCriteriaForActivation/<x>/  
 ExitSpecificArea/EllipsoidArcArea/Radius

**Table 5.2.48W6A22.1: /<x>/<x>/OnNetwork/FunctionalAliasList/<x>/Entry/  
 LocationCriteriaForActivation/<x>/ExitSpecificArea/EllipsoidArcArea/Radius**

<x>/OnNetwork/FunctionalAliasList/<x>/Entry/LocationCriteriaForActivation/<x>/ExitSpecificArea/EllipsoidArcArea/Radius

Status	Occurrence	Format	Min. Access Types
Required	One	int	Get, Replace

This leaf node contains the radius of the ellipsoid arc.

- Values: non-negative integer

**5.2.48W6A23**/`<x>`/`<x>`/`OnNetwork/FunctionalAliasList`/`<x>`/`Entry/LocationCriteriaForActivation`/`<x>`/`ExitSpecificArea/EllipsoidArcArea/OffsetAngle`

**Table 5.2.48W6A23.1:** `<x>`/`<x>`/`OnNetwork/FunctionalAliasList`/`<x>`/`Entry/LocationCriteriaForActivation`/`<x>`/`ExitSpecificArea/EllipsoidArcArea/OffsetAngle`

`<x>`/`OnNetwork/FunctionalAliasList`/`<x>`/`Entry/LocationCriteriaForActivation`/`<x>`/`ExitSpecificArea/EllipsoidArcArea/OffsetAngle`

Status	Occurrence	Format	Min. Access Types
Required	One	int	Get, Replace

This leaf node contains the offset angle of the ellipsoid arc.

- Values: 0-255

**5.2.48W6A24**/`<x>`/`<x>`/`OnNetwork/FunctionalAliasList`/`<x>`/`Entry/LocationCriteriaForActivation`/`<x>`/`ExitSpecificArea/EllipsoidArcArea/IncludedAngle`

**Table 5.2.48W6A24.1:** `<x>`/`<x>`/`OnNetwork/FunctionalAliasList`/`<x>`/`Entry/LocationCriteriaForActivation`/`<x>`/`ExitSpecificArea/EllipsoidArcArea/IncludedAngle`

`<x>`/`OnNetwork/FunctionalAliasList`/`<x>`/`Entry/LocationCriteriaForActivation`/`<x>`/`ExitSpecificArea/EllipsoidArcArea/IncludedAngle`

Status	Occurrence	Format	Min. Access Types
Required	One	int	Get, Replace

This leaf node contains the included angle of the ellipsoid arc.

- Values: 0-255

**5.2.48W6A24A** `<x>`/`<x>`/`OnNetwork/FunctionalAliasList`/`<x>`/`Entry/LocationCriteriaForActivation`/`<x>`/`ExitSpecificArea/Speed`

**Table 5.2.48W6A24A.1:** `<x>`/`<x>`/`OnNetwork/FunctionalAliasList`/`<x>`/`Entry/LocationCriteriaForActivation`/`<x>`/`ExitSpecificArea/Speed`

`<x>`/`OnNetwork/FunctionalAliasList`/`<x>`/`Entry/LocationCriteriaForActivation`/`<x>`/`ExitSpecificArea/Speed`

Status	Occurrence	Format	Min. Access Types
Optional	One	node	Get, Replace

This interior node contains the speed.



### 5.2.48W6A24B /<x>/<x>/OnNetwork/FunctionalAliasList/<x>/Entry/ LocationCriteriaForActivation/<x>/ExitSpecificArea/Speed/ MinimumSpeed

**Table 5.2.48W6A24B.1: /<x>/<x>/OnNetwork/FunctionalAliasList/<x>/Entry/  
LocationCriteriaForActivation/<x>/ExitSpecificArea/Speed/MinimumSpeed**

<x>/OnNetwork/FunctionalAliasList/<x>/Entry/LocationCriteriaForActivation/<x>/ExitSpecificArea/Speed/MinimumSpeed

Status	Occurrence	Format	Min. Access Types
Required	One	int	Get, Replace

This leaf node contains the minimum speed.

- Values: non-negative integer in units of kilometers/hour.

### 5.2.48W6A24C /<x>/<x>/OnNetwork/FunctionalAliasList/<x>/Entry/ LocationCriteriaForActivation/<x>/ExitSpecificArea/Speed/ MaximumSpeed

**Table 5.2.48W6A24C.1: /<x>/<x>/OnNetwork/FunctionalAliasList/<x>/Entry/  
LocationCriteriaForActivation/<x>/ExitSpecificArea/Speed/MaximumSpeed**

<x>/OnNetwork/FunctionalAliasList/<x>/Entry/LocationCriteriaForActivation/<x>/ExitSpecificArea/Speed/MaximumSpeed

Status	Occurrence	Format	Min. Access Types
Required	One	int	Get, Replace

This leaf node contains the maximum speed.

- Values: non-negative integer in units of kilometers/hour.

### 5.2.48W6A24D /<x>/<x>/OnNetwork/FunctionalAliasList/<x>/Entry/ LocationCriteriaForActivation/<x>/ExitSpecificArea/Heading

**Table 5.2.48W6A24D.1: /<x>/<x>/OnNetwork/FunctionalAliasList/<x>/Entry/  
LocationCriteriaForActivation/<x>/ExitSpecificArea/Heading**

<x>/OnNetwork/FunctionalAliasList/<x>/Entry/LocationCriteriaForActivation/<x>/ExitSpecificArea/Heading

Status	Occurrence	Format	Min. Access Types
Optional	One	node	Get, Replace

This interior node contains the heading.

5.2.48W6A24E /<x>/<x>/OnNetwork/FunctionalAliasList/<x>/Entry/  
LocationCriteriaForActivation/<x>/ExitSpecificArea/Heading/  
MinimumHeading

**Table 5.2.48W6A24E.1: /<x>/<x>/OnNetwork/FunctionalAliasList/<x>/Entry/  
LocationCriteriaForActivation/<x>/ExitSpecificArea/Heading/MinimumHeading**

<x>/OnNetwork/FunctionalAliasList/<x>/Entry/LocationCriteriaForActivation/<x>/ExitSpecificArea/Heading/MinimumHeading

Status	Occurrence	Format	Min. Access Types
Required	One	int	Get, Replace

This leaf node contains the minimum heading.

- Values: 0-359

5.2.48W6A24F /<x>/<x>/OnNetwork/FunctionalAliasList/<x>/Entry/  
LocationCriteriaForActivation/<x>/ExitSpecificArea/Heading/  
MaximumHeading

**Table 5.2.48W6A24F.1: /<x>/<x>/OnNetwork/FunctionalAliasList/<x>/Entry/  
LocationCriteriaForActivation/<x>/ExitSpecificArea/Heading/MaximumHeading**

<x>/OnNetwork/FunctionalAliasList/<x>/Entry/LocationCriteriaForActivation/<x>/ExitSpecificArea/Heading/MaximumHeading

Status	Occurrence	Format	Min. Access Types
Required	One	int	Get, Replace

This leaf node contains the maximum heading.

- Values: 0-359

5.2.48W6B/<x>/<x>/OnNetwork/FunctionalAliasList/<x>/Entry/  
LocationCriteriaForDeactivation

**Table 5.2.48W6B.1: /<x>/<x>/OnNetwork/FunctionalAliasList/<x>/Entry/  
LocationCriteriaForDeactivation**

<x>/OnNetwork/FunctionalAliasList/<x>/Entry/LocationCriteriaForDeactivation

Status	Occurrence	Format	Min. Access Types
Optional	ZeroOrOne	node	Get, Replace

This interior node contains the location criteria for de-activation of a functional alias.

5.2.48W6B0 /<x>/<x>/OnNetwork/FunctionalAliasList/<x>/Entry/  
LocationCriteriaForDeactivation/<x>

**Table 5.2.48W6B0.1: /<x>/<x>/OnNetwork/FunctionalAliasList/<x>/Entry/  
LocationCriteriaForDeactivation/<x>**

<x>/OnNetwork/FunctionalAliasList/<x>/Entry/LocationCriteriaForDeactivation/<x>

Status	Occurrence	Format	Min. Access Types
Optional	ZeroOrMore	node	Get, Replace

This interior node contains the zero or more location criteria for de-activation of a functional alias.

## 5.2.48W6B1 /<x>/<x>/OnNetwork/FunctionalAliasList/<x>/Entry/LocationCriteriaForDeactivation/<x>/EnterSpecificArea

**Table 5.2.48W6B1.1: /<x>/<x>/OnNetwork/FunctionalAliasList/<x>/Entry/LocationCriteriaForDeactivation/<x>/EnterSpecificArea**

<x>/OnNetwork/FunctionalAliasList/<x>/Entry/LocationCriteriaForDeactivation/<x>/EnterSpecificArea

Status	Occurrence	Format	Min. Access Types
Optional	ZeroOrOne	node	Get, Replace

This interior node contains a geographical area which when entered by the MC service UE triggers the functional alias de-activation.

## 5.2.48W6B2 /<x>/<x>/OnNetwork/FunctionalAliasList/<x>/Entry/LocationCriteriaForDeactivation/<x>/EnterSpecificArea/PolygonArea

**Table 5.2.48W6B2.1: /<x>/<x>/OnNetwork/FunctionalAliasList/<x>/Entry/LocationCriteriaForDeactivation/<x>/EnterSpecificArea/PolygonArea**

<x>/OnNetwork/FunctionalAliasList/<x>/Entry/LocationCriteriaForDeactivation/<x>/EnterSpecificArea/PolygonArea

Status	Occurrence	Format	Min. Access Types
Optional	ZeroOrOne	node	Get, Replace

This interior node contains a geographical area described by a polygon.

## 5.2.48W6B3 /<x>/<x>/OnNetwork/FunctionalAliasList/<x>/Entry/LocationCriteriaForDeactivation/<x>/EnterSpecificArea/PolygonArea/<x>

**Table 5.2.48W6B3.1: /<x>/<x>/OnNetwork/FunctionalAliasList/<x>/Entry/LocationCriteriaForDeactivation/<x>/EnterSpecificArea/PolygonArea/<x>**

<x>/OnNetwork/FunctionalAliasList/<x>/Entry/LocationCriteriaForDeactivation/<x>/EnterSpecificArea/PolygonArea/<x>

Status	Occurrence	Format	Min. Access Types
Required	OneOrN	node	Get, Replace

This interior node contains the coordinates of the corners which define a polygon. The occurrence of this leaf node is "3 to 15" as per 3GPP TS 23.032 [21].

5.2.48W6B3A /<x>/<x>/OnNetwork/FunctionalAliasList/<x>/Entry/  
LocationCriteriaForDeactivation/<x>/EnterSpecificArea/  
PolygonArea/<x>/PointCoordinateType

**Table 5.2.48W6B3A.1: /<x>/<x>/OnNetwork/FunctionalAliasList/<x>/Entry/  
LocationCriteriaForDeactivation/<x>/EnterSpecificArea/PolygonArea/<x>/PointCoordinateType**

<x>/OnNetwork/FunctionalAliasList/<x>/Entry/LocationCriteriaForDeactivation/<x>/EnterSpecificArea/PolygonArea/<x>/PointCoordinateType

Status	Occurrence	Format	Min. Access Types
Required	One	node	Get, Replace

This interior node contains the coordinates of the center point of the ellipsoid arc.

5.2.48W6B4 /<x>/<x>/OnNetwork/FunctionalAliasList/<x>/Entry/  
LocationCriteriaForDeactivation/<x>/EnterSpecificArea/  
PolygonArea/<x>/PointCoordinateType/Longitude

**Table 5.2.48W6B4.1: /<x>/<x>/OnNetwork/FunctionalAliasList/<x>/Entry/  
LocationCriteriaForDeactivation/<x>/EnterSpecificArea/PolygonArea/<x>/PointCoordinateType/  
Longitude**

<x>/OnNetwork/FunctionalAliasList/<x>/Entry/LocationCriteriaForDeactivation/<x>/EnterSpecificArea/PolygonArea/<x>/PointCoordinateType/Longitude

Status	Occurrence	Format	Min. Access Types
Required	One	int	Get, Replace

This leaf node contains the longitudinal coordinate of a corner.

- Values: 0-16777215

5.2.48W6B5 /<x>/<x>/OnNetwork/FunctionalAliasList/<x>/Entry/  
LocationCriteriaForDeactivation/<x>/EnterSpecificArea/  
PolygonArea/<x>/PointCoordinateType/Latitude

**Table 5.2.48W6B5.1: /<x>/<x>/OnNetwork/FunctionalAliasList/<x>/Entry/  
LocationCriteriaForDeactivation/<x>/EnterSpecificArea/PolygonArea/<x>/PointCoordinateType/  
Latitude**

<x>/OnNetwork/FunctionalAliasList/<x>/Entry/LocationCriteriaForDeactivation/<x>/EnterSpecificArea/PolygonArea/<x>/PointCoordinateType/Latitude

Status	Occurrence	Format	Min. Access Types
Required	One	int	Get, Replace

This leaf node contains the latitudinal coordinate of a corner.

- Values: 0-16777215

5.2.48W6B6 /<x>/<x>/OnNetwork/FunctionalAliasList/<x>/Entry/LocationCriteriaForDeactivation/<x>/EnterSpecificArea/EllipsoidArcArea

**Table 5.2.48W6B6.1: /<x>/<x>/OnNetwork/FunctionalAliasList/<x>/Entry/LocationCriteriaForDeactivation/<x>/EnterSpecificArea/EllipsoidArcArea**

<x>/OnNetwork/FunctionalAliasList/<x>/Entry/LocationCriteriaForDeactivation/<x>/EnterSpecificArea/EllipsoidArcArea

Status	Occurrence	Format	Min. Access Types
Optional	ZeroOrOne	node	Get, Replace

This interior node contains a geographical area described by an ellipsoid arc.

5.2.48W6B7 /<x>/<x>/OnNetwork/FunctionalAliasList/<x>/Entry/LocationCriteriaForDeactivation/<x>/EnterSpecificArea/EllipsoidArcArea/Center

**Table 5.2.48W6B7.1: /<x>/<x>/OnNetwork/FunctionalAliasList/<x>/Entry/LocationCriteriaForDeactivation/<x>/EnterSpecificArea/EllipsoidArcArea/Center**

<x>/OnNetwork/FunctionalAliasList/<x>/Entry/LocationCriteriaForDeactivation/<x>/EnterSpecificArea/EllipsoidArcArea/Center

Status	Occurrence	Format	Min. Access Types
Required	One	node	Get, Replace

This interior node contains the coordinates of the center point of the ellipsoid arc.

5.2.48W6B7A /<x>/<x>/OnNetwork/FunctionalAliasList/<x>/Entry/LocationCriteriaForDeactivation/<x>/EnterSpecificArea/EllipsoidArcArea/Center/PointCoordinateType

**Table 5.2.48W6B7A.1: /<x>/<x>/OnNetwork/FunctionalAliasList/<x>/Entry/LocationCriteriaForDeactivation/<x>/EnterSpecificArea/EllipsoidArcArea/Center/PointCoordinateType**

<x>/OnNetwork/FunctionalAliasList/<x>/Entry/LocationCriteriaForDeactivation/<x>/EnterSpecificArea/EllipsoidArcArea/Center/PointCoordinateType

Status	Occurrence	Format	Min. Access Types
Required	One	node	Get, Replace

This interior node contains the coordinates of the center point of the ellipsoid arc.

5.2.48W6B8 /<x>/<x>/OnNetwork/FunctionalAliasList/<x>/Entry/  
LocationCriteriaForDeactivation/<x>/EnterSpecificArea/  
EllipsoidArcArea/Center/PointCoordinateType/Longitude

**Table 5.2.48W6B8.1: /<x>/<x>/OnNetwork/FunctionalAliasList/<x>/Entry/  
LocationCriteriaForDeactivation/<x>/EnterSpecificArea/EllipsoidArcArea/Center/PointCoordinateType/  
Longitude**

<x>/OnNetwork/FunctionalAliasList/<x>/Entry/LocationCriteriaForDeactivation/<x>/EnterSpecificArea/EllipsoidArcArea/Center/PointCoordinateType/Longitude

Status	Occurrence	Format	Min. Access Types
Required	One	int	Get, Replace

This leaf node contains the longitudinal coordinate of the center.

- Values: 0-16777215

5.2.48W6B9 /<x>/<x>/OnNetwork/FunctionalAliasList/<x>/Entry/  
LocationCriteriaForDeactivation/<x>/EnterSpecificArea/  
EllipsoidArcArea/Center/PointCoordinateType/Latitude

**Table 5.2.48W6B9.1: /<x>/<x>/OnNetwork/FunctionalAliasList/<x>/Entry/  
LocationCriteriaForDeactivation/<x>/EnterSpecificArea/EllipsoidArcArea/Center/PointCoordinateType/  
Latitude**

<x>/OnNetwork/FunctionalAliasList/<x>/Entry/LocationCriteriaForDeactivation/<x>/EnterSpecificArea/EllipsoidArcArea/Center/PointCoordinateType/Latitude

Status	Occurrence	Format	Min. Access Types
Required	One	int	Get, Replace

This leaf node contains the latitudinal coordinate of the center.

- Values: 0-16777215

5.2.48W6B10/<x>/<x>/OnNetwork/FunctionalAliasList/<x>/Entry/  
LocationCriteriaForDeactivation/<x>/EnterSpecificArea/  
EllipsoidArcArea/Radius

**Table 5.2.48W6B10.1: /<x>/<x>/OnNetwork/FunctionalAliasList/<x>/Entry/  
LocationCriteriaForDeactivation/<x>/EnterSpecificArea/EllipsoidArcArea/Radius**

<x>/OnNetwork/FunctionalAliasList/<x>/Entry/LocationCriteriaForDeactivation/<x>/EnterSpecificArea/EllipsoidArcArea/Radius

Status	Occurrence	Format	Min. Access Types
Required	One	int	Get, Replace

This leaf node contains the radius of the ellipsoid arc.

- Values: non-negative integer

5.2.48W6B11/<x>/<x>/OnNetwork/FunctionalAliasList/<x>/Entry/  
LocationCriteriaForDeactivation/<x>/EnterSpecificArea/  
EllipsoidArcArea/OffsetAngle

**Table 5.2.48W6B11.1: /<x>/<x>/OnNetwork/FunctionalAliasList/<x>/Entry/  
LocationCriteriaForDeactivation/<x>/EnterSpecificArea/EllipsoidArcArea/OffsetAngle**

<x>/OnNetwork/FunctionalAliasList/<x>/Entry/LocationCriteriaForDeactivation/<x>/EnterSpecificArea/EllipsoidArcArea/OffsetAngle

Status	Occurrence	Format	Min. Access Types
Required	One	int	Get, Replace

This leaf node contains the offset angle of the ellipsoid arc.

- Values: 0-255

5.2.48W6B12/<x>/<x>/OnNetwork/FunctionalAliasList/<x>/Entry/  
LocationCriteriaForDeactivation/<x>/EnterSpecificArea/  
EllipsoidArcArea/IncludedAngle

**Table 5.2.48W6B12.1: /<x>/<x>/OnNetwork/FunctionalAliasList/<x>/Entry/  
LocationCriteriaForDeactivation/<x>/EnterSpecificArea/EllipsoidArcArea/IncludedAngle**

<x>/OnNetwork/FunctionalAliasList/<x>/Entry/LocationCriteriaForDeactivation/<x>/EnterSpecificArea/EllipsoidArcArea/IncludedAngle

Status	Occurrence	Format	Min. Access Types
Required	One	int	Get, Replace

This leaf node contains the included angle of the ellipsoid arc.

- Values: 0-255

5.2.48W6B12A /<x>/<x>/OnNetwork/FunctionalAliasList/<x>/Entry/  
LocationCriteriaForDeactivation/<x>/EnterSpecificArea/Speed

**Table 5.2.48W6B12A.1: /<x>/<x>/OnNetwork/FunctionalAliasList/<x>/Entry/  
LocationCriteriaForDeactivation/<x>/EnterSpecificArea/Speed**

<x>/OnNetwork/FunctionalAliasList/<x>/Entry/LocationCriteriaForDeactivation/<x>/EnterSpecificArea/Speed

Status	Occurrence	Format	Min. Access Types
Optional	One	node	Get, Replace

This interior node contains the speed.

5.2.48W6B12B /<x>/<x>/OnNetwork/FunctionalAliasList/<x>/Entry/  
LocationCriteriaForDeactivation/<x>/EnterSpecificArea/Speed/  
MinimumSpeed

**Table 5.2.48W6B12B.1: /<x>/<x>/OnNetwork/FunctionalAliasList/<x>/Entry/  
LocationCriteriaForDeactivation/<x>/EnterSpecificArea/Speed/MinimumSpeed**

<x>/OnNetwork/FunctionalAliasList/<x>/Entry/LocationCriteriaForDeactivation/<x>/EnterSpecificArea/Speed/MinimumSpeed

Status	Occurrence	Format	Min. Access Types
Required	One	int	Get, Replace

This leaf node contains the minimum speed.

- Values: non-negative integer in units of kilometers/hour.

5.2.48W6B12C /<x>/<x>/OnNetwork/FunctionalAliasList/<x>/Entry/  
LocationCriteriaForDeactivation/<x>/EnterSpecificArea/Speed/  
MaximumSpeed

**Table 5.2.48W6B12C.1: /<x>/<x>/OnNetwork/FunctionalAliasList/<x>/Entry/  
LocationCriteriaForDeactivation/<x>/EnterSpecificArea/Speed/MaximumSpeed**

<x>/OnNetwork/FunctionalAliasList/<x>/Entry/LocationCriteriaForDeactivation/<x>/EnterSpecificArea/Speed/MaximumSpeed

Status	Occurrence	Format	Min. Access Types
Required	One	int	Get, Replace

This leaf node contains the maximum speed.

- Values: non-negative integer in units of kilometers/hour.

5.2.48W6B12D /<x>/<x>/OnNetwork/FunctionalAliasList/<x>/Entry/  
LocationCriteriaForDeactivation/<x>/EnterSpecificArea/Heading

**Table 5.2.48W6B12D.1: /<x>/<x>/OnNetwork/FunctionalAliasList/<x>/Entry/  
LocationCriteriaForDeactivation/<x>/EnterSpecificArea/Heading**

<x>/OnNetwork/FunctionalAliasList/<x>/Entry/LocationCriteriaForDeactivation/<x>/EnterSpecificArea/Heading

Status	Occurrence	Format	Min. Access Types
Optional	One	node	Get, Replace

This interior node contains the heading.



5.2.48W6B12E /<x>/<x>/OnNetwork/FunctionalAliasList/<x>/Entry/  
LocationCriteriaForDeactivation/<x>/EnterSpecificArea/Heading/  
MinimumHeading

**Table 5.2.48W6B12E.1: /<x>/<x>/OnNetwork/FunctionalAliasList/<x>/Entry/  
LocationCriteriaForDeactivation/<x>/EnterSpecificArea/Heading/MinimumHeading**

<x>/OnNetwork/FunctionalAliasList/<x>/Entry/LocationCriteriaForDeactivation/<x>/EnterSpecificArea/Heading/MinimumHeading

Status	Occurrence	Format	Min. Access Types
Required	One	int	Get, Replace

This leaf node contains the minimum heading.

- Values: 0-359

5.2.48W6B12F /<x>/<x>/OnNetwork/FunctionalAliasList/<x>/Entry/  
LocationCriteriaForDeactivation/<x>/EnterSpecificArea/Heading/  
MaximumHeading

**Table 5.2.48W6B12F.1: /<x>/<x>/OnNetwork/FunctionalAliasList/<x>/Entry/  
LocationCriteriaForDeactivation/<x>/EnterSpecificArea/Heading/MaximumHeading**

<x>/OnNetwork/FunctionalAliasList/<x>/Entry/LocationCriteriaForDeactivation/<x>/EnterSpecificArea/Heading/MaximumHeading

Status	Occurrence	Format	Min. Access Types
Required	One	int	Get, Replace

This leaf node contains the maximum heading.

- Values: 0-359

5.2.48W6B13/<x>/<x>/OnNetwork/FunctionalAliasList/<x>/Entry/  
LocationCriteriaForDeactivation/<x>/ExitSpecificArea

**Table 5.2.48W6B13.1: /<x>/<x>/OnNetwork/FunctionalAliasList/<x>/Entry/  
LocationCriteriaForDeactivation/<x>/ExitSpecificArea**

<x>/OnNetwork/FunctionalAliasList/<x>/Entry/LocationCriteriaForDeactivation/<x>/ExitSpecificArea

Status	Occurrence	Format	Min. Access Types
Optional	ZeroOrOne	node	Get, Replace

This interior node contains a geographical area which when exited by the MC service UE triggers the functional alias de-activation.

## 5.2.48W6B14/<x>/<x>/OnNetwork/FunctionalAliasList/<x>/Entry/ LocationCriteriaForDeactivation/<x>/ExitSpecificArea/ PolygonArea

**Table 5.2.48W6B14.1: /<x>/<x>/OnNetwork/FunctionalAliasList/<x>/Entry/  
LocationCriteriaForDeactivation/<x>/ExitSpecificArea/PolygonArea**

<x>/OnNetwork/FunctionalAliasList/<x>/Entry/LocationCriteriaForDeactivation/<x>/ExitSpecificArea/PolygonArea  
a

Status	Occurrence	Format	Min. Access Types
Optional	ZeroOrOne	node	Get, Replace

This interior node contains a geographical area described by a polygon.

## 5.2.48W6B15/<x>/<x>/OnNetwork/FunctionalAliasList/<x>/Entry/ LocationCriteriaForDeactivation/<x>/ExitSpecificArea/ PolygonArea/<x>

**Table 5.2.48W6B15.1: /<x>/<x>/OnNetwork/FunctionalAliasList/<x>/Entry/  
LocationCriteriaForDeactivation/<x>/ExitSpecificArea/PolygonArea/<x>**

<x>/OnNetwork/FunctionalAliasList/<x>/Entry/LocationCriteriaForDeactivation/<x>/ExitSpecificArea/PolygonArea  
a/<x>

Status	Occurrence	Format	Min. Access Types
Required	OneOrN	node	Get, Replace

This interior node contains the coordinates of the corners which define a polygon. The occurrence of this leaf node is "3 to 15" as per 3GPP TS 23.032 [21].

## 5.2.48W6B15A /<x>/<x>/OnNetwork/FunctionalAliasList/<x>/Entry/ LocationCriteriaForDeactivation/<x>/ExitSpecificArea/ PolygonArea/<x>/PointCoordinateType

**Table 5.2.48W6B15A.1: /<x>/<x>/OnNetwork/FunctionalAliasList/<x>/Entry/  
LocationCriteriaForDeactivation/<x>/ExitSpecificArea/PolygonArea/<x>/PointCoordinateType**

<x>/OnNetwork/FunctionalAliasList/<x>/Entry/LocationCriteriaForDeactivation/<x>/ExitSpecificArea/PolygonArea  
a/<x>/PointCoordinateType

Status	Occurrence	Format	Min. Access Types
Required	One	node	Get, Replace

This interior node contains the coordinates of the center point of the ellipsoid arc.

## 5.2.48W6B16/<x>/<x>/OnNetwork/FunctionalAliasList/<x>/Entry/ LocationCriteriaForDeactivation/<x>/ExitSpecificArea/ PolygonArea/<x>/PointCoordinateType/Longitude

**Table 5.2.48W6B16.1: /<x>/<x>/OnNetwork/FunctionalAliasList/<x>/Entry/  
LocationCriteriaForDeactivation/<x>/ExitSpecificArea/PolygonArea/<x>/PointCoordinateType/  
Longitude**

<x>/OnNetwork/FunctionalAliasList/<x>/Entry/LocationCriteriaForDeactivation/<x>/ExitSpecificArea/PolygonArea/<x>/PointCoordinateType/Longitude

Status	Occurrence	Format	Min. Access Types
Required	One	int	Get, Replace

This leaf node contains the longitudinal coordinate of a corner.

- Values: 0-16777215

## 5.2.48W6B17/<x>/<x>/OnNetwork/FunctionalAliasList/<x>/Entry/ LocationCriteriaForDeactivation/<x>/ExitSpecificArea/ PolygonArea/<x>/PointCoordinateType/Latitude

**Table 5.2.48W6B17.1: /<x>/<x>/OnNetwork/FunctionalAliasList/<x>/Entry/  
LocationCriteriaForDeactivation/<x>/ExitSpecificArea/PolygonArea/<x>/PointCoordinateType/Latitud  
e**

<x>/OnNetwork/FunctionalAliasList/<x>/Entry/LocationCriteriaForDeactivation/<x>/ExitSpecificArea/PolygonArea/<x>/PointCoordinateType/Latitude

Status	Occurrence	Format	Min. Access Types
Required	One	int	Get, Replace

This leaf node contains the latitudinal coordinate of a corner.

- Values: 0-16777215

## 5.2.48W6B18/<x>/<x>/OnNetwork/FunctionalAliasList/<x>/Entry/ LocationCriteriaForDeactivation/<x>/ExitSpecificArea/ EllipsoidArcArea

**Table 5.2.48W6B18.1: /<x>/<x>/OnNetwork/FunctionalAliasList/<x>/Entry/  
LocationCriteriaForDeactivation/<x>/ExitSpecificArea/EllipsoidArcArea**

<x>/OnNetwork/FunctionalAliasList/<x>/Entry/LocationCriteriaForDeactivation/<x>/ExitSpecificArea/EllipsoidArc

Status	Occurrence	Format	Min. Access Types
Optional	ZeroOrOne	node	Get, Replace

This interior node contains a geographical area described by an ellipsoid arc.

5.2.48W6B19/<x>/<x>/OnNetwork/FunctionalAliasList/<x>/Entry/  
LocationCriteriaForDeactivation/<x>/ExitSpecificArea/  
EllipsoidArcArea/Center

**Table 5.2.48W6B19.1: /<x>/<x>/OnNetwork/FunctionalAliasList/<x>/Entry/  
LocationCriteriaForDeactivation/<x>/ExitSpecificArea/EllipsoidArcArea/Center**

<x>/OnNetwork/FunctionalAliasList/<x>/Entry/LocationCriteriaForDeactivation/<x>/ExitSpecificArea/EllipsoidArc  
Area/Center

Status	Occurrence	Format	Min. Access Types
Required	One	node	Get, Replace

This interior node contains the coordinates of the center point of the ellipsoid arc.

5.2.48W6B19A /<x>/<x>/OnNetwork/FunctionalAliasList/<x>/Entry/  
LocationCriteriaForDeactivation/<x>/ExitSpecificArea/  
EllipsoidArcArea/Center/PointCoordinateType

**Table 5.2.48W6B19A.1: /<x>/<x>/OnNetwork/FunctionalAliasList/<x>/Entry/  
LocationCriteriaForDeactivation/<x>/ExitSpecificArea/EllipsoidArcArea/Center/PointCoordinateType**

<x>/OnNetwork/FunctionalAliasList/<x>/Entry/LocationCriteriaForDeactivation/<x>/ExitSpecificArea/EllipsoidArc  
Area/Center/PointCoordinateType

Status	Occurrence	Format	Min. Access Types
Required	One	node	Get, Replace

This interior node contains the coordinates of the center point of the ellipsoid arc.

5.2.48W6B20/<x>/<x>/OnNetwork/FunctionalAliasList/<x>/Entry/  
LocationCriteriaForDeactivation/<x>/ExitSpecificArea/  
EllipsoidArcArea/Center/PointCoordinateType/Longitude

**Table 5.2.48W6B20.1: /<x>/<x>/OnNetwork/FunctionalAliasList/<x>/Entry/  
LocationCriteriaForDeactivation/<x>/ExitSpecificArea/EllipsoidArcArea/Center/PointCoordinateType/  
Longitude**

<x>/OnNetwork/FunctionalAliasList/<x>/Entry/LocationCriteriaForDeactivation/<x>/ExitSpecificArea/EllipsoidArc  
Area/Center/PointCoordinateType/Longitude

Status	Occurrence	Format	Min. Access Types
Required	One	int	Get, Replace

This leaf node contains the longitudinal coordinate of the center.

- Values: 0-16777215

## 5.2.48W6B21/<x>/<x>/OnNetwork/FunctionalAliasList/<x>/Entry/ LocationCriteriaForDeactivation/<x>/ExitSpecificArea/ EllipsoidArcArea/Center/PointCoordinateType/Latitude

**Table 5.2.48W6B21.1: /<x>/<x>/OnNetwork/FunctionalAliasList/<x>/Entry/  
LocationCriteriaForDeactivation/<x>/ExitSpecificArea/EllipsoidArcArea/Center/PointCoordinateType/  
Latitude**

<x>/OnNetwork/FunctionalAliasList/<x>/Entry/LocationCriteriaForDeactivation/<x>/ExitSpecificArea/EllipsoidArc  
Area/Center/PointCoordinateType/Latitude

Status	Occurrence	Format	Min. Access Types
Required	One	int	Get, Replace

This leaf node contains the latitudinal coordinate of the center.

- Values: 0-16777215

## 5.2.48W6B22/<x>/<x>/OnNetwork/FunctionalAliasList/<x>/Entry/ LocationCriteriaForDeactivation/<x>/ExitSpecificArea/ EllipsoidArcArea/Radius

**Table 5.2.48W6B22.1: /<x>/<x>/OnNetwork/FunctionalAliasList/<x>/Entry/  
LocationCriteriaForDeactivation/<x>/ExitSpecificArea/EllipsoidArcArea/Radius**

<x>/OnNetwork/FunctionalAliasList/<x>/Entry/LocationCriteriaForDeactivation/<x>/ExitSpecificArea/EllipsoidArc  
Area/Radius

Status	Occurrence	Format	Min. Access Types
Required	One	int	Get, Replace

This leaf node contains the radius of the ellipsoid arc.

- Values: non-negative integer

## 5.2.48W6B23/<x>/<x>/OnNetwork/FunctionalAliasList/<x>/Entry/ LocationCriteriaForDeactivation/<x>/ExitSpecificArea/ EllipsoidArcArea/OffsetAngle

**Table 5.2.48W6B23.1: /<x>/<x>/OnNetwork/FunctionalAliasList/<x>/Entry/  
LocationCriteriaForDeactivation/<x>/ExitSpecificArea/EllipsoidArcArea/OffsetAngle**

<x>/OnNetwork/FunctionalAliasList/<x>/Entry/LocationCriteriaForDeactivation/<x>/ExitSpecificArea/EllipsoidArc  
Area/OffsetAngle

Status	Occurrence	Format	Min. Access Types
Required	One	int	Get, Replace

This leaf node contains the offset angle of the ellipsoid arc.

- Values: 0-255

## 5.2.48W6B24/<x>/<x>/OnNetwork/FunctionalAliasList/<x>/Entry/ LocationCriteriaForDeactivation/<x>/ExitSpecificArea/ EllipsoidArcArea/IncludedAngle

**Table 5.2.48W6B24.1: /<x>/<x>/OnNetwork/FunctionalAliasList/<x>/Entry/  
LocationCriteriaForDeactivation/<x>/ExitSpecificArea/EllipsoidArcArea/IncludedAngle**

<x>/OnNetwork/FunctionalAliasList/<x>/Entry/LocationCriteriaForDeactivation/<x>/ExitSpecificArea/EllipsoidArc  
Area/IncludedAngle

Status	Occurrence	Format	Min. Access Types
Required	One	int	Get, Replace

This leaf node contains the included angle of the ellipsoid arc.

- Values: 0-255

## 5.2.48W6B24A /<x>/<x>/OnNetwork/FunctionalAliasList/<x>/Entry/ LocationCriteriaForDeactivation/<x>/ExitSpecificArea/Speed

**Table 5.2.48W6B24A.1: /<x>/<x>/OnNetwork/FunctionalAliasList/<x>/Entry/  
LocationCriteriaForDeactivation/<x>/ExitSpecificArea/Speed**

<x>/OnNetwork/FunctionalAliasList/<x>/Entry/LocationCriteriaForDeactivation/<x>/ExitSpecificArea/Speed

Status	Occurrence	Format	Min. Access Types
Optional	One	node	Get, Replace

This interior node contains the speed.

## 5.2.48W6B24B /<x>/<x>/OnNetwork/FunctionalAliasList/<x>/Entry/ LocationCriteriaForDeactivation/<x>/ExitSpecificArea/Speed/ MinimumSpeed

**Table 5.2.48W6B24B.1: /<x>/<x>/OnNetwork/FunctionalAliasList/<x>/Entry/  
LocationCriteriaForDeactivation/<x>/ExitSpecificArea/Speed/MinimumSpeed**

<x>/OnNetwork/FunctionalAliasList/<x>/Entry/LocationCriteriaForDeactivation/<x>/ExitSpecificArea/Speed/Mini  
mumSpeed

Status	Occurrence	Format	Min. Access Types
Required	One	int	Get, Replace

This leaf node contains the minimum speed.

- Values: non-negative integer in units of kilometers/hour.

5.2.48W6B24C /<x>/<x>/OnNetwork/FunctionalAliasList/<x>/Entry/  
LocationCriteriaForDeactivation/<x>/ExitSpecificArea/Speed/  
MaximumSpeed

**Table 5.2.48W6B24C.1: /<x>/<x>/OnNetwork/FunctionalAliasList/<x>/Entry/  
LocationCriteriaForDeactivation/<x>/ExitSpecificArea/Speed/MaximumSpeed**

<x>/OnNetwork/FunctionalAliasList/<x>/Entry/LocationCriteriaForDeactivation/<x>/ExitSpecificArea/Speed/MaximumSpeed

Status	Occurrence	Format	Min. Access Types
Required	One	int	Get, Replace

This leaf node contains the maximum speed.

- Values: non-negative integer in units of kilometers/hour.

5.2.48W6B24D /<x>/<x>/OnNetwork/FunctionalAliasList/<x>/Entry/  
LocationCriteriaForDeactivation/<x>/ExitSpecificArea/Heading

**Table 5.2.48W6B24D.1: /<x>/<x>/OnNetwork/FunctionalAliasList/<x>/Entry/  
LocationCriteriaForDeactivation/<x>/ExitSpecificArea/Heading**

<x>/OnNetwork/FunctionalAliasList/<x>/Entry/LocationCriteriaForDeactivation/<x>/ExitSpecificArea/Heading

Status	Occurrence	Format	Min. Access Types
Optional	One	node	Get, Replace

This interior node contains the heading.

5.2.48W6B24E /<x>/<x>/OnNetwork/FunctionalAliasList/<x>/Entry/  
LocationCriteriaForDeactivation/<x>/ExitSpecificArea/Heading/  
MinimumHeading

**Table 5.2.48W6B24E.1: /<x>/<x>/OnNetwork/FunctionalAliasList/<x>/Entry/  
LocationCriteriaForDeactivation/<x>/ExitSpecificArea/Heading/MinimumHeading**

<x>/OnNetwork/FunctionalAliasList/<x>/Entry/LocationCriteriaForDeactivation/<x>/ExitSpecificArea/Heading/MinimumHeading

Status	Occurrence	Format	Min. Access Types
Required	One	int	Get, Replace

This leaf node contains the minimum heading.

- Values: 0-359

5.2.48W6B24F /<x>/<x>/OnNetwork/FunctionalAliasList/<x>/Entry/LocationCriteriaForDeactivation/<x>/ExitSpecificArea/Heading/MaximumHeading

**Table 5.2.48W6B24F.1: /<x>/<x>/OnNetwork/FunctionalAliasList/<x>/Entry/LocationCriteriaForDeactivation/<x>/ExitSpecificArea/Heading/MaximumHeading**

<x>/OnNetwork/FunctionalAliasList/<x>/Entry/LocationCriteriaForDeactivation/<x>/ExitSpecificArea/Heading/MaximumHeading

Status	Occurrence	Format	Min. Access Types
Required	One	int	Get, Replace

This leaf node contains the maximum heading.

- Values: 0-359

5.2.48W6C/<x>/<x>/OnNetwork/FunctionalAliasList/<x>/Entry/ManualDeactivationNotAllowedIfLocationCriteriaMet

**Table 5.2.48W6C.1: /<x>/<x>/OnNetwork/FunctionalAliasList/<x>/Entry/ManualDeactivationNotAllowedIfLocationCriteriaMet**

<x>/OnNetwork/FunctionalAliasList/<x>/Entry/ManualDeactivationNotAllowedIfLocationCriteriaMet

Status	Occurrence	Format	Min. Access Types
Optional	ZeroOrOne	bool	Get, Replace

This leaf node indicates whether the MCPTT user is authorised to de-activate a functional alias if the location criteria is met.

5.2.48W7 /<x>/<x>/OnNetwork/FunctionalAliasList/<x>/Entry/DisplayName

**Table 5.2.48W7.1: /<x>/<x>/OnNetwork/FunctionalAliasList/<x>/Entry/DisplayName**

<x>/OnNetwork/FunctionalAliasList/<x>/Entry/DisplayName

Status	Occurrence	Format	Min. Access Types
Optional	One	chr	Get, Replace

This leaf node contains a human readable name that corresponds to a functional alias that can be activated by the MCPTT user.

5.2.48W7A/<x>/<x>/OnNetwork/FunctionalAliasList/<x>/Entry/MaxSimultaneousEmergencyGroupCalls

**Table 5.2.48W7A.1: /<x>/<x>/OnNetwork/FunctionalAliasList/<x>/Entry/MaxSimultaneousEmergencyGroupCalls**

<x>/OnNetwork/FunctionalAliasList/<x>/Entry/MaxSimultaneousEmergencyGroupCalls

Status	Occurrence	Format	Min. Access Types
Optional	One	int	Get, Replace

This leaf node indicates the maximum number of simultaneous emergency group calls for a functional alias.



## 5.2.48W7B/<x>/<x>/OnNetwork/FunctionalAliasList/<x>/Entry/ FAsAllowedToCall

**Table 5.2.48W7B.1: /<x>/<x>/OnNetwork/FunctionalAliasList/<x>/Entry/  
FAsAllowedToCall**

<x>/OnNetwork/FunctionalAliasList/<x>/Entry/FAsAllowedToCall

Status	Occurrence	Format	Min. Access Types
Required	One	node	Get, Replace

This interior node is a placeholder for the functional alias configuration regarding the authorized functional aliases to be called in a private call by the functional alias indicated in the parent Entry node.

## 5.2.48W7C/<x>/<x>/OnNetwork/FunctionalAliasList/<x>/Entry/ FAsAllowedToCall/<x>

**Table 5.2.48W7C.1: /<x>/<x>/OnNetwork/FunctionalAliasList/<x>/Entry/FAsAllowedToCall/<x>**

<x>/OnNetwork/FunctionalAliasList/<x>/Entry/FAsAllowedToCall/<x>

Status	Occurrence	Format	Min. Access Types
Required	OneOrMore	node	Get, Replace

This interior node is a placeholder for one or more functional alias configuration elements indicating the functional aliases that can be called in a private call by the functional alias indicated in the parent Entry node.

## 5.2.48W7D/<x>/<x>/OnNetwork/FunctionalAliasList/<x>/Entry/ FAsAllowedToCall/<x>/Entry

**Table 5.2.48W7D.1: /<x>/<x>/OnNetwork/FunctionalAliasList/<x>/Entry/FAsAllowedToCall/<x>/Entry**

<x>/OnNetwork/FunctionalAliasList/<x>/Entry/FAsAllowedToCall/<x>/Entry

Status	Occurrence	Format	Min. Access Types
Optional	One	node	Get, Replace

This interior node is a placeholder for the details of the functional alias that can be called in a private call by the functional alias indicated in the parent Entry node.

## 5.2.48W7E /<x>/<x>/OnNetwork/FunctionalAliasList/<x>/Entry/ FAsAllowedToCall/<x>/Entry/FunctionalAlias

**Table 5.2.48W7E.1: /<x>/<x>/OnNetwork/FunctionalAliasList/<x>/Entry/FAsAllowedToCall/  
<x>/Entry/FunctionalAlias**

<x>/OnNetwork/FunctionalAliasList/<x>/Entry/FAsAllowedToCall/<x>/Entry/FunctionalAlias

Status	Occurrence	Format	Min. Access Types
Required	One	chr	Get, Replace

This leaf node indicates a functional alias that can be called in a private call by the functional alias indicated in the parent Entry node.

## 5.2.48W8 /<x>/<x>/OnNetwork/AllowedQueryFunctionalAliasOtherUser

**Table 5.2.48W8.1: /<x>/<x>/OnNetwork/AllowedQueryFunctionalAliasOtherUser**

<x>/OnNetwork/AllowedQueryFunctionalAliasOtherUser

Status	Occurrence	Format	Min. Access Types
Required	One	bool	Get, Replace

This leaf node indicates whether the MCPTT user is authorised query the functional alias(es) activated by another MCPTT user.

When set to "true" the MCPTT user is authorised to query the functional alias(es) activated by another MCPTT user.

When set to "false" the MCPTT user is not authorised to query the functional alias(es) activated by another MCPTT user.

## 5.2.48W9 /<x>/<x>/OnNetwork/AllowedTakeoverFunctionalAliasOtherUser

**Table 5.2.48W9.1: /<x>/<x>/OnNetwork/AllowedTakeoverFunctionalAliasOtherUser**

<x>/OnNetwork/AllowedTakeoverFunctionalAliasOtherUser

Status	Occurrence	Format	Min. Access Types
Required	One	bool	Get, Replace

This leaf node indicates whether the MCPTT user is authorised to take over the functional alias(es) previously activated by another MCPTT user.

When set to "true" the MCPTT user is authorised to take over the functional alias(es) previously activated by another MCPTT user.

When set to "false" the MCPTT user is not authorised to take over the functional alias(es) previously activated by another MCPTT user.

## 5.2.48W10 /<x>/<x>/OnNetwork/AllowedLocationInfoWhenTalking

**Table 5.2.48W10.1: /<x>/<x>/OnNetwork/AllowedLocationInfoWhenTalking**

<x>/OnNetwork/AllowedLocationInfoWhenTalking

Status	Occurrence	Format	Min. Access Types
Required	One	bool	Get, Replace

This leaf node indicates whether the MCPTT user is authorised to send its location information when it is requesting the floor.

When set to "true" the MCPTT user is authorised to send its location information when it is requesting the floor.

When set to "false" the MCPTT user is not authorised to send its location information when it is requesting the floor.

## 5.2.48W11 /<x>/<x>/OnNetwork/AllowedFunctionalAliasGroupBinding

**Table 5.2.48W11.1: /<x>/<x>/OnNetwork/AllowedFunctionalAliasGroupBinding**

<x>/OnNetwork/AllowedFunctionalAliasGroupBinding

Status	Occurrence	Format	Min. Access Types
Optional	One	bool	Get, Replace

This leaf node indicates whether the MCPTT user is authorised to request the binding of a particular functional alias with a group or list of groups.

When set to "true" the MCPTT user is authorised to request the binding of a particular functional alias with a group or list of groups.

When set to "false" the MCPTT user is not authorised to request the binding of a particular functional alias with a group or list of groups.

## 5.2.48X /<x>/<x>/OnNetwork/AuthorisedIncomingAny

**Table 5.2.48X.1: /<x>/<x>/OnNetwork/AuthorisedIncomingAny**

<x>/OnNetwork/AuthorisedIncomingAny

Status	Occurrence	Format	Min. Access Types
Required	One	bool	Get, Replace

This leaf node indicates the authorisation to receive a MCPTT private call by any MCPTT user.

When set to "true" the MCPTT user is authorised to receive an MCPTT private call by any MCPTT user.

When set to "false" the MCPTT user is not authorised to receive an MCPTT private call by any MCPTT user.

## 5.2.48Y1/<x>/<x>/OnNetwork/UserList

**Table 5.2.48Y1.1: /<x>/<x>/OnNetwork/UserList**

<x>/OnNetwork/UserList

Status	Occurrence	Format	Min. Access Types
Required	One	node	Get, Replace

This interior node is a placeholder for a list of MCPTT user(s) who can call this particular user in a MCPTT private call.

## 5.2.48Y2/<x>/<x>/OnNetwork/UserList/<x>

**Table 5.2.48Y2.1: /<x>/<x>/OnNetwork/UserList/<x>**

<x>/OnNetwork/UserList/<x>

Status	Occurrence	Format	Min. Access Types
Optional	OneOrMore	node	Get, Replace

This interior node is a placeholder for one or more list of MCPTT users who can call this particular user in a MCPTT private call.

## 5.2.48Y3/<x>/<x>/OnNetwork/UserList/<x>/Entry

**Table 5.2.48Y3.1: /<x>/<x>/OnNetwork/UserList/<x>/Entry**

<x>/OnNetwork/UserList/<x>/Entry

Status	Occurrence	Format	Min. Access Types

Required	One	node	Get, Replace
----------	-----	------	--------------

This interior node is a placeholder for one or more MCPTT users who can call the particular user in a private call.

## 5.2.48Y4/<x>/<x>/OnNetwork/UserList/<x>/Entry/MCPTTID

**Table 5.2.48Y4.1: /<x>/<x>/OnNetwork/UserList/<x>/Entry/MCPTTID**

<x>/OnNetwork/UserList/<x>/Entry/MCPTTID

Status	Occurrence	Format	Min. Access Types
Optional	One	chr	Get, Replace

This leaf node indicates an MCPTT user identity (MCPTT ID) which is a globally unique identifier within the MCPTT service that represents the MCPTT user.

The value is a "uri" attribute specified in OMA OMA-TS-XDM\_Group-V1\_1 [4].

## 5.2.48Y5/<x>/<x>/OnNetwork/UserList/<x>/Entry/PrivateCallKMSURI

**Table 5.2.48Y5.1: /<x>/<x>/OnNetwork/UserList/<x>/Entry/PrivateCallKMSURI**

<x>/OnNetwork/UserList/<x>/Entry/PrivateCallKMSURI

Status	Occurrence	Format	Min. Access Types
Optional	One	chr	Get, Replace

This leaf node indicates the identity (URI) of the KMS associated with the MCPTTID. If the value is empty, the KMS leaf node present in the MCS UE initial configuration MO is used.

## 5.2.48Z /<x>/<x>/OnNetwork/AuthorisedReceiveNonAcknowledged

**Table 5.2.48Z.1: /<x>/<x>/OnNetwork/AuthorisedReceiveNonAcknowledged**

<x>/OnNetwork/AuthorisedReceiveNonAcknowledged

Status	Occurrence	Format	Min. Access Types
Required	One	bool	Get, Replace

This leaf node indicates the authorisation to receive the list of non-acknowledged MCPTT users to a group session invitation.

When set to "true" the MCPTT user is authorised to receive information about the MCPTT Users that did not acknowledge a group session invitation.

When set to "false" the MCPTT user is not authorised to receive information about MCPTT Users that did not acknowledge a group session invitation.

## 5.2.49 /<x>/<x>/OffNetwork

**Table 5.2.49.1: /<x>/<x>/OffNetwork**

<x>/OffNetwork

Status	Occurrence	Format	Min. Access Types
Required	ZeroOrOne	node	Get, Replace

This interior node represents a container for off-network operation.

## 5.2.50 /<x>/<x>/OffNetwork/Authorised

**Table 5.2.50.1: /<x>/<x>/OffNetwork/Authorised**

<x>/OffNetwork/Authorised

Status	Occurrence	Format	Min. Access Types
Required	One	bool	Get, Replace

This leaf node indicates the authorisation for off-network services.

When set to "true" the MCPTT user is authorised for off-network.

When set to "false" the MCPTT user is not authorised for off-network operation.

## 5.2.51 /<x>/<x>/OffNetwork/MCPTTGroupInfo

**Table 5.2.51.1: /<x>/<x>/OffNetwork/MCPTTGroupInfo**

<x>/OffNetwork/MCPTTGroupInfo

Status	Occurrence	Format	Min. Access Types
Required	One	node	Get, Replace

This interior node is a placeholder for group information.

## 5.2.52 /<x>/<x>/OffNetwork/MCPTTGroupInfo/<x>

**Table 5.2.52.1: /<x>/<x>/OffNetwork/MCPTTGroupInfo/<x>**

<x>/OffNetwork/MCPTTGroupInfo/<x>

Status	Occurrence	Format	Min. Access Types
Required	OneOrMore	node	Get, Replace

This interior node is a placeholder for one or more group information.

## 5.2.52A /<x>/<x>/OffNetwork/MCPTTGroupInfo/<x>/Entry

**Table 5.2.52A.1: /<x>/<x>/OffNetwork/MCPTTGroupInfo/<x>/Entry**

<x>/OffNetwork/MCPTTGroupInfo/<x>/Entry

Status	Occurrence	Format	Min. Access Types
Required	One	node	Get, Replace

This interior node is a placeholder for one off-network MCPTT group for use by an MCPTT user.

## 5.2.53 /<x>/<x>/OffNetwork/MCPTTGroupInfo/<x>/Entry/MCPTTGroupID

**Table 5.2.53.1: /<x>/<x>/OffNetwork/MCPTTGroupInfo/<x>/Entry/MCPTTGroupID**

<x>/OffNetwork/MCPTTGroupInfo/<x>/Entry/MCPTTGroupID

Status	Occurrence	Format	Min. Access Types
Required	One	int	Get, Replace

This leaf node indicates an off-network MCPTT group for use by an MCPTT user.

### 5.2.53A /<x>/<x>/OffNetwork/MCPTTGroupInfo/<x>/Entry/DisplayName

**Table 5.2.53A.1: /<x>/<x>/OffNetwork/MCPTTGroupInfo/<x>/Entry/DisplayName**

<x>/OffNetwork/MCPTTGroupInfo/<x>/Entry/DisplayName

Status	Occurrence	Format	Min. Access Types
Optional	One	chr	Get, Replace

This leaf node contains a human readable name that corresponds to the MCPTT group represented by the MCPTT group ID.

### 5.2.53B /<x>/<x>/OffNetwork/MCPTTGroupInfo/<x>/Entry/RelativePresentationPriority

**Table 5.2.53B.1: /<x>/<x>/OffNetwork/MCPTTGroupInfo/<x>/Entry/RelativePresentationPriority**

<x>/OffNetwork/MCPTTGroupInfo/<x>/Entry/RelativePresentationPriority

Status	Occurrence	Format	Min. Access Types
Optional	One	int	Get, Replace

This leaf node indicates indicating the presentation priority of the off-network group for the MCPTT user relative to other off-network groups and off-network users.

- Values: 0-255

The lowest RelativePresentationPriority value shall be considered as the MCPTT group transaction having the lowest priority for presentation among other group MCPTT and one-to-one user transactions.

### 5.2.53C /<x>/<x>/OffNetwork/MCPTTGroupInfo/<x>/Entry/GMSServID

**Table 5.2.53C.1: /<x>/<x>/OffNetwork/MCPTTGroupInfo/<x>/Entry/GMSServID**

<x>/OffNetwork/MCPTTGroupInfo/<x>/Entry/GMSServID

Status	Occurrence	Format	Min. Access Types
Required	One	chr	Get, Replace

This leaf node indicates the identity (URI) of the GMS owning a specific group contained in the off-network MCPTTGroupList.

### 5.2.53D /<x>/<x>/OffNetwork/MCPTTGroupInfo/<x>/Entry/IDMSTokenEndPoint

**Table 5.2.53D.1: /<x>/<x>/OffNetwork/MCPTTGroupInfo/<x>/Entry/IDMSTokenEndPoint**

<x>/OffNetwork/MCPTTGroupInfo/<x>/Entry/IDMSTokenEndPoint

Status	Occurrence	Format	Min. Access Types

Required	One	chr	Get, Replace
----------	-----	-----	--------------

This leaf node indicates the identity (URI) of the IDMS token endpoint for a specific group contained in the off-network MCPTTGroupList. If the value is empty, the IDMS identities (IDMSAuthEndpoint and IDMSTokenEndpoint) present in the MCS UE initial configuration MO are used.

## 5.2.53E /<x>/<x>/OffNetwork/MCPTTGroupInfo/<x>/Entry/GroupKMSURI

**Table 5.2.53E.1: /<x>/<x>/OffNetwork/MCPTTGroupInfo/<x>/Entry/GroupKMSURI**

<x>/OffNetwork/MCPTTGroupInfo/<x>/Entry/GroupKMSURI

Status	Occurrence	Format	Min. Access Types
Required	One	chr	Get, Replace

This leaf node indicates the identity (URI) of the KMS identity (URI) for a specific group contained in the off-network MCPTTGroupList. If the value is empty, the KMS identity (URI) (kms) present in the MCS UE initial configuration MO is used.

## 5.2.54 /<x>/<x>/OffNetwork/AllowedListen

**Table 5.2.54.1: /<x>/<x>/OffNetwork/AllowedListen**

<x>/OffNetwork/AllowedListen

Status	Occurrence	Format	Min. Access Types
Required	One	bool	Get, Replace

This leaf node indicates whether the MCPTT user is allowed to listen both overriding and overridden.

When set to "true" the MCPTT user is allowed to listen both overriding and overridden.

When set to "false" the MCPTT user is not allowed to listen both overriding and overridden.

## 5.2.55 /<x>/<x>/OffNetwork/AllowedTransmission

**Table 5.2.55.1: /<x>/<x>/OffNetwork/AllowedTransmission**

<x>/OffNetwork/AllowedTransmission

Status	Occurrence	Format	Min. Access Types
Required	One	bool	Get, Replace

This leaf node indicates whether the MCPTT user is allowed to transmit in case of override (overriding and/or overridden).

When set to "true" the MCPTT user is allowed to transmit in case of override (overriding and/or overridden).

When set to "false" the MCPTT user is not allowed to transmit in case of override (overriding and/or overridden).

## 5.2.56 /<x>/<x>/OffNetwork/EmergencyCallChange

**Table 5.2.56.1: /<x>/<x>/OffNetwork/EmergencyCallChange**

<x>/OffNetwork/EmergencyCallChange

Status	Occurrence	Format	Min. Access Types
Required	One	bool	Get, Replace

This leaf node indicates the authorization for a participant to change an off-network group call in-progress to an off-network MCPTT emergency group call.

When set to "true" the MCPTT user is authorised to change an MCPTT emergency group call.

When set to "false" the MCPTT user is not authorised to change an MCPTT emergency group call.

## 5.2.57 /<x>/<x>/OffNetwork/ImminentPerilCallChange

**Table 5.2.57.1: /<x>/<x>/OffNetwork/ImminentPerilCallChange**

<x>/OffNetwork/ImminentPerilCallChange

Status	Occurrence	Format	Min. Access Types
Required	One	bool	Get, Replace

This leaf node indicates the authorization for a participant to change an off-network group call in-progress to an off-network MCPTT imminent peril group call.

When set to "true" the MCPTT user is authorised to change an MCPTT imminent peril group call.

When set to "false" the MCPTT user is not authorised to change an MCPTT imminent peril group call.

## 5.2.58 /<x>/<x>/OffNetwork/UserInfoID

**Table 5.2.58.1: /<x>/<x>/OffNetwork/UserInfoID**

<x>/OffNetwork/UserInfoID

Status	Occurrence	Format	Min. Access Types
Required	One	chr	Get, Replace

This leaf node indicates the ProSe user info ID as specified in 3GPP TS 23.303 [6].



5.2.58A1Void

5.2.58A2Void

5.2.58A3Void

5.2.58A4Void

5.2.58A5Void

5.2.58A6Void

5.2.58A7Void

5.2.58A8Void

5.2.58A9Void

5.2.58A10 Void

5.2.58A11 Void

5.2.58A12 Void

5.2.58A13 Void

5.2.58A14 Void

5.2.58A15 Void

5.2.58A16 Void

5.2.58A17 Void

5.2.59 /&lt;x&gt;/Status

**Table 5.2.59.1: /<x>/Status**

Status

Status	Occurrence	Format	Min. Access Types
Optional	One	bool	Get, Replace

This leaf node indicates whether this MCPTT user profile is enabled or disabled.

When set to "true" this MCPTT user profile is enabled.

When set to "false" this MCPTT user profile is disabled.

---

## 6 MCS group configuration MO

### 6.1 General

The MCS group configuration Management Object (MO) is used to configure the MCS Client behaviour for the on-network or off-network MC services. The MCS group configuration parameters may be stored in the ME, or in the USIM as specified in 3GPP TS 31.102 [10], or in both the ME and the USIM. If both the ME and the USIM contain the same parameters, the values stored in the USIM shall take precedence.

NOTE: For historical reasons some of the elements in the MCS group configuration Management Object (MO) use the terminology "MCPTT", however this MO is common to all MCS with some MCPTT specific elements, some MCDATA specific elements and some MCVideo specific elements. Not all elements that contain the terminology "MCPTT" are just MCPTT specific. In the clauses that follow, it is made clear what aspects are specific to MCPTT and what aspects are specific to all MC services. MCDATA specific elements are contained under "MCDATA" nodes. MCVideo specific elements are contained under "MCVideo" nodes.

The Management Object Identifier is: urn:oma:mo:ext-3gpp-MCPTT-group-configuration:1.0.

Protocol compatibility: This MO is compatible with OMA OMA DM 1.2 [3].

The OMA DM ACL property mechanism (see OMA OMA-ERELD-DM-V1\_2 [2]) may be used to grant or deny access rights to OMA DM servers in order to modify nodes and leaf objects of the MCS group configuration MO.

The following nodes and leaf objects are possible under the MCS group configuration node as described in figure 6.1.1.

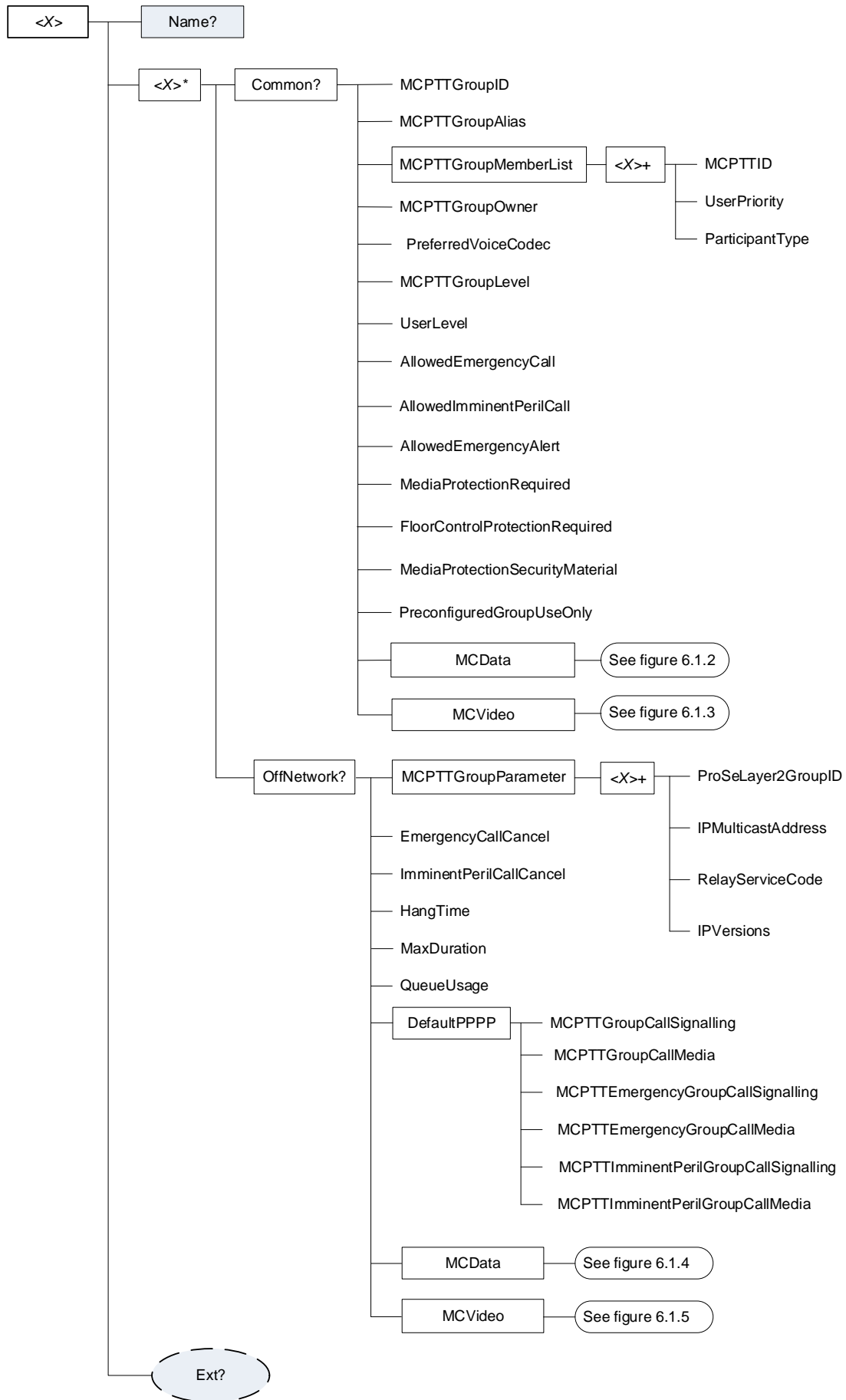


Figure 6.1.1: The MCS group configuration MO (1 of 5)

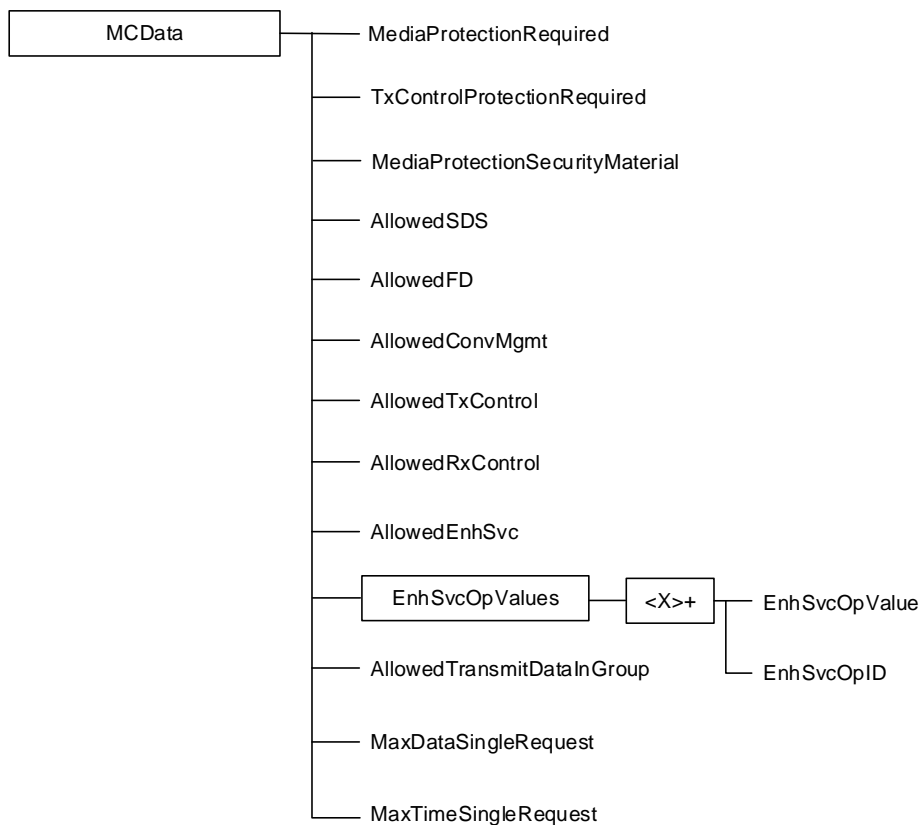


Figure 6.1.2: The MCS group configuration MO (2 of 5)

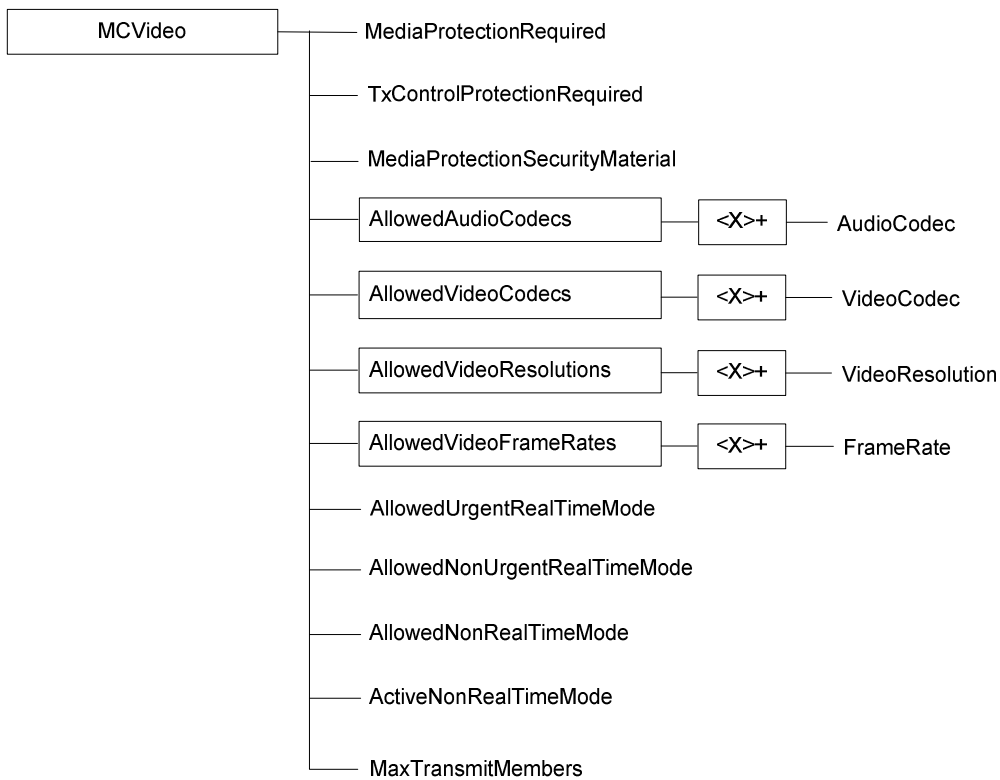
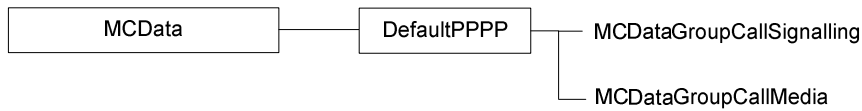
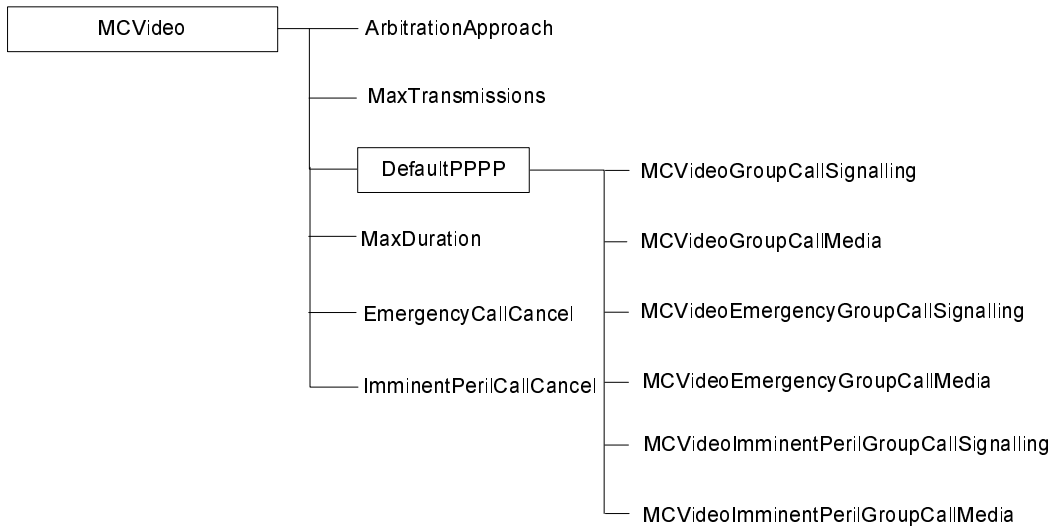


Figure 6.1.3: The MCS group configuration MO (3 of 5)



**Figure 6.1.4: The MCS group configuration MO (4 of 5)**



**Figure 6.1.5: The MCS group configuration MO (5 of 5)**

## 6.2 MCS group configuration MO parameters

### 6.2.1 General

This clause describes the parameters for the MCS group configuration Management Object (MO).

### 6.2.2 Node: <x>

**Table 6.2.2.1: Node: <x>**

<x>

Status	Occurrence	Format	Min. Access Types
Required	OneOrMore	node	Get

This interior node acts as a placeholder for the MCS group configuration Management Object (MO).

For the MCS group configuration MO, the namespace specific string is: "urn:oma:mo:oma-dm-mcptt-group configuration:1.0"

- Values: N/A

### 6.2.3 /<x>/Name

**Table 6.2.3.1: /<x>/Name**

Name

Status	Occurrence	Format	Min. Access Types
--------	------------	--------	-------------------

Required	ZeroOrOne	chr	Get
----------	-----------	-----	-----

The Name leaf is a name for the MCS group configuration settings.

- Values: <User displayable name>

### 6.2.4 /<x>/Ext

**Table 6.2.4.1: /<x>/Ext**

Ext

Status	Occurrence	Format	Min. Access Types
Optional	ZeroOrOne	node	Get, Replace

The Ext is an interior node for where the vendor specific information about the MCSgroup configuration MO is being placed.

Usually the vendor extension is identified by vendor specific name under the ext node and contains the vendor meaning application vendor, device vendor etc. The tree structure under the vendor identified is not defined and can therefore include one or more un-standardized sub-trees.

- Values: N/A

### 6.2.5 /<x>/<x>

**Table 6.2.5.1: /<x>/<x>**

<x>

Status	Occurrence	Format	Min. Access Types
Required	ZeroOrMore	node	Get, Replace

This interior node represents a container for on-network operation and off-network operation.

### 6.2.6 /<x>/<x>/Common

**Table 6.2.6.1: /<x>/<x>/Common**

<x>/Common

Status	Occurrence	Format	Min. Access Types
Required	ZeroOrOne	node	Get, Replace

This interior node represents a container for the common network operation which means both on-network operation and off-network operation.

### 6.2.7 /<x>/<x>/Common/MCPTTGroupID

**Table 6.2.7.1: /<x>/<x>/Common/MCPTTGroupID**

<x>/Common/MCPTTGroupID

Status	Occurrence	Format	Min. Access Types
Required	One	chr	Get, Replace

This leaf node indicates the MCS group ID.

The value is a "uri" attribute specified in OMA OMA-TS-XDM\_Group-V1\_1 [4].

NOTE: This element is common for all MC services.

## 6.2.8 /<x>/<x>/Common/MCPTTGroupAlias

**Table 6.2.8.1: /<x>/<x>/Common/MCPTTGroupAlias**

<x>/Common/MCPTTGroupAlias

Status	Occurrence	Format	Min. Access Types
Required	One	chr	Get, Replace

This leaf node indicates the MCS group alias.

The value is a <display-name> element specified in OMA OMA-TS-XDM\_Group-V1\_1 [4].

NOTE: This element is common for all MC services.

## 6.2.9 /<x>/<x>/Common/MCPTTGroupMemberList

**Table 6.2.9.1: /<x>/<x>/Common/MCPTTGroupMemberList**

<x>/Common/MCPTTGroupMemberList

Status	Occurrence	Format	Min. Access Types
Required	One	node	Get, Replace

This interior node is a placeholder for a list of MCS group members (group membership information).

NOTE: This element is common for all MC services.

## 6.2.10 /<x>/<x>/Common/MCPTTGroupMemberList/<x>

**Table 6.2.10.1: /<x>/<x>/Common/MCPTTGroupMemberList/<x>**

<x>/Common/MCPTTGroupMemberList/<x>

Status	Occurrence	Format	Min. Access Types
Required	OneOrMore	node	Get, Replace

This interior node is a placeholder for one or more list(s) of MCS group members.

NOTE: This element is common for all MC services.

## 6.2.11 /<x>/<x>/Common/MCPTTGroupMemberList/<x>/MCPTTID

**Table 6.2.11.1: /<x>/<x>/Common/MCPTTGroupMemberList/<x>/MCPTTID**

<x>/Common/MCPTTGroupMemberList/<x>/MCPTTID

Status	Occurrence	Format	Min. Access Types
Required	One	chr	Get, Replace

This leaf node indicates an MCS user identity (MC Service ID) which is a globally unique identifier within the MC service that represents the MCS user.

The value is a "uri" attribute specified in OMA OMA-TS-XDM\_Group-V1\_1 [4].

NOTE: This element is common for all MC services.

## 6.2.12 /<x>/<x>/Common/MCPTTGroupMemberList/<x>/UserPriority

**Table 6.2.12.1: /<x>/<x>/Common/MCPTTGroupMemberList/<x>/UserPriority**

<x>/Common/MCPTTGroupMemberList/<x>/UserPriority

Status	Occurrence	Format	Min. Access Types
Required	One	int	Get, Replace

This leaf node indicates the user priority for the group.

The value is a <user-priority> element specified in 3GPP TS 24.481 [9] clause 7.2.4.2.

NOTE: This element is common for all MC services.

## 6.2.13 /<x>/<x>/Common/MCPTTGroupMemberList/<x>/ParticipantType

**Table 6.2.13.1: /<x>/<x>/Common/MCPTTGroupMemberList/<x>/ParticipantType**

<x>/Common/MCPTTGroupMemberList/<x>/ParticipantType

Status	Occurrence	Format	Min. Access Types
Required	One	chr	Get, Replace

This leaf node indicates the participant type for the group.

The ParticipantType values are defined and configured by the Mission Critical Organisation (e.g., first responder, second responder, dispatcher, dispatch supervisor, MCS administrator).

NOTE: This element is common for all MC services.

## 6.2.14 Void

## 6.2.15 /<x>/<x>/Common/MCPTTGroupOwner

**Table 6.2.15.1: /<x>/<x>/Common/MCPTTGroupOwner**

<x>/Common/MCPTTGroupOwner

Status	Occurrence	Format	Min. Access Types
Required	One	chr	Get, Replace

This leaf node indicates the group's owner (Mission Critical Organisation).

NOTE: This element is common for all MC services.

## 6.2.16 /<x>/<x>/Common/PreferredVoiceCodec

**Table 6.2.16.1: /<x>/<x>/Common/PreferredVoiceCodec**

<x>/Common/PreferredVoiceCodec

Status	Occurrence	Format	Min. Access Types
Required	One	chr	Get, Replace

This leaf node indicates the MCPTT preferred voice codec for an MCS group.



The value of the preferred voice codec is a RTP payload format name specified in IETF RFC 4566 [13].

NOTE: This element is specific for MCPTT.

## 6.2.17 /<x>/<x>/Common/MCPTTGroupLevel

**Table 6.2.17.1: /<x>/<x>/Common/MCPTTGroupLevel**

<x>/Common/MCPTTGroupLevel

Status	Occurrence	Format	Min. Access Types
Required	One	int	Get, Replace

This leaf node indicates the level within a group hierarchy (only applicable for group-broadcast group).

- Values: 0-255

The group-broadcast group with the lowest MCPTTGroupLevel value shall be considered as the group-broadcast group having the lowest level among the groups.

NOTE: This element is common for all MC services.

## 6.2.18 /<x>/<x>/Common/UserLevel

**Table 6.2.18.1: /<x>/<x>/Common/UserLevel**

<x>/Common/UserLevel

Status	Occurrence	Format	Min. Access Types
Required	One	int	Get, Replace

This leaf node indicates the level within user hierarchy (only applicable for user-broadcast group).

The user-broadcast group with the lowest UserLevel value shall be considered as the user-broadcast group having the lowest level among the groups.

NOTE: This element is common for all MC services.

## 6.2.19 /<x>/<x>/Common/AllowedEmergencyCall

**Table 6.2.19.1: /<x>/<x>/Common/AllowedEmergencyCall**

<x>/Common/AllowedEmergencyCall

Status	Occurrence	Format	Min. Access Types
Required	One	bool	Get, Replace

This leaf node indicates whether an MCPTT emergency group call is permitted on the MCS group.

When set to "true" the MCPTT emergency group call is allowed on the group.

When set to "false" the MCPTT emergency group call is not allowed on the group.

NOTE: This element is specific for MCPTT.

## 6.2.20 `<x>/<x>/Common/AllowedImminentPerilCall`

**Table 6.2.20.1: `<x>/<x>/Common/AllowedImminentPerilCall`**

`<x>/Common/AllowedImminentPerilCall`

Status	Occurrence	Format	Min. Access Types
Required	One	bool	Get, Replace

This leaf node indicates whether an MCPTT imminent peril group call is permitted on the MCS group.

When set to "true" the MCPTT imminent peril group call is allowed on the group.

When set to "false" the MCPTT imminent peril group call is not allowed on the group.

NOTE: This element is specific for MCPTT.

## 6.2.21 `<x>/<x>/Common/AllowedEmergencyAlert`

**Table 6.2.21.1: `<x>/<x>/Common/AllowedEmergencyAlert`**

`<x>/Common/AllowedEmergencyAlert`

Status	Occurrence	Format	Min. Access Types
Required	One	bool	Get, Replace

This leaf node indicates whether an MCPTT emergency alert is possible on the MCS group.

When set to "true" the MCPTT emergency alert is allowed on the group.

When set to "false" the MCPTT emergency alert is not allowed on the group.

NOTE: This element is for specific for MCPTT.

## 6.2.22 `<x>/<x>/Common/MediaProtectionRequired`

**Table 6.2.22.1: `<x>/<x>/Common/MediaProtectionRequired`**

`<x>/Common/MediaProtectionRequired`

Status	Occurrence	Format	Min. Access Types
Required	One	bool	Get, Replace

This leaf node indicates whether confidentiality and integrity of MCPTT media is required on the MCS group.

When set to "true" confidentiality and integrity of media is required on the group.

When set to "false" confidentiality and integrity of media is not required on the group.

The default value is set to "true".

NOTE: This element is specific for MCPTT.

## 6.2.22A `<x>/<x>/Common/PreconfiguredGroupUseOnly`

**Table 6.2.22A.1: `<x>/<x>/Common/PreconfiguredGroupUseOnly`**

`<x>/Common/PreconfiguredGroupUseOnly`

Status	Occurrence	Format	Min. Access Types

Required	One	bool	Get, Replace
----------	-----	------	--------------

This leaf node indicates whether the MCS group is to be used only to provide configuration information for a preconfigured regroup.

When set to "true" the group may only be used to provide configuration information for a preconfigured regroup.

When set to "false" the group may be used for group calls as well as to provide configuration information for a preconfigured regroup.

The default value is set to "false".

NOTE: This element is common for all MC services.

## 6.2.23 /<x>/<x>/Common/FloorControlProtectionRequired

**Table 6.2.23.1: /<x>/<x>/Common/FloorControlProtectionRequired**

<x>/Common/FloorControlProtectionRequired

Status	Occurrence	Format	Min. Access Types
Required	One	bool	Get, Replace

This leaf node indicates whether confidentiality and integrity of MCPTT floor control signalling is required on the MCS group.

When set to "true" confidentiality and integrity of floor control signalling is required on the group.

When set to "false" confidentiality and integrity of floor control signalling is not required on the group.

The default value is set to "true".

NOTE: This element is specific for MCPTT.

## 6.2.23A /<x>/<x>/Common/MediaProtectionSecurityMaterial

**Table 6.2.23A.1: /<x>/<x>/Common/MediaProtectionSecurityMaterial**

<x>/Common/MediaProtectionSecurityMaterial

Status	Occurrence	Format	Min. Access Types
Required	One	chr	Get, Replace

This leaf node indicates security material (as specified in 3GPP TS 33.180 [20]) for MCPTT media protection in the MCS group.

NOTE: This element is specific for MCPTT.

## 6.2.23B /<x>/<x>/Common/MCData

**Table 6.2.23B.1: /<x>/<x>/Common/MCData**

<x>/Common/MCData

Status	Occurrence	Format	Min. Access Types
Required	One	node	Get, Replace

This interior node is a placeholder for a Common MCData group information

## 6.2.23C /<x>/<x>/Common/MCData/MediaProtectionRequired

**Table 6.2.23C.1: /<x>/<x>/Common/MCData/MediaProtectionRequired**

<x>/Common/MCData/MediaProtectionRequired

Status	Occurrence	Format	Min. Access Types
Required	One	bool	Get, Replace

This leaf node indicates whether confidentiality and integrity of media is required for MCData transactions on the MCS group.

When set to "true" confidentiality and integrity of MCData media is required on the group.

When set to "false" confidentiality and integrity of MCData media is not required on the group.

The default value is set to "true".

## 6.2.23D /<x>/<x>/Common/MCData/TxControlProtectionRequired

**Table 6.2.23D.1: /<x>/<x>/Common/MCData/TxControlProtectionRequired**

<x>/Common/MCData/TxControlProtectionRequired

Status	Occurrence	Format	Min. Access Types
Required	One	bool	Get, Replace

This leaf node indicates whether confidentiality and integrity protection is required for on-network and off-network MCData transmission control signalling on the MCS group

When set to "true" confidentiality and integrity of MCData transmission control signalling is required on the group.

When set to "false" confidentiality and integrity of MCData transmission control signalling is not required on the group.

The default value is set to "true".

## 6.2.23E /<x>/<x>/Common/MCData/MediaProtectionSecurityMaterial

**Table 6.2.23E.1: /<x>/<x>/Common/MCData/MediaProtectionSecurityMaterial**

<x>/Common/MCData/MediaProtectionSecurityMaterial

Status	Occurrence	Format	Min. Access Types
Required	One	chr	Get, Replace

This leaf node indicates security material (as specified in 3GPP TS 33.180 [20]) for MCData media protection in the MCS group.

## 6.2.23F /<x>/<x>/Common/MCData/AllowedSDS

**Table 6.2.23F.1: /<x>/<x>/Common/MCData/AllowedSDS**

<x>/Common/MCData/AllowedSDS

Status	Occurrence	Format	Min. Access Types
Required	One	bool	Get, Replace

This leaf node indicates whether Short Data Service (SDS) is enabled for the group.

When set to "true" the Short Data Service (SDS) is allowed on the group.

When set to "false" the Short Data Service (SDS) is not allowed on the group.

### 6.2.23G `<x>/<x>/Common/MCData/AllowedFD`

**Table 6.2.23G.1: `<x>/<x>/Common/MCData/AllowedFD`**

`<x>/Common/MCData/AllowedFD`

Status	Occurrence	Format	Min. Access Types
Required	One	bool	Get, Replace

This leaf node indicates whether File Distribution (FD) is enabled for the group.

When set to "true" File Distribution (FD) is allowed on the group.

When set to "false" File Distribution (FD) is not allowed on the group.

### 6.2.23H `<x>/<x>/Common/MCData/AllowedConvMgmt`

**Table 6.2.23H.1: `<x>/<x>/Common/MCData/AllowedConvMgmt`**

`<x>/Common/MCData/AllowedConvMgmt`

Status	Occurrence	Format	Min. Access Types
Required	One	bool	Get, Replace

This leaf node indicates whether conversation management is enabled for the group.

When set to "true" conversation management is allowed on the group.

When set to "false" conversation management is not allowed on the group.

### 6.2.23I `<x>/<x>/Common/MCData/AllowedTxControl`

**Table 6.2.23I.1: `<x>/<x>/Common/MCData/AllowedTxControl`**

`<x>/Common/MCData/AllowedTxControl`

Status	Occurrence	Format	Min. Access Types
Required	One	bool	Get, Replace

This leaf node indicates whether transmission control is enabled for the group.

When set to "true" transmission control is allowed on the group.

When set to "false" transmission control is not allowed on the group.

### 6.2.23J `<x>/<x>/Common/MCData/AllowedRxControl`

**Table 6.2.23J.1: `<x>/<x>/Common/MCData/AllowedRxControl`**

`<x>/Common/MCData/AllowedRxControl`

Status	Occurrence	Format	Min. Access Types
Required	One	bool	Get, Replace

This leaf node indicates whether reception control is enabled for the group.

When set to "true" reception control is allowed on the group.

When set to "false" reception control not allowed on the group.

### 6.2.23K /<x>/<x>/Common/MCData/AllowedEnhSvc

**Table 6.2.23K.1: /<x>/<x>/Common/MCData/AllowedEnhSvc**

<x>/Common/MCData/AllowedEnhSvc

Status	Occurrence	Format	Min. Access Types
Required	One	bool	Get, Replace

This leaf node indicates whether Enhanced Service is enabled for the group.

When set to "true" Enhanced Service is allowed on the group.

When set to "false" Enhanced Service is not allowed on the group.

### 6.2.23L /<x>/<x>/Common/MCData/EnhSvcOpValues

**Table 6.2.23L.1: /<x>/<x>/Common/MCData/EnhSvcOpValues**

<x>/Common/MCData/EnhSvcOpValues

Status	Occurrence	Format	Min. Access Types
Required	One	node	Get, Replace

This interior node is a placeholder for a list of operational values for Enhanced Service.

### 6.2.23M /<x>/<x>/Common/MCData/EnhSvcOpValues/<x>

**Table 6.2.23M.1: /<x>/<x>/Common/MCData/EnhSvcOpValues/<x>**

<x>/Common/MCData/EnhSvcOpValues/<x>

Status	Occurrence	Format	Min. Access Types
Optional	OneOrMore	node	Get, Replace

This interior node is a placeholder for one or more list of operational values for Enhanced Service.

### 6.2.23N /<x>/<x>/Common/MCData/EnhSvcOpValues/<x>/EnhSvcOpValue

**Table 6.2.23N.1: /<x>/<x>/Common/MCData/EnhSvcOpValues/<x>/EnhSvcOpValue**

<x>/Common/MCData/EnhSvcOpValues/<x>/EnhSvcOpValue

Status	Occurrence	Format	Min. Access Types
Optional	One	chr	Get, Replace

This leaf node indicates an enhanced service operational value.

## 6.2.23NA /<x>/<x>/Common/MCData/EnhSvcOpValues/<x>/EnhSvcOpID

**Table 6.2.23NA.1: /<x>/<x>/Common/MCData/EnhSvcOpValues/<x>/EnhSvcOpID**

<x>/Common/MCData/EnhSvcOpValues/<x>/EnhSvcOpID

Status	Occurrence	Format	Min. Access Types
Optional	One	int	Get, Replace

This leaf node indicates a unique id associated with enhanced service operational value.

## 6.2.23O /<x>/<x>/Common/MCData/AllowedTransmitDataInGroup

**Table 6.2.23O.1: /<x>/<x>/Common/MCData/AllowedTransmitDataInGroup**

<x>/Common/MCData/AllowedTransmitDataInGroup

Status	Occurrence	Format	Min. Access Types
Required	One	bool	Get, Replace

This leaf node indicates whether an MC data user is permitted to transmit data in the group.

When set to "true" an MC data user is allowed to transmit data in the group.

When set to "false" an MC data user is not allowed to transmit data in the group.

## 6.2.23P /<x>/<x>/Common/MCData/MaxDataSingleRequest

**Table 6.2.23P.1: /<x>/<x>/Common/MCData/MaxDataSingleRequest**

<x>/Common/MCData/MaxDataSingleRequest

Status	Occurrence	Format	Min. Access Types
Required	One	int	Get, Replace

This leaf node indicates the maximum amount of data (in megabytes) that an MCData user can transmit in a single request during group communication.

- Values: 0-65535

The MaxDataSingleRequest size is in megabytes.

## 6.2.23Q /<x>/<x>/Common/MCData/MaxTimeSingleRequest

**Table 6.2.23Q.1: /<x>/<x>/Common/MCData/MaxTimeSingleRequest**

<x>/Common/MCData/MaxTimeSingleRequest

Status	Occurrence	Format	Min. Access Types
Required	One	int	Get, Replace

This leaf node indicates the maximum amount of time that an MCData user can transmit for in a single request during group communication.

- Values: 0-65535

The MaxTimeSingleRequest time is in seconds.

## 6.2.23R /<x>/<x>/Common/MCVideo

**Table 6.2.23R.1: /<x>/<x>/Common/MCVideo**

<x>/Common/MCVideo

Status	Occurrence	Format	Min. Access Types
Required	One	node	Get, Replace

This interior node is a placeholder for a Common MCVideo group information

## 6.2.23S /<x>/<x>/Common/MCVideo/MediaProtectionRequired

**Table 6.2.23S.1: /<x>/<x>/Common/MCVideo/MediaProtectionRequired**

<x>/Common/MCVideo/MediaProtectionRequired

Status	Occurrence	Format	Min. Access Types
Required	One	bool	Get, Replace

This leaf node indicates whether confidentiality and integrity of media is required for MCVideo calls on the MCS group.

When set to "true" confidentiality and integrity of MCvideo media is required on the group.

When set to "false" confidentiality and integrity of MCvideo media is not required on the group.

The default value is set to "true".

## 6.2.23T /<x>/<x>/Common/MCVideo/TxControlProtectionRequired

**Table 6.2.23T.1: /<x>/<x>/Common/MCVideo/TxControlProtectionRequired**

<x>/Common/MCVideo/TxControlProtectionRequired

Status	Occurrence	Format	Min. Access Types
Required	One	bool	Get, Replace

This leaf node indicates whether confidentiality and integrity protection is required for on-network and off-network MCVideo transmission control signalling on the MCS group

When set to "true" confidentiality and integrity of MCVideo transmission control signalling is required on the group.

When set to "false" confidentiality and integrity of MCVideo transmission control signalling is not required on the group.

The default value is set to "true".

## 6.2.23U /<x>/<x>/Common/MCVideo/MediaProtectionSecurityMaterial

**Table 6.2.23U.1: /<x>/<x>/Common/MCVideo/MediaProtectionSecurityMaterial**

<x>/Common/MCVideo/MediaProtectionSecurityMaterial

Status	Occurrence	Format	Min. Access Types
Required	One	chr	Get, Replace

This leaf node indicates security material (as specified in 3GPP TS 33.180 [20]) for MCVideo media protection in the MCS group.



## 6.2.23V /&lt;x&gt;/&lt;x&gt;/Common/MCVideo/AllowedAudioCodecs

**Table 6.2.23V.1: /<x>/<x>/Common/MCVideo/AllowedAudioCodecs**

&lt;x&gt;/Common/MCVideo/AllowedAudioCodecs

Status	Occurrence	Format	Min. Access Types
Required	One	node	Get, Replace

This interior node is a placeholder for a list of allowed audio codecs for MCVideo sessions on the group

## 6.2.23W /&lt;x&gt;/&lt;x&gt;/Common/MCVideo/AllowedAudioCodecs/&lt;x&gt;

**Table 6.2.23W.1: /<x>/<x>/Common/MCVideo/AllowedAudioCodecs/<x>**

&lt;x&gt;/Common/MCVideo/AllowedAudioCodecs/&lt;x&gt;

Status	Occurrence	Format	Min. Access Types
Optional	OneOrMore	node	Get, Replace

This interior node is a placeholder for one or more list of allowed audio codecs for MCVideo sessions on the group

## 6.2.23X /&lt;x&gt;/&lt;x&gt;/Common/MCVideo/AllowedAudioCodecs/&lt;x&gt;/AudioCodec

**Table 6.2.23X.1: /<x>/<x>/Common/MCVideo/AllowedAudioCodecs/<x>/AudioCodec**

&lt;x&gt;/Common/MCVideo/AllowedAudioCodecs/&lt;x&gt;/AudioCodec

Status	Occurrence	Format	Min. Access Types
Optional	One	chr	Get, Replace

This leaf node indicates the preferred RTP payload format to be used for audio encoding in MCVideo group sessions for the group.

## 6.2.23Y /&lt;x&gt;/&lt;x&gt;/Common/MCVideo/AllowedVideoCodecs

**Table 6.2.23Y.1: /<x>/<x>/Common/MCVideo/AllowedVideoCodecs**

&lt;x&gt;/Common/MCVideo/AllowedVideoCodecs

Status	Occurrence	Format	Min. Access Types
Required	One	node	Get, Replace

This interior node is a placeholder for a list of allowed video codecs for MCVideo sessions on the group

## 6.2.23Z /&lt;x&gt;/&lt;x&gt;/Common/MCVideo/AllowedVideoCodecs/&lt;x&gt;

**Table 6.2.23Z.1: /<x>/<x>/Common/MCVideo/AllowedVideoCodecs/<x>**

&lt;x&gt;/Common/MCVideo/AllowedVideoCodecs/&lt;x&gt;

Status	Occurrence	Format	Min. Access Types
Optional	OneOrMore	node	Get, Replace

This interior node is a placeholder for one or more list of allowed video codecs for MCVideo sessions on the group

## 6.2.23AA /<x>/<x>/Common/MCVideo/AllowedVideoCodecs/<x>/VideoCodec

**Table 6.2.23AA.1: /<x>/<x>/Common/MCVideo/AllowedVideoCodecs/<x>/VideoCodec**

<x>/Common/MCVideo/AllowedVideoCodecs/<x>/VideoCodec

Status	Occurrence	Format	Min. Access Types
Optional	One	chr	Get, Replace

This leaf node indicates the preferred RTP payload format to be used for video encoding in MCVideo group sessions for the group.

## 6.2.23AB /<x>/<x>/Common/MCVideo/AllowedVideoResolutions

**Table 6.2.23AB.1: /<x>/<x>/Common/MCVideo/AllowedVideoResolutions**

<x>/Common/MCVideo/AllowedVideoResolutions

Status	Occurrence	Format	Min. Access Types
Required	One	node	Get, Replace

This interior node is a placeholder for a list of allowed video resolutions used in MCVideo group sessions for the group.

## 6.2.23AC /<x>/<x>/Common/MCVideo/AllowedVideoResolutions/<x>

**Table 6.2.23AC.1: /<x>/<x>/Common/MCVideo/AllowedVideoResolutions/<x>**

<x>/Common/MCVideo/AllowedVideoResolutions/<x>

Status	Occurrence	Format	Min. Access Types
Optional	OneOrMore	node	Get, Replace

This interior node is a placeholder for one or more list of allowed video resolutions used in MCVideo group sessions for the group.

## 6.2.23AD /<x>/<x>/Common/MCVideo/AllowedVideoResolutions/<x>/VideoResolution

**Table 6.2.23AD.1: /<x>/<x>/Common/MCVideo/AllowedVideoResolutions/<x>/VideoResolution**

<x>/Common/MCVideo/AllowedVideoResolutions/<x>/VideoResolution

Status	Occurrence	Format	Min. Access Types
Optional	One	chr	Get, Replace

This leaf node indicates a video resolution (number of horizontal pixels x number of vertical pixels) to be used in MCVideo group sessions for the group.

## 6.2.23AE /<x>/<x>/Common/MCVideo/AllowedVideoFrameRates

**Table 6.2.23AE.1: /<x>/<x>/Common/MCVideo/AllowedVideoFrameRates**

<x>/Common/MCVideo/AllowedVideoFrameRates

Status	Occurrence	Format	Min. Access Types
Required	One	node	Get, Replace

This interior node is a placeholder for a list of allowed video frame rates to be used in MCVideo group sessions for the group.

## 6.2.23AF /<x>/<x>/Common/MCVideo/AllowedVideoFrameRates/<x>

**Table 6.2.23AF.1: /<x>/<x>/Common/MCVideo/AllowedVideoFrameRates/<x>**

<x>/Common/MCVideo/AllowedVideoFrameRates/<x>

Status	Occurrence	Format	Min. Access Types
Optional	OneOrMore	node	Get, Replace

This interior node is a placeholder for one or more list of allowed video frame rates to be used in MCVideo group sessions for the group.

## 6.2.23AG /<x>/<x>/Common/MCVideo/AllowedVideoFrameRates/<x>/FrameRate

**Table 6.2.23AG.1: /<x>/<x>/Common/MCVideo/AllowedVideoFrameRates/<x>/FrameRate**

<x>/Common/MCVideo/AllowedVideoFrameRates/<x>/FrameRate

Status	Occurrence	Format	Min. Access Types
Optional	One	int	Get, Replace

This leaf node indicates a video frame rate (in frames per second) to be used in MCVideo group sessions for the group.

## 6.2.23AH /<x>/<x>/Common/MCVideo/AllowedUrgentRealTimeMode

**Table 6.2.23AH.1: /<x>/<x>/Common/MCVideo/AllowedUrgentRealTimeMode**

<x>/Common/MCVideo/AllowedUrgentRealTimeMode

Status	Occurrence	Format	Min. Access Types
Required	One	bool	Get, Replace

This leaf node indicates whether urgent real time mode is allowed for MCVideo sessions on the group.

When set to "true" urgent real-time video mode is allowed for MCVideo sessions on the group.

When set to "false" urgent real-time video mode is not allowed for MCVideo sessions on the group.

## 6.2.23AI /<x>/<x>/Common/MCVideo/AllowedNonUrgentRealTimeMode

**Table 6.2.23AI.1: /<x>/<x>/Common/MCVideo/AllowedNonUrgentRealTimeMode**

<x>/Common/MCVideo/AllowedNonUrgentRealTimeMode

Status	Occurrence	Format	Min. Access Types
Required	One	bool	Get, Replace

This leaf node indicates whether non-urgent real time mode is allowed for MCVideo sessions on the group.

When set to "true" non-urgent real-time video mode is allowed for MCVideo sessions on the group.

When set to "false" non-urgent real-time video mode is not allowed for MCVideo sessions on the group.

## 6.2.23AJ /<x>/<x>/Common/MCVideo/AllowedNonRealTimeMode

**Table 6.2.23AJ.1: /<x>/<x>/Common/MCVideo/AllowedNonRealTimeMode**

<x>/Common/MCVideo/AllowedNonRealTimeMode

Status	Occurrence	Format	Min. Access Types
Required	One	bool	Get, Replace

This leaf node indicates whether non-real time mode is allowed for MCVideo sessions on the group.

When set to "true" non-real-time video mode is allowed for MCVideo sessions on the group.

When set to "false" non-real-time video mode is not allowed for MCVideo sessions on the group.

## 6.2.23AK /<x>/<x>/Common/MCVideo/ActiveNonRealTimeMode

**Table 6.2.23AK.1: /<x>/<x>/Common/MCVideo/ActiveNonRealTimeMode**

<x>/Common/MCVideo/ActiveNonRealTimeMode

Status	Occurrence	Format	Min. Access Types
Required	One	chr	Get, Replace

This leaf node indicates the active non-real-time mode used for MCVideo sessions on the group.

The valid values are:

- a) "urgent-real-time";
- b) "non-urgent-real-time"; and
- c) "non-real-time".

## 6.2.23AL /<x>/<x>/Common/MCVideo/MaxTransmitMembers

**Table 6.2.23AL.1: /<x>/<x>/Common/MCVideo/MaxTransmitMembers**

<x>/Common/MCVideo/MaxTransmitMembers

Status	Occurrence	Format	Min. Access Types
Required	One	int	Get, Replace

This leaf node indicates the maximum number of simultaneous transmitting group members for MCVideo sessions on the group.

- Values: 0-65535

## 6.2.24 /<x>/<x>/OffNetwork

**Table 6.2.24.1: /<x>/<x>/OffNetwork**

<x>/OffNetwork

Status	Occurrence	Format	Min. Access Types
Required	ZeroOrOne	node	Get, Replace

This interior node represents a container for off-network operation.

## 6.2.25 /<x>/<x>/OffNetwork/MCPTTGroupParameter

**Table 6.2.25.1: /<x>/<x>/OffNetwork/MCPTTGroupParameter**

<x>/OffNetwork/MCPTTGroupParameter

Status	Occurrence	Format	Min. Access Types
Required	One	node	Get, Replace

This interior node is a placeholder for the group parameters.

## 6.2.26 /<x>/<x>/OffNetwork/MCPTTGroupParameter/<x>

**Table 6.2.26.1: /<x>/<x>/OffNetwork/MCPTTGroupParameter/<x>**

<x>/OffNetwork/MCPTTGroupParameter/<x>

Status	Occurrence	Format	Min. Access Types
Required	OneOrMore	node	Get, Replace

This interior node is a placeholder for one or more group parameters.

## 6.2.27 /<x>/<x>/OffNetwork/MCPTTGroupParameter/<x>/ProSeLayer2GroupID

**Table 6.2.27.1: /<x>/<x>/OffNetwork/MCPTTGroupParameter/<x>/ProSeLayer2GroupID**

<x>/OffNetwork/MCPTTGroupParameter/<x>/ProSeLayer2GroupID

Status	Occurrence	Format	Min. Access Types
Required	One	chr	Get, Replace

This leaf node indicates the Prose layer-2 group ID as specified in 3GPP TS 23.303 [6].

NOTE: This element is common for all MC services.

## 6.2.28 /<x>/<x>/OffNetwork/MCPTTGroupParameter/<x>/IPMulticastAddress

**Table 6.2.28.1: /<x>/<x>/OffNetwork/MCPTTGroupParameter/<x>/IPMulticastAddress**

<x>/OffNetwork/MCPTTGroupParameter/<x>/IPMulticastAddress

Status	Occurrence	Format	Min. Access Types
Required	One	chr	Get, Replace

This leaf node indicates the ProSe group IP multicast address as specified in 3GPP TS 23.303 [6].

The value is an IPv4 address or an IPv6 address.

NOTE: This element is common for all MC services.

## 6.2.29 /<x>/<x>/OffNetwork/MCPTTGroupParameter/<x>/RelayServiceCode

**Table 6.2.29.1: /<x>/<x>/OffNetwork/MCPTTGroupParameter/<x>/RelayServiceCode**

<x>/OffNetwork/MCPTTGroupParameter/<x>/RelayServiceCode

Status	Occurrence	Format	Min. Access Types
Required	One	chr	Get, Replace

This leaf node indicates the connectivity service that the ProSe UE-to-network relay provides to public safety applications as specified in 3GPP TS 23.303 [6].

NOTE: This element is common for all MC services.

## 6.2.30 /<x>/<x>/OffNetwork/MCPTTGroupParameter/<x>/IPVersions

**Table 6.2.30.1: /<x>/<x>/OffNetwork/MCPTTGroupParameter/<x>/IPVersions**

<x>/OffNetwork/MCPTTGroupParameter/<x>/IPVersions

Status	Occurrence	Format	Min. Access Types
Required	One	chr	Get, Replace

This leaf node indicates whether IPv4 or IPv6 is used for the MCS group as specified in 3GPP TS 23.303 [6].

The value is "IPv4" or "IPv6".

NOTE: This element is common for all MC services.

## 6.2.31 /<x>/<x>/OffNetwork/EmergencyCallCancel

**Table 6.2.31.1: /<x>/<x>/OffNetwork/EmergencyCallCancel**

<x>/OffNetwork/EmergencyCallCancel

Status	Occurrence	Format	Min. Access Types
Required	One	int	Get, Replace

This leaf node indicates the timeout value for the cancellation of an in progress emergency group call for MCPTT.

- Values: 0-65535

The EmergencyCallCancel time is in seconds.

NOTE: This element is specific for MCPTT.

## 6.2.32 /<x>/<x>/OffNetwork/ImminentPerilCallCancel

**Table 6.2.32.1: /<x>/<x>/OffNetwork/ImminentPerilCallCancel**

<x>/OffNetwork/ImminentPerilCallCancel

Status	Occurrence	Format	Min. Access Types
Required	One	int	Get, Replace

This leaf node indicates the timeout value for the cancellation of an in progress MCPTT imminent peril group call.

- Values: 0-65535

The ImminentPerilCallCancel time is in seconds.

NOTE: This element is specific for MCPTT.

## 6.2.33 /<x>/<x>/OffNetwork/HangTime

**Table 6.2.33.1: /<x>/<x>/OffNetwork/HangTime**

<x>/OffNetwork/HangTime

Status	Occurrence	Format	Min. Access Types
Required	One	int	Get, Replace

This leaf node indicates the group call hang timer.

- Values: 0-65535

The HangTime is in seconds.

NOTE: This element is specific for MCPTT.

## 6.2.34 /<x>/<x>/OffNetwork/MaxDuration

**Table 6.2.34.1: /<x>/<x>/OffNetwork/MaxDuration**

<x>/OffNetwork/MaxDuration

Status	Occurrence	Format	Min. Access Types
Required	One	int	Get, Replace

This leaf node indicates the max duration of group calls.

- Values: 0-65535

The MaxDuration time is in seconds.

NOTE: This element is specific for MCPTT.

## 6.2.34A /<x>/<x>/OffNetwork/QueueUsage

**Table 6.2.34A.1: /<x>/<x>/OffNetwork/QueueUsage**

<x>/OffNetwork/QueueUsage

Status	Occurrence	Format	Min. Access Types
Required	One	bool	Get, Replace

This leaf node indicates if queuing is enabled or not.

When set to "true" queuing floor requests is enabled on the group.

When set to "false" queuing floor requests is not enabled on the group.

The default value is set to "true".

NOTE: This element is specific for MCPTT.

### 6.2.35 `<x>/<x>/OffNetwork/DefaultPPPP`

**Table 6.2.35.1: `<x>/<x>/OffNetwork/DefaultPPPP`**

`<x>/OffNetwork/DefaultPPPP`

Status	Occurrence	Format	Min. Access Types
Required	One	node	Get, Replace

This interior node is a placeholder for the default ProSe Per-Packet Priority (PPPP) configuration.

### 6.2.36 `<x>/<x>/OffNetwork/DefaultPPPP/MCPTTGroupCallSignalling`

**Table 6.2.36.1: `<x>/<x>/OffNetwork/DefaultPPPP/MCPTTGroupCallSignalling`**

`<x>/OffNetwork/DefaultPPPP/MCPTTGroupCallSignalling`

Status	Occurrence	Format	Min. Access Types
Required	One	int	Get, Replace

This leaf node indicates the default ProSe Per-Packet Priority (PPPP) value (as specified in 3GPP TS 23.303 [6]) for the group call signalling for MCPTT.

- Values: 1-8

The MCPTT user data with the lowest ProSe Per-Packet Priority value shall be considered as the MCPTT user data having the highest priority among the MCPTT user data.

NOTE: This element is specific for MCPTT.

### 6.2.37 `<x>/<x>/OffNetwork/DefaultPPPP/MCPTTGroupCallMedia`

**Table 6.2.37.1: `<x>/<x>/OffNetwork/DefaultPPPP/MCPTTGroupCallMedia`**

`<x>/OffNetwork/DefaultPPPP/MCPTTGroupCallMedia`

Status	Occurrence	Format	Min. Access Types
Required	One	int	Get, Replace

This leaf node indicates the default ProSe Per-Packet Priority (PPPP) value (as specified in 3GPP TS 23.303 [6]) for the group call media for MCPTT.

- Values: 1-8

The MCPTT user data with the lowest ProSe Per-Packet Priority value shall be considered as the MCPTT user data having the highest priority among the MCPTT user data.

NOTE: This element is specific for MCPTT.



## 6.2.38 /<x>/<x>/OffNetwork/DefaultPPPP/MCPTTEmergencyGroupCallSignalling

**Table 6.2.38.1: /<x>/<x>/OffNetwork/DefaultPPPP/MCPTTEmergencyGroupCallSignalling**

<x>/OffNetwork/DefaultPPPP/MCPTTEmergencyGroupCallSignalling

Status	Occurrence	Format	Min. Access Types
Required	One	int	Get, Replace

This leaf node indicates the default ProSe Per-Packet Priority (PPPP) value (as specified in 3GPP TS 23.303 [6]) for the MCPTT emergency group call signalling.

- Values: 1-8

The MCPTT user data with the lowest ProSe Per-Packet Priority value shall be considered as the MCPTT user data having the highest priority among the MCPTT user data.

NOTE: This element is specific for MCPTT.

## 6.2.39 /<x>/<x>/OffNetwork/DefaultPPPP/MCPTTEmergencyGroupCallMedia

**Table 6.2.39.1: /<x>/<x>/OffNetwork/DefaultPPPP/MCPTTEmergencyGroupCallMedia**

<x>/OffNetwork/DefaultPPPP/MCPTTEmergencyGroupCallMedia

Status	Occurrence	Format	Min. Access Types
Required	One	int	Get, Replace

This leaf node indicates the default ProSe Per-Packet Priority (PPPP) value (as specified in 3GPP TS 23.303 [6]) for the MCPTT emergency group call media.

- Values: 1-8

The MCPTT user data with the lowest ProSe Per-Packet Priority value shall be considered as the MCPTT user data having the highest priority among the MCPTT user data.

NOTE: This element is specific for MCPTT.

## 6.2.40 /<x>/<x>/OffNetwork/DefaultPPPP/MCPTTImminentPerilGroupCallSignalling

**Table 6.2.40.1: /<x>/<x>/OffNetwork/DefaultPPPP/MCPTTImminentPerilGroupCallSignalling**

<x>/OffNetwork/DefaultPPPP/MCPTTImminentPerilGroupCallSignalling

Status	Occurrence	Format	Min. Access Types
Required	One	int	Get, Replace

This leaf node indicates the default ProSe Per-Packet Priority (PPPP) value (as specified in 3GPP TS 23.303 [6]) for the MCPTT imminent peril group call signalling.

- Values: 1-8

The MCPTT user data with the lowest ProSe Per-Packet Priority value shall be considered as the MCPTT user data having the highest priority among the MCPTT user data.

NOTE: This element is specific for MCPTT.

## 6.2.41 /<x>/<x>/OffNetwork/DefaultPPPP/ MCPTTImminentPerilGroupCallMedia

**Table 6.2.41.1: /<x>/<x>/OffNetwork/DefaultPPPP/MCPTTImminentPerilGroupCallMedia**

<x>/OffNetwork/DefaultPPPP/MCPTTImminentPerilGroupCallMedia

Status	Occurrence	Format	Min. Access Types
Required	One	int	Get, Replace

This leaf node indicates the default ProSe Per-Packet Priority (PPPP) value (as specified in 3GPP TS 23.303 [6]) for the MCPTT imminent peril group call media.

- Values: 1-8

The MCPTT user data with the lowest ProSe Per-Packet Priority value shall be considered as the MCPTT user data having the highest priority among the MCPTT user data.

NOTE: This element is specific for MCPTT.

## 6.2.42 /<x>/<x>/OffNetwork/MCData

**Table 6.2.42.1: /<x>/<x>/OffNetwork/MCData**

<x>/OffNetwork/MCData

Status	Occurrence	Format	Min. Access Types
Required	One	node	Get, Replace

This interior node is a placeholder for off-network MCData configuration.

## 6.2.43 /<x>/<x>/OffNetwork/MCData/DefaultPPPP

**Table 6.2.43.1: /<x>/<x>/OffNetwork/MCData/DefaultPPPP**

<x>/OffNetwork/MCData/DefaultPPPP

Status	Occurrence	Format	Min. Access Types
Required	One	node	Get, Replace

This interior node is a placeholder for the default ProSe Per-Packet Priority (PPPP) configuration.

## 6.2.44 /<x>/<x>/OffNetwork/MCData/DefaultPPPP/ MCDataGroupCallSignalling

**Table 6.2.44.1: /<x>/<x>/OffNetwork/MCData/DefaultPPPP/MCDataGroupCallSignalling**

<x>/OffNetwork/MCData/DefaultPPPP/MCDataGroupCallSignalling

Status	Occurrence	Format	Min. Access Types
Required	One	int	Get, Replace

This leaf node indicates the default ProSe Per-Packet Priority (PPPP) value (as specified in 3GPP TS 23.303 [6]) for the group call signalling for MCData.

- Values: 1-8

The MCDData user data with the lowest ProSe Per-Packet Priority value shall be considered as the MCDData user data having the highest priority among the MCDData user data.

## 6.2.45 /<x>/<x>/OffNetwork/MCDData/DefaultPPPP/MCDDataGroupCallMedia

**Table 6.2.45.1: /<x>/<x>/OffNetwork/MCDData/DefaultPPPP/MCDDataGroupCallMedia**

<x>/OffNetwork/MCDData/DefaultPPPP/MCDDataGroupCallMedia

Status	Occurrence	Format	Min. Access Types
Required	One	int	Get, Replace

This leaf node indicates the default ProSe Per-Packet Priority (PPPP) value (as specified in 3GPP TS 23.303 [6]) for the group call media for MCDData.

- Values: 1-8

The MCDData user data with the lowest ProSe Per-Packet Priority value shall be considered as the MCDData user data having the highest priority among the MCDData user data.

## 6.2.46 /<x>/<x>/OffNetwork/MCVideo

**Table 6.2.46.1: /<x>/<x>/OffNetwork/MCVideo**

<x>/OffNetwork/MCVideo

Status	Occurrence	Format	Min. Access Types
Required	One	node	Get, Replace

This interior node is a placeholder for off-network MCVideo group configuration.

## 6.2.47 /<x>/<x>/OffNetwork/MCVideo/ArbitrationApproach

**Table 6.2.47.1: /<x>/<x>/OffNetwork/MCVideo/ArbitrationApproach**

<x>/OffNetwork/MCVideo/ArbitrationApproach

Status	Occurrence	Format	Min. Access Types
Required	One	chr	Get, Replace

This leaf node indicates the arbitration approach used for off-network video transmissions on the group

The valid values are:

- "single" which indicates transmission participants rely on a single participant designated as transmission arbitrator for the arbitration of transmission requests; and
- "self" which indicates each transmission participant arbitrates its own transmission based on its view of the topology.

## 6.2.48 /<x>/<x>/OffNetwork/MCVideo/MaxTransmissions

**Table 6.2.48.1: /<x>/<x>/OffNetwork/MCVideo/MaxTransmissions**

<x>/OffNetwork/MCVideo/MaxTransmissions

Status	Occurrence	Format	Min. Access Types
Required	One	int	Get, Replace

This leaf node indicates maximum number of simultaneous transmissions for off-network MCVideo procedures.

- Values: 0-65535

## 6.2.49 /<x>/<x>/OffNetwork/MCVideo/DefaultPPPP

**Table 6.2.49.1: /<x>/<x>/OffNetwork/MCVideo/DefaultPPPP**

<x>/OffNetwork/MCVideo/DefaultPPPP

Status	Occurrence	Format	Min. Access Types
Required	One	node	Get, Replace

This interior node is a placeholder for the default ProSe Per-Packet Priority (PPPP) configuration.

## 6.2.50 /<x>/<x>/OffNetwork/MCVideo/DefaultPPPP/MCVideoGroupCallSignalling

**Table 6.2.50.1: /<x>/<x>/OffNetwork/MCVideo/DefaultPPPP/MCVideoGroupCallSignalling**

<x>/OffNetwork/MCVideo/DefaultPPPP/MCVideoGroupCallSignalling

Status	Occurrence	Format	Min. Access Types
Required	One	int	Get, Replace

This leaf node indicates the default ProSe Per-Packet Priority (PPPP) value (as specified in 3GPP TS 23.303 [6]) for the group call signalling for MCVideo.

- Values: 1-8

The MCVideo user data with the lowest ProSe Per-Packet Priority value shall be considered as the MCVideo user data having the highest priority among the MCVideo user data.

## 6.2.51 /<x>/<x>/OffNetwork/MCVideo/DefaultPPPP/MCVideoGroupCallMedia

**Table 6.2.51.1: /<x>/<x>/OffNetwork/MCVideo/DefaultPPPP/MCVideoGroupCallMedia**

<x>/OffNetwork/MCVideo/DefaultPPPP/MCVideoGroupCallMedia

Status	Occurrence	Format	Min. Access Types
Required	One	int	Get, Replace

This leaf node indicates the default ProSe Per-Packet Priority (PPPP) value (as specified in 3GPP TS 23.303 [6]) for the group call media for MCVideo.

- Values: 1-8

The MCVideo user data with the lowest ProSe Per-Packet Priority value shall be considered as the MCVideo user data having the highest priority among the MCVideo user data.

## 6.2.52 /<x>/<x>/OffNetwork/MCVideo/DefaultPPPP/ MCVideoEmergencyGroupCallSignalling

**Table 6.2.52.1: /<x>/<x>/OffNetwork/MCVideo/DefaultPPPP/MCVideoEmergencyGroupCallSignalling**

<x>/OffNetwork/MCVideo/DefaultPPPP/MCVideoEmergencyGroupCallSignalling

Status	Occurrence	Format	Min. Access Types
Required	One	int	Get, Replace

This leaf node indicates the default ProSe Per-Packet Priority (PPPP) value (as specified in 3GPP TS 23.303 [6]) for the MCVideo emergency group call signalling.

- Values: 1-8

The MCVideo user data with the lowest ProSe Per-Packet Priority value shall be considered as the MCVideo user data having the highest priority among the MCVideo user data.

## 6.2.53 /<x>/<x>/OffNetwork/MCVideo/DefaultPPPP/ MCVideoEmergencyGroupCallMedia

**Table 6.2.53.1: /<x>/<x>/OffNetwork/MCVideo/DefaultPPPP/MCVideoEmergencyGroupCallMedia**

<x>/OffNetwork/MCVideo/DefaultPPPP/MCVideoEmergencyGroupCallMedia

Status	Occurrence	Format	Min. Access Types
Required	One	int	Get, Replace

This leaf node indicates the default ProSe Per-Packet Priority (PPPP) value (as specified in 3GPP TS 23.303 [6]) for the MCVideo emergency group call media.

- Values: 1-8

The MCVideo user data with the lowest ProSe Per-Packet Priority value shall be considered as the MCVideo user data having the highest priority among the MCVideo user data.

## 6.2.54 /<x>/<x>/OffNetwork/MCVideo/DefaultPPPP/ MCVideoImminentPerilGroupCallSignalling

**Table 6.2.54.1:**

**/<x>/<x>/OffNetwork/MCVideo/DefaultPPPP/MCVideoImminentPerilGroupCallSignalling**

<x>/OffNetwork/MCVideo/DefaultPPPP/MCVideoImminentPerilGroupCallSignalling

Status	Occurrence	Format	Min. Access Types
Required	One	int	Get, Replace

This leaf node indicates the default ProSe Per-Packet Priority (PPPP) value (as specified in 3GPP TS 23.303 [6]) for the MCVideo imminent peril group call signalling.

- Values: 1-8

The MCVideo user data with the lowest ProSe Per-Packet Priority value shall be considered as the MCVideo user data having the highest priority among the MCVideo user data.

## 6.2.55 /<x>/<x>/OffNetwork/MCVideo/DefaultPPPP/ MCVideoImminentPerilGroupCallMedia

**Table 6.2.55.1: /<x>/<x>/OffNetwork/MCVideo/DefaultPPPP/MCVideoImminentPerilGroupCallMedia**

<x>/OffNetwork/MCVideo/DefaultPPPP/MCVideoImminentPerilGroupCallMedia

Status	Occurrence	Format	Min. Access Types
Required	One	int	Get, Replace

This leaf node indicates the default ProSe Per-Packet Priority (PPPP) value (as specified in 3GPP TS 23.303 [6]) for the MCVideo imminent peril group call media.

- Values: 1-8

The MCVideo user data with the lowest ProSe Per-Packet Priority value shall be considered as the MCVideo user data having the highest priority among the MCVideo user data.

## 6.2.56 /<x>/<x>/OffNetwork/MCVideo/MaxDuration

**Table 6.2.56.1: /<x>/<x>/OffNetwork/MCVideo/MaxDuration**

<x>/OffNetwork/MCVideo/MaxDuration

Status	Occurrence	Format	Min. Access Types
Required	One	int	Get, Replace

This leaf node indicates the max duration of MCVideo group calls.

- Values: 0-65535

The MaxDuration time is in seconds.

## 6.2.57 /<x>/<x>/OffNetwork/MCVideo/EmergencyCallCancel

**Table 6.2.57.1: /<x>/<x>/OffNetwork/MCVideo/EmergencyCallCancel**

<x>/OffNetwork/MCVideo/EmergencyCallCancel

Status	Occurrence	Format	Min. Access Types
Required	One	int	Get, Replace

This leaf node indicates the timeout value for the cancellation of an in progress MCVideo emergency group call for MCVideo.

- Values: 0-65535

The EmergencyCallCancel time is in seconds.

## 6.2.58 /<x>/<x>/OffNetwork/MCVideo/ImminentPerilCallCancel

**Table 6.2.58.1: /<x>/<x>/OffNetwork/MCVideo/ImminentPerilCallCancel**

<x>/OffNetwork/MCVideo/ImminentPerilCallCancel

Status	Occurrence	Format	Min. Access Types
Required	One	int	Get, Replace

This leaf node indicates the timeout value for the cancellation of an in progress MCVideo imminent peril group call.

- Values: 0-65535

The ImminentPerilCallCancel time is in seconds.

---

## 7 MCPTT service configuration MO

### 7.1 General

The MCPTT service configuration Management Object (MO) is used to configure MCPTT Client behaviour for the on-network or off-network MCPTT Service. The MCPTT service configuration parameters may be stored in the ME, or in the USIM as specified in 3GPP TS 31.102 [10], or in both the ME and the USIM. If both the ME and the USIM contain the same parameters, the values stored in the USIM shall take precedence.

The Management Object Identifier is: urn:oma:mo:ext-3gpp-MCPTT-service-configuration:1.0.

Protocol compatibility: This MO is compatible with OMA OMA DM 1.2 [3].

The OMA DM ACL property mechanism (see OMA OMA-ERELED-DM-V1\_2 [2]) may be used to grant or deny access rights to OMA DM servers in order to modify nodes and leaf objects of the MCPTT service configuration MO.

The following nodes and leaf objects are possible under the MCPTT service configuration node as described in figure 7.1.1.

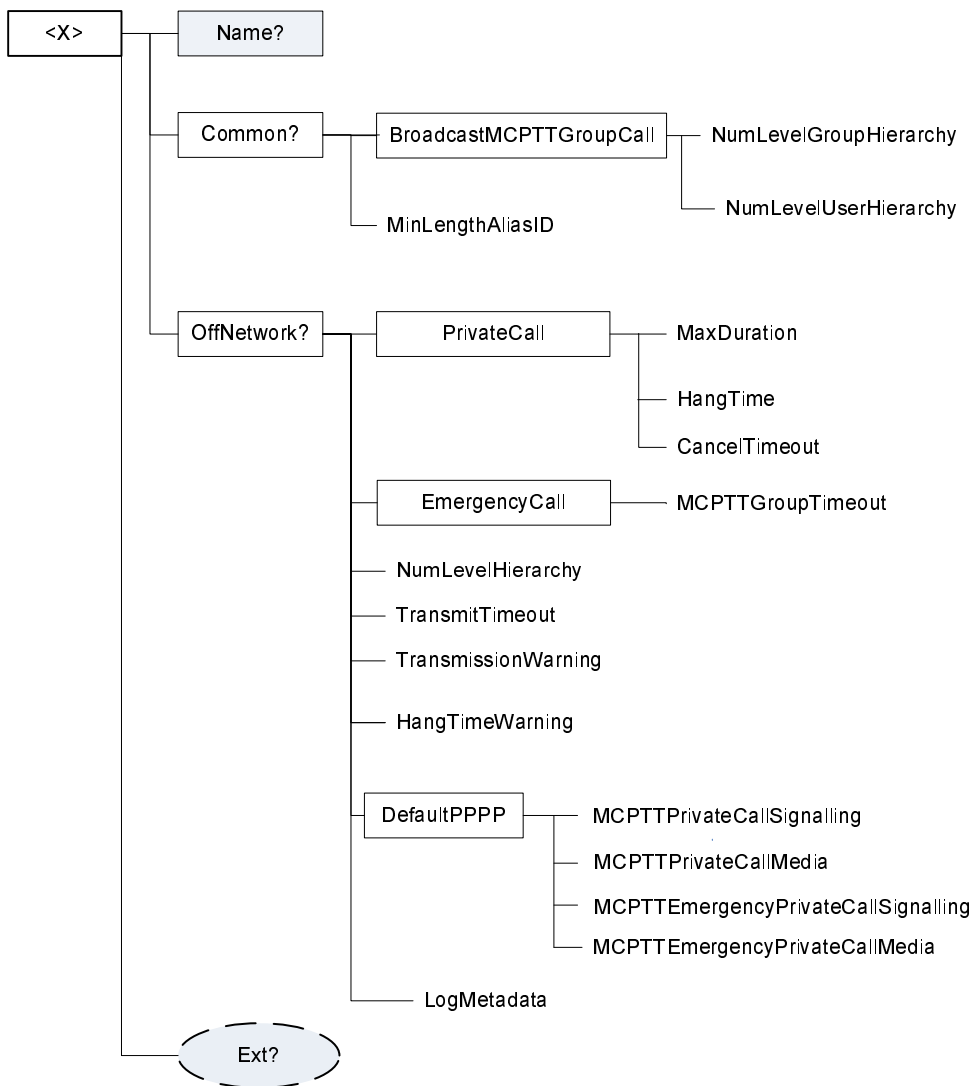


Figure 7.1.1: The MCPTT service configuration MO

## 7.2 MCPTT service configuration MO parameters

### 7.2.1 General

This clause describes the parameters for the MCPTT service configuration Management Object (MO).

### 7.2.2 Node: <x>

Table 7.2.2.1: Node: <x>

<x>

Status	Occurrence	Format	Min. Access Types
Required	OneOrMore	node	Get

This interior node acts as a placeholder for the MCPTT service configuration Management Object (MO).

For the MCPTT service configuration MO, the namespace specific string is: "urn:oma:mo:oma-dm-mcptt-service-configuration:1.0"



- Values: N/A

### 7.2.3 /<x>/Name

**Table 7.2.3.1: /<x>/Name**

Name

Status	Occurrence	Format	Min. Access Types
Required	ZeroOrOne	chr	Get

The Name leaf is a name for the MCPTT service configuration settings.

- Values: <User displayable name>

### 7.2.4 /<x>/Ext/

**Table 7.2.4.1: /<x>/Ext/**

Ext

Status	Occurrence	Format	Min. Access Types
Optional	ZeroOrOne	node	Get, Replace

The Ext is an interior node for where the vendor specific information about the MCPTT service configuration MO is being placed.

Usually the vendor extension is identified by vendor specific name under the ext node and contains the vendor meaning application vendor, device vendor etc. The tree structure under the vendor identified is not defined and can therefore include one or more un-standardized sub-trees.

- Values: N/A

### 7.2.5 /<x>/Common

**Table 7.2.5.1: /<x>/Common**

Common

Status	Occurrence	Format	Min. Access Types
Required	ZeroOrOne	node	Get, Replace

This interior node represents a container for the common network operation which means both on-network operation and off-network operation.

### 7.2.6 /<x>/Common/BroadcastMCPTTGroupCall

**Table 7.2.6.1: /<x>/Common/BroadcastMCPTTGroupCall**

Common/BroadcastMCPTTGroupCall

Status	Occurrence	Format	Min. Access Types
Required	One	node	Get, Replace

This interior node is a placeholder for Broadcast MCPTT Group Call configuration.

## 7.2.7 /<x>/Common/BroadcastMCPTTGroupCall/ NumLevelGroupHierarchy

**Table 7.2.7.1: /<x>/Common/BroadcastMCPTTGroupCall/NumLevelGroupHierarchy**

Common/BroadcastMCPTTGroupCall/NumLevelGroupHierarchy

Status	Occurrence	Format	Min. Access Types
Required	One	int	Get, Replace

This leaf node indicates the number of levels of group hierarchy for group-broadcast groups.

- Values: 0-255

The group-broadcast group with the lowest NumLevelGroupHierarchy value shall be considered as the group-broadcast group having the lowest level among the groups.

## 7.2.8 /<x>/Common/BroadcastMCPTTGroupCall/ NumLevelUserHierarchy

**Table 7.2.8.1: /<x>/Common/BroadcastMCPTTGroupCall/NumLevelUserHierarchy**

Common/BroadcastMCPTTGroupCall/NumLevelUserHierarchy

Status	Occurrence	Format	Min. Access Types
Required	One	int	Get, Replace

This leaf node indicates the number of levels of user hierarchy for user-broadcast groups.

- Values: 0-255

The user-broadcast group with the lowest NumLevelUserHierarchy value shall be considered as the user-broadcast group the lowest level among the groups.

## 7.2.9 /<x>/Common/MinLengthAliasID

**Table 7.2.9.1: /<x>/Common/MinLengthAliasID**

Common/MinLengthAliasID

Status	Occurrence	Format	Min. Access Types
Required	One	int	Get, Replace

This leaf node indicates minimum length of an alphanumeric identifier (i.e., alias) assigned by an MCPTT administrator.

- Values: 0-255

## 7.2.10 /<x>/OffNetwork

**Table 7.2.10.1: /<x>/OffNetwork**

OffNetwork

Status	Occurrence	Format	Min. Access Types
Required	ZeroOrOne	node	Get, Replace

This interior node represents a container for off-network operation.

## 7.2.11 /<x>/OffNetwork/PrivateCall

**Table 7.2.11.1: /<x>/OffNetwork/PrivateCall**

OffNetwork/PrivateCall

Status	Occurrence	Format	Min. Access Types
Required	One	node	Get, Replace

This interior node is a placeholder for private call configuration.

## 7.2.12 /<x>/OffNetwork/PrivateCall/MaxDuration

**Table 7.2.12.1: /<x>/OffNetwork/PrivateCall/MaxDuration**

OffNetwork/PrivateCall/MaxDuration

Status	Occurrence	Format	Min. Access Types
Required	One	int	Get, Replace

This leaf node indicates max private call (with floor control) duration.

- Values: 0-65535

The MaxDuration time is in seconds.

## 7.2.13 /<x>/OffNetwork/PrivateCall/HangTime

**Table 7.2.13.1: /<x>/OffNetwork/PrivateCall/HangTime**

OffNetwork/PrivateCall/HangTime

Status	Occurrence	Format	Min. Access Types
Required	One	int	Get, Replace

This leaf node indicates hang timer for private calls (with floor control).

- Values: 0-65535

The HangTime is in seconds.

## 7.2.14 /<x>/OffNetwork/PrivateCall/CancelTimeout

**Table 7.2.14.1: /<x>/OffNetwork/PrivateCall/CancelTimeout**

OffNetwork/PrivateCall/CancelTimeout

Status	Occurrence	Format	Min. Access Types
Required	One	int	Get, Replace

This leaf node indicates timeout value for the cancellation of an in progress emergency for an MCPTT private call.

- Values: 0-65535

The CancelTimeout is in seconds.

## 7.2.15 /<x>/OffNetwork/EmergencyCall

**Table 7.2.15.1: /<x>/OffNetwork/EmergencyCall**

OffNetwork/EmergencyCall

Status	Occurrence	Format	Min. Access Types
Required	One	node	Get, Replace

This interior node indicates a placeholder for the MCPTT emergency call policy.

## 7.2.16 /<x>/OffNetwork/EmergencyCall/MCPTTGroupTimeout

**Table 7.2.16.1: /<x>/OffNetwork/EmergencyCall/MCPTTGroupTimeout**

OffNetwork/EmergencyCall/MCPTTGroupTimeout

Status	Occurrence	Format	Min. Access Types
Required	One	int	Get, Replace

This leaf node indicates time limit for an in progress MCPTT emergency call related to an MCPTT group.

- Values: 0-65535

The GroupTimeout is in seconds.

## 7.2.17 /<x>/OffNetwork/NumLevelHierarchy

**Table 7.2.17.1: /<x>/OffNetwork/NumLevelHierarchy**

OffNetwork/NumLevelHierarchy

Status	Occurrence	Format	Min. Access Types
Required	One	int	Get, Replace

This leaf node indicates the number of levels of hierarchy for floor control override in off-network.

- Values: 4-256

The request with the lowest NumLevelHierarchy value shall be considered as the request having the lowest priority level given to override an active transmission among the requests.

## 7.2.18 /<x>/OffNetwork/TransmitTimeout

**Table 7.2.18.1: /<x>/OffNetwork/TransmitTimeout**

OffNetwork/TransmitTimeout

Status	Occurrence	Format	Min. Access Types
Required	One	int	Get, Replace

This leaf node indicates transmit time limit from a single request to transmit in a group or private call.

- Values: 0-65535

The TransmitTimeout is in seconds.

## 7.2.19 /<x>/OffNetwork/TransmissionWarning

**Table 7.2.19.1: /<x>/OffNetwork/TransmissionWarning**

OffNetwork/TransmissionWarning

Status	Occurrence	Format	Min. Access Types
Required	One	int	Get, Replace

This leaf node indicates configuration of warning time before time limit of transmission is reached (off-network).

- Values: 0-255

The TransmissionWarning time is in seconds.

## 7.2.20 /<x>/OffNetwork/HangTimeWarning

**Table 7.2.20.1: /<x>/OffNetwork/HangTimeWarning**

OffNetwork/HangTimeWarning

Status	Occurrence	Format	Min. Access Types
Required	One	int	Get, Replace

This leaf node indicates configuration of warning time before hang time is reached (off-network).

- Values: 0-255

The HangTimeWarning time is in seconds.

## 7.2.21 /<x>/OffNetwork/DefaultPPPP

**Table 7.2.21.1: /<x>/OffNetwork/DefaultPPPP**

OffNetwork/DefaultPPPP

Status	Occurrence	Format	Min. Access Types
Required	One	node	Get, Replace

This interior node is a placeholder for the default ProSe Per-Packet Priority (PPPP) configuration.

## 7.2.22 /<x>/OffNetwork/DefaultPPPP/MCPTTPrivateCallSignalling

**Table 7.2.22.1: /<x>/OffNetwork/DefaultPPPP/MCPTTPrivateCallSignalling**

OffNetwork/DefaultPPPP/MCPTTPrivateCallSignalling

Status	Occurrence	Format	Min. Access Types
Required	One	int	Get, Replace

This leaf node indicates the default ProSe Per-Packet Priority (PPPP) value (as specified in 3GPP TS 23.303 [6]) for the MCPTT private call signalling.

- Values: 1-8

The MCPTT user data with the lowest ProSe Per-Packet Priority value shall be considered as the MCPTT user data having the highest priority among the MCPTT user data.

## 7.2.23 /<x>/OffNetwork/DefaultPPPP/MCPTTPrivateCallMedia

**Table 7.2.23.1: /<x>/OffNetwork/DefaultPPPP/MCPTTPrivateCallMedia**

OffNetwork/DefaultPPPP/MCPTTPrivateCallMedia

Status	Occurrence	Format	Min. Access Types
Required	One	int	Get, Replace

This leaf node indicates the default ProSe Per-Packet Priority (PPPP) value (as specified in 3GPP TS 23.303 [6]) for the MCPTT private call media.

- Values: 1-8

The MCPTT user data with the lowest ProSe Per-Packet Priority value shall be considered as the MCPTT user data having the highest priority among the MCPTT user data.

## 7.2.24 /<x>/OffNetwork/DefaultPPPP/MCPTTEmergencyPrivateCallSignalling

**Table 7.2.24.1: /<x>/OffNetwork/DefaultPPPP/MCPTTEmergencyPrivateCallSignalling**

OffNetwork/DefaultPPPP/MCPTTEmergencyPrivateCallSignalling

Status	Occurrence	Format	Min. Access Types
Required	One	int	Get, Replace

This leaf node indicates the default ProSe Per-Packet Priority (PPPP) value (as specified in 3GPP TS 23.303 [6]) for the MCPTT emergency private call signalling.

- Values: 1-8

The MCPTT user data with the lowest ProSe Per-Packet Priority value shall be considered as the MCPTT user data having the highest priority among the MCPTT user data.

## 7.2.25 /<x>/OffNetwork/DefaultPPPP/MCPTTEmergencyPrivateCallMedia

**Table 7.2.25.1: /<x>/OffNetwork/DefaultPPPP/MCPTTEmergencyPrivateCallMedia**

OffNetwork/DefaultPPPP/MCPTTEmergencyPrivateCallMedia

Status	Occurrence	Format	Min. Access Types
Required	One	int	Get, Replace

This leaf node indicates the default ProSe Per-Packet Priority (PPPP) value (as specified in 3GPP TS 23.303 [6]) for the MCPTT emergency private call media.

- Values: 1-8

The MCPTT user data with the lowest ProSe Per-Packet Priority value shall be considered as the MCPTT user data having the highest priority among the MCPTT user data.

## 7.2.26 /<x>/OffNetwork/LogMetadata

**Table 7.2.26.1: /<x>/OffNetwork/LogMetadata**

OffNetwork/LogMetadata

Status	Occurrence	Format	Min. Access Types

Required	One	bool	Get, Replace
----------	-----	------	--------------

This leaf node indicates whether logging of metadata for MCPTT group calls, MCPTT private calls and non-call activities is permitted.

When set to "true" logging of metadata for MCPTT group calls, MCPTT private calls and non-call activities, is enabled.

When set to "false" logging of metadata for MCPTT group calls, MCPTT private calls and non-call activities, is not enabled.

## 8 MCS UE initial configuration MO

### 8.1 General

The MCS UE initial configuration Management Object (MO) is used to configure the MCS Client behaviour for the on-network or off-network MCS Service. The MCS UE initial configuration parameters may be stored in the ME, or in the USIM as specified in 3GPP TS 31.102 [10], or in both the ME and the USIM. If both the ME and the USIM contain the same parameters, the values stored in the USIM shall take precedence.

**NOTE:** For historical reasons some of the elements in the MCS UE initial MO uses the terminology "MCPTT", however this MO is common to all MCS with some MCPTT specific elements, some MCDATA specific elements and some MCVideo specific elements. Not all elements that contain the terminology "MCPTT" are just MCPTT specific.

The Management Object Identifier is: urn:oma:mo:ext-3gpp-MCPTT-UE-initial-configuration:1.0.

Protocol compatibility: This MO is compatible with OMA OMA DM 1.2 [3].

The OMA DM ACL property mechanism (see OMA OMA-ERELD-DM-V1\_2 [2]) may be used to grant or deny access rights to OMA DM servers in order to modify nodes and leaf objects of the MCPTT user profile MO.

The following nodes and leaf objects are possible under the MCPTT node as described in figure 8.1.1, figure 8.1.2, figure 8.1.3 and figure 8.1.4.

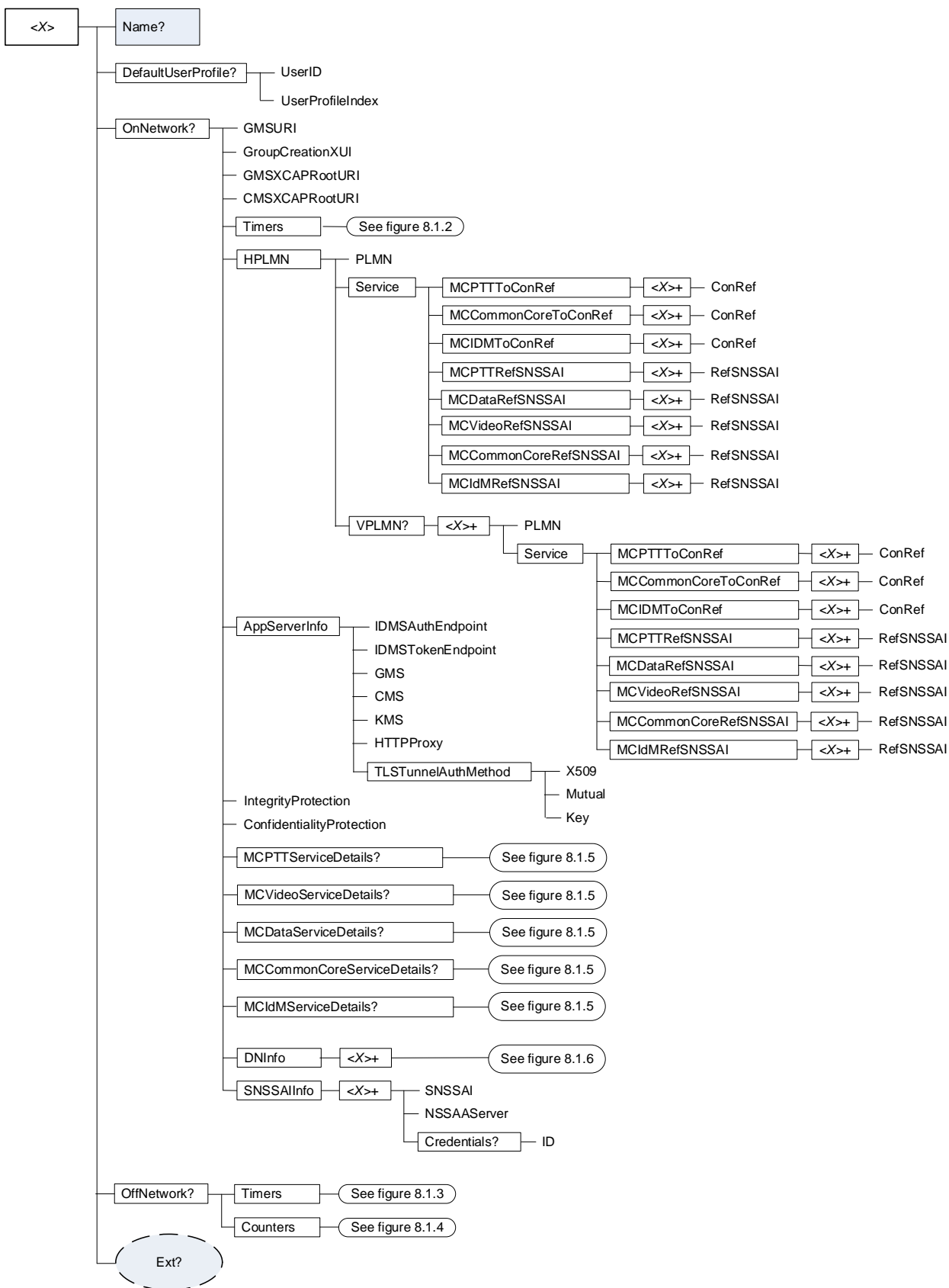


Figure 8.1.1: The MCS UE initial configuration MO (1 of 6)



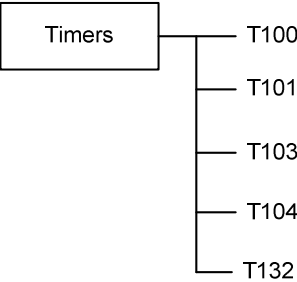


Figure 8.1.2: The MCS UE initial configuration MO (2 of 6)

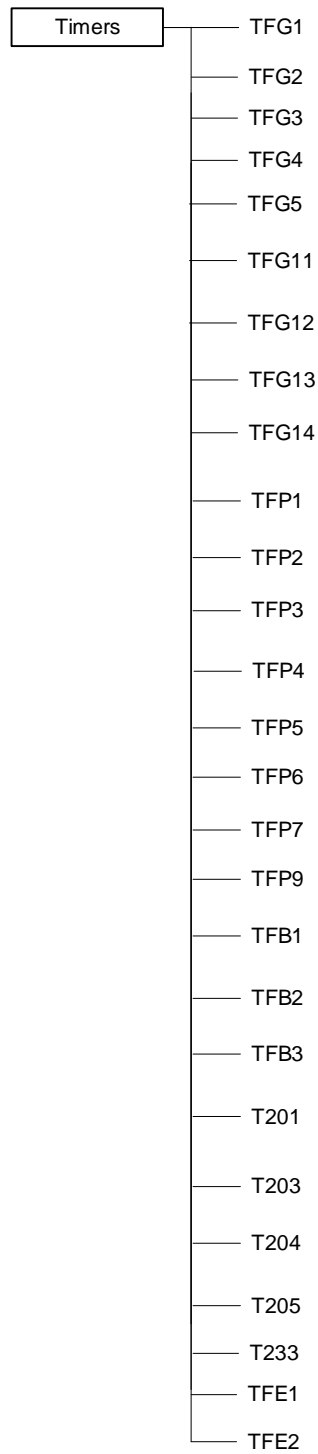


Figure 8.1.3: The MCS UE initial configuration MO (3 of 6)

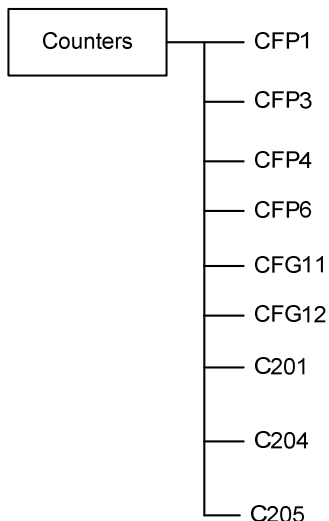


Figure 8.1.4: The MCS UE initial configuration MO (4 of 6)

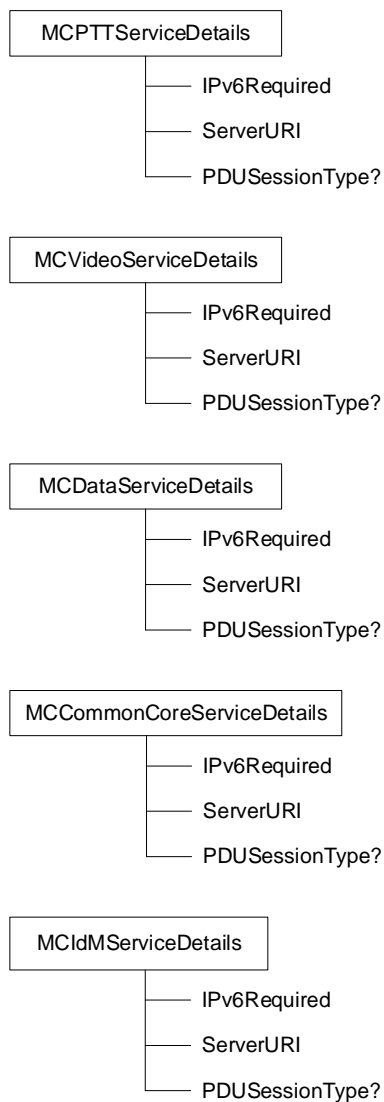


Figure 8.1.5: The MCS UE initial configuration MO (5 of 6)

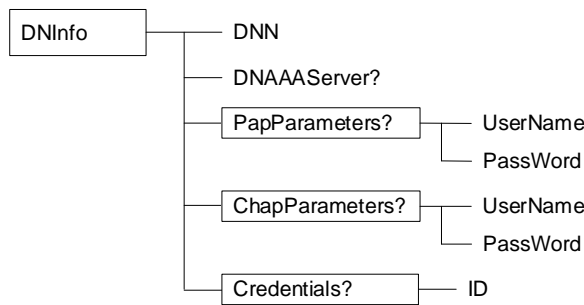


Figure 8.1.6: The MCS UE initial configuration MO (6 of 6)

## 8.2 MCS UE initial configuration MO parameters

### 8.2.1 General

This clause describes the parameters for the MCS UE initial configuration Management Object (MO).

### 8.2.2 Node: <x>

Table 8.2.2.1: Node: <x>

<x>

Status	Occurrence	Format	Min. Access Types
Required	OneOrMore	node	Get

This interior node acts as a placeholder for the MCS UE initial configuration Management Object (MO).

For the MCS UE initial configuration MO, the namespace specific string is: "urn:oma:mo:oma-dm-mcptt-ue-initial-configuration:1.0"

- Values: N/A

### 8.2.3 /<x>/Name

Table 8.2.3.1: /<x>/Name

Name

Status	Occurrence	Format	Min. Access Types
Required	ZeroOrOne	chr	Get

The Name leaf is a name for the MCPTT UE initial configuration settings.

- Values: <User displayable name>

### 8.2.4 /<x>/Ext/

Table 8.2.4.1: /<x>/Ext/

Ext

Status	Occurrence	Format	Min. Access Types
Optional	ZeroOrOne	node	Get, Replace

The Ext is an interior node for where the vendor specific information about the MCPTT UE initial configuration MO is being placed.

Usually the vendor extension is identified by vendor specific name under the ext node and contains the vendor meaning application vendor, device vendor etc. The tree structure under the vendor identified is not defined and can therefore include one or more un-standardized sub-trees.

- Values: N/A

## 8.2.5 /<x>/DefaultUserProfile

**Table 8.2.5.1: /<x>/DefaultUserProfile**

DefaultUserProfile

Status	Occurrence	Format	Min. Access Types
Required	ZeroOrOne	node	Get, Replace

This interior node represents a container for the default user profile.

The DefaultUserProfile nodes are:

- the same MCPTT user profile nodes defined in MCPTT user profile MO with a default MCPTT user ID;
- the same MCDData user profile nodes defined in MCDData user profile MO with a default MCDData user ID; or
- the same MCVideo user profile nodes defined in MCVideo user profile MO with a default MCVideo user ID.

## 8.2.6 /<x>/DefaultUserProfile/UserID

**Table 8.2.6.1: /<x>/DefaultUserProfile/UserID**

DefaultUserProfile/UserID

Status	Occurrence	Format	Min. Access Types
Required	One	chr	Get, Replace

This leaf node indicates a default MCS user identity.

## 8.2.7 /<x>/DefaultUserProfile/UserProfileIndex

**Table 8.2.7.1: /<x>/DefaultUserProfile/UserProfileIndex**

DefaultUserProfile/UserProfileIndex

Status	Occurrence	Format	Min. Access Types
Required	One	int	Get, Replace

This leaf node represents an indicator for the particular user profile.

- Values: 0-255

## 8.2.8 /<x>/OnNetwork

**Table 8.2.8.1: /<x>/OnNetwork**

OnNetwork

Status	Occurrence	Format	Min. Access Types
Required	ZeroOrOne	node	Get, Replace

This interior node represents a container for on-network operation.

## 8.2.9 /<x>/OnNetwork/GMSURI

**Table 8.2.9.1: /<x>/OnNetwork/GMSURI**

OnNetwork/GMSURI

Status	Occurrence	Format	Min. Access Types
Required	One	chr	Get, Replace

This leaf node indicates the group management service URI information which contains the public service identity for performing subscription proxy function of the GMS.

The value is a URI as specified in 3GPP TS 23.003 [5].

## 8.2.9A /<x>/OnNetwork/GroupCreationXUI

**Table 8.2.9A.1: /<x>/OnNetwork/GroupCreationXUI**

OnNetwork/GroupCreationXUI

Status	Occurrence	Format	Min. Access Types
Required	One	chr	Get, Replace

This leaf node indicates the group creation XUI information for creation of groups.

The value is a URI as specified in 3GPP TS 23.003 [5].

## 8.2.9B /<x>/OnNetwork/GMSXCAPRootURI

**Table 8.2.9B.1: /<x>/OnNetwork/GMSXCAPRootURI**

OnNetwork/GMSXCAPRootURI

Status	Occurrence	Format	Min. Access Types
Required	One	chr	Get, Replace

This leaf node indicates the group management server XCAP Root URI information.

The value is a URI as specified in 3GPP TS 23.003 [5].

## 8.2.9C /<x>/OnNetwork/CMSXCAPRootURI

**Table 8.2.9C.1: /<x>/OnNetwork/CMSXCAPRootURI**

OnNetwork/CMSXCAPRootURI

Status	Occurrence	Format	Min. Access Types
Required	One	chr	Get, Replace

This leaf node indicates the configuration management server XCAP Root URI information.

The value is a URI as specified in 3GPP TS 23.003 [5].

## 8.2.10 /<x>/OnNetwork/Timers

**Table 8.2.10.1: /<x>/OnNetwork/Timers**

OnNetwork/Timers

Status	Occurrence	Format	Min. Access Types
Required	One	node	Get, Replace

This interior node is a placeholder for timer configuration.

## 8.2.11 /<x>/OnNetwork/Timers/T100

**Table 8.2.11.1: /<x>/OnNetwork/Timers/T100**

OnNetwork/Timers/T100

Status	Occurrence	Format	Min. Access Types
Required	One	int	Get, Replace

This leaf node indicates the MCPTT timer for floor release as specified in 3GPP TS 24.380 [8].

- Values: 0-255

The T100 is in seconds.

## 8.2.12 /<x>/OnNetwork/Timers/T101

**Table 8.2.12.1: /<x>/OnNetwork/Timers/T101**

OnNetwork/Timers/T101

Status	Occurrence	Format	Min. Access Types
Required	One	int	Get, Replace

This leaf node indicates the MCPTT timer for floor request as specified in 3GPP TS 24.380 [8].

- Values: 0-255

The timer T101 is in seconds.

## 8.2.13 /<x>/OnNetwork/Timers/T103

**Table 8.2.13.1: /<x>/OnNetwork/Timers/T103**

OnNetwork/Timers/T103

Status	Occurrence	Format	Min. Access Types
Required	One	int	Get, Replace

This leaf node indicates the MCPTT timer for end of RTP media as specified in 3GPP TS 24.380 [8].

- Values: 0-255

The timer T103 is in seconds.

## 8.2.14 /<x>/OnNetwork/Timers/T104

**Table 8.2.14.1: /<x>/OnNetwork/Timers/T104**

OnNetwork/Timers/T104

Status	Occurrence	Format	Min. Access Types
Required	One	int	Get, Replace

This leaf node indicates the MCPTT timer for floor queue position request as specified in 3GPP TS 24.380 [8].

- Values: 0-255

The timer T104 is in seconds.

## 8.2.15 /<x>/OnNetwork/Timers/T132

**Table 8.2.15.1: /<x>/OnNetwork/Timers/T132**

OnNetwork/Timers/T132

Status	Occurrence	Format	Min. Access Types
Required	One	int	Get, Replace

This leaf node indicates the MCPTT timer for queued request granted MCPTT user action as specified in 3GPP TS 24.380 [8].

- Values: 0-255

The timer T132 is in seconds.

## 8.2.16 /<x>/OnNetwork/HPLMN

**Table 8.2.16.1: /<x>/OnNetwork/HPLMN**

OnNetwork/HPLMN

Status	Occurrence	Format	Min. Access Types
Required	One	node	Get, Replace

This interior node is a placeholder for the HPLMN configuration.

## 8.2.17 /<x>/OnNetwork/HPLMN/PLMN

**Table 8.2.17.1: /<x>/OnNetwork/HPLMN/PLMN**

OnNetwork/HPLMN/PLMN

Status	Occurrence	Format	Min. Access Types
Required	One	chr	Get, Replace

This leaf node indicates the HPLMN code.

- Values: <PLMN>

The format of the PLMN is defined by 3GPP TS 23.003 [5].



## 8.2.18 /&lt;x&gt;/OnNetwork/HPLMN/Service

**Table 8.2.18.1: /<x>/OnNetwork/HPLMN/Service**

OnNetwork/HPLMN/Service

Status	Occurrence	Format	Min. Access Types
Required	One	node	Get, Replace

This interior node indicates the MCS related services on a per HPLMN basis.

## 8.2.19 /&lt;x&gt;/OnNetwork/HPLMN/Service/MCPTTTToConRef

**Table 8.2.19.1: /<x>/OnNetwork/HPLMN/Service/MCPTTTToConRef**

OnNetwork/HPLMN/Service/MCPTTTToConRef

Status	Occurrence	Format	Min. Access Types
Required	One	node	Get, Replace

This interior node contains the configuration parameters for establishment of the PDN connection for the MCS service on a per HPLMN basis.

## 8.2.20 /&lt;x&gt;/OnNetwork/HPLMN/Service/MCPTTTToConRef/&lt;x&gt;

**Table 8.2.20.1: /<x>/OnNetwork/HPLMN/Service/MCPTTTToConRef/<x>**

OnNetwork/HPLMN/Service/MCPTTTToConRef/&lt;x&gt;

Status	Occurrence	Format	Min. Access Types
Required	OneOrMore	node	Get, Replace

This run-time node acts as a placeholder for each reference to the connectivity parameters on a per HPLMN basis.

## 8.2.21 /&lt;x&gt;/OnNetwork/HPLMN/Service/MCPTTTToConRef/&lt;x&gt;/ConRef

**Table 8.2.21.1: /<x>/OnNetwork/HPLMN/Service/MCPTTTToConRef/<x>/ConRef**

OnNetwork/HPLMN/Service/MCPTTTToConRef/&lt;x&gt;/ConRef

Status	Occurrence	Format	Min. Access Types
Required	One	chr	Get, Replace

The ConRef specifies a specific linkage to the connectivity parameters on a per HPLMN basis.

- Values: <A network access point object>

## 8.2.22 /&lt;x&gt;/OnNetwork/HPLMN/Service/MCCommonCoreToConRef

**Table 8.2.22.1: /<x>/OnNetwork/HPLMN/Service/MCCommonCoreToConRef**

OnNetwork/HPLMN/Service/MCCommonCoreToConRef

Status	Occurrence	Format	Min. Access Types
Required	One	node	Get, Replace

This interior node contains the configuration parameters for establishment of the PDN connection for the MC common core service on a per HPLMN basis.

### 8.2.23 /<x>/OnNetwork/HPLMN/Service/MCCommonCoreToConRef/<x>

**Table 8.2.23.1: /<x>/OnNetwork/HPLMN/Service/MCCommonCoreToConRef/<x>**

OnNetwork/HPLMN/Service/MCCommonCoreToConRef/<x>

Status	Occurrence	Format	Min. Access Types
Required	OneOrMore	node	Get, Replace

This run-time node acts as a placeholder for each reference to the connectivity parameters on a per HPLMN basis.

### 8.2.24 /<x>/OnNetwork/HPLMN/Service/MCCommonCoreToConRef/<x>/ConRef

**Table 8.2.24.1: /<x>/OnNetwork/HPLMN/Service/MCCommonCoreToConRef/<x>/ConRef**

OnNetwork/HPLMN/Service/MCCommonCoreToConRef/<x>/ConRef

Status	Occurrence	Format	Min. Access Types
Required	One	chr	Get, Replace

The ConRef specifies a specific linkage to the connectivity parameters on a per HPLMN basis.

- Values: <A network access point object>

### 8.2.25 /<x>/OnNetwork/HPLMN/Service/MCIDMTToConRef

**Table 8.2.25.1: /<x>/OnNetwork/HPLMN/Service/MCIDMTToConRef**

OnNetwork/HPLMN/Service/MCIDMTToConRef

Status	Occurrence	Format	Min. Access Types
Required	One	node	Get, Replace

This interior node contains the configuration parameters for establishment of the PDN connection for the MC identity management service on a per HPLMN basis.

### 8.2.26 /<x>/OnNetwork/HPLMN/Service/MCIDMTToConRef/<x>

**Table 8.2.26.1: /<x>/OnNetwork/HPLMN/Service/MCIDMTToConRef/<x>**

OnNetwork/HPLMN/Service/MCIDMTToConRef/<x>

Status	Occurrence	Format	Min. Access Types
Required	OneOrMore	node	Get, Replace

This run-time node acts as a placeholder for each reference to the connectivity parameters on a per HPLMN basis.

## 8.2.27 /&lt;x&gt;/OnNetwork/HPLMN/Service/MCIDMTtoConRef/&lt;x&gt;/ConRef

**Table 8.2.27.1: /<x>/OnNetwork/HPLMN/Service/MCIDMTtoConRef/<x>/ConRef**

OnNetwork/HPLMN/Service/MCIDMTtoConRef/&lt;x&gt;/ConRef

Status	Occurrence	Format	Min. Access Types
Required	One	chr	Get, Replace

The ConRef specifies a specific linkage to the connectivity parameters on a per HPLMN basis.

- Values: <A network access point object>

## 8.2.27A1/&lt;x&gt;/OnNetwork/HPLMN/Service/MCPTTRefSNSSAI

**Table 8.2.27A1.1: /<x>/OnNetwork/HPLMN/Service/MCPTTRefSNSSAI**

OnNetwork/HPLMN/Service/MCPTTRefSNSSAI

Status	Occurrence	Format	Min. Access Types
Optional	One	node	Get, Replace

This interior node contains the list of S-NSSAIs to be used for MCPTT service in the HPLMN.

## 8.2.27A2/&lt;x&gt;/OnNetwork/HPLMN/Service/MCPTTRefSNSSAI/&lt;x&gt;

**Table 8.2.27A2.1: /<x>/OnNetwork/HPLMN/Service/MCPTTRefSNSSAI/<x>**

OnNetwork/HPLMN/Service/MCPTTRefSNSSAI/&lt;x&gt;

Status	Occurrence	Format	Min. Access Types
Required	OneOrMore	node	Get, Replace

This run-time node acts as a placeholder for each reference to parameters for a slice (S-NSSAI) used for MCPTT service in the HPLMN.

## 8.2.27A3/&lt;x&gt;/OnNetwork/HPLMN/Service/MCPTTRefSNSSAI/&lt;x&gt;/RefSNSSAI

**Table 8.2.27A3.1: /<x>/OnNetwork/HPLMN/Service/MCPTTRefSNSSAI/<x>/RefSNSSAI**

OnNetwork/HPLMN/Service/MCPTTRefSNSSAI/&lt;x&gt;/RefSNSSAI

Status	Occurrence	Format	Min. Access Types
Required	One	chr	Get, Replace

This leaf node specifies a specific linkage to the slice (S-NSSAI) parameters used for MCPTT service in the HPLMN.

- Values: A string that identifies an S-NSSAI.

## 8.2.27A4/&lt;x&gt;/OnNetwork/HPLMN/Service/MCCommonCoreRefSNSSAI

**Table 8.2.27A4.1: /<x>/OnNetwork/HPLMN/Service/MCCommonCoreRefSNSSAI**

OnNetwork/HPLMN/Service/MCCommonCoreRefSNSSAI

Status	Occurrence	Format	Min. Access Types

Optional	One	node	Get, Replace
----------	-----	------	--------------

This interior node contains a list of S-NSSAIs to be used for MC Common Core services in the HPLMN.

## 8.2.27A5/<x>/OnNetwork/HPLMN/Service/MCCommonCoreRefSNSSAI/<x>

**Table 8.2.27A5.1: /<x>/OnNetwork/HPLMN/Service/MCCommonCoreRefSNSSAI/<x>**

OnNetwork/HPLMN/Service/MCCommonCoreRefSNSSAI/<x>

Status	Occurrence	Format	Min. Access Types
Optional	OneOrMore	node	Get, Replace

This run-time node acts as a placeholder for each reference to parameters for a slice (S-NSSAI) used for MC Common Core services in the HPLMN.

## 8.2.27A6/<x>/OnNetwork/HPLMN/Service/MCCommonCoreRefSNSSAI/<x>/RefSNSSAI

**Table 8.2.27A6.1: /<x>/OnNetwork/HPLMN/Service/MCCommonCoreRefSNSSAI/<x>/RefSNSSAI**

OnNetwork/HPLMN/Service/MCCommonCoreRefSNSSAI/<x>/RefSNSSAI

Status	Occurrence	Format	Min. Access Types
Optional	One	chr	Get, Replace

This leaf node specifies a specific linkage to the slice (S-NSSAI) parameters used for MC Common Core services in the HPLMN.

- Values: A string that identifies an S-NSSAI.

## 8.2.27A7/<x>/OnNetwork/HPLMN/Service/MCIdMRefSNSSAI

**Table 8.2.27A7.1: /<x>/OnNetwork/HPLMN/Service/MCIdMRefSNSSAI**

OnNetwork/HPLMN/Service/MCIdMRefSNSSAI

Status	Occurrence	Format	Min. Access Types
Optional	One	node	Get, Replace

This interior node contains a list of S-NSSAIs to be used for MC Identity Management services in the HPLMN.

## 8.2.27A8/<x>/OnNetwork/HPLMN/Service/MCIdMRefSNSSAI/<x>

**Table 8.2.27A8.1: /<x>/OnNetwork/HPLMN/Service/MCIdMRefSNSSAI/<x>**

OnNetwork/HPLMN/Service/MCIdMRefSNSSAI/<x>

Status	Occurrence	Format	Min. Access Types
Optional	OneOrMore	node	Get, Replace

This run-time node acts as a placeholder for each reference to parameters for a slice (S-NSSAI) used for MC Identity Management services in the HPLMN.

## 8.2.27A9 /<x>/OnNetwork/HPLMN/Service/MCIdMRefSNSSAI/<x>/ RefSNSSAI

**Table 8.2.27A9.1: /<x>/OnNetwork/HPLMN/Service/MCIdMRefSNSSAI/<x>/RefSNSSAI**

OnNetwork/HPLMN/Service/MCIdMRefSNSSAI/<x>/RefSNSSAI

Status	Occurrence	Format	Min. Access Types
Optional	One	chr	Get, Replace

This leaf node specifies a specific linkage to the slice (S-NSSAI) parameters used for MC Identity Management services in the HPLMN.

- Values: A string that identifies an S-NSSAI.

## 8.2.27A10 /<x>/OnNetwork/HPLMN/Service/MCDataRefSNSSAI

**Table 8.2.27A10.1: /<x>/OnNetwork/HPLMN/Service/MCDataRefSNSSAI**

OnNetwork/HPLMN/Service/MCDataRefSNSSAI

Status	Occurrence	Format	Min. Access Types
Optional	One	node	Get, Replace

This interior node contains a list of S-NSSAIs to be used for MCData service in the HPLMN.

## 8.2.27A11 /<x>/OnNetwork/HPLMN/Service/MCDataRefSNSSAI/<x>

**Table 8.2.27A11.1: /<x>/OnNetwork/HPLMN/Service/MCDataRefSNSSAI/<x>**

OnNetwork/HPLMN/Service/MCDataRefSNSSAI/<x>

Status	Occurrence	Format	Min. Access Types
Required	OneOrMore	node	Get, Replace

This run-time node acts as a placeholder for each reference to parameters for a slice (S-NSSAI) used for MCData services in the HPLMN.

## 8.2.27A12 /<x>/OnNetwork/HPLMN/Service/MCDataRefSNSSAI/<x>/ RefSNSSAI

**Table 8.2.27A12.1: /<x>/OnNetwork/HPLMN/Service/MCDataRefSNSSAI/<x>/RefSNSSAI**

OnNetwork/HPLMN/Service/MCDataRefSNSSAI/<x>/RefSNSSAI

Status	Occurrence	Format	Min. Access Types
Required	One	chr	Get, Replace

The RefSNSSAI specifies a specific linkage to the slice (S-NSSAI) parameters used for MCData service in the HPLMN.

- Values: A string that identifies an S-NSSAI.

## 8.2.27A13 /&lt;x&gt;/OnNetwork/HPLMN/Service/MCVideoRefSNSSAI

**Table 8.2.27A13.1: /<x>/OnNetwork/HPLMN/Service/MCVideoRefSNSSAI**

OnNetwork/HPLMN/Service/MCVideoRefSNSSAI

Status	Occurrence	Format	Min. Access Types
Optional	One	node	Get, Replace

This interior node contains a list of S-NSSAIs to be used for MCVideo service in the HPLMN.

## 8.2.27A14 /&lt;x&gt;/OnNetwork/HPLMN/Service/MCVideoRefSNSSAI/&lt;x&gt;

**Table 8.2.27A14.1: /<x>/OnNetwork/HPLMN/Service/MCVideoRefSNSSAI/<x>**

OnNetwork/HPLMN/Service/MCVideoRefSNSSAI/&lt;x&gt;

Status	Occurrence	Format	Min. Access Types
Optional	OneOrMore	node	Get, Replace

This run-time node acts as a placeholder for each reference to parameters for a slice (S-NSSAI) used for MCVideo service in the HPLMN.

## 8.2.27A15 /&lt;x&gt;/OnNetwork/HPLMN/Service/MCVideoRefSNSSAI/&lt;x&gt;/RefSNSSAI

**Table 8.2.27A15.1: /<x>/OnNetwork/HPLMN/Service/MCVideoRefSNSSAI/<x>/RefSNSSAI**

OnNetwork/HPLMN/Service/MCVideoRefSNSSAI/&lt;x&gt;/RefSNSSAI

Status	Occurrence	Format	Min. Access Types
Required	One	chr	Get, Replace

The RefSNSSAI specifies a specific linkage to the slice (S-NSSAI) parameters used for MCVideo service in the HPLMN.

- Values: A string that identifies an S-NSSAI.

## 8.2.28 /&lt;x&gt;/OnNetwork/HPLMN/VPLMN

**Table 8.2.28.1: /<x>/OnNetwork/HPLMN/VPLMN**

OnNetwork/HPLMN/VPLMN

Status	Occurrence	Format	Min. Access Types
Optional	ZeroOrOne	node	Get, Replace

This interior node is a placeholder for a list of VPLMN configurations.

## 8.2.28A /&lt;x&gt;/OnNetwork/HPLMN/VPLMN/&lt;x&gt;

**Table 8.2.28A.1: /<x>/OnNetwork/HPLMN/VPLMN/<x>**

OnNetwork/HPLMN/VPLMN/&lt;x&gt;

Status	Occurrence	Format	Min. Access Types
Optional	OneOrMore	node	Get, Replace

This run-time node is a placeholder for the list of VPLMN configurations.

### 8.2.29 /<x>/OnNetwork/HPLMN/VPLMN/<x>/PLMN

**Table 8.2.29.1: /<x>/OnNetwork/HPLMN/VPLMN/<x>/PLMN**

OnNetwork/HPLMN/VPLMN/<x>/PLMN

Status	Occurrence	Format	Min. Access Types
Required	One	chr	Get, Replace

This leaf node indicates the VPLMN code.

- Values: <PLMN>

The format of the PLMN is defined by 3GPP TS 23.003 [5].

### 8.2.30 /<x>/OnNetwork/HPLMN/VPLMN/<x>/Service

**Table 8.2.30.1: /<x>/OnNetwork/HPLMN/VPLMN/<x>/Service**

OnNetwork/HPLMN/VPLMN/<x>/Service

Status	Occurrence	Format	Min. Access Types
Required	One	node	Get, Replace

This interior node indicates the MCS related services on a per VPLMN and HPLMN basis.

### 8.2.31 /<x>/OnNetwork/HPLMN/VPLMN/<x>/Service/MCPTTTtoConRef

**Table 8.2.31.1: /<x>/OnNetwork/HPLMN/VPLMN/<x>/Service/MCPTTTtoConRef**

OnNetwork/HPLMN/VPLMN/<x>/Service/MCPTTTtoConRef

Status	Occurrence	Format	Min. Access Types
Required	One	node	Get, Replace

This interior node contains the configuration parameters for establishment of the PDN connection for the MCS service on a per VPLMN and HPLMN basis.

### 8.2.32

/<x>/OnNetwork/HPLMN/VPLMN/<x>/Service/MCPTTTtoConRef/<x>  
>

**Table 8.2.32.1: /<x>/OnNetwork/HPLMN/VPLMN/<x>/Service/MCPTTTtoConRef/<x>**

OnNetwork/HPLMN/VPLMN/<x>/Service/MCPTTTtoConRef/<x>

Status	Occurrence	Format	Min. Access Types
Required	OneOrMore	node	Get, Replace

This run-time node acts as a placeholder for each reference to the connectivity parameters on a per VPLMN and HPLMN basis.

### 8.2.33 /<x>/OnNetwork/HPLMN/VPLMN/<x>/Service/MCPTTToConRef/<x>/ConRef

**Table 8.2.33.1: /<x>/OnNetwork/HPLMN/VPLMN/<x>/Service/MCPTTToConRef/<x>/ConRef**

OnNetwork/HPLMN/VPLMN/<x>/Service/MCPTTToConRef/<x>/ConRef

Status	Occurrence	Format	Min. Access Types
Required	One	chr	Get, Replace

The ConRef specifies a specific linkage to the connectivity parameters on a per VPLMN and HPLMN basis.

- Values: <A network access point object>

### 8.2.34 /<x>/OnNetwork/HPLMN/VPLMN/<x>/Service/MCCommonCoreToConRef

**Table 8.2.34.1: /<x>/OnNetwork/HPLMN/VPLMN/<x>/Service/MCCommonCoreToConRef**

OnNetwork/HPLMN/VPLMN/<x>/Service/MCCommonCoreToConRef

Status	Occurrence	Format	Min. Access Types
Required	One	node	Get, Replace

This interior node contains the configuration parameters for establishment of the PDN connection for the MC common core service on a per VPLMN and HPLMN basis.

### 8.2.35 /<x>/OnNetwork/HPLMN/VPLMN/<x>/Service/MCCommonCoreToConRef/<x>

**Table 8.2.35.1: /<x>/OnNetwork/HPLMN/VPLMN/<x>/Service/MCCommonCoreToConRef/<x>**

OnNetwork/HPLMN/VPLMN/<x>/Service/MCCommonCoreToConRef/<x>

Status	Occurrence	Format	Min. Access Types
Required	OneOrMore	node	Get, Replace

This run-time node acts as a placeholder for each reference to the connectivity parameters on a per VPLMN and HPLMN basis.

### 8.2.36 /<x>/OnNetwork/HPLMN/VPLMN/<x>/Service/MCCommonCoreToConRef/<x>/ConRef

**Table 8.2.36.1: /<x>/OnNetwork/HPLMN/VPLMN/<x>/Service/MCCommonCoreToConRef/<x>/ConRef**

OnNetwork/HPLMN/VPLMN/<x>/Service/MCCommonCoreToConRef/<x>/ConRef

Status	Occurrence	Format	Min. Access Types
Required	One	chr	Get, Replace

The ConRef specifies a specific linkage to the connectivity parameters on a per VPLMN and HPLMN basis.

- Values: <A network access point object>



## 8.2.37 /<x>/OnNetwork/HPLMN/VPLMN/<x>/Service/MCIDMTtoConRef

**Table 8.2.37.1: /<x>/OnNetwork/HPLMN/VPLMN/<x>/Service/MCIDMTtoConRef**

OnNetwork/HPLMN/VPLMN/<x>/Service/MCIDMTtoConRef

Status	Occurrence	Format	Min. Access Types
Required	One	node	Get, Replace

This interior node contains the configuration parameters for establishment of the PDN connection for the MC identity management service on a per VPLMN and HPLMN basis.

## 8.2.38

### /<x>/OnNetwork/HPLMN/VPLMN/<x>/Service/MCIDMTtoConRef/<x>

**Table 8.2.38.1: /<x>/OnNetwork/HPLMN/VPLMN/<x>/Service/MCIDMTtoConRef/<x>**

OnNetwork/HPLMN/VPLMN/<x>/Service/MCIDMTtoConRef/<x>

Status	Occurrence	Format	Min. Access Types
Required	OneOrMore	node	Get, Replace

This run-time node acts as a placeholder for each reference to the connectivity parameters on a per VPLMN and HPLMN basis.

## 8.2.39 /<x>/OnNetwork/HPLMN/VPLMN/<x>/Service/MCIDMTtoConRef/<x>/ConRef

**Table 8.2.39.1: /<x>/OnNetwork/HPLMN/VPLMN/<x>/Service/MCIDMTtoConRef/<x>/ConRef**

OnNetwork/HPLMN/VPLMN/<x>/Service/MCIDMTtoConRef/<x>/ConRef

Status	Occurrence	Format	Min. Access Types
Required	One	chr	Get, Replace

The ConRef specifies a specific linkage to the connectivity parameters on a per VPLMN and HPLMN basis.

- Values: <A network access point object>

## 8.2.39A1 /<x>/OnNetwork/HPLMN/VPLMN/<x>/Service/MCPTTRefSNSSAI

**Table 8.2.39A1.1: /<x>/OnNetwork/HPLMN/VPLMN/<x>/Service/MCPTTRefSNSSAI**

OnNetwork/HPLMN/VPLMN/<x>/Service/MCPTTRefSNSSAI

Status	Occurrence	Format	Min. Access Types
Optional	One	node	Get, Replace

This interior node contains the list of S-NSSAIs to be used for MCPTT service in the VPLMN.

## 8.2.39A2/<x>/OnNetwork/HPLMN/VPLMN/<x>/Service/MCPTTRefSNSSAI/<x>

**Table 8.2.39A2.1: /<x>/OnNetwork/HPLMN/VPLMN/<x>/Service/MCPTTRefSNSSAI/<x>**

OnNetwork/HPLMN/VPLMN/<x>/Service/MCPTTRefSNSSAI/<x>

Status	Occurrence	Format	Min. Access Types
Required	OneOrMore	node	Get, Replace

This run-time node acts as a placeholder for each reference to parameters for a slice (S-NSSAI) used for MCPTT service in the VPLMN.

## 8.2.39A3/<x>/OnNetwork/HPLMN/VPLMN/<x>/Service/MCPTTRefSNSSAI/<x>/RefSNSSAI

**Table 8.2.39A3.1: /<x>/OnNetwork/HPLMN/VPLMN/<x>/Service/MCPTTRefSNSSAI/<x>/RefSNSSAI**

OnNetwork/HPLMN/VPLMN/<x>/Service/MCPTTRefSNSSAI/<x>/RefSNSSAI

Status	Occurrence	Format	Min. Access Types
Required	One	chr	Get, Replace

This leaf node specifies a specific linkage to the slice (S-NSSAI) parameters used for MCPTT service in the VPLMN.

- Values: A string that identifies an S-NSSAI.

## 8.2.39A4/<x>/OnNetwork/HPLMN/VPLMN/<x>/Service/MCCommonCoreRefSNSSAI

**Table 8.2.39A4.1: /<x>/OnNetwork/HPLMN/VPLMN/<x>/Service/MCCommonCoreRefSNSSAI**

OnNetwork/HPLMN/VPLMN/<x>/Service/MCCommonCoreRefSNSSAI

Status	Occurrence	Format	Min. Access Types
Optional	One	node	Get, Replace

This interior node contains a list of S-NSSAIs to be used for MC Common Core services in the VPLMN.

## 8.2.39A5/<x>/OnNetwork/HPLMN/VPLMN/<x>/Service/MCCommonCoreRefSNSSAI/<x>

**Table 8.2.39A5.1: /<x>/OnNetwork/HPLMN/VPLMN/<x>/Service/MCCommonCoreRefSNSSAI/<x>**

OnNetwork/HPLMN/VPLMN/<x>/Service/MCCommonCoreRefSNSSAI/<x>

Status	Occurrence	Format	Min. Access Types
Optional	OneOrMore	chr	Get, Replace

This run-time node acts as a placeholder for each reference to parameters for a slice (S-NSSAI) used for MC Common Core services in the VPLMN.

## 8.2.39A6/ <x>/OnNetwork/HPLMN/VPLMN/<x>/Service/MCCommonCoreRefSNSSAI/<x>/RefSNSSAI

**Table 8.2.39A6.1:**

**/<x>/OnNetwork/HPLMN/VPLMN/<x>/Service/MCCommonCoreRefSNSSAI/<x>/RefSNSSAI**

OnNetwork/HPLMN/VPLMN/<x>/Service/MCCommonCoreRefSNSSAI/<x>/RefSNSSAI

Status	Occurrence	Format	Min. Access Types
Optional	One	chr	Get, Replace

This leaf node specifies a specific linkage to the slice (S-NSSAI) parameters used for MC Common Core services in the VPLMN.

- Values: A string that identifies an S-NSSAI.

## 8.2.39A7/ <x>/OnNetwork/HPLMN/VPLMN/<x>/Service/MCIdMRefSNSSAI

**Table 8.2.39A7.1: /<x>/OnNetwork/HPLMN/VPLMN/<x>/Service/MCIdMRefSNSSAI**

OnNetwork/HPLMN/VPLMN/<x>/Service/MCIdMRefSNSSAI

Status	Occurrence	Format	Min. Access Types
Optional	One	node	Get, Replace

This interior node contains a list of S-NSSAIs to be used for MC Identity Management services in the VPLMN.

## 8.2.39A8/ <x>/OnNetwork/HPLMN/VPLMN/<x>/Service/MCIdMRefSNSSAI/<x>

**Table 8.2.39A8.1: /<x>/OnNetwork/HPLMN/VPLMN/<x>/Service/MCIdMRefSNSSAI/<x>**

OnNetwork/HPLMN/VPLMN/<x>/Service/MCIdMRefSNSSAI/<x>

Status	Occurrence	Format	Min. Access Types
Optional	OneOrMore	node	Get, Replace

This run-time node acts as a placeholder for each reference to parameters for a slice (S-NSSAI) used for MC Identity Management services in the VPLMN.

## 8.2.39A9/ <x>/OnNetwork/HPLMN/VPLMN/<x>/Service/MCIdMRefSNSSAI/<x>/RefSNSSAI

**Table 8.2.39A9.1: /<x>/OnNetwork/HPLMN/VPLMN/<x>/Service/MCIdMRefSNSSAI/<x>/RefSNSSAI**

OnNetwork/HPLMN/VPLMN/<x>/Service/MCIdMRefSNSSAI/<x>/RefSNSSAI

Status	Occurrence	Format	Min. Access Types
Optional	One	chr	Get, Replace

This leaf node specifies a specific linkage to the slice (S-NSSAI) parameters used for MC Identity Management services in the HPLMN.

- Values: A string that identifies an S-NSSAI.

## 8.2.39A10 /<x>/OnNetwork/HPLMN/VPLMN/<x>/Service/MCDataRefSNSSAI

**Table 8.2.39A10.1: /<x>/OnNetwork/HPLMN/VPLMN/<x>/Service/MCDataRefSNSSAI**

OnNetwork/HPLMN/VPLMN/<x>/Service/MCDataRefSNSSAI

Status	Occurrence	Format	Min. Access Types
Optional	One	node	Get, Replace

This interior node contains a list of S-NSSAIs to be used for MCData service in the VPLMN.

## 8.2.39A11 /<x>/OnNetwork/HPLMN/VPLMN/<x>/Service/MCDataRefSNSSAI/<x>

**Table 8.2.39A11.1: /<x>/OnNetwork/HPLMN/VPLMN/<x>/Service/MCDataRefSNSSAI/<x>**

OnNetwork/HPLMN/VPLMN/<x>/Service/MCDataRefSNSSAI/<x>

Status	Occurrence	Format	Min. Access Types
Required	OneOrMore	node	Get, Replace

This run-time node acts as a placeholder for each reference to parameters for a slice (S-NSSAI) used for MCData services in the VPLMN.

## 8.2.39A12 /<x>/OnNetwork/HPLMN/VPLMN/<x>/Service/MCDataRefSNSSAI/<x>/RefSNSSAI

**Table 8.2.39A12.1: /<x>/OnNetwork/HPLMN/VPLMN/<x>/Service/MCDataRefSNSSAI/<x>/RefSNSSAI**

OnNetwork/HPLMN/VPLMN/<x>/Service/MCDataRefSNSSAI/<x>/RefSNSSAI

Status	Occurrence	Format	Min. Access Types
Required	One	chr	Get, Replace

The RefSNSSAI specifies a specific linkage to the slice (S-NSSAI) parameters used for MCData service in the VPLMN.

- Values: A string that identifies an S-NSSAI.

## 8.2.39A13 /<x>/OnNetwork/HPLMN/VPLMN/<x>/Service/MCVideoRefSNSSAI

**Table 8.2.39A13.1: /<x>/OnNetwork/HPLMN/VPLMN/<x>/Service/MCVideoRefSNSSAI**

OnNetwork/HPLMN/VPLMN/<x>/Service/MCVideoRefSNSSAI

Status	Occurrence	Format	Min. Access Types
Optional	One	node	Get, Replace

This interior node contains a list of S-NSSAIs to be used for MCVideo service in the VPLMN.

## 8.2.39A14 /<x>/OnNetwork/HPLMN/VPLMN/<x>/Service/MCVideoRefSNSSAI/<x>

**Table 8.2.39A14.1: /<x>/OnNetwork/HPLMN/VPLMN/<x>/Service/MCVideoRefSNSSAI/<x>**

OnNetwork/HPLMN/VPLMN/<x>/Service/MCVideoRefSNSSAI/<x>

Status	Occurrence	Format	Min. Access Types
Optional	OneOrMore	node	Get, Replace

This run-time node acts as a placeholder for each reference to parameters for a slice (S-NSSAI) used for MCVideo service in the VPLMN.

## 8.2.39A15 /<x>/OnNetwork/HPLMN/VPLMN/<x>/Service/MCVideoRefSNSSAI/<x>/RefSNSSAI

**Table 8.2.39A15.1: /<x>/OnNetwork/HPLMN/VPLMN/<x>/Service/MCVideoRefSNSSAI/<x>/RefSNSSAI**

OnNetwork/HPLMN/VPLMN/<x>/Service/MCVideoRefSNSSAI/<x>/RefSNSSAI

Status	Occurrence	Format	Min. Access Types
Required	One	chr	Get, Replace

The RefSNSSAI specifies a specific linkage to the slice (S-NSSAI) parameters used for MCVideo service in the VPLMN.

- Values: A string that identifies an S-NSSAI.

## 8.2.40 /<x>/OnNetwork/AppServerInfo

**Table 8.2.40.1: /<x>/OnNetwork/AppServerInfo**

OnNetwork/AppServerInfo

Status	Occurrence	Format	Min. Access Types
Required	One	node	Get, Replace

This interior node is a placeholder for the application plane server identity information configuration.

## 8.2.41 /<x>/OnNetwork/AppServerInfo/IDMSAuthEndpoint

**Table 8.2.41.1: /<x>/OnNetwork/AppServerInfo/IDMSAuthEndpoint**

OnNetwork/AppServerInfo/IDMSAuthEndpoint

Status	Occurrence	Format	Min. Access Types
Required	One	chr	Get, Replace

This leaf node indicates the identity management server authorisation endpoint identity information.

The value is a URI as specified in 3GPP TS 23.003 [5].

## 8.2.41A /<x>/OnNetwork/AppServerInfo/IDMSTokenEndpoint

**Table 8.2.41A.1: /<x>/OnNetwork/AppServerInfo/IDMSTokenEndpoint**

OnNetwork/AppServerInfo/IDMSTokenEndpoint

Status	Occurrence	Format	Min. Access Types
Required	One	chr	Get, Replace

This leaf node indicates the identity management server token endpoint identity information.

The value is a URI as specified in 3GPP TS 23.003 [5].

## 8.2.41B /<x>/OnNetwork/AppServerInfo/HTTPProxy

**Table 8.2.41B.1: /<x>/OnNetwork/AppServerInfo/HTTPProxy**

OnNetwork/AppServerInfo/HTTPProxy

Status	Occurrence	Format	Min. Access Types
Required	One	chr	Get, Replace

This leaf node indicates the HTTP Proxy identity information.

The value is a URI as specified in 3GPP TS 23.003 [5].

## 8.2.42 /<x>/OnNetwork/AppServerInfo/GMS

**Table 8.2.42.1: /<x>/OnNetwork/AppServerInfo/GMS**

OnNetwork/AppServerInfo/GMS

Status	Occurrence	Format	Min. Access Types
Required	One	chr	Get, Replace

This leaf node indicates the group management server identity information.

The value is a URI as specified in 3GPP TS 23.003 [5].

## 8.2.43 /<x>/OnNetwork/AppServerInfo/CMS

**Table 8.2.43.1: /<x>/OnNetwork/AppServerInfo/CMS**

OnNetwork/AppServerInfo/CMS

Status	Occurrence	Format	Min. Access Types
Required	One	chr	Get, Replace

This leaf node indicates the configuration management server identity information.

The value is a URI as specified in 3GPP TS 23.003 [5].

## 8.2.44 /<x>/OnNetwork/AppServerInfo/KMS

**Table 8.2.44.1: /<x>/OnNetwork/AppServerInfo/KMS**

OnNetwork/AppServerInfo/KMS

Status	Occurrence	Format	Min. Access Types

Required	One	chr	Get, Replace
----------	-----	-----	--------------

This leaf node indicates key management server identity information.

The value is a URI as specified in 3GPP TS 23.003 [5].

## 8.2.44A /<x>/OnNetwork/AppServerInfo/TLSTunnelAuthMethod

**Table 8.2.44A.1: /<x>/OnNetwork/AppServerInfo/TLSTunnelAuthMethod**

OnNetwork/AppServerInfo/TLSTunnelAuthMethod

Status	Occurrence	Format	Min. Access Types
Required	One	node	Get, Replace

This interior node is a placeholder for the TLS tunnel authentication method configuration.

## 8.2.44B /<x>/OnNetwork/AppServerInfo/TLSTunnelAuthMethod/Mutual

**Table 8.2.44B.1: /<x>/OnNetwork/AppServerInfo/TLSTunnelAuthMethod/Mutual**

OnNetwork/AppServerInfo/TLSTunnelAuthMethod/Mutual

Status	Occurrence	Format	Min. Access Types
Required	One	bool	Get, Replace

This leaf node indicates whether mutual authentication is used for the TLS tunnel authentication.

When set to "true" mutual authentication is used.

When set to "false" one-way authentication based on the server certificate is used.

The default value is "false".

## 8.2.44C /<x>/OnNetwork/AppServerInfo/TLSTunnelAuthMethod/X509

**Table 8.2.44C.1: /<x>/OnNetwork/AppServerInfo/TLSTunnelAuthMethod/X509**

OnNetwork/AppServerInfo/TLSTunnelAuthMethod/X509

Status	Occurrence	Format	Min. Access Types
Optional	One	chr	Get, Replace

This leaf node contains the X.509 certificate for mutual authentication for the TLS tunnel authentication.

## 8.2.44D /<x>/OnNetwork/AppServerInfo/TLSTunnelAuthMethod/Key

**Table 8.2.44D.1: /<x>/OnNetwork/AppServerInfo/TLSTunnelAuthMethod/Key**

OnNetwork/AppServerInfo/TLSTunnelAuthMethod/Key

Status	Occurrence	Format	Min. Access Types
Optional	One	chr	Get, Replace

This leaf node contains the pre-shared key for mutual authentication for the TLS tunnel authentication.

## 8.2.44E /<x>/OnNetwork/IntegrityProtection

**Table 8.2.44E.1: /<x>/OnNetwork/IntegrityProtection**

OnNetwork/IntegrityProtection

Status	Occurrence	Format	Min. Access Types
Required	One	bool	Get, Replace

This leaf node indicates whether integrity protection is enabled.

When set to "true" integrity protection is enabled.

When set to "false" integrity protection is disabled.

The default value is "true".

## 8.2.44F /<x>/OnNetwork/ConfidentialityProtection

**Table 8.2.44F.1: /<x>/OnNetwork/ConfidentialityProtection**

OnNetwork/ConfidentialityProtection

Status	Occurrence	Format	Min. Access Types
Required	One	bool	Get, Replace

This leaf node indicates whether integrity protection is enabled.

When set to "true" confidentiality protection is enabled.

When set to "false" confidentiality protection is disabled.

The default value is "true".

## 8.2.44G1 /<x>/OnNetwork/MCPTTServiceDetails

**Table 8.2.44G1.1: /<x>/OnNetwork/MCPTTServiceDetails**

OnNetwork/MCPTTServiceDetails

Status	Occurrence	Format	Min. Access Types
Required	One	node	Get, Replace

This interior node is a placeholder for the details of the MCPTT service.

## 8.2.44G2 /<x>/OnNetwork/MCPTTServiceDetails/IPv6Required

**Table 8.2.44G2.1: /<x>/OnNetwork/MCPTTServiceDetails/IPv6Required**

OnNetwork/MCPTTServiceDetails/IPv6Required

Status	Occurrence	Format	Min. Access Types
Required	One	bool	Get, Replace

This leaf node indicates whether IP version 6 is required to use to access the MCPTT service.

When set to "true", IPv6 shall be used to access the service.

When set to "false", IPv4 shall be used to access the service.



## 8.2.44G3 /&lt;x&gt;/OnNetwork/MCPTTServiceDetails/ServerURI

**Table 8.2.44G3.1: /<x>/OnNetwork/MCPTTServiceDetails/ServerURI**

OnNetwork/MCPTTServiceDetails/ServerURI

Status	Occurrence	Format	Min. Access Types
Required	One	chr	Get, Replace

This leaf node indicates the URI to use to access the MCPTT service.

The value is a URI as specified in 3GPP TS 23.003 [5].

## 8.2.44G3A /&lt;x&gt;/OnNetwork/MCPTTServiceDetails/PDUSessionType

**Table 8.2.44G3A.1: /<x>/OnNetwork/MCPTTServiceDetails/PDUSessionType**

OnNetwork/MCPTTServiceDetails/PDUSessionType

Status	Occurrence	Format	Min. Access Types
Optional	One	chr	Get, Replace

This leaf node indicates the type of PDU session to be established and used for the MCPTT service.

- Values: one of {"IPv4", "IPv6", "IPv4v6", "Ethernet", or "Unstructured"}.

8.2.44G3A1 Void

8.2.44G3A2 Void

8.2.44G3A3 Void

8.2.44G3A4 Void

8.2.44G3A5 Void

8.2.44G3A6 Void

8.2.44G3A7 Void

8.2.44G3A8 Void

## 8.2.44G4 /&lt;x&gt;/OnNetwork/MCVideoServiceDetails

**Table 8.2.44G4.1: /<x>/OnNetwork/MCVideoServiceDetails**

OnNetwork/MCVideoServiceDetails

Status	Occurrence	Format	Min. Access Types
Required	One	node	Get, Replace

This interior node is a placeholder for the details of the MCVideo service.

## 8.2.44G5 /<x>/OnNetwork/MCVideoServiceDetails/IPv6Required

**Table 8.2.44G5.1: /<x>/OnNetwork/MCVideoServiceDetails/IPv6Required**

OnNetwork/MCVideoServiceDetails/IPv6Required

Status	Occurrence	Format	Min. Access Types
Required	One	bool	Get, Replace

This leaf node indicates the IP version to use to access the MCVideo service.

When set to "true", IPv6 shall be used to access the service.

When set to "false", IPv4 shall be used to access the service.

## 8.2.44G6 /<x>/OnNetwork/MCVideoServiceDetails/ServerURI

**Table 8.2.44G6.1: /<x>/OnNetwork/MCVideoServiceDetails/ServerURI**

OnNetwork/MCVideoServiceDetails/ServerURI

Status	Occurrence	Format	Min. Access Types
Required	One	chr	Get, Replace

This leaf node indicates the URI to use to access the MCVideo service.

The value is a URI as specified in 3GPP TS 23.003 [5].

## 8.2.44G6A /<x>/OnNetwork/MCVideoServiceDetails/PDUSessionType

**Table 8.2.44G6A.1: /<x>/OnNetwork/MCVideoServiceDetails/PDUSessionType**

OnNetwork/MCVideoServiceDetails/PDUSessionType

Status	Occurrence	Format	Min. Access Types
Optional	One	chr	Get, Replace

This leaf node indicates the type of PDU session to be established and used for the MCVideo service.

- Values: one of {"IPv4", "IPv6", "IPv4v6", "Ethernet", or "Unstructured"}.

8.2.44G6A1 Void

8.2.44G6A2 Void

8.2.44G6A3 Void

8.2.44G6A4 Void

8.2.44G6A5 Void

8.2.44G6A6 Void

8.2.44G6A7 Void

8.2.44G6A8 Void

8.2.44G7 /&lt;x&gt;/OnNetwork/MCDataServiceDetails

**Table 8.2.44G7.1: /<x>/OnNetwork/MCDataServiceDetails**

OnNetwork/MCDataServiceDetails

Status	Occurrence	Format	Min. Access Types
Required	One	node	Get, Replace

This interior node is a placeholder for the details of the MCData service.

8.2.44G8 /&lt;x&gt;/OnNetwork/MCDataServiceDetails/IPv6Required

**Table 8.2.44G8.1: /<x>/OnNetwork/MCDataServiceDetails/IPv6Required**

OnNetwork/MCDataServiceDetails/IPv6Required

Status	Occurrence	Format	Min. Access Types
Required	One	bool	Get, Replace

This leaf node indicates the IP version to use to access the MCData service.

When set to "true", IPv6 shall be used to access the service.

When set to "false", IPv4 shall be used to access the service.

8.2.44G9 /&lt;x&gt;/OnNetwork/MCDataServiceDetails/ServerURI

**Table 8.2.44G9.1: /<x>/OnNetwork/MCDataServiceDetails/ServerURI**

OnNetwork/MCDataServiceDetails/ServerURI

Status	Occurrence	Format	Min. Access Types
Required	One	chr	Get, Replace

This leaf node indicates the URI to use to access the MCData service.

The value is a URI as specified in 3GPP TS 23.003 [5].

## 8.2.44G9A /<x>/OnNetwork/MCDataServiceDetails/PDUSessionType

**Table 8.2.44G9A.1: /<x>/OnNetwork/MCDataServiceDetails/PDUSessionType**

OnNetwork/MCDataServiceDetails/PDUSessionType

Status	Occurrence	Format	Min. Access Types
Optional	One	chr	Get, Replace

This leaf node indicates the type of PDU session to be established and used for the MCData service.

- Values: one of {"IPv4", "IPv6", "IPv4v6", "Ethernet", or "Unstructured"}.

8.2.44G9A1 Void

8.2.44G9A2 Void

8.2.44G9A3 Void

8.2.44G9A4 Void

8.2.44G9A5 Void

8.2.44G9A6 Void

8.2.44G9A7 Void

8.2.44G9A8 Void

8.2.44G10 Void

8.2.44G11 Void

8.2.44G12 Void

8.2.44G13 Void

8.2.44G14 Void

8.2.44G15 Void

8.2.44G16 Void

8.2.44G17 Void

8.2.44G18 Void

8.2.44G19 Void

8.2.44G20 Void

8.2.44G21 Void

8.2.44G22 Void

8.2.44G23 Void

8.2.44G24 Void

## 8.2.44G25 Void

## 8.2.44G26 /&lt;x&gt;/OnNetwork/MCCommonCoreServiceDetails

**Table 8.2.44G26.1: /<x>/OnNetwork/MCCommonCoreServiceDetails**

OnNetwork/MCCommonCoreServiceDetails

Status	Occurrence	Format	Min. Access Types
Required	One	node	Get, Replace

This interior node is a placeholder for the details of the MC Common Core service.

## 8.2.44G27 /&lt;x&gt;/OnNetwork/MCCommonCoreServiceDetails/IPv6Required

**Table 8.2.44G27.1: /<x>/OnNetwork/MCCommonCoreServiceDetails/IPv6Required**

OnNetwork/MCCommonCoreServiceDetails/IPv6Required

Status	Occurrence	Format	Min. Access Types
Required	One	bool	Get, Replace

This leaf node indicates the IP version to use to access the MC Common Core services.

When set to "true", IPv6 shall be used to access the service.

When set to "false", IPv4 shall be used to access the service.

## 8.2.44G28 /&lt;x&gt;/OnNetwork/MCCommonCoreServiceDetails/ServerURI

**Table 8.2.44G28.1: /<x>/OnNetwork/MCCommonCoreServiceDetails/ServerURI**

OnNetwork/MCCommonCoreServiceDetails/ServerURI

Status	Occurrence	Format	Min. Access Types
Required	One	chr	Get, Replace

This leaf node indicates the URI to use to access the MC Common Core services.

The value is a URI as specified in 3GPP TS 23.003 [5].

8.2.44G29 /<x>/OnNetwork/MCCommonCoreServiceDetails/  
PDUSessionType**Table 8.2.44G29.1: /<x>/OnNetwork/MCCommonCoreServiceDetails/PDUSessionType**

OnNetwork/MCCommonCoreServiceDetails/PDUSessionType

Status	Occurrence	Format	Min. Access Types
Optional	One	chr	Get, Replace

This leaf node indicates the type of PDU session to be established and used for the MC Common Core services.

- Values: one of {"IPv4", "IPv6", "IPv4v6", "Ethernet", or "Unstructured"}.

## 8.2.44G30 /<x>/OnNetwork/MCIdMServiceDetails

**Table 8.2.44G30.1: /<x>/OnNetwork/MCIdMServiceDetails**

OnNetwork/MCIdMServiceDetails

Status	Occurrence	Format	Min. Access Types
Required	One	node	Get, Replace

This interior node is a placeholder for the details of the MC Identity Management service.

## 8.2.44G31 /<x>/OnNetwork/MCIdMServiceDetails/IPv6Required

**Table 8.2.44G31.1: /<x>/OnNetwork/MCIdMServiceDetails/IPv6Required**

OnNetwork/MCIdMServiceDetails/IPv6Required

Status	Occurrence	Format	Min. Access Types
Required	One	bool	Get, Replace

This leaf node indicates the IP version to use to access the MC Identity Management services.

When set to "true", IPv6 shall be used to access the service.

When set to "false", IPv4 shall be used to access the service.

## 8.2.44G32 /<x>/OnNetwork/MCIdMServiceDetails/ServerURI

**Table 8.2.44G32.1: /<x>/OnNetwork/MCIdMServiceDetails/ServerURI**

OnNetwork/MCIdMServiceDetails/ServerURI

Status	Occurrence	Format	Min. Access Types
Required	One	chr	Get, Replace

This leaf node indicates the URI to use to access the MC Identity Management services.

The value is a URI as specified in 3GPP TS 23.003 [5].

## 8.2.44G33 /<x>/OnNetwork/MCIdMServiceDetails/PDUSessionType

**Table 8.2.44G33.1: /<x>/OnNetwork/MCIdMServiceDetails/PDUSessionType**

OnNetwork/MCIdMServiceDetails/PDUSessionType

Status	Occurrence	Format	Min. Access Types
Optional	One	chr	Get, Replace

This leaf node indicates the type of PDU session to be established and used for the MC Identity Management services.

- Values: one of {"IPv4", "IPv6", "IPv4v6", "Ethernet", or "Unstructured"}.

## 8.2.44H /<x>/OnNetwork/DNInfo

**Table 8.2.44H.1: /<x>/OnNetwork/DNInfo**

OnNetwork/DNInfo

Status	Occurrence	Format	Min. Access Types
Required	One	node	Get, Replace

This interior node is a placeholder for a list of Data Networks.

## 8.2.44H1 /<x>/OnNetwork/DNInfo/<x>

**Table 8.2.44H1.1: /<x>/OnNetwork/DNInfo/<x>**

OnNetwork/DNInfo/<x>

Status	Occurrence	Format	Min. Access Types
Required	OneOrMore	node	Get, Replace

This run-time node is a placeholder for parameters for a Data Network.

## 8.2.44H2 /<x>/OnNetwork/DNInfo/<x>/DNN

**Table 8.2.44H2.1: /<x>/OnNetwork/DNInfo/<x>/DNN**

OnNetwork/DNInfo/<x>/DNN

Status	Occurrence	Format	Min. Access Types
Required	One	chr	Get, Replace

This leaf node contains the DNN of a Data Network.

- Value: The DNN is a string that identifies a Data Network or an APN. The ConRef leaf node value provides mapping into the DNN/APN that is to be used.

## 8.2.44H3 /<x>/OnNetwork/DNInfo/<x>/DNAAAServer

**Table 8.2.44H3.1: /<x>/OnNetwork/DNInfo/<x>/DNAAAServer**

OnNetwork/DNInfo/<x>/DNAAAServer

Status	Occurrence	Format	Min. Access Types
Optional	One	chr	Get, Replace

This leaf node contains the DNN of a Data Network.

Value: a valid URI pointing to the DN AAA server.

## 8.2.44H4 /<x>/OnNetwork/DNInfo/<x>/PapParameters

**Table 8.2.44H4.1: /<x>/OnNetwork/DNInfo/<x>/PapParameters**

OnNetwork/DNInfo/<x>/PapParameters

Status	Occurrence	Format	Min. Access Types
Optional	ZeroOrOne	node	Get, Replace

This interior node is a placeholder for PAP access credentials to access the Data Network.



## 8.2.44H5 /&lt;x&gt;/OnNetwork/DNInfo/&lt;x&gt;/PapParameters/UserName

**Table 8.2.44H5.1: /<x>/OnNetwork/DNInfo/<x>/PapParameters/UserName**

OnNetwork/DNInfo/&lt;x&gt;/PapParameters/UserName

Status	Occurrence	Format	Min. Access Types
Required	One	chr	Get, Replace

This leaf node indicates the PAP user name if needed to access the Data Network.

## 8.2.44H6 /&lt;x&gt;/OnNetwork/DNInfo/&lt;x&gt;/PapParameters/PassWord

**Table 8.2.44H6.1: /<x>/OnNetwork/DNInfo/<x>/PapParameters/PassWord**

OnNetwork/DNInfo/&lt;x&gt;/PapParameters/PassWord

Status	Occurrence	Format	Min. Access Types
Required	One	chr	Get, Replace

This leaf node indicates the PAP password if needed to access the Data Network.

## 8.2.44H7 /&lt;x&gt;/OnNetwork/DNInfo/&lt;x&gt;/ChapParameters

**Table 8.2.44H7.1: /<x>/OnNetwork/DNInfo/<x>/ChapParameters**

OnNetwork/DNInfo/&lt;x&gt;/ChapParameters

Status	Occurrence	Format	Min. Access Types
Optional	ZeroOrOne	node	Get, Replace

This interior node is a placeholder for CHAP access credentials to access the Data Network.

## 8.2.44H8 /&lt;x&gt;/OnNetwork/DNInfo/&lt;x&gt;/ChapParameters/UserName

**Table 8.2.44H8.1: /<x>/OnNetwork/DNInfo/<x>/ChapParameters/UserName**

OnNetwork/DNInfo/&lt;x&gt;/ChapParameters/UserName

Status	Occurrence	Format	Min. Access Types
Required	One	chr	Get, Replace

This leaf node indicates the CHAP user name if needed to access the Data Network.

## 8.2.44H9 /&lt;x&gt;/OnNetwork/DNInfo/&lt;x&gt;/ChapParameters/PassWord

**Table 8.2.44H9.1: /<x>/OnNetwork/DNInfo/<x>/ChapParameters/PassWord**

OnNetwork/DNInfo/&lt;x&gt;/ChapParameters/PassWord

Status	Occurrence	Format	Min. Access Types
Required	One	chr	Get, Replace

This leaf node indicates the CHAP password if needed to access the Data Network.

## 8.2.44H10 /<x>/OnNetwork/DNInfo/<x>/Credentials

**Table 8.2.44H10.1: /<x>/OnNetwork/DNInfo/<x>/Credentials**

OnNetwork/DNInfo/<x>/Credentials

Status	Occurrence	Format	Min. Access Types
Optional	ZeroOrOne	node	Get, Replace

This internal node is a placeholder for the credentials needed for authentication of the UE during authentication by the Data Network.

## 8.2.44H11 /<x>/OnNetwork/DNInfo/<x>/Credentials/ID

**Table 8.2.44H11.1: /<x>/OnNetwork/DNInfo/<x>/Credentials/ID**

OnNetwork/DNInfo/<x>/Credentials/ID

Status	Occurrence	Format	Min. Access Types
Required	One	chr	Get, Replace

This leaf node indicates the EAP Identity as specified in IETF RFC 3748 [24] to be used for authentication of the UE during authentication by the Data Network.

## 8.2.44H12 /<x>/OnNetwork/SNSSAInfo

**Table 8.2.44H12.1: /<x>/OnNetwork/SNSSAInfo**

OnNetwork/SNSSAInfo

Status	Occurrence	Format	Min. Access Types
Optional	One	node	Get, Replace

This interior node is a placeholder for the NSSAI containing the S-NSSAIs for mission critical services.

## 8.2.44H13 /<x>/OnNetwork/SNSSAInfo/<x>

**Table 8.2.44H13.1: /<x>/OnNetwork/SNSSAInfo/<x>**

OnNetwork/SNSSAInfo/<x>

Status	Occurrence	Format	Min. Access Types
Optional	One	node	Get, Replace

This run-time node is a placeholder for the list of S-NSSAIs.

## 8.2.44H14 /<x>/OnNetwork/SNSSAInfo/<x>/NSSAAServer

**Table 8.2.44H14.1: /<x>/OnNetwork/SNSSAInfo/<x>/NSSAAServer**

OnNetwork/SNSSAInfo/<x>/NSSAAServer

Status	Occurrence	Format	Min. Access Types
Optional	One	chr	Get, Replace

This leaf node contains the URI of a NSSAA server.

- Value: a valid URI as specified in 3GPP TS 23.003 [5] pointing to the NSSAA server.

## 8.2.44H15 /<x>/OnNetwork/SNSSAInfo/<x>/SNSSAI

**Table 8.2.44H15.1: /<x>/OnNetwork/SNSSAInfo/<x>/SNSSAI**

OnNetwork/SNSSAInfo/<x>/SNSSAI

Status	Occurrence	Format	Min. Access Types
Required	One	chr	Get, Replace

This leaf node indicates an S-NSSAI used to access mission critical services.

- Value: a string consisting of the SST and SD of the S-NSSAI in the format: characters to represent the SST value, followed by the colon character ":", followed by characters to represent the SD value, if an SD value exists for the S-NSSAI.

## 8.2.44H16 /<x>/OnNetwork/SNSSAInfo/<x>/SNSSAI/Credentials

**Table 8.2.44H16.1: /<x>/OnNetwork/SNSSAInfo/<x>/SNSSAI/Credentials**

OnNetwork/SNSSAInfo/<x>/SNSSAI/Credentials

Status	Occurrence	Format	Min. Access Types
Optional	ZeroOrOne	node	Get, Replace

This internal node is a placeholder for the credentials needed for authentication of the UE at NSSAA during registration of this S-NSSAI by the UE.

## 8.2.44H17 /<x>/OnNetwork/SNSSAInfo/<x>/SNSSAI/Credentials/ID

**Table 8.2.44H17.1: /<x>/OnNetwork/SNSSAInfo/<x>/SNSSAI/Credentials/ID**

OnNetwork/SNSSAInfo/<x>/SNSSAI/Credentials/ID

Status	Occurrence	Format	Min. Access Types
Required	One	chr	Get, Replace

This leaf node indicates the EAP Identity as specified in IETF RFC 3748 [24] to be used for NSSAA for this S-NSSAI at network registration.

## 8.2.45 /<x>/OffNetwork

**Table 8.2.45.1: /<x>/OffNetwork**

OffNetwork

Status	Occurrence	Format	Min. Access Types
Required	ZeroOrOne	node	Get, Replace

This interior node represents a container for the off-network operation.

## 8.2.46 /<x>/OffNetwork/Timers

**Table 8.2.46.1: /<x>/OffNetwork/Timers**

OffNetwork/Timers

Status	Occurrence	Format	Min. Access Types
Required	One	node	Get, Replace

This interior node is a placeholder for the timer configuration.

## 8.2.47 /<x>/OffNetwork/Timers/TFG1

**Table 8.2.47.1: /<x>/OffNetwork/Timers/TFG1**

OffNetwork/Timers/TFG1

Status	Occurrence	Format	Min. Access Types
Required	One	int	Get, Replace

This leaf node indicates the MCPTT timer for wait for call announcement as specified in 3GPP TS 24.379 [7].

- Values: 0-65535

The timer TFG1 is in milliseconds.

## 8.2.48 /<x>/OffNetwork/Timers/TFG2

**Table 8.2.48.1: /<x>/OffNetwork/Timers/TFG2**

OffNetwork/Timers/TFG2

Status	Occurrence	Format	Min. Access Types
Required	One	int	Get, Replace

This leaf node indicates the MCPTT timer for call announcement as specified in 3GPP TS 24.379 [7].

- Values: 0-65535

The timer TFG2 is in milliseconds.

## 8.2.49 /<x>/OffNetwork/Timers/TFG3

**Table 8.2.49.1: /<x>/OffNetwork/Timers/TFG3**

OffNetwork/Timers/TFG3

Status	Occurrence	Format	Min. Access Types
Required	One	int	Get, Replace

This leaf node indicates the MCPTT timer for call probe retransmission as specified in 3GPP TS 24.379 [7].

- Values: 0-65535

The timer TFG3 is in milliseconds.

## 8.2.50 /<x>/OffNetwork/Timers/TFG4

**Table 8.2.50.1: /<x>/OffNetwork/Timers/TFG4**

OffNetwork/Timers/TFG4

Status	Occurrence	Format	Min. Access Types

Required	One	int	Get, Replace
----------	-----	-----	--------------

This leaf node indicates the MCPTT timer for waiting for the MCPTT user as specified in 3GPP TS 24.379 [7].

- Values: 0-60

The timer TFG4 is in seconds.

### 8.2.51 /<x>/OffNetwork/Timers/TFG5

**Table 8.2.51.1: /<x>/OffNetwork/Timers/TFG5**

OffNetwork/Timers/TFG5

Status	Occurrence	Format	Min. Access Types
Required	One	int	Get, Replace

This leaf node indicates the MCPTT timer for not present incoming call announcements as specified in 3GPP TS 24.379 [7].

- Values: 0-255

The timer TFG5 is in seconds.

### 8.2.52 /<x>/OffNetwork/Timers/TFG11

**Table 8.2.52.1: /<x>/OffNetwork/Timers/TFG11**

OffNetwork/Timers/TFG11

Status	Occurrence	Format	Min. Access Types
Required	One	int	Get, Replace

This leaf node indicates the timer for MCPTT emergency end retransmission as specified in 3GPP TS 24.379 [7].

- Values: 0-65535

The timer TFG11 is in milliseconds.

### 8.2.53 /<x>/OffNetwork/Timers/TFG12

**Table 8.2.53.1: /<x>/OffNetwork/Timers/TFG12**

OffNetwork/Timers/TFG12

Status	Occurrence	Format	Min. Access Types
Required	One	int	Get, Replace

This leaf node indicates the timer for MCPTT imminent peril end retransmission as specified in 3GPP TS 24.379 [7].

- Values: 0-65535

The timer TFG12 is in milliseconds.

## 8.2.54 /<x>/OffNetwork/Timers/TFG13

**Table 8.2.54.1: /<x>/OffNetwork/Timers/TFG13**

OffNetwork/Timers/TFG13

Status	Occurrence	Format	Min. Access Types
Required	One	int	Get, Replace

This leaf node indicates the MCPTT timer for implicit priority downgrade as specified in 3GPP TS 24.379 [7].

- Values: 0-255

The timer TFG13 is in seconds.

## 8.2.54A /<x>/OffNetwork/Timers/TFG14

**Table 8.2.54A.1: /<x>/OffNetwork/Timers/TFG14**

OffNetwork/Timers/TFG14

Status	Occurrence	Format	Min. Access Types
Required	One	int	Get, Replace

This leaf node indicates the MCPTT timer for implicit priority downgrade (imminent peril) as specified in 3GPP TS 24.379 [7].

- Values: 0-255

The timer TFG14 is in seconds.

## 8.2.55 /<x>/OffNetwork/Timers/TFP1

**Table 8.2.55.1: /<x>/OffNetwork/Timers/TFP1**

OffNetwork/Timers/TFP1

Status	Occurrence	Format	Min. Access Types
Required	One	int	Get, Replace

This leaf node indicates the MCPTT timer for private call request retransmission as specified in 3GPP TS 24.379 [7].

- Values: 0-65535

The timer TFP1 is in milliseconds.

## 8.2.56 /<x>/OffNetwork/Timers/TFP2

**Table 8.2.56.1: /<x>/OffNetwork/Timers/TFP2**

OffNetwork/Timers/TFP2

Status	Occurrence	Format	Min. Access Types
Required	One	int	Get, Replace

This leaf node indicates the MCPTT timer for waiting for the MCPTT user to respond to the setup request message when manual commencement mode is used as specified in 3GPP TS 24.379 [7].

- Values: 0-60

The timer TFP2 is in seconds.

## 8.2.57 /<x>/OffNetwork/Timers/TFP3

**Table 8.2.57.1: /<x>/OffNetwork/Timers/TFP3**

OffNetwork/Timers/TFP3

Status	Occurrence	Format	Min. Access Types
Required	One	int	Get, Replace

This leaf node indicates the MCPTT timer for private call release retransmission as specified in 3GPP TS 24.379 [7].

- Values: 0-65535

The timer TFP3 is in milliseconds.

## 8.2.58 /<x>/OffNetwork/Timers/TFP4

**Table 8.2.58.1: /<x>/OffNetwork/Timers/TFP4**

OffNetwork/Timers/TFP4

Status	Occurrence	Format	Min. Access Types
Required	One	int	Get, Replace

This leaf node indicates the MCPTT timer for private call accept retransmission as specified in 3GPP TS 24.379 [7].

- Values: 0-65535

The timer TFP4 is in milliseconds.

## 8.2.59 /<x>/OffNetwork/Timers/TFP5

**Table 8.2.59.1: /<x>/OffNetwork/Timers/TFP5**

OffNetwork/Timers/TFP5

Status	Occurrence	Format	Min. Access Types
Required	One	int	Get, Replace

This leaf node indicates the MCPTT timer for call release as specified in 3GPP TS 24.379 [7].

- Values: 0-600

The timer TFP5 is in seconds.

## 8.2.60 /<x>/OffNetwork/Timers/TFP6

**Table 8.2.60.1: /<x>/OffNetwork/Timers/TFP6**

OffNetwork/Timers/TFP6

Status	Occurrence	Format	Min. Access Types
Required	One	int	Get, Replace

This leaf node indicates the MCPTT timer for MCPTT emergency private call cancel retransmission as specified in 3GPP TS 24.379 [7].

- Values: 0-65535

The timer TFP6 is in milliseconds.

## 8.2.61 /<x>/OffNetwork/Timers/TFP7

**Table 8.2.61.1: /<x>/OffNetwork/Timers/TFP7**

OffNetwork/Timers/TFP7

Status	Occurrence	Format	Min. Access Types
Required	One	int	Get, Replace

This leaf node indicates the MCPTT timer for waiting for any message with same call identifier as specified in 3GPP TS 24.379 [7].

- Values: 0-255

The timer TFP7 is in seconds.

## 8.2.61A /<x>/OffNetwork/Timers/TFP9

**Table 8.2.61A: /<x>/OffNetwork/Timers/TFP9**

OffNetwork/Timers/TFP9

Status	Occurrence	Format	Min. Access Types
Required	One	int	Get, Replace

This leaf node indicates the MCPTT timer for waiting for call response message as specified in 3GPP TS 24.379 [7].

- Values: 0-60

The timer TFP9 is in seconds.

## 8.2.62 /<x>/OffNetwork/Timers/TFB1

**Table 8.2.62.1: /<x>/OffNetwork/Timers/TFB1**

OffNetwork/Timers/TFB1

Status	Occurrence	Format	Min. Access Types
Required	One	int	Get, Replace

This leaf node indicates the MCPTT timer for max duration as specified in 3GPP TS 24.379 [7].

- Values: 0-600

The timer TFB1 is in seconds.



### 8.2.63 /<x>/OffNetwork/Timers/TFB2

**Table 8.2.63.1: /<x>/OffNetwork/Timers/TFB2**

OffNetwork/Timers/TFB2

Status	Occurrence	Format	Min. Access Types
Required	One	int	Get, Replace

This leaf node indicates the MCPTT timer for broadcast retransmission as specified in 3GPP TS 24.379 [7].

- Values: 0-10

The timer TFB2 is in seconds.

### 8.2.64 /<x>/OffNetwork/Timers/TFB3

**Table 8.2.64.1: /<x>/OffNetwork/Timers/TFB3**

OffNetwork/Timers/TFB3

Status	Occurrence	Format	Min. Access Types
Required	One	int	Get, Replace

This leaf node indicates the MCPTT timer for waiting for the MCPTT user as specified in 3GPP TS 24.379 [7].

- Values: 0-60

The timer TFB3 is in seconds.

### 8.2.65 /<x>/OffNetwork/Timers/T201

**Table 8.2.65.1: /<x>/OffNetwork/Timers/T201**

OffNetwork/Timers/T201

Status	Occurrence	Format	Min. Access Types
Required	One	int	Get, Replace

This leaf node indicates the MCPTT timer for floor request as specified in 3GPP TS 24.380 [8].

- Values: 0-65535

The timer T201 is in milliseconds.

### 8.2.66 /<x>/OffNetwork/Timers/T203

**Table 8.2.66.1: /<x>/OffNetwork/Timers/T203**

OffNetwork/Timers/T203

Status	Occurrence	Format	Min. Access Types
Required	One	int	Get, Replace

This leaf node indicates the MCPTT timer for end of RTP media as specified in 3GPP TS 24.380 [8].

- Values: 0-255

The timer T203 is in seconds.

## 8.2.67 /<x>/OffNetwork/Timers/T204

**Table 8.2.67.1: /<x>/OffNetwork/Timers/T204**

OffNetwork/Timers/T204

Status	Occurrence	Format	Min. Access Types
Required	One	int	Get, Replace

This leaf node indicates the MCPTT timer for floor queue position request as specified in 3GPP TS 24.380 [8].

- Values: 0-65535

The timer T204 is in milliseconds.

## 8.2.68 /<x>/OffNetwork/Timers/T205

**Table 8.2.68.1: /<x>/OffNetwork/Timers/T205**

OffNetwork/Timers/T205

Status	Occurrence	Format	Min. Access Types
Required	One	int	Get, Replace

This leaf node indicates the MCPTT timer for floor granted request as specified in 3GPP TS 24.380 [8].

- Values: 0-65535

The timer T205 is in milliseconds.

## 8.2.69 Void

## 8.2.70 /<x>/OffNetwork/Timers/T233

**Table 8.2.70.1: /<x>/OffNetwork/Timers/T233**

OffNetwork/Timers/T233

Status	Occurrence	Format	Min. Access Types
Required	One	int	Get, Replace

This leaf node indicates the MCPTT timer for pending user action as specified in 3GPP TS 24.380 [8].

- Values: 0-255

The timer T233 is in seconds.

## 8.2.71 /<x>/OffNetwork/Timers/TFE1

**Table 8.2.71.1: /<x>/OffNetwork/Timers/TFE1**

OffNetwork/Timers/TFE1

Status	Occurrence	Format	Min. Access Types
Required	One	int	Get, Replace

This leaf node indicates the timer for MCPTT emergency alert as specified in 3GPP TS 24.379 [7].

- Values: 0-65535

The timer TFE1 is in seconds.

## 8.2.72 /<x>/OffNetwork/Timers/TFE2

**Table 8.2.72.1: /<x>/OffNetwork/Timers/TFE2**

OffNetwork/Timers/TFE2

Status	Occurrence	Format	Min. Access Types
Required	One	int	Get, Replace

This leaf node indicates the timer for MCPTT emergency alert retransmission as specified in 3GPP TS 24.379 [7].

- Values: 0-10

The timer TFE2 is in seconds.

## 8.2.73 /<x>/OffNetwork/Counters

**Table 8.2.73.1: /<x>/OffNetwork/Counters**

OffNetwork/Counters

Status	Occurrence	Format	Min. Access Types
Required	One	node	Get, Replace

This interior node is a placeholder for the counter configuration.

## 8.2.74 /<x>/OffNetwork/Counters/CFP1

**Table 8.2.74.1: /<x>/OffNetwork/Counters/CFP1**

OffNetwork/Counters/CFP1

Status	Occurrence	Format	Min. Access Types
Required	One	int	Get, Replace

This leaf node indicates the MCPTT counter for private call request retransmission as specified in 3GPP TS 24.379 [7].

- Values: 0-255

## 8.2.75 /<x>/OffNetwork/Counters/CFP3

**Table 8.2.75.1: /<x>/OffNetwork/Counters/CFP3**

OffNetwork/Counters/CFP3

Status	Occurrence	Format	Min. Access Types
Required	One	int	Get, Replace

This leaf node indicates the MCPTT counter for private call release retransmission as specified in 3GPP TS 24.379 [7].

- Values: 0-255

## 8.2.76 /<x>/OffNetwork/Counters/CFP4

**Table 8.2.76.1: /<x>/OffNetwork/Counters/CFP4**

OffNetwork/Counters/CFP4

Status	Occurrence	Format	Min. Access Types
Required	One	int	Get, Replace

This leaf node indicates the MCPTT counter for private call accept retransmission as specified in 3GPP TS 24.379 [7].

- Values: 0-255

## 8.2.77 /<x>/OffNetwork/Counters/CFP6

**Table 8.2.77.1: /<x>/OffNetwork/Counters/CFP6**

OffNetwork/Counters/CFP6

Status	Occurrence	Format	Min. Access Types
Required	One	int	Get, Replace

This leaf node indicates the MCPTT counter for emergency private call cancel retransmission as specified in 3GPP TS 24.379 [7].

- Values: 0-255

## 8.2.78 /<x>/OffNetwork/Counters/CFG11

**Table 8.2.78.1: /<x>/OffNetwork/Counters/CFG11**

OffNetwork/Counters/CFG11

Status	Occurrence	Format	Min. Access Types
Required	One	int	Get, Replace

This leaf node indicates the counter for MCPTT group call emergency end retransmission as specified in 3GPP TS 24.379 [7].

- Values: 0-255

## 8.2.79 /<x>/OffNetwork/Counters/CFG12

**Table 8.2.79.1: /<x>/OffNetwork/Counters/CFG12**

OffNetwork/Counters/CFG12

Status	Occurrence	Format	Min. Access Types
Required	One	int	Get, Replace

This leaf node indicates the counter for MCPTT imminent peril call emergency end retransmission as specified in 3GPP TS 24.379 [7].

- Values: 0-255

## 8.2.80 /<x>/OffNetwork/Counters/C201

**Table 8.2.80.1: /<x>/OffNetwork/Counters/C201**

OffNetwork/Counters/C201

Status	Occurrence	Format	Min. Access Types
Required	One	int	Get, Replace

This leaf node indicates the MCPTT counter for floor request as specified in 3GPP TS 24.380 [8].

- Values: 0-255

## 8.2.81 /<x>/OffNetwork/Counters/C204

**Table 8.2.81.1: /<x>/OffNetwork/Counters/C204**

OffNetwork/Counters/C204

Status	Occurrence	Format	Min. Access Types
Required	One	int	Get, Replace

This leaf node indicates the MCPTT counter for floor queue position request as specified in 3GPP TS 24.380 [8].

- Values: 0-255

## 8.2.82 /<x>/OffNetwork/Counters/C205

**Table 8.2.82.1: /<x>/OffNetwork/Counters/C205**

OffNetwork/Counters/C205

Status	Occurrence	Format	Min. Access Types
Required	One	int	Get, Replace

This leaf node indicates the MCPTT counter for floor granted request as specified in 3GPP TS 24.380 [8].

- Values: 0-255

---

# 9 MCDData UE configuration MO

## 9.1 General

The MCDData UE configuration Management Object (MO) is used to configure MCDData Client behaviour for the on-network or off-network MCDData Service. The MCDData UE configuration parameters may be stored in the ME, or in the USIM as specified in 3GPP TS 31.102 [10], or in both the ME and the USIM. If both the ME and the USIM contain the same parameters, the values stored in the USIM shall take precedence.

The Management Object Identifier is: urn:oma:mo:ext-3gpp-MCDData-UE-configuration:1.0.

Protocol compatibility: This MO is compatible with OMA OMA DM 1.2 [3].

The OMA DM ACL property mechanism (see OMA OMA-ERELED-DM-V1\_2 [2]) may be used to grant or deny access rights to OMA DM servers in order to modify nodes and leaf objects of the MCDData UE configuration MO.

The following nodes and leaf objects are possible under the MCDData UE configuration node as described in figure 9.1.1 and figure 9.1.2.

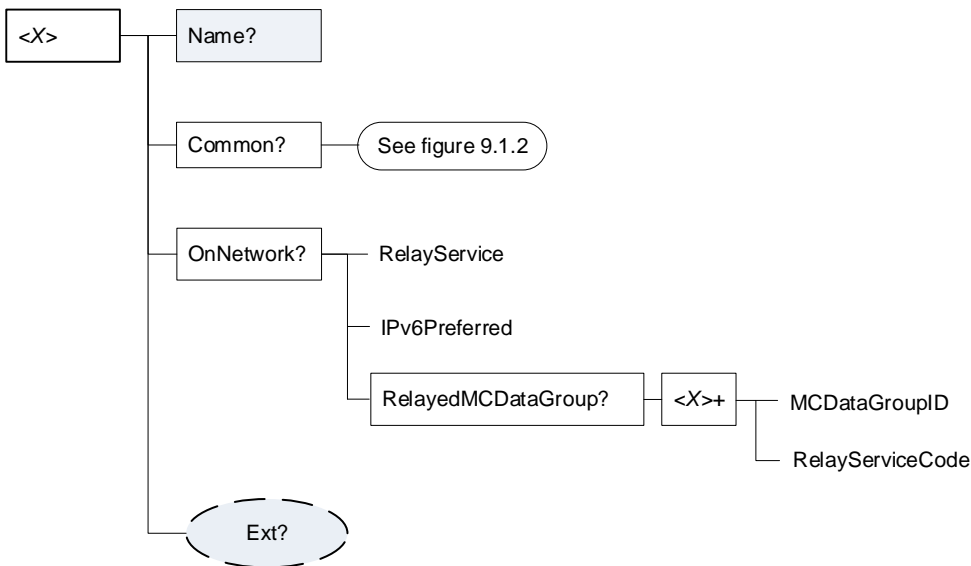


Figure 9.1.1: The MCDData UE configuration MO (1 of 2)

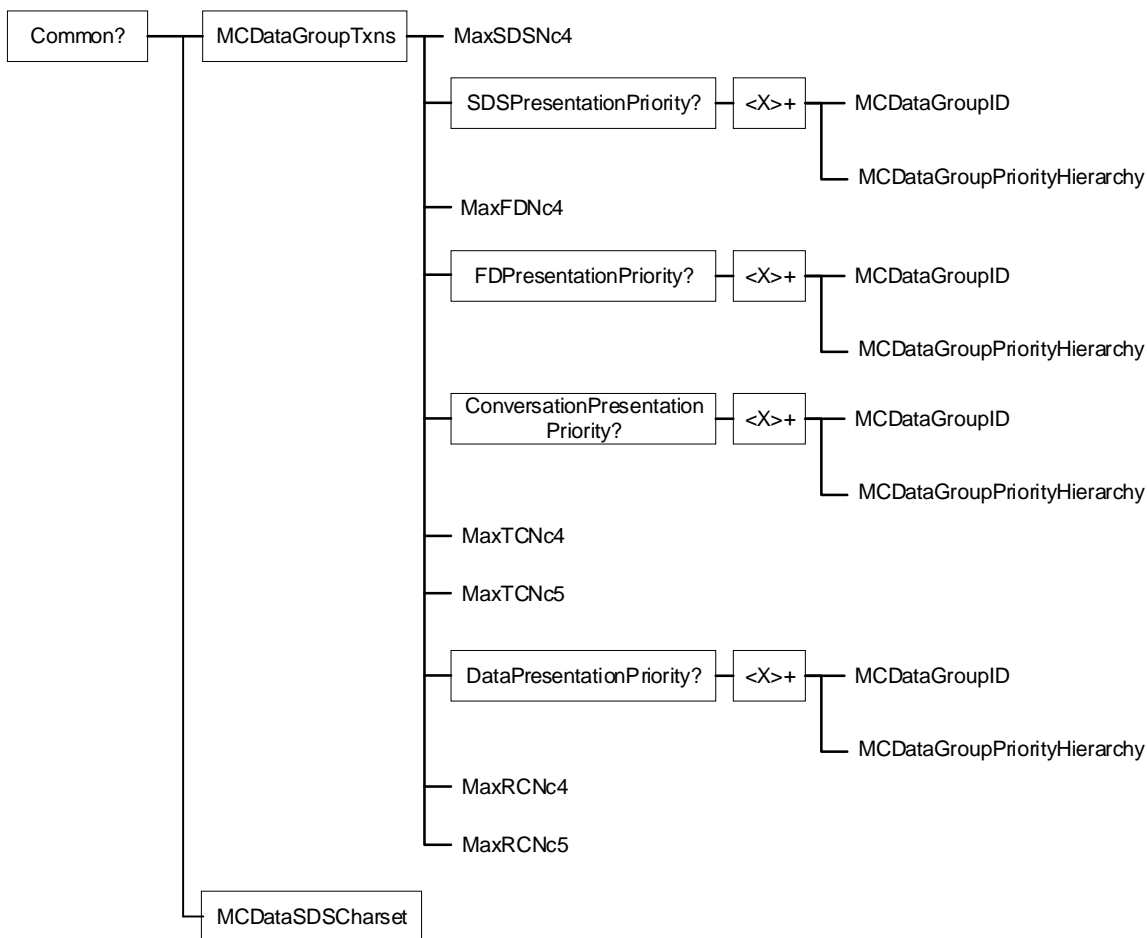


Figure 9.1.2: The MCDData UE configuration MO (2 of 2)

## 9.2 MCDData UE configuration MO parameters

### 9.2.1 General

This clause describes the parameters for the MCDData UE configuration Management Object (MO).

### 9.2.2 Node: <x>

**Table 9.2.2.1: Node: <x>**

<x>

Status	Occurrence	Format	Min. Access Types
Required	OneOrMore	node	Get

This interior node acts as a placeholder for the MCDData UE configuration Management Object (MO).

For the MCDData UE configuration MO, the namespace specific string is: "urn:oma:mo:oma-dm-mcddata-ue-configuration:1.0"

- Values: N/A

### 9.2.3 /<x>/Name

**Table 9.2.3.1: /<x>/Name**

Name

Status	Occurrence	Format	Min. Access Types
Required	ZeroOrOne	chr	Get

The Name leaf is a name for the MCDData UE configuration settings.

- Values: <User displayable name>

### 9.2.4 /<x>/Ext/

**Table 9.2.4.1: /<x>/Ext/**

Ext

Status	Occurrence	Format	Min. Access Types
Optional	ZeroOrOne	node	Get, Replace

The Ext is an interior node for where the vendor specific information about the MCDData UE configuration MO is being placed.

Usually the vendor extension is identified by vendor specific name under the ext node and contains the vendor meaning application vendor, device vendor etc. The tree structure under the vendor identified is not defined and can therefore include one or more un-standardized sub-trees.

- Values: N/A

### 9.2.5 /<x>/Common

**Table 9.2.5.1: /<x>/Common**

Common

Status	Occurrence	Format	Min. Access Types
Required	ZeroOrOne	node	Get, Replace

This interior node represents a container for the common network operation which means both on-network operation and off-network operation.

## 9.2.6 /<x>/Common/MCDataGroupTxns

**Table 9.2.6.1: /<x>/Common/MCDataGroupTxns**

Common/MCDataGroupTxns

Status	Occurrence	Format	Min. Access Types
Required	One	node	Get, Replace

This interior node is a placeholder for the MCData group transactions configuration.

## 9.2.7 /<x>/Common/MCDataGroupTxns/MaxSDSNc4

**Table 9.2.7.1: /<x>/Common/MCDataGroupTxns/MaxSDSNc4**

Common/MCDataGroupTxns/MaxSDSNc4

Status	Occurrence	Format	Min. Access Types
Required	One	int	Get, Replace

This leaf node indicates the maximum number of simultaneous SDS transactions.

- Values: 0-255

## 9.2.8 /<x>/Common/MCDataGroupTxns/SDSPresentationPriority

**Table 9.2.8.1: /<x>/Common/MCDataGroupTxns/SDSPresentationPriority**

Common/MCDataGroupTxns/SDSPresentationPriority

Status	Occurrence	Format	Min. Access Types
Required	ZeroOrOne	node	Get, Replace

This interior node is a placeholder for the prioritized MCData SDS configuration.

## 9.2.9 /<x>/Common/MCDataGroupTxns/SDSPresentationPriority/<x>

**Table 9.2.9.1: /<x>/Common/MCDataGroupTxns/SDSPresentationPriority/<x>**

Common/MCDataGroupTxns/SDSPresentationPriority/<x>

Status	Occurrence	Format	Min. Access Types
Required	OneOrMore	node	Get, Replace

This interior node is a placeholder for one or more prioritized MCData SDS configuration.



### 9.2.10 /<x>/Common/MCDataGroupTxns/SDSPresentationPriority/<x>/MCDataGroupID

**Table 9.2.10.1: /<x>/Common/MCDataGroupTxns/SDSPresentationPriority/<x>/MCDataGroupID**

Common/MCDataGroupTxns/SDSPresentationPriority/<x>/MCDataGroupID

Status	Occurrence	Format	Min. Access Types
Required	One	chr	Get, Replace

This leaf node indicates the associated MCData group ID.

The value is a "uri" attribute specified in OMA OMA-TS-XDM\_Group-V1\_1 [4].

### 9.2.11 /<x>/Common/MCDataGroupTxns/SDSPresentationPriority/<x>/MCDataGroupPriorityHierarchy

**Table 9.2.11.1: /<x>/Common/MCDataGroupTxns/SDSPresentationPriority/<x>/MCDataGroupPriorityHierarchy**

Common/MCDataGroupTxns/SDSPresentationPriority/<x>/MCDataGroupPriorityHierarchy

Status	Occurrence	Format	Min. Access Types
Required	One	int	Get, Replace

This leaf node indicates the requested presentation priority of SDS transactions.

- Values: 0-255

The group with the lowest MCDataGroupPriorityHierarchy value shall be considered as the group having the lowest priority among the groups.

### 9.2.12 /<x>/Common/MCDataGroupTxns/MaxFDNc4

**Table 9.2.12.1: /<x>/Common/MCDataGroupTxns/MaxFDNc4**

Common/MCDataGroupTxns/MaxFDNc4

Status	Occurrence	Format	Min. Access Types
Required	One	int	Get, Replace

This leaf node indicates the maximum number of simultaneous FD transactions.

- Values: 0-255

### 9.2.13 /<x>/Common/MCDataGroupTxns/FDPresentationPriority

**Table 9.2.13.1: /<x>/Common/MCDataGroupTxns/FDPresentationPriority**

Common/MCDataGroupTxns/FDPresentationPriority

Status	Occurrence	Format	Min. Access Types
Required	ZeroOrOne	node	Get, Replace

This interior node is a placeholder for the prioritized MCData FD configuration.

## 9.2.14 /<x>/Common/MCDataGroupTxns/FDPresentationPriority/<x>

**Table 9.2.14.1: /<x>/Common/MCDataGroupTxns/FDPresentationPriority/<x>**

Common/MCDataGroupTxns/FDPresentationPriority /<x>

Status	Occurrence	Format	Min. Access Types
Required	OneOrMore	node	Get, Replace

This interior node is a placeholder for one or more prioritized MCData FD configuration.

## 9.2.15 /<x>/Common/MCDataGroupTxns/FDPresentationPriority/<x>/MCDataGroupID

**Table 9.2.15.1: /<x>/Common/MCDataGroupTxns/FDPresentationPriority/<x>/MCDataGroupID**

Common/MCDataGroupTxns/FDPresentationPriority/<x>/MCDataGroupID

Status	Occurrence	Format	Min. Access Types
Required	One	chr	Get, Replace

This leaf node indicates the associated MCData group ID.

The value is a "uri" attribute specified in OMA OMA-TS-XDM\_Group-V1\_1 [4].

## 9.2.16 /<x>/Common/MCDataGroupTxns/FDPresentationPriority/<x>/MCDataGroupPriorityHierarchy

**Table 9.2.16.1: /<x>/Common/MCDataGroupTxns/FDPresentationPriority/<x>/MCDataGroupPriorityHierarchy**

Common/MCDataGroupTxns/FDPresentationPriority/<x>/MCDataGroupPriorityHierarchy

Status	Occurrence	Format	Min. Access Types
Required	One	int	Get, Replace

This leaf node indicates the requested presentation priority of FD transactions.

- Values: 0-255

The group with the lowest MCDataGroupPriorityHierarchy value shall be considered as the group having the lowest priority among the groups.

## 9.2.17 /<x>/Common/MCDataGroupTxns/ConversationPresentationPriority

**Table 9.2.17.1: /<x>/Common/MCDataGroupTxns/ConversationPresentationPriority**

Common/MCDataGroupTxns/ConversationPresentationPriority

Status	Occurrence	Format	Min. Access Types
Required	ZeroOrOne	node	Get, Replace

This interior node is a placeholder for the prioritized MCData conversation management configuration.

## 9.2.18 /<x>/Common/MCDataGroupTxns/ ConversationPresentationPriority/<x>

**Table 9.2.18.1: /<x>/Common/MCDataGroupTxns/ConversationPresentationPriority/<x>**

Common/MCDataGroupTxns/ConversationPresentationPriority /<x>

Status	Occurrence	Format	Min. Access Types
Required	OneOrMore	node	Get, Replace

This interior node is a placeholder for one or more prioritized MCData conversation management configuration.

## 9.2.19 /<x>/Common/MCDataGroupTxns/ ConversationPresentationPriority/<x>/MCDataGroupID

**Table 9.2.19.1: /<x>/Common/MCDataGroupTxns/ConversationPresentationPriority/<x>/  
MCDataGroupID**

Common/MCDataGroupTxns/ConversationPresentationPriority/<x>/MCDataGroupID

Status	Occurrence	Format	Min. Access Types
Required	One	chr	Get, Replace

This leaf node indicates the associated MCData group ID.

The value is a "uri" attribute specified in OMA OMA-TS-XDM\_Group-V1\_1 [4].

## 9.2.20 /<x>/Common/MCDataGroupTxns/ ConversationPresentationPriority/<x>/ MCDataGroupPriorityHierarchy

**Table 9.2.20.1: /<x>/Common/MCDataGroupTxns/ConversationPresentationPriority/<x>/  
MCDataGroupPriorityHierarchy**

Common/MCDataGroupTxns/ConversationPresentationPriority/<x>/MCDataGroupPriorityHierarchy

Status	Occurrence	Format	Min. Access Types
Required	One	int	Get, Replace

This leaf node indicates the requested presentation priority of conversation management transactions.

- Values: 0-255

The group with the lowest MCDataGroupPriorityHierarchy value shall be considered as the group having the lowest priority among the groups.

## 9.2.21 /<x>/Common/MCDataGroupTxns/MaxTCNc4

**Table 9.2.21.1: /<x>/Common/MCDataGroupTxns/MaxTCNc4**

Common/MCDataGroupTxns/MaxTCNc4

Status	Occurrence	Format	Min. Access Types
Required	One	int	Get, Replace

This leaf node indicates the maximum number of simultaneous data transmissions.

- Values: 0-255

## 9.2.22 /<x>/Common/MCDataGroupTxns/MaxTCNc5

**Table 9.2.22.1: /<x>/Common/MCDataGroupTxns/MaxTCNc5**

Common/MCDataGroupTxns/MaxTCN5

Status	Occurrence	Format	Min. Access Types
Required	One	int	Get, Replace

This leaf node indicates the maximum number of data transmissions in a group.

- Values: 0-255

## 9.2.23 /<x>/Common/MCDataGroupTxns/DataPresentationPriority

**Table 9.2.23.1: /<x>/Common/MCDataGroupTxns/DataPresentationPriority**

Common/MCDataGroupTxns/DataPresentationPriority

Status	Occurrence	Format	Min. Access Types
Required	ZeroOrOne	node	Get, Replace

This interior node is a placeholder for the prioritized MCData Transmission Control configuration.

## 9.2.24 /<x>/Common/MCDataGroupTxns/DataPresentationPriority/<x>

**Table 9.2.24.1: /<x>/Common/MCDataGroupTxns/DataPresentationPriority/<x>**

Common/MCDataGroupTxns/DataPresentationPriority/<x>

Status	Occurrence	Format	Min. Access Types
Required	OneOrMore	node	Get, Replace

This interior node is a placeholder for one or more prioritized MCData Transmission Control configuration.

## 9.2.25 /<x>/Common/MCDataGroupTxns/DataPresentationPriority/<x>/MCDataGroupID

**Table 9.2.25.1: /<x>/Common/MCDataGroupTxns/DataPresentationPriority/<x>/MCDataGroupID**

Common/MCDataGroupTxns/DataPresentationPriority/<x>/MCDataGroupID

Status	Occurrence	Format	Min. Access Types
Required	One	chr	Get, Replace

This leaf node indicates the associated MCData group ID.

The value is a "uri" attribute specified in OMA OMA-TS-XDM\_Group-V1\_1 [4].

## 9.2.26 /<x>/Common/MCDataGroupTxns/DataPresentationPriority/<x>/MCDataGroupPriorityHierarchy

**Table 9.2.26.1: /<x>/Common/MCDataGroupTxns/DataPresentationPriority/<x>/MCDataGroupPriorityHierarchy**

Common/MCDataGroupTxns/DataPresentationPriority/<x>/MCDataGroupPriorityHierarchy

Status	Occurrence	Format	Min. Access Types
Required	One	int	Get, Replace

This leaf node indicates the requested presentation priority of data received.

- Values: 0-255

The group with the lowest MCDataGroupPriorityHierarchy value shall be considered as the group having the lowest priority among the groups.

## 9.2.27 /<x>/Common/MCDataGroupTxns/MaxRCNc4

**Table 9.2.27.1: /<x>/Common/MCDataGroupTxns/MaxRCNc4**

Common/MCDataGroupTxns/MaxRCNc4

Status	Occurrence	Format	Min. Access Types
Required	One	int	Get, Replace

This leaf node indicates the maximum number of simultaneous data receptions.

- Values: 0-255

## 9.2.28 /<x>/Common/MCDataGroupTxns/MaxRCNc5

**Table 9.2.28.1: /<x>/Common/MCDataGroupTxns/MaxRCNc5**

Common/MCDataGroupTxns/MaxRCN5

Status	Occurrence	Format	Min. Access Types
Required	One	int	Get, Replace

This leaf node indicates the maximum number of data receptions in a group.

- Values: 0-255

## 9.2.28A /<x>/Common/MCDataSDSCharset

**Table 9.2.28A.1: /<x>/Common/MCDataSDSCharset**

Common/MCDataSDSCharset

Status	Occurrence	Format	Min. Access Types
Optional	ZeroOrMore	int	Get, Replace

This leaf node indicates an available charset for text use in SDS messages.

- Values: 0-2999 as indexed in the MIBenum values for IANA Character Sets [27]

## 9.2.29 /<x>/OnNetwork

**Table 9.2.29.1: /<x>/OnNetwork**

OnNetwork

Status	Occurrence	Format	Min. Access Types
Required	ZeroOrOne	node	Get, Replace

This interior node represents a container for on-network operation.

## 9.2.30 /<x>/OnNetwork/RelayService

**Table 9.2.30.1: /<x>/OnNetwork/RelayService**

OnNetwork/RelayService

Status	Occurrence	Format	Min. Access Types
Required	One	bool	Get, Replace

This leaf node indicates the authorisation to use a relay service.

When set to "true" the MCDData group is allowed to use a relay service.

When set to "false" the MCDData group is not allowed to use a relay service.

## 9.2.31 /<x>/OnNetwork/IPv6Preferred

**Table 9.2.31.1: /<x>/OnNetwork/IPv6Preferred**

OnNetwork/IPv6Preferred

Status	Occurrence	Format	Min. Access Types
Required	One	bool	Get, Replace

This leaf node indicates whether IPv6 is preferred over IPv4 for on-network operation when the MCDData UE has both IPv4 and IPv6 host configuration.

If the MCDData UE has both IPv4 and IPv6 host configuration and:

- if IPv6Preferred is set to "true" then the UE uses IPv6 for all on-network signalling and media; otherwise
- if IPv6Preferred is set to "false" then the UE uses IPv4 for all on-network signalling and media.

## 9.2.32 /<x>/OnNetwork/RelayedMCDDataGroup

**Table 9.2.32.1: /<x>/OnNetwork/RelayedMCDDataGroup**

OnNetwork/RelayedMCDDataGroup

Status	Occurrence	Format	Min. Access Types
Optional	ZeroOrOne	node	Get, Replace

This interior node is a placeholder for the allowed relayed MCDData groups.

### 9.2.33 /<x>/OnNetwork/RelayedMCDataGroup/<x>

**Table 9.2.33.1: /<x>/OnNetwork/RelayedMCDataGroup/<x>**

OnNetwork/RelayedMCDataGroup/<x>

Status	Occurrence	Format	Min. Access Types
Required	OneOrMore	node	Get, Replace

This interior node is a placeholder for one or more allowed relayed MCData groups.

### 9.2.34 /<x>/OnNetwork/RelayedMCDataGroup/<x>/MCDataGroupID

**Table 9.2.34.1: /<x>/OnNetwork/RelayedMCDataGroup/<x>/MCDataGroupID**

OnNetwork/RelayedMCDataGroup/<x>/MCDataGroupID

Status	Occurrence	Format	Min. Access Types
Required	One	chr	Get, Replace

This leaf node indicates the associated MCData group ID.

The value is a "uri" attribute specified in OMA OMA-TS-XDM\_Group-V1\_1 [4].

### 9.2.35 /<x>/OnNetwork/RelayedMCDataGroup/<x>/RelayServiceCode

**Table 9.2.35.1: /<x>/OnNetwork/RelayedMCDataGroup/<x>/RelayServiceCode**

OnNetwork/RelayedMCDataGroup/<x>/RelayServiceCode

Status	Occurrence	Format	Min. Access Types
Required	One	chr	Get, Replace

This leaf node indicates the connectivity service that the ProSe UE-to-network relay provides to public safety applications as specified in 3GPP TS 23.303 [6].

## 10 MCData user profile MO

### 10.1 General

The MCData user profile configuration Management Object (MO) is used to configure the MCData Client behaviour for the on-network or off-network MCData Service. The MCData user profile configuration parameters may be stored in the ME, or in the USIM as specified in 3GPP TS 31.102 [10], or in both the ME and the USIM. If both the ME and the USIM contain the same parameters, the values stored in the USIM shall take precedence.

The Management Object Identifier is: urn:oma:mo:ext-3gpp-MCData-user-profile:1.0.

Protocol compatibility: This MO is compatible with OMA OMA DM 1.2 [3].

The OMA DM ACL property mechanism (see OMA OMA-ERELD-DM-V1\_2 [2]) may be used to grant or deny access rights to OMA DM servers in order to modify nodes and leaf objects of the MCData user profile MO.

The following nodes and leaf objects are possible under the MCData user profile node as described in figures 10.1.1 through 10.1.4.

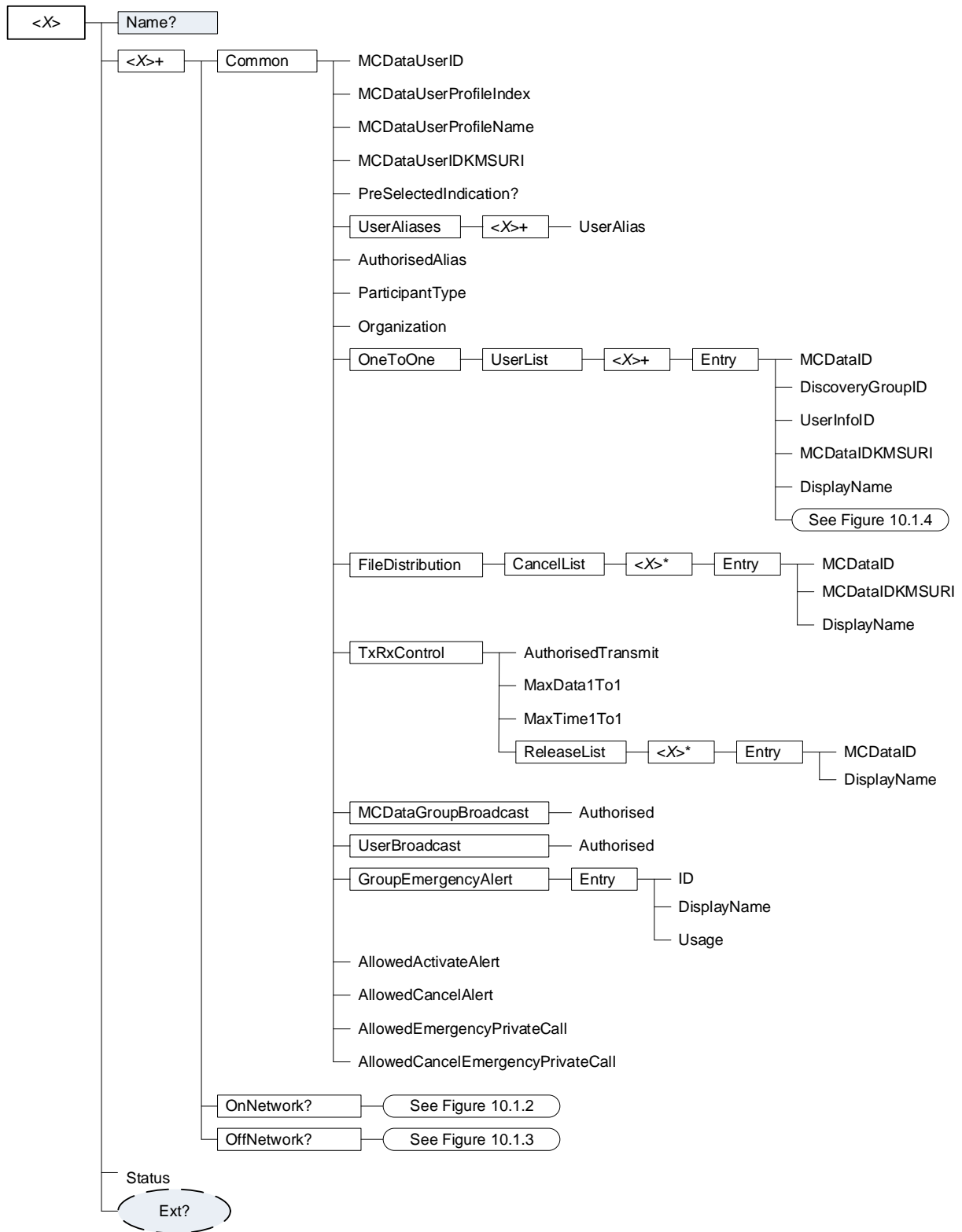
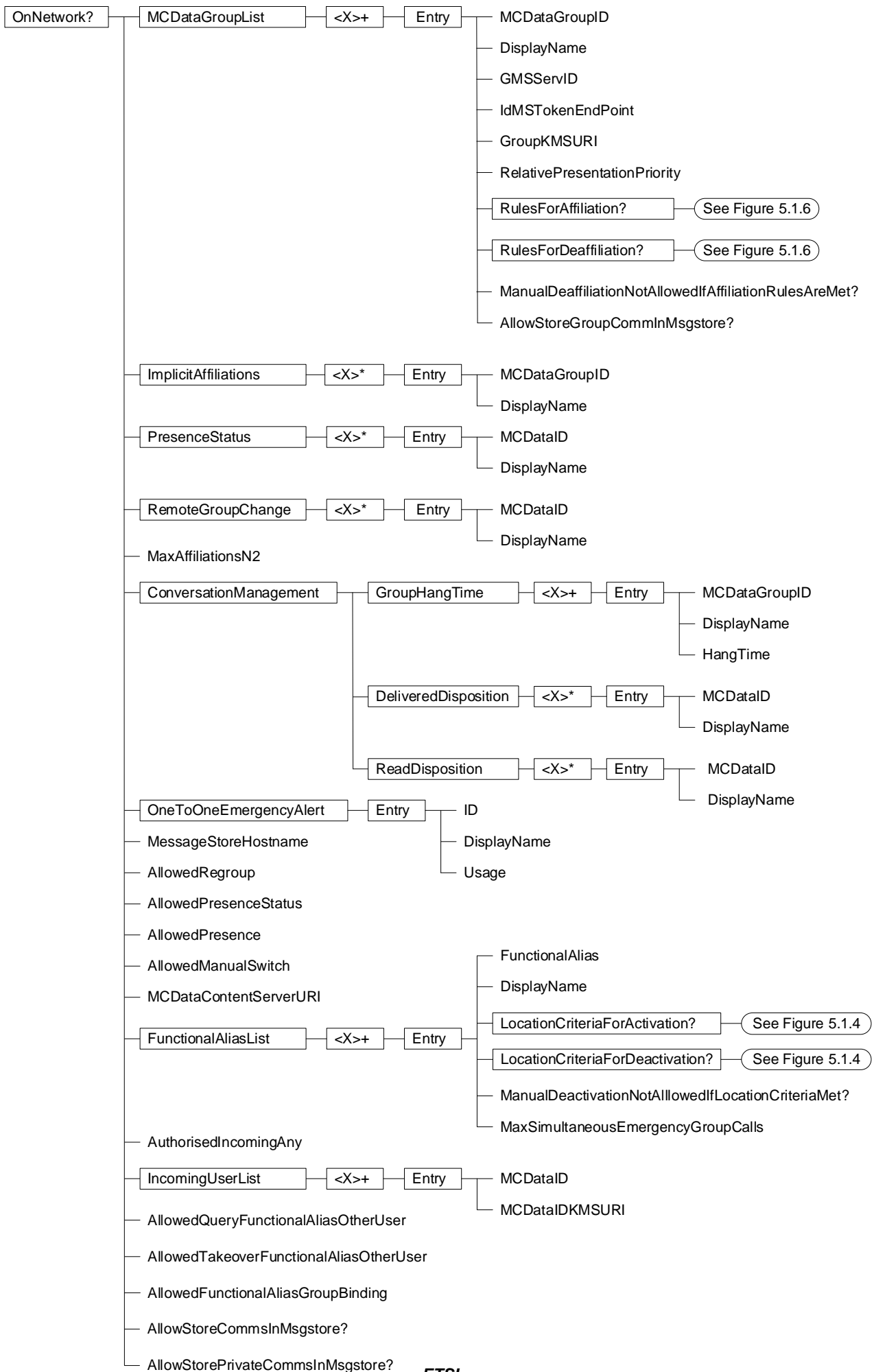
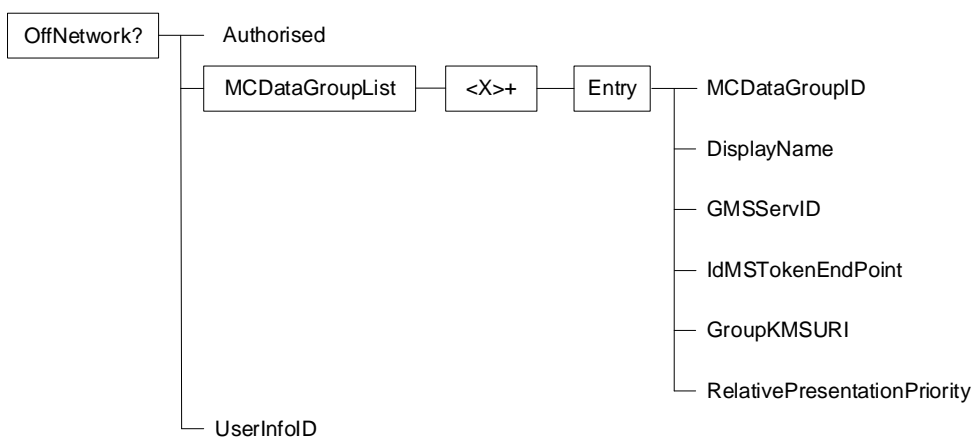


Figure 10.1.1: The MCDData user profile MO (1 of 4)

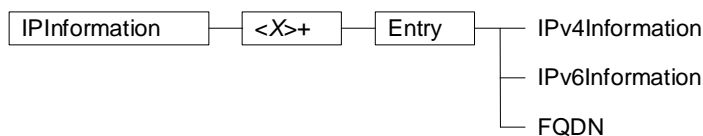




**Figure 10.1.2: The MCDData user profile MO (2 of 4)**



**Figure 10.1.3: The MCDData user profile MO (3 of 4)**



**Figure 10.1.4: The MCDData user profile MO (4 of 4)**

## 10.2 MCDData user profile MO parameters

### 10.2.1 General

This clause describes the parameters for the MCDData user profile Management Object (MO).

### 10.2.2 Node: <x>

**Table 10.2.2.1: Node: <x>**

<x>

Status	Occurrence	Format	Min. Access Types
Required	OneOrMore	node	Get

This interior node acts as a placeholder for the MCDData user profile Management Object (MO).

For the MCDData user profile MO, the namespace specific string is: "urn:oma:mo:oma-dm-mcdata-user-profile:1.0"

- Values: N/A

### 10.2.3 /<x>/Name

**Table 10.2.3.1: /<x>/Name**

Name

Status	Occurrence	Format	Min. Access Types
Required	ZeroOrOne	chr	Get

The Name leaf is a name for the MCDData user profile settings.

- Values: <User displayable name>

### 10.2.4 /<x>/Ext/

**Table 10.2.4.1: /<x>/Ext/**

Ext

Status	Occurrence	Format	Min. Access Types
Optional	ZeroOrOne	node	Get, Replace

The Ext is an interior node for where the vendor specific information about the MCDData user profile MO is being placed.

Usually the vendor extension is identified by vendor specific name under the ext node and contains the vendor meaning application vendor, device vendor etc. The tree structure under the vendor identified is not defined and can therefore include one or more un-standardized sub-trees.

- Values: N/A

### 10.2.5 /<x>/<x>

**Table 10.2.5.1: /<x>/<x>**

<x>

Status	Occurrence	Format	Min. Access Types
Required	OneOrMore	node	Get, Replace

This interior node represents a container for on-network operation and off-network operation.

### 10.2.6 /<x>/<x>/Common

**Table 10.2.6.1: /<x>/<x>/Common**

<x>/Common

Status	Occurrence	Format	Min. Access Types
Required	One	node	Get, Replace

This interior node represents a container for the common network operation which means both on-network operation and off-network operation.

### 10.2.7 /<x>/<x>/Common/MCDDataUserID

**Table 10.2.7.1: /<x>/<x>/Common/MCDDataUserID**

<x>/Common/MCDDataUserID

Status	Occurrence	Format	Min. Access Types
Required	One	chr	Get, Replace

This leaf node indicates an MCDData user identity (MCDData ID) which is a globally unique identifier within the MCDData service that represents the MCDData user.

## 10.2.8 /<x>/<x>/Common/MCDataUserProfileIndex

**Table 10.2.8.1: /<x>/<x>/Common/MCDataUserProfileIndex**

<x>/Common/MCDataUserProfileIndex

Status	Occurrence	Format	Min. Access Types
Required	One	int	Get, Replace

This leaf node indicates an index for the particular MCData user profile.

- Values: 0-255

## 10.2.9 /<x>/<x>/Common/MCDataUserProfileName

**Table 10.2.9.1: /<x>/<x>/Common/MCDataUserProfileName**

<x>/Common/MCDataUserProfileName

Status	Occurrence	Format	Min. Access Types
Optional	One	chr	Get, Replace

This leaf node indicates a profile name for the particular MCData user profile.

## 10.2.9A /<x>/<x>/Common/MCDataUserIDKMSURI

**Table 10.2.9A.1: /<x>/<x>/Common/MCDataUserIDKMSURI**

<x>/Common/MCDataUserIDKMSURI

Status	Occurrence	Format	Min. Access Types
Optional	One	chr	Get, Replace

This leaf node indicates key management server URI for the security domain of the MCData user.

The value is a URI as specified in 3GPP TS 23.003 [5].

## 10.2.10 /<x>/<x>/Common/PreSelectedIndication

**Table 10.2.10.1: /<x>/<x>/Common/PreSelectedIndication**

<x>/Common/PreSelectedIndication

Status	Occurrence	Format	Min. Access Types
Optional	ZeroOrOne	null	Get, Replace

This leaf node indicates that this MCData user profile MO is designated to be the pre-selected MCData user profile as defined by 3GPP TS 23.179 [15]

- Values: null

When this leaf node is present, this MCData user profile MO is designated as the pre-selected MCData user profile.

When this leaf node is absent, this MCData user profile MO is not designated as the pre-selected MCData user profile.

If more than one MCData user profile MO is specified for the MCData user, then only one MCData user profile MO for the MCData user shall contain the <x>/Common/PreSelectedIndication leaf node.

If there is only one MCDData user profile MO specified for the MCDData user, then it is optional to include the `<x>/Common/PreSelectedIndication` leaf node.

### 10.2.11 `<x>/<x>/Common/UserAliases`

**Table 10.2.11.1: `<x>/<x>/Common/UserAliases`**

`<x>/Common/UserAliases`

Status	Occurrence	Format	Min. Access Types
Required	One	node	Get, Replace

This interior node is a placeholder for a list of aliases of an MCDData user.

### 10.2.12 `<x>/<x>/Common/UserAliases/<x>`

**Table 10.2.12.1: `<x>/<x>/Common/UserAliases/<x>`**

`<x>/Common/UserAliases/<x>`

Status	Occurrence	Format	Min. Access Types
Required	OneOrMore	node	Get, Replace

This interior node is a placeholder for one or more aliases of an MCDData user.

### 10.2.13 `<x>/<x>/Common/UserAliases/<x>UserAlias`

**Table 10.2.13.1: `<x>/<x>/Common/UserAliases/<x>/UserAlias`**

`<x>/Common/UserAliases/<x>/UserAlias`

Status	Occurrence	Format	Min. Access Types
Required	One	chr	Get, Replace

This leaf node indicates an alphanumeric alias of the MCDData user.

### 10.2.14 `<x>/<x>/Common/AuthorisedAlias`

**Table 10.2.14.1: `<x>/<x>/Common/AuthorisedAlias`**

`<x>/Common/AuthorisedAlias`

Status	Occurrence	Format	Min. Access Types
Optional	One	bool	Get, Replace

This leaf node indicates authorisation to create and delete aliases of other MCDData users and their associated MCDData user profiles.

When set to "true" the MCDData user is authorised to create and delete aliases of other MCDData users and their associated MCDData user profiles.

When set to "false" the MCDData user is not authorised to create and delete aliases of other MCDData user and their associated MCDData user profiles. This is the default if this leaf node is not present.

## 10.2.15 /<x>/<x>/Common/ParticipantType

**Table 10.2.15.1: /<x>/<x>/Common/ParticipantType**

<x>/Common/ParticipantType

Status	Occurrence	Format	Min. Access Types
Required	One	chr	Get, Replace

This leaf node indicates the participant type of the MCDData user.

The ParticipantType means the functional category of the participant (e.g., first responder, second responder, dispatch, dispatch supervisor), typically defined by the MCDData administrators.

## 10.2.16 /<x>/<x>/Common/Organization

**Table 10.2.16.1: /<x>/<x>/Common/Organization**

<x>/Common/Organization

Status	Occurrence	Format	Min. Access Types
Required	One	chr	Get, Replace

This leaf node indicates the organization an MCDData user belongs to.

## 10.2.16A/<x>/<x>/Common/OnetoOne

**Table 10.2.16A.1: /<x>/<x>/Common/OnetoOne**

<x>/Common/OnetoOne

Status	Occurrence	Format	Min. Access Types
Required	One	node	Get, Replace

This interior node is a placeholder for the MCDData on-network or off-network one-to-one communication configuration.

## 10.2.16B/<x>/<x>/Common/OnetoOne/UserList

**Table 10.2.16B.1: /<x>/<x>/Common/OnetoOne/UserList**

<x>/Common/OnetoOne/UserList

Status	Occurrence	Format	Min. Access Types
Required	One	node	Get, Replace

This interior node is a placeholder for a list of MCDData users who can be involved in an on-network or off-network MCDData one-to-one transaction.

## 10.2.16C /<x>/<x>/Common/OnetoOne/UserList/<x>

**Table 10.2.16C.1: /<x>/<x>/Common/OnetoOne/UserList/<x>**

<x>/Common/OnetoOne/UserList/<x>

Status	Occurrence	Format	Min. Access Types
Optional	OneOrMore	node	Get, Replace

This interior node is a placeholder for one or more list of MCDData users who can be involved in an on-network or off-network MCDData one-to-one transaction.

## 10.2.16D /<x>/<x>/Common/OnetoOne/UserList/<x>/Entry

**Table 10.2.16D.1: /<x>/<x>/Common/OnetoOne/UserList/<x>/Entry**

<x>/Common/OnetoOne/UserList/<x>/Entry

Status	Occurrence	Format	Min. Access Types
Required	One	node	Get, Replace

This interior node is a placeholder for one or more MCDData users who can be involved in an on-network or off-network MCDData one-to-one transaction.

## 10.2.16E /<x>/<x>/Common/OnetoOne/UserList/<x>/Entry/MCDDataID

**Table 10.2.16E.1: /<x>/<x>/Common/OnetoOne/UserList/<x>/Entry/MCDDataID**

<x>/Common/OnetoOne/UserList/<x>/Entry/MCDDataID

Status	Occurrence	Format	Min. Access Types
Optional	One	chr	Get, Replace

This leaf node indicates an MCDData user identity (MCDData ID) which is a globally unique identifier within the MCDData service that represents the MCDData user.

The value is a "uri" attribute specified in OMA OMA-TS-XDM\_Group-V1\_1 [4].

## 10.2.16F /<x>/<x>/Common/OnetoOne/UserList/<x>/Entry/DiscoveryGroupID

**Table 10.2.16F.1: /<x>/<x>/Common/OnetoOne/UserList/<x>/Entry/DiscoveryGroupID**

<x>/Common/OnetoOne/UserList/<x>/Entry/DiscoveryGroupID

Status	Occurrence	Format	Min. Access Types
Optional	One	int	Get, Replace

This leaf node indicates a discovery group ID as specified in 3GPP TS 23.303 [6].

The value is used as the discovery group ID in the ProSe discovery procedures as specified in 3GPP TS 23.303 [6].

## 10.2.16G /<x>/<x>/Common/OnetoOne/UserList/<x>/Entry/UserInfoID

**Table 10.2.16G.1: /<x>/<x>/Common/OnetoOne/UserList/<x>/Entry/UserInfoID**

<x>/Common/OnetoOne/UserList/<x>/Entry/UserInfoID

Status	Occurrence	Format	Min. Access Types
Optional	One	int	Get, Replace

This leaf node indicates a ProSe user info ID as specified in 3GPP TS 23.303 [6].

## 10.2.16H /<x>/<x>/Common/OnetoOne/UserList/<x>/Entry/ MCDataDKMSURI

**Table 10.2.16H.1: /<x>/<x>/Common/OnetoOne/UserList/<x>/Entry/MCDataUserDKMSURI**

<x>/Common/OnetoOne/UserList/<x>/Entry/MCDataUserDKMSURI

Status	Occurrence	Format	Min. Access Types
Optional	One	chr	Get, Replace

This leaf node indicates key management server URI for the security domain of the MCData user of an MCData user that the configured MCData user is authorised to initiate a one-to-one communication with.

The value is a URI as specified in 3GPP TS 23.003 [5].

## 10.2.16I /<x>/<x>/Common/OnetoOne/UserList/<x>/Entry/DisplayName

**Table 10.2.16I.1: /<x>/<x>/Common/OnetoOne/UserList/<x>/Entry/DisplayName**

<x>/Common/OnetoOne/UserList/<x>/Entry/DisplayName

Status	Occurrence	Format	Min. Access Types
Optional	One	chr	Get, Replace

This leaf node contains a human readable name.

## 10.2.16J /<x>/<x>/Common/OnetoOne/UserList/<x>/Entry/IPInformation

**Table 10.2.16J.1: /<x>/<x>/Common/OnetoOne/UserList/<x>/Entry/IPInformation**

<x>/Common/OnetoOne/UserList/<x>/Entry/IPInformation

Status	Occurrence	Format	Min. Access Types
Optional	One	node	Get, Replace

This interior node is a placeholder for one or more list of IPInformation data that can be used in the setup of an IP Connectivity session for a specific MCData user in a one-to-one communication.

## 10.2.16K /<x>/<x>/Common/OnetoOne/UserList/<x>/Entry/ IPInformation/<x>

**Table 10.2.16K.1: /<x>/<x>/Common/OnetoOne/UserList/<x>/Entry/IPInformation/<x>**

<x>/Common/OnetoOne/UserList/<x>/Entry/IPInformation/<x>

Status	Occurrence	Format	Min. Access Types
Optional	OneOrMore	node	Get, Replace

This interior node is a placeholder for one or more list of IPInformation data that can be used in the setup of an IP Connectivity session for a specific MCData user in a one-to-one communication.



## 10.2.16L /<x>/<x>/Common/OnetoOne/UserList/<x>/Entry/ IPInformation/<x>Entry

**Table 10.2.16L.1: /<x>/<x>/Common/OnetoOne/UserList/<x>/Entry/IPInformation/<x>Entry**

<x>/Common/OnetoOne/UserList/<x>/Entry/IPInformation/<x>Entry

Status	Occurrence	Format	Min. Access Types
Required	One	node	Get, Replace

This interior node is a placeholder for one or more list of IPInformation data that can be used in the setup of an IP Connectivity session for a specific MCDData user in a one-to-one communication.

## 10.2.16M /<x>/<x>/Common/OnetoOne/UserList/<x>/Entry/ IPInformation/<x>Entry/IPv4Information

**Table 10.2.16M.1: /<x>/<x>/Common/OnetoOne/UserList/<x>/Entry/IPInformation/<x>Entry/  
IPv4Information**

<x>/Common/OnetoOne/UserList/<x>/Entry/IPInformation/<x>Entry/IPv4Information

Status	Occurrence	Format	Min. Access Types
Optional	One	chr	Get, Replace

This leaf node indicates an IPv4 host address or an IPv4 network that can be addressed on an IP Connectivity session in a one-to-one communication for a specific MCDData ID.

## 10.2.16N /<x>/<x>/Common/OnetoOne/UserList/<x>/Entry/ IPInformation/<x>Entry/IPv6Information

**Table 10.2.16N.1: /<x>/<x>/Common/OnetoOne/UserList/<x>/Entry/IPInformation/<x>Entry/  
IPv6Information**

<x>/Common/OnetoOne/UserList/<x>/Entry/IPInformation/<x>Entry/IPv6Information

Status	Occurrence	Format	Min. Access Types
Optional	One	chr	Get, Replace

This leaf node indicates an IPv6 host address or an IPv6 network that can be addressed on an IP Connectivity session in a one-to-one communication for a specific MCDData ID.

## 10.2.16O /<x>/<x>/Common/OnetoOne/UserList/<x>/Entry/ IPInformation/<x>Entry/FQDN

**Table 10.2.16O.1: /<x>/<x>/Common/OnetoOne/UserList/<x>/Entry/IPInformation/<x>Entry/FQDN**

<x>/Common/OnetoOne/UserList/<x>/Entry/IPInformation/<x>Entry/FQDN

Status	Occurrence	Format	Min. Access Types
Optional	One	chr	Get, Replace

This leaf node indicates a fully qualified domain name for a specific host or domain that can be addressed on an IP Connectivity session in a one-to-one communication for a specific MCDData ID.

## 10.2.17 /<x>/<x>/Common/FileDistribution

**Table 10.2.17.1: /<x>/<x>/Common/FileDistribution**

<x>/Common/FileDistribution

Status	Occurrence	Format	Min. Access Types
Required	One	node	Get, Replace

This interior node is a placeholder for the MCDData file distribution configuration.

## 10.2.18 /<x>/<x>/Common/FileDistribution/CancelList

**Table 10.2.18.1: /<x>/<x>/Common/FileDistribution/CancelList**

<x>/Common/FileDistribution/CancelList

Status	Occurrence	Format	Min. Access Types
Required	One	node	Get, Replace

This interior node is a placeholder for a list of MCDData user(s) this MCDData user is allowed to cancel distribution of files beings sent or waiting to be sent.

## 10.2.19 /<x>/<x>/Common/FileDistribution/CancelList/<x>

**Table 10.2.19.1: /<x>/<x>/Common/FileDistribution/CancelList/<x>**

<x>/Common/FileDistribution/CancelList/<x>

Status	Occurrence	Format	Min. Access Types
Optional	ZeroOrMore	node	Get, Replace

This interior node is a placeholder for zero or more list of MCDData users this MCDData user is allowed to cancel distribution of files beings sent or waiting to be sent.

## 10.2.20 /<x>/<x>/Common/FileDistribution/CancelList/<x>/Entry

**Table 10.2.20.1: /<x>/<x>/Common/FileDistribution/CancelList/<x>/Entry**

<x>/Common/FileDistribution/CancelList/<x>/Entry

Status	Occurrence	Format	Min. Access Types
Required	One	node	Get, Replace

This interior node is a placeholder for one or more MCDData users this MCDData user is allowed to cancel distribution of files beings sent or waiting to be sent.

## 10.2.21 /<x>/<x>/Common/FileDistribution/CancelList/<x>/Entry/MCDDataID

**Table 10.2.21.1: /<x>/<x>/Common/FileDistribution/CancelList/<x>/Entry/MCDDataID**

<x>/Common/FileDistribution/CancelList/<x>/Entry/MCDDataID

Status	Occurrence	Format	Min. Access Types
Optional	One	chr	Get, Replace

This leaf node indicates an MCDData user identity (MCDData ID) which is a globally unique identifier within the MCDData service that represents the MCDData user.

The value is a "uri" attribute specified in OMA OMA-TS-XDM\_Group-V1\_1 [4].

## 10.2.21A /<x>/<x>/Common/FileDistribution/CancelList/<x>/Entry/MCDataDKMSURI

**Table 10.2.21A.1: /<x>/<x>/Common/FileDistribution/CancelList/<x>/Entry/MCDataDKMSURI**

<x>/Common/FileDistribution/CancelList/<x>/Entry/MCDataDKMSURI

Status	Occurrence	Format	Min. Access Types
Optional	One	chr	Get, Replace

This leaf node indicates key management server URI for the security domain of the MCData user of an MCData user that the configured MCData user is authorised to cancel distribution of files being sent or waiting to be sent.

The value is a URI as specified in 3GPP TS 23.003 [5].

## 10.2.22 /<x>/<x>/Common/FileDistribution/CancelList/<x>/Entry/DisplayName

**Table 10.2.22.1: /<x>/<x>/Common/FileDistribution/CancelList/<x>/Entry/DisplayName**

<x>/Common/FileDistribution/CancelList/<x>/Entry/DisplayName

Status	Occurrence	Format	Min. Access Types
Optional	One	chr	Get, Replace

This leaf node contains a human readable name.

## 10.2.23 /<x>/<x>/Common/TxRxControl

**Table 10.2.23.1: /<x>/<x>/Common/TxRxControl**

<x>/Common/TxRxControl

Status	Occurrence	Format	Min. Access Types
Required	One	node	Get, Replace

This interior node is a placeholder for the MCData transmission and reception control configuration.

## 10.2.24 /<x>/<x>/Common/TxRxControl/AuthorisedTransmit

**Table 10.2.24.1: /<x>/<x>/Common/TxRxControl/AuthorisedTransmit**

<x>/Common/TxRxControl/AuthorisedTransmit

Status	Occurrence	Format	Min. Access Types
Required	One	bool	Get, Replace

This leaf node indicates the authorisation to transmit data.

When set to "true" the MCData user is authorised to transmit data.

When set to "false" the MCData user is not authorised to transmit data.

## 10.2.25 /<x>/<x>/Common/TxRxControl/MaxData1To1

**Table 10.2.25.1: /<x>/<x>/Common/TxRxControl/MaxData1To1**

<x>/Common/TxRxControl/MaxData1To1

Status	Occurrence	Format	Min. Access Types
Required	One	int	Get, Replace

This leaf node indicates the maximum amount of data (in megabytes) that an MCDData user can transmit in a single request during one-to-one communication.

- Values: 0-65535

The MaxData1to1 size is in megabytes.

## 10.2.26 /<x>/<x>/Common/TxRxControl/MaxTime1To1

**Table 10.2.26.1: /<x>/<x>/Common/TxRxControl/MaxTime1To1**

<x>/Common/TxRxControl/MaxTime1To1

Status	Occurrence	Format	Min. Access Types
Required	One	int	Get, Replace

This leaf node indicates the maximum amount of time that an MCDData user can transmit for in a single request during one-to-one communication.

- Values: 0-65535

The MaxTime1To1 time is in seconds.

## 10.2.27 /<x>/<x>/Common/TxRxControl/ReleaseList

**Table 10.2.27.1: /<x>/<x>/Common/TxRxControl/ReleaseList**

<x>/Common/TxRxControl/ReleaseList

Status	Occurrence	Format	Min. Access Types
Required	One	node	Get, Replace

This interior node is a placeholder for a list of MCDData users that this MCDData user is allowed to request release of an ongoing transmission.

## 10.2.28 /<x>/<x>/Common/TxRxControl/ReleaseList/<x>

**Table 10.2.28.1: /<x>/<x>/Common/TxRxControl/ReleaseList/<x>**

<x>/Common/TxRxControl/ReleaseList/<x>

Status	Occurrence	Format	Min. Access Types
Optional	ZeroOrMore	node	Get, Replace

This interior node is a placeholder for zero or more list of MCDData users this MCDData user is allowed to request release of an ongoing transmission.

## 10.2.29 /<x>/<x>/Common/TxRxControl/ReleaseList/<x>/Entry

**Table 10.2.29.1: /<x>/<x>/Common/TxRxControl/ReleaseList/<x>/Entry**

<x>/Common/TxRxControl/ReleaseList/<x>/Entry

Status	Occurrence	Format	Min. Access Types
Required	One	node	Get, Replace

This interior node is a placeholder for one or more MCDData users this MCDData user is allowed to request release of an ongoing transmission.

## 10.2.30 /<x>/<x>/Common/TxRxControl/ReleaseList/<x>/Entry/MCDDataID

**Table 10.2.30.1: /<x>/<x>/Common/TxRxControl/ReleaseList/<x>/Entry/MCDDataID**

<x>/Common/TxRxControl/ReleaseList/<x>/Entry/MCDDataID

Status	Occurrence	Format	Min. Access Types
Optional	One	chr	Get, Replace

This leaf node indicates an MCDData user identity (MCDData ID) which is a globally unique identifier within the MCDData service that represents the MCDData user.

The value is a "uri" attribute specified in OMA OMA-TS-XDM\_Group-V1\_1 [4].

## 10.2.31 /<x>/<x>/Common/TxRxControl/ReleaseList/<x>/Entry/DisplayName

**Table 10.2.31.1: /<x>/<x>/Common/TxRxControl/ReleaseList/<x>/Entry/DisplayName**

<x>/Common/TxRxControl/ReleaseList/<x>/Entry/DisplayName

Status	Occurrence	Format	Min. Access Types
Optional	One	chr	Get, Replace

This leaf node contains a human readable name.

## 10.2.32 /<x>/<x>/Common/MCDDataGroupBroadcast

**Table 10.2.32.1: /<x>/<x>/Common/MCDDataGroupBroadcast**

<x>/Common/MCDDataGroupBroadcast

Status	Occurrence	Format	Min. Access Types
Required	One	node	Get, Replace

This interior node is a placeholder for the group-broadcast group policy.

## 10.2.33 /<x>/<x>/Common/MCDDataGroupBroadcast/Authorised

**Table 10.2.33.1: /<x>/<x>/Common/MCDDataGroupBroadcast/Authorised**

<x>/Common/MCDDataGroupBroadcast/Authorised

Status	Occurrence	Format	Min. Access Types
Required	One	bool	Get, Replace

This leaf node indicates the authorisation to create a group-broadcast group.

When set to "true" the MCDData user is authorised to create a group-broadcast group.

When set to "false" the MCDData user is not authorised to create a group-broadcast group.

### 10.2.34 /<x>/<x>/Common/UserBroadcast

**Table 10.2.34.1: /<x>/<x>/Common/UserBroadcast**

<x>/Common/UserBroadcast

Status	Occurrence	Format	Min. Access Types
Required	One	node	Get, Replace

This interior node is a placeholder for the user-broadcast group policy.

### 10.2.35 /<x>/<x>/Common/UserBroadcast/Authorised

**Table 10.2.35.1: /<x>/<x>/Common/UserBroadcast/Authorised**

<x>/Common/UserBroadcast/Authorised

Status	Occurrence	Format	Min. Access Types
Required	One	bool	Get, Replace

This leaf node indicates the authorisation to create a user-broadcast group.

When set to "true" the MCDData user is authorised to create a user-broadcast group.

When set to "false" the MCDData user is not authorised to create a user-broadcast group.

### 10.2.36 /<x>/<x>/Common/GroupEmergencyAlert

**Table 10.2.36.1: /<x>/<x>/Common/GroupEmergencyAlert**

<x>/Common/GroupEmergencyAlert

Status	Occurrence	Format	Min. Access Types
Required	One	node	Get, Replace

This interior node is a placeholder for Group Emergency Alert configuration.

### 10.2.37 /<x>/<x>/Common/GroupEmergencyAlert/Entry

**Table 10.2.37.1: /<x>/<x>/Common/GroupEmergencyAlert/Entry**

<x>/Common/GroupEmergencyAlert/Entry

Status	Occurrence	Format	Min. Access Types
Required	One	node	Get, Replace

This interior node is a placeholder for the details of the MCDData group of an MCDData emergency alert.

### 10.2.38 /<x>/<x>/Common/GroupEmergencyAlert/Entry/ID

**Table 10.2.38.1: /<x>/<x>/Common/GroupEmergencyAlert/Entry/ID**

<x>/Common/GroupEmergencyAlert/Entry/ID

Status	Occurrence	Format	Min. Access Types
Required	One	chr	Get, Replace

This leaf node indicates the MCDData group used upon certain criteria on initiation of an MCDData emergency alert.

### 10.2.39 /<x>/<x>/Common/GroupEmergencyAlert/Entry/DisplayName

**Table 10.2.39.1: /<x>/<x>/Common/GroupEmergencyAlert/Entry/DisplayName**

<x>/Common/GroupEmergencyAlert/Entry/DisplayName

Status	Occurrence	Format	Min. Access Types
Optional	One	chr	Get, Replace

This leaf node contains a human readable name that corresponds to the ID.

### 10.2.40 /<x>/<x>/Common/GroupEmergencyAlert/Entry/Usage

**Table 10.2.40.1: /<x>/<x>/Common/GroupEmergencyAlert/Entry/Usage**

<x>/Common/GroupEmergencyAlert/Entry/Usage

Status	Occurrence	Format	Min. Access Types
Required	One	chr	Get, Replace

This leaf node indicates the criteria to determine when initiation of an MCDData emergency alert uses the ID.

The valid values are 'UseCurrentlySelectedGroup' and 'DedicatedGroup'.

When set to 'UseCurrentlySelectedGroup' then if the MCDData user has currently selected an MCDData group then use that MCDData group for an on-network MCDData emergency alert, if the MCDData user does not have a currently selected MCDData group then use the MCDData group identified by the ID in clause 10.2.38 for an MCDData emergency alert.

When set to 'DedicatedGroup' then use the MCDData group identified by the ID in clause 10.2.38 for an MCDData emergency alert.

### 10.2.41 /<x>/<x>/Common/AllowedActivateAlert

**Table 10.2.41.1: /<x>/<x>/Common/AllowedActivateAlert**

<x>/Common/AllowedActivateAlert

Status	Occurrence	Format	Min. Access Types
Optional	One	bool	Get, Replace

This leaf node indicates whether the MCDData user is authorised to activate an emergency alert

When set to "true" the MCDData user is authorised to activate an emergency alert.

When set to "false" the MCDData user is not authorised to activate an emergency alert.

## 10.2.42 /<x>/<x>/Common/AllowedCancelAlert

**Table 10.2.42.1: /<x>/<x>/Common/AllowedCancelAlert**

<x>/Common/AllowedCancelAlert

Status	Occurrence	Format	Min. Access Types
Required	One	bool	Get, Replace

This leaf node indicates whether the MCDData user is allowed to cancel an emergency alert.

When set to "true" the MCDData user is authorised to cancel an emergency alert.

When set to "false" the MCDData user is not authorised to cancel an emergency alert.

## 10.2.42A/<x>/<x>/Common/AllowedEmergencyPrivateCall

**Table 10.2.42A.1: /<x>/<x>/Common/AllowedEmergencyPrivateCall**

<x>/Common/AllowedEmergencyPrivateCall

Status	Occurrence	Format	Min. Access Types
Required	One	bool	Get, Replace

This leaf node indicates the authorisation to initiate an MCDData emergency one-to-one communication or to upgrade an MCDData normal priority one-to-one communication to an MCDData emergency one-to-one communication.

When set to "true" the MCDData user is authorised to initiate an MCDData emergency one-to-one communication or to upgrade an MCDData normal priority one-to-one communication to an MCDData emergency one-to-one communication.

When set to "false" the MCDData user is not authorised to initiate an MCDData emergency one-to-one communication or to upgrade an MCDData normal priority one-to-one communication to an MCDData emergency one-to-one communication.

## 10.2.42B/<x>/<x>/Common/AllowedCancelEmergencyPrivateCall

**Table 10.2.42B.1: /<x>/<x>/Common/AllowedCancelEmergencyPrivateCall**

<x>/Common/AllowedCancelEmergencyPrivateCall

Status	Occurrence	Format	Min. Access Types
Required	One	bool	Get, Replace

This leaf node indicates the authorisation to downgrade an MCDData emergency one-to-one communication to a normal priority one-to-one communication (e.g. reduce the priority of the communication).

When set to "true" the MCDData user is authorised to downgrade an MCDData emergency one-to-one communication to a normal priority one-to-one communication.

When set to "false" the MCDData user is not authorised to downgrade an MCDData emergency one-to-one communication to a normal priority one-to-one communication.

## 10.2.43 /<x>/<x>/OnNetwork

**Table 10.2.43.1: /<x>/<x>/OnNetwork**

<x>/OnNetwork

Status	Occurrence	Format	Min. Access Types



Required	ZeroOrOne	node	Get, Replace
----------	-----------	------	--------------

This interior node represents a container for on-network operation.

## 10.2.44 /<x>/<x>/OnNetwork/MCDataGroupList

**Table 10.2.44.1: /<x>/<x>/OnNetwork/MCDataGroupList**

<x>/OnNetwork/MCDataGroupList

Status	Occurrence	Format	Min. Access Types
Required	One	node	Get, Replace

This interior node is a placeholder for the list of on-network MCData groups that the MCData user is allowed to use.

## 10.2.45 /<x>/<x>/OnNetwork/MCDataGroupList/<x>

**Table 10.2.45.1: /<x>/<x>/OnNetwork/MCDataGroupList/<x>**

<x>/OnNetwork/MCDataGroupList/<x>

Status	Occurrence	Format	Min. Access Types
Required	OneOrMore	node	Get, Replace

This interior node is a placeholder for one or more list of on-network MCData groups that the MCData user is allowed to use.

## 10.2.46 /<x>/<x>/OnNetwork/MCDataGroupList/<x>/Entry

**Table 10.2.46.1: /<x>/<x>/OnNetwork/MCDataGroupList/<x>/Entry**

<x>/OnNetwork/MCDataGroupList/<x>/Entry

Status	Occurrence	Format	Min. Access Types
Optional	One	node	Get, Replace

This interior node is a placeholder for the details of the on-network MCData groups that the MCData user is allowed to use.

## 10.2.47 /<x>/<x>/OnNetwork/MCDataGroupList/<x>/Entry/MCDataGroupID

**Table 10.2.47.1: /<x>/<x>/OnNetwork/MCDataGroupList/<x>/Entry/MCDataGroupID**

<x>/OnNetwork/MCDataGroupList/<x>/Entry/MCDataGroupID

Status	Occurrence	Format	Min. Access Types
Required	One	chr	Get, Replace

This leaf node indicates the MCData group ID for the on-network MCData group that the MCData user is allowed to use.

The value is a "uri" attribute specified in OMA OMA-TS-XDM\_Group-V1\_1 [4].

## 10.2.48 /&lt;x&gt;/&lt;x&gt;/OnNetwork/MCDataGroupList/&lt;x&gt;/Entry/DisplayName

**Table 10.2.48.1: /<x>/<x>/OnNetwork/MCDataGroupList/<x>/Entry/DisplayName**

&lt;x&gt;/OnNetwork/MCDataGroupList/&lt;x&gt;/Entry/DisplayName

Status	Occurrence	Format	Min. Access Types
Optional	One	chr	Get, Replace

This leaf node contains a human readable name that corresponds to the MCData Group ID.

## 10.2.49 Void

## 10.2.50 Void

## 10.2.51 /&lt;x&gt;/&lt;x&gt;/OnNetwork/MCDataGroupList/&lt;x&gt;/Entry/GMSServID

**Table 10.2.51.1: /<x>/<x>/OnNetwork/MCDataGroupList/<x>/Entry/GMSServID**

&lt;x&gt;/OnNetwork/MCDataGroupList/&lt;x&gt;/Entry/GMSServID

Status	Occurrence	Format	Min. Access Types
Optional	One	chr	Get, Replace

This leaf node indicates the identity (URI) of the group management server hosting the MCData Group ID.

## 10.2.52 Void

## 10.2.53 Void

10.2.54 /<x>/<x>/OnNetwork/MCDataGroupList/<x>/Entry/  
IdMSTokenEndPoint**Table 10.2.54.1: /<x>/<x>/OnNetwork/MCDataGroupList/<x>/Entry/IdMSTokenEndPoint**

&lt;x&gt;/OnNetwork/MCDataGroupList/&lt;x&gt;/Entry/IdMSTokenEndPoint

Status	Occurrence	Format	Min. Access Types
Optional	One	chr	Get, Replace

This leaf node indicates the identity (URI) of the IDMS token endpoint for the MCData Group ID in the MCDataGroupList. If the value is empty, the IDMS identities (IDMSAuthEndpoint and IDMSTokenEndpoint) present in the MCS UE initial configuration MO are used.

10.2.54A/<x>/<x>/OnNetwork/MCDataGroupList/<x>/Entry/  
GroupKMSURI**Table 10.2.54A.1: /<x>/<x>/OnNetwork/MCDataGroupList/<x>/Entry/GroupKMSURI**

&lt;x&gt;/OnNetwork/MCDataGroupList/&lt;x&gt;/Entry/GroupKMSURI

Status	Occurrence	Format	Min. Access Types
Required	One	chr	Get, Replace

This leaf node indicates key management server URI for the security domain of the MCDData group identity (MCDData Group ID) of the on-network MCDData group

The value is a URI as specified in 3GPP TS 23.003 [5].

### 10.2.55 /<x>/<x>/OnNetwork/MCDDataGroupList/<x>/Entry/RelativePresentationPriority

**Table 10.2.55.1: /<x>/<x>/OnNetwork/MCDDataGroupList/<x>/Entry/RelativePresentationPriority**

<x>/OnNetwork/MCDDataGroupList/<x>/Entry/RelativePresentationPriority

Status	Occurrence	Format	Min. Access Types
Optional	One	int	Get, Replace

This leaf node indicates indicating the presentation priority of the on-network group for the MCDData user relative to other on-network groups and on-network users.

- Values: 0-255

The lowest RelativePresentationPriority value shall be considered as the MCDData group transaction having the lowest priority for presentation among other group MCDData and one-to-one user transactions.

### 10.2.55A/<x>/<x>/OnNetwork/MCDDataGroupList/<x>/Entry/RulesForAffiliation

**Table 10.2.55A.1: /<x>/<x>/OnNetwork/MCDDataGroupList/<x>/Entry/RulesForAffiliation**

<x>/OnNetwork/MCDDataGroupList/<x>/Entry/RulesForAffiliation

Status	Occurrence	Format	Min. Access Types
Optional	ZeroOrOne	node	Get, Replace

This interior node is a placeholder for the rules that control automatic affiliation.

### 10.2.55A0 /<x>/<x>/OnNetwork/MCDDataGroupList/<x>/Entry/RulesForAffiliation/<x>

**Table 10.2.55A0.1: /<x>/<x>/OnNetwork/MCDDataGroupList/<x>/Entry/RulesForAffiliation/<x>**

<x>/OnNetwork/MCDDataGroupList/<x>/Entry/RulesForAffiliation/<x>

Status	Occurrence	Format	Min. Access Types
Optional	ZeroOrMore	node	Get, Replace

This interior node is a placeholder for the rules that control automatic affiliation.

### 10.2.55A1 /<x>/<x>/OnNetwork/MCDDataGroupList/<x>/Entry/RulesForAffiliation/<x>/ListOfLocationCriteria/

**Table 10.2.55A1.1: /<x>/<x>/OnNetwork/MCDDataGroupList/<x>/Entry/RulesForAffiliation/<x>/ListOfLocationCriteria**

<x>/OnNetwork/MCDDataGroupList/<x>/Entry/RulesForAffiliation/<x>/ListOfLocationCriteria

Status	Occurrence	Format	Min. Access Types
Optional	One	node	Get, Replace

Optional	One	node	Get, Replace
----------	-----	------	--------------

This interior node is a placeholder for the location portion of the rules that control automatic affiliation.

10.2.55A2 /<x>/<x>/OnNetwork/MCDataGroupList/<x>/Entry/  
RulesForAffiliation/<x>/ListOfLocationCriteria/<x>

**Table 10.2.55A2.1: /<x>/<x>/OnNetwork/MCDataGroupList/<x>/Entry/RulesForAffiliation/<x>/  
ListOfLocationCriteria/<x>**

<x>/OnNetwork/MCDataGroupList/<x>/Entry/RulesForAffiliation/<x>/ListOfLocationCriteria/<x>

Status	Occurrence	Format	Min. Access Types
Optional	ZeroOrMore	node	Get, Replace

This interior node is a placeholder for the location portion of the rules that control automatic affiliation.

10.2.55A3 /<x>/<x>/OnNetwork/MCDataGroupList/<x>/Entry/  
RulesForAffiliation/<x>/ListOfLocationCriteria/<x>/Entry

**Table 10.2.55A3.1: /<x>/<x>/OnNetwork/MCDataGroupList/<x>/Entry/RulesForAffiliation/<x>/  
ListOfLocationCriteria/<x>/Entry**

<x>/OnNetwork/MCDataGroupList/<x>/Entry/RulesForAffiliation/<x>/ListOfLocationCriteria/<x>/Entry

Status	Occurrence	Format	Min. Access Types
Optional	One	node	Get, Replace

This interior node is a placeholder for the location portion of the rules that control automatic affiliation.

10.2.55A4 /<x>/<x>/OnNetwork/MCDataGroupList/<x>/Entry/  
RulesForAffiliation/<x>/ListOfLocationCriteria/<x>/Entry/  
EnterSpecificArea

**Table 10.2.55A4.1: /<x>/<x>/OnNetwork/MCDataGroupList/<x>/Entry/RulesForAffiliation/<x>/  
ListOfLocationCriteria/<x>/Entry/EnterSpecificArea**

<x>/OnNetwork/MCDataGroupList/<x>/Entry/RulesForAffiliation/<x>/ListOfLocationCriteria/<x>/Entry/EnterSpe  
cificArea

Status	Occurrence	Format	Min. Access Types
Optional	ZeroOrOne	node	Get, Replace

This interior node contains a geographical area which when entered by the MC service UE triggers evaluation of the rules.

### 10.2.55A5 /<x>/<x>/OnNetwork/MCDataGroupList/<x>/Entry/ RulesForAffiliation/<x>/ListOfLocationCriteria/<x>/Entry/ EnterSpecificArea/PolygonArea

**Table 10.2.55A5.1: /<x>/<x>/OnNetwork/MCDataGroupList/<x>/Entry/RulesForAffiliation/<x>/  
ListOfLocationCriteria/<x>/Entry/EnterSpecificArea/PolygonArea**

<x>/OnNetwork/MCDataGroupList/<x>/Entry/RulesForAffiliation/<x>/ListOfLocationCriteria/<x>/Entry/EnterSpe  
cificArea/PolygonArea

Status	Occurrence	Format	Min. Access Types
Optional	ZeroOrOne	node	Get, Replace

This interior node contains a geographical area described by a polygon.

### 10.2.55A6 /<x>/<x>/OnNetwork/MCDataGroupList/<x>/Entry/ RulesForAffiliation/<x>/ListOfLocationCriteria/<x>/Entry/ EnterSpecificArea/PolygonArea/<x>

**Table 10.2.55A6.1: /<x>/<x>/OnNetwork/MCDataGroupList/<x>/Entry/RulesForAffiliation/<x>/  
ListOfLocationCriteria/<x>/Entry/EnterSpecificArea/PolygonArea/<x>**

<x>/OnNetwork/MCDataGroupList/<x>/Entry/RulesForAffiliation/<x>/ListOfLocationCriteria/<x>/Entry/EnterSpe  
cificArea/PolygonArea/<x>

Status	Occurrence	Format	Min. Access Types
Required	OneOrN	node	Get, Replace

This interior node contains the coordinates of the corners which define a polygon. The occurrence of this leaf node is "3 to 15" as per 3GPP TS 23.032 [21].

### 10.2.55A7 /<x>/<x>/OnNetwork/MCDataGroupList/<x>/Entry/ RulesForAffiliation/<x>/ListOfLocationCriteria/<x>/Entry/ EnterSpecificArea/PolygonArea/<x>/PointCoordinateType

**Table 10.2.55A7.1: /<x>/<x>/OnNetwork/MCDataGroupList/<x>/Entry/RulesForAffiliation/<x>/  
ListOfLocationCriteria/<x>/Entry/EnterSpecificArea/PolygonArea/<x>/PointCoordinateType**

<x>/OnNetwork/MCDataGroupList/<x>/Entry/RulesForAffiliation/<x>/ListOfLocationCriteria/<x>/Entry/EnterSpe  
cificArea/PolygonArea/<x>/PointCoordinateType

Status	Occurrence	Format	Min. Access Types
Required	One	node	Get, Replace

This interior node contains the type of the coordinates.

10.2.55A8 /<x>/<x>/OnNetwork/MCDataGroupList/<x>/Entry/  
 RulesForAffiliation/<x>/ListOfLocationCriteria/<x>/Entry/  
 EnterSpecificArea/PolygonArea/<x>/PointCoordinateType/  
 Longitude

**Table 10.2.55A8.1: /<x>/<x>/OnNetwork/MCDataGroupList/<x>/Entry/RulesForAffiliation/<x>/  
 ListOfLocationCriteria/<x>/Entry/EnterSpecificArea/PolygonArea/<x>/PointCoordinateType/  
 Longitude**

<x>/OnNetwork/MCDataGroupList/<x>/Entry/RulesForAffiliation/<x>/ListOfLocationCriteria/<x>/Entry/EnterSpe  
 cificArea/PolygonArea/<x>/PointCoordinateType/Longitude

Status	Occurrence	Format	Min. Access Types
Required	One	int	Get, Replace

This leaf node contains the longitudinal coordinate of a corner.

10.2.55A9 /<x>/<x>/OnNetwork/MCDataGroupList/<x>/Entry/  
 RulesForAffiliation/<x>/ListOfLocationCriteria/<x>/Entry/  
 EnterSpecificArea/PolygonArea/<x>/PointCoordinateType/  
 Latitude

**Table 10.2.55A9.1: /<x>/<x>/OnNetwork/MCDataGroupList/<x>/Entry/RulesForAffiliation/<x>/  
 ListOfLocationCriteria/<x>/Entry/EnterSpecificArea/PolygonArea/<x>/PointCoordinateType/  
 Latitude**

<x>/OnNetwork/MCDataGroupList/<x>/Entry/RulesForAffiliation/<x>/ListOfLocationCriteria/<x>/Entry/EnterSpe  
 cificArea/PolygonArea/<x>/PointCoordinateType/Latitude

Status	Occurrence	Format	Min. Access Types
Required	One	int	Get, Replace

This leaf node contains the latitudinal coordinate of a corner.

10.2.55A10 /<x>/<x>/OnNetwork/MCDataGroupList/<x>/Entry/  
 RulesForAffiliation/<x>/ListOfLocationCriteria/<x>/Entry/  
 EnterSpecificArea/EllipsoidArcArea

**Table 10.2.55A10.1: /<x>/<x>/OnNetwork/MCDataGroupList/<x>/Entry/RulesForAffiliation/<x>/  
 ListOfLocationCriteria/<x>/Entry/EnterSpecificArea/EllipsoidArcArea**

<x>/OnNetwork/MCDataGroupList/<x>/Entry/RulesForAffiliation/<x>/ListOfLocationCriteria/<x>/Entry/EnterSpe  
 cificArea/EllipsoidArcArea

Status	Occurrence	Format	Min. Access Types
Optional	ZeroOrOne	node	Get, Replace

This interior node contains a geographical area described by an ellipsoid arc.

10.2.55A11 /<x>/<x>/OnNetwork/MCDataGroupList/<x>/Entry/  
RulesForAffiliation/<x>/ListOfLocationCriteria/<x>/Entry/  
EnterSpecificArea/EllipsoidArcArea/Center

**Table 10.2.55A11.1: /<x>/<x>/OnNetwork/MCDataGroupList/<x>/Entry/RulesForAffiliation/<x>/  
ListOfLocationCriteria/<x>/Entry/EnterSpecificArea/EllipsoidArcArea/Center**

<x>/OnNetwork/MCDataGroupList/<x>/Entry/RulesForAffiliation/<x>/ListOfLocationCriteria/<x>/Entry/EnterSpe  
cificArea/EllipsoidArcArea/Center

Status	Occurrence	Format	Min. Access Types
Required	One	node	Get, Replace

This interior node contains the coordinates of the center point of the ellipsoid arc.

10.2.55A12 /<x>/<x>/OnNetwork/MCDataGroupList/<x>/Entry/  
RulesForAffiliation/<x>/ListOfLocationCriteria/<x>/Entry/  
EnterSpecificArea/EllipsoidArcArea/Center/PointCoordinateType

**Table 10.2.55A12.1: /<x>/<x>/OnNetwork/MCDataGroupList/<x>/Entry/RulesForAffiliation/<x>/  
ListOfLocationCriteria/<x>/Entry/EnterSpecificArea/EllipsoidArcArea/Center/PointCoordinateType**

<x>/OnNetwork/MCDataGroupList/<x>/Entry/RulesForAffiliation/<x>/ListOfLocationCriteria/<x>/Entry/EnterSpe  
cificArea/EllipsoidArcArea/Center/PointCoordinateType

Status	Occurrence	Format	Min. Access Types
Required	One	node	Get, Replace

This interior node contains the coordinates of the center point of the ellipsoid arc.

10.2.55A13 /<x>/<x>/OnNetwork/MCDataGroupList/<x>/Entry/  
RulesForAffiliation/<x>/ListOfLocationCriteria/<x>/Entry/  
EnterSpecificArea/EllipsoidArcArea/Center/PointCoordinateType/  
Longitude

**Table 10.2.55A13.1: /<x>/<x>/OnNetwork/MCDataGroupList/<x>/Entry/RulesForAffiliation/<x>/  
ListOfLocationCriteria/<x>/Entry/EnterSpecificArea/EllipsoidArcArea/Center/PointCoordinateType/  
Longitude**

<x>/OnNetwork/MCDataGroupList/<x>/Entry/RulesForAffiliation/<x>/ListOfLocationCriteria/<x>/Entry/EnterSpe  
cificArea/EllipsoidArcArea/Center/PointCoordinateType/Longitude

Status	Occurrence	Format	Min. Access Types
Required	One	int	Get, Replace

This leaf node contains the longitudinal coordinate of the center.

10.2.55A14 /<x>/<x>/OnNetwork/MCDataGroupList/<x>/Entry/  
RulesForAffiliation/<x>/ListOfLocationCriteria/<x>/Entry/  
EnterSpecificArea/EllipsoidArcArea/Center/PointCoordinateType/  
Latitude

**Table 10.2.55A14.1: /<x>/<x>/OnNetwork/MCDataGroupList/<x>/Entry/RulesForAffiliation/<x>/  
ListOfLocationCriteria/<x>/Entry/EnterSpecificArea/EllipsoidArcArea/Center/PointCoordinateType/  
Latitude**

<x>/OnNetwork/MCDataGroupList/<x>/Entry/RulesForAffiliation/<x>/ListOfLocationCriteria/<x>/Entry/EnterSpe  
cificArea/EllipsoidArcArea/Center/PointCoordinateType/Latitude

Status	Occurrence	Format	Min. Access Types
Required	One	int	Get, Replace

This leaf node contains the latitudinal coordinate of a center.

10.2.55A15 /<x>/<x>/OnNetwork/MCDataGroupList/<x>/Entry/  
RulesForAffiliation/<x>/ListOfLocationCriteria/<x>/Entry/  
EnterSpecificArea/EllipsoidArcArea/Radius

**Table 10.2.55A15.1: /<x>/<x>/OnNetwork/MCDataGroupList/<x>/Entry/RulesForAffiliation/<x>/  
ListOfLocationCriteria/<x>/Entry/EnterSpecificArea/EllipsoidArcArea/Radius**

<x>/OnNetwork/MCDataGroupList/<x>/Entry/RulesForAffiliation/<x>/ListOfLocationCriteria/<x>/Entry/EnterSpe  
cificArea/EllipsoidArcArea/Center/Radius

Status	Occurrence	Format	Min. Access Types
Required	One	int	Get, Replace

This leaf node contains the radius of the ellipsoid arc.

10.2.55A16 /<x>/<x>/OnNetwork/MCDataGroupList/<x>/Entry/  
RulesForAffiliation/<x>/ListOfLocationCriteria/<x>/Entry/  
EnterSpecificArea/EllipsoidArcArea/OffsetAngle

**Table 10.2.55A16.1: /<x>/<x>/OnNetwork/MCDataGroupList/<x>/Entry/RulesForAffiliation/<x>/  
ListOfLocationCriteria/<x>/Entry/EnterSpecificArea/EllipsoidArcArea/OffsetAngle**

<x>/OnNetwork/MCDataGroupList/<x>/Entry/RulesForAffiliation/<x>/ListOfLocationCriteria/<x>/Entry/EnterSpe  
cificArea/EllipsoidArcArea/OffsetAngle

Status	Occurrence	Format	Min. Access Types
Required	One	int	Get, Replace

This leaf node contains the offset angle of the ellipsoid arc.



### 10.2.55A17 /<x>/<x>/OnNetwork/MCDataGroupList/<x>/Entry/ RulesForAffiliation/<x>/ListOfLocationCriteria/<x>/Entry/ EnterSpecificArea/EllipsoidArcArea/IncludedAngle

**Table 10.2.55A17.1: /<x>/<x>/OnNetwork/MCDataGroupList/<x>/Entry/RulesForAffiliation/<x>/  
ListOfLocationCriteria/<x>/Entry/EnterSpecificArea/EllipsoidArcArea/IncludedAngle**

<x>/OnNetwork/MCDataGroupList/<x>/Entry/RulesForAffiliation/<x>/ListOfLocationCriteria/<x>/Entry/EnterSpe  
cificArea/EllipsoidArcArea/IncludedAngle

Status	Occurrence	Format	Min. Access Types
Required	One	int	Get, Replace

This leaf node contains the included angle of the ellipsoid arc.

### 10.2.55A18 /<x>/<x>/OnNetwork/MCDataGroupList/<x>/Entry/ RulesForAffiliation/<x>/ListOfLocationCriteria/<x>/Entry/ EnterSpecificArea/Speed

**Table 10.2.55A18.1: /<x>/<x>/OnNetwork/MCDataGroupList/<x>/Entry/RulesForAffiliation/<x>/  
ListOfLocationCriteria/<x>/Entry/EnterSpecificArea/Speed**

<x>/OnNetwork/MCDataGroupList/<x>/Entry/RulesForAffiliation/<x>/ListOfLocationCriteria/<x>/Entry/EnterSpe  
cificArea/Speed

Status	Occurrence	Format	Min. Access Types
Optional	One	node	Get, Replace

This interior node contains the speed.

### 10.2.55A19 /<x>/<x>/OnNetwork/MCDataGroupList/<x>/Entry/ RulesForAffiliation/<x>/ListOfLocationCriteria/<x>/Entry/ EnterSpecificArea/Speed/MinimumSpeed

**Table 10.2.55A19.1: /<x>/<x>/OnNetwork/MCDataGroupList/<x>/Entry/RulesForAffiliation/<x>/  
ListOfLocationCriteria/<x>/Entry/EnterSpecificArea/Speed/MinimumSpeed**

<x>/OnNetwork/MCDataGroupList/<x>/Entry/RulesForAffiliation/<x>/ListOfLocationCriteria/<x>/Entry/EnterSpe  
cificArea/Speed/MinimumSpeed

Status	Occurrence	Format	Min. Access Types
Required	One	int	Get, Replace

This leaf node contains the minimum speed.

- Values: non-negative integer in units of kilometers/hour.

10.2.55A20 /<x>/<x>/OnNetwork/MCDataGroupList/<x>/Entry/  
RulesForAffiliation/<x>/ListOfLocationCriteria/<x>/Entry/  
EnterSpecificArea/Speed/MaximumSpeed

**Table 10.2.55A20.1: /<x>/<x>/OnNetwork/MCDataGroupList/<x>/Entry/RulesForAffiliation/<x>/ListOfLocationCriteria/<x>/Entry/EnterSpecificArea/Speed/MaximumSpeed**

<x>/OnNetwork/MCDataGroupList/<x>/Entry/RulesForAffiliation/<x>/ListOfLocationCriteria/<x>/Entry/EnterSpecificArea/Speed/MaximumSpeed

Status	Occurrence	Format	Min. Access Types
Required	One	int	Get, Replace

This leaf node contains the maximum speed.

- Values: non-negative integer in units of kilometers/hour.

10.2.55A21 /<x>/<x>/OnNetwork/MCDataGroupList/<x>/Entry/  
RulesForAffiliation/<x>/ListOfLocationCriteria/<x>/Entry/  
EnterSpecificArea/Heading

**Table 10.2.55A21.1: /<x>/<x>/OnNetwork/MCDataGroupList/<x>/Entry/RulesForAffiliation/<x>/ListOfLocationCriteria/<x>/Entry/EnterSpecificArea/Heading**

<x>/OnNetwork/MCDataGroupList/<x>/Entry/RulesForAffiliation/<x>/ListOfLocationCriteria/<x>/Entry/EnterSpecificArea/Heading

Status	Occurrence	Format	Min. Access Types
Optional	One	node	Get, Replace

This interior node contains the heading.

10.2.55A22 /<x>/<x>/OnNetwork/MCDataGroupList/<x>/Entry/  
RulesForAffiliation/<x>/ListOfLocationCriteria/<x>/Entry/  
EnterSpecificArea/Heading/MinimumHeading

**Table 10.2.55A22.1: /<x>/<x>/OnNetwork/MCDataGroupList/<x>/Entry/RulesForAffiliation/<x>/ListOfLocationCriteria/<x>/Entry/EnterSpecificArea/Heading/MinimumHeading**

<x>/OnNetwork/MCDataGroupList/<x>/Entry/RulesForAffiliation/<x>/ListOfLocationCriteria/<x>/Entry/EnterSpecificArea/Heading/MinimumHeading

Status	Occurrence	Format	Min. Access Types
Required	One	int	Get, Replace

This leaf node contains the minimum heading.

- Values: 0-359

10.2.55A23 /<x>/<x>/OnNetwork/MCDataGroupList/<x>/Entry/  
RulesForAffiliation/<x>/ListOfLocationCriteria/<x>/Entry/  
EnterSpecificArea/Heading/MaximumHeading

**Table 10.2.55A23.1: /<x>/<x>/OnNetwork/MCDataGroupList/<x>/Entry/RulesForAffiliation/<x>/ListOfLocationCriteria/<x>/Entry/EnterSpecificArea/Heading/MaximumHeading**

<x>/OnNetwork/MCDataGroupList/<x>/Entry/RulesForAffiliation/<x>/ListOfLocationCriteria/<x>/Entry/EnterSpecificArea/Heading/MaximumHeading

Status	Occurrence	Format	Min. Access Types
Required	One	int	Get, Replace

This leaf node contains the maximum heading.

- Values: 0-359

10.2.55A24 /<x>/<x>/OnNetwork/MCDataGroupList/<x>/Entry/  
RulesForAffiliation/<x>/ListOfLocationCriteria/<x>/Entry/  
ExitSpecificArea

**Table 10.2.55A24.1: /<x>/<x>/OnNetwork/MCDataGroupList/<x>/Entry/RulesForAffiliation/<x>/ListOfLocationCriteria/<x>/Entry/ExitSpecificArea**

<x>/OnNetwork/MCDataGroupList/<x>/Entry/RulesForAffiliation/<x>/ListOfLocationCriteria/<x>/Entry/ExitSpecificArea

Status	Occurrence	Format	Min. Access Types
Optional	ZeroOrOne	node	Get, Replace

This interior node contains a geographical area which when entered by the MC service UE triggers evaluation of the rules.

10.2.55A25 /<x>/<x>/OnNetwork/MCDataGroupList/<x>/Entry/  
RulesForAffiliation/<x>/ListOfLocationCriteria/<x>/Entry/  
ExitSpecificArea/PolygonArea

**Table 10.2.55A25.1: /<x>/<x>/OnNetwork/MCDataGroupList/<x>/Entry/RulesForAffiliation/<x>/ListOfLocationCriteria/<x>/Entry/ExitSpecificArea/PolygonArea**

<x>/OnNetwork/MCDataGroupList/<x>/Entry/RulesForAffiliation/<x>/ListOfLocationCriteria/<x>/Entry/ExitSpecificArea/PolygonArea

Status	Occurrence	Format	Min. Access Types
Optional	ZeroOrOne	node	Get, Replace

This interior node contains a geographical area described by a polygon.

10.2.55A26 /<x>/<x>/OnNetwork/MCDataGroupList/<x>/Entry/  
RulesForAffiliation/<x>/ListOfLocationCriteria/<x>/Entry/  
ExitSpecificArea/PolygonArea/<x>

**Table 10.2.55A26.1: /<x>/<x>/OnNetwork/MCDataGroupList/<x>/Entry/RulesForAffiliation/<x>/  
ListOfLocationCriteria/<x>/Entry/ExitSpecificArea/PolygonArea/<x>**

<x>/OnNetwork/MCDataGroupList/<x>/Entry/RulesForAffiliation/<x>/ListOfLocationCriteria/<x>/Entry/ExitSpecificArea/PolygonArea/<x>

Status	Occurrence	Format	Min. Access Types
Required	OneOrN	node	Get, Replace

This interior node contains the coordinates of the corners which define a polygon. The occurrence of this leaf node is "3 to 15" as per 3GPP TS 23.032 [21].

10.2.55A27 /<x>/<x>/OnNetwork/MCDataGroupList/<x>/Entry/  
RulesForAffiliation/<x>/ListOfLocationCriteria/<x>/Entry/  
ExitSpecificArea/PolygonArea/<x>/PointCoordinateType

**Table 10.2.55A27.1: /<x>/<x>/OnNetwork/MCDataGroupList/<x>/Entry/RulesForAffiliation/<x>/  
ListOfLocationCriteria/<x>/Entry/ExitSpecificArea/PolygonArea/<x>/PointCoordinateType**

<x>/OnNetwork/MCDataGroupList/<x>/Entry/RulesForAffiliation/<x>/ListOfLocationCriteria/<x>/Entry/ExitSpecificArea/PolygonArea/<x>/PointCoordinateType

Status	Occurrence	Format	Min. Access Types
Required	One	node	Get, Replace

This interior node contains the type of the coordinates.

10.2.55A28 /<x>/<x>/OnNetwork/MCDataGroupList/<x>/Entry/  
RulesForAffiliation/<x>/ListOfLocationCriteria/<x>/Entry/  
ExitSpecificArea/PolygonArea/<x>/PointCoordinateType/  
Longitude

**Table 10.2.55A28.1: /<x>/<x>/OnNetwork/MCDataGroupList/<x>/Entry/RulesForAffiliation/<x>/  
ListOfLocationCriteria/<x>/Entry/ExitSpecificArea/PolygonArea/<x>/PointCoordinateType/  
Longitude**

<x>/OnNetwork/MCDataGroupList/<x>/Entry/RulesForAffiliation/<x>/ListOfLocationCriteria/<x>/Entry/ExitSpecificArea/PolygonArea/<x>/PointCoordinateType/Longitude

Status	Occurrence	Format	Min. Access Types
Required	One	int	Get, Replace

This leaf node contains the longitudinal coordinate of a corner.

### 10.2.55A29 /<x>/<x>/OnNetwork/MCDataGroupList/<x>/Entry/ RulesForAffiliation/<x>/ListOfLocationCriteria/<x>/Entry/ ExitSpecificArea/PolygonArea/<x>/PointCoordinateType/ Latitude

**Table 10.2.55A29.1: /<x>/<x>/OnNetwork/MCDataGroupList/<x>/Entry/RulesForAffiliation/<x>/  
ListOfLocationCriteria/<x>/Entry/ExitSpecificArea/PolygonArea/<x>/PointCoordinateType/Latitude**

<x>/OnNetwork/MCDataGroupList/<x>/Entry/RulesForAffiliation/<x>/ListOfLocationCriteria/<x>/Entry/ExitSpecificArea/PolygonArea/<x>/PointCoordinateType/Latitude

Status	Occurrence	Format	Min. Access Types
Required	One	int	Get, Replace

This leaf node contains the latitudinal coordinate of a corner.

### 10.2.55A30 /<x>/<x>/OnNetwork/MCDataGroupList/<x>/Entry/ RulesForAffiliation/<x>/ListOfLocationCriteria/<x>/Entry/ ExitSpecificArea/EllipsoidArcArea

**Table 10.2.55A30.1: /<x>/<x>/OnNetwork/MCDataGroupList/<x>/Entry/RulesForAffiliation/<x>/  
ListOfLocationCriteria/<x>/Entry/ExitSpecificArea/EllipsoidArcArea**

<x>/OnNetwork/MCDataGroupList/<x>/Entry/RulesForAffiliation/<x>/ListOfLocationCriteria/<x>/Entry/ExitSpecificArea/EllipsoidArcArea

Status	Occurrence	Format	Min. Access Types
Optional	ZeroOrOne	node	Get, Replace

This interior node contains a geographical area described by an ellipsoid arc.

### 10.2.55A31 /<x>/<x>/OnNetwork/MCDataGroupList/<x>/Entry/ RulesForAffiliation/<x>/ListOfLocationCriteria/<x>/Entry/ ExitSpecificArea/EllipsoidArcArea/Center

**Table 10.2.55A31.1: /<x>/<x>/OnNetwork/MCDataGroupList/<x>/Entry/RulesForAffiliation/<x>/  
ListOfLocationCriteria/<x>/Entry/ExitSpecificArea/EllipsoidArcArea/Center**

<x>/OnNetwork/MCDataGroupList/<x>/Entry/RulesForAffiliation/<x>/ListOfLocationCriteria/<x>/Entry/ExitSpecificArea/EllipsoidArcArea/Center

Status	Occurrence	Format	Min. Access Types
Required	One	node	Get, Replace

This interior node contains the coordinates of the center point of the ellipsoid arc.

### 10.2.55A32 /<x>/<x>/OnNetwork/MCDataGroupList/<x>/Entry/ RulesForAffiliation/<x>/ListOfLocationCriteria/<x>/Entry/ ExitSpecificArea/EllipsoidArcArea/Center/PointCoordinateType

**Table 10.2.55A32.1: /<x>/<x>/OnNetwork/MCDataGroupList/<x>/Entry/RulesForAffiliation/<x>/  
ListOfLocationCriteria/<x>/Entry/ExitSpecificArea/EllipsoidArcArea/Center/PointCoordinateType**

<x>/OnNetwork/MCDataGroupList/<x>/Entry/RulesForAffiliation/<x>/ListOfLocationCriteria/<x>/Entry/ExitSpecificArea/EllipsoidArcArea/Center/PointCoordinateType

Status	Occurrence	Format	Min. Access Types
Required	One	node	Get, Replace

This interior node contains the coordinates of the center point of the ellipsoid arc.

### 10.2.55A33 /<x>/<x>/OnNetwork/MCDataGroupList/<x>/Entry/ RulesForAffiliation/<x>/ListOfLocationCriteria/<x>/Entry/ ExitSpecificArea/EllipsoidArcArea/Center/PointCoordinateType/ Longitude

**Table 10.2.55A33.1: /<x>/<x>/OnNetwork/MCDataGroupList/<x>/Entry/RulesForAffiliation/<x>/  
ListOfLocationCriteria/<x>/Entry/ExitSpecificArea/EllipsoidArcArea/Center/PointCoordinateType/  
Longitude**

<x>/OnNetwork/MCDataGroupList/<x>/Entry/RulesForAffiliation/<x>/ListOfLocationCriteria/<x>/Entry/ExitSpecificArea/EllipsoidArcArea/Center/PointCoordinateType/Longitude

Status	Occurrence	Format	Min. Access Types
Required	One	int	Get, Replace

This leaf node contains the longitudinal coordinate of the center.

### 10.2.55A34 /<x>/<x>/OnNetwork/MCDataGroupList/<x>/Entry/ RulesForAffiliation/<x>/ListOfLocationCriteria/<x>/Entry/ ExitSpecificArea/EllipsoidArcArea/Center/PointCoordinateType/ Latitude

**Table 10.2.55A34.1: /<x>/<x>/OnNetwork/MCDataGroupList/<x>/Entry/RulesForAffiliation/<x>/  
ListOfLocationCriteria/<x>/Entry/ExitSpecificArea/EllipsoidArcArea/Center/PointCoordinateType/  
Latitude**

<x>/OnNetwork/MCDataGroupList/<x>/Entry/RulesForAffiliation/<x>/ListOfLocationCriteria/<x>/Entry/ExitSpecificArea/EllipsoidArcArea/Center/PointCoordinateType/Latitude

Status	Occurrence	Format	Min. Access Types
Required	One	int	Get, Replace

This leaf node contains the latitudinal coordinate of a center.

### 10.2.55A35 /<x>/<x>/OnNetwork/MCDataGroupList/<x>/Entry/ RulesForAffiliation/<x>/ListOfLocationCriteria/<x>/Entry/ ExitSpecificArea/EllipsoidArcArea/Radius

**Table 10.2.55A35.1: /<x>/<x>/OnNetwork/MCDataGroupList/<x>/Entry/RulesForAffiliation/<x>/  
ListOfLocationCriteria/<x>/Entry/ExitSpecificArea/EllipsoidArcArea/Radius**

<x>/OnNetwork/MCDataGroupList/<x>/Entry/RulesForAffiliation/<x>/ListOfLocationCriteria/<x>/Entry/ExitSpecificArea/EllipsoidArcArea/Center/Radius

Status	Occurrence	Format	Min. Access Types
Required	One	int	Get, Replace

This leaf node contains the radius of the ellipsoid arc.

### 10.2.55A36 /<x>/<x>/OnNetwork/MCDataGroupList/<x>/Entry/ RulesForAffiliation/<x>/ListOfLocationCriteria/<x>/Entry/ ExitSpecificArea/EllipsoidArcArea/OffsetAngle

**Table 10.2.55A36.1: /<x>/<x>/OnNetwork/MCDataGroupList/<x>/Entry/RulesForAffiliation/<x>/  
ListOfLocationCriteria/<x>/Entry/ExitSpecificArea/EllipsoidArcArea/OffsetAngle**

<x>/OnNetwork/MCDataGroupList/<x>/Entry/RulesForAffiliation/<x>/ListOfLocationCriteria/<x>/Entry/ExitSpecificArea/EllipsoidArcArea/OffsetAngle

Status	Occurrence	Format	Min. Access Types
Required	One	int	Get, Replace

This leaf node contains the offset angle of the ellipsoid arc.

### 10.2.55A37 /<x>/<x>/OnNetwork/MCDataGroupList/<x>/Entry/ RulesForAffiliation/<x>/ListOfLocationCriteria/<x>/Entry/ ExitSpecificArea/EllipsoidArcArea/IncludedAngle

**Table 10.2.55A37.1: /<x>/<x>/OnNetwork/MCDataGroupList/<x>/Entry/RulesForAffiliation/<x>/  
ListOfLocationCriteria/<x>/Entry/ExitSpecificArea/EllipsoidArcArea/IncludedAngle**

<x>/OnNetwork/MCDataGroupList/<x>/Entry/RulesForAffiliation/<x>/ListOfLocationCriteria/<x>/Entry/ExitSpecificArea/EllipsoidArcArea/IncludedAngle

Status	Occurrence	Format	Min. Access Types
Required	One	int	Get, Replace

This leaf node contains the included angle of the ellipsoid arc.

### 10.2.55A38 /<x>/<x>/OnNetwork/MCDataGroupList/<x>/Entry/ RulesForAffiliation/<x>/ListOfLocationCriteria/<x>/Entry/ ExitSpecificArea/Speed

**Table 10.2.55A38.1: /<x>/<x>/OnNetwork/MCDataGroupList/<x>/Entry/RulesForAffiliation/<x>/  
ListOfLocationCriteria/<x>/Entry/ExitSpecificArea/Speed**

<x>/OnNetwork/MCDataGroupList/<x>/Entry/RulesForAffiliation/<x>/ListOfLocationCriteria/<x>/Entry/ExitSpecificArea/Speed

Status	Occurrence	Format	Min. Access Types
Optional	One	node	Get, Replace

This interior node contains the speed.

### 10.2.55A39 /<x>/<x>/OnNetwork/MCDataGroupList/<x>/Entry/ RulesForAffiliation/<x>/ListOfLocationCriteria/<x>/Entry/ ExitSpecificArea/Speed/MinimumSpeed

**Table 10.2.55A39.1: /<x>/<x>/OnNetwork/MCDataGroupList/<x>/Entry/RulesForAffiliation/<x>/  
ListOfLocationCriteria/<x>/Entry/ExitSpecificArea/Speed/MinimumSpeed**

<x>/OnNetwork/MCDataGroupList/<x>/Entry/RulesForAffiliation/<x>/ListOfLocationCriteria/<x>/Entry/ExitSpecificArea/Speed/MinimumSpeed

Status	Occurrence	Format	Min. Access Types

Required	One	int	Get, Replace
----------	-----	-----	--------------

This leaf node contains the minimum speed.

- Values: non-negative integer in units of kilometers/hour.

10.2.55A40 /<x>/<x>/OnNetwork/MCDataGroupList/<x>/Entry/  
RulesForAffiliation/<x>/ListOfLocationCriteria/<x>/Entry/  
ExitSpecificArea/Speed/MaximumSpeed

**Table 10.2.55A40.1: /<x>/<x>/OnNetwork/MCDataGroupList/<x>/Entry/RulesForAffiliation/<x>/  
ListOfLocationCriteria/<x>/Entry/ExitSpecificArea/Speed/MaximumSpeed**

<x>/OnNetwork/MCDataGroupList/<x>/Entry/RulesForAffiliation/<x>/ListOfLocationCriteria/<x>/Entry/ExitSpeci  
ficArea/Speed/MaximumSpeed

Status	Occurrence	Format	Min. Access Types
Required	One	int	Get, Replace

This leaf node contains the maximum speed.

- Values: non-negative integer in units of kilometers/hour.

10.2.55A41 /<x>/<x>/OnNetwork/MCDataGroupList/<x>/Entry/  
RulesForAffiliation/<x>/ListOfLocationCriteria/<x>/Entry/  
ExitSpecificArea/Heading

**Table 5. 10.2.55A41.1: /<x>/<x>/OnNetwork/MCDataGroupList/<x>/Entry/RulesForAffiliation/<x>/  
ListOfLocationCriteria/<x>/Entry/ExitSpecificArea/Heading**

<x>/OnNetwork/MCDataGroupList/<x>/Entry/RulesForAffiliation/<x>/ListOfLocationCriteria/<x>/Entry/ExitSpeci  
ficArea/Heading

Status	Occurrence	Format	Min. Access Types
Optional	One	node	Get, Replace

This interior node contains the heading.

10.2.55A42 /<x>/<x>/OnNetwork/MCDataGroupList/<x>/Entry/  
RulesForAffiliation/<x>/ListOfLocationCriteria/<x>/Entry/  
ExitSpecificArea/Heading/MinimumHeading

**Table 10.2.55A42.1: /<x>/<x>/OnNetwork/MCDataGroupList/<x>/Entry/RulesForAffiliation/<x>/  
ListOfLocationCriteria/<x>/Entry/ExitSpecificArea/Heading/MinimumHeading**

<x>/OnNetwork/MCDataGroupList/<x>/Entry/RulesForAffiliation/<x>/ListOfLocationCriteria/<x>/Entry/ExitSpeci  
ficArea/Heading/MinimumHeading

Status	Occurrence	Format	Min. Access Types
Required	One	int	Get, Replace

This leaf node contains the minimum heading.

- Values: 0-359



10.2.55A43 /<x>/<x>/OnNetwork/MCDataGroupList/<x>/Entry/  
RulesForAffiliation/<x>/ListOfLocationCriteria/<x>/Entry/  
ExitSpecificArea/Heading/MaximumHeading

**Table 10.2.55A43.1: /<x>/<x>/OnNetwork/MCDataGroupList/<x>/Entry/RulesForAffiliation/<x>/  
ListOfLocationCriteria/<x>/Entry/ExitSpecificArea/Heading/MaximumHeading**

<x>/OnNetwork/MCDataGroupList/<x>/Entry/RulesForAffiliation/<x>/ListOfLocationCriteria/<x>/Entry/ExitSpecificArea/Heading/MaximumHeading

Status	Occurrence	Format	Min. Access Types
Required	One	int	Get, Replace

This leaf node contains the maximum heading.

- Values: 0-359

10.2.55A44 /<x>/<x>/OnNetwork/MCDataGroupList/<x>/Entry/  
RulesForAffiliation/<x>/ListOfActiveFunctionalAliases

**Table 10.2.55A44.1: /<x>/<x>/OnNetwork/MCDataGroupList/<x>/Entry/RulesForAffiliation/<x>/  
ListOfActiveFunctionalAliases**

<x>/OnNetwork/MCDataGroupList/<x>/Entry/RulesForAffiliation/<x>/ListOfActiveFunctionalAliases

Status	Occurrence	Format	Min. Access Types
Optional	One	node	Get, Replace

This interior node is a placeholder for the functional alias part of rules that control automatic affiliation.

10.2.55A45 /<x>/<x>/OnNetwork/MCDataGroupList/<x>/Entry/  
RulesForAffiliation/<x>/ListOfActiveFunctionalAliases/<x>

**Table 10.2.55A45.1: /<x>/<x>/OnNetwork/MCDataGroupList/<x>/Entry/RulesForAffiliation/<x>/  
ListOfActiveFunctionalAliases/<x>**

<x>/OnNetwork/MCDataGroupList/<x>/Entry/RulesForAffiliation/<x>/ListOfActiveFunctionalAliases/<x>

Status	Occurrence	Format	Min. Access Types
Optional	OneOrMore	node	Get, Replace

This interior node is a placeholder for the functional alias part of rules that control automatic affiliation.

10.2.55A46 /<x>/<x>/OnNetwork/MCDataGroupList/<x>/Entry/  
RulesForAffiliation/<x>/ListOfActiveFunctionalAliases/<x>/Entry

**Table 10.2.55A46.1: /<x>/<x>/OnNetwork/MCDataGroupList/<x>/Entry/RulesForAffiliation/<x>/  
ListOfActiveFunctionalAliases/<x>/Entry**

<x>/OnNetwork/MCDataGroupList/<x>/Entry/RulesForAffiliation/<x>/ListOfActiveFunctionalAliases/<x>/Entry

Status	Occurrence	Format	Min. Access Types
Optional	One	node	Get, Replace

This interior node is a placeholder for the functional alias part of rules that control automatic affiliation.

## 10.2.55A47 /<x>/<x>/OnNetwork/MCDataGroupList/<x>/Entry/ RulesForAffiliation/<x>/ListOfActiveFunctionalAliases/<x>/ Entry/FunctionalAlias

**Table 10.2.55A47.1: /<x>/<x>/OnNetwork/MCDataGroupList/<x>/Entry/RulesForAffiliation/<x>/  
ListOfActiveFunctionalAliases/<x>/Entry/FunctionalAlias**

<x>/OnNetwork/MCDataGroupList/<x>/Entry/RulesForAffiliation/<x>/ListOfActiveFunctionalAliases/<x>/Entry/  
unctionalAlias

Status	Occurrence	Format	Min. Access Types
Required	One	chr	Get, Replace

This leaf node contains a functional alias.

## 10.2.55B/<x>/<x>/OnNetwork/MCDataGroupList/<x>/Entry/ RulesForDeaffiliation

**Table 10.2.55B.1: /<x>/<x>/OnNetwork/MCDataGroupList/<x>/Entry/RulesForDeaffiliation**

<x>/OnNetwork/MCDataGroupList/<x>/Entry/RulesForDeaffiliation

Status	Occurrence	Format	Min. Access Types
Optional	ZeroOrOne	node	Get, Replace

This interior node is a placeholder for the rules that control automatic deaffiliation.

## 10.2.55B0 /<x>/<x>/OnNetwork/MCDataGroupList/<x>/Entry/ RulesForDeaffiliation/<x>

**Table 10.2.55B0.1: /<x>/<x>/OnNetwork/MCDataGroupList/<x>/Entry/RulesForDeaffiliation/<x>**

<x>/OnNetwork/MCDataGroupList/<x>/Entry/RulesForDeaffiliation/<x>

Status	Occurrence	Format	Min. Access Types
Optional	ZeroOrMore	node	Get, Replace

This interior node is a placeholder for the zero or more rules that control automatic deaffiliation.

## 10.2.55B1 /<x>/<x>/OnNetwork/MCDataGroupList/<x>/Entry/ RulesForDeaffiliation/<x>/ListOfLocationCriteria/

**Table 10.2.55B1.1: /<x>/<x>/OnNetwork/MCDataGroupList/<x>/Entry/RulesForDeaffiliation/<x>/  
ListOfLocationCriteria**

<x>/OnNetwork/MCDataGroupList/<x>/Entry/RulesForDeaffiliation/<x>/ListOfLocationCriteria

Status	Occurrence	Format	Min. Access Types
Optional	One	node	Get, Replace

This interior node is a placeholder for the location portion of the rules that control automatic deaffiliation.

### 10.2.55B2 /<x>/<x>/OnNetwork/MCDataGroupList/<x>/Entry/ RulesForDeaffiliation/<x>/ListOfLocationCriteria/<x>

**Table 10.2.55B2.1: /<x>/<x>/OnNetwork/MCDataGroupList/<x>/Entry/RulesForDeaffiliation/<x>/  
ListOfLocationCriteria/<x>**

<x>/OnNetwork/MCDataGroupList/<x>/Entry/RulesForDeaffiliation/<x>/ListOfLocationCriteria/<x>

Status	Occurrence	Format	Min. Access Types
Optional	ZeroOrMore	node	Get, Replace

This interior node is a placeholder for the location portion of the rules that control automatic deaffiliation.

### 10.2.55B3 /<x>/<x>/OnNetwork/MCDataGroupList/<x>/Entry/ RulesForDeaffiliation/<x>/ListOfLocationCriteria/<x>/Entry

**Table 10.2.55B3.1: /<x>/<x>/OnNetwork/MCDataGroupList/<x>/Entry/RulesForDeaffiliation/<x>/  
ListOfLocationCriteria/<x>/Entry**

<x>/OnNetwork/MCDataGroupList/<x>/Entry/RulesForDeaffiliation/<x>/ListOfLocationCriteria/<x>/Entry

Status	Occurrence	Format	Min. Access Types
Optional	One	node	Get, Replace

This interior node is a placeholder for the location portion of the rules that control automatic deaffiliation.

### 10.2.55B4 /<x>/<x>/OnNetwork/MCDataGroupList/<x>/Entry/ RulesForDeaffiliation/<x>/ListOfLocationCriteria/<x>/Entry/ EnterSpecificArea

**Table 10.2.55B4.1: /<x>/<x>/OnNetwork/MCDataGroupList/<x>/Entry/RulesForDeaffiliation/<x>/  
ListOfLocationCriteria/<x>/Entry/EnterSpecificArea**

<x>/OnNetwork/MCDataGroupList/<x>/Entry/RulesForDeaffiliation/<x>/ListOfLocationCriteria/<x>/Entry/EnterS  
pecificArea

Status	Occurrence	Format	Min. Access Types
Optional	ZeroOrOne	node	Get, Replace

This interior node contains a geographical area which, when entered by the MC service UE triggers evaluation of the rules.

### 10.2.55B5 /<x>/<x>/OnNetwork/MCDataGroupList/<x>/Entry/ RulesForDeaffiliation/<x>/ListOfLocationCriteria/<x>/Entry/ EnterSpecificArea/PolygonArea

**Table 10.2.55B5.1: /<x>/<x>/OnNetwork/MCDataGroupList/<x>/Entry/RulesForDeaffiliation/<x>/  
ListOfLocationCriteria/<x>/Entry/EnterSpecificArea/PolygonArea**

<x>/OnNetwork/MCDataGroupList/<x>/Entry/RulesForDeaffiliation/<x>/ListOfLocationCriteria/<x>/Entry/EnterS  
pecificArea/PolygonArea

Status	Occurrence	Format	Min. Access Types
Optional	ZeroOrOne	node	Get, Replace

This interior node contains a geographical area described by a polygon.

10.2.55B6 /<x>/<x>/OnNetwork/MCDataGroupList/<x>/Entry/  
RulesForDeaffiliation/<x>/ListOfLocationCriteria/<x>/Entry/  
EnterSpecificArea/PolygonArea/<x>

**Table 10.2.55B6.1: /<x>/<x>/OnNetwork/MCDataGroupList/<x>/Entry/RulesForDeaffiliation/<x>/ListOfLocationCriteria/<x>/Entry/EnterSpecificArea/PolygonArea/<x>**

<x>/OnNetwork/MCDataGroupList/<x>/Entry/RulesForDeaffiliation/<x>/ListOfLocationCriteria/<x>/Entry/EnterSpecificArea/PolygonArea/<x>

Status	Occurrence	Format	Min. Access Types
Required	OneOrN	node	Get, Replace

This interior node contains the coordinates of the corners which define a polygon. The occurrence of this leaf node is "3 to 15" as per 3GPP TS 23.032 [21].

10.2.55B7 /<x>/<x>/OnNetwork/MCDataGroupList/<x>/Entry/  
RulesForDeaffiliation/<x>/ListOfLocationCriteria/<x>/Entry/  
EnterSpecificArea/PolygonArea/<x>/PointCoordinateType

**Table 10.2.55B7.1: /<x>/<x>/OnNetwork/MCDataGroupList/<x>/Entry/RulesFordeaffiliation/<x>/ListOfLocationCriteria/<x>/Entry/EnterSpecificArea/PolygonArea/<x>/PointCoordinateType**

<x>/OnNetwork/MCDataGroupList/<x>/Entry/RulesForDeaffiliation/<x>/ListOfLocationCriteria/<x>/Entry/EnterSpecificArea/PolygonArea/<x>/PointCoordinateType

Status	Occurrence	Format	Min. Access Types
Required	One	node	Get, Replace

This interior node contains the type of the coordinates.

10.2.55B8 /<x>/<x>/OnNetwork/MCDataGroupList/<x>/Entry/  
RulesForDeaffiliation/<x>/ListOfLocationCriteria/<x>/Entry/  
EnterSpecificArea/PolygonArea/<x>/PointCoordinateType/  
Longitude

**Table 10.2.55B8.1: /<x>/<x>/OnNetwork/MCDataGroupList/<x>/Entry/RulesForDeaffiliation/<x>/ListOfLocationCriteria/<x>/Entry/EnterSpecificArea/PolygonArea/<x>/PointCoordinateType/Longitude**

<x>/OnNetwork/MCDataGroupList/<x>/Entry/RulesForDeaffiliation/<x>/ListOfLocationCriteria/<x>/Entry/EnterSpecificArea/PolygonArea/<x>/PointCoordinateType/Longitude

Status	Occurrence	Format	Min. Access Types
Required	One	int	Get, Replace

This leaf node contains the longitudinal coordinate of a corner.

10.2.55B9 /<x>/<x>/OnNetwork/MCDataGroupList/<x>/Entry/  
 RulesForDeaffiliation/<x>/ListOfLocationCriteria/<x>/Entry/  
 EnterSpecificArea/PolygonArea/<x>/PointCoordinateType/  
 Latitude

**Table 10.2.55B9.1: /<x>/<x>/OnNetwork/MCDataGroupList/<x>/Entry/RulesForDeaffiliation/<x>/  
 ListOfLocationCriteria/<x>/Entry/EnterSpecificArea/PolygonArea/<x>/PointCoordinateType/  
 Latitude**

<x>/OnNetwork/MCDataGroupList/<x>/Entry/RulesForDeaffiliation/<x>/ListOfLocationCriteria/<x>/Entry/EnterS  
 pecificArea/PolygonArea/<x>/PointCoordinateType/Latitude

Status	Occurrence	Format	Min. Access Types
Required	One	int	Get, Replace

This leaf node contains the latitudinal coordinate of a corner.

10.2.55B10 /<x>/<x>/OnNetwork/MCDataGroupList/<x>/Entry/  
 RulesForDeaffiliation/<x>/ListOfLocationCriteria/<x>/Entry/  
 EnterSpecificArea/EllipsoidArcArea

**Table 10.2.55B10.1: /<x>/<x>/OnNetwork/MCDataGroupList/<x>/Entry/RulesForDeaffiliation/<x>/  
 ListOfLocationCriteria/<x>/Entry/EnterSpecificArea/EllipsoidArcArea**

<x>/OnNetwork/MCDataGroupList/<x>/Entry/RulesForDeaffiliation/<x>/ListOfLocationCriteria/<x>/Entry/EnterS  
 pecificArea/EllipsoidArcArea

Status	Occurrence	Format	Min. Access Types
Optional	ZeroOrOne	node	Get, Replace

This interior node contains a geographical area described by an ellipsoid arc.

10.2.55B11 /<x>/<x>/OnNetwork/MCDataGroupList/<x>/Entry/  
 RulesForDeaffiliation/<x>/ListOfLocationCriteria/<x>/Entry/  
 EnterSpecificArea/EllipsoidArcArea/Center

**Table 10.2.55B11.1: /<x>/<x>/OnNetwork/MCDataGroupList/<x>/Entry/RulesForDeaffiliation/<x>/  
 ListOfLocationCriteria/<x>/Entry/EnterSpecificArea/EllipsoidArcArea/Center**

<x>/OnNetwork/MCDataGroupList/<x>/Entry/RulesForDeaffiliation/<x>/ListOfLocationCriteria/<x>/Entry/EnterS  
 pecificArea/EllipsoidArcArea/Center

Status	Occurrence	Format	Min. Access Types
Required	One	node	Get, Replace

This interior node contains the coordinates of the center point of the ellipsoid arc.

10.2.55B12 /<x>/<x>/OnNetwork/MCDataGroupList/<x>/Entry/  
RulesForDeaffiliation/<x>/ListOfLocationCriteria/<x>/Entry/  
EnterSpecificArea/EllipsoidArcArea/Center/PointCoordinateType

**Table 10.2.55B12.1: /<x>/<x>/OnNetwork/MCDataGroupList/<x>/Entry/RulesForDeaffiliation/<x>/ListOfLocationCriteria/<x>/Entry/EnterSpecificArea/EllipsoidArcArea/Center/PointCoordinateType**

<x>/OnNetwork/MCDataGroupList/<x>/Entry/RulesForDeaffiliation/<x>/ListOfLocationCriteria/<x>/Entry/EnterSpecificArea/EllipsoidArcArea/Center/PointCoordinateType

Status	Occurrence	Format	Min. Access Types
Required	One	node	Get, Replace

This interior node contains the coordinates of the center point of the ellipsoid arc.

10.2.55B13 /<x>/<x>/OnNetwork/MCDataGroupList/<x>/Entry/  
RulesForDeaffiliation/<x>/ListOfLocationCriteria/<x>/Entry/  
EnterSpecificArea/EllipsoidArcArea/Center/PointCoordinateType/  
Longitude

**Table 10.2.55B13.1: /<x>/<x>/OnNetwork/MCDataGroupList/<x>/Entry/RulesForDeaffiliation/<x>/ListOfLocationCriteria/<x>/Entry/EnterSpecificArea/EllipsoidArcArea/Center/PointCoordinateType/Longitude**

<x>/OnNetwork/MCDataGroupList/<x>/Entry/RulesForDeaffiliation/<x>/ListOfLocationCriteria/<x>/Entry/EnterSpecificArea/EllipsoidArcArea/Center/PointCoordinateType/Longitude

Status	Occurrence	Format	Min. Access Types
Required	One	int	Get, Replace

This leaf node contains the longitudinal coordinate of the center.

10.2.55B14 /<x>/<x>/OnNetwork/MCDataGroupList/<x>/Entry/  
RulesForDeaffiliation/<x>/ListOfLocationCriteria/<x>/Entry/  
EnterSpecificArea/EllipsoidArcArea/Center/PointCoordinateType/  
Latitude

**Table 10.2.55B14.1: /<x>/<x>/OnNetwork/MCDataGroupList/<x>/Entry/RulesForDeaffiliation/<x>/ListOfLocationCriteria/<x>/Entry/EnterSpecificArea/EllipsoidArcArea/Center/PointCoordinateType/Latitude**

<x>/OnNetwork/MCDataGroupList/<x>/Entry/RulesForDeaffiliation/<x>/ListOfLocationCriteria/<x>/Entry/EnterSpecificArea/EllipsoidArcArea/Center/PointCoordinateType/Latitude

Status	Occurrence	Format	Min. Access Types
Required	One	int	Get, Replace

This leaf node contains the latitudinal coordinate of a center.

### 10.2.55B15 /<x>/<x>/OnNetwork/MCDataGroupList/<x>/Entry/ RulesForDeaffiliation/<x>/ListOfLocationCriteria/<x>/Entry/ EnterSpecificArea/EllipsoidArcArea/Radius

**Table 10.2.55B15.1: /<x>/<x>/OnNetwork/MCDataGroupList/<x>/Entry/RulesForDeaffiliation/<x>/  
ListOfLocationCriteria/<x>/Entry/EnterSpecificArea/EllipsoidArcArea/Radius**

<x>/OnNetwork/MCDataGroupList/<x>/Entry/RulesForDeaffiliation/<x>/ListOfLocationCriteria/<x>/Entry/EnterS  
pecificArea/EllipsoidArcArea/Center/Radius

Status	Occurrence	Format	Min. Access Types
Required	One	int	Get, Replace

This leaf node contains the radius of the ellipsoid arc.

### 10.2.55B16 /<x>/<x>/OnNetwork/MCDataGroupList/<x>/Entry/ RulesForDeaffiliation/<x>/ListOfLocationCriteria/<x>/Entry/ EnterSpecificArea/EllipsoidArcArea/OffsetAngle

**Table 10.2.55B16.1: /<x>/<x>/OnNetwork/MCDataGroupList/<x>/Entry/RulesForDeaffiliation/<x>/  
ListOfLocationCriteria/<x>/Entry/EnterSpecificArea/EllipsoidArcArea/OffsetAngle**

<x>/OnNetwork/MCDataGroupList/<x>/Entry/RulesForDeaffiliation/<x>/ListOfLocationCriteria/<x>/Entry/EnterS  
pecificArea/EllipsoidArcArea/OffsetAngle

Status	Occurrence	Format	Min. Access Types
Required	One	int	Get, Replace

This leaf node contains the offset angle of the ellipsoid arc.

### 10.2.55B17 /<x>/<x>/OnNetwork/MCDataGroupList/<x>/Entry/ RulesForDeaffiliation/<x>/ListOfLocationCriteria/<x>/Entry/ EnterSpecificArea/EllipsoidArcArea/IncludedAngle

**Table 10.2.55B17.1: /<x>/<x>/OnNetwork/MCDataGroupList/<x>/Entry/RulesForDeaffiliation/<x>/  
ListOfLocationCriteria/<x>/Entry/EnterSpecificArea/EllipsoidArcArea/IncludedAngle**

<x>/OnNetwork/MCDataGroupList/<x>/Entry/RulesForDeaffiliation/<x>/ListOfLocationCriteria/<x>/Entry/EnterS  
pecificArea/EllipsoidArcArea/IncludedAngle

Status	Occurrence	Format	Min. Access Types
Required	One	int	Get, Replace

This leaf node contains the included angle of the ellipsoid arc.

### 10.2.55B18 /<x>/<x>/OnNetwork/MCDataGroupList/<x>/Entry/ RulesForDeaffiliation/<x>/ListOfLocationCriteria/<x>/Entry/ EnterSpecificArea/Speed

**Table 10.2.55B18.1: /<x>/<x>/OnNetwork/MCDataGroupList/<x>/Entry/RulesForDeaffiliation/<x>/  
ListOfLocationCriteria/<x>/Entry/EnterSpecificArea/Speed**

<x>/OnNetwork/MCDataGroupList/<x>/Entry/RulesForDeaffiliation/<x>/ListOfLocationCriteria/<x>/Entry/EnterS  
pecificArea/Speed

Status	Occurrence	Format	Min. Access Types

Optional	One	node	Get, Replace
----------	-----	------	--------------

This interior node contains the speed.

10.2.55B19 /<x>/<x>/OnNetwork/MCDataGroupList/<x>/Entry/  
RulesForDeaffiliation/<x>/ListOfLocationCriteria/<x>/Entry/  
EnterSpecificArea/Speed/MinimumSpeed

**Table 10.2.55B19.1: /<x>/<x>/OnNetwork/MCDataGroupList/<x>/Entry/RulesForDeaffiliation/<x>/  
ListOfLocationCriteria/<x>/Entry/EnterSpecificArea/Speed/MinimumSpeed**

<x>/OnNetwork/MCDataGroupList/<x>/Entry/RulesForDeaffiliation/<x>/ListOfLocationCriteria/<x>/Entry/EnterS  
pecificArea/Speed/MinimumSpeed

Status	Occurrence	Format	Min. Access Types
Required	One	int	Get, Replace

This leaf node contains the minimum speed.

- Values: non-negative integer in units of kilometers/hour.

10.2.55B20 /<x>/<x>/OnNetwork/MCDataGroupList/<x>/Entry/  
RulesForDeaffiliation/<x>/ListOfLocationCriteria/<x>/Entry/  
EnterSpecificArea/Speed/MaximumSpeed

**Table 10.2.55B20.1: /<x>/<x>/OnNetwork/MCDataGroupList/<x>/Entry/RulesForDeaffiliation/<x>/  
ListOfLocationCriteria/<x>/Entry/EnterSpecificArea/Speed/MaximumSpeed**

<x>/OnNetwork/MCDataGroupList/<x>/Entry/RulesForDeaffiliation/<x>/ListOfLocationCriteria/<x>/Entry/EnterS  
pecificArea/Speed/MaximumSpeed

Status	Occurrence	Format	Min. Access Types
Required	One	int	Get, Replace

This leaf node contains the maximum speed.

- Values: non-negative integer in units of kilometers/hour.

10.2.55B21 /<x>/<x>/OnNetwork/MCDataGroupList/<x>/Entry/  
RulesForDeaffiliation/<x>/ListOfLocationCriteria/<x>/Entry/  
EnterSpecificArea/Heading

**Table 10.2.55B21.1: /<x>/<x>/OnNetwork/MCDataGroupList/<x>/Entry/RulesForDeaffiliation/<x>/  
ListOfLocationCriteria/<x>/Entry/EnterSpecificArea/Heading**

<x>/OnNetwork/MCDataGroupList/<x>/Entry/RulesForDeaffiliation/<x>/ListOfLocationCriteria/<x>/Entry/EnterS  
pecificArea/Heading

Status	Occurrence	Format	Min. Access Types
Optional	One	node	Get, Replace

This interior node contains the heading.



10.2.55B22 /<x>/<x>/OnNetwork/MCDataGroupList/<x>/Entry/  
RulesForDeaffiliation/<x>/ListOfLocationCriteria/<x>/Entry/  
EnterSpecificArea/Heading/MinimumHeading

**Table 10.2.55B22.1: /<x>/<x>/OnNetwork/MCDataGroupList/<x>/Entry/RulesForDeaffiliation/<x>/  
ListOfLocationCriteria/<x>/Entry/EnterSpecificArea/Heading/MinimumHeading**

<x>/OnNetwork/MCDataGroupList/<x>/Entry/RulesForDeaffiliation/<x>/ListOfLocationCriteria/<x>/Entry/EnterS  
pecificArea/Heading/MinimumHeading

Status	Occurrence	Format	Min. Access Types
Required	One	int	Get, Replace

This leaf node contains the minimum heading.

- Values: 0-359

10.2.55B23 /<x>/<x>/OnNetwork/MCDataGroupList/<x>/Entry/  
RulesForDeaffiliation/<x>/ListOfLocationCriteria/<x>/Entry/  
EnterSpecificArea/Heading/MaximumHeading

**Table 10.2.55B23.1: /<x>/<x>/OnNetwork/MCDataGroupList/<x>/Entry/RulesForDeaffiliation/<x>/  
ListOfLocationCriteria/<x>/Entry/EnterSpecificArea/Heading/MaximumHeading**

<x>/OnNetwork/MCDataGroupList/<x>/Entry/RulesForDeaffiliation/<x>/ListOfLocationCriteria/<x>/Entry/EnterS  
pecificArea/Heading/Maximum

Status	Occurrence	Format	Min. Access Types
Required	One	int	Get, Replace

This leaf node contains the maximum heading.

- Values: 0-359

10.2.55B24 /<x>/<x>/OnNetwork/MCDataGroupList/<x>/Entry/  
RulesForDeaffiliation/<x>/ListOfLocationCriteria/<x>/Entry/  
ExitSpecificArea

**Table 10.2.55B24.1: /<x>/<x>/OnNetwork/MCDataGroupList/<x>/Entry/RulesForDeaffiliation/<x>/  
ListOfLocationCriteria/<x>/Entry/ExitSpecificArea**

<x>/OnNetwork/MCDataGroupList/<x>/Entry/RulesForDeaffiliation/<x>/ListOfLocationCriteria/<x>/Entry/ExitSp  
ecificArea

Status	Occurrence	Format	Min. Access Types
Optional	ZeroOrOne	node	Get, Replace

This interior node contains a geographical area which when entered by the MC service UE triggers  
evaluation of the rules.

10.2.55B25 /<x>/<x>/OnNetwork/MCDataGroupList/<x>/Entry/  
RulesForDeaffiliation/<x>/ListOfLocationCriteria/<x>/Entry/  
ExitSpecificArea/PolygonArea

**Table 10.2.55B25.1: /<x>/<x>/OnNetwork/MCDataGroupList/<x>/Entry/RulesForDeaffiliation/<x>/ListOfLocationCriteria/<x>/Entry/ExitSpecificArea/PolygonArea**

<x>/OnNetwork/MCDataGroupList/<x>/Entry/RulesForDeaffiliation/<x>/ListOfLocationCriteria/<x>/Entry/ExitSpecificArea/PolygonArea

Status	Occurrence	Format	Min. Access Types
Optional	ZeroOrOne	node	Get, Replace

This interior node contains a geographical area described by a polygon.

10.2.55B26 /<x>/<x>/OnNetwork/MCDataGroupList/<x>/Entry/  
RulesForDeaffiliation/<x>/ListOfLocationCriteria/<x>/Entry/  
ExitSpecificArea/PolygonArea/<x>

**Table 10.2.55B26.1: /<x>/<x>/OnNetwork/MCDataGroupList/<x>/Entry/RulesForDeaffiliation/<x>/ListOfLocationCriteria/<x>/Entry/ExitSpecificArea/PolygonArea/<x>**

<x>/OnNetwork/MCDataGroupList/<x>/Entry/RulesForDeaffiliation/<x>/ListOfLocationCriteria/<x>/Entry/ExitSpecificArea/PolygonArea/<x>

Status	Occurrence	Format	Min. Access Types
Required	OneOrN	node	Get, Replace

This interior node contains the coordinates of the corners which define a polygon. The occurrence of this leaf node is "3 to 15" as per 3GPP TS 23.032 [21].

10.2.55B27 /<x>/<x>/OnNetwork/MCDataGroupList/<x>/Entry/  
RulesForDeaffiliation/<x>/ListOfLocationCriteria/<x>/Entry/  
ExitSpecificArea/PolygonArea/<x>/PointCoordinateType

**Table 10.2.55B27.1: /<x>/<x>/OnNetwork/MCDataGroupList/<x>/Entry/RulesForDeaffiliation/<x>/ListOfLocationCriteria/<x>/Entry/ExitSpecificArea/PolygonArea/<x>/PointCoordinateType**

<x>/OnNetwork/MCDataGroupList/<x>/Entry/RulesForDeaffiliation/<x>/ListOfLocationCriteria/<x>/Entry/ExitSpecificArea/PolygonArea/<x>/PointCoordinateType

Status	Occurrence	Format	Min. Access Types
Required	One	node	Get, Replace

This interior node contains the type of the coordinates.

10.2.55B28 /<x>/<x>/OnNetwork/MCDataGroupList/<x>/Entry/  
RulesForDeaffiliation/<x>/ListOfLocationCriteria/<x>/Entry/  
ExitSpecificArea/PolygonArea/<x>/PointCoordinateType/  
Longitude

**Table 10.2.55B28.1: /<x>/<x>/OnNetwork/MCDataGroupList/<x>/Entry/RulesForDeaffiliation/<x>/  
ListOfLocationCriteria/<x>/Entry/ExitSpecificArea/PolygonArea/<x>/PointCoordinateType/  
Longitude**

<x>/OnNetwork/MCDataGroupList/<x>/Entry/RulesForDeaffiliation/<x>/ListOfLocationCriteria/<x>/Entry/ExitSp  
ecificArea/PolygonArea/<x>/PointCoordinateType/Longitude

Status	Occurrence	Format	Min. Access Types
Required	One	int	Get, Replace

This leaf node contains the longitudinal coordinate of a corner.

10.2.55B29 /<x>/<x>/OnNetwork/MCDataGroupList/<x>/Entry/  
RulesForDeaffiliation/<x>/ListOfLocationCriteria/<x>/Entry/  
ExitSpecificArea/PolygonArea/<x>/PointCoordinateType/  
Latitude

**Table 10.2.55B29.1: /<x>/<x>/OnNetwork/MCDataGroupList/<x>/Entry/RulesForDeaffiliation/<x>/  
ListOfLocationCriteria/<x>/Entry/ExitSpecificArea/PolygonArea/<x>/PointCoordinateType/Latitude**

<x>/OnNetwork/MCDataGroupList/<x>/Entry/RulesForDeaffiliation/<x>/ListOfLocationCriteria/<x>/Entry/ExitSp  
ecificArea/PolygonArea/<x>/PointCoordinateType/Latitude

Status	Occurrence	Format	Min. Access Types
Required	One	int	Get, Replace

This leaf node contains the latitudinal coordinate of a corner.

10.2.55B30 /<x>/<x>/OnNetwork/MCDataGroupList/<x>/Entry/  
RulesForDeaffiliation/<x>/ListOfLocationCriteria/<x>/Entry/  
ExitSpecificArea/EllipsoidArcArea

**Table 10.2.55B30.1: /<x>/<x>/OnNetwork/MCDataGroupList/<x>/Entry/RulesForDeaffiliation/<x>/  
ListOfLocationCriteria/<x>/Entry/ExitSpecificArea/EllipsoidArcArea**

<x>/OnNetwork/MCDataGroupList/<x>/Entry/RulesForDeaffiliation/<x>/ListOfLocationCriteria/<x>/Entry/ExitSp  
ecificArea/EllipsoidArcArea

Status	Occurrence	Format	Min. Access Types
Optional	ZeroOrOne	node	Get, Replace

This interior node contains a geographical area described by an ellipsoid arc.

10.2.55B31 /<x>/<x>/OnNetwork/MCDataGroupList/<x>/Entry/  
RulesForDeaffiliation/<x>/ListOfLocationCriteria/<x>/Entry/  
ExitSpecificArea/EllipsoidArcArea/Center

**Table 10.2.55B31.1: /<x>/<x>/OnNetwork/MCDataGroupList/<x>/Entry/RulesForDeaffiliation/<x>/ListOfLocationCriteria/<x>/Entry/ExitSpecificArea/EllipsoidArcArea/Center**

<x>/OnNetwork/MCDataGroupList/<x>/Entry/RulesForDeaffiliation/<x>/ListOfLocationCriteria/<x>/Entry/ExitSpecificArea/EllipsoidArcArea/Center

Status	Occurrence	Format	Min. Access Types
Required	One	node	Get, Replace

This interior node contains the coordinates of the center point of the ellipsoid arc.

10.2.55B32 /<x>/<x>/OnNetwork/MCDataGroupList/<x>/Entry/  
RulesForDeaffiliation/<x>/ListOfLocationCriteria/<x>/Entry/  
ExitSpecificArea/EllipsoidArcArea/Center/PointCoordinateType

**Table 10.2.55B32.1: /<x>/<x>/OnNetwork/MCDataGroupList/<x>/Entry/RulesForDeaffiliation/<x>/ListOfLocationCriteria/<x>/Entry/ExitSpecificArea/EllipsoidArcArea/Center/PointCoordinateType**

<x>/OnNetwork/MCDataGroupList/<x>/Entry/RulesForDeaffiliation/<x>/ListOfLocationCriteria/<x>/Entry/ExitSpecificArea/EllipsoidArcArea/Center/PointCoordinateType

Status	Occurrence	Format	Min. Access Types
Required	One	node	Get, Replace

This interior node contains the coordinates of the center point of the ellipsoid arc.

10.2.55B33 /<x>/<x>/OnNetwork/MCDataGroupList/<x>/Entry/  
RulesForDeaffiliation/<x>/ListOfLocationCriteria/<x>/Entry/  
ExitSpecificArea/EllipsoidArcArea/Center/PointCoordinateType/  
Longitude

**Table 10.2.55B33.1: /<x>/<x>/OnNetwork/MCDataGroupList/<x>/Entry/RulesForDeaffiliation/<x>/ListOfLocationCriteria/<x>/Entry/ExitSpecificArea/EllipsoidArcArea/Center/PointCoordinateType/Longitude**

<x>/OnNetwork/MCDataGroupList/<x>/Entry/RulesForDeaffiliation/<x>/ListOfLocationCriteria/<x>/Entry/ExitSpecificArea/EllipsoidArcArea/Center/PointCoordinateType/Longitude

Status	Occurrence	Format	Min. Access Types
Required	One	int	Get, Replace

This leaf node contains the longitudinal coordinate of the center.

### 10.2.55B34 /<x>/<x>/OnNetwork/MCDataGroupList/<x>/Entry/ RulesForDeaffiliation/<x>/ListOfLocationCriteria/<x>/Entry/ /ExitSpecificArea/EllipsoidArcArea/Center/PointCoordinateType/ Latitude

**Table 10.2.55B34.1: /<x>/<x>/OnNetwork/MCDataGroupList/<x>/Entry/RulesForDeaffiliation/<x>/  
ListOfLocationCriteria/<x>/Entry/ExitSpecificArea/EllipsoidArcArea/Center/PointCoordinateType/  
Latitude**

<x>/OnNetwork/MCDataGroupList/<x>/Entry/RulesForDeaffiliation/<x>/ListOfLocationCriteria/<x>/Entry/ExitSp  
ecificArea/EllipsoidArcArea/Center/PointCoordinateType/Latitude

Status	Occurrence	Format	Min. Access Types
Required	One	int	Get, Replace

This leaf node contains the latitudinal coordinate of a center.

### 10.2.55B35 /<x>/<x>/OnNetwork/MCDataGroupList/<x>/Entry/ RulesForDeaffiliation/<x>/ListOfLocationCriteria/<x>/Entry/ ExitSpecificArea/EllipsoidArcArea/Radius

**Table 10.2.55B35.1: /<x>/<x>/OnNetwork/MCDataGroupList/<x>/Entry/RulesForDeaffiliation/<x>/  
ListOfLocationCriteria/<x>/Entry/ExitSpecificArea/EllipsoidArcArea/Radius**

<x>/OnNetwork/MCDataGroupList/<x>/Entry/RulesForDeaffiliation/<x>/ListOfLocationCriteria/<x>/Entry/ExitSp  
ecificArea/EllipsoidArcArea/Center/Radius

Status	Occurrence	Format	Min. Access Types
Required	One	int	Get, Replace

This leaf node contains the radius of the ellipsoid arc.

### 10.2.55B36 /<x>/<x>/OnNetwork/MCDataGroupList/<x>/Entry/ RulesForDeaffiliation/<x>/ListOfLocationCriteria/<x>/Entry/ ExitSpecificArea/EllipsoidArcArea/OffsetAngle

**Table 10.2.55B36.1: /<x>/<x>/OnNetwork/MCDataGroupList/<x>/Entry/RulesForDeaffiliation/<x>/  
ListOfLocationCriteria/<x>/Entry/ExitSpecificArea/EllipsoidArcArea/OffsetAngle**

<x>/OnNetwork/MCDataGroupList/<x>/Entry/RulesForDeaffiliation/<x>/ListOfLocationCriteria/<x>/Entry/ExitSp  
ecificArea/EllipsoidArcArea/OffsetAngle

Status	Occurrence	Format	Min. Access Types
Required	One	int	Get, Replace

This leaf node contains the offset angle of the ellipsoid arc.

### 10.2.55B37 /<x>/<x>/OnNetwork/MCDataGroupList/<x>/Entry/ RulesForDeaffiliation/<x>/ListOfLocationCriteria/<x>/Entry/ ExitSpecificArea/EllipsoidArcArea/IncludedAngle

**Table 10.2.55B37.1: /<x>/<x>/OnNetwork/MCDataGroupList/<x>/Entry/RulesForDeaffiliation/<x>/  
ListOfLocationCriteria/<x>/Entry/ExitSpecificArea/EllipsoidArcArea/IncludedAngle**

<x>/OnNetwork/MCDataGroupList/<x>/Entry/RulesForDeaffiliation/<x>/ListOfLocationCriteria/<x>/Entry/ExitSp  
ecificArea/EllipsoidArcArea/IncludedAngle

Status	Occurrence	Format	Min. Access Types
Required	One	int	Get, Replace

This leaf node contains the included angle of the ellipsoid arc.

### 10.2.55B38 /<x>/<x>/OnNetwork/MCDataGroupList/<x>/Entry/ RulesForDeaffiliation/<x>/ListOfLocationCriteria/<x>/Entry/ ExitSpecificArea/Speed

**Table 10.2.55B38.1: /<x>/<x>/OnNetwork/MCDataGroupList/<x>/Entry/RulesForDeaffiliation/<x>/  
ListOfLocationCriteria/<x>/Entry/ExitSpecificArea/Speed**

<x>/OnNetwork/MCDataGroupList/<x>/Entry/RulesForDeaffiliation/<x>/ListOfLocationCriteria/<x>/Entry/ExitSp  
ecificArea/Speed

Status	Occurrence	Format	Min. Access Types
Optional	One	node	Get, Replace

This interior node contains the speed.

### 10.2.55B39 /<x>/<x>/OnNetwork/MCDataGroupList/<x>/Entry/ RulesForDeaffiliation/<x>/ListOfLocationCriteria/<x>/Entry/ ExitSpecificArea/Speed/MinimumSpeed

**Table 10.2.55B39.1: /<x>/<x>/OnNetwork/MCDataGroupList/<x>/Entry/RulesForDeaffiliation/<x>/  
ListOfLocationCriteria/<x>/Entry/ExitSpecificArea/Speed/MinimumSpeed**

<x>/OnNetwork/MCDataGroupList/<x>/Entry/RulesForDeaffiliation/<x>/ListOfLocationCriteria/<x>/Entry/ExitSp  
ecificArea/Speed/MinimumSpeed

Status	Occurrence	Format	Min. Access Types
Required	One	int	Get, Replace

This leaf node contains the minimum speed.

- Values: non-negative integer in units of kilometers/hour.

10.2.55B40 /<x>/<x>/OnNetwork/MCDataGroupList/<x>/Entry/  
RulesForDeaffiliation/<x>/ListOfLocationCriteria/<x>/Entry/  
ExitSpecificArea/Speed/MaximumSpeed

**Table 10.2.55B40.1: /<x>/<x>/OnNetwork/MCDataGroupList/<x>/Entry/RulesForDeaffiliation/<x>/ListOfLocationCriteria/<x>/Entry/ExitSpecificArea/Speed/MaximumSpeed**

<x>/OnNetwork/MCDataGroupList/<x>/Entry/RulesForDeaffiliation/<x>/ListOfLocationCriteria/<x>/Entry/ExitSpecificArea/Speed/MaximumSpeed

Status	Occurrence	Format	Min. Access Types
Required	One	int	Get, Replace

This leaf node contains the maximum speed.

- Values: non-negative integer in units of kilometers/hour.

10.2.55B41 /<x>/<x>/OnNetwork/MCDataGroupList/<x>/Entry/  
RulesForDeaffiliation/<x>/ListOfLocationCriteria/<x>/Entry/  
ExitSpecificArea/Heading

**Table 10.2.55B41.1: /<x>/<x>/OnNetwork/MCDataGroupList/<x>/Entry/RulesForDeaffiliation/<x>/ListOfLocationCriteria/<x>/Entry/ExitSpecificArea/Heading**

<x>/OnNetwork/MCDataGroupList/<x>/Entry/RulesForDeaffiliation/<x>/ListOfLocationCriteria/<x>/Entry/ExitSpecificArea/Heading

Status	Occurrence	Format	Min. Access Types
Optional	One	node	Get, Replace

This interior node contains the heading.

10.2.55B42 /<x>/<x>/OnNetwork/MCDataGroupList/<x>/Entry/  
RulesForDeaffiliation/<x>/ListOfLocationCriteria/<x>/Entry/  
ExitSpecificArea/Heading/MinimumHeading

**Table 10.2.55B42.1: /<x>/<x>/OnNetwork/MCDataGroupList/<x>/Entry/RulesForDeaffiliation/<x>/ListOfLocationCriteria/<x>/Entry/ExitSpecificArea/Heading/MinimumHeading**

<x>/OnNetwork/MCDataGroupList/<x>/Entry/RulesForDeaffiliation/<x>/ListOfLocationCriteria/<x>/Entry/ExitSpecificArea/Heading/MinimumHeading

Status	Occurrence	Format	Min. Access Types
Required	One	int	Get, Replace

This leaf node contains the minimum heading.

- Values: in the range 0-359.

10.2.55B43 /<x>/<x>/OnNetwork/MCDataGroupList/<x>/Entry/  
RulesForDeaffiliation/<x>/ListOfLocationCriteria/<x>/Entry/  
ExitSpecificArea/Heading/MaximumHeading

**Table 10.2.55B43.1: /<x>/<x>/OnNetwork/MCDataGroupList/<x>/Entry/RulesForDeaffiliation/<x>/  
ListOfLocationCriteria/<x>/Entry/ExitSpecificArea/Heading/MaximumHeading**

<x>/OnNetwork/MCDataGroupList/<x>/Entry/RulesForDeaffiliation/<x>/ListOfLocationCriteria/<x>/Entry/ExitSp  
ecificArea/Heading/MaximumHeading

Status	Occurrence	Format	Min. Access Types
Required	One	int	Get, Replace

This leaf node contains the maximum heading.

- Values: 0-359

10.2.55B44 /<x>/<x>/OnNetwork/MCDataGroupList/<x>/Entry/  
RulesForDeaffiliation/<x>/ListOfActiveFunctionalAliases

**Table 10.2.55B44.1: /<x>/<x>/OnNetwork/MCDataGroupList/<x>/Entry/RulesForDeaffiliation/<x>/  
ListOfActiveFunctionalAliases**

<x>/OnNetwork/MCDataGroupList/<x>/Entry/RulesForDeaffiliation/<x>/ListOfActiveFunctionalAliases

Status	Occurrence	Format	Min. Access Types
Optional	One	node	Get, Replace

This interior node is a placeholder for the functional alias part of rules that control automatic deaffiliation.

10.2.55B45 /<x>/<x>/OnNetwork/MCDataGroupList/<x>/Entry/  
RulesForDeaffiliation/<x>/ListOfActiveFunctionalAliases/<x>

**Table 10.2.55B45.1: /<x>/<x>/OnNetwork/MCDataGroupList/<x>/Entry/RulesForDeaffiliation/<x>/  
ListOfActiveFunctionalAliases/<x>**

<x>/OnNetwork/MCDataGroupList/<x>/Entry/RulesForDeaffiliation/<x>/ListOfActiveFunctionalAliases/<x>

Status	Occurrence	Format	Min. Access Types
Optional	OneOrMore	node	Get, Replace

This interior node is a placeholder for the functional alias part of rules that control automatic deaffiliation.

10.2.55B46 /<x>/<x>/OnNetwork/MCDataGroupList/<x>/Entry/  
RulesForDeaffiliation/<x>/ListOfActiveFunctionalAliases/<x>/Entry

**Table 10.2.55B46.1: /<x>/<x>/OnNetwork/MCDataGroupList/<x>/Entry/RulesForDeaffiliation/<x>/  
ListOfActiveFunctionalAliases/<x>/Entry**

<x>/OnNetwork/MCDataGroupList/<x>/Entry/RulesForDeaffiliation/<x>/ListOfActiveFunctionalAliases/<x>/Entry

Status	Occurrence	Format	Min. Access Types
Optional	One	node	Get, Replace

This interior node is a placeholder for the functional alias part of rules that control automatic deaffiliation.



## 10.2.55B47 /<x>/<x>/OnNetwork/MCDataGroupList/<x>/Entry/ RulesForDeaffiliation/<x>/ListOfActiveFunctionalAliases/<x>/Entry/ FunctionalAlias

**Table 10.2.55B47.1: /<x>/<x>/OnNetwork/MCDataGroupList/<x>/Entry/RulesForDeaffiliation/<x>/  
ListOfActiveFunctionalAliases/<x>/Entry/FunctionalAlias**

<x>/OnNetwork/MCDataGroupList/<x>/Entry/RulesForDeaffiliation/<x>/ListOfActiveFunctionalAliases/<x>/Entry/  
FunctionalAlias

Status	Occurrence	Format	Min. Access Types
Required	One	chr	Get, Replace

This leaf node contains a functional alias.

## 10.2.55B48 /<x>/<x>/OnNetwork/MCDataGroupList/<x>/Entry/ ManualDeaffiliationNotAllowedIfAffiliationRulesAreMet

**Table 10.2.55B48.1: /<x>/<x>/OnNetwork/MCDataGroupList/<x>/Entry/  
ManualDeaffiliationNotAllowedIfAffiliationRulesAreMet**

<x>/OnNetwork/MCDataGroupList/<x>/Entry/ManualDeAffiliationNotAllowedIfAffiliationRulesAreMet

Status	Occurrence	Format	Min. Access Types
Optional	ZeroOrOne	bool	Get, Replace

This leaf node indicates whether the MCData user is authorised to deaffiliate if the affiliation criteria are met.

## 10.2.55C /<x>/<x>/OnNetwork/MCDataGroupList/<x>/Entry/ AllowStoreGroupCommInMsgstore

**Table 10.2.55C.1:  
/<x>/<x>/OnNetwork/MCDataGroupList/<x>/Entry/AllowStoreGroupCommInMsgstore**

<x>/OnNetwork/MCDataGroupList/<x>/Entry/AllowStoreGroupCommInMsgstore

Status	Occurrence	Format	Min. Access Types
Optional	ZeroOrOne	bool	Get, Replace

This leaf node indicates whether the MCData user is authorised to request an MCData server to store his/her group communication into message store or not.

When set to "true", the MCData user is authorised to request an MCData server to store this group communication into message store. The group is identified by the MCData Group ID in the same structure of the group entry.

When set to "false", the MCData user is not authorised to request an MCData server to store this group communication into message store. The group is identified by the MCData Group ID in the same structure of the group entry.

## 10.2.56 /<x>/<x>/OnNetwork/ImplicitAffiliations

**Table 10.2.56.1: /<x>/<x>/OnNetwork/ImplicitAffiliations**

<x>/OnNetwork/ImplicitAffiliations

Status	Occurrence	Format	Min. Access Types
Required	One	node	Get, Replace

This interior node is a placeholder for the implicit affiliation configuration.

## 10.2.57 /<x>/<x>/OnNetwork/ImplicitAffiliations/<x>

**Table 10.2.57.1: /<x>/<x>/OnNetwork/ImplicitAffiliations/<x>**

<x>/OnNetwork/ImplicitAffiliations/<x>

Status	Occurrence	Format	Min. Access Types
Required	ZeroOrMore	node	Get, Replace

This interior node is a placeholder for zero or more implicit affiliation configuration.

## 10.2.58 /<x>/<x>/OnNetwork/ImplicitAffiliations/<x>/Entry

**Table 10.2.58.1: /<x>/<x>/OnNetwork/ImplicitAffiliations/<x>/Entry**

<x>/OnNetwork/ImplicitAffiliations/<x>/Entry

Status	Occurrence	Format	Min. Access Types
Optional	One	node	Get, Replace

This interior node is a placeholder for the details of the on-network MCDATA groups that the MCDATA user is implicitly affiliated to.

## 10.2.59 /<x>/<x>/OnNetwork/ImplicitAffiliations/<x>/Entry/MCDATAGroupID

**Table 10.2.59.1: /<x>/<x>/OnNetwork/ImplicitAffiliations/<x>/Entry/MCDATAGroupID**

<x>/OnNetwork/ImplicitAffiliations/<x>/Entry/MCDATAGroupID

Status	Occurrence	Format	Min. Access Types
Required	One	chr	Get, Replace

This leaf node indicates a MCDATA group ID to which the MCDATA user is implicitly affiliated to.

The value is a "uri" attribute specified in OMA OMA-TS-XDM\_Group-V1\_1 [4].

## 10.2.60 /<x>/<x>/OnNetwork/ImplicitAffiliations/<x>/Entry/DisplayName

**Table 10.2.60.1: /<x>/<x>/OnNetwork/ImplicitAffiliations/<x>/Entry/DisplayName**

<x>/OnNetwork/ImplicitAffiliations/<x>/Entry/DisplayName

Status	Occurrence	Format	Min. Access Types
Optional	One	chr	Get, Replace

This leaf node contains a human readable name that corresponds to the MCDATA Group ID.

## 10.2.61 /<x>/<x>/OnNetwork/PresenceStatus

**Table 10.2.61.1: /<x>/<x>/OnNetwork/PresenceStatus**

<x>/OnNetwork/PresenceStatus

Status	Occurrence	Format	Min. Access Types

Required	One	node	Get, Replace
----------	-----	------	--------------

This interior node is a placeholder for the presence status configuration.

## 10.2.62 /<x>/<x>/OnNetwork/PresenceStatus/<x>

**Table 10.2.62.1: /<x>/<x>/OnNetwork/PresenceStatus/<x>**

<x>/OnNetwork/PresenceStatus/<x>

Status	Occurrence	Format	Min. Access Types
Required	ZeroOrMore	node	Get, Replace

This interior node is a placeholder for zero or more presence status configuration.

## 10.2.63 /<x>/<x>/OnNetwork/PresenceStatus/<x>/Entry

**Table 10.2.63.1: /<x>/<x>/OnNetwork/PresenceStatus/<x>/Entry**

<x>/OnNetwork/PresenceStatus/<x>/Entry

Status	Occurrence	Format	Min. Access Types
Optional	One	node	Get, Replace

This interior node is a placeholder for the details of the MCDData IDs of MCDData users that the configured MCDData user is authorised to obtain presence status.

## 10.2.64 /<x>/<x>/OnNetwork/PresenceStatus/<x>/Entry/MCDDataID

**Table 10.2.64.1: /<x>/<x>/OnNetwork/PresenceStatus/<x>/Entry/MCDDataID**

<x>/OnNetwork/PresenceStatus/<x>/Entry/MCDDataID

Status	Occurrence	Format	Min. Access Types
Required	One	chr	Get, Replace

This leaf node indicates an MCDData ID of an MCDData user that the configured MCDData user is authorised to obtain presence status.

The value is a "uri" attribute specified in OMA OMA-TS-XDM\_Group-V1\_1 [4].

## 10.2.65 /<x>/<x>/OnNetwork/PresenceStatus/<x>/Entry/DisplayName

**Table 10.2.65.1: /<x>/<x>/OnNetwork/PresenceStatus/<x>/Entry/DisplayName**

<x>/OnNetwork/PresenceStatus/<x>/Entry/DisplayName

Status	Occurrence	Format	Min. Access Types
Optional	One	chr	Get, Replace

This leaf node contains a human readable name that corresponds to the MCDData ID.

## 10.2.66 /<x>/<x>/OnNetwork/RemoteGroupChange

**Table 10.2.66.1: /<x>/<x>/OnNetwork/RemoteGroupChange**

<x>/OnNetwork/RemoteGroupChange

Status	Occurrence	Format	Min. Access Types
Required	One	node	Get, Replace

This interior node is a placeholder for the remote group change configuration.

## 10.2.67 /<x>/<x>/>/OnNetwork/RemoteGroupChange/<x>

**Table 10.2.67.1: /<x>/<x>/>/OnNetwork/RemoteGroupChange/<x>**

<x>/OnNetwork/RemoteGroupChange/<x>

Status	Occurrence	Format	Min. Access Types
Required	ZeroOrMore	node	Get, Replace

This interior node is a placeholder for zero or more remote group change configuration.

## 10.2.68 /<x>/<x>/OnNetwork/RemoteGroupChange/<x>/Entry

**Table 10.2.68.1: /<x>/<x>/OnNetwork/RemoteGroupChange/<x>/Entry**

<x>/OnNetwork/RemoteGroupChange/<x>/Entry

Status	Occurrence	Format	Min. Access Types
Optional	One	node	Get, Replace

This interior node is a placeholder for the details of the MCDData IDs of MCDData users whose selected groups are authorised to be remotely changed by the configured MCDData user.

## 10.2.69 /<x>/<x>/OnNetwork/RemoteGroupChange/<x>/Entry/MCDDataID

**Table 10.2.69.1: /<x>/<x>/OnNetwork/RemoteGroupChange/<x>/Entry/MCDDataID**

<x>/OnNetwork/RemoteGroupChange/<x>/Entry/MCDDataID

Status	Occurrence	Format	Min. Access Types
Required	One	chr	Get, Replace

This leaf node indicates an MCDData ID of an MCDData user whose selected groups are authorised to be remotely changed by the configured MCDData user.

The value is a "uri" attribute specified in OMA OMA-TS-XDM\_Group-V1\_1 [4].

## 10.2.70 /<x>/<x>/OnNetwork/RemoteGroupChange/<x>/Entry/DisplayName

**Table 10.2.70.1: /<x>/<x>/OnNetwork/RemoteGroupChange/<x>/Entry/DisplayName**

<x>/OnNetwork/RemoteGroupChange/<x>/Entry/DisplayName

Status	Occurrence	Format	Min. Access Types
Optional	One	chr	Get, Replace

This leaf node contains a human readable name that corresponds to the MCDData ID.

## 10.2.71 `<x>/<x>/OnNetwork/MaxAffiliationsN2`

**Table 10.2.71.1: `<x>/<x>/OnNetwork/MaxAffiliationsN2`**

`<x>/OnNetwork/MaxAffiliationsN2`

Status	Occurrence	Format	Min. Access Types
Optional	One	int	Get, Replace

This leaf node indicates the maximum number of MCDData groups that the MCDData user is authorised to affiliate with.

- Values: 0-65535

## 10.2.72 `<x>/<x>/OnNetwork/ConversationManagement`

**Table 10.2.72.1: `<x>/<x>/OnNetwork/ConversationManagement`**

`<x>/OnNetwork/ConversationManagement`

Status	Occurrence	Format	Min. Access Types
Required	One	node	Get, Replace

This interior node is a placeholder for conversation management configuration

## 10.2.73 `<x>/<x>/OnNetwork/ConversationManagement/GroupHangTime`

**Table 10.2.73.1: `<x>/<x>/OnNetwork/ConversationManagement/GroupHangTime`**

`<x>/OnNetwork/ConversationManagement/GroupHangTime`

Status	Occurrence	Format	Min. Access Types
Required	One	node	Get, Replace

This interior node is a placeholder for group hang time configuration

## 10.2.74 `<x>/<x>/OnNetwork/ConversationManagement/GroupHangTime/<x>`

**Table 10.2.74.1: `<x>/<x>/OnNetwork/ConversationManagement/GroupHangTime/<x>`**

`<x>/OnNetwork/ConversationManagement/GroupHangTime/<x>`

Status	Occurrence	Format	Min. Access Types
Required	OneOrMore	node	Get, Replace

This interior node is a placeholder for one or more hang time configurations.

## 10.2.75 `<x>/<x>/OnNetwork/ConversationManagement/GroupHangTime/<x>/Entry`

**Table 10.2.75.1: `<x>/<x>/OnNetwork/ConversationManagement/GroupHangTime/<x>/Entry`**

`<x>/OnNetwork/ConversationManagement/GroupHangTime/<x>/Entry`

Status	Occurrence	Format	Min. Access Types
Optional	One	node	Get, Replace

This interior node is a placeholder for the conversation hang time configuration associated with the configured MCDData group, for the MCDData user.

### 10.2.76 /<x>/<x>/OnNetwork/ConversationManagement/GroupHangTime/<x>/Entry/MCDDataGroupID

**Table 10.2.76.1: /<x>/<x>/OnNetwork/ConversationManagement/GroupHangTime/<x>/Entry/MCDDataGroupID**

<x>/OnNetwork/ConversationManagement/GroupHangTime/<x>/Entry/MCDDataGroupID

Status	Occurrence	Format	Min. Access Types
Required	One	chr	Get, Replace

This leaf node indicates the MCDData group ID for the on-network MCDData group.

The value is a "uri" attribute specified in OMA OMA-TS-XDM\_Group-V1\_1 [4].

### 10.2.77 /<x>/<x>/OnNetwork/ConversationManagement/GroupHangTime/<x>/Entry/DisplayName

**Table 10.2.77.1: /<x>/<x>/OnNetwork/ConversationManagement/GroupHangTime/<x>/Entry/DisplayName**

<x>/OnNetwork/ConversationManagement/GroupHangTime/<x>/Entry/DisplayName

Status	Occurrence	Format	Min. Access Types
Optional	One	chr	Get, Replace

This leaf node contains a human readable name that corresponds to the MCDData Group ID.

### 10.2.78 /<x>/<x>/OnNetwork/ConversationManagement/GroupHangTime/<x>/Entry/HangTime

**Table 10.2.78.1: /<x>/<x>/OnNetwork/ConversationManagement/GroupHangTime/<x>/Entry/HangTime**

<x>/OnNetwork/ConversationManagement/GroupHangTime/<x>/Entry/HangTime

Status	Occurrence	Format	Min. Access Types
Required	One	int	Get, Replace

This leaf node indicates the group call hang timer of the MCDData group for conversation management, for the MCDData user.

- Values: 0-65535

The HangTime is in seconds.

## 10.2.79 /<x>/<x>/OnNetwork/ConversationManagement/DeliveredDisposition

**Table 10.2.79.1: /<x>/<x>/OnNetwork/ConversationManagement/DeliveredDisposition**

<x>/OnNetwork/ConversationManagement/DeliveredDisposition

Status	Occurrence	Format	Min. Access Types
Required	One	node	Get, Replace

This interior node is a placeholder for delivered disposition configuration

## 10.2.80 /<x>/<x>/OnNetwork/ConversationManagement/DeliveredDisposition/<x>

**Table 10.2.80.1: /<x>/<x>/OnNetwork/ConversationManagement/DeliveredDisposition/<x>**

<x>/OnNetwork/ConversationManagement/DeliveredDisposition/<x>

Status	Occurrence	Format	Min. Access Types
Required	ZeroOrMore	node	Get, Replace

This interior node is a placeholder for zero or more delivered disposition configurations.

## 10.2.81 /<x>/<x>/OnNetwork/ConversationManagement/DeliveredDisposition/<x>/Entry

**Table 10.2.81.1: /<x>/<x>/OnNetwork/ConversationManagement/DeliveredDisposition/<x>/Entry**

<x>/OnNetwork/ConversationManagement/DeliveredDisposition/<x>/Entry

Status	Occurrence	Format	Min. Access Types
Optional	One	node	Get, Replace

This interior node is a placeholder for the delivered disposition configuration associated with the MCDData user, indicating an MCDData ID of an MCDData user who is to be sent a message delivered disposition notification in addition to the message sender.

## 10.2.82 /<x>/<x>/OnNetwork/ConversationManagement/DeliveredDisposition/<x>/Entry/MCDDataID

**Table 10.2.82.1: /<x>/<x>/OnNetwork/ConversationManagement/DeliveredDisposition/<x>/Entry/MCDDataID**

<x>/OnNetwork/ConversationManagement/DeliveredDisposition/<x>/Entry/MCDDataID

Status	Occurrence	Format	Min. Access Types
Required	One	chr	Get, Replace

This leaf node indicates the MCDData ID for the on-network MCDData user.

The value is a "uri" attribute specified in OMA OMA-TS-XDM\_Group-V1\_1 [4].

### 10.2.83 /<x>/<x>/OnNetwork/ConversationManagement/DeliveredDisposition/<x>/Entry/DisplayName

**Table 10.2.83.1: /<x>/<x>/OnNetwork/ConversationManagement/DeliveredDisposition/<x>/Entry/DisplayName**

<x>/OnNetwork/ConversationManagement/DeliveredDisposition/<x>/Entry/DisplayName

Status	Occurrence	Format	Min. Access Types
Optional	One	chr	Get, Replace

This leaf node contains a human readable name that corresponds to the MCDData ID.

### 10.2.84 /<x>/<x>/OnNetwork/ConversationManagement/ReadDisposition

**Table 10.2.84.1: /<x>/<x>/OnNetwork/ConversationManagement/ReadDisposition**

<x>/OnNetwork/ConversationManagement/ReadDisposition

Status	Occurrence	Format	Min. Access Types
Required	One	node	Get, Replace

This interior node is a placeholder for read disposition configuration

### 10.2.85 /<x>/<x>/OnNetwork/ConversationManagement/ReadDisposition/<x>

**Table 10.2.85.1: /<x>/<x>/OnNetwork/ConversationManagement/ReadDisposition/<x>**

<x>/OnNetwork/ConversationManagement/ReadDisposition/<x>

Status	Occurrence	Format	Min. Access Types
Required	ZeroOrMore	node	Get, Replace

This interior node is a placeholder for zero or more read disposition configurations.

### 10.2.86 /<x>/<x>/OnNetwork/ConversationManagement/ReadDisposition/<x>/Entry

**Table 10.2.86.1: /<x>/<x>/OnNetwork/ConversationManagement/ReadDisposition/<x>/Entry**

<x>/OnNetwork/ConversationManagement/ReadDisposition/<x>/Entry

Status	Occurrence	Format	Min. Access Types
Optional	One	node	Get, Replace

This interior node is a placeholder for the read disposition configuration associated with the MCDData user, indicating an MCDData ID of an MCDData user who is to be sent a message read disposition notification in addition to the message sender.



## 10.2.87 /<x>/<x>/OnNetwork/ConversationManagement/ReadDisposition/<x>/Entry/MCDataID

**Table 10.2.87.1: /<x>/<x>/OnNetwork/ConversationManagement/ReadDisposition/<x>/Entry/MCDataID**

<x>/OnNetwork/ConversationManagement/ReadDisposition/<x>/Entry/MCDataID

Status	Occurrence	Format	Min. Access Types
Required	One	chr	Get, Replace

This leaf node indicates the MCData ID for the on-network MCData user.

The value is a "uri" attribute specified in OMA OMA-TS-XDM\_Group-V1\_1 [4].

## 10.2.88 /<x>/<x>/OnNetwork/ConversationManagement/ReadDisposition/<x>/Entry/DisplayName

**Table 10.2.88.1:**

**/<x>/<x>/OnNetwork/ConversationManagement/ReadDisposition/<x>/Entry/DisplayName**

<x>/OnNetwork/ConversationManagement/ReadDisposition/<x>/Entry/DisplayName

Status	Occurrence	Format	Min. Access Types
Optional	One	chr	Get, Replace

This leaf node contains a human readable name that corresponds to the MCData ID.

## 10.2.89 /<x>/<x>/OnNetwork/OneToOneEmergencyAlert

**Table 10.2.89.1: /<x>/<x>/OnNetwork/OneToOneEmergencyAlert**

<x>/OnNetwork/OneToOneEmergencyAlert

Status	Occurrence	Format	Min. Access Types
Required	One	node	Get, Replace

This interior node is a placeholder for on-network one-to-one emergency alert configuration.

## 10.2.90 /<x>/<x>/OnNetwork/OneToOneEmergencyAlert/Entry

**Table 10.2.90.1: /<x>/<x>/OnNetwork/OneToOneEmergencyAlert/Entry**

<x>/OnNetwork/OneToOneEmergencyAlert/Entry

Status	Occurrence	Format	Min. Access Types
Required	One	node	Get, Replace

This interior node is a placeholder for the details of the MCData ID of an MCData emergency alert.

## 10.2.91 /<x>/<x>/OnNetwork/OneToOneEmergencyAlert/Entry/ID

**Table 10.2.91.1: /<x>/<x>/OnNetwork/OneToOneEmergencyAlert/Entry/ID**

<x>/OnNetwork/OneToOneEmergencyAlert/Entry/ID

Status	Occurrence	Format	Min. Access Types
Required	One	chr	Get, Replace

This leaf node indicates the MCDData user ID used upon certain criteria on initiation of a one-to-one MCDData emergency alert.

## 10.2.92 /<x>/<x>/OnNetwork/OneToOneEmergencyAlert/Entry/DisplayName

**Table 10.2.92.1: /<x>/<x>/OnNetwork/OneToOneEmergencyAlert/Entry/DisplayName**

<x>/OnNetwork/OneToOneEmergencyAlert/Entry/DisplayName

Status	Occurrence	Format	Min. Access Types
Optional	One	chr	Get, Replace

This leaf node contains a human readable name that corresponds to the ID.

## 10.2.93 /<x>/<x>/OnNetwork/OneToOneEmergencyAlert/Entry/Usage

**Table 10.2.93.1: /<x>/<x>/OnNetwork/OneToOneEmergencyAlert/Entry/Usage**

<x>/OnNetwork/OneToOneEmergencyAlert/Entry/Usage

Status	Occurrence	Format	Min. Access Types
Required	One	chr	Get, Replace

This leaf node indicates the criteria to determine when initiation of an MCDData emergency alert uses the ID.

The valid values are 'LocallyDetermined' and 'UsePreConfigured'.

When set to 'LocallyDetermined' then if the MCDData user selects an MCDData ID then use that MCDData ID for an on-network MCDData emergency alert, if the MCDData user does not select a MCDData ID then use the MCDData ID identified by the ID in clause 10.2.91 for an on-network MCDData emergency alert.

When set to 'UsePreConfigured' then use the ID identified by the ID in clause 10.2.91 for an on-network MCDData emergency alert.

## 10.2.94 /<x>/<x>/OnNetwork/AllowedRegroup

**Table 10.2.94.1: /<x>/<x>/OnNetwork/AllowedRegroup**

<x>/OnNetwork/AllowedRegroup

Status	Occurrence	Format	Min. Access Types
Required	One	bool	Get, Replace

This leaf node indicates whether the MCDData user is authorised to perform dynamic regrouping operations.

When set to "true" the MCDData user is authorised to perform dynamic regrouping operations.

When set to "false" the MCDData user is not authorised to perform dynamic regrouping operations.

## 10.2.95 /<x>/<x>/OnNetwork/AllowedPresenceStatus

**Table 10.2.95.1: /<x>/<x>/OnNetwork/AllowedPresenceStatus**

<x>/OnNetwork/AllowedPresenceStatus

Status	Occurrence	Format	Min. Access Types

Optional	One	bool	Get, Replace
----------	-----	------	--------------

This leaf node indicates the presence status on the network of this MCDData user is available.

When set to "true" the presence status on the network of this MCDData user is available.

When set to "false" the presence status on the network of this MCDData user is not available. This is the default if this leaf node is not present.

## 10.2.96 /<x>/<x>/OnNetwork/AllowedPresence

**Table 10.2.96.1: /<x>/<x>/OnNetwork/AllowedPresence**

<x>/OnNetwork/AllowedPresence

Status	Occurrence	Format	Min. Access Types
Optional	One	bool	Get, Replace

This leaf node indicates whether the MCDData user is authorised to obtain whether a particular MCDData User is present on the network.

When set to "true" the MCDData user is authorised to obtain whether a particular MCDData User is present on the network.

When set to "false" the MCDData user is not authorised to obtain whether a particular MCDData User is present on the network.

## 10.2.97 /<x>/<x>/OnNetwork/AllowedManualSwitch

**Table 10.2.97.1: /<x>/<x>/OnNetwork/AllowedManualSwitch**

<x>/OnNetwork/AllowedManualSwitch

Status	Occurrence	Format	Min. Access Types
Required	One	bool	Get, Replace

This leaf node indicates whether the MCDData user is authorised to manually switch to off-network operation while in on-network operation.

When set to "true" the MCDData user is authorised to manually switch to off-network operation while in on-network operation.

When set to "false" the MCDData user is not authorised to manually switch to off-network operation while in on-network operation.

## 10.2.97A/<x>/<x>/OnNetwork/MCDDataContentServerURI

**Table 10.2.97A.1: /<x>/<x>/OnNetwork/MCDDataContentServerURI**

<x>/OnNetwork/MCDDataContentServerURI

Status	Occurrence	Format	Min. Access Types
Required	One	chr	Get, Replace

This leaf node indicates the absolute URI associated with the media storage function of the MCDData content server.

The value is a URI as specified in 3GPP TS 23.003 [5].

## 10.2.97B /<x>/<x>/OnNetwork/FunctionalAliasList

**Table 10.2.97B.1: /<x>/<x>/OnNetwork/FunctionalAliasList**

<x>/OnNetwork/FunctionalAliasList

Status	Occurrence	Format	Min. Access Types
Required	One	node	Get, Replace

This interior node is a placeholder for the functional alias configuration.

## 10.2.97B1 /<x>/<x>/OnNetwork/FunctionalAliasList/<x>

**Table 10.2.97B1.1: /<x>/<x>/OnNetwork/FunctionalAliasList/<x>**

<x>/OnNetwork/FunctionalAliasList/<x>

Status	Occurrence	Format	Min. Access Types
Required	OneOrMore	node	Get, Replace

This interior node is a placeholder for one or more functional alias configuration elements.

## 10.2.97B2 /<x>/<x>/OnNetwork/FunctionalAliasList/<x>/Entry

**Table 10.2.97B2.1: /<x>/<x>/OnNetwork/FunctionalAliasList/<x>/Entry**

<x>/OnNetwork/FunctionalAliasList/<x>/Entry

Status	Occurrence	Format	Min. Access Types
Optional	One	node	Get, Replace

This interior node is a placeholder for the details of the functional alias.

## 10.2.97B3 /<x>/<x>/OnNetwork/FunctionalAliasList/<x>/Entry/ FunctionalAlias

**Table 10.2.97B3.1: /<x>/<x>/OnNetwork/FunctionalAliasList/<x>/Entry/FunctionalAlias**

<x>/OnNetwork/FunctionalAliasList/<x>/Entry/FunctionalAlias

Status	Occurrence	Format	Min. Access Types
Required	One	chr	Get, Replace

This leaf node indicates a functional alias that can be activated by the MCDATA user.

The value is a "uri" attribute specified in OMA OMA-TS-XDM\_Group-V1\_1 [4].

## 10.2.97B3A /<x>/<x>/OnNetwork/FunctionalAliasList/<x>/ Entry/DisplayName

**Table 10.2.97B3A.1: /<x>/<x>/OnNetwork/FunctionalAliasList/<x>/Entry/DisplayName**

<x>/OnNetwork/FunctionalAliasList/<x>/Entry/DisplayName

Status	Occurrence	Format	Min. Access Types
Optional	One	chr	Get, Replace

This leaf node contains a human readable name that corresponds to a functional alias that can be activated by the MCDData user.

## 10.2.97B3B /<x>/<x>/OnNetwork/FunctionalAliasList/<x>/Entry/ LocationCriteriaForActivation

**Table 10.2.97B3B.1: /<x>/<x>/OnNetwork/FunctionalAliasList/<x>/Entry/LocationCriteriaForActivation**

<x>/OnNetwork/FunctionalAliasList/<x>/Entry/LocationCriteriaForActivation

Status	Occurrence	Format	Min. Access Types
Optional	ZeroOrOne	node	Get, Replace

This interior node contains the location criteria for activation of a functional alias.

## 10.2.97B3B0 /<x>/<x>/OnNetwork/FunctionalAliasList/<x>/Entry/ LocationCriteriaForActivation/<x>

**Table 10.2.97B3B0.1:**

**/<x>/<x>/OnNetwork/FunctionalAliasList/<x>/Entry/LocationCriteriaForActivation/<x>**

<x>/OnNetwork/FunctionalAliasList/<x>/Entry/LocationCriteriaForActivation/<x>

Status	Occurrence	Format	Min. Access Types
Optional	ZeroOrMore	node	Get, Replace

This interior node contains the zero or more location criteria for activation of a functional alias.

## 10.2.97B3B1 /<x>/<x>/OnNetwork/FunctionalAliasList/<x>/Entry/ LocationCriteriaForActivation/<x>/EnterSpecificArea

**Table 10.2.97B3B1.1: /<x>/<x>/OnNetwork/FunctionalAliasList/<x>/Entry/  
LocationCriteriaForActivation/<x>/EnterSpecificArea**

<x>/OnNetwork/FunctionalAliasList/<x>/Entry/LocationCriteriaForActivation/<x>/EnterSpecificArea

Status	Occurrence	Format	Min. Access Types
Optional	ZeroOrOne	node	Get, Replace

This interior node contains a geographical area which when entered by the MC service UE triggers the functional alias activation.

## 10.2.97B3B2 /<x>/<x>/OnNetwork/FunctionalAliasList/<x>/Entry/ LocationCriteriaForActivation/<x>/EnterSpecificArea/ PolygonArea

**Table 10.2.97B3B2.1: /<x>/<x>/OnNetwork/FunctionalAliasList/<x>/Entry/  
LocationCriteriaForActivation/<x>/EnterSpecificArea/PolygonArea**

<x>/OnNetwork/FunctionalAliasList/<x>/Entry/LocationCriteriaForActivation/<x>/EnterSpecificArea/PolygonArea

Status	Occurrence	Format	Min. Access Types
Optional	ZeroOrOne	node	Get, Replace

This interior node contains a geographical area described by a polygon.

### 10.2.97B3B3 /<x>/<x>/OnNetwork/FunctionalAliasList/<x>/Entry/ LocationCriteriaForActivation/<x>/EnterSpecificArea/ PolygonArea/<x>

**Table 10.2.97B3B3.1: /<x>/<x>/OnNetwork/FunctionalAliasList/<x>/Entry/  
LocationCriteriaForActivation/<x>/EnterSpecificArea/PolygonArea/<x>**

<x>/OnNetwork/FunctionalAliasList/<x>/Entry/LocationCriteriaForActivation/<x>/EnterSpecificArea/PolygonArea  
<x>

Status	Occurrence	Format	Min. Access Types
Required	OneOrN	node	Get, Replace

This interior node contains the coordinates of the corners which define a polygon. The occurrence of this leaf node is "3 to 15" as per 3GPP TS 23.032 [21].

### 10.2.97B3B4 /<x>/<x>/OnNetwork/FunctionalAliasList/<x>/Entry/ LocationCriteriaForActivation/<x>/EnterSpecificArea/ PolygonArea/<x>/PointCoordinateType

**Table 10.2.97B3B4.1: /<x>/<x>/OnNetwork/FunctionalAliasList/<x>/Entry/  
LocationCriteriaForActivation/<x>/EnterSpecificArea/PolygonArea/<x>/PointCoordinateType**

<x>/OnNetwork/FunctionalAliasList/<x>/Entry/LocationCriteriaForActivation/<x>/EnterSpecificArea/PolygonArea  
<x>/PointCoordinateType

Status	Occurrence	Format	Min. Access Types
Required	One	node	Get, Replace

This interior node contains the coordinates of the center point of the ellipsoid arc.

### 10.2.97B3B5 /<x>/<x>/OnNetwork/FunctionalAliasList/<x>/Entry/ LocationCriteriaForActivation/<x>/EnterSpecificArea/ PolygonArea/<x>/PointCoordinateType/Longitude

**Table 10.2.97B3B5.1: /<x>/<x>/OnNetwork/FunctionalAliasList/<x>/Entry/  
LocationCriteriaForActivation/<x>/EnterSpecificArea/PolygonArea/<x>/PointCoordinateType/  
Longitude**

<x>/OnNetwork/FunctionalAliasList/<x>/Entry/LocationCriteriaForActivation/<x>/EnterSpecificArea/PolygonArea  
<x>/PointCoordinateType/Longitude

Status	Occurrence	Format	Min. Access Types
Required	One	int	Get, Replace

This leaf node contains the longitudinal coordinate of a corner.

- Values: 0-16777215

## 10.2.97B3B6 /<x>/<x>/OnNetwork/FunctionalAliasList/<x>/Entry/ LocationCriteriaForActivation/<x>/EnterSpecificArea/ PolygonArea/<x>/PointCoordinateType/Latitude

**Table 10.2.97B3B6.1: /<x>/<x>/OnNetwork/FunctionalAliasList/<x>/Entry/  
LocationCriteriaForActivation/<x>/EnterSpecificArea/PolygonArea/<x>/PointCoordinateType/Latitude**

<x>/OnNetwork/FunctionalAliasList/<x>/Entry/LocationCriteriaForActivation/<x>/EnterSpecificArea/PolygonArea  
/<x>/PointCoordinateType/Latitude

Status	Occurrence	Format	Min. Access Types
Required	One	int	Get, Replace

This leaf node contains the latitudinal coordinate of a corner.

- Values: 0-16777215

## 10.2.97B3B7 /<x>/<x>/OnNetwork/FunctionalAliasList/<x>/Entry/ LocationCriteriaForActivation/<x>/EnterSpecificArea/ EllipsoidArcArea

**Table 10.2.97B3B7.1: /<x>/<x>/OnNetwork/FunctionalAliasList/<x>/Entry/  
LocationCriteriaForActivation/<x>/EnterSpecificArea/EllipsoidArcArea**

<x>/OnNetwork/FunctionalAliasList/<x>/Entry/LocationCriteriaForActivation/<x>/EnterSpecificArea/EllipsoidArc

Status	Occurrence	Format	Min. Access Types
Optional	ZeroOrOne	node	Get, Replace

This interior node contains a geographical area described by an ellipsoid arc.

## 10.2.97B3B8 /<x>/<x>/OnNetwork/FunctionalAliasList/<x>/Entry/ LocationCriteriaForActivation/<x>/EnterSpecificArea/ EllipsoidArcArea/Center

**Table 10.2.97B3B8.1: /<x>/<x>/OnNetwork/FunctionalAliasList/<x>/Entry/  
LocationCriteriaForActivation/<x>/EnterSpecificArea/EllipsoidArcArea/Center**

<x>/OnNetwork/FunctionalAliasList/<x>/Entry/LocationCriteriaForActivation/<x>/EnterSpecificArea/EllipsoidArc  
Area/Center

Status	Occurrence	Format	Min. Access Types
Required	One	node	Get, Replace

This interior node contains the coordinates of the center point of the ellipsoid arc.

## 10.2.97B3B9 /<x>/<x>/OnNetwork/FunctionalAliasList/<x>/Entry/ LocationCriteriaForActivation/<x>/EnterSpecificArea/ EllipsoidArcArea/Center/PointCoordinateType

**Table 10.2.97B3B9.1: /<x>/<x>/OnNetwork/FunctionalAliasList/<x>/Entry/  
LocationCriteriaForActivation/<x>/EnterSpecificArea/EllipsoidArcArea/Center/PointCoordinateType**

<x>/OnNetwork/FunctionalAliasList/<x>/Entry/LocationCriteriaForActivation/<x>/EnterSpecificArea/EllipsoidArc  
Area/Center/PointCoordinateType

Status	Occurrence	Format	Min. Access Types
Required	One	node	Get, Replace

This interior node contains the coordinates of the center point of the ellipsoid arc.

### 10.2.97B3B10 /<x>/<x>/OnNetwork/FunctionalAliasList/<x>/Entry/ LocationCriteriaForActivation/<x>/EnterSpecificArea/ EllipsoidArcArea/Center/PointCoordinateType/Longitude

**Table 10.2.97B3B8.1: /<x>/<x>/OnNetwork/FunctionalAliasList/<x>/Entry/  
LocationCriteriaForActivation/<x>/EnterSpecificArea/EllipsoidArcArea/Center/PointCoordinateType/  
Longitude**

<x>/OnNetwork/FunctionalAliasList/<x>/Entry/LocationCriteriaForActivation/<x>/EnterSpecificArea/EllipsoidArc  
Area/Center/PointCoordinateType/Longitude

Status	Occurrence	Format	Min. Access Types
Required	One	int	Get, Replace

This leaf node contains the longitudinal coordinate of the center.

- Values: 0-16777215

### 10.2.97B3B11 /<x>/<x>/OnNetwork/FunctionalAliasList/<x>/Entry/ LocationCriteriaForActivation/<x>/EnterSpecificArea/ EllipsoidArcArea/Center/PointCoordinateType/Latitude

**Table 10.2.97B3B11.1: /<x>/<x>/OnNetwork/FunctionalAliasList/<x>/Entry/  
LocationCriteriaForActivation/<x>/EnterSpecificArea/EllipsoidArcArea/Center/PointCoordinateType/  
Latitude**

<x>/OnNetwork/FunctionalAliasList/<x>/Entry/LocationCriteriaForActivation/<x>/EnterSpecificArea/EllipsoidArc  
Area/Center/PointCoordinateType/Latitude

Status	Occurrence	Format	Min. Access Types
Required	One	int	Get, Replace

This leaf node contains the latitudinal coordinate of the center.

- Values: 0-16777215

### 10.2.97B3B12 /<x>/<x>/OnNetwork/FunctionalAliasList/<x>/Entry/ LocationCriteriaForActivation/<x>/EnterSpecificArea/ EllipsoidArcArea/Radius

**Table 10.2.97B3B12.1: /<x>/<x>/OnNetwork/FunctionalAliasList/<x>/Entry/  
LocationCriteriaForActivation/<x>/EnterSpecificArea/EllipsoidArcArea/Radius**

<x>/OnNetwork/FunctionalAliasList/<x>/Entry/LocationCriteriaForActivation/<x>/EnterSpecificArea/EllipsoidArc  
Area/Radius

Status	Occurrence	Format	Min. Access Types
Required	One	int	Get, Replace

This leaf node contains the radius of the ellipsoid arc.



- Values: non-negative integer

**10.2.97B3B13** /<x>/<x>/OnNetwork/FunctionalAliasList/<x>/Entry/LocationCriteriaForActivation/<x>/EnterSpecificArea/EllipsoidArcArea/OffsetAngle

**Table 10.2.97B3B13.1:** /<x>/<x>/OnNetwork/FunctionalAliasList/<x>/Entry/LocationCriteriaForActivation/<x>/EnterSpecificArea/EllipsoidArcArea/OffsetAngle

<x>/OnNetwork/FunctionalAliasList/<x>/Entry/LocationCriteriaForActivation/<x>/EnterSpecificArea/EllipsoidArcArea/OffsetAngle

Status	Occurrence	Format	Min. Access Types
Required	One	int	Get, Replace

This leaf node contains the offset angle of the ellipsoid arc.

- Values: 0-255

**10.2.97B3B14** /<x>/<x>/OnNetwork/FunctionalAliasList/<x>/Entry/LocationCriteriaForActivation/<x>/EnterSpecificArea/EllipsoidArcArea/IncludedAngle

**Table 10.2.97B3B14.1:** /<x>/<x>/OnNetwork/FunctionalAliasList/<x>/Entry/LocationCriteriaForActivation/<x>/EnterSpecificArea/EllipsoidArcArea/IncludedAngle

<x>/OnNetwork/FunctionalAliasList/<x>/Entry/LocationCriteriaForActivation/<x>/EnterSpecificArea/EllipsoidArcArea/IncludedAngle

Status	Occurrence	Format	Min. Access Types
Required	One	int	Get, Replace

This leaf node contains the included angle of the ellipsoid arc.

- Values: 0-255

**10.2.97B3B15** /<x>/<x>/OnNetwork/FunctionalAliasList/<x>/Entry/LocationCriteriaForActivation/<x>/EnterSpecificArea/Speed

**Table 10.2.97B3B15.1:** /<x>/<x>/OnNetwork/FunctionalAliasList/<x>/Entry/LocationCriteriaForActivation/<x>/EnterSpecificArea/Speed

<x>/OnNetwork/FunctionalAliasList/<x>/Entry/LocationCriteriaForActivation/<x>/EnterSpecificArea/Speed

Status	Occurrence	Format	Min. Access Types
Optional	One	node	Get, Replace

This interior node contains the speed.

## 10.2.97B3B16 /<x>/<x>/OnNetwork/FunctionalAliasList/<x>/Entry/ LocationCriteriaForActivation/<x>/EnterSpecificArea/Speed/ MinimumSpeed

**Table 10.2.97B3B16.1: /<x>/<x>/OnNetwork/FunctionalAliasList/<x>/Entry/  
LocationCriteriaForActivation/<x>/EnterSpecificArea/Speed/MinimumSpeed**

<x>/OnNetwork/FunctionalAliasList/<x>/Entry/LocationCriteriaForActivation/<x>/EnterSpecificArea/Speed/MinimumSpeed

Status	Occurrence	Format	Min. Access Types
Required	One	int	Get, Replace

This leaf node contains the minimum speed.

- Values: non-negative integer in units of kilometers/hour.

## 10.2.97B3B17 /<x>/<x>/OnNetwork/FunctionalAliasList/<x>/Entry/ LocationCriteriaForActivation/<x>/EnterSpecificArea/Speed/ MaximumSpeed

**Table 10.2.97B3B17.1: /<x>/<x>/OnNetwork/FunctionalAliasList/<x>/Entry/  
LocationCriteriaForActivation/<x>/EnterSpecificArea/Speed/MaximumSpeed**

<x>/OnNetwork/FunctionalAliasList/<x>/Entry/LocationCriteriaForActivation/<x>/EnterSpecificArea/Speed/MaximumSpeed

Status	Occurrence	Format	Min. Access Types
Required	One	int	Get, Replace

This leaf node contains the maximum speed.

- Values: non-negative integer in units of kilometers/hour.

## 10.2.97B3B18 /<x>/<x>/OnNetwork/FunctionalAliasList/<x>/Entry/ LocationCriteriaForActivation/<x>/EnterSpecificArea/Heading

**Table 10.2.97B3B18.1: /<x>/<x>/OnNetwork/FunctionalAliasList/<x>/Entry/  
LocationCriteriaForActivation/<x>/EnterSpecificArea/Heading**

<x>/OnNetwork/FunctionalAliasList/<x>/Entry/LocationCriteriaForActivation/<x>/EnterSpecificArea/Heading

Status	Occurrence	Format	Min. Access Types
Optional	One	node	Get, Replace

This interior node contains the heading.

10.2.97B3B19 /<x>/<x>/OnNetwork/FunctionalAliasList/<x>/Entry/LocationCriteriaForActivation/<x>/EnterSpecificArea/Heading/MinimumHeading

**Table 10.2.97B3B19.1: /<x>/<x>/OnNetwork/FunctionalAliasList/<x>/Entry/LocationCriteriaForActivation/<x>/EnterSpecificArea/Heading/MinimumHeading**

<x>/OnNetwork/FunctionalAliasList/<x>/Entry/LocationCriteriaForActivation/<x>/EnterSpecificArea/Heading/MinimumHeading

Status	Occurrence	Format	Min. Access Types
Required	One	int	Get, Replace

This leaf node contains the minimum heading.

- Values: 0-359

10.2.97B3B20 /<x>/<x>/OnNetwork/FunctionalAliasList/<x>/Entry/LocationCriteriaForActivation/<x>/EnterSpecificArea/Heading/MaximumHeading

**Table 10.2.97B3B20.1: /<x>/<x>/OnNetwork/FunctionalAliasList/<x>/Entry/LocationCriteriaForActivation/<x>/EnterSpecificArea/Heading/MaximumHeading**

<x>/OnNetwork/FunctionalAliasList/<x>/Entry/LocationCriteriaForActivation/<x>/EnterSpecificArea/Heading/MaximumHeading

Status	Occurrence	Format	Min. Access Types
Required	One	int	Get, Replace

This leaf node contains the maximum heading.

- Values: 0-359

10.2.97B3B21 /<x>/<x>/OnNetwork/FunctionalAliasList/<x>/Entry/LocationCriteriaForActivation/<x>/ExitSpecificArea

**Table 10.2.97B3B21.1: /<x>/<x>/OnNetwork/FunctionalAliasList/<x>/Entry/LocationCriteriaForActivation/<x>/ExitSpecificArea**

<x>/OnNetwork/FunctionalAliasList/<x>/Entry/LocationCriteriaForActivation/<x>/ExitSpecificArea

Status	Occurrence	Format	Min. Access Types
Optional	ZeroOrOne	node	Get, Replace

This interior node contains a geographical area which when exited by the MC service UE triggers the functional alias activation.

10.2.97B3B22 /<x>/<x>/OnNetwork/FunctionalAliasList/<x>/Entry/LocationCriteriaForActivation/<x>/ExitSpecificArea/PolygonArea

**Table 10.2.97B3B22.1: /<x>/<x>/OnNetwork/FunctionalAliasList/<x>/Entry/LocationCriteriaForActivation/<x>/ExitSpecificArea/PolygonArea**

<x>/OnNetwork/FunctionalAliasList/<x>/Entry/LocationCriteriaForActivation/<x>/ExitSpecificArea/PolygonArea

Status	Occurrence	Format	Min. Access Types
Optional	ZeroOrOne	node	Get, Replace

This interior node contains a geographical area described by a polygon.

10.2.97B3B23 /<x>/<x>/OnNetwork/FunctionalAliasList/<x>/Entry/LocationCriteriaForActivation/<x>/ExitSpecificArea/PolygonArea/<x>

**Table 10.2.97B3B23.1: /<x>/<x>/OnNetwork/FunctionalAliasList/<x>/Entry/LocationCriteriaForActivation/<x>/ExitSpecificArea/PolygonArea/<x>**

<x>/OnNetwork/FunctionalAliasList/<x>/Entry/LocationCriteriaForActivation/<x>/ExitSpecificArea/PolygonArea/<x>

Status	Occurrence	Format	Min. Access Types
Required	OneOrN	node	Get, Replace

This interior node contains the coordinates of the corners which define a polygon. The occurrence of this leaf node is "3 to 15" as per 3GPP TS 23.032 [21].

10.2.97B3B24 /<x>/<x>/OnNetwork/FunctionalAliasList/<x>/Entry/LocationCriteriaForActivation/<x>/ExitSpecificArea/PolygonArea/<x>/PointCoordinateType

**Table 10.2.97B3B24.1: /<x>/<x>/OnNetwork/FunctionalAliasList/<x>/Entry/LocationCriteriaForActivation/<x>/ExitSpecificArea/PolygonArea/<x>/PointCoordinateType**

<x>/OnNetwork/FunctionalAliasList/<x>/Entry/LocationCriteriaForActivation/<x>/ExitSpecificArea/PolygonArea/<x>/PointCoordinateType

Status	Occurrence	Format	Min. Access Types
Required	One	node	Get, Replace

This interior node contains the type of the coordinates.

10.2.97B3B25 /<x>/<x>/OnNetwork/FunctionalAliasList/<x>/Entry/LocationCriteriaForActivation/<x>/ExitSpecificArea/PolygonArea/<x>/PointCoordinateType/Longitude

**Table 10.2.97B3B25.1: /<x>/<x>/OnNetwork/FunctionalAliasList/<x>/Entry/LocationCriteriaForActivation/<x>/ExitSpecificArea/PolygonArea/<x>/PointCoordinateType/Longitude**

<x>/OnNetwork/FunctionalAliasList/<x>/Entry/LocationCriteriaForActivation/<x>/ExitSpecificArea/PolygonArea/<x>/PointCoordinateType/Longitude

Status	Occurrence	Format	Min. Access Types
Required	One	int	Get, Replace

This leaf node contains the longitudinal coordinate of a corner.

- Values: 0-16777215

### 10.2.97B3B26 /<x>/<x>/OnNetwork/FunctionalAliasList/<x>/Entry/ LocationCriteriaForActivation/<x>/ExitSpecificArea/ PolygonArea/<x>/PointCoordinateType/Latitude

**Table 10.2.97B3B26.1: /<x>/<x>/OnNetwork/FunctionalAliasList/<x>/Entry/  
LocationCriteriaForActivation/<x>/ExitSpecificArea/PolygonArea/<x>/PointCoordinateType/Latitude**

<x>/OnNetwork/FunctionalAliasList/<x>/Entry/LocationCriteriaForActivation/<x>/ExitSpecificArea/PolygonArea/  
<x>/PointCoordinateType/Latitude

Status	Occurrence	Format	Min. Access Types
Required	One	int	Get, Replace

This leaf node contains the latitudinal coordinate of a corner.

- Values: 0-16777215

### 10.2.97B3B27 /<x>/<x>/OnNetwork/FunctionalAliasList/<x>/Entry/ LocationCriteriaForActivation/<x>/ExitSpecificArea/ EllipsoidArcArea

**Table 10.2.97B3B27.1: /<x>/<x>/OnNetwork/FunctionalAliasList/<x>/Entry/  
LocationCriteriaForActivation/<x>/ExitSpecificArea/EllipsoidArcArea**

<x>/OnNetwork/FunctionalAliasList/<x>/Entry/LocationCriteriaForActivation/<x>/ExitSpecificArea/EllipsoidArcA

Status	Occurrence	Format	Min. Access Types
Optional	ZeroOrOne	node	Get, Replace

This interior node contains a geographical area described by an ellipsoid arc.

### 10.2.97B3B28 /<x>/<x>/OnNetwork/FunctionalAliasList/<x>/Entry/ LocationCriteriaForActivation/<x>/ExitSpecificArea/ EllipsoidArcArea/Center

**Table 10.2.97B3B28.1: /<x>/<x>/OnNetwork/FunctionalAliasList/<x>/Entry/  
LocationCriteriaForActivation/<x>/ExitSpecificArea/EllipsoidArcArea/Center**

<x>/OnNetwork/FunctionalAliasList/<x>/Entry/LocationCriteriaForActivation/<x>/ExitSpecificArea/EllipsoidArcA  
rea/Center

Status	Occurrence	Format	Min. Access Types
Required	One	node	Get, Replace

This interior node contains the coordinates of the center point of the ellipsoid arc.

10.2.97B3B29 /<x>/<x>/OnNetwork/FunctionalAliasList/<x>/Entry/LocationCriteriaForActivation/<x>/ExitSpecificArea/EllipsoidArcArea/Center/PointCoordinateType

**Table 10.2.97B3B29.1: /<x>/<x>/OnNetwork/FunctionalAliasList/<x>/Entry/LocationCriteriaForActivation/<x>/ExitSpecificArea/EllipsoidArcArea/Center/PointCoordinateType**

<x>/OnNetwork/FunctionalAliasList/<x>/Entry/LocationCriteriaForActivation/<x>/ExitSpecificArea/EllipsoidArcArea/Center/PointCoordinateType

Status	Occurrence	Format	Min. Access Types
Required	One	node	Get, Replace

This interior node contains the coordinates of the center point of the ellipsoid arc.

10.2.97B3B30 /<x>/<x>/OnNetwork/FunctionalAliasList/<x>/Entry/LocationCriteriaForActivation/<x>/ExitSpecificArea/EllipsoidArcArea/Center/PointCoordinateType/Longitude

**Table 10.2.97B3B30.1: /<x>/<x>/OnNetwork/FunctionalAliasList/<x>/Entry/LocationCriteriaForActivation/<x>/ExitSpecificArea/EllipsoidArcArea/Center/PointCoordinateType/Longitude**

<x>/OnNetwork/FunctionalAliasList/<x>/Entry/LocationCriteriaForActivation/<x>/ExitSpecificArea/EllipsoidArcArea/Center/PointCoordinateType/Longitude

Status	Occurrence	Format	Min. Access Types
Required	One	int	Get, Replace

This leaf node contains the longitudinal coordinate of the center.

- Values: 0-16777215

10.2.97B3B31 /<x>/<x>/OnNetwork/FunctionalAliasList/<x>/Entry/LocationCriteriaForActivation/<x>/ExitSpecificArea/EllipsoidArcArea/Center/PointCoordinateType/Latitude

**Table 10.2.97B3B31.1: /<x>/<x>/OnNetwork/FunctionalAliasList/<x>/Entry/LocationCriteriaForActivation/<x>/ExitSpecificArea/EllipsoidArcArea/Center/PointCoordinateType/Latitude**

<x>/OnNetwork/FunctionalAliasList/<x>/Entry/LocationCriteriaForActivation/<x>/ExitSpecificArea/EllipsoidArcArea/Center/PointCoordinateType/Latitude

Status	Occurrence	Format	Min. Access Types
Required	One	int	Get, Replace

This leaf node contains the latitudinal coordinate of the center.

- Values: 0-16777215

## 10.2.97B3B32 /<x>/<x>/OnNetwork/FunctionalAliasList/<x>/Entry/ LocationCriteriaForActivation/<x>/ExitSpecificArea/ EllipsoidArcArea/Radius

**Table 10.2.97B3B32.1: /<x>/<x>/OnNetwork/FunctionalAliasList/<x>/Entry/  
LocationCriteriaForActivation/<x>/ExitSpecificArea/EllipsoidArcArea/Radius**

<x>/OnNetwork/FunctionalAliasList/<x>/Entry/LocationCriteriaForActivation/<x>/ExitSpecificArea/EllipsoidArcArea/Radius

Status	Occurrence	Format	Min. Access Types
Required	One	int	Get, Replace

This leaf node contains the radius of the ellipsoid arc.

- Values: non-negative integer

## 10.2.97B3B33 /<x>/<x>/OnNetwork/FunctionalAliasList/<x>/Entry/ LocationCriteriaForActivation/<x>/ExitSpecificArea/ EllipsoidArcArea/OffsetAngle

**Table 10.2.97B3B33.1: /<x>/<x>/OnNetwork/FunctionalAliasList/<x>/Entry/  
LocationCriteriaForActivation/<x>/ExitSpecificArea/EllipsoidArcArea/OffsetAngle**

<x>/OnNetwork/FunctionalAliasList/<x>/Entry/LocationCriteriaForActivation/<x>/ExitSpecificArea/EllipsoidArcArea/OffsetAngle

Status	Occurrence	Format	Min. Access Types
Required	One	int	Get, Replace

This leaf node contains the offset angle of the ellipsoid arc.

- Values: 0-255

## 10.2.97B3B34 /<x>/<x>/OnNetwork/FunctionalAliasList/<x>/Entry/ LocationCriteriaForActivation/<x>/ExitSpecificArea/ EllipsoidArcArea/IncludedAngle

**Table 10.2.97B3B34.1: /<x>/<x>/OnNetwork/FunctionalAliasList/<x>/Entry/  
LocationCriteriaForActivation/<x>/ExitSpecificArea/EllipsoidArcArea/IncludedAngle**

<x>/OnNetwork/FunctionalAliasList/<x>/Entry/LocationCriteriaForActivation/<x>/ExitSpecificArea/EllipsoidArcArea/IncludedAngle

Status	Occurrence	Format	Min. Access Types
Required	One	int	Get, Replace

This leaf node contains the included angle of the ellipsoid arc.

- Values: 0-255

## 10.2.97B3B35 /<x>/<x>/OnNetwork/FunctionalAliasList/<x>/Entry/LocationCriteriaForActivation/<x>/ExitSpecificArea/Speed

**Table 10.2.97B3B35.1: /<x>/<x>/OnNetwork/FunctionalAliasList/<x>/Entry/LocationCriteriaForActivation/<x>/ExitSpecificArea/Speed**

<x>/OnNetwork/FunctionalAliasList/<x>/Entry/LocationCriteriaForActivation/<x>/ExitSpecificArea/Speed

Status	Occurrence	Format	Min. Access Types
Optional	One	node	Get, Replace

This interior node contains the speed.

## 10.2.97B3B36 /<x>/<x>/OnNetwork/FunctionalAliasList/<x>/Entry/LocationCriteriaForActivation/<x>/ExitSpecificArea/Speed/MinimumSpeed

**Table 10.2.97B3B36.1: /<x>/<x>/OnNetwork/FunctionalAliasList/<x>/Entry/LocationCriteriaForActivation/<x>/ExitSpecificArea/Speed/MinimumSpeed**

<x>/OnNetwork/FunctionalAliasList/<x>/Entry/LocationCriteriaForActivation/<x>/ExitSpecificArea/Speed/MinimumSpeed

Status	Occurrence	Format	Min. Access Types
Required	One	int	Get, Replace

This leaf node contains the minimum speed.

- Values: non-negative integer in units of kilometers/hour.

## 10.2.97B3B37 /<x>/<x>/OnNetwork/FunctionalAliasList/<x>/Entry/LocationCriteriaForActivation/<x>/ExitSpecificArea/Speed/MaximumSpeed

**Table 10.2.97B3B37.1: /<x>/<x>/OnNetwork/FunctionalAliasList/<x>/Entry/LocationCriteriaForActivation/<x>/ExitSpecificArea/Speed/MaximumSpeed**

<x>/OnNetwork/FunctionalAliasList/<x>/Entry/LocationCriteriaForActivation/<x>/ExitSpecificArea/Speed/MaximumSpeed

Status	Occurrence	Format	Min. Access Types
Required	One	int	Get, Replace

This leaf node contains the maximum speed.

- Values: non-negative integer in units of kilometers/hour.

## 10.2.97B3B38 /<x>/<x>/OnNetwork/FunctionalAliasList/<x>/Entry/LocationCriteriaForActivation/<x>/ExitSpecificArea/Heading

**Table 10.2.97B3B38.1: /<x>/<x>/OnNetwork/FunctionalAliasList/<x>/Entry/LocationCriteriaForActivation/<x>/ExitSpecificArea/Heading**

<x>/OnNetwork/FunctionalAliasList/<x>/Entry/LocationCriteriaForActivation/<x>/ExitSpecificArea/Heading



Status	Occurrence	Format	Min. Access Types
Optional	One	node	Get, Replace

This interior node contains the heading.

### 10.2.97B3B39 /<x>/<x>/OnNetwork/FunctionalAliasList/<x>/Entry/LocationCriteriaForActivation/<x>/ExitSpecificArea/Heading/MinimumHeading

**Table 10.2.97B3B39.1: /<x>/<x>/OnNetwork/FunctionalAliasList/<x>/Entry/LocationCriteriaForActivation/<x>/ExitSpecificArea/Heading/MinimumHeading**

<x>/OnNetwork/FunctionalAliasList/<x>/Entry/LocationCriteriaForActivation/<x>/ExitSpecificArea/Heading/MinimumHeading

Status	Occurrence	Format	Min. Access Types
Required	One	int	Get, Replace

This leaf node contains the minimum heading.

- Values: 0-359

### 10.2.97B3B40 /<x>/<x>/OnNetwork/FunctionalAliasList/<x>/Entry/LocationCriteriaForActivation/<x>/ExitSpecificArea/Heading/MaximumHeading

**Table 10.2.97B3B40.1: /<x>/<x>/OnNetwork/FunctionalAliasList/<x>/Entry/LocationCriteriaForActivation/<x>/ExitSpecificArea/Heading/MaximumHeading**

<x>/OnNetwork/FunctionalAliasList/<x>/Entry/LocationCriteriaForActivation/<x>/ExitSpecificArea/Heading/MaximumHeading

Status	Occurrence	Format	Min. Access Types
Required	One	int	Get, Replace

This leaf node contains the maximum heading.

- Values: 0-359

### 10.2.97B3C /<x>/<x>/OnNetwork/FunctionalAliasList/<x>/Entry/LocationCriteriaForDeactivation

**Table 10.2.97B3C.1: /<x>/<x>/OnNetwork/FunctionalAliasList/<x>/Entry/LocationCriteriaForDeactivation**

<x>/OnNetwork/FunctionalAliasList/<x>/Entry/LocationCriteriaForDeactivation

Status	Occurrence	Format	Min. Access Types
Optional	ZeroOrOne	node	Get, Replace

This interior node contains the location criteria for de-activation of a functional alias.

## 10.2.97B3C0 /<x>/<x>/OnNetwork/FunctionalAliasList/<x>/Entry/ LocationCriteriaForDeactivation/<x>

**Table 10.2.97B3C0.1: /<x>/<x>/OnNetwork/FunctionalAliasList/<x>/Entry/  
LocationCriteriaForDeactivation/<x>**

<x>/OnNetwork/FunctionalAliasList/<x>/Entry/LocationCriteriaForDeactivation/<x>

Status	Occurrence	Format	Min. Access Types
Optional	ZeroOrMore	node	Get, Replace

This interior node contains the zero or more location criteria for de-activation of a functional alias.

## 10.2.97B3C1 /<x>/<x>/OnNetwork/FunctionalAliasList/<x>/Entry/ LocationCriteriaForDeactivation/<x>/EnterSpecificArea

**Table 10.2.97B3C1.1: /<x>/<x>/OnNetwork/FunctionalAliasList/<x>/Entry/  
LocationCriteriaForDeactivation/<x>/EnterSpecificArea**

<x>/OnNetwork/FunctionalAliasList/<x>/Entry/LocationCriteriaForDeactivation/<x>/EnterSpecificArea

Status	Occurrence	Format	Min. Access Types
Optional	ZeroOrOne	node	Get, Replace

This interior node contains a geographical area which when entered by the MC service UE triggers the functional alias de-activation.

## 10.2.97B3C2 /<x>/<x>/OnNetwork/FunctionalAliasList/<x>/Entry/ LocationCriteriaForDeactivation/<x>/EnterSpecificArea/ PolygonArea

**Table 10.2.97B3C2.1: /<x>/<x>/OnNetwork/FunctionalAliasList/<x>/Entry/  
LocationCriteriaForDeactivation/<x>/EnterSpecificArea/PolygonArea**

<x>/OnNetwork/FunctionalAliasList/<x>/Entry/LocationCriteriaForDeactivation/<x>/EnterSpecificArea/PolygonArea

Status	Occurrence	Format	Min. Access Types
Optional	ZeroOrOne	node	Get, Replace

This interior node contains a geographical area described by a polygon.

## 10.2.97B3C3 /<x>/<x>/OnNetwork/FunctionalAliasList/<x>/Entry/ LocationCriteriaForDeactivation/<x>/EnterSpecificArea/ PolygonArea/<x>

**Table 10.2.97B3C3.1: /<x>/<x>/OnNetwork/FunctionalAliasList/<x>/Entry/  
LocationCriteriaForDeactivation/<x>/EnterSpecificArea/PolygonArea/<x>**

<x>/OnNetwork/FunctionalAliasList/<x>/Entry/LocationCriteriaForDeactivation/<x>/EnterSpecificArea/PolygonArea/<x>

Status	Occurrence	Format	Min. Access Types
Required	OneOrN	node	Get, Replace

This interior node contains the coordinates of the corners which define a polygon. The occurrence of this leaf node is "3 to 15" as per 3GPP TS 23.032 [21].

### 10.2.97B3C4 /<x>/<x>/OnNetwork/FunctionalAliasList/<x>/Entry/LocationCriteriaForDeactivation/<x>/EnterSpecificArea/PolygonArea/<x>/PointCoordinateType

**Table 10.2.97B3C4.1: /<x>/<x>/OnNetwork/FunctionalAliasList/<x>/Entry/LocationCriteriaForDeactivation/<x>/EnterSpecificArea/PolygonArea/<x>/PointCoordinateType**

<x>/OnNetwork/FunctionalAliasList/<x>/Entry/LocationCriteriaForDeactivation/<x>/EnterSpecificArea/PolygonArea/<x>/PointCoordinateType

Status	Occurrence	Format	Min. Access Types
Required	One	node	Get, Replace

This interior node contains the coordinates of the center point of the ellipsoid arc.

### 10.2.97B3C5 /<x>/<x>/OnNetwork/FunctionalAliasList/<x>/Entry/LocationCriteriaForDeactivation/<x>/EnterSpecificArea/PolygonArea/<x>/PointCoordinateType/Longitude

**Table 10.2.97B3C5.1: /<x>/<x>/OnNetwork/FunctionalAliasList/<x>/Entry/LocationCriteriaForDeactivation/<x>/EnterSpecificArea/PolygonArea/<x>/PointCoordinateType/Longitude**

<x>/OnNetwork/FunctionalAliasList/<x>/Entry/LocationCriteriaForDeactivation/<x>/EnterSpecificArea/PolygonArea/<x>/PointCoordinateType/Longitude

Status	Occurrence	Format	Min. Access Types
Required	One	int	Get, Replace

This leaf node contains the longitudinal coordinate of a corner.

- Values: 0-16777215

### 10.2.97B3C6 /<x>/<x>/OnNetwork/FunctionalAliasList/<x>/Entry/LocationCriteriaForDeactivation/<x>/EnterSpecificArea/PolygonArea/<x>/PointCoordinateType/Latitude

**Table 10.2.97B3C6.1: /<x>/<x>/OnNetwork/FunctionalAliasList/<x>/Entry/LocationCriteriaForDeactivation/<x>/EnterSpecificArea/PolygonArea/<x>/PointCoordinateType/Latitude**

<x>/OnNetwork/FunctionalAliasList/<x>/Entry/LocationCriteriaForDeactivation/<x>/EnterSpecificArea/PolygonArea/<x>/PointCoordinateType/Latitude

Status	Occurrence	Format	Min. Access Types
Required	One	int	Get, Replace

This leaf node contains the latitudinal coordinate of a corner.

- Values: 0-16777215

10.2.97B3C7 /<x>/<x>/OnNetwork/FunctionalAliasList/<x>/Entry/  
LocationCriteriaForDeactivation/<x>/EnterSpecificArea/  
EllipsoidArcArea

**Table 10.2.97B3C7.1: /<x>/<x>/OnNetwork/FunctionalAliasList/<x>/Entry/  
LocationCriteriaForDeactivation/<x>/EnterSpecificArea/EllipsoidArcArea**

<x>/OnNetwork/FunctionalAliasList/<x>/Entry/LocationCriteriaForDeactivation/<x>/EnterSpecificArea/EllipsoidArcArea

Status	Occurrence	Format	Min. Access Types
Optional	ZeroOrOne	node	Get, Replace

This interior node contains a geographical area described by an ellipsoid arc.

10.2.97B3C8 /<x>/<x>/OnNetwork/FunctionalAliasList/<x>/Entry/  
LocationCriteriaForDeactivation/<x>/EnterSpecificArea/  
EllipsoidArcArea/Center

**Table 10.2.97B3C8.1: /<x>/<x>/OnNetwork/FunctionalAliasList/<x>/Entry/  
LocationCriteriaForDeactivation/<x>/EnterSpecificArea/EllipsoidArcArea/Center**

<x>/OnNetwork/FunctionalAliasList/<x>/Entry/LocationCriteriaForDeactivation/<x>/EnterSpecificArea/EllipsoidArcArea/Center

Status	Occurrence	Format	Min. Access Types
Required	One	node	Get, Replace

This interior node contains the coordinates of the center point of the ellipsoid arc.

10.2.97B3C9 /<x>/<x>/OnNetwork/FunctionalAliasList/<x>/Entry/  
LocationCriteriaForDeactivation/<x>/EnterSpecificArea/  
EllipsoidArcArea/Center/PointCoordinateType

**Table 10.2.97B3C9.1: /<x>/<x>/OnNetwork/FunctionalAliasList/<x>/Entry/  
LocationCriteriaForDeactivation/<x>/EnterSpecificArea/EllipsoidArcArea/Center/PointCoordinateType**

<x>/OnNetwork/FunctionalAliasList/<x>/Entry/LocationCriteriaForDeactivation/<x>/EnterSpecificArea/EllipsoidArcArea/Center/PointCoordinateType

Status	Occurrence	Format	Min. Access Types
Required	One	node	Get, Replace

This interior node contains the coordinates of the center point of the ellipsoid arc.

10.2.97B3C10 /<x>/<x>/OnNetwork/FunctionalAliasList/<x>/Entry/LocationCriteriaForDeactivation/<x>/EnterSpecificArea/EllipsoidArcArea/Center/PointCoordinateType/Longitude

**Table 10.2.97B3C10.1: /<x>/<x>/OnNetwork/FunctionalAliasList/<x>/Entry/LocationCriteriaForDeactivation/<x>/EnterSpecificArea/EllipsoidArcArea/Center/PointCoordinateType/Longitude**

<x>/OnNetwork/FunctionalAliasList/<x>/Entry/LocationCriteriaForDeactivation/<x>/EnterSpecificArea/EllipsoidArcArea/Center/PointCoordinateType/Longitude

Status	Occurrence	Format	Min. Access Types
Required	One	int	Get, Replace

This leaf node contains the longitudinal coordinate of the center.

- Values: 0-16777215

10.2.97B3C11 /<x>/<x>/OnNetwork/FunctionalAliasList/<x>/Entry/LocationCriteriaForDeactivation/<x>/EnterSpecificArea/EllipsoidArcArea/Center/PointCoordinateType/Latitude

**Table 10.2.97B3C11.1: /<x>/<x>/OnNetwork/FunctionalAliasList/<x>/Entry/LocationCriteriaForDeactivation/<x>/EnterSpecificArea/EllipsoidArcArea/Center/PointCoordinateType/Latitude**

<x>/OnNetwork/FunctionalAliasList/<x>/Entry/LocationCriteriaForDeactivation/<x>/EnterSpecificArea/EllipsoidArcArea/Center/PointCoordinateType/Latitude

Status	Occurrence	Format	Min. Access Types
Required	One	int	Get, Replace

This leaf node contains the latitudinal coordinate of the center.

- Values: 0-16777215

10.2.97B3C12 /<x>/<x>/OnNetwork/FunctionalAliasList/<x>/Entry/LocationCriteriaForDeactivation/<x>/EnterSpecificArea/EllipsoidArcArea/Radius

**Table 10.2.97B3C12.1: /<x>/<x>/OnNetwork/FunctionalAliasList/<x>/Entry/LocationCriteriaForDeactivation/<x>/EnterSpecificArea/EllipsoidArcArea/Radius**

<x>/OnNetwork/FunctionalAliasList/<x>/Entry/LocationCriteriaForDeactivation/<x>/EnterSpecificArea/EllipsoidArcArea/Radius

Status	Occurrence	Format	Min. Access Types
Required	One	int	Get, Replace

This leaf node contains the radius of the ellipsoid arc.

- Values: non-negative integer

### 10.2.97B3C13 /<x>/<x>/OnNetwork/FunctionalAliasList/<x>/Entry/ LocationCriteriaForDeactivation/<x>/EnterSpecificArea/ EllipsoidArcArea/OffsetAngle

**Table 10.2.97B3C13.1: /<x>/<x>/OnNetwork/FunctionalAliasList/<x>/Entry/  
LocationCriteriaForDeactivation/<x>/EnterSpecificArea/EllipsoidArcArea/OffsetAngle**

<x>/OnNetwork/FunctionalAliasList/<x>/Entry/LocationCriteriaForDeactivation/<x>/EnterSpecificArea/EllipsoidArcArea/OffsetAngle

Status	Occurrence	Format	Min. Access Types
Required	One	int	Get, Replace

This leaf node contains the offset angle of the ellipsoid arc.

- Values: 0-255

### 10.2.97B3C14 /<x>/<x>/OnNetwork/FunctionalAliasList/<x>/Entry/ LocationCriteriaForDeactivation/<x>/EnterSpecificArea/ EllipsoidArcArea/IncludedAngle

**Table 10.2.97B3C14.1: /<x>/<x>/OnNetwork/FunctionalAliasList/<x>/Entry/  
LocationCriteriaForDeactivation/<x>/EnterSpecificArea/EllipsoidArcArea/IncludedAngle**

<x>/OnNetwork/FunctionalAliasList/<x>/Entry/LocationCriteriaForDeactivation/<x>/EnterSpecificArea/EllipsoidArcArea/IncludedAngle

Status	Occurrence	Format	Min. Access Types
Required	One	int	Get, Replace

This leaf node contains the included angle of the ellipsoid arc.

- Values: 0-255

### 10.2.97B3C15 /<x>/<x>/OnNetwork/FunctionalAliasList/<x>/Entry/ LocationCriteriaForDeactivation/<x>/EnterSpecificArea/Speed

**Table 10.2.97B3C15.1: /<x>/<x>/OnNetwork/FunctionalAliasList/<x>/Entry/  
LocationCriteriaForDeactivation/<x>/EnterSpecificArea/Speed**

<x>/OnNetwork/FunctionalAliasList/<x>/Entry/LocationCriteriaForDeactivation/<x>/EnterSpecificArea/Speed

Status	Occurrence	Format	Min. Access Types
Optional	One	node	Get, Replace

This interior node contains the speed.

10.2.97B3C16 /<x>/<x>/OnNetwork/FunctionalAliasList/<x>/Entry/  
LocationCriteriaForDeactivation/<x>/EnterSpecificArea/Speed/  
MinimumSpeed

**Table 10.2.97B3C16.1: /<x>/<x>/OnNetwork/FunctionalAliasList/<x>/Entry/  
LocationCriteriaForDeactivation/<x>/EnterSpecificArea/Speed/MinimumSpeed**

<x>/OnNetwork/FunctionalAliasList/<x>/Entry/LocationCriteriaForDeactivation/<x>/EnterSpecificArea/Speed/MinimumSpeed

Status	Occurrence	Format	Min. Access Types
Required	One	int	Get, Replace

This leaf node contains the minimum speed.

- Values: non-negative integer in units of kilometers/hour.

10.2.97B3C17 /<x>/<x>/OnNetwork/FunctionalAliasList/<x>/Entry/  
LocationCriteriaForDeactivation/<x>/EnterSpecificArea/Speed/  
MaximumSpeed

**Table 10.2.97B3C17.1: /<x>/<x>/OnNetwork/FunctionalAliasList/<x>/Entry/  
LocationCriteriaForDeactivation/<x>/EnterSpecificArea/Speed/MaximumSpeed**

<x>/OnNetwork/FunctionalAliasList/<x>/Entry/LocationCriteriaForDeactivation/<x>/EnterSpecificArea/Speed/MaximumSpeed

Status	Occurrence	Format	Min. Access Types
Required	One	int	Get, Replace

This leaf node contains the maximum speed.

- Values: non-negative integer in units of kilometers/hour.

10.2.97B3C18 /<x>/<x>/OnNetwork/FunctionalAliasList/<x>/Entry/  
LocationCriteriaForDeactivation/<x>/EnterSpecificArea/Heading

**Table 10.2.97B3C18.1: /<x>/<x>/OnNetwork/FunctionalAliasList/<x>/Entry/  
LocationCriteriaForDeactivation/<x>/EnterSpecificArea/Heading**

<x>/OnNetwork/FunctionalAliasList/<x>/Entry/LocationCriteriaForDeactivation/<x>/EnterSpecificArea/Heading

Status	Occurrence	Format	Min. Access Types
Optional	One	node	Get, Replace

This interior node contains the heading.

10.2.97B3C19 /<x>/<x>/OnNetwork/FunctionalAliasList/<x>/Entry/  
LocationCriteriaForDeactivation/<x>/EnterSpecificArea/Heading/  
MinimumHeading

**Table 10.2.97B3C19.1: /<x>/<x>/OnNetwork/FunctionalAliasList/<x>/Entry/  
LocationCriteriaForDeactivation/<x>/EnterSpecificArea/Heading/MinimumHeading**

<x>/OnNetwork/FunctionalAliasList/<x>/Entry/LocationCriteriaForDeactivation/<x>/EnterSpecificArea/Heading/M  
inimumHeading

Status	Occurrence	Format	Min. Access Types
Required	One	int	Get, Replace

This leaf node contains the minimum heading.

- Values: 0-359

10.2.97B3C20 /<x>/<x>/OnNetwork/FunctionalAliasList/<x>/Entry/  
LocationCriteriaForDeactivation/<x>/EnterSpecificArea/Heading/  
MaximumHeading

**Table 10.2.97B3C20.1: /<x>/<x>/OnNetwork/FunctionalAliasList/<x>/Entry/  
LocationCriteriaForDeactivation/<x>/EnterSpecificArea/Heading/MaximumHeading**

<x>/OnNetwork/FunctionalAliasList/<x>/Entry/LocationCriteriaForDeactivation/<x>/EnterSpecificArea/Heading/M  
aximumHeading

Status	Occurrence	Format	Min. Access Types
Required	One	int	Get, Replace

This leaf node contains the maximum heading.

- Values: 0-359

10.2.97B3C21 /<x>/<x>/OnNetwork/FunctionalAliasList/<x>/Entry/  
LocationCriteriaForDeactivation/<x>/ExitSpecificArea

**Table 10.2.97B3C21.1: /<x>/<x>/OnNetwork/FunctionalAliasList/<x>/Entry/  
LocationCriteriaForDeactivation/<x>/ExitSpecificArea**

<x>/OnNetwork/FunctionalAliasList/<x>/Entry/LocationCriteriaForDeactivation/<x>/ExitSpecificArea

Status	Occurrence	Format	Min. Access Types
Optional	ZeroOrOne	node	Get, Replace

This interior node contains a geographical area which when exited by the MC service UE triggers the functional alias de-activation.



## 10.2.97B3C22 /<x>/<x>/OnNetwork/FunctionalAliasList/<x>/Entry/ LocationCriteriaForDeactivation/<x>/ExitSpecificArea/ PolygonArea

**Table 10.2.97B3C22.1: /<x>/<x>/OnNetwork/FunctionalAliasList/<x>/Entry/  
LocationCriteriaForDeactivation/<x>/ExitSpecificArea/PolygonArea**

<x>/OnNetwork/FunctionalAliasList/<x>/Entry/LocationCriteriaForDeactivation/<x>/ExitSpecificArea/PolygonArea  
a

Status	Occurrence	Format	Min. Access Types
Optional	ZeroOrOne	node	Get, Replace

This interior node contains a geographical area described by a polygon.

## 10.2.97B3C23 /<x>/<x>/OnNetwork/FunctionalAliasList/<x>/Entry/ LocationCriteriaForDeactivation/<x>/ExitSpecificArea/ PolygonArea/<x>

**Table 10.2.97B3C23.1: /<x>/<x>/OnNetwork/FunctionalAliasList/<x>/Entry/  
LocationCriteriaForDeactivation/<x>/ExitSpecificArea/PolygonArea/<x>**

<x>/OnNetwork/FunctionalAliasList/<x>/Entry/LocationCriteriaForDeactivation/<x>/ExitSpecificArea/PolygonArea  
a/<x>

Status	Occurrence	Format	Min. Access Types
Required	OneOrN	node	Get, Replace

This interior node contains the coordinates of the corners which define a polygon. The occurrence of this leaf node is "3 to 15" as per 3GPP TS 23.032 [21].

## 10.2.97B3C24 /<x>/<x>/OnNetwork/FunctionalAliasList/<x>/Entry/ LocationCriteriaForDeactivation/<x>/ExitSpecificArea/ PolygonArea/<x>/PointCoordinateType

**Table 10.2.97B3C24.1: /<x>/<x>/OnNetwork/FunctionalAliasList/<x>/Entry/  
LocationCriteriaForDeactivation/<x>/ExitSpecificArea/PolygonArea/<x>/PointCoordinateType**

<x>/OnNetwork/FunctionalAliasList/<x>/Entry/LocationCriteriaForDeactivation/<x>/ExitSpecificArea/PolygonArea  
a/<x>/PointCoordinateType

Status	Occurrence	Format	Min. Access Types
Required	One	node	Get, Replace

This interior node contains the coordinates of the center point of the ellipsoid arc.

10.2.97B3C25 /<x>/<x>/OnNetwork/FunctionalAliasList/<x>/Entry/  
LocationCriteriaForDeactivation/<x>/ExitSpecificArea/  
PolygonArea/<x>/PointCoordinateType/Longitude

**Table 10.2.97B3C25.1: /<x>/<x>/OnNetwork/FunctionalAliasList/<x>/Entry/  
LocationCriteriaForDeactivation/<x>/ExitSpecificArea/PolygonArea/<x>/PointCoordinateType/  
Longitude**

<x>/OnNetwork/FunctionalAliasList/<x>/Entry/LocationCriteriaForDeactivation/<x>/ExitSpecificArea/PolygonArea/<x>/PointCoordinateType/Longitude

Status	Occurrence	Format	Min. Access Types
Required	One	int	Get, Replace

This leaf node contains the longitudinal coordinate of a corner.

- Values: 0-16777215

10.2.97B3C26 /<x>/<x>/OnNetwork/FunctionalAliasList/<x>/Entry/  
LocationCriteriaForDeactivation/<x>/ExitSpecificArea/  
PolygonArea/<x>/PointCoordinateType/Latitude

**Table 10.2.97B3C26.1: /<x>/<x>/OnNetwork/FunctionalAliasList/<x>/Entry/  
LocationCriteriaForDeactivation/<x>/ExitSpecificArea/PolygonArea/<x>/PointCoordinateType/Latitud  
e**

<x>/OnNetwork/FunctionalAliasList/<x>/Entry/LocationCriteriaForDeactivation/<x>/ExitSpecificArea/PolygonArea/<x>/PointCoordinateType/Latitude

Status	Occurrence	Format	Min. Access Types
Required	One	int	Get, Replace

This leaf node contains the latitudinal coordinate of a corner.

- Values: 0-16777215

10.2.97B3C27 /<x>/<x>/OnNetwork/FunctionalAliasList/<x>/Entry/  
LocationCriteriaForDeactivation/<x>/ExitSpecificArea/  
EllipsoidArcArea

**Table 10.2.97B3C27.1: /<x>/<x>/OnNetwork/FunctionalAliasList/<x>/Entry/  
LocationCriteriaForDeactivation/<x>/ExitSpecificArea/EllipsoidArcArea**

<x>/OnNetwork/FunctionalAliasList/<x>/Entry/LocationCriteriaForDeactivation/<x>/ExitSpecificArea/EllipsoidArc

Status	Occurrence	Format	Min. Access Types
Optional	ZeroOrOne	node	Get, Replace

This interior node contains a geographical area described by an ellipsoid arc.

10.2.97B3C28 /<x>/<x>/OnNetwork/FunctionalAliasList/<x>/Entry/  
LocationCriteriaForDeactivation/<x>/ExitSpecificArea/  
EllipsoidArcArea/Center

**Table 10.2.97B3C28.1: /<x>/<x>/OnNetwork/FunctionalAliasList/<x>/Entry/  
LocationCriteriaForDeactivation/<x>/ExitSpecificArea/EllipsoidArcArea/Center**

<x>/OnNetwork/FunctionalAliasList/<x>/Entry/LocationCriteriaForDeactivation/<x>/ExitSpecificArea/EllipsoidArc  
Area/Center

Status	Occurrence	Format	Min. Access Types
Required	One	node	Get, Replace

This interior node contains the coordinates of the center point of the ellipsoid arc.

10.2.97B3C29 /<x>/<x>/OnNetwork/FunctionalAliasList/<x>/Entry/  
LocationCriteriaForDeactivation/<x>/ExitSpecificArea/  
EllipsoidArcArea/Center/PointCoordinateType

**Table 10.2.97B3C29.1: /<x>/<x>/OnNetwork/FunctionalAliasList/<x>/Entry/  
LocationCriteriaForDeactivation/<x>/ExitSpecificArea/EllipsoidArcArea/Center/PointCoordinateType**

<x>/OnNetwork/FunctionalAliasList/<x>/Entry/LocationCriteriaForDeactivation/<x>/ExitSpecificArea/EllipsoidArc  
Area/Center/PointCoordinateType

Status	Occurrence	Format	Min. Access Types
Required	One	node	Get, Replace

This interior node contains the coordinates of the center point of the ellipsoid arc.

10.2.97B3C30 /<x>/<x>/OnNetwork/FunctionalAliasList/<x>/Entry/  
LocationCriteriaForDeactivation/<x>/ExitSpecificArea/  
EllipsoidArcArea/Center/PointCoordinateType/Longitude

**Table 10.2.97B3C30.1: /<x>/<x>/OnNetwork/FunctionalAliasList/<x>/Entry/  
LocationCriteriaForDeactivation/<x>/ExitSpecificArea/EllipsoidArcArea/Center/PointCoordinateType/  
Longitude**

<x>/OnNetwork/FunctionalAliasList/<x>/Entry/LocationCriteriaForDeactivation/<x>/ExitSpecificArea/EllipsoidArc  
Area/Center/PointCoordinateType/Longitude

Status	Occurrence	Format	Min. Access Types
Required	One	int	Get, Replace

This leaf node contains the longitudinal coordinate of the center.

- Values: 0-16777215

### 10.2.97B3C31 /<x>/<x>/OnNetwork/FunctionalAliasList/<x>/Entry/ LocationCriteriaForDeactivation/<x>/ExitSpecificArea/ EllipsoidArcArea/Center/PointCoordinateType/Latitude

**Table 10.2.97B3C31.1: /<x>/<x>/OnNetwork/FunctionalAliasList/<x>/Entry/  
LocationCriteriaForDeactivation/<x>/ExitSpecificArea/EllipsoidArcArea/Center/PointCoordinateType/  
Latitude**

<x>/OnNetwork/FunctionalAliasList/<x>/Entry/LocationCriteriaForDeactivation/<x>/ExitSpecificArea/EllipsoidArc  
Area/Center/PointCoordinateType/Latitude

Status	Occurrence	Format	Min. Access Types
Required	One	int	Get, Replace

This leaf node contains the latitudinal coordinate of the center.

- Values: 0-16777215

### 10.2.97B3C32 /<x>/<x>/OnNetwork/FunctionalAliasList/<x>/Entry/ LocationCriteriaForDeactivation/<x>/ExitSpecificArea/ EllipsoidArcArea/Radius

**Table 10.2.97B3C32.1: /<x>/<x>/OnNetwork/FunctionalAliasList/<x>/Entry/  
LocationCriteriaForDeactivation/<x>/ExitSpecificArea/EllipsoidArcArea/Radius**

<x>/OnNetwork/FunctionalAliasList/<x>/Entry/LocationCriteriaForDeactivation/<x>/ExitSpecificArea/EllipsoidArc  
Area/Radius

Status	Occurrence	Format	Min. Access Types
Required	One	int	Get, Replace

This leaf node contains the radius of the ellipsoid arc.

- Values: non-negative integer

### 10.2.97B3C33 /<x>/<x>/OnNetwork/FunctionalAliasList/<x>/Entry/ LocationCriteriaForDeactivation/<x>/ExitSpecificArea/ EllipsoidArcArea/OffsetAngle

**Table 10.2.97B3C33.1: /<x>/<x>/OnNetwork/FunctionalAliasList/<x>/Entry/  
LocationCriteriaForDeactivation/<x>/ExitSpecificArea/EllipsoidArcArea/OffsetAngle**

<x>/OnNetwork/FunctionalAliasList/<x>/Entry/LocationCriteriaForDeactivation/<x>/ExitSpecificArea/EllipsoidArc  
Area/OffsetAngle

Status	Occurrence	Format	Min. Access Types
Required	One	int	Get, Replace

This leaf node contains the offset angle of the ellipsoid arc.

- Values: 0-255

10.2.97B3C34 /<x>/<x>/OnNetwork/FunctionalAliasList/<x>/Entry/LocationCriteriaForDeactivation/<x>/ExitSpecificArea/EllipsoidArcArea/IncludedAngle

**Table 10.2.97B3C34.1: /<x>/<x>/OnNetwork/FunctionalAliasList/<x>/Entry/LocationCriteriaForDeactivation/<x>/ExitSpecificArea/EllipsoidArcArea/IncludedAngle**

<x>/OnNetwork/FunctionalAliasList/<x>/Entry/LocationCriteriaForDeactivation/<x>/ExitSpecificArea/EllipsoidArcArea/IncludedAngle

Status	Occurrence	Format	Min. Access Types
Required	One	int	Get, Replace

This leaf node contains the included angle of the ellipsoid arc.

- Values: 0-255

10.2.97B3C35 /<x>/<x>/OnNetwork/FunctionalAliasList/<x>/Entry/LocationCriteriaForDeactivation/<x>/ExitSpecificArea/Speed

**Table 10.2.97B3C35.1: /<x>/<x>/OnNetwork/FunctionalAliasList/<x>/Entry/LocationCriteriaForDeactivation/<x>/ExitSpecificArea/Speed**

<x>/OnNetwork/FunctionalAliasList/<x>/Entry/LocationCriteriaForDeactivation/<x>/ExitSpecificArea/Speed

Status	Occurrence	Format	Min. Access Types
Optional	One	node	Get, Replace

This interior node contains the speed.

10.2.97B3C36 /<x>/<x>/OnNetwork/FunctionalAliasList/<x>/Entry/LocationCriteriaForDeactivation/<x>/ExitSpecificArea/Speed/MinimumSpeed

**Table 10.2.97B3C36.1: /<x>/<x>/OnNetwork/FunctionalAliasList/<x>/Entry/LocationCriteriaForDeactivation/<x>/ExitSpecificArea/Speed/MinimumSpeed**

<x>/OnNetwork/FunctionalAliasList/<x>/Entry/LocationCriteriaForDeactivation/<x>/ExitSpecificArea/Speed/MinimumSpeed

Status	Occurrence	Format	Min. Access Types
Required	One	int	Get, Replace

This leaf node contains the minimum speed.

- Values: non-negative integer in units of kilometers/hour.

10.2.97B3C37 /<x>/<x>/OnNetwork/FunctionalAliasList/<x>/Entry/  
LocationCriteriaForDeactivation/<x>/ExitSpecificArea/Speed/  
MaximumSpeed

**Table 10.2.97B3C37.1: /<x>/<x>/OnNetwork/FunctionalAliasList/<x>/Entry/  
LocationCriteriaForDeactivation/<x>/ExitSpecificArea/Speed/MaximumSpeed**

<x>/OnNetwork/FunctionalAliasList/<x>/Entry/LocationCriteriaForDeactivation/<x>/ExitSpecificArea/Speed/MaximumSpeed

Status	Occurrence	Format	Min. Access Types
Required	One	int	Get, Replace

This leaf node contains the maximum speed.

- Values: non-negative integer in units of kilometers/hour.

10.2.97B3C38 /<x>/<x>/OnNetwork/FunctionalAliasList/<x>/Entry/  
LocationCriteriaForDeactivation/<x>/ExitSpecificArea/Heading

**Table 10.2.97B3C38.1: /<x>/<x>/OnNetwork/FunctionalAliasList/<x>/Entry/  
LocationCriteriaForDeactivation/<x>/ExitSpecificArea/Heading**

<x>/OnNetwork/FunctionalAliasList/<x>/Entry/LocationCriteriaForDeactivation/<x>/ExitSpecificArea/Heading

Status	Occurrence	Format	Min. Access Types
Optional	One	node	Get, Replace

This interior node contains the heading.

10.2.97B3C39 /<x>/<x>/OnNetwork/FunctionalAliasList/<x>/Entry/  
LocationCriteriaForDeactivation/<x>/ExitSpecificArea/Heading/  
MinimumHeading

**Table 10.2.97B3C39.1: /<x>/<x>/OnNetwork/FunctionalAliasList/<x>/Entry/  
LocationCriteriaForDeactivation/<x>/ExitSpecificArea/Heading/MinimumHeading**

<x>/OnNetwork/FunctionalAliasList/<x>/Entry/LocationCriteriaForDeactivation/<x>/ExitSpecificArea/Heading/MinimumHeading

Status	Occurrence	Format	Min. Access Types
Required	One	int	Get, Replace

This leaf node contains the minimum heading.

- Values: 0-359

10.2.97B3C40 /<x>/<x>/OnNetwork/FunctionalAliasList/<x>/Entry/LocationCriteriaForDeactivation/<x>/ExitSpecificArea/Heading/MaximumHeading

**Table 10.2.97B3C40.1: /<x>/<x>/OnNetwork/FunctionalAliasList/<x>/Entry/LocationCriteriaForDeactivation/<x>/ExitSpecificArea/Heading/MaximumHeading**

<x>/OnNetwork/FunctionalAliasList/<x>/Entry/LocationCriteriaForDeactivation/<x>/ExitSpecificArea/Heading/MaximumHeading

Status	Occurrence	Format	Min. Access Types
Required	One	int	Get, Replace

This leaf node contains the maximum heading.

- Values: 0-359

10.2.97B3D /<x>/<x>/OnNetwork/FunctionalAliasList/<x>/Entry/ManualDeactivationNotAllowedIfLocationCriteriaMet

**Table 10.2.97B3D.1: /<x>/<x>/OnNetwork/FunctionalAliasList/<x>/Entry/ManualDeactivationNotAllowedIfLocationCriteriaMet**

<x>/OnNetwork/FunctionalAliasList/<x>/Entry/ManualDeactivationNotAllowedIfLocationCriteriaMet

Status	Occurrence	Format	Min. Access Types
Optional	ZeroOrOne	bool	Get, Replace

This leaf node indicates whether the MCDData user is authorised to de-activate a functional alias if the location criteria are met.

10.2.97B4 /<x>/<x>/OnNetwork/FunctionalAliasList/<x>/Entry/MaxSimultaneousEmergencyGroupCalls

**Table 10.2.97B4.1: /<x>/<x>/OnNetwork/FunctionalAliasList/<x>/Entry/MaxSimultaneousEmergencyGroupCalls**

<x>/OnNetwork/FunctionalAliasList/<x>/Entry/MaxSimultaneousEmergencyGroupCalls

Status	Occurrence	Format	Min. Access Types
Optional	One	int	Get, Replace

This leaf node indicates the maximum number of simultaneous emergency group calls for a functional alias.

10.2.97C /<x>/<x>/OnNetwork/AllowedQueryFunctionalAliasOtherUser

**Table 10.2.97C.1: /<x>/<x>/OnNetwork/AllowedQueryFunctionalAliasOtherUser**

<x>/OnNetwork/AllowedQueryFunctionalAliasOtherUser

Status	Occurrence	Format	Min. Access Types
Required	One	bool	Get, Replace

This leaf node indicates whether the MCDData user is authorised query the functional alias(es) activated by another MCDData user.

When set to "true" the MCDData user is authorised to query the functional alias(es) activated by another MCDData user.

When set to "false" the MCDData user is not authorised to query the functional alias(es) activated by another MCDData user.

## 10.2.97D /<x>/<x>/OnNetwork/AllowedTakeoverFunctionalAliasOtherUser

**Table 10.2.97D.1: /<x>/<x>/OnNetwork/AllowedTakeoverFunctionalAliasOtherUser**

<x>/OnNetwork/AllowedTakeoverFunctionalAliasOtherUser

Status	Occurrence	Format	Min. Access Types
Required	One	bool	Get, Replace

This leaf node indicates whether the MCDData user is authorised to take over the functional alias(es) previously activated by another MCDData user.

When set to "true" the MCDData user is authorised to take over the functional alias(es) previously activated by another MCDData user.

When set to "false" the MCDData user is not authorised to take over the functional alias(es) previously activated by another MCDData user.

## 10.2.97E/<x>/<x>/OnNetwork/MessageStoreHostname

**Table 10.2.97E.1: /<x>/<x>/OnNetwork/MessageStoreHostname**

<x>/OnNetwork/MessageStoreHostname

Status	Occurrence	Format	Min. Access Types
Required	One	chr	Get, Replace

This leaf node indicates value of the hostname identifying the message store function.

The value is a string.

## 10.2.97F/<x>/<x>/OnNetwork/AuthorisedIncomingAny

**Table 10.2.97F.1: /<x>/<x>/OnNetwork/AuthorisedIncomingAny**

<x>/OnNetwork/AuthorisedIncomingAny

Status	Occurrence	Format	Min. Access Types
Required	One	bool	Get, Replace

This leaf node indicates the authorisation to receive MCDData communication from any MCDData user.

When set to "true" the MCDData user is authorised to receive MCDData communication from any MCDData user.

When set to "false" the MCDData user is not authorised to receive an MCDData communication from any MCDData user, but only from the MCDData users contained in the IncomingUserList.

## 10.2.97G /<x>/<x>/OnNetwork/IncomingUserList

**Table 10.2.97G.1: /<x>/<x>/OnNetwork/IncomingUserList**

<x>/OnNetwork/IncomingUserList

Status	Occurrence	Format	Min. Access Types



Required	One	node	Get, Replace
----------	-----	------	--------------

This interior node is a placeholder for a list of MCDData user(s) who are authorised to initiate one-to-one MCDData communication to the configured MCDData user.

## 10.2.97G1 /<x>/<x>/OnNetwork/IncomingUserList/<x>

**Table 10.2.97G1.1: /<x>/<x>/OnNetwork/IncomingUserList/<x>**

<x>/OnNetwork/IncomingUserList/<x>

Status	Occurrence	Format	Min. Access Types
Optional	OneOrMore	node	Get, Replace

This interior node is a placeholder for one or more list of MCDData users who are authorised to initiate one-to-one MCDData communication to the configured MCDData user.

## 10.2.97G2 /<x>/<x>/OnNetwork/IncomingUserList/<x>/Entry

**Table 10.2.97G2.1: /<x>/<x>/OnNetwork/IncomingUserList/<x>/Entry**

<x>/OnNetwork/IncomingUserList/<x>/Entry

Status	Occurrence	Format	Min. Access Types
Required	One	node	Get, Replace

This interior node is a placeholder for one or more MCDData users who are authorised to initiate one-to-one MCDData communication to the configured MCDData user.

## 10.2.97G3 /<x>/<x>/OnNetwork/IncomingUserList/<x>/Entry/MCDDataID

**Table 10.2.97G3.1: /<x>/<x>/OnNetwork/IncomingUserList/<x>/Entry/MCDDataID**

<x>/OnNetwork/IncomingUserList/<x>/Entry/MCDDataID

Status	Occurrence	Format	Min. Access Types
Optional	One	chr	Get, Replace

This leaf node indicates an MCDData user identity (MCDData ID) which is a globally unique identifier within the MCDData service that represents the MCDData user.

The value is a "uri" attribute specified in OMA OMA-TS-XDM\_Group-V1\_1 [4].

## 10.2.97G4 /<x>/<x>/OnNetwork/IncomingUserList/<x>/Entry/MCDDataDKMSURI

**Table 10.2.97G4.1: /<x>/<x>/OnNetwork/IncomingUserList/<x>/Entry/MCDDataDKMSURI**

<x>/OnNetwork/IncomingUserList/<x>/Entry/MCDDataDKMSURI

Status	Occurrence	Format	Min. Access Types
Optional	One	chr	Get, Replace

This leaf node indicates the identity (URI) of the KMS associated with the MCDDataID of an MCDData user who is authorised to initiate a one-to-one communication to the configured MCDData user.

The value is a URI as specified in 3GPP TS 23.003 [5].

## 10.2.97H /<x>/<x>/OnNetwork/AllowedFunctionalAliasGroupBinding

**Table 10.2.97H.1: /<x>/<x>/OnNetwork/AllowedFunctionalAliasGroupBinding**

<x>/OnNetwork/AllowedFunctionalAliasGroupBinding

Status	Occurrence	Format	Min. Access Types
Optional	One	bool	Get, Replace

This leaf node indicates whether the MCDData user is authorised to request the binding of a particular functional alias with a group or list of groups.

When set to "true" the MCDData user is authorised to request the binding of a particular functional alias with a group or list of groups.

When set to "false" the MCDData user is not authorised to request the binding of a particular functional alias with a group or list of groups.

## 10.2.97I /<x>/<x>/OnNetwork/AllowStoreCommsInMsgstore

**Table 10.2.97I.1: /<x>/<x>/OnNetwork/AllowStoreCommsInMsgstore**

<x>/OnNetwork/AllowStoreCommsInMsgstore

Status	Occurrence	Format	Min. Access Types
Optional	ZeroOrOne	bool	Get, Replace

This leaf node indicates whether the MCDData communications of an MCDData user are authorised to be stored in the message store or not.

When set to "true", the MCDData communications of a MCDData user are authorised to be stored in the message store.

When set to "false", the MCDData communications of a MCDData user are not authorised to be stored in the message store.

## 10.2.97J /<x>/<x>/OnNetwork/AllowStorePrivateCommsInMsgstore

**Table 10.2.97J.1: /<x>/<x>/OnNetwork/AllowStorePrivateCommsInMsgstore**

<x>/OnNetwork/AllowStorePrivateCommsInMsgstore

Status	Occurrence	Format	Min. Access Types
Optional	ZeroOrOne	bool	Get, Replace

This leaf node indicates whether the MCDData user is authorised to request an MCDData server to store his/her private communications into message store or not.

When set to "true", the MCDData user is authorised to request an MCDData server to store his/her private communications into message store.

When set to "false", the MCDData user is not authorised to request an MCDData server to store his/her private communications into message store.

## 10.2.98 /&lt;x&gt;/&lt;x&gt;/OffNetwork

**Table 10.2.98.1: /<x>/<x>/OffNetwork**

&lt;x&gt;/OffNetwork

Status	Occurrence	Format	Min. Access Types
Required	ZeroOrOne	node	Get, Replace

This interior node represents a container for off-network operation.

## 10.2.99 /&lt;x&gt;/&lt;x&gt;/OffNetwork/Authorised

**Table 10.2.99.1: /<x>/<x>/OffNetwork/Authorised**

&lt;x&gt;/OffNetwork/Authorised

Status	Occurrence	Format	Min. Access Types
Required	One	bool	Get, Replace

This leaf node indicates the authorisation for off-network services.

When set to "true" the MCDData user is authorised for off-network.

When set to "false" the MCDData user is not authorised for off-network operation.

## 10.2.100 /&lt;x&gt;/&lt;x&gt;/OffNetwork/MCDDataGroupList

**Table 10.2.100.1: /<x>/<x>/OffNetwork/MCDDataGroupList**

&lt;x&gt;/OffNetwork/MCDDataGroupList

Status	Occurrence	Format	Min. Access Types
Required	One	node	Get, Replace

This interior node is a placeholder for the list of off-network MCDData groups that the MCDData user is allowed to use.

## 10.2.101 /&lt;x&gt;/&lt;x&gt;/OffNetwork/MCDDataGroupList/&lt;x&gt;

**Table 10.2.101.1: /<x>/<x>/OffNetwork/MCDDataGroupList/<x>**

&lt;x&gt;/OffNetwork/MCDDataGroupList/&lt;x&gt;

Status	Occurrence	Format	Min. Access Types
Required	OneOrMore	node	Get, Replace

This interior node is a placeholder for one or more list of off-network MCDData groups that the MCDData user is allowed to use.

## 10.2.102 /&lt;x&gt;/&lt;x&gt;/OffNetwork/MCDDataGroupList/&lt;x&gt;/Entry

**Table 10.2.102.1: /<x>/<x>/OffNetwork/MCDDataGroupList/<x>/Entry**

&lt;x&gt;/OffNetwork/MCDDataGroupList/&lt;x&gt;/Entry

Status	Occurrence	Format	Min. Access Types
Optional	One	node	Get, Replace

This interior node is a placeholder for the details of the off-network MCDData groups that the MCDData user is allowed to use.

## 10.2.103 /<x>/<x>/OffNetwork/MCDDataGroupList/<x>/Entry/MCDDataGroupID

**Table 10.2.103.1: /<x>/<x>/OffNetwork/MCDDataGroupList/<x>/Entry/MCDDataGroupID**

<x>/OffNetwork/MCDDataGroupList/<x>/Entry/MCDDataGroupID

Status	Occurrence	Format	Min. Access Types
Required	One	chr	Get, Replace

This leaf node indicates the MCDData group ID for the off-network MCDData group that the MCDData user is allowed to use.

The value is a "uri" attribute specified in OMA OMA-TS-XDM\_Group-V1\_1 [4].

## 10.2.104 /<x>/<x>/OffNetwork/MCDDataGroupList/<x>/Entry/DisplayName

**Table 10.2.104.1: /<x>/<x>/OffNetwork/MCDDataGroupList/<x>/Entry/DisplayName**

<x>/OffNetwork/MCDDataGroupList/<x>/Entry/DisplayName

Status	Occurrence	Format	Min. Access Types
Optional	One	chr	Get, Replace

This leaf node contains a human readable name that corresponds to the MCDData Group ID.

## 10.2.105 Void

## 10.2.106 Void

## 10.2.107 /<x>/<x>/OffNetwork/MCDDataGroupList/<x>/Entry/GMSServID

**Table 10.2.107.1: /<x>/<x>/OffNetwork/MCDDataGroupList/<x>/Entry/GMSServID**

<x>/OffNetwork/MCDDataGroupList/<x>/Entry/GMSServID

Status	Occurrence	Format	Min. Access Types
Optional	One	chr	Get, Replace

This leaf node indicates the identity (URI) of the group management server hosting the MCDData Group ID.

## 10.2.108 Void

## 10.2.109 Void

## 10.2.110 /<x>/<x>/OffNetwork/MCDDataGroupList/<x>/Entry/IdMSTokenEndPoint

**Table 10.2.110.1: /<x>/<x>/OffNetwork/MCDDataGroupList/<x>/Entry/IdMSTokenEndPoint**

<x>/OffNetwork/MCDDataGroupList/<x>/Entry/IdMSTokenEndPoint

Status	Occurrence	Format	Min. Access Types
Optional	One	chr	Get, Replace

This leaf node indicates the identity (URI) of the IDMS token endpoint for the MCDData Group ID in the MCDDataGroupList. If the value is empty, the IDMS identities (IDMSAuthEndpoint and IDMSTokenEndpoint) present in the MCS UE initial configuration MO are used.

## 10.2.110A /<x>/<x>/OffNetwork/MCDDataGroupList/<x>/Entry/GroupKMSURI

**Table 10.2.110A.1: /<x>/<x>/OffNetwork/MCDDataGroupList/<x>/Entry/GroupKMSURI**

<x>/OffNetwork/MCDDataGroupList/<x>/Entry/GroupKMSURI

Status	Occurrence	Format	Min. Access Types
Required	One	chr	Get, Replace

This leaf node indicates key management server URI for the security domain of the MCDData group identity (MCDData Group ID) of the off-network MCDData group

The value is a URI as specified in 3GPP TS 23.003 [5].

## 10.2.111 /<x>/<x>/OffNetwork/MCDDataGroupList/<x>/Entry/RelativePresentationPriority

**Table 10.2.111.1: /<x>/<x>/OffNetwork/MCDDataGroupList/<x>/Entry/RelativePresentationPriority**

<x>/OffNetwork/MCDDataGroupList/<x>/Entry/RelativePresentationPriority

Status	Occurrence	Format	Min. Access Types
Optional	One	int	Get, Replace

This leaf node indicates indicating the presentation priority of the off-network group for the MCDData user relative to other off-network groups and off-network users.

- Values: 0-255

The lowest RelativePresentationPriority value shall be considered as the MCDData group transaction having the lowest priority for presentation among other group MCDData and one-to-one user transactions.

## 10.2.112 /<x>/<x>/OffNetwork/UserInfoID

**Table 10.2.112.1: /<x>/<x>/OffNetwork/UserInfoID**

<x>/OffNetwork/UserInfoID

Status	Occurrence	Format	Min. Access Types
Required	One	chr	Get, Replace

This leaf node indicates the ProSe user info ID as specified in 3GPP TS 23.303 [6].

10.2.113 Void

10.2.114 Void

10.2.115 Void

10.2.116 Void

10.2.117 Void

10.2.118 Void

10.2.119 Void

10.2.120 Void

10.2.121 /&lt;x&gt;/Status

**Table 10.2.121.1: /<x>/Status**

Status

Status	Occurrence	Format	Min. Access Types
Optional	One	bool	Get, Replace

This leaf node indicates whether this MCDData user profile is enabled or disabled.

When set to "true" this MCDData user profile is enabled.

When set to "false" this MCDData user profile is disabled.

---

## 11 MCDData service configuration MO

### 11.1 General

The MCDData service configuration Management Object (MO) is used to configure MCDData Client behaviour for the on-network or off-network MCDData Service. The MCDData service configuration parameters may be stored in the ME, or in the USIM as specified in 3GPP TS 31.102 [10], or in both the ME and the USIM. If both the ME and the USIM contain the same parameters, the values stored in the USIM shall take precedence.

The Management Object Identifier is: urn:oma:mo:ext-3gpp-MCDData-service-configuration:1.0.

Protocol compatibility: This MO is compatible with OMA OMA DM 1.2 [3].

The OMA DM ACL property mechanism (see OMA OMA-ERELD-DM-V1\_2 [2]) may be used to grant or deny access rights to OMA DM servers in order to modify nodes and leaf objects of the MCDData service configuration MO.

The following nodes and leaf objects are possible under the MCDData service configuration node as described in figure 11.1.1.

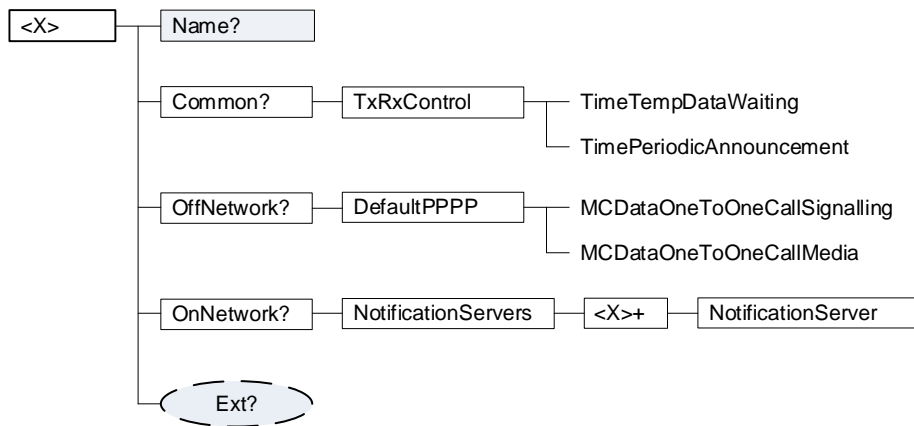


Figure 11.1.1: The MCDATA service configuration MO

## 11.2 MCDATA service configuration MO parameters

### 11.2.1 General

This clause describes the parameters for the MCDATA service configuration Management Object (MO).

### 11.2.2 Node: <x>

Table 11.2.2.1: Node: <x>

<x>

Status	Occurrence	Format	Min. Access Types
Required	OneOrMore	node	Get

This interior node acts as a placeholder for the MCDATA service configuration Management Object (MO).

For the MCDATA service configuration MO, the namespace specific string is: "urn:oma:mo:oma-dm-mcdmdata-service configuration:1.0"

- Values: N/A

### 11.2.3 /<x>/Name

Table 11.2.3.1: /<x>/Name

Name

Status	Occurrence	Format	Min. Access Types
Required	ZeroOrOne	chr	Get

The Name leaf is a name for the MCDATA service configuration settings.

- Values: <User displayable name>

### 11.2.4 /<x>/Ext/

Table 11.2.4.1: /<x>/Ext/

Ext

Status	Occurrence	Format	Min. Access Types
--------	------------	--------	-------------------

Optional	ZeroOrOne	node	Get, Replace
----------	-----------	------	--------------

The Ext is an interior node for where the vendor specific information about the MCDATA service configuration MO is being placed.

Usually the vendor extension is identified by vendor specific name under the ext node and contains the vendor meaning application vendor, device vendor etc. The tree structure under the vendor identified is not defined and can therefore include one or more un-standardized sub-trees.

- Values: N/A

## 11.2.5 /<x>/Common

**Table 11.2.5.1: /<x>/Common**

Common

Status	Occurrence	Format	Min. Access Types
Required	ZeroOrOne	node	Get, Replace

This interior node represents a container for the common network operation which means both on-network operation and off-network operation.

## 11.2.6 /<x>/Common/TxRxControl

**Table 11.2.6.1: /<x>/Common/TxRxControl**

Common/TxRxControl

Status	Occurrence	Format	Min. Access Types
Required	One	node	Get, Replace

This interior node is a placeholder for transmission and reception control configuration.

## 11.2.7 /<x>/Common/TxRxControl/TimeTempDataWaiting

**Table 11.2.7.1: /<x>/Common/TxRxControl/TimeTempDataWaiting**

Common/TxRxControl/TimeTempDataWaiting

Status	Occurrence	Format	Min. Access Types
Required	One	int	Get, Replace

This leaf node indicates the time limit for the temporarily stored data that is waiting to be delivered to a receiving user.

- Values: 0-65535

The TimeTempDataWaiting is in minutes.

## 11.2.8 /<x>/Common/TxRxControl/TimePeriodicAnnouncement

**Table 11.2.8.1: /<x>/Common/TxRxControl/TimePeriodicAnnouncement**

Common/TxRxControl/TimePeriodicAnnouncement

Status	Occurrence	Format	Min. Access Types
Required	One	int	Get, Replace



This leaf node indicates the timer for the periodic announcement which contains a list of available recently invited data group communications.

- Values: 0-65535

The TimePeriodicAnnouncement is in minutes.

## 11.2.9 /<x>/OffNetwork

**Table 11.2.9.1: /<x>/OffNetwork**

OffNetwork

Status	Occurrence	Format	Min. Access Types
Required	ZeroOrOne	node	Get, Replace

This interior node represents a container for off-network operation.

## 11.2.10 /<x>/OffNetwork/DefaultPPPP

**Table 11.2.10.1: /<x>/OffNetwork/DefaultPPPP**

OffNetwork/DefaultPPPP

Status	Occurrence	Format	Min. Access Types
Required	One	node	Get, Replace

This interior node is a placeholder for the default ProSe Per-Packet Priority (PPPP) configuration.

## 11.2.11 /<x>/OffNetwork/DefaultPPPP/MCDataOneToOneCallSignalling

**Table 11.2.11.1: /<x>/OffNetwork/DefaultPPPP/MCDataOneToOneCallSignalling**

OffNetwork/DefaultPPPP/MCDataOneToOneCallSignalling

Status	Occurrence	Format	Min. Access Types
Required	One	int	Get, Replace

This leaf node indicates the default ProSe Per-Packet Priority (PPPP) value (as specified in 3GPP TS 23.303 [6]) for the MCData one-to-one call signalling.

- Values: 1-8

The MCData user data with the lowest ProSe Per-Packet Priority value shall be considered as the MCData user data having the highest priority among the MCData user data.

## 11.2.12 /<x>/OffNetwork/DefaultPPPP/MCDataOneToOneCallMedia

**Table 11.2.12.1: /<x>/OffNetwork/DefaultPPPP/MCDataOneToOneCallMedia**

OffNetwork/DefaultPPPP/MCDataOneToOneCallMedia

Status	Occurrence	Format	Min. Access Types
Required	One	int	Get, Replace

This leaf node indicates the default ProSe Per-Packet Priority (PPPP) value (as specified in 3GPP TS 23.303 [6]) for the MCData private call media.

- Values: 1-8

The MCDData user data with the lowest ProSe Per-Packet Priority value shall be considered as the MCDData user data having the highest priority among the MCDData user data.

### 11.2.13 /<x>/OnNetwork

**Table 11.2.13.1: /<x>/OnNetwork**

OnNetwork

Status	Occurrence	Format	Min. Access Types
Required	ZeroOrOne	node	Get, Replace

This interior node represents a container for on-network operation.

### 11.2.14 /<x>/OnNetwork/NotificationServers

**Table 11.2.14.1: /<x>/OnNetwork/NotificationServers**

<x>/OnNetwork/NotificationServers

Status	Occurrence	Format	Min. Access Types
Optional	One	node	Get, Replace

This interior node is a placeholder for a list of hostnames of the Notification servers.

### 11.2.15 /<x>/OnNetwork/NotificationServers/<x>

**Table 11.2.15.1: /<x>/OnNetwork/NotificationServers/<x>**

<x>/OnNetwork/NotificationServers/<x>

Status	Occurrence	Format	Min. Access Types
Optional	OneOrMore	node	Get, Replace

This interior node is a placeholder for one or more hostnames of the Notification servers.

### 11.2.16 /<x>/OnNetwork/NotificationServers/<x>/NotificationServer

**Table 11.2.16.1: /<x>/OnNetwork/NotificationServers/<x>/NotificationServer**

<x>/OnNetwork/NotificationServers/<x>/NotificationServer

Status	Occurrence	Format	Min. Access Types
Required	One	chr	Get, Replace

This leaf node indicates a hostname of the Notification server.

# 12 MCVideo UE configuration MO

## 12.1 General

The MCVideo UE configuration Management Object (MO) is used to configure MCVideo Client behaviour for the on-network or off-network MCVideo Service. The MCVideo UE configuration parameters may be stored in the ME, or in the USIM as specified in 3GPP TS 31.102 [10], or in both the ME and the USIM. If both the ME and the USIM contain the same parameters, the values stored in the USIM shall take precedence.

The Management Object Identifier is: urn:oma:mo:ext-3gpp-MCVideo-UE-configuration:1.0.

Protocol compatibility: This MO is compatible with OMA OMA DM 1.2 [3].

The OMA DM ACL property mechanism (see OMA OMA-ERELED-DM-V1\_2 [2]) may be used to grant or deny access rights to OMA DM servers in order to modify nodes and leaf objects of the MCVideo UE configuration MO.

The following nodes and leaf objects are possible under the MCVideo UE configuration node as described in figure 12.1.1.

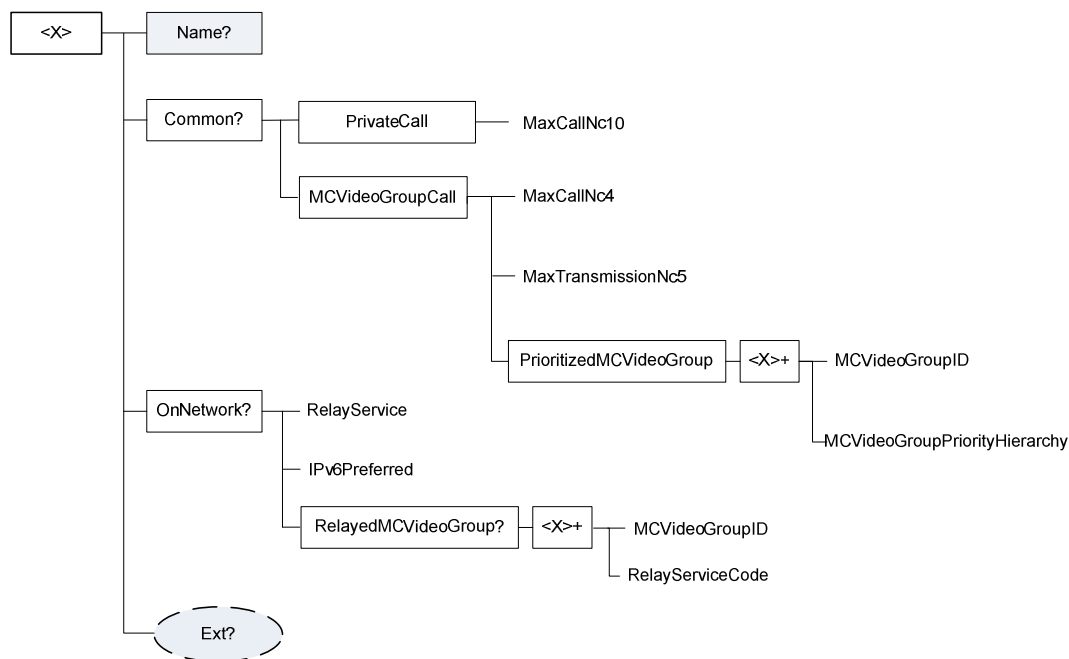


Figure 12.1.1: The MCVideo UE configuration MO

## 12.2 MCVideo UE configuration MO parameters

### 12.2.1 General

This clause describes the parameters for the MCVideo UE configuration Management Object (MO).

### 12.2.2 Node: <x>

Table 12.2.2.1: Node: <x>

<x>

Status	Occurrence	Format	Min. Access Types
--------	------------	--------	-------------------

Required	OneOrMore	node	Get
----------	-----------	------	-----

This interior node acts as a placeholder for the MCVideo UE configuration Management Object (MO).

For the MCVideo UE configuration MO, the namespace specific string is: "urn:oma:mo:oma-dm-mcvideo-ue-configuration:1.0"

- Values: N/A

### 12.2.3 /<x>/Name

**Table 12.2.3.1: /<x>/Name**

Name

Status	Occurrence	Format	Min. Access Types
Required	ZeroOrOne	chr	Get

The Name leaf is a name for the MCVideo UE configuration settings.

- Values: <User displayable name>

### 12.2.4 /<x>/Ext/

**Table 12.2.4.1: /<x>/Ext/**

Ext

Status	Occurrence	Format	Min. Access Types
Optional	ZeroOrOne	node	Get, Replace

The Ext is an interior node for where the vendor specific information about the MCVideo UE configuration MO is being placed.

Usually the vendor extension is identified by vendor specific name under the ext node and contains the vendor meaning application vendor, device vendor etc. The tree structure under the vendor identified is not defined and can therefore include one or more un-standardized sub-trees.

- Values: N/A

### 12.2.5 /<x>/Common

**Table 12.2.5.1: /<x>/Common**

Common

Status	Occurrence	Format	Min. Access Types
Required	ZeroOrOne	node	Get, Replace

This interior node represents a container for the common network operation which means both on-network operation and off-network operation.

### 12.2.5A /<x>/Common/PrivateCall

**Table 12.2.5A.1: /<x>/Common/PrivateCall**

Common/PrivateCall

Status	Occurrence	Format	Min. Access Types
Required	One	node	Get, Replace

This interior node is a placeholder for the private call configuration.

## 12.2.5B /<x>/Common/PrivateCall/MaxCallNc10

**Table 12.2.5B.1: /<x>/Common/PrivateCall/MaxCallNc10**

Common/PrivateCall/MaxCallNc10

Status	Occurrence	Format	Min. Access Types
Required	One	int	Get, Replace

This leaf node indicates the maximum number of private calls.

- Values: 0-255

## 12.2.6 /<x>/Common/MCVideoGroupCall

**Table 12.2.6.1: /<x>/Common/MCVideoGroupCall**

Common/MCVideoGroupCall

Status	Occurrence	Format	Min. Access Types
Required	One	node	Get, Replace

This interior node is a placeholder for the MCVideo group call configuration.

## 12.2.7 /<x>/Common/MCVideoGroupCall/MaxCallNc4

**Table 12.2.7.1: /<x>/Common/MCVideoGroupCall/MaxCallNc4**

Common/MCVideoGroupCall/MaxCallNc4

Status	Occurrence	Format	Min. Access Types
Required	One	int	Get, Replace

This leaf node indicates the maximum number of simultaneous MCVideo group calls.

- Values: 0-255

## 12.2.8 /<x>/Common/MCVideoGroupCall/MaxTransmissionNc5

**Table 12.2.8.1: /<x>/Common/MCVideoGroupCall/MaxTransmissionNc5**

Common/MCVideoGroupCall/MaxTransmissionNc5

Status	Occurrence	Format	Min. Access Types
Required	One	int	Get, Replace

This leaf node indicates the maximum number of video transmissions in a group.

- Values: 0-255

## 12.2.9 /<x>/Common/MCVideoGroupCall/PrioritizedMCVideoGroup

**Table 12.2.9.1: /<x>/Common/MCVideoGroupCall/PrioritizedMCVideoGroup**

Common/MCVideoGroupCall/PrioritizedMCVideoGroup

Status	Occurrence	Format	Min. Access Types
Required	One	node	Get, Replace

This interior node is a placeholder for the prioritized MCVideo group call configuration.

## 12.2.10 /<x>/Common/MCVideoGroupCall/PrioritizedMCVideoGroup/<x>

**Table 12.2.10.1: /<x>/Common/MCVideoGroupCall/PrioritizedMCVideoGroup/<x>**

Common/MCVideoGroupCall/PrioritizedMCVideoGroup/<x>

Status	Occurrence	Format	Min. Access Types
Required	OneOrMore	node	Get, Replace

This interior node is a placeholder for one or more prioritized MCVideo group call configuration.

## 12.2.11 /<x>/Common/MCVideoGroupCall/PrioritizedMCVideoGroup/<x>/MCVideoGroupID

**Table 12.2.11.1: /<x>/Common/MCVideoGroupCall/PrioritizedMCVideoGroup/<x>/MCVideoGroupID**

Common/MCVideoGroupCall/PrioritizedMCVideoGroup/<x>/MCVideoGroupID

Status	Occurrence	Format	Min. Access Types
Required	One	chr	Get, Replace

This leaf node indicates the associated MCVideo group ID.

The value is a "uri" attribute specified in OMA OMA-TS-XDM\_Group-V1\_1 [4].

## 12.2.12 /<x>/Common/MCVideoGroupCall/PrioritizedMCVideoGroup/<x>/MCVideoGroupPriorityHierarchy

**Table 12.2.12.1: /<x>/Common/MCVideoGroupCall/PrioritizedMCVideoGroup/<x>/MCVideoGroupPriorityHierarchy**

Common/MCVideoGroupCall/PrioritizedMCVideoGroup/<x>/MCVideoGroupPriorityHierarchy

Status	Occurrence	Format	Min. Access Types
Required	One	int	Get, Replace

This leaf node indicates the requested presentation priority of MCVideo group call.

- Values: 0-255

The group with the lowest MCVideoGroupPriorityHierarchy value shall be considered as the group having the lowest priority among the groups.

## 12.2.13 /<x>/OnNetwork

**Table 12.2.13.1: /<x>/OnNetwork**

OnNetwork

Status	Occurrence	Format	Min. Access Types
Required	ZeroOrOne	node	Get, Replace

This interior node represents a container for on-network operation.

## 12.2.14 /<x>/OnNetwork/RelayService

**Table 12.2.14.1: /<x>/OnNetwork/RelayService**

OnNetwork/RelayService

Status	Occurrence	Format	Min. Access Types
Required	One	bool	Get, Replace

This leaf node indicates the authorisation to use a relay service.

When set to "true" the MCVideo group is allowed to use a relay service.

When set to "false" the MCVideo group is not allowed to use a relay service.

## 12.2.15 /<x>/OnNetwork/IPv6Preferred

**Table 12.2.15.1: /<x>/OnNetwork/IPv6Preferred**

OnNetwork/IPv6Preferred

Status	Occurrence	Format	Min. Access Types
Required	One	bool	Get, Replace

This leaf node indicates whether IPv6 is preferred over IPv4 for on-network operation when the MCVideo UE has both IPv4 and IPv6 host configuration.

If the MCVideo UE has both IPv4 and IPv6 host configuration and:

- if IPv6Preferred is set to "true" then the UE uses IPv6 for all on-network signalling and media; otherwise
- if IPv6Preferred is set to "false" then the UE uses IPv4 for all on-network signalling and media.

## 12.2.16 /<x>/OnNetwork/RelayedMCVideoGroup

**Table 12.2.16.1: /<x>/OnNetwork/RelayedMCVideoGroup**

OnNetwork/RelayedMCVideoGroup

Status	Occurrence	Format	Min. Access Types
Optional	ZeroOrOne	node	Get, Replace

This interior node is a placeholder for the allowed relayed MCVideo groups.

## 12.2.17 /<x>/OnNetwork/RelayedMCVideoGroup/<x>

**Table 12.2.17.1: /<x>/OnNetwork/RelayedMCVideoGroup/<x>**

OnNetwork/RelayedMCVideoGroup/<x>

Status	Occurrence	Format	Min. Access Types
Required	OneOrMore	node	Get, Replace

This interior node is a placeholder for one or more allowed relayed MCVideo groups.

## 12.2.18 /<x>/OnNetwork/RelayedMCVideoGroup/<x>/MCVideoGroupID

**Table 12.2.18.1: /<x>/OnNetwork/RelayedMCVideoGroup/<x>/MCVideoGroupID**

OnNetwork/RelayedMCVideoGroup/<x>/MCVideoGroupID

Status	Occurrence	Format	Min. Access Types
Required	One	chr	Get, Replace

This leaf node indicates the associated MCVideo group ID.

The value is a "uri" attribute specified in OMA OMA-TS-XDM\_Group-V1\_1 [4].

## 12.2.19 /<x>/OnNetwork/RelayedMCVideoGroup/<x>/RelayServiceCode

**Table 12.2.19.1: /<x>/OnNetwork/RelayedMCVideoGroup/<x>/RelayServiceCode**

OnNetwork/RelayedMCVideoGroup/<x>/RelayServiceCode

Status	Occurrence	Format	Min. Access Types
Required	One	chr	Get, Replace

This leaf node indicates the connectivity service that the ProSe UE-to-network relay provides to public safety applications as specified in 3GPP TS 23.303 [6].

---

# 13 MCVideo user profile MO

## 13.1 General

The MCVideo user profile configuration Management Object (MO) is used to configure the MCVideo Client behaviour for the on-network or off-network MCVideo Service. The MCVideo user profile configuration parameters may be stored in the ME, or in the USIM as specified in 3GPP TS 31.102 [10], or in both the ME and the USIM. If both the ME and the USIM contain the same parameters, the values stored in the USIM shall take precedence.

The Management Object Identifier is: urn:oma:mo:ext-3gpp-MCVideo-user-profile:1.0.

Protocol compatibility: This MO is compatible with OMA OMA DM 1.2 [3].

The OMA DM ACL property mechanism (see OMA OMA-ERELD-DM-V1\_2 [2]) may be used to grant or deny access rights to OMA DM servers in order to modify nodes and leaf objects of the MCVideo user profile MO.

The following nodes and leaf objects are possible under the MCVideo user profile node as described in figure 13.1.1, figure 13.1.2 and figure 13.1.3.



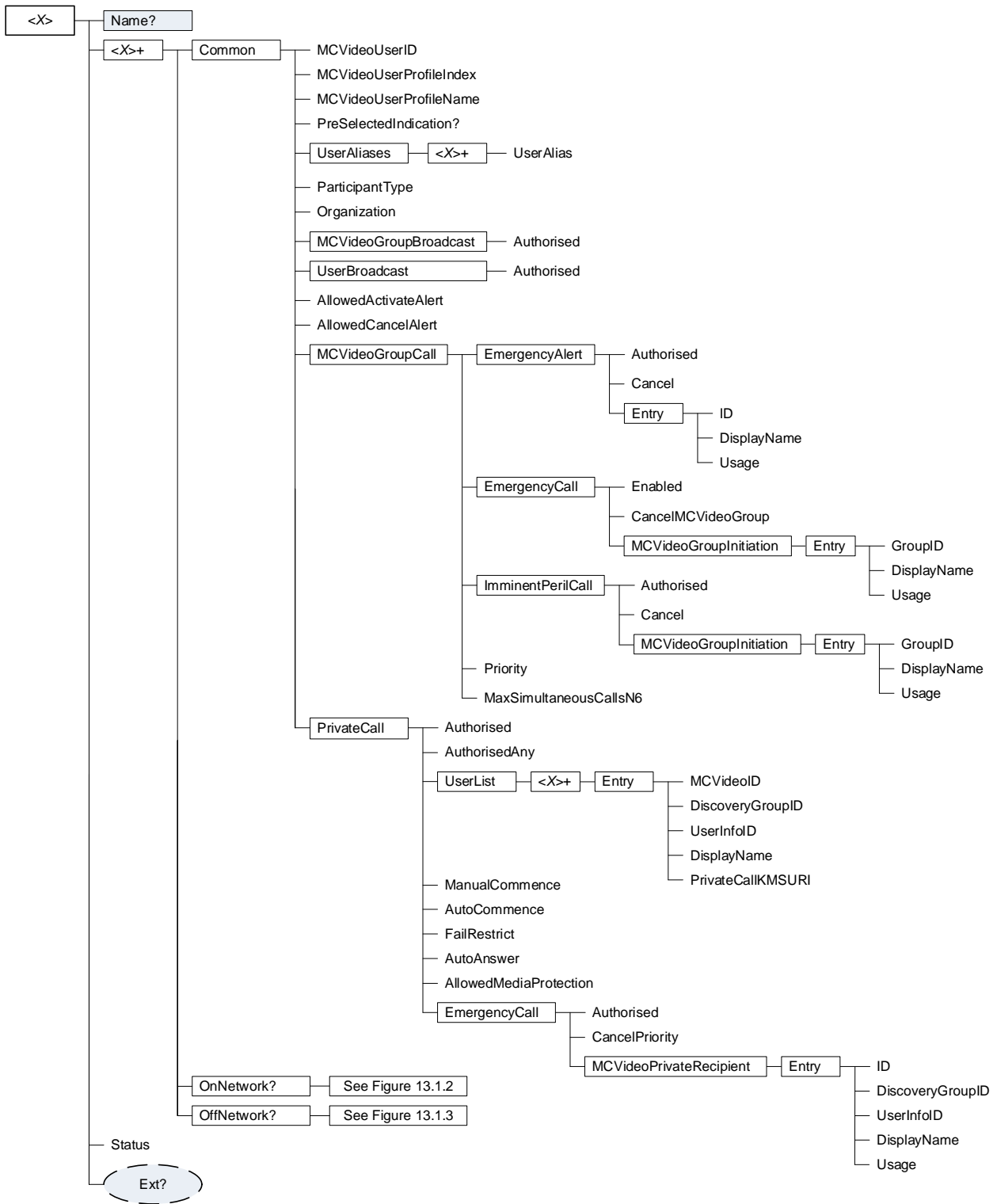


Figure 13.1.1: The MCVideo user profile MO (1 of 3)

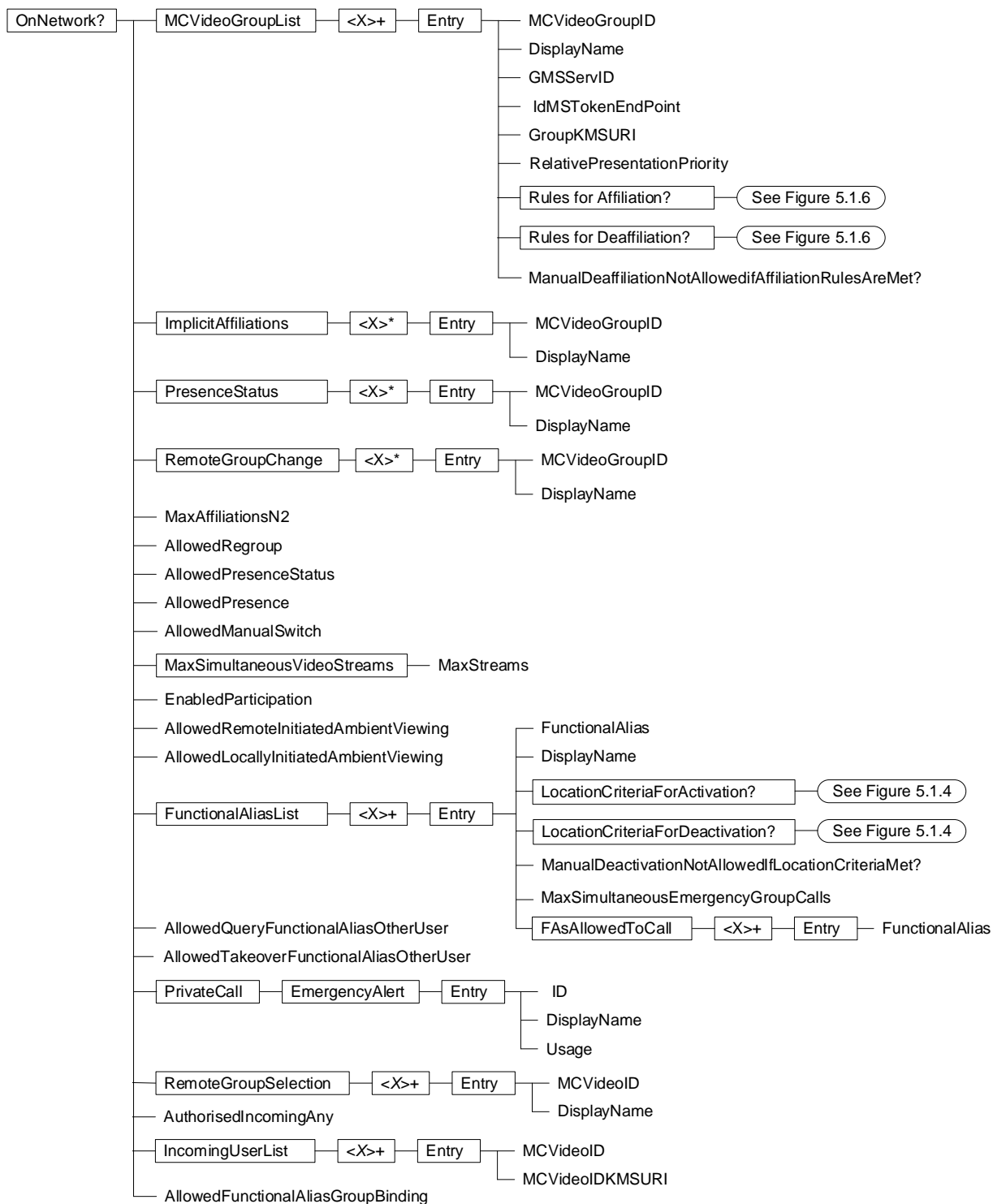


Figure 13.1.2: The MCVideo user profile MO (2 of 3)

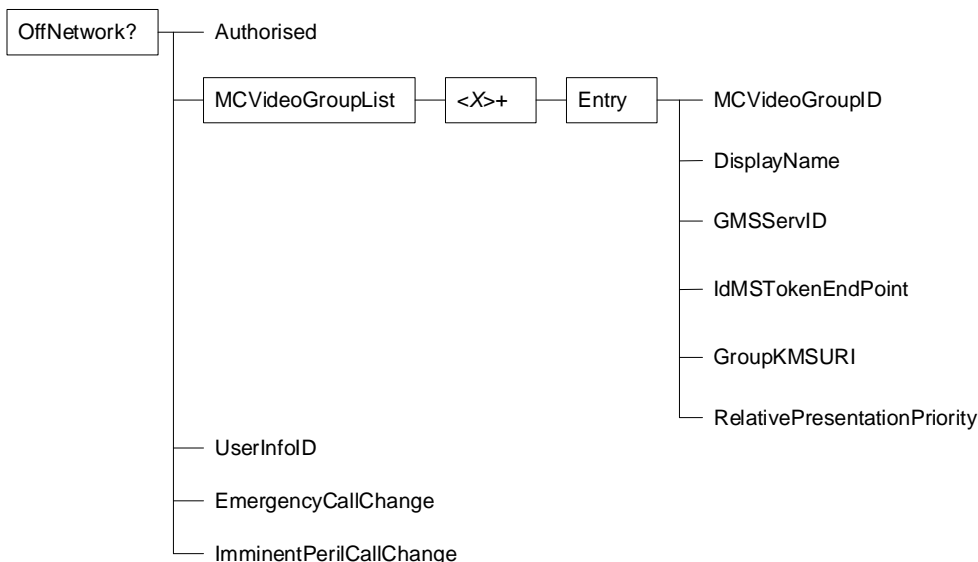


Figure 13.1.3: The MCVideo user profile MO (3 of 3)

## 13.2 MCVideo user profile MO parameters

### 13.2.1 General

This clause describes the parameters for the MCVideo user profile Management Object (MO).

### 13.2.2 Node: <x>

Table 13.2.2.1: Node: <x>

<x>

Status	Occurrence	Format	Min. Access Types
Required	OneOrMore	node	Get

This interior node acts as a placeholder for the MCVideo user profile Management Object (MO).

For the MCVideo user profile MO, the namespace specific string is: "urn:oma:mo:oma-dm-mcvideo-user-profile:1.0"

- Values: N/A

### 13.2.3 /<x>/Name

Table 13.2.3.1: /<x>/Name

Name

Status	Occurrence	Format	Min. Access Types
Required	ZeroOrOne	chr	Get

The Name leaf is a name for the MCVideo user profile settings.

- Values: <User displayable name>

### 13.2.4 /<x>/Ext/

**Table 13.2.4.1: /<x>/Ext/**

Ext

Status	Occurrence	Format	Min. Access Types
Optional	ZeroOrOne	node	Get, Replace

The Ext is an interior node for where the vendor specific information about the MCVideo user profile MO is being placed.

Usually the vendor extension is identified by vendor specific name under the ext node and contains the vendor meaning application vendor, device vendor etc. The tree structure under the vendor identified is not defined and can therefore include one or more un-standardized sub-trees.

- Values: N/A

### 13.2.5 /<x>/<x>

**Table 13.2.5.1: /<x>/<x>**

<x>

Status	Occurrence	Format	Min. Access Types
Required	OneOrMore	node	Get, Replace

This interior node represents a container for on-network operation and off-network operation.

### 13.2.6 /<x>/<x>/Common

**Table 13.2.6.1: /<x>/<x>/Common**

<x>/Common

Status	Occurrence	Format	Min. Access Types
Required	One	node	Get, Replace

This interior node represents a container for the common network operation which means both on-network operation and off-network operation.

### 13.2.7 /<x>/<x>/Common/MCVideoUserID

**Table 13.2.7.1: /<x>/<x>/Common/MCVideoUserID**

<x>/Common/MCVideoUserID

Status	Occurrence	Format	Min. Access Types
Required	One	chr	Get, Replace

This leaf node indicates an MCVideo user identity (MCVideo ID) which is a globally unique identifier within the MCVideo service that represents the MCVideo user.

## 13.2.8 /<x>/<x>/Common/MCVideoUserProfileIndex

**Table 13.2.8.1: /<x>/<x>/Common/MCVideoUserProfileIndex**

<x>/Common/MCVideoUserProfileIndex

Status	Occurrence	Format	Min. Access Types
Required	One	int	Get, Replace

This leaf node indicates an index for the particular MCVideo user profile.

- Values: 0-255

## 13.2.9 /<x>/<x>/Common/MCVideoUserProfileName

**Table 13.2.9.1: /<x>/<x>/Common/MCVideoUserProfileName**

<x>/Common/MCVideoUserProfileName

Status	Occurrence	Format	Min. Access Types
Optional	One	chr	Get, Replace

This leaf node indicates a profile name for the particular MCVideo user profile.

## 13.2.10 /<x>/<x>/Common/PreSelectedIndication

**Table 13.2.10.1: /<x>/<x>/Common/PreSelectedIndication**

<x>/Common/PreSelectedIndication

Status	Occurrence	Format	Min. Access Types
Optional	ZeroOrOne	null	Get, Replace

This leaf node indicates that this MCVideo user profile MO is designated to be the pre-selected MCVideo user profile as defined by 3GPP TS 23.179 [15]

- Values: null

When this leaf node is present, this MCVideo user profile MO is designated as the pre-selected MCVideo user profile.

When this leaf node is absent, this MCVideo user profile MO is not designated as the pre-selected MCVideo user profile.

If more than one MCVideo user profile MO is specified for the MCVideo user, then only one MCVideo user profile MO for the MCVideo user shall contain the <x>/Common/PreSelectedIndication leaf node.

If there is only one MCVideo user profile MO specified for the MCVideo user, then it is optional to include the <x>/Common/PreSelectedIndication leaf node.

## 13.2.11 /<x>/<x>/Common/UserAliases

**Table 13.2.11.1: /<x>/<x>/Common/UserAliases**

<x>/Common/UserAliases

Status	Occurrence	Format	Min. Access Types
Required	One	node	Get, Replace

This interior node is a placeholder for a list of aliases of an MCVideo user.

### 13.2.12 /<x>/<x>/Common/UserAliases/<x>

**Table 13.2.12.1: /<x>/<x>/Common/UserAliases/<x>**

<x>/Common/UserAliases/<x>

Status	Occurrence	Format	Min. Access Types
Required	OneOrMore	node	Get, Replace

This interior node is a placeholder for one or more aliases of an MCVideo user.

### 13.2.13 /<x>/<x>/Common/UserAliases/<x>/UserAlias

**Table 13.2.13.1: /<x>/<x>/Common/UserAliases/<x>/UserAlias**

<x>/Common/UserAliases/<x>/UserAlias

Status	Occurrence	Format	Min. Access Types
Required	One	chr	Get, Replace

This leaf node indicates an alphanumeric alias of the MCVideo user.

### 13.2.14 Void

### 13.2.15 /<x>/<x>/Common/ParticipantType

**Table 13.2.15.1: /<x>/<x>/Common/ParticipantType**

<x>/Common/ParticipantType

Status	Occurrence	Format	Min. Access Types
Required	One	chr	Get, Replace

This leaf node indicates the participant type of the MCVideo user.

The ParticipantType means the functional category of the participant (e.g., first responder, second responder, dispatch, dispatch supervisor), typically defined by the MCVideo administrators.

### 13.2.16 /<x>/<x>/Common/Organization

**Table 13.2.16.1: /<x>/<x>/Common/Organization**

<x>/Common/Organization

Status	Occurrence	Format	Min. Access Types
Required	One	chr	Get, Replace

This leaf node indicates the organization an MCVideo user belongs to.

### 13.2.17 /<x>/<x>/Common/MCVideoGroupBroadcast

**Table 13.2.17.1: /<x>/<x>/Common/MCVideoGroupBroadcast**

<x>/Common/MCVideoGroupBroadcast

Status	Occurrence	Format	Min. Access Types
Required	One	node	Get, Replace

This interior node is a placeholder for the group-broadcast group policy.

### 13.2.18 /<x>/<x>/Common/MCVideoGroupBroadcast/Authorised

**Table 13.2.18.1: /<x>/<x>/Common/MCVideoGroupBroadcast/Authorised**

<x>/Common/MCVideoGroupBroadcast/Authorised

Status	Occurrence	Format	Min. Access Types
Required	One	bool	Get, Replace

This leaf node indicates the authorisation to create a group-broadcast group.

When set to "true" the MCVideo user is authorised to create a group-broadcast group.

When set to "false" the MCVideo user is not authorised to create a group-broadcast group.

### 13.2.19 /<x>/<x>/Common/UserBroadcast

**Table 13.2.19.1: /<x>/<x>/Common/UserBroadcast**

<x>/Common/UserBroadcast

Status	Occurrence	Format	Min. Access Types
Required	One	node	Get, Replace

This interior node is a placeholder for the user-broadcast group policy.

### 13.2.20 /<x>/<x>/Common/UserBroadcast/Authorised

**Table 13.2.20.1: /<x>/<x>/Common/UserBroadcast/Authorised**

<x>/Common/UserBroadcast/Authorised

Status	Occurrence	Format	Min. Access Types
Required	One	bool	Get, Replace

This leaf node indicates the authorisation to create a user-broadcast group.

When set to "true" the MCVideo user is authorised to create a user-broadcast group.

When set to "false" the MCVideo user is not authorised to create a user-broadcast group.

13.2.21 Void

13.2.22 Void

13.2.23 Void

13.2.24 Void

13.2.25 Void

13.2.26 Void

13.2.27 Void

13.2.28 Void

13.2.29 `<x>/<x>/Common/AllowedActivateAlert`

**Table 13.2.29.1: `<x>/<x>/Common/AllowedActivateAlert`**

`<x>/Common/AllowedActivateAlert`

Status	Occurrence	Format	Min. Access Types
Required	One	bool	Get, Replace

This leaf node indicates whether the MCVideo user is authorised to activate an emergency alert.

When set to "true" the MCVideo user is authorised to activate an emergency alert.

When set to "false" the MCVideo user is not authorised to activate an emergency alert.

13.2.30 `<x>/<x>/Common/AllowedCancelAlert`

**Table 13.2.30.1: `<x>/<x>/Common/AllowedCancelAlert`**

`<x>/Common/AllowedCancelAlert`

Status	Occurrence	Format	Min. Access Types
Required	One	bool	Get, Replace

This leaf node indicates whether the MCVideo user is allowed to cancel an emergency alert.

When set to "true" the MCVideo user is authorised to cancel an emergency alert.

When set to "false" the MCVideo user is not authorised to cancel an emergency alert.



13.2.31 Void

13.2.32 Void

13.2.33 Void

13.2.34 Void

13.2.35 Void

13.2.36 Void

13.2.37 Void

13.2.38 Void

## 13.2.38A/&lt;x&gt;/&lt;x&gt;/Common/MCVideoGroupCall

**Table 13.2.38A.1: /<x>/<x>/Common/MCVideoGroupCall**

&lt;x&gt;/Common/MCVideoGroupCall

Status	Occurrence	Format	Min. Access Types
Required	One	node	Get, Replace

This interior node is a placeholder for the MCVideo group call configuration.

## 13.2.38A1 /&lt;x&gt;/&lt;x&gt;/Common/MCVideoGroupCall/EmergencyAlert

**Table 13.2.38A1.1: /<x>/<x>/Common/MCVideoGroupCall/EmergencyAlert**

&lt;x&gt;/Common/MCVideoGroupCall/EmergencyAlert

Status	Occurrence	Format	Min. Access Types
Required	One	node	Get, Replace

This interior node is a placeholder for the MCVideo emergency alert policy.

13.2.38A2 /<x>/<x>/Common/MCVideoGroupCall/EmergencyAlert/  
Authorised**Table 13.2.38A2.1: /<x>/<x>/Common/MCVideoGroupCall/EmergencyAlert/Authorised**

&lt;x&gt;/Common/MCVideoGroupCall/EmergencyAlert/Authorised

Status	Occurrence	Format	Min. Access Types
Required	One	bool	Get, Replace

This leaf node indicates the authorisation to activate an MCVideo emergency alert.

When set to "true" the MCVideo user is authorised to make an MCVideo emergency alert.

When set to "false" the MCVideo user is not authorised to make an MCVideo emergency alert.

### 13.2.38A3 /<x>/<x>/Common/MCVideoGroupCall/EmergencyAlert/Cancel

**Table 13.2.38A3.1: /<x>/<x>/Common/MCVideoGroupCall/EmergencyAlert/Cancel**

<x>/Common/MCVideoGroupCall/EmergencyAlert/Cancel

Status	Occurrence	Format	Min. Access Types
Required	One	bool	Get, Replace

This leaf node indicates the authorisation to cancel an MCVideo emergency alert.

When set to "true" the MCVideo user is authorised to cancel an MCVideo emergency alert.

When set to "false" the MCVideo user is not authorised to cancel an MCVideo emergency alert.

### 13.2.38A4 /<x>/<x>/Common/MCVideoGroupCall/EmergencyAlert/Entry

**Table 13.2.38A4.1: /<x>/<x>/Common/MCVideoGroupCall/EmergencyAlert/Entry**

<x>/Common/MCVideoGroupCall/EmergencyAlert/Entry

Status	Occurrence	Format	Min. Access Types
Required	One	node	Get, Replace

This interior node is a placeholder for the details of the MCVideo group of an MCVideo emergency alert.

### 13.2.38A5 /<x>/<x>/Common/MCVideoGroupCall/EmergencyAlert/Entry/ID

**Table 13.2.38A5.1: /<x>/<x>/Common/MCVideoGroupCall/EmergencyAlert/Entry/ID**

<x>/Common/MCVideoGroupCall/EmergencyAlert/Entry/ID

Status	Occurrence	Format	Min. Access Types
Required	One	chr	Get, Replace

This leaf node indicates the MCVideo group used upon certain criteria on initiation of an MCVideo emergency alert.

### 13.2.38A6 /<x>/<x>/Common/MCVideoGroupCall/EmergencyAlert/Entry/DisplayName

**Table 13.2.38A6.1: /<x>/<x>/Common/MCVideoGroupCall/EmergencyAlert/Entry/DisplayName**

<x>/Common/MCVideoGroupCall/EmergencyAlert/Entry/DisplayName

Status	Occurrence	Format	Min. Access Types
Optional	One	chr	Get, Replace

This leaf node contains a human readable name that corresponds to the ID.

### 13.2.38A7 /<x>/<x>/Common/MCVideoGroupCall/EmergencyAlert/Entry/Usage

**Table 13.2.38A7.1: /<x>/<x>/Common/MCVideoGroupCall/EmergencyAlert/Entry/Usage**

<x>/Common/MCVideoGroupCall/EmergencyAlert/Entry/Usage

Status	Occurrence	Format	Min. Access Types
Required	One	chr	Get, Replace

This leaf node indicates the criteria to determine when initiation of an MCVideo emergency alert uses the ID.

The valid values are 'LocallyDetermined', 'UseCurrentlySelectedGroup', 'UsePreConfigured' and 'DedicatedGroup'.

When set to 'LocallyDetermined' then if the MCVideo user selects an MCVideo ID then use that MCVideo ID for an on-network MCVideo emergency alert, if the MCVideo user does not select a MCVideo ID then use the MCVideo ID identified by the ID in clause 13.2.38A5 for an on-network MCVideo emergency alert.

When set to 'UseCurrentlySelectedGroup' then if the MCVideo user has currently selected an MCVideo group then use that MCVideo group for an on-network MCVideo emergency alert, if the MCVideo user does not have a currently selected MCVideo group then use the MCVideo group identified by the ID in clause 13.2.38A5 for an MCVideo emergency alert.

When set to 'UsePreConfigured' then use the ID identified by the ID in clause 13.2.38A5 for an on-network MCVideo emergency alert.

When set to 'DedicatedGroup' then use the MCVideo group identified by the ID in clause 13.2.38A5 for an MCVideo emergency alert.

### 13.2.38B /<x>/<x>/Common/MCVideoGroupCall/EmergencyCall

**Table 13.2. 38B.1: /<x>/<x>/Common/MCVideoGroupCall/EmergencyCall**

<x>/Common/MCVideoGroupCall/EmergencyCall

Status	Occurrence	Format	Min. Access Types
Required	One	node	Get, Replace

This interior node is a placeholder for the MCVideo emergency call policy.

### 13.2.38C /<x>/<x>/Common/MCVideoGroupCall/EmergencyCall/Enabled

**Table 13.2.38C.1: /<x>/<x>/Common/MCVideoGroupCall/EmergencyCall/Enabled**

<x>/Common/MCVideoGroupCall/EmergencyCall/Enabled

Status	Occurrence	Format	Min. Access Types
Optional	One	bool	Get, Replace

This leaf node indicates the authorisation to make an MCVideo emergency group call functionality enabled for MCVideo user.

When set to "true" the MCVideo user is authorised to make an MCVideo emergency group call functionality enabled.

When set to "false" the MCVideo user is not authorised to make an MCVideo emergency group call functionality enabled.

### 13.2.38D /<x>/<x>/Common/MCVideoGroupCall/EmergencyCall/CancelMCVideoGroup

**Table 13.2.38D.1: /<x>/<x>/Common/MCVideoGroupCall/EmergencyCall/CancelMCVideoGroup**

<x>/Common/MCVideoGroupCall/EmergencyCall/CancelMCVideoGroup

Status	Occurrence	Format	Min. Access Types
Required	One	bool	Get, Replace

This leaf node indicates the authorisation to cancel an in progress MCVideo emergency group call associated with a group.

When set to "true" the MCVideo user is authorised to cancel a MCVideo emergency group call.

When set to "false" the MCVideo user is not authorised to cancel a MCTT emergency group call.

### 13.2.38D1 `<x>/<x>/Common/MCVideoGroupCall/EmergencyCall/MCVideoGroupInitiation`

**Table 13.2.38D1.1: `<x>/<x>/Common/MCVideoGroupCall/EmergencyCall/MCVideoGroupInitiation`**

`<x>/Common/MCVideoGroupCall/EmergencyCall/MCVideoGroupInitiation`

Status	Occurrence	Format	Min. Access Types
Required	One	node	Get, Replace

This interior node is a placeholder for the group used on initiation of an MCVideo emergency group call.

### 13.2.38D2 `<x>/<x>/Common/MCVideoGroupCall/EmergencyCall/MCVideoGroupInitiation/Entry`

**Table 13.2.38D2.1:**

**`<x>/<x>/Common/MCVideoGroupCall/EmergencyCall/MCVideoGroupInitiation/Entry`**

`<x>/Common/MCVideoGroupCall/EmergencyCall/MCVideoGroupInitiation/Entry`

Status	Occurrence	Format	Min. Access Types
Required	One	node	Get, Replace

This interior node is a placeholder for the details of the group used on initiation of an MCVideo emergency group call.

### 13.2.38D3 `<x>/<x>/Common/MCVideoGroupCall/EmergencyCall/MCVideoGroupInitiation/Entry/GroupID`

**Table 13.2.38D3.1:**

**`<x>/<x>/Common/MCVideoGroupCall/EmergencyCall/MCVideoGroupInitiation/Entry/GroupID`**

`<x>/Common/MCVideoGroupCall/EmergencyCall/MCVideoGroupInitiation/Entry/GroupID`

Status	Occurrence	Format	Min. Access Types
Optional	One	chr	Get, Replace

This leaf node indicates the group used upon certain criteria on initiation of an MCVideo emergency group call.

### 13.2.38D4 `<x>/<x>/Common/MCVideoGroupCall/EmergencyCall/MCVideoGroupInitiation/Entry/DisplayName`

**Table 13.2.38D4.1:**

**`<x>/<x>/Common/MCVideoGroupCall/EmergencyCall/MCVideoGroupInitiation/Entry/DisplayName`**

`<x>/Common/MCVideoGroupCall/EmergencyCall/MCVideoGroupInitiation/Entry/DisplayName`

Status	Occurrence	Format	Min. Access Types
Optional	One	chr	Get, Replace

This leaf node contains a human readable name that corresponds to the Group ID.

### 13.2.38D5 /<x>/<x>/Common/MCVideoGroupCall/EmergencyCall/MCVideoGroupInitiation/Entry/Usage

**Table 13.2.38D5.1:**

#### /<x>/<x>/Common/MCVideoGroupCall/EmergencyCall/MCVideoGroupInitiation/Entry/Usage

<x>/Common/MCVideoGroupCall/EmergencyCall/MCVideoGroupInitiation/Entry/Usage

Status	Occurrence	Format	Min. Access Types
Required	One	chr	Get, Replace

This leaf node indicates the criteria to determine when initiation of an MCVideo emergency group call uses the GroupID.

The valid values are 'UseCurrentlySelectedGroup' and 'DedicatedGroup'.

When set to 'UseCurrentlySelectedGroup' then if the MCVideo user has currently selected an MCVideo group then use that MCVideo group for an on-network MCVideo emergency group call, if the MCVideo user does not have a currently selected MCVideo group then use the MCVideo group identified by the GroupID in clause 13.2.38D3 for an MCVideo emergency group call.

When set to 'DedicatedGroup' then use the MCVideo group identified by the GroupID in clause 13.2.38D3 for an MCVideo emergency group call.

### 13.2.38E/<x>/<x>/Common/MCVideoGroupCall/ImminentPerilCall

**Table 13.2.38E.1: /<x>/<x>/Common/MCVideoGroupCall/ImminentPerilCall**

<x>/Common/MCVideoGroupCall/ImminentPerilCall

Status	Occurrence	Format	Min. Access Types
Required	One	node	Get, Replace

This interior node is a placeholder for the MCVideo imminent peril call policy.

### 13.2.38F/<x>/<x>/Common/MCVideoGroupCall/ImminentPerilCall/Authorised

**Table 13.2.38F.1: /<x>/<x>/Common/MCVideoGroupCall/ImminentPerilCall/Authorised**

<x>/Common/MCVideoGroupCall/ImminentPerilCall/Authorised

Status	Occurrence	Format	Min. Access Types
Required	One	bool	Get, Replace

This leaf node indicates the authorisation to make an Imminent Peril group call.

When set to "true" the MCVideo user is authorised to create an MCVideo imminent peril group call.

When set to "false" the MCVideo user is not authorised to create an MCVideo imminent peril group call.

### 13.2.38G /<x>/<x>/Common/MCVideoGroupCall/ImminentPerilCall/Cancel

**Table 13.2.38G.1: /<x>/<x>/Common/MCVideoGroupCall/ImminentPerilCall/Cancel**

<x>/Common/MCVideoGroupCall/ImminentPerilCall/Cancel

Status	Occurrence	Format	Min. Access Types
Required	One	bool	Get, Replace

This leaf node indicates the authorisation for in-progress MCVideo imminent peril cancelation.

When set to "true" the MCVideo user is authorised to cancel an MCVideo imminent peril call.

When set to "false" the MCVideo user is not authorised to cancel an MCVideo imminent peril call.

### 13.2.38G1 /<x>/<x>/Common/MCVideoGroupCall/ImminentPerilCall/MCVideoGroupInitiation

**Table 13.2.38G1.1: /<x>/<x>/Common/MCVideoGroupCall/ImminentPerilCall/MCVideoGroupInitiation**

<x>/Common/MCVideoGroupCall/ImminentPerilCall/MCVideoGroupInitiation

Status	Occurrence	Format	Min. Access Types
Optional	One	node	Get, Replace

This interior node is a placeholder for the group used on initiation of an MCVideo imminent peril group call.

### 13.2.38G2 /<x>/<x>/Common/MCVideoGroupCall/ImminentPerilCall/MCVideoGroupInitiation/Entry

**Table 13.2.38G2.1:**

**/<x>/<x>/Common/MCVideoGroupCall/ImminentPerilCall/MCVideoGroupInitiation/Entry**

<x>/Common/MCVideoGroupCall/ImminentPerilCall/MCVideoGroupInitiation/Entry

Status	Occurrence	Format	Min. Access Types
Required	One	node	Get, Replace

This interior node is a placeholder for the details of the group used on initiation of an imminent peril call.

### 13.2.38G3 /<x>/<x>/Common/MCVideoGroupCall/ImminentPerilCall/MCVideoGroupInitiation/Entry/GroupID

**Table 13.2.38G3.1:**

**/<x>/<x>/Common/MCVideoGroupCall/ImminentPerilCall/MCVideoGroupInitiation/Entry/GroupID**

<x>/Common/MCVideoGroupCall/ImminentPerilCall/MCVideoGroupInitiation/Entry/GroupID

Status	Occurrence	Format	Min. Access Types
Required	One	chr	Get, Replace

This leaf node indicates the group used upon certain criteria on initiation of an MCVideo imminent peril group call.

### 13.2.38G4 /<x>/<x>/Common/MCVideoGroupCall/ImminentPerilCall/MCVideoGroupInitiation/DisplayName

**Table 13.2.38G4.1:**

#### /<x>/<x>/Common/MCVideoGroupCall/ImminentPerilCall/MCVideoGroupInitiation/Entry/DisplayName

<x>/Common/MCVideoGroupCall/ImminentPerilCall/MCVideoGroupInitiation/Entry/DisplayName

Status	Occurrence	Format	Min. Access Types
Optional	One	chr	Get, Replace

This leaf node contains a human readable name that corresponds to the Group ID.

### 13.2.38G5 /<x>/<x>/Common/MCVideoGroupCall/ImminentPerilCall/MCVideoGroupInitiation/Entry/Usage

**Table 13.2.38G5.1:**

#### /<x>/<x>/Common/MCVideoGroupCall/ImminentPerilCall/MCVideoGroupInitiation/Entry/Usage

<x>/Common/MCVideoGroupCall/ImminentPerilCall/MCVideoGroupInitiation/Entry/Usage

Status	Occurrence	Format	Min. Access Types
Required	One	chr	Get, Replace

This leaf node indicates the criteria to determine when initiation of an MCVideo imminent peril group call uses the GroupID.

The valid values are 'UseCurrentlySelectedGroup' and 'DedicatedGroup'.

When set to 'UseCurrentlySelectedGroup' then if the MCVideo user has currently selected an MCVideo group then use that MCVideo group for an on-network MCVideo imminent peril group call, if the MCVideo user does not have a currently selected MCVideo group then use the MCVideo group identified by the GroupID in clause 13.2.38G3 for an MCVideo imminent peril group call.

When set to 'DedicatedGroup' then use the MCVideo group identified by the GroupID in clause 13.2.38G3 for an MCVideo imminent peril group call.

### 13.2.38G6 /<x>/<x>/Common/MCVideoGroupCall/Priority

**Table 13.2.38G6.1: /<x>/<x>/Common/MCVideoGroupCall/Priority**

<x>/Common/MCVideoGroupCall/Priority

Status	Occurrence	Format	Min. Access Types
Required	One	int	Get, Replace

This leaf node indicates the priority of the MCVideo group calls.

- Values: 0-255

The MCVideo group call with the lowest Priority value shall be considered as the MCVideo group call having the lowest level among the MCVideo group calls.

## 13.2.38G7 /&lt;x&gt;/&lt;x&gt;/Common/MCVideoGroupCall/MaxSimultaneousCallsN6

**Table 13.2.38G7.1: /<x>/<x>/Common/MCVideoGroupCall/MaxSimultaneousCallsN6**

&lt;x&gt;/Common/MCVideoGroupCall/MaxSimultaneousCallsN6

Status	Occurrence	Format	Min. Access Types
Required	One	int	Get, Replace

This leaf node indicates the maximum number of simultaneously received MCVideo group calls (N6).

## 13.2.38H /&lt;x&gt;/&lt;x&gt;/Common/PrivateCall

**Table 13.2.38H.1: /<x>/<x>/Common/PrivateCall**

&lt;x&gt;/Common/PrivateCall

Status	Occurrence	Format	Min. Access Types
Required	One	node	Get, Replace

This interior node is a placeholder for the MCVideo private call configuration.

## 13.2.38H1 Void

## 13.2.38H2 Void

## 13.2.38H3 Void

## 13.2.38H4 Void

## 13.2.38H5 Void

## 13.2.38H6 Void

## 13.2.38I /&lt;x&gt;/&lt;x&gt;/Common/PrivateCall/Authorised

**Table 13.2.38I.1: /<x>/<x>/Common/PrivateCall/Authorised**

&lt;x&gt;/Common/PrivateCall/Authorised

Status	Occurrence	Format	Min. Access Types
Required	One	bool	Get, Replace

This leaf node indicates the authorisation to make a MCVideo private call.

## 13.2.38I1 /&lt;x&gt;/&lt;x&gt;/Common/PrivateCall/AuthorisedAny

**Table 13.2.38I1.1: /<x>/<x>/Common/PrivateCall/AuthorisedAny**

&lt;x&gt;/Common/PrivateCall/AuthorisedAny



Status	Occurrence	Format	Min. Access Types
Required	One	bool	Get, Replace

This leaf node indicates the authorisation to make a MCVideo private call to any MCVideo user.

When set to "true" the MCVideo user is authorised to make an MCVideo private call to any MCVideo user.

When set to "false" the MCVideo user is not authorised to make an MCVideo private call to any MCVideo user.

### 13.2.38I2 /<x>/<x>/Common/PrivateCall/UserList

**Table 13.2.38I2.1: /<x>/<x>/Common/PrivateCall/UserList**

<x>/Common/PrivateCall/UserList

Status	Occurrence	Format	Min. Access Types
Required	One	node	Get, Replace

This interior node is a placeholder for a list of MCVideo user(s) who can be called in a MCVideo private call.

### 13.2.38I3 /<x>/<x>/Common/PrivateCall/UserList/<x>

**Table 13.2.38I3.1: /<x>/<x>/Common/PrivateCall/UserList/<x>**

<x>/Common/PrivateCall/UserList/<x>

Status	Occurrence	Format	Min. Access Types
Optional	OneOrMore	node	Get, Replace

This interior node is a placeholder for one or more list of MCVideo users who can be called in a MCVideo private call.

### 13.2.38I4 /<x>/<x>/Common/PrivateCall/UserList/<x>/Entry

**Table 13.2.38I4.1: /<x>/<x>/Common/PrivateCall/UserList/<x>/Entry**

<x>/Common/PrivateCall/UserList/<x>/Entry

Status	Occurrence	Format	Min. Access Types
Required	One	node	Get, Replace

This interior node is a placeholder for one or more MCVideo users who can be called in a private call.

### 13.2.38I5 /<x>/<x>/Common/PrivateCall/UserList/<x>/Entry/MCVideoID

**Table 13.2.38I5.1: /<x>/<x>/Common/PrivateCall/UserList/<x>/Entry/MCVideoID**

<x>/Common/PrivateCall/UserList/<x>/Entry/MCVideoID

Status	Occurrence	Format	Min. Access Types
Optional	One	chr	Get, Replace

This leaf node indicates an MCVideo user identity (MCVideo ID) which is a globally unique identifier within the MCVideo service that represents the MCVideo user.

The value is a "uri" attribute specified in OMA OMA-TS-XDM\_Group-V1\_1 [4].

### 13.2.38I6 /<x>/<x>/Common/PrivateCall/UserList/<x>/Entry/DiscoveryGroupID

**Table 13.2.38I6.1: /<x>/<x>/Common/PrivateCall/UserList/<x>/Entry/DiscoveryGroupID**

<x>/Common/PrivateCall/UserList/<x>/Entry/DiscoveryGroupID

Status	Occurrence	Format	Min. Access Types
Optional	One	int	Get, Replace

This leaf node indicates a discovery group ID as specified in 3GPP TS 23.303 [6].

The value is used as the discovery group ID in the ProSe discovery procedures as specified in 3GPP TS 23.303 [6].

### 13.2.38I7 /<x>/<x>/Common/PrivateCall/UserList/<x>/Entry/UserInfoID

**Table 13.2.38I7.1: /<x>/<x>/Common/PrivateCall/UserList/<x>/Entry/UserInfoID**

<x>/Common/PrivateCall/UserList/<x>/Entry/UserInfoID

Status	Occurrence	Format	Min. Access Types
Optional	One	int	Get, Replace

This leaf node indicates a ProSe user info ID as specified in 3GPP TS 23.303 [6].

### 13.2.38I8 /<x>/<x>/Common/PrivateCall/UserList/<x>/Entry/DisplayName

**Table 13.2.38I8.1: /<x>/<x>/Common/PrivateCall/UserList/<x>/Entry/DisplayName**

<x>/Common/PrivateCall/UserList/<x>/Entry/DisplayName

Status	Occurrence	Format	Min. Access Types
Optional	One	chr	Get, Replace

This leaf node contains a human readable name.

### 13.2.38I9 /<x>/<x>/Common/PrivateCall/UserList/<x>/Entry/PrivateCallKMSURI

**Table 13.2.38I9.1: /<x>/<x>/Common/PrivateCall/UserList/<x>/Entry/PrivateCallKMSURI**

<x>/Common/PrivateCall/UserList/<x>/Entry/PrivateCallKMSURI

Status	Occurrence	Format	Min. Access Types
Optional	One	chr	Get, Replace

This leaf node indicates the identity (URI) of the KMS associated with the MCVideoID. If the value is empty, the KMS leaf node present in the MCS UE initial configuration MO is used.

### 13.2.38J /<x>/<x>/Common/PrivateCall/ManualCommence

**Table 13.2.38J.1: /<x>/<x>/Common/PrivateCall/ManualCommence**

<x>/Common/PrivateCall/ManualCommence

Status	Occurrence	Format	Min. Access Types
Required	One	bool	Get, Replace

This leaf node indicates the authorisation to make a MCVideo private call with manual commencement.

When set to "true" the MCVideo user is authorised to make a MCVideo private call in manual commencement mode.

When set to "false" the MCVideo user is not authorised to make a MCVideo private call in manual commencement mode.

### 13.2.38K /<x>/<x>/Common/PrivateCall/AutoCommence

**Table 13.2.38K.1: /<x>/<x>/Common/PrivateCall/AutoCommence**

<x>/Common/PrivateCall/AutoCommence

Status	Occurrence	Format	Min. Access Types
Required	One	bool	Get, Replace

This leaf node indicates the authorisation to make a MCVideo private call with automatic commencement.

When set to "true" the MCVideo user is authorised to make a MCVideo private call in automatic commencement mode.

When set to "false" the MCVideo user is not authorised to make a MCVideo private call in automatic commencement mode.

### 13.2.38L /<x>/<x>/Common/PrivateCall/FailRestrict

**Table 13.2.38L.1: /<x>/<x>/Common/PrivateCall/FailRestrict**

<x>/Common/PrivateCall/FailRestrict

Status	Occurrence	Format	Min. Access Types
Required	One	bool	Get, Replace

This leaf node indicates the authorisation to restrict the provision of a notification of call failure reason for a MCVideo private call.

When set to "true" the MCVideo user is authorised to restrict notification of call failure reason for MCVideo private call.

When set to "false" the MCVideo user is not authorised to restrict notification of call failure reason for MCVideo private call.

### 13.2.38M Void

### 13.2.38N /<x>/<x>/Common/PrivateCall/AllowedMediaProtection

**Table 13.2.38N.1: /<x>/<x>/Common/PrivateCall/AllowedMediaProtection**

<x>/Common/PrivateCall/AllowedMediaProtection

Status	Occurrence	Format	Min. Access Types
Required	One	bool	Get, Replace

This leaf node indicates authorisation to protect confidentiality and integrity of media for MCVideo private calls.

When set to "true" the MCVideo user is authorised to protect confidentiality and integrity of media for MCVideo private calls.

When set to "false" the MCVideo user is not authorised to protect confidentiality and integrity of media for MCVideo private calls.

The default value is set to "true".

### 13.2.38O /<x>/<x>/Common/PrivateCall/EmergencyCall

**Table 13.2.38O.1: /<x>/<x>/Common/PrivateCall/EmergencyCall**

<x>/Common/PrivateCall/EmergencyCall

Status	Occurrence	Format	Min. Access Types
Required	One	node	Get, Replace

This interior node is a placeholder for the MCVideo emergency call policy.

### 13.2.38P /<x>/<x>/Common/PrivateCall/EmergencyCall/Authorised

**Table 13.2.38P.1: /<x>/<x>/Common/PrivateCall/EmergencyCall/Authorised**

<x>/Common/PrivateCall/EmergencyCall/Authorised

Status	Occurrence	Format	Min. Access Types
Required	One	bool	Get, Replace

This leaf node indicates the authorisation to make an MCVideo emergency private call.

When set to "true" the MCVideo user is authorised to make an MCVideo emergency private call.

When set to "false" the MCVideo user is not authorised to make an MCVideo emergency private call.

### 13.2.38Q /<x>/<x>/Common/PrivateCall/EmergencyCall/CancelPriority

**Table 13.2.38Q.1: /<x>/<x>/Common/PrivateCall/EmergencyCall/CancelPriority**

<x>/Common/PrivateCall/EmergencyCall/CancelPriority

Status	Occurrence	Format	Min. Access Types
Required	One	bool	Get, Replace

This leaf node indicates the authorisation to cancel emergency priority in an MCVideo emergency private call by an authorised MCVideo user.

When set to "true" the MCVideo user is authorised to cancel an emergency priority in an MCVideo private call.

When set to "false" the MCVideo user is not authorised to cancel an emergency priority in an MPCTT private call.

### 13.2.38R /<x>/<x>/Common/PrivateCall/EmergencyCall/MCVideoPrivateRecipient

**Table 13.2.38R.1: /<x>/<x>/Common/PrivateCall/EmergencyCall/MCVideoPrivateRecipient**

<x>/Common/PrivateCall/EmergencyCall/MCVideoPrivateRecipient

Status	Occurrence	Format	Min. Access Types
Optional	One	node	Get, Replace

This interior node is a placeholder for the MCVideo private recipient for an MCVideo emergency private call.

### 13.2.38S/<x>/<x>/Common/PrivateCall/EmergencyCall/ MCVideoPrivateRecipient/Entry

**Table 13.2.38S.1: /<x>/<x>/Common/PrivateCall/EmergencyCall/MCVideoPrivateRecipient/Entry**

<x>/Common/PrivateCall/EmergencyCall/MCVideoPrivateRecipient/Entry

Status	Occurrence	Format	Min. Access Types
Required	One	node	Get, Replace

This interior node is a placeholder for the details of the MCVideo private recipient for an MCVideo emergency private call.

### 13.2.38T/<x>/<x>/Common/PrivateCall/EmergencyCall/ MCVideoPrivateRecipient/Entry/ID

**Table 13.2.38T.1: /<x>/<x>/Common/PrivateCall/EmergencyCall/MCVideoPrivateRecipient/Entry/ID**

<x>/Common/PrivateCall/EmergencyCall/MCVideoPrivateRecipient/Entry/ID

Status	Occurrence	Format	Min. Access Types
Optional	One	chr	Get, Replace

This leaf node indicates the MCVideo private recipient used upon certain criteria on initiation of an MCVideo emergency private call.

### 13.2.38U /<x>/<x>/Common/PrivateCall/EmergencyCall/ MCVideoPrivateRecipient/Entry/DiscoveryGroupID

**Table 13.2.38U.1:**

**/<x>/<x>/Common/PrivateCall/EmergencyCall/MCVideoPrivateRecipient/Entry/DiscoveryGroupID**

<x>/Common/PrivateCall/EmergencyCall/MCVideoPrivateRecipient/Entry/DiscoveryGroupID

Status	Occurrence	Format	Min. Access Types
Optional	One	int	Get, Replace

This leaf node indicates the discovery group ID as specified in 3GPP TS 23.303 [6].

### 13.2.38V/<x>/<x>/Common/PrivateCall/EmergencyCall/ MCVideoPrivateRecipient/Entry/UserInfoID

**Table 13.2.38V.1:**

**/<x>/<x>/Common/PrivateCall/EmergencyCall/MCVideoPrivateRecipient/Entry/UserInfoID**

<x>/Common/PrivateCall/EmergencyCall/MCVideoPrivateRecipient/Entry/UserInfoID

Status	Occurrence	Format	Min. Access Types
Optional	One	int	Get, Replace

This leaf node indicates a ProSe user info ID as specified in 3GPP TS 23.303 [6].

The "UserInfoID" element identifies the MCVideo private recipient when making an off-network private call.

### 13.2.38W /<x>/<x>/Common/PrivateCall/EmergencyCall/ MCVideoPrivateRecipient/Entry/DisplayName

**Table 13.2.38W.1:**

**/<x>/<x>/Common/PrivateCall/EmergencyCall/MCVideoPrivateRecipient/Entry/DisplayName**

<x>/Common/PrivateCall/EmergencyCall/MCVideoPrivateRecipient/Entry/DisplayName

Status	Occurrence	Format	Min. Access Types
Optional	One	chr	Get, Replace

This leaf node contains a human readable name that corresponds to the MCVideo private recipient ID.

### 13.2.38X/<x>/<x>/Common/PrivateCall/EmergencyCall/ MCVideoPrivateRecipient/Entry/Usage

**Table 13.2.38X.1:**

**/<x>/<x>/Common/PrivateCall/EmergencyCall/MCVideoPrivateRecipient/Entry/Usage**

<x>/Common/PrivateCall/EmergencyCall/MCVideoPrivateRecipient/Entry/Usage

Status	Occurrence	Format	Min. Access Types
Required	One	chr	Get, Replace

This leaf node indicates the criteria to determine when initiation of an MCVideo emergency private call uses the MCVideo private recipient ID.

The valid values are 'LocallyDetermined' and 'UsePreConfigured'.

When set to 'LocallyDetermined' then if the MCVideo user selects an MCVideo ID then use that MCVideo ID for the MCVideo emergency private call, if the MCVideo user does not select a MCVideo ID then use the MCVideo ID identified by the MCVideo private recipient ID in clause 13.2.38T for an on-network MCVideo emergency private call.

When set to 'UsePreConfigured' then use the MCVideo ID identified by the MCVideo private recipient ID in clause 13.2.38T for an on-network MCVideo emergency private call.

When set to 'LocallyDetermined' then if the MCVideo user selects an MCVideo user then use the UserInfoID that corresponds to that MCVideo user for the MCVideo emergency private call, if the MCVideo user does not select a MCVideo user then use the User Info ID identified by the UserInfoID in clause 13.2.38T for an off-network MCVideo emergency private call.

When set to 'UsePreConfigured' then use the User Info ID identified by the UserInfoID in clause 13.2.38T for an off-network MCVideo emergency private call.

### 13.2.38Y/<x>/<x>/Common/PrivateCall/AutoAnswer

**Table 13.2.38Y.1: /<x>/<x>/Common/PrivateCall/AutoAnswer**

<x>/Common/PrivateCall/AutoAnswer

Status	Occurrence	Format	Min. Access Types
Required	One	bool	Get, Replace

This leaf node indicates the authorisation of MCVideo user to force automatic answer for a MCVideo private call.

When set to "true" the MCVideo user is authorised to force automatic answer for a MCVideo private call.

When set to "false" the MCVideo user is not authorised to force automatic answer for a MCVideo private call.

### 13.2.39 /<x>/<x>/OnNetwork

**Table 13.2.39.1: /<x>/<x>/OnNetwork**

<x>/OnNetwork

Status	Occurrence	Format	Min. Access Types
Required	ZeroOrOne	node	Get, Replace

This interior node represents a container for on-network operation.

### 13.2.40 /<x>/<x>/OnNetwork/MCVideoGroupList

**Table 13.2.40.1: /<x>/<x>/OnNetwork/MCVideoGroupList**

<x>/OnNetwork/MCVideoGroupList

Status	Occurrence	Format	Min. Access Types
Required	One	node	Get, Replace

This interior node is a placeholder for the list of on-network MCVideo groups that the MCVideo user is allowed to use.

### 13.2.41 /<x>/<x>/OnNetwork/MCVideoGroupList/<x>

**Table 13.2.41.1: /<x>/<x>/OnNetwork/MCVideoGroupList/<x>**

<x>/OnNetwork/MCVideoGroupList/<x>

Status	Occurrence	Format	Min. Access Types
Required	OneOrMore	node	Get, Replace

This interior node is a placeholder for one or more list of on-network MCVideo groups that the MCVideo user is allowed to use.

### 13.2.42 /<x>/<x>/OnNetwork/MCVideoGroupList/<x>/Entry

**Table 13.2.42.1: /<x>/<x>/OnNetwork/MCVideoGroupList/<x>/Entry**

<x>/OnNetwork/MCVideoGroupList/<x>/Entry

Status	Occurrence	Format	Min. Access Types
Optional	One	node	Get, Replace

This interior node is a placeholder for the details of the on-network MCVideo groups that the MCVideo user is allowed to use.

### 13.2.43 /<x>/<x>/OnNetwork/MCVideoGroupList/<x>/Entry/ MCVideoGroupID

**Table 13.2.43.1: /<x>/<x>/OnNetwork/MCVideoGroupList/<x>/Entry/MCVideoGroupID**

<x>/OnNetwork/MCVideoGroupList/<x>/Entry/MCVideoGroupID

Status	Occurrence	Format	Min. Access Types
Required	One	chr	Get, Replace

This leaf node indicates the MCVideo group ID for the on-network MCVideo group that the MCVideo user is allowed to use.

The value is a "uri" attribute specified in OMA OMA-TS-XDM\_Group-V1\_1 [4].

### 13.2.43A/<x>/<x>/OnNetwork/MCVideoGroupList/<x>/Entry/ RulesForAffiliation

**Table 13.2.43A.1: /<x>/<x>/OnNetwork/MCVideoGroupList/<x>/Entry/RulesForAffiliation**

<x>/OnNetwork/MCVideoGroupList/<x>/Entry/RulesForAffiliation

Status	Occurrence	Format	Min. Access Types
Optional	ZeroOrOne	node	Get, Replace

This interior node is a placeholder for the rules that control automatic affiliation.

### 13.2.43A0 /<x>/<x>/OnNetwork/MCVideoGroupList/<x>/Entry/ RulesForAffiliation/<x>

**Table 13.2.43A0.1: /<x>/<x>/OnNetwork/MCVideoGroupList/<x>/Entry/RulesForAffiliation/<x>**

<x>/OnNetwork/MCVideoGroupList/<x>/Entry/RulesForAffiliation/<x>

Status	Occurrence	Format	Min. Access Types
Optional	ZeroOrMore	node	Get, Replace

This interior node is a placeholder for zero or more rules that control automatic affiliation.

### 13.2.43A1 /<x>/<x>/OnNetwork/MCVideoGroupList/<x>/Entry/ RulesForAffiliation/<x>/ListOfLocationCriteria

**Table 13.2.43A1.1: /<x>/<x>/OnNetwork/MCVideoGroupList/<x>/Entry/RulesForAffiliation/<x>/ ListOfLocationCriteria**

<x>/OnNetwork/MCVideoGroupList/<x>/Entry/RulesForAffiliation/<x>/ListOfLocationCriteria

Status	Occurrence	Format	Min. Access Types
Optional	One	node	Get, Replace

This interior node is a placeholder for the location portion of the rules that control automatic affiliation.

### 13.2.43A2 /<x>/<x>/OnNetwork/MCVideoGroupList/<x>/Entry/ RulesForAffiliation/<x>/ListOfLocationCriteria/<x>

**Table 5.2.48B84A2.1: /<x>/<x>/OnNetwork/MCVideoGroupList/<x>/Entry/RulesForAffiliation/<x>/ ListOfLocationCriteria/<x>**

<x>/OnNetwork/MCVideoGroupList/<x>/Entry/RulesForAffiliation/<x>/ListOfLocationCriteria/<x>

Status	Occurrence	Format	Min. Access Types
Optional	ZeroOrMore	node	Get, Replace

This interior node is a placeholder for the location portion of the rules that control automatic affiliation.



### 13.2.43A3 /<x>/<x>/OnNetwork/MCVideoGroupList/<x>/Entry/ RulesForAffiliation/<x>/ListOfLocationCriteria/<x>/Entry

**Table 13.2.43A3.1: /<x>/<x>/OnNetwork/MCVideoGroupList/<x>/Entry/RulesForAffiliation/<x>/  
ListOfLocationCriteria/<x>/Entry**

<x>/OnNetwork/MCVideoGroupList/<x>/Entry/RulesForAffiliation/<x>/ListOfLocationCriteria/<x>/Entry

Status	Occurrence	Format	Min. Access Types
Optional	One	node	Get, Replace

This interior node is a placeholder for the location portion of the rules that control automatic affiliation.

### 13.2.43A4 /<x>/<x>/OnNetwork/MCVideoGroupList/<x>/Entry/ RulesForAffiliation/<x>/ListOfLocationCriteria/<x>/Entry/ EnterSpecificArea

**Table 13.2.43A4.1: /<x>/<x>/OnNetwork/MCVideoGroupList/<x>/Entry/RulesForAffiliation/<x>/  
ListOfLocationCriteria/<x>/Entry/EnterSpecificArea**

<x>/OnNetwork/MCVideoGroupList/<x>/Entry/RulesForAffiliation/<x>/ListOfLocationCriteria/<x>/Entry/EnterSp  
ecificArea

Status	Occurrence	Format	Min. Access Types
Optional	ZeroOrOne	node	Get, Replace

This interior node contains a geographical area which when entered by the MC service UE triggers evaluation of the rules.

### 13.2.43A5 /<x>/<x>/OnNetwork/MCVideoGroupList/<x>/Entry/ RulesForAffiliation/<x>/ListOfLocationCriteria/<x>/Entry/ EnterSpecificArea/PolygonArea

**Table 13.2.43A5.1: /<x>/<x>/OnNetwork/MCVideoGroupList/<x>/Entry/RulesForAffiliation/<x>/  
ListOfLocationCriteria/<x>/Entry/EnterSpecificArea/PolygonArea**

<x>/OnNetwork/MCVideoGroupList/<x>/Entry/RulesForAffiliation/<x>/ListOfLocationCriteria/<x>/Entry/EnterSp  
ecificArea/PolygonArea

Status	Occurrence	Format	Min. Access Types
Optional	ZeroOrOne	node	Get, Replace

This interior node contains a geographical area described by a polygon.

### 13.2.43A6 /<x>/<x>/OnNetwork/MCVideoGroupList/<x>/Entry/ RulesForAffiliation/<x>/ListOfLocationCriteria/<x>/Entry/ EnterSpecificArea/PolygonArea/<x>

**Table 13.2.43A6.1: /<x>/<x>/OnNetwork/MCVideoGroupList/<x>/Entry/RulesForAffiliation/<x>/  
ListOfLocationCriteria/<x>/Entry/EnterSpecificArea/PolygonArea/<x>**

<x>/OnNetwork/MCVideoGroupList/<x>/Entry/RulesForAffiliation/<x>/ListOfLocationCriteria/<x>/Entry/EnterSp  
ecificArea/PolygonArea/<x>

Status	Occurrence	Format	Min. Access Types
Required	OneOrN	node	Get, Replace

This interior node contains the coordinates of the corners which define a polygon. The occurrence of this leaf node is "3 to 15" as per 3GPP TS 23.032 [21].

### 13.2.43A7 /<x>/<x>/OnNetwork/MCVideoGroupList/<x>/Entry/ RulesForAffiliation/<x>/ListOfLocationCriteria/<x>/Entry/ EnterSpecificArea/PolygonArea/<x>/PointCoordinateType

**Table 13.2.43A7.1: /<x>/<x>/OnNetwork/MCVideoGroupList/<x>/Entry/RulesForAffiliation/<x>/  
ListOfLocationCriteria/<x>/Entry/EnterSpecificArea/PolygonArea/<x>/PointCoordinateType**

<x>/OnNetwork/MCVideoGroupList/<x>/Entry/RulesForAffiliation/<x>/ListOfLocationCriteria/<x>/Entry/EnterSp  
ecificArea/PolygonArea/<x>/PointCoordinateType

Status	Occurrence	Format	Min. Access Types
Required	One	node	Get, Replace

This interior node contains the type of the coordinates.

### 13.2.43A8 /<x>/<x>/OnNetwork/MCVideoGroupList/<x>/Entry/ RulesForAffiliation/<x>/ListOfLocationCriteria/<x>/Entry/ EnterSpecificArea/PolygonArea/<x>/PointCoordinateType/ Longitude

**Table 13.2.43A8.1: /<x>/<x>/OnNetwork/MCVideoGroupList/<x>/Entry/RulesForAffiliation/<x>/  
ListOfLocationCriteria/<x>/Entry/EnterSpecificArea/PolygonArea/<x>/PointCoordinateType/  
Longitude**

<x>/OnNetwork/MCVideoGroupList/<x>/Entry/RulesForAffiliation/<x>/ListOfLocationCriteria/<x>/Entry/EnterSp  
ecificArea/PolygonArea/<x>/PointCoordinateType/Longitude

Status	Occurrence	Format	Min. Access Types
Required	One	int	Get, Replace

This leaf node contains the longitudinal coordinate of a corner.

### 13.2.43A9 /<x>/<x>/OnNetwork/MCVideoGroupList/<x>/Entry/ RulesForAffiliation/<x>/ListOfLocationCriteria/<x>/Entry/ EnterSpecificArea/PolygonArea/<x>/PointCoordinateType/ Latitude

**Table 13.2.43A9.1: /<x>/<x>/OnNetwork/MCVideoGroupList/<x>/Entry/RulesForAffiliation/<x>/  
ListOfLocationCriteria/<x>/Entry/EnterSpecificArea/PolygonArea/<x>/PointCoordinateType/  
Latitude**

<x>/OnNetwork/MCVideoGroupList/<x>/Entry/RulesForAffiliation/<x>/ListOfLocationCriteria/<x>/Entry/EnterSp  
ecificArea/PolygonArea/<x>/PointCoordinateType/Latitude

Status	Occurrence	Format	Min. Access Types
Required	One	int	Get, Replace

This leaf node contains the latitudinal coordinate of a corner.

13.2.43A10 /<x>/<x>/OnNetwork/MCVideoGroupList/<x>/Entry/  
RulesForAffiliation/<x>/ListOfLocationCriteria/<x>/Entry/  
EnterSpecificArea/EllipsoidArcArea

**Table 13.2.43A10.1: /<x>/<x>/OnNetwork/MCVideoGroupList/<x>/Entry/RulesForAffiliation/<x>/  
ListOfLocationCriteria/<x>/Entry/EnterSpecificArea/EllipsoidArcArea**

<x>/OnNetwork/MCVideoGroupList/<x>/Entry/RulesForAffiliation/<x>/ListOfLocationCriteria/<x>/Entry/EnterSp  
ecificArea/EllipsoidArcArea

Status	Occurrence	Format	Min. Access Types
Optional	ZeroOrOne	node	Get, Replace

This interior node contains a geographical area described by an ellipsoid arc.

13.2.43A11 /<x>/<x>/OnNetwork/MCVideoGroupList/<x>/Entry/  
RulesForAffiliation/<x>/ListOfLocationCriteria/<x>/Entry/  
EnterSpecificArea/EllipsoidArcArea/Center

**Table 13.2.43A11.1: /<x>/<x>/OnNetwork/MCVideoGroupList/<x>/Entry/RulesForAffiliation/<x>/  
ListOfLocationCriteria/<x>/Entry/EnterSpecificArea/EllipsoidArcArea/Center**

<x>/OnNetwork/MCVideoGroupList/<x>/Entry/RulesForAffiliation/<x>/ListOfLocationCriteria/<x>/Entry/EnterSp  
ecificArea/EllipsoidArcArea/Center

Status	Occurrence	Format	Min. Access Types
Required	One	node	Get, Replace

This interior node contains the coordinates of the center point of the ellipsoid arc.

13.2.43A12 /<x>/<x>/OnNetwork/MCVideoGroupList/<x>/Entry/  
RulesForAffiliation/<x>/ListOfLocationCriteria/<x>/Entry/  
EnterSpecificArea/EllipsoidArcArea/Center/PointCoordinateType

**Table 13.2.43A12.1: /<x>/<x>/OnNetwork/MCVideoGroupList/<x>/Entry/RulesForAffiliation/<x>/  
ListOfLocationCriteria/<x>/Entry/EnterSpecificArea/EllipsoidArcArea/Center/PointCoordinateType**

<x>/OnNetwork/MCVideoGroupList/<x>/Entry/RulesForAffiliation/<x>/ListOfLocationCriteria/<x>/Entry/EnterSp  
ecificArea/EllipsoidArcArea/Center/PointCoordinateType

Status	Occurrence	Format	Min. Access Types
Required	One	node	Get, Replace

This interior node contains the coordinates of the center point of the ellipsoid arc.

13.2.43A13 /<x>/<x>/OnNetwork/MCVideoGroupList/<x>/Entry/  
RulesForAffiliation/<x>/ListOfLocationCriteria/<x>/Entry/  
EnterSpecificArea/EllipsoidArcArea/Center/PointCoordinateType/  
Longitude

**Table 13.2.43A13.1: /<x>/<x>/OnNetwork/MCVideoGroupList/<x>/Entry/RulesForAffiliation/<x>/ListOfLocationCriteria/<x>/Entry/EnterSpecificArea/EllipsoidArcArea/Center/PointCoordinateType/Longitude**

<x>/OnNetwork/MCVideoGroupList/<x>/Entry/RulesForAffiliation/<x>/ListOfLocationCriteria/<x>/Entry/EnterSpecificArea/EllipsoidArcArea/Center/PointCoordinateType/Longitude

Status	Occurrence	Format	Min. Access Types
Required	One	int	Get, Replace

This leaf node contains the longitudinal coordinate of the center.

13.2.43A14 /<x>/<x>/OnNetwork/MCVideoGroupList/<x>/Entry/  
RulesForAffiliation/<x>/ListOfLocationCriteria/<x>/Entry/  
EnterSpecificArea/EllipsoidArcArea/Center/PointCoordinateType/  
Latitude

**Table 13.2.43A14.1: /<x>/<x>/OnNetwork/MCVideoGroupList/<x>/Entry/RulesForAffiliation/<x>/ListOfLocationCriteria/<x>/Entry/EnterSpecificArea/EllipsoidArcArea/Center/PointCoordinateType/Latitude**

<x>/OnNetwork/MCVideoGroupList/<x>/Entry/RulesForAffiliation/<x>/ListOfLocationCriteria/<x>/Entry/EnterSpecificArea/EllipsoidArcArea/Center/PointCoordinateType/Latitude

Status	Occurrence	Format	Min. Access Types
Required	One	int	Get, Replace

This leaf node contains the latitudinal coordinate of a center.

13.2.43A15 /<x>/<x>/OnNetwork/MCVideoGroupList/<x>/Entry/  
RulesForAffiliation/<x>/ListOfLocationCriteria/<x>/Entry/  
EnterSpecificArea/EllipsoidArcArea/Radius

**Table 13.2.43A15.1: /<x>/<x>/OnNetwork/MCVideoGroupList/<x>/Entry/RulesForAffiliation/<x>/ListOfLocationCriteria/<x>/Entry/EnterSpecificArea/EllipsoidArcArea/Radius**

<x>/OnNetwork/MCVideoGroupList/<x>/Entry/RulesForAffiliation/<x>/ListOfLocationCriteria/<x>/Entry/EnterSpecificArea/EllipsoidArcArea/Radius

Status	Occurrence	Format	Min. Access Types
Required	One	int	Get, Replace

This leaf node contains the radius of the ellipsoid arc.

13.2.43A16 /<x>/<x>/OnNetwork/MCVideoGroupList/<x>/Entry/  
RulesForAffiliation/<x>/ListOfLocationCriteria/<x>/Entry/  
EnterSpecificArea/EllipsoidArcArea/OffsetAngle

**Table 13.2.43A16.1: /<x>/<x>/OnNetwork/MCVideoGroupList/<x>/Entry/RulesForAffiliation/<x>/  
ListOfLocationCriteria/<x>/Entry/EnterSpecificArea/EllipsoidArcArea/OffsetAngle**

<x>/OnNetwork/MCVideoGroupList/<x>/Entry/RulesForAffiliation/<x>/ListOfLocationCriteria/<x>/Entry/EnterSp  
ecificArea/EllipsoidArcArea/OffsetAngle

Status	Occurrence	Format	Min. Access Types
Required	One	int	Get, Replace

This leaf node contains the offset angle of the ellipsoid arc.

13.2.43A17 /<x>/<x>/OnNetwork/MCVideoGroupList/<x>/Entry/  
RulesForAffiliation/<x>/ListOfLocationCriteria/<x>/Entry/  
EnterSpecificArea/EllipsoidArcArea/IncludedAngle

**Table 13.2.43A17.1: /<x>/<x>/OnNetwork/MCVideoGroupList/<x>/Entry/RulesForAffiliation/<x>/  
ListOfLocationCriteria/<x>/Entry/EnterSpecificArea/EllipsoidArcArea/IncludedAngle**

<x>/OnNetwork/MCVideoGroupList/<x>/Entry/RulesForAffiliation/<x>/ListOfLocationCriteria/<x>/Entry/EnterSp  
ecificArea/EllipsoidArcArea/IncludedAngle

Status	Occurrence	Format	Min. Access Types
Required	One	int	Get, Replace

This leaf node contains the included angle of the ellipsoid arc.

13.2.43A18 /<x>/<x>/OnNetwork/MCVideoGroupList/<x>/Entry/  
RulesForAffiliation/<x>/ListOfLocationCriteria/<x>/Entry/  
EnterSpecificArea/Speed

**Table 13.2.43A18.1: /<x>/<x>/OnNetwork/MCVideoGroupList/<x>/Entry/RulesForAffiliation/<x>/  
ListOfLocationCriteria/<x>/Entry/EnterSpecificArea/Speed**

<x>/OnNetwork/MCVideoGroupList/<x>/Entry/RulesForAffiliation/<x>/ListOfLocationCriteria/<x>/Entry/EnterSp  
ecificArea/Speed

Status	Occurrence	Format	Min. Access Types
Optional	One	node	Get, Replace

This interior node contains the speed.

13.2.43A19 /<x>/<x>/OnNetwork/MCVideoGroupList/<x>/Entry/  
RulesForAffiliation/<x>/ListOfLocationCriteria/<x>/Entry/  
EnterSpecificArea/Speed/MinimumSpeed

**Table 13.2.43A19.1: /<x>/<x>/OnNetwork/MCVideoGroupList/<x>/Entry/RulesForAffiliation/<x>/  
ListOfLocationCriteria/<x>/Entry/EnterSpecificArea/Speed/MinimumSpeed**

<x>/OnNetwork/MCVideoGroupList/<x>/Entry/RulesForAffiliation/<x>/ListOfLocationCriteria/<x>/Entry/EnterSp  
ecificArea/Speed/MinimumSpeed

Status	Occurrence	Format	Min. Access Types

Required	One	int	Get, Replace
----------	-----	-----	--------------

This leaf node contains the minimum speed.

- Values: non-negative integer in units of kilometers/hour.

### 13.2.43A20 /<x>/<x>/OnNetwork/MCVideoGroupList/<x>/Entry/RulesForAffiliation/<x>/ListOfLocationCriteria/<x>/Entry/EnterSpecificArea/Speed/MaximumSpeed

**Table 13.2.43A20.1: /<x>/<x>/OnNetwork/MCVideoGroupList/<x>/Entry/RulesForAffiliation/<x>/ListOfLocationCriteria/<x>/Entry/EnterSpecificArea/Speed/MaximumSpeed**

<x>/OnNetwork/MCVideoGroupList/<x>/Entry/RulesForAffiliation/<x>/ListOfLocationCriteria/<x>/Entry/EnterSpecificArea/Speed/MaximumSpeed

Status	Occurrence	Format	Min. Access Types
Required	One	int	Get, Replace

This leaf node contains the maximum speed.

- Values: non-negative integer in units of kilometers/hour.

### 13.2.43A21 /<x>/<x>/OnNetwork/MCVideoGroupList/<x>/Entry/RulesForAffiliation/<x>/ListOfLocationCriteria/<x>/Entry/EnterSpecificArea/Heading

**Table 13.2.43A21.1: /<x>/<x>/OnNetwork/MCVideoGroupList/<x>/Entry/RulesForAffiliation/<x>/ListOfLocationCriteria/<x>/Entry/EnterSpecificArea/Heading**

<x>/OnNetwork/MCVideoGroupList/<x>/Entry/RulesForAffiliation/<x>/ListOfLocationCriteria/<x>/Entry/EnterSpecificArea/Heading

Status	Occurrence	Format	Min. Access Types
Optional	One	node	Get, Replace

This interior node contains the heading.

### 13.2.43A22 /<x>/<x>/OnNetwork/MCVideoGroupList/<x>/Entry/RulesForAffiliation/<x>/ListOfLocationCriteria/<x>/Entry/EnterSpecificArea/Heading/MinimumHeading

**Table 13.2.43A22.1: /<x>/<x>/OnNetwork/MCVideoGroupList/<x>/Entry/RulesForAffiliation/<x>/ListOfLocationCriteria/<x>/Entry/EnterSpecificArea/Heading/MinimumHeading**

<x>/OnNetwork/MCVideoGroupList/<x>/Entry/RulesForAffiliation/<x>/ListOfLocationCriteria/<x>/Entry/EnterSpecificArea/Heading/MinimumHeading

Status	Occurrence	Format	Min. Access Types
Required	One	int	Get, Replace

This leaf node contains the minimum heading.

- Values: 0-359

13.2.43A23 /<x>/<x>/OnNetwork/MCVideoGroupList/<x>/Entry/  
RulesForAffiliation/<x>/ListOfLocationCriteria/<x>/Entry/  
EnterSpecificArea/Heading/MaximumHeading

**Table 13.2.43A23.1: /<x>/<x>/OnNetwork/MCVideoGroupList/<x>/Entry/RulesForAffiliation/<x>/  
ListOfLocationCriteria/<x>/Entry/EnterSpecificArea/Heading/MaximumHeading**

<x>/OnNetwork/MCVideoGroupList/<x>/Entry/RulesForAffiliation/<x>/ListOfLocationCriteria/<x>/Entry/EnterSp  
ecificArea/Heading/MaximumHeading

Status	Occurrence	Format	Min. Access Types
Required	One	int	Get, Replace

This leaf node contains the maximum heading.

- Values: 0-359

13.2.43A24 /<x>/<x>/OnNetwork/MCVideoGroupList/<x>/Entry/  
RulesForAffiliation/<x>/ListOfLocationCriteria/<x>/Entry/  
ExitSpecificArea

**Table 13.2.43A24.1: /<x>/<x>/OnNetwork/MCVideoGroupList/<x>/Entry/RulesForAffiliation/<x>/  
ListOfLocationCriteria/<x>/Entry/ExitSpecificArea**

<x>/OnNetwork/MCVideoGroupList/<x>/Entry/RulesForAffiliation/<x>/ListOfLocationCriteria/<x>/Entry/ExitSpe  
cificArea

Status	Occurrence	Format	Min. Access Types
Optional	ZeroOrOne	node	Get, Replace

This interior node contains a geographical area which when entered by the MC service UE triggers  
evaluation of the rules.

13.2.43A25 /<x>/<x>/OnNetwork/MCVideoGroupList/<x>/Entry/  
RulesForAffiliation/<x>/ListOfLocationCriteria/<x>/Entry/  
ExitSpecificArea/PolygonArea

**Table 13.2.43A25.1: /<x>/<x>/OnNetwork/MCVideoGroupList/<x>/Entry/RulesForAffiliation/<x>/  
ListOfLocationCriteria/<x>/Entry/ExitSpecificArea/PolygonArea**

<x>/OnNetwork/MCVideoGroupList/<x>/Entry/RulesForAffiliation/<x>/ListOfLocationCriteria/<x>/Entry/ExitSpe  
cificArea/PolygonArea

Status	Occurrence	Format	Min. Access Types
Optional	ZeroOrOne	node	Get, Replace

This interior node contains a geographical area described by a polygon.

13.2.43A26 /<x>/<x>/OnNetwork/MCVideoGroupList/<x>/Entry/RulesForAffiliation/<x>/ListOfLocationCriteria/<x>/Entry/ExitSpecificArea/PolygonArea/<x>

**Table 13.2.43A26.1: /<x>/<x>/OnNetwork/MCVideoGroupList/<x>/Entry/RulesForAffiliation/<x>/ListOfLocationCriteria/<x>/Entry/ExitSpecificArea/PolygonArea/<x>**

<x>/OnNetwork/MCVideoGroupList/<x>/Entry/RulesForAffiliation/<x>/ListOfLocationCriteria/<x>/Entry/ExitSpecificArea/PolygonArea/<x>

Status	Occurrence	Format	Min. Access Types
Required	OneOrN	node	Get, Replace

This interior node contains the coordinates of the corners which define a polygon. The occurrence of this leaf node is "3 to 15" as per 3GPP TS 23.032 [21].

13.2.43A27 /<x>/<x>/OnNetwork/MCVideoGroupList/<x>/Entry/RulesForAffiliation/<x>/ListOfLocationCriteria/<x>/Entry/ExitSpecificArea/PolygonArea/<x>/PointCoordinateType

**Table 13.2.43A27.1: /<x>/<x>/OnNetwork/MCVideoGroupList/<x>/Entry/RulesForAffiliation/<x>/ListOfLocationCriteria/<x>/Entry/ExitSpecificArea/PolygonArea/<x>/PointCoordinateType**

<x>/OnNetwork/MCVideoGroupList/<x>/Entry/RulesForAffiliation/<x>/ListOfLocationCriteria/<x>/Entry/ExitSpecificArea/PolygonArea/<x>/PointCoordinateType

Status	Occurrence	Format	Min. Access Types
Required	One	node	Get, Replace

This interior node contains the type of the coordinates.

13.2.43A28 /<x>/<x>/OnNetwork/MCVideoGroupList/<x>/Entry/RulesForAffiliation/<x>/ListOfLocationCriteria/<x>/Entry/ExitSpecificArea/PolygonArea/<x>/PointCoordinateType/Longitude

**Table 13.2.43A28.1: /<x>/<x>/OnNetwork/MCVideoGroupList/<x>/Entry/RulesForAffiliation/<x>/ListOfLocationCriteria/<x>/Entry/ExitSpecificArea/PolygonArea/<x>/PointCoordinateType/Longitude**

<x>/OnNetwork/MCVideoGroupList/<x>/Entry/RulesForAffiliation/<x>/ListOfLocationCriteria/<x>/Entry/ExitSpecificArea/PolygonArea/<x>/PointCoordinateType/Longitude

Status	Occurrence	Format	Min. Access Types
Required	One	int	Get, Replace

This leaf node contains the longitudinal coordinate of a corner.



13.2.43A29 /<x>/<x>/OnNetwork/MCVideoGroupList/<x>/Entry/RulesForAffiliation/<x>/ListOfLocationCriteria/<x>/Entry/ExitSpecificArea/PolygonArea/<x>/PointCoordinateType/Latitude

**Table 13.2.43A29.1: /<x>/<x>/OnNetwork/MCVideoGroupList/<x>/Entry/RulesForAffiliation/<x>/ListOfLocationCriteria/<x>/Entry/ExitSpecificArea/PolygonArea/<x>/PointCoordinateType/Latitude**

<x>/OnNetwork/MCVideoGroupList/<x>/Entry/RulesForAffiliation/<x>/ListOfLocationCriteria/<x>/Entry/ExitSpecificArea/PolygonArea/<x>/PointCoordinateType/Latitude

Status	Occurrence	Format	Min. Access Types
Required	One	int	Get, Replace

This leaf node contains the latitudinal coordinate of a corner.

13.2.43A30 /<x>/<x>/OnNetwork/MCVideoGroupList/<x>/Entry/RulesForAffiliation/<x>/ListOfLocationCriteria/<x>/Entry/ExitSpecificArea/EllipsoidArcArea

**Table 13.2.43A30.1: /<x>/<x>/OnNetwork/MCVideoGroupList/<x>/Entry/RulesForAffiliation/<x>/ListOfLocationCriteria/<x>/Entry/ExitSpecificArea/EllipsoidArcArea**

<x>/OnNetwork/MCVideoGroupList/<x>/Entry/RulesForAffiliation/<x>/ListOfLocationCriteria/<x>/Entry/ExitSpecificArea/EllipsoidArcArea

Status	Occurrence	Format	Min. Access Types
Optional	ZeroOrOne	node	Get, Replace

This interior node contains a geographical area described by an ellipsoid arc.

13.2.43A31 /<x>/<x>/OnNetwork/MCVideoGroupList/<x>/Entry/RulesForAffiliation/<x>/ListOfLocationCriteria/<x>/Entry/ExitSpecificArea/EllipsoidArcArea/Center

**Table 13.2.43A31.1: /<x>/<x>/OnNetwork/MCVideoGroupList/<x>/Entry/RulesForAffiliation/<x>/ListOfLocationCriteria/<x>/Entry/ExitSpecificArea/EllipsoidArcArea/Center**

<x>/OnNetwork/MCVideoGroupList/<x>/Entry/RulesForAffiliation/<x>/ListOfLocationCriteria/<x>/Entry/ExitSpecificArea/EllipsoidArcArea/Center

Status	Occurrence	Format	Min. Access Types
Required	One	node	Get, Replace

This interior node contains the coordinates of the center point of the ellipsoid arc.

13.2.43A32 /<x>/<x>/OnNetwork/MCVideoGroupList/<x>/Entry/RulesForAffiliation/<x>/ListOfLocationCriteria/<x>/Entry/ExitSpecificArea/EllipsoidArcArea/Center/PointCoordinateType

**Table 13.2.43A32.1: /<x>/<x>/OnNetwork/MCVideoGroupList/<x>/Entry/RulesForAffiliation/<x>/ListOfLocationCriteria/<x>/Entry/ExitSpecificArea/EllipsoidArcArea/Center/PointCoordinateType**

<x>/OnNetwork/MCVideoGroupList/<x>/Entry/RulesForAffiliation/<x>/ListOfLocationCriteria/<x>/Entry/ExitSpecificArea/EllipsoidArcArea/Center/PointCoordinateType

Status	Occurrence	Format	Min. Access Types
Required	One	node	Get, Replace

This interior node contains the coordinates of the center point of the ellipsoid arc.

### 13.2.43A33 /<x>/<x>/OnNetwork/MCVideoGroupList/<x>/Entry/ RulesForAffiliation/<x>/ListOfLocationCriteria/<x>/Entry/ ExitSpecificArea/EllipsoidArcArea/Center/PointCoordinateType/ Longitude

**Table 13.2.43A33.1: /<x>/<x>/OnNetwork/MCVideoGroupList/<x>/Entry/RulesForAffiliation/<x>/  
ListOfLocationCriteria/<x>/Entry/ExitSpecificArea/EllipsoidArcArea/Center/PointCoordinateType/  
Longitude**

<x>/OnNetwork/MCVideoGroupList/<x>/Entry/RulesForAffiliation/<x>/ListOfLocationCriteria/<x>/Entry/ExitSpe  
cificArea/EllipsoidArcArea/Center/PointCoordinateType/Longitude

Status	Occurrence	Format	Min. Access Types
Required	One	int	Get, Replace

This leaf node contains the longitudinal coordinate of the center.

### 13.2.43A34 /<x>/<x>/OnNetwork/MCVideoGroupList/<x>/Entry/ RulesForAffiliation/<x>/ListOfLocationCriteria/<x>/Entry/ ExitSpecificArea/EllipsoidArcArea/Center/PointCoordinateType/ Latitude

**Table 13.2.43A34.1: /<x>/<x>/OnNetwork/MCVideoGroupList/<x>/Entry/RulesForAffiliation/<x>/  
ListOfLocationCriteria/<x>/Entry/ExitSpecificArea/EllipsoidArcArea/Center/PointCoordinateType/  
Latitude**

<x>/OnNetwork/MCVideoGroupList/<x>/Entry/RulesForAffiliation/<x>/ListOfLocationCriteria/<x>/Entry/ExitSpe  
cificArea/EllipsoidArcArea/Center/PointCoordinateType/Latitude

Status	Occurrence	Format	Min. Access Types
Required	One	int	Get, Replace

This leaf node contains the latitudinal coordinate of a center.

### 13.2.43A35 /<x>/<x>/OnNetwork/MCVideoGroupList/<x>/Entry/ RulesForAffiliation/<x>/ListOfLocationCriteria/<x>/Entry/ ExitSpecificArea/EllipsoidArcArea/Radius

**Table 13.2.43A35.1: /<x>/<x>/OnNetwork/MCVideoGroupList/<x>/Entry/RulesForAffiliation/<x>/  
ListOfLocationCriteria/<x>/Entry/ExitSpecificArea/EllipsoidArcArea/Radius**

<x>/OnNetwork/MCVideoGroupList/<x>/Entry/RulesForAffiliation/<x>/ListOfLocationCriteria/<x>/Entry/ExitSpe  
cificArea/EllipsoidArcArea/Radius

Status	Occurrence	Format	Min. Access Types
Required	One	int	Get, Replace

This leaf node contains the radius of the ellipsoid arc.

13.2.43A36 /<x>/<x>/OnNetwork/MCVideoGroupList/<x>/Entry/  
RulesForAffiliation/<x>/ListOfLocationCriteria/<x>/Entry/  
ExitSpecificArea/EllipsoidArcArea/OffsetAngle

**Table 13.2.43A36.1: /<x>/<x>/OnNetwork/MCVideoGroupList/<x>/Entry/RulesForAffiliation/<x>/  
ListOfLocationCriteria/<x>/Entry/ExitSpecificArea/EllipsoidArcArea/OffsetAngle**

<x>/OnNetwork/MCVideoGroupList/<x>/Entry/RulesForAffiliation/<x>/ListOfLocationCriteria/<x>/Entry/ExitSpe  
cificArea/EllipsoidArcArea/OffsetAngle

Status	Occurrence	Format	Min. Access Types
Required	One	int	Get, Replace

This leaf node contains the offset angle of the ellipsoid arc.

13.2.43A37 /<x>/<x>/OnNetwork/MCVideoGroupList/<x>/Entry/  
RulesForAffiliation/<x>/ListOfLocationCriteria/<x>/Entry/  
ExitSpecificArea/EllipsoidArcArea/IncludedAngle

**Table 13.2.43A37.1: /<x>/<x>/OnNetwork/MCVideoGroupList/<x>/Entry/RulesForAffiliation/<x>/  
ListOfLocationCriteria/<x>/Entry/ExitSpecificArea/EllipsoidArcArea/IncludedAngle**

<x>/OnNetwork/MCVideoGroupList/<x>/Entry/RulesForAffiliation/<x>/ListOfLocationCriteria/<x>/Entry/ExitSpe  
cificArea/EllipsoidArcArea/IncludedAngle

Status	Occurrence	Format	Min. Access Types
Required	One	int	Get, Replace

This leaf node contains the included angle of the ellipsoid arc.

13.2.43A38 /<x>/<x>/OnNetwork/MCVideoGroupList/<x>/Entry/  
RulesForAffiliation/<x>/ListOfLocationCriteria/<x>/Entry/  
ExitSpecificArea/Speed

**Table 13.2.43A38.1: /<x>/<x>/OnNetwork/MCVideoGroupList/<x>/Entry/RulesForAffiliation/<x>/  
ListOfLocationCriteria/<x>/Entry/ExitSpecificArea/Speed**

<x>/OnNetwork/MCVideoGroupList/<x>/Entry/RulesForAffiliation/<x>/ListOfLocationCriteria/<x>/Entry/ExitSpe  
cificArea/Speed

Status	Occurrence	Format	Min. Access Types
Optional	One	node	Get, Replace

This interior node contains the speed.

13.2.43A39 /<x>/<x>/OnNetwork/MCVideoGroupList/<x>/Entry/  
RulesForAffiliation/<x>/ListOfLocationCriteria/<x>/Entry/  
ExitSpecificArea/Speed/MinimumSpeed

**Table 13.2.43A39.1: /<x>/<x>/OnNetwork/MCVideoGroupList/<x>/Entry/RulesForAffiliation/<x>/  
ListOfLocationCriteria/<x>/Entry/ExitSpecificArea/Speed/MinimumSpeed**

<x>/OnNetwork/MCVideoGroupList/<x>/Entry/RulesForAffiliation/<x>/ListOfLocationCriteria/<x>/Entry/ExitSpe  
cificArea/Speed/MinimumSpeed

Status	Occurrence	Format	Min. Access Types

Required	One	int	Get, Replace
----------	-----	-----	--------------

This leaf node contains the minimum speed.

- Values: non-negative integer in units of kilometers/hour.

### 13.2.43A40 /<x>/<x>/OnNetwork/MCVideoGroupList/<x>/Entry/RulesForAffiliation/<x>/ListOfLocationCriteria/<x>/Entry/ExitSpecificArea/Speed/MaximumSpeed

**Table 13.2.43A40.1: /<x>/<x>/OnNetwork/MCVideoGroupList/<x>/Entry/RulesForAffiliation/<x>/ListOfLocationCriteria/<x>/Entry/ExitSpecificArea/Speed/MaximumSpeed**

<x>/OnNetwork/MCVideoGroupList/<x>/Entry/RulesForAffiliation/<x>/ListOfLocationCriteria/<x>/Entry/ExitSpecificArea/Speed/MaximumSpeed

Status	Occurrence	Format	Min. Access Types
Required	One	int	Get, Replace

This leaf node contains the maximum speed.

- Values: non-negative integer in units of kilometers/hour.

### 13.2.43A41 /<x>/<x>/OnNetwork/MCVideoGroupList/<x>/Entry/RulesForAffiliation/<x>/ListOfLocationCriteria/<x>/Entry/ExitSpecificArea/Heading

**Table 13.2.43A41.1: /<x>/<x>/OnNetwork/MCVideoGroupList/<x>/Entry/RulesForAffiliation/<x>/ListOfLocationCriteria/<x>/Entry/ExitSpecificArea/Heading**

<x>/OnNetwork/MCVideoGroupList/<x>/Entry/RulesForAffiliation/<x>/ListOfLocationCriteria/<x>/Entry/ExitSpecificArea/Heading

Status	Occurrence	Format	Min. Access Types
Optional	One	node	Get, Replace

This interior node contains the heading.

### 13.2.43A42 /<x>/<x>/OnNetwork/MCVideoGroupList/<x>/Entry/RulesForAffiliation/<x>/ListOfLocationCriteria/<x>/Entry/ExitSpecificArea/Heading/MinimumHeading

**Table 13.2.43A42.1: /<x>/<x>/OnNetwork/MCVideoGroupList/<x>/Entry/RulesForAffiliation/<x>/ListOfLocationCriteria/<x>/Entry/ExitSpecificArea/Heading/MinimumHeading**

<x>/OnNetwork/MCVideoGroupList/<x>/Entry/RulesForAffiliation/<x>/ListOfLocationCriteria/<x>/Entry/ExitSpecificArea/Heading/MinimumHeading

Status	Occurrence	Format	Min. Access Types
Required	One	int	Get, Replace

This leaf node contains the minimum heading.

- Values: 0-359

13.2.43A43 /<x>/<x>/OnNetwork/MCVideoGroupList/<x>/Entry/  
RulesForAffiliation/<x>/ListOfLocationCriteria/<x>/Entry/  
ExitSpecificArea/Heading/MaximumHeading

**Table 13.2.43A43.1: /<x>/<x>/OnNetwork/MCVideoGroupList/<x>/Entry/RulesForAffiliation/<x>/  
ListOfLocationCriteria/<x>/Entry/ExitSpecificArea/Heading/MaximumHeading**

<x>/OnNetwork/MCVideoGroupList/<x>/Entry/RulesForAffiliation/<x>/ListOfLocationCriteria/<x>/Entry/ExitSpe  
cificArea/Heading/MaximumHeading

Status	Occurrence	Format	Min. Access Types
Required	One	int	Get, Replace

This leaf node contains the maximum heading.

- Values: 0-359

13.2.43A44 /<x>/<x>/OnNetwork/MCVideoGroupList/<x>/Entry/  
RulesForAffiliation/<x>/ListOfActiveFunctionalAliases

**Table 13.2.43A44.1: /<x>/<x>/OnNetwork/MCVideoGroupList/<x>/Entry/RulesForAffiliation/<x>/  
ListOfActiveFunctionalAliases**

<x>/OnNetwork/MCVideoGroupList/<x>/Entry/RulesForAffiliation/<x>/ListOfActiveFunctionalAliases

Status	Occurrence	Format	Min. Access Types
Optional	One	node	Get, Replace

This interior node is a placeholder for the functional alias part of rules that control automatic affiliation.

13.2.43A45 /<x>/<x>/OnNetwork/MCVideoGroupList/<x>/Entry/  
RulesForAffiliation/<x>/ListOfActiveFunctionalAliases/<x>

**Table 13.2.43A45.1: /<x>/<x>/OnNetwork/MCVideoGroupList/<x>/Entry/RulesForAffiliation/<x>/  
ListOfActiveFunctionalAliases/<x>**

<x>/OnNetwork/MCVideoGroupList/<x>/Entry/RulesForAffiliation/<x>/ListOfActiveFunctionalAliases/<x>

Status	Occurrence	Format	Min. Access Types
Optional	OneOrMore	node	Get, Replace

This interior node is a placeholder for the functional alias part of rules that control automatic affiliation.

13.2.43A46 /<x>/<x>/OnNetwork/MCVideoGroupList/<x>/Entry/  
RulesForAffiliation/<x>/ListOfActiveFunctionalAliases/<x>/Entry

**Table 13.2.43A46.1: /<x>/<x>/OnNetwork/MCVideoGroupList/<x>/Entry/RulesForAffiliation/<x>/  
ListOfActiveFunctionalAliases/<x>/Entry**

<x>/OnNetwork/MCVideoGroupList/<x>/Entry/RulesForAffiliation/<x>/ListOfActiveFunctionalAliases/<x>/Entry

Status	Occurrence	Format	Min. Access Types
Optional	One	node	Get, Replace

This interior node is a placeholder for the functional alias part of rules that control automatic affiliation.

13.2.43A47 /<x>/<x>/OnNetwork/MCVideoGroupList/<x>/Entry/  
RulesForAffiliation/<x>/ListOfActiveFunctionalAliases/<x>/Entry/  
FunctionalAlias

**Table 13.2.43A47.1: /<x>/<x>/OnNetwork/MCVideoGroupList/<x>/Entry/RulesForAffiliation/<x>/  
ListOfActiveFunctionalAliases/<x>/Entry/FunctionalAlias**

<x>/OnNetwork/MCVideoGroupList/<x>/Entry/RulesForAffiliation/<x>/ListOfActiveFunctionalAliases/<x>/Entry/  
FunctionalAlias

Status	Occurrence	Format	Min. Access Types
Required	One	chr	Get, Replace

This leaf node contains a functional alias.

13.2.43B/<x>/<x>/OnNetwork/MCVideoGroupList/<x>/Entry/  
RulesForDeaffiliation

**Table 13.2.43B.1: /<x>/<x>/OnNetwork/MCVideoGroupList/<x>/Entry/RulesForDeaffiliation**

<x>/OnNetwork/MCVideoGroupList/<x>/Entry/RulesForDeaffiliation

Status	Occurrence	Format	Min. Access Types
Optional	ZeroOrOne	node	Get, Replace

This interior node is a placeholder for the rules that control automatic deaffiliation.

13.2.43B0 /<x>/<x>/OnNetwork/MCVideoGroupList/<x>/Entry/  
RulesForDeaffiliation/<x>

**Table 13.2.43B0.1: /<x>/<x>/OnNetwork/MCVideoGroupList/<x>/Entry/RulesForDeaffiliation/<x>**

<x>/OnNetwork/MCVideoGroupList/<x>/Entry/RulesForDeaffiliation/<x>

Status	Occurrence	Format	Min. Access Types
Optional	ZeroOrMore	node	Get, Replace

This interior node is a placeholder for the rules that control automatic deaffiliation.

13.2.43B1 /<x>/<x>/OnNetwork/MCVideoGroupList/<x>/Entry/  
RulesForDeaffiliation/<x>/ListOfLocationCriteria

**Table 13.2.43B1.1: /<x>/<x>/OnNetwork/MCVideoGroupList/<x>/Entry/RulesForDeaffiliation/<x>/  
ListOfLocationCriteria**

<x>/OnNetwork/MCVideoGroupList/<x>/Entry/RulesForDeaffiliation/<x>/ListOfLocationCriteria

Status	Occurrence	Format	Min. Access Types
Optional	One	node	Get, Replace

This interior node is a placeholder for the location portion of the rules that control automatic deaffiliation.

### 13.2.43B2 /<x>/<x>/OnNetwork/MCVideoGroupList/<x>/Entry/ RulesForDeaffiliation/<x>/ListOfLocationCriteria/<x>

**Table 13.2.43B2.1: /<x>/<x>/OnNetwork/MCVideoGroupList/<x>/Entry/RulesForDeaffiliation/<x>/  
ListOfLocationCriteria/<x>**

<x>/OnNetwork/MCVideoGroupList/<x>/Entry/RulesForDeaffiliation/<x>/ListOfLocationCriteria/<x>

Status	Occurrence	Format	Min. Access Types
Optional	ZeroOrMore	node	Get, Replace

This interior node is a placeholder for the location portion of the rules that control automatic deaffiliation.

### 13.2.43B3 /<x>/<x>/OnNetwork/MCVideoGroupList/<x>/Entry/ RulesForDeaffiliation/<x>/ListOfLocationCriteria/<x>/Entry

**Table 13.2.43B3.1: /<x>/<x>/OnNetwork/MCVideoGroupList/<x>/Entry/RulesForDeaffiliation/<x>/  
ListOfLocationCriteria/<x>/Entry**

<x>/OnNetwork/MCVideoGroupList/<x>/Entry/RulesForDeaffiliation/<x>/ListOfLocationCriteria/<x>/Entry

Status	Occurrence	Format	Min. Access Types
Optional	One	node	Get, Replace

This interior node is a placeholder for the location portion of the rules that control automatic deaffiliation.

### 13.2.43B4 /<x>/<x>/OnNetwork/MCVideoGroupList/<x>/Entry/ RulesForDeaffiliation/<x>/ListOfLocationCriteria/<x>/Entry/ EnterSpecificArea

**Table 13.2.43B4.1: /<x>/<x>/OnNetwork/MCVideoGroupList/<x>/Entry/RulesForDeaffiliation/<x>/  
ListOfLocationCriteria/<x>/Entry/EnterSpecificArea**

<x>/OnNetwork/MCVideoGroupList/<x>/Entry/RulesForDeaffiliation/<x>/ListOfLocationCriteria/<x>/Entry/Enter  
SpecificArea

Status	Occurrence	Format	Min. Access Types
Optional	ZeroOrOne	node	Get, Replace

This interior node contains a geographical area which, when entered by the MC service UE triggers evaluation of the rules.

### 13.2.43B5 /<x>/<x>/OnNetwork/MCVideoGroupList/<x>/Entry/ RulesForDeaffiliation/<x>/ListOfLocationCriteria/<x>/Entry/ EnterSpecificArea/PolygonArea

**Table 13.2.43B5.1: /<x>/<x>/OnNetwork/MCVideoGroupList/<x>/Entry/RulesForDeaffiliation/<x>/  
ListOfLocationCriteria/<x>/Entry/EnterSpecificArea/PolygonArea**

<x>/OnNetwork/MCVideoGroupList/<x>/Entry/RulesForDeaffiliation/<x>/ListOfLocationCriteria/<x>/Entry/Enter  
SpecificArea/PolygonArea

Status	Occurrence	Format	Min. Access Types
Optional	ZeroOrOne	node	Get, Replace

This interior node contains a geographical area described by a polygon.

### 13.2.43B6 /<x>/<x>/OnNetwork/MCVideoGroupList/<x>/Entry/ RulesForDeaffiliation/<x>/ListOfLocationCriteria/<x>/Entry/ EnterSpecificArea/PolygonArea/<x>

**Table 13.2.43B6.1: /<x>/<x>/OnNetwork/MCVideoGroupList/<x>/Entry/RulesForDeaffiliation/<x>/  
ListOfLocationCriteria/<x>/Entry/EnterSpecificArea/PolygonArea/<x>**

<x>/OnNetwork/MCVideoGroupList/<x>/Entry/RulesForDeaffiliation/<x>/ListOfLocationCriteria/<x>/Entry/Enter  
SpecificArea/PolygonArea/<x>

Status	Occurrence	Format	Min. Access Types
Required	OneOrN	node	Get, Replace

This interior node contains the coordinates of the corners which define a polygon. The occurrence of this leaf node is "3 to 15" as per 3GPP TS 23.032 [21].

### 13.2.43B7 /<x>/<x>/OnNetwork/MCVideoGroupList/<x>/Entry/ RulesForDeaffiliation/<x>/ListOfLocationCriteria/<x>/Entry/ EnterSpecificArea/PolygonArea/<x>/PointCoordinateType

**Table 13.2.43B7.1: /<x>/<x>/OnNetwork/MCVideoGroupList/<x>/Entry/RulesFordeaffiliation/<x>/  
ListOfLocationCriteria/<x>/Entry/EnterSpecificArea/PolygonArea/<x>/PointCoordinateType**

<x>/OnNetwork/MCVideoGroupList/<x>/Entry/RulesForDeaffiliation/<x>/ListOfLocationCriteria/<x>/Entry/Enter  
SpecificArea/PolygonArea/<x>/PointCoordinateType

Status	Occurrence	Format	Min. Access Types
Required	One	node	Get, Replace

This interior node contains the type of the coordinates.

### 13.2.43B8 /<x>/<x>/OnNetwork/MCVideoGroupList/<x>/Entry/ RulesForDeaffiliation/<x>/ListOfLocationCriteria/<x>/Entry/ EnterSpecificArea/PolygonArea/<x>/PointCoordinateType/ Longitude

**Table 13.2.43B8.1: /<x>/<x>/OnNetwork/MCVideoGroupList/<x>/Entry/RulesForDeaffiliation/<x>/  
ListOfLocationCriteria/<x>/Entry/EnterSpecificArea/PolygonArea/<x>/PointCoordinateType/  
Longitude**

<x>/OnNetwork/MCVideoGroupList/<x>/Entry/RulesForDeaffiliation/<x>/ListOfLocationCriteria/<x>/Entry/Enter  
SpecificArea/PolygonArea/<x>/PointCoordinateType/Longitude

Status	Occurrence	Format	Min. Access Types
Required	One	int	Get, Replace

This leaf node contains the longitudinal coordinate of a corner.



13.2.43B9 /<x>/<x>/OnNetwork/MCVideoGroupList/<x>/Entry/  
RulesForDeaffiliation/<x>/ListOfLocationCriteria/<x>/Entry/  
EnterSpecificArea/PolygonArea/<x>/PointCoordinateType/  
Latitude

**Table 13.2.43B9.1: /<x>/<x>/OnNetwork/MCVideoGroupList/<x>/Entry/RulesForDeaffiliation/<x>/ListOfLocationCriteria/<x>/Entry/EnterSpecificArea/PolygonArea/<x>/PointCoordinateType/Latitude**

<x>/OnNetwork/MCVideoGroupList/<x>/Entry/RulesForDeaffiliation/<x>/ListOfLocationCriteria/<x>/Entry/EnterSpecificArea/PolygonArea/<x>/PointCoordinateType/Latitude

Status	Occurrence	Format	Min. Access Types
Required	One	int	Get, Replace

This leaf node contains the latitudinal coordinate of a corner.

13.2.43B10 /<x>/<x>/OnNetwork/MCVideoGroupList/<x>/Entry/  
RulesForDeaffiliation/<x>/ListOfLocationCriteria/<x>/Entry/  
EnterSpecificArea/EllipsoidArcArea

**Table 13.2.43B10.1: /<x>/<x>/OnNetwork/MCVideoGroupList/<x>/Entry/RulesForDeaffiliation/<x>/ListOfLocationCriteria/<x>/Entry/EnterSpecificArea/EllipsoidArcArea**

<x>/OnNetwork/MCVideoGroupList/<x>/Entry/RulesForDeaffiliation/<x>/ListOfLocationCriteria/<x>/Entry/EnterSpecificArea/EllipsoidArcArea

Status	Occurrence	Format	Min. Access Types
Optional	ZeroOrOne	node	Get, Replace

This interior node contains a geographical area described by an ellipsoid arc.

13.2.43B11 /<x>/<x>/OnNetwork/MCVideoGroupList/<x>/Entry/  
RulesForDeaffiliation/<x>/ListOfLocationCriteria/<x>/Entry/  
EnterSpecificArea/EllipsoidArcArea/Center

**Table 13.2.43B11.1: /<x>/<x>/OnNetwork/MCVideoGroupList/<x>/Entry/RulesForDeaffiliation/<x>/ListOfLocationCriteria/<x>/Entry/EnterSpecificArea/EllipsoidArcArea/Center**

<x>/OnNetwork/MCVideoGroupList/<x>/Entry/RulesForDeaffiliation/<x>/ListOfLocationCriteria/<x>/Entry/EnterSpecificArea/EllipsoidArcArea/Center

Status	Occurrence	Format	Min. Access Types
Required	One	node	Get, Replace

This interior node contains the coordinates of the center point of the ellipsoid arc.

13.2.43B12 /<x>/<x>/OnNetwork/MCVideoGroupList/<x>/Entry/  
RulesForDeaffiliation/<x>/ListOfLocationCriteria/<x>/Entry/  
EnterSpecificArea/EllipsoidArcArea/Center/PointCoordinateType

**Table 13.2.43B12.1: /<x>/<x>/OnNetwork/MCVideoGroupList/<x>/Entry/RulesForDeaffiliation/<x>/ListOfLocationCriteria/<x>/Entry/EnterSpecificArea/EllipsoidArcArea/Center/PointCoordinateType**

<x>/OnNetwork/MCVideoGroupList/<x>/Entry/RulesForDeaffiliation/<x>/ListOfLocationCriteria/<x>/Entry/EnterSpecificArea/EllipsoidArcArea/Center/PointCoordinateType

Status	Occurrence	Format	Min. Access Types
Required	One	node	Get, Replace

This interior node contains the coordinates of the center point of the ellipsoid arc.

13.2.43B13 /<x>/<x>/OnNetwork/MCVideoGroupList/<x>/Entry/  
RulesForDeaffiliation/<x>/ListOfLocationCriteria/<x>/Entry/  
EnterSpecificArea/EllipsoidArcArea/Center/PointCoordinateType/  
Longitude

**Table 13.2.43B13.1: /<x>/<x>/OnNetwork/MCVideoGroupList/<x>/Entry/RulesForDeaffiliation/<x>/ListOfLocationCriteria/<x>/Entry/EnterSpecificArea/EllipsoidArcArea/Center/PointCoordinateType/Longitude**

<x>/OnNetwork/MCVideoGroupList/<x>/Entry/RulesForDeaffiliation/<x>/ListOfLocationCriteria/<x>/Entry/EnterSpecificArea/EllipsoidArcArea/Center/PointCoordinateType/Longitude

Status	Occurrence	Format	Min. Access Types
Required	One	int	Get, Replace

This leaf node contains the longitudinal coordinate of the center.

13.2.43B14 /<x>/<x>/OnNetwork/MCVideoGroupList/<x>/Entry/  
RulesForDeaffiliation/<x>/ListOfLocationCriteria/<x>/Entry/  
EnterSpecificArea/EllipsoidArcArea/Center/PointCoordinateType/  
Latitude

**Table 13.2.43B14.1: /<x>/<x>/OnNetwork/MCVideoGroupList/<x>/Entry/RulesForDeaffiliation/<x>/ListOfLocationCriteria/<x>/Entry/EnterSpecificArea/EllipsoidArcArea/Center/PointCoordinateType/Latitude**

<x>/OnNetwork/MCVideoGroupList/<x>/Entry/RulesForDeaffiliation/<x>/ListOfLocationCriteria/<x>/Entry/EnterSpecificArea/EllipsoidArcArea/Center/PointCoordinateType/Latitude

Status	Occurrence	Format	Min. Access Types
Required	One	int	Get, Replace

This leaf node contains the latitudinal coordinate of a center.

13.2.43B15 /<x>/<x>/OnNetwork/MCVideoGroupList/<x>/Entry/  
RulesForDeaffiliation/<x>/ListOfLocationCriteria/<x>/Entry/  
EnterSpecificArea/EllipsoidArcArea/Radius

**Table 13.2.43B15.1: /<x>/<x>/OnNetwork/MCVideoGroupList/<x>/Entry/RulesForDeaffiliation/<x>/  
ListOfLocationCriteria/<x>/Entry/EnterSpecificArea/EllipsoidArcArea/Radius**

<x>/OnNetwork/MCVideoGroupList/<x>/Entry/RulesForDeaffiliation/<x>/ListOfLocationCriteria/<x>/Entry/Enter  
SpecificArea/EllipsoidArcArea/Radius

Status	Occurrence	Format	Min. Access Types
Required	One	int	Get, Replace

This leaf node contains the radius of the ellipsoid arc.

13.2.43B16 /<x>/<x>/OnNetwork/MCVideoGroupList/<x>/Entry/  
RulesForDeaffiliation/<x>/ListOfLocationCriteria/<x>/Entry/  
EnterSpecificArea/EllipsoidArcArea/OffsetAngle

**Table 13.2.43B16.1: /<x>/<x>/OnNetwork/MCVideoGroupList/<x>/Entry/RulesForDeaffiliation/<x>/  
ListOfLocationCriteria/<x>/Entry/EnterSpecificArea/EllipsoidArcArea/OffsetAngle**

<x>/OnNetwork/MCVideoGroupList/<x>/Entry/RulesForDeaffiliation/<x>/ListOfLocationCriteria/<x>/Entry/Enter  
SpecificArea/EllipsoidArcArea/OffsetAngle

Status	Occurrence	Format	Min. Access Types
Required	One	int	Get, Replace

This leaf node contains the offset angle of the ellipsoid arc.

13.2.43B17 /<x>/<x>/OnNetwork/MCVideoGroupList/<x>/Entry/  
RulesForDeaffiliation/<x>/ListOfLocationCriteria/<x>/Entry/  
EnterSpecificArea/EllipsoidArcArea/IncludedAngle

**Table 13.2.43B17.1: /<x>/<x>/OnNetwork/MCVideoGroupList/<x>/Entry/RulesForDeaffiliation/<x>/  
ListOfLocationCriteria/<x>/Entry/EnterSpecificArea/EllipsoidArcArea/IncludedAngle**

<x>/OnNetwork/MCVideoGroupList/<x>/Entry/RulesForDeaffiliation/<x>/ListOfLocationCriteria/<x>/Entry/Enter  
SpecificArea/EllipsoidArcArea/IncludedAngle

Status	Occurrence	Format	Min. Access Types
Required	One	int	Get, Replace

This leaf node contains the included angle of the ellipsoid arc.

13.2.43B18 /<x>/<x>/OnNetwork/MCVideoGroupList/<x>/Entry/  
RulesForDeaffiliation/<x>/ListOfLocationCriteria/<x>/Entry/  
EnterSpecificArea/Speed

**Table 13.2.43B18.1: /<x>/<x>/OnNetwork/MCVideoGroupList/<x>/Entry/RulesForDeaffiliation/<x>/  
ListOfLocationCriteria/<x>/Entry/EnterSpecificArea/Speed**

<x>/OnNetwork/MCVideoGroupList/<x>/Entry/RulesForDeaffiliation/<x>/ListOfLocationCriteria/<x>/Entry/Enter  
SpecificArea/Speed

Status	Occurrence	Format	Min. Access Types

Optional	One	node	Get, Replace
----------	-----	------	--------------

This interior node contains the speed.

**13.2.43B19** /<x>/<x>/OnNetwork/MCVideoGroupList/<x>/Entry/  
RulesForDeaffiliation/<x>/ListOfLocationCriteria/<x>/Entry/  
EnterSpecificArea/Speed/MinimumSpeed

**Table 13.2.43B19.1:** /<x>/<x>/OnNetwork/MCVideoGroupList/<x>/Entry/RulesForDeaffiliation/<x>/  
ListOfLocationCriteria/<x>/Entry/EnterSpecificArea/Speed/MinimumSpeed

<x>/OnNetwork/MCVideoGroupList/<x>/Entry/RulesForDeaffiliation/<x>/ListOfLocationCriteria/<x>/Entry/Enter  
SpecificArea/Speed/MinimumSpeed

Status	Occurrence	Format	Min. Access Types
Required	One	int	Get, Replace

This leaf node contains the minimum speed.

- Values: non-negative integer in units of kilometers/hour.

**13.2.43B20** /<x>/<x>/OnNetwork/MCVideoGroupList/<x>/Entry/  
RulesForDeaffiliation/<x>/ListOfLocationCriteria/<x>/Entry/  
EnterSpecificArea/Speed/MaximumSpeed

**Table 13.2.43B20.1:** /<x>/<x>/OnNetwork/MCVideoGroupList/<x>/Entry/RulesForDeaffiliation/<x>/  
ListOfLocationCriteria/<x>/Entry/EnterSpecificArea/Speed/MaximumSpeed

<x>/OnNetwork/MCVideoGroupList/<x>/Entry/RulesForDeaffiliation/<x>/ListOfLocationCriteria/<x>/Entry/Enter  
SpecificArea/Speed/MaximumSpeed

Status	Occurrence	Format	Min. Access Types
Required	One	int	Get, Replace

This leaf node contains the maximum speed.

- Values: non-negative integer in units of kilometers/hour.

**13.2.43B21** /<x>/<x>/OnNetwork/MCVideoGroupList/<x>/Entry/  
RulesForDeaffiliation/<x>/ListOfLocationCriteria/<x>/Entry/  
EnterSpecificArea/Heading

**Table 13.2.43B21.1:** /<x>/<x>/OnNetwork/MCVideoGroupList/<x>/Entry/RulesForDeaffiliation/<x>/  
ListOfLocationCriteria/<x>/Entry/EnterSpecificArea/Heading

<x>/OnNetwork/MCVideoGroupList/<x>/Entry/RulesForDeaffiliation/<x>/ListOfLocationCriteria/<x>/Entry/Enter  
SpecificArea/Heading

Status	Occurrence	Format	Min. Access Types
Optional	One	node	Get, Replace

This interior node contains the heading.

13.2.43B22 /<x>/<x>/OnNetwork/MCVideoGroupList/<x>/Entry/  
RulesForDeaffiliation/<x>/ListOfLocationCriteria/<x>/Entry/  
EnterSpecificArea/Heading/MinimumHeading

**Table 13.2.43B22.1: /<x>/<x>/OnNetwork/MCVideoGroupList/<x>/Entry/RulesForDeaffiliation/<x>/  
ListOfLocationCriteria/<x>/Entry/EnterSpecificArea/Heading/MinimumHeading**

<x>/OnNetwork/MCVideoGroupList/<x>/Entry/RulesForDeaffiliation/<x>/ListOfLocationCriteria/<x>/Entry/Enter  
SpecificArea/Heading/MinimumHeading

Status	Occurrence	Format	Min. Access Types
Required	One	int	Get, Replace

This leaf node contains the minimum heading.

- Values: 0-359

13.2.43B23 /<x>/<x>/OnNetwork/MCVideoGroupList/<x>/Entry/  
RulesForDeaffiliation/<x>/ListOfLocationCriteria/<x>/Entry/  
EnterSpecificArea/Heading/MaximumHeading

**Table 13.2.43B23.1: /<x>/<x>/OnNetwork/MCVideoGroupList/<x>/Entry/RulesForDeaffiliation/<x>/  
ListOfLocationCriteria/<x>/Entry/EnterSpecificArea/Heading/MaximumHeading**

<x>/OnNetwork/MCVideoGroupList/<x>/Entry/RulesForDeaffiliation/<x>/ListOfLocationCriteria/<x>/Entry/Enter  
SpecificArea/Heading/MaximumHeading

Status	Occurrence	Format	Min. Access Types
Required	One	int	Get, Replace

This leaf node contains the maximum heading.

- Values: 0-359

13.2.43B24 /<x>/<x>/OnNetwork/MCVideoGroupList/<x>/Entry/  
RulesForDeaffiliation/<x>/ListOfLocationCriteria/<x>/Entry/  
ExitSpecificArea

**Table 13.2.43B24.1: /<x>/<x>/OnNetwork/MCVideoGroupList/<x>/Entry/RulesForDeaffiliation/<x>/  
ListOfLocationCriteria/<x>/Entry/ExitSpecificArea**

<x>/OnNetwork/MCVideoGroupList/<x>/Entry/RulesForDeaffiliation/<x>/ListOfLocationCriteria/<x>/Entry/ExitS  
pecificArea

Status	Occurrence	Format	Min. Access Types
Optional	ZeroOrOne	node	Get, Replace

This interior node contains a geographical area which when entered by the MC service UE triggers  
evaluation of the rules.

13.2.43B25 /<x>/<x>/OnNetwork/MCVideoGroupList/<x>/Entry/  
RulesForDeaffiliation/<x>/ListOfLocationCriteria/<x>/Entry/  
ExitSpecificArea/PolygonArea

**Table 13.2.43B25.1: /<x>/<x>/OnNetwork/MCVideoGroupList/<x>/Entry/RulesForDeaffiliation/<x>/  
ListOfLocationCriteria/<x>/Entry/ExitSpecificArea/PolygonArea**

<x>/OnNetwork/MCVideoGroupList/<x>/Entry/RulesForDeaffiliation/<x>/ListOfLocationCriteria/<x>/Entry/ExitS  
pecificArea/PolygonArea

Status	Occurrence	Format	Min. Access Types
Optional	ZeroOrOne	node	Get, Replace

This interior node contains a geographical area described by a polygon.

13.2.43B26 /<x>/<x>/OnNetwork/MCVideoGroupList/<x>/Entry/  
RulesForDeaffiliation/<x>/ListOfLocationCriteria/<x>/Entry/  
ExitSpecificArea/PolygonArea/<x>

**Table 13.2.43B26.1: /<x>/<x>/OnNetwork/MCVideoGroupList/<x>/Entry/RulesForDeaffiliation/<x>/  
ListOfLocationCriteria/<x>/Entry/ExitSpecificArea/PolygonArea/<x>**

<x>/OnNetwork/MCVideoGroupList/<x>/Entry/RulesForDeaffiliation/<x>/ListOfLocationCriteria/<x>/Entry/ExitS  
pecificArea/PolygonArea/<x>

Status	Occurrence	Format	Min. Access Types
Required	OneOrN	node	Get, Replace

This interior node contains the coordinates of the corners which define a polygon. The occurrence of this  
leaf node is "3 to 15" as per 3GPP TS 23.032 [21].

13.2.43B27 /<x>/<x>/OnNetwork/MCVideoGroupList/<x>/Entry/  
RulesForDeaffiliation/<x>/ListOfLocationCriteria/<x>/Entry/  
ExitSpecificArea/PolygonArea/<x>/PointCoordinateType

**Table 13.2.43B27.1: /<x>/<x>/OnNetwork/MCVideoGroupList/<x>/Entry/RulesForDeaffiliation/<x>/  
ListOfLocationCriteria/<x>/Entry/ExitSpecificArea/PolygonArea/<x>/PointCoordinateType**

<x>/OnNetwork/MCVideoGroupList/<x>/Entry/RulesForDeaffiliation/<x>/ListOfLocationCriteria/<x>/Entry/ExitS  
pecificArea/PolygonArea/<x>/PointCoordinateType

Status	Occurrence	Format	Min. Access Types
Required	One	node	Get, Replace

This interior node contains the type of the coordinates.

13.2.43B28 /<x>/<x>/OnNetwork/MCVideoGroupList/<x>/Entry/  
RulesForDeaffiliation/<x>/ListOfLocationCriteria/<x>/Entry/  
ExitSpecificArea/PolygonArea/<x>/PointCoordinateType/  
Longitude

**Table 13.2.43B28.1: /<x>/<x>/OnNetwork/MCVideoGroupList/<x>/Entry/RulesForDeaffiliation/<x>/  
ListOfLocationCriteria/<x>/Entry/ExitSpecificArea/PolygonArea/<x>/PointCoordinateType/  
Longitude**

<x>/OnNetwork/MCVideoGroupList/<x>/Entry/RulesForDeaffiliation/<x>/ListOfLocationCriteria/<x>/Entry/ExitS  
pecificArea/PolygonArea/<x>/PointCoordinateType/Longitude

Status	Occurrence	Format	Min. Access Types
Required	One	int	Get, Replace

This leaf node contains the longitudinal coordinate of a corner.

13.2.43B29 /<x>/<x>/OnNetwork/MCVideoGroupList/<x>/Entry/  
RulesForDeaffiliation/<x>/ListOfLocationCriteria/<x>/Entry/  
ExitSpecificArea/PolygonArea/<x>/PointCoordinateType/  
Latitude

**Table 13.2.43B29.1: /<x>/<x>/OnNetwork/MCVideoGroupList/<x>/Entry/RulesForDeaffiliation/<x>/  
ListOfLocationCriteria/<x>/Entry/ExitSpecificArea/PolygonArea/<x>/PointCoordinateType/Latitude**

<x>/OnNetwork/MCVideoGroupList/<x>/Entry/RulesForDeaffiliation/<x>/ListOfLocationCriteria/<x>/Entry/ExitS  
pecificArea/PolygonArea/<x>/PointCoordinateType/Latitude

Status	Occurrence	Format	Min. Access Types
Required	One	int	Get, Replace

This leaf node contains the latitudinal coordinate of a corner.

13.2.43B30 /<x>/<x>/OnNetwork/MCVideoGroupList/<x>/Entry/  
RulesForDeaffiliation/<x>/ListOfLocationCriteria/<x>/Entry/  
ExitSpecificArea/EllipsoidArcArea

**Table 13.2.43B30.1: /<x>/<x>/OnNetwork/MCVideoGroupList/<x>/Entry/RulesForDeaffiliation/<x>/  
ListOfLocationCriteria/<x>/Entry/ExitSpecificArea/EllipsoidArcArea**

<x>/OnNetwork/MCVideoGroupList/<x>/Entry/RulesForDeaffiliation/<x>/ListOfLocationCriteria/<x>/Entry/ExitS  
pecificArea/EllipsoidArcArea

Status	Occurrence	Format	Min. Access Types
Optional	ZeroOrOne	node	Get, Replace

This interior node contains a geographical area described by an ellipsoid arc.

13.2.43B31 /<x>/<x>/OnNetwork/MCVideoGroupList/<x>/Entry/  
RulesForDeaffiliation/<x>/ListOfLocationCriteria/<x>/Entry/  
ExitSpecificArea/EllipsoidArcArea/Center

**Table 13.2.43B31.1: /<x>/<x>/OnNetwork/MCVideoGroupList/<x>/Entry/RulesForDeaffiliation/<x>/ListOfLocationCriteria/<x>/Entry/ExitSpecificArea/EllipsoidArcArea/Center**

<x>/OnNetwork/MCVideoGroupList/<x>/Entry/RulesForDeaffiliation/<x>/ListOfLocationCriteria/<x>/Entry/ExitSpecificArea/EllipsoidArcArea/Center

Status	Occurrence	Format	Min. Access Types
Required	One	node	Get, Replace

This interior node contains the coordinates of the center point of the ellipsoid arc.

13.2.43B32 /<x>/<x>/OnNetwork/MCVideoGroupList/<x>/Entry/  
RulesForDeaffiliation/<x>/ListOfLocationCriteria/<x>/Entry/  
ExitSpecificArea/EllipsoidArcArea/Center/PointCoordinateType

**Table 13.2.43B32.1: /<x>/<x>/OnNetwork/MCVideoGroupList/<x>/Entry/RulesForDeaffiliation/<x>/ListOfLocationCriteria/<x>/Entry/ExitSpecificArea/EllipsoidArcArea/Center/PointCoordinateType**

<x>/OnNetwork/MCVideoGroupList/<x>/Entry/RulesForDeaffiliation/<x>/ListOfLocationCriteria/<x>/Entry/ExitSpecificArea/EllipsoidArcArea/Center/PointCoordinateType

Status	Occurrence	Format	Min. Access Types
Required	One	node	Get, Replace

This interior node contains the coordinates of the center point of the ellipsoid arc.

13.2.43B33 /<x>/<x>/OnNetwork/MCVideoGroupList/<x>/Entry/  
RulesForDeaffiliation/<x>/ListOfLocationCriteria/<x>/Entry/  
ExitSpecificArea/EllipsoidArcArea/Center/PointCoordinateType/  
Longitude

**Table 13.2.43B33.1: /<x>/<x>/OnNetwork/MCVideoGroupList/<x>/Entry/RulesForDeaffiliation/<x>/ListOfLocationCriteria/<x>/Entry/ExitSpecificArea/EllipsoidArcArea/Center/PointCoordinateType/Longitude**

<x>/OnNetwork/MCVideoGroupList/<x>/Entry/RulesForDeaffiliation/<x>/ListOfLocationCriteria/<x>/Entry/ExitSpecificArea/EllipsoidArcArea/Center/PointCoordinateType/Longitude

Status	Occurrence	Format	Min. Access Types
Required	One	int	Get, Replace

This leaf node contains the longitudinal coordinate of the center.



### 13.2.43B34 /<x>/<x>/OnNetwork/MCVideoGroupList/<x>/Entry/ RulesForDeaffiliation/<x>/ListOfLocationCriteria/<x>/Entry/ ExitSpecificArea/EllipsoidArcArea/Center/PointCoordinateType/ Latitude

**Table 13.2.43B34.1: /<x>/<x>/OnNetwork/MCVideoGroupList/<x>/Entry/RulesForDeaffiliation/<x>/  
ListOfLocationCriteria/<x>/Entry/ExitSpecificArea/EllipsoidArcArea/Center/PointCoordinateType/  
Latitude**

<x>/OnNetwork/MCVideoGroupList/<x>/Entry/RulesForDeaffiliation/<x>/ListOfLocationCriteria/<x>/Entry/ExitS  
pecificArea/EllipsoidArcArea/Center/PointCoordinateType/Latitude

Status	Occurrence	Format	Min. Access Types
Required	One	int	Get, Replace

This leaf node contains the latitudinal coordinate of a center.

### 13.2.43B35 /<x>/<x>/OnNetwork/MCVideoGroupList/<x>/Entry/ RulesForDeaffiliation/<x>/ListOfLocationCriteria/<x>/Entry/ ExitSpecificArea/EllipsoidArcArea/Radius

**Table 13.2.43B35.1: /<x>/<x>/OnNetwork/MCVideoGroupList/<x>/Entry/RulesForDeaffiliation/<x>/  
ListOfLocationCriteria/<x>/Entry/ExitSpecificArea/EllipsoidArcArea/Radius**

<x>/OnNetwork/MCVideoGroupList/<x>/Entry/RulesForDeaffiliation/<x>/ListOfLocationCriteria/<x>/Entry/ExitS  
pecificArea/EllipsoidArcArea/Radius

Status	Occurrence	Format	Min. Access Types
Required	One	int	Get, Replace

This leaf node contains the radius of the ellipsoid arc.

### 13.2.43B36 /<x>/<x>/OnNetwork/MCVideoGroupList/<x>/Entry/ RulesForDeaffiliation/<x>/ListOfLocationCriteria/<x>/Entry/ ExitSpecificArea/EllipsoidArcArea/OffsetAngle

**Table 13.2.43B36.1: /<x>/<x>/OnNetwork/MCVideoGroupList/<x>/Entry/RulesForDeaffiliation/<x>/  
ListOfLocationCriteria/<x>/Entry/ExitSpecificArea/EllipsoidArcArea/OffsetAngle**

<x>/OnNetwork/MCVideoGroupList/<x>/Entry/RulesForDeaffiliation/<x>/ListOfLocationCriteria/<x>/Entry/ExitS  
pecificArea/EllipsoidArcArea/OffsetAngle

Status	Occurrence	Format	Min. Access Types
Required	One	int	Get, Replace

This leaf node contains the offset angle of the ellipsoid arc.

13.2.43B37 /<x>/<x>/OnNetwork/MCVideoGroupList/<x>/Entry/  
RulesForDeaffiliation/<x>/ListOfLocationCriteria/<x>/Entry/  
ExitSpecificArea/EllipsoidArcArea/IncludedAngle

**Table 13.2.43B37.1: /<x>/<x>/OnNetwork/MCVideoGroupList/<x>/Entry/RulesForDeaffiliation/<x>/ListOfLocationCriteria/<x>/Entry/ExitSpecificArea/EllipsoidArcArea/IncludedAngle**

<x>/OnNetwork/MCVideoGroupList/<x>/Entry/RulesForDeaffiliation/<x>/ListOfLocationCriteria/<x>/Entry/ExitSpecificArea/EllipsoidArcArea/IncludedAngle

Status	Occurrence	Format	Min. Access Types
Required	One	int	Get, Replace

This leaf node contains the included angle of the ellipsoid arc.

13.2.43B38 /<x>/<x>/OnNetwork/MCVideoGroupList/<x>/Entry/  
RulesForDeaffiliation/<x>/ListOfLocationCriteria/<x>/Entry/  
ExitSpecificArea/Speed

**Table 13.2.43B38.1: /<x>/<x>/OnNetwork/MCVideoGroupList/<x>/Entry/RulesForDeaffiliation/<x>/ListOfLocationCriteria/<x>/Entry/ExitSpecificArea/Speed**

<x>/OnNetwork/MCVideoGroupList/<x>/Entry/RulesForDeaffiliation/<x>/ListOfLocationCriteria/<x>/Entry/ExitSpecificArea/Speed

Status	Occurrence	Format	Min. Access Types
Optional	One	node	Get, Replace

This interior node contains the speed.

13.2.43B39 /<x>/<x>/OnNetwork/MCVideoGroupList/<x>/Entry/  
RulesForDeaffiliation/<x>/ListOfLocationCriteria/<x>/Entry/  
ExitSpecificArea/Speed/MinimumSpeed

**Table 13.2.43B39.1: /<x>/<x>/OnNetwork/MCVideoGroupList/<x>/Entry/RulesForDeaffiliation/<x>/ListOfLocationCriteria/<x>/Entry/ExitSpecificArea/Speed/MinimumSpeed**

<x>/OnNetwork/MCVideoGroupList/<x>/Entry/RulesForDeaffiliation/<x>/ListOfLocationCriteria/<x>/Entry/ExitSpecificArea/Speed/MinimumSpeed

Status	Occurrence	Format	Min. Access Types
Required	One	int	Get, Replace

This leaf node contains the minimum speed.

- Values: non-negative integer in units of kilometers/hour.

13.2.43B40 /<x>/<x>/OnNetwork/MCVideoGroupList/<x>/Entry/  
RulesForDeaffiliation/<x>/ListOfLocationCriteria/<x>/Entry/  
ExitSpecificArea/Speed/MaximumSpeed

**Table 13.2.43B40.1: /<x>/<x>/OnNetwork/MCVideoGroupList/<x>/Entry/RulesForDeaffiliation/<x>/  
ListOfLocationCriteria/<x>/Entry/ExitSpecificArea/Speed/MaximumSpeed**

<x>/OnNetwork/MCVideoGroupList/<x>/Entry/RulesForDeaffiliation/<x>/ListOfLocationCriteria/<x>/Entry/ExitS  
pecificArea/Speed/MaximumSpeed

Status	Occurrence	Format	Min. Access Types
Required	One	int	Get, Replace

This leaf node contains the maximum speed.

- Values: non-negative integer in units of kilometers/hour.

13.2.43B41 /<x>/<x>/OnNetwork/MCVideoGroupList/<x>/Entry/  
RulesForDeaffiliation/<x>/ListOfLocationCriteria/<x>/Entry/  
ExitSpecificArea/Heading

**Table 13.2.43B41.1: /<x>/<x>/OnNetwork/MCVideoGroupList/<x>/Entry/RulesForDeaffiliation/<x>/  
ListOfLocationCriteria/<x>/Entry/ExitSpecificArea/Heading**

<x>/OnNetwork/MCVideoGroupList/<x>/Entry/RulesForDeaffiliation/<x>/ListOfLocationCriteria/<x>/Entry/ExitS  
pecificArea/Heading

Status	Occurrence	Format	Min. Access Types
Optional	One	node	Get, Replace

This interior node contains the heading.

13.2.43B42 /<x>/<x>/OnNetwork/MCVideoGroupList/<x>/Entry/  
RulesForDeaffiliation/<x>/ListOfLocationCriteria/<x>/Entry/  
ExitSpecificArea/Heading/MinimumHeading

**Table 13.2.43B42.1: /<x>/<x>/OnNetwork/MCVideoGroupList/<x>/Entry/RulesForDeaffiliation/<x>/  
ListOfLocationCriteria/<x>/Entry/ExitSpecificArea/Heading/MinimumHeading**

<x>/OnNetwork/MCVideoGroupList/<x>/Entry/RulesForDeaffiliation/<x>/ListOfLocationCriteria/<x>/Entry/ExitS  
pecificArea/Heading/MinimumHeading

Status	Occurrence	Format	Min. Access Types
Required	One	int	Get, Replace

This leaf node contains the minimum heading.

- Values: 0-359

13.2.43B43 /<x>/<x>/OnNetwork/MCVideoGroupList/<x>/Entry/  
RulesForDeaffiliation/<x>/ListOfLocationCriteria/<x>/Entry/  
ExitSpecificArea/Heading/MaximumHeading

**Table 13.2.43B43.1: /<x>/<x>/OnNetwork/MCVideoGroupList/<x>/Entry/RulesForDeaffiliation/<x>/  
ListOfLocationCriteria/<x>/Entry/ExitSpecificArea/Heading/MaximumHeading**

<x>/OnNetwork/MCVideoGroupList/<x>/Entry/RulesForDeaffiliation/<x>/ListOfLocationCriteria/<x>/Entry/ExitS  
pecificArea/Heading/MaximumHeading

Status	Occurrence	Format	Min. Access Types
Required	One	int	Get, Replace

This leaf node contains the maximum heading.

- Values: 0-359

13.2.43B44 /<x>/<x>/OnNetwork/MCVideoGroupList/<x>/Entry/  
RulesForDeaffiliation/<x>/ListOfActiveFunctionalAliases

**Table 13.2.43B44.1: /<x>/<x>/OnNetwork/MCVideoGroupList/<x>/Entry/RulesForDeaffiliation/<x>/  
ListOfActiveFunctionalAliases**

<x>/OnNetwork/MCVideoGroupList/<x>/Entry/RulesForDeaffiliation/<x>/ListOfActiveFunctionalAliases

Status	Occurrence	Format	Min. Access Types
Optional	One	node	Get, Replace

This interior node is a placeholder for the functional alias part of rules that control automatic deaffiliation.

13.2.43B45 /<x>/<x>/OnNetwork/MCVideoGroupList/<x>/Entry/  
RulesForDeaffiliation/<x>/ListOfActiveFunctionalAliases/<x>

**Table 13.2.43B45.1: /<x>/<x>/OnNetwork/MCVideoGroupList/<x>/Entry/RulesForDeaffiliation/<x>/  
ListOfActiveFunctionalAliases/<x>**

<x>/OnNetwork/MCVideoGroupList/<x>/Entry/RulesForDeaffiliation/<x>/ListOfActiveFunctionalAliases/<x>

Status	Occurrence	Format	Min. Access Types
Optional	OneOrMore	node	Get, Replace

This interior node is a placeholder for the functional alias part of rules that control automatic deaffiliation.

13.2.43B46 /<x>/<x>/OnNetwork/MCVideoGroupList/<x>/Entry/  
RulesForDeaffiliation/<x>/ListOfActiveFunctionalAliases/<x>/Entry

**Table 13.2.43B46.1: /<x>/<x>/OnNetwork/MCVideoGroupList/<x>/Entry/RulesForDeaffiliation/<x>/  
ListOfActiveFunctionalAliases/<x>/Entry**

<x>/OnNetwork/MCVideoGroupList/<x>/Entry/RulesForDeaffiliation/<x>/ListOfActiveFunctionalAliases/<x>/Entr

Status	Occurrence	Format	Min. Access Types
Optional	One	node	Get, Replace

This interior node is a placeholder for the functional alias part of rules that control automatic deaffiliation.

13.2.43B47 /<x>/<x>/OnNetwork/MCVideoGroupList/<x>/Entry/RulesForDeaffiliation/<x>/ListOfActiveFunctionalAliases/<x>/Entry/FunctionalAlias

**Table 13.2.43B47.1: /<x>/<x>/OnNetwork/MCVideoGroupList/<x>/Entry/RulesForDeaffiliation/<x>/ListOfActiveFunctionalAliases/<x>/Entry/FunctionalAlias**

<x>/OnNetwork/MCVideoGroupList/<x>/Entry/RulesForDeaffiliation/<x>/ListOfActiveFunctionalAliases/<x>/Entry/FunctionalAlias

Status	Occurrence	Format	Min. Access Types
Required	One	chr	Get, Replace

This leaf node contains a functional alias.

13.2.43C /<x>/<x>/OnNetwork/MCVideoGroupList/<x>/Entry/ManualDeaffiliationNotAllowedIfAffiliationRulesAreMet

**Table 13.2.43C.1: /<x>/<x>/OnNetwork/MCVideoGroupList/<x>/Entry/ManualDeaffiliationNotAllowedIfAffiliationRulesAreMet**

<x>/OnNetwork/MCVideoGroupList/<x>/Entry/ManualDeaffiliationNotAllowedIfAffiliationRulesAreMet

Status	Occurrence	Format	Min. Access Types
Optional	ZeroOrOne	bool	Get, Replace

This leaf node indicates whether the MCVideo user is authorised to deaffiliate if the affiliation criteria are met.

13.2.44 /<x>/<x>/OnNetwork/MCVideoGroupList/<x>/Entry/DisplayName

**Table 13.2.44.1: /<x>/<x>/OnNetwork/MCVideoGroupList/<x>/Entry/DisplayName**

<x>/OnNetwork/MCVideoGroupList/<x>/Entry/DisplayName

Status	Occurrence	Format	Min. Access Types
Optional	One	chr	Get, Replace

This leaf node contains a human readable name that corresponds to the MCVideo Group ID.

13.2.45 Void

13.2.46 Void

13.2.47 /<x>/<x>/OnNetwork/MCVideoGroupList/<x>/Entry/GMSServID

**Table 13.2.47.1: /<x>/<x>/OnNetwork/MCVideoGroupList/<x>/Entry/GMSServID**

<x>/OnNetwork/MCVideoGroupList/<x>/Entry/GMSServID

Status	Occurrence	Format	Min. Access Types
Optional	One	chr	Get, Replace

This leaf node indicates the identity (URI) of the group management server hosting the MCVideo Group ID.

13.2.48 Void

13.2.49 Void

13.2.50 /<x>/<x>/OnNetwork/MCVideoGroupList/<x>/Entry/  
IdMSTokenEndPoint

**Table 13.2.50.1: /<x>/<x>/OnNetwork/MCVideoGroupList/<x>/Entry/IdMSTokenEndPoint**

<x>/OnNetwork/MCVideoGroupList/<x>/Entry/IdMSTokenEndPoint

Status	Occurrence	Format	Min. Access Types
Optional	One	chr	Get, Replace

This leaf node indicates the identity (URI) of the identity management server hosting the MCVideo Group ID.

13.2.50A Void

13.2.50B Void

13.2.50C Void

13.2.50D /<x>/<x>/OnNetwork/MCVideoGroupList/<x>/Entry/  
GroupKMSURI

**Table 13.2.50D.1: /<x>/<x>/OnNetwork/MCVideoGroupList/<x>/Entry/GroupKMSURI**

<x>/OnNetwork/MCVideoGroupList/<x>/Entry/GroupKMSURI

Status	Occurrence	Format	Min. Access Types
Required	One	chr	Get, Replace

This leaf node indicates the identity (URI) of the KMS identity (URI) for a specific group contained in the MCVideoGroupList. If the value is empty, the KMS identity (URI) (kms) present in the MCS UE initial configuration MO is used.

13.2.51 /<x>/<x>/OnNetwork/MCVideoGroupList/<x>/Entry/  
RelativePresentationPriority

**Table 13.2.51.1: /<x>/<x>/OnNetwork/MCVideoGroupList/<x>/Entry/RelativePresentationPriority**

<x>/OnNetwork/MCVideoGroupList/<x>/Entry/RelativePresentationPriority

Status	Occurrence	Format	Min. Access Types
Optional	One	int	Get, Replace

This leaf node indicates indicating the presentation priority of the on-network group for the MCVideo user relative to other on-network groups and on-network users.

- Values: 0-255

The lowest RelativePresentationPriority value shall be considered as the MCVideo group transaction having the lowest priority for presentation among other group MCVideo and one-to-one user transactions.

### 13.2.52 /<x>/<x>/OnNetwork/ImplicitAffiliations

**Table 13.2.52.1: /<x>/<x>/OnNetwork/ImplicitAffiliations**

<x>/OnNetwork/ImplicitAffiliations

Status	Occurrence	Format	Min. Access Types
Required	One	node	Get, Replace

This interior node is a placeholder for the implicit affiliation configuration.

### 13.2.53 /<x>/<x>/OnNetwork/ImplicitAffiliations/<x>

**Table 13.2.53.1: /<x>/<x>/OnNetwork/ImplicitAffiliations/<x>**

<x>/OnNetwork/ImplicitAffiliations/<x>

Status	Occurrence	Format	Min. Access Types
Required	ZeroOrMore	node	Get, Replace

This interior node is a placeholder for zero or more implicit affiliation configuration.

### 13.2.54 /<x>/<x>/OnNetwork/ImplicitAffiliations/<x>/Entry

**Table 13.2.54.1: /<x>/<x>/OnNetwork/ImplicitAffiliations/<x>/Entry**

<x>/OnNetwork/ImplicitAffiliations/<x>/Entry

Status	Occurrence	Format	Min. Access Types
Optional	One	node	Get, Replace

This interior node is a placeholder for the details of the on-network MCVideo groups that the MCVideo user is implicitly affiliated to.

### 13.2.55 /<x>/<x>/OnNetwork/ImplicitAffiliations/<x>/Entry/MCVideoGroupID

**Table 13.2.55.1: /<x>/<x>/OnNetwork/ImplicitAffiliations/<x>/Entry/MCVideoGroupID**

<x>/OnNetwork/ImplicitAffiliations/<x>/Entry/MCVideoGroupID

Status	Occurrence	Format	Min. Access Types
Required	One	chr	Get, Replace

This leaf node indicates a MCVideo group ID to which the MCVideo user is implicitly affiliated to.

The value is a "uri" attribute specified in OMA OMA-TS-XDM\_Group-V1\_1 [4].

### 13.2.56 /<x>/<x>/OnNetwork/ImplicitAffiliations/<x>/Entry/DisplayName

**Table 13.2.56.1: /<x>/<x>/OnNetwork/ImplicitAffiliations/<x>/Entry/DisplayName**

<x>/OnNetwork/ImplicitAffiliations/<x>/Entry/DisplayName

Status	Occurrence	Format	Min. Access Types
Optional	One	chr	Get, Replace

This leaf node contains a human readable name that corresponds to the MCVideo Group ID.

### 13.2.57 /<x>/<x>/OnNetwork/PresenceStatus

**Table 13.2.57.1: /<x>/<x>/OnNetwork/PresenceStatus**

<x>/OnNetwork/PresenceStatus

Status	Occurrence	Format	Min. Access Types
Required	One	node	Get, Replace

This interior node is a placeholder for the presence status configuration.

### 13.2.58 /<x>/<x>/OnNetwork/PresenceStatus/<x>

**Table 13.2.58.1: /<x>/<x>/OnNetwork/PresenceStatus/<x>**

<x>/OnNetwork/PresenceStatus/<x>

Status	Occurrence	Format	Min. Access Types
Required	ZeroOrMore	node	Get, Replace

This interior node is a placeholder for zero or more presence status configuration.

### 13.2.59 /<x>/<x>/OnNetwork/PresenceStatus/<x>/Entry

**Table 13.2.59.1: /<x>/<x>/OnNetwork/PresenceStatus/<x>/Entry**

<x>/OnNetwork/PresenceStatus/<x>/Entry

Status	Occurrence	Format	Min. Access Types
Optional	One	node	Get, Replace

This interior node is a placeholder for the details of the MCVid IDs of MCVid users that the configured MCVid user is authorised to obtain presence status.

### 13.2.60 /<x>/<x>/OnNetwork/PresenceStatus/<x>/Entry/MCVidGroupID

**Table 13.2.60.1: /<x>/<x>/OnNetwork/PresenceStatus/<x>/Entry/MCVidGroupID**

<x>/OnNetwork/PresenceStatus/<x>/Entry/MCVidGroupID

Status	Occurrence	Format	Min. Access Types
Required	One	chr	Get, Replace

This leaf node indicates an MCVid ID of an MCVid user that the configured MCVid user is authorised to obtain presence status.

The value is a "uri" attribute specified in OMA OMA-TS-XDM\_Group-V1\_1 [4].

### 13.2.61 /<x>/<x>/OnNetwork/PresenceStatus/<x>/Entry/DisplayName

**Table 13.2.61.1: /<x>/<x>/OnNetwork/PresenceStatus/<x>/Entry/DisplayName**

<x>/OnNetwork/PresenceStatus/<x>/Entry/DisplayName

Status	Occurrence	Format	Min. Access Types
Optional	One	chr	Get, Replace

This leaf node contains a human readable name that corresponds to the MCVid ID.



13.2.62 Void

13.2.63 Void

13.2.64 Void

13.2.65 Void

13.2.66 Void

13.2.67 `<x>/<x>/OnNetwork/MaxAffiliationsN2`

**Table 13.2.67.1: `<x>/<x>/OnNetwork/MaxAffiliationsN2`**

`<x>/OnNetwork/MaxAffiliationsN2`

Status	Occurrence	Format	Min. Access Types
Optional	One	int	Get, Replace

This leaf node indicates the maximum number of MCVideo groups that the MCVideo user is authorised to affiliate with.

- Values: 0-65535

13.2.68 `<x>/<x>/OnNetwork/AllowedRegroup`

**Table 13.2.68.1: `<x>/<x>/OnNetwork/AllowedRegroup`**

`<x>/OnNetwork/AllowedRegroup`

Status	Occurrence	Format	Min. Access Types
Required	One	bool	Get, Replace

This leaf node indicates whether the MCVideo user is authorised to perform dynamic regrouping operations.

When set to "true" the MCVideo user is authorised to perform dynamic regrouping operations.

When set to "false" the MCVideo user is not authorised to perform dynamic regrouping operations.

13.2.69 `<x>/<x>/OnNetwork/AllowedPresenceStatus`

**Table 13.2.69.1: `<x>/<x>/OnNetwork/AllowedPresenceStatus`**

`<x>/OnNetwork/AllowedPresenceStatus`

Status	Occurrence	Format	Min. Access Types
Optional	One	bool	Get, Replace

This leaf node indicates the presence status on the network of this MCVideo user is available.

When set to "true" the presence status on the network of this MCVideo user is available.

When set to "false" the presence status on the network of this MCVideo user is not available. This is the default if this leaf node is not present.

### 13.2.70 /<x>/<x>/OnNetwork/AllowedPresence

**Table 13.2.70.1: /<x>/<x>/OnNetwork/AllowedPresence**

<x>/OnNetwork/AllowedPresence

Status	Occurrence	Format	Min. Access Types
Optional	One	bool	Get, Replace

This leaf node indicates whether the MCVideo user is authorised to obtain whether a particular MCVideo User is present on the network.

When set to "true" the MCVideo user is authorised to obtain whether a particular MCVideo User is present on the network.

When set to "false" the MCVideo user is not authorised to obtain whether a particular MCVideo User is present on the network. This is the default if this leaf node is not present.

### 13.2.71 /<x>/<x>/OnNetwork/AllowedManualSwitch

**Table 13.2.71.1: /<x>/<x>/OnNetwork/AllowedManualSwitch**

<x>/OnNetwork/AllowedManualSwitch

Status	Occurrence	Format	Min. Access Types
Required	One	bool	Get, Replace

This leaf node indicates whether the MCVideo user is authorised to manually switch to off-network operation while in on-network operation.

When set to "true" the MCVideo user is authorised to manually switch to off-network operation while in on-network operation.

When set to "false" the MCVideo user is not authorised to manually switch to off-network operation while in on-network operation.

### 13.2.72 Void

### 13.2.73 /<x>/<x>/OnNetwork/MaxSimultaneousVideoStreams

**Table 13.2.73.1: /<x>/<x>/OnNetwork/MaxSimultaneousVideoStreams**

<x>/OnNetwork/MaxSimultaneousVideoStreams

Status	Occurrence	Format	Min. Access Types
Required	One	node	Get, Replace

This interior node is a placeholder for maximum number of simultaneous video streams that can be received.

### 13.2.74 /<x>/<x>/OnNetwork/MaxSimultaneousVideoStreams/MaxStreams

**Table 13.2.74.1: /<x>/<x>/OnNetwork/MaxSimultaneousVideoStreams/MaxStreams**

<x>/OnNetwork/MaxSimultaneousVideoStreams/MaxStreams

Status	Occurrence	Format	Min. Access Types
Optional	One	int	Get, Replace

This leaf node indicates the maximum number of simultaneous video streams that can be received.

- Values: 1-65535

13.2.75 Void

13.2.76 Void

13.2.77 Void

13.2.78 Void

13.2.79 Void

13.2.80 Void

13.2.81 Void

13.2.82 Void

13.2.83 Void

13.2.84 Void

13.2.85 Void

13.2.86 Void

13.2.87 Void

13.2.87A/<x>/<x>/OnNetwork/EnabledParticipation

**Table 13.2.87A.1: /<x>/<x>/OnNetwork/EnabledParticipation**

<x>/OnNetwork/EnabledParticipation

Status	Occurrence	Format	Min. Access Types
Required	One	bool	Get, Replace

This leaf node indicates whether the MCVideo user is allowed to participate in MCVideo private calls that they are invited to.

When set to "true" the MCVideo user is allowed to participate in MCVideo private calls that they are invited to.

When set to "false" the MCVideo user is not allowed to participate in MCVideo private calls that they are invited to.

13.2.87A1 /<x>/<x>/OnNetwork/AllowedRemoteInitiatedAmbientViewing

**Table 13.2.87A1.1: /<x>/<x>/AllowedRemoteInitiatedAmbientViewing**

<x>/OnNetwork/AllowedRemoteInitiatedAmbientViewing

Status	Occurrence	Format	Min. Access Types
Optional	One	bool	Get, Replace

This leaf node indicates the presence status on the network of this MCVideo user is available.

When set to "true" the MCVideo user is authorised to remotely initiate ambient viewing at another MCVideo user's device.

When set to "false" the MCVideo user is not authorised to remotely initiate ambient viewing at another MCVideo user's device.

### 13.2.87A2 /<x>/<x>/OnNetwork/AllowedLocallyInitiatedAmbientViewing

**Table 13.2.87A2.1: /<x>/<x>/OnNetwork/AllowedLocallyInitiatedAmbientViewing**

<x>/OnNetwork/AllowedLocallyInitiatedAmbientViewing

Status	Occurrence	Format	Min. Access Types
Optional	One	bool	Get, Replace

This leaf node indicates the presence status on the network of this MCVideo user is available.

When set to "true" the MCVideo user is authorised to locally initiate ambient viewing.

When set to "false" the MCVideo user is not authorised to locally initiate ambient viewing.

### 13.2.87A3 /<x>/<x>/OnNetwork/FunctionalAliasList

**Table 13.2.87A3.1: /<x>/<x>/OnNetwork/FunctionalAliasList**

<x>/OnNetwork/FunctionalAliasList

Status	Occurrence	Format	Min. Access Types
Required	One	node	Get, Replace

This interior node is a placeholder for the functional alias configuration.

### 13.2.87A4 /<x>/<x>/OnNetwork/FunctionalAliasList/<x>

**Table 13.2.87A4.1: /<x>/<x>/OnNetwork/FunctionalAliasList/<x>**

<x>/OnNetwork/FunctionalAliasList/<x>

Status	Occurrence	Format	Min. Access Types
Required	OneOrMore	node	Get, Replace

This interior node is a placeholder for one or more functional alias configuration elements.

### 13.2.87A5 /<x>/<x>/OnNetwork/FunctionalAliasList/<x>/Entry

**Table 13.2.87A5.1: /<x>/<x>/OnNetwork/FunctionalAliasList/<x>/Entry**

<x>/OnNetwork/FunctionalAliasList/<x>/Entry

Status	Occurrence	Format	Min. Access Types
Optional	One	node	Get, Replace

This interior node is a placeholder for the details of the functional alias.

## 13.2.87A6 /<x>/<x>/OnNetwork/FunctionalAliasList/<x>/Entry/FunctionalAlias

**Table 13.2.87A6.1: /<x>/<x>/OnNetwork/FunctionalAliasList/<x>/Entry/MCVIDEOID**

<x>/OnNetwork/FunctionalAliasList/<x>/Entry/FunctionalAlias

Status	Occurrence	Format	Min. Access Types
Required	One	chr	Get, Replace

This leaf node indicates a functional alias that can be activated by the MCVideo user.

The value is a "uri" attribute specified in OMA OMA-TS-XDM\_Group-V1\_1 [4].

## 13.2.87A6A /<x>/<x>/OnNetwork/FunctionalAliasList/<x>/Entry/LocationCriteriaForActivation

**Table 13.2.87A6A.1: /<x>/<x>/OnNetwork/FunctionalAliasList/<x>/Entry/LocationCriteriaForActivation**

<x>/OnNetwork/FunctionalAliasList/<x>/Entry/LocationCriteriaForActivation

Status	Occurrence	Format	Min. Access Types
Optional	ZeroOrOne	node	Get, Replace

This interior node contains the location criteria for activation of a functional alias.

## 13.2.87A6A0 /<x>/<x>/OnNetwork/FunctionalAliasList/<x>/Entry/LocationCriteriaForActivation/<x>

**Table 13.2.87A6A0.1:**

**/<x>/<x>/OnNetwork/FunctionalAliasList/<x>/Entry/LocationCriteriaForActivation/<x>**

<x>/OnNetwork/FunctionalAliasList/<x>/Entry/LocationCriteriaForActivation/<x>

Status	Occurrence	Format	Min. Access Types
Optional	ZeroOrMore	node	Get, Replace

This interior node contains the zero or more location criteria for activation of a functional alias.

## 13.2.87A6A1 /<x>/<x>/OnNetwork/FunctionalAliasList/<x>/Entry/LocationCriteriaForActivation/<x>/EnterSpecificArea

**Table 13.2.87A6A1.1: /<x>/<x>/OnNetwork/FunctionalAliasList/<x>/Entry/LocationCriteriaForActivation/<x>/EnterSpecificArea**

<x>/OnNetwork/FunctionalAliasList/<x>/Entry/LocationCriteriaForActivation/<x>/EnterSpecificArea

Status	Occurrence	Format	Min. Access Types
Optional	ZeroOrOne	node	Get, Replace

This interior node contains a geographical area which when entered by the MC service UE triggers the functional alias activation.

13.2.87A6A2 /<x>/<x>/OnNetwork/FunctionalAliasList/<x>/Entry/  
LocationCriteriaForActivation/<x>/EnterSpecificArea/PolygonArea

**Table 13.2.87A6A2.1: /<x>/<x>/OnNetwork/FunctionalAliasList/<x>/Entry/  
LocationCriteriaForActivation/<x>/EnterSpecificArea/PolygonArea**

<x>/OnNetwork/FunctionalAliasList/<x>/Entry/LocationCriteriaForActivation/<x>/EnterSpecificArea/PolygonArea

Status	Occurrence	Format	Min. Access Types
Optional	ZeroOrOne	node	Get, Replace

This interior node contains a geographical area described by a polygon.

13.2.87A6A3 /<x>/<x>/OnNetwork/FunctionalAliasList/<x>/Entry/  
LocationCriteriaForActivation/<x>/EnterSpecificArea/  
PolygonArea/<x>

**Table 13.2.87A6A3.1: /<x>/<x>/OnNetwork/FunctionalAliasList/<x>/Entry/  
LocationCriteriaForActivation/<x>/EnterSpecificArea/PolygonArea/<x>**

<x>/OnNetwork/FunctionalAliasList/<x>/Entry/LocationCriteriaForActivation/<x>/EnterSpecificArea/PolygonArea  
/<x>

Status	Occurrence	Format	Min. Access Types
Required	OneOrN	node	Get, Replace

This interior node contains the coordinates of the corners which define a polygon. The occurrence of this leaf node is "3 to 15" as per 3GPP TS 23.032 [21].

13.2.87A6A3A /<x>/<x>/OnNetwork/FunctionalAliasList/<x>/Entry/  
LocationCriteriaForActivation/<x>/EnterSpecificArea/  
PolygonArea/<x>/PointCoordinateType

**Table 13.2.87A6A3A.1: /<x>/<x>/OnNetwork/FunctionalAliasList/<x>/Entry/  
LocationCriteriaForActivation/<x>/EnterSpecificArea/PolygonArea/<x>/PointCoordinateType**

<x>/OnNetwork/FunctionalAliasList/<x>/Entry/LocationCriteriaForActivation/<x>/EnterSpecificArea/PolygonArea  
/<x>/PointCoordinateType

Status	Occurrence	Format	Min. Access Types
Required	One	node	Get, Replace

This interior node contains the coordinates of the center point of the ellipsoid arc.

13.2.87A6A4 /<x>/<x>/OnNetwork/FunctionalAliasList/<x>/Entry/  
LocationCriteriaForActivation/<x>/EnterSpecificArea/  
PolygonArea/<x>/PointCoordinateType/Longitude

**Table 13.2.87A6A4.1: /<x>/<x>/OnNetwork/FunctionalAliasList/<x>/Entry/  
LocationCriteriaForActivation/<x>/EnterSpecificArea/PolygonArea/<x>/PointCoordinateType/  
Longitude**

<x>/OnNetwork/FunctionalAliasList/<x>/Entry/LocationCriteriaForActivation/<x>/EnterSpecificArea/PolygonArea  
/<x>/PointCoordinateType/Longitude

Status	Occurrence	Format	Min. Access Types

Required	One	int	Get, Replace
----------	-----	-----	--------------

This leaf node contains the longitudinal coordinate of a corner.

- Values: 0-16777215

13.2.87A6A5 /<x>/<x>/OnNetwork/FunctionalAliasList/<x>/Entry/  
LocationCriteriaForActivation/<x>/EnterSpecificArea/  
PolygonArea/<x>/PointCoordinateType/Latitude

**Table 13.2.87A6A5.1: /<x>/<x>/OnNetwork/FunctionalAliasList/<x>/Entry/  
LocationCriteriaForActivation/<x>/EnterSpecificArea/PolygonArea/<x>/PointCoordinateType/Latitude**

<x>/OnNetwork/FunctionalAliasList/<x>/Entry/LocationCriteriaForActivation/<x>/EnterSpecificArea/PolygonArea  
/<x>/PointCoordinateType/Latitude

Status	Occurrence	Format	Min. Access Types
Required	One	int	Get, Replace

This leaf node contains the latitudinal coordinate of a corner.

- Values: 0-16777215

13.2.87A6A6 /<x>/<x>/OnNetwork/FunctionalAliasList/<x>/Entry/  
LocationCriteriaForActivation/<x>/EnterSpecificArea/  
EllipsoidArcArea

**Table 13.2.87A6A6.1: /<x>/<x>/OnNetwork/FunctionalAliasList/<x>/Entry/  
LocationCriteriaForActivation/<x>/EnterSpecificArea/EllipsoidArcArea**

<x>/OnNetwork/FunctionalAliasList/<x>/Entry/LocationCriteriaForActivation/<x>/EnterSpecificArea/EllipsoidArc

Status	Occurrence	Format	Min. Access Types
Optional	ZeroOrOne	node	Get, Replace

This interior node contains a geographical area described by an ellipsoid arc.

13.2.87A6A7 /<x>/<x>/OnNetwork/FunctionalAliasList/<x>/Entry/  
LocationCriteriaForActivation/<x>/EnterSpecificArea/  
EllipsoidArcArea/Center

**Table 13.2.87A6A7.1: /<x>/<x>/OnNetwork/FunctionalAliasList/<x>/Entry/  
LocationCriteriaForActivation/<x>/EnterSpecificArea/EllipsoidArcArea/Center**

<x>/OnNetwork/FunctionalAliasList/<x>/Entry/LocationCriteriaForActivation/<x>/EnterSpecificArea/EllipsoidArc  
Area/Center

Status	Occurrence	Format	Min. Access Types
Required	One	node	Get, Replace

This interior node contains the coordinates of the center point of the ellipsoid arc.

13.2.87A6A7A /<x>/<x>/OnNetwork/FunctionalAliasList/<x>/Entry/  
LocationCriteriaForActivation/<x>/EnterSpecificArea/  
EllipsoidArcArea/Center/PointCoordinateType

**Table 13.2.87A6A7A.1: /<x>/<x>/OnNetwork/FunctionalAliasList/<x>/Entry/  
LocationCriteriaForActivation/<x>/EnterSpecificArea/EllipsoidArcArea/Center/PointCoordinateType**

<x>/OnNetwork/FunctionalAliasList/<x>/Entry/LocationCriteriaForActivation/<x>/EnterSpecificArea/EllipsoidArc  
Area/Center/PointCoordinateType

Status	Occurrence	Format	Min. Access Types
Required	One	node	Get, Replace

This interior node contains the coordinates of the center point of the ellipsoid arc.

13.2.87A6A8 /<x>/<x>/OnNetwork/FunctionalAliasList/<x>/Entry/  
LocationCriteriaForActivation/<x>/EnterSpecificArea/  
EllipsoidArcArea/Center/PointCoordinateType/Longitude

**Table 13.2.87A6A8.1: /<x>/<x>/OnNetwork/FunctionalAliasList/<x>/Entry/  
LocationCriteriaForActivation/<x>/EnterSpecificArea/EllipsoidArcArea/Center/PointCoordinateType/  
Longitude**

<x>/OnNetwork/FunctionalAliasList/<x>/Entry/LocationCriteriaForActivation/<x>/EnterSpecificArea/EllipsoidArc  
Area/Center/PointCoordinateType/Longitude

Status	Occurrence	Format	Min. Access Types
Required	One	int	Get, Replace

This leaf node contains the longitudinal coordinate of the center.

- Values: 0-16777215

13.2.87A6A9 /<x>/<x>/OnNetwork/FunctionalAliasList/<x>/Entry/  
LocationCriteriaForActivation/<x>/EnterSpecificArea/  
EllipsoidArcArea/Center/PointCoordinateType/Latitude

**Table 13.2.87A6A9.1: /<x>/<x>/OnNetwork/FunctionalAliasList/<x>/Entry/  
LocationCriteriaForActivation/<x>/EnterSpecificArea/EllipsoidArcArea/Center/PointCoordinateType/  
Latitude**

<x>/OnNetwork/FunctionalAliasList/<x>/Entry/LocationCriteriaForActivation/<x>/EnterSpecificArea/EllipsoidArc  
Area/Center/PointCoordinateType/Latitude

Status	Occurrence	Format	Min. Access Types
Required	One	int	Get, Replace

This leaf node contains the latitudinal coordinate of the center.

- Values: 0-16777215



### 13.2.87A6A10 /<x>/<x>/OnNetwork/FunctionalAliasList/<x>/Entry/ LocationCriteriaForActivation/<x>/EnterSpecificArea/ EllipsoidArcArea/Radius

**Table 13.2.87A6A10.1: /<x>/<x>/OnNetwork/FunctionalAliasList/<x>/Entry/  
LocationCriteriaForActivation/<x>/EnterSpecificArea/EllipsoidArcArea/Radius**

<x>/OnNetwork/FunctionalAliasList/<x>/Entry/LocationCriteriaForActivation/<x>/EnterSpecificArea/EllipsoidArc  
Area/Radius

Status	Occurrence	Format	Min. Access Types
Required	One	int	Get, Replace

This leaf node contains the radius of the ellipsoid arc.

- Values: non-negative integer

### 13.2.87A6A11 /<x>/<x>/OnNetwork/FunctionalAliasList/<x>/Entry/ LocationCriteriaForActivation/<x>/EnterSpecificArea/ EllipsoidArcArea/OffsetAngle

**Table 13.2.87A6A11.1: /<x>/<x>/OnNetwork/FunctionalAliasList/<x>/Entry/  
LocationCriteriaForActivation/<x>/EnterSpecificArea/EllipsoidArcArea/OffsetAngle**

<x>/OnNetwork/FunctionalAliasList/<x>/Entry/LocationCriteriaForActivation/<x>/EnterSpecificArea/EllipsoidArc  
Area/OffsetAngle

Status	Occurrence	Format	Min. Access Types
Required	One	int	Get, Replace

This leaf node contains the offset angle of the ellipsoid arc.

- Values: 0-255

### 13.2.87A6A12 /<x>/<x>/OnNetwork/FunctionalAliasList/<x>/Entry/ LocationCriteriaForActivation/<x>/EnterSpecificArea/ EllipsoidArcArea/IncludedAngle

**Table 13.2.87A6A12.1: /<x>/<x>/OnNetwork/FunctionalAliasList/<x>/Entry/  
LocationCriteriaForActivation/<x>/EnterSpecificArea/EllipsoidArcArea/IncludedAngle**

<x>/OnNetwork/FunctionalAliasList/<x>/Entry/LocationCriteriaForActivation/<x>/EnterSpecificArea/EllipsoidArc  
Area/IncludedAngle

Status	Occurrence	Format	Min. Access Types
Required	One	int	Get, Replace

This leaf node contains the included angle of the ellipsoid arc.

- Values: 0-255

### 13.2.87A6A12A/<x>/<x>/OnNetwork/FunctionalAliasList/<x>/Entry/ LocationCriteriaForActivation/<x>/EnterSpecificArea/Speed

**Table 13.2.87A6A12A.1: /<x>/<x>/OnNetwork/FunctionalAliasList/<x>/Entry/  
LocationCriteriaForActivation/<x>/EnterSpecificArea/Speed**

<x>/OnNetwork/FunctionalAliasList/<x>/Entry/LocationCriteriaForActivation/<x>/EnterSpecificArea/Speed

Status	Occurrence	Format	Min. Access Types
Optional	One	node	Get, Replace

This interior node contains the speed.

### 13.2.87A6A12B/<x>/<x>/OnNetwork/FunctionalAliasList/<x>/Entry/ LocationCriteriaForActivation/<x>/EnterSpecificArea/Speed/ MinimumSpeed

**Table 13.2.87A6A12B.1: /<x>/<x>/OnNetwork/FunctionalAliasList/<x>/Entry/  
LocationCriteriaForActivation/<x>/EnterSpecificArea/Speed/MinimumSpeed**

<x>/OnNetwork/FunctionalAliasList/<x>/Entry/LocationCriteriaForActivation/<x>/EnterSpecificArea/Speed/MinimumSpeed

Status	Occurrence	Format	Min. Access Types
Required	One	int	Get, Replace

This leaf node contains the minimum speed.

- Values: non-negative integer in units of kilometers/hour.

### 13.2.87A6A12C/<x>/<x>/OnNetwork/FunctionalAliasList/<x>/Entry/ LocationCriteriaForActivation/<x>/EnterSpecificArea/Speed/ MaximumSpeed

**Table 13.2.87A6A12C.1: /<x>/<x>/OnNetwork/FunctionalAliasList/<x>/Entry/  
LocationCriteriaForActivation/<x>/EnterSpecificArea/Speed/MaximumSpeed**

<x>/OnNetwork/FunctionalAliasList/<x>/Entry/LocationCriteriaForActivation/<x>/EnterSpecificArea/Speed/MaximumSpeed

Status	Occurrence	Format	Min. Access Types
Required	One	int	Get, Replace

This leaf node contains the maximum speed.

- Values: non-negative integer in units of kilometers/hour.

### 13.2.87A6A12D/<x>/<x>/OnNetwork/FunctionalAliasList/<x>/Entry/ LocationCriteriaForActivation/<x>/EnterSpecificArea/Heading

**Table 13.2.87A6A12D.1: /<x>/<x>/OnNetwork/FunctionalAliasList/<x>/Entry/  
LocationCriteriaForActivation/<x>/EnterSpecificArea/Heading**

<x>/OnNetwork/FunctionalAliasList/<x>/Entry/LocationCriteriaForActivation/<x>/EnterSpecificArea/Heading

Status	Occurrence	Format	Min. Access Types
Optional	One	node	Get, Replace

This interior node contains the heading.

### 13.2.87A6A12E /<x>/<x>/OnNetwork/FunctionalAliasList/<x>/Entry/LocationCriteriaForActivation/<x>/EnterSpecificArea/Heading/MinimumHeading

**Table 13.2.87A6A12E.1: /<x>/<x>/OnNetwork/FunctionalAliasList/<x>/Entry/LocationCriteriaForActivation/<x>/EnterSpecificArea/Heading/MinimumHeading**

<x>/OnNetwork/FunctionalAliasList/<x>/Entry/LocationCriteriaForActivation/<x>/EnterSpecificArea/Heading/MinimumHeading

Status	Occurrence	Format	Min. Access Types
Required	One	int	Get, Replace

This leaf node contains the minimum heading.

- Values: 0-359

### 13.2.87A6A12F /<x>/<x>/OnNetwork/FunctionalAliasList/<x>/Entry/LocationCriteriaForActivation/<x>/EnterSpecificArea/Heading/MaximumHeading

**Table 13.2.87A6A12F.1: /<x>/<x>/OnNetwork/FunctionalAliasList/<x>/Entry/LocationCriteriaForActivation/<x>/EnterSpecificArea/Heading/MaximumHeading**

<x>/OnNetwork/FunctionalAliasList/<x>/Entry/LocationCriteriaForActivation/<x>/EnterSpecificArea/Heading/MaximumHeading

Status	Occurrence	Format	Min. Access Types
Required	One	int	Get, Replace

This leaf node contains the maximum heading.

- Values: 0-359

### 13.2.87A6A13 /<x>/<x>/OnNetwork/FunctionalAliasList/<x>/Entry/LocationCriteriaForActivation/<x>/ExitSpecificArea

**Table 13.2.87A6A13.1: /<x>/<x>/OnNetwork/FunctionalAliasList/<x>/Entry/LocationCriteriaForActivation/<x>/ExitSpecificArea**

<x>/OnNetwork/FunctionalAliasList/<x>/Entry/LocationCriteriaForActivation/<x>/ExitSpecificArea

Status	Occurrence	Format	Min. Access Types
Optional	ZeroOrOne	node	Get, Replace

This interior node contains a geographical area which when exited by the MC service UE triggers the functional alias activation.

13.2.87A6A14 /<x>/<x>/OnNetwork/FunctionalAliasList/<x>/Entry/LocationCriteriaForActivation/<x>/ExitSpecificArea/PolygonArea

**Table 13.2.87A6A14.1: /<x>/<x>/OnNetwork/FunctionalAliasList/<x>/Entry/LocationCriteriaForActivation/<x>/ExitSpecificArea/PolygonArea**

<x>/OnNetwork/FunctionalAliasList/<x>/Entry/LocationCriteriaForActivation/<x>/ExitSpecificArea/PolygonArea

Status	Occurrence	Format	Min. Access Types
Optional	ZeroOrOne	node	Get, Replace

This interior node contains a geographical area described by a polygon.

13.2.87A6A15 /<x>/<x>/OnNetwork/FunctionalAliasList/<x>/Entry/LocationCriteriaForActivation/<x>/ExitSpecificArea/PolygonArea/<x>

**Table 13.2.87A6A15.1: /<x>/<x>/OnNetwork/FunctionalAliasList/<x>/Entry/LocationCriteriaForActivation/<x>/ExitSpecificArea/PolygonArea/<x>**

<x>/OnNetwork/FunctionalAliasList/<x>/Entry/LocationCriteriaForActivation/<x>/ExitSpecificArea/PolygonArea/<x>

Status	Occurrence	Format	Min. Access Types
Required	OneOrN	node	Get, Replace

This interior node contains the coordinates of the corners which define a polygon. The occurrence of this leaf node is "3 to 15" as per 3GPP TS 23.032 [21].

13.2.87A6A15A/<x>/<x>/OnNetwork/FunctionalAliasList/<x>/Entry/LocationCriteriaForActivation/<x>/ExitSpecificArea/PolygonArea/<x>/PointCoordinateType

**Table 13.2.87A6A15A.1: /<x>/<x>/OnNetwork/FunctionalAliasList/<x>/Entry/LocationCriteriaForActivation/<x>/ExitSpecificArea/PolygonArea/<x>/PointCoordinateType**

<x>/OnNetwork/FunctionalAliasList/<x>/Entry/LocationCriteriaForActivation/<x>/ExitSpecificArea/PolygonArea/<x>/PointCoordinateType

Status	Occurrence	Format	Min. Access Types
Required	One	node	Get, Replace

This interior node contains the type of the coordinates.

13.2.87A6A16 /<x>/<x>/OnNetwork/FunctionalAliasList/<x>/Entry/LocationCriteriaForActivation/<x>/ExitSpecificArea/PolygonArea/<x>/PointCoordinateType/Longitude

**Table 13.2.87A6A16.1: /<x>/<x>/OnNetwork/FunctionalAliasList/<x>/Entry/LocationCriteriaForActivation/<x>/ExitSpecificArea/PolygonArea/<x>/PointCoordinateType/Longitude**

<x>/OnNetwork/FunctionalAliasList/<x>/Entry/LocationCriteriaForActivation/<x>/ExitSpecificArea/PolygonArea/<x>/PointCoordinateType/Longitude

Status	Occurrence	Format	Min. Access Types

Required	One	int	Get, Replace
----------	-----	-----	--------------

This leaf node contains the longitudinal coordinate of a corner.

- Values: 0-16777215

**13.2.87A6A17** /<x>/<x>/OnNetwork/FunctionalAliasList/<x>/Entry/LocationCriteriaForActivation/<x>/ExitSpecificArea/PolygonArea/<x>/PointCoordinateType/Latitude

**Table 13.2.87A6A17.1:** /<x>/<x>/OnNetwork/FunctionalAliasList/<x>/Entry/LocationCriteriaForActivation/<x>/ExitSpecificArea/PolygonArea/<x>/PointCoordinateType/Latitude

<x>/OnNetwork/FunctionalAliasList/<x>/Entry/LocationCriteriaForActivation/<x>/ExitSpecificArea/PolygonArea/<x>/PointCoordinateType/Latitude

Status	Occurrence	Format	Min. Access Types
Required	One	int	Get, Replace

This leaf node contains the latitudinal coordinate of a corner.

- Values: 0-16777215

**13.2.87A6A18** /<x>/<x>/OnNetwork/FunctionalAliasList/<x>/Entry/LocationCriteriaForActivation/<x>/ExitSpecificArea/EllipsoidArcArea

**Table 13.2.87A6A18.1:** /<x>/<x>/OnNetwork/FunctionalAliasList/<x>/Entry/LocationCriteriaForActivation/<x>/ExitSpecificArea/EllipsoidArcArea

<x>/OnNetwork/FunctionalAliasList/<x>/Entry/LocationCriteriaForActivation/<x>/ExitSpecificArea/EllipsoidArcA

Status	Occurrence	Format	Min. Access Types
Optional	ZeroOrOne	node	Get, Replace

This interior node contains a geographical area described by an ellipsoid arc.

**13.2.87A6A19** /<x>/<x>/OnNetwork/FunctionalAliasList/<x>/Entry/LocationCriteriaForActivation/<x>/ExitSpecificArea/EllipsoidArcArea/Center

**Table 13.2.87A6A19.1:** /<x>/<x>/OnNetwork/FunctionalAliasList/<x>/Entry/LocationCriteriaForActivation/<x>/ExitSpecificArea/EllipsoidArcArea/Center

<x>/OnNetwork/FunctionalAliasList/<x>/Entry/LocationCriteriaForActivation/<x>/ExitSpecificArea/EllipsoidArcArea/Center

Status	Occurrence	Format	Min. Access Types
Required	One	node	Get, Replace

This interior node contains the coordinates of the center point of the ellipsoid arc.

13.2.87A6A19A/<x>/<x>/OnNetwork/FunctionalAliasList/<x>/Entry/  
LocationCriteriaForActivation/<x>/ExitSpecificArea/  
EllipsoidArcArea/Center/PointCoordinateType

**Table 13.2.87A6A19A.1: /<x>/<x>/OnNetwork/FunctionalAliasList/<x>/Entry/  
LocationCriteriaForActivation/<x>/ExitSpecificArea/EllipsoidArcArea/Center/PointCoordinateType**

<x>/OnNetwork/FunctionalAliasList/<x>/Entry/LocationCriteriaForActivation/<x>/ExitSpecificArea/EllipsoidArcArea/Center/PointCoordinateType

Status	Occurrence	Format	Min. Access Types
Required	One	node	Get, Replace

This interior node contains the coordinates of the center point of the ellipsoid arc.

13.2.87A6A20 /<x>/<x>/OnNetwork/FunctionalAliasList/<x>/Entry/  
LocationCriteriaForActivation/<x>/ExitSpecificArea/  
EllipsoidArcArea/Center/PointCoordinateType/Longitude

**Table 13.2.87A6A20.1: /<x>/<x>/OnNetwork/FunctionalAliasList/<x>/Entry/  
LocationCriteriaForActivation/<x>/ExitSpecificArea/EllipsoidArcArea/Center/PointCoordinateType/  
Longitude**

<x>/OnNetwork/FunctionalAliasList/<x>/Entry/LocationCriteriaForActivation/<x>/ExitSpecificArea/EllipsoidArcArea/Center/PointCoordinateType/Longitude

Status	Occurrence	Format	Min. Access Types
Required	One	int	Get, Replace

This leaf node contains the longitudinal coordinate of the center.

- Values: 0-16777215

13.2.87A6A21 /<x>/<x>/OnNetwork/FunctionalAliasList/<x>/Entry/  
LocationCriteriaForActivation/<x>/ExitSpecificArea/  
EllipsoidArcArea/Center/PointCoordinateType/Latitude

**Table 13.2.87A6A21.1: /<x>/<x>/OnNetwork/FunctionalAliasList/<x>/Entry/  
LocationCriteriaForActivation/<x>/ExitSpecificArea/EllipsoidArcArea/Center/PointCoordinateType/  
Latitude**

<x>/OnNetwork/FunctionalAliasList/<x>/Entry/LocationCriteriaForActivation/<x>/ExitSpecificArea/EllipsoidArcArea/Center/PointCoordinateType/Latitude

Status	Occurrence	Format	Min. Access Types
Required	One	int	Get, Replace

This leaf node contains the latitudinal coordinate of the center.

- Values: 0-16777215

### 13.2.87A6A22 /<x>/<x>/OnNetwork/FunctionalAliasList/<x>/Entry/ LocationCriteriaForActivation/<x>/ExitSpecificArea/ EllipsoidArcArea/Radius

**Table 13.2.87A6A22.1: /<x>/<x>/OnNetwork/FunctionalAliasList/<x>/Entry/  
LocationCriteriaForActivation/<x>/ExitSpecificArea/EllipsoidArcArea/Radius**

<x>/OnNetwork/FunctionalAliasList/<x>/Entry/LocationCriteriaForActivation/<x>/ExitSpecificArea/EllipsoidArcArea/Radius

Status	Occurrence	Format	Min. Access Types
Required	One	int	Get, Replace

This leaf node contains the radius of the ellipsoid arc.

- Values: non-negative integer

### 13.2.87A6A23 /<x>/<x>/OnNetwork/FunctionalAliasList/<x>/Entry/ LocationCriteriaForActivation/<x>/ExitSpecificArea/ EllipsoidArcArea/OffsetAngle

**Table 13.2.87A6A23.1: /<x>/<x>/OnNetwork/FunctionalAliasList/<x>/Entry/  
LocationCriteriaForActivation/<x>/ExitSpecificArea/EllipsoidArcArea/OffsetAngle**

<x>/OnNetwork/FunctionalAliasList/<x>/Entry/LocationCriteriaForActivation/<x>/ExitSpecificArea/EllipsoidArcArea/OffsetAngle

Status	Occurrence	Format	Min. Access Types
Required	One	int	Get, Replace

This leaf node contains the offset angle of the ellipsoid arc.

- Values: 0-255

### 13.2.87A6A24 /<x>/<x>/OnNetwork/FunctionalAliasList/<x>/Entry/ LocationCriteriaForActivation/<x>/ExitSpecificArea/ EllipsoidArcArea/IncludedAngle

**Table 13.2.87A6A24.1: /<x>/<x>/OnNetwork/FunctionalAliasList/<x>/Entry/  
LocationCriteriaForActivation/<x>/ExitSpecificArea/EllipsoidArcArea/IncludedAngle**

<x>/OnNetwork/FunctionalAliasList/<x>/Entry/LocationCriteriaForActivation/<x>/ExitSpecificArea/EllipsoidArcArea/IncludedAngle

Status	Occurrence	Format	Min. Access Types
Required	One	int	Get, Replace

This leaf node contains the included angle of the ellipsoid arc.

- Values: 0-255

13.2.87A6A24A/<x>/<x>/OnNetwork/FunctionalAliasList/<x>/Entry/LocationCriteriaForActivation/<x>/ExitSpecificArea/Speed

**Table 13.2.87A6A24A.1: /<x>/<x>/OnNetwork/FunctionalAliasList/<x>/Entry/LocationCriteriaForActivation/<x>/ExitSpecificArea/Speed**

<x>/OnNetwork/FunctionalAliasList/<x>/Entry/LocationCriteriaForActivation/<x>/ExitSpecificArea/Speed

Status	Occurrence	Format	Min. Access Types
Optional	One	node	Get, Replace

This interior node contains the speed.

13.2.87A6A24B/<x>/<x>/OnNetwork/FunctionalAliasList/<x>/Entry/LocationCriteriaForActivation/<x>/ExitSpecificArea/Speed/MinimumSpeed

**Table 13.2.87A6A24B.1: /<x>/<x>/OnNetwork/FunctionalAliasList/<x>/Entry/LocationCriteriaForActivation/<x>/ExitSpecificArea/Speed/MinimumSpeed**

<x>/OnNetwork/FunctionalAliasList/<x>/Entry/LocationCriteriaForActivation/<x>/ExitSpecificArea/Speed/MinimumSpeed

Status	Occurrence	Format	Min. Access Types
Required	One	int	Get, Replace

This leaf node contains the minimum speed.

- Values: non-negative integer in units of kilometers/hour.

13.2.87A6A24C/<x>/<x>/OnNetwork/FunctionalAliasList/<x>/Entry/LocationCriteriaForActivation/<x>/ExitSpecificArea/Speed/MaximumSpeed

**Table 13.2.87A6A24C.1: /<x>/<x>/OnNetwork/FunctionalAliasList/<x>/Entry/LocationCriteriaForActivation/<x>/ExitSpecificArea/Speed/MaximumSpeed**

<x>/OnNetwork/FunctionalAliasList/<x>/Entry/LocationCriteriaForActivation/<x>/ExitSpecificArea/Speed/MaximumSpeed

Status	Occurrence	Format	Min. Access Types
Required	One	int	Get, Replace

This leaf node contains the maximum speed.

- Values: non-negative integer in units of kilometers/hour.

13.2.87A6A24D/<x>/<x>/OnNetwork/FunctionalAliasList/<x>/Entry/LocationCriteriaForActivation/<x>/ExitSpecificArea/Heading

**Table 13.2.87A6A24D.1: /<x>/<x>/OnNetwork/FunctionalAliasList/<x>/Entry/LocationCriteriaForActivation/<x>/ExitSpecificArea/Heading**

<x>/OnNetwork/FunctionalAliasList/<x>/Entry/LocationCriteriaForActivation/<x>/ExitSpecificArea/Heading



Status	Occurrence	Format	Min. Access Types
Optional	One	node	Get, Replace

This interior node contains the heading.

### 13.2.87A6A24E /<x>/<x>/OnNetwork/FunctionalAliasList/<x>/Entry/ LocationCriteriaForActivation/<x>/ExitSpecificArea/Heading/ MinimumHeading

**Table 13.2.87A6A24E.1: /<x>/<x>/OnNetwork/FunctionalAliasList/<x>/Entry/  
LocationCriteriaForActivation/<x>/ExitSpecificArea/Heading/MinimumHeading**

<x>/OnNetwork/FunctionalAliasList/<x>/Entry/LocationCriteriaForActivation/<x>/ExitSpecificArea/Heading/MinimumHeading

Status	Occurrence	Format	Min. Access Types
Required	One	int	Get, Replace

This leaf node contains the minimum heading.

- Values: 0-359

### 13.2.87A6A24F /<x>/<x>/OnNetwork/FunctionalAliasList/<x>/Entry/ LocationCriteriaForActivation/<x>/ExitSpecificArea/Heading/ MaximumHeading

**Table 13.2.87A6A24F.1: /<x>/<x>/OnNetwork/FunctionalAliasList/<x>/Entry/  
LocationCriteriaForActivation/<x>/ExitSpecificArea/Heading/MaximumHeading**

<x>/OnNetwork/FunctionalAliasList/<x>/Entry/LocationCriteriaForActivation/<x>/ExitSpecificArea/Heading/MaximumHeading

Status	Occurrence	Format	Min. Access Types
Required	One	int	Get, Replace

This leaf node contains the maximum heading.

- Values: 0-359

### 13.2.87A6B /<x>/<x>/OnNetwork/FunctionalAliasList/<x>/Entry/ LocationCriteriaForDeactivation

**Table 13.2.87A6B.1: /<x>/<x>/OnNetwork/FunctionalAliasList/<x>/Entry/  
LocationCriteriaForDeactivation**

<x>/OnNetwork/FunctionalAliasList/<x>/Entry/LocationCriteriaForDeactivation

Status	Occurrence	Format	Min. Access Types
Optional	ZeroOrOne	node	Get, Replace

This interior node contains the location criteria for de-activation of a functional alias.

### 13.2.87A6B0 /<x>/<x>/OnNetwork/FunctionalAliasList/<x>/Entry/ LocationCriteriaForDeactivation/<x>

**Table 13.2.87A6B0.1: /<x>/<x>/OnNetwork/FunctionalAliasList/<x>/Entry/  
LocationCriteriaForDeactivation/<x>**

<x>/OnNetwork/FunctionalAliasList/<x>/Entry/LocationCriteriaForDeactivation/<x>

Status	Occurrence	Format	Min. Access Types
Optional	ZeroOrMore	node	Get, Replace

This interior node contains the zero or more location criteria for de-activation of a functional alias.

### 13.2.87A6B1 /<x>/<x>/OnNetwork/FunctionalAliasList/<x>/Entry/ LocationCriteriaForDeactivation/<x>/EnterSpecificArea

**Table 13.2.87A6B1.1: /<x>/<x>/OnNetwork/FunctionalAliasList/<x>/Entry/  
LocationCriteriaForDeactivation/<x>/EnterSpecificArea**

<x>/OnNetwork/FunctionalAliasList/<x>/Entry/LocationCriteriaForDeactivation/<x>/EnterSpecificArea

Status	Occurrence	Format	Min. Access Types
Optional	ZeroOrOne	node	Get, Replace

This interior node contains a geographical area which when entered by the MC service UE triggers the functional alias de-activation.

### 13.2.87A6B2 /<x>/<x>/OnNetwork/FunctionalAliasList/<x>/Entry/ LocationCriteriaForDeactivation/<x>/EnterSpecificArea/ PolygonArea

**Table 13.2.87A6B2.1: /<x>/<x>/OnNetwork/FunctionalAliasList/<x>/Entry/  
LocationCriteriaForDeactivation/<x>/EnterSpecificArea/PolygonArea**

<x>/OnNetwork/FunctionalAliasList/<x>/Entry/LocationCriteriaForDeactivation/<x>/EnterSpecificArea/PolygonAr

Status	Occurrence	Format	Min. Access Types
Optional	ZeroOrOne	node	Get, Replace

This interior node contains a geographical area described by a polygon.

### 13.2.87A6B3 /<x>/<x>/OnNetwork/FunctionalAliasList/<x>/Entry/ LocationCriteriaForDeactivation/<x>/EnterSpecificArea/ PolygonArea/<x>

**Table 13.2.87A6B3.1: /<x>/<x>/OnNetwork/FunctionalAliasList/<x>/Entry/  
LocationCriteriaForDeactivation/<x>/EnterSpecificArea/PolygonArea/<x>**

<x>/OnNetwork/FunctionalAliasList/<x>/Entry/LocationCriteriaForDeactivation/<x>/EnterSpecificArea/PolygonAr  
ea/<x>

Status	Occurrence	Format	Min. Access Types
Required	OneOrN	node	Get, Replace

This interior node contains the coordinates of the corners which define a polygon. The occurrence of this leaf node is "3 to 15" as per 3GPP TS 23.032 [21].

### 13.2.87A6B3A /<x>/<x>/OnNetwork/FunctionalAliasList/<x>/Entry/ LocationCriteriaForDeactivation/<x>/EnterSpecificArea/ PolygonArea/<x>/PointCoordinateType

**Table 13.2.87A6B3A.1: /<x>/<x>/OnNetwork/FunctionalAliasList/<x>/Entry/  
LocationCriteriaForDeactivation/<x>/EnterSpecificArea/PolygonArea/<x>/PointCoordinateType**

<x>/OnNetwork/FunctionalAliasList/<x>/Entry/LocationCriteriaForDeactivation/<x>/EnterSpecificArea/PolygonAr  
ea/<x>/PointCoordinateType

Status	Occurrence	Format	Min. Access Types
Required	One	node	Get, Replace

This interior node contains the coordinates of the center point of the ellipsoid arc.

### 13.2.87A6B4 /<x>/<x>/OnNetwork/FunctionalAliasList/<x>/Entry/ LocationCriteriaForDeactivation/<x>/EnterSpecificArea/ PolygonArea/<x>/PointCoordinateType/Longitude

**Table 13.2.87A6B4.1: /<x>/<x>/OnNetwork/FunctionalAliasList/<x>/Entry/  
LocationCriteriaForDeactivation/<x>/EnterSpecificArea/PolygonArea/<x>/PointCoordinateType/  
Longitude**

<x>/OnNetwork/FunctionalAliasList/<x>/Entry/LocationCriteriaForDeactivation/<x>/EnterSpecificArea/PolygonAr  
ea/<x>/PointCoordinateType/Longitude

Status	Occurrence	Format	Min. Access Types
Required	One	int	Get, Replace

This leaf node contains the longitudinal coordinate of a corner.

- Values: 0-16777215

### 13.2.87A6B5 /<x>/<x>/OnNetwork/FunctionalAliasList/<x>/Entry/ LocationCriteriaForDeactivation/<x>/EnterSpecificArea/ PolygonArea/<x>/PointCoordinateType/Latitude

**Table 13.2.87A6B5.1: /<x>/<x>/OnNetwork/FunctionalAliasList/<x>/Entry/  
LocationCriteriaForDeactivation/<x>/EnterSpecificArea/PolygonArea/<x>/PointCoordinateType/  
Latitude**

<x>/OnNetwork/FunctionalAliasList/<x>/Entry/LocationCriteriaForDeactivation/<x>/EnterSpecificArea/PolygonAr  
ea/<x>/PointCoordinateType/Latitude

Status	Occurrence	Format	Min. Access Types
Required	One	int	Get, Replace

This leaf node contains the latitudinal coordinate of a corner.

- Values: 0-16777215

13.2.87A6B6 /<x>/<x>/OnNetwork/FunctionalAliasList/<x>/Entry/  
LocationCriteriaForDeactivation/<x>/EnterSpecificArea/  
EllipsoidArcArea

**Table 13.2.87A6B6.1: /<x>/<x>/OnNetwork/FunctionalAliasList/<x>/Entry/  
LocationCriteriaForDeactivation/<x>/EnterSpecificArea/EllipsoidArcArea**

<x>/OnNetwork/FunctionalAliasList/<x>/Entry/LocationCriteriaForDeactivation/<x>/EnterSpecificArea/EllipsoidA

Status	Occurrence	Format	Min. Access Types
Optional	ZeroOrOne	node	Get, Replace

This interior node contains a geographical area described by an ellipsoid arc.

13.2.87A6B7 /<x>/<x>/OnNetwork/FunctionalAliasList/<x>/Entry/  
LocationCriteriaForDeactivation/<x>/EnterSpecificArea/  
EllipsoidArcArea/Center

**Table 13.2.87A6B7.1: /<x>/<x>/OnNetwork/FunctionalAliasList/<x>/Entry/  
LocationCriteriaForDeactivation/<x>/EnterSpecificArea/EllipsoidArcArea/Center**

<x>/OnNetwork/FunctionalAliasList/<x>/Entry/LocationCriteriaForDeactivation/<x>/EnterSpecificArea/EllipsoidA  
rcArea/Center

Status	Occurrence	Format	Min. Access Types
Required	One	node	Get, Replace

This interior node contains the coordinates of the center point of the ellipsoid arc.

13.2.87A6B7A /<x>/<x>/OnNetwork/FunctionalAliasList/<x>/Entry/  
LocationCriteriaForDeactivation/<x>/EnterSpecificArea/  
EllipsoidArcArea/Center/PointCoordinateType

**Table 13.2.87A6B7A.1: /<x>/<x>/OnNetwork/FunctionalAliasList/<x>/Entry/  
LocationCriteriaForDeactivation/<x>/EnterSpecificArea/EllipsoidArcArea/Center/PointCoordinateTyp  
e**

<x>/OnNetwork/FunctionalAliasList/<x>/Entry/LocationCriteriaForDeactivation/<x>/EnterSpecificArea/EllipsoidA  
rcArea/Center/PointCoordinateType

Status	Occurrence	Format	Min. Access Types
Required	One	node	Get, Replace

This interior node contains the coordinates of the center point of the ellipsoid arc.

### 13.2.87A6B8 /<x>/<x>/OnNetwork/FunctionalAliasList/<x>/Entry/ LocationCriteriaForDeactivation/<x>/EnterSpecificArea/ EllipsoidArcArea/Center/PointCoordinateType/Longitude

**Table 13.2.87A6B8.1: /<x>/<x>/OnNetwork/FunctionalAliasList/<x>/Entry/  
LocationCriteriaForDeactivation/<x>/EnterSpecificArea/EllipsoidArcArea/Center/PointCoordinateType/  
Longitude**

<x>/OnNetwork/FunctionalAliasList/<x>/Entry/LocationCriteriaForDeactivation/<x>/EnterSpecificArea/EllipsoidArcArea/Center/PointCoordinateType/Longitude

Status	Occurrence	Format	Min. Access Types
Required	One	int	Get, Replace

This leaf node contains the longitudinal coordinate of the center.

- Values: 0-16777215

### 13.2.87A6B9 /<x>/<x>/OnNetwork/FunctionalAliasList/<x>/Entry/ LocationCriteriaForDeactivation/<x>/EnterSpecificArea/ EllipsoidArcArea/Center/PointCoordinateType/Latitude

**Table 13.2.87A6B9.1: /<x>/<x>/OnNetwork/FunctionalAliasList/<x>/Entry/  
LocationCriteriaForDeactivation/<x>/EnterSpecificArea/EllipsoidArcArea/Center/PointCoordinateType/  
Latitude**

<x>/OnNetwork/FunctionalAliasList/<x>/Entry/LocationCriteriaForDeactivation/<x>/EnterSpecificArea/EllipsoidArcArea/Center/PointCoordinateType/Latitude

Status	Occurrence	Format	Min. Access Types
Required	One	int	Get, Replace

This leaf node contains the latitudinal coordinate of the center.

- Values: 0-16777215

### 13.2.87A6B10 /<x>/<x>/OnNetwork/FunctionalAliasList/<x>/Entry/ LocationCriteriaForDeactivation/<x>/EnterSpecificArea/ EllipsoidArcArea/Radius

**Table 13.2.87A6B10.1: /<x>/<x>/OnNetwork/FunctionalAliasList/<x>/Entry/  
LocationCriteriaForDeactivation/<x>/EnterSpecificArea/EllipsoidArcArea/Radius**

<x>/OnNetwork/FunctionalAliasList/<x>/Entry/LocationCriteriaForDeactivation/<x>/EnterSpecificArea/EllipsoidArcArea/Radius

Status	Occurrence	Format	Min. Access Types
Required	One	int	Get, Replace

This leaf node contains the radius of the ellipsoid arc.

- Values: non-negative integer

### 13.2.87A6B11 /<x>/<x>/OnNetwork/FunctionalAliasList/<x>/Entry/ LocationCriteriaForDeactivation/<x>/EnterSpecificArea/ EllipsoidArcArea/OffsetAngle

**Table 13.2.87A6B11.1: /<x>/<x>/OnNetwork/FunctionalAliasList/<x>/Entry/  
LocationCriteriaForDeactivation/<x>/EnterSpecificArea/EllipsoidArcArea/OffsetAngle**

<x>/OnNetwork/FunctionalAliasList/<x>/Entry/LocationCriteriaForDeactivation/<x>/EnterSpecificArea/EllipsoidArcArea/OffsetAngle

Status	Occurrence	Format	Min. Access Types
Required	One	int	Get, Replace

This leaf node contains the offset angle of the ellipsoid arc.

- Values: 0-255

### 13.2.87A6B12 /<x>/<x>/OnNetwork/FunctionalAliasList/<x>/Entry/ LocationCriteriaForDeactivation/<x>/EnterSpecificArea/ EllipsoidArcArea/IncludedAngle

**Table 13.2.87A6B12.1: /<x>/<x>/OnNetwork/FunctionalAliasList/<x>/Entry/  
LocationCriteriaForDeactivation/<x>/EnterSpecificArea/EllipsoidArcArea/IncludedAngle**

<x>/OnNetwork/FunctionalAliasList/<x>/Entry/LocationCriteriaForDeactivation/<x>/EnterSpecificArea/EllipsoidArcArea/IncludedAngle

Status	Occurrence	Format	Min. Access Types
Required	One	int	Get, Replace

This leaf node contains the included angle of the ellipsoid arc.

- Values: 0-255

### 13.2.87A6B12A/<x>/<x>/OnNetwork/FunctionalAliasList/<x>/Entry/ LocationCriteriaForDeactivation/<x>/EnterSpecificArea/Speed

**Table 13.2.87A6B12A.1: /<x>/<x>/OnNetwork/FunctionalAliasList/<x>/Entry/  
LocationCriteriaForDeactivation/<x>/EnterSpecificArea/Speed**

<x>/OnNetwork/FunctionalAliasList/<x>/Entry/LocationCriteriaForDeactivation/<x>/EnterSpecificArea/Speed

Status	Occurrence	Format	Min. Access Types
Optional	One	node	Get, Replace

This interior node contains the speed.

### 13.2.87A6B12B/<x>/<x>/OnNetwork/FunctionalAliasList/<x>/Entry/ LocationCriteriaForDeactivation/<x>/EnterSpecificArea/Speed/ MinimumSpeed

**Table 13.2.87A6B12B.1: /<x>/<x>/OnNetwork/FunctionalAliasList/<x>/Entry/  
LocationCriteriaForDeactivation/<x>/EnterSpecificArea/Speed/MinimumSpeed**

<x>/OnNetwork/FunctionalAliasList/<x>/Entry/LocationCriteriaForDeactivation/<x>/EnterSpecificArea/Speed/MinimumSpeed

Status	Occurrence	Format	Min. Access Types
Required	One	int	Get, Replace

This leaf node contains the minimum speed.

- Values: non-negative integer in units of kilometers/hour.

### 13.2.87A6B12C/<x>/<x>/OnNetwork/FunctionalAliasList/<x>/Entry/ LocationCriteriaForDeactivation/<x>/EnterSpecificArea/Speed/ MaximumSpeed

**Table 13.2.87A6B12C.1: /<x>/<x>/OnNetwork/FunctionalAliasList/<x>/Entry/  
LocationCriteriaForDeactivation/<x>/EnterSpecificArea/Speed/MaximumSpeed**

<x>/OnNetwork/FunctionalAliasList/<x>/Entry/LocationCriteriaForDeactivation/<x>/EnterSpecificArea/Speed/MaximumSpeed

Status	Occurrence	Format	Min. Access Types
Required	One	int	Get, Replace

This leaf node contains the maximum speed.

- Values: non-negative integer in units of kilometers/hour.

### 13.2.87A6B12D/<x>/<x>/OnNetwork/FunctionalAliasList/<x>/Entry/ LocationCriteriaForDeactivation/<x>/EnterSpecificArea/Heading

**Table 13.2.87A6B12D.1: /<x>/<x>/OnNetwork/FunctionalAliasList/<x>/Entry/  
LocationCriteriaForDeactivation/<x>/EnterSpecificArea/Heading**

<x>/OnNetwork/FunctionalAliasList/<x>/Entry/LocationCriteriaForDeactivation/<x>/EnterSpecificArea/Heading

Status	Occurrence	Format	Min. Access Types
Optional	One	node	Get, Replace

This interior node contains the heading.

### 13.2.87A6B12E /<x>/<x>/OnNetwork/FunctionalAliasList/<x>/Entry/ LocationCriteriaForDeactivation/<x>/EnterSpecificArea/Heading/ MinimumHeading

**Table 13.2.87A6B12E.1: /<x>/<x>/OnNetwork/FunctionalAliasList/<x>/Entry/  
LocationCriteriaForDeactivation/<x>/EnterSpecificArea/Heading/MinimumHeading**

<x>/OnNetwork/FunctionalAliasList/<x>/Entry/LocationCriteriaForDeactivation/<x>/EnterSpecificArea/Heading/MinimumHeading

Status	Occurrence	Format	Min. Access Types
Required	One	int	Get, Replace

This leaf node contains the minimum heading.

- Values: 0-359

### 13.2.87A6B12F /<x>/<x>/OnNetwork/FunctionalAliasList/<x>/Entry/ LocationCriteriaForDeactivation/<x>/EnterSpecificArea/Heading/ MaximumHeading

**Table 13.2.87A6B12F.1: /<x>/<x>/OnNetwork/FunctionalAliasList/<x>/Entry/  
LocationCriteriaForDeactivation/<x>/EnterSpecificArea/Heading/MaximumHeading**

<x>/OnNetwork/FunctionalAliasList/<x>/Entry/LocationCriteriaForDeactivation/<x>/EnterSpecificArea/Heading/MaximumHeading

Status	Occurrence	Format	Min. Access Types
Required	One	int	Get, Replace

This leaf node contains the maximum heading.

- Values: 0-359

### 13.2.87A6B13 /<x>/<x>/OnNetwork/FunctionalAliasList/<x>/Entry/ LocationCriteriaForDeactivation/<x>/ExitSpecificArea

**Table 13.2.87A6B13.1: /<x>/<x>/OnNetwork/FunctionalAliasList/<x>/Entry/  
LocationCriteriaForDeactivation/<x>/ExitSpecificArea**

<x>/OnNetwork/FunctionalAliasList/<x>/Entry/LocationCriteriaForDeactivation/<x>/ExitSpecificArea

Status	Occurrence	Format	Min. Access Types
Optional	ZeroOrOne	node	Get, Replace

This interior node contains a geographical area which when exited by the MC service UE triggers the functional alias de-activation.

### 13.2.87A6B14 /<x>/<x>/OnNetwork/FunctionalAliasList/<x>/Entry/ LocationCriteriaForDeactivation/<x>/ExitSpecificArea/ PolygonArea

**Table 13.2.87A6B14.1: /<x>/<x>/OnNetwork/FunctionalAliasList/<x>/Entry/  
LocationCriteriaForDeactivation/<x>/ExitSpecificArea/PolygonArea**

<x>/OnNetwork/FunctionalAliasList/<x>/Entry/LocationCriteriaForDeactivation/<x>/ExitSpecificArea/PolygonArea



Status	Occurrence	Format	Min. Access Types
Optional	ZeroOrOne	node	Get, Replace

This interior node contains a geographical area described by a polygon.

### 13.2.87A6B15 /<x>/<x>/OnNetwork/FunctionalAliasList/<x>/Entry/LocationCriteriaForDeactivation/<x>/ExitSpecificArea/PolygonArea/<x>

**Table 13.2.87A6B15.1: /<x>/<x>/OnNetwork/FunctionalAliasList/<x>/Entry/LocationCriteriaForDeactivation/<x>/ExitSpecificArea/PolygonArea/<x>**

<x>/OnNetwork/FunctionalAliasList/<x>/Entry/LocationCriteriaForDeactivation/<x>/ExitSpecificArea/PolygonArea/<x>

Status	Occurrence	Format	Min. Access Types
Required	OneOrN	node	Get, Replace

This interior node contains the coordinates of the corners which define a polygon. The occurrence of this leaf node is "3 to 15" as per 3GPP TS 23.032 [21].

### 13.2.87A6B15A/<x>/<x>/OnNetwork/FunctionalAliasList/<x>/Entry/LocationCriteriaForDeactivation/<x>/ExitSpecificArea/PolygonArea/<x>/PointCoordinateType

**Table 13.2.87A6B15A.1: /<x>/<x>/OnNetwork/FunctionalAliasList/<x>/Entry/LocationCriteriaForDeactivation/<x>/ExitSpecificArea/PolygonArea/<x>/PointCoordinateType**

<x>/OnNetwork/FunctionalAliasList/<x>/Entry/LocationCriteriaForDeactivation/<x>/ExitSpecificArea/PolygonArea/<x>/PointCoordinateType

Status	Occurrence	Format	Min. Access Types
Required	One	node	Get, Replace

This interior node contains the coordinates of the center point of the ellipsoid arc.

### 13.2.87A6B16 /<x>/<x>/OnNetwork/FunctionalAliasList/<x>/Entry/LocationCriteriaForDeactivation/<x>/ExitSpecificArea/PolygonArea/<x>/PointCoordinateType/Longitude

**Table 13.2.87A6B16.1: /<x>/<x>/OnNetwork/FunctionalAliasList/<x>/Entry/LocationCriteriaForDeactivation/<x>/ExitSpecificArea/PolygonArea/<x>/PointCoordinateType/Longitude**

<x>/OnNetwork/FunctionalAliasList/<x>/Entry/LocationCriteriaForDeactivation/<x>/ExitSpecificArea/PolygonArea/<x>/PointCoordinateType/Longitude

Status	Occurrence	Format	Min. Access Types
Required	One	int	Get, Replace

This leaf node contains the longitudinal coordinate of a corner.

- Values: 0-16777215

### 13.2.87A6B17 /<x>/<x>/OnNetwork/FunctionalAliasList/<x>/Entry/ LocationCriteriaForDeactivation/<x>/ExitSpecificArea/ PolygonArea/<x>/PointCoordinateType/Latitude

**Table 13.2.87A6B17.1: /<x>/<x>/OnNetwork/FunctionalAliasList/<x>/Entry/  
LocationCriteriaForDeactivation/<x>/ExitSpecificArea/PolygonArea/<x>/PointCoordinateType/Latitud  
e**

<x>/OnNetwork/FunctionalAliasList/<x>/Entry/LocationCriteriaForDeactivation/<x>/ExitSpecificArea/PolygonArea/<x>/PointCoordinateType/Latitude

Status	Occurrence	Format	Min. Access Types
Required	One	int	Get, Replace

This leaf node contains the latitudinal coordinate of a corner.

- Values: 0-16777215

### 13.2.87A6B18 /<x>/<x>/OnNetwork/FunctionalAliasList/<x>/Entry/ LocationCriteriaForDeactivation/<x>/ExitSpecificArea/ EllipsoidArcArea

**Table 13.2.87A6B18.1: /<x>/<x>/OnNetwork/FunctionalAliasList/<x>/Entry/  
LocationCriteriaForDeactivation/<x>/ExitSpecificArea/EllipsoidArcArea**

<x>/OnNetwork/FunctionalAliasList/<x>/Entry/LocationCriteriaForDeactivation/<x>/ExitSpecificArea/EllipsoidArc

Status	Occurrence	Format	Min. Access Types
Optional	ZeroOrOne	node	Get, Replace

This interior node contains a geographical area described by an ellipsoid arc.

### 13.2.87A6B19 /<x>/<x>/OnNetwork/FunctionalAliasList/<x>/Entry/ LocationCriteriaForDeactivation/<x>/ExitSpecificArea/ EllipsoidArcArea/Center

**Table 13.2.87A6B19.1: /<x>/<x>/OnNetwork/FunctionalAliasList/<x>/Entry/  
LocationCriteriaForDeactivation/<x>/ExitSpecificArea/EllipsoidArcArea/Center**

<x>/OnNetwork/FunctionalAliasList/<x>/Entry/LocationCriteriaForDeactivation/<x>/ExitSpecificArea/EllipsoidArcArea/Center

Status	Occurrence	Format	Min. Access Types
Required	One	node	Get, Replace

This interior node contains the coordinates of the center point of the ellipsoid arc.

13.2.87A6B19A/<x>/<x>/OnNetwork/FunctionalAliasList/<x>/Entry/  
LocationCriteriaForDeactivation/<x>/ExitSpecificArea/  
EllipsoidArcArea/Center/PointCoordinateType

**Table 13.2.87A6B19A.1: /<x>/<x>/OnNetwork/FunctionalAliasList/<x>/Entry/  
LocationCriteriaForDeactivation/<x>/ExitSpecificArea/EllipsoidArcArea/Center/PointCoordinateType**

<x>/OnNetwork/FunctionalAliasList/<x>/Entry/LocationCriteriaForDeactivation/<x>/ExitSpecificArea/EllipsoidArc  
Area/Center/PointCoordinateType

Status	Occurrence	Format	Min. Access Types
Required	One	node	Get, Replace

This interior node contains the coordinates of the center point of the ellipsoid arc.

13.2.87A6B20 /<x>/<x>/OnNetwork/FunctionalAliasList/<x>/Entry/  
LocationCriteriaForDeactivation/<x>/ExitSpecificArea/  
EllipsoidArcArea/Center/PointCoordinateType/Longitude

**Table 13.2.87A6B20.1: /<x>/<x>/OnNetwork/FunctionalAliasList/<x>/Entry/  
LocationCriteriaForDeactivation/<x>/ExitSpecificArea/EllipsoidArcArea/Center/PointCoordinateType/  
Longitude**

<x>/OnNetwork/FunctionalAliasList/<x>/Entry/LocationCriteriaForDeactivation/<x>/ExitSpecificArea/EllipsoidArc  
Area/Center/PointCoordinateType/Longitude

Status	Occurrence	Format	Min. Access Types
Required	One	int	Get, Replace

This leaf node contains the longitudinal coordinate of the center.

- Values: 0-16777215

13.2.87A6B21 /<x>/<x>/OnNetwork/FunctionalAliasList/<x>/Entry/  
LocationCriteriaForDeactivation/<x>/ExitSpecificArea/  
EllipsoidArcArea/Center/PointCoordinateType/Latitude

**Table 13.2.87A6B21.1: /<x>/<x>/OnNetwork/FunctionalAliasList/<x>/Entry/  
LocationCriteriaForDeactivation/<x>/ExitSpecificArea/EllipsoidArcArea/Center/PointCoordinateType/  
Latitude**

<x>/OnNetwork/FunctionalAliasList/<x>/Entry/LocationCriteriaForDeactivation/<x>/ExitSpecificArea/EllipsoidArc  
Area/Center/PointCoordinateType/Latitude

Status	Occurrence	Format	Min. Access Types
Required	One	int	Get, Replace

This leaf node contains the latitudinal coordinate of the center.

- Values: 0-16777215

### 13.2.87A6B22 /<x>/<x>/OnNetwork/FunctionalAliasList/<x>/Entry/ LocationCriteriaForDeactivation/<x>/ExitSpecificArea/ EllipsoidArcArea/Radius

**Table 13.2.87A6B22.1: /<x>/<x>/OnNetwork/FunctionalAliasList/<x>/Entry/  
LocationCriteriaForDeactivation/<x>/ExitSpecificArea/EllipsoidArcArea/Radius**

<x>/OnNetwork/FunctionalAliasList/<x>/Entry/LocationCriteriaForDeactivation/<x>/ExitSpecificArea/EllipsoidArc  
Area/Radius

Status	Occurrence	Format	Min. Access Types
Required	One	int	Get, Replace

This leaf node contains the radius of the ellipsoid arc.

- Values: non-negative integer

### 13.2.87A6B23 /<x>/<x>/OnNetwork/FunctionalAliasList/<x>/Entry/ LocationCriteriaForDeactivation/<x>/ExitSpecificArea/ EllipsoidArcArea/OffsetAngle

**Table 13.2.87A6B23.1: /<x>/<x>/OnNetwork/FunctionalAliasList/<x>/Entry/  
LocationCriteriaForDeactivation/<x>/ExitSpecificArea/EllipsoidArcArea/OffsetAngle**

<x>/OnNetwork/FunctionalAliasList/<x>/Entry/LocationCriteriaForDeactivation/<x>/ExitSpecificArea/EllipsoidArc  
Area/OffsetAngle

Status	Occurrence	Format	Min. Access Types
Required	One	int	Get, Replace

This leaf node contains the offset angle of the ellipsoid arc.

- Values: 0-255

### 13.2.87A6B24 /<x>/<x>/OnNetwork/FunctionalAliasList/<x>/Entry/ LocationCriteriaForDeactivation/<x>/ExitSpecificArea/ EllipsoidArcArea/IncludedAngle

**Table 13.2.87A6B24.1: /<x>/<x>/OnNetwork/FunctionalAliasList/<x>/Entry/  
LocationCriteriaForDeactivation/<x>/ExitSpecificArea/EllipsoidArcArea/IncludedAngle**

<x>/OnNetwork/FunctionalAliasList/<x>/Entry/LocationCriteriaForDeactivation/<x>/ExitSpecificArea/EllipsoidArc  
Area/IncludedAngle

Status	Occurrence	Format	Min. Access Types
Required	One	int	Get, Replace

This leaf node contains the included angle of the ellipsoid arc.

- Values: 0-255

13.2.87A6B24A/<x>/<x>/OnNetwork/FunctionalAliasList/<x>/Entry/LocationCriteriaForDeactivation/<x>/ExitSpecificArea/Speed

**Table 13.2.87A6B24A.1: /<x>/<x>/OnNetwork/FunctionalAliasList/<x>/Entry/LocationCriteriaForDeactivation/<x>/ExitSpecificArea/Speed**

<x>/OnNetwork/FunctionalAliasList/<x>/Entry/LocationCriteriaForDeactivation/<x>/ExitSpecificArea/Speed

Status	Occurrence	Format	Min. Access Types
Optional	One	node	Get, Replace

This interior node contains the speed.

13.2.87A6B24B/<x>/<x>/OnNetwork/FunctionalAliasList/<x>/Entry/LocationCriteriaForDeactivation/<x>/ExitSpecificArea/Speed/MinimumSpeed

**Table 13.2.87A6B24B.1: /<x>/<x>/OnNetwork/FunctionalAliasList/<x>/Entry/LocationCriteriaForDeactivation/<x>/ExitSpecificArea/Speed/MinimumSpeed**

<x>/OnNetwork/FunctionalAliasList/<x>/Entry/LocationCriteriaForDeactivation/<x>/ExitSpecificArea/Speed/MinimumSpeed

Status	Occurrence	Format	Min. Access Types
Required	One	int	Get, Replace

This leaf node contains the minimum speed.

- Values: non-negative integer in units of kilometers/hour.

13.2.87A6B24C/<x>/<x>/OnNetwork/FunctionalAliasList/<x>/Entry/LocationCriteriaForDeactivation/<x>/ExitSpecificArea/Speed/MaximumSpeed

**Table 13.2.87A6B24C.1: /<x>/<x>/OnNetwork/FunctionalAliasList/<x>/Entry/LocationCriteriaForDeactivation/<x>/ExitSpecificArea/Speed/MaximumSpeed**

<x>/OnNetwork/FunctionalAliasList/<x>/Entry/LocationCriteriaForDeactivation/<x>/ExitSpecificArea/Speed/MaximumSpeed

Status	Occurrence	Format	Min. Access Types
Required	One	int	Get, Replace

This leaf node contains the maximum speed.

- Values: non-negative integer in units of kilometers/hour.

13.2.87A6B24D/<x>/<x>/OnNetwork/FunctionalAliasList/<x>/Entry/LocationCriteriaForDeactivation/<x>/ExitSpecificArea/Heading

**Table 13.2.87A6B24D.1: /<x>/<x>/OnNetwork/FunctionalAliasList/<x>/Entry/LocationCriteriaForDeactivation/<x>/ExitSpecificArea/Heading**

<x>/OnNetwork/FunctionalAliasList/<x>/Entry/LocationCriteriaForDeactivation/<x>/ExitSpecificArea/Heading

Status	Occurrence	Format	Min. Access Types
Optional	One	node	Get, Replace

This interior node contains the heading.

### 13.2.87A6B24E /<x>/<x>/OnNetwork/FunctionalAliasList/<x>/Entry/ LocationCriteriaForDeactivation/<x>/ExitSpecificArea/Heading/ MinimumHeading

**Table 13.2.87A6B24E.1: /<x>/<x>/OnNetwork/FunctionalAliasList/<x>/Entry/  
LocationCriteriaForDeactivation/<x>/ExitSpecificArea/Heading/MinimumHeading**

<x>/OnNetwork/FunctionalAliasList/<x>/Entry/LocationCriteriaForDeactivation/<x>/ExitSpecificArea/Heading/MinimumHeading

Status	Occurrence	Format	Min. Access Types
Required	One	int	Get, Replace

This leaf node contains the minimum heading.

- Values: 0-359

### 13.2.87A6B24F /<x>/<x>/OnNetwork/FunctionalAliasList/<x>/Entry/ LocationCriteriaForDeactivation/<x>/ExitSpecificArea/Heading/ MaximumHeading

**Table 13.2.87A6B24F.1: /<x>/<x>/OnNetwork/FunctionalAliasList/<x>/Entry/  
LocationCriteriaForDeactivation/<x>/ExitSpecificArea/Heading/MaximumHeading**

<x>/OnNetwork/FunctionalAliasList/<x>/Entry/LocationCriteriaForDeactivation/<x>/ExitSpecificArea/Heading/MaximumHeading

Status	Occurrence	Format	Min. Access Types
Required	One	int	Get, Replace

This leaf node contains the maximum heading.

- Values: 0-359

### 13.2.87A6C /<x>/<x>/OnNetwork/FunctionalAliasList/<x>/Entry/ ManualDeactivationNotAllowedIfLocationCriteriaMet

**Table 13.2.87A6C.1: /<x>/<x>/OnNetwork/FunctionalAliasList/<x>/Entry/  
ManualDeactivationNotAllowedIfLocationCriteriaMet**

<x>/OnNetwork/FunctionalAliasList/<x>/Entry/ManualDeactivationNotAllowedIfLocationCriteriaMet

Status	Occurrence	Format	Min. Access Types
Optional	ZeroOrOne	bool	Get, Replace

This leaf node indicates whether the MCVideo user is authorised to de-activate a functional alias if the location criteria is met.

## 13.2.87A7 /&lt;x&gt;/&lt;x&gt;/OnNetwork/FunctionalAliasList/&lt;x&gt;/Entry/DisplayName

**Table 13.2.87A7.1: /<x>/<x>/OnNetwork/FunctionalAliasList/<x>/Entry/DisplayName**

&lt;x&gt;/OnNetwork/FunctionalAliasList/&lt;x&gt;/Entry/DisplayName

Status	Occurrence	Format	Min. Access Types
Optional	One	chr	Get, Replace

This leaf node contains a human readable name that corresponds to a functional alias that can be activated by the MCVideo user.

## 13.2.87A7A /&lt;x&gt;/&lt;x&gt;/OnNetwork/FunctionalAliasList/&lt;x&gt;/Entry/MaxSimultaneousEmergencyGroupCalls

**Table 13.2.87A7A.1:****/<x>/<x>/OnNetwork/FunctionalAliasList/<x>/Entry/MaxSimultaneousEmergencyGroupCalls**

&lt;x&gt;/OnNetwork/FunctionalAliasList/&lt;x&gt;/Entry/MaxSimultaneousEmergencyGroupCalls

Status	Occurrence	Format	Min. Access Types
Optional	One	int	Get, Replace

This leaf node indicates the maximum number of simultaneous emergency group calls for a functional alias.

## 13.2.87A7B /&lt;x&gt;/&lt;x&gt;/OnNetwork/FunctionalAliasList/&lt;x&gt;/Entry/FAsAllowedToCall

**Table 13.2.87A7B.1: /<x>/<x>/OnNetwork/FunctionalAliasList/<x>/Entry/FAsAllowedToCall**

&lt;x&gt;/OnNetwork/FunctionalAliasList/&lt;x&gt;/Entry/FAsAllowedToCall

Status	Occurrence	Format	Min. Access Types
Required	One	node	Get, Replace

This interior node is a placeholder for the functional alias configuration regarding the allowed functional aliases to be called in a private call.

## 13.2.87A7C /&lt;x&gt;/&lt;x&gt;/OnNetwork/FunctionalAliasList/&lt;x&gt;/Entry/FAsAllowedToCall/&lt;x&gt;

**Table 13.2.87A7C.1: /<x>/<x>/OnNetwork/FunctionalAliasList/<x>/Entry/FAsAllowedToCall/<x>**

&lt;x&gt;/OnNetwork/FunctionalAliasList/&lt;x&gt;/Entry/FAsAllowedToCall/&lt;x&gt;

Status	Occurrence	Format	Min. Access Types
Required	OneOrMore	node	Get, Replace

This interior node is a placeholder for one or more functional alias configuration elements indicating the functional aliases that can be called.

### 13.2.87A7D /<x>/<x>/OnNetwork/FunctionalAliasList/<x>/Entry/ FAsAllowedToCall/<x>/Entry

**Table 13.2.87A7D.1: /<x>/<x>/OnNetwork/FunctionalAliasList/<x>/Entry/FAsAllowedToCall/<x>/Entry**

<x>/OnNetwork/FunctionalAliasList/<x>/Entry/FAsAllowedToCall/<x>/Entry

Status	Occurrence	Format	Min. Access Types
Optional	One	node	Get, Replace

This interior node is a placeholder for the details of the functional alias that can be called.

### 13.2.87A7E /<x>/<x>/OnNetwork/FunctionalAliasList/<x>/Entry/ FAsAllowedToCall/<x>/Entry/FunctionalAlias

**Table 13.2.87A7E.1:**

**/<x>/<x>/OnNetwork/FunctionalAliasList/<x>/Entry/FAsAllowedToCall/<x>/Entry/FunctionalAlias**

<x>/OnNetwork/FunctionalAliasList/<x>/Entry/FAsAllowedToCall/<x>/Entry/FunctionalAlias

Status	Occurrence	Format	Min. Access Types
Required	One	chr	Get, Replace

This leaf node indicates a functional alias that can be called by the MCVideo user.

The value is a "uri" attribute specified in OMA OMA-TS-XDM\_Group-V1\_1 [4].

### 13.2.87A8 /<x>/<x>/OnNetwork/AllowedQueryFunctionalAliasOtherUser

**Table 13.2.87A8.1: /<x>/<x>/OnNetwork/AllowedQueryFunctionalAliasOtherUser**

<x>/OnNetwork/AllowedQueryFunctionalAliasOtherUser

Status	Occurrence	Format	Min. Access Types
Required	One	bool	Get, Replace

This leaf node indicates whether the MCVideo user is authorised query the functional alias(es) activated by another MCVideo user.

When set to "true" the MCVideo user is authorised to query the functional alias(es) activated by another MCVideo user.

When set to "false" the MCVideo user is not authorised to query the functional alias(es) activated by another MCVideo user.

### 13.2.87A9 /<x>/<x>/OnNetwork/AllowedTakeoverFunctionalAliasOtherUser

**Table 13.2.87A9.1: /<x>/<x>/OnNetwork/AllowedTakeoverFunctionalAliasOtherUser**

<x>/OnNetwork/AllowedTakeoverFunctionalAliasOtherUser

Status	Occurrence	Format	Min. Access Types
Required	One	bool	Get, Replace

This leaf node indicates whether the MCVideo user is authorised to take over the functional alias(es) previously activated by another MCVideo user.

When set to "true" the MCVideo user is authorised to take over the functional alias(es) previously activated by another MCVideo user.



When set to "false" the MCVideo user is not authorised to take over the functional alias(es) previously activated by another MCVideo user.

### 13.2.87A10 /<x>/<x>/OnNetwork/AllowedFunctionalAliasGroupBinding

**Table 13.2.87A10.1: /<x>/<x>/OnNetwork/AllowedFunctionalAliasGroupBinding**

<x>/OnNetwork/AllowedFunctionalAliasGroupBinding

Status	Occurrence	Format	Min. Access Types
Optional	One	bool	Get, Replace

This leaf node indicates whether the MCVideo user is authorised to request the binding of a particular functional alias with a group or list of groups.

When set to "true" the MCVideo user is authorised to request the binding of a particular functional alias with a group or list of groups.

When set to "false" the MCVideo user is not authorised to request the binding of a particular functional alias with a group or list of groups.

### 13.2.87B/<x>/<x>/OnNetwork/AuthorisedIncomingAny

**Table 13.2.87B.1: /<x>/<x>/OnNetwork/AuthorisedIncomingAny**

<x>/OnNetwork/AuthorisedIncomingAny

Status	Occurrence	Format	Min. Access Types
Required	One	bool	Get, Replace

This leaf node indicates the authorisation to receive a MCVideo private call from any MCVideo user.

When set to "true" the MCVideo user is authorised to receive an MCVideo private call by any MCVideo user.

When set to "false" the MCVideo user is not authorised to receive an MCVideo private call by any MCVideo user, but only from the MCVideo users contained in the IncomingUserList.

### 13.2.87C /<x>/<x>/OnNetwork/IncomingUserList

**Table 13.2.87C.1: /<x>/<x>/OnNetwork/IncomingUserList**

<x>/OnNetwork/IncomingUserList

Status	Occurrence	Format	Min. Access Types
Required	One	node	Get, Replace

This interior node is a placeholder for a list of MCVideo user(s) who are authorised to initiate an MCVideo private call to the configured MCVideo user.

### 13.2.87C1 /<x>/<x>/OnNetwork/IncomingUserList/<x>

**Table 13.2.87C1.1: /<x>/<x>/OnNetwork/IncomingUserList/<x>**

<x>/OnNetwork/IncomingUserList/<x>

Status	Occurrence	Format	Min. Access Types
Optional	OneOrMore	node	Get, Replace

This interior node is a placeholder for one or more list of MCVideo users who are authorised to initiate an MCVideo private call to the configured MCVideo user.

### 13.2.87C2 /<x>/<x>/OnNetwork/IncomingUserList/<x>/Entry

**Table 13.2.87C2.1: /<x>/<x>/OnNetwork/IncomingUserList/<x>/Entry**

<x>/OnNetwork/IncomingUserList/<x>/Entry

Status	Occurrence	Format	Min. Access Types
Required	One	node	Get, Replace

This interior node is a placeholder for one or more MCVideo users who are authorised to initiate an MCVideo private call to the configured MCVideo user.

### 13.2.87C3 /<x>/<x>/OnNetwork/IncomingUserList/<x>/Entry/MCVideoID

**Table 13.2.87C3.1: /<x>/<x>/OnNetwork/IncomingUserList/<x>/Entry/MCVideoID**

<x>/OnNetwork/IncomingUserList/<x>/Entry/MCVideoID

Status	Occurrence	Format	Min. Access Types
Optional	One	chr	Get, Replace

This leaf node indicates an MCVideo user identity (MCVideo ID) which is a globally unique identifier within the MCVideo service that represents the MCVideo user.

The value is a "uri" attribute specified in OMA OMA-TS-XDM\_Group-V1\_1 [4].

### 13.2.87C4 /<x>/<x>/OnNetwork/IncomingUserList/<x>/Entry/MCVideoIDKMSURI

**Table 13.2.87C4.1: /<x>/<x>/OnNetwork/IncomingUserList/<x>/Entry/MCVideoIDKMSURI**

<x>/OnNetwork/IncomingUserList/<x>/Entry/MCVideoIDKMSURI

Status	Occurrence	Format	Min. Access Types
Optional	One	chr	Get, Replace

This leaf node indicates the identity (URI) of the KMS associated with the MCVideoID.

The value is a URI as specified in 3GPP TS 23.003 [5].

### 13.2.87D /<x>/<x>/OnNetwork/PrivateCall

**Table 13.2.87D.1: /<x>/<x>/OnNetwork/PrivateCall**

<x>/OnNetwork/PrivateCall

Status	Occurrence	Format	Min. Access Types
Required	One	node	Get, Replace

This interior node is a placeholder for the MCVideo private call configuration.

## 13.2.87E /<x>/<x>/OnNetwork/PrivateCall/EmergencyAlert

**Table 13.2.87E.1: /<x>/<x>/OnNetwork/PrivateCall/EmergencyAlert**

<x>/OnNetwork/PrivateCall/EmergencyAlert

Status	Occurrence	Format	Min. Access Types
Required	One	node	Get, Replace

This interior node is a placeholder for the MCVideo private emergency alert policy.

## 13.2.87F /<x>/<x>/OnNetwork/PrivateCall/EmergencyAlert/Entry

**Table 13.2.87F.1: /<x>/<x>/OnNetwork/PrivateCall/EmergencyAlert/Entry**

<x>/OnNetwork/PrivateCall/EmergencyAlert/Entry

Status	Occurrence	Format	Min. Access Types
Required	One	node	Get, Replace

This interior node is a placeholder for the details of an MCVideo private emergency alert for on-network.

## 13.2.87G /<x>/<x>/OnNetwork/PrivateCall/EmergencyAlert/Entry/ID

**Table 13.2.87G.1: /<x>/<x>/OnNetwork/PrivateCall/EmergencyAlert/Entry/ID**

<x>/OnNetwork/PrivateCall/EmergencyAlert/Entry/ID

Status	Occurrence	Format	Min. Access Types
Required	One	chr	Get, Replace

This leaf node indicates the MCVideo user ID used upon certain criteria on initiation of an MCVideo private emergency alert for on-network.

## 13.2.87H /<x>/<x>/OnNetwork/PrivateCall/EmergencyAlert/Entry/DisplayName

**Table 13.2.87H.1: /<x>/<x>/OnNetwork/PrivateCall/EmergencyAlert/Entry/DisplayName**

<x>/OnNetwork/PrivateCall/EmergencyAlert/Entry/DisplayName

Status	Occurrence	Format	Min. Access Types
Optional	One	chr	Get, Replace

This leaf node contains a human readable name that corresponds to the ID.

## 13.2.87I /<x>/<x>/OnNetwork/PrivateCall/EmergencyAlert/Entry/Usage

**Table 13.2.87I.1: /<x>/<x>/OnNetwork/PrivateCall/EmergencyAlert/Entry/Usage**

<x>/OnNetwork/PrivateCall/EmergencyAlert/Entry/Usage

Status	Occurrence	Format	Min. Access Types
Required	One	chr	Get, Replace

This leaf node indicates the criteria to determine when initiation of an MCVideo private emergency alert uses the ID.

The valid values are 'LocallyDetermined' and 'UsePreConfigured'.

When set to 'LocallyDetermined' then if the MCVideo user selects an MCVideo ID then use that MCVideo ID for an on-network MCVideo private emergency alert, if the MCVideo user does not select a MCVideo ID then use the MCVideo ID identified by the ID in clause 13.2.38I12 for an on-network MCVideo private emergency alert.

When set to 'UsePreConfigured' then use the ID identified by the ID in clause 13.2.38I12 for an on-network MCVideo private emergency alert.

## 13.2.87J /<x>/<x>/OnNetwork/RemoteGroupSelection

**Table 13.2.87J.1: /<x>/<x>/OnNetwork/RemoteGroupSelection**

<x>/OnNetwork/RemoteGroupSelection

Status	Occurrence	Format	Min. Access Types
Required	One	node	Get, Replace

This interior node is a placeholder for the remote group selection configuration.

## 13.2.87K /<x>/<x>/OnNetwork/RemoteGroupSelection/<x>

**Table 13.2.87K.1: /<x>/<x>/OnNetwork/RemoteGroupSelection/<x>**

<x>/OnNetwork/RemoteGroupSelection/<x>

Status	Occurrence	Format	Min. Access Types
Required	OneOrMore	node	Get, Replace

This interior node is a placeholder for one or more remote group selection configuration elements.

## 13.2.87L /<x>/<x>/OnNetwork/RemoteGroupSelection/<x>/Entry

**Table 13.2.87L.1: /<x>/<x>/OnNetwork/RemoteGroupSelection/<x>/Entry**

<x>/OnNetwork/RemoteGroupSelection/<x>/Entry

Status	Occurrence	Format	Min. Access Types
Optional	One	node	Get, Replace

This interior node is a placeholder for the details of the on-network MCVideo users whose selected MCVideo group is allowed to be remotely changed by the MCVideo user.

## 13.2.87M /<x>/<x>/OnNetwork/RemoteGroupSelection/<x>/Entry/MCVideoID

**Table 13.2.87M.1: /<x>/<x>/OnNetwork/RemoteGroupSelection/<x>/Entry/MCVideoID**

<x>/OnNetwork/RemoteGroupSelection/<x>/Entry/MCVideoID

Status	Occurrence	Format	Min. Access Types
Required	One	chr	Get, Replace

This leaf node indicates a MCVideo ID of an MCVideo user whose selected MCVideo group is allowed to be remotely changed by the MCVideo user.

The value is a "uri" attribute specified in OMA OMA-TS-XDM\_Group-V1\_1 [4].

### 13.2.87N /<x>/<x>/OnNetwork/RemoteGroupSelection/<x>/Entry/DisplayName

**Table 13.2.87N.1: /<x>/<x>/OnNetwork/RemoteGroupSelection/<x>/Entry/DisplayName**

<x>/OnNetwork/RemoteGroupSelection/<x>/Entry/DisplayName

Status	Occurrence	Format	Min. Access Types
Optional	One	chr	Get, Replace

This leaf node contains a human readable name that corresponds to the MCVideo ID of the MCVideo user.

### 13.2.88 /<x>/<x>/OffNetwork

**Table 13.2.88.1: /<x>/<x>/OffNetwork**

<x>/OffNetwork

Status	Occurrence	Format	Min. Access Types
Required	ZeroOrOne	node	Get, Replace

This interior node represents a container for off-network operation.

### 13.2.89 /<x>/<x>/OffNetwork/Authorised

**Table 13.2.89.1: /<x>/<x>/OffNetwork/Authorised**

<x>/OffNetwork/Authorised

Status	Occurrence	Format	Min. Access Types
Required	One	bool	Get, Replace

This leaf node indicates the authorisation for off-network services.

When set to "true" the MCVideo user is authorised for off-network operation.

When set to "false" the MCVideo user is not authorised for off-network operation.

### 13.2.90 /<x>/<x>/OffNetwork/MCVideoGroupList

**Table 13.2.90.1: /<x>/<x>/OffNetwork/MCVideoGroupList**

<x>/OffNetwork/MCVideoGroupList

Status	Occurrence	Format	Min. Access Types
Required	One	node	Get, Replace

This interior node is a placeholder for the list of off-network MCVideo groups that the MCVideo user is allowed to use.

### 13.2.91 /<x>/<x>/OffNetwork/MCVideoGroupList/<x>

**Table 13.2.91.1: /<x>/<x>/OffNetwork/MCVideoGroupList/<x>**

<x>/OffNetwork/MCVideoGroupList/<x>

Status	Occurrence	Format	Min. Access Types
Required	OneOrMore	node	Get, Replace

This interior node is a placeholder for one or more list of off-network MCVideo groups that the MCVideo user is allowed to use.

### 13.2.92 /<x>/<x>/OffNetwork/MCVideoGroupList/<x>/Entry

**Table 13.2.92.1: /<x>/<x>/OffNetwork/MCVideoGroupList/<x>/Entry**

<x>/OffNetwork/MCVideoGroupList/<x>/Entry

Status	Occurrence	Format	Min. Access Types
Optional	One	node	Get, Replace

This interior node is a placeholder for the details of the off-network MCVideo groups that the MCVideo user is allowed to use.

### 13.2.93 /<x>/<x>/OffNetwork/MCVideoGroupList/<x>/Entry/ MCVideoGroupID

**Table 13.2.93.1: /<x>/<x>/OffNetwork/MCVideoGroupList/<x>/Entry/MCVideoGroupID**

<x>/OffNetwork/MCVideoGroupList/<x>/Entry/MCVideoGroupID

Status	Occurrence	Format	Min. Access Types
Required	One	chr	Get, Replace

This leaf node indicates the MCVideo group ID for the off-network MCVideo group that the MCVideo user is allowed to use.

The value is a "uri" attribute specified in OMA OMA-TS-XDM\_Group-V1\_1 [4].

### 13.2.94 /<x>/<x>/OffNetwork/MCVideoGroupList/<x>/Entry/DisplayName

**Table 13.2.94.1: /<x>/<x>/OffNetwork/MCVideoGroupList/<x>/Entry/DisplayName**

<x>/OffNetwork/MCVideoGroupList/<x>/Entry/DisplayName

Status	Occurrence	Format	Min. Access Types
Optional	One	chr	Get, Replace

This leaf node contains a human readable name that corresponds to the MCVideo Group ID.

13.2.95 Void

13.2.96 Void

13.2.97 /&lt;x&gt;/&lt;x&gt;/OffNetwork/MCVideoGroupList/&lt;x&gt;/Entry/GMSServID

**Table 13.2.97.1: /<x>/<x>/OffNetwork/MCVideoGroupList/<x>/Entry/GMSServID**

&lt;x&gt;/OffNetwork/MCVideoGroupList/&lt;x&gt;/Entry/GMSServID

Status	Occurrence	Format	Min. Access Types
Optional	One	chr	Get, Replace

This leaf node indicates the identity (URI) of the group management server hosting the MCVideo Group ID.

13.2.98 Void

13.2.99 Void

13.2.100 /<x>/<x>/OffNetwork/MCVideoGroupList/<x>/Entry/  
IdMSTokenEndPoint**Table 13.2.100.1: /<x>/<x>/OffNetwork/MCVideoGroupList/<x>/Entry/IdMSTokenEndPoint**

&lt;x&gt;/OffNetwork/MCVideoGroupList/&lt;x&gt;/Entry/IdMSTokenEndPoint

Status	Occurrence	Format	Min. Access Types
Optional	One	chr	Get, Replace

This leaf node indicates the identity (URI) of the identity management server hosting the MCVideo Group ID.

13.2.100A Void

13.2.100B Void

13.2.100C /<x>/<x>/OffNetwork/MCVideoGroupList/<x>/Entry/  
GroupKMSURI**Table 13.2.100C.1: /<x>/<x>/OffNetwork/MCVideoGroupList/<x>/Entry/GroupKMSURI**

&lt;x&gt;/OffNetwork/MCVideoGroupList/&lt;x&gt;/Entry/GroupKMSURI

Status	Occurrence	Format	Min. Access Types
Required	One	chr	Get, Replace

This leaf node indicates the identity (URI) of the KMS identity (URI) for a specific group contained in the off-network MCVideoGroupList. If the value is empty, the KMS identity (URI) (kms) present in the MCS UE initial configuration MO is used.

### 13.2.101 /<x>/<x>/OffNetwork/MCVideoGroupList/<x>/Entry/RelativePresentationPriority

**Table 13.2.101.1: /<x>/<x>/OffNetwork/MCVideoGroupList/<x>/Entry/RelativePresentationPriority**

<x>/OffNetwork/MCVideoGroupList/<x>/Entry/RelativePresentationPriority

Status	Occurrence	Format	Min. Access Types
Optional	One	int	Get, Replace

This leaf node indicates indicating the presentation priority of the off-network group for the MCVideo user relative to other off-network groups and off-network users.

- Values: 0-255

The lowest RelativePresentationPriority value shall be considered as the MCVideo group transaction having the lowest priority for presentation among other group MCVideo and one-to-one user transactions.

### 13.2.102 /<x>/<x>/OffNetwork/UserInfoID

**Table 13.2.102.1: /<x>/<x>/OffNetwork/UserInfoID**

<x>/OffNetwork/UserInfoID

Status	Occurrence	Format	Min. Access Types
Required	One	chr	Get, Replace

This leaf node indicates the ProSe user info ID as specified in 3GPP TS 23.303 [6].

### 13.2.102A /<x>/<x>/OffNetwork/EmergencyCallChange

**Table 13.2.102A.1: /<x>/<x>/OffNetwork/EmergencyCallChange**

<x>/OffNetwork/EmergencyCallChange

Status	Occurrence	Format	Min. Access Types
Required	One	bool	Get, Replace

This leaf node indicates the authorization for a participant to change an off-network group call in-progress to an off-network MCVideo emergency group call.

When set to "true" the MCVideo user is authorised to change an MCVideo emergency group call.

When set to "false" the MCVideo user is not authorised to change an MCVideo emergency group call.

### 13.2.102B /<x>/<x>/OffNetwork/ImminentPerilCallChange

**Table 13.2.102B.1: /<x>/<x>/OffNetwork/ImminentPerilCallChange**

<x>/OffNetwork/ImminentPerilCallChange

Status	Occurrence	Format	Min. Access Types
Required	One	bool	Get, Replace

This leaf node indicates the authorization for a participant to change an off-network group call in-progress to an off-network MCVideo imminent peril group call.

When set to "true" the MCVideo user is authorised to change an MCVideo imminent peril group call.



When set to "false" the MCVideo user is not authorised to change an MCVideo imminent peril group call.

## 13.2.103 /<x>/Status

**Table 13.2.103.1: /<x>/Status**

Status

Status	Occurrence	Format	Min. Access Types
Optional	One	bool	Get, Replace

This leaf node indicates whether this MCVideo user profile is enabled or disabled.

When set to "true" this MCVideo user profile is enabled.

When set to "false" this MCVideo user profile is disabled.

---

# 14 MCVideo service configuration MO

## 14.1 General

The MCVideo service configuration Management Object (MO) is used to configure MCVideo Client behaviour for the on-network or off-network MCVideo Service. The MCVideo service configuration parameters may be stored in the ME, or in the USIM as specified in 3GPP TS 31.102 [10], or in both the ME and the USIM. If both the ME and the USIM contain the same parameters, the values stored in the USIM shall take precedence.

The Management Object Identifier is: urn:oma:mo:ext-3gpp-MCVideo-service-configuration:1.0.

Protocol compatibility: This MO is compatible with OMA OMA DM 1.2 [3].

The OMA DM ACL property mechanism (see OMA OMA-ERELED-DM-V1\_2 [2]) may be used to grant or deny access rights to OMA DM servers in order to modify nodes and leaf objects of the MCVideo service configuration MO.

The following nodes and leaf objects are possible under the MCVideo service configuration node as described in figure 14.1.1.

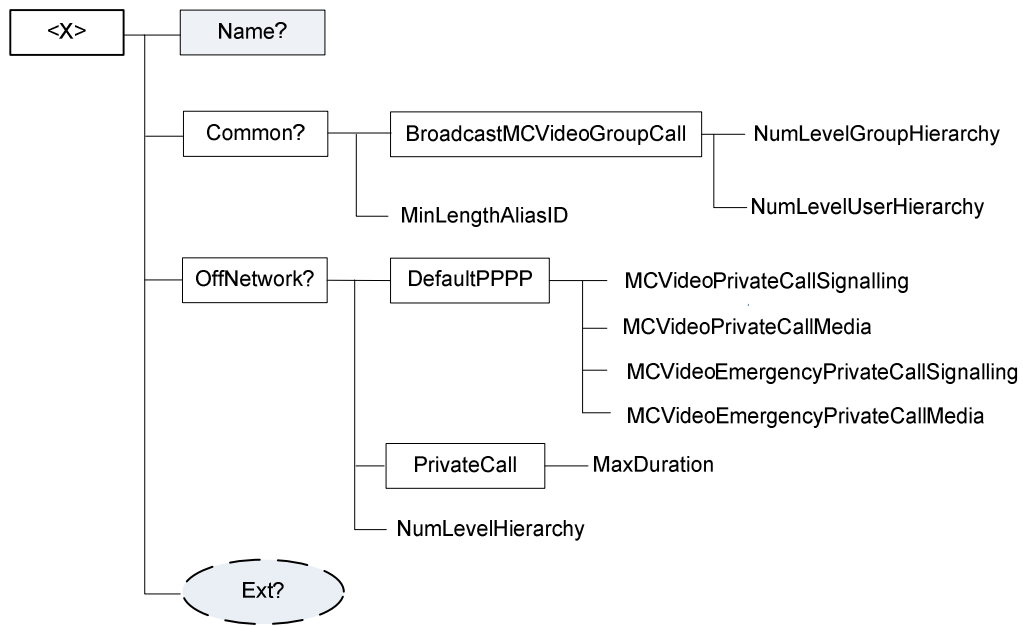


Figure 14.1.1: The MCVideo service configuration MO

## 14.2 MCVideo service configuration MO parameters

### 14.2.1 General

This clause describes the parameters for the MCVideo service configuration Management Object (MO).

### 14.2.2 Node: <x>

Table 14.2.2.1: Node: <x>

<x>

Status	Occurrence	Format	Min. Access Types
Required	OneOrMore	node	Get

This interior node acts as a placeholder for the MCVideo service configuration Management Object (MO).

For the MCVideo service configuration MO, the namespace specific string is: "urn:oma:mo:oma-dm-mcvideo-service configuration:1.0"

- Values: N/A

### 14.2.3 /<x>/Name

Table 14.2.3.1: /<x>/Name

Name

Status	Occurrence	Format	Min. Access Types
Required	ZeroOrOne	chr	Get

The Name leaf is a name for the MCVideo service configuration settings.

- Values: <User displayable name>

#### 14.2.4 /<x>/Ext/

**Table 14.2.4.1: /<x>/Ext/**

Ext

Status	Occurrence	Format	Min. Access Types
Optional	ZeroOrOne	node	Get, Replace

The Ext is an interior node for where the vendor specific information about the MCVideo service configuration MO is being placed.

Usually the vendor extension is identified by vendor specific name under the ext node and contains the vendor meaning application vendor, device vendor etc. The tree structure under the vendor identified is not defined and can therefore include one or more un-standardized sub-trees.

- Values: N/A

#### 14.2.5 /<x>/Common

**Table 14.2.5.1: /<x>/Common**

Common

Status	Occurrence	Format	Min. Access Types
Required	ZeroOrOne	node	Get, Replace

This interior node represents a container for the common network operation which means both on-network operation and off-network operation.

#### 14.2.6 /<x>/Common/BroadcastMCVideoGroupCall

**Table 14.2.6.1: /<x>/Common/BroadcastMCVideoGroupCall**

Common/BroadcastMCVideoGroupCall

Status	Occurrence	Format	Min. Access Types
Required	One	node	Get, Replace

This interior node is a placeholder for Broadcast MCVideo Group Call configuration.

#### 14.2.7 /<x>/Common/BroadcastMCVideoGroupCall/ NumLevelGroupHierarchy

**Table 14.2.7.1: /<x>/Common/BroadcastMCVideoGroupCall/NumLevelGroupHierarchy**

Common/BroadcastMCVideoGroupCall/NumLevelGroupHierarchy

Status	Occurrence	Format	Min. Access Types
Required	One	int	Get, Replace

This leaf node indicates the number of levels of group hierarchy for group-broadcast groups.

- Values: 0-255

The group-broadcast group with the lowest NumLevelGroupHierarchy value shall be considered as the group-broadcast group having the lowest level among the groups.

## 14.2.8 /<x>/Common/BroadcastMCVideoGroupCall/NumLevelUserHierarchy

**Table 14.2.8.1: /<x>/Common/BroadcastMCVideoGroupCall/NumLevelUserHierarchy**

Common/BroadcastMCVideoGroupCall/NumLevelUserHierarchy

Status	Occurrence	Format	Min. Access Types
Required	One	int	Get, Replace

This leaf node indicates the number of levels of user hierarchy for user-broadcast groups.

- Values: 0-255

The user-broadcast group with the lowest NumLevelUserHierarchy value shall be considered as the user-broadcast group the lowest level among the groups.

## 14.2.9 /<x>/Common/MinLengthAliasID

**Table 14.2.9.1: /<x>/Common/MinLengthAliasID**

Common/MinLengthAliasID

Status	Occurrence	Format	Min. Access Types
Required	One	int	Get, Replace

This leaf node indicates minimum length of an alphanumeric identifier (i.e., alias) assigned by an MCVideo administrator.

- Values: 0-255

## 14.2.10 /<x>/OffNetwork

**Table 14.2.10.1: /<x>/OffNetwork**

OffNetwork

Status	Occurrence	Format	Min. Access Types
Required	ZeroOrOne	node	Get, Replace

This interior node represents a container for off-network operation.

## 14.2.11 /<x>/OffNetwork/DefaultPPPP

**Table 14.2.11.1: /<x>/OffNetwork/DefaultPPPP**

OffNetwork/DefaultPPPP

Status	Occurrence	Format	Min. Access Types
Required	One	node	Get, Replace

This interior node is a placeholder for the default ProSe Per-Packet Priority (PPPP) configuration.

## 14.2.12 /<x>/OffNetwork/DefaultPPPP/MCVideoPrivateCallSignalling

**Table 14.2.12.1: /<x>/OffNetwork/DefaultPPPP/MCVideoPrivateCallSignalling**

OffNetwork/DefaultPPPP/MCVideoPrivateCallSignalling

Status	Occurrence	Format	Min. Access Types
Required	One	int	Get, Replace

This leaf node indicates the default ProSe Per-Packet Priority (PPPP) value (as specified in 3GPP TS 23.303 [6]) for the MCVideo private call signalling.

- Values: 1-8

The MCVideo user data with the lowest ProSe Per-Packet Priority value shall be considered as the MCVideo user data having the highest priority among the MCVideo user data.

## 14.2.13 /<x>/OffNetwork/DefaultPPPP/MCVideoPrivateCallMedia

**Table 14.2.13.1: /<x>/OffNetwork/DefaultPPPP/MCVideoPrivateCallMedia**

OffNetwork/DefaultPPPP/MCVideoPrivateCallMedia

Status	Occurrence	Format	Min. Access Types
Required	One	int	Get, Replace

This leaf node indicates the default ProSe Per-Packet Priority (PPPP) value (as specified in 3GPP TS 23.303 [6]) for the MCVideo private call media.

- Values: 1-8

The MCVideo user data with the lowest ProSe Per-Packet Priority value shall be considered as the MCVideo user data having the highest priority among the MCVideo user data.

## 14.2.14 /<x>/OffNetwork/DefaultPPPP/ MCVideoEmergencyPrivateCallSignalling

**Table 14.2.14.1: /<x>/OffNetwork/DefaultPPPP/MCVideoEmergencyPrivateCallSignalling**

OffNetwork/DefaultPPPP/MCVideoEmergencyPrivateCallSignalling

Status	Occurrence	Format	Min. Access Types
Required	One	int	Get, Replace

This leaf node indicates the default ProSe Per-Packet Priority (PPPP) value (as specified in 3GPP TS 23.303 [6]) for the MCVideo emergency private call signalling.

- Values: 1-8

The MCVideo user data with the lowest ProSe Per-Packet Priority value shall be considered as the MCVideo user data having the highest priority among the MCVideo user data.

## 14.2.15 /<x>/OffNetwork/DefaultPPPP/ MCVideoEmergencyPrivateCallMedia

**Table 14.2.15.1: /<x>/OffNetwork/DefaultPPPP/MCVideoEmergencyPrivateCallMedia**

OffNetwork/DefaultPPPP/MCVideoEmergencyPrivateCallMedia

Status	Occurrence	Format	Min. Access Types
Required	One	int	Get, Replace

This leaf node indicates the default ProSe Per-Packet Priority (PPPP) value (as specified in 3GPP TS 23.303 [6]) for the MCVideo emergency private call media.

- Values: 1-8

The MCVideo user data with the lowest ProSe Per-Packet Priority value shall be considered as the MCVideo user data having the highest priority among the MCVideo user data.

## 14.2.16 /<x>/OffNetwork/PrivateCall

**Table 14.2.16.1: /<x>/OffNetwork/PrivateCall**

OffNetwork/PrivateCall

Status	Occurrence	Format	Min. Access Types
Required	One	node	Get, Replace

This interior node is a placeholder for private call configuration.

## 14.2.17 /<x>/OffNetwork/PrivateCall/MaxDuration

**Table 14.2.17.1: /<x>/OffNetwork/PrivateCall/MaxDuration**

OffNetwork/PrivateCall/MaxDuration

Status	Occurrence	Format	Min. Access Types
Required	One	int	Get, Replace

This leaf node indicates max private call duration.

- Values: 0-65535

The MaxDuration time is in seconds.

## 14.2.18 /<x>/OffNetwork/NumLevelHierarchy

**Table 14.2.18.1: /<x>/OffNetwork/NumLevelHierarchy**

OffNetwork/NumLevelHierarchy

Status	Occurrence	Format	Min. Access Types
Required	One	int	Get, Replace

This leaf node indicates the number of levels of hierarchy for transmission control override in off-network.

- Values: 4-256

The request with the lowest NumLevelHierarchy value shall be considered as the request having the lowest priority level given to override an active transmission among the requests.

---

## Annex A (informative): MCPTT UE configuration MO DDF

This DDF is the standardized minimal set. A vendor can define its own DDF for the complete device. This DDF can include more features than this minimal standardized version. The DDF is included as an XML file.

---

## Annex B (informative): MCPTT user profile MO DDF

This DDF is the standardized minimal set. A vendor can define its own DDF for the complete device. This DDF can include more features than this minimal standardized version. The DDF is included as an XML file.



---

## Annex C (informative): MCS group configuration MO DDF

This DDF is the standardized minimal set. A vendor can define its own DDF for the complete device. This DDF can include more features than this minimal standardized version. The DDF is included as an XML file.

---

## Annex D (informative): MCPTT service configuration MO DDF

This DDF is the standardized minimal set. A vendor can define its own DDF for the complete device. This DDF can include more features than this minimal standardized version. The DDF is included as an XML file.

---

## Annex E (informative): MCS UE initial configuration MO DDF

This DDF is the standardized minimal set. A vendor can define its own DDF for the complete device. This DDF can include more features than this minimal standardized version. The DDF is included as an XML file.

---

## Annex F (informative): MCVideo UE configuration MO DDF

This DDF is the standardized minimal set. A vendor can define its own DDF for the complete device. This DDF can include more features than this minimal standardized version. The DDF is included as an XML file.

---

## Annex G (informative): MCVideo user profile configuration MO DDF

This DDF is the standardized minimal set. A vendor can define its own DDF for the complete device. This DDF can include more features than this minimal standardized version. The DDF is included as an XML file.

---

## Annex H (informative): MCVideo service configuration MO DDF

This DDF is the standardized minimal set. A vendor can define its own DDF for the complete device. This DDF can include more features than this minimal standardized version. The DDF is included as an XML file.

---

## Annex I (informative): MCData UE configuration MO DDF

This DDF is the standardized minimal set. A vendor can define its own DDF for the complete device. This DDF can include more features than this minimal standardized version. The DDF is included as an XML file.

---

## Annex J (informative): MCData user profile configuration MO DDF

This DDF is the standardized minimal set. A vendor can define its own DDF for the complete device. This DDF can include more features than this minimal standardized version. The DDF is included as an XML file.



---

## Annex K (informative): MCData service configuration MO DDF

This DDF is the standardized minimal set. A vendor can define its own DDF for the complete device. This DDF can include more features than this minimal standardized version. The DDF is included as an XML file.

---

# Annex L (normative): MO specific concepts for the support of mission critical services over 5GS

## L.1 General

The present document applies to both EPS and 5GS. This annex lists the aspects of Mission Critical Services (MCSs) Management Objects (MO) which are different in 5GS from EPS. Certain aspects that are only applicable to EPS are described in clause L.2. 5GS-specific concepts are captured in clause L.3. A mapping of EPS-specific terms to their 5GS equivalents is provided in clause L.4.

---

## L.2 Aspects not applicable to 5GS

The following aspects of EPS mentioned in the present document are not applicable to 5GS:

- Proximity-services (ProSe) and the corresponding MOs; and
- Multimedia Broadcast and Multicast Service (MBMS) and the corresponding MOs.

---

## L.3 5GS specific aspects not applicable to EPS

In order to identify a Network Slice end to end, the 5GS uses information called S-NSSAI (Single Network Slice Selection Assistance Information) as specified in 3GPP TS 23.501 [23]. Network slicing and the S-NSSAI related configuration are not applicable to EPS.

---

## L.4 Mapping of EPS-specific terms to 5GS

In 5GS, the PDU session is the equivalent of a PDN connection in EPS. The requirements and configurations for a PDN connection throughout this document shall also apply to PDU sessions. For example, in 5GS, the Data Network Name (DNN) is the equivalent of an APN in EPS as specified in 3GPP TS 23.003 [5]. The requirements and configurations for an APN throughout this document shall apply to 5GS as well.

When using the 5GS, a bearer is provided by a 5GS QoS flow. The requirements, procedures, and configurations for a bearer throughout this document, including those stating EPS explicitly (e.g., EPS bearer priority), shall also apply to QoS flows.

## Annex M (informative): Change history

Change history							
Date	TSG #	TSG Doc.	CR	Rev	Subject/Comment	Old	New
2015-07					Initial proposal to CT1	-	0.0.0
2015-08					Included skeleton from C1ah-150016 and scope from C1ah-150038 agreed at CT1#92bis	0.0.0	0.10
2015-08					Included CRs C1-152964 and C1-152965 agreed at CT1#93	0.1.0	0.2.0
2015-08					Revision number changed due to cover sheet modifications	0.2.0	0.2.1
2015-09					Modifying the cover sheet to add the TS number. Changes by the rapporteur.	0.2.1	0.2.2
2015-10					Included CRs C1-153754, and C1-153755 agreed at CT1#94	0.2.2	0.3.0
2016-01					Included CRs C1-160352, C1-160474, C1-160475, C1-160476, C1-160477 and C1-160478 agreed at CT1#95bis	0.3.0	0.4.0
2016-01					Editorial and formatting fixes	0.4.0	0.4.1
2016-02					Included CRs C1-161077, C1-161078, C1-161231, C1-161324, C1-161326, C1-161327, C1-161509 and C1-161510 agreed at CT1#96 Editorial and formatting fixes by the rapporteur.	0.4.1	0.5.0
2016-03	CT-71	CP-160056			Version 1.0.0 created for presentation for information and approval	0.5.0	1.0.0
2016-03	CT-71				Version 13.0.0 created after approval	1.0.0	13.0.0
2016-03					An editorial change from TS rapporteur	13.0.0	13.0.10
2016-06	CT-72	CP-160322	0002	1	Corrections to the scope of MCPTT Management Object (MO)	13.0.1	13.1.0
2016-06	CT-72	CP-160322	0003	3	Correction for MCPTT UE configuration management object (MO)	13.0.1	13.1.0
2016-06	CT-72	CP-160322	0004	3	Correction for MCPTT user profile management object (MO)	13.0.1	13.1.0
2016-06	CT-72	CP-160322	0005	2	Correction for MCPTT group configuration management object (MO)	13.0.1	13.1.0
2016-06	CT-72	CP-160322	0006	1	Correction for MCPTT service configuration management object (MO)	13.0.1	13.1.0
2016-06	CT-72	CP-160322	0007	3	Correction for MCPTT UE initial configuration management object (MO)	13.0.1	13.1.0
2016-06	CT-72	CP-160322	0011		Correction for security configuration parameters in MCPTT management object (MO)	13.0.1	13.1.0

Change history							
Date	Meeting	TDoc	CR	Rev	Cat	Subject/Comment	New version
2016-09	CT#73	CP-160565	0013	3	F	Correction for configuration parameters in MCPTT user profile management object (MO)	13.2.0
2016-09	CT#73	CP-160503	0014	1	F	Correction for group related parameters in MCPTT UE initial configuration management object (MO)	13.2.0
2016-09	CT#73	CP-160503	0015	1	F	Correction for security material parameter in MCPTT group configuration management object (MO)	13.2.0
2016-09	CT#73	CP-160503	0016		F	Correction for "MCPTTGroupPriorityHierarchy" value in MCPTT UE configuration management object (MO)	24.383 13.2.0
2016-12	CT#74					Change of spec number from 24.383 to 24.483 with wider scope and changed title	24.483 13.2.1
2016-12	CT#74	CP-160733	0018	1	F	Identity management endpoint UE initial configuration MO correction (24.383 CR)	13.3.0
2016-12	CT#74	CP-160733	0019	1	F	Correction for ProSe related configuration parameters (24.383 CR)	13.3.0
2016-12	CT#74	CP-160733	0020	3	F	Correction for MCPTT Private Call and Group Call in MCPTT user profile management (MO) (24.383 CR)	13.3.0
2016-12	CT#74	CP-160733	0021		F	Modify number of levels for priority hierarchy (24.383 CR)	13.3.0
2016-12	CT#74	CP-160733	0022	1	F	Identification of pre-selected MCPTT user profile in MCPTT user profile managed object. (24.383 CR)	13.3.0
2016-12	CT#74	CP-160734	0023	2	F	Off-network configuration parameter for queue (24.383 CR)	13.3.0
2017-03	CT#75	CP-170117	0001	2	F	Scope alignment with TS 24.483 title	13.4.0
2017-03	CT#75	CP-170117	0004		F	Corrections to upper limits	13.4.0
2017-03	CT#75	CP-170127	0002	1	F	Modifying references in TS 24.483 to cater for rel-14 Stage 2 and Stage 3 mission critical restructure	14.0.0
2017-03	CT#75	CP-170127	0003	1	F	Corrections and clean-up for 24.483	14.0.0
2017-03	CT#75	CP-170125	0005	1	B	MCPTT user profile MO modifications in support of private call call-back	14.0.0
2017-06	CT#76	CP-171080	0006		B	Updating general parts of TS 24.483 for MCDData, MCVideo and the initial configuration MO	14.1.0
2017-06	CT#76	CP-171080	0007	2	B	Modifications to the Group Configuration MO for MCDData and MCVideo	14.1.0
2017-06	CT#76	CP-171081	0008	1	B	MCVideo UE configuration MO	14.1.0
2017-06	CT#76	CP-171081	0009	2	B	MCVideo user profile configuration MO	14.1.0
2017-06	CT#76	CP-171081	0010		B	MCVideo service configuration MO	14.1.0
2017-06	CT#76	CP-171080	0011	2	B	MCDData UE configuration MO	14.1.0
2017-06	CT#76	CP-171080	0012	2	B	MCDData user profile configuration MO	14.1.0
2017-06	CT#76	CP-171080	0013	1	B	MCDData service configuration MO	14.1.0
2017-06	CT#76	CP-171114	0014	1	B	eMCPTT user profile MO updates	14.1.0
2017-06	CT#76	CP-171113	0016	1	A	AllowedFloorControlProtection configuration parameter	14.1.0
2017-06	CT#76	CP-171113	0018		A	QueueUsage configuration parameter	14.1.0
2017-06	CT#76	CP-171082	0019	1	F	Correction of User Aliases configuration parameter in the MCPTT user profile MO	14.1.0
2017-09	CT#77	CP-172101	0020	1	B	User profile MO additions for eMCPTT	14.2.0
2017-09	CT#77	CP-172096	0022	1	A	Clause 4 - Correction of occurrences of parameters	14.2.0
2017-09	CT#77	CP-172104	0025		F	Clause 6 - Correction of occurrences of parameters	14.2.0
2017-09	CT#77	CP-172102	0026	1	F	Clause 9 - Correction of occurrences of parameters	14.2.0
2017-09	CT#77	CP-172143	0028	2	F	Specify KMS-URI configuration for MCDATA in the MCDData User Profile Management Object.	14.2.0
2017-09	CT#77	CP-172144	0029	2	F	Clause 10 - Correction of names and formats of some parameters	14.2.0
2017-09	CT#77	CP-172104	0030		F	Clause 12 - Correction of occurrences of parameters	14.2.0
2017-09	CT#77	CP-172104	0031		F	Clause 13 - Correction of occurrences of parameters and their graphical representation	14.2.0
2017-09	CT#77	CP-172096	0032	2	A	Clause 8 – Inclusion of missing timer TFG14	14.2.0
2017-09	CT#77	CP-172096	0034	1	A	Include missing elements in MCPTT UE initial configuration MO	14.2.0
2017-09	CT#77	CP-172134	0037		F	DDF files for TS 24.483	14.2.0
2017-12	CT#78	CP-173066	0039	1	F	Off-network MCVideo configurations	14.3.0
2017-12	CT#78	CP-173073	0038	1	B	Authorisation parameters for remotely initiated calls - user profile MO	15.0.0
2018-03	CT#79	CP-180087	0040	1	B	User profile MO updates for functional alias	15.1.0
2018-03	CT#79	CP-180072	0042	1	A	User profile presentation priority	15.1.0
2018-06	CT#80	CP-181064	0043		F	Unique ID leaf node for enhanced status operational value	15.2.0
2018-09	CT#81	CP-182149	0045	2	B	Location of Talker	15.3.0
2018-09	CT#81	CP-182148	0046		B	Reception Priority	15.3.0
2019-03	CT#83	CP-190078	0051	1	A	Correction of MO counter names CFx11 and CFx12	15.4.0
2019-03	CT#83	CP-190078	0055	1	A	Remove T230 from TS 24.483	15.4.0
2019-03	CT#83	CP-190103	0048	2	F	24.483 Server URI and IP version additions	16.0.0
2019-03	CT#83	CP-190103	0052	1	F	Correction of Annex C and Annex E	16.0.0
2019-09	CT#85	CP-192066	0057	1	B	Restricting incoming private communications MO	16.1.0
2019-12	CT#86	CP-193110	0058	1	B	MO for limiting the number of emergency group calls for a specific functional alias	16.2.0

2019-12	CT#86	CP-193110	0059	1	B	Automatic activation and deactivation of functional aliases based on location	16.2.0
2019-12	CT#86	CP-193082	0063		A	Correction of single timer TFP2 mistakenly use for two different purposes	16.2.0
2019-12	CT#86	CP-193110	0065		B	List of MCPTT group members who did not acknowledge the group call request	16.2.0
2020-03	CT#87e	CP-200122	0064	3	B	Automatic group affiliation and deaffiliation based on location or functional alias	16.3.0
2020-03	CT#87e	CP-200115	0066	1	C	Included absolute URI associated with the media storage function of MCDData content server	16.3.0
2020-06	CT#88e	CP-201124	0067	1	B	IPConnectivity extension to include IP Information	16.4.0
2020-06	CT#88e	CP-201086	0071	1	A	Correction of unit values for T204 and T205	16.4.0
2020-06	CT#88e	CP-201124	0072	1	B	Add PointCoordinate, Speed, Heading nodes in 5.2.48W	16.4.0
2020-06	CT#88e	CP-201124	0073	1	D	Correct capitalisation in ListOfFunctionalaliases	16.4.0
2020-06	CT#88e	CP-201124	0074	1	B	MCDData FA (de)affiliation by location criteria MOs	16.4.0
2020-06	CT#88e	CP-201124	0075	1	B	MCDData Functional Alias by location criteria	16.4.0
2020-06	CT#88e	CP-201121	0076		F	Correction of node formats	16.4.0
2020-06	CT#88e	CP-201112	0077	1	B	Included the MessageStoreHostname element	16.4.0
2020-06	CT#88e	CP-201124	0078	1	F	Restricting incoming MCDData communications MO	16.4.0
2020-09	CT#89e	CP-202165	0081		F	MOs Corrections related to MONASTERY2 CRs implementation	16.5.0
2020-09	CT#89e	CP-202178	0080	1	B	Add PreconfiguredGroupUseOnly MO	17.0.0
2020-12	CT#90e	CP-203184	0086	2	F	Inclusion of Functional Alias related configurations for MCVideo service	17.1.0
2021-03	CT#91e	CP-210125	0088	1	B	MOs to restrict MCVideo private communications	17.2.0
2021-03	CT#91e	CP-210128	0089	2	F	Corrections to figures and text in clause 5 MCPTT user profile MO	17.2.0
2021-03	CT#91e	CP-210128	0090	1	F	Corrections, addition of missing reference, and editorials to clause 6 MCS group configuration MO	17.2.0
2021-03	CT#91e	CP-210128	0092	1	F	Corrections to clause 10 MCDData user profile MO	17.2.0
2021-03	CT#91e	CP-210128	0093	1	F	Corrections to clause 13 MCVideo user profile MO	17.2.0
2021-03	CT#91e	CP-210128	0094		D	Editorials to multiple Annexes A, B, and D	17.2.0
2021-03	CT#91e	CP-210125	0095	1	B	Call transfer for MCPTT private call, Management Object part	17.2.0
2021-03	CT#91e	CP-210126	0096	1	B	Management object for APN configuration	17.2.0
2021-03	CT#91e	CP-210128	0097		D	Errors in clause 8	17.2.0
2021-03	CT#91e	CP-210125	0098	1	B	MO update to support allowed FAs	17.2.0
2021-06	CT#92e	CP-211154	0099	1	B	MO for limiting the number of MCDData emergency groups per FA	17.3.0
2021-06	CT#92e	CP-211125	0103	2	A	Correct MCVideo MOs R17	17.3.0
2021-06	CT#92e	CP-211154	0104	1	B	Call forwarding for MCPTT private call, Management Object part	17.3.0
2021-06	CT#92e	CP-211125	0108		A	Clause 12: name of node indicating the maximum number of private calls	17.3.0
2021-06	CT#92e	CP-211126	0111		A	Invalid MCPTT user profile MO DDF	17.3.0
2021-06	CT#92e	CP-211132	0113	1	A	Occurrence "ThreeToFifteen" in MCPTT user profile MO	17.3.0
2021-06	CT#92e	CP-211132	0115	1	A	Occurrence "ThreeToFifteen" in MCDData user profile MO	17.3.0
2021-06	CT#92e	CP-211154	0116	1	F	Occurrence "ThreeToFifteen" in MCVideo user profile MO	17.3.0
2021-06	CT#92e	CP-211157	0117	1	F	MO representation rules and MOs alignment	17.3.0
2021-09	CT#93e	CP-212113	0123		A	MCPTT user profile MO: occurrence of the node "Common"	17.4.0
2021-09	CT#93e	CP-212115	0127		A	MCDData user profile MO: occurrence of the node "Common"	17.4.0
2021-09	CT#93e	CP-212115	0131		A	MCVideo user profile MO: occurrence of the node "Common"	17.4.0
2021-09	CT#93e	CP-212123	0133		A	Occurrence of the ManualDeactivationNotAllowedIfLocationCriteriaMet	17.4.0
2021-12	CT#94e	CP-213029	0136	1	B	Functional alias association with group – MO configurations	17.5.0
2021-12	CT#94e	CP-213061	0139	1	B	User control of communications storage into message store – MO configurations	17.5.0
2021-12	CT#94e	CP-213059	0142	1	B	MO Annex with 5GS/EPS terminology alignment	17.5.0
2022-03	CT#95e	C1-220679	0143	1	B	Add support for authorization to initiate/upgrd and cancel emgcy one-to-one comms.	17.6.0
2022-03	CT#95e	C1-220564	0145	1	B	The hostname of the MCDData notification server(s) configured in the MCDData service configuration – MO	17.6.0
2022-06	CT#96	CP-221227	0149	2	B	5G DN and S-NSSAI Config	17.7.0
2022-06	CT#96	CP-221193	0153	1	A	Group info and presentation priorities, MO	17.7.0
2022-06	CT#96	CP-221225	0154	1	B	Update MCVideo user profile MO to indicate allowed FAs	17.7.0
2022-06	CT#96	CP-221227	0155		B	5GS QoS aspects in MO configuration	17.7.0
2024-09	CT#105	CP-242208	0184	1	A	Correction of SDS to allow indication of text charset	17.8.0

---

# History

<b>Document history</b>		
V17.6.0	May 2022	Publication
V17.7.0	July 2022	Publication
V17.8.0	September 2024	Publication