

# ETSI TS 129 557 V19.2.0 (2026-01)



TECHNICAL SPECIFICATION

**5G;  
5G System;  
Application Function ProSe Service;  
Stage 3  
(3GPP TS 29.557 version 19.2.0 Release 19)**



---

**Reference**

RTS/TSGC-0329557vj20

---

**Keywords**

5G

**ETSI**

650 Route des Lucioles  
F-06921 Sophia Antipolis Cedex - FRANCE

---

Tel.: +33 4 92 94 42 00 Fax: +33 4 93 65 47 16

Siret N° 348 623 562 00017 - APE 7112B  
Association à but non lucratif enregistrée à la  
Sous-Préfecture de Grasse (06) N° w061004871

---

**Important notice**

The present document can be downloaded from the  
[ETSI Search & Browse Standards application](#).

The present document may be made available in electronic versions and/or in print. The content of any electronic and/or print versions of the present document shall not be modified without the prior written authorization of ETSI. In case of any existing or perceived difference in contents between such versions and/or in print, the prevailing version of an ETSI deliverable is the one made publicly available in PDF format on [ETSI deliver repository](#).

Users should be aware that the present document may be revised or have its status changed, this information is available in the [Milestones listing](#).

If you find errors in the present document, please send your comments to the relevant service listed under [Committee Support Staff](#).

If you find a security vulnerability in the present document, please report it through our [Coordinated Vulnerability Disclosure \(CVD\)](#) program.

---

**Notice of disclaimer & limitation of liability**

The information provided in the present deliverable is directed solely to professionals who have the appropriate degree of experience to understand and interpret its content in accordance with generally accepted engineering or other professional standard and applicable regulations.

No recommendation as to products and services or vendors is made or should be implied.

No representation or warranty is made that this deliverable is technically accurate or sufficient or conforms to any law and/or governmental rule and/or regulation and further, no representation or warranty is made of merchantability or fitness for any particular purpose or against infringement of intellectual property rights.

In no event shall ETSI be held liable for loss of profits or any other incidental or consequential damages.

Any software contained in this deliverable is provided "AS IS" with no warranties, express or implied, including but not limited to, the warranties of merchantability, fitness for a particular purpose and non-infringement of intellectual property rights and ETSI shall not be held liable in any event for any damages whatsoever (including, without limitation, damages for loss of profits, business interruption, loss of information, or any other pecuniary loss) arising out of or related to the use of or inability to use the software.

---

**Copyright Notification**

No part may be reproduced or utilized in any form or by any means, electronic or mechanical, including photocopying and microfilm except as authorized by written permission of ETSI.

The content of the PDF version shall not be modified without the written authorization of ETSI.

The copyright and the foregoing restriction extend to reproduction in all media.

© ETSI 2026.  
All rights reserved.

---

# Intellectual Property Rights

## Essential patents

IPRs essential or potentially essential to normative deliverables may have been declared to ETSI. The declarations pertaining to these essential IPRs, if any, are publicly available for **ETSI members and non-members**, and can be found in ETSI SR 000 314: "*Intellectual Property Rights (IPRs); Essential, or potentially Essential, IPRs notified to ETSI in respect of ETSI standards*", which is available from the ETSI Secretariat. Latest updates are available on the [ETSI IPR online database](#).

Pursuant to the ETSI Directives including the ETSI IPR Policy, no investigation regarding the essentiality of IPRs, including IPR searches, has been carried out by ETSI. No guarantee can be given as to the existence of other IPRs not referenced in ETSI SR 000 314 (or the updates on the ETSI Web server) which are, or may be, or may become, essential to the present document.

## Trademarks

The present document may include trademarks and/or tradenames which are asserted and/or registered by their owners. ETSI claims no ownership of these except for any which are indicated as being the property of ETSI, and conveys no right to use or reproduce any trademark and/or tradename. Mention of those trademarks in the present document does not constitute an endorsement by ETSI of products, services or organizations associated with those trademarks.

**DECT™**, **PLUGTESTS™**, **UMTS™** and the ETSI logo are trademarks of ETSI registered for the benefit of its Members. **3GPP™**, **LTE™** and **5G™** logo are trademarks of ETSI registered for the benefit of its Members and of the 3GPP Organizational Partners. **oneM2M™** logo is a trademark of ETSI registered for the benefit of its Members and of the oneM2M Partners. **GSM®** and the GSM logo are trademarks registered and owned by the GSM Association.

---

# Legal Notice

This Technical Specification (TS) has been produced by ETSI 3rd Generation Partnership Project (3GPP).

The present document may refer to technical specifications or reports using their 3GPP identities. These shall be interpreted as being references to the corresponding ETSI deliverables.

The cross reference between 3GPP and ETSI identities can be found at [3GPP to ETSI numbering cross-referencing](#).

---

# Modal verbs terminology

In the present document "**shall**", "**shall not**", "**should**", "**should not**", "**may**", "**need not**", "**will**", "**will not**", "**can**" and "**cannot**" are to be interpreted as described in clause 3.2 of the [ETSI Drafting Rules](#) (Verbal forms for the expression of provisions).

"**must**" and "**must not**" are **NOT** allowed in ETSI deliverables except when used in direct citation.

# Contents

Intellectual Property Rights .....	2
Legal Notice .....	2
Modal verbs terminology.....	2
Foreword.....	5
1 Scope .....	7
2 References .....	7
3 Definitions, symbols and abbreviations .....	8
3.1 Definitions .....	8
3.2 Symbols.....	8
3.3 Abbreviations .....	8
4 Overview .....	8
5 Naf_ProSe Service offered by the AF.....	9
5.1 Introduction .....	9
5.2 Naf_ProSe Service .....	9
5.2.1 Service Description.....	9
5.2.2 Service Operations.....	10
5.2.2.1 Introduction.....	10
5.2.2.2 DiscoveryAuthorization .....	10
5.2.2.2.1 General .....	10
5.2.2.2.2 Auth Request procedures using DiscoveryAuthorization service operation.....	10
5.2.2.2.3 Open 5G ProSe Direct Discovery (Model A) with application-controlled extension.....	11
5.2.2.2.4 Restricted 5G ProSe Direct Discovery (Model A) .....	12
5.2.2.2.5 Restricted 5G ProSe Direct Discovery (Model A) with application-controlled extension .....	13
5.2.2.2.6 Restricted 5G ProSe Direct Discovery (Model B).....	14
5.2.2.2.7 Restricted 5G ProSe Direct Discovery match report .....	15
5.2.2.3 DiscoveryAuthorizationUpdateNotify .....	15
5.2.2.3.1 General .....	15
5.2.2.4 DiscoveryAuthorizationResultUpdate.....	16
5.2.2.4.1 General .....	16
6 API Definitions .....	17
6.1 Naf_ProSe Service API.....	17
6.1.1 Introduction.....	17
6.1.2 Usage of HTTP.....	17
6.1.2.1 General .....	17
6.1.2.2 HTTP standard headers .....	17
6.1.2.2.1 General .....	17
6.1.2.2.2 Content type .....	17
6.1.2.3 HTTP custom headers .....	17
6.1.3 Resources.....	18
6.1.4 Custom Operations without associated resources .....	18
6.1.4.1 Overview.....	18
6.1.4.2 Operation: AuthorizeDiscovery .....	18
6.1.4.2.1 Description .....	18
6.1.4.2.2 Operation Definition.....	19
6.1.4.3 Operation: AuthorizationUpdateResult.....	20
6.1.4.3.1 Description .....	20
6.1.4.3.2 Operation Definition.....	20
6.1.5 Notifications .....	21
6.1.5.1 General .....	21
6.1.5.2 DiscoveryAuthorizationUpdateNotification .....	21
6.1.5.2.1 Description .....	21
6.1.5.2.2 Target URI.....	21

6.1.5.2.3	Standard Methods .....	21
6.1.5.2.3.1	POST .....	21
6.1.6	Data Model .....	22
6.1.6.1	General .....	22
6.1.6.2	Structured data types .....	24
6.1.6.2.1	Introduction .....	24
6.1.6.2.2	Type: AuthDisReqData .....	24
6.1.6.2.3	Type: AuthDisResData .....	25
6.1.6.2.4	Type: TargetData .....	25
6.1.6.2.5	Type: AuthUpdateData .....	26
6.1.6.2.6	Type: BannedAuthData .....	26
6.1.6.3	Simple data types and enumerations .....	26
6.1.6.3.1	Introduction .....	26
6.1.6.3.2	Simple data types .....	26
6.1.6.3.3	Enumeration: AuthRequestType .....	27
6.1.6.3.4	Enumeration: AuthResponseType .....	27
6.1.6.3.5	Enumeration: MetadataIndic .....	28
6.1.6.3.6	Enumeration: RevocationResult .....	28
6.1.6.4	Data types describing alternative data types or combinations of data types .....	29
6.1.6.5	Binary data .....	29
6.1.6.5.1	Binary Data Types .....	29
6.1.7	Error Handling .....	29
6.1.7.1	General .....	29
6.1.7.2	Protocol Errors .....	29
6.1.7.3	Application Errors .....	29
6.1.8	Feature negotiation .....	29
6.1.9	Security .....	30
<b>Annex A (normative): OpenAPI specification .....</b>		<b>31</b>
A.1	General .....	31
A.2	Naf_ProSe API .....	31
<b>Annex B (informative): Change history .....</b>		<b>37</b>
History .....		38

---

# Foreword

This Technical Specification has been produced by the 3rd Generation Partnership Project (3GPP).

The contents of the present document are subject to continuing work within the TSG and may change following formal TSG approval. Should the TSG modify the contents of the present document, it will be re-released by the TSG with an identifying change of release date and an increase in version number as follows:

Version x.y.z

where:

- x the first digit:
  - 1 presented to TSG for information;
  - 2 presented to TSG for approval;
  - 3 or greater indicates TSG approved document under change control.
- y the second digit is incremented for all changes of substance, i.e. technical enhancements, corrections, updates, etc.
- z the third digit is incremented when editorial only changes have been incorporated in the document.

In the present document, modal verbs have the following meanings:

- shall** indicates a mandatory requirement to do something
- shall not** indicates an interdiction (prohibition) to do something

The constructions "shall" and "shall not" are confined to the context of normative provisions, and do not appear in Technical Reports.

The constructions "must" and "must not" are not used as substitutes for "shall" and "shall not". Their use is avoided insofar as possible, and they are not used in a normative context except in a direct citation from an external, referenced, non-3GPP document, or so as to maintain continuity of style when extending or modifying the provisions of such a referenced document.

- should** indicates a recommendation to do something
- should not** indicates a recommendation not to do something
- may** indicates permission to do something
- need not** indicates permission not to do something

The construction "may not" is ambiguous and is not used in normative elements. The unambiguous constructions "might not" or "shall not" are used instead, depending upon the meaning intended.

- can** indicates that something is possible
- cannot** indicates that something is impossible

The constructions "can" and "cannot" are not substitutes for "may" and "need not".

- will** indicates that something is certain or expected to happen as a result of action taken by an agency the behaviour of which is outside the scope of the present document
- will not** indicates that something is certain or expected not to happen as a result of action taken by an agency the behaviour of which is outside the scope of the present document
- might** indicates a likelihood that something will happen as a result of action taken by some agency the behaviour of which is outside the scope of the present document

**might not** indicates a likelihood that something will not happen as a result of action taken by some agency the behaviour of which is outside the scope of the present document

In addition:

**is** (or any other verb in the indicative mood) indicates a statement of fact

**is not** (or any other negative verb in the indicative mood) indicates a statement of fact

The constructions "is" and "is not" do not indicate requirements.

---

# 1 Scope

The present document specifies the stage 3 protocol and data model for the Application Function ProSe Service of the 5G System. It provides stage 3 protocol definitions and message flows, and specifies the API for the Naf\_ProSe service.

The 5G System stage 2 architecture and procedures are specified in 3GPP TS 23.501 [2], 3GPP TS 23.502 [3] and 3GPP TS 23.304 [14].

The Technical Realization of the Service Based Architecture and the Principles and Guidelines for Services Definition are specified in 3GPP TS 29.500 [4] and 3GPP TS 29.501 [5].

The Application Function ProSe Service is provided by the Application Function (AF). This service supports 5G ProSe Direct Discovery authorization.

---

# 2 References

The following documents contain provisions which, through reference in this text, constitute provisions of the present document.

- References are either specific (identified by date of publication, edition number, version number, etc.) or non-specific.
- For a specific reference, subsequent revisions do not apply.
- For a non-specific reference, the latest version applies. In the case of a reference to a 3GPP document (including a GSM document), a non-specific reference implicitly refers to the latest version of that document *in the same Release as the present document*.

- [1] 3GPP TR 21.905: "Vocabulary for 3GPP Specifications".
- [2] 3GPP TS 23.501: "System Architecture for the 5G System; Stage 2".
- [3] 3GPP TS 23.502: "Procedures for the 5G System; Stage 2".
- [4] 3GPP TS 29.500: "5G System; Technical Realization of Service Based Architecture; Stage 3".
- [5] 3GPP TS 29.501: "5G System; Principles and Guidelines for Services Definition; Stage 3".
- [6] OpenAPI: "OpenAPI Specification Version 3.0.0", <https://spec.openapis.org/oas/v3.0.0>.
- [7] 3GPP TR 21.900: "Technical Specification Group working methods".
- [8] 3GPP TS 33.501: "Security architecture and procedures for 5G system".
- [9] IETF RFC 6749: "The OAuth 2.0 Authorization Framework".
- [10] 3GPP TS 29.510: "5G System; Network Function Repository Services; Stage 3".
- [11] IETF RFC 9113: "HTTP/2".
- [12] IETF RFC 8259: "The JavaScript Object Notation (JSON) Data Interchange Format".
- [13] IETF RFC 9457: "Problem Details for HTTP APIs".
- [14] 3GPP TS 23.304: "Proximity based Services (ProSe) in the 5G System (5GS); Stage 2".
- [15] 3GPP TS 23.303: "Proximity-based services (ProSe); Stage 2".
- [16] 3GPP TS 29.555: "5G System; 5G Direct Discovery Name Management Services; Stage 3".
- [17] IETF RFC 7396: "JSON Merge Patch".
- [18] 3GPP TS 29.571: "5G System; Common Data Types for Service Based Interfaces; Stage 3".

## 3 Definitions, symbols and abbreviations

### 3.1 Definitions

For the purposes of the present document, the terms and definitions given in 3GPP TR 21.905 [1] and the following apply. A term defined in the present document takes precedence over the definition of the same term, if any, in 3GPP TR 21.905 [1].

### 3.2 Symbols

Void.

### 3.3 Abbreviations

For the purposes of the present document, the abbreviations given in 3GPP TR 21.905 [1] and the following apply. An abbreviation defined in the present document takes precedence over the definition of the same abbreviation, if any, in 3GPP TR 21.905 [1].

5G DDNMF	5G Direct Discovery Name Management Function
5G ProSe	5G Proximity-based Services
RPAUID	Restricted ProSe Application User ID
PDUID	ProSe Discovery UE ID

## 4 Overview

The Application Function ProSe (Naf\_ProSe) Service, as defined in clause 7.2.2 of 3GPP TS 23.304 [14], is provided by the Application Function (AF) which owns the functionality of ProSe Application Server.

Figure 4-1 and figure 4-2 provide the reference architecture (in service-based interface representation and reference point representation), with focus on the ProSe Service of the Application Function.

The Naf\_ProSe Service is part of the Naf service-based interface exhibited by the AF. The service is provided by the AF and consumed by NF service consumers (e.g., 5G DDNMF), as shown in figure 4-1 for the SBI representation and figure 4-2 for the reference point model.

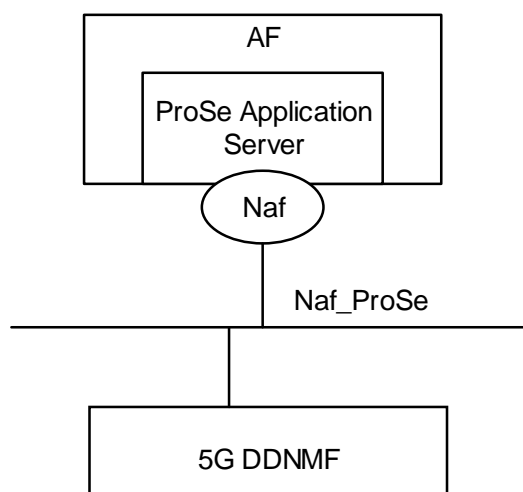


Figure 4-1: Naf\_ProSe Service architecture, SBI representation

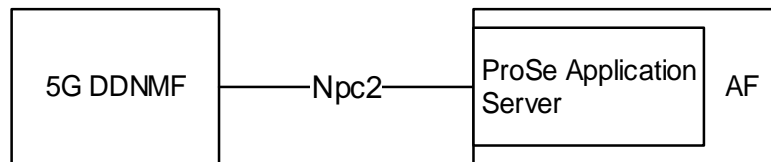


Figure 4-2: Naf\_ProSe Service architecture, reference point representation

## 5 Naf\_ProSe Service offered by the AF

### 5.1 Introduction

Table 5.1-1 shows the Application Function ProSe Services and the corresponding Service Operations.

Table 5.1-1: Application Function ProSe Services

Service Name	Service Operations	Operation Semantics	Example Consumer(s)
Naf_ProSe	DiscoveryAuthorization	Request/Response	5G DDNMF
	DiscoveryAuthorizationUpdateNotify	Subscribe/Notify	5G DDNMF
	DiscoveryAuthorizationResultUpdate	Request/Response	5G DDNMF

Table 5.1-2 summarizes the corresponding APIs defined in this specification.

Table 5.1-2: API Descriptions

Service Name	Clause	Description	OpenAPI Specification File	apiName	Annex
Naf_ProSe	6.1	Application Function ProSe Service	TS29557_Naf_ProSe	naf-prose	A.2

### 5.2 Naf\_ProSe Service

#### 5.2.1 Service Description

The Naf\_ProSe Service enables NF service consumers (e.g., 5G DDNMF) to request authorization for a UE of a 5G ProSe Discovery request.

This service hence supports the following functionalities:

- mapping of RPAUID and PDUID and authentication of the RPAUID(s) for restricted 5G ProSe Direct Discovery;
- allocation of a ProSe Application Code Suffix pool, if open 5G ProSe Direct Discovery with application-controlled extension is used;
- allocation of mask(s) for the ProSe Application Code Suffix(es), if open 5G ProSe Direct Discovery with application-controlled extension is used;
- allocation of a ProSe Restricted Code Suffix pool, if restricted 5G ProSe Direct Discovery with application-controlled extension is used;
- allocation of mask(s) for ProSe Restricted Code Suffix, if restricted 5G ProSe Direct Discovery with application-controlled extension is used; and

- update of authorization information to revoke Restricted ProSe Direct Discovery permission(s).

## 5.2.2 Service Operations

### 5.2.2.1 Introduction

The service operations defined for the Naf\_ProSe Service are as follows:

- **DiscoveryAuthorization**: It allows a NF service consumer (e.g. 5G DDNMF) to request the authorization for a UE of a 5G ProSe Direct Discovery request.
- **DiscoveryAuthorizationUpdateNotify**: It allows an AF to update the authorization information to revoke discovery permissions related to some other users at the NF service consumer for Restricted ProSe Direct Discovery.
- **DiscoveryAuthorizationResultUpdate**: It allows a NF service consumer (e.g. 5G DDNMF) to inform the AF of the revocation result associated to the update of authorization information for Restricted ProSe Direct Discovery.

### 5.2.2.2 DiscoveryAuthorization

#### 5.2.2.2.1 General

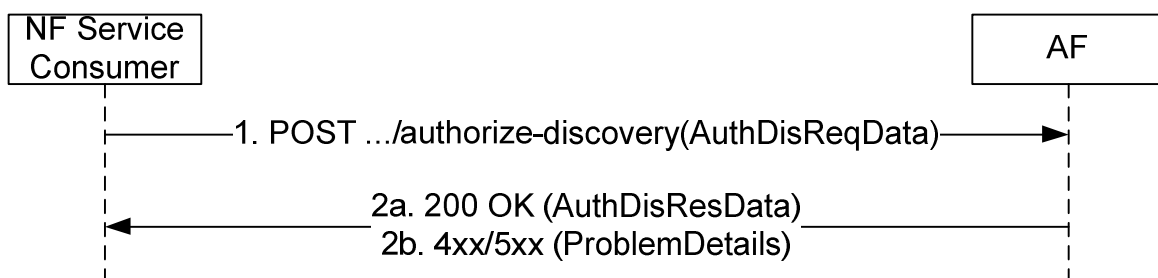
The DiscoveryAuthorization service operation is used by a NF service consumer (e.g. 5G DDNMF) to obtain the authorization for a UE of a 5G ProSe Direct Discovery request, i.e. detect and identify other UEs in proximity using NR radio signals.

The following procedures are supported using the DiscoveryAuthorization Service Operation:

- Auth Request procedures (see clause 6.3 of 3GPP TS 23.304 [14], and clause 5.3 of 3GPP TS 23.303 [15]).

#### 5.2.2.2.2 Auth Request procedures using DiscoveryAuthorization service operation

These procedures are invoked by a NF service consumer (e.g., HPLMN 5G DDNMF) towards an AF to request the authorization for a UE to perform 5G ProSe Direct Discovery.



**Figure 5.2.2.2.2-1: Authorization of Discovery Request for a UE**

1. In order to request the authorization for a UE of a 5G ProSe Direct Discovery request, the NF service consumer shall send an HTTP POST request with the request URI set to "{apiRoot}/naf-prose/<apiVersion>/authorize-discovery" and the request body containing the AuthDisReqData data structure, as described in figure 5.2.2.2.2-1.

The AuthDisReqData data structure shall contain the authorization request type related to the received 5G ProSe Direct Discovery request within the "authRequestType" attribute. The remaining content of the AuthDisReqData data structure differs according to the following cases, as defined in clauses 5.2.2.2.3, 5.2.2.2.4, 5.2.2.2.5, 5.2.2.2.6 and 5.2.2.2.7:

- Open 5G ProSe Direct Discovery request with application-controlled extension initiated by an announcing UE (see clause 5.3.3 of 3GPP TS 23.303 [15]). This is defined in clause 5.2.2.2.3.

- Open 5G ProSe Direct Discovery request with application-controlled extension initiated by a monitoring UE (see clause 5.3.3 of 3GPP TS 23.303 [15]). This is defined in clause 5.2.2.2.3.
  - Restricted 5G ProSe Direct Discovery request initiated by an announcing UE (see clause 5.3.3 of 3GPP TS 23.303 [15]). This is defined in clause 5.2.2.2.4.
  - Restricted 5G ProSe Direct Discovery request with application-controlled extension initiated by an announcing UE (see clause 5.3.3 of 3GPP TS 23.303 [15]). This is defined in clause 5.2.2.2.5.
  - Restricted 5G ProSe Direct Discovery request initiated by a monitoring UE (see clause 5.3.3 of 3GPP TS 23.303 [15]). This is defined in clause 5.2.2.2.4.
  - Restricted 5G ProSe Direct Discovery request with application-controlled extension initiated by a monitoring UE (see clause 5.3.3 of 3GPP TS 23.303 [15]). This is defined in clause 5.2.2.2.5.
  - Restricted 5G ProSe Direct Discovery request initiated by a discoveree UE (see clause 5.3.3A of 3GPP TS 23.303 [15]). This is defined in clause 5.2.2.2.6.
  - Restricted 5G ProSe Direct Discovery request initiated by a discoverer UE (see clause 5.3.3A of 3GPP TS 23.303 [15]). This is defined in clause 5.2.2.2.7.
  - Restricted 5G ProSe Direct Discovery match report (see clauses 5.3.4 and 5.3.4A of 3GPP TS 23.303 [15]). This is defined in clause 5.2.2.2.3.
- 2a On success, a response with HTTP "200 OK" status code shall be returned. The response body shall contain the parameters related to the 5G ProSe Direct Discovery authorization response data within the AuthDisResData data structure. The content of the AuthDisResData data structure also differs according to the above listed cases in step 1, as defined in clauses 5.2.2.2.3, 5.2.2.2.4, 5.2.2.2.5, 5.2.2.2.6 and 5.2.2.2.7.
- 2b On failure, one of the HTTP status codes listed in table 6.1.4.2.2-2 may be returned. For a 4xx/5xx response, the message body may contain a ProblemDetails structure with the "cause" attribute set to one of the application errors listed in table 6.1.7.3-1.

### 5.2.2.2.3 Open 5G ProSe Direct Discovery (Model A) with application-controlled extension

When Open 5G ProSe Direct Discovery (Model A) with application-controlled extension is used, the NF service consumer (e.g., 5G DDNMF) shall provide the following attributes within the AuthDisReqData data structure, as specified in clause 6.3 of 3GPP TS 23.304 [14] and clauses 5.3.3.2, 5.3.3.3, 5.3.3.4 and 5.3.3.5 of 3GPP TS 23.303 [15]:

- When the 5G ProSe Direct Discovery request is initiated by an announcing UE:
  - the ProSe Application ID within the "proseAppId" attribute, indicating what the UE is interested to announce;
  - the allowed number of suffixes within the "allowedSuffixNum" attribute, indicating how many ProSe Application Code Suffixes the ProSe Application Server can assign for the UE;
  - the application level container within the "appLevelContainer" attribute, containing the request and any relevant information for the 5G ProSe AF to assign a (set of) ProSe Application Code Suffix(es); and
  - the authorization request type set to "OPEN\_DISCOVERY\_EXTENSION\_ANNOUNCE" within the "authRequestType" attribute.
- When the 5G ProSe Direct Discovery request is initiated by a monitoring UE:
  - the ProSe Application ID(s) within the "proseAppId" attribute, indicating what the UE is interested to monitor;
  - the application level container within the "appLevelContainer" attribute, containing the request and information corresponding to the ProSe Application Code Suffix; and
  - the authorization request type set to "OPEN\_DISCOVERY\_EXTENSION\_MONITOR" within the "authRequestType" attribute.

If the processing of the request is successful, the 5G ProSe AF shall provide the following attributes within the AuthDisResData data structure, also as specified in clause 6.3 of 3GPP TS 23.304 [14] and clauses 5.3.3.2, 5.3.3.3, 5.3.3.4 and 5.3.3.5 of 3GPP TS 23.303 [15]:

- When the 5G ProSe Direct Discovery request is initiated by an announcing UE:
  - the ProSe Application Code Suffix Pool within the "proseAppCodeSuffixPool" attribute, containing the Suffix(es) allocated by the 5G ProSe AF based on the inputs provided by the NF service consumer (e.g. 5G DDNMF) in the associated request; and
  - the authorization response type set to "OPEN\_DISCOVERY\_EXTENSION\_ANNOUNCE\_ACK" within the "authResponseType" attribute.
- When the 5G ProSe Direct Discovery request is initiated by a monitoring UE:
  - the mask(s) for the ProSe Application Code Suffix(es) within the "proseAppMasks" attribute, corresponding to ProSe Application ID provided by the NF service consumer (e.g. 5G DDNMF) in the related request; and
  - the authorization response type set to "OPEN\_DISCOVERY\_EXTENSION\_MONITOR\_ACK" within the "authResponseType" attribute.

#### 5.2.2.2.4 Restricted 5G ProSe Direct Discovery (Model A)

When Restricted 5G ProSe Direct Discovery (Model A) is used, the NF service consumer (e.g., 5G DDNMF) shall provide the following attributes within the AuthDisReqData data structure, as specified in clause 6.3 of 3GPP TS 23.304 [14] and clauses 5.3.3.2A, 5.3.3.3A, 5.3.3.4A and 5.3.3.5A of 3GPP TS 23.303 [15]:

- When the 5G ProSe Direct Discovery request is initiated by an announcing UE:
  - the RPAUID within the "rpauid" attribute, indicating what the UE is interested to announce; and
  - the authorization request type set to "RESTRICTED\_DISCOVERY\_ANNOUNCE" within the "authRequestType" attribute.
- When the 5G ProSe Direct Discovery request is initiated by a monitoring UE:
  - the authorization request type set to either "RESTRICTED\_DISCOVERY\_MONITOR" or "RESTRICTED\_DISCOVERY\_PERMISSION" within the "authRequestType" attribute; and
  - if the authorization request type is set to "RESTRICTED\_DISCOVERY\_MONITOR":
    - the RPAUID within the "rpauid" attribute, indicating the identity that the UE uses to obtain the permission to monitor; and
    - the application level container within the "appLevelContainer" attribute, containing the Target RPAUID(s) indicating what the UE is interested to monitor;

otherwise,

- if the authorization request type is set to "RESTRICTED\_DISCOVERY\_PERMISSION":
  - the RPAUID within the "rpauid" attribute, indicating the identity that the UE uses to obtain the permission to monitor; and
  - the target RPAUID within the "targetRpauid" attribute, containing the Target RPAUID.

If the processing of the request is successful, the 5G ProSe AF shall provide the following attributes within the AuthDisResData data structure, also as specified in clause 6.3 of 3GPP TS 23.304 [14] and clauses 5.3.3.2A, 5.3.3.3A, 5.3.3.4A and 5.3.3.5A of 3GPP TS 23.303 [15]:

- When the 5G ProSe Direct Discovery request is initiated by an announcing UE:
  - the PDUID(s) within the "pduids" attribute, containing the PDUID(s) corresponding to the provided RPAUID; and

- the authorization response type set to "RESTRICTED\_DISCOVERY\_ANNOUNCE\_ACK" within the "authResponseType" attribute.
- When the 5G ProSe Direct Discovery request is initiated by a monitoring UE:
  - the authorization response type set to either "RESTRICTED\_DISCOVERY\_MONITOR\_ACK" or "RESTRICTED\_DISCOVERY\_PERMISSION\_ACK" within the "authResponseType" attribute; and
  - if the authorization response type is set to "RESTRICTED\_DISCOVERY\_MONITOR\_ACK":
    - the PDUID within the "pduids" attribute, containing the PDUID corresponding to the provided RPAUID;
    - a response application level container within the "appLevelContainer" attribute, containing the successfully authenticated Target RPAUID(s); and
    - N sets of Target PDUID - Target RPAUID - Metadata Indicator within the "targetDataSet" attribute, containing N sets of Target PDUID - Target RPAUID - Metadata Indicator (Each Target PDUID is returned with the corresponding Target RPAUID(s) that the RPAUID is allowed to discover);

NOTE: The Metadata Indicator is optional. It indicates whether there is metadata associated with the RPAUID, and if so, whether updating this metadata is allowed.

otherwise,

- if the authorization response type is set to "RESTRICTED\_DISCOVERY\_PERMISSION\_ACK":
  - the target PDUID within the "targetPduid" attribute, containing the Target PDUID.

#### 5.2.2.2.5 Restricted 5G ProSe Direct Discovery (Model A) with application-controlled extension

When Restricted 5G ProSe Direct Discovery (Model A) is used, the NF service consumer (e.g., 5G DDNMF) shall provide the following attributes within the AuthDisReqData data structure, as specified in clause 6.3 of 3GPP TS 23.304 [14] and clauses 5.3.3.2A, 5.3.3.3A, 5.3.3.4A and 5.3.3.5A of 3GPP TS 23.303 [15]:

- When the 5G ProSe Direct Discovery request is initiated by an announcing UE:
  - the RPAUID within the "rpaid" attribute, indicating what the UE is interested to announce;
  - the allowed number of suffixes within the "allowedSuffixNum" attribute, indicating how many ProSe Restricted Code Suffixes the ProSe Application Server can assign for the UE; and
  - the authorization request type set to "RESTRICTED\_DISCOVERY\_EXTENSION\_ANNOUNCE" within the "authRequestType" attribute.
- When the 5G ProSe Direct Discovery request is initiated by a monitoring UE:
  - the RPAUID within the "rpaid" attribute, indicating the identity that the UE uses to obtain the permission to monitor;
  - the application level container within the "appLevelContainer" attribute, containing the Target RPAUID(s) indicating what the UE is interested to monitor; and
  - the authorization request type set to "RESTRICTED\_DISCOVERY\_EXTENSION\_MONITOR" within the "authRequestType" attribute.

If the processing of the request is successful, the 5G ProSe AF shall provide the following attributes within the AuthDisResData data structure, also as specified in clause 6.3 of 3GPP TS 23.304 [14] and clauses 5.3.3.2A, 5.3.3.3A, 5.3.3.4A and 5.3.3.5A of 3GPP TS 23.303 [15]:

- When the 5G ProSe Direct Discovery request is initiated by an announcing UE:
  - the PDUID(s) within the "pduids" attribute, containing the PDUID(s) corresponding to the provided RPAUID;

- the ProSe Restricted Code Suffix Pool within the "restrictedCodeSuffixPool" attribute, containing the Suffix(es) allocated by the 5G ProSe AF based on the inputs provided by the NF service consumer (e.g. 5G DDNMF) in the associated request; and
- the authorization response type set to "RESTRICTED\_DISCOVERY\_EXTENSION\_ANNOUNCE\_ACK" within the "authResponseType" attribute.
- When the 5G ProSe Direct Discovery request is initiated by a monitoring UE:
  - the PDUID within the "pduids" attribute, containing the PDUID corresponding to the provided RPAUID;
  - a response application level container within the "appLevelContainer" attribute, containing the successfully authenticated Target RPAUID(s);
  - N sets of Target PDUID - Target RPAUID - Metadata Indicator within the "targetDataSet" attribute, containing N sets of Target PDUID - Target RPAUID - Metadata Indicator (Each Target PDUID is returned with the corresponding Target RPAUID(s) that the RPAUID is allowed to discover); and

NOTE: The Metadata Indicator is optional. It indicates whether there is metadata associated with the RPAUID, and if so, whether updating this metadata is allowed.

- the authorization response type set to "RESTRICTED\_DISCOVERY\_EXTENSION\_MONITOR\_ACK" within the "authResponseType" attribute.

The AuthDisResData data structure may also include in this case:

- the mask(s) for the ProSe Restricted Code Suffix(es) within the "proSeRestrictedMasks" attribute, corresponding to each of the provided Target RPAUID(s).

#### 5.2.2.2.6 Restricted 5G ProSe Direct Discovery (Model B)

When Restricted 5G ProSe Direct Discovery (Model B) is used, the NF service consumer (e.g. 5G DDNMF) shall provide the following attributes within the AuthDisReqData data structure, as specified in clause 6.3 of 3GPP TS 23.304 [14] and clauses 5.3.3A.2, 5.3.3A.3, 5.3.3A.4 and 5.3.3A.5 of 3GPP TS 23.303 [15]:

- When the 5G ProSe Direct Discovery request is initiated by a discoveree UE:
  - the RPAUID within the "rpaid" attribute, indicating what the UE is interested to announce; and
  - the authorization request type set to "RESTRICTED\_DISCOVERY\_RESPONSE" within the "authRequestType" attribute.
- When the 5G ProSe Direct Discovery request is initiated by a discoverer UE:
  - the RPAUID within the "rpaid" attribute, indicating the identity that the UE uses to obtain the permission to discover;
  - either:
    - the application level container within the "appLevelContainer" attribute (e.g. if the NF service consumer is the HPLMN 5G DDNMF), containing the Target RPAUID(s) indicating what the UE is interested to discover; or
    - the target RPAUID within the "targetRpaid" attribute (if the NF service consumer is a 5G DDNMF located in another PLMN), containing the Target RPAUID;

and

- the authorization request type set to "RESTRICTED\_DISCOVERY\_QUERY" within the "authRequestType" attribute.

If the processing of the request is successful, the 5G ProSe AF shall provide the following attributes within the AuthDisResData data structure, also as specified in clause 6.3 of 3GPP TS 23.304 [14] and clauses 5.3.3A.2, 5.3.3A.3, 5.3.3A.4 and 5.3.3A.5 of 3GPP TS 23.303 [15]:

- When the 5G ProSe Direct Discovery request is initiated by a discoveree UE:

- the PDUID(s) within the "pduids" attribute, containing the PDUID(s) corresponding to the provided RPAUID; and
- the authorization response type set to "RESTRICTED\_DISCOVERY\_RESPONSE\_ACK" within the "authResponseType" attribute.
- When the 5G ProSe Direct Discovery request is initiated by a discoverer UE:
  - the PDUID within the "pduids" attribute, containing the PDUID corresponding to the provided RPAUID;
  - either:
    - N sets of Target PDUID - Target RPAUID within the "targetDataSet" attribute (e.g. if the NF service consumer is the HPLMN 5G DDNMF and an application level container was received in the associated request), containing N sets of Target PDUID - Target RPAUID (Each Target PDUID is returned with the corresponding Target RPAUID(s) that the RPAUID is allowed to discover); or
    - the target PDUID within the "targetPduid" attribute (if the NF service consumer is a 5G DDNMF located in another PLMN and only one target RPAUID was received in the associated request), containing the Target PDUID;

and

- the authorization response type set to "RESTRICTED\_DISCOVERY\_QUERY\_ACK" within the "authResponseType" attribute.

#### 5.2.2.2.7 Restricted 5G ProSe Direct Discovery match report

For a Restricted 5G ProSe Direct Discovery match report, the NF service consumer (e.g., 5G DDNMF) shall provide the following attributes within the AuthDisReqData data structure, as specified in clause 6.3 of 3GPP TS 23.304 [14] and clauses 5.3.4.1A, 5.3.4.2A, 5.3.4A.1 and 5.3.4A.2 of 3GPP TS 23.303 [15]:

- the RPAUID within the "rpauid" attribute, indicating what the UE is interested to announce;
- the target RPAUID within the "targetRpauid" attribute (if the NF service consumer is a 5G DDNMF located in another PLMN), containing the Target RPAUID; and
- the authorization request type set to "RESTRICTED\_DISCOVERY\_MATCH" within the "authRequestType" attribute.

If the processing of the request is successful, the 5G ProSe AF shall provide the following attributes within the AuthDisResData data structure, also as specified in clause 6.3 of 3GPP TS 23.304 [14] and clauses 5.3.4.1A, 5.3.4.2A, 5.3.4A.1 and 5.3.4A.2 of 3GPP TS 23.303 [15]:

- the PDUID within the "pduids" attribute, containing the PDUID corresponding to the provided RPAUID;
- the target PDUID within the "targetPduid" attribute, containing the Target PDUID;
- the metadata within the "metaData" attribute, corresponding to the Target PDUID; and
- the authorization response type set to "RESTRICTED\_DISCOVERY\_MATCH\_ACK" within the "authResponseType" attribute.

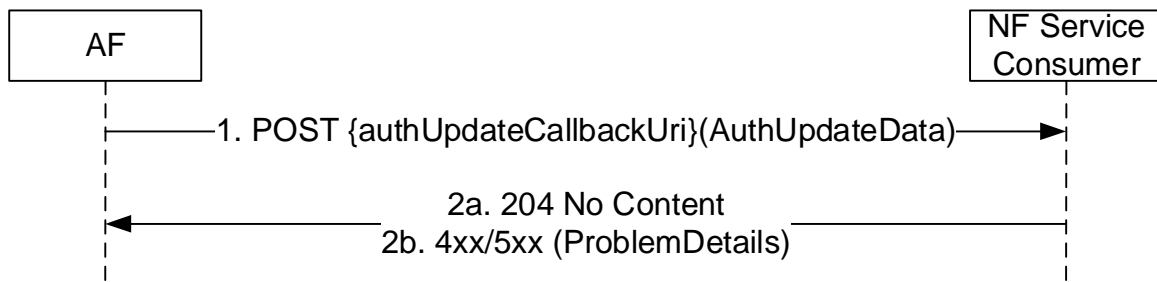
#### 5.2.2.3 DiscoveryAuthorizationUpdateNotify

##### 5.2.2.3.1 General

The DiscoveryAuthorizationUpdateNotify service operation is used by an AF to update the authorization information to revoke discovery permissions relating to some other users at the NF service consumer (e.g., 5G DDNMF) for Restricted ProSe Direct Discovery. See Figure 5.2.2.3.1-1.

The following procedures are supported using the DiscoveryAuthorizationUpdateNotify Service Operation:

- Auth Update procedures (see 3GPP TS 23.303 [15], clause 5.3.6A.2).



**Figure 5.2.2.3.1-1: DiscoveryAuthorizationUpdate Notification**

1. The AF shall send an HTTP POST request to the callback URI of the NF consumer (e.g. 5G DDNMF). The request body shall contain the AuthUpdateData data structure.

The callback URI is provided to the AF during the Auth Request procedures defined in clause 5.2.2.2.

- 2a. On success, a response with an HTTP "204 No content" status code shall be returned by the NF service consumer.
- 2b. On failure, one of the HTTP status codes listed in Table 6.1.5.2.3.1-2 may be returned. For a 4xx/5xx response, the message body may contain a ProblemDetails data structure with the "cause" attribute set to one of the application errors listed in Table 6.1.5.2.3.1-2.

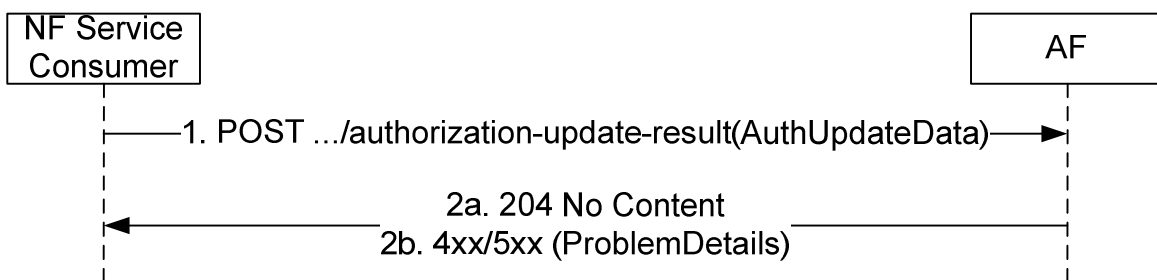
## 5.2.2.4 DiscoveryAuthorizationResultUpdate

### 5.2.2.4.1 General

The DiscoveryAuthorizationResultUpdate service operation is used by a NF service consumer (e.g., 5G DDNMF) to inform the AF of the result of the revocation request to update the authorization information for Restricted ProSe Direct Discovery. See Figure 5.2.2.4.1-1.

The following procedures are supported using the DiscoveryAuthorizationResultUpdate Service Operation:

- Auth Update Result procedures (see 3GPP TS 23.303 [15], clause 5.3.6A.2).



**Figure 5.2.2.4.1-1: DiscoveryAuthorizationResultUpdate Request/Response**

1. In order to inform the AF of the result of the revocation related to discovery authorization update, the NF service consumer shall send an HTTP POST request with the request URI set to "{apiRoot}/naf-prose/<apiVersion>/authorize-update-result" and the request body containing the AuthUpdateData data structure, as described in figure 5.2.2.4.1-1.
- 2a On success, a response with an HTTP "204 No Content" status code shall be returned by the AF.
- 2b On failure, one of the HTTP status codes listed in Table 6.1.4.3.2-2 may be returned. For a 4xx/5xx response, the message body may contain a ProblemDetails structure with the "cause" attribute set to one of the application errors listed in Table 6.1.4.3.2-2.

---

## 6 API Definitions

### 6.1 Naf\_ProSe Service API

#### 6.1.1 Introduction

The Naf\_ProSe shall use the Naf\_ProSe API.

The API URI of the Naf\_ProSe API shall be:

**{apiRoot}/<apiName>/<apiVersion>**

The request URIs used in HTTP requests shall have the Resource URI structure defined in clause 4.4.1 of 3GPP TS 29.501 [5], i.e.:

**{apiRoot}/<apiName>/<apiVersion>/<apiSpecificResourceUriPart>**

with the following components:

- The {apiRoot} shall be set as described in 3GPP TS 29.501 [5].
- The <apiName> shall be "naf-prose".
- The <apiVersion> shall be "v1".
- The <apiSpecificResourceUriPart> shall be set as described in clause 6.1.3.

#### 6.1.2 Usage of HTTP

##### 6.1.2.1 General

HTTP/2, IETF RFC 9113 [11], shall be used as specified in clause 5 of 3GPP TS 29.500 [4].

HTTP/2 shall be transported as specified in clause 5.3 of 3GPP TS 29.500 [4].

The OpenAPI [6] specification of HTTP messages and content bodies for the Naf\_ProSe API is contained in Annex A.2.

##### 6.1.2.2 HTTP standard headers

###### 6.1.2.2.1 General

See clause 5.2.2 of 3GPP TS 29.500 [4] for the usage of HTTP standard headers.

###### 6.1.2.2.2 Content type

JSON, IETF RFC 8259 [12], shall be used as content type of the HTTP bodies specified in the present specification as specified in clause 5.4 of 3GPP TS 29.500 [4]. The use of the JSON format shall be signalled by the content type "application/json".

"Problem Details" JSON object shall be used to indicate additional details of the error in a HTTP response body and shall be signalled by the content type "application/problem+json", as defined in IETF RFC 9457 [13].

JSON Merge Patch, as defined in IETF RFC 7396 [17], signalled by the content type "application/merge-patch+json".

##### 6.1.2.3 HTTP custom headers

The mandatory HTTP custom header fields specified in clause 5.2.3.2 of 3GPP TS 29.500 [4] shall be supported, and the optional HTTP custom header fields specified in clause 5.2.3.3 of 3GPP TS 29.500 [4] may be supported.

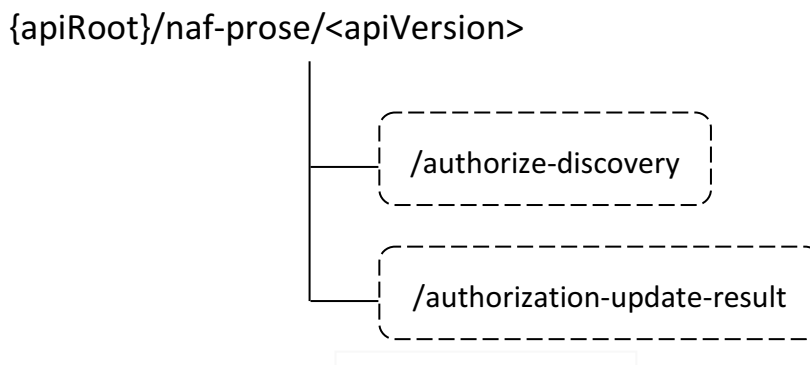
### 6.1.3 Resources

There are no resource defined for this API in this release of this specification.

### 6.1.4 Custom Operations without associated resources

#### 6.1.4.1 Overview

The structure of the custom operation URIs of the Naf\_ProSe Service is shown in figure 6.1.4.1-1.



**Figure 6.1.4.1-1: Custom operation URI structure of the Naf\_ProSe API**

Table 6.1.4.1-1 provides an overview of the custom operations and applicable HTTP methods.

**Table 6.1.4.1-1: Custom operations**

Custom operation name	Custom operation URI	Mapped HTTP method	Description
AuthorizeDiscovery	/authorize-discovery	POST	Enables a service consumer to request to obtain the authorization for a 5G ProSe Discovery Request for a UE from the 5G DDNMF.
AuthorizationUpdateResult	/authorization-update-result	POST	Enables a service consumer to request to inform the AF of the result of the revocation request to update the authorization information.

The custom operations shall support the URI variables defined in table 6.1.4.1-2.

**Table 6.1.4.1-2: URI variables for this custom operation**

Name	Data type	Definition
apiRoot	string	See clause 6.1.1.

#### 6.1.4.2 Operation: AuthorizeDiscovery

##### 6.1.4.2.1 Description

The custom operation enables a service consumer to request to obtain the authorization for a 5G ProSe Discovery Request for a UE from the 5G DDNMF.

## 6.1.4.2.2 Operation Definition

This operation shall support request data structures specified in table 6.1.4.2.2-1 and response data structures specified in table 6.1.4.2.2-2.

**Table 6.1.4.2.2-1: Data structures supported by the POST Request Body on this resource**

Data type	P	Cardinality	Description
AuthDisReqData	M	1	Contains the request data to obtain the authorization for a UE of a 5G ProSe Discovery Request.

**Table 6.1.4.2.2-2: Data structures supported by the POST Response Body on this resource**

Data type	P	Cardinality	Response codes	Description
AuthDisResData	M	1	200 OK	Contains the response data for the authorization of a 5G ProSe Direct Discovery Request for a UE.
RedirectResponse	O	0..1	307 Temporary Redirect	Temporary redirection. (NOTE 3)
RedirectResponse	O	0..1	308 Permanent Redirect	Permanent redirection. (NOTE 3)
ProblemDetails	O	0..1	403 Forbidden	(NOTE 2)

NOTE 1: The mandatory HTTP error status code for the POST method listed in table 5.2.7.1-1 of 3GPP TS 29.500 [4] also apply.

NOTE 2: Failure cases are described in clause 6.1.7.3.

NOTE 3: The RedirectResponse data structure may be provided by an SCP (cf. clause 6.10.9.1 of 3GPP TS 29.500 [4]).

**Table 6.1.4.2.2-3: Headers supported by the 307 Response Code on this resource**

Name	Data type	P	Cardinality	Description
Location	string	M	1	Contains an alternative target URI of the resource custom operation located in an alternative AF (service) instance towards which the request is redirected.  For the case where the request is redirected to the same target via a different SCP, refer to clause 6.10.9.1 of 3GPP TS 29.500 [4].
3gpp-Sbi-Target-Nf-Id	string	O	0..1	Contains the identifier of the target AF (service) instance towards which the request should be redirected.

**Table 6.1.4.2.2-4: Headers supported by the 308 Response Code on this resource**

Name	Data type	P	Cardinality	Description
Location	string	M	1	Contains an alternative target URI of the resource custom operation located in an alternative AF (service) instance towards which the request is redirected.  For the case where the request is redirected to the same target via a different SCP, refer to clause 6.10.9.1 of 3GPP TS 29.500 [4].
3gpp-Sbi-Target-Nf-Id	string	O	0..1	Contains the identifier of the target AF (service) instance towards which the request should be redirected.

### 6.1.4.3 Operation: AuthorizationUpdateResult

#### 6.1.4.3.1 Description

The custom operation enables a service consumer to request to inform the AF of the result of the revocation request to update the authorization information.

#### 6.1.4.3.2 Operation Definition

This operation shall support request data structures specified in table 6.1.4.3.2-1 and response data structures specified in table 6.1.4.3.2-2.

**Table 6.1.4.3.2-1: Data structures supported by the POST Request Body on this resource**

Data type	P	Cardinality	Description
AuthUpdateData	M	1	Contains the result of the revocation request to update authorization information for Restricted ProSe Direct Discovery.

**Table 6.1.4.3.2-2: Data structures supported by the POST Response Body on this resource**

Data type	P	Cardinality	Response codes	Description
n/a			204 No Content	This case represents successful report of discovery authorization update result.
RedirectResponse	O	0..1	307 Temporary Redirect	Temporary redirection. (NOTE 3)
RedirectResponse	O	0..1	308 Permanent Redirect	Permanent redirection. (NOTE 3)
ProblemDetails	O	0..1	403 Forbidden	(NOTE 2)
NOTE 1: The mandatory HTTP error status code for the POST method listed in table 5.2.7.1-1 of 3GPP TS 29.500 [4] also apply.				
NOTE 2: Failure cases are described in clause 6.1.7.3.				
NOTE 3: The RedirectResponse data structure may be provided by an SCP (cf. clause 6.10.9.1 of 3GPP TS 29.500 [4]).				

**Table 6.1.4.3.2-3: Headers supported by the 307 Response Code on this resource**

Name	Data type	P	Cardinality	Description
Location	string	M	1	Contains an alternative target URI of the resource custom operation located in an alternative AF (service) instance towards which the request is redirected.  For the case where the request is redirected to the same target via a different SCP, refer to clause 6.10.9.1 of 3GPP TS 29.500 [4].
3gpp-Sbi-Target-Nf-Id	string	O	0..1	Contains the identifier of the target AF (service) instance towards which the request should be redirected.

**Table 6.1.4.3.2-4: Headers supported by the 308 Response Code on this resource**

Name	Data type	P	Cardinality	Description
Location	string	M	1	Contains an alternative target URI of the resource custom operation located in an alternative AF (service) instance towards which the request is redirected.  For the case where the request is redirected to the same target via a different SCP, refer to clause 6.10.9.1 of 3GPP TS 29.500 [4].
3gpp-Sbi-Target-Nf-Id	string	O	0..1	Contains the identifier of the target AF (service) instance towards which the request should be redirected.

## 6.1.5 Notifications

### 6.1.5.1 General

Notifications shall comply to clause 6.2 of 3GPP TS 29.500 [4] and clause 4.6.2.3 of 3GPP TS 29.501 [5].

**Table 6.1.5.1-1: Notifications overview**

Notification	Callback URI	HTTP method or custom operation	Description
DiscoveryAuthorizationUpdateNotification	{authUpdateCallbackUri}	POST	Update the authorization information to revoke discovery permissions related to some other users in the NF service consumer (e.g. 5G DDNMF).

### 6.1.5.2 DiscoveryAuthorizationUpdateNotification

#### 6.1.5.2.1 Description

The DiscoveryAuthorizationUpdateNotification service operation is used by the AF to update the authorization information to revoke discovery permissions related to some other users in the NF service consumer (e.g. 5G DDNMF).

#### 6.1.5.2.2 Target URI

The Callback URI "{authUpdateCallbackUri}" shall be used with the callback URI variables defined in table 6.1.5.2.2-1.

**Table 6.1.5.2.2-1: Callback URI variables**

Name	Definition
authUpdateCallbackUri	Contains a string formatted as URI with the Callback Uri

#### 6.1.5.2.3 Standard Methods

##### 6.1.5.2.3.1 POST

This method sends a discovery authorization update notification to the NF service consumer.

This method shall support the request data structures specified in table 6.1.5.2.3.1-1 and the response data structures and response codes specified in table 6.1.5.2.3.1-2.

**Table 6.1.5.2.3.1-1: Data structures supported by the POST Request Body**

Data type	P	Cardinality	Description
AuthUpdateData	M	1	Contains the Discovery Authorization Update Notification.

**Table 6.1.5.2.3.1-2: Data structures supported by the POST Response Body**

Data type	P	Cardinality	Response codes	Description
n/a			204 No Content	This case represents successful notification of the event.
RedirectResponse	O	0..1	307 Temporary Redirect	Temporary redirection. (NOTE 3)
RedirectResponse	O	0..1	308 Permanent Redirect	Permanent redirection. (NOTE 3)
ProblemDetails	O	0..1	403 Forbidden	(NOTE 2)
NOTE 1: The mandatory HTTP error status code for the POST method listed in table 5.2.7.1-1 of 3GPP TS 29.500 [4] also apply.				
NOTE 2: Failure cases are described in clause 6.1.7.3.				
NOTE 3: The RedirectResponse data structure may be provided by an SCP (cf. clause 6.10.9.1 of 3GPP TS 29.500 [4]).				

**Table 6.1.5.2.3-3: Headers supported by the 307 Response Code on this resource**

Name	Data type	P	Cardinality	Description
Location	string	M	1	Contains an alternative URI representing the end point of an alternative NF consumer (service) instance towards which the notification should be redirected.  For the case where the request is redirected to the same target via a different SCP, refer to clause 6.10.9.1 of 3GPP TS 29.500 [4].
3gpp-Sbi-Target-Nf-Id	String	O	0..1	Contains the identifier of the target NF (service) instance towards which the notification request is redirected.

**Table 6.1.5.2.3-4: Headers supported by the 308 Response Code on this resource**

Name	Data type	P	Cardinality	Description
Location	string	M	1	Contains an alternative URI representing the end point of an alternative NF consumer (service) instance towards which the notification should be redirected.  For the case where the request is redirected to the same target via a different SCP, refer to clause 6.10.9.1 of 3GPP TS 29.500 [4].
3gpp-Sbi-Target-Nf-Id	String	O	0..1	Contains the identifier of the target NF (service) instance towards which the notification request is redirected.

## 6.1.6 Data Model

### 6.1.6.1 General

This clause specifies the application data model supported by the Naf\_ProSe API.

Table 6.1.6.1-1 specifies the data types defined for the Naf\_ProSe service based interface.

**Table 6.1.6.1-1: Naf\_ProSe specific Data Types**

Data type	Clause defined	Description	Applicability
AllowedSuffixNum	6.1.6.3.2	Represents the allowed number of suffixes.	
AppLevelContainer	6.1.6.3.2	Represents an Application Layer Container.	
AuthDisReqData	6.1.6.2.2	Represents data used to request the authorization for a UE of 5G ProSe Direct Discovery Request.	
AuthDisResData	6.1.6.2.3	Represents the obtained authorization Data for a UE of 5G ProSe Direct Discovery Request.	
AuthRequestType	6.1.6.3.3	Represents the authorization request type.	
AuthResponseType	6.1.6.3.4	Represents the authorization response type.	
AuthUpdateData	6.1.6.2.5	Represents the updated authorization information for Restricted ProSe Direct Discovery.	
BannedAuthData	6.1.6.2.6	Represents a set of Banned RPAUID - Banned PDUID that are no longer allowed to discover the ProSe Restricted Code corresponding to the user's RPAUID for the Application ID associated with that AF.	
MetadataIndic	6.1.6.3.5	Represents the Metadata Indicator.	
ProSeRestrictedMask	6.1.6.3.2	Represents a Prose Restricted Mask.	
RevocationResult	6.1.6.3.6	Represents the revocation result of a set of Banned RPAUID - Banned PDUID for Restricted ProSe Direct Discovery.	
TargetData	6.1.6.2.4	Represents a combination of Target PDUID - Target RPAUID - Metadata Indicator.	

Table 6.1.6.1-2 specifies data types re-used by the Naf\_ProSe service based interface from other specifications, including a reference to their respective specifications, and when needed, a short description of their use within the Naf\_ProSe Service based interface.

**Table 6.1.6.1-2: Naf\_ProSe re-used Data Types**

Data type	Reference	Comments	Applicability
ProseApplicationId	3GPP TS 29.555 [16]	Represents a string representing the ProSe Application ID.	
ProseApplicationCodeSuffixPool	3GPP TS 29.555 [16]	Represents a ProSe Application Code Suffix Pool.	
Rpauid	3GPP TS 29.555 [16]	Represents a Restricted ProSe Application User ID.	
Pduid	3GPP TS 29.555 [16]	Represents a ProSe Discovery UE ID.	
ProseApplicationMask	3GPP TS 29.555 [16]	Represents a Mask for a ProSe Application Code Suffix corresponding to a ProSe Applicantation ID.	
MetaData	3GPP TS 29.555 [16]	Represents Metadata.	
RedirectResponse	3GPP TS 29.571 [8]	Contains redirection related information.	
RestrictedCodeSuffixPool	3GPP TS 29.555 [16]	Represents a ProSe Restricted Code Suffix pool.	
Uri	3GPP TS 29.571 [18]	Represents a URI.	

## 6.1.6.2 Structured data types

## 6.1.6.2.1 Introduction

This clause defines the structures to be used in resource representations.

## 6.1.6.2.2 Type: AuthDisReqData

Table 6.1.6.2.2-1: Definition of type AuthDisReqData

Attribute name	Data type	P	Cardinality	Description	Applicability
authRequestType	AuthRequestType	M	1	This attribute contains the authorization request type for 5G ProSe Direct Discovery.	
proseAppld	array(ProseApplicationId)	O	1..N	This attribute contains the ProSe Application ID(s).  This attribute is applicable only when the "authRequestType" attribute contains an open discovery request type.  (NOTE)	
allowedSuffixNum	AllowedSuffixNum	O	0..1	This attribute contains the allowed number of suffixes.	
appLevelContainer	AppLevelContainer	O	0..1	This attribute contains an application level container.	
rpaid	Rpaid	O	0..1	This attribute contains the RPAUID.  This attribute is applicable only when the "authRequestType" attribute contains a restricted discovery request type.	
targetRpaid	Rpaid	O	0..1	This attribute contains the Target RPAUID.	
authUpdateCallbackUri	Uri	O	0..1	This attribute contains the call-back URI of the NF service consumer (i.e. 5G DDNMF) for implicit subscription to notification of DiscoveryAuthorizationUpdateNotify.	
NOTE: If provided, at least one array element shall be present within the "proseAppld" attribute.					

## 6.1.6.2.3 Type: AuthDisResData

Table 6.1.6.2.3-1: Definition of type AuthDisResData

Attribute name	Data type	P	Cardinality	Description	Applicability
authResponseType	AuthResponseType	M	1	This attribute contains the authorization response type for 5G ProSe Direct Discovery.	
proseAppCodeSuffixPool	ProseApplicationCodeSuffixPool	O	0..1	This attribute contains the ProSe Application Code Suffix Pool.	
pduids	array(Pduid)	O	0..N	This attribute contains the PDUID(s) corresponding to the provided RPAUID.	
restrictedCodeSuffixPool	array(RestrictedCodeSuffixPool)	O	0..N	This attribute contains a ProSe Restricted Code Suffix pool.  (NOTE)	
proseAppMasks	array(ProseApplicationMask)	O	0..N	This attribute contains the mask(s) for the ProSe Application Code Suffix(es) corresponding to the ProSe Application ID.	
proSeRestrictedMasks	array(ProSeRestrictedMask)	O	0..N	This attribute contains the mask(s) for the ProSe Restricted Code Suffix(es) corresponding to each of the Target RPAUID(s).	
resAppLevelContainer	AppLevelContainer	O	0..1	This attribute contains the Application Level Container.	
targetDataSet	array(TargetData)	O	0..N	This attribute contains N sets of Target PDUID - Target RPAUID - Metadata Indicator.	
targetPduid	Pduid	O	0..1	This attribute contains the Target PDUID.	
metaData	MetaData	O	0..1	This attribute contains metadata corresponding to the Target PDUID.	
NOTE: If provided, exactly one element shall be present in the attribute.					

## 6.1.6.2.4 Type: TargetData

Table 6.1.6.2.4-1: Definition of type TargetData

Attribute name	Data type	P	Cardinality	Description	Applicability
targetRpauid	Rpauid	M	1	This attribute contains the target RPAUID.	
pduid	Pduid	M	1	This attribute contains the target PDUID.	
metadataIndic	MetadataIndic	O	0..1	This attribute contains the Metadata Indicator to indicate whether there is metadata associated with the RPAUID, and if so, whether updates of metadata are allowed.  (NOTE)	
NOTE: The default value of metadataIndic is "NO_METADATA", if this attribute is not present.					

## 6.1.6.2.5 Type: AuthUpdateData

Table 6.1.6.2.5-1: Definition of type AuthUpdateData

Attribute name	Data type	P	Cardinality	Description	Applicability
targetRpuid	Rpuid	M	1	This attribute contains the RPAUID of the user that would like to revoke discovery permissions of some other users in the AF.	
bannedAuthData	array(BannedAuthData)	M	1..N	The attribute contains N sets of Banned RPAUID - Banned PDUID that are no longer allowed to discover the ProSe Restricted Code corresponding to the user's RPAUID for the Application ID associated with that AF.	

## 6.1.6.2.6 Type: BannedAuthData

Table 6.1.6.2.6-1: Definition of type BannedAuthData

Attribute name	Data type	P	Cardinality	Description	Applicability
bannedRpuid	Rpuid	M	1	The attribute contains a RPAUID within a Banned RPAUID - Banned PDUID set that is no longer allowed to discover the ProSe Restricted Code corresponding to the user's RPAUID for the Application ID associated with the AF.	
bannedPduid	Pduid	M	1	The attribute contains the PDUID within a Banned RPAUID - Banned PDUID set that is no longer allowed to discover the ProSe Restricted Code corresponding to the user's RPAUID for the Application ID associated with the AF.	
revocationResult	RevocationResult	C	0..1	The attribute contains the revocation result of a set of Banned RPAUID - Banned PDUID for Restricted ProSe Direct Discovery, which is only conveyed within a DiscoveryAuthorizationResultUpdate service operation.	

## 6.1.6.3 Simple data types and enumerations

## 6.1.6.3.1 Introduction

This clause defines simple data types and enumerations that can be referenced from data structures defined in the previous clauses.

## 6.1.6.3.2 Simple data types

The simple data types defined in table 6.1.6.3.2-1 shall be supported.

**Table 6.1.6.3.2-1: Simple data types**

Type Name	Type Definition	Description	Applicability
AllowedSuffixNum	integer	Contains the allowed number of suffixes.	
AppLevelContainer	string	Contains the Application Level Container.	
ProSeRestrictedMask	string	Contains the ProSe Restricted Mask.	

### 6.1.6.3.3 Enumeration: AuthRequestType

The enumeration AuthRequestType represents the Authorization Request Type. It shall comply with the provisions of table 6.1.6.3.3-1.

**Table 6.1.6.3.3-1: Enumeration AuthRequestType**

Enumeration value	Description	Applicability
OPEN_DISCOVERY_EXTENSION_ANNOUNCE	Indicates that the Authorization Request Type is "open discovery with application-controlled extension/announce".	
RESTRICTED_DISCOVERY_ANNOUNCE	Indicates that the Authorization Request Type is "restricted discovery/announce".	
RESTRICTED_DISCOVERY_EXTENSION_ANNOUNCE	Indicates that the Authorization Request Type is "restricted discovery with application-controlled extension/announce".	
OPEN_DISCOVERY_EXTENSION_MONITOR	Indicates that the Authorization Request Type is "open discovery with application-controlled extension/monitor".	
RESTRICTED_DISCOVERY_MONITOR	Indicates that the Authorization Request Type is "restricted discovery/monitor".	
RESTRICTED_DISCOVERY_EXTENSION_MONITOR	Indicates that the Authorization Request Type is "restricted discovery with application-controlled extension/monitor".	
RESTRICTED_DISCOVERY_PERMISSION	Indicates that the Authorization Request Type is "restricted discovery/permission".	
RESTRICTED_DISCOVERY_RESPONSE	Indicates that the Authorization Request Type is "restricted discovery/response".	
RESTRICTED_DISCOVERY_QUERY	Indicates that the Authorization Response Type is "restricted discovery/query".	
RESTRICTED_DISCOVERY_MATCH	Indicates that the Authorization Response Type is "restricted discovery/match".	

### 6.1.6.3.4 Enumeration: AuthResponseType

The enumeration AuthRequestType represents the Authorization Response Type. It shall comply with the provisions defined in table 6.1.6.3.4-1.

**Table 6.1.6.3.4-1: Enumeration AuthResponseType**

Enumeration value	Description	Applicability
OPEN_DISCOVERY_EXTENSION_ANNOUNCE_ACK	Indicates that the Authorization Response Type is "open discovery with application-controlled extension/announce ack".	
RESTRICTED_DISCOVERY_ANNOUNCE_ACK	Indicates that the Authorization Response Type is "restricted discovery/announce ack".	
RESTRICTED_DISCOVERY_EXTENSION_ANNOUNCE_ACK	Indicates that the Authorization Response Type is "restricted discovery with application-controlled extension/announce ack".	
OPEN_DISCOVERY_EXTENSION_MONITOR_ACK	Indicates that the Authorization Response Type is "open discovery with application-controlled extension/monitor ack".	
RESTRICTED_DISCOVERY_MONITOR_ACK	Indicates that the Authorization Response Type is "restricted discovery/monitor ack".	
RESTRICTED_DISCOVERY_EXTENSION_MONITOR_ACK	Indicates that the Authorization Response Type is "restricted discovery with application-controlled extension/monito ack".	
RESTRICTED_DISCOVERY_PERMISSION_ACK	Indicates that the Authorization Response Type is "restricted discovery /permission ack".	
RESTRICTED_DISCOVERY_RESPONSE_ACK	Indicates that the Authorization Response Type is "restricted discovery /response ack".	
RESTRICTED_DISCOVERY_QUERY_ACK	Indicates that the Authorization Response Type is "restricted discovery /query ack".	
RESTRICTED_DISCOVERY_MATCH_ACK	Indicates that the Authorization Response Type is "restricted discovery /match ack".	

#### 6.1.6.3.5 Enumeration: MetadataIndic

The enumeration MetadataIndic represents the possible options for metadata associated with a particular target RPAUID. It shall comply with the provisions of table 6.1.6.3.5-1.

**Table 6.1.6.3.5-1: Enumeration MetadataIndic**

Enumeration value	Description	Applicability
NO_METADATA	Indicates that there is no metadata associated with the target RPAUID.	
METADATA_UPDATE_DISALLOWED	Indicates that there is metadata associated with the target RPAUID, but it is not allowed to update this metadata.	
METADATA_UPDATE_ALLOWED	Indicates that there is metadata associated with the target RPAUID, and it is allowed to update this metadata.	

#### 6.1.6.3.6 Enumeration: RevocationResult

The enumeration RevocationResult represents the revocation result of a set of Banned RPAUID - Banned PDUID for Restricted ProSe Direct Discovery. It shall comply with the provisions of table 6.1.6.3.6-1.

**Table 6.1.6.3.6-1: Enumeration MetadataIndic**

Enumeration value	Description	Applicability
REVOCATION_SUCCESSFUL	Indicates the successful revocation for a set of Banned RPAUID - Banned PDUID for Restricted ProSe Direct Discovery.	
REVOCATION_NOT_SUCCESSFUL	Indicates that unsuccessful revocation for a set of Banned RPAUID - Banned PDUID for Restricted ProSe Direct Discovery.	

#### 6.1.6.4 Data types describing alternative data types or combinations of data types

There are no data types describing alternative data types or combinations of data types defined for this API in this release of this specification.

#### 6.1.6.5 Binary data

##### 6.1.6.5.1 Binary Data Types

**Table 6.1.6.5.1-1: Binary Data Types**

Name	Clause defined	Content type

#### 6.1.7 Error Handling

##### 6.1.7.1 General

For the Naf\_ProSe API, HTTP error responses shall be supported as specified in clause 4.8 of 3GPP TS 29.501 [5]. Protocol errors and application errors specified in table 5.2.7.2-1 of 3GPP TS 29.500 [4] shall be supported for an HTTP method if the corresponding HTTP status codes are specified as mandatory for that HTTP method in table 5.2.7.1-1 of 3GPP TS 29.500 [4].

In addition, the requirements in the following clauses are applicable for the Naf\_ProSe API.

##### 6.1.7.2 Protocol Errors

Protocol errors handling shall be supported as specified in clause 5.2.7 of 3GPP TS 29.500 [4].

##### 6.1.7.3 Application Errors

The application errors defined for the Naf\_ProSe service are listed in table 6.1.7.3-1.

**Table 6.1.7.3-1: Application errors**

Application Error	HTTP status code	Description
UNSPECIFIED	403 Forbidden	The request is rejected due to unspecified reasons.

#### 6.1.8 Feature negotiation

The optional features in table 6.1.8-1 are defined for the Naf\_ProSe API. They shall be negotiated using the extensibility mechanism defined in clause 6.6 of 3GPP TS 29.500 [4].

**Table 6.1.8-1: Supported Features**

Feature number	Feature Name	Description

## 6.1.9 Security

As indicated in 3GPP TS 33.501 [8] and 3GPP TS 29.500 [4], the access to the Naf\_ProSe API may be authorized by means of the OAuth2 protocol (see IETF RFC 6749 [9]), based on local configuration, using the "Client Credentials" authorization grant, where the NRF (see 3GPP TS 29.510 [10]) plays the role of the authorization server.

If OAuth2 is used, an NF service consumer, prior to consuming services offered by the Naf\_ProSe API, shall obtain a "token" from the authorization server, by invoking the Access Token Request service, as described in clause 5.4.2.2 of 3GPP TS 29.510 [10].

**NOTE:** When multiple NRFs are deployed in a network, the NRF used as authorization server is the same NRF that the NF service consumer used for discovering the Naf\_ProSe service.

The Naf\_ProSe API defines a single scope "naf\_prose" for OAuth2 authorization (as specified in 3GPP TS 33.501 [8]) for the entire service, and it does not define any additional scopes at resource or operation level.

# Annex A (normative): OpenAPI specification

## A.1 General

This Annex specifies the formal definition of the API(s) defined in the present specification. It consists of OpenAPI 3.0.0 specifications in YAML format.

This Annex shall take precedence when being discrepant to other parts of the specification with respect to the encoding of information elements and methods within the API(s).

NOTE 1: The semantics and procedures, as well as conditions, e.g. for the applicability and allowed combinations of attributes or values, not expressed in the OpenAPI definitions but defined in other parts of the specification also apply.

Informative copies of the OpenAPI specification files contained in this 3GPP Technical Specification are available on a Git-based repository that uses the GitLab software version control system (see clause 5.3.1 of 3GPP TS 29.501 [5] and clause 5B of 3GPP TR 21.900 [7]).

## A.2 Naf\_ProSe API

```

openapi: 3.0.0

info:
  title: Naf_ProSe API
  version: 1.2.0-alpha.2
  description: |
    Naf_ProSe Service.
    © 2025, 3GPP Organizational Partners (ARIB, ATIS, CCSA, ETSI, TSDSI, TTA, TTC).
    All rights reserved.

externalDocs:
  description: >
    3GPP TS 29.557 V19.2.0; 5G System; Application Function ProSe Service; Stage 3.
  url: https://www.3gpp.org/ftp/Specs/archive/29_series/29.557/

servers:
  - url: '{apiRoot}/naf-prose/v1'
    variables:
      apiRoot:
        default: https://example.com
        description: apiRoot as defined in clause 4.4 of 3GPP TS 29.501

security:
  - {}
  - oAuth2ClientCredentials:
    - naf-prose

paths:
  /authorize-discovery:
    post:
      summary: Obtain the authorization of Discovery Request from 5G DDNMF for a UE.
      operationId: AuthorizeDiscovery
      tags:
        - Obtain the authorization of Discovery Request for a UE
      requestBody:
        content:
          application/json:
            schema:
              $ref: '#/components/schemas/AuthDisReqData'
      responses:
        '200':
          description: Expected response to a valid request
          content:
            application/json:
              schema:
                $ref: '#/components/schemas/AuthDisResData'

```

```

'307':
  $ref: 'TS29571_CommonData.yaml#/components/responses/307'
'308':
  $ref: 'TS29571_CommonData.yaml#/components/responses/308'
'400':
  $ref: 'TS29571_CommonData.yaml#/components/responses/400'
'401':
  $ref: 'TS29571_CommonData.yaml#/components/responses/401'
'403':
  $ref: 'TS29571_CommonData.yaml#/components/responses/403'
'404':
  $ref: 'TS29571_CommonData.yaml#/components/responses/404'
'411':
  $ref: 'TS29571_CommonData.yaml#/components/responses/411'
'413':
  $ref: 'TS29571_CommonData.yaml#/components/responses/413'
'415':
  $ref: 'TS29571_CommonData.yaml#/components/responses/415'
'429':
  $ref: 'TS29571_CommonData.yaml#/components/responses/429'
'500':
  $ref: 'TS29571_CommonData.yaml#/components/responses/500'
'502':
  $ref: 'TS29571_CommonData.yaml#/components/responses/502'
'503':
  $ref: 'TS29571_CommonData.yaml#/components/responses/503'
default:
  description: Unexpected error
callbacks:
  DiscoveryAuthorizationUpdateNotify:
    '{$request.body#/authUpdateCallbackUri}':
      post:
        requestBody:
          description: >
            Update of authorization information to revoke discovery permissions
            relating to some other users in the NF consumer for Restricted ProSe Direct
            Discovery.
          content:
            application/json:
              schema:
                $ref: '#/components/schemas/AuthUpdateData'
        responses:
          '204':
            description: Expected response to a valid notification
          '307':
            $ref: 'TS29571_CommonData.yaml#/components/responses/307'
          '308':
            $ref: 'TS29571_CommonData.yaml#/components/responses/308'
          '400':
            $ref: 'TS29571_CommonData.yaml#/components/responses/400'
          '401':
            $ref: 'TS29571_CommonData.yaml#/components/responses/401'
          '403':
            $ref: 'TS29571_CommonData.yaml#/components/responses/403'
          '404':
            $ref: 'TS29571_CommonData.yaml#/components/responses/404'
          '411':
            $ref: 'TS29571_CommonData.yaml#/components/responses/411'
          '413':
            $ref: 'TS29571_CommonData.yaml#/components/responses/413'
          '415':
            $ref: 'TS29571_CommonData.yaml#/components/responses/415'
          '429':
            $ref: 'TS29571_CommonData.yaml#/components/responses/429'
          '500':
            $ref: 'TS29571_CommonData.yaml#/components/responses/500'
          '502':
            $ref: 'TS29571_CommonData.yaml#/components/responses/502'
          '503':
            $ref: 'TS29571_CommonData.yaml#/components/responses/503'
          '504':
            $ref: 'TS29571_CommonData.yaml#/components/responses/504'
          default:
            $ref: 'TS29571_CommonData.yaml#/components/responses/default'

/authorization-update-result:
  post:
    summary: >

```

Report the result of update of authorization information to revoke discovery permissions relating to some other users in the NF consumer for Restricted ProSe Direct Discovery.

```

operationId: AuthorizationUpdateResult
tags:
- Authorization Information Update Result
requestBody:
  content:
    application/json:
      schema:
        $ref: '#/components/schemas/AuthUpdateData'
      required: true
responses:
  '204':
    description: Expected response to a successful cancellation
  '307':
    $ref: 'TS29571_CommonData.yaml#/components/responses/307'
  '308':
    $ref: 'TS29571_CommonData.yaml#/components/responses/308'
  '400':
    $ref: 'TS29571_CommonData.yaml#/components/responses/400'
  '401':
    $ref: 'TS29571_CommonData.yaml#/components/responses/401'
  '403':
    $ref: 'TS29571_CommonData.yaml#/components/responses/403'
  '404':
    $ref: 'TS29571_CommonData.yaml#/components/responses/404'
  '411':
    $ref: 'TS29571_CommonData.yaml#/components/responses/411'
  '413':
    $ref: 'TS29571_CommonData.yaml#/components/responses/413'
  '415':
    $ref: 'TS29571_CommonData.yaml#/components/responses/415'
  '429':
    $ref: 'TS29571_CommonData.yaml#/components/responses/429'
  '500':
    $ref: 'TS29571_CommonData.yaml#/components/responses/500'
  '502':
    $ref: 'TS29571_CommonData.yaml#/components/responses/502'
  '503':
    $ref: 'TS29571_CommonData.yaml#/components/responses/503'
  '504':
    $ref: 'TS29571_CommonData.yaml#/components/responses/504'
  default:
    $ref: 'TS29571_CommonData.yaml#/components/responses/default'

```

```

components:
  securitySchemes:
    oAuth2ClientCredentials:
      type: oauth2
      flows:
        clientCredentials:
          tokenUrl: '{nrfApiRoot}/oauth2/token'
          scopes:
            naf-prose: Access to the Naf_ProSe API

```

schemas:

# COMPLEX TYPES:

```

AuthDisReqData:
  type: object
  description: >
    Represents Data used to request the authorization for a UE of a 5G ProSe Direct
    Discovery request.
  required:
  - authRequestType
  properties:
    authRequestType:
      $ref: '#/components/schemas/AuthRequestType'
    proseAppId:
      type: array
      items:
        $ref: 'TS29555_N5g-ddnmf_Discovery.yaml#/components/schemas/ProseApplicationId'
    allowedSuffixNum:
      $ref: '#/components/schemas/AllowedSuffixNum'
    appLevelContainer:
      $ref: '#/components/schemas/AppLevelContainer'

```

```

    rpauid:
      $ref: 'TS29555_N5g-ddnmf_Discovery.yaml#/components/schemas/Rpauid'
    targetRpauid:
      $ref: 'TS29555_N5g-ddnmf_Discovery.yaml#/components/schemas/Rpauid'
    authUpdateCallbackUri:
      $ref: 'TS29571_CommonData.yaml#/components/schemas/Uri'

AuthDisResData:
  type: object
  description: >
    Represents the obtained authorization Data for a UE of a 5G ProSe Direct Discovery
    request.
  required:
    - authResponseType
  properties:
    authResponseType:
      $ref: '#/components/schemas/AuthResponseType'
    proseAppCodeSuffixPool:
      $ref: 'TS29555_N5g-
ddnmf_Discovery.yaml#/components/schemas/ProseApplicationCodeSuffixPool'
    pduids:
      type: array
      items:
        $ref: 'TS29555_N5g-ddnmf_Discovery.yaml#/components/schemas/Pduid'
    restrictedCodeSuffixPool:
      type: array
      items:
        $ref: 'TS29555_N5g-ddnmf_Discovery.yaml#/components/schemas/RestrictedCodeSuffixPool'
    proseAppMasks:
      type: array
      items:
        $ref: 'TS29555_N5g-ddnmf_Discovery.yaml#/components/schemas/ProseApplicationMask'
    proSeRestrictedMasks:
      type: array
      items:
        $ref: '#/components/schemas/ProSeRestrictedMask'
    resAppLevelContainer:
      $ref: '#/components/schemas/AppLevelContainer'
    targetDataSet:
      type: array
      items:
        $ref: '#/components/schemas/TargetData'
    targetPduid:
      $ref: 'TS29555_N5g-ddnmf_Discovery.yaml#/components/schemas/Pduid'
    metaData:
      $ref: 'TS29555_N5g-ddnmf_Discovery.yaml#/components/schemas/MetaData'

TargetData:
  type: object
  description: Represents a set of Target PDUID - Target RPAUID - Metadata Indicator.
  required:
    - targetRpauid
    - pduid
  properties:
    targetRpauid:
      $ref: 'TS29555_N5g-ddnmf_Discovery.yaml#/components/schemas/Rpauid'
    pduid:
      $ref: 'TS29555_N5g-ddnmf_Discovery.yaml#/components/schemas/Pduid'
    metaDataIndic:
      $ref: '#/components/schemas/MetaDataIndic'

AuthUpdateData:
  type: object
  description: >
    Represents the update data and resulting update data of authorization information
    for Restricted ProSe Direct Discovery.
  required:
    - targetRpauid
    - bannedAuthData
  properties:
    targetRpauid:
      $ref: 'TS29555_N5g-ddnmf_Discovery.yaml#/components/schemas/Rpauid'
    bannedAuthData:
      type: array
      items:
        $ref: '#/components/schemas/BannedAuthData'
      minItems: 1

```

```

BannedAuthData:
  type: object
  description: Represents a set of Banned PDUID - Banned RPAUID.
  required:
    - bannedRpaid
    - bannedPduid
  properties:
    bannedRpaid:
      $ref: 'TS29555_N5g-ddnmf_Discovery.yaml#/components/schemas/Rpaid'
    bannedPduid:
      $ref: 'TS29555_N5g-ddnmf_Discovery.yaml#/components/schemas/Pduid'
    revocationResult:
      $ref: '#/components/schemas/RevocationResult'

```

## # SIMPLE TYPES:

```

AllowedSuffixNum:
  description: contains the allowed number of suffixes.
  type: integer

AppLevelContainer:
  description: Contains the Application Level Container.
  type: string

ProSeRestrictedMask:
  description: Contains a ProSe Restricted Mask.
  type: string

```

## # ENUMS:

```

AuthRequestType:
  anyOf:
    - type: string
      enum:
        - OPEN_DISCOVERY_EXTENSION_ANNOUNCE
        - RESTRICTED_DISCOVERY_ANNOUNCE
        - RESTRICTED_DISCOVERY_EXTENSION_ANNOUNCE
        - OPEN_DISCOVERY_EXTENSION_MONITOR
        - RESTRICTED_DISCOVERY_MONITOR
        - RESTRICTED_DISCOVERY_EXTENSION_MONITOR
        - RESTRICTED_DISCOVERY_PERMISSION
        - RESTRICTED_DISCOVERY_RESPONSE
        - RESTRICTED_DISCOVERY_QUERY
        - RESTRICTED_DISCOVERY_MATCH
    - type: string
      description: >
        This string provides forward-compatibility with future extensions to the enumeration
        and is not used to encode content defined in the present version of this API.
  description: |
    Represents the authorization request type.
    Possible values are:
    - OPEN_DISCOVERY_EXTENSION_ANNOUNCE: Indicates that the Authorization Request Type is
    open discovery with application-controlled extension/announce.
    - RESTRICTED_DISCOVERY_ANNOUNCE: Indicates that the Authorization Request Type is restricted
    discovery/announce.
    - RESTRICTED_DISCOVERY_EXTENSION_ANNOUNCE: Indicates that the Authorization Request Type is
    restricted discovery with application-controlled extension/announce.
    - OPEN_DISCOVERY_EXTENSION_MONITOR: Indicates that the Authorization Request Type is open
    discovery with application-controlled extension/monitor.
    - RESTRICTED_DISCOVERY_MONITOR: Indicates that the Authorization Request Type is restricted
    discovery/monitor.
    - RESTRICTED_DISCOVERY_EXTENSION_MONITOR: Indicates that the Authorization Request Type is
    restricted discovery with application-controlled extension/monitor.
    - RESTRICTED_DISCOVERY_PERMISSION: Indicates that the Authorization Request Type is
    restricted discovery/permission.
    - RESTRICTED_DISCOVERY_RESPONSE: Indicates that the Authorization Request Type is restricted
    discovery/response.
    - RESTRICTED_DISCOVERY_QUERY: Indicates that the Authorization Request Type is restricted
    discovery/query.
    - RESTRICTED_DISCOVERY_MATCH: Indicates that the Authorization Request Type is restricted
    discovery/match.

AuthResponseType:
  anyOf:
    - type: string
      enum:
        - OPEN_DISCOVERY_EXTENSION_ANNOUNCE_ACK
        - RESTRICTED_DISCOVERY_ANNOUNCE_ACK

```

```

- RESTRICTED_DISCOVERY_EXTENSION_ANNOUNCE_ACK
- OPEN_DISCOVERY_EXTENSION_MONITOR_ACK
- RESTRICTED_DISCOVERY_MONITOR_ACK
- RESTRICTED_DISCOVERY_EXTENSION_MONITOR_ACK
- RESTRICTED_DISCOVERY_PERMISSION_ACK
- RESTRICTED_DISCOVERY_RESPONSE_ACK
- RESTRICTED_DISCOVERY_QUERY_ACK
- RESTRICTED_DISCOVERY_MATCH_ACK
- type: string
  description: >
    This string provides forward-compatibility with future extensions to the enumeration
    and is not used to encode content defined in the present version of this API.
description: |
  Represents the authorization response type.
  Possible values are:
  - OPEN_DISCOVERY_EXTENSION_ANNOUNCE_ACK: Indicates that the Authorization Response Type is
  open discovery with application-controlled extension/announce ack.
  - RESTRICTED_DISCOVERY_ANNOUNCE_ACK: Indicates that the Authorization Response Type is
  restricted discovery/announce ack.
  - RESTRICTED_DISCOVERY_EXTENSION_ANNOUNCE_ACK: Indicates that the Authorization Response
  Type is restricted discovery with application-controlled extension/announce ack.
  - OPEN_DISCOVERY_EXTENSION_MONITOR_ACK: Indicates that the Authorization Response Type is
  open discovery with application-controlled extension/monitor ack.
  - RESTRICTED_DISCOVERY_MONITOR_ACK: Indicates that the Authorization Response Type is
  restricted discovery/monitor ack.
  - RESTRICTED_DISCOVERY_EXTENSION_MONITOR_ACK: Indicates that the Authorization Response Type
  is restricted discovery with application-controlled extension/monitor ack.
  - RESTRICTED_DISCOVERY_PERMISSION_ACK: Indicates that the Authorization Response Type is
  restricted discovery/permission ack.
  - RESTRICTED_DISCOVERY_RESPONSE_ACK: Indicates that the Authorization Response Type is
  restricted discovery/response ack.
  - RESTRICTED_DISCOVERY_QUERY_ACK: Indicates that the Authorization Response Type is
  restricted discovery/query ack.
  - RESTRICTED_DISCOVERY_MATCH_ACK: Indicates that the Authorization Response Type is
  restricted discovery/match ack.

MetadataIndic:
  anyOf:
  - type: string
    enum:
      - NO_METADATA
      - METADATA_UPDATE_DISALLOWED
      - METADATA_UPDATE_ALLOWED
  - type: string
    description: >
      This string provides forward-compatibility with future extensions to the enumeration
      and is not used to encode content defined in the present version of this API.
description: |
  Represents the Metadata Indicator.
  Possible values are:
  - NO_METADATA: This value may be used to indicate that there is no metadata associated with
  the target RPAUID. This is the default value applicable if this IE is not supplied.
  - METADATA_UPDATE_DISALLOWED: This value shall be used to indicate that there exists
  metadata associated with the target RPAUID, but the metadata is not allowed to be updated.
  - METADATA_UPDATE_ALLOWED: This value shall be used to indicate that there exists metadata
  associated with the target RPAUID, and the metadata is allowed to be updated.

RevocationResult:
  anyOf:
  - type: string
    enum:
      - REVOCATION_SUCCESSFUL
      - REVOCATION_NOT_SUCCESSFUL
  - type: string
    description: >
      This string provides forward-compatibility with future extensions to the enumeration
      and is not used to encode content defined in the present version of this API.
description: |
  Represents the revocation result of a set of Banned RPAUID - Banned PDUID for Restricted
  ProSe Direct Discovery.
  Possible values are:
  - REVOCATION_SUCCESSFUL: Indicates the successful revocation for a set of Banned RPAUID -
  Banned PDUID for Restricted ProSe Direct Discovery.
  - REVOCATION_NOT_SUCCESSFUL: Indicates that unsuccessful revocation for a set of Banned
  RPAUID - Banned PDUID for Restricted ProSe Direct Discovery.

```

## Annex B (informative): Change history

Change history							
Date	Meeting	TDoc	CR	Rev	Cat	Subject/Comment	New version
2021-04	CT3#115-e	C3-212446				Draft skeleton provided by the rapporteur.	0.0.0
2021-05	CT3#116-e	C3-213504				Implementing the following p-CR agreed by CT3: C3-212447 Editorial change from the rapporteur. Specification number added.	0.1.0
2021-08	CT3#117-e	C3-214590				Implementing the following p-CR agreed by CT3: C3-214021 and C3-214022. Editorial change from the rapporteur.	0.2.0
2021-09	CT3#117-e	C3-214590				Change filename – removed Stable	0.2.1
2021-09	CT#93-e	CP-212188				The p-CRs are agreed in CT#93-e.	0.2.1
2021-10	CT3#118-e	C3-215453				Implementing the following p-CR agreed by CT3: C3-215453	0.3.0
2021-12	CT#94-e	CP-213209				Presentation for information	1.0.0
2022-01	CT3#119bis-e	C3-220451				Implementing the following p-CR agreed by CT3: C3-220417	1.1.0
2022-02	CT3#120-e	C3-221556				Implementing the following p-CR agreed by CT3: C3-221166	1.2.0
2022-03	CT#95e	CP-220157				Presentation to TSG CT for approval	2.0.0
2022-03	CT#95e	CP-220157				Approved by TSG CT	17.0.0
2022-06	CT#96	CP-221116	0001	1	F	Adding the missing description fields in the OpenAPI file	17.1.0
2022-06	CT#96	CP-221116	0002	1	F	Miscellaneous corrections	17.1.0
2022-06	CT#96	CP-221116	0003		F	API URI of the Naf_ProSe API	17.1.0
2022-06	CT#96	CP-221152	0004		F	Update of info and externalDocs fields	17.1.0
2022-09	CT#97e	CP-222132	0005	1	F	Application errors reference update in the tables defining methods on the resources for Naf_ProSe API	17.2.0
2022-12	CT#98e	CP-223162	0007	1	F	Correction to AuthDisResData data type	17.3.0
2022-12	CT#98e	CP-223162	0008	1	F	Correction to AuthDisReqData data type	17.3.0
2022-12	CT#98e	CP-223162	0009	1	F	Corrections to DiscoveryAuthorization service operation	17.3.0
2022-12	CT#98e	CP-223162	0011	1	F	Add the missing status codes for the HTTP operations	17.3.0
2022-12	CT#98e	CP-223162	0012	1	F	Corrections for data types and API of Naf_ProSe service	17.3.0
2022-12	CT#98e	CP-223188	0017		F	Update of info and externalDocs fields	17.3.0
2022-12	CT#98e	CP-223191	0006		F	Adding the mandatory error code 502 Bad Gateway	18.0.0
2022-12	CT#98e	CP-223192	0010	1	F	Enumeration definitions in the OpenAPI file	18.0.0
2022-12	CT#98e	CP-223199	0013	1	F	Update for the Naf_ProSe Service architecture	18.0.0
2022-12	CT#98e	CP-223190	0018		F	Update of info and externalDocs fields	18.0.0
2023-03	CT#99	CP-230166	0019		F	Correction of the description fields in enumerations	18.1.0
2023-03	CT#99	CP-230161	0020		F	Update of info and externalDocs fields	18.1.0
2023-12	CT#102	CP-233229	0021	1	F	HTTP RFC uplifting	18.2.0
2024-06	CT#104	CP-241136	0022	5	B	Updates to Naf_ProSe API	18.3.0
2024-06	CT#104	CP-241093	0023		F	Add the missing 3gpp-Sbi-Target-Nf-Id custom header	18.3.0
2024-06	CT#104	CP-241094	0024	1	F	Various essential corrections	18.3.0
2024-06	CT#104	CP-241086	0025		F	Update of info and externalDocs fields	18.3.0
2024-09	CT#105	CP-242159	0027	1	F	Correction of conditions for identifiers	18.4.0
2024-09	CT#105	CP-242121	0026	1	F	Data type update	19.0.0
2025-06	CT#108	CP-251232	0028		F	Update of info and externalDocs fields	19.1.0
2025-09	CT#109	CP-252114	0029		F	Update of info and externalDocs fields	19.2.0

---

# History

<b>Document history</b>		
V19.2.0	January 2026	Publication