

ETSI TS 132 240 V18.9.0 (2025-01)



**Digital cellular telecommunications system (Phase 2+) (GSM);
Universal Mobile Telecommunications System (UMTS);
LTE;
5G;
Telecommunication management;
Charging management;
Charging architecture and principles
(3GPP TS 32.240 version 18.9.0 Release 18)**



Reference

RTS/TSGS-0532240v190

Keywords

5G,GSM,LTE,UMTS

ETSI

650 Route des Lucioles
F-06921 Sophia Antipolis Cedex - FRANCE

Tel.: +33 4 92 94 42 00 Fax: +33 4 93 65 47 16

Siret N° 348 623 562 00017 - APE 7112B
Association à but non lucratif enregistrée à la
Sous-Préfecture de Grasse (06) N° w061004871

Important notice

The present document can be downloaded from the
[ETSI Search & Browse Standards application](#).

The present document may be made available in electronic versions and/or in print. The content of any electronic and/or print versions of the present document shall not be modified without the prior written authorization of ETSI. In case of any existing or perceived difference in contents between such versions and/or in print, the prevailing version of an ETSI deliverable is the one made publicly available in PDF format on [ETSI deliver repository](#).

Users should be aware that the present document may be revised or have its status changed, this information is available in the [Milestones listing](#).

If you find errors in the present document, please send your comments to the relevant service listed under [Committee Support Staff](#).

If you find a security vulnerability in the present document, please report it through our [Coordinated Vulnerability Disclosure \(CVD\)](#) program.

Notice of disclaimer & limitation of liability

The information provided in the present deliverable is directed solely to professionals who have the appropriate degree of experience to understand and interpret its content in accordance with generally accepted engineering or other professional standard and applicable regulations.

No recommendation as to products and services or vendors is made or should be implied.

No representation or warranty is made that this deliverable is technically accurate or sufficient or conforms to any law and/or governmental rule and/or regulation and further, no representation or warranty is made of merchantability or fitness for any particular purpose or against infringement of intellectual property rights.

In no event shall ETSI be held liable for loss of profits or any other incidental or consequential damages.

Any software contained in this deliverable is provided "AS IS" with no warranties, express or implied, including but not limited to, the warranties of merchantability, fitness for a particular purpose and non-infringement of intellectual property rights and ETSI shall not be held liable in any event for any damages whatsoever (including, without limitation, damages for loss of profits, business interruption, loss of information, or any other pecuniary loss) arising out of or related to the use of or inability to use the software.

Copyright Notification

No part may be reproduced or utilized in any form or by any means, electronic or mechanical, including photocopying and microfilm except as authorized by written permission of ETSI.

The content of the PDF version shall not be modified without the written authorization of ETSI.

The copyright and the foregoing restriction extend to reproduction in all media.

© ETSI 2025.
All rights reserved.

Intellectual Property Rights

Essential patents

IPRs essential or potentially essential to normative deliverables may have been declared to ETSI. The declarations pertaining to these essential IPRs, if any, are publicly available for **ETSI members and non-members**, and can be found in ETSI SR 000 314: "*Intellectual Property Rights (IPRs); Essential, or potentially Essential, IPRs notified to ETSI in respect of ETSI standards*", which is available from the ETSI Secretariat. Latest updates are available on the [ETSI IPR online database](#).

Pursuant to the ETSI Directives including the ETSI IPR Policy, no investigation regarding the essentiality of IPRs, including IPR searches, has been carried out by ETSI. No guarantee can be given as to the existence of other IPRs not referenced in ETSI SR 000 314 (or the updates on the ETSI Web server) which are, or may be, or may become, essential to the present document.

Trademarks

The present document may include trademarks and/or tradenames which are asserted and/or registered by their owners. ETSI claims no ownership of these except for any which are indicated as being the property of ETSI, and conveys no right to use or reproduce any trademark and/or tradename. Mention of those trademarks in the present document does not constitute an endorsement by ETSI of products, services or organizations associated with those trademarks.

DECT™, **PLUGTESTS™**, **UMTS™** and the ETSI logo are trademarks of ETSI registered for the benefit of its Members. **3GPP™**, **LTE™** and **5G™** logo are trademarks of ETSI registered for the benefit of its Members and of the 3GPP Organizational Partners. **oneM2M™** logo is a trademark of ETSI registered for the benefit of its Members and of the oneM2M Partners. **GSM®** and the GSM logo are trademarks registered and owned by the GSM Association.

Legal Notice

This Technical Specification (TS) has been produced by the ETSI 3rd Generation Partnership Project (3GPP).

The present document may refer to technical specifications or reports using their 3GPP identities. These shall be interpreted as being references to the corresponding ETSI deliverables.

The cross reference between 3GPP and ETSI identities can be found at [3GPP to ETSI numbering cross-referencing](#).

Modal verbs terminology

In the present document "**shall**", "**shall not**", "**should**", "**should not**", "**may**", "**need not**", "**will**", "**will not**", "**can**" and "**cannot**" are to be interpreted as described in clause 3.2 of the [ETSI Drafting Rules](#) (Verbal forms for the expression of provisions).

"**must**" and "**must not**" are **NOT** allowed in ETSI deliverables except when used in direct citation.

Contents

Intellectual Property Rights	2
Legal Notice	2
Modal verbs terminology.....	2
Foreword.....	7
1 Scope	8
2 References	11
3 Definitions, symbols and abbreviations	14
3.1 Definitions	14
3.2 Symbols.....	16
3.3 Abbreviations	17
4 Common charging architecture and framework	21
4.0 Introduction	21
4.1 Charging mechanisms	22
4.1.0 General.....	22
4.1.1 Offline charging.....	22
4.1.2 Online charging	22
4.1.3 Converged charging	22
4.2 High level common architecture	23
4.2.1 General.....	23
4.2.2 Common architecture – reference points	23
4.2.3 Common architecture – service based interface.....	25
4.2.4 Common architecture - management domain	28
4.3 Charging functions	31
4.3.1 Offline charging functions	31
4.3.1.0 General	31
4.3.1.1 Charging Trigger Function.....	31
4.3.1.2 Charging Data Function	33
4.3.1.3 Charging Gateway Function.....	33
4.3.1.4 Offline Charging System.....	33
4.3.2 Online charging functions.....	34
4.3.2.0 General	34
4.3.2.1 Charging Trigger Function.....	34
4.3.2.2 Online Charging System	35
4.3.2.2.0 General	35
4.3.2.2.1 Online Charging Function	35
4.3.2.2.2 S-CSCF online charging / IMS Gateway Function	35
4.3.2.2.3 Rating Function	35
4.3.2.2.4 Account Balance Management Function.....	36
4.3.2.3 CDR generation for online charged subscribers.....	36
4.3.3 Converged charging functions	36
4.3.3.0 General	36
4.3.3.1 Charging Trigger Function (CTF).....	37
4.3.3.2 Converged Charging System (CCS)	37
4.3.3.2.0 General	37
4.3.3.2.1 Charging Function (CHF).....	37
4.3.3.2.2 Account Balance Management Function (ABMF)	37
4.3.3.2.3 Rating Function (RF).....	37
4.3.3.2.4 Charging Gateway Function (CGF).....	37
4.3.3.3 Charging Enablement Function (CEF).....	37
4.4 Reference points	38
4.4.1 Offline charging reference points	38
4.4.1.1 Rf.....	38
4.4.1.2 Gz.....	38
4.4.1.3 Ga.....	38

4.4.1.4	Bx.....	38
4.4.1.5	Void.....	39
4.4.1.6	Gzn.....	39
4.4.2	Online charging reference points	39
4.4.2.1	Ro.....	39
4.4.2.2	CAP.....	39
4.4.2.3	Gy.....	39
4.4.2.4	Re.....	40
4.4.2.5	Rc.....	40
4.4.2.6	Void.....	40
4.4.2.7	Gyn.....	40
4.4.3	Charging services Reference point	40
4.5	Architecture mapping.....	41
4.5.0	General.....	41
4.5.1	Offline mapping.....	41
4.5.2	Online mapping	43
4.5.3	Converged charging mapping.....	43
4.6	Service based interface.....	43
4.6.1	Nchf.....	43
5	Charging principles	44
5.0	General	44
5.1	Charging data generation and quota supervision.....	44
5.2	Charging data transfer	46
5.2.0	General.....	46
5.2.1	Charging data transfer in offline charging	47
5.2.1.0	General.....	47
5.2.1.1	Transfer of charging events via Rf.....	47
5.2.1.2	Transfer of CDRs via Ga.....	47
5.2.1.3	Transfer of CDR files via Bx	49
5.2.2	Charging data transfer in online charging	49
5.2.3	Charging data transfer in converged charging	51
5.3	Charging levels and correlation.....	51
5.3.1	Bearer level charging.....	51
5.3.1.1	Bearer charging based on bearer / tele- / supplementary service	51
5.3.1.2	Flow based bearer charging.....	52
5.3.2	Subsystem level charging	52
5.3.3	Service level charging.....	52
5.3.4	Charging data correlation.....	52
5.3.4.0	General	52
5.3.4.1	Intra-level correlation.....	52
5.3.4.2	Inter-level correlation.....	52
5.3.4.3	Inter-network correlation	52
5.3.4.4	Determination of completeness of charging information in IMS.....	54
5.3.4.4.1	General	54
5.3.4.4.2	Tracking of IMS NEs generating charging information	54
5.3.4.4.3	Tracking of applications generating charging information.....	55
5.4	Charging data configuration.....	55
5.5	Charging information utilisation	56
5.5.0	Introduction.....	56
5.5.1	Subscriber charging	57
5.5.1.0	General.....	57
5.5.1.1	Calling party charging.....	57
5.5.1.2	Alternate party charging for IMS	57
5.5.2	Credit-Control and balance management.....	57
5.5.2.1	Use of credit pooling.....	57
5.5.3	Inter-operator settlement of Charges	58
5.5.3.1	Inter-PLMN accounting	58
5.5.3.2	'Visitors' from other PLMNs	58
5.5.3.4	'Home' subscribers roaming in other PLMNs	58
5.5.3.5	Fixed network operators and other service providers.....	58
5.5.3.6	IMS Interconnection.....	59

5.5.3.7	Charging Principles for Roaming Architecture for Voice over IMS with Local Breakout	59
5.5.3.8	Charging Principles for roaming architecture for voice over IMS with home routed traffic	59
5.5.3.9	Charging principles for 5G Roaming architecture with local breakout	60
5.5.3.10	Charging principles for 5G non-roaming Mobile Virtual Network Operators (MVNOs) charging	60
5.5.3.11	Charging principles for network slice differentiation in 5G roaming	60
5.5.4	Advice of Charge	60
6	Service specific charging	61
6.1	Introduction	61
6.2	5G LAN-type service charging	61
6.2.1	General	61
6.3	5G Edge computing services charging	61
6.4	5GS TSN services charging	61
6.5	Satellite in 5GS charging	62
Annex A (informative): Bibliography		63
Annex B (normative): Single IMSI architecture for EU Roaming		64
B.0	General	64
B.1	Voice Control	64
Annex C (normative): Fixed Broadband Access		65
C.1	General	65
C.2	References	65
C.3	Definitions, symbols and abbreviations	65
C.4	Common charging architecture and framework	65
C.4.1	Charging mechanisms	65
C.4.2	High level common architecture	65
C.4.3	Charging functions	66
C.4.4	Reference points	66
C.4.4.1	Offline charging reference points	66
C.4.4.1.1	Gz	66
C.4.4.1.2	Gzn	66
C.4.4.2	Online charging reference points	66
C.4.4.2.1	Gy	66
C.4.4.2.2	Gyn	67
Annex D (normative): Distributed Charging Trigger Function		68
D.1	General	68
D.2	Definitions, symbols and abbreviations	68
D.2.1	Definitions	68
D.2.2	Symbols	68
D.2.3	Abbreviations	68
D.3	Common charging architecture and framework	68
D.3.1	Charging mechanisms	68
D.3.2	High level common architecture	68
D.4.3	Charging functions	69
D.4.3.1	Offline charging functions	69
D.4.3.1.1	Charging Trigger Function	69
D.4.3.2	Online charging functions	69
D.4.4	Reference points	69
D.4.4.1	Offline charging reference points	69
D.4.4.1.1	Xch	69
D.4.4.2	Online charging reference points	69
Annex E (Informative): High level overall charging architecture		70

E.1	General	70
E.2	Common charging architecture and framework	70
E.2.1	High level common architecture	70
Annex F (informative): Distributed deployment models.....		71
F.1	General	71
F.2	High level deployment models.....	71
F.2.1	Centralized CHF deployment	71
F.2.2	Local/Edge CHF deployment	71
Annex G (informative): Business to Business (B2B) charging architecture and principles.....		73
G.1	General	73
G.2	Charging architecture and references	73
G.2.1	General	73
G.2.2	B2B charging architecture and references with B-CHF only	73
G.2.3	B2B charging architecture and references with B-CHF via C-CHF.....	74
G.2.4	B2B charging architecture and references with B-CHF and C-CHF.....	74
G.3	Charging principles and references	74
G.3.1	General	74
G.3.2	B2B charging information utilisation.....	75
G.3.3	B2B charging data generation and quota supervision	75
G.3.4	B2B charging data transfer	75
Annex H (informative): Change history		76
History		80

Foreword

This Technical Specification has been produced by the 3rd Generation Partnership Project (3GPP).

The contents of the present document are subject to continuing work within the TSG and may change following formal TSG approval. Should the TSG modify the contents of the present document, it will be re-released by the TSG with an identifying change of release date and an increase in version number as follows:

Version x.y.z

where:

- x the first digit:
 - 1 presented to TSG for information;
 - 2 presented to TSG for approval;
 - 3 or greater indicates TSG approved document under change control.
- y the second digit is incremented for all changes of substance, i.e. technical enhancements, corrections, updates, etc.
- z the third digit is incremented when editorial only changes have been incorporated in the document.

1 Scope

The present document is part of a series of documents that specify charging functionality and charging management in 3GPP networks/systems. The 3GPP core network charging architecture and principles are specified in the present document, which thus provides an umbrella for other charging management TSs that specify:

- the content of the CDRs per domain / subsystem /service (offline and converged charging);
- the content of real-time charging events per domain / subsystem /service (online and converged charging);
- the functionality of online, offline and converged charging for those domains / subsystems / services;
- the interfaces that are used in the charging framework to transfer the charging information (i.e. CDRs or charging events).

The purposes of the present document are:

- to lay down common principles of charging in the network; and
- to specify a logical common charging architecture that applies to all 3GPP domains, subsystems and services.

A set of domain/subsystem/service specific TSs covers the domains (CS, PS, 5GS), subsystem (IMS) and service (MMS, LCS, PoC, MBMS, SMS, MMTel, TSN etc.) levels, respectively, in the TS 32.25x, TS 32.26x, TS 32.27x and TS 32.28x TS number ranges. Network Slicing is covered under TS 28.201[70], TS 28.202 [71], TS 28.203 [72] and TS 28.204 [73]. These TSs describe the mapping of the common architecture specified in the present document onto the specific domain/subsystem/service and the scenarios and information for online, offline and converged charging that are specific to the domain/subsystem/service. They are commonly referred to as the middle tier charging TSs.

A set of TSs in the TS 32.28x range covers common services, such as the Advice of Charge service.

A set of TSs in the TS 32.29x range covers common aspects, such as CDR parameter and syntax descriptions, online and offline charging applications, converged charging API, and the charging interactions within the network (CDR transfer) as well as between the network and the Billing Domain (CDR file transfer).

The complete document structure for these TSs is outlined in the following figure 1.1:

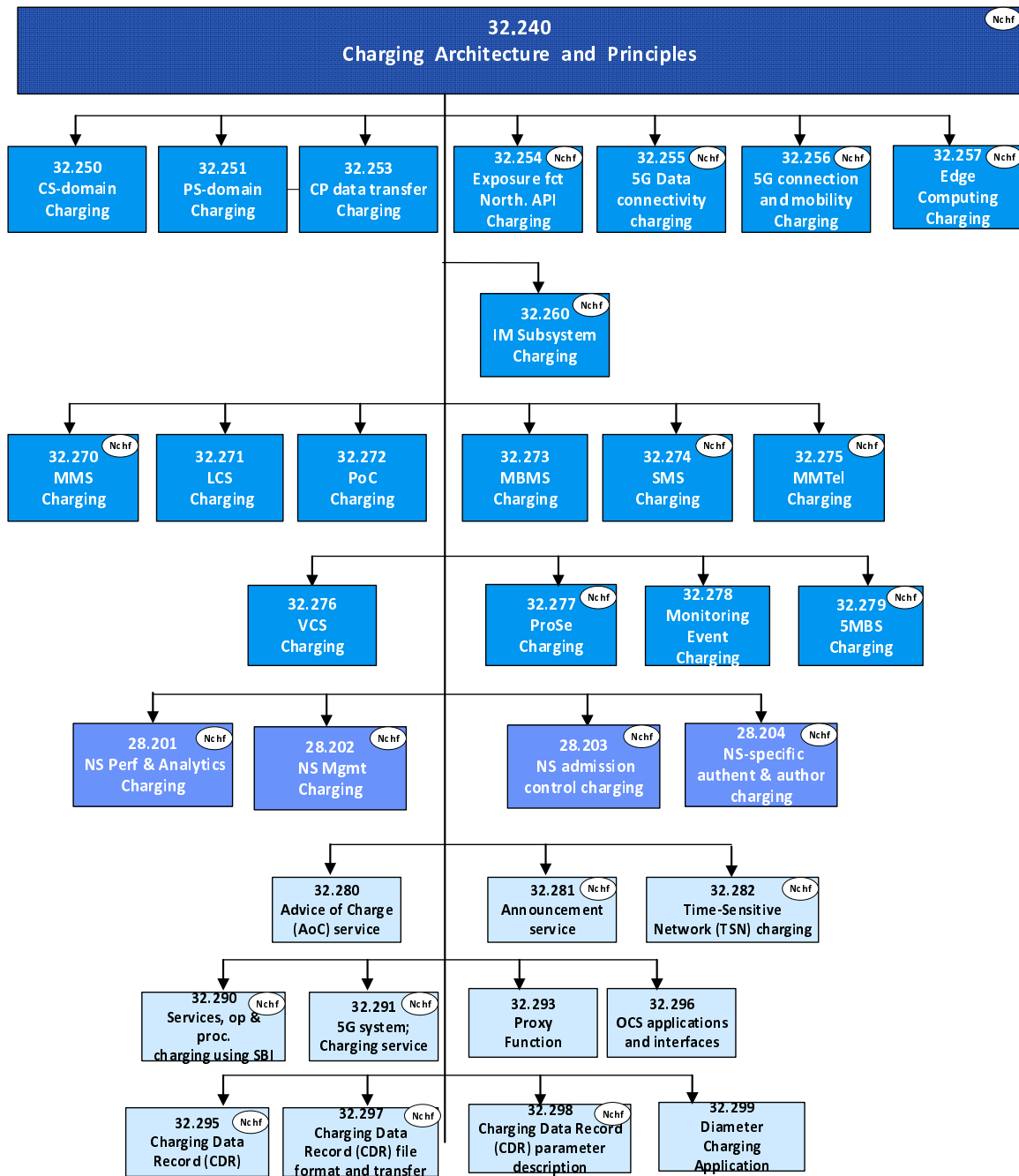


Figure 1.1: Charging specifications structure

NOTE: TSs which are indicated with "Nchf" in Figure 1.1 are those which include the converged charging architecture.

In addition to 3GPP core networks/systems charging architecture and principles, this document encompasses charging architecture and principles for the convergent scenario (i.e. both the Fixed Broadband Access network and Evolved Packet Core (EPC) owned by a single operator), which is specified in annex C.

All terms, definitions and abbreviations used in the present document, that are common across 3GPP TSs, are defined in the 3GPP Vocabulary, TR 21.905 [100]. Those that are common across charging management in 3GPP network domains, services or subsystems are provided in the present document (umbrella TS), and are copied into clause 3 of the other TSs depicted in the figure 1.1, for ease of reading. Finally, those items that are specific to the present document are defined exclusively in the present document.

Furthermore, requirements that govern the charging work are specified in TS 22.115 [101].

2 References

The following documents contain provisions which, through reference in this text, constitute provisions of the present document.

- References are either specific (identified by date of publication, edition number, version number, etc.) or non-specific.
- For a specific reference, subsequent revisions do not apply.
- For a non-specific reference, the latest version applies. In the case of a reference to a 3GPP document (including a GSM document), a non-specific reference implicitly refers to the latest version of that document *in the same Release as the present document*.

- [1] - [9] Void.
- [10] 3GPP TS 32.250: "Telecommunication management; Charging management; Circuit Switched (CS) domain charging".
- [11] 3GPP TS 32.251: "Telecommunication management; Charging management; Packet Switched (PS) domain charging".
- [12] Void.
- [13] 3GPP TS 32.253: "Telecommunication management; Charging management; Control Plane (CP) data transfer domain charging".
- [14] 3GPP TS 32.254: "Telecommunication management; Charging management; Exposure function Northbound Application Program Interfaces (APIs) charging".
- [15] 3GPP TS 32.255: "Telecommunication management; Charging management; 5G Data connectivity domain charging; stage 2".
- [16] 3GPP TS 32.256: "Telecommunication management; Charging management; 5G connection and mobility domain charging; stage 2".
- [17] 3GPP TS 32.257: "Telecommunication management; Charging management; Edge Computing domain charging".
- [18] - [19] Void.
- [20] 3GPP TS 32.260: "Telecommunication management; Charging management; IP Multimedia Subsystem (IMS) charging".
- [21] - [29] Void.
- [30] 3GPP TS 32.270: "Telecommunication management; Charging management; Multimedia Messaging Service (MMS) charging".
- [31] 3GPP TS 32.271: "Telecommunication management; Charging management; Location Services (LCS) charging".
- [32] 3GPP TS 32.272: "Telecommunication management; Charging management; Push-to-talk over Cellular (PoC) charging".
- [33] 3GPP TS 32.273: "Telecommunication management; Charging management; Multimedia Broadcast and Multicast Service (MBMS) charging".
- [34] 3GPP TS 32.274: "Telecommunication management; Charging management; Short Message Service (SMS) charging".
- [35] 3GPP TS 32.275: "Telecommunication management; Charging management; MultiMedia Telephony (MMTel) charging".

- [36] 3GPP TS 32.276: "Telecommunication management; Charging management; Voice Call Service Charging".
- [37] 3GPP TS 32.277: "Telecommunication management; Charging management; Proximity-based Services (ProSe) Charging".
- [38] 3GPP TS 32.278: "Telecommunication management; Charging management; Monitoring Event charging".
- [39] 3GPP TS 32.279: "5G Multicast-broadcast Services charging; stage 2".
- [40] 3GPP TS 32.280: "Telecommunication management; Charging management; Advice of Charge (AoC) service".
- [41] 3GPP TS 32.281: "Telecommunication management; Charging management; Announcement service".
- [42] 3GPP TS 32.282: "Charging management; Time-Sensitive Networking (TSN) charging".
- [43] - [49] Void.
- [50] 3GPP TS 32.299: "Telecommunication management; Charging management; Diameter charging application".
- [51] 3GPP TS 32.298: "Telecommunication management; Charging management; Charging Data Record (CDR) parameter description".
- [52] 3GPP TS 32.297: "Telecommunication management; Charging management; Charging Data Record (CDR) file format and transfer".
- [53] 3GPP TS 32.296: "Telecommunication management; Charging management; Online Charging System (OCS) applications and interfaces".
- [54] 3GPP TS 32.295: "Telecommunication management; Charging management; Charging Data Record (CDR) transfer".
- [55] Void.
- [56] 3GPP TS 32.293: "Telecommunication management; Charging management; Proxy Function".
- [57] 3GPP TS 32.290: "Telecommunication management; Charging management; 5G system; Services, operations and procedures of charging using Service Based Interface (SBI)".
- [58] 3GPP TS 32.291: "Telecommunication management; Charging management; 5G system; Charging service, stage 3".
- [59] - [69] Void.
- [70] 3GPP TS 28.201: "Charging management; Network slice performance and analytics charging in the 5G System (5GS); Stage 2".
- [71] 3GPP TS 28.202: "Charging management; Network slice management charging in the 5G System (5GS); Stage 2".
- [72] 3GPP TS 28.203: "Charging management; Network slice admission control charging in the 5G System (5GS)".
- [73] 3GPP TS 28.204: "Charging management; Network slice-specific authentication and authorization charging in the 5G System (5GS); Stage 2".
- [74] - [99] Void.
- [100] 3GPP TR 21.905: "Vocabulary for 3GPP Specifications".
- [101] 3GPP TS 22.115: "Service aspects; Charging and billing".
- [102] - [199] Void.

- [200] - [206] Void.
- [207] 3GPP TS 23.078: "Customized Applications for Mobile network Enhanced Logic (CAMEL); Stage 2".
- [208] 3GPP TS 23.203: "Policy and charging control architecture".
- [209] 3GPP TS 23.228: "IP Multimedia Subsystem (IMS); Stage 2".
- [210] Void.
- [211] 3GPP TS 24.229: "Internet Protocol (IP) multimedia call control protocol based on Session Initiation Protocol (SIP) and Session Description Protocol (SDP); Stage 3".
- [212] 3GPP TS 23.272: "Circuit Switched (CS) fallback in Evolved Packet System (EPS); Stage 2".
- [213] 3GPP TS 24.002: "GSM - UMTS Public Land Mobile Network (PLMN) access reference configuration".
- [214] 3GPP TS 23.502: "Procedures for the 5G System".
- [215] 3GPP TS 23.501: "System Architecture for the 5G System; Stage 2".
- [216] 3GPP TS 28.533: "Management and orchestration; Architecture framework".
- [217] 3GPP TS 23.548: "5G System Enhancements for Edge Computing".
- [218] 3GPP TS 23.558: "Architecture for enabling Edge Applications".
- [219] - [296] Void.
- [297] 3GPP TS 23.503: "Policy and charging control framework for the 5G System (5GS); Stage 2".
- [298] EU Roaming regulation III; "Structural Solutions; High Level Technical Specifications".
- [299] EU Roaming regulation III; "Interface & Protocol; Detailed Technical Specifications".
- [300] ITU-T Recommendation D.93: "Charging and accounting in the international land mobile telephone service (provided via cellular radio systems)".
- [301] - [399] Void.
- [400] - [401] Void.
- [402] IETF RFC 4006 (2005): "Diameter Credit-Control Application".
- [403] - [499] Void.
- [500] GSMA PRD BA.27: "Charging Principles".

3 Definitions, symbols and abbreviations

3.1 Definitions

For the purposes of the present document, the terms and definitions defined in TR 21.905 [100] and the following apply:

2G- / 3G-: prefixes 2G- and 3G- refer to functionality that supports only GSM or UMTS, respectively, e.g. 2G-SGSN refers only to the GSM functionality of an SGSN.

accounting: process of apportioning charges between the Home Environment, Serving Network and Subscriber.

accounting meter record: record containing one or more counters employed to register the usage of resources en masse. Includes simple event counters and/ or cumulative call second counters.

Advice of Charge (AoC): real-time display of the network utilization charges incurred by the Mobile Station. The charges are displayed in the form of charging units. If a unit price is stored by the MS then the display may also include the equivalent charge in the home currency.

AoC service: combination of one or more services, both basic and supplementary, together with a number of other charging relevant parameters to define a customized service for the purpose of advice of charge.

Application Based Charging (ABC): ability to perform charging on an application basis for network usage based upon application detection.

billing: function whereby CDRs generated by the charging function(s) are transformed into bills requiring payment.

Billing Domain: part of the operator network, which is outside the core network, which receives and processes CDR files from the charging functions. It includes functions that can provide billing mediation and billing or other (e.g. statistical) end applications. It is only applicable to offline charging (see "Online Charging System" for equivalent functionality in online charging).

CAMEL: network feature that provides the mechanisms to support operator specific services even when roaming outside HPLMN.

CAMEL subscription information: identifies a subscriber as having CAMEL services.

chargeable event: activity utilizing telecommunications network resources and related services for:

- user to user communication (e.g. a single call, a data communication session or a short message); or
- user to network communication (e.g. service profile administration); or
- inter-network communication (e.g. transferring calls, signalling, short messages, interconnection); or
- mobility (e.g. roaming or inter-system handover); or
- user to application/service communication ; and
- that the network operator may want to charge for.

As a minimum, a chargeable event characterises the resource / service usage and indicates the identity of the involved end user(s).

charged party: user involved in a chargeable event that has to pay parts or the whole charges of the chargeable event, or a third party paying the charges caused by one or all users involved in the chargeable event, or a network operator.

charging: function within the telecommunications network and the associated OCS/BD components whereby information related to a chargeable event is collected, formatted, transferred and evaluated in order to make it possible to determine usage for which the charged party may be billed (offline charging) or the subscriber's account balance may be debited (online charging).

Charging Data Record (CDR): formatted collection of information about a chargeable event (e.g. time of call set-up, duration of the call, amount of data transferred, etc) for use in billing and accounting. For each party to be charged for parts of or all charges of a chargeable event a separate CDR is generated, i.e. more than one CDR may be generated for a single chargeable event, e.g. because of its long duration, or because more than one charged party is to be charged.

charging event: set of charging information forwarded by the CTF towards the CDF (offline charging) or towards the OCS (online charging). Each charging event matches exactly one chargeable event.

circuit switched domain: domain within GSM / UMTS in which information is transferred in circuit switched mode.

Credit-Control: mechanism which directly interacts in real-time with an account and controls or monitors the charges, related to the service usage. Credit-Control is a process of: checking if credit is available, credit reservation, deduction of credit from the end user account when service is completed and refunding of reserved credit not used.

domain: part of a communication network that provides resources using a certain bearer technology.

Fully qualified Partial CDR (FQPC): partial CDR that contains a complete set of the fields specified for the CDR type in the respective middle tier TS. This includes all the mandatory and conditional fields as well as those fields that the PLMN operator has provisioned to be included in the CDR. The first Partial CDR shall be a Fully Qualified Partial CDR.

GPRS: packet switched bearer and radio services for GSM and UMTS systems.

(GSM only): qualifier indicating that this clause or paragraph applies only to a GSM system. For multi-system cases this is determined by the current serving radio access network.

in GSM,....: qualifier indicating that this paragraph applies only to GSM Systems

in UMTS,....: qualifier indicating that this paragraph applies only to UMTS Systems

interconnection charging: process of inter-operator charging between the related operators

inter-system change: change of radio access between different radio access technologies such as GSM and UMTS

middle tier TS: term used for the 3GPP charging TSs that specify the domain / subsystem / service specific, online and offline, charging functionality. These are all the TSs in the numbering range from TS 32.250 to TS 32.279, e.g. TS 32.250 [10] for the CS domain, TS 32.260 [20] for the IMS or TS 32.270 [30] for the MMS service.

Currently, there is only one "tier 1" TS in 3GPP, which is the present document that specifies the charging architecture and principles. Finally, there are a number of top tier TSs in the 32.29x numbering range ([50]) that specify common charging aspects such as parameter definitions, encoding rules, the common Billing Domain interface or common charging applications.

near real-time: near real-time charging and billing information is to be generated, processed, and transported to a desired conclusion in less than one (1) minute.

observed IMEI ticket: record used to describe an EIR relevant event e.g. a blocklisted IMEI.

offline charging: charging mechanism where charging information **does not** affect, in real-time, the service rendered.

Offline Charging System: the entity that collects and processes offline charging information prior to delivery to the Billing Domain.

online charging: charging mechanism where charging information can affect, in real-time, the service rendered and therefore a direct interaction of the charging mechanism with bearer/session/service control is required.

Online Charging System: the entity that performs quota management. Its functionality includes transaction handling, rating, online correlation and management of subscriber accounts/balances.

Converged Charging System: the system that combines the functionalities of the Offline Charging System and the Online Charging System into a single converged system.

packet switched domain: domain in which data is transferred between core network elements.

partial CDR: CDR that provides charging information on part of a user session. A long session may be covered by several partial CDRs. Two formats are considered for Partial CDRs. One that contains all of the necessary fields (FQPC); the second has a reduced format (RPC).

real-time: real-time charging and billing information is to be generated, processed, and transported to a desired conclusion in less than 1 second.

Reduced Partial CDR (RPC): partial CDRs that only provide mandatory fields and information regarding changes in the session parameters relative to the previous partial CDR. For example, location information is not repeated in these CDRs if the subscriber did not change its location.

settlement: payment of amounts resulting from the accounting process.

subscriber: entity (associated with one or more users) that is engaged in a Subscription with a service provider. The subscriber is allowed to subscribe and unsubscribe services, to register a user or a list of users authorised to enjoy these services, and also to set the limits relative to the use that associated users make of these services.

successful call: connection that reaches the communication or data transfer phase e.g. the "answered" state for speech connections. All other connection attempts are regarded as unsuccessful.

tariff period: part of one (calendar) day during which a particular tariff is applied. Defined by the time at which the period commences (the switch-over time) and the tariff to be applied after switch-over

tariff: set of parameters defining the network utilization charges for the use of a particular bearer / session / service.

transit: interconnection scenarios in multi operator environments where one or more transit operators are between the originating and terminating operator.

UMTS only: qualifier indicating that this clause or paragraph applies only to a UMTS system. For multi-system cases this is determined by the current serving radio access network.

user: entity, not part of the 3GPP System, which uses network resources by means of a subscription. The user may or may not be identical to the subscriber holding that subscription.

User Equipment (UE): device allowing a user access to network services. For the purpose of 3GPP specifications the interface between the UE and the network is the radio interface. A User Equipment can be subdivided into a number of domains, the domains being separated by reference points. Currently defined domains are the USIM and ME Domains. The ME Domain can further be subdivided into several components showing the connectivity between multiple functional groups. These groups can be implemented in one or more hardware devices. An example of such connectivity is the TE – MT interface. Further, an occurrence of a User Equipment is an MS for GSM as defined in TS 24.002 [213].

3.2 Symbols

For the purposes of the present document the following symbols apply:

A	Interface between an MSC and a BSC.
Bea	Reference point for the CDR file transfer from the Exposure function API CGF to the BD.
Bc	Reference point for the CDR file transfer from the Circuit Switched CGF to the BD.
Bcp	Reference point for the CDR file transfer from the CP data transfer CGF to the BD.
Bi	Reference point for the CDR file transfer from the IMS CGF to the BD.
Bl	Reference point for the CDR file transfer from the GMLC CGF to the BD.
Bm	Reference point for the CDR file transfer from the MMS CGF to the BD.
Bmn	Reference point for the CDR file transfer from the Monitoring Event CGF to the BD.
Bo	Reference point for the CDR file transfer from the OCF CGF to the BD.
Bp	Reference point for the CDR file transfer from the Packet Switched CGF to the BD.
Bs	Reference point for the CDR file transfer for CAMEL services to the BD, i.e. from the SCF CGF to the BD.
Bsm	Reference point for the CDR file transfer from SMS CGF to the BD,
Bt	Reference point for the CDR file transfer from the PoC CGF to the BD.
Bw	Reference point for the CDR file transfer from the WLAN CGF to the BD (discontinued in Release 12).
Bx	Reference point for CDR file transfer between any (generic) 3G domain, subsystem or service CGF and a BD.
CAP	Reference point for CAMEL between a network element with integrated SSF and the OCS.
Ga	Reference point for CDR transfer between a CDF and the CGF.
Gb	Interface between an SGSN and a BSC.
Gc	Interface between an GGSN and an HLR.
Gd	Interface between an SMS-GMSC and an SGSN, and between a SMS-IWMSC and an SGSN.
Gf	Interface between an SGSN and an EIR.

Gi	Interface between the Packet-Switched domain and an external packet data network.
Gn	Interface between two GSNs within the same PLMN.
Gp	Interface between two GSNs in different PLMNs.
Gr	Interface between an SGSN and an HLR.
Gs	Interface between an SGSN and an MSC/VLR.
Gx	Reference point between a PCRF and a PCEF.
Gy	Online charging reference point between a PCEF and an OCS.
Gyn	Online charging reference point between a TDF and an OCS.
Gz	Offline charging reference point between a PCEF and an OFCS.
Gzn	Offline charging reference point between a TDF and an OFCS.
Iu	Interface between the RNS and the core network.
kbit/s	Kilobits per second. 1 kbit/s = 2 ¹⁰ bits per second.
Lr	Interface between Gateway MLCs.
Mbit/s	Megabits per second. 1 Mbit/s = 2 ²⁰ bits per second.
Mc	Interface between the MGW and (G)MSC server.
Rf	Offline charging reference point between a 3G network element and the CDF.
Nchf	Service-based interface exhibited by Charging Function.
Nnwdaf	Service based interface exhibited by NWDAF.
N28	Reference point between the PCF and Converged Charging System.
Ro	Online charging reference point between a 3G network element and the OCS.
Rx	Reference point between the PCRF and an AF.
S8	Interface between S-GW and P-GW in different PLMNs.
Sd	Reference point between the PCRF and a TDF.
Sy	Reference point for policy enforcement between OCS and the PCRF.
T8	Reference points for interworking between SCEF and SCS/AS.
Um	Interface between the Mobile Station (MS) and the GSM fixed network part.
Uu	Interface between the User Equipment (UE) and the UMTS fixed network part.
Wf	Offline charging reference point between a 3GPP WLAN CTF and the CDF (discontinued in Release 12).
Wo	Online charging reference point between a 3GPP WLAN CTF and the OCS (discontinued in Release 12).

3.3 Abbreviations

For the purposes of the present document, the following abbreviations apply:

3G	3 rd Generation
3GPP	3 rd Generation Partnership Project
5GC	5G Core Network
5GS	5G System
5G DDNMF	5G Direct Discovery Name Management Function
ABMF	Account Balance Management Function
AF	Application Function
AMF	Access and Mobility Management Function
AoC	Advice of Charge
API	Application Program Interfaces
APN	Access Point Name
AS	Application Server
BD	Billing Domain
BGCF	Breakout Gateway Control Function
BS	Bearer Services
BSC	Base Station Controller
BSS	Base Station Subsystem
BTS	Base Transceiver Station
CAMEL	Customized Applications for Mobile network Enhanced Logic
CAP	CAMEL Application Part
CCS	Converged Charging System
CDF	Charging Data Function
CDR	Charging Data Record
CEF	Charging Enablement Function

CG	Charging Gateway
CGF	Charging Gateway Function
CHF	Charging Function
CN	Core Network
CP	Control Plane
CS	Circuit Switched
CSCF	Call Session Control Function (I-Interrogating; E-Emergency; P-Proxy; and S-Serving)
CTF	Charging Trigger Function
EATF	Emergency Access Transfer Function
EBCF	Event Based Charging Function
ECUR	Event Charging with Unit Reservation
EES	Edge Enabler Server
EIR	Equipment Identity Register
EPC	Evolved Packet Core
ePDG	Evolved Packet Data Gateway
EPS	Evolved Packet System
E-UTRAN	Evolved Universal Terrestrial Radio Access Network
FQPC	Fully Qualified Partial CDR
GGSN	Gateway GPRS Support Node
GMLC	Gateway MLC
GMSC	Gateway MSC
GPRS	General Packet Radio Service
GSM	Global System for Mobile communication
gsmSCF	GSM Service Control Function
gsmSSF	GSM Service Switching Function
GSN	GPRS Support Node (either SGSN or GGSN)
HLR	Home Location Register
HPLMN	Home PLMN
HSCSD	High Speed Circuit Switched Data
IBCF	Interconnect Border Control Function
ICS	IMS Centralized Services
IE	Information Element
IEC	Immediate Event Charging
IETF	Internet Engineering Task Force
IMEI	International Mobile Equipment Identity
IMS GWF	IMS GateWay Function
IMS	IP Multimedia Subsystem
IMSI	International Mobile Subscriber Identity
IP	Internet Protocol
ISC	IMS Service Control
ISDN	Integrated Services Digital Network
ITU-T	International Telecommunication Union - Telecommunications standardization sector
LAC	Location Area Code
LAN	Local Area Network
LCS	Location Services
LRF	Location Retrieval Function
LTE	Long Term Evolution
MAP	Mobile Application Part
MBMS	Multimedia Broadcast and Multicast Service
MB-SMF	Multicast/Broadcast Session Management Function
MDAS	Management Data Analytics Service
ME	Mobile Equipment
MGCF	Media Gateway Control Function
MGW	Media GateWay
MLC	Mobile Location Center
MME	Mobility Management Entity
MMI	Man-Machine Interface
MMS	Multimedia Messaging Service
MMSE	Multimedia Messaging Service Environment
MMTel	MultiMedia Telephony
MNO	Mobile Network Operator
MnS	Management Service
MO	Mobile Originated

MOC	MO Call
MRF	Media Resource Function
MRFC	MRF Controller
MS	Mobile Station
MSC	Mobile Services Switching Centre
MSISDN	Mobile Station ISDN number
MT	Mobile Terminated
MTC	MT Call
MVNO	Mobile Virtual Network Operator
NE	Network Element
NF	Network Function
NSACF	Network Slice Admission Control Function
NSSAAF	Network Slice-Specific Authentication and Authorization Function
NWDAF	Network Data Analytics Function
OCF	Online Charging Function
OCS	Online Charging System
OFCS	Offline Charging System
OMR	Optimal Media Routing
PCEF	Policy and Charging Enforcement Function
PCF	Policy Control Function
PCRF	Policy and Charging Rules Function
PDG	Packet Data Gateway
PDN	Packet Data Network
PDP	Packet Data Protocol, e.g. IP
PLMN	Public Land Mobile Network
PoC	Push-to-talk over Cellular
ProSe	Proximity-based Services
PS	Packet-Switched
PSPDN	Packet-Switched Public Data Network
QoS	Quality of Service
RF	Rating Function
RNC	Radio Network Controller
RNS	Radio Network Subsystem
RPC	Reduced Partial CDR
SBCF	Session Based Charging Function
SCCP	Signalling Connection Control Part
SCEF	Service Capability Exposure Function
SCF	Service Control Function
SCS	Services Capability Server
SCUR	Session Charging with Unit Reservation
SGSN	Serving GPRS Support Node
SIM	Subscriber Identity Module
SMS	Short Message Service
SMF	Session Management Function
S-NSSAI	Single Network Slice Selection Assistance Information
SSF	Service Switching Function
TAP	Transferred Account Procedure
TDF	Traffic Detection Function
TR	Technical Report
TRF	Transit and Roaming Function
TS	Technical Specification
TSCTSF	Time Sensitive Communication and Time Synchronization Function
TSN	Time Sensitive Networking
TSN AF	Time Sensitive Networking Application Function
TWAG	Trusted WLAN Access Gateway
UE	User Equipment
UMTS	Universal Mobile Telecommunications System
UPF	User Plane Function
USIM	Universal SIM
VAS	Value Added Service
VLR	Visitor Location Register
VMSC	Visited MSC
VPLMN	Visited PLMN

WLAN

Wireless LAN

4 Common charging architecture and framework

4.0 Introduction

The main requirements and high-level principles for charging and billing across the domains, subsystems and services that comprise 3GPP networks are established in the TS 22.115 [101]. In order to fulfil these requirements, appropriate charging information needs to be generated and collected by the network elements or network functions of the 3GPP network and forwarded to appropriate charging and billing systems.

Several logical charging functions are needed in the network in order to provide the functionality described above for online and offline charging, respectively. These charging functions are specified in detail in this clause, together with the reference points and service based interface that are used to transfer charging information between those functions. While the overall possibilities that exist within the 3GPP standards for the physical mapping of these logical functions are described in the present document, the exact situation that applies to the various domains, subsystems and services of the network is specified in the middle tier TS that is specific to that domain/subsystem/service (i.e. TS 32.25x, TS 32.26x and TS 32.27x).

In offline charging, the charging information is transferred from the network to the Billing Domain (BD), where it is processed for billing and/or statistical purposes, at the discretion of the PLMN operator. While the internal functions of the BD are outside the scope of 3GPP standardisation, the reference point for the charging information transfer from the network to the BD does form a part of the 3GPP standards and is therefore also specified in the present clause.

In online charging, the charging information is transferred from the network to the Online Charging System (OCS) or to the Converged Charging System (CCS). The OCS or CCS, in turn, may have an offline charging reference point used to forward charging information to the BD that is similar in scope and intent to the offline charging case described in the previous paragraph. Those areas of the OCS and CCS that form part of the 3GPP standards (functions, reference points and service based interface) are also described in the present clause. All other aspects of the OCS and CCS are outside the scope of 3GPP.

4.1 Charging mechanisms

4.1.0 General

3GPP networks provide functions that implement offline and/or online charging mechanisms on the domain (e.g. EPC), subsystem (e.g. IMS) and service (e.g. MMS) levels. In order to support these charging mechanisms, the network performs real-time monitoring of resource usage on the above three levels in order to detect the relevant chargeable events. The charging levels are further described in clause 5.3.

In offline charging, the resource usage is reported from the network to the BD after the resource usage has occurred. In online charging, a subscriber account, located in an OCS or CCS, is queried prior to granting permission to use the requested network resource(s).

Typical examples of network resource usage are a voice call of certain duration, the transport of a certain volume of data, or the submission of a MM of a certain size. The network resource usage requests may be initiated by the UE (MO case) or by the network (MT case).

Offline and online charging may be performed simultaneously and independently for the same chargeable event. Clause 5.5 provides further insight into potential utilisation of the charging information produced by the offline and online charging mechanisms.

4.1.1 Offline charging

Offline charging is a process where charging information for network resource usage is collected concurrently with that resource usage. The charging information is then passed through a chain of logical charging functions that are further explained in clause 4.3.1 and clause 4.3.3. At the end of this process, CDR files are generated by the network, which are then transferred to the network operator's BD for the purpose of subscriber billing and/or inter-operator accounting (or additional functions, e.g. statistics, at the operator's discretion). The BD typically comprises post-processing systems such as the operator's billing system or billing mediation device.

In conclusion, offline charging is a mechanism where charging information does not affect, in real-time, the service rendered.

4.1.2 Online charging

Online charging is a process where charging information for network resource usage is collected concurrently with that resource usage in the same fashion as in offline charging. However, authorization for the network resource usage must be obtained by the network prior to the actual resource usage to occur. This authorization is granted by the OCS or CCS upon request from the network.

When receiving a network resource usage request, the network assembles the relevant charging information and generates a charging event towards the OCS or CCS in real-time. The OCS or CCS then returns an appropriate resource usage authorization. The resource usage authorization may be limited in its scope (e.g. volume of data or duration), therefore the authorization may have to be renewed from time to time as long as the user's network resource usage persists.

Note that the charging information utilized in online charging is not necessarily identical to the charging information employed in offline charging.

In conclusion, online charging is a mechanism where charging information can affect, in real-time, the service rendered and therefore a direct interaction of the charging mechanism with the control of network resource usage is required.

4.1.3 Converged charging

Converged charging is a process where online and offline charging are combined. The charging information is utilized by CCS in one converged charging service which offers charging with and without quota management, as well as charging information record generation.

4.2 High level common architecture

4.2.1 General

The architectural differences between the domains (e.g. PS), services (e.g. MMS) and subsystems (e.g. the IMS) affect the way in which the charging functions are embedded within the different domains, services and subsystems. However, the functional requirements for charging are always the same across all domains, services and subsystems. This clause describes a common approach for the definition of the logical charging functions, which provides a ubiquitous logical charging architecture for all 3GPP network domains, subsystems and services that are relevant for charging standardisation.

It should be noted that this common charging architecture provides only a common logical view and the actual domain / service / subsystem specific charging architecture depends on the domain / service / subsystem in question. The physical mapping of the common logical architecture onto each domain, subsystem or service is described in the respective middle tier TS, i.e. the TS 32.25x, TS 32.26x and TS 32.27x number ranges.

Figure 4.2.1.1 provides an overview of the logical ubiquitous charging architecture and the information flows for offline and online charging, in both reference points and service based interface variants, respectively further detailed in clause 4.2.2 and clause 4.2.3.

The common architecture for Network Slice Charging is provided in clause 4.2.4

The common charging functions are detailed further for the reference points variant, in clauses 4.3.1 for offline charging, and clause 4.3.2 for online charging, and for the service based interface variant in clause 4.3.3 for converged online and offline charging. The reference points are further specified in clause 4.4. The service based interface is further specified in clause 4.2.3.

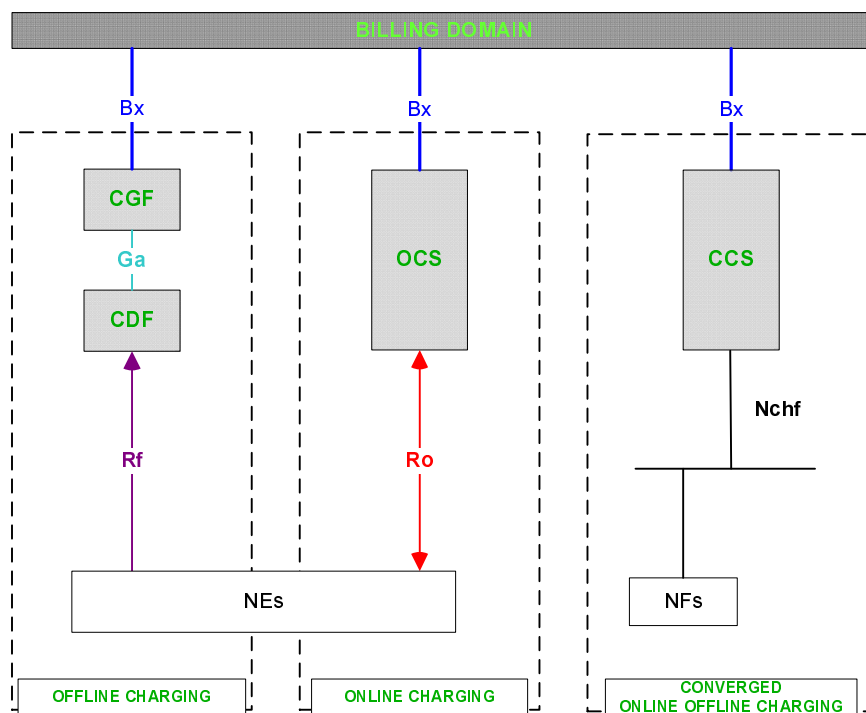
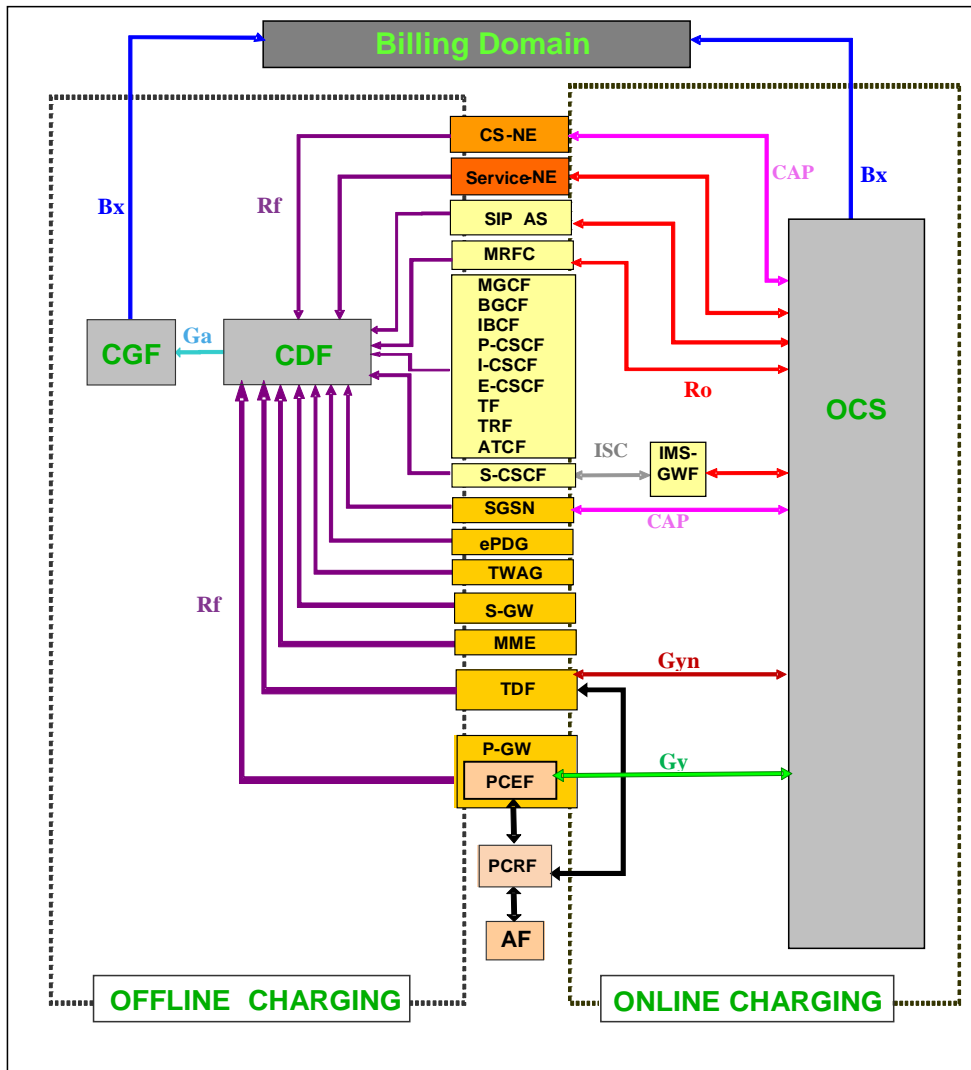


Figure 4.2.1.1: Logical ubiquitous charging architecture and information flows

4.2.2 Common architecture – reference points

Figure 4.2.2.1 provides an overview of the logical ubiquitous charging architecture and the information flows for offline and online charging in reference points variant for non-5G systems.



NOTE: this was formerly figure 4.2.1.

Figure 4.2.2.1: Logical ubiquitous charging architecture and information flows for non-5G systems—reference points

NOTE 0: The Service-NE are defined in the 3GPP specification range of TS 32.27x.

Figure 4.2.2.1 includes all network elements / systems (top to bottom: CS-NE all the way through to the PCEF) for which charging is defined within 3GPP standards. The arrows indicate logical information flows on the Rf, Ga, Bx, ISC, Ro, CAP, Gy and Gyn reference points. No inference should be drawn from the figure 4.2.2.1 with respect to the physical implementation of interfaces and charging functions.

NOTE 1: On the PCEF embedded in PGW, TS 23.203 [208] specifies the Gy reference point for online flow based bearer charging and the Gz reference point for offline flow based bearer charging. However, from the charging architecture perspective, Gy is functionally equivalent to the Ro reference point. Gz is functionally equivalent to the Ga reference point for the Legacy PS domain, and to one of Ga or Rf reference points for the Evolved PS domain. Therefore, throughout the present document, Ga or Rf are used for offline, and Ro for online are also used in conjunction with PCEF charging. This simplification ensures a consistent architectural view, as specified below, for all PCEF related online and offline charging architectural aspects.

Refer to clause 5.3.1.2 for a description of flow based bearer charging.

NOTE 2: Void.

NOTE 3: Only SMS Charging is defined for MME, as specified in TS 23.272 [213].

NOTE 4: As specified in TS 23.203 [208], the TDF uses the Gyn reference point for online application based charging and the Gzn reference point for offline application based charging. However, from the charging architecture perspective Gyn is functionally equivalent to the Ro reference point and Gzn is functionally equivalent to one of Ga or Rf reference points in the PS domain. Therefore, throughout the present document, Ga or Rf for offline, and Ro for online are also used in conjunction with TDF charging. This simplification ensures a consistent architectural view, as specified below, for all TDF related online and offline charging architectural aspects.

The logical ubiquitous charging architecture and the information flows for offline and online charging applied to the convergent scenario (i.e. both the Fixed Broadband Access network and Evolved Packet Core (EPC) owned by a single operator) with PCEF located in Fixed Broadband Access is defined in annex C, clause C.4.2.

To implement roaming unbundling for EU roaming regulation III, an architectural solution known as the Single IMSI architecture has been defined in EU Roaming regulation III; Structural Solutions; High Level Technical Specifications [298]. This architecture is based on the introduction of specific Service-NE (known as a Proxy Function) which uses the Ro reference point for online charging. The details of this architecture are defined in annex B.

4.2.3 Common architecture – service based interface

The following figures provide an overview of the logical ubiquitous charging architecture and the information flows for converged offline and online charging in service based interface variant for 5G systems and Edge Computing enabling sub-systems.

Figure 4.2.3.1 provides the overview in service based representation:

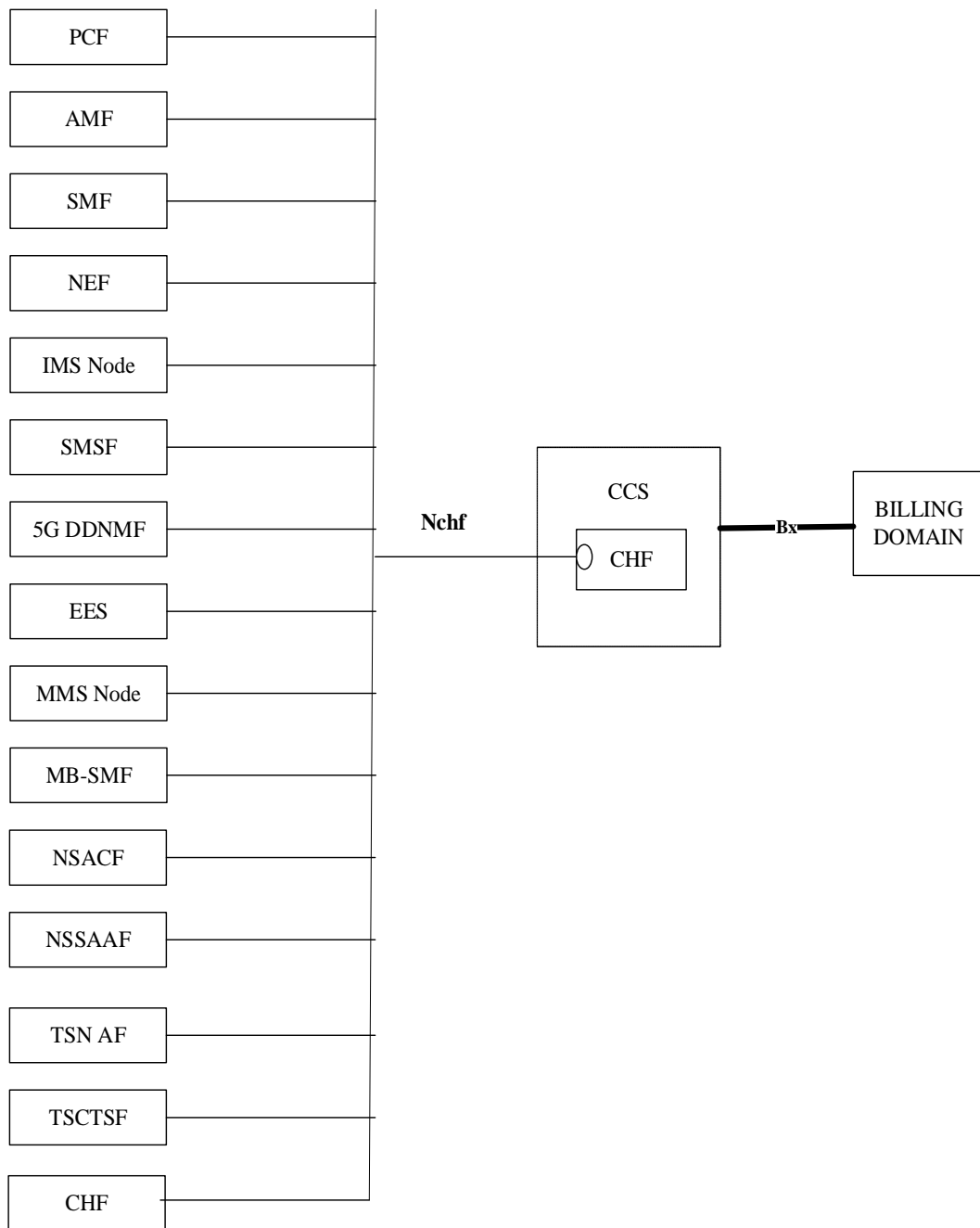


Figure 4.2.3.1: Logical ubiquitous charging architecture and information flows for 5G systems – service based representation

Figure 4.2.3.2 provides the overview in reference point representation:

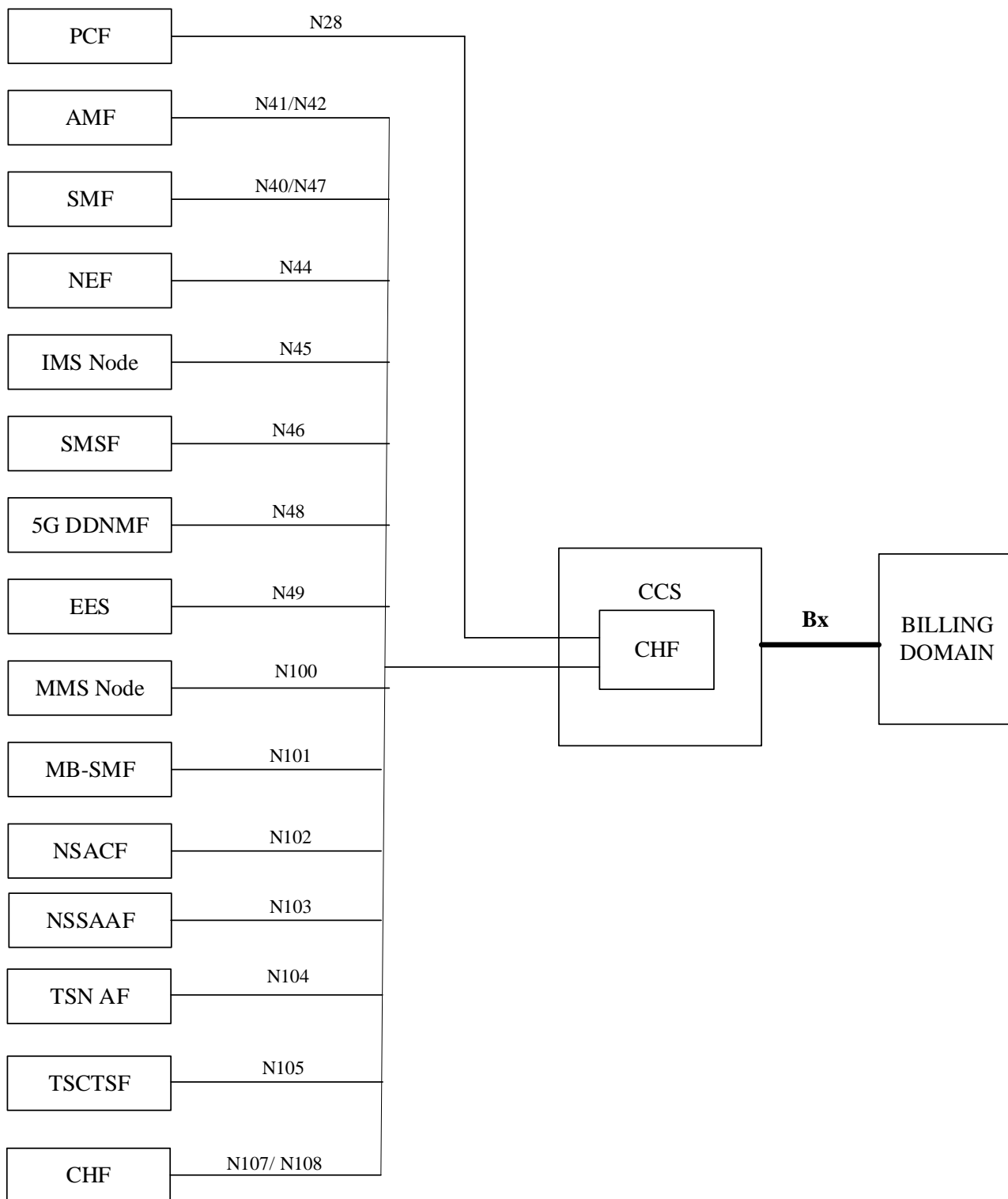


Figure 4.2.3.2: Logical ubiquitous charging architecture and information flows for 5G systems – reference point representation

The reference points are defined in clause 4.4.3.

For the sake of simplicity, the SMF+PGW-C is not explicitly added in Figure 4.2.3.1 and Figure 4.2.3.2, and is represented by the SMF. The SMF+PGW-C uses Nchf for 5GS and EPC interworking as well as when enhanced to support GERAN/UTRAN.

The Nchf_SpendingLimitControl service exposed by CHF and consumed by the PCF is specified in 3GPP TS 23.502 [214] and 3GPP TS 23.503 [297]

4.2.4 Common architecture - management domain

Figure 4.2.4.1 provides an overview of the logical ubiquitous charging architecture for the management domain with MDAS.

Figure 4.2.4.2 provides an overview of the logical ubiquitous charging architecture for the management (MDAS) and control domain (NWDAF).

Figure 4.2.4.3 provides an overview of the logical ubiquitous charging architecture for the management with other management.

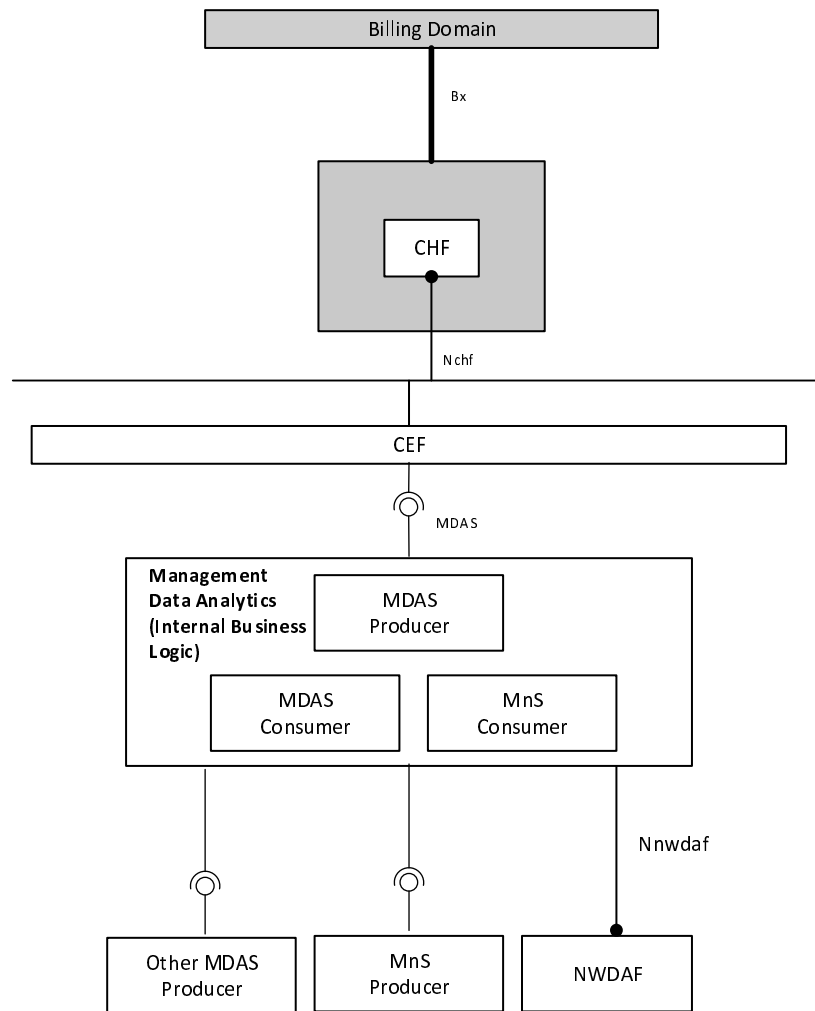


Figure 4.2.4.1: Logical ubiquitous charging architecture for management domain

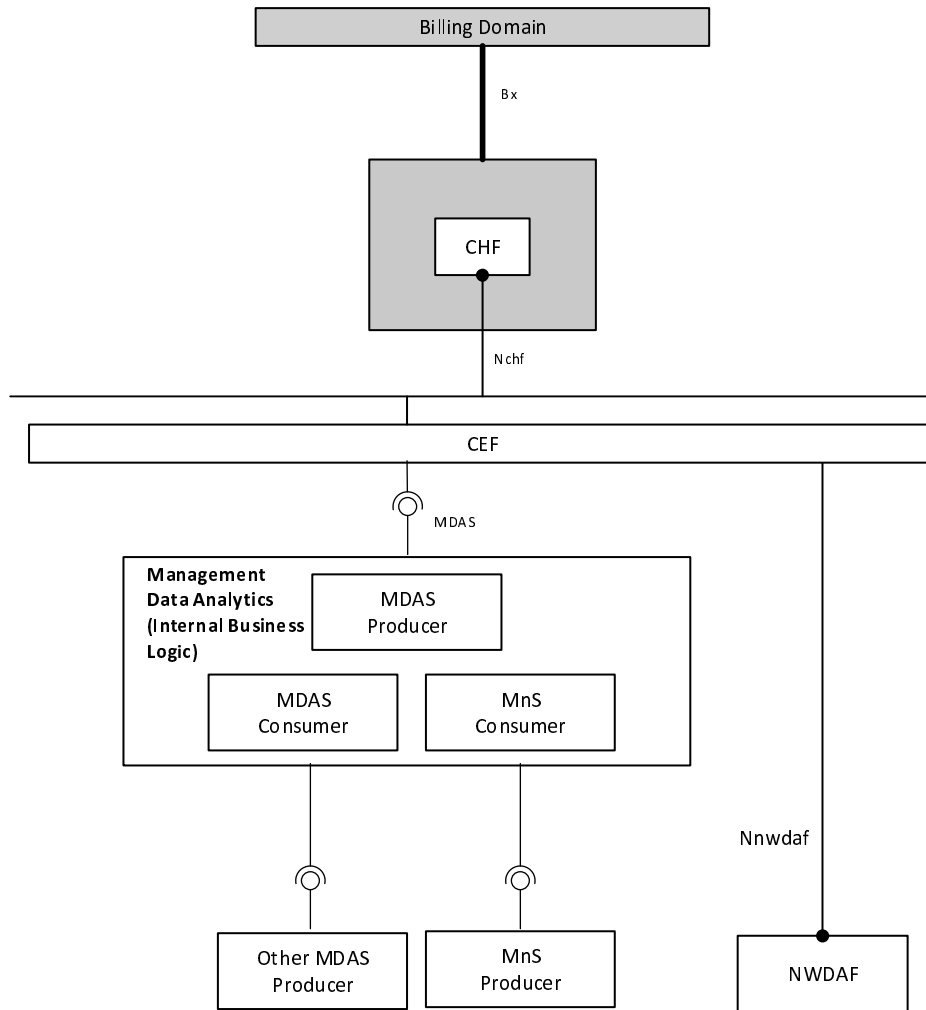


Figure 4.2.4.2: Logical ubiquitous charging architecture for management domain (MDAS) and control domain (NWDAF)

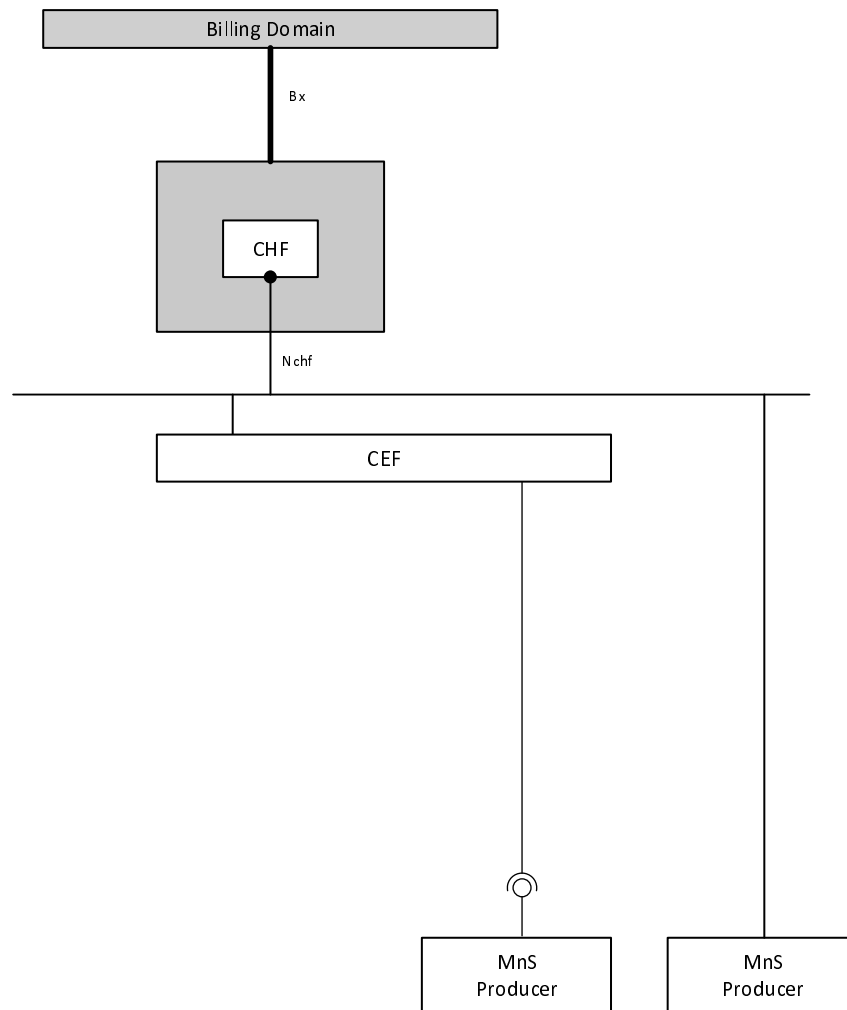


Figure 4.2.4.3: Logical ubiquitous charging architecture for other management layers

This common charging architecture provides only a common logical view. The above figures illustrate three options on how CEF can consume those described. The CEF can either consume management services or services exposed by Network functions (e.g. NWDAF), and is also a consumer of Nchf, this is illustrated in figure 4.2.4.1 which can be adapted to requirements of the Service Provider, an additional scenario (depicted in 4.2.4.3) would allow the consumption of other management services (e.g. provisioning service, notification service)

The Network Data Analytics Function (NWDAF) is specified in TS 23.501 [215].

The MnS producer, MnS consumer and MDAS are defined in TS 28.533 [216].

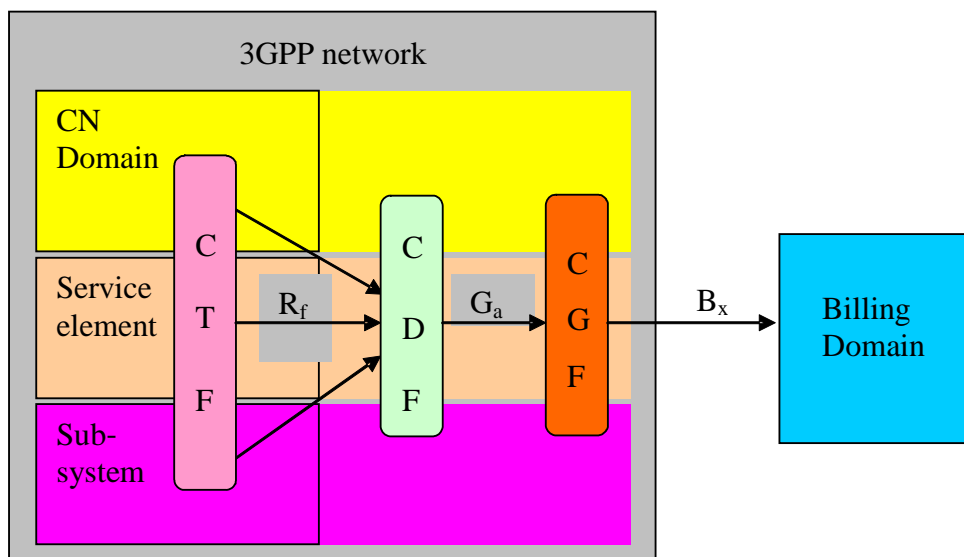
The Charging Enablement Function (CEF) is defined in clause 4.3.3.3

4.3 Charging functions

4.3.1 Offline charging functions

4.3.1.0 General

Figure 4.3.1.0.1 provides an overview of the offline part of the common charging architecture of Figure 4.2.2.1. The figure 4.3.1.0.1 depicts the logical charging functions as well as the reference points between these functions and to the BD.



CTF: Charging Trigger Function
CDF: Charging Data Function
CGF: Charging Gateway Function
BD: Billing Domain. This may also be a billing system/ billing mediation device.

Figure 4.3.1.0.1: Logical ubiquitous offline charging architecture

NOTE: Although not visualised in this figure 4.3.1.0.1, the OCS can also produce CDRs, i.e. act as a domain / service / subsystem element with embedded CTF, see clause 4.3.2.3.

4.3.1.1 Charging Trigger Function

The Charging Trigger Function (CTF) generates charging events based on the observation of network resource usage as described in clause 4.1.1. In every network element and service element that provides charging information, the CTF is the focal point for collecting the information pertaining to chargeable events within the network element, assembling this information into matching charging events, and sending these charging events towards the CDF. The CTF is therefore a mandatory, integrated component in all network elements that provide offline charging functionality, as depicted in figure 4.2.1. It is made up of two functional blocks:

- Accounting Metrics Collection

The process that monitors signalling functions for calls, service events or sessions established by the network users, or the handling of user traffic for these calls, service events or sessions, or service delivery to the user via these calls, service events or sessions. It is required to provide metrics that identify the user and the user's

consumption of network resources and/or services in real-time. The exact behaviour and functionality of this process e.g.:

- trigger conditions for collection of charging information,
- information elements to collect,
- which service events, signalling or user traffic to monitor,
- relationship to services / bearers / sessions,

depends on functions / services that the NE provides. The Account Metrics Collection can therefore be considered as the network element dependent part of the CTF.

Depending on implementation choice, NE functions (e.g. the handling of service events or signalling / user traffic) may be distributed among multiple physical "devices" within the NE. In order to be able to capture the required charging information from the service events or signalling / user traffic, the design of the Accounting Metrics Collection has to match the physical design / distribution of these functions within the NE. This implies that in case of such distributed NE functionality, the Accounting Metrics Collection becomes a distributed functionality itself.

- Accounting Data Forwarding

This process receives the collected accounting metrics and determines the occurrence of chargeable events from a set of one or more of these metrics. It then assembles charging events that match the detected chargeable events, and forwards the charging events towards the CDF via the Rf reference point. The charging events provide information pertinent to the chargeable event, i.e. characterising the network resource usage together with an identification of the involved user(s). There is no assumption of any synchronisation between the reception of individual accounting metrics, however, it must be possible for the Accounting Data Forwarding to complete its overall functionality per charging event in real-time.

While the exact information received by the Account Data Forwarding from the Account Metrics Collection, and the relevant chargeable events, are specific to each type of network element, the overall functionality of receiving, assembling and forwarding the charging information can be considered generic. Hence the Accounting Data Forwarding is considered the NE independent part of the CTF.

Even when distributed within the network element or service element, the CTF is considered to be part of the network element or service element. In service-specific cases, the CTF functional components of Accounting Metrics Collection and Accounting Data Forwarding are divided between the UE and the network element or service element. This architecture extension, conditionally required for specific services, is specified in Annex D.

The behaviour of the CTF with respect to the definition of the chargeable events, the matching charging events and the information elements to collect is specified per domain, subsystem and service in the respective middle tier TS 32.25x, TS 32.26x and TS 32.27x ([10] – [49]).

4.3.1.2 Charging Data Function

The Charging Data Function (CDF) receives charging events from the CTF via the Rf reference point. It then uses the information contained in the charging events to construct CDRs. This procedure is characterised by the following conditions:

- CDRs may be constructed from single charging events, i.e. a 1:1 relation between event and CDR.
- CDRs may be constructed from a set of several charging events, i.e. a n:1 relation between event and CDR.
- Each charging event is used for exactly one CDR, i.e. a 1:n relation between event and CDR (with n>1) is not possible.
- Multiple charging events that are used to create a single CDR may not necessarily be of the same type.
- There is no requirement or assumption of any synchronisation between the reception of the charging event(s) and the creation of the resulting CDR. However, the CDF shall be capable of receiving and processing charging events and generating the resulting CDR in near real-time.
- The relationship between CDF and CTF may be 1:1 (integrated CDF) or 1:n (separated CDF) (refer to clause 4.5 for possible physical configurations of the logical charging functions). This includes the possibility of NEs of different types feeding charging events into the same CDF.
- All charging events used to build a CDR must originate from the same NE, i.e. there is no cross-NE or cross-NE-type correlation of charging events in the CDF.

The results of the CDF tasks are CDRs with a well-defined content and format. The content and format of these CDRs are specified per domain / subsystem / service in the related middle tier TS (e.g. TS 32.250 [10] for the CS domain and TS 32.251 [11] for the PS domain, etc.).

4.3.1.3 Charging Gateway Function

The CDRs produced by the CDF are transferred immediately to the Charging Gateway Function (CGF) via the Ga reference point. The CGF acts as a gateway between the 3GPP network and the BD. It uses the Bx reference point for the transfer of CDR files to the BD. The entity relationship between the CDF and the CGF is m:1, i.e. one or more CDFs may feed CDRs into a single CGF. The CGF comprises the following main functions:

- CDR reception from the CDF via the Ga reference point in near real-time. The protocols that may cross the Ga reference point are specified in TS 32.295 [54].
- CDR pre-processing:
 - Validation, Consolidation and (Re-) Formatting of CDRs.
 - CDR error handling.
 - Persistent CDR storage.
- CDR routing and filtering, i.e. storing CDRs on separate files based on filtering criteria such as CDR type, CDR parameters, originating CDF, etc.
- CDR File Management, e.g. file creation, file opening / closure triggers, file deletion.
- CDR file transfer to the BD.

For further details of those functions see TS 32.297 [52].

4.3.1.4 Offline Charging System

The Offline Charging System (OFCS) is a grouping of charging functions used for offline charging. It collects and processes charging events from one or more CTFs, and it generates CDRs for subsequent offline downstream billing processes.

NOTE: OFCS can be seen as a special deployment of CCS.

4.3.2 Online charging functions

4.3.2.0 General

Figure 4.3.2.0.1 provides an overview of the online part of the common charging architecture of Figure 4.2.2.1. The figure 4.3.2.0.1 depicts the logical charging functions in the network and the OCS and the reference points between these functions.

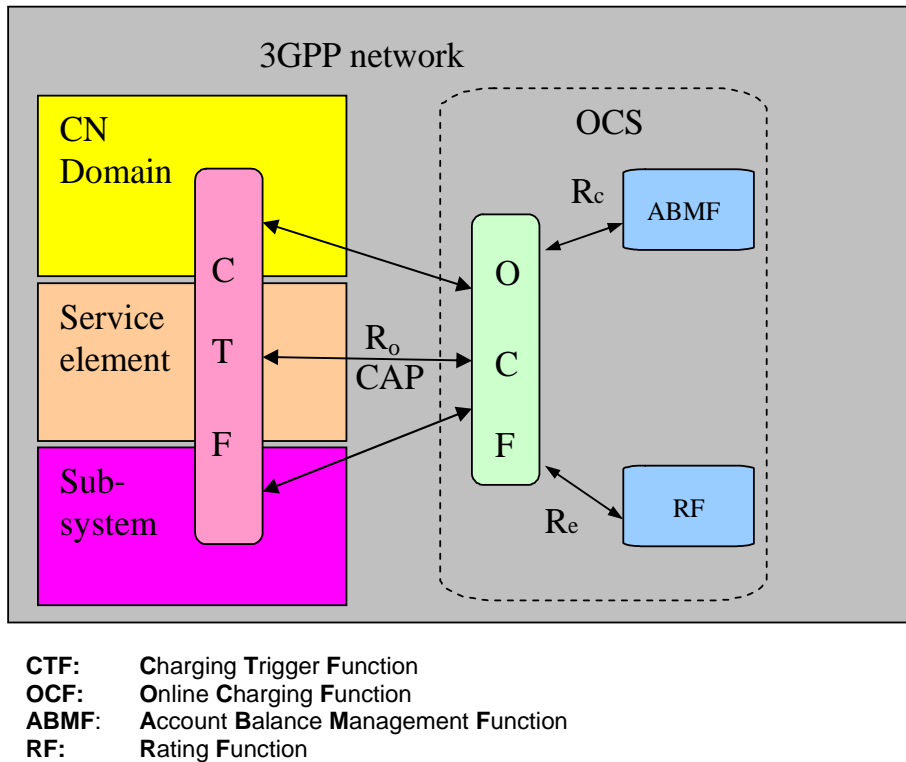


Figure 4.3.2.0.1: Logical ubiquitous online charging architecture

4.3.2.1 Charging Trigger Function

As outlined in clause 4.1.2, online charging is a process where charging information is collected in the network element in the same fashion as in offline charging. This implies that, from the functional perspective, the CTF defined in clause 4.3.1.1, also creates the charging events used for online charging. While the accounting metrics used in online charging are generally the same as in offline charging (i.e. the charging mechanism is transparent to the Accounting Metrics Collection), the following functional enhancements concerning the Accounting Data Forwarding are required in the CTF in order to support online charging:

- The information collected for, and included in, the online charging events is not necessarily identical to the offline charging case (i.e. the chargeable events may not necessarily be identical to those observed in offline charging);
- The charging events are forwarded to the Online Charging Function (OCF) in order to obtain authorisation for the chargeable event / network resource usage requested by the user;
- The CTF must be able to delay the actual resource usage until permission by the OCS has been granted;
- The CTF must be able to track the availability of resource usage permission ("quota supervision") during the network resource usage;
- The CTF must be able to enforce termination of the end user's network resource usage when permission by the OCS is not granted or expires.

The underlying principles for requesting, granting and managing resource usage permissions are described in detail in clause 5.1.

Note that the S-CSCF, although involved in online charging, does not create any online charging events, therefore clauses 4.3.2.1 and 4.3.2.2 are not completely applicable to the S-CSCF. Clause 4.3.2.2.2 describes online charging specifically for the S-CSCF.

The charging events for online charging are transferred to the OCS using the CAP or Ro reference points. Refer to figure 4.2.1 for information on the applicability of CAP or Ro per NE type.

4.3.2.2 Online Charging System

4.3.2.2.0 General

The following sub-clauses summarise the tasks of the functions comprising the OCS. Details of the OCS, and the role of each of its functional components, are described in TS 32.296 [53].

4.3.2.2.1 Online Charging Function

The OCF consists of two distinct modules, namely the Session Based Charging Function (SBCF) and the Event Based Charging Function (EBCF).

The Session Based Charging Function is responsible for online charging of network / user sessions, e.g. voice calls, IP CAN bearers, IP CAN session or IMS sessions.

The Event Based Charging Function performs event-based online charging (also referred to as "content charging") in conjunction with any application server or service NE, including SIP application servers.

Online charging in the CS and PS domains may be performed using the CAP reference point from the MSC and SGSN, respectively, to the OCF (refer to TS 23.078 [207] for details on CAP). Online charging communication between the S-CSCF and the SBCF is described in clause 4.3.2.2.2. All other network elements employ the Ro reference point for online charging (refer to TS 32.299 [50]). Refer to TS 32.296 [53] for details on the relation between the network elements (i.e. the embedded online enhanced CTF) and the SBCF or EBCF, respectively.

4.3.2.2.2 S-CSCF online charging / IMS Gateway Function

As stated above, the S-CSCF does not trigger any online charging events and thus does not include the CTF online charging enhancements described in clause 4.3.2.1 (in contrast, it does have a CTF for offline charging, as described in clause 4.3.1.1). Instead, the ISC interface is employed by the S-CSCF online charging, implying that online charging is transparent to the S-CSCF and appears like any other service logic controlled by a SIP application server. Therefore, if support for Ro based online charging is required instead of / or in addition to application server or MRFC, a special CTF is needed in order to mediate between the Ro based SBCF and the SIP based service control. This role is taken by the IMS Gateway Function (IMS GWF), which translates between SIP service control towards the S-CSCF and Ro Credit-Control on the OCS side.

From the perspective of the online charging architecture, the IMS GWF is an online charging capable CTF; from the perspective of the S-CSCF, the IMS GWF is a SIP application server and is triggered the same way. It is out of scope of the 3GPP standards whether the IMS GWF is embedded in the S-CSCF, embedded in the OCS/SBCF, or exists as a stand-alone component.

4.3.2.2.3 Rating Function

The Rating Function (RF) determines the value of the network resource usage (described in the charging event received by the OCF from the network) on behalf of the OCF. To this end, the OCF furnishes the necessary information, obtained from the charging event, to the RF and receives in return the rating output (monetary or non-monetary units), via the Re reference point. The RF may handle a wide variety of rateable instances, such as:

- Rating of data volume (e.g. based on charging initiated by an access network entity, i.e. on the bearer level);

- Rating of session / connection time (e.g. based on charging initiated by a SIP application, i.e. on the subsystem level);
- Rating of service events (e.g. based on charging of web content or MMS, i.e. on the service level).

4.3.2.2.4 Account Balance Management Function

The Account Balance Management Function (ABMF) is the location of the subscriber's account balance within the OCS or the CCS. The ABMF is put into functional context within TS 32.296 [53].

4.3.2.3 CDR generation for online charged subscribers

In offline charging, CDRs are generated in the network and forwarded to the BD for further processing, e.g. generating subscriber bills. In online charging, network resource usage is granted by the OCS based on a subscriber account on the OCS. If required by the operator, CDRs may additionally be generated for online charged subscribers. One way of achieving this is by performing online charging and offline charging simultaneously for these subscribers. Alternatively, the OCS can accomplish this by the use of the appropriate offline charging functions as follows:

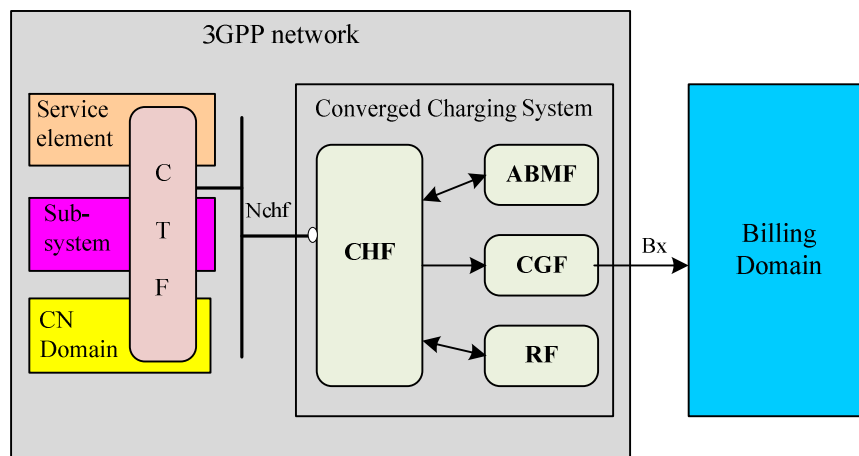
- A CDF, as specified in clause 4.3.1.2, is employed by each of the OCFs that are required to generate CDRs from the charging events they receive from the CTF;
- A CGF, as specified in clause 4.3.1.3, is employed by the OCS in order to generate / manage CDR files and provide these files to the BD.

4.3.3 Converged charging functions

4.3.3.0 General

Figure 4.3.3.0.1 provides an overview of converged charging architecture. The figure 4.3.3.0.1 depicts the logical charging functions in the network and interface between these functions and to the BD.

This charging architecture is used for 5G system.



- CTF:** Charging Trigger Function
CHF: CHarging Function
ABMF: Account Balance Management Function
RF: Rating Function
CGF: Charging Gateway Function
BD: Billing Domain. This may also be a billing system/ billing mediation device.

Figure 4.3.3.0.1: Logical ubiquitous converged charging architecture

4.3.3.1 Charging Trigger Function (CTF)

The Charging Trigger Function (CTF) interacts with the Charging Function (CHF) of the Converged Charging System (CCS) using Nchf interface for consuming CHF services as defined in TS 32.290 [57]:

- converged charging (Nchf_ConvergedCharging service) which operates:
 - with quota management (online charging);
 - without quota management (offline charging);
- offline only charging (Nchf_OfflineOnlyCharging service).

The behaviour of the Charging Trigger Function (CTF) embedded in the service element, sub-system component or Core Network element is specified in the respective middle tier charging specifications.

4.3.3.2 Converged Charging System (CCS)

4.3.3.2.0 General

The Converged Charging System (CCS) consists of four distinct modules, namely the CHF, the Account Balance Management Function (ABMF), the Charging Gateway Function (CGF) and the Rating Function (RF).

The converged charging system interacts with CTF using Nchf interface and interacts with the BD using Bx interface.

4.3.3.2.1 Charging Function (CHF)

The CHF includes:

- Online Charging Function (OCF) specified in TS 32.296 [53], providing quota management functionality under Credit-Control terminology.
- Charging Data Function (CDF) specified in clause 4.3.1.2, providing CDRs generation functionality for charging events received from the CTF or CEF via Nchf.

4.3.3.2.2 Account Balance Management Function (ABMF)

The ABMF is described in clause 4.3.2.2.4.

4.3.3.2.3 Rating Function (RF)

The Rating Function (RF) is described in clause 4.3.2.2.3.

4.3.3.2.4 Charging Gateway Function (CGF)

The Charging Gateway Function (CGF) is described in clause 4.3.1.3.

4.3.3.3 Charging Enablement Function (CEF)

The Charging Enablement Function (CEF) is a consumer of Nchf charging services, and for the purpose of charging information collection may consume management services, services exposed by other network functions or both.

4.4 Reference points

4.4.1 Offline charging reference points

4.4.1.1 Rf

- The Rf reference point supports interaction between a CTF and a CDF. The following information may flow across this reference point in real-time:
 - Charging events for offline charging from the CTF to the CDF;
 - Acknowledgements for these events from the CDF to the CTF.

The protocol(s) crossing this reference point shall support the following capabilities:

- Real-time transactions;
- Stateless mode ("event based charging") and statefull mode ("session based charging") of operation;
- Provide its own reliability mechanisms, e.g. retransmission of charging events, to run also on unreliable transport.

In addition, the protocol should support changeover to a secondary destination (alternate CDF(s)) in case of the primary CDF not being reachable.

This interface application is defined in TS 32.299 [50]. The information contained in the charging events and the relevant chargeable events are specific to the domain / subsystem / service and are detailed in the respective middle tier TSs.

4.4.1.2 Gz

The Gz reference point is functionally equivalent to Ga for Legacy PS domain and to Ga or Rf for Evolved PS domain, and hence is replaced by Ga or Rf within the common charging architecture. See also clause 4.2.

4.4.1.3 Ga

- The Ga reference point supports interaction between a CDF and a CGF. The following information may flow across this reference point:
 - CDRs are sent from the CDF to the CGF;
 - Acknowledgements for these CDRs are returned from the CGF to the CDF.
- The protocol(s) crossing this reference point shall support the following capabilities:
 - Near real-time transactions;
 - Send one or more CDRs in a single request message;
 - Changeover to secondary destinations (alternate CGFs) in case of the primary CGF not being reachable;
 - Provide its own reliability mechanisms, e.g. retransmission of charging events, to run also on unreliable transport.

This interface application is defined in TS 32.295 [54]. The content of the CDRs, and the CDR trigger conditions, are specific to the domain / subsystem / service and are detailed in the middle tier TSs.

4.4.1.4 Bx

The Bx reference point supports interaction between a CGF and the BD. The information crossing this reference point is comprised of CDR files. A common, standard file transfer protocol (e.g. FTAM, FTP) shall be used, including the transport mechanisms specified for the selected protocol.

This interface application is defined in TS 32.297 [52]. The information contained in the files corresponds to the CDRs defined per domain/subsystem/service, as stated in clause 4.4.1.3.

4.4.1.5 Void

- (Void).

4.4.1.6 Gzn

The Gzn reference point is functionally equivalent to Ga or Rf in PS domain, and hence is replaced by Ga or Rf within the common charging architecture. See also clause 4.2.

-

4.4.2 Online charging reference points

4.4.2.1 Ro

The Ro reference point supports interaction between a CTF and an OCF. The following information may flow across this reference point:

- Charging events for online charging from the CTF to the OCF.
- Receive Acknowledgements for these charging events from the OCF to the CTF. The acknowledgement grants or rejects the network resource usage requested in the charging event, according to the decision taken by the OCS.

The protocol(s) crossing this reference point shall support the following capabilities:

- Real-time transactions;
- Stateless mode ("event based charging") and statefull mode ("session based charging") of operation;

NOTE: For "event based charging", the protocol may be stateless, however Internal implementation of the CTF and OCF may be stateful across the different charging events.

- Provide its own reliability mechanisms, e.g. retransmission of charging events, to run also on unreliable transport.

In addition, the protocol should support changeover to a secondary destination (alternate OCF(s)) in case of the primary OCF not being reachable.

This interface application is defined in TS 32.299 [50]. The information contained in the charging events and the relevant chargeable events are specific to the domain / subsystem / service and are detailed in the respective middle tier TSs.

4.4.2.2 CAP

The CAP reference point provides similar functionality for online charging as Ro, however, it is based on CAMEL techniques. It is kept within the overall charging architecture as CAMEL may be used in the CS and PS domains. See TS 23.078 [207] for details on CAMEL.

4.4.2.3 Gy

The Gy reference point is functionally equivalent to Ro, and hence is replaced by Ro within the common charging architecture. See also clause 4.2.

4.4.2.4 Re

The Re reference point supports interaction between the OCF and a Rating Function (RF) in order to determine the value of chargeable events in terms of monetary or non-monetary units. This interface application is defined in TS 32.296 [53].

4.4.2.5 Rc

The Rc reference point allows the interaction between the OCF and an Account Balance Management Function (ABMF) in order to access the account of the subscriber on the OCS. See TS 32.296 [53] for further information.

4.4.2.6 Void

(Void).

4.4.2.7 Gyn

The Gyn reference point is functionally equivalent to Ro, and hence is replaced by Ro within the common charging architecture. See also clause 4.2.

4.4.3 Charging services Reference point

The common charging architectures are mapped into the specific domain/subsystem/service charging architectures in the respective middle tier TSs, which contain in their reference point representation, the following reference points:

- N28:** Reference point between PCF and CHF defined in TS 23.501[215].
- N40:** Reference point between SMF and the CHF in the same PLMN defined in clause 4.2 of TS 32.255 [15].
- N41:** Reference point between AMF and CHF in different PLMNs defined in clause 4.2 of TS 32.256 [16].
- N42:** Reference point between AMF and CHF in the same PLMN defined in clause 4.2 of TS 32.256 [16].
- N44:** Reference point between NEF and CHF defined in clause 4.4 of TS 32.254 [14].
- N45:** Reference point between IMS Node and CHF defined in clause 4.4 of TS 32.260 [20].
- N46:** Reference point between SMSF and CHF defined in clause 4.4 of TS 32.274 [34].
- N47:** Reference point between SMF and the CHF in different PLMNs defined in clause 4.2 of TS 32.255 [15].
- N48:** Reference point between 5G DDNMF and the CHF in different PLMNs defined in clause 4.4 of TS 32.277 [37].
- N49:** Reference point between EES and CHF defined in clause 4.2.3 of TS 32.257 [17].
- N100:** Reference point between MMS node and CHF defined in clause 4.4 of TS 32.270 [30].
- N101:** Reference point between MB-SMF and the CHF in the same PLMN defined in clause 4.2 of TS 32.279 [39].
- N102:** Reference point between NSACF and the CHF defined in clause 4.2.1 of TS 28.203 [72].
- N103:** Reference point between NSSAAF and the CHF defined in clause 4.2.1 of TS 28.204 [73].
- N104:** Reference point between TSN AF and CHF defined in clause 4.2 of TS 32.282 [42].
- N105:** Reference point between TSCTSF and CHF defined in clause 4.2 of TS 32.282 [42].
- N107:** Reference point between two CHFs (V-CHF and H-CHF) defined in clause 4.2 of TS 32.255 [15] and clause 4.2 of TS 32.256 [16].
- N108:** Reference point between two CHFs (C-CHF to B-CHF) defined in clause 4.3 of TS 32.255 [15] and clause 4.3 of TS 32.256 [16].

4.5 Architecture mapping

4.5.0 General

The following sub-clauses describe how the logical ubiquitous charging architecture can be mapped onto physical components and interfaces within the scope of 3GPP standards.

4.5.1 Offline mapping

The figures 4.5.1.1 – 4.5.1.4 below depict the mappings of the ubiquitous offline charging architecture onto physical implementations that are identified within the 3GPP standards. As stated previously in the present document, the CTF is a mandatory component of all NEs that have offline charging capabilities. In contrast, the CDF and the CGF may be implemented in any of the following ways:

- 1) CDF and CGF integrated in the NE. In this implementation, all network charging functions are embedded in the NE, i.e. the NE is fully self-contained in terms of offline charging. The (physical) NE itself produces the CDR files that are then transferred to the BD. Consequently, only the Bx reference point needs to be implemented as a physical interface.

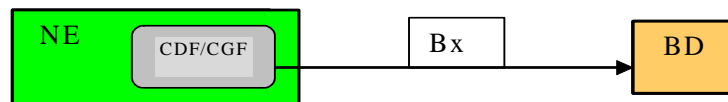


Figure 4.5.1.1: CDF and CGF integrated in the NE

- 2) CDF integrated in the NE, CGF in a separate physical element. In this implementation, the (physical) NE generates CDRs and sends them to an external CGF. Hence the Ga reference point must be implemented in the NE as a physical interface. If the CGF is a stand-alone entity, it must implement both the Ga and the Bx reference point as physical interface. As a variation of this construct, the CGF may be integrated in the BD, in which case the Bx reference point is internal to the BD.

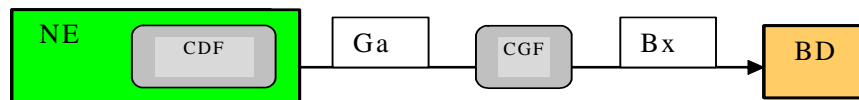


Figure 4.5.1.2: CDF integrated in the NE, CGF in a separate physical element

- 3) CDF and CGF in two separate physical elements. This scenario represents the fully distributed implementation where all reference points must be implemented as physical interfaces on the NE, CDF and CGF, respectively. Again, as a variation of this approach, the CGF may be an integral component of the BD, in which case the Bx reference point becomes internal to the BD.

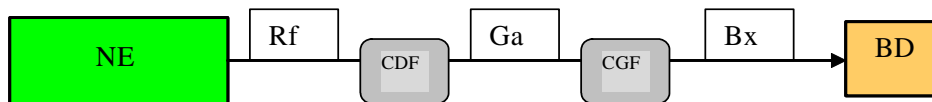


Figure 4.5.1.3: CDF and CGF in two separate physical elements

- 4) CDF and CGF in the same separate physical element. In contrast to scenario 3, there is no physical Ga interface, whereas the Rf and Bx reference points must exist as distinct interfaces in the same fashion as in scenario 3. The variation of the combined CDF/CGF being embedded in the BD is again possible, resulting in the Rf reference point being the only one that appears as a physical interface.

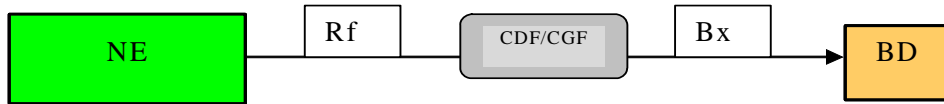


Figure 4.5.1.4: CDF and CGF in the same separate physical element

Details of the possible implementation options per domain / subsystem / service (usually a subset of the overall possible variants described above) are specified in the respective middle tier TS.

4.5.2 Online mapping

The CTF is a mandatory integrated component of all network elements that are involved in online charging as depicted in figure 4.2.1, with the exception of the S-CSCF (see clause 4.3.2.2.2). If CDR generation by the OCS is required, as described in clause 4.3.2.3, then a CDF is integrated in each OCF that is required to produce the CDRs. All other possibilities for physical mapping, including e.g.:

- integrated versus distributed CGF in the OCS,
- use of another CGF by the OCS,
- IMS GWF integrated in S-CSCF or OCS, or a stand-alone entity,

are not specified within the 3GPP standards and are therefore implementation specific. The same is true for the composition of the OCS and its logical functions.

4.5.3 Converged charging mapping

The CTF and CEF that are involved in converged charging as depicted in clause 4.3. CDR generation by the CHF is required, as described in clause 4.3.2.3. All other possibilities for physical mapping, including e.g.:

- CGF co-location in different physical locations
- use of the CGF apart from the CCS

are not specified within the 3GPP standards and are therefore implementation specific.

4.6 Service based interface

4.6.1 Nchf

The Nchf interface is a service based interface, which supports interaction between a Charging Trigger Function and the Charging Function.

The services and protocol(s) of this interface are described in TS 32.290 [57] and TS 32.291 [58].

5 Charging principles

5.0 General

The high-level requirements for charging are specified in TS 22.115 [101]. The following sub-clauses detail the charging principles on the basis of the architecture and framework defined in clause 4, in respect of:

- Charging data generation and quota supervision;
- Aspects of charging information transfer;
- Charging levels and charging data correlation;
- Charging information utilisation.

5.1 Charging data generation and quota supervision

The CTF embedded in all charging relevant network elements/network functions collects charging information within the NE/NF concerning the use of network resources by the mobile end users. These network resources may pertain to bearer (e.g. CS, PS), PDU session (e.g. 5GS), subsystem (e.g. IMS sessions) or service (e.g. MMS) usage / consumption. The various charging levels are further described in clause 5.3.

The purpose of offline charging is to transform the charging information into CDRs that are post-processed within the BD, e.g. for the purpose of generating bills. While the collection of charging information used for the CDRs occurs during the network resource usage, there is no impact of offline charging on the use of the resources. All activities involved in the transformation of the charging information into end user bills, and the collection of the end user charges incurred in these bills, occur offline to, or after, the network resource usage.

The purpose of online charging is to furnish charging information to the OCS/CCS in order to perform Credit-Control before the network resource usage is permitted. To this end, a prepaid subscriber account has to exist in the OCS/CCS, against which the resource usage can be billed. Hence all activities to assess the requested resource usage, to determine its value in monetary or other units, and to debit these units from the subscriber account, must occur prior to or at least, during the resource usage, i.e. online with respect to resource usage. Depending on the circumstances, a final evaluation must occur when resource usage ends. Hence, two cases must be distinguished:

- **Direct Debiting:** the requested resource can be determined and billed in a one-off procedure. In that case, the resource usage is debited from the subscriber account immediately when processing the charging event, and the permission for the resource usage is returned to the network. An example of this may be the forwarding of a terminating short message from the MSC to the end user. In this scenario, it is generally required that the network can guarantee resource usage execution in order to avoid over-billing the user.
- **Unit Reservation:** the OCS/CCS cannot a priori know the amount of resources that the end user may eventually consume, or it cannot be assumed a priori that the resource usage request can be (completely) fulfilled. In this case, a certain amount of (monetary or non-monetary) units is blocked, or reserved, on the subscriber's account on the OCS/CCS, and permission to use an amount of resources that matches the unit reservation is returned to the network. When the granted units have been used or a new, not yet authorised chargeable event occurs, the network must send a new request for unit allocation to the OCS/CCS. When resource usage has been executed, the actual amount of resource usage (i.e. the used units) must be returned by the NE/NF to the OCS/CCS so that eventually over-reserved amounts can be re-credited to the subscriber account, assuring that the correct amount gets debited.

Charging information is collected by the CTF based on chargeable events that describe the user(s) and their requested network resource usage. The chargeable events are specific to each domain / service / subsystem and specified in the respective middle tier TS. For each chargeable event, a matching charging event is formed and immediately sent to its destination, i.e. the CDF in offline charging, the OCF in online charging or CHF in the converged charging. Again, the event information is specific to the domain / service / subsystem and defined in the respective middle tier TS. While the accounting metrics (provided by the Accounting Metrics Collection part of the CTF) used in online, offline and converged charging are generally identical, the information comprising chargeable events (determined by the Accounting Data Forwarding part of the CTF) may be different between online, offline and converged charging. Note also that online and offline charging may occur simultaneously, i.e. for the same resource usage the CTF may send an

offline charging event to the CDF and an online charging event to the OCF. In that particular case, Credit-Control occurs for that resource usage but at the same time, CDRs are created in offline charging. Alternatively, if CDRs are required for online charged resource usage, this can be achieved by generating these CDRs in the OCS, as depicted in clause 4.3.2.3.

The online, offline charging and converged charging can be categorised into two distinct classes, namely event based charging and session based charging. Event based charging implies that a chargeable event is defined as a single end-user-to-network transaction, e.g. the sending of a multimedia message. This chargeable event is then mapped to an appropriate charging event, resulting in a single CDR or in a single Credit-Control and resource usage authorisation procedure. In contrast, session based charging is characterised by the existence of a user session, such as a circuit call, an IP CAN bearer, an PDU session, or an IMS session. This user session is then matched by a charging session, resulting in the generation of multiple chargeable/charging events and the creation of one or more CDRs in offline charging/converged charging or the performance of a Credit-Control session in online charging/converged charging. The following paragraphs describe the event versus session based charging in more detail for both online, offline charging, converged charging.

- **Event based charging.** The (chargeable) event is recognised in the NE /NF that handles it, based on e.g. signalling exchange between the user equipment and the NE/NF. The event is then mapped onto a single charging event as specified in the middle tier TS that applies to that NE/NF.
 - In online charging, the charging event is transferred to the EBCF via the Ro or CAP reference point, and the chargeable event is authorised after successfully performing Credit-Control on the subscriber account. The complete procedure must occur in real-time. If the chargeable event is not authorised by the OCS (e.g. when the subscriber account does not contain sufficient credit), the NE rejects the resource usage pertaining to that chargeable event.
 - The event charging procedure may occur with or without reservation of units from the subscriber's account ("Event Charging with Unit Reservation" (ECUR), "Immediate Event Charging" (IEC) or "Post Event Charging" (PEC), respectively), as described above. Furthermore, if the procedure does include reservation, the OCS/CCS may choose to authorise one or more occurrences of the chargeable event (i.e. allot one or more "service" units). For example, multiple short messages may be authorised upon the first SMS request from the user.
 - In offline charging, the charging event is transferred to the CDF via the Rf reference point. The CDF produces a matching CDR, which is then sent to the CGF via the Ga reference point. The CDR will eventually be transferred to the BD in a CDR file, together with other CDRs of the same or different types, according to file transfer configuration by the operator. While there is no real-time requirement on any particular part of this procedure, the system should be capable of completing the process from the detection of the chargeable event up to, and including, CDR transfer to the CGF, in near real-time.
- **Session based charging.** The start of the user session is recognised by the NE/NF that handles the session, based on e.g. signalling exchange between the user equipment and the NE/NF. This chargeable event is then mapped onto a charging event as specified in the middle tier TS that applies to that NE/NF.
 - In online charging, an "initial" charging event (session start) is transferred to the SBCF via the Ro or CAP reference point and the start of the user session is authorised after successfully performing Credit-Control on the subscriber account. The NE may delay the actual start of the user session until authorisation has been obtained (cf. 4.3.2.1). As there is no information available at this time concerning the overall evaluation of the session (e.g. complete duration or data volume of the session), session based charging always involves reservation of units from the subscriber's account ("Session based Charging with Unit Reservation" (SCUR)): the OCS reserves credit from the subscriber account and returns the corresponding quota (e.g. units specifying the number of minutes or bytes allowed) to the NE. The NE, in turn, uses the provided quota to supervise the actual network resource consumption. In the case that another chargeable event occurs for the session, the network element issues an "interim" charging event in order to also authorise this new chargeable event. When the quota is used up, the network element either issues another interim charging event, requesting further units to be allotted, or terminates the session if previously instructed to do so by the OCS. Once the session is terminated in the network element, the consumed units are reported back to the OCS with a "final" charging event. The credit control session is then terminated, and the OCS returns the value of any unused quota (as reported by the NE) to the subscriber's account. The complete procedure of receiving, processing and responding to an online charging event, must occur in real-time. Note that this procedure can occur in parallel for several concurrent services running on the same user session.

For each charging event received during the session, the OCS/CCS decides whether to authorise the resource usage or whether to decline the request (e.g. when the subscriber account does not contain sufficient credit). If, at any time within the session, the OCS/CCS determines not to authorise the chargeable event, it rejects the request sent by the network element/network functions, causing the NE/NF to disallow the resource usage pertaining to that chargeable event. It must be noted that this does not necessarily terminate the user session. E.g. in the case of credit exhaustion, the session could be redirected to a credit recharging site.

- In offline charging, the "initial" charging event is transferred to the CDF via the Rf reference point. Upon termination of the subscriber session, or when a new chargeable event occurs (as specified in the respective middle tier TS), further charging events ("final" or "interim" events, respectively) are sent for the session from the NE to the CDF. The CDF formats one or more of these events into CDRs according to CDR formats specified in the middle tier TSs, and in accordance with CDR generation triggers configured by the operator. Upon its completion, the CDR will be sent forward to the CGF via the Ga reference point, and a new CDR will be opened by the CDF for the same session. Finally, the CDRs will eventually be transferred to the BD in a CDR file, together with other CDRs of the same or different types, according to file transfer configuration by the operator.

The system should be capable of completing the process of chargeable event detection and charging event forwarding, CDR generation / closure and CDR forwarding as closely as possible in real-time. However, a significant time may pass between the reception of the first charging event for a CDR and the time the CDR is closed, depending on the CDR generation triggers configured by the operator.

For both event and session based charging, it has been specified above that the NE/NF shall disallow the requested resource usage when the associated chargeable event is not authorised by the OCS/CCS. The most typical case for the OCS/CCS to refuse authorisation is the expiry of the subscriber account. However, depending on operator policy, even in the case of account expiry the OCS/CCS may determine to allow the resource usage to occur / to continue. For example, if the interruption of the user session renders the complete session useless to the end user, it would be unfair to debit the user's account for the portion of the session that was executed. While the decision making procedures and the special treatment of this situation are internal to the OCS/CCS, the important aspect to note is that the OCS/CCS *must grant authorisation* towards the network in order to allow the event to occur or the session to continue, effectively making the event or (remainder of the) session free of charge.

Clause 5.2 provides a detailed analysis of the possible relationships between charging events, Credit-Control processes, CDRs and CDR files as well as their triggers.

Both CDR and online charging data generation and contents should be flexible and unnecessary redundancy in data should be avoided. Clause 5.4 describes how the generation of charging data can be configured by the network operator in order to support the above requirement.

Charging data are collected for successful and selected unsuccessful resource usage attempts. The resource usage attempt is seen as being successful in the network element/network function (where the chargeable event is detected) when the user event is successfully completed, or the user session has started. Further details, such as the indication of failure and failure reasons in charging events and CDRs, are specified in the middle tier TSs.

NOTE: Some of the terminology used in this clause differs from IETF RFC 4006 [402] that forms the basis for the online charging application. For example, the DCCA uses "session" and "event" more in terms of the Credit-Control protocol rather than in terms of user activity, as the present document does. The mapping of the concepts and terminology used to describe the concepts, is described in TS 32.299 [50].

5.2 Charging data transfer

5.2.0 General

Clause 5.1 describes the generation of charging information, events and records and quota supervision across the various logical functions. In the present clause, the relation between the events, records, Credit-Control sessions and CDR files is explained.

5.2.1 Charging data transfer in offline charging

5.2.1.0 General

In offline charging, charging events mirroring the resource usage request of the user are transferred from the CTF to the CDF via the Rf reference point. The CTF determines whether the request corresponds to an event (event based charging) or whether a session shall be started (session based charging). Generally, this property is built into the network capability, or service, that the NE provides, and described in the middle tier TSs.

5.2.1.1 Transfer of charging events via Rf

In event based charging, a network / user event (e.g. MM submission) corresponds to a single chargeable event. In session based charging, at least two chargeable events are needed, one each to describe the start and the end of the session, respectively. Multiple interim events are possible in order to describe changes to session characteristics (generally termed "change of charging condition", e.g. tariff time switch, change of PDP context QoS or change of IMS session media types), or when certain limits, e.g. time or volume, are exceeded. The CTF transforms each chargeable event into a charging event and forwards these charging events to the CDF in real-time.

The relation between chargeable events and charging events is 1:1. For event based charging, the relation between charging events and CDRs is 1:1. For session based charging, the relation between charging events and CDRs is m:n with $m \geq n$. The middle tier TSs specify the chargeable events per domain / service / subsystem even if Rf does not exist as an open interface in the respective domain / service / subsystem, as it is always required to identify the connection between chargeable events and triggers for CDR generation and information addition.

If charging events are generated for unsuccessful resource usage attempts, the charging event must describe the reason and the circumstances of the failure. Details, including if and when those events are generated, are specified in the middle tier TSs.

Details on the protocol application for the open Rf interface, including the message types and the domain / subsystem / service independent contents of the messages, can be found in TS 32.299 [50].

5.2.1.2 Transfer of CDRs via Ga

Upon receiving a charging event, the CDF uses the event to create/open a CDR (both event and session based charging), or to add information to an existing open CDR. As there is a 1:1 mapping between charging events and CDRs in event based charging, CDRs are created promptly after receiving and processing the event, and are then ready for transfer on to the CGF via the Ga reference point.

In session based charging, a CDR is opened when the initial charging event, specifying the start of a user session, is received. Information is added to the CDR upon receiving interim charging events. The CDR may be closed due to a number of reasons configured on the CDF or dependent on implementation, including but not limited to:

- time limit;
- volume limit;
- limit of change of charging conditions;
- end of user session, e.g. reception of the final charging event describing the session termination;
- limits (e.g. memory size) imposed by implementation.

The CDR generation could be suppressed to limit the number of CDRs based on operator configuration.

When a CDR is closed and the session is still active, a subsequent CDR is opened. Hence multiple "partial CDRs" may be needed to completely describe the session. This implies that opening and closure of CDRs may occur completely asynchronously to the reception of the charging events.

The size of partial CDRs could be optionally reduced by allowing a reduced format for partial CDRs, implying that some information can be eliminated rather than repeated in all the partial CDRs. This means that only changes from one CDR to the next, in addition to mandatory information, is reported. All the missing information can be reconstructed from fields in previous partial CDRs. For example, if location information is captured in CDRs but the user did not change location, the corresponding partial CDR would not include any location information.

Therefore, two formats are considered for Partial CDRs:

- a *Fully Qualified Partial CDR* that contains the complete set of CDR Fields, and
- a *Reduced Partial CDR* that contains all the Mandatory fields (M) and ONLY the changes that occurred in any other field relative to the previous partial CDR.

The first CDR generated when a session is opened shall be a Fully Qualified Partial CDR. Subsequent partial CDRs may be Reduced Partial CDRs. Thus, the convention is that when any non-mandatory field is missing from a Reduced Partial CDR, it should be interpreted that the same field as in the previous partial CDR could be used. Refer to clause 5.4 for the definition of "mandatory" and other CDR field categories.

All CDFs and CGFs from all vendors shall be able to generate or receive Fully Qualified Partial CDRs. Generation and reception of Reduced Partial CDRs on the Ga interface is optional. However, if Reduced Partial CDRs are transmitted on the Ga interface they must comply with the rules specified in this clause.

If the CDFs are generating Reduced Partial CDRs on the Ga interface, the CGF must be able to convert the CDRs into Fully Qualified Partial CDRs. However, if according to operator choice, the BD can support Reduced Partial CDRs, no conversion to the Fully Qualified Partial CDR format is required.

The possible charging configurations that can be supported on both the Ga and the Bx interfaces are illustrated in figure 5.2.1.2.1. Configuration a) is the default arrangement that **MUST** be supported by all systems. The other configurations are optional and may be supported **IN ADDITION** to configuration a). Configuration b) illustrates the case where the CGF is converting Reduced to Fully Qualified Partial CDRs. Configuration c) depicts the case where Reduced Partial CDRs can be received in the BD and no conversion is needed.

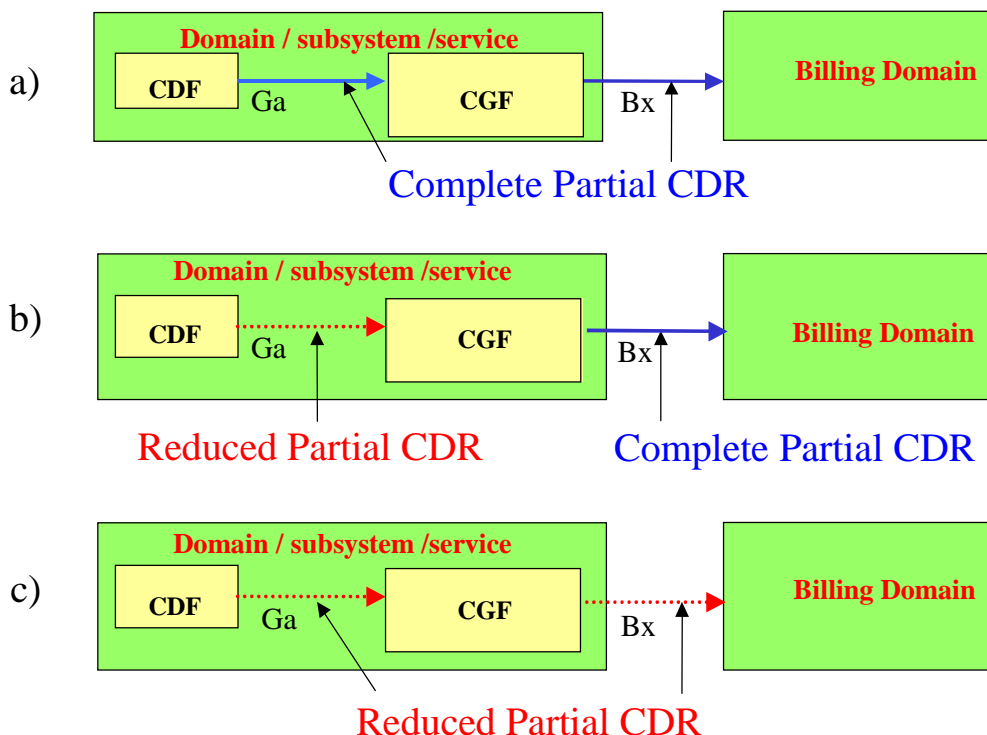


Figure 5.2.1.2.1: Possible Configurations of Ga and Bx CDR Formats

When a CDR is closed, it is immediately transferred to the CGF. The exact timing may be determined by configuration parameters of the protocol used on Ga. The CDF shall be capable of receiving and processing charging events and generating and forwarding the resulting CDRs in near real-time.

Details on the protocol application for the open Ga interface can be found in TS 32.295 [54]. The semantics and formal description of the CDR parameters are specified in TS 32.298 [51].

5.2.1.3 Transfer of CDR files via Bx

The CGF is responsible for persistent CDR storage, for preparing CDR files and transferring them to the BD via the Bx reference point. To this end, the CGF provides one or more files on which to store the CDRs after potential reformatting to comply with the Bx file format specified in TS 32.297 [52].

The CDRs may be routed to one of several simultaneously open files inside the CGF depending on certain CDR parameters, such as CDR type, or on other criteria such as the originating CDF. CDR files are closed on the CGF based on certain operator configured parameters, for example:

- file size limit,
- file duration (time) limit,
- time of day,
- maximum number of CDRs.

This implies that the closure of a CDR file occurs asynchronously to the reception of CDRs on the CGF. When a CDR file is closed, the CGF must assure that a new CDR file is available to store incoming CDRs in line with the CDR routing facility described above.

Once CDR files are closed, they are ready for transfer to the BD. The CGF shall support both "push" transfer mode (i.e. CGF triggers and controls file transfer to BD) and "pull" transfer mode (i.e. BD triggers and controls file transfer). In push mode, the CGF uploads the files to the BD according to operator specified parameters, such as time of day, number of available files, etc. In pull mode, the BD may request the files from the CGF at any point in time at the discretion of the BD.

For all procedures involved in CDR reception, processing and storing, the CGF shall be capable of complying with near real-time requirements. Details on the protocol application for the open Bx interface and the functionality of the CGF can be found in TS 32.297 [52]. The semantics and formal description of the CDR parameters are specified in TS 32.298 [51].

5.2.2 Charging data transfer in online charging

In online charging, charging events mirroring the resource usage request of the user are transferred from the CTF to the OCF via the Ro reference point. The CTF determines whether the request corresponds to an user / network event (event based charging, e.g. MMS) or whether a session shall be started (session based charging, e.g. IP CAN bearer). Generally, this property is built into the network capability, or service, that the NE provides, and described in the middle tier TSs.

Note that TS 23.078 [207] also specifies online charging capability in the SGSN and MSC based on CAMEL, i.e. using the CAP reference point towards the OCS. This functionality is outside the scope of the present document.

In event based charging, a network / user event (e.g. MM submission) corresponds to a single chargeable event. In session based charging, at least two chargeable events are needed, one each to describe the start and the end of the session, respectively. Multiple interim events are possible in order to describe changes of session characteristics (e.g. change of IP CAN bearer QoS or change of IMS session media types), or when certain limits, e.g. time or volume, are exceeded. The CTF transforms each chargeable event into a charging event and forwards these charging events to the OCF in real-time.

For event based charging, the Credit-Control procedure in the OCS may or may not involve reservation of units from the subscriber account, as described in clause 5.1. In the case of event based charging without reservation (IEC):

- The CTF forwards the charging event to the OCS;
- The OCS determines the value of the requested resource usage and debits this value from the subscriber account;
- The OCS returns the resource usage authorisation to the network element;
- The network element executes the resource usage according to the user request and the OCS authorisation.

The following exceptions and abnormal cases are defined for the IEC scenario:

- 1) The OCS rejects the resource usage request. In this case, the NE disallows the resource usage.

- 2) Subsequent to resource usage authorisation and execution of the resource usage, the resource usage fails and the CTF may return the failure to the OCS to initiate a refund for the original resource usage.

NOTE 1: The triggering of the refund action is implementation and service dependent.

If the Credit-Control procedure does involve reservation (ECUR):

- The CTF forwards the charging event to the OCS;
- The OCS determines the value of the requested resource usage and reserves this value from the subscriber account;
- The OCS returns the resource usage authorisation to the network element;
- The network element executes the resource usage according to the user request and the OCS authorisation.
- After completion (or failure) of the resource usage, the NE informs the OCS accordingly about the completion or failure;
- In line with the result report from the network element, the OCS either debits the reserved amount from the subscriber account (success), or it returns the reserved amount back to the subscriber account (failure).

The following exceptions and abnormal cases are defined for the ECUR scenario:

- 1) The OCS rejects the resource usage request. In this case, the NE disallows the resource usage.
- 2) The resource usage execution fails, e.g. due to network failure or user abort. In this case, the network element informs the OCS of the failure, and the previously reserved amounts are returned onto the subscriber account.

NOTE 2: Returning previously reserved amounts of units to the user's account is up to operator policy in the OCS. The authorization of multiple chargeable events as per the "event based charging" description in clause 5.1 is not yet covered in the above scenario.

Session based online charging always involves reservation within the Credit-Control procedure (SCUR), as there is no way for the OCS to predict the amount of resource usage that occurs during the user session. To begin with, the CTF forward generates a charging chargeable event that corresponds to the resource usage request and maps onto the user session, and forwards it to the OCF. In the OCS, the online charging session is started and a certain amount reserved from the user subscriber account. This amount is determined by the OCS based on the information in the charging event and on local configuration, i.e. operator policy. A resource usage quota, matching the reserved amount, is then returned by the OCS, at which point the user session starts in the NE. Further charging events are sent from the NE to the OCS upon the detection of further chargeable events within the session .e.g. the expiry of in intervals configured on the NE or instructed by the OCS, or when the authorised quota expires, or when session characteristics change (e.g. change of QoS of an IP CAN bearer). The OCS then furnishes a new quota to the NE as required, or rejects the charging event, e.g. due to expiry of credit on the subscriber account. The OCS also furnishes the NE's behaviour on quota expiry (termination action). When the user session terminates normally in the NE, a final statement on the actually used network resources is returned to the OCS, enabling the OCS to calculate the final value of the actual resource usage session and to properly debit the corresponding final amount from the subscriber account (possibly resulting in a re-crediting of previously reserved amounts). This also terminates the Credit-Control session for the particular user session. The following exceptions and abnormal cases are defined for the SCUR scenario:

- 1) For optimisation purposes, the network element may allow the user session to start prior to receiving the initial authorisation from the OCS, i.e. prior to the start of the Credit-Control session.
- 2) The OCS rejects the initial resource usage request at session start, i.e. no Credit-Control session is started. In this case, the NE disallows the start of the session or, if the session was already allowed to start as described in item 1 above, enforces the termination of the user session.
- 3) The OCS rejects the resource usage request in mid-session. In this case, the NE's behaviour conforms to the instruction returned by the OCS, e.g.:
 - terminate the user session;
 - limit the characteristics of the user session, e.g. allow only Web/WAP pages that are free of charge;
 - direct the session to a special notification site or an account recharging server

- 4) The OCS may send unsolicited termination commands with the same effect as described in item 3 above.
- 5) Unexpected termination of user session, e.g. due to network failure or due to user abort. In this case, the behaviour of the network is as specified above for session termination, but all available information of the failure is returned to the OCS in the final statement. Further action of the OCS in regard of calculating the session value and debiting or crediting the user's account depends on the exact circumstances and operator policy.

In any of the above cases, the termination of the user session coincides with the termination of the Credit-Control session, e.g. even when a user session is allowed to continue upon account expiry, the Credit-Control session will also continue, but "zero" rated.

NOTE 3: the intention of the above clause is not to enforce closing the user session when the Credit-Control session breaks down.

It is important for operators to carefully consider the reservation policy on the OCS. On the one hand, if small amounts are reserved, the NE must renew the authorisation very frequently, creating high signalling and processing loads. Additionally, this policy has a comparatively high likelihood of longer, or higher-value, user sessions being forcefully terminated due to expiry of the subscriber account after many small quotas have been used for small chunks of the subscriber session. In contrast, assigning high reservations avoids the above problems, but may interdict the user from the execution of additional, parallel resource usages: due to the high previous reservation, there is no credit left on the account for another resource usage request. The situation described in this paragraph is particularly complex when correlation between multiple charging levels is necessary, see clause 5.3.4. A potential method of relieving this problem is the pooling of credit quotas as described in clause 5.5.2 below.

The middle tier TSs specify the chargeable events and the content of the associated charging events and responses. TS 32.299 [50] specifies the interface application for the Ro reference point, including the message types and the domain / subsystem / service independent contents of the messages. In addition to the Credit-Control functions, the OCS may also be capable of producing CDRs based on the execution of the above Credit-Control procedures. To this end, the OCS must implement a CDF, and it uses the Ga and Bo reference points to forward its CDRs to a CGF and the CDR files to the BD. These functions of the OCS, however, are outside the scope of 3GPP standardisation.

5.2.3 Charging data transfer in converged charging

In converged charging, charging events mirroring the resource usage request of the user are transferred from the CTF or CEF to the CHF via the Nchf service-based interface.

- The CTF determines whether to use Event based charging (IEC and PEC) or Session based charging (SCUR and ECUR).
- The CEF determines the type of Event based charging (IEC and PEC) to use.

The charging data transfer for the converged charging is the converged operation of the online and offline charging specified in the clause 5.2.1 and 5.2.2, with the exception of refund in the IEC scenario.

Details on the protocol application for the Nchf interface, including the message types and the domain / subsystem / service content of the messages, can be found in TS 32.290 [57] and TS 32.291 [58].

5.3 Charging levels and correlation

Editor's note: To be completed. The use of EBCF and SBCF in the sub-clauses for all the three charging levels shall also be described here.

5.3.1 Bearer level charging

5.3.1.1 Bearer charging based on bearer / tele- / supplementary service

Editor's note: To be completed.

Charging data are also collected for supplementary service activity.

5.3.1.2 Flow based bearer charging

Editor's note: To be completed.

5.3.2 Subsystem level charging

Editor's note: To be completed.

5.3.3 Service level charging

Editor's note: To be completed.

5.3.4 Charging data correlation

5.3.4.0 General

The charging data correlation combines charging events generated by CTF while they belong to the same bearer / session / service resource usage. The correlation provides an association of charging information for the mobile subscriber's resource usage.

The correlation is based on specific access network charging identifier:

- Circuit Switched domain: MSC address and Call Reference Number;
- Packet Switched domain: P-GW address and EPC Charging ID;
- 5G Data connectivity domain: 5GC Charging ID;
- Fixed Broadband Access: Multimedia Charging ID;
- IM Subsystem: IMS Charging Identifier.

The charging information has to be aggregate for the same charging session and correlate for the same service.

5.3.4.1 Intra-level correlation

The intra-level correlation aggregates the charging events belonging to the same charging session, e.g. over a time period, and implies the generation of interim charging records.

5.3.4.2 Inter-level correlation

The inter-level correlation combines the charging events belonging to the same service but generated by different CTFs e.g. for PS access control via IM Subsystem.

5.3.4.3 Inter-network correlation

To enable the different operators involved in IMS sessions to identify each other, the Inter Operator Identification concept (IOI) is introduced. IOI allows operators involved with session signalling to identify each other by exchanging operator identification information within the SIP signalling. The IOI is composed of one pair of originating IOI and terminating IOI. Additionally, one or more transit IOI values may occur. The IOI concept may help to support inter operator charging.

The following requirements relate to the IOI concept:

- a) The IOI concept shall allow operators to uniquely identify each other for the SIP based requests; for example between A's Home PLMN and B's Home PLMN or between an A's Home PLMN and a A's Visited PLMN.
- b) The IOI concept can be used for inter operator accounting identification purposes.
- c) It shall be possible to prevent the information used for IOI from being passed to the UE.

- d) It shall be possible to apply the IOI concept on a peer to peer basis between operators. It shall be possible to use different identity values for operator identification between operators involved in IMS session related procedures and session unrelated procedures.
- e) IOI identities shall be included within SIP signalling:
- 1) When a SIP request is passed out of an IMS network the IOI identity of that IMS network (referred as originating IOI) shall be included in the SIP signalling.
 - 2) When a SIP response is returned the IOI identity of that responding IMS network (referred as terminating IOI) shall be included in the SIP signalling.
 - 3) For interconnection scenarios where one or more transit operators are between the originating and terminating operator, the identities of involved transit operators (referred as transit IOI) may be included in the SIP signalling. It should be noted that transit operators can be selected independently for each SIP method and direction of request. Due to operator policy, a transit operator may also hide his identity by adding a void value. Addition and deletion of transit IOI values are operator configurable. Details are described in the TS 24.229 [211].
 - 3a) The transit operator may provide IMS application servers to an operator network. The set of transit IOI values received in any SIP request or SIP response may be delivered to the IMS application server as per operator policy.
 - 4) The set of originating IOI, transit IOI(s), and terminating IOI is applicable to a single inter IMS network signaling exchange (e.g., A's Visited PLMN and A's Home PLMN or A's Home PLMN to B's Home PLMN). When the SIP signaling progresses to another PLMN a new set of originating IOI, transit IOI(s), and terminating IOI is generated. The set of IOI values generated for one inter-operator signaling exchange should not be passed to the operators involved in a subsequent inter-operator signaling exchange. For example, the set of IOIs for the path from A's Visited PLMN to A's Home PLMN is different than for the path from A's Home PLMN to B's Home PLMN and the set of IOI values for one should not be transmitted across the other.
 - 5) The path between an S-CSCF and an application server is an independent signaling exchange from those signaling exchanges between PLMNs. As such, the set of originating and terminating IOIs exchanged on those paths should not be transmitted on the path toward the application server. In addition, any set of originating and terminating IOIs for the path from the S-CSCF to an application server should not be transmitted on any other path from the S-CSCF. The set of transit IOI values received in any SIP request or SIP response may be delivered to the IMS application server as per operator policy. This set of transit IOI values delivered to the IMS application server do not reflect inter operator path between the S-CSCF and the application server, but rather the path either inbound to the S-CSCF or outbound from the S-CSCF and may be useful for operator-specific application processing in the application server.

NOTE 0: No transit networks are expected between the S-CSCF and a 3rd party application server.

- f) Each IMS network is responsible for including its own unique IOI Identity into the SIP signalling. The IOI Identity shall be unique for each IMS operator (for example the IOI Identity of Home Operator A is different from Home Operator B).
- g) Three types of IOI shall be defined:
- 1) Type 1 IOI: between the Home PLMN and a Visited PLMN for an end user in roaming situation (case when the P-CSCF is located in a visited network);
 - 2) Type 2 IOI: between the IMS network operator which holds the subscription of the originating end user and the IMS network operator which holds the subscription of the terminating end user. In case of redirection, Type 2 IOI can be used between IMS network operators which hold a subscription of the terminating end user, i.e. between the terminating party's IMS network operator from which the session is redirected to the terminating party's IMS network operator to which the session is redirected. In case Visited PLMN loopback is applied for Roaming Architecture for Voice over IMS with Local Breakout, Type 2 IOI can be used between A's Visited PLMN and B's Home PLMN.
 - 3) Type 3 IOI: between the home IMS network operator and a service provider;

- h) For Type 1 IOI, the P-CSCF is responsible for generating the originating IOI and the S-CSCF in the Home PLMN is responsible for generating the terminating IOI; For Type 1 IOI, the "enhanced MSC for ISC" is responsible for generating the originating IOI. In case Visited PLMN loopback is applied for Roaming Architecture for Voice over IMS with Local Breakout, Type 1 IOI is also used between A's Home PLMN and Visited PLMN on the loopback path in which the S-CSCF is responsible for generating the originating IOI and the TRF is responsible for generating the terminating IOI.
- i) For Type 2 IOI, the S-CSCF in the originating party's home IMS network or the E-CSCF in the originating party's local network or the originating MGCF is responsible for generating the originating IOI and the S-CSCF in the terminating party's IMS home network or the terminating MGCF is responsible for generating the terminating IOI. In case of redirection by the S-CSCF, the S-CSCF-in the terminating party's IMS network operator from which the session is redirected- is responsible for generating the originating IOI and the S-CSCF in the terminating party's IMS network operator or the terminating MGCF- to which the session is redirected- is responsible for generating the terminating IOI. In case of Visited PLMN loopback is applied for Roaming Architecture for Voice over IMS with Local Breakout, the TRF in A's Visited PLMN is responsible for generating the originating IOI, and the S-CSCF in the B's Home PLMN is responsible for generating the terminating IOI.

NOTE 1: The originating IOI generated by the MGCF may not be reliable depending on Operators' network configuration.

- j) For Type 3 IOI, when forwarding a request to an AS, the S-CSCF in the Home PLMN is responsible for generating the originating IOI and the AS contacted by this S-CSCF is responsible for generating the terminating IOI. For a Type 3 IOI, when an AS initiates a request, the AS is responsible for generating the originating IOI and the S-CSCF or I-CSCF contacted by this AS is responsible for generating the terminating IOI. For Type 3 IOI, when the E-CSCF forwards a request to the EATF or to the LRF, the E-CSCF is responsible for generating the originating IOI, and the EATF and LRF are responsible for generating the terminating IOI. For Type 3 IOI, when the LRF initiates a request to the E-CSCF, the LRF is responsible for generating the originating IOI, and the E-CSCF is responsible for generating the terminating IOI.
- k) IOI Identities received in the session signalling shall be incorporated into the CDRs produced by the IMS network elements. The operator identification information may be used for inter operator accounting purposes.
- l) The allocation of the IOI values for the operators is outside the scope of 3GPP standardization.

NOTE 2: The relationship of the IOI concept with security aspects between operators is not specified in this document.

5.3.4.4 Determination of completeness of charging information in IMS

5.3.4.4.1 General

The completeness of charging information is determined within the BD which itself is out of scope of 3GPP standardization. Thus based on operator policy different rules for generating and processing of charging information apply. In order to allow determination of completeness of charging information by the processing within the BD, the IMS NEs and ASs shall include additional information in SIP signalling.

This is applicable to offline charging only in this release.

5.3.4.4.2 Tracking of IMS NEs generating charging information

Based on operator policy, each IMS NE for which the CTF is generating charging events, shall include its own address or specific NE identifier into the initial SIP request to be sent out within the trust domain.

The final SIP response sent back by the last element of the trust domain shall contain the list of addresses and identifiers received within the initial SIP request.

The list of addresses or identifiers received in the final response shall be included in the charging event generated by the CTF.

5.3.4.4.3 Tracking of applications generating charging information

Based on operator policy, each application for which the hosting AS CTF is generating charging events on its behalf, shall include the address or identifier of the AS as described in clause 5.3.4.4.2 and its application identifier into the initial SIP request to be sent out within the trust domain.

The final SIP response sent back by the last element of the trust domain shall contain the list of addresses and application identifiers received within the initial SIP request.

The list of addresses or identifiers and application identifiers received in the final response shall be included in the charging event generated by the CTF.

5.4 Charging data configuration

Charging interface applications are specified for Rf and Ro in TS 32.299 [50], for Nchf in TS 32.291 [58], for Ga in TS 32.295 [54], and for Bx in TS 32.297 [52] and TS 32.298 [51]. The middle tier TSs determine per domain / service / subsystem which of the reference points exist as open interfaces and which of them are internal to integrated NEs (see charging architecture mapping discussion in clause 4.5). In accordance with these prerequisites, the content of charging events, i.e. Information Element (IE), and CDRs, i.e. CDR parameter, is also specified in the middle tier TSs on all the open network interfaces that exist in the respective domain / subsystem / service. The rules governing the presence of IEs or CDR parameters on these interfaces are summarized in this clause. A logical diagram illustrating the possible presence requirements for IEs / CDR parameters ("field categories") is shown in figure 5.4.1.

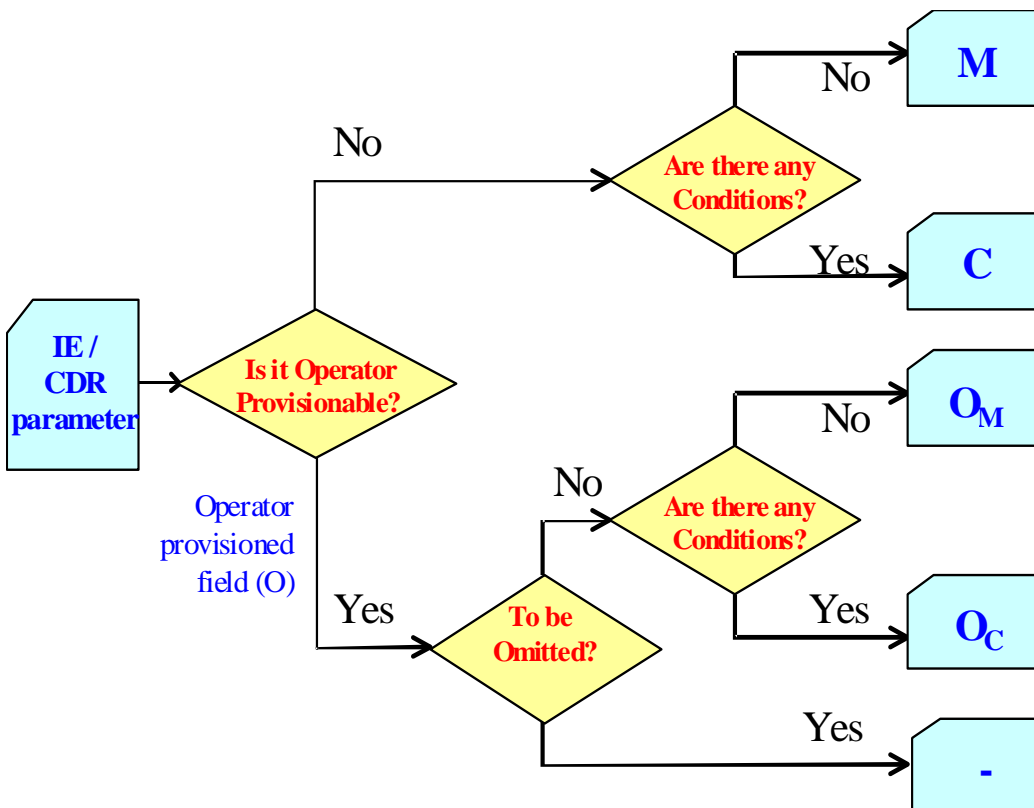


Figure 5.4.1: Logical diagram illustrating the different parameter categories

The IE and CDR parameter description tables in the middle tier TSs specify the Mandatory (M), Conditional (C) and Operator provisionable (O_C or O_M) designations. The category of an IE or CDR parameter can have one of two primary values:

M This parameter is **Mandatory** and shall always be present in the event / CDR.

C This parameter shall be present in the event / CDR only when certain **Conditions** are met. These **Conditions** are specified as part of the parameter definition.

All other parameters are designated as **Operator provisionable (O)**. Using network management functions or specific tools provided by an equipment vendor, operators may choose if they wish to include or omit the parameter from the charging event / CDR. Once omitted, this parameter is not generated in an event / a CDR. To avoid any potential ambiguity, the CTF / CDF / CGF shall be able to provide all these parameters. Only an operator can choose whether or not these parameters should be generated in their system, i.e. included in the charging event / CDR.

Those parameters that the operator configures to be present are further divided into mandatory and conditional categories:

O_M This is a parameter that, if provisioned by the operator to be present, shall always be included in the events / CDRs. In other words, an **O_M** parameter that is provisioned to be present is a mandatory parameter.

O_C This is a parameter that, if provisioned by the operator to be present, shall be included in the events / CDRs when the specified conditions are met. If provisioned by the operator not to be present, shall not be included in the events / CDRs even the specified conditions are met. In other words, an **O_C** parameter that is configured to be present is a conditional parameter.

The IE and CDR parameter tables provide a brief description of each charging event / CDR in the corresponding middle tier TSs. The full definitions of the CDR parameters, sorted by the CDR parameter name in alphabetical order, are provided in TS 32.298 [51].

The following principles apply for Information Element (IE) and CDR parameter category across the specifications:

- Category for IEs common between the middle tier TSs (stage 2) and TS 32.290 [57]: IE category in the middle tier TSs takes precedence;
- IE category in the middle tier TSs takes precedence over the corresponding IE stage 3 category and syntax in TS 32.291[58] and TS 32.299[50].
- CDR parameter category in the middle tier TSs takes precedence over the corresponding ASN.1 field syntax in TS 32.298 [51].

5.5 Charging information utilisation

5.5.0 Introduction

This clause should be separated between offline charging / CDRs / billing, online charging / Credit-Control and converged charging / with or without quota management / CDRs / billing. OCS/CCS aspects will also be included (e.g. OCS/CHF CDRs), e.g. the following text: "It is important to note that also in the online charging case, operators may wish to apply similar billing analyses (e.g. statistics) and, obviously, inter-operator accounting, as in the offline charging case. If this is required, the OCS/CHF is responsible to generate CDRs similar in scope to the ones described in offline charging above. "

The MSC server and Gateway MSC server are responsible for the collection of all charging relevant information for each MS and PSTN connection and for the storage of this information in the form of CDRs.

Circuit switched calls can be charged in one MSC server (the anchor MSC server) where all relevant data is available. That is guaranteed by routing all signalling information through the anchor MSC server even if the traffic channel of a call is routed through another MSC server due to handover.

The Gateway MSC server acts as a gateway into other PLMN or fixed networks. Within the PLMN, the GMSC server is responsible for the generation of CDRs for calls routed from or into other networks.

If subscribed CAMEL services apply to MS, the (G)MSC servers contain CAMEL subscription data providing the information required for invocation of the CAMEL dialogues for controlling the MS terminating and MS originating

calls. CDR parameters resulting from the CAMEL treatment applying to MS calls is derived from the CAMEL subscription data.

In addition to user subscribed services, specific dialled CAMEL services might be invoked which also influence existing records or even trigger the generation of separate records steered by service logic.

In addition to the information collected from these network elements/network functions, network management functions are required for the administration of on-line charging data stored in the network nodes. This data is employed to drive the charge display on the User Equipment (UE) as required by the Advice of Charge (AoC) service in TS 21.115 [101] and charging perspective of AoC is defined by TS 32.280 [40].

5.5.1 Subscriber charging

5.5.1.0 General

The charging data collected from the HPLMN, interrogating PLMN, and/or VPLMN network elements is employed to determine the network utilization charges for the basic and supplementary services utilized by the home subscribers of the PLMN. The charges calculated are then combined with the network access (subscription) charges and billed to those customers directly serviced by the PLMN.

For those subscribers handled by Service Providers, the billing information is employed for both wholesale (Network Operator to Service Provider) and retail (Service Provider to Subscriber) billing. Consequently, having been processed by the PLMN billing system, the charging data collected from the network elements may also be sent to the Service Provider for further processing.

5.5.1.1 Calling party charging

This applies to calling party pays in charged party principals defined in TS 22.115 [101].

For subscription related chargeable events the charging information shall indicate the charged party is normally the calling party. It should be possible for multiple leg calls (e.g. forwarded, conference or roamed) to be charged to each party as if each leg was separately initiated. However, in certain types of call, the originating party may wish/be obliged to pay for other legs (e.g. SMS MO may also pay for the MT leg.).

It shall be possible to change the chargeable party at the call set-up.

5.5.1.2 Alternate party charging for IMS

This applies to the alternate charged party in charged party principles defined in TS 22.115 [101].

In IMS offline and online charging as an alternative it is possible that neither calling nor called party can be charged for the IMS session. The alternate charged party need not be registered at the time that the charges are made. It is required however, that the alternate charged party be a verifiable charged party. Selection and verification is done through internal actions in the SIP-AS. The Subscription Identification contains the identity of alternate charged party. The IMS session is then processed in the normal manner.

NOTE: The method for verifying the alternate charged party is not covered in the present document.

5.5.2 Credit-Control and balance management

Editor's note: There may be more issues to consider in this clause, e.g. consideration of proper amounts for reservation.

5.5.2.1 Use of credit pooling

Credit fragmentation can occur when it is necessary to grant separate quotas. Granting each quota causes some of the user's credit to be reserved at the Server. It is then possible that all the user's credit may be reserved when the user

wishes to start using a new service. The new service may then be denied, despite the fact that there remains unused credit in the user's account.

To avoid such credit fragmentation and unnecessary load on the server, it is possible for multiple quotas provided to be linked into a credit pool. The client may then consider the quotas to form a single pool of credit, from which all services draw units.

The reference to a credit pool includes a translation factor derived from the rating parameter, which translates from units of a specific type (time/volume) to the abstract units in the pool.

The use of credit pooling is described in IETF RFC 4006 [402].

5.5.3 Inter-operator settlement of Charges

5.5.3.1 Inter-PLMN accounting

Inter-PLMN accounts for roaming traffic are determined in accordance with ITU-T principles (see ITU-T Recommendation D.93 [300]) and are settled by means of the GSM Association's Transferred Account Procedure (TAP).

5.5.3.2 'Visitors' from other PLMNs

The CDRs collected from the network also include details of the services employed by visiting (roaming) subscribers. The charges for Mobile Originated Calls (MOCs) and for supplementary services used are calculated as for home subscribers, converted to an agreed accounting currency and included in the CDRs for the TAP. Even if Mobile Terminated Calls (MTCs) are zero-priced in the visited network (VPLMN), in the absence of 'optimized routing' the MTC TAP records are still required by the home network (HPLMN) in order to determine the re-routing charges from the HPLMN to the VPLMN.

The TAP records generated are exchanged with each HPLMN on a regular basis. These TAP records form the basis of the invoice submitted by the VPLMN for the traffic carried.

5.5.3.4 'Home' subscribers roaming in other PLMNs

The HPLMN receives TAP records from each VPLMN for services employed by home subscribers whilst roaming. These records are employed to verify the invoices from the VPLMN and to bill the home subscribers for the services used. The charges contained in the TAP records are converted from the accounting currency to the local currency and a handling surcharge (mark-up) is added if required. The TAP records are subsequently passed to the subscriber billing process described in clause 5.1.2.1.

5.5.3.5 Fixed network operators and other service providers

The settlement of accounts with the operators of fixed networks for traffic carried, is generally performed on a bulk basis according to the principles outlined in the ITU-T D-series recommendations.

The traffic accounted for in this manner may include:

- outgoing (Mobile to Land) traffic;
- incoming (Land to Mobile) traffic;
- transit traffic, carried by intermediate networks;
- signalling (MAP/SCCP, CAP/SCCP) traffic such as location updates.

Accounting information may also be required for the use of services provided by other operators such as short message service centres and other Value Added Service (VAS) providers.

The charges for the various traffic shares may be determined on the basis of the CDRs generated by the network elements or on the basis of bulk counters (accounting meter records) in the gateway MSC servers (GMSC servers). For

the purpose of the present document, the management information required is assumed to be derived from CDRs. The management of accounting meters is outside the scope of the present document.

5.5.3.6 IMS Interconnection

IMS Interconnection may include the following scenarios

- Interworking between several IMS-based networks
- Interworking between IMS-based networks and PSTN/ISDN
- Interworking between IMS-based networks and TISPAN NGN supporting PSTN/ISDN Emulation
- Interworking between IMS-based networks and non-IMS-based networks
- IMS transit scenarios in multi operator environments where one or more transit operators are between the originating and terminating operator.
For IMS transit scenarios, all involved transit operators get captured in the signalling, as described in clause 5.3.4.3. Depending on the operator specific policy, IMS transit charging may be limited to the immediately adjacent transit operators only, or consider all involved transit carriers within the multi-operator environment.

IMS Interconnection charging is described in TS 32.260 [20].

5.5.3.7 Charging Principles for Roaming Architecture for Voice over IMS with Local Breakout

The Roaming Architecture for Voice over IMS with Local Breakout is described in the TS 23.228 [209].

The roaming charging procedures for Roaming Architecture for Voice over IMS with Local Breakout shall be based on the existing principles described in clauses 5.5.3.1, 5.5.3.2 and 5.5.3.4.

Additionally, roaming charging data for Roaming Architecture for Voice over IMS with Local Breakout shall provide the following information:

- Indicator whether loopback or home routing has been applied
- Final destination for the session when loopback is applied
- Indicator whether OMR (Optimal Media Routing) has been applied
- Charging data created by VPLMN after the loopback must be assigned to a user identified by the P-Asserted-Identity.

NOTE: this is different from charging data collected for interconnection accounting, where identity of served user is optional and not relevant for post-processing.

Details are described in the TS 32.260 [20]

5.5.3.8 Charging Principles for roaming architecture for voice over IMS with home routed traffic

The roaming architecture for voice over IMS with home routed traffic is described in the TS 23.228 [209]. The breakout point for both the IMS signalling and media traffic is in the home network for a roaming UE, i.e. for 3GPP systems, the P-GW/GGSN/SMF-UPF for a roaming UE is in the HPLMN of the UE.

Based on GSMA BA.27 [500], the VPLMN will not have awareness of the services being used over the IMS APN and cannot support service-aware wholesale charging. Data roaming charges will apply for all traffic traversing S8 or Gp interface per the existing data roaming agreement. The HPLMN operator will be responsible for all interworking connectivity and call termination fees associated with call or service termination.

Specifically, the serving PLMN identifier of the UE is needed for the home network.

Details are described in the TS 32.260 [20].

5.5.3.9 Charging principles for 5G Roaming architecture with local breakout

The 5G System roaming architecture with local breakout is specified in TS 23.501 [215]. The breakout point for both the control plane signalling and user plane traffic is in the VPLMN, i.e. the vSMF and vUPF respectively.

The VPLMN charging mechanism collects charging information related to the 5G data connectivity usage for each UE detected as in-bound roamer. The information collected include details of the services used by the visiting subscriber and it is conveyed to both the CHF in VPLMN and to the CHF in the HPLMN.

The CHF in the VPLMN uses the collected charging information for wholesale charging including service aware towards the HPLMN

The CHF in the HPLMN uses the collected charging information for retail charging towards the home subscriber while roaming.

Charging for Roaming with Local Breakout is covered by the 5G data connectivity domain converged charging architecture specified in TS 32.255 [15], using the SMF embedding the CTF.

5.5.3.10 Charging principles for 5G non-roaming Mobile Virtual Network Operators (MVNOs) charging

For scenarios in which subscribers have a subscription with an MVNO which allows usage of 5G data connectivity while in the home MNO, the MNO shall be able to collect charging information related to 5G data connectivity usage for each MVNO, for wholesale. The MVNO deploys their own billing and charging (CHF), but no other NFs.

The charging mechanism in the MNO collects charging information related to the 5G data connectivity usage for each UE and conveys this charging information to the MVNO for each UE.

The MVNO uses the charging information collected for retail charging (MVNO to subscriber). Charging for MVNO scenario is covered by the 5G data connectivity domain converged charging architecture specified in TS 32.255 [15].

N47 reference point is also used when an additional actor (i.e. MVNO) performs retail charging for its own subscribers. In such a case N47 is the reference point between SMF in the MNO and CHF in the MVNO.

5.5.3.11 Charging principles for network slice differentiation in 5G roaming

In the 5G System, the Network Slice is identified by an S-NSSAI (Single Network Slice Selection Assistance Information) within a PLMN, and charging principles for roaming are based on clause 5.15.6 of TS 23.501 [215].

The HPLMN shall be able to collect charging information in 5G data connectivity and 5G connection and mobility for the home subscribers while roaming, with associated used HPLMN S-NSSAI(s) for retail charging.

The VPLMN shall be able to collect charging information in 5G data connectivity and 5G connection and mobility for in-bound roamers, with associated VPLMN S-NSSAI(s) and, in addition, the mapping to HPLMN S-NSSAI(s), for the purpose of wholesale towards the HPLMN.

These principles are applicable in both Roaming Home Routed and Local Breakout scenarios.

5.5.4 Advice of Charge

The charging data collected from the network elements may be used to provide tariff information concerning the use of services, by both home and visiting subscribers, within the network. The appropriate tariff information to the network elements is distributed by the Advice of Charge supplementary service. The function is specified in TS 32.280 [40].

An alternative mode of AoC can also be used to indicate the occurrence of new charges to the user, e.g. when a monthly allowance is being exceeded, or when a service is requested that is not included in the subscription fees, while others are. This topic is for further study.

6 Service specific charging

6.1 Introduction

There are services that spans domains, systems and functions to provide the service, this clause gives an overview of these services and which specifications that could be used to charge for the service.

6.2 5G LAN-type service charging

6.2.1 General

The 5G LAN-type service charging specified in the clause 5.34.10 of TS 23.501[215], including the 5G VN group management and 5G VN group communication.

The 5G VN group configuration is either provided by OA&M or provided by an AF to the NEF.

The 5G VN group management charging is applicable for the 5G VN group addition/deletion/modification (i.e.5G VN members), including the following two optional architecture specified in TS 32.254 [14]. which optional charging architecture to be used is depended on the operator's decision.

- CEF based charging: obtains the 5G VN group information from UDM by CEF, and reports to CHF.
- NEF based charging: reports the 5G VN group charging information by NEF based on the API invocation from AF. NEF exposure function Northbound Application Program Interfaces (APIs) charging, using the NEF embedding the CTF.

The 5G VN group communication includes one to one communication and one to many communications. The 5G VN group communication charging is applicable for traffic forwarding via PDU session of 5G VN group members which covered by 5G data connectivity domain converged charging architecture specified in TS 32.255 [15], using the SMF embedding the CTF.

6.3 5G Edge computing services charging

Edge Computing support in 5GS is defined in TS 23.501[215], TS 23.502[214] and TS 23.548[217]. The architecture for enabling Edge Applications is specified in TS 23.558[218].

The charging principles for the Edge Computing domain are specified in TS 32.257[17] and TS 32.255[15].

The architecture of Edge Computing in Local Breakout roaming scenario and charging for Edge Computing in local breakout follows the principles in clause 5.5.3.9 are specified in TS.23.501 [215].

6.4 5GS TSN services charging

The corresponding description to support of integration with TSN and enablers for Time Sensitive Communications and Time Synchronization are specified TS 23.501[3] clauses 5.27 and 5.28.

- 5GS acts as a Layer 2 Ethernet Bridge. When integrated with IEEE TSN network, 5GS functions acts as one or more TSN Bridges of the TSN network. The configuration of the 5GS Bridge can be provided by TSN AF and CNC.
- 5G System features that can be used independently or in combination to enable time-sensitive communication and time synchronization.

The charging architectures, principles and scenarios for the time sensitive networking domain are specified in TS 32.282 [42].

6.5 Satellite in 5GS charging

The support of Satellite Access in 5GS is specified in the clauses 5.4.10 and 5.4.11 of TS 23.501[215]. The support of Satellite Backhaul in 5GS is specified in the clause 5.43 of TS 23.501[215].

The charging for the satellite access is specified in TS 32.255[15] and TS 32.256 [16].

The charging for the satellite backhaul is specified in TS 32.255[15].

Annex A (informative): Bibliography

This annex contains guidelines for the references in all the charging specifications.

a) The 3GPP charging specifications

[1] - [99].

One example:

[20] 3GPP TS 32.260: "Telecommunication management; Charging management; IP Multimedia Subsystem (IMS) charging".

b) Common 3GPP specifications

[100] - [199]

One example:

[101] 3GPP TS 22.115: "Service aspects; Charging and billing".

c) other Domain and Service specific 3GPP / ETSI specifications

[200] - [299]

One example:

[201] 3GPP TS 23.228: "IP Multimedia Subsystem (IMS); Stage 2".

d) Relevant ITU Recommendations

[300] - [399]

One example:

[300] ITU-T Recommendation D.93: "Charging and accounting in the international land mobile telephone service (provided via cellular radio systems)".

e) Relevant IETF RFCs

[400] - [499]

One example:

[402] IETF RFC 4006 (2005): "Diameter Credit-Control Application".

f) Others

[500] - [699]

One example:

[601] Broadband Forum TR-134: "Broadband Policy Control Framework (BPCF)".

Annex B (normative): Single IMSI architecture for EU Roaming

B.0 General

To enable the sale of regulated roaming services, an architecture based on 3GPP has been defined in the high-level technical specification EU Roaming regulation III; Structural Solutions; High Level Technical Specifications [298]. A real-time interface has been defined in EU Roaming regulation III; Interface & Protocol; Detailed Technical Specifications [299] for retailing billing of voice calls between a Domestic Service Provider and an Alternative Roaming Provider.

For the purposes of this annex, the following definitions apply:

Alternative Roaming Provider (ARP): A roaming provider different from the domestic provider.

Domestic Service Provider (DSP): An undertaking that provides a roaming customer with domestic mobile communications services, either a Mobile Network Operator or a Mobile Virtual Network Operator.

B.1 Voice Control

To enable charging of ARP subscribers for voice calls, an online charging interface between the DSP and ARP is established. The concept of voice call shall be interpreted as any Circuit-switched call, whatever the teleservice used (speech, 3.1 kHz audio, Fax, or CS data) except circuit-switched Video Telephony calls (BS 37, 64 kbit/s unrestricted digital info mode). The voice control architecture is shown in figure B.1.1.

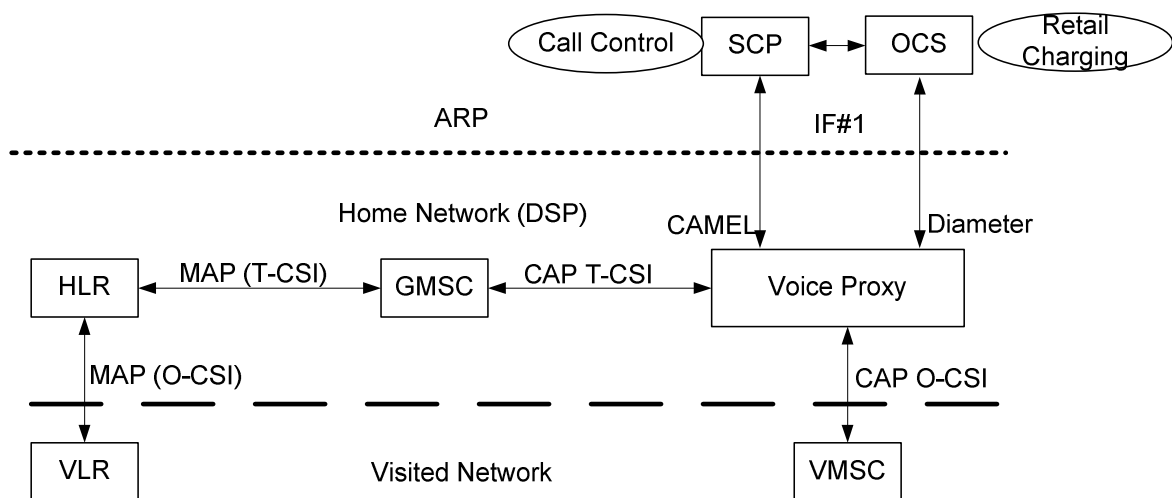


Figure B.1.1: Voice Control Architecture and Associated Functions

The signaling between the Visited Network and the DSP utilizes CAP for the online CS domain charging as specified in TS 32.250 [10]. For the CAMEL option of IF#1, the signaling between the DSP and ARP also utilizes CAP for the online CS domain charging as specified in TS 32.250 [10]. For the Diameter option of IF#1, the signaling between the DSP and ARP utilizes Diameter Ro for the Voice Call Service online charging as specified in TS 32.276 [36] and utilizes the Proxy Function for mapping between CAMEL and Diameter as specified in TS 32.293 [56].

Annex C (normative): Fixed Broadband Access

C.1 General

This annex specifies the enhancement to 3GPP charging architecture and framework for supporting the convergent scenario, where a single operator owns both the Fixed Broadband Access network and the Evolved Packet Core (EPC), and the PCEF is located in the Fixed Broadband Access network, as described in TS 23.203 [72].

This annex describes only the exceptions and additions in respect the main body requirements, therefore, if not explicitly mentioned the main body is applicable.

This annex is applicable only for traffic from Fixed subscribers and NSW0 traffic from 3GPP UEs.

C.2 References

(Void)

C.3 Definitions, symbols and abbreviations

(Void)

C.4 Common charging architecture and framework

C.4.1 Charging mechanisms

(Void)

C.4.2 High level common architecture

The logical ubiquitous charging architecture and the information flows for offline and online charging of figure 4.2.1, applied to the convergent scenario (i.e. both the Fixed Broadband Access network and Evolved Packet Core (EPC) owned by a single operator) with PCEF located in Fixed Broadband Access is shown in the figure C.4.2.1 below, based on Architecture defined in TS 23.203 [71] annex S clause S.4.1.

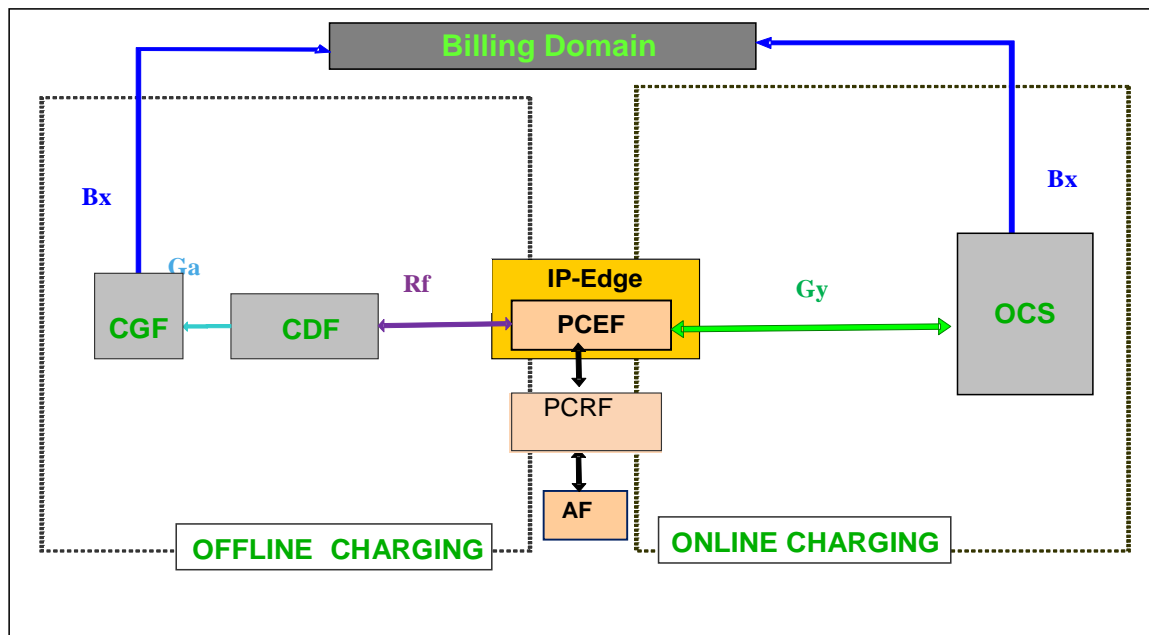


Figure C.4.2.1: Logical ubiquitous charging architecture and information flows PCEF located in IP-Edge

C.4.3 Charging functions

(Void)

C.4.4 Reference points

C.4.4.1 Offline charging reference points

C.4.4.1.1 Gz

When applied to PCEF located in IP-Edge, the Gz reference point functionality relies on Rf or Ga Reference Points within the common charging architecture.

C.4.4.1.2 Gzn

The TDF when used for application based charging in a convergent scenario performs the same functionality as outlined in this document and in addition the Gzn reference point enables transport of offline charging information for both Non-seamless WLAN offloaded traffic from a 3GPP UE and for fixed devices.

C.4.4.2 Online charging reference points

C.4.4.2.1 Gy

When applied to PCEF located in IP-Edge, the Gy reference point functionality relies on Ro Reference Point within the common charging architecture.

C.4.4.2.2 Gyn

The TDF when used for application based charging in a convergent scenario performs the same functionality as outlined in this document and in addition the Gyn reference point allows online credit control for TDF based charging for both Non-seamless WLAN offloaded traffic from a 3GPP UE and for fixed devices.

Annex D (normative): Distributed Charging Trigger Function

D.1 General

This annex specifies the enhancement to 3GPP charging architecture and framework in which, when required for a specific service, the Charging Trigger Function is split between the UE that supports that service and the network element or service element. As described in clause 4.3.1.1, the CTF consists of the Accounting Metrics Collection (AMC) function block and the Accounting Data Forwarding (ADF) function block. For select services, the CTF (AMC) is located in the UE and the CTF (ADF) is located in the network element or service element reachable by an application layer protocol. The applicability of this distributed CTF architecture is described in each specific middle tier charging TS that utilizes this construct.

In the present document the distributed CTF is only available for offline charging.

D.2 Definitions, symbols and abbreviations

D.2.1 Definitions

(Void)

D.2.2 Symbols

For the purposes of this annex, the following symbols apply:

Xch Offline charging reference point between a UE and the service NE for charging purposes

D.2.3 Abbreviations

For the purposes of this annex, the following abbreviations apply:

CTF (AMC) Charging Trigger Function (Accounting Metrics Collection)
CTF (ADF) Charging Trigger Function (Accounting Data Forwarding)

D.3 Common charging architecture and framework

D.3.1 Charging mechanisms

(Void)

D.3.2 High level common architecture

The logical ubiquitous charging architecture and the reference points for offline charging of figure 4.2.1, extended with the distributed CTF architecture is shown in figure D.3.2.1.

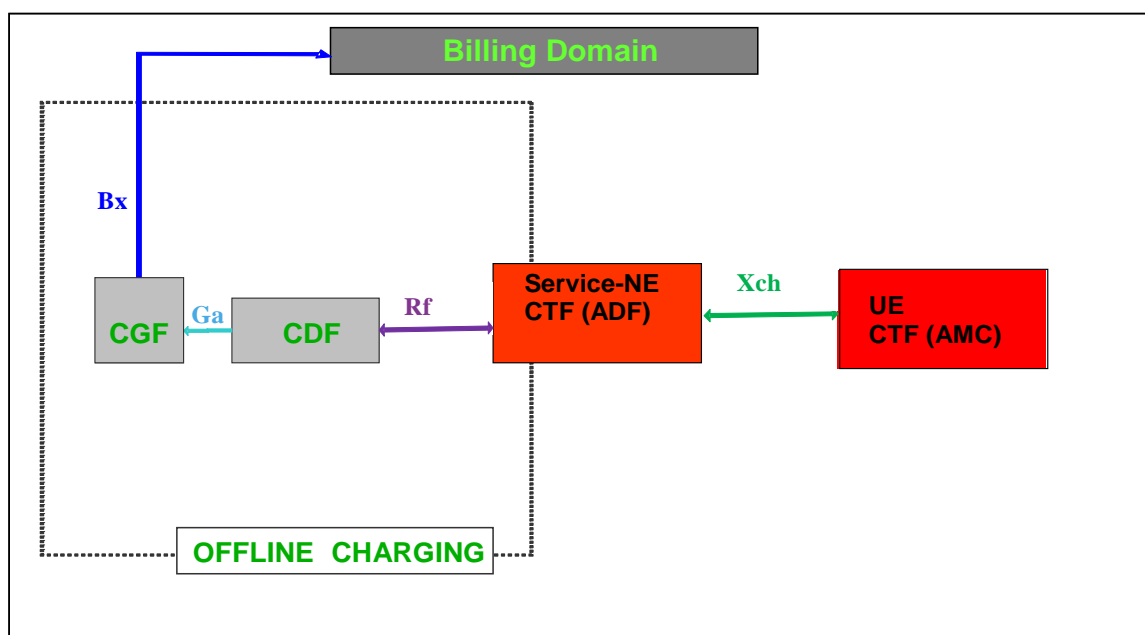


Figure D.3.2.1: Logical ubiquitous charging architecture and reference points with distributed functional blocks of CTF for offline charging

D.4.3 Charging functions

D.4.3.1 Offline charging functions

D.4.3.1.1 Charging Trigger Function

For a service utilizing the distributed CTF, the CTF is divided into two functional blocks as described in clause 4.3.1.1. The Accounting Metrics Collection (AMC) function block is in the UE that supports the specific service. The AMC sends usage information collected to the Accounting Data Forwarding (ADF) function block of the CTF in the service NE over the service-specific reference point, denoted as X. The subset of X specific to usage information collection for charging purposes is denoted as Xch in figure D.3.2.1.

D.4.3.2 Online charging functions

In this present specification, the distributed CTF is only available for offline charging.

D.4.4 Reference points

D.4.4.1 Offline charging reference points

D.4.4.1.1 Xch

The subset of service-specific reference point X that is specific to usage information collection for charging purposes.

D.4.4.2 Online charging reference points

In this present specification, the distributed CTF is only available for offline charging.

Annex E (Informative): High level overall charging architecture.

E.1 General

This annex presents a high level view of the overall charging architecture. It covers the charging reference points and interfaces from 3GPP Release 14 and 15 core networks and the IMS subsystem towards the charging functions of Release 14 and Release 15 charging systems.

E.2 Common charging architecture and framework

E.2.1 High level common architecture

The overall logical charging architecture is depicted below. The Rf and Ro reference points are applicable to GPRS, EPC or IMS NEs only, whereas the Nchf interface is applicable to 5GC NFs only.

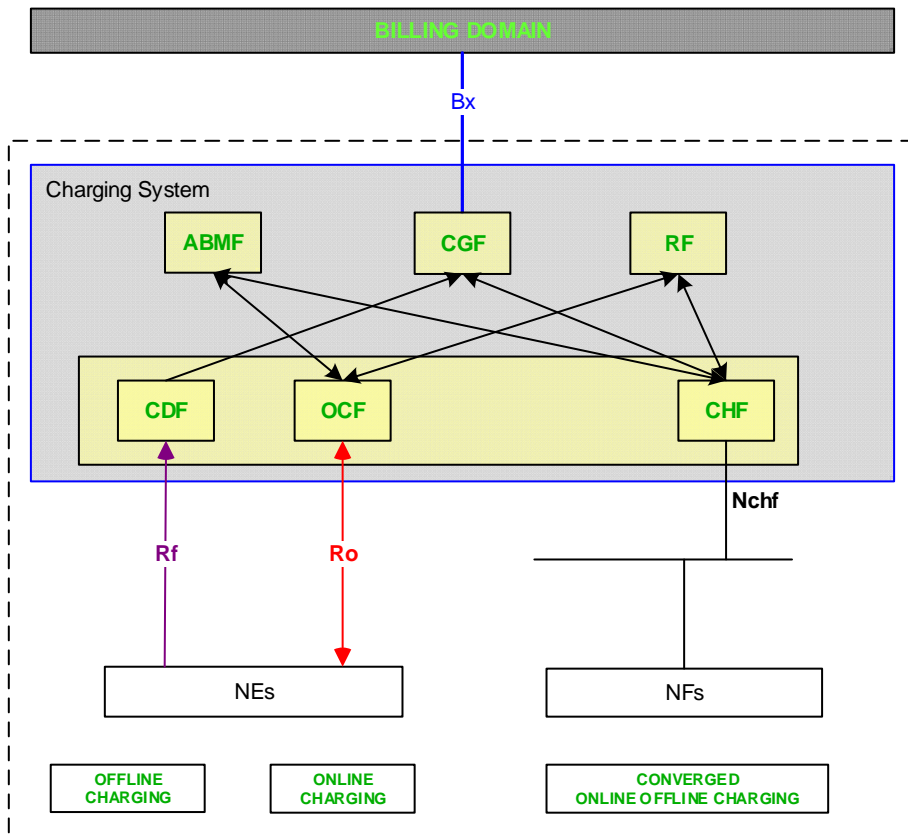


Figure E.2.1.1: High level overall charging architecture and information flows

When the target charging system (i.e. 5G CCS or EPC OCS/OFCS) needs to support termination of a reference point or interface from the opposite type of core network (i.e. Ro/Rf or Nchf) implementations will need to include interworking between the HTTP used by SBI and the Diameter protocol.

Annex F (informative): Distributed deployment models

F.1 General

This annex provides information that the charging functions can be deployed in multiple physical locations.

This annex provides an overview of the distributed deployment options for CHF, which may be based on two deployment models: Centralized Deployment Model and Local/Edge Deployment Model. Either one or a combination of the two deployment models may be used.

It will focus on the possibility of deploying different CHF instances, and respective charging functions in different physical locations. Nevertheless, the current specification only considers when CHF, ABMF, and RF are located together. This annex can be used to support the design of Charging Architecture in 5GS.

F.2 High level deployment models

F.2.1 Centralized CHF deployment

The architecture options depicted in Figure F.2.1-1 provides an overview of the deployment architecture where all CCS components are available in the same physical location, i.e. the CHF is located at the central location. On this case, the NF (CTF) generates the charging events towards the CHF either for a converged or offline charging scenario. The message flow and CHF selection method are detailed in the respective middle tier specifications, e.g. in TS 32.255 [15].

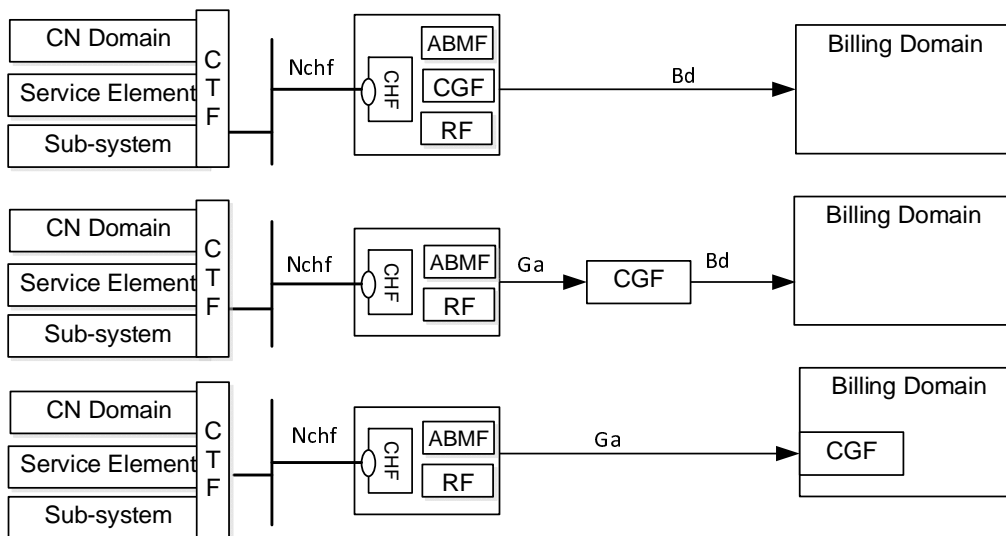


Figure F.2.1-1: Converged charging architecture --- central deployment

F.2.2 Local/Edge CHF deployment

There are other distributed models that can be used, for instance, the availability of local/edge NF(CTF), as depicted in Figure F.2.2-0.

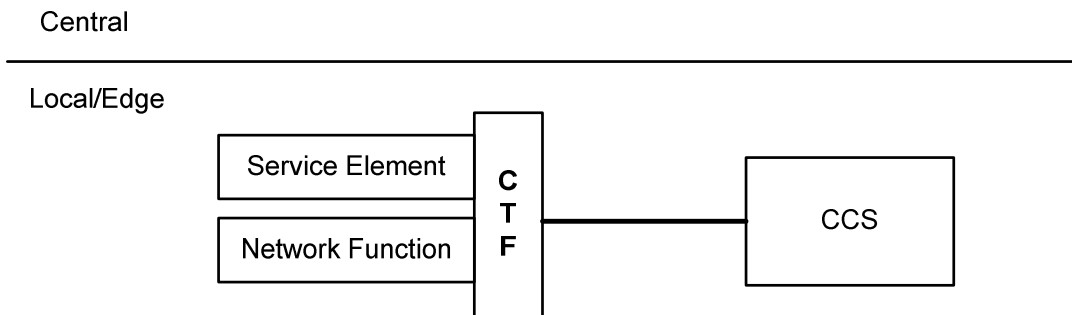


Figure F.2.2-0: Local/edge deployment option example scenario

There is an option of distributing CCS functions in a distributed way by making available, e.g. in Figure F.2.2-1, a CHF instance and the Edge Enablement Server (EES) is located in the same Service Deployment Cluster. On this case the CHF instance selected may be the one physically closer to the EES. Therefore, the charging events would be generated through the CTF towards the CHF that is available at the Local/Edge, e.g. in TS 32.257 [57] clause 4.2.3.

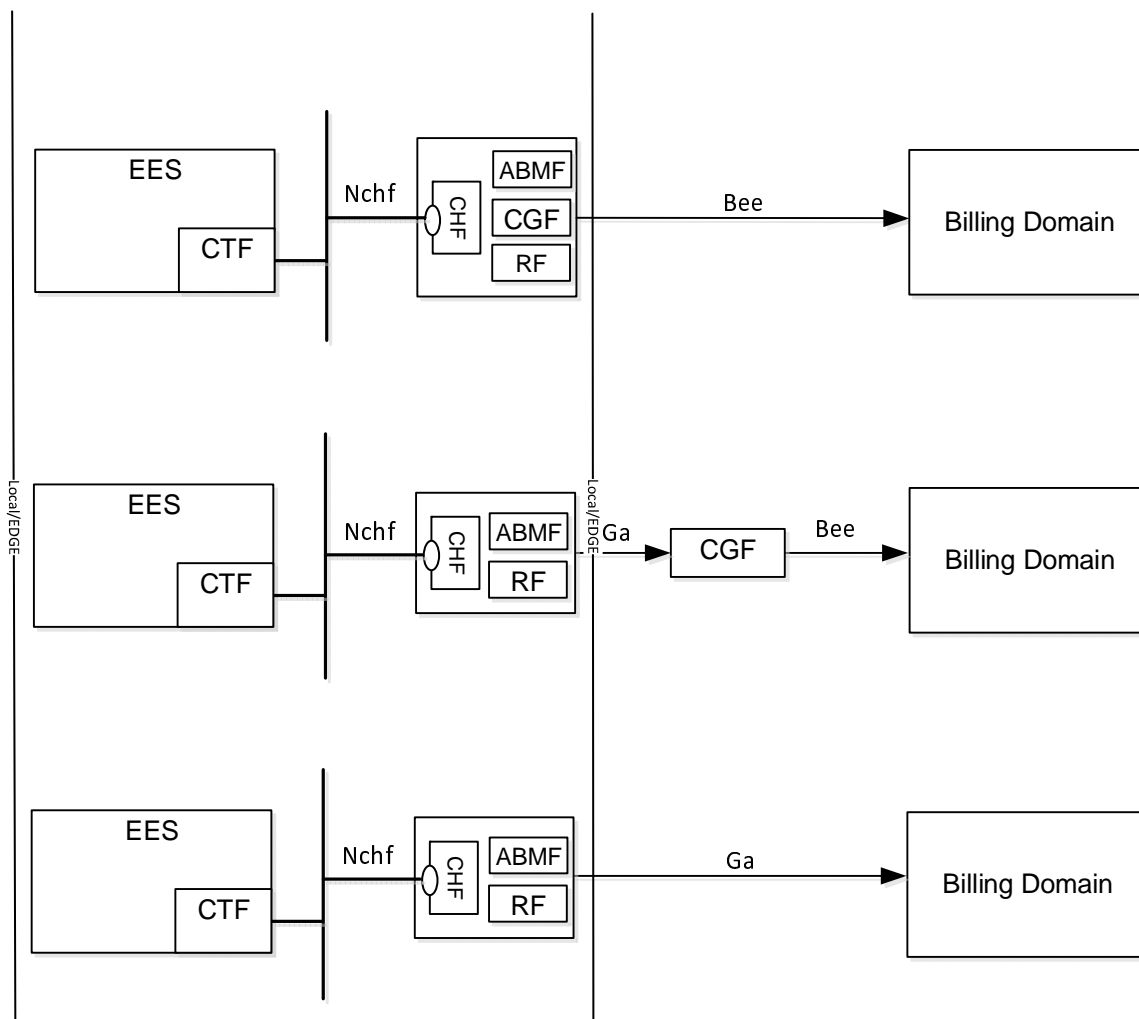


Figure F.2.2-1: Converged charging architecture --- distributed deployment example scenario

Annex G (informative): Business to Business (B2B) charging architecture and principles

G.1 General

The present annex contains the business to business (B2B) charging principles and architectures.

The B2B describes a type of business relationship in which businesses provide goods or services to other businesses.

If the business relationship is for roaming or MVNO scenario, then the interaction between B-CHF and C-CHF uses N107 reference point as described in clause G.2.4, else it uses N108 reference point as described in clause G.2.3

G.2 Charging architecture and references

G.2.1 General

In the B2B scenario, the charging architecture may involve three modes of interaction:

- **B-CHF only interaction:** the NF (CTF) collects and reports the charging information per business, alternatively it collects and reports the charging information per consumer but for business charging purposes, to the business CHF (i.e. B-CHF).
- **B-CHF via C-CHF interaction:** the NF (CTF) collects and reports the charging information per consumer to a consumer CHF (i.e. C-CHF), and the C-CHF reports the charging information per consumer to the business CHF (i.e. B-CHF).
- **C-CHF via B-CHF interaction:** the NF (CTF) collects and reports the charging information per consumer to a business CHF (i.e. B-CHF), and the B-CHF reports the charging information per consumer to the consumer CHF (i.e. C-CHF).

G.2.2 B2B charging architecture and references with B-CHF only

In the B2B charging architecture with B-CHF only interaction, the charging information collected by the NF (CTF) is per business or per consumer but used for business charging purpose. When B-CHF or C-CHF may be applicable, is specified in the middle tier charging TSs.

The B-CHF performs charging functionalities for the business.

The related NF(s) and the corresponding references for B2B charging with B-CHF only, but not limited to:

- Network exposure domain charging: NEF charging per API invocation/notification, as specified in TS 32.254 [14].
- Edge charging: CEF based charging and EAS deployment charging, as specified in TS 32.257 [17].
- Short message charging: SMSF charging for IoT, as specified in TS 32.274 [34], in this case the charging information is collected per consumer but is applicable to business context.
- Prose charging: ProSe Function or DDNMF for prose discovery and prose communication charging, as specified in TS 32.277 [37], in this case the charging information is collected per consumer but is applicable to business context.
- 5G LAN charging: NEF charging/CEF based charging for 5G VN group management, as specified in TS 32.254 [14].

- NPN charging: SMF and AMF charging for the inter-provider charging of NPN, as specified in TS 32.255 [15] and TS 32.256 [16], in this case the charging information is collected per consumer but is applicable to business context.
- Network slice charging: NSPA, NSM and NSACF charging per S-NSSAI for network slice, specified in TS 28.201 [70], TS 28.202 [71] and TS 28.203 [72].
- TSN charging: TSN AF charging for TSN Bridge management and configuration, NEF and TSCTSF charging for the enabler of TSC and TS, specified in TS 32.282 [42].

G.2.3 B2B charging architecture and references with B-CHF via C-CHF

In the B2B charging architecture where the NF (CTF) have direct C-CHF interaction and where the C-CHF interact with the B-CHF using N108 reference point, the charging information collected by the NF (CTF) is per consumer.

The C-CHF performs charging functionalities for the consumer.

The B-CHF performs charging functionalities for the business.

The related NF(s) and the corresponding references for the B2B charging with business CHF via consumer CHF include, but not limited to:

- Network slice charging: inter CHF interaction to support converged charging for tenant and UEs belonging to the tenant at same time, as specified in Figure 4.3-1 of TS 32.255 [15].
- TSN charging: inter CHF interaction to support converged charging for TSC traffic belonging to the same TSN bridge, as specified in Figure 4.3-1 of TS 32.255 [15].

G.2.4 B2B charging architecture and references with B-CHF and C-CHF

In the B2B charging architecture where the NF (CTF) have direct B-CHF interaction and where the B-CHF interact with the C-CHF using N107 reference point, the charging information collected by the NF (CTF) is per consumer and used for both B2C and B2B charging.

The related NF(s) and the corresponding references for the B2B charging with B-CHF, where the B-CHF interacts with the C-CHF include, but not limited to:

- 5G data connectivity charging in local breakout roaming scenario, as specified in Figure 4.2.6a of TS 32.255 [15];
- 5G connection and mobility charging, in local breakout roaming scenario, as specified in Figure 4.2.2.3 of TS 32.256 [16];
- MVNO charging scenario, as specified in Figure 4.2.y of TS 32.255 [15];

G.3 Charging principles and references

G.3.1 General

The following sub-clauses detail the charging principles on the basis of the B2B converged charging architecture, in respect of:

- B2B charging information utilisation
- B2B charging data generation and quota supervision
- B2B charging data transfer

G.3.2 B2B charging information utilisation

In the B-CHF only interaction, the NF (CTF) collect and report the charging information per business subscriber to B-CHF.

In the B-CHF via C-CHF interaction, the NF (CTF) collect and report the charging information to C-CHF. C-CHF report the charging information per business subscriber to B-CHF.

In the C-CHF via B-CHF interaction, the NF (CTF) collect and report the charging information to B-CHF. B-CHF report the charging information to C-CHF.

The identification for the business subscriber is specified in the respective middle tier TS, e.g.

- Tenant Identifier in TS 28.201 [70], TS 32.282 [42].
- EAS Provider Identifier in TS 32.257 [17].

G.3.3 B2B charging data generation and quota supervision

Both B-CHF and C-CHF can generate CDRs, with information for both individual subscriber identification and the related business subscriber identifications if any.

- The B-CHF generate CDRs for the business subscriber.
- The C-CHF generate CDRs for the individual subscriber.

In the B-CHF only interaction, the quota is requested and granted between CTF and B-CHF.

- The CTF request and consume quota from B-CHF.
- B-CHF grant quota to the CTF.

In the B-CHF via C-CHF interaction, the quota is requested and granted between CTF and B-CHF via C-CHF.

- The CTF request and consume quota from B-CHF via C-CHF.
- B-CHF grant quota to the CTF.
- C-CHF forward and re-allocate quota.

The Nchf services for interaction between C-CHF and B-CHF are specified in TS 32.290 [57].

G.3.4 B2B charging data transfer

In converged charging, charging events mirroring the resource usage request of the user are transferred from the CTF, CEF or CHF to the CHF via the Nchf service-based interface, specified in the respective middle tier TS.

Annex H (informative): Change history

Change history									
Date	TSG #	TSG Doc.	CR	Rev	Subject/Comment	Cat	Old	New	Work Item
Sep 2006	SP-33	SP-060540	0009	--	Extend the IMS correlation description for the access network to cover the fixed broadband access for multimedia data services (FBI-PCBL-CH)	C	6.4.0	7.0.0	
Dec 2006	SP-34	SP-060714	0011	--	Update of Flow Based Charging for PCC - Align with SA2 23.203	F	7.0.0	7.1.0	
Mar 2007	SP-35	SP-070044	0012	--	Add Alternate Charged Party (ACP) description to subscriber billing cases	B	7.1.0	7.2.0	
Sep 2007	SP-37	SP-070619	0013	--	Add online charging description to Alternate Charged Party (ACP)	B	7.2.0	8.0.0	
Dec 2007	SP-38	SP-070747	0014	--	Introduce SMS into the charging architecture - Align with 23.040 and 23.204	B	8.0.0	8.1.0	
Mar 2008	SP-39	SP-080059	0015	--	Add NE Interconnect Border Control Function (IBCF) to the IMS Charging architecture	B	8.1.0	8.2.0	IMSTSS
Jun 2008	SP-40	SP-080330	0016	1	Implication on overall Charging description for Common IMS	B	8.2.0	8.3.0	CH8
Jun 2008	SP-40	SP-080274	0017	-	Implications on overall charging architecture description for EPC Charging	B	8.2.0	8.3.0	EPC-CH
Sep 2008	SP-41	SP-080466	0018	-	R8 CR 32.240 Add missing reference points description	F	8.3.0	8.4.0	CH8
Sep 2008	SP-41	SP-080462	0019	-	Clarifications for EPC offline Charging	B	8.3.0	8.4.0	EPC-CH
Sep 2008	SP-41	SP-080462	0020	-	Alignment on Bx interface	D	8.3.0	8.4.0	EPC-CH
Dec 2008	SP-42	SP-080706	0021	-	Clarification on IMS-GWF involvement in the online charging	D	8.4.0	8.5.0	CH8
Dec 2009	-	-	-	-	Update to Rel-9 version (MCC)	-	8.5.0	9.0.0	--
Jun 2010	SP-48	SP-100265	0024	-	Alignment for "Inter Operator Identification" description setting for IMS Centralised service with TS 24.292	A	9.0.0	9.1.0	CH8
Jun 2010	SP-48	SP-100266	0022	-	Inter Operator Identification setting description for Emergency IMS session charging	F	9.0.0	9.1.0	CH9
Dec 2010	SP-50	SP-100761	0026	2	Clarification on Rc reference point - Align with TS 32.296	F	9.1.0	10.0.0	CH-Rc
Mar 2011	SP-51	SP-110108	0029A	-	Removing inconsistency among abbreviations	A	10.0.0	10.1.0	CH9
Mar 2011	SP-51	SP-110109	0027	1	Correction on usage of Inter Operator Identifier (IOI) type 2	F	10.0.0	10.1.0	CH10
Mar 2011	SP-51	SP-110106	0029	1	Add Interconnection Charging for transit scenarios	B	10.1.0	11.0.0	IOI_IMS_CH
Sep 2011	SP-53	SP-110531	0030	1	Correction to fix misalignment with TS 23.203	D	11.0.0	11.1.0	CH11
Dec 2011	SP-54	SP-110712	0032	2	Correction of Transit IOI description	F	11.1.0	11.2.0	IOI_IMS_CH
Dec 2011	SP-54	SP-110849	0031	2	Add Sy reference point	B	11.1.0	11.2.0	CH11
Mar 2012	SP-55	SP-120059	0033	1	Add charging principles for RAVEL	B	11.2.0	11.3.0	RAVEL-CH
Jun-2012	SP-56	SP-120362	0034	-	Correction on Charging architecture with ePDG introduction – Alignment with 23.402	F	11.3.0	11.4.0	CH11
Jun 2012	SP-56	SP-120362	0035	1	Correction of the CDR generation on Ga	F	11.3.0	11.4.0	CH11
Jun 2012	SP-56	SP-120365	0036	1	Introduction of MME in Charging architecture for MTC	B	11.3.0	11.4.0	SIMTC-CH
Jun-2012	SP-56	SP-120374	0037	1	Modification of Inter-Operator-Identifier (IOI) for RAVEL	B	11.3.0	11.4.0	RAVEL-CH
Sep-2012	SP-57	SP-120566	0351	1	Editorial refinements	D	11.4.0	11.5.0	CH11
Sep-2012	SP-57	SP-120576	0352	2	Editorial corrections on Roaming Architecture for Voice over IMS with Local Breakout	D	11.4.0	11.5.0	RAVEL-CH
Mar-2013	SP-59	SP-130062	0353	3	Clarification of Type 1 IOI Usage for IMS Roaming	F	11.5.0	11.6.0	IOI_IMS_CH

Mar 2013	SP-59	SP-130055	0354	1	Introduction of Reference Point to the Billing Domain for SMS-SC Offline Charging	B	11.6.0	12.0.0	SMS-SC-CH	
JUN-2013	SP-60	SP-130276	0357	1	Introduction of TDF Gyn and Gzn interfaces in charging architecture for ABC	B	12.0.0	12.1.0	ABC	
Sep-2013	SP-61	SP-130436	0367	1	Modification of Gzn to support Ga	C	12.1.0	12.2.0	ABC	
			0368	1	Introduction of PCEF located in Fixed Broadband access for Convergent scenario	B				
Dec-2013	SP-62	SP-130621	0369	1	Introduction of SingleIMS architecture for EU roaming	B	12.2.0	12.3.0	CHARP	
			0370	1	Definition of TDF based charging in case of Fixed Broadband Access scenario	B			P4C-F-CH_T	
			371	2	Introduction of Charging architecture description for PCEF located in IP-Edge	B			P4C-F-CH_P	
June 2014	SP-64	SP-140343	375	1	Clarification on transit IOI exchange over ISC interface	F	12.3.0	12.4.0	IOI_IMS_CH	
					General editorial changes: bullet points, styles, quotes...				12.4.0	12.4.1
Sep-2014	SP-65	SP-140564	376	1	Corrections for alignment between charging specifications	F	12.4.1	12.5.0	CH12	
					SP-140563	377				1
Dec-2014	SP-66	SP-140804	378	-	Additional corrections for removal of I-WLAN solution	F	12.5.0	12.6.0	CH12	
			SP-140805	379	1	Corrections on definition for parameter category			F	ProSe-CH
			SP-140808	380	-	Distributed Charging Trigger Function for ProSe Charging			B	
Dec 2015	SP-70	SP-150703	381	-	Introduction of TWAG in the offline charging architecture	B	12.6.0	13.0.0	eSaMOG-CH	
			SP-150816	383	1	Introduction of Announcement service				ANIMO
Mar 2016	SP-71	SP-160035	384	-	Introduction of Monitoring Event charging	B	13.0.0	13.1.0	MONTE-CH	

Change history							
Date	Meeting	TDoc	CR	Rev	Cat	Subject/Comment	New version
2016-06	SA#72	SP-160411	0387	3	B	Introduce CP data transfer charging	13.2.0
2016-06	SA#72	SP-160417	0386	1	F	Insertion of missing IMS nodes in logical architecture figure – align with TS 32.260	14.0.0
2016-09	SA#73	SP-160623	0388	1	B	Add charging principles for roaming architecture for voice over IMS with home routed traffic	14.1.0
2016-09	SA#73	SP-160625	0389	1	B	New clause on Determination of Completeness of Charging Information in IMS	14.1.0
2016-12	SA#74	SP-160847	0390	-	F	Correction on NOTE related to Inter Operator Identification (IOI)	14.2.0
2017-03	SA#75	SP-170138	0391	1	D	Remove reference to RFC 3588	14.3.0
2017-06	SA#76	SP-170506	0393	-	B	Removal of Editor's Note for Completeness of Charging Information in IMS	14.4.0
2018-01	SA#78	SP-170967	0394	1	B	Introduce the Northbound API charging	15.0.0
2018-03	SA#79	SP-180061	0395	1	B	Introduction of 5G in the scope and references	15.1.0
2018-03	SA#79	SP-180061	0396	1	B	Introduction of 5G in charging architecture	15.1.0
2018-03	SA#79	SP-180061	0397	1	B	Introduction of 5G converged charging	15.1.0
2018-03	SA#79	SP-180139	0398	1	B	Introduction of 5G service based interface	15.1.0
2018-03	SA#79	SP-180061	0399	1	B	Introduction of 5G in charging mechanisms	15.1.0
2018-03	SA#79	SP-180061	0401	1	B	Introduce the 5G charging in clause 3	15.1.0
2018-06	SA#80	SP-180425	0402	1	B	Charging mode clarifications in Converged Charging System	15.2.0
2018-06	SA#80	SP-180425	0403	1	B	Update of converged charging	15.2.0
2018-06	SA#80	SP-180426	0404	1	B	Introduce IMS over 5GS	15.2.0
2018-09	SA#81	SP-180832	0407	1	F	High level overall charging architecture	15.3.0
2018-12	SA#82	SP-181052	0408	1	B	Introduction of SMSF in charging architecture for 5GS	15.4.0
2019-03	SA#83	SP-190128	0409	-	B	Introduction of AMF in charging architecture	16.0.0
2019-12	SA#86	SP-191160	0411	-	A	Clarify the Category across specifications	16.1.0
2020-12	SA#90e	SP-201070	0413	1	B	Add PGW in logical ubiquitous charging architecture- service based interface	17.0.0
2021-03	SA#91e	SP-210146	0415	1	A	Correct the definition of billing domain	17.1.0
2021-03	SA#91e	SP-210146	0417	1	A	Correct the charging architecture	17.1.0
2021-03	SA#91e	SP-210149	0418	-	F	Inclusive language review	17.1.0
2021-03	SA#91e	SP-210158	0420	1	A	Correction for Network Slice charging	17.1.0
2021-03	SA#91e	SP-210146	0422	1	A	Add the CCS in the definitions	17.1.0
2021-06	SA#92e	SP-210466	0423	1	F	Delete PGW in logical ubiquitous charging architecture- service based interface	17.2.0
2021-06	SA#92e	SP-210418	0425	1	A	Clarify the charging data configuration	17.2.0
2021-06	SA#92e	SP-210407	0426	1	C	Correction on Reference Points for 5GS	17.2.0
2021-09	SA#93e	SP-210886	0428	1	A	Correction on Converged charging functions	17.3.0
2021-12	SA#94e	SP-211479	0429	1	B	Introduction of 5G DDNMF in charging architecture for 5GS	17.4.0
2021-12	SA#94e	SP-211480	0434	-	B	Addition of the 5G LAN service charging	17.4.0
2022-03	SA#95e	SP-220166	0436	1	A	Correction on charging architecture for management domain	17.5.0
2022-03	SA#95e	SP-220164	0437	1	B	Addition of the 5G LAN-type service Description	17.5.0
2022-03	SA#95e	SP-220155	0439	-	B	Charging architecture for Local Breakout	17.5.0
2022-06	SA#96	SP-220517	0441	1	F	Missing section number correction	17.6.0
2022-06	SA#96	SP-220518	0442	1	B	Addition of the architecture for 5G LAN charging	17.6.0
2022-06	SA#96	SP-220519	0443	-	B	Enhance charging architecture for Edge Computing	17.6.0
2022-09	SA#97e	SP-220850	0444	1	F	Introduction of Reference point representation for Converged Charging	17.7.0
2022-09	SA#97e	SP-220866	0446	-	B	Adding New Consumer for MMS in Charging Architecture	18.0.0
2022-12	SA#98e		0450	-	A	Add the missing reference point for EES charging	18.1.0
2023-03	SA#99	SP-230197	0454	1	A	Add Missing Consumer in Charging Architecture	18.2.0
2023-03	SA#99	SP-230197	0456	-	A	Fixing IRP definitions	18.2.0
2023-06	SA#100	SP-230650	0458	2	A	Add the converged charging mapping	18.3.0
2023-06	SA#100	SP-230666	0461	1	B	Deployment Models	18.3.0
2023-06	SA#100	SP-230650	0464	1	A	Add the charging data transfer for the converged charging	18.3.0
2023-06	SA#100	SP-230650	0466	1	A	Correction the description for the converged charging	18.3.0
2023-06	SA#100	SP-230664	0467	1	B	Slice-aware charging for Roaming partners	18.3.0
2023-09	SA#101	SP-230969	0469	1	B	Add reference point between MMS node and CHF	18.4.0
2023-09	SA#101	SP-230946	0470	1	B	Add MB-SMF in charging architecture for 5GS	18.4.0
2023-12	SA#102	SP-231497	0473	1	B	Add charging support for TSN service	18.5.0
2023-12	SA#102	SP-231460	0474	1	B	Add annex for B2B charging	18.5.0
2023-12	SA#102	SP-231460	0475	1	B	Update B2B charging principles	18.5.0
2023-12	SA#102	SP-231461	0476	1	B	Rel-18 CR 32.240 Addition of CHF as consumer in LBO architecture	18.5.0
2023-12	SA#102	SP-231460	0477	1	B	Rel-18 CR 32.240 Addition of business CHF via consumer CHF	18.5.0
2024-03	SA#103	SP-240175	0479	2	B	Introduction of NSACF	18.6.0
2024-03	SA#103	SP-240156	0481	1	B	Rel-18 CR 32.240 Clarify the B2B charging architecture and principles	18.6.0
2024-03	SA#103	SP-240187	0482	2	B	Rel-18 CR 32.240 Update charging support for TSN service	18.6.0

2024-03	SA#103	SP-240158	0483	1	F	Rel-18 CR 32.240 Clarify the description for distributed deployment models	18.6.0
2024-03	SA#103	SP-240160	0484	2	A	Add Missing Reference	18.6.0
2024-03	SA#103	SP-240147	0486	1	B	Introduce the support of 5G Satellite charging	18.6.0
2024-03	SA#103	SP-240177	0487	2	B	Introduction of NSSAA	18.6.0
2024-06	SA#104	SP-240819	0488	-	F	Correction of reference for 5MBS charging	18.7.0
2024-06	SA#104	SP-240810	0490	1	F	Rel-18 CR TS 32.240 Reference Points Correction	18.7.0
2024-06	SA#104	SP-240835	0493	1	F	Rel-18 CR 32.240 Update the B2B charging	18.7.0
2024-06	SA#104	SP-240810	0494	1	F	Rel-18 CR TS 32.240 Update N42 ref point definition	18.7.0
2024-06	SA#104	SP-240835	0495	1	F	Rel-18 CR TS 32.240 Introduce N108 Reference Point	18.7.0
2024-09	SA#105	SP-241173	0499	1	F	Rel-19 CR TS 32.240 Clarify charging specifications with Nchf	18.8.0
2024-12	SA#106	SP-241642	0496	2	F	Rel-18 32.240 Correction on CHF deployment models	18.9.0
2024-12	SA#106	SP-241652	0501	2	F	Rel-18 CR 32.240 Correction on N107 and N108 for MVNO Charging	18.9.0
2024-12	SA#106	SP-241642	0503	1	F	Rel-18 CR 32.240 Add CHF-CHF Interface	18.9.0
2024-12	SA#106	SP-241642	0507	1	F	Rel-18 CR 32.240 Clarify the converged charging refund mechanism for IEC	18.9.0

History

Document history		
V18.6.0	May 2024	Publication
V18.7.0	August 2024	Publication
V18.8.0	October 2024	Publication
V18.9.0	January 2025	Publication